

	Vendor	Vendor Part No.
1.	MOTOROLA ISG	2N2324
2.	CENTRAL SEMICONDUCTOR	2N2324
3.	MICROSEMI CORP	2N2324
4.		
5.		

Component Specifications:

1. Peak Repetitive Off-State Voltage (V _{drm})	0 Volts
2. On-state RMS current (I _f)	1.6 Amps
3. Peak Non-Repetitive Surge Current (I _{tsm})	15 Amps
4. Gate trigger current (I _{gt})	0.2 mAmps
5. Gate trigger voltage (V _{gt})	0.8 Volts

Component Notes:

6. Forward Blocking Voltage (V _{drm})	100 Volts
7. Peak Forward and Reverse Off-State Current (I _{drm})	125
8. Max Junction Temperature (T _{jmax})	125°C
9. Operating Temperature Range (min to max)	-65 to +125°C
10. Storage Temperature Range (min to max)	-65 to 150°C
11. Amps squared second (I ² t)	
12. Holding Current (I _h)	2 mAmps

Mechanical Notes:

Generic Package Type or Equivalent, for reference only	TO39
Parts must be Solderable	

Handling Notes:

To protect against damage due to electrostatic discharge, these units must be packaged and shipped in accordance with DOD-STD-1686.

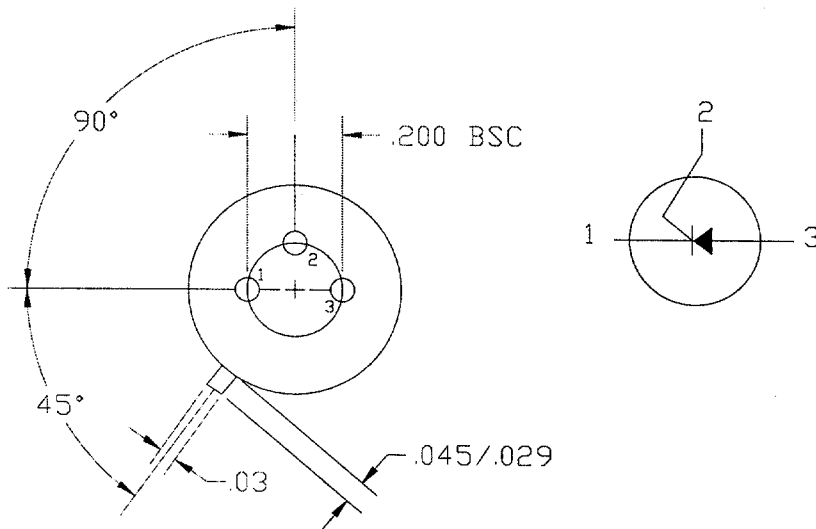
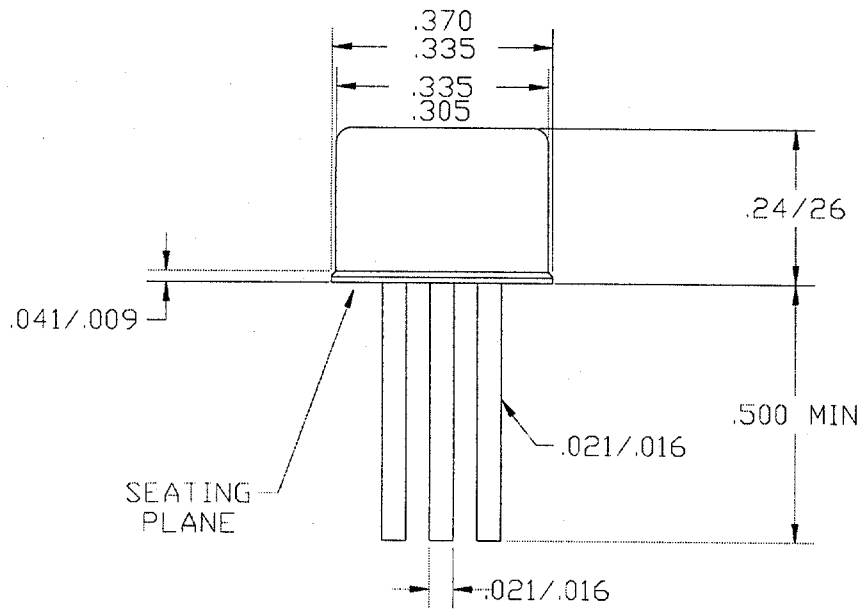
Agency Notes:

Certificate of Compliance Notes:

Compliance Notes:

The vendor has supplied a written confirmation of this specification control document.

REVISIONS HISTORY								Originated By: f. iovino		1.6 Amps, Thyristors, Triac
REV	ECO#	Date	Eng.	Age.	Pur.	Qual.	Rev'd By	Origination Date:	13-Jun-96	
F	14923	10/10/96	DD	PW	JG	DG	f. iovino	Certificate of Compliance: N/A		
E	B14670	6/13/96	DD	PW	JG	DG	f. iovino	Handling Code: ESD		
A	Original	6/13/96	DD	PW	JG	DG	f. iovino	DWG. SIZE: A UNLESS OTHERWISE SPECIFIED DIMENSIONS ARE IN INCHES AND TOLERANCES ARE: DEC. .XX ± 0.01" XXX ± 0.005" FRACTIONS ± 1/64" ANGLES ± 1/2"		
								LAMBDA ELECTRONICS INC.		LAMBDA PART No.
										FBP00045
										REV. F
										Sheet 1 of 2



1.6 Amps, Thyristors, Triac

**LAMBDA
ELECTRONICS INC.**

LAMBDA PART No.

REV.

FBP00045

F

Sheet 2 of 2

DWG.
SIZE

A

UNLESS OTHERWISE SPECIFIED
DIMENSIONS ARE IN INCHES AND
TOLERANCES ARE: DEC. .XX ± 0.01"
XXX ± 0.005"
FRACTIONS ± 1/64" ANGLES ± 1/2"