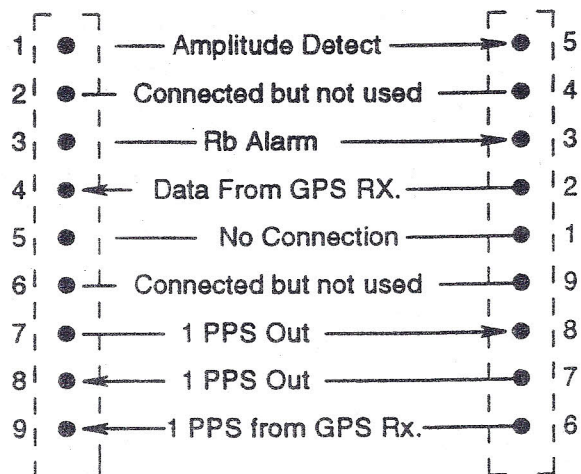


DB-9 (male)
Rubidium Side

DB-9 (male)
Crystal Side



NOTE: ARROWS INDICATE SIGNAL
FLOW PATH DIRECTION.

RFTG-m Interface Cable