

# 75 MHz Portable Dual-Channel Oscilloscope PM3256/PM3256U

Service Manual

4822 872 05307  
851215/1/06

For Service Manuals Contact  
MAURITRON TECHNICAL SERVICES  
8 Cherry Tree Rd, Chinnor  
Oxon OX9 4QY  
Tel:- 01844-351694 Fax:- 01844-352554  
Email:- enquiries@mauritron.co.uk

# I&E

Industrial & Electro-acoustic Systems Division



Industrial &  
Electro-acoustic Systems

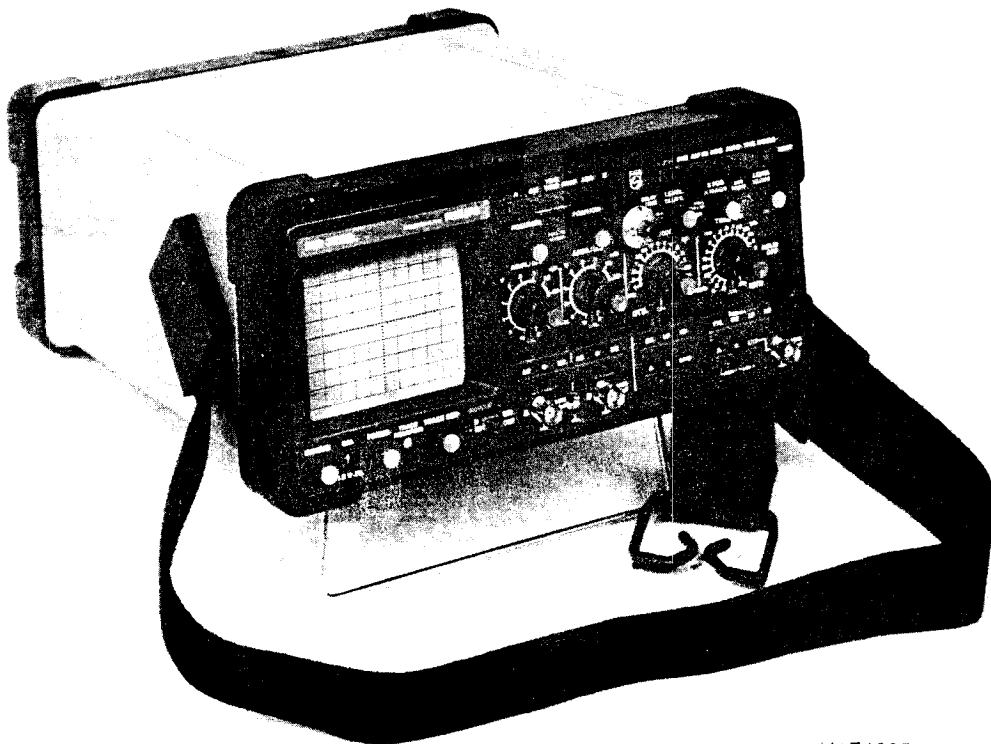
# PHILIPS

# 75 MHz Portable Dual-Channel Oscilloscope PM3256/PM3256U

## Service Manual

4822 872 05307  
851215/1/06

For Service Manuals Contact  
MAURITRON TECHNICAL SERVICES  
8 Cherry Tree Rd, Chinnor  
Oxon OX9 4QY  
Tel:- 01844-351694 Fax:- 01844-352554  
Email:- enquiries@maurtron.co.uk



MAT1095

Also published: Operating Manual PM3256

**WARNING:** These servicing instructions are for use by qualified personal only. To reduce the risk of electric shock, do not perform any servicing other than that specified in the Operating Instructions unless you are fully qualified to do so.



# PHILIPS

**IMPORTANT**

In correspondence concerning this instrument, please quote the type number and serial number as given on the type plate.

**NOTE:** *The design of this instrument is subject to continuous development and improvement. Consequently, this instrument may incorporate minor changes in detail from the information contained in this manual.*

CONTENTS		Page
0.	SAFETY INSTRUCTIONS	0-1
<p>For Service Manuals Contact  <b>MAURITRON TECHNICAL SERVICES</b>                      8 Cherry Tree Rd, Chinnor                      Oxon OX9 4QY                      Tel:- 01844-351694 Fax:- 01844-352554                      Email:- enquiries@mauritron.co.uk</p>		
1.	CHARACTERISTICS	1-1
1.1.	Cathode ray tube . . . . .	1-1
1.2.	Vertical or Y-axis . . . . .	1-2
1.3.	Trigger view . . . . .	1-3
1.4.	Horizontal or X-axis . . . . .	1-3
1.4.1.	Triggering of the main time-base . . . . .	1-3
1.4.2.	Main time-base . . . . .	1-4
1.4.3.	Triggering of the delayed time-base . . . . .	1-4
1.4.4.	Delayed time-base . . . . .	1-4
1.5.	X-Y operations . . . . .	1-4
1.6.	Calibration unit . . . . .	1-5
1.7.	Power supply . . . . .	1-5
1.8.	Z-modulation . . . . .	1-5
1.9.	Options . . . . .	1-5
1.10.	Environmental characteristics . . . . .	1-5
2.	CIRCUIT DESCRIPTION	2-5
2.1.	Block diagram description . . . . .	2-5
2.1.1.	Vertical deflection . . . . .	2-5
2.1.2.	Horizontal deflection . . . . .	2-5
2.1.3.	C.R.T. display section . . . . .	2-8
2.1.4.	Power supply . . . . .	2-8
2.2.	Circuit description of the vertical section . . . . .	2-9
2.2.1.	Input signal coupling . . . . .	2-9
2.2.2.	Attenuator and impedance converter . . . . .	2-9
2.2.3.	Amplifier . . . . .	2-12
2.2.4.	Vertical channel selection logic . . . . .	2-13
2.2.5.	Vertical channel switch . . . . .	2-14
2.2.6.	Delay line driver . . . . .	2-14
2.2.7.	Final vertical amplifier . . . . .	2-15
2.3.	Circuit description of the horizontal section . . . . .	2-16
2.3.1.	Main time-base triggering . . . . .	2-16
2.3.2.	Delayed time-base triggering . . . . .	2-19
2.3.3.	Main time-base . . . . .	2-20
2.3.4.	Delayed time-base . . . . .	2-27
2.3.5.	Final X amplifier . . . . .	2-28
2.4.	C.R.T. display section, CAL generator and front-panel signal lamps . . . . .	2-29



2.5.	The power supply . . . . .	2-30
2.5.1.	Input circuit . . . . .	2-30
2.5.2.	Converter driver and flyback converter . . . . .	2-31
2.5.3.	The regulator and protection circuit . . . . .	2-33
2.5.4.	Output circuits . . . . .	2-34
2.5.5.	−1500 V generator and H.V. multiplier . . . . .	2-34
2.5.6.	Line trigger pick-off . . . . .	2-35
2.6.	Basic analog and digital circuits . . . . .	2-35
2.6.1.	Basic analog circuits . . . . .	2-35
2.6.2.	Basic digital circuits . . . . .	2-36
<b>3.</b>	<b>DISMANTLING THE INSTRUMENT</b> . . . . .	<b>3-1</b>
3.1.	General information . . . . .	3-1
3.2.	Removal of top and bottom cover . . . . .	3-1
3.3.	Access to parts necessary for the adjustment procedure . . . . .	3-2
<b>4.</b>	<b>PERFORMANCE CHECK</b> . . . . .	<b>4-1</b>
4.1.	General information . . . . .	4-1
4.2.	Preliminary settings of the controls . . . . .	4-4
4.3.	Recommended test equipment . . . . .	4-4
4.4.	Checking procedure . . . . .	4-5
<b>5.</b>	<b>CHECKING AND ADJUSTING</b> . . . . .	<b>5-1</b>
5.1.	General information . . . . .	5-1
5.2.	Recommended test equipment . . . . .	5-1
5.3.	Preliminary settings of the controls . . . . .	5-1
5.4.	Checking and adjusting elements and auxilliary equipment . . . . .	5-6
5.5.	Checking and adjusting procedure . . . . .	5-9
5.5.1.	Power supply . . . . .	5-9
5.5.2.	C.R.T. display adjustments . . . . .	5-10
5.5.3.	Balance adjustments . . . . .	5-11
5.5.4.	LF corrections and sensitivities . . . . .	5-12
5.5.5.	Vertical channels . . . . .	5-13
5.5.6.	Triggering . . . . .	5-16
5.5.7.	Time-base generators . . . . .	5-21
5.5.8.	Final checks of the vertical channels . . . . .	5-24
5.5.9.	X-deflection . . . . .	5-25
5.5.10.	Calibration signal check . . . . .	5-26
5.5.11.	Checking the effect of mains voltage variations . . . . .	5-26
5.6.	Adjustment interactions . . . . .	5-27

<b>6. CORRECTIVE MAINTENANCE</b>		<b>6-1</b>
6.1.	Important notes	6-1
6.2.	<b>Replacements</b>	<b>6-1</b>
6.2.1.	Standard parts	6-1
6.2.2.	Special parts	6-1
6.2.3.	Transistors and integrated circuits	6-1
6.2.4.	Replacing knobs	6-2
6.2.5.	Replacing the cathode tray tube	6-3
6.2.6.	Removing the printed circuit boards	6-4
6.2.7.	Soldering techniques	6-10
6.3.	Recalibration after repair	6-10
6.4.	Instrument repacking	6-10
6.5.	Trouble-shooting	6-11
6.5.1.	Introduction	6-11
6.5.2.	Trouble-shooting hints	6-11
6.6.	Optional MTB gate output, DTB gate output, MTB sweep output and TV or ECL triggering	6-12
6.6.1.	MTB and DTB gate	6-12
6.6.2.	MTB sweep out	6-12
6.6.3.	TV or ECL triggering	6-12
6.7.	Accessory information	6-16
6.7.1.	Adjustments of the passive probes PM8927A	6-16
6.7.2.	Dismantling	6-17
6.7.3.	Replacing parts	6-17
6.7.4.	Replacing the BNC	6-17
6.7.5.	Parts list	6-18
6.8.	Safety inspection and test after repair and maintenance in the primary circuit	6-19
6.8.1.	General directives	6-19
6.8.2.	Safety components	6-19
6.8.3.	Checking the protective earth connection	6-19
6.8.4.	Checking the insulation resistance	6-19
6.8.5.	Checking the leakage current	6-19
6.8.6.	Voltage test	6-19
<b>7. PARTS LIST</b>		<b>7-1</b>
7.1.	Parts indicated in the figures	7-1
7.2.	Parts not indicated in the figures	7-7
7.3.	Electrical parts	7-8
7.4.	Location list of parts situated on the time-base unit A2	7-42
7.5.	Location list of parts situated on the pre-amplifier and trigger unit A3	7-48

**For Service Manuals Contact**  
**MAURITRON TECHNICAL SERVICES**  
 .8.Cherry Tree Rd, Chinnor.  
 Oxon OX9 4QY  
 Tel:- 01844-351694 Fax:- 01844-352554  
 Email:-enquiries@mauritron.co.uk

<b>8. DIAGRAMS AND PRINT LAY-OUTS</b>	<b>8-1</b>
8.1.    Location of electrical parts . . . . .	8-1
<b>9. VOLTAGE-WAVEFORMS IN THE INSTRUMENT</b>	<b>9-1</b>
9.1.    Introduction . . . . .	9-1
9.2.    Vertical deflection and triggering . . . . .	9-2
9.3.    Horizontal deflection . . . . .	9-9
9.4.    Power supply . . . . .	9-13

## LIST OF FIGURES

Page

Fig. 2.1.	Blockdiagram . . . . .	2-2
Fig. 2.2.	Impedance converter . . . . .	2-10
Fig. 2.3.	Continuous control circuit . . . . .	2-11
Fig. 2.4.	Vertical channel selection logic . . . . .	2-12
Fig. 2.5.	Important voltage waveforms in the MTB logic . . . . .	2-21
Fig. 2.6.	Important voltage waveforms in the Z-modulation control logic . . . . .	2-24
Fig. 2.7.	Important voltage waveforms in the alternate mode control logic . . . . .	2-26
Fig. 2.8.	Important voltage waveforms in the DTB control logic . . . . .	2-28
Fig. 2.9.	The converter-driver . . . . .	2-31
Fig. 2.10.	The fly-back converter . . . . .	2-32
Fig. 2.11.	Pulse-width modulation . . . . .	2-33
Fig. 2.12.	Basic analog circuits . . . . .	2-37
Fig. 2.13.	Basic digital circuits . . . . .	2-37
Fig. 3.1.	Removal of rubber band of rear panel . . . . .	3-2
Fig. 3.2.	Removal of shoulder strap, top and bottom cover . . . . .	3-2
Fig. 4.1.	Preliminary settings . . . . .	4-1
Fig. 5.1.	Adjustment points top view . . . . .	5-4
Fig. 5.2.	Adjustment points bottom view . . . . .	5-4
Fig. 5.3.	Adjustment points right side . . . . .	5-5
Fig. 5.4.	Geometry check . . . . .	5-11
Fig. 5.5.	Dummy probe 2 : 1 . . . . .	5-14
Fig. 5.6.	Square-wave response . . . . .	5-14
Fig. 5.7.	Effective signal delay . . . . .	5-24
Fig. 5.8.	Phase shift between X and Y amplifier . . . . .	5-26
Fig. 6.1.	Removing the knobs . . . . .	6-2
Fig. 6.2.	Removal of time-base unit . . . . .	6-5
Fig. 6.3.	Time-base unit removed . . . . .	6-6
Fig. 6.4.	Removal of pre-amplifier and trigger unit . . . . .	6-5
Fig. 6.5.	Pre-amplifier and trigger unit removed . . . . .	6-6
Fig. 6.6.	Removal of rear panel . . . . .	6-7
Fig. 6.7.	Removal of power supply . . . . .	6-7
Fig. 6.8.	Over-compensation (C2) . . . . .	6-16
Fig. 6.9.	Correct-compensation (C2) . . . . .	6-16
Fig. 6.10.	Under-compensation (C2) . . . . .	6-16
Fig. 6.11.	Preset potentiometers correctly adjusted . . . . .	6-16
Fig. 6.12.	Rounding due to incorrectly adjusted potentiometers . . . . .	6-16
Fig. 6.13.	Overshoot due to incorrectly adjusted potentiometers . . . . .	6-16
Fig. 6.14.	Dismantling + accessories . . . . .	6-17
Fig. 6.15.	Printed-wiring board showing adjusting elements, circuit diagram . . . . .	6-18
Fig. 7.1.	Mechanical parts, front view . . . . .	7-2
Fig. 7.2.	Mechanical parts, rear view . . . . .	7-2
Fig. 7.3.	Internal view of bottom side of instrument . . . . .	7-4
Fig. 7.4.	Internal view rear panel removed . . . . .	7-4
Fig. 7.5.	Internal view with pre-amplifier and trigger unit removed . . . . .	7-5
Fig. 7.6.	Internal view with time-base unit removed . . . . .	7-5
Fig. 7.7.	Time-base unit p.c.b. with component location raster . . . . .	7-42
Fig. 7.8.	Pre-amplifier and trigger unit p.c.b. with component location raster . . . . .	7-46

For Service Manuals Contact  
**MAURITRON TECHNICAL SERVICES**  
 8, Cherry Tree Rd, Chinnor  
 Oxon OX9 4QY  
 Tel: 01844-351694 Fax: 01844-352554  
 Email: enquiries@maurtron.co.uk

Fig. 8.1.	Pre-amplifier and trigger unit p.c.b. A3	8-3
Fig. 8.2.	Circuit diagram vertical deflection	8-8
Fig. 8.3.	Pre-amplifier and trigger unit p.c.b. A3	8-9
Fig. 8.4.	Circuit diagram m.t.b. triggering (A3)	8-9
Fig. 8.5.	Circuit diagram d.t.b. triggering (A3)	8-15
Fig. 8.6.	Trigger selection unit A4, p.c.b.	8-15
Fig. 8.7.	Time-base unit p.c.b. A2	8-16
Fig. 8.8.	Circuit diagram main time-base (A2)	8-20
Fig. 8.9.	Time-base unit p.c.b. A2	8-21
Fig. 8.10.	Circuit diagram delayed time-base (A2)	8-24
Fig. 8.11.	Final amplifier unit p.c.b. A5	8-25
Fig. 8.12.	Circuit diagram final X amplifier, Z amplifier, calibration unit and display section	8-28
Fig. 8.13.	Power supply unit p.c.b. A6	8-30
Fig. 8.14.	Circuit diagram Power supply and H.V. generator	8-30
Fig. 8.15.	Switch unit p.c.b. A102	8-34
Fig. 8.16.	Potentiometer unit A103	8-35

For Service Manuals Contact  
**MAURITRON TECHNICAL SERVICES**  
 8 Cherry Tree Rd, Chinnor  
 Oxon OX9 4QY  
 Tel:- 01844-351694 Fax:- 01844-352554  
 Email:- enquiries@mauritron.co.uk

## 0. SAFETY INSTRUCTIONS

Read these pages carefully before installation and use of the instrument.

The following clauses contain information, cautions and warnings which must be followed to ensure safe operation and to retain the instrument in a safe condition.

Adjustment, maintenance and repair of the instrument shall be carried out only by qualified personnel.

### 0.1. SAFETY PRECAUTIONS





For the correct and safe use of this instrument it is essential that both operating and servicing personnel follow generally-accepted safety procedures in addition to the safety precautions specified in this manual. Specific warning and caution statements, where they apply, will be found throughout the manual. Where necessary, the warning and caution statements and/or symbols are marked on the apparatus.

### 0.2. CAUTION AND WARNING STATEMENTS

**CAUTION:** is used to indicate correct operating or maintenance procedures in order to prevent damage to or destruction of the equipment or other property.

**WARNING:** calls attention to a potential danger that requires correct procedures or practices in order to prevent personal injury.

### 0.3. SYMBOLS

	High voltage $\geq 1000V$	(red)
	Life part	(black/yellow)
	Read the operating instructions	(black/yellow)
	Protective earth (grounding) terminal	(black)

### 0.4. IMPAIRED SAFETY-PROTECTION

Whenever it is likely that safety-protection has been impaired, the instrument **must** be made inoperative and be secured against any unintended operation. The matter should then be referred to qualified technicians.

Safety protection is likely to be impaired if, for example, the instrument fails to perform the intended measurements or shows visible damage.

### 0.5. GENERAL CLAUSES

0.5.1. **WARNING:** The opening of covers or removal of parts, except those to which access can be gained by hand, is likely to expose live parts and accessible terminals which can be dangerous to live.

0.5.2. The instrument shall be disconnected from all voltage sources before it is opened.

0.5.3. Bear in mind that capacitors inside the instrument can hold their charge even if the instrument has been separated from all voltage sources.

0.5.4. **WARNING:** Any interruption of the protective earth conductor inside or outside the instrument, or disconnection of the protective earth terminal, is likely to make the instrument dangerous.  
(only PM3256U) Intentional interruption is prohibited.

**WARNING:** It must be born in mind that in all measurements the frame ground of the oscilloscope is raised to the same potential as that of the measuring ground probe connection.  
(only PM3256) Neither the probe's ground lead nor the frame ground shall be connected to live potentials.

0.5.5. Components which are important for the safety of the instrument may only be renewed by components obtained through your local Philips organisation. (See also section 6).

0.5.6. After repair and maintenance in the primary circuit, safety inspection and tests, as mentioned in Section 6 have to be performed.

For Service Manuals Contact  
MAURITRON TECHNICAL SERVICES  
8 Cherry Tree Rd, Chinnor  
Oxon OX9 4QY  
Tel:- 01844-351694 Fax:- 01844-352554  
Email:- [enquiries@mauritron.co.uk](mailto:enquiries@mauritron.co.uk)

## 1. CHARACTERISTICS

### A. Performance Characteristics

- Properties expressed in numerical values with stated tolerance are guaranteed by PHILIPS. Specified non-tolerance numerical values indicate those that could be **nominally** expected from the mean of a range of identical instruments.
- This specification is valid after the instrument has warmed up for 30 minutes (reference temperature 23°C).

### B. Safety Characteristics

This apparatus has been designed and tested in accordance with:

PM3256U : Safety Class I requirements of IEC Publication 348 Safety Requirements for Electronic Measuring Apparatus, UL 1244 and CSA 556B for "U" instruments.

PM3256 : Safety Class II requirements of IEC Publication 348, Safety Requirements for Electronic Measuring Apparatus for "Double Insulated" instruments.

The instrument has been supplied in a safe condition.

### C. Initial Characteristics

- Overall dimensions:
  - Height : 143mm
  - Width : 305mm
  - Depth : 418mm incl. cover and feet
- Maximum Weight (Mass) : 90N ( $\approx$  9 kg)
- Operation position:
  - a) Horizontally on bottom feet
  - b) Vertically on rear feet
  - c) With the tilting bracket folded down (sloping position)

#### 1.1. CATHODE RAY TUBE

C.R.T. type	Rectangular tube face, mesh type, post-accelerator, metal-backed phosphor
Total acceleration	10 kV
Graticule	Internal 8 x 10 div. each equals 8 mm, dotted lines on 1,5 and 6,5 div. from the top of the graticule, for rise-time measurements
Trace rotation	Screwdriver adjustment (front panel)



## 1.2. VERTICAL OR Y-AXIS

Display modes	<ul style="list-style-type: none"> <li>– Two identical channels</li> <li>– Channel A only</li> <li>– Channel B only</li> <li>– Trigger view only</li> <li>– Channels A and B chopped</li> <li>– Channels A and B and trigger view chopped</li> <li>– Channels A and B and trigger view alternated</li> <li>– Channels A and B alternated</li> <li>– Channels A and B added</li> </ul>
Polarity inversion	Channels A and B can be inverted
Chopping frequency	≈ 500 kHz
CMRR	40 dB at 1 MHz after adjustment at low frequency
Dynamic range 10 MHz	24 div.
75 MHz	7 div.
Bandwidth	DC: 0 ... ≥ 75MHz* AC: 2Hz ... ≥ 75MHz* * 2, 5, 10mV: DC: 0 ... ≥ 70MHz AC: 2Hz ... ≥ 70MHz
Rise time	≤ 4,7ns (in settings 2, 5, 10mV: ≤ 5ns)
Pulse aberrations, input rise time	
≤ 1ns, + and –2,5 div. from screen centre	
settings: 20 mV/div ... 10 V/div	$\left. \begin{array}{l} \leq 3 \% (\leq 4 \% \text{ p-p}) \\ \leq 4 \% (\leq 5 \% \text{ p-p}) \end{array} \right\} \text{In INVERT mode additional } 1\%$
2 mV/div ... 10 mV/div	
Deflection coefficients	2 mV...10 V/div calibrated in 1-2-5 steps.
Non-calibrated continuous control	1 : > 2,5
Vert. positioning	+ or –8 div. from screen centre
Input impedance	1 MΩ (± 1 %) in parallel with 25 pF (± 2.5 pF). Input capacitances are adjusted in such a way that 10 : 1 attenuator probe after being adjusted at one channel can be applied to the second channel or ext. trig. input without readjustment.
Input coupling	AC, 0, DC
Max. rated input voltage	400V (d.c. + a.c. peak) Test voltage for 1 min. 570V (a.c./r.m.s.) 50Hz
Deflection accuracy	± 3 %
Trace jump: continuous control	≤ 0,2 div.
attenuator control	≤ 0,2 div; except for 10 mV/div. → 20 mV/div.: ≤ 0,4 div.
normal/invert control	≤ 0,5 div. (only in settings 20 mV/div...10 V/div)
Cross talk	40 dB at 10 MHz
Visible signal delay	Built-in delay-line permits viewing at leading edge of input signal



Input coupling  
Max. rated input voltage

Deflection accuracy

Trace jump: continuous control  
attenuator control

normal/invert control

Cross talk

Visible signal delay

### 1.3. TRIGGER VIEW

Bandwidth	50 MHz (INT.) 60 MHz (EXT.)
Sensitivity A or B	Settings of AMPL. /DIV switches.
Sensitivity EXT. :	200 mV/div. + or -3 %
EXT. TTL :	200 mV/div. + or -3 %
EXT. TV (TV option) :	200 mV/div. + or -3 %
Pulse aberrations via EXT.	≤ 6 % (≤ 8 % p-p)
Time delay between vertical input displayed via A or B and external input displayed via trigger view	≤ 10 ns
Time delay between vertical input displayed via A or B and trigger view of A or B	≤ 15 ns

### 1.4. HORIZONTAL OR X-AXIS

Display	<ul style="list-style-type: none"> <li>- Main time-base</li> <li>- Main time-base intensified</li> <li>- Delayed time-base</li> <li>- Alternated between main time-base intensified and delayed time base</li> <li>- X-Y operation</li> </ul>
Trace separation adjustment in alternate time-base mode	MTB: between 0 and +2 div. and DTB: between 0 and -2 div.
Horizontal positioning range	+ or -5 div.
Intensified ratio	Internal adjustable

#### 1.4.1. Triggering of the main time-base

Source	Y <sub>A</sub> , Y <sub>B</sub> , composite, external and line	
Coupling	DC, LF, HF, TTL Optional TV or ECL instead of TTL	
Mode	Automatic, normal	
Trigger bandwidth in normal mode	DC:	0 ... 100 MHz
	LF:	2 Hz ... 25 kHz
	HF:	25 kHz ... 100 MHz
Trigger sensitivity: Internal	0,5 div. }	≤ 10 MHz
External	100 mV }	
Internal	1,2 div. }	≤ 100 MHz
External	300 mV }	
Internal TTL	TTL level in 2 V/div.	
External TTL	TTL level with 10 : 1 probe connected	
Level range		
In normal internal mode	+ or -8 div	
In normal external mode	+ or -1,6 V	
In auto mode	Related to peak-to-peak value of the trigger signal	
In TTL mode and in optional TV and ECL mode	Fixed level	
Triggering slope	+ or -	
External input impedance	1 MΩ ± 1 % in parallel with 25 pF ± 2,5 pF (See also for additional information the channel input impedance)	



Max. rated input voltage

400V (d.c. + a.c. peak)  
Test voltage for 1 min. 570V (a.c./r.m.s.) 50Hz.

**1.4.2. Main time-base**

Time coefficients	0,5 s/div ... 50 ns/div 22 calibrated steps in 1-2-5 sequence
Continuous non-calibrated control	1 : > 2,5
Magnifier	x10 calibrated
Coefficients error	≤ 3 % (≤ 5 % including magn.)
Mode	AUTO, TRIG., SINGLE
Variable hold-off time	The sweep hold-off time can be varied by a factor of 10
Not trig'd LED	LAMP is on when there is no trigger signal. In single shot mode LAMP is on when sweep is waiting for trigger signal.

**1.4.3. Triggering of the delayed time-base**

Source	Y <sub>A</sub> , Y <sub>B</sub>
Coupling	DC, LF, HF
Trigger bandwidth	DC: 0 ... 100MHz LF: 2Hz ... 25kHz HF: 25kHz ... 100MHz
Trigger sensitivity	0,5 div ≤ 10MHz 1,3 div. ≤ 100MHz
Level range	+ or -8 div
Triggering slope	+ or -

**1.4.4. Delayed time-base**

Operation	For Service Manuals Contact <b>MAURITRON TECHNICAL SERVICES</b> 8 Cherry Tree Rd, Chinnor Oxon OX9 4QY Tel: 01844-351694 Fax: 01844-352554 Email: enquiries@mauritron.co.uk	Delayed time-base starts either immediately after delay time or is triggerable after the delay time
Time coefficients		1 ms/div ... 50 ns/div 14 calibrated steps in 1-2-5 sequence
Continuous non-calibrated control		1 : > 2,5
Coefficients error		≤ 3 % (≤ 5 % including magn.)
Delay time		Variable between 0,00 and 10,00 div. of the main time base with a minimum of 60ns
Incremental delay time error		0,5% (measured at 15°C - 25°C)
Delay time jitter		1 : > 20.000

**1.5. X-Y-OPERATIONS**

Mode	Y <sub>A</sub> , Y <sub>B</sub> , External, Line
Deflection coefficients	In channel A or B mode as selected by A or B AMPL./div ± 10 % In external mode 0,2 V/div. ± 10 % In line mode 8 div. at 50 Hz
Bandwidth starting at 8 div at 1 kHz	DC: DC ... 100kHz (-0,5 dB) LF: 2 Hz ... 25 kHz HF: 25 kHz ... 100 kHz
Phase shift between X and Y ampl.	≤ 3° at 100 kHz in DC mode
Dynamic range	20 div at 100 kHz

## 1.6. CALIBRATION UNIT

Amplitude	1,2 V <sub>p-p</sub> ± 1 %
Frequency	approx. 2 kHz square-wave, output is short-circuit protected

## 1.7. POWER SUPPLY



Mains voltage ranges	a.c.:	110 V + 20 %, -10 %
	battery supply :	220V, 240 V ± 10 %
		20 V...28 V
Mains frequency		50 Hz...400 Hz ± 10 %
Power consumption		38 W from a.c.
		30 W from battery supply, 1,5 A max.

## 1.8. Z-MOD.

TTL compatible  
 "1" is normal intensity  
 "0" is blanked

## 1.9. OPTIONS

Automatic TV trigger  
 Automatic ECL trigger  
 Sweep out MTB  
 Gate out MTB  
 Gate out DTB

## 1.10. ENVIRONMENTAL CHARACTERISTICS

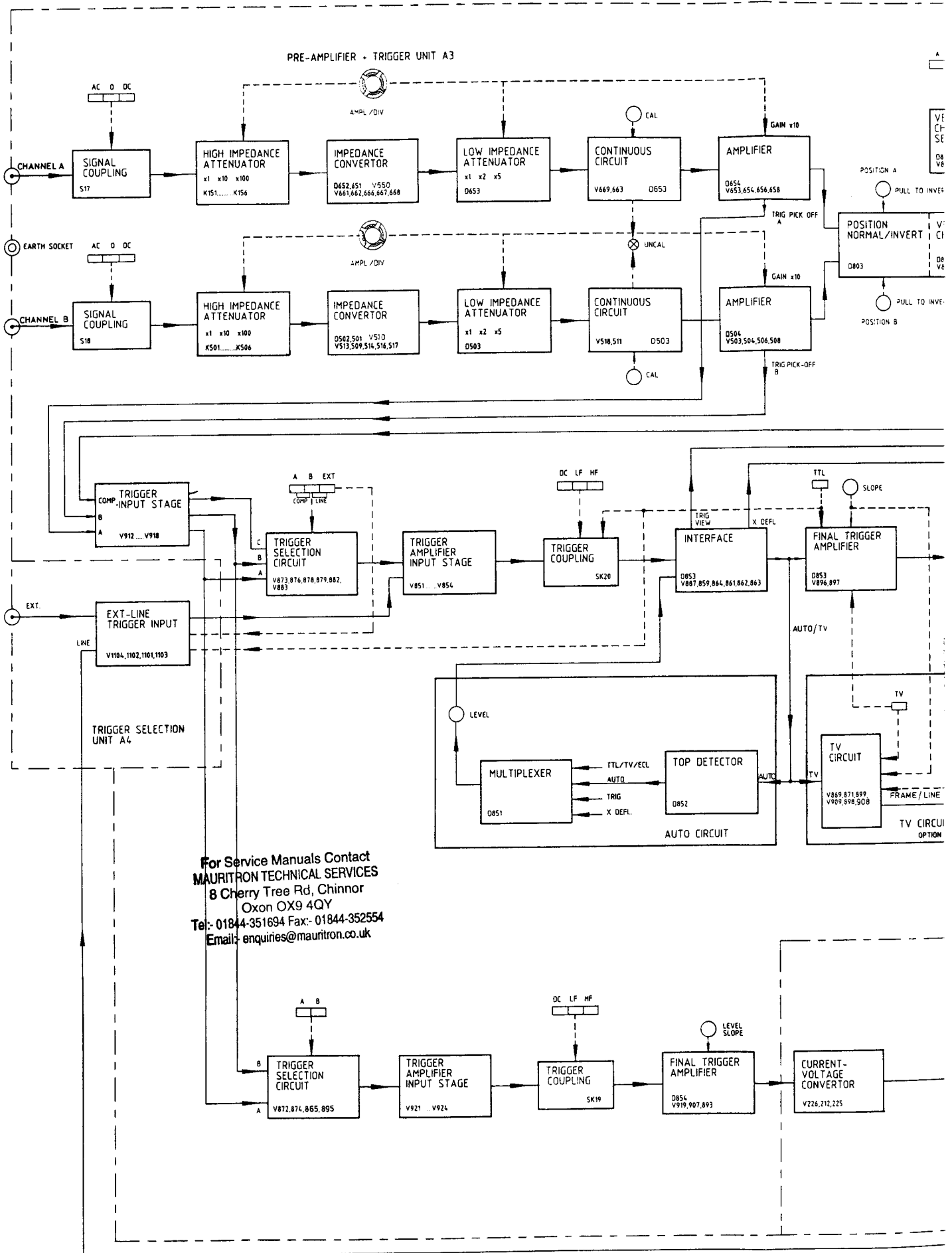
*The environmental data mentioned in this manual are based on the results of the manufacturer's checking procedures.*

*Details on these procedures and failure criteria are supplied on request by the PHILIPS organisation in your country, or by PHILIPS, INDUSTRIAL AND ELECTRO-ACOUSTIC SYSTEMS DIVISION, EINDHOVEN, THE NETHERLANDS.*

Ambient temperature	
Rated range of use	0 °C ... +40 °C*
Limit range of operation	-10 °C ... +55 °C*
Storage conditions	-40 °C ... +70 °C
Humidity	According to IEC 68 Db
Bump	30 g half sine, 11 ms duration, 3 shocks per direction with a total of 18
Vibration	15 minutes in each of 3 directions, 5-55 Hz; 0,7 mm <sub>p-p</sub> and 4 g max. acceleration
<b>Altitude</b>	
Limit range of operation	5000 m (in open air)
Limit range of transport	15000 m (in open air)
Recovery time	30 minutes if amb. temp. is raised from -10 °C to + 20 °C at 60 % relative humidity
Electromagnetic interference	Meets VDE 0871 and VDE 0875 grenzwertklasse B

\* When operated with pouch:

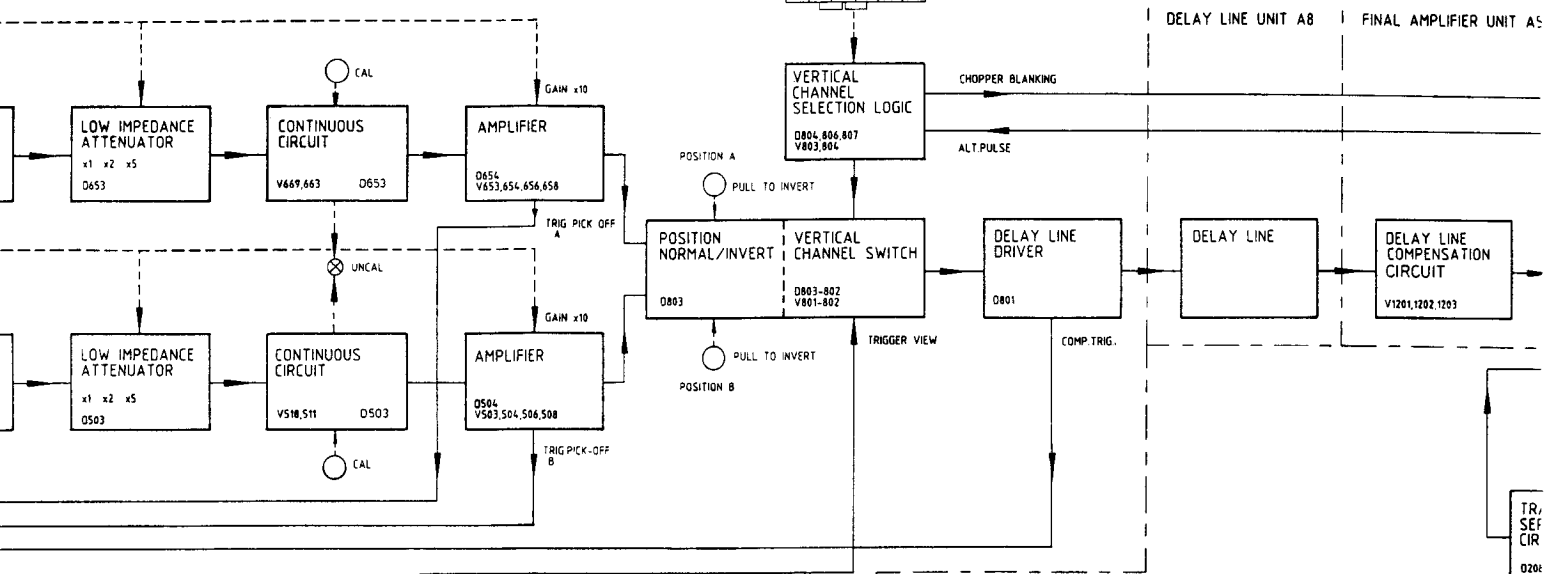
Ambient temperature	
Rated range of use	0 °C ... +30 °C
Limit range of operation	-10 °C ... +45 °C



For Service Manuals Contact  
**MAURITRON TECHNICAL SERVICES**  
 8 Cherry Tree Rd, Chinnor  
 Oxon OX9 4QY  
 Tel: 01844-351694 Fax: 01844-352554  
 Email: enquiries@mauritron.co.uk

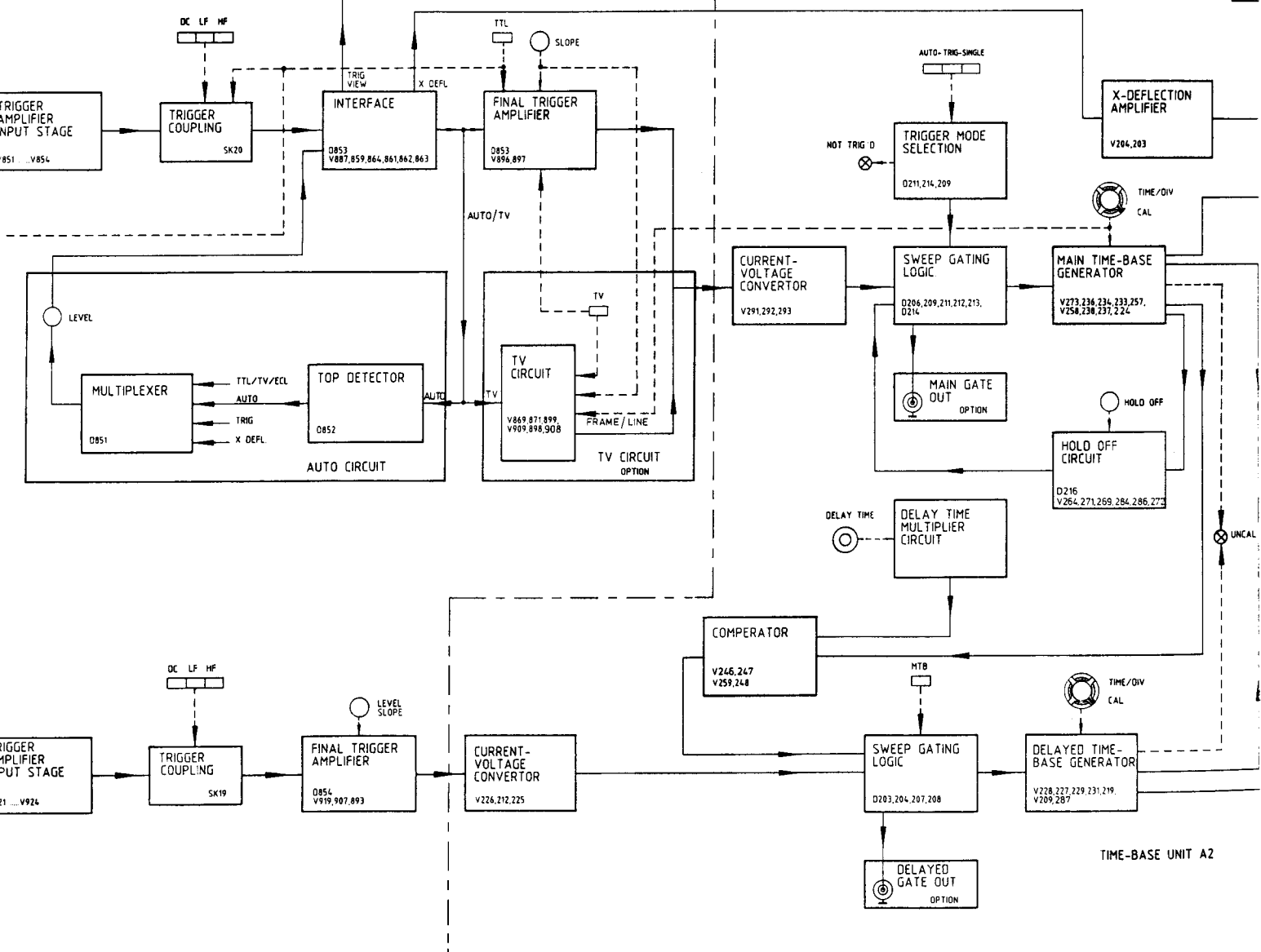
Fig. 2.1 Blockdiagram.

UNIT A3



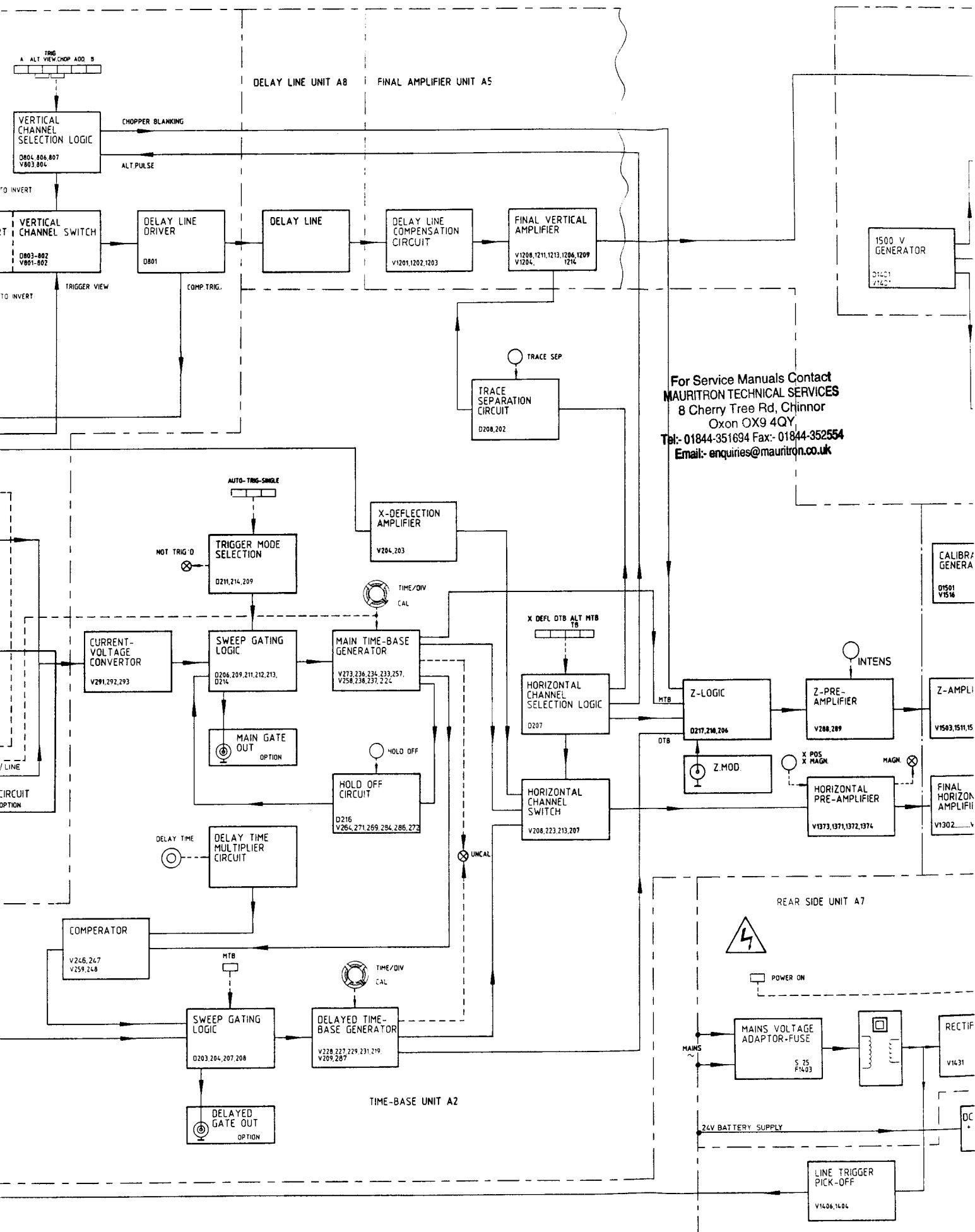
DELAY LINE UNIT A8

FINAL AMPLIFIER UNIT A5

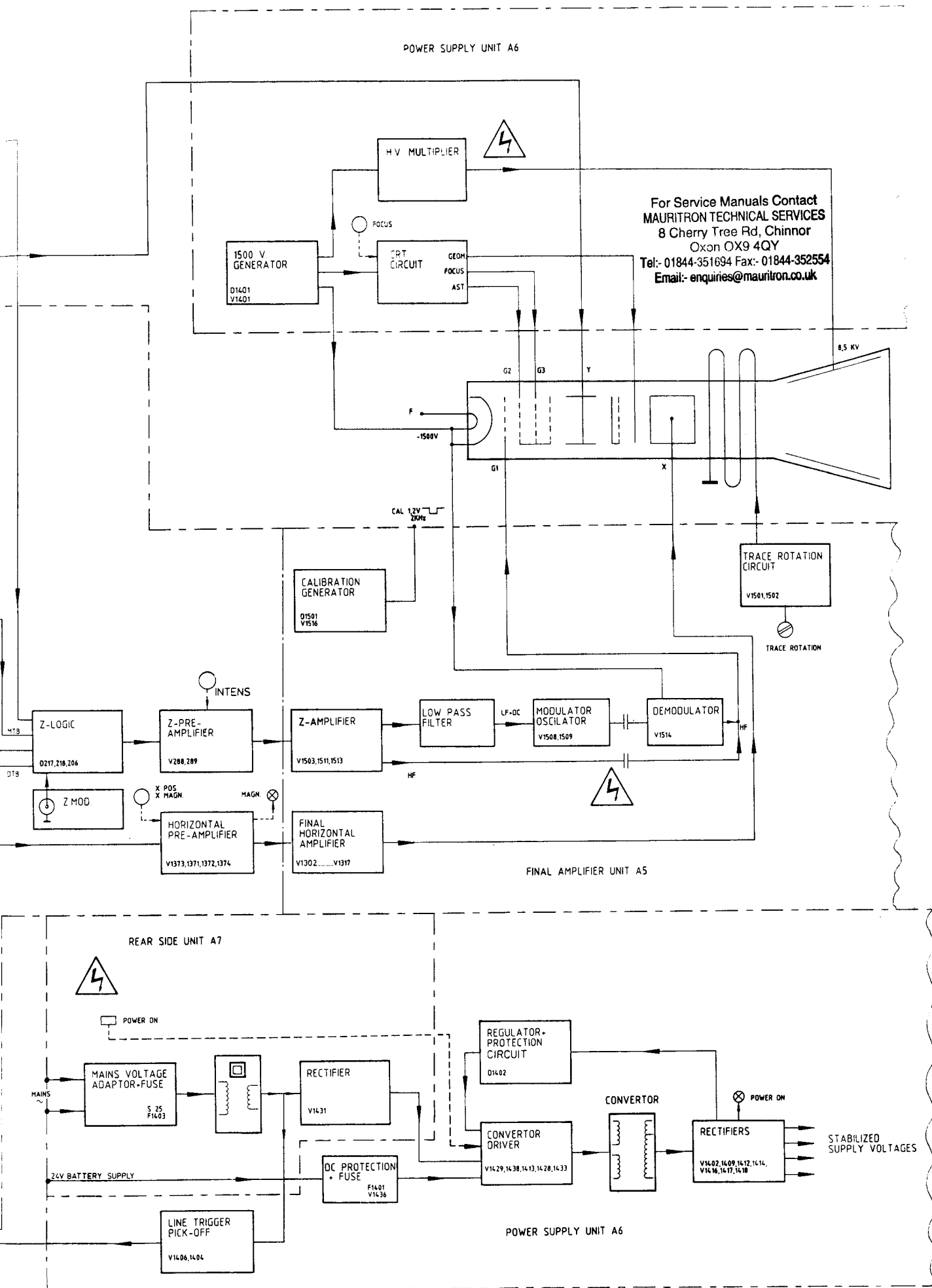


TR/SEF CIR D206

TIME-BASE UNIT A2



For Service Manuals Contact  
**MAURITRON TECHNICAL SERVICES**  
 8 Cherry Tree Rd, Chinnor  
 Oxon OX9 4QY,  
 Tel: 01844-351694 Fax: 01844-352554  
 Email: enquiries@maurtron.co.uk





## 2. CIRCUIT DESCRIPTION

### 2.1. BLOCK DIAGRAM DESCRIPTION (see Fig. 2.1.)

#### 2.1.1. Vertical Deflection

The vertical deflection system is located on the PRE-AMPLIFIER + TRIGGER UNIT A3, DELAY LINE UNIT A8 and FINAL AMPLIFIER UNIT A5.

The instrument has two identical vertical channels, A and B: only channel A is described.

Channel A vertical input signal is fed via the SIGNAL COUPLING switch AC-0-DC (S17) to the HIGH IMPEDANCE ATTENUATOR, which is controlled via reed relays by the AMPL/DIV switch. Attenuation factors of x1, x10 and x100 are achieved in this portion of the attenuator circuit.

The IMPEDANCE CONVERTER adapts the output of the HIGH IMPEDANCE ATTENUATOR to the input of the LOW IMPEDANCE ATTENUATOR, which is also controlled via reed relays by the AMPL/DIV switch to give attenuations of x1, x2 and x5.

For the three most sensitive ranges (2-5-10 mV/div), the signal is amplified by a factor of 10. This is achieved in the AMPLIFIER circuit controlled by the AMPL/DIV switch.

Via the CONTINUOUS CIRCUIT, controlled by the AMPL/DIV continuous control, the signal is fed to the AMPLIFIER circuit. The AMPLIFIER stage converts the voltage signal into a current signal.

From the TRIG. PICK-OFF of the AMPLIFIER, the channel A trigger signal is routed to both time-bases.

Returning to the display signal path, the output signal of the AMPLIFIER is fed to an integrated circuit comprising the vertical POSITION, the NORMAL/INVERT circuit and the VERTICAL CHANNEL SWITCH circuit. The vertical POSITION control circuit allows vertical shift of the c.r.t. trace. Incorporated in the POSITION control, the PULL TO INVERT switch controls the NORMAL/INVERT circuit.

The VERTICAL CHANNEL SWITCH is controlled by the vertical display mode switches A, ALT, TRIG VIEW, CHOP, ADD, B, via the VERTICAL CHANNEL SELECTION LOGIC circuit. In ALT mode, the A and B channel switching is controlled by the ALT pulse derived from the HORIZONTAL CHANNEL SELECTION LOGIC.

In the CHOP mode, the switching period between channels A and B is blanked by the Z amplifier (via the Z-logic) controlled by the CHOPPER BLANKING signal derived from the VERTICAL CHANNEL SELECTION LOGIC.

The TRIG VIEW signal, derived from the MTB trigger INTERFACE, can also be selected by the vertical display mode switches to enable display of the MTB trigger signal.

When the pushbutton ADD is depressed, the input signals of both vertical channels are added.

From the VERTICAL CHANNEL SWITCH, the selected vertical signal is fed via the DELAY LINE DRIVER to the DELAY LINE.

In the DELAY LINE DRIVER the current signal is converted to a voltage signal and the common-mode signals are also suppressed in this stage.

The COMP. TRIG. signal is routed to the TRIGGER INPUT STAGE of the time-base for composite triggering. From the DELAY LINE DRIVER, the adapted output signal is fed to the DELAY LINE, which gives sufficient delay to ensure that the steep leading edges of fast signals are displayed.

To reduce and to compensate for interference and distortion originating in the DELAY LINE, the signal is fed to the DELAY LINE COMPENSATION CIRCUIT before being applied to the FINAL VERTICAL AMPLIFIER. The vertical distance on the screen between the traces of the two time-bases in the ALT TB mode, is controlled by the trace separation signal applied to the FINAL VERTICAL AMPLIFIER.

The output signal of the FINAL VERTICAL AMPLIFIER feeds the vertical deflection plates of the c.r.t.

#### 2.1.2. Horizontal Deflection

The triggering circuits for both the MTB and the DTB are located on the PRE-AMPLIFIER – TRIGGER UNIT A3. Both the main time-base and the delayed time-base are located on the TIME-BASE UNIT A2.

The FINAL HORIZONTAL AMPLIFIER and the Z-AMPLIFIER are situated on the FINAL AMPLIFIER UNIT A5.

The trigger signals derived from the AMPLIFIER circuits of channel A and B, and from the DELAY LINE DRIVER are routed to the TRIGGER INPUT STAGE. These signals are in current form, which makes them less sensitive to interference; often a problem with long signal wires. In the TRIGGER INPUT STAGE, these current signals are converted into voltage form, and fed to the TRIGGER SELECTION CIRCUIT.

The EXT trigger signal from the EXT input socket, and the LINE signal from the LINE TRIGGER PICK-OFF are fed to the TRIGGER AMPLIFIER INPUT STAGE via the EXT-LINE TRIGGER INPUT circuit.

In this stage, the EXT and LINE trigger signals are converted to symmetrical current signals and adapted to the A, B and COMP signals.

The EXT-LINE TRIGGER INPUT stage is controlled by the EXT pushbutton and LINE (pushbuttons B and EXT depressed simultaneously).

In addition, the A and B trigger signals are fed to the TRIGGER SELECTION CIRCUIT of the DTB.

#### 2.1.2.1. Main time-base

The trigger signals are selected by the MTB trigger source switches A, B, EXT, COMP, LINE, which control the TRIGGER SELECTION CIRCUIT.

Common-mode interference is reduced by using a symmetrical configuration for the TRIGGER SELECTION CIRCUIT output signal. This output current signal is fed to the TRIGGER AMPLIFIER INPUT STAGE.

This stage converts the symmetrical current signal to an asymmetrical voltage signal, which is fed to the INTERFACE via the TRIGGER COUPLING stage. The coupling is controlled by the MTB trigger coupling switches DC, LF, HF.

Several signals are produced by the INTERFACE, e.g. X DEFL, TRIG VIEW and AUTO/TV.

The X-DEFL signal is an asymmetrical signal that is fed to the X DEFLECTION AMPLIFIER.

The symmetrical TRIG VIEW signal is routed to the VERTICAL CHANNEL SWITCH; the asymmetrical AUTO/TV signal is routed to the AUTO and TV CIRCUIT.

The FINAL TRIGGER AMPLIFIER comprises the SLOPE circuit under the control of the SLOPE switch incorporated in the LEVEL control. It permits positive and negative triggering.

The output of the FINAL TRIGGER AMPLIFIER is fed to the CURRENT-VOLTAGE CONVERTER.

In the AUTO CIRCUIT, the TOP DETECTOR detects the amplitude of the AUTO SIGNAL. When in the AUTO Mode, the LEVEL range is determined by this detected amplitude. The MULTIPLEXER is an electronic switch which, depending on the selected mode, selects the different ranges for the LEVEL control.

Each mode has its own specific LEVEL range, for example:

TTL	: $\pm 0,7$ divisions
AUTO	: determined by TOP DETECTOR
TRIG	: $\pm 8$ divisions
X DEFL	: 0 divisions (LEVEL inoperative)

**For Service Manuals Contact**  
**MAURITRON TECHNICAL SERVICES**  
 8 Cherry Tree Rd, Chinnor  
 Oxon OX9 4QY  
 Tel:- 01844-351694 Fax:- 01844-352554  
 Email:- enquiries@mauritron.co.uk

If the instrument is provided with the TV option, the TTL pushbutton will function as the TV mode switch.

The TV trigger signal is fed to the TV CIRCUIT.

When the TV pushbutton is selected, the TV CIRCUIT is inserted between the INTERFACE and the CURRENT-VOLTAGE CONVERTER of the MTB.

In the TV mode, the FINAL TRIGGER AMPLIFIER is switched off and also the LEVEL control is inoperative, a fixed trigger level being set.

For FRAME and LINE synchronisation, a frame or line filter is selected with the MTB TIME/DIV switch. Via the CURRENT-VOLTAGE CONVERTER, the trigger signal is routed to the SWEEP-GATING LOGIC.

The SWEEP-GATING LOGIC determines the start of the MAIN TIME-BASE GENERATOR sweep.

The SWEEP-GATING LOGIC is controlled by signals derived from the TRIGGER MODE SELECTION, the HOLD-OFF CIRCUIT and the CURRENT-VOLTAGE CONVERTER.

The TRIGGER MODE SELECTION is controlled by the MTB trigger mode selection pushbuttons AUTO, TRIG, SINGLE. In the AUTO mode, the MAIN TIME-BASE GENERATOR runs automatically when no trigger pulses are available.

In the TRIG mode, the MAIN TIME-BASE GENERATOR must be normally triggered by trigger signals derived from the CURRENT-VOLTAGE CONVERTER.

If the SINGLE pushbutton is selected, the SWEEP-GATING LOGIC will start the MAIN TIME-BASE GENERATOR for one sweep.

The MAIN GATE OUT signal (optional) is taken from the SWEEP-GATING LOGIC

This MAIN GATE OUT signal output is at logic H during the MTB sweep and L for other conditions.

The NOT TRIG LED lights up when the MTB is not triggered.

The MAIN TIME-BASE GENERATOR produces a sawtooth voltage, the repetition time being controlled by the TIME/DIV switch. To enable the capacitors that determine the repetition rate sufficient time to discharge, the HOLD-OFF CIRCUIT is employed. This time is adjustable with the HOLD-OFF control. After the HOLD-OFF time, the HOLD-OFF CIRCUIT sends a signal to the SWEEP-GATING LOGIC, which in turn starts the next time-base sweep.

The repetition rate of the MTB sawtooth voltage is continuously variable with the continuous control CAL. The output sawtooth voltage from the MTB is fed to the HORIZONTAL CHANNEL SWITCH circuit.

#### 2.1.2.2. *Delayed time-base*

Channel A and B trigger signals are fed to the DTB TRIGGER SELECTION CIRCUIT via the TRIGGER INPUT STAGE.

Trigger selection is controlled by the DTB trigger source selection pushbuttons A, B.

The symmetrical output current signal from the TRIGGER SELECTION CIRCUIT is converted to an asymmetrical voltage signal in the TRIGGER AMPLIFIER INPUT STAGE. This signal is then fed via the TRIGGER COUPLING circuit to the FINAL TRIGGER AMPLIFIER. Trigger coupling is selected by the DC, LF, HF pushbuttons.

The FINAL TRIGGER AMPLIFIER comprises the LEVEL/SLOPE controls and their associated circuits. The asymmetrical input voltage signal is converted to an asymmetrical current signal, which is fed to the CURRENT-VOLTAGE CONVERTER.

The output of the CURRENT-VOLTAGE CONVERTER and the output of the COMPARATOR are fed to the SWEEP-GATING LOGIC.

The COMPARATOR circuit compares the amplitude of the MTB sawtooth voltage with a d.c. voltage selected by the DELAY TIME control. If the amplitude of the MTB sawtooth is equal to the d.c. voltage, the COMPARATOR produces a signal that is then fed to the SWEEP-GATING LOGIC.

If the MTB pushbutton of the delayed time-base trigger source switches is depressed, the SWEEP-GATING LOGIC starts the DELAYED TIME-BASE GENERATOR immediately after the DELAY TIME selected.

If the A or B pushbutton is depressed, the SWEEP-GATING LOGIC detects the end of the delay time but waits for a trigger signal (A or B) from the CURRENT-VOLTAGE CONVERTER, after which the TIME-BASE GENERATOR starts.

The DELAYED GATE OUT is taken from the SWEEP-GATING LOGIC when this option is available. The output is at logic H during the DTB sweep and L for other conditions.

The DTB sawtooth voltage is produced in the DELAYED TIME-BASE GENERATOR under the control of the TIME/DIV switch and its continuous CAL control.

If the UNCAL LED lights up, it indicates that the continuous controls of one or both time-bases are not in the CAL position.

#### 2.1.2.3. *Horizontal channel selection and final horizontal amplifier*

In the X DEFLECTION AMPLIFIER the X DEFL signal derived from the MTB INTERFACE is amplified and fed to the HORIZONTAL CHANNEL SWITCH circuit.

The HORIZONTAL CHANNEL SWITCH selects the X DEFL, MTB and/or DTB signals under the control of the HORIZONTAL CHANNEL SELECTION LOGIC, which in turn is controlled by the horizontal display mode switches X DEFL, DTB, ALT TB, MTB.

If the X DEFL pushbutton is selected, the signal chosen by the MTB trigger source selection switches A, B, EXT, LINE, will determine the horizontal deflection.

Horizontal deflection is performed by the sawtooth output of the DELAYED TIME-BASE GENERATOR if the DTB pushbutton is selected.

Similarly, the MTB pushbutton selects the MAIN TIME-BASE GENERATOR sawtooth for horizontal deflection.

If the ALT TB pushbutton is selected, the HORIZONTAL CHANNEL SWITCH alternates from the MTB sawtooth to the DTB sawtooth voltage at the end of every time-base sweep.

The selected signal is routed to the FINAL HORIZONTAL AMPLIFIER via the HORIZONTAL PRE-AMPLIFIER. This pre-amplifier comprises the X POS potentiometer for horizontal shift of the trace, and its associated circuit. It also includes the X MAGNIFIER for x10 magnification of the horizontal deflection. If the X MAGN push-pull switch, incorporated in the X POS control, is pulled for x10 magnification the MAGN LED lights-up.

The signal is converted into symmetrical current form in the HORIZONTAL PRE-AMPLIFIER and fed to the FINAL HORIZONTAL AMPLIFIER to drive the horizontal deflection plates of the c.r.t.

### 2.1.3. CRT Display Section

The Z-LOGIC and Z PRE-AMPLIFIER stages are part of the TIME-BASE UNIT A2. The Z-AMPLIFIER, CALIBRATION GENERATOR and TRACE ROTATION CIRCUIT are located on the FINAL AMPLIFIER UNIT A5. The supply voltages for the c.r.t. are derived from the POWER SUPPLY UNIT A6.

The Z-LOGIC receives the following inputs to drive the Z PRE-AMPLIFIER and Z-AMPLIFIER:

- The external Z-MOD signal applied to the BNC connector on the rear panel. This Z-MOD signal must be TTL-compatible. An L level in gives trace blanking.
- Two signals produced in the MTB and DTB to unblank the trace during the sweeps.
- The chopper blanking signal from the VERTICAL CHANNEL SELECTION LOGIC to blank the trace during switching between channels A and B in the chopped mode.

The output signal from the Z-LOGIC that determines trace blanking or unblanking is routed to the Z PRE-AMPLIFIER. Here the trace intensity is determined by the front-panel INTENS potentiometer setting. In the Z AMPLIFIER, after amplification the Z-signal is split into two paths, an l.f. + d.c. and an h.f. path, because of the potential difference that exists between the Z AMPLIFIER output and the c.r.t. cathode (-1500 V).

The h.f. signals are fed via a high voltage capacitor directly to grid G1 of the c.r.t. However, the d.c. and l.f. signals are blocked by this capacitor. These signals therefore are used to modulate an oscillator frequency, which is then passed via another high voltage capacitor and demodulated in the DEMODULATOR stage to retrieve the original signal. The original h.f. and d.c. + l.f. signals are recombined on the grid G1

The c.r.t. supply voltages are derived from the 1500 V GENERATOR. The CRT CIRCUIT comprises the FOCUS control circuit for the electron beam, and the preset potentiometers for GEOMETRY and ASTIGMATISM.

The post-acceleration anode potential of 8,5 kV is produced in the HV MULTIPLIER and derived from the -1500 V cathode supply.

A preset front-panel control TRACE ROTATION enables the trace to be aligned in parallel with the graticule lines. This preset controls the TRACE ROTATION CIRCUIT that drives the trace rotation coil situated on the c.r.t.

### 2.1.4. Power Supply

The instrument may be powered either by an a.c. supply voltage or by a 24 V battery supply voltage.

By means of the MAINS VOLTAGE ADAPTOR the instrument can be set to the local mains voltage. This circuit incorporates a fuse for the a.c. supply.

This a.c. supply voltage is fed via the double-insulated mains transformer to the full-wave RECTIFIER. A LINE trigger signal at mains frequency is fed via the LINE TRIGGER PICK-OFF circuit to the EXT-LINE TRIGGER INPUT.

From the RECTIFIER the unregulated d.c. supply is fed to the CONVERTER DRIVER. When a 24 V battery supply is used, this is fed via the DC PROTECTION + FUSE stage to the CONVERTER DRIVER. This protection stage safeguards the instrument against reversed polarity of the battery supply source.

The CONVERTER DRIVER stage drives the CONVERTER transformer. The rectified +14 V output-voltage is fed back as control via the REGULATOR + PROTECTION circuit.

In this way, the voltages on the secondary windings of the CONVERTER transformer are stabilised. After rectification and smoothing, the stabilised supply voltages are fed to the various electronic circuits in the instrument.

## 2.2 CIRCUIT DESCRIPTION OF THE VERTICAL SECTION

As the channel A and B attenuators are almost identical, only the channel A is described.

### 2.2.1. Input Signal Coupling (see Fig. 8.2)

Input signals applied to input socket A (X2) can be either a.c.-coupled, d.c.-coupled or internally disconnected, depending on the coupling mode switch position of S17 (AC-O-DC).

In the AC position (S17A points 2 and 3) a blocking capacitor (C694) is inserted in the signal path R758//C695-C694-R755-R728 which prevents the d.c. component being applied to the attenuator. In this mode, the lower frequency limit is 2 Hz and some pulse droop may occur when low-frequency square-wave signals are displayed.

The HF part of the input signal is applied to the attenuator via C697.

When DC is selected (S17A points 1 and 2 and S17B points 4 and 5) the complete input signal (a.c. + d.c. components) is fed to the attenuator input via R758, R760 and R728. Thus the full bandwidth of the oscilloscope is available. In this mode the HF part of the input signal is applied to the attenuator via C697.

If the 0 pushbutton is depressed, the input signal is isolated from the attenuator and the attenuator input is earthed via R728 and S17B points 5 and 6, as a reference for calibration or trace centring, etc. Blocking capacitor C694 is discharged via R757, R728 and S17B points 5 and 6 when 0 is selected.

### 2.2.2. Attenuator and Impedance Converter (see Fig. 2.2. and 8.2)

The attenuator consists of a triple high-impedance voltage divider, an impedance converter and a low-impedance voltage divider.

#### *High-impedance and low-impedance attenuator*

The overall attenuation is determined by the combinations of the selected sections of the high- and low-impedance attenuator.

The voltage dividers of the high-impedance attenuator are controlled by reed relays.

Reed relay K653 is activated in the AMPL/DIV (S9) positions 2 mV/DIV...100 mV/DIV (x1 stage).

In the 0,2 V/DIV...1 V/DIV positions of S9, reed relays K651, K652 are activated. The input signal is x10 attenuated by voltage divider R674, R704.

When positions 2 V/DIV...10 V/DIV are selected, reed relays K654, K656 are activated, and the input signal is x100 attenuated by voltage divider R759, R732.

The low-impedance attenuator reduces the gain by x1, x2 and x5, using voltage dividers R723, R764, R763, R767 and R766, selected by FET switches D653

In the x1 positions the FET switch D653 (9, 11, 12) is conductive (x5 attenuation).

In the x2 positions D653 (1, 3, 4) conducts (x1 attenuation) and in the x5 positions, D653 (5, 6, 8) (x 2,5 attenuation).

The AMPL/DIV switch S9 controls the FET switches via resistors R721, R722 and R684. These resistors have high-ohmic values to eliminate parasitic capacitances on the FET gates, to prevent loss of bandwidth. Trimmers C686 and C662 are adjustable to obtain constant input capacitance in all attenuator settings.

The high-impedance attenuator sections are made independent of input frequency (i.e. the capacitive attenuation for a.c. signals is adjusted to the resistive attenuator for d.c. signals) with trimmers C687, C676 and C663.

*Impedance convertor (see Fig. 2.2 and 8.2)*

The input signal is fed via FET V661 (in source-follower configuration), transistors V666, V667 and V668 to the low-impedance attenuator.

The special type FET V661, with very fast rise-time response, reduces the source impedance which prevents bandwidth loss.

The FET consists of a double gate. One gate is not used and connected to the drain via R710.

The input signal is applied to the other gate.

The diodes inside this FET protect the input source follower of the impedance convertor against excessive voltage swings.

The l.f. part of the signal is fed to the inverting input, pin 2, of D652 via the LF gain potentiometer R719. This l.f. signal is compared with a d.c. voltage on pin 3 of D652 that is adjustable with R653 (attenuator balance).

The output of D652 (frequencies up to 300 Hz, determined by R683 and C661) is routed to the voltage divider R676, R678.

The input signal of the impedance converter is fed to the other end of the voltage divider.

The average value of both signals is fed to the inverting input of the correction amplifier D651.

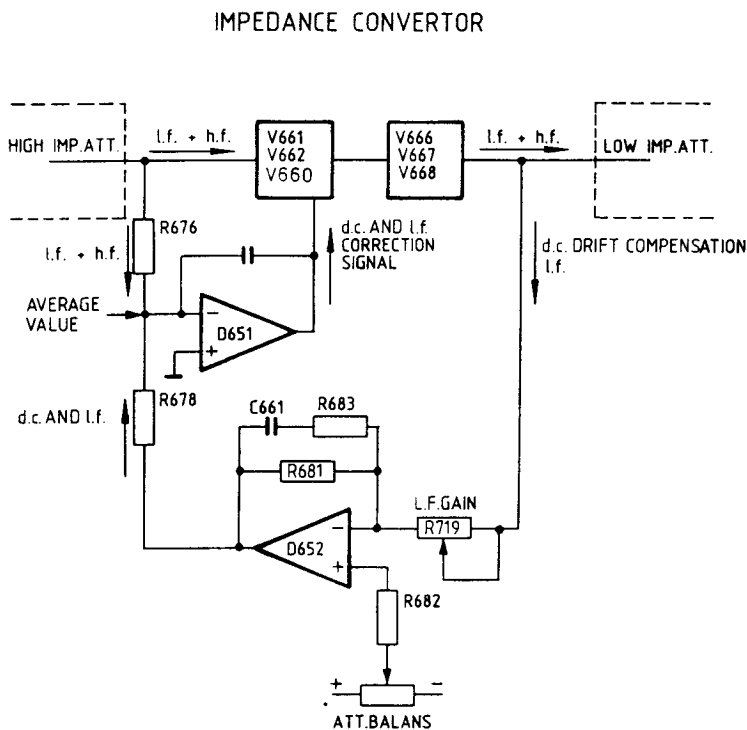
To reduce distortion originated in the current source V662, transistor V660 is mounted between the low-ohmic output of D651 and the base of V662.

The collector of V660 is high-ohmic, so the distortion on the base and on the emitter of V662 is equal and in antiphase, so it is eliminated.

If the feedback l.f. signal is, for example, too small, the correction amplifier will drive transistor V662 so that the amplitude of the l.f. part of the input signal is compensated.

Potentiometer R719 permits adjustment of the l.f. feedback gain.

The d.c. offset of the operational amplifiers D652, D651 can be compensated by preset R653 (A ATT. BAL.).



MAT 946B

*Fig. 2.2 Impedance convertor.*

For Service Manuals Contact  
**MAURITRON TECHNICAL SERVICES**  
 8 Cherry Tree Rd, Chinnor  
 Oxon OX9 4QY  
 Tel:- 01844-351694 Fax:- 01844-352554  
 Email:- enquiries@mauritron.co.uk

*Continuous Control Circuit (see Fig. 2.3 and 8.2)*

The output signal of the low-impedance attenuator is fed to the integrated circuit D654 (3,6) via the continuous circuit comprising FET D653 (13, 14, 16).

This FET is located between the signal path, pin 6 of D654 and earth, via resistor R686. This resistor compensates the output impedance of the low-impedance attenuator ( $50\ \Omega$ ) and the impedance of the selected FET switch ( $30\ \Omega$ ), as shown in Fig. 2.3.

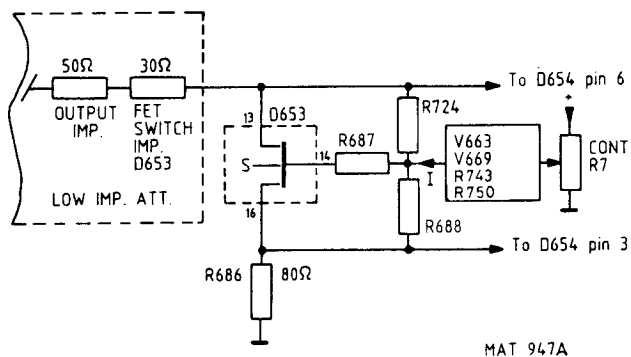
This compensation is necessary to obtain an equal bias current for the inputs (6,3) of integrated circuit D654. The continuous control R7 drives the FET (pin 14) more, or less conductive via transistor V669 and resistors R724, R688, R687.

In the CAL position of the CONT. control R7, the FET drain-source junction (pin 13 and 16) is at a high ohmic level and thus the signal is not attenuated.

The CONT. control R7 is connected between +5 V and transistor V655, which functions as a voltage source. This also supplies the CONT. control (R8) of channel B.

If R7 is not in the CAL position, the current I increases (Fig. 2.3). This increases the gate-source voltage of the FET, which results in a low drain-source resistance. The lower drain-source resistance reduces the amplitude of the signal fed to pin 6 of integrated circuit D654.

The CAL position of the CONT. control can be adjusted with the CAL CONT. potentiometer R743 that controls the current I through transistor V663. The CONT. control range can be adjusted with potentiometer R750.



*Fig. 2.3. Continuous control circuit*

2.2.3. Amplifier

The channel A trigger signals for both time-bases are picked-off from pins 14 and 15 of integrated circuit D654. The circuit of D654 (known as a Cherry-stage) converts the voltage input signal into a current output signal (pins 12 and 13). Transistor V653 serves as a current source for D654.

In the three most sensitive AMPL/DIV positions (2,5,10 mV/DIV) the amplifier has a gain of ten, controlled via D654, pin 2, from the AMPL/DIV switch.

Potentiometer R672 controls the current source circuit to give adjustment of the x1/x10 gain balance.

The x10 gain of the amplifier in the AMPL/DIV positions 2,5,10 mV/DIV can be adjusted by potentiometer R727.

The supply voltage of D654 is applied to pin 9 via transistor V654.

In this way the temperature drift in the x10 gain mode is compensated to prevent bandwidth loss.

The gain x1 of channel B can be adjusted by potentiometer R578 to equalise the x1 gain of both vertical channels.

From the amplifier D654 (pins 12 and 13) the output current signal is routed to the vertical channel switch via transistors V656 and V658. These transistors function as a current mirror and also compensate for trace shift when the signal is inverted (POSITION control pulled). Potentiometer R701 (NORMAL/INVERT BAL) provides the shift compensation.

VERTICAL DISPLAY MODE SWITCH	X501						D806				A	B	TRIG VIEW
	B4	A1	A3	A4	B2	A2	P5	P6	P7	P9	P8	P11	P3
S1													
A	*	*	0	1	0	1	1	0	0	1	1	0	0
B	0	1	1	0	0	1	0	1	0	1	0	1	0
TRIG VIEW	1	0	1	0	0	1	0	1	1	0	0	0	1
CHOP	0	1	1	1	1	1	1→0 0→1	0→1 1→0	0	1	1→0 0→1	0→1 1→0	0
ALT	0	1	1	1	0	0	1→0 0→1	0→1 1→0	0	1	1→0 0→1	0→1 1→0	0
ADD	0	1	0	0	0	1	1	1	0	1	1	1	0
CHOP + TRIG VIEW	1	1	1	1	1	1	1	0	1	0	1	0	0
							0	1	1	0	0	0	1
							0	1	0	1	0	1	0
ALT + TRIG VIEW	1	1	1	1	0	0	1	0	1	0	1	0	0
							0	1	1	0	0	0	1
							0	1	0	1	0	1	0

\* = don't care  
 1 = vertical channel is selected

Fig. 2.4 Vertical channel selection logic

For Service Manuals Contact  
**MAURITRON TECHNICAL SERVICES**  
 8 Cherry Tree Rd, Chinnor  
 Oxon OX9 4QY  
 Tel:- 01844-351694 Fax:- 01844-352554  
 Email:- enquiries@mauritron.co.uk



### 2.2.4. Vertical Channel Selection Logic

Vertical channel switches D802 and D803 are controlled by the vertical channel selection logic (D804, D806, D807) which, in turn, is controlled by the vertical display mode switches: A, ALT, TRIG VIEW, CHOP, ADD, B.

These switches control the vertical logic via connectors X204 (on SWITCH UNIT A102) and X501.

Positive logic is used in the digital circuits; i.e. '1' is +5 V (H) and logic '0' is 0 V (L).

The table, Fig. 2.4., indicates the logic used for vertical mode selection.

Selection of the various vertical display mode pushbuttons has the following result:

**A depressed:** Pin 8 of D804 is H in this mode, opening the signal path for channel A in integrated circuit D803.  
Signals on D803 pins 5 and 6 are routed to output pins 13, 14 of D803.

**B depressed:** Pin 11 of D804 is at H level in this mode, opening the signal path for channel B in integrated circuit D803.  
Signals on D803 pins 3 and 4 are routed to the output (pins 13,14) of D803.

#### TRIG VIEW

**depressed:** Pin 3 of D804 is H in this mode, opening the path for trigger view signals in integrated circuit D802.  
The trigger view signal from the INTERFACE of the trigger amplifier (V861, V862) is routed to D802, pins 5 and 6, via transistors V801, V802.  
In this mode, the TRIG VIEW signal is fed to the DELAY LINE DRIVER via the outputs (13,14) of D802.

**CHOP depressed:** Pins 8 and 11 of D804 are alternately H and L at a fixed frequency of 500 kHz approx., generated by the chopper oscillator, consisting of transistor V804 and two NAND gates of D807 (11,12,13)(4,5,6) and capacitor C832.  
If D804-6 is at H level, transistor V803 starts the chopper oscillator. Transistor V804 is blocked and C832 charges via R861.  
If pins 12 and 13 of D807 are both H, its output goes to an L level, giving an H on pin 6 of D807. This H signal is fed back to the base of V804, which conducts and discharges C832 to give an L on D807-12.  
Pin 6 of D807 goes L and blocks transistor V804, etc.  
The chopper signal is applied to the clock inputs of the flip-flops D806 via D807, pins 10 and 8. The alternate pulse applied at D807-9 is overruled.  
The J and K inputs (pins 2 and 3) and the preset and clear inputs (pins 4 and 15) of D806 are at level H, so this flip-flop switches on the chopper frequency applied to the clock input.  
The input pin 10 of D806 is L and pin 14 is H, so output pin 7 is L in this mode, resulting in a level L on D804-3 (TRIG VIEW is off).

**ALT depressed:** In the ALT mode, the chopper oscillator is switched off (D804-6 = L).  
However, D807-10 is H, which means that the alternate pulses from the HORIZONTAL CHANNEL SELECTION LOGIC are applied to the clock inputs of flip-flops D806 (pins 1 and 13), which make the D804 outputs (pins 8 and 11) alternately H and L.

**ADD depressed:** With ADD selected, D804 outputs 8 and 11 are both at H level.  
Channel A and B signals are selected via pins 10 and 11 of D803, and are added in integrated circuit D803.

#### CHOP+TRIG VIEW

**depressed:** Vertical channels A, B and TRIG VIEW are displayed, the switching between these channels is being determined by the chopper oscillator. The chopper frequency is applied to the clock inputs of flip-flops D806 (pins 1 and 13).  
The outputs of D804 (pins 8,11,3) are alternately H and L, controlled by the clock frequency (see Fig. 2.4.).

The display sequence is as follows:

Channel A  
TRIG VIEW  
Channel B

#### ALT+TRIG VIEW

depressed:

Vertical channels A, B and TRIG VIEW are displayed, and in this mode the chopper oscillator is switched off, so D807-10 is at level H.

The alternate pulses are applied to the clock inputs of flip-flop D806, which control the switching between the three vertical channels. The display sequence is as follows:

Channel A  
TRIG VIEW  
Channel B

#### 2.2.5. Vertical Channel Switch

The VERTICAL CHANNEL SWITCH consists of the two integrated circuits D802 and D803 (0Q0020), this IC being specially designed for application in vertical deflection systems.

This IC enables the following functions:

- two differential input signals can be chopped (CHOP),
- one or two differential input signals can be selected (A and/or B),
- two differential input signals can be added (ADD),
- normal/invert mode is available per channel (PULL TO INVERT),
- vertical Y shift is available per channel (POSITION).

The 0Q0020 is controlled by the outputs of D804 (pins 8,11,3) as follows:

0Q0020 pins		OUTPUT pins
10	11	13 and 14
0	0	NO
0	1	A
1	0	B
1	1	A + B

For Service Manuals Contact  
MAURITRON TECHNICAL SERVICES  
8 Cherry Tree Rd, Chinnor  
Oxon OX9 4QY  
Tel:- 01844-351694 Fax:- 01844-352554  
Email:- enquiries@mauritron.co.uk

The normal/invert function is controlled by the PULL TO INVERT switches S4 and S5 via pins 7 and 2 of D803. If these inputs (7,2) are at level L the signal is inverted.

The vertical Y shift is controlled by the POSITION controls R1 and R2.

The variable voltages derived from the sliders of these controls are applied to pin 8 (channel A) and pin 1 (channel B).

The TRIG VIEW signal is derived from the INTERFACE of the MTB trigger amplifier and applied to D802 (pins 5 and 6) via transistors V801, V802, which adapt the trigger view signal to the input level of the channel switch D802.

The balance of the symmetrical TRIG VIEW signal is adjustable with R808. The trigger view signal is controlled by the signal applied to D802-11.

If this input is H, it opens the trigger view signal path to the DELAY LINE DRIVER (D801).

#### 2.2.6. Delay-Line Driver

In the DELAY-LINE DRIVER the input current signals are converted to voltage signals. This consists of a Hooper stage, using transistors D801 (3,4,5)(1,2,3).

For optimal common mode suppression the voltage level on the emitters of the Hooper stage D801 pin 3 must be constant. If the current on the input of this stage changes the currents of the two current sources V807 and V808 must be adapted to keep the voltage level on the emitters D801 pin 3 constant. This current regulation is achieved by transistor D801 (12, 13, 14).

In this way the common mode signals are optimal suppressed so that only the differential signals are applied to the DELAY LINE.

The composite trigger signals (COMP TRIG) are picked-off from the collectors of D801-8 and D801-11 and fed symmetrically to the bases of V917 and V918 located on the TRIGGER INPUT STAGE.

The output of the DELAY-LINE DRIVER is applied to the FINAL VERTICAL AMPLIFIER via the DELAY LINE. The characteristic impedance of this cable-type delay line is 140 ohms.

### 2.2.7. Final Vertical Amplifier

The DELAY LINE is terminated in the DELAY-LINE COMPENSATION CIRCUIT by the resistor R1216. Compensation is achieved by transistors V1201, V1202, V1203 and RC network.

Transistors V1201, V1202 form a Cherry stage. Distortion originating in the delay line is corrected by the frequency-dependent impedance of the RC network between the emitters of V1201, V1202.

This frequency-dependent network consists of:

- a) R1203/C1207 : For optimal square-wave response by adjusting the pulse-roundings.  
C1203
- b) R1201-L1201-L1202 : To reduce pulse aberrations.
- c) R1202 : To reduce chopper cross-talk.
- d) V1205-V1210 : Temperature compensation for optimal square-wave response at high input frequencies.

The varicap diodes V1205 and V1210 are driven by a d.c. voltage controlled by the temperature dependent resistor R 1235

The Cherry stage converts the input voltage signal to a current signal.

Transistor V1203 functions as a current source for this stage.

Any unbalance in the Y deflection plates of the c.r.t. can be corrected with the position-balance potentiometer R1205 that controls the emitter currents of V1201, V1202.

The output currents of the Cherry stage feed the Hooper stage V1208, V1211, which converts the input current signals into voltage form. It also contains the TRACE SEPARATION facility for the ALT TB mode. The TRACE SEPARATION CIRCUIT located on the TIME-BASE UNIT controls the current that is drawn from V1208, V1211, and thus controls the output voltage of the stage. Adjusting the TRACE SEP results in the MTB signal being shifted upwards and the DTB signal downwards.

The output voltage of the Hooper stage is applied to another Cherry stage V1206, V1209 where it is converted again to a current signal. The common-emitter circuit includes the gain adjustment R1239 of the FINAL VERTICAL AMPLIFIER to adjust for different c.r.t. sensitivities. By means of the RC combination R1250/ C1223 the rise time of the square-wave signal can be optimised. The current source for the Cherry stage is transistor V1213. The output currents of this stage are fed via transistors V1204 and V1214 to the Y-deflection plates of the c.r.t. In the interest of low output capacitance, these drive transistors are mounted in common-base configuration.

For Service Manuals Contact  
**MAURITRON TECHNICAL SERVICES**  
 8 Cherry Tree Rd, Chinnor  
 Oxon OX9 4QY  
 Tel:- 01844-351694 Fax:- 01844-352554  
 Email:- enquiries@mauritron.co.uk

## 2.3. CIRCUIT DESCRIPTION OF THE HORIZONTAL SECTION

### 2.3.1. Main Time-base Triggering (see Fig. 8.4)

#### *a) Trigger selection circuit and trigger input stage (A, B, COMP)*

The trigger signal from the vertical channel A is applied to shunt feedback amplifier V912, V913, as a symmetrical current signal. The output is a symmetrical voltage signal that is routed to the series feedback stage V873, V876 for MTB triggering, and to series feedback stage V872, V874 for DTB triggering. Channel A is selected as MTB trigger source if R918 in the emitter circuit of V873, V876 is connected to earth via the MTB trigger source selector switch S23, to switch on these transistors.

The trigger signal from vertical channel B is applied to shunt feedback amplifier V914, V916, which is followed by a series feedback stage V878, V879, for MTB triggering and a series feedback stage V877, V881 for DTB triggering. These amplifier stages are identical to those described above for channel A.

The composite trigger signal obtained from the DELAY-LINE DRIVER D801 is applied to shunt feedback amplifier V917, V918.

This amplifier is followed by a series feedback stage, V882, V883 for MTB triggering. If R892 in the emitter circuit of V882, V883 is connected to earth via the MTB trigger source switch S23 via switching transistor V870, the composite signal is used for MTB triggering.

If in composite trigger mode TRIG VIEW is selected, a logic H level from D806-10 makes V880 conductive via R994 and V870 is switched off. Consequently, composite triggering is inhibited. In this event, V875 is conductive and an earth potential is applied to R918 via V860 to select channel A as MTB trigger source. As a result, it is not possible to switch on the trigger view and composite trigger modes together.

#### *b) External and line trigger input*

The external trigger signal can be applied to input socket X5. The signal is routed via a network that gives the correct external input impedance and sensitivity, and via C1109 (a.c.-component), R1122, R1123 (d.c.-component) to the gate of FET V1104. In the LF and HF trigger coupling modes the d.c. component of the signal is interrupted because the junction of R1122, R1123 is connected to earth via LF and HF switches S20.

FET V1104 is part of the balanced source-follower stage. One FET receives the external trigger signal and the other, the LINE trigger signal. The trigger source signal not desired is short-circuited to earth.

The LINE trigger signal, originated in the power supply, is routed via the potentiometer R891 (LINE) to the TRIGGER SELECTION UNIT.

The amplifier stage V1104 is followed by a series feedback stage V1102, V1103 that converts the asymmetrical input voltage signal into a symmetrical output current signal.

Transistor V1101 provides a common current-source in the emitter circuit, which is only switched in if EXT or LINE triggering is selected (an earth potential from trigger source selector switch S23).

For instruments with TTL trigger facilities, the gain of the amplifier stage V1102, V1103 can be increased by a factor of 2,5 (relay contact K1101 closes in the TTL trigger mode).

#### *c) Trigger amplifier input stage*

This amplifier has two balanced inputs that apply an input signal to the common-base circuit V852, V853. The input current is routed via socket X859 and socket X863 for MTB triggering via channel A, B or composite. The input current signal is routed via sockets X861 and X862 for MTB triggering via the EXT input or LINE.

The common-base circuit V852, V853 is followed by a shunt feedback stage V851, V854 that converts the input current signal into an output voltage signal. This output signal is taken off asymmetrically and applied to the DC, LF, HF filter.

*d) Trigger coupling*

In the DC mode, relay contact K851 is closed and the signal is passed unattenuated via R868.

In the LF mode, K851 is open and switch contact S20C is closed. The signal is now passed via the series low-pass filter R872, C858, R869.

In the HF mode, K851 is open and switch contact S20D is closed (moving contact to earth). The signal is now passed via the high-pass filter C858, R872. Both in LF and HF modes, the d.c. component is blocked by C868. In the AUTO mode, the trigger signal is a.c.-coupled (K851 is open).

Only in the external X deflection mode together with AUTO mode can d.c. coupling be selected.

If TTL trigger mode is available on the instrument, the signal is always d.c.-coupled (K851 closed).

*e) Interface*

This stage receives its input signal from the DC, LF, HF trigger coupling and produces asymmetrical output signals for the TOP DETECTOR, TV CIRCUIT (if option is available in the oscilloscope) and X DEFLECTION AMPLIFIER.

The INTERFACE also produces symmetrical output signals for TRIGGER VIEW and the FINAL TRIGGER AMPLIFIER.

The asymmetrical voltage signal from the TRIGGER COUPLING stage is applied to one gate of the symmetrical FET source-follower stage V887. The other gate of V887 receives a d.c. voltage that can be adjusted with the LEVEL control R6. As a result, the source outputs of V887 show a symmetrical voltage signal, the level of which can be varied by the LEVEL control.

The source-follower V887 is followed by an emitter-follower D853 (9,10,11) (6,7,8) with a common-current source V859. As the emitter-follower transistors are part of one IC, it results in better stability and closer-matched characteristics for these transistors. This technique is featured widely in the MTB and DTB trigger circuits.

An asymmetrical current signal for external X deflection is picked-off from D853-11 and routed via the switch unit to the horizontal channel switch on the time-base unit.

Another asymmetrical current signal is taken from D853-6 and is routed via shunt feedback amplifier V863 to the TOP DETECTOR and the TV CIRCUIT (when available).

The symmetrical output voltage signal is available on D853-10 and D853-7, and applied to series feedback stage V862, V861, with common current source V864. This stage sends a symmetrical current signal to the vertical channel switch to facilitate trigger view.

*f) Final trigger amplifier*

The signal available on D853-10 and D853-7 is also applied to the series feedback amplifier D853 (12,13,14) and D853 (1,15,16). The common current source for this stage is D853 (2,3,4), switched on by an earth potential applied to R996 via selection switch S20A. In the external X deflection and TV trigger modes this is switched off and R996 floats.

In the TTL trigger mode the amplification of this stage is increased as relay contact K852 closes.

The symmetrical output current signals are available on D853-12 and D853-1 and have phase shift of 180 degrees.

Depending on the position of the +/- SLOPE switch S8, one of the two signals is used for MTB triggering.

Selection is by switching diodes: V888, V889 for the + slope, V857, V858 for the - slope.

If the + slope is selected (S8 open), V889 blocks and the signal from D853-12 is routed via V888 to the MTB. Transistor V896 is not conducting so transistor V897 switches on. The positive potential on its emitter switches on diode V857 and the signal from D853-1 leaks away. Diode V858 is blocked and the connection between D853-1 and the MTB is interrupted.

If the - slope is selected (S8 closed), V889 conducts, so the signal from D853-12 leaks away. Diode V888 blocks so any signal at this point is also prevented from reaching the MTB.

In this event, transistor V896 conducts because the positive-going base potential and switches off transistor V897. Diode V857 blocks as a result, so diode V858 conducts and the output signal on D853-1 collector is routed to the input of the MTB.

### g) TV circuit (Optional)

With the TV CIRCUIT it is possible to trigger the MTB on television line signals (TIME/DIV = 20  $\mu$ s... 0,05  $\mu$ s/DIV) or TV frame signals (TIME/DIV = 0,5 s...50  $\mu$ s/DIV).

In the TV mode, the FINAL TRIGGER AMPLIFIER is inoperative and instead, the TV CIRCUIT triggers the MTB. The LEVEL control R6 is also inoperative and the +/- slope switch S8 permits selection between positive and negative video signals.

The input of the TV circuit is the base of transistor V869. For positive video signals V869 functions as an amplifier with a phase shift of 180 degrees between base and collector. In this mode, collector resistor R983 is connected to +14 V via transistor V897, which is conducting.

For negative video signals, V896 functions as an emitter-follower. As a result, there is no phase shift between base and collector. This collector now functions as an emitter, connected to -7 V via R1011 and R983. In this situation, transistor V897 is not conducting. The collector of V869 is direct-coupled to the base of emitter-follower V871. This is followed by a clamping stage formed by C904 and the base-emitter junction of V899, the synchronisation pulses being available on its collector. These pulses have a top level of +5 V and a bottom level of 0 V approx. In the TV line trigger mode, the pulses are routed via diode V901, transistor V898 and switching diode V894 to the MTB trigger circuit.

In the TV frame trigger mode (MTB TIME/DIV = 0,5 s...50  $\mu$ s/DIV), switching transistor V909 conducts via the TIME/DIV switch. As a result, C917 and C918 are switched into the circuit and line trigger pulses are suppressed.

Only frame trigger pulses can now reach the MTB trigger circuit.

Transistor V908 functions as a 'current mirror' in order to give the correct current ratio between the current in the diode V894 and in transistor V898.

The TV CIRCUIT is switched off by a 0 V applied to the cathode of diode V901.

### h) Multiplexer

This circuit stage produces the supply voltage for the MTB LEVEL control R6. The integrated circuit multiplexer D851 contains two 4-way analog switches that select the voltages applied to both ends of the LEVEL control. These voltages depend on the selected trigger mode.

The four possible modes are:

- TTL/ECL/TV mode
- AUTO (peak-peak level mode)
- TRIG mode
- EXT X DEFL mode

Switch position depends on the logic levels at control inputs pins 10 and 9 of multiplexer D851.

In the TTL, ECL or TV mode (depending on user's instrument), the control input D851-10 is at logic L and input D851-9 is also L. Thus, inside the multiplexer points 1+3 are interconnected and also points 12+13.

As a result, the potential from voltage divider R907, R909 is connected to both ends of R6. The position of R6 is now irrelevant and the trigger level is fixed.

Note that circuit differences necessary to adapt the instrument for TTL, ECL or TV triggering are indicated in the table given in the circuit diagram.

In the AUTO mode, the control input D851-10 is at logic H and D851-9 is L. Internally, multiplexer points 2+3 and points 15+13 are interconnected. This results in one end of R6 being connected to D852-1 output, which carries a voltage proportional to the top level of the trigger signal. The other end of R6 is connected to output D852-7. This operational amplifier output carries a voltage that is proportional to the bottom level of the trigger signal. In this mode the MTB stays triggered in all positions of the LEVEL control since the voltage on R6 is proportional to the signal voltage.

In the TRIG mode, the control input D851-10 is at logic H, D851-9 is H and internally, points 4+3 and points 11+13 are interconnected. As a result, one end of R6 is connected to -3 V approx. from voltage divider R884, R903, and the other end of R6 is connected to +3 V approx. from voltage divider R951, R952.

The MTB trigger level can now be adjusted over approximately +8 or -8 divisions of the displayed signal.

In the modes described above, transistor V866 conducts and D851-6 is at logic L; as a result, the multiplexer input levels are applied to output pins 3 and 13. In the EXT X DEFLECTION mode however, transistor V866 blocks and D851-6 is at logic H. In this case, the multiplexer input levels are isolated from the outputs, which now float.

*i) Top detector*

This stage produces positive and negative output d.c. voltages that are proportional to the positive and negative top of the trigger signal. In the AUTO mode, these voltages are applied to the two ends of the LEVEL control R6. The input signal for the TOP DETECTOR is derived from shunt feedback stage V863. The positive top of this signal is rectified by diode V867 and smoothed by C872. The negative top is rectified by diode V868 and smoothed by C873.

Both voltages are applied to the non-inverting input of an operational amplifier D852 (inputs 3 and 5). The feedback loop of each amplifier is such that the gain is one. These operational amplifiers operate as emitter-followers with a high input impedance and a low output impedance.

**2.3.2. Delayed Time-base Triggering (see Fig. 8.5)**

For Service Manuals Contact  
MAURITRON TECHNICAL SERVICES  
8 Cherry Tree Rd, Chinnor  
Oxon OX9 4QY

Tel: 01844-351694 Fax: 01844-352554

Email: enquiries@mauritron.co.uk

*a) Trigger selection circuit (A, B)*

Series feedback amplifier V872, V874 receives the channel A signal for DTB triggering. Channel A is selected as a DTB trigger source if R886 in the emitter circuit of V872, V874 is connected to earth via the DTB trigger source switch contacts S22A to make this stage conductive.

Series feedback amplifier V865, V895 receives the channel B signal for DTB triggering if R888 in the emitter circuit of V865, V895 is connected to earth via switch contacts S22B of the trigger source switch, which makes this stage conductive.

*b) Trigger amplifier input stage*

This is a balanced input amplifier that accepts input current signals via sockets X871 and X872 when triggering the DTB via channel A or B. The common-base circuit V921, V922 is followed by a shunt feedback stage V923, V924 that converts the input current signal into an output voltage signal.

This output signal is taken off asymmetrically from V923 collector and applied to the DC, LF, HF filter.

*c) Trigger coupling (DC, LF, HF)*

In the DC mode, switch contact S19A is closed and the trigger signal is passed via R1080 without frequency attenuation.

In the LF mode, the d.c. path is interrupted and switch contact S19B is closed. The signal is now passed via the low-pass filter R1057, C929.

In the HF mode, the d.c. path is interrupted and switch contact S19C is now closed. The signal is passed via the high-pass filter C929, R1057. Both in the LF and HF modes, the d.c. component is blocked by the series capacitor C931.

*d) Final trigger amplifier*

The asymmetrical voltage signal from the TRIGGER COUPLING stage is applied to one gate of the symmetrical FET source-follower stage V919. The other gate receives a d.c. voltage, adjustable by the LEVEL control R4. As a result, the source outputs of V919 show a symmetrical voltage signal, the d.c. level of which is adjustable by R4. This signal is fed to an emitter-follower stage D854 (9,10,11) and D854 (6,7,8), part of integrated circuit D854. The symmetrical output voltage signal on emitters D854-10 and D854-7 is applied to the series feedback amplifier D854 (12,13,14) and D854 (2,3,4), with common-current source D854 (1,15,16).

The symmetrical output current signals are available on collectors D854-12 and D854-2 and have a phase shift of 180 degrees. Depending on the position of the SLOPE switch S6, one of the two signals is selected for DTB triggering by means of switching diodes: V910, V906 for + slope, V892, V891 for - slope.

If the + SLOPE is selected (S6 open), V906 is not conducting and the signal from collector D854-12 is routed via diode V910 to the DTB.

Transistor V907 is not conducting and transistor V893 is therefore switched on. Diode V892 is blocked and the connection between collector D854-2 and the DTB is interrupted.

If the - SLOPE is selected (S6 closed), diode V906 now conducts, so the signal from collector D854-12 leaks away. Furthermore, diode V910 blocks and prevents any signal from collector D854-12 being passed to the DTB. The positive voltage applied to the base of V907 from S6 causes this transistor to conduct, which then turns off transistor V893. As a result, diode V891 is blocked and the output signal on collector D854-2 is routed via V892 to the input of the DTB.

**2.3.3. Main Time-base (see Fig. 8.8)**

For a fuller understanding of the functioning of the main time-base, important voltage waveforms in the MTB control logic are given in Fig. 2.5.

*a) Auto mode without triggering (free-running time-base)*

Consider the situation at the moment the main time-base starts.

With AUTO selected (S3A closed), NOR-gate output D209-13 is L and the switching transistors V233 and V234 are turned off. The MTB is therefore able to run and produces a time-linear sawtooth voltage. This is picked-off by the Darlington pair V257, V258 and applied to the X deflection selector via emitter-follower V224 and switching diode V217.

*b) Main time-base generator*

The MTB is based upon the principle that a timing capacitance charged by a constant-current source is capable of generating a time-linear sawtooth voltage that is ideal for c.r.t. forward trace sweep and flyback.

Transistor V236 provides the current source, the base of which is connected to a fixed voltage in the CAL position of R10. This voltage is only varied when the continuous control R10 is moved from the CAL position. The emitter resistance of V236 may have ten different values (R109...R113) selectable by the TIME/DIV switch S15, which has 22 positions. Three timing capacitors are also selectable. Capacitor C226 is permanently in circuit, capacitor C234 is selectable via switching transistor V238 and C241, C242 and C243 paralleled capacitance via transistor V237. These transistors function in 'reversed' mode (collector-emitter reversed) during charging of the timing capacitors and in the 'normal' way during the discharge period.

The following table indicates the capacitors and adjustment potentiometers that are brought into circuit in the various positions of S15.

TIME/DIV range	Timing capacitors in circuit	Adjustment point
0,05 $\mu$ s ... 5 $\mu$ s/DIV	C226	—
10 $\mu$ s ... 2 ms/DIV	C234 (via V238) (+C226)	R348
5 ms ... 0,5 s/DIV	C241, C242, C243 (via V237) (+C226)	R347

The MTB sawtooth voltage is also routed via voltage divider R327, R329 and emitter-follower V256 to the input of Schmitt trigger D214 (1,2,3), the end-of-sweep detector. It detects an H input level if the input voltage rises above +1,9 V, whereupon output D214-3 becomes L. This L level is applied to the set input, pin 4 of flip-flop D212, to make the inverting output (pin 6) logic L.

This L level is routed via NAND gate D211 (3,4,5,6) and NOR gate D209 (2,3,1) to input pin 12 of D209. Input pin 2 is always at logic L in the AUTO mode. If no trigger signal is present, the other input, pin 11 of D209 is permanently at L. The L level on input D209-12 makes output D209-13 go to level H, which makes transistors V233 and V234 conductive. Switching transistor V233 discharges the MTB timing capacitance and V234 takes over the current from current source V236. As a result, the MTB sweep is switched off.

The L level from the inverting output pin 6 of flip-flop D212 is applied to the base of switching transistor V271, to switch it off. The hold-off time now starts.

*c) Hold-off circuit*

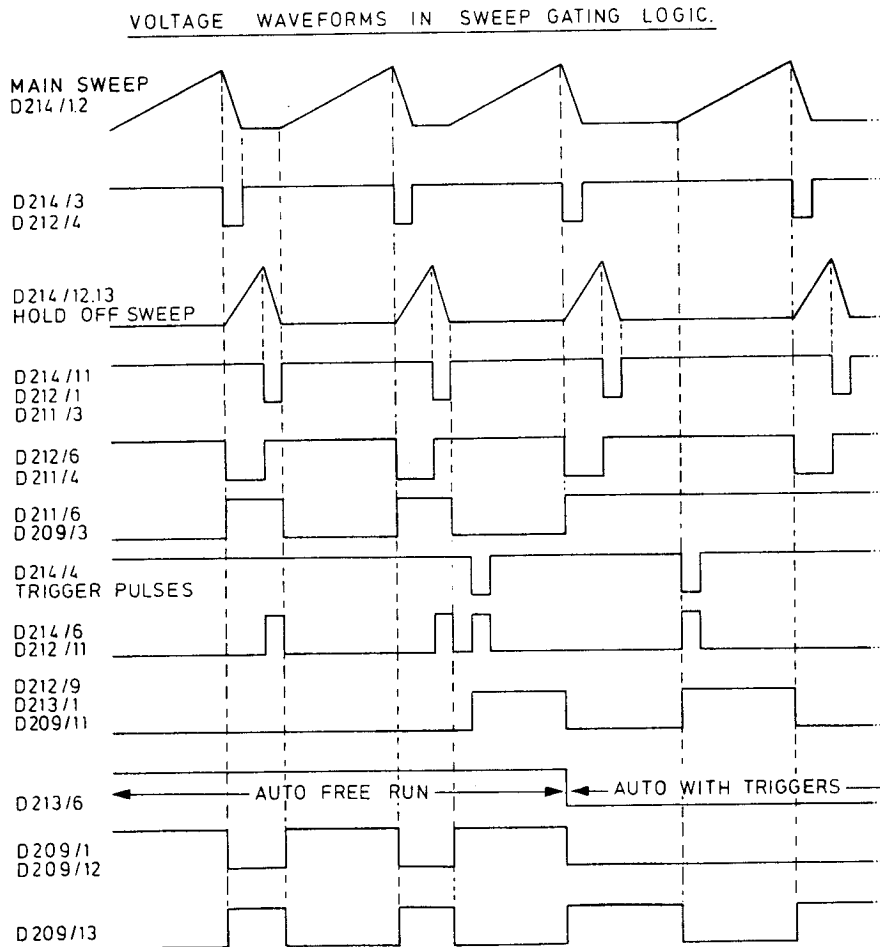
The hold-off time-base circuit operates according to the same principle as for the MTB and DTB. Timing capacitors are charged by a constant-current source to generate a time-linear sawtooth voltage. The charging current can be adjusted in steps via the MTB TIME/DIV switch, which influences the voltage applied to the non-inverting input (pin 3) of operational amplifier D216. The HOLD-OFF potentiometer R11 permits continuous adjustment of the current.

The voltage on the hold-off timing capacitors is applied to the input of Schmitt trigger D214 (12,13,11) via Darlington pair V286, V272 and the voltage divider R339, R308.

If this voltage has reached a level of +1,9 V, an H level is detected. In this event, output D214-11 becomes L. This L level is applied to the reset input D212-1, which gives an H on inverting output pin 6. Switching transistor V271 conducts again and the hold-off time-base is switched off: the timing capacitance is discharge.



Schmitt output D214-11 and NAND gate input D211-3 are at level H when the hold-off capacitors are discharged. The H level on output pin 6 of flip-flop D212 is routed via D211 (3,4,5,6) and D209 (2,3,1) to D209-12 input and the time-base restarts.



For Service Manuals Contact  
**MAURITRON TECHNICAL SERVICES**  
 8 Cherry Tree Rd, Chinnor  
 Oxon OX9 4QY  
 Tel:- 01844-351694 Fax:- 01844-352554  
 Email:- enquiries@mauritron.co.uk

MAT 912

Fig. 2.5. Important voltage waveforms in the MTB control logic

*d) AUTO mode with trigger pulses*

MTB trigger pulses are applied as a current signal to the CURRENT-VOLTAGE CONVERTER. If a trigger pulse occurs in this mode, transistors V291 and V292 convert the selected trigger source current signal into a voltage signal, and emitter-follower V293 makes D214-4 input logic L. This trigger pulse is applied at H level to clock input pin 11 of flip-flop D212, which switches over to make output pin 9 logic H. This cannot occur during the hold-off period because D214-5 is L, or reset input D212-13 is L.

The H level from D212-9 output switches off transistor V233 and diode V234 via NOR gate D209 (11,12,13) to start the time-base.

As described for the free-run mode, the end of the time-base sweep is detected and the hold-off time-base is started.

When this occurs, output pin 6 of flip-flop D212 becomes L. This L level is routed via NAND gate D211 (1,2,13,12) and NOR gate D209 (8,9,10) to the reset input (13) of flip-flop D212. As a result, output pin 9 does L and the time-base is switched off. Moreover, the one-shot multivibrator D213 is triggered and output D213-6 stays at level L for 100 ms after the H to L transition of the clock input on pin 1.

If D213-6 is L, then D211-5 is also L. This means that it is not possible to start the time-base at the end of the hold-off period via the path D211 (3,4,5,6) and D209 (2,3,1). Now the MTB can only be started if a trigger pulse appears. An incoming trigger pulse is applied to the clock input (11) of flip-flop D212 to make output pin 9 logic H. This H level is applied to pin 11 of NOR gate D209, which makes output pin 13 a logic L and the MTB starts.

*e) Triggered mode (see also AUTO mode with and without triggering)*

In the triggered mode, the signal path that starts the MTB directly after the hold-off period (in auto free-run mode) is interrupted by an H level on NAND gate D209-2. This interrupted signal path is via D211 (3,4,5,6) and D209 (2,3,1).

The finish of the MTB sweep at the start of the hold-off period is identical to the situation described for AUTO mode. At the start of the hold-off period, input pin 2 of NAND gate D211 becomes L. As inputs 1 and 13 are both H, output pin 12 becomes H. This produces via NOR gate D209 (8,9,10) a logic L that is applied to reset input (13) of flip-flop D212. Consequently, the flip-flop switches over and the MTB stops.

*f) SINGLE-SHOT mode (see also AUTO and TRIGGERED modes)*

In this mode, the conditions of the Set-Reset (SR) flip-flop formed by NAND gates D211 (1,2,12,13) and D211 (8,9,10,11) are important.

Before the start of the hold-off period, the following apply:

D211 INPUTS		LEVEL		OUTPUTS	
2		H	only L in EXT X DEFL	12	L
1		H			
13		H			
11		L	only L in AUTO and TRIG	8	H
9		H			
10		H			

At the start of the hold-off period input pin 2 of D211 is made L and the flip-flop jumps to the set position (output 12 is H, output 8 is L).

This situation remains after the end of the hold-off period although input 2 is now H, because an L level from output 8 is applied to input 13 of D211. As a result of this SR flip-flop condition, the reset input pin 13 of flip-flop D212 stays at L and the time-base cannot be started by a further trigger pulse.

Only by forcing the SR flip-flop back to the reset condition (output 12 at L, output 8 at H) is it possible to re-trigger the time-base. Reset is achieved if the SINGLE/RESET pushbutton is depressed, to give an L level to input 10 of the SR flip-flop. However, the time-base can only be triggered if the SINGLE/RESET pushbutton is in the normal position. If it is depressed, the reset input (pin 13) of flip-flop D212 remains at level L via D214 (9,10,8) and D209 (8,9,10).

In the SINGLE mode, the signal path that starts the time-base directly after the hold-off period (in AUTO free-run mode) is interrupted by an H level on D209-2. This interrupted signal path is D211 (3,4,5,6) and D209 (2,3,1).

*g) EXT X-DEFL mode*

Input pin 1 of SR flipflop D211 is permanently at level L. Consequently, output D211-12 is H. This H level gives an L level on reset input pin 13 of D212, which inhibits the start of the time-base in this mode.

*h) NOT TRIG'D indicator*

The not triggered indicator, LED B1, is supplied with current from the current source V1512 on the FINAL AMPLIFIER UNIT A5 via X202-7.

If the time-base is running, flip-flop output D212-8 is L, this level being applied via diode V252 and via X202-7 to the anode of B1 to hold it off (see Fig. 8.12).

When trigger pulses occur with a time interval of 100 ms or less, pin 6 of one-shot multivibrator D213 is permanently at logic L. This L output is fed via diode V251 to the anode of B1 to switch it off.

In the SINGLE mode, the output 8 of flip-flop D211 is L from the start of the hold-off period until the moment when the SINGLE/RESET pushbutton is depressed. This L level is applied via diode V249 to the anode of B1 to hold it off.

The NOT TRIG'D indicator normally glows when awaiting a single-shot trigger.

*i) HORIZONTAL CHANNEL SELECTION LOGIC & HORIZONTAL CHANNEL SWITCH*

**MTB only** (S2D depressed or all horizontal display mode switches S2 released)

In this mode, S2D feeds a logic L to the set input (10) of flip-flop D207. The reset input (13) is H, therefore output pin 9 is H and inverting output pin 8 is L. This L level causes transistor V208 to conduct and thus opens a signal path for the MTB sweep via transistor V224 and the diode V217 to the input of the final X amplifier.

**DTB only** (S2B depressed)

In this mode, an L level is applied to the reset input pin 13 of D207. The set input (10) is H and inverting output pin 8 is H. The L output on pin 9 causes transistor V223 to conduct and thus opens the signal path for the DTB sweep via diodes V211 and V214 to the final X amplifier.

**EXT X-DEFL only** (S2A depressed)

In this mode, both the set input (10) and the reset input (13) of D207 are made logic L via diodes V294 and V295 and S2A-6 of the horizontal display mode switch. Consequently, outputs (pins 9 and 8) of flip-flop D207 are H and both the MTB and DTB sawtooths are prevented from reaching the input of the final X amplifier.

The external X deflection signal is now routed via transistors V203 and V204, in the X DEFLECTION AMPLIFIER, and switching diode V216 to the X FINAL AMPLIFIER.

**ALT TB mode** (S2C depressed)

Flip-flop D207 functions as a divide-by-two stage in this mode because the set and reset inputs are both at level H, and the data input (12) is connected to the inverting output (8). The signal applied to clock input (11) is the END OF SWEEP pulse. This signal goes L at the end of the MTB sweep and goes H when the MTB sweep reaches the 0 V level. When the clock-pulse input goes from L to H the condition of the flip-flop changes. For instance, output 9 goes H and the inverting output 8 goes L, so the MTB sawtooth is applied to the final X amplifier. After the L to H transition, on the clock input, output 9 is L and inverting output 8 is H, which applies the DTB sawtooth to the final X amplifier. At the next transition, the MTB is again applied, and so on.

*j) Trace separation circuit*

This stage is formed by integrated circuit D202, of which the transistors connected to pins 1,15,16 and 8,9,10 are not used (all pins wired to -7 V). The TRACE SEPARATION CIRCUIT receives, via two outputs, current from R1226 and R1237 in the FINAL VERTICAL AMPLIFIER. These currents provide the trace shift in the ALT TB mode.

The transistor connected to pins 2 and 1, and the transistor connected to pins 7 and 8 are current sources.

If the ALT TB mode is not selected, the currents from both sources are equal because the switch contact S2C between pins 2 and 7 is closed. The output pin 1 of NOR gate D208 is at logic L. Therefore the current from R1226 is routed to D202-11 and via an internal transistor to the current source connected to pins 7,8. The current from R1237 is routed to D202-14 and then via an internal transistor to the current source on pins 2,1. When ALT TB mode is selected, the contact between pins 2 and 7 of D202 is open. Consequently, the current of both current sources is no longer equal. Current source pin 2,1 carries a lower current than current source pin 7,8. The difference depends on the setting of the TRACE SEPARATION potentiometer R15. With R15 at zero resistance both currents are identical. If the DTB is displayed, NOR gate output D208-1 is L and the routing of the currents of R1226 and R1237 over both current sources are identical to the situation without ALT TB selected. Only the magnitude of the currents differs, that from R1226 being higher than that from R1237. This results in a downwards shift of the time-base line in comparison with the situation where the currents in R1226 and R1237 are equal.

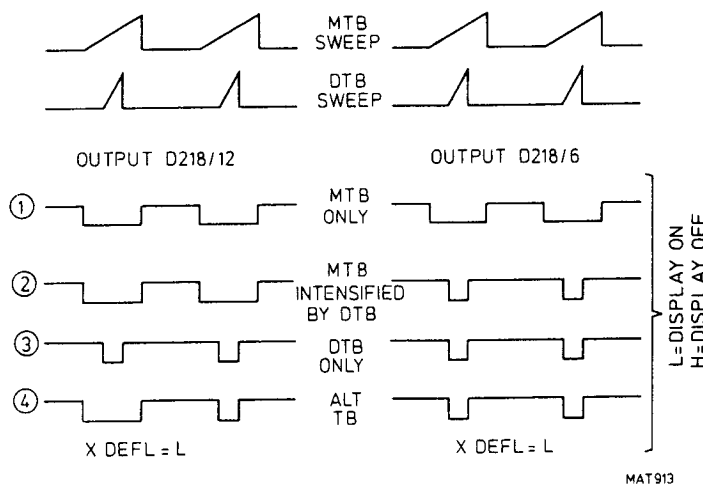
In the MTB sweep that follows, the MTB is displayed and the output D208-1 is now H. As a result, the currents from R1226 and R1237 in the FINAL VERTICAL AMPLIFIER are routed via another path in D202. The current from R1226 is routed to D202-12 and is lower than the current from R1237, which is routed to D202-13. In this case, the result is an upwards shift of the time-base line compared with the situation where the currents in R1226 and R1237 are equal.

### k) Z-LOGIC

This stage sends a current signal to the Z amplifier to control the intensity of the spot on the c.r.t. screen. The spot intensity depends on the mode selected; e.g. MTB, MTB intensified by DTB, DTB, ALT TB, EXT XDEFL, and also on the position of the INTENS control R12.

During the hold-off period the display must be blanked. The current that determines the intensity is a summation of the collector currents of transistors V288 and V289. Both transistors are controlled by the logic circuits: V288 by NAND-gate output D218-12 and V289 by NAND-gate output D218-6.

If both logic outputs are L, V288 and V289 conduct and the display is unblanked. The logic levels on D218-12 and D218-6 as a function of the mode selected are given in Fig. 2.6.



For Service Manuals Contact  
**MAURITRON TECHNICAL SERVICES**  
 8 Cherry Tree Rd, Chinnor  
 Oxon OX9 4QY  
 Tel:- 01844-351694 Fax:- 01844-352554  
 Email:- enquiries@mauritron.co.uk

Fig. 2.6 Important voltage waveforms in the Z-modulation control logic

#### MTB only

During the MTB sweep, input D217-2 is H, resulting in OR-gate output D217-3 and D218-13 becoming H during the sweep.

Input D217-5 is H if the MTB output signal is routed to the final X amplifier. As a result, OR-gate output D217-6 is H during this time, and also D218-1.

NAND-gate input D218-2 is permanently H so output **D218-12 is L during the MTB sweep** (see Fig. 2.6/1 for comparison).

Input D217-12 is H during the MTB sweep, so OR-gate output D217-11 is H and also D218-5.

Input D217-9 is H. As a result for gate output D217-8 is H and also D218-4.

Input D218-3 is H. Output **D218-6 is L during the MTB sweep** (compare with Fig. 2.6/1).

#### DTB only

Input D217-4 is H during the DTB sweep, which makes output D217-6 and input D218-1 logic H.

Input D217-1 is H and consequently output D217-3 is H and also input D218-13.

Input D218-2 is permanently H, so output **D218-12 is L during the DTB sweep** (compare this with Fig. 2.6/3).

Input D217-10 is H during the DTB sweep, which makes output D217-8 and also input D218-4 at logic H during the DTB sweep.

Input D206-2 is L, so output D206-3 and also input D217-13 go to logic H. Consequently, the OR-gate output D217-11 and input D218-5 are at logic H.

Input D218-3 is permanently at H so output **D218-6 is L during the DTB sweep** (compare this with Fig. 2.6/3).

### MTB intensified by DTB

When this mode is selected, the input of the FINAL HORIZONTAL AMPLIFIER is derived from the MTB output and the DTB TIME/DIV switch does not occupy the OFF position.

Input D217-2 is H during the MTB sweep, which means that D217-3 and input D218-13 are also H during the sweep period.

Input D217-5 is H if the MTB output signal is routed to the final X amplifier. As a result, OR-gate output D217-6 and input D218-1 are also H.

With input D218-1 also H, the output of this 3-input NAND gate **D218-12 is L during the MTB sweep** (compare this with Fig. 2.6/2).

Input D217-10 is H during the DTB sweep, which means that output D217-8 is H during the DTB sweep and also input D218-4.

A logic L on input D206-2 makes output D206-3 and also input D217-13 logic H. Output D217-11 is therefore H and also input D218-5.

Input D218-3 is H, so output **D218-6 is L during the DTB sweep** (compare this with Fig. 2.6/2).

Therefore with L signal on NAND-gate output D218-12 during the MTB sweep, transistor V288 conducts. With an L signal on NAND-gate output D218-6 during the DTB sweep, transistor V289 conducts, and during that time the current from the Z amplifier doubles providing that preset R401 is in mid-position. This increase in current produces the intensified part of the MTB trace during the DTB sweep.

### ALT TB mode

When ALT TB is selected, NAND-gate output **D218-6 is L during the DTB sweep**, in the same way as described for the 'DTB only' mode (compare with Fig. 2.6/4 and Fig. 2.6/3).

For NAND-gate output **D218-12** this situation is as follows:

- for one MTB sweep, the output is **L during that MTB sweep**,
- for the next MTB sweep the output is **L during the DTB sweep**.

This depends on the condition of flip-flop D207 (8...13), which switches the final X amplifier input alternately between MTB (**D218-12 L during MTB sweep**) and DTB (**D218-12 L during DTB sweep**).

The generation of these pulses occurs as follows:

- If the MTB is used for X-deflection then D217-1 is L. Pin 2 is H during the MTB sweep, so D217-3 and D218-13 are also H during the MTB sweep.  
Input D217-5 is also H, which makes output D217-6 a logic H.  
Thus input D218-1 is H and since input D218-2 is H, the three inputs of the NAND-gate are at H, which gives a logic **L on output D218-12 during the MTB sweep** (compare with Fig. 2.6/4).
- If the DTB is used for X-deflection (the next MTB sweep) then D217-5 is L. Pin 4 is H during the DTB sweep, so D217-6 and D218-1 are also H during the DTB sweep.  
Input D217-1 is H, which makes output D217-3 and input D218-13 logic H. As the remaining input, D218-2 is H, then the NAND-gate output **D218-12 is L during the DTB sweep** (compare with Fig. 2.6/4).
- At the next MTB sweep, the MTB is again selected for X-deflection and D218-12 is L during the MTB sweep, and so on.

### Display Blanking

In the foregoing circuit descriptions for display blanking in MTB, MTB intensified DTB and ALT TB modes, it is assumed that inputs 2 and 3 of D218 are permanently at logic H. However, there are certain conditions, listed below, when these inputs are L and the display is blanked.

- In the chopped mode of the vertical channels the display is blanked during switching over between channels, by connecting the cathode of diode V296 to earth for this period.
- If a logic L is applied to the external Z MOD input on the rear-panel, this signal is routed via diode V297 to inputs 2 and 3 of D218 for blanking purposes.
- The display is blanked if an incorrect mode is selected. This condition is detected by NAND gates D218 (9,10,11,8) and D206 (4,5,6) which together give a logic L on the cathode of diode V298.

Inputs D218-9/10 are H if X DEFL is selected or if the DTB TIME/DIV switch is OFF (V285 non-conductive).

Input D218-11 is H if ALT TB is selected or if the final X amplifier is fed from the DTB signal. As a result, output D218-8 is L (i.e. display blanked), if DTB TIME/DIV switch is OFF while DTB or ALT TB selected on S2. The display is also blanked if X DEFL is selected together with DTB or ALT TB for horizontal display.

#### l) ALTERNATE mode control logic

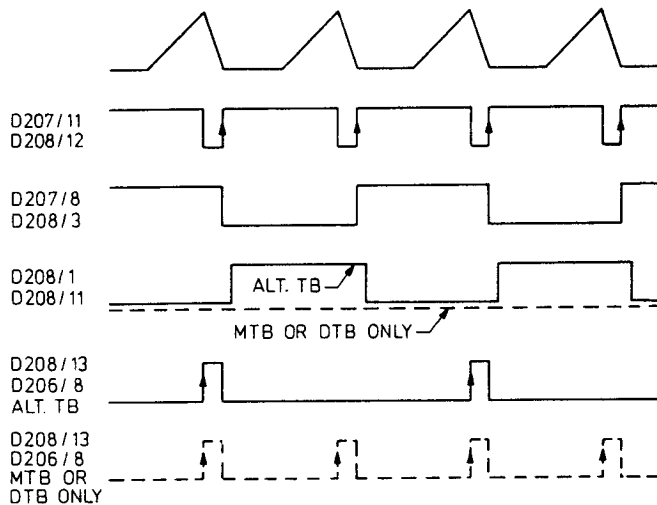
This circuit produces clock-pulses for the vertical display mode logic. It consists of NOR gates D208 (1,2,3), D208 (11,12,13), D208 (8,9,10) and NAND gate D206 (8,9,10).

The pulses are routed via the switch unit to UNIT A3.

The vertical display switches from one channel to the other if output D206-8 goes from L to H.

The circuit operates as follows:

If the horizontal deflection is initiated by MTB or DTB only, input D208-11 is L. Normally, input D208-12 is H, but is L during the flyback period of the MTB (= discharge of timing capacitance). If input D208-12 goes from H to L (at start of MTB flyback) this transition is routed via D208 (11,12,13), D208 (8,9,10) and D206 (8,9,10), this triple inversion making output D206-8 go from L to H to switch the vertical channel display from one to the other.



MAT 914

For Service Manuals Contact  
**MAURITRON TECHNICAL SERVICES**  
 8 Cherry Tree Rd, Chinnor  
 Oxon OX9 4QY  
 Tel:- 01844-351694 Fax:- 01844-352554  
 Email:- enquiries@mauritron.co.uk

Fig. 2.7 Important voltage-waveforms in the alternate mode control logic

If the ALT TB mode is selected, input D208/12 also goes from H to L at the start of the MTB flyback period. Input D208/11 is H if the MTB drives the final X amplifier, and L if the DTB drives the final X amplifier. As a result, the H to L transition of input D208/12 only gives a L to H transition of output D206/8 if the DTB drives the final X amplifier.

Thus the display sequence in the ALT TB mode combined with ALTERNATE vertical display is:

- Channel A with MTB intensified by DTB
- Channel A with DTB
- Channel B with MTB intensified by DTB
- Channel B with DTB
- Channel A with MTB intensified by DTB, and so on.

#### m) Stabilisation circuit

This circuit consists of operational amplifier D201 and transistor V200. The circuit converts +14 V into +12 V for the time-base, and the current drain from +14 V is constant. The reference voltage for the positive input of D201 is obtained via voltage divider R201, R202 from the +14 V supply. The negative input of D201 is connected to the +12 V output voltage. Any variation between reference voltage and output voltage is corrected via output D201-6 and emitter-follower V200.

**2.3.4. Delayed Time-base (see Fig. 8.10)**

The DELAYED TIME-BASE GENERATOR itself generates a time-linear sawtooth in the same way as described for the main time-base.

Transistor V229 is the constant-current source, with its base fed from a fixed d.c. voltage that is derived via the continuous TIME/DIV control R9. The base voltage of V229 is only changed if R9 is moved out of the CAL position. By means of the TIME/DIV switch S13, eight different emitter resistors can be selected for current source V229. Depending on the position of S13, only one timing capacitor C219 (fast sweep speeds) or two timing capacitors C219/C218 (slow sweep speeds) are switched into the circuit. Capacitor C218 is switched into the circuit by means of transistor V231.

This transistor functions in the 'reversed' mode (collector and emitter are reversed) during the charge of the timing capacitor and in the 'normal' way during the discharge.

Switching of V231 is controlled by TIME/DIV switch S13. The table below indicates the capacitors and adjustment potentiometers that are in circuit as a function of the position of S13.

TIME/DIV range	Timing capacitors in circuit	Adjustment point
0,05 $\mu$ s...5 $\mu$ s/DIV	C219	R349
10 $\mu$ s...1 ms/DIV	C219, C218	R351

The time-base is switched on and off by means of the switching transistors V228 and V227. At the end of the DTB sweep V228 conducts and takes over the current from current source V229; V227 conducts at the start of the hold-off period in order to discharge the timing capacitance.

The DTB sawtooth is taken off by Darlington pair V219/V209 and routed to diode V211 in the X deflection selector. The sawtooth is also routed via emitter-follower V221 to the input of the end-of-sweep detector D203 (1,2,3).

*a) COMPARATOR*

This part of the circuit consists of transistors V259, V248 and current source V268 and it compares the MTB sawtooth voltage (applied to the base of V259) with an adjustable d.c. voltage from DELAY TIME potentiometer R3 (applied to the base of V248 via Darlington pair V246, V247).

At the moment that the instantaneous d.c. value of the MTB sawtooth exceeds the voltage on the base of V248, this transistor switches off, V259 conducts and the comparator switches over. Now V261 conducts and NAND-gate input D203-4 becomes H.

The comparator has a current source V268, which is switched on if the lower end of R358 is connected to earth via S13. With the DTB TIME/DIV switch S13 in the OFF position, R358 is floating and the current source is switched off. As a result, the comparator is inoperative and the DTB cannot be started.

The voltage at both ends of the DELAY TIME control R3 is adjustable by presets R262 and R268.

*b) START and STOP of DTB (see timing diagram Fig. 2.8)*

Before the start of the DTB, the position of the SR flip-flop D204 (1,2,3) and D204 (4,5,6) is as follows:

Output D204-1 – L

Output D204-4 – H

Input D203-4 becomes H if the comparator switches over. Input D203-5 is H (during the MTB sweep).

Consequently, output D203-6 becomes L together with input D204-12.

Input D204-11 is L, thus output D204-13 becomes H and is applied to the reset input, pin 1 of flip-flop D207.

There are now two start possibilities for the DTB:

- Pushbutton MTB of S22 is depressed: the 'START' mode is selected and the DTB starts directly after the selected DELAY TIME.

In this mode, the set input, pin 4 of flip-flop D207 is connected to earth, so the inverted form of the signal on output pin 1 of D207 appears on the output pin 6. If pin 1 goes H, then output pin 6 goes L, the switching transistor V228 turns off and the DTB starts.

- Pushbutton A or B of S22 is depressed: the TRIGGERED mode is selected and the DTB starts after the pre-selected time delay, only upon receipt of a trigger pulse.

In this mode, the set input D207-4 is H, and D207 now functions as a normal flip-flop.

After pin 1 has gone H, a clock-pulse on D207-3 is necessary to make output pin 6 logic L.

This clock-pulse occurs if V226, V212 (the CURRENT-VOLTAGE CONVERTER for the selected trigger source) and emitter-follower V225 make inverter inputs D203-12/13 logic L. As a result, the clock input D207-3 goes H and the flip-flop switches over: output pin 6 goes L and switch V228 now goes non-conductive and the time-base starts.

If the timing capacitance of the DTB is charged, the voltage across it rises linearly with time. This voltage is applied via the Darlington pair V219, V209, the voltage divider R239, R238 and emitter-follower V221 to the input of the Schmitt trigger D203 (1,2,3), which is the end-of-sweep detector.

If this voltage has reached a value of +1,9 V, the input level is detected as being H.

Output D203-3 now becomes L and is inverted to give H on output D203-8, which is applied to pin 6 of SR flip-flop D204 (1...6). The flip-flop switches over and gives a logic H on input D204-11.

Output D204-13 becomes L and also the reset input D207-1 and the DTB stops as switching transistor V228 conducts again. In this way, the charging of the timing capacitance stops, and these are discharged via V227 at the start of the hold-off period.

The situation described above is valid if the DTB sweep is completed before the MTB sweep (see Fig. 2.8, indicating the voltage waveforms for the DTB SWEEP COMPLETED mode, and also for the DTB SWEEP NOT COMPLETED mode).

In the DTB SWEEP NOT COMPLETED mode, the state of the RS flip-flop is not changed and the DTB is stopped if input D203-5 becomes L at the end of the MTB sweep. Now input D204-12 becomes H and flip-flop reset input D207-1 becomes L.

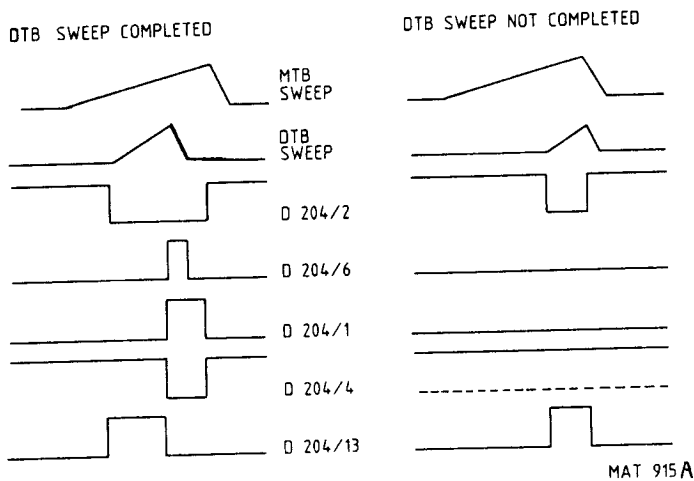


Fig. 2.8 Important voltage-waveforms in the DTB control logic

### 2.3.5. Final X Amplifier (see Fig. 8.12)

The input stage comprises a balanced series-feedback amplifier, V1371, V1372 with common current source V1373. The base of V1371 receives the output signal from the X-deflection selector. This signal can be the MTB or DTB sawtooth or the X DEFL. signal. The base of V1372 receives an adjustable d.c. voltage derived from the X POSITION control R5.

This control, R5, consists of two ganged sections, one of which has a degree of backlash to enable fine and coarse adjustment of the X position with one knob.

The amplification of the V1371, V1372 stage is increased by x10 if the X MAGN control is pulled. Relay K1371 is energised in this mode and additional emitter resistance (R1378 and R1381) is switched into circuit.

The collector of transistor V1371 drives one half of the final X amplifier, the other half being driven by the collector of V1372. The configuration of both amplifier halves is the same, but corresponding transistors are complementary (PNP vs NPN) so corresponding supply voltages are therefore reversed (V1316 vs V1312).

One half of the final X amplifier consists of V1302 (NPN to adapt d.c. level), V1306 (PNP shunt-feedback amplifier), V1311 (PNP, to adapt d.c. level), V1312 (NPN, current source) and V1313 (NPN, output emitter-follower).

The signal conditions are as follows:

If the sawtooth voltage on the base of V1371 rises, the collector current falls. The voltage level on the junction R1307-R1318 does not change. Therefore the current is fed via transistor V1302 to the base of V1306. The base becomes more negative, so the collector potential of V1306 rises. Also the potential on the junction of collectors V1311, V1312 rises and is applied via emitter-follower V1313 to one horizontal deflection plate. During the flyback of the sawtooth, diode V1308 can conduct. The feedback components of V1306 are R1323, R1318 and C1308.



The other half of the final X amplifier consists of V1303 (PNP, to adapt d.c. level) V1307 (NPN, shunt-feedback amplifier), V1317 (NPN, to adapt d.c. level), V1316 (PNP, current source) and V1314 (PNP output emitter-follower).

The signal conditions are as follows:

If the sawtooth voltage on the base of V1371 rises, the collector current of V1372 also rises. The emitter of V1303 becomes more positive. (Resistor R1308 has a higher value than R1307 in the other half of the amplifier.)

Transistor V1303 starts conducting so the current to the base of V1307 rises. The voltage level on the collector of V1307 decreases and the potential on the base of V1314 also.

Via emitter-follower V1314 the signal is fed to the horizontal deflection plate XI.

The feedback components for V1307 are R1319, R1324 and C1309

## 2.4. CRT DISPLAY SECTION, CAL GENERATOR AND FRONT-PANEL SIGNAL LAMPS (see Fig. 8.12)

### a) Z-Amplifier

The signal from the Z-LOGIC on the time-base unit A2 that determines the c.r.t. spot intensity is applied to the base of emitter-follower V1503. From the emitter the signal feeds the output stage with shunt-feedback amplifier V1513 and current source V1511.

The output signal may contain d.c., l.f. and h.f. components to be applied to the Wehnelt cylinder G1 of the c.r.t. Since G1 is at a cathode potential of -1500 V, blocking capacitors are required between G1 and the Z amplifier output.

The h.f. component is routed via blocking capacitor C1512 to G1.

However, the d.c. and l.f. components are blocked. These components are filtered by the low-pass filter R1529, C1514 and applied to the modulator V1508, V1509. Here, the d.c. and l.f. components modulate an h.f. carrier signal to pass blocking capacitor C1513, and are then demodulated by V1514. Finally, the reconstituted d.c. and l.f. components are added to the h.f. component and applied to G1 of the c.r.t.

### b) Signal lamps

The front-panel LED indicators POWER ON, VERT UNCAL, HOR UNCAL, MAGN X10 and NOT TRIG'D are connected in series, and fed from constant-current source V1504.

The POWER ON LED always glows when the instrument is switched on. The other are short-circuited by the relevant switches when not in operation, as listed below:

- Vertical and horizontal UNCAL LEDs short-circuited if continuous controls R7, R8, R9, R10 are in CAL position.
- The MAGN x10 LED is short-circuited by V1512, which is blocked if the MAGN x10 mode is selected.
- The NOT TRIG'D LED is short-circuited if a logic L from the MTB logic is applied to its anode.

### c) Trace rotation circuit

This circuit determines the magnitude and sense of the current in the trace rotation coil around the neck of the c.r.t. Either npn transistor V1501 or pnp transistor V1502 conducts depending on the setting of the front-panel adjustment R14. This control also determines the magnitude of the current.

### d) Calibration generator

The square-wave generator consists basically of an operational amplifier D1501 with an RC feedback loop. This feedback loop consisting of R1543 and C1517 determines the frequency of oscillation (2 kHz).

The generator is followed by output stage V1516, which is used in the 'reversed' mode; i.e. the collector is used as 'emitter' and the emitter used as 'collector'.

In this way, the saturation voltage is very low, which gives an accurate output voltage on socket X1. Resistors R1547, R1548, R1549 in the output circuit are high-precision types.

## 2.5. THE POWER SUPPLY

The stabilised power supply for the oscilloscope consists of the following:

- an input circuit
- a converter driver
- a flyback converter
- a regulator and protection circuit
- secondary output rectifiers

For Service Manuals Contact  
**MAURITRON TECHNICAL SERVICES**  
 8 Cherry Tree Rd, Chinnor  
 Oxon OX9 4QY  
 Tel:- 01844-351694 Fax:- 01844-352554  
 Email:- enquiries@mauritron.co.uk

### 2.5.1. Input circuit

The instrument can be set to operate from the following mains supply voltages: 110 V, 220 V and 240 V a.c., these nominal voltages being selected by the mains voltage selector S25 at the rear of the instrument.

Fuse F1402 protects the instrument against incorrect mains voltage settings or high mains fluctuations. A thermal fuse F1403 is located in the mains transformer T1406.

The secondary winding of T1406 is connected to the diode bridge V1431, where the input is rectified and smoothed by capacitor C1452.

The instrument may alternatively be powered by a battery supply of 20...28 V. This battery supply must be connected via the d.c. input connector X7 at the rear of the instrument.

If a battery supply is used, it is applied to resistor R1460 via the POWER ON switch S21 and connector X1407 pins 6 and 8. Protection is provided by the 2 A delayed-action fuse F1401. Diode V1436 also safeguards the input against incorrect polarity of the battery supply. This diode blocks in the event of reversed input. Resistor R1447 prevents capacitor C1452 being charged to excessive values by spikes that may be present on the battery supply.

To reduce the current flowing in C1441 at switching-on, resistor R1460 is mounted in series with the POWER ON switch S21.

## 2.5.2. Converter Driver and Flyback Converter

The converter driver consists of transistors V1438, V1413 and transformer T1404.  
The converter itself consists of the converter transformer T1402.

– The converter driver (see Fig. 2.9 and 8.14)

The circuit functions as follows:

The pulse-width of the square-wave current  $I_1$  that is applied to the base of transistor V1438 is determined by the integrated circuit D1402.

The frequency of the square-wave current is 26 kHz approximately.

If transistor V1438 starts to conduct (see point A of Fig. 2.9), its collector current  $I_2$  increases to 0,4 A during the period T1.

The current  $I_2$  is flowing via the primary winding of T1404 to the base of transistor V1413 ( $I_3$ )

The base current of V1413 ( $I_3$ ) will increase by the same amount as the collector current of V1438 ( $I_2$ ).

Transistor V1413 will conduct and its collector current  $I_6$  will increase to 4 A.

If the transistor V1438 is blocked (see point B of Fig. 2.9) its collector current  $I_2$  is switched off.

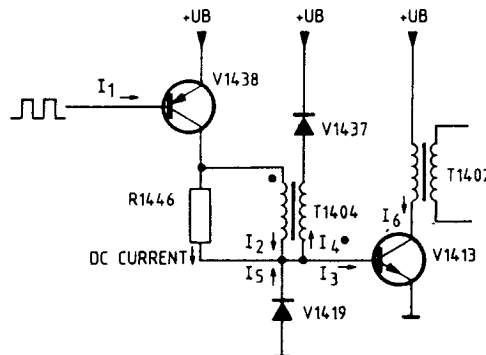
Because of this sudden switch-off, the current  $I_4$  will be maximum at this moment.

The current  $I_4$  is in anti-phase with respect to  $I_2$  and flows via diode V1437 to the supply voltage.

In this way, the base current  $I_3$  of V1413 becomes negative (-0,4 A) during period T2, which rapidly blocks V1413.

The collector current  $I_6$  of V1413 is also switched off rapidly at this moment. The energy present in the transformer T1404 is fed to earth via diode V1419 ( $I_5$ ). This is realised by the negative current  $I_5$  during period T3. After  $\approx 40\mu\text{s}$ , the procedure is repeated.

Resistor R1446 provides the base of V1413 with a d.c. current to speed-up the switching-on of this transistor.



For Service Manuals Contact  
MAURITRON TECHNICAL SERVICES  
8 Cherry Tree Rd, Chinnor  
Oxon OX9 4QY  
Tel: 01844-351694 Fax: 01844-352554  
Email: enquiries@mauritron.co.uk

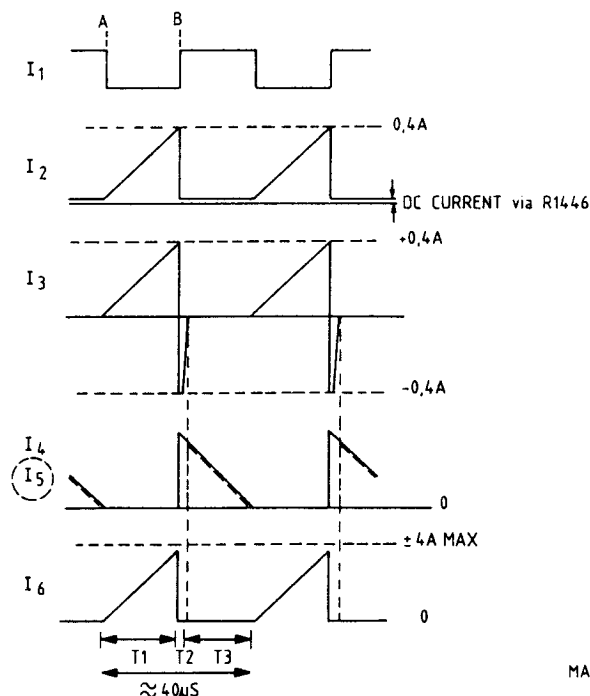


Fig. 2.9 The converter-driver

— The flyback converter (see Fig. 2.10)

The flyback converter functions as follows:

If transistor V1413 conducts under the control of base current  $I_3$ , the collector current  $I_6$  increases to 4 A.

During the period  $T_1$ , the voltage level on the collector of V1413 is at earth potential.

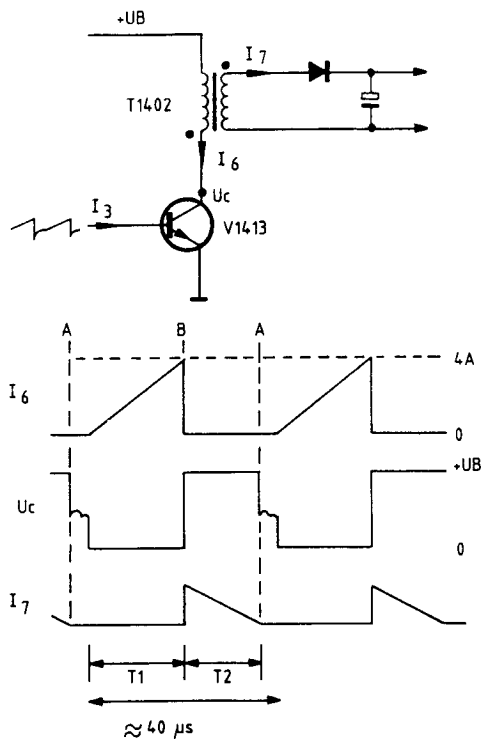
At the moment when V1413 is blocked its collector current  $I_6$  is switched off (see point B of Fig. 2.10).

At the same time, the energy present in T1402, built up during period  $T_1$ , is discharged via the secondary winding of T1402 during period  $T_2$ .

This results in current  $I_7$  which, after rectification and smoothing, is fed to the various circuits in the instrument.

The energy that was present in T1402 is consumed at point A and the procedure described above is repeated approximately every  $40\mu\text{s}$ .

Diode V1415, capacitor C1430 and resistors R1418, R1425 serve to eliminate the switching spikes present on the collector of transistor V1413.



MAT 949A

Fig. 2.10 The fly-back converter

### 2.5.3. The Regulator and Protection Circuit (see Fig. 8.14)

The regulator circuit D1402, via transistors V1433 and V1428, controls the pulse-width of the square-wave current applied to the base of V1438.

At the moment of switch-on, the supply voltage for D1402 is delivered via the emitter-follower V1429 to pin 1 of D1402.

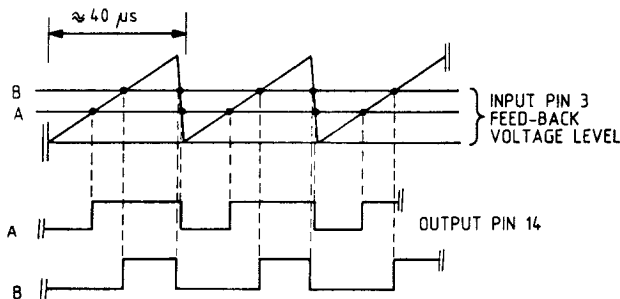
When the power supply has started, the transistor V1429 is blocked and the supply voltage for D1402 is derived from the secondary +14V supply via diode V1423.

The regulator circuit is controlled by the following:

- The +14 V secondary output voltage fed back to D1402-3 via potentiometer R1474 and resistors R1452, R1453 and R1456 for output voltage sensing. Potentiometer R1474 permits adjustment of the output voltages.
- The frequency of the sawtooth generator, determined by the value of C1448 and R1466 connected to pins 8 and 7 of D1402 respectively (26 kHz approx.).
- The current-limit circuit, adjustable by preset R1476, for output current sensing.

#### a) Output voltage sensing

The voltage level of the feedback voltage (on D1402-3) is compared with the amplitude of the sawtooth voltage in the pulse-width modulator (see Fig. 2.11). The pulse-width modulator is part of integrated circuit D1402.



For Service Manuals Contact  
**MAURITRON TECHNICAL SERVICES**  
 8 Cherry Tree Rd, Chinnor  
 Oxon OX9 4QY  
 Tel:- 01844-351694 Fax:- 01844-352554  
 Email:- enquiries@mauritron.co.uk

MAT 950

Fig. 2.11 Pulse-width modulation

The pulse-width of the output square-wave voltage is determined by the level of the feedback voltage to D1402-3. For instance, if the output voltage is too high (see level B of Fig. 2.11), the pulse-width of the output voltage on pin 14 and pin 15 will be reduced.

If the output voltage is too low (see level A of Fig. 2.11), the pulse-width will increase.

Via transistor V1428, the square-wave current is applied to the base of V1438. Transistor V1428 functions as a current source, started by the pulse from D1402-14. The square-wave voltage from D1402-15 switches-off transistor V1438 rapidly via transistor V1433 and C1449.

A 'slow' start of the power supply is achieved by capacitor C1447, which is charged slowly by the reference voltage from D1402-2 via resistors R1448 and R1462.

The voltage level on pin 6 determines the duty cycle of the output square-wave voltage.

The maximum duty-cycle is also determined by the voltage level on D1402-6 which prevents the converter transformer T1402 going into saturation.

The +14 V feedback voltage is continuously checked. A voltage level is applied to D1402-10 via the Zener diode V1422 and R1439.

In the event of a short-circuit longer than approximately two seconds, the voltage level on pin 10 will fall to such a value that the output pulses on pins 14 and 15 of D1402 are blocked.

*b) Output current sensing*

The voltage level derived from potentiometer R1476 is applied to D1402-11 for current sensing. This voltage level is taken from the current transformer T1403, This transformer has no power losses so its dissipation is low.

If the voltage level on D1402-11 exceeds 0,48 V, the output pulses from pins 14 and 15 are cut-off. This means that the duty-cycle of the square-wave output voltage is reduced, which in turn reduces the output current of the power supply (e.g. in the event of a small overload).

If the voltage level on pin 11 of D1402 exceeds 0,6 V (e.g. in the event of a short-circuit), the power supply is immediately switched-off.

**2.5.4. Output Circuits (see Fig. 8.14)**

The output voltages taken from the secondary windings of transformer T1402 are rectified by diodes and smoothed by capacitors in conventional circuits.

The d.c. output voltages are fed to the various circuits of the instrument. The c.r.t. filament is also supplied by a secondary winding of T1402, via connector X1406, pins 1 and 2.

**WARNING** Note that pin 2 of connector X1406 is at -1500 V level.

If connector X1406 is removed from its socket, the +14 V supply voltage for the -1500 V converter is also interrupted for safety reasons. In this case, the connection between the connector pins 9 and 10 is interrupted.

**2.5.5. -1500 V Generator and HV Multiplier (see Fig. 8.14)**

The -1500 V supply consists of an oscillator and a regulator circuit.

The oscillator comprises transistor V1401, transformer T1401, capacitor C1415 and resistor R1417. The output signal voltage on the secondary winding of T1401 is rectified by diode V1403 and smoothed by C1408 and C1409.

The -1500 V, is divided by resistors R1408, R1413 and fed back to the positive input of operational amplifier D1401-3 for output voltage sensing.

This part of the -1500 V output is compared with a reference voltage applied to the inverting input D1401-2.

The reference voltage is extremely stable, and independent of temperature variations. This is achieved by Zener diode V1408. Tolerances in this Zener diode can be compensated for by preset R1471.

Resistor R1434 and capacitor C1436 prevent unwanted oscillation in D1401.

The regulator part of the circuit functions as follows:

If for example the -1500 V output increases (i.e. goes more negative), the voltage level on the positive input D1401-3 decreases.

The output voltage of the comparator D1401-6 decreases to such a value that current is drawn from the oscillator via diode V1410.

Consequently, the oscillator amplitude decreases, resulting in a lower output voltage.

If the -1500 V is short-circuited, the voltage level on D1401-3 becomes positive, and the output voltage of the comparator D1401-6 increases. The current to the base of transistor V1401 increases as a result, and V1401 dissipates this current.

Diode V1410 prevents the transistor V1401 getting excessive base current when the instrument is switched on. At switch-on the diode blocks and the base current for V1401 is delivered via resistor R1426.

The -1500 V output is converted to 8,5 kV in the high-voltage multiplier D1403 and fed via connector X1414 to the post-acceleration anode of the c.r.t.

### 2.5.6. Line Trigger Pick-off (see Fig. 8.14)

The line trigger signal is derived from the secondary winding of the mains transformer via the connector X1407, pins 4 and 7.

The mains voltage sine-wave signal is applied to the transistor V1406 via resistors R1422 and R1423. The square-wave signal on the collector of V1406 is routed to a filter consisting of R1419, R1416, R1414 and C1416, C1417 and C1407, and transistor V1404.

This filter re-converts the square-wave voltage to a sine-wave voltage at the mains frequency.

This line trigger signal is routed via electrolytic capacitor C1406 to the TRIGGER SELECTION UNIT via the connector X858, pin 6.

## 2.6. BASIC ANALOG AND DIGITAL CIRCUITS

This section describes briefly the most important characteristics of the analog and digital circuits to be found in the instrument.

### 2.6.1. Basic Analog Circuits (see Fig. 2.12)

**For Service Manuals Contact**  
**MAURITRON TECHNICAL SERVICES**  
 8 Cherry Tree Rd, Chinnor  
 Oxon OX9 4QY  
 Tel:- 01844-351694 Fax:- 01844-352554  
 Email:- enquiries@mauritron.co.uk

– *Series feedback amplifier*

This is also called a Cherry configuration.

A voltage signal  $\Delta U$  is applied to the input; the output produces a current signal  $\Delta I = \frac{\Delta U}{R_E}$

– *Shunt feedback amplifier*

This is also called a Hooper configuration.

A current signal  $\Delta I$  is applied to the input; the output produces a voltage signal  $\Delta U = \Delta I \cdot R_F$

– *Series feedback amplifier followed by a shunt feedback amplifier*

This combination of the two previous configurations is called a Cherry-Hooper circuit.

In this two-stage amplifier, both the input and the output are voltage signals. The gain of this amplifier is:

$$\frac{\Delta U_{OUT}}{\Delta U_{IN}} = \frac{R_F}{R_E}$$

– *Emitter-follower*

The emitter-follower is used as an impedance converter.

The input impedance is HIGH and the output impedance is LOW. The stage has a voltage gain of x1, and the output voltage signal is identical to the input voltage signal.

– *Darlington pair*

This circuit consists of two emitter-followers connected in cascade. As a result, the input impedance is very high and the output impedance low.

Again, this stage has a voltage gain of x1 and the output voltage signal is identical to the input voltage signal.

– *Common base circuit*

This type of circuit is frequently used between amplifier stages for d.c. voltage level adaption or for buffering.

The input impedance is low and the output impedance is high.

It has a current gain of x1, the output current signal being identical to the input current signal.

– *Long-tailed pair*

In the diagram of Fig. 2.12, the long-tailed pair is formed by transistors V1 and V2. Transistor V3 functions as a constant-current source for V1 and V2. The current drawn from V3 is divided between V1 and V2, the proportion depending on the base voltages applied ( $U_1$  and  $U_2$ ).

The division is as follows:

$$I_1 - I_2 = \frac{U_1}{R_{E1}} - \frac{U_2}{R_{E2}}$$

## 2.6.2. Basic Digital Circuits (see Fig. 2.13)

The type of logic used is TTL and the supply voltage +5 V.

The logic levels used are defined as follows:

- a high level (H) constitutes an input between 2...5 V and an output between 2,4...5 V.
- a low level (L) constitutes an input between 0...0,8 V and an output of between 0...0,4 V.

The following types of logic circuit elements are used this instrument:

- **AND-gate:** In this gate, the output is only H if all the inputs are H. Therefore, if one input is low, the state of the other inputs is irrelevant and the output is L.
- **NAND-GATE:** the output is only L if all the inputs are H. Therefore, if one input is L the state of the other inputs is irrelevant and the output is H.
- **OR-gate:** the output is only L if all inputs are L. If one input is H, then the state of the other inputs is irrelevant and the output is H.
- **NOR-gate:** the output is only H if all inputs are L. Therefore, if one input is H, the state of the other inputs is irrelevant and the output is L.
- **D-FLIP-FLOP:** One integrated circuit incorporates two flip-flops. Each flip-flop has an output (pin 5 or 9) and an inverted output (pin 6 or 8). If the reset input R (pin 1 or 13) is made L it is activated and the flip-flop is forced to the reset state: output L and inverted output H. The set input S (pin 4 or 10) is active when L and forces the flip-flop to the set state: output H and inverted output L. If the set and reset inputs are both H, the condition of the clock input CL (pin 3 or 11) and the data input D (pin 2 or 12) are important. The logic level on the data input (L or H) is clocked into the flip-flop if the clock goes L to H - now the output also becomes L or H.
- **JK FLIP-FLOP:** One IC contains two flip-flops. Each flip-flop has an output (pin 5 or 9) and an inverted output (pin 6 or 7). If the reset input R (pin 15 or 14) is made L, it is activated and the flip-flop is forced to the reset condition: output L and inverted output H.

The set input S (pin 4 or 10) is active when L and forces the flip-flop to the set condition : output is H and inverted output is L.

If both the set and reset inputs are H, the condition of the clock input C (pin 1 or 13), the J-input (pin 3 or 11) and the K-input (pin 2 or 12) are important.

If the clock input goes from H to L, the following occurs:

- If J = L and K = L: the output states remain unchanged.
- If J = H and K = L: the output becomes H and the inverting output L.
- If J = L and K = H: the output becomes L and the inverting output H.
- If J = H and K = H: the outputs switch to the opposite state.

For Service Manuals Contact  
**MAURITRON TECHNICAL SERVICES**  
 8 Cherry Tree Rd, Chinnor  
 Oxon OX9 4QY  
 Tel:- 01844-351694 Fax:- 01844-352554  
 Email:- enquiries@mauritron.co.uk



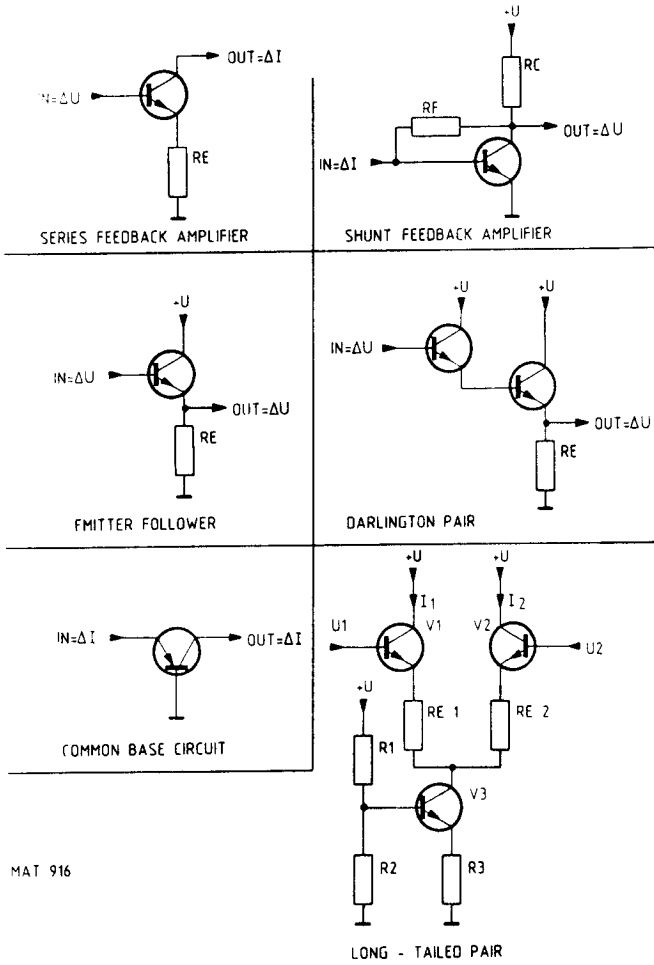


Fig. 2.12 Basic analog circuits

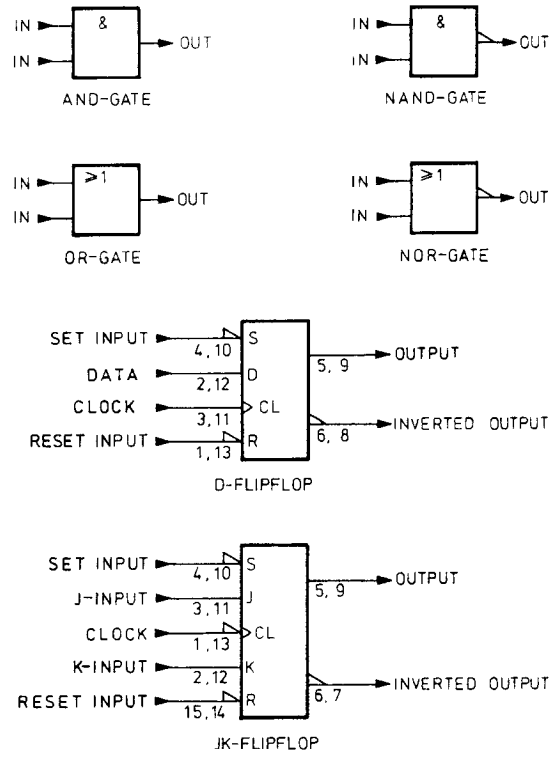


Fig. 2.13 Basic digital circuits

### 3. DISMANTLING THE INSTRUMENT

#### 3.1. GENERAL INFORMATION

This section provides the dismantling procedures required for the removal of components during repair operations. All circuit boards removed from the oscilloscope should be adequately protected against damage, and all normal precautions regarding the use of tools must be observed. During dismantling a careful note must be made of all disconnected leads that they can be reconnected to their correct terminals during assembly.

**CAUTION: Damage may result if:**

- The instrument is switched on when a circuit board has been removed.
- A circuit board is removed within one minute after switching-off the instrument.

#### 3.2. REMOVAL OF TOP AND BOTTOM COVER

- Remove the two locking-brackets situated on the right- and left-hand side of the instrument.
- Pull the rubber band off the rear side of the instrument as indicated in Fig. 3.1./A.
- Remove 4 "cross-head" screws in the rear panel as indicated in Fig. 3.1./B.
- Bend the top and bottom cover of the instrument in the directions indicated in Fig. 3.2./A.
- Remove the shoulder strap as indicated in Fig. 3.2./B.
- Take the top and bottom cover out of the rubber band at the front side of the instrument as indicated in Fig. 3.2./C.
- If necessary the rubber band can be pulled off the front side of the instrument in the direction indicated in Fig. 3.2./D.

When remounting the top and bottom cover, take care that the strap-clasp is on the right-hand side of the instrument (the side where the mains transformer is situated).

##### **When remounting the rubber bands**

- The front and the rear bands are different.  
The rear band incorporates small rubber feet, that permit air circulation if the instrument is standing on its rear panel. The front band is equipped with studs that fit in slits of the front panel. Due to the asymmetrical position of two studs that fit in the left- and right-hand side of the front panel, only one position of the rubber band is correct.
- If the mounting of the rubber bands and the top and bottom cover gives problems, industrial talcum powder can be used to facilitate this procedure.  
Take care that no talcum powder falls in the instrument.

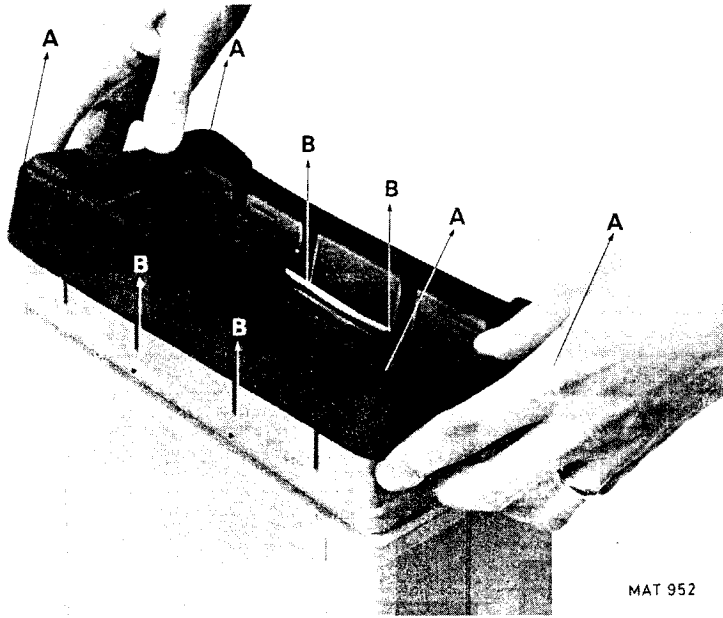
**For Service Manuals Contact  
MAURITRON TECHNICAL SERVICES  
8 Cherry Tree Rd, Chinnor  
Oxon OX9 4QY  
Tel:- 01844-351694 Fax:- 01844-352554  
Email:- enquiries@mauritron.co.uk**

### 3.3 ACCESS TO PARTS FOR CHECKING AND ADJUSTING PROCEDURES

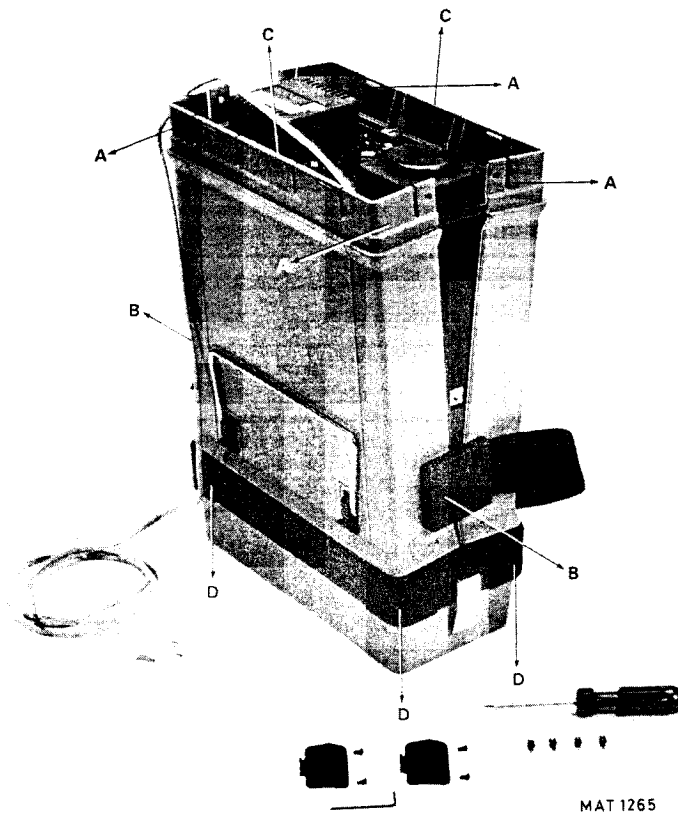
All the adjustment points can be reached after removal of the top and bottom cover of the instruments (see section 3.2.).

Five adjustment points on the power supply unit can be reached via holes in the right-hand chassis plate of the instrument.

**Note:** For adjustment, always use an insulated adjustment tool.



*Fig. 3.1 Removal of rubber band of rear panel*



*Fig. 3.2 Removal of shoulder strap, top and bottom cover*

## 4. PERFORMANCE CHECK

### 4.1. GENERAL INFORMATION

**WARNING:** Before switching-on, ensure that the instrument has been installed in accordance with the Installation Instructions outlined in Section 3 of the Operating Manual.

This procedure is intended to:

- Check the instruments' specification.
- Be used for incoming inspection to determine the acceptability of newly purchased instruments and/or recently recalibrated instruments.
- Check the necessity of recalibration after the specified recalibration intervals.

*NOTE: The procedure does not check every facet of the instruments calibration; rather, it is concerned primarily with those parts of the instrument which are essential to measurement accuracy and correct operation. Removing the instruments covers is not necessary to perform this procedure. All checks are made from the outside of the instrument.*

If the test is started within a short period after switching-on, bear in mind that steps may be out of specification, due to insufficient warming-up time.

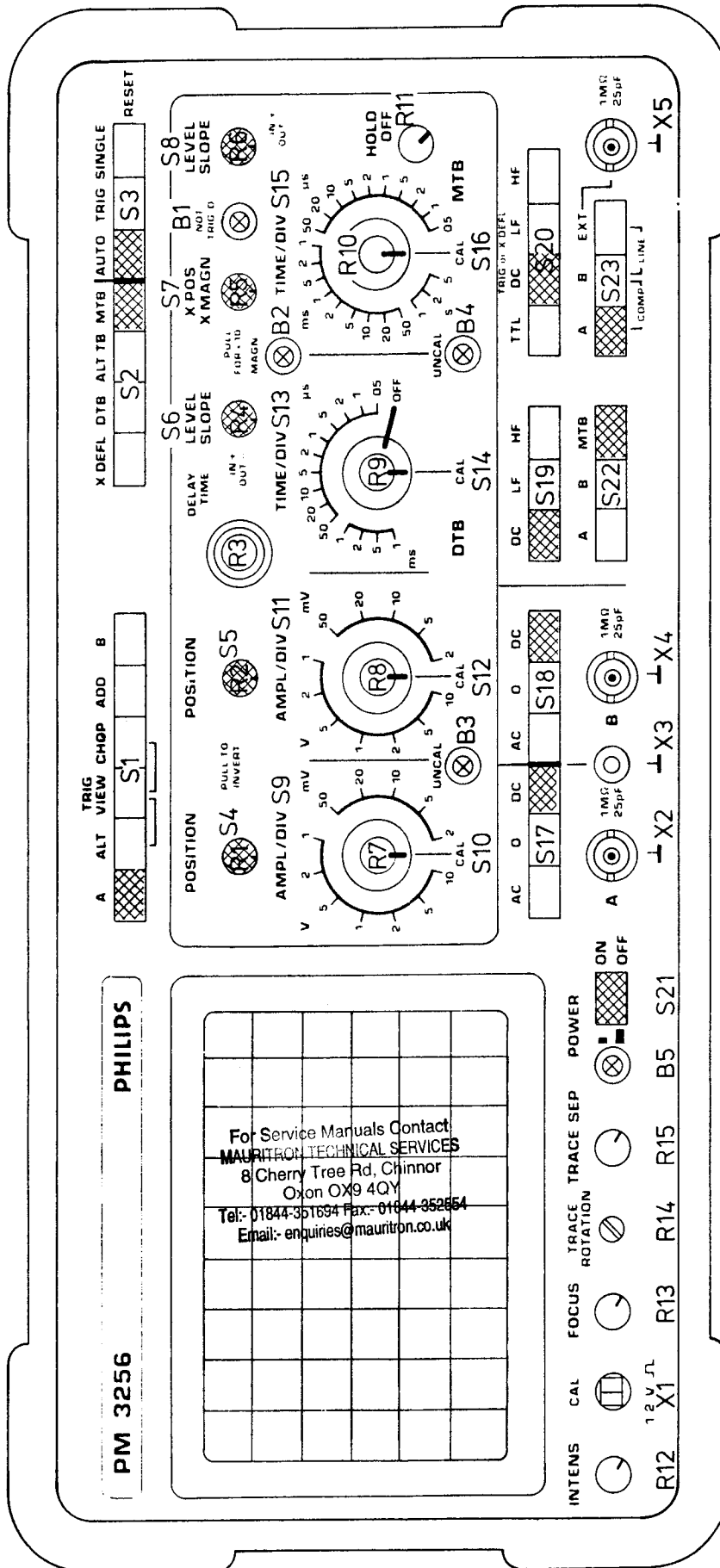
The performance checks are made with a stable, well-focused, low-intensity display. Unless otherwise noted, adjust the intensity and trigger-level controls as needed.

*NOTE 1: At the start of every check, the controls always occupy the preliminary settings; unless otherwise stated.*

*NOTE 2: The input voltage has to be supplied to the A-input; unless otherwise stated.*

*NOTE 3: Set the TIME/DIV switches to a suitable position; unless otherwise stated.*

For Service Manuals Contact  
MAURITRON TECHNICAL SERVICES  
8 Cherry Tree Rd, Chinnor  
Oxon OX9 4QY  
Tel:- 01844-351694 Fax:- 01844-352554  
Email:- [enquiries@mauritron.co.uk](mailto:enquiries@mauritron.co.uk)



MAT951A

Fig. 4.1 Preliminary settings

#### 4.2. PRELIMINARY SETTINGS OF THE CONTROLS

- Start this check procedure with **NO** input signals connected, **ALL** pushbuttons released and **ALL** switches in the CAL position.
- Depress the controls as indicated in figure 4.1.

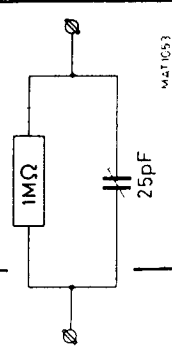
#### 4.3. RECOMMENDED TEST EQUIPMENT

Type of instrument	Required specification	Example of recommended instrument
Function generator	Freq.: 1 mHz... 10 MHz Sine-wave/Square-wave Ampl. 0... 20 Vpp DC offset 0 ... $\pm 5$ V Rise-time < 30 ns Duty cycle 50 %	Philips PM 5134
Constant amplitude sine-wave generator	Freq.: 100 kHz ... 100 MHz Constant ampl. of 120 mVpp and 3 Vpp	Tektronix SG 503
Square-wave calibration generator	For ampl. calibration: Freq.: 1 kHz Ampl.: 10 mV ... 50 V For rise-time measurements: Freq.: 1 MHz Ampl.: 10 mV ... 500 mV Rise-time: $\leq 1$ ns	Tektronix PG 506
Time-marker generator	Repetition rate: 0,5 s ... 0,05 $\mu$ s	Tektronix TG 501
Variable mains transformer	Well-insulated output voltage 90 ... 264 Vac	Philips ord. number 2422 529 00005
DC power supply	Adjustable output: 20 ... 28 V Current: 1,5 A	Philips PE1540
Moving-iron meter		
Dummy probe 2 : 1	1 M $\Omega$ $\pm$ 0,1 %//25 pF	
Cables, T-piece, terminations for the generators	General Radio types for fast rise-time square-wave and high freq. sine-wave. BNC-types for other applications	

## 4.4. CHECKING PROCEDURE




STEP	OBJECTIVE	INPUT VOLTAGE	SETTINGS	REQUIREMENTS	MEASURING RESULTS
4.1.	<b>Power on</b>				
4.1.1a	Start power supply	Mains voltage 50 Hz - 400 Hz $\pm$ 10 %	— Depress pushbutton POWER ON	— Starts at selected mains voltage $\pm$ 10 % (for 110 V: +20 % -10 %) — Pilot lamp B5 lights up. 38 W from ac	
4.1.2a	Power consumption				
4.1.1b	Start POWER SUPPLY	24 V (x7 - rear side)	— Depress pushbutton POWER ON	— Starts at dc supply voltages between 20 V and 28 V — Pilot lamp B5 lights up. 30 W from dc (1.5 A max.)	
4.1.2b	Power consumption				
4.2.	<b>CRT display</b>				
4.2.1.	INTENS	For Service Manuals Contact MAURITRON TECHNICAL SERVICES 8 Cherry Tree Rd, Chinnor Oxon OX9 4QY Tel: 01844-351694 Fax: 01844-352554 Email: enquiries@mauritron.co.uk	— INTENS potentiometer	Normal INTENS adjusting	
4.2.2.	FOCUS		— FOCUS potentiometer	Trace sharpness adjusting	
4.2.3.	TRACE ROTATION		— Screwdriver adjustment	Trace must be in parallel with horizontal graticule lines; if necessary readjust potentiometer TRACE ROTATION R14	
4.3.	<b>Vertical or Y-axis</b>				
4.3.1.	Display modes	Square-wave signal 1 kHz ampl. 100 mV to A input	— Depress A — Ampl/div. to 20 mV — Depress B — Depress TRIG VIEW — Depress CHOP — Depress TRIG VIEW and CHOP — Depress ALT — Depress TRIG VIEW and ALT	Square-wave 1 kHz 5 div. high must be visible Trace channel B visible Trigger signal derived from A visible Traces of A and B visible Traces of A and B and TRIG VIEW visible Traces of A and B visible Traces of A and B and TRIG VIEW visible	
4.3.2.	Polarity inversion	Square-wave signal 1 kHz, ampl. 200 mV to A and B input Square-wave signal to A input (B)	— Depress ADD — AMPL/DIV switches to 50 mV Pull switch S4 (S5) — Depress A (B) of S1	Square-wave signal 1 kHz, trace height 8 div. visible Square-wave signal is inverted.	

STEP	OBJECTIVE	INPUT VOLTAGE	SETTINGS	REQUIREMENTS	MEASURING RESULTS
4.3.3.	Vertical deflection coefficients	Square-wave signal 1 kHz to A input (B)  AMPL. 10 mV (p-p) 20 mV (p-p) 50 mV (p-p) 100 mV (p-p) 200 mV (p-p) 500 mV (p-p)  1 V (p-p) 2 V (p-p) 5 V (p-p) 10 V (p-p) 20 V (p-p) 50 V (p-p)	— Depress A (B) of S1 — Depress A (B) of S23 AMPL/DIV S9 (S11) 2 mV 5 mV 10 mV 20 mV 50 mV 0,1 V 0,2 V 0,5 V 1 V 2 V 5 V 10 V	Trace height 5 DIV., + or -3 % ( $\pm 0,15$ div.) Trace height 4 DIV., + or -3 % ( $\pm 0,12$ div.) Trace height 5 DIV., + or -3 % ( $\pm 0,15$ div.) Trace height 5 DIV., + or -3 % ( $\pm 0,15$ div.) Trace height 4 DIV., + or -3 % ( $\pm 0,12$ div.) Trace height 5 DIV., + or -3 % ( $\pm 0,15$ div.) Trace height 5 DIV., + or -3 % ( $\pm 0,15$ div.) Trace height 4 DIV., + or -3 % ( $\pm 0,12$ div.) Trace height 5 DIV., + or -3 % ( $\pm 0,15$ div.) Trace height 5 DIV., + or -3 % ( $\pm 0,15$ div.) Trace height 4 DIV., + or -3 % ( $\pm 0,12$ div.) Trace height 5 DIV., + or -3 % ( $\pm 0,15$ div.) Trace height 5 DIV., + or -3 % ( $\pm 0,15$ div.) Trace height 4 DIV., + or -3 % ( $\pm 0,12$ div.) Trace height 5 DIV., + or -3 % ( $\pm 0,15$ div.) Trace height 5 DIV., + or -3 % ( $\pm 0,15$ div.)	
4.3.3.1.	Continuous control	Square-wave signal 1 kHz to A input (B) ampl. 100 mV (p-p)	— AMPL/DIV to 20 mV — Continuous control R7 (R8)	— Continuous range 1 : $> 2,5$ ( $< 2$ div.) — UNCAL led B3 lights up	
4.3.4.	Vertical positioning	Sine-wave signal 10 kHz to input A Amplitude 160 mVp-p	— AMPL/DIV to 20 mV — Set signal in vertical centre by means of position R1 — Set AMPL./DIV. to 10 mV — Position control R1 fully — Position control R1 fully	— Top of sine-wave visible on the screen on the vertical centre line — Bottom of sine-wave visible on the vertical centre line	
4.3.5.	Vertical deflection via dummy (input impedance)	Square-wave signal 1 kHz to A input via dummy (B)  AMPL. 20 mV (p-p) 50 mV (p-p) 100 mV (p-p) 200 mV (p-p) 500 mV (p-p)  1 V (p-p)	— Depress A (B) of S1 — Depress A (B) of S23 AMPL/DIV S9 (S11) 2 mV 5 mV 10 mV 20 mV 50 mV 0,1 V	Trace height 5 div., + or -3 % ( $\pm 0,15$ div.) Trace height 5 div., + or -3 % ( $\pm 0,15$ div.) Trace height 5 div., + or -3 % ( $\pm 0,15$ div.) Trace height 5 div., + or -3 % ( $\pm 0,15$ div.) Trace height 5 div., + or -3 % ( $\pm 0,15$ div.) Trace height 5 div., + or -3 % ( $\pm 0,15$ div.)	













STEP	OBJECTIVE	INPUT VOLTAGE	SETTINGS	REQUIREMENTS	MEASURING RESULTS
		AMPL. 2 V (p-p) 5 V (p-p) 10 V (p-p) 20 V (p-p) 50 V (p-p) 50 V (p-p)	0,2 V 0,5 V 1 V 2 V 5 V 10 V	Trace height 5 div., + or -3 % ( $\pm 0,15$ div.) Trace height 5 div., + or -3 % ( $\pm 0,15$ div.) Trace height 5 div., + or -3 % ( $\pm 0,15$ div.) Trace height 5 div., + or -3 % ( $\pm 0,15$ div.) Trace height 5 div., + or -3 % ( $\pm 0,15$ div.) Trace height 2.5 div., + or -3 %	
4.3.6.	Input coupling	Sine-wave signal 2 kHz + DC offset to A input (B)	– Depress 0 of S17 (S18) – Set the trace in the centre of the screen R1 (R2) – Depress AC of S17 (S18) – Depress DC of S17 (S18)	Signal is visible on the screen, centre of the sine-wave is on the vertical centre of the screen Signal is visible. Centre of the sine-wave is on DC offset level.	
4.3.7.	Common mode rejection	Sine-wave signal 100 kHz ampl. 0,48 V to A and B input  Sine-wave signal 1 MHz, ampl. 0,48 V to A and B input	– AMPL/DIV switches to 0,1 V. – Pull N/I switch S5. – Depress ADD of S1 – AMPL/DIV switches to 20 mV – Set the continuous controls for minimum trace height difference	Rejection 40 dB $\rightarrow$ trace height $\leq 0,24$ div.	For Service Manuals Contact MAURITRON TECHNICAL SERVICES 8 Cherry Tree Rd, Chinnor Oxon OX9 4QY Tel:- 01844-351694 Fax:- 01844-352554 Email:- enquiries@mauritron.co.uk
4.3.8.	Dynamic range	Sine-wave signal 10 MHz, ampl. 2,4 V to input A (B)  Sine-wave signal 75 MHz, ampl. 1 V to input A (B)	– Depress A (B) of S1 – Depress AC of S17 (S18) – AMPL/DIV to 0,1 V – Shift trace with POSITION control R1 (R2) – AMPL/DIV to 0,1 V	24 div. trace height distortion-free visible on screen  7 div. trace height distortion-free visible on screen	
4.3.9.	Cross talk	Sine-wave signal 10 MHz to A input ampl. 120 mV	– AMPL/DIV switches S9 and S11 to 20 mV – Depress B of S1	Cross talk from A to B $\leq 0,06$ div. (40 dB)	

STEP	OBJECTIVE	INPUT VOLTAGE	SETTINGS	REQUIREMENTS	MEASURING RESULTS
4.3.10.	Pulse aberration	Square-wave signal 1 MHz, rise-time $\leq 1$ ns, ampl. 10 mV to A input (B)  Square-wave signal 1 MHz, rise-time $\leq 1$ ns, ampl. 0,5 V to input A (B)	<ul style="list-style-type: none"> <li>– AMPL/DIV to 2 mV</li> <li>– Position controls R1 (R2) </li> <li>– AMPL/DIV to 0,1 V</li> <li>– Position controls R1 (R2)</li> </ul>	<ul style="list-style-type: none"> <li>– Trace height 5 div., + and <math>-2,5</math> div. from screen centre</li> <li>– Pulse aberrations <math>\leq 4\%</math> (<math>\leq 5\%</math>p-p)</li> <li>– In invert mode additional 1 %</li> <li>– Trace height 5 div., + and <math>-2,5</math> div. from screen centre</li> <li>– Pulse aberrations <math>\leq 3\%</math> (<math>\leq 4\%</math>p-p)</li> <li>– In invert mode additional 1 %</li> </ul>	
4.3.11.	Rise time	Square-wave signal 1 MHz, rise-time $\leq 1$ ns, ampl. 50 mV to input A (B) (pos. slope)	<ul style="list-style-type: none"> <li>– AMPL/DIV to 10 mV</li> <li>– Set signal between dotted lines</li> <li>– Pull S8 (neg. triggering)</li> <li>– Set second pos. slope in the horizontal centre by X POS R5</li> </ul>	<ul style="list-style-type: none"> <li>– Trace height 5 div.</li> <li>– Rise-time measured between 10 % and 90 % (4 div.) must be <math>\leq 4,7</math> ns (second pos. slope)</li> </ul>	
4.3.12.	Trace jump a) attenuator  b) normal/invert  c) continuous control		<ul style="list-style-type: none"> <li>– Depress 0 of S17 (S18)</li> <li>– Set trace in the centre of the screen</li> <li>– Switch AMPL/DIV switch between 2 mV and 5 mV</li> <li>– Switch AMPL/DIV switch between 10 mV and 20 mV</li> <li>– Depress 0 of S17 (S18)</li> <li>– Trace in the centre of the screen</li> <li>– Pull and push switch S4 (S5)</li> <li>– Depress 0 of S17 (S18)</li> <li>– Set trace in the centre of the screen</li> <li>– Rotate the continuous control R7  (R8 )</li> </ul>	<ul style="list-style-type: none"> <li>– Trace jump <math>\leq 0,2</math> div.</li> <li>– Trace jump <math>\leq 0,4</math> div.</li> <li>– Trace jump <math>\leq 0,5</math> div. (only in AMPL./DIV. settings : 20 mV/div. ... 10 V/div.)</li> <li>– Trace jump <math>\leq 0,2</math> div.</li> </ul>	


STEP	OBJECTIVE	INPUT VOLTAGE	SETTINGS	REQUIREMENTS	MEASURING RESULTS
4.3.13.	Bandwidth channel A (B)	Sine-wave signal 500 kHz, ampl. 120 mV to input A (B)  Sine-wave signal 500 kHz-75 MHz, ampl. 120 mV to input A (B)	<ul style="list-style-type: none"> <li>- TIME/DIV switch S15 to 5 <math>\mu</math>s</li> <li>- AMPL/DIV switch to 20 mV</li> <li>- Adjust ampl. of input signal to trace height 6 div.</li> </ul>	Trace height must be $\geq$ 4,2 div.	
4.4.	Trigger view				
4.4.1.	Sensitivity A (B)	Square-wave signal 1 kHz to A input (B)  Ampl.    10 mV (p-p) 20 mV (p-p) 50 mV (p-p) 100 mV (p-p) 200 mV (p-p) 500 mV (p-p) 1 V (p-p) 2 V (p-p) 5 V (p-p) 10 V (p-p) 20 V (p-p) 50 V (p-p)	<ul style="list-style-type: none"> <li>- Depress A (B) of S23</li> <li>- Depress TRIG VIEW S1.</li> <li>- AMPL/DIV switch S9 (S11) to               <ul style="list-style-type: none"> <li>2 mV</li> <li>5 mV</li> <li>10 mV</li> <li>20 mV</li> <li>50 mV</li> <li>0,1 V</li> <li>0,2 V</li> <li>0,5 V</li> <li>1 V</li> <li>2 V</li> <li>5 V</li> <li>10 V</li> </ul> </li> </ul>	Trace height 5 div. Trace height 4 div. Trace height 5 div. Trace height 5 div. Trace height 4 div. Trace height 5 div. Trace height 5 div. Trace height 4 div. Trace height 5 div. Trace height 5 div. Trace height 4 div. Trace height 5 div.	For Service Manuals Contact <b>MAURITRON TECHNICAL SERVICES</b> 8 Cherry Tree Rd, Chinnor Oxon OX9 4QY Tel:- 01844-351694 Fax:- 01844-352554 Email:- enquiries@mauritron.co.uk
4.4.2.	Sensitivity EXT	Sine-wave signal 1 kHz to EXT input X5 Ampl. 1,2 V  Square-wave signal 1 kHz, ampl. 1,2 V to EXT input X5	<ul style="list-style-type: none"> <li>- Depress EXT of S23</li> <li>- Depress TRIG VIEW of S1</li> <li>- Depress AUTO+TRIG of S3</li> <li>- Depress EXT of S23</li> <li>- Depress TRIG VIEW of S1</li> <li>- Depress TTL of S20</li> </ul>	Trace height 6 div. $\pm$ 3 % ( $\pm$ 0,18 div.)  Trace height 6 div. $\pm$ 3 % ( $\pm$ 0,18 div.)	
4.4.3.	Pulse aberrations via EXT.	Square-wave signal 1 MHz, ampl. 3 V, rise time $\leq$ 1 ns, to input EXT X5 (TEK 106)	<ul style="list-style-type: none"> <li>- Depress TRIG VIEW S1</li> <li>- Depress EXT of S23</li> </ul>	Trace height 6 div. Pulse aberrations $\leq$ 6 % ( $\leq$ 8 %p-p)	

STEP	OBJECTIVE	INPUT VOLTAGE	SETTINGS	REQUIREMENTS	MEASURING RESULTS
4.4.5.	Time delay between vertical input displayed via A or B and external input displayed via trigger view  Time delay between A or B and trigger view A or B	Square-wave signal 1 MHz, ampl. 0.5 V, rise-time 1 ns to A (B) input and to EXT input	<ul style="list-style-type: none"> <li>- AMPL/DIV to 0,1 V/DIV</li> <li>- Depress ALT and TRIG VIEW of S1</li> <li>- TIME/DIV switch S15 to 0.05 <math>\mu</math>s</li> <li>- Pull X MAGN S7</li> <li>- Depress EXT of S23</li> <li>- Depress A (B) of S23</li> <li>- Depress alternately A (B) and TRIG VIEW of S1</li> </ul>	<ul style="list-style-type: none"> <li>- Time delay between A (B) signal and EXT (via TRIG VIEW) signal must be <math>\leq 10</math> ns (<math>\leq 2</math> div.)</li> <li>- Time delay between A (B) signal and trigger view signal of A (B) must be <math>\leq 15</math> ns (<math>\leq 3</math> div.)</li> </ul>	
4.4.6.	Bandwidth INT  Bandwidth EXT	<p>Sine-wave signal 500 kHz, ampl. 120 mV to input A</p> <p>Sine-wave signal 500 kHz-50 MHz, ampl. 120 mV to input A</p> <p>Sine-wave signal 500 kHz, ampl. 3 V to EXT input X5</p> <p>Sine-wave signal 500 kHz - 60 MHz, ampl. 3 V to EXT input X5</p>	<ul style="list-style-type: none"> <li>- Depress TRIG VIEW S1</li> <li>- AMPL/DIV to 20 mV</li> <li>- Adjust the ampl. of the input signal to 6 div. trace height</li> <li>- Depress TRIG VIEW S1</li> <li>- Depress EXT of S23</li> <li>- Adjust the ampl. of the input signal to trace height 6 div.</li> </ul>	<p>Trace height must be <math>\geq 4,2</math> div.</p> <p>Trace height must be <math>\geq 4,2</math> div.</p>	

STEP	OBJECTIVE	INPUT VOLTAGE	SETTINGS	REQUIREMENTS	MEASURING RESULTS
4.5.	Horizontal or X-axis				
4.5.1.	Display modes	Square-wave signal 2 kHz, ampl. 120 mV to input A	<ul style="list-style-type: none"> <li>– AMPL/DIV to 50 mV</li> <li>– TIME/DIV MTB (S15) to 0,2 ns</li> <li>– Depress MTB of S2</li> <li>– TIME/DIV DTB (S13) to 50 <math>\mu</math>s</li> <li>– Depress DTB of S2</li> <li>– Depress ALT TB of S2</li> <li>– Depress X DEFL of S2</li> </ul>	<ul style="list-style-type: none"> <li>– Square-wave signal 2,4 div. high (MTB trace)</li> <li>– Intensified part DTB visible</li> <li>– Intensified part (DTB) visible over the entire screen width</li> <li>– MTB trace with intensified part and DTB trace visible</li> <li>– Horizontal deflection is determined by the input signal A (2,4 div.)</li> </ul>	
4.5.2.	Trace separation		<ul style="list-style-type: none"> <li>– TIME/DIV MTB S15 to 0,2 ms</li> <li>– TIME/DIV DTB S13 to 50 <math>\mu</math>s</li> <li>– Depress ALT TB of S2</li> <li>– Set trace in the centre of the screen R1 </li> <li>– TRACE SEP R15 </li> <li>– TRACE SEP R15 </li> </ul>	<ul style="list-style-type: none"> <li>– Both time-base lines cover each (one line)</li> <li>– MTB trace (with intensified part) 2 div. upwards</li> <li>– DTB trace 2 div. downwards</li> </ul>	<p>For Service Manuals Contact  <b>MAURITRON TECHNICAL SERVICES</b>        8 Cherry Tree Rd, Chinnor        Oxon OX9 4QY        Tel:- 01844-351694 Fax:- 01844-352554        Email:- enquiries@mauritron.co.uk</p>
4.5.3.	Horizontal positioning range	Time marker signal to input A	<ul style="list-style-type: none"> <li>– Set marker on first and last vertical graticule line </li> <li>– X POS control R5 </li> <li>– X POS control R5 </li> <li>– Pull X MAGN S7</li> <li>– X POS R5 </li> <li>– X POS R5 </li> </ul>	<p>First marker to horizontal centre of the screen        Last marker to horizontal centre of the screen</p> <p>First marker visible on screen        Last marker visible on screen</p>	

STEP	OBJECTIVE	INPUT VOLTAGE	SETTINGS	REQUIREMENTS	MEASURING RESULTS
4.6.	Triggering of the main time-base	Square-wave signal 2 kHz ampl. 300 mV to input A	<ul style="list-style-type: none"> <li>— AMPL/DIV switch (S9) to 50 mV</li> <li>— Depress LF of S20</li> <li>— Depress TRIG VIEW of S1</li> </ul>	<p><i>NOTE: If signal is triggered the NOT TRIG'D led B1 is off.</i></p> <p>Well triggered display</p>	
4.6.1.	Trigger source and trigger coupling	<p>Square-wave signal 2 kHz, 500 mV to input B and EXT (X5)</p> <p>TTL compatible square-wave signal to input A (B)</p> <p>Sine-wave signal 10 kHz, ampl. 120 mV to input A and CAL signal via 10:1 probe to input B</p> <p>Sine-wave signal, equal to mains freq., ampl. 120 mV to input A (B)</p>	<ul style="list-style-type: none"> <li>— Depress HF of S20</li> <li>— Depress B of S1</li> <li>— AMPL/DIV (S11) to 0,1 V</li> <li>— Depress DC of S20</li> <li>— Depress B of S23</li> <li>— Depress EXT of S23</li> <li>— Depress TTL of S20</li> <li>— Depress A (B) of S23</li> <li>— Depress A (B) of S1</li> <li>— AMPL/DIV to 50 mV</li> <li>— Depress A and B (COMP) of S23</li> <li>— Depress ALT of S1</li> <li>— Depress A (B) of S1</li> <li>— Depress B and EXT (LINE) of S23</li> </ul>	<p>Square-wave signal visible with roundings (LF filter)</p> <p>Differentiated square-wave visible</p> <p>Well triggered display</p> <p>Well triggered display</p> <p>Well triggered display</p> <p>Both input signals (that have no time relation) well triggered displayed (both input signals must overlap each other)</p> <p>Well triggered display</p>	
4.6.2.	Trigger sensitivity INTERNAL	<p>Sine-wave signal freq. <math>\leq 10</math> MHz, ampl. 120 mVpp to input A</p> <p>Sine-wave signal freq. <math>\leq 100</math> MHz, 1,2 div. trace height to input A</p>	<ul style="list-style-type: none"> <li>— AMPL/DIV to 0,2 V</li> <li>— Decrease trace height by R7</li> <li>— AMPL/DIV to 0,1 V</li> <li>— Decrease trace height by R7</li> </ul>	<p>Signal triggers at trace height of <math>\geq 0,5</math> div.</p> <p>Signal triggers at trace height of <math>\geq 1</math> div.</p>	




STEP	OBJECTIVE	INPUT VOLTAGE	SETTINGS	REQUIREMENTS	MEASURING RESULTS
4.6.3.	Trigger sensitivity TTL	TTL compatible signal, 1 kHz to input A and EXT	<ul style="list-style-type: none"> <li>— AMPL/DIV to 2 V</li> <li>— Depress TTL of S20</li> <li>— Pull slope S8</li> <li>— Depress EXT S23</li> <li>— Push slope S8</li> </ul>	<ul style="list-style-type: none"> <li>— Well triggered display</li> <li>— Well triggered display</li> <li>— Well triggered display</li> <li>— Well triggered display</li> </ul>	
4.6.4.	Trigger sensitivity EXTERNAL	<p>Sine-wave signal, freq. ≤ 10 MHz, ampl. 100 mVpp to EXT (X5)</p> <p>Sine-wave signal, freq. ≤ 100 MHz, ampl. 300 mV to EXT (X5)</p>	<ul style="list-style-type: none"> <li>— Depress TRIG VIEW of S1</li> <li>— Depress EXT of S23</li> </ul>	<p>Signal is well triggered</p> <p>Signal is well triggered</p>	<p>For Service Manuals Contact MAURITRON TECHNICAL SERVICES 8 Cherry Tree Rd, Chinnor Oxon OX9 4QY Tel:- 01844-351694 Fax:- 01844-352554 Email:- enquiries@mauritron.co.uk</p>
4.6.5.	Level range and triggering slope	<p>Sine-wave signal, ampl. 160 mV, freq. 1 kHz to input A</p> <p>Sine-wave signal 1 kHz, ampl. 3,2 V to EXT input X5</p>	<ul style="list-style-type: none"> <li>— AMPL/DIV to 10 mV</li> <li>— Depress TRIG of S3</li> <li>— Depress TRIG VIEW of S1</li> <li>— LEVEL R6 ↻</li> <li>— Pull SLOPE S8</li> <li>— AMPL/DIV to 20 mV</li> <li>— Depress AUTO of S3</li> <li>— LEVEL R6 ↻</li> <li>— Depress EXT of S23</li> <li>— Depress TRIG of S3</li> <li>— LEVEL R6 ↻</li> </ul>	<p>Trace is triggered over ± 8 div., trigger point on positive slope</p> <p>Trigger point on negative slope</p> <p>Triggered signal over the complete LEVEL range</p> <p>Trigger point adjustable over the complete amplitude (+ or -1,6 V)</p>	

STEP	OBJECTIVE	INPUT VOLTAGE	SETTINGS	REQUIREMENTS	MEASURING RESULTS
4.6.6.	Trigger bandwidth	Sine-wave signal 25 kHz, ampl. 300 mV to input A	<ul style="list-style-type: none"> <li>- Depress DC of S20</li> <li>- Depress TRIG of S3</li> <li>- AMPL/DIV to 50 mV</li> <li>- Depress TRIG VIEW</li> <li>- Set trace in the centre by means of R6 </li> <li>- Decrease freq. of input signal to <math>\approx 1</math> Hz (trace height 6 div.)</li> <li>- Increase freq. of input signal to 100 MHz</li> <li>- Depress DC of S20</li> <li>- Adjust ampl. of input signal so that trace height is 6 div.</li> <li>- Depress LF of S20</li> <li>- Decrease freq. of input signal to 2 Hz</li> <li>- Depress HF of S20</li> <li>- Freq. of input signal 25 kHz</li> <li>- Increase freq. of input signal to 100 MHz</li> </ul>	<p>Trace must be triggered</p> <p>Trace must be triggered</p> <p>Trace must be triggered</p> <p>Trace height <math>\geq 4,2</math> div.</p> <p>Trace height increases and signal must be triggered</p> <p>Trace height <math>\geq 4,2</math> div.</p> <p>Trace height increases and signal must be triggered</p>	









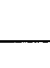






STEP	OBJECTIVE	INPUT VOLTAGE	SETTINGS	REQUIREMENTS	MEASURING RESULTS
4.7.4.	Single shot	Square-wave signal 10 kHz to input A	<ul style="list-style-type: none"> <li>— TIME/DIV to 0,1 ms</li> <li>— Depress SINGLE of S3</li> </ul>	<ul style="list-style-type: none"> <li>— Trace once visible</li> <li>— During SINGLE shot action NOT TRIG'D led B1 lights up</li> </ul>	
4.7.5.	Hold off	Square-wave signal repetition time 10 $\mu$ s to input A	<ul style="list-style-type: none"> <li>— TIME/DIV to 2 <math>\mu</math>s</li> <li>— HOLD OFF R11 </li> </ul>	<ul style="list-style-type: none"> <li>— Sweep HOLD OFF time can be varied by a factor of 10 <math>\rightarrow</math> trace intensity decreases</li> </ul>	
4.8.	<b>Triggering of the delayed time-base</b>				
4.8.1.	Trigger source, trigger coupling and trigger bandwidth	Sine-wave signal 2 kHz ampl. 300 mV to input A	<ul style="list-style-type: none"> <li>— AMPL/DIV to 0,1 V</li> <li>— TIME/DIV MTB (S15) to 0,5 ms</li> <li>— TIME/DIV DTB (S13) to 50 <math>\mu</math>s</li> <li>— Depress A of S22</li> <li>— Adjust LEVEL R4 </li> <li>— Depress DTB of S2</li> <li>— Increase freq. of input signal to 100 MHz.</li> <li>— Depress HF of S19</li> <li>— Decrease freq. of input signal to 25 kHz.</li> <li>— Depress LF of S19</li> <li>— Decrease freq. of input signal to 2 Hz.</li> <li>— Depress DC of S19</li> <li>— Depress MTB of S2</li> <li>— Depress B of S1</li> <li>— Depress B of S23</li> <li>— Depress B of S22</li> <li>— Adjust LEVEL R4 </li> <li>— Depress MTB of S22</li> </ul>	<ul style="list-style-type: none"> <li>— Well triggered intensified part (DTB signal)</li> <li>— Well triggered intensified part</li> <li>— Trace must be well triggered</li> <li>— Trace must be well triggered</li> <li>— Trace must be well triggered</li> <li>— Trace must be well triggered</li> <li>— Well triggered intensified part</li> <li>— Intensified part well triggered independent of R4</li> </ul>	

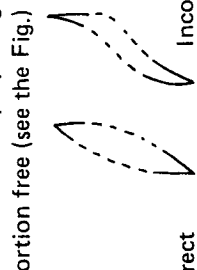
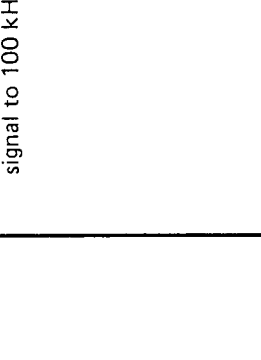
1. 2. 3. 4. 5. 6. 7. 8. 9. 10. 11. 12. 13. 14. 15. 16. 17. 18. 19. 20. 21. 22. 23. 24. 25. 26. 27. 28. 29. 30. 31. 32. 33. 34. 35. 36. 37. 38. 39. 40. 41. 42. 43. 44. 45. 46. 47. 48. 49. 50. 51. 52. 53. 54. 55. 56. 57. 58. 59. 60. 61. 62. 63. 64. 65. 66. 67. 68. 69. 70. 71. 72. 73. 74. 75. 76. 77. 78. 79. 80. 81. 82. 83. 84. 85. 86. 87. 88. 89. 90. 91. 92. 93. 94. 95. 96. 97. 98. 99. 100.

| STEP   | OBJECTIVE                        | INPUT VOLTAGE  | SETTINGS  | REQUIREMENTS  | MEASURING RESULTS  |
|--------|----------------------------------|--|---|---|--|
| 4.8.2. | Trigger sensitivity              | Sine-wave signal freq.<br>≤ 10 MHz, ampl. 300 mVpp<br>to input A | <ul style="list-style-type: none"> <li>— AMPL/DIV to 0,2 V</li> <li>— TIME/DIV MTB (S15) to 0,05 μsec</li> <li>— TIME/DIV DTB (S13) to 0,05 μsec</li> <li>— Depress A of S22</li> <li>— Depress DTB of S22</li> <li>— Adjust LEVEL R4 </li> <li>— Decrease trace height by R7 </li> <li>— Adjust LEVEL R4 </li> <li>— Decrease trace height by R7 </li> </ul> | <p>Signal triggers at trace height of ≥ 0,5 div.</p> <p>Signal triggers at trace height of ≥ 1,3 div.</p>       | <p>For Service Manuals Contact<br/> <b>MAURITRON TECHNICAL SERVICES</b><br/> 8 Cherry Tree Rd, Chinnor<br/> Oxon OX9 4QY<br/> <b>Tel:- 01844-351694 Fax:- 01844-352554</b><br/> <b>Email:- enquiries@mauritron.co.uk</b></p> |
| 4.8.3. | Level range and triggering slope | Sine-wave signal 1 kHz<br>ampl. 160 mV to input A<br>(B)         | <ul style="list-style-type: none"> <li>— AMPL/DIV to 10 mV</li> <li>— TIME/DIV MTB (S15) to 0,5 ms</li> <li>— TIME/DIV DTB (S13) to 0,1 ms</li> <li>— Depress A (B) of S22</li> <li>— Depress DTB of S2</li> <li>— Adjust LEVEL R4 </li> <li>— Pull slope S6</li> </ul>  | <p>Trace is triggered over ± 8 div., trigger point on positive slope</p> <p>Trigger point on negative slope</p> |  |

| STEP   | OBJECTIVE          | INPUT VOLTAGE  | SETTINGS   | REQUIREMENTS   | MEASURING RESULTS |
|--------|--------------------|--|--|--|-------------------|
| 4.9.   | Delayed time-base  | Time-marker signal repetition time:  | — Depress DTB of S2<br>— MTB<br>TIME/DIV S15<br>DTB<br>TIME/DIV S13  | Coefficient error $\leq 3\%$<br>Coefficient error $\leq 3\%$<br>Coefficient error $\leq 3\%$<br>Coefficient error $\leq 3\%$<br>Coefficient error $\leq 3\%$<br>Coefficient error $\leq 3\%$<br>Coefficient error $\leq 3\%$<br>Coefficient error $\leq 3\%$<br>Coefficient error $\leq 3\%$<br>Coefficient error $\leq 3\%$<br>Coefficient error $\leq 3\%$<br>Coefficient error $\leq 3\%$<br>Coefficient error $\leq 3\%$<br>Coefficient error $\leq 3\%$<br>Coefficient error $\leq 3\%$<br>Coefficient error $\leq 3\%$<br>Coefficient error $\leq 3\%$ |                   |
| 4.9.1. | Time coefficients  | 0,05 $\mu s$<br>0,1 $\mu s$<br>0,2 $\mu s$<br>0,5 $\mu s$<br>1 $\mu s$<br>2 $\mu s$<br>5 $\mu s$<br>10 $\mu s$<br>20 $\mu s$<br>50 $\mu s$<br>0,1 ms<br>0,2 ms<br>0,5 ms<br>1 ms<br>2 ms | 0,05 $\mu s$<br>0,1 $\mu s$<br>0,2 $\mu s$<br>0,5 $\mu s$<br>1 $\mu s$<br>2 $\mu s$<br>5 $\mu s$<br>10 $\mu s$<br>20 $\mu s$<br>50 $\mu s$<br>0,1 ms<br>0,2 ms<br>0,5 ms<br>1 ms<br>2 ms                             | Coefficient error $\leq 3\%$<br>Coefficient error $\leq 3\%$<br>Coefficient error $\leq 3\%$<br>Coefficient error $\leq 3\%$<br>Coefficient error $\leq 3\%$<br>Coefficient error $\leq 3\%$<br>Coefficient error $\leq 3\%$<br>Coefficient error $\leq 3\%$<br>Coefficient error $\leq 3\%$<br>Coefficient error $\leq 3\%$<br>Coefficient error $\leq 3\%$<br>Coefficient error $\leq 3\%$<br>Coefficient error $\leq 3\%$<br>Coefficient error $\leq 3\%$<br>Coefficient error $\leq 3\%$<br>Coefficient error $\leq 3\%$<br>Coefficient error $\leq 3\%$ |                   |
| 4.9.2. | Magnifier          | Square-wave signal repetition time 1 $\mu s$   | — Depress DTB of S2<br>— TIME/DIV MTB (S15) to 2 $\mu s$<br>— TIME/DIV DTB (S13) to 1 $\mu s$<br>— Pull X MAGN S7<br>— X pos R5  | — MAGN led B2 lights up<br>— Coefficient error $\leq 5\%$<br>— Trace adjustable over 100 div. $\longleftrightarrow$  |                   |
| 4.9.3. | Continuous control | As 4.9.2.  | — TIME/DIV MTB (S15) to 5 $\mu s$<br>— TIME/DIV DTB (S13) to 1 $\mu s$<br>— Depress DTB of S2<br>— Continuous control R9          | — UNCAL led B4 lights up<br>— Continuous range 1 : $> 2,5$   |                   |

| STEP   | OBJECTIVE                    | INPUT VOLTAGE   | SETTINGS  | REQUIREMENTS   | MEASURING RESULTS  |
|--------|------------------------------|---|---|--|--|
| 4.9.4. | Incremental Delay Time error | Marker pulse to input A, repetition time 0,5 msec. ampl. 3 div. | <p>MTB/TIME/DIV to 0.5 msec.<br/> DTB/TIME/DIV to 20 <math>\mu</math>sec.<br/> Depress ALT TB of S2.<br/> Depress MTB of S22.</p> <p>Delay Time R3 </p> <p>Delay Time R3 </p> | <p>Intensified part to second marker pulse.<br/> Positive slope of DTB signal to vertical centre of the screen.<br/> Note the value of R3 in 3 digits.<br/> Intensified part to third ... tenth marker pulse.<br/> Positive slope of DTB signal to vertical centre of the screen.<br/> Note the values of R3 in 3 digits.<br/> Calculate the steps between the sequential noted values.<br/> Maximum difference between the steps is:<br/> <math>\leq 0,05</math>.</p> | <p>For Service Manuals Contact<br/> <b>MAURITRON TECHNICAL SERVICES</b><br/> 8 Cherry Tree Rd, Chinnor<br/> Oxon OX9 4QY<br/> Tel:- 01844-351694 Fax:- 01844-352554<br/> Email:- enquiries@mauritron.co.uk</p> |
| 4.9.5. | Delay time jitter            | Sine-wave signal 1 MHz to input A                               | <ul style="list-style-type: none"> <li>— Set trace height to 6 div.</li> <li>— TIME/DIV MTB (S15) to 1 ms</li> <li>— TIME/DIV DTB (S13) to 0,5 <math>\mu</math>s</li> <li>— Delay time R3 to 10</li> <li>— Depress DTB of S2</li> </ul>   | Jitter of DTB trace $\leq 1$ div   |  |

| STEP    | OBJECTIVE                        | INPUT VOLTAGE  | SETTINGS  | REQUIREMENTS  | MEASURING RESULTS |
|---------|----------------------------------|--|---|---|-------------------|
| 4.10    | X-Y Operation                    |  |   |   |                   |
| 4.10.1. | Mode and deflection coefficients | <p>Sine-wave signal 10 kHz to input A</p> <p>Sine-wave signal 10 kHz to input B</p> <p>Sine-wave signal 10 kHz ampl. 1 V to EXT input X5</p> | <ul style="list-style-type: none"> <li>— Set trace height to 6 div.</li> <li>— Depress A of S23</li> <li>— Depress X DEFL of S2</li> <li>— Depress MTB of S2</li> <li>— Depress B of S23</li> <li>— Depress B of S1</li> <li>— Set trace height to 6 div.</li> <li>— Depress X DEFL of S2</li> <li>— Depress EXT of S23</li> <li>— Depress B and EXT (LINE) of S23</li> </ul>   | <p>A line under an angle of 45° with respect to the horizontal graticule line visible, trace height and trace width 6 div. <math>\pm</math> 10 %</p> <p>As described above</p> <p>Trace width 5 div. <math>\pm</math> 10 %</p> <p>Trace width 5 div. at 50 Hz mains frequency</p> |                   |
| 4.10.2. | Bandwidth via A                  | <p>Sine-wave signal 1 kHz to input A</p> <p>Sine-wave signal 1 kHz to input A</p>  | <ul style="list-style-type: none"> <li>— Depress A of S23</li> <li>— Depress HF of S20</li> <li>— Depress X DEFL of S2</li> <li>— Depress B of S1</li> <li>— Adjust ampl. of input signal for horizontal deflection 8 div.</li> <li>— Increase freq. of input signal to 100 kHz</li> <li>— Depress LF of S20</li> <li>— Adjust ampl. of input signal for horizontal deflection 8 div.</li> <li>— Increase freq. of input signal to 20 kHz (ampl. same as above)</li> <li>— Depress HF of S20</li> <li>— Increase freq. of input signal to 100 kHz</li> <li>— Depress EXT of S23</li> <li>— Horizontal deflection 8 div.</li> <li>— Increase freq. of input signal to 100 kHz</li> </ul> | <p>Horizontal deflection 8 div.</p> <p>Horizontal deflection <math>\geq</math> 7,8 div. (0,5 dB)</p> <p>Horizontal deflection decreases</p> <p>Horizontal deflection decreases</p> <p>Horizontal deflection increases</p> <p>Trace width <math>\geq</math> 7,8 div.</p>           |                   |
|         | Bandwidth via EXT. input (X5)    | <p>Sine-wave signal 1 kHz to input EXT (ampl. 4 V)</p>   |   |   |                   |

| STEP    | OBJECTIVE                         | INPUT VOLTAGE                                       | SETTINGS   | REQUIREMENTS   | MEASURING RESULTS  |
|---------|-----------------------------------|---|--|--|--|
| 4.10.3. | Dynamic range                     | Sine-wave signal 100 kHz to input A                 | <ul style="list-style-type: none"> <li>- Set AMPL/DIV to 0,2 V</li> <li>- Adjust ampl. of input signal to 5 div. trace height.</li> <li>- Set AMPL/DIV to 50 mV</li> <li>- Depress X DEFL of S2</li> <li>- Adjust R1 and R5 to check the complete signal shape.</li> </ul> | <p>- Check that the displayed signal is distortion free (see the Fig.)</p>    | <p style="text-align: center;">For Service Manuals Contact<br/> <b>MAURITRON TECHNICAL SERVICES</b><br/>             8 Cherry Tree Rd, Chinnor<br/>             Oxon OX9 4QY<br/> <b>Tel:- 01844-351694 Fax:- 01844-352554</b><br/> <b>Email:- enquiries@mauritron.co.uk</b></p> |
| 4.10.4  | Phase shift between X and Y anpl. | Sine-wave signal 2 kHz, ampl. 120 mV to input A     | <ul style="list-style-type: none"> <li>- Depress X DEFL. of S2</li> <li>- Depress DC of S20</li> <li>- Adjust amplitude of input signal for a trace-height of 6 div.</li> <li>- Increase the freq. of the input signal to 100 kHz</li> </ul>                               | <p>A line under an angle of 45° with respect to the horizontal graticule line visible</p> <p>Phase shift <math>\leq 30</math></p>  |  |
| 4.11.   | Calibration                       |   | CAL X1   |  | <p><math>\approx 2</math> kHz square-wave signal, ampl. 1,2 Vpp, short-circuit protected</p>   |
| 4.12.   | Z-Modulation                      | TTL compatible square-wave signal to input Z-MOD X6 |  |  | <p>logic "1" is normal intensity</p> <p>logic "0" is blanked</p>   |

## 5. CHECKING AND ADJUSTING

### 5.1. General Information

The following information provides the complete checking and adjusting procedure for the oscilloscope. As various control functions are interdependent, a certain order of adjustment is often necessary.

The procedure is, therefore, presented in a sequence which is best suited to this order, cross-reference being made to any circuit which may affect a particular adjustment.

Before any check or adjustment, the instrument must attain its normal operating temperature.

- Where possible, instrument performance is checked before an adjustment is made.
- Warming-up time under average conditions is 30 minutes.
- All limits and tolerances given in this section are calibration guides and should not be interpreted as instrument specifications unless they are also published in chapter 1. characteristics.
- Tolerances given are for the instrument under test and do not include test equipment error.
- The most accurate display adjustments are made with a stable, well-focused, low-intensity display. Unless otherwise stated, adjust the Intensity, Focus and Trigger Level controls as needed.
- Unless otherwise stated, the controls occupy the same position as in the previous check.

### 5.2. Recommended test equipment

As indicated in chapter 4.3.

Additional equipment for the checking and adjusting procedure:

|                               |   |
|-------------------------------|---|
| Digital multimeter            | e.g. PM 2522 (A) or PM 2524   |
| H.T. probe                    | e.g. PM 9246  |
| Trimming tool set             | e.g. Philips 800NTX   |
| Resistor 130 $\Omega$ , 1,5 W | e.g. 120 $\Omega$ WR (4822 112 21083) in serial with<br>10 $\Omega$ WR (4822 112 51054) |

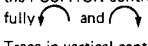
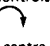
### 5.3. Preliminary settings of the controls

See Fig. 4.1.





5.4. SURVEY OF ADJUSTING ELEMENTS AND AUXILIARY EQUIPMENT

| ADJUSTMENT                                    | ADJUSTING ELEMENT                         | ADJUSTING RESULT   | RECOMMENDED INSTRUMENT AND INPUT SIGNALS                  | CHAPTER                  | FIGURES       |        |       |        |       |        |       |        |       |        |       |        |     |        |     |        |     |        |      |        |  |                       |        |        |        |       |     |     |      |      |      |          |      |
|---|---|--|---|--------------------------|---------------|--------|-------|--------|-------|--------|-------|--------|-------|--------|-------|--------|-----|--------|-----|--------|-----|--------|------|--------|--|-----------------------|--------|--------|--------|-------|-----|-----|------|------|------|----------|------|
| <b>POWER SUPPLY</b>                           |   |  |   |                          |               |        |       |        |       |        |       |        |       |        |       |        |     |        |     |        |     |        |      |        |  |                       |        |        |        |       |     |     |      |      |      |          |      |
| Supply voltage adjustment                     | R1474                                     | -7.35 V + or -3 % on pin 3 of X858   | Digital multimeter  | 5.5.1.1.                 | 5.3.          |        |       |        |       |        |       |        |       |        |       |        |     |        |     |        |     |        |      |        |  |                       |        |        |        |       |     |     |      |      |      |          |      |
| Current sensing                               | R1476                                     | Extra load between pin 2 (+14 V) and pin 1 of X858. Adjust so that current limit point is just not reached.  | -   | 5.5.1.2.                 | 5.3.          |        |       |        |       |        |       |        |       |        |       |        |     |        |     |        |     |        |      |        |  |                       |        |        |        |       |     |     |      |      |      |          |      |
| -1500 V supply voltage                        | R1471                                     | -1500 V + or -3 % on pins 7 and 14 of the c.r.t. socket  | Digital multimeter and HV probe                           | 5.5.1.3.                 | 5.3.          |        |       |        |       |        |       |        |       |        |       |        |     |        |     |        |     |        |      |        |  |                       |        |        |        |       |     |     |      |      |      |          |      |
| <b>CRT DISPLAY ADJUSTMENTS</b>                |   |  |   |                          |               |        |       |        |       |        |       |        |       |        |       |        |     |        |     |        |     |        |      |        |  |                       |        |        |        |       |     |     |      |      |      |          |      |
| Intensity                                     | R1504                                     | Point is just visible  | -   | 5.5.2.1.                 | 5.1.          |        |       |        |       |        |       |        |       |        |       |        |     |        |     |        |     |        |      |        |  |                       |        |        |        |       |     |     |      |      |      |          |      |
| Intens ratio                                  | R401                                      | DTB-trace must be well distinguished from MTB-trace  | -   | 5.5.2.2.                 | 5.1.          |        |       |        |       |        |       |        |       |        |       |        |     |        |     |        |     |        |      |        |  |                       |        |        |        |       |     |     |      |      |      |          |      |
| Trace rotation                                | R14                                       | Trace runs exactly in parallel with the horizontal graticule line  | -   | 5.5.2.3.                 | 4.1.          |        |       |        |       |        |       |        |       |        |       |        |     |        |     |        |     |        |      |        |  |                       |        |        |        |       |     |     |      |      |      |          |      |
| Focus and astigmatism                         | R1473                                     | Trace as sharp as possible   | Function generator (sine-wave signal 10 kHz)              | 5.5.2.4.                 | 5.3.          |        |       |        |       |        |       |        |       |        |       |        |     |        |     |        |     |        |      |        |  |                       |        |        |        |       |     |     |      |      |      |          |      |
| Geometry                                      | R1472                                     | Displayed vertical lines as straight as possible and signal must fall between hatched area shown in Fig. 5.4.  | Function generator (sine-wave signal 100 kHz and ≈ 50 Hz) | 5.5.2.5.                 | 5.3.          |        |       |        |       |        |       |        |       |        |       |        |     |        |     |        |     |        |      |        |  |                       |        |        |        |       |     |     |      |      |      |          |      |
| <b>BALANCE ADJUSTMENTS</b>                    |   |  |   |                          |               |        |       |        |       |        |       |        |       |        |       |        |     |        |     |        |     |        |      |        |  |                       |        |        |        |       |     |     |      |      |      |          |      |
| Attenuator balance channel A (B)              | R653 (R503)                               | Trace jump ≤ 0.2 div. (AMPL/DIV setting 2 mV and 5 mV)   | -   | 5.5.3.1.                 | 5.2.          |        |       |        |       |        |       |        |       |        |       |        |     |        |     |        |     |        |      |        |  |                       |        |        |        |       |     |     |      |      |      |          |      |
|   | R672 (R521)                               | Trace jump ≤ 0.4 div. (AMPL/DIV setting 10 mV and 20 mV)   | -   | 5.5.3.1.                 | 5.2.          |        |       |        |       |        |       |        |       |        |       |        |     |        |     |        |     |        |      |        |  |                       |        |        |        |       |     |     |      |      |      |          |      |
| Normal-Invert balance channel A (B)           | R701 (R553)                               | Trace jump ≤ 0.5 div.  | -   | 5.5.3.2.                 | 5.2.          |        |       |        |       |        |       |        |       |        |       |        |     |        |     |        |     |        |      |        |  |                       |        |        |        |       |     |     |      |      |      |          |      |
| Final Y-amplifier balance                     | R1205                                     | Top and bottom levels of the sine-waves on the same point of the screen, with the POSITION controls R1 and R2 fully  and   | -   | 5.5.3.3.                 | 5.1.          |        |       |        |       |        |       |        |       |        |       |        |     |        |     |        |     |        |      |        |  |                       |        |        |        |       |     |     |      |      |      |          |      |
| Added balance                                 | R562                                      | Trace in vertical centre   | -   | 5.5.3.4.                 | 5.2.          |        |       |        |       |        |       |        |       |        |       |        |     |        |     |        |     |        |      |        |  |                       |        |        |        |       |     |     |      |      |      |          |      |
| <b>LF CORRECTIONS AND SENSITIVITIES</b>       |   |  |   |                          |               |        |       |        |       |        |       |        |       |        |       |        |     |        |     |        |     |        |      |        |  |                       |        |        |        |       |     |     |      |      |      |          |      |
| Continuous control of channel A (B)           | R743 (R583)                               | Continuous attenuation starts at 15° from counter clockwise-stop of R7 (R8)  | Function generator (square-wave signal 10 kHz)            | 5.5.4.1.                 | 5.2.          |        |       |        |       |        |       |        |       |        |       |        |     |        |     |        |     |        |      |        |  |                       |        |        |        |       |     |     |      |      |      |          |      |
|   | R750 (R610)                               | Trace height from 6 div. to ≤ 2.4 div. when R7 (R8) are fully counter clockwise  | Function generator (square-wave signal 10 kHz)            | 5.5.4.1.                 | 5.2.          |        |       |        |       |        |       |        |       |        |       |        |     |        |     |        |     |        |      |        |  |                       |        |        |        |       |     |     |      |      |      |          |      |
| LF correction of channel A (B)                | R719 (R563)                               | Pulse top as straight as possible  | Function generator (square-wave signal 100 Hz)            | 5.5.4.2.                 | 5.2.          |        |       |        |       |        |       |        |       |        |       |        |     |        |     |        |     |        |      |        |  |                       |        |        |        |       |     |     |      |      |      |          |      |
| Gain x1 channel A (B)                         | R1239 (R578)                              | Trace height 6 div. + or -3 %  | Function generator (square-wave signal 1 kHz)             | 5.5.4.3.                 | 5.1. and 5.2. |        |       |        |       |        |       |        |       |        |       |        |     |        |     |        |     |        |      |        |  |                       |        |        |        |       |     |     |      |      |      |          |      |
| Gain x10 channel A (B)                        | R727 (R604)                               | Trace height 6 div. + or -3 %  | Function generator (square-wave signal 1 kHz)             | 5.5.4.4.                 | 5.2.          |        |       |        |       |        |       |        |       |        |       |        |     |        |     |        |     |        |      |        |  |                       |        |        |        |       |     |     |      |      |      |          |      |
| Trigger view sensitivity EXT ,A and B         | R1104 R958 (A) R961 (B)                   | Trace height 6 div. + or -0.9 subdiv.  | Function generator (square-wave signal 1 kHz)             | 5.5.4.5.                 | 5.2.          |        |       |        |       |        |       |        |       |        |       |        |     |        |     |        |     |        |      |        |  |                       |        |        |        |       |     |     |      |      |      |          |      |
| <b>VERTICAL CHANNELS</b>                      |   |  |   |                          |               |        |       |        |       |        |       |        |       |        |       |        |     |        |     |        |     |        |      |        |  |                       |        |        |        |       |     |     |      |      |      |          |      |
| Attenuator square-wave response channel A (B) | C676 (C538)<br>C663 (C539)<br>C687 (C519) | <p>Pulse top errors ≤ + or -1.5 %</p> <table border="0"> <tr> <td>AMPL/DIV switch setting</td> <td>Trace height + or -1.5 %</td> </tr> <tr> <td>2.5-10 mV</td> <td>6 div.</td> </tr> <tr> <td>20 mV</td> <td>6 div.</td> </tr> <tr> <td>50 mV</td> <td>6 div.</td> </tr> <tr> <td>0.1 V</td> <td>6 div.</td> </tr> <tr> <td>0.2 V</td> <td>6 div.</td> </tr> <tr> <td>0.5 V</td> <td>6 div.</td> </tr> <tr> <td>1 V</td> <td>6 div.</td> </tr> <tr> <td>2 V</td> <td>6 div.</td> </tr> <tr> <td>5 V</td> <td>3 div.</td> </tr> <tr> <td>10 V</td> <td>3 div.</td> </tr> </table> | AMPL/DIV switch setting                                   | Trace height + or -1.5 % | 2.5-10 mV     | 6 div. | 20 mV | 6 div. | 50 mV | 6 div. | 0.1 V | 6 div. | 0.2 V | 6 div. | 0.5 V | 6 div. | 1 V | 6 div. | 2 V | 6 div. | 5 V | 3 div. | 10 V | 3 div. | <p>Square-wave calibration generator, rise time ≤ 100 ns<br/>freq. 10 kHz<br/>amplitude:</p> <table border="0"> <tr> <td>12 mV - 30 mV - 60 mV</td> </tr> <tr> <td>120 mV</td> </tr> <tr> <td>300 mV</td> </tr> <tr> <td>600 mV</td> </tr> <tr> <td>1.2 V</td> </tr> <tr> <td>3 V</td> </tr> <tr> <td>6 V</td> </tr> <tr> <td>12 V</td> </tr> <tr> <td>15 V</td> </tr> <tr> <td>30 V</td> </tr> </table> | 12 mV - 30 mV - 60 mV | 120 mV | 300 mV | 600 mV | 1.2 V | 3 V | 6 V | 12 V | 15 V | 30 V | 5.5.5.1. | 5.2. |
| AMPL/DIV switch setting                       | Trace height + or -1.5 %                  |  |   |                          |               |        |       |        |       |        |       |        |       |        |       |        |     |        |     |        |     |        |      |        |  |                       |        |        |        |       |     |     |      |      |      |          |      |
| 2.5-10 mV                                     | 6 div.                                    |  |   |                          |               |        |       |        |       |        |       |        |       |        |       |        |     |        |     |        |     |        |      |        |  |                       |        |        |        |       |     |     |      |      |      |          |      |
| 20 mV   | 6 div.                                    |  |   |                          |               |        |       |        |       |        |       |        |       |        |       |        |     |        |     |        |     |        |      |        |  |                       |        |        |        |       |     |     |      |      |      |          |      |
| 50 mV   | 6 div.                                    |  |   |                          |               |        |       |        |       |        |       |        |       |        |       |        |     |        |     |        |     |        |      |        |  |                       |        |        |        |       |     |     |      |      |      |          |      |
| 0.1 V   | 6 div.                                    |  |   |                          |               |        |       |        |       |        |       |        |       |        |       |        |     |        |     |        |     |        |      |        |  |                       |        |        |        |       |     |     |      |      |      |          |      |
| 0.2 V   | 6 div.                                    |  |   |                          |               |        |       |        |       |        |       |        |       |        |       |        |     |        |     |        |     |        |      |        |  |                       |        |        |        |       |     |     |      |      |      |          |      |
| 0.5 V   | 6 div.                                    |  |   |                          |               |        |       |        |       |        |       |        |       |        |       |        |     |        |     |        |     |        |      |        |  |                       |        |        |        |       |     |     |      |      |      |          |      |
| 1 V   | 6 div.                                    |  |   |                          |               |        |       |        |       |        |       |        |       |        |       |        |     |        |     |        |     |        |      |        |  |                       |        |        |        |       |     |     |      |      |      |          |      |
| 2 V   | 6 div.                                    |  |   |                          |               |        |       |        |       |        |       |        |       |        |       |        |     |        |     |        |     |        |      |        |  |                       |        |        |        |       |     |     |      |      |      |          |      |
| 5 V   | 3 div.                                    |  |   |                          |               |        |       |        |       |        |       |        |       |        |       |        |     |        |     |        |     |        |      |        |  |                       |        |        |        |       |     |     |      |      |      |          |      |
| 10 V  | 3 div.                                    |  |   |                          |               |        |       |        |       |        |       |        |       |        |       |        |     |        |     |        |     |        |      |        |  |                       |        |        |        |       |     |     |      |      |      |          |      |
| 12 mV - 30 mV - 60 mV                         |   |  |   |                          |               |        |       |        |       |        |       |        |       |        |       |        |     |        |     |        |     |        |      |        |  |                       |        |        |        |       |     |     |      |      |      |          |      |
| 120 mV  |   |  |   |                          |               |        |       |        |       |        |       |        |       |        |       |        |     |        |     |        |     |        |      |        |  |                       |        |        |        |       |     |     |      |      |      |          |      |
| 300 mV  |   |  |   |                          |               |        |       |        |       |        |       |        |       |        |       |        |     |        |     |        |     |        |      |        |  |                       |        |        |        |       |     |     |      |      |      |          |      |
| 600 mV  |   |  |   |                          |               |        |       |        |       |        |       |        |       |        |       |        |     |        |     |        |     |        |      |        |  |                       |        |        |        |       |     |     |      |      |      |          |      |
| 1.2 V   |   |  |   |                          |               |        |       |        |       |        |       |        |       |        |       |        |     |        |     |        |     |        |      |        |  |                       |        |        |        |       |     |     |      |      |      |          |      |
| 3 V   |   |  |   |                          |               |        |       |        |       |        |       |        |       |        |       |        |     |        |     |        |     |        |      |        |  |                       |        |        |        |       |     |     |      |      |      |          |      |
| 6 V   |   |  |   |                          |               |        |       |        |       |        |       |        |       |        |       |        |     |        |     |        |     |        |      |        |  |                       |        |        |        |       |     |     |      |      |      |          |      |
| 12 V  |   |  |   |                          |               |        |       |        |       |        |       |        |       |        |       |        |     |        |     |        |     |        |      |        |  |                       |        |        |        |       |     |     |      |      |      |          |      |
| 15 V  |   |  |   |                          |               |        |       |        |       |        |       |        |       |        |       |        |     |        |     |        |     |        |      |        |  |                       |        |        |        |       |     |     |      |      |      |          |      |
| 30 V  |   |  |   |                          |               |        |       |        |       |        |       |        |       |        |       |        |     |        |     |        |     |        |      |        |  |                       |        |        |        |       |     |     |      |      |      |          |      |

| ADJUSTMENT                            | ADJUSTING ELEMENT  | ADJUSTING RESULT   | RECOMMENDED INSTRUMENT AND INPUT SIGNALS   | CHAPTER              | FIGURES                      |
|---------------------------------------|--|--|--|----------------------|------------------------------|
| Input capacitance channel A (B)       |  | Pulse top errors $\leq +$ or $-1.5\%$<br>AMPL/DIV setting Trace height $+ \text{ or } -1.5\%$                        | Square-wave calibration generator, rise time $\leq 100$ ns, via dummy-probe 2 : 1 (fig. 5.5)<br>Freq. 10 kHz<br>Amplitude<br>24 mV<br>60 mV<br>120 mV<br>240 mV<br>600 mV<br>1.2 V<br>2.4 V<br>6 V<br>12 V<br>24 V<br>30 V<br>30 V | 5.5.5.2.             | 5.2.                         |
|                                       | Adjust C of dummy  | 2 mV 6 div.<br>5 mV 6 div.<br>10 mV 6 div.<br>20 mV 6 div.<br>50 mV 6 div.   |  |                      |                              |
|                                       | C662 (C537)  | 0.1 V 6 div.<br>0.2 V 6 div.<br>0.5 V 6 div.   |  |                      |                              |
|                                       | C686 (C518)  | 1 V 6 div.<br>2 V 6 div.<br>5 V 3 div.<br>10 V 1.5 div.  |  |                      |                              |
| HF square wave response Presets       | C672, C683 (A)<br>C512, C528 (B)<br>R1203 (final Y)<br>C1207 (final Y) | Adjust for minimum capacity<br>Adjust for minimum capacity<br>Fully counter clockwise<br>Adjust for minimum capacity |  | 5.5.5.3.             | 5.2.<br>5.2.<br>5.1.<br>5.1. |
| Square-wave response channel B        |  | AMPL/DIV setting:  | Square-wave generator, rise time $\leq 1$ ns   |                      |                              |
|                                       | R1202  | 20 mV, pulse top straight  | 120 mV/25 kHz  |                      | 5.1.                         |
|                                       | C1203, R1201   | 20 mV, pulse top straight  | 120 mV/100 kHz   |                      | 5.1.                         |
|                                       | R1250  | 20 mV, steep slope, no aberrations   | 120 mV/1 MHz   |                      | 5.1.                         |
|                                       | C1223, L1201<br>L1202  | 20 mV, pulse top straight  | 120 mV/1 MHz   |                      | 5.1.                         |
|                                       | C1207  | 20mV, pulse top straight   | 120 mV/1 MHz   |                      | 5.1.                         |
|                                       | C512   | 20 mV, slope 1/2 div overshoot   | 120 mV/1 MHz   |                      | 5.2.                         |
|                                       | C528   | 2 mV, 3/4 subdiv. overshoot  | 12 mV/1 MHz  |                      | 5.2.                         |
|                                       | C1223  | 20 mV, pulse top straight  | 120 mV/ 1 MHz  |                      | 5.1.                         |
|                                       | Repeat the previous two steps for optimal result.                      |  |  |                      |                              |
|                                       | C540   | 50 mV, pulse response equal to 20 mV/div   | 300 mV/1 MHz   |                      | 5.2.                         |
|                                       | C537   | 0.2 V, pulse response equal to 20 mV/div   | 1.2 V/1 MHz  |                      | 5.2.                         |
| Square-wave response channel A        |  |  |  |                      |                              |
|                                       | C683   | 2 mV, 3/4 subdiv. overshoot  | 12 mV/1MHz   |                      | 5.2.                         |
|                                       | C672   | 20 mV, 1/2 subdiv. overshoot   | 120 mV/1MHz  |                      | 5.2.                         |
|                                       | Repeat the previous two steps for optimal result                       |  |  |                      |                              |
|                                       | C645   | 50 mV, pulse response equal to 20 mV/div   | 300 mV/1MHz  |                      | 5.2.                         |
|                                       | C662   | 0.2 V, pulse response equal to 20 mV/div   | 1.2 V/1 MHz  |                      | 5.2.                         |
| Square-wave response trigger view EXT | C1112  | Pulse top as straight as possible  | 3 V/10 kHz applied to X5.  | 5.5.5.5.             | 5.3.                         |
|                                       | C1102  | Trig view signal 5% overshoot  | 3 V/1 MHz applied to X5  |                      | 5.3.                         |
|                                       | C895   | Trig view signal A: aberrations $\leq 8\%$   | 1 MHz/120 mV square wave to A  |                      | 5.3.                         |
|                                       | C896   | Trig view signal B: aberrations $\leq 8\%$   | 1 MHz/120 mV square wave to A  |                      | 5.3.                         |
| <b>TRIGGERING</b>                     |  |  |  |                      |                              |
| Trigger symmetry                      | R1054  | The distances between the trigger points and the top respectively the bottom of the sine-wave signal must be equal.  | Sine-wave signal, 10 kHz, ampl. 0.8 V  | 5.5.6.1.             | 5.2.                         |
| Trigger sensitivity                   | R388   | Push and pull S8; trace must be triggered at trace height of 2 subdivisions  | Sine-wave signal, 10 kHz, ampl. 0.8 V  | 5.5.6.2              | 5.1.                         |
| Trigger balance channel A, B and EXT  | R959<br>R962   | Trace in the vertical centre<br>Trace in the vertical centre   | —<br>—   | 5.5.6.3.<br>5.5.6.3. | 5.2.<br>5.2.                 |
|                                       | R1134  | Trace in the vertical centre   |  |                      |                              |
| TTL level                             | R907<br>R907   | + SLOPE }<br>- SLOPE } symmetrically around 0,7 div.   | Sine-wave signal, 10 kHz   | 5.5.6.3.<br>5.5.6.4. | 5.2.<br>5.2.                 |

| ADJUSTMENT                          | ADJUSTING ELEMENT | ADJUSTING RESULT  | RECOMMENDED INSTRUMENT AND INPUT SIGNALS   | CHAPTER  | FIGURES      |
|-------------------------------------|-------------------|---|--|----------|--------------|
| COMP balance                        | R964              | + SLOPE: }<br>symmetrically around 0,7div.  | Sine-wave signal, 10 kHz   | 5.5.6.4. | 5.2.         |
|                                     | R964              | - SLOPE: }  |  |          |              |
| Trigger view balance                | R808              | Trace in the vertical centre  | -  | 5.5.6.5. | 5.2.         |
| Trigger balance                     | R887 (A)          | Start of trace on the vertical centre line  | Sine-wave signal, 10 kHz   | 5.5.6.6. | 5.2.         |
| DTB via A and B                     | R889 (B)          | Start of trace on the vertical centre line  | Sine-wave signal, 10 kHz   | 5.5.6.6. | 5.2.         |
| Line triggering                     | R891              | Trace must be 8 div. high   | -  | 5.5.6.7. | 5.2.         |
| <b>TIME-BASE GENERATORS</b>         |                   |   |  |          |              |
| Main-time base time coefficients    |                   | Check that the centre 8 cycles have a total width of 8 div.<br>MTB TIME/DIV   | Time-marker generator, pulse repetition rate:  | 5.5.7.1. |              |
|                                     | R1381             | 0.05 $\mu$ s horizont. lin. of first three cycles<br>0.1 $\mu$ s<br>0.2 $\mu$ s<br>0.5 $\mu$ s  | 0.05 $\mu$ s<br>0.1 $\mu$ s<br>0.2 $\mu$ s<br>0.5 $\mu$ s  |          | 5.1.<br>5.1. |
|                                     | R1384             | 1 $\mu$ s<br>2 $\mu$ s<br>5 $\mu$ s<br>10 $\mu$ s<br>20 $\mu$ s<br>50 $\mu$ s   | 1 $\mu$ s<br>2 $\mu$ s<br>5 $\mu$ s<br>10 $\mu$ s<br>20 $\mu$ s<br>50 $\mu$ s  |          | 5.1.         |
|                                     | R348              | 0,1 ms<br>0,2 ms<br>0,5 ms<br>1 ms<br>2 ms<br>5 ms  | 0,1 ms<br>0,2 ms<br>0,5 ms<br>1 ms<br>2 ms<br>5 ms   |          | 5.1          |
|                                     | R347              | 10 ms<br>20 ms<br>50 ms<br>1 s<br>2 s<br>5 s  | 10 ms<br>20 ms<br>50 ms<br>1 s<br>2 s<br>5 s   |          | 5.1          |
| Delayed time-base time coefficients |                   | Continuous control range of R10 must be between 1 : 2,6 and 1 : 3<br>Check that the centre 8 cycles have a total width of 8 div.<br>MTB TIME/DIV. DTB TIME/DIV. | Time-marker generator, pulse repetition rate:  | 5.5.7.4  |              |
|                                     | R349              | 0,1 $\mu$ s<br>0,2 $\mu$ s<br>0,5 $\mu$ s<br>1 $\mu$ s<br>2 $\mu$ s<br>5 $\mu$ s<br>10 $\mu$ s<br>20 $\mu$ s<br>50 $\mu$ s                                      | 0,05 $\mu$ s<br>0,1 $\mu$ s<br>0,2 $\mu$ s<br>0,5 $\mu$ s<br>1 $\mu$ s<br>2 $\mu$ s<br>5 $\mu$ s<br>10 $\mu$ s<br>20 $\mu$ s<br>50 $\mu$ s |          | 5.1          |
|                                     | R351              | 0,1 ms<br>0,2 ms<br>0,5 ms<br>1 ms<br>2 ms  | 0,1 ms<br>0,2 ms<br>0,5 ms<br>1 ms   |          | 5.1          |
| Delay time multiplier               | R268              | Continuous control range of R9 must be between 1 : 2,6 and 1 : 3<br>Start of DTB trace on the second time marker pulse when DELAY TIME control is set to 1,0    | Time-marker generator pulse repetition rate 0,1 ms   | 5.5.7.5  | 5.1          |
|                                     | R262              | Start of DTB trace on the tenth time marker pulse when DELAY TIME control is set to 9,0   | Time-marker generator pulse repetition rate 0,1 ms   | 5.5.7.5. | 5.1          |
| <b>CALIBRATION SIGNAL</b>           |                   |   |  |          |              |
| Output voltage                      | R1549             | 2 kHz 1,2 Vpp $\pm$ 0,1%  | -  | 5.5.10.  | 5.2.         |

For Service Manuals Contact  
**MAURITRON TECHNICAL SERVICES**  
8 Cherry Tree Rd, Chinnor  
Oxon OX9 4QY  
Tel:- 01844-351694 Fax:- 01844-352554  
Email:- enquiries@mauritron.co.uk

## 5.5. CHECKING AND ADJUSTING PROCEDURE

The adjusting elements are indicated in fig. 5.1, 5.2 and 5.3 for respectively top, bottom and right-hand side of the instrument.


### 5.5.1. Power supply

- Check that the voltage selector (S25) has been set to the local mains voltage.
- Connect the instrument to the mains voltage or to a 24 V battery supply.
- Switch on the oscilloscope and check that the pilot lamp B5 lights up.
- Check that the power consumption does not exceed 38 W from AC and 30 W from a battery supply.

#### 5.5.1.1. Supply voltage adjustment

- Check at nominal mains voltage or battery supply voltage that the voltage on pin 3 of X858 (see fig. 5.2) is  $-7.35\text{ V} \pm 0.3\%$ ; if necessary readjust R1474 (fig. 5.3.).

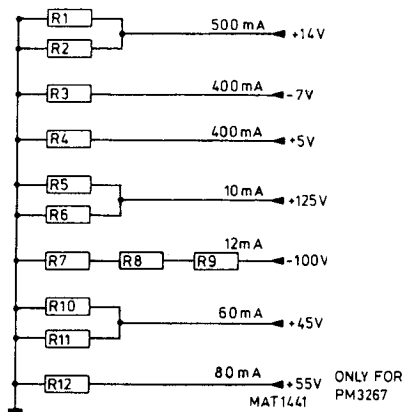
#### 5.5.1.2. Current sensing

- Connect a resistor of  $130\ \Omega$  (1.5 W) across pin 2 (+14 V) and pin 1 (  ) of X858 (fig. 5.2).
- Adjust the maximum current by means of R1476 (fig. 5.3), so that the current limit point is just not reached.
- Remove the resistor.

#### 5.5.1.3. –1500 V supply voltage

- Remove the cover of the c.r.t. socket (item 18 of fig. 7.2).
- Check the  $-1500\text{ V}$  supply voltage on pins 7 and 14 of the c.r.t. socket.  
This  $-1500\text{ V}$  must be  $\pm 0.3\%$ ; if necessary readjust R1471 (fig. 5.3.).

Dummy load for power supply.



Components:

|             |               |       |        |                |
|-------------|---------------|-------|--------|----------------|
| R1 and R2   | $56\ \Omega$  | 4W    | WR0617 | 4822 112 21074 |
| R3          | $18\ \Omega$  | 4W    | WR0617 | 4822 112 21061 |
| R4          | $12\ \Omega$  | 4W    | WR0617 | 4822 112 21056 |
| R5 and R6   | 27K           | 1,15W | CR68   | 4822 110 23145 |
| R7          | 1K8           | 4W    | WR0617 | 4822 112 21114 |
| R8 and R9   | 3K3           | 4W    | WR0617 | 4822 112 21121 |
| R10 and R11 | 1K5           | 4W    |        | 4822 112 21112 |
| R12         | $680\ \Omega$ | 7W    | WR0825 | 4822 112 41103 |

## 5.5.2. CRT display adjustments

### 5.5.2.1. Intensity

- Set the controls as indicated in fig. 4.1.
- Depress X DEFL of S2.
- Set the displayed point in the vertical and horizontal centre of the screen by means of the position R1 and the X pos. R5 controls.
- Depress 0 of S17.
- Turn the INTENS control R12  $\approx 22,5^{\circ}$  (one notch-distance) from the left hand stop.
- Check that the point is just visible; if necessary readjust R1504 (fig. 5.1.) If after installing a new c.r.t., the adjustment range is too small, R1503 must be changed into 24,9 K Ohm (5322 116 54648) and R1315 into 8,66 K Ohm (5322 116 54613).
- Depress DC of S17.

### 5.5.2.2. Intens ratio

- Depress MTB of S2.
- Set the MTB TIME/DIV switch S15 to 5  $\mu$ s.
- Set the DTB TIME/DIV switch S13 to 1  $\mu$ s.
- Set the DELAY TIME control R3 to 5.0.
- Set the INTENS control R12 so that the MTB trace is barely visible over the entire screen.
- Check that the intensified part (DTB part) is more brilliant and can be well distinguished from the MTB trace; if necessary readjust R401 (fig. 5.1).
- Set the DTB TIME/DIV S13 to OFF.

### 5.5.2.3. Trace rotation

- Set the MTB TIME/DIV S15 to 0.1 ms.
- Set the trace in the vertical centre of the screen by means of the POSITION control R1.
- Check that the trace runs exactly in parallel with the horizontal graticule line; if necessary readjust TRACE ROTATION R14 (front panel).

**NOTE:** *If the adjustment range is not sufficient enough, remove connector X1502 (FINAL AMPLIFIER UNIT A5), turn it 180° and reconnect it.  
After that, repeat the procedure described above.*

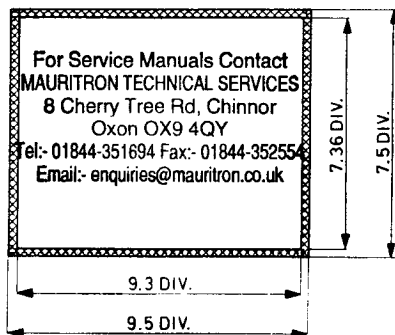
### 5.5.2.4. Focus and astigmatism

- Set the AMPL/DIV switch S9 to 0.1 V.
- Depress 0 of S18.
- Set the MTB TIME/DIV switch S15 to 50  $\mu$ s.
- Depress ALT of S1.
- Set the trace of channel B in the vertical centre of the screen by means of the POSITION control R2.
- Set the FOCUS control R13 180° from its left hand stop.
- Apply a sine-wave signal, frequency 10 kHz, 6 div. trace height to input A.
- Check that the traces are as sharp as possible; if necessary optimise with the aid of R1473 (fig. 5.3).

For Service Manuals Contact  
**MAURITRON TECHNICAL SERVICES**  
 8 Cherry Tree Rd, Chinnor  
 Oxon OX9 4QY  
 Tel: 01844-351694 Fax: 01844-352554  
 Email: enquiries@mauritron.co.uk

#### 5.5.2.5. Geometry (barrel and pin-cushion distortion)

- Depress A of S1.
- Set the AMPL/DIV switches S9 and S11 to 50 mV.
- Apply a sine-wave signal, frequency 100 kHz, amplitude  $\approx 400$  mVpp to input A.
- Adjust the trace height to 7,4 div.
- Set the MTB TIME/DIV switch S15 to 50  $\mu$ s.
- Apply a sine-wave signal, frequency  $\approx 50$  Hz to input B.
- Depress X DEFL of S2.
- Depress B of S23.
- Adjust the horizontal deflection to 9.4 div. by means of the continuous control R8.
- Check that the displayed vertical and horizontal lines are as straight as possible and check that the signal falls between the hatched area shown in fig. 5.4; if necessary readjust R1472 (fig. 5.3).
- Remove the input signals.



MAT 981 A

Fig. 5.4. Geometry check

#### 5.5.3. Balance adjustments

The balance adjustments of channels A and B are identical.

The knobs, sockets and adjustments of channel B are shown in brackets behind those of channel A.


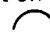
##### 5.5.3.1. Attenuator AMPL/DIV balance channel A (B)

- Set the controls as indicated in fig. 4.1.
- Depress A (B) of S1.
- Depress 0 of S17 and S18.
- Depress A (B) of S23.
- Set the trace in the vertical centre of the screen by means of POSITION control R1 (R2).
- Switch the AMPL/DIV control S9 (S11) between the positions 2 mV and 5 mV.
- Check that the trace does not jump more than 0.2 div.; if necessary readjust R653 (R503), fig. 5.2.
- Switch the AMPL/DIV control S9 (S11) between the positions 10 mV and 20 mV.
- Check that the trace does not jump more than 0,4 div.; if necessary readjust R672 (R521), fig. 5.2.

##### 5.5.3.2. Normal-Invert balance channel A (B)

- Put the AMPL/DIV switch in position 20 mV.
- Depress A (B) of S1.
- Set the trace in the vertical centre of the screen by means of POSITION control R1 (R2).
- Pull and push the normal-invert switch S4 (S5).
- Check that the trace does not jump more than 0.5 div.; if necessary readjust R701 (R553), fig. 5.2.

##### 5.5.3.3. Final Y-amplifier balance

- Apply a sine-wave signal to input A and B, amplitude 160 mV (p-p), frequency  $\approx 10$  kHz.
- Set the AMPL/DIV. switches S9 and S11 to 10 mV.
- Depress CHOP of S1.
- Turn the POSITION controls R1 and R2 fully counter clockwise and clockwise.
- Check that the top and bottom levels of the sine-wave signal are on the same point on the screen on both sides of the vertical centre line in the POSITION controls positions fully  and ; if necessary readjust R1205, fig. 5.1.

#### 5.5.3.4. Added balance

- Remove the input signals of channel A and B.
- Depress ALT of S1.
- Set the AMPL/DIV switches S9 and S11 to 20 mV.
- Set the trace of channel A and B in the vertical centre of the screen.
- Depress ADD of S1.
- Check if the trace lies in the vertical centre of the screen; if necessary readjust **R562**, fig. 5.2 (the deviation of the trace from the vertical centre line must be doubled by adjusting **R562**.)
- Depress ALT of S1.
- Set the traces of both channels A and B on the vertical centre line.
- Depress ADD of S1.
- Check if the trace lies exactly on the vertical centre line; if necessary repeat the procedure above.

#### 5.5.4. LF corrections and sensitivities

The LF corrections and sensitivity adjustments of channel A and B are identical.

The knobs, sockets and adjustments for channel B are shown in brackets behind those of channel A.

##### 5.5.4.1. Continuous control of channel A (B)

- Depress A (B) of S1.
- Depress A (B) of S23.
- Set the AMPL/DIV switch S9 (S11) to 20 mV.
- Apply a square-wave signal, freq. 10 kHz, ampl. 120 mV (p-p) to input A (B).
- Turn the continuous control CAL R7 (R8) 15° counter clockwise out of its CAL position.
- Check that the continuous attenuation starts at this position of the continuous control; if necessary readjust **R743 (R583)**, fig. 5.2.
- Turn the continuous control CAL R7 (R8) fully counter clockwise.
- Check that the trace height is  $\leq 2,4$  div.; if necessary readjust **R750 (R610)**, fig. 5.2.

##### 5.5.4.2. LF correction of channel A (B)

- Set the controls as indicated in fig. 4.1.
- Set the MTB TIME/DIV switch S15 to 2 ms.
- Set the AMPL/DIV switch S9 (S11) to 20 mV.
- Apply a square-wave signal, frequency 100 Hz, ampl. 120 mV to input A (B).
- Check that the pulse top is as straight as possible; if necessary readjust **R719 (R563)**, fig. 5.2.

##### 5.5.4.3. Gain X1 (sensitivity) channel A (B)

- Set the MTB TIME/DIV switch to 0.1 ms.
- Apply a square-wave signal, freq. 1 kHz, ampl. 120 mV (from calibrated output of PG506) to input A (B).
- Set the AMPL/DIV switch S9 (S11) to 20 mV.
- Depress A (B) of S1.
- Depress A (B) of S23.
- Check that the trace height is 6 div. + or –3 %; if necessary readjust **R1239 (R578)**, fig. 5.1 (fig. 5.2).

##### 5.5.4.4. Gain X10 (sensitivity) channel A (B)

- Depress A (B) of S1.
- Depress A (B) of S23.
- Set the AMPL/DIV switch S9 (S11) to 2 mV.
- Apply a square-wave signal, freq. 1 kHz, ampl. 12 mV (from calibrated output of PG506) to input A (B).
- Check that the trace height is 6 div. + or –3 %; if necessary readjust **R727 (R604)**, fig. 5.2.



#### 5.5.4.5. Trigger view sensitivity via EXT and A and B.

- Set the controls as indicated in fig. 4.1.
- Set the MTB TIME/DIV switch S15 to 50  $\mu$ s.
- Apply a square-wave signal, freq. 1 kHz, ampl. exactly 1,2 V to input EXT (X5) and A and B.
- Depress TRIG VIEW of S1.
- Depress TRIG and AUTO of S3.
- Set the trace in the vertical centre by means of the LEVEL control R6.
- Depress EXT of S23.
- Check that the trace height is 6 div. + or  $-0.9$  subdiv.; if necessary readjust R1104, fig. 5.2.
- Depress A of S23.
- Put AMPL/DIV switches S9 and S11 in position 0.2 V.
- Check that the trace height is exactly 6 div.; if necessary readjust R958.
- Depress B of S23.
- Check that the trace height is exactly 6 div.; if necessary readjust R961.

#### 5.5.5. Vertical channels

The adjustments of channel A and B are identical.

The item numbers of the knobs, sockets and adjustments of channel B are shown in brackets behind those of channel A.

##### 5.5.5.1. Attenuator square-wave response, channel A (B)

- Set the controls as indicated in fig. 4.1.
- Set the MTB TIME/DIV switch S15 to 20  $\mu$ s.
- Apply a square-wave signal, freq. 10 kHz, rise time  $\leq$  100 ns to input A (B).
- Depress A (B) of S1.
- Depress A (B) of S23.
- Check the trace height of the displayed signal (indicated in the table below).
- Check the square-wave response; check that the pulse-top errors do not exceed + or  $-1,5$  %; if necessary readjust as indicated in the table below.

| Channel A (B)<br>AMPL /DIV S9 (S11) | Amplitude of input<br>signal A (B) | Adjusting element<br>channel A (B) | Trace height<br>+ or $-1.5$ % |
|-------------------------------------|------------------------------------|------------------------------------|-------------------------------|
| 2 mV                                | 12 mV                              | C676 (C538)                        | 6 div.                        |
| 5 mV                                | 30 mV                              |                                    | 6 div.                        |
| 10 mV                               | 60 mV                              |                                    | 6 div.                        |
| 20 mV                               | 120 mV                             |                                    | 6 div.                        |
| 50 mV                               | 300 mV                             |                                    | 6 div.                        |
| 0.1 V                               | 600 mV                             | C663 (C539)                        | 6 div.                        |
| 0.2 V                               | 1.2 V                              |                                    | 6 div.                        |
| 0.5 V                               | 3 V                                |                                    | 6 div.                        |
| 1 V                                 | 6 V                                | C687 (C519)                        | 6 div.                        |
| 2 V                                 | 12 V                               |                                    | 6 div.                        |
| 5 V                                 | 15 V                               |                                    | 3 div.                        |
| 10 V                                | 30 V                               |                                    | 3 div.                        |
|                                     |                                    | see fig. 5.2                       |                               |

- Remove the input signal.

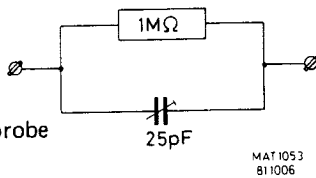
For Service Manuals Contact  
**MAURITRON TECHNICAL SERVICES**  
 8 Cherry Tree Rd, Chinnor  
 Oxon OX9 4QY  
 Tel:- 01844-351694 Fax:- 01844-352554  
 Email:- enquiries@mauritron.co.uk

5.5.5.2. *Input capacitance, channel A (B)*

- Apply via a dummy probe (fig. 5.5) a square-wave signal, freq. 10 kHz, rise time  $\leq 100$  ns to input A (B).
- Check the square-wave response; check that the pulse top errors do not exceed + or -1.5%; if necessary readjust as indicated in the table below.
- Check the amplitude of the displayed signal.

| Channel A (B)<br>AMPL/DIV S9 (S11) | Amplitude of input<br>signal A (B) | Adjusting element<br>channel A (B) | Trace height<br>+ or -1.5 % |
|------------------------------------|------------------------------------|------------------------------------|-----------------------------|
| 2 mV                               | 24 mV                              | -                                  | 6 div.                      |
| 5 mV                               | 60 mV                              | -                                  | 6 div.                      |
| 10 mV                              | 120 mV                             | -                                  | 6 div.                      |
| 20 mV                              | 240 mV                             | Adjust Cd (dummy)                  | 6 div.                      |
| 50 mV                              | 600 mV                             | -                                  | 6 div.                      |
| 0.1 V                              | 1.2 V                              | -                                  | 6 div.                      |
| 0.2 V                              | 2.4 V                              | <b>C662 (C537)</b>                 | 6 div.                      |
| 0.5 V                              | 6 V                                | -                                  | 6 div.                      |
| 1 V                                | 12 V                               | -                                  | 6 div.                      |
| 2 V                                | 24 V                               | <b>C686 (C518)</b>                 | 6 div.                      |
| 5 V                                | 30 V                               | -                                  | 3 div.                      |
| 10 V                               | 30 V                               | -                                  | 1.5 div.                    |

Fig. 5.5. Dummy probe 2:1



- Remove input signal and dummy probe

MAT1053  
811006

5.5.5.3. *HF square-wave response channel B (A)*

- Set the controls as indicated in fig. 4.1.
- Depress B of S1.
- Depress B of S23.
- Apply a square-wave signal to input B, frequency as given in the table below, rise time  $\leq 1$  ns.
- Adjust the trace height to exactly 6 div. (AMPL/div to 20mV).
- Set by means of the POSITION control R2 the top of the square-wave signal on the second division from the top of the graticule.
- Preset the following adjustment points:

Pre-amplifier and trigger unit:

- CHANNEL A: **C672** and **C683** minimum capacity.
- CHANNEL B: **C512** and **C528** minimum capacity.

Final Y-amplifier:

- R1203** maximum (fully counter clockwise)
- R1207** minimum capacity.

- Adjust according the table below:

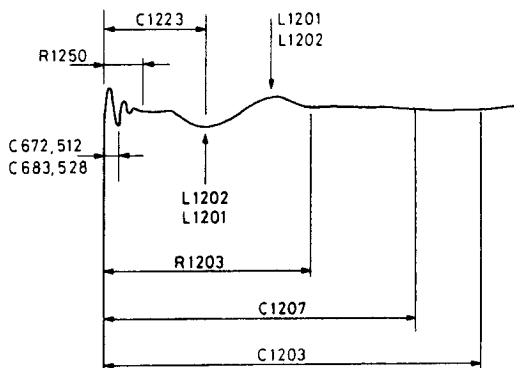


Fig. 5.6. Square-wave response

MAT1116

| ADJUST-<br>MENT<br>SEQUENCE | S11<br>AMPL/DIV   | FREQ. OF<br>INPUT SIGNAL | S15<br>TIME/DIV | ADJUST-<br>MENT<br>POINT   | ADJUSTING RESULT<br>(see also fig. 5.6.)                    |
|-----------------------------|---|--------------------------|-----------------|--|---|
| 1                           | 20 mV   | 25 kHz                   | 10 $\mu$ s      | R1202  | top as straight as possible                                 |
| 2                           | 20 mV   | 100 kHz                  | 1 $\mu$ s       | C1203<br>R1201   | top as straight as possible                                 |
| 3                           | 20 mV   | 1 MHz                    | 50 ns           | R1250  | slope as steep as possible without<br>aberrations           |
| 4                           | 20 mV   | 1MHz                     | 50 ns           | C1223<br>L1201<br>L1202  | top as straight as possible                                 |
| 5                           | 20 mV   | 1 MHz                    | 50 ns           | C1207  | top as straight as possible                                 |
| 5a                          | 20 mV   | 1 MHz                    | 50 ns           | C 512  | slope 1/2 subdivision overshoot.                            |
| 6                           | 2 mV  | 1 MHz                    | 50 ns           | C528   | slope 3/4 subdivision overshoot.                            |
| 7                           | 20 mV   | 1 MHz                    | 50 ns           | C1223  | top as straight as possible                                 |
| 8                           | Repeat points 6 and 7 for an optimal result.  |                          |                 |  |   |
| 9                           | 50 mV   | 1 MHz                    | 50 ns           | C540   | pulse response equal to response<br>in 20 mV/div. (point 7) |
| 10                          | .2 V  | 1 MHz                    | 50 ns           | C537   |   |
| 11                          | 20 mV/div.  | 1 MHz                    | 50 ns           |  |   |
|                             | ...   |                          |                 |  |   |
|                             | 10 V/div.   |                          |                 |  |   |
|                             | For Service Manuals Contact<br>MAURITRON TECHNICAL SERVICES<br>8 Cherry Tree Rd, Chinnor<br>Oxon OX9 4QY<br>Tel: 01844-351694 Fax: 01844-352554<br>Email: enquiries@mauritron.co.uk |                          |                 | $\leq 0,9$ subdiv.<br>( $\leq 1$ subdiv. pp)<br>$\leq 1$ subdiv.<br>( $\leq 1,2$ subdiv. pp) | in invert additional 0,25 subdivisions                      |
|                             | 2 mV/div  |                          |                 |  |   |
|                             | ...   |                          |                 |  |   |
|                             | 10 mV/div.  |                          |                 |  |   |

- Depress A of S1.
- Depress A of S23.
- Apply a square-wave signal to input A, frequency as given in the table below, rise time  $\leq 1$ ns.
- Adjust the trace height to exactly 6 div.
- Set by means of the POSITION control R1 the top of the square-wave signal on the second division from the top of the graticule.
- Adjust according the table below:

| ADJUST-<br>MENT<br>SEQUENCE | S9<br>AMPL./DIV.                               | FREQ. OF<br>INPUT SIGNAL | S15<br>TIME/DIV.   | ADJUSTMENT<br>POINT | ADJUSTING RESULT<br>(see also fig. 5.6.)                         |
|-----------------------------|--|--------------------------|--|---------------------|--|
| 12                          | 2mV  | 1MHz                     | 50ns   | C683                | Slope 3/4 subdivision<br>overshoot.                              |
| 13                          | 20mV   | 1MHz                     | 50ns   | C672                | Slope 1/2 subdivision<br>overshoot.                              |
| 14                          | Repeat points 12 and 13 for an optimal result. |                          |  |                     |  |
| 15                          | 50mV   | 1MHz                     | 50ns   | C645                | Pulse response equal<br>to response in 20mV/<br>div. (point 13). |
| 16                          | .2 V   | 1MHz                     | 50ns   | C662                |  |
| 17                          | 20 mV/div.                                     | 1MHz                     | 50ns   |                     | Minimum pulse aberrations,<br>also in invert mode.               |
|                             | ...  |                          |  |                     |  |
|                             | 10 V/div.                                      |                          |  |                     |  |
|                             | 2 mV/div.                                      |                          |  |                     |  |
|                             | ...  |                          |  |                     |  |
|                             | 10 mV/div.                                     |                          |  |                     |  |
|                             |  |                          | $\leq 0.9$ subdiv. ( $\leq 1$ subdiv. PP)<br>$\leq 1$ subdiv. ( $\leq 1.2$ subdiv. PP) |                     | In invert mode additional<br>0.25 subdiv.                        |

#### 5.5.5.4. Vertical shift influence on the input signal

- Set the AMPL/DIV switch S9 to 20 mV.
- Apply a square-wave signal to input A, trace height exactly 5 div., rise time  $\leq 1$  ns.
- Set by means of the POSITION control R1 the top of the square-wave signal 2,5 div. above the vertical centre line.
- Shift the bottom of the square-wave signal by means of R1 5,5 div. upwards and check that the aberrations on the bottom of the square-wave signal are  $\leq 0,25$  div.
- Set the square-wave signal in the centre of the screen.
- Shift the top of the square-wave signal 5,5 div. downwards and check that the aberrations are  $\leq 0,25$  div.

#### 5.5.5.5. Square-wave response Trigger view EXT.-channel A (B)

- Set the MTB TIME/DIV switch S15 to 20  $\mu$ s.
- Depress TRIG VIEW of S1.
- Apply a square-wave signal, freq. 10 kHz, amplitude 1,2 V to input EXT (X5).
- Depress EXT of S23.
- Depress TRIG of S3.
- Set the trace in the vertical centre of the screen by means of the LEVEL control R6.
- Check that the pulse top is as straight as possible; if necessary readjust **C1112** (fig. 5.3) (overshoot  $< 1.8$  subdiv.).
- Increase the frequency of the input signal to 1 MHz, rise time  $\leq 1$  ns, amplitude 1,2 V.
- Set the MTB TIME/DIV switch S15 to 0.2  $\mu$ s.
- Check that the trigger view signal is as straight as possible; if necessary readjust **C1102** (see fig. 5.3.).
- Remove the input signal.
- Set the AMPL/DIV switch S9 (S11) to 20 mV.
- Depress A of S23.
- Apply a square-wave signal, freq. 1 MHz, rise-time  $\leq 1$  ns, amplitude 120 mV to input A.
- Set the trace in the vertical centre of the screen by means of the LEVEL control R6.
- Check that the pulse-aberrations and overshoot are  $\leq 8$  % (2,4 subdiv.); if necessary readjust **C895**.
- Apply the square wave signal to input B.
- Depress B of S23.
- Set the trace in the vertical centre of the screen by means of the LEVEL control R6.
- Check that the pulse response is as straight as possible and that the pulse aberrations and overshoot are  $\leq 8$  % (2,4 subdiv.); if necessary readjust **R896**.

### 5.5.6. Triggering

#### 5.5.6.1. Trigger symmetry

- Set the controls as indicated in fig. 4.1.
- Set S15 to 50  $\mu$ s.
- Set S9 to .2 V.
- Apply a sine-wave signal, frequency 10 kHz to input A.
- Set the trace-height to exactly 8 div.
- Push the SLOPE switch S8 for positive triggering.
- Set R6 fully clockwise.
- Note the starting-point of the trace.
- Pull the SLOPE switch S8 for negative triggering.
- Set R6 fully counter-clockwise.
- Note the starting-point of the trace.
- Check that in both situations described above, the distances between the trigger points and the top respectively the bottom of the sine-wave signal are equal; if necessary readjust **R1054** for an optimal result.
- Remove the input signal.

#### 5.5.6.2. Trigger sensitivity

- Set the controls as indicated in fig. 4.1.
- Set S9 and S11 to .2V.
- Apply a sine-wave signal, frequency 10 kHz to the input A, trace height 2 subdivisions.
- Pull and push the SLOPE switch S8.
- Check that the trace is well triggered over the complete level range; if necessary readjust **R388** (fig. 5.1.).

*NOTE: Section 5.5.6.3. and 5.5.6.4. and 5.5.6.5. must always be adjusted together in the sequence as given below*

#### 5.5.6.3. Trigger balance channel A, B and EXT

- Depress A of S23.
- Depress TRIG VIEW of S1.
- Depress AUTO and TRIG of S3.
- Depress 0 of S17 and S18.
- Depress LF of S20.
- Set the trace in the vertical centre of the screen by means of the LEVEL control R6.
- Depress DC of S20.
- Check that the trace is in the vertical centre of the screen; if necessary readjust **R959** (see fig. 5.2.).
- Depress B of S23.
- Check that the trace is in the vertical centre of the screen; if necessary readjust **R962** (see fig 5.2.).
- Depress EXT of S23.
- Check that the trace is in the vertical centre of the screen; if necessary readjust **R1134** (see fig. 5.2.).

#### 5.5.6.4. TTL level and COMP balance

- Depress A of S1.
- Depress A of S23.
- Set the trace in the vertical centre of the screen by means of R1.
- Depress DC of S17.
- Apply a sine-wave signal, frequency 10 kHz to input A.
- Set the trace-height to 4 div.
- Set S15 to 10  $\mu$ s.
- Depress TTL of S20.
- Push the switch S8 for positive triggering and pull S8 for negative triggering.
- Check that the starting points of the trace lies symmetrically around 0.7 div. above the vertical centre of the screen; if necessary readjust **R907** (see fig. 5.2.).
- Depress A and B (COMP) of S23.
- Push the SLOPE switch S8 for positive triggering and pull S8 for negative triggering.
- Check that the trace starts symmetrically around 0.7 div. above the vertical centre of the screen; if necessary readjust **R964** (fig. 5.2.).

#### 5.5.6.5. Trigger view balance

- Depress TRIG VIEW of S1.
- Depress 0 of S17.
- Depress AUTO of S3.
- Depress DC of S20.
- Depress A of S23.
- Check that the trace is in the vertical centre of the screen; if necessary readjust **R808** (see fig. 5.2).

#### 5.5.6.6. Trigger balance, DTB, via channel A and B

- Depress A of S1.
- Set S9 and S11 to 0.2V.
- Set S13 and S15 to 50  $\mu$ s.
- Depress A of S22.
- Set the DELAY TIME control R3 fully counter-clockwise (to 0.0).
- Depress DTB of S2.
- Depress DC of S17 and S18.
- Apply a sine-wave signal, frequency 10 kHz, amplitude 1.2 V to input A (X2).
- Release all switches of S19.
- Set the trace in the vertical centre of the screen by means of R1.
- Set the start of the trace on the vertical centre line of the screen by means of R4 (LEVEL DTB).
- Depress DC of S19.
- Check that the start of the trace is on the vertical centre line of the screen; if necessary readjust **R887** (fig. 5.2).
- Depress B of S1.
- Depress B of S22.
- Depress B of S23.
- Apply a sine-wave signal, frequency 10 kHz, amplitude 1.2 V to input B (X4).
- Set the trace in the vertical centre of the screen by means of R2.
- Release all switches of S19.
- Set the start of the trace on the vertical centre line of the screen by means of R4.
- Depress DC of S19.
- Check that the start of the trace is on the vertical centre line of the screen; if necessary readjust **R889** (see fig. 5.2).
- Remove the input signal.

#### 5.5.6.7. Line triggering.

- Depress TRIG VIEW of S1.
- Set MTB switch S15 to 10 ms/div.
- Depress AUTO and TRIG of S3 (auto triggering without peak-peak level range).
- Depress LINE of S23.
- Check if the displayed line signal is 8 div. high; if necessary readjust **R891** (fig. 5.2.).

#### 5.5.6.8. Trigger slope and level of the main time-base

- Apply a sine-wave signal, freq. 10 kHz, amplitude 160 mV to input A (B).
- Depress A (B) of S1.
- Depress A (B) of S23.
- Set the AMPL/DIV switch S9 (S11) to 20 mV.
- Set the MTB TIME/DIV switch S15 to 50 $\mu$ s.
- Depress TRIG of S3.
- Adjust the LEVEL control R6 for a well triggered display.
- Check that the signal is triggered on the positive going slope.
- Check that the signal is not triggered when the LEVEL control is set fully counter-clockwise and fully clockwise.
- Depress AUTO of S3.
- Check that the signal is triggered over the whole LEVEL range (R6).
- Set the AMPL/DIV switch S9 (S11) to 10 mV.
- Depress TRIG of S3.
- Check that the trace is triggered over + and –8 div.
- Set the AMPL/DIV switch S9 (S11) to 20 mV.
- Pull the SLOPE switch S8.
- Check that the signal is triggered on the negative going slope.
- Push the SLOPE switch S8.
- Remove the input signal.
- Depress EXT of S23.
- Apply a sine-wave signal, freq. 1 kHz, amplitude 3,2 V to input EXT (X5).
- Depress TRIG VIEW of S1.
- Check that the trigger point can be shifted over  $\geq \pm 1,6$  ( $\geq 8$  div.) by means of the LEVEL control R6.
- Remove the input signal.

### 5.5.6.9. Trigger sensitivity check of the main time-base via channel A (B) and EXT

- Depress DC of S20.
- Apply a sine-wave signal, frequency as given in the table below to input A (B) (EXT).
- Set the AMPL/DIV switch S9 (S11) to 0.2 V.
- Adapt the setting of the MTB TIME/DIV switch to the frequency of the input signal.
- Decrease the amplitude of the displayed signal by means of the continuous control R7 (R8).
- Check that the signal is triggered at trace heights given in the table below.

| TRIGGER SENSITIVITY MAIN TIME-BASE |        |     |                                   |      |              |
|------------------------------------|--------|-----|-----------------------------------|------|--------------|
| Input                              | S1     | S23 | Frequency of the sine wave signal | S3   | Trace height |
| A                                  | A      | A   | 10 Hz                             | TRIG | ≤ 0.4 div.   |
| A                                  | A      | A   | 100 Hz                            | AUTO | ≤ 0.4 div.   |
| A                                  | A      | A   | 10 kHz                            | AUTO | ≤ 0.4 div.   |
| A                                  | A      | A   | 75 MHz                            | AUTO | ≤ 0.6 div.   |
| A                                  | A      | A   | 100 MHz                           | AUTO | ≤ 1,2 div.   |
| B                                  | B      | B   | 100 Hz                            | AUTO | ≤ 0.4 div.   |
| B                                  | B      | B   | 75 MHz                            | AUTO | ≤ 0.6 div.   |
| B                                  | B      | B   | 100 MHz                           | AUTO | ≤ 1,2 div.   |
| EXT                                | TRIG V | EXT | 100 Hz                            | AUTO | ≤ 100 mV     |
| EXT                                | TRIG V | EXT | 75 MHz                            | AUTO | ≤ 200 mV     |
| EXT                                | TRIG V | EXT | 100 MHz                           | AUTO | ≤ 300 mV     |

### 5.5.6.10. Triggering of the main time-base in COMP mode

- Set the MTB TIME/DIV switch S15 to 0.1 ms.
- Depress A of S23.
- Depress ALT of S1.
- Depress DC of S17 and S18.
- Set the AMPL/DIV switches S9 and S11 to 20 mV.
- Apply a sine-wave signal, freq. 10 kHz, amplitude 120 mV to input A.
- Apply the CAL signal (X1) to input B via a 10:1 probe.
- Depress A and B (COMP) of S23.
- Set the POSITION controls R1 and R2 so that both traces overlap each other.
- Check that both traces are well triggered.
- Remove the input signals.

For Service Manuals Contact  
**MAURITRON TECHNICAL SERVICES**  
 8 Cherry Tree Rd, Chinnor  
 Oxon OX9 4QY  
 Tel:- 01844-351694 Fax:- 01844-352554  
 Email:- enquiries@mauritron.co.uk

### 5.5.6.11. Triggerslope and level of the delayed time-base

- Depress A (B) of S1.
- Depress A (B) of S23.
- Apply a sine-wave signal, freq. 1 kHz, amplitude 160 mV to input A (B).
- Set the AMPL/DIV switch S9 (S11) to 20 mV.
- Set the MTB TIME/DIV switch S15 to 0.5 ms.
- Set the DTB TIME/DIV switch S13 to 0.1 ms.
- Depress A (B) of S22.
- Depress DTB of S2.
- Adjust the LEVEL control R4 for a well triggered display.
- Check that the signal is triggered on the positive going slope.
- Set the AMPL/DIV switch to 10 mV.
- Check that the trace is triggered over + and –8 div.
- Set the AMPL/DIV switch to 20 mV.
- Pull the SLOPE switch S6.
- Check that the signal is triggered on the negative going slope.
- Push the SLOPE switch S6.

#### 5.5.6.12. Trigger sensitivity check of the delayed time-base via the channel A (B)

- Depress AUTO of S3.
- Depress DC of S20.
- Depress DC of S19.
- Set the DELAY TIME control R3 to 0.
- Apply a sine-wave signal, frequency as given in the table below, amplitude 120 mV to input A (B).
- Set the AMPL/DIV switch S9 (S11) to 0.2 V.
- Adapt the setting of the TIME/DIV switches S15 and S13 to the frequency of the input signal.
- Set the MTB TIME/DIV switch one position lower (longer sweep time) than the DTB TIME/DIV switch.
- Decrease the amplitude of the displayed signal by means of the continuous control R7 (R8).
- Check that the signal is triggered at the trace heights given in the table below.

| TRIGGER SENSITIVITY DELAYED TIME-BASE |    |     |     |                                   |              |
|---------------------------------------|----|-----|-----|-----------------------------------|--------------|
| Input                                 | S1 | S23 | S22 | Frequency of the sine-wave signal | Trace height |
| A                                     | A  | A   | A   | 100 Hz                            | ≤ 0.4 div.   |
| A                                     | A  | A   | A   | 10 kHz                            | ≤ 0.4 div.   |
| A                                     | A  | A   | A   | 75 MHz                            | ≤ 0.6 div.   |
| A                                     | A  | A   | A   | 100 MHz                           | ≤ 1,3 div.   |
| B                                     | B  | B   | B   | 100 Hz                            | ≤ 0.4 div.   |
| B                                     | B  | B   | B   | 10 kHz                            | ≤ 0.4 div.   |
| B                                     | B  | B   | B   | 75 MHz                            | ≤ 0.6 div.   |
| B                                     | B  | B   | B   | 100 MHz                           | ≤ 1,3 div.   |

- Set the DTB TIME/DIV switch S13 to OFF.
- Depress MTB of S2.
- Remove the input signal.

#### 5.5.6.13. Filter check main time-base

- Set the MTB TIME/DIV switch to 0.2 ms.
- Apply a square-wave signal, freq. 2 kHz, amplitude 300 mV to input A.
- Set the AMPL/DIV switch S9 to 50 mV.
- Depress A of S1.
- Depress A of S23.
- Check that the signal is well triggered.
- Depress LF of S20.
- Depress TRIG VIEW of S1.
- Check that a square-wave is visible with roundings.
- Depress HF of S20.
- Check that a differentiated square-wave is visible.
- Depress DC of S20.
- Depress A of S1.

#### 5.5.6.14. Filter check delayed time-base

- Set the DTB TIME/DIV switch S13 to 0.1 ms.
- Depress DTB of S2.
- Apply a sine-wave signal, freq. 2 kHz, amplitude 300 mV to input A.
- Set the start of the trace in the vertical centre of the screen by means of the POSITION control R1.
- Depress A of S22.
- Depress LF of S19.
- Set the start of the trace in the vertical centre by means of the LEVEL control R4.
- Depress HF of S19.
- Check that the signal is not triggered.
- Increase the frequency of the input signal to 25 kHz and higher.
- Check that the signal is well triggered.
- Depress DC of S19.



- Check that the trigger point is at the positive top of the sine-wave.
- Decrease the frequency of the input signal to 2 kHz.
- Check that the signal is well triggered.

### 5.5.7. Time-base generators

#### 5.5.7.1. Main time-base time coefficients

To compensate temperature influences on the time base time coefficients, especially at high environmental temperatures, the contacts X220 (see fig. 8.7.) must be interconnected by means of a jumper or a wire during adjusting the time base coefficients.

- Set the controls as indicated in fig. 4.1.
- Set the AMPL/DIV switch S9 to 0.5 V.
- Set the MTB TIME/DIV switch S15 to 1  $\mu$ s.
- Apply a time-marker signal of  $\approx$  2 V, pulse repetition rate 1  $\mu$ s to input A.
- Check that the centre 8 cycles have a total width of 8 div.; if necessary readjust R1384 (fig. 5.1).
- Pull the X MAGN switch S7 (X10).
- Check if the MAGN led B2 lights up.
- Apply a time-marker signal, pulse repetition rate 0.1  $\mu$ s to input A.
- Check that the centre 8 cycles have a total width of 8 div.; if necessary readjust R1381 (fig. 5.1).
- Set the MTB TIME/DIV switch S15 to 0.05  $\mu$ s.
- Apply a time-marker signal, pulse repetition rate 5 ns to input A.
- Set the X POS control R5 fully clockwise.
- Check the horizontal linearity of the first three displayed cycles of the signal.
- Check the horizontal linearity of the displayed signal when the X POS control R5 is in mid-position.
- Push the X MAGN switch S7.
- Set the MTB TIME/DIV switch S15 to 0.1 ms.
- Apply a time-marker signal, pulse repetition rate 0.1 ms, to input A.
- Check that the centre 8 cycles have a total width of 8 div.; if necessary readjust R348 (fig. 5.1).
- Set the MTB TIME/DIV switch S15 to 10 ms.
- Apply a time-marker signal, pulse repetition rate 10 ms, to input A.
- Check that the centre 8 cycles have a total width of 8 div.; if necessary readjust R347 (fig. 5.1).
- Check the other positions of the TIME/DIV switch S15, using the appropriate input signals, tolerances 2.5 % (+ or –1 subdiv.).
- Check that the trace-length in all TIME/DIV positions is  $>$  10 div.
- Set the TIME/DIV switch S15 to 1  $\mu$ s.
- Apply a time-marker signal, pulse repetition rate 1  $\mu$ s to input A.
- Check that the control range of the continuous control R10 lies between 1:2,6 and 1:3.
- Check that the UNCAL led lights up when the continuous control R10 is not in CAL position.
- Set the continuous control R10 in CAL position.
- **Remove the jumper on X220!**

#### 5.5.7.2. X position range

- Set the MTB TIME/DIV switch S15 to 1 ms.
- Apply a time-marker signal, pulse repetition rate 10 ms, to input A.
- Check that the two displayed marker pulses can be horizontally shifted over a range of 10 div.
- Pull the X MAGN control S7 (X10).
- Check that the two time-marker pulses can be horizontally shifted over a range of 100 div.
- Depress the X MAGN control S7.

### 5.5.7.3. Hold off

- Set the MTB TIME/DIV switch S15 to 0.1  $\mu$ s.
- Apply a time-marker signal, pulse repetition rate 10  $\mu$ s, to input A.
- Turn the HOLD OFF control R11 counter clockwise.
- Check if the intensity of the displayed signal suddenly decreases.
- Set the TIME/DIV switch S15 to 10  $\mu$ s.
- Apply a time-marker signal, pulse repetition rate 0.1 ms, to input A.
- Turn the HOLD OFF control R11 counter clockwise.
- Check if the intensity of the displayed signal suddenly decreases.
- Set the TIME/DIV switch S15 to 5 ms.
- Apply a time-marker signal, pulse repetition rate 0.1 sec, to input A.
- Turn the HOLD OFF control R11 counter clockwise.
- Check if the number of sweeps suddenly decreases (longer HOLD OFF time).
- Set the HOLD OFF control R11 fully clockwise.

### 5.5.7.4. Delayed time-base time coefficients

To compensate temperature influences on the time base time coefficients, especially at high environmental temperatures, the contacts X219 (see fig. 8.7.) must be interconnected by means of a jumper or a wire during adjusting the time base coefficients and the delay time multiplier.

- Set the DELAY TIME control R3 to 0.
- Set the MTB TIME/DIV switch S15 to 2  $\mu$ s.
- Set the DTB TIME/DIV switch S13 to 1  $\mu$ s.
- Apply a time-marker signal, pulse repetition rate 1  $\mu$ s, to input A.
- Depress DTB of S2.
- Check that the centre 8 cycles have a total width of 8 div.; if necessary readjust R349 (fig. 5.1).
- Set the MTB TIME/DIV switch to 0.2 ms.
- Set the DTB TIME/DIV switch to 0.1 ms.
- Apply a time-marker signal, pulse repetition rate 0.1 ms, to input A.
- Check that the centre 8 cycles have a total width of 8 div.; if necessary readjust R351 (fig. 5.1).
- Check the other positions of the DTB TIME/DIV switch S13 (keep the MTB TIME/DIV switch S15 one position slower than the DTB TIME/DIV switch) using the appropriate input signals, tolerances 2.5 % (+ or – 1 subdiv.).
- Set the MTB TIME/DIV switch S15 to 5  $\mu$ s.
- Set the DTB TIME/DIV switch S13 to 1  $\mu$ s.
- Apply a time-marker signal, pulse repetition rate 1  $\mu$ s, to input A.
- Check that the control range of the continuous control R9 lies between 1:2.6 and 1:3.
- Check that the UNCAL led B4 lights up when the continuous control R9 is not in CAL position.
- Set the continuous control R9 in CAL position.
- Remove the input signal.

### 5.5.7.5. Delay time multiplier

- Depress MTB of S2.
- Depress MTB of S22.
- Set the DELAY TIME control R3 to 1.0.
- Set the start of the trace exactly on the first vertical graticule line by means of the X POS control R5.
- Set the MTB TIME/DIV switch (S15) to 0.1 ms.
- Set the DTB TIME/DIV switch (S13) to 1  $\mu$ s.
- Apply a time-marker signal, pulse repetition rate 0.1 ms to input A.
- Check that the intensified part on the trace coincides with the starting point of the second time-marker pulse if necessary readjust R268 (fig. 5.1).
- Set the DELAY TIME control to 9.0.
- Check that the intensified part on the trace coincides with the starting point of the tenth time-marker pulse; if necessary readjust R262 (fig. 5.1).
- Both adjustments are a little bit interdependent, so the procedure described above must be repeated until both conditions are fulfilled.
- Set the DELAY TIME control R3 to 0.
- Remove the jumper on X219!

#### 5.5.7.6. Trace separation

- Remove the input signal.
- Depress ALT TB of S2.
- Set the MTB TIME/DIV switch S15 to 50  $\mu$ s.
- Set the DTB TIME/DIV switch S13 to 20  $\mu$ s.
- Set the TRACE SEP. control R15 fully clockwise.
- Check that only one line is visible.
- Set the trace in the vertical centre of the screen by means of the POSITION control R1.
- Turn the TRACE SEP control R15 fully counter clockwise.
- Check that the MTB trace shifts 2 div. upwards and the DTB trace 2 div. downwards.
- Depress MTB of S2.

#### 5.5.7.7. Checking the delay time jitter

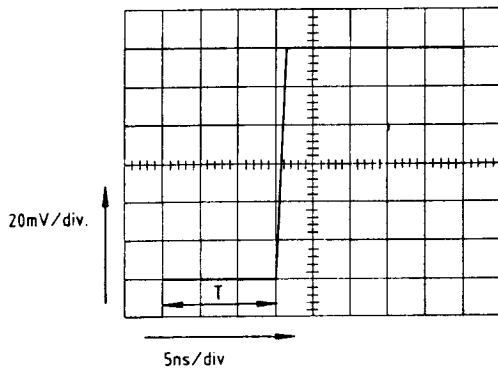
- Set the MTB TIME/DIV switch S15 to 1 ms.
- Set the DTB TIME/DIV switch S13 to 0.5  $\mu$ s.
- Apply a sine-wave signal, frequency 1 MHz to input A.
- Set the trace height to 6 div.
- Set the DELAY TIME control to 9.0.
- Depress DTB of S2.
- Check that the jitter of the DTB trace is  $\leq$  1 div.

For Service Manuals Contact  
MAURITRON TECHNICAL SERVICES  
8 Cherry Tree Rd, Chinnor  
Oxon OX9 4QY  
Tel:- 01844-351694 Fax:- 01844-352554  
Email:- enquiries@mauritron.co.uk

## 5.5.8. Final checks of the vertical channels

### 5.5.8.1. Effective signal delay

- Depress A of S1.
- Depress A of S23.
- Apply a square-wave signal, freq. 1 MHz, rise time  $\leq 1$  ns, amplitude 120 mV to input A.
- Set the AMPL/DIV switch S9 to 20 mV.
- Set the MTB TIME/DIV switch S15 to 0.05  $\mu$ s.
- Turn the LEVEL control R6 counter-clockwise so that the trace is just triggered.
- Pull the X MAGN S7 (X10).
- Turn the X POS control to make the first positive slope visible.
- Check that the effective signal delay T is  $\geq 15$  ns (3 div.), see Fig. 5.7.



MAT 984a

Fig. 5.7. Effective signal delay

### 5.5.8.2. Bandwidth check channel A (B)

- Depress the X MAGN switch S7 (X1).
- Set the MTB TIME/DIV switch S15 to 5  $\mu$ s.
- Apply a sine-wave signal, freq. 500 kHz, constant amplitude of 12 mV to input A (B).
- Depress A (B) of S1.
- Depress A (B) of S23.
- Set the AMPL/DIV switch S9 (S11) to 2 mV.
- Check that the trace height is exactly 6 div.
- Increase the frequency of the input signal from 500 kHz to 75 MHz (constant amplitude 12 mV).
- Check that the trace height is  $\geq 4.8$  div. over the whole freq. range (oscilloscope without housing).
- If oscilloscope is provided with top and bottom cover and warmed up during 30 min. the trace height must be  $\geq 4.5$  div. over the whole frequency range.
- Set the AMPL/DIV switch S9 (S11) to 20 mV.
- Apply a sine-wave signal, freq. 500 kHz, constant amplitude of 120 mV to input A (B).
- Check that the trace height is exactly 6 div.
- Increase the frequency of the input signal from 500 kHz to 75 MHz (constant amplitude 120 mV).
- Check that the trace height is  $\geq 4.8$  div. over the whole freq. range (oscilloscope without housing).
- If oscilloscope is provided with top and bottom cover and warmed up during 30 min. the trace height must be  $\geq 4.5$  div. over the whole frequency range.

### 5.5.8.3. Bandwidth check trigger view via channel A (B)

- Set the AMPL/DIV switch S9 (S11) to 2 mV.
- Apply a square-wave signal, frequency 500 kHz, constant amplitude of 12 mV to input A (B).
- Depress A (B) of S23.
- Depress TRIG VIEW of S1.
- Set the trace in the vertical centre of the screen by means of the LEVEL control R6.
- Check that the trace height is exactly 6 div.
- Increase the frequency of the input signal from 500 kHz to 60 MHz (constant amplitude 12 mV).
- Check that the trace height is  $\geq 4.2$  div.

#### 5.5.8.4. Bandwidth check trigger view via EXT

- Depress EXT of S23.
- Apply a sine-wave signal, freq. 500 kHz, constant amplitude 3 V to input EXT (X5).
- Check that the trace height is exactly 6 div.
- Increase the frequency of the input signal to 75 MHz (constant amplitude 3 V).
- Check that the trace height is  $\geq 4$  div.
- Remove the input signal.

#### 5.5.8.5. Position range, channel A (B)

- Depress A (B) of S1.
- Depress A (B) of S23.
- Apply a sine-wave signal, freq. 10 MHz, amplitude 2.4 V to input A (B).
- Set the AMPL/DIV switch S9 (S11) to 0.1 V.
- Set the MTB TIME/DIV switch to 0.05  $\mu$ s.
- Check that the top and bottom parts of the sine-wave can be displayed by means of the POSITION control R1 (R2).
- Check that the displayed sine-wave signal shows no distortion over the whole position range.

#### 5.5.8.6. Common mode rejection

- Set the AMPL/DIV switches S9 and S11 to 0.1 V.
- Apply a sine-wave signal, frequency 1 MHz, amplitude 0.48 V to inputs A and B.
- Depress ALT of S1.
- Adjust the continuous control R7 for minimum trace height difference of the channel A and B signals.
- Pull the NORMAL/INVERT switch S5.
- Depress ADD of S1.
- Set the AMPL/DIV switches S9 and S11 to 20 mV.
- Check that the displayed signal has a trace height of maximum 0.24 div.

### 5.5.9. X Deflection

#### 5.5.9.1. Sensitivity via EXT

- Set the controls as indicated in fig. 4.1.
- Depress EXT of S23.
- Apply a sine-wave signal, frequency 2 kHz, amplitude 4 V to input EXT (X5).
- Depress X DEFL of S2.
- Check that the trace-width is 8 div. + or –4 subdiv.

#### 5.5.9.2. Bandwidth check of X amplifier

- Apply a sine-wave signal, frequency 1kHz, amplitude 4V, to input EXT.
- Adjust the amplitude of the input signal for a trace-width of exactly 8 div.
- Increase the frequency of the input signal to 100kHz.
- Check that the trace-width is  $\geq 7.8$  div.

#### 5.5.9.3. Checking the LINE mode via X DEFL

- Connect the instrument to a mains voltage with a mains frequency of 50 Hz.
- Depress B and EXT (LINE) of S23.
- Check that the trace width is 8 div. ( $\pm 0,6$  div.).

#### 5.5.9.4. X DEFL sensitivity via channel A and B

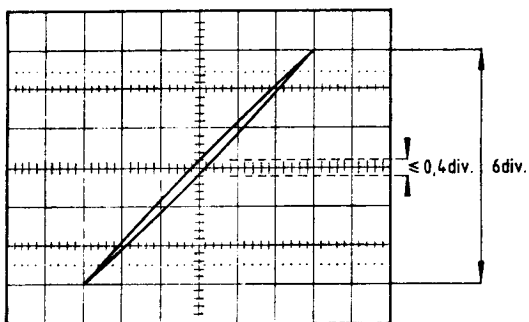
- Depress A of S23.
- Depress X DEFL of S2.
- Depress B of S1.
- Apply a sine-wave signal, frequency 2 kHz, amplitude 120 mV to input A.
- Set the AMPL/DIV switch S9 to 20 mV.
- Check that the trace-width is  $> 5.4$  div. and  $< 6.6$  div.
- Depress B of S23.
- Depress A of S1.

For Service Manuals Contact  
**MAURITRON TECHNICAL SERVICES**  
 8 Cherry Tree Rd, Chinnor  
 Oxon OX9 4QY  
 Tel:- 01844-351694 Fax:- 01844-352554  
 Email:- enquiries@mauritron.co.uk

- Apply a sine-wave signal, frequency 2 kHz, amplitude 120 mV to input B.
- Set the AMPL/DIV switch S11 to 20 mV.
- Check that the trace-width is  $> 5.4$  div. and  $< 6.6$  div.

#### 5.5.9.5. Phase shift check between X and Y amplifier

- Depress A of S1.
- Depress A of S23.
- Apply a sine-wave signal, frequency 2 kHz, amplitude 120 mV to input A.
- Set the AMPL/DIV switch S9 to 20 mV.
- Check that a line, under an angle of  $45^\circ$  with respect to the horizontal graticule line, is visible.
- Increase the frequency of the input signal to 100 kHz.
- Check that the phase shift is  $< 3^\circ$  i.e.  $d = 2$  subdiv, see Fig. 5.8.
- Depress MTB of S2.
- Remove the input signal.



MAT 985

Fig. 5.8. Phase shift between X and Y amplifier

#### 5.5.10. Calibration signal check

- Set the controls as indicated in fig. 4.1.
- Set the AMPL/DIV switch S9 to 20 mV.
- Set the MTB TIME/DIV switch to 0.1 ms.
- Apply the CAL signal via a 10:1 probe to input A.
- Check that the CAL signal has a frequency of  $\approx 2$  kHz with an amplitude of  $1.2$  Vpp (6 div.)  $\pm 0.1$  % ; if necessary readjust R1549 (unit A5).
- Adjustment potentiometer R1549 can be reached at the bottom side of the oscilloscope after removing the extension shaft of the mains switch. See also fig. 5.2.

#### 5.5.11. Checking the effect of mains voltage variations

- Set the controls as indicated in fig. 4.1.
- Depress CHOP of S1.
- Pull the X MAGN switch S7 (X10).
- Set the MTB TIME/DIV switch S15 to 0.1 ms.
- Apply the CAL signal via a 10:1 probe to input A.
- Vary the mains voltage between + and  $-10$  % of the nominal value.
- Check that neither the trace height nor trace width changes and that the brilliance remains the same.

5.6. ADJUSTMENT INTERACTIONS

| ADJUSTMENT MADE                       | ADJUSTMENTS AFFECTED      |                 |                        |                         |              |                |                       |                     |                    |                       |                                |               |         |                   |                    |                          |                      |                   |                 |                      |                     |                 |                      |                         |                       |                       |                       |              |                       |
|---------------------------------------|---------------------------|-----------------|------------------------|-------------------------|--------------|----------------|-----------------------|---------------------|--------------------|-----------------------|--------------------------------|---------------|---------|-------------------|--------------------|--------------------------|----------------------|-------------------|-----------------|----------------------|---------------------|-----------------|----------------------|-------------------------|-----------------------|-----------------------|-----------------------|--------------|-----------------------|
|                                       | POWER SUPPLY              |                 |                        | CRT DISPLAY ADJUSTMENTS |              |                |                       | BALANCE ADJUSTMENTS |                    |                       | LF CORRECTIONS (SENSITIVITIES) |               |         | VERTICAL CHANNELS |                    |                          | TRIGGERING           |                   |                 | TIME-BASE GENERATORS |                     |                 | X DEFLECTION         |                         |                       |                       |                       |              |                       |
|                                       | Supply voltage adjustment | Current sensing | -1500 V supply voltage | Intensity               | Intens ratio | Trace rotation | Focus and astigmatism | Geometry            | Attenuator balance | Normal-Invert balance | Final Y-amplifier balance      | LF correction | Gain X1 | Gain X10          | Continuous control | Trigger view sensitivity | Square-wave response | Input capacitance | Crosstalk A → B | Trigger symmetry     | Trigger sensitivity | Trigger balance | Trigger view balance | Trigger sensitivity TTL | MTB time coefficients | DTB time coefficients | DELAY TIME multiplier | X DEFLECTION | Line mode via X DEFL. |
| <b>POWER SUPPLY</b>                   |                           |                 |                        |                         |              |                |                       |                     |                    |                       |                                |               |         |                   |                    |                          |                      |                   |                 |                      |                     |                 |                      |                         |                       |                       |                       |              |                       |
| Supply voltage adjustment (-7 V)      | ■                         |                 |                        |                         |              |                |                       |                     | ■                  | ■                     |                                |               |         |                   |                    |                          |                      |                   |                 |                      | ■                   | ■               | ■                    |                         |                       |                       |                       |              |                       |
| Current sensing                       | ■                         | ■               |                        |                         |              |                |                       |                     |                    |                       |                                |               |         |                   |                    |                          |                      |                   |                 |                      |                     |                 |                      |                         |                       |                       |                       |              |                       |
| -1500 V supply voltage                | ■                         |                 | ■                      |                         |              |                |                       |                     |                    |                       |                                |               |         |                   |                    |                          |                      |                   |                 |                      |                     |                 |                      |                         |                       |                       |                       |              |                       |
| <b>CRT DISPLAY ADJUSTMENTS</b>        |                           |                 |                        |                         |              |                |                       |                     |                    |                       |                                |               |         |                   |                    |                          |                      |                   |                 |                      |                     |                 |                      |                         |                       |                       |                       |              |                       |
| Intensity                             |                           |                 |                        | ■                       |              |                |                       |                     |                    |                       |                                |               |         |                   |                    |                          |                      |                   |                 |                      |                     |                 |                      |                         |                       |                       |                       |              |                       |
| Intens ratio                          |                           |                 |                        | ■                       | ■            |                |                       |                     |                    |                       |                                |               |         |                   |                    |                          |                      |                   |                 |                      |                     |                 |                      |                         |                       |                       |                       |              |                       |
| Trace rotation                        |                           |                 |                        | ■                       | ■            | ■              |                       |                     |                    |                       |                                |               |         |                   |                    |                          |                      |                   |                 |                      |                     |                 |                      |                         |                       |                       |                       |              |                       |
| Focus and astigmatism                 |                           |                 |                        | ■                       | ■            | ■              | ■                     |                     |                    |                       |                                |               |         |                   |                    |                          |                      |                   |                 |                      |                     |                 |                      |                         |                       |                       |                       |              |                       |
| Geometry                              |                           |                 |                        | ■                       | ■            | ■              | ■                     | ■                   |                    |                       |                                |               |         |                   |                    |                          |                      |                   |                 |                      |                     |                 |                      |                         |                       |                       |                       |              |                       |
| <b>BALANCE ADJUSTMENTS</b>            |                           |                 |                        |                         |              |                |                       |                     |                    |                       |                                |               |         |                   |                    |                          |                      |                   |                 |                      |                     |                 |                      |                         |                       |                       |                       |              |                       |
| Attenuator balance                    |                           |                 |                        |                         |              |                |                       |                     |                    |                       |                                |               |         |                   |                    |                          |                      |                   |                 |                      |                     |                 |                      |                         |                       |                       |                       |              |                       |
| Normal-Invert balance                 |                           |                 |                        |                         |              |                |                       |                     |                    |                       |                                |               |         |                   |                    |                          |                      |                   |                 |                      |                     |                 |                      |                         |                       |                       |                       |              |                       |
| Final Y-amplifier balance             |                           |                 |                        |                         |              |                |                       |                     |                    |                       |                                |               |         |                   |                    |                          |                      |                   |                 |                      |                     |                 |                      |                         |                       |                       |                       |              |                       |
| <b>LF CORRECTIONS (SENSITIVITIES)</b> |                           |                 |                        |                         |              |                |                       |                     |                    |                       |                                |               |         |                   |                    |                          |                      |                   |                 |                      |                     |                 |                      |                         |                       |                       |                       |              |                       |
| LF correction                         |                           |                 |                        |                         |              |                |                       |                     |                    |                       |                                |               |         |                   |                    |                          |                      |                   |                 |                      |                     |                 |                      |                         |                       |                       |                       |              |                       |
| Gain X1                               |                           |                 |                        |                         |              |                |                       |                     |                    |                       |                                |               |         |                   |                    |                          |                      |                   |                 |                      |                     |                 |                      |                         |                       |                       |                       |              |                       |
| Gain X10                              |                           |                 |                        |                         |              |                |                       |                     |                    |                       |                                |               |         |                   |                    |                          |                      |                   |                 |                      |                     |                 |                      |                         |                       |                       |                       |              |                       |
| Continuous control                    |                           |                 |                        |                         |              |                |                       |                     |                    |                       |                                |               |         |                   |                    |                          |                      |                   |                 |                      |                     |                 |                      |                         |                       |                       |                       |              |                       |
| Trigger view sensitivity              |                           |                 |                        |                         |              |                |                       |                     |                    |                       |                                |               |         |                   |                    |                          |                      |                   |                 |                      |                     |                 |                      |                         |                       |                       |                       |              |                       |
| <b>VERTICAL CHANNELS</b>              |                           |                 |                        |                         |              |                |                       |                     |                    |                       |                                |               |         |                   |                    |                          |                      |                   |                 |                      |                     |                 |                      |                         |                       |                       |                       |              |                       |
| Square-wave response                  |                           |                 |                        |                         |              |                |                       |                     |                    |                       |                                |               |         |                   |                    |                          |                      |                   |                 |                      |                     |                 |                      |                         |                       |                       |                       |              |                       |
| Input capacitance                     |                           |                 |                        |                         |              |                |                       |                     |                    |                       |                                |               |         |                   |                    |                          |                      |                   |                 |                      |                     |                 |                      |                         |                       |                       |                       |              |                       |
| Crosstalk A → B                       |                           |                 |                        |                         |              |                |                       |                     |                    |                       |                                |               |         |                   |                    |                          |                      |                   |                 |                      |                     |                 |                      |                         |                       |                       |                       |              |                       |
| <b>TRIGGERING</b>                     |                           |                 |                        |                         |              |                |                       |                     |                    |                       |                                |               |         |                   |                    |                          |                      |                   |                 |                      |                     |                 |                      |                         |                       |                       |                       |              |                       |
| Trigger symmetry                      |                           |                 |                        |                         |              |                |                       |                     |                    |                       |                                |               |         |                   |                    |                          |                      |                   |                 |                      |                     |                 |                      |                         |                       |                       |                       |              |                       |
| Trigger sensitivity                   |                           |                 |                        |                         |              |                |                       |                     |                    |                       |                                |               |         |                   |                    |                          |                      |                   |                 |                      |                     |                 |                      |                         |                       |                       |                       |              |                       |
| Trigger balance                       |                           |                 |                        |                         |              |                |                       |                     |                    |                       |                                |               |         |                   |                    |                          |                      |                   |                 |                      |                     |                 |                      |                         |                       |                       |                       |              |                       |
| Trigger view balance                  |                           |                 |                        |                         |              |                |                       |                     |                    |                       |                                |               |         |                   |                    |                          |                      |                   |                 |                      |                     |                 |                      |                         |                       |                       |                       |              |                       |
| Trigger sensitivity TTL               |                           |                 |                        |                         |              |                |                       |                     |                    |                       |                                |               |         |                   |                    |                          |                      |                   |                 |                      |                     |                 |                      |                         |                       |                       |                       |              |                       |
| <b>TIME-BASE GENERATORS</b>           |                           |                 |                        |                         |              |                |                       |                     |                    |                       |                                |               |         |                   |                    |                          |                      |                   |                 |                      |                     |                 |                      |                         |                       |                       |                       |              |                       |
| MTB time-coefficients                 |                           |                 |                        |                         |              |                |                       |                     |                    |                       |                                |               |         |                   |                    |                          |                      |                   |                 |                      |                     |                 |                      |                         |                       |                       |                       |              |                       |
| DTB time-coefficients                 |                           |                 |                        |                         |              |                |                       |                     |                    |                       |                                |               |         |                   |                    |                          |                      |                   |                 |                      |                     |                 |                      |                         |                       |                       |                       |              |                       |
| DELAY TIME multiplier                 |                           |                 |                        |                         |              |                |                       |                     |                    |                       |                                |               |         |                   |                    |                          |                      |                   |                 |                      |                     |                 |                      |                         |                       |                       |                       |              |                       |
| <b>X DEFLECTION</b>                   |                           |                 |                        |                         |              |                |                       |                     |                    |                       |                                |               |         |                   |                    |                          |                      |                   |                 |                      |                     |                 |                      |                         |                       |                       |                       |              |                       |
| Line mode via X DEFL.                 |                           |                 |                        |                         |              |                |                       |                     |                    |                       |                                |               |         |                   |                    |                          |                      |                   |                 |                      |                     |                 |                      |                         |                       |                       |                       |              |                       |

**For Service Manuals Contact**  
**MAURITRON TECHNICAL SERVICES**  
**8 Cherry Tree Rd, Chinnor**  
**Oxon OX9 4QY**  
**Tel:- 01844 351604 Fax:- 01844 352554**  
**Email:- enquiries@mauritron.co.uk**

⊗ If adjusting potentiometer is replaced.

## 6. CORRECTIVE MAINTENANCE

### 6.1. IMPORTANT NOTES

Damage may result if the instrument is switched on when a printed circuit board has been removed, or if a circuit board is removed within one minute after switching off the instrument.

How to open the instrument is outlined in chapter 3. "Dismantling the instrument".

**WARNING:** The EHT-cable is unbreakably connected to the EHT multiplier unit. The cable can be disconnected from the CRT. When the EHT-cable is disconnected from the CRT the end of the cable must be discharged immediately by shorting it to the instrument's earth.

### 6.2. REPLACEMENTS

#### 6.2.1. Standard parts

Electrical and mechanical part replacements can be obtained through your local Philips organisation or representative. However, many of the standard electronic components can be obtained from other local suppliers.

Before purchasing or ordering replacement parts, check the parts list for value, tolerance, rating and description.

**NOTE:** *Physical size and shape of a component may affect instrument performance, particularly at high frequencies. Always use direct-replacement components, unless it is known that a substitute will not degrade the instrument's performance.*

#### 6.2.2. Special parts

In addition to the standard electronic components, some special components are used:

- Components, manufactured or selected by Philips to meet specific performance requirements.
- Components which are important for the safety of the instrument.

**ATTENTION:** Both type of components may only be replaced by components obtained through your local Philips organisation, or representative.

#### 6.2.3. Transistor, integrated circuits and mos circuits

- Return transistors and I.C.'s to their original positions, if removed during routine maintenance.
- Do not renew or switch semi-conductor devices unnecessary, as it may affect the calibration of the instrument.
- Any replacement component should be of the original type or a direct replacement. Bend the leads to fit the socket or pcb-holes and cut the leads to the same length as on the component being renewed.
- When a device has been renewed, check the operation of the part of the instrument, that may be affected.
- When re-installing power-supply transistors, use silicon grease to increase the heat-transfer capabilities.

**WARNING:** Handle silicon grease with care. Avoid contact with the eyes.  
Wash hands thoroughly after use.

##### 6.2.3.1. Static sensitive components (Input MOS - FET's ON905)

This instrument contains electrical components that are susceptible to damage from static discharge. Servicing static-sensitive assemblies or components should be performed only at a static-free work station by qualified service personnel.

##### 6.2.3.2. Handling MOS devices

Though all our MOS devices incorporate protection against electrostatic discharges, they can nevertheless be damaged by accidental over-voltages. In storing and handling them, the following precautions are recommended.

**CAUTION:** Testing or handling and mounting call for special attention to personal safety. Personnel handling MOS devices should normally be connected to ground via a resistor.



### Storage and transport.

Store and transport the circuits in their original packing.

Alternatively, use may be made of a conductive material or a special IC carrier that either short-circuits all leads or insulates them from external contact.

### Testing or handling.

Work on a conductive surface (e.g. metal table top) when testing the circuits or transferring them from one carrier to another. Electrically connect the person doing the testing or handling to the conductive surface, for example by a metal bracelet and a conductive cord to a chain. Connect all testing and handling equipment to the same surface. Signals should not be applied to the inputs while the device power supply is off. All unused input leads should be connected either to the supply voltage or to ground.

### Mounting.

Mount MOS devices on printed circuit boards **after** all other components have been mounted. Take care that the circuits themselves, metal parts of the board, mounting tools, and the person doing the mounting are kept at the same electric (ground) potential.

If it is impossible to ground the printed-circuit board, the person mounting the circuits should touch the board before bringing the MOS circuits into contact with it.

### Soldering.

Soldering iron tips, including those of low voltage irons, or soldering baths should also be kept at the same potential as the MOS circuits and the board.

### Static charges.

Dress personnel in clothing of non-electrostatic material (no wool silk or synthetic fibres). After the MOS circuits have been mounted on the proper handling precautions should still be observed.

Until the sub-assemblies are inserted into the complete system in which the proper voltages are supplied, the board is no more than an extension of the leads of the devices mounted on the board. To prevent static charges from being transmitted through the board wiring to the device it is recommended that conductive clips or conductive tape is put on the circuit board terminals.

### Transient voltages.

To prevent permanent damage due to transient voltages, do not insert or remove MOS devices, or printed circuit boards with MOS devices, from test sockets or systems with power on.

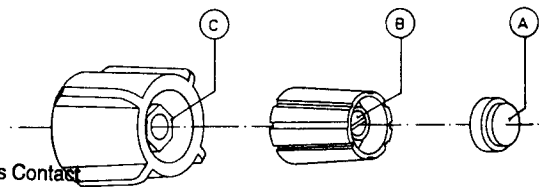
### Voltage surges.

Beware of voltage surges due to switching electrical equipment ON or OFF, relays and d.c. lines.

## 6.2.4. Replacing knobs

### Single knobs and delay time multiplier knob

- Remove cap A
- Slacken screw (or nut ) B.
- Pull the knob from the spindle.

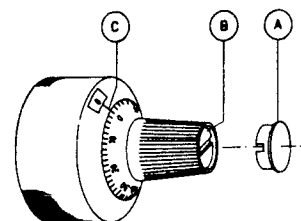


For Service Manuals Contact  
**MAURITRON TECHNICAL SERVICES**  
 8 Cherry Tree Rd, Chinnor  
 Oxon OX9 4QY  
 Tel:- 01844-351694 Fax:- 01844-352554  
 Email:- enquiries@mauritron.co.uk

MAT 153

### Double knobs

- Remove cap A and slacken screw B.
- Pull the inner knob from the spindle.
- Slacken nut C and pull the outer knob from the spindle.



MAT 1513

Fig. 6.1. Removing the knobs.

When fitting a knob or cap, ensure that the spindle is in a position which allows reference lines to be coincident with the markings on the text plate of the oscilloscope.

When fitting the delay-time multiplier knob, turn the spindle of the potentiometer fully anti-clockwise, so that it occupies the "0" position. Adjust the knob so that its dial also occupies the "0" position and slide it on the potentiometer shaft: when doing this, take care that the stud of the knob fits correctly in the hole that is present in the front panel. After this screw B can be tightened again.

### 6.2.5. Replacing the cathode ray tube (CRT)

- Remove the top and bottom cover as indicated in chapter 3.
- Remove the left-hand side plate by means of 4 screws.
- Remove the delay-line cable from the c.r.t. shield.
- Remove the round cover of the CRT socket from the rear panel.
- Remove very carefully the 5 side connections of the CRT.

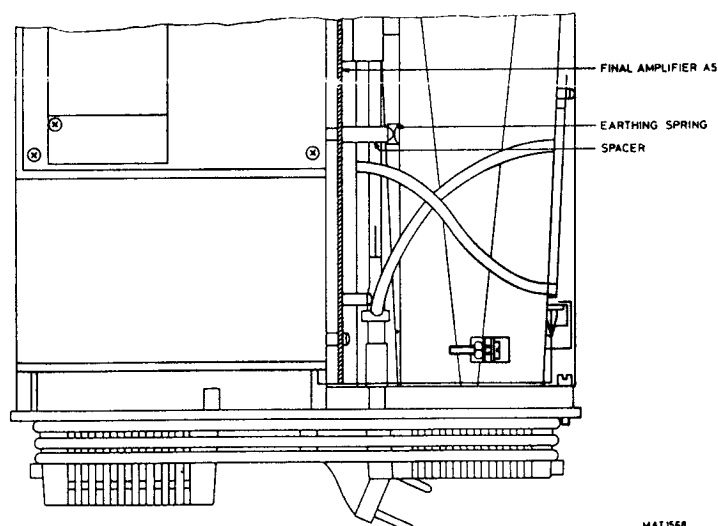
**WARNING:** Handle the CRT carefully. Rough handling or scratching can cause the CRT to implode. In particular be very careful with the side connections of the CRT. If these pins are bent the CRT is likely to develop a loss of vacuum.

- Remove the extension shaft of the mains switch.
- Remove the 3-pole connector that is connected with the trace rotation coil.
- Remove the EHT connector from the CRT and discharge it to the instruments earth (see also chapter 6.1).
- Remove the screw from the bracelet round the CRT neck.
- Slacken the 4 screws that secure the rear panel to the chassis.
- Take the rear panel from the instrument, after disconnecting the supply connector.
- Take the CRT together with its shield out of the instrument after having removed the CRT-socket.
- Slide the CRT out of its shield; take care of the trace rotation coil.

When remounting the CRT and rear-side panel follow the procedure described above in reversed sequence and take care that the c.r.t. is pushed properly against the contrast filter in the front panel before fixing the bracelet round the c.r.t. neck.

#### 6.2.5.1. Improved earthing of the c.r.t. shielding

**IMPORTANT:** To prevent HF oscillations on the trace, the earthing of the c.r.t. shielding is changed during production of the PM 3256/05. The best performance is reached when the shielding of the c.r.t. is earthed as indicated in the figure below.



MAT1568

*Part of top view*

## 6.2.6. Removing the printed circuit boards

### 6.2.6.1. Removing the trigger source unit (see fig. 6.4A)

- Remove the front rubber band (refer to chapter 3.2). Bear in mind that this rubber band is equipped with 8 studs, that must be removed from the slits in the front panel.
- Remove 2 screws in the unit.
- Remove 1 screw that secures the unit to the right chassis plate.
- Unplug 1 multipole connector.
- Unplug 2 coaxial connectors.
- Unplug one single pole connector.
- Slide the unit out of the front panel.

### 6.2.6.2. Removal of pre-amplifier and trigger unit

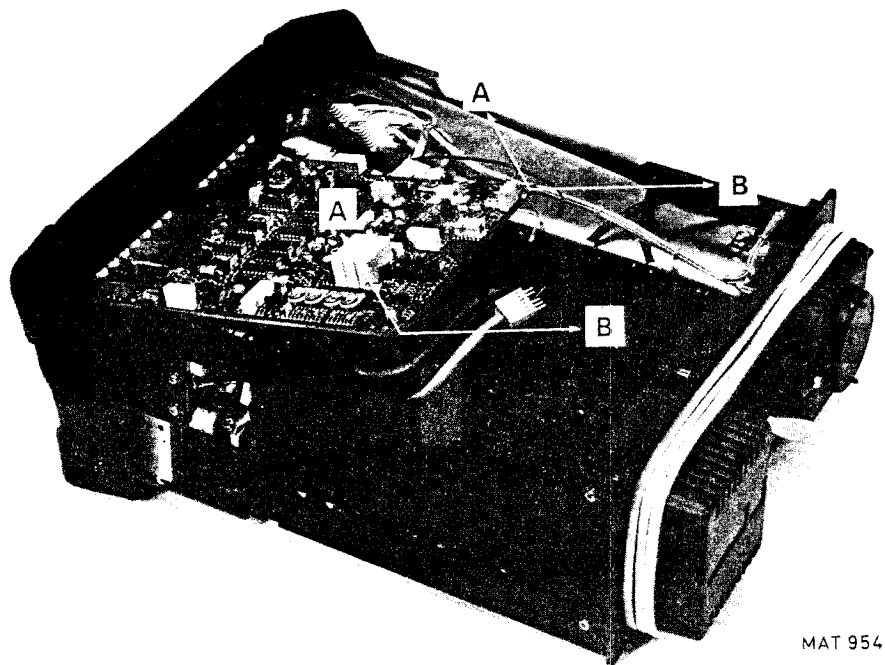
- Remove the trigger source unit as indicated in chapter 6.2.6.1. (see also fig. 6.4.A).
- Unplug the inputs of the delay-line cable and unscrew the attachment bracket.
- Unplug 3 coaxial connectors.
- Unplug 3 multipole connectors. One of them is a so called bottom-entry, that is attainable via a square hole in the right-hand chassis plate.
- Remove the 2 screws in the pushbutton switches that secure the unit to the front panel.
- Remove the metal screening plate from the attenuator part. This plate is attached by means of 6 self-tapping screws (see also fig. 6.4.B).
- Remove the 6 fixing screws, that are equipped with isolation washers.
- Remove the intensity-unit bracket by lifting it out of the chassis.
- Lift the unit in the direction indicated in fig. 6.4.C.
- CHECK THAT THE CONTACTS AND THE POSITION-PINS OF THE SWITCH UNIT ARE FREE FROM THE PRE-AMPLIFIER AND TRIGGER UNIT IN ORDER TO PREVENT THAT THE CONTACTS ARE BEND IF THE UNIT IS TAKEN OUT OF THE INSTRUMENT (see fig. 6.5.).
- Take the unit out of the instrument in the direction indicated in fig. 6.4.D.

When remounting, follow the procedure above in reversed sequence and take care that the unit is correctly positioned above the position-pins before inserting the unit.

### 6.2.6.3. Removal of time base unit

- Remove the front rubber. Bear in mind that this rubber band is equipped with 8 studs, that must be removed from the slits in the front panel.
- Remove the screening-plate.
- Unplug 5 coaxial cables.
- Unplug 2 single wire connectors (blue wire of x216, white wire of x217).
- Unplug 4 multipole connectors. One of them is a so called bottom-entry, that is attainable via a square hole in the right-hand chassis plate.
- Remove the 3 fixing screws, one of them fixes also the screening-plate.
- Remove the 4 screws in the pushbutton switches that secure the unit to the front panel.
- Lift the unit in the direction indicated in fig. 6.2.A.
- CHECK THAT THE CONTACTS AND THE POSITION-PINS OF THE SWITCH UNIT ARE FREE FROM THE TIME BASE UNIT IN ORDER TO PREVENT THAT THE CONTACTS ARE BEND IF THE UNIT IS TAKEN OUT OF THE INSTRUMENT (see fig. 6.3).
- Take the unit out of the instrument in the direction indicated in fig. 6.2.B.

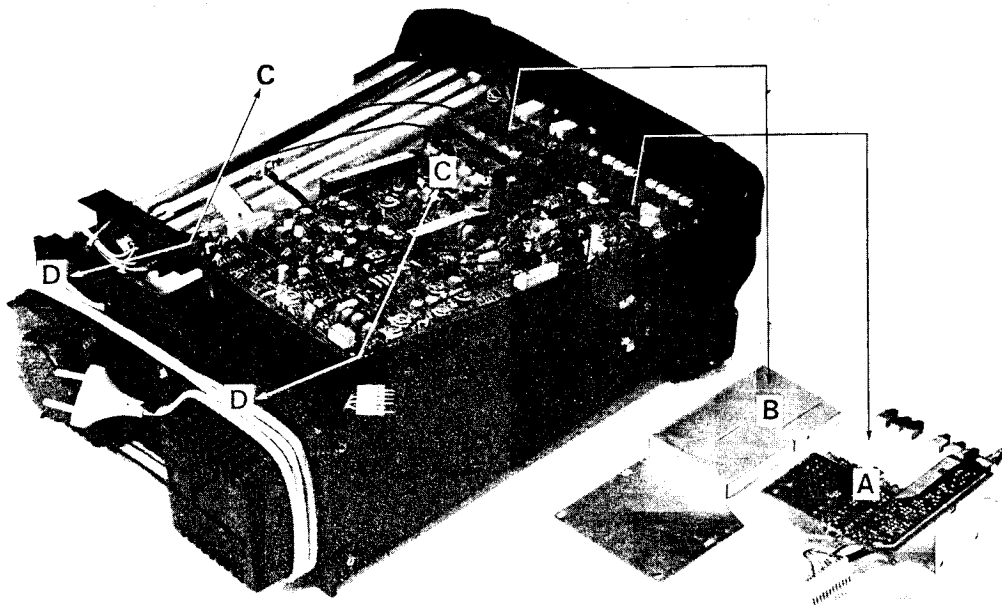
When remounting, follow the procedure above in reversed sequence and take care that the unit is correctly positioned above the position-pins before inserting the unit.



MAT 954

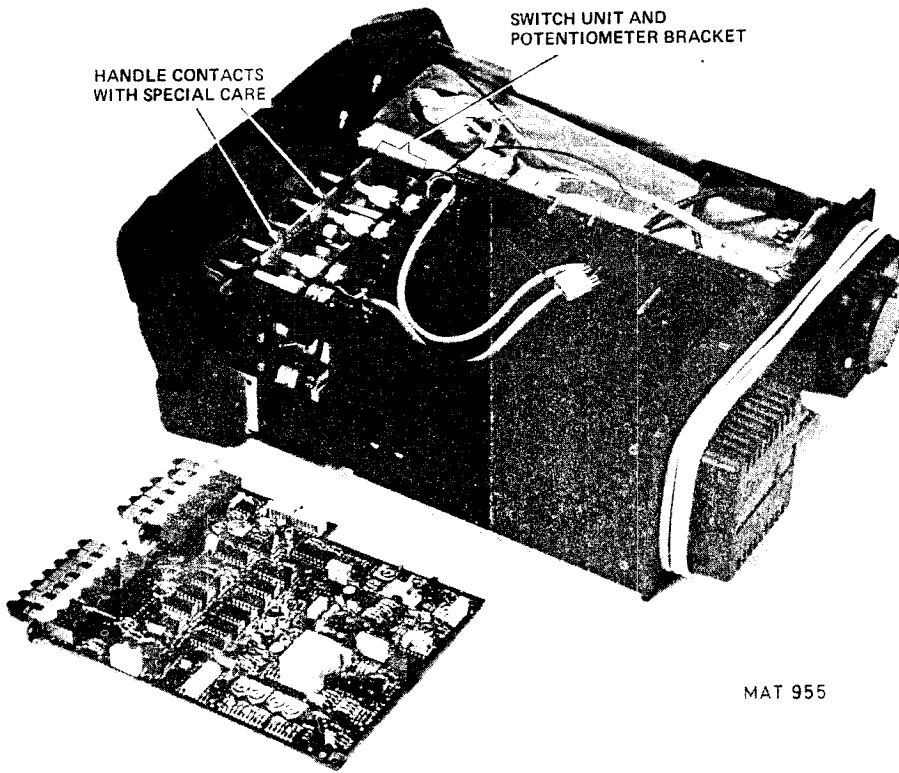
Fig. 6.2. Removal of time-base unit

For Service Manuals Contact  
MAURITRON TECHNICAL SERVICES  
8 Cherry Tree Rd, Chinnor  
Oxon OX9 4QY  
Tel:- 01844-351694 Fax:- 01844-352554  
Email:- enquiries@mauritron.co.uk

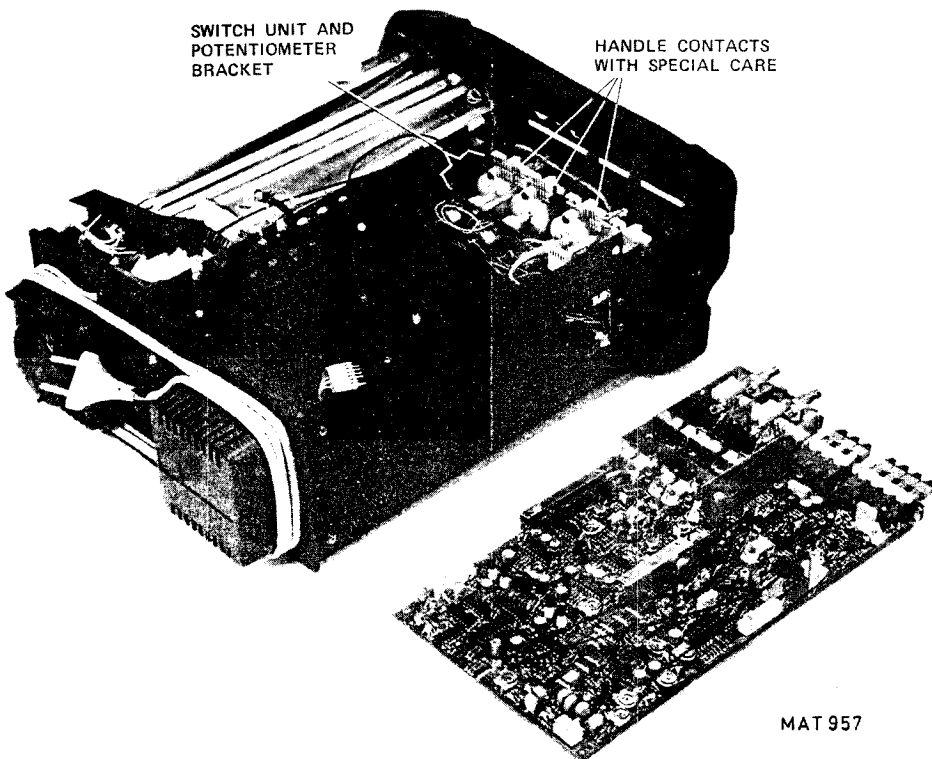


MAT 956

Fig. 6.4. Removal of pre-ampl. and trigger unit



*Fig. 6.3. Time-base unit removed*



*Fig. 6.5. Pre-ampl. and trigger unit removed*

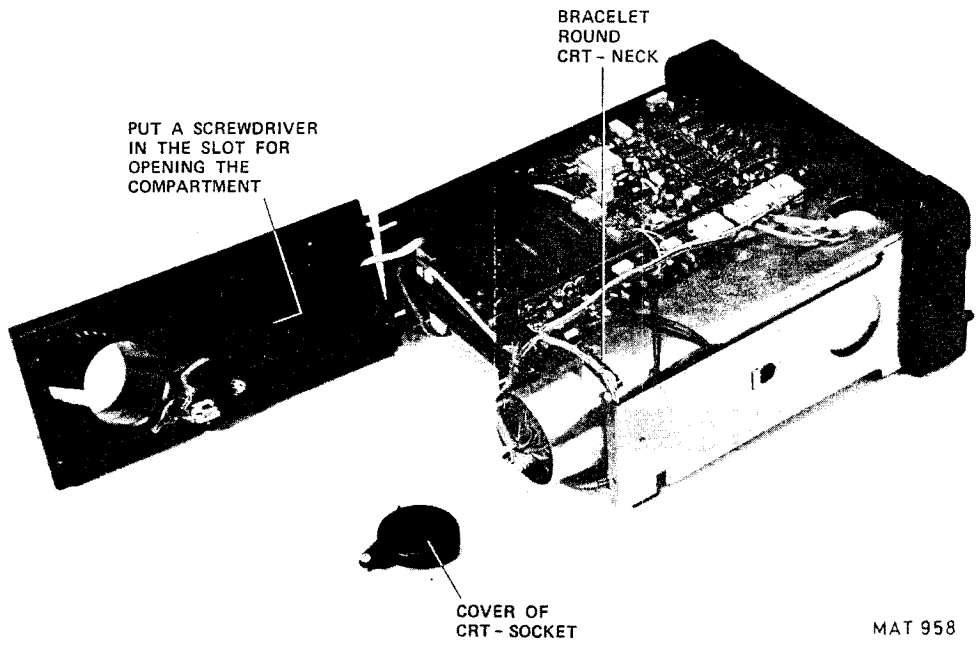


Fig. 6.6. Removal of rear panel

For Service Manuals Contact  
MAURITRON TECHNICAL SERVICES  
8 Cherry Tree Rd, Chinnor  
Oxon OX9 4QY  
Tel:- 01844-351694 Fax:- 01844-352554  
Email:- enquiries@mauritron.co.uk

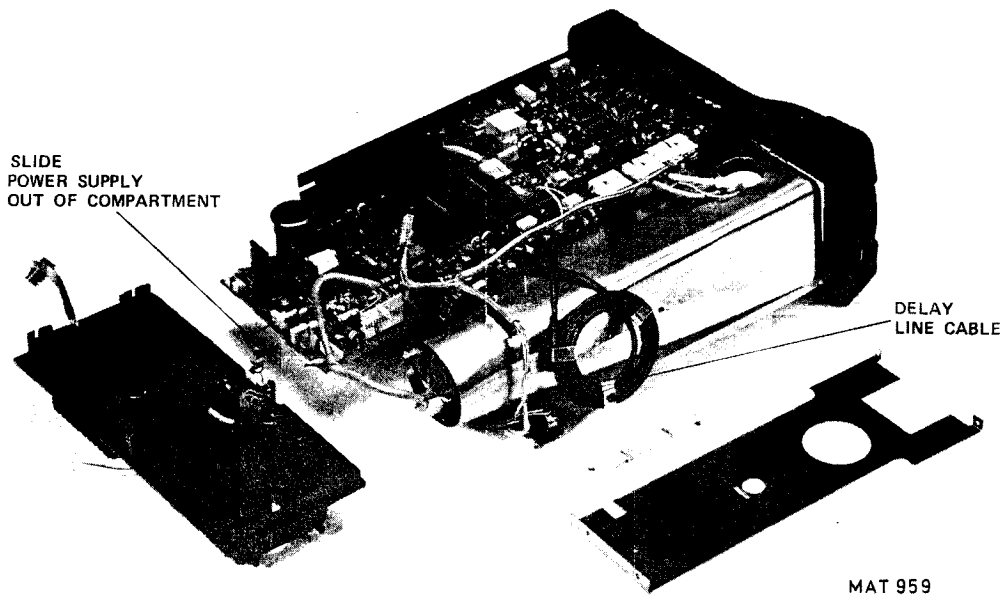


Fig. 6.7. Removal of power supply

#### 6.2.6.4. Removal of switch unit and potentiometer unit

- Remove the time base unit as indicated in chapter 6.2.6.3.
- Remove the trigger source unit as indicated in chapter 6.2.6.1.
- Remove the pre-amplifier and trigger unit as indicated in chapter 6.2.6.2.
- Remove one multipole connector from the final amplifier unit.
- Remove all the knobs from the front panel.
- Remove 4 star-screws, that secure the switch unit and potentiometer unit to the left and right-hand chassis panel.
- Lift the units upwards out of the instrument.
- The switch board can be separated from the potentiometer unit by means of 4 star screws (one of them is only attainable with a small screwdriver).

**IMPORTANT:** Repair of parts on the switch unit is not recommended because special tools are required for assembling. As a result the unit is only available as a complete spare part.

#### 6.2.6.5. Removal of power supply and mains transformer

- For extra information refer to fig. 6.6 and 6.7.
- Remove the round cover of the CRT-socket from the rear panel.
- Remove the front rubber. Bear in mind that this rubber band is equipped with 8 studs, that must be removed from the slits in the front panel.
- Remove the left-hand metal plate by removing 4 screws.
- Remove - if required - the screw that secures the power supply to its compartment. This screw is attainable via a hole in the pre-amplifier and trigger unit.

**NOTE:** This screw also earthens the power supply. When remounting the supply, fix this screw as strong as possible.

- Remove the extension shaft from the mains switch.
- Remove the screw from the bracelet round the CRT-socket.
- Slacken the 4 screws that attach the rear panel to the chassis.
- Take the rear panel from the chassis, and take care that the CRT stays on its place.
- Plug the multipole connector out of the power supply that connects this unit with the rear panel.
- The mains transformer can be reached after removal of the cap of the compartment of the rear panel. This cap can be removed with a screwdriver in the slot of the cap.
- Remove one multipole connector from the pre-amplifier and trigger unit and 2 multipole connectors from the power supply.
- Remove the tyre-wrap that secures the focus cable to the H.V. multiplier cable.

**IMPORTANT:** After remounting the unit, this focus cable must be secured such as in the original situation in order to prevent focus modulation.

- Slide the unit gently out of its compartment and remove – if necessary – the two wires from the EHT multiplier unit.
- For removal of the EHT unit click it out of the two slits of the power supply compartment. For removal of the post-accelerator connection wire it is necessary to remove the time base unit according to chapter 6.2.6.3.  
After having removed the post-accelerator connection from the CRT, discharge it to the instrument's earth (see also chapter 6.1).

#### 6.2.6.6. Replacement of thermal fuse in mains transformer

The double isolation of the instrument is achieved by the isolation properties of the mains transformer. If the mains transformer should become too hot (for instance due to a secondary short-circuit) the isolation layer can be damaged. In order to prevent this a thermal fuse is incorporated in the mains transformer. If the temperature of the transformer becomes too high, the fuse blows and the mains voltage is interrupted. The blown fuse can be replaced by a new one.

For this proceed as follows: Remove the mains transformer out of its compartment. Desolder the two wires of the fuse and slide it out of its compartment within the transformer. Slide the new fuse into the compartment and solder the wires on to the soldering tags of the transformer.

#### 6.2.6.7. Removal of final amplifier unit

- Unplug 3 multipole connectors.
- Unplug 2 single-wire connectors from the time base.
- Remove very carefully the 5 side connections of the CRT.

**WARNING:** Handle the CRT carefully. Rough handling or scratching can cause the CRT to implode. In particular be very careful with the side connections of the CRT. If these pins are bent the CRT is likely to develop a loss of vacuum.

- Remove 3 fixing screws.
- Lift the unit a little out of its bottom fixing points.
- Unplug the outputs of the delay-line cable and unscrew the attachment bracket.
- Unplug the last multipole connector from the short side of the unit.
- Unplug 2 wires, that originate from the CRT socket.

**CAUTION:** These wires carry the –1500 Volt life voltages for the CRT; they may neither be touched nor be short-circuited to earth if the instrument is working.

- Unplug 2 wires, that originate from the CAL output socket on the front panel.
- Unplug 1 coaxial cable.
- Take the unit out of the instrument.

When remounting follow the procedure above in reversed sequence.

#### 6.2.6.8. Removal of potentiometer from potentiometer unit

- For R7, R8, R9, R10 and R11: remove the pre-amplifier and trigger unit according to chapter 6.2.6.2.
- For R1, R2, R3, R4, R5 and R6: remove the time base unit according to chapter 6.2.6.3.
- Remove the fixing nut of the potentiometer.
- Unsolder the wires of the potentiometer and take it out of the coupling piece and the potentiometer unit.
- Remove the coupling-disc by pulling it off the potentiometer shaft. Bear in mind that the coupling discs of the potentiometers with a push-pull function are secured with a fixing-washer.

#### 6.2.6.9. Removal of coupling piece

- Remove the potentiometer according to chapter 6.2.6.8.
- Pull the plastic fixing spring out of the coupling piece.
- Remove the coupling piece from the plastic shaft.
- Remove the knob from the plastic shaft; remove the plastic cap from the knob, remove the screw inside the knob and pull the knob off.
- Slide the plastic shaft backwards out of the instrument.

**IMPORTANT:** When rearranging the coupling piece take care that the flat side at the ends of the plastic shaft and the potentiometer shaft fits correctly in the hole of the coupling discs.

#### 6.2.6.10. Removal of the stand-up stop-block and the stand-up

- Push by means of a pair of pliers the front side clamping lip backwards and lift the block out of the bottom cover.
- Remove both stop-blocks.
- Pull the stop-blocks from the stand-up.

For reassembling:

- Slide both stop-blocks on the stand-up.
- Push both stop-blocks first with their rear-sides in the bottom cover.
- Push by means of a screw-driver the front-sides of the stop-blocks in the bottom cover.

For Service Manuals Contact  
**MAURITRON TECHNICAL SERVICES**  
 8 Cherry Tree Rd, Chinnor  
 Oxon OX9 4QY  
 Tel: 01844-351694 Fax: 01844-352554  
 Email: enquiries@mauritron.co.uk



### 6.2.7. Soldering techniques

Working method:

- Carefully unsolder one after the other the soldering tags of the semi-conductor.
- Remove all superfluous soldering material. Use a sucking iron or sucking litze wire.
- Check that the tags of the replacement part are clean and pre-tinned on the soldering places.
- Locate the replacement semi-conductor exactly on its place, and solder each tag to the relevant printed conductor on the circuit board.

*NOTE: Bear in mind that the maximum permissible soldering time is 10 seconds during which the temperature of the tags must not exceed 250°C. The use of solder with a low melting point is therefore recommended.*

*Take care not to damage the plastic encapsulation of the semiconductor (softening point of the plastic is 150°C)*

**ATTENTION:** When you are soldering inside the instrument it is essential to use a low-voltage soldering iron, the tip of which must be earthed to the mass of the oscilloscope.

Suitable soldering irons are:

- ORYX micro-miniature soldering instrument, type 6A, voltage 6V, in combination with PATO pin-point tip type 0-569.
- ERSA miniature soldering iron, type minor 040B, voltage 6V.
- Low Voltage Mini Soldering Iron, type 800/12W-6V, power 12W, voltage 6V, order no. 4822 395 10004, in combination with 1mm pin-point tip, order no. 4822 395 10012.

Ordinary 60/40 solder with core and 35- to 40W pencil type soldering iron can be used to accomplish the majority of the soldering. If a higher wattage-rating soldering iron is used on the etched circuit boards, excessive heat can cause the etched circuit wiring to separate from the board base material.

### 6.3. RECALIBRATION AFTER REPAIR

After any electrical component has been replaced the calibration of that particular circuit should be checked, as well as the calibration of other closely related circuits.

Since the power supply affects all circuits, calibration of the entire instrument should be checked if work has been done on the power supply.

For more detailed information see the interaction table (section 5.6).

### 6.4. INSTRUMENT REPACKING

If the instrument is to be shipped to a Service Centre for service or repair, attach a tag showing owner (with address) and the name of an individual at your firm who can be contacted. The Service Centre needs the complete instrument serial number and a fault description.

Save and re-use the packing in which your instrument was shipped. If the original packing is unfit for use or not available, repack the instrument in such a way that no damage occurs during transport.

For Service Manuals Contact  
**MAURITRON TECHNICAL SERVICES**  
 8 Cherry Tree Rd, Chinnor  
 Oxon OX9 4QY  
 Tel:- 01844-351694 Fax:- 01844-352554  
 Email:- enquiries@mauritron.co.uk

## 6.5. TROUBLE-SHOOTING

### 6.5.1. Introduction

The following information is provided to facilitate trouble-shooting. Information contained in other sections of this manual should be used along with the following information to aid in locating the defective component. An understanding of the circuit operation is helpful in locating troubles, particularly where integrated circuits are used. Refer to the Circuit Description section for this information.

### 6.5.2. Trouble-shooting hints

If a fault appears, the following test sequence can be used to find the defective circuit part:

- Check if the settings of the controls of the oscilloscope are correct. Consult the operating instructions in the operating manual.
- Check the equipment to which the oscilloscope is connected and the interconnection cables.
- Check if the oscilloscope is well-calibrated. If not refer to section 5 (checking and adjusting).
- Visually check the part of the oscilloscope in which the fault is suspected. In this way, it is possible to find faults such as bad soldering connections, bad interconnection plugs and wires, damaged components or transistors and IC's that are not correctly plugged into their sockets.
- Location of the circuit part in which the fault is suspected: the symptom often indicates this part of the circuit. If the power supply is defective the symptom will appear in several circuit parts.

After having carried out the previous steps, individual components in the suspected circuit parts must be examined:

- Transistors and diodes. Check the voltage between base and emitter (0,7 Volt approx. in conductive state) and the voltage between collector and emitter (0,2 Volt approx. in saturation) with a voltmeter or oscilloscope. When removed from the p.c.b. it is possible to test the transistor with an ohmmeter since the base/emitter and base/collector junctions can be regarded as diodes. Like a normal diode, the resistance is very high in one direction and low in the other direction. When measuring take care that the current from the ohmmeter does not damage the component under test.  
Replace the suspected component by a new one if you are sure that the circuit is not in such a condition that the new one will be damaged.
- Integrated circuits. In circuit testing can be done with an oscilloscope or voltmeter. A good knowledge of the circuit part under test is essential. Therefore first read the circuit description in section 2.
- Capacitors. Leakage can be traced with an ohmmeter adjusted to the highest resistance range. When testing take care of polarity and maximum allowed voltage. An open capacitor can be checked if the response for AC signals is observed. Also a capacitance meter can be used: compare the measured value with value and tolerance indicated in the parts list.
- Resistors. Can be checked with an ohmmeter after having unsoldered one side of the resistor from the p.c.b. Compare the measured value with value and tolerance indicated in the parts list.
- Coils and transformers. An ohmmeter can be used for tracing an open circuit. Shorted or partially shorted windings can be found by checking the wave-form response when HF signals are passed through the circuit. Also an inductance meter can be used.

**NOTE:** *If a component must be replaced always use a direct-replacement. If not available use an equivalent after carefully checking that it does not degrade the instrument's performance. See also section 6.2. (replacement).  
After replacement of a component the calibration of the instrument may be affected due to component tolerances. If necessary do the required adjustments.*

## 6.6. OPTIONAL MTB GATE OUTPUT, DTB GATE OUTPUT, MTB SWEEP OUTPUT AND TV OR ECL TRIGGERING

### 6.6.1. MTB and DTB gate

For these options it is necessary to install coax sockets X209 and X211 and BNC sockets at the rear panel and to add coaxial cables between these sockets and respectively socket X209 (MTB gate) and socket X211 (DTB gate) on the time base unit.

For ordering numbers of coax sockets and BNC sockets and coaxial cables see the parts list in chapter 7.

For MTB gate: mount coax socket X209 and resistor R270 ( $33,2\Omega$ , 5322 116 50527) on the time base unit.

For DTB gate: mount coax socket X211 and close the soldering bridge inbetween D207/6 and D208/5,6 on the time base unit.

### 6.6.2. MTB sweep out

For this option it is necessary to install a number of components in the way indicated on the time base p.c.b. lay-out (see fig. 8.7).

|      |                          |                |
|------|--------------------------|----------------|
| R352 | 1K/MR25                  | 5322 116 54549 |
| R353 | 1K27/MR25                | 5322 116 50555 |
| R354 | 5E11/MR25                | 5322 116 54192 |
| V267 | BC548C                   | 4822 130 44196 |
| C252 | 15UF/40 V                | 4822 124 20709 |
| C266 | 10NF                     | 4822 121 41134 |
| X218 | Coax socket, outer part  | 5322 268 24116 |
|      | Coax socket, contact pin | 5322 268 14141 |

Mount a BNC socket on the rear panel and add a coaxial cable between the BNC socket and socket X218 on the time base unit. For ordering numbers of BNC socket and coaxial cable refer to the parts list in chapter 7.

### 6.6.3. TV or ECL triggering (see Fig. 8.4.)

The modifications necessary for these options are indicated in the table on the circuit diagram of the MTB triggering. The modifications must be carried out on the pre-amplifier and trigger unit. On the pre-amplifier and trigger unit p.c.b. lay-out is indicated where the modified components are located (see Fig. 8.1.).

For the TV trigger mode a number of components must be added of which the ordering number is listed below:

|      |        |                |
|------|--------|----------------|
| V869 | BF199  | 4822 130 44154 |
| V871 | BC548C | 4822 130 44196 |
| V899 | BC548C | 4822 130 44196 |
| V898 | BC548C | 4822 130 44196 |
| V909 | BC548C | 4822 130 44196 |
| V908 | BC558B | 4822 130 44197 |
| V894 | BAW62  | 4822 130 30613 |

For Service Manuals Contact  
**MAURITRON TECHNICAL SERVICES**  
 8 Cherry Tree Rd, Chinnor  
 Oxon OX9 4QY  
 Tel:- 01844-351694 Fax:- 01844-352554  
 Email:- enquiries@mauritron.co.uk

To change the text TTL on the textplate into ECL or TV the stickers:

ECL ordering number. 5322 455 81021  
 TV ordering number 5322 455 81022

must be used.

#### Specifications of TV triggering

Trigger sensitivity:

Internal TV 0,7 div. sync. pulse max. 8 div. (24 div. TV signal)

External TV 350mV sync. pulse

Frame In 0,5s/div. - 50 $\mu$ s/div. main time-base settings.

Line In 20 $\mu$ s/div. - 50ns/div. main time-base settings

### Specifications of ECL triggering

Trigger sensitivity:

|              |                        |
|--------------|------------------------|
| Internal ECL | ECL level in 0,5V/div. |
| External ECL | Not specified          |

#### 6.6.3.1. Adjustment procedure ECL triggering

After the instrument is changed from TTL into ECL triggering the following must be readjusted:

##### a. Trigger view sensitivity via EXT, channel A and B

- Set the controls as indicated in fig. 4.1.
- Set the MTB TIME/DIV switch S15 to 50  $\mu$ s.
- Apply a square-wave signal, freq. 10 kHz, ampl. exactly 1,2 V to input EXT (X5), A (X2) and B (X4).
- Depress TRIG VIEW of S1.
- Depress TRIG and AUTO of S3.
- Depress EXT of S23.
- Set the trace in the vertical centre by means of the LEVEL control R6.
- Check that the trace height is 6 div. + or –0.9 subdiv.; if necessary readjust R1104 (fig. 5.2).
- Depress A of S23.
- Set the AMPL/DIV switches S9 and S11 to 0.2 V.
- Check that the trace height is exactly 6 div.; if necessary readjust R958 (fig. 5.2).
- Depress B of S23.
- Check that the trace height is exactly 6 div.; if necessary readjust R961 (fig. 5.2).

##### b. Trigger sensitivity

- Set the controls as indicated in fig. 4.1.
- Set S9 and S11 to 0.5 V.
- Depress AUTO and TRIG of S3.
- Depress ECL of S20.
- Depress A of S23.
- Set S15 to 20  $\mu$ s.
- Apply a sine-wave signal, amplitude 2 V, frequency 10 kHz to the input A.
- Set the start of the trace on the vertical and horizontal centre lines of the screen by means of the controls R1 and R5.
- Pull and push the SLOPE switch S8.
- Check that the gap between the starting points of the traces is exactly 1 div.; if necessary readjust R388 (fig. 5.1).

##### c. Trigger symmetry

- Readjust R1054 as described in section 5.5.6.1.

##### d. Trigger balance channel A, B and EXT

- Depress TRIG VIEW of S1.
- Depress AUTO and TRIG of S3.
- Depress 0 of S17 and S18.
- Depress LF of S20.
- Set the trace in the vertical centre of the screen by means of the LEVEL control R6.
- Depress DC of S20.
- Check that the trace is in the vertical centre of the screen; if necessary readjust R959 (see fig. 5.2).
- Depress B of S23.
- Check that the trace is in the vertical centre of the screen; if necessary readjust R962 (see fig. 5.2).
- Depress EXT of S23.
- Check that the trace is in the vertical centre of the screen; if necessary readjust R1134 (see fig. 5.2).

*e. ECL level and COMP balance*

- Depress A of S1.
- Depress A of S23.
- Set the trace in the vertical centre of the screen by means of R1.
- Depress DC of S17.
- Apply a sine-wave signal, frequency 10 kHz to input A.
- Set the trace-height to 6 div.
- Set S15 to 10  $\mu$ s.
- Depress ECL of S20.
- Depress 0 of S17.
- Set the starting point of the trace in the vertical and horizontal centre of the screen by means of the controls R1 and R5.
- Depress DC of S17.
- Push the switch S8 for positive triggering.
- Adjust starting point of trace symmetrically around  $-2,6$  div (from mid of screen) with R907 when operating MTB SLOPE S8.
- Depress A and B (COMP) of S23.
- Adjust starting point of trace symmetrically around  $-2,6$  div (from mid of screen) with R964 when operating MTB SLOPE S8.

*f. Trigger view balance*

- Readjust according section 5.5.6.5.

*g. Trigger balance, DTB, via channel A and B*

- Readjust according section 5.5.6.6.

**6.6.3.2. Adjustment procedure T.V. triggering**

After the instrument is changed from TTL into T.V. triggering the following must be readjusted.

*a. Trigger view sensitivity via EXT, channel A and B*

- Readjust according section 6.6.3.1.a. (ECL).

*b. Trigger symmetry*

- Readjust according section 5.5.6.1.

*c. Trigger sensitivity*

- Set the controls as indicated in fig. 4.1.
- Apply a sine-wave signal, frequency 10 kHz to input A (X2).
- Set the trace height to 0.4 div.
- Check that the signal is triggered; if necessary readjust R388 (fig. 5.1).
- Pull the SLOPE switch S8 for negative triggering.
- Check that the signal is triggered; if necessary readjust R388 (fig. 5.1).

*d. Trigger balance channel A, B and EXT*

- Readjust according section 6.6.3.1.d. (ECL).

For Service Manuals Contact  
**MAURITRON TECHNICAL SERVICES**  
 8 Cherry Tree Rd, Chinnor  
 Oxon OX9 4QY  
**Tel:- 01844-351694 Fax:- 01844-352554**  
**Email:- enquiries@mauritron.co.uk**

*e. COMP balance*

- Depress A of S1.
- Depress A of S23.
- Set the trace in the vertical centre of the screen by means of R1.
- Depress DC of S17.
- Set S9 to 0.2 V.
- Apply a sine-wave signal, frequency 10 kHz to input A.
- Set the trace-height to 4 div.
- Set S15 to 10  $\mu$ s.
- Depress DC of S20.
- Push SLOPE switch S8.
- Set the start of the trace on the vertical centre line by means of R6.
- Depress A and B (COMP) of S23.
- Check that the trace starts on the vertical centre line; if necessary readjust R964 (fig. 5.2).

*f. Trigger view balance*

- Readjust according section 5.5.6.5.

*g. Trigger balance, DTB, via channel A and B.*

- Readjust according section 5.5.6.6.

**6.6.3.3. Checking procedure TV triggering**

- Apply a video signal to input A (B) (see table)
- Check the trigger sensitivity in accordance with the table below.

| S23<br>TRIGGER<br>SOURCE | S20<br>TRIGGER<br>MODE | S8<br>SLOPE | TRACE HEIGHT         | SHAPE   | S15<br>TIME/DIV<br>MTB |
|--------------------------|------------------------|-------------|----------------------|---------|------------------------|
| A (B)                    | TV                     | +           | 0,3 div. sync. pulse | + video | 50 $\mu$ s (FRAME)     |
| A (B)                    | TV                     | +           | 0,3 div. sync. pulse | + video | 20 $\mu$ s (LINE)      |
| A (B)                    | TV                     | –           | 0,3 div. sync. pulse | – video |                        |
| A (B)                    | TV                     | +           | 8 div. sync. pulse   | + video |                        |

- Check the switching between 50 $\mu$ s (FRAME) and 20 $\mu$ s (LINE) of the TIME/DIV. switch S15.

For Service Manuals Contact  
**MAURITRON TECHNICAL SERVICES**  
 8 Cherry Tree Rd, Chinnor  
 Oxon OX9 4QY  
 Tel:- 01844-351694 Fax:- 01844-352554  
 Email:- enquiries@mauritron.co.uk

**6.7. ACCESSORY INFORMATION**

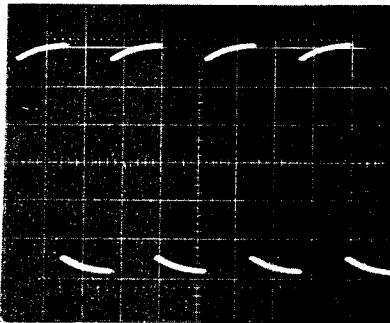
**6.7.1. Adjustments of the passive probes PM8927A**

*Matching the probe to your oscilloscope*

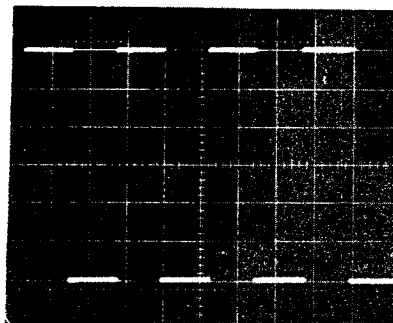
The measuring probe has been adjusted and checked by the manufacturer. However, to match the probe to your oscilloscope, the following manipulation is necessary.

Connect the measuring pin to the CAL socket of the oscilloscope.

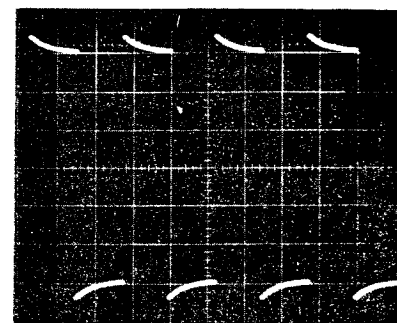
A trimmer C2 (Fig. 6.14) can be adjusted through a hole in the compensation box to obtain optimum square-wave response. See Fig. 6.8, 6.9 and 6.10.



*Fig. 6.8. Over-compensation (adjustment C2)*



*Fig. 6.9. Correct-compensation (adjustment C2)*



*Fig. 6.10. Under-compensation (adjustment C2)*

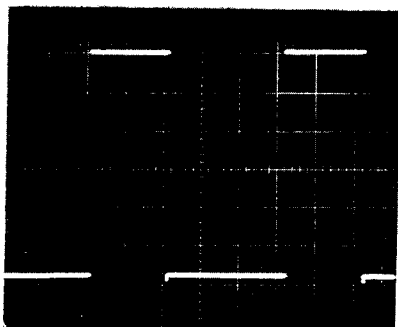
*Adjusting the h.f. step response*

The h.f. step response correction network has been adjusted by the manufacturer to match the oscilloscope input. For optimum pulse response, for separate delivered probes, the probe can be adjusted to match your particular oscilloscope. Later readjustment is only necessary if the probe is to be used with a different type of oscilloscope, or after replacement of an electrical component.

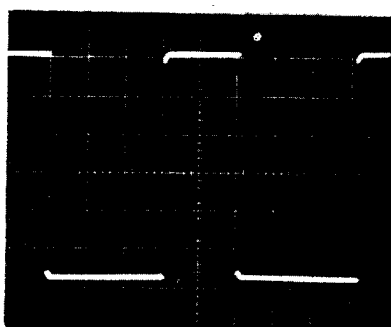
For the adjustment, proceed as follows:

Connect the probe to a fast pulse generator (rise-time not exceeding 1 ns) which is terminated by its characteristic impedance. Dismantle the compensation box. Set the generator to 100 kHz. Adjust R2 and R3 alternatively to obtain a display as shown in Fig. 6.11.

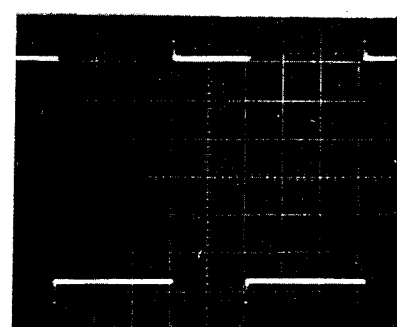
It is important that the leading edge is as steep, and the top is as flat, as possible. Incorrect settings of R2 and R3 give rise to pulse distortions as shown in Fig. 6.12 en 6.13.



*Fig. 6.11. Preset potentiometers correctly adjusted*



*Fig. 6.12. Rounding due to incorrectly adjusted potentiometers*



*Fig. 6.13. Overshoot due to incorrectly adjusted potentiometers*

MAT 615

## 6.7.2. Dismantling

### *Dismantling the probe (see Fig. 6.14)*

The front part 11 of the probe can be screwed from the rear part 13. Item 11 can then be slid from 12 and 13. The RC combination 12 is soldered to 13. For replacement of 12 refer to the next section.

### *Dismantling the compensation box (see Fig. 6.14)*

Unscrew the ribbed collar of the compensation box to the cable. The case 14 can then be slid sideways off the compensation box. The electrical components of the printed-wiring board are then accessible.

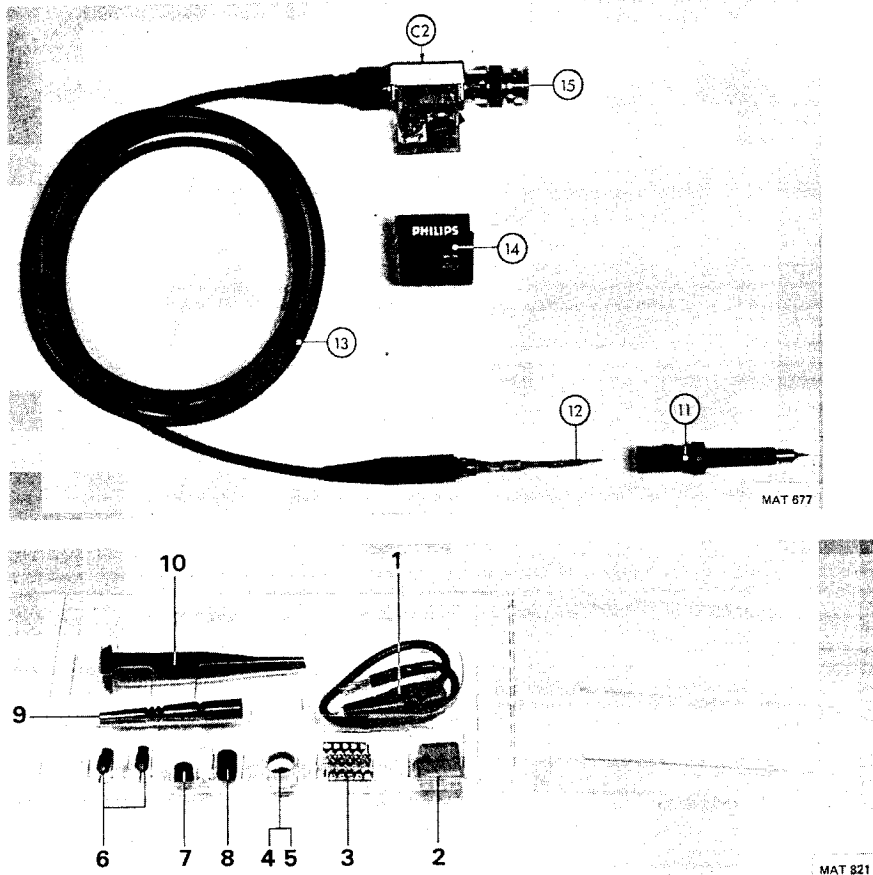


Fig. 6.14. Dismantling + accessories

## 6.7.3. Replacing parts

### *Assembling the probe*

A new RC network is slid over the cable nipple, after which the cable core is soldered on to the resistor wire. When the measuring probe is assembled, the RC network must be at dead centre in the probe tip.

### *Replacing the cable assembly*

Dismantle the compensation box.

Unsolder the connection between the inner conductor and the printed-wiring board. Keep the frame of the compensation box steady and loosen the cable nipple with a 5 mm spanner on the hexagonal part. Replace the cable and fit it, working in the reverse order.

## 6.7.4. Replacing the BNC

Dismantle the compensation box.

Unsolder the connection to the printed-wiring board. Hold the frame of the compensation box firmly and loosen the BNC with a 3/8 inch spanner. Replace the BNC and fit it, working in the reverse order.

### *Replace the probe tip*

The damaged tip can be pulled out by means of a pair of pliers. A new tip must be firmly pushed in.



6.7.5. Parts lists

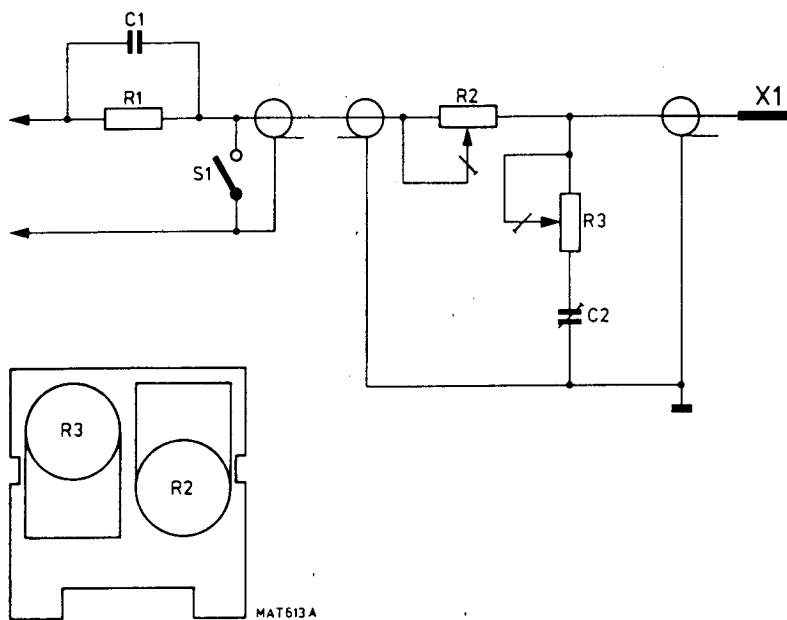
*Mechanical parts (see Fig. 6.14 and 6.15)*

Items 1 to 10 are standard accessories supplied with the probe.

| Item | Ordering number | Qty | Description   |
|------|-----------------|-----|---|
| 1    | 5322 321 20223  | 1   | Earth cable   |
| 2    | 5322 256 94136  | 1   | Probe holder  |
| 3    | 5322 255 44026  | 10  | Soldering terminals which may be incorporated in circuits as routine test points          |
| 4/5  | 5322 532 64223  | 6   | Set marking rings   |
| 6    | 5322 268 14017  | 2   | Probe tip   |
| 7    | 5322 462 44319  | 1   | Insulating cap to cover metal part of probe during measurements in densely wired circuits |
| 8    | 5322 462 44318  | 2   | Cap facilitating measurements on dual-in-line integrated circuits                         |
| 9    | 5322 264 24018  | 1   | Wrap pin adaptor  |
| 10   | 5322 264 24019  | 1   | Spring-loaded test clip   |
| 11   | 5322 264 24021  | 1   | Probe shell with check-zero button  |
| 12   | 5322 216 54152  | 1   | RC network  |
| 13   | 5322 320 14063  | 1   | Cable assembly  |
| 14   | 5322 447 61006  | 1   | Cap   |
| 15   | 5322 268 44019  | 1   | BNC connector   |

*Electrical parts*

| Item | Ordering number | Description                                  |
|------|-----------------|--|
| C1   | —               | Part of RC network (not supplied separately) |
| C2   | 5322 125 54003  | Trimmer 60 pF, 300 V                         |
| R1   | —               | Part of RC network (not supplied separately) |
| R2   | 5322 101 14047  | Potmeter 470 $\Omega$ , 20 %, 0.5 W          |
| R3   | 5322 100 10112  | Potmeter 1 k $\Omega$ , 20 %, 0.5 W          |



For Service Manuals Contact  
**MAURITRON TECHNICAL SERVICES**  
 8 Cherry Tree Rd, Chinnor  
 Oxon OX9 4QY  
 Tel:- 01844-351694 Fax:- 01844-352554  
 Email:- enquires@mauritron.co.uk

Fig. 6.15. Printed-wiring board showing adjusting elements, circuit diagram.

## 6.8. SAFETY INSPECTION AND TESTS AFTER REPAIR AND MAINTENANCE IN THE PRIMARY CIRCUIT

### 6.8.1. General directives

- Take care that the creepage distances and clearances have not been reduced.
- Before soldering, the wires should be bent through the holes of solder tags, or wrapped around the tag in the form of an open U, or, wiring rigidity shall be maintained by cable clamps or cable lacing.
- Replace all insulating guards and -plates.

### 6.8.2. Safety components

Components in the primary circuit may only be renewed by components selected by Philips, see also clause 6.2.2.

### 6.8.3. Checking the protective earth connection (in instruments with a three-core mains cable)

The correct connection and condition is checked by visual control and by measuring the resistance between the protective lead connection at the plug and the cabinet/frame. The resistance shall not be more than  $0,1 \Omega$ . During measurement the mains cable should be removed. Resistance variations indicate a defect.

### 6.8.4. Checking the insulation resistance

Measure the insulation resistance at  $U = 500V$  dc between the mains connections and the protective lead connections. For this purpose set the mains switch to ON. The insulation resistance shall not be less than  $2M\Omega$ .

*NOTE:  $2M\Omega$  is a minimum requirement at  $40^{\circ}C$  and 95% Relative Humidity. Under normal conditions the insulation resistance should be much higher (10 ...  $20M\Omega$ ).*

### 6.8.5. Checking the leakage current

The leakage current shall be measured between each pole of the mains supply in turn, and all accessible conductive parts connected together (including the measuring earth terminal). The leakage current is not excessive if the measured currents from the mentioned parts is  $\leq 3,5mA$  rms. (For safety class II instruments this is  $\leq 0,7mA$  rms).

### 6.8.6. Voltage test

The instrument shall withstand, without electrical breakdown, the application of a test voltage between the supply circuit and accessible conductive parts that are likely to become energized. The test potential shall be  $1500V$  rms at supply-circuit frequency, applied for one second. The test shall be conducted when the instrument is fully assembled, and with the primary switch in the ON position.

During the test, both sides of the primary circuit of the instrument are connected together and to one terminal of the voltage test equipment; the other voltage test equipment terminal is to be connected to the accessible conductive parts.

(For class II instruments the test potential shall be  $3000V$  rms).

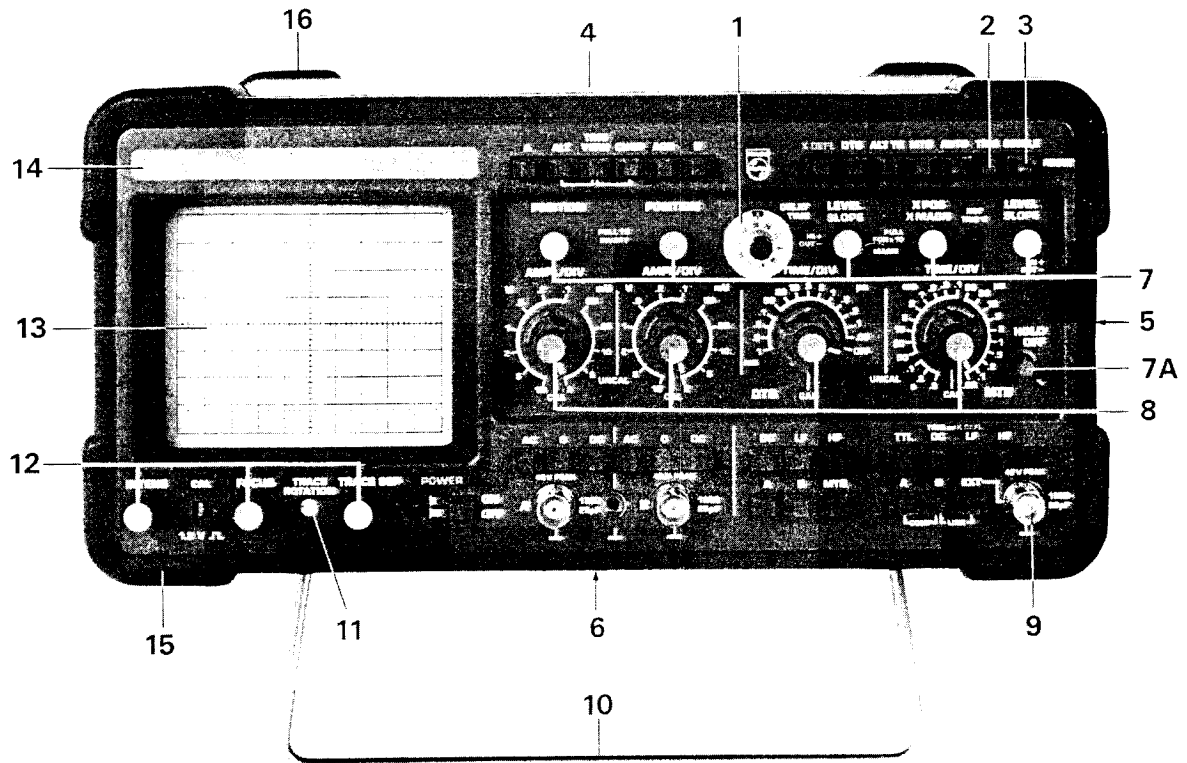
## 7. PARTS LIST

For Service Manuals Contact  
**MAURITRON TECHNICAL SERVICES**  
 8 Cherry Tree Rd, Chinnor  
 Oxon OX9 4QY  
 Tel:- 01844-351694 Fax:- 01844-352554  
 Email:- enquiries@mauritron.co.uk

Subject to alteration without notice

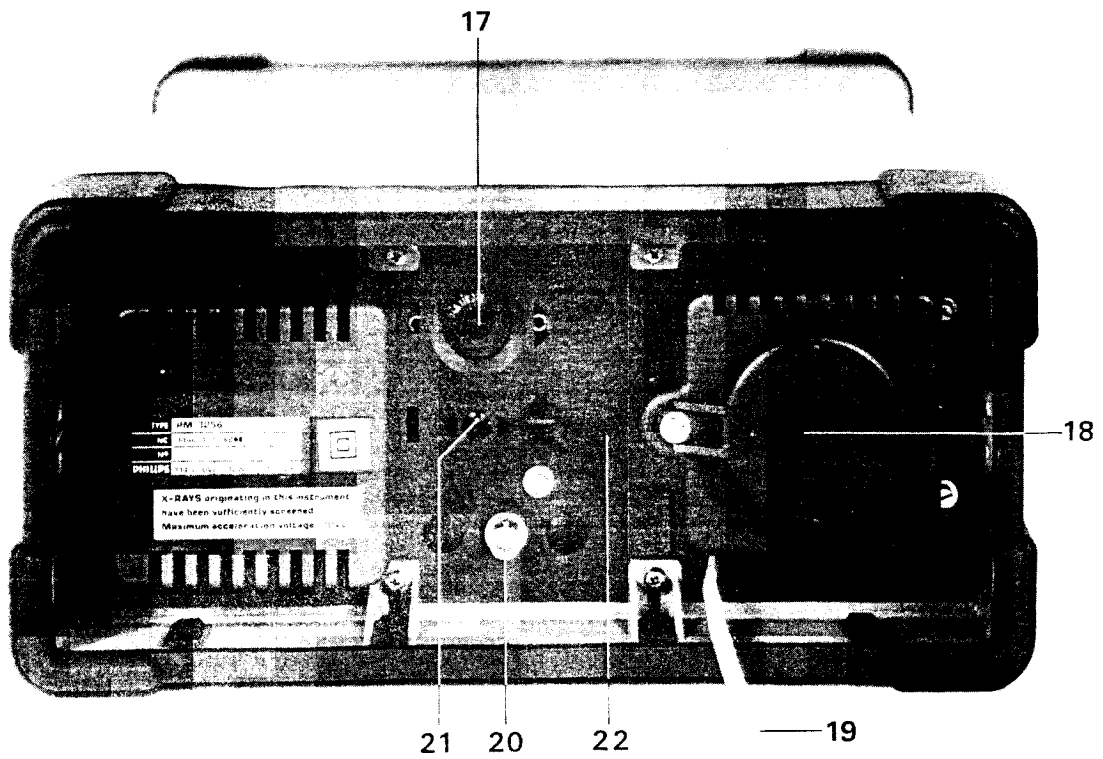
## 7.1. PARTS INDICATED IN FIG. 7.1 ... FIG. 7.6

| <i>Item</i>      | <i>Ordering number</i> | <i>Description</i>  |
|------------------|------------------------|---|
| <b>Fig. 7.1.</b> |                        |   |
| 1                | 5322 414 30004         | Knob with dial (used for "delay time")                                |
| 2                | 5322 414 20034         | Pushbutton brown/green (32 pcs/instr.)                                |
| 3                | 5322 414 20033         | Pushbutton brown (used for "single")                                  |
| 4                | 5322 447 90408         | Top cover, brown  |
| 5                | 5322 498 50129         | Strap, complete   |
|                  | 5322 498 70061         | Strap fastener (to lock the strap in the rear side ventilation holes) |
| 6                | 5322 447 90409         | Bottom cover (without stand-up bracket), brown                        |
| 7                | 5322 414 70016         | Cap, brown with line  |
|                  | 5322 414 30044         | Knob, dia 10 mm, brown  |
| 7A               | 5322 414 30047         | Hold-off knob, brown  |
|                  | 5322 492 64337         | Fixing spring for Hold-off knob                                       |
| 8                | 5322 414 70018         | Cap, blue with line   |
|                  | 5322 502 80006         | Screw, selftapping  |
|                  | 5322 414 30065         | Knob, dia 10 mm (short), brown  |
|                  | 5322 414 30045         | Knob, dia 19 mm, brown  |
| 9                | 5322 267 10004         | BNC input socket (used for A, B and EXT TRIG)                         |
| 10               | 5322 462 10207         | Stand-up bracket  |
|                  | 5322 462 40535         | Stand-up stop-block (fastening piece)                                 |
| 11               | 5322 532 20752         | Screw (used for "trace rotation")                                     |
| 12               | 5322 414 74015         | Cap, grey with line   |
|                  | 5322 502 80006         | Selftapping screw   |
|                  | 5322 414 30065         | Knob, dia 10 mm (short), brown  |
| 13               | 5322 480 30151         | Removeable contrast filter, blue                                      |
|                  | 5322 480 30155         | Yellow-green contrast filter (for PM3256-G version)                   |
|                  | 5322 492 62993         | Plastic spring for contrast filter                                    |
| 14               | 5322 447 90407         | Front panel PM3256 (brown)  |
| 15               | 5322 466 60837         | Rubber band, front  |
| 16               | 5322 446 60838         | Rubber band, rear   |
| <b>Fig. 7.2.</b> |                        |   |
| 17               | 5322 263 40045         | Mains voltage adapter + fuse holder (S25)                             |
|                  | 4822 253 30017         | Fuse 5 x 20 mm/500 mA   |
| 18               | 5322 462 40664         | Cover of CRT-socket, brown  |
| 19               | 4822 321 10301         | Mains cable   |
|                  | 5322 290 40196         | Mains cable clamp for two-cored mains cable                           |
|                  | 5322 290 40197         | Mains cable clamp for three-cored mains cable                         |
|                  | 5322 325 64083         | Cleat for mains cable   |
|                  | 5322 321 20816         | Mains cable PM3256P (British version)                                 |
|                  | 5322 321 10331         | Mains cable PM3256U (U.S.A. version)                                  |
|                  | 5322 325 50108         | Cable cleat for PM3256P and PM3256U                                   |
| 20               | 5322 267 10004         | BNC socket (X6 Z-mod.)  |
| 21               | 4822 265 20051         | 24 Volt, Battery input socket   |
| 22               | 5322 447 90411         | Rear panel, brown   |



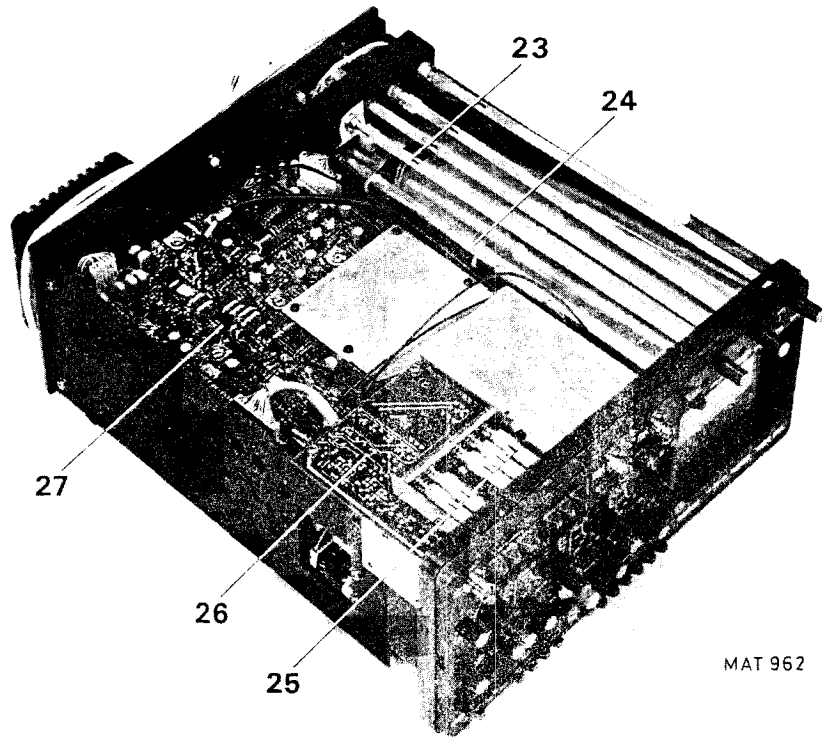
MAT 960 A

Fig. 7.1. Mechanical parts, front view



MAT 961 A

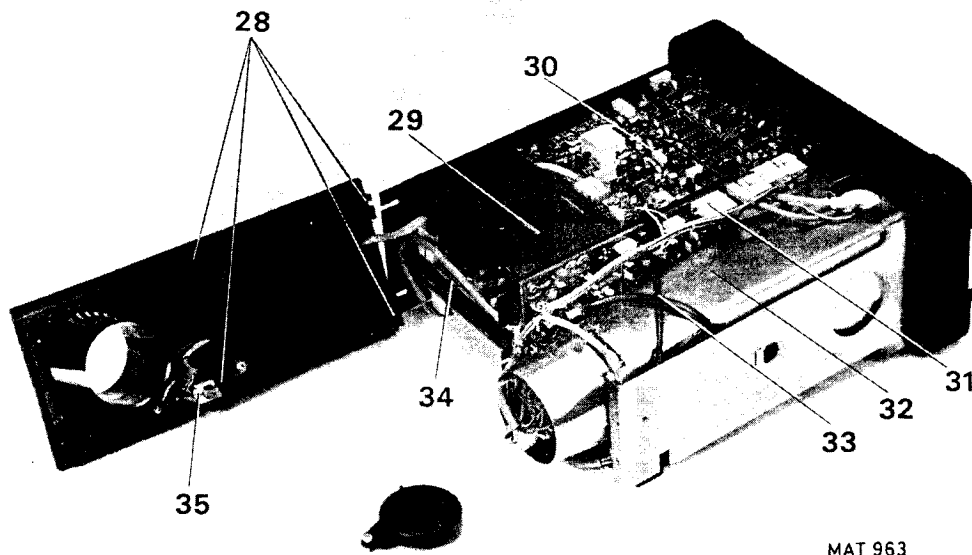
Fig. 7.2. Mechanical parts, rear view



MAT 962

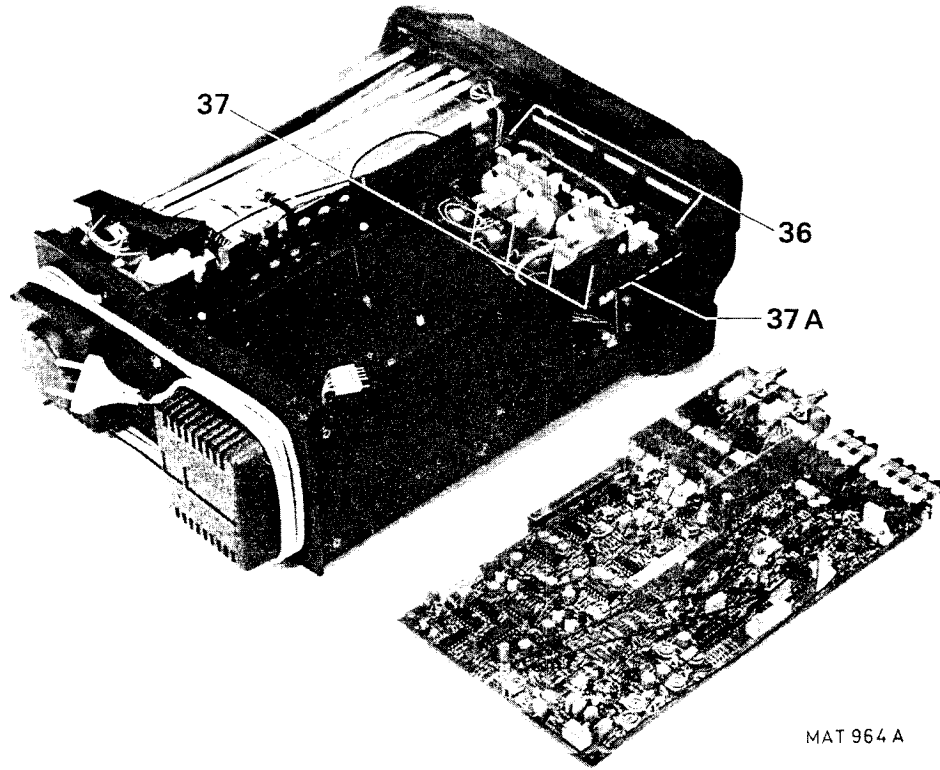
Fig. 7.3. Internal view of bottom side of instrument

For Service Manuals Contact  
**MAURITRON TECHNICAL SERVICES**  
 8 Cherry Tree Rd, Chinnor  
 Oxon OX9 4QY  
 Tel:- 01844-351694 Fax:- 01844-352554  
 Email:- enquiries@mauritron.co.uk

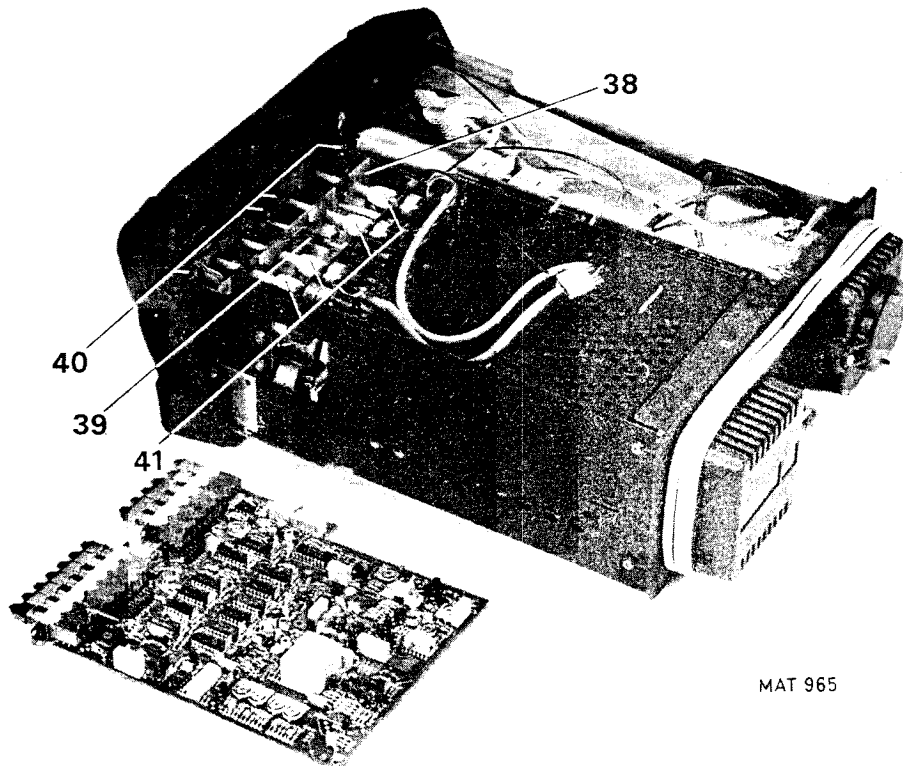


MAT 963

Fig. 7.4. Internal view with rear panel removed



*Fig. 7.5. Internal view with pre-amplifier and trigger unit removed*



*Fig. 7.6. Internal view with time-base unit removed*

| <i>Item</i>      | <i>Ordering number</i> | <i>Description</i>   |
|------------------|------------------------|--|
| <b>Fig. 7.3.</b> |                        |  |
| 23               | 5322 535 91575         | Extension shaft (used for "intens, focus, trace sep").                             |
|                  | 5322 535 94925         | Extension shaft (used for "trace rotation").                                       |
| 24               | 5322 535 91233         | Extension shaft (used for "power on")  |
| 25               | 5322 535 91232         | Extension shaft (used for trigger source selection)                                |
| 26               | 5322 216 51059         | Trigger selector unit/unit A4  |
| 27               | 5322 216 51109         | Pre-amplifier and trigger unit A3  |
| <b>Fig. 7.4.</b> |                        |  |
| 28               | 5322 466 80812         | Plate 10x10 mm with M3-thread (fixes rear panel to chassis)                        |
| 29               | 5322 320 20119         | EHT multiplier unit  |
| 30               | 5322 216 51108         | Time base/unit A2  |
| 31               | 5322 216 51027         | Final amplifier/unit A5  |
| 32               | 5322 532 80667         | CRT shield   |
| 33               | 5322 320 40068         | Delay line cable/unit A8   |
| 34               | 5322 216 51028         | Power supply/unit A6 (bridge-rectifier on mains transformer)                       |
|                  | 5322 218 61013         | Power supply/unit A6 (rectifier diodes on p.c.b.)                                  |
| 35               | 5322 276 10922         | Mains switch (S21)   |
| <b>Fig. 7.5.</b> |                        |  |
| 36               | 5322 466 80812         | Plate 10x10 mm with M3-thread (fixes front panel to pushbutton switch S17 ... S20) |
|                  | 5322 502 21001         | Special screw M3   |
| 37               | 5322 535 91234         | Plastic shaft (continuous controls) (for short knobs)                              |
|                  | 5322 492 62451         | Fixing spring, plastic   |
|                  | 5322 532 60765         | Coupling bush, plastic   |
|                  | 5322 528 20333         | Coupling disc, plastic   |
| 37A              | 5322 535 91235         | Plastic shaft (hold-off)   |
| <b>Fig. 7.6.</b> |                        |  |
| 38               | 5322 270 10048         | Switch unit, complete (see OSC 198, 9499 448 28011)                                |
|                  | 5322 265 40186         | Pin connector, 4 double pins (X204, X867, X501, X502 and X651)                     |
|                  | 5322 265 40187         | Pin connector, 7 double pins (X213)  |
| 39               | 5322 528 20338         | Coupling piece for delay time  |
| 40               | 5322 466 80812         | Plate 10x10 mm with M3-thread (fixes front panel to pushbutton switch S1 ... S3)   |
|                  | 5322 502 21001         | Special screw M3   |
| 41               | 5322 535 91415         | Alu shaft (POSITION A and B, X MAGN, LEVEL MTB, LEVEL DTB)                         |
|                  | 5322 492 62451         | Fixing spring, plastic   |
|                  | 5322 532 51241         | Coupling bush, plastic   |
|                  | 5322 528 20333         | Coupling disc, plastic   |
|                  | 4822 530 70043         | Spring washer, metal   |

**Additional information for PM3256-G version**

The PM3256-G is a normal PM3256 instrument with a special c.r.t. type D12-120GM-115.

This c.r.t. has a longer persistence time than the standard version.

Together with this c.r.t. another contrast filter (yellow/green) is installed.

Ordering numbers: D12-120GM-115 5322 131 20112

yellow/green contrast filter 5322 480 30155

**7.2. PARTS NOT INDICATED WITH ITEM-NUMBERS IN THE FIGURES**

| <i>Ordering number</i>                  | <i>Description</i>   |
|---|--|
| <b>FRONT COVER AND FIXING MATERIALS</b> |  |
| 5322 447 90406                          | Front cover box  |
| 5322 417 20115                          | Lock for front cover   |
| 5322 505 10698                          | Nut for lock and side brackets   |
| 5322 502 11524                          | Screw for lock   |
| 5322 502 21086                          | Bold headed Allen screw (for locking bracket)  |
| 5322 405 70002                          | Bracket for lock (right- and left handside of the oscilloscope)  |
| <b>CABLES AND CONNECTORS</b>            |  |
| 5322 268 24116                          | Coaxial socket (p.c.b. type) X206, X207, X208, X209, X211, X212, X806, X861, X862, X868, X869, X1504, X1551  |
| 5322 268 14141                          | Contact pin for coaxial socket, X206, X207, X208, X209, X211, X212, X806, X861, X862, X868, X869, X1504, X1551   |
| 5322 320 14102                          | Coaxial cable set. This is a universal cable set. Always use the cable out of this set with a length that comes close to the length of the cable that must be replaced.                      |
| 5322 320 10003                          | Coaxial cable per metre (without sockets)  |
| 5322 265 54006                          | 20 pole-Cis connector, female, p.c.b. type. This connector must be sawn on the required size for: X807, X852, X858, X1406, X1501, X1502, X1503, X1401 and X1407                              |
| 5322 267 50343                          | Double 4-pole cis connector, female, p.c.b. type, bottom entry, X204 (unit A2) X501, X502, X651, X867 (unit A3)  |
| 5322 267 50341                          | Double 7-pole cis connector, female, p.c.b. type, bottom entry, X213 (unit A2)   |
| 5322 267 64031                          | 8-pole cis connector, female, p.c.b. type. This connector must be sawn on the required size for: X214, X851.   |
| 5322 267 64027                          | 8-pole cis connector, female p.c.b. type. This connector must be sawn on the required size for: X201, X202, X203 and X1506   |
| 5322 267 64007                          | 20 pin cis contact block without pins. This connector must be sawn on the required size for: X201, X202, X203, X214, X807, X851, X852, X858, X1401, X1406, X1407, X1501, X1502, X1503, X1506 |
| 5322 265 40186                          | Double 4 pin cis contact block (male header) X204, X501, X502, X651, X867 (switch unit)  |
| 5322 265 40187                          | Double 7 pin cis contact block (male header) X213 (switch unit)  |
| 5322 268 14105                          | Contact pin, long type for bottom entry: X214, X851  |
| 5322 268 14013                          | Contact pin, short type: all connectors except X214 and X851   |



## 7.3. ELECTRICAL PARTS

## CAPACITORS

| POSNR | DESCRIPTION        |      | ORDERING CODE  |
|-------|--------------------|------|----------------|
| C 201 | 33UF-10+50         | 16   | 4822 124 20688 |
| C 202 | 33UF-10+50         | 16   | 4822 124 20688 |
| C 204 | 10NF-20+50         | 100  | 4822 122 31414 |
| C 206 | 10NF-20+50         | 100  | 4822 122 31414 |
| C 207 | 6,8UF 20%          | 25V  | 5322 124 14081 |
| C 208 | 10NF-20+50         | 100  | 4822 122 31414 |
| C 209 | 10NF-20+50         | 100  | 4822 122 31414 |
| C 211 | 10NF-20+50         | 100  | 4822 122 31414 |
| C 212 | 1NF-20+50          | 100  | 4822 122 30027 |
| C 213 | 10NF-20+50         | 100  | 4822 122 31414 |
| C 216 | 10NF-20+50         | 100  | 4822 122 31414 |
| C 218 | 47NF 10%           | 160V | 4822 121 41676 |
| C 219 |                    |      | 5322 121 54229 |
| C 220 | 10NF-20+50         | 100V | 4822 122 31414 |
| C 221 | 10NF-20+50         | 100  | 4822 122 31414 |
| C 222 | 10NF-20+50         | 100  | 4822 122 31414 |
| C 223 | 10NF-20+50         | 100  | 4822 122 31414 |
| C 224 | 10NF-20+50         | 100  | 4822 122 31414 |
| C 225 | 18PF               |      | 4822 122 31061 |
| C 226 |                    |      | 5322 121 54229 |
| C 227 | 10NF-20+50         | 100  | 4822 122 31414 |
| C 230 | 18PF               |      | 4822 122 31061 |
| C 232 | 10NF-20+50         | 100  | 4822 122 31414 |
| C 233 | 47PF               |      | 4822 122 31072 |
| C 234 | 47NF 10%           | 160V | 4822 121 41676 |
| C 237 | 6,8UF 20%          | 25V  | 5322 124 14081 |
| C 238 | 10NF-20+50         | 100  | 4822 122 31414 |
| C 239 | 10NF-20+50         | 100  | 4822 122 31414 |
| C 240 | 15UF-10+50         | 40   | 4822 124 20709 |
| C 241 | 1.5UF 10%          | 100V | 5322 121 40227 |
| C 242 | 1.5UF 10%          | 100V | 5322 121 40227 |
| C 243 | 1.5UF 10%          | 100V | 5322 121 40227 |
| C 244 | 10NF-20+50         | 100  | 4822 122 31414 |
| C 245 | 10NF-20+50         | 100  | 4822 122 31414 |
| C 246 | 1NF-20+50          | 100  | 4822 122 30027 |
| C 247 | 10NF-20+50         | 100  | 4822 122 31414 |
| C 248 | 10NF               |      | 4822 122 31414 |
| C 249 | 10NF-20+50         | 100  | 4822 122 31414 |
| C 250 | 220PF 2            | 100  | 4822 122 30094 |
| C 251 | 10NF-20+50         | 100  | 4822 122 31414 |
| C 252 | 15UF MTB SWEEP-OUT |      | 4822 124 20977 |
| C 253 | 10NF-20+50         | 100  | 4822 122 31414 |
| C 254 | 10NF-20+50         | 100  | 4822 122 31414 |
| C 255 | 330NF 10%          | 100V | 4822 121 40257 |
| C 256 | 15UF-10+50         | 40   | 4822 124 20709 |
| C 257 | 15UF-10+50         | 40   | 4822 124 20709 |
| C 258 | 10NF-20+50         | 100  | 4822 122 31414 |
| C 259 | 10NF-20+50         | 100  | 4822 122 31414 |
| C 260 | 10NF-20+50         | 100  | 4822 122 31414 |
| C 261 | 120PF 2            | 100  | 4822 122 30093 |
| C 262 | 22NF-20+80         | 40   | 4822 122 30103 |
| C 263 | 470PF 10           | 100  | 4822 122 30034 |
| C 264 | 10NF-20+50         | 100  | 4822 122 31414 |
| C 265 | 10NF-20+50         | 100  | 4822 122 31414 |
| C 266 | 10NF MTB SWEEP-OUT |      | 4822 122 31414 |
| C 267 | 10NF-20+50         | 100  | 4822 122 31414 |
| C 268 | 470NF 10%          | 100V | 5322 121 40175 |
| C 269 | 27PF 2             | 100  | 4822 122 30045 |
| C 270 | 330PF              |      | 4822 122 31353 |
| C 271 | 10NF-20+50         | 100  | 4822 122 31414 |

For Service Manuals Contact  
MAURITRON TECHNICAL SERVICES  
8 Cherry Tree Rd, Chinnor  
Oxon OX9 4QY  
Tel: 01844-351694 Fax: 01844-352554  
Email: enquiries@mauritron.co.uk

| POSNR | DESCRIPTION      | ORDERING CODE  |
|-------|------------------|----------------|
| C 272 | 2.2PF            | 4822 122 31036 |
| C 273 | 10NF-20+50 100   | 4822 122 31414 |
| C 275 | 330PF            | 4822 122 31353 |
| C 276 | 33UF 10V         | 4822 124 20945 |
| C 277 | 27PF 2 100       | 4822 122 30045 |
| C 278 | 4,7PF 0,25PF 100 | 4822 122 31045 |
| C 279 | 2.2PF            | 4822 122 31036 |
| C 280 | 10NF-20+50 100   | 4822 122 31414 |
| C 281 | 1NF              | 4822 122 30027 |
| C 282 | 220NF 10% 100V   | 4822 121 40232 |
| C 283 | 15UF 10% 16V     | 4822 124 20977 |
| C 284 | 10NF-20+50 100   | 4822 122 31414 |
| C 285 | 10NF-20+50 100   | 4822 122 31414 |
| C 286 | 10NF-20+50 100   | 4822 122 31414 |
| C 287 | 10NF-20+50 100   | 4822 122 31414 |
| C 288 | 10NF-20+50 100   | 4822 122 31414 |
| C 289 | 10NF-20+50 100   | 4822 122 31414 |
| C 290 | 33UF             | 4822 124 20945 |
| C 291 | 10NF             | 4822 122 31414 |
| C 292 | 10NF             | 4822 122 31414 |
| C 500 | 12PF 2 100       | 4822 122 31056 |
| C 501 | 10NF-20+50 100   | 4822 122 31414 |
| C 502 | 33UF 40% 10V     | 4822 124 20945 |
| C 503 | 10NF-20+50 100   | 4822 122 31414 |
| C 504 | 10NF-20+50 100   | 4822 122 31414 |
| C 505 | 10NF-20+50 100   | 4822 122 31414 |
| C 506 | 10NF-20+50 100   | 4822 122 31414 |
| C 507 | 2,7NF 10 100     | 4822 122 30057 |
| C 508 | 10NF-20+50 100   | 4822 122 31414 |
| C 509 | 10PF 2 100       | 4822 122 31054 |
| C 510 | 10NF-20+50 100   | 4822 122 31414 |
| C 512 | 1.PF...10PF 300V | 5322 125 50048 |
| C 514 | 33UF 40% 10V     | 4822 124 20945 |
| C 515 | 10NF-20+50 100   | 4822 122 31414 |
| C 516 | 4,7NF 10 100     | 4822 122 30128 |
| C 517 | 100PF 2 100      | 4822 122 31316 |
| C 518 | 5,5PF            | 5322 125 54027 |
| C 519 | 3PF              | 5322 125 54026 |
| C 520 | 10NF-20+50 100   | 4822 122 31414 |
| C 521 | 300PF 10 300     | 5322 123 10168 |
| C 522 | 100PF 2 100      | 4822 122 31316 |
| C 523 | 10NF-20+50 100   | 4822 122 31414 |
| C 524 | 10NF-20+50 100   | 4822 122 31414 |
| C 525 | 3,3PF 0,25PF 500 | 4822 122 31188 |
| C 528 | 2,0-18P TRIM     | 5322 125 50051 |
| C 529 | 100PF 2 100      | 4822 122 31316 |
| C 530 | 15UF 10% 16V     | 4822 124 20977 |
| C 531 | 33PF 2 100       | 5322 122 32072 |
| C 532 | 68PF 2 500       | 4822 122 31207 |
| C 533 | 4,7NF 10 100     | 4822 122 30128 |
| C 534 | 10NF-20+50 100   | 4822 122 31414 |
| C 535 | 3,3PF 0,25PF 500 | 4822 122 31188 |
| C 536 | 6,8UF            | 5322 124 14069 |
| C 537 | 5,5PF            | 5322 125 54027 |
| C 538 | 5,5PF            | 5322 125 54027 |
| C 539 | 5,5PF            | 5322 125 54027 |
| C 540 | 3,5PF            | 5322 125 50048 |
| C 541 | 30PF 10 300      | 5322 123 34001 |
| C 542 | 100NF 10% 400V   | 4822 121 40012 |
| C 543 | 6,8PF 0,25PF 100 | 4822 122 31049 |
| C 544 | 2,7NF 10 500     | 4822 122 31174 |
| C 545 | 33UF 40% 10V     | 4822 124 20945 |
| C 546 | 4,7NF 10 100     | 4822 122 30128 |
| C 547 | 4,7NF 10 100     | 4822 122 30128 |
| C 550 | 47PF 2 100       | 4822 122 31072 |

| POSNR | DESCRIPTION  |      | ORDERING CODE  |
|-------|--------------|------|----------------|
| C 645 | 3,5PF        |      | 5322 125 50048 |
| C 650 | 10NF-20+50   | 100  | 4822 122 31414 |
| C 651 | 10NF-20+50   | 100  | 4822 122 31414 |
| C 652 | 10NF-20+50   | 100  | 4822 122 31414 |
| C 653 | 10NF-20+50   | 100  | 4822 122 31414 |
| C 654 | 33UF 40%     | 10V  | 4822 124 20945 |
| C 655 | 3,3PF 0,25PF | 500  | 4822 122 31188 |
| C 656 | 10NF-20+50   | 100  | 4822 122 31414 |
| C 657 | 10NF-20+50   | 100  | 4822 122 31414 |
| C 660 | 10NF-20+50   | 100  | 4822 122 31414 |
| C 661 | 2,7NF 10     | 100  | 4822 122 30057 |
| C 662 | 5,5PF        |      | 5322 125 54027 |
| C 663 | 5,5PF        |      | 5322 125 54027 |
| C 664 | 30PF 10      | 300  | 5322 123 34001 |
| C 665 | 10NF-20+50   | 100  | 4822 122 31414 |
| C 666 | 10NF-20+50   | 100  | 4822 122 31414 |
| C 667 | 10PF 2       | 100  | 4822 122 31054 |
| C 668 | 4,7NF 10     | 100  | 4822 122 30128 |
| C 669 | 4,7NF 10     | 100  | 4822 122 30128 |
| C 671 | 33UF 40%     | 10V  | 4822 124 20945 |
| C 672 | 10PF         |      | 5322 125 50049 |
| C 674 | 68PF 2       | 500  | 4822 122 31207 |
| C 675 | 10NF-20+50   | 100  | 4822 122 31414 |
| C 676 | 5,5PF        |      | 5322 125 54027 |
| C 677 | 100PF 2      | 100  | 4822 122 31316 |
| C 678 | 100PF 2      | 100  | 4822 122 31316 |
| C 679 | 10NF-20+50   | 100  | 4822 122 31414 |
| C 681 | 100PF 2      | 100  | 4822 122 31316 |
| C 682 | 100PF 2      | 100  | 4822 122 31316 |
| C 683 | 2,0-18P TRIM |      | 5322 125 50051 |
| C 684 | 10NF-20+50   | 100  | 4822 122 31414 |
| C 685 | 3,3PF 0,25PF | 500  | 4822 122 31188 |
| C 686 | 5,5PF        |      | 5322 125 54027 |
| C 687 | 3PF          |      | 5322 125 54026 |
| C 688 | 300PF 10     | 300  | 5322 123 10168 |
| C 689 | 10NF-20+50   | 100  | 4822 122 31414 |
| C 690 | 33UF 40%     | 10V  | 4822 124 20945 |
| C 691 | 100PF 2      | 100  | 4822 122 31316 |
| C 692 | 33PF 2       | 100  | 5322 122 32072 |
| C 693 | 6,8UF        |      | 5322 124 14069 |
| C 694 | 100NF 10%    | 400V | 4822 121 40012 |
| C 695 | 6,8PF 0,25PF | 100  | 4822 122 31049 |
| C 696 | 15UF 10%     | 16V  | 4822 124 20977 |
| C 697 | 2,7NF 10     | 500  | 4822 122 31174 |
| C 698 | 4,7NF 10%    | 100V | 4822 122 30128 |
| C 699 | 4,7NF 10%    | 100V | 4822 122 30128 |
| C 700 | 12PF 2       | 100  | 4822 122 31056 |
| C 701 | 10NF-20+50   | 100  | 4822 122 31414 |
| C 705 | 10NF-20+50   | 100  | 4822 122 31414 |
| C 801 | 6,8UF 20%    | 25V  | 5322 124 14081 |
| C 802 | 33UF 40%     | 10V  | 4822 124 20945 |
| C 803 | 33UF 40%     | 10V  | 4822 124 20945 |
| C 804 | 10NF-20+50   | 100  | 4822 122 31414 |
| C 805 | 10NF-20+50   | 100  | 4822 122 31414 |
| C 806 | 10NF-20+50   | 100  | 4822 122 31414 |
| C 807 | 10NF-20+50   | 100  | 4822 122 31414 |
| C 808 | 10NF-20+50   | 100  | 4822 122 31414 |
| C 809 | 10NF-20+50   | 100  | 4822 122 31414 |
| C 811 | 10NF-20+50   | 100  | 4822 122 31414 |
| C 812 | 10NF-20+50   | 100  | 4822 122 31414 |
| C 813 | 18PF 2       | 100  | 4822 122 31061 |
| C 814 | 18PF 2       | 100  | 4822 122 31061 |
| C 815 | 10NF-20+50   | 100  | 4822 122 31414 |
| C 816 | 1.5PF        |      | 5322 122 32101 |
| C 817 | 1.5PF        |      | 5322 122 32101 |

For Service Manuals Contact  
**MAURITRON TECHNICAL SERVICES**  
8 Cherry Tree Rd, Chinnor  
Oxon OX9 4QY  
Tel: 01844-351694 Fax: 01844-352554  
Email: enquiries@mauriton.co.uk

| POSNR | DESCRIPTION  | ORDERING | CODE           |
|-------|--------------|----------|----------------|
| C 818 | 10NF-20+50   | 100      | 4822 122 31414 |
| C 819 | 10NF-20+50   | 100      | 4822 122 31414 |
| C 820 | 10NF-20+50   | 100      | 4822 122 31414 |
| C 821 | 10NF-20+50   | 100      | 4822 122 31414 |
| C 822 | 10NF-20+50   | 100      | 4822 122 31414 |
| C 823 | 10NF-20+50   | 100      | 4822 122 31414 |
| C 824 | 22PF 2       | 100      | 4822 122 31063 |
| C 825 | 10NF-20+50   | 100      | 4822 122 31414 |
| C 826 | 10NF-20+50   | 100      | 4822 122 31414 |
| C 827 | 10NF-20+50   | 100      | 4822 122 31414 |
| C 828 | 10NF-20+50   | 100      | 4822 122 31414 |
| C 829 | 10NF-20+50   | 100      | 4822 122 31414 |
| C 831 | 10PF 2       | 100      | 4822 122 31054 |
| C 832 | 820PF 10     | 100      | 4822 122 30135 |
| C 833 | 10NF-20+50   | 100      | 4822 122 31414 |
| C 834 | 33UF 40%     | 10V      | 4822 124 20945 |
| C 835 | 10PF 2       | 100      | 4822 122 31054 |
| C 836 | 10NF-20+50   | 100      | 4822 122 31414 |
| C 837 | 10NF-20+50   | 100      | 4822 122 31414 |
| C 838 | 33UF 40%     | 10V      | 4822 124 20945 |
| C 851 | 33PF 2       | 100      | 5322 122 32072 |
| C 852 | 10NF-20+50   | 100      | 4822 122 31414 |
| C 853 | 10NF-20+50   | 100      | 4822 122 31414 |
| C 854 | 10NF-20+50   | 100      | 4822 122 31414 |
| C 856 | 33UF 40%     | 10V      | 4822 124 20945 |
| C 857 | 10NF-20+50   | 100      | 4822 122 31414 |
| C 858 | 680PF 10     | 100      | 4822 122 30053 |
| C 860 | 33UF         |          | 4822 124 20945 |
| C 863 | 33PF 2       | 100      | 5322 122 32072 |
| C 864 | 33PF 2       | 100      | 5322 122 32072 |
| C 866 | 10NF-20+50   | 100      | 4822 122 31414 |
| C 867 | 33UF 40%     | 10V      | 4822 124 20945 |
| C 868 | 220NF 10%    | 100V     | 4822 121 40232 |
| C 869 | 10PF         |          | 4822 122 32185 |
| C 872 | 10NF-20+50   | 100      | 4822 122 31414 |
| C 873 | 10NF-20+50   | 100      | 4822 122 31414 |
| C 874 | 3,3PF 0,25PF | 100      | 4822 122 31041 |
| C 878 | 3,3PF 0,25PF | 100      | 4822 122 31041 |
| C 879 | 33PF 2       | 100      | 5322 122 32072 |
| C 881 | 22PF 2       | 100      | 4822 122 31063 |
| C 882 | 2,7PF 100V   |          | 4822 122 31038 |
| C 883 | 33PF 2       | 100      | 5322 122 32072 |
| C 884 | 150PF        |          | 4822 122 31413 |
| C 885 | 10NF-20+50   | 100      | 4822 122 31414 |
| C 888 | 6,8UF 20%    | 25V      | 5322 124 14081 |
| C 889 | 10NF-20+50   | 100V     | 4822 122 31414 |
| C 890 | 10NF-20+50   | 100      | 4822 122 31414 |
| C 893 | 220NF 10%    | 100V     | 4822 121 40232 |
| C 894 | 15PF         |          | 4822 122 31823 |
| C 895 | 2PF...18PF   |          | 5322 125 50051 |
| C 896 | 10PF TRIMCAP |          | 5322 125 50049 |
| C 897 | 4,7PF 0,25PF | 100      | 4822 122 31045 |
| C 898 | 10NF-20+50   | 100      | 4822 122 31414 |
| C 899 | 10NF-20+50   | 100      | 4822 122 31414 |
| C 901 | 12PF         |          | 4822 122 31056 |
| C 902 | 10NF-20+50   | 100      | 4822 122 31414 |
| C 903 | 10NF-20+50   | 100      | 4822 122 31414 |
| C 904 | 22NF 10%     | 400V     | 5322 121 40308 |
| C 905 | 100PF 2      | 100      | 4822 122 31316 |
| C 906 | 10NF-20+50   | 100      | 4822 122 31414 |
| C 907 | 15PF         |          | 4822 122 31823 |
| C 908 | 10NF-20+50   | 100      | 4822 122 31414 |
| C 909 | 10NF-20+50   | 100      | 4822 122 31414 |
| C 910 | 22PF 2       | 100      | 4822 122 31063 |
| C 911 | 10NF-20+50   | 100      | 4822 122 31414 |

| POSNR  | DESCRIPTION        | ORDERING CODE  |
|--------|--------------------|----------------|
| C 913  | 10NF-20+50 100     | 4822 122 31414 |
| C 914  | 10NF-20+50 100     | 4822 122 31414 |
| C 915  | 33UF 10 20%        | 4822 124 20945 |
| C 916  | 3,9NF 10 100       | 4822 122 30098 |
| C 917  | 4,7NF 10 100       | 4822 122 30128 |
| C 918  | 4,7NF 10 100       | 4822 122 30128 |
| C 919  | 10NF-20+50 100     | 4822 122 31414 |
| C 920  | 10NF-20+50 100     | 4822 122 31414 |
| C 921  | 1,8PF 0,25PF 100   | 4822 122 31034 |
| C 922  | 10NF-20+50 100     | 4822 122 31414 |
| C 923  | 1,8PF 0,25PF 100   | 4822 122 31034 |
| C 924  | 1PF 0,25PF 100     | 4822 122 30104 |
| C 926  | 1PF 0,25PF 100     | 4822 122 30104 |
| C 927  | 1,8PF 0,25PF 100   | 4822 122 31034 |
| C 928  | 1,8PF 0,25PF 100   | 4822 122 31034 |
| C 929  | 680PF 10 100       | 4822 122 30053 |
| C 930  | 33PF 100           | 5322 122 32072 |
| C 931  | 220NF 10% 100V     | 4822 121 40232 |
| C 932  | 10NF-20+50 100     | 4822 122 31414 |
| C 933  | 100PF 100          | 4822 122 31316 |
| C 934  | 1PF 0,25PF 100     | 4822 122 30104 |
| C 935  | 33PF 2 100         | 5322 122 32072 |
| C 936  | 1PF 0,25PF 100     | 4822 122 30104 |
| C 937  | 33PF 2 100         | 5322 122 32072 |
| C 938  | 22PF 2 100V        | 4822 122 31063 |
| C 939  | 10NF-20+50 100     | 4822 122 31414 |
| C 940  | 33PF 100           | 5322 122 32072 |
| C 942  | 10NF-20+50 100     | 4822 122 31414 |
| C 944  | 10NF-20+50 100     | 4822 122 31414 |
| C 945  | 10NF-20+50 100     | 4822 122 31414 |
| C 1102 | 1,8/27PF 250V TRIM | 5322 125 50164 |
| C 1103 | 10NF-20+50 100     | 4822 122 31414 |
| C 1104 | 10NF-20+50 100     | 4822 122 31414 |
| C 1105 | 6,8NF 100          | 4822 122 31429 |
| C 1106 | 10NF-20+50 100     | 4822 122 31414 |
| C 1107 | 10NF-20+50 100     | 4822 122 31414 |
| C 1108 | 3,9PF 0,25PF 100   | 5322 122 34107 |
| C 1109 | 4,7NF 10 100       | 4822 122 30128 |
| C 1112 | 27PF 100           | 5322 125 50164 |
| C 1113 | 10PF 100           | 4822 122 31195 |
| C 1114 | 10PF 100           | 4822 122 31195 |
| C 1116 | 10NF 100V 100      | 4822 122 31414 |
| C 1117 | 100PF 100V 2%      | 4822 122 31316 |
| C 1201 | 10NF-20+50 100     | 4822 122 31414 |
| C 1202 | 18PF 2 100         | 4822 122 31061 |
| C 1203 | 27PF 100           | 5322 125 50164 |
| C 1204 | 10NF-20+50 100     | 4822 122 31414 |
| C 1206 | 68PF 2 100         | 4822 122 31349 |
| C 1207 | 40PF 100           | 4822 125 50092 |
| C 1208 | 3,3NF 10 100       | 4822 122 30099 |
| C 1209 | 100PF 2 100        | 4822 122 31316 |
| C 1211 | 10NF-20+50 100     | 4822 122 31414 |
| C 1212 | 10NF-20+50 100     | 4822 122 31414 |
| C 1213 | 100PF 2 100        | 4822 122 31316 |
| C 1215 | 1PF 0,25PF 100     | 4822 122 30104 |
| C 1218 | 1,2PF 0,25PF 100   | 4822 122 31216 |
| C 1222 | 10NF-20+50 100     | 4822 122 31414 |
| C 1223 | 27PF 100           | 5322 125 50164 |
| C 1225 | 22PF 2 100         | 4822 122 31063 |
| C 1226 | 1,2PF 0,25PF 100   | 4822 122 31216 |
| C 1229 | 10NF-20+50 100     | 4822 122 31414 |
| C 1231 | 1,8PF 0,25PF 100   | 4822 122 31034 |
| C 1233 | 10NF-20+50 100     | 4822 122 31414 |
| C 1234 | 10NF-20+50 100     | 4822 122 31414 |
| C 1236 | 10NF-20+50 100     | 4822 122 31414 |

For Service Manuals Contact  
MAURITRON TECHNICAL SERVICES  
8 Cherry Tree Rd, Chinnor  
Oxon OX9 4QY  
Tel:- 01844-351694 Fax:- 01844-352554  
Email:- enquiries@mauritron.co.uk

| POSNR  | DESCRIPTION  |    | ORDERING | CODE           |
|--------|--------------|----|----------|----------------|
| C 1300 | 330PF        | 2  | 100      | 4822 122 31353 |
| C 1301 | 68NF 10%     |    | 250V     | 5322 121 44137 |
| C 1302 | 68NF 10%     |    | 250V     | 5322 121 44137 |
| C 1303 | 10NF-20+50   |    | 100      | 4822 122 31414 |
| C 1304 | 10NF-20+50   |    | 100      | 4822 122 31414 |
| C 1305 | 330PF        | 2  | 100      | 4822 122 31353 |
| C 1306 | 1NF          | 10 | 500      | 4822 122 31175 |
| C 1307 | 1NF          | 10 | 500      | 4822 122 31175 |
| C 1308 | 8,2PF 0,25PF |    | 100      | 4822 122 31052 |
| C 1309 | 8,2PF 0,25PF |    | 100      | 4822 122 31052 |
| C 1310 | 330PF        | 2  | 100      | 5322 122 34148 |
| C 1311 | 10NF-20+50   |    | 100      | 4822 122 31414 |
| C 1314 | 10NF-20+50   |    | 100      | 4822 122 31414 |
| C 1315 | 10NF-20+50   |    | 100      | 4822 122 31414 |
| C 1316 | 10NF-20+50   |    | 100      | 4822 122 31414 |
| C 1317 | 10NF-20+50   |    | 100      | 4822 122 31414 |
| C 1318 | 10NF-20+50   |    | 100      | 4822 122 31414 |
| C 1319 | 68NF 10%     |    | 250V     | 5322 121 44137 |
| C 1320 | 330PF        | 2  | 100      | 5322 122 34148 |
| C 1321 | 68NF 10%     |    | 250V     | 5322 121 44137 |
| C 1322 | 68NF 10%     |    | 250V     | 5322 121 44137 |
| C 1323 | 22UF 20%     |    | 10V      | 4822 124 20943 |
| C 1326 | 4,7UF-10+50  |    | 63       | 4822 124 20726 |
| C 1327 | 4,7UF-10+50  |    | 63       | 4822 124 20726 |
| C 1372 | 10NF-20+50   |    | 100      | 4822 122 31414 |
| C 1373 | 220NF 20%    |    | 35V      | 5322 124 14074 |
| C 1401 | 220UF        |    |          | 4822 124 20704 |
| C 1402 | 470UF        |    |          | 4822 124 20684 |
| C 1403 | 33UF 40%     |    | 10V      | 4822 124 20945 |
| C 1404 | 33UF 40%     |    | 10V      | 4822 124 20945 |
| C 1406 | 10UF 20%     |    | 16V      | 5322 124 14066 |
| C 1407 | 2,7NF 10%    |    | 100V     | 4822 122 30057 |
| C 1408 | 13NF 5%      |    | 2KV      | 5322 121 41466 |
| C 1409 | 13NF 5%      |    | 2KV      | 5322 121 41466 |
| C 1411 | 470UF        |    |          | 4822 124 20684 |
| C 1412 | 220UF-10+50  |    | 25       | 5322 124 24139 |
| C 1413 | 22UF-10+50   |    | 63       | 5322 124 24146 |
| C 1414 | 100NF 10%    |    | 100V     | 5322 121 40323 |
| C 1415 | 1500NF 10%   |    | 100V     | 4822 121 42031 |
| C 1416 | 47NF 10%     |    | 160V     | 4822 121 41676 |
| C 1417 | 220NF 10%    |    | 100V     | 4822 121 40232 |
| C 1419 | 220UF-10+50  |    | 25       | 5322 124 24139 |
| C 1421 | 10UF-10+50   |    | 160      | 4822 124 21129 |
| C 1422 | 47UF-10+50   |    | 63       | 5322 124 21182 |
| C 1423 | 330UF-10+50  |    | 10       | 5322 124 21181 |
| C 1424 | 330UF-10+50  |    | 10       | 5322 124 21181 |
| C 1426 | 330UF-10+50  |    | 10       | 5322 124 21181 |
| C 1427 | 330UF-10+50  |    | 10       | 5322 124 21181 |
| C 1428 | 100UF        |    |          | 4822 124 20735 |
| C 1430 | 10NF 0       |    | 250V     | 5322 121 42425 |
| C 1431 | 100NF 10%    |    | 630V     | 4822 121 40145 |
| C 1432 | 10NF-20+50   |    | 100      | 4822 122 31414 |
| C 1433 | 10UF-10+50   |    | 160      | 4822 124 21129 |
| C 1434 | 100NF 10%    |    | 630V     | 4822 121 40145 |
| C 1436 | 22NF 10%     |    | 400V     | 5322 121 40308 |
| C 1437 | 10UF-10+50   |    | 160      | 4822 124 21129 |
| C 1438 | 10UF-10+50   |    | 160      | 4822 124 21129 |
| C 1439 | 100NF 10%    |    | 630V     | 4822 121 40145 |
| C 1440 | 10NF         |    |          | 4822 122 31414 |
| C 1441 | 47UF-10+50   |    | 63       | 5322 124 21182 |
| C 1442 | 100UF-10+50  |    | 10       | 4822 124 20679 |
| C 1443 | 6,8UF 20%    |    | 25V      | 5322 124 14081 |
| C 1444 | 10UF 20%     |    | 16V      | 5322 124 14066 |
| C 1445 | 4,7NF        |    | 10       | 4822 122 30128 |
| C 1446 | 10NF-20+50   |    | 100      | 4822 122 31414 |

| POSNR  | DESCRIPTION     |       | ORDERING CODE  |
|--------|-----------------|-------|----------------|
| C 1447 | 33UF 40%        | 10V   | 4822 124 20945 |
| C 1448 | 2NF 1%          | 250V  | 4822 121 50568 |
| C 1449 | 10NF-20+50      | 100   | 4822 122 31414 |
| C 1450 | 150PF           |       | 4822 122 31413 |
| C 1451 | 100NF 10%       | 100V  | 5322 121 40323 |
| C 1452 | 4700UF-10+30    | 40    | 4822 124 70326 |
| C 1453 | 220NF 10%       | 250V  | 5322 121 44142 |
| C 1501 | 68NF 10%        | 250V  | 5322 121 44137 |
| C 1502 | 10NF-20+50      | 100   | 4822 122 31414 |
| C 1503 | 10NF-20+50      | 100   | 4822 122 31414 |
| C 1504 | 22UF 20%        | 10V   | 4822 124 20943 |
| C 1506 | 10NF-20+50      | 100   | 4822 122 31414 |
| C 1507 | 0,82PF 0,25PF   | 100   | 4822 122 31214 |
| C 1508 | 10NF-20+50      | 100   | 4822 122 31414 |
| C 1509 | 4,7NF 10        | 100   | 4822 122 30128 |
| C 1511 | 10NF-20+50      | 100   | 4822 122 31414 |
| C 1512 | 1,5NF 10%       | 1600V | 4822 121 40354 |
| C 1513 | 1,5NF 10%       | 1600V | 4822 121 40354 |
| C 1514 | 1NF 10          | 100   | 4822 122 30027 |
| C 1515 | 470PF H.V. CAP. |       | 5322 122 50076 |
| C 1516 | 10UF-10+50      | 63    | 4822 124 20728 |
| C 1517 | 4,7NF 10        | 100   | 4822 122 30128 |
| C 1518 | 10NF-20+50      | 100   | 4822 122 31414 |
| C 1519 | 4,7UF 20%       | 25V   | 4822 124 10367 |
| C 1520 | 1NF 10          | 100   | 4822 122 30027 |
| C 1521 | 10NF-20+50      | 100   | 4822 122 31414 |
| C 1522 | 10NF-20+50      | 100   | 4822 122 31414 |

## INTEGRATED CIRCUITS

|        |                      |    |                |
|--------|----------------------|----|----------------|
| D 201  | UA741CN              | SC | 4822 209 80617 |
| D 202  | TCA240               | PH | 4822 209 80629 |
| D 203  | SN74S132N-00         | T  | 5322 209 85267 |
| D 204  | N74LS02N             | SC | 5322 209 85312 |
| D 206  | N74LS00N             | SC | 5322 209 84823 |
| D 207  | SN74F74              |    | 5322 209 81474 |
| D 208  | N74LS02N             | SC | 5322 209 85312 |
| D 209  | N74S02N              | SC | 5322 209 85407 |
| D 211  | N74LS10N             | SC | 5322 209 84996 |
| D 212  | SN74F74              |    | 5322 209 81474 |
| D 213  | SN74LS122N-00        | T  | 5322 209 85563 |
| D 214  | SN74S132N-00         | T  | 5322 209 85267 |
| D 216  | LM308AN              | NS | 5322 209 86056 |
| D 217  | N74S32N              | SC | 5322 209 85679 |
| D 218  | N74S10N              | SC | 5322 209 84954 |
| D 501  | LT 1012 CN8          |    | 5322 209 83584 |
| D 502  | UA714HC              | FA | 5322 209 86169 |
| D 503  | SD 5000N             |    | 5322 209 85748 |
| D 504  | OQ 0043              |    | 5322 209 86488 |
| D 651  | LT 1012 CN8          |    | 5322 209 83584 |
| D 652  | UA714HC              | FA | 5322 209 86169 |
| D 653  | SD5000N(SEMIPROCES.) |    | 5322 209 83243 |
| D 653  | SD5000N              |    | 5322 209 85748 |
| D 654  | OQ 0043              |    | 5322 209 86488 |
| D 801  | SL3145E              | PL | 5322 130 34854 |
| D 802  | AMPLIFIER            |    | 5322 209 80991 |
| D 803  | AMPLIFIER            |    | 5322 209 80991 |
| D 804  | N74LS08N             | SC | 5322 209 84995 |
| D 806  | N74LS112N            | SC | 5322 209 85741 |
| D 807  | N74LS132N            | SC | 5322 209 85201 |
| D 851  | HEF4052BP            | PH | 4822 209 10263 |
| D 852  | TL082CP              | T  | 5322 209 86064 |
| D 853  | ARRAY OQ 0127        |    | 5322 209 80992 |
| D 854  | ARRAY OQ 0127        |    | 5322 209 80992 |
| D 1401 | UA741CN              | SC | 4822 209 80617 |
| D 1402 | TDA1060              | PH | 5322 209 85662 |
| D 1501 | UA741CN              | SC | 4822 209 80617 |

For Service Manuals Contact  
**MAURITRON TECHNICAL SERVICES**  
 8 Cherry Tree Rd, Chinnor  
 Oxon OX9 4QY  
 Tel:- 01844-351694 Fax:- 01844-352554  
 Email:- enquiries@mauritron.co.uk

## POTENTIOMETERS- FRONT PANEL

| POSNR | DESCRIPTION |      |         |      | ORDERING CODE |     |       |
|-------|-------------|------|---------|------|---------------|-----|-------|
| R     | 1/S4        | 10K  | 20      | 0.1W | 5322          | 101 | 40097 |
| R     | 2/S5        | 10K  | 20      | 0.1W | 5322          | 101 | 40097 |
| R     | 3           | 5K   | 10-TURN | LIN  | 5322          | 103 | 50002 |
| R     | 4/S6        | 10K  | 20      | 0.1W | 5322          | 101 | 40097 |
| R     | 5/S7        | 47K  | 20      | 0.1W | 5322          | 102 | 40062 |
| R     | 6/S8        | 10K  | 20      | 0.1W | 5322          | 101 | 40097 |
| R     | 7/S10       | 10K  | 20      | 0.1W | 5322          | 101 | 40096 |
| R     | 8/S12       | 10K  | 20      | 0.1W | 5322          | 101 | 40096 |
| R     | 9/S14       | 10K  | 20      | 0.1W | 5322          | 101 | 40096 |
| R     | 10/S16      | 10K  | 20      | 0.1W | 5322          | 101 | 40096 |
| R     | 11          | 10K  | 20      | 0.1W | 5322          | 101 | 40096 |
| R     | 12          | 4,7K | 20      | 0.1W | 5322          | 101 | 20618 |
| R     | 13          | 2,2M | 20      | 0.1W | 5322          | 101 | 20621 |
| R     | 14          | 22K  | 20      | 0.1W | 5322          | 101 | 20619 |
| R     | 15          | 22K  |         |      | 5322          | 100 | 20181 |

## RESISTORS

|   |     |       |     |       |      |     |       |
|---|-----|-------|-----|-------|------|-----|-------|
| R | 101 | 191K  | 0,5 | MR25  | 5322 | 116 | 55363 |
| R | 102 | 113   | 0,5 | MR25  | 5322 | 116 | 54019 |
| R | 103 | 1,05K | 1   | MR25  | 5322 | 116 | 54552 |
| R | 104 | 2,94K | 0,5 | MR25  | 5322 | 116 | 51396 |
| R | 106 | 8,66K | 1   | MR25  | 5322 | 116 | 54613 |
| R | 107 | 1,05K | 1   | MR25  | 5322 | 116 | 54552 |
| R | 108 | 95,3K | 1   | MR25  | 5322 | 116 | 50567 |
| R | 109 | 113   | 0,5 | MR25  | 5322 | 116 | 54019 |
| R | 111 | 2,94K | 0,5 | MR25  | 5322 | 116 | 51396 |
| R | 112 | 37,4K | 0,5 | MR25  | 5322 | 116 | 51397 |
| R | 113 | 962K  |     | MPR24 | 5322 | 116 | 52091 |
| R | 114 | 18,2K | 0,1 | MR24E | 5322 | 116 | 51403 |
| R | 116 | 385K  |     | MPR24 | 5322 | 116 | 52092 |
| R | 117 | 191K  | 0,5 | MR25  | 5322 | 116 | 55363 |
| R | 118 | 95,3K | 1   | MR25  | 5322 | 116 | 50567 |
| R | 119 | 37,4K | 0,5 | MR25  | 5322 | 116 | 51397 |
| R | 121 | 18,2K | 0,1 | MR24E | 5322 | 116 | 51403 |
| R | 122 | 8,66K | 1   | MR25  | 5322 | 116 | 54613 |
| R | 201 | 12,1K | 1   | MR25  | 5322 | 116 | 50572 |
| R | 202 | 2,05K | 1   | MR25  | 5322 | 116 | 50664 |
| R | 204 | 2,15K | 1   | MR25  | 5322 | 116 | 50767 |
| R | 205 | 511K  |     | MR25  | 5322 | 116 | 55258 |
| R | 206 | 6,19K | 1   | MR25  | 5322 | 116 | 55426 |
| R | 207 | 2,15K | 1   | MR25  | 5322 | 116 | 50767 |
| R | 208 | 1K    | 1   | MR25  | 4822 | 116 | 51235 |
| R | 209 | 9,09K | 1   | MR25  | 4822 | 116 | 51284 |
| R | 211 | 9,53K | 1   | MR25  | 5322 | 116 | 55574 |
| R | 212 | 2,37K | 1   | MR25  | 5322 | 116 | 54576 |
| R | 214 | 5,11  | 1   | MR25  | 4822 | 116 | 52999 |
| R | 216 | 30,1  | 1   | MR25  | 5322 | 116 | 50904 |
| R | 217 | 237   | 1   | MR25  | 5322 | 116 | 50679 |
| R | 218 | 6,19K | 1   | MR25  | 5322 | 116 | 55426 |
| R | 219 | 3,48K | 1   | MR25  | 5322 | 116 | 55367 |
| R | 220 | 1K    | 1   | MR25  | 4822 | 116 | 51235 |
| R | 221 | 1,54K | 1   | MR25  | 5322 | 116 | 50586 |
| R | 222 | 15,4K | 1   | MR25  | 5322 | 116 | 55459 |
| R | 223 | 15,4K | 1   | MR25  | 5322 | 116 | 55459 |
| R | 224 | 6,19K | 1   | MR25  | 5322 | 116 | 55426 |
| R | 226 | 10K   | 1   | MR25  | 4822 | 116 | 51253 |
| R | 227 | 17,8K | 1   | MR25  | 5322 | 116 | 54637 |
| R | 228 | 15,4K | 1   | MR25  | 5322 | 116 | 55459 |
| R | 229 | 10K   | 1   | MR25  | 4822 | 116 | 51253 |
| R | 230 | 15,4K | 1   | MR25  | 5322 | 116 | 55459 |



| POSNR | DESCRIPTION |        | ORDERING CODE       |
|-------|-------------|--------|---------------------|
| R 231 | 6,19K       | 1      | MR25 5322 116 55426 |
| R 232 | 1,69K       | 1      | MR25 5322 116 54567 |
| R 233 | 5,11        | 1      | MR25 4822 116 52999 |
| R 234 | 5,11        | 1      | MR25 4822 116 52999 |
| R 236 | 464         | 1      | MR25 5322 116 50536 |
| R 237 | 3,01K       | 1      | MR25 4822 116 51246 |
| R 238 | 3,01K       | 1      | MR25 4822 116 51246 |
| R 239 | 715         | 1      | MR25 5322 116 50571 |
| R 240 | 169         | 1      | MR25 5322 116 54489 |
| R 241 | 33,2K       | 1      | MR25 4822 116 51259 |
| R 242 | 5,11K       | 1      | MR25 5322 116 54595 |
| R 243 | 5,11K       | 1      | MR25 5322 116 54595 |
| R 244 | 5,11K       | 1      | MR25 5322 116 54595 |
| R 246 | 5,11K       | 1      | MR25 5322 116 54595 |
| R 247 | 5,11K       | 1      | MR25 5322 116 54595 |
| R 248 | 48,7        | 1      | MR25 5322 116 50511 |
| R 249 | 750         | 1      | MR25 4822 116 51234 |
| R 250 | 100         | 1      | MR25 5322 116 55549 |
| R 251 | 5,11        | 1      | MR25 4822 116 52999 |
| R 252 | 5,11        | 1      | MR25 4822 116 52999 |
| R 253 | 100         | 1      | MR25 5322 116 55549 |
| R 254 | 511         | 1      | MR25 4822 116 51282 |
| R 255 | 511         | 1      | MR25 4822 116 51282 |
| R 256 | 5,11        | 1      | MR25 4822 116 52999 |
| R 257 | 30,1        | 1      | MR25 5322 116 50904 |
| R 258 | 825         | 1      | MR25 5322 116 54541 |
| R 259 | 30,1        | 1      | MR25 5322 116 50904 |
| R 260 | 6,81K       | 1      | MR25 4822 116 51252 |
| R 261 | 5,11        | 1      | MR25 4822 116 52999 |
| R 262 | 22K         | 20     | 0.5W 5322 101 14069 |
| R 263 | 2,87K       | 1      | MR25 5322 116 55279 |
| R 264 | 6,81K       | 1      | MR25 4822 116 51252 |
| R 265 | 1,87K       | 1      | MR25 5322 116 52123 |
| R 266 | 6,19K       | 1      | MR25 5322 116 55426 |
| R 267 | 1K          | 1      | MR25 4822 116 51235 |
| R 268 | 22K         | 20     | 0.5W 5322 101 14069 |
| R 269 | 154         | 1      | MR25 5322 116 50506 |
| R 270 | 33          | MRS16T | 5322 116 53295      |
| R 271 | 33,2K       | 1      | MR25 4822 116 51259 |
| R 272 | 5,11K       | 1      | MR25 5322 116 54595 |
| R 273 | 33          | 5      | CR16 4822 116 52191 |
| R 274 | 5,11        | 1      | MR25 4822 116 52999 |
| R 276 | 40,2        | 1      | MR25 5322 116 50926 |
| R 277 | 1,33K       | 1      | MR25 5322 116 55422 |
| R 278 | 5,11        | 1      | MR25 4822 116 52999 |
| R 279 | 7,5         | 1      | MR25 5322 116 54417 |
| R 280 | 33.2        | MRS16T | 5322 116 53296      |
| R 281 | 33.2        | MRS16T | 5322 116 53296      |
| R 282 | 562         | 1      | MR25 4822 116 51231 |
| R 283 | 3,01K       | 1      | MR25 4822 116 51246 |
| R 284 | 3,01K       | 1      | MR25 4822 116 51246 |
| R 285 | 7,5         | 1      | MR25 5322 116 54417 |
| R 286 | 562         | 1      | MR25 4822 116 51231 |
| R 287 | 30,1        | 1      | MR25 5322 116 50904 |
| R 288 | 5,11        | 1      | MR25 4822 116 52999 |
| R 289 | 30,1        | 1      | MR25 5322 116 50904 |
| R 290 | 6,81K       | 1      | MR25 4822 116 51252 |
| R 291 | 5,11        | 1      | MR25 4822 116 52999 |
| R 292 | 3,65K       | 1      | MR25 5322 116 54587 |
| R 293 | 33,2K       | 1      | MR25 4822 116 51259 |
| R 296 | 1,78K       | 1      | MR25 5322 116 50515 |
| R 297 | 5,11        | 1      | MR25 4822 116 52999 |
| R 298 | 5,11        | 1      | MR25 4822 116 52999 |
| R 299 | 5,11K       | 1      | MR25 5322 116 54595 |
| R 301 | 100         | 1      | MR25 5322 116 55549 |

For Service Manuals Contact  
**MAURITRON TECHNICAL SERVICES**  
8 Cherry Tree Rd, Chinnor  
Oxon OX9 4QY  
Tel:- 01844-351694 Fax:- 01844-352554  
Email:- [enquiries@mauritron.co.uk](mailto:enquiries@mauritron.co.uk)

| POSNR | DESCRIPTION |    | ORDERING  | CODE |     |       |  |
|-------|-------------|----|-----------|------|-----|-------|--|
| R 302 | 10K         |    | MR25      | 4822 | 116 | 51253 |  |
| R 306 | 154K        | 1  | MR25      | 5322 | 116 | 54714 |  |
| R 307 | 5,11        | 1  | MR25      | 4822 | 116 | 52999 |  |
| R 308 | 2,87K       | 1  | MR25      | 5322 | 116 | 55279 |  |
| R 309 | 1,27K       | 1  | MR25      | 5322 | 116 | 50555 |  |
| R 311 | 5,11K       | 1  | MR25      | 5322 | 116 | 54595 |  |
| R 312 | 5,11        | 1  | MR25      | 4822 | 116 | 52999 |  |
| R 317 | 154K        | 1  | MR25      | 5322 | 116 | 54714 |  |
| R 318 | 2,26K       | 1  | MR25      | 5322 | 116 | 50675 |  |
| R 319 | 2,26K       | 1  | MR25      | 5322 | 116 | 50675 |  |
| R 321 | 2,26K       | 1  | MR25      | 5322 | 116 | 50675 |  |
| R 322 | 154K        | 1  | MR25      | 5322 | 116 | 54714 |  |
| R 323 | 5,11        | 1  | MR25      | 4822 | 116 | 52999 |  |
| R 324 | 33,2K       | 1  | MR25      | 4822 | 116 | 51259 |  |
| R 325 | 5,11        | 1  | MR25      | 4822 | 116 | 52999 |  |
| R 326 | 3,01K       | 1  | MR25      | 4822 | 116 | 51246 |  |
| R 327 | 649         | 1  | MR25      | 5322 | 116 | 54532 |  |
| R 328 | 5,11        | 1  | MR25      | 4822 | 116 | 52999 |  |
| R 329 | 3,01K       | 1  | MR25      | 4822 | 116 | 51246 |  |
| R 331 | 51,1        | 1  | MR25      | 5322 | 116 | 54442 |  |
| R 332 | 5,11        | 1  | MR25      | 4822 | 116 | 52999 |  |
| R 333 | 4,64K       | 1  | MR25      | 5322 | 116 | 50484 |  |
| R 334 | 3,83K       | 1  | MR25      | 5322 | 116 | 54589 |  |
| R 336 | 5,11K       | 1  | MR25      | 5322 | 116 | 54595 |  |
| R 337 | 5,11K       | 1  | MR25      | 5322 | 116 | 54595 |  |
| R 338 | 30,1K       | 1  | MR25      | 5322 | 116 | 54655 |  |
| R 339 | 1,21K       | 1  | MR25      | 5322 | 116 | 54557 |  |
| R 341 | 5,11        | 1  | MR25      | 4822 | 116 | 52999 |  |
| R 342 | 590         | 1  | MR25      | 5322 | 116 | 50561 |  |
| R 343 | 825         | 1  | MR25      | 5322 | 116 | 54541 |  |
| R 344 | 6,19K       | 1  | MR25      | 5322 | 116 | 55426 |  |
| R 345 | 10M         | 5  | VR25      | 4822 | 110 | 72214 |  |
| R 346 | 6,19K       | 1  | MR25      | 5322 | 116 | 55426 |  |
| R 347 | 22K         | 20 | 0.5W      | 5322 | 101 | 14069 |  |
| R 348 | 22K         | 20 | 0.5W      | 5322 | 101 | 14069 |  |
| R 349 | 22K         | 20 | 0.5W      | 5322 | 101 | 14069 |  |
| R 351 | 22K         | 20 | 0.5W      | 5322 | 101 | 14069 |  |
| R 352 | 1K MTB      |    | SWEEP-OUT | 4822 | 116 | 51235 |  |
| R 352 | 1.8M        |    | VR25      | 4822 | 110 | 72194 |  |
| R 353 | 1,27K MTB   |    | SWEEP-OUT | 5322 | 116 | 50555 |  |
| R 354 | 5,11 MTB    |    | SWEEP-OUT | 4822 | 116 | 52999 |  |
| R 355 | 4,22K       |    | MR25      | 5322 | 116 | 50729 |  |
| R 356 | 1,87K       | 1  | MR25      | 5322 | 116 | 52123 |  |
| R 357 | 10K         | 1  | MR25      | 4822 | 116 | 51253 |  |
| R 358 | 10K         | 1  | MR25      | 4822 | 116 | 51253 |  |
| R 359 | 30,1        | 1  | MR25      | 5322 | 116 | 50904 |  |
| R 360 | 5,11        | 1  | MR25      | 4822 | 116 | 52999 |  |
| R 361 | 2,26K       | 1  | MR25      | 5322 | 116 | 50675 |  |
| R 362 | 2,26K       | 1  | MR25      | 5322 | 116 | 50675 |  |
| R 363 | 33,2K       | 1  | MR25      | 4822 | 116 | 51259 |  |
| R 364 | 5,11K       | 1  | MR25      | 5322 | 116 | 54595 |  |
| R 365 | 5,11K       | 1  | MR25      | 5322 | 116 | 54595 |  |
| R 366 | 1,15K       | 1  | MR25      | 5322 | 116 | 52121 |  |
| R 367 | 825         | 1  | MR25      | 5322 | 116 | 54541 |  |
| R 368 | 4,64K       | 1  | MR25      | 5322 | 116 | 50484 |  |
| R 369 | 7,87K       | 1  | MR25      | 5322 | 116 | 50458 |  |
| R 370 | 5,11        | 1  | MR25      | 4822 | 116 | 52999 |  |
| R 371 | 27,4K       | 1  | MR25      | 5322 | 116 | 50559 |  |
| R 372 | 19,6K       | 1  | MR25      | 5322 | 116 | 54641 |  |
| R 373 | 68,1K       |    | MR25      | 4822 | 116 | 51266 |  |
| R 374 | 56,2K       |    | MR25      | 4822 | 116 | 51264 |  |
| R 375 | 100         | 1  | MR25      | 5322 | 116 | 55549 |  |
| R 376 | 68,1K       |    | MR25      | 4822 | 116 | 51266 |  |
| R 377 | 51,1K       |    | MR25      | 5322 | 116 | 50672 |  |
| R 378 | 78,7K       | 1  | MR25      | 5322 | 116 | 50533 |  |

| POSNR | DESCRIPTION |     | ORDERING | CODE |     |       |  |
|-------|-------------|-----|----------|------|-----|-------|--|
| R 379 | 19,6K       | 1   | MR25     | 5322 | 116 | 54641 |  |
| R 380 | 1.8M        |     | VR25     | 4822 | 110 | 72194 |  |
| R 381 | 28,7K       | 1   | MR25     | 5322 | 116 | 55462 |  |
| R 382 | 86,6K       |     | MR25     | 5322 | 116 | 54692 |  |
| R 383 | 53,6K       |     | MR25     | 5322 | 116 | 54674 |  |
| R 384 | 909         | 1   | MR25     | 5322 | 116 | 55278 |  |
| R 385 | 40,2        | 1   | MR25     | 5322 | 116 | 50926 |  |
| R 386 | 100         | 1   | MR25     | 5322 | 116 | 55549 |  |
| R 387 | 5,11K       | 1   | MR25     | 5322 | 116 | 54595 |  |
| R 388 | 22K         | 20  | 0.75W    | 5322 | 101 | 14042 |  |
| R 390 | 511         | 1   | MR25     | 4822 | 116 | 51282 |  |
| R 391 | 511         | 1   | MR25     | 4822 | 116 | 51282 |  |
| R 392 | 5,11        | 1   | MR25     | 4822 | 116 | 52999 |  |
| R 393 | 48,7        | 1   | MR25     | 5322 | 116 | 50511 |  |
| R 394 | 536         | 1   | MR25     | 5322 | 116 | 50621 |  |
| R 395 | 750         | 1   | MR25     | 4822 | 116 | 51234 |  |
| R 396 | 100         | 1   | MR25     | 5322 | 116 | 55549 |  |
| R 397 | 10          | 1   | MR25     | 5322 | 116 | 50452 |  |
| R 398 | 1,69K       | 1   | MR25     | 5322 | 116 | 54567 |  |
| R 399 | 1,69K       | 1   | MR25     | 5322 | 116 | 54567 |  |
| R 400 | 1,15K       | 1   | MR25     | 5322 | 116 | 52121 |  |
| R 401 | 2.2K        |     |          | 5322 | 101 | 10678 |  |
| R 402 | 1,15K       | 1   | MR25     | 5322 | 116 | 52121 |  |
| R 403 | 51,1        | 1   | MR25     | 5322 | 116 | 54442 |  |
| R 404 | 51,1        | 1   | MR25     | 5322 | 116 | 54442 |  |
| R 405 | 1.78K       |     | VR25     | 5322 | 116 | 50515 |  |
| R 406 | 7.5K        |     | VR25     | 5322 | 116 | 54608 |  |
| R 408 | 2,15K       |     |          | 5322 | 116 | 50767 |  |
| R 410 | 3,16K       |     | MR25     | 5322 | 116 | 50579 |  |
| R 411 | 28,7K       | 1   | MR25     | 5322 | 116 | 55462 |  |
| R 412 | 1.21K       |     | MR25     | 5322 | 116 | 54557 |  |
| R 413 | 2,37K       |     | MR25     | 5322 | 116 | 54576 |  |
| R 415 | 31,6E       |     | MR16     | 5322 | 116 | 55392 |  |
| R 500 | 61,9        | 1   | MR25     | 5322 | 116 | 54451 |  |
| R 503 | 1K          | 20  | 0,5W     | 5322 | 100 | 10112 |  |
| R 504 | 1M          | 1   | MR25     | 5322 | 116 | 55535 |  |
| R 506 | 1M          | 1   | MR25     | 5322 | 116 | 55535 |  |
| R 507 | 1M          | 1   | MR25     | 5322 | 116 | 55535 |  |
| R 508 | 1M          | 1   | MR25     | 5322 | 116 | 55535 |  |
| R 509 | 11,5        | 1   | MR25     | 5322 | 116 | 50838 |  |
| R 510 | 68,1        | 1   | MR25     | 5322 | 116 | 54455 |  |
| R 511 | 11,5        | 1   | MR25     | 5322 | 116 | 50838 |  |
| R 512 | 287         | 1   | MR25     | 5322 | 116 | 54506 |  |
| R 513 | 5,11K       | 1   | MR25     | 5322 | 116 | 54595 |  |
| R 514 | 4,02K       | 1   | MR25     | 5322 | 116 | 55448 |  |
| R 516 | 90,9        | 1   | MR25     | 5322 | 116 | 54466 |  |
| R 517 | 90,9        | 1   | MR25     | 5322 | 116 | 54466 |  |
| R 518 | 511         | 1   | MR25     | 4822 | 116 | 51282 |  |
| R 519 | 23,7K       | 1   | MR25     | 5322 | 116 | 54646 |  |
| R 521 | 10K         | 20  | 0,5W     | 5322 | 100 | 10113 |  |
| R 522 | 14K         | 1   | MR25     | 5322 | 116 | 55571 |  |
| R 523 | 3,48K       | 1   | MR25     | 5322 | 116 | 55367 |  |
| R 524 | 75K         | 1   | MR25     | 4822 | 116 | 51267 |  |
| R 525 | 562         | 1   | MR25     | 4822 | 116 | 51231 |  |
| R 526 | 8,25K       |     | MR25     | 5322 | 116 | 51498 |  |
| R 527 | 3,48K       | 1   | MR25     | 5322 | 116 | 55367 |  |
| R 530 | 10          | 1   | MR25     | 5322 | 116 | 50452 |  |
| R 531 | 10          | 1   | MR25     | 5322 | 116 | 50452 |  |
| R 532 | 825K        | 0,5 | MR25     | 5322 | 116 | 51398 |  |
| R 533 | 11K         | 1   | MR25     | 5322 | 116 | 54623 |  |
| R 534 | 22,6K       | 1   | MR25     | 5322 | 116 | 50481 |  |
| R 535 | 7,87K       | 1   | MR25     | 5322 | 116 | 50458 |  |
| R 537 | 1M          | 1   | MR25     | 5322 | 116 | 55535 |  |
| R 538 | 82,5        | 1   | MR25     | 5322 | 116 | 55357 |  |
| R 539 | 1M          | 1   | MR25     | 5322 | 116 | 55535 |  |

For Service Manuals Contact  
**MAURITRON TECHNICAL SERVICES**  
8 Cherry Tree Rd, Chinnor  
Oxon OX9 4QY  
**Tel: 01844-351694 Fax: 01844-352554**  
**Email: enquiries@mauritron.co.uk**

| POSNR | DESCRIPTION |          |       | ORDERING | CODE  |
|-------|-------------|----------|-------|----------|-------|
| R 541 | 1M          | 1        | MR25  | 5322 116 | 55535 |
| R 542 | 562         | 1        | MR25  | 4822 116 | 51231 |
| R 543 | 5,11        | 1        | MR25  | 4822 116 | 52999 |
| R 544 | 5,11        | 1        | MR25  | 4822 116 | 52999 |
| R 545 | 1,33K       |          | MR25  | 5322 116 | 55422 |
| R 546 | 2,05K       | 1        | MR25  | 5322 116 | 50664 |
| R 547 | 348         | 1        | MR25  | 5322 116 | 54515 |
| R 548 | 10K         | 1        | MR25  | 4822 116 | 51253 |
| R 549 | 226         |          | MR25  | 5322 116 | 54497 |
| R 550 | 1,33K       |          | MR25  | 5322 116 | 55422 |
| R 551 | 226         |          | MR25  | 5322 116 | 54497 |
| R 552 | 1,33K       |          | MR25  | 5322 116 | 55422 |
| R 553 | 220         | 20       | 0.75W | 5322 100 | 10133 |
| R 554 | 825K        | 0,5      | MR25  | 5322 116 | 51398 |
| R 556 | 1M          | 1        | MR25  | 5322 116 | 55535 |
| R 557 | 162         | 1        | MR25  | 5322 116 | 50417 |
| R 558 | 4,02K       | 1        | MR25  | 5322 116 | 55448 |
| R 559 | 3,16K       | 1        | MR25  | 5322 116 | 50579 |
| R 560 | 383         | 1        | MR25  | 5322 116 | 55368 |
| R 561 | 2,87K       | 1        | MR25  | 5322 116 | 55279 |
| R 563 | 22K         | POTM.20% |       | 5322 101 | 14042 |
| R 564 | 1M          | 1        | MR25  | 5322 116 | 55535 |
| R 565 | 6,49K       | 1        | MR25  | 5322 116 | 54603 |
| R 566 | 1M          | 1        | MR25  | 5322 116 | 55535 |
| R 567 | 53,6        | 0,1      | MR24E | 5322 116 | 54997 |
| R 568 | 988K        | 0,5      | MR30  | 5322 116 | 51401 |
| R 569 | 1,96K       | 1        | MR25  | 5322 116 | 54571 |
| R 570 | 5,11        | 1        | MR25  | 4822 116 | 52999 |
| R 571 | 5,11        | 1        | MR25  | 4822 116 | 52999 |
| R 572 | 51,1        | 1        | MR25  | 5322 116 | 54442 |
| R 573 | 2,74K       | 1        | MR25  | 5322 116 | 50636 |
| R 574 | 133         | 1        | MR25  | 5322 116 | 54482 |
| R 575 | 61,9        | 1        | MR25  | 5322 116 | 54451 |
| R 576 | 1M          | 1        | MR25  | 5322 116 | 55535 |
| R 577 | 196         | 1        | MR25  | 5322 116 | 55273 |
| R 578 | 470         | 20       | 0.75W | 5322 100 | 10135 |
| R 579 | 1,62K       | 1        | MR25  | 5322 116 | 55359 |
| R 580 | 383         | 1        | MR25  | 5322 116 | 55368 |
| R 581 | 1,62K       | 1        | MR25  | 5322 116 | 55359 |
| R 582 | 115K        | 1        | MR25  | 5322 116 | 54279 |
| R 583 | 10K         | 20       | 0.75W | 5322 100 | 10141 |
| R 584 | 11K         | 1        | MR25  | 5322 116 | 54623 |
| R 585 | 2,37K       | 1        | MR25  | 5322 116 | 54576 |
| R 586 | 68,1K       | 1        | MR25  | 4822 116 | 51266 |
| R 588 | 8,35K       | 0,1      | MR24E | 5322 116 | 55148 |
| R 589 | 10K         | 1        | MR25  | 4822 116 | 51253 |
| R 590 | 5,11        | 1        | MR25  | 4822 116 | 52999 |
| R 591 | 172K        | 0,5      | MR30  | 5322 116 | 51399 |
| R 592 | 365         | 1        | MR25  | 5322 116 | 54516 |
| R 593 | 5,11        | 1        | MR25  | 4822 116 | 52999 |
| R 594 | 5,11        | 1        | MR25  | 4822 116 | 52999 |
| R 595 | 5,11        | 1        | MR25  | 4822 116 | 52999 |
| R 596 | 205         | 1        | MR25  | 5322 116 | 55365 |
| R 597 | 31,6        | 1        | MR25  | 5322 116 | 54034 |
| R 598 | 205         | 0,1      | MR24E | 5322 116 | 51404 |
| R 599 | 137         | 0,1      | MR24E | 5322 116 | 51402 |
| R 601 | 82,5        | 0,1      | MR24E | 5322 116 | 51405 |
| R 602 | 82,5        | 0,1      | MR24E | 5322 116 | 51405 |
| R 603 | 51,1        | 1        | MR25  | 5322 116 | 54442 |
| R 604 | 1K          | 20       | 0.75W | 5322 100 | 10143 |
| R 605 | 464         | 1        | MR25  | 5322 116 | 50536 |
| R 606 | 3,3K        | 5        | 0.5W  | 5322 116 | 30234 |
| R 607 | 649         | 1        | MR25  | 5322 116 | 54532 |
| R 608 | 487         | 1        | MR25  | 5322 116 | 55451 |
| R 609 | 2,26K       | 1        | MR25  | 5322 116 | 50675 |

| POSNR | DESCRIPTION |     |       | ORDERING CODE |       |  |
|-------|-------------|-----|-------|---------------|-------|--|
| R 610 | 10K         | 20  | 0.75W | 5322 100      | 10141 |  |
| R 611 | 215K        |     | MR25  | 5322 116      | 54726 |  |
| R 612 | 215         | 1   | MR25  | 5322 116      | 55274 |  |
| R 614 | 59          | 1   | MR25  | 5322 116      | 54448 |  |
| R 616 | 92K         | 0,1 | MR24E | 5322 116      | 54875 |  |
| R 617 | 5,11        | 1   | MR25  | 4822 116      | 52999 |  |
| R 618 | 920K        | 0,5 | MR30  | 5322 116      | 55218 |  |
| R 619 | 21,5        | 1   | MR25  | 5322 116      | 50677 |  |
| R 621 | 1M          | 1   | MR30  | 4822 116      | 51279 |  |
| R 622 | 42,2        | 1   | MR25  | 5322 116      | 51052 |  |
| R 623 | 14,7        | 1   | MR25  | 5322 116      | 50412 |  |
| R 625 | 1K          | 1   | MR25  | 4822 116      | 51235 |  |
| R 653 | 1K          | 20  | 0,5W  | 5322 100      | 10112 |  |
| R 654 | 1M          | 1   | MR25  | 5322 116      | 55535 |  |
| R 655 | 68,1        | 1   | MR25  | 5322 116      | 54455 |  |
| R 656 | 1M          | 1   | MR25  | 5322 116      | 55535 |  |
| R 657 | 1M          | 1   | MR25  | 5322 116      | 55535 |  |
| R 658 | 1M          | 1   | MR25  | 5322 116      | 55535 |  |
| R 659 | 8,66K       | 1   | MR25  | 5322 116      | 54613 |  |
| R 661 | 12,1K       | 1   | MR25  | 5322 116      | 50572 |  |
| R 662 | 287         | 1   | MR25  | 5322 116      | 54506 |  |
| R 663 | 5,11K       | 1   | MR25  | 5322 116      | 54595 |  |
| R 664 | 4,02K       | 1   | MR25  | 5322 116      | 55448 |  |
| R 666 | 59          | 1   | MR25  | 5322 116      | 54448 |  |
| R 667 | 59          | 1   | MR25  | 5322 116      | 54448 |  |
| R 668 | 365K        | 1   | MR25  | 5322 116      | 55641 |  |
| R 669 | 511         | 1   | MR25  | 4822 116      | 51282 |  |
| R 671 | 23,7K       | 1   | MR25  | 5322 116      | 54646 |  |
| R 672 | 10K         | 20  | 0.75W | 5322 100      | 10141 |  |
| R 673 | 14K         | 1   | MR25  | 5322 116      | 55571 |  |
| R 674 | 920K        | 0,5 | MR30  | 5322 116      | 55218 |  |
| R 676 | 825K        | 0,5 | MR25  | 5322 116      | 51398 |  |
| R 678 | 825K        | 0,5 | MR25  | 5322 116      | 51398 |  |
| R 679 | 10          | 1   | MR25  | 5322 116      | 50452 |  |
| R 680 | 10          | 1   | MR25  | 5322 116      | 50452 |  |
| R 681 | 22,6K       | 1   | MR25  | 5322 116      | 50481 |  |
| R 682 | 11K         | 1   | MR25  | 5322 116      | 54623 |  |
| R 683 | 7,87K       | 1   | MR25  | 5322 116      | 50458 |  |
| R 684 | 1M          | 1   | MR25  | 5322 116      | 55535 |  |
| R 686 | 82,5        | 1   | MR25  | 5322 116      | 55357 |  |
| R 687 | 1M          | 1   | MR25  | 5322 116      | 55535 |  |
| R 688 | 1M          | 1   | MR25  | 5322 116      | 55535 |  |
| R 689 | 562         | 1   | MR25  | 4822 116      | 51231 |  |
| R 691 | 5,11        | 1   | MR25  | 4822 116      | 52999 |  |
| R 692 | 5,11        | 1   | MR25  | 4822 116      | 52999 |  |
| R 693 | 2,05K       | 1   | MR25  | 5322 116      | 50664 |  |
| R 694 | 348         | 1   | MR25  | 5322 116      | 54515 |  |
| R 696 | 10K         | 1   | MR25  | 4822 116      | 51253 |  |
| R 697 | 226         |     | MR25  | 5322 116      | 54497 |  |
| R 698 | 226         |     | MR25  | 5322 116      | 54497 |  |
| R 700 | 61,9        | 1   | MR25  | 5322 116      | 54451 |  |
| R 701 | 220         | 20  | 0.75W | 5322 100      | 10133 |  |
| R 702 | 8,25K       | 1   | MR25  | 5322 116      | 51498 |  |
| R 704 | 92K         | 0,1 | MR24E | 5322 116      | 54875 |  |
| R 706 | 59          | 1   | MR25  | 5322 116      | 54448 |  |
| R 707 | 172K        | 0,5 | MR30  | 5322 116      | 51399 |  |
| R 708 | 365         | 1   | MR25  | 5322 116      | 54516 |  |
| R 709 | 5,11        | 1   | MR25  | 4822 116      | 52999 |  |
| R 710 | 1M          | 1   | MR25  | 5322 116      | 55535 |  |
| R 711 | 5,11        | 1   | MR25  | 4822 116      | 52999 |  |
| R 712 | 1,33K       |     | MR25  | 5322 116      | 55422 |  |
| R 713 | 162         | 1   | MR25  | 5322 116      | 50417 |  |
| R 714 | 4,02K       | 1   | MR25  | 5322 116      | 55448 |  |
| R 715 | 1,33K       |     | MR25  | 5322 116      | 55422 |  |
| R 716 | 2,87K       | 1   | MR25  | 5322 116      | 55279 |  |

For Service Manuals Contact  
**MAURITRON TECHNICAL SERVICES**  
8 Cherry Tree Rd, Chinnor  
Oxon OX9 4QY  
Tel:- 01844-351694 Fax:- 01844-352554  
Email:- enquiries@mauritron.co.uk

| POSNR | DESCRIPTION |          | ORDERING | CODE |     |       |
|-------|-------------|----------|----------|------|-----|-------|
| R 718 | 3,16K       | 1        | MR25     | 5322 | 116 | 50579 |
| R 719 | 22K         | POTM.20% |          | 5322 | 101 | 14042 |
| R 720 | 6,49K       | 1        | MR25     | 5322 | 116 | 54603 |
| R 721 | 1M          | 1        | MR25     | 5322 | 116 | 55535 |
| R 722 | 1M          | 1        | MR25     | 5322 | 116 | 55535 |
| R 723 | 53,6        | 0,1      | MR24E    | 5322 | 116 | 54997 |
| R 724 | 1M          | 1        | MR25     | 5322 | 116 | 55535 |
| R 725 | 562         | 1        | MR25     | 4822 | 116 | 51231 |
| R 726 | 51,1        | 1        | MR25     | 5322 | 116 | 54442 |
| R 727 | 1K          | 20       | 0.75W    | 5322 | 100 | 10143 |
| R 728 | 21,5        | 1        | MR25     | 5322 | 116 | 50677 |
| R 729 | 464         | 1        | MR25     | 5322 | 116 | 50536 |
| R 730 | 10          | 1        | MR25     | 5322 | 116 | 50452 |
| R 731 | 10K         | 1        | MR25     | 4822 | 116 | 51253 |
| R 732 | 8,35K       | 0,1      | MR24E    | 5322 | 116 | 55148 |
| R 733 | 5,11        | 1        | MR25     | 4822 | 116 | 52999 |
| R 734 | 1,96K       | 1        | MR25     | 5322 | 116 | 54571 |
| R 735 | 61,9        | 1        | MR25     | 5322 | 116 | 54451 |
| R 736 | 5,11        | 1        | MR25     | 4822 | 116 | 52999 |
| R 737 | 51,1        | 1        | MR25     | 5322 | 116 | 54442 |
| R 737 | 348         | 1        | MR25     | 5322 | 116 | 54515 |
| R 738 | 2,74K       | 1        | MR25     | 5322 | 116 | 50636 |
| R 739 | 133         | 1        | MR25     | 5322 | 116 | 54482 |
| R 740 | 5,11        | 1        | MR25     | 4822 | 116 | 52999 |
| R 741 | 1,62K       | 1        | MR25     | 5322 | 116 | 55359 |
| R 742 | 1,62K       | 1        | MR25     | 5322 | 116 | 55359 |
| R 743 | 10K         | 20       | 0.75W    | 5322 | 100 | 10141 |
| R 744 | 115K        | 1        | MR25     | 5322 | 116 | 54279 |
| R 745 | 10          | 1        | MR25     | 5322 | 116 | 50452 |
| R 748 | 11K         | 1        | MR25     | 5322 | 116 | 54623 |
| R 749 | 68,1K       | 1        | MR25     | 4822 | 116 | 51266 |
| R 750 | 10K         | 20       | 0.75W    | 5322 | 100 | 10141 |
| R 751 | 215K        |          | MR25     | 5322 | 116 | 54728 |
| R 752 | 2,26K       | 1        | MR25     | 5322 | 116 | 50675 |
| R 754 | 3,48K       | 1        | MR25     | 5322 | 116 | 55367 |
| R 755 | 14,7        | 1        | MR25     | 5322 | 116 | 50412 |
| R 756 | 3,48K       | 1        | MR25     | 5322 | 116 | 55367 |
| R 757 | 1M          | 1        | MR30     | 4822 | 116 | 51279 |
| R 758 | 42,2        | 1        | MR25     | 5322 | 116 | 51052 |
| R 759 | 988K        | 0,5      | MR30     | 5322 | 116 | 51401 |
| R 760 | 1K          | 1        | MR25     | 4822 | 116 | 51235 |
| R 761 | 205         | 1        | MR25     | 5322 | 116 | 55365 |
| R 762 | 31,6        | 1        | MR25     | 5322 | 116 | 54034 |
| R 763 | 205         | 0,1      | MR24E    | 5322 | 116 | 51404 |
| R 764 | 137         | 0,1      | MR24E    | 5322 | 116 | 51402 |
| R 766 | 82,5        | 0,1      | MR24E    | 5322 | 116 | 51405 |
| R 767 | 82,5        | 0,1      | MR24E    | 5322 | 116 | 51405 |
| R 768 | 365K        | 1        | MR25     | 5322 | 116 | 55641 |
| R 801 | 1           | 1        | MR25     | 4822 | 116 | 51179 |
| R 802 | 2,49        | 1        | MR25     | 5322 | 116 | 51394 |
| R 803 | 1           | 1        | MR25     | 4822 | 116 | 51179 |
| R 804 | 5,11K       | 1        | MR25     | 5322 | 116 | 54595 |
| R 806 | 5,11K       | 1        | MR25     | 5322 | 116 | 54595 |
| R 807 | 8,25K       | 1        | MR25     | 5322 | 116 | 51498 |
| R 808 | 22K         | 20       | 0.5W     | 5322 | 101 | 14069 |
| R 809 | 1,33K       | 1        | MR25     | 5322 | 116 | 55422 |
| R 810 | 51,1        | 1        | MR25     | 5322 | 116 | 54442 |
| R 811 | 61,9        | 1        | MR25     | 5322 | 116 | 54451 |
| R 812 | 619         | 1        | MR25     | 4822 | 116 | 51232 |
| R 813 | 619         | 1        | MR25     | 4822 | 116 | 51232 |
| R 814 | 511         | 1        | MR25     | 4822 | 116 | 51282 |
| R 815 | 51,1        | 1        | MR25     | 5322 | 116 | 54442 |
| R 816 | 61,9        | 1        | MR25     | 5322 | 116 | 54451 |
| R 817 | 348         | 1        | MR25     | 5322 | 116 | 54515 |
| R 818 | 42,2        | 1        | MR25     | 5322 | 116 | 51052 |

| POSNR | DESCRIPTION |       | ORDERING | CODE           |
|-------|-------------|-------|----------|----------------|
| R 819 | 5,11K       | 1     | MR25     | 5322 116 54595 |
| R 821 | 100         |       | MR25     | 5322 116 55549 |
| R 822 | 1,54K       | 1     | MR25     | 5322 116 50586 |
| R 824 | 1,54K       | 1     | MR25     | 5322 116 50586 |
| R 826 | 100         |       | MR25     | 5322 116 55549 |
| R 827 | 42,2        | 1     | MR25     | 5322 116 51052 |
| R 828 | 5,11K       | 1     | MR25     | 5322 116 54595 |
| R 829 | 215         | 1     | MR25     | 5322 116 55274 |
| R 830 | 7,5K        | 1     | MR25     | 5322 116 54608 |
| R 831 | 215         | 1     | MR25     | 5322 116 55274 |
| R 832 | 511         | 1     | MR25     | 4822 116 51282 |
| R 833 | 18,7K       | 1     | MR25     | 5322 116 55362 |
| R 834 | 3,32K       | 1     | MR25     | 4822 116 51247 |
| R 835 | 5,11K       | 1     | MR25     | 5322 116 54595 |
| R 836 | 287         | 1     | MR25     | 5322 116 54506 |
| R 838 | 274         | 1     | MR25     | 5322 116 54504 |
| R 839 | 1,05K       | 1     | MR25     | 5322 116 54552 |
| R 841 | 1,05K       | 1     | MR25     | 5322 116 54552 |
| R 842 | 1K          |       | MR25     | 4822 116 51235 |
| R 843 | 1K          |       | MR25     | 4822 116 51235 |
| R 844 | 1K          |       | MR25     | 4822 116 51235 |
| R 846 | 1K          |       | MR25     | 4822 116 51235 |
| R 847 | 5,11K       | 1     | MR25     | 5322 116 54595 |
| R 848 | 5,11K       | 1     | MR25     | 5322 116 54595 |
| R 849 | 2.21K       |       | MR25     | 4822 116 51245 |
| R 852 | 3,32K       | 1     | MR25     | 4822 116 51247 |
| R 853 | 1,33K       |       | MR25     | 5322 116 55422 |
| R 854 | 18,7K       | 1     | MR25     | 5322 116 55362 |
| R 856 | 64,9K       | 1     | MR25     | 5322 116 50514 |
| R 857 | 5,11K       | 1     | MR25     | 5322 116 54595 |
| R 858 | 5,11K       | 1     | MR25     | 5322 116 54595 |
| R 859 | 3,01K       | 1     | MR25     | 4822 116 51246 |
| R 860 | 13,3        | 1     | MR25     | 5322 116 51047 |
| R 861 | 5,11K       | 1     | MR25     | 5322 116 54595 |
| R 862 | 10K         | 1     | MR25     | 4822 116 51253 |
| R 863 | 51,1        | 1     | MR25     | 5322 116 54442 |
| R 864 | 48,7        | 1     | MR25     | 5322 116 50511 |
| R 866 | 6,49K       | 1     | MR25     | 5322 116 54603 |
| R 867 | 6,49K       | 1     | MR25     | 5322 116 54603 |
| R 868 | 100         | 1     | MR25     | 5322 116 55549 |
| R 869 | 100         | 1     | MR25     | 5322 116 55549 |
| R 870 | 1K          |       | MR25     | 4822 116 51235 |
| R 871 | 100K        | 1     | MR25     | 4822 116 51268 |
| R 872 | 9,53K       | 1     | MR25     | 5322 116 55574 |
| R 873 | 536         | 1     | MR25     | 5322 116 50621 |
| R 875 | 100         | 1     | MR25     | 5322 116 55549 |
| R 876 | 422         | 1     | MR25     | 5322 116 50459 |
| R 877 | 464         | 1     | MR25     | 5322 116 50536 |
| R 878 | 40,2        | 1     | MR25     | 5322 116 50926 |
| R 879 | 40,2        | 1     | MR25     | 5322 116 50926 |
| R 880 | 100         | 1     | MR25     | 5322 116 55549 |
| R 881 | 2,49K       | 1     | MR25     | 5322 116 50581 |
| R 882 | 1,05K       | 1     | MR25     | 5322 116 54552 |
| R 883 | 3,01K       | 1     | MR25     | 4822 116 51246 |
| R 884 | 7,15K       | 1     | MR25     | 5322 116 54606 |
| R 886 | 1K          | 1     | MR25     | 4822 116 51235 |
| R 887 | 100         | 20    | 0,5W     | 5322 101 14011 |
| R 888 | 1K          | 1     | MR25     | 4822 116 51235 |
| R 889 | 100         | 20    | 0,75W    | 5322 100 10138 |
| R 891 | 10K POTM    | 0,75W |          | 5322 100 10141 |
| R 892 | 909         | 1     | MR25     | 5322 116 55278 |
| R 893 | 1           | 1     | MR25     | 4822 116 51179 |
| R 894 | 100K        | 1     | MR25     | 4822 116 51268 |
| R 896 | 422         | 1     | MR25     | 5322 116 50459 |
| R 897 | 100         | 1     | MR25     | 5322 116 55549 |

For Service Manuals Contact  
**MAURITRON TECHNICAL SERVICES**  
8 Cherry Tree Rd, Chinnor  
Oxon OX9 4QY  
Tel: 01844-351694 Fax: 01844-352554  
Email: enquiries@mauritron.co.uk

| POSNR | DESCRIPTION |    | ORDERING | CODE           |
|-------|-------------|----|----------|----------------|
| R 898 | 40,2        | 1  | MR25     | 5322 116 50926 |
| R 899 | 40,2        | 1  | MR25     | 5322 116 50926 |
| R 901 | 619         | 1  | MR25     | 4822 116 51232 |
| R 902 | 4,02K       | 1  | MR25     | 5322 116 55448 |
| R 903 | 5,11K       | 1  | MR25     | 5322 116 54595 |
| R 904 | 100K        | 1  | MR25     | 4822 116 51268 |
| R 906 | 100K        | 1  | MR25     | 4822 116 51268 |
| R 907 | 4,7K        | 20 | 0.75W    | 5322 100 10139 |
| R 908 | 14,7K       |    | MR25     | 5322 116 54632 |
| R 909 | 51,1K       | 1  | MR25     | 5322 116 50672 |
| R 910 | 100         | 1  | MR25     | 5322 116 55549 |
| R 911 | 90,9K       | 1  | MR25     | 5322 116 54694 |
| R 912 | 10M         | 5  | VR25     | 4822 110 72214 |
| R 913 | 10M         | 5  | VR25     | 4822 110 72214 |
| R 914 | 59          | 1  | MR25     | 5322 116 54448 |
| R 917 | 59          | 1  | MR25     | 5322 116 54448 |
| R 918 | 750         | 1  | MR25     | 4822 116 51234 |
| R 919 | 48,7        | 1  | MR25     | 5322 116 50511 |
| R 921 | 48,7        | 1  | MR25     | 5322 116 50511 |
| R 922 | 48,7        | 1  | MR25     | 5322 116 50511 |
| R 923 | 48,7        | 1  | MR25     | 5322 116 50511 |
| R 924 | 59          | 1  | MR25     | 5322 116 54448 |
| R 925 | 1.1K        |    |          | 4822 116 51236 |
| R 927 | 750         | 1  | MR25     | 4822 116 51234 |
| R 928 | 59          | 1  | MR25     | 5322 116 54448 |
| R 929 | 2,49        | 1  | MR25     | 5322 116 51394 |
| R 930 | 422         |    | MR25     | 5322 116 50459 |
| R 931 | 619         |    | MR25     | 4822 116 51232 |
| R 932 | 402K        | 1  | MR25     | 5322 116 55283 |
| R 933 | 536         | 1  | MR25     | 5322 116 50621 |
| R 936 | 100         | 1  | MR25     | 5322 116 55549 |
| R 937 | 287         | 1  | MR25     | 5322 116 54506 |
| R 938 | 31.6        |    | MR25     | 5322 116 54034 |
| R 939 | 464         | 1  | MR25     | 5322 116 50536 |
| R 940 | 5,11K       | 1  | MR25     | 5322 116 54595 |
| R 941 | 14,7        | 1  | MR25     | 5322 116 50412 |
| R 942 | 48,7        | 1  | MR25     | 5322 116 50511 |
| R 943 | 487         | 1  | MR25     | 5322 116 55451 |
| R 944 | 48,7        | 1  | MR25     | 5322 116 50511 |
| R 945 | 100         | 1  | MR25     | 5322 116 55549 |
| R 946 | 1,69K       | 1  | MR25     | 5322 116 54567 |
| R 947 | 1,27K       | 1  | MR25     | 5322 116 50555 |
| R 948 | 487         | 1  | MR25     | 5322 116 55451 |
| R 949 | 100K        | 1  | MR25     | 4822 116 51268 |
| R 950 | 1K          | 1  | MR25     | 4822 116 51235 |
| R 951 | 2,49K       | 1  | MR25     | 5322 116 50581 |
| R 952 | 7,15K       | 1  | MR25     | 5322 116 54606 |
| R 953 | 105K        | 1  | MR25     | 5322 116 55356 |
| R 954 | 4,22K       | 1  | MR25     | 5322 116 50729 |
| R 955 | 14,7        | 1  | MR25     | 5322 116 50412 |
| R 956 | 12,7K       | 1  | MR25     | 5322 116 50443 |
| R 957 | 8,25K       | 1  | MR25     | 5322 116 51498 |
| R 958 | 220         | 20 | 0.75W    | 5322 100 10133 |
| R 959 | 220         | 20 | 0,5W     | 5322 101 14009 |
| R 960 | 90.9        |    | MR25     | 5322 116 54466 |
| R 961 | 220         | 20 | 0.75W    | 5322 100 10133 |
| R 962 | 220         | 20 | 0,5W     | 5322 101 14009 |
| R 963 | 100         | 1  | MR25     | 5322 116 55549 |
| R 964 | 100         | 20 | 0,5W     | 5322 101 14011 |
| R 965 | 21,5        | 1  | MR25     | 5322 116 50677 |
| R 966 | 100         | 1  | MR25     | 5322 116 55549 |
| R 967 | 2,49        | 1  | MR25     | 5322 116 51394 |
| R 968 | 48,7        | 1  | MR25     | 5322 116 50511 |
| R 969 | 5,11K       | 1  | MR25     | 5322 116 54595 |
| R 970 | 100K        | 1  | MR25     | 4822 116 51268 |



| POSNR  | DESCRIPTION |   | ORDERING CODE       |
|--------|-------------|---|---------------------|
| R 971  | 5,11K       | 1 | MR25 5322 116 54595 |
| R 973  | 487         | 1 | MR25 5322 116 55451 |
| R 974  | 51,1K       | 1 | MR25 5322 116 50672 |
| R 975  | 21,5        | 1 | MR25 5322 116 50677 |
| R 976  | 866         | 1 | MR25 5322 116 54543 |
| R 977  | 4,02K       | 1 | MR25 5322 116 55448 |
| R 978  | 3,01K       | 1 | MR25 4822 116 51246 |
| R 979  | 1K          | 1 | MR25 4822 116 51235 |
| R 980  | 51,1K       | 1 | MR25 5322 116 50672 |
| R 981  | 1,78K       | 1 | MR25 5322 116 50515 |
| R 982  | 10K         | 1 | MR25 4822 116 51253 |
| R 983  | 5,11K       | 1 | MR25 5322 116 54595 |
| R 984  | 2,2M        | 5 | VR25 4822 110 72196 |
| R 986  | 511         | 1 | MR25 4822 116 51282 |
| R 987  | 316         | 1 | MR25 5322 116 54511 |
| R 988  | 511         | 1 | MR25 4822 116 51282 |
| R 989  | 511         | 1 | MR25 4822 116 51282 |
| R 991  | 316         | 1 | MR25 5322 116 54511 |
| R 992  | 511         | 1 | MR25 4822 116 51282 |
| R 993  | 100K        | 1 | MR25 4822 116 51268 |
| R 994  | 26,1K       | 1 | MR25 5322 116 54651 |
| R 995  | 26,1K       | 1 | MR25 5322 116 54651 |
| R 996  | 287         | 1 | MR25 5322 116 54506 |
| R 997  | 511         | 1 | MR25 4822 116 51282 |
| R 999  | 14,7        | 1 | MR25 5322 116 50412 |
| R 1000 | 100         |   | MR25 5322 116 55549 |
| R 1001 | 287         | 1 | MR25 5322 116 54506 |
| R 1002 | 100         | 1 | MR25 5322 116 55549 |
| R 1003 | 14,7        |   | MR25 5322 116 50412 |
| R 1004 | 48,7        | 1 | MR25 5322 116 50511 |
| R 1005 | 100         | 1 | MR25 5322 116 55549 |
| R 1006 | 365K        | 1 | MR25 5322 116 55641 |
| R 1007 | 100K        | 1 | MR25 4822 116 51268 |
| R 1008 | 1,15K       | 1 | MR25 5322 116 52121 |
| R 1011 | 5,9K        | 1 | MR25 5322 116 50583 |
| R 1013 | 100K        | 1 | MR25 4822 116 51268 |
| R 1014 | 10K         | 1 | MR25 4822 116 51253 |
| R 1016 | 3,01K       | 1 | MR25 4822 116 51246 |
| R 1017 | 5,11K       | 1 | MR25 5322 116 54595 |
| R 1019 | 274         | 1 | MR25 5322 116 54504 |
| R 1021 | 274         | 1 | MR25 5322 116 54504 |
| R 1022 | 1K          | 1 | MR25 4822 116 51235 |
| R 1023 | 487         | 1 | MR25 5322 116 55451 |
| R 1024 | 750         | 1 | MR25 4822 116 51234 |
| R 1026 | 30,1        | 1 | MR25 5322 116 50904 |
| R 1027 | 1K          | 1 | MR25 4822 116 51235 |
| R 1028 | 487         | 1 | MR25 5322 116 55451 |
| R 1029 | 750         | 1 | MR25 4822 116 51234 |
| R 1031 | 30,1        | 1 | MR25 5322 116 50904 |
| R 1032 | 1K          | 1 | MR25 4822 116 51235 |
| R 1033 | 487         | 1 | MR25 5322 116 55451 |
| R 1034 | 750         | 1 | MR25 4822 116 51234 |
| R 1036 | 30,1        | 1 | MR25 5322 116 50904 |
| R 1037 | 1K          | 1 | MR25 4822 116 51235 |
| R 1038 | 487         | 1 | MR25 5322 116 55451 |
| R 1039 | 750         | 1 | MR25 4822 116 51234 |
| R 1041 | 30,1        | 1 | MR25 5322 116 50904 |
| R 1042 | 1K          | 1 | MR25 4822 116 51235 |
| R 1043 | 487         | 1 | MR25 5322 116 55451 |
| R 1044 | 750         | 1 | MR25 4822 116 51234 |
| R 1045 | 274         | 1 | MR25 5322 116 54504 |
| R 1046 | 30,1        | 1 | MR25 5322 116 50904 |
| R 1047 | 1K          | 1 | MR25 4822 116 51235 |
| R 1048 | 487         | 1 | MR25 5322 116 55451 |
| R 1049 | 750         | 1 | MR25 4822 116 51234 |

For Service Manuals Contact  
**MAURITRON TECHNICAL SERVICES**  
8 Cherry Tree Rd, Chinnor  
Oxon OX9 4QY  
Tel: 01844-351694 Fax: 01844-352554  
Email: enquiries@mauritron.co.uk

| POSNR  | DESCRIPTION |    | ORDERING | CODE           |
|--------|-------------|----|----------|----------------|
| R 1051 | 30,1        | 1  | MR25     | 5322 116 50904 |
| R 1054 | 1K          | 20 | 0.75W    | 5322 100 10143 |
| R 1056 | 48,7        | 1  | MR25     | 5322 116 50511 |
| R 1057 | 9,53K       | 1  | MR25     | 5322 116 55574 |
| R 1058 | 5,11K       | 1  | MR25     | 5322 116 54595 |
| R 1059 | 5,11K       | 1  | MR25     | 5322 116 54595 |
| R 1060 | 100         | 1  | MR25     | 5322 116 55549 |
| R 1061 | 1K          | 1  | MR25     | 4822 116 51235 |
| R 1062 | 14.7        |    | MR25     | 5322 116 50412 |
| R 1063 | 3,01K       | 1  | MR25     | 4822 116 51246 |
| R 1064 | 4,02K       | 1  | MR25     | 5322 116 55448 |
| R 1065 | 100         | 1  | MR25     | 5322 116 55549 |
| R 1066 | 866         | 1  | MR25     | 5322 116 54543 |
| R 1067 | 51,1K       | 1  | MR25     | 5322 116 50672 |
| R 1068 | 10K         | 1  | MR25     | 4822 116 51253 |
| R 1069 | 196K        | 1  | MR25     | 5322 116 55364 |
| R 1071 | 866K        | 1  | MR25     | 5322 116 51395 |
| R 1072 | 402K        | 1  | MR25     | 5322 116 55283 |
| R 1073 | 100         | 1  | MR25     | 5322 116 55549 |
| R 1076 | 1K          | 1  | MR25     | 4822 116 51235 |
| R 1077 | 511         | 1  | MR25     | 4822 116 51282 |
| R 1078 | 38,3        | 1  | MR25     | 5322 116 50954 |
| R 1079 | 38,3        | 1  | MR25     | 5322 116 50954 |
| R 1080 | 100         | 1  | MR25     | 5322 116 55549 |
| R 1081 | 511         | 1  | MR25     | 4822 116 51282 |
| R 1082 | 100         | 1  | MR25     | 5322 116 55549 |
| R 1083 | 100         | 1  | MR25     | 5322 116 55549 |
| R 1084 | 48,7        | 1  | MR25     | 5322 116 50511 |
| R 1085 | 51,1K       | 1  | MR25     | 5322 116 50672 |
| R 1086 | 30,1        | 1  | MR25     | 5322 116 50904 |
| R 1087 | 402         | 1  | MR25     | 5322 116 54519 |
| R 1088 | 649         | 1  | MR25     | 5322 116 54532 |
| R 1089 | 2,49K       | 1  | MR25     | 5322 116 50581 |
| R 1090 | 100         | 1  | MR16     | 5322 116 55392 |
| R 1091 | 196         | 1  | MR25     | 5322 116 55273 |
| R 1092 | 402         | 1  | MR25     | 5322 116 54519 |
| R 1093 | 30,1        | 1  | MR25     | 5322 116 50904 |
| R 1094 | 1,05K       | 1  | MR25     | 5322 116 54552 |
| R 1095 | 100         | 1  | MR16     | 5322 116 55392 |
| R 1096 | 649         | 1  | MR25     | 5322 116 54532 |
| R 1097 | 1,87K       | 1  | MR25     | 5322 116 52123 |
| R 1098 | 100         | 1  | MR16     | 5322 116 55392 |
| R 1099 | 100         | 1  | MR16     | 5322 116 55392 |
| R 1101 | 287         |    | MR25     | 5322 116 54506 |
| R 1102 | 100         | 1  | MR25     | 5322 116 55549 |
| R 1104 | 220         | 20 | 0,5W     | 5322 101 14009 |
| R 1105 | 100         |    | MR25     | 5322 116 55549 |
| R 1106 | 3,01K       | 1  | MR25     | 4822 116 51246 |
| R 1107 | 4,02K       | 1  | MR25     | 5322 116 55448 |
| R 1108 | 402         | 1  | MR25     | 5322 116 54519 |
| R 1109 | 287         |    | MR25     | 5322 116 54506 |
| R 1110 | 100         | 1  | MR25     | 5322 116 55549 |
| R 1111 | 10M         | 5% | VR25     | 4822 110 72214 |
| R 1113 | 48,7        | 1  | MR25     | 5322 116 50511 |
| R 1114 | 48,7        | 1  | MR25     | 5322 116 50511 |
| R 1115 | 4.22K       |    | MR25     | 5322 116 50729 |
| R 1116 | 48,7        | 1  | MR25     | 5322 116 50511 |
| R 1117 | 5,11K       | 1  | MR25     | 5322 116 54595 |
| R 1118 | 24,9        | 1  | MR25     | 5322 116 50903 |
| R 1119 | 24,9        | 1  | MR25     | 5322 116 50903 |
| R 1121 | 5,11K       | 1  | MR25     | 5322 116 54595 |
| R 1122 | 5,6M        | 5  | VR25     | 4822 110 72207 |
| R 1123 | 5,6M        | 5  | VR25     | 4822 110 72207 |
| R 1124 | 100         | 1  | MR25     | 5322 116 55549 |
| R 1126 | 750K        |    | MR30     | 5322 116 51706 |

| POSNR  | DESCRIPTION |           | ORDERING | CODE |     |       |
|--------|-------------|-----------|----------|------|-----|-------|
| R 1127 | 249K        |           | MR25     | 5322 | 116 | 54734 |
| R 1129 | 162         | 1         | MR25     | 5322 | 116 | 50417 |
| R 1131 | 205         | 1         | MR25     | 5322 | 116 | 55365 |
| R 1132 | 147K        |           | MR25     | 5322 | 116 | 54712 |
| R 1133 | 10K         |           | MR25     | 4822 | 116 | 51253 |
| R 1134 | 100K        | POTM. 20% |          | 5322 | 101 | 14071 |
| R 1135 | 10K         |           | MR25     | 4822 | 116 | 51253 |
| R 1136 | 196K        |           | MR25     | 5322 | 116 | 55364 |
| R 1201 | 4,7K        | 20        | 0.5W     | 5322 | 101 | 14067 |
| R 1202 | 22K         | 20        | 0.5W     | 5322 | 100 | 10118 |
| R 1203 | 330         | 20        | 0.5W     | 5322 | 101 | 14244 |
| R 1204 | 5,11        | 1         | MR25     | 4822 | 116 | 52999 |
| R 1205 | 1K          | 20        | 0.5W     | 5322 | 101 | 10294 |
| R 1206 | 28,7        | 1         | MR25     | 5322 | 116 | 54068 |
| R 1207 | 22,6K       | 1         | MR25     | 5322 | 116 | 50481 |
| R 1208 | 121         | 1         | MR25     | 5322 | 116 | 54426 |
| R 1209 | 121         | 1         | MR25     | 5322 | 116 | 54426 |
| R 1210 | 1,33K       | 1         | MR25     | 5322 | 116 | 55422 |
| R 1211 | 1,47K       | 1         | MR25     | 5322 | 116 | 50635 |
| R 1212 | 2,74K       | 1         | MR25     | 5322 | 116 | 50636 |
| R 1213 | 2,74K       | 1         | MR25     | 5322 | 116 | 50636 |
| R 1214 | 90,9        | 1         | MR25     | 5322 | 116 | 54466 |
| R 1215 | 2,74K       | 1         | MR25     | 5322 | 116 | 50636 |
| R 1216 | 147         | 1         | MR25     | 5322 | 116 | 50766 |
| R 1217 | 11,5K       | 1         | MR25     | 5322 | 116 | 55358 |
| R 1218 | 215         | 1         | MR25     | 5322 | 116 | 55274 |
| R 1219 | 215         | 1         | MR25     | 5322 | 116 | 55274 |
| R 1220 | 215         | 1         | MR25     | 5322 | 116 | 55274 |
| R 1221 | 1K          | 1         | MR25     | 4822 | 116 | 51235 |
| R 1222 | 169K        |           | MR25     | 5322 | 116 | 54718 |
| R 1223 | 42,2        | 1         | MR25     | 5322 | 116 | 51052 |
| R 1224 | 10K         | 1         | MR25     | 4822 | 116 | 51253 |
| R 1225 | 15K         | 10        | 0.5W     | 5322 | 116 | 30221 |
| R 1226 | 1K          | 1         | MR25     | 4822 | 116 | 51235 |
| R 1228 | 100         | 1         | MR25     | 5322 | 116 | 55549 |
| R 1229 | 5,11        | 1         | MR25     | 4822 | 116 | 52999 |
| R 1230 | 2,61K       | 1         | MR25     | 5322 | 116 | 50671 |
| R 1231 | 953K        |           | MR25     | 5322 | 116 | 51368 |
| R 1232 | 1.2M        |           |          | 4822 | 110 | 72189 |
| R 1233 | 46,4        | 1         | MR25     | 5322 | 116 | 50492 |
| R 1234 | 511         | 1         | MR25     | 4822 | 116 | 51282 |
| R 1235 | 2,61K       | 1         | MR25     | 5322 | 116 | 50671 |
| R 1236 | 100         | 1         | MR25     | 5322 | 116 | 55549 |
| R 1237 | 1K          | 1         | MR25     | 4822 | 116 | 51235 |
| R 1238 | 274         | 1         | MR25     | 5322 | 116 | 54504 |
| R 1239 | 220         | 20        | 0.5W     | 4822 | 100 | 10359 |
| R 1242 | 249         | 1         | MR25     | 5322 | 116 | 54499 |
| R 1246 | 46,4        | 1         | MR25     | 5322 | 116 | 50492 |
| R 1247 | 100         | 1         | MR25     | 5322 | 116 | 55549 |
| R 1248 | 5,11        | 1         | MR25     | 4822 | 116 | 52999 |
| R 1250 | 150         | 20        | 0.5W     | 4822 | 100 | 10355 |
| R 1251 | 511         | 1         | MR25     | 4822 | 116 | 51282 |
| R 1252 | 42,2        | 1         | MR25     | 5322 | 116 | 51052 |
| R 1253 | 274         | 1         | MR25     | 5322 | 116 | 54504 |
| R 1254 | 1K          | 1         | MR25     | 4822 | 116 | 51235 |
| R 1256 | 511         | 1         | MR25     | 4822 | 116 | 51282 |
| R 1257 | 38,3        | 1         | MR25     | 5322 | 116 | 50954 |
| R 1258 | 562         | 1         | MR25     | 4822 | 116 | 51231 |
| R 1262 | 1,33K       | MS 220N   |          | 5322 | 116 | 52721 |
| R 1263 | 1,33K       | MS 220N   |          | 5322 | 116 | 52721 |

For Service Manuals Contact  
MAURITRON TECHNICAL SERVICES  
8 Cherry Tree Rd, Chinnor  
Oxon OX9 4QY  
Tel:- 01844-351694 Fax:- 01844-352554  
Email:- enquiries@mauritron.co.uk

| POSNR  | DESCRIPTION |      | ORDERING | CODE |       |       |
|--------|-------------|------|----------|------|-------|-------|
| R 1264 | 1,33K MS    | 220N | 5322     | 116  | 52721 |       |
| R 1266 | 1,33K MS    | 220N | 5322     | 116  | 52721 |       |
| R 1269 | 1,1K        |      | MR25     | 4822 | 116   | 51236 |
| R 1270 | 1,1K        |      | MR25     | 4822 | 116   | 51236 |
| R 1300 | 19,6K       | 1    | MR25     | 5322 | 116   | 54641 |
| R 1301 | 100         | 1    | MR25     | 5322 | 116   | 55549 |
| R 1302 | 4,02K       | 1    | MR25     | 5322 | 116   | 55448 |
| R 1303 | 5,11        | 1    | MR25     | 4822 | 116   | 52999 |
| R 1304 | 100         | 1    | MR25     | 5322 | 116   | 55549 |
| R 1305 | 5,11        | 1    | MR25     | 4822 | 116   | 52999 |
| R 1306 | 3,01K       | 1    | MR25     | 4822 | 116   | 51246 |
| R 1307 | 619         | 1    | MR25     | 4822 | 116   | 51232 |
| R 1308 | 1,78K       | 1    | MR25     | 5322 | 116   | 50515 |
| R 1309 | 2,61K       | 1    | MR25     | 5322 | 116   | 50671 |
| R 1310 | 19,6K       | 1    | MR25     | 5322 | 116   | 54641 |
| R 1311 | 4,22K       | 1    | MR25     | 5322 | 116   | 50729 |
| R 1312 | 140K        | 1    | MR25     | 5322 | 116   | 54259 |
| R 1313 | 15,4K       | 1    | MR25     | 5322 | 116   | 55459 |
| R 1314 | 3,01K       | 1    | MR25     | 4822 | 116   | 51246 |
| R 1315 | 649         | 1    | MR25     | 5322 | 116   | 54532 |
| R 1316 | 3,01K       | 1    | MR25     | 4822 | 116   | 51246 |
| R 1317 | 3,32K       | 1    | MR25     | 4822 | 116   | 51247 |
| R 1318 | 301         | 1    | MR25     | 5322 | 116   | 55366 |
| R 1319 | 301         | 1    | MR25     | 5322 | 116   | 55366 |
| R 1320 | 649         | 1    | MR25     | 5322 | 116   | 54532 |
| R 1321 | 7,5K        | 1    | MR25     | 5322 | 116   | 54608 |
| R 1322 | 487         | 1    | MR25     | 5322 | 116   | 55451 |
| R 1323 | 46,4K       | 1    | MR25     | 5322 | 116   | 50557 |
| R 1324 | 46,4K       | 1    | MR25     | 5322 | 116   | 50557 |
| R 1325 | 147         | 1    | MR25     | 5322 | 116   | 50766 |
| R 1326 | 487         | 1    | MR25     | 5322 | 116   | 55451 |
| R 1327 | 7,5K        | 1    | MR25     | 5322 | 116   | 54608 |
| R 1328 | 86,6K       | 1    | MR25     | 5322 | 116   | 54692 |
| R 1329 | 71,5K       | 1    | MR25     | 5322 | 116   | 54685 |
| R 1330 | 147         | 1    | MR25     | 5322 | 116   | 50766 |
| R 1331 | 110K        | 1    | MR25     | 5322 | 116   | 54701 |
| R 1332 | 16,2K       | 1    | MR25     | 5322 | 116   | 55361 |
| R 1333 | 4,64K       | 1    | MR25     | 5322 | 116   | 50484 |
| R 1334 | 953         | 1    | MR25     | 5322 | 116   | 54547 |
| R 1336 | 402K        | 1    | MR25     | 5322 | 116   | 55283 |
| R 1338 | 953         | 1    | MR25     | 5322 | 116   | 54547 |
| R 1339 | 402K        | 1    | MR25     | 5322 | 116   | 55283 |
| R 1346 | 5,11        | 1    | MR25     | 4822 | 116   | 52999 |
| R 1347 | 5,11        | 1    | MR25     | 4822 | 116   | 52999 |
| R 1360 | 31,6K       | 1    | MR25     | 5322 | 116   | 54657 |
| R 1361 | 18,7K       | 1    | MR25     | 5322 | 116   | 55362 |
| R 1362 | 511K        | 1    | MR25     | 5322 | 116   | 55258 |
| R 1363 | 13,3K       | 1    | MR25     | 5322 | 116   | 55276 |
| R 1370 | 10          | 1    | MR25     | 5322 | 116   | 50452 |
| R 1371 | 26,1K       | 1    | MR25     | 5322 | 116   | 54651 |
| R 1372 | 9,53K       | 1    | MR25     | 5322 | 116   | 55574 |
| R 1373 | 649         | 1    | MR25     | 5322 | 116   | 54532 |
| R 1374 | 1,54K       | 1    | MR25     | 5322 | 116   | 50586 |
| R 1376 | 3,01K       | 1    | MR25     | 4822 | 116   | 51246 |
| R 1377 | 100         | 1    | MR25     | 5322 | 116   | 55549 |
| R 1378 | 154         | 1    | MR25     | 5322 | 116   | 50506 |
| R 1381 | 100         | 20   | 0,5W     | 5322 | 101   | 14011 |
| R 1383 | 1,54K       | 1    | MR25     | 5322 | 116   | 50586 |
| R 1384 | 10K         | 20   | 0,5W     | 5322 | 100   | 10113 |
| R 1388 | 10          | 1    | MR25     | 5322 | 116   | 50452 |
| R 1389 | 4,22K       | 1    | MR25     | 5322 | 116   | 50729 |
| R 1392 | 953         | 1    | MR25     | 5322 | 116   | 54547 |

| POSNR  | DESCRIPTION |    | ORDERING | CODE           |
|--------|-------------|----|----------|----------------|
| R 1401 | 40,2K       | 1  | MR25     | 5322 116 54665 |
| R 1402 | 1,27        | 1  | MR25     | 4822 116 52169 |
| R 1403 | 1,27        | 1  | MR25     | 4822 116 52169 |
| R 1404 | 1,27        | 1  | MR25     | 4822 116 52169 |
| R 1406 | 24,9K       | 1  | MR25     | 5322 116 54648 |
| R 1407 | 2,2M        | 5  | VR37     | 4822 110 42196 |
| R 1408 | 10K         | 1  | MR25     | 4822 116 51253 |
| R 1409 | 15,4K       | 1  | MR25     | 5322 116 55459 |
| R 1411 | 1,2M        | 5  | VR37     | 4822 110 42189 |
| R 1412 | 5,6M        | 5  | VR37     | 4822 110 42207 |
| R 1413 | 10M         | 1  | VR37     | 4822 110 42214 |
| R 1414 | 82,5K       |    | MR25     | 5322 116 55374 |
| R 1415 | 7,SE        |    | MR25     | 5322 116 54417 |
| R 1415 | BYV96D      |    |          | 4822 130 31348 |
| R 1416 | 82,5K       |    | MR25     | 5322 116 55374 |
| R 1417 | 1K          | 1  | MR25     | 4822 116 51235 |
| R 1418 | 7,5E        |    | MR25     | 5322 116 54417 |
| R 1419 | 75K         |    | MR25     | 4822 116 51267 |
| R 1420 | 4,02K       | 1  | MR25     | 5322 116 55448 |
| R 1421 | 10K         | 1  | MR25     | 4822 116 51253 |
| R 1422 | 100K        | 1  | MR25     | 4822 116 51268 |
| R 1423 | 10K         | 1  | MR25     | 4822 116 51253 |
| R 1424 | 196         | 1  | MR25     | 5322 116 55273 |
| R 1426 | 6,81K       | 1  | MR25     | 4822 116 51252 |
| R 1428 | 21,5K       | 1  | MR25     | 5322 116 50451 |
| R 1429 | 3,16K       | 1  | MR25     | 5322 116 50579 |
| R 1430 | 100         | 1  | MR25     | 5322 116 55549 |
| R 1431 | 51,1        | 1  | MR25     | 5322 116 54442 |
| R 1432 | 51,1        | 1  | MR25     | 5322 116 54442 |
| R 1433 | 13K         | 1  | MR25     | 5322 116 50522 |
| R 1434 | 100K        | 1  | MR25     | 4822 116 51268 |
| R 1435 | 100         | 1  | MR25     | 5322 116 55549 |
| R 1436 | 78,7K       | 1  | MR25     | 5322 116 50533 |
| R 1437 | 13,3K       | 1  | MR25     | 5322 116 55276 |
| R 1438 | 750         | 1  | MR25     | 4822 116 51234 |
| R 1439 | 3,83K       | 1  | MR25     | 5322 116 54589 |
| R 1440 | 11          | 1  | MR25     | 5322 116 54059 |
| R 1441 | 19,6        |    | MR25     | 5322 116 50473 |
| R 1442 | 6,19K       | 1  | MR25     | 5322 116 55426 |
| R 1443 | 261         | 1  | MR25     | 5322 116 54502 |
| R 1444 | 1K          | 1  | MR25     | 4822 116 51235 |
| R 1445 | 16,2K       |    | MR25     | 5322 116 55361 |
| R 1446 | 2,49K       | 1  | MR25     | 5322 116 50581 |
| R 1447 | 10K         | 1  | MR25     | 4822 116 51253 |
| R 1448 | 5,9K        | 1  | MR25     | 5322 116 50583 |
| R 1451 | 5,11K       | 1  | MR25     | 5322 116 54595 |
| R 1452 | 4,64K       | 1  | MR25     | 5322 116 50484 |
| R 1453 | 30,1K       | 1  | MR25     | 5322 116 54655 |
| R 1456 | 14,7K       | 1  | MR25     | 5322 116 54632 |
| R 1457 | 1,54K       | 1  | MR25     | 5322 116 50586 |
| R 1458 | 1,27K       | 1  | MR25     | 5322 116 50555 |
| R 1459 | 100K        | 1  | MR25     | 4822 116 51268 |
| R 1460 | 5,11        | 1  | MR25     | 4822 116 52999 |
| R 1461 | 24,9K       | 1  | MR25     | 5322 116 54648 |
| R 1462 | 4,64K       | 1  | MR25     | 5322 116 50484 |
| R 1463 | 226         | 1  | MR25     | 5322 116 54497 |
| R 1464 | 8,25K       | 1  | MR25     | 5322 116 51498 |
| R 1466 | 23,7K       |    | MR25     | 5322 116 54646 |
| R 1467 | 750         | 1  | MR25     | 4822 116 51234 |
| R 1468 | 15,4K       | 1  | MR25     | 5322 116 55459 |
| R 1469 | 20,5K       | 1  | MR25     | 5322 116 55419 |
| R 1470 | 100         |    | MR25     | 5322 116 55549 |
| R 1471 | 100K        | 20 | 0.5W     | 5322 101 10312 |
| R 1472 | 1M          | 20 | 0.5W     | 5322 101 10314 |
| R 1473 | 220K        | 20 | 0.5W     | 5322 101 10315 |

For Service Manuals Contact  
**MAURITRON TECHNICAL SERVICES**  
8 Cherry Tree Rd, Chinnor  
Oxon OX9 4QY  
Tel:- 01844-351694 Fax:- 01844-352554  
Email:- enquiries@mauritron.co.uk

| POSNR  | DESCRIPTION |    |      | ORDERING | CODE  |
|--------|-------------|----|------|----------|-------|
| R 1474 | 22K         | 20 | 0.5W | 5322 101 | 10311 |
| R 1476 | 330         | 20 | 0.5W | 5322 101 | 10313 |
| R 1501 | 5,11        | 1  | MR25 | 4822 116 | 52999 |
| R 1502 | 100         | 1  | MR25 | 5322 116 | 55549 |
| R 1503 | 11K         |    | MR25 | 5322 116 | 54623 |
| R 1504 | 22K         | 20 | 0.5W | 5322 100 | 10118 |
| R 1505 | 5,11        | 1  | MR25 | 4822 116 | 52999 |
| R 1506 | 402         | 1  | MR25 | 5322 116 | 54519 |
| R 1507 | 511         | 1  | MR25 | 4822 116 | 51282 |
| R 1508 | 6,49K       | 1  | MR25 | 5322 116 | 54603 |
| R 1509 | 511         | 1  | MR25 | 4822 116 | 51282 |
| R 1511 | 40,2K       | 1  | MR25 | 5322 116 | 54665 |
| R 1512 | 348K        | 1  | MR25 | 5322 116 | 55499 |
| R 1513 | 15,4K       |    | MR25 | 5322 116 | 55459 |
| R 1514 | 1,87K       | 1  | MR25 | 5322 116 | 52123 |
| R 1516 | 5,11        | 1  | MR25 | 4822 116 | 52999 |
| R 1517 | 36,5K       | 1  | MR25 | 5322 116 | 50726 |
| R 1519 | 249         | 1  | MR25 | 5322 116 | 54499 |
| R 1520 | 7,5K        | 1  | MR25 | 5322 116 | 54608 |
| R 1521 | 7,5K        | 1  | MR25 | 5322 116 | 54608 |
| R 1522 | 511         | 1  | MR25 | 4822 116 | 51282 |
| R 1523 | 909         | 1  | MR25 | 5322 116 | 55278 |
| R 1524 | 23,7K       | 1  | MR25 | 5322 116 | 54646 |
| R 1526 | 100         | 1  | MR25 | 5322 116 | 55549 |
| R 1527 | 7,87K       | 1  | MR25 | 5322 116 | 50458 |
| R 1528 | 20,5K       | 1  | MR25 | 5322 116 | 55419 |
| R 1529 | 12,1K       | 1  | MR25 | 5322 116 | 50572 |
| R 1532 | 100K        | 1  | MR25 | 4822 116 | 51268 |
| R 1533 | 46,4K       | 1  | MR25 | 5322 116 | 50557 |
| R 1536 | 100         | 1  | MR25 | 5322 116 | 55549 |
| R 1537 | 383K        | 1  | MR25 | 5322 116 | 55335 |
| R 1538 | 1M          | 1  | MR25 | 5322 116 | 55535 |
| R 1539 | 511K        | 1  | MR25 | 5322 116 | 55258 |
| R 1541 | 78,7K       | 1  | MR25 | 5322 116 | 50533 |
| R 1542 | 100K        | 1  | MR25 | 4822 116 | 51268 |
| R 1543 | 51,1K       | 1  | MR25 | 5322 116 | 50672 |
| R 1546 | 1K          | 1  | MR25 | 4822 116 | 51235 |
| R 1547 | 348E        |    | MR25 | 5322 116 | 54515 |
| R 1548 | 5,11K       |    | MR25 | 5322 116 | 54595 |
| R 1549 | 2,2K POTM.  |    |      | 5322 100 | 10117 |
| R 1551 | 1           | 1  | MR25 | 4822 116 | 51179 |
| R 1552 | 133         | 1  | MR25 | 5322 116 | 54482 |
| R 1553 | 1K          | 1  | MR25 | 4822 116 | 51235 |

## CRT

|     |                     |  |  |          |       |
|-----|---------------------|--|--|----------|-------|
| V 1 | D12-120GH-115       |  |  | 5322 131 | 20092 |
| V 1 | C.R.T.D12-120GM-115 |  |  | 5322 131 | 20112 |

## SEMI CONDUCTORS

|       |            |    |  |          |       |
|-------|------------|----|--|----------|-------|
| V 200 | BC558B     | PH |  | 4822 130 | 44197 |
| V 202 | BZX79-C3V0 | PH |  | 4822 130 | 31881 |
| V 203 | BC558B     | PH |  | 4822 130 | 44197 |
| V 204 | BC558B     | PH |  | 4822 130 | 44197 |
| V 205 | BAW62      | PH |  | 4822 130 | 30613 |
| V 206 | BAW62      | PH |  | 4822 130 | 30613 |
| V 207 | BC548C     | PH |  | 4822 130 | 44196 |
| V 208 | BC558B     | PH |  | 4822 130 | 44197 |
| V 209 | BC548C     | PH |  | 4822 130 | 44196 |
| V 211 | BAW62      | PH |  | 4822 130 | 30613 |
| V 212 | BFQ24      | PH |  | 5322 130 | 41664 |

| POSNR | DESCRIPTION |           | ORDERING | CODE  |
|-------|-------------|-----------|----------|-------|
| V 213 | BC558B      | PH        | 4822 130 | 44197 |
| V 214 | BAW62       | PH        | 4822 130 | 30613 |
| V 216 | BAW62       | PH        | 4822 130 | 30613 |
| V 217 | BAW62       | PH        | 4822 130 | 30613 |
| V 218 | BAW62       | PH        | 4822 130 | 30613 |
| V 219 | BC548C      | PH        | 4822 130 | 44196 |
| V 220 | BAW62       | PH        | 4822 130 | 30613 |
| V 221 | BC548C      | PH        | 4822 130 | 44196 |
| V 222 | BAW62       | PH        | 4822 130 | 30613 |
| V 223 | BC558B      | PH        | 4822 130 | 44197 |
| V 224 | BC558B      | PH        | 4822 130 | 44197 |
| V 225 | BF324       |           | 4822 130 | 41448 |
| V 226 | BF324       |           | 4822 130 | 41448 |
| V 227 | BSX20       | PH        | 4822 130 | 41705 |
| V 228 | BSX20       | PH        | 4822 130 | 41705 |
| V 229 | BC558B      | PH        | 4822 130 | 44197 |
| V 230 | BAT83       |           | 5322 130 | 32103 |
| V 231 | BC548C      | PH        | 4822 130 | 44196 |
| V 232 | BAW62       | PH        | 4822 130 | 30613 |
| V 233 | BSX20       | PH        | 4822 130 | 41705 |
| V 234 | BSX20       | PH        | 4822 130 | 41705 |
| V 235 | BC548C      | PH        | 4822 130 | 44196 |
| V 236 | BC558B      | PH        | 4822 130 | 44197 |
| V 237 | BC548C      | PH        | 4822 130 | 44196 |
| V 238 | BC548C      | PH        | 4822 130 | 44196 |
| V 239 | BAW62       | PH        | 4822 130 | 30613 |
| V 240 | BAW62       | PH        | 4822 130 | 30613 |
| V 241 | BAW62       | PH        | 4822 130 | 30613 |
| V 242 | BAW62       | PH        | 4822 130 | 30613 |
| V 243 | BAW62       | PH        | 4822 130 | 30613 |
| V 244 | BAW62       | PH        | 4822 130 | 30613 |
| V 246 | BC548C      | PH        | 4822 130 | 44196 |
| V 247 | BC548C      | PH        | 4822 130 | 44196 |
| V 248 | BC548C      | PH        | 4822 130 | 44196 |
| V 249 | BAW62       | PH        | 4822 130 | 30613 |
| V 250 | BAW62       | PH        | 4822 130 | 30613 |
| V 251 | BAW62       | PH        | 4822 130 | 30613 |
| V 252 | BAW62       | PH        | 4822 130 | 30613 |
| V 253 | BAT83       |           | 5322 130 | 32103 |
| V 254 | BAW62       | PH        | 4822 130 | 30613 |
| V 255 | BAW62       | PH        | 4822 130 | 30613 |
| V 256 | BC548C      | PH        | 4822 130 | 44196 |
| V 257 | BC548C      | PH        | 4822 130 | 44196 |
| V 258 | BC548C      | PH        | 4822 130 | 44196 |
| V 259 | BC548C      | PH        | 4822 130 | 44196 |
| V 260 | BZX79-C6V8  | PH        | 4822 130 | 34278 |
| V 261 | BC558B      | PH        | 4822 130 | 44197 |
| V 262 | BAW62       | PH        | 4822 130 | 30613 |
| V 263 | BAW62       | PH        | 4822 130 | 30613 |
| V 264 | BC558B      | PH        | 4822 130 | 44197 |
| V 265 | BAW62       | PH        | 4822 130 | 30613 |
| V 266 | BZV46-C1V5  | PH        | 5322 130 | 34865 |
| V 267 | BC548C MTB  | SWEEP-OUT | 4822 130 | 44196 |
| V 268 | BC548C      | PH        | 4822 130 | 44196 |
| V 269 | BC548C      | PH        | 4822 130 | 44196 |
| V 271 | BSX20       | PH        | 4822 130 | 41705 |
| V 272 | BC548C      | PH        | 4822 130 | 44196 |
| V 273 | BC548C      | PH        | 4822 130 | 44196 |
| V 274 | BAW62       | PH        | 4822 130 | 30613 |
| V 276 | BAW62       | PH        | 4822 130 | 30613 |
| V 277 | BAW62       | PH        | 4822 130 | 30613 |
| V 278 | BAW62       | PH        | 4822 130 | 30613 |
| V 279 | BAW62       | PH        | 4822 130 | 30613 |
| V 280 | BC548C      |           | 4822 130 | 44196 |
| V 281 | BAW62       | PH        | 4822 130 | 30613 |

For Service Manuals Contact  
MAURITRON TECHNICAL SERVICES  
8 Cherry Tree Rd, Chinnor  
Oxon OX9 4QY  
Tel:- 01844-351694 Fax:- 01844-352554  
Email:- enquiries@mauritron.co.uk

| POSNR | DESCRIPTION      |    | ORDERING CODE  |
|-------|------------------|----|----------------|
| V 282 | BAW62            | PH | 4822 130 30613 |
| V 283 | BAW62            | PH | 4822 130 30613 |
| V 284 | BC548C           | PH | 4822 130 44196 |
| V 285 | BC548C           | PH | 4822 130 44196 |
| V 286 | BC548C           | PH | 4822 130 44196 |
| V 287 | BC548C           | PH | 4822 130 44196 |
| V 288 | BFY90            | PH | 4822 130 40493 |
| V 289 | BFY90            | PH | 4822 130 40493 |
| V 290 | BAW62            |    | 4822 130 30613 |
| V 291 | BF324            |    | 4822 130 41448 |
| V 292 | BFQ24            | PH | 5322 130 41664 |
| V 293 | BF324            |    | 4822 130 41448 |
| V 294 | BAW62            | PH | 4822 130 30613 |
| V 295 | BAW62            | PH | 4822 130 30613 |
| V 296 | BAT83            |    | 5322 130 32103 |
| V 297 | BAT83            |    | 5322 130 32103 |
| V 298 | BAW62            | PH | 4822 130 30613 |
| V 299 | BAT 83           |    | 5322 130 32103 |
| V 300 | BAT83            |    | 5322 130 32103 |
| V 300 | BAT 83           |    | 5322 130 32103 |
| V 302 | BC548C           |    | 4822 130 44196 |
| V 303 | BAW62            |    | 4822 130 30613 |
| V 304 | BZX79 C5V6       |    | 4822 130 34173 |
| V 305 | BC558B           |    | 4822 130 44197 |
| V 306 | BAW62            |    | 4822 130 30613 |
| V 310 | BAS 45           |    | 5322 130 32256 |
| V 311 | STAB.BZV 46 CIV5 |    | 5322 130 34865 |
| V 503 | BC548C           | PH | 4822 130 44196 |
| V 504 | BC558B           | PH | 4822 130 44197 |
| V 505 | BAV45            |    | 5322 130 34037 |
| V 506 | BFQ24 SELECT     |    | 5322 130 41993 |
| V 507 | BZV46-C2V0       | PH | 4822 130 31248 |
| V 508 | BAV45            |    | 5322 130 34037 |
| V 509 | BF199            | PH | 4822 130 44154 |
| V 510 | BC558B           | PH | 4822 130 44197 |
| V 511 | BC548C           | PH | 4822 130 44196 |
| V 512 | BAW62            | PH | 4822 130 30613 |
| V 513 | ON905            | PH | 5322 130 41904 |
| V 514 | BF324            | PH | 4822 130 41448 |
| V 515 | BZX79-C5V6       | PH | 4822 130 34173 |
| V 516 | BFW30            | PH | 5322 130 40379 |
| V 517 | BF199            | PH | 4822 130 44154 |
| V 518 | BF450            | PH | 4822 130 44237 |
| V 651 | BAW62            | PH | 4822 130 30613 |
| V 653 | BC548C           | PH | 4822 130 44196 |
| V 654 | BC558B           | PH | 4822 130 44197 |
| V 655 | BC548C           | PH | 4822 130 44196 |
| V 656 | BFQ24 SELECT     |    | 5322 130 41993 |
| V 657 | BZV46-C2V0       | PH | 4822 130 31248 |
| V 660 | BC558B           | PH | 4822 130 44197 |
| V 661 | ON905            | PH | 5322 130 41904 |
| V 662 | BF199            | PH | 4822 130 44154 |
| V 663 | BC548C           | PH | 4822 130 44196 |
| V 664 | BAV45            |    | 5322 130 34037 |
| V 665 | BAV45            |    | 5322 130 34037 |
| V 666 | BF324            | PH | 4822 130 41448 |
| V 667 | BFW30            | PH | 5322 130 40379 |
| V 668 | BF199            | PH | 4822 130 44154 |
| V 669 | BF450            | PH | 4822 130 44237 |
| V 770 | BZX79-C5V6       | PH | 4822 130 34173 |
| V 801 | BF324            | PH | 4822 130 41448 |



| POSNR | DESCRIPTION      |    | ORDERING | CODE  |
|-------|------------------|----|----------|-------|
| V 802 | BF324            | PH | 4822 130 | 41448 |
| V 803 | BC548C           | PH | 4822 130 | 44196 |
| V 804 | BSX20            | PH | 4822 130 | 41705 |
| V 806 | BZV46-C1V5       | PH | 5322 130 | 34865 |
| V 807 | BC558B           | PH | 4822 130 | 44197 |
| V 808 | BC558B           | PH | 4822 130 | 44197 |
| V 851 | BFQ24            | PH | 5322 130 | 41664 |
| V 852 | BF450            | PH | 4822 130 | 44237 |
| V 853 | BF450            | PH | 4822 130 | 44237 |
| V 854 | BFQ24            | PH | 5322 130 | 41664 |
| V 856 | BC558B           |    | 4822 130 | 44197 |
| V 857 | BAW62            | PH | 4822 130 | 30613 |
| V 858 | BAW62            | PH | 4822 130 | 30613 |
| V 859 | BC548C           | PH | 4822 130 | 44196 |
| V 860 | BAW62            | PH | 4822 130 | 30613 |
| V 861 | BF199            | PH | 4822 130 | 44154 |
| V 862 | BF199            | PH | 4822 130 | 44154 |
| V 863 | BC558B           | PH | 4822 130 | 44197 |
| V 864 | BC548C           | PH | 4822 130 | 44196 |
| V 865 | BF199            | PH | 4822 130 | 44154 |
| V 866 | BC548C           | PH | 4822 130 | 44196 |
| V 867 | BAT83            |    | 5322 130 | 32103 |
| V 868 | BAT83            |    | 5322 130 | 32103 |
| V 869 | BF199 TV OPTION  |    | 4822 130 | 44154 |
| V 870 | BC548C           | PH | 4822 130 | 44196 |
| V 871 | BC548C TV OPTION |    | 4822 130 | 44196 |
| V 872 | BF199            | PH | 4822 130 | 44154 |
| V 873 | BF199            | PH | 4822 130 | 44154 |
| V 874 | BF199            | PH | 4822 130 | 44154 |
| V 875 | BC548C           | PH | 4822 130 | 44196 |
| V 876 | BF199            | PH | 4822 130 | 44154 |
| V 877 | BZX79-C4V7       | PH | 4822 130 | 34174 |
| V 878 | BF199            | PH | 4822 130 | 44154 |
| V 879 | BF199            | PH | 4822 130 | 44154 |
| V 880 | BC548C           | PH | 4822 130 | 44196 |
| V 881 | BZX79-C6V2       |    | 4822 130 | 34167 |
| V 882 | BF199            | PH | 4822 130 | 44154 |
| V 883 | BF199            | PH | 4822 130 | 44154 |
| V 884 | BAW62            | PH | 4822 130 | 30613 |
| V 885 | BZX79-C4V7       | PH | 4822 130 | 34174 |
| V 887 | 0N4057           |    | 5322 130 | 42366 |
| V 888 | BAW62            | PH | 4822 130 | 30613 |
| V 889 | BAW62            | PH | 4822 130 | 30613 |
| V 890 | BZX79 C6V2       |    | 4822 130 | 34167 |
| V 891 | BAW62            | PH | 4822 130 | 30613 |
| V 892 | BAW62            | PH | 4822 130 | 30613 |
| V 893 | BC548C           | PH | 4822 130 | 44196 |
| V 894 | BAW62 TV OPTION  |    | 4822 130 | 30613 |
| V 895 | BF199            | PH | 4822 130 | 44154 |
| V 896 | BC548C           | PH | 4822 130 | 44196 |
| V 897 | BC548C           | PH | 4822 130 | 44196 |
| V 898 | BC548C TV OPTION |    | 4822 130 | 44196 |
| V 899 | BC548C TV OPTION |    | 4822 130 | 44196 |
| V 901 | BAW62            | PH | 4822 130 | 30613 |
| V 902 | BAW62            | PH | 4822 130 | 30613 |
| V 903 | BAW62            | PH | 4822 130 | 30613 |
| V 904 | BAW62            | PH | 4822 130 | 30613 |
| V 906 | BAW62            | PH | 4822 130 | 30613 |
| V 907 | BC548C           | PH | 4822 130 | 44196 |
| V 908 | BC558B TV OPTION |    | 4822 130 | 44197 |
| V 909 | BC548C TV OPTION |    | 4822 130 | 44196 |
| V 910 | BAW62            | PH | 4822 130 | 30613 |
| V 912 | BF450            | PH | 4822 130 | 44237 |
| V 913 | BF450            | PH | 4822 130 | 44237 |
| V 914 | BF450            | PH | 4822 130 | 44237 |

For Service Manuals Contact  
**MAURITRON TECHNICAL SERVICES**  
 8 Cherry Tree Rd, Chinnor  
 Oxon OX9 4QY  
 Tel:- 01844-351694 Fax:- 01844-352554  
 Email:- enquiries@mauritron.co.uk

| POSNR  | DESCRIPTION      |    | ORDERING | CODE  |
|--------|------------------|----|----------|-------|
| V 916  | BF450            | PH | 4822 130 | 44237 |
| V 917  | BF450            | PH | 4822 130 | 44237 |
| V 918  | BF450            | PH | 4822 130 | 44237 |
| V 919  | 0N4057           |    | 5322 130 | 42366 |
| V 921  | BF450            | PH | 4822 130 | 44237 |
| V 922  | BF450            | PH | 4822 130 | 44237 |
| V 923  | BFQ24            | PH | 5322 130 | 41664 |
| V 924  | BFQ24            | PH | 5322 130 | 41664 |
| V 1101 | BC548C           | PH | 4822 130 | 44196 |
| V 1102 | BF199            | PH | 4822 130 | 44154 |
| V 1103 | BF199            | PH | 4822 130 | 44154 |
| V 1104 | 0N4057           |    | 5322 130 | 42366 |
| V 1106 | BAV45            | PH | 5322 130 | 34037 |
| V 1201 | BFQ24            | PH | 5322 130 | 41664 |
| V 1202 | BFQ24            | PH | 5322 130 | 41664 |
| V 1203 | BC558B           | PH | 4822 130 | 44197 |
| V 1204 | BFW16A           | PH | 5322 130 | 44015 |
| V 1205 | BB405B           | PH | 5322 130 | 34953 |
| V 1206 | BFW30            | PH | 5322 130 | 40379 |
| V 1208 | BFQ24            | PH | 5322 130 | 41664 |
| V 1209 | BFW30            | PH | 5322 130 | 40379 |
| V 1210 | BB405B           | PH | 5322 130 | 34953 |
| V 1211 | BFQ24            | PH | 5322 130 | 41664 |
| V 1213 | BC548C           | PH | 4822 130 | 44196 |
| V 1214 | BFW16A           | PH | 5322 130 | 44015 |
| V 1302 | BF422            | PH | 4822 130 | 41782 |
| V 1303 | BF423            | PH | 4822 130 | 41646 |
| V 1306 | BFQ24            | PH | 5322 130 | 41664 |
| V 1307 | BFQ22            | PH | 5322 130 | 41709 |
| V 1308 | BAW62            | PH | 4822 130 | 30613 |
| V 1309 | BAW62            | PH | 4822 130 | 30613 |
| V 1311 | BF423            | PH | 4822 130 | 41646 |
| V 1312 | BF422            | PH | 4822 130 | 41782 |
| V 1313 | BF422            | PH | 4822 130 | 41782 |
| V 1314 | BF423            | PH | 4822 130 | 41646 |
| V 1316 | BF423            | PH | 4822 130 | 41646 |
| V 1317 | BF422            | PH | 4822 130 | 41782 |
| V 1318 | BAW62            | PH | 4822 130 | 30613 |
| V 1319 | BAW62            | PH | 4822 130 | 30613 |
| V 1371 | BF324            | PH | 4822 130 | 41448 |
| V 1372 | BF324            | PH | 4822 130 | 41448 |
| V 1373 | BC558B           | PH | 4822 130 | 44197 |
| V 1374 | BC548C           | PH | 4822 130 | 44196 |
| V 1401 | BSW68A           | PH | 5322 130 | 44788 |
| V 1402 | BAX12A           | PH | 5322 130 | 34605 |
| V 1403 | VG10 RECT. DIODE |    | 5322 130 | 33041 |
| V 1404 | BC547B           | PH | 4822 130 | 40959 |
| V 1405 | BAW62            | PH | 4822 130 | 30613 |
| V 1406 | BC547B           | PH | 4822 130 | 40959 |
| V 1408 | BZV10            | PH | 5322 130 | 34439 |
| V 1409 | BYW29-150        | PH | 5322 130 | 34711 |
| V 1410 | BAW62            | PH | 4822 130 | 30613 |
| V 1411 | BAS11            | PH | 4822 130 | 41273 |
| V 1412 | BYW29-150        | PH | 5322 130 | 34711 |
| V 1413 | BDY90            | PH | 5322 130 | 44243 |
| V 1414 | BYW29-150        | PH | 5322 130 | 34711 |
| V 1415 | BYV 96D          |    | 4822 130 | 31348 |
| V 1416 | BAS11            | PH | 4822 130 | 41273 |
| V 1417 | BAS11            | PH | 4822 130 | 41273 |
| V 1418 | BAS11            | PH | 4822 130 | 41273 |
| V 1419 | BAS11            | PH | 4822 130 | 41273 |
| V 1421 | BAW62            | PH | 4822 130 | 30613 |
| V 1422 | BZX79-C10        | PH | 4822 130 | 34297 |
| V 1423 | BZX79-C6V2       | PH | 4822 130 | 34167 |
| V 1424 | BZX79-C12        | PH | 4822 130 | 34197 |

| POSNR  | DESCRIPTION |    | ORDERING | CODE  |
|--------|-------------|----|----------|-------|
| V 1426 | BAW62       | PH | 4822 130 | 30613 |
| V 1427 | BAW62       | PH | 4822 130 | 30613 |
| V 1428 | BC547B      | PH | 4822 130 | 40959 |
| V 1429 | BC547B      | PH | 4822 130 | 40959 |
| V 1431 | BY225-200   | PH | 4822 130 | 50312 |
| V 1432 | BAW62       | PH | 4822 130 | 30613 |
| V 1433 | BC547B      | PH | 4822 130 | 40959 |
| V 1434 | BAW62       | PH | 4822 130 | 30613 |
| V 1436 | BYW29-150   | PH | 5322 130 | 34711 |
| V 1437 | BAX12A      | PH | 5322 130 | 34605 |
| V 1438 | 2N4033      | PH | 5322 130 | 41708 |
| V 1440 | BAX12       |    | 5322 130 | 34605 |
| V 1501 | BC548C      | PH | 4822 130 | 44196 |
| V 1502 | BC558B      | PH | 4822 130 | 44197 |
| V 1503 | BSX20       | PH | 4822 130 | 41705 |
| V 1504 | BC558B      | PH | 4822 130 | 44197 |
| V 1507 | BAV21       | PH | 4822 130 | 30842 |
| V 1508 | BSS68       | PH | 5322 130 | 44247 |
| V 1509 | BC548C      | PH | 4822 130 | 44196 |
| V 1511 | BF450       | PH | 4822 130 | 44237 |
| V 1512 | BC548C      | PH | 4822 130 | 44196 |
| V 1513 | BF199       | PH | 4822 130 | 44154 |
| V 1514 | BAV21       | PH | 4822 130 | 30842 |
| V 1515 | BZY10       |    | 5322 130 | 34439 |
| V 1516 | BC548C      | PH | 4822 130 | 44196 |

For Service Manuals Contact  
**MAURITRON TECHNICAL SERVICES**  
 8 Cherry Tree Rd, Chinnor  
 Oxon OX9 4QY  
 Tel:- 01844-351694 Fax:- 01844-352554  
 Email:- enquiries@mauritron.co.uk

## MISCELLANEOUS

| POSNR. | DESCRIPTION | ORDERING NUMBER |
|--------|-------------|-----------------|
|--------|-------------|-----------------|

## PUSHBUTTON SWITCHES

|  |   |                |
|--|---|----------------|
|  | PUSHBUTTON SWITCH S1 (on time base unit)                    | 5322 276 60208 |
|  | PUSHBUTTON SWITCH S2 AND S3 (on time base unit)             | 5322 276 70075 |
|  | PUSHBUTTON SWITCH S17 ... S20 (on pre-ampl. + trigger unit) | 5322 276 80237 |
|  | PUSHBUTTON SWITCH S22, S23 (on trigger unit)                | 5322 276 60209 |

## LED'S

|   |   |     |        |                |
|---|---|-----|--------|----------------|
| B | 1 | LED | CQY54A | 5322 130 32188 |
| B | 2 | LED | CQY54A | 5322 130 32188 |
| B | 3 | LED | CQY54A | 5322 130 32188 |
| B | 4 | LED | CQY54A | 5322 130 32188 |
| B | 5 | LED | CQY54A | 5322 130 32188 |

## FUSES

|   |      |                                    |        |                |
|---|------|------------------------------------|--------|----------------|
|   |      | THERMAL FUSE FOR MAINS TRANSFORMER |        | 5322 252 24008 |
| F | 1401 | FUSE                               | T2A    | 4822 253 30025 |
| F | 1402 | FUSE                               | 500 MA | 4822 253 30017 |

## RELAYS

|   |      |            |  |                |
|---|------|------------|--|----------------|
| K | 501  | REED RELAY |  | 5322 280 20101 |
| K | 502  | REED RELAY |  | 5322 280 20099 |
| K | 503  | REED RELAY |  | 5322 280 20101 |
| K | 504  | REED RELAY |  | 5322 280 20101 |
| K | 506  | REED RELAY |  | 5322 280 20099 |
| K | 651  | REED RELAY |  | 5322 280 20101 |
| K | 652  | REED RELAY |  | 5322 280 20099 |
| K | 653  | REED RELAY |  | 5322 280 20101 |
| K | 654  | REED RELAY |  | 5322 280 20101 |
| K | 656  | REED RELAY |  | 5322 280 20099 |
| K | 851  | REED RELAY |  | 5322 280 20099 |
| K | 852  | REED RELAY |  | 5322 280 20099 |
| K | 1101 | REED RELAY |  | 5322 280 20099 |
| K | 1371 | REED RELAY |  | 5322 280 20099 |

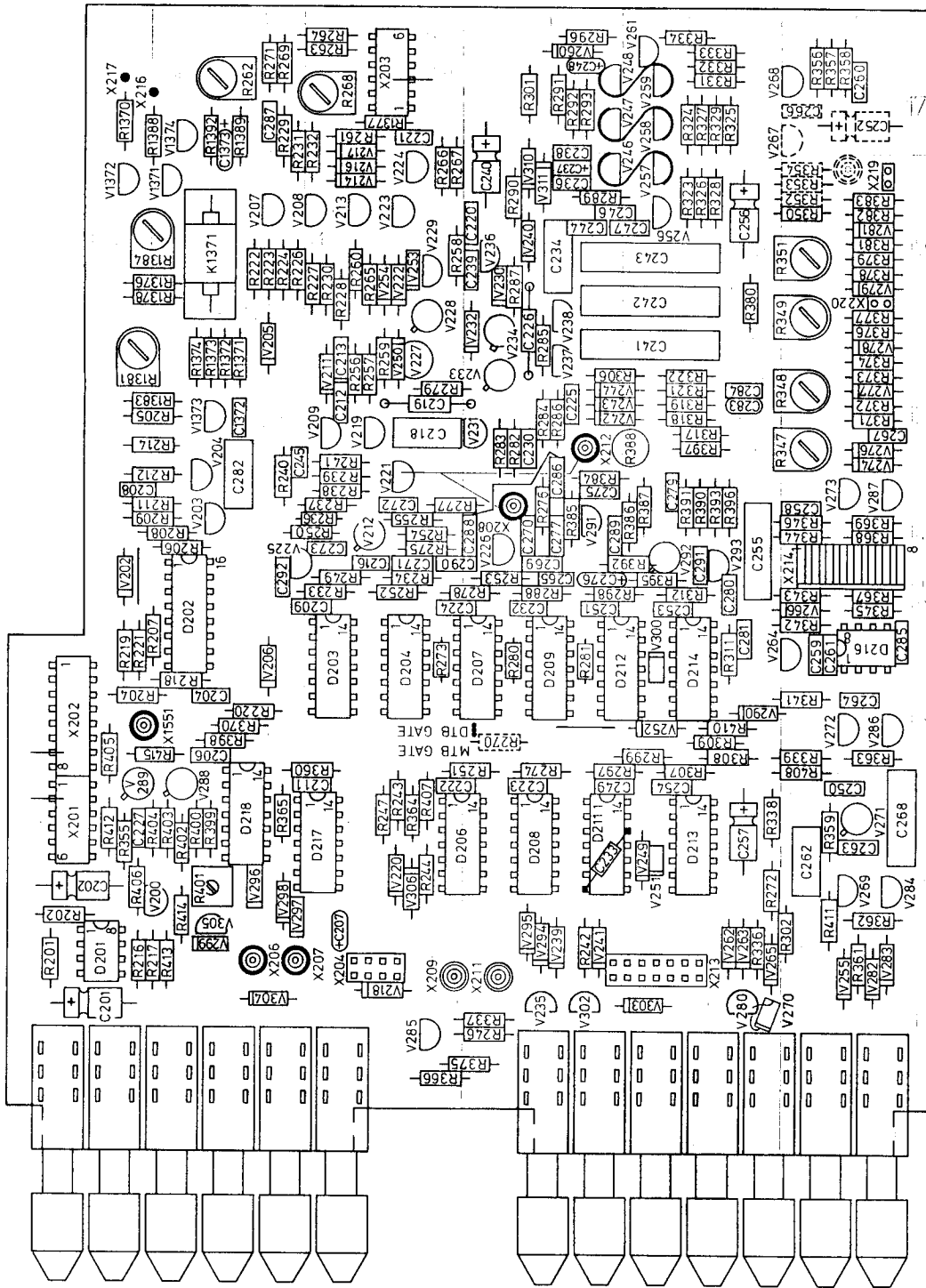
## COILS

|   |      |                                       |  |                |
|---|------|---------------------------------------|--|----------------|
| L | 1    | BEAD FOR COAX CABLE FROM X806 to X206 |  | 5322 526 14019 |
| L | 2    | BEAD FOR POWER SUPPLY CABLE           |  | 5322 526 14031 |
| L | 1201 | COIL                                  |  | 5322 156 21103 |
| L | 1202 | COIL                                  |  | 5322 156 21103 |
| L | 1401 | COIL                                  |  | 5322 156 44014 |
| L | 1402 | COIL                                  |  | 5322 281 64154 |
| L | 1403 | COIL                                  |  | 5322 156 44014 |
| L | 1404 | COIL                                  |  | 5322 156 44014 |

**TRANSFORMERS**

|        |                               |                |
|--------|-------------------------------|----------------|
| T 801  | TRANSFORMER ASSY              | 5322 142 50147 |
| T 1401 | TRANSFORMER TFE25             | 5322 142 60329 |
| T 1402 | TRANSFORMER TFEC41            | 5322 148 80046 |
| T 1403 | TRANSFORMER TFU10             | 5322 142 70065 |
| T 1404 | TRANSFORMER TFRM6             | 5322 158 40085 |
| T 1406 | MAINS TRANSFORMER             | 5322 146 10037 |
|        | PLUG FOR 24 V BATTERY         | 4822 266 20014 |
|        | SUPPLY ACCORDING 130/10       |                |
|        | IEC-02                        |                |
|        | PLUG AND CABLE (length 40 cm) | 4822 321 20125 |
|        | FOR 24 V BATTERY SUPPLY       |                |
|        | ACCORDING 130/10 IEC-02       |                |

For Service Manuals Contact  
MAURITRON TECHNICAL SERVICES  
8 Cherry Tree Rd, Chinnor  
Oxon OX9 4QY  
Tel:- 01844-351694 Fax:- 01844-352554  
Email:- enquiries@mauritron.co.uk



MAT1947  
851115

Fig. 7.7. Time-base unit p.c.b. with component location raster

7.4. LOCATION LIST OF PARTS SITUATED ON THE TIME-BASE UNIT A2 (see Fig. 7.7.)

|                            |         |      |         |
|----------------------------|---------|------|---------|
| C260                       | F17     | R259 | C15     |
| C261                       | F13     | R260 | C16     |
| C262                       | F12     | R261 | C17     |
| C263                       | F12     | R262 | B17     |
| C264                       | F13     | R263 | C17     |
| C265                       | D14     | R264 | C17     |
| C266                       | F17     | R265 | C16     |
| C267                       | F15     | R266 | C16     |
| C268                       | F12/F13 | R267 | C16     |
| C269                       | D14     | R268 | C17     |
| C270                       | D14     | R269 | B17     |
| C271                       | C14     | R270 | D13     |
| C272                       | C14     | R271 | B17     |
| C273                       | C14     | R272 | E12     |
| C274                       | C14/D14 | R273 | C13     |
| C275                       | D14     | R274 | D13     |
| C276                       | D14     | R275 | C14     |
| C277                       | D14     | R276 | D14     |
| C278                       | E14     | R277 | D14/C14 |
| C279                       | E14     | R278 | D14/C14 |
| C280                       | E14     | R279 | C15     |
| C281                       | E13/E14 | R280 | D13     |
| C282                       | B15/B14 | R281 | D13     |
| C283                       | E15     | R282 | D15     |
| C284                       | E15     | R283 | D15     |
| C285                       | F13/F14 | R284 | D15     |
| C286                       | D14     | R285 | D15     |
| C287                       | D14     | R286 | D15     |
| C288                       | D14     | R287 | D16     |
| C289                       | D14     | R288 | D14     |
| C290                       | C14/D14 | R289 | D16     |
| C291                       | E14     | R290 | D16     |
| C292                       | B14     | R291 | D17     |
| C1372                      | B15     | R292 | D17     |
| C1373                      | B16/B17 | R293 | D17     |
| <b>Integrated circuits</b> |         |      |         |
| D201                       | A11/A12 | R296 | D17     |
| D202                       | B14/B13 | R297 | D13/E13 |
| D203                       | C13     | R298 | D14/E14 |
| D204                       | C13     | R299 | E13     |
| D206                       | D12/C12 | R301 | D17     |
| D207                       | D13     | R302 | E12     |
| D208                       | D12     | R306 | D15/E15 |
| D209                       | D13     | R307 | E13     |
| D211                       | D12     | R308 | E13     |
| D212                       | D13/E13 | R309 | E13     |
| D213                       | E12     | R311 | E13     |
| D214                       | E13     | R312 | E14     |
| D216                       | F13     | R317 | E15     |
| D217                       | C12     | R318 | E15     |
| D218                       | B12/B13 | R319 | E15     |
| Relay                      | B16     | R321 | E15     |
| K1371                      | B16     | R322 | E15     |
|                            |         | R323 | E16     |
|                            |         | R324 | E17     |
|                            |         | R325 | E17     |

|                  |         |      |         |
|------------------|---------|------|---------|
| C260             | F17     | R259 | C15     |
| C261             | F13     | R260 | C16     |
| C262             | F12     | R261 | C17     |
| C263             | F12     | R262 | B17     |
| C264             | F13     | R263 | C17     |
| C265             | D14     | R264 | C17     |
| C266             | F17     | R265 | C16     |
| C267             | F15     | R266 | C16     |
| C268             | F12/F13 | R267 | C16     |
| C269             | D14     | R268 | C17     |
| C270             | D14     | R269 | B17     |
| C271             | C14     | R270 | D13     |
| C272             | C14     | R271 | B17     |
| C273             | C14     | R272 | E12     |
| C274             | C14/D14 | R273 | C13     |
| C275             | D14     | R274 | D13     |
| C276             | D14     | R275 | C14     |
| C277             | D14     | R276 | D14     |
| C278             | E14     | R277 | D14/C14 |
| C279             | E14     | R278 | D14/C14 |
| C280             | E14     | R279 | C15     |
| C281             | E13/E14 | R280 | D13     |
| C282             | B15/B14 | R281 | D13     |
| C283             | E15     | R282 | D15     |
| C284             | E15     | R283 | D15     |
| C285             | F13/F14 | R284 | D15     |
| C286             | D14     | R285 | D15     |
| C287             | D14     | R286 | D15     |
| C288             | D14     | R287 | D16     |
| C289             | D14     | R288 | D14     |
| C290             | C14/D14 | R289 | D16     |
| C291             | E14     | R290 | D16     |
| C292             | B14     | R291 | D17     |
| C1372            | B15     | R292 | D17     |
| C1373            | B16/B17 | R293 | D17     |
| <b>Resistors</b> |         |      |         |
| R201             | A11     | R296 | D17     |
| R202             | A12     | R297 | D13/E13 |
| R204             | A13     | R298 | D14/E14 |
| R205             | B14     | R299 | E13     |
| R205             | A15/B15 | R301 | D17     |
| R206             | B14     | R302 | E12     |
| R207             | A13/B13 | R306 | D15/E15 |
| R208             | B14     | R307 | E13     |
| R209             | A14/B14 | R308 | E13     |
| R211             | A14/B14 | R309 | E13     |
| R212             | A14/B14 | R311 | E13     |
| R214             | A15/B15 | R312 | E14     |
| R216             | A11     | R317 | E15     |
| R217             | A11/B11 | R318 | E15     |
| R218             | B13     | R319 | E15     |
| R219             | A13     | R321 | E15     |
| R220             | B13     | R322 | E15     |
| R221             | A13     | R323 | E16     |
| R222             | B16     | R324 | E17     |
| R223             | B16     | R325 | E17     |
| R224             | B16     |      |         |
| R225             | B11     |      |         |
| R226             | B16     |      |         |
| R227             | C16     |      |         |
| R228             | C16     |      |         |
| R229             | B17     |      |         |
| R230             | C16     |      |         |
| R231             | B16/B17 |      |         |
| R232             | C16/C17 |      |         |
| R233             | C14     |      |         |
| R234             | C14     |      |         |
| R236             | C14     |      |         |
| R237             | C14     |      |         |
| R238             | C14     |      |         |
| R239             | C14     |      |         |
| R240             | B14     |      |         |
| R241             | C15     |      |         |
| R242             | D11/D12 |      |         |
| R243             | C12/C13 |      |         |
| R244             | C12     |      |         |
| R246             | D11     |      |         |
| R247             | C12     |      |         |
| R248             | C14     |      |         |
| R249             | C14     |      |         |
| R250             | B14/C14 |      |         |
| R251             | D13/C13 |      |         |
| R252             | C14     |      |         |
| R253             | D14     |      |         |
| R254             | C14     |      |         |
| R255             | C14     |      |         |
| R256             | C15     |      |         |
| R257             | C15     |      |         |
| R258             | C16     |      |         |

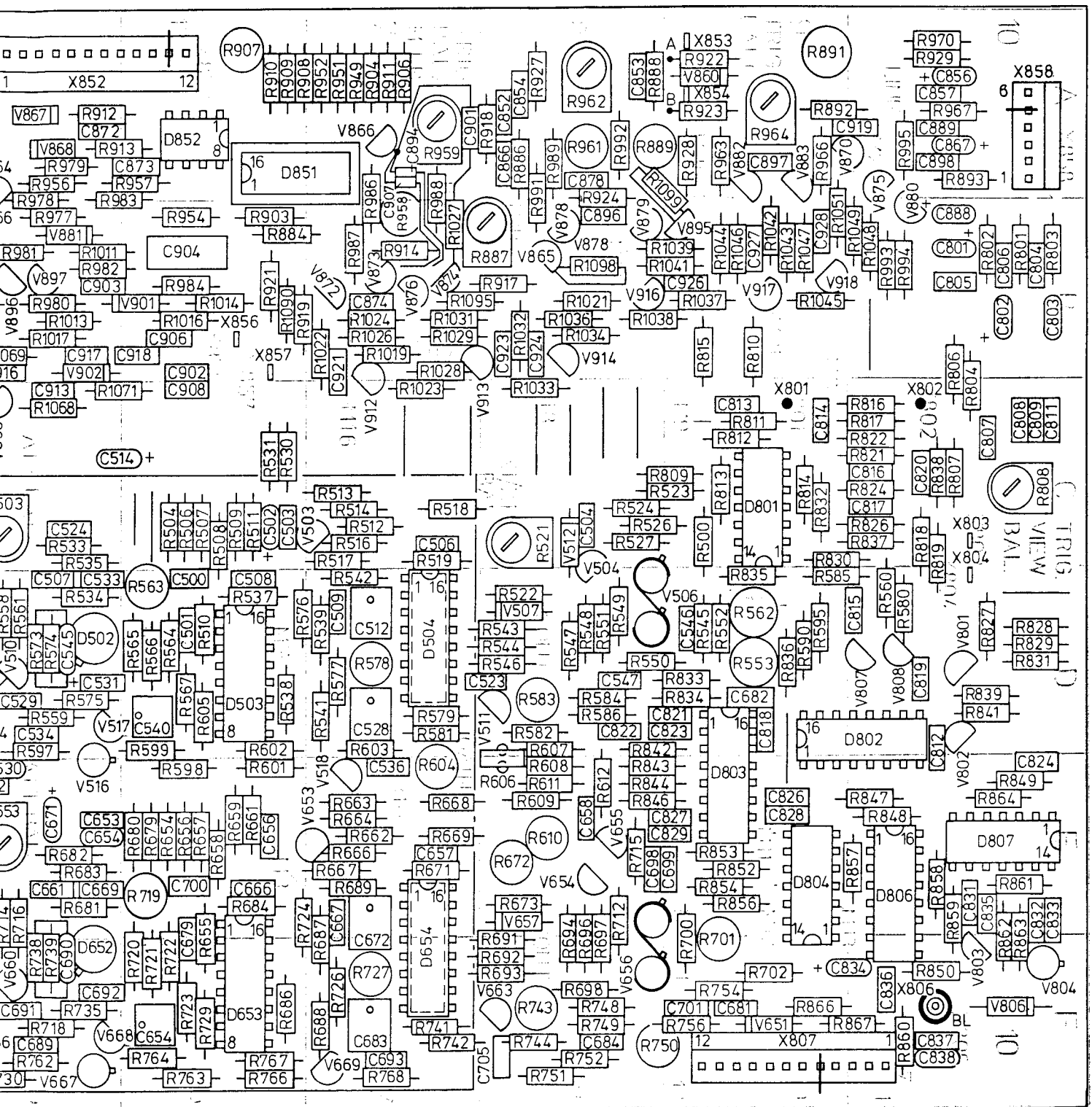
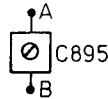
For Service Manuals Contact  
**MAURITRON TECHNICAL SERVICES**  
 8 Cherry Tree Rd, Chinnor  
 Oxon OX9 4QY  
 Tel: 01844-351694 Fax: 01844-352554  
 Email: enquiries@mauritron.co.uk

|      |         |       |         |      |         |
|------|---------|-------|---------|------|---------|
| R326 | E16     | R384  | D14     | V209 | C15     |
| R327 | E17     | R385  | D14     | V211 | C15     |
| R328 | E16     | R386  | E14     | V212 | C14     |
| R329 | E17     | R387  | E14     | V213 | C16     |
| R331 | E17     | R388  | D15/E15 | V214 | C16     |
| R332 | E17     |       |         | V216 | C16     |
| R333 | E17     | R390  | E14     | V217 | C16/C17 |
| R334 | E17     | R391  | E14     | V218 | C11     |
| R336 | E11/E12 | R392  | E14/D14 | V219 | C15     |
| R337 | D11     | R393  | E14     | V220 | C12     |
| R338 | E12     | R395  | E14     | V221 | C14     |
| R339 | F13     | R396  | E14     | V222 | C16     |
| R341 | F13     | R397  | E15     | V223 | C16     |
| R342 | F14     | R398  | B13     | V224 | C16     |
| R343 | F14     | R399  | B12     | V225 | B14     |
| R345 | F14     | R400  | B12     | V226 | D14     |
| R346 | F14     | R401  | B12     | V227 | C15     |
| R347 | F15     | R402  | B12     | V228 | C16     |
| R348 | F15     | R403  | B12     | V229 | C16     |
| R349 | F16/F15 | R404  | B12/A12 | V230 | D16     |
| R350 | F16     | R405  | A13     | V231 | D15     |
| R351 | F16     | R406  | A12     | V232 | D15     |
| R352 | F16     | R407  | C12/C13 | V233 | D15     |
| R353 | F16     | R408  | F13     | V234 | D15     |
| R354 | F16     |       |         | V235 | D11     |
| R355 | A12     | R411  | D12     | V236 | D16     |
| R356 | F17     | R412  | A12     | V237 | D15     |
| R357 | F17     | R413  | B11     | V238 | D15/D16 |
| R358 | F17     | R414  | B12     | V239 | B11/B12 |
| R359 | F12     | R415  | B13     | V240 | D16     |
| R360 | C13/B13 | R1370 | A17     | V241 | D11/D12 |
| R361 | F11     | R1371 | B15     | V242 | D15/E15 |
| R362 | F12     | R1372 | B15     | V243 | D15/E15 |
| R363 | F13     | R1373 | B15     | V244 | D15/E15 |
| R364 | C12     | R1374 | B15     | V246 | D16     |
| R365 | B12     | R1376 | A16/B16 | V247 | D17     |
| R366 | C11     | R1377 | C17     | V248 | D17     |
| R367 | F14     | R1378 | A16/B16 | V249 | E12     |
| R368 | F14     | R1379 | B15     | V250 | C15     |
| R369 | F14     | R1381 | A15/B15 | V251 | E12     |
| R370 | B13     | R1383 | A15/B15 | V252 | E13     |
| R371 | F15     | R1384 | A16/B16 | V253 | C16     |
| R372 | F15     | R1388 | A17/B17 | V255 | F11     |
| R373 | F15     | R1389 | B17     | V256 | E16     |
| R374 | F15     | R1392 | B17     | V257 | E16     |
| R375 | C11/D11 |       |         | V258 | E17     |
| R376 | F15     |       |         | V259 | E17     |
| R377 | F16/F15 | V200  | B12/A12 | V260 | D17     |
| R378 | F16     | V202  | A14     | V261 | E17     |
| R379 | F16     | V203  | B14     | V262 | E11/E12 |
| R380 | E16     | V204  | B14/B15 | V263 | E11/E12 |
| R381 | F16     | V205  | B15     | V264 | F13     |
| R382 | F16     | V206  | B13     | V265 | E11/E12 |
| R383 | F16     | V207  | B16     | V266 | F14     |
|      |         | V208  | C16     | V267 | F17     |









|       |         |
|-------|---------|
| V268  | F17     |
| V269  | F12     |
| V270  | E11     |
| V271  | F12     |
| V272  | F13     |
| V273  | F14     |
| V274  | F15     |
| V276  | F15     |
| V277  | F15     |
| V278  | F15     |
| V279  | F16     |
| V280  | E11     |
| V281  | F16     |
| V282  | F11     |
| V283  | F11     |
| V284  | F12     |
| V285  | C11     |
| V286  | F13     |
| V287  | F14     |
| V288  | B13/B12 |
| V289  | A13/A12 |
| V290  | E13     |
| V291  | D14     |
| V292  | E14     |
| V293  | E14     |
| V294  | D11/D12 |
| V295  | D12     |
| V296  | B12     |
| V297  | B12     |
| V298  | B12     |
| V299  | A12     |
| V302  | D11     |
| V303  | E11     |
| V304  | B11     |
| V306  | C12     |
| V307  | D11     |
| V310  | D16     |
| V311  | D16     |
| V1371 | B16     |
| V1372 | A16     |
| V1373 | B15     |
| V1374 | B17     |

For Service Manuals Contact  
MAURITRON TECHNICAL SERVICES  
8 Cherry Tree Rd, Chinnor  
Oxon OX9 4QY  
Tel:- 01844-351694 Fax:- 01844-352554  
Email:- enquiries@mauritron.co.uk

## 7.5. LOCATION LIST OF PARTS SITUATED ON THE PRE-AMPLIFIER AND TRIGGER UNIT A3 (see Fig. 7.8.)

|                   |         |      |         |      |         |
|-------------------|---------|------|---------|------|---------|
| <b>Capacitors</b> |         | C658 | E8      | C815 | D10     |
| C500              | D6      | C660 | F1      | C816 | C10     |
| C501              | D6      | C661 | E5      | C817 | C10     |
| C502              | C6      | C662 | E3      | C818 | D9      |
| C503              | C6      | C663 | E3      | C819 | D10     |
| C504              | C8      | C664 | E3      | C820 | C10     |
| C505              | D1      | C665 | F1      | C821 | D8/D9   |
|                   |         | C666 | E6      | C822 | D8      |
| C506              | C7      | C667 | E7/F7   | C823 | D8/D9   |
| C507              | D5      | C668 | E5/F5   | C824 | E10     |
| C508              | D6      | C669 | E5      | C825 | D2 (TS) |
| C509              | D7      | C671 | E5      | C826 | E9      |
| C510              | D1      | C672 | E7/F7   | C827 | E8/E9   |
| C512              | D7      | C674 | F3      | C828 | E9      |
| C514              | C5/C6   | C675 | E4/F4   | C829 | E8/E9   |
| C515              | D1      | C676 | F3      | C831 | E10     |
| C516              | D5      | C677 | F4      | C832 | F10/E10 |
| C517              | D4      | C678 | E4/E5   | C833 | F10/E10 |
| C518              | D3      | C679 | F6/E6   | C834 | F9/F10  |
| C519              | D3      | C681 | F9      | C835 | E10     |
| C520              | D4/D5   | C682 | D9      | C836 | F10     |
| C521              | D3      | C683 | F7      | C837 | F10     |
| C522              | C4/C5   | C684 | F8      | C838 | F10     |
| C523              | D7/D8   | C685 | F3      | C851 | A2/A3   |
| C524              | C5      | C686 | F3      | C852 | A8      |
| C525              | D3      | C687 | F3      | C853 | A8      |
| C528              | D7      | C688 | F3      | C854 | A8      |
| C529              | D5      | C689 | F5      | C856 | A10     |
| C530              | E5      | C690 | F1      | C857 | A10     |
| C531              | D5      | C691 | F5      | C858 | A1      |
| C532              | D3      | C692 | F5      | C860 | A2      |
| C533              | D5      | C693 | F7      | C863 | A3      |
| C534              | D5      | C694 | E1      | C864 | A3      |
| C535              | E2      | C695 | F1      | C866 | A8      |
| C536              | E7      | C696 | F4/F5   | C867 | A10     |
| C537              | E3      | C697 | F1      | C868 | A1      |
| C538              | E3      | C698 | E8      | C869 | B3      |
| C539              | E3      | C699 | E9      | C872 | A5      |
| C540              | D6      | C700 | E6      | C873 | A5/A6   |
| C541              | E3      | C701 | F9      | C874 | B7      |
| C542              | E1      | C705 | F8      | C878 | A8      |
| C543              | E1/F1   | C801 | B10     | C879 | A2/A3   |
| C544              | E1      | C802 | B10     |      |         |
| C545              | E1      | C803 | B10     | C881 | A2      |
| C546              | D9      | C804 | B10     | C882 | A4      |
| C547              | D8      | C805 | B10     | C883 | B3      |
| C550              | D2 (TS) | C806 | B10     | C884 | B3      |
| C645              | F6      | C807 | C10     | C885 | B4      |
| C650              | F1      | C808 | C10     | C888 | B10     |
| C651              | E4      | C809 | C10     | C889 | A10     |
| C652              | E5      | C811 | C10     | C890 | B4      |
| C653              | E5      | C812 | D10/E10 | C893 | A4/A5   |
| C654              | E5      | C813 | C9      | C894 | A7      |
| C655              | E3      | C814 | C9      | C896 | B8      |
| C656              | E6      |      |         | C897 | A9      |
| C657              | E7      |      |         |      |         |



|      |       |      |       |      |         |
|------|-------|------|-------|------|---------|
| R598 | E6    | R691 | F8    | R753 | F1      |
| R599 | D6    | R692 | F8    | R754 | F9      |
| R601 | E6    | R693 | F8    | R755 | F1      |
| R602 | D6    | R694 | E8/F8 | R756 | F9      |
| R603 | D7    | R696 | E8/F8 | R757 | F1/E1   |
| R604 | E7    | R697 | E8/F8 | R758 | E1      |
| R605 | D6    | R698 | F8    | R759 | F3      |
| R606 | E8    | R700 | F9/E9 | R760 | F1      |
| R607 | D8    | R701 | E9/F9 | R761 | F4/F5   |
| R608 | E8    | R702 | F9    | R762 | F5      |
| R609 | E8    | R704 | F3    | R763 | F6      |
| R610 | E8    | R706 | E2    | R764 | F6      |
| R611 | E8    | R707 | F3    | R766 | F6      |
| R612 | E8    | R708 | F3    | R767 | F6      |
| R614 | E2    | R709 | F3    | R768 | F7      |
| R616 | E3    | R710 | F4    | R801 | B10     |
| R617 | E4    | R711 | F4    | R802 | B10     |
| R618 | E3    | R712 | E8/F8 | R803 | B10     |
| R619 | E1    | R713 | E5/F5 | R804 | B10/C19 |
| R620 | D1    | R714 | E5/F5 | R806 | B10/C10 |
| R621 | E1    | R715 | E8    | R807 | C10     |
| R622 | E1    | R716 | E5/F5 | R808 | C10     |
| R623 | E1    | R718 | F5    | R809 | C8/C9   |
| R625 | D1    | R719 | E6    | R810 | B9      |
| R653 | E5    | R720 | F6    | R811 | C9      |
| R654 | E6    | R721 | F6    | R812 | C9      |
| R655 | F6/E6 | R722 | F6/E6 | R813 | C9      |
| R656 | E6    | R723 | F6    | R814 | C9      |
| R657 | E6    | R724 | E6    | R815 | B9      |
| R658 | E6    | R725 | F4    | R816 | C10     |
| R659 | E6    | R726 | F7    | R817 | C10     |
| R661 | E6    | R727 | F7    | R818 | C10     |
| R662 | E7    | R728 | F1    | R819 | C10/D10 |
| R663 | E7    | R729 | F6    | R821 | C10     |
| R664 | E7    | R730 | F5    | R822 | C10     |
| R666 | E7    | R731 | F2    | R824 | C10     |
| R667 | E7    | R732 | F3    | R826 | C10     |
| R668 | E7    | R733 | F4    | R827 | D10     |
| R669 | E7    | R734 | F4/F5 | R828 | D10     |
| R671 | E7    | R735 | F5    | R829 | D10     |
| R672 | E8    | R736 | F4    | R830 | C9/C10  |
| R673 | E8    | R737 | F4/F5 | R831 | D10     |
| R674 | E3    | R738 | F5    | R832 | C9      |
| R676 | E4    | R739 | F5    | R833 | D9      |
| R678 | E4/E5 | R740 | F4    | R834 | D9      |
| R679 | E6    | R741 | F7    | R835 | D9      |
| R680 | E6    | R742 | F7    | R836 | D9      |
| R681 | E5    | R743 | F8    | R837 | C10     |
| R682 | E5    | R744 | F8    | R838 | D10     |
| R683 | E5    | R745 | E4    | R839 | D10     |
| R684 | E6    | R748 | F8    | R841 | D10     |
| R686 | F6    | R749 | F8    | R842 | D8/D9   |
| R687 | E7/F7 | R750 | F8/F9 | R843 | E8/E9   |
| R688 | F7    | R751 | F8    | R844 | E8/E9   |
| R689 | E7    | R752 | F8    | R846 | E8/E9   |
|      |       |      |       | R847 | E10     |

For Service Manuals Contact  
**MAURITRON TECHNICAL SERVICES**  
 8 Cherry Tree Rd, Chinnor  
 Oxon OX9 4QY  
 Tel: 01844-351694 Fax: 01844-352554  
 Email: enquires@mauriron.co.uk

|      |         |      |       |       |       |
|------|---------|------|-------|-------|-------|
| R848 | E10     | R911 | A7    | R973  | B4    |
| R849 | E10     | R912 | A5    | R975  | B2    |
| R850 | F10     | R913 | A5/A6 | R976  | A3    |
| R852 | E9      | R914 | B7    | R977  | B5    |
| R853 | E9      | R917 | B8    | R978  | A5    |
| R854 | E9      | R918 | A8    | R979  | A5    |
| R856 | E9      | R919 | B6/B7 | R980  | B5    |
| R857 | E10     | R921 | B6    | R981  | B5    |
| R858 | E10     | R922 | A9    | R982  | B5    |
| R859 | E10/F10 | R923 | A9    | R983  | A5/A6 |
| R860 | F10     | R924 | A8/B8 | R984  | B6    |
| R861 | E10     | R925 | B4    | R986  | A7/B7 |
| R862 | F10     | R927 | A8    | R987  | B7    |
| R863 | E10/F10 | R928 | A9    | R988  | A7/B7 |
| R864 | E10     | R929 | A10   | R989  | A8    |
| R866 | F9      | R930 | A2    | R991  | A8/B8 |
| R867 | F9/F10  | R931 | A2    | R992  | A8    |
| R868 | A2      | R932 | B1/B2 | R993  | B10   |
| R869 | A1      | R933 | A2    | R994  | B10   |
| R870 | A2      | R934 | A2    | R995  | A10   |
| R871 | A2/A3   | R936 | A3    | R996  | B2    |
| R872 | A1      | R937 | B3    | R997  | B2    |
| R873 | A2      | R938 | A1    | R998  | C2    |
| R874 | A2      | R939 | A2    | R999  | B3    |
| R875 | B2      | R940 | B1    | R1000 | B3    |
| R876 | A2      | R941 | B3    | R1001 | B3    |
| R877 | A2/A3   | R942 | A4    | R1002 | B3    |
| R878 | A2/A3   | R943 | A4    | R1003 | C3    |
| R879 | A2/A3   | R944 | B4    | R1004 | B4    |
| R880 | A3      | R945 | B4    | R1005 | B4    |
| R881 | A3      | R946 | A4    | R1006 | C4    |
| R882 | A3      | R947 | A4    | R1007 | C3    |
| R883 | B3/C3   | R948 | A4    | R1008 | B4/B5 |
| R884 | B6      | R949 | A7    | R1009 | B3    |
| R886 | A8      | R950 | B1/C1 | R1011 | B5    |
| R887 | B7/B8   | R951 | A7    | R1013 | B5    |
| R888 | A8      | R952 | A7    | R1014 | B6    |
| R889 | A8      | R953 | A4/A5 | R1016 | B6    |
| R891 | A9/A10  | R954 | B6    | R1017 | B5    |
| R892 | A9/A10  | R955 | A3    | R1019 | B7    |
| R893 | A10     | R956 | A5    | R1021 | B8    |
| R894 | A3      | R957 | A5/A6 | R1022 | B7    |
| R896 | A2      | R958 | B7    | R1023 | C7    |
| R897 | B2/B3   | R959 | A7    | R1024 | B7    |
| R898 | A3      | R960 | A4    | R1026 | B7    |
| R899 | A3      | R961 | A8    | R1027 | B7    |
| R901 | B4      | R962 | A8    | R1028 | B7    |
| R902 | B3/B4   | R963 | A9    | R1029 | B7    |
| R903 | B6      | R964 | A9    | R1031 | B7    |
| R904 | A7      | R965 | B2    | R1032 | B8    |
| R906 | A7      | R966 | A9    | R1033 | C8    |
| R907 | A6      | R967 | A10   | R1034 | B8    |
| R908 | A6      | R968 | B2    | R1036 | B8    |
| R909 | A6/A7   | R969 | B2    | R1037 | B9    |
| R910 | A6      | R970 | A10   | R1038 | B8/B9 |
|      |         | R971 | B2    | R1039 | B8/B9 |



|             |       |                        |       |      |        |
|-------------|-------|------------------------|-------|------|--------|
| R1041       | B8/B9 | <b>Semi-conductors</b> | V866  | A7   |        |
| R1042       | B9    | V503                   | C7    | V867 | A5     |
| R1043       | B9    | V504                   | C8/D8 | V868 | A5     |
| R1044       | B9    | V505                   | D4    | V869 | A5     |
| R1045       | B9    | V506                   | D8    | V870 | A9/A10 |
| R1046       | B9    | V507                   | D8    | V871 | B6     |
| R1047       | B9    | V508                   | D4    | V872 | B7     |
| R1048       | B10   | V509                   | D5    | V873 | B7     |
| R1049       | B10   | V510                   | D5    | V874 | B7     |
|             |       | V511                   | D8    | V875 | A10    |
| R1051       | B9    | V512                   | C8    | V876 | B7     |
| R1054       | B2/C2 | V513                   | D4    | V877 | B4     |
| R1056       | C1/C2 | V514                   | D5    | V878 | B8     |
| R1057       | C1    | V515                   | D4    | V879 | B8     |
| R1058       | C2/B2 | V516                   | D5/E5 | V880 | B10    |
| R1059       | C2/B2 | V517                   | D5    | V881 | B5     |
| R1060       | C4/C3 | V518                   | E7    | V882 | A9/B9  |
| R1061       | B2/B3 | V651                   | F9    | V883 | A9/B9  |
| R1062       | C3    | V653                   | E6/E7 | V884 | B1     |
| R1063       | C3    | V654                   | E8    | V885 | C4     |
| R1064       | C3    | V655                   | E8    |      |        |
| R1065       | C4    | V656                   | E8/F8 | V887 | B2     |
| R1066       | C3    | V657                   | E8    | V888 | B4     |
| R1067       | B4/B5 | V660                   | F5    | V889 | B4     |
| R1068       | C5    | V661                   | F4    | V890 | C4     |
| R1069       | B5    | V662                   | F5    | V891 | C4     |
| R1071       | C5/C6 | V663                   | F8    | V892 | C4     |
| R1072       | C1    | V664                   | E4/F4 | V893 | C5     |
| R1073       | B2/B3 | V665                   | F4    | V894 | B5     |
| R1076       | C3    | V666                   | F5    | V895 | B9     |
| R1077       | C3    | V667                   | F5    | V896 | B5     |
| R1078       | C2/C3 | V668                   | F5    | V897 | B5     |
| R1079       | C3    | V669                   | F7    | V898 | B5     |
| R1080       | C1/C2 | V770                   | F4    | V899 | B6     |
| R1081       | C3    |                        |       | V901 | B5/B6  |
| R1082       | C1    | V801                   | D10   | V902 | B5     |
| R1083       | C3    | V802                   | D10   | V903 | B1     |
| R1084       | C4    | V803                   | F10   | V904 | B2     |
| R1085       | B4    | V804                   | F10   |      |        |
| R1086       | C2    | V806                   | F10   | V906 | C4     |
| R1087       | C2    | V807                   | D10   | V907 | C5     |
| R1088       | C2/C1 | V808                   | D10   |      |        |
| R1089       | C2    | V851                   | A2    | V909 | B6     |
| R1090       | B6    | V852                   | A2    | V910 | C4     |
| R1091       | D2    | V853                   | A2/A3 | V912 | B7/C7  |
| R1092       | C2    | V854                   | A2    | V913 | B7/B8  |
| R1093       | C2    |                        |       | V914 | B8     |
| R1094       | C2    | V856                   | A2    | V916 | B8     |
| R1095       | B7/B8 | V857                   | B4    | V917 | B9     |
| R1096       | C3/C2 | V858                   | B4    | V918 | B9     |
| R1097       | B2/C2 | V859                   | B3    | V919 | C2     |
| R1098       | B8    | V860                   | A9    | V921 | C2     |
| R1099       | B8-B9 | V861                   | A4    | V922 | C2     |
|             |       | V862                   | B4    | V923 | C1     |
|             |       | V863                   | A4    | V924 | C2     |
| <b>Coil</b> |       | V864                   | A5    |      |        |
| T801        | B3    | V865                   | B8    |      |        |

For Service Manuals Contact  
**MAURITRON TECHNICAL SERVICES**  
 8 Cherry Tree Rd, Chinnor  
 Oxon OX9 4DY  
 Tel:- 01844-351694 Fax:- 01844-352554  
 Email:- enquiries@mauritron.co.uk

## 8. DIAGRAMS AND PRINT LAY-OUTS

### 8.1. LOCATION OF ELECTRICAL PARTS

Item numbers of C . . . , R . . . , V . . . and K . . . have been divided in groups which relate to the circuit, the unit and the circuit diagram, according the following table.

| <i>Item number</i> | <i>Location</i>                                  | <i>Figure</i> | <i>Unit</i> |
|--------------------|--|---------------|-------------|
| 1 ... 25           | Potentiometer unit and front- and rear-side unit | 8.16 and 4.1  | A103        |
| 100 ... 199        | Switch unit                                      | 8.15          | A102        |
| 200 ... 499        | Time base unit (see location list section 7.4)   | 8.7           | A2          |
| 1370 ... 1394      |  |               |             |
| 500 ... 1099       |  |               |             |
| 1100 ... 1150      | Trigger selection unit                           | 8.6           | A4          |
| 1200 ... 1599      | Final amplifier unit                             | 8.11          | A5          |
| 1400 ... 1499      | Power supply unit                                | 8.13          | A6          |

For Service Manuals Contact  
**MAURITRON TECHNICAL SERVICES**  
 8 Cherry Tree Rd, Chinnor  
 Oxon OX9 4QY  
 Tel:- 01844-351694 Fax:- 01844-352554  
 Email:- enquiries@mauritron.co.uk

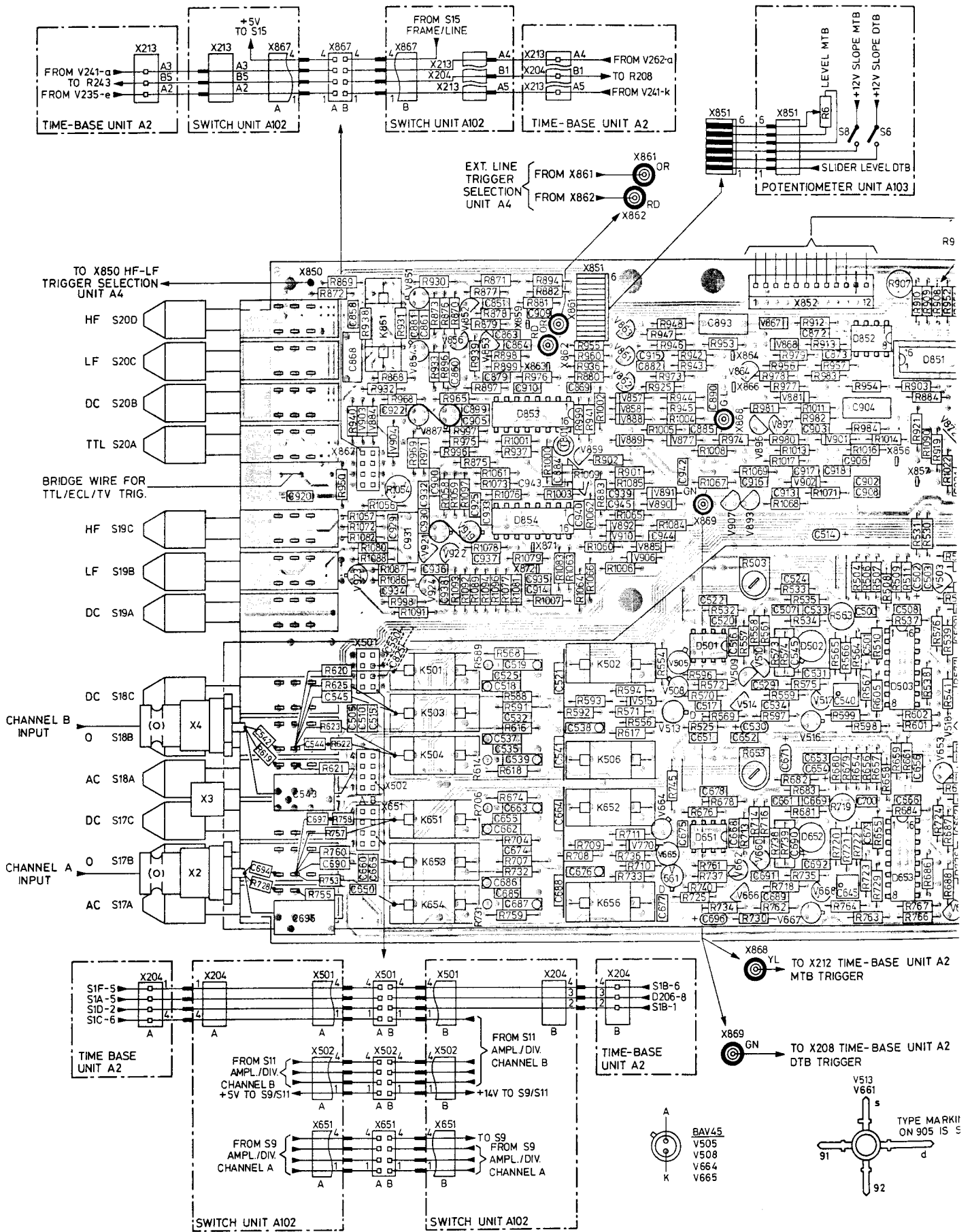
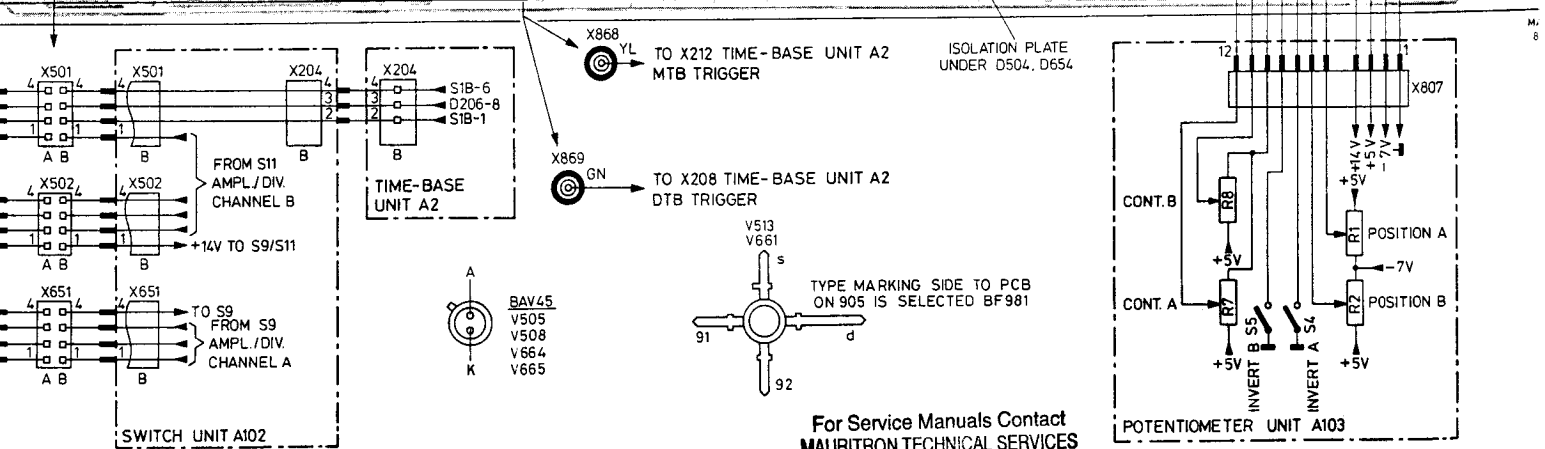
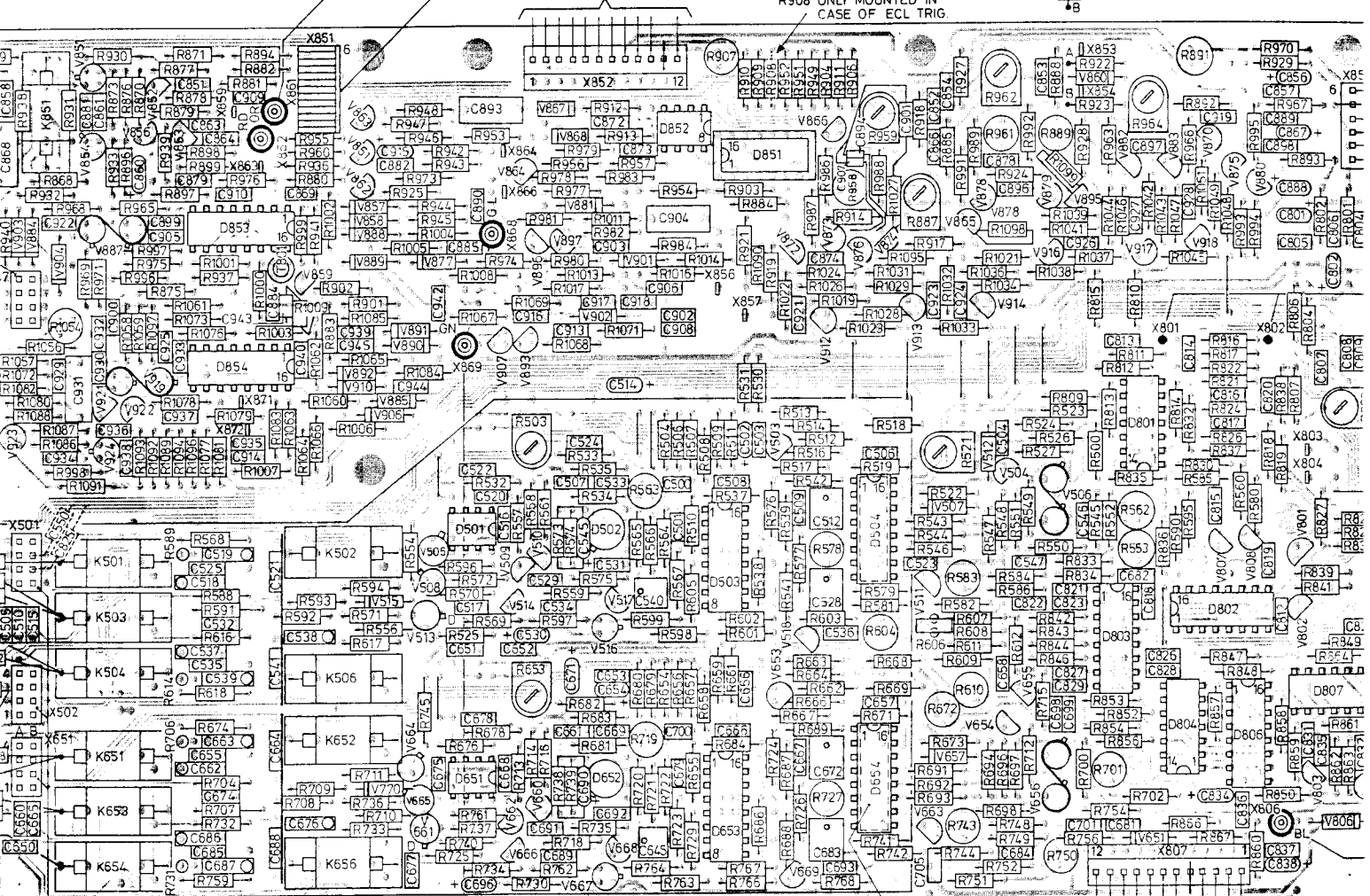
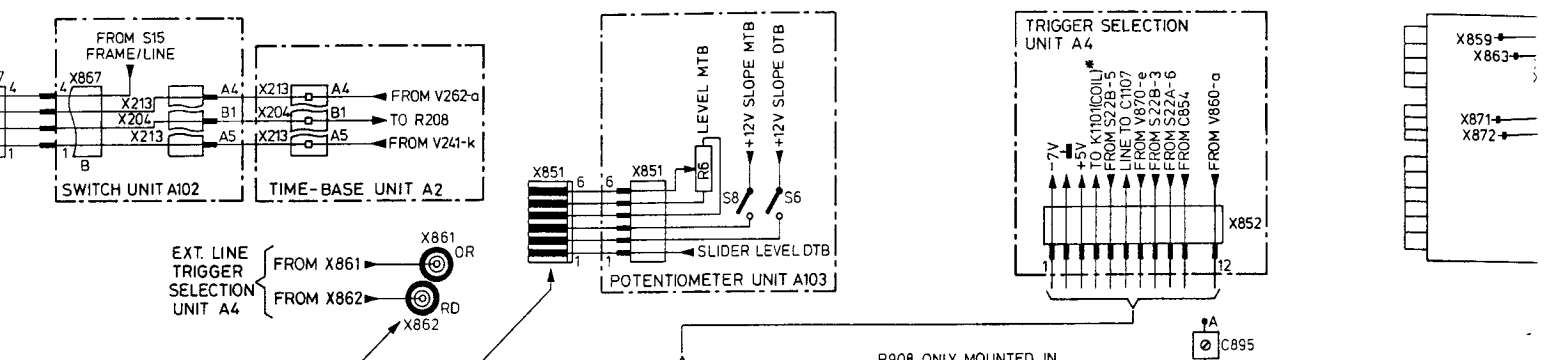


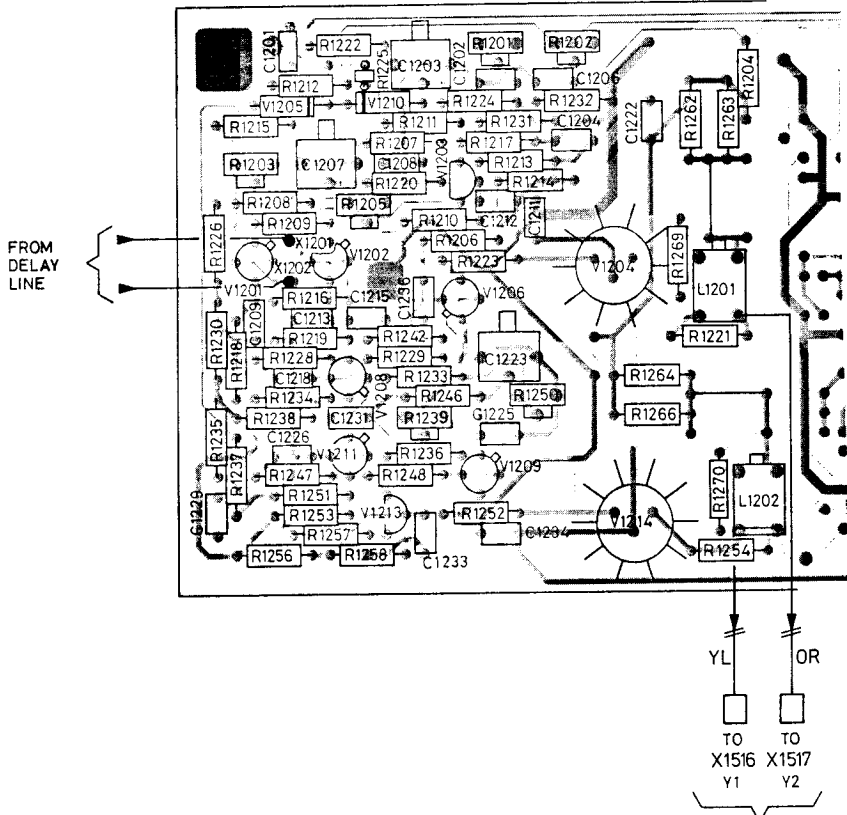
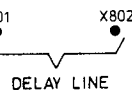
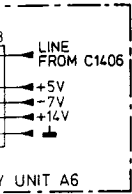
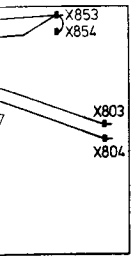
Fig. 8.1. Pre-amplifier and trigger-unit p.c.b. A3 and final Y-amplifier p.c.b. (part of unit A5)



**A3 and A5)**

For Service Manuals Contact MAURITRON TECHNICAL SERVICES 8 Cherry Tree Rd, Chinnor Oxon OX9 4QY Tel:- 01844-351694 Fax:- 01844-352554 Email:- enquiries@mauritron.co.uk





UPPER BLANKING  
6 ON TIME BASE

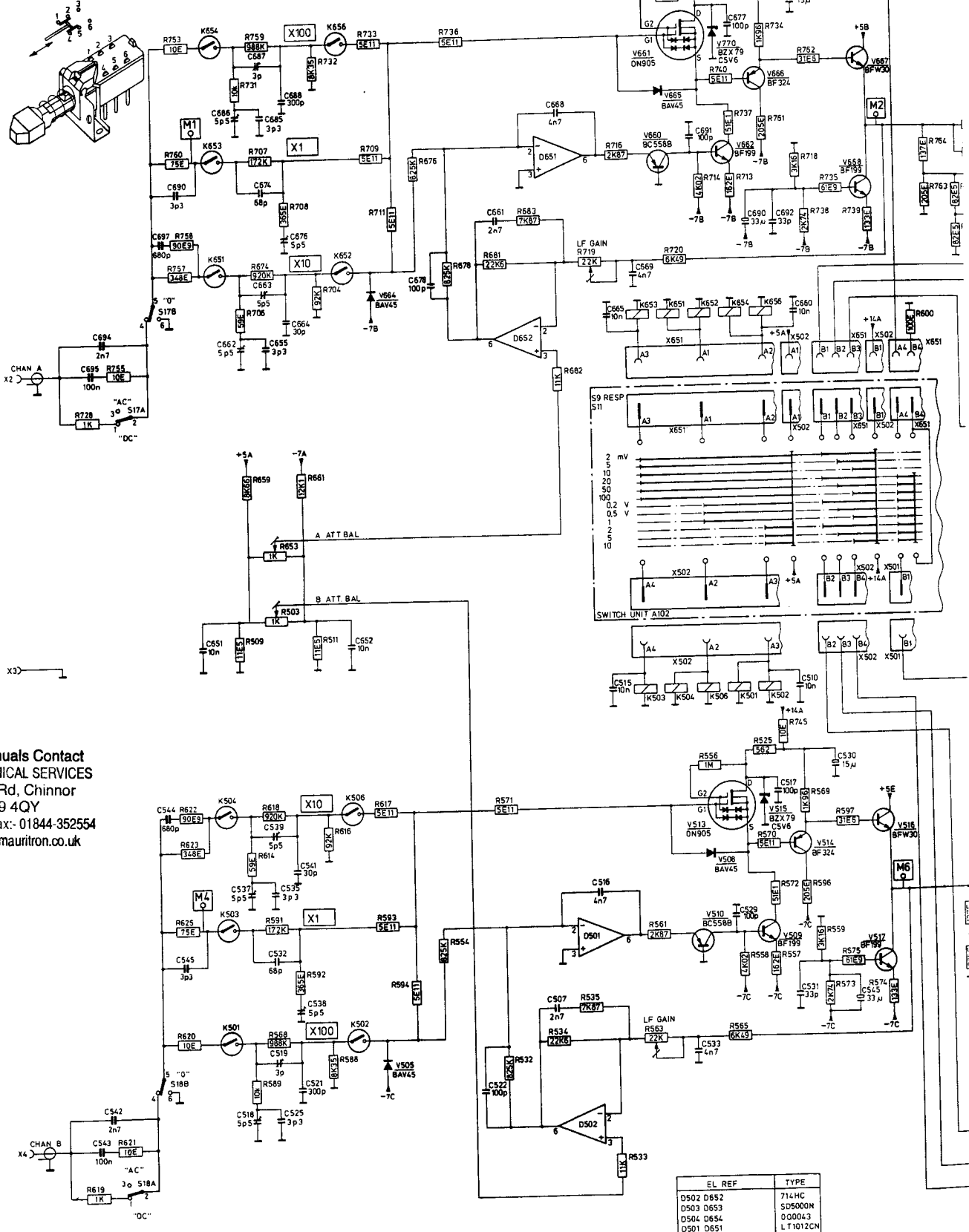
For Service Manuals Contact  
**MAURITRON TECHNICAL SERVICES**  
 8 Cherry Tree Rd, Chinnor  
 Oxon OX9 4QY  
 Tel:- 01844-351694 Fax:- 01844-352554  
 Email:- enquiries@mauritron.co.uk

TO CRT  
 MAT 2130  
 8 5 1108

INPUT COUPLING

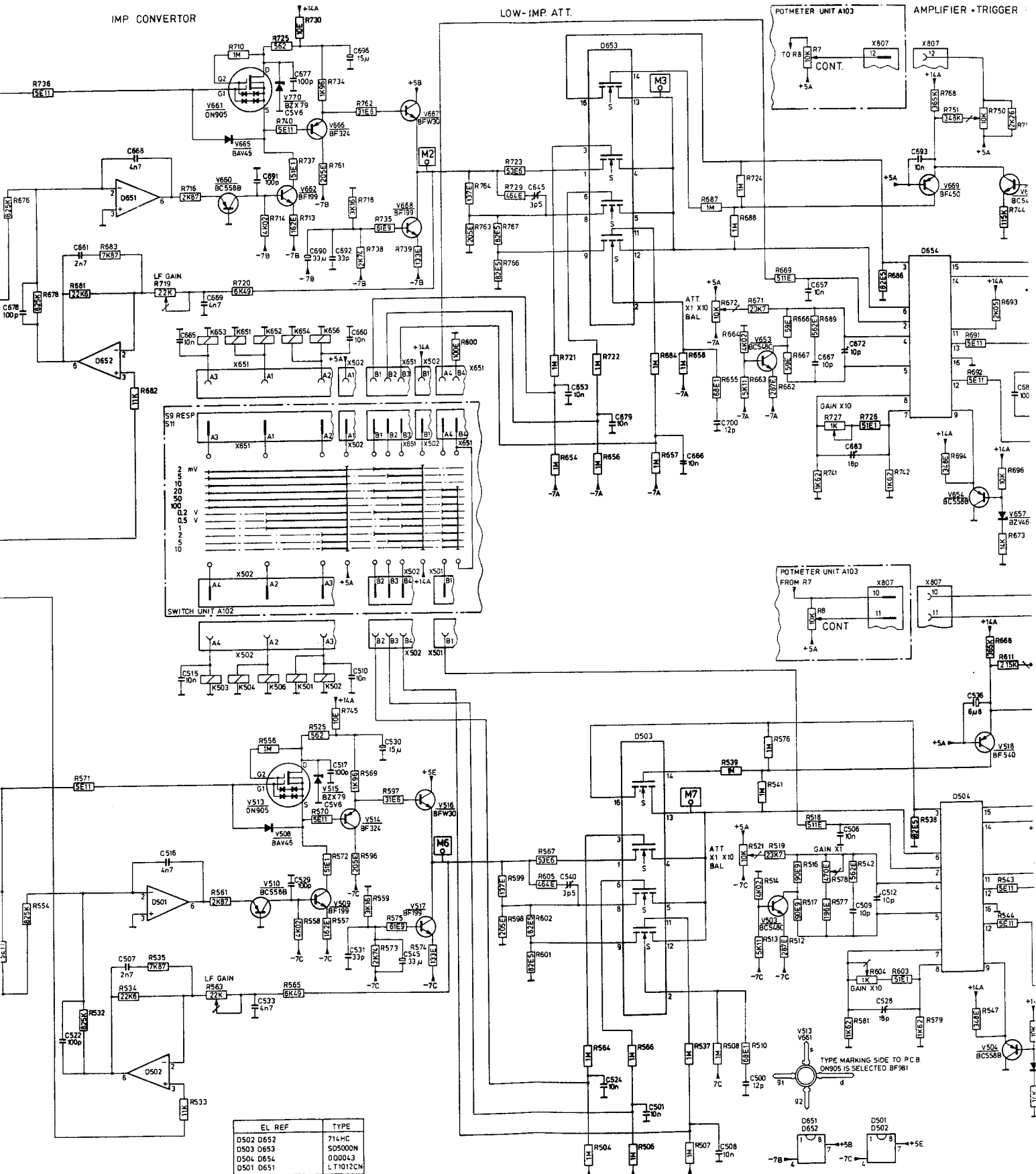
HIGH-IMP. ATT.

IMP. CONVERTOR



For Service Manuals Contact  
**MAURITRON TECHNICAL SERVICES**  
 8 Cherry Tree Rd, Chinnor  
 Oxon OX9 4QY  
 Tel: 01844-351694 Fax: 01844-352554  
 Email: enquiries@mauritron.co.uk

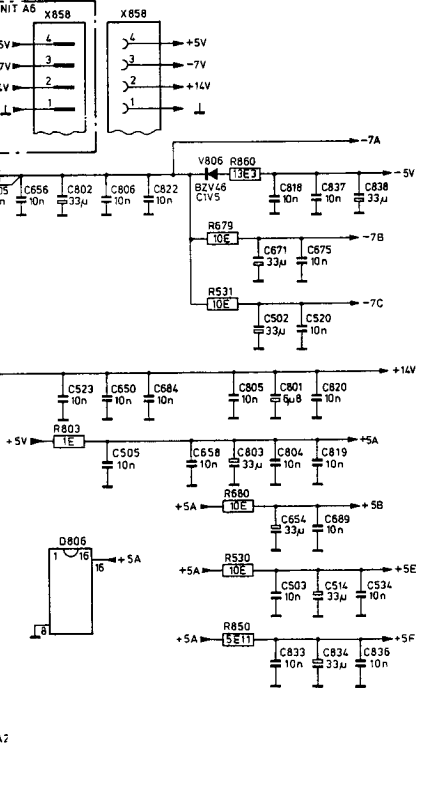
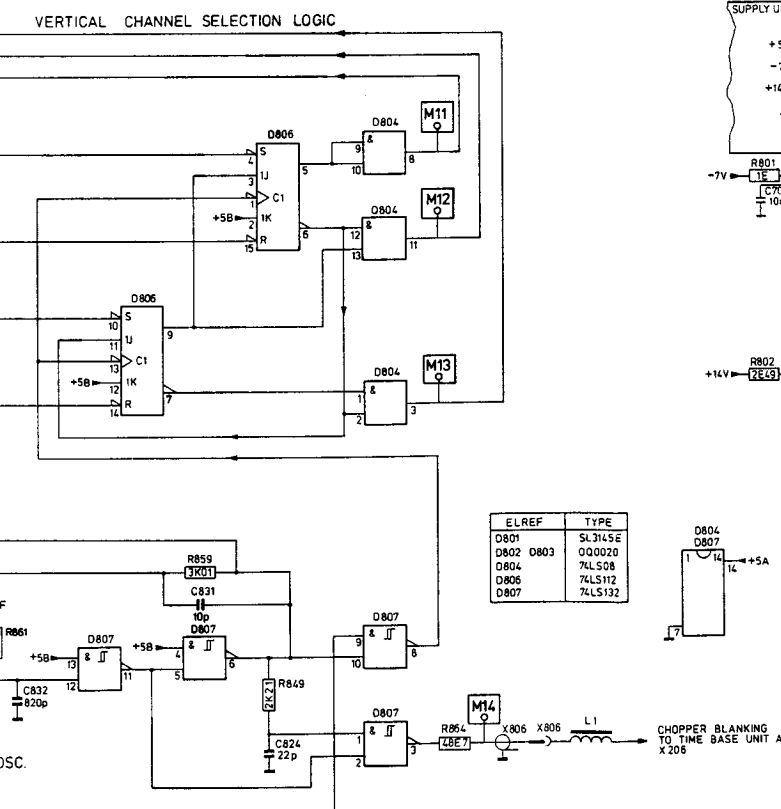
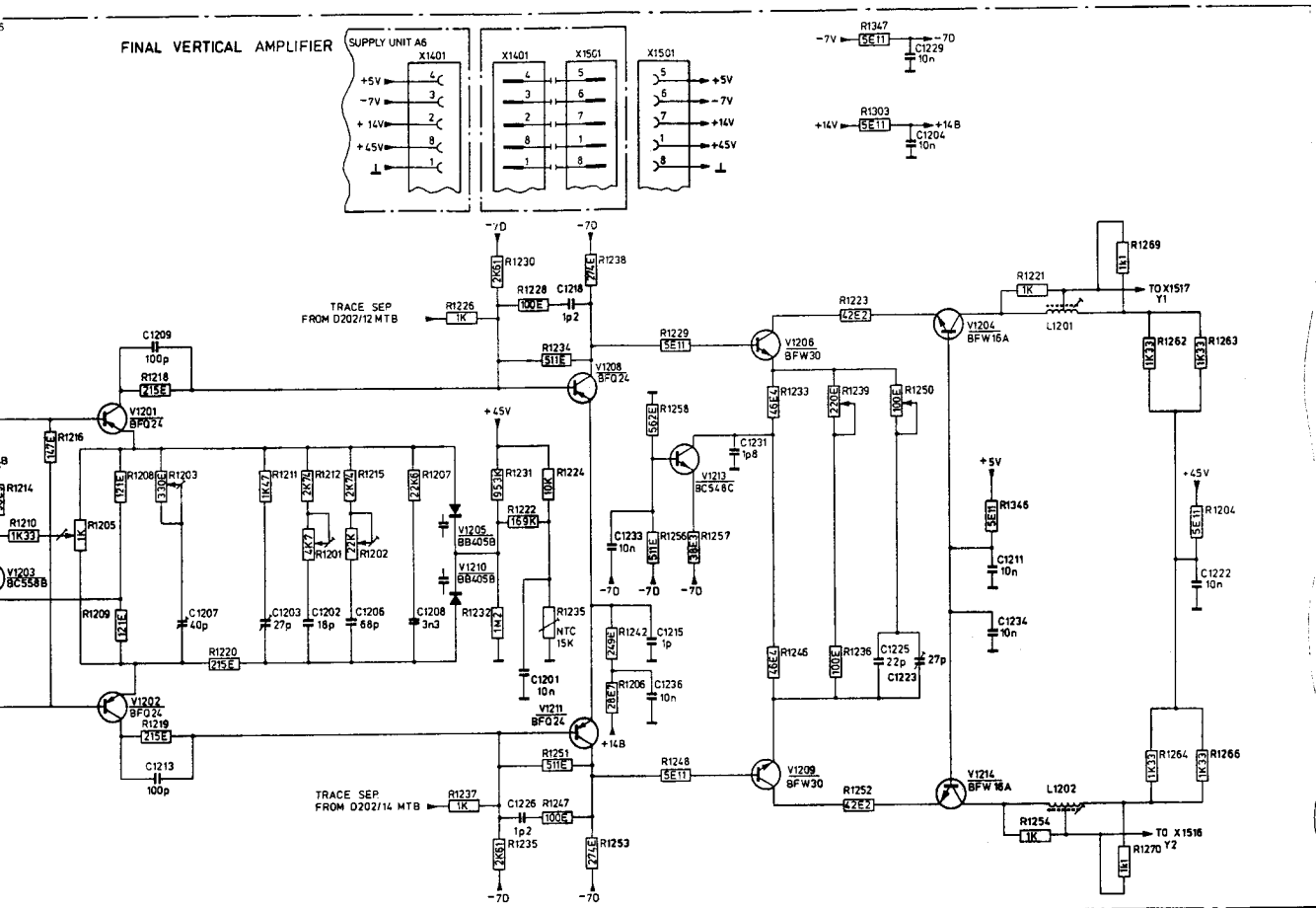
| EL REF    | TYPE     |
|-----------|----------|
| D502 D652 | 714HC    |
| D503 D653 | SD5000N  |
| D504 D654 | 000043   |
| D501 D651 | LT1012CN |









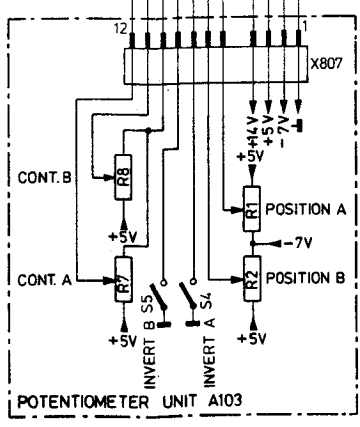
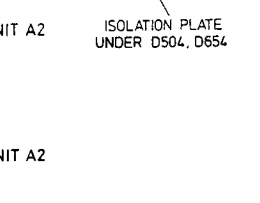
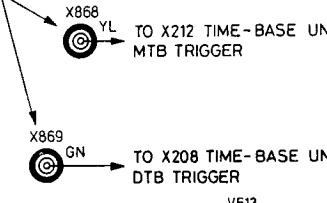
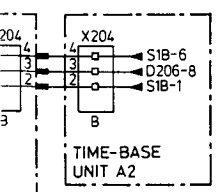
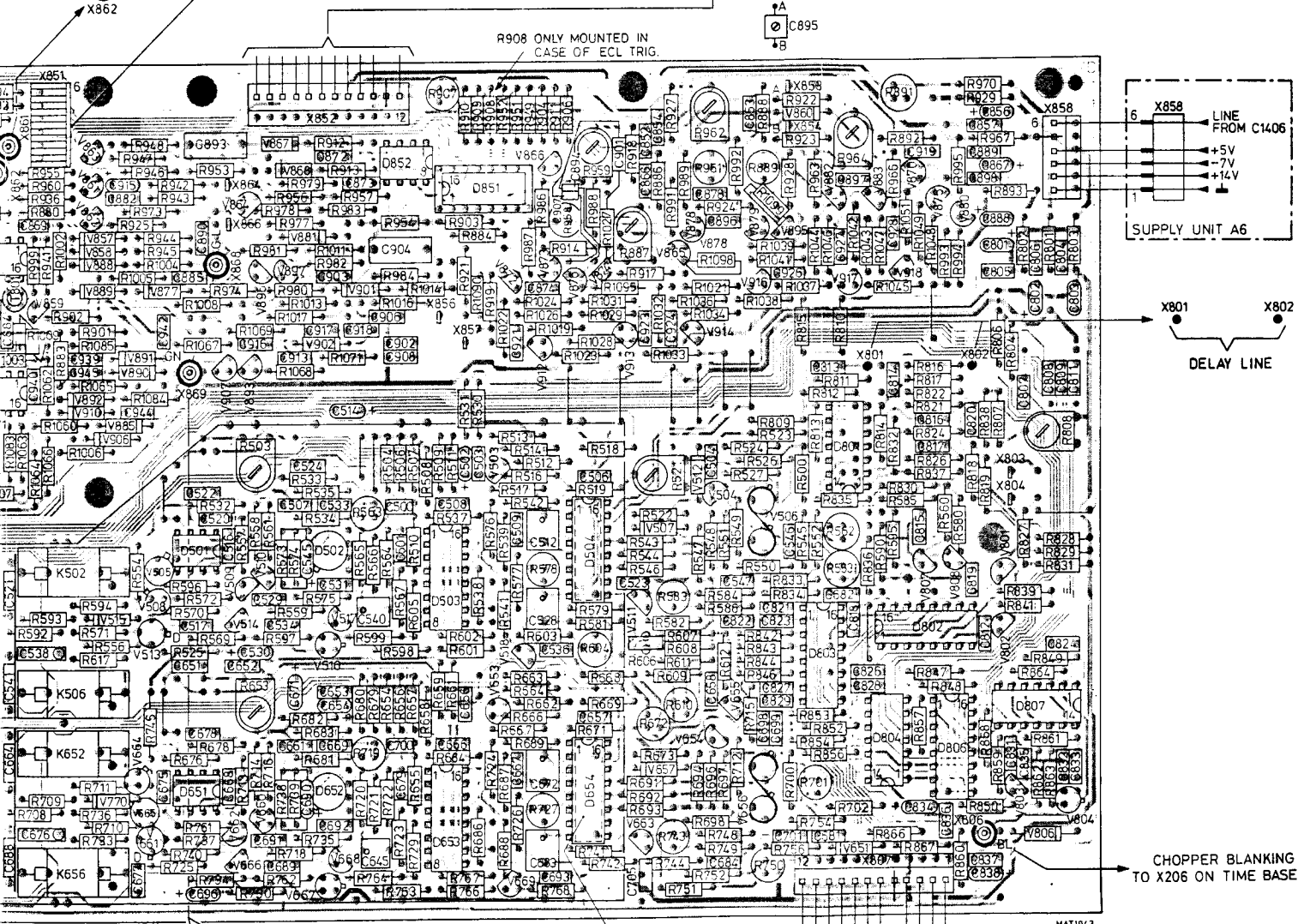
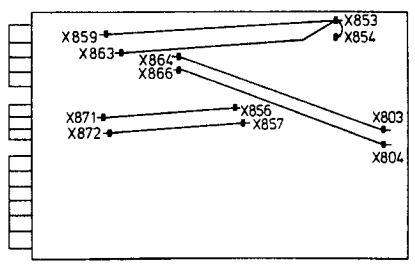
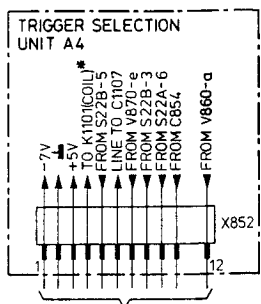
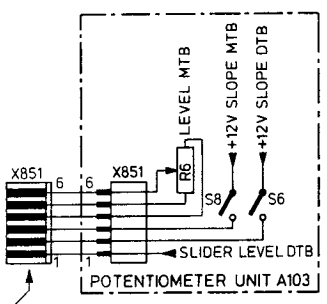
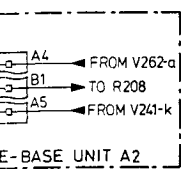


For Service Manuals Contact  
**MAURITRON TECHNICAL SERVICES**  
 8 Cherry Tree Rd, Chinnor  
 Oxon OX9 4QY  
 Tel: 01844-351694 Fax: 01844-352554  
 Email: enquiries@mauritron.co.uk

MAT2131II  
 851115

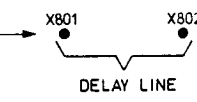
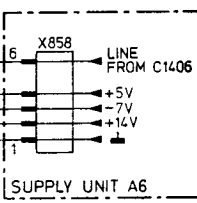
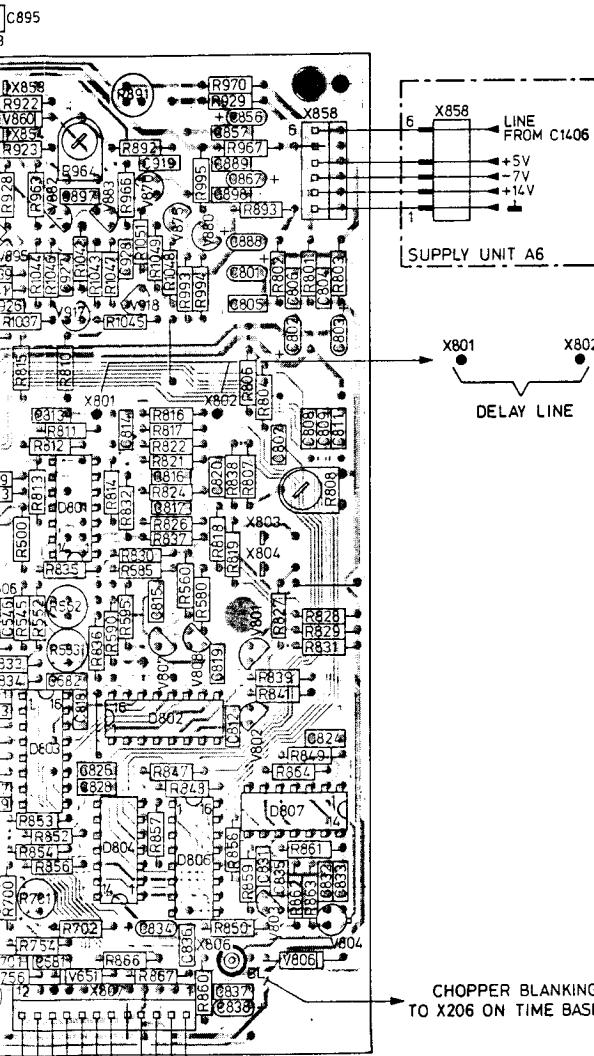
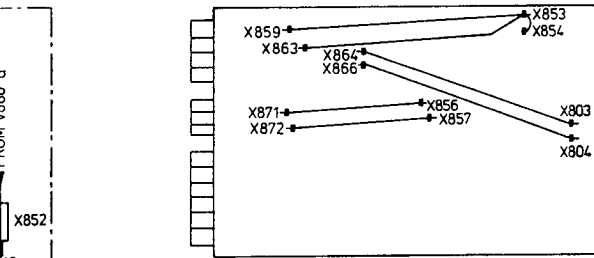
Fig. 8.2. Circuit diagram vertical deflection (attenuator, channel switch, final Y-amplifier)



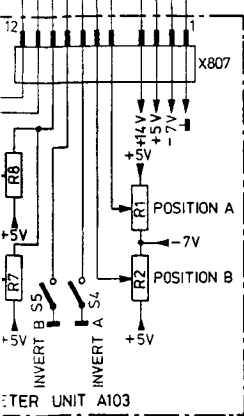


For Service Manuals Contact  
**MAURITRON TECHNICAL SERVICES**  
 8 Cherry Tree Rd, Chinnor  
 Oxon OX9 4QY  
 Tel: 01844-351694 Fax: 01844-352554  
 Email: enquiries@mauritron.co.uk

MAT1943  
 851108

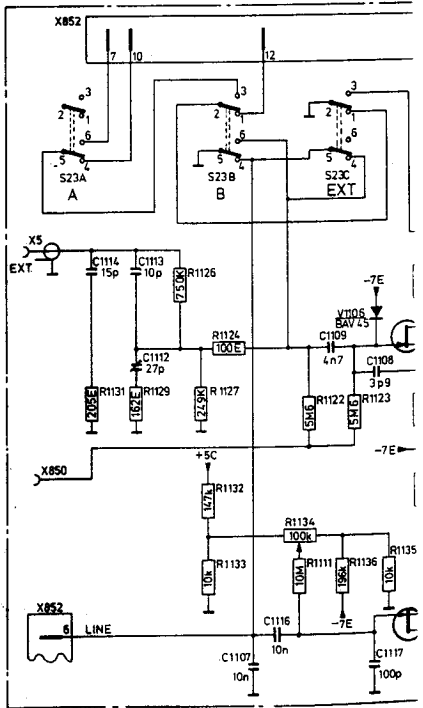
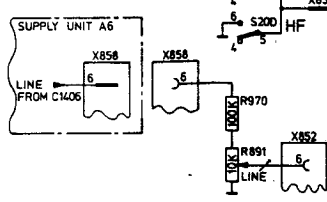
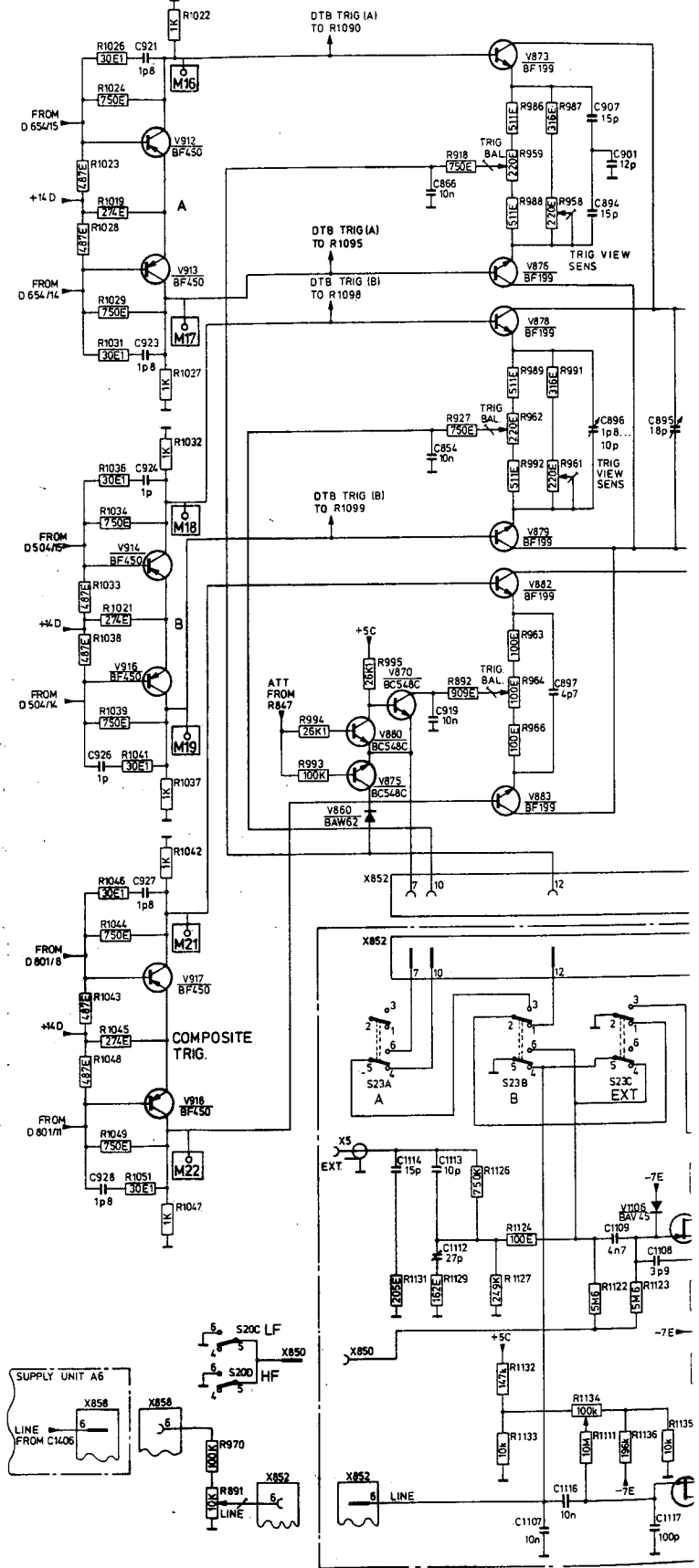


CHOPPER BLANKING TO X206 ON TIME BASE



TRIGGER INPUT

TRIGGER SELECTION

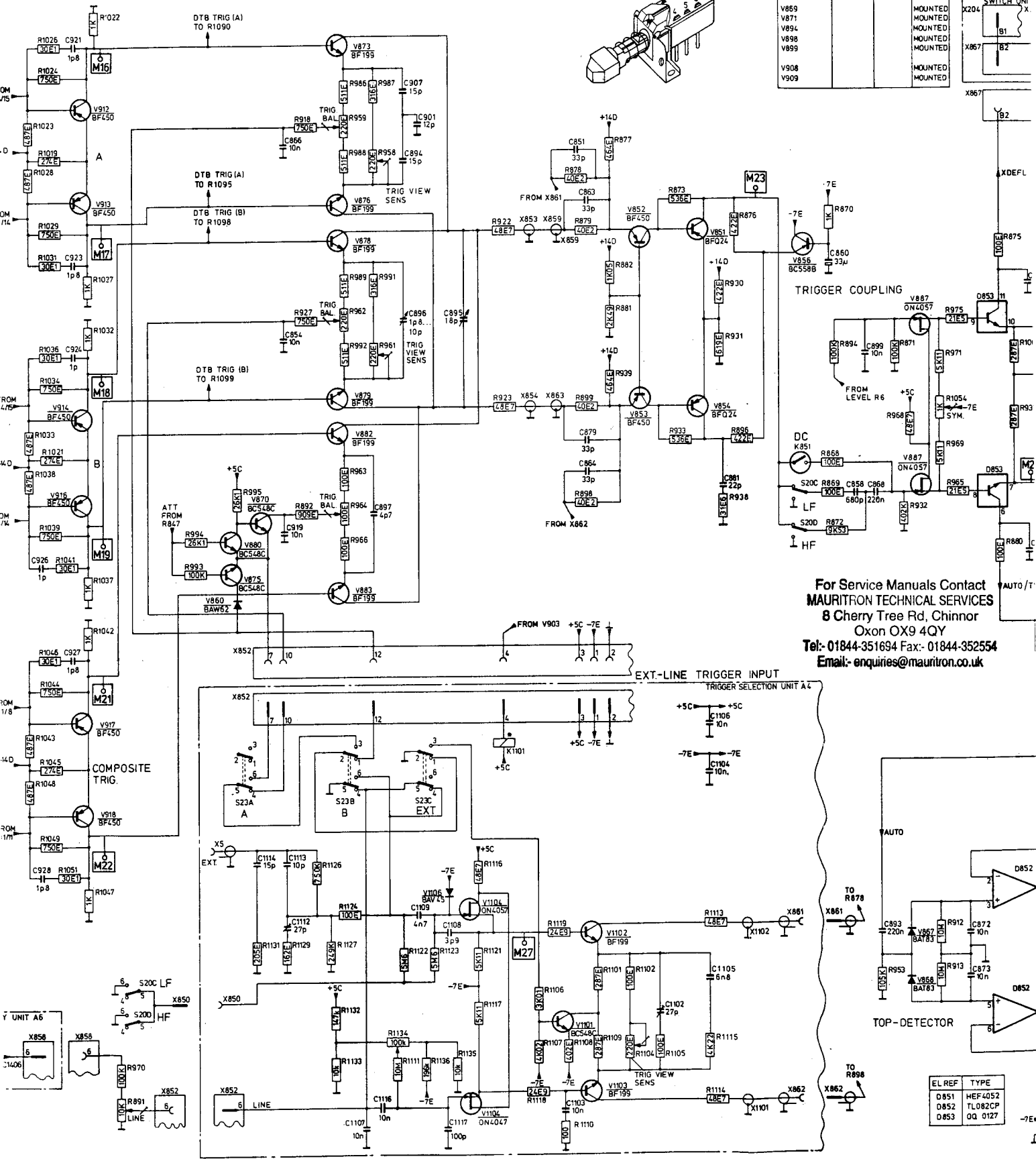
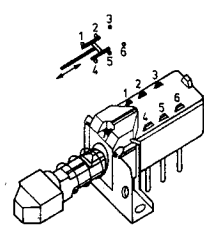
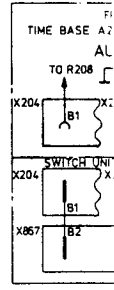


RIGGER INPUT

TRIGGER SELECTION

INPUT STAGE

|                      | TTL STANDARD | ECL OPTION | TV OPTION |
|----------------------|--------------|------------|-----------|
| BRIDGE WIRE S20A 4-5 | CLOSED       | CLOSED     | OPEN      |
| R908                 | 51K1         | 51K1       | REMOVED   |
| R909                 |              | REMOVED    | REMOVED   |
| V869                 |              |            | MOUNTED   |
| V871                 |              |            | MOUNTED   |
| V874                 |              |            | MOUNTED   |
| V898                 |              |            | MOUNTED   |
| V899                 |              |            | MOUNTED   |
| V908                 |              |            | MOUNTED   |
| V909                 |              |            | MOUNTED   |



For Service Manuals Contact  
**MAURITRON TECHNICAL SERVICES**  
 8 Cherry Tree Rd, Chinnor  
 Oxon OX9 4QY  
 Tel: 01844-351694 Fax: 01844-352554  
 Email: enquiries@mauritron.co.uk

Fig. 8.4. Circuit diagram





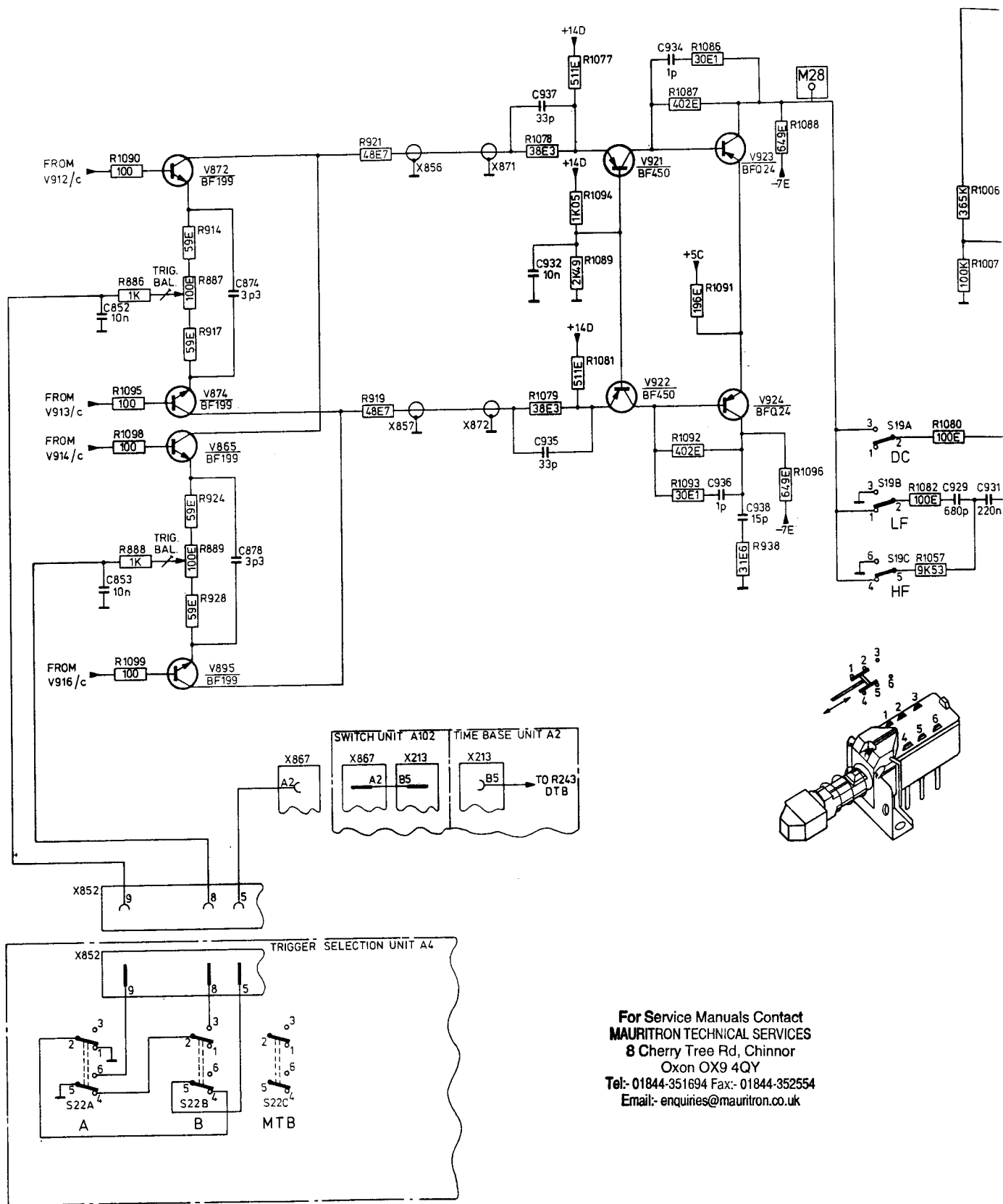
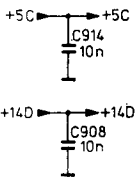
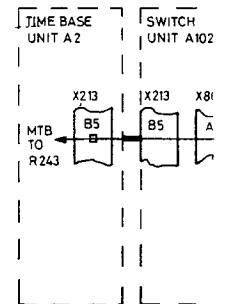
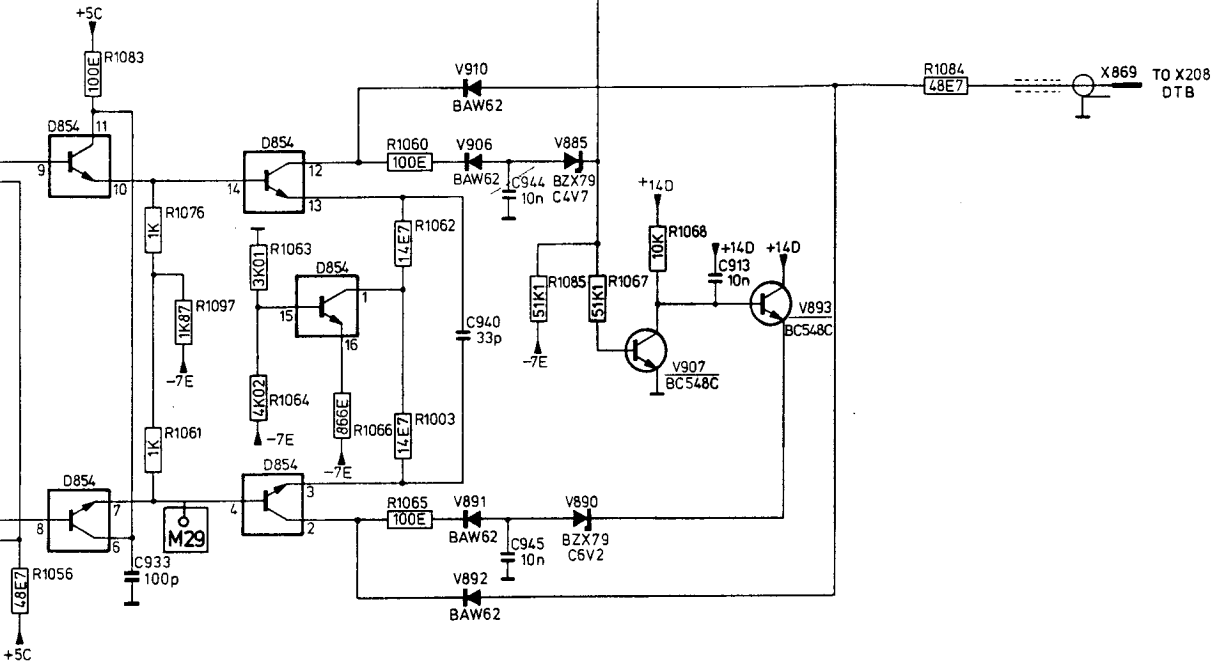
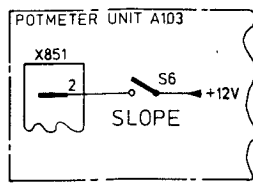
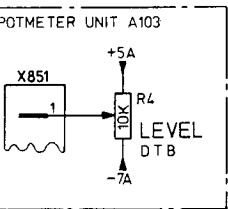


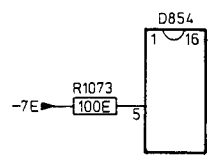
Fig. 8.5. Circuit diagram delayed time-base triggering (unit A3)

For Service Manuals Contact  
**MAURITRON TECHNICAL SERVICES**  
 8 Cherry Tree Rd, Chinnor  
 Oxon OX9 4QY  
 Tel:- 01844-351694 Fax:- 01844-352554  
 Email:- enquiries@mauritron.co.uk



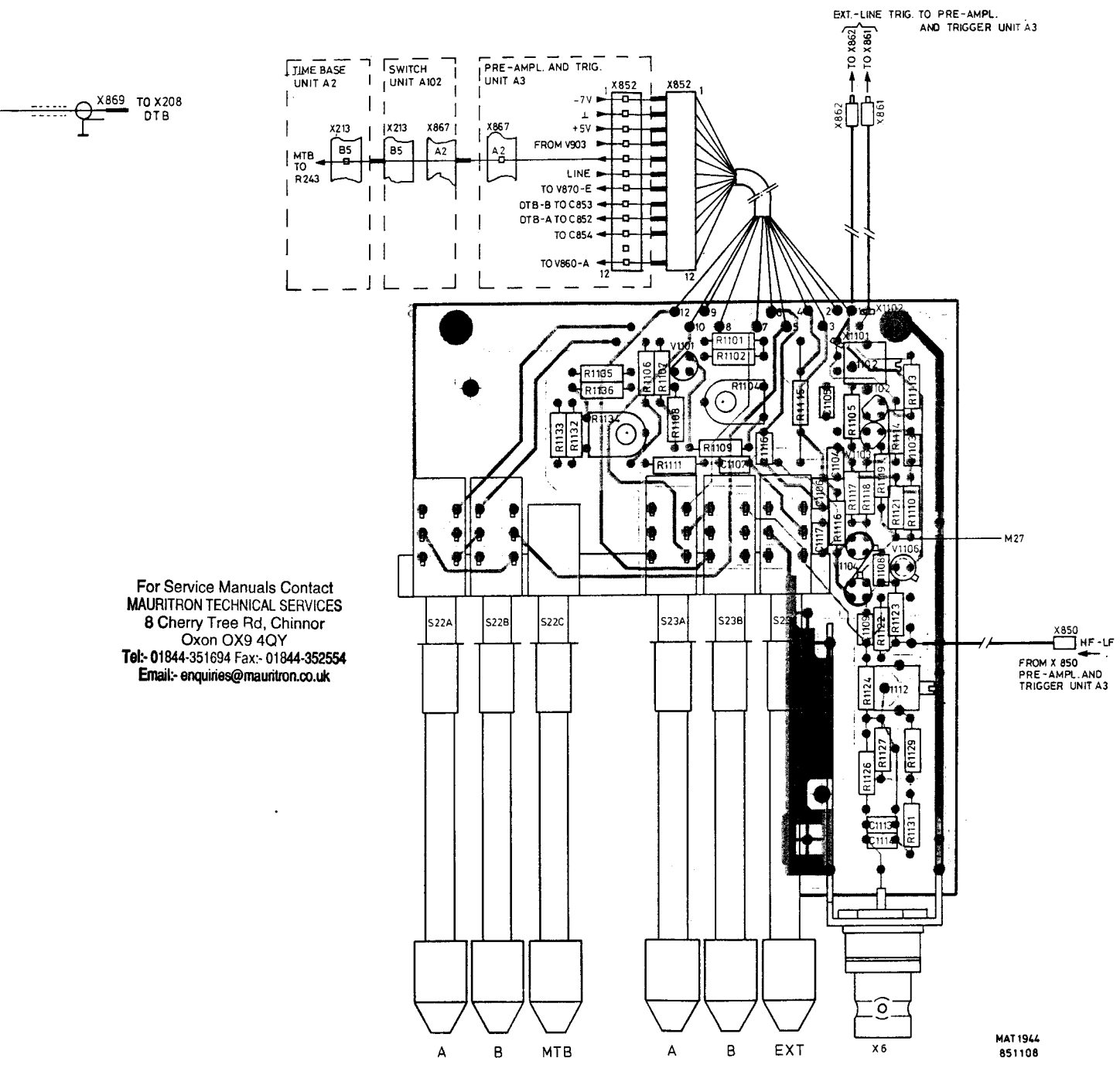


| EL REF | TYPE    |
|--------|---------|
| D854   | OQ 0127 |



MAT 2146  
851115

Fig.

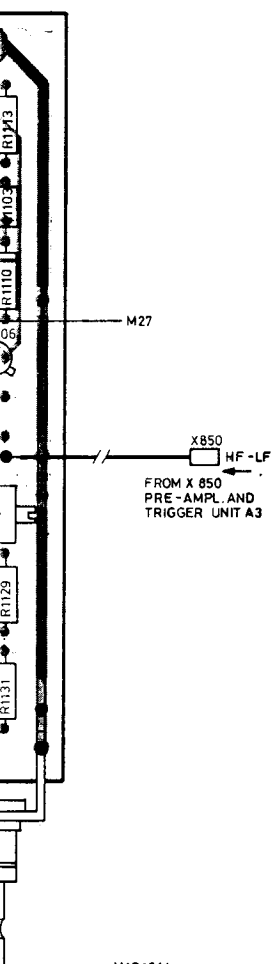


For Service Manuals Contact  
**MAURITRON TECHNICAL SERVICES**  
 8 Cherry Tree Rd, Chinnor  
 Oxon OX9 4QY  
 Tel: 01844-351694 Fax: 01844-352554  
 Email: enquiries@mauritron.co.uk

MAT1944  
 851108

Fig. 8.6. Trigger selection unit A4, p.c.b.

5. TO PRE-AMPL.  
AND TRIGGER UNIT A3



For Service Manuals Contact  
**MAURITRON TECHNICAL SERVICES**  
8 Cherry Tree Rd, Chinnor  
Oxon OX9 4QY  
**Tel:- 01844-351694 Fax:- 01844-352554**  
Email:- [enquiries@mauritron.co.uk](mailto:enquiries@mauritron.co.uk)

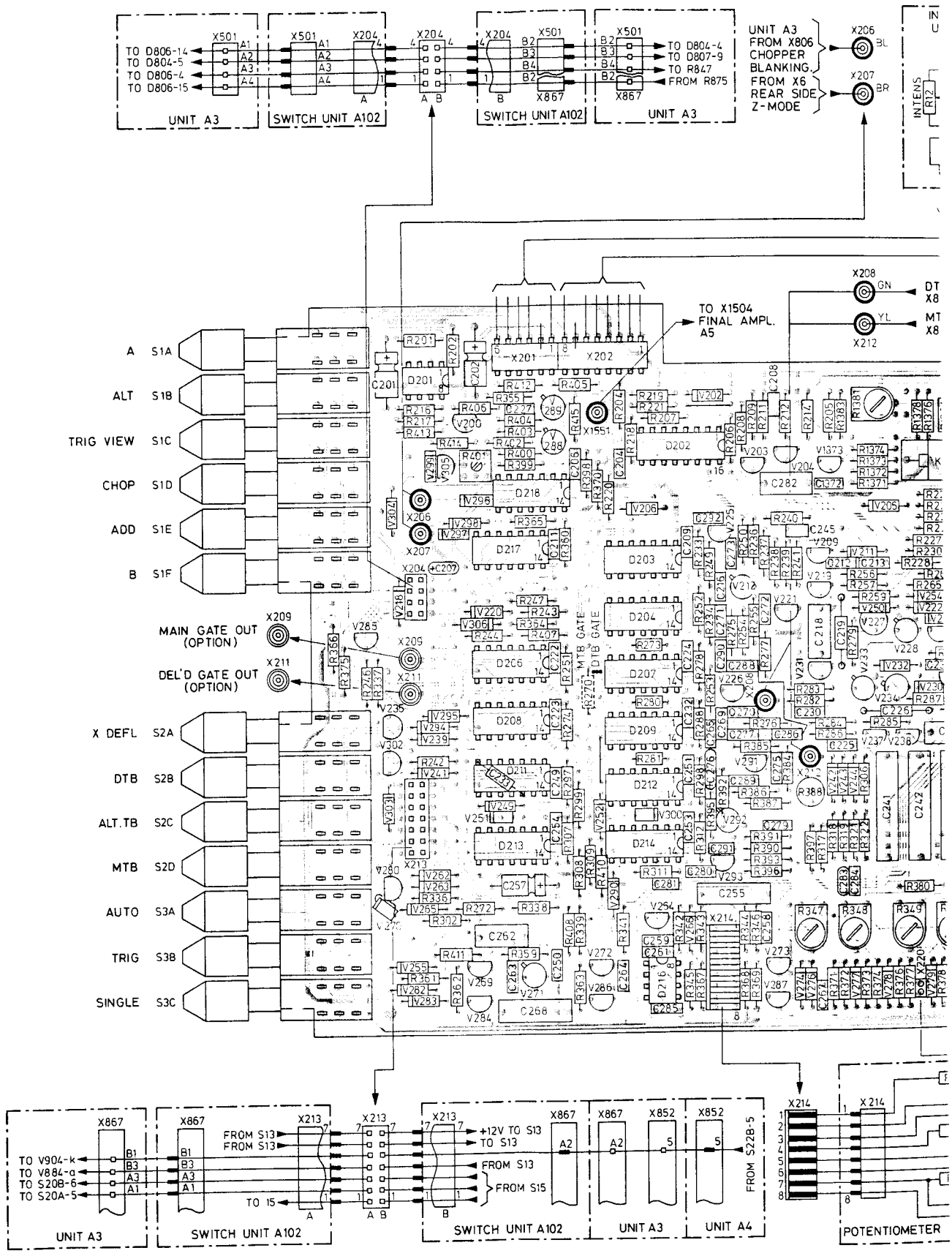


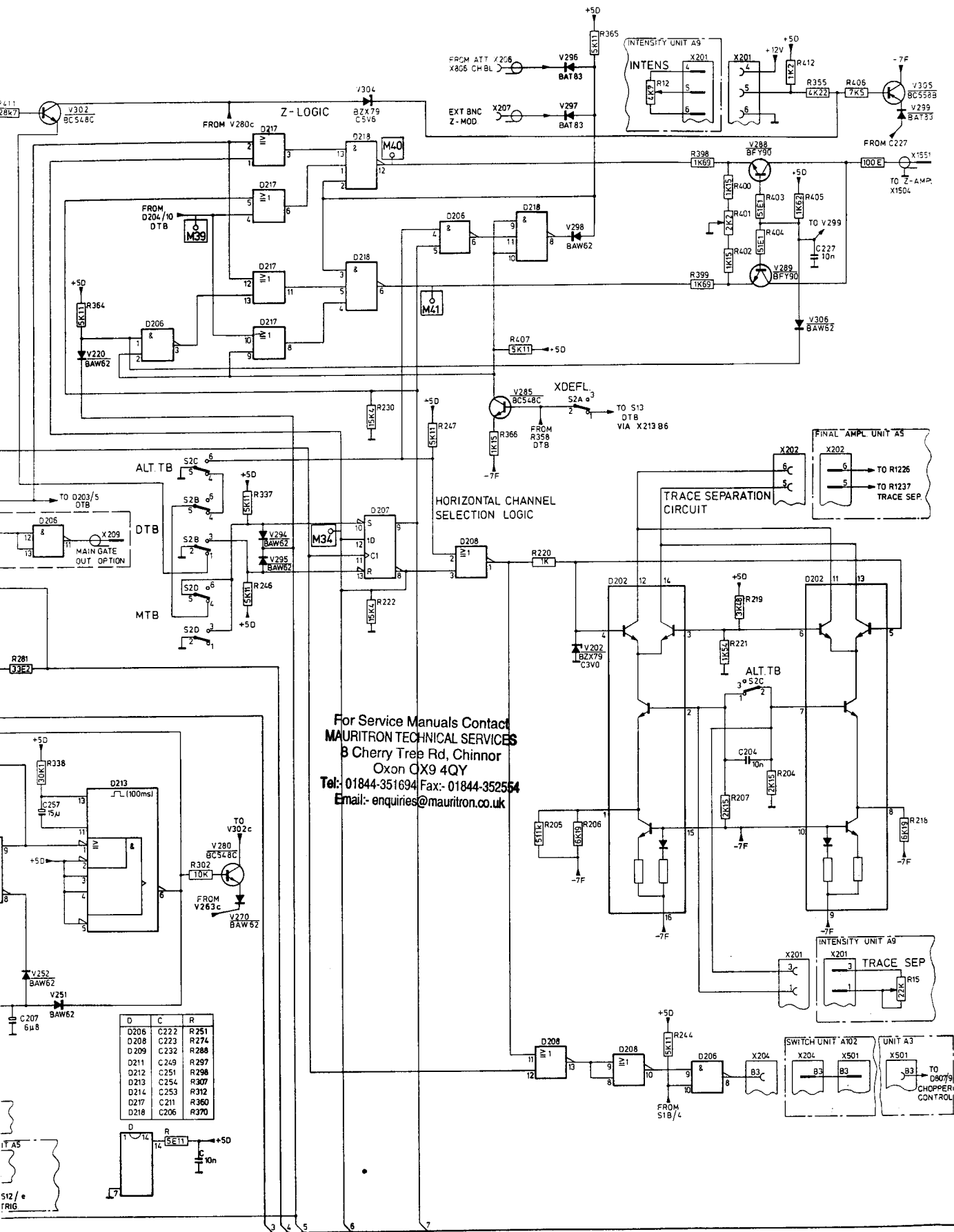
Fig. 8.7. Time-base unit p.c.b. A2







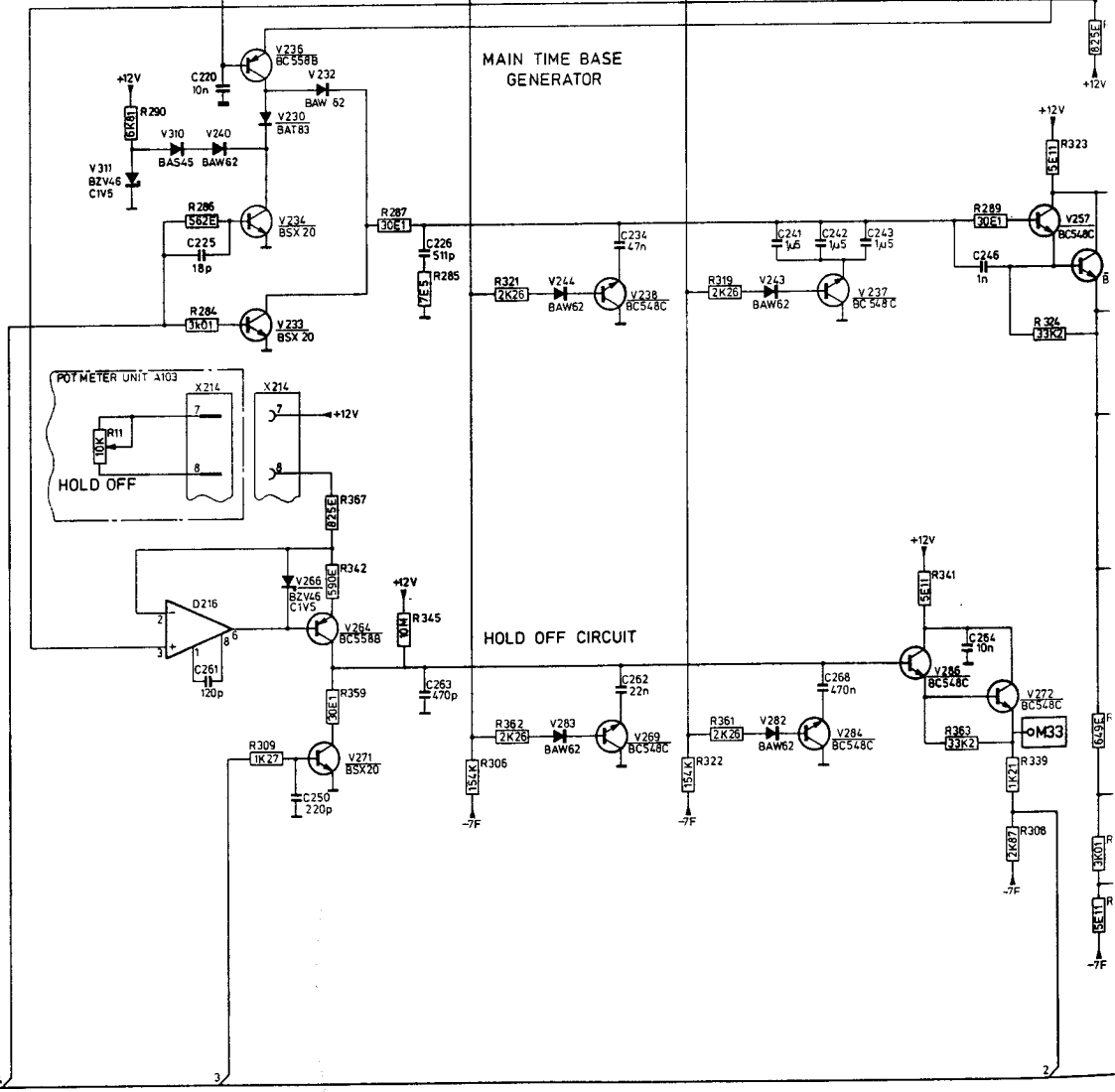
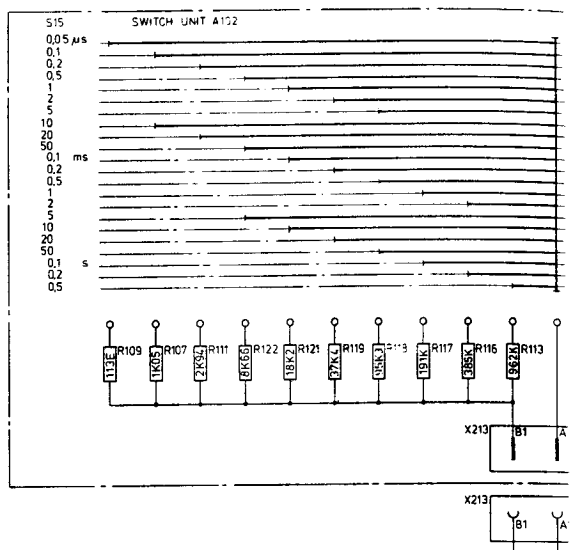
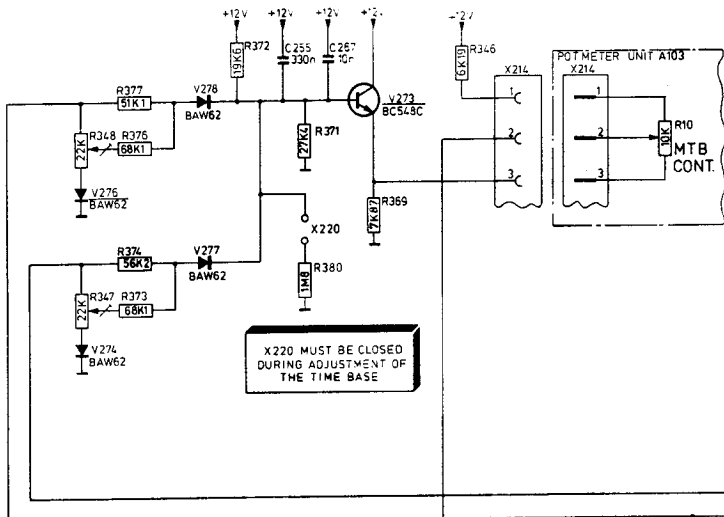


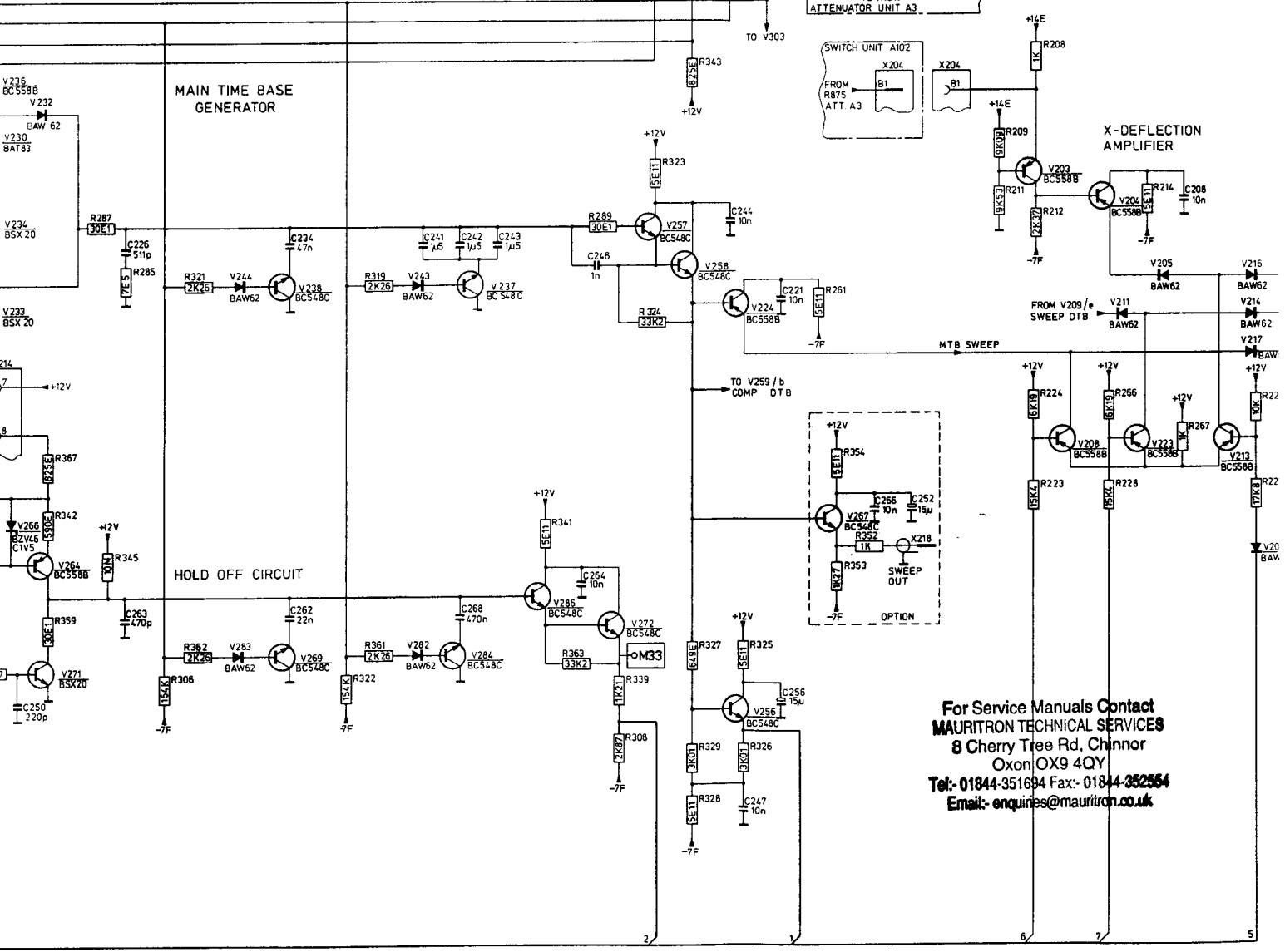
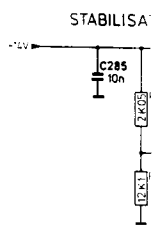
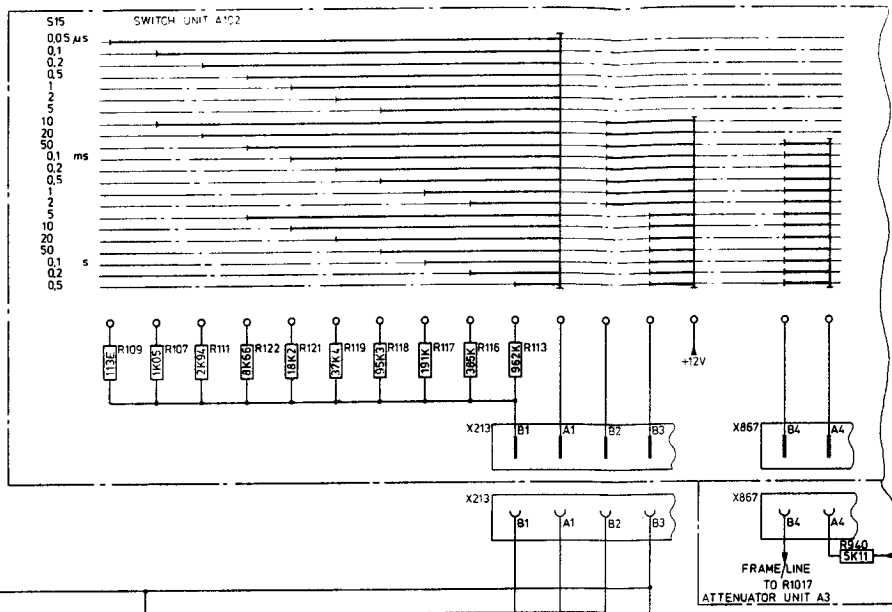
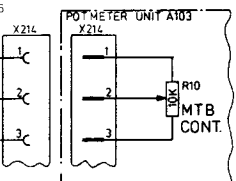


| D    | C    | R    |
|------|------|------|
| D206 | C222 | R251 |
| D208 | C223 | R274 |
| D209 | C232 | R288 |
| D211 | C249 | R297 |
| D212 | C251 | R298 |
| D213 | C254 | R307 |
| D214 | C253 | R312 |
| D217 | C211 | R360 |
| D218 | C206 | R370 |

MAT21331  
8 5 1 0 8

Fig. 8.8. Circuit diagram main time-base (unit A2)





For Service Manuals Contact  
**MAURITRON TECHNICAL SERVICES**  
 8 Cherry Tree Rd, Chinnor  
 Oxon OX9 4QY  
 Tel: 01844-351694 Fax: 01844-352554  
 Email: enquires@mauritron.co.uk

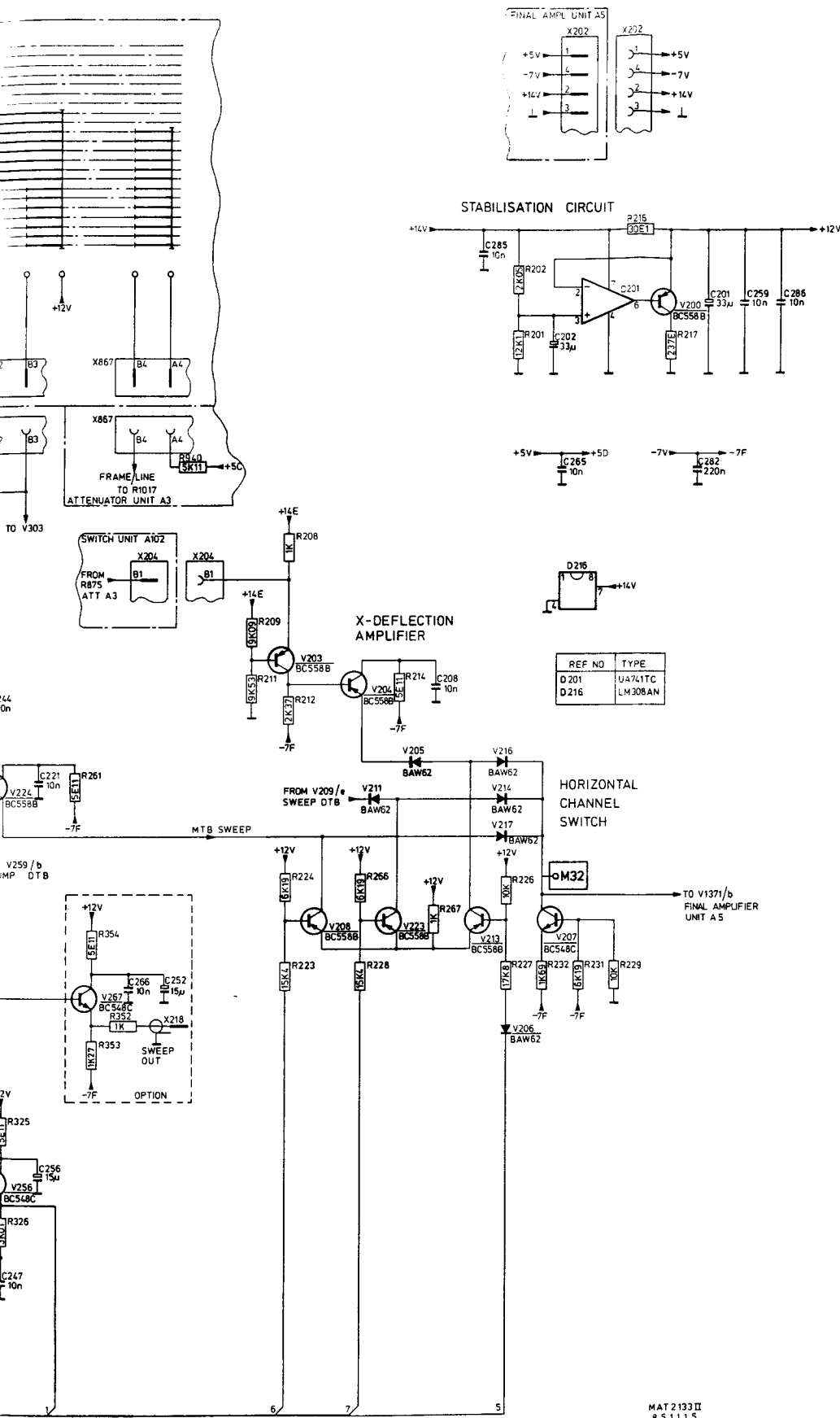
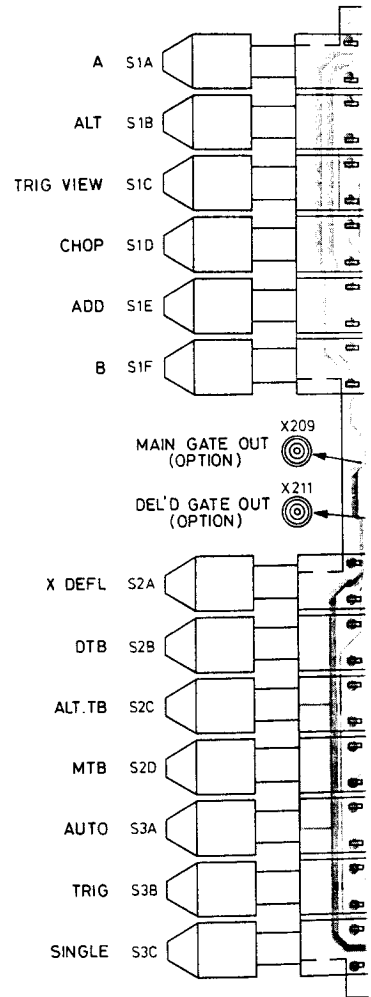
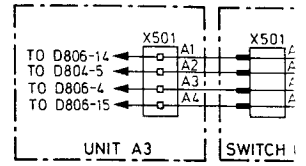
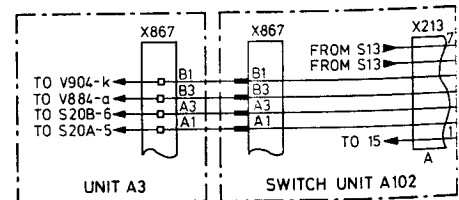


Fig. 8.8. Circuit diagram main time-base (unit A2)



For Service Manuals Contact  
**MAURITRON TECHNICAL SERVICES**  
 8 Cherry Tree Rd, Chinnor  
 Oxon OX9 4QY  
 Tel:- 01844-351694 Fax:- 01844-352554  
 Email:- enquiries@mauritron.co.uk



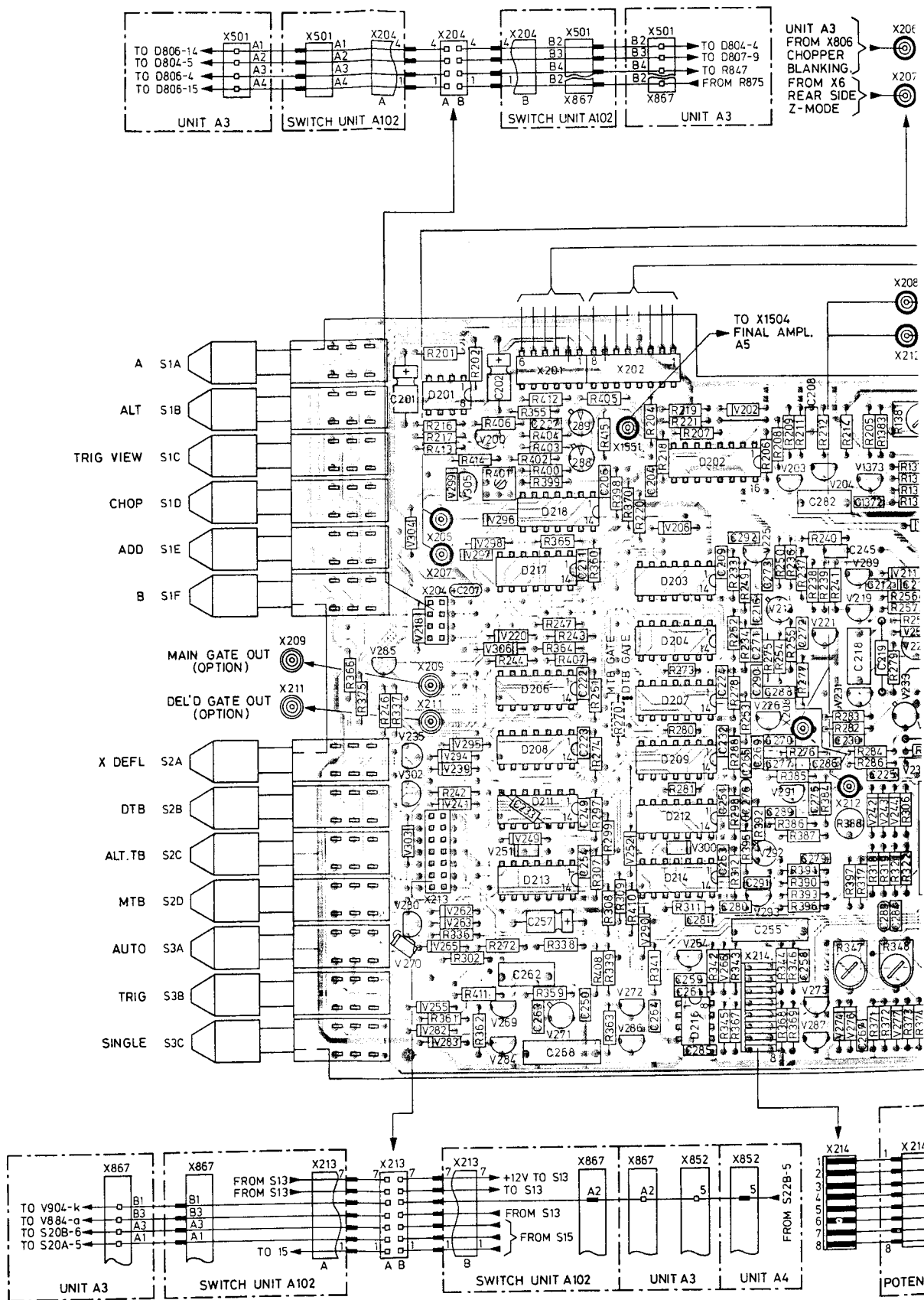
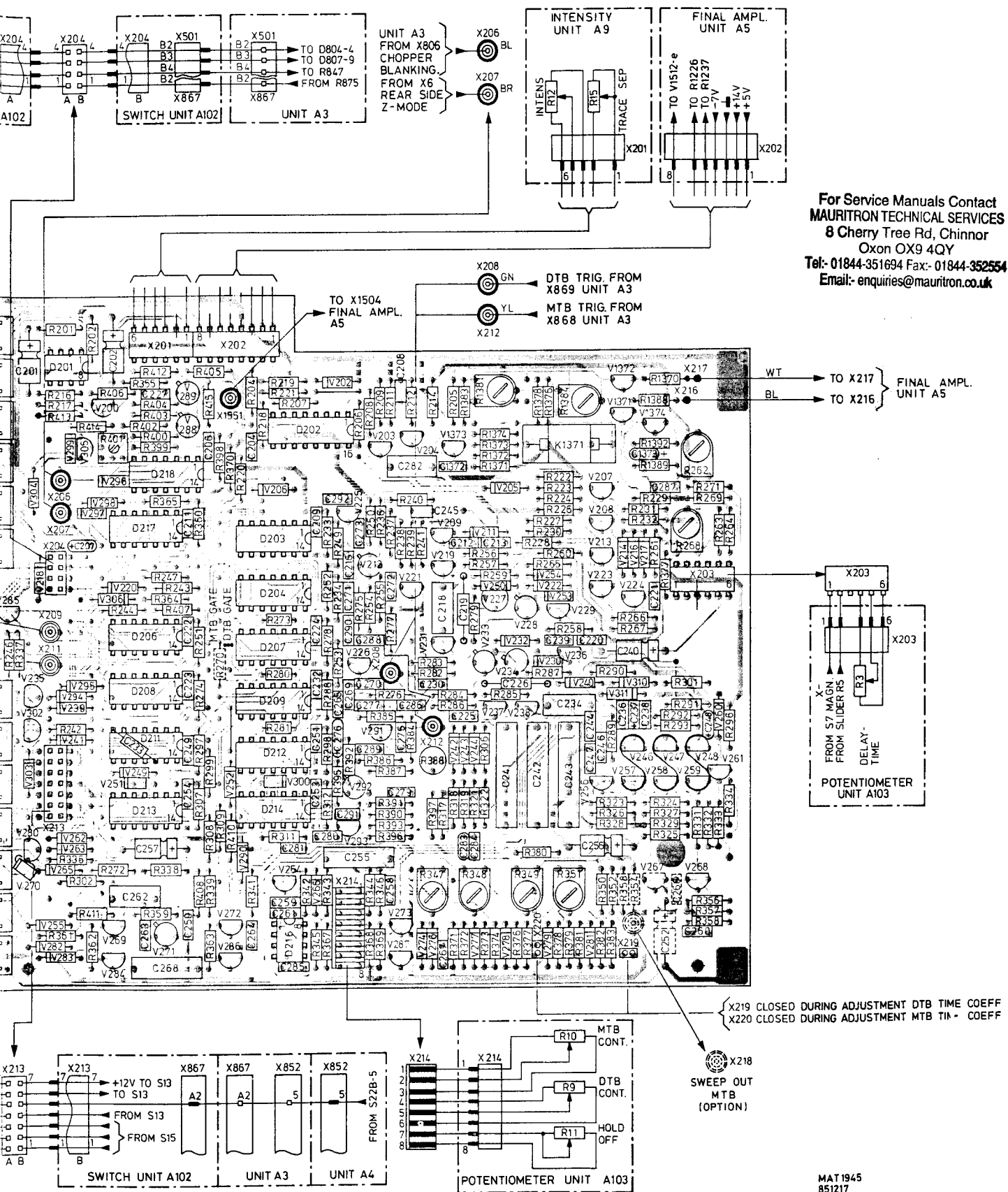


Fig. 8.9. Time-base unit p.c.b. A2

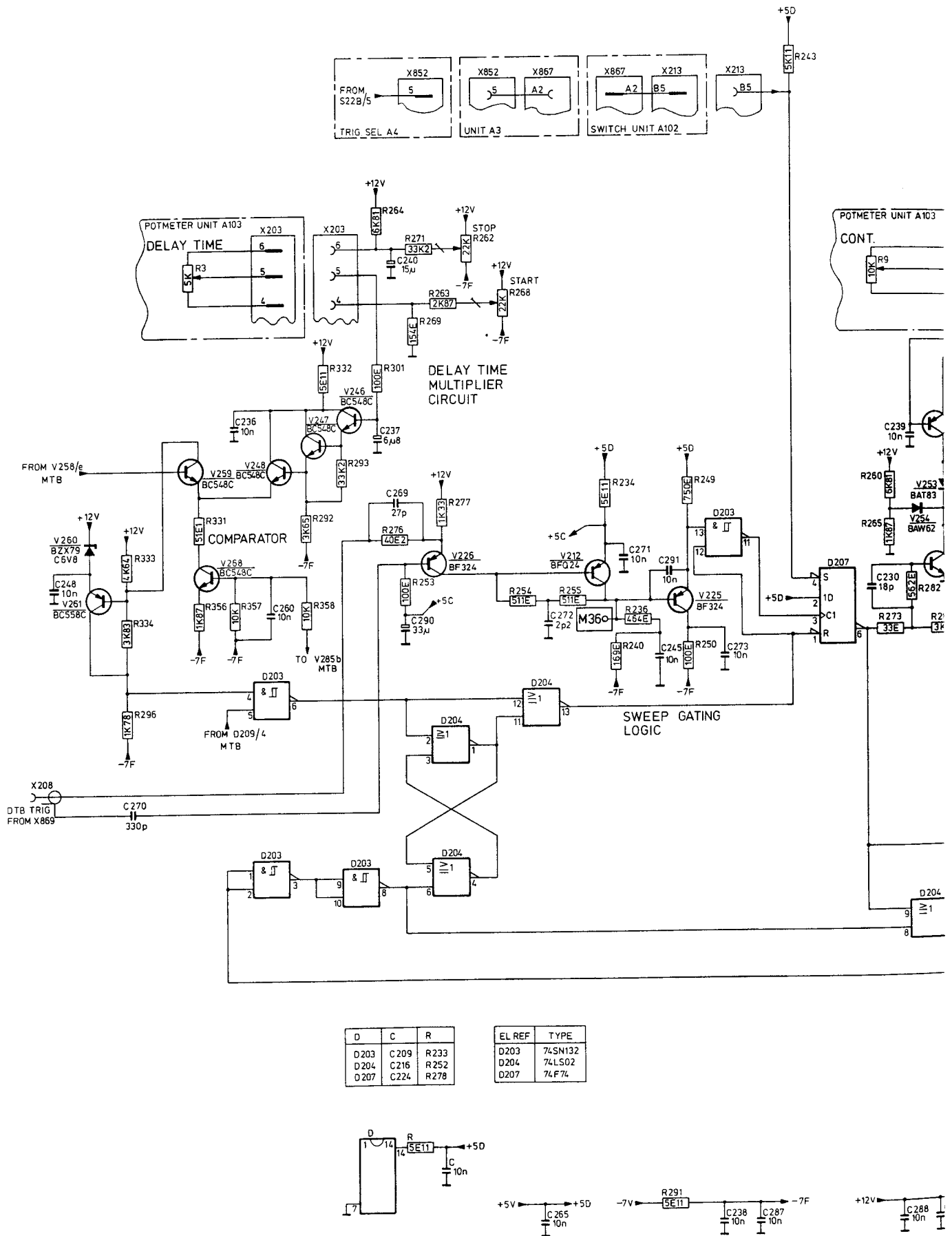


For Service Manuals Contact  
**MAURITRON TECHNICAL SERVICES**  
 8 Cherry Tree Rd, Chinnor  
 Oxon OX9 4QY  
 Tel: 01844-351694 Fax: 01844-352554  
 Email: enquiries@mauritron.co.uk

Fig. 8.9. Time-base unit p.c.b. A2

MAT1945  
 851217





| D    | C    | R    |
|------|------|------|
| D203 | C209 | R233 |
| D204 | C216 | R252 |
| D207 | C224 | R278 |

| EL REF | TYPE     |
|--------|----------|
| D203   | 74LSN132 |
| D204   | 74LS02   |
| D207   | 74F74    |

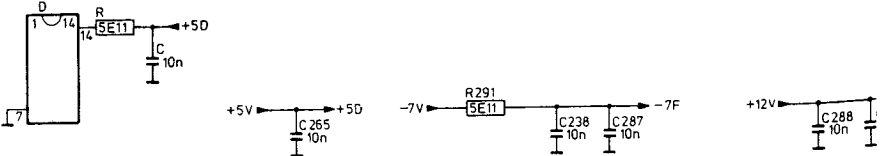
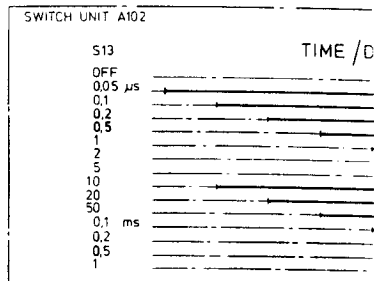
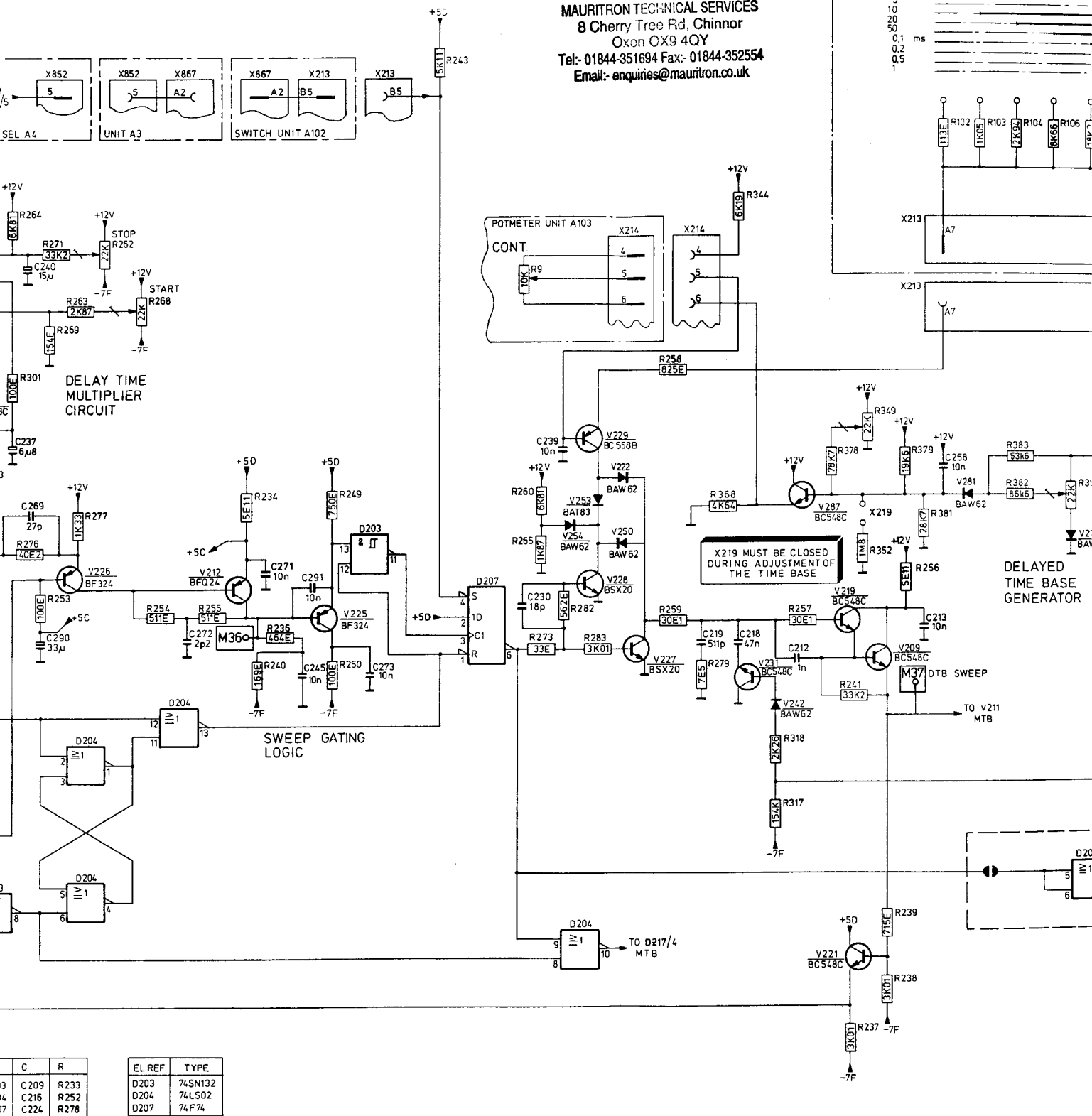
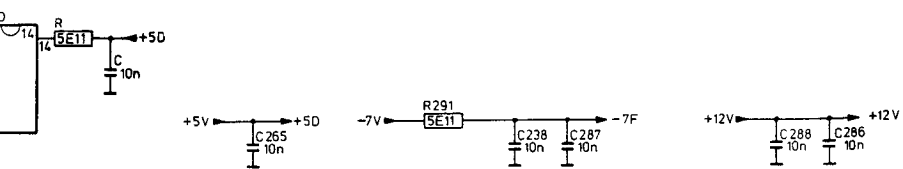


Fig. 8.10. Circuit diagram delayed time-base (unit A2)

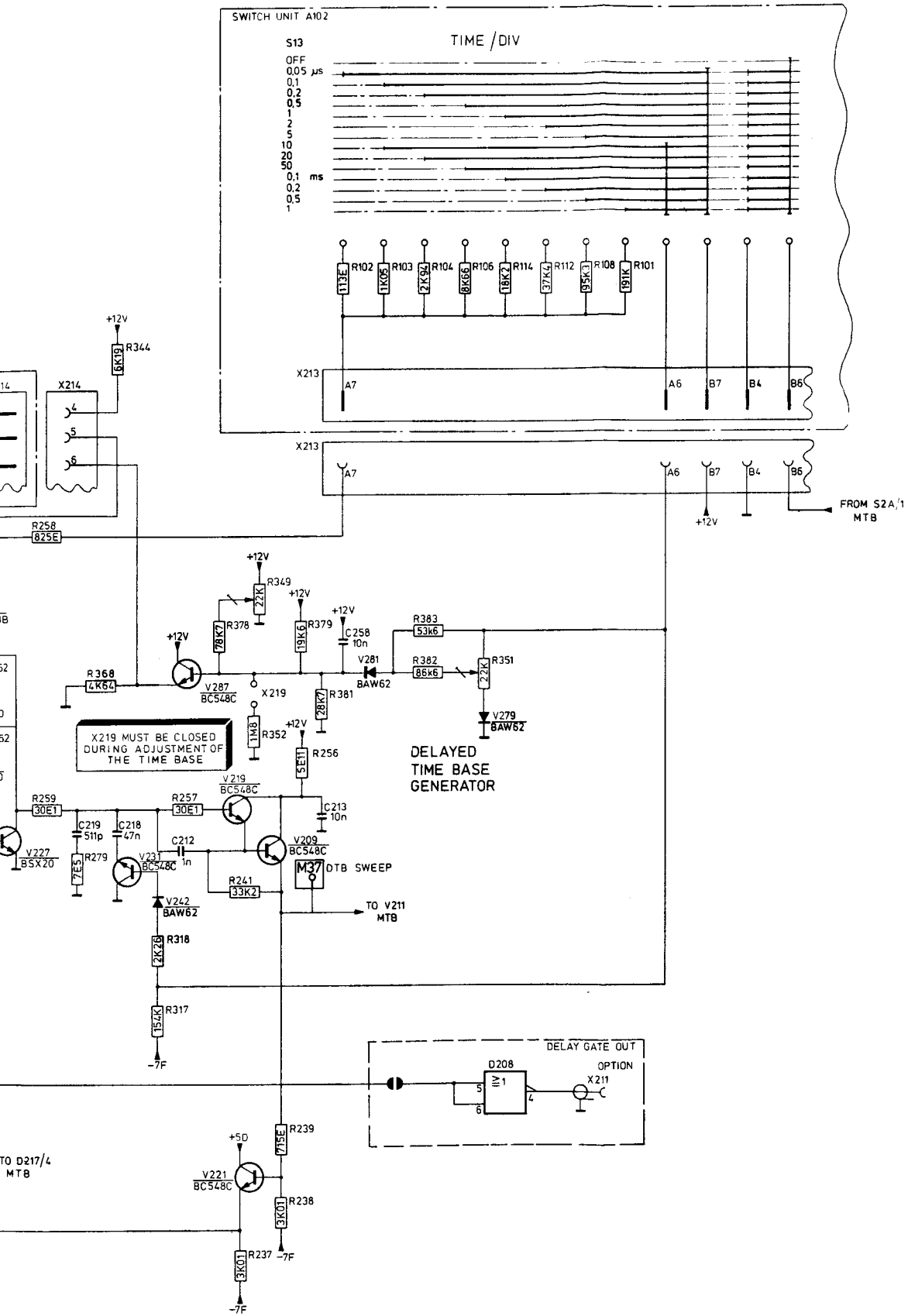
For Service Manuals Contact  
**MAURITRON TECHNICAL SERVICES**  
 8 Cherry Tree Rd, Chinnor  
 Oxon OX9 4QY  
 Tel: 01844-351694 Fax: 01844-352554  
 Email: enquiries@mauritron.co.uk

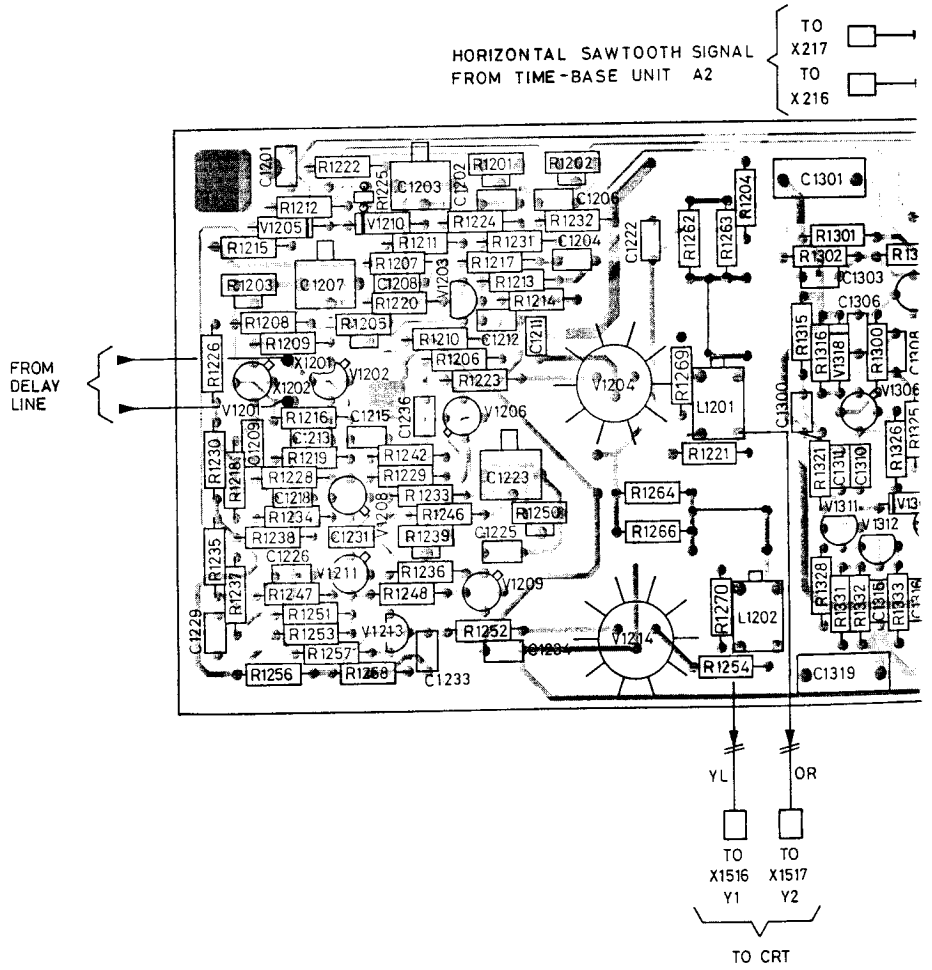


| C     | R     | EL REF | TYP     |
|-------|-------|--------|---------|
| C 209 | R 233 | D203   | 74SN132 |
| C 216 | R 252 | D204   | 74LS02  |
| C 224 | R 278 | D207   | 74F 74  |



A2)





For Service Manuals Contact  
**MAURITRON TECHNICAL SERVICES**  
 8 Cherry Tree Rd, Chinnor  
 Oxon OX9 4QY  
 Tel:- 01844-351694 Fax:- 01844-352554  
 Email:- enquiries@mauritron.co.uk

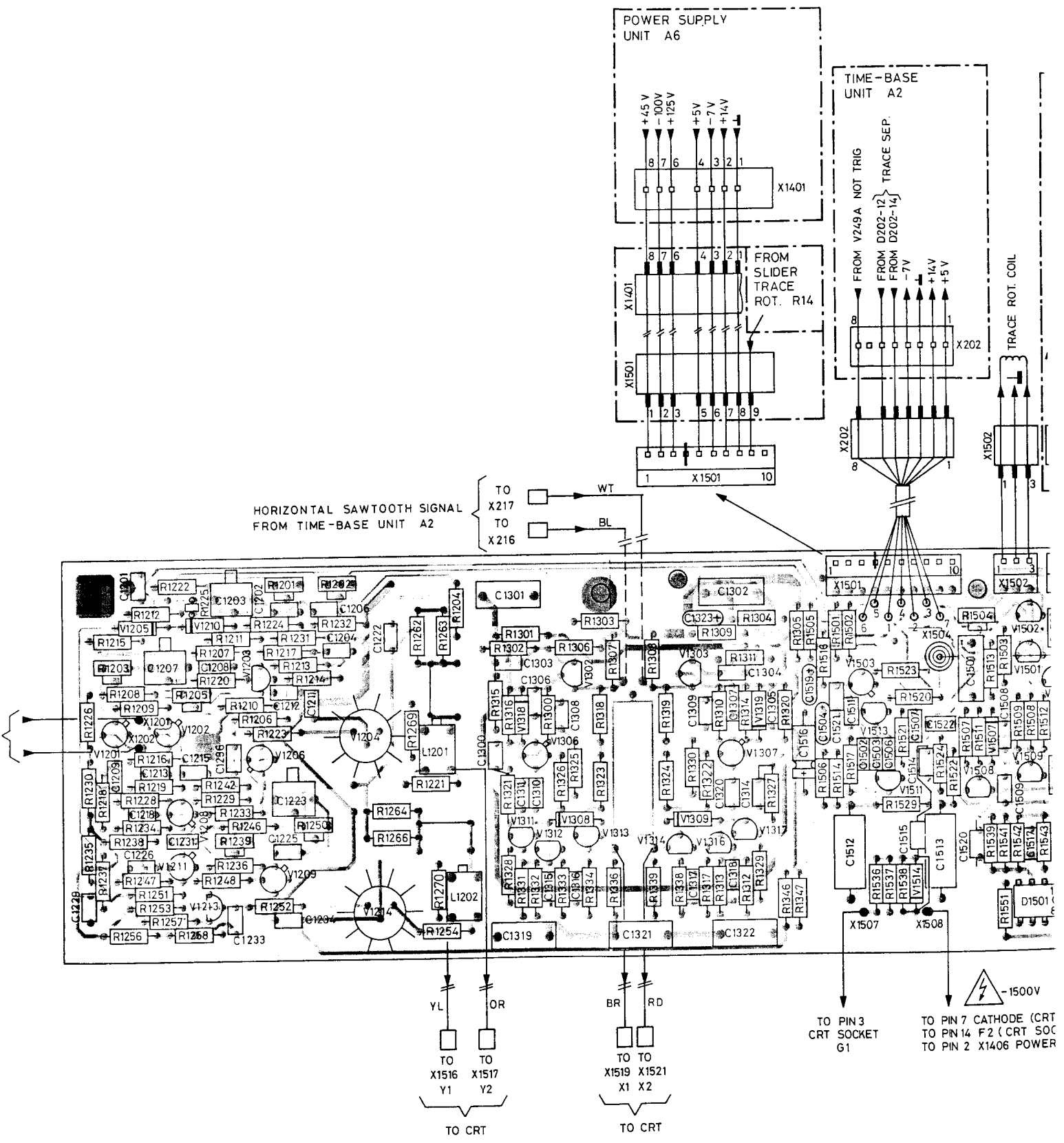
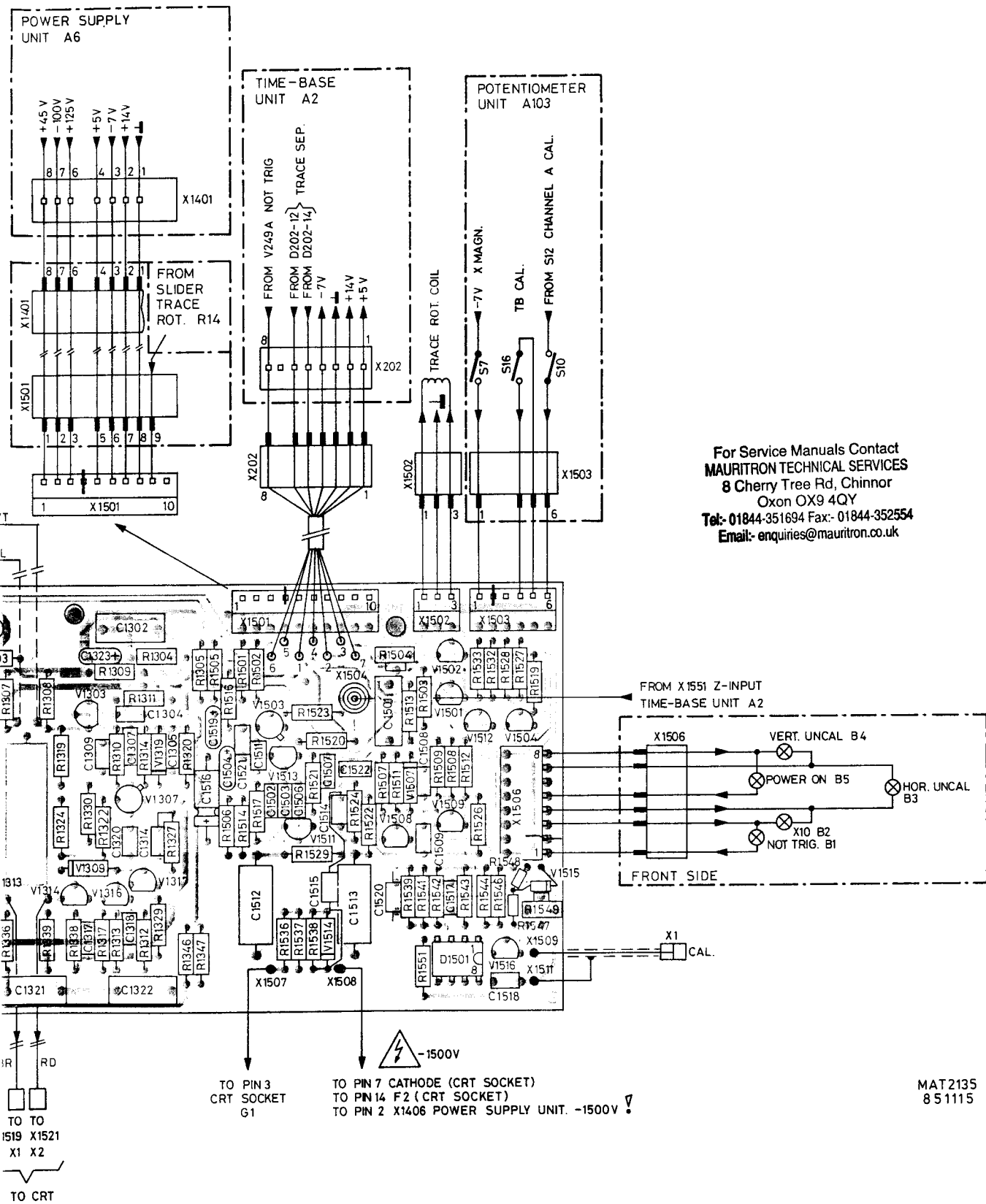


Fig. 8.11. Final amplifier unit p.c.b. A5



For Service Manuals Contact  
**MAURITRON TECHNICAL SERVICES**  
 8 Cherry Tree Rd, Chinnor  
 Oxon OX9 4QY  
 Tel: 01844-351694 Fax: 01844-352554  
 Email: enquiries@mauritron.co.uk

Fig. 8.11. Final amplifier unit p.c.b. A5

MAT2135  
 851115

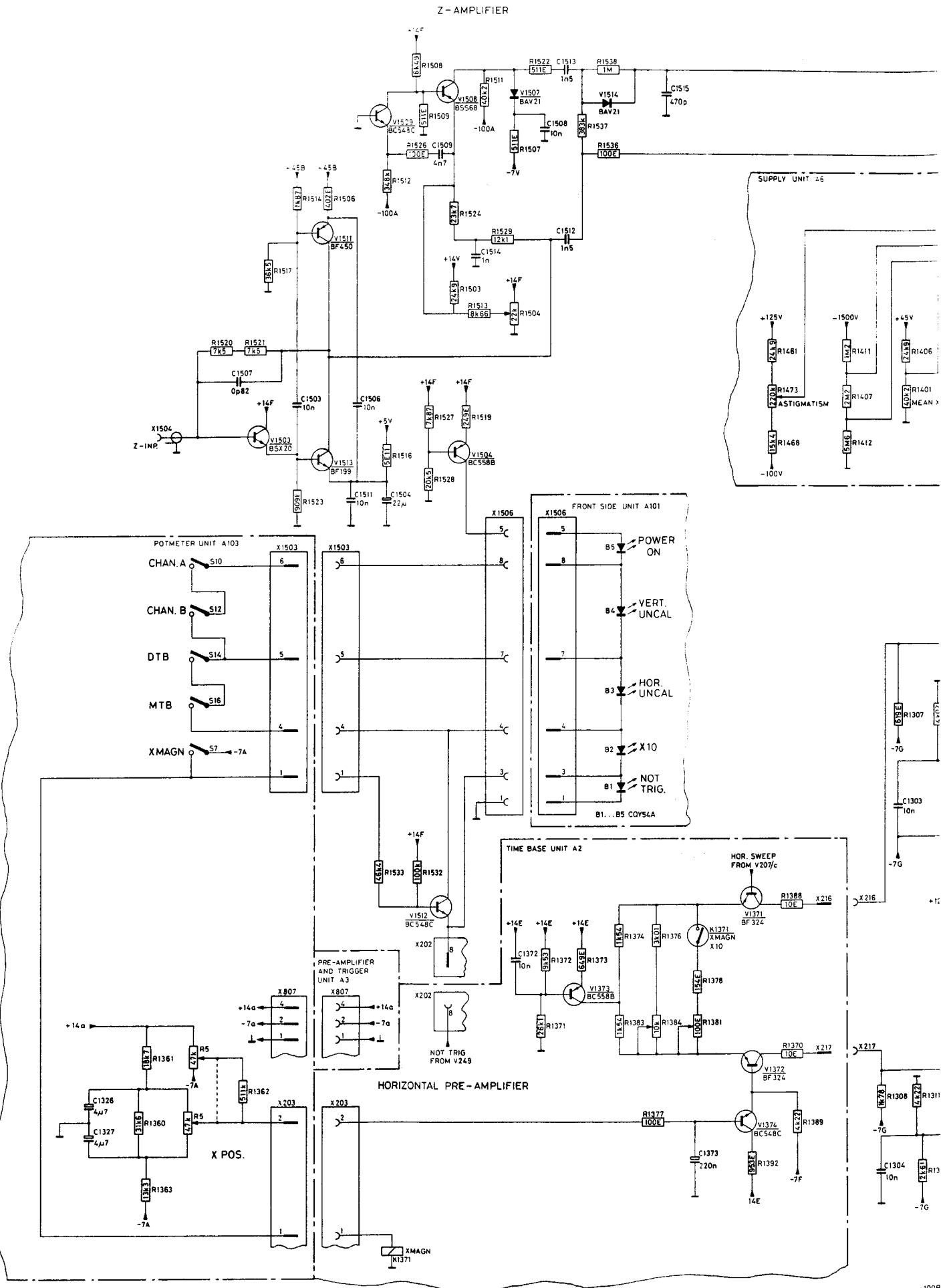
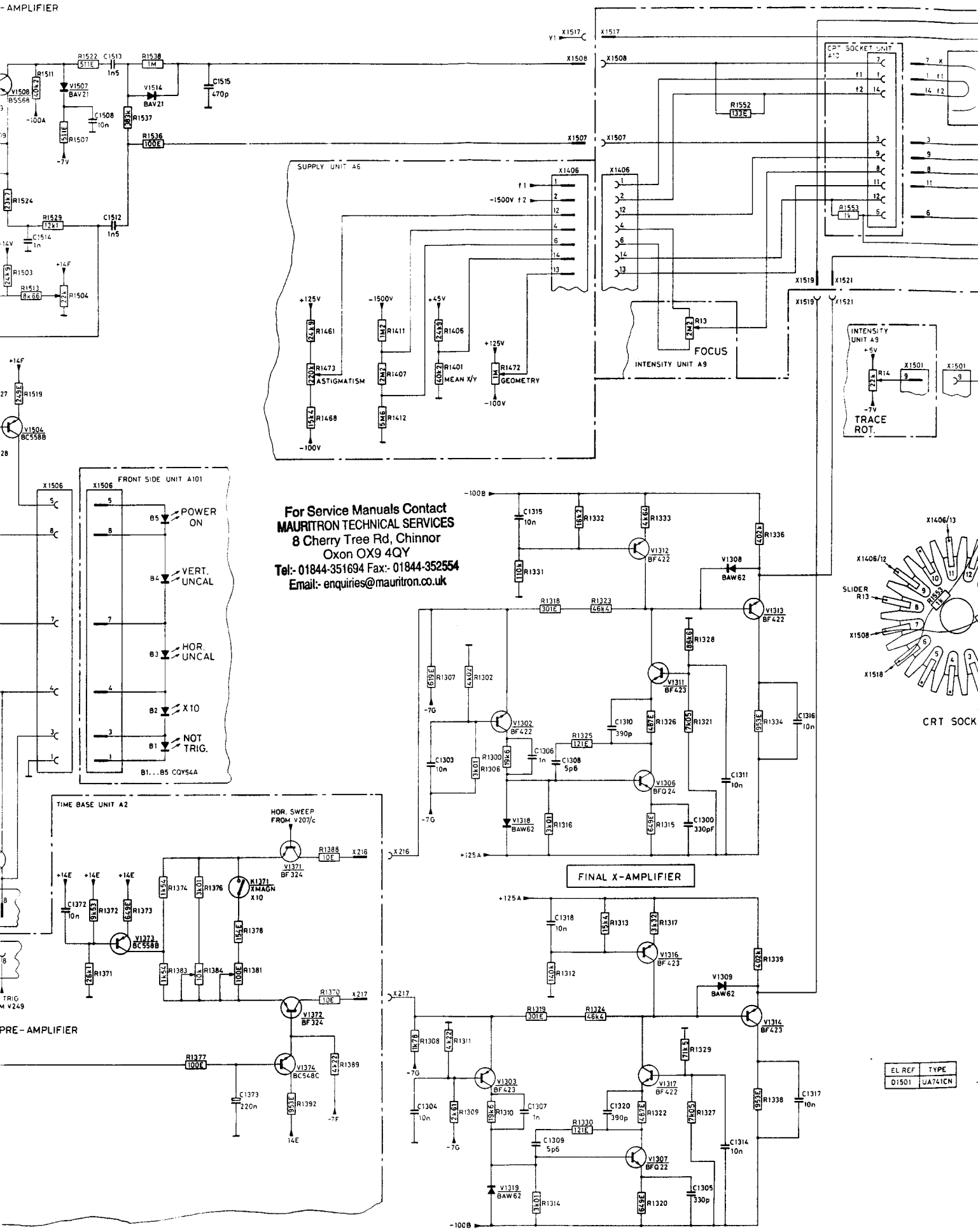
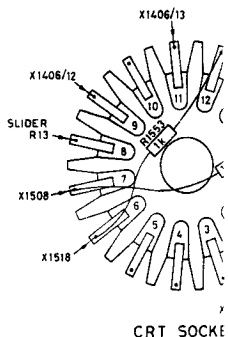
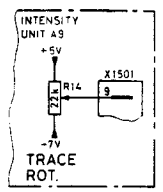


Fig. 8.12. Circuit diagram final X-amplifier, Z-amplifier, calibration unit and display section

AMPLIFIER



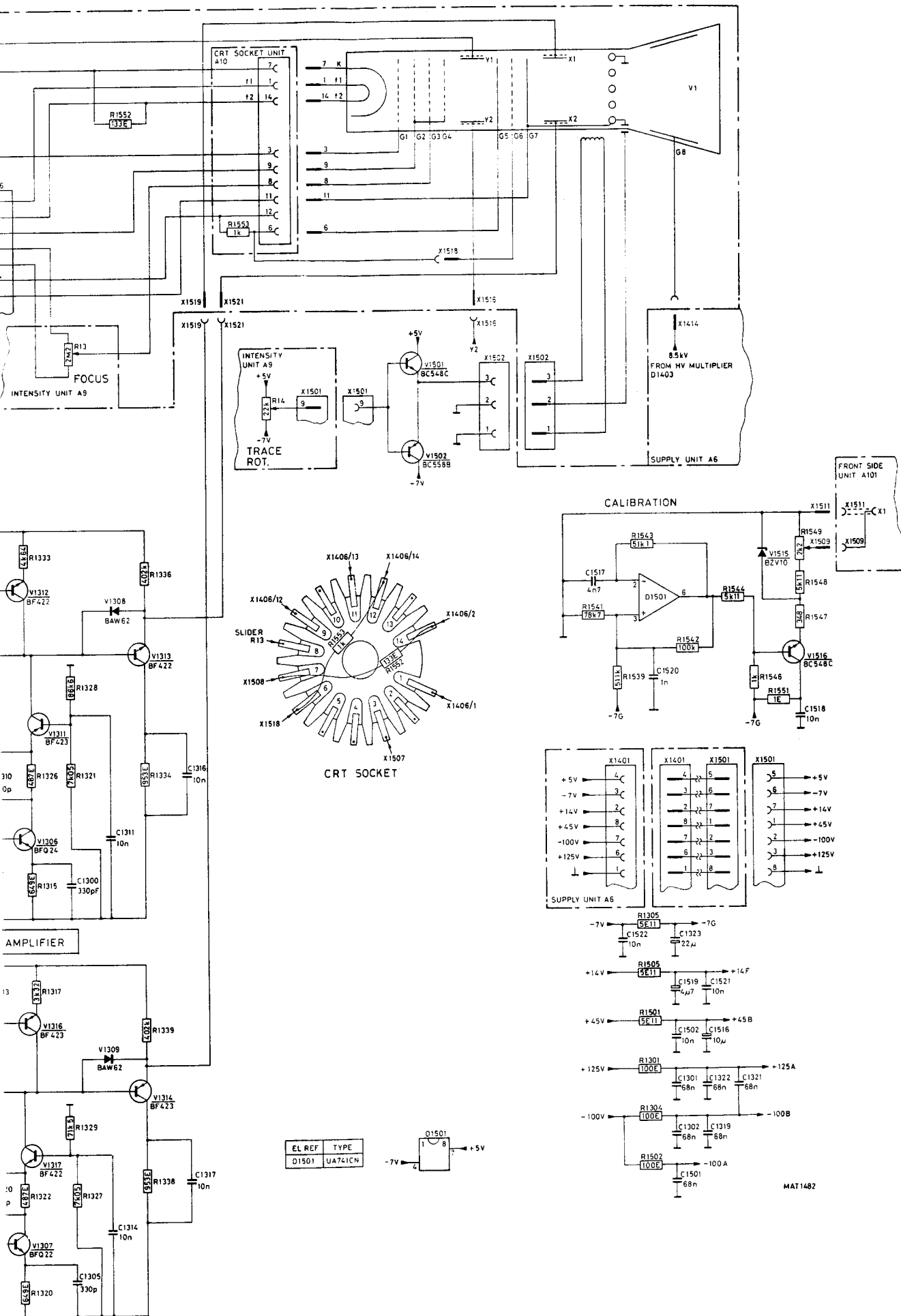
For Service Manuals Contact  
**MAURITRON TECHNICAL SERVICES**  
 8 Cherry Tree Rd, Chinnor  
 Oxon OX9 4QY  
 Tel:- 01844-351694 Fax:- 01844-352554  
 Email:- enquiries@mauritron.co.uk



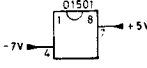
| EL REF | TYPE    |
|--------|---------|
| 01501  | UA741CN |

unit and display section

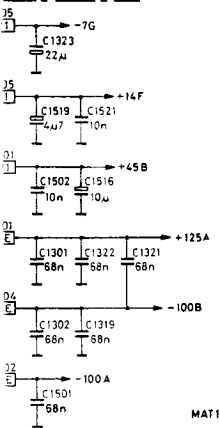
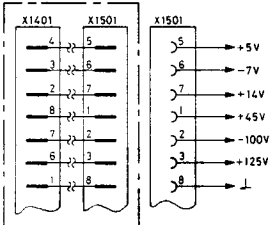
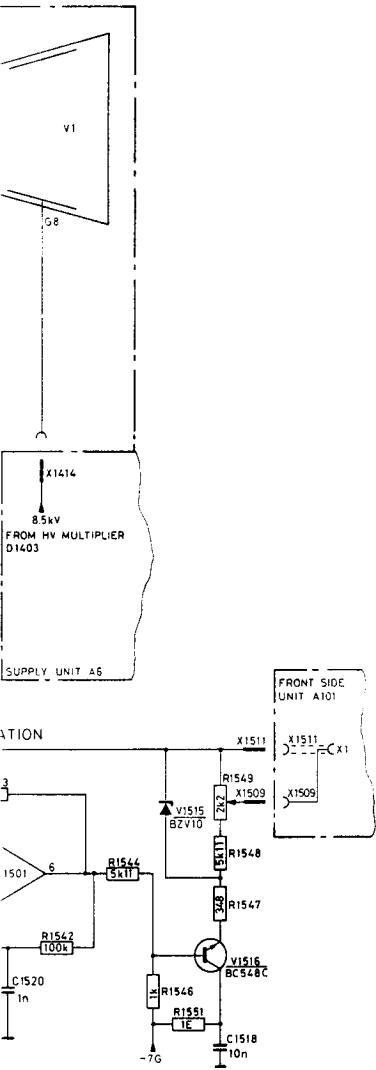




| EL REF | TYPE    |
|--------|---------|
| D1501  | UA741CN |



MAT1482



MAT1482

For Service Manuals Contact  
**MAURITRON TECHNICAL SERVICES**  
 8 Cherry Tree Rd, Chinnor  
 Oxon OX9 4QY  
 Tel:- 01844-351694 Fax:- 01844-352554  
 Email:- enquiries@mauritron.co.uk





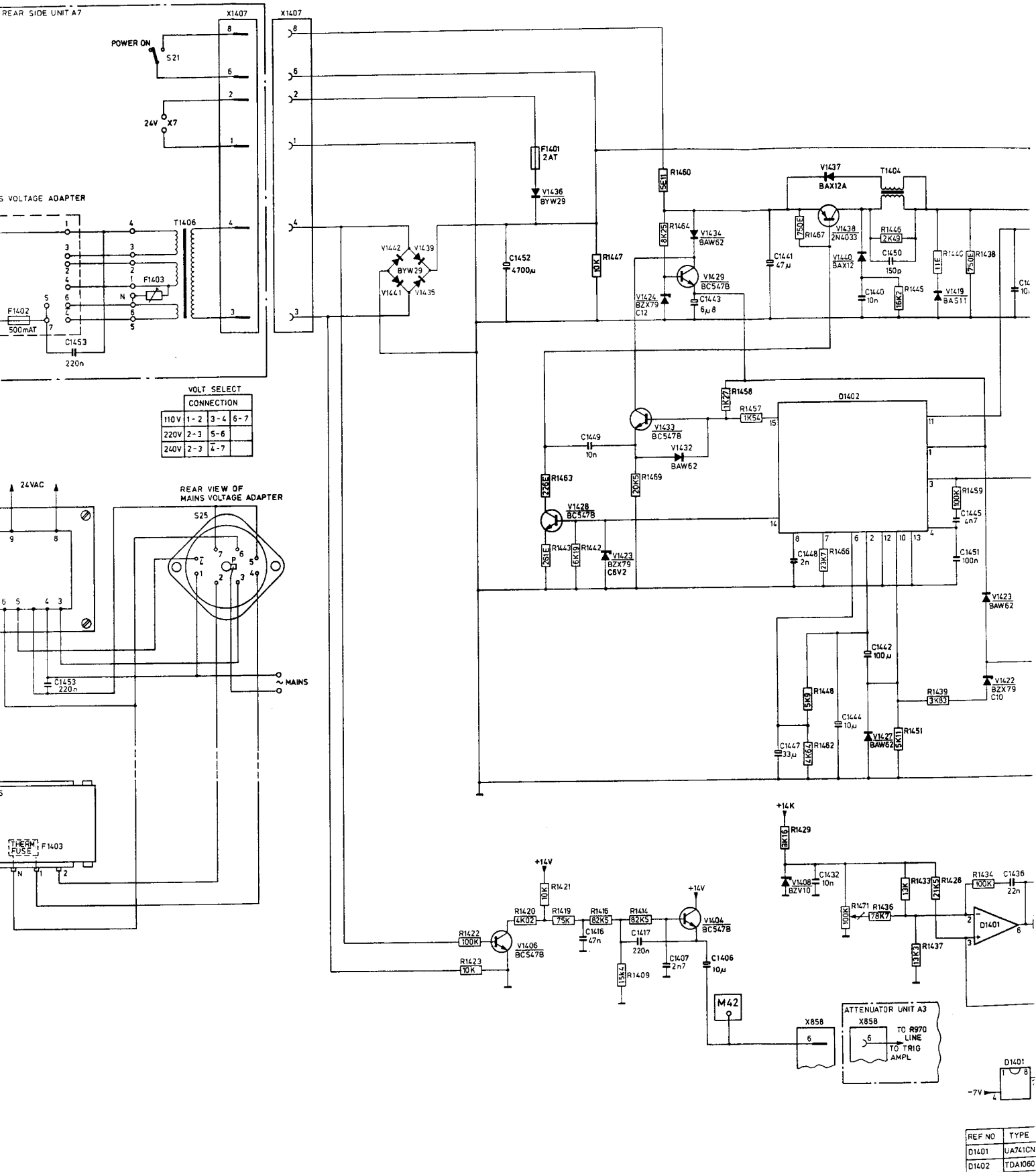


Fig. 8.14. Circuit diagram

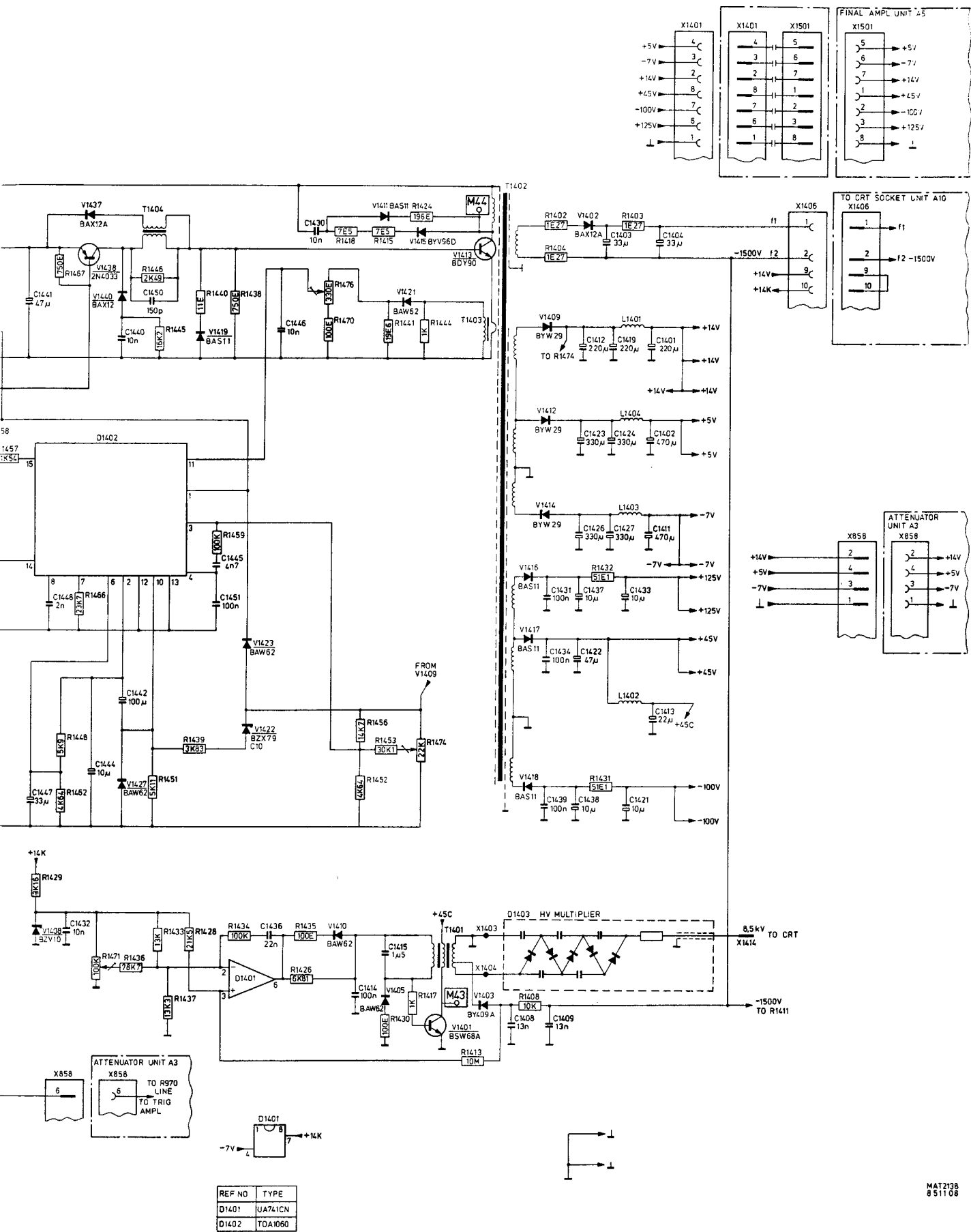


Fig. 8.14. Circuit diagram power supply and H. V. generator.

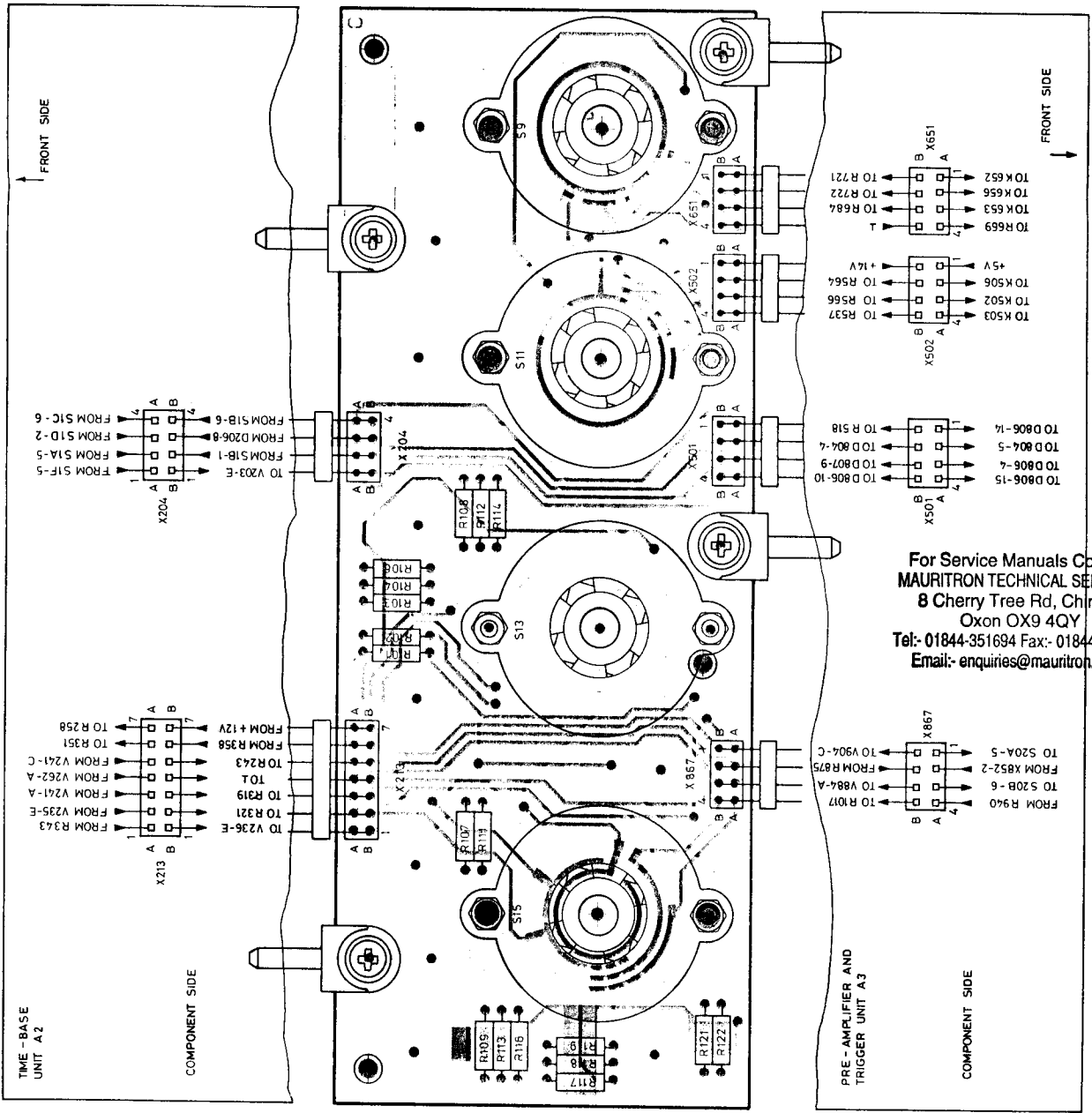


Fig. 8.15. Switch unit p.c.b. A102

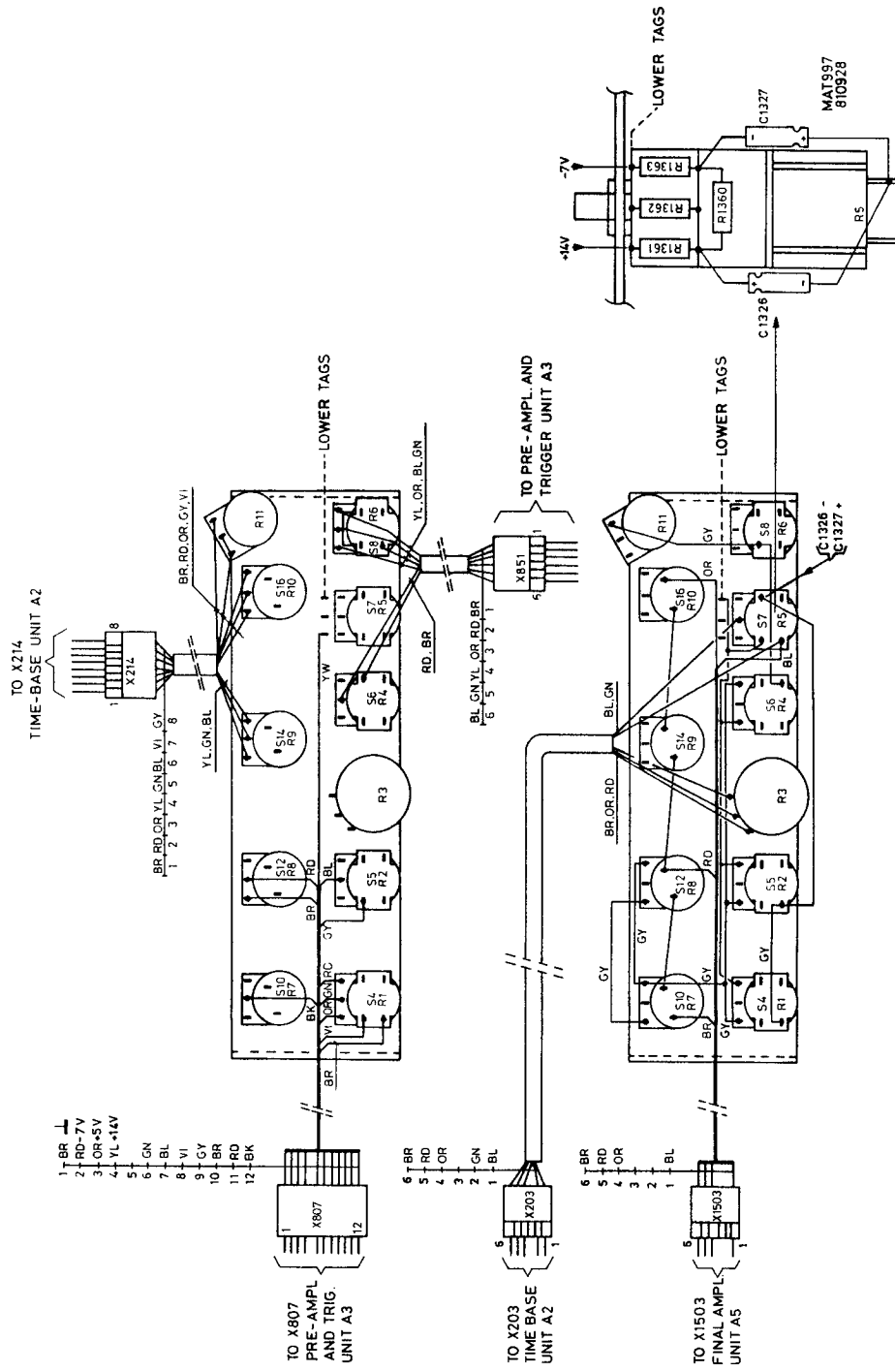


Fig. 8.16. Potentiometer unit A103



## 9. VOLTAGE WAVEFORMS IN THE INSTRUMENT

For Service Manuals Contact  
**MAURITRON TECHNICAL SERVICES**  
 8 Cherry Tree Rd, Chinnor  
 Oxon OX9 4QY  
 Tel:- 01844-351694 Fax:- 01844-352554  
 Email:- enquiries@mauritron.co.uk

### 9.1. INTRODUCTION

The waveforms given in this chapter are typical values and represent an average instrument.

So the waveforms measured in your "oscilloscope under test" can differ somewhat from the values given in this manual. The waveforms are listed in 3 chapters:

9.2. Vertical deflection and triggering

9.3. Horizontal deflection

9.4. Power supply

The measurement can be started at every desired point because settings of "measuring oscilloscope" and "oscilloscope under test" that differ from the "standard" settings are indicated beside the waveforms.

The test points are marked on the units.

The required test equipment consists of an oscilloscope of 100 MHz (e.g. Philips PM 3262) with a suitable **10:1 attenuator probe**.

The input square wave signal for the "oscilloscope under test" can be obtained from a function generator (e.g. Philips PM 5127).

#### Standard-settings for the "oscilloscope under test"

- Depress the Y-position controls to the non-inverted position (S4 and S5).
- Push the channel A and B signal coupling switches in the AC position (S17 and S18).
- Depress pushbutton A (or B) of the vertical display mode selector S1.
- Set the channel A and B AMPL/DIV controls in the 1 V/div. position and their verniers to CAL.
- Depress pushbutton MTB of the horizontal display mode selector (S2).
- Depress the time base magnifier X MAGN (S7).
- Depress pushbutton AUTO of trigger mode selector (S3).
- Set the MTB in the 0.1 ms/div. position and its vernier to CAL.
- Set the DTB TIME/DIV switch in the OFF position and its vernier to CAL.
- Depress pushbutton DC of the MTB and DTB trigger coupling controls (S20 and S19).
- Depress pushbutton A (or B) of the MTB trigger source selector (S23).
- Depress pushbutton MTB of the DTB trigger source selector (S22).
- Apply a square-wave signal on 6 Vp-p/10 kHz to the input sockets A, B and EXT.
- Set the signal in the middle of the screen by means of the channel A (or B) position controls (R1 and R2).
- Set the HOLD OFF control in the CAL position.
- Adjust the DELAY TIME control to 5,00.

#### Standard-settings of the "measuring oscilloscope"

- The waveforms are measured on channel A, the required AMPL/DIV position is indicated beside every waveform.
- The vertical position of the main time base line without input signal is indicated beside every waveform with a "0".
- The instrument is triggered on channel A.
- Only the MTB is used and the required TIME/DIV position is indicated beside every waveform.
- The MTB trigger coupling control occupies the DC position.

The units on which voltage waveforms can be measured are:

Unit 2: Time base unit

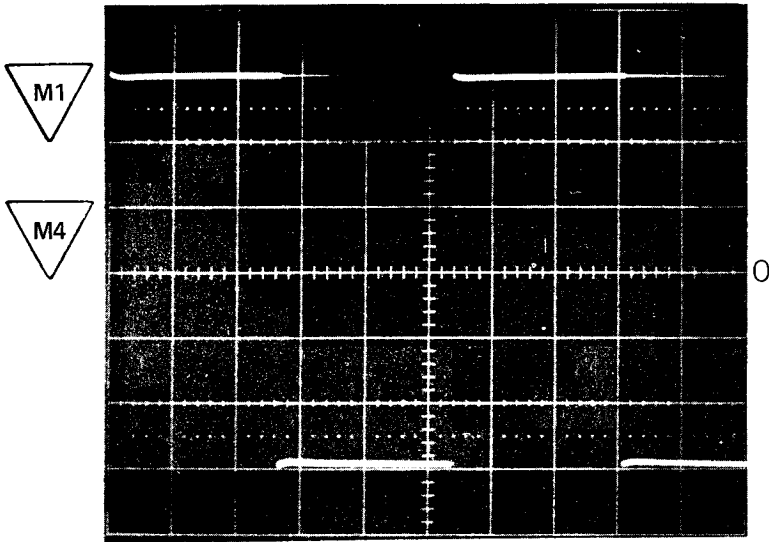
Unit 3: Preamplifier and trigger unit; for measurements on test points M23 ... M29, the trigger source selection unit must be lifted.

Unit 4: Trigger selection unit, the test point on this unit (M27) is not indicated. For the location of M27 refer to the p.c.b. lay-out of the unit.

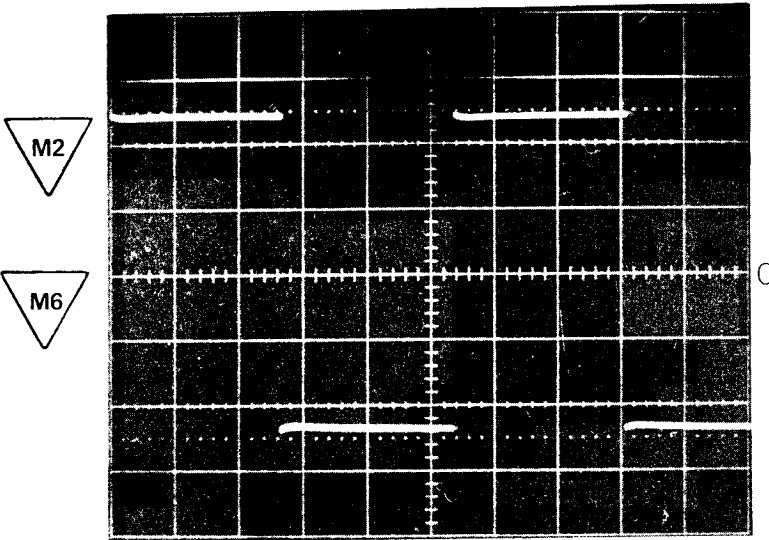
Unit 6: Power supply.

9.2 VERTICAL DEFLECTION AND TRIGGERING

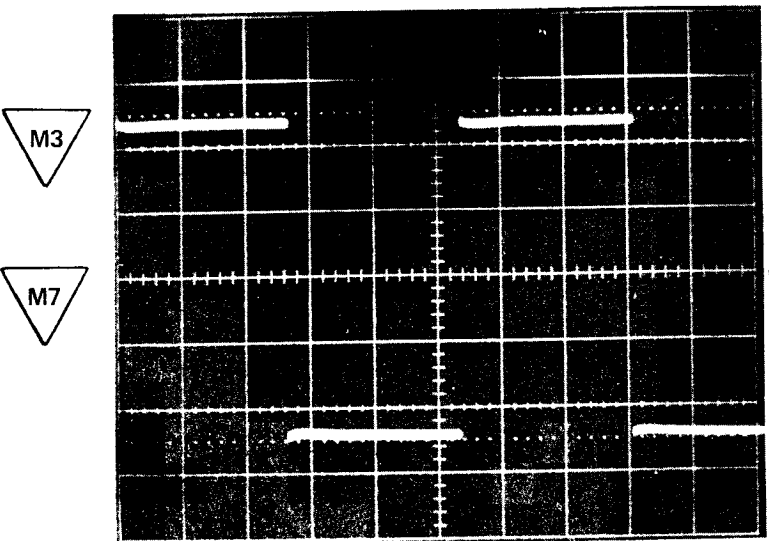
Unit 3



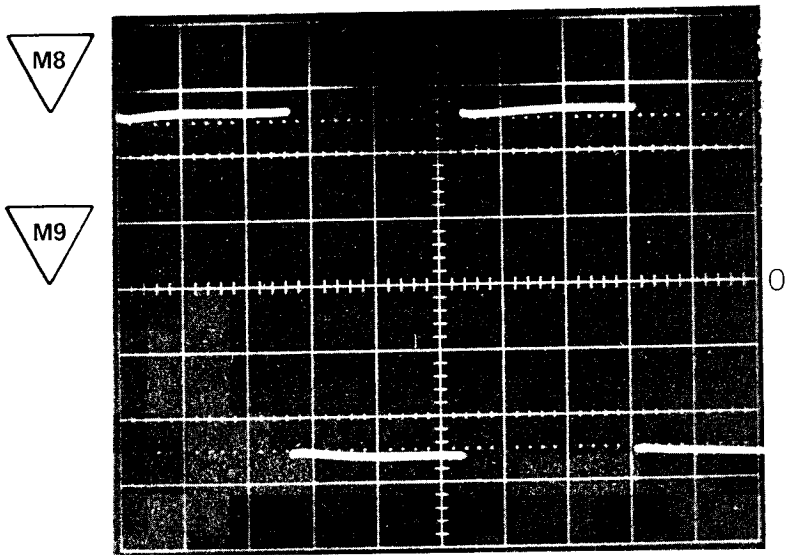
Measuring oscilloscope:  
 0.1 V/div.  
 20  $\mu$ s/div.  
 DC input coupling  
 Oscilloscope under test:  
 M1 = channel A  
 M4 = channel B



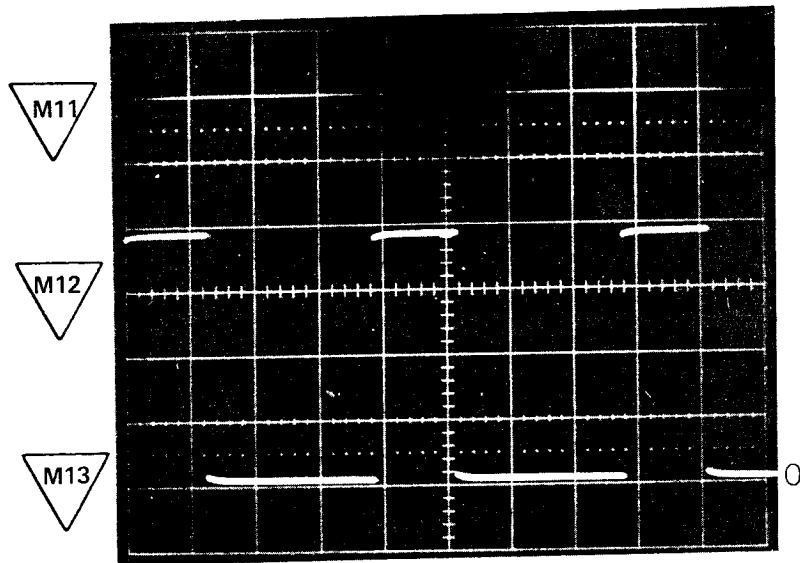
Measuring oscilloscope:  
 10 mV/div.  
 20  $\mu$ s/div.  
 DC input coupling  
 Oscilloscope under test:  
 M2 = channel A  
 M6 = channel B



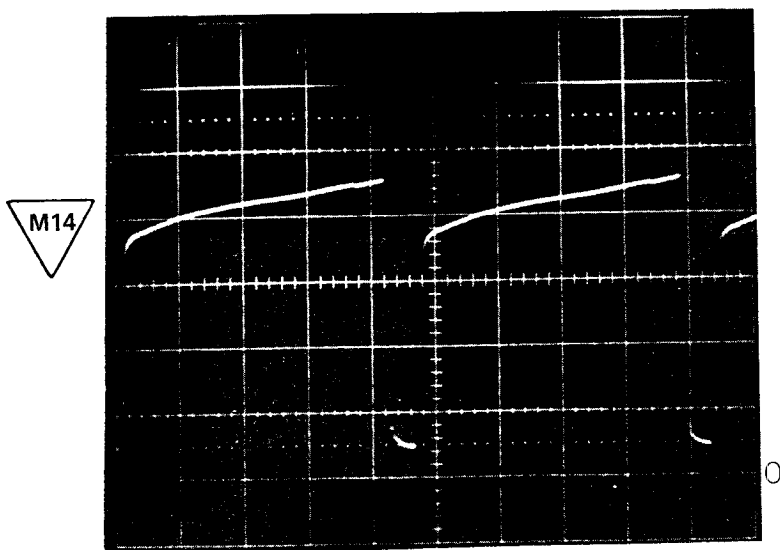
Measuring oscilloscope:  
 2 mV/div.  
 20  $\mu$ s/div.  
 DC input coupling  
 Oscilloscope under test:  
 M3 = channel A  
 M7 = channel B



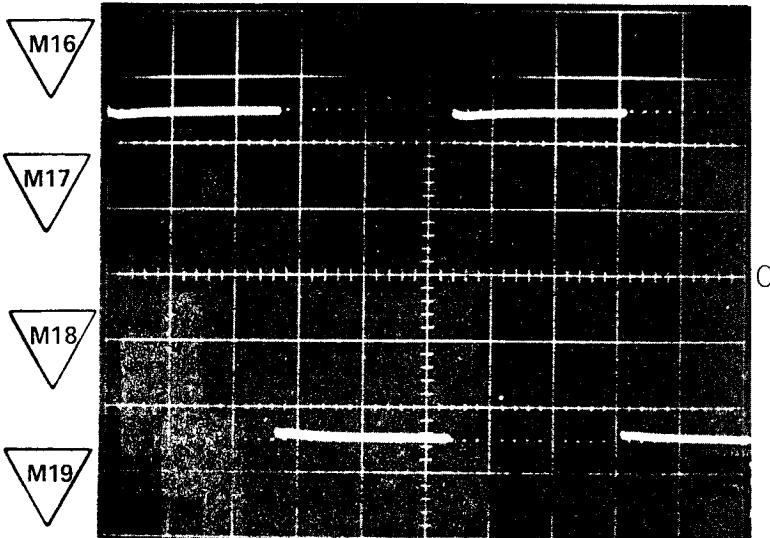
Measuring oscilloscope:  
 5 mV/div.  
 20  $\mu$ s/div.  
 AC input coupling  
 Oscilloscope under test:  
 Select vertical display (S1)  
 via channel A and B.



Measuring oscilloscope:  
 0.1 V/div.  
 1 ms/div.  
 DC input coupling  
 Oscilloscope under test:  
 Select vertical display mode  
 (S1) ALT combined with  
 TRIG VIEW

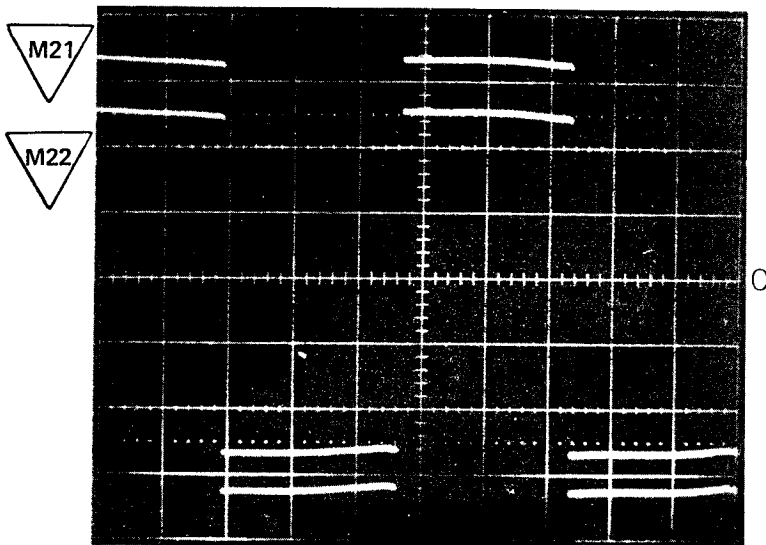


Measuring oscilloscope:  
 0.1 V/div.  
 0.2  $\mu$ s/div.  
 DC input coupling  
 Oscilloscope under test:  
 Select vertical display mode  
 (S1) CHOP



Measuring oscilloscope:  
 5 mV/div.  
 20  $\mu$ s/div.  
 AC input coupling

Oscilloscope under test:  
 M16/M17: MTB triggering on channel A.  
 M18/M19: MTB triggering on channel B.

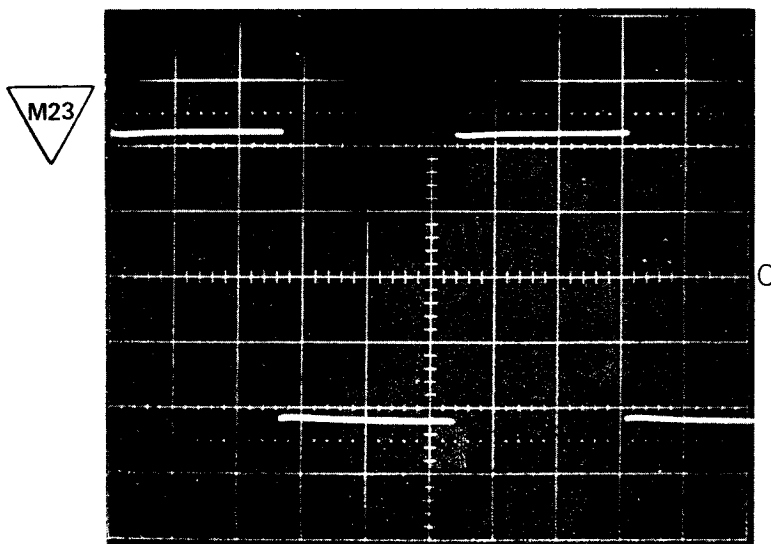


For Service Manuals Contact  
**MAURITRON TECHNICAL SERVICES**  
 8 Cherry Tree Rd, Chinnor  
 Oxon OX9 4QY  
 Tel:- 01844-351694 Fax:- 01844-352554  
 Email:- enquiries@mauritron.co.uk

Measuring oscilloscope:  
 5 mV/div.  
 20  $\mu$ s/div.  
 AC input coupling

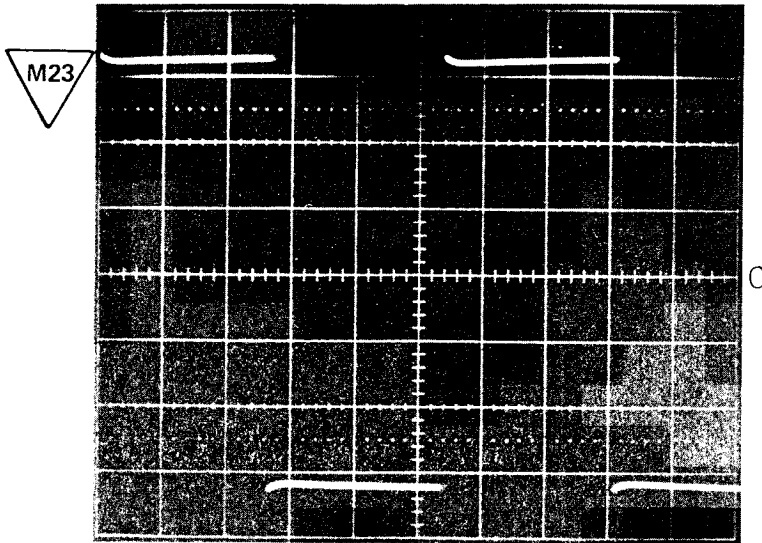
Oscilloscope under test:  
 MTB triggering via COMP.  
 Waveform depends on channel A  
 and B position control.  
 Depress ALT of S1

*NOTE: For the following measurements the Trigger selection unit must be lifted.*



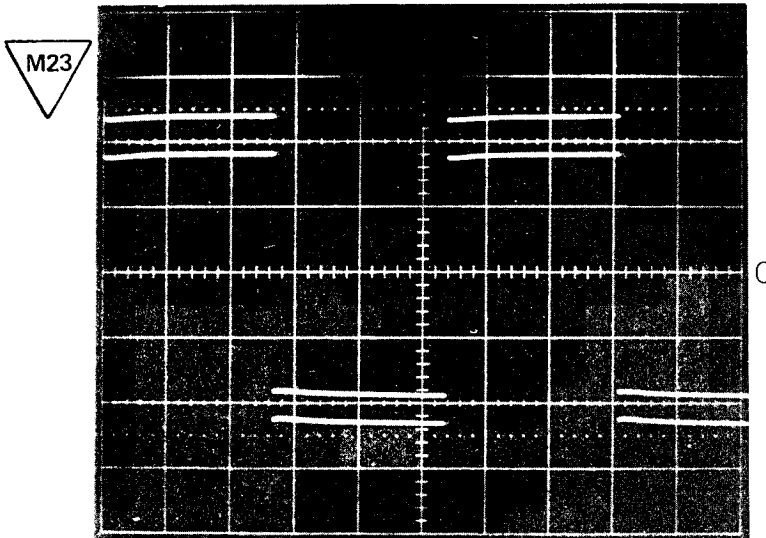
Measuring oscilloscope:  
 20 mV/div.  
 20  $\mu$ s/div.  
 AC input coupling

Oscilloscope under test:  
 Select MTB triggering via channel  
 A and B.



Measuring oscilloscope:  
 20 mV/div.  
 20  $\mu$ s/div.  
 AC input coupling

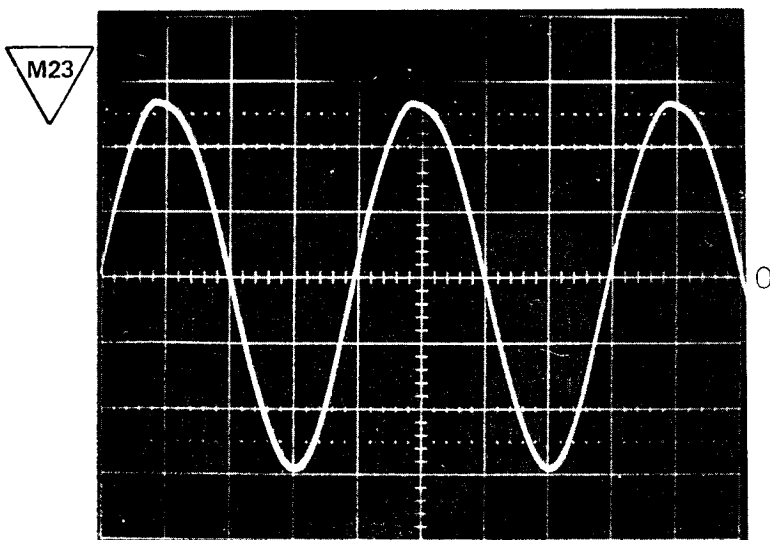
Oscilloscope under test:  
 Select MTB triggering via the EXT  
 input. Apply the channel A/B input  
 signal to EXT input socket.



For Service Manuals Contact  
**MAURITRON TECHNICAL SERVICES**  
 8 Cherry Tree Rd, Chinnor  
 Oxon OX9 4QY  
 Tel:- 01844-351694 Fax:- 01844-352554  
 Email:- enquiries@mauritron.co.uk

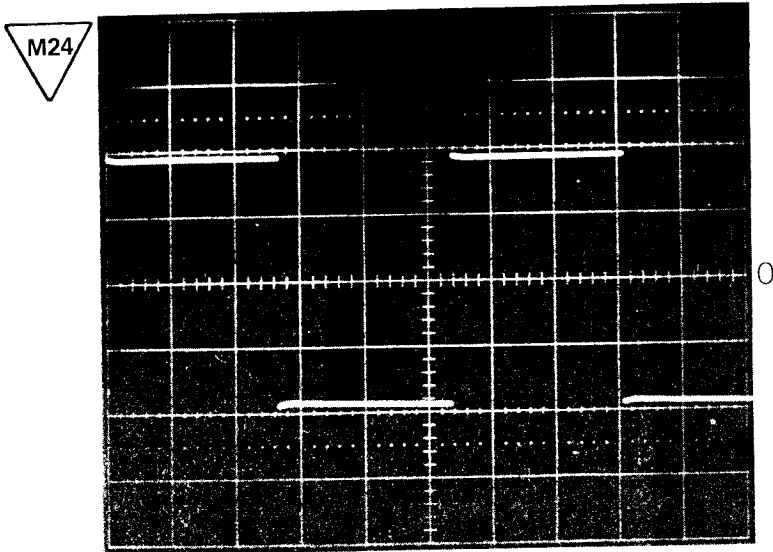
Measuring oscilloscope:  
 20 mV/div.  
 20  $\mu$ s/div.  
 AC input coupling

Oscilloscope under test:  
 Select MTB triggering via COMP.  
 Waveform depends on channel A  
 and B position controls.

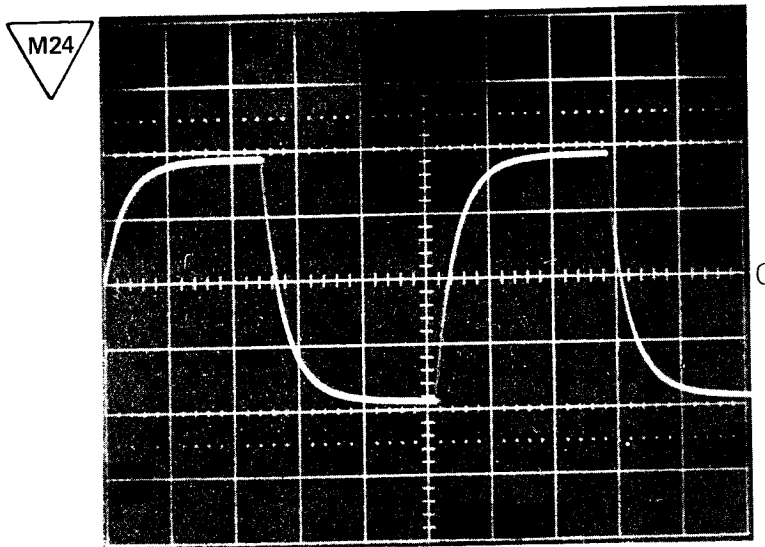


Measuring oscilloscope:  
 20 mV/div.  
 5ms/div.  
 AC input coupling

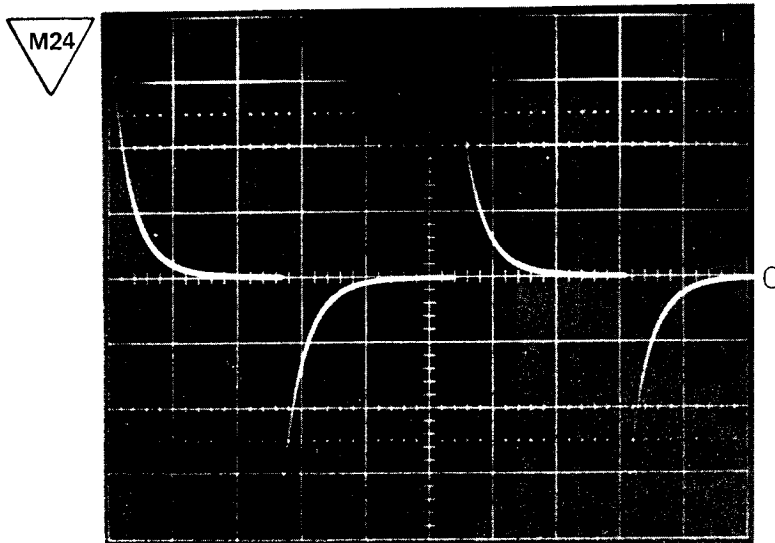
Oscilloscope under test:  
 Select MTB triggering via LINE.



Measuring oscilloscope:  
 20 mV/div.  
 20  $\mu$ s/div.  
 AC input coupling  
 Oscilloscope under test:  
 DC or TTL trigger coupling of MTB.

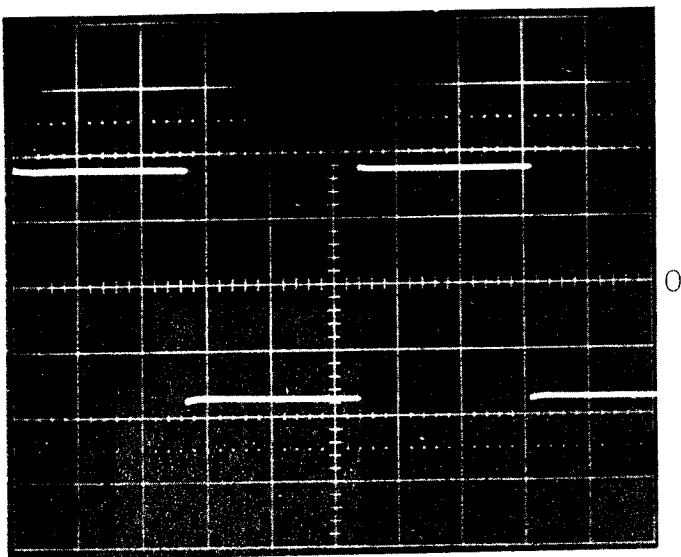


Measuring oscilloscope:  
 20 mV/div  
 20  $\mu$ s/div.  
 AC input coupling  
 Oscilloscope under test:  
 LF trigger coupling of MTB.



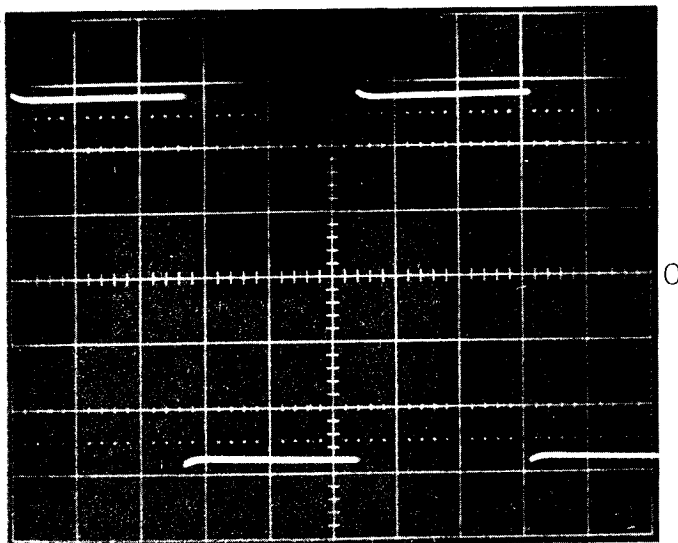
Measuring oscilloscope:  
 20 mV/div.  
 20  $\mu$ s/div.  
 AC input coupling  
 Oscilloscope under test:  
 HF trigger coupling of MTB.

M26



Measuring oscilloscope:  
50 mV/div.  
20  $\mu$ s/div.  
AC input coupling

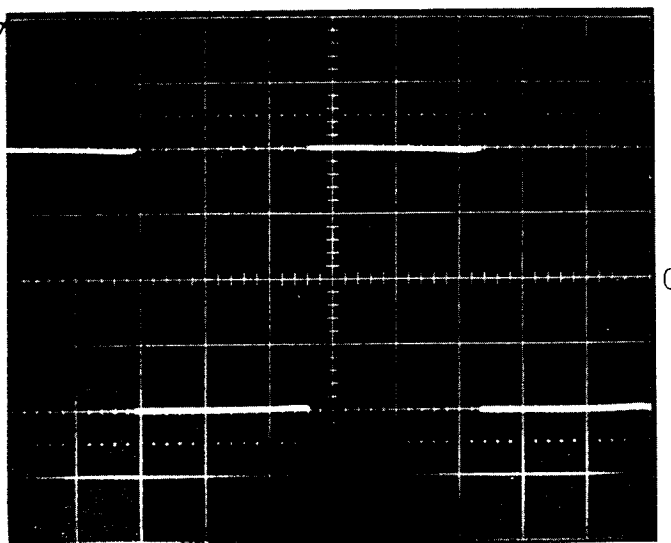
M27



Measuring oscilloscope:  
10 mV/div.  
20  $\mu$ s/div.  
AC input coupling

Oscilloscope under test:  
This test point is located on the  
trigger selection unit.  
Select MTB triggering via the EXT  
input. Apply the channel A/B input  
signal to the EXT input socket.

M28

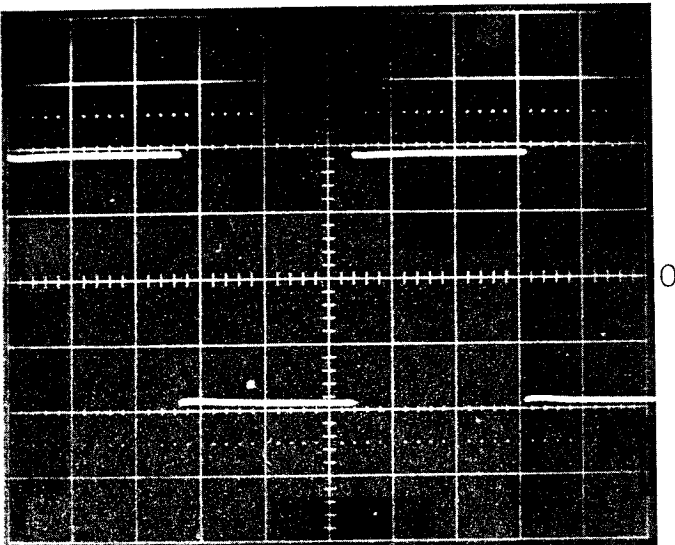


Measuring oscilloscope:  
20 mV/div.  
20  $\mu$ s/div.  
AC input coupling

Oscilloscope under test:  
Select DTB triggering on channel  
A and B

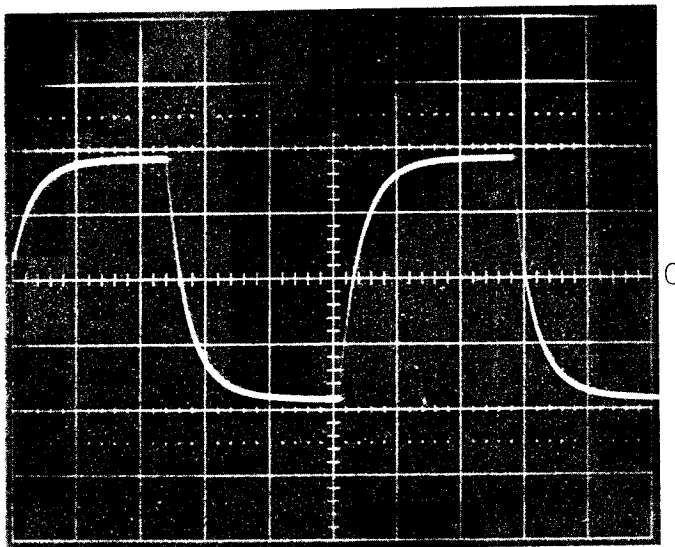
For Service Manuals Contact  
MAURITRON TECHNICAL SERVICES  
8 Cherry Tree Rd, Chinnor  
Oxon OX9 4QY  
Tel:- 01844-351694 Fax:- 01844-352554  
Email:- enquiries@maurtron.co.uk

M29



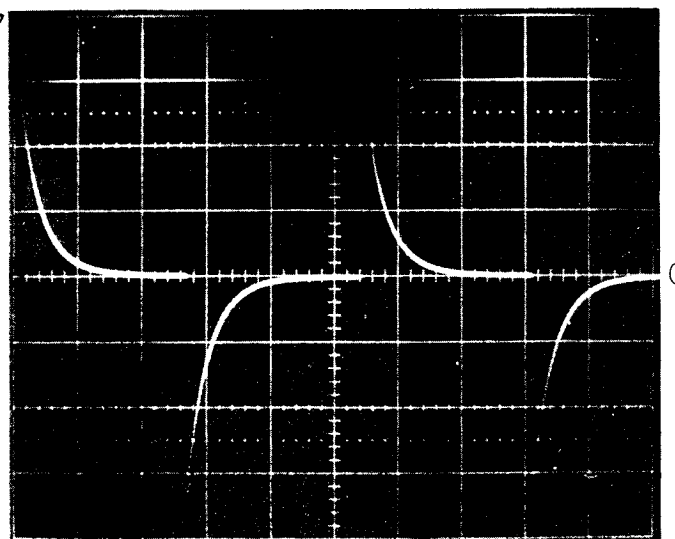
Measuring oscilloscope:  
 20 mV/div.  
 20  $\mu$ s/div.  
 AC input coupling

M29



Measuring oscilloscope:  
 20 mV/div.  
 20  $\mu$ s/div.  
 AC input coupling.  
 Oscilloscope under test:  
 LF trigger coupling of DTB.

M29

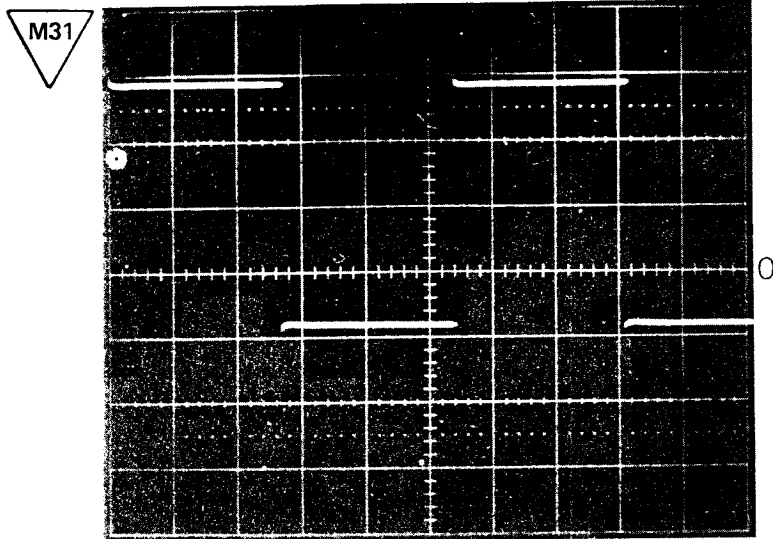


Measuring oscilloscope:  
 20 mV/div.  
 20  $\mu$ s/div.  
 AC input coupling  
 Oscilloscope under test:  
 HF trigger coupling of DTB.

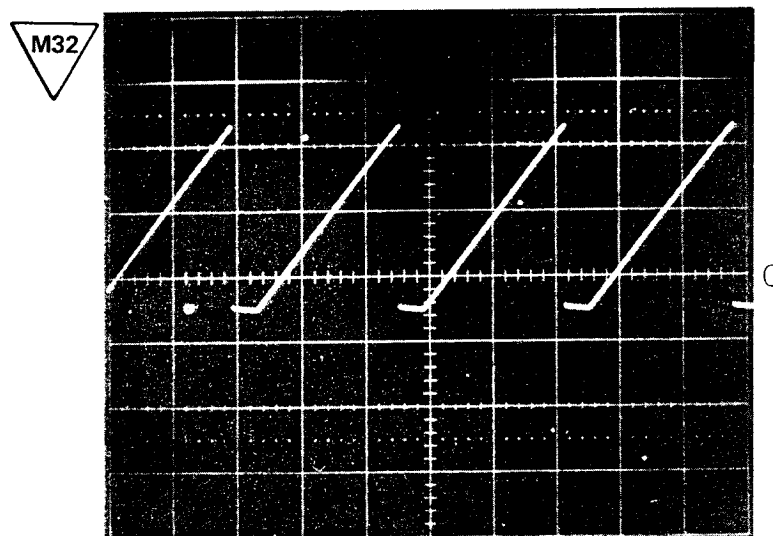


## 9.3 HORIZONTAL DEFLECTION

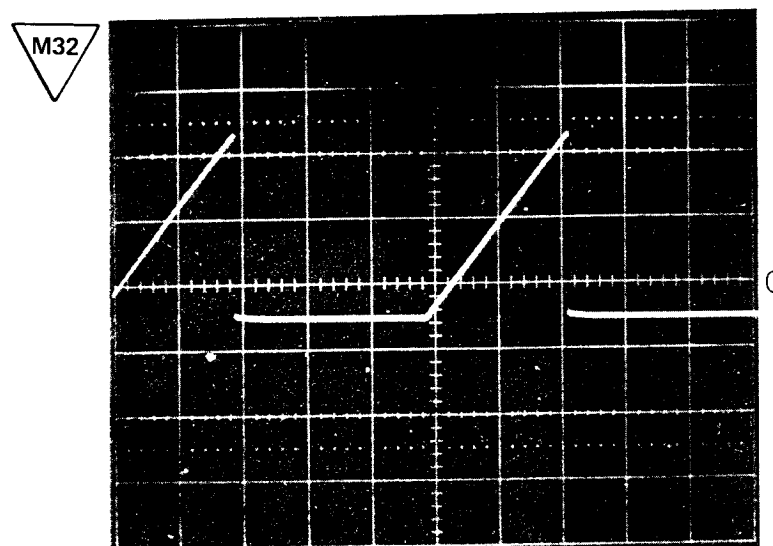
## Unit 2



Measuring oscilloscope:  
0.1 V/div.  
20  $\mu$ s/div.  
DC input coupling



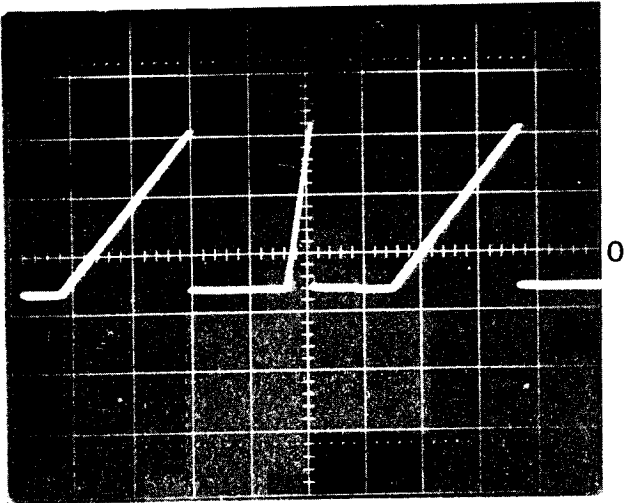
Measuring oscilloscope:  
0.2 V/div.  
0.5 ms/div.  
DC input coupling



Measuring oscilloscope:  
0.2 V/div.  
0.5 ms/div.  
DC input coupling  
Oscilloscope under test:  
Turn the HOLD OFF control  
fully anti-clockwise.

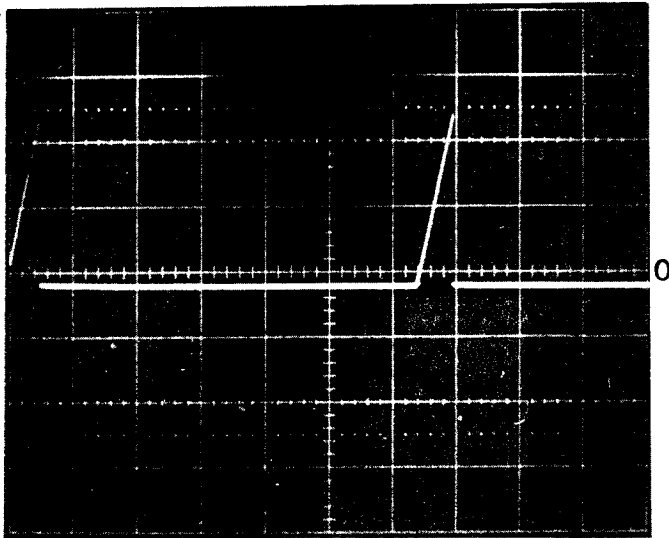
For Service Manuals Contact  
**MAURITRON TECHNICAL SERVICES**  
8 Cherry Tree Rd, Chinnor  
Oxon OX9 4QY  
Tel: 01844-351694 Fax: 01844-352554  
Email: enquiries@mauritron.co.uk

M32



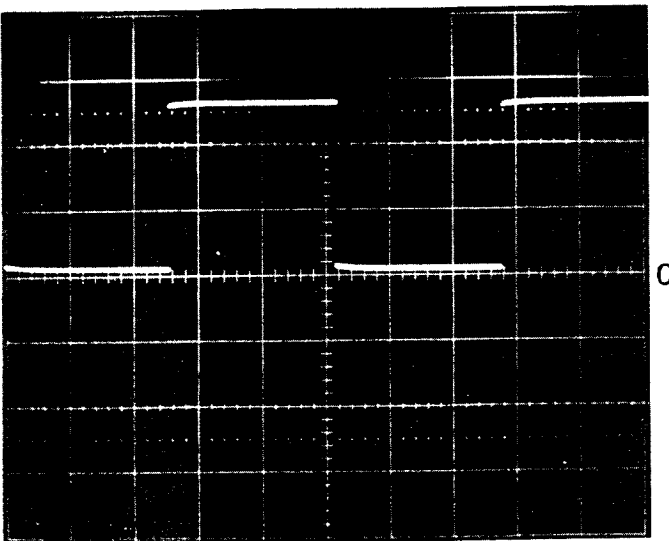
Measuring oscilloscope:  
 0.2 V/div.  
 0.5 ms/div.  
 DC input coupling.  
 Oscilloscope under test:  
 Select ALT TB mode (S2).  
 Adjust the DTB to 20 $\mu$ s/div.  
 Operate the HOLD OFF control to  
 avoid "double" triggering.

M33



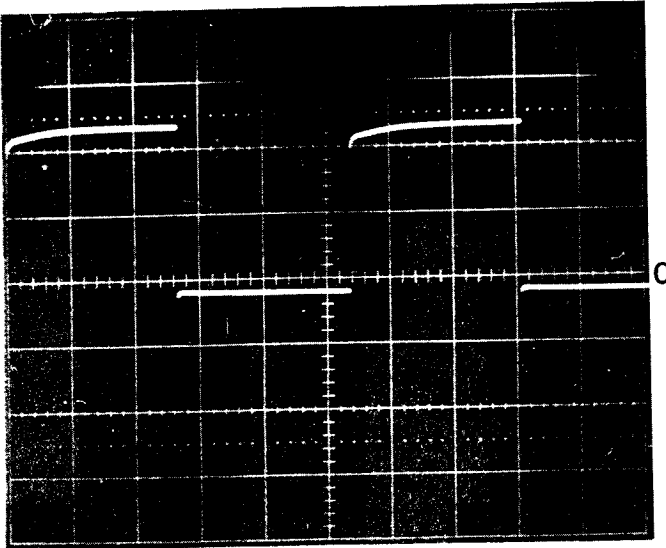
Measuring oscilloscope:  
 0.2 V/div.  
 0.2 ms/div.  
 DC input coupling.

M34



Measuring oscilloscope:  
 0.2 V/div.  
 0.5 ms/div.  
 DC input coupling.  
 Oscilloscope under test:  
 Select ALT TB mode (S2).  
 Adjust the DTB to 20  $\mu$ s/div.

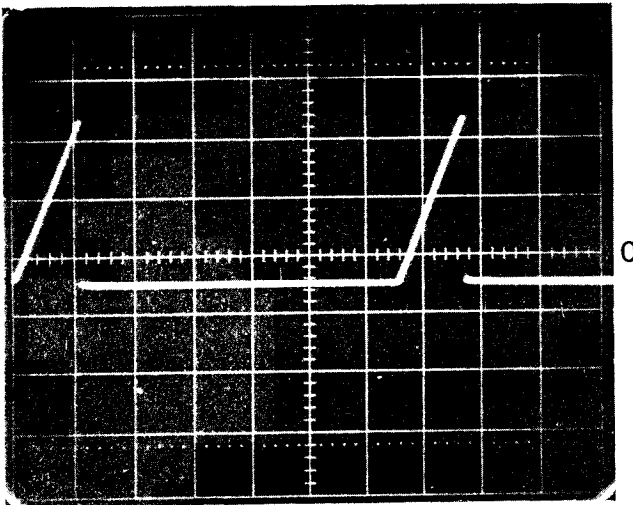
M36



Measuring oscilloscope:  
 0.1 V/div.  
 20  $\mu$ s/div.  
 DC input coupling

Oscilloscope under test:  
 Adjust the DTB to 20  $\mu$ s/div.  
 Select ALT TB mode (S2).  
 Depress A of S22

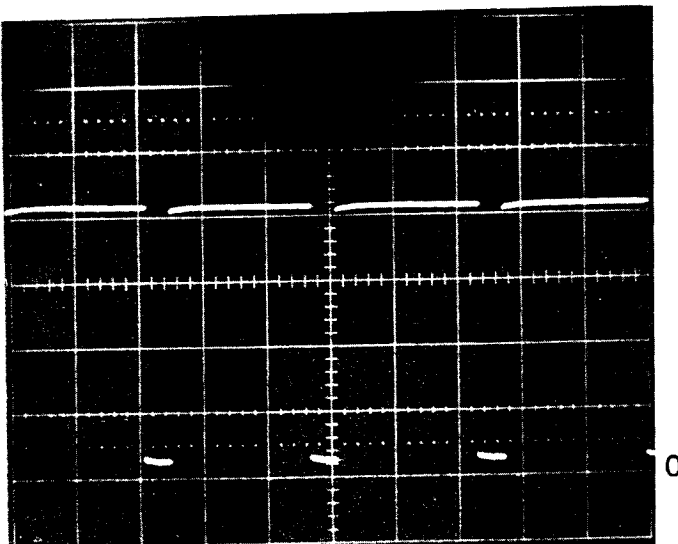
M37



Measuring oscilloscope:  
 0.2 V/div.  
 0.2 ms/div.  
 DC input coupling.

Oscilloscope under test:  
 Adjust the DTB to 20  $\mu$ s/div.  
 Select DTB mode (S2).

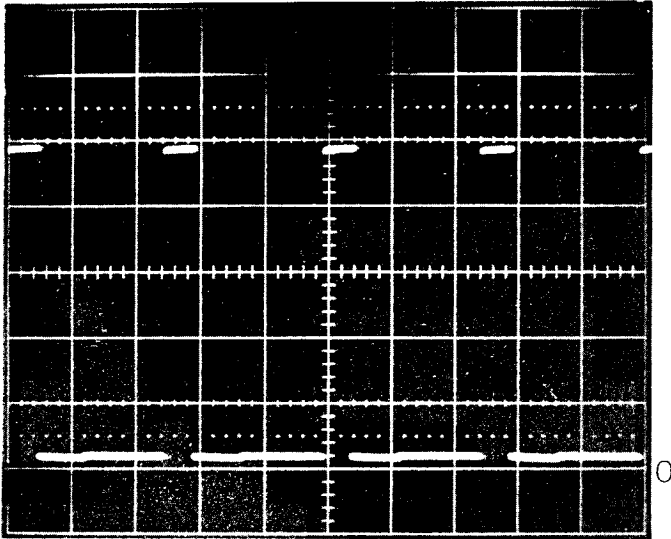
M38



Measuring oscilloscope:  
 0.1 V/div.  
 0.5 ms/div.  
 DC input coupling.

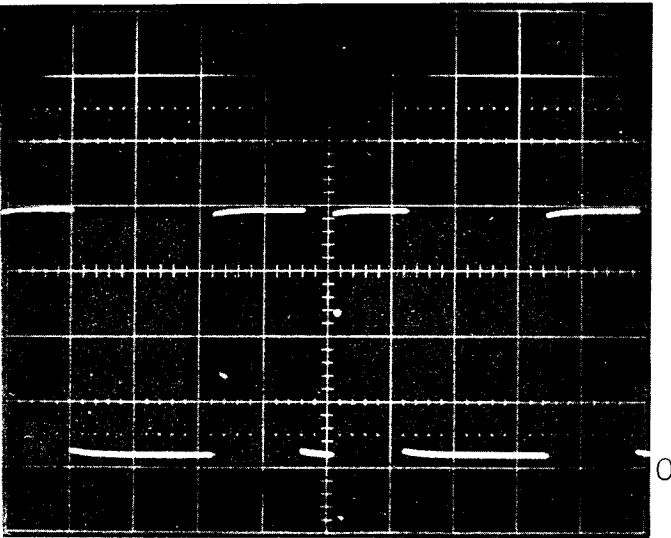
Oscilloscope under test:  
 Adjust the DTB to 20  $\mu$ s/div.  
 Select DTB mode (S2).

M39



Measuring oscilloscope:  
 0.1 V/div.  
 0.5 ms/div.  
 DC input coupling  
 Oscilloscope under test:  
 Adjust the DTB to 20  $\mu$ s/div.  
 Select DTB mode (S2).

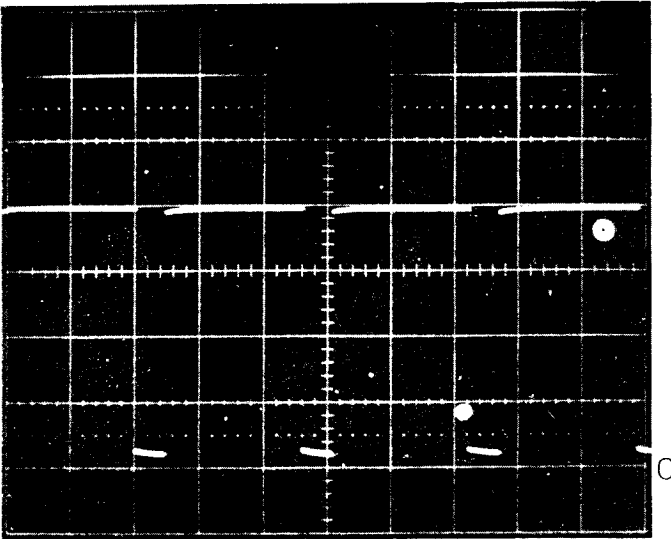
M40



For Service Manuals Contact  
**MAURITRON TECHNICAL SERVICES**  
 8 Cherry Tree Rd. Chinnor  
 Oxon OX9 4QY  
 Tel:- 01844-351694 Fax:- 01844-352554  
 Email:- enquiries@mauritron.co.uk

Measuring oscilloscope:  
 0.1 V/div.  
 0.5 ms/div.  
 DC input coupling.  
 Oscilloscope under test:  
 Adjust the DTB to 20  $\mu$ s/div.  
 Select ALT TB mode (S2).  
 Operate the HOLD OFF control  
 to avoid "double" triggering.

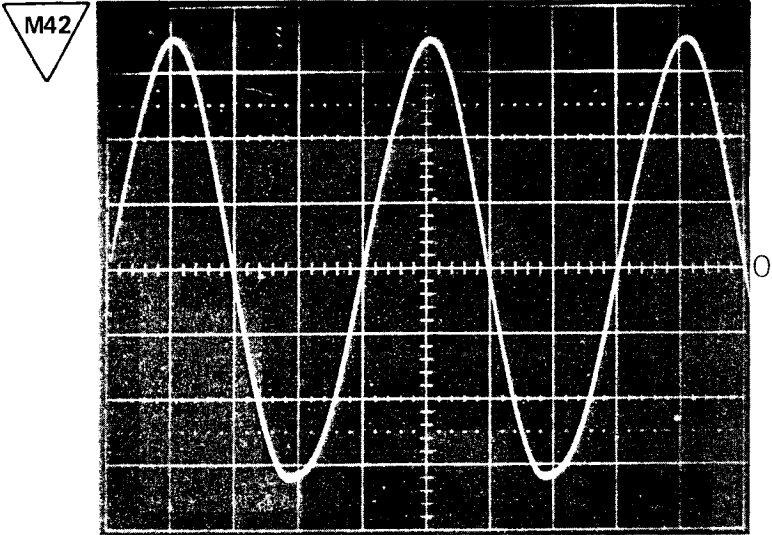
M41



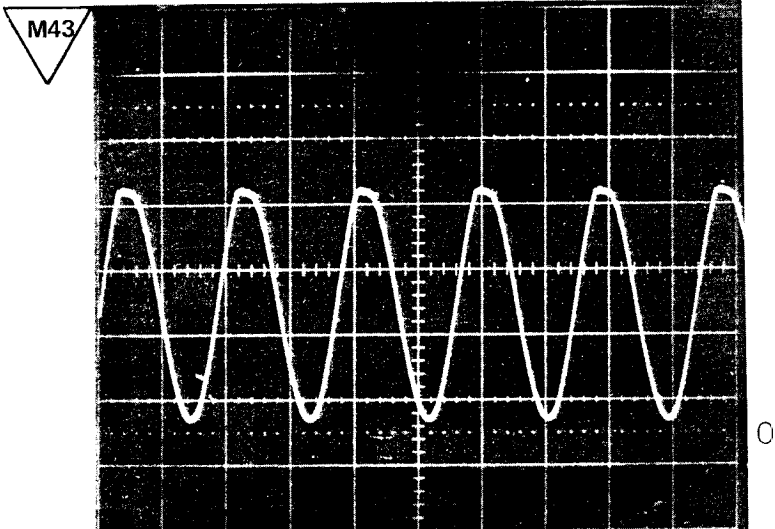
Measuring oscilloscope:  
 0.1 V/div.  
 0.5 ms/div.  
 DC input coupling  
 Oscilloscope under test:  
 Adjust the DTB to 20  $\mu$ s/div.  
 Select ALT TB mode (S2).

9.4. POWER SUPPLY

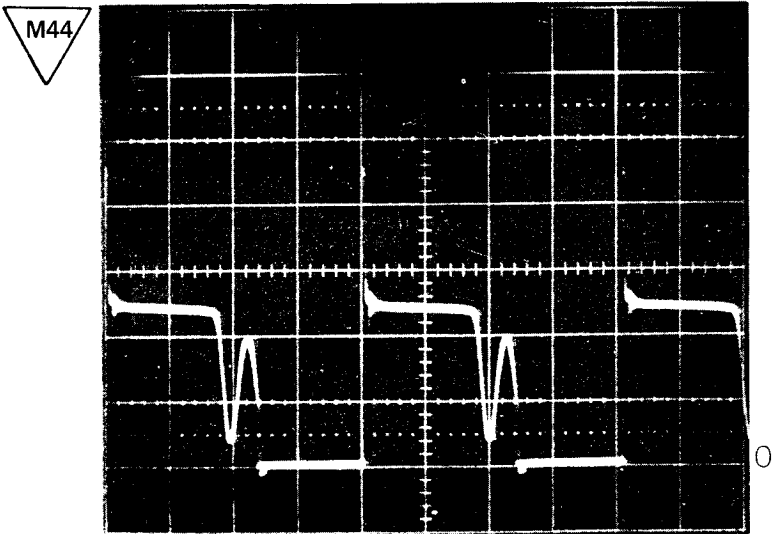
Unit 6



Measuring oscilloscope:  
0.1 V/div.  
5 ms/div.  
DC input coupling



Measuring oscilloscope:  
2 V/div.  
20  $\mu$ s/div.  
DC input coupling



Measuring oscilloscope:  
2 V/div.  
10  $\mu$ s/div.  
DC input coupling