

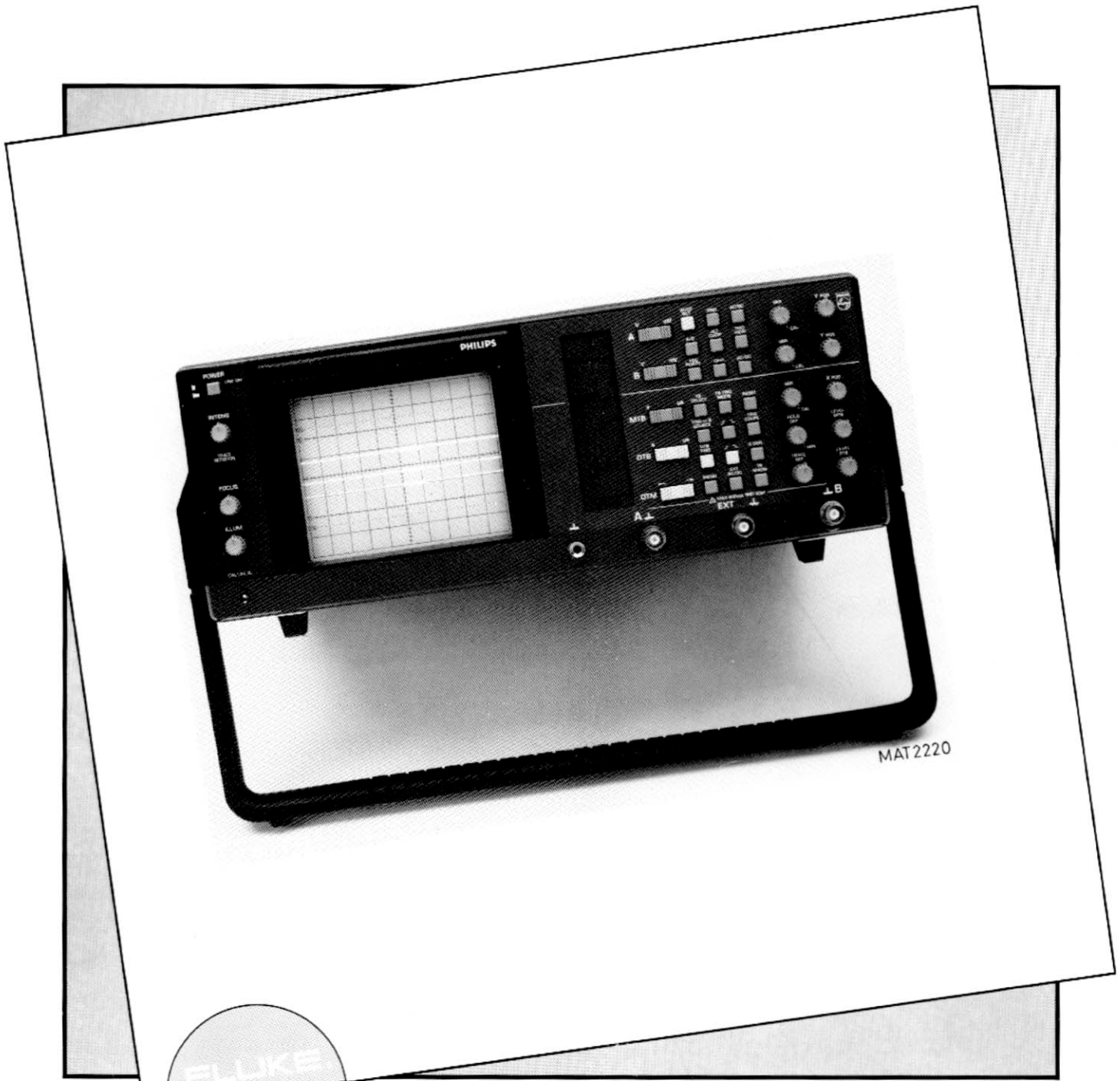


# PHILIPS

## 100 MHz Dual Time Base Oscilloscope PM3065-PM3067

TEST & MEASUREMENT

CUSTOMER SUPPORT



MAT2220



## CUSTOMER SUPPORT

SSU05335-2

940625  
4822 872 09441Related to: **PM3065/67** SERVICE MANUAL 4822 872 05335

Already published for this manual: ESU3065S2.1, SSU05335-1

**Subject/purpose:****CLASS 4**

Completion of Service Manual text and changed power supply diagrams

The **probe** type such as mentioned under 'additional information' in chapter 2.2.1 on page 2-3 must be **PM8926/59** instead of PM8936/09.

The specification of **L.F. Non Linearity** on page 2-5 must be extended as follows:  
in the third column 'additional information' must information be added on the input signal: square-wave 2div/50kHz when shifted over screen (vertical), within area of + or - 3 divisions from screencenter.

The specification of **Trigger View Bandwith** on page 2-5 must be extended as follows:  
Via channels A, B at 25°C, 10V .. 20mV/div:  $\geq 75$  MHz (Input 6 divisions sine-wave in screen centre).  
Via channels A, B at 25°C, 10mV .. 2mV/div:  $\geq 60$  MHz (Input 6 divisions sine-wave in screen centre).  
Via channels or EXT input at 25°C:  $\geq 75$  MHz (Input 6 divisions sine-wave in vertical screen centre).

Performance Check for Frequency response on page 11-7; the last 2 settings must be changed as follows:  
- Increase the frequency to 75 MHz.  
- Check if the vertical deflection is  $\geq 4,2$  divisions (-3 dB) over the complete bandwidth range (>75 MHz).

Performance Check for rise-time on page 11-7: the last sentence must be changed as follows:  
\* rise-time must be: 3,5 ns or less (0,7 **division** or less)

Performance check for 'LF Linearity (vertical)' on page 11-9 must be extended:

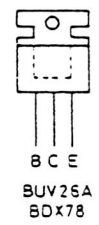
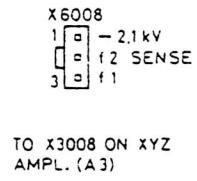
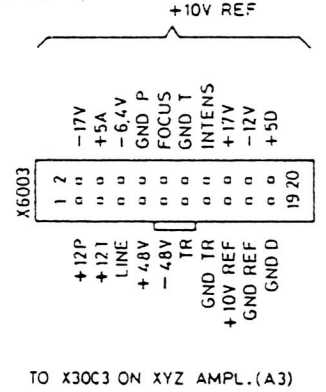
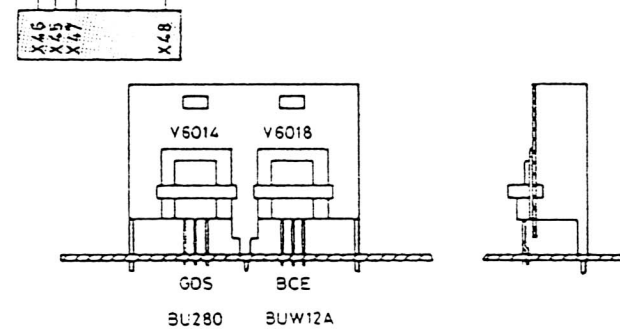
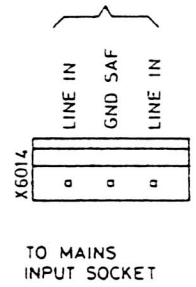
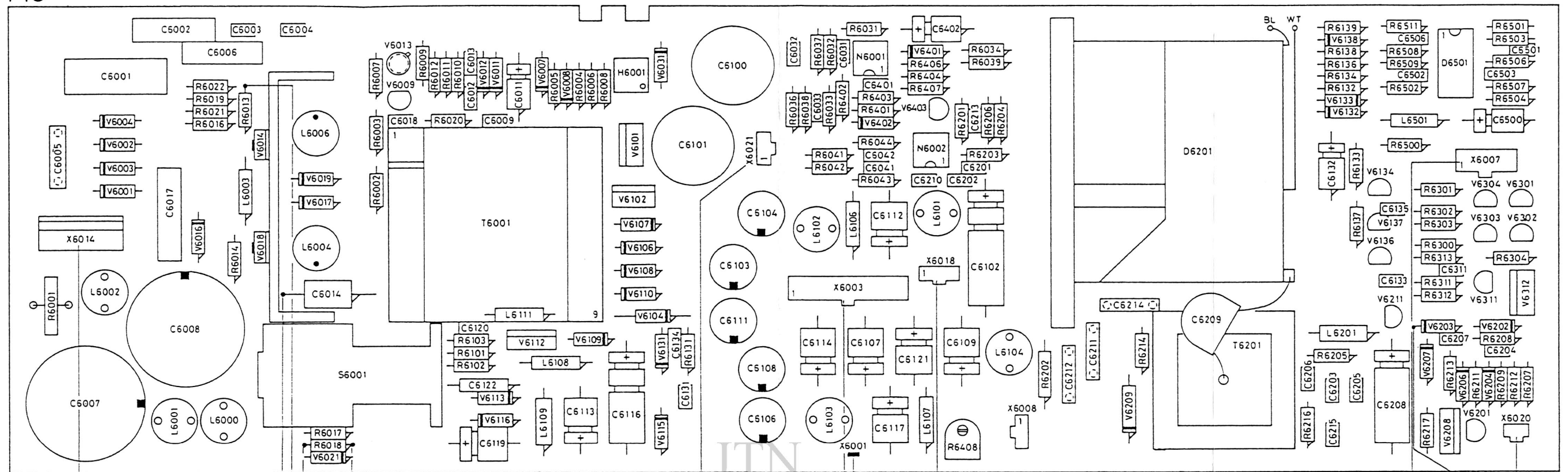
- \* The last sentence under 'SETTINGS' must be changed as follows:
  - Shift the signal with the Y POS control within the area + and - 3 divisions from the vertical screen center.
- \* The sentence under 'REQUIREMENT' must be changed as follows:
  - Check if the trace height in the + and - 3 divisions vertical screen area is 2 div. (max. amplitude deviation should be < 3%).

The secondary output circuits of the **power supply unit A6** have been changed. This results in a new printed circuit board lay-out and a change of the circuit diagram of the output circuit. This information is presented on the next pages and replaces information given in chapter 9.

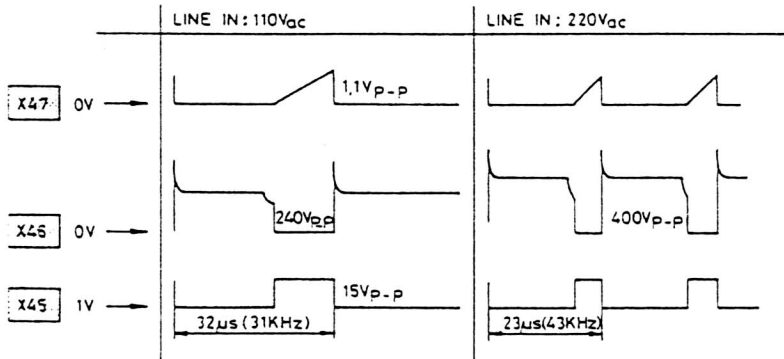
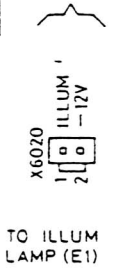
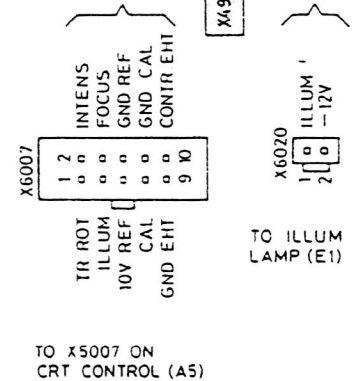
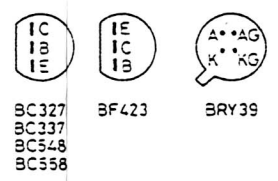
Printed in The Netherlands

**FLUKE**<sup>®</sup>

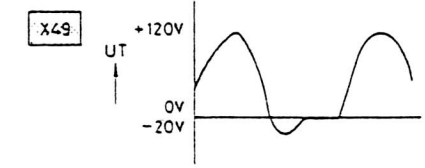
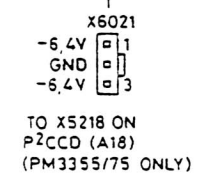
A6



TOP VIEW

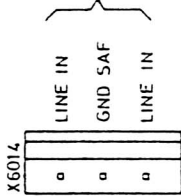
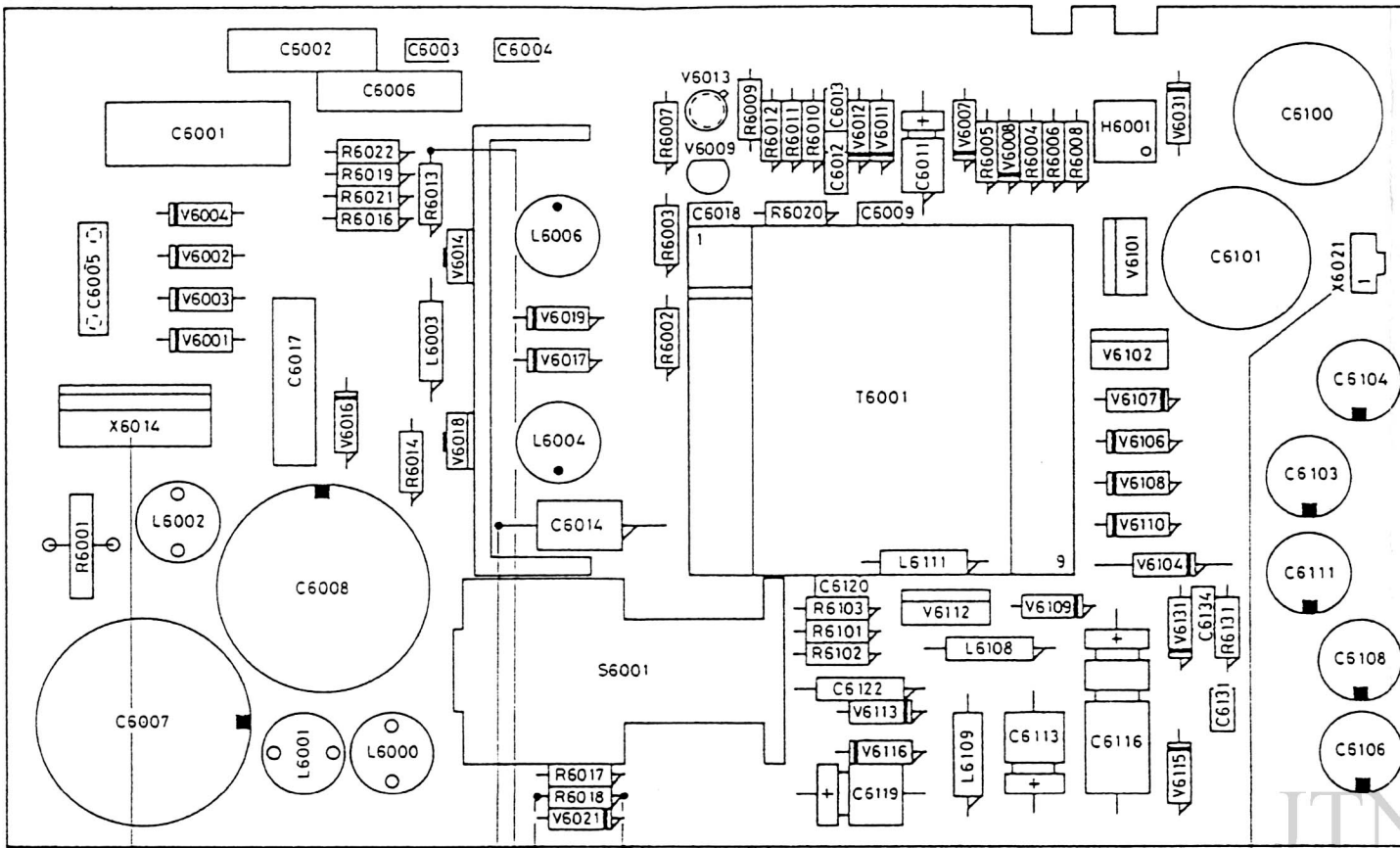


SIGNALS MEASURED, RELATED TO X48

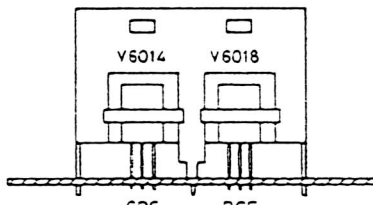
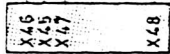


Power supply unit p.c.b.

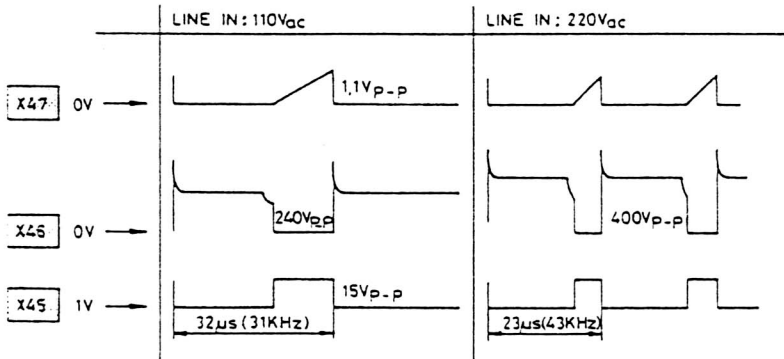
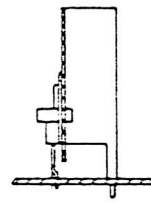
A6



TO MAINS  
INPUT SOCKET

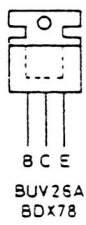
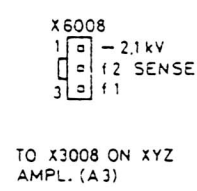
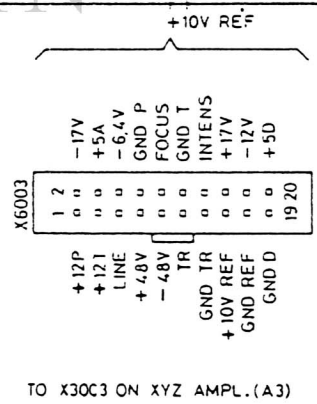
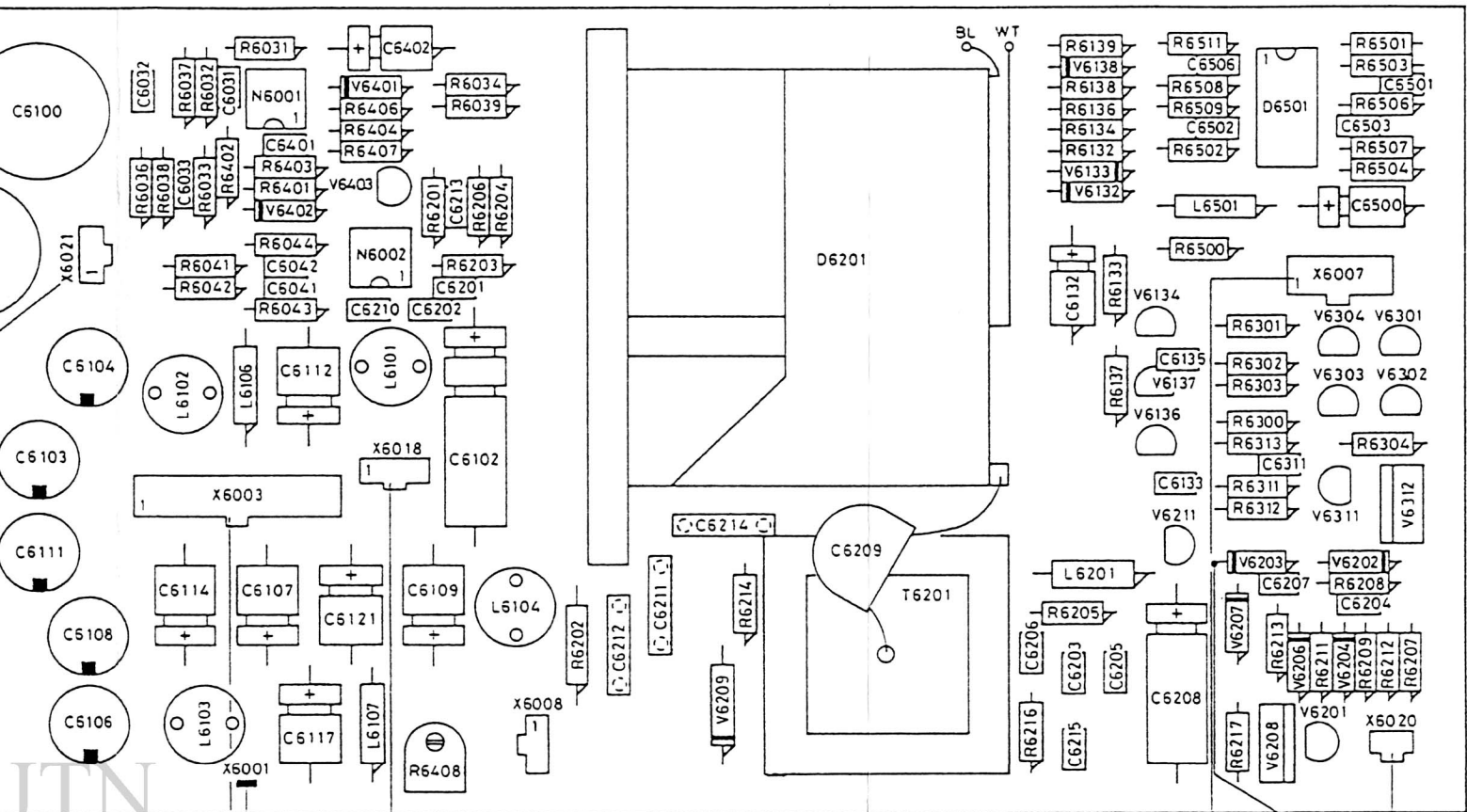


BU280 BUW12A

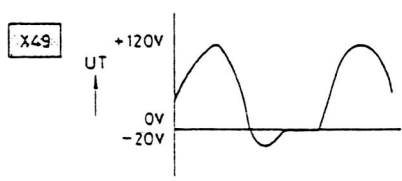
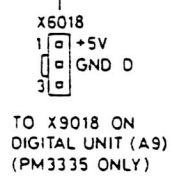
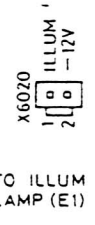
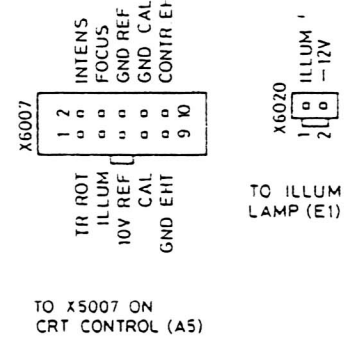
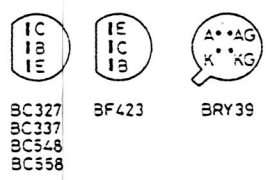


SIGNALS MEASURED, RELATED TO X48

X6021  
-6.4V [1]  
GND [2]  
-6.4V [3]  
TO X5218 ON  
P2CCD (A18)  
(PM3355/75 ONLY)



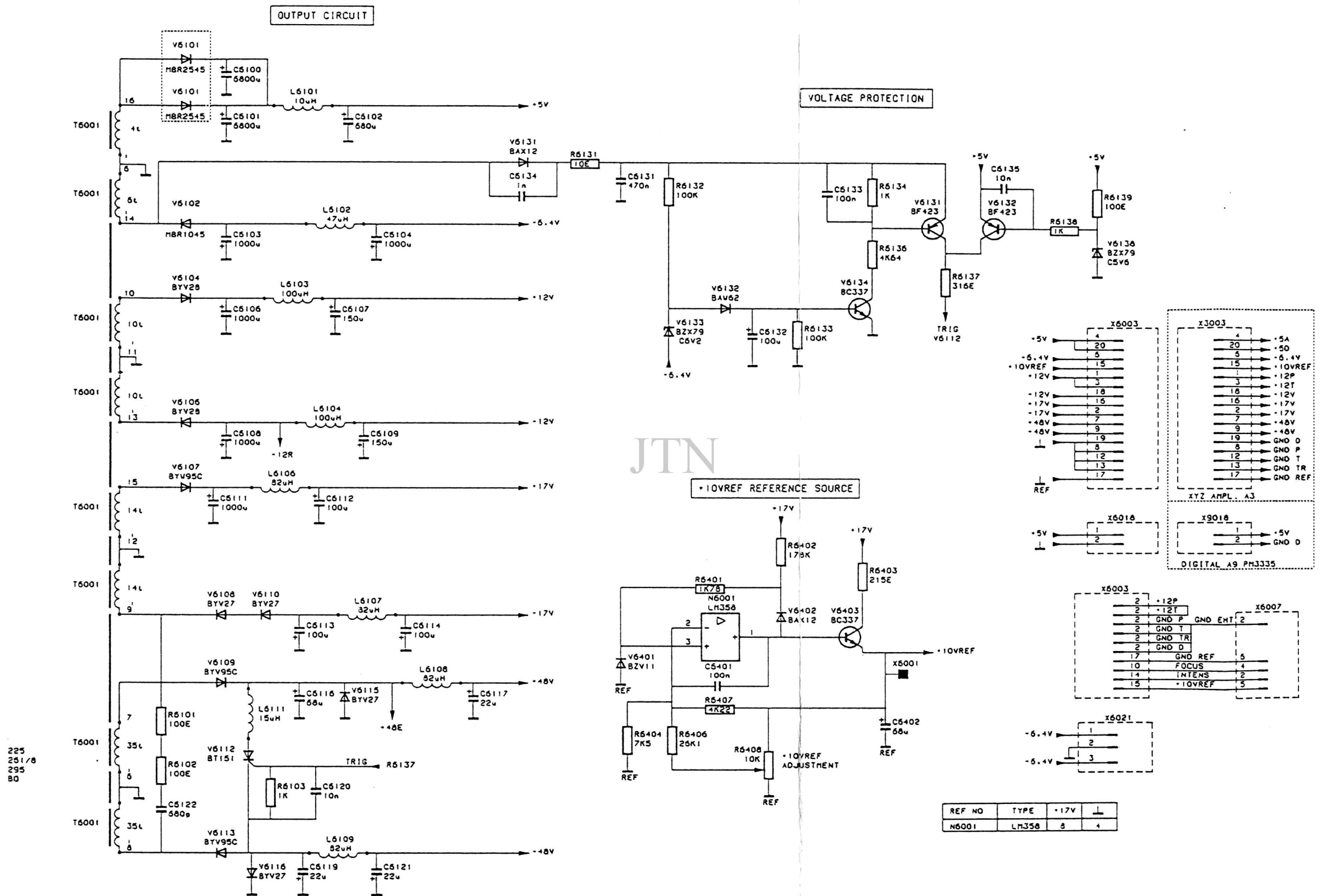
TOP VIEW



MAT3558A

Power supply unit p.c.b.

POWER SUPPLY UNIT (A6)



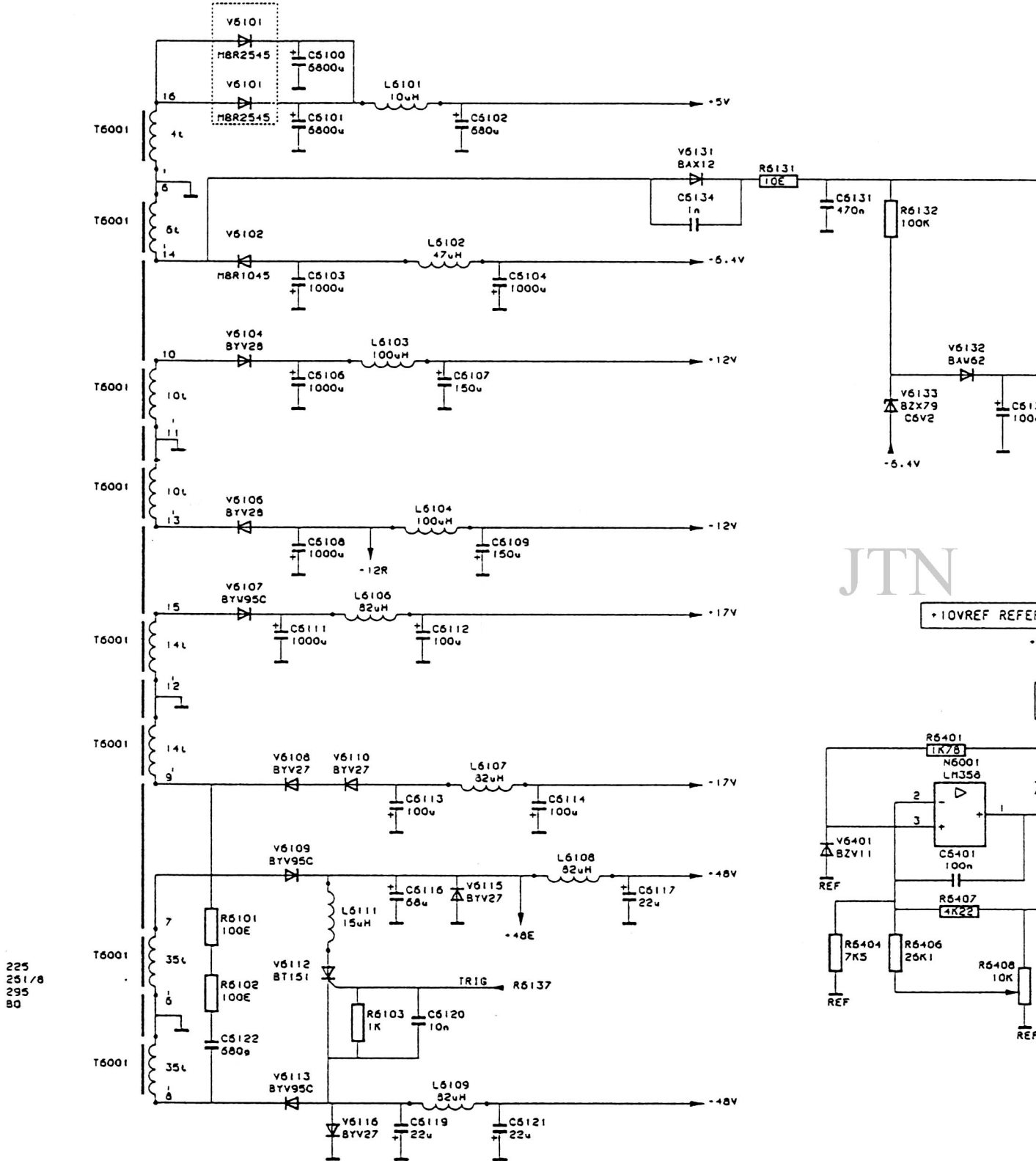
225  
251/8  
295  
80

Circuit diagram of power supply, secondary circuit

REF NO	TYPE	+17V	⊥
N6001	LM358	8	4

POWER SUPPLY UNIT (A6)

OUTPUT CIRCUIT

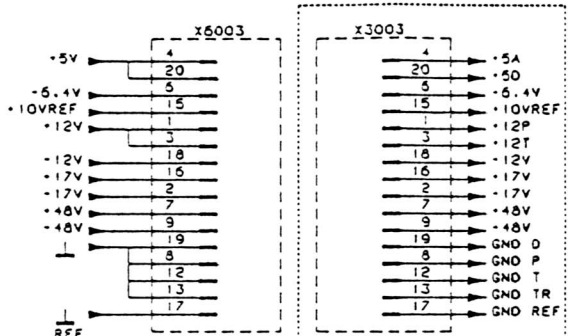
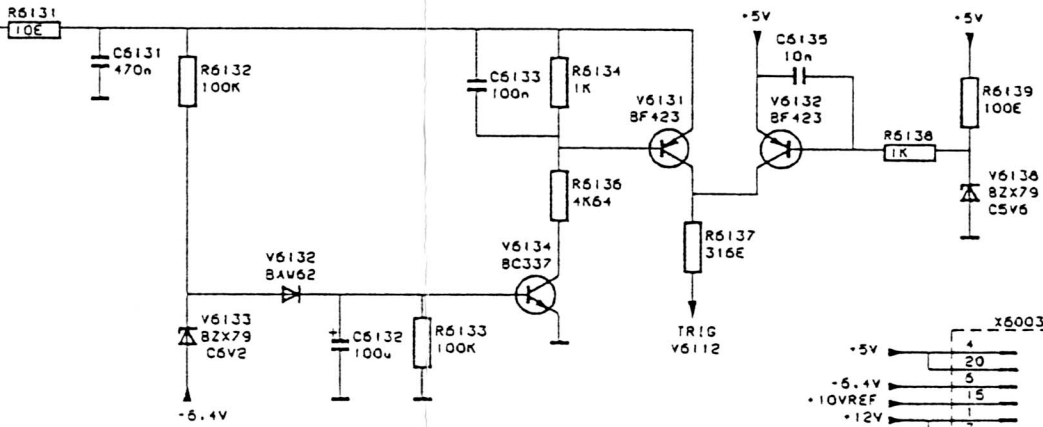


JTN

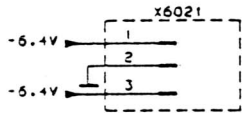
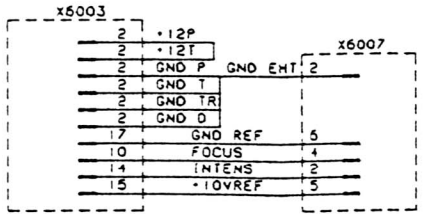
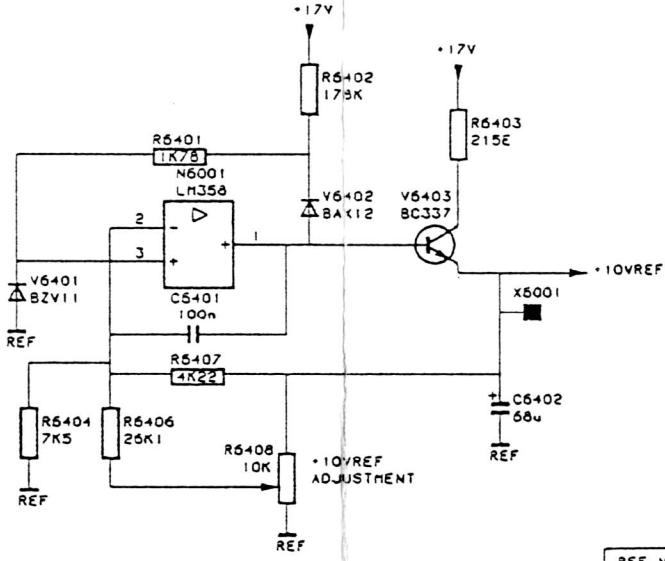
+10VREF REF

Circuit diagram of power supply, secondary circuit

VOLTAGE PROTECTION



+10VREF REFERENCE SOURCE



REF NO	TYPE	+17V	↓
N6001	LM358	3	4

JTN





**PHILIPS**

***T&M - CUSTOMER SUPPORT***

---

**SUPPLEMENT**

---

**90-03-20**

**ESU3065S2.1.**

OSCILLOSCOPE  
MODEL NUMBER: PM3065

SUPPLEMENT TO: **PM3065 SERVICE MANUAL 4822 872 05335**

THIS ESU REPLACES: --

**Subject:**

New grey colours

The colour of this oscilloscope is changed from "brown" into "grey".

The list below gives the complete survey of all changed parts with the old code number for the "brown" parts as well as the new code number for the "grey" parts..

**PM3065 - SERVICE MANUAL 4822 872 05335 - Chapter 16.**

Item	Qty	Ordering code "old" brown	Ordering code "new" grey	Description
------	-----	------------------------------	-----------------------------	-------------

---

Page 16-1 / 16.1.1

1	1	5322 381 10779	5322 381 11121	Bezel
3	1	5322 455 81064	5322 455 81117	Textfilm on Bezel PM3065
3	1	5322 455 81065	5322 455 81119	Textfilm on Bezel PM3067
6	13	5322 414 10018	5322 414 60697	Control knob with spring
7	1	5322 464 90252	5322 464 90659	Front frame
8	1	5322 455 81026	5322 455 81105	Textfilm CRT unit
9	1	5322 455 81067	5322 455 81104	Textfilm for handle PM3065
10	1	5322 498 50219	5322 498 50308	Handle assembly
11	1	5322 414 60142	5322 414 60698	Power-on knob
14	1	5322 464 90248	5322 447 91804	Upper cabinet
17	1	5322 464 90486	5322 464 90661	Chassis
19	1	5322 464 90249	5322 447 91802	Bottom cabinet
21	4	5322 462 50325	5322 462 41697	Bottom foot
25	1	5322 464 90254	5322 256 91632	Front unit frame
26	1	5322 455 81028	5322 455 81112	Textfilm for front unit
27	18	5322 276 11856	5322 276 20489	Softkey brown - grey
28	2	5322 276 11858	5322 276 20493	Softkey beige - dark mushroom
29	1	5322 276 11857	5322 276 20492	Softkey green - green
30	2	5322 277 10879	5322 276 20494	UP-DOWN key beige - dark mushroom
31	3	5322 277 10878	5322 276 20491	UP-DOWN key brown - grey

Page 16-6 / 16.1.2

1	2	5322 462 50324	5322 462 41696	Rear foot
---	---	----------------	----------------	-----------

Page 16-6 / 16.2

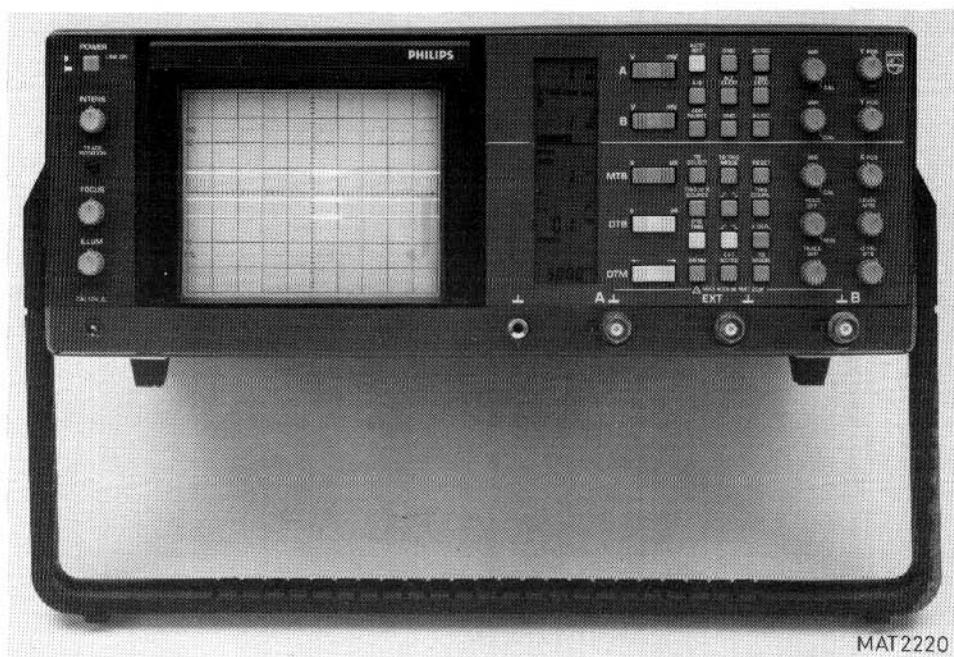
7	A7	5322 216 51113	5322 216 51261	Front unit
---	----	----------------	----------------	------------

# 100 MHz Dual Time Base Oscilloscope PM3065-PM3067

## Service Manual

4822 872 05335

890901



**WARNING:** These servicing instructions are for use by qualified personnel only. To reduce the risk of electric shock do not perform any servicing other than that specified in the Operating Instructions unless you are fully qualified to do so.



# PHILIPS

IMPORTANT: In correspondence concerning this instrument, please quote the type number and serial number as given on the type plate.

NOTE: The design of this instrument is subject to continuous development and improvement. Consequently, this instrument may incorporate minor changes in detail from the information contained in this manual.

JTN

CONTENTS	Page
1. SAFETY INSTRUCTIONS	1-1
1.1 Introduction .....	1-1
1.2 Safety precautions .....	1-1
1.3 Caution and warning statements .....	1-1
1.4 Symbols .....	1-1
1.5 Impaired safety-protection .....	1-2
1.6 General clauses .....	1-2
2. CHARACTERISTICS	2-1
2.1 Display .....	2-3
2.2 Vertical deflections or Y axis .....	2-3
2.2.1 Channels A and B .....	2-3
2.2.2 Triggerview .....	2-5
2.3 Horizontal deflection or X axis .....	2-6
2.3.1 Main Time Base (MTB) .....	2-6
2.3.2 Delayed Time Base (DTB) .....	2-6
2.3.3 X-deflection .....	2-7
2.3.4 EXT input .....	2-7
2.4 Triggering .....	2-8
2.4.1 MTB triggering .....	2-8
2.4.2 DTB triggering .....	2-9
2.5 Power supply .....	2-9
2.6 Auxiliary inputs or outputs .....	2-10
2.7 Environmental characteristics .....	2-10
2.8 Safety .....	2-12
3. INTRODUCTION TO CIRCUIT DESCRIPTION AND BLOCK DIAGRAM DESCRIPTION	3-1
3.1 Introduction to circuit description .....	3-1
3.2 Block diagram description .....	3-12
3.2.1 Introduction .....	3-12
3.2.2 Control unit .....	3-12
3.2.3 Attenuator unit .....	3-12
3.2.4 Pre-amplifier unit .....	3-12
3.2.5 Time-base unit .....	3-14
3.2.6 XYZ unit .....	3-14
3.2.7 Power supply unit .....	3-15

4.	ATTENUATOR UNIT (A1)	4-1
4.1	Vertical attenuators .....	4-1
4.2	External input .....	4-2
5.	PRE-AMPLIFIER UNIT (A2)	5-1
5.1	Vertical pre-amplifier .....	5-1
5.2	MTB trigger pre-amplifier .....	5-2
5.3	DTB trigger pre-amplifier .....	5-3
5.4	Pre-amplifier control .....	5-4
6.	XYZ-AMPLIFIER UNIT (A3)	6-1
6.1	Introduction .....	6-1
6.2	Final vertical (Y) amplifier .....	6-1
6.3	Final horizontal X) amplifier .....	6-1
6.4	Final blanking (Z) amplifier and CRT .....	6-2
7.	TIME-BASE UNIT (A4)	7-1
7.1	Trigger amplifier .....	7-1
7.2	Timing circuit .....	7-2
7.3	Sweep generators .....	7-4
7.4	X DEFL amplifier, and display mode switch .....	7-6
7.5	Z-amplifier .....	7-7
7.6	Timing diagrams .....	7-8
8.	CRT CONTROL UNIT (A5)	8-1
9.	POWER SUPPLY UNIT (A6)	9-1
9.1	Input circuit .....	9-1
9.2	Converter circuit .....	9-1
9.3	Secondary output rectifiers .....	9-2
9.4	HT supply .....	9-3
9.5	Calibrator .....	9-3

10.	FRONT UNIT (A7-A8)	10-1
10.1	Microcomputer control circuit .....	10-1
10.1.1	Introduction to MAB8052 microcomputer .....	10-1
10.1.2	Characteristics of the I <sup>2</sup> C bus .....	10-1
10.1.3	I <sup>2</sup> C structure .....	10-2
10.1.4	Microcomputer MAB8052 .....	10-3
10.1.5	I <sup>2</sup> C decoding .....	10-4
10.1.6	Status input .....	10-4
10.1.7	Probe indicator .....	10-5
10.1.8	C-Bus decoder .....	10-5
10.2	LCD display circuit .....	10-5
10.3	Front-panel controls .....	10-5
11.	PERFORMANCE CHECK	11-1
11.1	General information .....	11-1
11.2	Preliminary settings .....	11-2
11.3	Recommended test equipment .....	11-2
11.4	Checking procedure .....	11-3
11.4.1	Power supply .....	11-3
11.4.2	Display .....	11-3
11.4.3	Vertical deflection or Y-axis .....	11-4
11.4.4	Trigger view .....	11-10
11.4.5	Horizontal deflection or X-axis .....	11-13
11.4.6	MTB triggering .....	11-18
11.4.7	DTB triggering .....	11-21
11.4.8	Auxiliary inputs and outputs .....	11-22
12.	DISMANTLING THE INSTRUMENT	12-1
12.1	General information .....	12-1
12.2	Removing the top and bottom covers .....	12-1
12.3	Access to parts for the checking and adjusting procedures .....	12-1
13.	CHECKING AND ADJUSTING	13-1
13.1	General information .....	13-1
13.2	Recommended test and calibration equipment .....	13-6
13.3	Survey of adjusting elements .....	13-7

13.4	Checking and adjusting procedure .....	13-9
13.4.1	Preparation .....	13-9
13.4.2	Power supply adjustment .....	13-9
13.4.3	CRT display adjustment .....	13-9
13.4.4	Square-wave response attenuator .....	13-10
13.4.5	Adjustment of vertical sensitivities .....	13-11
13.4.6	Adjustment of horizontal sensitivity .....	13-11
13.4.7	Offset adjustments .....	13-12
13.4.8	Adjustment of trigger sensitivity .....	13-12
13.4.9	Adjustment of the MTB sweep times .....	13-12
13.4.10	Adjustment of the DTB sweep times .....	13-13
13.4.11	Adjustment of x10 sweep times .....	13-13
13.4.12	Adjustment of delay time multiplier .....	13-13
13.4.13	Square-wave response .....	13-14
13.4.14	Checking the AUTO SET function .....	13-15
14.	CORRECTIVE MAINTENANCE .....	14-1
14.1	Replacements .....	14-1
14.1.1	Standard parts .....	14-1
14.1.2	Special parts .....	14-1
14.1.3	Transistors and integrated circuits .....	14-1
14.1.4	Static-sensitive components .....	14-2
14.1.5	Handling MOS devices .....	14-2
14.1.6	Soldering and desoldering of surface mounted devices on unit 8 .....	14-3
14.2	Removing the units and mechanical parts .....	14-5
14.2.1	Attenuator unit (A1) .....	14-5
14.2.2	Pre-amplifier unit (A2) .....	14-5
14.2.3	XYZ-amplifier unit (A3) .....	14-5
14.2.4	Time-base unit (A4) .....	14-6
14.2.5	CRT control unit (A5) .....	14-6
14.2.6	Power supply unit (A6) .....	14-6
14.2.7	Front unit (A7) and LCD unit (A8) .....	14-8
14.2.8	Removing the delay line cable .....	14-9
14.2.9	Replacement of CRT .....	14-9
14.3	Soldering techniques .....	14-10
14.4	Instrument repacking .....	14-10
14.5	Trouble shooting .....	14-11
14.5.1	Introduction .....	14-11
14.5.2	Trouble-shooting techniques .....	14-11
14.5.3	Power-up routine .....	14-12
14.5.4	Trouble-shooting the power supply .....	14-12
14.5.5	P.c.b. interconnections .....	14-13
14.6	Special tools .....	14-13
14.6.1	Trimming Kit SBC 317 .....	14-13
14.6.2	P.c.b. snapper .....	14-18
14.7	Recalibration after repair .....	14-18



15.	SAFETY INSPECTION AND TEST AFTER REPAIR AND MAINTENANCE IN THE PRIMARY CIRCUIT	15-1
15.1	General directives .....	15-1
15.2	Safety components .....	15-1
15.3	Checking the protective earth connection .....	15-1
15.4	Checking the insulation resistance .....	15-1
15.5	Checking the leakage current .....	15-1
15.6	Voltage test .....	15-2
16.	PARTS LIST	16-1
16.1	Mechanical parts .....	16-1
16.2	Units .....	16-6
16.3	Cables and connectors .....	16-7
16.3.1	Flatcables and connectors .....	16-7
16.3.2	P.c.b.-connectors .....	16-7
16.3.3	Miscellaneous cables .....	16-7
16.4	Electrical parts .....	16-8
16.4.1	Capacitors .....	16-8
16.4.2	Resistors .....	16-11
16.4.3	Coils .....	16-16
16.4.4	Semi-conductors .....	16-17
16.4.5	Integrated circuits .....	16-19
16.4.6	Cathode ray tube .....	16-19
16.4.7	Miscellaneous .....	16-19
17.	OPTIONS	17-1
17.1	MTB gate .....	17-1
17.2	DTB gate .....	17-1
17.3	MTB sweep .....	17-2
17.4	Parts list .....	17-2

## LIST OF FIGURES

Page

Figure 2.1	Dimensions	2-2
Figure 2.2	Maximum input voltage versus frequency	2-3
Figure 3.1	Block diagram	3-7
Figure 4.1	Table of attenuator settings	4-1
Figure 4.2	Attenuator unit p.c.b.	4-3
Figure 4.3	Circuit diagram of attenuator, ch. A 1	4-5
Figure 4.4	Circuit diagram of attenuator, ch. A 2	4-8
Figure 4.5	Attenuator unit p.c.b.	4-9
Figure 4.6	Circuit diagram of attenuator, ch. B 1	4-11
Figure 4.7	Circuit diagram of attenuator, ch. B 2	4-12
Figure 4.8	Attenuator unit p.c.b.	4-14
Figure 4.9	Circuit diagram of attenuator, EXT	4-16
Figure 5.1	The four stages of the vertical pre-amplifier	5-1
Figure 5.2	Pre-amplifier unit p.c.b.	5-5
Figure 5.3	Circuit diagram of pre-amplifier, channel switch	5-7
Figure 5.4	Circuit diagram of pre-amplifier, delay line driver	5-8
Figure 5.5	Pre-amplifier unit p.c.b.	5-10
Figure 5.6	Circuit diagram of pre-amplifier, MTB trigger switch	5-12
Figure 5.7	Circuit diagram of pre-amplifier, level circuit	5-13
Figure 5.8	Pre-amplifier unit p.c.b.	5-15
Figure 5.9	Circuit diagram of pre-amplifier, DTB trigger switch	5-17
Figure 5.10	Circuit diagram of pre-amplifier, logic control	5-18
Figure 5.11	Pre-amplifier unit p.c.b.	5-20
Figure 5.12	Circuit diagram of pre-amplifier, supply voltages	5-22
Figure 6.1	XYZ amplifier unit p.c.b.	6-3
Figure 6.2	Circuit diagram of XYZ amplifier, final Y amplifier	6-5
Figure 6.3	Circuit diagram of XYZ amplifier, final X amplifier	6-6
Figure 6.4	XYZ amplifier unit p.c.b.	6-8
Figure 6.5	Circuit diagram of XYZ amplifier, Z amplifier	6-10
Figure 6.6	Circuit diagram of XYZ amplifier, CRT circuit	6-12
Figure 7.1	D4103 configuration	7-2
Figure 7.2	Simplified diagram of the MTB	7-4
Figure 7.3	Z-logic for the different TB modes	7-7
Figure 7.4	Free-running MTB sweep-timing diagram	7-8
Figure 7.5	Triggered MTB-sweep with a delay sweep-timing diagram	7-8
Figure 7.6	Triggered MTB- and DTB-sweep-timing diagram	7-9
Figure 7.7	Time base unit p.c.b.	7-11
Figure 7.8	Circuit diagram of time base, trigger amplifier MTB and DTB	7-13
Figure 7.9	Circuit diagram of time base, MTB and DTB sweep circuits and final X DEFL amplifier	7-14
Figure 7.10	Time base unit p.c.b.	7-16
Figure 7.11	Circuit diagram of time base, X pre-amplifier and Z switch	7-18
Figure 8.1	Circuit diagram of CRT control	8-1
Figure 8.2	CRT control unit p.c.b.	8-1
Figure 9.1	Converter circuit	9-2
Figure 9.2	Timing diagram converter circuit	9-2
Figure 9.3	HT oscillator	9-3
Figure 9.4	Power supply unit p.c.b.	9-5
Figure 9.5	Circuit diagram of power supply	9-8

Figure 10.1	Bit transfer	10-1
Figure 10.2	Definition of start and stop conditions	10-2
Figure 10.3	I <sup>2</sup> C structure	10-2
Figure 10.4	Pinning of microcomputer MAB 8052	10-3
Figure 10.5	Front unit p.c.b.	10-6
Figure 10.6	Circuit diagram of front unit	10-8
Figure 10.7	LCD unit p.c.b.	10-9
Figure 10.8	Circuit diagram of LCD unit	10-10
Figure 11.1	SOFTSTART condition	11-2
Figure 12.1	Access to all parts for checking and adjusting	12-2
Figure 13.1	Adjusting elements	13-4
Figure 13.2	Square-wave response	13-14
Figure 14.1	Arrangement of working area for S.M.D. exchange and MOS device	14-3
Figure 14.2	Six clamping lips for XYZ-amplifier unit	14-6
Figure 14.3	Power supply unit outside the instrument	14-7
Figure 14.4	Measuring the front unit working condition	14-8
Figure 14.5	Removing the CRT	14-9
Figure 14.6	P.c.b. interconnections	14-15
Figure 14.7	Trimming tool kit	14-18
Figure 14.8	P.c.b. snapper	14-18
Figure 16.1	Exploded view	16-3
Figure 16.2	Rear view	16-5
Figure 16.3	Inside view showing the parts in the CRT compartment	16-5
Figure 16.4	View of the units	16-5
Figure 17.1	Circuit diagram of MTB gate, DTB gate and MTB sweep options	17-2
Figure 17.2	P.c.b. for MTB gate, DTB gate and MTB sweep	17-2

## 1. SAFETY INSTRUCTIONS

Read these pages carefully before installation and use of the instrument.

### 1.1 INTRODUCTION

The following clauses contain information, cautions and warnings which must be followed to ensure safe operation and to retain the instrument in a safe condition.

Adjustment, maintenance and repair of the instrument shall be carried out only by qualified personnel.

### 1.2 SAFETY PRECAUTIONS

For the correct and safe use of this instrument it is essential that both operating and servicing personnel follow generally-accepted safety procedures in addition to the safety precautions specified in this manual.

Specific warning and caution statements, where they apply, will be found throughout the manual.

Where necessary, the warning and caution statements and/or symbols are marked on the apparatus.

### 1.3 CAUTION AND WARNING STATEMENTS

**CAUTION:** is used to indicate correct operating or maintenance procedures in order to prevent damage to or destruction of the equipment or other property.

**WARNING:** calls attention to a potential danger that requires correct procedures or practices in order to prevent personal injury.

### 1.4 SYMBOLS



High voltage  $\geq$  1000 V (red)



Live part (black/yellow)



Read the operating instructions



Protective earth (black)  
(grounding) terminal

1.5 IMPAIRED SAFETY-PROTECTION

Whenever it is likely that safety-protection has been impaired, the instrument must be made inoperative and be secured against any unintended operation. The matter should then be referred to qualified technicians.

Safety protection is likely to be impaired if, for example, the instrument fails to perform the intended measurements or shows visible damage.

1.6 GENERAL CLAUSES

- 1.6.1 **WARNING:** The opening of covers or removal of parts, except those to which access can be gained by hand, is likely to expose live parts and accessible terminals which can be dangerous to live.
- 1.6.2 The instrument shall be disconnected from all voltage sources before it is opened.
- 1.6.3 Bear in mind that capacitors inside the instrument can hold their charge even if the instrument has been separated from all voltage sources.
- 1.6.4 **WARNING:** Any interruption of the protective earth conductor inside or outside the instrument, or disconnection of the protective earth terminal, is likely to make the instrument dangerous. Intentional interruption is prohibited.
- 1.6.5 Components which are important for the safety of the instrument may only be renewed by components obtained through your local Philips organisation. (See also section 15).
- 1.6.6 After repair and maintenance in the primary circuit, safety inspection and tests, as mentioned in section 15 have to be performed.

## 2. CHARACTERISTICS

### A. Performance Characteristics

- Properties expressed in numerical values with stated tolerance are guaranteed by PHILIPS Specified non-tolerance numerical values indicate those that could be nominally expected from the mean of a range of identical instruments.
- This specification is valid after the instrument has warmed up for 30 minutes (reference temperature 23°C).
- For definitions of terms, reference is made to IEC Publication 351-1.

### B. Safety Characteristics

- This apparatus has been designed and tested in accordance with Safety Class I requirements of IEC Publication 348, Safety requirements for Electronic Measuring Apparatus, UL 1244 and CSA 556B and has been supplied in a safe condition.

### C. Initial Characteristics

- Overall dimensions:
  - Width
    - Including handle : 387 mm
    - Excluding handle : 350 mm
  - Length
    - Including handle, excl. knobs : 518,5 mm
    - Excluding handle, excl. knobs : 443,5 mm
    - Including handle, incl. knobs : 530,5 mm
    - Excluding handle, incl. knobs : 455,5 mm
  - Height
    - Including feet : 146,5 mm
    - Excluding feet : 134,5 mm
    - Excl. under cabinet : 132,5 mm

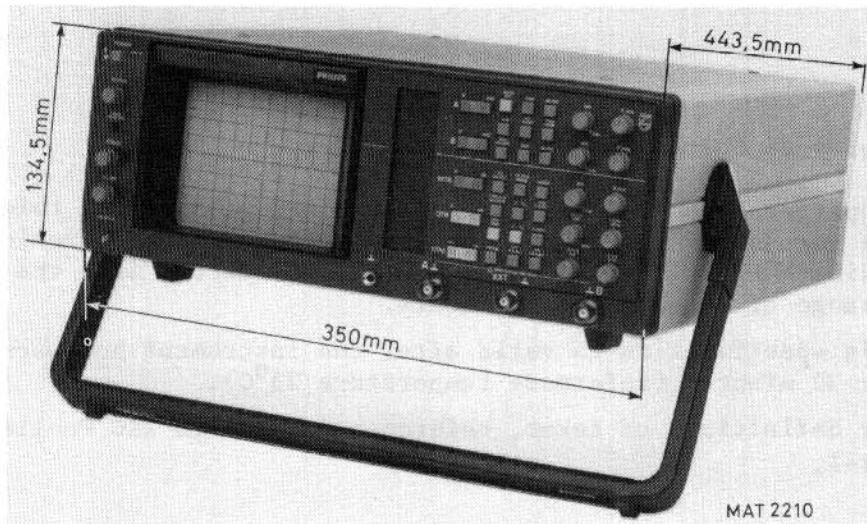


Figure 2.1 Dimensions

- \* Mass : 7,5 kg
- \* Operating positions:
  - a. Horizontally on bottom feet
  - b. Vertically on rear feet
  - c. On the carrying handle in two sloping positions.

#### D. Contents

- 2.1 Display
- 2.2 Vertical deflection or Y axis
- 2.3 Horizontal deflection or X axis
- 2.4 Triggering
- 2.5 Power Supply
- 2.6 Auxiliary inputs or outputs
- 2.7 Environmental characteristics
- 2.8 Safety

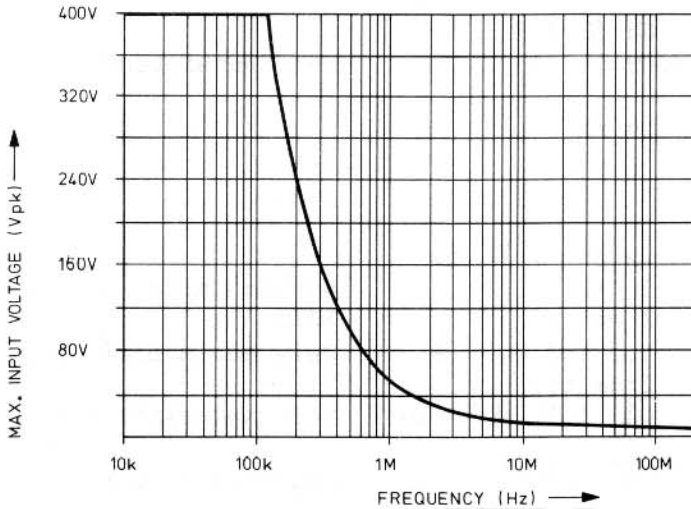
CHARACTERISTICS	SPECIFICATION	ADDITIONAL INFORMATION
2.1	DISPLAY	
* CRT		
Type No	PHILIPS D 14-372	
Measuring area (h x w)	80 x 100 mm	8 x 10 div. 1 div. = 10 mm 1 subdiv. (sd) = 2 mm
* Screen type		
Standard	GH (P 31)	
Option	GM (P 7)	Long persistence
* Total acceleration voltage	16 kV	
* Graticule		
Engravings	Internal fixed	
Division lines	1 cm	Horizontal as well as vertical
Subdivisions	2 mm	Idem
Dotted lines	1,5 and 6,5 cm from top	Only horizontal
Percentages	0%, 10%, 90%, 100%	Left and right side
* Orthogonality	90° +/- 1°	Measured in zero point
* Illumination	Continuously variable	
* Display time per channel in chopped mode	< 1 us	
* LCD liquid crystal display		All relevant settings are visible in display
Type No	LC 9438130	
Visible area	25,4 x 88,8 mm	
Back lighting	Permanently on	
2.2	VERTICAL DEFLECTION OR Y AXIS	
2.2.1	Channels A and B	
* Deflection coeff.	2 mV/div... 10 V/div.	In 1, 2, 5 sequence If PM8936/09 is used, deflection coeff. is automatically calculated in display
* Variable gain control range	1 : >2,5	
* Error limit	+/- 3%	Only in calibrated position



CHARACTERISTICS	SPECIFICATION	ADDITIONAL INFORMATION
-----------------	---------------	------------------------



* Input impedance Paralleled by Max. input voltage (DC + AC peak) Max. test voltag- es (rms)	1 Megohm +/-2% 20 pF +/-2pF 400 V 500 V	Measured below 1 MHz Measured below 1 MHz Upto 125 kHz. For higher frequencies, see figure 2.2 Max. duration 60 sec
--	--	---



MAT3146  
880115

Figure 2.2 Maximum input voltage versus frequency

* Bandwidth 20mV ... 10V	> 100 MHz	Input 6 div. sine-wave
* Bandwidth 2mV ... 10mV	> 75 MHz	Input 6 div. sine-wave
* Rise-time 20mV ... 10V	3,5 ns or less	Calculated from $0,35/f-3$ dB
* Rise-time 2mV ... 10mV	4,7 ns or less	Calculated from $0,35/f-3$ dB
* Noise 20 mV ... 10 V	< 0,05 div.	Tangentially measured Pick up by open BNC excluded Ex. starting hackle
2 mV ... 10 mV	< 0,2 div.	
* Lower - 3 dB point	< 10 Hz	In AC position, 6 div. sine- wave
* Dynamic range DC...10 MHz	> 24 div.	

CHARACTERISTICS	SPECIFICATION	ADDITIONAL INFORMATION
* Position range	+/- 8 div.	
* Decoupling factor between channels		Both channels same attenuator setting
@ 10 MHz	1 : > 100	Input max. 8 div. sine-wave
@ 100 MHz	1 : > 50	2,5 and 10 V are excluded
@ 75 MHz for 2, 5, 10mV	1 : > 50	2,5 and 10 V are excluded
* Common Mode Rejection Ratio		Both channels same attenuator setting, vernier adjusted for best CMRR; measured with max. 8 div. (+/- 4 div.) each channel
@ 1 MHz	1 : > 100	
@ 50 MHz	1 : > 10	
* L.F. Non Linearity	< 3%	
* Visible signal delay	> 15 ns	Max. intensity, measured from line start to trigger point
* Base-line jump between attenuator steps	< 0,2 div.	
20 mV...10 V		
Additional jump between 10 mV	< 0,3 div.	
<---> 20 mV		
Normal Invert jump	< 0,2 div.	Only channel B
ADD jump	< 0,6 div.	When A and B are positioned in screen centre (20 mV...10 V)
Variable jump	< 0,2 div.	Max. jump in any position of the vernier

### 2.2.2 Triggerview

* Bandwidth		
Via A or B channel or EXT. input	> 75 MHz	
* Deflection coeff.		
Via channel A or B	2 mV...10 V/div.	1, 2, 5 sequence (see Channel A, B)
Via EXT. input	100 mV/div.	
Error limit	< 5%	INTERNAL, EXTERNAL
* Lower - 3 dB point		
AC coupling EXT. input	< 10 Hz	Trigger coupling DC
* Line jump trigger source	< 0,4 div.	Jump between trigger source A, B composite and EXT
* OFFSET trig.point from screen centre	< 0,5 div.	

CHARACTERISTICS	SPECIFICATION	ADDITIONAL INFORMATION
* Delay EXT. trigger view and channel A or B	< 10 ns	
* Dynamic range EXT. input DC...1 MHz	> 24 div.	
1 MHz...100 MHz	> 6 div.	
2.3	HORIZONTAL DEFLECTION OR X AXIS	
* Horizontal display modes	MTB, MTBI, ALT.TB, DTB, EXT	
2.3.1	Main Time Base (MTB)	
* Time coeff.	0,5 sec...50 ns	1, 2, 5 sequence (magn.off)
Error limit	3%	Measured at -4...+4 div. from screen centre
* Horizontal position range	Start of sweep and 10th div. can be shifted over screen centre	
* Variable control ratio	1 : > 2,5	
* Time Base magnifier	Expansion *10	Not valid in X-deflection
Error limit	4%	Measured at +4 ... - 4 div. from screen centre Excluding first 50 ns and last 50 ns
* Horizontal magnifier balance	< 0,5 div.	Shift start of sweep in * 10 in mid-screen position, then switch to * 1
* Hold-Off Minimum to maximum hold-off time ratio	1 : > 10	Minimum hold off time is related to time base setting
2.3.2	Delayed Time Base (DTB)	
* Time coeff.	1 ms...50 ns	Sequence 1, 2, 5.
Error limit		See MTB
* Horizontal position range		See MTB

CHARACTERISTICS	SPECIFICATION	ADDITIONAL INFORMATION
* Time Base Magnifier		See MTB
* Delay time Multiplier		
Error limit	3% of full scale + 1% of reading + 30 ns	* 1 only
Incremental delay time error	1%	* 1 only
* Resolution	1 : 10 000	
* Delay Time Jitter	1 : > 20 000	Measured at MTB = 1 ms, DTB = 0,5 us and TB MAGN on
* Trace separation		Only valid in alternate time base
Shift range	> +/- 4 div.	DTB shifts only

### 2.3.3 X-deflection

* Deflection coeff.:		
Via channel A or B	2 mV...10 V/div.	1, 2, 5 sequence + vernier
Via EXT. input	100 mV/div.	
* Error limit		
Via channel A or B	5%	
Via EXT. input	5%	
* Bandwidth	DC .... > 2 MHz	DC coupled
* Phase shift between X and Y-deflection	< 3° DC ... 100 kHz	DC coupled
* Dynamic range	> 24 div. DC ... 100 kHz	DC coupled

### 2.3.4 EXT input



* Input impedance	1 M ohm +/- 2%	Measured below 1 MHz
Paralleled by	20 pF +/- 2 pF	Measured below 1 MHz
* Max. input voltage (DC + AC peak)	400 V	For derating with frequency, see figure 2.2
Max. test voltage (rms)	500 V	Max. duration 60 sec
* Lower - 3 dB point	< 10 Hz	AC coupled

CHARACTERISTICS	SPECIFICATION	ADDITIONAL INFORMATION
2.4	TRIGGERING	
2.4.1	MTB triggering	
* Trig.mode:		
AUTO (auto free run)	Bright line in absence of trigger signal	Auto free run starts 100 ms (typ.) in absence of trigger pulse
Triggered		Switches automatically to auto free run if one of the display channels is grounded
Single		In multi-channel mode (alternated) each channel is armed after reset; if sweep has already started, sweep is not finished
* Trigger source		
A, B, Composite (AB), EXT, Line		Line trigger source always triggers on main frequency. Line trigger amplitude depends on line input voltage. Approx. 6 div. @ 220 V mains input voltage and 50 Hz input freq.
* Trigger coupling		
Peak-to-peak (p-p), DC, TVL, TVF		
* Min. level range:		
Peak-to-peak	Related to peak-to-peak	p-p coupling is DC rejected
DC INTERNAL	> +/- 8 div.	
DC EXTERNAL	> +/- 800 mV	
TVL/TVF	Fixed level	
* Trigger slope	+/-	Slope sign in LCD and + or - if TVL/F in chosen
* Trigger sensitivity		
INTERNAL		
DC - 10 MHz	> 1,0 div.	Trig. coupling DC
At 100 MHz	> 1,2 div.	Trig. coupling DC
At 150 MHz	> 2,0 div.	Trig. coupling DC
EXTERNAL		
DC - 10 MHz	> 100 mV	Trig. coupling DC
At 100 MHz	> 150 mV	Trig. coupling DC
At 150 MHz	> 500 mV	Trig. coupling DC
TVL/F INTERNAL	< 0,7 div.	Sync. pulse
EXTERNAL	< 70 mV	Sync. pulse

CHARACTERISTICS	SPECIFICATION	ADDITIONAL INFORMATION
2.4.2	DTB Triggering	
* DTB trigger source Starts, A, B, Composite (AB), EXT and TVL		TVL has same trig.source as MTB trig. source TVL only valid if MTB trig. coupling TVL or TVF is chosen
* Coupling	DC	
* Trigger sensitivity	See MTB	
* Trigger Level range	> +/- 8 div.	
* Trigger slope	+/-	Slope sign in LCD, if TVL is chosen Slope sign is not valid.
2.5	POWER SUPPLY	
* Line input voltage AC Nominal	100 - 240 V	One range.
* Line frequency Nominal	50 - 400 Hz	
* Safety requirements within specification of: IEC 348 CLASS I UL 1244 VDE 0411 CSA 556 B		
* Power consumption (AC source) Nominal	50 W	Excl. accessories

CHARACTERISTICS	SPECIFICATION	ADDITIONAL INFORMATION
2.6 AUXILIARY INPUTS OR OUTPUTS		
* Z-MOD		TTL-compatible
ViH	> 2,0 V	Blanks display
ViL	< 0,8 V	Max. intensity
		Analogue control between ViH and ViL is possible
* DIN plug 9-pin (female)		For IEEE control, front-panel memory back-up
* CAL		To calibrate drop or tilt probes
Output voltage	1,2 V +/- 1%	Rectangular output pulse
Frequency	2 kHz	
The output may be short-circuit to ground		
2.7 ENVIRONMENTAL CHARACTERISTICS		
The environmental data mentioned in this manual are based on the results of the manufacturer's checking procedures. Details on these procedures and failure criteria are supplied on request by the PHILIPS organisation in your country, or by PHILIPS, INDUSTRIAL AND ELECTRO-ACOUSTIC SYSTEMS DIVISION, EINDHOVEN, THE NETHERLANDS.		
* Meets environmental requirements of:	MIL-T-28800 C, type III, CLASS 5 Style D	
* Temperature Operation temp. range within specification	10° - 40°C	MIL-T-28800 C par. 3.9.2.3 tested, par. 4.5.5.1.1
Limits of operation temperature range	0 - 50°C	Idem
Non-operating (Storage)	- 40°C/+ 75°C	MIL-T-28800 C par. 3.9.2.3 tested, par. 4.5.5.1.1
* Max. humidity operating non-operating	95% RH	+ 10°C ... + 30°C
* Max. altitude		MIL-T-28800 C par. 3.9.3 tested, par. 4.5.5.2
Operating	4,5 km (15000 feet)	Maximum (Operating Temperature derated 3°C for each km, for each 3000 feet, above sea level)
Non-operating (storage)	12 km (40 000 feet)	

CHARACTERISTICS	SPECIFICATION	ADDITIONAL INFORMATION
* Vibration (operating)		MIL-T-28800 C par. 3.9.4.1 tested, par. 4.5.5.3.1
Freq. 5...15 Hz	7 min	
Sweep Time		
Excursion (p-p)	1,5 mm	
Max Acceleration	7 m/s <sup>2</sup> (0,7 x g)	@ 15 Hz
Freq. 15...25 Hz	3 min	
Sweep Time		
Excursion (p-p)	1 mm	
Max Acceleration	13 m/s <sup>2</sup> (1,3 x g)	@ 25 Hz
Freq. 25...55 Hz	5 min	
Sweep Time		
Excursion (p-p)	0,5 mm	
Max Acceleration	30 m/s <sup>2</sup> (3 x g)	@ 55 Hz
Resonance Dwell	10 min	@ each resonance freq. (or @ 33 Hz if no resonance was found). Excursion, 9.7.1. to 9.7.2.
* Shock (operating)		MIL-T-28800 C par. 3.9.5.1 tested, par. 4.5.5.4.1
Amount of shocks total	18	
each axis	6	(3 in each direction)
Shock Wave-form	Half sine-wave	
Duration	11 ms	11 ms
Peak Acceleration	300 m/s <sup>2</sup> (30 x g)	
* Bench handling		Mil-T-28800 C par. 3.9.5.3 tested, par. 4.5.5.4.3
Meets requirements of	MIL-STD-810 method 516, proced. V	
* Salt Atmosphere		MIL-T-28800C par. 3.9.8.1 tested, par. 4.5.6.2.1
Structural parts meet requirements of	MIL-STD-810 methode 509, proced. I salt solution 20%	
* EMI (Electronic Magnetic Interference)		
meets requirements of	MIL-STD-461 CLASS B	Applicable requirements of part 7 : CE03, CS01, CS02, CS06, RE02, RS03
	VDE 0871 and VDE 0875 Grenzwert-klasse B	



CHARACTERISTICS	SPECIFICATION	ADDITIONAL INFORMATION
* Magnetic Radiated Susceptibility Maximum Deflection Factor		Tested in conformity with IEC 351-1 par. 5.1.3.1 Measured with instrument in a homogeneous magnetic field (in any direction with respect to instrument) with a flux intensity (p-p value) of 1,42 mT (14,2 gauss) and of symmetrical sine-wave form with a frequency of 45...66Hz
2.8	SAFETY	
* Meets requirements of	IEC 348 CLASS I VDE 0411  UL 1244 CSA 556 B	Except for power cord, unless shipped with Universal European power plug Except for power cord, unless shipped with North American power plug
* Max. X-Radiation		Measured @ 5 cm from surface of instrument <sup>2</sup> for a target area of 10 cm <sup>2</sup>

JTN

### 3. INTRODUCTION TO CIRCUIT DESCRIPTION AND BLOCK DIAGRAM DESCRIPTION

#### 3.1 INTRODUCTION TO CIRCUIT DESCRIPTION

The functioning of the circuits is described per printed-circuit board (p.c.b.). For every pcb a separate chapter (4-10) is available containing the lay out of the pcb, the associated circuit diagram (s) and the circuit description.

#### Location of electrical parts

The item numbers of C...., R...., V...., N...., D.... and K.... have been divided into groups which relate to the circuit and the printed-circuit board according to the following table:

Item number	unit no.	Printed-circuit board	Figure
1000-1999	A1	Attenuator unit	4
2000-2999	A2	Pre-amplifier unit	5
3000-3999	A3	XYZ amplifier unit	6
4000-4999	A4	Time-base unit	7
5000-5999	A5	CRT control unit	8
6000-6999	A6	Power supply	9
7000-7999	A7	Front unit	10
8000-8999	A8	LCD unit	10

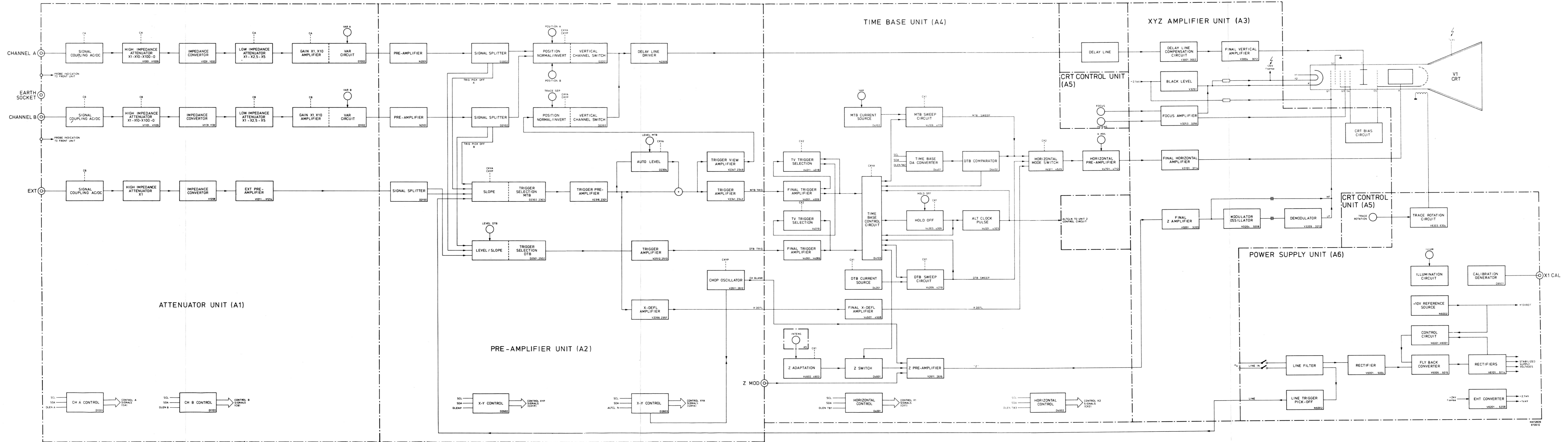
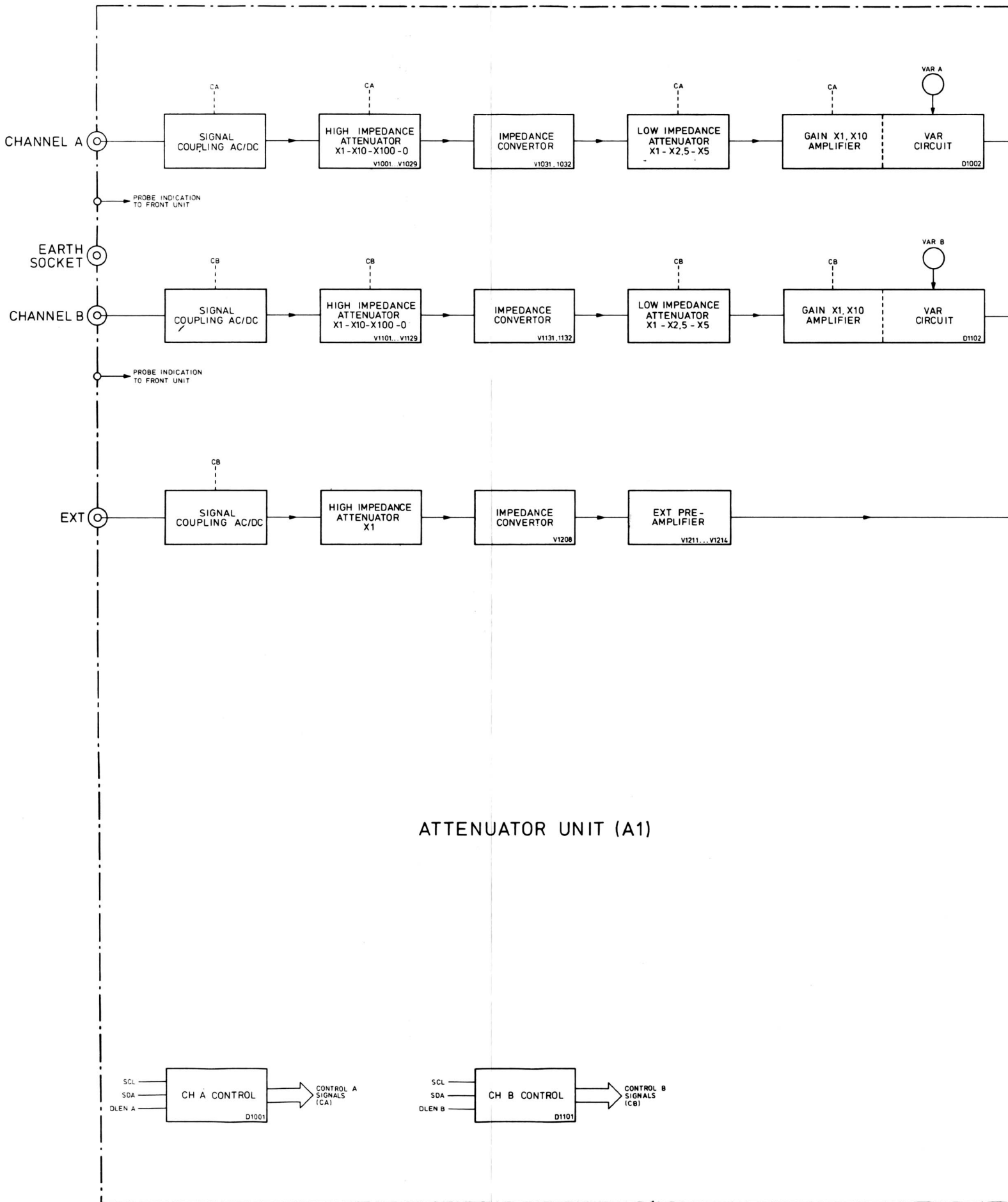
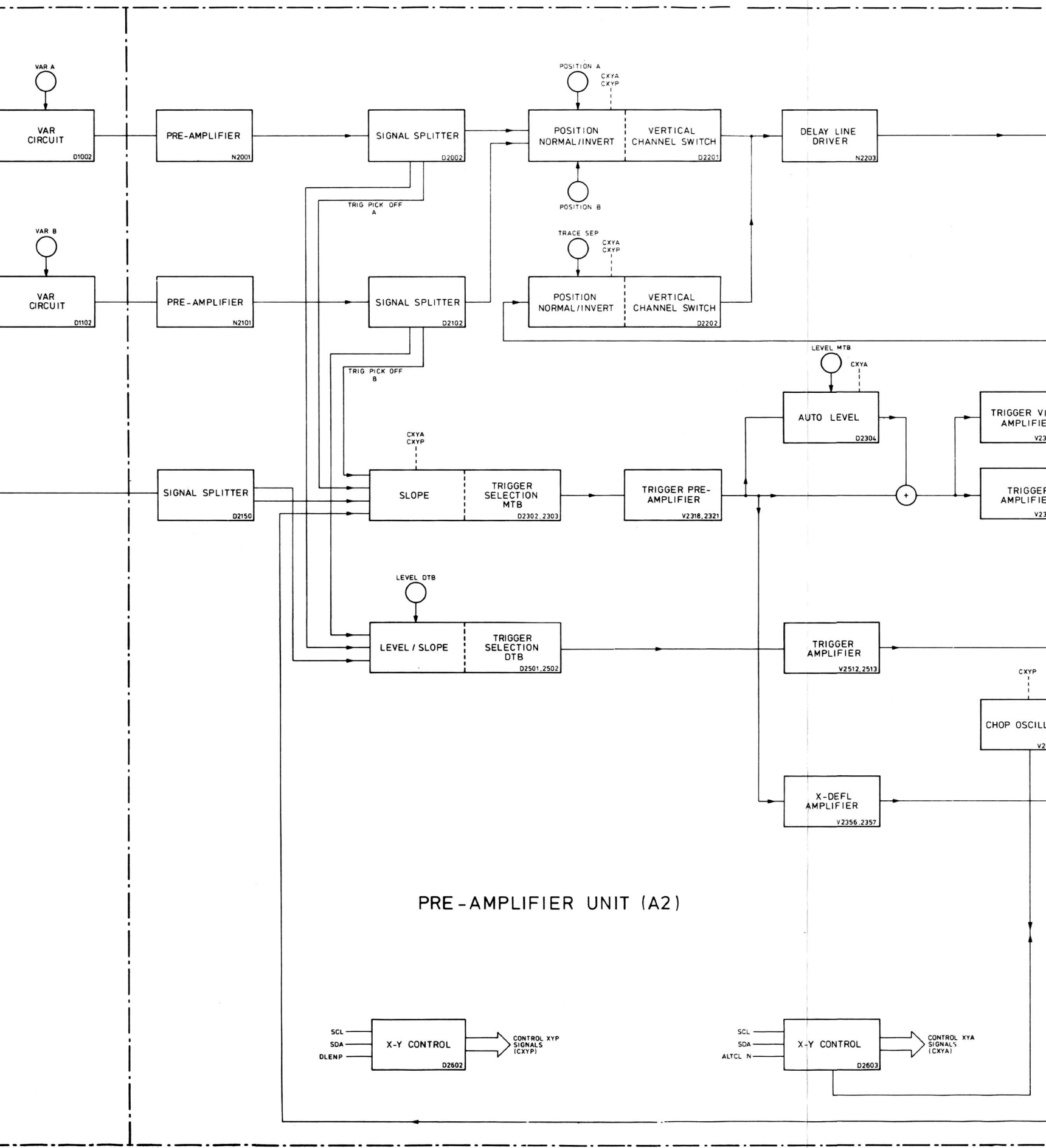


Figure 3.1 Block diagram

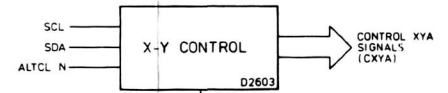


ATTENUATOR UNIT (A1)

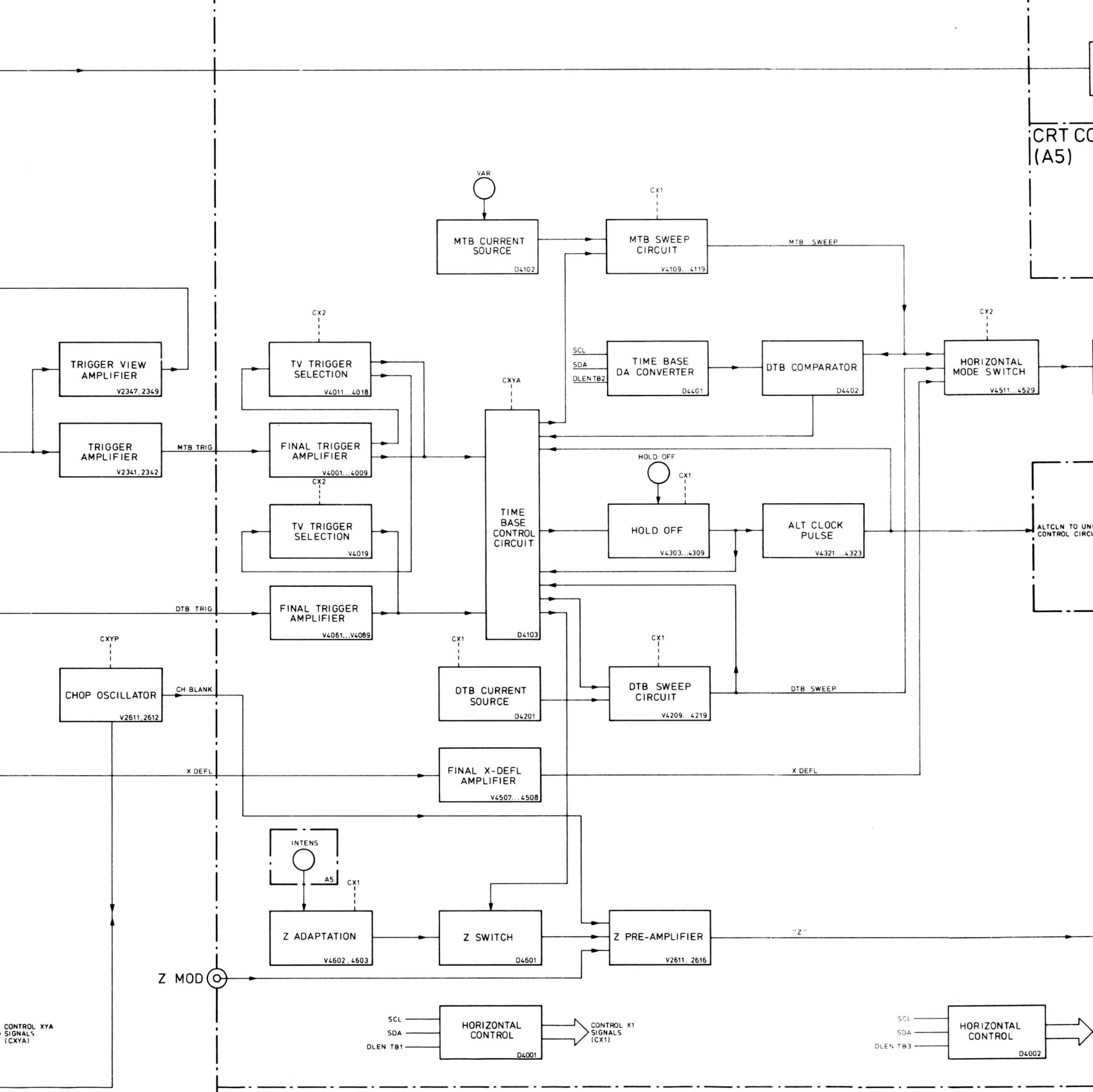
Figure 3.1 Block diagram

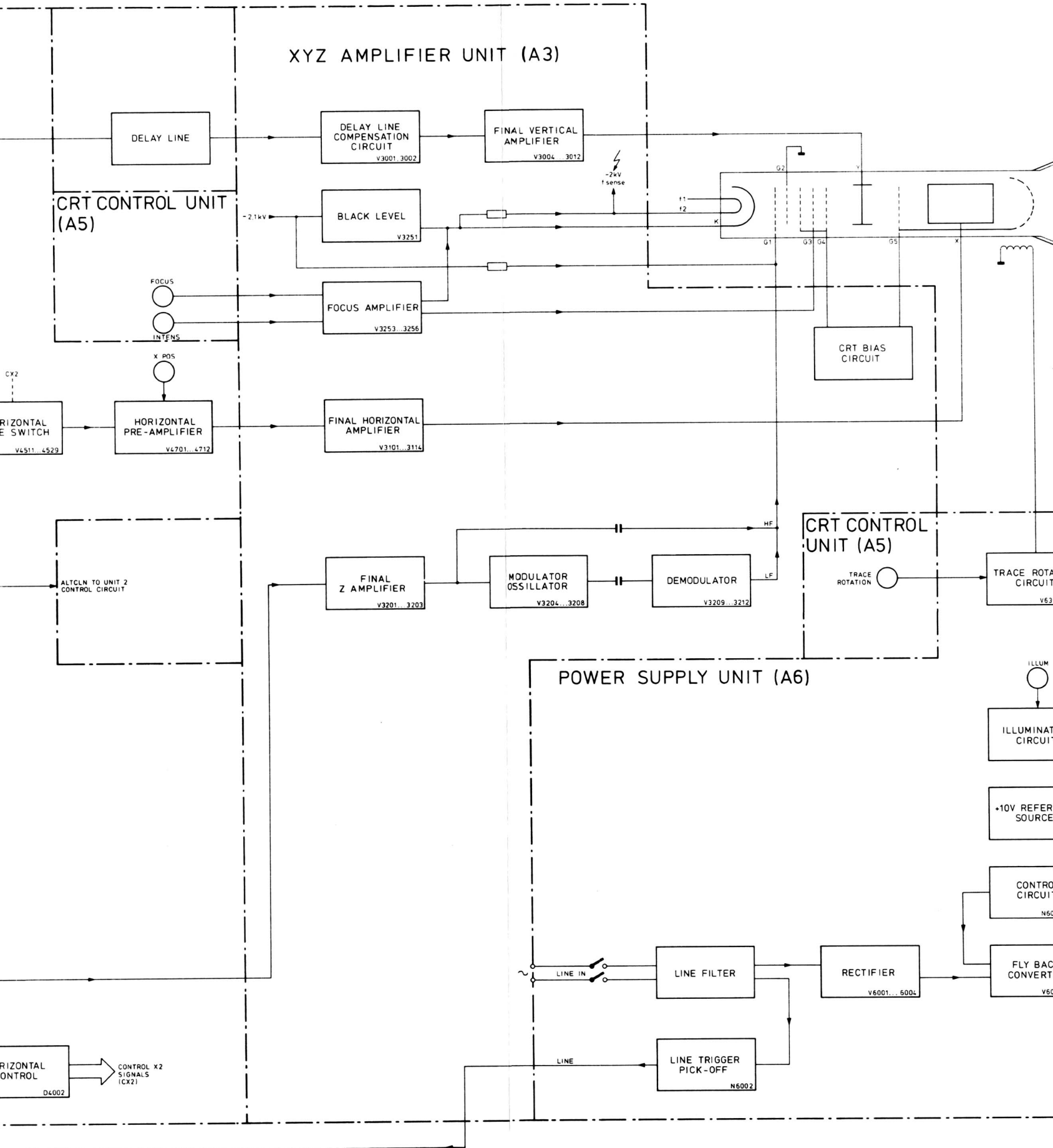


PRE-AMPLIFIER UNIT (A2)

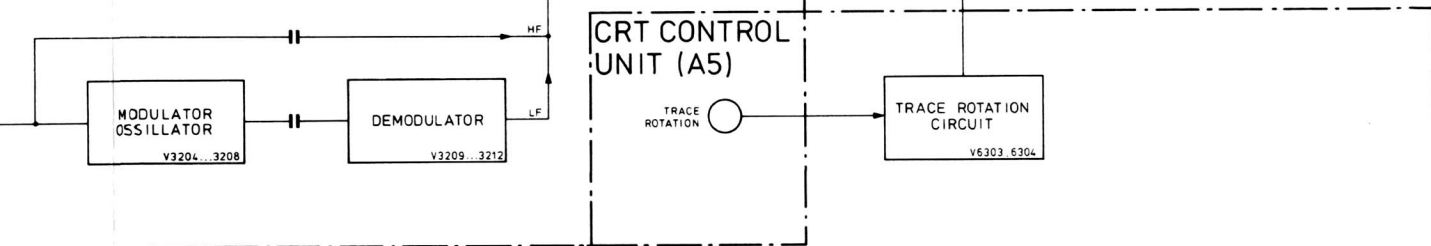
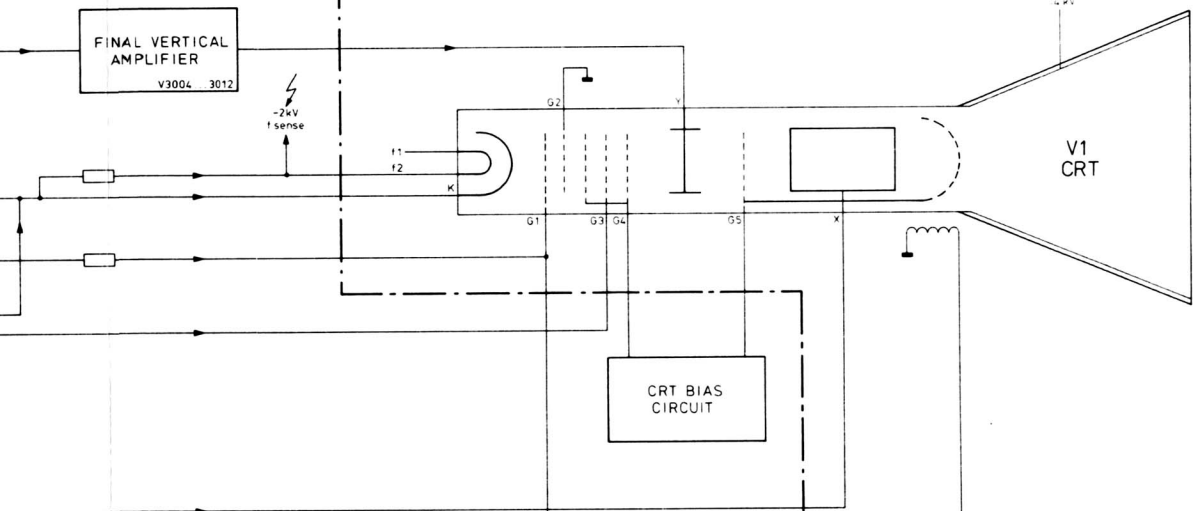


# TIME BASE UNIT (A4)

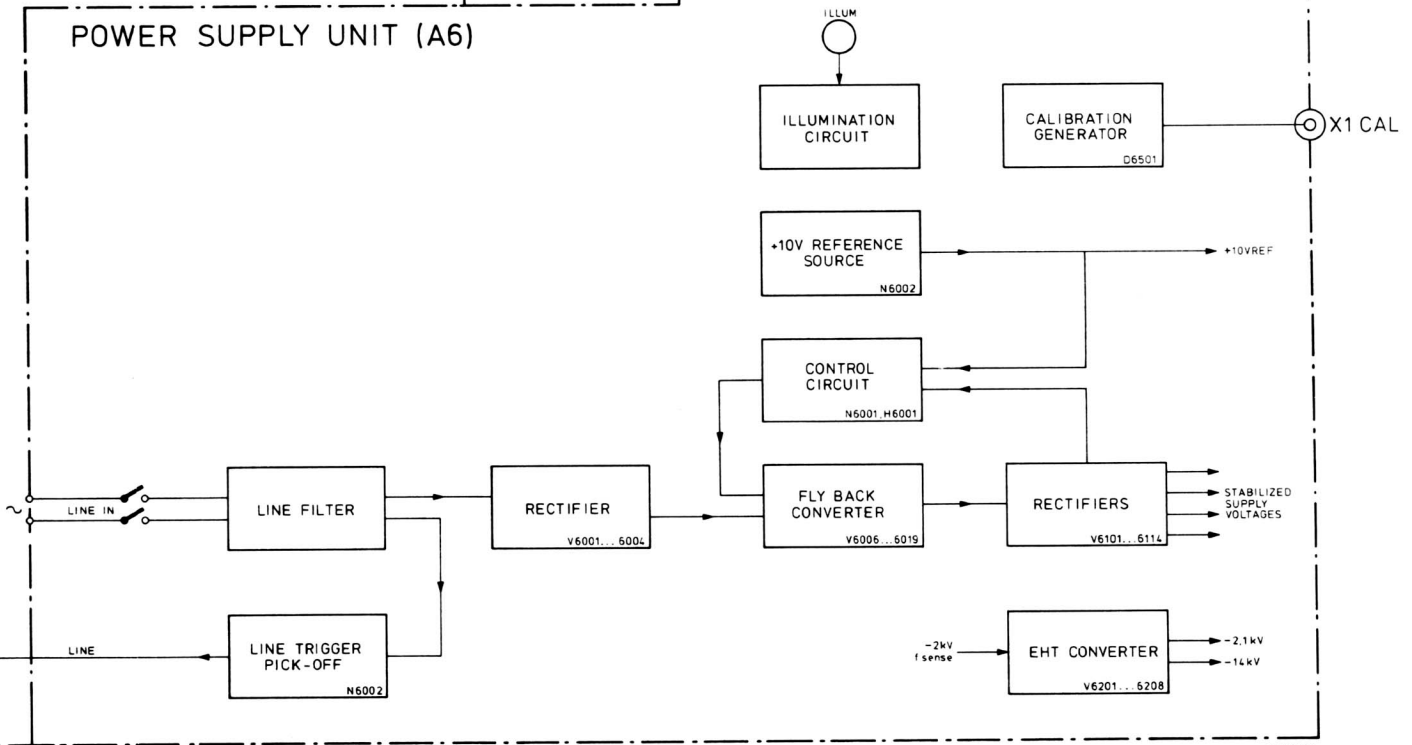




R UNIT (A3)



POWER SUPPLY UNIT (A6)





## 3.2 BLOCK DIAGRAM DESCRIPTION (see figure 3.1)

### 3.2.1 Introduction

This block diagram description is based around all the important functional blocks and their interconnections. The interconnections between all p.c.b.'s are given in the interconnection diagram of figure 14.5. In order to assist in cross-reference with the circuit diagrams, the blocks include the item numbers of the active components they contain. Furthermore, the blocks are grouped together per printed-circuit board, or a part of it. To facilitate reference, the names of the functional blocks are given in text in CAPITALS.

Signal waveforms are also indicated at block interconnections where useful. In this instrument almost all the switches (UP-DOWN controls, softkeys and potentiometer UNCAL switches) influence the oscilloscope circuits via a microcomputer (uC) system.

### 3.2.2 Control unit

Because the functional description of the control unit (see chapter 10) is almost similar to the blockdiagram description, no specific attention is given in this chapter to this unit.

### 3.2.3 Attenuator unit

The vertical channels A and B for the signals to be displayed are identical. Each channel comprises an input SIGNAL COUPLING for AC/DC, a HIGH IMPEDANCE ATTENUATOR which gives signal attenuation of x1-x10 or x100, an IMPEDANCE CONVERTER, a LOW IMPEDANCE ATTENUATOR which gives signal attenuation of x1-x2,5 or x5 and a GAIN x1-x10 AMPLIFIER block, incorporated with the CONTINUOUS CIRCUIT. This block has a variable gain, influenced by the front-panel VAR control. The gain is also increased by x10 in order to obtain 2-5 and 10mV settings.

Similar to the vertical channels, the external channel attenuator also has an input SIGNAL COUPLING, HIGH IMPEDANCE ATTENUATOR and IMPEDANCE CONVERTER in line. However, the external channel has only x1 attenuation and no LOW IMPEDANCE ATTENUATOR. The output of the external channel is fed to both MTB and DTB EXT PRE-AMPLIFIERS.

All blocks that are capable of working in different modes are controlled by the control A or control B signals. These signals are generated by the CH.A CONTROL or CH.B CONTROL blocks.

### 3.2.4 Pre-amplifier unit

This unit incorporates the signal splitters for the vertical channels A and B, the trigger view pre-amplifier, the trigger circuits for the MTB and DTB and the chopper oscillator circuit. All these functions are controlled by the control XYP and control XYA signals, generated by the X-Y CONTROL blocks.

\* Vertical channels A and B:

Both channels are completely identical and receive their input signals from the ATTENUATOR UNIT. This signal is applied via the CHANNEL PRE-AMPLIFIER to the SIGNAL SPLITTER, which has three outputs:

- two outputs applied to the SLOPE/TRIGGER SELECTIONS for MTB or DTB triggering.
- a third output routed to the POSITION/NORMAL-INVERT block.

This block is incorporated with the VERTICAL CHANNEL SWITCH in a single IC. Vertical shift of the displayed signal is achieved by the front-panel POSITION control. The output of this block and the output of the TRIGGER VIEW channel are routed via the DELAY LINE DRIVER to the DELAY LINE.

The TRIGGER VIEW channel enables display of the MTB trigger source and can be used as a third vertical channel with limited specifications. The front-panel TRACE SEP control influences the position of the trace of the DTB signals related to the trace of the MTB signal.

\* MTB trigger circuit:

The SLOPE/TRIGGER SELECTION block receives a trigger signal from one of the vertical channels A or B, from the EXT SIGNAL SPLITTER or from the LINE TRIGGER PICK-OFF. Inverting of the trigger signal is controlled by the CXYA signals INVAM and INVBM to obtain the MTB slope function. Routed via the TRIGGER PRE-AMPLIFIER, block the signal is split up into different paths:

- after summation of the LEVEL signal, direct to the TRIGGER AMPLIFIER
- to the AUTO LEVEL block. This block contains the different trigger facilities and levelling of the trigger signal is influenced by the front-panel LEVEL control. The output of this path is routed again to the summation point to influence the direct trigger signal.
- to the X-DEFL AMPLIFIER for X-deflection facility. This block incorporates a phase correction circuit for the X-Y display.

The TRIGGER AMPLIFIER feeds the MTB trigger signal to the time-base unit. The trigger signal from the summation point is also routed via the TRIGGER VIEW AMPLIFIER to the vertical CHANNEL SWITCH stage to display this signal.

\* DTB trigger circuit:

Basically, for triggering purposes this circuit is identical to the MTB trigger circuit. This circuit also has a SLOPE/TRIGGER SELECTION and TRIGGER AMPLIFIER block. However, the DTB trigger circuit has no LINE trigger or AUTO LEVEL facility. The LEVEL control directly influences the SLOPE/TRIGGER SELECTION block.

\* Chopper oscillator circuit:

A square-wave signal for chopper blanking and vertical switching is generated in the CHOP OSCILLATOR. For chopper blanking the signal is routed to the Z PRE-AMPLIFIER on the time-base unit.

## 3.2.5 Time-base unit

This unit incorporates the main time-base (MTB), the delayed time-base (DTB), the horizontal amplifier and the Z amplifier circuit. All functions are controlled by the CX1 and CX2 signals, generated by the HORIZONTAL CONTROL CIRCUIT blocks.

## \* Main time-base (MTB):

The MTB trigger signal can be either directly routed to the TIME-BASE CONTROL CIRCUIT or first routed via the TV TRIGGER SELECTION for the TV trigger coupling. When in the AUTO mode, in the absence of trigger signals, the MTB will be free running.

The MTB CURRENT SOURCE applies the sawtooth charging current to the MTB sweep circuit. This block generates the MTB sawtooth signal, which is routed to the HORIZONTAL DISPLAY MODE SWITCH..

The HOLD OFF and the ALT CLOCK PULSE blocks are also under control of the TIME BASE CONTROL CIRCUIT. Hold off time is varied by the front-panel HOLD OFF control. The output of the HOLD OFF block is routed to the TIME-BASE CONTROL CIRCUIT again.

The ALTCLN-pulse is applied to the PRE-AMPLIFIER UNIT.

## 3.2.6 XYZ unit

This unit comprises the final amplifiers for the vertical (Y) and horizontal (X) deflection and for the blanking (Z) circuit. In addition to this, the CRT control circuits are also incorporated in the unit.

## \* Final vertical amplifier:

The output signal from the pre-amplifier unit is first routed via the DELAY LINE to give sufficient delay to ensure that the steep leading edges of fast signals are displayed and then fed to the DELAY LINE COMPENSATION. This block compensates the signal for distortion originating in the DELAY LINE before it is applied to the FINAL VERTICAL AMPLIFIER. The output of the FINAL VERTICAL AMPLIFIER feeds the vertical deflection plates of the CRT.

## \* Final horizontal amplifier:

The horizontal deflection signal is routed to the FINAL HORIZONTAL AMPLIFIER, the output of which feeds the horizontal deflection plates of the CRT.

## \* Blanking circuit:

The output signal from the Z PRE-AMPLIFIER of the time-base unit, that determines trace blanking or unblanking and modulation is routed to the FINAL Z-AMPLIFIER. After amplification the blanking signal is split into two paths:

- the h.f. signals are fed via a high voltage capacitor to grid G1 of the CRT.
- the l.f. signals are used to modulate the amplitude of an oscillator wave-form, which then passes via another high voltage capacitor and is demodulated in the DEMODULATOR block to retrieve the original signal.

Note that the original h.f. and l.f. signals are again recombined on the grid G1.

\* CRT control circuits:

The FOCUS AMPLIFIER block is influenced by both front-panel FOCUS and INTENS controls to provide a focus that is independent of the intensity, and drives the focusing grid G3 of the CRT.

The -100 V BLACK LEVEL block provides the correct presetting of the cathode voltage.

The CRT BIAS gives a d.c. voltage to the grids G4 and G5 to provide an optional adjustment for geometry and astigmatism.

3.2.7 Power supply unit

The mains input voltage is filtered and then applied to the RECTIFIER block to obtain a d.c. voltage source. Another output of the LINE FILTER block is routed via the LINE TRIGGER PICK-OFF and serves as a MTB LINE trigger signal. The rectified mains source is routed to the FLYBACK CONVERTER, which generates the necessary voltages for the oscilloscope circuits. Each supply voltage is rectified in the RECTIFIERS block.

The LOW-voltage supplies are stabilized by the CONTROL circuit to the converter.

The +10 V REF supply serves as a low-voltage reference and is generated in the +10 V REFERENCE source block. This reference voltage is also fed to the different circuits on the power supply or in the oscilloscope.

The EHT CONVERTER generates the -14 kV for the post-accelerator anode of the CRT and the -2 kV for the cathode circuits.

\* Auxiliary circuits:

The CALIBRATION GENERATOR generates the CAL voltage, which is applied to the output socket X1. The CAL voltage has a 1,2 V p-p level with a frequency of 2kHz square wave.

The ILLUMINATION CIRCUIT determines the amount of current passed to the graticule illumination lamp of the CRT controlled by the ILLUM control on the front-panel.

The TRACE ROTATION CIRCUIT determines the strength and sense of the current passed to the trace rotation coil around the neck of the CRT. The current is influenced by the front-panel screwdriver operated TRACE ROT control.

## 4. ATTENUATOR UNIT (A1)

### 4.1 VERTICAL ATTENUATORS

The A and B channel attenuators are identical: therefore only channel A is described.

All relay and FET switches are controlled by the microprocessor via the I<sup>2</sup>C bus. The TEA 1017 converts this serial DATA into the parallel control signals for all relay or FET switches. A list of the control lines for all attenuator settings is given in the table below.

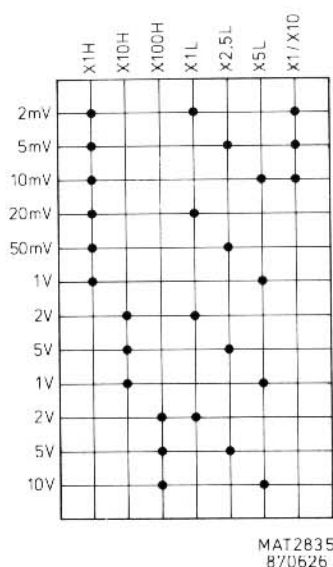


Figure 4.1 Table of attenuator settings

The channel A attenuator consists of in four stages:

High impedance attenuator with a separate path for the low frequency (lf) and the high frequency (hf) path for the signal. Each path is divided in three attenuator stages for the x1, x10 and x100 attenuation. The hf attenuators use adjustable capacitive dividers and are buffered by a junction FET buffer for each divider section. These buffers can be switched on by applying a positive control signal to the drain of the FET.

The lf attenuators use fixed resistor dividers. Only the x10 and x100 division path are switched on by means of a relais. Depending on the relay K1004 position, the input signal can either be dc-coupled (relay activated) or ac-coupled (relay not activated). Operational amplifier N1002 gives an additional inverting of the lf signal.

	HF RELAY	LF RELAY	FET	TRIMMER FOR L.F. SQUARE WAVE	L.F RESISTOR DIVIDER
x 1	-	K1003	V1013	C1018	R1001-R1026
x 10	K1013	K1002	V1008	C1014	R1001-R1026-R1027
X100	K1004	K1001	V1004	C1004	R1001-R1026-R1028

Note that the signal on the base of V1031 is a reconstituted version of the input signal again.

When grounded, relay R1006 is activated and the inverting input and output of N1001 are short-circuited. This means that the output pin 6 follows the non-inverting input pin 3. The hf path is also connected to ground via FET V1001 and V1004.

All other relay- and FET switches are then switched-off.

The impedance converter serves as a non-inverting buffer circuit for the high impedance attenuator. For the l.f.-feedback the output signal of this stage is routed to the l.f. summation point N1002-2.

The low impedance attenuator reduces the gain by x1, x2.5 and x5, depending on which relay is activated.

	RELAY	RESISTOR DIVIDER
x1	K1011	--
x2.5	K1012	R1051 vs R1052, R1053 and R1054
x5	K1013	R1051, R1052 and R1053 vs R1054

The continuous circuit (OQ0203), the differential input voltages of which are fed to pins 4 and 5.

This stage comprises the following functions:

- Continuously variable control (pin 11).
- Gain x1 (pin 2 and 3) with offset adjustment R1062 (R1162) and gain adjustment R1064 (R1164).
- Gain x10 (pin 6 and 7) with offset adjusting R1072 (R1172) and gain adjustment R1074 (R1174).
- x1/x10 control (pin 10) to select the 2,5 and 10 mV/DIV settings.

The differential output current from pin 13 and pin 14 is routed via a common-base circuit V1036, V1037 and applied to the pre-amplifier unit.

## 4.2 EXTERNAL INPUT

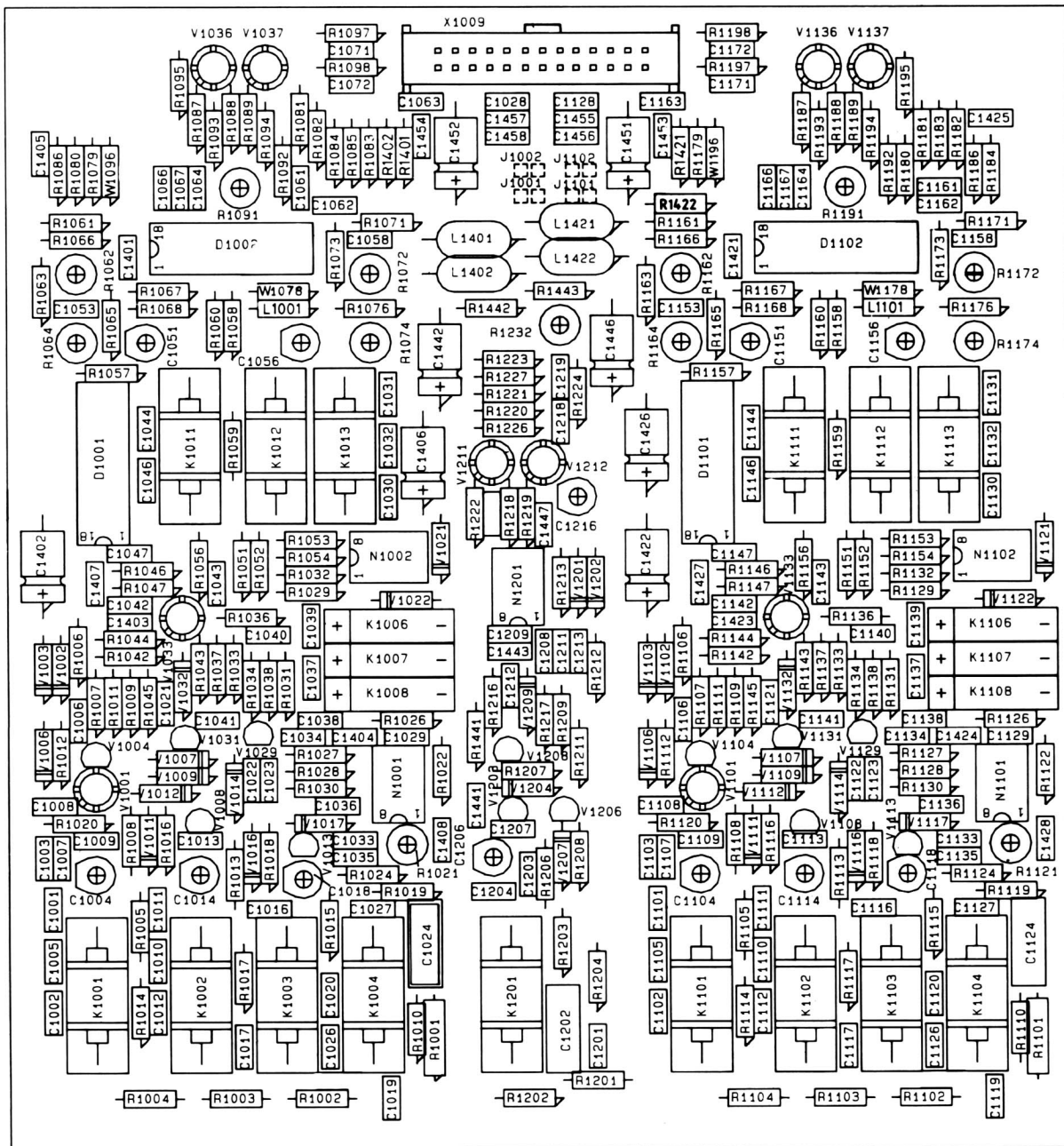
The external input can be subdivided into four stages:

Input coupling, basically similar to the ch.A input coupling.

High impedance attenuator for the x1 attenuator only, where the l.f. square-wave can be adjusted with trimmer C1206.

Impedance converter, which converts the current from the high impedance attenuator into a asymmetrical output signal with a 80 mV/div. sensitivity.

Pre-amplifier. The output currents EXT- and EXT+ are applied to the pre-amplifier unit and serves as external trigger signal or as an external deflection signal.



MAT 3540A  
890804

Figure 4.2 Attenuator unit p.c.b.

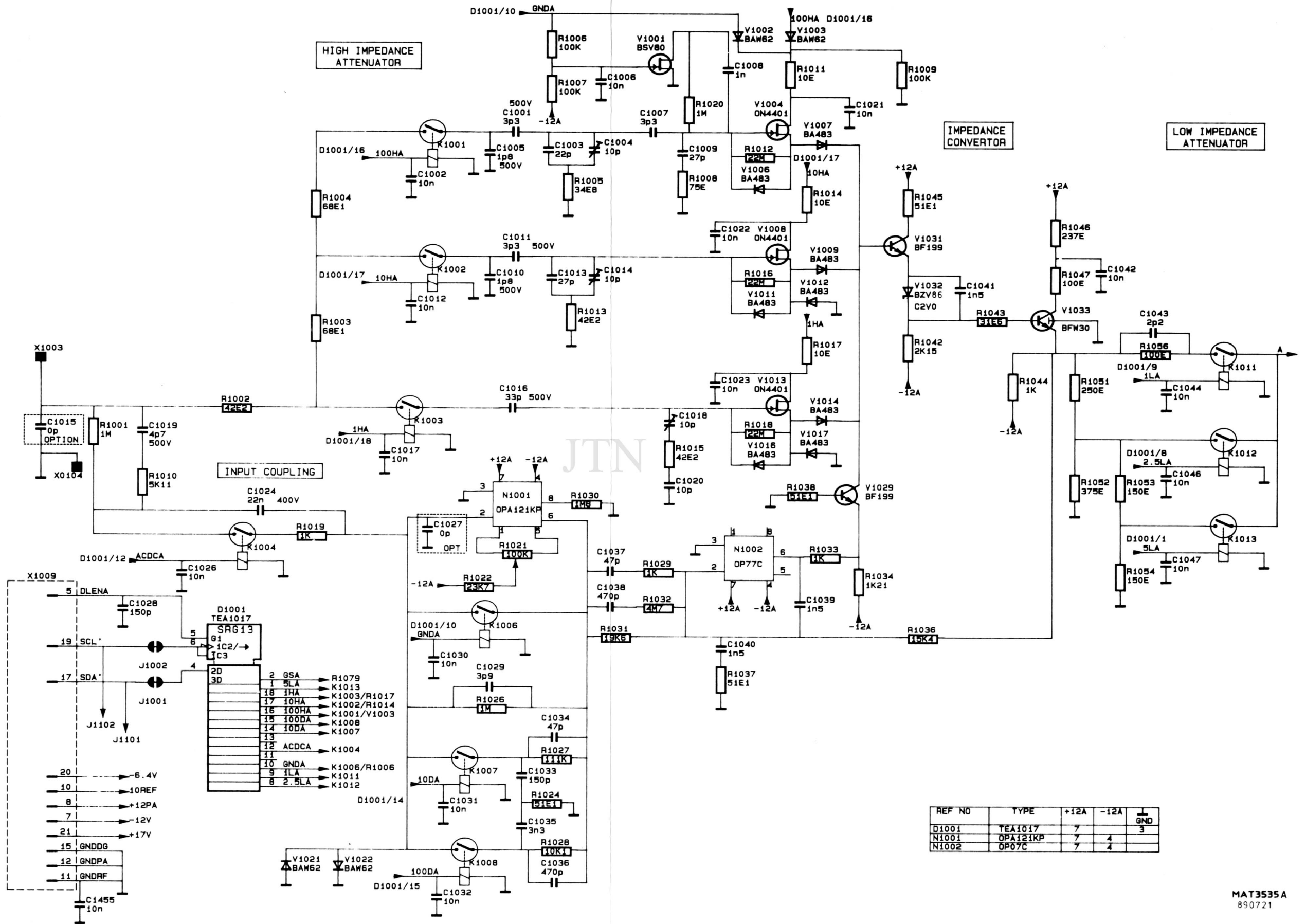
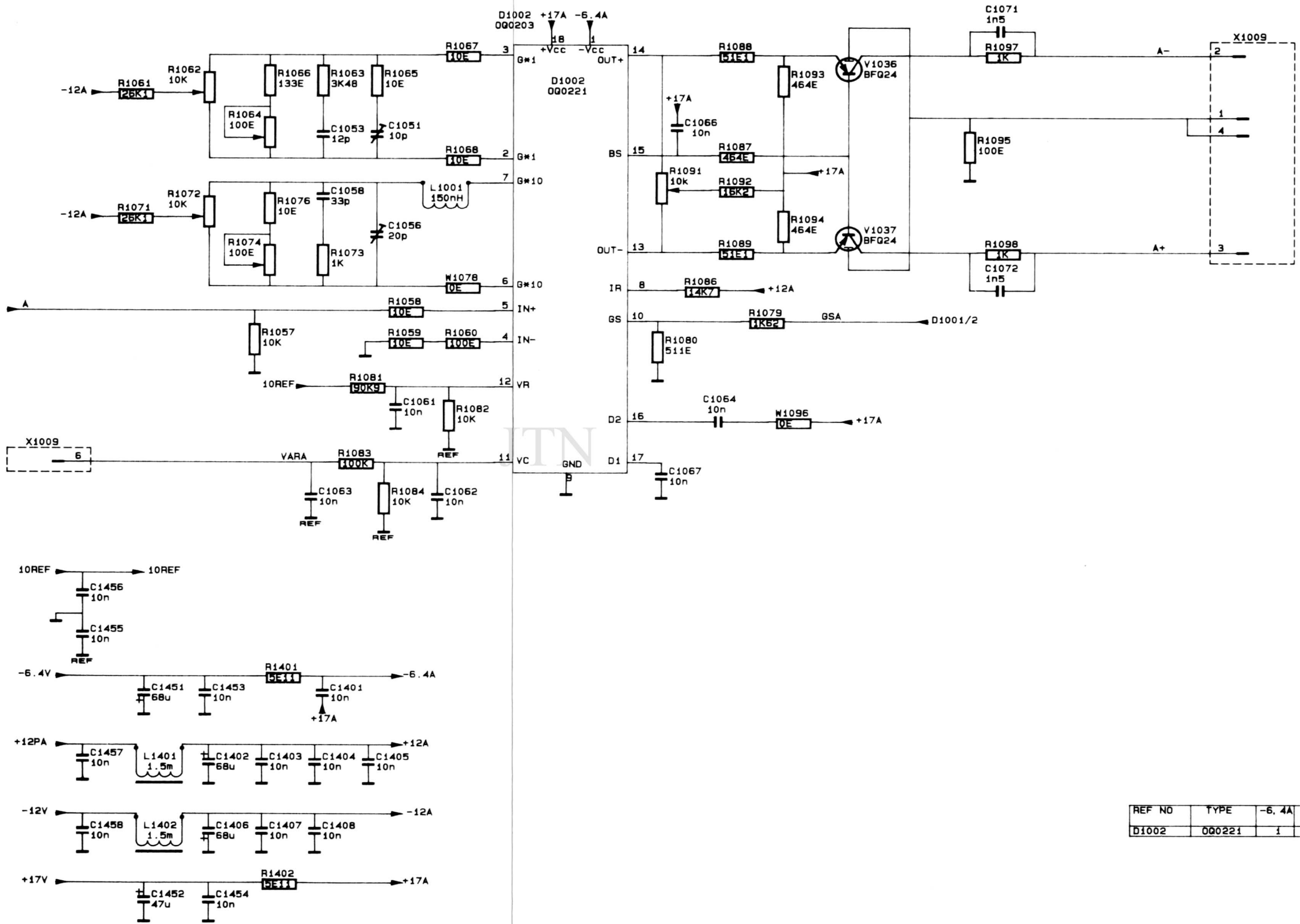


Figure 4.3 Circuit diagram of attenuator, ch. A 1



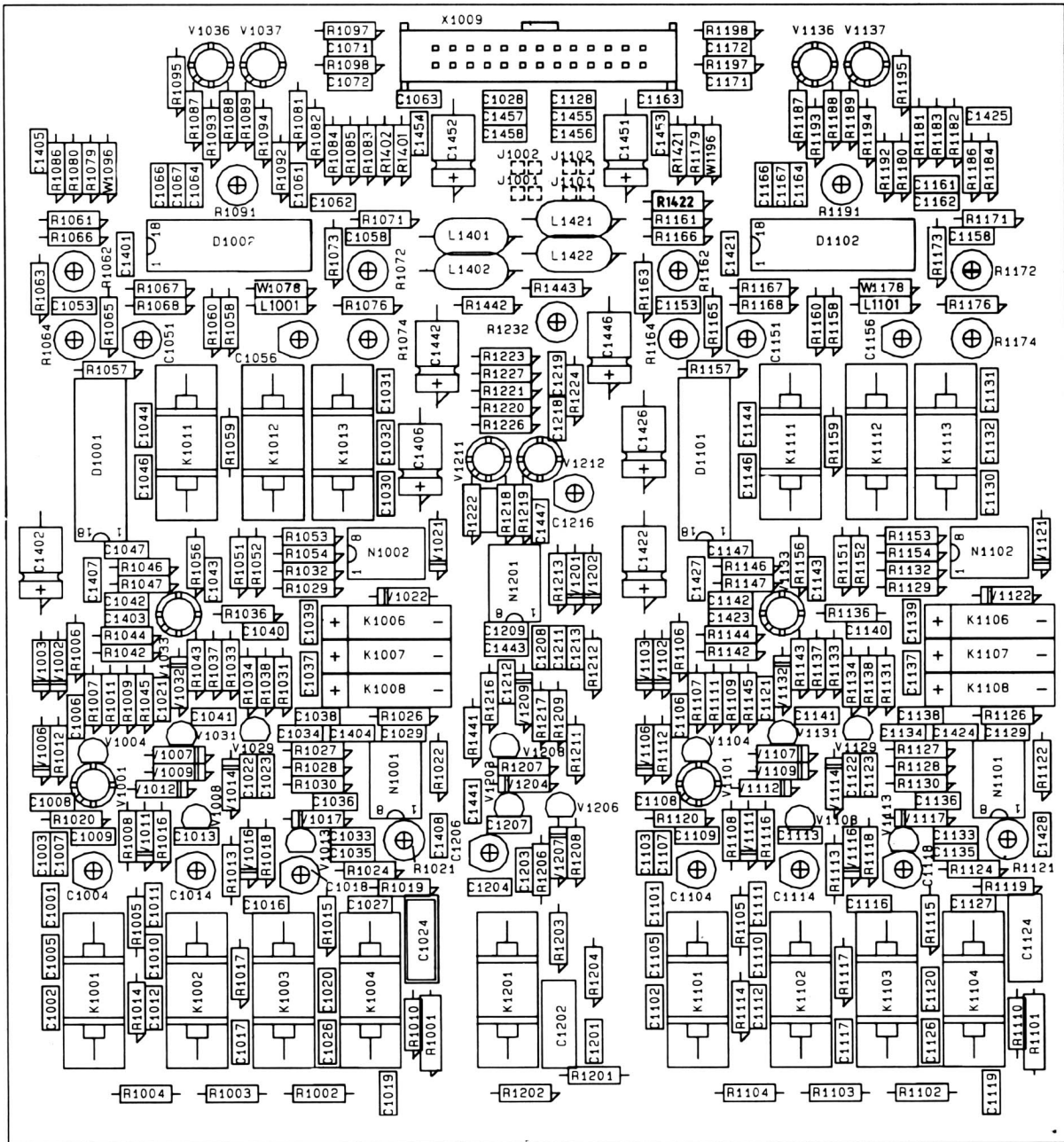
GAIN SWITCH  
VAR CIRCUIT



REF NO	TYPE	-6.4A	17A	GND
D1002	0Q0221	1	18	9

MAT3536  
890421

Figure 4.4 Circuit diagram of attenuator, ch. A 2



MAT3540A  
890804

Figure 4.5 Attenuator unit p.c.b.

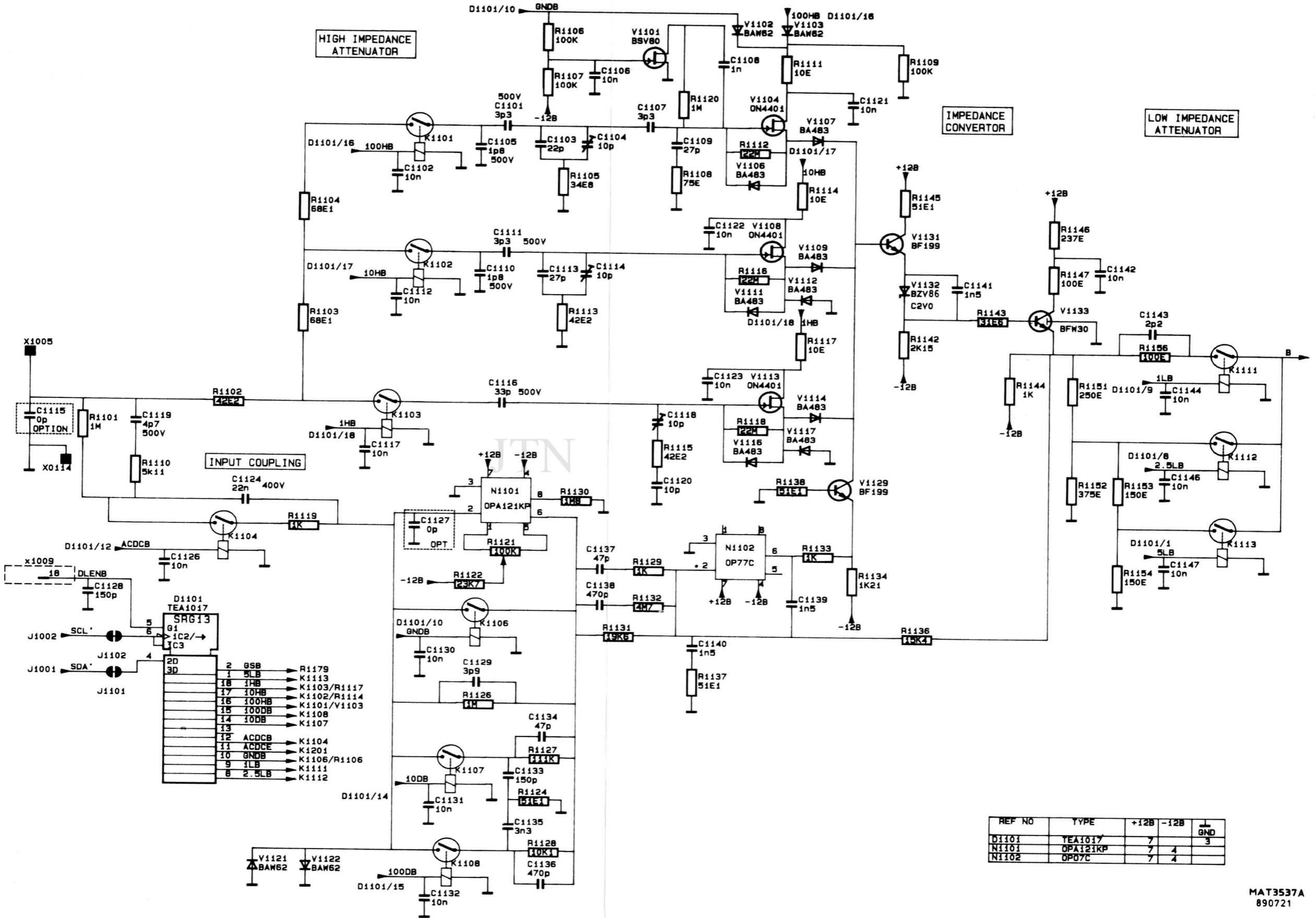


Figure 4.6 Circuit diagram of attenuator, ch. B 1

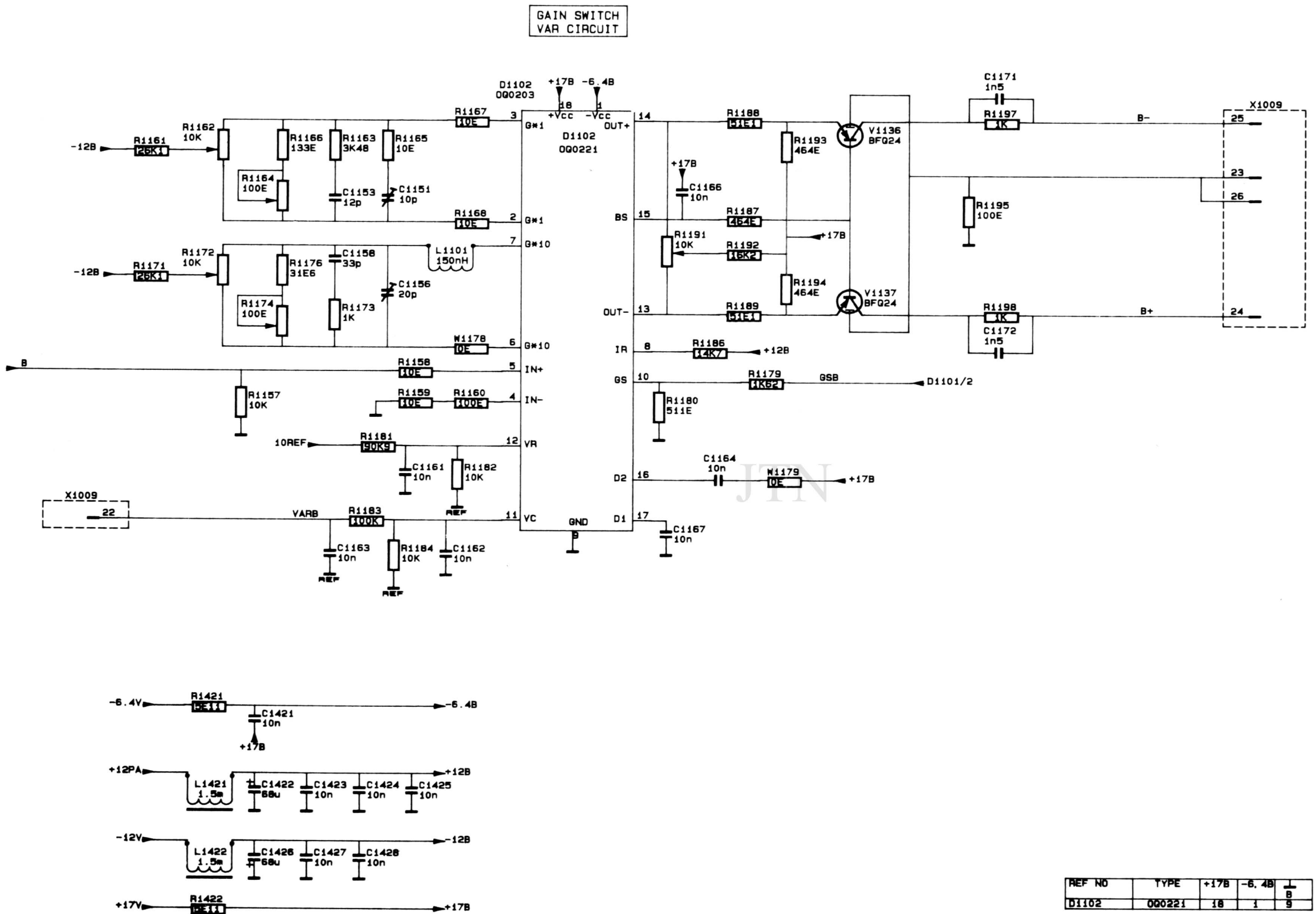
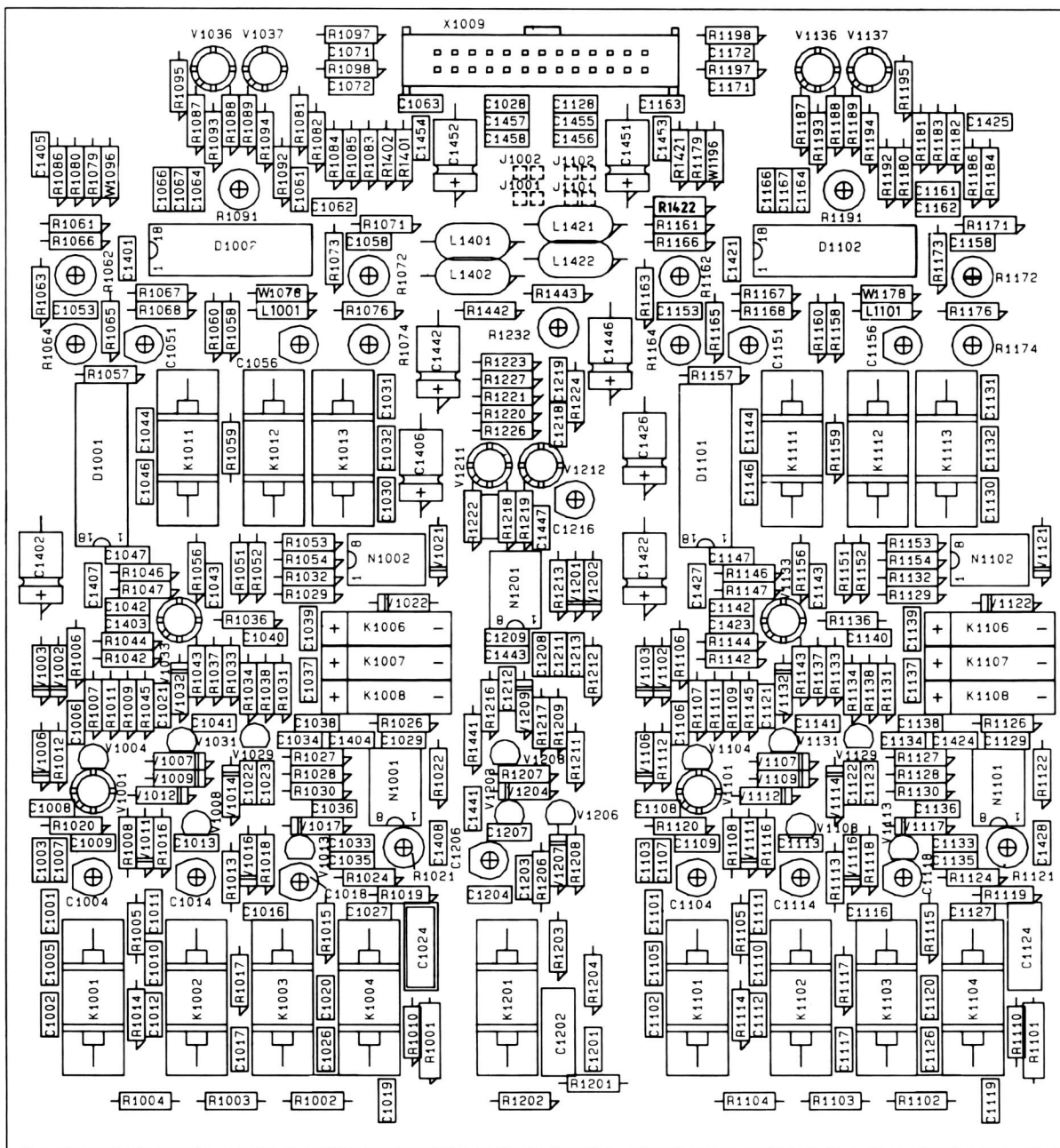
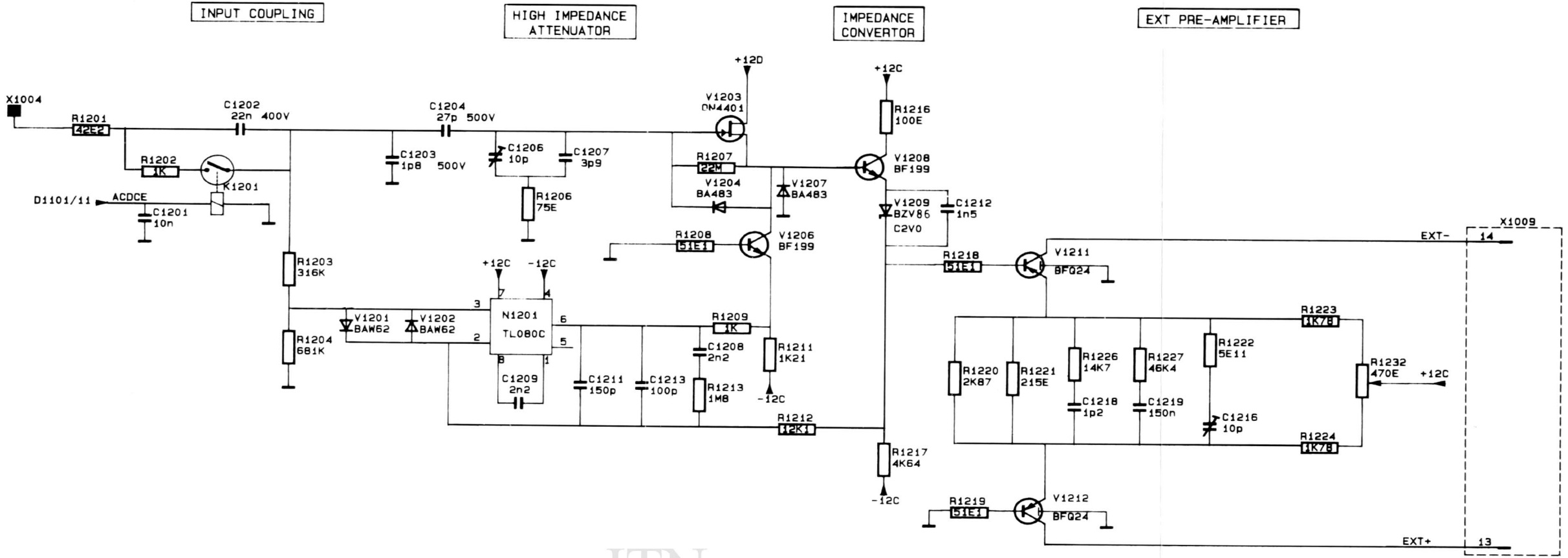


Figure 4.7 Circuit diagram of attenuator, ch. B 2

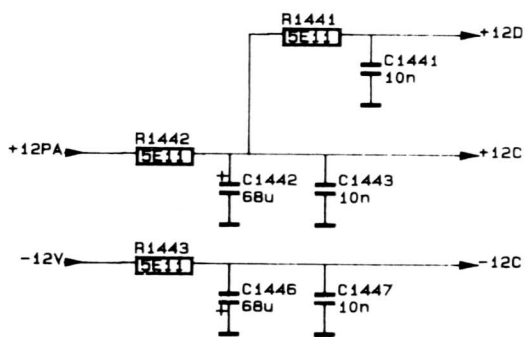


MAT354.0A  
890804

Figure 4.8 Attenuator unit p.c.b.



JTN



REF NO	TYPE	+12C	-12C
N1201	TL080	7	4

MAT3539A  
890721

Figure 4.9 Circuit diagram of attenuator, EXT

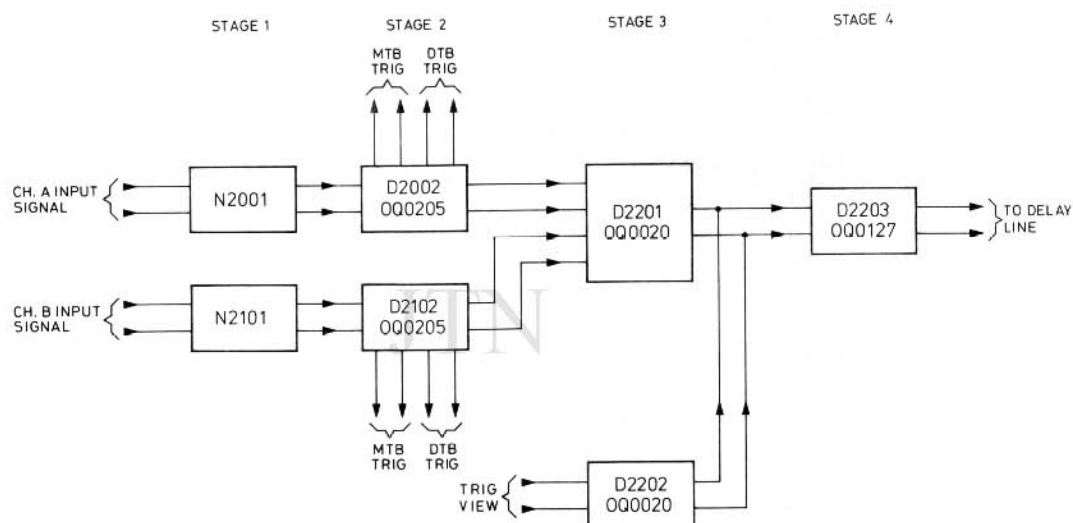
## 5. PRE-AMPLIFIER UNIT (A2)

The pre-amplifier unit consists of:

- Vertical pre-amplifier
- MTB trigger pre-amplifier
- DTB trigger pre-amplifier
- Pre-amplifier control, incl. CHOPPER oscillator

All control pulses for this unit are generated by the pre-amplifier control circuit, via the  $1^2C$  bus (see section 5.4).

### 5.1 VERTICAL PRE-AMPLIFIER



MAT2636  
870626

Figure 5.1 The four stages of the vertical pre-amplifier

The vertical pre-amplifier consists of four stages.

The channel A(B) pre-amplifier receives its input signal from the attenuator unit. This stage consists of series feedback amplifier N2001 (N2101) and has a signal amplification of 1,25x.

The current output is fed to the signal splitter.

The signal splitter (Q0205) copies this signal into four identical differential output current signals for:

- Vertical channel (pin 7 and 10)
- MTB triggering (pin 5 and 12), see section 5.2
- DTB triggering (pin 4 and 13), see section 5.3

Stage 3 (OQ0020) consists of two integrated circuits D2201 and D2202, connected in parallel and serves as a vertical channel switch. The switch selection is as follows:

	D2201		D2202
	pin 10	pin 11	pin 10
A	1	0	0
B	0	1	0
TRIG VIEW	0	0	1
ADD	1	1	0

Further, all possible 2, 3, or 4 channel combinations are possible in alternated or chopped display (see also section 5.4).

This stage comprises the following functions:

- Position control POS A R7006 on D2201-1 for ch. A and POS B R7008 on D2201-8 for ch. B.
- Channel B normal/invert (high is INVERT) on D2201-11. (The balance between normal/invert can be adjusted with R2212).
- Trigger view invert (high is INVERT) on D2202-2.
- Trace separation control with R7013 on D2202-8.

Stage 4 (N2203) serves as delay line driver where the output current of both OQ0020 is converted into voltage signal applied to the delay line. The current for this stage and for D2201 and D2202 is fed via R2256 and R2263.

JTN

## 5.2 MTB TRIGGER PRE-AMPLIFIER

Trigger possibilities are:

	Signal		Selected by:		inverted by:	
	name	routed to	name	routed to	name	routed to
ch. A	TRAM+, TRAM-	D2302(3,4)	AM	D2302(10)	INVAM	D2302(2)
ch. B	TRBM+, TRBM-	D2302(5,6)	BM	D2302(11)	INBVM	D2302(7)
EXTERNAL	EXTM+, EXTM-	D2303(3,4)	EXTM	D2303(10)	INVAM	D2303(2)
line	LINE	D2303(5)	LNLM	D2303(11)	INVAM	D2303(7)

D2150 serves as a signal splitter and receives its input signal from the attenuator unit. This input current signal is copied into two identical differential output current signals for:

- EXT MTB signal (pin 6 and 11)
- EXT DTB signal (pin 7 and 10), (see section 5.3)

The symmetrical output currents from D2302 (13, 14) and D2303 (13, 14) are converted into a symmetrical voltage again in the common-base circuit V2316, V2319 followed by a shunt feedback circuit V2318 and V2321. Note that the sensitivity at the collectors of V2318 and V2321 is 110 mV/DIV.



At this point the signal path is divided into:

- a trigger path, fed to both V2333 and V2334, where depending on the current to the base, levelling of the trigger signal is obtained. Two separate series feedback circuits take care of voltage-to-current conversion:

- \* V2341 and V2342 for main time-base triggering.

The trigger output signal, TRIGM- and TRIGM+ are fed to the time-base unit A4.

- \* V2347 and V2349 for trigger view.

This symmetrical output can be balanced by potentiometer R2407 (Trig view BAL).

The TRIGV+ and TRIGV- signals are fed to D2202 (3-4).

Integrated circuit D2304 serves as an auto level circuit. The following functions are possible.

- a. Peak-peak In this case the amplitude of the trigger signal applied to D2304 (3,7) is measured by peak-peak detectors on D2304 (2,4,6,8). The output current from D2304 (14,15) is dependent on the peak-peak level and is adjustable with the LEVEL control R7012, connected to D2304(1).
  - b. Triggering In this case the level range is 16 div. The level is adjustable with R7012 and the current variation on D2304 (14,15) can be varied between + or- 0,6mA.
  - c. TV triggering The level control is made ineffective. In TV triggering, the LEVEL must be set to a fixed value. This is done by applying a high level current to pin 1 via diode V2326.
  - d. Auto In auto the signal LEVEL ZERO is high and via diode V2325 the output level D2304 (15) is asymmetrical with output level D2304 (14). Thus the maximum signal amplitude is 2 Vp-p.
- an external deflection path, routed via the series feedback circuit V2356 and V2357, the X DEFL+ and X DEFL- signals are fed to the time base unit A2.  
R2416, R2422 and C2350 gives phase correction for the X-Y display.

### 5.3

#### DTB TRIGGER PRE-AMPLIFIER

Trigger possibilities are:

	Signal		Selected by:		inverted by:	
	name	routed to	name	routed to	name	routed to
ch.A	TRAD+, TRAD-	D2501(3,4)	AD	D2501(10)	INVAD	D2501(2)
ch.B	TRBD+, TRBD-	D2501(5,6)	BD	D2501(11)	INVB	D2501(7)
EXTERNAL	EXT+, EXT-	D2502(5,6)	EXTD	D2502(11)	INVAD	D2502(7)

Similar to the main time base triggering, signal splitter D2301 applies the EXT current to the OQ0020.

The LEVEL control R7014 is connected to D2502-1 to obtain a level range of 16 div.

The output of both integrated circuits, pin 13 and 14, are routed via a shunt feedback V2512, V2513, followed by a series feedback circuit V2514, V2516 and provide the DTB trigger signals TRIGD- and TRIGD+. These signals are fed to the time-base unit A4.

## 5.4 PRE-AMPLIFIER CONTROL

The pre-amplifier control converts the data from the I<sup>2</sup>C bus (SDA and SCL), derived from the microcomputer, into the control pulses for the pre-amplifier unit. To eliminate interference the SDA and SCL lines can be switched off via D2601.

This integrated circuit serves as a digital switch, controlled by the VERT IIC line. Logic high connects the outputs D2601(4,14,15) to the input "1" contact (switched on); logic low connects the outputs to the "2" contact (switched off) and gives SDA a logic low level and SCL a logic high level.

When D2601 is switched on, the serial data information is converted into parallel control pulses via D2602 and D2603, provided that D2602 is enabled (D2602-5 is high). The control lines are active when the level of the line is high.

Output Q12-D2602(9) serves as a power up not line for D2603: when the oscilloscope is in the power-up routine, Q12 is high and resets D2603. After the power-up routine, Q12 goes low and enables D2603.

Integrated circuit D2603 relieves the microcomputer of a number of such functions as:

- trigger view
- chop/alt
- trace separation
- trigger select
- time-base select (fed to time base unit A4)

Adaptation of this I.C. to the oscilloscope version is made by the AD0 and AD1 inputs D2603(15,16).

For this oscilloscope, AD0 must be HIGH and AD1 must be LOW.

Timing for alternate and chopped mode is derived by the ALTCLN and CHOPCL pulses.

The chopper oscillator formed by V2611 and V2612 supplies a square wave voltage of 1,5 Vp-p with a frequency of 1 MHz.

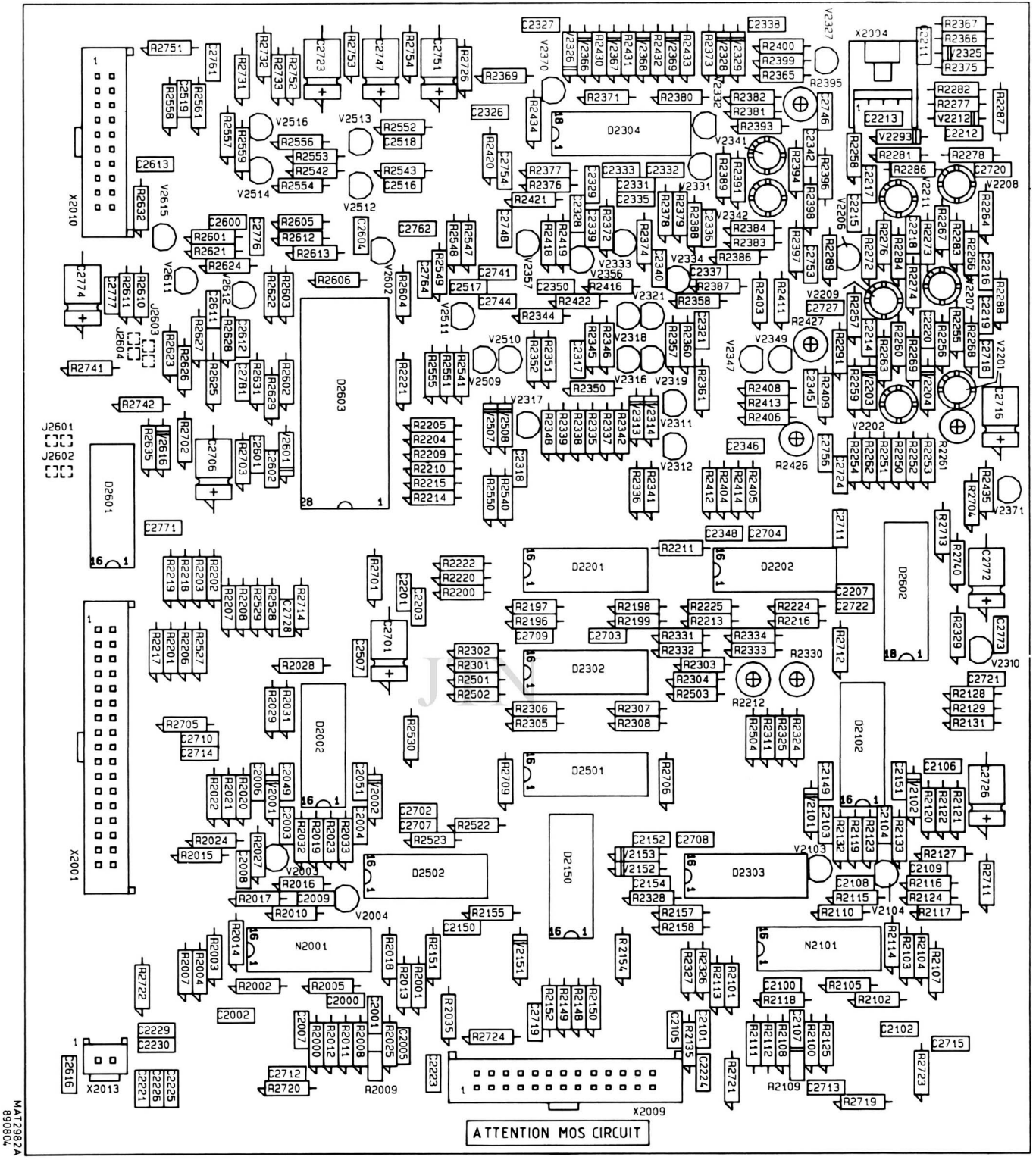
This frequency is defined by two current loops:

- I1 is determined by: V2612(c-e), C2611, R2627 and R2625.
- I2 is determined by: V2611(c-e), C2611, R2628 and R2625.

The duty cycle (I1/I1+I2) is 12% approx.

The square wave on the collector of V2612 serves as a chopper clock pulse for D2603 and gives a 500 kHz display for 2 channels CHOP, 333 kHz display for 3 channels CHOP and 250 kHz for 4 channels CHOP (A-B-TRIG VIEW-ADD).

Note that D2603(8) serves as the chopper switch, which is high when the CHOP softkey is depressed.



MA17982A  
890804

Figure 5.2 Pre-amplifier unit p.c.b.

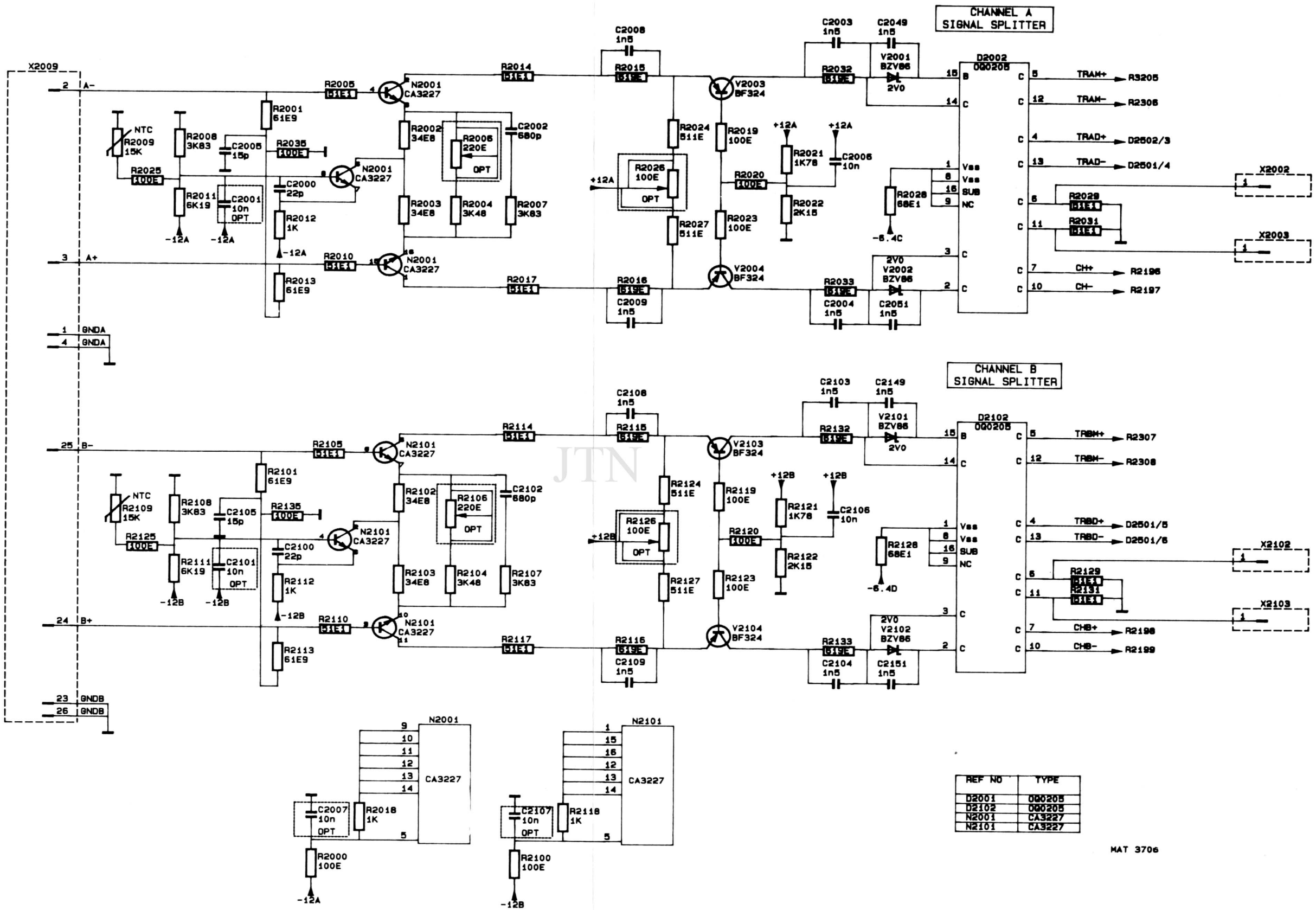


Figure 5.3 Circuit diagram of pre-amplifier, channel switch

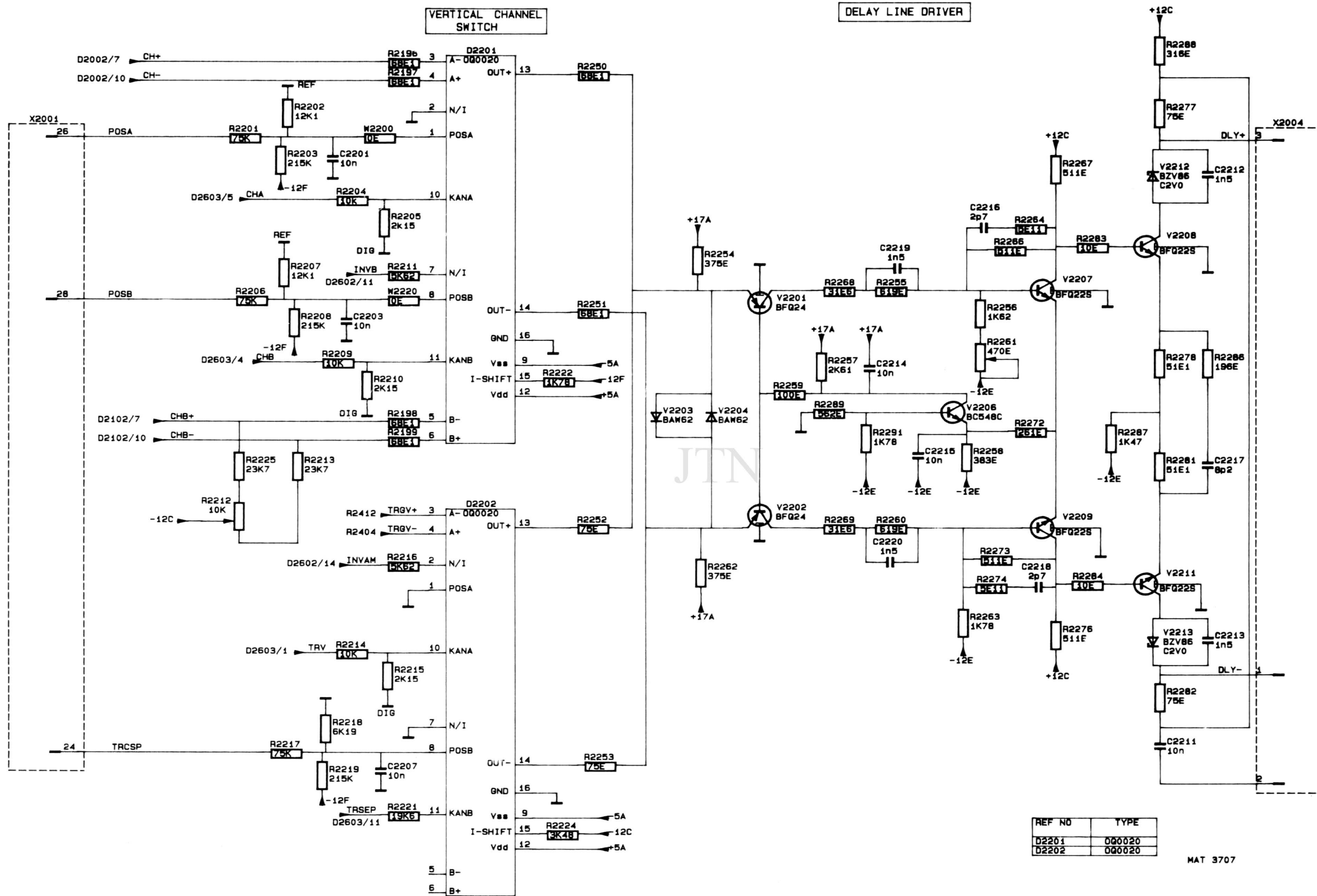


Figure 5.4 Circuit diagram of pre-amplifier, delay line driver



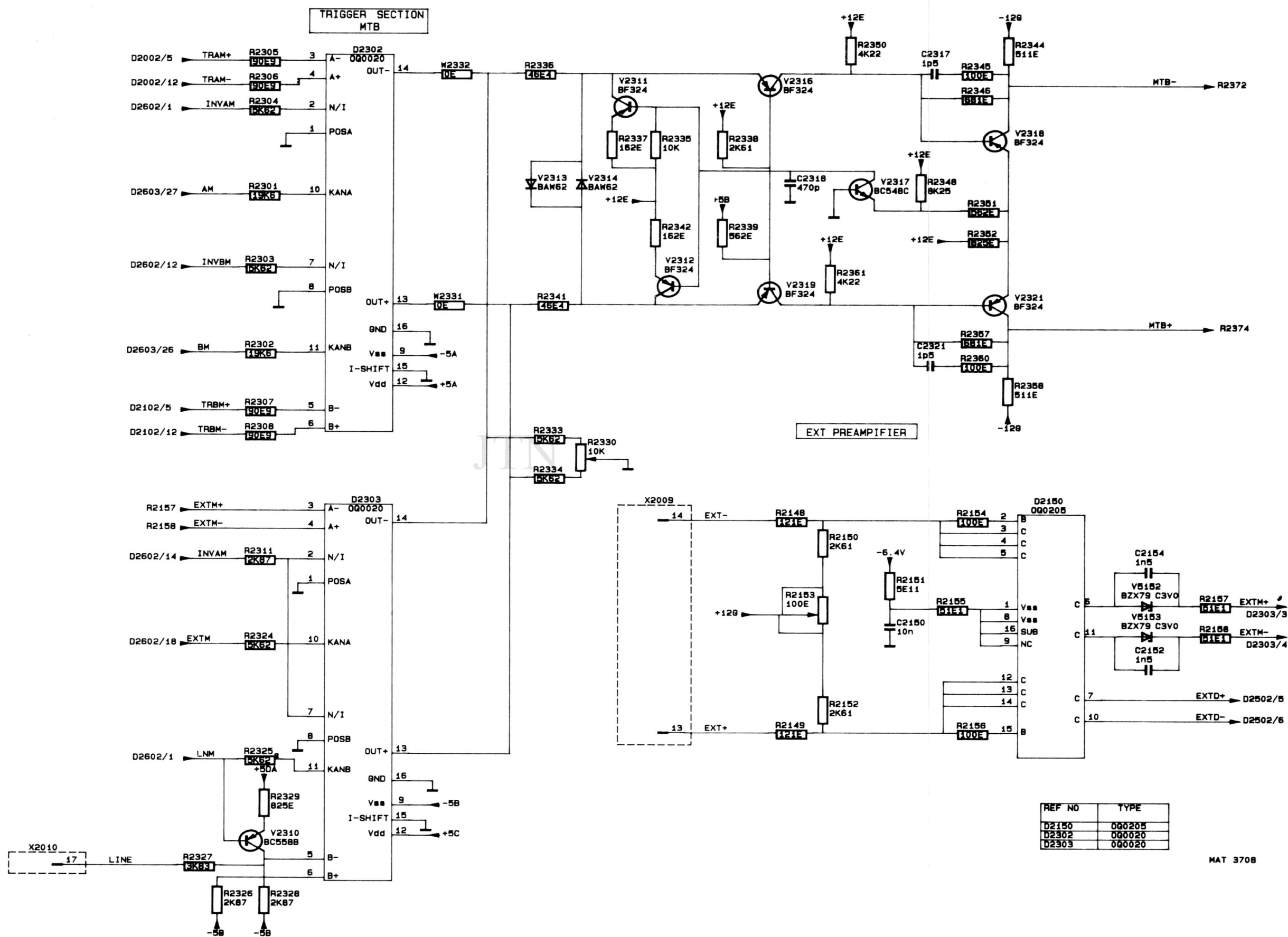


Figure 5.6 Circuit diagram of pre-amplifier, MTB trigger switch

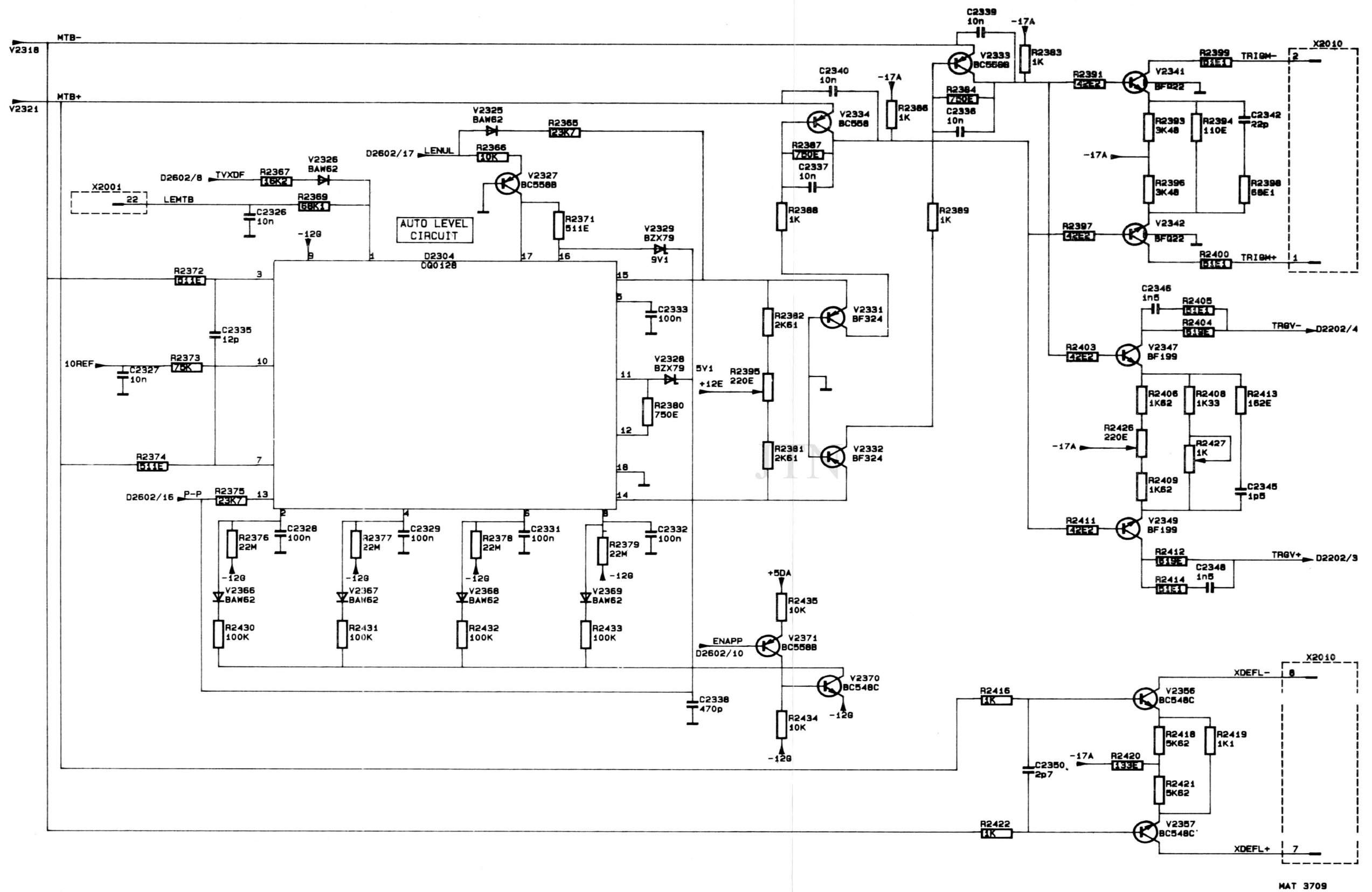
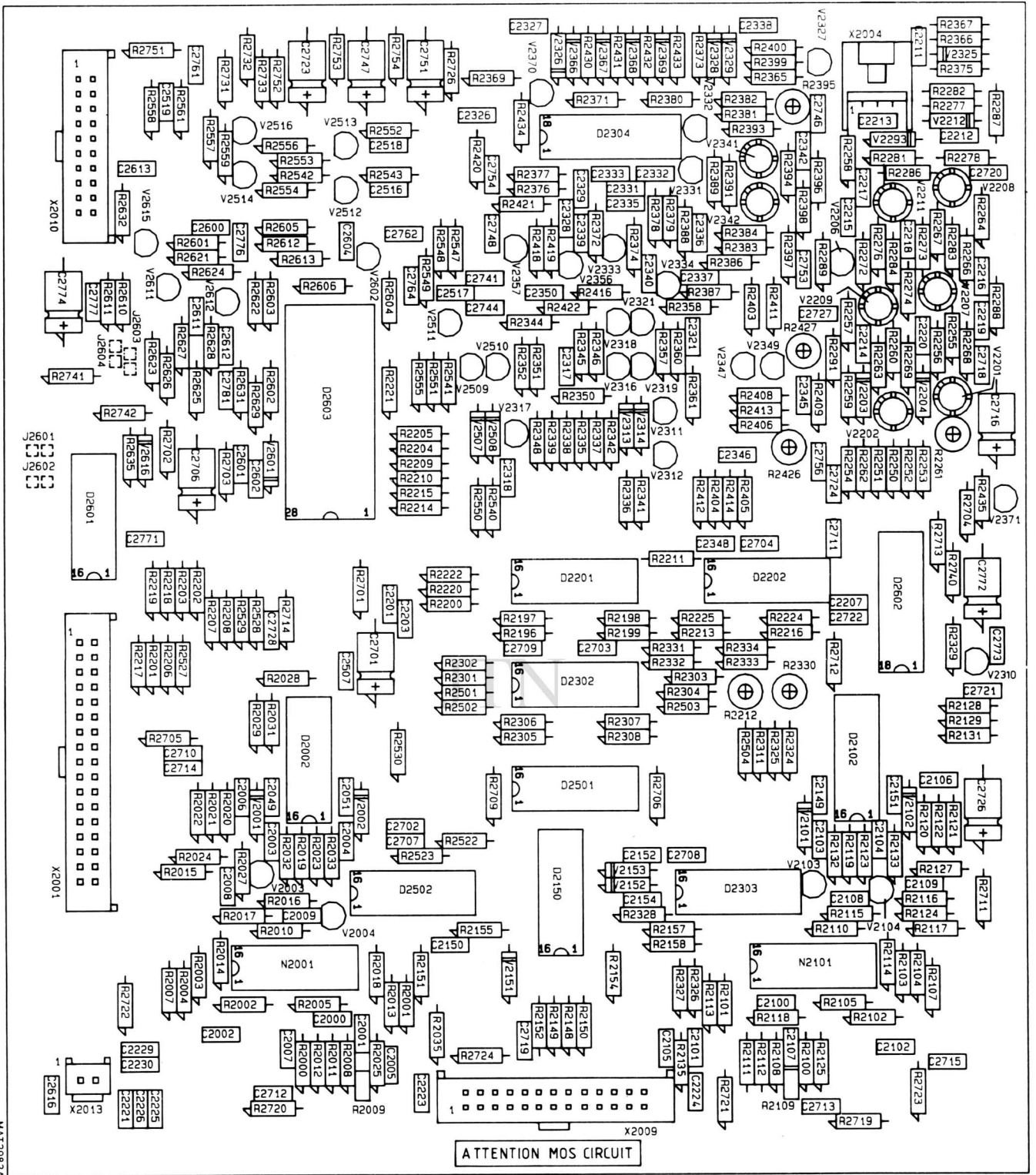


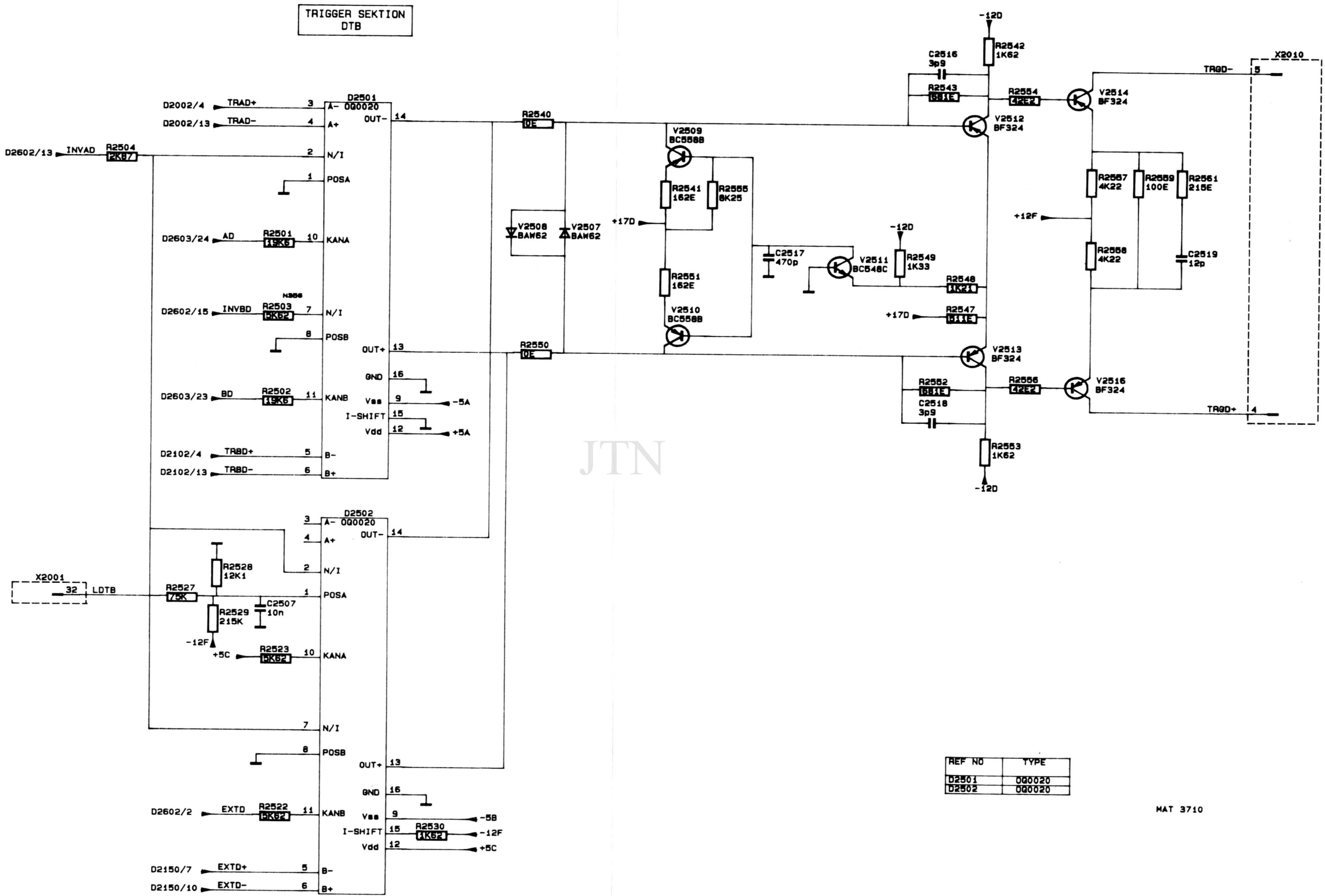
Figure 5.7 Circuit diagram of pre-amplifier, level circuit





MA12982A  
890804

Figure 5.8 Pre-amplifier unit p.c.b.



REF NO	TYPE
D2501	000020
D2502	000020

MAT 3710

Figure 5.9 Circuit diagram of pre-amplifier, DTB trigger switch

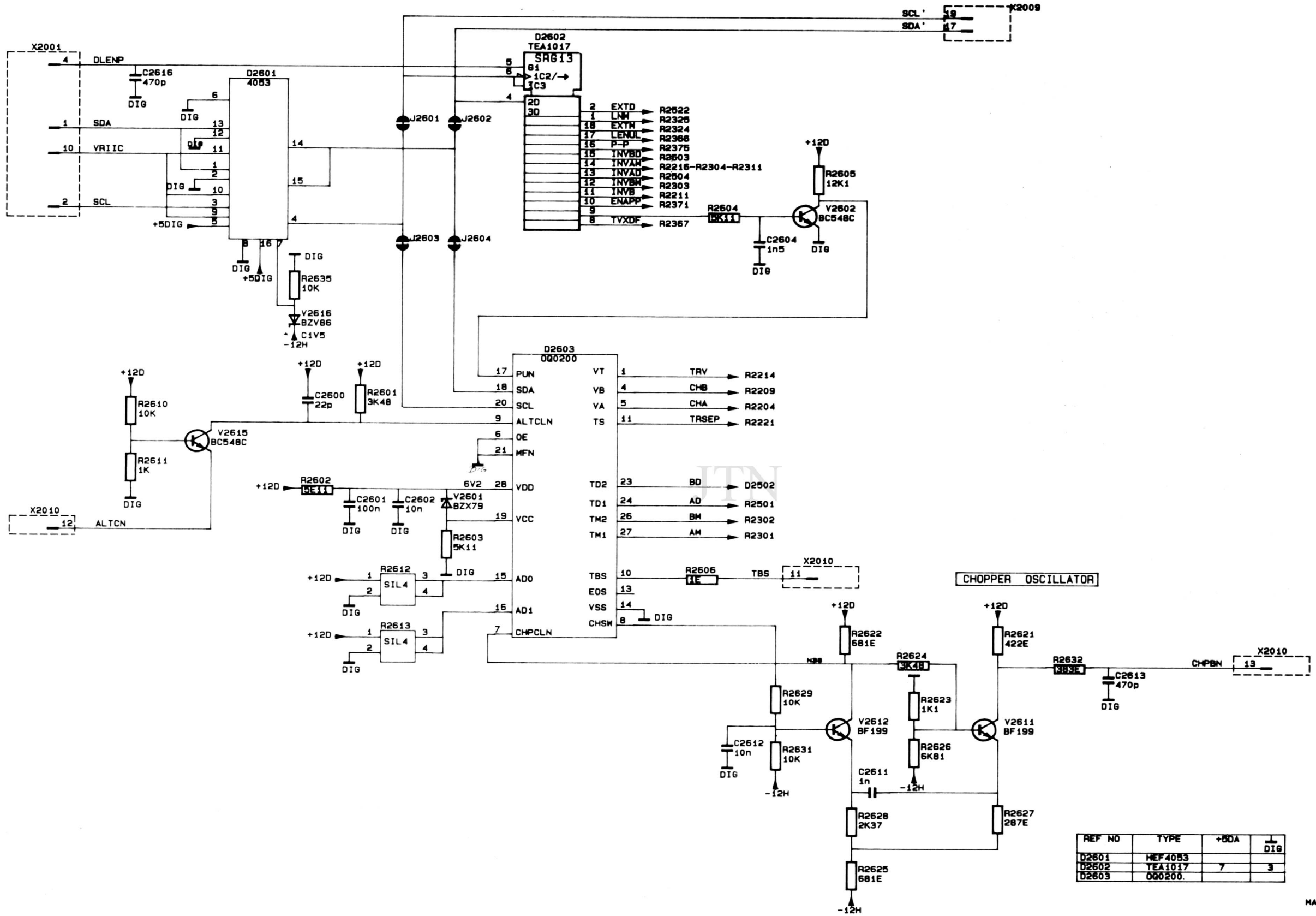


Figure 5.10 Circuit diagram of pre-amplifier, logic control

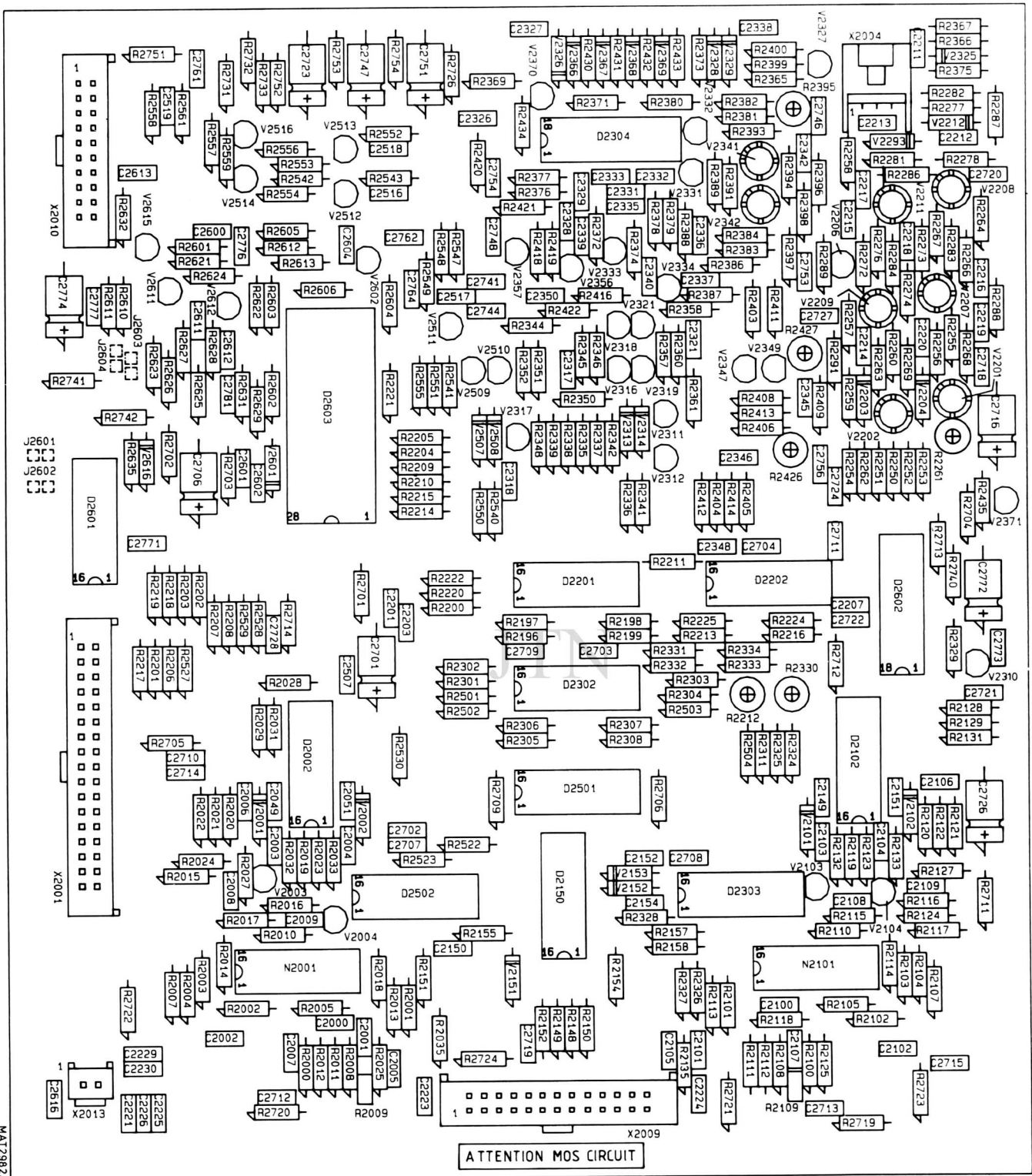


Figure 5.11 Pre-amplifier unit p.c.b.

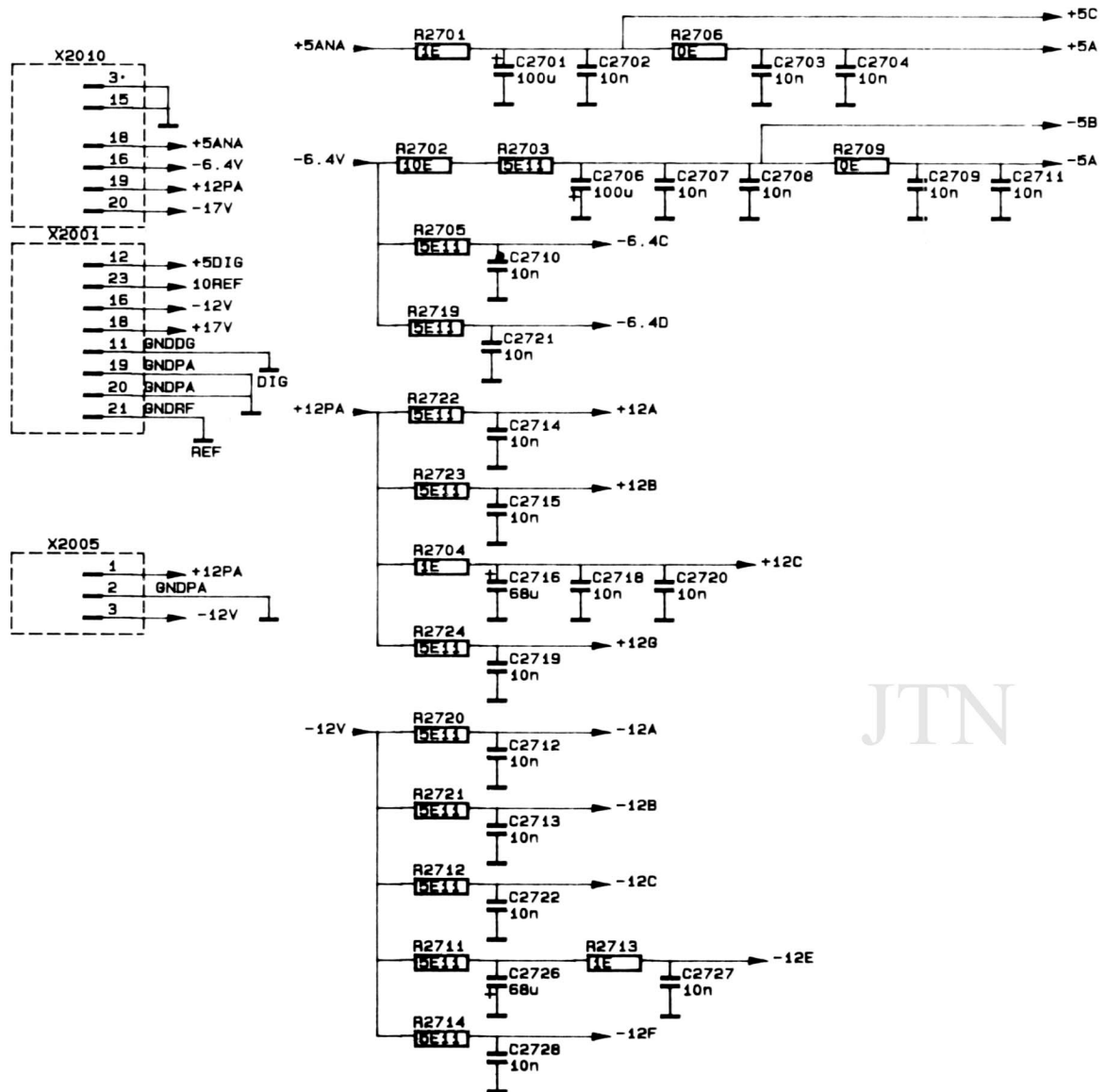
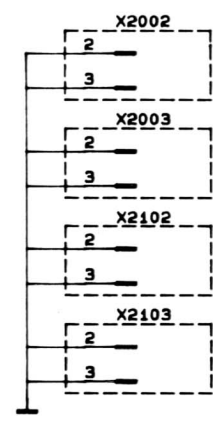
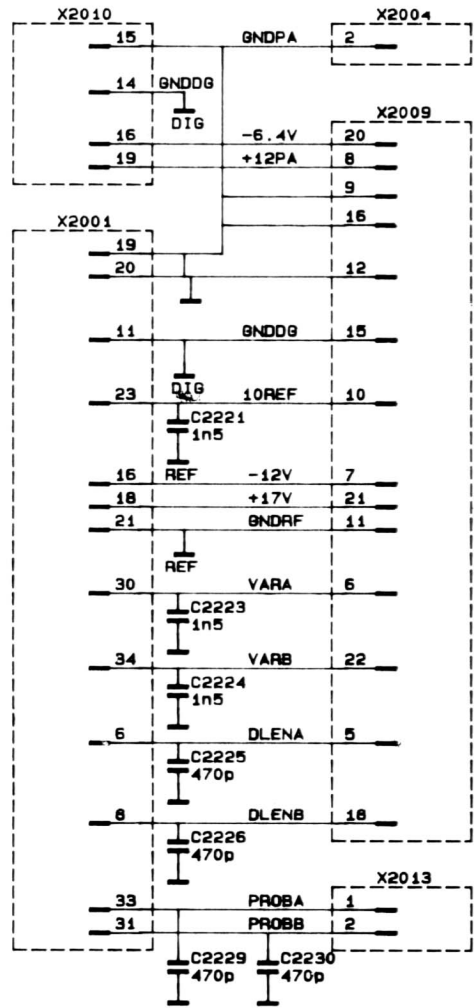
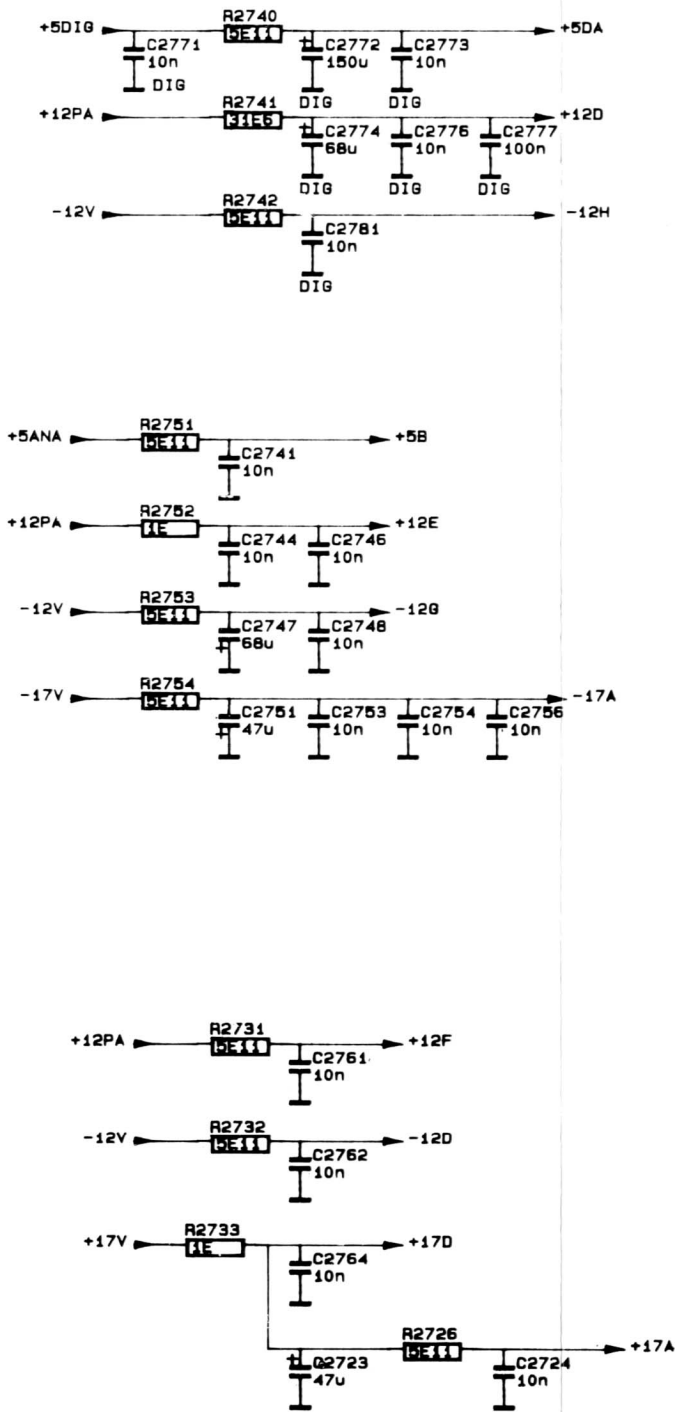


Figure 5.12a Circuit diagram of pre-amplifier, supply voltages



MAT 3712

Figure 5.12b Circuit diagram of pre-amplifier, supply voltages

## 6. XYZ-AMPLIFIER UNIT (A3)

### 6.1 INTRODUCTION

Unit A3 incorporates two separate p.c.b.'s which are connected via X3001. One p.c.b. includes among other things the CRT socket and is connected at the rear of the CRT. The other p.c.b. comprising the proper final X and Z amplifiers is situated at the upper side of the CRT. For ease of description, unit A3 is described as one unit.

The XYZ-amplifier unit consists of:

- Final vertical (Y) amplifier.
- Final horizontal (X) amplifier.
- Final unblanking (Z) amplifier, incl. CRT.

### 6.2. FINAL VERTICAL (Y) AMPLIFIER.

The final Y-amplifier receives its signal from the delay line and supplies the correct vertical signal to the Y-deflection plates of the CRT. For this the signal is processed in four stages:

- V3001, V3002 as a series feedback amplifier, including a delay line compensation network and potentiometer R3007 controlling current source V3003 for correction of any unbalance in the Y-deflection plates of the CRT. These circuits are connected between the emitters of both transistors.  
In this stage the input voltage is converted into a current signal.
- V3004, V3006 as a shunt feedback amplifier, which gives a voltage signal to the next stage.
- V3008, V3009 as a series feedback amplifier, including a final RC-correction network and potentiometer R3038 for gain adjustment to compensate the different CRT sensitivities. V3007 supplies a constant current of 60 mA, i.e. 30 mA for each side. Note that the output again supplies a current signal.
- V3011, V3012 as a common-base amplifier for buffering the final Y-amplifier to the Y-deflection plates. The maximum amplitude on each deflection plate is:  $30 \text{ mA} \times 655 \text{ E} = 20 \text{ V approx.}$

### 6.3. FINAL HORIZONTAL (X) AMPLIFIER

The input current for X-deflection is obtained from the time-base unit (ref: X- and X+) and processed in three stages, with circuits in the following configurations:

- V3101, V3102 as a common-base amplifier. The current "I" on the collector of both transistors determines the voltage across R3102 and R3116. This voltage is about 1,5 V p-p and feeds the next stage.
- V3103, V3106 as a series feedback amplifier, including a RC-correction network for optimum linearity of the trace and potentiometer R3118 for x1 amplifier adjustment, mounted between the emitters of both transistors. V3104 serves as current source.

- V3112, V3114 are connected as a shunt feedback amplifier, with resistors R3126 and R3134 as the feedback resistors. The transistor source are emitter followers V3109, V3111. This circuit serves as the actual final amplifier, which converts the deflection current into the proper deflection voltage for the X-deflection plates of the CRT. Transistors V3108, V3116 supply the bias current for the circuit.

#### 6.4 FINAL BLANKING (Z) AMPLIFIER AND CRT

The blanking current derived from the Z pre-amplifier of the time-base unit is routed via common base amplifier V3200 and emitter-follower V3201 to the shunt-feedback amplifier V3202. This stage is fed by current source V3203, which gives a constant current of 4 mA. The voltage on the collector of V3202 can vary between +5 V for unblanking and -35 V for fully blanking.

This Z-pulse may contain d.c., l.f. and h.f. components to be applied to grid G1 of the CRT. Since G1 is at a cathode potential of -2000 V, blocking capacitors are required between G1 and the Z-amplifier output. The h.f. component is directly routed via blocking capacitor C3211 to G1. However, the d.c. and l.f. components are blocked, so these components are first modulated on a 200 kHz carrier signal by V3207 and V3208 to pass blocking capacitor C3209. Then the signal is demodulated again by V3209 and V3211. Finally, the reconstituted d.c. and l.f. components are added to the h.f. component.

Transistor V3251 forms a nominal 70 V zener circuit which provides the voltage difference between the cathode and G1 of the CRT. This bias voltage ensures blanking when there is no input signal. For adaptation to each CRT, this voltage can be varied between about 40 V and 100 V by means of R3252 (BLACK LEVEL). Resistor R3254 maintains the filament at the same potential as the cathode.

Any ripple on the cathode voltage is fed-back via transistor V3213 to the input of the Final Z-amplifier and added to the blanking signal. This means that the differential voltage between G1 and the cathode of the CRT is always fixed. Because this differential voltage determines the intensity of the spot, as a result, the intensity is almost independent of the ripple.

The amplifier stage V3253, V3254 and V3256 provides amplification for the range of the FOCUS control. The range of 0...+10 V gives a final range on G3 of the CRT of -1350 V ... -1600 V.

Resistor R3257 connects the INTENS control to the focus adjustment to maintain a sharply defined trace at varying brightness.

For optimum presetting of the GEOMETRY, the voltage on G5 of the CRT is set to a fixed level of -30 V. The ASTIGMATISM can be varied by means of potentiometer R3267.



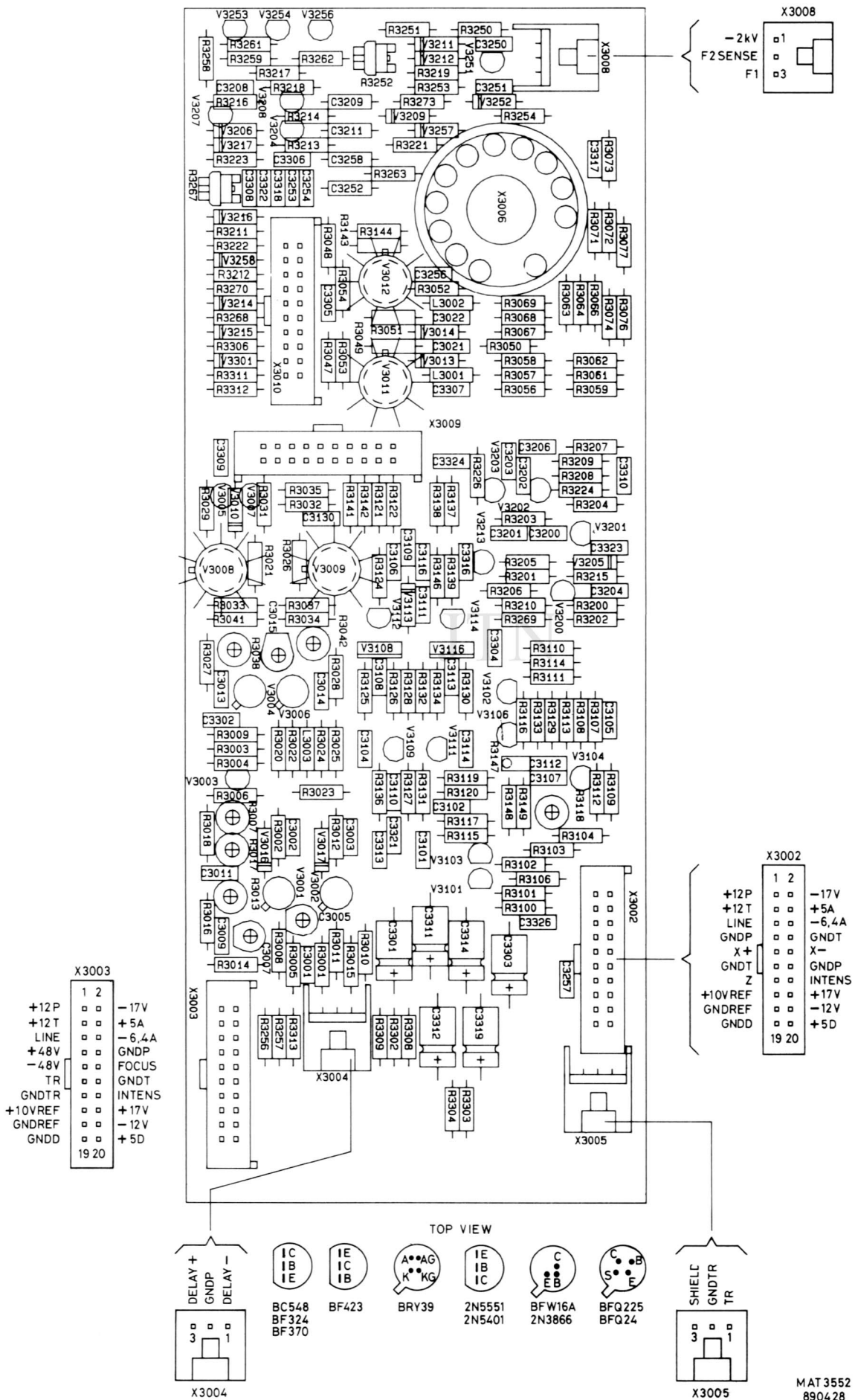
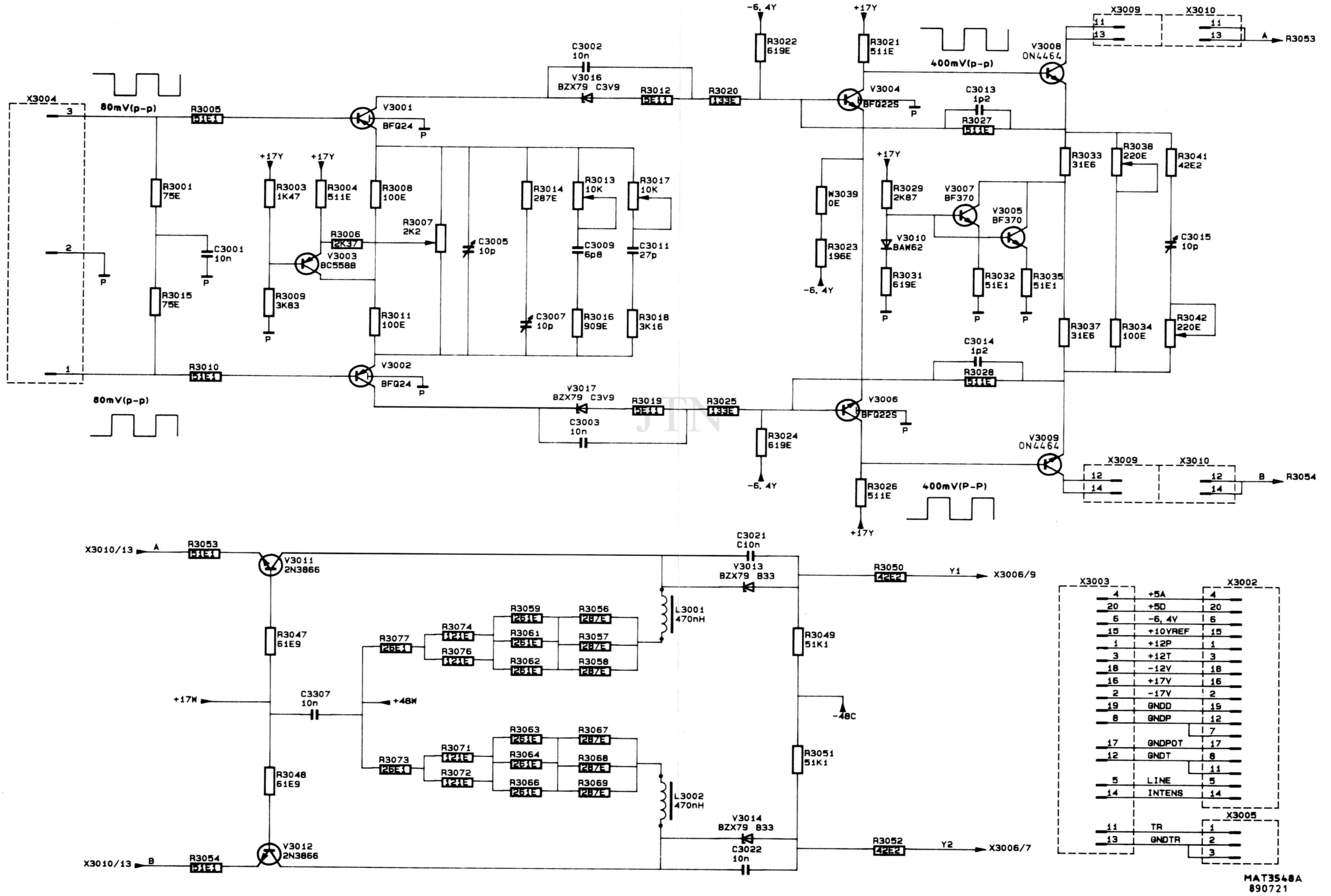


Figure 6.1 XYZ amplifier unit p.c.b.



MAT3548A  
890721

Figure 6.2 Circuit diagram of XYZ amplifier, final Y amplifier

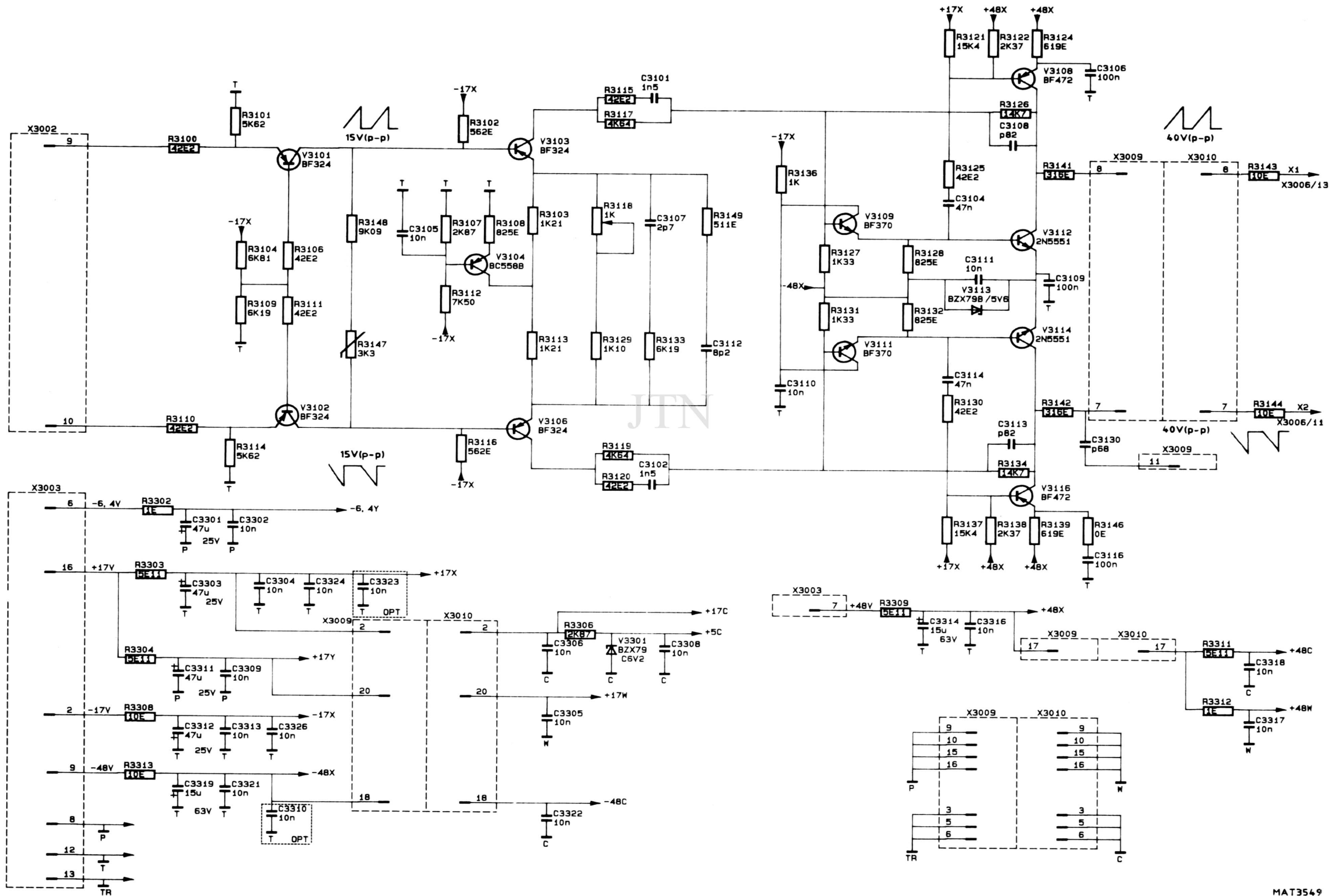


Figure 6.3 Circuit diagram of XYZ amplifier, final X amplifier

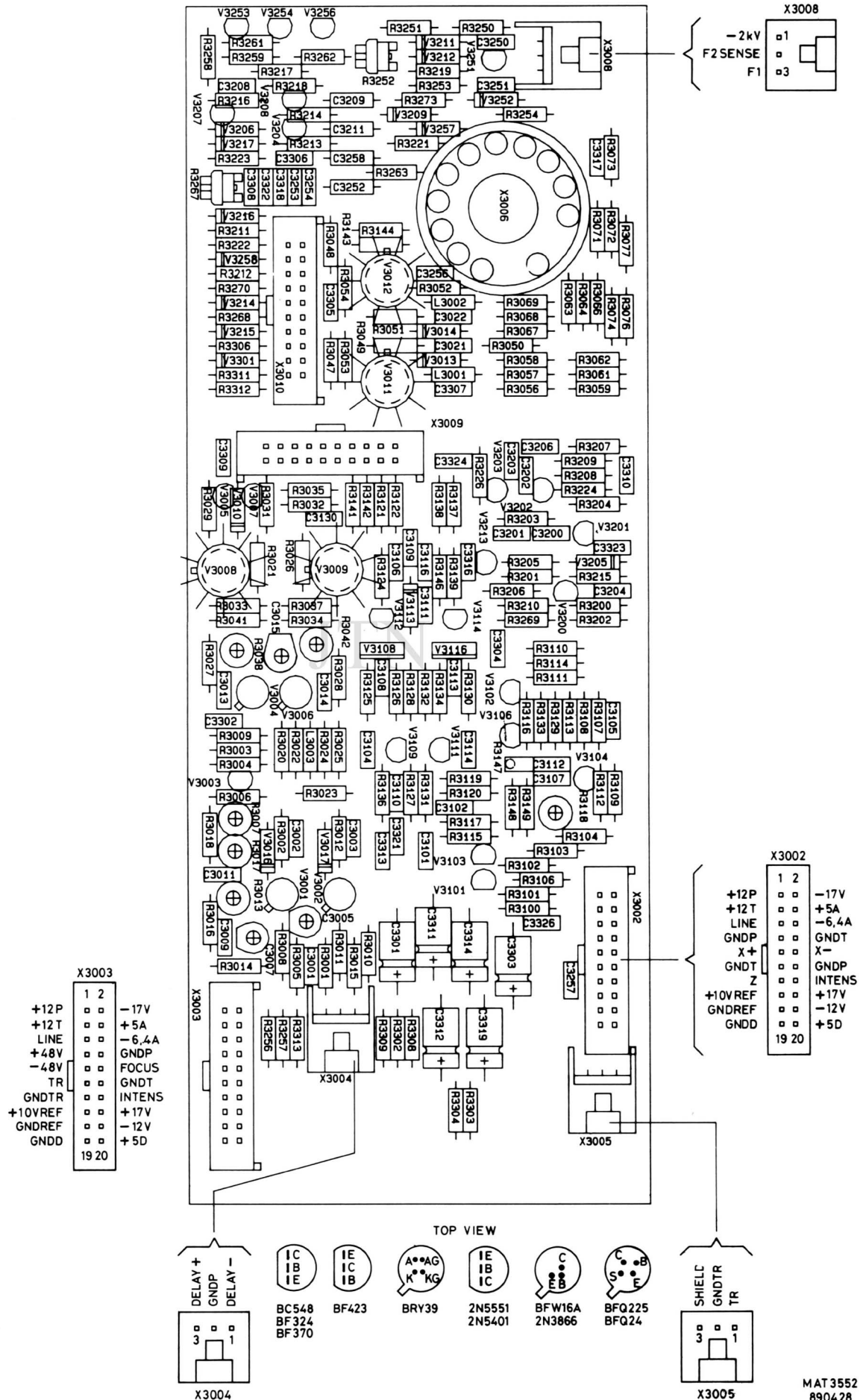
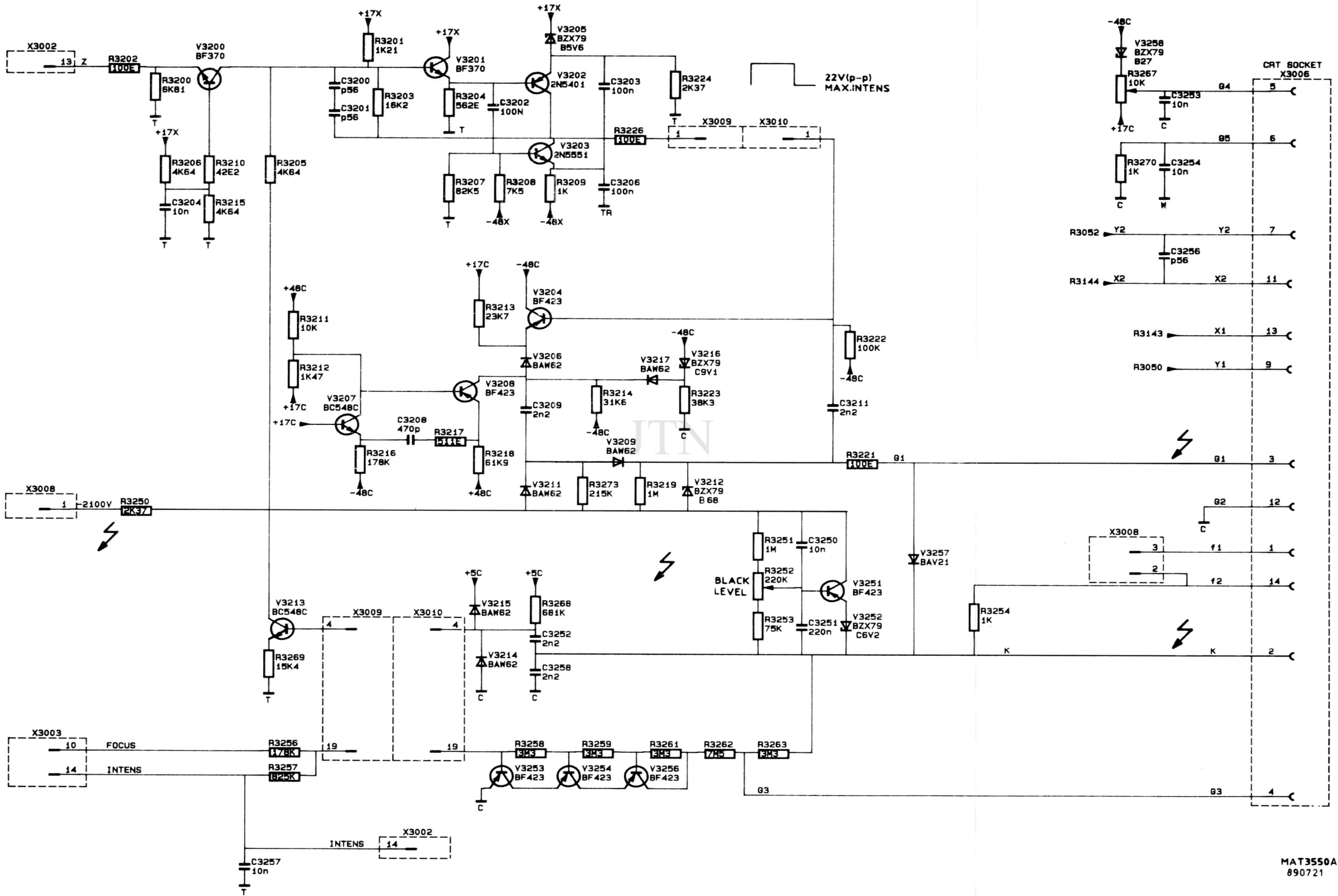


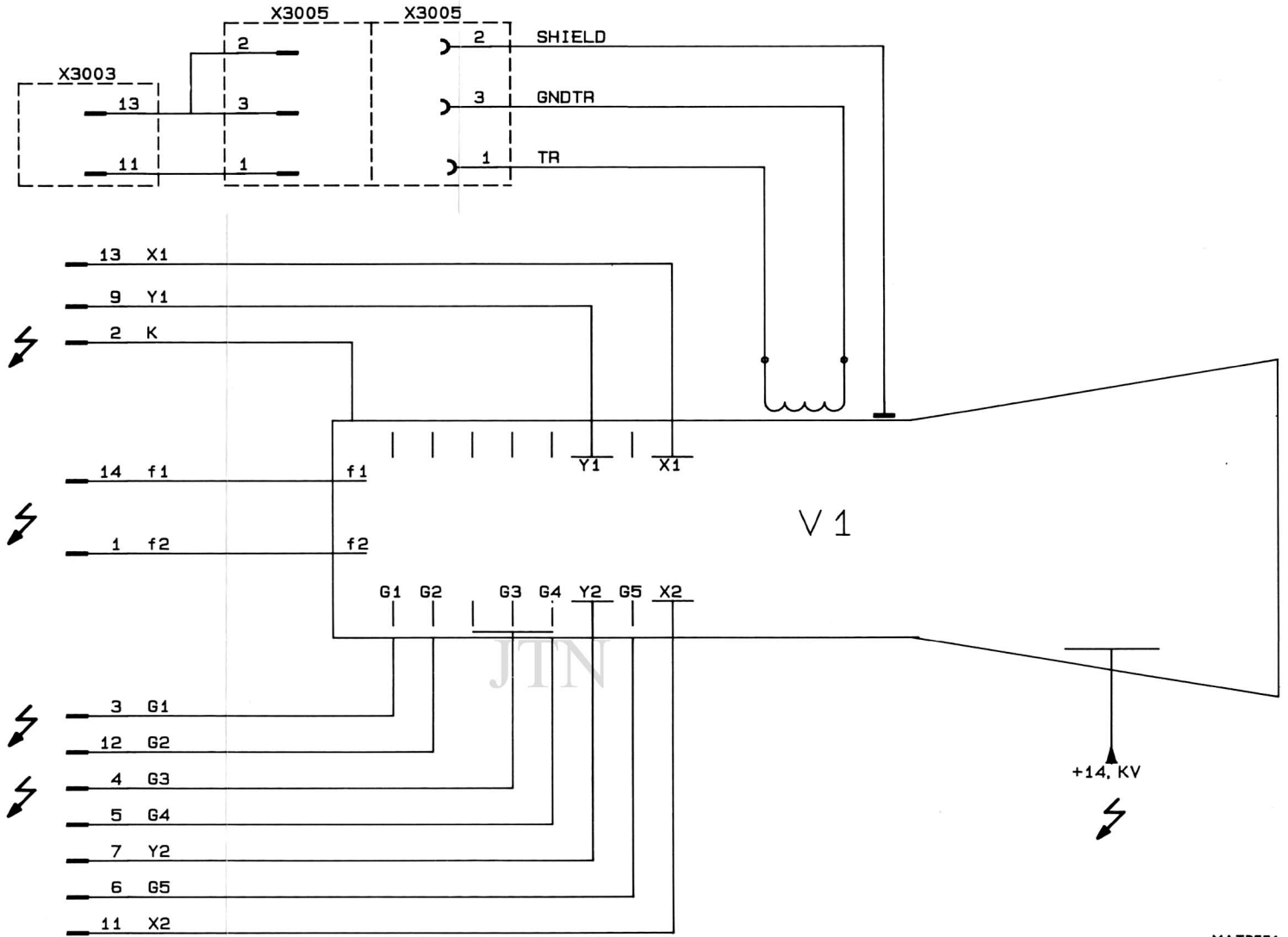
Figure 6.4 XYZ amplifier unit p.c.b.

MAT 3552  
890428



MAT3550A  
890721

Figure 6.5 Circuit diagram of XYZ amplifier, Z amplifier



MAT3551  
890421

Figure 6.6 Circuit diagram of XYZ amplifier, CRT circuit

## 7. TIME-BASE UNIT (A4)

The time-base unit consists of:

- Trigger amplifier
- Timing circuit
- Sweep generators
- X DEFL amplifier, incl. display mode switch
- Horizontal pre-amplifier
- Z amplifier

As a supplement, the timing diagrams for several conditions of the time base are given in section 7.6.

All control pulses for this unit are generated by the time-base control circuit, via the I<sup>2</sup>C bus. Integrated circuits D4001 and D4002 convert this series DATA into the parallel control pulses, provided that DLEN TB1, and DLEN TB2 are HIGH.

### 7.1 TRIGGER AMPLIFIER

#### \* MTB triggering:

The symmetrical trigger current signals TRIGM+ and TRIGM- are derived from the pre-amplifier unit and converted into the asymmetrical MTB trigger voltage via the shunt feedback amplifier V4008 and V4009. The amplifier of this MTB trigger signal is the summation of the voltage swings across R4002 and R4003, which are proportional to the current swing of TRIGM+ and TRIGM-.

#### \* TV triggering:

When the signal TVMTB goes LOW, the normal trigger path is blocked via V4006 and the trigger signal is routed via the TV trigger stage V4011...V4018. Transistor V4012 serves to clip the synchronisation pulse and LINE/FRAME selection is obtained by V4021.

#### \* DTB triggering:

The DTB triggering is almost similar to the MTB triggering. For TV triggering, the trigger signal is obtained from V4014 and, determined by C4013; only TV LINE triggering can serve as a DTB trigger signal for TV pictures.

7.2 TIMING CIRCUIT (see figure 7.1)

The timing for the entire time-base circuit is obtained by D4103 together with its associated components.

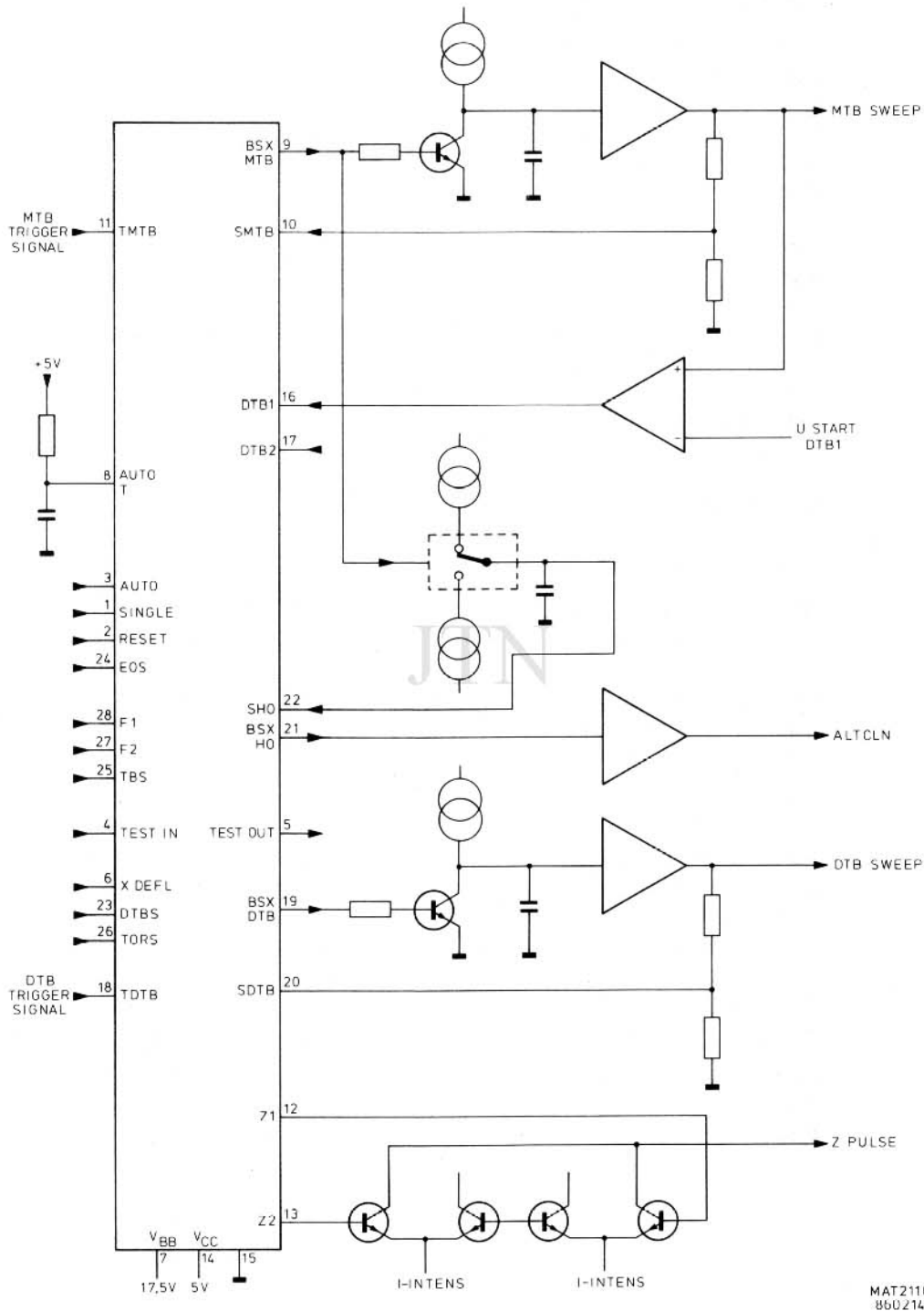


Figure 7.1 D4103 configuration



D4103 has the following relevant pin connections:

Pin	Name	INPUT-OUTPUT	Description
1	SINGLE	TTL-input	Selects the single time-base mode.
2	RESET	TTL-input	Stops the sweep and starts the hold off sweep.
3	AUTO	TTL-input	Selects the AUTO trigger mode, the MTB is free-running after the last trigger pulse.
4	TESTIN	TTL-input	Selects the possibility to drive several functions (TESTOUT) in combination with SINGLE and RESET.
5	TESTOUT	TTL-output	--
6	X DEFL	TTL-input	Activates the Z1 and Z2 outputs.
7	Vbb	-	+1,5 V supply input.
8	AUTOTIME	input	RC-time determination (100 ms) for the AUTO trigger mode.
9	BSXMTB	TTL-output	Discharges the MTB-sweep capacitor(s).
10	SMTB	SCHMITT-input	Determines the end of the MTB-sweep.
11	TMTB	SCHMITT-input	Determines the start of the MTB-sweep.
12	Z2	TTL-output	Determines the blanking of the CRT.
13	Z1	TTL-output	Determines the blanking of the CRT.
14	GND	-	Ground.
15	Vcc	-	+5 V supply input.
16	DTB1	SCHMITT-input	DTB starts, or starts after trigger pulse.
17	DTB2	-	not used, connected to ground.
18	TDTB	SCHMITT-input	Triggers the DTB-sweep when required.
19	BSXDTB	TTL-output	Discharges the DTB sweep capacitor.
20	SDTB	SCHMITT-input	Determines the end of the DTB-sweep.
21	BSXH0	TTL-output	Determines the ALT clock pulse
22	SHO	SCHMITT-input	Determines the end of the Hold-off sweep.
23	DTBS	-	not used; connected to +5 A.
24	EOS	-	not used; connected to +5 A.
25	TBS	TTL-input	Determines the MTB-unblanking (HIGH) or the DTB-unblanking (LOW).
26	TORS	TTL-input	Determines the STARTS condition (LOW) or TRIG'D condition (HIGH) of the DTB.
27	F1	TTL-input	Determines the selection for the different horizontal Display modes.
28	F2	TTL-input	

F1	F2	Display mode
0	0	MTB
0	1	MTBI
1	0	DTB
1	1	MTBI and DTB

NOTE: All SCHMITT-inputs are at +2,5 V level

## 7.3 SWEEP GENERATORS

Because the MTB and DTB sweep generators are almost similar, only the MTB sweep generator is described.

\* MTB sweep generator (see figure 7.2):

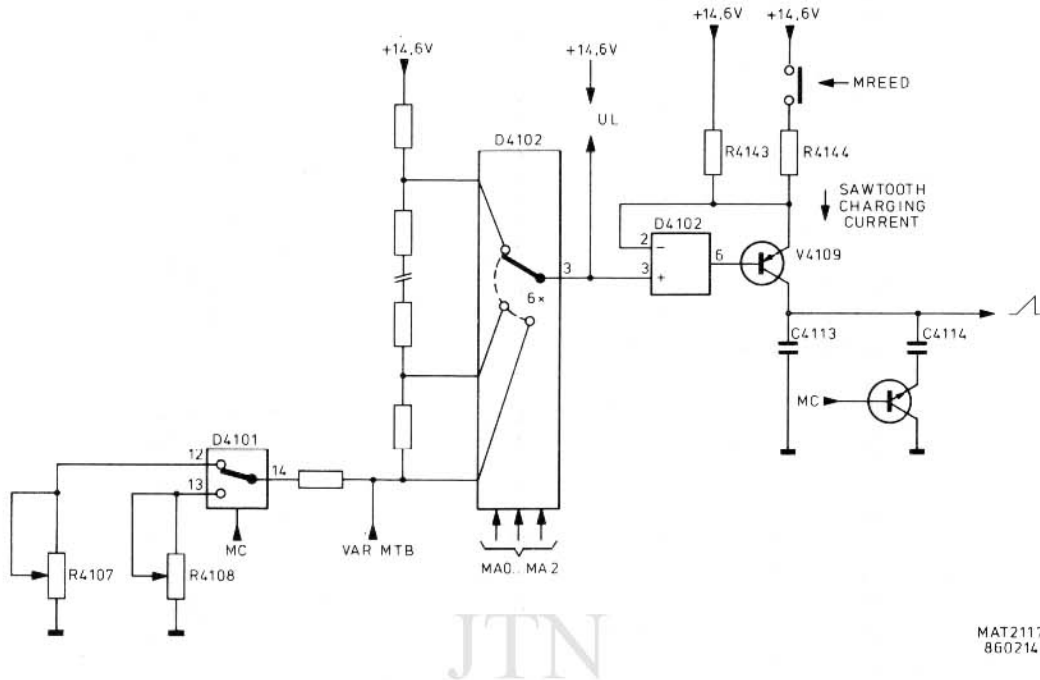


Figure 7.2 Simplified diagram of the MTB

U1

The MTB sawtooth charging current  $\frac{U1}{R4143 \text{ (and } R4144)}$  determines the sweep speed via C4113 (+C4114).

The circuit is controlled by the following address lines:

- MA0...MA2, for interconnection of D4102-3 to an input pin, thus giving six different voltage levels U1 with respect to +14,6 V.
- MREED, for addition of R4144 to the sawtooth charging circuit.
- MC, for addition of C4114 to the sawtooth charging circuit and for switching over between calibration pot.meters R4107 (50ns...100us) and R4108 (200 us...0,5 s).

The voltage U1 can be continuously varied by moving the VAR MTB control R7009 from the CAL position. Thus a sweep variation of 1:2,5 can be obtained.

The function table for the MTB and DTB sweep generators is given below:

sweep speed	MA2 (DA2)	MA1 (DA1)	MA0 (DA0)	MREED (DREED)	MC (DC)
50 ns	1	1	1	0	0
.1 us	0	1	0	0	0
.2	0	0	1	0	0
.5	0	0	0	0	0
1	0	1	1	0	0
2	1	0	0	1	0
5	1	1	1	1	0
10	0	1	0	1	0
20	0	0	1	1	0
50	0	0	0	1	0
.1 ms	0	1	1	1	0
.2	1	0	0	0	1
.5	1	1	1	0	1
1	0	1	0	0	1
2	0	0	1	0	1
5	0	0	0	0	1
10	0	1	1	0	1
20	1	0	0	1	1
50	1	1	1	1	1
.1 s	0	1	0	1	1
.2	0	0	1	1	1
.5	0	0	0	1	1

NOTE: when MREED and DREED are low, then RELAY is switched on

The MTB sawtooth current is fed to the buffer circuit, where the h.f. sweep components (to 2 usec) are routed via C4116 and V4118, V4119. The l.f. sweep components (0,5 sec...2usec) is routed via N4103.

Finally the MTB sweep and DTB sweep voltages are applied to the horizontal display mode switch.

\* Delay time multiplier circuit:

Output signal DTB1 of comparator stage D4402 controls the starting point of the DTB depending on the adjusting of the DTM front-panel control. This signal is applied to D4103-16.

The comparator has two inputs:

- D4402-4 receives the MTB sawtooth voltage.
- D4402-2 receives a fixed adjusted voltage between 0...5 V. Digital-to-analogue (DAC) converter D4401 converts the digital information of the DTM setting (SDA-input) into an analogue current (pin 22), which in its turn is converted into the fixed comparator voltage via N4101.

At the moment that the instantaneous d.c. value of the MTB sawtooth exceeds the voltage on D4402-2, signal DTB1 goes higher.

\* Hold-off circuit

During the MTB sweep, capacitor C4304 is discharged. In the lower sweep speeds (lower than 10us) capacitor C4302 is also discharged via V4306. After the MTB sweep, the capacitor(s) are charged via current source V4304 until the voltage across C4304 reaches the +2,5 V level. This voltage is applied to D4103 as the SHO signal and determines if the MTB can generate a new sweep.

Depending on the HOLD OFF control potentiometer R7011 adjustment, a part of the charging current leaks away via V4301 and thus continuously variation of the charging time (i.e. hold-off time) is obtained. When BSXMTB goes LOW, the MTB starts to run again and at the same time C4304 (and C4302) are discharged again via V4309.

\* Alt. clock generator:

At the end of each MTB sweep the signal BSXHO goes low. This signal is routed to V4322 to generate the ALTCLN pulse, which is applied to the pre-amplifier unit A2. The ALTCLN pulse controls the channel switch on that unit at the end of each MTB sweep. When SHO reaches the +2,5 V level, BSXHO goes HIGH again.

#### 7.4 X DEFL AMPLIFIER, AND DISPLAY MODE SWITCH

\* X DEFL amplifier

The circuit for converting the symmetrical X DEFL+ and X DEFL- signals into the asymmetrical voltage, applied to the display mode switch is identical to the MTB trigger input. However, this circuit can be switched-off by diodes V4500 and V4505, provided that the X DEFL signal is HIGH.

\* Horizontal display mode switch:

The three deflection signals MTB, DTB or X DEFL are switched to the horizontal pre-amplifier via diode switches. These switches are under control of the signals X DEFL and TBS. The output of the circuit is applied to R4701 on the horizontal pre-amplifier stage. The logic table is given below:

X DEFL	TBS	Output
1	*	X DEFL signal
0	0	DTB sawtooth
0	1	MTB sawtooth

## 7.5 Z-AMPLIFIER

## \* Z-switch:

The Z-switch N4601 is configured as two differential amplifiers with a common current output to R4625. The stage is supplied by a constant current source via pin 1 and pin 8. The inputs Z1 and Z2 are derived from the timer stage D4103 and determine the unblanking of the CRT according to figure 7.3.

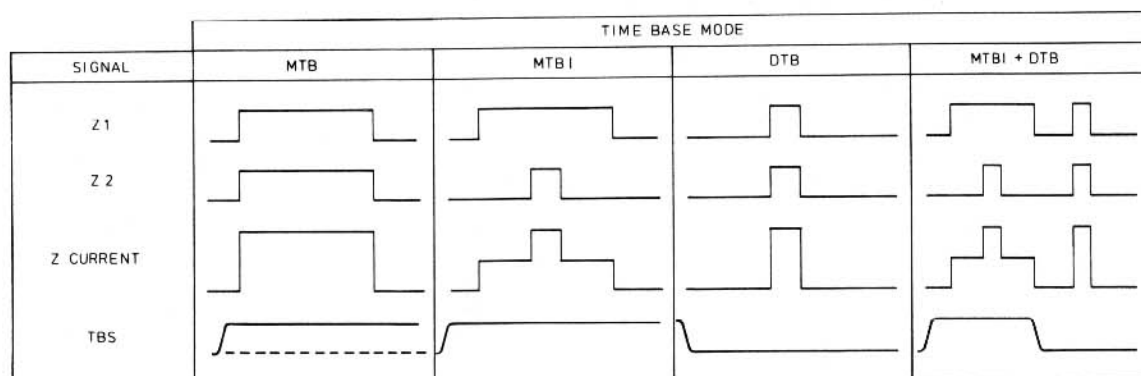
MAT2118  
851011

Figure 7.3 Z-logic for the different TB modes

When both Z1 and Z2 are HIGH, the trace gives normal intensity; when only Z1 or Z2 is HIGH the trace gives half intensity. This means that, in MTBI mode, the DTB part of the trace is more intensified than the MTB part of the trace. The ratio between both intensities is adjusted by R4616. The amplitude of the Z-current can be varied by the front-panel INTENS control R5001. The slider of this control potentiometer drives the base pin 2 and pin 7 of both current sources.

To prevent burn-in of the CRT in the lower sweep speeds 0,5 sec...50 usec, signal ZB is LOW and reduces the voltage to pin 2 and pin 7.

Signal ZA is a software-controlled pulse to blank the trace when the AMPL/DIV switch is used.

## \* Z Pre-amplifier:

In normal condition, the fully current for CRT blanking derived from N4601 is routed via R4625, V4612 and R2628 to the XYZ Amplifier A3.

However, there are two conditions for additional blanking:

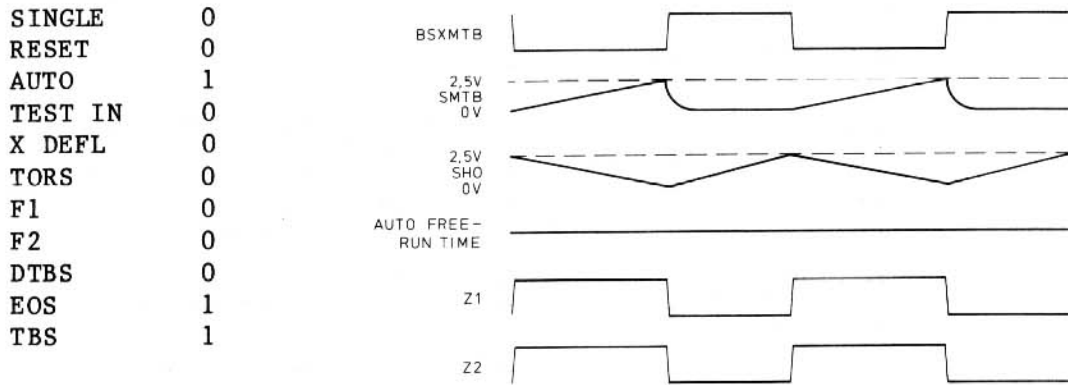
- In the chopped mode of the vertical channels the display is blanked during switching over between channels. This happens by connecting the CHOPBLN pulse to V4611. When this pulse is HIGH, transistor V4611 conducts and a part of the blanking current flows via V4611 e-c to the +5 kV rail.
- if a HIGH level is applied to the external Z MOD input on the rear panel, this signal causes conducting of V4616 so that a part of the blanking current flows via V4616 e-c to the +5 kV rail.

7.6 TIMING DIAGRAMS

The following figures gives the timing diagrams for D4103 for several conditions of the time-base. The conditions are:

- a free running MTB sweep
- a triggered MTB-sweep with a delayed sweep
- a triggered MTB-and DTB-sweep

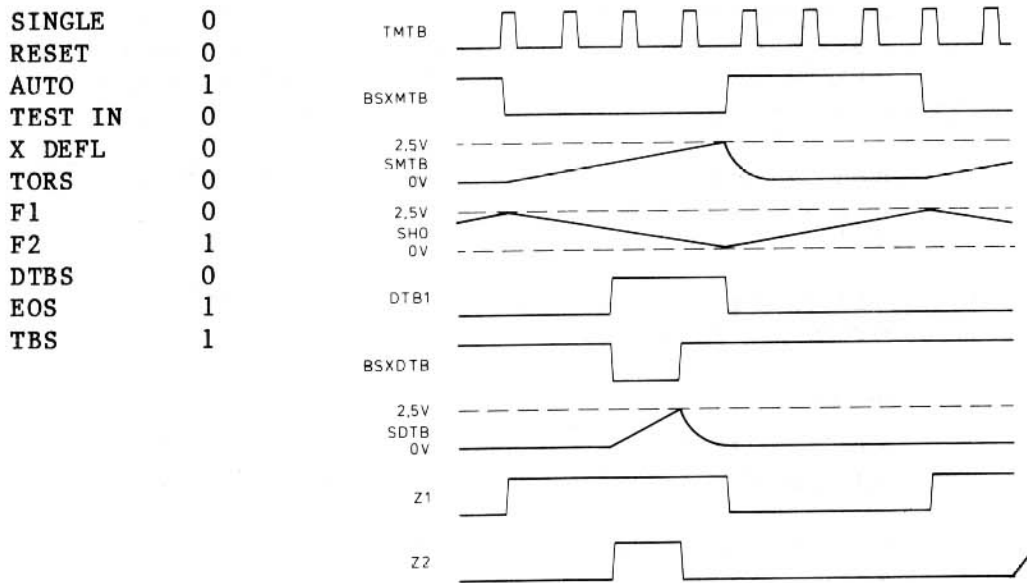
\* Free running MTB sweep:



MAT2228  
860210

Figure 7.4 Free-running MTB sweep-timing diagram

\* Triggered MTB-sweep with a delayed sweep:

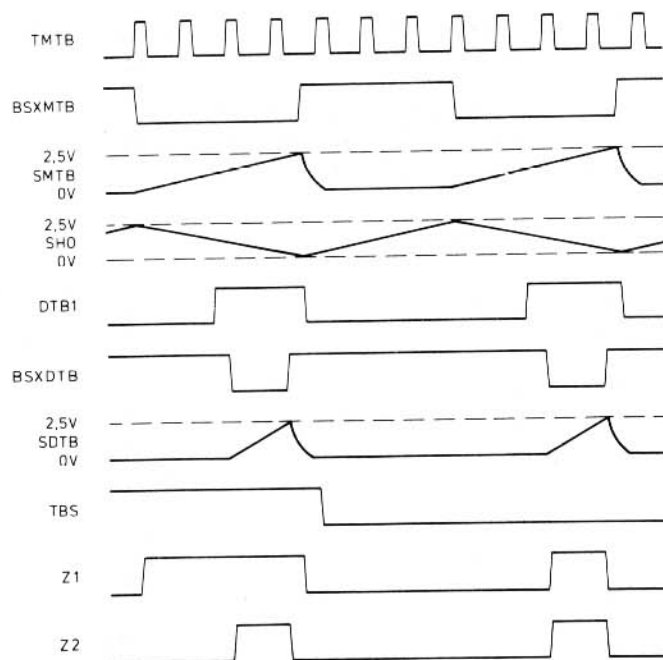


MAT 2229  
860210

Figure 7.5 Triggered MTB-sweep with a delay sweep-timing diagram

## \* Triggered MTB- and DTB-sweep:

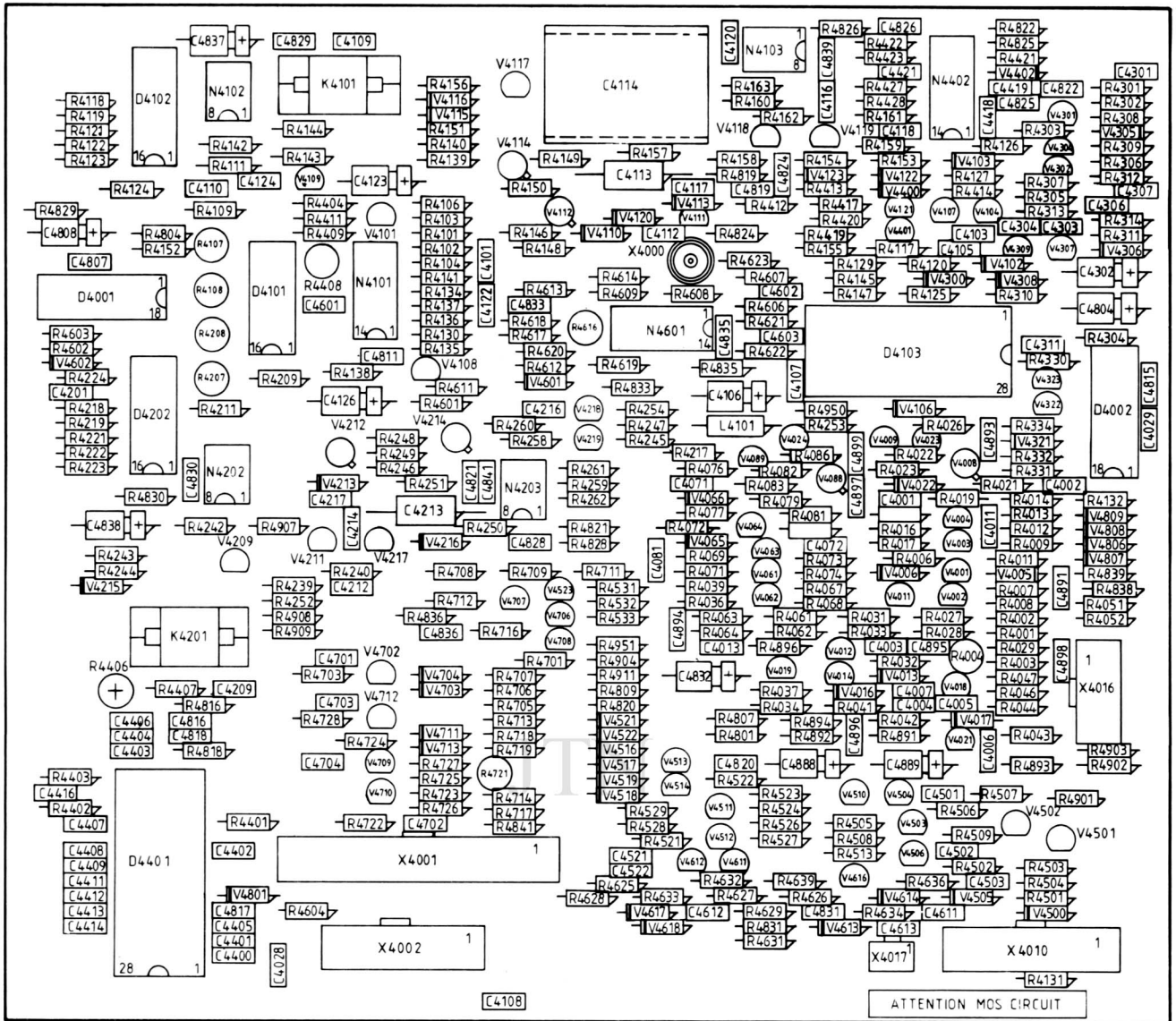
SINGLE	0
RESET	0
AUTO	1
TEST IN	0
X DEFL	0
TORS	1
F1	1
F2	1
DTBS	0
EOS	1
TBS	*



MAT2230  
860210

Figure 7.6 Triggered MTB- and DTB-sweep-timing diagram

JTN



MAT 2991A  
890721

Figure 7.7 Time base unit p.c.b.



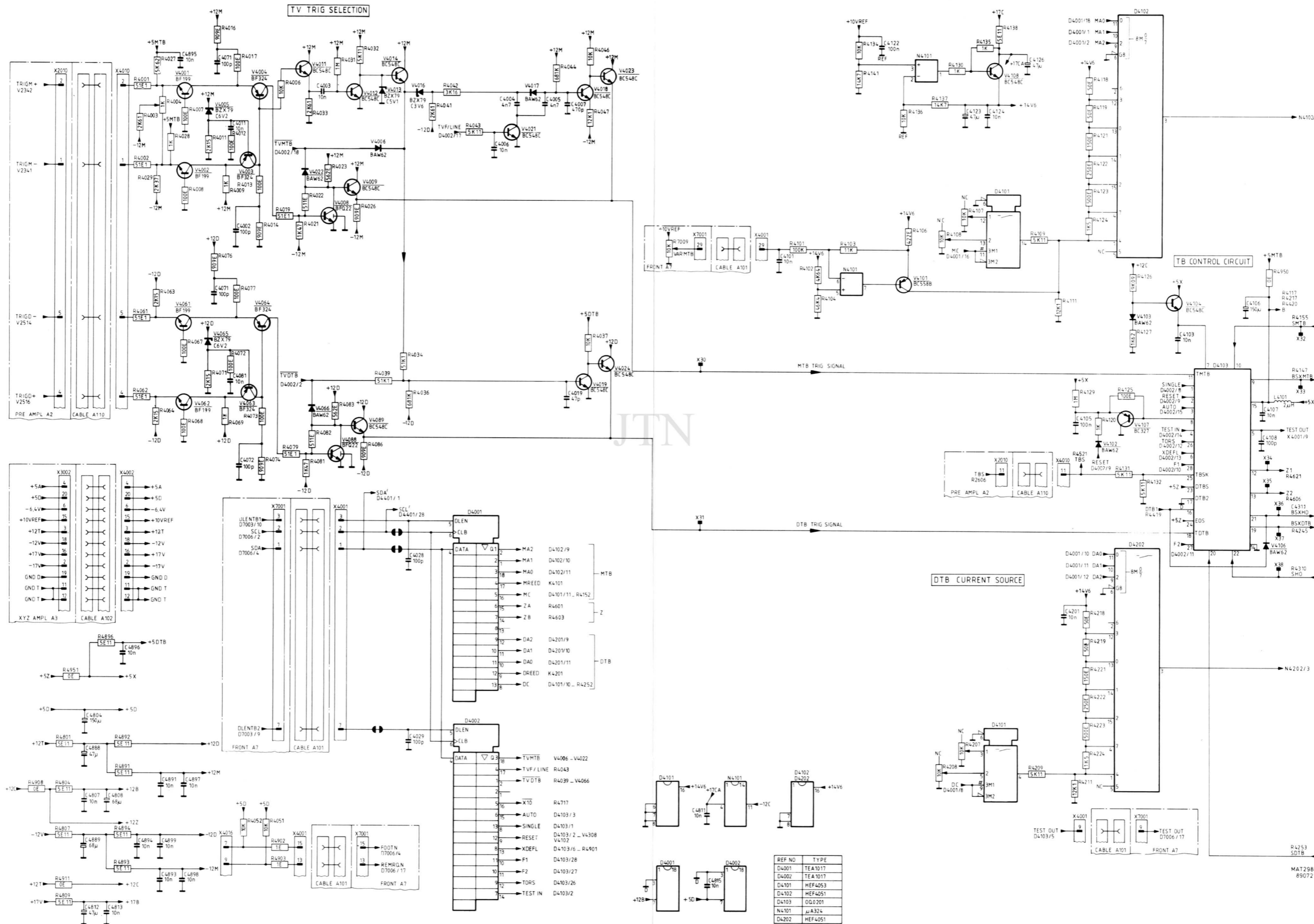
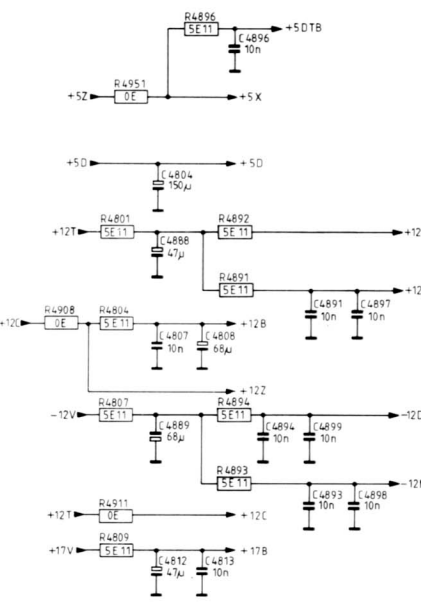
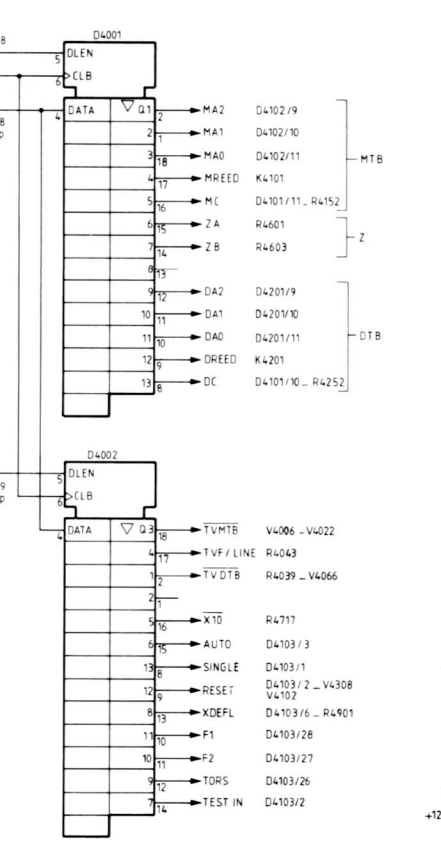
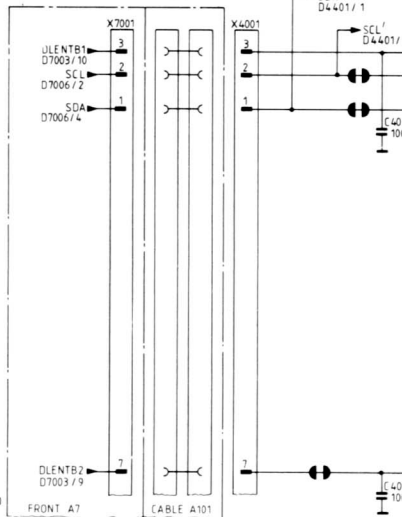
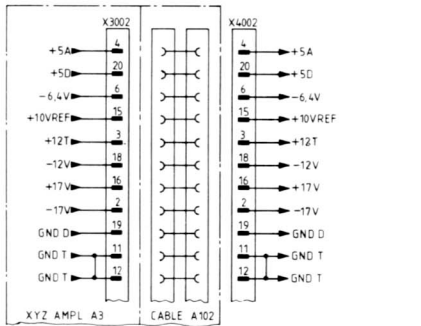
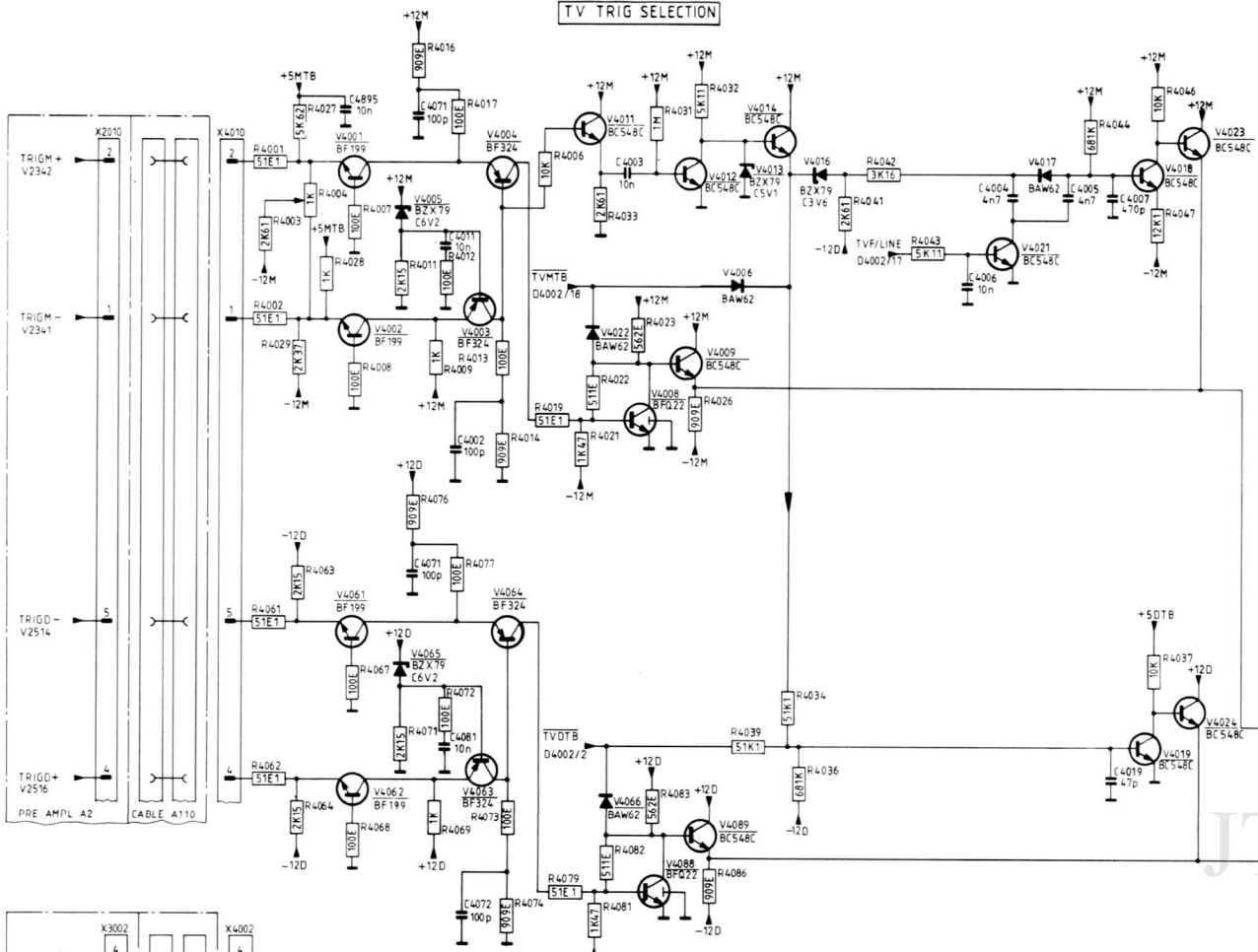


Figure 7.8 Circuit diagram of time base, trigger amplifier MTB and DTB

### TV TRIG SELECTION



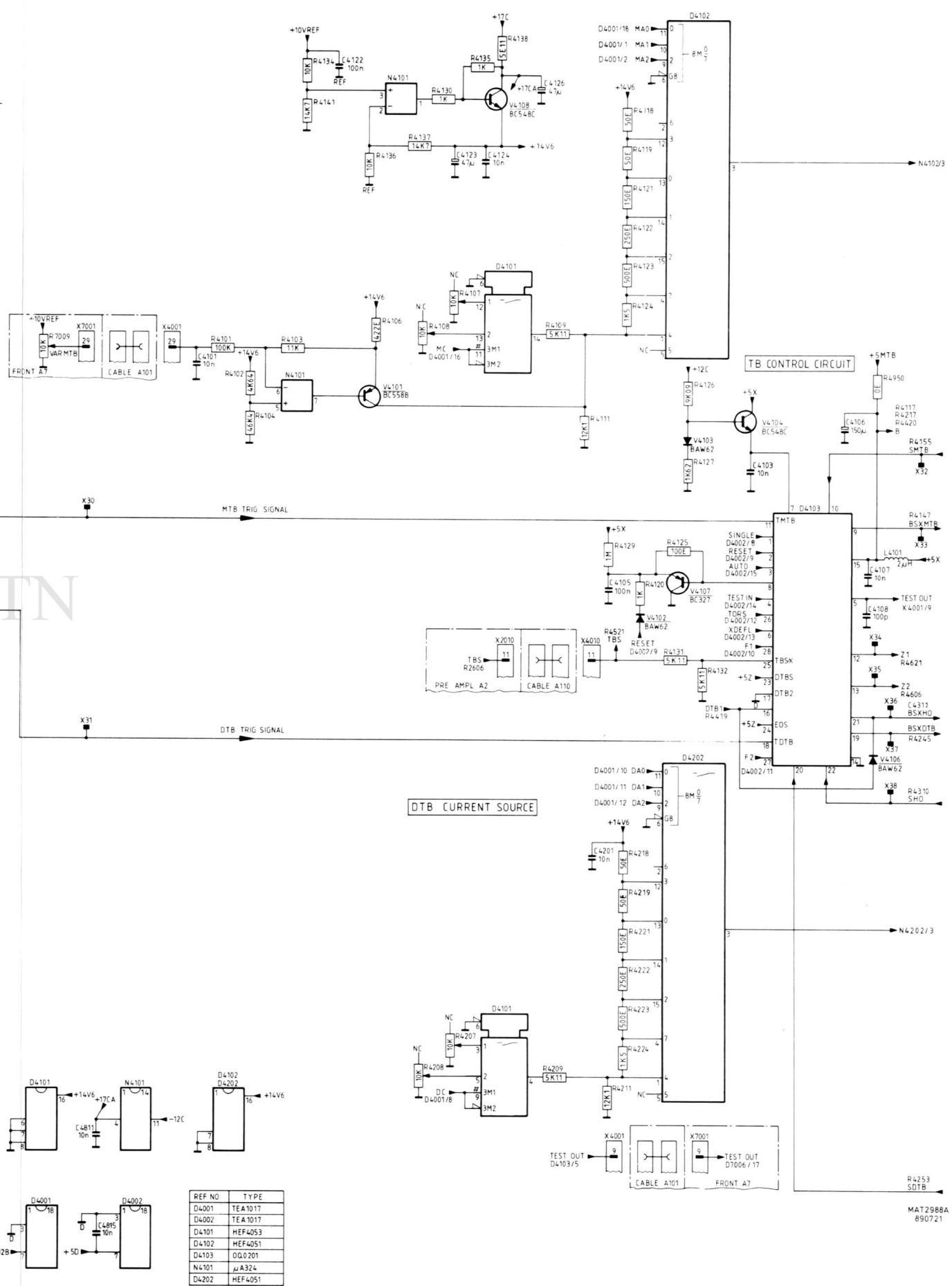


Figure 7.8 Circuit diagram of time base, trigger amplifier MTB and DTB

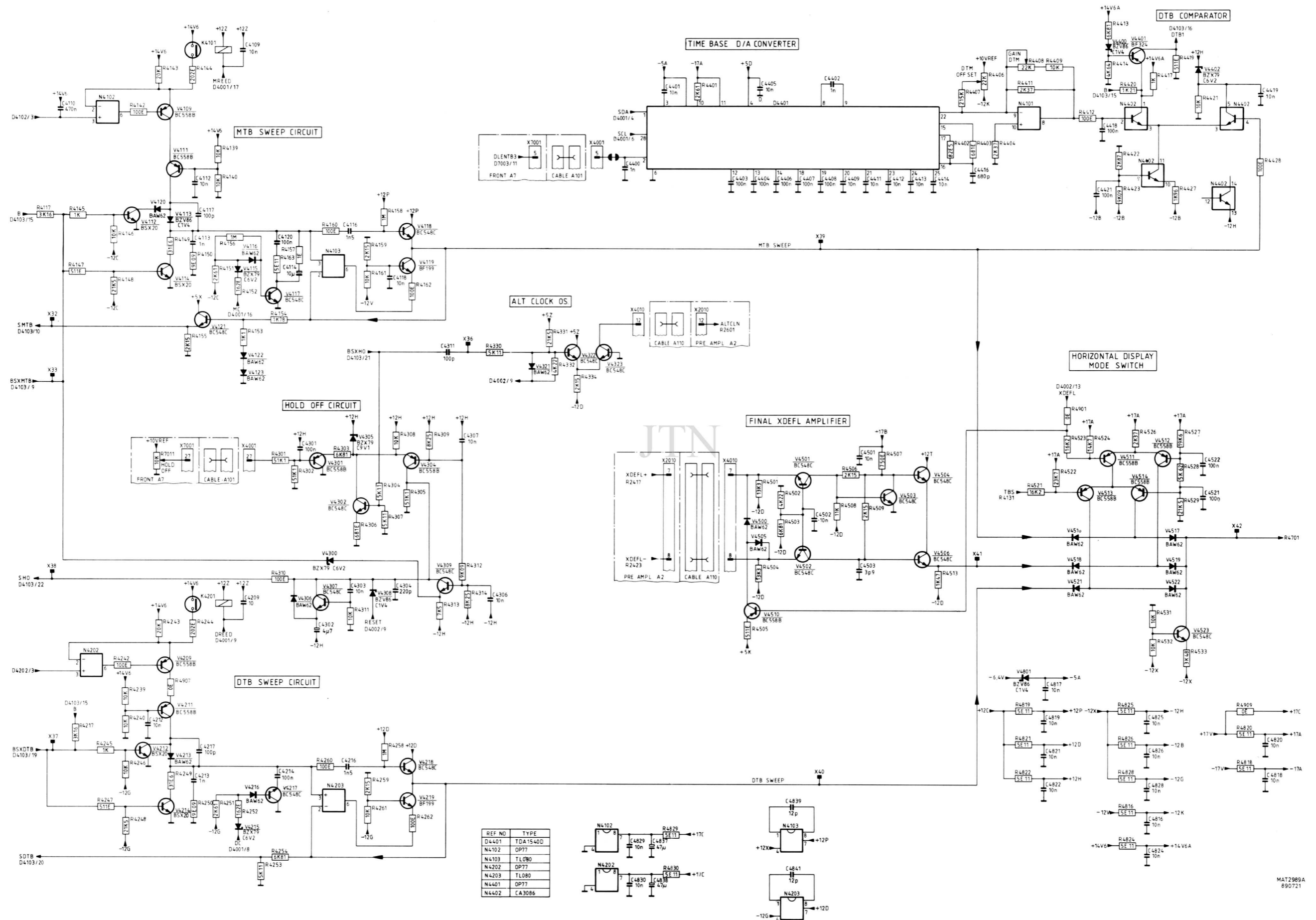
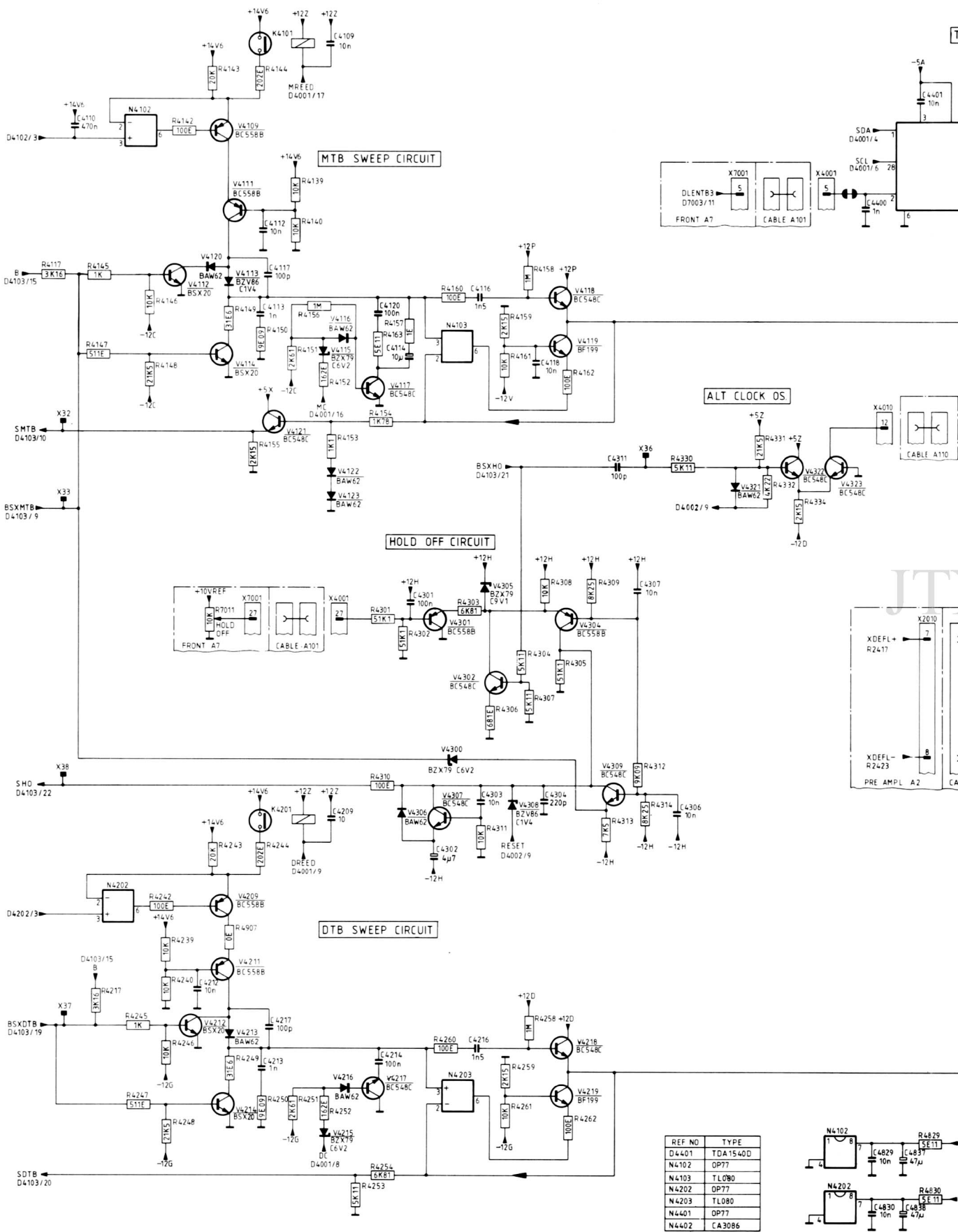
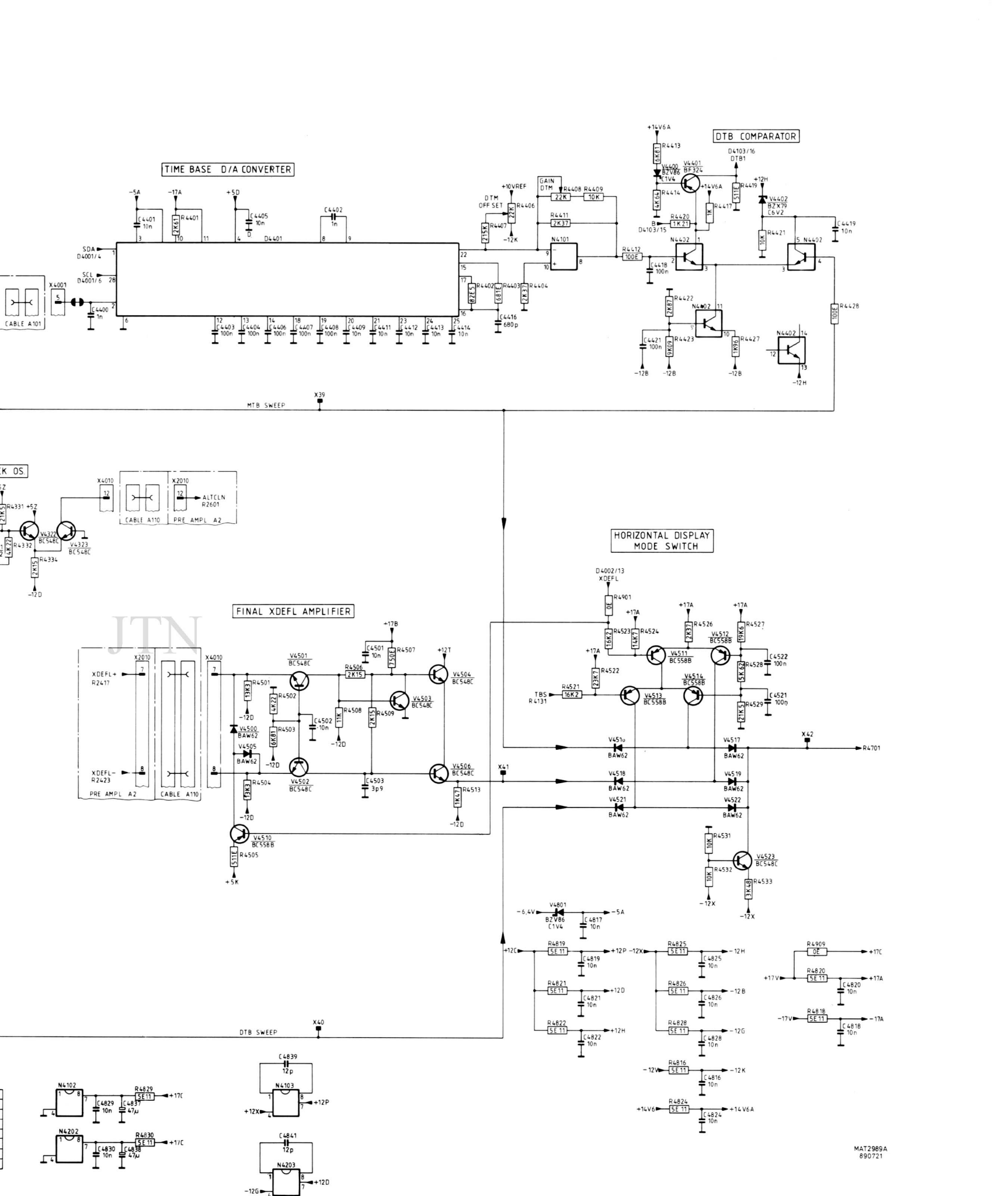


Figure 7.9 Circuit diagram of time base, MTB and DTB sweep circuits and final X DEFL amplifier



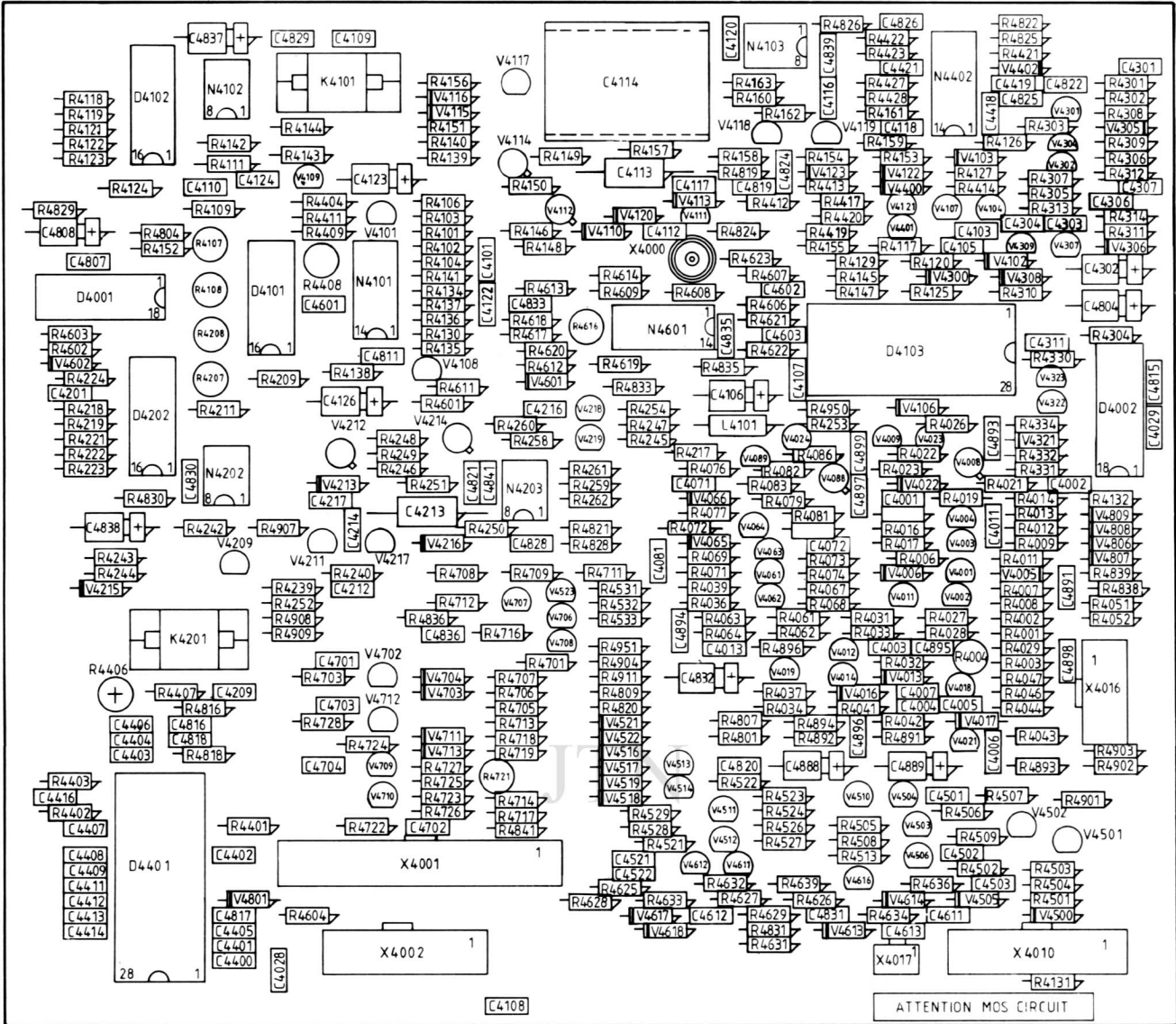
REF NO	TYPE
D4401	TDA1540D
N4102	OP77
N4103	TLO80
N4202	OP77
N4203	TLO80
N4401	OP77
N4402	CA3086

Figure 7.9 Circuit diagram of time base, MTB and DTB sweep circuits and final X DEFL amplifier



MAT2989A  
890721

and



MAT2991A  
890721

Figure 7.10 Time base unit p.c.b.

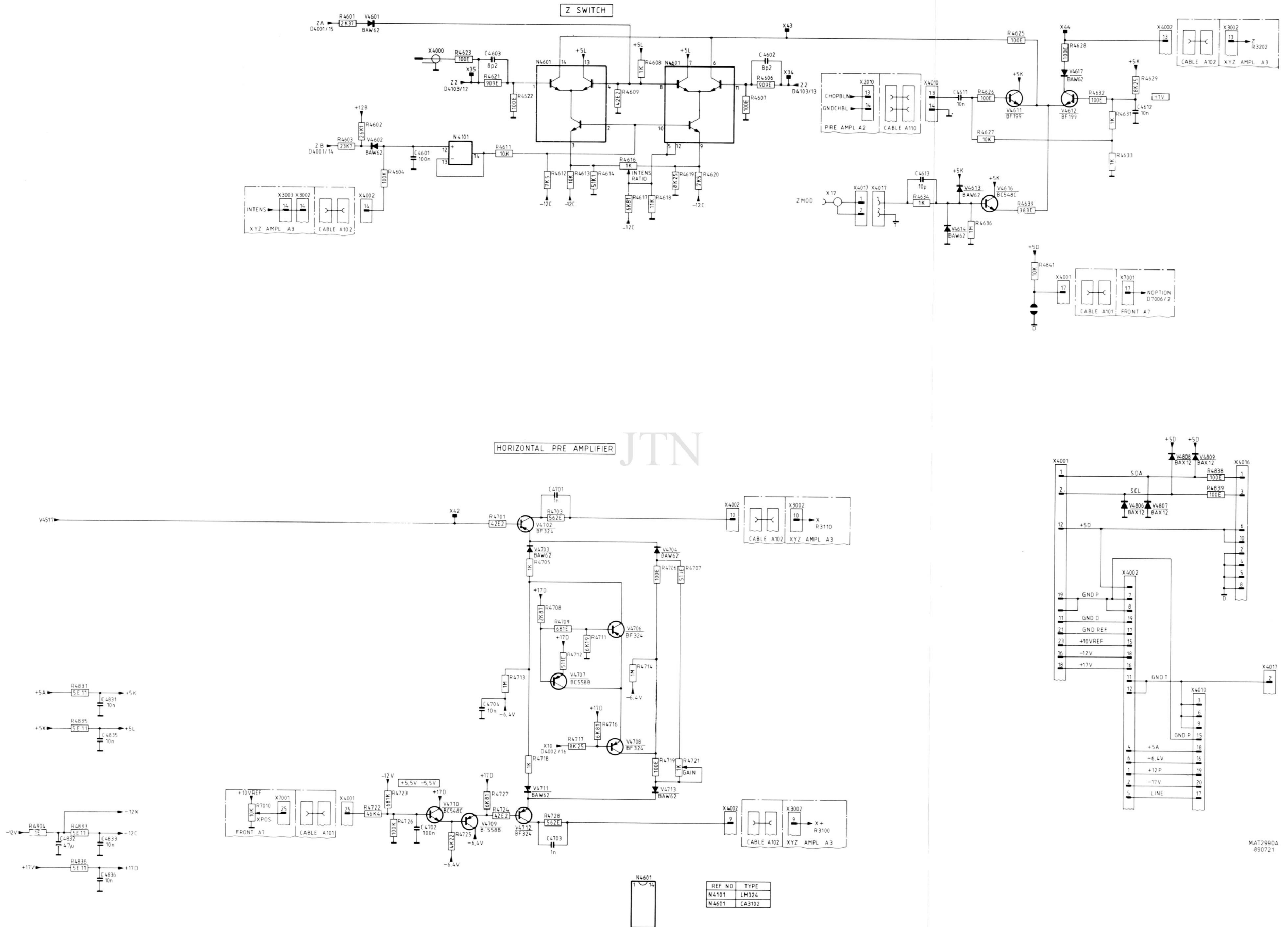
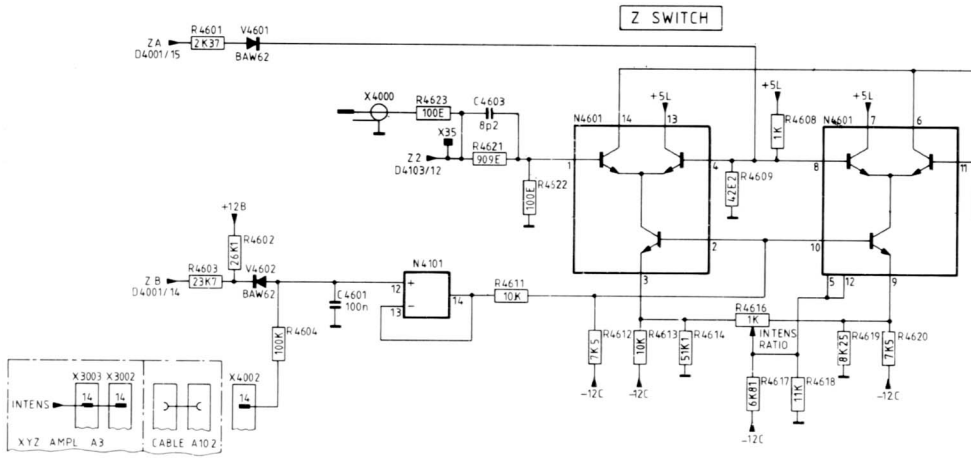


Figure 7.11 Circuit diagram of time base, X pre-amplifier and Z switch

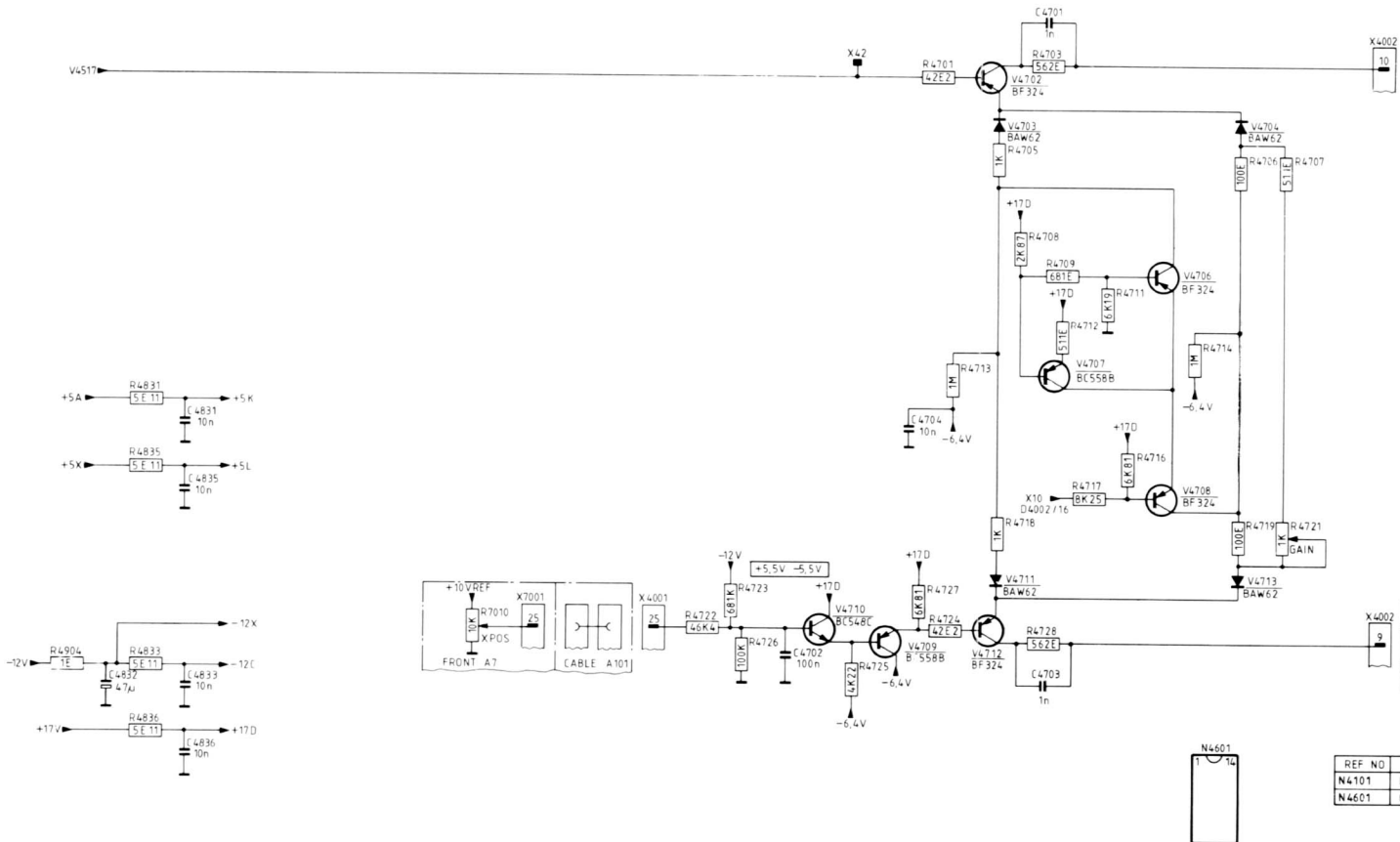
MAT2990A  
890721





HORIZONTAL PRE AMPLIFIER

JTN



Figure

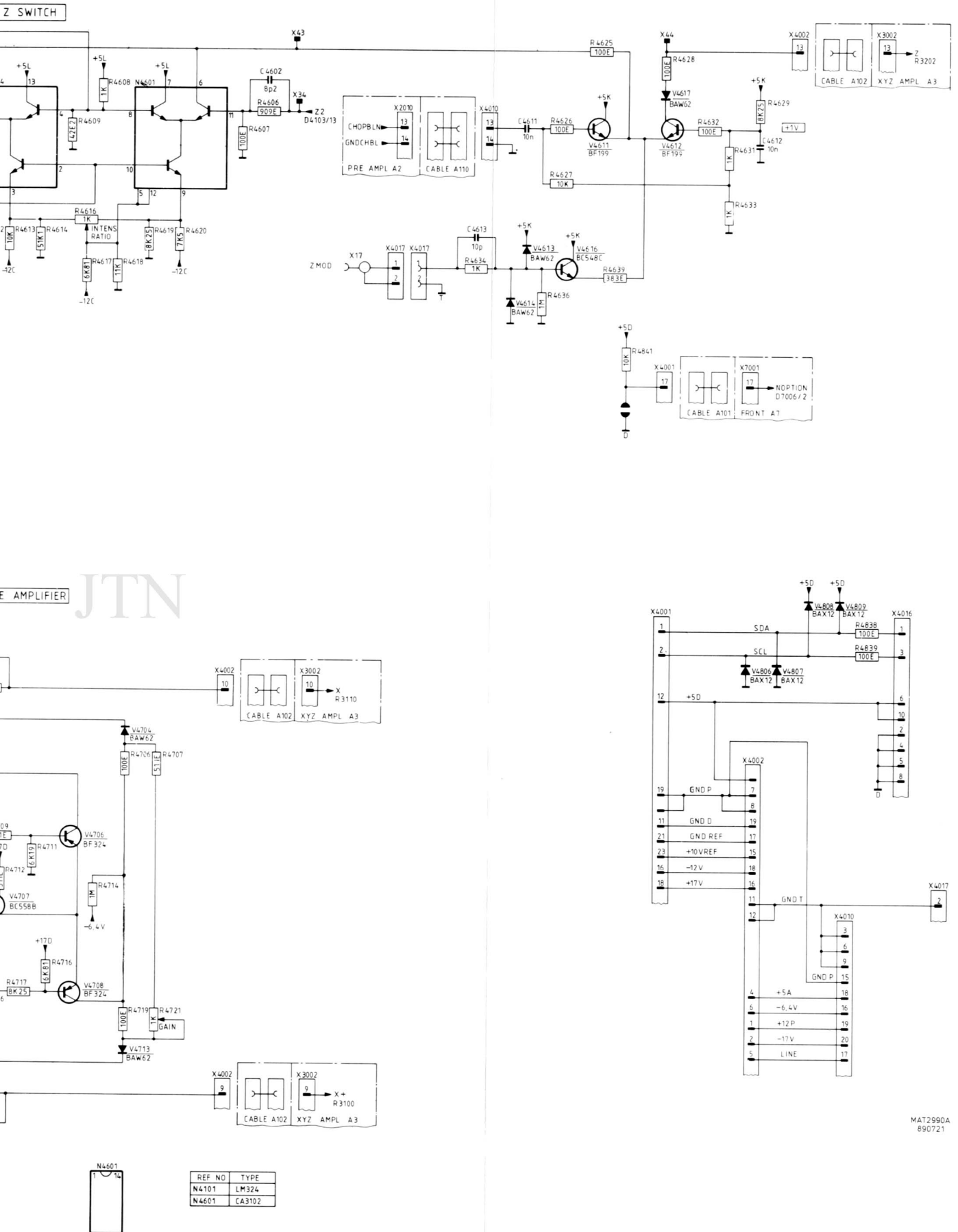
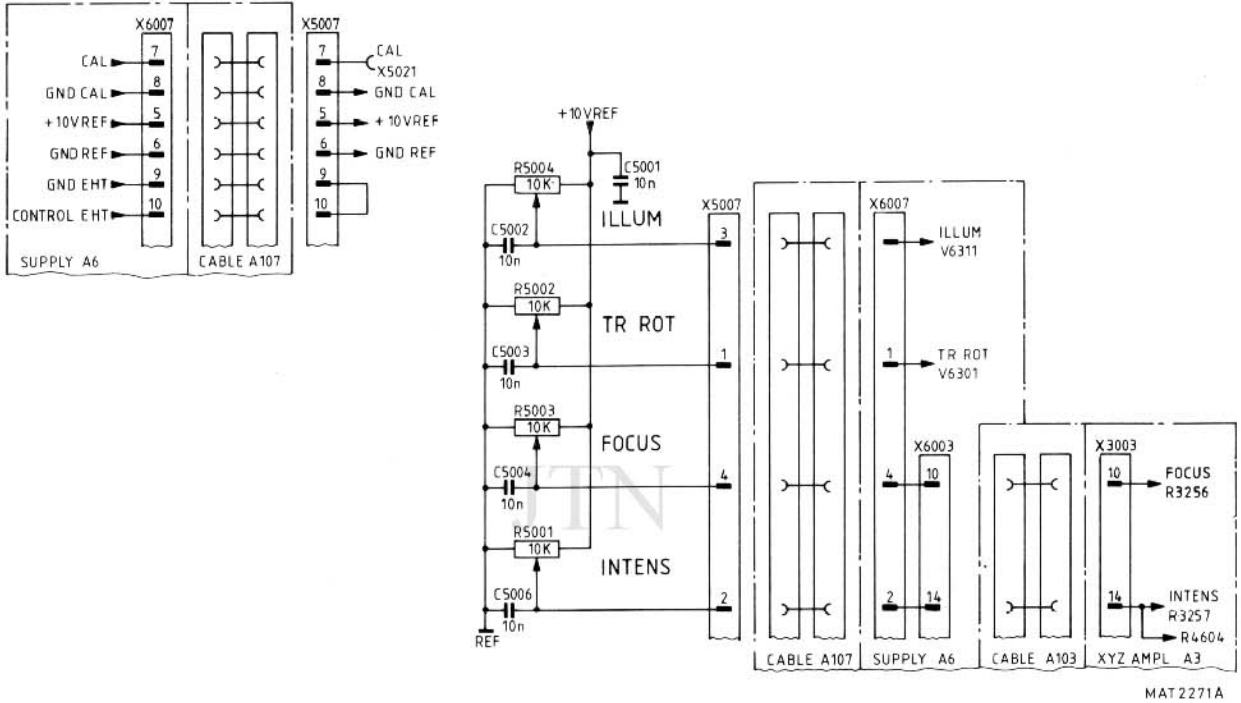


Figure 7.11 Circuit diagram of time base, X pre-amplifier and Z switch

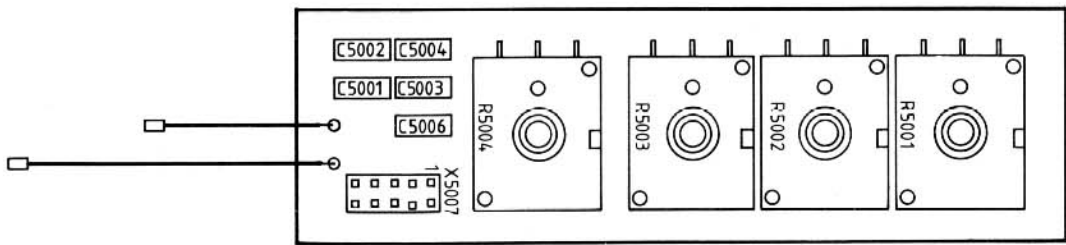
8. CRT CONTROL UNIT (A5)

This unit incorporates the potentiometers that control the CRT functions. These potentiometers are INTENS (R1), screwdriver operated control TRACE ROT (R2), FOCUS (R3) and ILLUM (R4). The range of these potentiometers is between 0 V and +10 V. The way these potentiometers influences the associated circuit is described together with the description of the relevant circuit part.



MAT2271A

Figure 8.1 Circuit diagram of CRT control



MAT2270

Figure 8.2 CRT control unit p.c.b.

## 9. POWER SUPPLY UNIT (A6)

Basically, the power supply unit consists of:

- input circuit
- converter circuit
- secondary output rectifiers
- HT supply
- CAL oscillator
- CRT control circuit

### 9.1 INPUT CIRCUIT

The instrument may be powered from a nominal mains voltage of 90 V...264 V a.c.

The mains voltage is primary protected by a fuse of 1,6 AT, which is located on the rear of the instrument.

After rectification by the diode bridge V6001...V6004 a d.c. voltage is applied to the converter circuit.

This voltage is smoothed by capacitors C6007, C6008 and choke L6001. Depending on the mains voltage, the rectified voltage is 120 V...370 V.

A fixed part of the mains voltage serves as a LINE-trigger signal. The amplitude of the LINE trigger signal is  $1/22 \times \text{MAINS}$ .

NOTE: The LINE trigger signal is not present when a d.c. voltage serves as MAINS.

### 9.2. CONVERTER CIRCUIT (see figure 9.1 and figure 9.2)

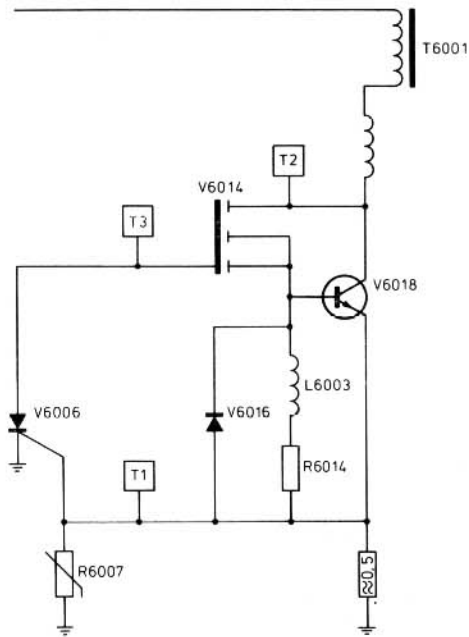
The flyback converters consists of transistor V6014 and V6018 and their associated components. The converter frequency depends on the LINE IN amplitude and is for 110 Vac: 30 kHz approx and for 220 Vac: 45 kHz approx.

Transistors V6014 and T6018 conduct on the forward stroke and charge transformer T6001. The thyristor V6013 fires when the voltage on the gate reaches the firing level (0,6 V approx). Consequently, V6018 blocks - V6014 blocks, for the duration of the flyback stroke, during which the secondary windings discharge via the diode rectifiers into the smoothing capacitors. The NTC resistor R6009 provides temperature compensation for the firing point of the thyristor.

During the flyback, capacitor C6009 charges again via the path T6001-1, V6012, V6009, R6004, C6009, L6002 and T6001-2.

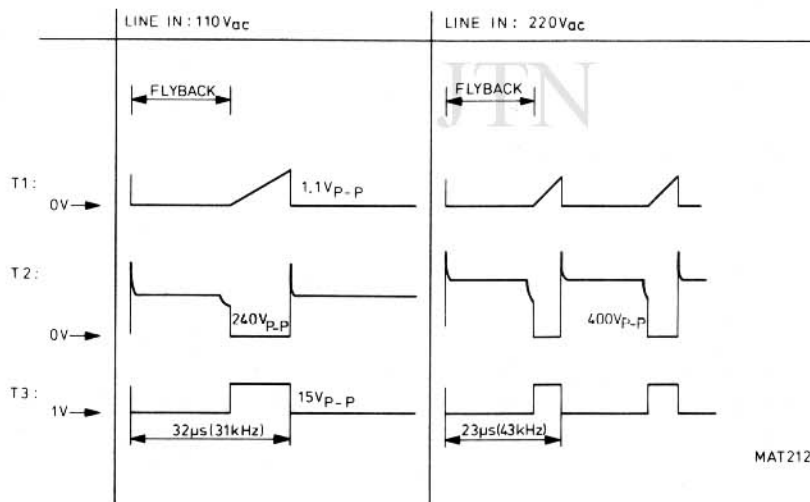
The voltage stabilizer with transistor V6009 gives a square-wave to the gate of transistor V6014 with a maximum amplitude of 15 V.

The dv/dt limiter with L6004, L6006, V6017 and V6019 serves to eliminate the switching spikes present on the collector of V6018 (measuring point X46).



MAT2119  
860214

Figure 9.1 Converter circuit



MAT2120

Figure 9.2 Timing diagram converter circuit

### 9.3. SECONDARY OUTPUT RECTIFIERS

The output voltages taken from the secondary windings of transformer T6001 are rectified by diodes and smoothed by capacitors in conventional circuits.

A "CROWBAR" circuit with transistor V6137 and V6112 protects the +5 V supply.

When the +5 V level is too high, transistor V6137 (and V6112) conduct and the power supply goes into short circuit mode.

A voltage protection circuit using V6134, V6136 and V6112 protects against overloads protection. When the power supply is overloaded, these components conduct and the power supply goes into in the short-circuit mode.

## 9.4 HT SUPPLY

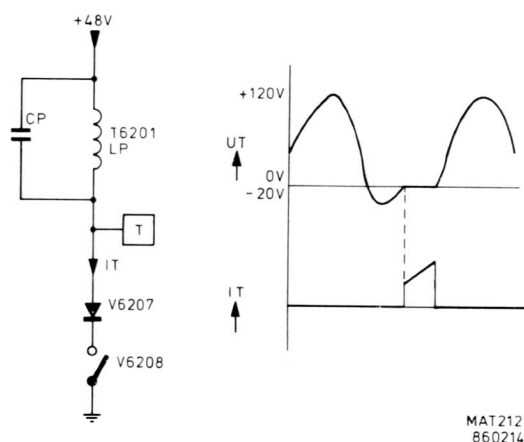


Figure 9.3 HT oscillator

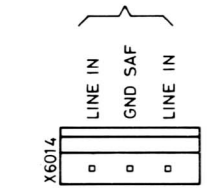
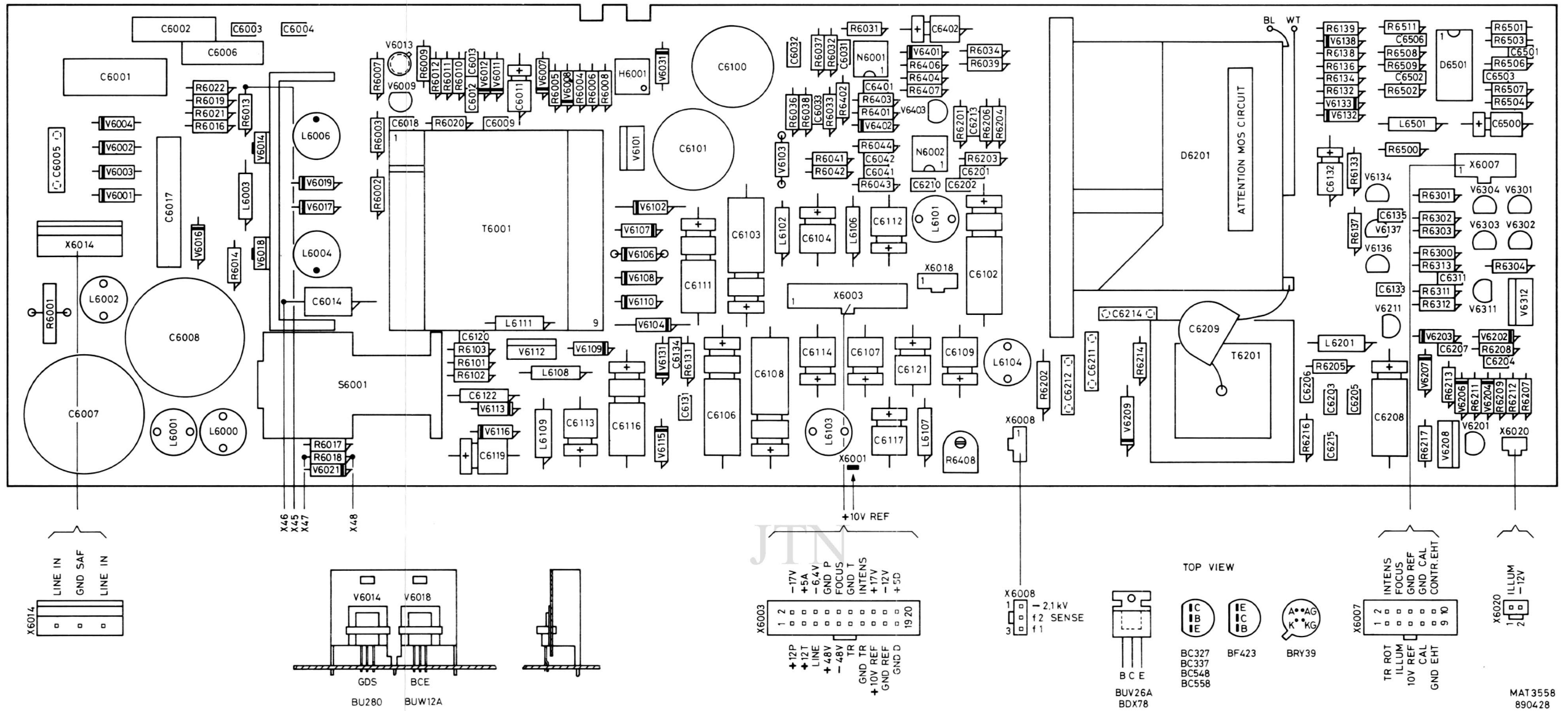
The HT supply consists of an oscillator and a regulator circuit. Transformer T6201 determines the frequency (50 kHz approx.) of the oscillator. The output signal voltage on the secondary winding of T6201 is rectified by diode V6209 and smoothed by C6211. The -2,1 kV is also converted to -14,5 kV in the HT multiplier D6201 and routed via connector X6030 to the post-acceleration anode of the CRT.

To regulate this HT voltage the -2 kV is fed to the input of OP-AMP N6002.

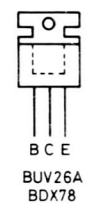
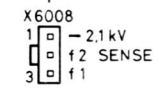
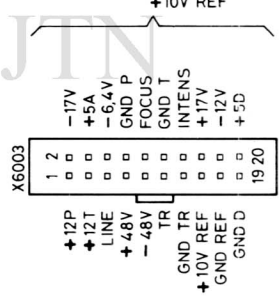
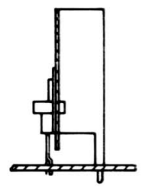
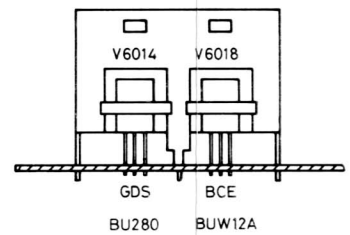
The output level of N6002 determines the energy to T6201, and thus the amplitude of the HT-voltage.

## 9.5 CALIBRATOR

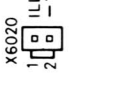
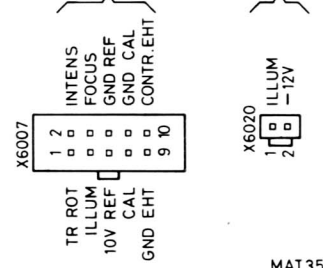
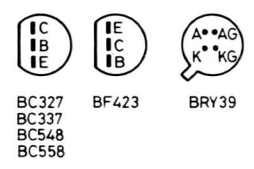
The calibrator circuit consists of two analogue switches D6501(8-9) and D6501(11-12) controlled by the active HIGH enable inputs 6 and 12 respectively, that are connected as an 2 kHz astable oscillator. Capacitor C6502 and resistor R6504 determine the 2 kHz frequency. The oscillator outputs, applied to enable inputs 5 and 13 of the second stage are in anti-phase with each other. Depending on the level of input 5 and 13, the CAL voltage will have a 1,2 V level or a 0 V level.



X46  
X45  
X47  
X48



TOP VIEW



MAT 3558  
890428

Figure 9.4 Power supply unit p.c.b.

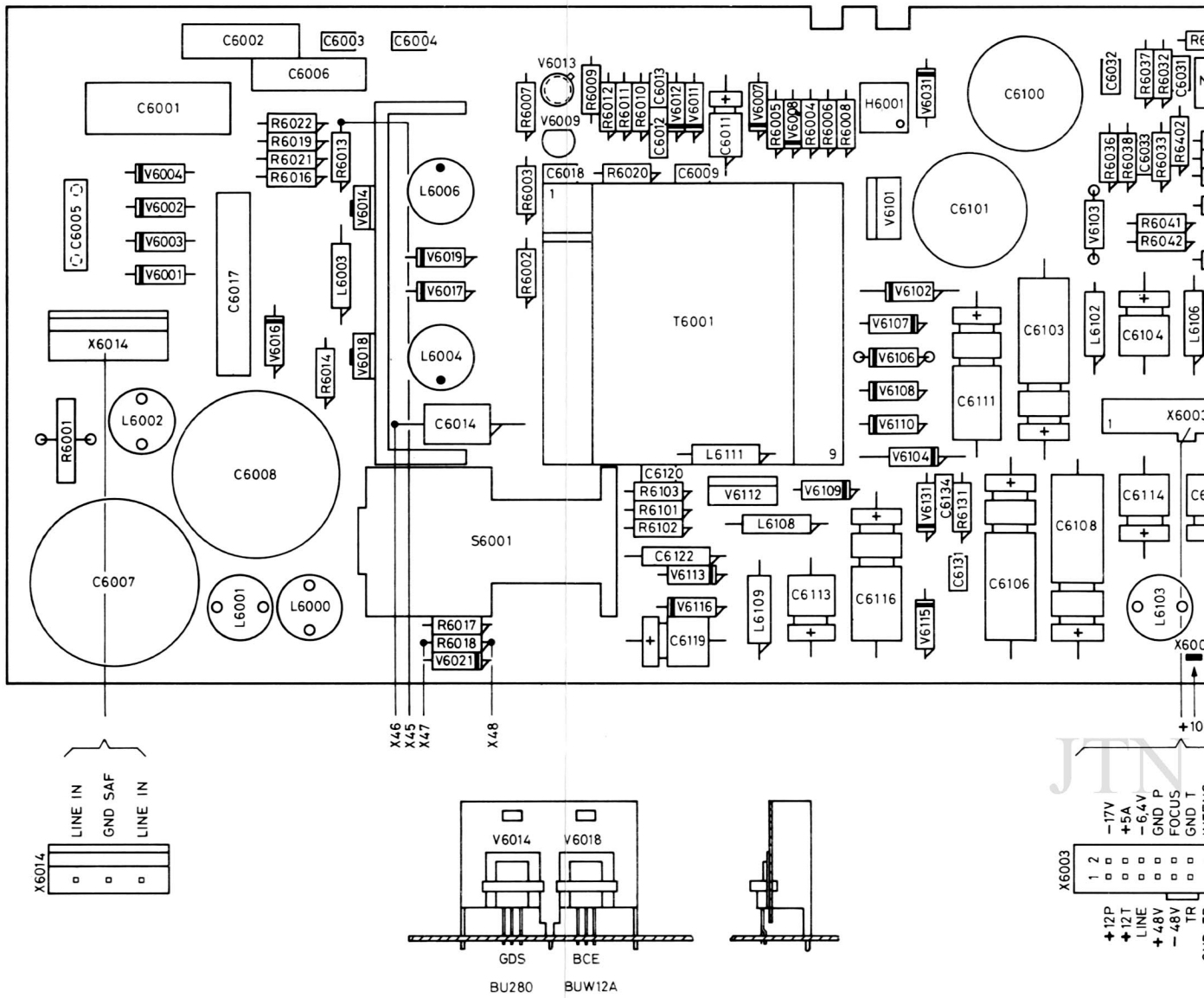
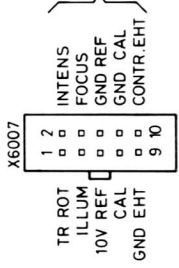
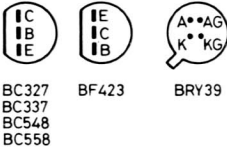
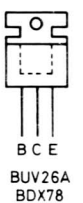
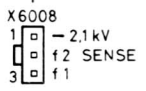
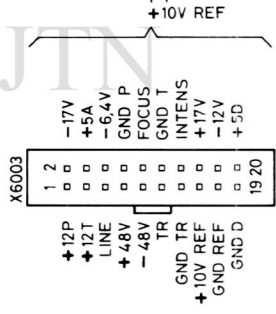
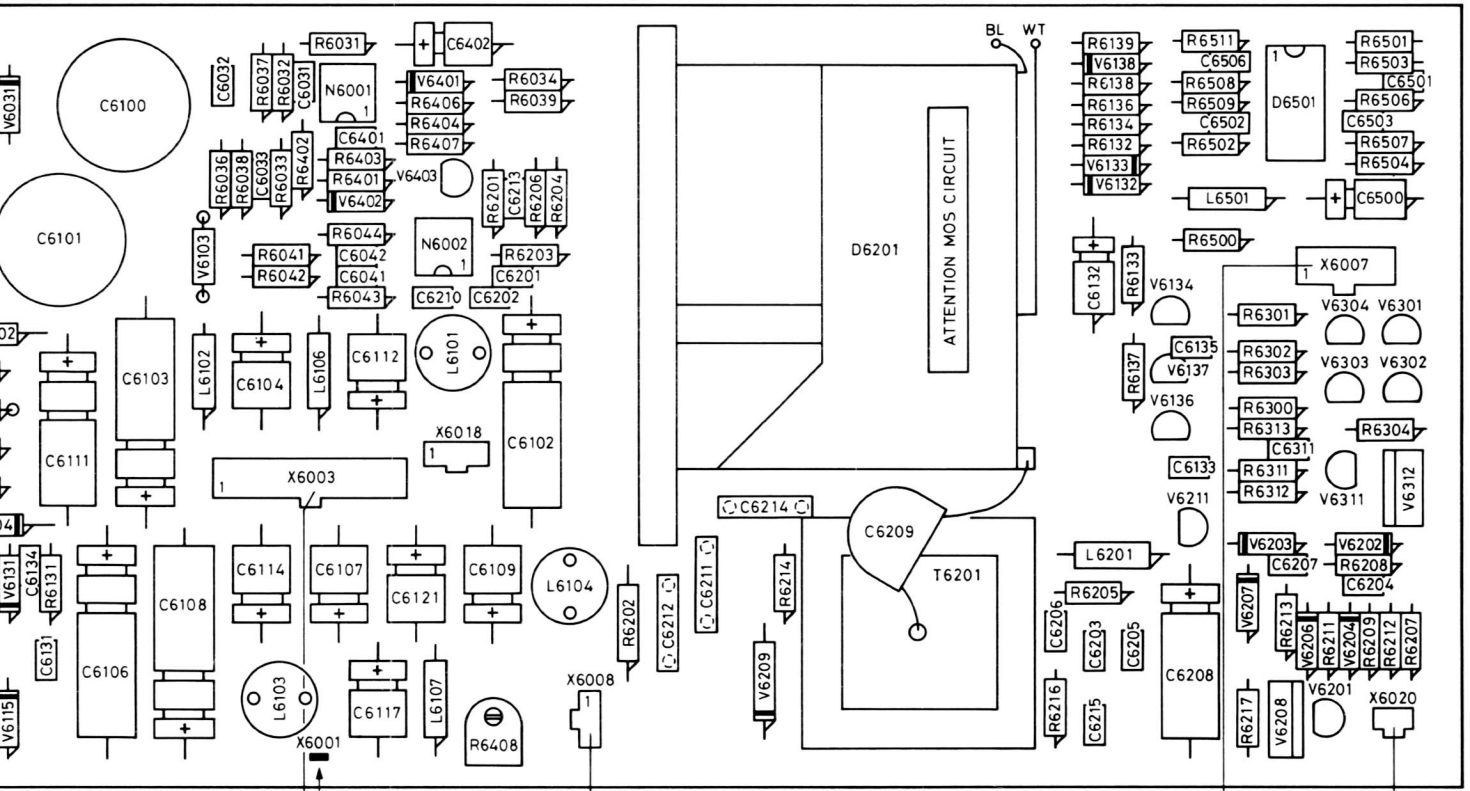


Figure 9.4 Power supply unit p.c.b.





MAT 3558  
890428

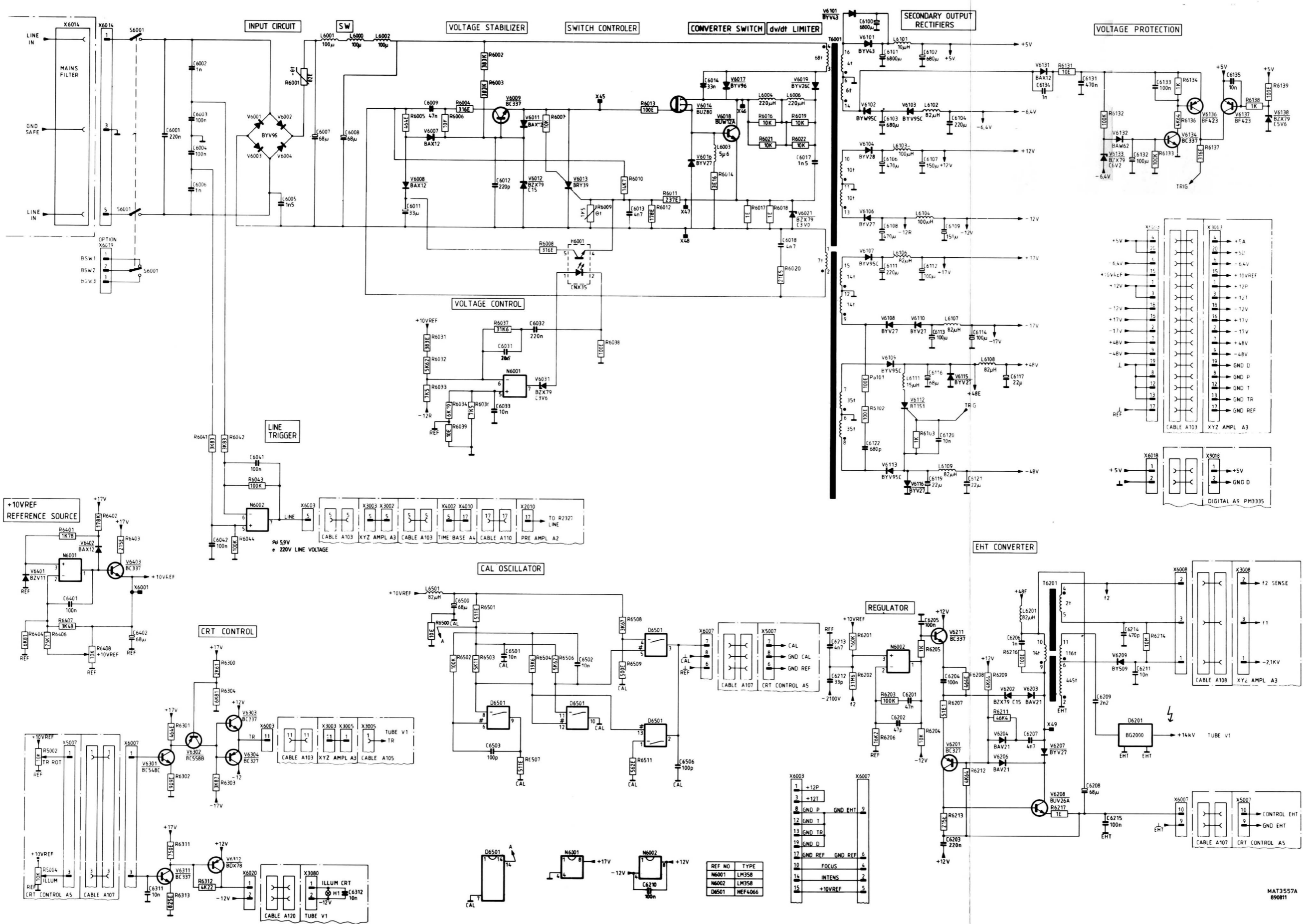
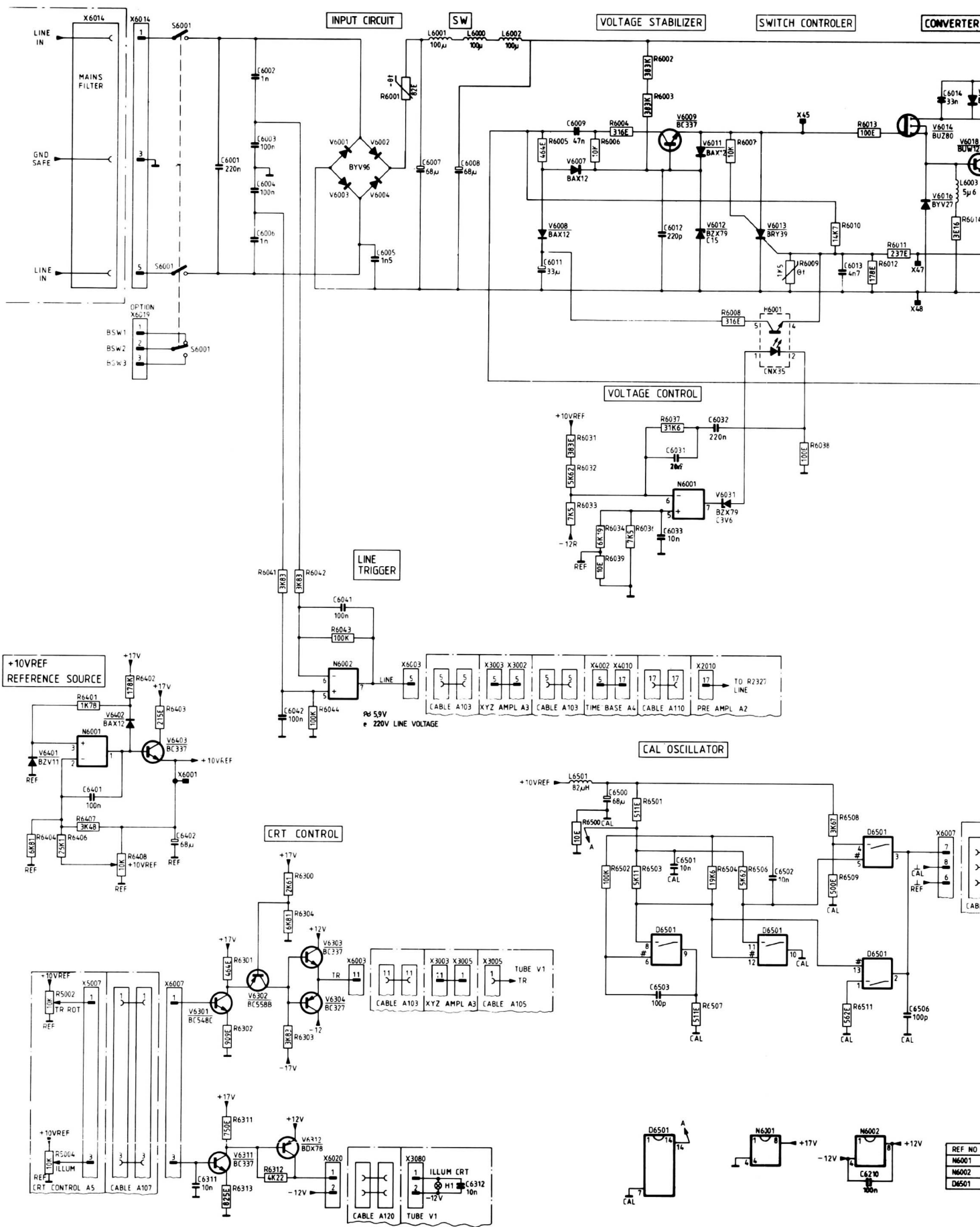


Figure 9.5 Circuit diagram of power supply



**INPUT CIRCUIT**

**VOLTAGE STABILIZER**

**SWITCH CONTROLLER**

**CONVERTER**

**VOLTAGE CONTROL**

**LINE TRIGGER**

**+10VREF REFERENCE SOURCE**

**CRT CONTROL**

**CAL OSCILLATOR**

REF NO	
N6001	
N6002	
D6501	



## 10. FRONT UNIT (A7-A8)

The front unit consists of:

- the microcomputer control circuit
- the LCD display circuit
- the front panel controls

### 10.1 MICROCOMPUTER CONTROL CIRCUIT

#### 10.1.1 Introduction to MAB8052 microcomputer

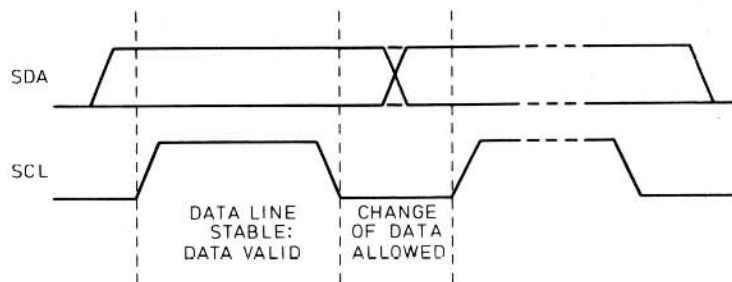
The integrated circuit MAB8052, one of the MSC-51 family of single chip microcomputers, forms the basis of the microcomputer system of the oscilloscope. The MAB8052 has an internal 8 k ROM and 256 bytes RAM with address/data decoding facilities. In addition to this, the 8052 has 32 I/O lines. Data written to these lines remains unchanged until rewritten. Each line is able to serve as input or output, or both, even though outputs are statically latched. To provide specific serial data transfer possibilities, the microcomputer system contains an I<sup>2</sup>C bus interface.

#### 10.1.2 Characteristics of the I<sup>2</sup>C bus

The I<sup>2</sup>C bus is for 2-way, 3-line communication between different ICs or modules. The three lines are a serial data line (SDA), a serial clock line (SCL) and ground. Both lines must be connected to a positive supply via a pull-up resistor when connected to the output stages of a device. Data transfer may be initiated only when the bus is not busy.

Bit transfer:

One data bit is transferred during each clock pulse. The data on the SDA line must remain stable during the HIGH period of the clock pulse as changes in the data line at this time will be interpreted as control signals.



MAT2122  
851011

Figure 10.1 Bit transfer

Start and stop conditions:

Both data and clock lines remain HIGH when the bus is not busy. A HIGH-to-LOW transition of the data line, while the clock is HIGH is defined as the start condition (S). A LOW-to-HIGH transition of the data line while the clock is HIGH is defined as the stop condition (P).

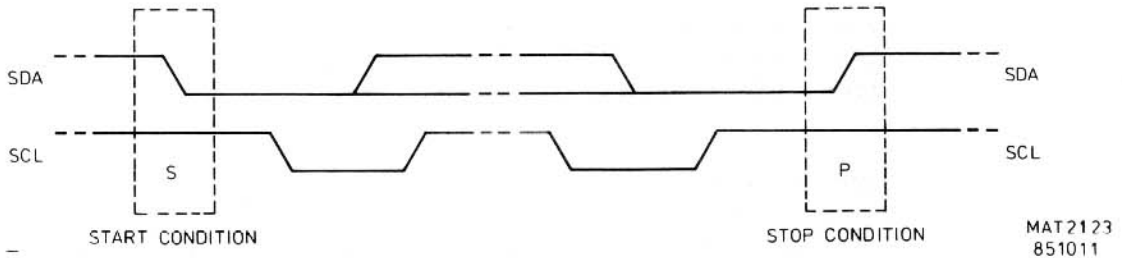


Figure 10.2 Definition of start and stop conditions

10.1.3 I<sup>2</sup>C structure

The two lines SDA and SCL are fed to the various circuits, where, depending on the addressing, this serial information is converted into the different control signals (see figure 10.3).

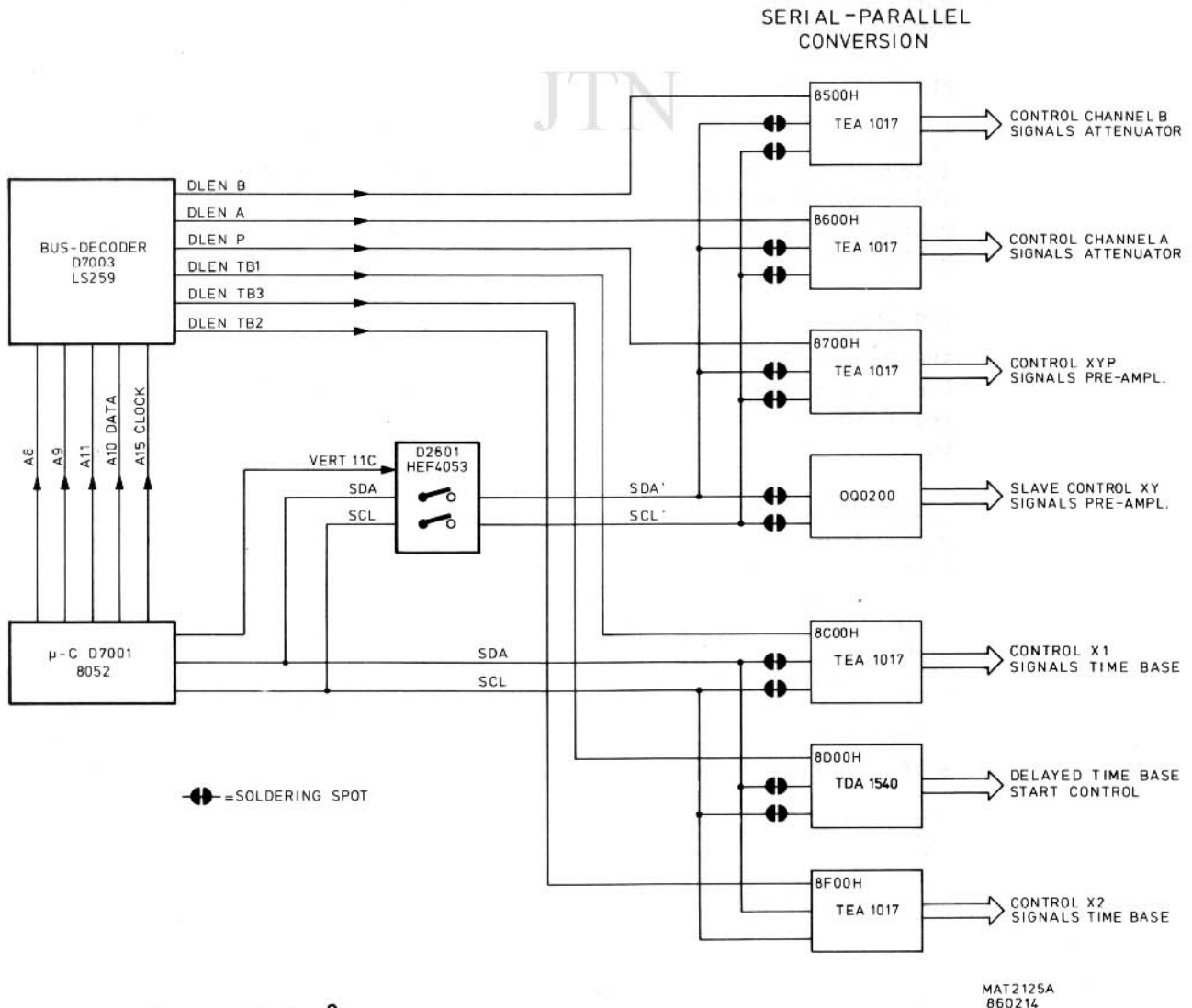


Figure 10.3 I<sup>2</sup>C structure

To select the serial-parallel conversion circuits, the bus decoder D7003 decodes the address lines A8, A9 and A11 into the DLEN (Data latch enable) signals according to the next table

ADDRESS LINES			DATA		
All	A9	A8	A10		
0	0	0	1/0	8400H	SEL IIC
0	0	1	1/0	8500H	DLEN B
0	1	0	1/0	8600H	DLEN A
0	1	1	1/0	8700H	DLEN P
1	0	0	1/0	8C00H	DLEN TB1
1	0	1	1/0	8D00H	DLEN TB3
1	1	0	1/0	8E00H	DLEN TB2
1	1	1	1/0	8F00H	N.C.

To eliminate interference in the vertical circuits, the I<sup>2</sup>C bus can be switched off for this circuit by switch D2601. The timing is obtained by the VERT IIC line.

Note that for servicing, solder joints are added in the pcb tracks connecting the circuits. These can be used to localize a fault in the I<sup>2</sup>C-bus by means of interrupting the bus connection.

#### 10.1.4 Microcomputer MAB8052

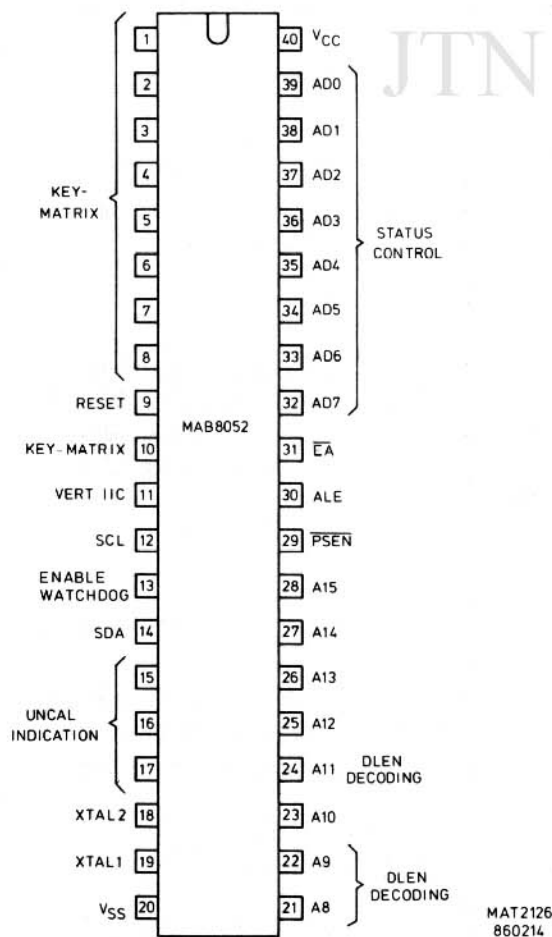


Figure 10.4 Pinning of microcomputer MAB 8052

The microprocessor has the following connections:

- \* Crystal connections (pin 18 and 19).  
A 12 MHz crystal is connected to the inputs XTAL1 and XTAL2 to provide an accurate timing reference source.
- \* RESET input (pin 9). After switching on a reset level HIGH is applied to this input. This reset signal forces the microcomputer to initiate the main program, beginning at the address 00000H. After the +5 V supply is within its specification, the RESET is released and the microcomputer is ready for use.
- \* 8-bit quasi bidirectional I/O port (pin 1...pin 8) and quasi-bidirectional I/O port (pin 10), used to read the settings of the KEY-MATRIX switches S2...S32 (excl. S12-AUTOSET).
- \* 3-bit quasi-bidirectional I/O port (pin 15...pin 17), used to read the UNCAL position of S5, S7 and S9 (UNCAL when logic HIGH).
- \* WATCHDOG input (pin 13). The WATCHDOG is a facility to control the correct function of the software. When HIGH the internal counter will run. The software gives a pulse every 64 ms max. to reset this counter, so that the 64 ms max. cycle starts again. If the software does not function correctly, the internal counter receives no reset pulse and the counter will overflow initiating the main program (start address 0000H).
- \* 8-bit open drain bidirectional I/O port (pin 21...pin 28) used for addressing the serial-parallel conversion circuits (see I<sup>2</sup>C structure).
- \* 8-bit quasi-bidirectional I/O port (pin 32...pin 39) used to read the status input via D7006.
- \* SDA (pin 14); SCL (pin 12). Bidirectional I<sup>2</sup>C lines.
- \* VERT IIC (pin 11). Signal used as a digital switch control to switch-off the I<sup>2</sup>C bus of the pre-amplifier control.

#### 10.1.5 I<sup>2</sup>C decoding

Integrated circuit D7002 serves as a multiplexer to make a separation between the I<sup>2</sup>C lines for the LCD drives and the I<sup>2</sup>C lines for the other circuits, controlled by the SEL IIC line. Only when SEL IIC is HIGH (address 8400H), are the SDA and SCL lines from the microcomputer connected to unit A8.

#### 10.1.6 Status input

Integrated circuit D7006 serves as an input port to read the following status info:

- TEST OUT, indication for triggered mode, HIGH when triggered.
- FOOTN, remote control for AUTO SET, LOW when active.
- NOPTION, adapts software for optional trigger coupling, LOW when optional triggering.
- REMRQN, remote request line, LOW when active.
- probe indication status, adapts V/DIV reading for probe attenuation.

When the enable inputs (pin 1 and pin 19) become LOW, the status input is read and copied in the accumulator of the microcomputer via the data lines AD0...AD7.

Note that enabling is only possible when D7002-2 is switched-on to D7002-15, i.e. when A15 is HIGH (address 8000H ... FFFFH).



## 10.1.7 Probe indicator

Integrated circuit D7004 (OQ0044) detects the kind of probe which is connected to the oscilloscope. Depending on the resistance between the probe indication input (pin 3 for channel A and pin 16 for channel B) and ground, the V/DIV reading of the LCD automatically increases according to the next table.

Pin 3 (16)	Pin 6 (17)	Pin 7 (12)	V/DIV attenuation
2k32	0	0	x10
6k98	1	0	x100
7k68	0	1	x1
10k	1	1	x1

## 10.1.8 C-Bus decoder

This integrated circuit decodes the address lines A8, A9 and A11 into the DLEN signals.

During the power-up all the lines are reset to LOW.

## 10.2 LCD DISPLAY CIRCUIT

The LCD is driven by three drivers D8001, D8002 and D8003 (PCF8577). The temperature dependent supply voltage VCPCF is 4 V approx. at 25°C. When the temperature increases, this voltage decreases. The single-pen built-in oscillator on pin 37 of D8001 provides the modulation frequency for the LCD segment driver outputs. Capacitor C7008 and resistor R7038 are connected to this pin to form the oscillator, with a frequency of 150 Hz approx.

Pin 36 and pin 37 are used to determine the LCD drivers address in the I<sup>2</sup>C bus.

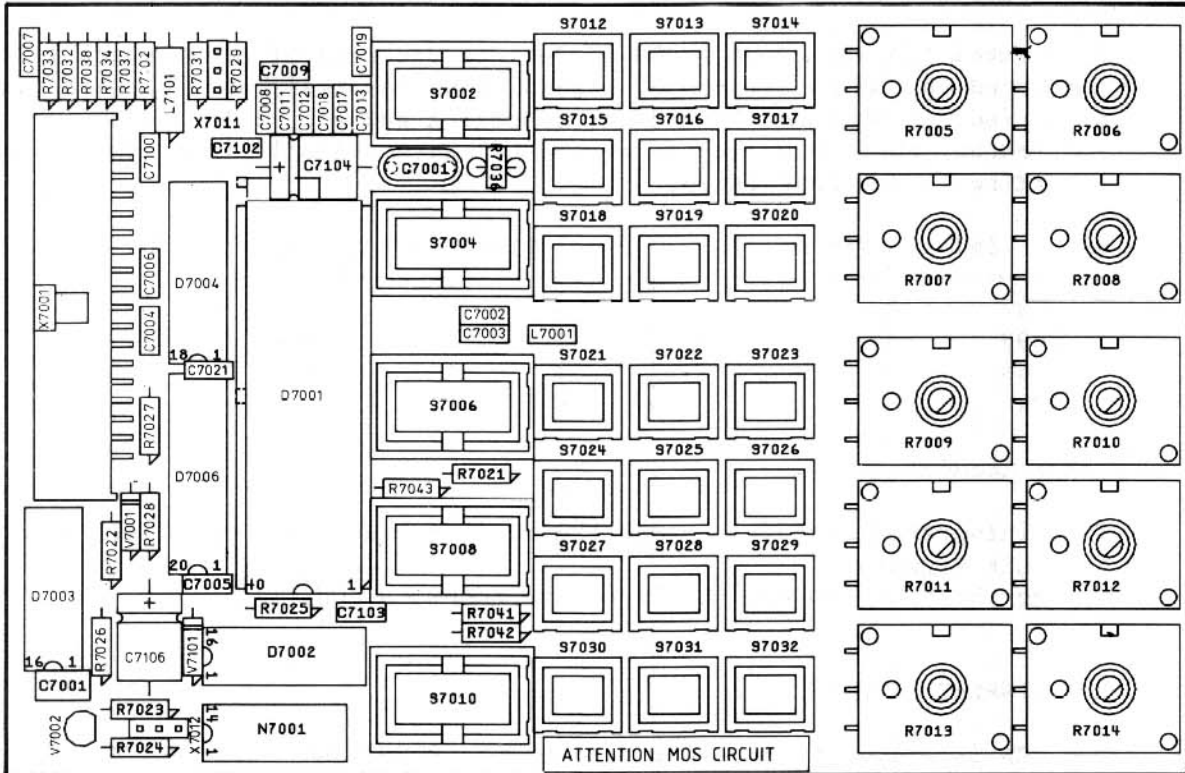
The outputs pin 1...pin 32 directly drive the LCD.

Outputs BP1 and BP2 (pin 33 and pin 34) drive the COMMON pins of the LCD.

## 10.3 FRONT-PANEL CONTROLS

The front-panel controls give a voltage between 0 V...10 V to the various circuits.

To determine the UNCAL condition of VAR A, VAR B or VAR MTB, the d.c. voltages of the slider of the potentiometers are applied to comparator N7001. When the voltage level of the control is lower than 0,7 V, the microcomputer reads a logic LOW on its input and adapts the LCD display to indicate the CAL status (e.g. no flashing ">" sign visible).



MAT2995A  
890721

Figure 10.5 Front unit p.c.b.

JTN

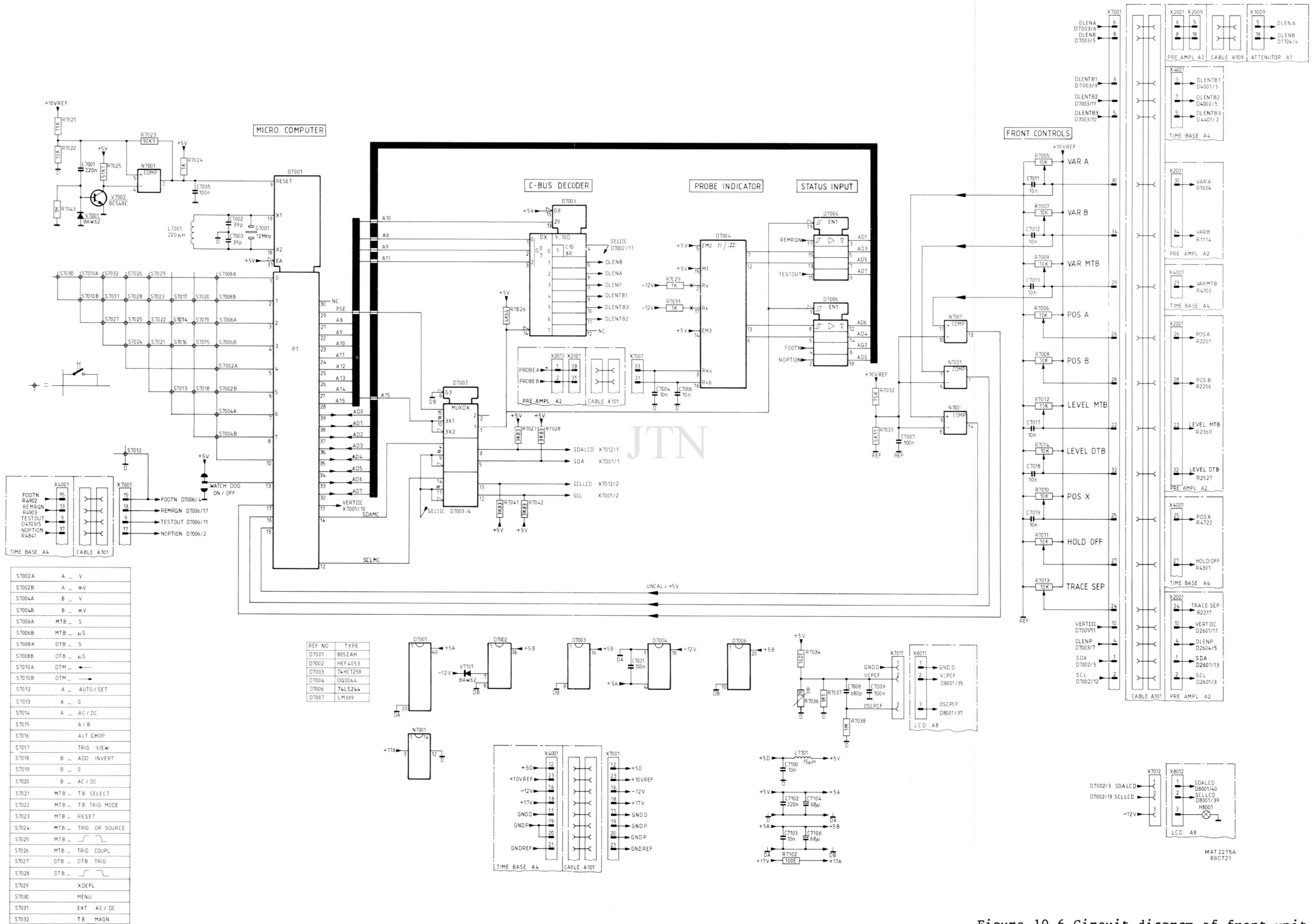
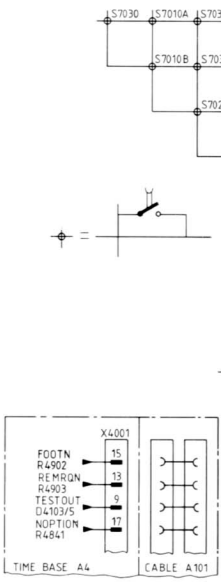
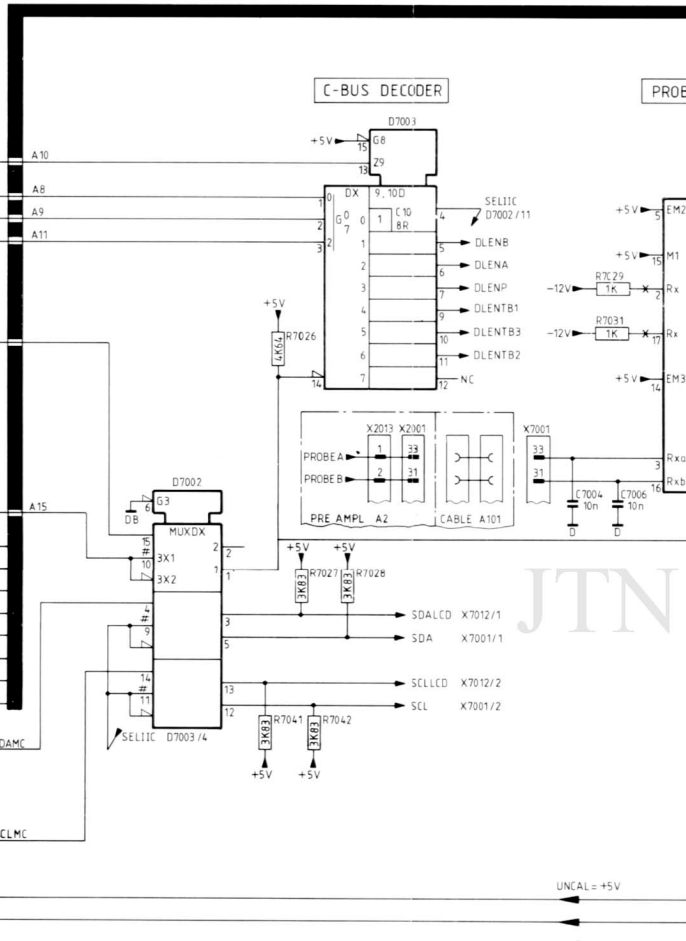
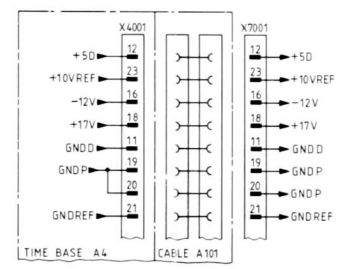
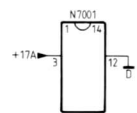
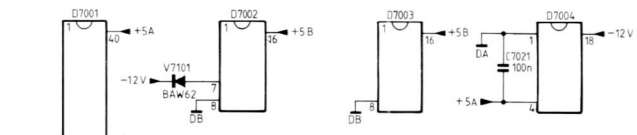


Figure 10.6 Circuit diagram of front unit



S7002A	A	_	V
S7002B	A	_	mV
S7004A	B	_	V
S7004B	B	_	mV
S7006A	MTB	_	S
S7006B	MTB	_	μS
S7008A	DTB	_	S
S7008B	DTB	_	μS
S7010A	DTM	_	←
S7010B	DTM	_	→
S7012	A	_	AUTO / SET
S7013	A	_	0
S7014	A	_	AC / DC
S7015	A	_	B
S7016	A	_	ALT CHOP
S7017	A	_	TRIG VIEW
S7018	B	_	ADD INVERT
S7019	B	_	0
S7020	B	_	AC / DC
S7021	MTB	_	TB SELECT
S7022	MTB	_	TB TRIG MODE
S7023	MTB	_	RESET
S7024	MTB	_	TRIG OR SOURCE
S7025	MTB	_	[Symbol]
S7026	MTB	_	TRIG COUPL
S7027	DTB	_	DTB TRIG
S7028	DTB	_	[Symbol]
S7029			XDEFL
S7030			MENU
S7031	EXT		AC / DC
S7032	TB		MAGN

REF NO	TYPE
D7001	8052AH
D7002	HEF4053
D7003	74HC1259
D7004	000044
D7006	74LS244
D7007	LM339



JTJN

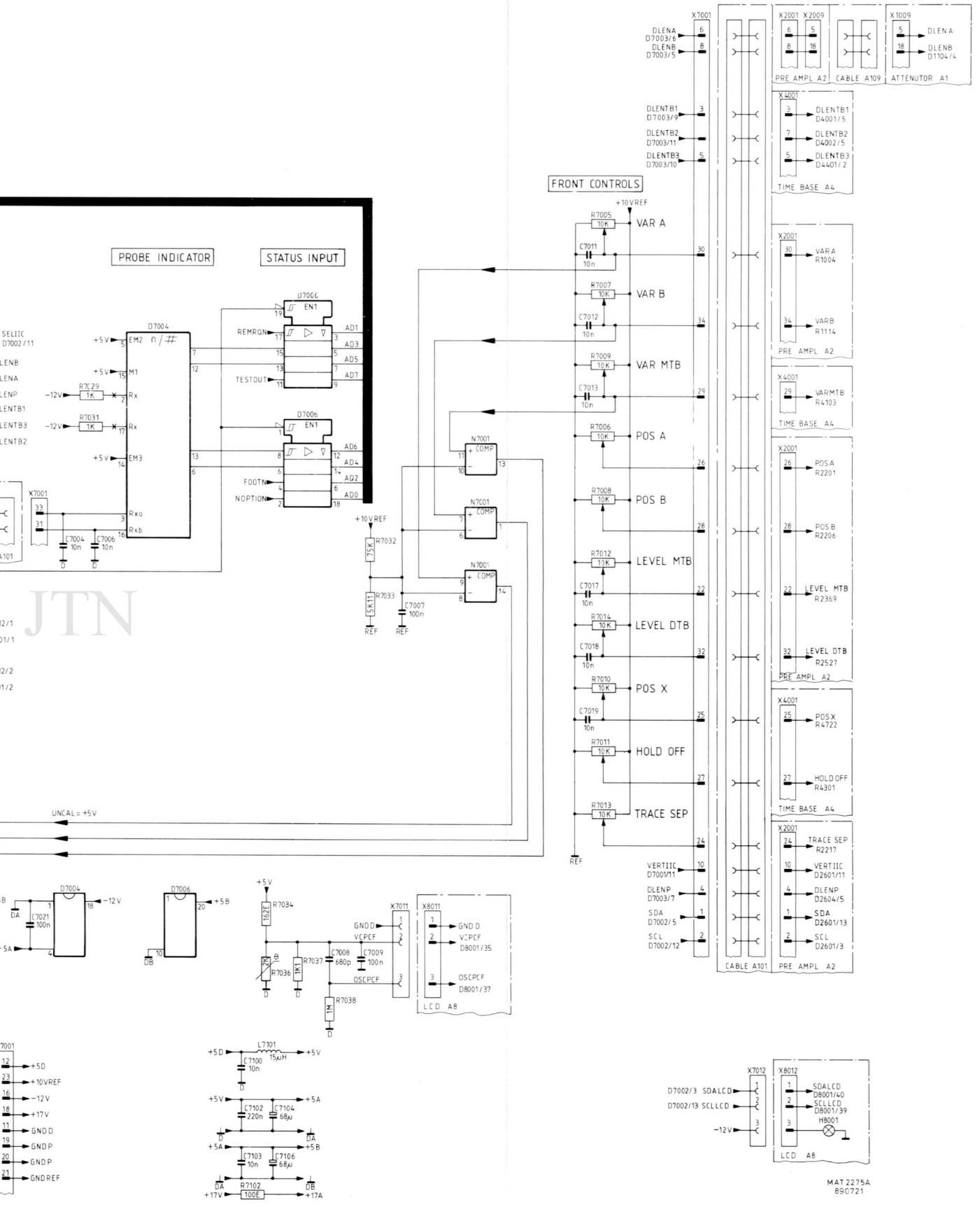


Figure 10.6 Circuit diagram of front unit

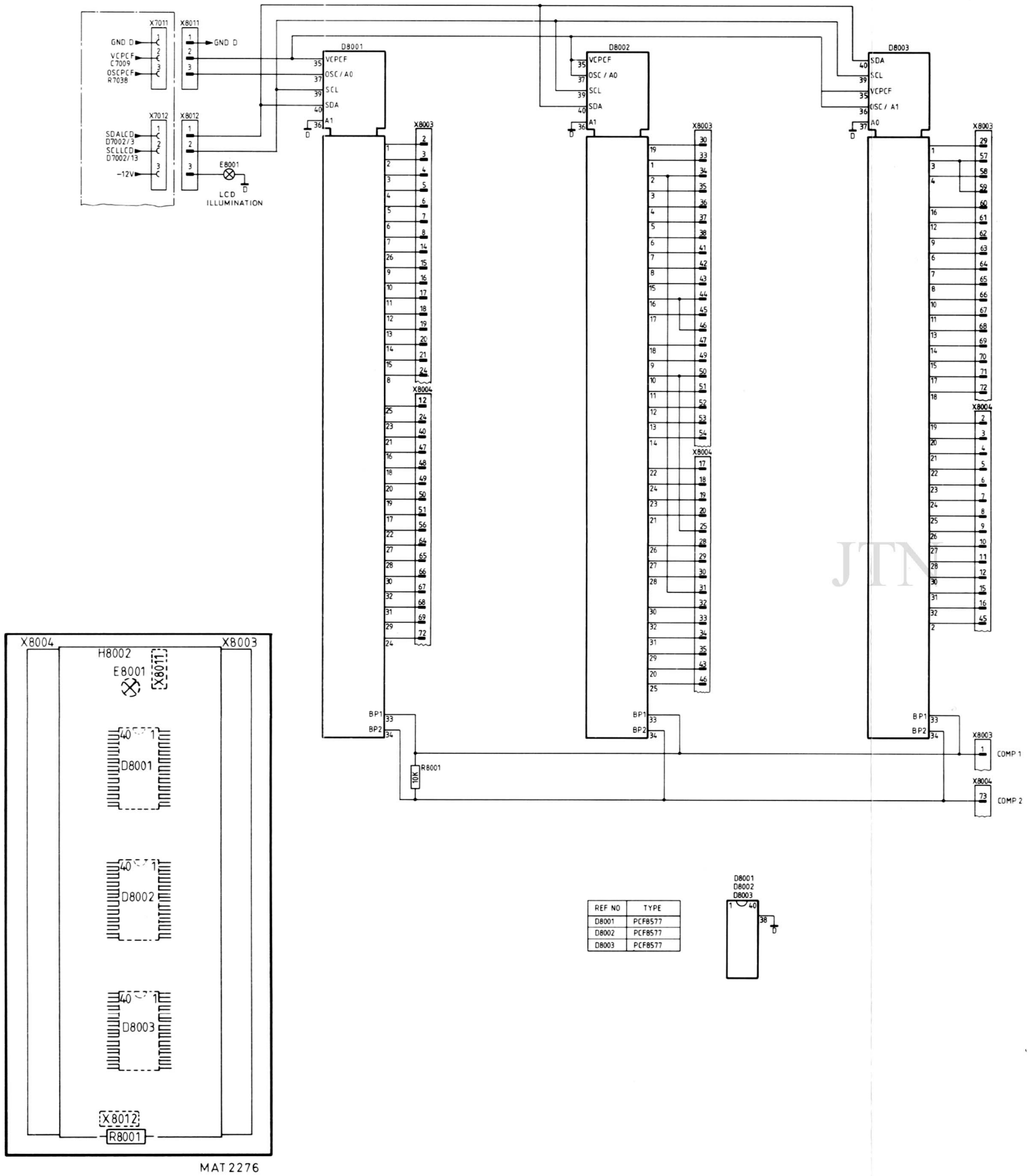

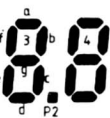



Figure 10.7 LCD unit p.c.b.

X8004				
PIN	COM1		COM2	
	DISPLAY / SEGMENT	CH	DISPLAY / SEGMENT	CH
73			COM 2	
72	>	A	INV	
71	NC		NC	
70	NC		NC	
69	1 a	A	1 f	A
68	1 g	A	1 e	A
67	1 c	A	1 d	A
66	1 b	A	P1	A
65	TRIG VIEW		A	
64	ADD		B	
63	NC		NC	
62	NC		NC	
61	NC		NC	
60	NC		NC	
59	NC		NC	
58	NC		NC	
57	NC		NC	
56	>	B	INV	B
55	NC		NC	
54	NC		NC	
53	NC		NC	
52	NC		NC	
51	3 a	B	3 f	B
50	3 g	B	3 e	B
49	3 c	B	3 d	B
48	3 b	B	P2	B
47	TRIG D		NOT	
46	XDEFL		T B	
45			M	
44	NC		NC	
43	TRIG		AUTO	
42	NC		NC	
41	NC		NC	
40			>	MTB
39	NC		NC	
38	NC		NC	
37	NC		NC	
36	NC		NC	
35	5 a	MTB	5 f	MTB
34	5 g	MTB	5 e	MTB
33	5 c	MTB	5 d	MTB
32	5 b	MTB	P3	MTB
31		MTB	EXT	MTB
30	B	MTB	A	MTB
29	HF		LF	
28	DC		P - P	
27	NC			
26	NC			
25			*	DTB
24			>	DTB
23	NC		NC	
22	NC		NC	
21	NC		NC	
20	7 a	DTB	7 f	DTB
19	7 g	DTB	7 e	DTB
18	7 c	DTB	7 d	DTB
17	7 b	DTB	P4	DTB
16	B	DTB	STARTS	
15	EXT	DTB	A	DTB
14	DC	DTB	AC	DTB
13	NC		NC	DTM
12	MENU		REMOTE	
11	9 a	DTM	9 f	DTM
10	9 g	DTM	9 e	DTM
9	9 c	DTM	9 d	DTM
8	9 b	DTM	P5	DTM
7	10 a	DTM	10 f	DTM
6	10 g	DTM	10 e	DTM
5	10 c	DTM	10 d	DTM
4	10 b	DTM	P6	DTM
3	11 a	DTM	11 f	DTM
2	11 g	DTM	11 e	DTM
1	NC		NC	

INV  nicV  
>  ACDC

**A TRIG VIEW ALT**  
**B ADD CHOP**

INV  nicV  
>  ACDC

**NOT TRIG D ARMED**

**MTB I X-DEFL DTB**  
**AUTO TRIG SINGLE**

\*  ms  
>  μs

**AEXTBACDC LINE**  
**LFHF OPTION** ✕  
**P-PDCTVE ÷** ✕

\*  ms  
>  μs

**STARTS TVL** ✕  
**AEXTBACDC** ✕

**REMOTE MENU**

 P5 P6 P7 P8  
P5 P6 P7 P8

X8003				
PIN	COM1		COM2	
	DISPLAY / SEGMENT	CH	DISPLAY / SEGMENT	CH
1				
2	a	A	f	A
3	b	A		
4	g	A	e	A
5	c	A	d	A
6	r	A	7	A
7	v	A	l<	A
8	DC	A	A	A
9	NC		NC	
10	NC		NC	
11	NC		NC	
12	NC		NC	
13	NC		NC	
14			CHOP	ALT
15	4 a	B	4 f	B
16	4 b	B		
17	4 g	B	4 e	B
18	4 c	B	4 d	B
19	π	B	7	B
20	v	B	l<	B
21	DC	B	AC	B
22	NC		NC	
23	NC		NC	
24			ARMED	
25	NC		NC	
26	NC		NC	
27	NC		NC	
28	NC		NC	
29			DTB	I
30			SINGLE	* MTB
31	NC		NC	
32	NC		NC	
33	6 a	MTB	6 f	MTB
34	6 b	MTB		MTB
35	6 g	MTB	6 e	MTB
36	6 c	MTB	6 d	MTB
37	7	MTB	n	MTB
38	s	MTB	μs	MTB
39	NC		NC	
40	NC		NC	
41	DC	MTB	AC	MTB
42	OPTION	MTB	TVI	MTB
43	LINE	MTB	=	MTB
44		MTB		MTB
45		MTB	•	MTB
46		MTB		MTB
47		MTB		MTB
48	NC		NC	
49	8 a	DTB	8 f	DTB
50	8 b	DTB		DTB
51	8 g	DTB	8 e	DTB
52	8 c	DTB	8 d	DTB
53	7	DTB	n	DTB
54	s	DTB	μs	DTB
55	NC		NC	
56	NC		NC	
57		DTB	TVL	DTB
58		DTB	•	DTB
59		DTB		DTB
60	12 a	DTM	12 f	DTM
61	13 a	DTM	13 f	DTM
62	13	DTM		DTM
63	7	DTM	n	DTM
64	s	DTM	μ	DTM
65	v	DTM	DI	DTM
66	13 c	DTM	13 d	DTM
67	13 g	DTM	13 e	DTM
68	12 b	DTM	P8	DTM
69	12 c	DTM	12 d	DTM
70	12 g	DTM	12 e	DTM
71	11 b	DTM	P7	DTM
72	11 c	DTM	11 d	DTM
73	NC		NC	

Figure 10.8 Circuit diagram of LCD unit

## 11. PERFORMANCE CHECK

### 11.1 GENERAL INFORMATION

WARNING: Before switching-on, ensure that the instrument has been installed in accordance with the Installation Instructions outlined in section 2 of the Operating Manual.

This procedure is intended to:

- Check the instruments' specification.
- Be used for incoming inspection to determine the acceptability of newly purchased instruments and/or recently recalibrated instrument.
- Check the necessity of recalibration after the specified recalibration intervals.

NOTE: The procedure does not check every facet of the instruments calibration; rather, it is concerned primarily with those parts of the instrument which are essential to measurement accuracy and correct operation. Removing the instruments covers is not necessary to perform this procedure. All checks are made from the outside of the instrument.

If the test is started within a short period after switching-on, bear in mind that steps may be out of specification, due to insufficient warming-up time.

Warming-up time under average conditions is 30 minutes.

The performance checks are made with a stable, well-focussed, low-intensity display. Unless otherwise noted, adjust the intensity and trigger-level controls as needed.

#### IMPORTANT NOTES:

- \* At the start of every check, the controls always occupy the AUTO SET position, unless otherwise stated.
- \* The input voltage has to be supplied to the A-input; unless otherwise stated.  
Set the TIME/DIV switches to a suitable position; unless otherwise stated.
- \* Tolerances given are for the instrument under test and do not include test equipment error.
- \* In this chapter in some checks channel B is mentioned between brackets behind channel A. It is advised to perform first channel A checks. After that the checks for channel B can be done.



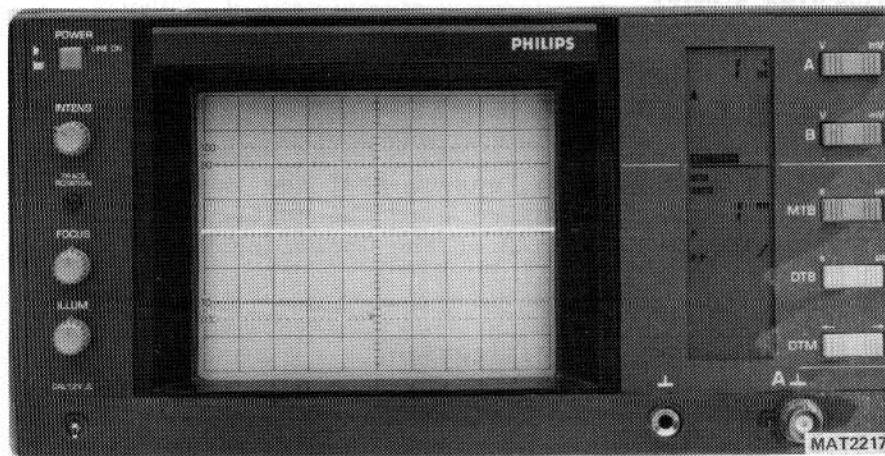


Figure 11.1 SOFTSTART condition

### 11.2 PRELIMINARY SETTINGS

- Switch-on the instrument (no input signal).
- Check if all LCD segments are on for approx. 1 sec.
- Press MENU and AUTO SET.
- Check if the frontcontrols are set in sequence in the softstart condition as indicated in figure 2.1.
- At the start of every check only AUTO SET must be pressed (after the input signal is applied).

### 11.3 RECOMMENDED TEST EQUIPMENT

The test equipment that must be used for this performance check is as given in section 13.2, except:

Trimming tool kit  
 Oscilloscope  
 Digital multimeter

## 11.4 CHECKING PROCEDURE

11.4.1 POWER SUPPLY (characteristics: 2.5)

\* SUBJECT Line voltage input  
 TEST EQUIPMENT Variable mains transformer  
 MAINS VOLTAGE Between 100 V and 240 V ac (r.m.s.)  
 Frequency: 50 Hz...400 Hz  
 SETTINGS - Press POWER ON  
 - Apply CAL signal to input A  
 - Press AUTO SET  
 REQUIREMENTS - Starts at any mains voltage between  
 100 V...264 V ac (r.m.s.)  
 - Instruments performance does not change over  
 indicated mains voltage range; displayed CAL  
 signal distortion-free and with equal intensity.

## MEASURING RESULTS

---

\* SUBJECT Power Consumption (ac source)  
 TEST EQUIPMENT Wattmeter (moving iron meter)  
 MAINS VOLTAGE Mains voltage 220 V (r.m.s.).  
 SETTINGS Press POWER ON  
 REQUIREMENTS Consumes : 45 W

## MEASURING RESULTS

11.4.2 DISPLAY (characteristics section 2.1)

\* SUBJECT Illumination  
 TEST EQUIPMENT -  
 INPUT VOLTAGE -  
 SETTINGS Operate ILLUM control (fully clockwise)  
 REQUIREMENTS - Check if the graticule raster is equally  
 illuminated and if the intensity can be  
 controlled continuously.

## MEASURING RESULTS

---

\* SUBJECT Trace Rotation  
 TEST EQUIPMENT -  
 INPUT VOLTAGE -  
 SETTINGS - Operate screwdriver adjustment: TRACE ROT  
 REQUIREMENTS Trace must be in parallel with the horizontal  
 graticule line. Direction of screwdriver rotation  
 same as direction of trace rotation.

## MEASURING RESULTS

*	SUBJECT	Orthogonality
	TEST EQUIPMENT	LF sine-wave generator
	INPUT VOLTAGE	Sine-wave signal 50 Hz...60 Hz
	SETTINGS	<ul style="list-style-type: none"> <li>- Set trace exactly in parallel with horizontal graticule line (see section: Trace rotation)</li> <li>- Apply a sine wave signal to input A (50 Hz...60 Hz)</li> <li>- Set trace height to 8 div.</li> <li>- Press X DEFL</li> <li>- Press TRIG or X SOURCE and select B as MTB trigger source</li> </ul>
	REQUIREMENTS	<ul style="list-style-type: none"> <li>- Check if vertical line is in parallel with the vertical graticule line in the centre of the screen.</li> <li>- Angle with respect to horizontal line must be <math>90^{\circ} \pm 1^{\circ}</math></li> </ul>
	MEASURING RESULTS	
<hr/>		
*	SUBJECT	LCD check
	TEST EQUIPMENT	-
	INPUT VOLTAGE	-
	SETTINGS	<ul style="list-style-type: none"> <li>- Press MENU and keep it pressed</li> <li>- Then press AUTO SET</li> <li>- Check if LCD indicates "1<sup>0</sup>", "2<sup>0</sup>", "AS" and "3<sup>0</sup>"</li> <li>- Press "S" of DTB UP-DOWN control</li> <li>- Press MENU, 8 times</li> <li>- All segments of the LCD should be ON according to figure 3.2 of the operating manual</li> <li>- To leave this test: press MENU and then AUTO SET</li> </ul>
	REQUIREMENTS	<ul style="list-style-type: none"> <li>- Check if all segments of the LCD are on (see figure 3.2 of the Operating manual)</li> </ul>
	MEASURING RESULTS	

## 11.4.3

---

 VERTICAL DEFLECTION OR Y-AXIS  
 (characteristics section 2.2)

*	SUBJECT	Vertical Deflection
	TEST EQUIPMENT	LF Square wave generator
	INPUT VOLTAGE	Square wave signal 1 kHz to A
	SETTINGS AND REQUIREMENTS	<ul style="list-style-type: none"> <li>- Set trace height to 5 div.</li> <li>- Check if one square wave signal of 5 div. is displayed</li> <li>- Press A/B; channel A and B on</li> <li>- Check if a square wave signal (A) and line (B) is displayed and if A and B are on.</li> <li>- Press ALT/CHOP</li> <li>- Check if ALT or CHOP is active</li> <li>- Press TRIG VIEW</li> <li>- Check if two square wave signals (A and TRIG VIEW) and a line (B) are displayed</li> <li>- Press TRIG VIEW; Check if A and B are on</li> </ul>

INPUT VOLTAGE	Square wave signal 1 kHz to input A and B
SETTINGS AND REQUIREMENTS	<ul style="list-style-type: none"> <li>- Press AUTO SET</li> <li>- Check if A, B and ALT are on</li> <li>- Set trace height to 4 div.</li> <li>- Press AC/DC of channel A and B for DC input coupling</li> <li>- Press ADD/INVERT twice for ADD mode</li> <li>- Check if 3 square wave signals are displayed: channels A and B each 4 div. trace height and A+B with 8 div. trace height</li> <li>- Press ADD/INVERT once more for ADD and INVERT mode</li> <li>- Check if 2 square waves of 4 div. (A and B) and a line is displayed (A-B)</li> </ul>

## MEASURING RESULTS

*	SUBJECT	Vertical Deflection coefficients and input coupling of Channels A and B (characteristics section 2.2.1)
	TEST EQUIPMENT	Square-wave calibration generator (PG506)
	INPUT VOLTAGE	Square-wave signal 1 kHz to input A(B), amplitude 10 mVpp...20 Vpp in 1-2-5 steps
	SETTINGS AND REQUIREMENTS	<ul style="list-style-type: none"> <li>- Apply a 1 kHz square wave signal of 10 mV to inputs (A)B</li> <li>- Set A (B) to 2 mV/div.</li> <li>- Check if the amplitude of the signal is 5 div. (+or- 3%)</li> <li>- Increase the input amplitude and vertical sensitivity with the following steps:</li> </ul>

Input voltage (pp)	A (B) setting	Requirements	Measuring results
10 mV	2 mV	5 div.(+or-3%)	
20 mV	5 mV	4 div.(+or-3%)	
50 mV	10 mV	5 div.(+or-3%)	
0,1 V	20 mV	5 div.(+or-3%)	
0,2 V	50 mV	4 div.(+or-3%)	
0,5 V	100 mV	5 div.(+or-3%)	
1 V	200 mV	5 div.(+or-3%)	
2 V	500 mV	4 div.(+or-3%)	
5 V	1 V	5 div.(+or-3%)	
10 V	2 V	5 div.(+or-3%)	
20 V	5 V	4 div.(+or-3%)	
50 V	10 V	5 div.(+or-3%)	

*	SUBJECT	Variable gain control range (continued procedure of previous subject)
	SETTING	- Turn VAR control fully anti-clockwise
	REQUIREMENTS	- Check if displayed amplitude <2 div. (1:>2,5)
	MEASURING RESULTS	

- \* SUBJECT Input coupling (continued procedure of previous subject)
- SETTINGS AND REQUIREMENTS
- Turn VAR control fully clockwise.
  - Press "0"; check if input signal is interrupted.
  - Press "0" again and then AC/DC
  - Check if in DC position the signal shifts upwards

## MEASURING RESULTS

- \* SUBJECT Input impedance and capacitance
- TEST EQUIPMENT Calibrated square-wave signal 1 kHz (PG506) via input dummy to input A(B).  
Dummy for input: 1 Mohm resistor in parallel with a capacitor of 20 pF.

1 Mohm Input impedance

- INPUT VOLTAGE Square-wave signal 1 kHz to input A(B) via dummy, amplitude 20 mVpp...100 Vpp in 1-2-5 steps
- SETTINGS AND REQUIREMENTS
- Apply calibrated square-wave signal of 20 mV via dummy to input A(B)
  - Check the amplitude of the displayed signals according the table below:

Input voltage (pp) via dummy	A(B) setting	Requirements	Measuring results
------------------------------	--------------	--------------	-------------------

20 mV	2 mV	5 div.(+or-2%)	
50 mV	5 mV	5 div.(+or-2%)	
0,1 V	10 mV	5 div.(+or-2%)	
0,2 V	20 mV	5 div.(+or-2%)	
0,5 V	50 mV	5 div.(+or-2%)	
1 V	100 mV	5 div.(+or-2%)	
2 V	200 mV	5 div.(+or-2%)	
5 V	500 V	5 div.(+or-2%)	
10 V	1 V	5 div.(+or-2%)	
20 V	2 V	5 div.(+or-2%)	
50 V	5 V	5 div.(+or-2%)	
100 V	10 V	5 div.(+or-2%)	

- Remove input signal.

- \* SUBJECT Frequency response
- TEST EQUIPMENT Constant amplitude sine-wave generator (SG503)
- INPUT VOLTAGE Constant amplitude sine-wave signal, 120 mV frequency 50 kHz...50 MHz to input A (B).
- SETTINGS AND REQUIREMENTS
- Set A (B) to 20 mV/div.
  - Apply 50 kHz sine-wave signal to A (B)
  - Adjust trace height to exactly 6 div.
  - Increase the frequency of the input signal up to 100 MHz.
  - Check if the vertical deflection is  $\geq 4,2$  div. (-3 dB) over the complete bandwidth range (>100 MHz).

- Reduce the amplitude of the input signal to 12 mV and the frequency to 50 kHz.
- Set A (B) to 2 mV.
- Adjust the trace height to exactly 6 div.
- Increase the frequency up to 100 MHz.
- Check if the vertical deflection is  $\geq 4,2$  div. (-3 dB) over the complete bandwidth range (>100 MHz)

---

 MEASURING RESULTS
 

---

*	SUBJECT	Rise-Time
	IMPORTANT	THE RISE TIME IS A CALCULATED VALUE, ACCORDING FORMULA: BANDWIDTH X RISE-TIME = 0,35
	TEST EQUIPMENT	Fast-rise square-wave generator (PG506)
	INPUT VOLTAGE	Fast-rise square-wave signal $\leq 1$ ns to input A (B) frequency: 1MHz.
	SETTINGS	<ul style="list-style-type: none"> <li>- Set A(B) to 50 mV/div.</li> <li>- Press TB MAGN</li> <li>- Set MAIN TB to 5 ns/div.</li> <li>- Adjust the trace height exactly between the dotted lines 0% and 100% (5 div.)</li> </ul>
	REQUIREMENTS	Important: $T_R(\text{measured}) = \sqrt{T_R(\text{input signal})^2 + T_R(\text{oscilloscope})^2}$ <ul style="list-style-type: none"> <li>- Check the rise-time, measured between the 10% and 90% lines (4 div.);</li> <li>* rise-time must be: 3,5 ns or less (0,7 subdiv. or less).</li> </ul>

---

 MEASURING RESULTS
 

---

*	SUBJECT	Noise
	TEST EQUIPMENT	LF square-wave generator
	INPUT VOLTAGE	Square-wave signal 10 kHz to input A, terminated with a 20dB attenuator and 50 Ohm terminator.
	SETTINGS	<ul style="list-style-type: none"> <li>- Set channel A to 2 mV/div.</li> <li>- Set the MAIN TB to 20us/div</li> <li>- Select channel B as TRIG SOURCE</li> <li>- While the oscilloscope is not triggered, you see the input signal as two traces that are separated by the peak-to-peak voltage of the input signal</li> <li>- Decrease the amplitude of the input signal so that the two traces just meet each other without intensity variation</li> <li>- Remove the 20dB attenuator and measure the peak-to-peak value of the square-wave voltage</li> <li>- The measured peak-to-peak voltage is equal to 10 times the noise on the trace; so divide the measured peak-to-peak value by 10</li> <li>- The noise should be smaller than 0,2 div</li> </ul>

---

 MEASURING RESULTS
 

---

* SUBJECT	Vertical Dynamic range
TEST EQUIPMENT	Constant amplitude sine-wave generator
INPUT VOLTAGE	Sine-wave signal of 10 MHz, 2,4 Vpp to input A(B)
SETTINGS	<ul style="list-style-type: none"> <li>- Apply sine-wave signal of 10 MHz, 2,4 Vpp to input A(B).</li> <li>- Set A (B) to 100 mV/div.</li> <li>- Shift with the Y POS control the sine-wave vertically over the screen.</li> </ul>
REQUIREMENT	<ul style="list-style-type: none"> <li>- Check if the top and bottom of the sine-wave signal can be displayed distortion-free (24 div.trace height).</li> </ul>

---

 MEASURING RESULTS
 

---

* SUBJECT	Position range (vertical)
TEST EQUIPMENT	LF Sine-wave generator
INPUT VOLTAGE	Sine-wave signal of 1 kHz, 8 V to input A(B)
SETTINGS	<ul style="list-style-type: none"> <li>- Adjust the channel A (B) input sensitivity to 1 V/div.</li> <li>- Apply a sine-wave of 1 kHz/8 div. to the channel A (B) input.</li> <li>- Adjust the channel A (B) input sensitivity to 500 mV/div.</li> <li>- Rotate the channel A (B) Y POS control fully clockwise and anti-clockwise</li> </ul>
REQUIREMENT	<ul style="list-style-type: none"> <li>- Check if the top and the bottom of the signal can be positioned on the vertical centre line of the screen.</li> </ul>

---

 MEASURING RESULTS
 

---

* SUBJECT	Decoupling factor between channels A and B at 10 MHz
TEST EQUIPMENT	Sine-wave calibration generator (SG503)
INPUT VOLTAGE	Sine-wave signal 10 MHz, 4 V to input A(B)
SETTINGS	<ul style="list-style-type: none"> <li>- Set channel A and B to 0,5 V/div.</li> <li>- Apply sine-wave input signal to input A(B)</li> <li>- Set the trace height to 8 div.</li> <li>- Press A/B (channel with input signal off)</li> </ul>
REQUIREMENTS	<ul style="list-style-type: none"> <li>- Check if trace height of channel without input signal B(A) is &lt; 0,08 div. (1:&gt;100)</li> </ul>

---

 MEASURING RESULTS
 

---

*	SUBJECT	Decoupling factor between channels A and B at 50 MHz
	TEST EQUIPMENT	HF sine-wave generator (SG503)
	INPUT VOLTAGE	50 MHz sine-wave signal, 4 V to input A(B)
	SETTINGS	- Do the same settings as indicated above
	REQUIREMENTS	- Check if trace height of channel without input signal B(A) is $< 0,16$ div. (1:>50)
	MEASURING RESULTS	
<hr/>		
*	SUBJECT	Common Mode Rejection Ratio
	TEST EQUIPMENT	HF constant Amplitude sine-wave generator (SG503)
	INPUT VOLTAGE	Sine wave signal 1 MHz, 4 Vpp to inputs A and B
	SETTINGS	- Set A and B to 500 mV/div. (8 div.) - Set input coupling of channels A and B to DC - Press ADD/INVERT three times (ADD and INVERT on) - Adjust one VAR control (A or B) for minimum trace height difference of channel A and B
	REQUIREMENT	- Check if the trace height of the A-B signal is $< 0,08$ div.
	MEASURING RESULTS	
<hr/>		
*	SUBJECT	LF linearity (vertical)
	TEST EQUIPMENT	LF square-wave generator
	INPUT VOLTAGE	Square-wave signal 50 kHz, 200 mV to input A(B)
	SETTINGS	- Set A (B) to 100 mV/div. - Set the square-wave signal in the vertical centre of the screen. - Adjust the square-wave signal to exactly 2 div. trace height. - Shift the signal with the Y POS control to the two upper and lower div. of the screen.
	REQUIREMENT	- Check if the trace height in the two upper and lower div. is 2 div. (max. ampl. deviation must be $< 3\%$ )
	MEASURING RESULTS	
<hr/>		
*	SUBJECT	Visual Signal Delay
	TEST EQUIPMENT	Square wave calibration generator (PG506)
	INPUT VOLTAGE	Fast-rise input signal 1 MHz, $< 1$ ns, 0,5 V to input A
	SETTINGS	- Apply fast-rise input signal to input A - Press AUTO SET - Set A to 100 mV/div. - Set MAIN TB to 50 ns/div. - Press TB MAGN and turn X POS - Set INTENSITY fully clock-wise
	REQUIREMENT	- Check if visual signal delay is $> 15$ ns
	MEASURING RESULTS	



- \* SUBJECT Base line jump
- TEST EQUIPMENT -
- INPUT VOLTAGE -
- SETTINGS Attenuator balance
- This check must be done in the SERVICE MENU "1". To enter this menu proceed as follows:
  - Press MENU and keep it pressed and then press AUTO SET
  - Press V of channel A UP-DOWN control
  - Check LCD display: "1.0" flashing
  - The attenuator is now switched between the 1-2-5 positions
  - Check if the base line do not jump more than 1,5 subdiv.
- VAR balance
- Press MENU; "1.1" flashing in LCD
  - Rotate VAR control of channel A and B
  - Check if the base lines do not jump more than 1 subdiv.
- X1/X10 attenuator offset
- Press MENU; "1.2" flashing in LCD
  - Check if the base lines do not jump more than 1 subdiv.
- NORMAL-INVERT jump
- Press MENU four times; "1.6" flashing in LCD
  - Check if the displayed point does not jump more than 1 subdiv.
  - Press AUTO SET two times to leave the SERVICE MENU

MEASURING RESULTS

---

11.4.4

TRIGGER VIEW (characteristics section 2.2.2)

- \* SUBJECT Deflection coefficient via A, B and EXT.
- TEST EQUIPMENT Square-wave calibration generator (PG506)
- INPUT SIGNAL Square-wave signal 1 kHz, amplitude given in table.
- TRIG VIEW via A(B)
- SETTINGS
- Apply the square-wave signal to input A(B)
  - Press TRIG VIEW (TRIG VIEW and A(B) on)
  - Select A(B) as MTB trigger source
  - Select DC for MTB trigger coupling
- REQUIREMENT
- Check the amplitude of the TRIG VIEW signal according the table given in section 11.4.3 of this performance check.
- IMPORTANT: The error limit of the amplitudes displayed via TRIG VIEW is <5%!!

MEASURING RESULTS

TRIG VIEW via EXT

INPUT SIGNAL Square-wave signal 1 kHz, 500 mV to input EXT.  
 SETTINGS - Select EXT DC as MTB trigger source.  
 REQUIREMENT - Check if the square-wave signal displayed via TRIG VIEW has an amplitude of 5 div. (+or- <5%)  
 MEASURING RESULTS

\* SUBJECT Frequency response INT and EXT (TRIGGER VIEW)  
 TEST EQUIPMENT Constant amplitude sine-wave generator  
 INT (via A and B)  
 INPUT VOLTAGE Constant amplitude sine-wave signal, 120 mV,  
 freq. 50 kHz...75 MHz to input A(B)  
 SETTINGS - Set A(B) to 20 mV/div.  
 - Adjust the trace height to exactly 6 div.  
 - Press TRIG VIEW (TRIG VIEW and A on)  
 - Select A(B) as MTB trigger source and p-p as MTB  
 trigger coupling  
 - Increase the frequency up to 75 MHz  
 REQUIREMENTS - Check if the vertical deflection via TRIG VIEW  
 is > 4,2 div.  
 MEASURING RESULTS

EXT

INPUT VOLTAGE Constant amplitude sine-wave signal, 600 mV,  
 freq. 50 kHz...75 MHz to input EXT  
 SETTINGS - Select EXT DC as MTB trigger source  
 - Adjust the trace height to exactly 6 div.  
 - Increase the frequency up to 75 MHz.  
 REQUIREMENT - Check if the vertical deflection via TRIG VIEW  
 is > 4,2 div.  
 MEASURING RESULTS

\* SUBJECT Lower -3dB point of trigger view  
 TEST EQUIPMENT LF sine-wave generator  
 INPUT VOLTAGE Sine-wave signal of 10 Hz, 600 mV to input EXT  
 SETTINGS - Select EXT AC as MTB trigger source  
 - Select TRIG VIEW as vertical display mode (TRIG  
 VIEW)  
 - Apply a 10 Hz, 600 mV sine-wave signal to input  
 EXT  
 - Set trigger coupling to DC  
 REQUIREMENTS - Check if the vertical deflection via TRIG VIEW  
 is > 4,2 div.  
 MEASURING RESULTS

\* SUBJECT Line jump trigger source

TEST EQUIPMENT -

INPUT VOLTAGE -

SETTINGS - Press TRIG VIEW (TRIG VIEW and A on)  
- Press TRIG or X SOURCE four times

REQUIREMENTS - Check if A, A and B, B, EXT DC and LINE are displayed in sequence via trigger view and if the jump between base line and the start of the LINE signal is < 2 subdiv.

---

\* SUBJECT OFFSET of trigger point

TEST EQUIPMENT -

INPUT VOLTAGE -

SETTINGS AND REQUIREMENT - This check must be done in the SERVICE MENU "1.0" To enter this menu proceed as follows:  
- Press MENU and keep it pressed and then press AUTO SET  
- Press V of channel A UP-DOWN control  
- Press MENU three times; "1.3" in LCD flashing  
- Turn Y POS of channel B and set the point in vertical centre of the screen.  
- Check if the displayed point does not jump more than 1,5 subdiv horizontally  
- Press MENU; "1.4" in LCD flashing  
- Turn Y POS of A and set point in the vertical centre  
- Check if the displayed point does not jump more than 1,5 subdiv. horizontally  
- Press MENU; "1.5" in LCD flashing  
- Turn Y POS of B and set point in vertical centre  
- Check if the displayed point does not jump more than 1,5 subdiv.  
- Press AUTO SET two times to leave the SERVICE MENU

#### MEASURING RESULTS

---

\* SUBJECT Delay Difference between input A (B) and ext.TRIG VIEW

TEST EQUIPMENT Square wave calibration generator. (PG506)- 50 ohm T piece PM9584 and 50 ohm terminator (for EXT)

INPUT VOLTAGE Fast-rise input signal 1MHz, 0,5V,  $\leq 1$ ns via 50 ohm T piece to input A/B and EXT input via 50 ohm terminator

SETTINGS - Apply fast-rise input signal to input A and EXT  
- Press AUTO SET and TRIG VIEW  
- Press TRIG or X SOURCE for EXT DC triggering  
- Set of A to 100mV  
- Set input coupling A to DC  
- Press TB MAGN  
- Set INTENSITY fully clock-wise  
- Adjust LEVEL MTB so that both signals covers each other  
- Set MAIN TB to 5ns

REQUIREMENTS - Check if delay difference between the two displayed signal slopes is <10 ns (<2 div.)

## MEASURING RESULTS

---

\* SUBJECT Dynamic Range (EXT input via trigger view)

TEST EQUIPMENT Constant amplitude sine-wave generator

INPUT VOLTAGE Sine-wave signal of 1 MHz, 2,4 Vpp to input EXT

SETTINGS

- Press TRIG VIEW (TRIG VIEW and A on)
- Select EXT as MTB trigger source
- Apply sine-wave signal 1 MHz, 2,4 V to input EXT
- Shift with the MTB LEVEL control the sine-wave signal displayed via TRIG VIEW vertically over the screen.

REQUIREMENT - Check if the top and bottom of the sine-wave signal can be displayed distortion free (24 div. trace height)

## MEASURING RESULTS

INPUT VOLTAGE Sine-wave signal of 50 MHz, 600 mVpp to input EXT

SETTINGS

- Press TRIG VIEW on
- Select EXT as MTB trigger source
- Apply a sine-wave signal of 50 MHz, 600 mV to input EXT.

REQUIREMENT - Check if a sine-wave signal of 6 div. is displayed distortion-free

## MEASURING RESULTS

11.4.5

---

HORIZONTAL DEFLECTION OR X-AXIS  
(characteristics section 2.3)

\* SUBJECT Horizontal Display modes and trace separation

TEST EQUIPMENT LF sine-wave generator

INPUT VOLTAGE Sine wave signal 2 kHz, 3 div. trace height to input A

SETTINGS AND REQUIREMENTS

- Press AUTO SET
- Set the trace height to 3 div. (MTB trace)
- Set the MAIN TB to 0,5 ms/div.
- Press TB SELECT
- Set the DEL TB to 50 us/div.
- Check if intensified part (DTB) is visible and if it can be shifted horizontally by the DTM control
- Press TB SELECT
- Check if DTB and MTB INTENS are on
- Set the MTBI trace on the upper 3 div.
- Turn TRACE SEP fully counter clockwise
- Check if the bottom/half of the DTB signal can be > 4 div. shifted from the 100% graticule line
- Set the MTBI trace on the lower 3 div.
- Turn TRACE SEP fully clockwise
- Check if the top half of the DTB signal can be > 4 div. shifted from the 0% graticule line
- Press TB SELECT
- Check if only the DTB trace is displayed
- Press TB SELECT

- Check if only the MTB trace is displayed
- Press X DEFL
- Check if only X DEFL is on
- Select A of MTB trigger source
- Check if a line under an angle of 45° is displayed.

## MEASURING RESULTS

*	SUBJECT	Deflection coefficient (MTB)
	TEST EQUIPMENT	Time marker generator (TG501)
	INPUT VOLTAGE	Time marker signal 50 ns...0,5 s
	SETTINGS	- Apply a time marker signal of 50 ns to input A - Press AUTO SET
	REQUIREMENT	- Check the deflection coefficients in TB X1 and TB X10 according the table below:

Time marker pulse	MAIN TB setting ../div	Max. coeff. error		Measuring results
		MTB X1	MTB X10 TB MAGN on	
50 ns	50 ns	3%	4%	(excl. first and last 50 ns)
0,1 us	0,1 us	3%	4%	
0,2 us	0,2 us	3%	4%	
0,5 us	0,5 us	3%	4%	
1 us	1 us	3%	4%	
2 us	2 us	3%	4%	
5 us	5 us	3%	4%	
10 us	10 us	3%	4%	
20 us	20 us	3%	4%	
50 us	50 us	3%	4%	
0,1 ms	0,1 ms	3%	4%	
0,2 ms	0,2 ms	3%	4%	
0,5 ms	0,5 ms	3%	4%	
1 ms	1 ms	3%	4%	
2 ms	2 ms	3%	4%	
5 ms	5 ms	3%	4%	
10 ms	10 ms	3%	4%	
20 ms	20 ms	3%	4%	
50 ms	50 ms	3%	4%	
0,1 s	0,1 s	3%	4%	
0,2 s	0,2 s	3%	4%	
0,5 s	0,5 s	3%	4%	

*	SUBJECT	Horizontal position range
	TEST EQUIPMENT	Time marker generator (TG501)
	INPUT VOLTAGE	Time marker signal of 1 ms to input A
	SETTINGS AND REQUIREMENTS	- Set MAIN TB to 0,1 ms/div. - Set a marker pulse on the first and last vertical graticule line - Set X POS fully clockwise. - Check if the first marker pulse is at the right side of the vertical centre line - Set X POS fully anti-clockwise - Check if the last marker pulse is at the left side of the vertical centre line.

## MEASURING RESULTS

\* SUBJECT Variable control ratio (VAR MTB) and TB Magnifier balance

TEST EQUIPMENT Time marker generator (TG501)

INPUT VOLTAGE Time marker signal 1 us to input A

SETTINGS

- Set MAIN TB to 0,2 us/div; marker on first and sixth graticule line
- Set the MTB VAR fully anti-clockwise

REQUIREMENT

- Check if the VAR control range overlaps the time base steps 0,2 us to 0,5 us; first marker on first graticule line and second marker on the third graticule line or closer to the first marker (2,5:1)

SETTINGS

- Set the MTB VAR control fully clockwise
- Press TB MAGN to on
- Set the top of the second marker pulse exactly in the vertical centre of the graticule
- Press TB MAGN to off

REQUIREMENT

- Check if the top of the second marker pulse is not shifted more than 2,5 subdiv.

MEASURING RESULTS

---

\* SUBJECT Variable Hold Off

TEST EQUIPMENT Time marker generator (TG501)

INPUT VOLTAGE Time marker signal 10 ns to input A

SETTINGS

- Set Hold-off control fully clockwise
- Turn Hold-off anti-clockwise

REQUIREMENT

- Check if the trace intensity decreases with a factor of 10 times the minimum Hold Off

MEASURING RESULTS

---

\* SUBJECT Deflection Coefficients (DTB)

TEST EQUIPMENT Time marker generator (TG501)

INPUT VOLTAGE Time marker signal 1 ms...50 ns to input A

SETTINGS

- Press AUTO SET
- Press TB SELECT; MTBI and DTB on
- Set MAIN TB to 2 ms/div.
- Set DEL'D TB to 1 ms/div.
- Press DTB TRIG for STARTS mode
- Set the delay time to 5.000 ms by means of the DTM control.

REQUIREMENTS

- Check the deflection coefficients in TB x 1 and TB x 10 according the table on page 11-16:

ATTENTION: To check the DTB time coefficients according the table below the uS of UP-DOWN MTB control must be operated (DTB setting is electrically coupled with MTB setting)

MAIN TB setting	Time marker pulse	DEL'D TB setting ../div.	Max. coeff. error		Measuring results
			MTB X1	MTB X10	
2 ms	1 ms	1 ms	3%	4%	
1 ms	0,5 ms	0,5 ms	3%	4%	
0,5 ms	0,2 ms	0,2 ms	3%	4%	
0,2 ms	0,1 ms	0,1 ms	3%	4%	
0,1 ms	50 us	50 us	3%	4%	
50 us	20 us	20 us	3%	4%	
20 us	10 us	10 us	3%	4%	
10 us	5 us	5 us	3%	4%	
5 us	2 us	2 us	3%	4%	
2 us	1 us	1 us	3%	4%	
1 us	0,5 us	0,5 us	3%	4%	
0,5 us	0,2 us	0,2 us	3%	4%	
0,2 us	0,1 us	0,1 us	3%	4%	
0,1 us	50 ns	50 ns	3%	4%	

\* SUBJECT Delay Time Multiplier

TEST EQUIPMENT Time marker generator (TG501)

INPUT VOLTAGE Time marker signal 10 us to input A

SETTINGS AND REQUIREMENTS

- Press TB SELECT; MTB INTENS and DTB on
- Set MAIN TB to 5 us/div
- Set DEL'D TB to 0,5 us/div.
- Press DTM <-- (delay time: 0)
- Check if the first marker pulse displayed via the DTB is partly visible;
- Set the first marker displayed via the MTB exactly on the first graticule line
- Press DTM --> (delay time 50 us)
- Check if the last marker pulse displayed via the DTB is completely visible and if the Delay Time displayed in the LCD is >48 us. (3% + 1% incremental delay time error + [25 ns +/- 5 ns])

MEASURING RESULTS

\* SUBJECT Maximum Jitter (DTB)

TEST EQUIPMENT Sine-wave generator

INPUT SIGNAL Sine-wave signal (1 MHz), 6 div. trace height to input A.

SETTINGS

- Set the trace height to 6 div.
- Set MAIN TB to 1 ms
- Press TB SELECT; MTBI and DTB on
- Set DEL'D TB to 0,5 us
- Set the DELAY time to 5 ms
- Press TB SELECT; only DTB on

REQUIREMENT

- Check if the jitter of the DTB trace is ≤ 1 div. (1 part per 20.000)

MEASURING RESULTS

* SUBJECT	Horizontal Deflection coefficients
TEST EQUIPMENT	Sine wave generator
INPUT VOLTAGE	Sine wave signal 2 kHz, 4 div. trace height to input A
SETTINGS	<ul style="list-style-type: none"> <li>- Press EXT X DEFL</li> <li>- Press A/B twice for only ch. B display</li> <li>- Select A as X DEFL source with TRIG or X SOURCE</li> </ul>
REQUIREMENT	- Check if a horizontal line of 4 div. is displayed (+or- 5%).
INPUT VOLTAGE	- Sine wave signal 2 kHz, 1 V to input EXT
SETTINGS AND REQUIREMENTS	<ul style="list-style-type: none"> <li>- Select EXT with TRIG or X SOURCE</li> <li>- Press X DEFL</li> <li>- Check if a horizontal line of 10 div. (+or- 5%) is displayed.</li> <li>- Select LINE with TRIG or X SOURCE</li> <li>- Check if a horizontal line is displayed of approx 6 div. (at 220 V mains voltage)</li> </ul>

---

 MEASURING RESULTS
 

---

* SUBJECT	Frequency response (horizontal)
TEST EQUIPMENT	Constant amplitude sine-wave generator (PG506)
INPUT VOLTAGE	Constant amplitude sine-wave signal, 30 mV, 50 kHz...2 MHz to input A
SETTINGS	<ul style="list-style-type: none"> <li>- Set A to 5 mV/div</li> <li>- Apply a 50 kHz sine-wave signal to input A</li> <li>- Set input coupling A to DC</li> <li>- Press X DEFL</li> <li>- Select A as horizontal deflection source with TRIG or X SOURCE</li> <li>- Press A/B twice for only ch. B as vertical deflection</li> <li>- Adjust the input voltage for exactly 6 div. horizontal deflection</li> <li>- Increase the frequency of the input signal up to 2 MHz</li> </ul>
REQUIREMENTS	- Check if the trace width is > 4,2 div. (-3 dB) over the complete bandwidth range.

---

 MEASURING RESULTS
 

---

TEST EQUIPMENT	LF Sine-wave generator
INPUT VOLTAGE	Sine-wave signal, 10 Hz, 6 div. trace height to input A
SETTINGS	<ul style="list-style-type: none"> <li>- Set the vertical deflection of A to exactly 6 div.</li> <li>- Select X DEFL and A as X DEFL source</li> <li>- Set input coupling A to AC</li> <li>- Press A/B twice for only ch. B as vertical deflection</li> </ul>
REQUIREMENT	- Check if the trace width is > 4,2 div. (->dB)

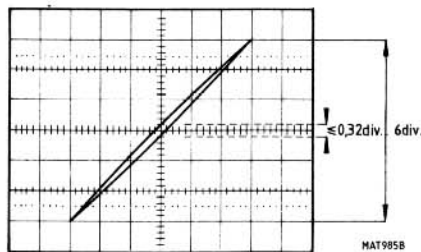
---

 MEASURING RESULTS
 

---



- \* SUBJECT Maximum phase shift between horizontal and vertical deflection.
- TEST EQUIPMENT LF sine-wave generator
- INPUT VOLTAGE Sine wave signal, 2 kHz...100 kHz, trace height 6 div.
- SETTINGS
- Press X DEFL
  - Select A for horizontal deflection with TRIG or X SOURCE
  - Set the trace height to exactly 6 div.
  - Increase the input frequency up to 100 kHz.
- REQUIREMENT
- Check if the phase shift  $< 3^\circ$  (see figure below)



#### MEASURING RESULTS

11.4.6

MTB TRIGGERING (characteristics, section 2.4.1)

- \* SUBJECT MTB Trigger Sources and trigger coupling
- TEST EQUIPMENT Square-wave generator
- INPUT VOLTAGE Square-wave signal 2 kHz, 4 div. trace height to input A (EXT)
- SETTINGS AND REQUIREMENTS
- Set the trace height to 4 div.
  - Press TRIG VIEW (A and TRIG VIEW on)
  - Press TRIG COUPL and select DC
  - Adjust LEVEL MTB for a triggered signal
  - Check if two square wave signals are displayed of 4 div. (Trigger view and A)
  - Press TRIG COUPL and select p-p
  - Turn LEVEL MTB and check if the signal is triggered over the complete level range
  - Connect CAL signal to input B
  - Press A/B so that A, B and TRIG VIEW are on  
Set B to 200 mV.
  - Select B as MTB trigger source with TRIG or X SOURCE (A is not triggered)
  - Check if a square wave of 6 div. is displayed
  - Increase the freq. of the square-wave signal to input A up to 20 kHz (CAL signal to B)
  - Press TRIG or X SOURCE four times (A and B selected)
  - Check if three well triggered traces are displayed; TRIG VIEW signal derived from A.
  - Remove input signals
  - Apply a square wave signal of 500 mV to input EXT
  - Select EXT as MTB trigger source with TRIG or X SOURCE

- Check if a square wave signal is displayed via TRIG VIEW of 5 div.
- Select LINE as MTB trigger source with TRIG or X SOURCE
- Set MAIN TB to 5 ms/div.
- Check if a sine-wave signal (mains frequency) is displayed.

#### MEASURING RESULTS

---

*	SUBJECT	MTB Slope selection and Level control range.
	TEST EQUIPMENT	LF Sine-wave generator
	INPUT VOLTAGE	Sine-wave signal 2 kHz - 800 mV to input A(B) (EXT)
	SETTINGS AND REQUIREMENTS	<ul style="list-style-type: none"> <li>- Set A(B) to 0,1 V/div. (DC input coupling)</li> <li>- Press TRIG COUPL for p-p triggering</li> <li>- Turn LEVEL MTB fully clockwise and fully anti-clockwise</li> <li>- Check if the signal is well triggered over the complete LEVEL range</li> <li>- Set the LEVEL MTB control in its mid-position</li> <li>- Start of signal display must be in the vertical centre</li> <li>- Press TB TRIG (TRIG mode)</li> <li>- Press SLOPE MTB</li> <li>- Check if the sine-wave signal is inverted and is triggered on the negative slope.</li> <li>- Press SLOPE MTB once again</li> <li>- Press TRIG.COUPLING for DC coupling</li> <li>- Set A(B) to 50 mV/div (16 div. trace height)</li> <li>- Turn the LEVEL MTB</li> <li>- Check if the LEVEL range is &gt; +or- 8 div. and if the signal is triggered on the positive slope.</li> <li>- Remove input signal</li> <li>- Apply the sine-wave signal of 2 kHz, 1,6 Vpp to EXT</li> <li>- Select EXT (MTB trigger source)</li> <li>- Press TRIG VIEW. (TRIG VIEW and A(B) on)</li> <li>- Turn the LEVEL MTB</li> <li>- Check if the LEVEL range is &gt; +or- 0,8 V (+or- 8 div.)</li> </ul>

#### MEASURING RESULTS

---

*	SUBJECT	Trigger Sensitivity (MTB)
	TEST EQUIPMENT	Sine-wave generator (SG503)
	INPUT VOLTAGE	Sine-wave signal 10 MHz-(100 MHz)-(150 MHz) to input A (B) (EXT)
	SETTINGS AND REQUIREMENTS	<ul style="list-style-type: none"> <li>- Press AC/DC (input coupling of A(B) to DC)</li> <li>- Press TB TRIG MODE for TRIG mode</li> <li>- Press TRIG COUPL for DC trigger coupling</li> <li>- Apply a sine-wave signal of 10 MHz approx. 250 mVpp to input A(B)</li> <li>- Set A(B) to 0,2 V/div.</li> <li>- Decrease amplitude of input signal</li> </ul>

- Turn LEVEL MTB
- Check if the signal is well-triggered at amplitudes  $\geq 1$  div.
- Decrease the frequency of the input signal to 50 kHz
- Check if the signal stays well triggered at amplitudes  $\geq 1$  div.
- Increase the frequency of the input signal up to 100 MHz.
- Increase amplitude of input signal to approx 1,2 div.
- Turn LEVEL MTB
- Check if the signal is well-triggered at amplitudes  $\geq 1,2$  div.
- Increase the frequency of the input signal up to 150 MHz
- Decrease amplitude to approx 2 div.
- Check if the signal is well-triggered at amplitudes  $\geq 2$  div.
- Remove input signal
- Apply a sine wave signal of 150 MHz, 500 mVpp to input EXT (via external 50 Ohm terminator)
- Select EXT (MTB trigger source) with TRIG or X SOURCE
- Press TRIG VIEW, (TRIG VIEW and A(B) on).
- Turn LEVEL MTB
- Check if a well triggered sine-wave of 5 div. (500 mV) is displayed.
- Decrease amplitude of input signal
- Check if the signal is well triggered at amplitudes  $\geq 500$  mV (adjust LEVEL MTB)
- Decrease the frequency of the input signal to 100 MHz and the amplitude to 150 mV
- Check if the signal is well triggered (adjust LEVEL MTB)
- Decrease the frequency of the input signal to 10 MHz or lower
- Decrease the amplitude to 100 mV
- Check if the signal is well-triggered

#### MEASURING RESULTS

---

\*

SUBJECT	Trigger sensitivity TVL-TVF
TEST EQUIPMENT	TV pattern generator with video output (PM5518)
INPUT VOLTAGE	Video signal to input A (B)
SETTINGS	<ul style="list-style-type: none"> <li>- Press TB TRIG mode for TRIG mode</li> <li>- Press AC/DC for DC input coupling</li> <li>- Apply a video signal to input A(B) with an amplitude of 0,7 div. sync. pulse amplitude</li> <li>- Press TRIG COUPL for TVL and TVF</li> </ul>
REQUIREMENTS	<ul style="list-style-type: none"> <li>- Check for a stable triggering on TVL and TVF at sync. amplitudes of <math>&gt;0,7</math> div.</li> </ul>

#### MEASURING RESULTS

---

## 11.4.7

## DTB TRIGGERING (characteristics, section 2.4.2)

*	SUBJECT	DTB Trigger sources and trigger coupling
	TEST EQUIPMENT	Square-wave generator
	INPUT VOLTAGE	Square-wave signal 1 kHz, 4 div. trace height to input A(B) (EXT)
	SETTINGS AND REQUIREMENTS	<ul style="list-style-type: none"> <li>- Set A(B) to 0,2V/div.</li> <li>- Press TB SELECT to select MTBI</li> <li>- Press DTB TRIG to select STARTS mode</li> <li>- Set MTB to 0,5 ms/div</li> <li>- Set DTB to 50 us/div</li> <li>- Set the delay to 2 ms with the DTM control</li> <li>- Turn LEVEL DTB</li> <li>- Check if the intensified part stays triggered and starts on the fifth vertical line</li> <li>- Press DTB to select A(B)</li> <li>- Check if the delay time is given in div. (4 div.)</li> <li>- Turn LEVEL DTB -Check that in the extreme positions of the LEVEL control the DTB is not triggered.</li> <li>- Press TRIG DTB; check if A and B in composite are selected (DTB stays triggered)</li> <li>- Press TRIG DTB; check if B is selected as trigger source (DTB not triggered)</li> <li>- Press TRIG DTB; check if DTB is triggered via EXT (input signal also to input EXT)</li> <li>- Press TRIG DTB 3 times; check if A is selected</li> </ul>

## MEASURING RESULTS

*	SUBJECT	DTB Trigger Sensitivity
	TEST EQUIPMENT	Sine-wave generator (SG503)
	INPUT VOLTAGE	Sine-wave signal 10 MHz (100 MHz) (150 MHz) to input A(B) (EXT)
	SETTINGS AND REQUIREMENTS	<ul style="list-style-type: none"> <li>- Press TB SELECT; select MTBI</li> <li>- Press DTB TRIG; select A(B) as trigger source</li> <li>- Set MAIN B to 0,5 us/div</li> <li>- Set DEL'D TB to 50 ns/div</li> <li>- Turn LEVEL DTB to get a well triggered intensified part</li> <li>- Check the DTB trigger sensitivity according the procedure given in section 6.3</li> <li>* The EXT trigger sensitivity must be checked via channel A (input signal to EXT and A)</li> <li>* Read DTB instead of MTB</li> </ul>

## MEASURING RESULTS

*	SUBJECT	DTB Slope selection and Level control range
	TEST EQUIPMENT	LF Sine-wave generator
	INPUT VOLTAGE	Sine-wave signal 2 kHz - 800 mVpp to input A(B) (EXT)
	SETTINGS AND REQUIREMENTS	<ul style="list-style-type: none"> <li>- Set A(B) to 0,1 mV/div. (8 div.)</li> <li>- Select MTBI with TB SELECT</li> <li>- Set MAIN TB to 0,2 ms /div. and DEL'D TB to 5 us/div.</li> <li>- Press DTB TRIG: source A(B)</li> <li>- Turn LEVEL DTB for a well triggered intensified part.</li> <li>- Press SLOPE DTB</li> <li>- Check if the intensified part is on the negative slope.</li> <li>- Press SLOPE DTB (positive triggering)</li> <li>- Set DEL'D TB to 0,1 ms/div.</li> <li>- Set A(B) to 50 mV/div.</li> <li>- Turn LEVEL DTB</li> <li>- Check if the LEVEL DTB range is &gt; +or- 8 div.</li> </ul>

## 11.4.8

## AUXILIARY INPUTS AND OUTPUTS

*	SUBJECT	Z-MOD Sensitivity
	TEST EQUIPMENT	Square-wave generator
	INPUT VOLTAGE	Square-wave signal, 1 kHz, duty cycle 50%, amplitude 0...2,5 Vpp to input A and Z-in (rear side)
	SETTINGS AND REQUIREMENTS	<ul style="list-style-type: none"> <li>- Set MAIN TB to 0,5 ms/div.</li> <li>- Set the trace of A in mid-position</li> <li>- Select DC for channel A Input coupling</li> <li>- Apply square-wave signal of 2,5 Vpp, 1 kHz to input A and Z-in. (base line 0 V)</li> <li>- Check if only the bottom half of the square wave signal is displayed (500 us blanking and 500 us unblanking)</li> <li>- Decrease the amplitude of the input signal to 1 Vpp.</li> <li>- Set A to 0,5 V/div.</li> <li>- Check if the top half of the square-wave signal is visible with a lower intensity and will be completely unblanked at an input voltage of &lt; 0,8 V</li> </ul>

## MEASURING RESULTS

*	SUBJECT	CAL Frequency and output voltage
	TEST EQUIPMENT	-
	INPUT VOLTAGE	CAL output signal to input A
	SETTINGS	<ul style="list-style-type: none"> <li>- Press 0 of channel A</li> <li>- Set the trace in the centre of the screen</li> <li>- Press 0 of channel A</li> <li>- Select DC of A input coupling</li> </ul>
	REQUIREMENTS	- Check if a positive going square wave signal is displayed of 1,2 Vpp, frequency 2 kHz

## MEASURING RESULTS

## 12. DISMANTLING THE INSTRUMENT

### 12.1 GENERAL INFORMATION

This section provides the dismantling procedures required for the removal of components during repair operations.

All circuit boards removed from the instrument must be adequately protected against damage, and all normal precautions regarding the use of tools must be observed.

During the dismantling a careful note must be made of all disconnected leads so that they can be reconnected to their correct terminals during assembly.

CAUTION: Damage may result if:

- The instrument is switched-on when a circuit board has been removed.
- a circuit board is removed within one minute after switching-off the instrument.

### 12.2 REMOVING THE TOP AND BOTTOM COVERS

The instrument is protected by two covers: a top cover and a bottom cover. To remove these covers, proceed as follows:

- Slacken the two screws that secure both covers, located at the rear of the instrument.
- Gently push each cover backwards until it can be lifted.
- The covers can be removed by lifting them clear of the instrument.

### 12.3 ACCESS TO PARTS FOR THE CHECKING AND ADJUSTING PROCEDURES

After removing both covers (section 12.2) almost all adjustment and measuring points are accessible. However, for access to the adjusting elements of the time-base unit and the pre-amplifier unit first loosen the upper time-base unit and vertically fix this unit in the available p.c.b. guide fixing.

If necessary, the power supply unit can be lifted out of the instrument. To do so, proceed as follows:

- Push both parts at the back of the extension shaft towards each other so that the extension shaft can easily be loosened from the ON/OFF switch on the power supply unit.
- Remove the complete extension shaft.
- Push both lips that secure the power supply unit sideways and gently lift this unit out of the instrument.
- Fix the power supply unit in the available p.c.b. guide fixing.

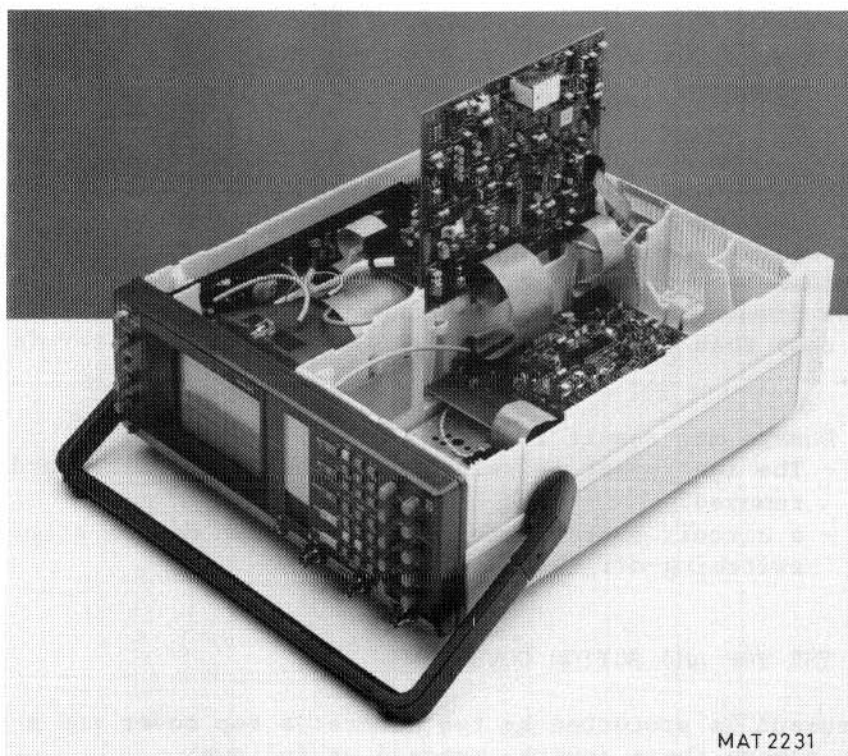


Figure 12.1 Access to all parts for checking and adjusting

NOTE: For checking and adjusting the instrument it is not necessary to remove the bottom cover.

## 13. CHECKING AND ADJUSTING

### 13.1 GENERAL INFORMATION

The following information provides the complete checking and adjusting procedure for the instrument. As various control functions are interdependent, a certain order of adjustment is necessary.

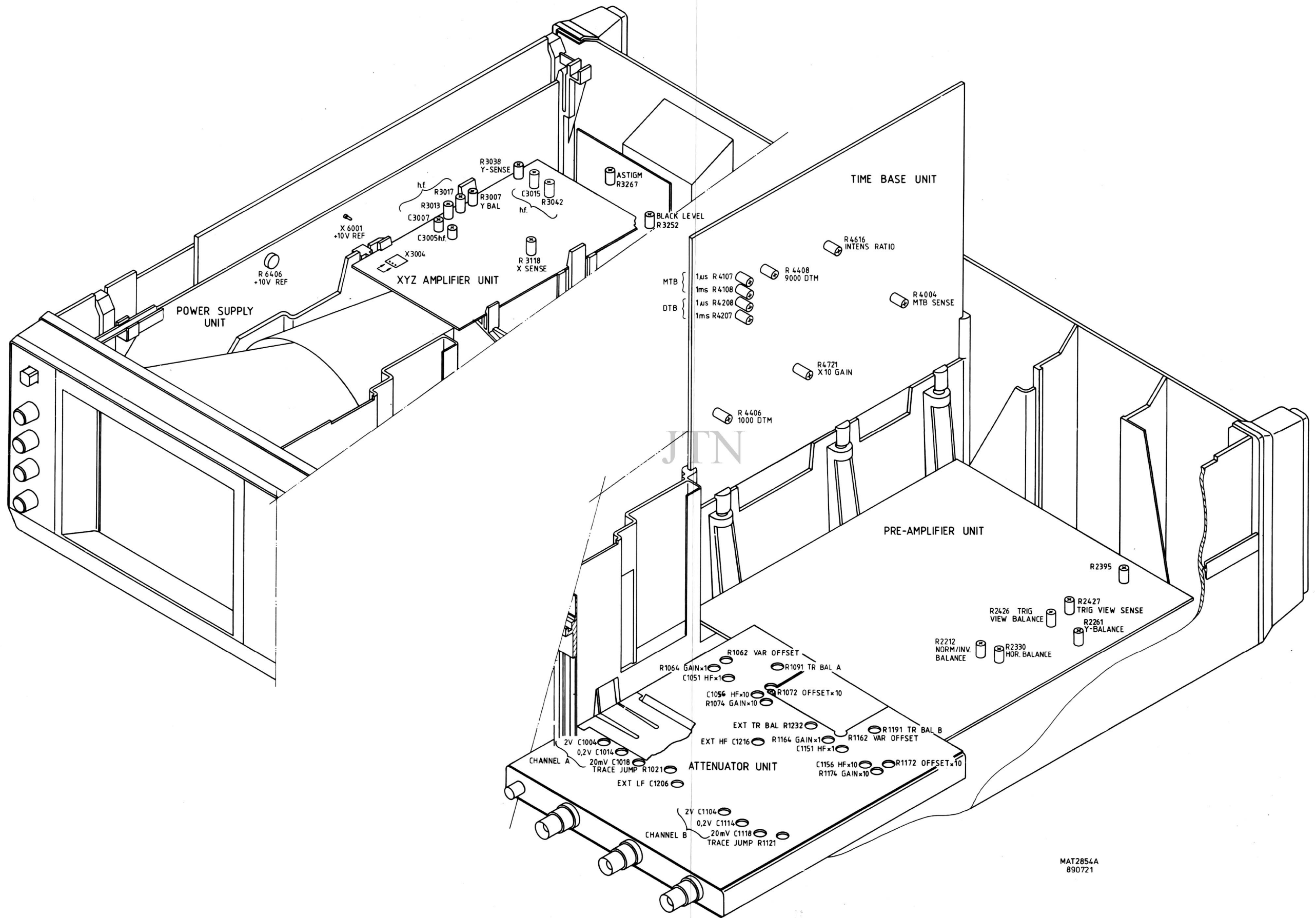
The procedure is, therefore, presented in a sequence which is best suited to this order, cross-reference being made to any circuit which may affect a particular adjustment.

Before any check or adjustment, the instrument must attain its normal operating temperature.

- Warming-up time under average conditions is 15 minutes.
- Where possible, instrument performance should be checked before any adjustment is made.
- All limits and tolerances given in this section are calibration guides, and should not be interpreted as instrument specifications unless they are also published in section 2.
- Tolerances given are for the instrument under test and do not include test equipment error.
- The most accurate display adjustments are made with a stable, well-focused low intensity display.
- All controls that are mentioned without item numbers are located on the outside of the instrument.

**WARNING:** The opening of covers or removal of parts, except those to which access can be gained by hand, is likely to expose live parts, and also accessible terminals may be live. The instrument shall be disconnected from all voltage sources before any adjustment, replacement or maintenance and repair during which the instrument will be opened. If afterwards any adjustment, maintenance or repair of the opened instrument under voltage is inevitable, it shall be carried out only by qualified person who is aware of the hazard involved. Bear in mind that capacitors inside the instrument may still be charged even if the instrument has been separated from all voltage sources.





MAT2854A  
890721

Figure 13.1 Adjusting elements

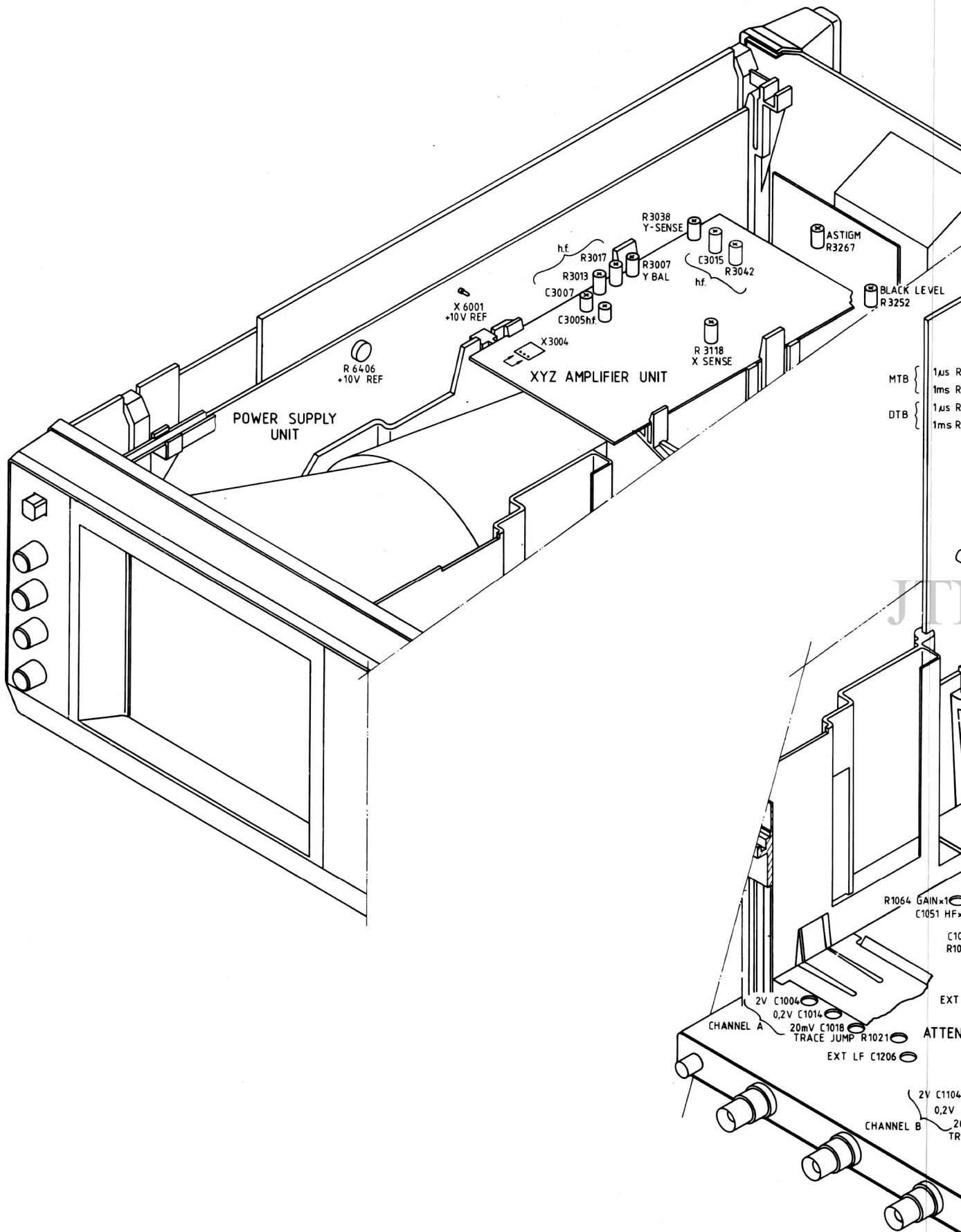
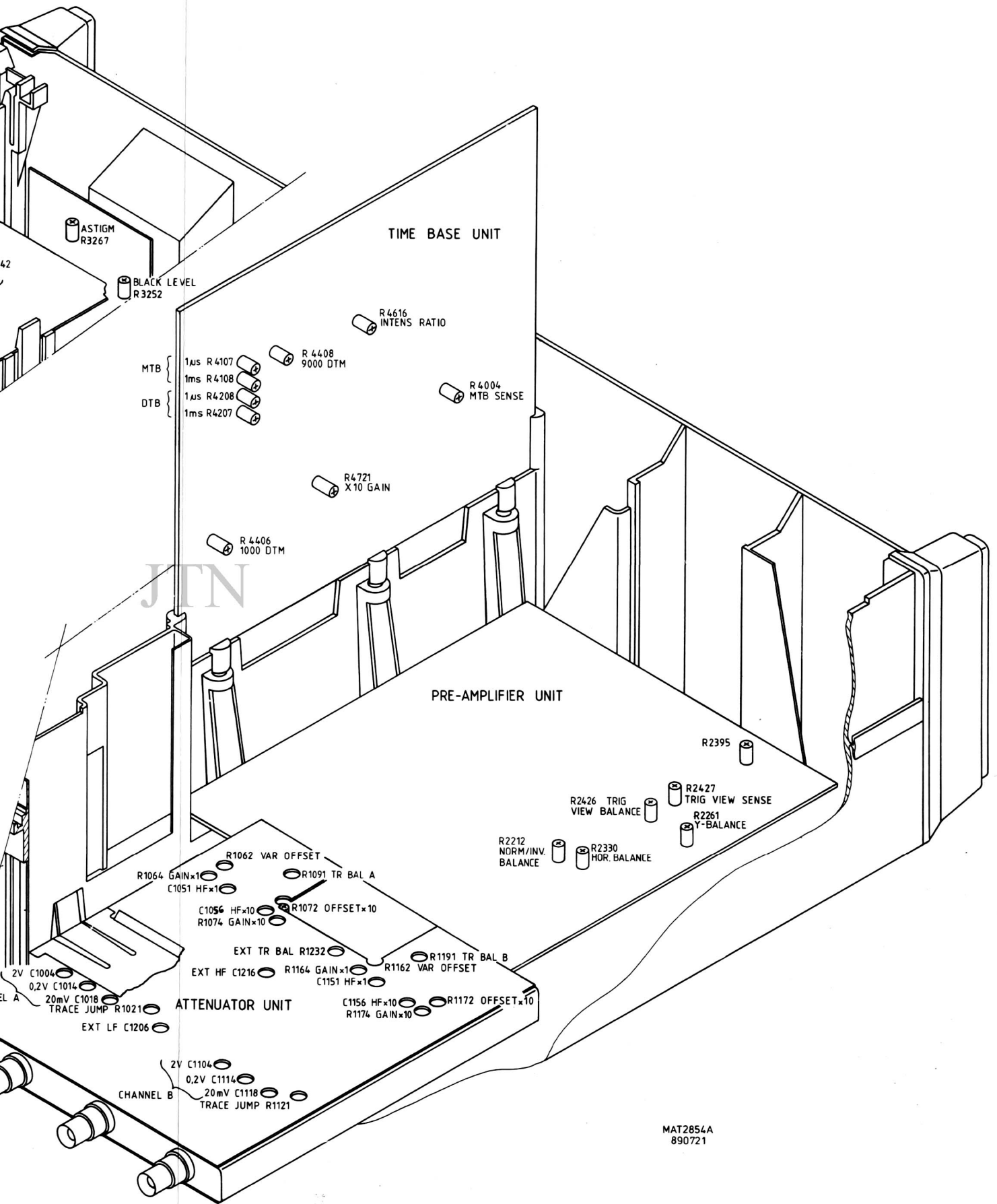


Figure 13.1 Adjusting elements



MAT2854A  
890721

## 13.2 RECOMMENDED TEST AND CALIBRATION EQUIPMENT

Type of instrument	Required specification	Example of recommended instrument
Function generator	Freq.: 1 MHz ... 10 MHz Sine-wave/Square-wave Ampl. 0...20 Vpp DC offset 0...+5 V Rise-time <30 ns Duty cycle 50 %	Philips PM5134
Constant amplitude sine-wave generator	Freq.: 100 kHz ... 50 MHz Constant ampl. of 120 mVpp and 3 Vpp	Tektronix SG 503
Square-wave calibration generator	For ampl. calibration: Freq.: 1 kHz Ampl.: 10 mV ... 50 V For rise-time measurements: Freq.: 1 MHz Ampl.: 10 mV ... 500 mV Rise-time: <1 ns	Tektronix PG 506
Time-marker generator	Repetition rate: 0,5 s ... 0,05 /us	Tektronix TG 501
Digital multimeter	Wide voltage, current and resistance ranges. Required accuracy 0,1 %	Philips PM2524 and high-voltage probe PM9246
Oscilloscope	The bandwidth must be the same or higher than the bandwidth of the instrument under test.	Philips PM3055
Variable mains transformer	Well-insulated output voltage 90...264 Vac	Philips ord.number 2422 529 00005
Moving-iron meter		
Dummy probe 2:1	1 Megohm +0,1 %//20 pF	
Cables, T-piece, terminations for the generators	General Radio types for fast rise-time square-wave and high freq. sine-wave. BNC-types for other applications	
Trimming tool kit		Philips 800NTX (ord. number 4822 310 50015)

## 13.3 SURVEY OF ADJUSTING ELEMENTS

ADJUSTING ELEMENT	ADJUSTMENT	INPUT SIGNAL	SECTION
R6406	supply voltage +10 VREF	-	13.4.2
R3252	black level	-	13.4.3
R3267	astigmatism	Sine-wave 120 mV-1 kHz	13.4.3
R4616	intens ratio	-	13.4.3
C1018	l.f.square wave response ch.A at 20 mV	square-wave 120 mV - 1 kHz	13.4.4
C1014	l.f.square wave response ch.A at 0,2 V	square-wave 1,2 V - 1 kHz	13.4.4
C1004	l.f. square wave response ch.A at 2 V	square-wave 12 V - 1 kHz	13.4.4
C1118	l.f. square wave response ch.B at 20' mV	square-wave 120 mV - 1 kHz	13.4.4
C1114	l.f. square wave response ch.B at 0,2 V	square-wave 1,2 V - 1 kHz	13.4.4
C1104	l.f. square wave response ch.B at 2 V	square-wave 12 V - 1 kHz	13.4.4
C1206	l.f. square wave response EXT	square-wave 600 mV - 1 kHz	13.4.4
R2427	trig.view sensitivity	square wave 100 mV - 1 kHz	13.4.5
R3038	vertical sensitivity	square-wave 600 mV - 1 kHz	13.4.5
R1064	gain x1 ch.A	square-wave 100 mV - 1 kHz	13.4.5
R1164	gain x1 ch.B	square-wave 100 mV - 1 kHz	13.4.5
R1074	gain x10 ch.A	square-wave 10 mV - 1 kHz	13.4.5
R1174	gain x10 ch.B	square-wave 10 mV - 1 kHz	13.4.5
R3118	horizontal sensitivity	square-wave 100 mV - 1 kHz	13.4.6

ADJUSTING ELEMENT	ADJUSTMENT	INPUT SIGNAL	SECTION
R3007	vertical balance	-	13.4.7
R1021-R1121	offset ch.A (ch.B)	-	13.4.7
R1062-R1162	offset x1 ch.A (ch.B)	-	13.4.7
R1072-R1172	offset x10 ch.A (ch.B)	-	13.4.7
R2330	horizontal balance	-	13.4.7
R1091	trigger balance ch.A	-	13.4.7
R1191	trigger balance ch.B	-	13.4.7
R1232	trigger balance EXT	-	13.4.7
R2212	norm/invert balance	-	13.4.7
R2426	trig view balance	-	13.4.7
R2261	vertical balance	-	13.4.7
R4004	sensitivity MTB	Sine-wave 80 mV - 10 kHz	13.4.8
R4108	MTB gain 1 ms	time marker 1 ms	13.4.9
R4107	MTB gain 1 us	time marker 1 us	13.4.9
R4207	DTB gain 1 ms	time marker 1 ms	13.4.10
R4208	DTB gain 1 us	time marker 1 us	13.4.10
R4721	gain x10 MAGN	time marker 100 us	13.4.11
R4406-R4408	offset-gain DTM	-	13.4.12
R3017	h.f. square-wave response	square-wave 60 (600) mV- 1 MHz rise-time <1 ns	13.4.13
R3013			13.4.13
C3007			13.4.13
C3005			13.4.13
C1051-C1151			13.4.13
C1056-C1156			13.4.13
C1216			13.4.13

## 13.4 CHECKING AND ADJUSTING PROCEDURE

The adjusting elements and measuring points are given in figure 13.1.

NOTE: Use always an insulated adjustment tool.

### 13.4.1 Preparation

Before starting the checking and adjusting procedure, it is necessary to be aware of the following.

- Unless otherwise indicated, the MAIN TB must be triggered on the channel that is selected for vertical display and the trigger path is P-P coupled. The MAIN TB must function in the AUTO mode and its sweep speed must be adjusted to give good display of the phenomena of interest. The DEL'D TB is not used. The INTENS and FOCUS control must be adjusted to a well-defined trace display.
- Preliminary setting of the controls:
  - All VAR controls must be set in CAL position
  - All POS and LEVEL controls must be set in mid-position.
  - The HOLD OFF control must be set to MIN position.
- Take care to remove the input voltage after each Section.

For better access to the adjusting elements on the time base unit and the power supply unit, proceed as indicated in section 12.3.

ATTENTION: Do not readjust potentiometer R2395, situated on the Pre-amplifier unit. However, if this potentiometer is inadvertently turned, proceed as follows:

- Set R2395 in its mid-position.
- Readjust R4009 according to section 13.4.8.

### 13.4.2 Power supply adjustment

- Connect the instrument to the mains voltage and switch on the oscilloscope.
- Connect a digital multimeter to connection point X6001 (+10V REF) on the power supply unit and the instrument's ground.
- Adjust R6406 so that the supply voltage is exactly +10 V (tolerance:  $\pm 0,01$  V).

### 13.4.3 CRT display adjustment

Black level:

- Press X DEFL key.
- Set the INTENS control to 10<sup>0</sup> from its left hand stop.
- Adjust R3252 so that the spot is just not visible.

Trace rotation:

- Press X DEFL key again for deflection via MTB.
- Adjust the front-panel TRACE ROTATION control so that the trace runs exactly in parallel with the horizontal graticule lines.

## Astigmatism:

- Apply a 120 mV/1 kHz sine-wave signal to input A.
- Press AUTO SET key.
- Set the INTENS control for normal brightness.
- Adjust R3267 (and the FOCUS control) so that the trace is sharp and well-defined over the whole screen area.

## Intens ratio:

- Press TB SELECT key for MTBI.
- Set UP-DOWN MTB to 5 microsec.
- Set UP-DOWN DTB to 1 microsec.
- Set the INTENS control so that the DTB part of the trace is clearly visible.
- Adjust R4616 for a normal visible MTB trace. The DTB part of the trace must be well distinguished from the MTB trace.

## 13.4.4 Square-wave response attenuator

## Channels A and B:

The vertical adjustments of channels A and B are identical. The indication for channel B are shown in brackets behind those of channel A. It is advisable to perform first the channel A adjustments in this section.

- Apply a calibrated square-wave signal, frequency 1 kHz to input A (B).
- Press AUTO SET key.
- Press AC/DC key ch.A (ch.B) for DC input coupling.
- Set the adjusting elements for a straight pulse top with a maximum pulse top error of + or - 1,5 % (see table below).

INPUT SIGNAL YA (YB)	UP-DOWN ch.A (ch.B)	Adjusting element
120 mV	20 mV	C1018 (C1118)
1,2 V	0,2 V	C1014 (C1114)
12 V	2 V	C1004 (C1104)

## External amplifier:

- Apply a 600 mV/1 kHz calibrated square-wave signal to input EXT.
- Press AUTO SET key.
- Press TRIG VIEW key for TRIG.VIEW.
- Press A/B key for only TRIG VIEW display.
- Press TRIG or X SOURCE key for EXT source.
- Press EXT AC/DC key for DC input coupling.
- Adjust C1206 for a straight pulse top with a maximum pulse top error of + or - 1,5 %.



### 13.4.5 Adjustment of vertical sensitivities

#### Trigger view sensitivity:

- Apply a 100 mV/1 kHz calibrated square-wave signal to input A.
- Press AUTO SET key.
- Set UP/DOWN ch.A to 20 mV.
- Press AC/DC key ch.A for DC input coupling.
- Press TRIG coupl. key for DC trigger coupling
- Press TRIG VIEW key.
- Adjust R2427 so that both signals are identical.

#### Sensitivity final Y-amplifier:

- Apply a 600 mV/1 kHz calibrated square-wave signal to input EXT.
- Press TRIG VIEW key.
- Press A/B key for only TRIG VIEW display.
- Press TRIG or X SOURCE key for EXT source.
- Press EXT AC/DC key for DC input coupling.
- Press TRIG coupl. key for DC trigger coupling.
- Adjust R3038 for a vertical display of exactly 6 divisions.

NOTE: The vertical position can be adjusted by the MTB LEVEL control.

#### Gain adjustment channel A (B).

The vertical adjustments of channels A and B are identical. The indications for channel B are shown in brackets after those of channel A. It is advisable to perform first the channel A adjustments in this section.

- Apply a 100 mV/1 kHz calibrated square-wave signal to input A (B).
- Press AUTO SET key.
- Set UP-DOWN ch.A (ch.B) to 20 mV.
- Press AC/DC key ch.A (ch.B) for DC input coupling.
- Adjust R1064 (R1164) for a vertical display of exactly 5 divisions.
- Apply a 10 mV/1 kHz calibrated square-wave signal to input A (B).
- Press AUTO SET key.
- Set UP-DOWN ch.A (ch.B) to 2 mV.
- Press AC/DC key ch.A (ch.B) for DC input coupling.
- Adjust R1074 (R1174) for a vertical display of exactly 5 divisions.

### 13.4.6 Adjustment of horizontal sensitivity

- Apply a 100 mV/1 kHz calibrated square-wave signal to input B.
- Press AUTO SET key.
- Press AC/DC key ch. B for DC input coupling.
- Press X DEFL key.
- Press A/B key for channel A selection.
- Set UP-DOWN ch.B to 20 mV.
- Adjust R3118 for a trace width of exactly 5 divisions.

### 13.4.7 Offset adjustments

#### Y-balance presetting:

- Short-circuit pin 1 and pin 3 (both outside pins of socket X3004 on unit A3) by means of a pair of tweezers.
- Adjust R3007 so that the line is in the centre of the screen.
- Remove the tweezers.

The adjustment in this Section are performed in SERVICE MENU "1".  
To enter this service menu, proceed as follows:

- Press MENU key.
- Keep MENU key pressed and press also AUTO SET key.
- Check LCD displays: "1", "2" and "3".
- Press V-ch.A (c.i. the left side of the channel A UP-DOWN control).
- Check LCD displays: "1.0".
- Each adjustment procedure can now be sequentially selected by pressing the MENU key. The LCD will indicate which order is selected (1.0...1.8).
- Adjust the potentiometers for minimum trace jump.

MEASURING	ADJUSTMENT	POTENTIOMETER	REMARKS
1.0	1-2-5 adjustment	R1021 (R1121)	rotate VAR A (B)
1.1	x1 continue	R1062 (R1162)	
1.2	x1/x10 offset	R1072 (R1172)	
1.3	trig. balance A	R1091	
1.4	trig. balance B	R1191	
1.5	trig. balance EXT	R1232	
1.6	NORM/INV.	R2212	
1.7	trig.view balance	R2426 R2261	minimize the trace jump line in centre of screen
1.8	DTM 1000-9000	R4406-R4408	see also section 13.4.13

- Press AUTO SET key twice to leave the service menu again.

X-deflection balance:

- Press MENU key.
- Press AUTO SET key.
- Set starting point of the line to the first vertical graticul line.
- Press X DEFL key.
- Adjust R2330 so that the point is the centre of the screen.

#### 13.4.8 Adjustment of trigger sensitivity

- Apply a 80 mV/10 kHz sine-wave signal to input A.
- Press AUTO SET key.
- Set UP-DOWN ch.A to 0,2 V.
- Set UP-DOWN MTB to 0,1 msec.
- Ensure that the trace height is exactly 0,4 division.
- Adjust R4009 for a well triggered display.

#### 13.4.9 Adjustment of the MTB sweep times

Adjustment of 1 msec:

- Apply a 1 msec time marker signal to input A.
- Press AUTO SET key.
- Set UP-DOWN MTB to 1 msec.
- Adjust R4108 and the X POS control so that the 2nd and 10th marker pulses coincide exactly with the 2nd and 10th vertical graticule lines.

## Adjustment of 1 microsec:

- Change the time marker signal to 1 microsec.
- Set UP-DOWN MTB to 1 microsec.
- Adjust R4107 and manipulate the X POS control so that the 2nd and 10th marker pulses coincide exactly with the 2nd and 10th vertical graticule lines.

## 13.4.10 Adjustment of the DTB sweep times

## Adjustment of 1 msec:

- Apply a 1 msec time marker signal to input A.
- Press AUTO SET key.
- Set UP-DOWN MTB to 2 msec.
- Press TB SELECT key for DTB-mode.
- Set UP-DOWN DTB to 1 msec.
- Adjust R4207 and the X POS control so that the 2nd and 10th marker pulses coincide exactly with the 2nd and 10th vertical graticule lines.

## Adjustment of 1 microsec:

- Change the time marker signal to 1 microsec.
- Press AUTO SET key.
- Set UP-DOWN MTB to 2 microsec.
- Press TB SELECT key for DTB-mode.
- Set UP-DOWN DTB to 1 microsec.
- Adjust R4208 and the X POS control so that the 2nd and 10th marker pulses coincide exactly with the 2nd and 10th vertical graticule lines.

## 13.4.11 Adjustment of x10 sweep times

## Adjustment of 100 microsec:

- Apply a 100 microsec. time marker signal to input A.
- Press AUTO SET key.
- Set UP-DOWN MTB to 1 msec.
- Press TB MAGN key for x10 magnification.
- Ensure that the LCD gives a 0,1 ms display.
- Adjust R4721 and the X POS control so that the 2nd and 10th marker pulses coincide exactly with the 2nd and 10th vertical graticule lines. This must be valid over 10% to 90% of the total X-deflection range.

## 13.4.12 Adjustment of delay time multiplier

The delay time multiplier adjustment can be performed with SERVICE MENU "1", measuring point 1.8 (see section 13.4.7)

- Set the start of the trace exactly on the first vertical graticule line by means of the X POS control.
- Enter SERVICE MENU "1".
- Select measuring number "1.8".
- Adjust R4406 and R4408 so that the start of the intensified part of the trace coincides with the 2nd and 10th vertical graticule lines respectively.
- Repeat the adjustments of R4406 and R4408 a couple of times since they are interdependent.
- Depress AUTO SET twice to leave the service menu again.

## 13.4.13 Square-wave response

Adjustment of square-wave response:

- Apply a 500 mV/1 MHz calibrated square-wave signal with rise time faster than 1 nsec to input A.
- Press AUTO SET key.
- Set UP-DOWN ch.A to 100 mV.
- Set UP-DOWN MTB to 50 nanosec.
- Press TB MAGN to \* 10.
- Preset C1051 in mid position.
- Preset R3042 clockwise.
- Preset C3015 for minimum overshoot.
- Press TB MAGN to \* 1.
- Set UP-DOWN MTB to 0,5 microsec.
- Adjust the square-wave response with R3017.
- Set UP/DOWN MTB to 0,1 microsec up to 5 nanosec.
- Adjust the square-wave response with R3013, C3007, C3005, C3015 and R3042 for optimum rise-time and minimum overshoot.
- Decrease the input voltage to 50 mV.
- Set UP-DOWN ch A.to 10 mV.
- Adjust the square-wave response with C1056.
- Apply the 500 mV/1 MHz calibrated square-wave signal to input B.
- Press AUTO SET key.
- Set UP-DOWN key ch.B to 100 mV.
- Set UP-DOWN key MTB to 5 nanosec.
- Adjust the square-wave response with C1151.
- Decrease the input voltage to 50 mV.
- Set UP-DOWN ch.B to 10 mV.
- Adjust the square-wave response with C1156.
- Apply the 500 mV/1 MHz calibrated square-wave signal to input EXT.
- Press TRIG VIEW key.
- Press TRIG or X SOURCE key for EXT DC source.
- Press TRIG COUPL key for DC triggering.
- Set the square-wave signal to + and - 2,5 divisions from the screen centre by means of the LEVEL control.
- Adjust the square-wave response with C1216.
- Remove the input signal again.

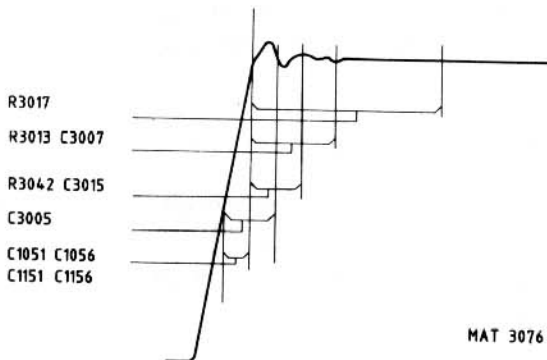


Figure 13.2 Square-wave response

#### Checking the chopper interference:

- Press A/B key so that both channels A and B are displayed.
- Press ALT/CHOP key for a chopped display.
- Set UP-DOWN ch.A and ch.B to 1 V.
- Press TB MAGN again for x1 magnification.
- Set UP-DOWN MTB to 0,5 msec.
- Press both GND keys for channel A and B.
- Adjust Y POS A and Y POS B controls for a 6 division distance between both lines.
- Ensure that the chopper interference between both channels is as small as possible; if necessary, readjust R3017.

NOTE: When readjustment of R3017 is necessary, it is recommended to ensure that the h.f. square-wave response is still correct. If necessary, readjust the relevant adjusting components.

#### Bandwidth check:

The indications for channel B are shown in brackets after those of channel A.

- Apply a 120 mV/50 kHz calibrated sine wave signal to input A(B). This 6 division signal amplitude functions as a reference.
- Press AUTO SET key.
- Set UP-DOWN ch.A (ch.B) to 20 mV.
- Set UP-DOWN MTB to 0,1 msec.
- Ensure that the amplitude display on the screen does not become smaller than 4,2 divisions over the total frequency range up to 100 MHz.

#### 13.4.14 Checking the AUTO SET function

- Set UP-DOWN ch.A to 10 V.
- Set UP-DOWN MTB to 0,5 sec.
- Apply a 120 mV/1 kHz sine-wave to input A.
- Press AUTO SET key.
- Ensure that a triggered sine-wave signal is visible on the screen with 2...5 division amplitude and 2...5 periods.

JTN

## 14. CORRECTIVE MAINTENANCE

### 14.1 REPLACEMENTS

**WARNING:** The EHT cable is directly connected to the CRT.  
When the EHT cable to the post-acceleration anode is disconnected, the cable must be discharged by shorting the terminal to the instrument's earth.

#### 14.1.1 Standard parts

Electrical and mechanical replacement parts can be obtained through your local Philips organisation or representative. However, many of the standard electronic components can be obtained from other local suppliers. Before purchasing or ordering replacement parts, check the parts list for value, tolerance, rating and description.

**NOTE:** Physical size and shape of a component may affect the instrument's performance, particularly at high frequencies. Always use direct-replacement components, unless it is known that a substitute will not degrade the instrument's performance.

#### 14.1.2 Special parts

In addition to the standard electronic components, some special components are used:

- Components, manufactured or selected by Philips to meet specific performance requirements.
- Components which are important for the safety of the instrument.

**ATTENTION:** Both type of components may only be replaced by components obtained through your local Philips organisation or representative.

#### 14.1.3 Transistors and integrated circuits

- Return transistors and IC's to their original positions, if removed during routine maintenance.
- Do not renew or switch semi-conductor devices unnecessarily, as it may affect the calibration of the instrument.
- Any replacement component should be of the original type or a direct replacement. Bend the leads to fit the socket or pcb-holes and cut the leads to the same length as on the component being renewed.
- When a device has been renewed, check the operation of the part of the instrument that may be affected.
- When re-installing power-supply transistors, use silicon grease to increase the heat-transfer capabilities.

**WARNING:** Handle silicon grease with care. Avoid contact with the eyes. Wash hands thoroughly after use.

14.1.4 Static-sensitive components

This instrument contains electrical components that are susceptible to damage from static discharge. Servicing static-sensitive assemblies or components should be performed only at a static-free work station by qualified service personnel.

14.1.5 Handling MOS devices (see figure 14.1)

Though all our MOS integrated circuits incorporate protection against electrostatic discharges, they can nevertheless be damaged by accidental over-voltages. In storing and handling them, the following precautions are recommended.

CAUTION: Testing or handling and mounting calls for special attention regarding personal safety. Personnel handling MOS devices should normally be connected to ground via a resistor.

14.1.5.1 Storage and transport

Store and transport the circuits in their original packing. Alternatively, use may be made of a conductive material or a special IC carrier that either short-circuits all leads or insulates them from external contact.

14.1.5.2 Testing or handling

Work on a conductive surface (e.g. metal table top) when testing the circuits or transferring them from one carrier to another. Electrically connect the person doing the testing or handling to the conductive surface, for example by a metal bracelet and a conductive cord to a chain. Connect all testing and handling equipment to the same surface. Signals should not be applied to the same surface. Signals should not be applied to the inputs while the device power supply is off. All unused input leads should be connected either to the supply voltage or to ground.

14.1.5.3 Mounting

Mount MOS integrated circuits on printed circuit boards after all other components have been mounted. Take care that the circuits themselves, metal parts of the board, mounting tools, and the person doing the mounting are kept at the same electrical (ground) potential. If it is impossible to ground the printed-circuit board, the person mounting the circuits should touch the board before bringing the MOS circuits into contact with it.

14.1.5.4 Soldering

Soldering iron tips, including those of low voltage irons, or soldering baths should also be kept at the same potential as the MOS circuits and the board.



#### 14.1.5.5 Static charges

Dress personnel in clothing of non-electrostatic material (no wool, silk or synthetic fibres). After the MOS circuits have been mounted, the proper handling precautions should still be observed. Until the sub-assemblies are inserted into the complete system in which the proper voltages are supplied, the board is not more than an extension of the leads of the devices mounted on the board.

To prevent static charges from being transmitted through the board wiring to the device it is recommended that conductive clips or conductive tape is put on the circuit board terminals.

#### 14.1.5.6 Transient voltages

To prevent permanent damage due to transfer voltages, do not insert or remove MOS devices, or printed-circuit boards with MOS devices, from test sockets or systems with power on.

#### 14.1.5.7 Voltage surges

Beware of voltage surges due to switching electrical equipment ON or OFF, relays and d.c. lines.

#### 14.1.6 Soldering and desoldering of surface mounted devices on unit 8

##### 14.1.6.1 Introduction

This description gives you a method for replacing surface mounted devices (SMD's) and incorporates subjects such as:

- required tools and materials.
- how to arrange the S.M.D.-workshop. (see figure 14.1)
- general hints for S.M.D.-handling.
- interchanging S.M.D.'s on unit 8

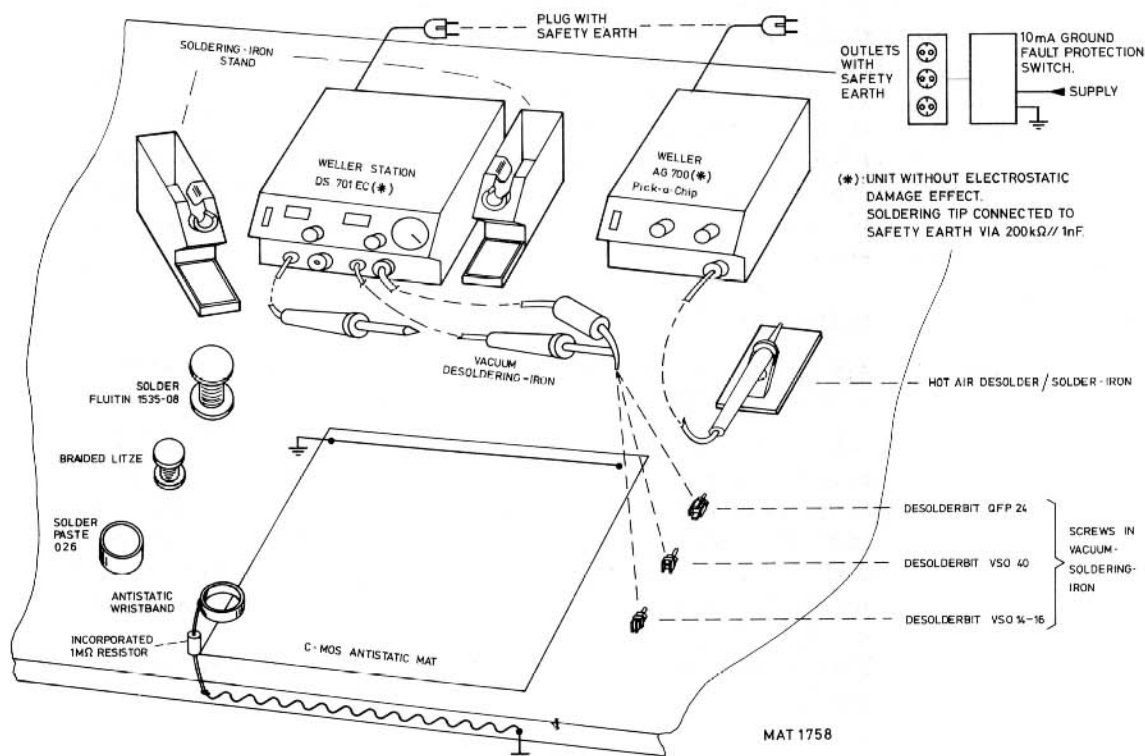


Figure 14.1 Arrangement of working area for S.M.D. exchange and MOS device

## 14.1.6.2 Required tools and materials

The following tools are necessary:

- A hot-air soldering/desoldering station for components with two or three leads: Weller AG 700 pick-a-chip.
- A vacuum, temperature controlled, soldering/desoldering station for components with four or more connections: Weller DS 701 EC.
- Desoldering accessories that can be attached to the Weller DS 701 EC-equipment: for dual-in-line S.M.D.'s VS0 40 (with 40 connections such as used on the LCD-unit) the type with Weller ordering code 587 13 703.
- A working area that has been secured against electro static discharge (E.S.D.).
- A pair of tweezers.

NOTE: The Weller equipment can be ordered via your local Weller-dealer.

The following material is necessary:

- "Fluittin" solder diameter of 0,8mm, 15/35, Sn Pb 60.
- Solder paste 026.
- Components. Since not all the components are marked, they must be kept in their original packing in order to avoid interchanging them.
- Desoldering braided wire.

## 14.1.6.3 General hints for s.m.d.-mounting

- Protection against ESD: since the working area must be suitable for repair of MOS-devices, some precautions must be taken (see fig. 14.1) All repairs must be done earthed which means that the repair surface, the soldering iron and the technician must be connected to the earth potential. This is achieved by using a C-MOS antistatic mat that must be connected to earth. The service-technician is connected to earth by wearing an antistatic wristband.
- Components: desoldered components cannot be used again since desoldering is done at a temperature of 350 degrees Celcius while they can only withstand 240 degrees Celcius for max. 10 sec. Keep the new components as long as possible in their original packing in order to avoid damage and mixing up new and old S.M.D.'s.
- For an optimal supply of heat a working area must be used that does not lead away the heat: the antistatic mat in figure 14.1. meets this requirement.

## 14.1.6.4 Interchanging the smd's on unit 8

Use the equipment Weller DS 701 EC and attach the suitable desoldering piece for VS0 40. Then proceed as follows:

- Adjust the desoldering temperature to 350 degrees Celcius and place the desoldering piece on the IC that has to be removed. (Take care that all connections of the IC are equally heated up).
- Switch the vacuum on and lift the component from the p.c.b.
- Clean the p.c.b. tracks, on which the new component has to be soldered, with braided wire or with the use of the vacuum desoldering equipment DS 701 EC.
- Put solder paste on the connections of the new component and position it on the p.c.b.

- Position the component by soldering first the outside connections in a crosswise manner. Soldering temperature must be 240 degrees Celcius. Keep the soldering time as short as possible.
- Solder now the other connections.
- If necessary you must remove superfluous rests of solder with the use of braided wire.

## 14.2 REMOVING THE UNITS AND MECHANICAL PARTS

NOTE: For installation, reverse the sequence.

### 14.2.1 Attenuator unit (A1)

- Push gently both clamping lips that secure the metal locking plate for the attenuator unit and remove the locking plate.
- Push the attenuator unit backwards for about 1 cm.
- Remove the front unit (see section 14.2.7).
- Remove the control knobs of the CRT control unit.
- Pull gently both clamping lips that secure the front profile gently backwards and loosen the front profile.

ATTENTION: To avoid damage, ensure that the BNCs of the attenuator unit are behind the front profile before loosening the front profile.

Now the attenuator unit can easily be pulled out of the instrument after removing the connector with flat cable and the ground connector.

Dismantling the Attenuator unit:

- For access to the components of the unit, remove both upper and bottom covers.
- When removing the BNCs first unsolder the wire to the p.c.b. and then unscrew the BNC-nut with a spanner of max. 5 mm thickness.

### 14.2.2 Pre-amplifier unit (A2)

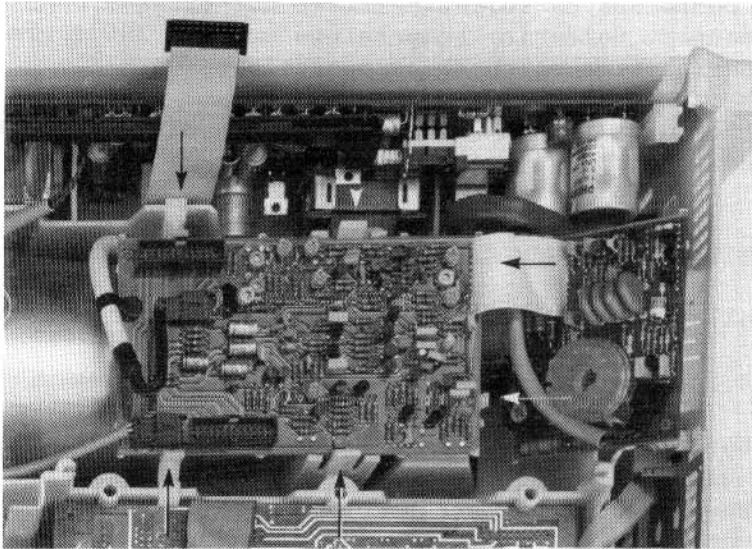
- First remove the time-base unit (see section 14.2.4).
- Unlock the two p.c.b. supports.
- The complete p.c.b. can be removed from the instrument after having removed all flat cables.

### 14.2.3 XYZ-amplifier unit (A3)

The XYZ amplifier unit incorporates two separate p.c.b.'s connected via a flat cable. One p.c.b. includes among other things the CRT socket and must be loosened first. For this, the CRT socket must be gently removed from the CRT.

Now the part situated above the CRT can be removed as follows:

- Remove all flat cables and the delay line cable plug.
- Pull all six clamping lips that secure the XYZ-amplifier unit p.c.b. outwards and take out the complete unit.



MAT 2234

Figure 14.2 Six clamping lips for XYZ-amplifier unit

#### 14.2.4 Time-base unit (A4)

- Unlock the p.c.b. support with a special tool that fits the diameter of the p.c.b. support (see section 14.6.2).
- The complete p.c.b. can be taken out of the instrument after having removed all flat cables.

#### 14.2.5 CRT control unit (A5)

- Remove the front unit (see section 14.2.7)
- Loosen the front profile (see section 14.2.1)
- Now the CRT control unit can be pulled out of the front profile after having removed the flat-cable and the CAL connector.

#### 14.2.6 Power supply unit (A6)

**WARNING:** Inside the power supply pcb there are many parts that carry dangerous high voltages. Some of these voltages remain some time after disconnecting the instrument from the mains. Therefore, it is recommended to wait at least five minutes after having disconnected the instrument from the mains, before removing the p.c.b. If working on the power supply unit under live condition cannot be avoided, it must be done by a qualified technician who is aware of the dangers involved.

- Remove the extension shaft from the ON/OFF switch by pushing both ends together.
- Push both clamping lips that secure the power supply unit.
- Lift the power supply unit outside the instrument.
- Place the p.b.c. in the unit slider.

- NOTES: - After the above actions, the power supply unit can be measured under working conditions, provided that all cables are still connected to the unit.
- The flat cable to the CRT control unit can easily be removed now when removing this unit.
- Remove the two flat cables, the power supply cable, the two- and three-pole cable connectors and the EHT-connector from the CRT.
- WARNING: The EHT cable is directly connected to the CRT. When the EHT cable to the post-acceleration anode is disconnected, the cable must be discharged by shorting the terminal to the instrument's earth.
- The power supply can now be taken out of the instrument.

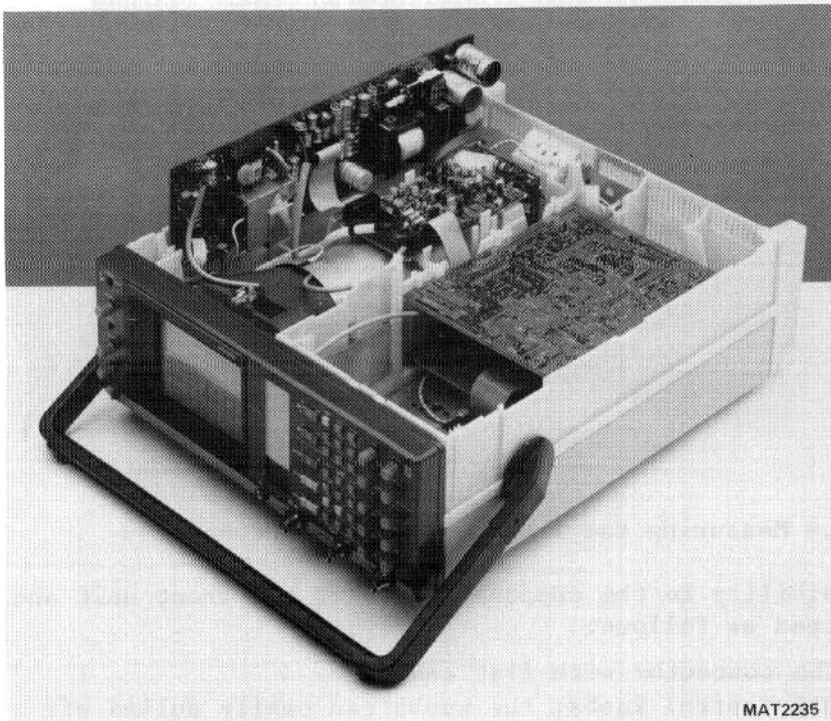


Figure 14.3 Power supply unit outside the instrument

14.2.7 Front unit (A7) and LCD unit (A8)

- Unscrew the two screws, located at the rear of the front unit.
- Now the complete unit assembly can be slid out of the front profile of the instrument.

NOTE: After the above actions, the front unit can be measured under working conditions, provided that the flat cable is still connected to the unit.



Figure 14.4 Measuring the front unit working condition

For accessibility to the component side of the front unit and LCD unit, proceed as follows:

- Unplug the connector with flat cable.
- Remove all control knobs; the knobs can easily be pulled off the potentiometer spindles.
- Pull all clamping lips that secure the front unit PCB gently outwards and loosen the text plate.

NOTE: The LCD unit is connected to the front unit by means of two 3-pin connectors and can be easily pulled off. The LCD display lamp can be reached after pulling off the LCD unit.

ATTENTION: The LCD is unbreakably connected to the LCD unit and cannot be exchanged as a separate component. When the LCD is defective, the complete LCD unit must be replaced.

### 14.2.8 Removing the delay line cable

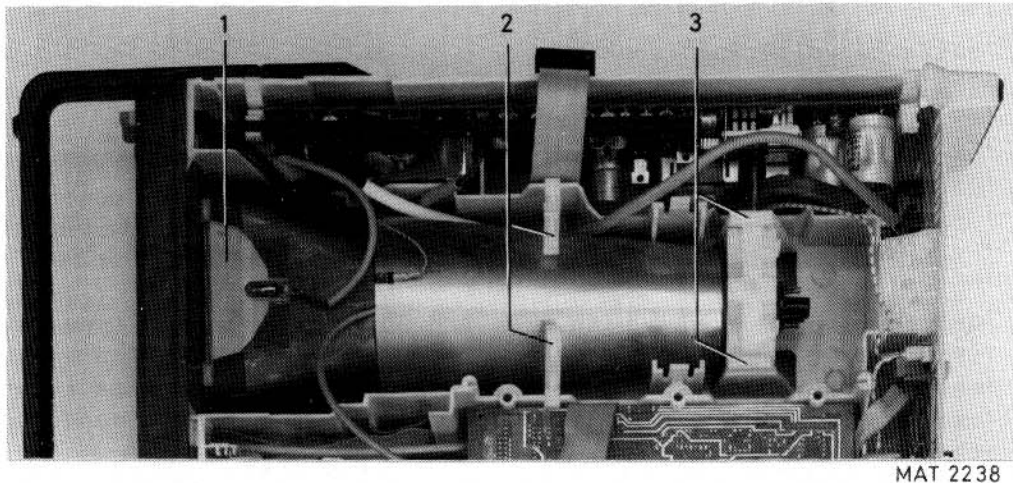
The delay line cable is a 54 cm cable that is connected to the amplifier unit and to the XYZ amplifier unit.

To remove the delay line cable, proceed as follows:

- For access to the delay line cable, remove the time-base unit (see section 14.2.4) and the pre-amplifier unit (see section 14.2.2).
- Unlock the plastic clamps that fix the cable to the instrument's chassis and to the units.
- Remove the plug that connect the delay line cable to the pre-amplifier unit.
- Unscrew the plastic clamp that fix the cable to the XYZ-amplifier unit.
- Remove the plug that connects the delay line cable to the XYZ-amplifier unit.

### 14.2.9 Replacement of CRT

**IMPORTANT:** It is strongly recommended to study of this chapter and the associated illustration (figure 14.5) before starting replacement.



MAT 2238

Figure 14.5 Removing the CRT

- Remove the XYZ-amplifier unit, see section 14.2.3.
- Remove the graticule lamp holder (1).
- Remove the bezel with the screen filter.
- Remove the two plastic p.c.b. supports (2).
- Unlock the EHT-cable.

**WARNING:** Handle the CRT carefully. Rough handling or scratching can cause the CRT to implode.

- Push the two clamping lips that secure the CRT support (3) and gently lift the CRT, incl. metal shielding out of the instrument.

**NOTE:** Before re-assembling a new CRT, first remove its protective cover and place the CRT front rubber around the CRT-front.

## 14.3 SOLDERING TECHNIQUES

Working method:

- Carefully unsolder one after the other the soldering leads of the semi-conductor.
- Remove all superfluous soldering material. Use a suction iron of suction litze wire.
- Check that the leads of the replacement part are clean and pre-tinned on the soldering place.
- Locate the replacement semi-conductor exactly on its place, and solder each lead to the relevant printed conductor on the circuit board.

NOTE: Bear in mind that the maximum permissible soldering time is 10 seconds during which the temperature of the leads must not exceed 250°C. The use of solder with a low melting point is therefore recommended.

Take care not to damage the plastic encapsulation of the semi-conductor (softening point of the plastic is 150°C).

ATTENTION: When you are soldering inside the instrument, it is essential to use a low-voltage soldering iron, the tip of which must be earthed to the mass of the oscilloscope.

Suitable soldering irons are:

- ORYX micro-miniature soldering instrument, type 6 A, voltage 6 V, in combination with PLATO pin-point tip type 0-569.
- ERSA miniature soldering iron, type minor 040 B, voltage 6 V.
- Low Voltage Mini Soldering Iron, type 800/12 W-6 V, power 12 W, voltage 6 V, order no. 4822 395 10004, in combination with lmm pin-point tip, order no. 4822 395 10012.

Ordinary 60/40 solder with core and 35 to 40 W pencil type soldering iron can be used for the majority of the soldering. If a higher wattage-rating soldering iron is used on the etched circuit boards, excessive heat can cause the etched circuit wiring to separate from the board base material.

## 14.4 INSTRUMENT REPACKING

If the instrument is to be shipped to a Service Centre for service or repair, attach a tag showing the full address and the name of the individual at the users firm that can be contacted. The Service Centre needs the complete instrument, its serial number and a fault description. If the original packing is not available, repack the instrument in such a way that no damage occurs during transport.



## 14.5 TROUBLE SHOOTING

### 14.5.1 Introduction

The following information is provided to facilitate trouble shooting. Information contained in other sections of the manual should also be used to locate the defect. An understanding of the circuit is helpful in locating troubles, particularly where integrated circuits are used. Refer to the circuit description for this information.

### 14.5.2 Trouble-shooting techniques

If a fault appears, the following test sequence can be used to find the defective part:

- Check if the settings of the controls of the oscilloscope are correct. Consult the Operating Instructions.
- Check the equipment to which the oscilloscope is connected and the interconnection cables.
- Check if the oscilloscope is well-calibrated. If not, refer to section 13. "Checking and Adjusting".
- Visually check the part of the oscilloscope in which the fault is suspected. In this way, it is possible to find faults such as bad soldering connections, bad interconnection plugs and wires, damaged components or transistors and IC's that are not correctly plugged into their sockets.
- Location of the circuit part in which the fault is suspected: the symptom often indicates this part of the circuit. If the power supply is defective the symptom will appear in several circuit parts.

After having carried out the previous steps, individual components in the suspected circuit parts must be examined:

- Transistors and diodes. Check the voltage between base and emitter (0,7 V approx. in conductive state) and the voltage between collector and emitter (0,2 V approx. in saturation) with a voltmeter or an oscilloscope. When removed from the p.c.b. it is possible to test the transistor with an ohmmeter since the base/collector junctions can be regarded as diodes. Like a normal diode, the resistance is very high in one direction and low in the other direction. When measuring take care that the current from the ohmmeter does not damage the component under test.  
Replace the suspected component by a new one if you are sure that the circuit is not in such condition that the new component will be damaged.
- Integrated circuits. In circuit, testing can be done with an oscilloscope or voltmeter. A good knowledge of the circuit part under test is essential. Therefore, first read the circuit descriptions in sections 3...10.
- Capacitors. Leakage can be traced with an ohmmeter adjusted to its highest resistance range. When testing take care of polarity and maximum allowed voltage. An open capacitor can be checked if the response for AC signals is observed. Also a capacitance meter can be used: compare the measured value with the value and tolerance indicated in the parts list.
- Resistors. Can be checked with an ohmmeter after having unsoldered one side of the resistor from the pcb. Compare the measured value with the value and tolerance indicated in the parts list.

- Coils and transformers. An ohmmeter can be used for tracing an open circuit. Shorted or partially shorted windings can be found by checking the waveform responses when HF signals are passed through the circuit. Also an inductance meter can be used.
- Data latches. To measure on inputs and outputs of data latches a measuring oscilloscope can be triggered by the clock signal which is connected to the clock input of the data latch.  
This measurement can only be made in this way when there is an acceptable repetition time of the clock signal. A too low clock pulse repetition time results in a low intensity of the trace on the measuring oscilloscope screen.  
The outputs can easily be checked by a voltmeter or oscilloscope.

#### 14.5.3 Power-up routine

Every time the instrument is switched-on the following initialisation program is executed:

- Resetting the IIC-bus.
- Resetting D2603 (OQ 0200).
- Determining the SLAVE-address of D2603.
- Checking if Service routine is required (if yes the program will continue with the service routine).
- Checking the "WATCH-DOG" on A7 (if HIGH, all relevant LCD-segments will be lighting for about 1 sec).
- Eventually initialisation of the IEEE-option.

If during the program-run a circuit is found to be faulty, the program stops. It is recommended to switch-off and after a few seconds switch-on again. This will reset the micro-computer controlled system automatically. If the instrument goes in the same faulty situation again, the following procedure indicates how to handle. If no failure is found, all relevant LCD-segments will be lighting for about one second. After this the normal program is executed.

#### PROCEDURE:

Check the SDA and SCL lines after having switched-on. On the SCL a clock-pulse must be present, while the SDA gives the data-information (looks like a random pulse). If one of these signals is not present, you can localize on what unit the fault exists. This can be done by first unplugging connector X1009 or X2001 on resp. A1 and A2. To localize what serial-parallel conversion IC is defective, you can disconnect the solder joint in the SDA and SCL print track lead to that IC. The following IC's can be disconnected in this way: D1001, D1101, D2602, D2603, D4001, D4002, D4401.

When the instrument restarts every time again, this means the WATCHDOG is initiating the main program (see also section 10.1.4), the watchdog can be disabled. This can be done by means of the solder joint jumper on the rear of the front unit pcb (near X7001).

When disabled, pin 13 of the microcomputer is set to a low level.

#### 14.5.4 Trouble-shooting the power supply

To determine whether a certain fault condition is initiated by the power supply itself or by the connected oscilloscope circuits, a dummy load is listed in the table below. The table gives also an example of the resistor types that can be used to compose the dummy load. These resistors can be ordered at Concern Service.

Supply voltage	Output current	Dummy resistance and their service ordering numbers
+ 5 V	2,4 A	2,1E-12W: 3 x 8,2E (4822 112 21052) and 10E (4822 112 21054) in parallel.
- 6,4 V	930 mA	6,9E-6W: 8,2E (4822 112 41052) and 47E (4822 110 23072) in parallel.
+ 12 V	720 mA	17,2E-8,7W: 33E (4822 112 41067) and 39E (4822 112 43069) in parallel.
- 12 V	500 mA	24,7E-6W: 39E (4822 112 41069) and 68E (4822 112 41076) in parallel.
+ 17 V	340 mA	51E-6W: 1E (4822 110 23027) in serial with 2 x 100E (4822 112 41081) in parallel.
- 17 V	100 mA	171E-1,7W: 270E (4822 110 43092) and 470E (4822 110 43098) in parallel.
+ 48 V	140 mA	341E-7W: 330E (4822 112 41094) in serial with 12E (4822 110 23056).
- 48 V	40 mA	1k22-2W: 2k2 (4822 110 23116) and 2k7 (4822 110 23118) in parallel.

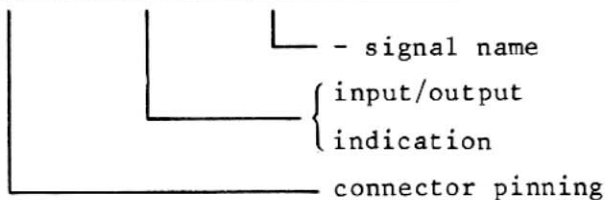
#### 14.5.5 P.c.b. interconnections

Figure 14.5 gives a survey of all interconnections between the p.b.c.'s and to the CRT. Also the interconnections between the connectors on board level is given in this diagram.

An explanation of the connector indication is given below:

1	*		
2		o	
3	x		
4			

- \*: Input signal for the related p.c.b.
- o: Output signal for the related p.c.b.
- x: Interconnection between two or more sockets of the p.c.b.  
Not used on the related p.c.b.



## 14.6 SPECIAL TOOLS

### 14.6.1 Trimming Kit SBC 317 - 4822 310 50095

The SBC 317 Trimming Kit matches every current trimming requirement for all products. The set contains 27 items (22 different bits, plus 3 bit holders and 2 extension pieces). The insulated holders and extension pieces make it easy to reach into a chassis and make accurate adjustments, without wasting time or risking shocks.

The SBC 317 Trimming Kit is packed in a flat transparent case. Several of the most commonly required bits are duplicated. In addition, a spare set of 8 bits is separately available as replacement (4822 310 50016).

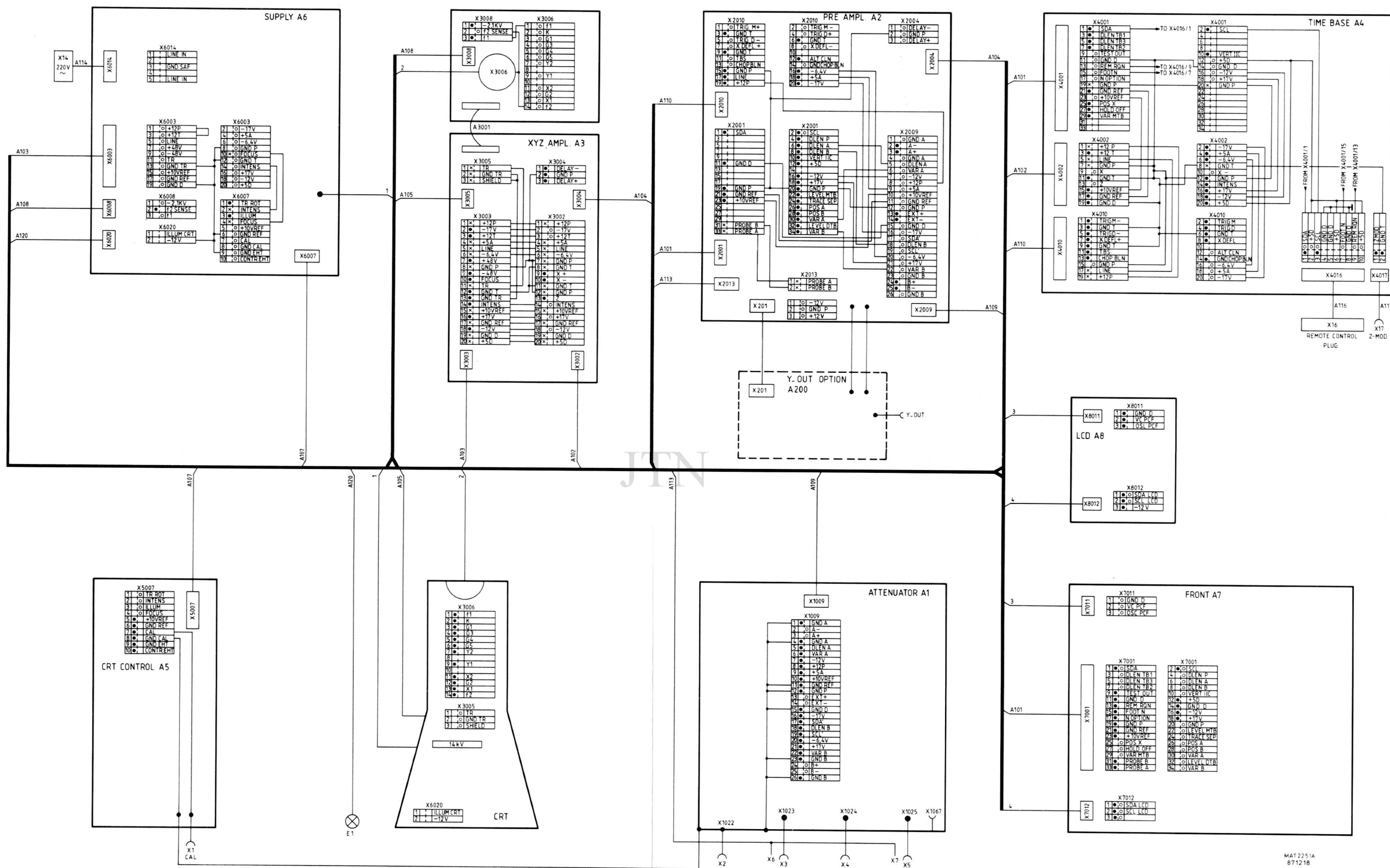
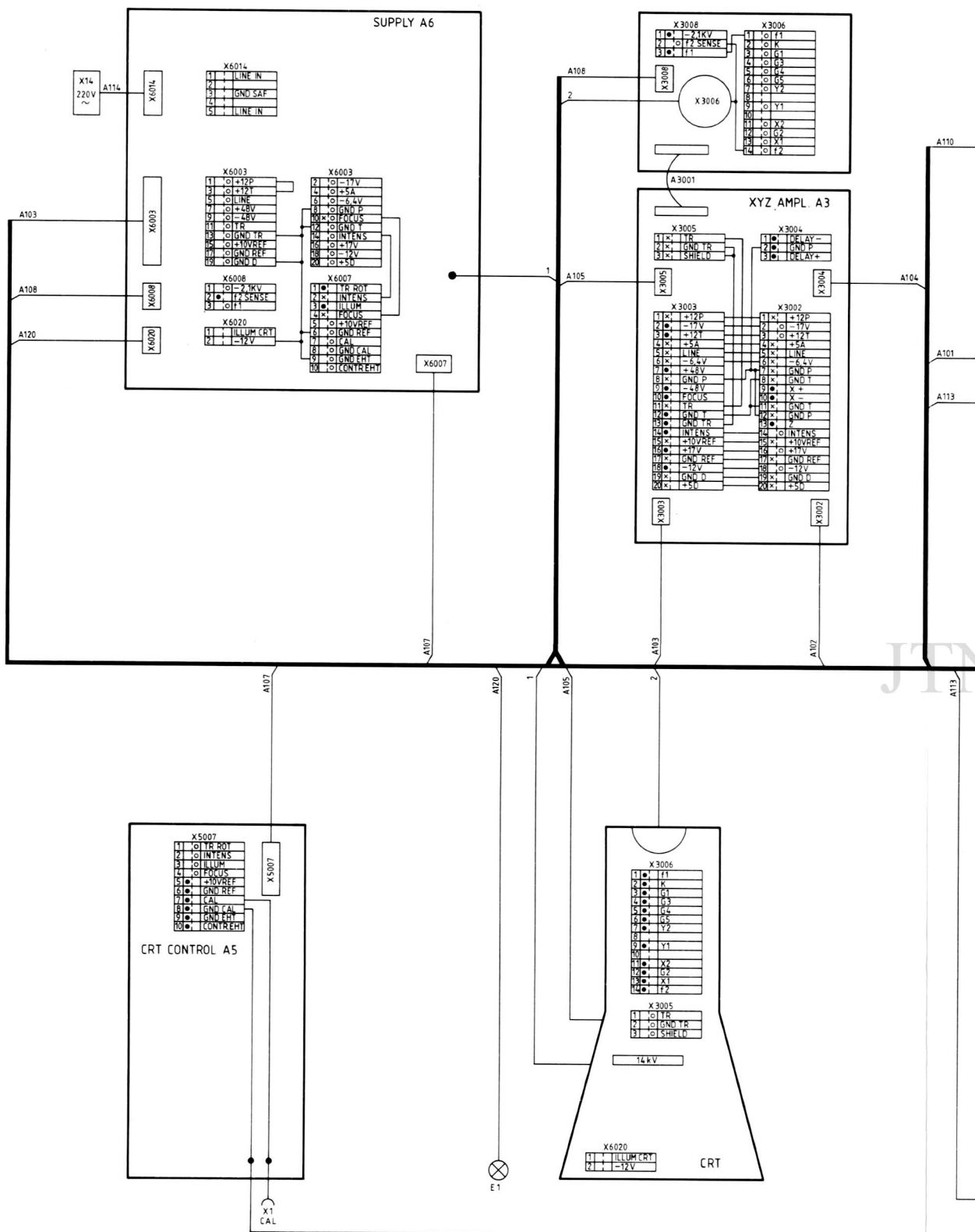


Figure 14.6 P.c.b. interconnections

MAT 2251A  
87121B



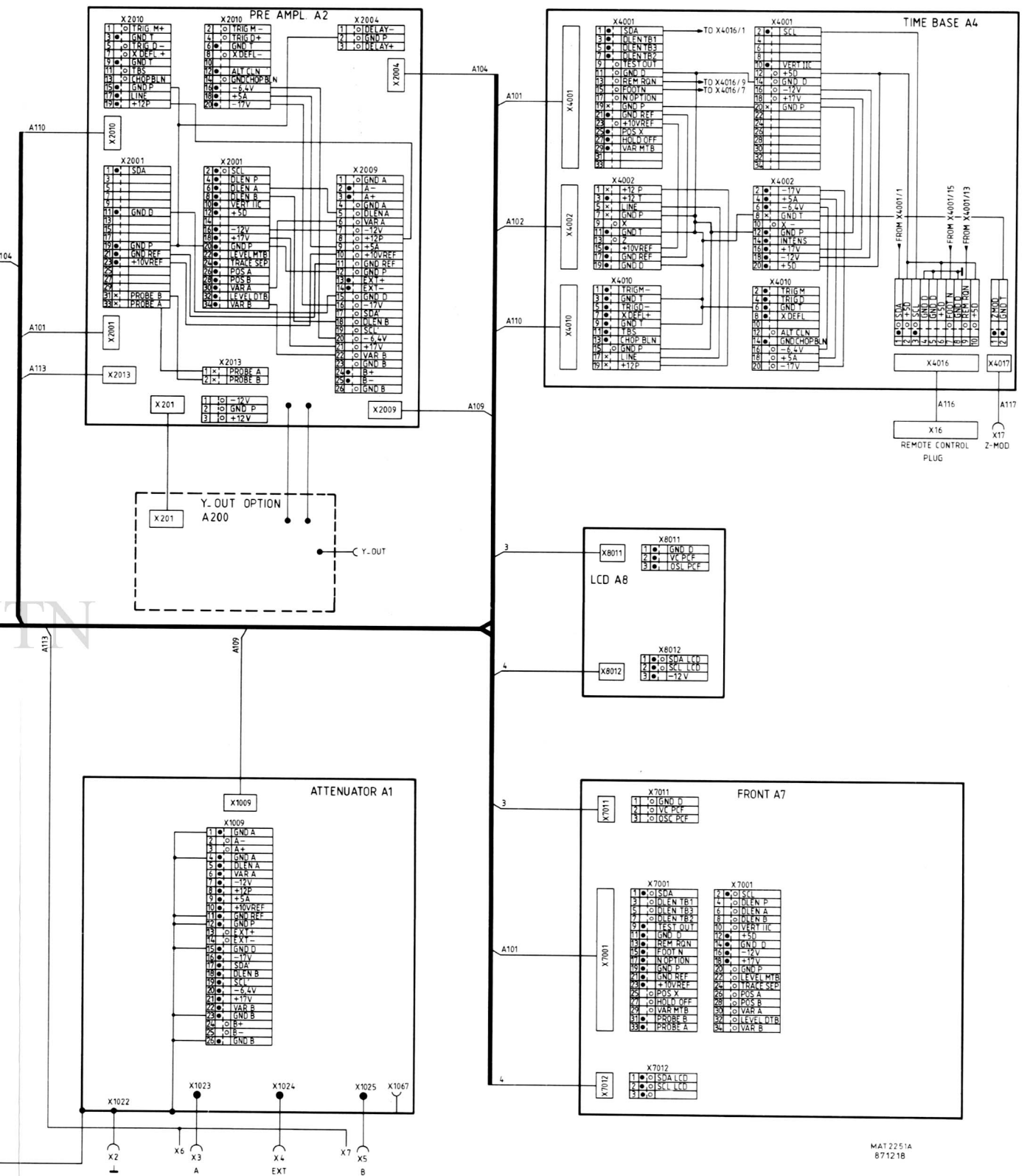


Figure 14.6 P.c.b. interconnections

The Trimming Kit contains the following parts:

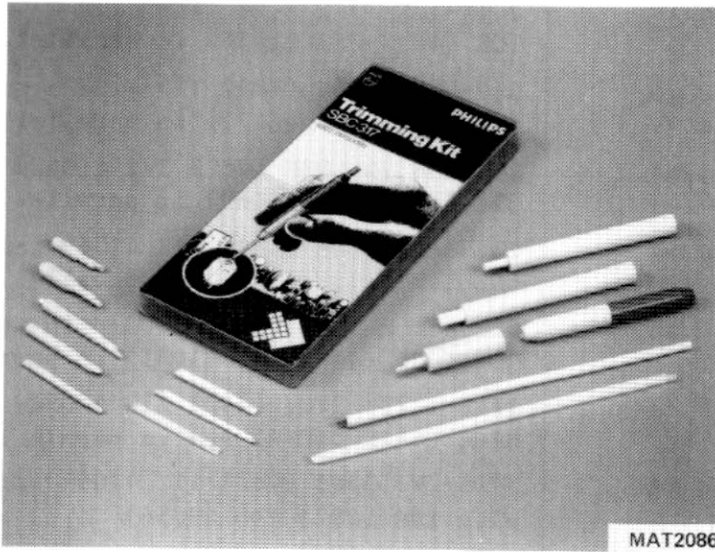


Figure 14.7 Trimming tool kit

14.6.2 P.c.b. snapper - 5322 535 91942

A special tool is available for removal of the pcb from the p.c.b. supports. Information on how to use this tool is given in chapter 14.2. The ordering number of this tool is 5322 535 91942

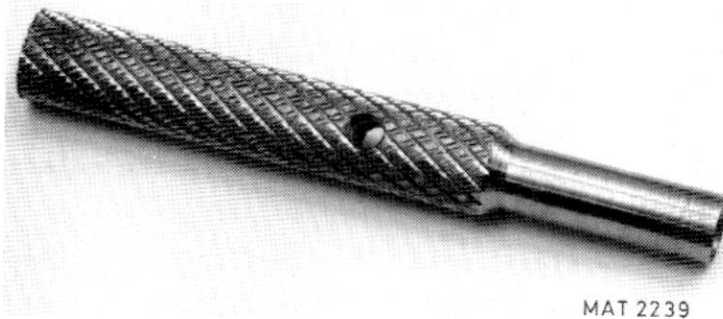


Figure 14.8 P.c.b. snapper

14.7 RECALIBRATION AFTER REPAIR

After any electrical component has been renewed the calibration of its associated circuit should be checked, as well as the calibration of other closely-related circuits. Since the power supply affects all circuits, calibration of the entire instrument should be checked if work has been done in the power supply or if the transformer has been renewed.

## 15. SAFETY INSPECTION AND TEST AFTER REPAIR AND MAINTENANCE IN THE PRIMARY CIRCUIT

### 15.1 GENERAL DIRECTIVES

- Take care that the creepage distances and clearances have not been reduced.
- Before soldering, the wires should be bent through the holes of solder tags, or wrapped around the tag in the form of an open U, or, wiring rigidity shall be maintained by cable clamps or cable lacing.
- Replace all insulating guards and -plates.

### 15.2 SAFETY COMPONENTS

Components in the primary circuit may only be renewed by components selected by Philips, see also section 14.1.2.

### 15.3 CHECKING THE PROTECTIVE EARTH CONNECTION

The correct connection and condition is checked by visual control and by measuring the resistance between the protective lead connection at the plug and the cabinet/frame. The resistance shall not be more than 0,1 Ohm. During measurement the mains cable should be removed from the mains. Resistance variations indicate a defect.

### 15.4 CHECKING THE INSULATION RESISTANCE

Measure the insulation resistance at  $U = 500$  V dc between the mains connections and the protective lead connections. For this purpose, set the mains switch to ON. The insulation resistance shall not be less than 2 Meg-ohm.

NOTE: 2 Meg-ohm is a minimum requirement at  $40^{\circ}\text{C}$  and 95% Relative Humidity. Under normal conditions the insulation resistance should be much higher (10 ... 20 Meg-ohm).

### 15.5 CHECKING THE LEAKAGE CURRENT

The leakage current shall be measured between each pole of the mains supply in turn, and all accessible conductive parts connected together (including the measuring earth terminal). The leakage current is not excessive if the measured currents from the mentioned parts does not exceed 0,5 mA rms.



15.6 VOLTAGE TEST

The instrument shall withstand, without electrical breakdown, the application of a test voltage between the supply circuit and accessible conductive parts that are likely to become energized. The test potential shall be 1500 V rms at supply-circuit frequency, applied for one second.

The test shall be conducted when the instrument is fully assembled, and with the primary switch in the ON position.

During the test, both sides of the primary circuit of the instrument are connected together and to one terminal of the voltage test equipment; the other voltage test equipment terminal is connected to the accessible conductive parts.

JTN

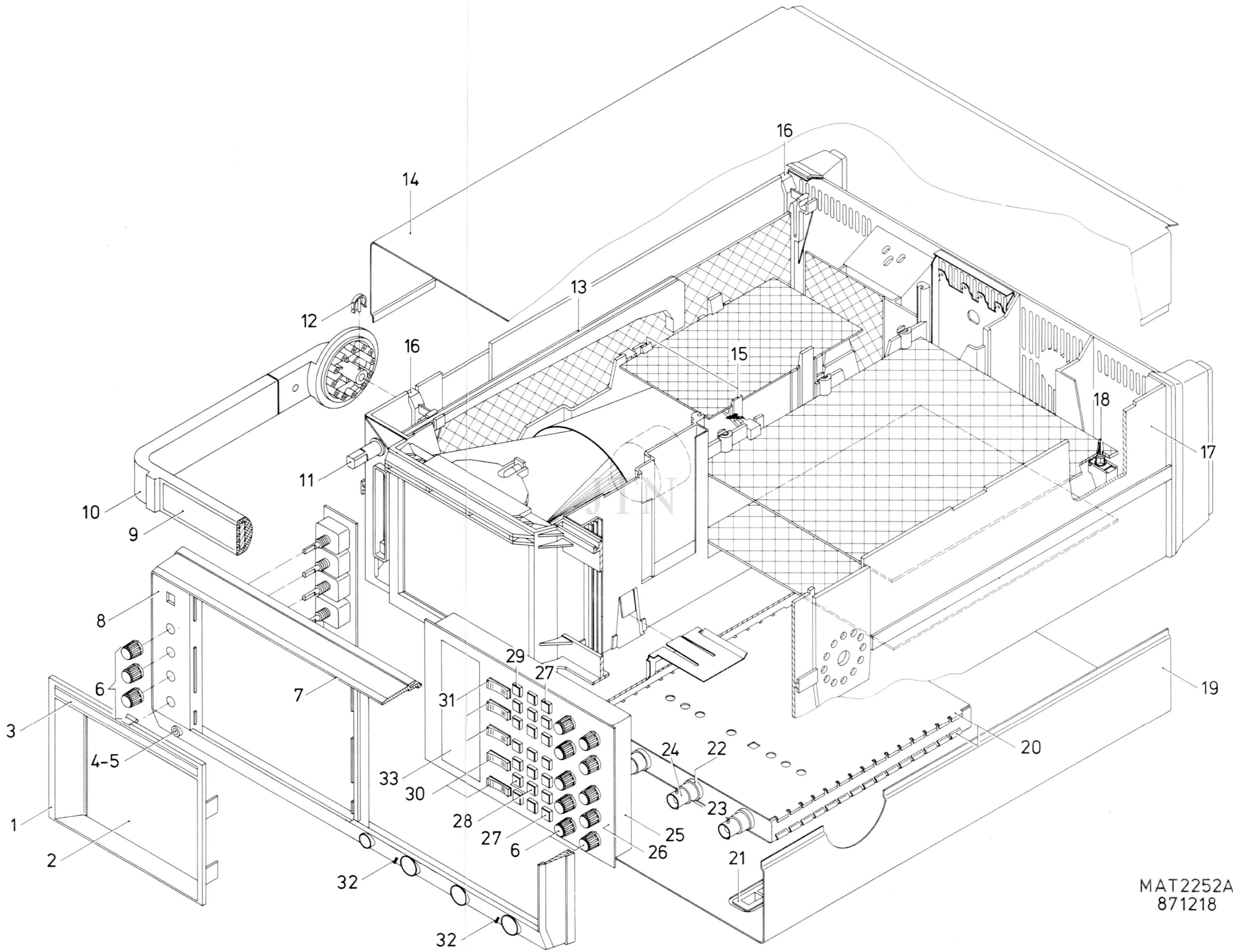
## 16. PARTS LIST

(subject to alteration without notice)

### 16.1 MECHANICAL PARTS

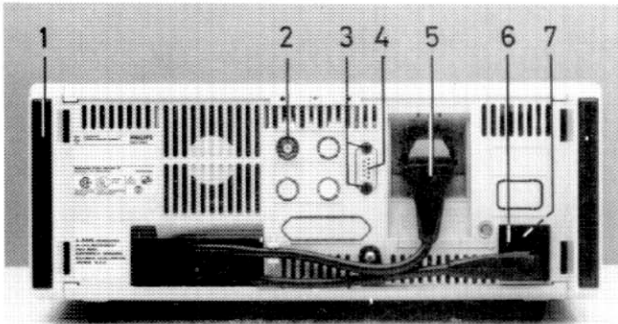
#### 16.1.1 Mechanical parts indicated in figure 16.1.

Item	Qty	Ordering code	Description
1	1	5322 381 10779	Bezel
2	1	5322 480 30181	Contrast filter blue
3	1	5322 455 81064	Textfilm on bezel PM3065
3	1	5322 455 81065	Textfilm on bezel PM3067
4	1	5322 268 14052	CAL socket
5	1	4822 530 70296	Clamping spring for CAL socket
6	13	5322 414 10018	Control knob with spring
7	1	5322 464 90252	Front frame
8	1	5322 455 81026	Textfilm CRT unit
9	1	5322 455 81067	Textfilm for handle PM3065
10	1	5322 498 50219	Handle assembly
11	1	5322 414 60142	Power-on knob, green-brown
12	2	5322 492 63355	Spring for handle
13	1	5322 535 80735	Extension part for power-on switch
14	1	5322 464 90248	Upper cabinet
15	2	5322 462 10264	P.c.b. guiding for A6
16	2	5322 462 10265	P.c.b. support for A3
17	1	5322 464 90486	Chassis
18	6	5322 462 30304	P.c.b. support
19	1	5322 464 90249	Bottom cabinet
20	2	5322 447 91487	Attenuator cover
21	4	5322 462 50325	Bottom foot
22	3	5322 506 41006	BNC nut (not visible)
23	3	5322 532 21188	BNC spacer ring
24	3	5322 267 10004	BNC socket
25	1	5322 464 90254	Front unit frame
26	1	5322 455 81028	Textfilm for front unit
27	18	5322 276 11856	Softkey brown
28	2	5322 276 11858	Softkey beige
29	1	5322 276 11857	Softkey green
30	2	5322 277 10879	UP-DOWN key beige
31	3	5322 277 10878	UP-DOWN key brown
32	2	5322 492 63354	Range indication spring
33	1	5322 450 60952	LCD window
--	3	5322 255 40054	Heatsink for V3011 and V3012
--	2	5322 401 10954	Delay line cable clamp



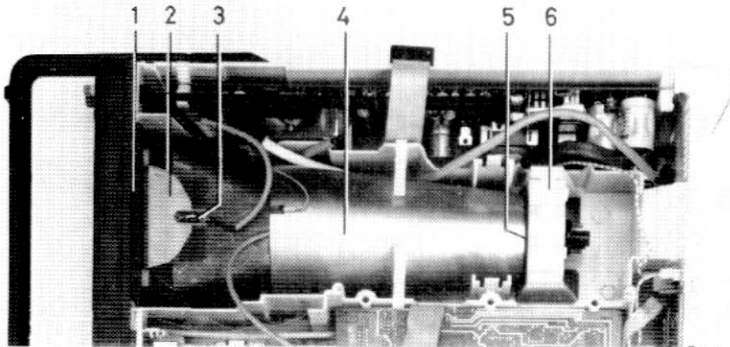
MAT2252A  
871218

Figure 16.1 Exploded view



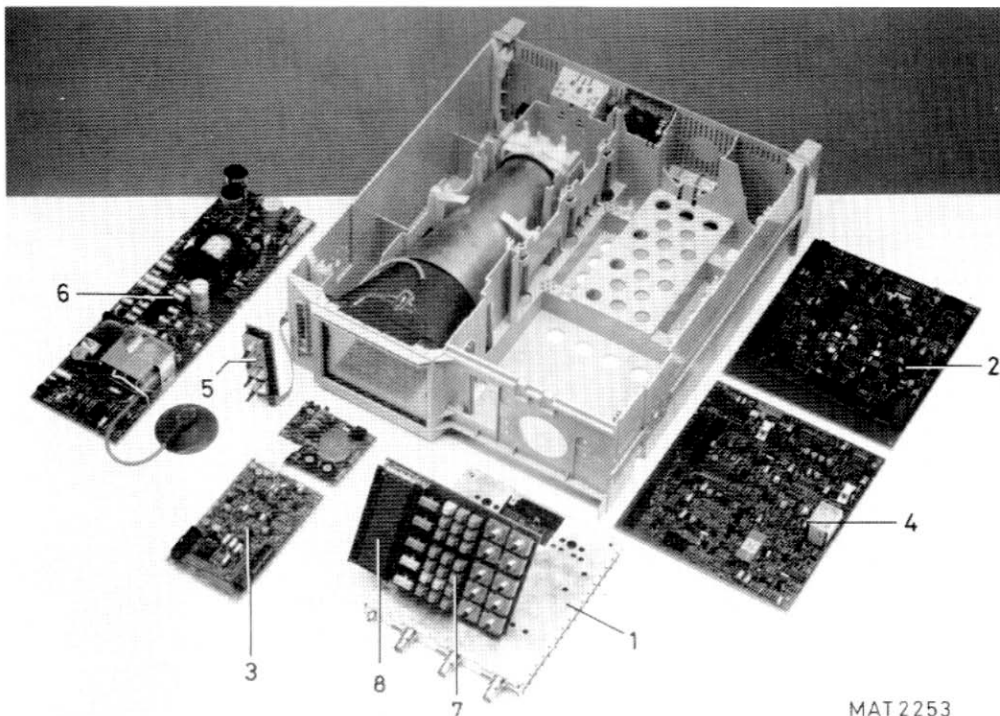
MAT2254

Figure 16.2 Rear view



MAT 2296

Figure 16.3 Inside view showing the parts in the CRT compartment



MAT 2253

Figure 16.4 View of the units

## 16.1.2 Mechanical parts indicated in figure 16.2

Item	Qty	Ordering code	Description
1	2	5322 462 50324	Rear foot
2	1	5322 267 10004	BNC socket for Z-MOD
3	4	5322 502 12003	Screws for Remote control socket and Mains socket.
4	1	5233 321 22665	Remote control socket, incl. cable
5	1	5322 321 21616	Line cable, European version
	1	5322 321 10446	Line cable, USA version
	1	5322 321 21617	Line cable, British version
	1	5322 321 21618	Line cable, Swiss version
	1	5322 321 21781	Line cable, Australean version
6	1	5322 219 81119	Mains input socket, incl. fuse holder
7	1	4822 253 30024	Fuse 1,6A (for mains input)

## 16.1.3 Mechanical parts indicated in figure 16.3

Item	Qty	Ordering code	Description
1	1	5322 460 60404	CRT front rubber
2	1	5322 462 40957	Light conductor for CRT
3	1	5322 134 40534	Lamp 28V-40mA
4	1	5322 466 30163	CRT shielding
5	1	5322 466 30164	CRT manchete, rubber
6	1	5322 462 10263	CRT support

## 16.2 UNITS (see figure 16.4)

Item	Unit nr.	Ordering code	Description
1	A1	5322 214 90066	Attenuator unit
2	A2	5322 214 90067	Pre-amplifier unit
3	A3	5322 214 90068	XYZ-amplifier unit
4	A4	5322 214 90069	Time-base unit
5	A5	5322 216 51118	CRT-control unit
6	A6	5322 216 51195	Power supply unit
7	A7	5322 216 51113	Front unit
8	A8	5322 216 51121	LCD unit

## 16.3 CABLES AND CONNECTORS

## 16.3.1 Flatcables and connectors

For the flatcables used in this oscilloscope, the required version must be made by yourself with the following parts:

- Universal flatcable, 40 wires, length 60 cm 5322 323 50112

To get the required number of wires, the flat cable must be split by means of a pair of scissors or a knife.  
The cable must be cut to the required length.

- Flatcable connectors

The connectors can be mounted on the flatcable by means of a pair of pliers or in a bench-vice.

**ATTENTION:** Check the position of the flatcable in the connector before pressing the connector together.

The following connectors are available:

10 pole cable connector	X4016-X5007-X6007	5322 268 40234
20 pole cable connector	X2010-X3002-X3003- X4002-X4010-X6009	5322 268 40235
26 pole cable connector	X1009-X2009	5322 267 70175
34 pole cable connector	X2001-X4001-X7001	5322 268 40236

The following AMP-connectors are available:

2 pole-single, without contact pins	5322 268 40232
3 pole-single, without contact pins	5322 268 40233
bus contact for AMP-cable connector, per piece:	5322 268 20152
5 pole connector for power-in:	5322 267 50452
bus contact for connector, per piece:	5322 268 24128

- Flatcable connector clamp 5322 401 11156

## 16.3.2 P.c.b.-connectors (male headers)

Type	Item	Ordering number
2 pole-single	X2013-X4017-X6020	5322 265 20275
3 pole-single	X6006-X6019	5322 265 30434
3 pole-single	X6018 (power supply)	5322 265 40435
3 pole-single 90° type	X2004-X3004-X3005-X3008	5322 265 30433
5 pole-single	X6014	5322 265 40436
10 pole-double	X4016-X5007-X6007	5322 265 40485
20 pole-double	X2010-X3002-X3003 X4002-X4010-X6003	5322 265 51129
26 pole-double	X1009-X2009	5322 265 61071
34 pole-double	X2001-X4001	5322 265 61069
34 pole-double 90° type	X7001	5322 265 61068
CRT-socket	X3006	5322 255 40502

## 16.3.3 Miscellaneous cables

- Delay line cable, 54 cm long 5322 321 21595
- Flex jump cable, used for interconnection for A3 - 11 pole. 5322 290 60605

## 16.4 ELECTRICAL PARTS

## 16.4.1 CAPACITORS

POSNR	DESCRIPTION	ORDERING CODE	POSNR	DESCRIPTION	ORDERING CODE
C 1001	0.25PF 3.3PF	5322 122 32549	C 1130	-20+50% 10NF	4822 122 31414
C 1002	-20+50% 10NF	4822 122 31414	C 1131	-20+50% 10NF	4822 122 31414
C 1003	2% 22PF	5322 122 32143	C 1132	BZV86C2V0	4822 130 81424
C 1004	7-10.0 PF MUR	5322 125 11013	C 1132	-20+50% 10NF	4822 122 31414
C 1005	1P8	4822 122 31185	C 1133	150P	4822 122 31413
C 1006	-20+50% 10NF	4822 122 31414	C 1134	47P	4822 122 31072
C 1007	0.25PF 3.3PF	4822 122 31821	C 1135	3N3	4822 122 30099
C 1008	10% 1NF	4822 122 30027	C 1136	470P	4822 122 30034
C 1008	ON 4401 SET	5322 310 10325	C 1137	47P	4822 122 31072
C 1009	2% 27PF	4822 122 30045	C 1138	10% 470PF	4822 122 30034
C 1010	1P8	4822 122 31185	C 1139	10% 1.5NF	4822 122 31169
C 1011	0.25PF 3.3PF	5322 122 32549	C 1140	10% 1.5NF	4822 122 31169
C 1012	-20+50% 10NF	4822 122 31414	C 1142	-20+50% 10NF	4822 122 31414
C 1013	2% 27PF	4822 122 30045	C 1143	2P2	4822 122 31036
C 1013	ON 4401 SET	5322 310 10325	C 1144	-20+50% 10NF	4822 122 31414
C 1014	7-10.0 PF MUR	5322 125 11013	C 1146	-20+50% 10NF	4822 122 31414
C 1015	0.25PF 2.2PF	5322 122 32774	C 1147	-20+50% 10NF	4822 122 31414
C 1016	2% 33PF	5322 122 32551	C 1151	7-10.0 PF MUR	5322 125 11013
C 1017	-20+50% 10NF	4822 122 31414	C 1153	12P	4822 122 31056
C 1018	7-10.0 PF MUR	5322 125 11013	C 1156	20P	5322 125 50296
C 1019	4P7	5322 122 33082	C 1158	33P	5322 122 32072
C 1020	10P	4822 122 32185	C 1161	-20+50% 10NF	4822 122 31414
C 1021	-20+50% 10NF	4822 122 31414	C 1162	-20+50% 10NF	4822 122 31414
C 1022	-20+50% 10NF	4822 122 31414	C 1164	-20+50% 10NF	4822 122 31414
C 1023	-20+50% 10NF	4822 122 31414	C 1166	-20+50% 10NF	4822 122 31414
C 1024	400V 10% 22NF	5322 121 40308	C 1171	10% 1.5NF	4822 122 31169
C 1026	-20+50% 10NF	4822 122 31414	C 1172	10% 1.5NF	4822 122 31169
C 1029	3P9	5322 122 34107	C 1201	-20+50% 10NF	4822 122 31414
C 1030	-20+50% 10NF	4822 122 31414	C 1202	400V 10% 22NF	5322 121 40308
C 1031	-20+50% 10NF	4822 122 31414	C 1203	0.25PF 1.8PF	4822 122 31185
C 1032	-20+50% 10NF	4822 122 31414	C 1204	2% 27PF	5322 122 32774
C 1033	150P	4822 122 31413	C 1206	7-10.0 PF MUR	5322 125 11013
C 1034	47P	4822 122 31072	C 1207	0.25PF 3.9PF	5322 122 34107
C 1035	3N3	4822 122 30099	C 1208	10% 2.2NF	4822 122 30114
C 1036	470P	4822 122 30034	C 1209	2N2	4822 122 30114
C 1037	47P	4822 122 31072	C 1211	150P	4822 122 31413
C 1038	10% 470PF	4822 122 30034	C 1212	10% 1.5NF	4822 122 31169
C 1039	10% 1.5NF	4822 122 31169	C 1216	20P	5322 125 50296
C 1040	10% 1.5NF	4822 122 31169	C 1217	2% 22PF	5322 122 32143
C 1041	10% 1.5NF	4822 122 31169	C 1218	1P2	5322 122 32312
C 1042	-20+50% 10NF	4822 122 31414	C 1219	150P	4822 122 31413
C 1043	2P2	4822 122 31036	C 1401	-20+50% 10NF	4822 122 31414
C 1044	-20+50% 10NF	4822 122 31414	C 1402	-10+50% 68UF	4822 124 20689
C 1046	-20+50% 10NF	4822 122 31414	C 1403	-20+50% 10NF	4822 122 31414
C 1047	-20+50% 10NF	4822 122 31414	C 1404	-20+50% 10NF	4822 122 31414
C 1051	7-10.0 PF MUR	5322 125 11013	C 1405	-20+50% 10NF	4822 122 31414
C 1053	12P	4822 122 31056	C 1406	-10+50% 68UF	4822 124 20689
C 1056	20P	5322 125 50296	C 1407	-20+50% 10NF	4822 122 31414
C 1058	33P	5322 122 32072	C 1408	-20+50% 10NF	4822 122 31414
C 1061	-20+50% 10NF	4822 122 31414	C 1421	-20+50% 10NF	4822 122 31414
C 1062	-20+50% 10NF	4822 122 31414	C 1422	-10+50% 68UF	4822 124 20689
C 1064	-20+50% 10NF	4822 122 31414	C 1423	-20+50% 10NF	4822 122 31414
C 1066	-20+50% 10NF	4822 122 31414	C 1424	-20+50% 10NF	4822 122 31414
C 1071	10% 1.5NF	4822 122 31169	C 1425	-20+50% 10NF	4822 122 31414
C 1072	10% 1.5NF	4822 122 31169	C 1426	-10+50% 68UF	4822 124 20689
C 1101	0.25PF 3.3PF	5322 122 32549	C 1427	-20+50% 10NF	4822 122 31414
C 1102	-20+50% 10NF	4822 122 31414	C 1428	-20+50% 10NF	4822 122 31414
C 1103	2% 22PF	5322 122 32143	C 1441	-20+50% 10NF	4822 122 31414
C 1104	7-10.0 PF MUR	5322 125 11013	C 1442	-10+50% 68UF	4822 124 20689
C 1105	1P8	4822 122 31185	C 1443	-20+50% 10NF	4822 122 31414
C 1106	-20+50% 10NF	4822 122 31414	C 1446	-10+50% 68UF	4822 124 20689
C 1107	0.25PF 3.3PF	4822 122 31821	C 1447	-20+50% 10NF	4822 122 31414
C 1108	10% 1NF	4822 122 30027	C 1451	-10+50% 68UF	4822 124 20689
C 1109	2% 27PF	4822 122 30045	C 1452	-10+50% 47UF	4822 124 20699
C 1110	1P8	4822 122 31185	C 1453	-20+50% 10NF	4822 122 31414
C 1111	0.25PF 3.3PF	5322 122 32549	C 1454	-20+50% 10NF	4822 122 31414
C 1112	-20+50% 10NF	4822 122 31414	C 1455	10N	4822 122 31414
C 1113	2% 27PF	4822 122 30045	C 1456	10N	4822 122 31414
C 1113	ON 4401 SET	5322 310 10325	C 2000	22P	5322 122 32143
C 1114	7-10.0 PF MUR	5322 125 11013	C 2002	680P	4822 122 30053
C 1115	0.25PF 2.2PF	5322 122 32774	C 2003	10% 1.5NF	4822 122 31169
C 1116	2% 33PF	5322 122 32551	C 2004	10% 1.5NF	4822 122 31169
C 1117	-20+50% 10NF	4822 122 31414	C 2006	-20+50% 10NF	4822 122 31414
C 1118	7-10.0 PF MUR	5322 125 11013	C 2008	10% 1.5NF	4822 122 31169
C 1119	4P7	5322 122 33082	C 2009	10% 1.5NF	4822 122 31169
C 1120	10P	4822 122 32185	C 2049	10% 1.5NF	4822 122 31169
C 1121	-20+50% 10NF	4822 122 31414	C 2051	10% 1.5NF	4822 122 31169
C 1122	-20+50% 10NF	4822 122 31414	C 2100	22P	5322 122 32143
C 1123	-20+50% 10NF	4822 122 31414	C 2101	BZV86-C2V0	4822 130 81424
C 1124	400V 10% 22NF	5322 121 40308	C 2102	680P	4822 122 30053
C 1126	-20+50% 10NF	4822 122 31414	C 2103	10% 1.5NF	4822 122 31169
C 1129	3P9	5322 122 34107	C 2104	10% 1.5NF	4822 122 31169
			C 2106	-20+50% 10NF	4822 122 31414
			C 2108	10% 1.5NF	4822 122 31169
			C 2109	10% 1.5NF	4822 122 31169
			C 2147	10% 1.5NF	4822 122 31169
			C 2148	10% 1.5NF	4822 122 31169
			C 2149	10% 1.5NF	4822 122 31169
			C 2150	-20+50% 10NF	4822 122 31414
			C 2151	10% 1.5NF	4822 122 31169

POSNR	DESCRIPTION	ORDERING CODE	POSNR	DESCRIPTION	ORDERING CODE
C 2152	10% 1.5NF	4822 122 31169	C 2764	-20+50% 10NF	4822 122 31414
C 2154	10% 1.5NF	4822 122 31169	C 2771	-20+50% 10NF	4822 122 31414
C 2201	-20+50% 10NF	4822 122 31414	C 2772	-10+50% 150UF	4822 124 20672
C 2203	-20+50% 10NF	4822 122 31414	C 2773	-20+50% 10NF	4822 122 31414
C 2207	-20+50% 10NF	4822 122 31414	C 2774	-10+50% 68UF	4822 124 20689
C 2211	-20+50% 10NF	4822 122 31414	C 2776	-20+50% 10NF	4822 122 31414
C 2212	10% 1.5NF	4822 122 31169	C 2777	63V 10% 100NF	5322 121 42386
C 2213	10% 1.5NF	4822 122 31169	C 2781	-20+50% 10NF	4822 122 31414
C 2214	-20+50% 10NF	4822 122 31414	C 3001	-20+50% 10NF	4822 122 31414
C 2215	-20+50% 10NF	4822 122 31414	C 3002	-20+50% 10NF	4822 122 31414
C 2216	2P7	4822 122 31038	C 3003	-20+50% 10NF	4822 122 31414
C 2217	8P2	4822 122 31052	C 3005	7-10.0 PF MUR	5322 125 11013
C 2218	2P7	4822 122 31038	C 3007	7-10.0 PF MUR	5322 125 11013
C 2219	10% 1.5NF	4822 122 31169	C 3009	5P6	5322 122 32163
C 2220	10% 1.5NF	4822 122 31169	C 3011	2% 27PF	4822 122 30045
C 2221	10% 1.5NF	4822 122 31169	C 3013	1P2	5322 122 32312
C 2223	10% 1.5NF	4822 122 31169	C 3014	BZX79-B33	4822 130 34142
C 2224	10% 1.5NF	4822 122 31169	C 3014	1P2	5322 122 32312
C 2225	10% 470PF	4822 122 30034	C 3015	10PF	5322 125 50049
C 2226	10% 470PF	4822 122 30034	C 3021	-20+50% 10NF	4822 122 31414
C 2229	10% 470PF	4822 122 30034	C 3022	-20+50% 10NF	4822 122 31414
C 2230	10% 470PF	4822 122 30034	C 3101	10% 1.5NF	4822 122 31169
C 2317	0.25PF 1.5PF	5322 122 32101	C 3102	10% 1.5NF	4822 122 31169
C 2318	10% 470PF	4822 122 30034	C 3104	47N	5322 121 42491
C 2321	0.25PF 1.5PF	5322 122 32101	C 3105	-20+50% 10NF	4822 122 31414
C 2326	-20+50% 10NF	4822 122 31414	C 3106	100N	5322 121 42492
C 2327	-20+50% 10NF	4822 122 31414	C 3107	0.25PF 2.7PF	4822 122 31038
C 2328	63V 10% 100NF	5322 121 42386	C 3108	0.25PF 0.82PF	4822 122 31214
C 2329	63V 10% 100NF	5322 121 42386	C 3109	63V 10% 100NF	5322 121 42386
C 2331	63V 10% 100NF	5322 121 42386	C 3110	-20+50% 10NF	4822 122 31414
C 2332	63V 10% 100NF	5322 121 42386	C 3111	-20+50% 10NF	4822 122 31414
C 2333	63V 10% 100NF	5322 121 42386	C 3113	0.25PF 0.82PF	4822 122 31214
C 2335	2% 12PF	4822 122 31056	C 3114	100V 10% 47NF	5322 121 43088
C 2336	-20+50% 10NF	4822 122 31414	C 3116	63V 10% 100NF	5322 121 42386
C 2337	-20+50% 10NF	4822 122 31414	C 3130	0.25PF 0.68PF	4822 122 31215
C 2338	10% 470PF	4822 122 30034	C 3200	0.25PF 0.56PF	5322 122 32107
C 2339	-20+50% 10NF	4822 122 31414	C 3201	0.25PF 0.56PF	5322 122 32107
C 2340	-20+50% 10NF	4822 122 31414	C 3202	63V 10% 100NF	5322 121 42386
C 2342	2% 22PF	5322 122 32143	C 3203	63V 10% 100NF	5322 121 42386
C 2345	0.25PF 1.5PF	5322 122 32101	C 3204	-20+50% 10NF	4822 122 31414
C 2346	10% 1.5NF	4822 122 31169	C 3206	63V 10% 100NF	5322 121 42386
C 2348	10% 1.5NF	4822 122 31169	C 3208	10% 470PF	4822 122 30034
C 2350	0.25PF 2.7PF	4822 122 31038	C 3209	-20+50% 2.2NF	5322 122 50093
C 2507	-20+50% 10NF	4822 122 31414	C 3211	-20+50% 2.2NF	5322 122 50093
C 2516	0.25PF 3.9PF	5322 122 34107	C 3250	100V 10% 10NF	5322 121 43086
C 2517	10% 470PF	4822 122 30034	C 3251	220N	4822 121 42408
C 2518	0.25PF 3.9PF	5322 122 34107	C 3252	-20+50% 2.2NF	5322 122 50093
C 2519	2% 12PF	4822 122 31056	C 3253	-20+50% 10NF	4822 122 31414
C 2600	2% 22PF	5322 122 32143	C 3254	-20+50% 10NF	4822 122 31414
C 2601	63V 10% 100NF	5322 121 42386	C 3256	0.25PF 0.56PF	5322 122 32107
C 2602	-20+50% 10NF	4822 122 31414	C 3257	-20+50% 10NF	4822 122 31414
C 2611	10% 1NF	4822 122 30027	C 3258	-20+50% 2.2NF	5322 122 50093
C 2612	-20+50% 10NF	4822 122 31414	C 3301	-10+50% 47UF	4822 124 20699
C 2613	10% 470PF	4822 122 30034	C 3302	-20+50% 10NF	4822 122 31414
C 2616	10% 470PF	4822 122 30034	C 3303	-10+50% 47UF	4822 124 20699
C 2701	-10+50% 100UF	4822 124 20679	C 3304	-20+50% 10NF	4822 122 31414
C 2702	-20+50% 10NF	4822 122 31414	C 3305	-20+50% 10NF	4822 122 31414
C 2703	-20+50% 10NF	4822 122 31414	C 3306	-20+50% 10NF	4822 122 31414
C 2704	-20+50% 10NF	4822 122 31414	C 3307	-20+50% 10NF	4822 122 31414
C 2706	-10+50% 100UF	4822 124 20679	C 3308	-20+50% 10NF	4822 122 31414
C 2707	-20+50% 10NF	4822 122 31414	C 3309	-20+50% 10NF	4822 122 31414
C 2708	-20+50% 10NF	4822 122 31414	C 3311	-10+50% 47UF	4822 124 20699
C 2709	-20+50% 10NF	4822 122 31414	C 3312	-10+50% 47UF	4822 124 20699
C 2710	-20+50% 10NF	4822 122 31414	C 3313	-20+50% 10NF	4822 122 31414
C 2711	-20+50% 10NF	4822 122 31414	C 3314	-10+50% 15UF	4822 124 20729
C 2712	-20+50% 10NF	4822 122 31414	C 3316	-20+50% 10NF	4822 122 31414
C 2713	-20+50% 10NF	4822 122 31414	C 3317	-20+50% 10NF	4822 122 31414
C 2714	-20+50% 10NF	4822 122 31414	C 3318	-20+50% 10NF	4822 122 31414
C 2715	-20+50% 10NF	4822 122 31414	C 3319	-10+50% 15UF	4822 124 20729
C 2716	-10+50% 68UF	4822 124 20689	C 3321	-20+50% 10NF	4822 122 31414
C 2718	-20+50% 10NF	4822 122 31414	C 3322	-20+50% 10NF	4822 122 31414
C 2719	-20+50% 10NF	4822 122 31414	C 3324	-20+50% 10NF	4822 122 31414
C 2720	-20+50% 10NF	4822 122 31414	C 3326	-20+50% 10NF	4822 122 31414
C 2721	-20+50% 10NF	4822 122 31414	C 4001	2% 100PF	4822 122 31316
C 2722	-20+50% 10NF	4822 122 31414	C 4002	2% 100PF	4822 122 31316
C 2723	-10+50% 47UF	4822 124 20699	C 4003	100V 10% 10NF	5322 121 43086
C 2724	-20+50% 10NF	4822 122 31414	C 4004	10% 4.7NF	4822 122 31125
C 2726	-10+50% 68UF	4822 124 20689	C 4005	10% 4.7NF	4822 122 31125
C 2727	-20+50% 10NF	4822 122 31414	C 4006	-20+50% 10NF	4822 122 31414
C 2728	-20+50% 10NF	4822 122 31414	C 4007	10% 470PF	4822 122 30034
C 2741	-20+50% 10NF	4822 122 31414	C 4011	-20+50% 10NF	4822 122 31414
C 2744	-20+50% 10NF	4822 122 31414	C 4013	2% 47PF	4822 122 31072
C 2746	-20+50% 10NF	4822 122 31414	C 4028	2% 100PF	4822 122 31316
C 2747	-10+50% 68UF	4822 124 20689	C 4029	2% 100PF	4822 122 31316
C 2748	-20+50% 10NF	4822 122 31414	C 4071	2% 100PF	4822 122 31316
C 2751	-10+50% 47UF	4822 124 20699	C 4072	2% 100PF	4822 122 31316
C 2753	-20+50% 10NF	4822 122 31414	C 4081	-20+50% 10NF	4822 122 31414
C 2754	-20+50% 10NF	4822 122 31414	C 4101	-20+50% 10NF	4822 122 31414
C 2756	-20+50% 10NF	4822 122 31414	C 4103	-20+50% 10NF	4822 122 31414
C 2761	-20+50% 10NF	4822 122 31414	C 4105	63V 10% 100NF	5322 121 42386
C 2762	-20+50% 10NF	4822 122 31414			



POSNR	DESCRIPTION	ORDERING CODE	POSNR	DESCRIPTION	ORDERING CODE
C 4106	-10+50% 150UF	4822 124 20672	C 4841	2% 12PF	4822 122 31056
C 4107	-20+50% 10NF	4822 122 31414	C 4888	-10+50% 47UF	4822 124 20699
C 4108	2% 100PF	4822 122 31316	C 4889	-10+50% 47UF	4822 124 20699
C 4109	-20+50% 10NF	4822 122 31414	C 4891	-20+50% 10NF	4822 122 31414
C 4110	63V 10% 470NF	5322 121 43085	C 4893	-20+50% 10NF	4822 122 31414
C 4112	-20+50% 10NF	4822 122 31414	C 4894	-20+50% 10NF	4822 122 31414
C 4113	630V 1% 1NF	4822 121 50591	C 4895	-20+50% 10NF	4822 122 31414
C 4114	100V 10% 10UF	5322 121 41727	C 4896	-20+50% 10NF	4822 122 31414
C 4115	2% 10PF	4822 122 32185	C 4897	-20+50% 10NF	4822 122 31414
C 4116	10% 1.5NF	4822 122 31169	C 4898	-20+50% 10NF	4822 122 31414
C 4117	2% 100PF	4822 122 31316	C 4899	-20+50% 10NF	4822 122 31414
C 4118	-20+50% 10NF	4822 122 31414	C 5001	-20+50% 10NF	4822 122 31414
C 4120	63V 10% 100NF	5322 121 42386	C 5002	-20+50% 10NF	4822 122 31414
C 4122	63V 10% 100NF	5322 121 42386	C 5003	-20+50% 10NF	4822 122 31414
C 4123	-10+50% 47UF	4822 124 20699	C 5004	-20+50% 10NF	4822 122 31414
C 4124	-20+50% 10NF	4822 122 31414	C 5006	-20+50% 10NF	4822 122 31414
C 4126	-10+50% 47UF	4822 124 20699	C 6001	250V 10% 220NF	5322 121 44142
C 4201	-20+50% 10NF	4822 122 31414	C 6002	ME275 20% 1NF	5322 121 42583
C 4209	-20+50% 10NF	4822 122 31414	C 6003	63V 10% 100NF	5322 121 42386
C 4210	2% 10PF	4822 122 32185	C 6004	63V 10% 100NF	5322 121 42386
C 4212	-20+50% 10NF	4822 122 31414	C 6005	-20+50% 1.5NF	5322 122 50092
C 4213	630V 1% 1NF	4822 121 50591	C 6006	ME275 20% 1NF	5322 121 42583
C 4214	100NF 20% 250V	5322 122 34151	C 6007	68UF/385V	5322 124 22796
C 4216	10% 1.5NF	4822 122 31169	C 6008	68UF/385V	5322 124 22796
C 4217	2% 100PF	4822 122 31316	C 6009	47N	5322 121 42491
C 4301	63V 10% 100NF	5322 121 42386	C 6011	-10+50% 33UF	4822 124 20712
C 4302	4.7UF 63V	4822 124 20726	C 6012	2% 220PF	4822 122 30094
C 4303	-20+50% 10NF	4822 122 31414	C 6013	10% 4.7NF	4822 122 31125
C 4304	2% 220PF	4822 122 30094	C 6014	160V 1% 33NF	5322 121 50997
C 4306	-20+50% 10NF	4822 122 31414	C 6017	2000V 5% 1.5NF	4822 121 40541
C 4307	-20+50% 10NF	4822 122 31414	C 6018	10% 4.7NF	4822 122 31125
C 4311	2% 100PF	4822 122 31316	C 6031	10N	4822 121 41857
C 4400	10% 1NF	4822 122 30027	C 6032	63V 10% 220NF	4822 121 42408
C 4401	-20+50% 10NF	4822 122 31414	C 6033	10N	4822 121 41857
C 4402	10% 1NF	4822 122 30027	C 6041	63V 10% 100NF	5322 121 42386
C 4403	63V 10% 100NF	5322 121 42386	C 6042	63V 10% 100NF	5322 121 42386
C 4404	63V 10% 100NF	5322 121 42386	C 6100	-20+20% 6800UF	4822 124 40692
C 4405	-20+50% 10NF	4822 122 31414	C 6101	-20+20% 6800UF	4822 124 40692
C 4406	63V 10% 100NF	5322 121 42386	C 6102	-10+50% 680UF	4822 124 20685
C 4407	63V 10% 100NF	5322 121 42386	C 6102	BYW 95C	4822 130 41602
C 4408	63V 10% 100NF	5322 121 42386	C 6103	-10+50% 680UF	4822 124 20685
C 4409	-20+50% 10NF	4822 122 31414	C 6104	-10+50% 220UF	4822 124 20681
C 4411	-20+50% 10NF	4822 122 31414	C 6106	-10+50% 470UF	4822 124 20695
C 4412	-20+50% 10NF	4822 122 31414	C 6107	-10+50% 150UF	4822 124 20691
C 4413	-20+50% 10NF	4822 122 31414	C 6108	-10+50% 470UF	4822 124 20695
C 4414	-20+50% 10NF	4822 122 31414	C 6109	-10+50% 150UF	4822 124 20691
C 4416	10% 680PF	4822 122 30053	C 6111	-10+50% 220UF	4822 124 20704
C 4418	63V 10% 100NF	5322 121 42386	C 6112	-10+50% 100UF	4822 124 20701
C 4419	-20+50% 10NF	4822 122 31414	C 6113	-10+50% 100UF	4822 124 20701
C 4421	63V 10% 100NF	5322 121 42386	C 6114	-10+50% 100UF	4822 124 20701
C 4501	-20+50% 10NF	4822 122 31414	C 6116	-10+50% 68UF	4822 124 20734
C 4502	-20+50% 10NF	4822 122 31414	C 6117	-10+50% 22UF	4822 124 20731
C 4503	0.25PF 3.9PF	5322 122 34107	C 6119	-10+50% 22UF	4822 124 20731
C 4521	63V 10% 100NF	5322 121 42386	C 6120	-20+50% 10NF	4822 122 31414
C 4522	63V 10% 100NF	5322 121 42386	C 6121	-10+50% 22UF	4822 124 20731
C 4601	63V 10% 100NF	5322 121 42386	C 6122	630V 1% 680PF	5322 121 51214
C 4602	0.25PF 8.2PF	4822 122 31052	C 6131	63V 10% 470NF	5322 121 43085
C 4603	0.25PF 8.2PF	4822 122 31052	C 6132	-10+50% 100UF	4822 124 20679
C 4611	-20+50% 10NF	4822 122 31414	C 6133	63V 10% 100NF	5322 121 42386
C 4612	-20+50% 10NF	4822 122 31414	C 6134	10% 1NF	4822 122 30027
C 4613	2% 10PF	4822 122 32185	C 6135	-20+50% 10NF	4822 122 31414
C 4701	10% 1NF	4822 122 30027	C 6201	100V 10% 47NF	5322 121 43088
C 4702	63V 10% 100NF	5322 121 42386	C 6202	2% 47PF	4822 122 31072
C 4703	10% 1NF	4822 122 30027	C 6203	220NF 63V	4822 121 42408
C 4704	-20+50% 10NF	4822 122 31414	C 6204	63V 10% 100NF	5322 121 42386
C 4804	-10+50% 150UF	4822 124 20672	C 6205	100V 10% 22NF	5322 121 43087
C 4807	-20+50% 10NF	4822 122 31414	C 6206	10% 1NF	4822 122 30027
C 4808	-10+50% 68UF	4822 124 20689	C 6207	10% 4.7NF	4822 122 31125
C 4811	-20+50% 10NF	4822 122 31414	C 6208	-10+50% 68UF	4822 124 20734
C 4816	-20+50% 10NF	4822 122 31414	C 6209	-20+50% 2.2NF	5322 122 50093
C 4817	-20+50% 10NF	4822 122 31414	C 6211	-20+50% 10NF	5322 122 50091
C 4818	-20+50% 10NF	4822 122 31414	C 6212	-10+10% 33PF	5322 122 33081
C 4819	-20+50% 10NF	4822 122 31414	C 6213	10% 4.7NF	4822 122 31125
C 4820	-20+50% 10NF	4822 122 31414	C 6214	20% 470PF	5322 122 50086
C 4821	-20+50% 10NF	4822 122 31414	C 6311	-20+50% 10NF	4822 122 31414
C 4822	-20+50% 10NF	4822 122 31414	C 6401	63V 10% 100NF	5322 121 42386
C 4824	-20+50% 10NF	4822 122 31414	C 6402	-10+50% 68UF	4822 124 20689
C 4825	-20+50% 10NF	4822 122 31414	C 6500	-10+50% 68UF	4822 124 20689
C 4826	-20+50% 10NF	4822 122 31414	C 6501	-20+50% 10NF	4822 122 31414
C 4828	-20+50% 10NF	4822 122 31414	C 6502	100V 10% 10NF	5322 121 43086
C 4829	-20+50% 10NF	4822 122 31414	C 6503	2% 100PF	4822 122 31316
C 4830	-20+50% 10NF	4822 122 31414	C 6506	2% 100PF	4822 122 31316
C 4831	-20+50% 10NF	4822 122 31414	C 7001	63V 10% 220NF	4822 121 42408
C 4832	-10+50% 47UF	4822 124 20699	C 7002	2% 39PF	4822 122 31069
C 4833	-20+50% 10NF	4822 122 31414	C 7003	2% 39PF	4822 122 31069
C 4835	-20+50% 10NF	4822 122 31414	C 7004	-20+50% 10NF	4822 122 31414
C 4836	-20+50% 10NF	4822 122 31414	C 7005	63V 10% 100NF	5322 121 42386
C 4837	-10+50% 47UF	4822 124 20699	C 7006	-20+50% 10NF	4822 122 31414
C 4838	-10+50% 47UF	4822 124 20699	C 7007	63V 10% 100NF	5322 121 42386
C 4839	2% 12PF	4822 122 31056	C 7008	10% 680PF	4822 122 30053

POSNR	DESCRIPTION	ORDERING CODE	POSNR	DESCRIPTION	ORDERING CODE
C 7009	63V 10% 100NF	5322 121 42386	R 1082	10K	4822 116 53022
C 7011	-20+50% 10NF	4822 122 31414	R 1083	100K	4822 116 52973
C 7012	-20+50% 10NF	4822 122 31414	R 1084	10K	4822 116 53022
C 7013	-20+50% 10NF	4822 122 31414	R 1085	MRS25 1% 1M	4822 116 52843
C 7017	-20+50% 10NF	4822 122 31414	R 1086	14K7	4822 116 53531
C 7018	-20+50% 10NF	4822 122 31414	R 1087	MRS25 1% 464E	5322 116 53232
C 7019	-20+50% 10NF	4822 122 31414	R 1088	51E1	5322 116 53213
C 7100	-20+50% 10NF	4822 122 31414	R 1089	51E1	5322 116 53213
C 7101	-20+50% 10NF	4822 122 31414	R 1091	0.3W 25% 10K	4822 105 10455
C 7102	220N	4822 121 42408	R 1092	MRS25 1% 16K2	5322 116 53589
C 7103	-20+50% 10NF	4822 122 31414	R 1093	MRS25 1% 464E	5322 116 53232
C 7104	68UF/16V	4822 124 20689	R 1094	MRS25 1% 464E	5322 116 53232
C 7106	68UF/16V	4822 124 20689	R 1095	MRS25 1% 100E	5322 116 53126
			R 1097	MRS25 1% 1K	4822 116 53108
			R 1098	MRS25 1% 1K	4822 116 53108

## 16.4.2 RESISTORS

POSNR	DESCRIPTION	ORDERING CODE	POSNR	DESCRIPTION	ORDERING CODE
R 1001	0.1% 1M	5322 116 51605	R 1101	0.1% 1M	5322 116 51605
R 1002	42E2	5322 116 53515	R 1102	42E2	5322 116 53515
R 1003	68E1	5322 116 53264	R 1103	68E1	5322 116 53264
R 1004	68E1	5322 116 53264	R 1104	68E1	5322 116 53264
R 1005	34E8	5322 116 53725	R 1105	34R8 1% 0.6W	5322 116 53725
R 1006	MRS25 1% 100K	4822 116 52973	R 1106	MRS25 1% 100K	4822 116 52973
R 1007	MRS25 1% 100K	4822 116 52973	R 1107	MRS25 1% 100K	4822 116 52973
R 1008	MRS25 1% 75E	5322 116 53339	R 1108	MRS25 1% 75E	5322 116 53339
R 1009	MRS25 1% 100K	4822 116 52973	R 1109	MRS25 1% 100K	4822 116 52973
R 1010	MRS25 1% 5K11	5322 116 53494	R 1110	MRS25 1% 5K11	5322 116 53494
R 1011	MRS25 1% 10E	4822 116 52891	R 1111	MRS25 1% 10E	4822 116 52891
R 1012	VR25 10% 22M	5322 116 51785	R 1112	VR25 10% 22M	5322 116 51785
R 1013	42E2	5322 116 53515	R 1113	42E2	5322 116 53515
R 1014	MRS25 1% 10E	4822 116 52891	R 1114	MRS25 1% 10E	4822 116 52891
R 1015	MRS25 1% 42E2	5322 116 53515	R 1115	MRS25 1% 42E2	5322 116 53515
R 1016	VR25 10% 22M	5322 116 51785	R 1116	VR25 10% 22M	5322 116 51785
R 1017	MRS25 1% 10E	4822 116 52891	R 1117	MRS25 1% 10E	4822 116 52891
R 1018	VR25 10% 22M	5322 116 51785	R 1118	VR25 10% 22M	5322 116 51785
R 1019	MRS25 1% 1K	4822 116 53108	R 1119	MRS25 1% 1K	4822 116 53108
R 1021	0.3W 25% 100K	5322 105 20038	R 1121	0.3W 25% 100K	5322 105 20038
R 1022	MRS25 1% 23K7	5322 116 53537	R 1122	MRS25 1% 23K7	5322 116 53537
R 1024	MRS25 1% 51E1	5322 116 53213	R 1124	MRS25 1% 51E1	5322 116 53213
R 1026	0.25% 1M	5322 116 53398	R 1126	0.25% 1M	5322 116 53398
R 1027	0.25% 111K	5322 116 53409	R 1127	0.25% 111K	5322 116 53409
R 1028	0.25% 10K1	5322 116 53404	R 1128	0.25% 10K1	5322 116 53404
R 1029	1K	4822 116 53108	R 1129	1K	4822 116 53108
R 1030	VR25 5% 1M8	4822 110 72194	R 1130	VR25 5% 1M8	4822 110 72194
R 1031	19K6	5322 116 53258	R 1131	19K6	5322 116 53258
R 1032	4M7	4822 110 72205	R 1132	4M7 5% 0.25W	4822 110 72205
R 1033	MRS25 1% 1K	4822 116 53108	R 1133	MRS25 1% 1K	4822 116 53108
R 1034	MRS25 1% 1K21	4822 116 52956	R 1134	MRS25 1% 1K21	4822 116 52956
R 1036	15K4	5322 116 53234	R 1136	15K4	5322 116 53234
R 1037	MRS25 1% 51E1	5322 116 53213	R 1137	MRS25 1% 51E1	5322 116 53213
R 1038	MRS25 1% 51E1	5322 116 53213	R 1138	MRS25 1% 51E1	5322 116 53213
R 1042	MRS25 1% 2K15	5322 116 53239	R 1142	MRS25 1% 2K15	5322 116 53239
R 1043	MRS25 1% 31E6	5322 116 54964	R 1143	MRS25 1% 31E6	5322 116 54964
R 1044	MRS25 1% 1K	4822 116 53108	R 1144	MRS25 1% 1K	4822 116 53108
R 1045	51E1	5322 116 53213	R 1145	51E1	5322 116 53213
R 1046	MRS25 1% 237E	5322 116 53259	R 1146	MRS25 1% 237E	5322 116 53259
R 1047	MRS25 1% 100E	5322 116 53126	R 1147	MRS25 1% 100E	5322 116 53126
R 1051	0.25% 250E	5322 116 53406	R 1151	0.25% 250E	5322 116 53406
R 1052	0.25% 375E	5322 116 53407	R 1152	0.25% 375E	5322 116 53407
R 1053	0.25% 150E	5322 116 53399	R 1153	0.25% 150E	5322 116 53399
R 1054	0.25% 150E	5322 116 53399	R 1154	0.25% 150E	5322 116 53399
R 1056	MRS25 1% 100E	5322 116 53126	R 1156	MRS25 1% 100E	5322 116 53126
R 1057	MRS25 1% 10K	4822 116 53022	R 1157	MRS25 1% 10K	4822 116 53022
R 1058	MRS25 1% 10E	4822 116 52891	R 1158	MRS25 1% 10E	4822 116 52891
R 1059	MRS25 1% 10E	4822 116 52891	R 1159	MRS25 1% 10E	4822 116 52891
R 1060	MRS25 1% 100E	5322 116 53126	R 1160	MRS25 1% 100E	5322 116 53126
R 1061	MRS25 1% 26K1	5322 116 53261	R 1161	MRS25 1% 26K1	5322 116 53261
R 1062	0.3W 25% 10K	4822 105 10455	R 1162	0.3W 25% 10K	4822 105 10455
R 1063	3K48	4822 116 53315	R 1163	3K48	4822 116 53315
R 1064	0.3W 25% 100E	5322 105 20029	R 1164	0.3W 25% 100E	5322 105 20029
R 1065	10E	4822 116 52891	R 1165	10E	4822 116 52891
R 1066	133E	5322 116 53424	R 1166	133E	5322 116 53424
R 1067	10E	4822 116 52891	R 1167	10E	4822 116 52891
R 1068	10E	4822 116 52891	R 1168	10E	4822 116 52891
R 1071	MRS25 1% 26K1	5322 116 53261	R 1171	MRS25 1% 26K1	5322 116 53261
R 1072	0.3W 25% 10K	4822 105 10455	R 1172	0.3W 25% 10K	4822 105 10455
R 1073	1K62	5322 116 53257	R 1173	1K62	5322 116 53257
R 1074	0.3W 25% 100E	5322 105 20029	R 1174	0.3W 25% 100E	5322 105 20029
R 1075	MRS25 1% 10K	4822 116 53022	R 1175	MRS25 1% 10K	4822 116 53022
R 1076	MRS25 1% 31E6	5322 116 54964	R 1176	MRS25 1% 31E6	5322 116 54964
R 1079	MRS25 1% 1K62	5322 116 53257	R 1179	MRS25 1% 1K62	5322 116 53257
R 1080	MRS25 1% 511E	5322 116 53135	R 1180	MRS25 1% 511E	5322 116 53135
R 1081	90K9	5322 116 53582	R 1181	90K9	5322 116 53582
			R 1182	10K	4822 116 53022
			R 1183	100K	4822 116 52973
			R 1184	10K	4822 116 53022
			R 1186	14K7	4822 116 53531
			R 1187	MRS25 1% 464E	5322 116 53232
			R 1188	51E1	5322 116 53213
			R 1189	51E1	5322 116 53213
			R 1191	0.3W 25% 10K	4822 105 10455
			R 1192	MRS25 1% 16K2	5322 116 53589

POSNR	DESCRIPTION	ORDERING CODE	POSNR	DESCRIPTION	ORDERING CODE
R 1193	MRS25 1% 464E	5322 116 53232	R 2131	MRS25 1% 51E1	5322 116 53213
R 1194	MRS25 1% 464E	5322 116 53232	R 2132	MRS25 1% 619E	5322 116 53337
R 1195	MRS25 1% 100E	5322 116 53126	R 2133	MRS25 1% 619E	5322 116 53337
R 1197	MRS25 1% 1K	4822 116 53108	R 2148	121E	4822 116 52955
R 1198	MRS25 1% 1K	4822 116 53108	R 2149	121E	4822 116 52955
R 1201	42E2	5322 116 53515	R 2150	MRS25 1% 2K61	5322 116 53327
R 1202	MRS25 1% 1K	4822 116 53108	R 2151	MRS25 1% 5E11	4822 116 52999
R 1203	MRS25 1% 316K	4822 116 53058	R 2152	MRS25 1% 2K61	5322 116 53327
R 1204	MRS25 1% 681K	5322 116 53593	R 2154	100E	5322 116 53126
R 1206	75E	5322 116 53339	R 2155	MRS25 1% 51E1	5322 116 53213
R 1207	VR25 10% 22M	5322 116 51785	R 2156	100E	5322 116 53126
R 1208	MRS25 1% 51E1	5322 116 53213	R 2157	MRS25 1% 51E1	5322 116 53213
R 1209	MRS25 1% 1K	4822 116 53108	R 2158	MRS25 1% 51E1	5322 116 53213
R 1211	MRS25 1% 1K21	4822 116 52956	R 2196	68E1	5322 116 53264
R 1212	MRS25 1% 12K1	4822 116 52957	R 2197	68E1	5322 116 53264
R 1213	VR25 1% 1M8	4822 110 72194	R 2198	68E1	5322 116 53264
R 1216	MRS25 1% 100E	5322 116 53126	R 2199	68E1	5322 116 53264
R 1217	MRS25 1% 4K64	5322 116 53212	R 2201	MRS25 1% 75K	5322 116 53266
R 1218	MRS25 1% 51E1	5322 116 53213	R 2202	MRS25 1% 12K1	4822 116 52957
R 1219	MRS25 1% 51E1	5322 116 53213	R 2203	MRS25 1% 215K	5322 116 53425
R 1220	MRS25 1% 2K87	5322 116 53513	R 2204	MRS25 1% 10K	4822 116 53022
R 1221	MRS25 1% 215E	5322 116 53325	R 2205	MRS25 1% 2K15	5322 116 53239
R 1222	5E11	4822 116 52999	R 2206	MRS25 1% 75K	5322 116 53266
R 1223	MRS25 1% 1K78	5322 116 53208	R 2207	MRS25 1% 12K1	4822 116 52957
R 1224	MRS25 1% 1K78	5322 116 53208	R 2208	MRS25 1% 215K	5322 116 53425
R 1226	MRS25 1% 14K7	4822 116 53531	R 2209	MRS25 1% 10K	4822 116 53022
R 1227	MRS25 1% 46X4	5322 116 53314	R 2210	MRS25 1% 2K15	5322 116 53239
R 1232	0.3W 25% 470E	5322 105 20028	R 2211	MRS25 1% 5K62	5322 116 53495
R 1441	MRS25 1% 5E11	4822 116 52999	R 2212	0.3W 25% 10K	4822 105 10455
R 1442	MRS25 1% 5E11	4822 116 52999	R 2213	MRS25 1% 23K7	5322 116 53537
R 1443	MRS25 1% 5E11	4822 116 52999	R 2214	MRS25 1% 10K	4822 116 53022
R 2000	MRS25 1% 100E	5322 116 53126	R 2215	MRS25 1% 2K15	5322 116 53239
R 2001	MRS25 1% 61E9	5322 116 53645	R 2216	MRS25 1% 5K62	5322 116 53495
R 2002	MRS25 1% 34E8	5322 116 53725	R 2217	MRS25 1% 75K	5322 116 53266
R 2003	MRS25 1% 34E8	5322 116 53725	R 2218	MRS25 1% 6K19	5322 116 53263
R 2004	MRS25 1% 3K48	4822 116 53315	R 2219	MRS25 1% 215K	5322 116 53425
R 2005	MRS25 1% 51E1	5322 116 53213	R 2221	MRS25 1% 19K6	5322 116 53258
R 2007	3K83	4822 116 53079	R 2222	MRS25 1% 1K78	5322 116 53208
R 2008	MRS25 1% 3K83	4822 116 53079	R 2224	MRS25 1% 3K48	4822 116 53315
R 2009	15K NTC	5322 116 50221	R 2225	MRS25 1% 23K7	5322 116 53537
R 2010	MRS25 1% 51E1	5322 116 53213	R 2250	68E1	5322 116 53264
R 2011	MRS25 1% 6K19	5322 116 53263	R 2251	68E1	5322 116 53264
R 2012	MRS25 1% 1K	4822 116 53108	R 2252	MRS25 1% 75E	5322 116 53339
R 2013	MRS25 1% 61E9	5322 116 53645	R 2253	MRS25 1% 75E	5322 116 53339
R 2014	51E1	5322 116 53213	R 2254	375E	5322 116 53407
R 2015	MRS25 1% 619E	5322 116 53337	R 2255	MRS25 1% 619E	5322 116 53337
R 2016	MRS25 1% 619E	5322 116 53337	R 2256	1K62	5322 116 53257
R 2017	51E1	5322 116 53213	R 2257	2K61	5322 116 53327
R 2018	MRS25 1% 1K	4822 116 53108	R 2258	MRS25 1% 383E	5322 116 53332
R 2019	100E	5322 116 53126	R 2259	MRS25 1% 100E	5322 116 53126
R 2020	MRS25 1% 100E	5322 116 53126	R 2260	MRS25 1% 619E	5322 116 53337
R 2021	MRS25 1% 1K78	5322 116 53208	R 2262	375E	5322 116 53407
R 2022	MRS25 1% 2K15	5322 116 53239	R 2263	MRS25 1% 1K78	5322 116 53208
R 2023	MRS25 1% 51E1	5322 116 53213	R 2264	5E11	4822 116 52999
R 2024	MRS25 1% 51E1	5322 116 53135	R 2266	MRS25 1% 511E	5322 116 53135
R 2025	MRS25 1% 1E	4822 116 52976	R 2267	MRS25 1% 511E	5322 116 53135
R 2027	MRS25 1% 511E	5322 116 53135	R 2268	MRS25 1% 31E6	5322 116 54964
R 2028	MRS25 1% 68E1	5322 116 53264	R 2269	MRS25 1% 31E6	5322 116 54964
R 2029	MRS25 1% 51E1	5322 116 53213	R 2272	MRS25 1% 261E	5322 116 53549
R 2031	MRS25 1% 51E1	5322 116 53213	R 2273	MRS25 1% 511E	5322 116 53135
R 2032	MRS25 1% 619E	5322 116 53337	R 2274	5E11	4822 116 52999
R 2033	MRS25 1% 619E	5322 116 53337	R 2276	MRS25 1% 511E	5322 116 53135
R 2100	MRS25 1% 100E	5322 116 53126	R 2277	MRS25 1% 75E	5322 116 53339
R 2101	MRS25 1% 61E9	5322 116 53645	R 2278	MRS25 1% 51E1	5322 116 53213
R 2102	MRS25 1% 34E8	5322 116 53725	R 2281	MRS25 1% 51E1	5322 116 53213
R 2103	MRS25 1% 34E8	5322 116 53725	R 2282	MRS25 1% 75E	5322 116 53339
R 2104	MRS25 1% 3K48	4822 116 53315	R 2284	10E	4822 116 52891
R 2105	MRS25 1% 51E1	5322 116 53213	R 2286	196E 1% 0.6W	5322 116 53492
R 2107	3X83	4822 116 53079	R 2287	1K47	5322 116 53185
R 2108	MRS25 1% 3K83	4822 116 53079	R 2288	316E	5322 116 53499
R 2109	15K NTC	5322 116 30221	R 2289	MRS25 1% 562E	5322 116 53214
R 2110	MRS25 1% 51E1	5322 116 53213	R 2291	MRS25 1% 1K78	5322 116 53208
R 2111	MRS25 1% 6K19	5322 116 53263	R 2293	MRS25 1% 162E	5322 116 53523
R 2112	MRS25 1% 1K	4822 116 53108	R 2301	MRS25 1% 19K6	5322 116 53258
R 2113	MRS25 1% 61E9	5322 116 53645	R 2302	MRS25 1% 19K6	5322 116 53258
R 2114	51E1	5322 116 53213	R 2303	MRS25 1% 5K62	5322 116 53495
R 2115	MRS25 1% 619E	5322 116 53337	R 2304	MRS25 1% 5K62	5322 116 53495
R 2116	MRS25 1% 619E	5322 116 53337	R 2305	MRS25 1% 90E9	5322 116 53626
R 2117	51E1	5322 116 53213	R 2306	MRS25 1% 90E9	5322 116 53626
R 2118	MRS25 1% 1K	4822 116 53108	R 2307	MRS25 1% 90E9	5322 116 53626
R 2119	100E	5322 116 53126	R 2308	MRS25 1% 90E9	5322 116 53626
R 2120	MRS25 1% 100E	5322 116 53126	R 2311	MRS25 1% 2K87	5322 116 53513
R 2121	MRS25 1% 1K78	5322 116 53208	R 2324	MRS25 1% 5K62	5322 116 53495
R 2122	MRS25 1% 2K15	5322 116 53239	R 2325	MRS25 1% 5K62	5322 116 53495
R 2123	100E	5322 116 53126	R 2326	MRS25 1% 2K87	5322 116 53513
R 2124	MRS25 1% 511E	5322 116 53135	R 2327	MRS25 1% 3K83	4822 116 53079
R 2125	100E	5322 116 53126	R 2328	MRS25 1% 2K87	5322 116 53513
R 2127	MRS25 1% 511E	5322 116 53135	R 2329	MRS25 1% 825E	5322 116 53541
R 2128	MRS25 1% 68E1	5322 116 53264	R 2330	0.3W 25% 10K	4822 105 10455
R 2129	MRS25 1% 51E1	5322 116 53213	R 2333	MRS25 1% 5K62	5322 116 53495

POSNR	DESCRIPTION	ORDERING CODE	POSNR	DESCRIPTION	ORDERING CODE
R 2334	MRS25 1% 5K62	5322 116 53495	R 2549	MRS25 1% 1K33	5322 116 53512
R 2335	MRS25 1% 10K	4822 116 53022	R 2551	MRS25 1% 162E	5322 116 53523
R 2336	46E4	5322 116 53248	R 2552	MRS25 1% 681E	4822 116 53123
R 2337	MRS25 1% 162E	5322 116 53523	R 2553	MRS25 1% 1K62	5322 116 53257
R 2338	MRS25 1% 2K61	5322 116 53327	R 2554	MRS25 1% 42E2	5322 116 53515
R 2339	562E 1% 0.6M	5322 116 53214	R 2555	MRS25 1% 8K25	5322 116 53267
R 2341	46E4	5322 116 53248	R 2556	MRS25 1% 42E2	5322 116 53515
R 2342	MRS25 1% 162E	5322 116 53523	R 2557	MRS25 1% 4K22	5322 116 53246
R 2344	MRS25 1% 511E	5322 116 53135	R 2558	MRS25 1% 4K22	5322 116 53246
R 2345	MRS25 1% 100E	5322 116 53126	R 2559	MRS25 1% 100E	5322 116 53126
R 2346	MRS25 1% 681E	4822 116 53123	R 2561	MRS25 1% 215E	5322 116 53325
R 2348	MRS25 1% 8K25	5322 116 53267	R 2601	MRS25 1% 3K48	4822 116 53315
R 2350	MRS25 1% 4K22	5322 116 53246	R 2602	MRS25 1% 5E11	4822 116 52999
R 2351	MRS25 1% 562E	5322 116 53214	R 2603	MRS25 1% 5K11	5322 116 53494
R 2352	MRS25 1% 825E	5322 116 53541	R 2604	MRS25 1% 5K11	5322 116 53494
R 2357	MRS25 1% 681E	4822 116 53123	R 2605	MRS25 1% 12K1	4822 116 52957
R 2358	MRS25 1% 511E	5322 116 53135	R 2606	MRS25 1% 1E	4822 116 52976
R 2360	MRS25 1% 100E	5322 116 53126	R 2610	MRS25 1% 10K	4822 116 53022
R 2361	MRS25 1% 4K22	5322 116 53246	R 2611	MRS25 1% 1K	4822 116 53108
R 2365	MRS25 1% 23K7	5322 116 53537	R 2621	MRS25 1% 422E	5322 116 53592
R 2366	MRS25 1% 10K	4822 116 53022	R 2622	MRS25 1% 681E	4822 116 53123
R 2367	MRS25 1% 16K2	5322 116 53589	R 2623	MRS25 1% 1K1	5322 116 53473
R 2369	MRS25 1% 68K1	5322 116 53338	R 2624	MRS25 1% 3K48	4822 116 53315
R 2371	MRS25 1% 422E	5322 116 53592	R 2625	MRS25 1% 681E	4822 116 53123
R 2372	MRS25 1% 511E	5322 116 53135	R 2626	MRS25 1% 6K81	5322 116 53252
R 2373	MRS25 1% 75K	5322 116 53266	R 2627	MRS25 1% 287E	5322 116 53221
R 2374	MRS25 1% 511E	5322 116 53135	R 2628	MRS25 1% 2K37	5322 116 53536
R 2375	MRS25 1% 23K7	5322 116 53537	R 2629	MRS25 1% 10K	4822 116 53022
R 2376	VR25 10% 22M	5322 116 51785	R 2631	MRS25 1% 10K	4822 116 53022
R 2377	VR25 10% 22M	5322 116 51785	R 2632	MRS25 1% 383E	5322 116 53332
R 2378	VR25 10% 22M	5322 116 51785	R 2635	MRS25 1% 10K	4822 116 53022
R 2379	VR25 10% 22M	5322 116 51785	R 2701	MRS25 1% 1E	4822 116 52976
R 2380	MRS25 1% 750E	5322 116 53265	R 2702	MRS25 1% 10E	4822 116 52891
R 2381	MRS25 1% 2K61	5322 116 53327	R 2703	MRS25 1% 5E11	4822 116 52999
R 2382	MRS25 1% 2K61	5322 116 53327	R 2704	MRS25 1% 1E	4822 116 52976
R 2383	MRS25 1% 1K	4822 116 53108	R 2705	MRS25 1% 5E11	4822 116 52999
R 2384	MRS25 1% 750E	5322 116 53265	R 2711	MRS25 1% 5E11	4822 116 52999
R 2386	MRS25 1% 1K	4822 116 53108	R 2712	MRS25 1% 5E11	4822 116 52999
R 2387	MRS25 1% 750E	5322 116 53265	R 2713	MRS25 1% 1E	4822 116 52976
R 2388	MRS25 1% 1K	4822 116 53108	R 2714	MRS25 1% 5E11	4822 116 52999
R 2389	MRS25 1% 1K	4822 116 53108	R 2719	MRS25 1% 5E11	4822 116 52999
R 2391	MRS25 1% 42E2	5322 116 53515	R 2720	MRS25 1% 5E11	4822 116 52999
R 2393	MRS25 1% 3K48	4822 116 53315	R 2721	MRS25 1% 5E11	4822 116 52999
R 2394	MRS25 1% 110E	4822 116 52906	R 2722	MRS25 1% 5E11	4822 116 52999
R 2395	0.3M 25% 220E	5322 105 20031	R 2723	MRS25 1% 5E11	4822 116 52999
R 2396	MRS25 1% 3K48	4822 116 53315	R 2724	MRS25 1% 5E11	4822 116 52999
R 2397	MRS25 1% 42E2	5322 116 53515	R 2726	MRS25 1% 5E11	4822 116 52999
R 2398	MRS25 1% 68E1	5322 116 53264	R 2731	MRS25 1% 5E11	4822 116 52999
R 2399	MRS25 1% 51E1	5322 116 53213	R 2732	MRS25 1% 5E11	4822 116 52999
R 2400	MRS25 1% 51E1	5322 116 53213	R 2733	1E	4822 116 52976
R 2403	MRS25 1% 42E2	5322 116 53515	R 2740	MRS25 1% 5E11	4822 116 52999
R 2404	MRS25 1% 619E	5322 116 53337	R 2741	MRS25 1% 31E6	5322 116 54964
R 2405	MRS25 1% 51E1	5322 116 53213	R 2742	MRS25 1% 5E11	4822 116 52999
R 2406	MRS25 1% 1K62	5322 116 53257	R 2751	MRS25 1% 5E11	4822 116 52999
R 2408	MRS25 1% 1K33	5322 116 53512	R 2752	MRS25 1% 1E	4822 116 52976
R 2409	MRS25 1% 1K62	5322 116 53257	R 2753	MRS25 1% 5E11	4822 116 52999
R 2411	MRS25 1% 42E2	5322 116 53515	R 2754	MRS25 1% 5E11	4822 116 52999
R 2412	MRS25 1% 619E	5322 116 53337	R 3001	MRS25 1% 75E	5322 116 53339
R 2413	MRS25 1% 162E	5322 116 53523	R 3003	MRS25 1% 1K47	5322 116 53185
R 2414	MRS25 1% 51E1	5322 116 53213	R 3004	511E	5322 116 53135
R 2416	MRS25 1% 1K	4822 116 53108	R 3005	51E1	5322 116 53213
R 2418	MRS25 1% 5K62	5322 116 53495	R 3006	MRS25 1% 2K37	5322 116 53536
R 2418	5K62	5322 116 53495	R 3007	0.3M 25% 2K2	5322 105 20033
R 2419	MRS25 1% 1K1	5322 116 53473	R 3008	MRS25 1% 100E	5322 116 53126
R 2420	MRS25 1% 133E	5322 116 53424	R 3009	MRS25 1% 3K83	4822 116 53079
R 2421	MRS25 1% 5K62	5322 116 53495	R 3010	51E1	5322 116 53213
R 2422	MRS25 1% 1K	4822 116 53108	R 3011	MRS25 1% 100E	5322 116 53126
R 2426	0.3M 25% 220E	5322 105 20031	R 3013	0.3M 25% 10K	4822 105 10455
R 2427	0.3M 25% 1K	5322 105 20032	R 3014	287E	5322 116 53221
R 2430	MRS25 1% 100K	4822 116 52973	R 3015	MRS25 1% 75E	5322 116 53339
R 2431	MRS25 1% 100K	4822 116 52973	R 3016	909E	4822 116 53533
R 2432	MRS25 1% 100K	4822 116 52973	R 3017	22K	4822 105 10455
R 2433	MRS25 1% 100K	4822 116 52973	R 3018	3K16	4822 116 53021
R 2434	MRS25 1% 10K	4822 116 53022	R 3020	MRS25 1% 133E	5322 116 53424
R 2435	MRS25 1% 10K	4822 116 53022	R 3021	MRS25 1% 511E	5322 116 53135
R 2501	MRS25 1% 19K6	5322 116 53258	R 3022	MRS25 1% 619E	5322 116 53337
R 2502	MRS25 1% 19K6	5322 116 53258	R 3023	MRS25 1% 196E	5322 116 53492
R 2503	MRS25 1% 5K62	5322 116 53495	R 3024	MRS25 1% 619E	5322 116 53337
R 2504	MRS25 1% 2K87	5322 116 53513	R 3025	MRS25 1% 133E	5322 116 53424
R 2522	MRS25 1% 5K62	5322 116 53495	R 3026	MRS25 1% 511E	5322 116 53135
R 2523	MRS25 1% 5K62	5322 116 53495	R 3027	MRS25 1% 511E	5322 116 53135
R 2527	MRS25 1% 75K	5322 116 53266	R 3028	MRS25 1% 511E	5322 116 53135
R 2528	MRS25 1% 12K1	4822 116 52957	R 3029	MRS25 1% 2K87	5322 116 53513
R 2529	MRS25 1% 215K	5322 116 53425	R 3031	MRS25 1% 619E	5322 116 53337
R 2530	MRS25 1% 1K62	5322 116 53257	R 3032	MRS25 1% 51E1	5322 116 53213
R 2541	MRS25 1% 162E	5322 116 53523	R 3033	MRS25 1% 31E6	5322 116 54964
R 2542	MRS25 1% 1K62	5322 116 53257	R 3034	MRS25 1% 100E	5322 116 53126
R 2543	MRS25 1% 681E	4822 116 53123	R 3035	MRS25 1% 51E1	5322 116 53213
R 2547	MRS25 1% 511E	5322 116 53135	R 3037	MRS25 1% 31E6	5322 116 54964
R 2548	MRS25 1% 1K21	4822 116 52956	R 3038	0.3M 25% 220E	5322 105 20031

POSNR	DESCRIPTION	ORDERING CODE	POSNR	DESCRIPTION	ORDERING CODE
R 3041	42E2	5322 116 53515	R 3219	MRS25 1% 1M	4822 116 52843
R 3042	220E	5322 105 20031	R 3221	MRS25 1% 100E	5322 116 53126
R 3047	61E9	5322 116 53645	R 3222	MRS25 1% 100K	4822 116 52973
R 3048	61E9	5322 116 53645	R 3223	38K3 1%	4822 116 53526
R 3049	51K1	4822 116 53121	R 3224	MRS25 1% 2K37	5322 116 53536
R 3050	MRS25 1% 42E2	5322 116 53515	R 3226	MRS25 1% 100E	5322 116 53126
R 3051	51K1	4822 116 53121	R 3250	MRS25 1% 2K37	5322 116 53536
R 3052	MRS25 1% 42E2	5322 116 53515	R 3251	MRS25 1% 1M	4822 116 52843
R 3053	MRS25 1% 51E1	5322 116 53213	R 3253	MRS25 1% 75K	5322 116 53266
R 3054	MRS25 1% 51E1	5322 116 53213	R 3254	MRS25 1% 1K	4822 116 53108
R 3056	MRS25 1% 287E	5322 116 53221	R 3256	MRS25 1% 178K	5322 116 53555
R 3057	MRS25 1% 287E	5322 116 53221	R 3257	MRS25 1% 825K	5322 116 53341
R 3058	MRS25 1% 287E	5322 116 53221	R 3258	VR25 5% 3M3	4822 110 72201
R 3059	MRS25 1% 261E	5322 116 53549	R 3259	VR25 5% 3M3	4822 110 72201
R 3061	MRS25 1% 261E	5322 116 53549	R 3261	VR25 5% 3M3	4822 110 72201
R 3062	MRS25 1% 261E	5322 116 53549	R 3262	VR25 5% 7M5	5322 116 60131
R 3063	MRS25 1% 261E	5322 116 53549	R 3263	VR25 5% 3M3	4822 110 72201
R 3064	MRS25 1% 261E	5322 116 53549	R 3267	10K CERM LIN	4822 100 10605
R 3066	MRS25 1% 261E	5322 116 53549	R 3268	MRS25 1% 681K	5322 116 53593
R 3067	MRS25 1% 287E	5322 116 53221	R 3269	MRS25 1% 15K4	5322 116 53234
R 3068	MRS25 1% 287E	5322 116 53221	R 3270	1K	4822 116 53108
R 3069	MRS25 1% 287E	5322 116 53221	R 3302	MRS25 1% 1E	4822 116 52976
R 3071	MRS25 1% 121E	4822 116 52955	R 3303	MRS25 1% 5E11	4822 116 52999
R 3072	MRS25 1% 121E	4822 116 52955	R 3304	MRS25 1% 5E11	4822 116 52999
R 3073	MRS25 1% 26E1	5322 116 53723	R 3306	MRS25 1% 2K87	5322 116 53513
R 3074	MRS25 1% 121E	4822 116 52955	R 3308	MRS25 1% 10E	4822 116 52891
R 3076	MRS25 1% 121E	4822 116 52955	R 3309	MRS25 1% 5E11	4822 116 52999
R 3077	MRS25 1% 26E1	5322 116 53723	R 3311	MRS25 1% 5E11	4822 116 52999
R 3100	MRS25 1% 42E2	5322 116 53515	R 3312	MRS25 1% 1E	4822 116 52976
R 3101	MRS25 1% 5K62	5322 116 53495	R 3313	MRS25 1% 10E	4822 116 52891
R 3102	MRS25 1% 562E	5322 116 53214	R 4001	MRS25 1% 51E1	5322 116 53213
R 3103	MRS25 1% 1K21	4822 116 52956	R 4002	MRS25 1% 51E1	5322 116 53213
R 3104	MRS25 1% 6K81	5322 116 53252	R 4003	MRS25 1% 2K61	5322 116 53327
R 3106	MRS25 1% 42E2	5322 116 53515	R 4004	0.3M 25% 1K	5322 105 20032
R 3107	MRS25 1% 2K87	5322 116 53513	R 4006	MRS25 1% 10K	4822 116 53022
R 3108	MRS25 1% 825E	5322 116 53541	R 4007	MRS25 1% 100E	5322 116 53126
R 3109	MRS25 1% 6K19	5322 116 53263	R 4008	MRS25 1% 100E	5322 116 53126
R 3110	MRS25 1% 42E2	5322 116 53515	R 4009	MRS25 1% 1K	4822 116 53108
R 3111	MRS25 1% 42E2	5322 116 53515	R 4011	MRS25 1% 2K15	5322 116 53239
R 3112	MRS25 1% 7K5	4822 116 53028	R 4012	MRS25 1% 100E	5322 116 53126
R 3113	MRS25 1% 1K21	4822 116 52956	R 4013	MRS25 1% 100E	5322 116 53126
R 3114	MRS25 1% 5K62	5322 116 53495	R 4014	MRS25 1% 909E	4822 116 53533
R 3115	MRS25 1% 42E2	5322 116 53515	R 4016	MRS25 1% 909E	4822 116 53533
R 3116	MRS25 1% 562E	5322 116 53214	R 4017	MRS25 1% 100E	5322 116 53126
R 3117	MRS25 1% 4K64	5322 116 53212	R 4019	MRS25 1% 51E1	5322 116 53213
R 3118	0.3M 25% 1K	5322 105 20032	R 4021	MRS25 1% 1K47	5322 116 53185
R 3119	MRS25 1% 4K64	5322 116 53212	R 4022	MRS25 1% 511E	5322 116 53135
R 3120	MRS25 1% 42E2	5322 116 53515	R 4023	MRS25 1% 562E	5322 116 53214
R 3121	15K4	5322 116 53234	R 4026	MRS25 1% 909E	4822 116 53533
R 3122	2K37	5322 116 53503	R 4027	MRS25 1% 5K62	5322 116 53495
R 3124	MRS25 1% 619E	5322 116 53337	R 4028	1K	4822 116 53108
R 3125	MRS25 1% 42E2	5322 116 53515	R 4029	MRS25 1% 2K37	5322 116 53536
R 3126	MRS25 1% 14K7	4822 116 53531	R 4031	MRS25 1% 1M	4822 116 52843
R 3127	MRS25 1% 1K33	5322 116 53512	R 4032	MRS25 1% 5K11	5322 116 53494
R 3128	MRS25 1% 825E	5322 116 53541	R 4033	MRS25 1% 2K61	5322 116 53327
R 3129	MRS25 1% 1K1	5322 116 53473	R 4034	MRS25 1% 51K1	4822 116 53121
R 3130	MRS25 1% 42E2	5322 116 53515	R 4036	MRS25 1% 681K	5322 116 53593
R 3131	MRS25 1% 1K33	5322 116 53512	R 4037	MRS25 1% 5K11	5322 116 53494
R 3132	MRS25 1% 825E	5322 116 53541	R 4039	MRS25 1% 51K1	4822 116 53121
R 3133	MRS25 1% 6K19	5322 116 53263	R 4041	MRS25 1% 5K11	5322 116 53494
R 3134	MRS25 1% 14K7	4822 116 53531	R 4042	MRS25 1% 3K16	4822 116 53021
R 3136	MRS25 1% 1K	4822 116 53108	R 4043	MRS25 1% 5K11	5322 116 53494
R 3137	15K4	5322 116 53234	R 4044	MRS25 1% 681K	5322 116 53593
R 3138	2K37	5322 116 53503	R 4046	MRS25 1% 10K	4822 116 53022
R 3139	MRS25 1% 619E	5322 116 53337	R 4047	MRS25 1% 12K1	4822 116 52957
R 3141	MRS25 1% 316E	5322 116 53514	R 4051	MRS25 1% 10K	4822 116 53022
R 3142	MRS25 1% 316E	5322 116 53514	R 4052	MRS25 1% 10K	4822 116 53022
R 3143	MRS25 1% 10E	4822 116 52891	R 4061	MRS25 1% 51E1	5322 116 53213
R 3144	MRS25 1% 10E	4822 116 52891	R 4062	MRS25 1% 51E1	5322 116 53213
R 3147	0.5M 10% 3K3	5322 116 30234	R 4063	MRS25 1% 2K15	5322 116 53239
R 3148	MRS25 1% 9K09	5322 116 53253	R 4064	MRS25 1% 2K15	5322 116 53239
R 3200	6K81	5322 116 53252	R 4067	MRS25 1% 100E	5322 116 53126
R 3201	MRS25 1% 1K21	4822 116 52956	R 4068	MRS25 1% 100E	5322 116 53126
R 3202	MRS25 1% 100E	5322 116 53126	R 4069	MRS25 1% 1K	4822 116 53108
R 3203	MRS25 1% 16K2	5322 116 53589	R 4071	MRS25 1% 2K15	5322 116 53239
R 3204	MRS25 1% 562E	5322 116 53214	R 4072	MRS25 1% 100E	5322 116 53126
R 3205	MRS25 1% 4K64	5322 116 53212	R 4073	MRS25 1% 100E	5322 116 53126
R 3206	MRS25 1% 4K64	5322 116 53212	R 4074	MRS25 1% 909E	4822 116 53533
R 3207	MRS25 1% 82K5	5322 116 53581	R 4076	MRS25 1% 909E	4822 116 53533
R 3208	MRS25 1% 7K5	4822 116 53028	R 4077	MRS25 1% 100E	5322 116 53126
R 3209	MRS25 1% 1K	4822 116 53108	R 4079	MRS25 1% 51E1	5322 116 53213
R 3210	MRS25 1% 42E2	5322 116 53515	R 4081	MRS25 1% 1K47	5322 116 53185
R 3211	MRS25 1% 10K	4822 116 53022	R 4082	MRS25 1% 511E	5322 116 53135
R 3212	MRS25 1% 1K47	5322 116 53185	R 4083	MRS25 1% 562E	5322 116 53214
R 3213	MRS25 1% 2K37	5322 116 53537	R 4086	MRS25 1% 909E	4822 116 53533
R 3214	31K6	5322 116 53262	R 4101	MRS25 1% 100K	4822 116 52973
R 3215	MRS25 1% 4K64	5322 116 53212	R 4102	MRS25 1% 4K64	5322 116 53212
R 3216	MRS25 1% 178K	5322 116 53555	R 4103	MRS25 1% 11K	4822 116 52907
R 3217	MRS25 1% 511E	5322 116 53135	R 4104	MRS25 1% 46K4	5322 116 53314
R 3218	61K9	5322 116 53233	R 4106	MRS25 1% 422E	5322 116 53592

POSNR	DESCRIPTION	ORDERING CODE	POSNR	DESCRIPTION	ORDERING CODE
R 4107	0.3W 25% 10K	4822 105 10455	R 4312	MRS25 1% 9K09	5322 116 53253
R 4108	0.3W 25% 10K	4822 105 10455	R 4313	MRS25 1% 7K5	4822 116 53028
R 4109	MRS25 1% 5K11	5322 116 53494	R 4314	MRS25 1% 8K25	5322 116 53267
R 4111	MRS25 1% 12K1	4822 116 52957	R 4330	MRS25 1% 5K11	5322 116 53494
R 4117	MRS25 1% 3K16	4822 116 53021	R 4331	MRS25 1% 21K5	5322 116 53241
R 4118	0.25% 50E	5322 116 53405	R 4332	MRS25 1% 4K22	5322 116 53246
R 4119	0.25% 50E	5322 116 53405	R 4334	MRS25 1% 2K15	5322 116 53239
R 4120	MRS25 1% 1K	4822 116 53108	R 4401	MRS25 1% 2K61	5322 116 53327
R 4121	0.25% 150E	5322 116 53399	R 4402	MRS25 1% 82E5	5322 116 53538
R 4122	0.25% 250E	5322 116 53406	R 4403	MRS25 1% 681E	4822 116 53123
R 4123	0.25% 500E	5322 116 53408	R 4404	MRS25 1% 2K37	5322 116 53536
R 4124	0.25% 1K5	5322 116 53401	R 4406	0.3W 25% 22K	5322 105 20035
R 4125	MRS25 1% 100E	5322 116 53126	R 4407	MRS25 1% 215K	5322 116 53425
R 4126	MRS25 1% 9K09	5322 116 53253	R 4408	0.3W 25% 22K	5322 105 20035
R 4127	MRS25 1% 1K62	5322 116 53257	R 4409	MRS25 1% 10K	4822 116 53022
R 4129	MRS25 1% 1M	4822 116 52843	R 4411	MRS25 1% 2K37	5322 116 53536
R 4130	MRS25 1% 1K	4822 116 53108	R 4412	MRS25 1% 100E	5322 116 53126
R 4131	MRS25 1% 5K11	5322 116 53494	R 4413	MRS25 1% 6K81	5322 116 53252
R 4132	MRS25 1% 5K11	5322 116 53494	R 4414	MRS25 1% 4K64	5322 116 53212
R 4134	MRS25 1% 10K	4822 116 53022	R 4417	MRS25 1% 1K	4822 116 53108
R 4135	MRS25 1% 1K	4822 116 53108	R 4419	MRS25 1% 511E	5322 116 53135
R 4136	MRS25 1% 10K	4822 116 53022	R 4420	MRS25 1% 1K21	4822 116 52956
R 4137	MRS25 1% 14K7	4822 116 53531	R 4421	MRS25 1% 10K	4822 116 53022
R 4138	MRS25 1% 5E11	4822 116 52999	R 4422	MRS25 1% 2K87	5322 116 53513
R 4139	MRS25 1% 10K	4822 116 53022	R 4423	MRS25 1% 9K09	5322 116 53253
R 4140	MRS25 1% 10K	4822 116 53022	R 4427	MRS25 1% 1K96	5322 116 53237
R 4141	MRS25 1% 14K7	4822 116 53531	R 4428	MRS25 1% 100E	5322 116 53126
R 4142	MRS25 1% 100E	5322 116 53126	R 4501	MRS25 1% 13K3	5322 116 53489
R 4143	0.1% 20K	5322 116 52697	R 4502	MRS25 1% 4K22	5322 116 53246
R 4144	0.1% 202E	5322 116 53413	R 4503	MRS25 1% 6K81	5322 116 53252
R 4145	MRS25 1% 1K	4822 116 53108	R 4504	MRS25 1% 13K3	5322 116 53489
R 4146	MRS25 1% 10K	4822 116 53022	R 4505	MRS25 1% 511E	5322 116 53135
R 4147	MRS25 1% 511E	5322 116 53135	R 4506	MRS25 1% 2K15	5322 116 53239
R 4148	MRS25 1% 21K5	5322 116 53241	R 4507	MRS25 1% 750E	5322 116 53265
R 4149	MRS25 1% 31E6	5322 116 54964	R 4508	MRS25 1% 11K	4822 116 52907
R 4150	MRS25 1% 9E09	5322 116 53516	R 4509	MRS25 1% 2K15	5322 116 53239
R 4151	MRS25 1% 2K61	5322 116 53327	R 4513	MRS25 1% 1K47	5322 116 53185
R 4152	MRS25 1% 162E	5322 116 53523	R 4521	MRS25 1% 16K2	5322 116 53589
R 4153	MRS25 1% 1K1	5322 116 53473	R 4522	MRS25 1% 23K7	5322 116 53537
R 4154	MRS25 1% 1K78	5322 116 53208	R 4523	MRS25 1% 16K2	5322 116 53589
R 4155	MRS25 1% 2K15	5322 116 53239	R 4524	MRS25 1% 14K7	4822 116 53531
R 4156	MRS25 1% 1M	4822 116 52843	R 4526	MRS25 1% 2K37	5322 116 53536
R 4157	MRS25 1% 1E	4822 116 52976	R 4527	MRS25 1% 19K6	5322 116 53258
R 4158	MRS25 1% 1M	4822 116 52843	R 4528	MRS25 1% 5K62	5322 116 53495
R 4159	MRS25 1% 2K15	5322 116 53239	R 4529	MRS25 1% 21K5	5322 116 53241
R 4160	MRS25 1% 100E	5322 116 53126	R 4531	MRS25 1% 10K	4822 116 53022
R 4161	MRS25 1% 10K	4822 116 53022	R 4532	MRS25 1% 10K	4822 116 53022
R 4162	MRS25 1% 100E	5322 116 53126	R 4533	MRS25 1% 3K48	4822 116 53315
R 4163	MRS25 1% 5E11	4822 116 52999	R 4601	MRS25 1% 2K37	5322 116 53536
R 4207	0.3W 25% 10K	4822 105 10455	R 4602	MRS25 1% 26K1	5322 116 53261
R 4208	0.3W 25% 10K	4822 105 10455	R 4603	MRS25 1% 23K7	5322 116 53537
R 4209	MRS25 1% 5K11	5322 116 53494	R 4604	MRS25 1% 100K	4822 116 52973
R 4211	MRS25 1% 12K1	4822 116 52957	R 4606	MRS25 1% 909E	4822 116 53533
R 4218	0.25% 50E	5322 116 53405	R 4607	MRS25 1% 100E	5322 116 53126
R 4219	0.25% 50E	5322 116 53405	R 4608	MRS25 1% 1K	4822 116 53108
R 4221	0.25% 150E	5322 116 53399	R 4609	MRS25 1% 42E2	5322 116 53515
R 4222	0.25% 250E	5322 116 53406	R 4611	MRS25 1% 10K	4822 116 53022
R 4223	0.25% 500E	5322 116 53408	R 4612	MRS25 1% 7K5	4822 116 53028
R 4224	0.25% 1K5	5322 116 53401	R 4613	MRS25 1% 10K	4822 116 53022
R 4239	MRS25 1% 10K	4822 116 53022	R 4614	MRS25 1% 51K1	4822 116 53121
R 4240	MRS25 1% 10K	4822 116 53022	R 4616	0.3W 25% 1K	5322 105 20032
R 4242	MRS25 1% 100E	5322 116 53126	R 4617	MRS25 1% 6K81	5322 116 53252
R 4243	0.1% 20K	5322 116 52697	R 4618	MRS25 1% 11K	4822 116 52907
R 4244	0.1% 202E	5322 116 53413	R 4619	MRS25 1% 8K25	5322 116 53267
R 4245	MRS25 1% 2K37	5322 116 53536	R 4620	MRS25 1% 7K5	4822 116 53028
R 4246	MRS25 1% 51K1	4822 116 53121	R 4621	MRS25 1% 909E	4822 116 53533
R 4247	MRS25 1% 511E	5322 116 53135	R 4622	MRS25 1% 100E	5322 116 53126
R 4248	MRS25 1% 21K5	5322 116 53241	R 4625	MRS25 1% 100E	5322 116 53126
R 4249	MRS25 1% 31E6	5322 116 54964	R 4626	MRS25 1% 100E	5322 116 53126
R 4250	MRS25 1% 9E09	5322 116 53516	R 4627	MRS25 1% 10K	4822 116 53022
R 4251	MRS25 1% 2K61	5322 116 53327	R 4628	MRS25 1% 100E	5322 116 53126
R 4252	MRS25 1% 162E	5322 116 53523	R 4629	MRS25 1% 8K25	5322 116 53267
R 4253	MRS25 1% 5K11	5322 116 53494	R 4631	MRS25 1% 1K	4822 116 53108
R 4254	MRS25 1% 6K81	5322 116 53252	R 4632	MRS25 1% 100E	5322 116 53126
R 4258	MRS25 1% 1M	4822 116 52843	R 4633	MRS25 1% 1K	4822 116 53108
R 4259	MRS25 1% 2K15	5322 116 53239	R 4634	MRS25 1% 1K	4822 116 53108
R 4260	MRS25 1% 100E	5322 116 53126	R 4636	MRS25 1% 1M	4822 116 52843
R 4261	MRS25 1% 10K	4822 116 53022	R 4639	MRS25 1% 383E	5322 116 53332
R 4262	MRS25 1% 100E	5322 116 53126	R 4701	MRS25 1% 42E2	5322 116 53515
R 4301	MRS25 1% 51K1	4822 116 53121	R 4703	MRS25 1% 562E	5322 116 53214
R 4302	MRS25 1% 51K1	4822 116 53121	R 4705	MRS25 1% 1K	4822 116 53108
R 4303	MRS25 1% 6K81	5322 116 53252	R 4706	MRS25 1% 100E	5322 116 53126
R 4304	MRS25 1% 5K11	5322 116 53494	R 4707	MRS25 1% 511E	5322 116 53135
R 4305	MRS25 1% 51K1	4822 116 53121	R 4708	MRS25 1% 2K87	5322 116 53513
R 4306	MRS25 1% 681E	4822 116 53123	R 4709	MRS25 1% 681E	4822 116 53123
R 4307	MRS25 1% 5K11	5322 116 53494	R 4711	MRS25 1% 6K19	5322 116 53263
R 4308	MRS25 1% 10K	4822 116 53022	R 4712	MRS25 1% 511E	5322 116 53135
R 4309	MRS25 1% 8K25	5322 116 53267	R 4713	MRS25 1% 1M	4822 116 52843
R 4310	MRS25 1% 100E	5322 116 53126	R 4714	MRS25 1% 1M	4822 116 52843
R 4311	MRS25 1% 10K	4822 116 53022	R 4716	MRS25 1% 6K81	5322 116 53252

POSNR	DESCRIPTION	ORDERING CODE	POSNR	DESCRIPTION	ORDERING CODE
R 4717	MRS25 1% 8K25	5322 116 53267	R 6201	0.25% 160K	5322 116 53412
R 4718	MRS25 1% 1K	4822 116 53108	R 6202	VR37 1% 31M6	5322 116 64103
R 4719	MRS25 1% 100E	5322 116 53126	R 6203	100K	4822 116 52973
R 4721	0.3M 25% 1K	5322 105 20032	R 6204	MRS25 1% 10K	4822 116 53022
R 4722	MRS25 1% 46K4	5322 116 53314	R 6205	MRS25 1% 1K	4822 116 53108
R 4723	MRS25 1% 681K	5322 116 53593	R 6206	MRS25 1% 16K2	5322 116 53589
R 4724	MRS25 1% 42E2	5322 116 53515	R 6207	MRS25 1% 51E1	5322 116 53213
R 4725	MRS25 1% 4K22	5322 116 53246	R 6208	MRS25 1% 464E	5322 116 53232
R 4726	MRS25 1% 100K	4822 116 52973	R 6209	MRS25 1% 4K64	5322 116 53212
R 4727	MRS25 1% 6K81	5322 116 53252	R 6211	MRS25 1% 46K4	5322 116 53314
R 4728	MRS25 1% 562E	5322 116 53214	R 6212	MRS25 1% 4K64	5322 116 53212
R 4801	MRS25 1% 5E11	4822 116 52999	R 6213	MRS25 1% 215E	5322 116 53325
R 4804	MRS25 1% 5E11	4822 116 52999	R 6214	VR25 5% 10M	4822 110 72214
R 4807	MRS25 1% 5E11	4822 116 52999	R 6216	MRS25 1% 100E	5322 116 53126
R 4809	MRS25 1% 5E11	4822 116 52999	R 6217	MRS25 1% 1E	4822 116 52976
R 4816	MRS25 1% 5E11	4822 116 52999	R 6300	MRS25 1% 2K61	5322 116 53327
R 4818	MRS25 1% 5E11	4822 116 52999	R 6301	MRS25 1% 464E	5322 116 53232
R 4819	MRS25 1% 5E11	4822 116 52999	R 6302	MRS25 1% 909E	4822 116 53533
R 4820	MRS25 1% 5E11	4822 116 52999	R 6303	MRS25 1% 3K83	4822 116 53079
R 4821	MRS25 1% 5E11	4822 116 52999	R 6304	MRS25 1% 6K81	5322 116 53252
R 4822	MRS25 1% 5E11	4822 116 52999	R 6311	MRS25 1% 750E	5322 116 53265
R 4824	MRS25 1% 5E11	4822 116 52999	R 6312	MRS25 1% 4K22	5322 116 53246
R 4825	MRS25 1% 5E11	4822 116 52999	R 6313	825E	5322 116 53541
R 4826	MRS25 1% 5E11	4822 116 52999	R 6401	MRS25 1% 1K78	5322 116 53208
R 4828	MRS25 1% 5E11	4822 116 52999	R 6402	MRS25 1% 178K	5322 116 53555
R 4829	MRS25 1% 5E11	4822 116 52999	R 6403	MRS25 1% 215E	5322 116 53325
R 4830	MRS25 1% 5E11	4822 116 52999	R 6404	MRS25 1% 6K81	5322 116 53252
R 4831	MRS25 1% 5E11	4822 116 52999	R 6406	MRS25 1% 26K1	5322 116 53261
R 4833	MRS25 1% 5E11	4822 116 52999	R 6407	MRS25 1% 3K48	4822 116 53315
R 4835	MRS25 1% 5E11	4822 116 52999	R 6408	MTP10 20% 10K	5322 100 10113
R 4836	MRS25 1% 5E11	4822 116 52999	R 6501	MRS25 1% 511E	5322 116 53135
R 4838	MRS25 1% 100E	5322 116 53126	R 6502	MRS25 1% 100K	4822 116 52973
R 4839	MRS25 1% 100E	5322 116 53126	R 6503	MRS25 1% 5K11	5322 116 53494
R 4841	MRS25 1% 10K	4822 116 53022	R 6504	MRS25 1% 19K6	5322 116 53258
R 4841	MRS25 1% 5E11	4822 116 52999	R 6506	MRS25 1% 5K62	5322 116 53495
R 4892	MRS25 1% 5E11	4822 116 52999	R 6507	MRS25 1% 511E	5322 116 53135
R 4893	MRS25 1% 5E11	4822 116 52999	R 6508	0.25% 3K67	5322 116 53411
R 4894	MRS25 1% 5E11	4822 116 52999	R 6509	0.25% 500E	5322 116 53408
R 4896	MRS25 1% 5E11	4822 116 52999	R 6511	MRS25 1% 562E	5322 116 53214
R 4902	MRS25 1% 1E	4822 116 52976	R 7005	PP17 20% 10K	5322 101 30546
R 4903	MRS25 1% 1E	4822 116 52976	R 7006	PP17 20% 10K	5322 101 30546
R 4904	MRS25 1% 1E	4822 116 52976	R 7007	PP17 20% 10K	5322 101 30546
R 5001	PP17 20% 10K	5322 101 30546	R 7008	PP17 20% 10K	5322 101 30546
R 5002	PP17 20% 10K	5322 101 30547	R 7009	PP17 20% 10K	5322 101 30546
R 5003	PP17 20% 10K	5322 101 30546	R 7010	PP17 20% 10K	5322 101 30546
R 5004	PP17 20% 10K	5322 101 30546	R 7011	PP17 20% 10K	5322 101 30546
R 6001	1.7A 20% 82E	4822 116 30069	R 7012	PP17 20% 10K	5322 101 30546
R 6002	MRS25 1% 383K	5322 116 53576	R 7013	PP17 20% 10K	5322 101 30546
R 6003	MRS25 1% 383K	5322 116 53576	R 7014	PP17 20% 10K	5322 101 30546
R 6004	MRS25 1% 316E	5322 116 53514	R 7021	MRS25 1% 11K	4822 116 52907
R 6005	MRS25 1% 464E	5322 116 53232	R 7022	MRS25 1% 10K	4822 116 53022
R 6006	MRS25 1% 10K	4822 116 53022	R 7023	MRS25 1% 90K9	5322 116 53582
R 6007	MRS25 1% 10K	4822 116 53022	R 7024	MRS25 1% 1K	4822 116 53108
R 6008	MRS25 1% 316E	5322 116 53514	R 7025	51E1	5322 116 53213
R 6009	0.5W 10% 1K5	4822 116 30248	R 7026	MRS25 1% 4K64	5322 116 53212
R 6010	MRS25 1% 14K7	4822 116 53531	R 7027	MRS25 1% 3K83	4822 116 53079
R 6011	MRS25 1% 237E	5322 116 53259	R 7028	MRS25 1% 3K83	4822 116 53079
R 6012	MRS25 1% 178E	5322 116 53572	R 7029	MRS25 1% 1K	4822 116 53108
R 6013	MRS25 1% 100E	5322 116 53126	R 7031	MRS25 1% 1K	4822 116 53108
R 6014	MRS25 1% 3E16	4822 116 52993	R 7032	MRS25 1% 75K	5322 116 53266
R 6016	MRS25 1% 10K	4822 116 53022	R 7033	MRS25 1% 5K11	5322 116 53494
R 6017	MRS25 1% 1E	4822 116 52976	R 7034	MRS25 1% 162E	5322 116 53523
R 6018	MRS25 1% 1E	4822 116 52976	R 7036	0.5W 10% 2K2	4822 116 30254
R 6019	MRS25 1% 10K	4822 116 53022	R 7037	MRS25 1% 1K1	5322 116 53473
R 6020	MRS25 1% 21E5	5322 116 53426	R 7038	MRS25 1% 1M	4824 116 52843
R 6021	MRS25 1% 10K	4822 116 53022	R 7041	MRS25 1% 3K83	4822 116 53079
R 6022	MRS25 1% 10K	4822 116 53022	R 7042	MRS25 1% 3K83	4822 116 53079
R 6031	MRS25 1% 383E	5322 116 53332	R 7102	MRS25 1% 100E	5322 116 53126
R 6032	0.25% 5K62	5322 116 80473	R 8001	MCR18 1% 10K	4822 111 90249
R 6033	0.25% 7K5	5322 116 80474			
R 6034	MRS25 1% 6K19	5322 116 53263			
R 6036	MRS25 1% 7K5	4822 116 53028			
R 6037	MRS25 1% 31K6	5322 116 53262			
R 6038	MRS25 1% 100E	5322 116 53126			
R 6039	MRS25 1% 10E	4822 116 52891			
R 6041	MRS25 1% 3K83	4822 116 53079			
R 6042	MRS25 1% 3K83	4822 116 53079			
R 6043	MRS25 1% 100K	4822 116 52973			
R 6044	MRS25 1% 100K	4822 116 52973			
R 6101	MRS25 1% 100E	5322 116 53126			
R 6102	MRS25 1% 100E	5322 116 53126			
R 6103	MRS25 1% 1K	4822 116 53108			
R 6131	MRS25 1% 10E	4822 116 52891			
R 6132	MRS25 1% 100K	4822 116 52973			
R 6133	MRS25 1% 100K	4822 116 52973			
R 6134	MRS25 1% 1K	4822 116 53108			
R 6136	MRS25 1% 4K64	5322 116 53212			
R 6137	MRS25 1% 316E	5322 116 53514			
R 6138	MRS25 1% 1K	4822 116 53108			
R 6139	MRS25 1% 100E	5322 116 53126			

16.4.3 COILS

POSNR	DESCRIPTION	ORDERING CODE
L 0816	COIL	5322 157 53335
L 0822	COIL	5322 157 53335
L 0846	COIL	5322 157 53335
L 0852	COIL	5322 157 53335
L 1401	1500UH TDK	4822 156 21293
L 1402	1500UH TDK	4822 156 21293
L 1421	1500UH TDK	4822 156 21293
L 1422	1500UH TDK	4822 156 21293
L 3001	COIL	5322 157 53345
L 3002	COIL	5322 157 53345
L 4101	2.2UH TDK	4822 157 51757
L 6000	100UH TDK	5322 157 52363

POSNR	DESCRIPTION	ORDERING CODE	POSNR	DESCRIPTION	ORDERING CODE
L 6001	100UH	TDK 5322 157 52363	V 2103	BF324	PEL 4822 130 41448
L 6002	100UH	TDK 5322 157 52363	V 2104	BF324	PEL 4822 130 41448
L 6003	5.6UH	4822 157 52259	V 2150	BZV46-C1V5	PEL 5322 130 34865
L 6004	1000UH	TDK 5322 157 52718	V 2151	BZV46-C1V5	PEL 5322 130 34865
L 6004	220 MH	5322 157 53524	V 2152	BZX79-C3V0	4822 130 31881
L 6006	1000UH	TDK 5322 157 52718	V 2153	BZX79-C3V0	4822 130 31881
L 6006	220 MH	5322 157 53524	V 2201	BFQ24	PEL 5322 130 41664
L 6101	10UH	TDK 5322 157 52513	V 2202	BFQ24	PEL 5322 130 41664
L 6102	82UH	4822 158 10563	V 2203	BAW62	PEL 4822 130 30613
L 6103	100UH	5322 157 52363	V 2204	BAW62	PEL 4822 130 30613
L 6104	100UH	TDK 5322 157 52363	V 2206	BC548C	PEL 4822 130 44196
L 6106	82UH	4822 158 10563	V 2207	BFQ22S	PEL 5322 130 42031
L 6107	82UH	4822 158 10563	V 2208	BFQ22S	PEL 5322 130 42031
L 6108	82UH	4822 158 10563	V 2209	BFQ22S	PEL 5322 130 42031
L 6109	82UH	4822 158 10563	V 2211	BFQ22S	PEL 5322 130 42031
L 6111	15UH	5322 157 52539	V 2310	BC558B	PEL 4822 130 44197
L 6201	82UH	4822 158 10563	V 2311	BF324	PEL 4822 130 41448
L 6501	82UH	4822 158 10563	V 2312	BF324	PEL 4822 130 41448
L 7101	15UH	5322 157 52539	V 2313	BAW62	PEL 4822 130 30613
T 6001	EDT-39	5322 146 30591	V 2314	BAW62	PEL 4822 130 30613
T 6201	TFE3015	5322 146 30592	V 2316	BF324	PEL 4822 130 41448
			V 2317	BC548C	PEL 4822 130 44196
			V 2318	BF324	PEL 4822 130 41448
			V 2319	BF324	PEL 4822 130 41448
			V 2321	BF324	PEL 4822 130 41448

## 16.4 SEMI-CONDUCTORS

POSNR	DESCRIPTION	ORDERING CODE	POSNR	DESCRIPTION	ORDERING CODE
V 1001	BSV80	PEL 5322 130 34044	V 2325	BAW62	PEL 4822 130 30613
V 1002	BAW62	PEL 4822 130 30613	V 2326	BAW62	PEL 4822 130 30613
V 1003	BAW62	PEL 4822 130 30613	V 2327	BC558B	PEL 4822 130 44197
V 1004	ON 4401 SET	5322 310 10325	V 2328	BZX79-C5V1	PEL 4822 130 34233
V 1006	BA483	PEL 4822 130 32656	V 2329	BZX79-C9V1	PEL 4822 130 30862
V 1007	BA483	PEL 4822 130 32656	V 2331	BF324	PEL 4822 130 41448
V 1009	BA483	PEL 4822 130 32656	V 2332	BF324	PEL 4822 130 41448
V 1011	BA483	PEL 4822 130 32656	V 2333	BC558B	PEL 4822 130 44197
V 1012	BA483	PEL 4822 130 32656	V 2334	BC558B	PEL 4822 130 44197
V 1014	BA483	PEL 4822 130 32656	V 2341	BFQ22S	PEL 5322 130 42031
V 1016	BA483	PEL 4822 130 32656	V 2342	BFQ22S	PEL 5322 130 42031
V 1017	BA483	PEL 4822 130 32656	V 2347	BF199	PEL 4822 130 44154
V 1021	BAW62	PEL 4822 130 30613	V 2349	BF199	PEL 4822 130 44154
V 1022	BAW62	PEL 4822 130 30613	V 2356	BC548C	PEL 4822 130 44196
V 1029	BF199	PEL 4822 130 44154	V 2357	BC548C	PEL 4822 130 44196
V 1031	BF199	PEL 4822 130 44154	V 2366	BAW62	PEL 4822 130 30613
V 1032	BZV86C2V0	4822 130 81424	V 2367	BAW62	PEL 4822 130 30613
V 1033	BFW30	PEL 5322 130 40379	V 2368	BAW62	PEL 4822 130 30613
V 1036	BFQ24	PEL 5322 130 41664	V 2369	BAW62	PEL 4822 130 30613
V 1037	BFQ24	PEL 5322 130 41664	V 2370	BC548C	PEL 4822 130 44196
V 1042	BAW62	PEL 4822 130 30613	V 2371	BC558B	PEL 4822 130 44197
V 1101	BSV80	PEL 5322 130 34044	V 2507	BAW62	PEL 4822 130 30613
V 1102	BAW62	PEL 4822 130 30613	V 2508	BAW62	PEL 4822 130 30613
V 1103	BAW62	PEL 4822 130 30613	V 2509	BC558B	PEL 4822 130 44197
V 1104	ON 4401 SET	5322 310 10325	V 2510	BC558B	PEL 4822 130 44197
V 1106	BA483	PEL 4822 130 32656	V 2511	BC548C	PEL 4822 130 44196
V 1107	BA483	PEL 4822 130 32656	V 2512	BF324	PEL 4822 130 41448
V 1108	ON 4401 SET	5322 310 10325	V 2513	BF324	PEL 4822 130 41448
V 1109	BA483	PEL 4822 130 32656	V 2514	BF324	PEL 4822 130 41448
V 1111	BA483	PEL 4822 130 32656	V 2516	BF324	PEL 4822 130 41448
V 1112	BA483	PEL 4822 130 32656	V 2601	BZX79-C6V2	PEL 4822 130 34167
V 1114	BA483	PEL 4822 130 32656	V 2602	BC548C	PEL 4822 130 44196
V 1116	BA483	PEL 4822 130 32656	V 2611	BF199	PEL 4822 130 44154
V 1117	BA483	PEL 4822 130 32656	V 2612	BF199	PEL 4822 130 44154
V 1121	BAW62	PEL 4822 130 30613	V 2615	BC548C	PEL 4822 130 44196
V 1122	BAW62	PEL 4822 130 30613	V 2616	BZV86-C1V4	4822 130 81423
V 1129	BF199	PEL 4822 130 44154	V 3001	BFQ24	PEL 5322 130 41664
V 1131	BF199	PEL 4822 130 44154	V 3002	BFQ24	PEL 5322 130 41664
V 1133	BFW30	PEL 5322 130 40379	V 3003	BC558B	PEL 4822 130 44197
V 1136	BFQ24	PEL 5322 130 41664	V 3004	BFQ22S	PEL 5322 130 42031
V 1137	BFQ24	PEL 5322 130 41664	V 3005	BF370	PEL 4822 130 42589
V 1142	BAW62	PEL 4822 130 30613	V 3006	BFQ22S	PEL 5322 130 42031
V 1201	BAW62	PEL 4822 130 30613	V 3007	BF370	PEL 4822 130 42589
V 1202	BAW62	PEL 4822 130 30613	V 3008	ON 4464	5322 130 61813
V 1204	BA483	PEL 4822 130 32656	V 3009	ON 4464	5322 130 61813
V 1206	BF199	PEL 4822 130 44154	V 3010	BAW62	PEL 4822 130 30613
V 1206	ON 4401 SET	5322 310 10325	V 3011	2N3866-01	PEL 5322 130 41799
V 1207	BA483	PEL 4822 130 32656	V 3012	2N3866-01	PEL 5322 130 41799
V 1208	BF199	PEL 4822 130 44154	V 3013	BZX79-B33	4822 130 34142
V 1209	BZV86C2V0	4822 130 81424	V 3016	BZX79-C3V9	4822 130 31981
V 1211	BFQ24	PEL 5322 130 41664	V 3017	BZX79-C3V9	4822 130 31981
V 1212	BFQ24	PEL 5322 130 41664	V 3101	BF324	PEL 4822 130 41448
V 2001	BZV86-C2V0	4822 130 81424	V 3102	BF324	PEL 4822 130 41448
V 2002	BZV86-C2V0	4822 130 81424	V 3103	BF324	PEL 4822 130 41448
V 2003	BF324	PEL 4822 130 41448	V 3104	BC558B	PEL 4822 130 44197
V 2004	BF324	PEL 4822 130 41448	V 3106	BF324	PEL 4822 130 41448
V 2102	BZV86-C2V0	4822 130 81424	V 3108	BF 472	5322 130 42535
			V 3109	BF370	PEL 4822 130 42589
			V 3111	BF370	PEL 4822 130 42589
			V 3112	2N5551	PEL 5322 130 44491
			V 3113	BZX79-B5V6	PEL 4822 130 34173
			V 3114	2N5551	PEL 5322 130 44491
			V 3116	BF 472	5322 130 42535
			V 3200	BF370	PEL 4822 130 42589
			V 3201	BF370	PEL 4822 130 42589



POSNR	DESCRIPTION	ORDERING CODE	POSNR	DESCRIPTION	ORDERING CODE
V 3202	2N5401 PEL	5322 130 42534	V 4321	BAW62 PEL	4822 130 30613
V 3203	2N5551 PEL	5322 130 44491	V 4322	BC548C PEL	4822 130 44196
V 3204	BF423 PEL	4822 130 41646	V 4323	BC548C PEL	4822 130 44196
V 3205	BZX79-B5V6 PEL	4822 130 34173	V 4400	BZV86-C1V4 PEL	4822 130 81423
V 3206	BAW62 PEL	4822 130 30613	V 4401	BF324 PEL	4822 130 41448
V 3207	BC548C PEL	4822 130 44196	V 4402	BZX79-C6V2 PEL	4822 130 34167
V 3208	BF423 PEL	4822 130 41646	V 4500	BAW62 PEL	4822 130 30613
V 3209	BAW62 PEL	4822 130 30613	V 4501	BC548C PEL	4822 130 44196
V 3211	BAW62 PEL	4822 130 30613	V 4502	BC548C PEL	4822 130 44196
V 3212	BZX79-B68 PEL	4822 130 30864	V 4503	BC548C PEL	4822 130 44196
V 3213	BC548C PEL	4822 130 44196	V 4504	BC548C PEL	4822 130 44196
V 3214	BAW62 PEL	4822 130 30613	V 4505	BAW62 PEL	4822 130 30613
V 3215	BAW62 PEL	4822 130 30613	V 4506	BC548C PEL	4822 130 44196
V 3216	BZX79-C9V1 PEL	4822 130 30862	V 4510	BC558B PEL	4822 130 44197
V 3217	BAW62 PEL	4822 130 30613	V 4511	BC558B PEL	4822 130 44197
V 3251	BF423 PEL	4822 130 41646	V 4512	BC558B PEL	4822 130 44197
V 3252	BZX79-C6V2 PEL	4822 130 34167	V 4513	BC558B PEL	4822 130 44197
V 3253	BF423 PEL	4822 130 41646	V 4514	BC558B PEL	4822 130 44197
V 3254	BF423 PEL	4822 130 41646	V 4516	BAW62 PEL	4822 130 30613
V 3256	BF423 PEL	4822 130 41646	V 4517	BAW62 PEL	4822 130 30613
V 3257	BAV21 PEL	4822 130 30842	V 4518	BAW62 PEL	4822 130 30613
V 3301	BZX79-C6V2 PEL	4822 130 34167	V 4519	BAW62 PEL	4822 130 30613
V 4001	BF199 PEL	4822 130 44154	V 4521	BAW62 PEL	4822 130 30613
V 4002	BF199 PEL	4822 130 44154	V 4522	BAW62 PEL	4822 130 30613
V 4003	BF324 PEL	4822 130 41448	V 4523	BC548C PEL	4822 130 44196
V 4004	BF324 PEL	4822 130 41448	V 4601	BAW62 PEL	4822 130 30613
V 4005	BZX79-C6V2 PEL	4822 130 34167	V 4602	BAW62 PEL	4822 130 30613
V 4006	BAW62 PEL	4822 130 30613	V 4611	BF199 PEL	4822 130 44154
V 4008	BFQ22S PEL	5322 130 42031	V 4612	BF199 PEL	4822 130 44154
V 4009	BC548C PEL	4822 130 44196	V 4613	BAW62 PEL	4822 130 30613
V 4011	BC548C PEL	4822 130 44196	V 4614	BAW62 PEL	4822 130 30613
V 4012	BC548C PEL	4822 130 44196	V 4616	BC548C PEL	4822 130 44196
V 4013	BZX79-C5V1 PEL	4822 130 34233	V 4617	BAW62 PEL	4822 130 30613
V 4014	BC548C PEL	4822 130 44196	V 4702	BF324 PEL	4822 130 41448
V 4016	BZX79-C3V6 PEL	5322 130 34834	V 4703	BAW62 PEL	4822 130 30613
V 4017	BAW62 PEL	4822 130 30613	V 4704	BAW62 PEL	4822 130 30613
V 4018	BC548C PEL	4822 130 44196	V 4706	BF324 PEL	4822 130 41448
V 4019	BC548C PEL	4822 130 44196	V 4707	BC558B PEL	4822 130 44197
V 4021	BC548C PEL	4822 130 44196	V 4708	BF324 PEL	4822 130 41448
V 4022	BAW62 PEL	4822 130 30613	V 4709	BC558B PEL	4822 130 44197
V 4023	BC548C PEL	4822 130 44196	V 4710	BC548C PEL	4822 130 44196
V 4024	BC548C PEL	4822 130 44196	V 4711	BAW62 PEL	4822 130 30613
V 4061	BF199 PEL	4822 130 44154	V 4712	BF324 PEL	4822 130 41448
V 4062	BF199 PEL	4822 130 44154	V 4713	BAW62 PEL	4822 130 30613
V 4063	BF324 PEL	4822 130 41448	V 4801	BZV86-C1V4 PEL	4822 130 81423
V 4064	BF324 PEL	4822 130 41448	V 4806	BAX12 PEL	5322 130 34605
V 4065	BZX79-C6V2 PEL	4822 130 34167	V 4807	BAX12 PEL	5322 130 34605
V 4066	BAW62 PEL	4822 130 30613	V 4808	BAX12 PEL	5322 130 34605
V 4088	BFQ22S PEL	5322 130 42031	V 4809	BAX12 PEL	5322 130 34605
V 4089	BC548C PEL	4822 130 44196	V 6001	BYV96E PEL	5322 130 34979
V 4101	BC558B PEL	4822 130 44197	V 6002	BYV96E PEL	5322 130 34979
V 4102	BAW62 PEL	4822 130 30613	V 6003	BYV96E PEL	5322 130 34979
V 4103	BAW62 PEL	4822 130 30613	V 6004	BYV96E PEL	5322 130 34979
V 4104	BC548C PEL	4822 130 44196	V 6007	BAX12 PEL	5322 130 34605
V 4106	BAW62 PEL	4822 130 30613	V 6008	BAX12 PEL	5322 130 34605
V 4107	BC327 PEL	4822 130 40854	V 6009	BC337 PEL	4822 130 40855
V 4108	BC548C PEL	4822 130 44196	V 6011	BAX12 PEL	5322 130 34605
V 4109	BC558B PEL	4822 130 44197	V 6012	BZX79-C15 PEL	4822 130 34281
V 4111	BC558B PEL	4822 130 44197	V 6013	BRV39 PEL	5322 130 40482
V 4112	BSX20 PEL	4822 130 41705	V 6016	BYV27-150 PEL	4822 130 31628
V 4113	BZV86-C1V4 PEL	4822 130 81423	V 6017	BYV96E PEL	5322 130 34979
V 4114	BSX20 PEL	4822 130 41705	V 6018	BUM12A PEL	5322 130 42114
V 4115	BZX79-C6V2 PEL	4822 130 34167	V 6019	BYV26C PEL	4822 130 32343
V 4116	BAW62 PEL	4822 130 30613	V 6021	BZX79-C3V0 PEL	4822 130 31881
V 4117	BC548C PEL	4822 130 44196	V 6031	BZX79-C3V6 PEL	5322 130 34834
V 4118	BC548C PEL	4822 130 44196	V 6101	MBR 2545 CT PEL	5322 130 81179
V 4119	BF199 PEL	4822 130 44154	V 6103	BYV95C PEL	4822 130 41487
V 4120	BAW 62 PEL	4822 130 30613	V 6104	BYV28-150 PEL	5322 130 32043
V 4121	BC548C PEL	4822 130 44196	V 6106	BYV27-150 PEL	4822 130 31628
V 4122	BAW62 PEL	4822 130 30613	V 6107	BYV95C PEL	4822 130 41487
V 4123	BAW62 PEL	4822 130 30613	V 6108	BYV27-150 PEL	4822 130 31628
V 4209	BC558B PEL	4822 130 44197	V 6109	BYV95C PEL	4822 130 41487
V 4211	BC558B PEL	4822 130 44197	V 6110	BYV27-150 PEL	4822 130 31628
V 4212	RSX20 PEL	4822 130 41705	V 6112	BT151-500R PEL	5322 130 24081
V 4213	BAW62 PEL	4822 130 30613	V 6113	BYV95C PEL	4822 130 41487
V 4214	BSX20 PEL	4822 130 41705	V 6115	BYV27-150 PEL	4822 130 31628
V 4215	BZX79-C6V2 PEL	4822 130 34167	V 6116	BYV27-150 PEL	4822 130 31628
V 4216	BAW62 PEL	4822 130 30613	V 6131	BAX12 PEL	5322 130 34605
V 4217	BC548C PEL	4822 130 44196	V 6132	BAW62 PEL	4822 130 30613
V 4218	BC548C PEL	4822 130 44196	V 6133	BZX79-C6V2 PEL	4822 130 34167
V 4219	BF199 PEL	4822 130 44154	V 6134	BC337 PEL	4822 130 40855
V 4300	BZX79-C6V2 PEL	4822 130 34167	V 6136	BF423 PEL	4822 130 41646
V 4301	BC558B PEL	4822 130 44197	V 6137	BF423 PEL	4822 130 41646
V 4302	BC548C PEL	4822 130 44196	V 6138	BZX79-C5V6 PEL	4822 130 34173
V 4304	BC558B PEL	4822 130 44197	V 6201	BC327 PEL	4822 130 40854
V 4305	BZX79-C9V1 PEL	4822 130 30862	V 6202	BZX79-C15 PEL	4822 130 34281
V 4306	BAW62 PEL	4822 130 30613	V 6203	BAV21 PEL	4822 130 30842
V 4307	BC548C PEL	4822 130 44196	V 6204	BAV21 PEL	4822 130 30842
V 4308	BZV86-C1V4 PEL	4822 130 81423	V 6206	BAV21 PEL	4822 130 30842
V 4309	BC548C PEL	4822 130 44196	V 6207	BYV27-150 PEL	4822 130 31628

POSNR	DESCRIPTION		ORDERING CODE
V 6208	BUV26A	PEL	5322 130 42722
V 6209	BY509	PEL	4822 130 41485
V 6211	BC337	PEL	4822 130 40855
V 6301	BC548C	PEL	4822 130 44196
V 6302	BC558B	PEL	4822 130 44197
V 6303	BC337	PEL	4822 130 40855
V 6304	BC327	PEL	4822 130 40854
V 6311	BC337	PEL	4822 130 40855
V 6312	BDX78	PEL	5322 130 44278
V 6401	BZV11	PEL	5322 130 34294
V 6402	BAX12	PEL	5322 130 34605
V 6403	BC337	PEL	4822 130 40855
V 7001	BAW62	PEL	4822 130 30613
V 7002	BC548C	PEL	4822 130 44196
V 7101	BAW62	PEL	4822 130 30613

## 16.4.5 INTEGRATED CIRCUITS

POSNR	DESCRIPTION		ORDERING CODE
D 0216	D27010		5322 209 51446
D 0411	PL16R8A-2CNMM1		5322 209 51447
D 0412	PCF1106P/029		5322 209 72941
D 1001	TEA1017/N9		5322 209 60191
D 1061	OQ 0221N2		5322 209 11878
D 1101	TEA1017/N9		5322 209 60191
D 1161	OQ0221-1		5322 209 73575
D 1161	OQ 0221N2		5322 209 11878
D 2203	OQ0127		5322 209 80992
D 2301	OQ0205-2		5322 209 73576
D 2601	HEF 4053 BP		5322 209 10576
D 2602	TEA1017/N9		5322 209 60191
D 4001	TEA1017/N9		5322 209 60191
D 4001	TEA1017/N9		5322 209 60191
D 4101	HEF4053BP	PEL	5322 209 10576
D 6201			5322 321 21597
D 6501	HEF4066BP	PEL	5322 209 10357
D 7002	HEF4053BP	PEL	5322 209 10576
D 7003	PC74HCT259P		5322 209 11115
D 7004	OQ0044		5322 209 11008
D 7006	SN74LS244N	MOT	5322 209 86017
D 8001	PCF8577T	PEL	5322 209 70024
D 8002	PCF8577T	PEL	5322 209 70024
D 8003	PCF8577T	PEL	5322 209 70024
N 1001	OPA121KP	BBR	5322 209 72572
N 1002	OP-77GP	PMI	5322 130 60937
N 1101	OPA121KP	BBR	5322 209 72572
N 1102	OP-77GP	PMI	5322 130 60937
N 1201	TL080CP	T.I	5322 209 72464
N 2001	CA3227E	RCA	5322 209 72568
N 2101	CA3227E	RCA	5322 209 72568
N 4101	LM324N	N.S	4822 209 80587
N 4102	OP-77		5322 130 60937
N 4103	TL080CP	T.I	5322 209 72464
N 4203	TL080CP	T.I	5322 209 72464
N 4401	TDA1540P	PEL	4822 209 81453
N 4402	CA3086	RCA	5322 209 11225
N 4601	CA3102E		5322 209 72657
N 6001	LM358N	N.S	4822 209 70672
N 6002	LM358N	N.S	4822 209 70672
N 7001	LM339AN	N.S	4822 209 80631
D1002, D1102,	OQ 0221-2		5322 209 11878
D2002, D2102, D2150	OQ 0205-2		5322 209 73576
D2201, D2202, D2302,	OQ 0020		
D2303, D2501, D2502			5322 209 80991
D2304	OQ 0128		5322 209 82925
D2603	OQ 0200		5322 209 82924
D4103	OQ 0201		5322 209 70391

## 16.4.6 MISCELLANEOUS

POSNR	DESCRIPTION		ORDERING CODE
E 0001	T13/4 28V 80MA		5322 134 40534
E 8001	60MA MGG9012		5322 134 40849
G 7001	KYO		5322 242 71444
H 6001	CNX35	PEL	5322 130 90137
K 1001	EED-RELAIS 12V		5322 280 20125
	REED CONTACT		5322 280 24126
K 1002	EED-RELAIS 12V		5322 280 20125
	REED CONTACT		5322 280 24126
K 1003	EED-RELAIS 12V		5322 280 20125
	REED CONTACT		5322 280 24126
K 1004	EED-RELAIS 12V		5322 280 20125
	REED CONTACT		5322 280 24126
K 1006	DSS4-1A12	CLA	5322 280 80586
K 1007	DSS4-1A12	CLA	5322 280 80586
K 1008	DSS4-1A12	CLA	5322 280 80586
K 1011	EED-RELAIS 12V		5322 280 20125
	REED CONTACT		5322 280 24126
K 1012	EED-RELAIS 12V		5322 280 20125
	REED CONTACT		5322 280 24126
K 1013	EED-RELAIS 12V		5322 280 20125
	REED CONTACT		5322 280 24126
K 1101	EED-RELAIS 12V		5322 280 20125
	REED CONTACT		5322 280 24126
K 1102	EED-RELAIS 12V		5322 280 20125
	REED CONTACT		5322 280 24126
K 1103	EED-RELAIS 12V		5322 280 20125
	REED CONTACT		5322 280 24126
K 1104	EED-RELAIS 12V		5322 280 20125
	REED CONTACT		5322 280 24126
K 1106	DSS4-1A12	CLA	5322 280 80586
K 1107	DSS4-1A12	CLA	5322 280 80586
K 1108	DSS4-1A12	CLA	5322 280 80586
K 1111	EED-RELAIS 12V		5322 280 20125
	REED CONTACT		5322 280 24126
K 1112	EED-RELAIS 12V		5322 280 20125
	REED CONTACT		5322 280 24126
K 1113	EED-RELAIS 12V		5322 280 20125
	REED CONTACT		5322 280 24126
K 1201	EED-RELAIS 12V		5322 280 20125
	REED CONTACT		5322 280 24126
K 4101	EED-RELAIS 12V		5322 280 20125
	REED CONTACT		5322 280 24126
K 4201	EED-RELAIS 12V		5322 280 20125
	REED CONTACT		5322 280 24126
S 6001			5322 276 11859
S 7002	BR		5322 277 10878
S 7004	BR		5322 277 10878
S 7006	BR		5322 277 10878
S 7008	BE		5322 277 10879
S 7010	BE		5322 277 10879
S 7012			5322 276 11857
S 7013			5322 276 11856
S 7014			5322 276 11856
S 7015			5322 276 11856
S 7016			5322 276 11856
S 7017			5322 276 11856
S 7018			5322 276 11856
S 7019			5322 276 11856
S 7020			5322 276 11856
S 7021			5322 276 11856
S 7022			5322 276 11856
S 7023			5322 276 11856
S 7024			5322 276 11856
S 7025			5322 276 11856
S 7026			5322 276 11856
S 7027			5322 276 11858
S 7028			5322 276 11858
S 7029			5322 276 11856
S 7030			5322 276 11856
S 7031			5322 276 11856
S 7032			5322 276 11856
X 0017	BUS		5322 267 10004
X 1009	26-P DBL STRGHT		5322 265 61071
X 2001	34-P DBL STRGHT		5322 265 61069
X 2004	3-P SNG RT. ANG		5322 265 30433
X 2009	26-P DBL STRGHT		5322 265 61071
X 2010	20-P DBL STRGHT		5322 265 51129
X 2013	2-P SNG STRGHT		5322 265 20275
X 3002	20-P DBL STRGHT		5322 265 51129
X 3003	20-P DBL STRGHT		5322 265 51129
X 3004	3-P SNG RT. ANG		5322 265 30433

## 16-20

POSNR	DESCRIPTION	ORDERING CODE
X 3005	3-P SNG RT.ANG	5322 265 30433
X 3006	55595 PEL	5322 255 40502
X 3008	3-P SNG RT.ANG	5322 265 30433
X 3009	20-P DBL STRGHT	5322 265 51129
X 3010	20-P DBL STRGHT	5322 265 51129
X 4001	34-P DBL STRGHT	5322 265 61069
X 4002	20-P DBL STRGHT	5322 265 51129
X 4010	20-P DBL STRGHT	5322 265 51129
X 4016	10-P DBL STRGHT	5322 265 40485
X 4017	2-P SNG STRGHT	5322 265 20275
X 5007	10-P DBL STRGHT	5322 265 40485
X 6003	20-P DBL STRGHT	5322 265 51129
X 6007	10-P DBL STRGHT	5322 265 40485
X 6008	3-P SNG STRGHT	5322 265 30434
X 6014	5-P SNG STRGHT	5322 265 30436
X 6019	3-P SNG STRGHT	5322 265 30434
X 6020	2-P SNG STRGHT	5322 265 20275
X 7001	34-P DBL RT.ANG	5322 265 61068
X 7011	3P SNG ST12.7MM	5322 265 30396
X 7012	3P SNG ST12.7MM	5322 265 30396
X 8011	3P SNG 2.54	5322 267 40667
X 8012	3P SNG 2.54	5322 267 40667

### 16.4.7 CATHODE RAY TUBE

POSNR	DESCRIPTION	ORDERING CODE
V1	D14-372GH/123	5322 131 20169
V1	D14-372GM/123	5322 131 20171

JTN

## 17. OPTIONS

### 17.1 MTB GATE

The BNC output socket gives a TTL-compatible signal, which is HIGH during the MTB sweep and LOW for other conditions.

Characteristics	Specification	Additional information
* Output voltage LOW	< 0,4 V	at +4 mA
* Output voltage HIGH	> 2,4 V	at -4 mA

### 17.2 DTB GATE

The BNC output socket gives a TTL-compatible signal, which is HIGH during the DTB sweep and LOW for other conditions.

Characteristics	Specification	Additional information
* Output voltage LOW	< 0,4 V	at +4 mA
* Output voltage HIGH	> 2,4 V	at -4 mA

### 17.3 MTB SWEEP

The BNC output socket gives the MTB sawtooth signal.

Characteristics	Specification	Additional information
* Output voltage	0,5 V/div. +or-2,5%	at $R_{load} \geq 1$ Meg-Ohm for definition, see MTB spec. in your Service manual.
* Linearity	< 3%	
* Output impedance	1 kOhm +or-2%	
* Offset voltage	< 250 mV	

### 17.4 PARTS LIST

POS.NR	DESCRIPTION	ORDERING CODE
C421	10 nF -20+50% 100 V	4822 122 31414
C422	10 nF -20+50% 100 V	4822 122 31414
C423	10 nF -20+50% 100 V	4822 122 31414
R401	10 E 1% MR25	5322 116 50452
R402	10 E 1% MR25	5322 116 50452
R403	100 E 1% MR25	5322 116 53126
R404	100 E 1% MR25	5322 116 53126
R406	1 E 1% MR25	4822 116 52167
R407	10 E 1% MR25	5322 116 50452
R408	5k11 1% MR25	5322 116 53494
R409	5k11 1% MR25	5322 116 53494
R411	1 K 1% MR25	5322 116 51235
R421	5E11 1% MR25	5322 116 52999
R422	5E11 1% MR25	4822 116 52999
R423	5E11 1% MR25	4822 116 52999

