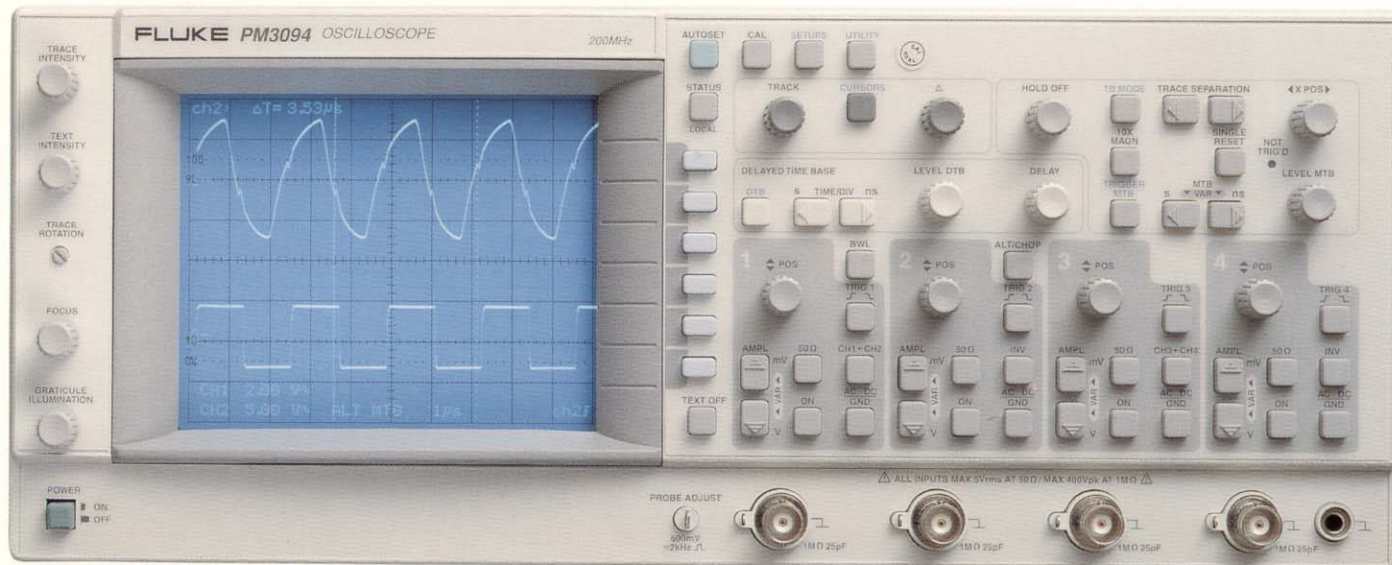


# PM3082 - PM3084 100 MHz PM3092 - PM3094 200 MHz ANALOG OSCILLOSCOPES

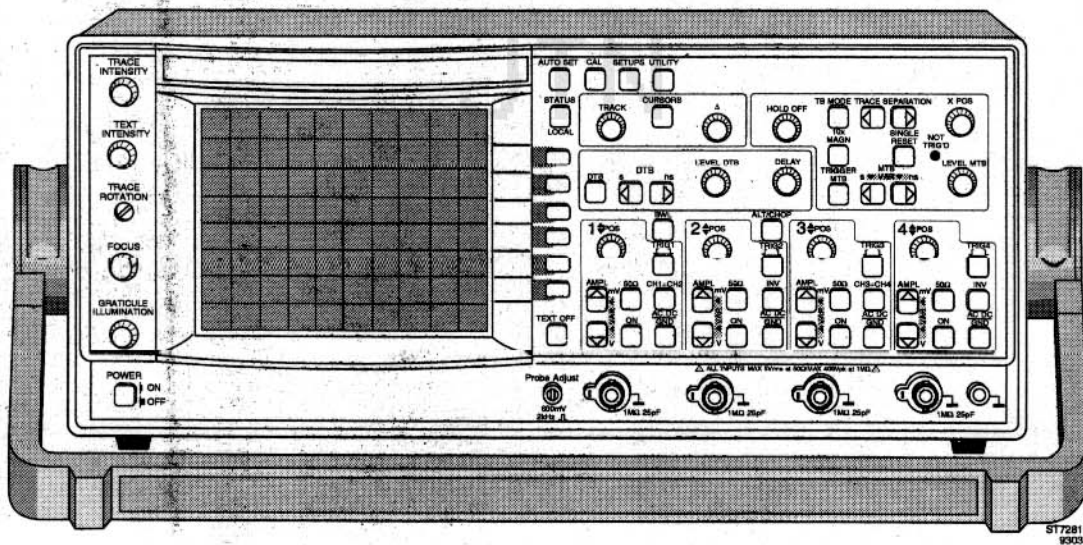
## Service Manual



**PM3082 - PM3084 100 MHz  
PM3092 - PM3094 200 MHz  
Analog Oscilloscopes**

**Service Manual**

4822 872 05373  
10 April '97



**Warning:** These servicing instructions are for use by qualified personnel only. To reduce the risk of electric shock do not perform any servicing other than that contained in the operating instructions unless you are fully qualified to do so.

**FLUKE®**



**FLUKE®**

**DECLARATION OF CONFORMITY**  
for

FLUKE  
Analog Oscilloscopes  
PM3082, PM3084, PM3092, PM3094

**Manufacturer**  
Fluke Industrial B.V.  
Lelyweg 1  
7602 EA Almelo  
The Netherlands

**Statement of Conformity**

Based on test results using appropriate standards, the product is in conformity with  
Electromagnetic Compatibility Directive 89/336/EEC  
Low Voltage Directive 73/23/EEC

**Sample tests**

Standards used:

IEC 348 (1978)  
Safety Requirements for Electronic Measuring Apparatus

EN 50081-1 (1992)  
Electromagnetic Compatibility. Generic Emission Standard:  
EN55022 and EN60555-2

EN 50082-1 (1992)  
Electromagnetic Compatibility. Generic Immunity Standard:  
IEC801 -2, -3, -4, -5

The tests have been performed in a typical configuration.

This Conformity is indicated by the symbol **CE**, i.e. "Conformité européenne".

## TABLE OF CONTENTS

Page

<b>1</b>	<b>SAFETY INSTRUCTIONS</b>	<b>1-1</b>
1.1	INTRODUCTION	1-1
1.2	SAFETY PRECAUTIONS	1-1
1.3	CAUTION AND WARNING STATEMENTS	1-1
1.4	SYMBOLS	1-1
1.5	IMPAIRED SAFETY-PROTECTION	1-2
1.6	GENERAL SAFETY INFORMATION	1-2
<b>2</b>	<b>CHARACTERISTICS</b>	<b>2-1</b>
2.1	VERTICAL	2-2
2.1.1	Channels	2-2
2.1.2	Deflection modes	2-2
2.1.3	Bandwidth	2-2
2.1.4	Attenuator	2-2
2.1.5	Input characteristics	2-3
2.1.6	Coupling	2-3
2.1.7	Dynamic range	2-3
2.1.8	Position range	2-3
2.1.9	Trace separation	2-3
2.1.10	Input voltage limits	2-4
2.1.11	Step response	2-4
2.1.12	Signal delay	2-5
2.1.13	Vertical accuracies	2-5
2.2	TIMEBASE	2-6
2.2.1	Timebase modes	2-6
2.2.2	Timebase settings	2-6
2.2.3	DTB delay	2-6
2.2.4	Timebase accuracies, Delaytime accuracy, DTB jitter	2-7
2.2.5	External horizontal deflection	2-7
2.3	TRIGGERING	2-8
2.3.1	Source	2-8
2.3.2	Modes	2-8
2.3.3	TV systems	2-8
2.3.4	Coupling	2-8
2.3.5	Sensitivity	2-9
2.3.6	Slope	2-9
2.3.7	Level	2-10
2.3.8	Hold Off	2-10
2.4	CURSORS	2-10
2.4.1	Cursor Control	2-10
2.4.2	Cursor Accuracies	2-11
2.5	FRONT PANEL MEMORY	2-11

2.6	BLANKING OR Z-AXIS .....	2-11
2.7	DISPLAY .....	2-11
2.8	EXTERNAL INTERFACES .....	2-12
2.8.1	Calibrator .....	2-12
2.8.2	Standard external interfaces .....	2-12
2.8.3	Optional external interfaces .....	2-13
2.9	AUTOSET & CALIBRATION .....	2-14
2.9.1	AUTO SET .....	2-14
2.9.2	Calibration .....	2-14
2.10	POWER SUPPLY & BATTERY BACKUP .....	2-14
2.10.1	Power supply .....	2-14
2.10.2	Battery backup .....	2-15
2.11	MECHANICS .....	2-15
2.12	ENVIRONMENTAL .....	2-15
2.12.1	General .....	2-15
2.12.2	Environmental .....	2-15
2.13	EMI .....	2-17
2.13.1	General aspects and Susceptibility .....	2-17
2.13.2	VDE requirements .....	2-19
2.13.3	Additional EMI requirements .....	2-19
2.14	SAFETY .....	2-20
2.15	ACCESSORIES .....	2-20
2.16	OPTIONS & OPTIONAL VERSIONS .....	2-20
2.16.1	Line Cord .....	2-20
2.16.2	Options versions .....	2-20
2.16.3	Optional outputs .....	2-21
2.16.4	Optional external MTB trigger input .....	2-21
2.17	SPECIFICATION OF IEEE-OPTION .....	2-22
<b>3</b>	<b>DESCRIPTIONS .....</b>	<b>3-3</b>
3.1	General description .....	3-3
3.1.1	Introduction to oscilloscope family .....	3-3
3.1.2	Introduction to descriptions .....	3-3
3.1.3	Explanation of signal names .....	3-4
3.1.4	Voltage values in the circuit diagrams .....	3-4
3.2	BLOCK DIAGRAM DESCRIPTION .....	3-5
3.2.1	Introduction .....	3-5
3.2.2	Vertical channels .....	3-6
3.2.3	Triggering and time bases .....	3-7
3.2.4	Final amplifiers .....	3-8
3.2.5	Front unit and microprocessor .....	3-9
3.2.6	Power supply .....	3-10

<b>4</b>	<b>PARTS</b> .....	<b>4-1</b>
4.1	UNITS .....	4-1
4.2	INTERCONNECTION CABLES .....	4-1
4.3	MECHANICAL PARTS .....	4-3
<b>5</b>	<b>UNIT DESCRIPTIONS</b> .....	<b>5.1-1</b>
5.1	SIGNAL UNIT A1 .....	5.1-1
5.1.1	Description A1 .....	5.1-1
5.1.2	Signal name list .....	5.1-14
5.1.3	Unit lay-outs .....	5.1-21
5.1.4	Location list Signal Unit A1 .....	5.1-23
5.1.5	Circuit diagrams .....	5.1-33
5.1.6	Parts list .....	5.1-55
5.2	FINAL XYZ AMPLIFIER A2 .....	5.2-1
5.2.1	Description A2-200 MHz version .....	5.2-1
5.2.2	Signal name list A2-200 MHz version .....	5.2-5
5.2.3	Unit lay-outs A2-200 MHz version .....	5.2-7
5.2.4	Location list A2-200 MHz version .....	5.2-9
5.2.5	Circuit diagrams A2-200 MHz version .....	5.2-13
5.2.6	Parts list A2-200 MHz version .....	5.2-19
5.2.7	Description of A2-100 MHz version .....	5.2-35
5.2.8	Signal name list A2-100 MHz version .....	5.2-39
5.2.9	Unit lay-outs A2-100 MHz version .....	5.2-41
5.2.10	Location List A2-100 MHz version .....	5.2-43
5.2.11	Circuit diagrams A2-100 MHz version .....	5.2-47
5.2.12	Parts list A2-100 MHz version .....	5.2-53
5.3	MICROPROCESSOR A3 .....	5.3-1
5.3.1	Description A3 .....	5.3-1
5.3.2	Signal name list A3 .....	5.3-3
5.3.3	Unit lay-outs .....	5.3-5
5.3.4	Location list Microprocessor unit A3 .....	5.3-7
5.3.5	Circuit diagrams .....	5.3-9
5.3.6	Parts list .....	5.3-15
5.4	FRONT UNIT A4 .....	5.4-1
5.4.1	Description .....	5.4-1
5.4.2	Signal name list A4 .....	5.4-1
5.4.3	Key switches .....	5.4-2
5.4.4	Unit lay-outs .....	5.4-5
5.4.5	Circuit diagrams .....	5.4-7
5.4.6	Parts list .....	5.4-9
5.5	CRT CONTROLS UNIT A5 .....	5.5-1
5.5.1	Description .....	5.5-1
5.5.2	Unit Lay-outs .....	5.5-2
5.5.3	Circuit diagram .....	5.5-3
5.5.4	Parts list .....	5.5-4



5.6	POWER SUPPLY A6 .....	5.6-1
5.6.1	Description A6 .....	5.6-1
5.6.2	Signal name list A6 .....	5.6-4
5.6.3	Unit lay-outs .....	5.6-5
5.6.4	Location list Power Supply unit A3 .....	5.6-7
5.6.5	Circuit diagrams .....	5.6-9
5.6.6	Parts list .....	5.6-13
5.7	RESERVED FOR FUTURE EXTENSIONS .....	5.7-1
5.8	RESERVED FOR FUTURE EXTENSIONS .....	5.8-1
5.9	RESERVED FOR FUTURE EXTENSIONS .....	5.9-1
5.10	CONNECTOR BOARD A10 .....	5.10-1
5.10.1	Unit lay-out .....	5.10-1
5.10.2	Circuit Diagrams .....	5.10-2
5.10.3	Parts list .....	5.10-4
5.11	FACTORY INSTALLED OPTIONS .....	5.11-1
5.11.1	IEEE-OPTION .....	5.11-1
5.11.2	AUXILIARY OUTPUTS AND EXTERNAL TRIGGER OPTION .....	5.11-1
<b>6</b>	<b>PERFORMANCE TEST .....</b>	<b>6-1</b>
6.1	GENERAL INFORMATION .....	6-1
6.2	RECOMMENDED TEST EQUIPMENT .....	6-2
6.3	TEST PROCEDURE .....	6-3
6.3.1	Preliminary settings .....	6-3
6.3.2	Power supply .....	6-3
6.3.3	Auto set .....	6-4
6.3.4	Orthogonality .....	6-4
6.3.5	Trace distortion .....	6-6
6.3.6	Vertical deflection; deflection coefficients .....	6-7
6.3.7	Vertical deflection; variable gain control range (continuation of 6.3.6) .....	6-8
6.3.8	Vertical deflection; input coupling (continuation of 6.3.7) .....	6-8
6.3.9	Vertical cursor accuracy (continuation of 6.3.8.) .....	6-8
6.3.10	Vertical deflection, high-frequency response .....	6-9
6.3.11	Vertical deflection, low-frequency response .....	6-9
6.3.12	Vertical deflection; dynamic range at 25/50 MHz .....	6-10
6.3.13	Vertical deflection; dynamic range at 100/200 MHz (continuation of 6.3.12) .....	6-11
6.3.14	Vertical deflection; position range .....	6-11
6.3.15	Vertical deflection; crosstalk between channels at 100/200 MHz .....	6-12
6.3.16	Vertical deflection; common mode rejection ratio at 1 MHz .....	6-13
6.3.17	Vertical deflection; common mode rejection ratio at 50 MHz .....	6-13
6.3.18	Vertical deflection; LF linearity .....	6-14
6.3.19	Vertical deflection; visual signal delay .....	6-15
6.3.20	Vertical deflection; base line instability .....	6-16
6.3.21	Delay difference between vertical channels .....	6-16
6.3.22	Horizontal deflection; display modes and trace separation .....	6-18
6.3.23	Horizontal deflection; X deflection .....	6-19
6.3.24	Horizontal deflection; main time-base deflection coefficients .....	6-20
6.3.25	Horizontal deflection; VARIable mode accuracy MTB .....	6-21
6.3.26	Time cursor accuracy (continuation of 6.3.25) .....	6-22
6.3.27	Horizontal deflection; delayed time-base deflection coefficients .....	6-22
6.3.28	Horizontal deflection; delay time multiplier .....	6-24

6.3.29	Horizontal deflection; delayed timebase jitter .....	6-24
6.3.30	Horizontal deflection; X deflection coefficient via CH1 .....	6-25
6.3.31	Horizontal deflection; X deflection coefficient via 'line' .....	6-26
6.3.32	Horizontal deflection; high frequency response .....	6-26
6.3.33	Maximum phase shift between horizontal and vertical deflection .....	6-27
6.3.34	MTB triggering PM3092/3094; trigger sensitivity via CH1, CH2, CH3 and CH4 ....	6-28
6.3.35	MTB triggering PM3082/3084; trigger sensitivity via CH1, CH2, CH3 and CH4 ....	6-29
6.3.36	MTB/DTB triggering; trigger sensitivity TVL-TVF .....	6-30
6.3.37	DTB triggering PM3092/3094; trigger sensitivity via CH1, CH2, CH3 and CH4 ....	6-31
6.3.38	DTB triggering PM3082/3084; trigger sensitivity via CH1, CH2, CH3 and CH4 ....	6-32
6.3.39	Z-MOD sensitivity .....	6-33
6.3.40	Probe Adjust signal; frequency and output voltage .....	6-34

## **7 CALIBRATION ADJUSTMENT PROCEDURE..... 7-1**

7.1	INTRODUCTION.....	7-1
7.2	DARK LEVEL OF CRT .....	7-1
7.3	TRACE ROTATION .....	7-1
7.4	HORIZONTAL (X) GAIN AND OFFSET .....	7-2
7.5	TEXT STABILITY AND X-OFFSET.....	7-2
7.6	VERTICAL (Y) GAIN AND OFFSET.....	7-2
7.7	ASTIGMATISM .....	7-2
7.8	AUTOCAL PROCEDURE.....	7-3
7.9	LF SQUARE-WAVE RESPONSE CH1.....	7-3
7.10	LF SQUARE-WAVE RESPONSE CH2.....	7-4
7.11	LF SQUARE-WAVE RESPONSE CH3.....	7-4
7.12	LF SQUARE-WAVE RESPONSE CH4.....	7-4
7.13	HF SQUARE-WAVE RESPONSE FINAL Y AMPLIFIER .....	7-5
7.14	SAVING THE CALIBRATION DATA.....	7-6
7.15	TESTING THE INSTRUMENT'S PERFORMANCE .....	7-6

## **8 CORRECTIVE MAINTENANCE PROCEDURES..... 8-1**

8.1	DISMANTLING THE INSTRUMENT.....	8-1
8.1.1	General information .....	8-1
8.1.2	Removing the cabinet and carrying handle .....	8-1
8.2	REPLACEMENTS.....	8-1
8.2.1	Standard parts .....	8-2
8.2.2	Special parts .....	8-2
8.2.3	Transistors and Integrated Circuits .....	8-2

8.3	STATIC SENSITIVE COMPONENTS .....	8-2
8.4	SOLDERING TECHNIQUES .....	8-3
8.4.1	General soldering techniques .....	8-3
8.4.2	Soldering micro-miniature semi-conductors .....	8-3
8.5	REMOVING THE UNITS, MECHANICAL PARTS AND CRT .....	8-4
8.5.1	Removing the rotary knobs .....	8-4
8.5.2	Detachment of ribbon cables .....	8-4
8.5.3	Removal of the units in the front frame .....	8-4
8.5.4	Removal of the Power supply unit A6 .....	8-5
8.5.5	Removal of microprocessor unit A3 .....	8-5
8.5.6	Removal of Final XYZ amplifier unit A2 .....	8-6
8.5.7	Removal of unit at socket of CRT .....	8-7
8.5.8	Removal of signal unit A1 .....	8-7
8.5.9	Removal of Cathode Ray Tube (CRT) .....	8-8
8.6	INSTRUMENT REPACKING .....	8-8
8.7	TROUBLESHOOTING TECHNIQUES .....	8-8
8.8	TROUBLESHOOTING THE POWER SUPPLY .....	8-9
8.9	SPECIAL TOOLS .....	8-10
8.9.1	Extension board .....	8-10
8.9.2	Flash-ROM loader program .....	8-10
8.10	RECALIBRATION AFTER REPAIR .....	8-10
8.11	TROUBLE SHOOTING TOOLS .....	8-11
8.12	TESTS BUILT INTO THE INSTRUMENT .....	8-11
8.12.1	Power-up test .....	8-11
8.12.2	Introduction to diagnostic tests .....	8-12
8.12.3	Selftest .....	8-12
8.12.4	Repair tools .....	8-15
8.13	THE AUTOCAL PROCEDURE .....	8-19
8.13.1	Introduction .....	8-19
8.13.2	FAULT LOCATION VIA ERROR CODES .....	8-20
8.13.3	HOW TO USE THE ERROR CODE LISTS .....	8-20
8.13.4	ERROR CODE LISTS .....	8-21
<b>9</b>	<b>SAFETY INSPECTION AND TESTS AFTER REPAIR AND MAINTENANCE IN THE PRIMARY CIRCUIT .....</b>	<b>9-1</b>
9.1	GENERAL DIRECTIONS .....	9-1
9.2	SAFETY COMPONENTS .....	9-1
9.3	CHECKING PROTECTIVE GROUND .....	9-1
9.4	CHECKING INSULATION RESISTANCE .....	9-1
9.5	CHECKING LEAKAGE CURRENT .....	9-1
9.6	VOLTAGE TEST .....	9-1

# 1 SAFETY INSTRUCTIONS

Read these pages carefully before installation and use of the instrument.

## 1.1 INTRODUCTION

The following paragraphs contain information, cautions and warnings which must be followed to ensure safe operation and to keep the instrument in a safe condition.

**WARNING:** Servicing described in this manual is to be done only by qualified service personnel. To avoid electric shock, do not service the instrument unless you are qualified to do so.

## 1.2 SAFETY PRECAUTIONS

For the correct and safe use of this instrument it is essential that both operating and servicing personnel follow generally accepted safety procedures in addition to the safety precautions specified in this manual.

Specific warning and caution statements, where they apply, will be found throughout the manual. Where necessary, the warning and caution statements and/or symbols are marked on the apparatus.

## 1.3 CAUTION AND WARNING STATEMENTS

**CAUTION:** Is used to indicate correct operating or maintenance procedures in order to prevent damage to or destruction of the equipment or other property.

**WARNING:** Calls attention to a potential danger that requires correct procedures or practices in order to prevent personal injury.

## 1.4 SYMBOLS



Live part (black/yellow)



High voltage terminal  $\geq 1000$  V (red)



Attention refer to the manual:  
This symbol is to indicate that information about usage of a feature is contained in the manual.



Protective ground terminal (black)



Static sensitive components (black/yellow)



## 1.5 IMPAIRED SAFETY-PROTECTION

Whenever it is likely that safety has been impaired, the instrument must be turned off and disconnected from line power. The matter should then be referred to qualified technicians. Safety protection is likely to be impaired if, for example, the instrument fails to perform the intended measurements or shows visible damage.

## 1.6 GENERAL SAFETY INFORMATION

**WARNING:** Removing the instrument cover or removing parts, except those to which access can be gained by hand, is likely to expose live parts and accessible terminals which can be dangerous to live.

The instrument shall be disconnected from all voltage sources before it is opened.

Capacitors inside the instrument can hold their charge even if the instrument has been separated from all voltage sources.

**WARNING:** Any interruption of the protective ground conductor inside or outside the instrument, or disconnection of the protective ground terminal, is likely to make the instrument dangerous. Intentional interruption is prohibited.

Components which are important for the safety of the instrument may only be replaced by components obtained through your local FLUKE organisation. (See also section 9).

After repair and maintenance in the primary circuit, safety inspection and tests, as mentioned in section 9 have to be performed.

## 2 CHARACTERISTICS

### A. Performance Characteristics

- Properties expressed in numerical values with tolerances, ranges or limits stated, are guaranteed by the manufacturer.
- Properties expressed in numerical values without tolerances, ranges or limits stated, represent the characteristics of an average instrument.
- This specification is valid if the temperature has not changed more than + or -5 °C since the last AUTO CAL and the probe is of the same 10:1 model as delivered with the instrument.
- For definitions of terms, reference is made to IEC Publication 351-1, 359.

### B. Safety Characteristics

This instrument has been designed and tested in accordance with IEC Publication 348, Safety requirements for Electronic Measuring Apparatus and has been supplied in a safe condition. This manual contains information and warnings which must be followed by the user to ensure safe operation and to keep the instrument in safe condition. The instrument has been designed for indoor use. It may occasionally be subjected to temperatures between + 5 °C and 10 °C without degradation of its safety.

### C. Initial Characteristics

- Overall dimensions:
  - Height (without feet) : 139 mm 5.5"
  - Width (without handle) : 341 mm 13.5"
  - Length (without handle and front cover) : 481 mm 19"

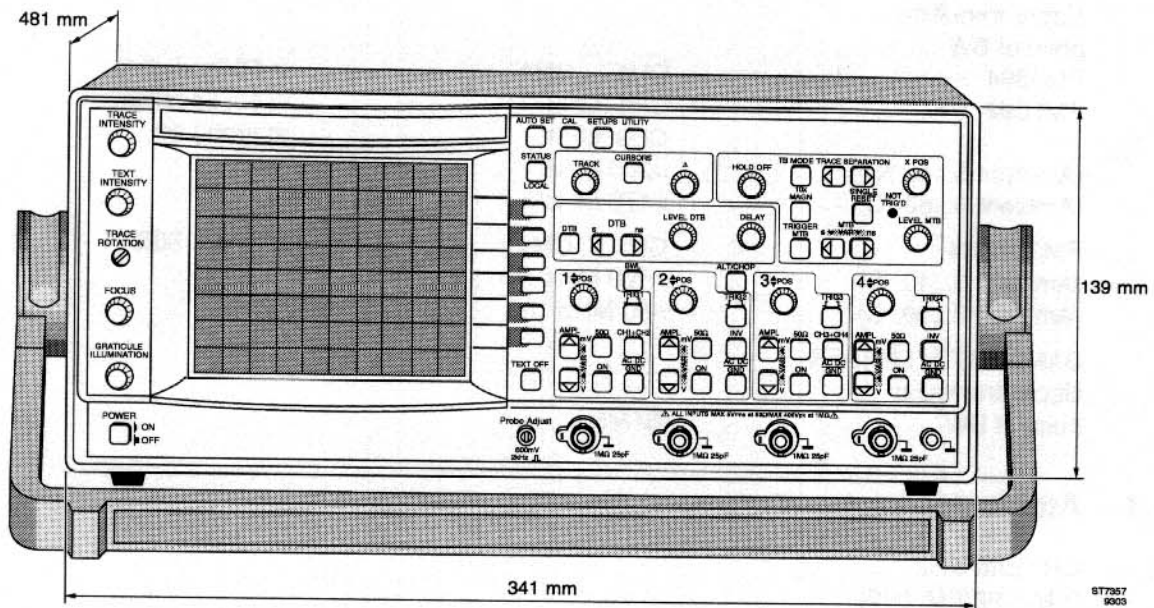


Figure 2.1 Dimensions

- Mass : 8.5 kg 17.6 lb.
- Operating positions:
  - a) Horizontally on bottom feet
  - b) Vertically on rear feet
  - c) On the carrying handle in three sloping positions

## 2.1 VERTICAL

### 2.1.1 Channels

CHARACTERISTICS	SPECIFICATION	ADDITIONAL INFORMATION
CHANNELS	CH1; CH2; CH3; CH4	Form a channelset Form a channelset

### 2.1.2 Deflection modes

MODES	CH1, CH2, CH3, CH4	CH2 and CH4 can be inverted to allow -CH2 or -CH4
	CH1 + CH2	CH2 can be inverted to allow CH1 - CH2
	CH3 + CH4	CH4 can be inverted to allow CH3 - CH4
	Alternate/Chopped	
Chopped mode: Chop. freq.	1 MHz	

### 2.1.3 Bandwidth

FREQUENCY RESPONSE		At BNC
Lower transition point of BW input coupling in AC pos.	<10 Hz	
Upper transition point of BW		
PM3094	CH1 ... CH4	in 50Ω position
PM3092	CH1, CH2 CH3, CH4	in 50Ω position at probe tip
(Ambient 5...40 °C)	>200 MHz	
(Ambient 0...50 °C)	>175 MHz	
PM3082/84	CH1 ... CH4	with ext. 50Ω
(Ambient 5...40 °C)	>100 MHz	
(Ambient 0...50 °C)	>90 MHz	
BANDWIDTH LIMITER		
Upper transition point of BW	20 MHz	

### 2.1.4 Attenuator

CH1 and CH2 (PM3092/PM3082) Steps	2 mV/div ... 5 V/div	In a 1-2-5 sequence
CH3 and CH4 (PM3092/PM3082) Steps	0.1V/div, 0.5V/div	
CH1 to CH4 (PM3094/PM3084) Steps	2mV/div...5V/div	in a 1-2-5- sequence
Variable gain mode	2mV/div...12.5V/div	Continuously variable

CHARACTERISTICS	SPECIFICATION	ADDITIONAL INFORMATION
<b>2.1.5 Input characteristics</b>		
INPUT CONNECTOR	BNC	See note 1
INPUT IMPEDANCE (in 1 M $\Omega$ pos.)		Measured at freq. <1MHz
R parallel:		
- value	1 M $\Omega$	
- tolerance	$\pm 1$ %	
C parallel:		
- value	25 pF	
- tolerance	$\pm 2$ pF	
INPUT IMPEDANCE (in 50 $\Omega$ pos.)		PM3092 only CH1 and CH2. PM3094 all channels
R parallel:		
- value	50 $\Omega$	
- tolerance	$\pm 1$ %	
VSWR (typical)	1.5 : 1	See note 2
<i>Note 1: BNC with Probe Read Out Pin which causes the instrument to change V/div indication, input impedance and attenuator setting according to probe (when fitted with a probe indicator).</i>		
<i>Note 2: Measured up to 200 MHz input frequency; in d.c. and a.c. coupling of input.</i>		
<b>2.1.6 Coupling</b>		
COUPLING	d.c.; a.c.; ground	See note 1
<i>Note 1: In GND position: channel disconnected from input, and connected to ground, BNC open (when not in 50 <math>\Omega</math> position). The GND coupling is not available for CH3 and CH4 in PM3092 and PM3082.</i>		
<b>2.1.7 Dynamic range</b>		
DYNAMIC RANGE		
Up to 25 MHz (PM3082/84)	$\pm 12$ div	Symmetrical
Up to 50 MHz (PM3092/94)	$\pm 12$ div	Symmetrical
Up to 100 MHz (PM3082/84)	$\pm 4$ div	Symmetrical
Up to 200 MHz (PM3092/94)	$\pm 4$ div	Symmetrical
<b>2.1.8 Position range</b>		
POSITION RANGE	$\pm \geq 8$ div	Symmetrical
<b>2.1.9 Trace separation</b>		
TRACE SEPARATION		
Min. range	$> \pm 4$ div	MTB and DTB MTB fixed, DTB shifts



CHARACTERISTICS	SPECIFICATION	ADDITIONAL INFORMATION
-----------------	---------------	------------------------

**2.1.10 Input voltage limits**

**INPUT VOLTAGE LIMITS**



In high Z position  
(d.c. + a.c. peak)  
In 50 Ω position

±400 V

See note 1

See note 2

d.c.

±5 V

a.c. r.m.s.

5 V

See note 3

a.c. peak

±50 V

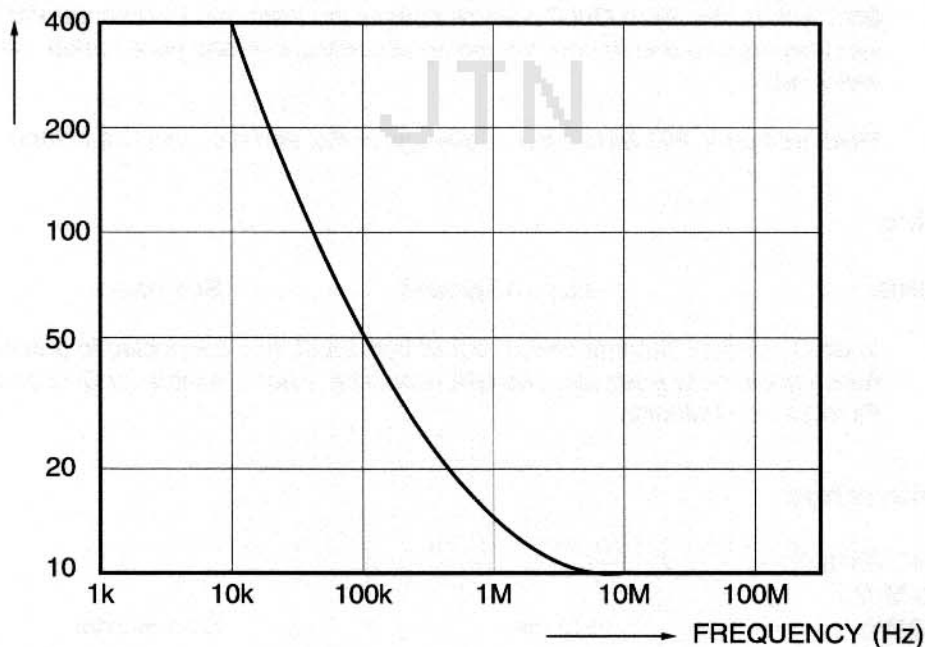
See note 3

*Note 1: Apparatus should be properly grounded through the protective ground conductor of the power cord.*

*Note 2: Up to 10 kHz; >10 kHz see figure 2.2*

*Note 3: Maximum of 50 mJ during any 100 ms interval.*

**MAX. INPUT VOLTAGE (Vpk)**



ST0063

*Figure 2.2 Max input voltage versus frequency*

**2.1.11 Step response**

**STEP RESPONSE**

Is calculated from the formula:  $Risetime = 0.35 / \text{Bandwidth}$  and is measured over central 5 divisions (vertical)

CHARACTERISTICS	SPECIFICATION	ADDITIONAL INFORMATION
<b>2.1.12 Signal delay</b>		
VISUAL SIGNAL DELAY	≥15 ns ≥13 ns	PM3092, PM3094 PM3082, PM3084
DELAY BETWEEN CHANNELS		
CH1 and CH2	<250 ps	
CH3 and CH4	<250 ps	
CH1...CH4	<250 ps	4 channel instruments
Any two channels	<500 ps	2+2 channel instruments
<b>2.1.13 Vertical accuracies</b>		
ACCURACY		
deflection factor		
Gain error (d.c.)	±1.3 %	Over central 6 div. See note 1
Non linearity	≤2 %	See note 2
MAX. BASELINE INSTABILITY		
Jump (all between steps, VAR and N/I)	0.2 div or 1 mV	Whichever is greater (after autocal)
Drift	0.1 div/h	
Temperature coefficient	0.03div/K	
CHANNEL ISOLATION		
Of deselected channels at 10 MHz	100 : 1	See note 3
Of deselected channels at upper transition point	50 : 1	See note 4
Between selected channel	50 : 1	See note 5
CMRR		
at 1 MHz	100 : 1	See note 6
at 50 MHz	25 : 1	
<i>Note 1: add 1.5 % for variable gain mode</i>		
<i>Note 2: 2 div centerscreen signal with a frequency of 50 kHz, shifted within central 6 div.</i>		
<i>Note 3: At 10 MHz; input to deselected channel equivalent to 8 div. or less.</i>		
<i>Note 4: PM3092/3094 at 200 MHz; PM3082/3084 at 100 MHz; channels with equal V/div setting; input to deselected channels equivalent to 6 div.</i>		
<i>Note 5: PM3092/3094 at 200 MHz; PM3082/3084 at 100 MHz; channels with equal V/div. settings; input to either channel 6 div. PM3092/94: max input amplitude 3 Vpp</i>		
<i>Note 6: Between any two input channels at same attenuator setting; VAR of V/div setting adjusted for best CMRR; measured with max. 8 div input at each channel (center screen).</i>		

CHARACTERISTICS	SPECIFICATION	ADDITIONAL INFORMATION
-----------------	---------------	------------------------

## 2.2 TIMEBASE

### 2.2.1 Timebase modes

TIMEBASE MODES	MTB only MTB and DTB DTB only	MTB = Main Time Base alternating DTB = Delayed Time Base
MTB trigger modes	AUTO TRIGGERED SINGLE	free run after 100ms
DTB trigger modes	DTB starts DTB triggered	starts after adjusted DELAY time starts on first trigger after DELAY time

### 2.2.2 Timebase settings

MTB (PM3092/94) Settings Variable Time/Div range	0.5 s/div ... 20 ns/div 1.25 s/div ... 20 ns/div	Note 1 MTB only; continuously variable
DTB (PM3092/94) Settings	0.5 ms/div ... 20 ns/div	Note 1 Note 3
MTB (PM3082/84) Settings Variable Time/Div range	0.5 s/div ... 50 ns/div 1.25 s/div ... 50 ns/div	Note 1 MTB only; continuously variable
DTB (PM3082/84) Settings	0.5 ms/div ... 50 ns/div	Note 1 Note 3
TIMEBASE MAGNIFICATION	10x	Note 2

Note 1: In a 1-2-5 sequence. By means of the timebase magnifier (x10) the range is extended to 2 ns/div (PM3092/94) or to 5 ns/div (PM3082/84).

Note 2: Expands the normal time/div. by 10 times (MTB and DTB)

Note 3: The DTB sweep speed is higher or equal to MTB time/div. setting.

### 2.2.3 DTB delay

DELAY TIME	2 ns ... 4.9 s
Position range	0.1 ... 9.9 div
Resolution	1 : 40000

CHARACTERISTICS	SPECIFICATION	ADDITIONAL INFORMATION
-----------------	---------------	------------------------

**2.2.4 Timebase accuracies, Delaytime accuracy, DTB jitter**

**TIMEBASE ACCURACY**

Unmagnified:	$\pm (1.3\% \text{ of reading} + 0.5\% \text{ of central 8 div})$	Note 1
Magnified: up to 10 ns/div	$\pm (1.3\% \text{ of reading} + 1.0\% \text{ of central 8 div})$	Note 2 Note 1
in 5ns/div and 2ns/div	$\pm (1.8\% \text{ of reading} + 1.5\% \text{ of central 8 div})$	Note 1

Note 1: add 1% of reading in variable mode

Note 2: valid over central unmagnified 8 div

**DELAYTIME ACCURACY**

$\pm(0.8\% \text{ of reading} + 0.3\% \text{ of central 8 div} + 4\text{ns})$	Note 1 PM3092, PM3094
$\pm(0.8\% \text{ of reading} + 0.3\% \text{ of central 8 div} + 5\text{ns})$	Note 1 PM3082, PM3084

Note 1: add 1% of reading in variable mode.

DTB jitter in starts 1 part of 25000

**2.2.5 External horizontal deflection**

**DEFLECTION SOURCES**

Line and CH1...CH4

**LINE DEFLECTION**

Deflection amplitude  $6 \pm 1.7 \text{ div}$  Between 49 and 61 Hz at 220 V

**CHANNEL DEFLECTION**

Error limit  $\pm 5\%$   
Linearity error limit  $\pm 2\%$  Refer to VERTICAL  
Over central 6.div.  
Note 1

**Dynamic range**

up to 100kHz 20 div  
up to 2MHz 10 div

**POSITION RANGE**

$\pm 5 \text{ div}$

**FREQUENCY RESPONSE**

Upper transition point 2 MHz

**MAX. PHASE DIFFERENCE**

Between horizontal and vertical  $3^\circ$  Up to 100 kHz



CHARACTERISTICS	SPECIFICATION	ADDITIONAL INFORMATION
<b>2.3 TRIGGERING</b>		
<b>2.3.1 Source</b>		
SOURCE(S) MTB-triggering	CH1...CH4, Line; Composite	Note 1
SOURCE(S) DTB-triggering	CH1...CH4, TV-line	Note 2
<i>Note 1: Each displayed channel provides its own triggering. This feature is available in the alternated mode.</i>		
<i>Note 2: Only available when MTB-mode is switched in TV</i>		
<b>2.3.2 Modes</b>		
MODES MTB-triggering	EDGE TV	
MODES DTB-triggering	EDGE	
<b>2.3.3 TV systems</b>		
TV systems	TV HDTV	Note 1 Note 1
<i>Note 1: Field1, Field2 and TVline selection possible.</i>		
<b>2.3.4 Coupling</b>		
BANDWIDTH EDGE TRIGGER MTB		vertical coupling in DC
Lower transition point of BW		BW = Bandwidth
Trigger coupling:		
DC	d.c.	
AC	10 Hz	
LF-reject	30 kHz	
HF-reject	d.c.	
Upper transition point of BW		
Trigger coupling:		
DC	See sensitivity	
AC	See sensitivity	
LF-reject	See sensitivity	
HF-reject	30 kHz	

CHARACTERISTICS	SPECIFICATION	ADDITIONAL INFORMATION
BANDWIDTH EDGE TRIGGER DTB		vertical coupling in DC
Lower transition point of BW		BW = Bandwidth
Trigger coupling:		
DC	d.c.	
AC	10 Hz	
LF-reject	30 kHz	
HF-reject	d.c.	
Upper transition point of BW		
Trigger coupling:		
DC	See sensitivity	
AC	See sensitivity	
LF-reject	See sensitivity	
HF-reject	30 kHz	

### 2.3.5 Sensitivity

EDGE TRIGGER SENSITIVITY MTB/DTB (PM3092/94)		See note 1 & 3
d.c. to 100 MHz	0.5 div	
d.c. to 200 MHz	1.0 div	
d.c. to 300 MHz	2.0 div	See note 2
EDGE TRIGGER SENSITIVITY MTB/DTB (PM3082/84)		See note 1 & 3
d.c. to 50 MHz	0.5 div	
d.c. to 100 MHz	1.0 div	
d.c. to 200 MHz	2.0 div	See note 2
TV TRIGGER SENSITIVITY amplitude of sync pulse	0.7 div	See note 1

Note 1: All figures are valid for an ambient temperature range of 5 ... 40 °C, add 20 % for ambient 0 ... 50 °C.

Note 2: Measured with a 2 div centerscreen signal.

Note 3: In noise trigger multiply stated value by 2.

### 2.3.6 Slope

Slope selection edge	+ or -	MTB and DTB. See note1
----------------------	--------	------------------------

Note 1: In TV-triggering pos/neg video.

CHARACTERISTICS	SPECIFICATION	ADDITIONAL INFORMATION
<b>2.3.7 Level</b>		
LEVEL CONTROL RANGE MTB EDGE Unless in Level-p(eak)p(eak) TV	$\pm 8$ div Note 1 Fixed	
LEVEL CONTROL RANGE DTB EDGE	$\pm 8$ div	
TRIGGERLEVEL Accuracy	$\leq 0.2$ div	at 1 MHz input signal triggercoupling DC.
Triggergap	0.4 div	at 1 MHz input signal; in noise triggering multiply by 2.

Note 1: The control range of the trigger level is related to the peak-peak value and duty cycle of the trigger signal.

### 2.3.8 Hold Off

HOLDOFF SETTING Minimum	2 $\mu$ s or 3 div. of MTB setting	Whichever is greater
Maximum	2 s or 20 div. of MTB setting	Whichever is smaller

## 2.4 CURSORS

### 2.4.1 Cursor Control

NUMBER OF CURSORS	4	
CURSOR MODES		See note 1
Manual	Amplitude Time Both	$\Delta V$ , V1&V2 to GND, ratio $\Delta T$ , $1/\Delta T$ , Ratio, Phase See note 2 and 3
Measure	Vpp	$\Delta V_{pp}$ , Vp+&Vp- to GND Vdc to GND Risetime 10%-90% 20%-80% See note 4

Note 1: In the "MTB + DTB" and "DTB" timebasemode, all waveform operations are performed on DTB traces.

Note 2: The ratio range is 0% ... 999% where 100% corresponds to the value in the cursor read out at the moment that the " $\Delta T=100\%$ "- or " $\Delta V=100\%$ "-button is pushed.

Note 3: The phase range is  $0^\circ$  ...  $999^\circ$  where  $360^\circ$  corresponds to the value in the cursor read out at the moment that the " $\Delta T=360^\circ$ "-button is pushed.

Note 4: Amplitude cursors track the min. and max. value of the signal; not possible with DTB on.

CHARACTERISTICS	SPECIFICATION	ADDITIONAL INFORMATION
-----------------	---------------	------------------------

**2.4.2 Cursor Accuracies**

<b>VOLTAGE MEASUREMENT</b>		Note 1
Manual	±1% of FULL SCALE	
Vpp mode:	±3% of FULL SCALE + 800 μV	Note 2
<b>TIME MEASUREMENTS</b>		Note 3
Unmagnified time base	±1% of FULL SCALE	
Magnified time base up to 10ns/div:	±1.4% of FULL SCALE	
Magnified time base in 5ns/div. and 2ns/div	±2.2% of FULL SCALE	

Note 1: Measured with 1kHz square wave within central 6 div.

Note 2: For signals >1 div.  
Vpp mode follows the trigger system frequency response curve.  
1 kHz/120 mV sinewave over 6 div.: Readout 120 mV ±3.6 mV.

Note 3: Within central 8 div.

**2.5 FRONT PANEL MEMORY**

Memory size 10 fronts

**2.6 BLANKING OR Z-AXIS**

Input connector	BNC	
Input impedance	10 kΩ	
Input coupling	dc	
Max. input voltage	±10V	
Input voltage unblanked	0.5V or less	See note 1
Input voltage blanked	+ 2.4 V or more	See note 1
Response time	80ns	Risetime 2 ns

Note 1: Half tones are possible at input voltages between +0.8V and +2.4V.

**2.7 DISPLAY**

CRT

Deflection	Electrostatic	Vector
Dimensions (h x v)	80 mm x 100 mm	8 x 10 divisions
Phosphor:		
Standard	Green GH (P31)	

GRATICULE Fixed

Y-AXIS

ORTHOGONALITY	90° +/- 0.5°
ACCELERATING VOLTAGE	16.5 kV
Writing speed	>1.8 cm/ns

CHARACTERISTICS	SPECIFICATION	ADDITIONAL INFORMATION
TRACE ROTATION		
Min range	10°	Screw driver adjustment External field <0.1 mT
Min overrange	2°	
TRACE DISTORTION		
At center of screen	<0.3 mm	Deviation from straight line inside 6x8 div
Else	<1.0 mm	

## 2.8 EXTERNAL INTERFACES

### 2.8.1 Calibrator

WAVEFORM		
Shape	square-wave	
INTERNAL IMPEDANCE		
Value	1200 Ω	
OUTPUT VOLTAGE		
Peak - peak value	600 mV	See note 1
Tolerance	1%	
OUTPUT CURRENT		
Peak - peak value	0.5 mA	See note 2
FREQUENCY		
Value	2 kHz	
Tolerance	±20 %	

Note 1: Positive going with respect to ground: open voltage (halves when terminated with 1200 Ω).

Note 2: When output short circuited (halves when terminated with 1200 Ω).

### 2.8.2 Standard external interfaces

TYPE OF INTERFACE	EIA-232-D (RS 232)	CPL (Compact Programming Language) See operating guide
PINNING PIN	I/O	NAME
1	-	-
2	I	RXD
3	O	TXD
4	O	DTR
5	-	GND
6	I	DSR
7	O	RTS
8	I	CTS
9	-	-
TRANSMISSION MODES	Asynchronous Full duplex	Not connected Received data Transmitted data Data terminal ready Signal ground Data set ready Request to send Clear to send Not connected



CHARACTERISTICS	SPECIFICATION	ADDITIONAL INFORMATION
HANDSHAKE		
Hardware	RTS/CTS and DSR/ DTR	Default: not active Note 1
Software	XON/XOFF	Default: not active Note 1
BAUDRATE	75, 110, 150, 300, 600,1200, 2000, 2400, 4800, 9600, 19200, 38400	Receiving and transmitting Default: 1200 Note 1
NUMBER OF STOP BITS	1	
PARITY	odd, even or no	Default: no parity See note 1
CHARACTER LENGTH	7 or 8	Default: 8, See note 1
ERROR RESPONSE	See operating guide	
ELECTRICAL		
TXD and RXD		
Spacing "0"	$\geq +3V$	
Marking "1"	$\leq -3V$	
RTS, CTS, DSR and DTR		
ON	$\geq +3V$	
OFF	$\leq -3V$	
Current output	$\leq 10mA$	
Impedance Output	$300\Omega \pm 10\%$	
Impedance Input	$\geq 3k\Omega \leq 7k\Omega$	
Voltage Output	$\geq -12V \leq +12V$	
Voltage Input	$\geq -25V \leq +25V$	
Connector	Shielded	9 pole RAP male connector according MIL-C-24308

Note 1: *Selectable via UTILITY-menu and CPL.  
When battery installed, same as last power-off value.*

### 2.8.3 Optional external interfaces

IEEE	ANSI/IEEE 488.2	SCPI, See 1.17
------	-----------------	----------------

CHARACTERISTICS	SPECIFICATION	ADDITIONAL INFORMATION
-----------------	---------------	------------------------

## 2.9 AUTOSET & CALIBRATION

### 2.9.1 AUTO SET

Vertical deflection,	2 ... 5 div	Note 1
Horizontal deflection	Max. 6 periods on CRT	Note 1
	At input signal	
	10 mV ... 25V	
	40 Hz ... 30 MHz	

*Note 1: AUTO SET selects the proper channel, sets vertical deflection, timebase speed, intensity and triggering for easy to read display of input signals or user programmable AUTO SET items.*

### 2.9.2 Calibration

CALIBRATION FACILITIES	Auto CAL	See note 1
------------------------	----------	------------

*Note 1: Calibrates vertical offset and gain, horizontal offset, gain and sweep time, trigger offset and gain.*

## 2.10 POWER SUPPLY & BATTERY BACKUP

### 2.10.1 Power supply

#### LINE VOLTAGE



a.c. (r.m.s.)  
Operation  
Tolerance

100 V ...240V  
± 10%

#### LINE FREQUENCY

Nominal 50 Hz...400 Hz  
Limits of operation 45 Hz...440 Hz

#### LINE WAVEFORM

##### CHARACTERISTICS

Max. waveform deviation factor 10 %  
Crest factor 1.27...1.56

At nominal source voltage

#### ALLOWABLE POWER INTERRUPTION

20 ms

See note 1

#### POWER CONSUMPTION

Without options 60 W  
Max. power consumption 80 W

#### POWER CORD

Length 2.1 m (82.7")  
Power plug Nat. version

*Note 1: At lowest allowable source voltage. After this time the oscilloscope data is saved before the instrument goes down and an automatic power-on sequence starts after restoration of the power source voltage.*

CHARACTERISTICS	SPECIFICATION	ADDITIONAL INFORMATION
-----------------	---------------	------------------------

**2.10.2 Battery backup**

DATA & SETTINGS

RETENTION	See note 1	
Retention time	2 years	
Batteries:		
Recommended type	LR 6	See note 2
Quantity	2	
Temperature range	0...+70 °C	See Note 3

Note 1: When instrument is switched off or during mains failure.

Note 2: According to IEC 285 (= Alkaline Manganese Penlight Battery), e.g. LR6.

Note 3: At -40...0 °C settings retention is uncertain. It is advised to remove batteries from instrument when it is stored during longer periods (>24h) below -30 °C or above 60 °C. UNDER NO CIRCUMSTANCES BATTERIES SHOULD BE LEFT IN THE INSTRUMENT AT TEMPERATURES BEYOND THE RATED RANGE OF THE BATTERY SPECIFICATION.

**2.11 MECHANICS**

PORTABLE VERSION

Dimensions:		Handle excluded
Length	481 mm	Add 5 mm for cover and 65 mm for handle
Width	341 mm	Add 50 mm for handle
Height	139 mm	Add 8 mm for feet
Mass: Instrument	8.5 kg	
COOLING	Forced air, Regulated	No air filter

**2.12 ENVIRONMENTAL**

**2.12.1 General**

The characteristics are valid only if instrument is checked in accordance with the official checking procedure. Warming-up and recovery time are in accordance with MIL-T-28800D par. 3.7.1.1. The instrument meets the environmental requirements of MIL-T-28800D Type III Class 3, Style D, Color R, unless specified otherwise.

**2.12.2 Environmental**

TEMPERATURE		See note 1
Operating:		
min. low temperature	0 °C	
max. high temperature	+ 50 °C	
Non operating (storage):		
min. low temperature	- 40 °C	
max. high temperature	+70 °C	

CHARACTERISTICS	SPECIFICATION	ADDITIONAL INFORMATION
MAX. HUMIDITY Operating and Non operating (storage)	95 %	See note 1  Relative humidity non condensing
<i>Note 1: In accordance with MIL-T-28800D par. 3.7.2.1.1. (FIGURE 2).</i>		
MAX. ALTITUDE Operating Non operating (storage)	4.6 km 12 km	See note 4 See note 5
VIBRATION (OPERATING) Freq. ranges:	5 Hz ... 15 Hz 16 Hz ... 25 Hz 26 Hz ... 55Hz	See note 6 g level at max. freq.: 0.7 at 15 Hz 1.3 at 25 Hz 3 at 55 Hz
At each frequency range:		
Cycling time	15 min	
Resonance search	5 min	
Resonance dwell	10 min	See note 7
<i>Note 4: In accordance with MIL-T-28800D par 3.7.3.</i>		
<i>Note 5: Maximum operating temperature derated 3 °C for each km above sea level.</i>		
<i>Note 6: In accordance with MIL-T-28800D par. 3.7.4.1.</i>		
<i>Note 7: At each resonance frequency (or at 33 Hz if no resonance was found).</i>		
SHOCK (OPERATING)		See note 8
Amount of shocks total	18	
each axis	6	3 in each direction
Shock waveform	half sinewave	
Duration	6-9 ms	
Peak acceleration	400 m/s <sup>2</sup>	
BENCH HANDLING Meets requirements of	MIL-ST-810, method 516 procedure V	See note 9
TRANSPORTATION	Drop height 0.76 m	See note 11
SALT ATMOSPHERE Structural parts	See note 10	
<i>Note 8: In accordance with MIL-T-28800D par. 3.7.5.1.</i>		
<i>Note 9: In accordance with MIL-T-28800D par. 3.7.5.3.</i>		
<i>Note 10: In accordance with MIL-T-28800D par. 3.7.8.1.</i>		
<i>Note 11: Drop in shipping container on 8 corners, 12 edges, 6 surfaces.</i>		

CHARACTERISTICS	SPECIFICATION	ADDITIONAL INFORMATION
-----------------	---------------	------------------------

## 2.13 EMI

### 2.13.1 General aspects and Susceptibility

#### 2.13.1.1 General

Meets MIL-T-28800D, Type III, Class 3 (Navy requirement, unless specified otherwise).

Meets MIL-STD-461C as follows:

- Conducted Emissions	Part 2 Part 4	CE01 (Narrow band) CE03
- Conducted Susceptibility	Part 2 Part 5	CS01 CS06 (Limited to 300V)
- Radiated Emissions	Part 5 and 6 Part 2	RE01 RE02 (1 GHz max)

#### 2.13.1.2 Susceptibility

Meets harmonized product requirements of 89/336EEC, EN50081.1 and EN50082.1 with addition of the tables 1 to 8.



CHARACTERISTICS	SPECIFICATION	ADDITIONAL INFORMATION
-----------------	---------------	------------------------

The PM3082 and PM3084, including standard accessories, conform with the EEC Directive 89/336 for EMI immunity, as defined by IEC 801-3, with the addition of the following tables.

Table 1.

	<b>Susceptibility: no visible disturbance</b>		
Frequency range: 10 kHz .. 25 MHz	E = < 0.1V/m	E = 1 V/m	E = 3 V/m
Stand alone	2 mV/div ... 5 V/div	2 mV/div ... 5 V/div	2 mV/div ... 5 V/div
With PM9010/091	2 mV/div ... 5 V/div	10 mV/div ... 5 V/div	20 mV/div ... 5 V/div

Table 2.

	<b>Susceptibility: no visible disturbance</b>		
Frequency range: 25 MHz ... 1 GHz	E = < 0.1V/m	E = 1 V/m	E = 3 V/m
Stand alone	2 mV/div ... 5 V/div	5 mV/div ... 5 V/div	10 mV/div ... 5 V/div
With PM9010/091	2 mV/div ... 5 V/div	50 mV/div ... 5 V/div	200 mV/div ... 5 V/div

Table 3.

	<b>Susceptibility: disturbance less than 10 % of full scale</b>		
Frequency range: 10 kHz .. 25 MHz	E = < 0.1V/m	E = 1V/m	E = 3 V/m
Stand alone	N/A	N/A	N/A
With PM9010/091	N/A	2 mV/div ... 5 mV/div	5 mV/div ... 10 mV/div

Table 4.

	<b>Susceptibility: disturbance less than 10 % of full scale</b>		
Frequency range: 25 MHz ... 1 GHz	E = < 0.1V/m	E = 1V/m	E = 3 V/m
Stand alone	N/A	2 mV/div	2 mV/div ... 5 mV/div
With PM9010/091	N/A	10 mV/div ... 20 mV/div	50 mV/div .... 100 mV/div

For conditions not specified in tables 1 - 4, a susceptibility effect of more than 10 % is possible.

## CHARACTERISTICS

## SPECIFICATION

## ADDITIONAL INFORMATION

The PM3094 and PM3092, including standard accessories, conform with the EEC Directive 89/336 for EMI immunity, as defined by IEC 801-3, with the addition of the following tables.

Table 5.

	<b>Susceptibility: no visible disturbance</b>		
Frequency range: 10 kHz .. 25 MHz	E = < 0.1V/m	E = 1 V/m	E = 3 V/m
Stand alone	2 mV/div ... 5 V/div	2 mV/div ... 5 V/div	2 mV/div ... 5 V/div
With PM9020/091	2 mV/div ... 5 V/div	10 mV/div ... 5 V/div	20 mV/div ... 5 V/div

Table 6.

	<b>Susceptibility: no visible disturbance</b>		
Frequency range: 25 MHz ... 1 GHz	E = < 0.1V/m	E = 1 V/m	E = 3 V/m
Stand alone	2 mV/div ... 5 V/div	2 mV/div ... 5 V/div	10 mV/div ... 5 V/div
With PM9020/091	2 mV/div ... 5 V/div	200 mV/div ... 5 V/div	500 mV/div ... 5 V/div

Table 7.

	<b>Susceptibility: disturbance less than 10 % of full scale</b>		
Frequency range: 10 kHz.. 25 MHz	E = < 0.1V/m	E = 1V/m	E = 3 V/m
Stand alone	N/A	N/A	N/A
With PM9020/091	N/A	2 mV/div ... 5 mV/div	5 mV/div ... 10 mV/div

Table 8.

	<b>Susceptibility: disturbance less than 10 % of full scale</b>		
Frequency range: 25 MHz ... 1 GHz	E = < 0.1V/m	E = 1V/m	E = 3 V/m
Stand alone	N/A	N/A	2 mV/div ... 5 mV/div
With PM9020/091	N/A	50 mV/div ... 100 mV/div	100 mV/div ... 200 mV/div

For conditions not specified in tables 5-8, a susceptibility effect of more than 10 % is possible.

### 2.13.2 VDE requirements

The instrument meets the requirements of VDE 0871, Grenzwertklasse B.

### 2.13.3 Additional EMI requirements

The instrument is tested in accordance with IEC 351-1 par 5.1.3.1. The maximum deflection factor is 7 mm/mT (0.7 mm/gauss). This value measured with the instrument in a homogeneous field (in any direction with respect to the instrument) with a flux intensity (peak to peak value) of 1.42 mT (14.2 gauss) and of symmetrical sine wave form with frequency of 45 Hz ... 66 Hz.

CHARACTERISTICS	SPECIFICATION	ADDITIONAL INFORMATION
<b>2.14 SAFETY</b>		
MEETS REQUIREMENTS OF	IEC 348 Class I UL 1244 CSA C22.2 No231 VDE 0411	See note 1 See note 2 See note 2 See note 1
APPROVALS (applied for)	CSA C22.2 No231	
MAX. X-RADIATION	MIL-T-28800D par. 3.9.3.4.a	
<i>Note 1: Except for power cord, unless shipped with universal European power plug.</i>		
<i>Note 2: Except for power cord, unless shipped with North American power plug.</i>		
<b>2.15 ACCESSORIES</b>		
PACKED WITH INSTRUMENT Signal input (passive)	2 x 10 M $\Omega$ , 10:1 probe with readout (1.5 m)	
Contrast filter	Blue	
Front cover	Can be locked on instrument	
Users Manual		
Reference Manual		
<b>2.16 OPTIONS &amp; OPTIONAL VERSIONS</b>		
<b>2.16.1 Line Cord</b>		
LINE CORD	Universal European North American United Kingdom Australian Swiss	in accordance with VDE in accordance with CSA, UL in accordance with BSI in accordance with SAA in accordance with SAV
<b>2.16.2 Options versions</b>		
EXTERNAL INTERFACES	Y-out, MTB-gate, DTB-gate, EXT triggering IEEE	Factory installed only Factory installed only

CHARACTERISTICS	SPECIFICATION	ADDITIONAL INFORMATION
<b>2.16.3 Optional outputs</b>		
Y SIGNAL OUT	BNC	
Source	CH1	
Coupling	as CH1	
Voltage: into 1 MΩ	20 mV/div	
with a tolerance of	±10 %	
into 50 Ω	10 mV/div	
with a tolerance of	±10 %	
Freq. response (PM3092/94)	dc ... 200 MHz	Terminated with 50Ω
Freq. response (PM3082/84)	dc ... 100 MHz	Terminated with 50Ω
Dynamic range	±10div	At 50 MHz
MTB/DTB GATE OUT		
Connector	BNC	
Output impedance	1 kΩ	
Voltage:		
Timebase not running	0.2 ± 0.2 V	
Timebase running	3.7 ± 1.3 V	

**2.16.4 Optional external MTB trigger input**

SOURCE(S) MTB-triggering	CH1 ... CH4 External Composite	No line triggering
INPUT CONNECTOR	BNC	At rear of instrument
INPUT IMPEDANCE		Measured at freq.<1MHz
R parallel - value	1 M Ω	
- tolerance	± 1 %	
C parallel - value	25 pF	
- tolerance	± 5 pF	
DYNAMIC RANGE		
Up to 10 MHz	± 2.5 V	Symmetrical
INPUT VOLTAGE LIMITS		
(d.c. + a.c. peak)	± 400 V	See note 1 See note 2



*Note 1: Apparatus should be properly grounded through the protective ground conductor of the power cord.*

*Note 2: Up to 10 kHz; > 10kHz see figure 1.1.*

EDGE TRIGGER SENSITIVITY		See note 3
d.c. to 5 MHz	100 mV	
d.c. to 10 MHz	200 mV	

*Note 3: In noise-trigger multiply stated value by 2.*

TRIGGERLEVEL		
Range	± 1.45 V	See note 4
Accuracy	≤ 0.45 V	at 1 kHz input signal triggercoupling DC

*Note 4: With Level-pp on the range is restricted to the peak-peak value of the trigger signal.*

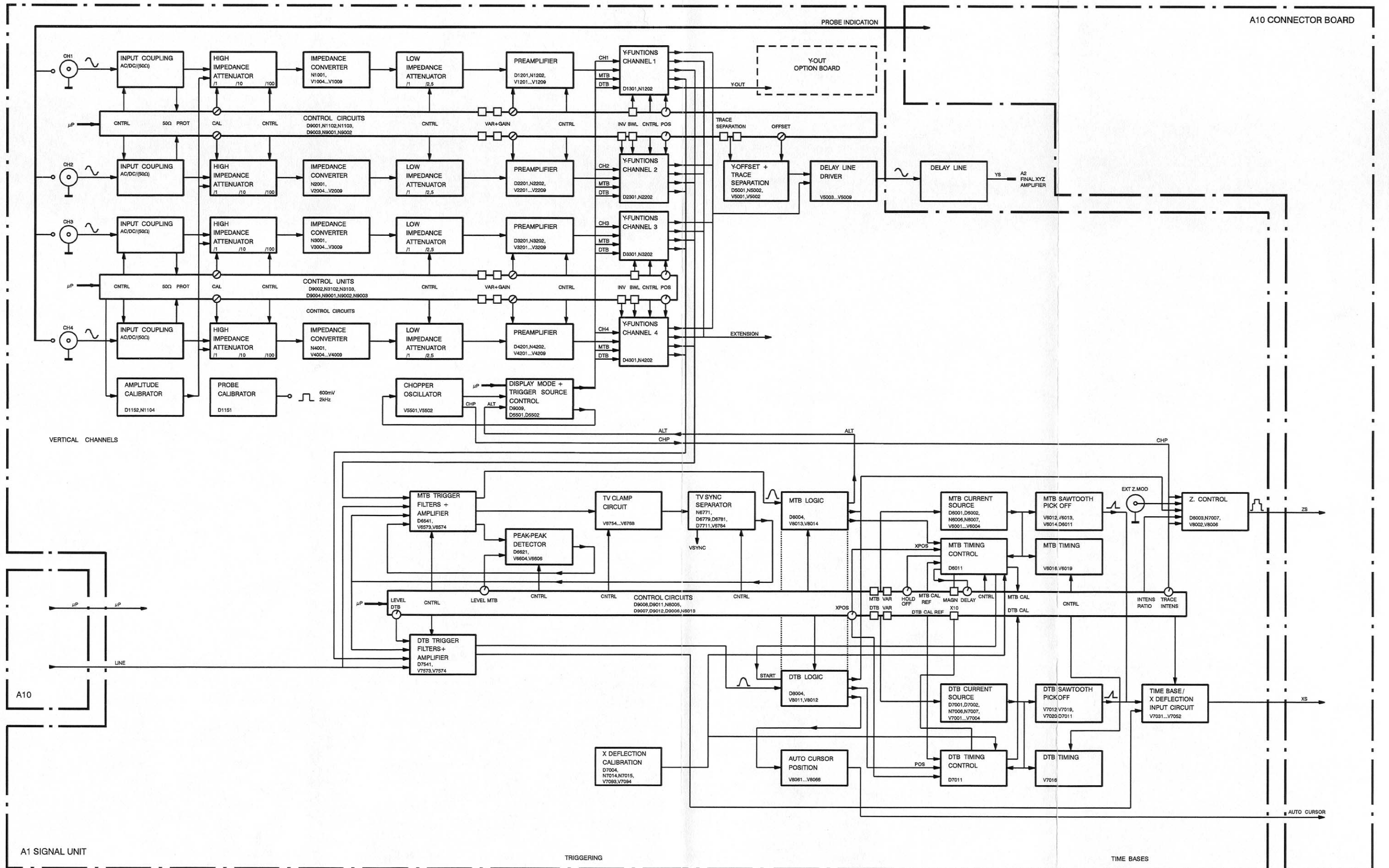
## 2.17 SPECIFICATION OF IEEE-OPTION

TYPE OF INTERFACE	ANSI/IEEE 488.2	SCPI (see SCPI operating manual) Note 1
<b>INTERFACE REPERTORY</b>		
Source handshake	SH1	Complete capability
Acceptor handshake	AH1	Complete capability
Talker	T5	Basic talker: yes Serial poll: yes Talk only: yes Unaddress if MLA: yes
Listener	L3	Basic listener: yes Listener only: yes Unaddress if MTA: yes
Service request	SR1	Complete capability
Remote local	RL1	Complete capability
Parallel poll	PPO	No capability
Device clear	DC1	Complete capability
Device trigger	DT1	Complete capability
Controller	CO	No capability
<b>ELECTRICAL INTERFACE</b>		
Busdrivers	E2	Three state (true=0 ... 0.8V; false=2 ... 5V)
Connector	Shielded	Amphenol type 57FE-20240-20SD35
Pin 1 ... 4	DIO1 ... DIO4	
Pin 13 ... 16	DIO5 ... DIO8	
Pin 18 ... 23	GND	
Pin 24	Logic GND	
Pin 5	EOI	
Pin 6	DAV	
Pin 7	NRFD	
Pin 8	NDAC	
Pin 9	IFC	
Pin 10	SRQ	
Pin 11	ATN	
Pin 12	Shield	
Pin 17	REN	
FUNCTION SELECTION	Via UTIL-MENU	Busaddress Default: 8 Note 2
INTERFACE STATUS INDICATOR	On screen	

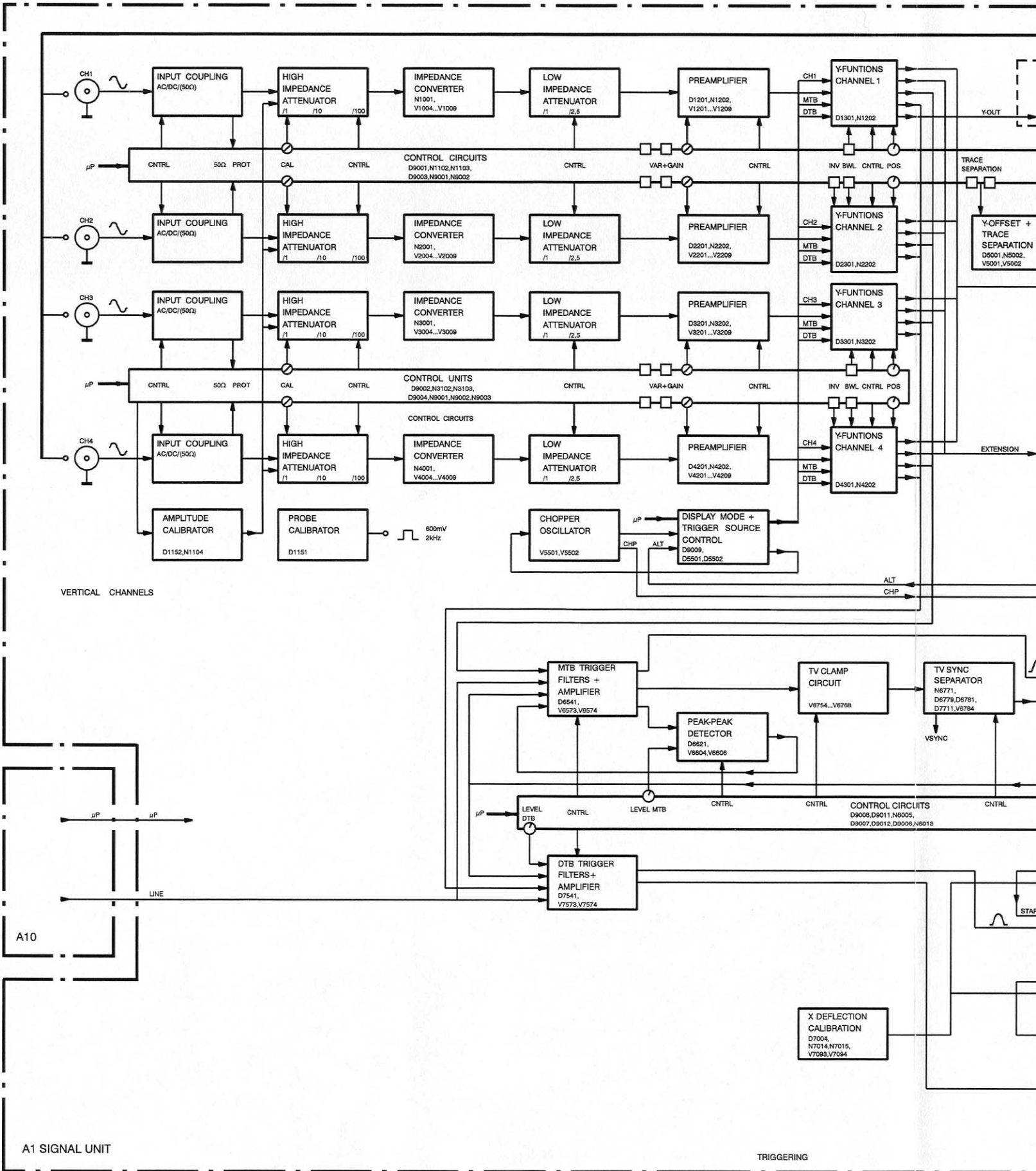
Note 1: Talker/listener.

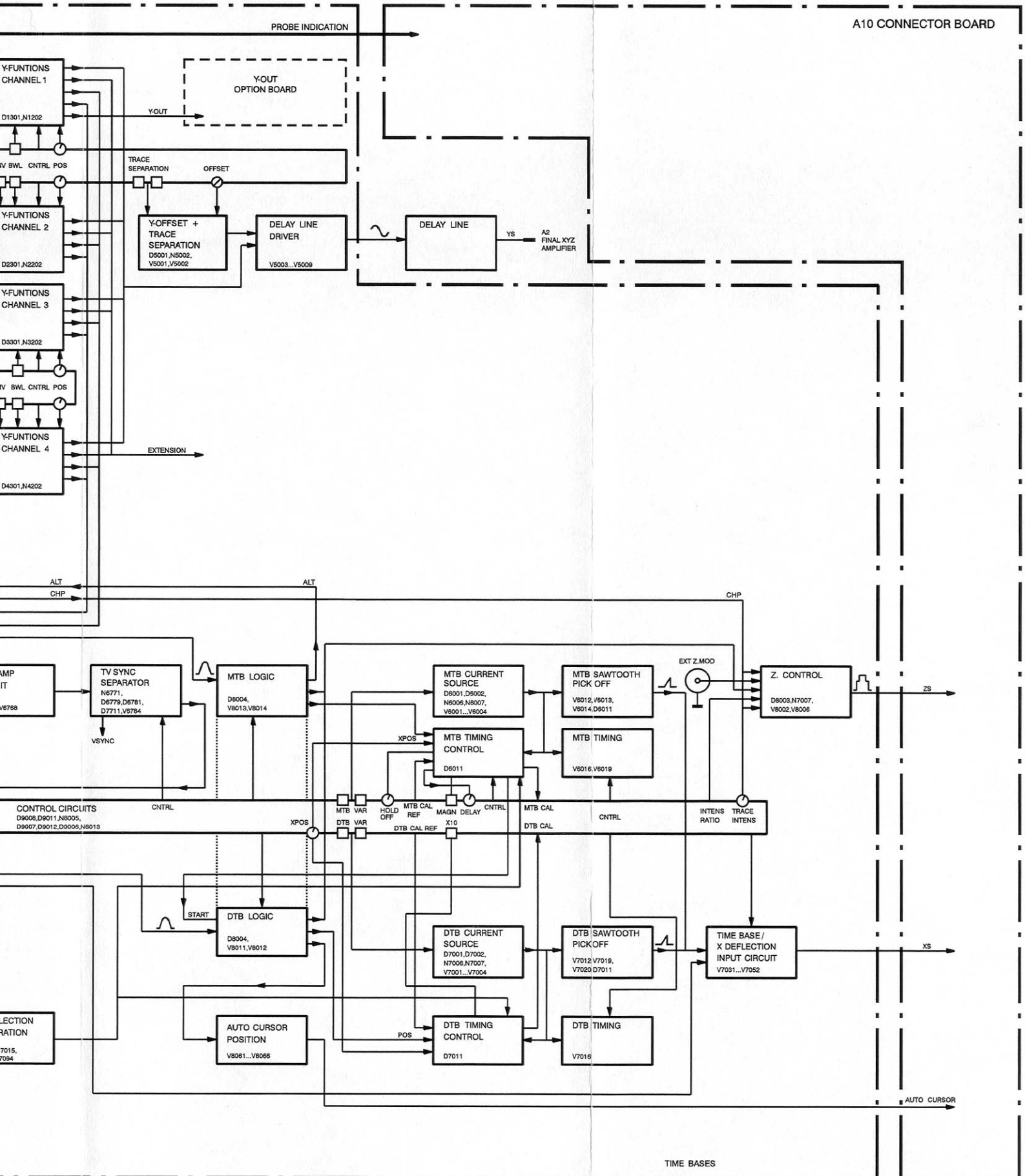
Note 2: When battery installed, same as last power-off value.

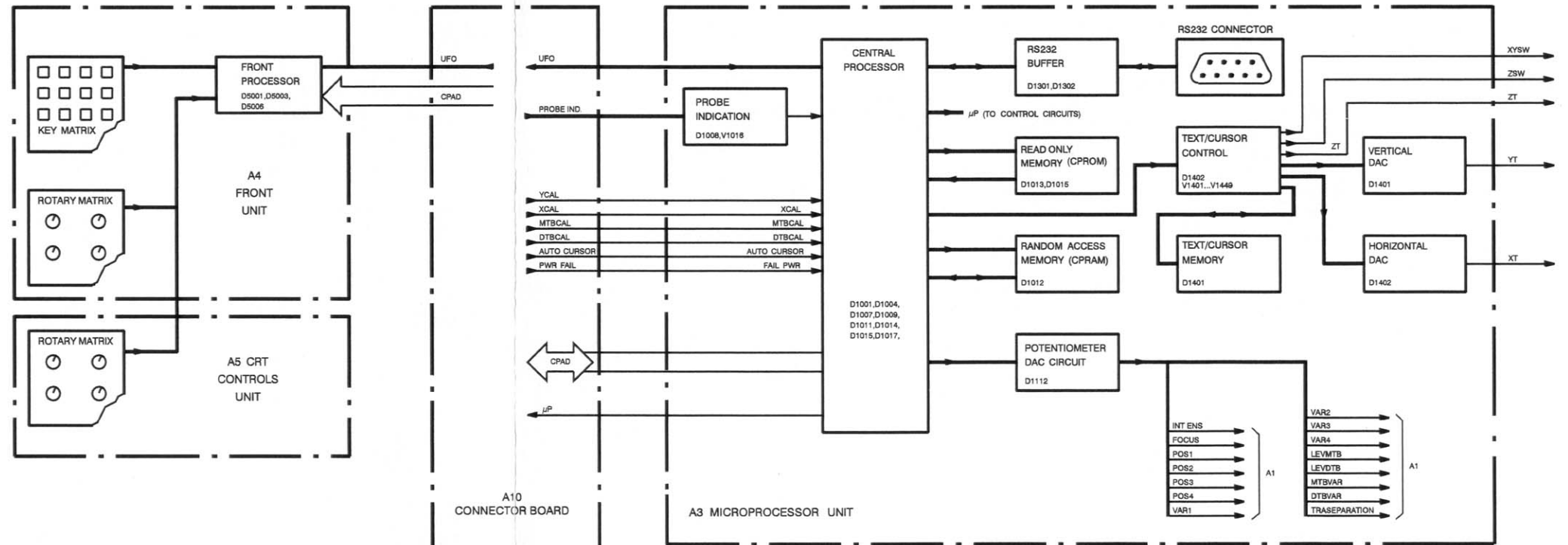




DESCRIPTIONS

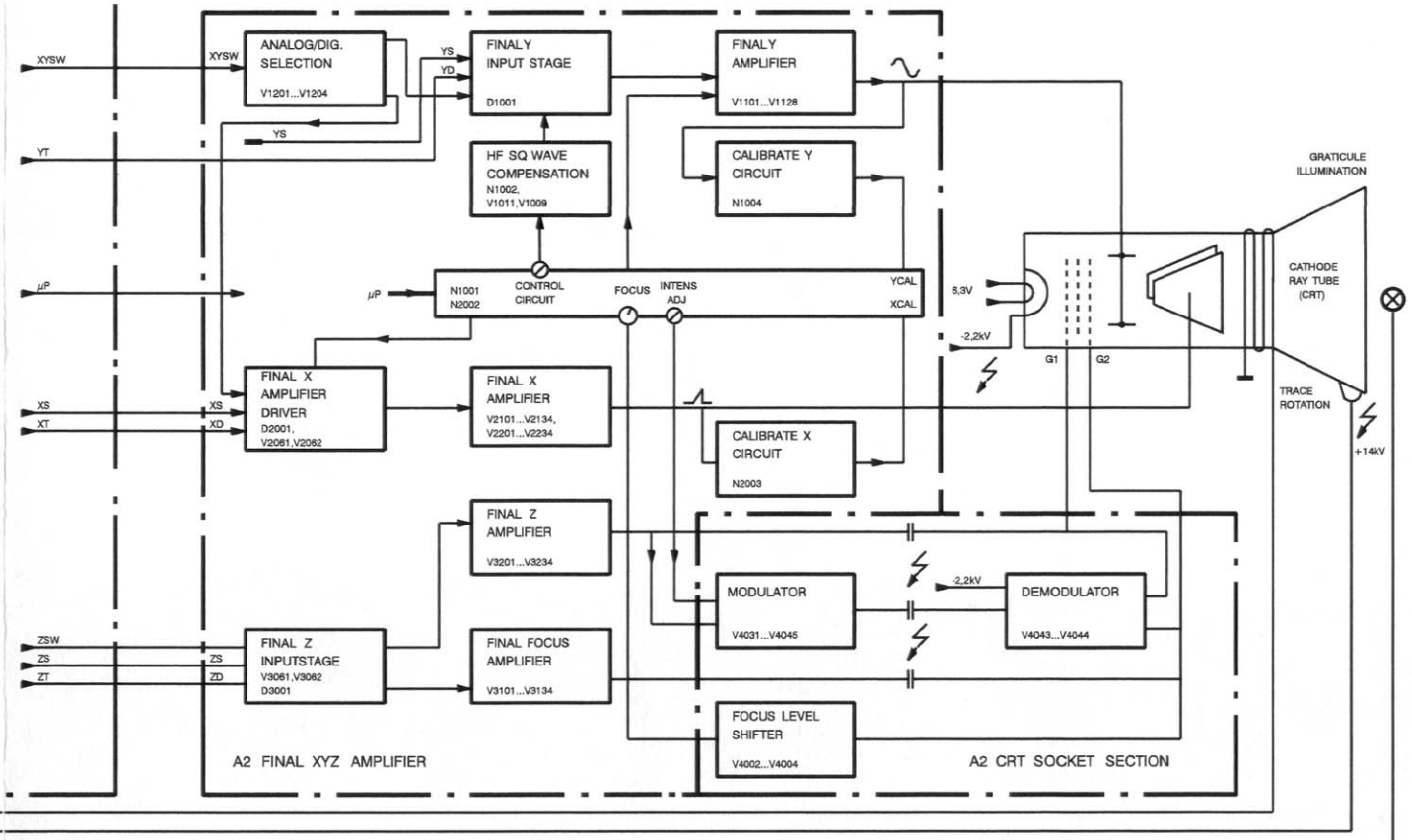
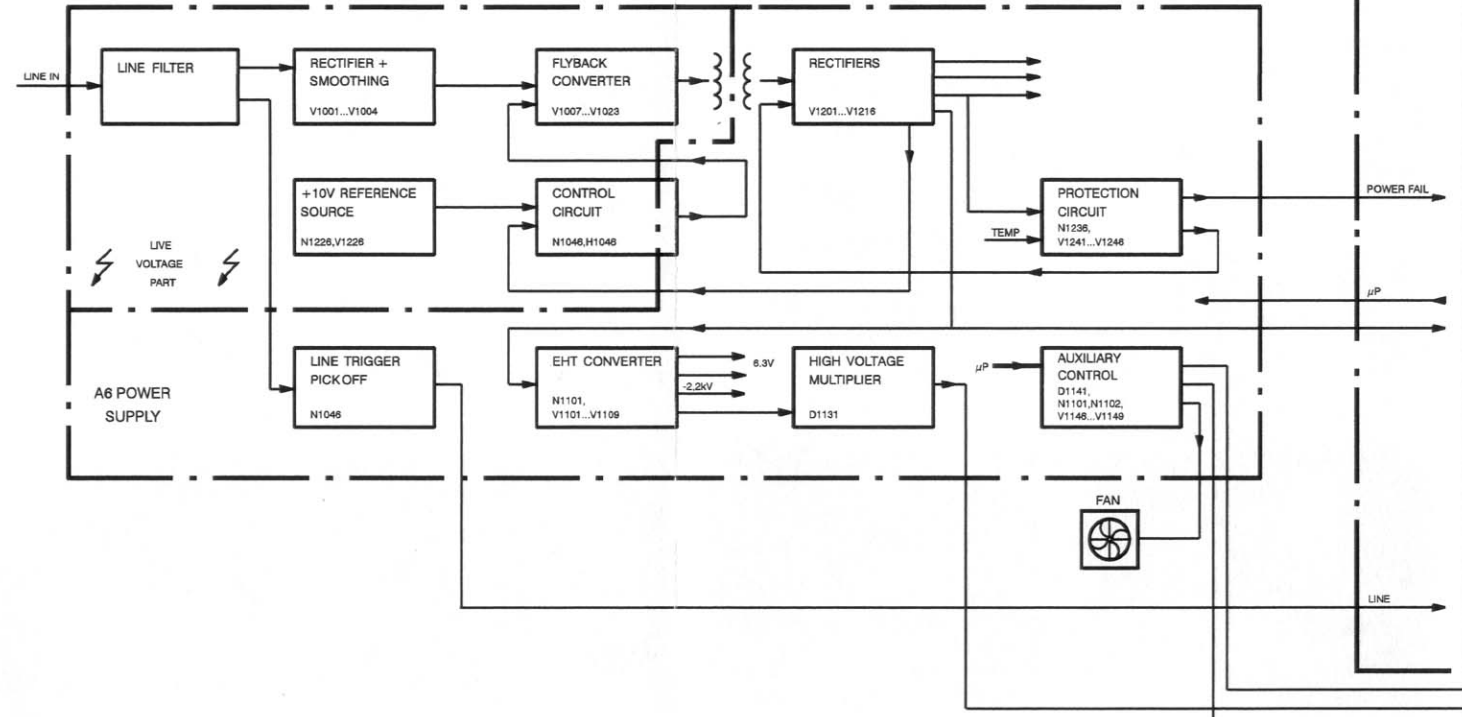


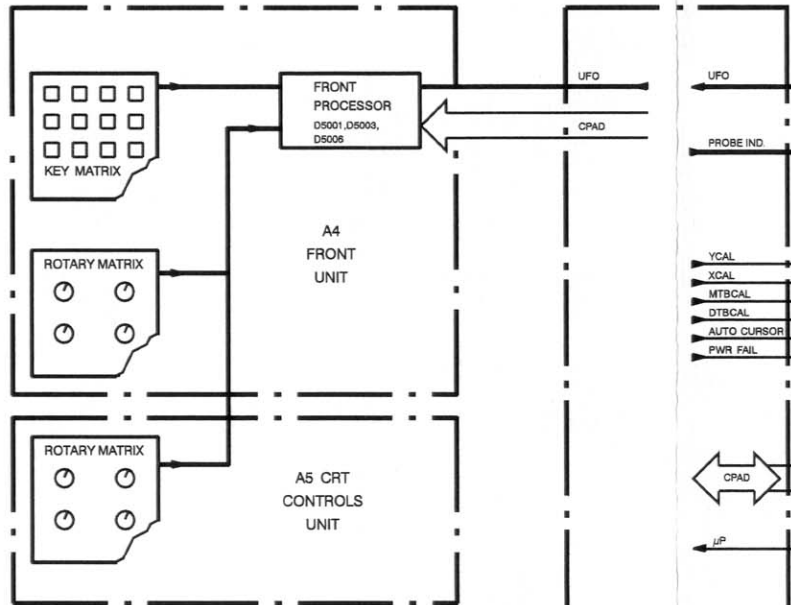




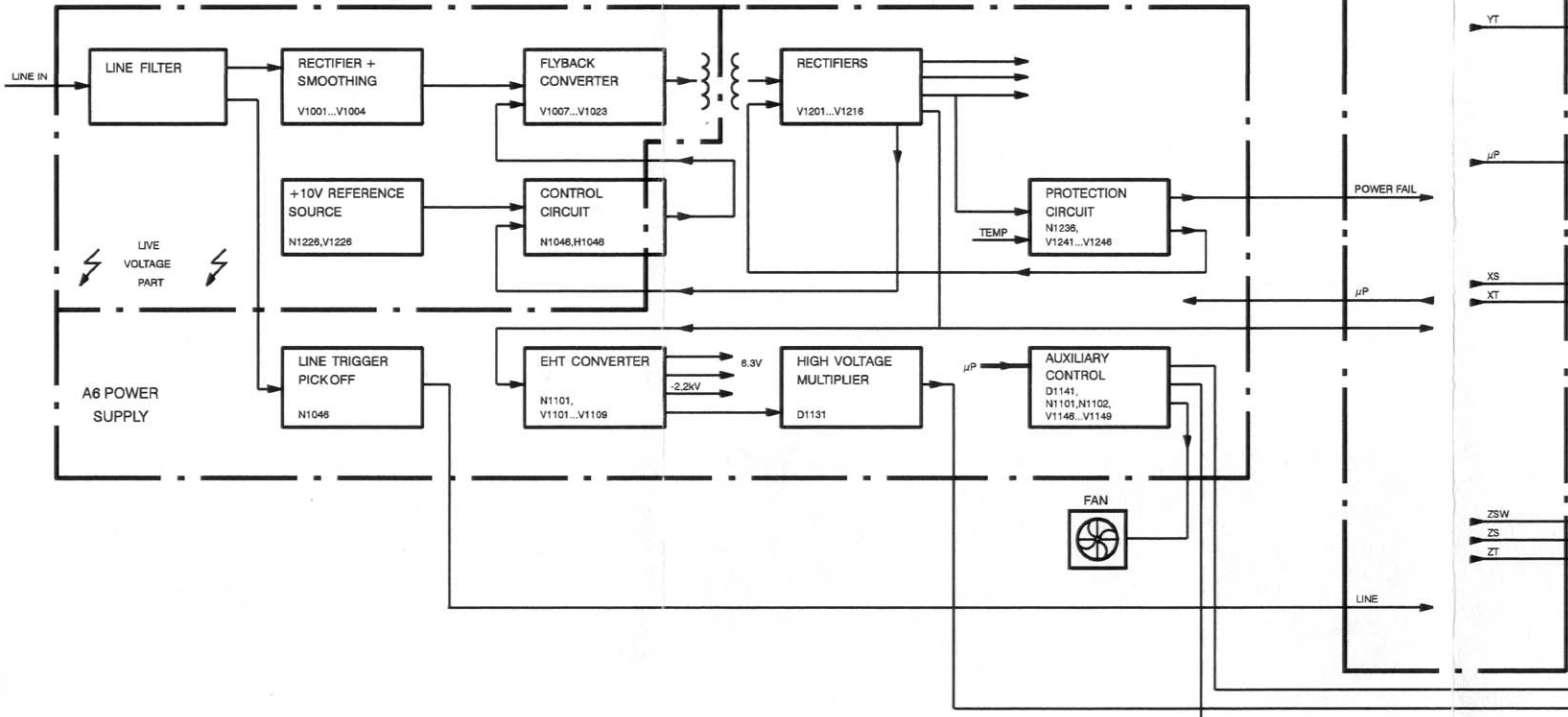
A10 CONNECTOR BOARD

A3 MICROPROCESSOR UNIT





A10 CONNECTOR BOARD



- YCAL
- XCAL
- MTBCAL
- DTBCAL
- AUTO CURSOR
- PWR FAIL

- CPAD
- μP

XYSW

YT

μP

XS

XT

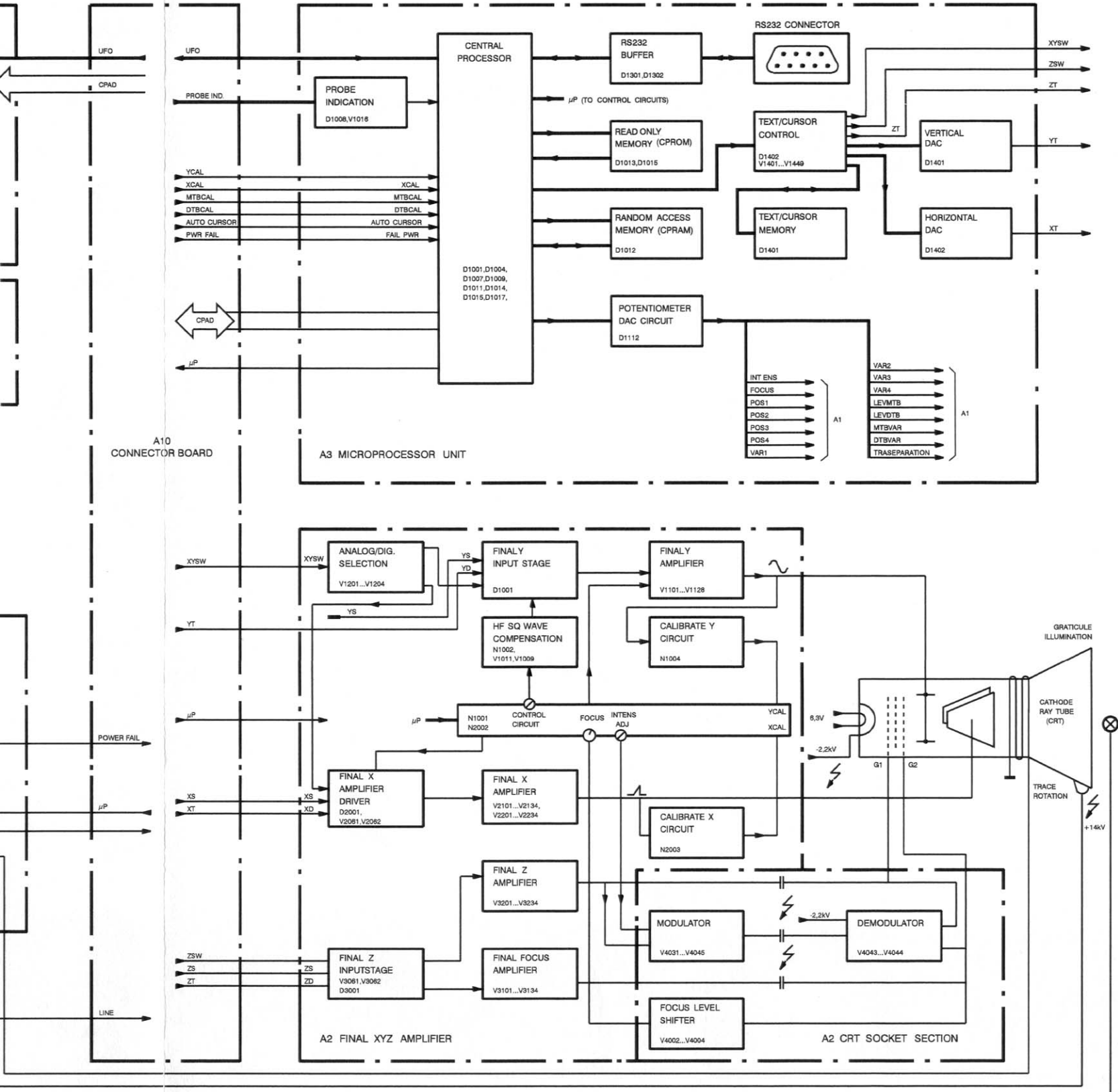
ZSW

ZS

ZT

LINE





## 3 DESCRIPTIONS

### 3.1 General description

#### 3.1.1 Introduction to oscilloscope family

The family consists of four analog general purpose oscilloscopes with model numbers PM3082, PM3084, PM3092 and PM3094. All instruments have four vertical channels. Differences between these models are the vertical bandwidth, the features of the vertical channels 3 and 4 and the presence of switcheable 50Ω input impedance.

Vertical bandwidth is 100 or 200 MHz. The 'true 4 channel' oscilloscopes have four channels with a wide range of input sensitivities. Channel 3 and 4 in the '4 channel' versions offer the most commonly used input sensitivities (0.1 and 0.5 V/div). The table below explains the differences.

Model number	4 chann	true 4 chann	100 MHz	200MHz	Input impedance
PM3082	*		*		1 MΩ
PM3084		*	*		1 MΩ
PM3092	*			*	1 MΩ/50 Ω (CH1,2) 1 MΩ (CH3,4)
PM3094		*		*	1 MΩ/50 Ω

The printed circuit boards (units) and mechanical parts in this family of oscilloscopes have a high degree of standardization. The ordering codes for these parts are listed in chapter 4 'Parts'. In this chapter differences between PM3082, PM3084, PM3092 and PM3094 are mentioned.

#### 3.1.2 Introduction to descriptions

Section 3.2 contains the description of the block diagram. The information in this diagram is presented in such a way that the link with the circuit diagrams in chapter 5 'Unit descriptions' can be found easily.

In chapter 4 'Parts' all general parts are described. These are, for example, the printed circuit boards (units), cables and mechanical parts that are not fixed to a specific unit. Cables are clearly identified on an interconnection diagram.

In chapter 5 the units are described in sequence of their number (A1, A2, A3, ...). Per unit the following information is given:

- Description
- Signal name list
- Unit lay-out (and location raster for the large units)
- Circuit diagrams
- Parts lists

### 3.1.3 Explanation of signal names

Throughout the circuit diagrams signal names are used. These names make it easier to trace a signal going from one circuit diagram to another. In many cases the signal name and also the component to which a certain node is connected are given in the circuit diagrams.

For every printed circuit board a signal name list is shown in alphabetical order. It shows:

- The meaning/function of the signal.
- The signal source(s).
- The signal destination(s).

Signal names are chosen up in a logical way. Basically signal names (e.g. MTBPPLEV-HD) consist of two parts:

- A functional part with a maximum of 10 characters (e.g. MTBPPLEV). The part is arranged such that recognition is easy.
- An extension with a maximum of 2 characters (e.g. HD). The extension is not always used.

The first characters (e.g. MTB) in the **functional part** indicate the part of the oscilloscope. Examples are:

- AT1, AT2, AT3, AT4: the input attenuators of channel 1, 2, 3, 4.
- PA1, PA2, PA3, PA4: the preamplifiers of channel 1, 2, 3, 4.
- FNC1, FNC2, FNC3, FNC4: the function selection parts of channel 1, 2, 3, 4. MTR: main time base triggering.
- MTB: main time base.
- DTR: delayed time base triggering.
- DTB: delayed time base.

The last set of characters in the **functional part** (e.g. PPLEV) indicates the function: in this example Peak-Peak LEVel triggering is switched on/off.

The first character of the **extension** indicates if the signal is active when high (H), active when low (L) or that this is not fixed (X, for instance the output of a counter).

The second character of the **extension** indicates the kind of logic. Possible abbreviations are: T (TTL), E (ECL), A (analog signal), C (CMOS 12 ... 15V) and D (CMOS 5V).

### 3.1.4 Voltage values in the circuit diagrams.

Throughout the circuit diagrams voltage values are indicated. This facilitates fault finding in the vertical channels, triggering, time base and final amplifiers. Most of the voltages consist of an AC signal superimposed on a DC biasing voltage. Some of the AC voltages are small. They must be measured with an oscilloscope via a 1:1 probe and AC coupled input. The DC signal component is bigger and must be measured with the measuring oscilloscope with DC coupled input. The nodes where a signal can be measured are indicated with a dot on the p.c.b. lay-outs.

The oscilloscope under test must be prepared as follows:

- Connect the CAL voltage via a 10:1 probe with indication ring to the input of the suspected channel.
- Press the STATUS and TEXT OFF key simultaneously to get a defined starting position.
- Press the AUTOSET key.
- Put AMPL/VAR of the active channel to 0.1 V: this should give 6 vertical divisions of signal on the screen.

Some important notes:

- To measure some signals, it is necessary to unlock units. Refer to chapter 8.5 for details on how to proceed.
- The given AC and DC signals are average values: your oscilloscope under test may deviate from the values given in the circuit diagrams.
- Although the oscilloscope is in standard setting, it may be necessary to do manual selections for certain measurements. To measure e.g. the delayed time base and its triggering, it is necessary to activate DTB and to select a channel as DTB trigger source.
- When measuring in the final amplifiers, it is advised to switch off all text. This gives 'cleaner' signals at the outputs. The text is written inbetween the signal at a random basis.
- Measuring the outputs of the final Y amplifier must be done with a 10 k $\Omega$  resistor between probe tip and signal. This avoids oscillations.

## 3.2 BLOCK DIAGRAM DESCRIPTION.

### 3.2.1 Introduction.

This block diagram and description are based upon the most complex version of this family of analog oscilloscopes. Therefore there may be minor differences between your oscilloscope and the block diagram and its description. Where differences may occur it is mentioned in the text.

The item numbers of active components are indicated each block of the diagram. This facilitates to make the link with the circuit diagrams.

The oscilloscope is controlled by a microprocessor that connects to many blocks. Therefore throughout this block diagram CONTROL CIRCUITS can be found that are controlled by the microprocessor. The output signals can be simple on/off signals e.g. to switch a certain vertical channel on and off. There are also adjustable dc voltages e.g. to determine the gain of a vertical channel. Blocks that are under control of the microprocessor have the input signal "uP". In the vertical, horizontal and time base sections, circuits are added for microcomputer controlled automatic calibration.

This description is divided according to the functional blocks that can be distinguished:

- Vertical channels: there are 4 vertical channels.
- Triggering and time bases: there are sections for main- and delayed time base.
- Final amplifiers: for vertical (Y) and horizontal (X) deflection, intensity (Z) and focusing control.
- Front unit and microprocessor unit.
- Power supply unit.

Also the printed circuit boards (units) are indicated in the blockdiagram. These units are:

- Signal unit A1: is the largest of all and incorporates 4 vertical channels and main- and delayed triggering and time base.
- Final XYZ amplifier A2: all final amplifiers are present here. A separate part is connected to the CRT socket.
- Microprocessor unit A3.
- Front unit A4: incorporates most of the rotary knobs and keys.
- CRT controls unit A5: incorporates the rotary knobs for the display functions.
- Power supply unit A6: supplies various voltages to the other circuit boards.
- Motherboard A10: many signals are routed via this unit.



### 3.2.2 Vertical channels.

There are 4 vertical channels that are mainly identical. A difference is that the 200 MHz oscilloscope versions have a switchable 50Ω input impedance while the 100 MHz types do not have this feature. Another difference is between the 4 channel and the 2 + 2 channel versions. The 4 channel scopes have 4 identical vertical channels (CH1, CH2, CH3 and CH4) with an extensive range of input sensitivities. The various input sensitivities are made by combinations of settings of HIGH IMPEDANCE ATTENUATOR, LOW IMPEDANCE ATTENUATOR and PREAMPLIFIER.

The 2 + 2 channel versions have 2 identical vertical channels (CH1 and CH2) with an extensive range of input sensitivities. The other 2 channels (CH3 and CH4) are identical and have 2 switchable input sensitivities. Channel 1 operation and the differences with channels 2, 3 and 4 are now explained.

The CH1 input signal is applied to the INPUT COUPLING block. Here selection between ac or dc coupled input is done. Moreover in the 200 MHz oscilloscopes selection between 50Ω and 1 MΩ input impedance is done here. A signal 50Ω PROTECTION signals via the CONTROL CIRCUITS to the microprocessor if the dissipation in the 50Ω termination resistor gets too high.

The block HIGH IMPEDANCE ATTENUATOR incorporates the attenuation coefficients /100, /10 and /1. This block has a fixed attenuation in channels with 2 input sensitivities such as present in the 2 + 2 channel oscilloscopes. The input signal originating from the AMPLITUDE CALIBRATOR is used to automatically calibrate the vertical channels. The AMPLITUDE CALIBRATOR is a generator that can deliver 8 different accurate voltages. The HIGH IMPEDANCE ATTENUATOR also comprises a high-frequency square-wave adjustment; this is done by adjustment of dc signal CAL.

The IMPEDANCE CONVERTER converts the input signal at high input impedance into an output signal at a low impedance. This block is followed by a LOW IMPEDANCE ATTENUATOR that makes the attenuation coefficients /2,5 and /1. This block has a fixed attenuation in channels with 2 input sensitivities such as present in the 2 + 2 channel oscilloscopes.

The PREAMPLIFIER incorporates gain/attenuation coefficients x1, x5, /2 and also continuous GAIN control via a microprocessor adjustable dc signal. The PREAMPLIFIER is followed by Y-FUNCTIONS CHANNEL 1. In this block the selection is achieved of vertical display via channel 1, Main Time Base (MTB) triggering via channel 1 and Delayed Time Base (DTB) triggering via channel 1. Also the filter for the Bandwidth Limiter (BWL), the vertical position control (POS) and an output for future extensions (EXT). From Y-FUNCTIONS CHANNEL 1 the signal for the Y- OUTPUT socket is derived. The Y-FUNCTIONS blocks of channel 2 and 4 have an INVERT function for signal inversion.

The selection of the vertical channel, MTB and DTB trigger source is initiated by the block DISPLAY MODE + TRIGGER SOURCE CONTROL. The channels and trigger sources to be displayed are controlled by the microprocessor (uP). In ALTERNATE display mode the switching between channels/trigger sources occurs at the end of the MTB sweep. The signal ALT controls this. For the vertical display mode CHOPPED a 2MHz CHOPPER OSCILLATOR is present. Display blanking during switching from one channel to another is done via signal CHP.

The selected vertical channel(s) are applied to the DELAY LINE DRIVER. This block is an amplifier that has the correct output impedance to drive the DELAY LINE. The DELAY LINE itself consists of a coaxial cable giving sufficient signal delay so that propagation delay in the trigger circuits is compensated. Because of this leading edges of fast-rising pulses can be made visible. The Y-OFFSET + TRACE SEPARATION block can influence the offset of the signal applied to the DELAY LINE DRIVER. This is used as offset compensation and also for TRACE SEPARATION in ALTERNATE Time Base mode.

The PROBE CALIBRATOR is a generator delivering a 2kHz/600mV square-wave signal. This signal can be used to adjust the square-wave response of attenuator probes.

### 3.2.3 Triggering and time bases.

The sections for Main Time Base (MTB) and Delayed Time Base (DTB) are for the greater part identical. Therefore the MTB part is extensively described and then the DTB part briefly.

#### ***Main Time Base Description.***

The possible trigger sources are applied to the block MTB TRIGGER FILTERS + AMPLIFIER. The selection for triggering on the vertical channels 1, 2, 3 or 4 is done in the Y-FUNCTIONS blocks in the vertical section. Triggering is also possible on the LINE trigger signal that is derived from the mains. The MTB TRIGGER FILTERS + AMPLIFIER incorporates filters for HF-reject, LF-reject and ac or dc signal coupling. The block also incorporates the +/- slope selection. The dc control signal LEVEL MTB originating from the CONTROL CIRCUITS is routed via the PEAK-PEAK DETECTOR. This block limits in peak-peak mode the LEVEL MTB range just within the peak-peak value of the signal. For this purpose the trigger signal is applied to an input of the detector. The LEVEL MTB control signal is not limited if the peak-peak mode is inactive.

For triggering on TV synchronization pulses the blocks TV CLAMP CIRCUIT and TV SYNC SEPARATOR are used. The CLAMP CIRCUIT separates the synchronization pulses from the composite video signal. The video information is not necessary for triggering. The TV SYNC SEPARATOR filters out line, frame and field pulses. This is done for various TV systems including HDTV.

The block MTB TRIGGER FILTERS + AMPLIFIER sends trigger pulses to the MTB LOGIC. This logic is combined with the DTB LOGIC. The three output signals are used to start MTB (applied to MTB TIMING CONTROL), to switch intensity on and off (applied to Z CONTROL) and for ALternate display switching (applied to DISPLAY MODE + TRIGGER SOURCE CONTROL).

The MTB is based on the principle that selectable capacitors (inside block MTB TIMING) are charged with a selectable constant current (from MTB CURRENT SOURCE). This results in a sawtooth voltage across the capacitor(s) that rises linearly with the time. As a consequence a time-linear horizontal deflection is obtained. The sawtooth voltage is routed to the horizontal deflection part via the MTB SAWTOOTH PICK OFF. This block serves as a high to low impedance converter so that the load to the timing capacitor(s) is minimal. Various time base sweep speeds are obtained by selecting different combinations of current values and timing capacitors. The function MTB VARIABLE works via the MTB CURRENT SOURCE.

The MTB TIMING CONTROL discharges the capacitor(s) if the maximum level of the sawtooth is reached. The MTB TIMING CONTROL allows the charging process to start again if a trigger occurs. The functions X POSITION, HOLD OFF and 10x MAGN are applied to and realized in the MTB TIMING CONTROL. HOLD OFF determines the time between discharge of the timing capacitors and the moment that a trigger pulse is allowed to start the MTB again.

The MTB TIMING CONTROL accomplishes the DELAY time function. The sawtooth voltage is compared with an adjustable dc voltage. The DTB is started where both voltages have the same level: this condition is signalled to the DTB LOGIC via signal START.

The MTB TIMING CONTROL also plays a role in the automatic MTB calibration. A reference voltage MTBCALREF is compared with the sawtooth voltage. The time necessary for the sawtooth to reach the MTBCALREF level is monitored by the microprocessor via signal MTBCAL. If necessary the MTB is readjusted. Automatic calibration of the X-path (including output circuit of MTB TIMING CONTROL) is done with accurate voltages from the block X DEFLECTION CALIBRATION.

#### ***Delayed Time Base Description.***

The function of DTB TRIGGER FILTERS + AMPLIFIER is identical to the corresponding block in the MTB part. A "peak-peak detector" for LEVEL DTB is not present. The range of this control is always fixed and not related to the peak-peak level of the signal. Blocks for TV triggering are not present in the DTB section. TV triggering of the DTB occurs via output signals from the TV SYNC SEPARATOR in the MTB section.



An output signal from DTB TRIGGER FILTERS + AMPLIFIERS can be used for X DEFLECTION (MTB and DTB are off then) via the block TIME BASE / X DEFLECTION INPUT CIRCUIT.

The function of DTB CURRENT SOURCE, DTB TIMING and DTB SAWTOOTH PICK OFF is identical to the corresponding blocks in the MTB section. For the DTB LOGIC there is an extra input signal START to start the DTB directly after the adjusted delay time. The START signal originates from the MTB TIMING CONTROL.

The block AUTO CURSOR POSITION is used to position the voltage cursors automatically on the top and bottom level of the signal. The top and bottom levels are detected via the DTB triggering: the microprocessor scans the waveform by successively changing the DTB LEVEL and checking if triggers are still detected. Automatic calibration of the X-path (including output circuit of DTB TIMING CONTROL) is done with accurate voltages from the block X DEFLECTION CALIBRATION.

The DTB TIMING CONTROL is simpler than the corresponding block in the MTB. The functions DELAY and HOLD OFF are not present. DTB uses the MTB hold off time. This is due to the fact that the DTB can not run while the MTB does not.

***X deflection selection and intensity control.***

The block TIME BASE/X DEFLECTION INPUT CIRCUIT permits selection between horizontal deflection via MTB/DTB or via a signal selected via the DTB triggering (X DEFL mode).

The block Z-CONTROL controls the intensity of the signal on the screen. This also affects the focusing. Signal intensity and the intensity of text is determined in the final amplifier section.

The signal intensity is determined by the MTB LOGIC (light on/off) and DTB LOGIC (intensified part during run of DTB). The ratio between intensity of MTB and DTB is determined by control signal INTENS RATIO. Input signal CHP gives display blanking in vertical display mode chopped when switching from one channel to another. The control signal TRACE INTENSITY is influenced by the control with the same name. Intensity can also externally be controlled via input socket EXT Z MOD.

### **3.2.4 Final amplifiers**

The final amplifier can be split up in parts for vertical (Y) and horizontal (X) deflection and parts for intensity (Z) and focusing control. Input signals originate from vertical (Y) channels and time bases (X and Z). The signals that determine X, Y and Z of the text originate from the text generator on the microprocessor unit. The signal that switches between text and trace (SW signal) display originates also from the text generator. The outputs of the final amplifiers drive the Cathode Ray Tube (CRT). The various sections are explained now in sequence.

***Vertical deflection.***

The FINAL Y INPUT STAGE receives input signal for signal display (YS) from the DELAY LINE. A second input signal (YT) determines the vertical component of the text information. The input signal that comes from TEXT/TRACE SELECTION controls switching between text and trace display. The HF SQ WAVE COMPENSATION is controlled by the microcomputer provides that signal distortion from the DELAY LINE is compensated in the FINAL Y INPUT STAGE. The FINAL Y AMPLIFIER drives the vertical deflection plates of the CRT. The voltage applied to these plates is measured by the block CALIBRATE Y CIRCUIT. Its output signal YCAL is applied to the microprocessor; this is part of the automatic vertical calibration facility.

***Horizontal deflection.***

The FINAL X AMPLIFIER DRIVER receives input signal for signal display (XS) from the Main and Delayed Time Base sections. A second input signal (XT) determines the horizontal (X) component of the text information. The input signal that comes from TEXT/TRACE SELECTION controls switching between text and trace display. The FINAL X AMPLIFIER drives the horizontal deflection plates of the CRT. The voltage applied to these plates is measured by the block CALIBRATE X CIRCUIT. Its output signal XCAL is applied to the microprocessor; this is part of the automatic horizontal calibration facility.

***Intensity and focusing.***

The FINAL Z INPUT STAGE receives input signal for trace intensity (ZS) from the Z CONTROL block in the time base section. A second input signal (ZT) determines the intensity (Z) component of the text information. An input signal SW that comes from the microprocessor allows switching between text and trace intensity. The FINAL Z AMPLIFIER drives the intensity control electrode G1 of the CRT. This electrode is at a very negative -2.2kV voltage level. It is for that reason that a high-voltage blocking capacitor is necessary between G1 and the output of the FINAL Z AMPLIFIER. However only the ac component in the signal can pass through the capacitor. The dc and lf components are applied to the MODULATOR and modulated on a high-frequency carrier. Now they can pass through a capacitor, are demodulated in the DEMODULATOR and then the dc, lf and hf components are recombined.

The FINAL Z INPUT STAGE drives, in parallel with the FINAL Z AMPLIFIER, the FINAL FOCUS AMPLIFIER. This has the result that a well-focused spot over a large intensity range is obtained. The FINAL FOCUS AMPLIFIER drives the intensity control electrode G3 of the CRT. This electrode is at a very negative -2.2kV voltage level. It is for that reason that a high-voltage blocking capacitor is necessary between G3 and the output of the FINAL FOCUS AMPLIFIER. The ac component in the focusing signal passes through a high-voltage capacitor. The lf and dc components are derived from the DEMODULATOR that is also used in the intensity part. Focus control is possible via the FOCUS LEVEL SHIFTER.

### **3.2.5 Front unit and microprocessor**

The front unit and microprocessor are the sections where all oscilloscope functions are controlled. Also the generation of text and the automatic calibration is controlled by the microprocessor. The operations performed by the microprocessor are determined by the ROTARY MATRIX and KEY MATRIX. Also commands from an external computer connected to the RS232 connector have the same result.

The ROTARY MATRIX and keys in the KEY MATRIX present at front unit A4 are read by the FRONT PROCESSOR. Also the ROTARY MATRIX that is present on the CRT controls unit A5 is read by the FRONT PROCESSOR. The CENTRAL PROCESSOR on the MICROPROCESSOR UNIT A6 is informed by the FRONT PROCESSOR of the settings selected with the front panel controls. Incorporated in the CENTRAL PROCESSOR is a complete RS232 interface. Serial communication is possible via the RS232 BUFFER.

The CENTRAL PROCESSOR has many inputs and outputs and forms the heart of the oscilloscope's control section. First of all there are a READ ONLY MEMORY (CPROM) and a RANDOM ACCESS MEMORY (CPRAM). The POTENTIOMETER DAC CIRCUIT is able to produce 16 independently adjustable dc voltages. These voltages are used for continuous controllable functions such as POSITION, FOCUS and VARIABLE.

The CENTRAL PROCESSOR also has a number of analog inputs that are internally converted into digital. These inputs are used for automatic calibration (YCAL, XCAL, MTBCAL and DTBCAL), AUTOCURSOR position, power fail and probe indication (via PROBE DETECTION block). An important output is the "uP" output. It is via this output that the CONTROL CIRCUIT blocks found throughout the block diagram are controlled.

The CENTRAL PROCESSOR communicates to the TEXT/CURSOR CONTROL which text and cursors have to be displayed. This information is stored in the TEXT/CURSOR MEMORY. The TEXT/CURSOR CONTROL has one output that switches (SW) the vertical, horizontal and intensity/focusing sections between normal signal (trace) display and text display. This text display is done in between the signal display in such a sequence that "holes" in the signal are almost invisible. The YT output of the digital-to-analog converter VERTICAL DAC produces the analog signal that determines the vertical position during text display. The XT output of the HORIZONTAL DAC does the same for horizontal text display. The ZT output produces a signal that determines the intensity during text display.

### 3.2.6 Power supply

The power supply is a switched mode type and has high efficiency. It can function on a wide range of LINE input voltages. An important part of the power supply is directly connected to the mains. This part carries LIVE VOLTAGE and measurements and repairs must be carried out via a separation transformer by a qualified technician.

The LINE IN voltage is applied to the LINE FILTER. This block prevents line interference from entering the supply unit. Also interference generated by the power supply does not enter the mains. An output signal of the filter is applied to the LINE TRIGGER PICK OFF in order to facilitate line triggering of the time bases.

The other output signal is applied to RECTIFIER + SMOOTHING: the output of this block has a dc voltage of which the height depends on the applied line voltage. This dc voltage is applied to the FLYBACK CONVERTER. This block incorporates a high voltage switching element that converts the dc voltage into a high-frequency ac voltage. This ac voltage is applied to the primary winding of a transformer. The secondary winding has many taps with connected RECTIFIERS: this gives the required supply voltages for the oscilloscope. The +5V POSTREGULATOR gives additional stabilization of the +5V supply voltage.

Stabilization of the output voltages at different line voltages is achieved by varying the on/off ratio of the switching element in the FLYBACK CONVERTER. The on/off ratio is determined in the CONTROL CIRCUIT by comparing the accurate output voltage of the +10V REFERENCE SOURCE and an output voltage of the RECTIFIERS.

The EHT CONVERTER generates the 6.3V heater voltage and -2.2kV cathode voltage for the Cathode Ray Tube (CRT). The +14kV final accelerator voltage for the CRT is generated in the HIGH VOLTAGE MULTIPLIER.

The AUXILIARY CONTROL is controlled by the microprocessor ( $\mu$ P) and generates three dc voltages that are used for TRACE ROTATION adjustment, GRATICULE ILLUMINATION adjustment and speed control for the FAN.

The PROTECTION CIRCUIT switches the power supply off in case of over and under output voltage, too low line voltage and too high temperature.

# 4 PARTS

## 4.1 UNITS

Item	Figure	Ordering code	Description
63a	4.5	5322 214 90896	A1 Signal unit PM3082 (*)
63b	4.5	5322 214 90898	A1 Signal unit PM3084 (*)
63c	4.5	5322 214 91027	A1 Signal unit PM3092 (*)
63d	4.5	5322 214 90724	A1 Signal unit PM3094 (*)
59a	4.4	5322 216 04243	A2 XYZ amplifier unit 100 MHz <del>189990</del>
59b	4.4	5322 216 04244	A2 XYZ amplifier unit 200 MHz 189990
43a	4.4	5322 214 90729 <sup>924618</sup>	A3 Microprocessor unit <sup>924618</sup>
43b	4.4	5322 214 91309 <sup>156452</sup>	A3 Microprocessor unit with IEEE
74	4.6	5322 214 90726	A4 Front unit <sup>924642</sup>
77	4.6	5322 214 90727	A5 CRT controls unit
42	4.4	5322 216 04245	A6 Power supply unit 189993/00/924654
71	4.6	5322 214 90742	A10 Connector board
--	--	5322 218 61479	Extension unit for A3 and A6

(\*) See also section 5.1.6

## 4.2 INTERCONNECTION CABLES

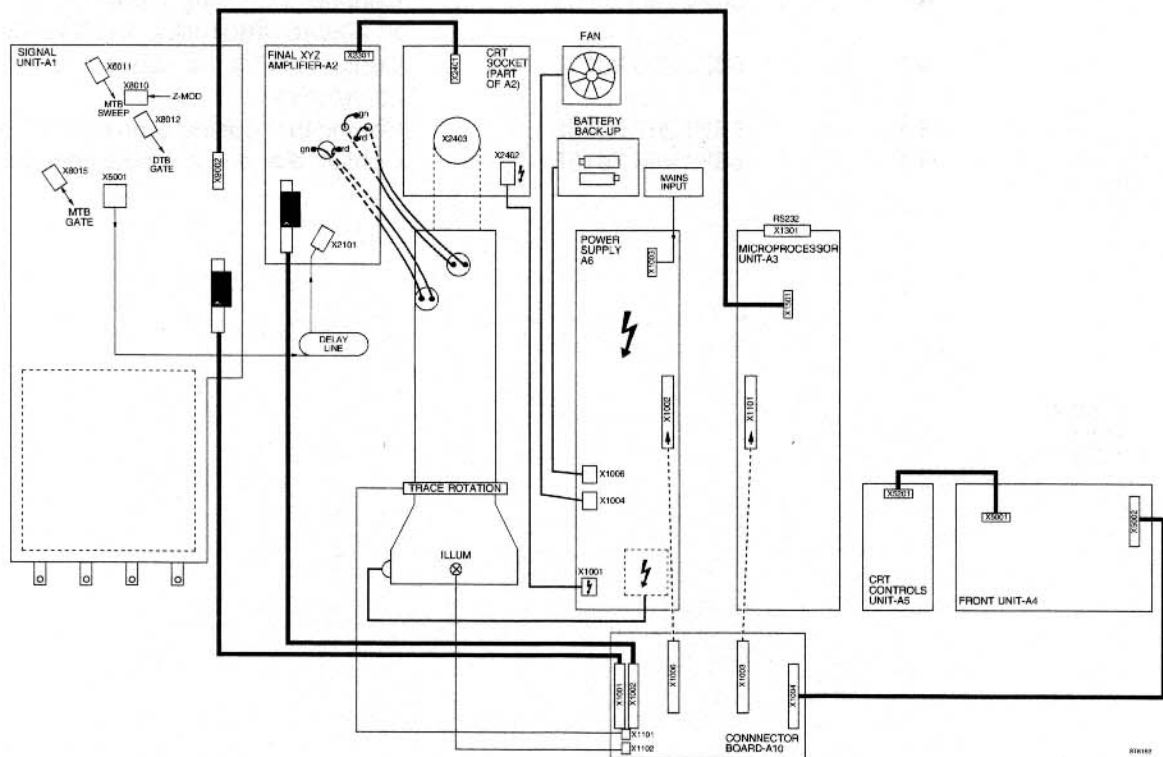


Figure 4.3 Units lay-out and Interconnections



*Note: for location of these items in the oscilloscope refer to the figures.*

Item	Figure	Ordering code	Description
23	4.3	5322 321 21616	Line cord European type
23	4.3	5322 321 10446	Line cord USA type
23	4.3	5322 321 21617	Line cord British type
23	4.3	5322 321 21618	Line cord Swiss type
23	4.3	5322 321 30387	Line cord Australian type
23	4.3	5322 321 30386	Line cord South Africa
41a	4.4	5322 320 40281	Delay line 100 MHz
41b	4.4	5322 214 90732	Delay line 200 MHz
53	4.4	5322 321 61284	Flat cable 50-pole 18 cm (connects X1002 / X2501)
55	4.4	5322 321 61291	Red wire to CRT, 105 mm (4/instr., can be adapted to other lengths)
58	4.4	5322 321 61287	White flat cable 12-pole (connects X2301 / X2401)
64	4.5	5322 321 61286	White flat cable 16-pole (connects X1501 / X9002)
66	4.5	5322 321 61283	Flat cable 50-pole 10 cm (connects X1001 / X9001)
72	4.6	5322 321 61288	White flat cable 28-pole (connects X5002 / X1004)
76	4.6	5322 321 61289	White flat cable 12-pole (connects X5201 / X5001)
--	4.1	5322 268 40233	Connector housing 3-pole (X1001/A6, X2402/A2).
--	4.1	5322 268 40232	Connector housing 2-pole (X1004/A6, X1006/A6, X8010/A1, X1102/A10).
--	4.1	5322 268 20176	Contact pin for the above 2- and 3-pole connectors.
--	4.1	5322 267 50452	Connector housing 5-pole (X1003/A6).
--	4.1	5322 268 24128	Contact pin for the 5-pole connector.

### 4.3 MECHANICAL PARTS

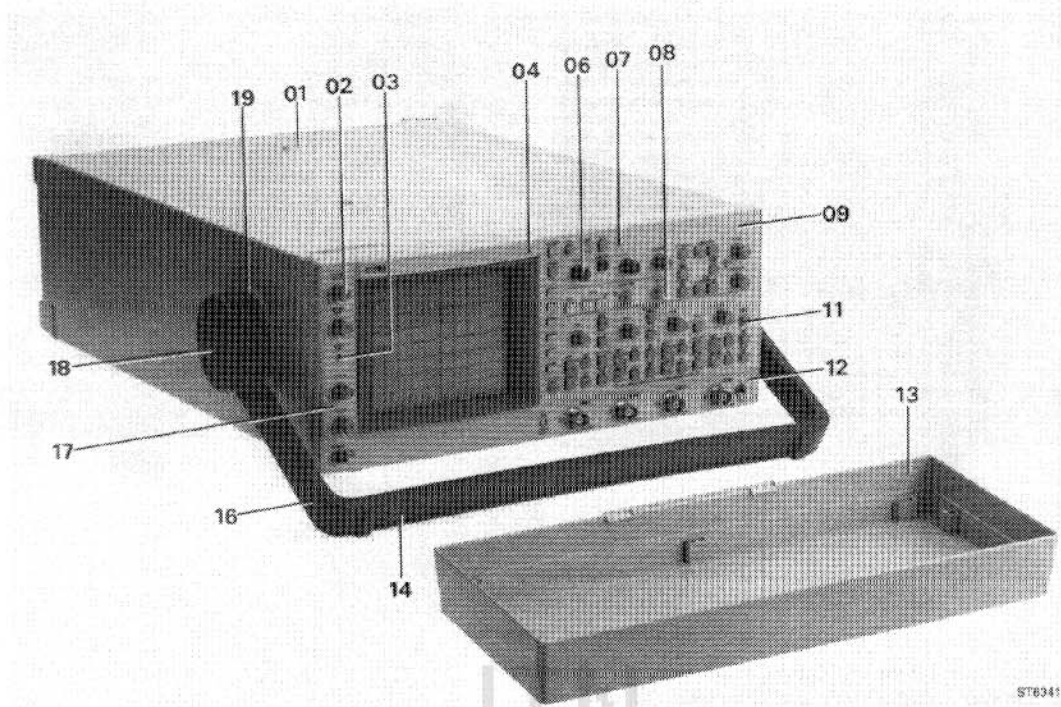
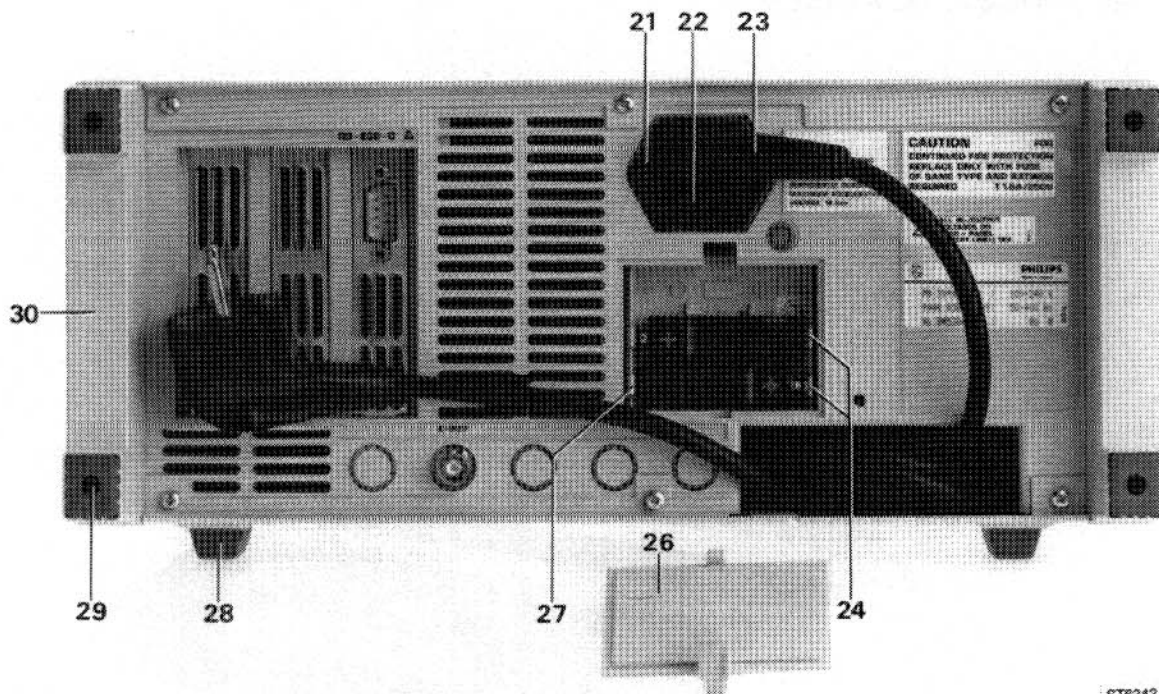


Figure 4.4 Mechanical parts, front and side panel

Item	Ordering code	Qty	Description
01	5322 447 91922	01	Cabinet
02	5322 414 20404	11	Light grey control knob
03	5322 535 93245	01	TRACE ROT shaft
04a	5322 455 81196	01	Textstrip bezel PM3094
04b	5322 455 81195	01	Textstrip bezel PM3092
04c	5322 455 81194	01	Textstrip bezel PM3084
04d	5322 455 81193	01	Textstrip bezel PM3082
06	5322 414 20406	02	Dark grey control knob
07	5322 455 81144	01	CAL-SEAL sticker
08	5322 414 20405	02	Dark mushroom control knob
09a	5322 455 81201	01	Textplate (adhesive) PM3094
09b	5322 455 81199	01	Textplate (adhesive) PM3092
09c	5322 455 81198	01	Textplate (adhesive) PM3084
09d	5322 455 81197	01	Textplate (adhesive) PM3082
11	5322 414 20407	01	Pushbutton mat (buttons not required must be cutoff with a sharp knife)
12a	5322 455 81178	01	Textstrip BNC's 100MHz
12b	5322 456 10025	01	Textstrip BNC's 200MHz
13	5322 447 70121	01	Front cover
14	5322 455 81104	01	Textstrip handle
16	5322 498 50326	01	Handle complete
17	5322 455 81141	01	Textstrip CRT controls
18	5322 462 41848	02	Handle cover
19	5322 498 50268	02	Locking clip





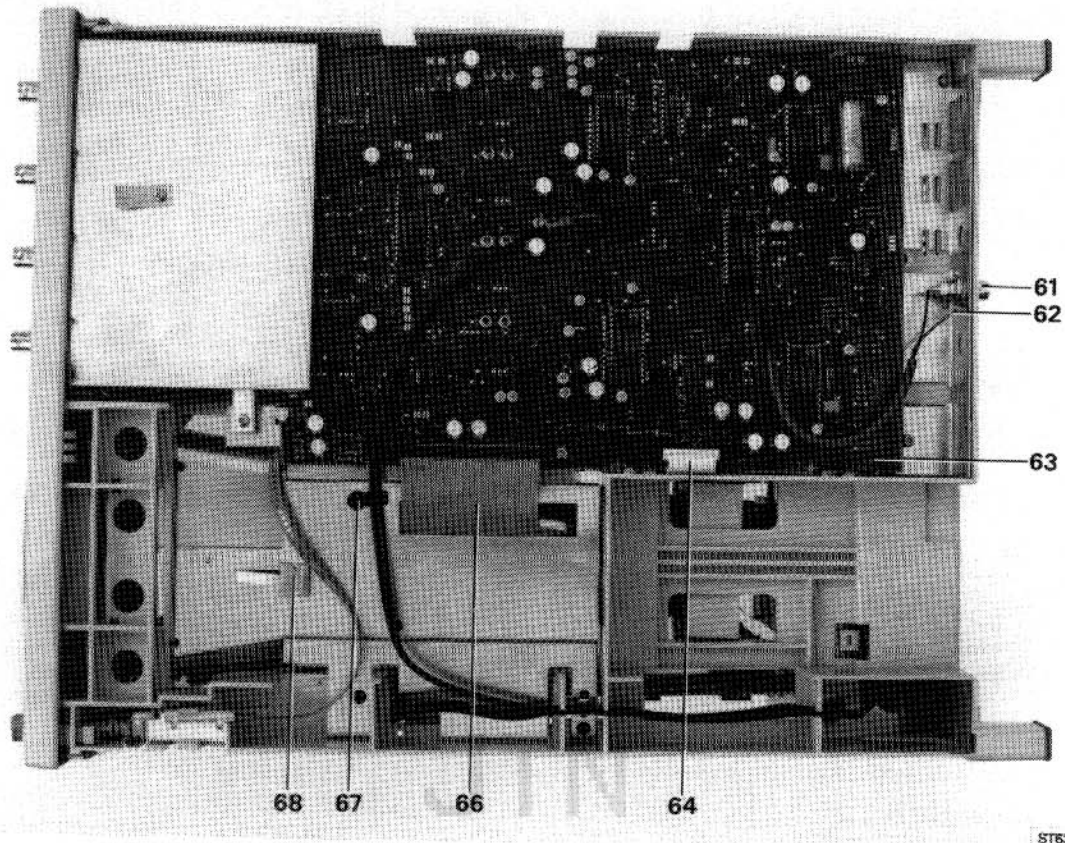
ST6342

Figure 4.5 Mechanical parts, rear panel

Note: for items not listed refer to chapter 4.2.

Item	Ordering code	Qty	Description
21	5322 219 82813	01	Mains input connector
22	4822 070 31602	01	Fuse 5x20 1,6AT
24	5322 492 70941	02	Contact spring single
26	5322 456 90426	01	Battery compartment cover
27	5322 492 70975	01	Contact spring dual
28	5322 462 41697	04	Bottom foot
29	5322 462 41846	04	Rear foot
30	5322 256 91793	02	Rear socle



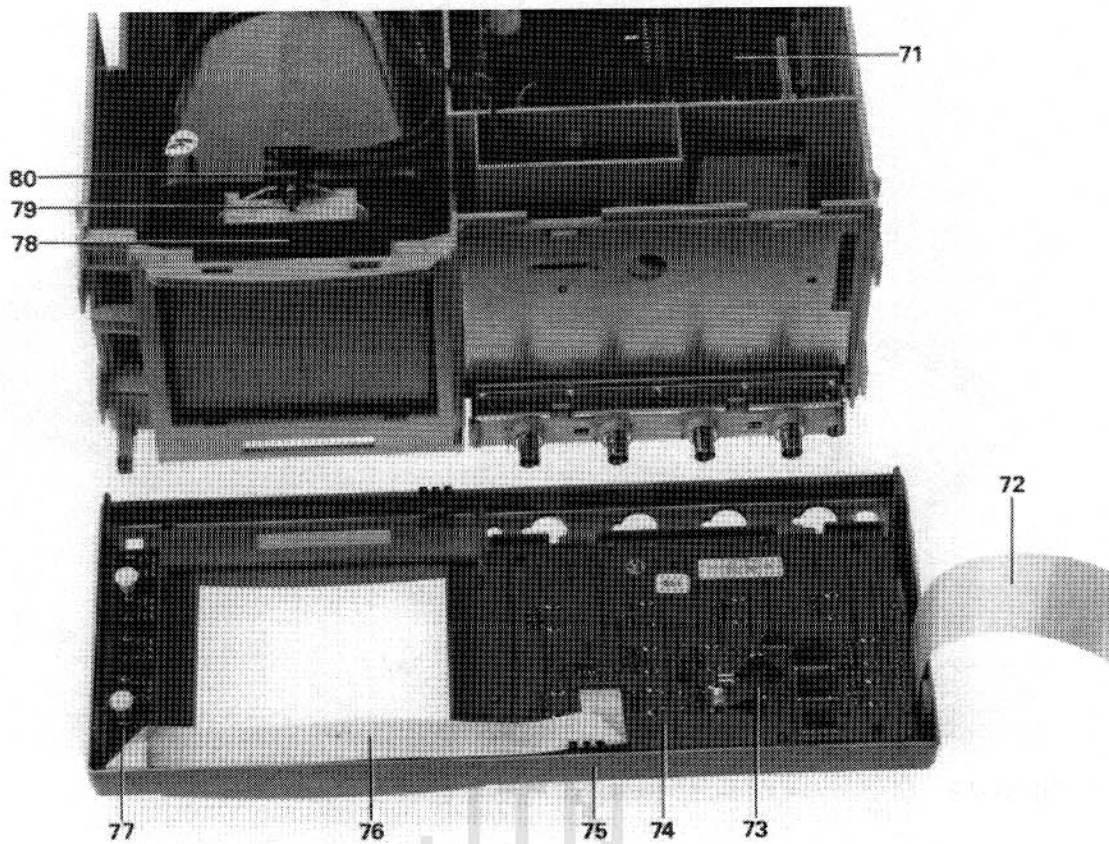


ST6344

Figure 4.7 Mechanical parts, bottom view

Note: for items not listed refer to chapter 4.1.2 and 4.2.

Item	Ordering code	Qty	Description
61	5322 267 10004	01	BNC connector Z-mod
62	5322 290 34022	01	Solder tag for Z-mod
67	5322 401 10954	01	Clamp for delay line (plastic)
68	5322 290 61045	01	Earth contact CRT shielding



ST8345

Figure 4.8 Mechanical parts behind front panel

Note: for items not listed refer to chapter 4.1.2 and 4.2.

Item	Ordering code	Qty	Description
73	5322 290 61044	01	Earth contact
75	5322 447 91923	01	Front frame
78	5322 460 60404	01	CRT frontrubber
79	5322 462 40957	01	Light conductor
80	5322 134 41076	01	Lamp 28V 80mA (E 1001)
--	5322 492 71668	01	Grounding clip, top side of front
--	5322 492 71669	01	Grounding clip, bottom side of front
76	5322 321 61289	930966	



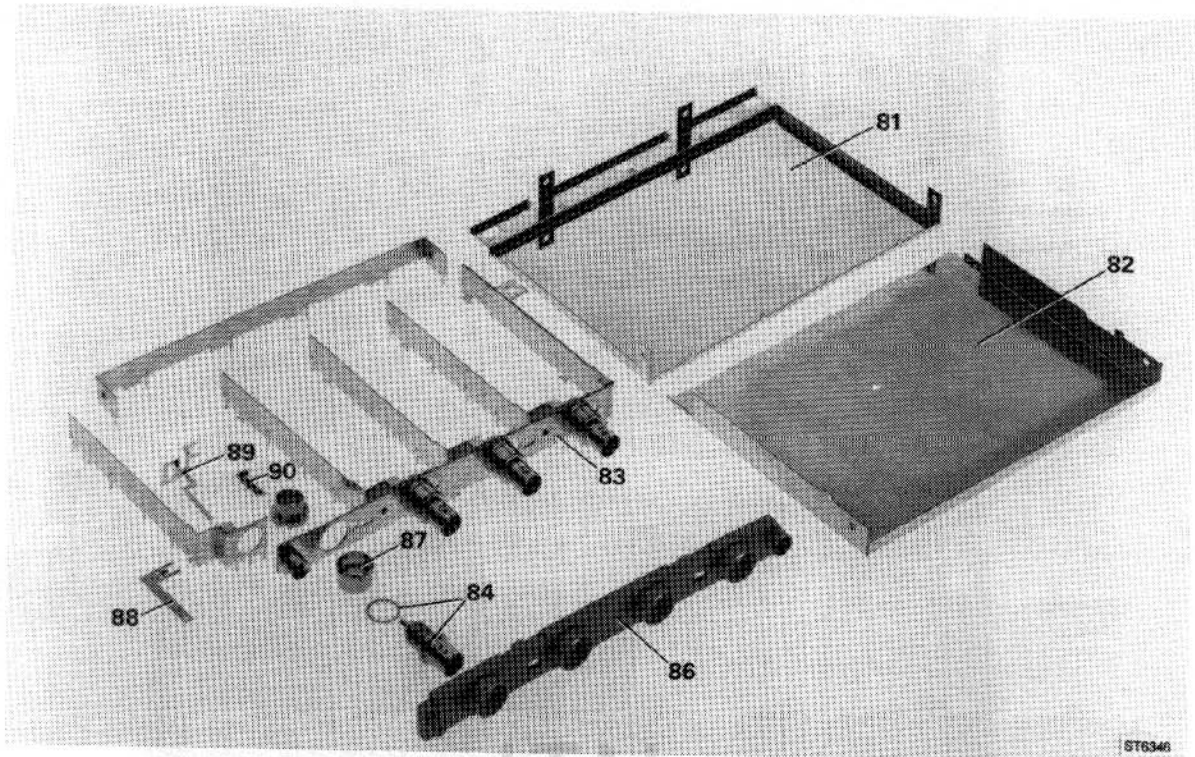


Figure 4.9 Mechanical parts, screening of input circuit

Item	Ordering code	Qty	Description
81	5322 466 30405	01	Top screening
82	5322 466 30404	01	Bottom screening
83	5322 256 91792	01	BNC holder
84	5322 267 10191	04	BNC coax connector
86	5322 462 41847	01	BNC insulator, plastic
87	5322 532 21188	04	BNC spacer
88	5322 535 93244	01	Probe calibration pin
89	5322 492 70939	04	Indication spring
90	5322 401 11419	04	Soldering bracket for BNC

## 5 UNIT DESCRIPTIONS

### 5.1 SIGNAL UNIT A1

#### 5.1.1 Description A1

##### 5.1.1.1 Introduction

With the exception of the final stages, unit A1 incorporates the vertical channels, the triggering, the time bases and the intensity (Z) control. The unit A1 description is split into the following chapters:

- Input attenuators and calibrator.
- Preamplifiers.
- 
- Y-functions and delay line driver.
- Triggering.
- Main and delayed time base.

The complete signal unit is divided over 18 circuit diagrams. These diagrams and their main interconnections are listed in the table.

Diagram 11 includes the circuitry that controls the functions in the vertical channels.

Diagram 18 shows the connectors that make contact with other units in the oscilloscope via the connector board. These units are:

- The final amplifier unit A2: horizontal deflection signal and intensity control.
- The microprocessor unit A3: control signals and potentiometer functions.
- The power supply unit A6: supply voltages and line trigger signal.

Diagram	Description	Input signal coming from	Output signal going to	Control signal coming from
1,2,3,4	Attenuator ch.1,2,3,4	input 1,2,3,4	diagr.6,7	diagr.5,11
5	Attenuator control	diagr.1,2,3,4	diagr.1,2,3,4,18	diagr.11
6	Preamplifier ch.1,2	diagram 1,2	diagr.8	diagr.11,18
7	Preamplifier ch.3,4	diagram 3,4	diagr.8	diagr.11,18
8	Y-functions	diagram 6,7	diagr.9	diagr.10,11,18
9	Delay line driver	diagram 8	delay line	diagr.10,18
10	Display + trigg control	diagram 18	diagr.8,9	diagr.18
11	Control circuits	diagram 18	diagr. 1,2,3,4,5,6,7,8	diagr.18
12	MTB trigger	diagram 8	diagr.13,15	diagr.12,18
13	TV/line trigger	diagram 12,18	diagr.12,14	diagr.12,14
14	DTB trigger	diagram 8	diagr.15,17	diagr.14,18
15	Time base logic	diagram 12,14	diagr.16,17,18	diagr.15,18
16	Main time base	diagram 15	diagr.17	diagr.18
17	Delayed time base	diagram 15	diagr.18	diagr.18
18	Connectors	unit A6	unit A2,A3	unit A3



### 5.1.1.2 Input attenuators and calibrator

#### Diagram 1, 2, 3, 4

The attenuators of channels 1, 2, 3 and 4 are identical, therefore only channel 1 is explained. Every attenuator basically consists of four sections. These sections are:

- The input circuit with  $50\Omega$  termination resistor and AC/DC input coupling circuit.
- The high impedance attenuator with divide by 1, divide by 10 and divide by 100 sections.
- The impedance converter. This is the active stage.
- The low impedance attenuator that can give an additional divide by 2.5.

The attenuator sections are switched by voltage pulse operated relays. This reduces power dissipation. Every relay has two change-over contacts. After a pulse the contacts stay in the selected position. One side of each relay coil is connected to the common potential AT12REP; the other side to a voltage that differs per relay.

Setting a relay in the position as drawn in the diagram (rest position) is achieved by a positive 10 ms pulse on common line AT12REP while the other control line stays at 0 V level. The other side of the relay coils that must not switch are applied to the already mentioned 10 ms positive pulse. Switching a relay to the position opposite to the one in the diagram (activated position) is achieved by a 10 ms positive pulse at the other side of the relay while AT12REP is kept at 0 V. This principle is demonstrated in figure 5.1 where the /1 relay is switched to the rest position and the /10 relay is activated.

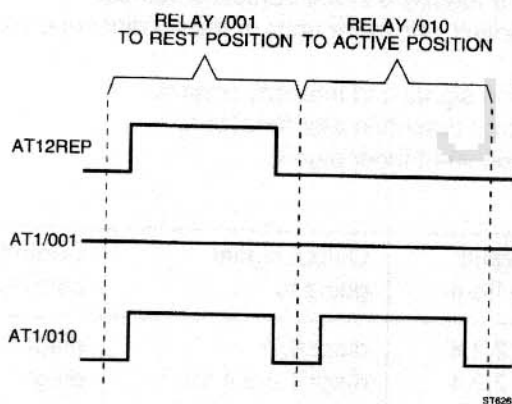


Figure 5.10 Switching pulses for relay

#### Input circuit

The  $50\Omega$  termination resistor is formed by the resistors R1006/R1007. It is switched by relay contact K1001. The NTC resistor R1011 is placed between R1006 and R1007 and measures the temperature of these resistors. This information is routed to the microprocessor on unit A3. If necessary the  $50\Omega$  position is switched off.

The DC blocking capacitor is C1001. In DC position the capacitor is not used and discharged via R1002. The signal path is via K1002.

#### High impedance attenuator

The divide by one section (/1) is switched via the relay contacts K1003. It switches the input signal through without further attenuation.

The divide by ten section (/10) is present between the relay contacts K1004. The /10 is accomplished by R1016, R1027, R1031 and R1032.

The divide by hundred section (/100) is present between the relay contacts K1006 and K1004/6,4. The /100 is accomplished by R1021 and R1023.

LF square wave calibration is achieved via the dual varicap diode V1002. Influence of the signal on the capacitance value is eliminated by two diodes with opposite polarization. The compensation factor and consequently the voltages AT1LFCOR1 and AT1LFCOR0 are depending on the selected attenuator position.

The signal ATCAL is applied to /33 attenuator R1008/R1009. ATCAL can supply several accurate voltages that are used for vertical calibrations.

#### **Impedance converter**

This active stage consists of three sections with different frequency ranges. The sections partly make use of the same components:

- The HF section for frequencies above 5 kHz. It is formed by C1021, FET V1006 and the two emitter followers V1008 and V1009. The FETs V1004 and V1005 are used for input protection. V1007 is a current source.
- The LF section for frequencies 30 Hz to 5 kHz. It is formed by operational amplifier N1001 (gain 2x) that receives the LF input signal via divide-by-two attenuator R1031/R1032. The capacitors C1023 and C1025 are frequency determining components in the N1001 feedback loop. The N1001 output signal is routed via R1034, V1006 and the emitter followers V1008 and V1009.
- The DC section for frequencies DC to 30 Hz. It is formed by operational amplifier N1001 (gain 2x) that receives the input signal via divide-by-two attenuator R1031/R1032. Via feedback resistor R1037 the voltage at the output of the impedance converter is compared with the input level via the + and inputs of N1001. This keeps the DC output value of the impedance converter exactly at the required value. This compensates for DC drift. Part of the feedback loop is V1001 that determines the low-frequency gain. The N1001 output signal is routed via R1034, V1006 and the emitter followers V1008 and V1009.

The low impedance attenuator is formed by R1072 and R1073. Switching is accomplished by V1012 and V1013. V1012 conducts in the /1 position and V1013 in the /2,5 position. The attenuator output signal is an unbalanced signal. The unbalanced output signal is applied to the succeeding stage via R1071 and via R1074.

#### **Diagram 5**

#### **Probe indication circuit**

There are four identical circuits of which the one for channel 1 is described. The resistor in the indication ring of the probe is present between X1002 and ground potential. The resistance value is measured by the microprocessor on unit A3.

The temperature of the 50 $\Omega$  termination resistors on diagram 1 is measured by NTC resistor R1011. This resistor is placed in between the two termination resistors. If the temperature gets too high, the + input of N1101 becomes lower than the input. This makes output 13 of N1101 low and 0 volt is detected by the microprocessor via the probe indication line PROBE1. This is the sign for the microprocessor that the 50 $\Omega$  resistor is too hot and it is switched off.

#### **LF square wave calibration**

This circuit produces the voltages for the varicap diodes V1002. The diodes require control voltages with opposite polarity. There are four identical circuits for the four vertical channels. The input signal AT1LFCAL is produced by a DAC and has the range 0 ... 10 volt. This is converted via the operational amplifiers N1102, N1103 into two signals that range from -5 ... -15 volt (AT1LFCOR0) and +5 ... +15 volt (AT1LFCOR1) respectively.

#### **Amplitude Calibrator**

This circuit consists of 8-position multiplexer D1152 and operational amplifier N1104. It can supply 8 accurate voltages of 10V, 5V, 2V, 1V, 500mV, 200mV and 0V. They are supplied to the vertical channels 1, 2, 3 and 4 for calibration voltages. The voltages are derived from a voltage divider with precision resistors R1192 through R1197. The divider is supplied with an accurate 10 V reference voltage. Under control of a three bit address ATCAL0 ... ATCAL2 one of the outputs of the voltage divider is selected via D1152. This signal is routed to the vertical channels via buffer N1104.

#### **Loop gain calibration**

The output voltage range of a digital-to-analog converter (DAC) is changed via resistor network R1112, R1113 and R1114. The output voltage is applied to V1001 that determines the low-frequency gain in the channel 1 attenuator.



The amplifier D1201 can be switched to a number of attenuation/gain positions that are dependent on the channel 1 AMPL position. The gain x1 position is determined by R1205/R1206/C1205 that are present across pin 6 and 7. The x1 is switched by control signal PA1X1.

The attenuation /2 is determined by R1207 and switched by PA1/2.

The gain x5 is determined by R1208/R1210/R1215/C1210 and switched by PA1X5. Continuous gain control is determined by DAC output signal VAR1 that is applied to pin 20. This signal comes from microprocessor unit A3. It is used for front panel gain control in fine steps and also for gain calibration.

The complete range of the channel 1 input sensitivities is controlled via front panel control AMPL. It is accomplished by the combination of input attenuator positions and the x1, /2, x5 and the VAR1 functions.

Offset control is achieved via the DAC output signal PA1OFFSET that is applied to the D1201 input pin 13. The DAC signal PA1OFFSTRG gives an offset signal in the current sources V1208 (PA1LSA) and V1209 (PA1LSB). PA1LSA and PA1LSB are applied to level shifters V1201/V1202. This is used to compensate for offset in the trigger path and also influences the offset in the vertical channel. This in turn is compensated via the POS1 signal in the Y-functions section.

The circuit in the bottom half of the diagram includes a number of current sources for the channel 1 and 2 preamplifiers. The reference for all these current sources is PAVREF that is present at N1251/pin 3. This is converted in a reference voltage at the collector of V1252 that is applied to the current sources. The currents for channel 1 are PA1ICL, PA1ISY, PA1LSA and PA1LSB. The currents for channel 2 are PA2ICL, PA2ISY, PA2LSA and PA2LSB. PA2LSA and PA2LSB are adjustable via DAC output signal PA2OFFSTRG.

#### 5.1.1.4 Y functions and delay line driver

##### Diagram 8

This diagram shows the channel 1, 2, 3 and 4 function circuits D1301, D2301, D3301 and D4301. The balanced output signals of each circuit are available at pin 7 and 8. They are all applied to the resistance network R1313 through R4314 that is shown on the next diagram. The output of this network feeds the delay line driver.

The four function circuits are almost identical. Compared with channel 1 and 3, channels 2 and 4 have additional invert functions. For this reason, only the channel 2 circuit is explained. Here the balanced input signal is applied to pin 25 and 26 of D2301. The balanced output signal at pin 7 and 8 is switched by control signal CNT2CH-HX. The balanced output signals FNC2MTR0 and FNC2MTR1 that are available at pin 13 and 14 are used for triggering the main time base. This is switched via control signal CNT2MT-HT. The balanced output signals FNC2DTR0 and FNC2DTR1 that are available at pin 1 and 2 are used for triggering the delayed time base. This is switched via control signal CNT2DT-HT.

Channel 2 position control is achieved via an adjustable analog DAC voltage POS2 from the microprocessor unit A3. This voltage is applied to input 9 of operational amplifier N2202. This IC converts the DAC voltage POS2 (1 ... 4 V) into a voltage between -8 and +8 V. This voltage is converted into a current via resistor R2311, because pin 12 of D2301 is a virtual ground.

The balanced output signals FNCYOP0 and FNCYOP1 at pin 5 and 6 of D2301 of the channel 1 can be used to provide signals for the Y-out option. The (optional) Y-out circuit (present in channel 1 only) is located on an additional unit that is connected via the connectors X1303 through X1310. This is switched via control signal YOP-HX at pin 4. If no option installed, the signal is switched off by a low level supplied via R1312. If the option is present the switching is achieved by a signal coming from the additional unit.



The balanced output signals FNC1DPO0 and FNC1DPO1 at pin 9 and 10 can be used to provide signals for future instrument extensions such as a digital signal storage. This is present on all 4 channels. Biasing current for these outputs is provided via V1302, V1313 and R1307. The capacitor C1301 determines the cut-off frequency if the bandwidth limiter is active. The limiter is switched via signal FNCBWL.

The following table summarizes the functions and related pin numbers of the IC's used in the circuit diagram:

Output (pin)	On/Off (pin)	Invert (pin)	Bandw. Lim. (pin)	Pos (pin)
MTB Trig (13,14)	20	19	--	--
DTB Trig (1,2)	24	23	--	--
Y-out (5,6)	4	3	28	--
Digital out (9,10)	--	3	28	12
Chann. out (7,8)	11	3	28	12

### Diagram 9

This diagram shows the delay line driver and associated circuitry. The delay line driver itself consists of the balanced amplifier branches V5003/V5006/V5008 and V5004/V5007/V5009. These amplifiers serve as a 9x amplifier and level shifter. V5011/V5012/V5013/V5014 clamp the input signal in order to reduce the output voltage swing applied to the delay line. The balanced input current (100 uA/div) signals from channel 1, 2, 3 and 4 are FNC1OUT0/FNC2OUT0/FNC3OUT0/FNC4OUT0 and FNC1OUT1/FNC2OUT1/FNC3OUT1/FNC4OUT1. The output voltage (45 mV/div when connected to the delay line, 90 mV/div when open) signals DLDOU0 and DLDOU1 supply the delay line. The resistors R5051 and R5052 give correct 50Ω termination impedance.

The Y-offset control part is supplied with the DAC output signal DLDOFFSET (delay line driver offset) that is used for instrument calibration. The DAC output signal TRASEP gives trace separation between main and delayed time base display in alternate time base mode. TRASEP is passed through via analog switch D5001/6,8,9 if control signal TRASEP-HC is high.

Operational amplifier N5001/5,6,7 makes a stable +4 V reference voltage. Operational amplifier N5001/2,3,1 keeps DLDDCLEVEL0 and DLDDCLEVEL1 at equal level by influencing the level at DLDDCCORR.

### Diagram 10

This diagram comprises the circuitry that controls the vertical channels 1, 2, 3 and 4 and the main (MTR) and delayed (DTR) trigger sources. The heart is formed by IC D9009. The IC is loaded with information about the control functions that must be executed. This happens via the input lines SCL (Serial CLock) and SDA (Serial DAta) that come from the microprocessor unit A3. At turn-on D9009 gets a reset at pin 17. This occurs via V5506 which is controlled by output D9004/11 on the next diagram.

The channels 1, 2, 3 and 4 are switched via the output pins 2, 3, 4 and 5 of D9009. The main time base trigger (MTR) source of channel 1, 2, 3 and 4 is switched via the control signals that are available at pin 2, 12, 1 and 13 of multiplexer D5501. This multiplexer is supplied with 3 lines that come from pin 25, 26 and 27 of D9009. The signal CNT2MTI-HT that is present at pin 11 of AND gate

D5503 gives the necessary inversion of the main trigger path if channel 2 is in the inverted mode. The signal CNT4MTI-HT that is present at pin 4 of AND gate D5503 gives inversion of the main trigger path if channel 4 is in the inverted mode.

The delayed time base trigger (DTR) source of channel 1, 2, 3 and 4 is switched via the control signals that are available at pin 2, 12, 1 and 13 of multiplexer D5502. This multiplexer is supplied with 3 lines that come from pin 22, 23 and 24 of D9009. The signal CNT2DTI-HT that is present at pin 10 of AND gate D5503 gives the necessary inversion of the delayed trigger path if channel 2 is in the inverted mode. The signal CNT4DTI-HT that is present at pin 3 of and-gate D5503 gives inversion of the main trigger path if channel 4 is in the inverted mode.

The input pin 9 ALTCLN of D9009 gives channel/trigger source switching in the alternate display mode. The circuit with V5503 converts the current input signal ALTCLK (ALternate CLock) from the time base logic into a voltage signal. The input pin 17 PUDML gives D9009 a preset when switching the oscilloscope on.

For the chopped display mode a chopper oscillator V5501/V5502 is present. It is switched on when control signal CHSW (CHopper SWitch) is high. The output signal of the oscillator is applied to pin 7 of D9009. The signal CHBLANK gives display blanking when switching between one channel to another.

The D9009 output signal TRASEP-HC activates the trace separation control in alternate time base mode. This signal is high if the delayed time base is active and low for the main time base. The output signal TBSEL controls the choice between main time base (high) and delayed time base (low) for horizontal deflection.

### Diagram 11

This diagram includes the generation of control signals for the channel 1, 2, 3 and 4 attenuators, preamplifiers, Y-function and delay line driver circuits. The names of the control signals indicate exactly which circuit part is controlled:

- The signals starting with AT1, AT2, AT3 and AT4 control the ATtenuators of respectively channels 1, 2, 3 and 4. The attenuators and associated signal name lists are indicated in the description belonging to figures 1, 2, 3 and 4.
- The signals starting with PA1, PA2, PA3 and PA4 control the PreAmplifiers of respectively channels 1, 2, 3 and 4. The preamplifiers and associated signal name lists are indicated in the description belonging to figures 6 and 7.
- The signals starting with FNC1, FNC2, FNC3 and FNC4 control the Y- FuNction (channel and trigger source switching) of respectively channels 1, 2, 3 and 4. The Y-function blocks and associated signal name lists are indicated in the description for diagram 8.
- The signals starting with DLD control the Delay Line Driver. This circuit part and associated signal name list are indicated in the description for diagram 9.

A part of the control functions are simple on/off functions; e.g. the switching of a certain attenuator section. Other control functions consist of an adjustable DC voltage; e.g. the DC voltage that determines the gain of an amplifier section.

D9001 and D9002 have outputs that are able to drive the relays in the attenuator sections of channels 1, 2, 3 and 4. The IC's are controlled by the microprocessor on unit A3. This happens via the data signal SDA (Serial DAta) and the synchronization signal SCL (Serial CLock). The enable signals



DLEN0-HT (Data Latch ENable) and DLEN1-HT determine if D9001 or D9002 reacts on the SDA/SCL signals. The figure below indicates the relation between SDA and SCL.

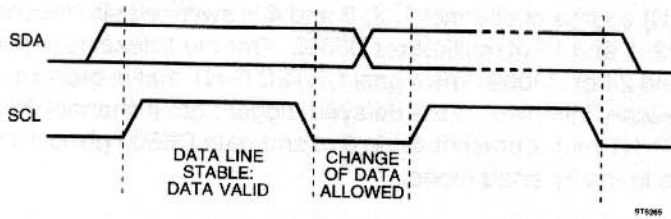
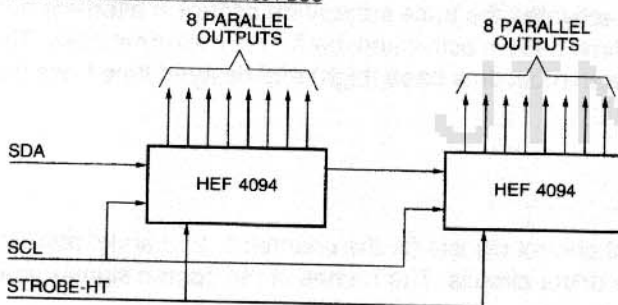


Figure 5.12 Relation of serial bus signals SDA and SCL

D9003 and D9004 have outputs that control a number of on/off functions in the preamplifier. The IC's are connected in cascade as a shift register. The IC's are controlled by the microprocessor on unit A3. This happens via the data signal SDA (Serial Data) and the synchronization signal SCL (Serial Clock). The enable signal STROBE0-HT in relation with SCL and SDA is indicated in the figure below. New data can be clocked into the shift register if STROBE0-HT is low. The new data becomes available at the outputs at the low-to-high transition of STROBE0-HT.

CONFIGURATION OF HEF 4094 BUS



INPUT PULSES FOR HEF 4094 BUS:  
DATA IS CLOCKED INTO THE HEF 4094 IC  
AT POSITIVE SLOPE OF CLOCK PULSE:

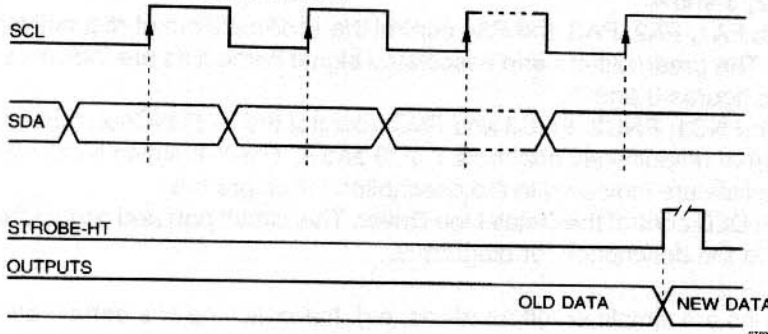


Figure 5.13 Configuration of serial control bus

N9001, N9002 and N9003 are octal digital-to-analog converters (DAC's). Each IC has 8 outputs capable of delivering a DC voltage that is adjustable between 0.5 and 9.5 V. This is controlled by the microprocessor on unit A3 via 6 bits of information that allow 64 adjustment steps. This happens via the data signal SDA (Serial Data) and the synchronization signal SCL (Serial Clock). The data bits are preceded by address bits that are compared with the fixed address A0/A1/A2 applied to pin 7, 8 and 9. This determines if N9001, N9002 or N9003 reacts on the bitstream.

*Note: a solder pad is present in the SDA and SCL input lines of every IC. This gives the possibility to isolate a suspected IC from the other in case a fault is suspected.*

### 5.1.1.5 Main and delayed time base triggering

#### Diagram 12

The main time base triggering (MTR) is mainly formed by IC D6541. The other IC D6621 is the peak-peak detector for the trigger level. The balanced input signal for triggering on vertical channels 1, 2, 3 or 4 is applied to pin 7 and 8. This signal can originate from one of the 4 vertical preamplifier sections where the source selection is also done. The dc biasing currents come from the circuit with V6506, V6507 and V6532. This circuit is also supplied with the line trigger sinewave signal MTRLIN that comes from the power supply. This signal can be used for mains/line triggering and is selected on the next diagram.

The output signal of D6541 is available at pin 19 and 20. This signal is routed to the main time base (MTB) via the level shifters V6573 and V6574. The signal MTRVIDEO from output pin 2 of D6541 is routed to the TV trigger circuit.

The IC D6541 incorporates the filters for HF reject (external capacitor C6549), LF reject (external capacitor C6551) and AC (external capacitors C6559, C6561, C6562). These filter modes are switched with the control signals MTRLF-HD (pin 3) and MTRHF-HD (pin 14). Positive/negative slope and video are switched with the control signals MTRSLOPE (pin 21) and MTRTVSEL-HD (pin 4). The logic levels of these control signals are indicated in two tables on the diagram. The signal MTRSEN is a DAC output voltage that determines the gain of the trigger amplifier.

A balanced current signal leaves D6541 at pins 26 and 27. This signal is converted into a voltage signal via V6604 and V6606. The voltage signal is applied to pins 3 and 7 of the peak-peak detector D6621. This IC detects the positive and negative peak values of the trigger signal. It reduces in the peak-peak trigger mode (switched with MTRPPLEV-HD) the range of the level (LEVMTB) to just within the peak-peak signal value.

The output of the peak-peak detector is present at pin 14 and 15 and routed to level input pin 22 and 23 of D6541, via the level shifter with V6667, V6668, V6686 and V6687. At this point a level offset correction is also introduced via DAC signal MTRBAL. The level is fixed in TV trigger mode by giving signal LEVMTB a predefined fixed level. The output pulse MTRTVSYNC from the TV synchronization separator circuit (see next diagram) is applied to the base of V6687. This signal is interrupted if the TV trigger mode is off.

The series parallel converter D9011 has outputs that control a number of on/off functions in the MTB triggering. D9011 is controlled by the microprocessor on unit A3. This happens via the data signal SDA (Serial DATA) and the synchronization signal SCL (Serial CLock). The enable signal is STROBE1-HT.

#### Diagram 13

This diagram shows the TV trigger circuit. The signal MTRVIDEO from pin 2 of MTR circuit D6541 is applied to the input of the TV CLAMP circuit V6754/V6757/V6759/V6763/V6768. The peak level of the synchronization pulses is detected via V6757 and C6758. The TV signal at the base of V6768 is kept at a constant level via V6759 and V6754. Diode V6761 cuts off the video information so that only synchronization pulses are applied to input pin 2 of N6771.

The TV synchronization separator N6771 is able to decode three different types of sync pulses. The analog control signal MTRTVMODE at pin 6 can have 3 different values that determine the TV standard in which the circuit will work. The standards and respective control voltages are indicated in a table.

N6771 separates the TV synchronization pulses. The following signals are available at its outputs:

- Pin 1 carries negative going line (MTRTVL) pulses. These pulses can be applied to the MTB trigger (MTR) section via multiplexer D6781. Via multiplexer D7711/3,4,5,9 they are applied to the delayed trigger (DTR) section.
- Pin 3 carries the negative going field pulses (MTRTVFR) that appear at the beginning of field 1 and field 2.

- Pin 7. The signal is high during field 1 and low during field 2. Field 1 and Field 2 together form one frame.

The set/reset flipflops D6779 make the field 1 (MTRTVFLD1) and field 2 (MTRTVFLD2) pulses. As input signals are used the output signals at pin 7 and 3 of N6771.

The multiplexers D6781 and D7771 select the TV and line trigger sources for MTR and DTR:

- The MTB TV trigger signal is MTRTVSYNC. It originates from D6781/14.
- The DTB TV trigger signal is DTRTVL. It originates from D7711/15.
- The signal VSYNC from D6781/4 is not used: it will be used for extensions such as digital signal storage.
- The MTB mains/line trigger signal is MTRLINE. It is switched via D5001/10,11,12.
- The DTB mains/line trigger signal is DTRLN. It originates from D7711/13.

### Diagram 14

This diagram shows the DTB trigger (DTR) circuits. This circuit is build up around D7541. It is a simplified replica of the main trigger circuit. This because of the fact that the DTR is not equipped with peak-peak trigger facility. The level signal LEVDTB is applied almost directly to pin 22 and 23 of D7541. The transistors V7686 and V7687 are used to convert an asymmetrical LEVDTB signal into a symmetrical signal. At this point the TV line synchronization pulses (DTRTVL) are applied to the delayed trigger section when required.

The XDEFL CIRCUIT is used for X-DEFlection via the balanced X deflection signals DTRXDEF1 and DTRXDEF0 (pin 15 and 16 of D7541). The outputs of the circuit are TBXOUT1/TBXOUT0 and are applied to the time base section. It is there where the selection is done between X- deflection signal, MTB sawtooth and DTB sawtooth. Position control is achieved by signal DTRXPOS which is derived from LEVDTB via switch D7711/4,9,3. This switch is indicated on the preceding circuit diagram.

D9013 is used to determine the modification state of the unit A1. This is important in connection with the microprocessor hardware. The 8 outputs of D9013 are made high one by one after the oscilloscope is turned on. Via output diodes V7801 ... V7808 the high level is passed through. Depending on the modification state of the unit, one or more diodes are inserted into the p.c.b.. This gives the possibility to program 256 different modification levels.

#### 5.1.1.6 Main and delayed time base and control logic

### Diagram 15

This diagram incorporates the control logic for the main and delayed time base. This logic consists mainly of IC D8004. Also the input signal for the final Z-amplifier is generated on this diagram and occurs in D8003.

The selected trigger signals for the main time base are MTRIG0/MTRIG1 and are applied to pin 7 and pin 6 of D8004. This results via output pin 24 and V8013/V8014 into signal MTBGATE that starts the main time base (MTB). Signal STRCALM-HT is used to start the MTB via V8003. This occurs during autocalibration of the MTB.

The signal ALTCLK is derived here via V8018. This signal is used for display switching in ALTERNate display mode. This happens in D9009 in the section that controls the display and trigger sources.

The selected trigger signals for delayed time base (DTB) are DTRIG0/DTRIG1 and are applied to pin 9 and pin 8 of D8004. This results via output pin 18 and V8012/V8011 into signal DTBGATE that starts the DTB. Signal STRCALD-HT is used to start the DTB via V8007. This occurs during autocalibration of the DTB.



D8004 has inputs and outputs with the following functions:

- TBEHO-LX goes low at the end of the hold-off period.
- TBAUTO-LD is low if auto free run mode is active.
- TBEOM-HX goes high at the end of the MTB sweep.
- TBSTD-LX goes low to start the DTB sweep.
- TBEOD-HX goes high at the end of the delayed sweep.
- TBNOTTR-HT goes high if the MTB is not triggered.
- TBSEL selects MTB if high and DTB if low.
- TBSSG-HT goes high at the end of a single sweep.
- DSOM (pin 2) goes high if a MTB trigger occurs. The connected circuit with V8023/V8024 is used for extensions such as digital signal storage.
- DSOD goes high if a DTB trigger occurs. The connected circuit with V8029/V8031 is used for extensions such as digital signal storage. DSOD is also input signal for the "V peak-peak circuit".
- TBCAUT is connected with timing network R8052/R8066/R8133/C8011/V8067/V8068. This network determines in auto free run mode the 100ms waiting time after which the MTB becomes free running.

V8061/V8062/V8063/V8066 form the "V peak-peak circuit". It plays a role as the automatic positioning of the cursors on the top and bottom of the signal (Vpp mode). This function works via the DTB trigger circuit and is mainly software based. V8062/V8063 form a set-reset flipflop with inputs with hysteresis. The flipflop is set with the DSOD pulse that goes high at the moment that a DTB trigger pulse is detected. This is signalled to the microprocessor via V8066 which makes the TTL signal VPPTTEST-LD. The shape of the waveform is scanned by the microprocessor by monitoring the signal VPPTTEST-LD at different DTB trigger LEVEL positions. The flipflop is reset by the microprocessor via signal STRCALD-HT.

The balanced output signals ZTRA0 and ZTRA1 from pin 10 and 11 of D8003 are applied to the final Z-amplifier in order to control the intensity on the CRT screen. An important input signal is TBZB from D8004/19. This signal is high if the MTB sweep is on and during this time the light on the CRT is on. The intensified part during the time that the DTB sweep is on is switched on if signal TBZA is high. TBZA originates from D8004/20.

The signal CHBL that is applied to D8003/15 is influenced from the chopper blanking signal CHBLANK-HX and from the external Z-MODulation signal. The DAC output signals TBINTRAT-XA (pin 3) and INTTRA respectively influence the intensity ratio between MTB and DTB display and the total intensity on the CRT.

The signal TBXDEFL-LD (pin 6) switches the light continuously on if it is low. This happens in the X-DEFLECTION mode.

The circuit with V8002/V8006 is used for Z-MODulation via the BNC socket at the rear of the oscilloscope. The output signal of the circuit is TBZEXT and it is applied to D8003/16.

D9008 has outputs that control a number of on/off functions. The IC's of this type are connected in cascade as a shift register. The IC's are controlled by the microprocessor on unit A3. This happens via the data signal TBD01 (from the preceding D9011); the synchronization signal TBSCCL (Time Base Serial CLock). The enable signal is STROBE1-HT. New data can be clocked into the shift register if STROBE1-HT is low. The new data becomes available at the outputs at the low-to-high transition of STROBE1-HT.

N8005 is an octal digital-to-analog converter. The IC has 8 outputs that can deliver a DC voltage that is adjustable between 0.5 and 9.5 V. This is controlled by the microprocessor on unit A3 via 6 bits of information that allow 64 adjustment steps. This happens via the data signal SDA (Serial DATA) and the synchronization signal SCL (Serial CLock). The data bits are preceded by address bits that are compared with the fixed address A0/A1/A2 applied to pin 7, 8 and 9. This determines if N8005 or similar IC's in the instrument will react on the bitstream.

*Note: a solder pad is present in the SDA and SCL input lines of each IC. This gives the possibility to isolate one IC from the others in case a fault is suspected.*

### Diagram 16

This diagram indicates the timing circuits for the MTB. The principle of the time base is that a capacitor is charged with a constant current. This gives a time-linear voltage across the capacitor; the so-called sawtooth or sweep signal. The timing capacitance consists of C6011 that is always in circuit and C6012, C6013 that are activated via the switching transistors V6016 and V6019. The MTB control is done in IC D6011.

The constant current is supplied via transistor V6003 and V6005. The current source consists of voltage divider R6002 through R6007 with precision resistors. The voltage across this divider can be influenced by DAC output voltage MTBVAR via N6007/5,6,7 and V6001. This is necessary for continuous time/div control (VAR) and calibration. The voltage on a tap of the voltage divider can be selected via multiplexer D6001. This voltage (MCSCONTROL) is applied to the base of V6003 and V6004. This occurs via operational amplifier N6006. Via multiplexer D6002 two different emitter resistance values can be selected for V6003 and another two for V6004. The resistance values differ by a factor of 10: the emitter resistance for V6003 is switchable between R6014 (time base magnifier x10) and R6013 (magnifier x1). The emitter resistance for V6004 is switchable between R6016 (time base magnifier x10) and R6015 (magnifier x1).

The current from V6004 is applied to pin 16 of D6011 and is used as a reference. The sawtooth that is generated across the timing capacitor(s) is applied to pin 18 of D6011. Inside this IC is the time base switching transistor. The start of the sawtooth is initiated by signal MTBGATE that is applied to pin 20 of D6011. The sawtooth is also applied to pin 17 and converted into a balanced output signal that is available pin 12 and 13. The MTB sweep pickoff circuit consists of Source follower V6013 (and matching V6014) and emitter follower V6012. Horizontal position control is achieved via DAC output signal TBXPOS at pin 14.

Input signal TBCALREF at D6011/28 and output signal MTBCALTST at D6011/24 provide autocalibration of the time base. The sweep is switched on via STRCALM-HT and MTBGATE and compared with reference voltage TBCALREF. Via switching of output signal MTBCALTST, the microprocessor knows if the current source delivers the correct current. In case of inaccuracies the microprocessor makes corrections.

The start of the DTB is initiated by a low level of signal TBSTD-LX at pin 1 of D6011. The signal is generated via comparison of the MTB sawtooth signal and the adjustable DC voltage DTBM (delay time multiplier). The DTBM signal is coming from DAC output N6014/6 via operational amplifier N6008/5,6,7.

The signal TBEOM-HX at pin 4 of D6011 becomes high at the end of the MTB sweep. The signal TBEHO-LX at pin 5 of D6011 becomes low at the end of the hold off period. The length of the hold off period is determined by the DAC output voltage HOLDOFF that is applied to D6011/7.

The MTB is switched on by making MTBONOFF (D6011/11) high. This signal is derived from control signal TBSEL. TBSEL is high during X deflection by the MTB and low during DTB. The MTB is also off in external X- deflection mode.

V6006 is on during the fast time base positions. It activates a stabilizing circuit that is connected with D6011/21.

The circuit with V6042 and C6033 assures that the hold off time in the fastest time base positions will never become shorter than 3  $\mu$ s. The circuit with C6035, V6002, C6017, V6008 and C6415 is responsible for the hold off timing. C6035 is always in circuit and C6017 and C6415 are activated by switching transistors. The capacitors are charged in parallel with the MTB timing capacitors. During the hold-off time that follows they are discharged by a current source inside D6011. The hold-off time can be varied by varying the discharging current.



The table shows the active main time base sections as a function of time/div setting:

main time base									
Time	Current source				Charge	Timing caps		Hold off caps	
/div	MTBI2	.I1	.I0	.I10	Current V6005/c	C6012 MTBC2	C6013 MTBC3	C6415 HONAN	C6017 HOMU
0.5s	L	L	L	L	8uA	L	H	H	H
0.2s	L	L	H	L	18uA	L	H	H	H
0.1s	L	H	L	L	35uA	L	H	H	H
50ms	L	L	L	H	70uA	L	H	H	H
20ms	L	L	H	H	175uA	L	H	H	H
10ms	L	H	L	H	350uA	L	H	H	L
5ms	L	H	H	H	700uA	L	H	H	L
2ms	H	L	L	H	1.75mA	L	H	H	L
1ms	H	L	H	H	3.5mA	L	H	H	L
.5ms	L	L	L	L	8uA	H	L	H	L
.2ms	L	L	H	L	18uA	H	L	H	L
.1ms	L	H	L	L	35uA	H	L	L	L
50us	L	L	L	H	70uA	H	L	L	L
20us	L	L	H	H	175uA	H	L	L	L
10us	L	H	L	H	350uA	H	L	L	L
5us	L	H	H	H	700uA	H	L	L	L
2us	H	L	L	H	1.75mA	H	L	L	L
1us	H	L	H	H	3.5mA	H	L	L	L
.5us	L	L	L	H	70uA	L	L	L	L
.2us	L	L	H	H	175uA	L	L	L	L
.1us	L	H	L	H	350uA	L	L	L	L
50ns	L	H	H	H	700uA	L	L	L	L
20ns	H	L	L	H	1.75mA	L	L	L	L

### Diagram 17

This diagram indicates the timing circuits for the DTB. It is basically identical to the diagram of the MTB. For a description refer to the explanation of the corresponding circuit parts in diagram 16. The additional parts in this diagram are explained below.

The point where the input signals for the final X amplifier are applied is present on this diagram. This point is formed by the emitters of V7031 and V7032. The balanced signals that are applied are the combined MTB and DTB outputs TBXOUT0/TBXOUT1 and the external X-DEFlection signals TBXOUT0-XA/TBXOUT1-XA.

The circuit with N7016 makes an accurate voltage +15TBREF for the MTB and DTB timing circuits. Also the TBCALREF voltage for time base calibration is made here. As a reference for this circuit the +10VREF is used.

The circuit with D7005 converts the 5 digital 0V/5V signals into one analog signal with 32 possible levels. This signal can be read by an analog input of the microprocessor.

The circuit with multiplexer D7004 selects accurate voltages that come from a divider network with precision resistors R7064 through R7067. Operational amplifier N7014/2,3,6 is supplied with these voltages in order to calibrate the X-path from the MTB. Operational amplifier N7015/2,3,6 does the same for DTB. Voltage DSW (present at the DTB output) is made equal to the selected voltage from the voltage divider R7064 through R7067. This occurs via feedback signal DCLOOP. This gives a defined input voltage for the X-path (including the D7011

output stage). The output voltage XCAL at the horizontal deflection plates of the CRT is measured and horizontal calibrations are performed. During normal oscilloscope functioning the multiplexer connects pin 3 + 4 and pin 13 + 11. This switches V7093 and V7094 on and the feedback paths for MTB and DTB are interrupted.

The table shows the active delayed time base sections as a function of time/div setting:

delayed time base						
Time	Current source				Charge	Timing capacitor
/div	DTBI2	.11	.10	.110	Current V7005/c	C7012 DTBC2
.5ms	L	L	L	L	8uA	H
.2ms	L	L	H	L	18uA	H
.1ms	L	H	L	L	35uA	H
50us	L	L	L	H	70uA	H
20us	L	L	H	H	175uA	H
10us	L	H	L	H	350uA	H
5us	L	H	H	H	700uA	H
2us	H	L	L	H	1.75mA	H
1us	H	L	H	H	3.5mA	H
.5us	L	L	L	H	70uA	L
.2us	L	L	H	H	175uA	L
.1us	L	H	L	H	350uA	L
50ns	L	H	H	H	700uA	L
20ns	H	L	L	H	1.75mA	L

### 5.1.2 Signal name list

*Note: In the signal name list you find the itemnumber of the component that is source or destination. Behind this itemnumber (separated by ":") you find the number of the diagram where the source/destination can be found.*

NAME	MEANING	SOURCE	DESTINATION
ALTCLK	ALTERNATE DISPLAY MODE CLOCK	V8018:15	V5503:10
ATCAL	SIGNAL FOR GAIN CALIBRATION	N1104:05	R1008:01 R2008:02 R3008:03 R4008:04
AT1AC/DC	AC/DC INPUT COUPLING SELECTION CH1	D9001:11	K1002:01
AT1LFCAL	LF CORRECTION CONTROL SIGNAL CH1	N9001:11	R1102:05
AT1LFCOR0	LF CORRECTION 0 CH1	N1102:05	R1029:01
AT1LFCOR1	LF CORRECTION 1 CH1	N1103:05	R1028:01
AT1LOOPCAL	LF GAIN CONTROL CH1	N9001:11	R1113:05
AT1LOOPCOR	LF GAIN CONTROL IN FEEDBACK LOOP CH1	R1113:05	V1001:01
AT1OFFSET	OFFSET CONTROL SIGNAL CH1	N9001:11	R1039:01
AT1OUT0	ATTENUATOR 1 OUTPUT 0 CH1	R1074:01	D1201:06
AT1OUT1	ATTENUATOR 1 OUTPUT 1 CH1	V1013:01	D1201:06
AT1PROBE	PROBE DETECTION SIGNAL CH1	X1002:01	R1096:05
AT1PROT	50Ω PROTECTION CH1	R1011:01	N1101:05

AT1.50E	50Ω INPUT IMPEDANCE SELECTION CH1	D9001:11	K1001:01
AT1/001	/1 ATTENUATOR SELECTION CH1	D9001:11	K1003:01
AT1/010	/10 ATTENUATOR SELECTION CH1	D9001:11	K1004:01
AT1/100	/100 ATTENUATOR SELECTION CH1	D9001:11	K1006:01
AT1/2.5	/2.5 ATTENUATOR SELECTION CH1	D9001:11	V1017:01
AT12REP	COMMON FOR ALL RELAIS CH 1, 2	D9001:11	K1001:01 K1006:01 K2001:01 K2006:02
AT2AC/DC	AC/DC INPUT COUPLING SELECTION CH2	D9001:11	K2002:02
AT2LFCAL	LF CORRECTION CONTROL SIGNAL CH2	N9001:11	R2102:05
AT2LFCOR0	LF CORRECTION 0 CH2	N1102:05	R2029:02
AT2LFCOR1	LF CORRECTION 1 CH2	N1103:05	R2028:02
AT2LOOPCAL	LF GAIN CONTROL CH2	N9001:11	R2113:05
AT2LOOPCOR	LF GAIN CONTROL IN FEEDBACK LOOP CH2	R2113:05	V2001:02
AT2OFFSET	OFFSET CONTROL SIGNAL CH2	N9002:11	R2039:02
AT2OUT0	ATTENUATOR 2 OUTPUT 0 CH2	R2074:02	D2201:06
AT2OUT1	ATTENUATOR 2 OUTPUT 1 CH2	V2113:02	D2201:06
AT2PROBE	PROBE DETECTION SIGNAL CH2	X2002:02	R2096:05
AT2PROT	50Ω PROTECTION CH2	R2011:02	N1101:05
AT2.50E	50Ω INPUT IMPEDANCE SELECTION CH2	D9001:11	K2001:02
AT2/001	/1 ATTENUATOR SELECTION CH2	D9001:11	K2003:02
AT2/010	/10 ATTENUATOR SELECTION CH2	D9001:11	K2004:02
AT2/100	/100 ATTENUATOR SELECTION CH2	D9001:11	K2006:02
AT2/2.5	/2.5 ATTENUATOR SELECTION CH2	D9001:11	V2017:02
AT3AC/DC	AC/DC INPUT COUPLING SELECTION CH3	D9002:11	K3002:03
AT3LFCAL	LF CORRECTION CONTROL SIGNAL CH3	N9003:11	R3102:05
AT3LFCOR0	LF CORRECTION 0 CH3	N3102:05	R3029:03
AT3LFCOR1	LF CORRECTION 1 CH3	N3103:05	R3028:03
AT3LOOPCAL	LF GAIN CONTROL CH3	N9003:11	R3113:05
AT3LOOPCOR	LF GAIN CONTROL IN FEEDBACK LOOP CH3	R3113:05	V3001:03
AT3OFFSET	OFFSET CONTROL SIGNAL CH3	N9002:11	R3039:03
AT3OUT0	ATTENUATOR 3 OUTPUT 0 CH3	R3074:03	D3201:07
AT3OUT1	ATTENUATOR 3 OUTPUT 1 CH3	V3013:03	D3201:07
AT3PROBE	PROBE DETECTION SIGNAL CH3	X3002:03	R3096:05
AT3PROT	50Ω PROTECTION CH3	R3011:03	N1101:05
AT3.50E	50Ω INPUT IMPEDANCE SELECTION CH3	D9002:11	K3001:03
AT3/001	/1 ATTENUATOR SELECTION CH3	D9002:11	K3003:03
AT3/010	/10 ATTENUATOR SELECTION CH3	D9002:11	K3004:03
AT3/100	/100 ATTENUATOR SELECTION CH3	D9002:11	K3006:03
AT3/2.5	/2.5 ATTENUATOR SELECTION CH3	D9002:11	V3016:03
AT34REP	COMMON FOR ALL RELAIS CH 3, 4	D9002:11	K3001:03 K3006:03 K4001:03 K4006:04
AT4AC/DC	AC/DC INPUT COUPLING SELECTION CH4	D9002:11	K4002:04
AT4LFCAL	LF CORRECTION CONTROL SIGNAL CH4	N9003:11	R4102:05
AT4LFCOR0	LF CORRECTION 0 CH4	N3102:05	R4029:04
AT4LFCOR1	LF CORRECTION 1 CH4	N3103:05	R4028:04
AT4LOOPCAL	LF GAIN CONTROL CH4	N9003:11	R4113:05
AT4LOOPCOR	LF GAIN CONTROL IN FEEDBACK LOOP CH4	R4113:05	V4001:04
AT4OFFSET	OFFSET CONTROL SIGNAL CH4	N9003:11	R4039:04
AT4OUT0	ATTENUATOR 4 OUTPUT 0 CH4	R4074:04	D4201:07

AT4OUT1	ATTENUATOR 4 OUTPUT 1 CH4	R4013:04	D4201:07
AT4PROBE	PROBE DETECTION SIGNAL CH4	X4002:04	R4096:05
AT4PROT	50Ω PROTECTION CH4	R4011:04	N1101:05
AT4.50E	50Ω INPUT IMPEDANCE SELECTION CH4	D9002:11	K4001:04
AT4/001	/1 ATTENUATOR SELECTION CH4	D9002:11	K4003:04
AT4/010	/10 ATTENUATOR SELECTION CH4	D9002:11	K4004:04
AT4/100	/100 ATTENUATOR SELECTION CH4	D9002:11	K4006:04
AT4/2.5	/2.5 ATTENUATOR SELECTION CH4	D9002:11	V4017:04
CNT1CH-HX	CHANNEL 1 ON/OFF SIGNAL	R5559:10	D1301:08
CNT1DT-HT	DTB TRIGGER ON CH1 ON/OFF	D5502:10	D1301:08
CNT1MT-HT	MTB TRIGGER ON CH1 ON/OFF	D5501:10	D1301:08
CNT2CH-HX	CHANNEL 2 ON/OFF SIGNAL	R5558:10	D2301:08
CNT2DT-HT	DTB TRIGGER ON CH2 ON/OFF	D5502:10	D2301:08
CNT2MT-HT	MTB TRIGGER ON CH2 ON/OFF	D5501:10	D2301:08
CNT3CH-HX	CHANNEL 3 ON/OFF SIGNAL	R5557:10	D3301:08
CNT3DT-HT	DTB TRIGGER ON CH3 ON/OFF	D5502:10	D3301:08
CNT3MT-HT	MTB TRIGGER ON CH3 ON/OFF	D5501:10	D3301:08
CNT4CH-HX	CHANNEL 4 ON/OFF SIGNAL	R5556:10	D4301:08
CNT4DT-HT	DTB TRIGGER ON CH4 ON/OFF	D5502:10	D4301:08
CNT4MT-HT	MTB TRIGGER ON CH4 ON/OFF	D5501:10	D4301:08
CPBLANK-HX	CHOPPER BLANKING SIGNAL	R5517:10	C8002:15
DLDOFFSET	DELAY LINE DRIVER OFFSET	N9003:11	R5018:09
DLDOUT0	DELAY LINE DRIVER OUTPUT 0	R5063:09	DELAY LINE
DLDOUT1	DELAY LINE DRIVER OUTPUT 1	R5062:09	DELAY LINE
DLEN0-HT	DATA LATCH ENABLE 0	X9001:18	D9001:11
DLEN1-HT	DATA LATCH ENABLE 1	X9001:18	D9002:11
DLEN2-HT	DATA LATCH ENABLE 2	X9001:18	D9006:16
DSOD	SET OF FLIPFLOP AUTOPOS Y-CURSOR	D8004:15	R8057:15
DTBCALTST	DTB CAL TEST SIGNAL	D7011:17	D7005:17
DTBVAR	DTB VARIABLE CONTROL SIGNAL	N8005:15	R7009:17
DTBGATE	DTB GATE SIGNAL	V8011:15	D7011:17
DTRHF-HD	DELAYED TRIGGER HF FILTER SWITCH	D9012:14	R7544:14
DTRIG0	DELAYED TRIGGER OUTPUT SIGNAL 0	V7574:14	D8004:15
DTRIG1	DELAYED TRIGGER OUTPUT SIGNAL 1	V7573:14	D8004:15
DTRLF-HD	DELAYED TRIGGER LF FILTER SWITCH	D9007:17	R7542:14
DTRLNE	X-DEFLECTION VIA LINE SIGNAL	D7711:13	V7506:14
DTRLINESW-HD	X-DEFLECTION VIA LINE SWITCHING	D9012:14	D7711:13
DTRSEN	DELAYED TRIGGER SENSITIVITY CONTROL	N8005:15	R7554:14
DTRSLOPE	DELAYED TRIGGER SLOPE CONTROL	D9007:17	R7547:14
DTRTVL	DELAYED TRIGGER TV LINE TRIG SIGNAL	D7711:13	R7696:14
DTRTVSEL-HD	DELAYED TV TRIGGER SELECTION	R7543:14	D7711:13
DTRXDEF0	DELAYED TRIGGER X DEFLECTION SIGNAL 0	D7541:14	R7754:14
DTRXDEF1	DELAYED TRIGGER X DEFLECTION SIGNAL 1	D7541:14	R7753:14
DTRXDSEL-HD	DELAYED TRIGGER X DEFLECTION SELECTION	D9012:14	R7546:14
FNCBWL	BANDWIDTH LIMITER ON/OFF	D9003:11	D1301:08
			D2301:08
			D3301:08
			D4301:08
FNC1DTR0	DTB TRIGGER ON CH1 OUTPUT SIGNAL 0	D1301:08	R7522:14
FNC1DTR1	DTB TRIGGER ON CH1 OUTPUT SIGNAL 1	D1301:08	R7521:14
FNC1MTR0	MTB TRIGGER ON CH1 OUTPUT SIGNAL 0	D1301:08	R6522:12
FNC1MTR1	MTR TRIGGER ON CH1 OUTPUT SIGNAL 1	D1301:08	R6521:12



FNC1OUT0	CHANNEL 1 OUTPUT SIGNAL 0	D1301:08	R1313:09
FNC1OUT1	CHANNEL 1 OUTPUT SIGNAL 1	D1301:08	R1314:09
FNCYOP0	Y-OUT OPTION SIGNAL 0	D1301:08	Y-option
FNCYOP1	Y-OUT OPTION SIGNAL 1	D1301:08	Y-option
FNC2DTR0	DTB TRIGGER ON CH2 OUTPUT SIGNAL 0	D2301:08	R7524:14
FNC2DTR1	DTB TRIGGER ON CH2 OUTPUT SIGNAL 1	D2301:08	R7523:14
FNC2MTR0	MTB TRIGGER ON CH2 OUTPUT SIGNAL 0	D2301:08	R6524:12
FNC2MTR1	MTR TRIGGER ON CH2 OUTPUT SIGNAL 1	D2301:08	R6523:12
FNC2OUT0	CHANNEL 2 OUTPUT SIGNAL 0	D2301:08	R2313:09
FNC2OUT1	CHANNEL 2 OUTPUT SIGNAL 1	D2301:08	R2314:09
FNC3DTR0	DTB TRIGGER ON CH3 OUTPUT SIGNAL 0	D3301:08	R7527:14
FNC3DTR1	DTB TRIGGER ON CH3 OUTPUT SIGNAL 1	D3301:08	R7526:14
FNC3MTR0	MTB TRIGGER ON CH3 OUTPUT SIGNAL 0	D3301:08	R6527:12
FNC3MTR1	MTR TRIGGER ON CH3 OUTPUT SIGNAL 1	D3301:08	R6526:12
FNC3OUT0	CHANNEL 3 OUTPUT SIGNAL 0	D3301:08	R3313:09
FNC3OUT1	CHANNEL 3 OUTPUT SIGNAL 1	D3301:08	R3314:09
FNC4DTR0	DTB TRIGGER ON CH4 OUTPUT SIGNAL 0	D4301:08	R7529:14
FNC4DTR1	DTB TRIGGER ON CH4 OUTPUT SIGNAL 1	D4301:08	R7528:14
FNC4MTR0	MTB TRIGGER ON CH4 OUTPUT SIGNAL 0	D4301:08	R6529:12
FNC4MTR1	MTR TRIGGER ON CH4 OUTPUT SIGNAL 1	D4301:08	R6528:12
FNC4OUT0	CHANNEL 4 OUTPUT SIGNAL 0	D4301:08	R4313:09
FNC4OUT1	CHANNEL 4 OUTPUT SIGNAL 1	D4301:08	R4314:09
HOLDOFF	HOLD OFF CONTROL SIGNAL	X9002:18	R6032:16
INTTRA	TRACE INTENSITY CONTROL	X9002:18	R8049:15
LEVDTB	DELAYED TRIGGER LEVEL CONTROL	X9002:18	R7681:14
LEVMTB	MAIN TRIGGER LEVEL CONTROL	X9002:18	R6622:12
LINE	LINE TRIGGER SIGNAL	X9001:18	R7711:13
MTBCALTST	MTB CAL TEST SIGNAL	D6011:16	D7005:17
MTBGATE	MTB GATE SIGNAL	V8014:15	D6011:16
MTBVAR	MTB VARIABLE CONTROL SIGNAL	X9002:18	R6009:16
MTRBAL	MAIN TRIGGER BALANCE	N8005:15	R6709:12
MTRHF-HD	MAIN TRIGGER HF FILTER SWITCH	D9008:15	R6544:12
MTRIG0	MAIN TRIGGER OUTPUT SIGNAL 0	V6574:12	D8004:15
MTRIG1	MAIN TRIGGER OUTPUT SIGNAL 1	V6573:12	D8004:15
MTRLF-HD	MAIN TRIGGER LF FILTER SWITCH	D9011:12	R6542:12
MTRLINE	MAIN TRIGGER LINE TRIGGER SIGNAL	D5001:13	V6506:12
MTRPPLEV-HD	MAIN TRIGGERING AUTO PP OFF	D9011:12	V6628:12
MTRSEN	MAIN TRIGGER SENSITIVITY CONTROL	N8005:15	R6554:12
MTRSLOPE	MAIN TRIGGER SLOPE CONTROL	D9011:12	R6547:12
MTRTVMODE	MAIN TRIGGER TV SYSTEM SELECTION	N8005:15	R6772:13
MTRTVSEL-HD	MAIN TV TRIGGER SELECTION	D9011:12	V6757:13
MTRVIDEO	MAIN TV TRIGGER INPUT SIGNAL	D6541:12	V6754:13
PA1/2	ATTENUATION /2	CONTROL CH1	
D9003:11	D1201:06		
PA1ICL	CLAMP LEVEL CURRENT CH1	V1206:06	D1201:06
PA1ISY	SUPPLY CURRENT CH1	V1207:06	D1201:06
PA1LSA	LEVEL SHIFT A CH1	V1208:06	R1216:06
PA1LSB	LEVEL SHIFT B CH1	V1209:06	R1217:06



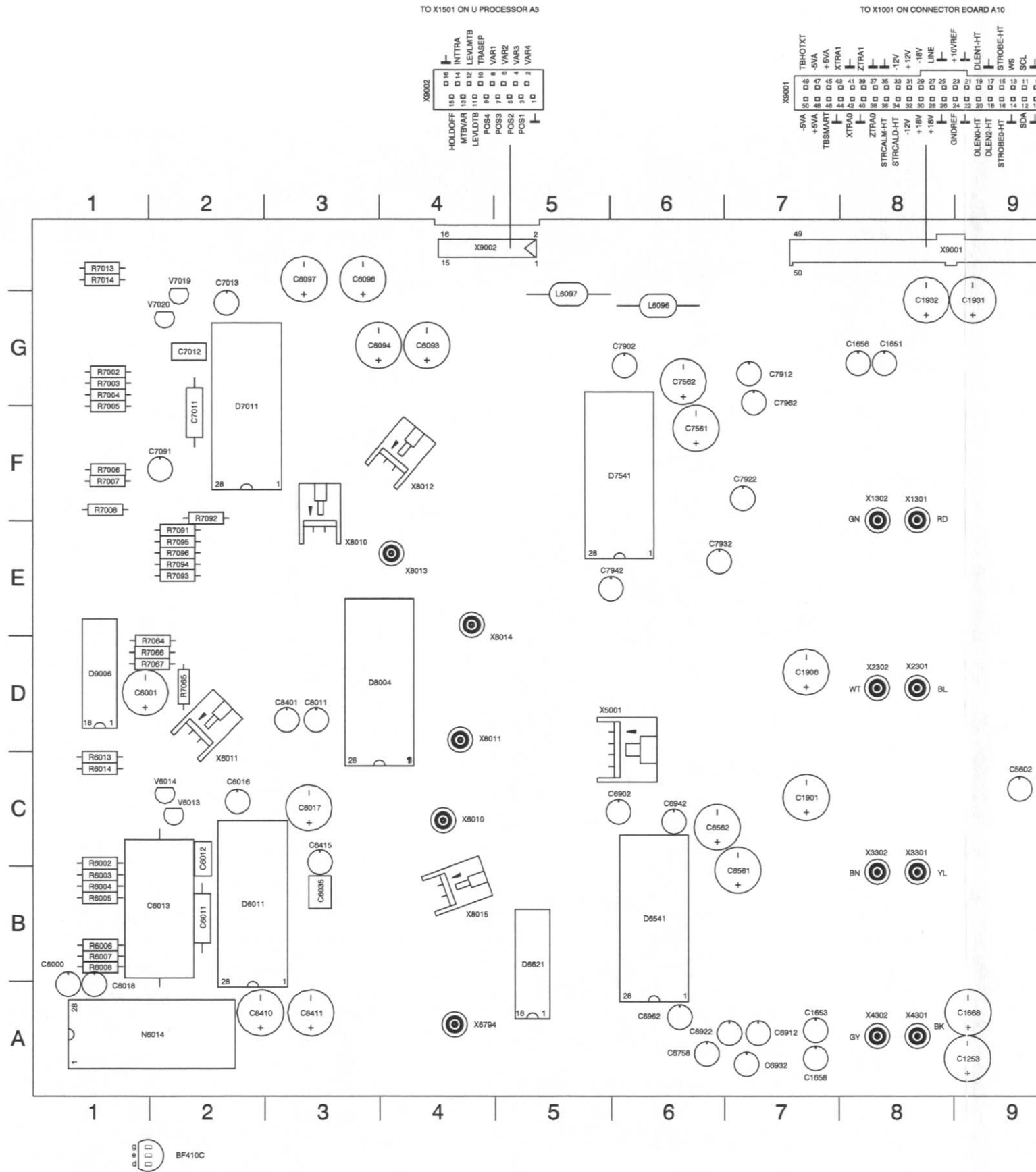
PA1OFFSET	OFFSET INPUT CIRCUIT CH1	N9001:11	R1203:06
PA1OFFSTRG	OFFSET LEVEL SHIFTER CH1	N9001:11	R1229:06
PA1OUT0	OUTPUT SIGNAL 0 CH1	V1202:06	R1301:08
PA1OUT1	OUTPUT SIGNAL 1 CH1	V1201:06	R1302:08
PA1X1	GAIN X1 CONTROL CH1	D9003:11	D1201:06
PA1X5	GAIN X5 CONTROL CH1	D9003:11	D1201:06
PAVREF	PREAMPL REFERENCE VOLTAGE	N1251:06	R1200:06
			R2200:06
			R3200:07
			R4200:07
PA2/2	ATTENUATION /2 CONTROL CH2	D9003:11	D2201:06
PA2ICL	CLAMP LEVEL CURRENT CH2	V2206:06	D2201:06
PA2ISY	SUPPLY CURRENT CH2	V2207:06	D2201:06
PA2LSA	LEVEL SHIFT A CH2	V2208:06	R2216:06
PA2LSB	LEVEL SHIFT B CH2	V2209:06	R2217:06
PA2OFFSET	OFFSET INPUT CIRCUIT CH2	N9002:11	R2203:06
PA2OFFSTRG	OFFSET LEVEL SHIFTER CH2	N9002:11	R2229:06
PA2OUT0	OUTPUT SIGNAL 0 CH2	V2202:06	R2301:08
PA2OUT1	OUTPUT SIGNAL 1 CH2	V2201:06	R2302:08
PA2X1	GAIN X1 CONTROL CH2	D9003:11	D2201:06
PA2X5	GAIN X5 CONTROL CH2	D9003:11	D2201:06
PA3/2	ATTENUATION /2 CONTROL CH3	D9004:11	D3201:07
PA3ICL	CLAMP LEVEL CURRENT CH3	V3206:07	D3201:07
PA3ISY	SUPPLY CURRENT CH3	V3207:07	D3201:07
PA3LSA	LEVEL SHIFT A CH3	V3208:07	R3216:07
PA3LSB	LEVEL SHIFT B CH3	V3209:07	R3217:07
PA3OFFSET	OFFSET INPUT CIRCUIT CH3	N9003:11	R3203:07
PA3OFFSTRG	OFFSET LEVEL SHIFTER CH3	N9003:11	R3229:07
PA3OUT0	OUTPUT SIGNAL 0 CH3	V3202:07	R3301:08
PA3OUT1	OUTPUT SIGNAL 1 CH3	V3201:07	R3302:08
PA3X1	GAIN X1 CONTROL CH3	D9004:11	D3201:07
PA3X5	GAIN X5 CONTROL CH3	D9004:11	D3201:07
PA4/2	ATTENUATION /2 CONTROL CH4	D9004:11	D4201:07
PA4ICL	CLAMP LEVEL CURRENT CH4	V4206:07	D4201:07
PA4ISY	SUPPLY CURRENT CH4	V4207:07	D4201:07
PA4LSA	LEVEL SHIFT A CH4	V4208:07	R4216:07
PA4LSB	LEVEL SHIFT B CH4	V4209:07	R4217:07
PA4OFFSET	OFFSET INPUT CIRCUIT CH4	N9003:11	R4203:07
PA4OFFSTRG	OFFSET LEVEL SHIFTER CH4	N9003:11	R4229:07
PA4OUT0	OUTPUT SIGNAL 0 CH4	V4202:07	R4301:08
PA4OUT1	OUTPUT SIGNAL 1 CH4	V4201:07	R4302:08
PA4X1	GAIN X1 CONTROL CH4	D9004:11	D4201:07
PA4X5	GAIN X5 CONTROL CH4	D9004:11	D4201:07
POS1	POSITION CONTROL CH1	X9002:18	R1308:08
POS2	POSITION CONTROL CH2	X9002:18	R2308:08
POS3	POSITION CONTROL CH3	X9002:18	R3308:08
POS4	POSITION CONTROL CH4	X9002:18	R4308:08
PROBE1	PROBE DETECTION/50Ω PROTECTION CH1	R1093:05	X9001:18
PROBE2	PROBE DETECTION/50Ω PROTECTION CH2	R2093:05	X9001:18
PROBE3	PROBE DETECTION/50Ω PROTECTION CH3	R3093:05	X9001:18
PROBE4	PROBE DETECTION/50Ω PROTECTION CH4	R4093:05	X9001:18

SCL	SERIAL CLOCK	X9001:18	D9009:10 D9001:11 D9002:11 D9003:11 D9004:11 D9006:16 D9007:17 D9008:15 D9011:12 D9012:14 N8005:15 N9001:11 N9002:11 N9003:11 R8403:16
SDA	SERIAL DATA	X9001:18	D9009:10 D9001:11 D9002:11 D9003:11 D9004:11 D9006:16 D9011:12 N8005:15 N9001:11 N9002:11 N9003:11 R8404:16
STRCALD-HT	RESET FLIPFLOP AUTOPOS Y-CURSOR	X9001:18	V8065:15 V8007:15
STROBE0-HT	STROBE/ENABLE SIGNAL 0	X9001:18	D9003:11 D9004:11
STROBE1-HT	STROBE/ENABLE SIGNAL 1	X9001:18	D9007:17 D9008:15 D9011:12 D9012:14
TBAUTO-LD	TIME BASE AUTO FREE RUN CONTROL	D9007:17	D8004:15
TBCALREF	TIME BASE CALIBRATION REFERENCE	V7011:17	D6011:16 D7011:17
TBD01	TIME BASE SERIAL DATA 01	D9011:12	D9008:15
TBD02	TIME BASE SERIAL DATA 02	D9008:15	D9007:17
TBD03	TIME BASE SERIAL DATA 03	D9007:17	D9012:14
TBEOM-HX	TIME BASE END OF MAIN SWEEP	D6011:16	D8004:15
TBEOD-HX	TIME BASE END OF DELAYED SWEEP	D7011:17	D8004:15
TBEHO-LX	TIME BASE END OF HOLD OFF	D6011:16	D8004:15
TBHOTXT	TIME BASE HOLD OFF FOR TEXT DISPLAY	R8026:15	X9001:18
TBINTRAT-XA	INTENS RATIO CONTROL SIGNAL	N8005:15	R8007:15
TBNOTTR-HT	TIME BASE NOT TRIGGERED SIGNAL	D8004:15	D7005:17
TDADA	TIME BASE SERIAL DATA	R8404:16	N6014:16
TDACL	TIME BASE SERIAL CLOCK	R8403:16	D9006:16 D9007:17 D9008:15 D9011:12 D9012:14 N6013:16 N8005:15

TBSEL	TIME BASE MTB/DTB SELECTION	R5501:10	R6018:16 R7028:17 R8072:15
TBSTD-LX	TIME BASE START OF DTB	D6011:16	D8004:15
TBSSG-HT	TIME BASE END OF SINGLE SWEEP	D8004:15	D7005:17
TBSMART	TIME BASE TEST SIGNALS	C7054:17	X9001:18
TBXDEFL-LD	X DEFLECTION CONTROL SIGNAL	D9012:14	V8015:15 R7772:
TBXOUT0	TIME BASE OUTPUT 0	D6011:16	R7077:17
TBXOUT0-XA	X DEFLECTION OUTPUT 0	D7011:17	
TBXOUT1	TIME BASE OUTPUT 1	R7754:14	V7031:17
TBXOUT1-XA	X DEFLECTION OUTPUT 1	D6011:16	R7078:17
TBXPOS	TIME X POSITION	D7011:17	
TRASEP	ANALOG TRACE SEPARATION SIGNAL	R7753:14	V7032:17
TRASEP-HC	DIGITAL TRACE SEPARATION CONTROL	R8411:16	R6017:16 R7099:17
VAR1	VARIABLE GAIN CONTROL CH1	X9002:18	R5021:09 D5001:09
VAR2	VARIABLE GAIN CONTROL CH2	R5524:10	
VAR3	VARIABLE GAIN CONTROL CH3	X9002:18	R1211:06
VAR4	VARIABLE GAIN CONTROL CH4	X9002:18	R2211:06
VPPTTEST-LD	VOLT PP TEST AUTOPOS Y-CURSOR	X9002:18	R3211:07
XTRA0	X DEFLECTION OUTPUT SIGNAL 0	X9002:18	R4211:07
XTRA1	X DEFLECTION OUTPUT SIGNAL 1	V8066:15	D7005:17
ZTRA0	INTENSITY OUTPUT SIGNAL 0	V7150:17	X9001:18
ZTRA1	INTENSITY OUTPUT SIGNAL 1	V7151:17	X9001:18
		D8003:15	X9001:18
		D8003:15	X9001:18

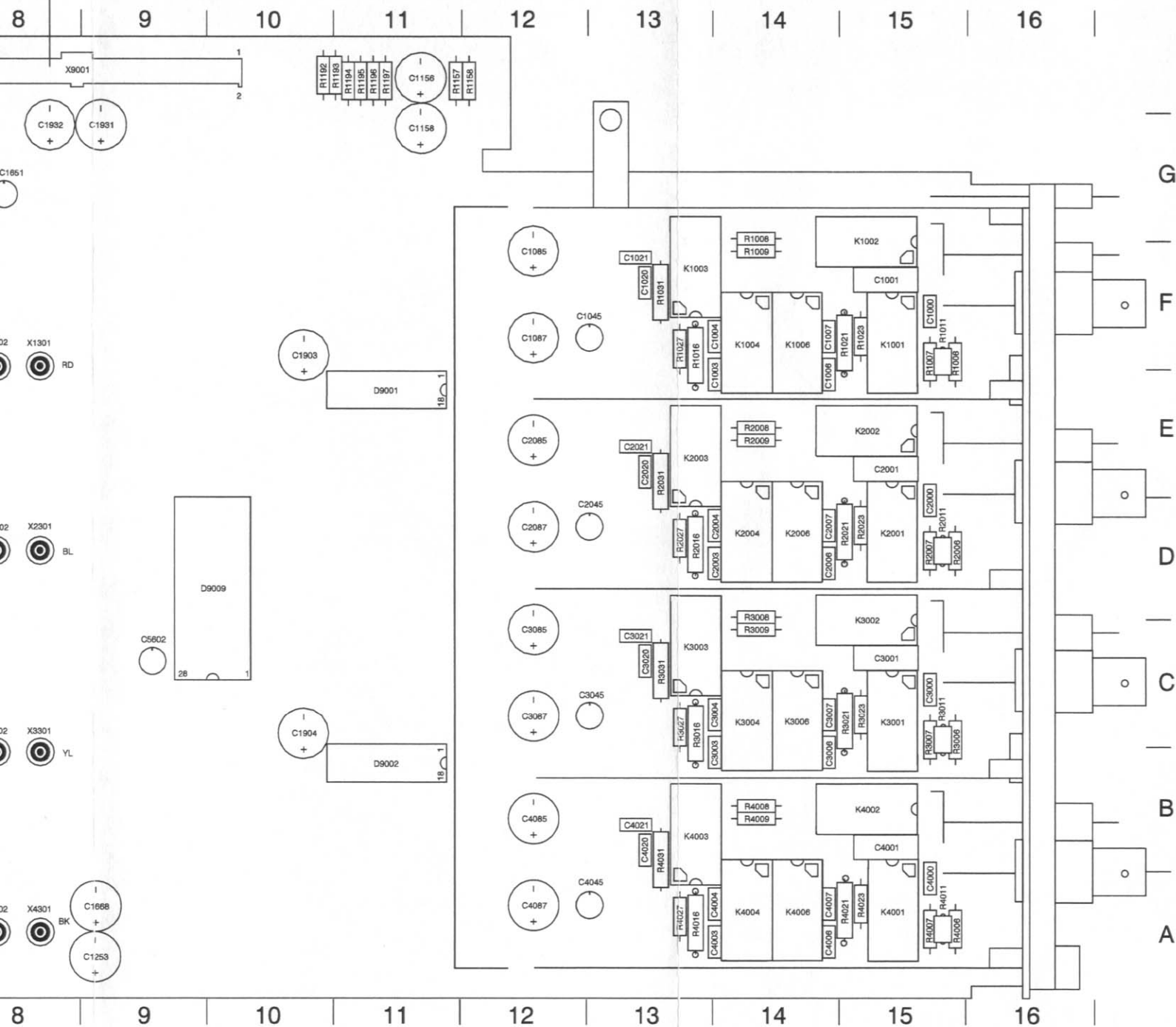
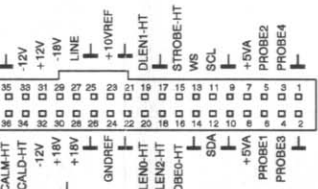


5.1.3 Unit lay-outs



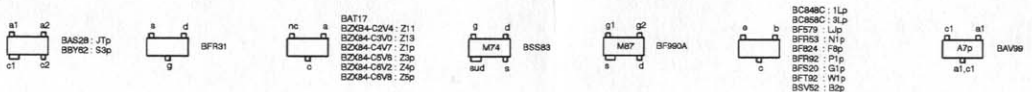
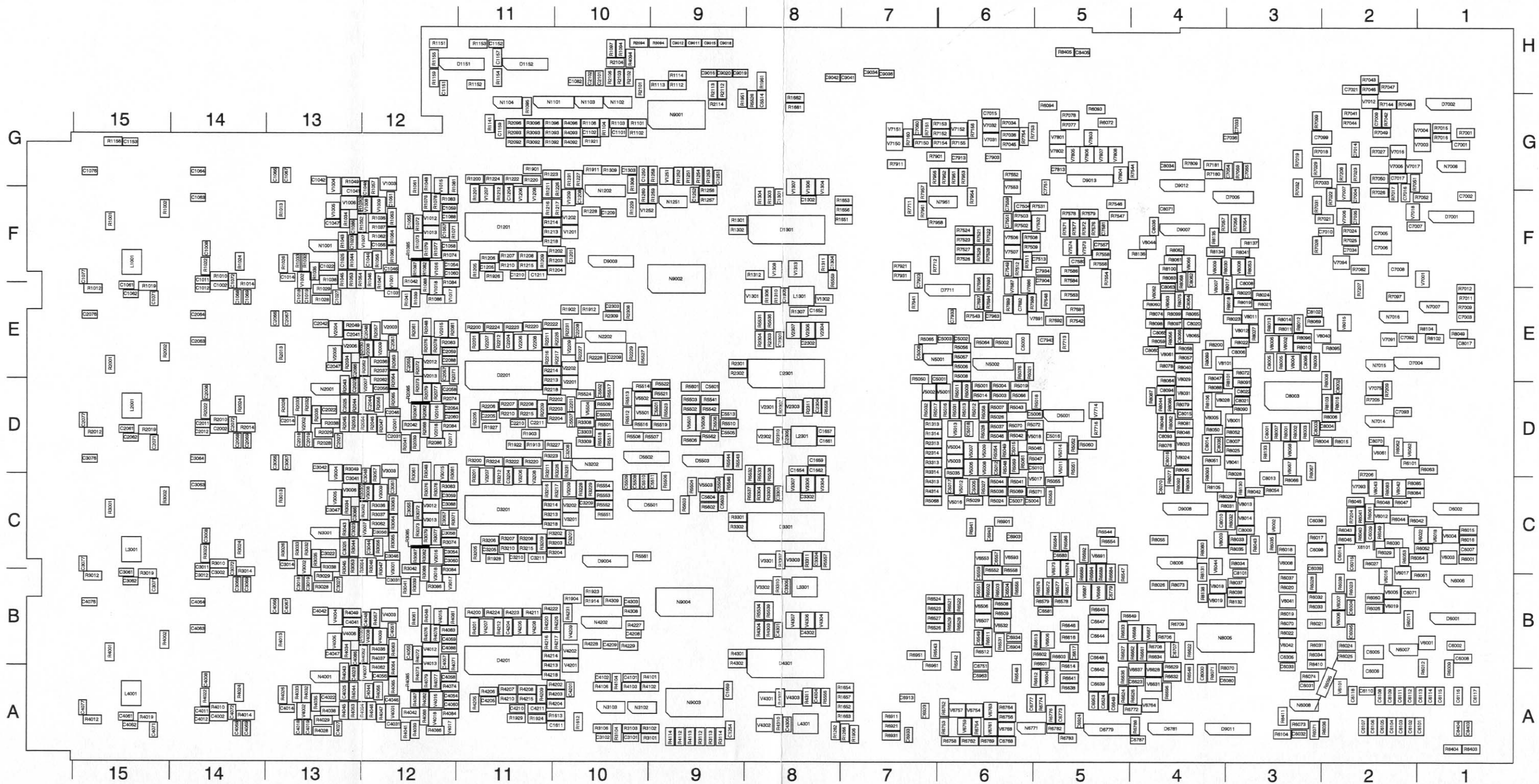


001 ON CONNECTOR BOARD A10



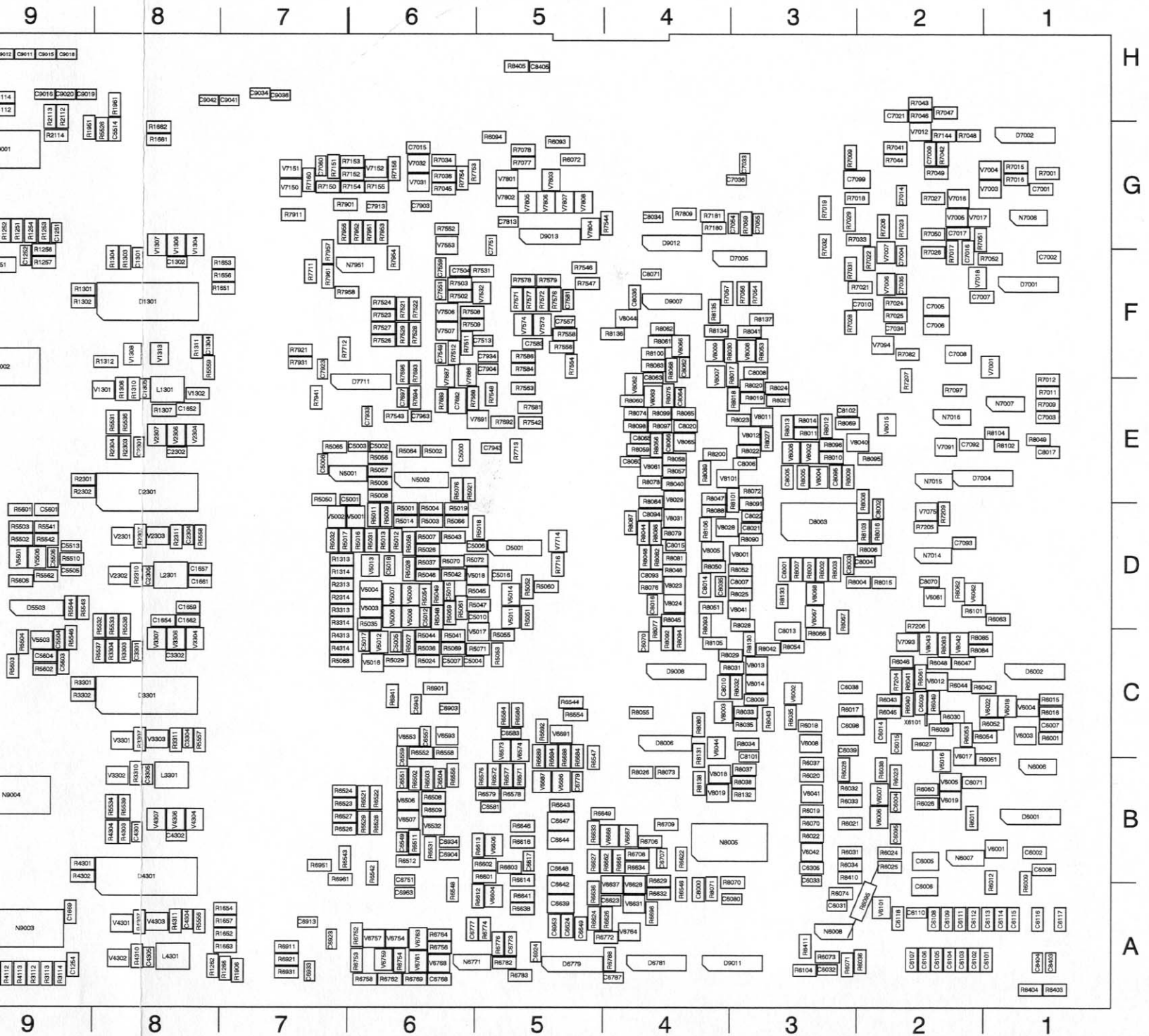
ST8236  
970428

Lay-out 1 - Large component side of signal unit A1



Lay-out 2 - Small component side of signal unit A1





Lay-out 2 - Small component side of signal unit A1



### 5.1.4 Location list Signal Unit A1

'L' means that the component is located on the side with the large components. Otherwise the component is located on the side with small components (SMD's: surface mounted devices)

C1001 F15-L	C1102 G10	C2018 D13	C2304 D8
C1002 F14	C1151 H12	C2019 D13	C2305 D8
C1003 F14-L	C1152 H11	C2021 E13-L	C3001 C15-L
C1004 F14-L	C1153 G15	C2022 D13	C3002 B14
C1005 F15	C1156 H11-L	C2023 D13	C3003 B14-L
C1006 F14-L	C1157 H11	C2025 D13	C3004 C14-L
C1007 F14-L	C1158 H11-L	C2027 D13	C3005 C15
C1008 F14	C1159 G11	C2031 D12	C3006 D14-L
C1011 F14	C1201 F10	C2041 E13	C3007 C14-L
C1012 F14	C1204 G11	C2042 E13	C3008 C14
C1014 F13	C1205 F11	C2044 D12	C3011 C14
C1018 E13	C1208 F10	C2045 D13-L	C3012 B14
C1019 E13	C1209 F10	C2046 D12	C3014 C13
C1021 F13-L	C1210 F11	C2047 E13	C3018 B13
C1022 F13	C1211 F11	C2048 E12	C3019 B13
C1023 F13	C1250 G10	C2051 E12	C3021 C13-L
C1025 F13	C1251 G9	C2054 D12	C3022 C13
C1027 E13	C1252 G9	C2055 E12	C3023 C13
C1041 G13	C1254 A9	C2056 D12	C3025 C13
C1042 G13	C1301 F8	C2057 E12	C3027 B13
C1044 F12	C1302 F8	C2058 D12	C3031 B12
C1045 F13-L	C1303 G10	C2059 E12	C3041 D13
C1046 F12	C1304 F8	C2060 D12	C3042 D13
C1047 F13	C1305 F8	C2061 D15	C3044 C12
C1048 G12	C1651 G8-L	C2062 D15	C3045 C13-L
C1049 G13	C1653 A7-L	C2063 E14	C3046 C12
C1051 F12	C1654 D8	C2064 E14	C3047 C13
C1054 F12	C1656 G8-L	C2066 E13	C3048 D12
C1055 F12	C1657 D8	C2067 E13	C3051 C12
C1056 F12	C1658 A7-L	C2068 D14	C3054 C12
C1057 F12	C1659 D8	C2069 D14	C3055 C12
C1058 F12	C1661 D8	C2071 D15	C3056 C12
C1059 F12	C1662 D8	C2072 D14	C3057 C12
C1060 F12	C1669 A9	C2076 E15	C3058 C12
C1061 F15	C1901 C7-L	C2077 D15	C3059 C12
C1062 E15	C1903 F10-L	C2085 E12-L	C3060 C12
C1063 F14	C1904 C10-L	C2086 E13	C3061 C15
C1064 G14	C1906 D7-L	C2087 D12-L	C3062 B15
C1066 G13	C1931 H8-L	C2088 E12	C3063 C14
C1067 G13	C1932 H8-L	C2101 H10	C3064 D14
C1068 E14	C2001 E15-L	C2102 H10	C3066 D13
C1069 E14	C2002 D14	C2201 D10	C3067 D13
C1071 E15	C2003 D14-L	C2204 E11	C3068 B14
C1076 G15	C2004 D14-L	C2205 D11	C3069 B14
C1077 F15	C2005 D15	C2208 E10	C3071 B15
C1082 H10	C2006 D14-L	C2209 E10	C3072 C14
C1085 G12-L	C2007 D14-L	C2210 D11	C3076 D15
C1086 F13	C2008 D14	C2211 D11	C3077 C15
C1087 F12-L	C2011 D14	C2301 E8	C3085 C12-L
C1088 F12	C2012 D14	C2302 E8	C3086 C13
C1101 G10	C2014 D13	C2303 E10	C3087 C12-L



C3088 C12	C4071 A15	C6005 B2	C6581 B5
C3101 A10	C4076 B15	C6007 C1	C6583 C5
C3102 A10	C4077 A15	C6008 A2	C6617 B5
C3201 C10	C4085 B12-L	C6008 B1	C6623 A5
C3204 D11	C4086 B13	C6009 C2	C6624 A5
C3205 C11	C4087 A12-L	C6011 B2-L	C6639 A5
C3208 D10	C4088 B12	C6012 C2-L	C6644 B5
C3209 C10	C4101 A10	C6013 B2-L	C6647 B5
C3210 C11	C4102 A10	C6014 C2	C6648 B5
C3211 C11	C4201 A10	C6015 C2	C6649 A5
C3301 C8	C4204 B11	C6016 C2-L	C6707 B4
C3302 C8	C4205 A11	C6017 C3-L	C6751 B6
C3303 D10	C4208 B10	C6018 B1-L	C6758 A6-L
C3304 C8	C4209 B10	C6031 A3	C6768 A6
C3305 C8	C4210 A11	C6032 A3	C6773 A5
C4001 B15-L	C4211 A11	C6033 B3	C6777 A6
C4002 A14	C4301 B8	C6035 B3-L	C6779 B5
C4003 A14-L	C4302 B8	C6038 C3	C6783 A5
C4004 A14-L	C4304 B10	C6039 C3	C6787 A5
C4005 A15	C4304 A8	C6062 D2	C6902 C6-L
C4006 A14-L	C4305 A8	C6070 C4	C6903 C6
C4007 A14-L	C5000 E5	C6071 B2	C6904 B6
C4008 A14	C5001 E7	C6080 A4	C6912 A7-L
C4011 A14	C5002 E6	C6093 G4-L	C6913 A7
C4012 A14	C5003 E6	C6094 G4-L	C6922 A7-L
C4014 A13	C5004 C6	C6095 B2	C6923 A7
C4018 A13	C5005 C6	C6096 H3-L	C6924 A5
C4019 A13	C5006 D6	C6097 H3-L	C6932 A7-L
C4021 B13-L	C5007 C6	C6098 C3	C6933 A7
C4022 A13	C5008 E7	C6101 A2	C6934 B6
C4023 A13	C5010 D6	C6102 A2	C6942 C6-L
C4025 A13	C5012 D6	C6103 A2	C6943 C6
C4027 A13	C5013 D6	C6104 A2	C6953 A5
C4031 A12	C5016 D5	C6105 A2	C6962 B6-L
C4041 B13	C5017 C6	C6106 A2	C6963 A6
C4042 B13	C5018 D6	C6107 A2	C7001 G1
C4044 A12	C5501 D9	C6108 A2	C7002 F1
C4045 A13-L	C5502 D10	C6109 A2	C7003 E1
C4046 A12	C5503 D10	C6110 A2	C7004 F2
C4047 B13	C5504 C9	C6111 A2	C7005 F2
C4051 B12	C5505 D9	C6112 A2	C7006 F2
C4054 A12	C5506 D9	C6113 A2	C7007 F2
C4055 B12	C5507 D10	C6114 A1	C7008 F2
C4056 A12	C5508 C10	C6115 A1	C7009 G2
C4057 B12	C5509 C10	C6116 A1	C7010 F3
C4058 A12	C5510 C10	C6117 A1	C7011 F2-L
C4059 B12	C5511 C10	C6118 A2	C7012 G2-L
C4060 A12	C5513 D9	C6305 B3	C7013 H2-L
C4061 A15	C5601 D9	C6415 C3-L	C7014 G2
C4062 A15	C5602 C9-L	C6504 B6	C7015 G6
C4063 B14	C5603 C9	C6549 B6	C7016 F2
C4064 B14	C5604 C9	C6551 B6	C7017 G2
C4066 B13	C6000 B1-L	C6557 C6	C7021 H2
C4067 B13	C6001 D2-L	C6559 C6	C7033 G3
C4068 A14	C6002 B1	C6561 C7-L	C7034 F2
C4069 A14	C6004 B2	C6562 C6-L	C7035 F2

C7036 G4	C8034 G4	D7004 E2	N4204 B10
C7054 G4	C8035 D4	D7005 F3	N5001 E7
C7055 G3	C8036 F4	D7541 F6-L	N5002 E6
C7060 G7	C8060 E4	D8003 D3	N6006 B1
C7091 F2-L	C8062 F4	D8006 C4	N6007 B2
C7092 E2	C8063 F4	D9001 E11-L	N6008 A3
C7093 D2	C8064 E4	D9002 B11-L	N6014 A2-L
C7099 G3	C8065 E4	D9003 F10	N6771 A6
C7504 F6	C8066 E4	D9004 C10	N7006 G1
C7513 F6	C8070 D2	D9006 D1-L	N7007 E1
C7549 F6	C8071 F4	D9007 F4	N7014 D2
C7551 F6	C8093 D4	D9008 C4	N7015 E2
C7557 F5	C8094 D4	D9009 D10-L	N7016 E2
C7559 F6	C8095 E3	D9011 A4	N7951 F6
C7561 F6-L	C8101 C3	D9012 G4	N8005 B4
C7562 G6-L	C8102 E3	D9013 G5	N9001 G9
C7581 F5	C8401 D3-L	K1001 F15-L	N9002 F9
C7583 F5	C8403 A1	K1002 G15-L	N9003 A9
C7682 E6	C8404 A1	K1003 F13-L	N9004 B9
C7697 E6	C8405 H5	K1004 F14-L	R1001 F15
C7751 G5	C8410 A3-L	K1006 F14-L	R1002 F15
C7813 G5	C8411 A3-L	K2001 D15-L	R1003 F15
C7902 G6-L	C9011 H9	K2002 D15-L	R1006 F15-L
C7903 G6	C9012 H9	K2003 E13-L	R1007 F15-L
C7904 F5	C9015 H9	K2004 D14-L	R1008 G14-L
C7912 G7-L	C9016 H9	K2006 D14-L	R1009 G14-L
C7913 G6	C9018 H9	K3001 C15-L	R1010 F14
C7922 F7-L	C9019 H9	K3002 D15-L	R1011 F15-L
C7923 F7	C9020 H9	K3003 C13-L	R1012 F15
C7932 E6-L	C9034 H7	K3004 C14-L	R1013 F13
C7933 E6	C9036 H7	K3006 C14-L	R1014 F14
C7934 F5	C9041 H8	K4001 A15-L	R1016 F14-L
C7942 E6-L	C9042 H8	K4002 B15-L	R1019 F15
C7943 E5	D1151 H12	K4003 B13-L	R1021 F15-L
C7962 G7-L	D1152 H11	K4004 A14-L	R1022 F14
C7963 E6	D1201 F11	K4006 A14-L	R1023 F15-L
C8000 A4	D1301 F8	L1001 F15	R1024 F14
C8001 D3	D2201 E11	L2001 D15	R1026 F13
C8002 D2	D2301 E8	L3001 C15	R1027 F13-L
C8003 D3	D3201 C11	L4001 A15	R1028 E13
C8004 D3	D3301 C8	L6096 G6-L	R1029 E13
C8005 E3	D4201 B11	L6097 H5-L	R1031 F13-L
C8006 E3	D4301 B8	N1001 F13	R1031 F13-L
C8007 D4	D5001 D5	N1101 H11	R1032 F13
C8008 F3	D5501 C10	N1102 G10	R1033 F13
C8009 C3	D5502 D10	N1103 G10	R1034 F13
C8010 C4	D5503 D9	N1104 G11	R1035 F13
C8011 D3-L	D6001 B1	N1202 G10	R1036 F12
C8013 D3	D6002 C1	N1251 F9	R1037 F12
C8014 D4	D6011 B2-L	N2001 D13	R1038 F13
C8015 D4	D6541 B6-L	N2202 E10	R1042 F12
C8017 E1	D6621 B5-L	N3001 C13	R1043 F13
C8020 E4	D6779 A5	N3102 A10	R1044 F13
C8021 D3	D6781 A4	N3103 A10	R1045 F13
C8022 D3	D7001 F1	N3202 D10	R1046 F12
C8032 C4	D7002 G1	N4001 A13	R1047 F12

R1048 G12	R1201 F11	R1652 A8	R2038 D13
R1052 F13	R1201 G11	R1653 F8	R2039 D12
R1053 F13	R1202 F11	R1654 A8	R2041 D12
R1054 F13	R1203 F11	R1656 F8	R2042 D12
R1056 F12	R1204 H10	R1657 A8	R2043 D13
R1057 G12	R1204 F11	R1661 G8	R2044 D13
R1061 G12	R1205 F11	R1662 H8	R2045 D13
R1062 F12	R1207 F11	R1663 A8	R2046 D12
R1063 F12	R1208 F11	R1901 G11	R2047 D12
R1064 F12	R1209 F11	R1902 E10	R2048 E12
R1065 F12	R1210 F11	R1903 D11	R2049 E13
R1071 F12	R1211 G11	R1904 B10	R2052 E13
R1072 F12	R1212 G11	R1906 A7	R2053 D13
R1073 F12	R1213 F11	R1911 G10	R2054 D13
R1074 F12	R1214 F11	R1912 E10	R2056 D12
R1076 F12	R1215 F11	R1913 D11	R2057 E12
R1077 F12	R1216 F11	R1914 B10	R2061 E12
R1078 F12	R1217 F11	R1917 D11	R2062 E12
R1079 F12	R1218 F11	R1921 G10	R2063 E12
R1081 G12	R1220 G11	R1922 D11	R2064 E12
R1082 F12	R1222 G11	R1923 B10	R2065 D12
R1083 F12	R1223 G11	R1924 A11	R2071 E12
R1084 F12	R1224 G11	R1926 F11	R2072 E12
R1087 F12	R1226 G11	R1928 C11	R2073 D12
R1088 F12	R1227 G10	R1929 A11	R2074 D12
R1092 G11	R1228 F10	R1951 H9	R2076 E12
R1093 G11	R1229 F10	R1961 H8	R2077 D12
R1094 H10	R1231 G10	R2001 E15	R2078 E12
R1095 G11	R1251 G9	R2002 E15	R2079 D12
R1096 G11	R1252 G9	R2003 D15	R2081 E12
R1097 H10	R1253 G9	R2006 D15-L	R2082 D12
R1101 G10	R1254 G9	R2007 D15-L	R2083 E12
R1102 G10	R1256 G9	R2008 E14-L	R2084 D12
R1103 G10	R1257 F9	R2009 E14-L	R2086 D12
R1104 G10	R1258 G10	R2010 D14	R2087 D12
R1106 G10	R1259 G10	R2011 D15-L	R2088 D12
R1112 H9	R1260 G10	R2012 D15	R2092 G11
R1113 H9	R1262 A7	R2013 E13	R2093 G11
R1114 H9	R1266 A7	R2014 D14	R2094 H10
R1141 G11	R1301 F9	R2016 D13-L	R2096 G11
R1151 H12	R1302 F9	R2019 D15	R2101 H10
R1152 H11	R1303 F8	R2021 D15-L	R2102 H10
R1153 H11	R1304 F8	R2022 D14	R2103 H10
R1154 H11	R1306 E8	R2023 D15-L	R2106 H10
R1155 H12	R1307 E8	R2024 D14	R2112 H9
R1156 H12	R1308 G10	R2026 D13	R2113 H9
R1157 H12-L	R1309 G10	R2027 D13-L	R2114 H9
R1158 H12-L	R1311 F8	R2028 D13	R2200 E11
R1159 H12	R1312 F8	R2029 D13	R2201 E11
R1192 H10-L	R1313 D7	R2031 E13-L	R2202 D11
R1193 H11-L	R1314 D7	R2032 D13	R2203 D11
R1194 H11-L	R1611 A10	R2033 D13	R2204 D11
R1195 H11-L	R1611 A11	R2034 E13	R2205 D11
R1196 H11-L	R1612 A10	R2035 D13	R2205 D11
R1197 H11-L	R1613 A11	R2036 E12	R2207 D11
R1200 G11	R1651 F8	R2037 E12	R2208 D11

R2209 D11	R3035 C13	R3205 C11	R4031 B13-L
R2210 D11	R3036 C12	R3206 C11	R4032 A13
R2211 E11	R3037 C12	R3207 C11	R4033 A13
R2212 E11	R3038 C13	R3208 C11	R4034 B13
R2213 E11	R3039 B12	R3209 C11	R4036 B12
R2214 E11	R3041 B12	R3210 C11	R4037 B12
R2215 D11	R3042 C12	R3211 D11	R4038 A13
R2216 E11	R3043 C13	R3212 D11	R4039 A12
R2217 E11	R3044 C13	R3213 C11	R4041 A12
R2218 E11	R3045 C13	R3214 C11	R4042 A12
R2218 D11	R3046 C12	R3215 C11	R4043 A13
R2220 E11	R3047 C12	R3216 C11	R4044 A13
R2222 E11	R3048 D12	R3217 C11	R4045 A13
R2223 E11	R3049 D13	R3218 C11	R4046 A12
R2224 E11	R3052 C13	R3220 D11	R4047 A12
R2226 E11	R3053 C13	R3222 D11	R4048 B12
R2227 E10	R3054 C13	R3223 D11	R4049 B13
R2228 E10	R3056 C12	R3224 D11	R4052 B13
R2229 E10	R3057 D12	R3226 D11	R4053 A13
R2231 E10	R3061 D12	R3227 D11	R4054 A13
R2301 E9	R3062 C12	R3228 C10	R4056 A12
R2302 E9	R3063 C12	R3229 C10	R4061 B12
R2303 E8	R3064 C12	R3231 D10	R4062 B12
R2304 E8	R3065 C12	R3301 C9	R4063 B12
R2307 D8	R3071 C12	R3302 C9	R4064 B12
R2308 E10	R3072 C12	R3303 C8	R4065 A12
R2309 E10	R3073 C12	R3304 C8	R4071 B12
R2311 D8	R3074 C12	R3307 B8	R4072 B12
R2313 D7	R3076 C12	R3308 D10	R4073 A12
R2314 D7	R3077 C12	R3309 D10	R4074 A12
R3001 C15	R3078 C12	R3311 C8	R4076 B12
R3002 C15	R3079 C12	R3313 D7	R4077 A12
R3003 C15	R3081 D12	R3314 D7	R4078 B12
R3006 C15-L	R3082 C12	R4001 B15	R4079 A12
R3007 C15-L	R3083 C12	R4002 B15	R4081 B12
R3008 D14-L	R3084 C12	R4003 A15	R4082 A12
R3009 D14-L	R3086 B12	R4006 A15-L	R4083 B12
R3010 C14	R3087 C12	R4007 A15-L	R4084 A12
R3011 C15-L	R3088 C12	R4008 B14-L	R4086 A12
R3012 B15	R3092 G11	R4009 B14-L	R4087 A12
R3013 C13	R3093 G11	R4010 A14	R4088 A12
R3014 C14	R3094 H9	R4011 A15-L	R4092 G10
R3016 C13-L	R3096 G11	R4012 A15	R4093 G10
R3019 C15	R3102 A10	R4013 B13	R4094 H10
R3021 C15-L	R3103 A10	R4014 A14	R4096 G10
R3022 C14	R3104 A10	R4016 A13-L	R4101 A10
R3023 C15-L	R3104 A10	R4019 A15	R4102 A10
R3024 C14	R3106 A10	R4021 A15-L	R4103 A10
R3026 C13	R3112 A9	R4022 A14	R4106 A10
R3027 C13-L	R3113 A9	R4023 A15-L	R4112 A9
R3028 B13	R3114 A9	R4024 A14	R4113 A9
R3029 B13	R3200 D11	R4026 A13	R4114 A9
R3031 C13-L	R3201 D11	R4027 A13-L	R4200 B11
R3032 C13	R3202 C11	R4028 A13	R4201 B11
R3033 C13	R3203 C11	R4029 A13	R4202 A11
R3034 C13	R3204 C11	R4031 B13-L	R4203 A11



R4204 A11	R5031 D6	R5534 B8	R6032 B3
R4205 A11	R5032 D7	R5536 E8	R6033 B3
R4206 A11	R5035 D6	R5537 C8	R6034 B3
R4207 A11	R5036 C6	R5538 D8	R6035 C3
R4208 A11	R5037 D6	R5539 B8	R6036 A3
R4209 A11	R5041 C6	R5541 D9	R6037 B3
R4210 A11	R5042 D6	R5542 D9	R6038 B2
R4211 B11	R5043 D6	R5543 D9	R6041 C2
R4212 B11	R5044 C6	R5544 D9	R6042 C2
R4213 B11	R5045 D6	R5546 C9	R6043 C2
R4214 B11	R5046 D6	R5551 C10	R6044 C2
R4215 A11	R5047 D6	R5552 C10	R6045 C2
R4216 B11	R5048 D6	R5553 C10	R6046 C2
R4217 B11	R5049 D6	R5554 C10	R6047 C2
R4218 A11	R5050 E7	R5556 A8	R6048 C2
R4220 B11	R5051 D5	R5557 C8	R6049 C2
R4222 B11	R5052 D5	R5558 D8	R6050 B2
R4223 B11	R5053 C5	R5559 F8	R6051 B2
R4224 B11	R5054 D6	R5561 C10	R6052 C2
R4226 B11	R5055 D5	R5562 D9	R6053 C1
R4227 B10	R5056 E6	R5601 D9	R6054 C2
R4228 B10	R5057 E6	R5602 C9	R6061 C2
R4229 B10	R5058 D6	R5603 C9	R6062 D2
R4231 B10	R5060 D5	R5603 C9	R6063 D1
R4301 B9	R5064 E6	R5606 D9	R6070 B3
R4302 B9	R5065 E7	R6001 C1	R6071 A3
R4303 B8	R5065 E7	R6002 C1-L	R6072 G5
R4304 B8	R5066 D6	R6003 B1-L	R6073 A3
R4307 A8	R5068 C7	R6004 B1-L	R6074 A3
R4308 B10	R5069 C6	R6005 B1-L	R6093 G5
R4309 B10	R5070 D6	R6006 B1-L	R6094 G5
R4311 A8	R5071 C6	R6007 B1-L	R6101 D2
R4313 C7	R5072 D6	R6008 B1-L	R6104 A3
R4314 C7	R5076 E6	R6009 B1	R6502 B6
R5001 D6	R5501 D10	R6011 B2	R6503 B6
R5002 E6	R5502 D9	R6012 B2	R6508 B6
R5003 D6	R5503 D9	R6012 A6	R6509 B6
R5004 D6	R5504 C9	R6013 C1-L	R6511 B6
R5006 E6	R5506 C9	R6014 C1-L	R6512 B6
R5007 D6	R5507 D10	R6015 C1	R6521 B6
R5008 E6	R5508 D10	R6016 C1	R6522 B6
R5009 D6	R5509 D10	R6017 C3	R6523 B7
R5011 D6	R5510 D9	R6018 C3	R6524 B7
R5012 D6	R5511 D10	R6019 B3	R6526 B7
R5013 D6	R5512 D10	R6020 B3	R6527 B7
R5014 D6	R5513 D10	R6021 B3	R6528 B6
R5016 D6	R5514 D10	R6022 B3	R6529 B6
R5017 D7	R5516 D10	R6023 B2	R6531 B6
R5018 D6	R5517 D10	R6024 B2	R6542 B6
R5019 D6	R5518 D10	R6025 B2	R6543 B6
R5021 E6	R5519 D9	R6026 B2	R6544 C5
R5024 C6	R5521 D9	R6027 C2	R6546 A4
R5026 D6	R5523 D9	R6028 B3	R6547 C5
R5027 C6	R5524 D10	R6029 C2	R6548 A6
R5028 D6	R5531 E8	R6030 C2	R6552 C6
R5029 C6	R5533 D8	R6031 B3	R6554 C5

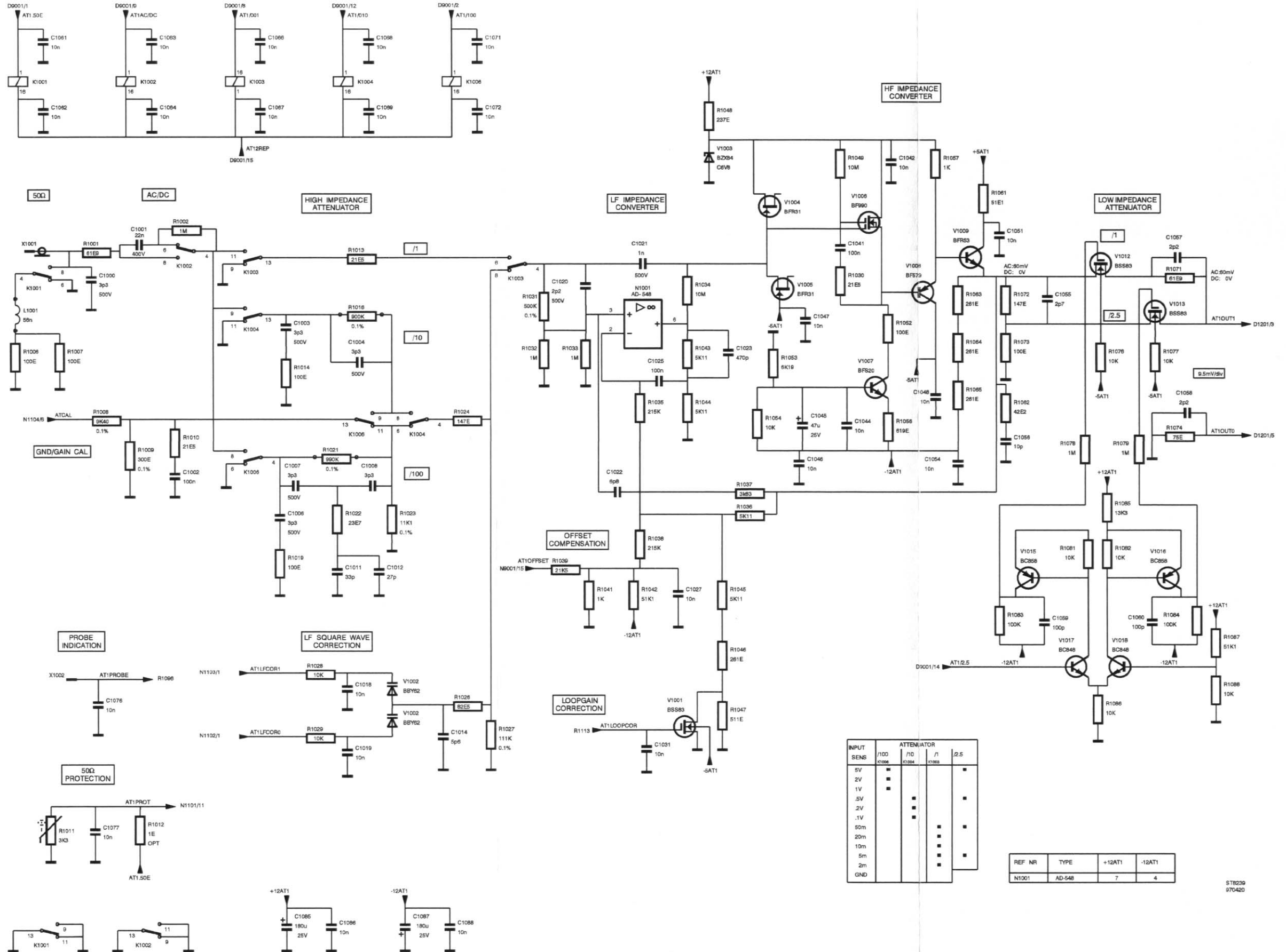


R6556 B6	R7002 G1-L	R7091 E2-L	R7579 F5
R6558 C6	R7003 G1-L	R7092 F2-L	R7584 F5
R6578 B5	R7004 G1-L	R7093 E2-L	R7586 F5
R6579 B5	R7005 G1-L	R7094 E2-L	R7681 E5
R6584 C5	R7006 F1-L	R7095 E2-L	R7688 E6
R6586 C5	R7007 F1-L	R7096 E2-L	R7689 E6
R6601 B6	R7008 F1-L	R7097 E2	R7692 E5
R6602 B6	R7009 E1	R7099 G3	R7693 F6
R6603 B5	R7011 E1	R7144 G2	R7694 E6
R6616 B5	R7012 E1	R7150 G7	R7696 F6
R6622 B4	R7013 H1-L	R7151 G7	R7711 F7
R6624 A5	R7014 H1-L	R7152 G7	R7712 F7
R6626 A5	R7015 G1	R7153 G7	R7713 E5
R6627 B5	R7016 G1	R7154 G7	R7716 D5
R6632 A4	R7017 F2	R7155 G6	R7753 G6
R6633 B5	R7018 G3	R7156 G6	R7754 G6
R6634 B4	R7019 G3	R7160 G7	R7809 G4
R6636 A5	R7021 F3	R7180 G4	R7901 G7
R6638 A5	R7022 F2	R7181 G4	R7911 G7
R6641 A5	R7023 G2	R7204 C2	R7921 F7
R6643 B5	R7024 F2	R7206 D2	R7931 F7
R6646 B5	R7025 F2	R7207 E2	R7941 E7
R6649 B5	R7026 F2	R7208 G2	R7951 G6
R6661 B4	R7027 G2	R7209 D2	R7952 G6
R6662 B5	R7028 F3	R7502 F6	R7953 G6
R6684 C5	R7029 G3	R7503 F6	R7954 F6
R6688 C5	R7031 F3	R7508 F6	R7956 G7
R6689 C5	R7032 G3	R7509 F6	R7957 F7
R6692 C5	R7033 G3	R7511 F6	R7958 F7
R6694 C5	R7034 G6	R7512 F6	R7961 F7
R6696 A4	R7036 G6	R7521 F6	R8001 D3
R6706 B4	R7041 G2	R7522 F6	R8002 D3
R6708 B4	R7042 G2	R7523 F6	R8003 D3
R6709 B4	R7043 H2	R7523 F6	R8004 D3
R6752 A6	R7044 G2	R7524 F6	R8005 E3
R6753 A6	R7045 G6	R7526 F6	R8006 D2
R6754 A6	R7046 H2	R7527 F6	R8007 D3
R6756 A6	R7047 H2	R7528 F6	R8008 D2
R6758 A6	R7048 G2	R7529 F6	R8009 E3
R6762 A6	R7049 G2	R7531 F6	R8010 E3
R6764 A6	R7050 G2	R7542 E5	R8011 E3
R6769 A6	R7050 G2	R7543 E6	R8012 E3
R6772 A5	R7051 G2	R7544 G5	R8013 E3
R6774 A5	R7052 F2	R7546 F5	R8014 E3
R6776 A5	R7054 F3	R7547 F5	R8015 D2
R6782 A5	R7056 F3	R7548 E5	R8016 D2
R6786 A5	R7057 F4	R7552 G6	R8017 F4
R6788 A5	R7057 F4	R7554 F5	R8018 E4
R6901 C6	R7059 G3	R7556 F5	R8019 E3
R6911 A7	R7064 D2-L	R7558 F5	R8020 E3
R6921 A7	R7065 D2-L	R7563 E5	R8021 E3
R6931 A7	R7066 D2-L	R7571 F5	R8022 E3
R6941 C6	R7067 D2-L	R7572 F5	R8023 E4
R6951 B7	R7077 G5	R7576 F5	R8024 E3
R6961 B7	R7078 G5	R7577 F5	R8025 D4
R7001 G1	R7082 F2	R7578 F5	R8026 B4

R8027 E3	R8089 E4	V1308 F8	V4005 B13
R8028 D4	R8090 D3	V1313 F8	V4006 B13
R8029 C4	R8091 D3	V2001 D12	V4009 B12
R8030 F4	R8092 C4	V2002 D13	V4012 B12
R8031 C4	R8093 C4	V2003 E12	V4013 B12
R8033 C3	R8094 C4	V2004 E13	V4015 B12
R8034 C3	R8095 E3	V2005 E13	V4016 A12
R8035 C3	R8096 E3	V2006 E13	V4017 A12
R8037 B3	R8097 E4	V2008 E12	V4018 A12
R8038 B3	R8098 E4	V2009 E12	V4201 B10
R8040 E4	R8099 E4	V2012 E12	V4202 B10
R8041 F3	R8100 F4	V2013 E12	V4206 B11
R8042 C3	R8102 E1	V2015 E12	V4207 B11
R8043 C3	R8103 D2	V2016 D12	V4208 B11
R8044 D4	R8104 E1	V2017 D12	V4209 B10
R8045 D4	R8105 C4	V2018 D12	V4301 A8
R8046 D4	R8130 C3	V2201 E10	V4302 A8
R8047 D4	R8131 C4	V2202 E10	V4303 A8
R8048 D4	R8132 B3	V2206 E11	V4304 B8
R8049 E1	R8133 D3	V2207 E11	V4306 B8
R8050 D4	R8134 F4	V2208 E11	V4307 B8
R8051 D4	R8135 F4	V2209 E10	V5001 D7
R8052 D4	R8136 F4	V2301 D8	V5002 D7
R8053 F3	R8200 E4	V2302 D8	V5003 D6
R8054 C3	R8403 A1	V2303 D8	V5004 D6
R8055 C4	R8404 A1	V2304 E8	V5006 D6
R8056 E4	R8405 H5	V2306 E8	V5007 D6
R8057 E4	R8410 B3	V2307 E8	V5008 D6
R8058 E4	R8411 A3	V3001 C12	V5009 D6
R8059 E4	V1001 F12	V3002 C13	V5011 D5
R8060 E4	V1002 F13	V3003 D12	V5012 C6
R8061 F4	V1003 G12	V3004 C13	V5013 D6
R8062 F4	V1004 F13	V3005 C13	V5014 D5
R8063 F4	V1005 F13	V3006 C13	V5016 C6
R8064 E4	V1006 F13	V3009 C12	V5017 C6
R8065 E4	V1007 F12	V3012 C12	V5018 D6
R8066 D3	V1008 F12	V3013 C12	V5501 D10
R8067 D3	V1009 F12	V3015 D12	V5502 D10
R8068 F4	V1012 F12	V3016 C12	V5503 C9
R8069 E3	V1013 F12	V3017 B12	V5504 D10
R8071 A4	V1015 G12	V3201 C10	V5506 D9
R8073 B4	V1016 F12	V3202 C10	V5601 D9
R8074 E4	V1018 F12	V3206 D11	V6001 B1
R8075 E4	V1201 F10	V3207 D11	V6002 C3
R8076 D4	V1202 F10	V3208 D11	V6003 C1
R8077 C4	V1206 G11	V3209 C10	V6004 C1
R8078 E4	V1207 G11	V3301 C8	V6005 B2
R8079 D4	V1208 G11	V3302 B8	V6006 B2
R8080 C4	V1209 F10	V3303 C8	V6007 B2
R8081 D4	V1251 G9	V3304 C8	V6008 C3
R8082 D4	V1252 F10	V3306 C8	V6012 C2
R8084 C2	V1301 E8	V3307 C8	V6013 C2-L
R8085 C2	V1302 E8	V4001 A12	V6014 C2-L
R8086 D4	V1304 G8	V4002 A13	V6016 B2
R8087 D4	V1306 G8	V4003 B12	V6017 B2
R8088 E4	V1307 G8	V4004 B13	V6018 C1

V6019 B2	V6761 A6	V7507 F6	V8014 C3
V6022 C2	V6763 A6	V7532 F6	V8015 E2
V6041 B3	V6764 A4	V7553 G6	V8018 B4
V6042 B3	V6768 A6	V7573 F5	V8019 B4
V6044 C4	V6784 A5	V7574 F5	V8023 D4
V6062 D2	V7001 F2	V7686 F6	V8024 D4
V6101 A2	V7003 G2	V7687 F6	V8028 D4
V6506 B6	V7004 G2	V7691 E6	V8029 E4
V6507 B6	V7005 G2	V7714 D5	V8031 D4
V6532 B6	V7006 F2	V7801 G5	V8040 E3
V6553 C6	V7007 F2	V7802 G5	V8041 D4
V6573 C5	V7012 G2	V7803 G5	V8042 C2
V6574 C5	V7016 G2	V7804 G5	V8043 C2
V6593 C6	V7017 G2	V7805 G5	V8044 F4
V6604 A5	V7018 F2	V7806 G5	V8061 E4
V6606 B5	V7019 H2-L	V7807 G5	V8062 E4
V6628 A4	V7020 G2-L	V7808 G5	V8063 E4
V6631 A4	V7031 G6	V8002 E3	V8065 E4
V6637 A4	V7032 G6	V8003 C4	V8066 F4
V6667 B4	V7075 D2	V8004 E3	V8067 D3
V6668 B5	V7091 E2	V8006 E3	V8068 D3
V6686 B5	V7093 C2	V8007 F4	V8101 E4
V6687 B5	V7094 F2	V8008 F3	X5001 D6-L
V6691 C5	V7150 G7	V8009 F4	X9001 H8-L
V6754 A6	V7151 G7	V8011 E3	X9002 H4-L
V6757 A6	V7152 G6	V8012 E3	
V6759 A6	V7506 F6	V8013 C3	

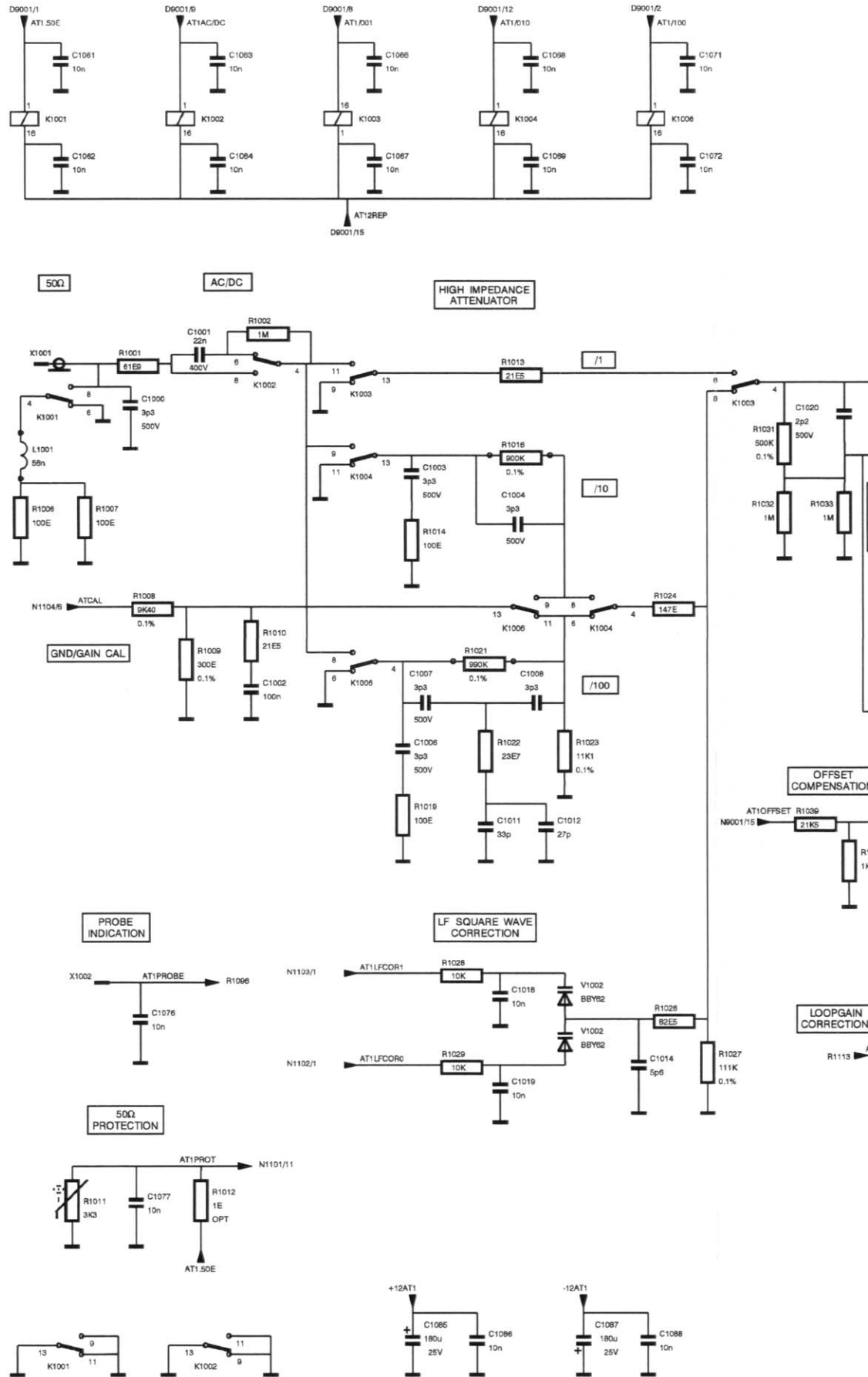
5.1.5 Circuit diagrams



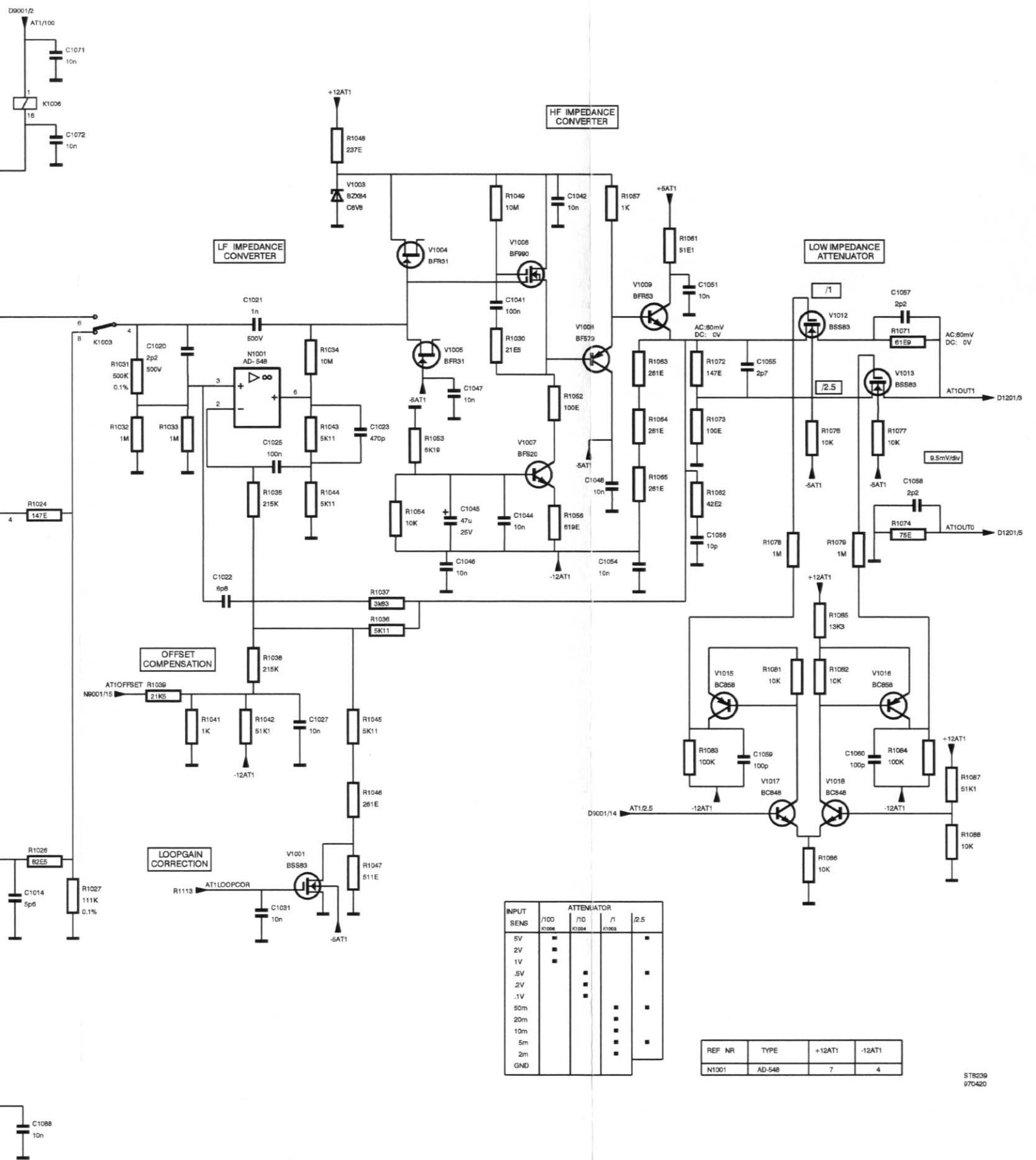
A1; Diagram 1 - Attenuator CH 1 (PM3094/PM3092)

ST8239  
970420

5.1.5 Circuit diagrams





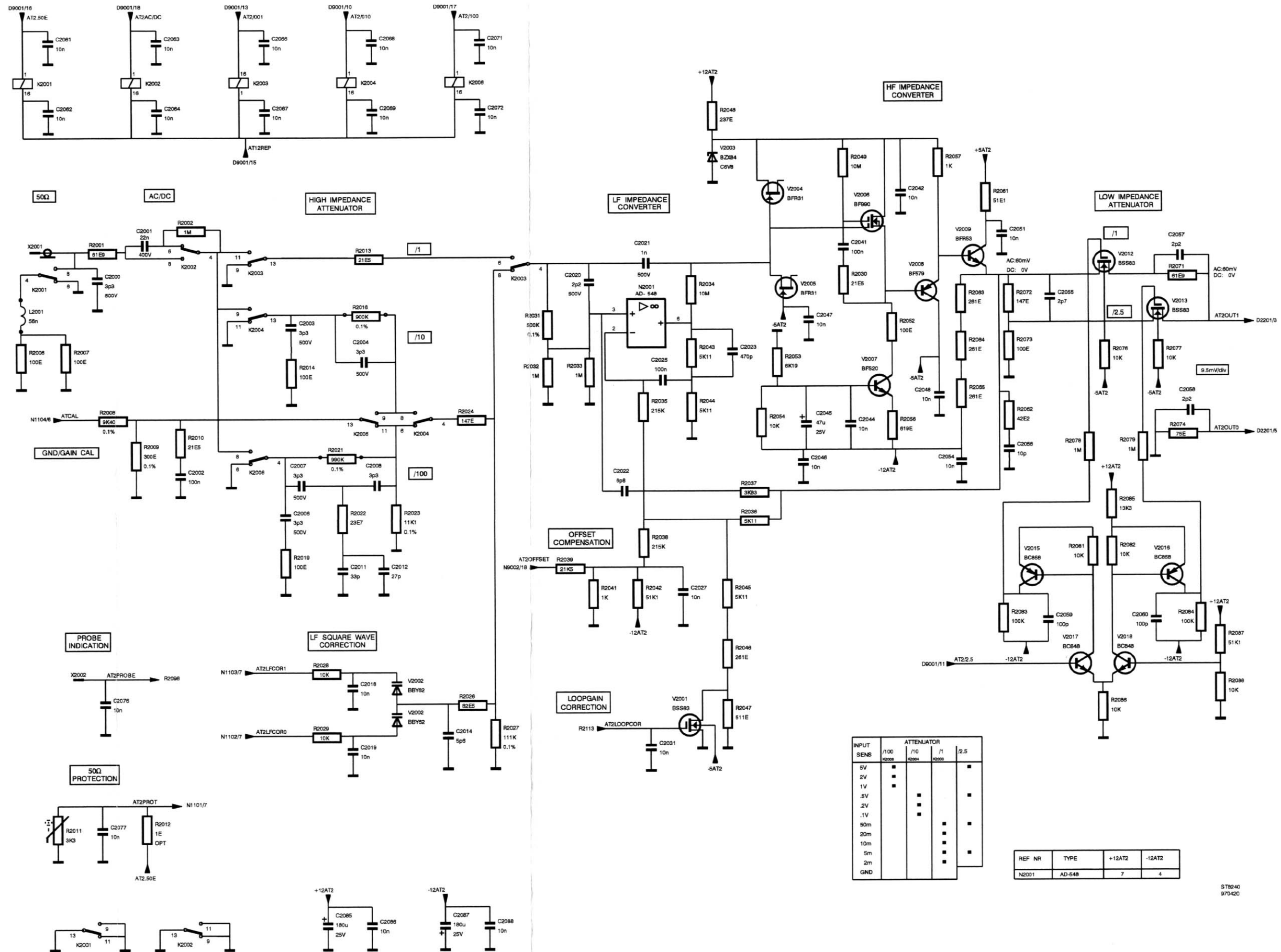


INPUT SENS	ATTENUATOR			
	/100 C1006	/10 C1024	/1 C1023	/2.5
5V	■			■
2V	■			
1V	■			
.5V		■		
.2V		■		
.1V		■		
50m			■	
20m			■	
10m			■	
5m			■	
2m			■	
GND				

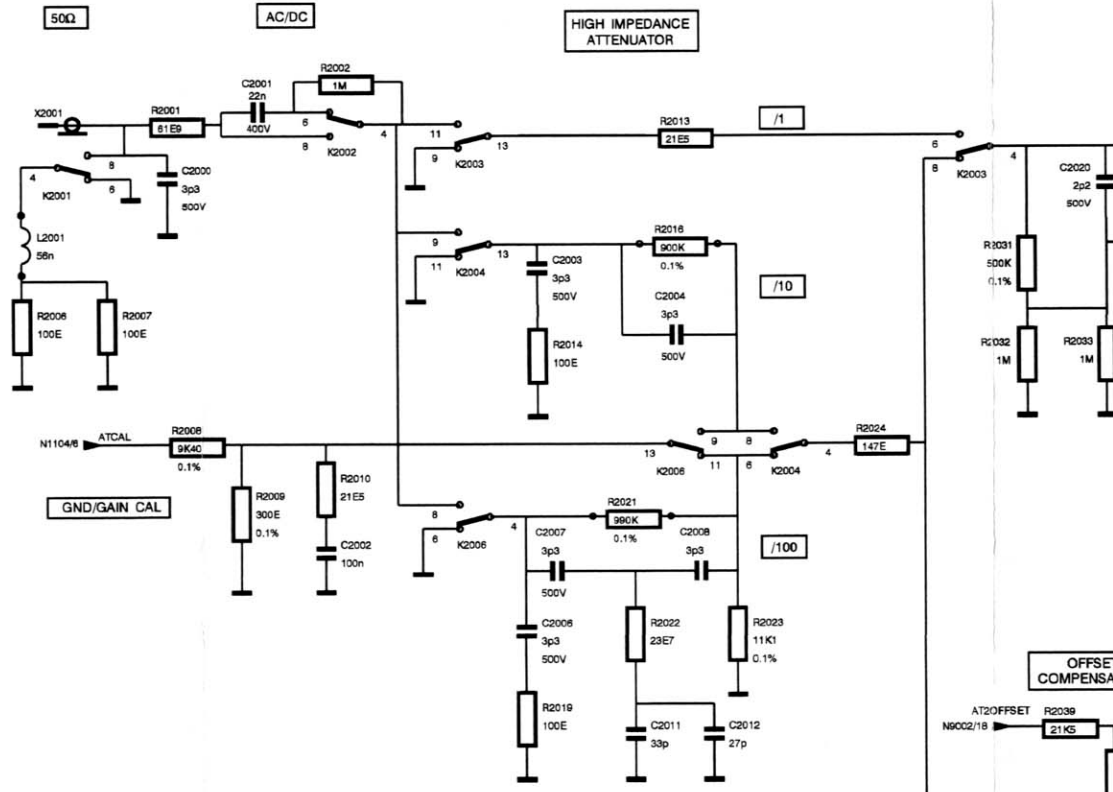
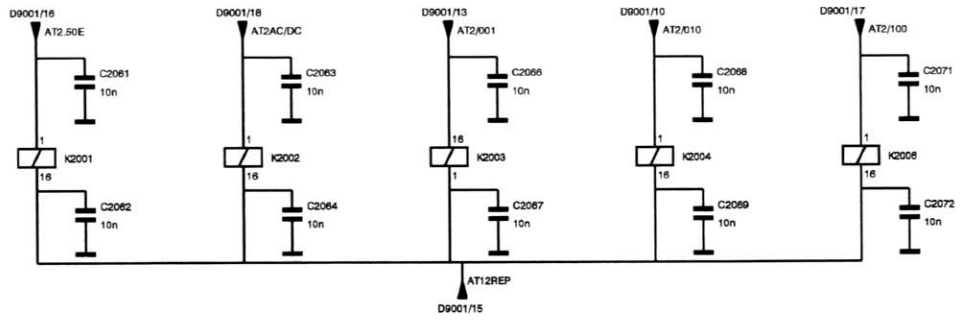
REF NR	TYPE	+12AT1	-12AT1
N1001	AD-548	7	4

S78239  
970420

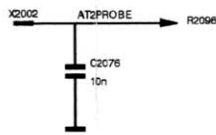
A1; Diagram 1 - Attenuator CH 1 (PM3094/PM3092)



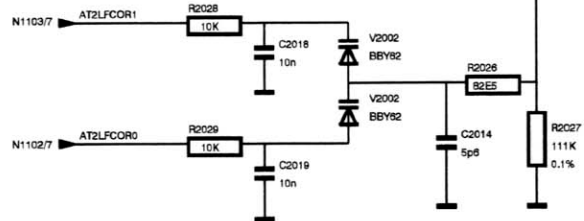
A1; Diagram 2 - Attenuator CH 2 (PM3094/PM3092)



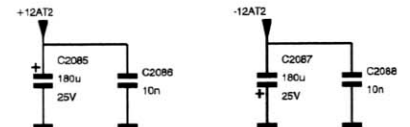
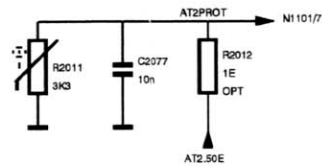
PROBE INDICATION



LF SQUARE WAVE CORRECTION

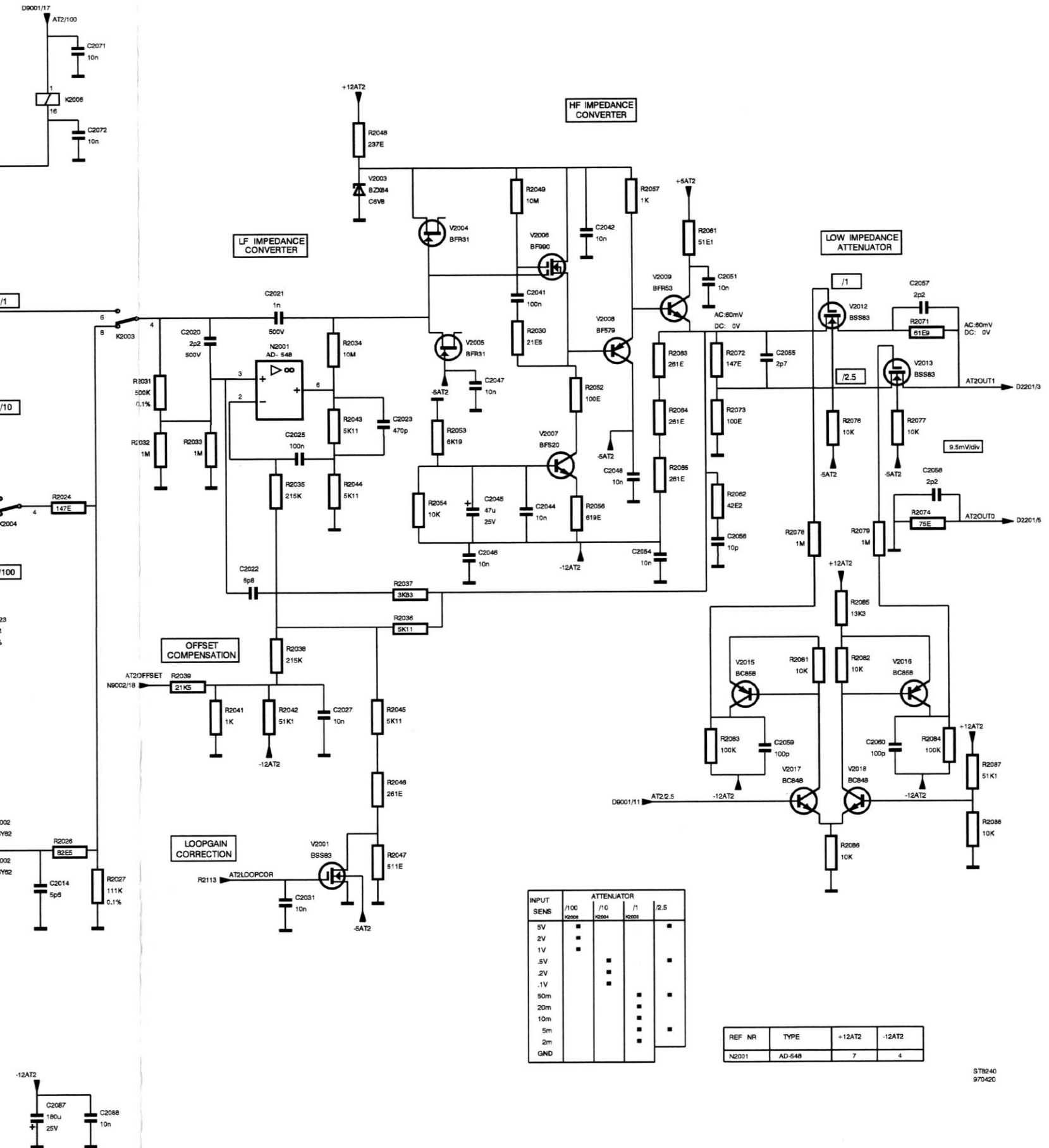


50Ω PROTECTION



OFFSET COMPENSA

LOOPGA CORRECT

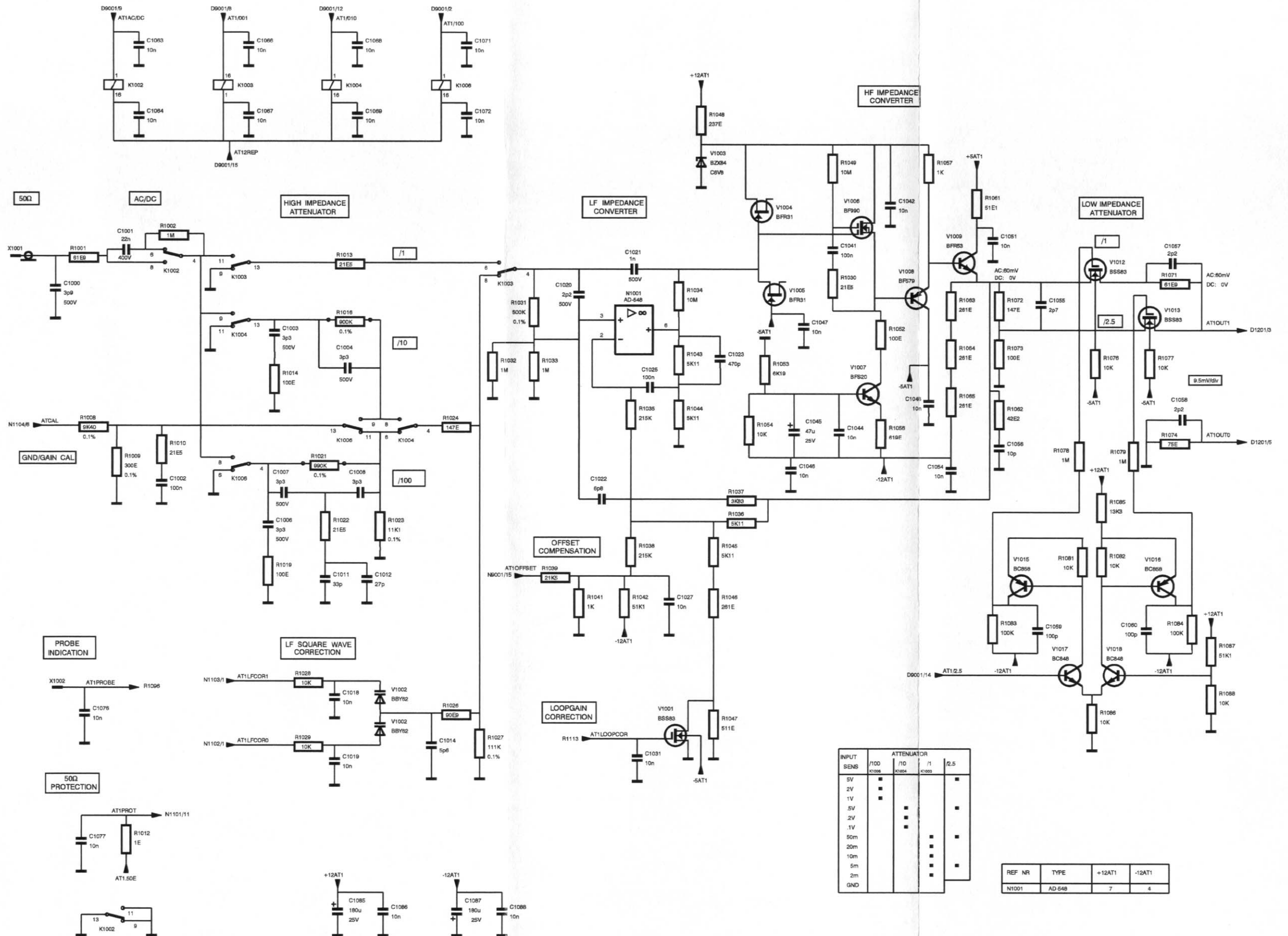


INPUT SENS	ATTENUATOR			
	/100 V2008	/10 V2004	/1 V2003	/2.5
5V	■			■
2V	■			
1V	■			
.5V		■		
.2V		■		
.1V		■		
90m			■	
20m			■	
10m			■	
5m			■	
2m			■	
GND				

REF NR	TYPE	+12AT2	-12AT2
N2001	AD-548	7	4

ST8240  
970420

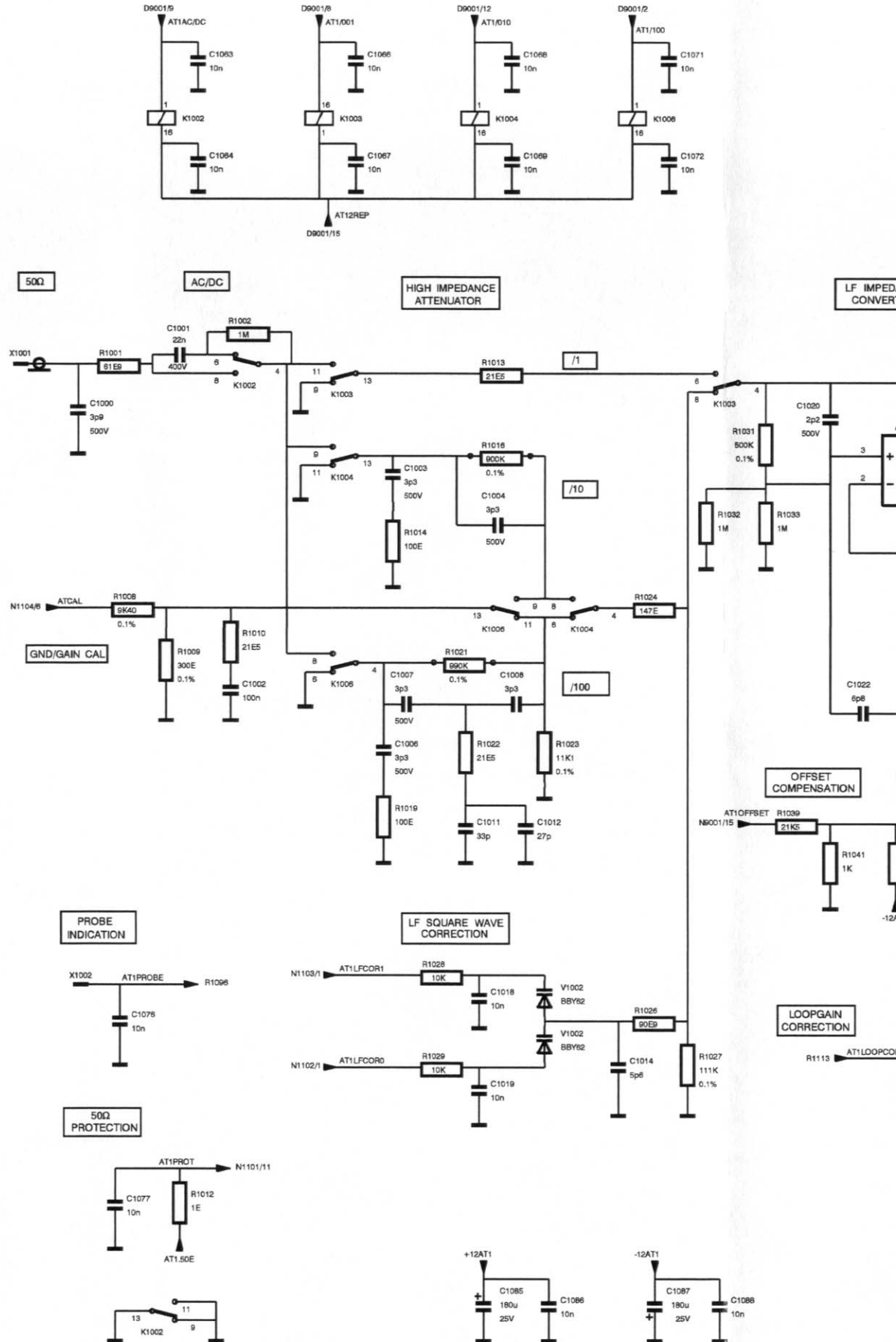
A1; Diagram 2 - Attenuator CH 2 (PM3094/PM3092)

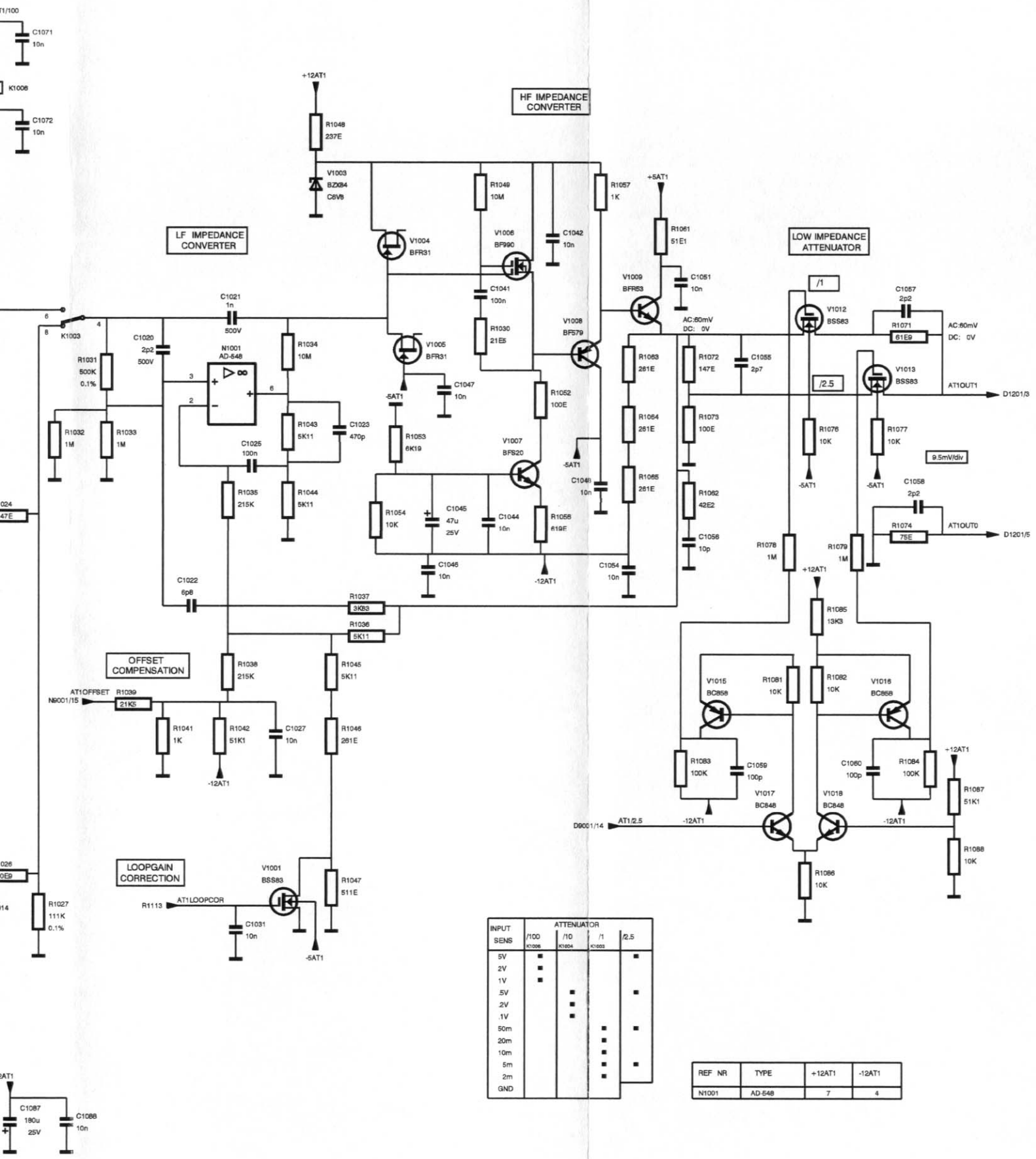


A1; Diagram 2a - Attenuator CH 1 (PM3094/PM3092)



UNIT DESCRIPTIONS



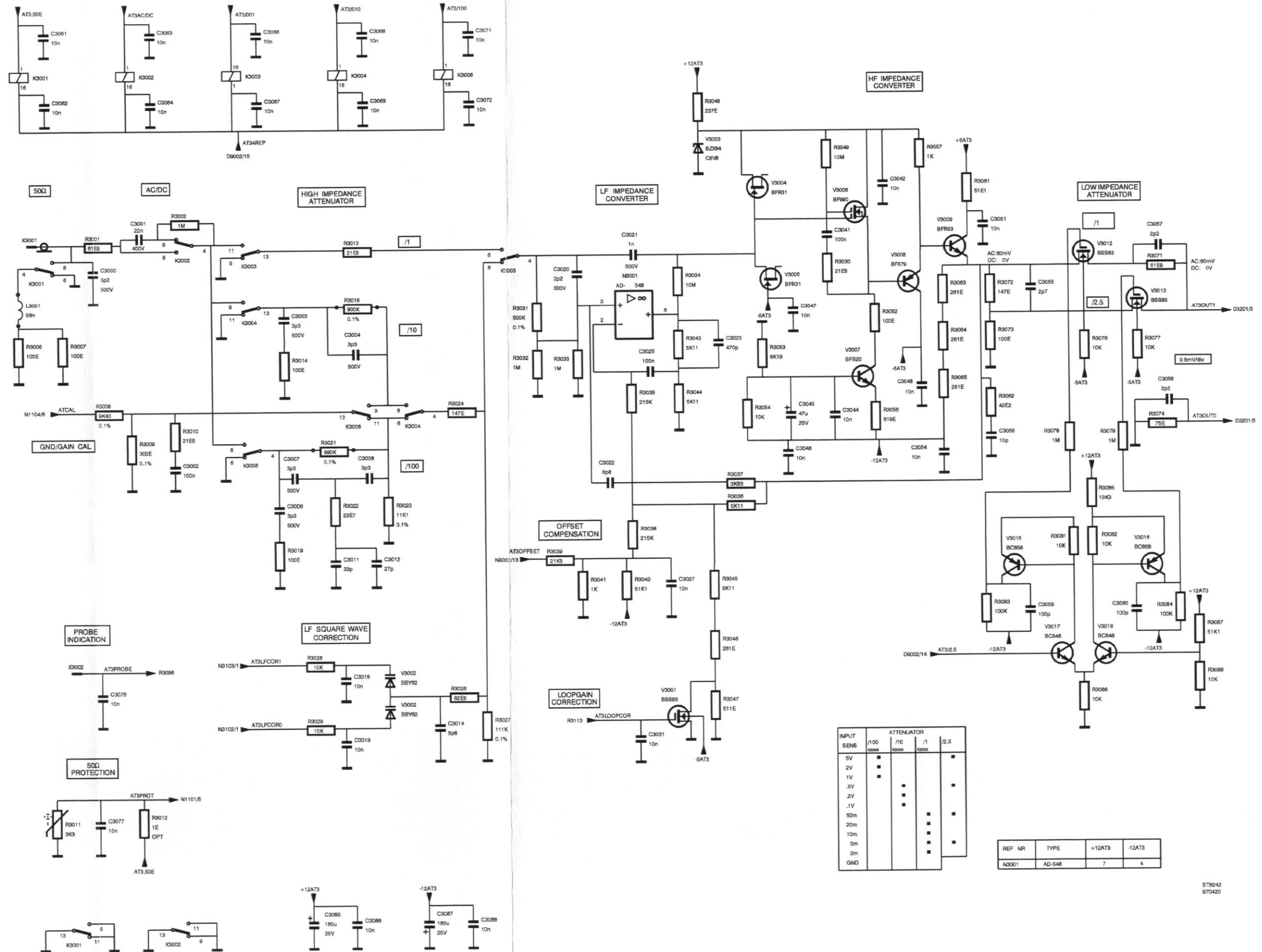


INPUT SENS	ATTENUATOR			
	/100 C1026	/10 R1044	/1 C1053	/2.5
5V	■			■
2V	■			
1V	■			
5V		■		■
2V		■		
1V		■		
50m			■	
20m			■	
10m			■	
5m			■	■
2m			■	
GND				

REF NR	TYPE	+12AT1	-12AT1
N1001	AD-548	7	4

S78241  
970420

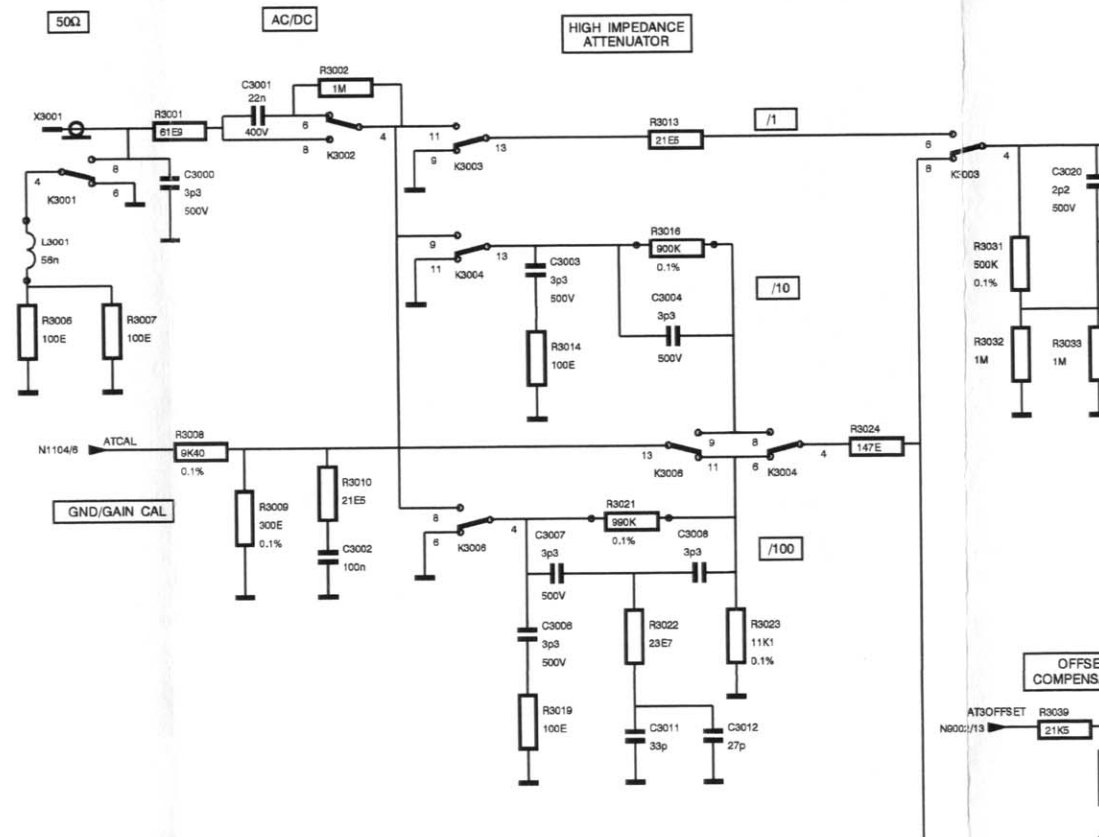
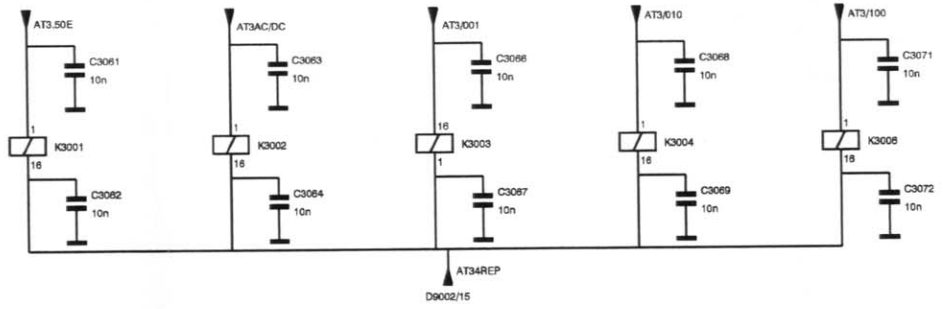
A1; Diagram 2a - Attenuator CH 1 (PM3094/PM3092)



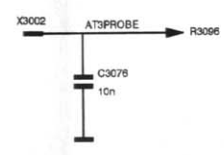
INPUT SENS	ATTENUATOR			
	/100	/10	/1	/2.5
5V	■			
2V	■			
1V	■			
.5V		■		
.2V		■		
.1V		■		
50m			■	
20m			■	
10m			■	
5m			■	
2m			■	
GND				■

REF NR	TYPE	+12AT3	-12AT3
N3001	AD-548	7	4

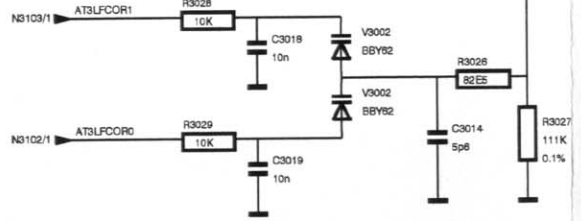
Diagram 3 - Attenuator CH 3 (PM3094)



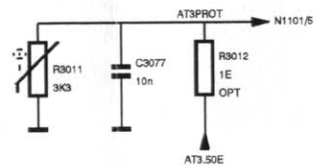
PROBE INDICATION



LF SQUARE WAVE CORRECTION



50Ω PROTECTION



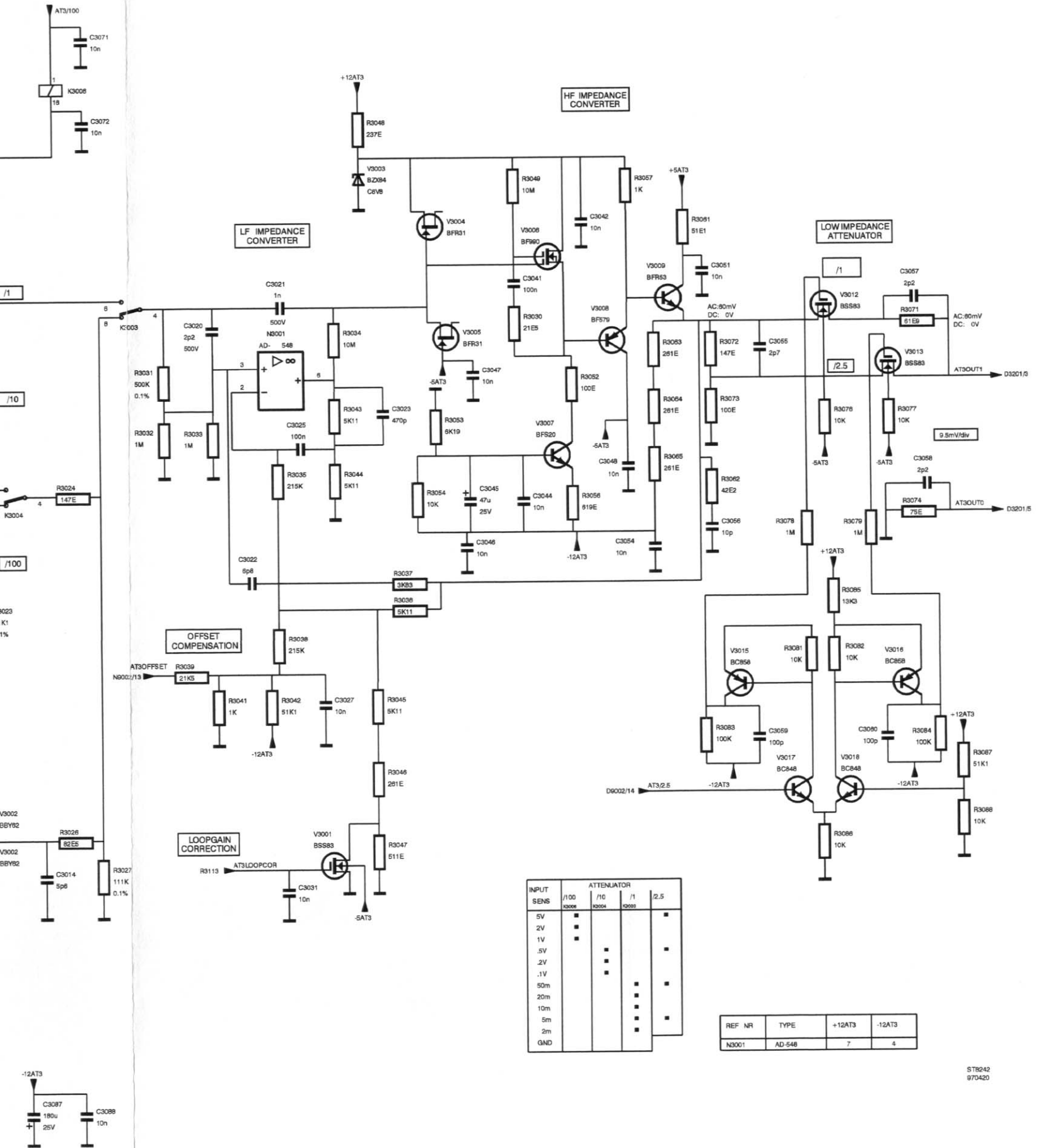


Diagram 3 - Attenuator CH 3 (PM3094)



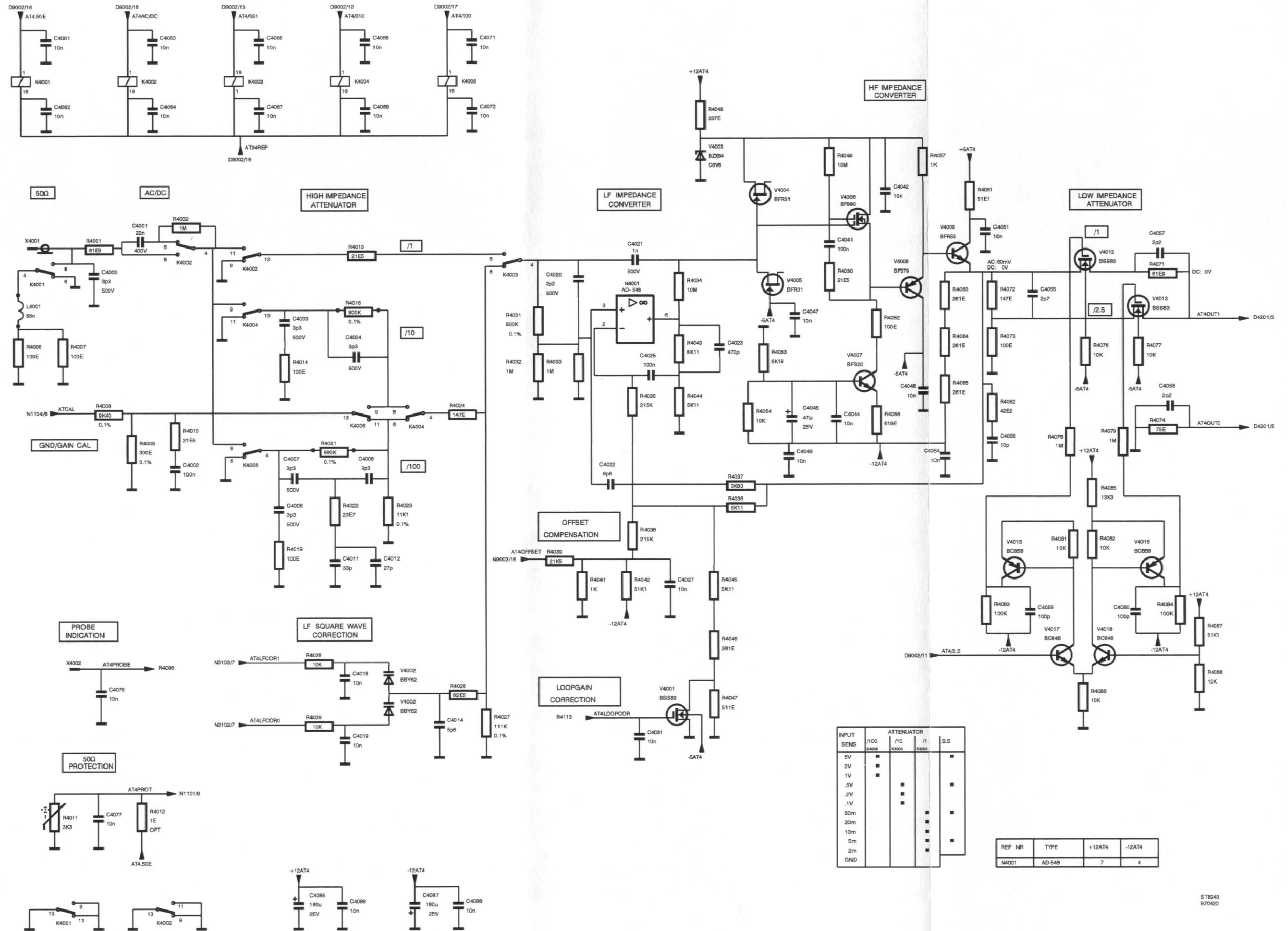
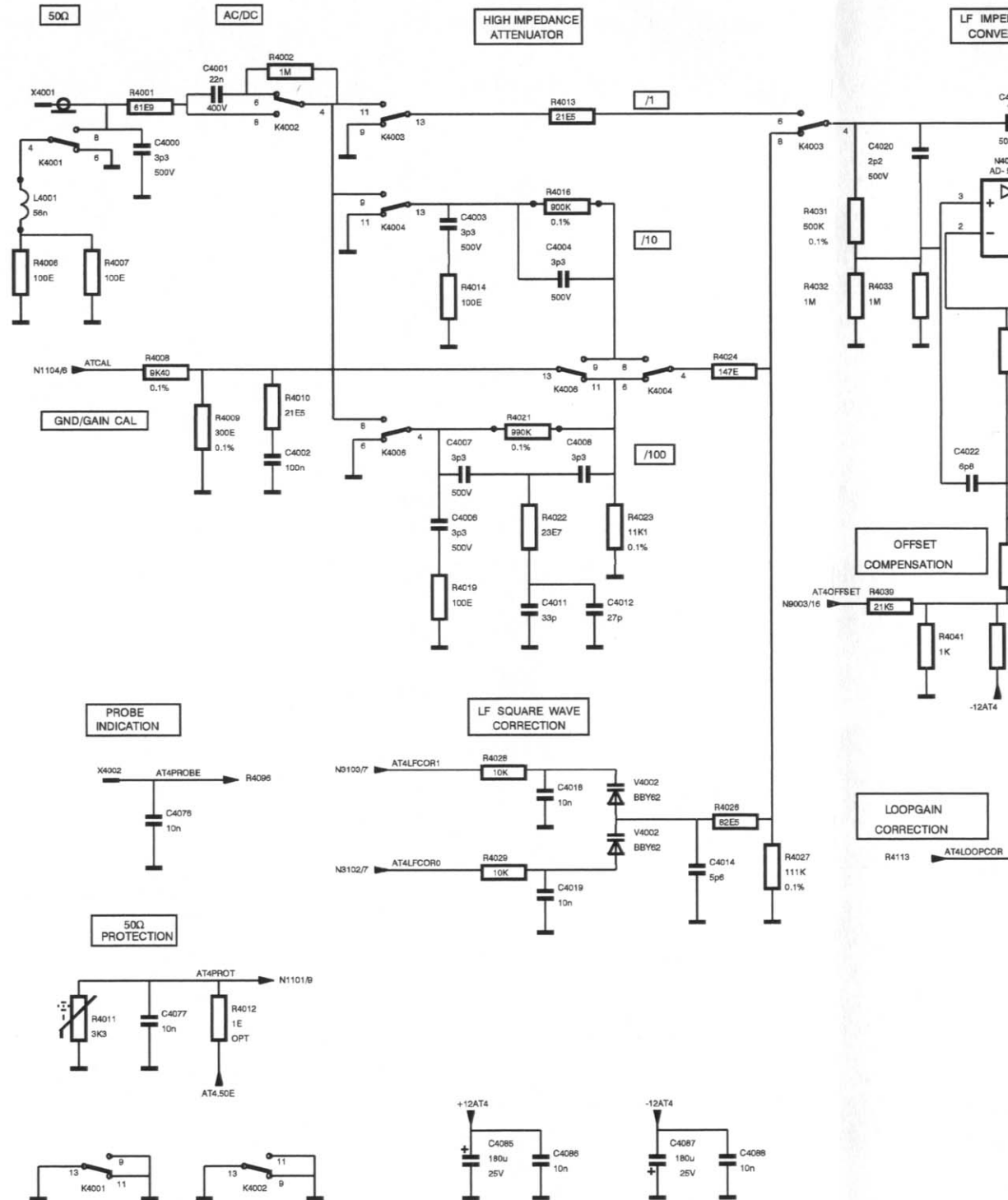
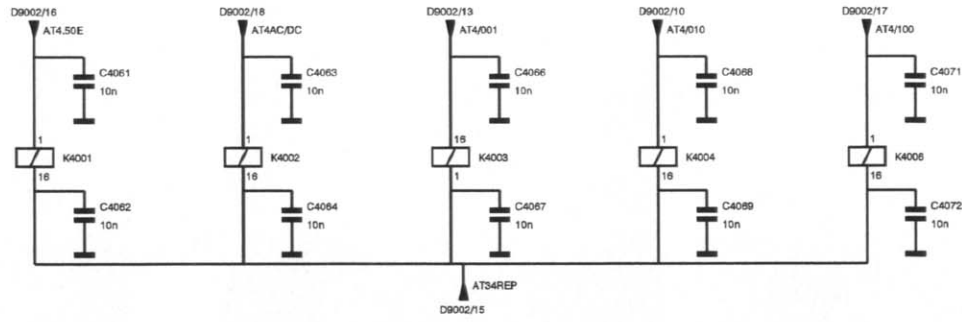
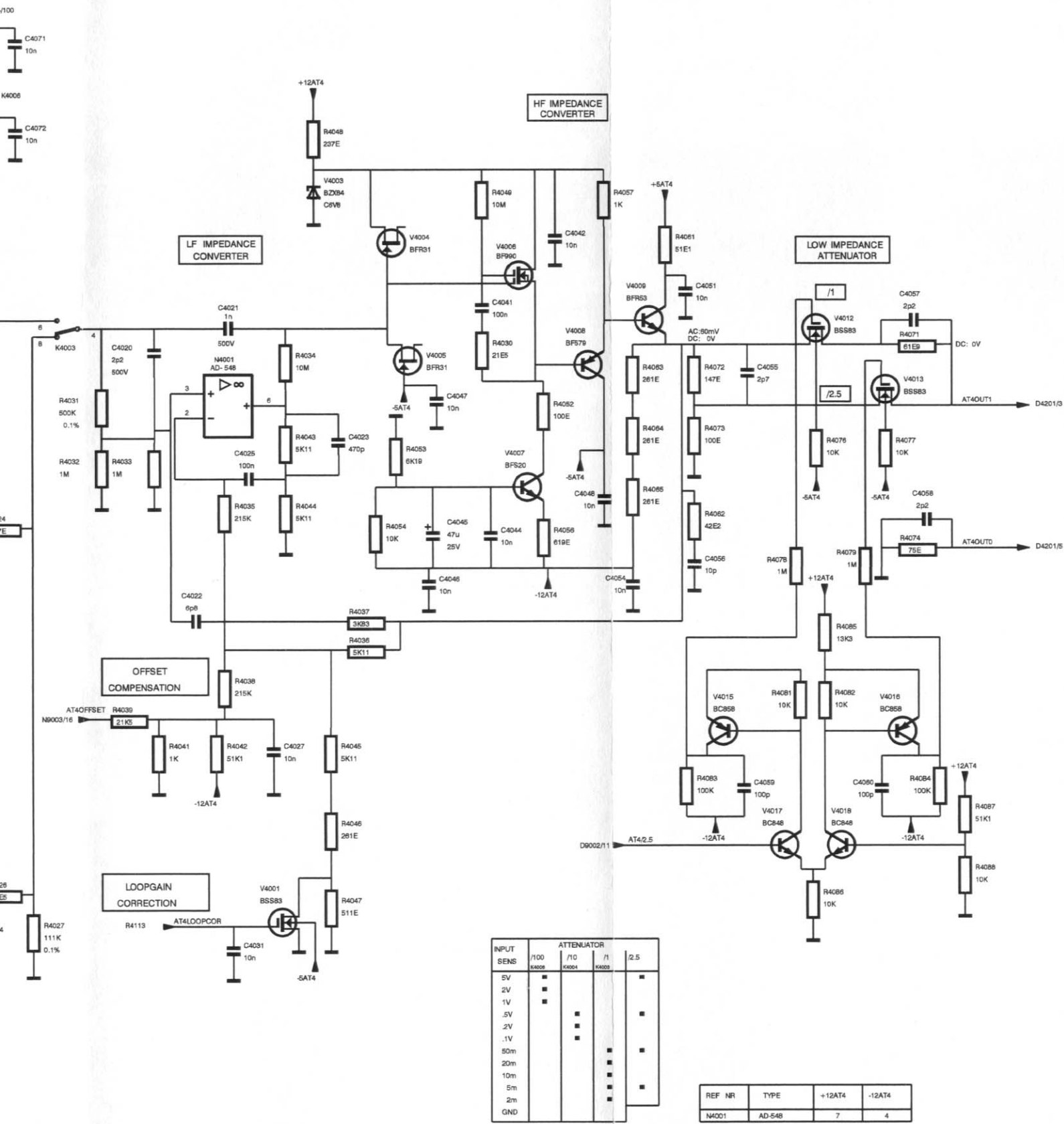


Diagram 4 - Attenuator CH 4 (PM3094)

STR243  
970420

UNIT DESCRIPTIONS

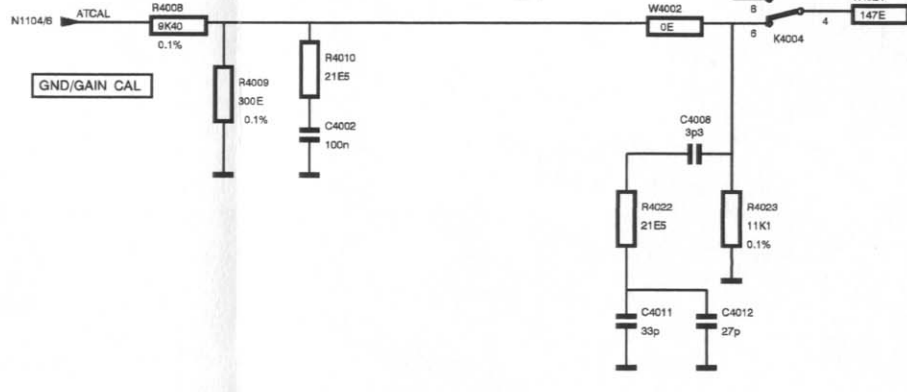
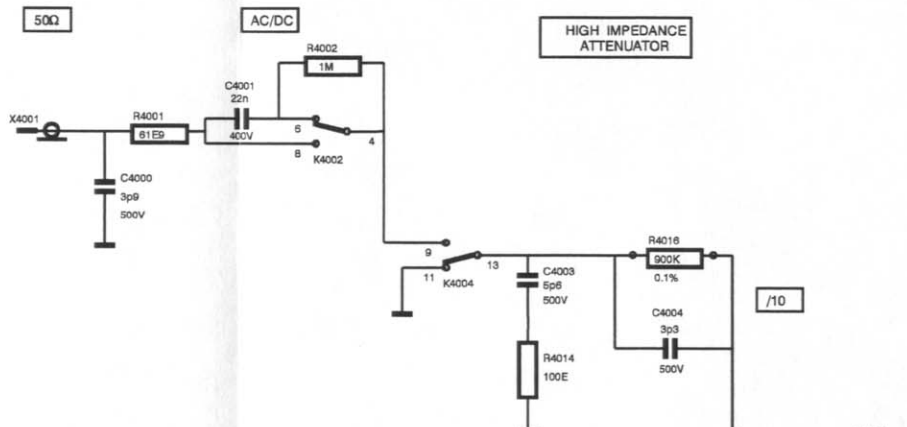
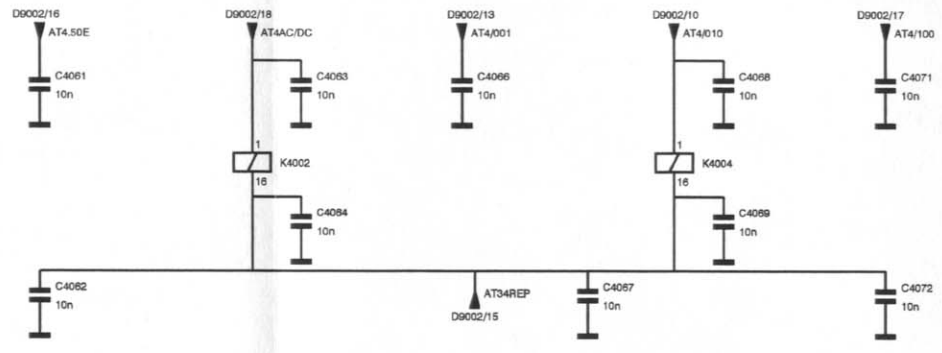




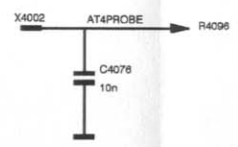
S78243  
970420

Diagram 4 - Attenuator CH 4 (PM3094)

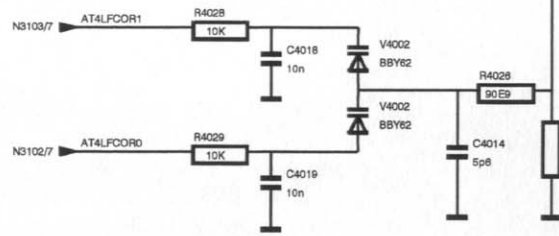




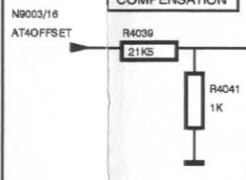
PROBE INDICATION



LF SQUARE WAVE CORRECTION



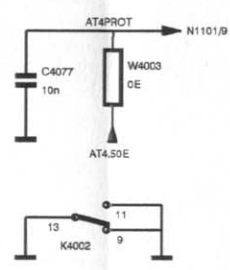
OFFSET COMPENSATION



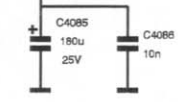
LOOPGAIN CORRECTION



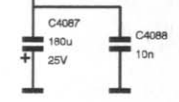
50Ω PROTECTION



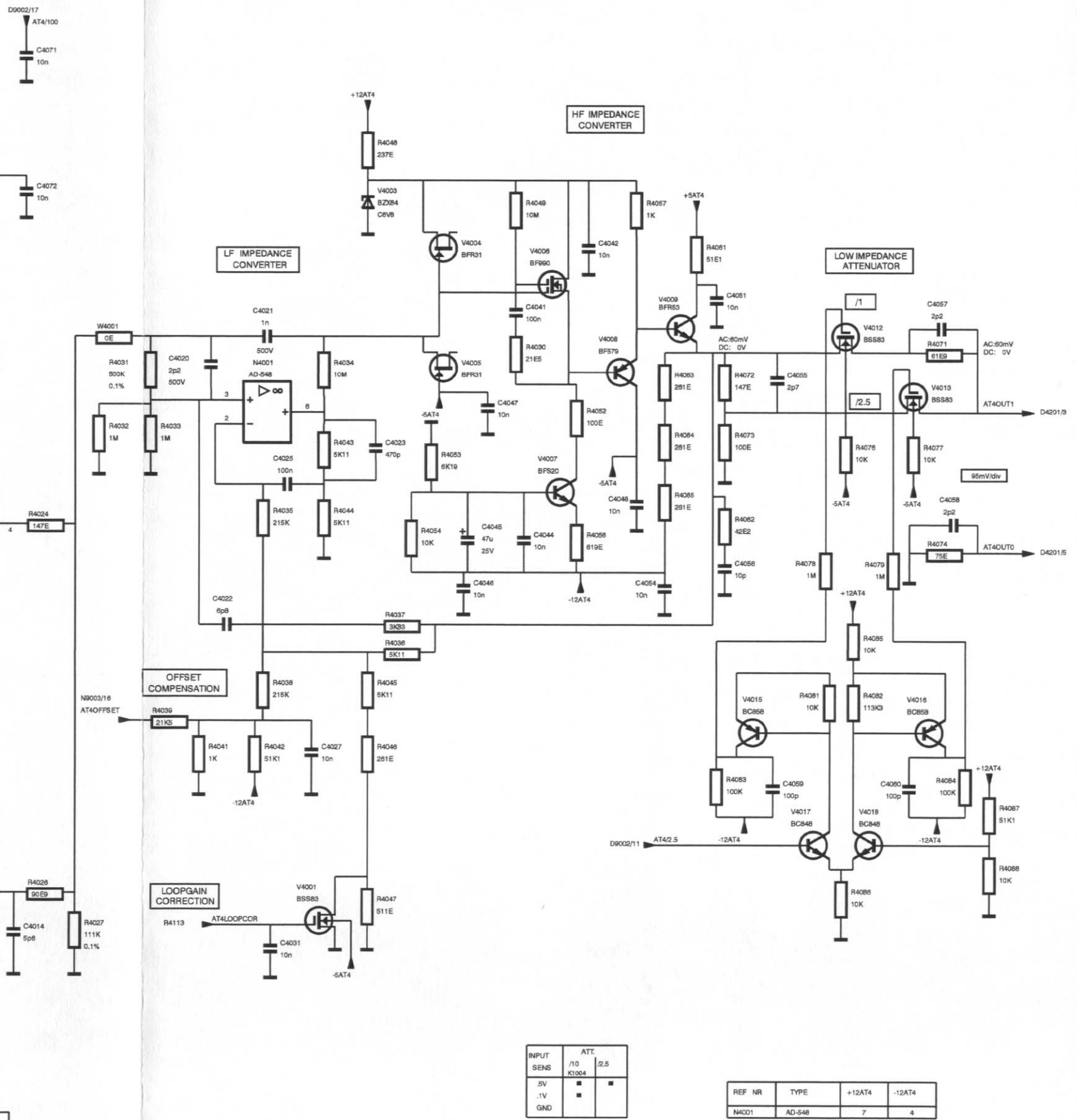
+12AT4



-12AT4



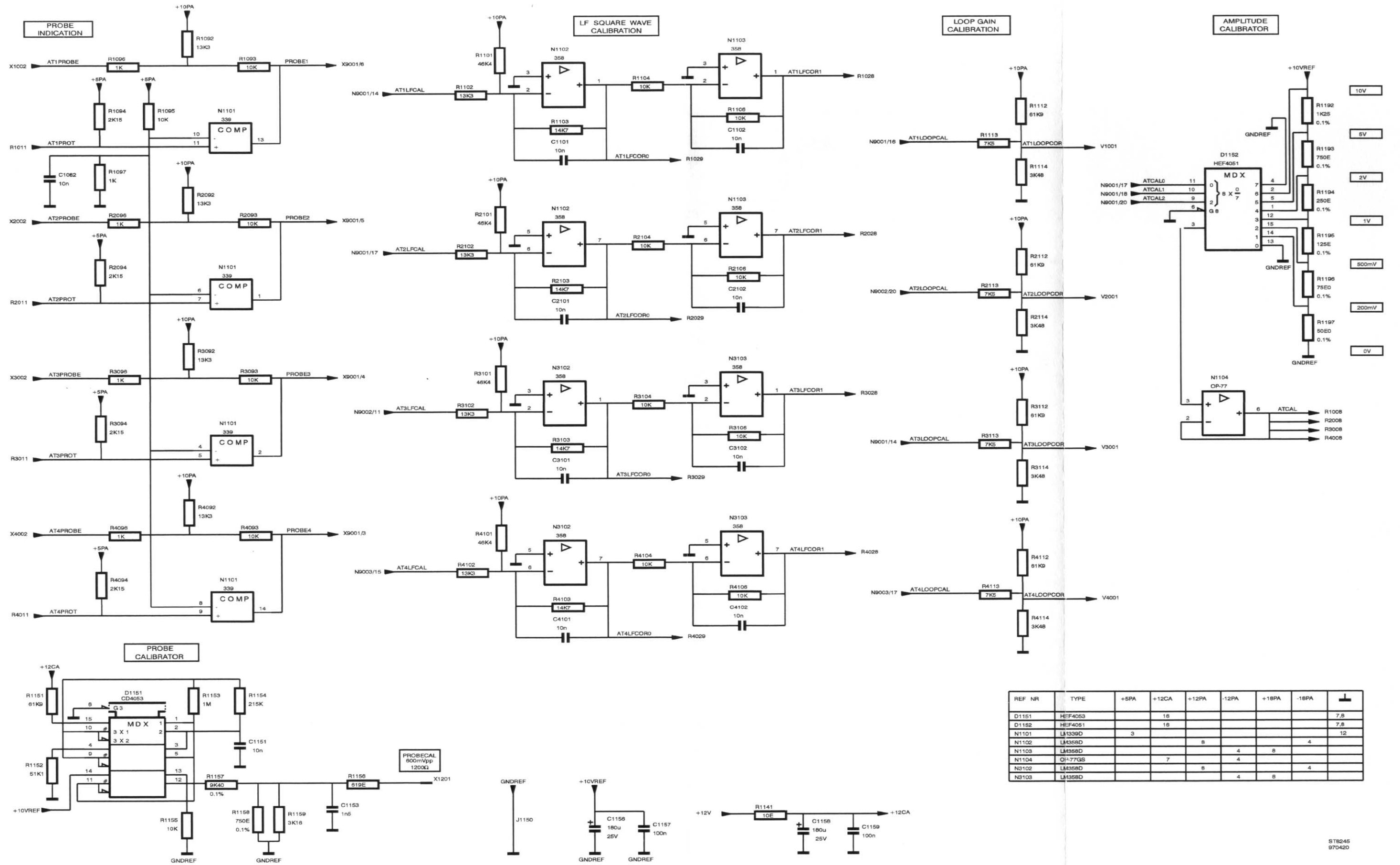




INPUT SENS	ATT.	
	/10 K1004	/2.5
.5V	■	■
.1V	■	
GND		

REF NR	TYPE	+12AT4	-12AT4
N4001	AD-548	7	4

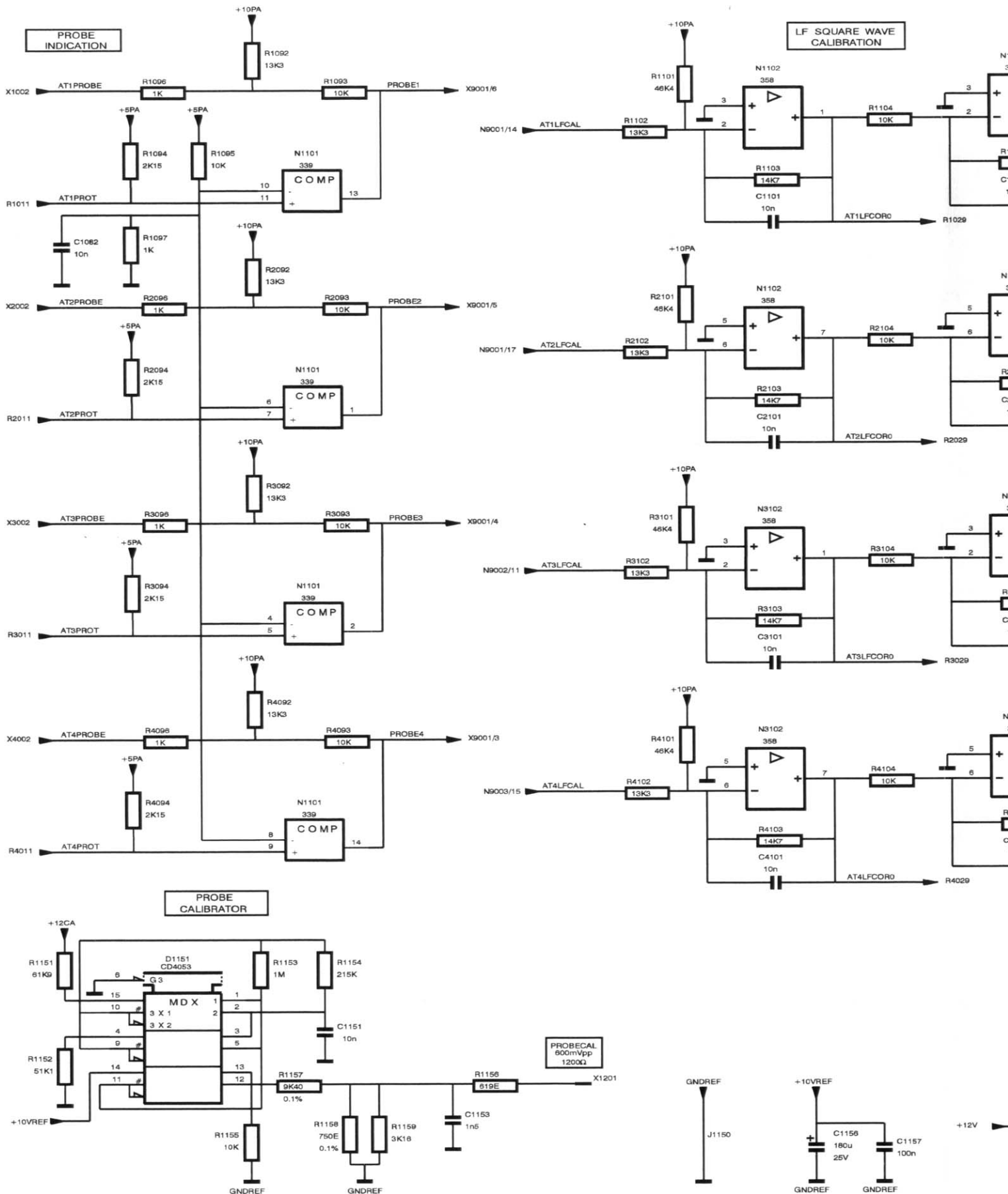
Diagram 4a - Attenuator CH 3 (PM3092/PM3082)

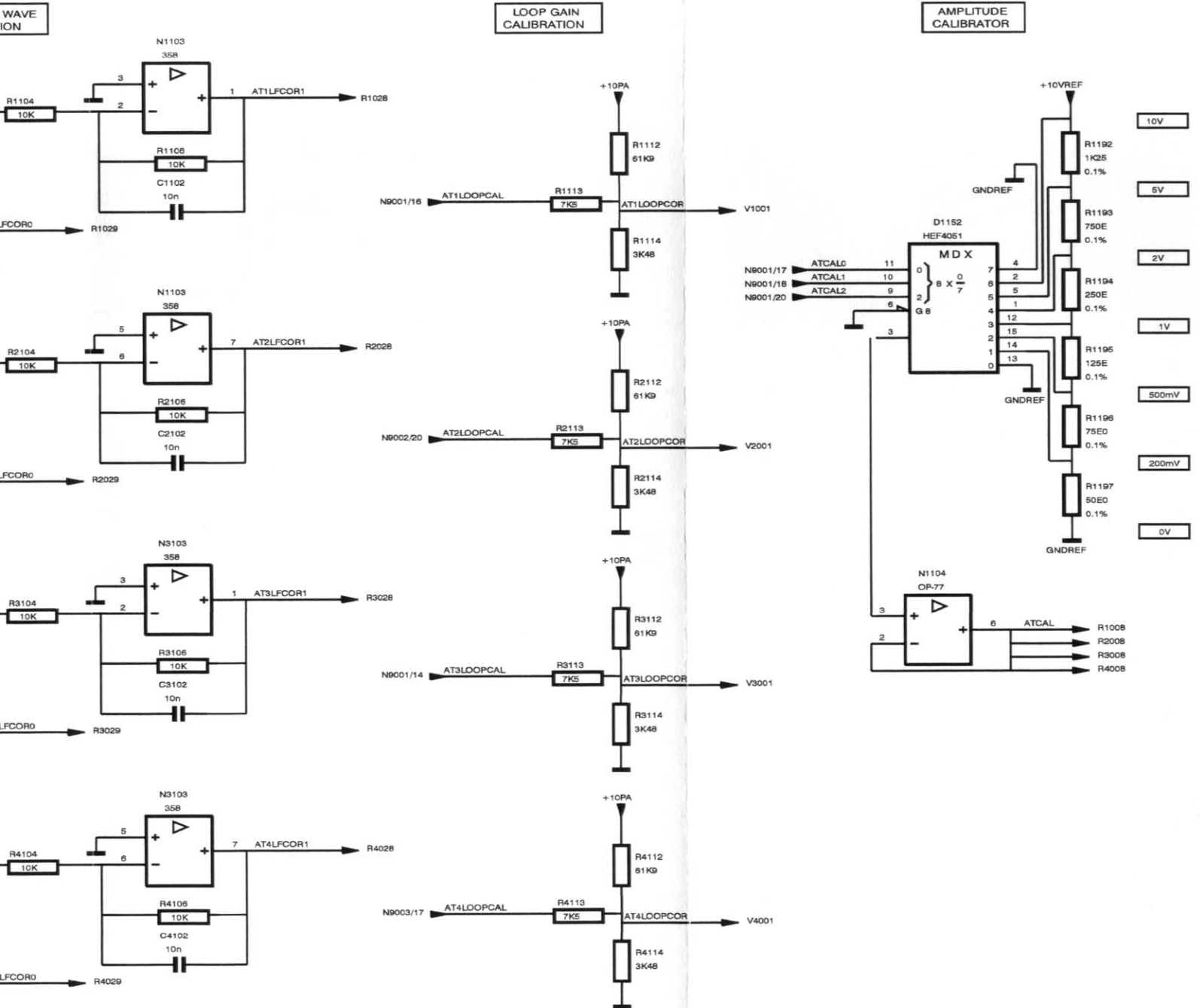


REF NR	TYPE	+5PA	+12CA	+12PA	-12PA	+18PA	-18PA	⏏
D1151	HEF4053		18					7.8
D1152	HCF4051		18					7.8
N1101	LM339D	3						12
N1102	LM358D			8			4	
N1103	LM358D				4	8		
N1104	OP-77GS		7		4			
N3102	LM358D			8			4	
N3103	LM358D				4	8		

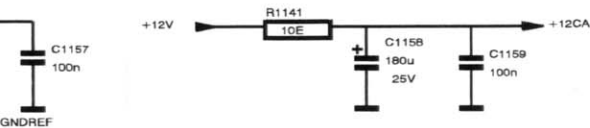
Diagram 5 - Attenuator control + CAL generator

# UNIT DESCRIPTIONS





REF NR	TYPE	+5PA	+12CA	+12PA	-12PA	+18PA	-18PA	I
D1151	HEF4053		16					7,8
D1152	HEF4051		16					7,8
N1101	LM139D	3						12
N1102	LM358D			8			4	
N1103	LM358D				4	8		
N1104	OP-77GS		7		4			
N3102	LM358D			8			4	
N3103	LM358D				4	8		



ST8245  
970420

Diagram 5 - Attenuator control + CAL generator

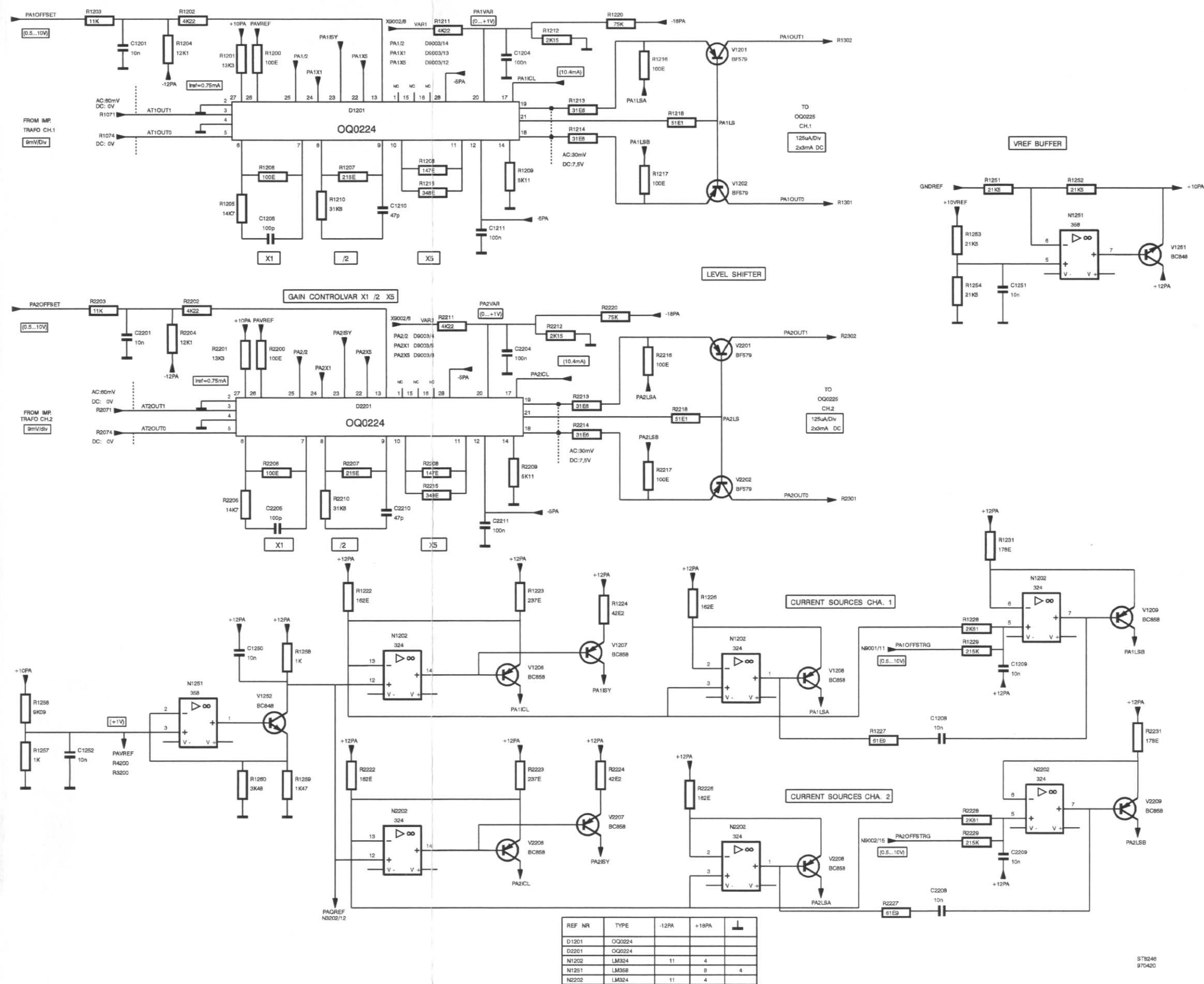
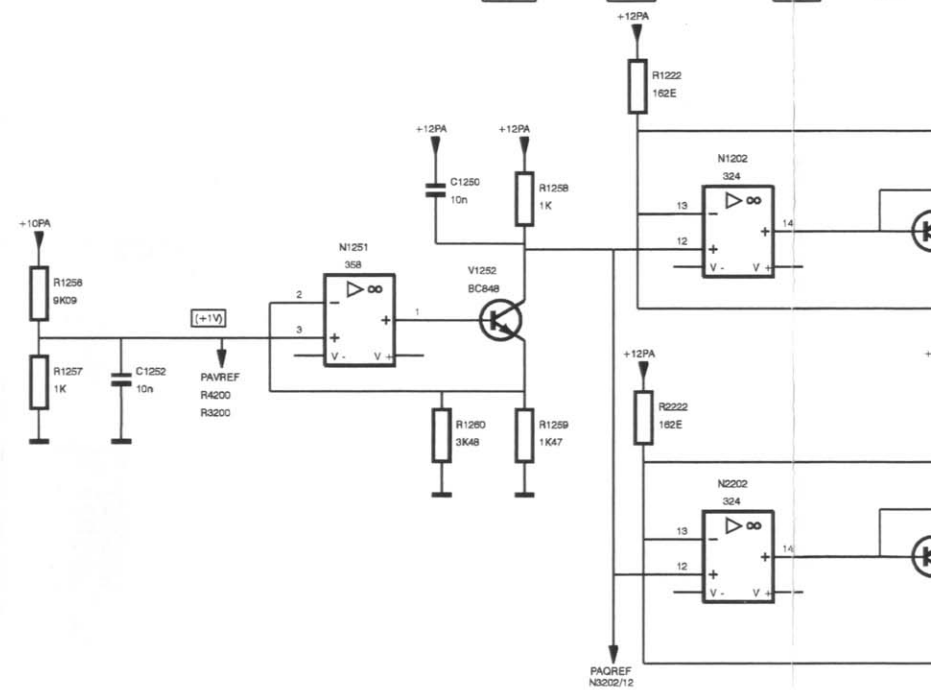
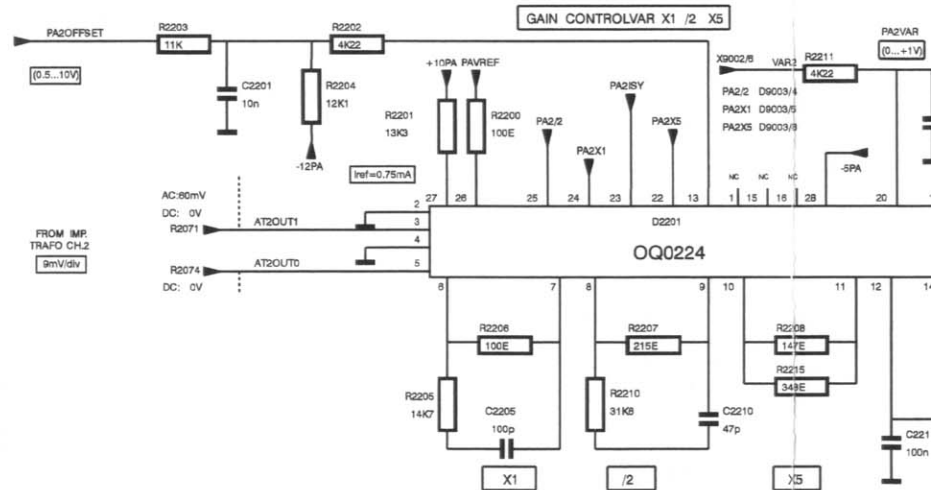
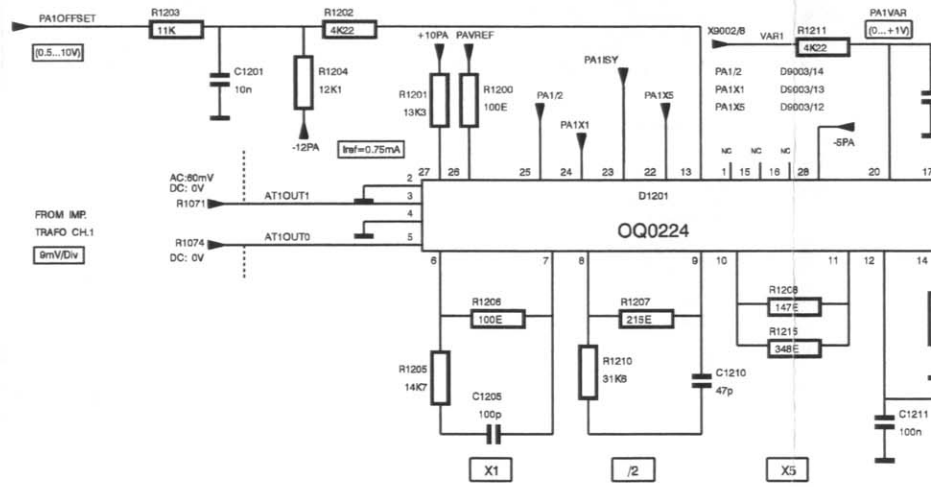
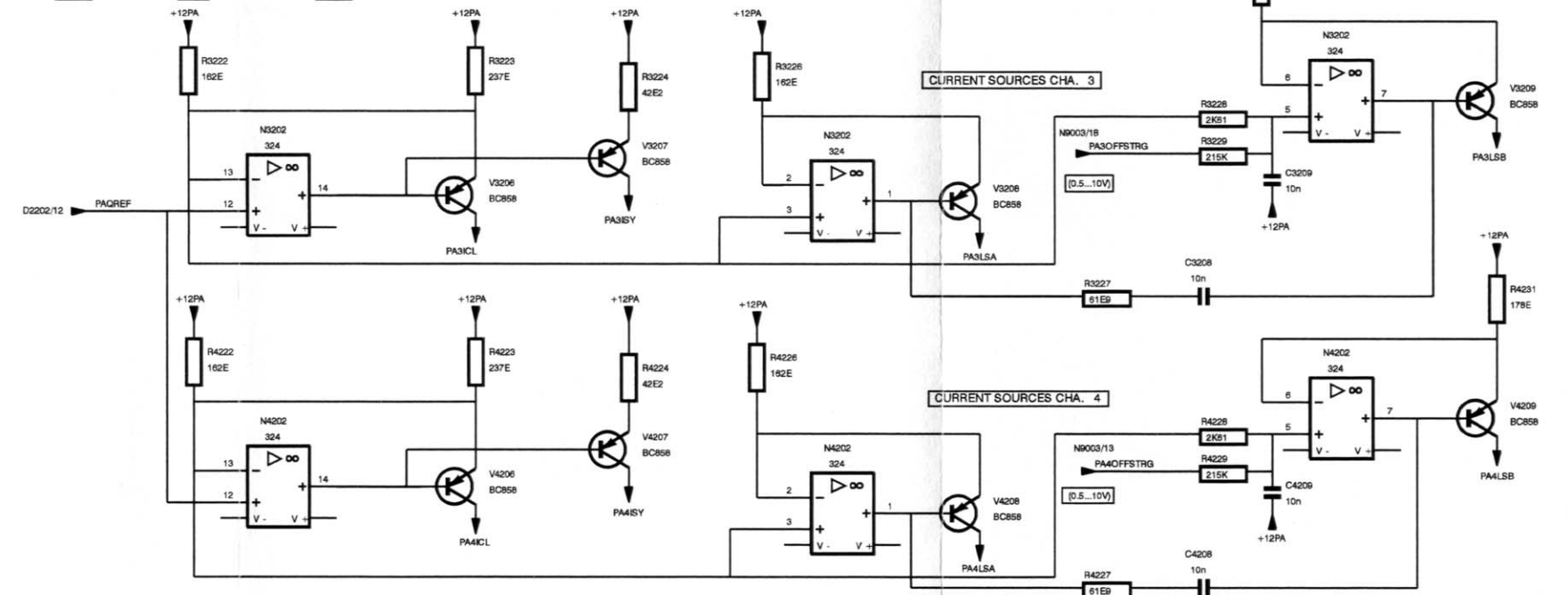
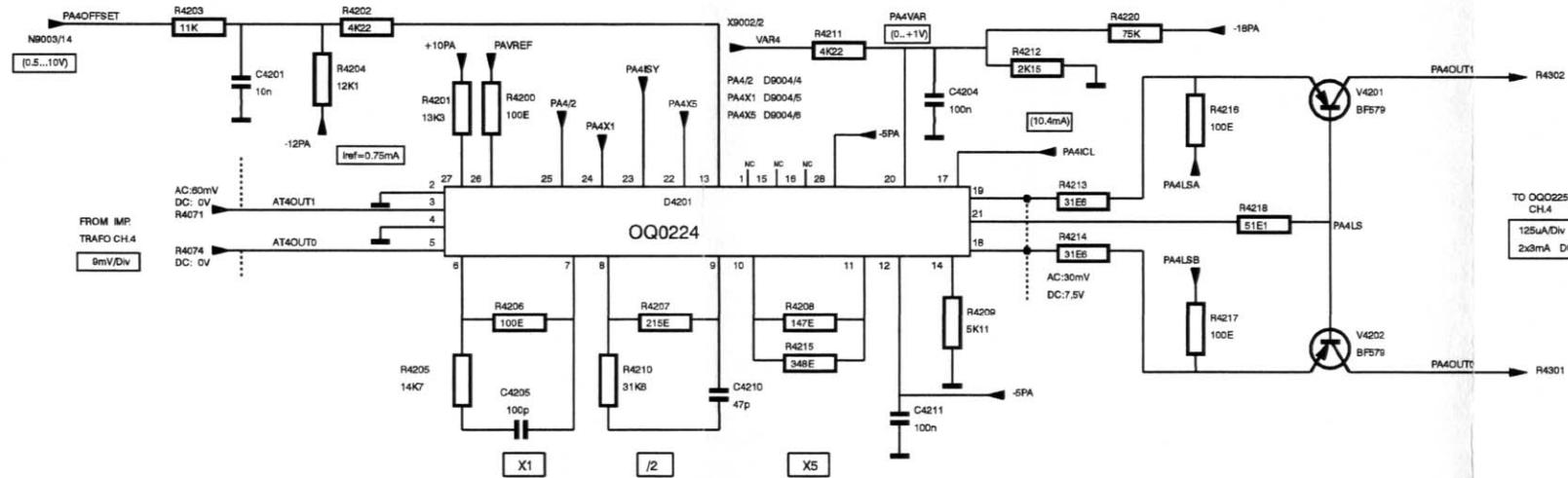
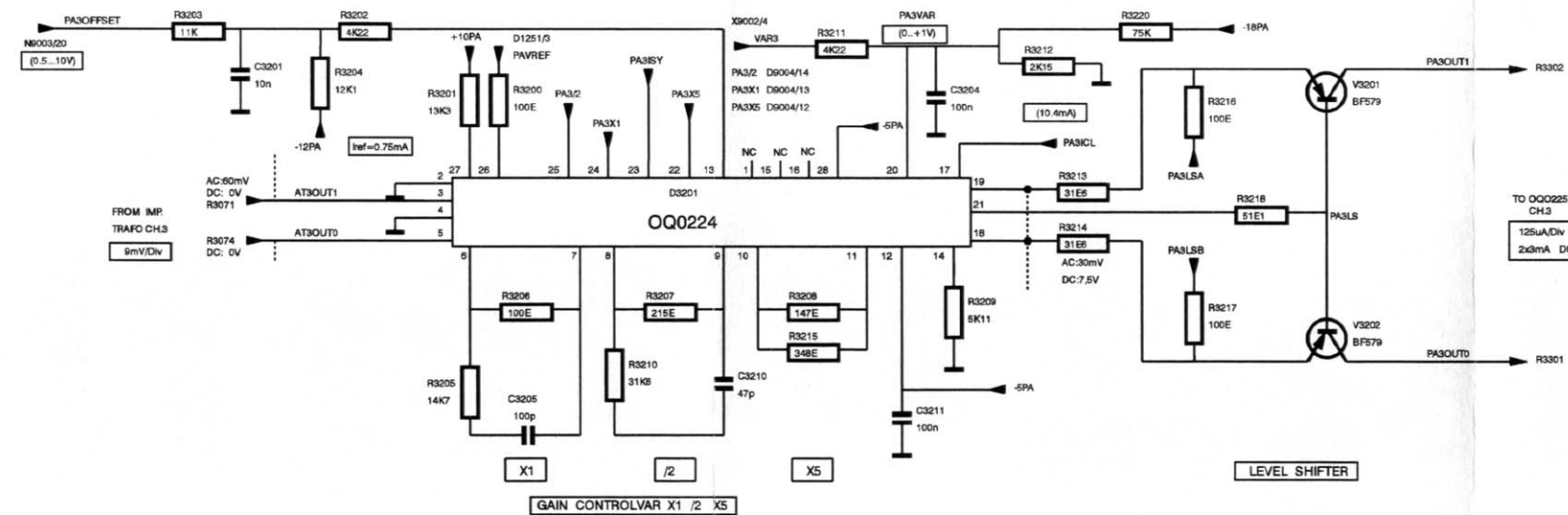


Diagram 6 - Pre-amplifier CH 1 and CH 2







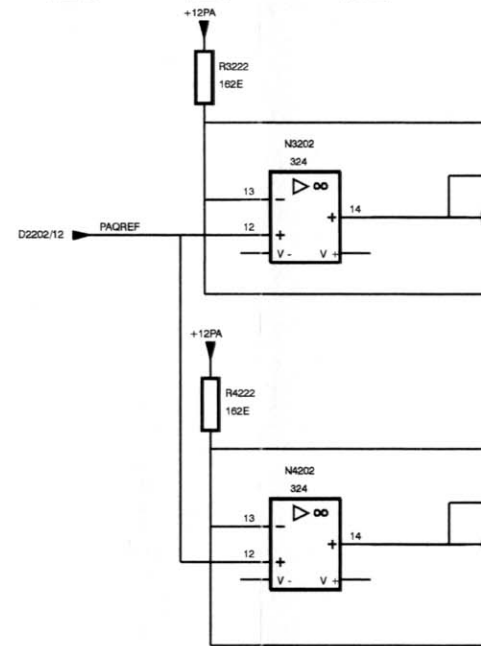
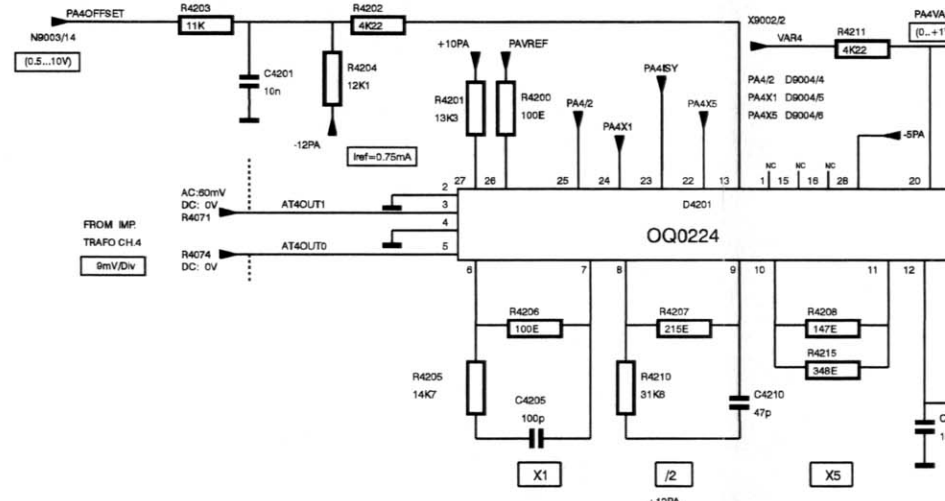
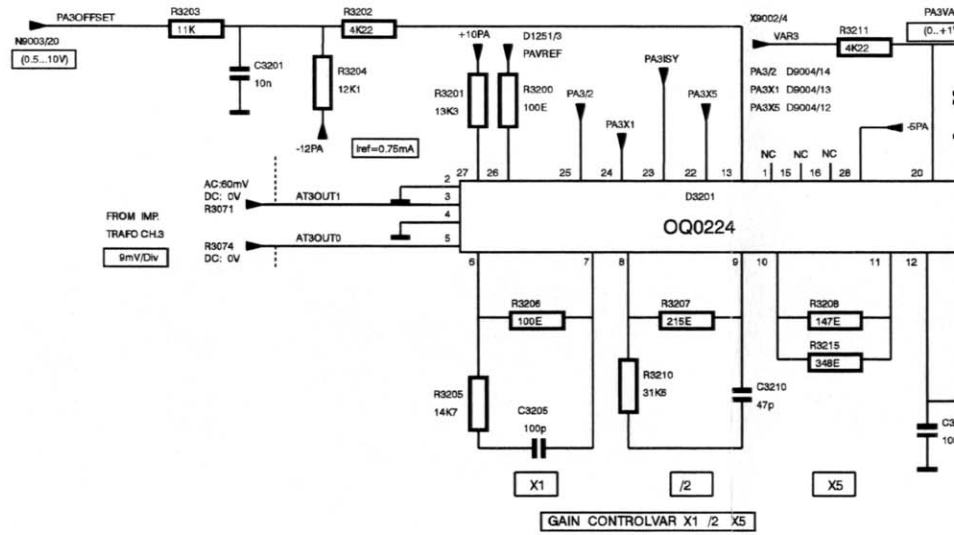


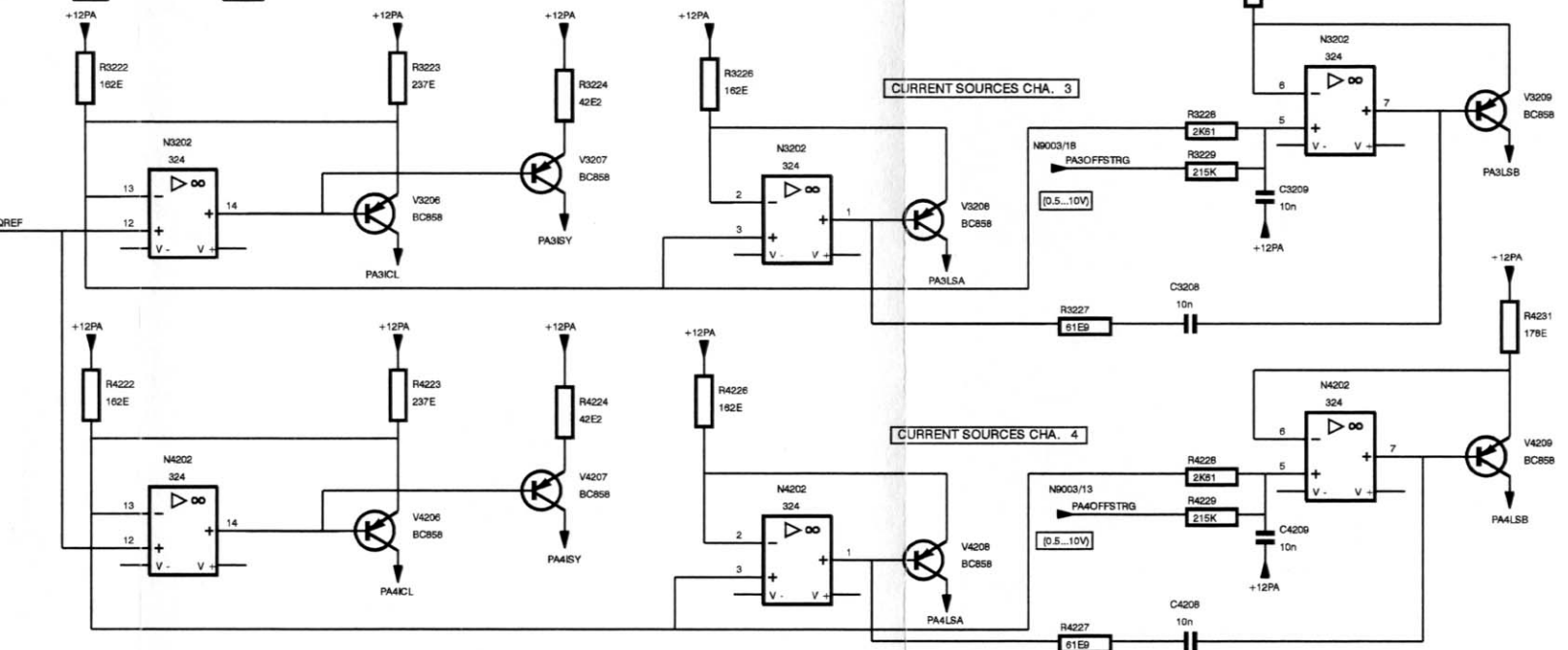
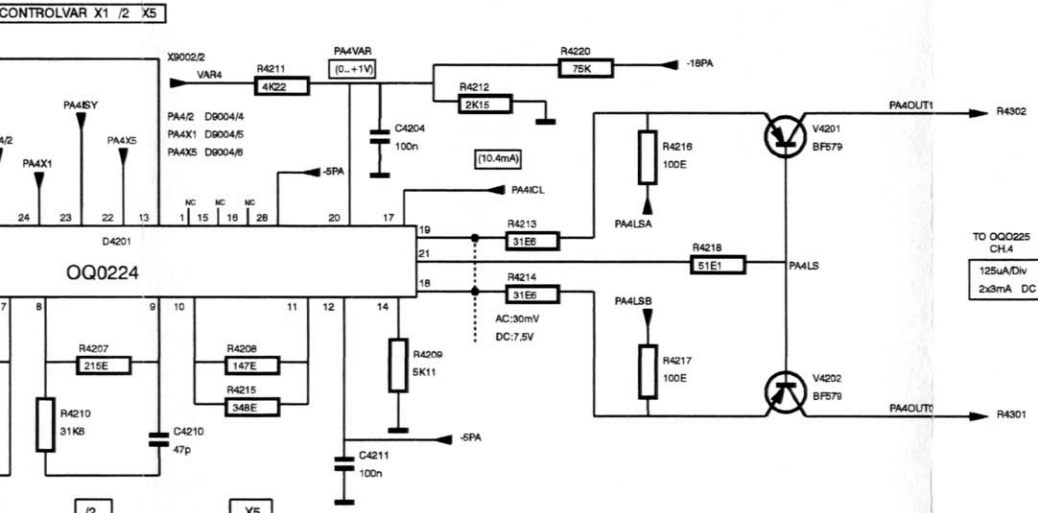
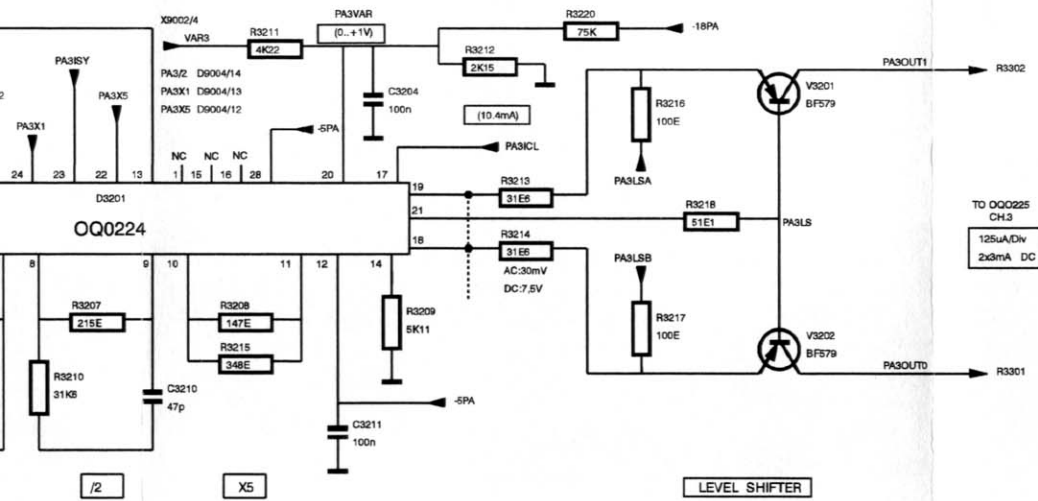
REF NR	TYPE	-12PA	+18PA
D3201	OQ0224		
D4201	OQ0224		
N3202	LM324	11	4
N4202	LM324	11	4

5T8247  
970420

Diagram 7 - Pre-amplifier CH 3 and CH 4

UNIT DESCRIPTIONS





REF NR	TYPE	-12PA	+18PA
D3201	OQ0224		
D4201	OQ0224		
N3202	LM324	11	4
N4202	LM324	11	4

ST8247  
970420

Diagram 7 - Pre-amplifier CH 3 and CH 4



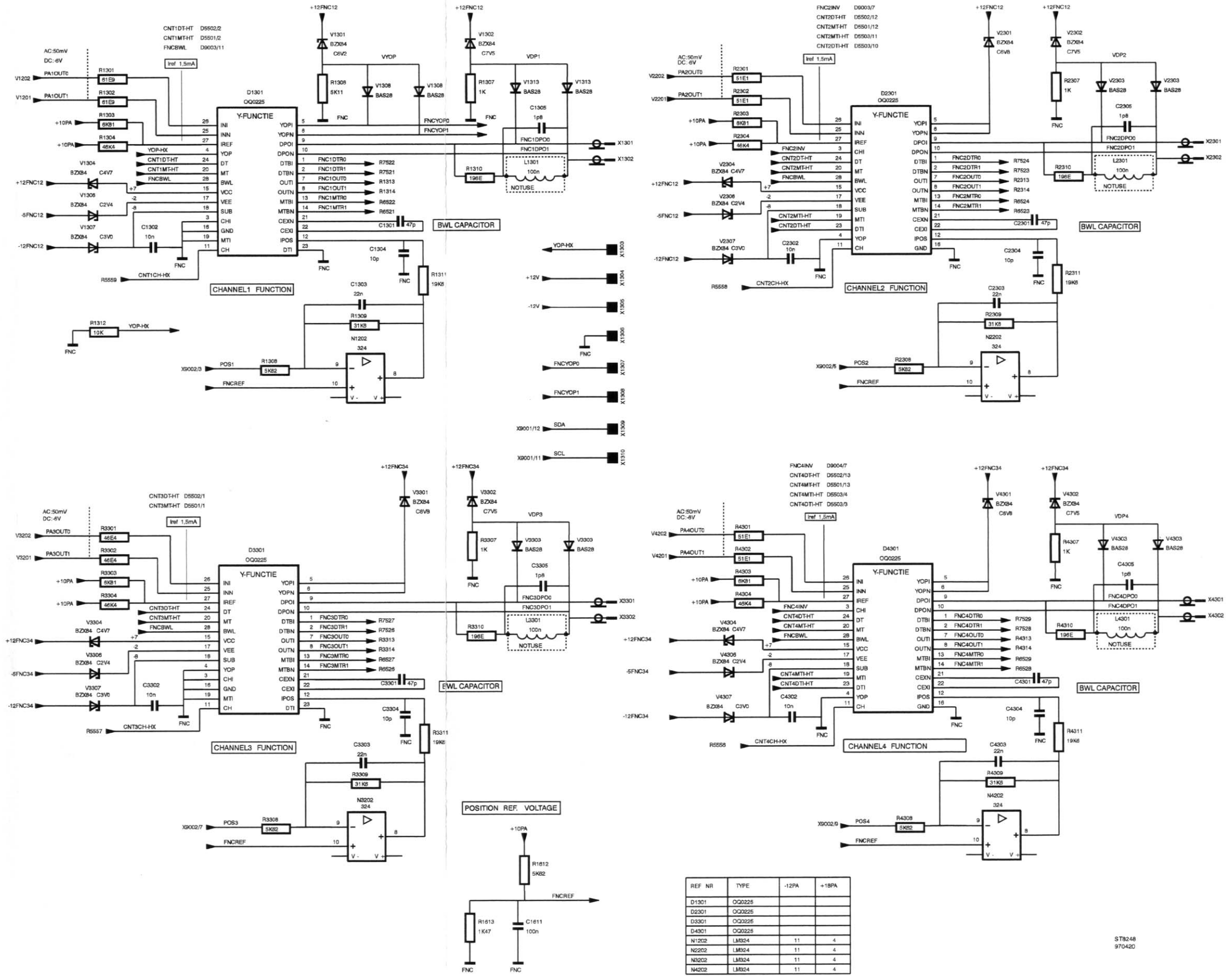
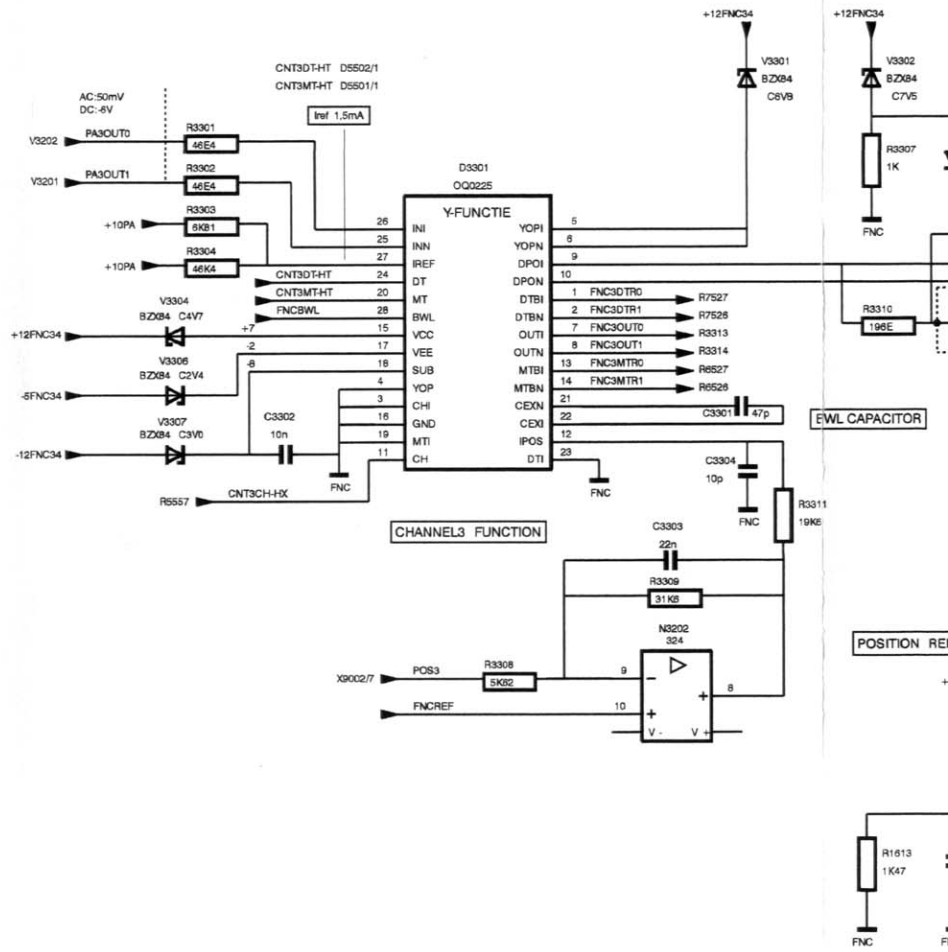
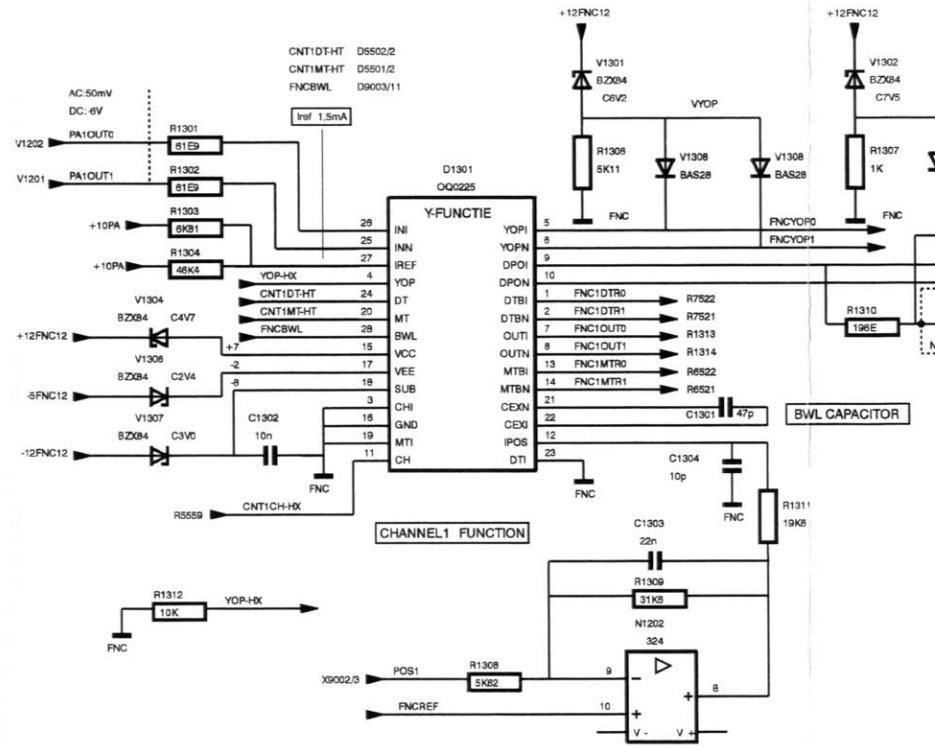


Diagram 8 - Y-functions



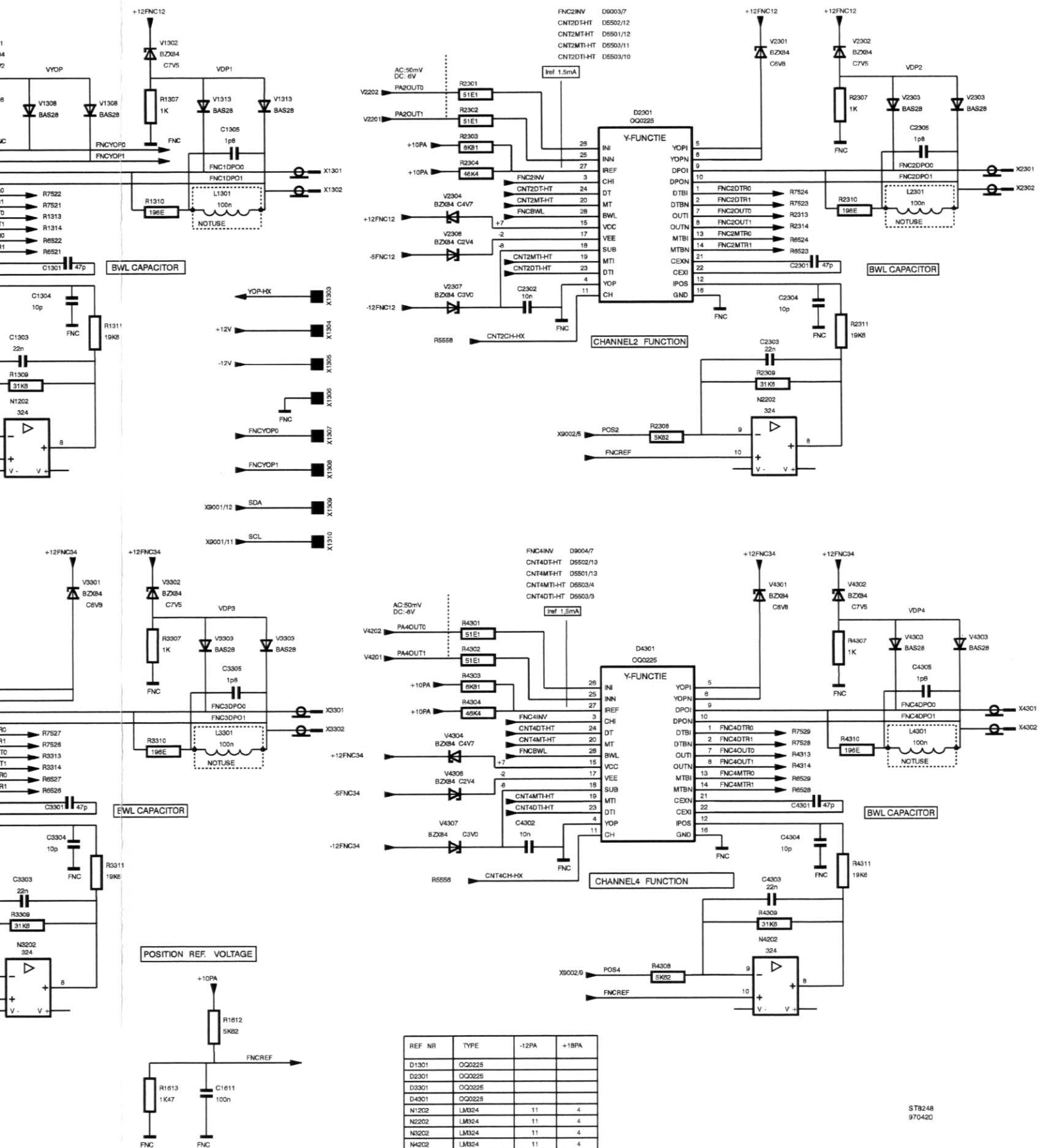
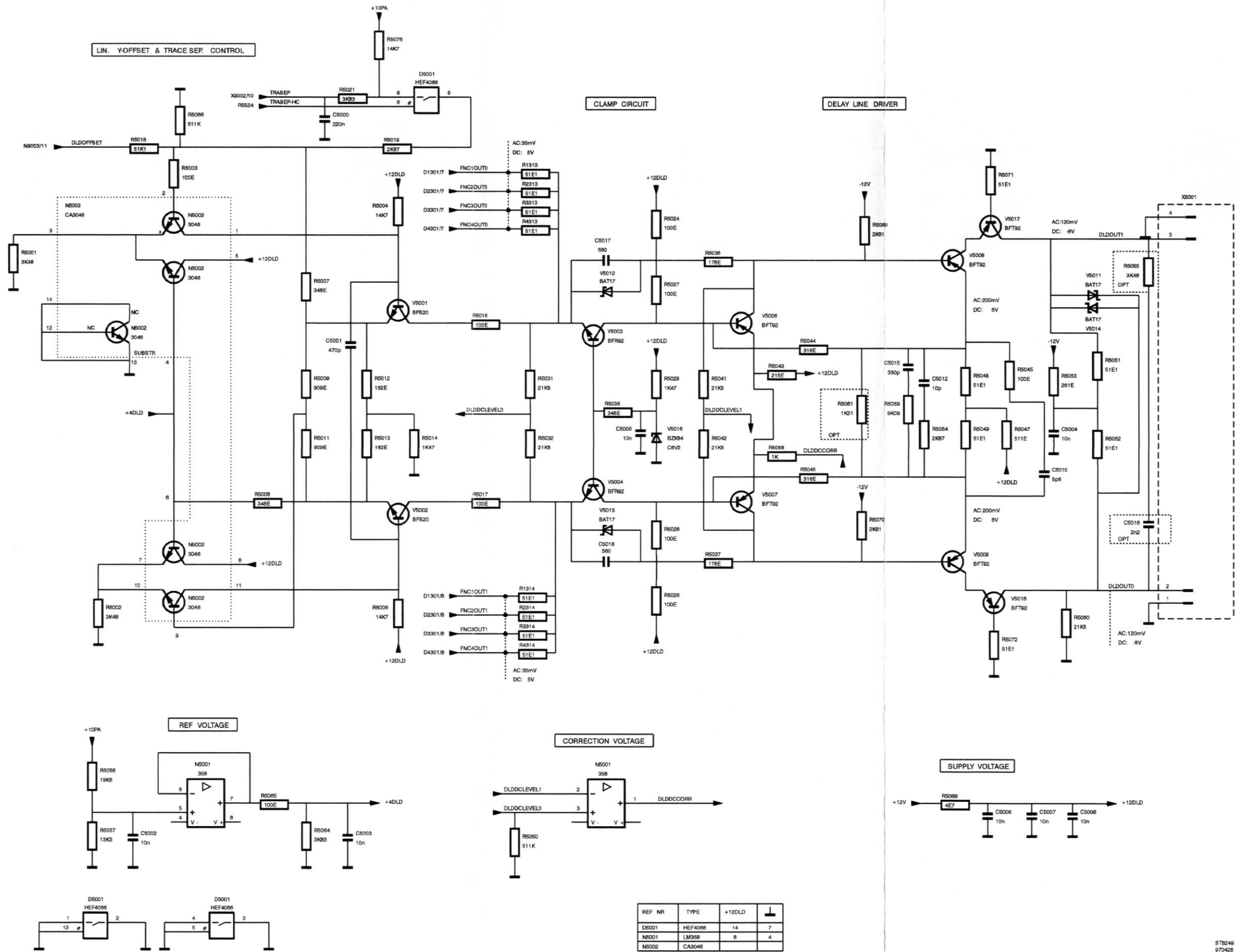
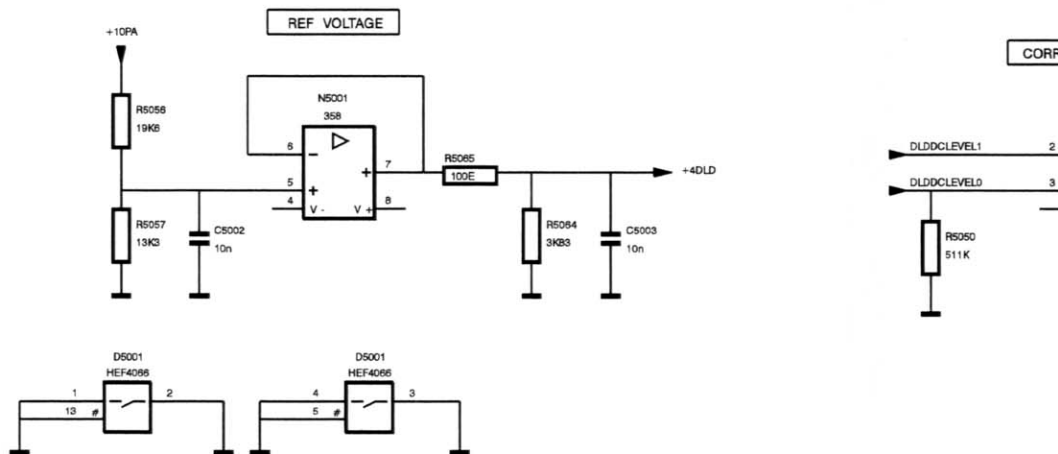
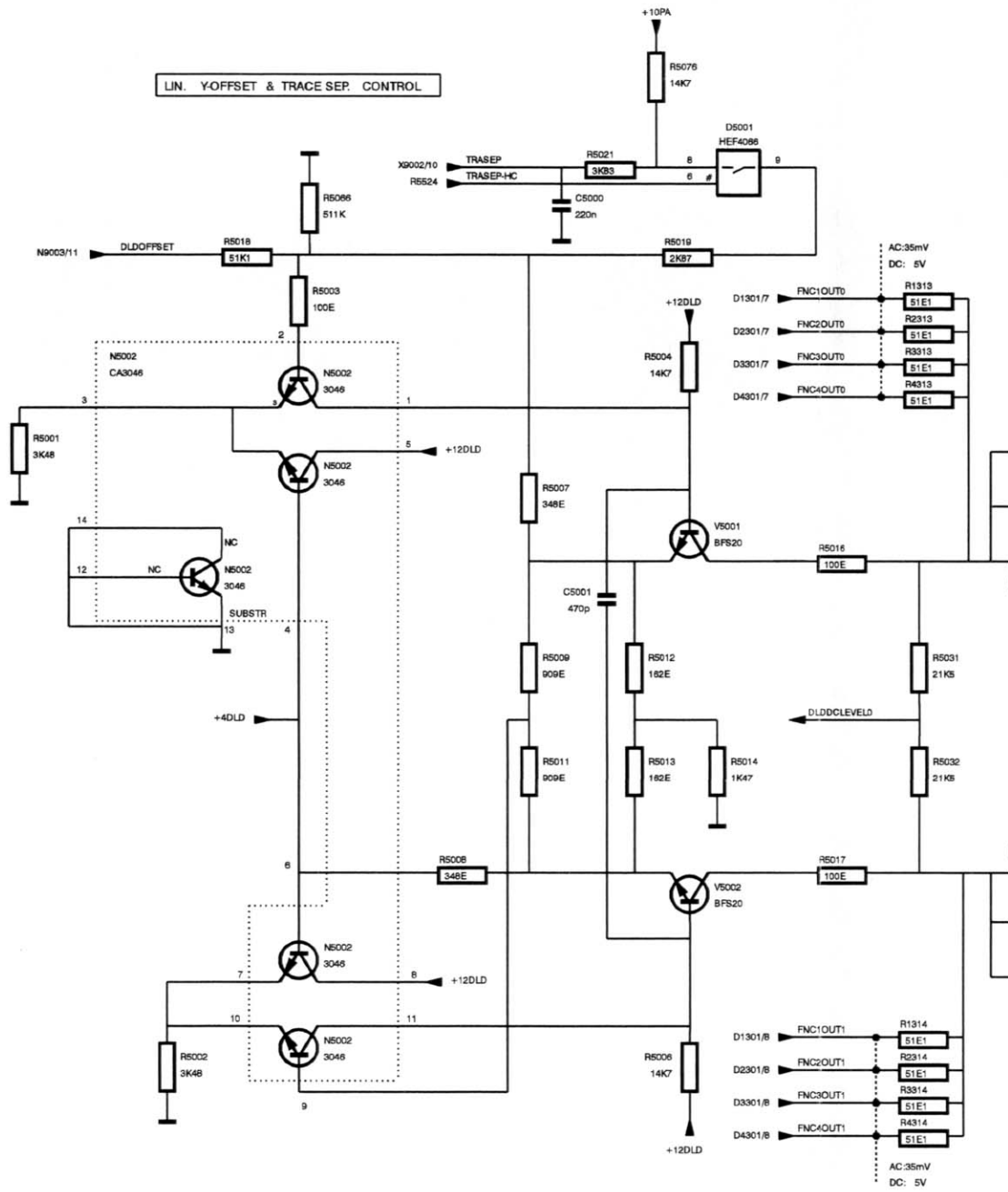


Diagram 8 - Y-functions

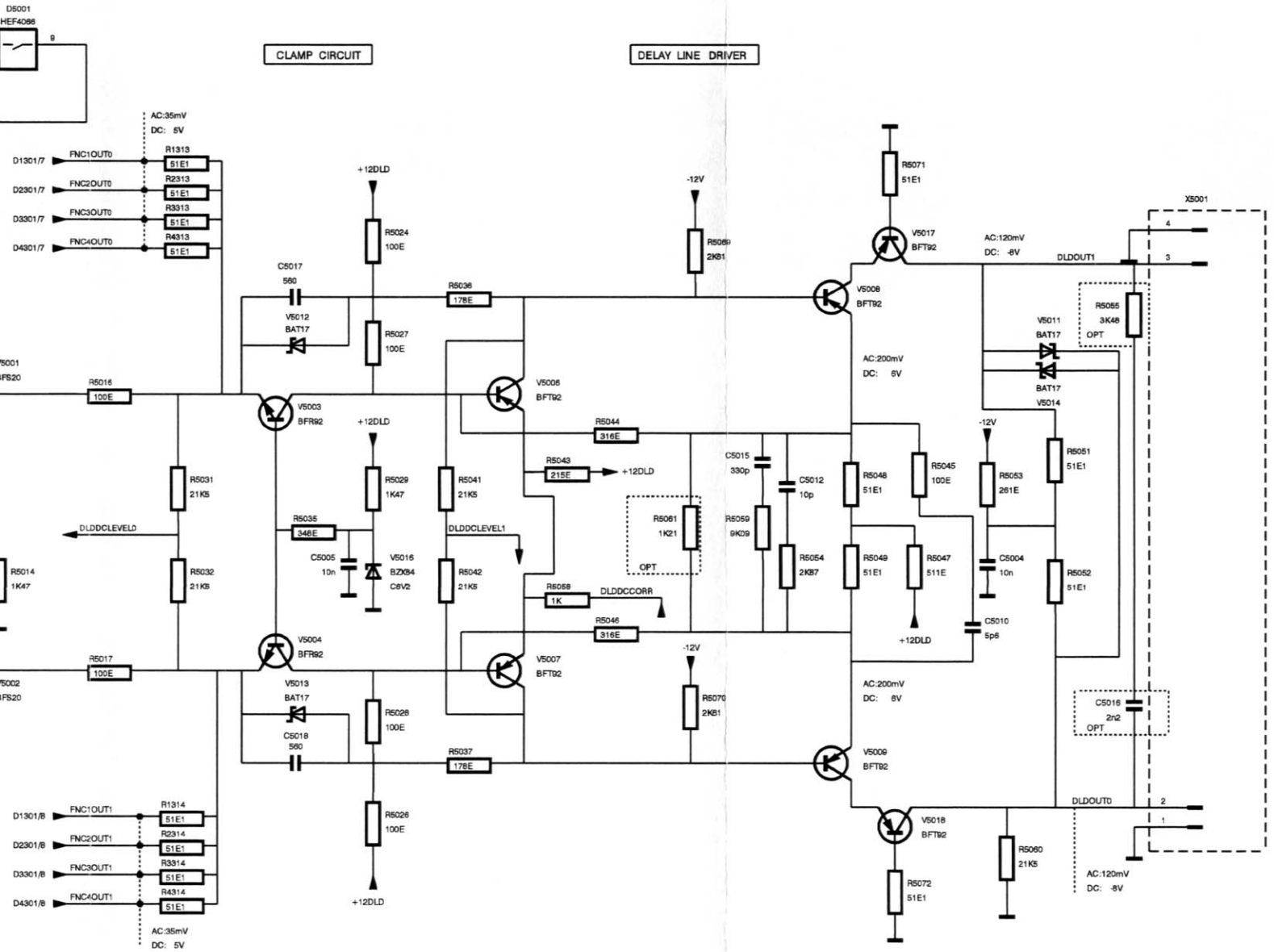


REF NR	TYPE	+12DLD	⏏
D5001	HEF4096	14	7
N5001	LM358	8	4
N5002	CA3046	8	4

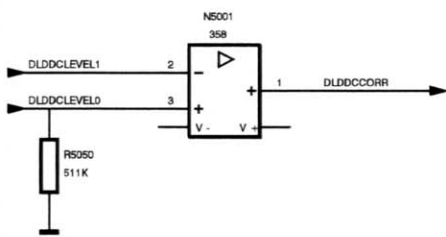
Diagram 9 - Delay line driver (PM3094/PM3092)







CORRECTION VOLTAGE



REF NR	TYPE	+12DLD	⏏
D6001	HEF4068	14	7
NS001	LM358	8	4
NS002	CA3046		

SUPPLY VOLTAGE

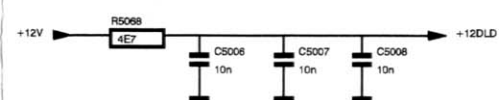
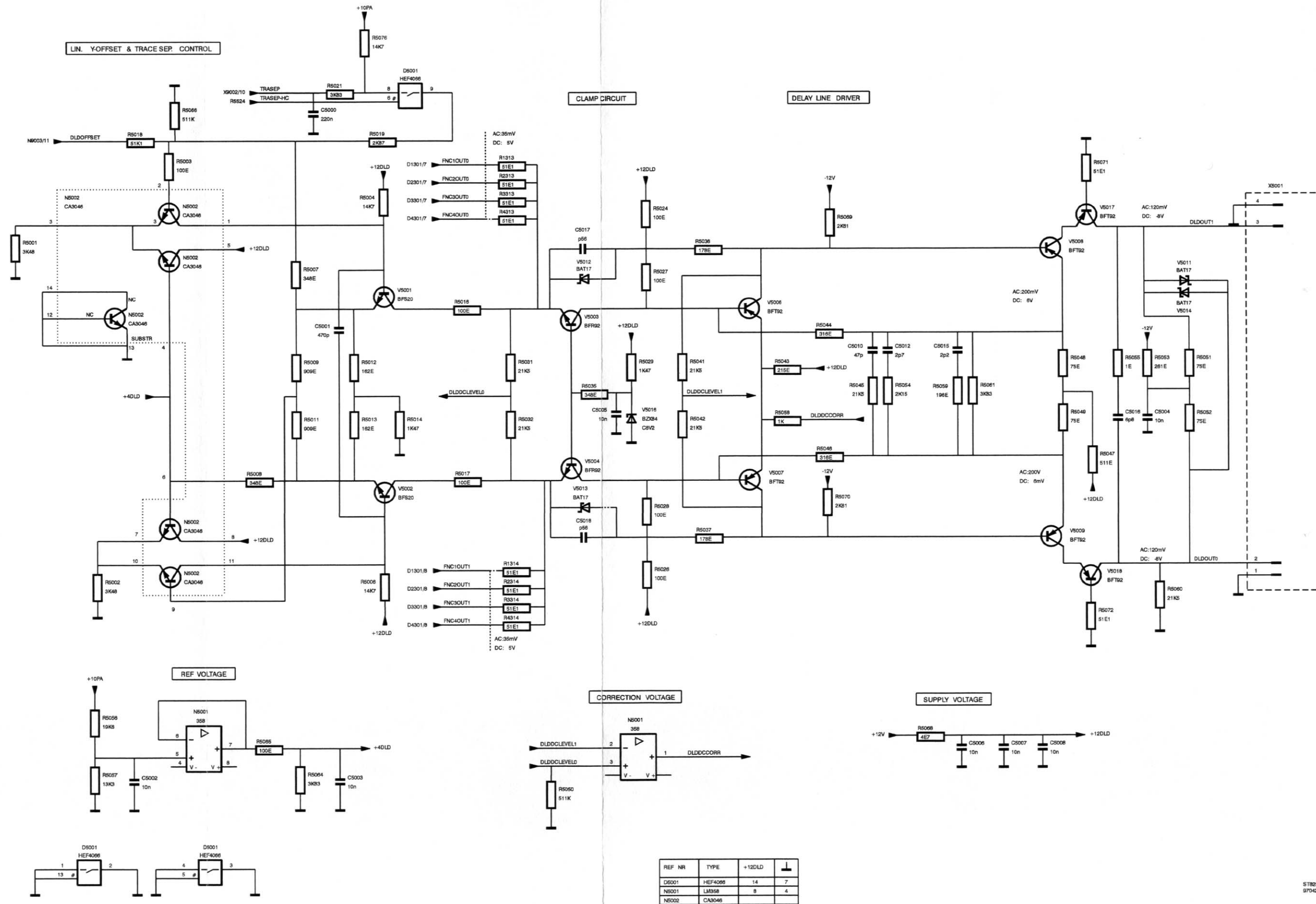


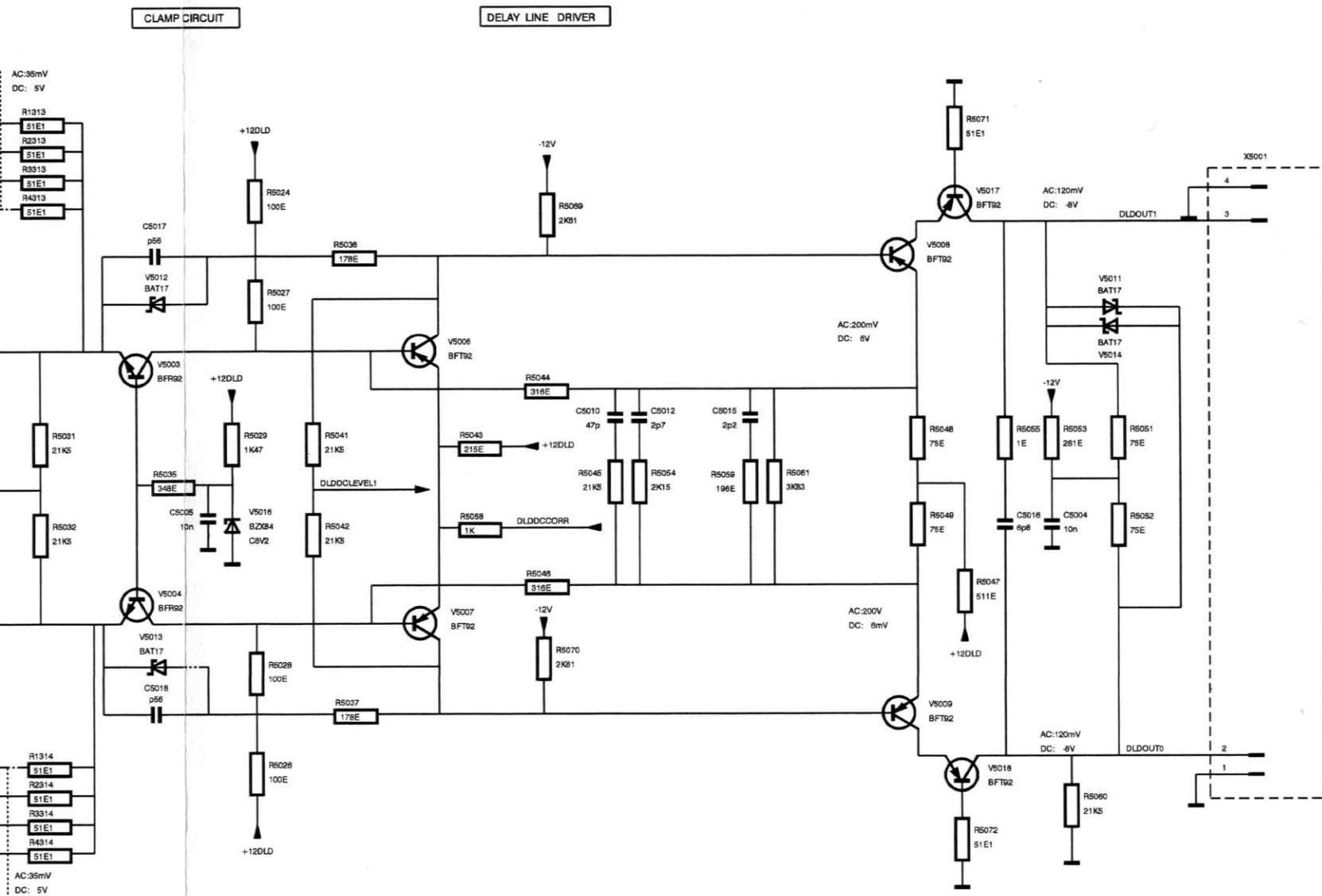
Diagram 9 - Delay line driver (PM3094/PM3092)



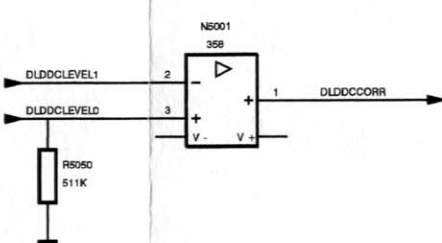
REF NR	TYPE	+12DLD	⏏
D5001	HEF4066	14	7
N5001	LM358	8	4
N5002	CA3046		

Diagram 9a - Delay line driver (PM3084/PM3082)

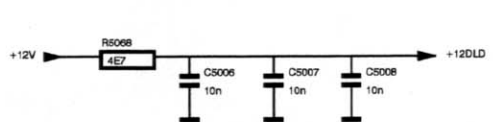




CORRECTION VOLTAGE



SUPPLY VOLTAGE



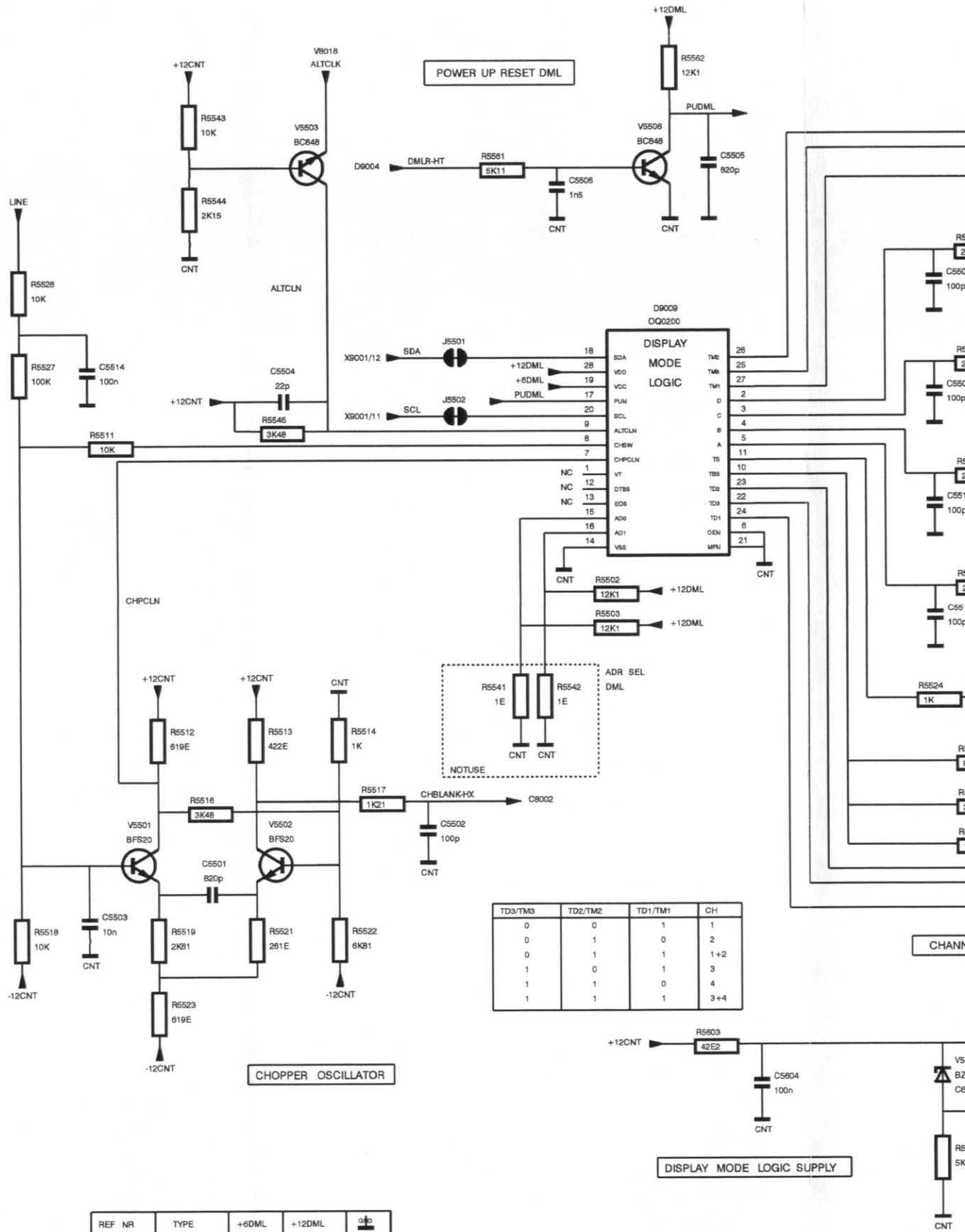
REF NR	TYPE	+12DLD	⏏
D5001	HEF4068	14	7
N5001	LM358	8	4
N5002	CA3046		

Diagram 9a - Delay line driver (PM3084/PM3082)

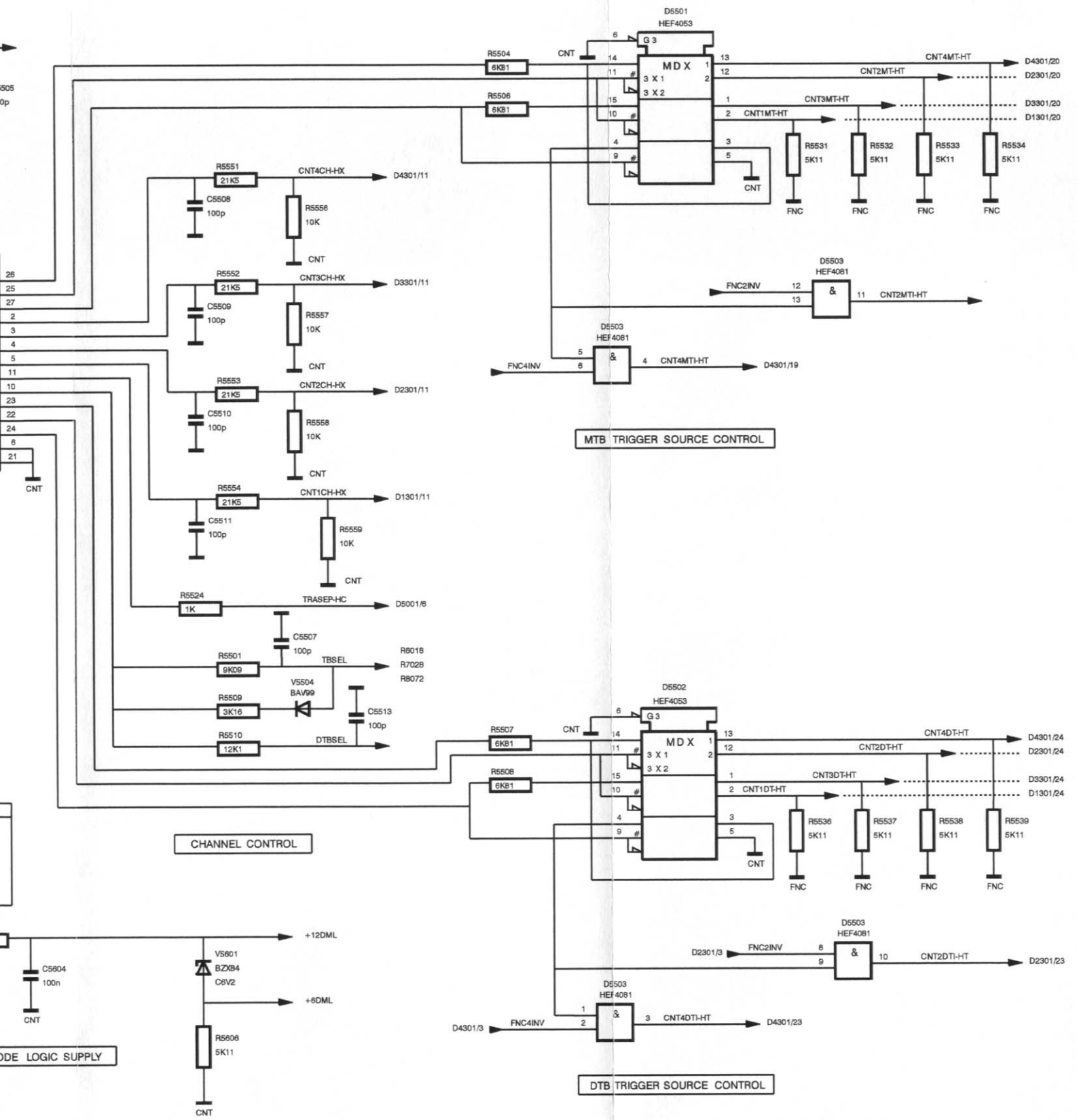




UNIT DESCRIPTIONS



REF NR	TYPE	+6DML	+12DML	$\frac{0}{1}$
D5501	HEF4053		16	7,8
D5502	HEF4053		16	7,8
D5503	HEF4081	14		7
D9009	OQ0200			



26  
25  
27  
2  
3  
4  
5  
11  
10  
23  
22  
24  
8  
21

ODE LOGIC SUPPLY

Diagram 10 - Display and trigger control

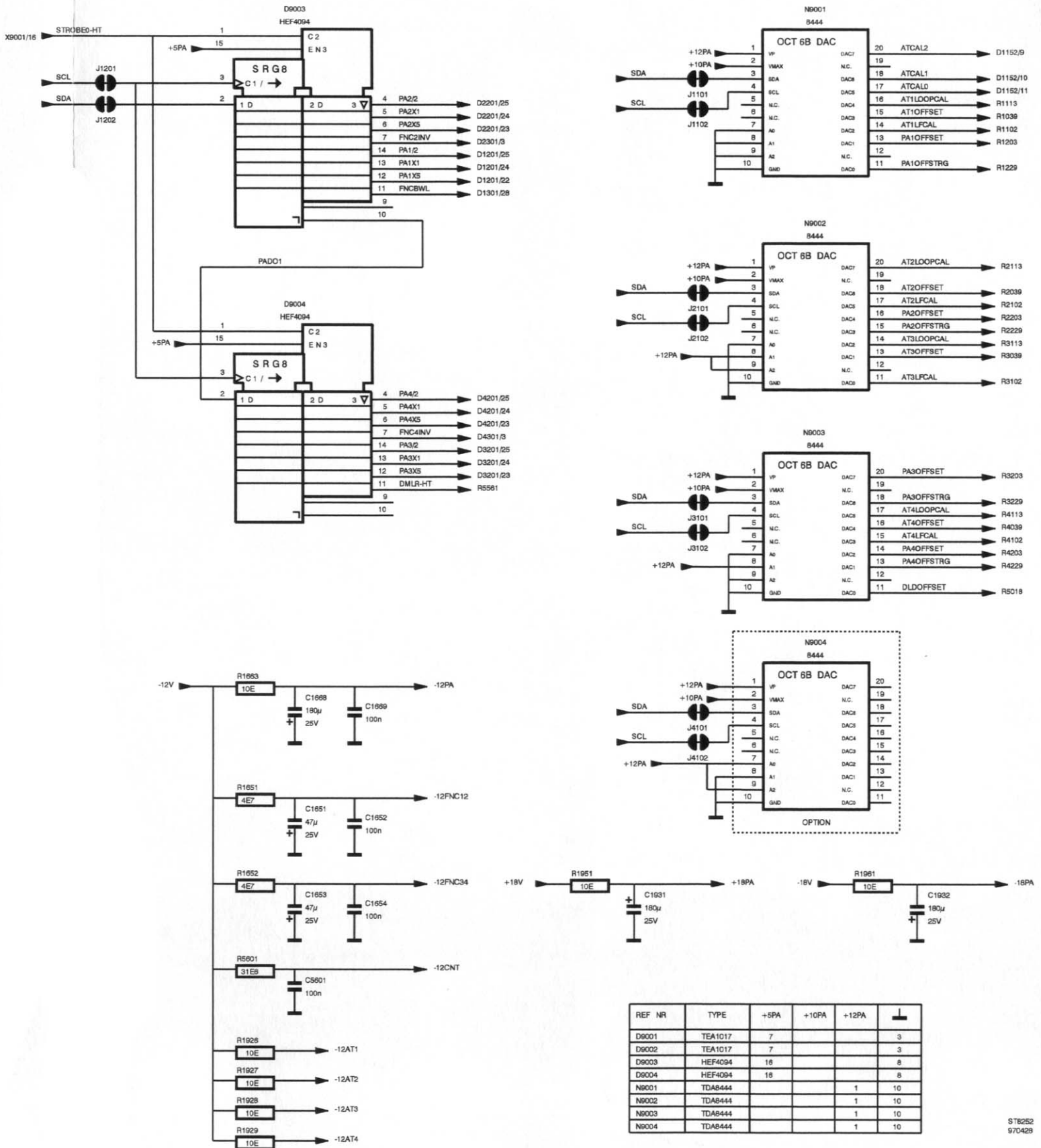
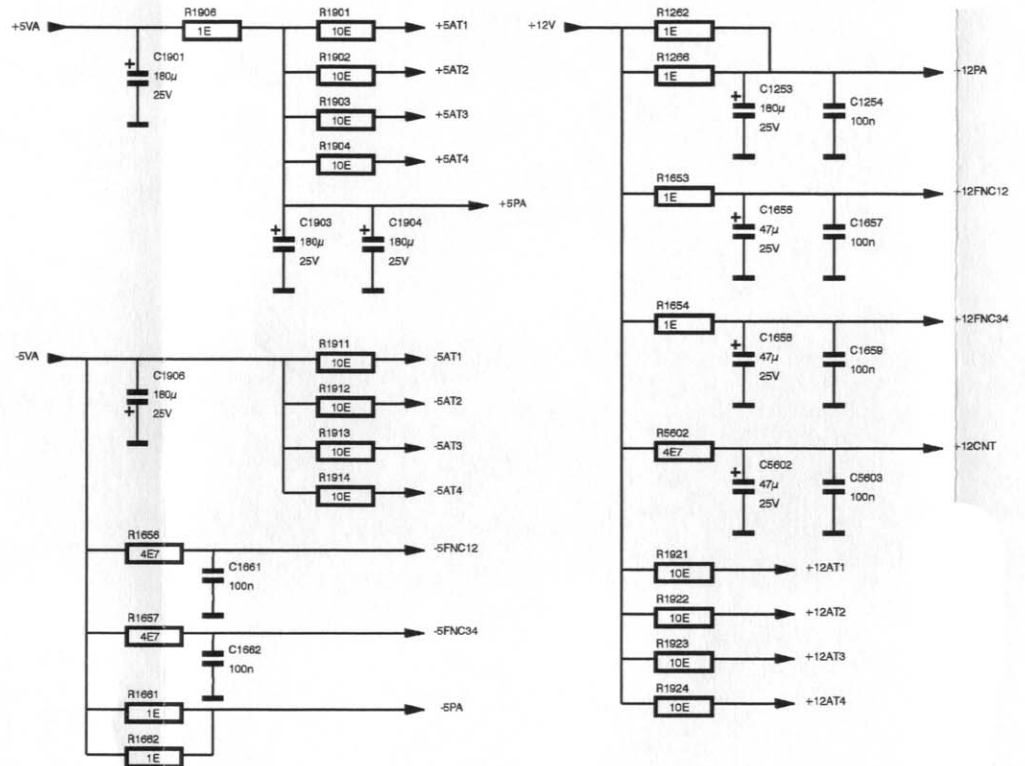
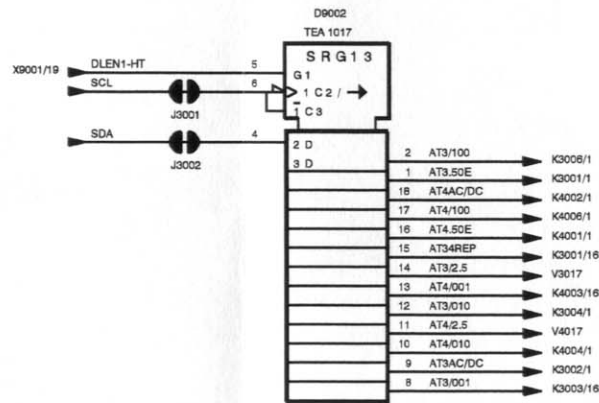
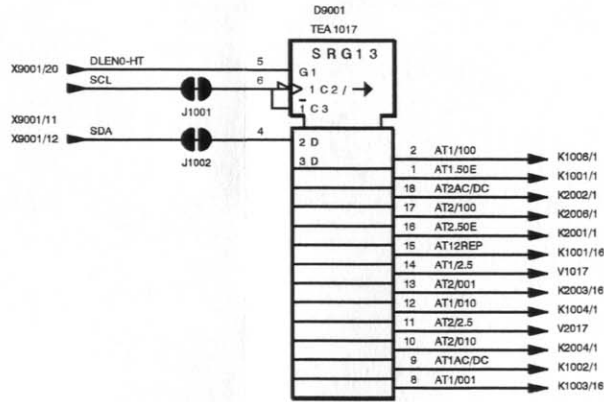
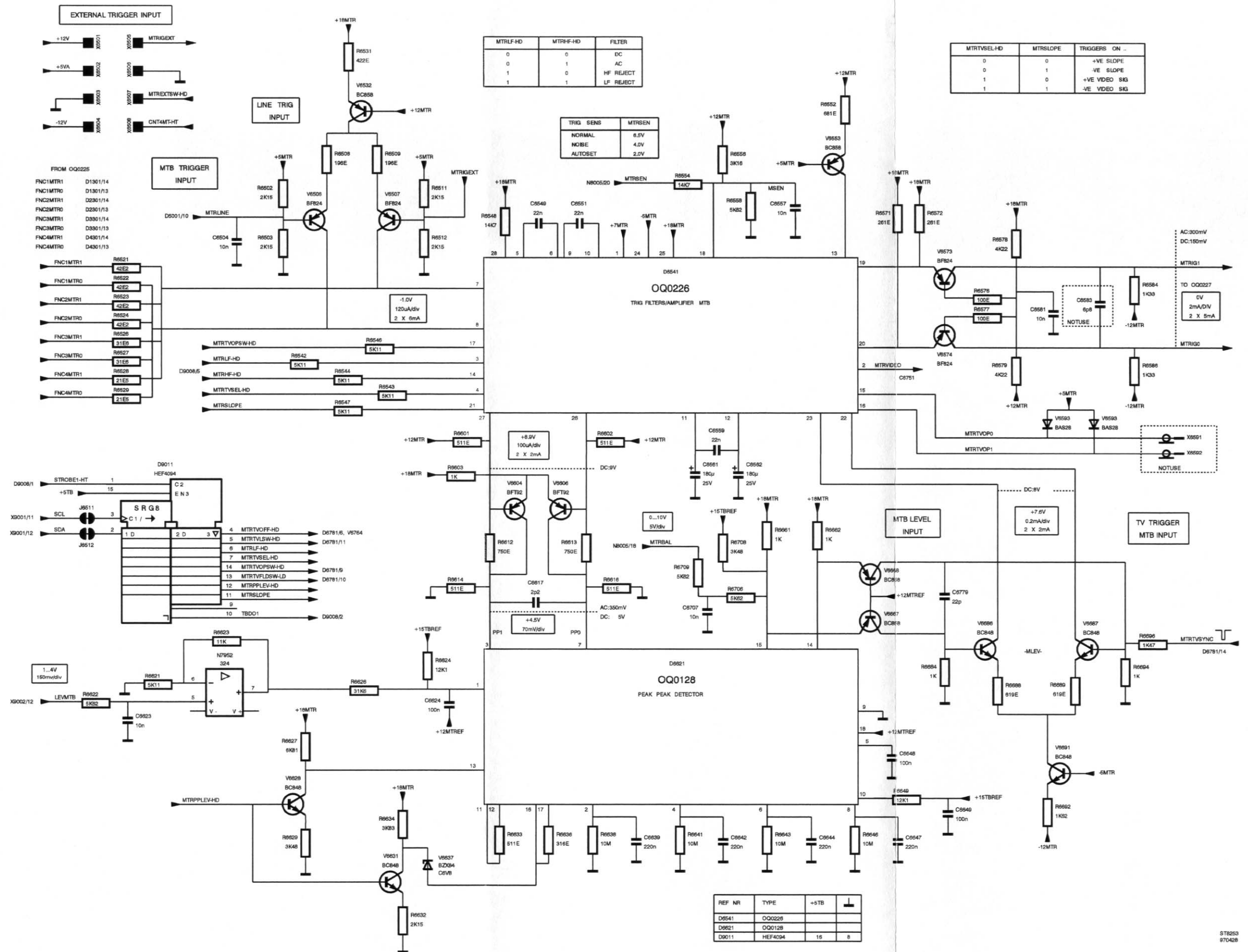


Diagram 11 - Control circuits





MTRF-HD	MTRF-HD	FILTER
0	0	DC
1	1	AC
1	0	HF REJECT
1	1	LF REJECT

TRIG SENS	MTRSEN
NORMAL	0.5V
NOISE	4.0V
AUTOSET	2.0V

MTRVSEL-HD	MTRSDIPE	TRIGGERS ON
0	0	+VE SLOPE
0	1	-VE SLOPE
1	0	+VE VIDEO SIG
1	1	-VE VIDEO SIG

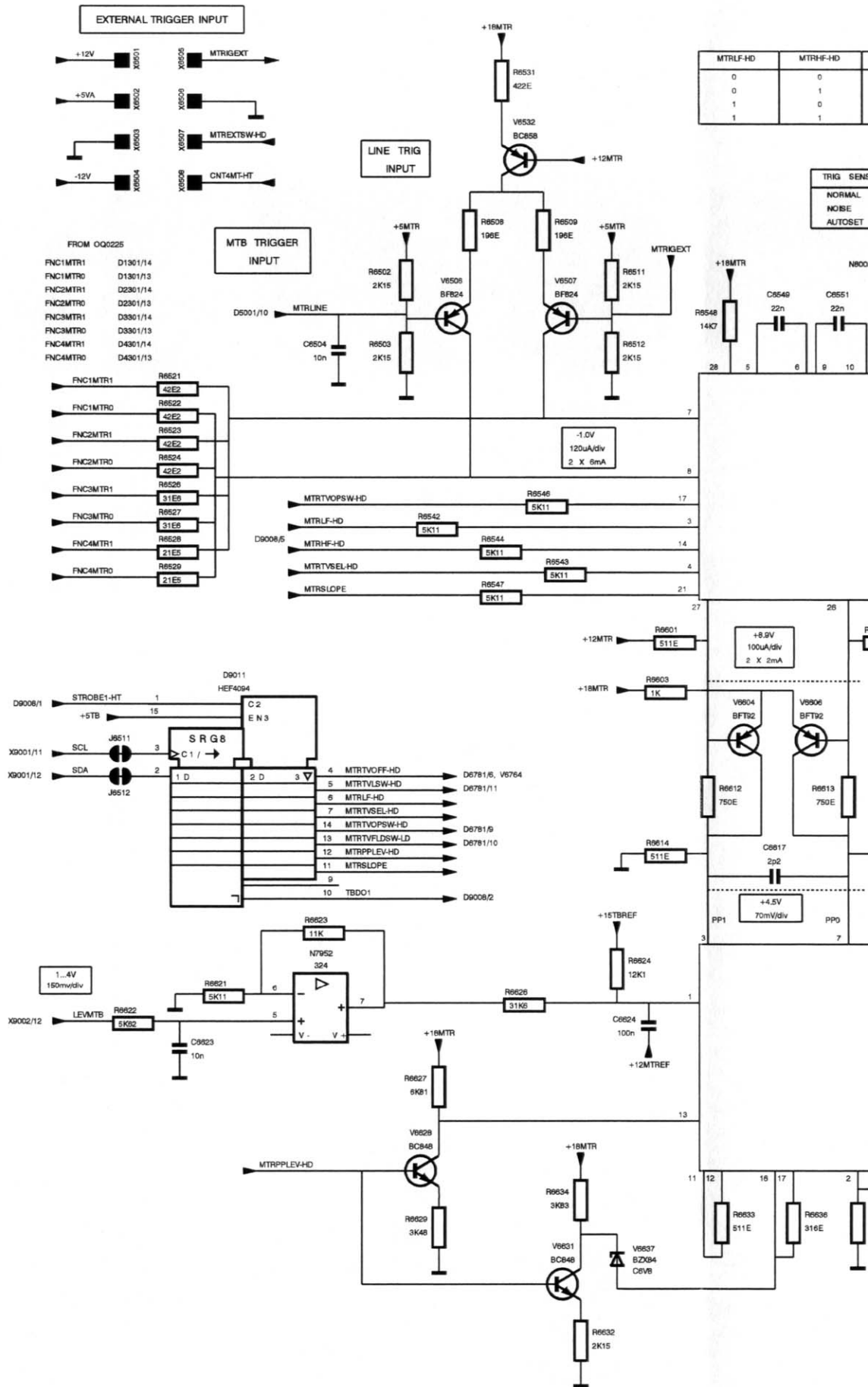
REF NR	TYPE	+5TB	⏏
D6541	OQ0226		
D6621	OQ0128		
D6011	HEF4094	16	8

S78253  
970428

Diagram 12 - MTB trigger



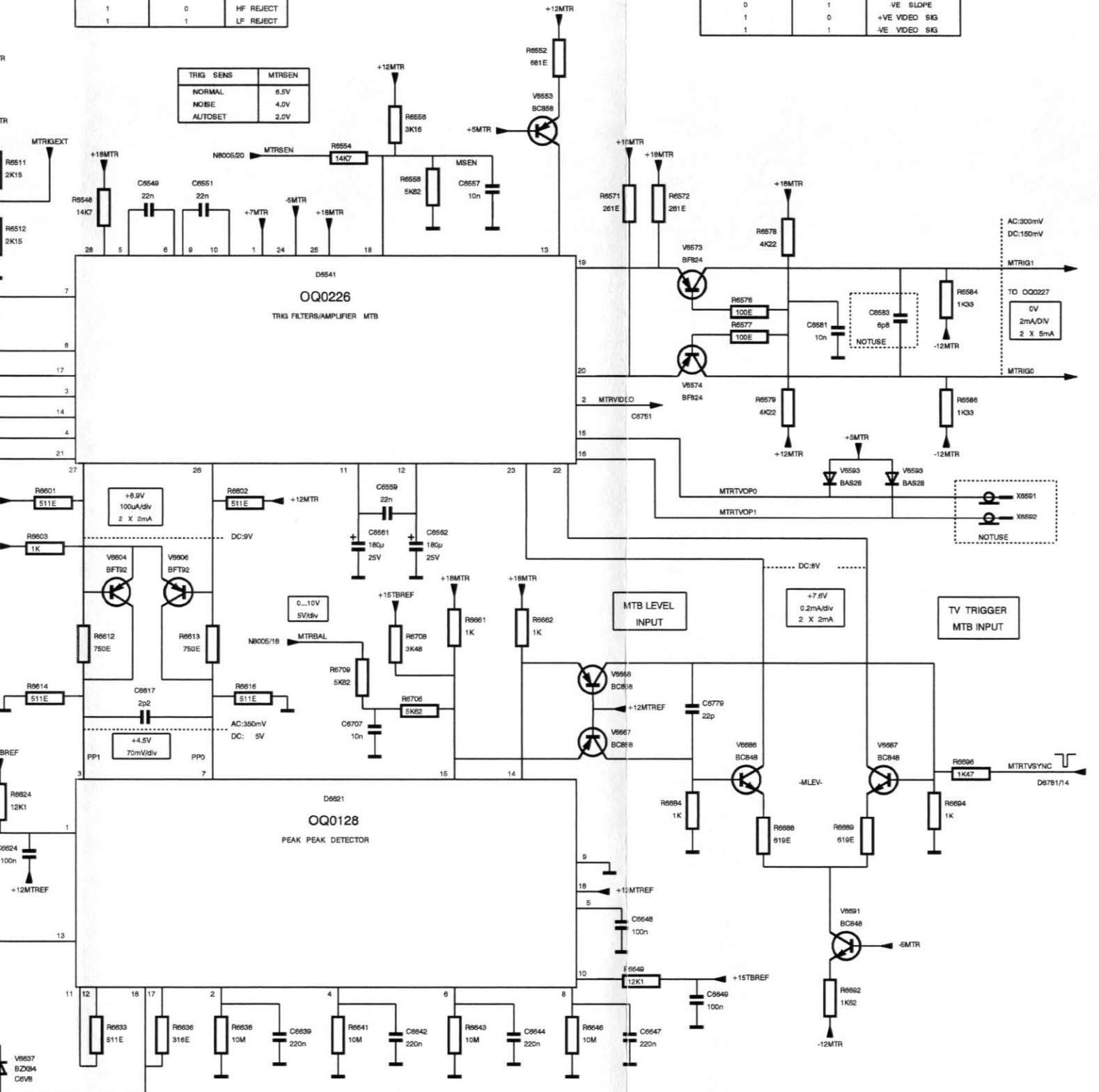
# UNIT DESCRIPTIONS



MTRLF-HD	MTRHF-HD	FILTER
0	0	DC
0	1	AC
1	0	HF REJECT
1	1	LF REJECT

MTRTVSEL-HD	MTRSLOPE	TRIGGERS ON ..
0	0	+VE SLOPE
0	1	-VE SLOPE
1	0	+VE VIDEO SIG
1	1	-VE VIDEO SIG

TRIG SENS	MTRSEN
NORMAL	6.5V
NOISE	4.0V
AUTOSSET	2.0V



REF NR	TYPE	+5TB	↓
D6541	OQ0226		
D6621	OQ0128		
D6011	HEF4094	16	8

S78253  
970428

Diagram 12 - MTB trigger

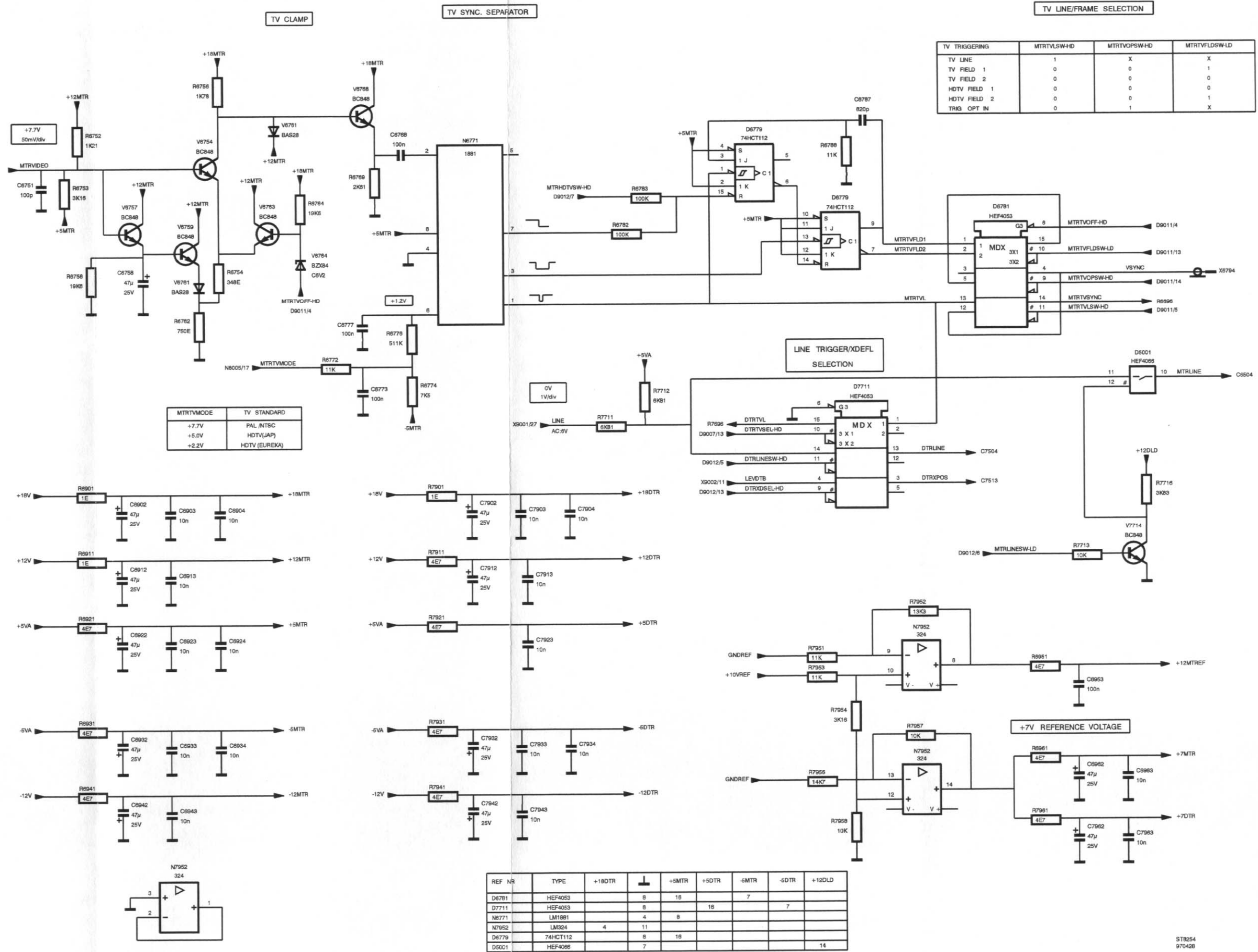
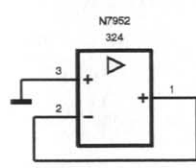
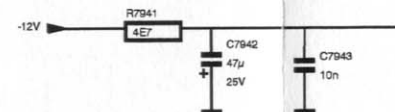
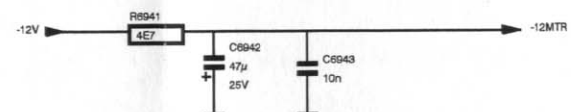
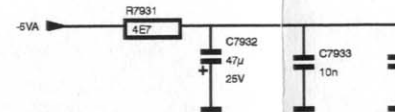
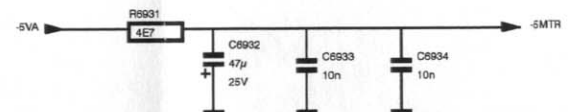
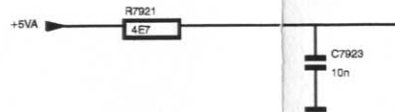
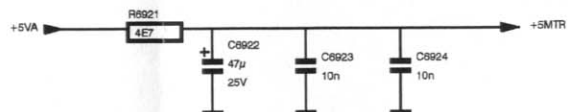
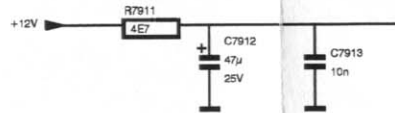
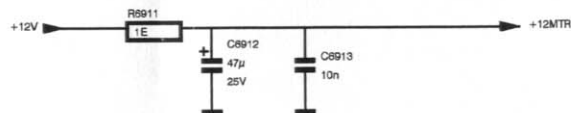
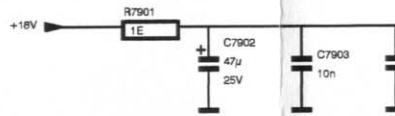
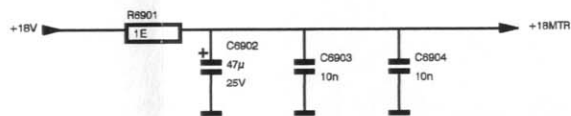
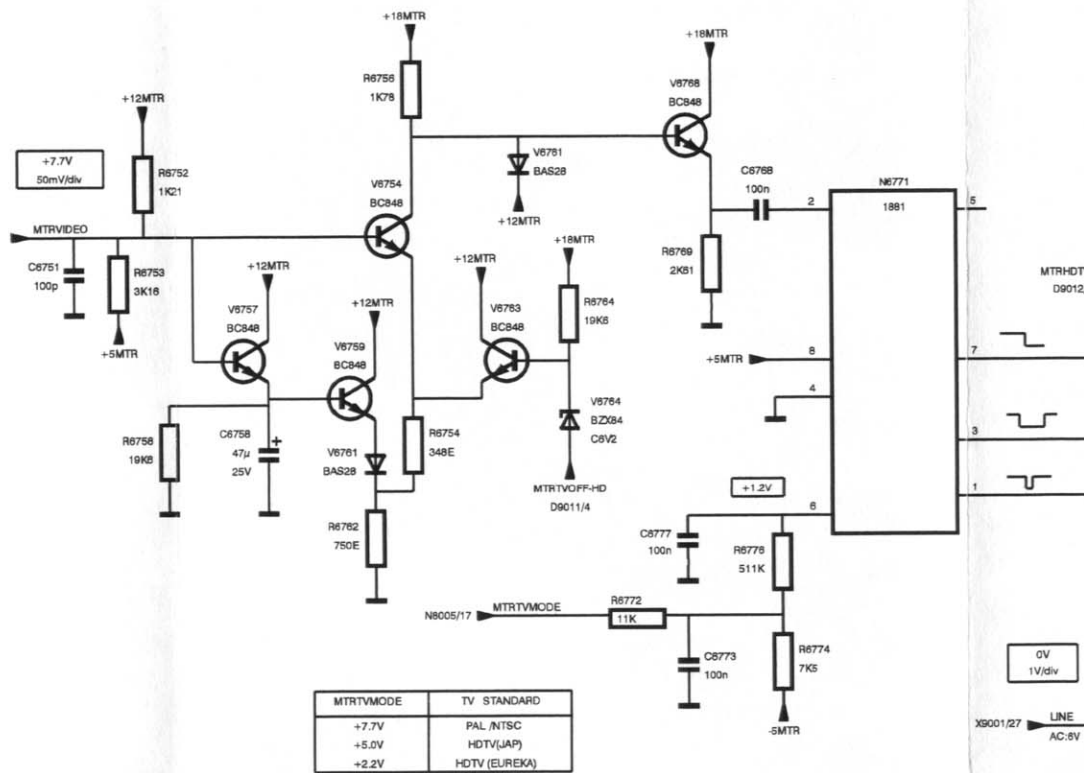


Diagram 13 - TV/line trigger

TV CLAMP

TV SYNC. SEPARATOR

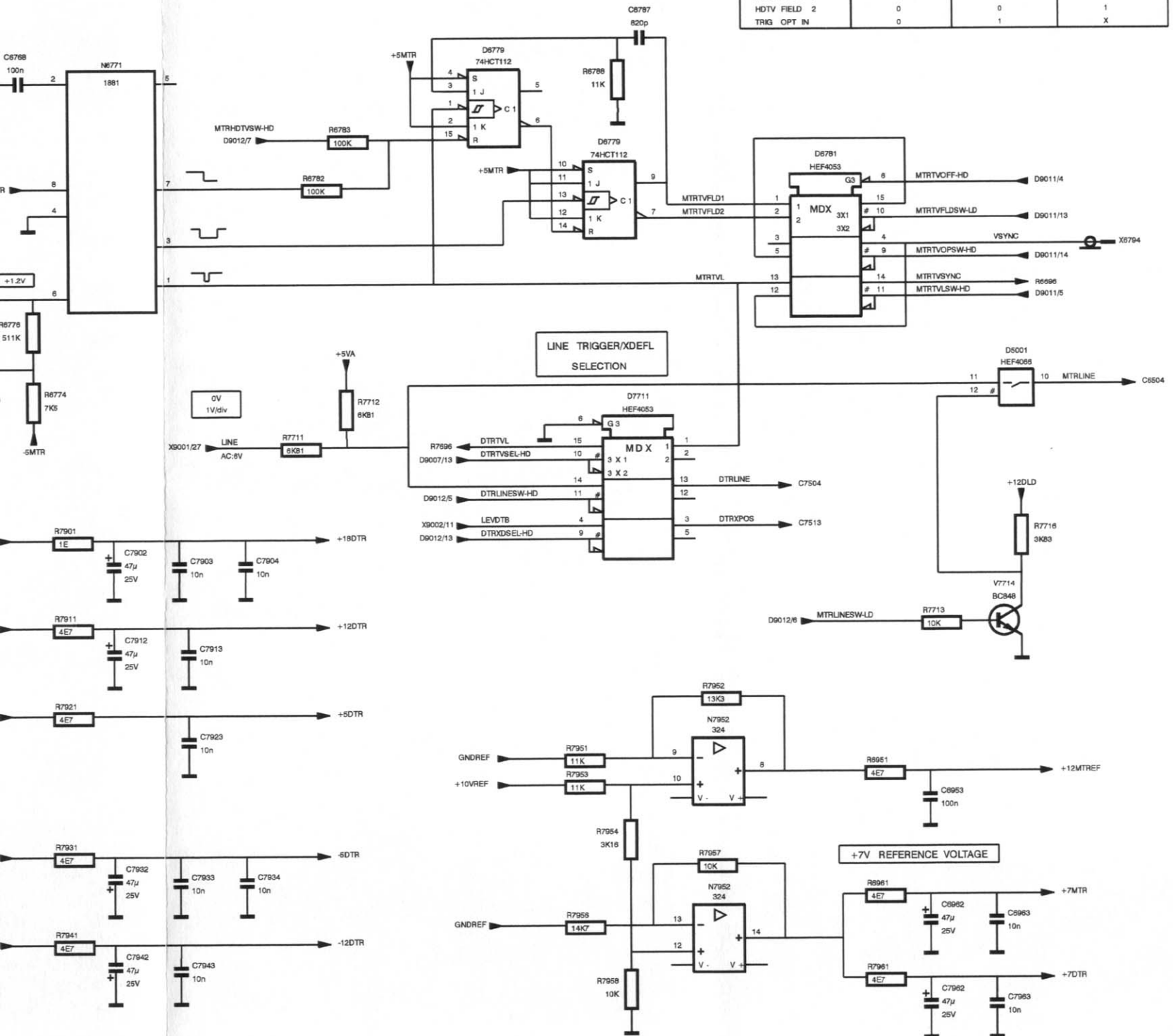


REF NR	TYPE
D6781	HEF4053
D7711	HEF4053
N6771	LM1881
N7952	LM324
D8779	74HCT112
D5001	HEF4086

TV SYNC. SEPARATOR

TV LINE/FRAME SELECTION

TV TRIGGERING	MTRTVLSW-HD	MTRTVOPSW-HD	MTRTVFLDSW-LD
TV LINE	1	X	X
TV FIELD 1	0	0	1
TV FIELD 2	0	0	0
HDTV FIELD 1	0	0	0
HDTV FIELD 2	0	0	1
TRIG OPT IN	0	1	X



REF NR	TYPE	+18DTR	+5MTR	+5DTR	-5MTR	-5DTR	+12DLD
D6781	HEF4053		8	16	7	7	
D7711	HEF4053		8	16	7	7	
N6771	LM1881		4	8			
N7952	LM324	4	11				
D6779	74HCT112		8	16			
D5001	HEF4068						14

Diagram 13 - TV/line trigger



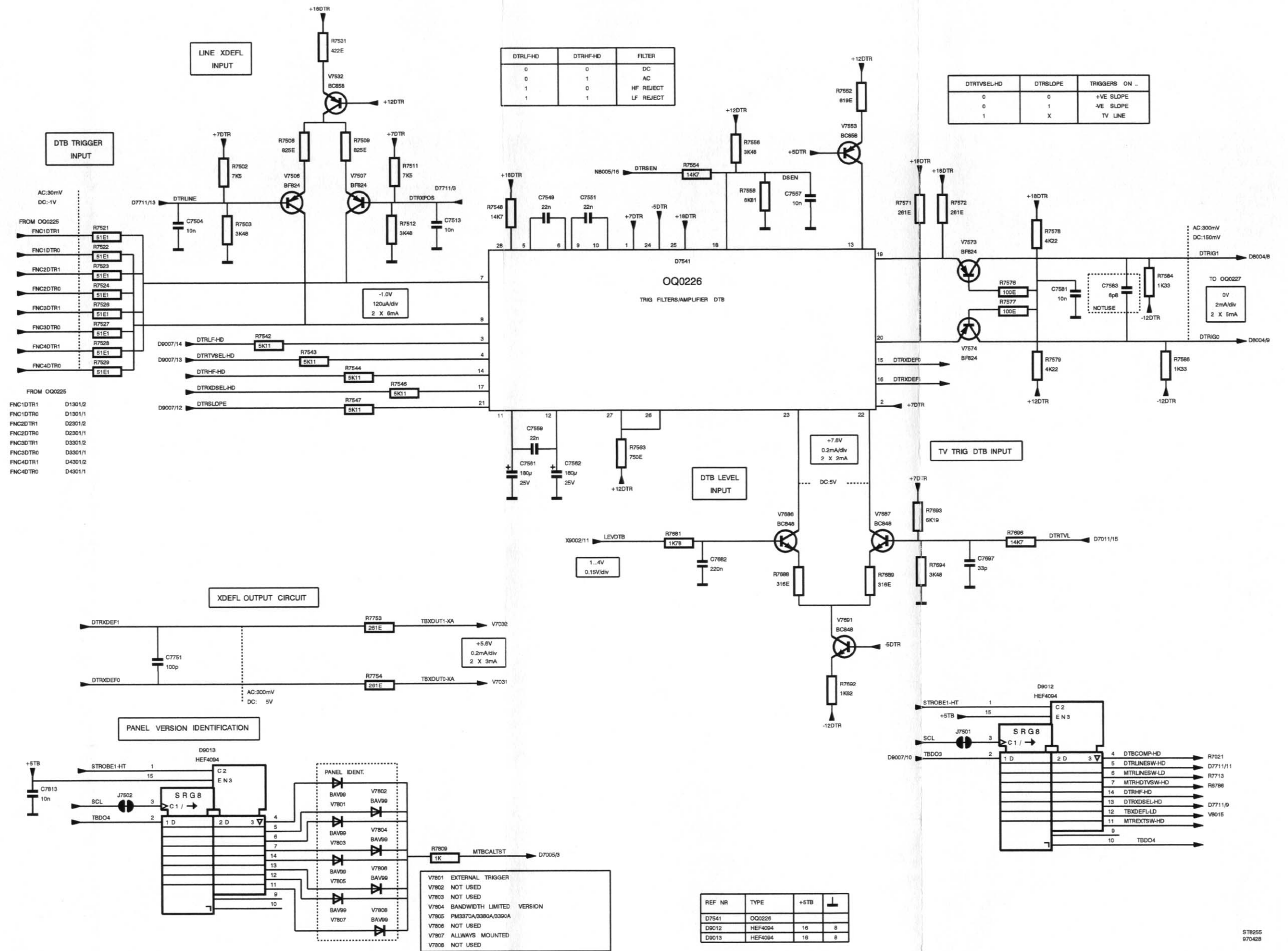
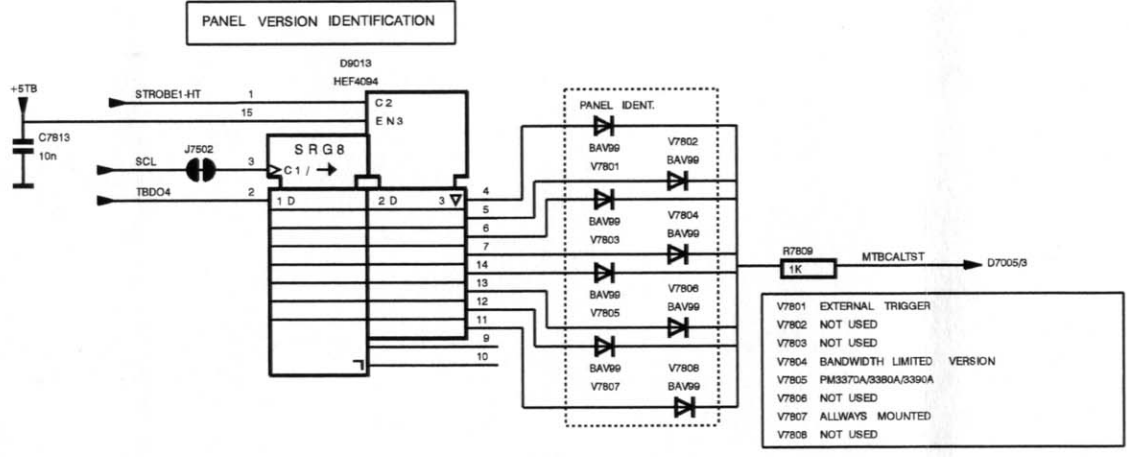
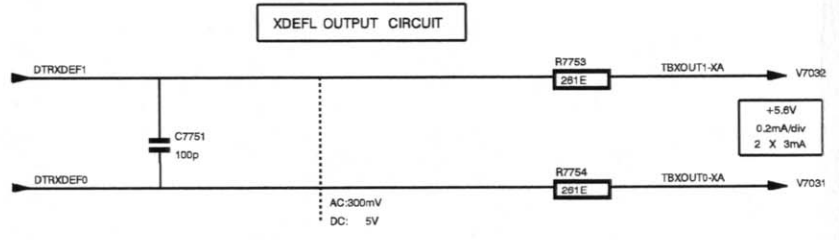
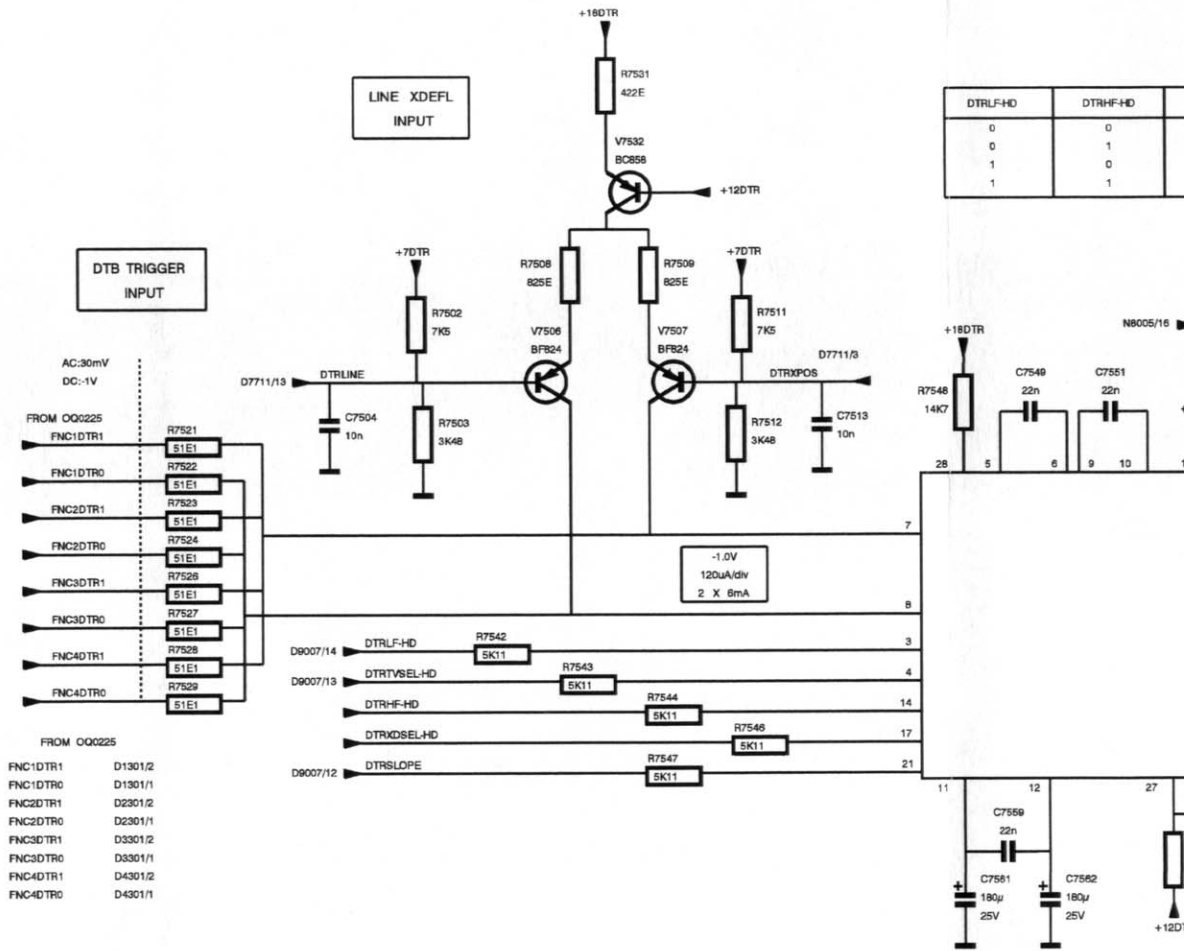


Diagram 14 - DTB trigger





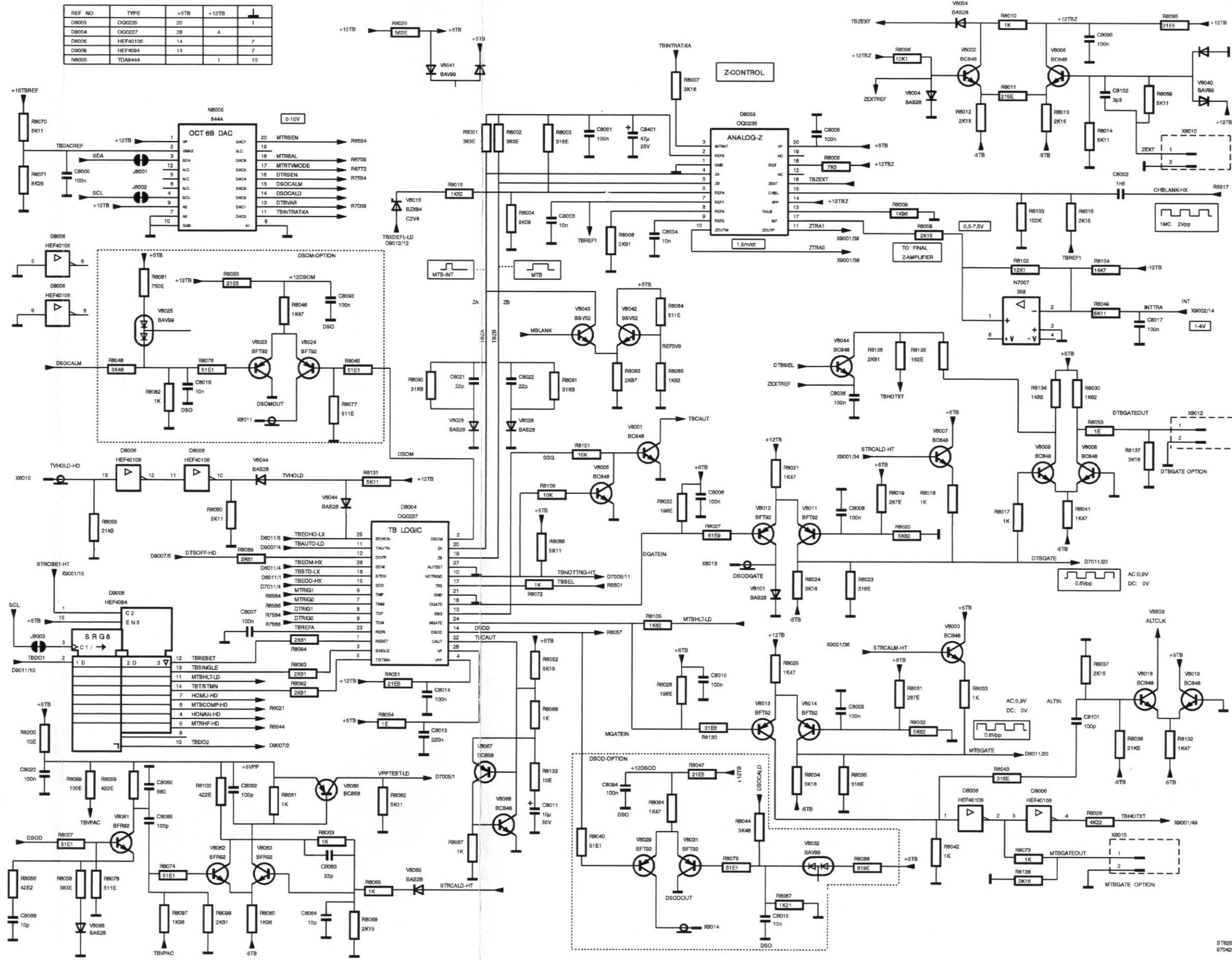
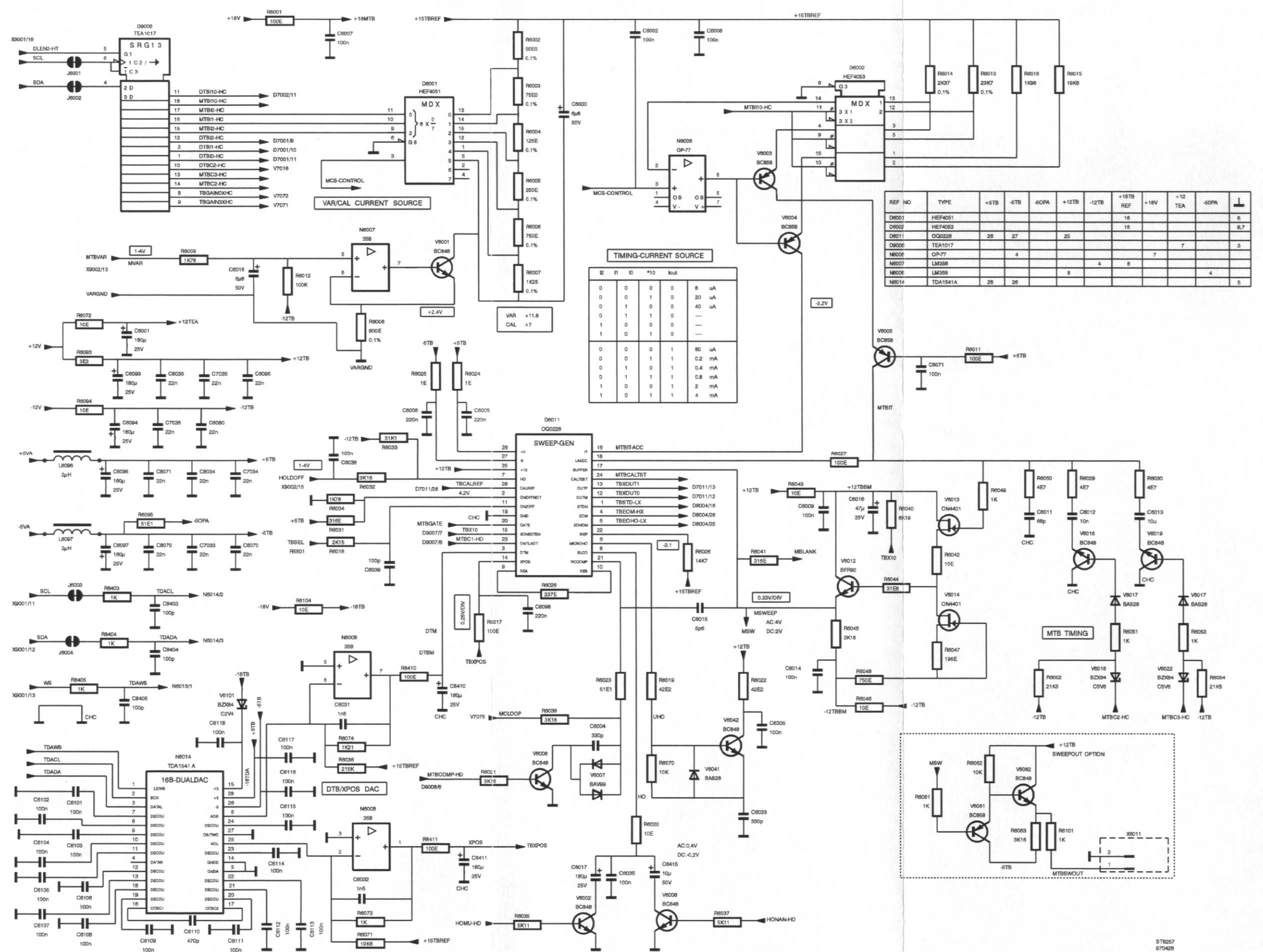


Diagram 15 - Time base logic









REF NO	TYPE	+5TB	-5TB	-5OPA	+12TB	-12TB	+15TB REF	+16V	+12 TEA	-5OPA	⊥
D9001	HEF4051						16				8
D9002	HEF4053						16				8,7
D9011	OQ0228	26	27		25						3
D9009	TEA1017								7		
N9006	OP-77		4								
N9007	LM358				8	4	8				
N9008	LM358										4
N9014	TDA1541A	26	26								5

Iz	I1	I0	*I0	Iout
0	0	0	0	8 uA
0	0	1	0	20 uA
0	1	0	0	40 uA
0	1	1	0	—
1	0	0	0	—
1	0	1	0	—
0	0	0	1	80 uA
0	0	1	1	0.2 mA
0	1	0	1	0.4 mA
0	1	1	1	0.8 mA
1	0	0	1	2 mA
1	0	1	1	4 mA

Diagram 16 - Main time base



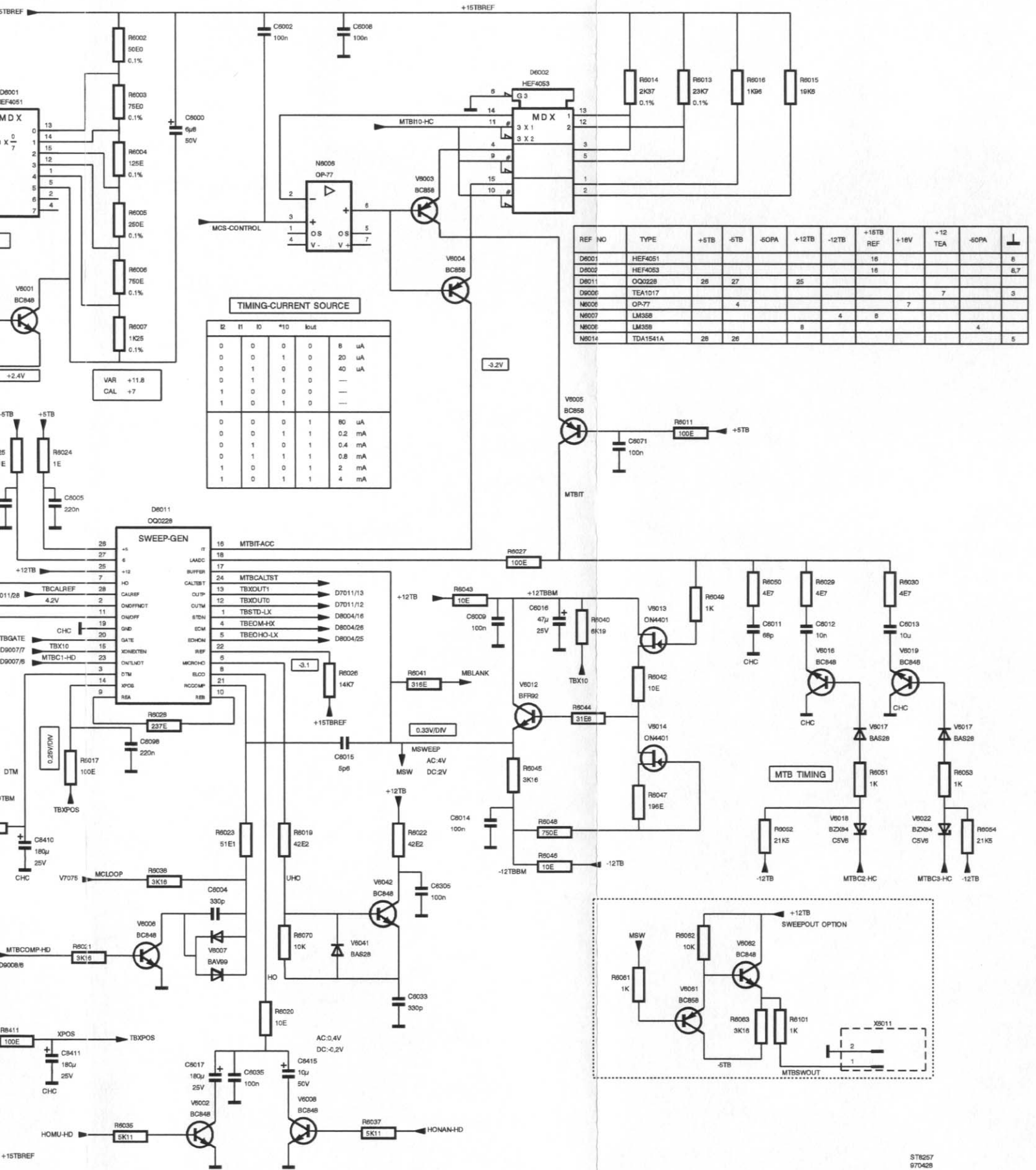


Diagram 16 - Main time base

ST8257  
970428

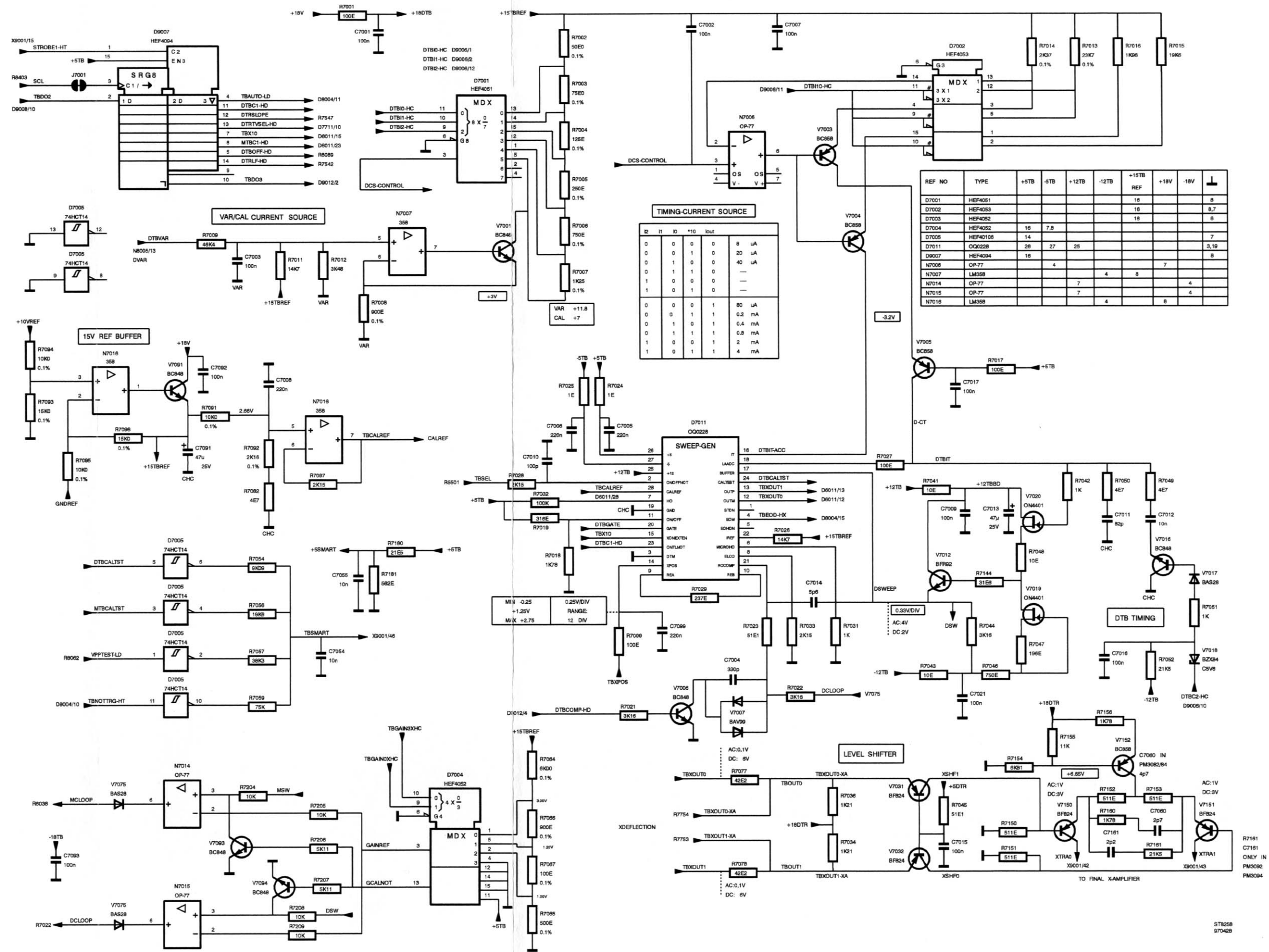
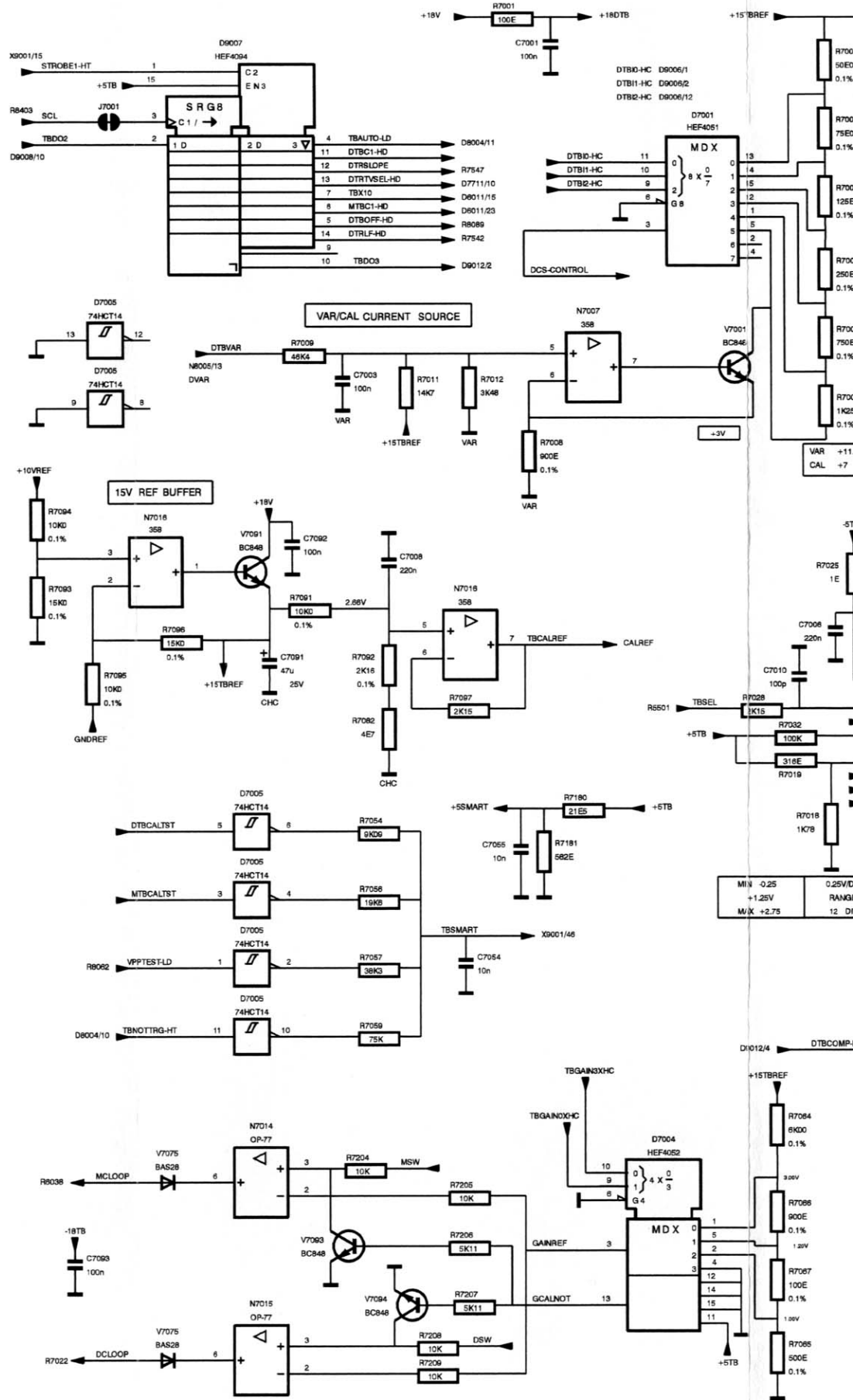


Diagram 17 - Delayed time base



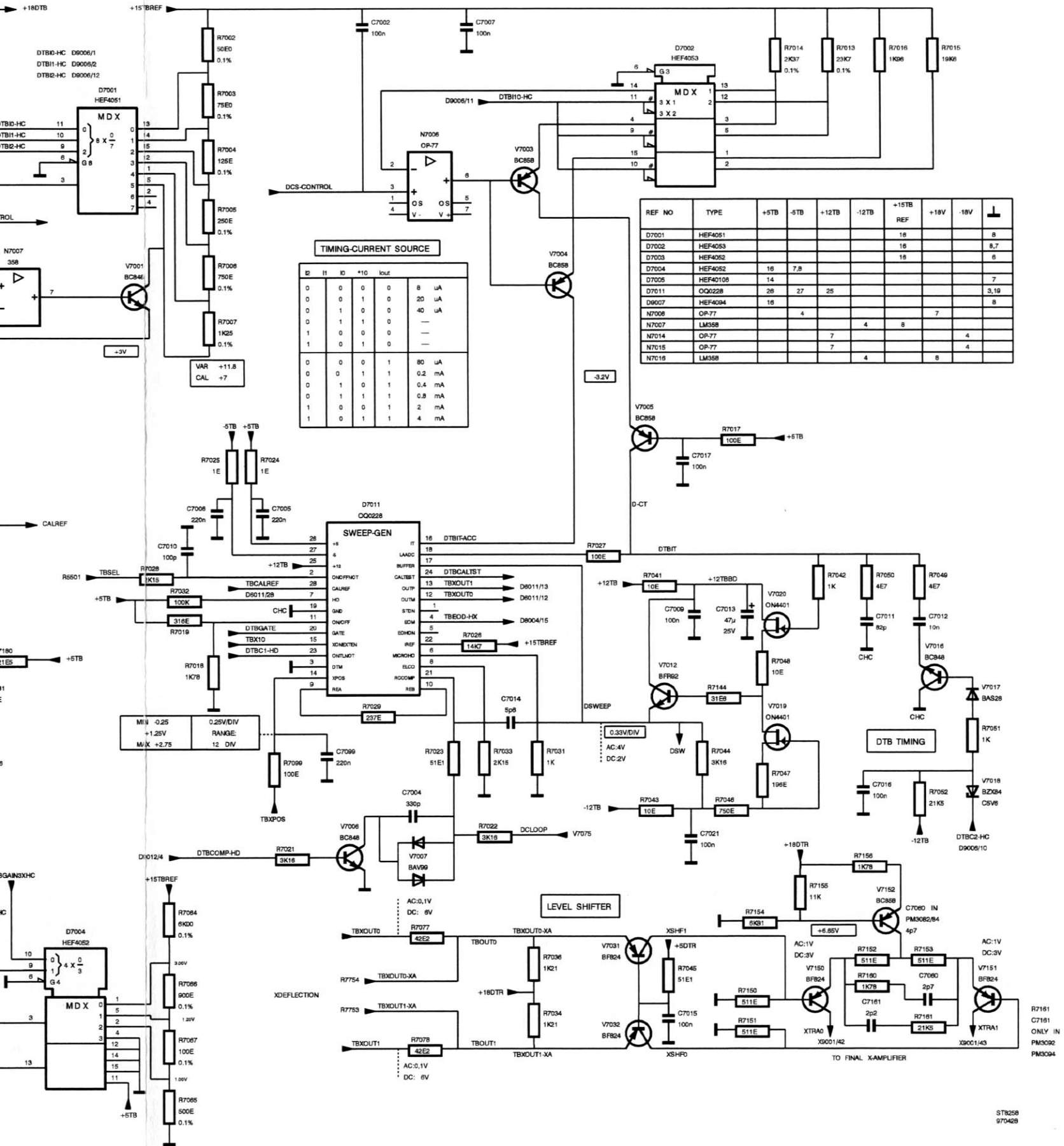


Diagram 17 - Delayed time base



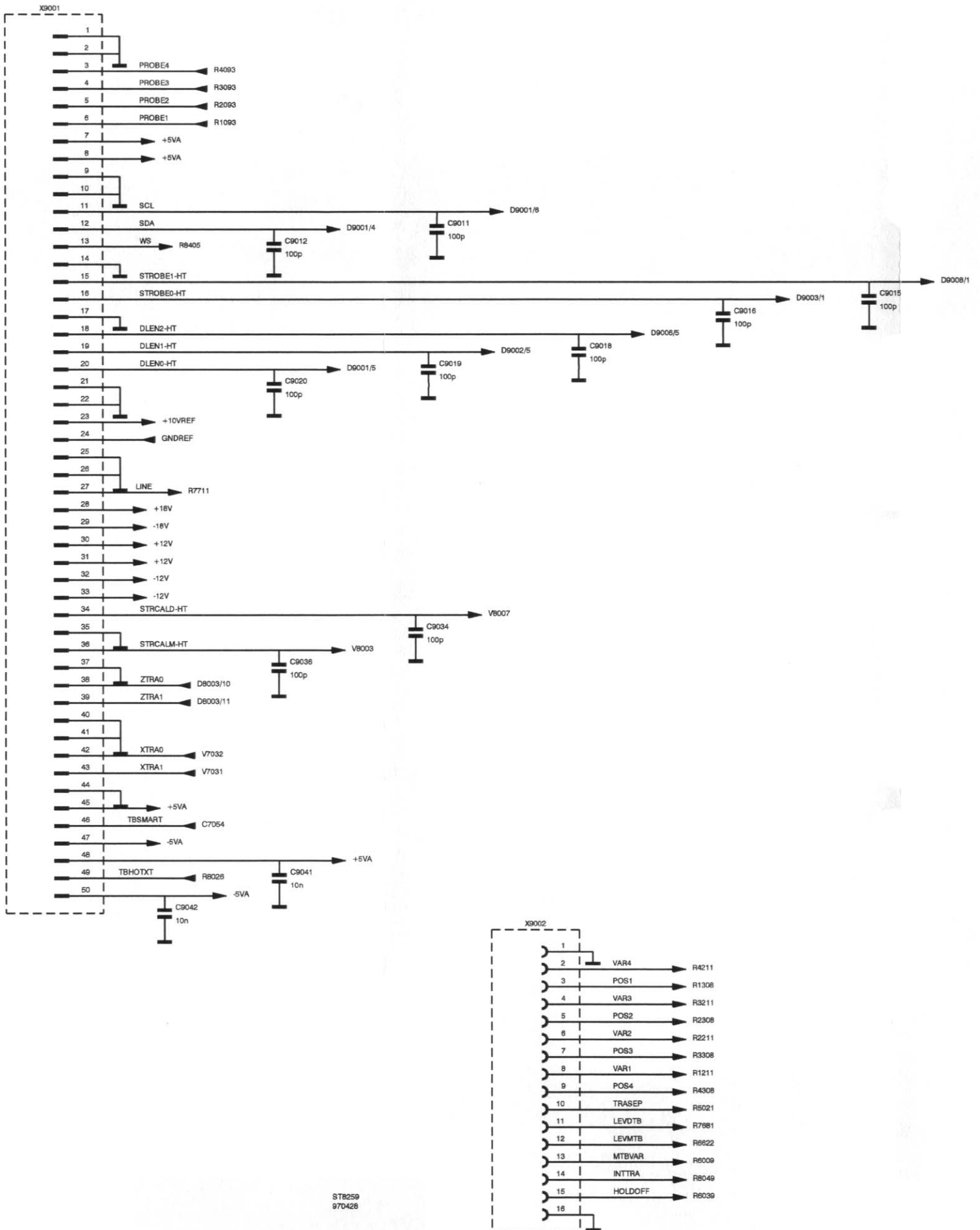


Diagram 18 - Connectors

Item	Description		Ordering code
<b>5.1.6 Parts list</b>			
<b>MECHANICAL</b>			
A1	BOARD,PRINTED	SIGNAL UNIT 94	5322 214 90724
A1	BOARD,PRINTED	SIGNAL UNIT 92	5322 214 91027
A1	BOARD,PRINTED	SIGNAL UNIT 82	5322 214 90896
A1	BOARD,PRINTED	SIGNAL UNIT 84	5322 214 90898
0002	SPECIAL NVT	FOR BNC	5322 506 41006
0003	RING	BNC SPACER	5322 532 21188
0004	HOLDER	BNC HOLDER	5322 256 91792
0005	PLATE	SCREENING PARTITION	5322 466 83049
0006	PIN	CALIBRATION PIN	5322 535 93244
0007	BRACKET	SOLDERING BRACKET	5322 401 11419
0008	SPRING	INDICATION SPRING	5322 492 70939
0010	SHIELD	SCREENING CAP 2	5322 466 30404
0011	SHIELD	SCREENING CAP 1	5322 466 30405
0012	SCREENING	SCREENING PLATE	5322 466 83051
0014	CAP	BNC ISOLATOR	5322 462 41847
0017	CAP,PROTECT.	SCREENING CAP C	5322 447 70131
<b>CAPACITORS</b>			
C1000	CAP.CERAMIC	500V 0.25PF 3.3PF	4822 122 31188
C1001	CAP.FOIL	AP 400V 10% 22NF	5322 121 70399
C1002	CAP.CHIP	AP 63V 10% 100NF	4822 122 33496
C1003	CAP.CERAMIC	500V 0.25PF 3.3PF	4822 122 31188
C1004	CAP.CERAMIC	500V 0.25PF 3.3PF	4822 122 31188
C1006	CAP.CERAMIC	500V 0.25PF 3.3PF	4822 122 31188
C1007	CAP.CERAMIC	500V 0.25PF 3.3PF	4822 122 31188
C1008	CAP.CHIP	AP 63V 0.25PF 3.3PF	5322 122 32286
C1011	CAP.CHIP	AP 63V 5% 33PF	5322 122 32659
C1012	CAP.CHIP	AP 63V 5% 27PF	5322 122 31946
C1014	CAP.CHIP	AP 63V 0.5PF 5.6PF	5322 122 32967
C1018	CAP.CHIP	AP 63V 10% 10NF	5322 122 34098
C1019	CAP.CHIP	AP 63V 10% 10NF	5322 122 34098
C1020	CAP.CERAMIC	500V 0.25PF 2.2PF	5322 122 32774
C1021	CAP.CERAMIC	500V 10% 1NF	4822 122 31175
C1022	CAP.CHIP	AP 63V 0.5PF 6.8PF	5322 122 32269
C1023	CAP.CHIP	AP 63V 5% 470PF	5322 122 32268
C1025	CAP.CHIP	AP 63V 10% 100NF	4822 122 33496
C1027	CAP.CHIP	AP 63V 10% 10NF	5322 122 34098
C1031	CAP.CHIP	AP 63V 10% 10NF	5322 122 34098
C1041	CAP.CHIP	AP 63V 10% 100NF	4822 122 33496
C1042	CAP.CHIP	AP 63V 10% 10NF	5322 122 34098
C1044	CAP.CHIP	AP 63V 10% 10NF	5322 122 34098
C1045	CAP.ELECTROLYT.	25V 20% 47UF	5322 121 10472
C1046	CAP.CHIP	AP 63V 10% 10NF	5322 122 34098
C1047	CAP.CHIP	AP 63V 10% 10NF	5322 122 34098
C1048	CAP.CHIP	AP 63V 10% 10NF	5322 122 34098

Item	Description		Ordering code
C1051	CAP.CHIP	AP 63V 10% 10NF	5322 122 34098
C1054	CAP.CHIP	AP 63V 10% 10NF	5322 122 34098
C1055	CAP.CHIP	AP 63V 0.25PF 2P7	5322 122 31873
C1056	CAP.CERAMIC	AP 63V 5% 10PF	5322 122 32448
C1057	CAP.CHIP	AP 63V 0.25PF 2.2PF	5322 122 33063
C1058	CAP.CHIP	AP 63V 0.25PF 2.2PF	5322 122 33063
C1059	CAP.CHIP	AP 63V 5% 100PF	5322 122 32531
C1060	CAP.CHIP	AP 63V 5% 100PF	5322 122 32531
C1061	CAP.CHIP	AP 63V 10% 10NF	5322 122 34098
C1062	CAP.CHIP	AP 63V 10% 10NF	5322 122 34098
C1063	CAP.CHIP	AP 63V 10% 10NF	5322 122 34098
C1064	CAP.CHIP	AP 63V 10% 10NF	5322 122 34098
C1066	CAP.CHIP	AP 63V 10% 10NF	5322 122 34098
C1067	CAP.CHIP	AP 63V 10% 10NF	5322 122 34098
C1068	CAP.CHIP	AP 63V 10% 10NF	5322 122 34098
C1069	CAP.CHIP	AP 63V 10% 10NF	5322 122 34098
C1071	CAP.CHIP	AP 63V 10% 10NF	5322 122 34098
C1072	CAP.CHIP	AP 63V 10% 10NF	5322 122 34098
C1076	CAP.CHIP	AP 63V 10% 10NF	5322 122 34098
C1077	CAP.CHIP	AP 63V 10% 10NF	5322 122 34098
C1082	CAP.CHIP	AP 63V 10% 10NF	5322 122 34098
C1085	CAP.ELECTROLYT.	25V 20% 180UF	5322 124 42228
C1086	CAP.CHIP	AP 63V 10% 10NF	5322 122 34098
C1087	CAP.ELECTROLYT.	25V 20% 180UF	5322 124 42228
C1088	CAP.CHIP	AP 63V 10% 10NF	5322 122 34098
C1101	CAP.CHIP	AP 63V 10% 10NF	5322 122 34098
C1102	CAP.CHIP	AP 63V 10% 10NF	5322 122 34098
C1151	CAP.CHIP	AP 63V 10% 10NF	5322 122 34098
C1153	CAP.CHIP	AP 63V 10% 1.5NF	5322 122 31865
C1156	CAP.ELECTROLYT.	25V 20% 180UF	5322 124 42228
C1157	CAP.CHIP	AP 63V 10% 100NF	4822 122 33496
C1158	CAP.ELECTROLYT.	25V 20% 180UF	5322 124 42228
C1159	CAP.CHIP	AP 63V 10% 100NF	4822 122 33496
C1201	CAP.CHIP	AP 63V 10% 10NF	5322 122 34098
C1204	CAP.CHIP	AP 63V 10% 100NF	4822 122 33496
C1205	CAP.CHIP	AP 63V 5% 100PF	5322 122 32531
C1208	CAP.CHIP	AP 63V 10% 10NF	5322 122 34098
C1209	CAP.CHIP	AP 63V 10% 10NF	5322 122 34098
C1210	CAP.CERAMIC	AP 63V 5% 47PF	5322 122 32452
C1211	CAP.CHIP	AP 63V 10% 100NF	4822 122 33496
C1250	CAP.CHIP	AP 63V 10% 10NF	5322 122 34098
C1251	CAP.CHIP	AP 63V 10% 10NF	5322 122 34098
C1252	CAP.CHIP	AP 63V 10% 10NF	5322 122 34098
C1253	CAP.ELECTROLYT.	25V 20% 180UF	5322 124 42228
C1254	CAP.CHIP	AP 63V 10% 100NF	4822 122 33496
C1301	CAP.CERAMIC	AP 63V 5% 47PF	5322 122 32452
C1302	CAP.CHIP	AP 63V 10% 10NF	5322 122 34098
C1303	CAP.CHIP	AP 63V 10% 22NF	5322 122 32654
C1304	CAP.CERAMIC	AP 63V 5% 10PF	5322 122 32448
C1305	CAP.CERAMIC	AP 63V 0.25PF 1.8PF	5322 126 10343

Item	Description	Ordering code
C1611	CAP.CHIP	AP 63V 10% 100NF
C1651	CAP.ELECTROLYT.	25V 20% 47UF
C1652	CAP.CHIP	AP 63V 10% 100NF
C1653	CAP.ELECTROLYT.	25V 20% 47UF
C1654	CAP.CHIP	AP 63V 10% 100NF
C1656	CAP.ELECTROLYT.	25V 20% 47UF
C1657	CAP.CHIP	AP 63V 10% 100NF
C1658	CAP.ELECTROLYT.	25V 20% 47UF
C1659	CAP.CHIP	AP 63V 10% 100NF
C1661	CAP.CHIP	AP 63V 10% 100NF
C1662	CAP.CHIP	AP 63V 10% 100NF
C1668	CAP.ELECTROLYT.	25V 20% 180UF
C1669	CAP.CHIP	AP 63V 10% 100NF
C1901	CAP.ELECTROLYT.	25V 20% 180UF
C1903	CAP.ELECTROLYT.	25V 20% 180UF
C1904	CAP.ELECTROLYT.	25V 20% 180UF
C1906	CAP.ELECTROLYT.	25V 20% 180UF
C1931	CAP.ELECTROLYT.	25V 20% 180UF
C1932	CAP.ELECTROLYT.	25V 20% 180UF
C2000	CAP.CERAMIC	500V 0.25PF 3.3PF
C2001	CAP.FOIL	400V 10% 22NF
C2002	CAP.CHIP	AP 63V 10% 100NF
C2003	CAP.CERAMIC	500V 0.25PF 3.3PF
C2004	CAP.CERAMIC	500V 0.25PF 3.3PF
C2006	CAP.CERAMIC	500V 0.25PF 3.3PF
C2007	CAP.CERAMIC	500V 0.25PF 3.3PF
C2008	CAP.CHIP	AP 63V 0.25PF 3.3PF
C2011	CAP.CHIP	AP 63V 5% 33PF
C2012	CAP.CHIP	AP 63V 5% 27PF
C2014	CAP.CHIP	AP 63V 0.5PF 5.6PF
C2018	CAP.CHIP	AP 63V 10% 10NF
C2019	CAP.CHIP	AP 63V 10% 10NF
C2020	CAP.CERAMIC	500V 0.25PF 2.2PF
C2021	CAP.CERAMIC	500V 10% 1NF
C2022	CAP.CHIP	AP 63V 0.5PF 6.8PF
C2023	CAP.CHIP	AP 63V 5% 470PF
C2025	CAP.CHIP	AP 63V 10% 100NF
C2027	CAP.CHIP	AP 63V 10% 10NF
C2031	CAP.CHIP	AP 63V 10% 10NF
C2041	CAP.CHIP	AP 63V 10% 100NF
C2042	CAP.CHIP	AP 63V 10% 10NF
C2044	CAP.CHIP	AP 63V 10% 10NF
C2045	CAP.ELECTROLYT.	25V 20% 47UF
C2046	CAP.CHIP	AP 63V 10% 10NF
C2047	CAP.CHIP	AP 63V 10% 10NF
C2048	CAP.CHIP	AP 63V 10% 10NF
C2051	CAP.CHIP	AP 63V 10% 10NF
C2054	CAP.CHIP	AP 63V 10% 10NF
C2055	CAP.CHIP	AP 63V 0.25PF 2P7
C2056	CAP.CERAMIC	AP 63V 5% 10PF

Item	Description		Ordering code
C2057	CAP.CHIP	AP 63V 0.25PF 2.2PF	5322 122 33063
C2058	CAP.CHIP	AP 63V 0.25PF 2.2PF	5322 122 33063
C2059	CAP.CHIP	AP 63V 5% 100PF	5322 122 32531
C2060	CAP.CHIP	AP 63V 5% 100PF	5322 122 32531
C2061	CAP.CHIP	AP 63V 10% 10NF	5322 122 34098
C2062	CAP.CHIP	AP 63V 10% 10NF	5322 122 34098
C2063	CAP.CHIP	AP 63V 10% 10NF	5322 122 34098
C2064	CAP.CHIP	AP 63V 10% 10NF	5322 122 34098
C2066	CAP.CHIP	AP 63V 10% 10NF	5322 122 34098
C2067	CAP.CHIP	AP 63V 10% 10NF	5322 122 34098
C2068	CAP.CHIP	AP 63V 10% 10NF	5322 122 34098
C2069	CAP.CHIP	AP 63V 10% 10NF	5322 122 34098
C2071	CAP.CHIP	AP 63V 10% 10NF	5322 122 34098
C2072	CAP.CHIP	AP 63V 10% 10NF	5322 122 34098
C2076	CAP.CHIP	AP 63V 10% 10NF	5322 122 34098
C2077	CAP.CHIP	AP 63V 10% 10NF	5322 122 34098
C2085	CAP.ELECTROLYT.	25V 20% 180UF	5322 124 42228
C2086	CAP.CHIP	AP 63V 10% 10NF	5322 122 34098
C2087	CAP.ELECTROLYT.	25V 20% 180UF	5322 124 42228
C2088	CAP.CHIP	AP 63V 10% 10NF	5322 122 34098
C2101	CAP.CHIP	AP 63V 10% 10NF	5322 122 34098
C2102	CAP.CHIP	AP 63V 10% 10NF	5322 122 34098
C2201	CAP.CHIP	AP 63V 10% 10NF	5322 122 34098
C2204	CAP.CHIP	AP 63V 10% 100NF	4822 122 33496
C2205	CAP.CHIP	AP 63V 5% 100PF	5322 122 32531
C2208	CAP.CHIP	AP 63V 10% 10NF	5322 122 34098
C2209	CAP.CHIP	AP 63V 10% 10NF	5322 122 34098
C2210	CAP.CERAMIC	AP 63V 5% 47PF	5322 122 32452
C2211	CAP.CHIP	AP 63V 10% 100NF	4822 122 33496
C2301	CAP.CERAMIC	AP 63V 5% 47PF	5322 122 32452
C2302	CAP.CHIP	AP 63V 10% 10NF	5322 122 34098
C2303	CAP.CHIP	AP 63V 10% 22NF	5322 122 32654
C2304	CAP.CERAMIC	AP 63V 5% 10PF	5322 122 32448
C2305	CAP.CERAMIC	AP 63V 0.25PF 1.8PF	5322 126 10343
C3000	CAP.CERAMIC	500V 0.25PF 3.3PF	4822 122 31188
C3001	CAP.FOIL	400V 10% 22NF	5322 121 70399
C3002	CAP.CHIP	AP 63V 10% 100NF	4822 122 33496
C3003	CAP.CERAMIC	500V 0.25PF 3.3PF	4822 122 31188
C3004	CAP.CERAMIC	500V 0.25PF 3.3PF	4822 122 31188
C3006	CAP.CERAMIC	500V 0.25PF 3.3PF	4822 122 31188
C3007	CAP.CERAMIC	500V 0.25PF 3.3PF	4822 122 31188
C3008	CAP.CHIP	AP 63V 0.25PF 3.3PF	5322 122 32286
C3011	CAP.CHIP	AP 63V 5% 33PF	5322 122 32659
C3012	CAP.CHIP	AP 63V 5% 27PF	5322 122 31946
C3014	CAP.CHIP	AP 63V 0.5PF 5.6PF	5322 122 32967
C3018	CAP.CHIP	AP 63V 10% 10NF	5322 122 34098
C3019	CAP.CHIP	AP 63V 10% 10NF	5322 122 34098
C3020	CAP.CERAMIC	500V 0.25PF 2.2PF	5322 122 32774
C3021	CAP.CERAMIC	500V 10% 1NF	4822 122 31175
C3022	CAP.CHIP	AP 63V 0.5PF 6.8PF	5322 122 32269



Item	Description	Ordering code
C3023	CAP.CHIP AP 63V 5% 470PF	5322 122 32268
C3025	CAP.CHIP AP 63V 10% 100NF	4822 122 33496
C3027	CAP.CHIP AP 63V 10% 10NF	5322 122 34098
C3031	CAP.CHIP AP 63V 10% 10NF	5322 122 34098
C3041	CAP.CHIP AP 63V 10% 100NF	4822 122 33496
C3042	CAP.CHIP AP 63V 10% 10NF	5322 122 34098
C3044	CAP.CHIP AP 63V 10% 10NF	5322 122 34098
C3045	CAP.ELECTROLYT. 25V 20% 47UF	5322 121 10472
C3046	CAP.CHIP AP 63V 10% 10NF	5322 122 34098
C3047	CAP.CHIP AP 63V 10% 10NF	5322 122 34098
C3048	CAP.CHIP AP 63V 10% 10NF	5322 122 34098
C3051	CAP.CHIP AP 63V 10% 10NF	5322 122 34098
C3054	CAP.CHIP AP 63V 10% 10NF	5322 122 34098
C3055	CAP.CHIP AP 63V 0.25PF 2P7	5322 122 31873
C3056	CAP.CERAMIC AP 63V 5% 10PF	5322 122 32448
C3057	CAP.CHIP AP 63V 0.25PF 2.2PF	5322 122 33063
C3058	CAP.CHIP AP 63V 0.25PF 2.2PF	5322 122 33063
C3059	CAP.CHIP AP 63V 5% 100PF	5322 122 32531
C3060	CAP.CHIP AP 63V 5% 100PF	5322 122 32531
C3061	CAP.CHIP AP 63V 10% 10NF	5322 122 34098
C3062	CAP.CHIP AP 63V 10% 10NF	5322 122 34098
C3063	CAP.CHIP AP 63V 10% 10NF	5322 122 34098
C3064	CAP.CHIP AP 63V 10% 10NF	5322 122 34098
C3066	CAP.CHIP AP 63V 10% 10NF	5322 122 34098
C3067	CAP.CHIP AP 63V 10% 10NF	5322 122 34098
C3068	CAP.CHIP AP 63V 10% 10NF	5322 122 34098
C3069	CAP.CHIP AP 63V 10% 10NF	5322 122 34098
C3071	CAP.CHIP AP 63V 10% 10NF	5322 122 34098
C3072	CAP.CHIP AP 63V 10% 10NF	5322 122 34098
C3076	CAP.CHIP AP 63V 10% 10NF	5322 122 34098
C3077	CAP.CHIP AP 63V 10% 10NF	5322 122 34098
C3085	CAP.ELECTROLYT. 25V 20% 180UF	5322 124 42228
C3086	CAP.CHIP AP 63V 10% 10NF	5322 122 34098
C3087	CAP.ELECTROLYT. 25V 20% 180UF	5322 124 42228
C3088	CAP.CHIP AP 63V 10% 10NF	5322 122 34098
C3101	CAP.CHIP AP 63V 10% 10NF	5322 122 34098
C3102	CAP.CHIP AP 63V 10% 10NF	5322 122 34098
C3201	CAP.CHIP AP 63V 10% 10NF	5322 122 34098
C3204	CAP.CHIP AP 63V 10% 100NF	4822 122 33496
C3205	CAP.CHIP AP 63V 5% 100PF	5322 122 32531
C3208	CAP.CHIP AP 63V 10% 10NF	5322 122 34098
C3209	CAP.CHIP AP 63V 10% 10NF	5322 122 34098
C3210	CAP.CERAMIC AP 63V 5% 47PF	5322 122 32452
C3211	CAP.CHIP AP 63V 10% 100NF	4822 122 33496
C3301	CAP.CERAMIC AP 63V 5% 47PF	5322 122 32452
C3302	CAP.CHIP AP 63V 10% 10NF	5322 122 34098
C3303	CAP.CHIP AP 63V 10% 22NF	5322 122 32654
C3304	CAP.CERAMIC AP 63V 5% 10PF	5322 122 32448
C3305	CAP.CERAMIC AP 63V 0.25PF 1.8PF	5322 126 10343
C4000	CAP.CERAMIC 500V 0.25PF 3.3PF	4822 122 31188



Item	Description	Ordering code
C4001	CAP.FOIL	400V 10% 22NF
C4002	CAP.CHIP	AP 63V 10% 100NF
C4003	CAP.CERAMIC	500V 0.25PF 3.3PF
C4004	CAP.CERAMIC	500V 0.25PF 3.3PF
C4006	CAP.CERAMIC	500V 0.25PF 3.3PF
C4007	CAP.CERAMIC	500V 0.25PF 3.3PF
C4008	CAP.CHIP	AP 63V 0.25PF 3.3PF
C4011	CAP.CHIP	AP 63V 5% 33PF
C4012	CAP.CHIP	AP 63V 5% 27PF
C4014	CAP.CHIP	AP 63V 0.5PF 5.6PF
C4018	CAP.CHIP	AP 63V 10% 10NF
C4019	CAP.CHIP	AP 63V 10% 10NF
C4020	CAP.CERAMIC	500V 0.25PF 2.2PF
C4021	CAP.CERAMIC	500V 10% 1NF
C4022	CAP.CHIP	AP 63V 0.5PF 6.8PF
C4023	CAP.CHIP	AP 63V 5% 470PF
C4025	CAP.CHIP	AP 63V 10% 100NF
C4027	CAP.CHIP	AP 63V 10% 10NF
C4031	CAP.CHIP	AP 63V 10% 10NF
C4041	CAP.CHIP	AP 63V 10% 100NF
C4042	CAP.CHIP	AP 63V 10% 10NF
C4044	CAP.CHIP	AP 63V 10% 10NF
C4045	CAP.ELECTROLYT.	25V 20% 47UF
C4046	CAP.CHIP	AP 63V 10% 10NF
C4047	CAP.CHIP	AP 63V 10% 10NF
C4048	CAP.CHIP	AP 63V 10% 10NF
C4051	CAP.CHIP	AP 63V 10% 10NF
C4054	CAP.CHIP	AP 63V 10% 10NF
C4055	CAP.CHIP	AP 63V 0.25PF 2P7
C4056	CAP.CERAMIC	AP 63V 5% 10PF
C4057	CAP.CHIP	AP 63V 0.25PF 2.2PF
C4058	CAP.CHIP	AP 63V 0.25PF 2.2PF
C4059	CAP.CHIP	AP 63V 5% 100PF
C4060	CAP.CHIP	AP 63V 5% 100PF
C4061	CAP.CHIP	AP 63V 10% 10NF
C4062	CAP.CHIP	AP 63V 10% 10NF
C4063	CAP.CHIP	AP 63V 10% 10NF
C4064	CAP.CHIP	AP 63V 10% 10NF
C4066	CAP.CHIP	AP 63V 10% 10NF
C4067	CAP.CHIP	AP 63V 10% 10NF
C4068	CAP.CHIP	AP 63V 10% 10NF
C4069	CAP.CHIP	AP 63V 10% 10NF
C4071	CAP.CHIP	AP 63V 10% 10NF
C4072	CAP.CHIP	AP 63V 10% 10NF
C4076	CAP.CHIP	AP 63V 10% 10NF
C4077	CAP.CHIP	AP 63V 10% 10NF
C4085	CAP.ELECTROLYT.	25V 20% 180UF
C4086	CAP.CHIP	AP 63V 10% 10NF
C4087	CAP.ELECTROLYT.	25V 20% 180UF
C4088	CAP.CHIP	AP 63V 10% 10NF

Item	Description		Ordering code
C4101	CAP.CHIP	AP 63V 10% 10NF	5322 122 34098
C4102	CAP.CHIP	AP 63V 10% 10NF	5322 122 34098
C4201	CAP.CHIP	AP 63V 10% 10NF	5322 122 34098
C4204	CAP.CHIP	AP 63V 10% 100NF	4822 122 33496
C4205	CAP.CHIP	AP 63V 5% 100PF	5322 122 32531
C4208	CAP.CHIP	AP 63V 10% 10NF	5322 122 34098
C4209	CAP.CHIP	AP 63V 10% 10NF	5322 122 34098
C4210	CAP.CERAMIC	AP 63V 5% 47PF	5322 122 32452
C4211	CAP.CHIP	AP 63V 10% 100NF	4822 122 33496
C4301	CAP.CERAMIC	AP 63V 5% 47PF	5322 122 32452
C4302	CAP.CHIP	AP 63V 10% 10NF	5322 122 34098
C4303	CAP.CHIP	AP 63V 10% 22NF	5322 122 32654
C4304	CAP.CERAMIC	AP 63V 5% 10PF	5322 122 32448
C4305	CAP.CERAMIC	AP 63V 0.25PF 1.8PF	5322 126 10343
C5000	CAP.CHIP	AP 63V 10% 220NF	4822 122 32916
C5001	CAP.CHIP	AP 63V 5% 470PF	5322 122 32268
C5002	CAP.CHIP	AP 63V 10% 10NF	5322 122 34098
C5003	CAP.CHIP	AP 63V 10% 10NF	5322 122 34098
C5004	CAP.CHIP	AP 63V 10% 10NF	5322 122 34098
C5005	CAP.CHIP	AP 63V 10% 10NF	5322 122 34098
C5006	CAP.CHIP	AP 63V 10% 10NF	5322 122 34098
C5007	CAP.CHIP	AP 63V 10% 10NF	5322 122 34098
C5008	CAP.CHIP	AP 63V 10% 10NF	5322 122 34098
C5010	CAP.CERAMIC	AP 63V 0.5PF 5.6PF	5322 122 32967
C5012	CAP.CERAMIC	AP 63V 5% 10PF	5322 122 32448
C5015	CAP.CHIP	AP 63V 5% 330PF	5322 122 31863
C5016	CAP.CHIP (100 MHz)	AP 63V 10% 6.8PF	5322 122 32269
C5016	CAP.CHIP (200 MHz)	AP 63V 10% 2.2NF	4822 122 33127
C5017	CAP.CERAMIC	AP 63V 0.25PF 0.56PF	5322 122 33083
C5018	CAP.CERAMIC	AP 63V 0.25PF 0.56PF	5322 122 33083
C5501	CAP.CHIP	AP 63V 5% 820PF	5322 126 10184
C5502	CAP.CHIP	AP 63V 5% 100PF	5322 122 32531
C5503	CAP.CHIP	AP 63V 10% 10NF	5322 122 34098
C5504	CAP.CHIP	AP 63V 5% 22PF	5322 122 32658
C5505	CAP.CHIP	AP 63V 5% 820PF	5322 126 10184
C5506	CAP.CHIP	AP 63V 10% 1.5NF	5322 122 31865
C5507	CAP.CHIP	AP 63V 5% 100PF	5322 122 32531
C5508	CAP.CHIP	AP 63V 5% 100PF	5322 122 32531
C5509	CAP.CHIP	AP 63V 5% 100PF	5322 122 32531
C5510	CAP.CHIP	AP 63V 5% 100PF	5322 122 32531
C5511	CAP.CHIP	AP 63V 5% 100PF	5322 122 32531
C5513	CAP.CHIP	AP 63V 5% 100PF	5322 122 32531
C5514	CAP.CHIP	AP 63V 10% 100NF	4822 122 33496
C5601	CAP.CHIP	AP 63V 10% 100NF	4822 122 33496
C5602	CAP.ELECTROLYT.	25V 20% 47UF	5322 121 10472
C5603	CAP.CHIP	AP 63V 10% 100NF	4822 122 33496
C5604	CAP.CHIP	AP 63V 10% 100NF	4822 122 33496
C6000	CAP.FOIL	50V 20% 6.8UF	5322 124 42389
C6001	CAP.ELECTROLYT.	25V 20% 180UF	5322 124 42228
C6002	CAP.CHIP	AP 63V 10% 100NF	4822 122 33496

Item	Description	Ordering code
C6004	CAP.CHIP	AP 63V 5% 330PF
C6005	CAP.CHIP	AP 63V 10% 220NF
C6006	CAP.CHIP	AP 63V 10% 220NF
C6007	CAP.CHIP	AP 63V 10% 100NF
C6008	CAP.CHIP	AP 63V 10% 100NF
C6009	CAP.CHIP	AP 63V 10% 100NF
C6011	CAP.FOIL	630V 1% 68PF
C6012	CAP.FOIL	63V 5% 10NF
C6013	CAP.ELECTROLYT.	100V 10% 10UF
C6014	CAP.CHIP	AP 63V 10% 100NF
C6015	CAP.CERAMIC	AP 63V 0.5PF 5.6PF
C6016	CAP.ELECTROLYT.	25V 20% 47UF
C6017	CAP.ELECTROLYT.	25V 20% 180UF
C6018	CAP.FOIL	50V 20% 6.8UF
C6031	CAP.CHIP	AP 63V 10% 1.5NF
C6032	CAP.CHIP	AP 63V 10% 1.5NF
C6033	CAP.CHIP	AP 63V 5% 330PF
C6035	CAP.FOIL	63V 10% 100NF
C6038	CAP.CHIP	AP 63V 10% 100NF
C6039	CAP.CHIP	AP 63V 5% 100PF
C6070	CAP.CHIP	AP 63V 10% 22NF
C6071	CAP.CHIP	AP 63V 10% 100NF
C6080	CAP.CHIP	AP 63V 10% 22NF
C6093	CAP.ELECTROLYT.	25V 20% 180UF
C6094	CAP.ELECTROLYT.	25V 20% 180UF
C6095	CAP.CHIP	AP 63V 10% 22NF
C6096	CAP.ELECTROLYT.	25V 20% 180UF
C6097	CAP.ELECTROLYT.	25V 20% 180UF
C6098	CAP.CHIP	AP 63V 10% 220NF
C6101	CAP.CHIP	AP 63V 10% 100NF
C6102	CAP.CHIP	AP 63V 10% 100NF
C6103	CAP.CHIP	AP 63V 10% 100NF
C6104	CAP.CHIP	AP 63V 10% 100NF
C6105	CAP.CHIP	AP 63V 10% 100NF
C6106	CAP.CHIP	AP 63V 10% 100NF
C6107	CAP.CHIP	AP 63V 10% 100NF
C6108	CAP.CHIP	AP 63V 10% 100NF
C6109	CAP.CHIP	AP 63V 10% 100NF
C6110	CAP.CHIP	AP 63V 5% 470PF
C6111	CAP.CHIP	AP 63V 10% 100NF
C6112	CAP.CHIP	AP 63V 10% 100NF
C6113	CAP.CHIP	AP 63V 10% 100NF
C6114	CAP.CHIP	AP 63V 10% 100NF
C6115	CAP.CHIP	AP 63V 10% 100NF
C6116	CAP.CHIP	AP 63V 10% 100NF
C6117	CAP.CHIP	AP 63V 10% 100NF
C6118	CAP.CHIP	AP 63V 10% 100NF
C6305	CAP.CHIP	AP 63V 10% 100NF
C6415	CAP.ELECTROLYT.	50V 20% 10UF
C6504	CAP.CHIP	AP 63V 10% 10NF

Item	Description		Ordering code
C6549	CAP.CHIP	AP 63V 10% 22NF	5322 122 32654
C6551	CAP.CHIP	AP 63V 10% 22NF	5322 122 32654
C6557	CAP.CHIP	AP 63V 10% 10NF	5322 122 34098
C6559	CAP.CHIP	AP 63V 10% 22NF	5322 122 32654
C6561	CAP.ELECTROLYT.	25V 20% 180UF	5322 124 42228
C6562	CAP.ELECTROLYT.	25V 20% 180UF	5322 124 42228
C6581	CAP.CHIP	AP 63V 10% 10NF	5322 122 34098
C6583	CAP.CHIP	AP 63V 0.5PF 6.8PF	5322 122 32269
C6617	CAP.CHIP	AP 63V 0.25PF 2.2PF	5322 122 33063
C6623	CAP.CHIP	AP 63V 10% 10NF	5322 122 34098
C6624	CAP.CHIP	AP 63V 10% 100NF	4822 122 33496
C6639	CAP.CHIP	AP 63V 10% 220NF	4822 122 32916
C6642	CAP.CHIP	AP 63V 10% 220NF	4822 122 32916
C6644	CAP.CHIP	AP 63V 10% 220NF	4822 122 32916
C6647	CAP.CHIP	AP 63V 10% 220NF	4822 122 32916
C6648	CAP.CHIP	AP 63V 10% 100NF	4822 122 33496
C6649	CAP.CHIP	AP 63V 10% 100NF	4822 122 33496
C6707	CAP.CHIP	AP 63V 10% 10NF	5322 122 34098
C6751	CAP.CHIP	AP 63V 5% 100PF	5322 122 32531
C6758	CAP.ELECTROLYT.	25V 20% 47UF	5322 121 10472
C6768	CAP.CHIP	AP 63V 10% 100NF	4822 122 33496
C6773	CAP.CHIP	AP 63V 10% 100NF	4822 122 33496
C6777	CAP.CHIP	AP 63V 10% 100NF	4822 122 33496
C6779	CAP.CHIP	AP 63V 5% 22PF	5322 122 32658
C6787	CAP.CHIP	AP 63V 5% 820PF	5322 126 10184
C6902	CAP.ELECTROLYT.	25V 20% 47UF	5322 121 10472
C6903	CAP.CHIP	AP 63V 10% 10NF	5322 122 34098
C6904	CAP.CHIP	AP 63V 10% 10NF	5322 122 34098
C6912	CAP.ELECTROLYT.	25V 20% 47UF	5322 121 10472
C6913	CAP.CHIP	AP 63V 10% 10NF	5322 122 34098
C6922	CAP.ELECTROLYT.	25V 20% 47UF	5322 121 10472
C6923	CAP.CHIP	AP 63V 10% 10NF	5322 122 34098
C6924	CAP.CHIP	AP 63V 10% 10NF	5322 122 34098
C6932	CAP.ELECTROLYT.	25V 20% 47UF	5322 121 10472
C6933	CAP.CHIP	AP 63V 10% 10NF	5322 122 34098
C6934	CAP.CHIP	AP 63V 10% 10NF	5322 122 34098
C6942	CAP.ELECTROLYT.	25V 20% 47UF	5322 121 10472
C6943	CAP.CHIP	AP 63V 10% 10NF	5322 122 34098
C6953	CAP.CHIP	AP 63V 10% 100NF	4822 122 33496
C6962	CAP.ELECTROLYT.	25V 20% 47UF	5322 121 10472
C6963	CAP.CHIP	AP 63V 10% 10NF	5322 122 34098
C7001	CAP.CHIP	AP 63V 10% 100NF	4822 122 33496
C7002	CAP.CHIP	AP 63V 10% 100NF	4822 122 33496
C7003	CAP.CHIP	AP 63V 10% 100NF	4822 122 33496
C7004	CAP.CHIP	AP 63V 5% 330PF	5322 122 31863
C7005	CAP.CHIP	AP 63V 10% 220NF	4822 122 32916
C7006	CAP.CHIP	AP 63V 10% 220NF	4822 122 32916
C7007	CAP.CHIP	AP 63V 10% 100NF	4822 122 33496
C7008	CAP.CHIP	AP 63V 10% 220NF	4822 122 32916
C7009	CAP.CHIP	AP 63V 10% 100NF	4822 122 33496



Item	Description	Ordering code
C7010	CAP.CHIP	AP 63V 5% 100PF
C7011	CAP.FOIL	630V 1% 82PF
C7012	CAP.FOIL	63V 5% 10NF
C7013	CAP.ELECTROLYT.	25V 20% 47UF
C7014	CAP.CERAMIC	AP 63V 0.5PF 5.6PF
C7015	CAP.CHIP	AP 63V 10% 100NF
C7016	CAP.CHIP	AP 63V 10% 100NF
C7017	CAP.CHIP	AP 63V 10% 100NF
C7021	CAP.CHIP	AP 63V 10% 100NF
C7033	CAP.CHIP	AP 63V 10% 22NF
C7034	CAP.CHIP	AP 63V 10% 22NF
C7035	CAP.CHIP	AP 63V 10% 22NF
C7036	CAP.CHIP	AP 63V 10% 22NF
C7054	CAP.CHIP	AP 63V 10% 10NF
C7055	CAP.CHIP	AP 63V 10% 10NF
C7060	CAP.CERAMIC	AP 63V 0.25PF 2.7PF
C7091	CAP.ELECTROLYT.	25V 20% 47UF
C7092	CAP.CHIP	AP 63V 10% 100NF
C7093	CAP.CHIP	AP 63V 10% 100NF
C7099	CAP.CHIP	AP 63V 10% 220NF
C7161	CAP.CHIP	AP 63V 0.25PF 2.2PF
C7504	CAP.CHIP	AP 63V 10% 10NF
C7513	CAP.CHIP	AP 63V 10% 10NF
C7549	CAP.CHIP	AP 63V 10% 22NF
C7551	CAP.CHIP	AP 63V 10% 22NF
C7557	CAP.CHIP	AP 63V 10% 10NF
C7559	CAP.CHIP	AP 63V 10% 22NF
C7561	CAP.ELECTROLYT.	25V 20% 180UF
C7562	CAP.ELECTROLYT.	25V 20% 180UF
C7581	CAP.CHIP	AP 63V 10% 10NF
C7583	CAP.CHIP	AP 63V 0.5PF 6.8PF
C7682	CAP.CHIP	AP 63V 10% 220NF
C7697	CAP.CHIP	AP 63V 5% 33PF
C7751	CAP.CHIP	AP 63V 5% 100PF
C7813	CAP.CHIP	AP 63V 10% 10NF
C7902	CAP.ELECTROLYT.	25V 20% 47UF
C7903	CAP.CHIP	AP 63V 10% 10NF
C7904	CAP.CHIP	AP 63V 10% 10NF
C7912	CAP.ELECTROLYT.	25V 20% 47UF
C7913	CAP.CHIP	AP 63V 10% 10NF
C7923	CAP.CHIP	AP 63V 10% 10NF
C7932	CAP.ELECTROLYT.	25V 20% 47UF
C7933	CAP.CHIP	AP 63V 10% 10NF
C7934	CAP.CHIP	AP 63V 10% 10NF
C7942	CAP.ELECTROLYT.	25V 20% 47UF
C7943	CAP.CHIP	AP 63V 10% 10NF
C7962	CAP.ELECTROLYT.	25V 20% 47UF
C7963	CAP.CHIP	AP 63V 10% 10NF
C8000	CAP.CHIP	AP 63V 10% 100NF
C8001	CAP.CHIP	AP 63V 10% 100NF

Item	Description		Ordering code
C8002	CAP.CHIP	AP 63V 10% 1.5NF	5322 122 31865
C8003	CAP.CHIP	AP 63V 10% 10NF	5322 122 34098
C8004	CAP.CHIP	AP 63V 10% 10NF	5322 122 34098
C8005	CAP.CHIP	AP 63V 10% 100NF	4822 122 33496
C8006	CAP.CHIP	AP 63V 10% 100NF	4822 122 33496
C8007	CAP.CHIP	AP 63V 10% 100NF	4822 122 33496
C8008	CAP.CHIP	AP 63V 10% 100NF	4822 122 33496
C8009	CAP.CHIP	AP 63V 10% 100NF	4822 122 33496
C8010	CAP.CHIP	AP 63V 10% 100NF	4822 122 33496
C8011	CAP.ELECTROLYT.	50V 20% 10UF	5322 124 21731
C8013	CAP.CHIP	AP 63V 10% 220NF	4822 122 32916
C8014	CAP.CHIP	AP 63V 10% 100NF	4822 122 33496
C8015	CAP.CHIP	AP 63V 10% 10NF	5322 122 34098
C8016	CAP.CHIP	AP 63V 10% 10NF	5322 122 34098
C8017	CAP.CHIP	AP 63V 10% 100NF	4822 122 33496
C8020	CAP.CHIP	AP 63V 10% 100NF	4822 122 33496
C8021	CAP.CHIP	AP 63V 5% 22PF	5322 122 32658
C8022	CAP.CHIP	AP 63V 5% 22PF	5322 122 32658
C8034	CAP.CHIP	AP 63V 10% 22NF	5322 122 32654
C8035	CAP.CHIP	AP 63V 10% 22NF	5322 122 32654
C8036	CAP.CHIP	AP 63V 10% 100NF	4822 122 33496
C8060	CAP.CERAMIC	AP 63V 0.25PF 0.56PF	5322 122 33083
C8062	CAP.CHIP	AP 63V 5% 100PF	5322 122 32531
C8063	CAP.CHIP	AP 63V 5% 22PF	5322 122 32658
C8064	CAP.CERAMIC	AP 63V 5% 10PF	5322 122 32448
C8065	CAP.CHIP	AP 63V 5% 100PF	5322 122 32531
C8066	CAP.CERAMIC	AP 63V 5% 10PF	5322 122 32448
C8070	CAP.CHIP	AP 63V 10% 22NF	5322 122 32654
C8071	CAP.CHIP	AP 63V 10% 22NF	5322 122 32654
C8093	CAP.CHIP	AP 63V 10% 100NF	4822 122 33496
C8094	CAP.CHIP	AP 63V 10% 100NF	4822 122 33496
C8095	CAP.CHIP	AP 63V 10% 100NF	4822 122 33496
C8101	CAP.CHIP	AP 63V 5% 100PF	5322 122 32531
C8102	CAP.CHIP	AP 63V 0.25PF 3.3PF	5322 122 32286
C8401	CAP.ELECTROLYT.	25V 20% 47UF	5322 121 10472
C8403	CAP.CHIP	AP 63V 5% 100PF	5322 122 32531
C8404	CAP.CHIP	AP 63V 5% 100PF	5322 122 32531
C8405	CAP.CHIP	AP 63V 5% 100PF	5322 122 32531
C8410	CAP.ELECTROLYT.	25V 20% 180UF	5322 124 42228
C8411	CAP.ELECTROLYT.	25V 20% 180UF	5322 124 42228
C9011	CAP.CHIP	AP 63V 5% 100PF	5322 122 32531
C9012	CAP.CHIP	AP 63V 5% 100PF	5322 122 32531
C9015	CAP.CHIP	AP 63V 5% 100PF	5322 122 32531
C9016	CAP.CHIP	AP 63V 5% 100PF	5322 122 32531
C9018	CAP.CHIP	AP 63V 5% 100PF	5322 122 32531
C9019	CAP.CHIP	AP 63V 5% 100PF	5322 122 32531
C9020	CAP.CHIP	AP 63V 5% 100PF	5322 122 32531
C9034	CAP.CHIP	AP 63V 5% 100PF	5322 122 32531
C9036	CAP.CHIP	AP 63V 5% 100PF	5322 122 32531
C9041	CAP.CHIP	AP 63V 10% 10NF	5322 122 34098
C9042	CAP.CHIP	AP 63V 10% 10NF	5322 122 34098



Item	Description		Ordering code
<b>DIGITAL INTEGRATED CIRCUITS</b>			
D1151	INTEGR.CIRCUIT	CD4053BCM NSC	5322 209 33502
D1152	INTEGR.CIRCUIT	HEF4051BT PEL	5322 209 11446
D1201	INTEGR.CIRCUIT	OQ0224 INPUT CIRCUIT	5322 209 12457
D1301	INTEGR.CIRCUIT	OQ0225 OUTPUT CIRC.	5322 209 12458
D2201	INTEGR.CIRCUIT	OQ0224 INPUT CIRCUIT	5322 209 12457
D2301	INTEGR.CIRCUIT	OQ0225 OUTPUT CIRC.	5322 209 12458
D3201	INTEGR.CIRCUIT	OQ0224 INPUT CIRCUIT	5322 209 12457
D3301	INTEGR.CIRCUIT	OQ0225 OUTPUT CIRC.	5322 209 12458
D4201	INTEGR.CIRCUIT	OQ0224 INPUT CIRCUIT	5322 209 12457
D4301	INTEGR.CIRCUIT	OQ0225 OUTPUT CIRC.	5322 209 12458
D5001	INTEGR.CIRCUIT	HEF4066BT PEL	5322 209 14542
D5501	INTEGR.CIRCUIT	HEF4053BT PEL	5322 209 14481
D5502	INTEGR.CIRCUIT	HEF4053BT PEL	5322 209 14481
D5503	INTEGR.CIRCUIT	HEF4081BT PEL	5322 209 14483
D6001	INTEGR.CIRCUIT	HEF4051BT PEL	5322 209 11446
D6002	INTEGR.CIRCUIT	HEF4053BT PEL	5322 209 14481
D6011	INTEGR.CIRCUIT	OQ0228 SAWCHIP	5322 209 12466
D6541	INTEGR.CIRCUIT	OQ0226 TRIGGER AMPL.	5322 209 12464
D6621	INTEGR.CIRCUIT	OQ0128 SSP	5322 209 82925
D6779	INTEGR.CIRCUIT	PC74HCT112T PEL	5322 209 11825
D6781	INTEGR.CIRCUIT	HEF4053BT PEL	5322 209 14481
D7001	INTEGR.CIRCUIT	HEF4051BT PEL	5322 209 11446
D7002	INTEGR.CIRCUIT	HEF4053BT PEL	5322 209 14481
D7004	INTEGR.CIRCUIT	HEF4052BT PEL	5322 209 11102
D7005	INTEGR.CIRCUIT	PC74HCT14T PEL	5322 209 71568
D7011	INTEGR.CIRCUIT	OQ0228 SAWCHIP	5322 209 12466
D7541	INTEGR.CIRCUIT	OQ0226 TRIGGER AMPL.	5322 209 12464
D7711	INTEGR.CIRCUIT	HEF4053BT PEL	5322 209 14481
D8003	INTEGR.CIRCUIT	OQ0235 Z-LOGIC	5322 209 12461
D8004	INTEGR.CIRCUIT	OQ0227 TIMEBASE LOG.	5322 209 12465
D8006	INTEGR.CIRCUIT	HEF40106BT PEL	5322 209 14486
D9001	INTEGR.CIRCUIT	TEA1017/N9 PEL	5322 209 60191
D9002	INTEGR.CIRCUIT	TEA1017/N9 PEL	5322 209 60191
D9003	INTEGR.CIRCUIT	HEF4094BT PEL	5322 209 11306
D9004	INTEGR.CIRCUIT	HEF4094BT PEL	5322 209 11306
D9006	INTEGR.CIRCUIT	TEA1017/N9 PEL	5322 209 60191
D9007	INTEGR.CIRCUIT	HEF4094BT PEL	5322 209 11306
D9008	INTEGR.CIRCUIT	HEF4094BT PEL	5322 209 11306
D9009	INTEGR.CIRCUIT	OQ0200 DISPL.MODE LO	5322 209 82924
D9011	INTEGR.CIRCUIT	HEF4094BT PEL	5322 209 11306
D9012	INTEGR.CIRCUIT	HEF4094BT PEL	5322 209 11306
D9013	INTEGR.CIRCUIT	HEF4094BT PEL	5322 209 11306

Item	Description		Ordering code
<b>RELAIS</b>			
K1001	RELAY	DPDT RELAIS RAL3W-K	5322 280 80745
K1002	RELAY	DPDT RELAIS RAL3W-K	5322 280 80745
K1003	RELAY	DPDT RELAIS RAL3W-K	5322 280 80745
K1004	RELAY	DPDT RELAIS RAL3W-K	5322 280 80745
K1006	RELAY	DPDT RELAIS RAL3W-K	5322 280 80745
K2001	RELAY	DPDT RELAIS RAL3W-K	5322 280 80745
K2002	RELAY	DPDT RELAIS RAL3W-K	5322 280 80745
K2003	RELAY	DPDT RELAIS RAL3W-K	5322 280 80745
K2004	RELAY	DPDT RELAIS RAL3W-K	5322 280 80745
K2006	RELAY	DPDT RELAIS RAL3W-K	5322 280 80745
K3001	RELAY	DPDT RELAIS RAL3W-K	5322 280 80745
K3002	RELAY	DPDT RELAIS RAL3W-K	5322 280 80745
K3003	RELAY	DPDT RELAIS RAL3W-K	5322 280 80745
K3004	RELAY	DPDT RELAIS RAL3W-K	5322 280 80745
K3006	RELAY	DPDT RELAIS RAL3W-K	5322 280 80745
K4001	RELAY	DPDT RELAIS RAL3W-K	5322 280 80745
K4002	RELAY	DPDT RELAIS RAL3W-K	5322 280 80745
K4003	RELAY	DPDT RELAIS RAL3W-K	5322 280 80745
K4004	RELAY	DPDT RELAIS RAL3W-K	5322 280 80745
K4006	RELAY	DPDT RELAIS RAL3W-K	5322 280 80745
<b>COILS</b>			
L1001	COIL	0.056UH 5% TDK	5322 157 63381
L1301	COIL	0.1UH 5% TDK	5322 157 63647
L2001	COIL	0.056UH 5% TDK	5322 157 63381
L2301	COIL	0.1UH 5% TDK	5322 157 63647
L3001	COIL	0.056UH 5% TDK	5322 157 63381
L3301	COIL	0.1UH 5% TDK	5322 157 63647
L4001	COIL	0.056UH 5% TDK	5322 157 63381
L4301	COIL	0.1UH 5% TDK	5322 157 63647
L6096	COIL	2.0UH TDK	4822 157 51757
L6097	COIL	2.0UH TDK	4822 157 51757
<b>ANALOG INTEGRATED CIRCUITS</b>			
N1001	INTEGR.CIRCUIT	AD548JR AND	5322 209 31298
N1101	INTEGR.CIRCUIT	LM339D SIG	5322 209 70684
N1102	INTEGR.CIRCUIT	LM358M NSC	4822 209 60175
N1103	INTEGR.CIRCUIT	LM358M NSC	4822 209 60175
N1104	I.C. ANALOGUE	OP-77GSR PMI	5322 130 62791
N1202	INTEGR.CIRCUIT	LM324M NSC	5322 209 61473
N1251	INTEGR.CIRCUIT	LM358M NSC	4822 209 60175
N2001	INTEGR.CIRCUIT	AD548JR AND	5322 209 31298
N2202	INTEGR.CIRCUIT	LM324M NSC	5322 209 61473
N3001	INTEGR.CIRCUIT	AD548JR AND	5322 209 31298
N3102	INTEGR.CIRCUIT	LM358M NSC	4822 209 60175
N3103	INTEGR.CIRCUIT	LM358M NSC	4822 209 60175
N3202	INTEGR.CIRCUIT	LM324M NSC	5322 209 61473
N4001	INTEGR.CIRCUIT	AD548JR AND	5322 209 31298
N4202	INTEGR.CIRCUIT	LM324M NSC	5322 209 61473

Item	Description		Ordering code
N5001	INTEGR.CIRCUIT	LM358M NSC	4822 209 60175
N5002	INTEGR.CIRCUIT	LM3046M NSC	5322 209 30229
N6006	I.C. ANALOGUE	OP-77GSR PMI	5322 130 62791
N6007	INTEGR.CIRCUIT	LM358M NSC	4822 209 60175
N6008	INTEGR.CIRCUIT	LM358M NSC	4822 209 60175
N6014	INTEGR.CIRCUIT	TDA1541A/N2 PEL	4822 209 72544
N6771	INTEGR.CIRCUIT	LM1881M NSC	4822 209 60767
N7006	I.C. ANALOGUE	OP-77GSR PMI	5322 130 62791
N7007	INTEGR.CIRCUIT	LM358M NSC	4822 209 60175
N7014	I.C. ANALOGUE	OP-77GSR PMI	5322 130 62791
N7015	I.C. ANALOGUE	OP-77GSR PMI	5322 130 62791
N7016	INTEGR.CIRCUIT	LM358M NSC	4822 209 60175
N7952	INTEGR.CIRCUIT	LM324M NSC	5322 209 61473
N8005	INTEGR.CIRCUIT	TDA8444AT/N2 PEL	5322 209 30233
N9001	INTEGR.CIRCUIT	TDA8444AT/N2 PEL	5322 209 30233
N9002	INTEGR.CIRCUIT	TDA8444AT/N2 PEL	5322 209 30233
N9003	INTEGR.CIRCUIT	TDA8444AT/N2 PEL	5322 209 30233
N9004	INTEGR.CIRCUIT	TDA8444AT/N2 PEL	5322 209 30233

**RESISTORS**

R1001	RES.CHIP	RMC1/8 1% 61E9	5322 111 92016
R1002	RES.CHIP	HIP RC-02H 1% 1M	4822 051 10105
R1006	RES.METAL FILM	MRS25 1% 100E	4822 050 21001
R1007	RES.METAL FILM	ST MRS25 1% 100E	4822 050 21001
R1008	RES.METAL FILM	PR24 1/4W 0.1% 9K4	5322 116 83712
R1009	RES.METAL FILM	PR24 1/4W 0.1% 300E	5322 116 51814
R1010	RES.CHIP	RMC1/8 1% 21E5	5322 111 92014
R1011	RES.N.T.C.	NTC 640 2% 3K3	5322 116 30421
R1012	RES.CHIP	HIP RC-01 5% 1E	4822 051 10108
R1013	RES.CHIP	RMC1/8 1% 21E5	5322 111 92014
R1014	RES.CHIP	HIP RC-02H 1% 100E	4822 051 10101
R1016	RES.METAL FILM	PR34 0.4W 0.1% 900K	5322 116 51832
R1019	RES.CHIP	HIP RC-02H 1% 100E	4822 051 10101
R1021	RES.METAL FILM	PR34 0.4W 0.1% 990K	5322 116 83104
R1022	RES.CHIP	RMC1/8 1% 23E7	5322 117 10591
R1023	RES.METAL FILM	PR24 1/4W 0.1% 11K1	5322 116 83101
R1024	RES.METAL FILM	HIP RC-02H 1% 147E	5322 117 10526
R1026	RES.CHIP	RMC1/8 1% 82E5	5322 111 92017
R1027	RES.METAL FILM	PR24 1/4W 0.1% 111K	5322 116 83099
R1028	RES.CHIP	HIP RC-02H 1% 10K	4822 051 10103
R1029	RES.CHIP	HIP RC-02H 1% 10K	4822 051 10103
R1030	RES.CHIP	RMC1/8 1% 21E5	5322 111 92014
R1031	RES.METAL FILM	PR34 0.4W 0.1% 500K	5322 116 83103
R1032	RES.CHIP	HIP RC-02H 1% 1M	4822 051 10105
R1033	RES.CHIP	HIP RC-02H 1% 1M	4822 051 10105
R1034	RES.CHIP	HIP RC-01 5% 10M	4822 051 10106
R1035	RES.METAL FILM	HIP RC-02H 1% 215K	5322 117 10543
R1036	RES.CHIP	HIP RC-02H 1% 5K11	5322 117 10487
R1037	RES.METAL FILM	HIP RC-02H 1% 3K83	5322 117 10561
R1038	RES.METAL FILM	HIP RC-02H 1% 215K	5322 117 10543

Item	Description		Ordering code
R1039	RES.METAL FILM	HIP RC-02H 1% 21K5	5322 117 10542
R1041	RES.CHIP	HIP RC-02H 1% 1K	4822 051 10102
R1042	RES.CHIP	HIP RC-02H 1% 51K1	4822 051 55113
R1043	RES.CHIP	HIP RC-02H 1% 5K11	5322 117 10487
R1044	RES.CHIP	HIP RC-02H 1% 5K11	5322 117 10487
R1045	RES.CHIP	HIP RC-02H 1% 5K11	5322 117 10487
R1046	RES.CHIP	HIP RC-02H 1% 261E	4822 051 52611
R1047	RES.METAL FILM	HIP RC-02H 1% 511E	5322 117 10569
R1048	RES.METAL FILM	HIP RC-02H 1% 237E	5322 117 10544
R1049	RES.CHIP	HIP RC-01 5% 10M	4822 051 10106
R1052	RES.CHIP	HIP RC-02H 1% 100E	4822 051 10101
R1053	RES.METAL FILM	HIP RC-02H 1% 6K19	5322 117 10577
R1054	RES.CHIP	HIP RC-02H 1% 10K	4822 051 10103
R1056	RES.METAL FILM	HIP RC-02H 1% 619E	5322 117 10576
R1057	RES.CHIP	HIP RC-02H 1% 1K	4822 051 10102
R1061	RES.CHIP	RMC1/8 1% 51E1	5322 111 91893
R1062	RES.CHIP	RMC1/8 1% 42E2	4822 111 91887
R1063	RES.CHIP	HIP RC-02H 1% 261E	4822 051 52611
R1064	RES.CHIP	HIP RC-02H 1% 261E	4822 051 52611
R1065	RES.CHIP	HIP RC-02H 1% 261E	4822 051 52611
R1071	RES.CHIP	RMC1/8 1% 61E9	5322 111 92016
R1072	RES.METAL FILM	HIP RC-02H 1% 147E	5322 117 10526
R1073	RES.CHIP	HIP RC-02H 1% 100E	4822 051 10101
R1074	RES.CHIP	RMC1/8 1% 75E	4822 111 91937
R1076	RES.CHIP	HIP RC-02H 1% 10K	4822 051 10103
R1077	RES.CHIP	HIP RC-02H 1% 10K	4822 051 10103
R1078	RES.CHIP	HIP RC-02H 1% 1M	4822 051 10105
R1079	RES.CHIP	HIP RC-02H 1% 1M	4822 051 10105
R1081	RES.CHIP	HIP RC-02H 1% 10K	4822 051 10103
R1082	RES.CHIP	HIP RC-02H 1% 10K	4822 051 10103
R1083	RES.CHIP	HIP RC-02H 1% 100K	4822 051 10104
R1084	RES.CHIP	HIP RC-02H 1% 100K	4822 051 10104
R1085	RES.CHIP	HIP RC-02H 1% 13K3	4822 051 51333
R1086	RES.CHIP	HIP RC-02H 1% 10K	4822 051 10103
R1087	RES.CHIP	HIP RC-02H 1% 51K1	4822 051 55113
R1088	RES.CHIP	HIP RC-02H 1% 10K	4822 051 10103
R1092	RES.METAL FILM	HIP RC-02H 1% 13K3	5322 117 10525
R1093	RES.CHIP	HIP RC-02H 1% 10K	4822 051 10103
R1094	RES.CHIP	HIP RC-02H 1% 2K15	5322 117 10485
R1095	RES.CHIP	HIP RC-02H 1% 10K	4822 051 10103
R1096	RES.CHIP	HIP RC-02H 1% 1K	4822 051 10102
R1097	RES.CHIP	HIP RC-02H 1% 1K	4822 051 10102
R1101	RES.CHIP	HIP RC-02H 1% 46K4	5322 117 10486
R1102	RES.METAL FILM	HIP RC-02H 1% 13K3	5322 117 10525
R1103	RES.METAL FILM	HIP RC-02H 1% 14K7	5322 117 10528
R1104	RES.CHIP	HIP RC-02H 1% 10K	4822 051 10103
R1106	RES.CHIP	HIP RC-02H 1% 10K	4822 051 10103
R1112	RES.METAL FILM	HIP RC-02H 1% 61K9	5322 117 10578
R1113	RES.METAL FILM	HIP RC-02H 1% 7K5	5322 117 10583
R1114	RES.CHIP	HIP RC-02H 1% 3K48	5322 117 10557



Item	Description		Ordering code
R1141	RES.CHIP	RMC1/8 1% 10E	4822 111 91885
R1151	RES.METAL FILM	HIP RC-02H 1% 61K9	5322 117 10578
R1152	RES.CHIP	HIP RC-02H 1% 51K1	4822 051 55113
R1153	RES.CHIP	HIP RC-02H 1% 1M	4822 051 10105
R1154	RES.METAL FILM	HIP RC-02H 1% 215K	5322 117 10543
R1155	RES.CHIP	HIP RC-02H 1% 10K	4822 051 10103
R1156	RES.METAL FILM	HIP RC-02H 1% 619E	5322 117 10576
R1157	RES.METAL FILM	PR24 1/4W 0.1% 9K4	5322 116 83712
R1158	RES.METAL FILM	PR24 1/4W 0.1% 750E	5322 116 53173
R1159	RES.METAL FILM	HIP RC-02H 1% 3K16	5322 117 10553
R1192	RES.METAL FILM	PR24 1/4W 0.1% 1K25	5322 116 53177
R1193	RES.METAL FILM	PR24 1/4W 0.1% 750E	5322 116 53173
R1194	RES.METAL FILM	PR24 1/4W 0.1% 250E	5322 116 53166
R1195	RES.METAL FILM	PR24 1/4W 0.1% 125E	5322 116 53176
R1196	RES.METAL FILM	PR24 1/4W 0.1% 75E	5322 116 53168
R1197	RES.METAL FILM	PR24 1/4W 0.1% 50E	5322 116 53165
R1200	RES.CHIP	HIP RC-02H 1% 100E	4822 051 10101
R1201	RES.METAL FILM	HIP RC-02H 1% 13K3	5322 117 10525
R1202	RES.METAL FILM	HIP RC-02H 1% 4K22	5322 117 10565
R1203	RES.CHIP	HIP RC-02H 1% 11K	4822 051 10113
R1204	RES.METAL FILM	HIP RC-02H 1% 12K1	5322 117 10522
R1205	RES.METAL FILM	HIP RC-02H 1% 14K7	5322 117 10528
R1206	RES.CHIP	HIP RC-02H 1% 100E	4822 051 10101
R1207	RES.CHIP	HIP RC-02H 1% 215E	5322 117 10484
R1208	RES.METAL FILM	HIP RC-02H 1% 147E	5322 117 10526
R1209	RES.CHIP	HIP RC-02H 1% 5K11	5322 117 10487
R1210	RES.METAL FILM	HIP RC-02H 1% 31K6	5322 117 10554
R1211	RES.METAL FILM	HIP RC-02H 1% 4K22	5322 117 10565
R1212	RES.CHIP	HIP RC-02H 1% 2K15	5322 117 10485
R1213	RES.MET.GLAZED	RMC1/8 1% 31E6	5322 116 82895
R1214	RES.MET.GLAZED	RMC1/8 1% 31E6	5322 116 82895
R1215	RES.METAL FILM	HIP RC-02H 1% 348E	5322 117 10556
R1216	RES.CHIP	HIP RC-02H 1% 100E	4822 051 10101
R1217	RES.CHIP	HIP RC-02H 1% 100E	4822 051 10101
R1218	RES.CHIP	RMC1/8 1% 51E1	5322 111 91893
R1220	RES.METAL FILM	HIP RC-02H 1% 75K	5322 117 10584
R1222	RES.METAL FILM	HIP RC-02H 1% 162E	5322 117 10529
R1223	RES.METAL FILM	HIP RC-02H 1% 237E	5322 117 10544
R1224	RES.CHIP	RMC1/8 1% 42E2	4822 111 91887
R1226	RES.METAL FILM	HIP RC-02H 1% 162E	5322 117 10529
R1227	RES.CHIP	RMC1/8 1% 61E9	5322 111 92016
R1228	RES.METAL FILM	HIP RC-02H 1% 2K61	5322 117 10547
R1229	RES.METAL FILM	HIP RC-02H 1% 215K	5322 117 10543
R1231	RES.METAL FILM	HIP RC-02H 1% 178E	5322 117 10534
R1251	RES.METAL FILM	HIP RC-02H 1% 21K5	5322 117 10542
R1252	RES.METAL FILM	HIP RC-02H 1% 21K5	5322 117 10542
R1253	RES.METAL FILM	HIP RC-02H 1% 21K5	5322 117 10542
R1254	RES.METAL FILM	HIP RC-02H 1% 21K5	5322 117 10542
R1256	RES.METAL FILM	HIP RC-02H 1% 9K09	5322 117 10589
R1257	RES.CHIP	HIP RC-02H 1% 1K	4822 051 10102



Item	Description		Ordering code
R1258	RES.CHIP	HIP RC-02H 1% 1K	4822 051 10102
R1259	RES.METAL FILM	HIP RC-02H 1% 1K47	5322 117 10527
R1260	RES.METAL FILM	HIP RC-02H 1% 3K48	5322 117 10557
R1262	RES.CHIP	HIP RC-01 5% 1E	4822 051 10108
R1266	RES.CHIP	HIP RC-01 5% 1E	4822 051 10108
R1301	RES.CHIP	RMC1/8 1% 61E9	5322 111 92016
R1302	RES.CHIP	RMC1/8 1% 61E9	5322 111 92016
R1303	RES.METAL FILM	HIP RC-02H 1% 6K81	5322 117 10581
R1304	RES.CHIP	HIP RC-02H 1% 46K4	5322 117 10486
R1306	RES.CHIP	HIP RC-02H 1% 5K11	5322 117 10487
R1307	RES.CHIP	HIP RC-02H 1% 1K	4822 051 10102
R1308	RES.METAL FILM	HIP RC-02H 1% 5K62	5322 117 10573
R1309	RES.METAL FILM	HIP RC-02H 1% 31K6	5322 117 10554
R1310	RES.METAL FILM	HIP RC-02H 1% 196E	5322 117 10538
R1311	RES.METAL FILM	HIP RC-02H 1% 19K6	5322 117 10541
R1312	RES.CHIP	HIP RC-02H 1% 10K	4822 051 10103
R1313	RES.CHIP	RMC1/8 1% 51E1	5322 111 91893
R1314	RES.CHIP	RMC1/8 1% 51E1	5322 111 91893
R1612	RES.METAL FILM	HIP RC-02H 1% 5K62	5322 117 10573
R1613	RES.METAL FILM	HIP RC-02H 1% 1K47	5322 117 10527
R1651	RES.CHIP	HIP RC-01 5% 4E7	4822 051 10478
R1652	RES.CHIP	HIP RC-01 5% 4E7	4822 051 10478
R1653	RES.CHIP	HIP RC-01 5% 1E	4822 051 10108
R1654	RES.CHIP	HIP RC-01 5% 1E	4822 051 10108
R1656	RES.CHIP	HIP RC-01 5% 4E7	4822 051 10478
R1657	RES.CHIP	HIP RC-01 5% 4E7	4822 051 10478
R1661	RES.CHIP	HIP RC-01 5% 1E	4822 051 10108
R1662	RES.CHIP	HIP RC-01 5% 1E	4822 051 10108
R1663	RES.CHIP	RMC1/8 1% 10E	4822 111 91885
R1901	RES.CHIP	RMC1/8 1% 10E	4822 111 91885
R1902	RES.CHIP	RMC1/8 1% 10E	4822 111 91885
R1903	RES.CHIP	RMC1/8 1% 10E	4822 111 91885
R1904	RES.CHIP	RMC1/8 1% 10E	4822 111 91885
R1906	RES.CHIP	HIP RC-01 5% 1E	4822 051 10108
R1911	RES.CHIP	RMC1/8 1% 10E	4822 111 91885
R1912	RES.CHIP	RMC1/8 1% 10E	4822 111 91885
R1913	RES.CHIP	RMC1/8 1% 10E	4822 111 91885
R1914	RES.CHIP	RMC1/8 1% 10E	4822 111 91885
R1921	RES.CHIP	RMC1/8 1% 10E	4822 111 91885
R1922	RES.CHIP	RMC1/8 1% 10E	4822 111 91885
R1923	RES.CHIP	RMC1/8 1% 10E	4822 111 91885
R1924	RES.CHIP	RMC1/8 1% 10E	4822 111 91885
R1926	RES.CHIP	RMC1/8 1% 10E	4822 111 91885
R1927	RES.CHIP	RMC1/8 1% 10E	4822 111 91885
R1928	RES.CHIP	RMC1/8 1% 10E	4822 111 91885
R1929	RES.CHIP	RMC1/8 1% 10E	4822 111 91885
R1951	RES.CHIP	RMC1/8 1% 10E	4822 111 91885
R1961	RES.CHIP	RMC1/8 1% 10E	4822 111 91885
R2001	RES.CHIP	RMC1/8 1% 61E9	5322 111 92016
R2002	RES.CHIP	HIP RC-02H 1% 1M	4822 051 10105

Item	Description	Ordering code
R2006	RES.METAL FILM	ST MRS25 1% 100E
R2007	RES.METAL FILM	ST MRS25 1% 100E
R2008	RES.METAL FILM	PR24 1/4W 0.1% 9K4
R2009	RES.METAL FILM	PR24 1/4W 0.1% 300E
R2010	RES.CHIP	RMC1/8 1% 21E5
R2011	RES.N.T.C.	NTC640 2% 3K3
R2012	RES.CHIP	HIP RC-01 5% 1E
R2013	RES.CHIP	RMC1/8 1% 21E5
R2014	RES.CHIP	HIP RC-02H 1% 100E
R2016	RES.METAL FILM	PR34 0.4W 0.1% 900K
R2019	RES.CHIP	HIP RC-02H 1% 100E
R2021	RES.METAL FILM	PR34 0.4W 0.1% 990K
R2022	RES.CHIP	RMC1/8 1% 23E7
R2023	RES.METAL FILM	PR24 1/4W 0.1% 11K1
R2024	RES.METAL FILM	HIP RC-02H 1% 147E
R2026	RES.CHIP	RMC1/8 1% 82E5
R2027	RES.METAL FILM	PR24 1/4W 0.1% 111K
R2028	RES.CHIP	HIP RC-02H 1% 10K
R2029	RES.CHIP	HIP RC-02H 1% 10K
R2030	RES.CHIP	RMC1/8 1% 21E5
R2031	RES.METAL FILM	PR34 0.4W 0.1% 500K
R2032	RES.CHIP	HIP RC-02H 1% 1M
R2033	RES.CHIP	HIP RC-02H 1% 1M
R2034	RES.CHIP	HIP RC-01 5% 10M
R2035	RES.METAL FILM	HIP RC-02H 1% 215K
R2036	RES.CHIP	HIP RC-02H 1% 5K11
R2037	RES.METAL FILM	HIP RC-02H 1% 3K83
R2038	RES.METAL FILM	HIP RC-02H 1% 215K
R2039	RES.METAL FILM	HIP RC-02H 1% 21K5
R2041	RES.CHIP	HIP RC-02H 1% 1K
R2042	RES.CHIP	HIP RC-02H 1% 51K1
R2043	RES.CHIP	HIP RC-02H 1% 5K11
R2044	RES.CHIP	HIP RC-02H 1% 5K11
R2045	RES.CHIP	HIP RC-02H 1% 5K11
R2046	RES.CHIP	HIP RC-02H 1% 261E
R2047	RES.METAL FILM	HIP RC-02H 1% 511E
R2048	RES.METAL FILM	HIP RC-02H 1% 237E
R2049	RES.CHIP	HIP RC-01 5% 10M
R2052	RES.CHIP	HIP RC-02H 1% 100E
R2053	RES.METAL FILM	HIP RC-02H 1% 6K19
R2054	RES.CHIP	HIP RC-02H 1% 10K
R2056	RES.METAL FILM	HIP RC-02H 1% 619E
R2057	RES.CHIP	HIP RC-02H 1% 1K
R2061	RES.CHIP	RMC1/8 1% 51E1
R2062	RES.CHIP	RMC1/8 1% 42E2
R2063	RES.CHIP	HIP RC-02H 1% 261E
R2064	RES.CHIP	HIP RC-02H 1% 261E
R2065	RES.CHIP	HIP RC-02H 1% 261E
R2071	RES.CHIP	RMC1/8 1% 61E9
R2072	RES.METAL FILM	HIP RC-02H 1% 147E

Item	Description		Ordering code
R2073	RES.CHIP	HIP RC-02H 1% 100E	4822 051 10101
R2074	RES.CHIP	RMC1/8 1% 75E	4822 111 91937
R2076	RES.CHIP	HIP RC-02H 1% 10K	4822 051 10103
R2077	RES.CHIP	HIP RC-02H 1% 10K	4822 051 10103
R2078	RES.CHIP	HIP RC-02H 1% 1M	4822 051 10105
R2079	RES.CHIP	HIP RC-02H 1% 1M	4822 051 10105
R2081	RES.CHIP	HIP RC-02H 1% 10K	4822 051 10103
R2082	RES.CHIP	HIP RC-02H 1% 10K	4822 051 10103
R2083	RES.CHIP	HIP RC-02H 1% 100K	4822 051 10104
R2084	RES.CHIP	HIP RC-02H 1% 100K	4822 051 10104
R2085	RES.CHIP	HIP RC-02H 1% 13K3	4822 051 51333
R2086	RES.CHIP	HIP RC-02H 1% 10K	4822 051 10103
R2087	RES.CHIP	HIP RC-02H 1% 51K1	4822 051 55113
R2088	RES.CHIP	HIP RC-02H 1% 10K	4822 051 10103
R2092	RES.METAL FILM	HIP RC-02H 1% 13K3	5322 117 10525
R2093	RES.CHIP	HIP RC-02H 1% 10K	4822 051 10103
R2094	RES.CHIP	HIP RC-02H 1% 2K15	5322 117 10485
R2096	RES.CHIP	HIP RC-02H 1% 1K	4822 051 10102
R2101	RES.CHIP	HIP RC-02H 1% 46K4	5322 117 10486
R2102	RES.METAL FILM	HIP RC-02H 1% 13K3	5322 117 10525
R2103	RES.METAL FILM	HIP RC-02H 1% 14K7	5322 117 10528
R2104	RES.CHIP	HIP RC-02H 1% 10K	4822 051 10103
R2106	RES.CHIP	HIP RC-02H 1% 10K	4822 051 10103
R2112	RES.METAL FILM	HIP RC-02H 1% 61K9	5322 117 10578
R2113	RES.METAL FILM	HIP RC-02H 1% 7K5	5322 117 10583
R2114	RES.CHIP	HIP RC-02H 1% 3K48	5322 117 10557
R2200	RES.CHIP	HIP RC-02H 1% 100E	4822 051 10101
R2201	RES.METAL FILM	HIP RC-02H 1% 13K3	5322 117 10525
R2202	RES.METAL FILM	HIP RC-02H 1% 4K22	5322 117 10565
R2203	RES.CHIP	HIP RC-02H 1% 11K	4822 051 10113
R2204	RES.METAL FILM	HIP RC-02H 1% 12K1	5322 117 10522
R2205	RES.METAL FILM	HIP RC-02H 1% 14K7	5322 117 10528
R2206	RES.CHIP	HIP RC-02H 1% 100E	4822 051 10101
R2207	RES.CHIP	HIP RC-02H 1% 215E	5322 117 10484
R2208	RES.METAL FILM	HIP RC-02H 1% 147E	5322 117 10526
R2209	RES.CHIP	HIP RC-02H 1% 5K11	5322 117 10487
R2210	RES.METAL FILM	HIP RC-02H 1% 31K6	5322 117 10554
R2211	RES.METAL FILM	HIP RC-02H 1% 4K22	5322 117 10565
R2212	RES.CHIP	HIP RC-02H 1% 2K15	5322 117 10485
R2213	RES.MET.GLAZED	RMC1/8 1% 31E6	5322 116 82895
R2214	RES.MET.GLAZED	RMC1/8 1% 31E6	5322 116 82895
R2215	RES.METAL FILM	HIP RC-02H 1% 348E	5322 117 10556
R2216	RES.CHIP	HIP RC-02H 1% 100E	4822 051 10101
R2217	RES.CHIP	HIP RC-02H 1% 100E	4822 051 10101
R2218	RES.CHIP	RMC1/8 1% 51E1	5322 111 91893
R2220	RES.METAL FILM	HIP RC-02H 1% 75K	5322 117 10584
R2222	RES.METAL FILM	HIP RC-02H 1% 162E	5322 117 10529
R2223	RES.METAL FILM	HIP RC-02H 1% 237E	5322 117 10544
R2224	RES.CHIP	RMC1/8 1% 42E2	4822 111 91887
R2226	RES.METAL FILM	HIP RC-02H 1% 162E	5322 117 10529

Item	Description		Ordering code
R2227	RES.CHIP	RMC1/8 1% 61E9	5322 111 92016
R2228	RES.METAL FILM	HIP RC-02H 1% 2K61	5322 117 10547
R2229	RES.METAL FILM	HIP RC-02H 1% 215K	5322 117 10543
R2231	RES.METAL FILM	HIP RC-02H 1% 178E	5322 117 10534
R2301	RES.CHIP	RMC1/8 1% 51E1	5322 111 91893
R2302	RES.CHIP	RMC1/8 1% 51E1	5322 111 91893
R2303	RES.METAL FILM	HIP RC-02H 1% 6K81	5322 117 10581
R2304	RES.CHIP	HIP RC-02H 1% 46K4	5322 117 10486
R2307	RES.CHIP	HIP RC-02H 1% 1K	4822 051 10102
R2308	RES.METAL FILM	HIP RC-02H 1% 5K62	5322 117 10573
R2309	RES.METAL FILM	HIP RC-02H 1% 31K6	5322 117 10554
R2310	RES.METAL FILM	HIP RC-02H 1% 196E	5322 117 10538
R2311	RES.METAL FILM	HIP RC-02H 1% 19K6	5322 117 10541
R2313	RES.CHIP	RMC1/8 1% 51E1	5322 111 91893
R2314	RES.CHIP	RMC1/8 1% 51E1	5322 111 91893
R3001	RES.CHIP	RMC1/8 1% 61E9	5322 111 92016
R3002	RES.CHIP	HIP RC-02H 1% 1M	4822 051 10105
R3006	RES.METAL FILM	ST MRS25 1% 100E	4822 050 21001
R3007	RES.METAL FILM	ST MRS25 1% 100E	4822 050 21001
R3008	RES.METAL FILM	PR24 1/4W 0.1% 9K4	5322 116 83712
R3009	RES.METAL FILM	PR24 1/4W 0.1% 300E	5322 116 51814
R3010	RES.CHIP	RMC1/8 1% 21E5	5322 111 92014
R3011	RES.N.T.C.	NTC640 2% 3K3	5322 116 30421
R3012	RES.CHIP	HIP RC-01 5% 1E	4822 051 10108
R3013	RES.CHIP	RMC1/8 1% 21E5	5322 111 92014
R3014	RES.CHIP	HIP RC-02H 1% 100E	4822 051 10101
R3016	RES.METAL FILM	PR34 0.4W 0.1% 900K	5322 116 51832
R3019	RES.CHIP	HIP RC-02H 1% 100E	4822 051 10101
R3021	RES.METAL FILM	PR34 0.4W 0.1% 990K	5322 116 83104
R3022	RES.CHIP	RMC1/8 1% 23E7	5322 117 10591
R3023	RES.METAL FILM	PR24 1/4W 0.1% 11K1	5322 116 83101
R3024	RES.METAL FILM	HIP RC-02H 1% 147E	5322 117 10526
R3026	RES.CHIP	RMC1/8 1% 82E5	5322 111 92017
R3027	RES.METAL FILM	PR24 1/4W 0.1% 111K	5322 116 83099
R3028	RES.CHIP	HIP RC-02H 1% 10K	4822 051 10103
R3029	RES.CHIP	HIP RC-02H 1% 10K	4822 051 10103
R3030	RES.CHIP	RMC1/8 1% 21E5	5322 111 92014
R3031	RES.METAL FILM	PR34 0.4W 0.1% 500K	5322 116 83103
R3032	RES.CHIP	HIP RC-02H 1% 1M	4822 051 10105
R3033	RES.CHIP	HIP RC-02H 1% 1M	4822 051 10105
R3034	RES.CHIP	HIP RC-01 5% 10M	4822 051 10106
R3035	RES.METAL FILM	HIP RC-02H 1% 215K	5322 117 10543
R3036	RES.CHIP	HIP RC-02H 1% 5K11	5322 117 10487
R3037	RES.METAL FILM	HIP RC-02H 1% 3K83	5322 117 10561
R3038	RES.METAL FILM	HIP RC-02H 1% 215K	5322 117 10543
R3039	RES.METAL FILM	HIP RC-02H 1% 21K5	5322 117 10542
R3041	RES.CHIP	HIP RC-02H 1% 1K	4822 051 10102
R3042	RES.CHIP	HIP RC-02H 1% 51K1	4822 051 55113
R3043	RES.CHIP	HIP RC-02H 1% 5K11	5322 117 10487
R3044	RES.CHIP	HIP RC-02H 1% 5K11	5322 117 10487



Item	Description		Ordering code
R3045	RES.CHIP	HIP RC-02H 1% 5K11	5322 117 10487
R3046	RES.CHIP	HIP RC-02H 1% 261E	4822 051 52611
R3047	RES.METAL FILM	HIP RC-02H 1% 511E	5322 117 10569
R3048	RES.METAL FILM	HIP RC-02H 1% 237E	5322 117 10544
R3049	RES.CHIP	HIP RC-01 5% 10M	4822 051 10106
R3052	RES.CHIP	HIP RC-02H 1% 100E	4822 051 10101
R3053	RES.METAL FILM	HIP RC-02H 1% 6K19	5322 117 10577
R3054	RES.CHIP	HIP RC-02H 1% 10K	4822 051 10103
R3056	RES.METAL FILM	HIP RC-02H 1% 619E	5322 117 10576
R3057	RES.CHIP	HIP RC-02H 1% 1K	4822 051 10102
R3061	RES.CHIP	RMC1/8 1% 51E1	5322 111 91893
R3062	RES.CHIP	RMC1/8 1% 42E2	4822 111 91887
R3063	RES.CHIP	HIP RC-02H 1% 261E	4822 051 52611
R3064	RES.CHIP	HIP RC-02H 1% 261E	4822 051 52611
R3065	RES.CHIP	HIP RC-02H 1% 261E	4822 051 52611
R3071	RES.CHIP	RMC1/8 1% 61E9	5322 111 92016
R3072	RES.METAL FILM	HIP RC-02H 1% 147E	5322 117 10526
R3073	RES.CHIP	HIP RC-02H 1% 100E	4822 051 10101
R3074	RES.CHIP	RMC1/8 1% 75E	4822 111 91937
R3076	RES.CHIP	HIP RC-02H 1% 10K	4822 051 10103
R3077	RES.CHIP	HIP RC-02H 1% 10K	4822 051 10103
R3078	RES.CHIP	HIP RC-02H 1% 1M	4822 051 10105
R3079	RES.CHIP	HIP RC-02H 1% 1M	4822 051 10105
R3081	RES.CHIP	HIP RC-02H 1% 10K	4822 051 10103
R3082	RES.CHIP	HIP RC-02H 1% 10K	4822 051 10103
R3083	RES.CHIP	HIP RC-02H 1% 100K	4822 051 10104
R3084	RES.CHIP	HIP RC-02H 1% 100K	4822 051 10104
R3085	RES.CHIP	HIP RC-02H 1% 13K3	4822 051 51333
R3086	RES.CHIP	HIP RC-02H 1% 10K	4822 051 10103
R3087	RES.CHIP	HIP RC-02H 1% 51K1	4822 051 55113
R3088	RES.CHIP	HIP RC-02H 1% 10K	4822 051 10103
R3092	RES.METAL FILM	HIP RC-02H 1% 13K3	5322 117 10525
R3093	RES.CHIP	HIP RC-02H 1% 10K	4822 051 10103
R3094	RES.CHIP	HIP RC-02H 1% 2K15	5322 117 10485
R3096	RES.CHIP	HIP RC-02H 1% 1K	4822 051 10102
R3101	RES.CHIP	HIP RC-02H 1% 46K4	5322 117 10486
R3102	RES.METAL FILM	HIP RC-02H 1% 13K3	5322 117 10525
R3103	RES.METAL FILM	HIP RC-02H 1% 14K7	5322 117 10528
R3104	RES.CHIP	HIP RC-02H 1% 10K	4822 051 10103
R3106	RES.CHIP	HIP RC-02H 1% 10K	4822 051 10103
R3112	RES.METAL FILM	HIP RC-02H 1% 61K9	5322 117 10578
R3113	RES.METAL FILM	HIP RC-02H 1% 7K5	5322 117 10583
R3114	RES.CHIP	HIP RC-02H 1% 3K48	5322 117 10557
R3200	RES.CHIP	HIP RC-02H 1% 100E	4822 051 10101
R3201	RES.METAL FILM	HIP RC-02H 1% 13K3	5322 117 10525
R3202	RES.METAL FILM	HIP RC-02H 1% 4K22	5322 117 10565
R3203	RES.CHIP	HIP RC-02H 1% 11K	4822 051 10113
R3204	RES.METAL FILM	HIP RC-02H 1% 12K1	5322 117 10522
R3205	RES.METAL FILM	HIP RC-02H 1% 14K7	5322 117 10528
R3206	RES.CHIP	HIP RC-02H 1% 100E	4822 051 10101



Item	Description		Ordering code
R3207	RES.CHIP	HIP RC-02H 1% 215E	5322 117 10484
R3208	RES.METAL FILM	HIP RC-02H 1% 147E	5322 117 10526
R3209	RES.CHIP	HIP RC-02H 1% 5K11	5322 117 10487
R3210	RES.METAL FILM	HIP RC-02H 1% 31K6	5322 117 10554
R3211	RES.METAL FILM	HIP RC-02H 1% 4K22	5322 117 10565
R3212	RES.CHIP	HIP RC-02H 1% 2K15	5322 117 10485
R3213	RES.MET.GLAZED	RMC1/8 1% 31E6	5322 116 82895
R3214	RES.MET.GLAZED	RMC1/8 1% 31E6	5322 116 82895
R3215	RES.METAL FILM	HIP RC-02H 1% 348E	5322 117 10556
R3216	RES.CHIP	HIP RC-02H 1% 100E	4822 051 10101
R3217	RES.CHIP	HIP RC-02H 1% 100E	4822 051 10101
R3218	RES.CHIP	RMC1/8 1% 51E1	5322 111 91893
R3220	RES.METAL FILM	HIP RC-02H 1% 75K	5322 117 10584
R3222	RES.METAL FILM	HIP RC-02H 1% 162E	5322 117 10529
R3223	RES.METAL FILM	HIP RC-02H 1% 237E	5322 117 10544
R3224	RES.CHIP	RMC1/8 1% 42E2	4822 111 91887
R3226	RES.METAL FILM	HIP RC-02H 1% 162E	5322 117 10529
R3227	RES.CHIP	RMC1/8 1% 61E9	5322 111 92016
R3228	RES.METAL FILM	HIP RC-02H 1% 2K61	5322 117 10547
R3229	RES.METAL FILM	HIP RC-02H 1% 215K	5322 117 10543
R3231	RES.METAL FILM	HIP RC-02H 1% 178E	5322 117 10534
R3301	RES.MET.GLAZED	RMC1/8 1% 46E4	5322 116 82896
R3302	RES.MET.GLAZED	RMC1/8 1% 46E4	5322 116 82896
R3303	RES.METAL FILM	HIP RC-02H 1% 6K81	5322 117 10581
R3304	RES.CHIP	HIP RC-02H 1% 46K4	5322 117 10486
R3307	RES.CHIP	HIP RC-02H 1% 1K	4822 051 10102
R3308	RES.METAL FILM	HIP RC-02H 1% 5K62	5322 117 10573
R3309	RES.METAL FILM	HIP RC-02H 1% 31K6	5322 117 10554
R3310	RES.METAL FILM	HIP RC-02H 1% 196E	5322 117 10538
R3311	RES.METAL FILM	HIP RC-02H 1% 19K6	5322 117 10541
R3313	RES.CHIP	RMC1/8 1% 51E1	5322 111 91893
R3314	RES.CHIP	RMC1/8 1% 51E1	5322 111 91893
R4001	RES.CHIP	RMC1/8 1% 61E9	5322 111 92016
R4002	RES.CHIP	HIP RC-02H 1% 1M	4822 051 10105
R4006	RES.METAL FILM	ST MRS25 1% 100E	4822 050 21001
R4007	RES.METAL FILM	ST MRS25 1% 100E	4822 050 21001
R4008	RES.METAL FILM	PR24 1/4W 0.1% 9K4	5322 116 83712
R4009	RES.METAL FILM	PR24 1/4W 0.1% 300E	5322 116 51814
R4010	RES.CHIP	RMC1/8 1% 21E5	5322 111 92014
R4011	RES.N.T.C.	NTC640 2% 3K3	5322 116 30421
R4012	RES.CHIP	HIP RC-01 5% 1E	4822 051 10108
R4013	RES.CHIP	RMC1/8 1% 21E5	5322 111 92014
R4014	RES.CHIP	HIP RC-02H 1% 100E	4822 051 10101
R4016	RES.METAL FILM	PR34 0.4W 0.1% 900K	5322 116 51832
R4019	RES.CHIP	HIP RC-02H 1% 100E	4822 051 10101
R4021	RES.METAL FILM	PR34 0.4W 0.1% 990K	5322 116 83104
R4022	RES.CHIP	RMC1/8 1% 23E7	5322 117 10591
R4023	RES.METAL FILM	PR24 1/4W 0.1% 11K1	5322 116 83101
R4024	RES.METAL FILM	HIP RC-02H 1% 147E	5322 117 10526
R4026	RES.CHIP	RMC1/8 1% 82E5	5322 111 92017

Item	Description		Ordering code
R4027	RES.METAL FILM	PR24 1/4W 0.1% 111K	5322 116 83099
R4028	RES.CHIP	HIP RC-02H 1% 10K	4822 051 10103
R4029	RES.CHIP	HIP RC-02H 1% 10K	4822 051 10103
R4030	RES.CHIP	RMC1/8 1% 21E5	5322 111 92014
R4031	RES.METAL FILM	PR34 0.4W 0.1% 500K	5322 116 83103
R4032	RES.CHIP	HIP RC-02H 1% 1M	4822 051 10105
R4033	RES.CHIP	HIP RC-02H 1% 1M	4822 051 10105
R4034	RES.CHIP	HIP RC-01 5% 10M	4822 051 10106
R4035	RES.METAL FILM	HIP RC-02H 1% 215K	5322 117 10543
R4036	RES.CHIP	HIP RC-02H 1% 5K11	5322 117 10487
R4037	RES.METAL FILM	HIP RC-02H 1% 3K83	5322 117 10561
R4038	RES.METAL FILM	HIP RC-02H 1% 215K	5322 117 10543
R4039	RES.METAL FILM	HIP RC-02H 1% 21K5	5322 117 10542
R4041	RES.CHIP	HIP RC-02H 1% 1K	4822 051 10102
R4042	RES.CHIP	HIP RC-02H 1% 51K1	4822 051 55113
R4043	RES.CHIP	HIP RC-02H 1% 5K11	5322 117 10487
R4044	RES.CHIP	HIP RC-02H 1% 5K11	5322 117 10487
R4045	RES.CHIP	HIP RC-02H 1% 5K11	5322 117 10487
R4046	RES.CHIP	HIP RC-02H 1% 261E	4822 051 52611
R4047	RES.METAL FILM	HIP RC-02H 1% 511E	5322 117 10569
R4048	RES.METAL FILM	HIP RC-02H 1% 237E	5322 117 10544
R4049	RES.CHIP	HIP RC-01 5% 10M	4822 051 10106
R4052	RES.CHIP	HIP RC-02H 1% 100E	4822 051 10101
R4053	RES.METAL FILM	HIP RC-02H 1% 6K19	5322 117 10577
R4054	RES.CHIP	HIP RC-02H 1% 10K	4822 051 10103
R4056	RES.METAL FILM	HIP RC-02H 1% 619E	5322 117 10576
R4057	RES.CHIP	HIP RC-02H 1% 1K	4822 051 10102
R4061	RES.CHIP	RMC1/8 1% 51E1	5322 111 91893
R4062	RES.CHIP	RMC1/8 1% 42E2	4822 111 91887
R4063	RES.CHIP	HIP RC-02H 1% 261E	4822 051 52611
R4064	RES.CHIP	HIP RC-02H 1% 261E	4822 051 52611
R4065	RES.CHIP	HIP RC-02H 1% 261E	4822 051 52611
R4071	RES.CHIP	RMC1/8 1% 61E9	5322 111 92016
R4072	RES.METAL FILM	HIP RC-02H 1% 147E	5322 117 10526
R4073	RES.CHIP	HIP RC-02H 1% 100E	4822 051 10101
R4074	RES.CHIP	RMC1/8 1% 75E	4822 111 91937
R4076	RES.CHIP	HIP RC-02H 1% 10K	4822 051 10103
R4077	RES.CHIP	HIP RC-02H 1% 10K	4822 051 10103
R4078	RES.CHIP	HIP RC-02H 1% 1M	4822 051 10105
R4079	RES.CHIP	HIP RC-02H 1% 1M	4822 051 10105
R4081	RES.CHIP	HIP RC-02H 1% 10K	4822 051 10103
R4082	RES.CHIP	HIP RC-02H 1% 10K	4822 051 10103
R4083	RES.CHIP	HIP RC-02H 1% 100K	4822 051 10104
R4084	RES.CHIP	HIP RC-02H 1% 100K	4822 051 10104
R4086	RES.CHIP	HIP RC-02H 1% 10K	4822 051 10103
R4087	RES.CHIP	HIP RC-02H 1% 51K1	4822 051 55113
R4088	RES.CHIP	HIP RC-02H 1% 10K	4822 051 10103
R4092	RES.METAL FILM	HIP RC-02H 1% 13K3	5322 117 10525
R4093	RES.CHIP	HIP RC-02H 1% 10K	4822 051 10103
R4094	RES.CHIP	HIP RC-02H 1% 2K15	5322 117 10485

Item	Description		Ordering code
R4096	RES.CHIP	HIP RC-02H 1% 1K	4822 051 10102
R4101	RES.CHIP	HIP RC-02H 1% 46K4	5322 117 10486
R4102	RES.METAL FILM	HIP RC-02H 1% 13K3	5322 117 10525
R4103	RES.METAL FILM	HIP RC-02H 1% 14K7	5322 117 10528
R4104	RES.CHIP	HIP RC-02H 1% 10K	4822 051 10103
R4106	RES.CHIP	HIP RC-02H 1% 10K	4822 051 10103
R4112	RES.METAL FILM	HIP RC-02H 1% 61K9	5322 117 10578
R4113	RES.METAL FILM	HIP RC-02H 1% 7K5	5322 117 10583
R4114	RES.CHIP	HIP RC-02H 1% 3K48	5322 117 10557
R4200	RES.CHIP	HIP RC-02H 1% 100E	4822 051 10101
R4201	RES.METAL FILM	HIP RC-02H 1% 13K3	5322 117 10525
R4202	RES.METAL FILM	HIP RC-02H 1% 4K22	5322 117 10565
R4203	RES.CHIP	HIP RC-02H 1% 11K	4822 051 10113
R4204	RES.METAL FILM	HIP RC-02H 1% 12K1	5322 117 10522
R4205	RES.METAL FILM	HIP RC-02H 1% 14K7	5322 117 10528
R4206	RES.CHIP	HIP RC-02H 1% 100E	4822 051 10101
R4207	RES.CHIP	HIP RC-02H 1% 215E	5322 117 10484
R4208	RES.METAL FILM	HIP RC-02H 1% 147E	5322 117 10526
R4209	RES.CHIP	HIP RC-02H 1% 5K11	5322 117 10487
R4210	RES.METAL FILM	HIP RC-02H 1% 31K6	5322 117 10554
R4211	RES.METAL FILM	HIP RC-02H 1% 4K22	5322 117 10565
R4212	RES.CHIP	HIP RC-02H 1% 2K15	5322 117 10485
R4213	RES.MET.GLAZED	RMC1/8 1% 31E6	5322 116 82895
R4214	RES.MET.GLAZED	RMC1/8 1% 31E6	5322 116 82895
R4215	RES.METAL FILM	HIP RC-02H 1% 348E	5322 117 10556
R4216	RES.CHIP	HIP RC-02H 1% 100E	4822 051 10101
R4217	RES.CHIP	HIP RC-02H 1% 100E	4822 051 10101
R4218	RES.CHIP	RMC1/8 1% 51E1	5322 111 91893
R4220	RES.METAL FILM	HIP RC-02H 1% 75K	5322 117 10584
R4222	RES.METAL FILM	HIP RC-02H 1% 162E	5322 117 10529
R4223	RES.METAL FILM	HIP RC-02H 1% 237E	5322 117 10544
R4224	RES.CHIP	RMC1/8 1% 42E2	4822 111 91887
R4226	RES.METAL FILM	HIP RC-02H 1% 162E	5322 117 10529
R4227	RES.CHIP	RMC1/8 1% 61E9	5322 111 92016
R4228	RES.METAL FILM	HIP RC-02H 1% 2K61	5322 117 10547
R4229	RES.METAL FILM	HIP RC-02H 1% 215K	5322 117 10543
R4231	RES.METAL FILM	HIP RC-02H 1% 178E	5322 117 10534
R4301	RES.CHIP	RMC1/8 1% 51E1	5322 111 91893
R4302	RES.CHIP	RMC1/8 1% 51E1	5322 111 91893
R4303	RES.METAL FILM	HIP RC-02H 1% 6K81	5322 117 10581
R4304	RES.CHIP	HIP RC-02H 1% 46K4	5322 117 10486
R4307	RES.CHIP	HIP RC-02H 1% 1K	4822 051 10102
R4308	RES.METAL FILM	HIP RC-02H 1% 5K62	5322 117 10573
R4309	RES.METAL FILM	HIP RC-02H 1% 31K6	5322 117 10554
R4310	RES.METAL FILM	HIP RC-02H 1% 196E	5322 117 10538
R4311	RES.METAL FILM	HIP RC-02H 1% 19K6	5322 117 10541
R4313	RES.CHIP	RMC1/8 1% 51E1	5322 111 91893
R4314	RES.CHIP	RMC1/8 1% 51E1	5322 111 91893
R5001	RES.METAL FILM	HIP RC-02H 1% 3K48	5322 117 10557
R5002	RES.METAL FILM	HIP RC-02H 1% 3K48	5322 117 10557



Item	Description		Ordering code
R5003	RES.CHIP	HIP RC-02H 1% 100E	4822 051 10101
R5004	RES.METAL FILM	HIP RC-02H 1% 14K7	5322 117 10528
R5006	RES.METAL FILM	HIP RC-02H 1% 14K7	5322 117 10528
R5007	RES.METAL FILM	HIP RC-02H 1% 348E	5322 117 10556
R5008	RES.METAL FILM	HIP RC-02H 1% 348E	5322 117 10556
R5009	RES.METAL FILM	HIP RC-02H 1% 909E	5322 117 10588
R5011	RES.METAL FILM	HIP RC-02H 1% 909E	5322 117 10588
R5012	RES.METAL FILM	HIP RC-02H 1% 162E	5322 117 10529
R5013	RES.METAL FILM	HIP RC-02H 1% 162E	5322 117 10529
R5014	RES.METAL FILM	HIP RC-02H 1% 1K47	5322 117 10527
R5016	RES.CHIP	HIP RC-02H 1% 100E	4822 051 10101
R5017	RES.CHIP	HIP RC-02H 1% 100E	4822 051 10101
R5018	RES.CHIP	HIP RC-02H 1% 51K1	4822 051 55113
R5019	RES.METAL FILM	HIP RC-02H 1% 2K87	5322 117 10549
R5021	RES.METAL FILM	HIP RC-02H 1% 3K83	5322 117 10561
R5024	RES.CHIP	HIP RC-02H 1% 100E	4822 051 10101
R5026	RES.CHIP	HIP RC-02H 1% 100E	4822 051 10101
R5027	RES.CHIP	HIP RC-02H 1% 100E	4822 051 10101
R5028	RES.CHIP	HIP RC-02H 1% 100E	4822 051 10101
R5029	RES.METAL FILM	HIP RC-02H 1% 1K47	5322 117 10527
R5031	RES.METAL FILM	HIP RC-02H 1% 21K5	5322 117 10542
R5032	RES.METAL FILM	HIP RC-02H 1% 21K5	5322 117 10542
R5035	RES.METAL FILM	HIP RC-02H 1% 348E	5322 117 10556
R5036	RES.METAL FILM	HIP RC-02H 1% 178E	5322 117 10534
R5037	RES.METAL FILM	HIP RC-02H 1% 178E	5322 117 10534
R5041	RES.METAL FILM	HIP RC-02H 1% 21K5	5322 117 10542
R5042	RES.METAL FILM	HIP RC-02H 1% 21K5	5322 117 10542
R5043	RES.CHIP	HIP RC-02H 1% 215E	5322 117 10484
R5044	RES.METAL FILM	HIP RC-02H 1% 316E	5322 117 10552
R5045	RES.CHIP	HIP RC-02H 1% 100E	4822 051 10101
R5046	RES.METAL FILM	HIP RC-02H 1% 316E	5322 117 10552
R5047	RES.METAL FILM	HIP RC-02H 1% 511E	5322 117 10569
R5048	RES.MET.GLAZED	RMC1/8 1% 51E1	5322 117 11737
R5049	RES.MET.GLAZED	RMC1/8 1% 51E1	5322 117 11737
R5050	RES.METAL FILM	HIP RC-02H 1% 511K	5322 117 10571
R5051	RES.CHIP	RMC1/8 1% 51E1	5322 111 91893
R5052	RES.CHIP	RMC1/8 1% 51E1	5322 111 91893
R5053	RES.CHIP	HIP RC-02H 1% 261E	4822 051 52611
R5054	RES.METAL FILM	HIP RC-02H 1% 2K87	5322 117 10549
R5055	RES.CHIP (100MHz)	HIP RC-02H 1% 1E	4822 051 10108
R5055	RES.METAL FILM	HIP RC-02H 1% 3K48	5322 117 10557
R5056	RES.METAL FILM	HIP RC-02H 1% 19K6	5322 117 10541
R5057	RES.METAL FILM	HIP RC-02H 1% 13K3	5322 117 10525
R5058	RES.CHIP	HIP RC-02H 1% 1K	4822 051 10102
R5059	RES.METAL FILM	HIP RC-02H 1% 9K09	5322 117 10589
R5060	RES.METAL FILM	HIP RC-02H 1% 21K5	5322 117 10542
R5061	RES.CHIP (100 MHz)	HIP RC-02H 1% 3K83	5322 117 10561
R5061	RES.CHIP (200 MHz)	HIP RC-02H 1% 1K21	4822 051 51212
R5064	RES.METAL FILM	HIP RC-02H 1% 3K83	5322 117 10561
R5065	RES.CHIP	HIP RC-02H 1% 100E	4822 051 10101

Item	Description		Ordering code
R5066	RES.METAL FILM	HIP RC-02H 1% 511K	5322 117 10571
R5068	RES.CHIP	HIP RC-01 5% 4E7	4822 051 10478
R5069	RES.METAL FILM	HIP RC-02H 1% 2K61	5322 117 10547
R5070	RES.METAL FILM	HIP RC-02H 1% 2K61	5322 117 10547
R5071	RES.CHIP	RMC1/8 1% 51E1	5322 111 91893
R5072	RES.CHIP	RMC1/8 1% 51E1	5322 111 91893
R5076	RES.METAL FILM	HIP RC-02H 1% 14K7	5322 117 10528
R5501	RES.METAL FILM	HIP RC-02H 1% 9K09	5322 117 10589
R5502	RES.METAL FILM	HIP RC-02H 1% 12K1	5322 117 10522
R5503	RES.METAL FILM	HIP RC-02H 1% 12K1	5322 117 10522
R5504	RES.METAL FILM	HIP RC-02H 1% 6K81	5322 117 10581
R5506	RES.METAL FILM	HIP RC-02H 1% 6K81	5322 117 10581
R5507	RES.METAL FILM	HIP RC-02H 1% 6K81	5322 117 10581
R5508	RES.METAL FILM	HIP RC-02H 1% 6K81	5322 117 10581
R5509	RES.METAL FILM	HIP RC-02H 1% 3K16	5322 117 10553
R5510	RES.METAL FILM	HIP RC-02H 1% 12K1	5322 117 10522
R5511	RES.CHIP	HIP RC-02H 1% 10K	4822 051 10103
R5512	RES.METAL FILM	HIP RC-02H 1% 619E	5322 117 10576
R5513	RES.METAL FILM	HIP RC-02H 1% 422E	5322 117 10564
R5514	RES.CHIP	HIP RC-02H 1% 1K	4822 051 10102
R5516	RES.METAL FILM	HIP RC-02H 1% 3K48	5322 117 10557
R5517	RES.METAL FILM	HIP RC-02H 1% 1K21	5322 117 10521
R5518	RES.CHIP	HIP RC-02H 1% 10K	4822 051 10103
R5519	RES.METAL FILM	HIP RC-02H 1% 2K61	5322 117 10547
R5521	RES.CHIP	HIP RC-02H 1% 261E	4822 051 52611
R5522	RES.METAL FILM	HIP RC-02H 1% 6K81	5322 117 10581
R5523	RES.METAL FILM	HIP RC-02H 1% 619E	5322 117 10576
R5524	RES.CHIP	HIP RC-02H 1% 1K	4822 051 10102
R5526	RES.CHIP	HIP RC-02H 1% 10K	4822 051 10103
R5527	RES.CHIP	HIP RC-02H 1% 100K	4822 051 10104
R5531	RES.CHIP	HIP RC-02H 1% 5K11	5322 117 10487
R5532	RES.CHIP	HIP RC-02H 1% 5K11	5322 117 10487
R5533	RES.CHIP	HIP RC-02H 1% 5K11	5322 117 10487
R5534	RES.CHIP	HIP RC-02H 1% 5K11	5322 117 10487
R5536	RES.CHIP	HIP RC-02H 1% 5K11	5322 117 10487
R5537	RES.CHIP	HIP RC-02H 1% 5K11	5322 117 10487
R5538	RES.CHIP	HIP RC-02H 1% 5K11	5322 117 10487
R5539	RES.CHIP	HIP RC-02H 1% 5K11	5322 117 10487
R5541	RES.CHIP	HIP RC-01 5% 1E	4822 051 10108
R5542	RES.CHIP	HIP RC-01 5% 1E	4822 051 10108
R5543	RES.CHIP	HIP RC-02H 1% 10K	4822 051 10103
R5544	RES.CHIP	HIP RC-02H 1% 2K15	5322 117 10485
R5546	RES.METAL FILM	HIP RC-02H 1% 3K48	5322 117 10557
R5551	RES.METAL FILM	HIP RC-02H 1% 21K5	5322 117 10542
R5552	RES.METAL FILM	HIP RC-02H 1% 21K5	5322 117 10542
R5553	RES.METAL FILM	HIP RC-02H 1% 21K5	5322 117 10542
R5554	RES.METAL FILM	HIP RC-02H 1% 21K5	5322 117 10542
R5556	RES.CHIP	HIP RC-02H 1% 10K	4822 051 10103
R5557	RES.CHIP	HIP RC-02H 1% 10K	4822 051 10103
R5558	RES.CHIP	HIP RC-02H 1% 10K	4822 051 10103



Item	Description		Ordering code
R5559	RES.CHIP	HIP RC-02H 1% 10K	4822 051 10103
R5561	RES.CHIP	HIP RC-02H 1% 5K11	5322 117 10487
R5562	RES.METAL FILM	HIP RC-02H 1% 12K1	5322 117 10522
R5601	RES.MET.GLAZED	RMC1/8 1% 31E6	5322 116 82895
R5602	RES.CHIP	HIP RC-01 5% 4E7	4822 051 10478
R5603	RES.CHIP	RMC1/8 1% 42E2	4822 111 91887
R5606	RES.CHIP	HIP RC-02H 1% 5K11	5322 117 10487
R6001	RES.CHIP	HIP RC-02H 1% 100E	4822 051 10101
R6002	RES.METAL FILM	PR24 1/4W 0.1% 50E	5322 116 53165
R6003	RES.METAL FILM	PR24 1/4W 0.1% 75E	5322 116 53168
R6004	RES.METAL FILM	PR24 1/4W 0.1% 125E	5322 116 53176
R6005	RES.METAL FILM	PR24 1/4W 0.1% 250E	5322 116 53166
R6006	RES.METAL FILM	PR24 1/4W 0.1% 750E	5322 116 53173
R6007	RES.METAL FILM	PR24 1/4W 0.1% 1K25	5322 116 53177
R6008	RES.METAL FILM	PR24 1/4W 0.1% 900E	5322 116 83098
R6009	RES.METAL FILM	HIP RC-02H 1% 1K78	5322 117 10535
R6011	RES.CHIP	HIP RC-02H 1% 100E	4822 051 10101
R6012	RES.CHIP	HIP RC-02H 1% 100K	4822 051 10104
R6013	RES.METAL FILM	PR24 1/4W 0.1% 23K7	5322 116 53169
R6014	RES.METAL FILM	PR24 1/4W 0.1% 2K37	5322 116 53171
R6015	RES.METAL FILM	HIP RC-02H 1% 19K6	5322 117 10541
R6016	RES.METAL FILM	HIP RC-02H 1% 1K96	5322 117 10539
R6017	RES.CHIP	HIP RC-02H 1% 100E	4822 051 10101
R6018	RES.CHIP	HIP RC-02H 1% 2K15	5322 117 10485
R6019	RES.CHIP	RMC1/8 1% 42E2	4822 111 91887
R6020	RES.CHIP	RMC1/8 1% 10E	4822 111 91885
R6021	RES.METAL FILM	HIP RC-02H 1% 3K16	5322 117 10553
R6022	RES.CHIP	RMC1/8 1% 42E2	4822 111 91887
R6023	RES.CHIP	RMC1/8 1% 51E1	5322 111 91893
R6024	RES.CHIP	HIP RC-01 5% 1E	4822 051 10108
R6025	RES.CHIP	HIP RC-01 5% 1E	4822 051 10108
R6026	RES.METAL FILM	HIP RC-02H 1% 14K7	5322 117 10528
R6027	RES.CHIP	HIP RC-02H 1% 100E	4822 051 10101
R6028	RES.METAL FILM	HIP RC-02H 1% 237E	5322 117 10544
R6029	RES.CHIP	HIP RC-01 5% 4E7	4822 051 10478
R6030	RES.CHIP	HIP RC-01 5% 4E7	4822 051 10478
R6031	RES.METAL FILM	HIP RC-02H 1% 316E	5322 117 10552
R6032	RES.METAL FILM	HIP RC-02H 1% 3K16	5322 117 10553
R6033	RES.CHIP	HIP RC-02H 1% 51K1	4822 051 55113
R6034	RES.METAL FILM	HIP RC-02H 1% 1K78	5322 117 10535
R6035	RES.CHIP	HIP RC-02H 1% 5K11	5322 117 10487
R6036	RES.METAL FILM	HIP RC-02H 1% 215K	5322 117 10543
R6037	RES.CHIP	HIP RC-02H 1% 5K11	5322 117 10487
R6038	RES.METAL FILM	HIP RC-02H 1% 3K16	5322 117 10553
R6040	RES.METAL FILM	HIP RC-02H 1% 6K19	5322 117 10577
R6041	RES.METAL FILM	HIP RC-02H 1% 316E	5322 117 10552
R6042	RES.CHIP	RMC1/8 1% 10E	4822 111 91885
R6043	RES.CHIP	RMC1/8 1% 10E	4822 111 91885
R6044	RES.MET.GLAZED	RMC1/8 1% 31E6	5322 116 82895
R6045	RES.METAL FILM	HIP RC-02H 1% 3K16	5322 117 10553

Item	Description	Ordering code
R6046	RES.CHIP	RMC1/8 1% 10E 4822 111 91885
R6047	RES.METAL FILM	HIP RC-02H 1% 196E 5322 117 10538
R6048	RES.METAL FILM	HIP RC-02H 1% 750E 5322 117 10582
R6049	RES.CHIP	HIP RC-02H 1% 1K 4822 051 10102
R6050	RES.CHIP	HIP RC-01 5% 4E7 4822 051 10478
R6051	RES.CHIP	HIP RC-02H 1% 1K 4822 051 10102
R6052	RES.METAL FILM	HIP RC-02H 1% 21K5 5322 117 10542
R6053	RES.CHIP	HIP RC-02H 1% 1K 4822 051 10102
R6054	RES.METAL FILM	HIP RC-02H 1% 21K5 5322 117 10542
R6061	RES.CHIP	HIP RC-02H 1% 1K 4822 051 10102
R6062	RES.CHIP	HIP RC-02H 1% 10K 4822 051 10103
R6063	RES.METAL FILM	HIP RC-02H 1% 3K16 5322 117 10553
R6070	RES.CHIP	HIP RC-02H 1% 10K 4822 051 10103
R6071	RES.METAL FILM	HIP RC-02H 1% 19K6 5322 117 10541
R6072	RES.CHIP	RMC1/8 1% 10E 4822 111 91885
R6073	RES.CHIP	HIP RC-02H 1% 1K 4822 051 10102
R6074	RES.METAL FILM	HIP RC-02H 1% 1K21 5322 117 10521
R6093	RES.CHIP	HIP RC-01 5% 3E3 4822 051 10338
R6094	RES.CHIP	RMC1/8 1% 10E 4822 111 91885
R6095	RES.CHIP	RMC1/8 1% 51E1 5322 111 91893
R6101	RES.CHIP	HIP RC-02H 1% 1K 4822 051 10102
R6104	RES.CHIP	RMC1/8 1% 10E 4822 111 91885
R6502	RES.CHIP	HIP RC-02H 1% 2K15 5322 117 10485
R6503	RES.CHIP	HIP RC-02H 1% 2K15 5322 117 10485
R6508	RES.METAL FILM	HIP RC-02H 1% 196E 5322 117 10538
R6509	RES.METAL FILM	HIP RC-02H 1% 196E 5322 117 10538
R6511	RES.CHIP	HIP RC-02H 1% 2K15 5322 117 10485
R6512	RES.CHIP	HIP RC-02H 1% 2K15 5322 117 10485
R6521	RES.CHIP	RMC1/8 1% 42E2 4822 111 91887
R6522	RES.CHIP	RMC1/8 1% 42E2 4822 111 91887
R6523	RES.CHIP	RMC1/8 1% 42E2 4822 111 91887
R6524	RES.CHIP	RMC1/8 1% 42E2 4822 111 91887
R6526	RES.MET.GLAZED	RMC1/8 1% 31E6 5322 116 82895
R6527	RES.MET.GLAZED	RMC1/8 1% 31E6 5322 116 82895
R6528	RES.CHIP	RMC1/8 1% 21E5 5322 111 92014
R6529	RES.CHIP	RMC1/8 1% 21E5 5322 111 92014
R6531	RES.METAL FILM	HIP RC-02H 1% 422E 5322 117 10564
R6542	RES.CHIP	HIP RC-02H 1% 5K11 5322 117 10487
R6543	RES.CHIP	HIP RC-02H 1% 5K11 5322 117 10487
R6544	RES.CHIP	HIP RC-02H 1% 5K11 5322 117 10487
R6546	RES.CHIP	HIP RC-02H 1% 5K11 5322 117 10487
R6547	RES.CHIP	HIP RC-02H 1% 5K11 5322 117 10487
R6548	RES.METAL FILM	HIP RC-02H 1% 14K7 5322 117 10528
R6552	RES.METAL FILM	HIP RC-02H 1% 681E 5322 117 10579
R6554	RES.METAL FILM	HIP RC-02H 1% 14K7 5322 117 10528
R6556	RES.METAL FILM	HIP RC-02H 1% 3K16 5322 117 10553
R6558	RES.METAL FILM	HIP RC-02H 1% 5K62 5322 117 10573
R6571	RES.CHIP	HIP RC-02H 1% 261E 4822 051 52611
R6572	RES.CHIP	HIP RC-02H 1% 261E 4822 051 52611
R6576	RES.CHIP	HIP RC-02H 1% 100E 4822 051 10101

Item	Description		Ordering code
R6577	RES.CHIP	HIP RC-02H 1% 100E	4822 051 10101
R6578	RES.METAL FILM	HIP RC-02H 1% 4K22	5322 117 10565
R6579	RES.METAL FILM	HIP RC-02H 1% 4K22	5322 117 10565
R6584	RES.METAL FILM	HIP RC-02H 1% 1K33	5322 117 10524
R6586	RES.METAL FILM	HIP RC-02H 1% 1K33	5322 117 10524
R6601	RES.METAL FILM	HIP RC-02H 1% 511E	5322 117 10569
R6602	RES.METAL FILM	HIP RC-02H 1% 511E	5322 117 10569
R6603	RES.CHIP	HIP RC-02H 1% 1K	4822 051 10102
R6612	RES.METAL FILM	HIP RC-02H 1% 750E	5322 117 10582
R6613	RES.METAL FILM	HIP RC-02H 1% 750E	5322 117 10582
R6614	RES.METAL FILM	HIP RC-02H 1% 511E	5322 117 10569
R6616	RES.METAL FILM	HIP RC-02H 1% 511E	5322 117 10569
R6621	RES.CHIP	HIP RC-02H 1% 5K11	5322 117 10487
R6622	RES.METAL FILM	HIP RC-02H 1% 5K62	5322 117 10573
R6623	RES.CHIP	HIP RC-02H 1% 11K	4822 051 10113
R6624	RES.METAL FILM	HIP RC-02H 1% 12K1	5322 117 10522
R6626	RES.METAL FILM	HIP RC-02H 1% 31K6	5322 117 10554
R6627	RES.METAL FILM	HIP RC-02H 1% 6K81	5322 117 10581
R6629	RES.METAL FILM	HIP RC-02H 1% 3K48	5322 117 10557
R6632	RES.CHIP	HIP RC-02H 1% 2K15	5322 117 10485
R6633	RES.METAL FILM	HIP RC-02H 1% 511E	5322 117 10569
R6634	RES.METAL FILM	HIP RC-02H 1% 3K83	5322 117 10561
R6636	RES.METAL FILM	HIP RC-02H 1% 316E	5322 117 10552
R6638	RES.CHIP	HIP RC-01 5% 10M	4822 051 10106
R6641	RES.CHIP	HIP RC-01 5% 10M	4822 051 10106
R6643	RES.CHIP	HIP RC-01 5% 10M	4822 051 10106
R6646	RES.CHIP	HIP RC-01 5% 10M	4822 051 10106
R6649	RES.METAL FILM	HIP RC-02H 1% 12K1	5322 117 10522
R6661	RES.CHIP	HIP RC-02H 1% 1K	4822 051 10102
R6662	RES.CHIP	HIP RC-02H 1% 1K	4822 051 10102
R6684	RES.CHIP	HIP RC-02H 1% 1K	4822 051 10102
R6688	RES.METAL FILM	HIP RC-02H 1% 619E	5322 117 10576
R6689	RES.METAL FILM	HIP RC-02H 1% 619E	5322 117 10576
R6692	RES.METAL FILM	HIP RC-02H 1% 1K62	5322 117 10531
R6694	RES.CHIP	HIP RC-02H 1% 1K	4822 051 10102
R6696	RES.METAL FILM	HIP RC-02H 1% 1K47	5322 117 10527
R6706	RES.METAL FILM	HIP RC-02H 1% 5K62	5322 117 10573
R6708	RES.METAL FILM	HIP RC-02H 1% 3K48	5322 117 10557
R6709	RES.METAL FILM	HIP RC-02H 1% 5K62	5322 117 10573
R6752	RES.METAL FILM	HIP RC-02H 1% 1K21	5322 117 10521
R6753	RES.METAL FILM	HIP RC-02H 1% 3K16	5322 117 10553
R6754	RES.METAL FILM	HIP RC-02H 1% 348E	5322 117 10556
R6756	RES.METAL FILM	HIP RC-02H 1% 1K78	5322 117 10535
R6758	RES.METAL FILM	HIP RC-02H 1% 19K6	5322 117 10541
R6762	RES.METAL FILM	HIP RC-02H 1% 750E	5322 117 10582
R6764	RES.METAL FILM	HIP RC-02H 1% 19K6	5322 117 10541
R6769	RES.METAL FILM	HIP RC-02H 1% 2K61	5322 117 10547
R6772	RES.CHIP	HIP RC-02H 1% 11K	4822 051 10113
R6774	RES.METAL FILM	HIP RC-02H 1% 7K5	5322 117 10583
R6776	RES.METAL FILM	HIP RC-02H 1% 511K	5322 117 10571



Item	Description		Ordering code
R6782	RES.CHIP	HIP RC-02H 1% 100K	4822 051 10104
R6783	RES.CHIP	HIP RC-02H 1% 100K	4822 051 10104
R6788	RES.CHIP	HIP RC-02H 1% 11K	4822 051 10113
R6901	RES.CHIP	HIP RC-01 5% 1E	4822 051 10108
R6911	RES.CHIP	HIP RC-01 5% 1E	4822 051 10108
R6921	RES.CHIP	HIP RC-01 5% 4E7	4822 051 10478
R6931	RES.CHIP	HIP RC-01 5% 4E7	4822 051 10478
R6941	RES.CHIP	HIP RC-01 5% 4E7	4822 051 10478
R6951	RES.CHIP	HIP RC-01 5% 4E7	4822 051 10478
R6961	RES.CHIP	HIP RC-01 5% 4E7	4822 051 10478
R7001	RES.CHIP	HIP RC-02H 1% 100E	4822 051 10101
R7002	RES.METAL FILM	PR24 1/4W 0.1% 50E	5322 116 53165
R7003	RES.METAL FILM	PR24 1/4W 0.1% 75E	5322 116 53168
R7004	RES.METAL FILM	PR24 1/4W 0.1% 125E	5322 116 53176
R7005	RES.METAL FILM	PR24 1/4W 0.1% 250E	5322 116 53166
R7006	RES.METAL FILM	PR24 1/4W 0.1% 750E	5322 116 53173
R7007	RES.METAL FILM	PR24 1/4W 0.1% 1K25	5322 116 53177
R7008	RES.METAL FILM	PR24 1/4W 0.1% 900E	5322 116 83098
R7009	RES.CHIP	HIP RC-02H 1% 46K4	5322 117 10486
R7011	RES.METAL FILM	HIP RC-02H 1% 14K7	5322 117 10528
R7012	RES.METAL FILM	HIP RC-02H 1% 3K48	5322 117 10557
R7013	RES.METAL FILM	PR24 1/4W 0.1% 23K7	5322 116 53169
R7014	RES.METAL FILM	PR24 1/4W 0.1% 2K37	5322 116 53171
R7015	RES.METAL FILM	HIP RC-02H 1% 19K6	5322 117 10541
R7016	RES.METAL FILM	HIP RC-02H 1% 1K96	5322 117 10539
R7017	RES.CHIP	HIP RC-02H 1% 100E	4822 051 10101
R7018	RES.METAL FILM	HIP RC-02H 1% 1K78	5322 117 10535
R7019	RES.METAL FILM	HIP RC-02H 1% 316E	5322 117 10552
R7021	RES.METAL FILM	HIP RC-02H 1% 3K16	5322 117 10553
R7022	RES.METAL FILM	HIP RC-02H 1% 3K16	5322 117 10553
R7023	RES.CHIP	RMC1/8 1% 51E1	5322 111 91893
R7024	RES.CHIP	HIP RC-01 5% 1E	4822 051 10108
R7025	RES.CHIP	HIP RC-01 5% 1E	4822 051 10108
R7026	RES.METAL FILM	HIP RC-02H 1% 14K7	5322 117 10528
R7027	RES.CHIP	HIP RC-02H 1% 100E	4822 051 10101
R7028	RES.CHIP	HIP RC-02H 1% 2K15	5322 117 10485
R7029	RES.METAL FILM	HIP RC-02H 1% 237E	5322 117 10544
R7031	RES.CHIP	HIP RC-02H 1% 1K	4822 051 10102
R7032	RES.CHIP	HIP RC-02H 1% 100K	4822 051 10104
R7033	RES.CHIP	HIP RC-02H 1% 2K15	5322 117 10485
R7034	RES.METAL FILM	HIP RC-02H 1% 1K21	5322 117 10521
R7036	RES.METAL FILM	HIP RC-02H 1% 1K21	5322 117 10521
R7041	RES.CHIP	RMC1/8 1% 10E	4822 111 91885
R7042	RES.CHIP	HIP RC-02H 1% 1K	4822 051 10102
R7043	RES.CHIP	RMC1/8 1% 10E	4822 111 91885
R7044	RES.METAL FILM	HIP RC-02H 1% 3K16	5322 117 10553
R7045	RES.CHIP	RMC1/8 1% 51E1	5322 111 91893
R7046	RES.METAL FILM	HIP RC-02H 1% 750E	5322 117 10582
R7047	RES.METAL FILM	HIP RC-02H 1% 196E	5322 117 10538
R7048	RES.CHIP	RMC1/8 1% 10E	4822 111 91885

Item	Description		Ordering code
R7049	RES.CHIP	HIP RC-01 5% 4E7	4822 051 10478
R7050	RES.CHIP	HIP RC-01 5% 4E7	4822 051 10478
R7051	RES.CHIP	HIP RC-02H 1% 1K	4822 051 10102
R7052	RES.METAL FILM	HIP RC-02H 1% 21K5	5322 117 10542
R7054	RES.METAL FILM	HIP RC-02H 1% 9K09	5322 117 10589
R7056	RES.METAL FILM	HIP RC-02H 1% 19K6	5322 117 10541
R7057	RES.METAL FILM	HIP RC-02H 1% 38K3	5322 117 10562
R7059	RES.METAL FILM	HIP RC-02H 1% 75K	5322 117 10584
R7064	RES.METAL FILM	PR24 1/4W 0.1% 6K	5322 116 83102
R7065	RES.METAL FILM	PR24 1/4W 0.1% 500E	5322 116 83097
R7066	RES.METAL FILM	PR24 1/4W 0.1% 900E	5322 116 83098
R7067	RES.METAL FILM	PR24 1/4W 0.1% 100E	5322 116 51701
R7077	RES.CHIP	RMC1/8 1% 42E2	4822 111 91887
R7078	RES.CHIP	RMC1/8 1% 42E2	4822 111 91887
R7082	RES.CHIP	HIP RC-01 5% 4E7	4822 051 10478
R7091	RES.METAL FILM	PR24 1/4W 0.1% 10K	5322 116 82868
R7092	RES.METAL FILM	PR24 1/4W 0.1% 2K16	5322 116 83126
R7093	RES.METAL FILM	PR24 1/4W 0.1% 15K	5322 117 10592
R7094	RES.METAL FILM	PR24 1/4W 0.1% 10K	5322 116 82868
R7095	RES.METAL FILM	PR24 1/4W 0.1% 10K	5322 116 82868
R7096	RES.METAL FILM	PR24 1/4W 0.1% 15K	5322 117 10592
R7097	RES.CHIP	HIP RC-02H 1% 2K15	5322 117 10485
R7099	RES.CHIP	HIP RC-02H 1% 100E	4822 051 10101
R7144	RES.MET.GLAZED	RMC1/8 1% 31E6	5322 116 82895
R7150	RES.METAL FILM	HIP RC-02H 1% 511E	5322 117 10569
R7151	RES.METAL FILM	HIP RC-02H 1% 511E	5322 117 10569
R7152	RES.METAL FILM	HIP RC-02H 1% 511E	5322 117 10569
R7153	RES.METAL FILM	HIP RC-02H 1% 511E	5322 117 10569
R7154	RES.METAL FILM	HIP RC-02H 1% 6K81	5322 117 10581
R7155	RES.CHIP	HIP RC-02H 1% 11K	4822 051 10113
R7156	RES.METAL FILM	HIP RC-02H 1% 1K78	5322 117 10535
R7160	RES.METAL FILM	HIP RC-02H 1% 1K78	5322 117 10535
R7161	RES.METAL FILM	HIP RC-02H 1% 21K5	5322 117 10542
R7180	RES.CHIP	RMC1/8 1% 21E5	5322 111 92014
R7181	RES.METAL FILM	HIP RC-02H 1% 562E	5322 117 10572
R7204	RES.CHIP	HIP RC-02H 1% 10K	4822 051 10103
R7205	RES.CHIP	HIP RC-02H 1% 10K	4822 051 10103
R7206	RES.CHIP	HIP RC-02H 1% 5K11	5322 117 10487
R7207	RES.CHIP	HIP RC-02H 1% 5K11	5322 117 10487
R7208	RES.CHIP	HIP RC-02H 1% 10K	4822 051 10103
R7209	RES.CHIP	HIP RC-02H 1% 10K	4822 051 10103
R7502	RES.METAL FILM	HIP RC-02H 1% 7K5	5322 117 10583
R7503	RES.METAL FILM	HIP RC-02H 1% 3K48	5322 117 10557
R7508	RES.METAL FILM	HIP RC-02H 1% 825E	5322 117 10585
R7509	RES.METAL FILM	HIP RC-02H 1% 825E	5322 117 10585
R7511	RES.METAL FILM	HIP RC-02H 1% 7K5	5322 117 10583
R7512	RES.METAL FILM	HIP RC-02H 1% 3K48	5322 117 10557
R7521	RES.CHIP	RMC1/8 1% 51E1	5322 111 91893
R7522	RES.CHIP	RMC1/8 1% 51E1	5322 111 91893
R7523	RES.CHIP	RMC1/8 1% 51E1	5322 111 91893



Item	Description		Ordering code
R7524	RES.CHIP	RMC1/8 1% 51E1	5322 111 91893
R7526	RES.CHIP	RMC1/8 1% 51E1	5322 111 91893
R7527	RES.CHIP	RMC1/8 1% 51E1	5322 111 91893
R7528	RES.CHIP	RMC1/8 1% 51E1	5322 111 91893
R7529	RES.CHIP	RMC1/8 1% 51E1	5322 111 91893
R7531	RES.METAL FILM	HIP RC-02H 1% 422E	5322 117 10564
R7542	RES.CHIP	HIP RC-02H 1% 5K11	5322 117 10487
R7543	RES.CHIP	HIP RC-02H 1% 5K11	5322 117 10487
R7544	RES.CHIP	HIP RC-02H 1% 5K11	5322 117 10487
R7546	RES.CHIP	HIP RC-02H 1% 5K11	5322 117 10487
R7547	RES.CHIP	HIP RC-02H 1% 5K11	5322 117 10487
R7548	RES.METAL FILM	HIP RC-02H 1% 14K7	5322 117 10528
R7552	RES.METAL FILM	HIP RC-02H 1% 619E	5322 117 10576
R7554	RES.METAL FILM	HIP RC-02H 1% 14K7	5322 117 10528
R7556	RES.METAL FILM	HIP RC-02H 1% 3K48	5322 117 10557
R7558	RES.METAL FILM	HIP RC-02H 1% 6K81	5322 117 10581
R7563	RES.METAL FILM	HIP RC-02H 1% 750E	5322 117 10582
R7571	RES.CHIP	HIP RC-02H 1% 261E	4822 051 52611
R7572	RES.CHIP	HIP RC-02H 1% 261E	4822 051 52611
R7576	RES.CHIP	HIP RC-02H 1% 100E	4822 051 10101
R7577	RES.CHIP	HIP RC-02H 1% 100E	4822 051 10101
R7578	RES.METAL FILM	HIP RC-02H 1% 4K22	5322 117 10565
R7579	RES.METAL FILM	HIP RC-02H 1% 4K22	5322 117 10565
R7584	RES.METAL FILM	HIP RC-02H 1% 1K33	5322 117 10524
R7586	RES.METAL FILM	HIP RC-02H 1% 1K33	5322 117 10524
R7681	RES.METAL FILM	HIP RC-02H 1% 1K78	5322 117 10535
R7688	RES.METAL FILM	HIP RC-02H 1% 316E	5322 117 10552
R7689	RES.METAL FILM	HIP RC-02H 1% 316E	5322 117 10552
R7692	RES.METAL FILM	HIP RC-02H 1% 1K62	5322 117 10531
R7693	RES.METAL FILM	HIP RC-02H 1% 6K19	5322 117 10577
R7694	RES.METAL FILM	HIP RC-02H 1% 3K48	5322 117 10557
R7696	RES.METAL FILM	HIP RC-02H 1% 14K7	5322 117 10528
R7711	RES.METAL FILM	HIP RC-02H 1% 6K81	5322 117 10581
R7712	RES.METAL FILM	HIP RC-02H 1% 6K81	5322 117 10581
R7713	RES.CHIP	HIP RC-02H 1% 10K	4822 051 10103
R7716	RES.METAL FILM	HIP RC-02H 1% 3K83	5322 117 10561
R7753	RES.CHIP	HIP RC-02H 1% 261E	4822 051 52611
R7754	RES.CHIP	HIP RC-02H 1% 261E	4822 051 52611
R7809	RES.CHIP	HIP RC-02H 1% 1K	4822 051 10102
R7901	RES.CHIP	HIP RC-01 5% 1E	4822 051 10108
R7911	RES.CHIP	HIP RC-01 5% 4E7	4822 051 10478
R7921	RES.CHIP	HIP RC-01 5% 4E7	4822 051 10478
R7931	RES.CHIP	HIP RC-01 5% 4E7	4822 051 10478
R7941	RES.CHIP	HIP RC-01 5% 4E7	4822 051 10478
R7951	RES.CHIP	HIP RC-02H 1% 11K	4822 051 10113
R7952	RES.METAL FILM	HIP RC-02H 1% 13K3	5322 117 10525
R7953	RES.CHIP	HIP RC-02H 1% 11K	4822 051 10113
R7954	RES.METAL FILM	HIP RC-02H 1% 3K16	5322 117 10553
R7956	RES.METAL FILM	HIP RC-02H 1% 14K7	5322 117 10528
R7957	RES.CHIP	HIP RC-02H 1% 10K	4822 051 10103

Item	Description		Ordering code
R7958	RES.CHIP	HIP RC-02H 1% 10K	4822 051 10103
R7961	RES.CHIP	HIP RC-01 5% 4E7	4822 051 10478
R8001	RES.METAL FILM	HIP RC-02H 1% 383E	5322 117 10559
R8002	RES.METAL FILM	HIP RC-02H 1% 383E	5322 117 10559
R8003	RES.METAL FILM	HIP RC-02H 1% 316E	5322 117 10552
R8004	RES.METAL FILM	HIP RC-02H 1% 9K09	5322 117 10589
R8005	RES.METAL FILM	HIP RC-02H 1% 7K5	5322 117 10583
R8006	RES.METAL FILM	HIP RC-02H 1% 2K61	5322 117 10547
R8007	RES.METAL FILM	HIP RC-02H 1% 3K16	5322 117 10553
R8008	RES.CHIP	HIP RC-02H 1% 2K15	5322 117 10485
R8009	RES.METAL FILM	HIP RC-02H 1% 1K96	5322 117 10539
R8010	RES.CHIP	HIP RC-02H 1% 1K	4822 051 10102
R8011	RES.CHIP	HIP RC-02H 1% 215E	5322 117 10484
R8012	RES.CHIP	HIP RC-02H 1% 2K15	5322 117 10485
R8013	RES.CHIP	HIP RC-02H 1% 2K15	5322 117 10485
R8014	RES.CHIP	HIP RC-02H 1% 5K11	5322 117 10487
R8015	RES.METAL FILM	HIP RC-02H 1% 1K62	5322 117 10531
R8016	RES.CHIP	HIP RC-02H 1% 2K15	5322 117 10485
R8017	RES.CHIP	HIP RC-02H 1% 1K	4822 051 10102
R8018	RES.CHIP	HIP RC-02H 1% 1K	4822 051 10102
R8019	RES.CHIP	HIP RC-02H 1% 287E	4822 051 52871
R8020	RES.METAL FILM	HIP RC-02H 1% 5K62	5322 117 10573
R8021	RES.METAL FILM	HIP RC-02H 1% 1K47	5322 117 10527
R8022	RES.METAL FILM	HIP RC-02H 1% 196E	5322 117 10538
R8023	RES.METAL FILM	HIP RC-02H 1% 316E	5322 117 10552
R8024	RES.METAL FILM	HIP RC-02H 1% 3K16	5322 117 10553
R8025	RES.METAL FILM	HIP RC-02H 1% 562E	5322 117 10572
R8026	RES.METAL FILM	HIP RC-02H 1% 4K22	5322 117 10565
R8027	RES.CHIP	RMC1/8 1% 61E9	5322 111 92016
R8028	RES.METAL FILM	HIP RC-02H 1% 196E	5322 117 10538
R8029	RES.METAL FILM	HIP RC-02H 1% 1K47	5322 117 10527
R8030	RES.METAL FILM	HIP RC-02H 1% 1K62	5322 117 10531
R8031	RES.CHIP	HIP RC-02H 1% 287E	4822 051 52871
R8032	RES.METAL FILM	HIP RC-02H 1% 5K62	5322 117 10573
R8033	RES.CHIP	HIP RC-02H 1% 1K	4822 051 10102
R8034	RES.METAL FILM	HIP RC-02H 1% 3K16	5322 117 10553
R8035	RES.METAL FILM	HIP RC-02H 1% 316E	5322 117 10552
R8037	RES.CHIP	HIP RC-02H 1% 2K15	5322 117 10485
R8038	RES.METAL FILM	HIP RC-02H 1% 21K5	5322 117 10542
R8040	RES.CHIP	RMC1/8 1% 51E1	5322 111 91893
R8041	RES.METAL FILM	HIP RC-02H 1% 1K47	5322 117 10527
R8042	RES.CHIP	HIP RC-02H 1% 1K	4822 051 10102
R8043	RES.METAL FILM	HIP RC-02H 1% 316E	5322 117 10552
R8044	RES.METAL FILM	HIP RC-02H 1% 3K48	5322 117 10557
R8045	RES.CHIP	RMC1/8 1% 51E1	5322 111 91893
R8046	RES.METAL FILM	HIP RC-02H 1% 1K47	5322 117 10527
R8047	RES.CHIP	RMC1/8 1% 21E5	5322 111 92014
R8048	RES.METAL FILM	HIP RC-02H 1% 3K48	5322 117 10557
R8049	RES.CHIP	HIP RC-02H 1% 5K11	5322 117 10487
R8050	RES.CHIP	RMC1/8 1% 21E5	5322 111 92014

Item	Description		Ordering code
R8051	RES.CHIP	RMC1/8 1% 21E5	5322 111 92014
R8052	RES.METAL FILM	HIP RC-02H 1% 6K19	5322 117 10577
R8053	RES.CHIP	HIP RC-01 5% 1E	4822 051 10108
R8054	RES.CHIP	HIP RC-01 5% 1E	4822 051 10108
R8055	RES.METAL FILM	HIP RC-02H 1% 21K5	5322 117 10542
R8056	RES.CHIP	RMC1/8 1% 42E2	4822 111 91887
R8057	RES.CHIP	RMC1/8 1% 51E1	5322 111 91893
R8058	RES.METAL FILM	HIP RC-02H 1% 383E	5322 117 10559
R8059	RES.METAL FILM	HIP RC-02H 1% 422E	5322 117 10564
R8060	RES.METAL FILM	HIP RC-02H 1% 1K96	5322 117 10539
R8061	RES.CHIP	HIP RC-02H 1% 1K	4822 051 10102
R8062	RES.CHIP	HIP RC-02H 1% 5K11	5322 117 10487
R8063	RES.CHIP	HIP RC-02H 1% 1K	4822 051 10102
R8064	RES.METAL FILM	HIP RC-02H 1% 1K47	5322 117 10527
R8065	RES.CHIP	HIP RC-02H 1% 1K	4822 051 10102
R8066	RES.CHIP	HIP RC-02H 1% 1K	4822 051 10102
R8067	RES.CHIP	HIP RC-02H 1% 1K	4822 051 10102
R8068	RES.CHIP	HIP RC-02H 1% 2K15	5322 117 10485
R8069	RES.CHIP	HIP RC-02H 1% 5K11	5322 117 10487
R8070	RES.CHIP	HIP RC-02H 1% 5K11	5322 117 10487
R8071	RES.CHIP	HIP RC-02H 1% 8K25	5322 117 10586
R8072	RES.CHIP	HIP RC-02H 1% 1K	4822 051 10102
R8073	RES.CHIP	HIP RC-02H 1% 1K	4822 051 10102
R8074	RES.CHIP	RMC1/8 1% 51E1	5322 111 91893
R8075	RES.CHIP	RMC1/8 1% 51E1	5322 111 91893
R8076	RES.CHIP	RMC1/8 1% 51E1	5322 111 91893
R8077	RES.METAL FILM	HIP RC-02H 1% 511E	5322 117 10569
R8078	RES.METAL FILM	HIP RC-02H 1% 511E	5322 117 10569
R8079	RES.CHIP	RMC1/8 1% 51E1	5322 111 91893
R8080	RES.CHIP	HIP RC-02H 1% 5K11	5322 117 10487
R8081	RES.METAL FILM	HIP RC-02H 1% 750E	5322 117 10582
R8082	RES.CHIP	HIP RC-02H 1% 1K	4822 051 10102
R8083	RES.METAL FILM	HIP RC-02H 1% 2K87	5322 117 10549
R8084	RES.METAL FILM	HIP RC-02H 1% 511E	5322 117 10569
R8085	RES.METAL FILM	HIP RC-02H 1% 1K62	5322 117 10531
R8086	RES.METAL FILM	HIP RC-02H 1% 619E	5322 117 10576
R8087	RES.METAL FILM	HIP RC-02H 1% 1K21	5322 117 10521
R8088	RES.CHIP	HIP RC-02H 1% 5K11	5322 117 10487
R8089	RES.METAL FILM	HIP RC-02H 1% 2K61	5322 117 10547
R8090	RES.METAL FILM	HIP RC-02H 1% 31K6	5322 117 10554
R8091	RES.METAL FILM	HIP RC-02H 1% 31K6	5322 117 10554
R8092	RES.METAL FILM	HIP RC-02H 1% 2K61	5322 117 10547
R8093	RES.METAL FILM	HIP RC-02H 1% 2K61	5322 117 10547
R8094	RES.METAL FILM	HIP RC-02H 1% 2K61	5322 117 10547
R8095	RES.CHIP	RMC1/8 1% 21E5	5322 111 92014
R8096	RES.METAL FILM	HIP RC-02H 1% 12K1	5322 117 10522
R8097	RES.METAL FILM	HIP RC-02H 1% 1K96	5322 117 10539
R8098	RES.METAL FILM	HIP RC-02H 1% 2K61	5322 117 10547
R8099	RES.CHIP	RMC1/8 1% 100E	4822 051 10101
R8100	RES.METAL FILM	HIP RC-02H 1% 422E	5322 117 10564

Item	Description		Ordering code
R8101	RES.CHIP	HIP RC-02H 1% 10K	4822 051 10103
R8102	RES.METAL FILM	HIP RC-02H 1% 12K1	5322 117 10522
R8103	RES.CHIP	HIP RC-02H 1% 100K	4822 051 10104
R8104	RES.METAL FILM	HIP RC-02H 1% 14K7	5322 117 10528
R8105	RES.METAL FILM	HIP RC-02H 1% 1K62	5322 117 10531
R8106	RES.CHIP	HIP RC-02H 1% 10K	4822 051 10103
R8130	RES.MET.GLAZED	RMC1/8 1% 31E6	5322 116 82895
R8131	RES.CHIP	HIP RC-02H 1% 5K11	5322 117 10487
R8132	RES.METAL FILM	HIP RC-02H 1% 1K47	5322 117 10527
R8133	RES.CHIP	RMC1/8 1% 10E	4822 111 91885
R8134	RES.METAL FILM	HIP RC-02H 1% 1K62	5322 117 10531
R8135	RES.METAL FILM	HIP RC-02H 1% 162E	5322 117 10529
R8136	RES.METAL FILM	HIP RC-02H 1% 2K61	5322 117 10547
R8137	RES.METAL FILM	HIP RC-02H 1% 3K16	5322 117 10553
R8138	RES.METAL FILM	HIP RC-02H 1% 3K16	5322 117 10553
R8200	RES.CHIP	RMC1/8 1% 10E	4822 111 91885
R8403	RES.CHIP	HIP RC-02H 1% 1K	4822 051 10102
R8404	RES.CHIP	HIP RC-02H 1% 1K	4822 051 10102
R8405	RES.CHIP	HIP RC-02H 1% 1K	4822 051 10102
R8410	RES.CHIP	HIP RC-02H 1% 100E	4822 051 10101
R8411	RES.CHIP	HIP RC-02H 1% 100E	4822 051 10101

## SEMICONDUCTORS

V1001	TRANSISTOR,CHIP	BSS83 PEL	5322 130 60502
V1002	DIODE	BBY62 PEL	5322 130 82685
V1003	DIODE,REFERENCE	BZX84-C6V8 PEL	5322 130 80406
V1004	TRANSISTOR,CHIP	BFR31 PEL	5322 130 44787
V1005	TRANSISTOR,CHIP	BFR31 PEL	5322 130 44787
V1006	TRANSISTOR,CHIP	BF990A PEL	4822 130 62657
V1007	TRANSISTOR,CHIP	BFS20 PEL	5322 130 42718
V1008	TRANSISTOR,CHIP	BF579 TEL	5322 130 63453
V1009	TRANSISTOR,CHIP	BFR53 PEL	5322 130 61244
V1012	TRANSISTOR,CHIP	BSS83 PEL	5322 130 60502
V1013	TRANSISTOR,CHIP	BSS83 PEL	5322 130 60502
V1015	TRANSISTOR,CHIP	BC858C PEL	4822 130 42513
V1016	TRANSISTOR,CHIP	BC858C PEL	4822 130 42513
V1017	TRANSISTOR,CHIP	BC848C PEL	5322 130 42136
V1018	TRANSISTOR,CHIP	BC848C PEL	5322 130 42136
V1201	TRANSISTOR,CHIP	BF579 TEL	5322 130 63453
V1202	TRANSISTOR,CHIP	BF579 TEL	5322 130 63453
V1206	TRANSISTOR,CHIP	BC858C PEL	4822 130 42513
V1207	TRANSISTOR,CHIP	BC858C PEL	4822 130 42513
V1208	TRANSISTOR,CHIP	BC858C PEL	4822 130 42513
V1209	TRANSISTOR,CHIP	BC858C PEL	4822 130 42513
V1251	TRANSISTOR,CHIP	BC848C PEL	5322 130 42136
V1252	TRANSISTOR,CHIP	BC848C PEL	5322 130 42136
V1301	DIODE,REFERENCE	BZX84-C6V2 PEL	5322 130 33671
V1302	DIODE,REFERENCE	BZX84-C7V5 PEL	5322 130 33763
V1304	DIODE,REFERENCE	BZX84-C4V7 PEL	5322 130 31937
V1306	DIODE,REFERENCE	BZX84-C2V4 PEL	4822 130 33703



Item	Description		Ordering code
V1307	DIODE,REFERENCE	BZX84-C3V0 PEL	5322 130 32739
V1308	DIODE,CHIP	BAS28 PEL	5322 130 80214
V1313	DIODE,CHIP	BAS28 PEL	5322 130 80214
V2001	TRANSISTOR,CHIP	BSS83 PEL	5322 130 60502
V2002	DIODE	BBY62 PEL	5322 130 82685
V2003	DIODE,REFERENCE	BZX84-C6V8 PEL	5322 130 80406
V2004	TRANSISTOR,CHIP	BFR31 PEL	5322 130 44787
V2005	TRANSISTOR,CHIP	BFR31 PEL	5322 130 44787
V2006	TRANSISTOR,CHIP	BF990A PEL	4822 130 62657
V2007	TRANSISTOR,CHIP	BFS20 PEL	5322 130 42718
V2008	TRANSISTOR,CHIP	BF579 TEL	5322 130 63453
V2009	TRANSISTOR,CHIP	BFR53 PEL	5322 130 61244
V2012	TRANSISTOR,CHIP	BSS83 PEL	5322 130 60502
V2013	TRANSISTOR,CHIP	BSS83 PEL	5322 130 60502
V2015	TRANSISTOR,CHIP	BC858C PEL	4822 130 42513
V2016	TRANSISTOR,CHIP	BC858C PEL	4822 130 42513
V2017	TRANSISTOR,CHIP	BC848C PEL	5322 130 42136
V2018	TRANSISTOR,CHIP	BC848C PEL	5322 130 42136
V2201	TRANSISTOR,CHIP	BF579 TEL	5322 130 63453
V2202	TRANSISTOR,CHIP	BF579 TEL	5322 130 63453
V2206	TRANSISTOR,CHIP	BC858C PEL	4822 130 42513
V2207	TRANSISTOR,CHIP	BC858C PEL	4822 130 42513
V2208	TRANSISTOR,CHIP	BC858C PEL	4822 130 42513
V2209	TRANSISTOR,CHIP	BC858C PEL	4822 130 42513
V2301	DIODE,REFERENCE	BZX84-C6V8 PEL	5322 130 80406
V2302	DIODE,REFERENCE	BZX84-C7V5 PEL	5322 130 33763
V2303	DIODE,CHIP	BAS28 PEL	5322 130 80214
V2304	DIODE,REFERENCE	BZX84-C4V7 PEL	5322 130 31937
V2306	DIODE,REFERENCE	BZX84-C2V4 PEL	4822 130 33703
V2307	DIODE,REFERENCE	BZX84-C3V0 PEL	5322 130 32739
V3001	TRANSISTOR,CHIP	BSS83 PEL	5322 130 60502
V3002	DIODE	BBY62 PEL	5322 130 82685
V3003	DIODE,REFERENCE	BZX84-C6V8 PEL	5322 130 80406
V3004	TRANSISTOR,CHIP	BFR31 PEL	5322 130 44787
V3005	TRANSISTOR,CHIP	BFR31 PEL	5322 130 44787
V3006	TRANSISTOR,CHIP	BF990A PEL	4822 130 62657
V3007	TRANSISTOR,CHIP	BFS20 PEL	5322 130 42718
V3008	TRANSISTOR,CHIP	BF579 TEL	5322 130 63453
V3009	TRANSISTOR,CHIP	BFR53 PEL	5322 130 61244
V3012	TRANSISTOR,CHIP	BSS83 PEL	5322 130 60502
V3013	TRANSISTOR,CHIP	BSS83 PEL	5322 130 60502
V3015	TRANSISTOR,CHIP	BC858C PEL	4822 130 42513
V3016	TRANSISTOR,CHIP	BC858C PEL	4822 130 42513
V3017	TRANSISTOR,CHIP	BC848C PEL	5322 130 42136
V3018	TRANSISTOR,CHIP	BC848C PEL	5322 130 42136
V3201	TRANSISTOR,CHIP	BF579 TEL	5322 130 63453
V3202	TRANSISTOR,CHIP	BF579 TEL	5322 130 63453
V3206	TRANSISTOR,CHIP	BC858C PEL	4822 130 42513
V3207	TRANSISTOR,CHIP	BC858C PEL	4822 130 42513
V3208	TRANSISTOR,CHIP	BC858C PEL	4822 130 42513



Item	Description	Ordering code
V3209	TRANSISTOR,CHIP	BC858C PEL 4822 130 42513
V3301	DIODE,REFERENCE	BZX84-C6V8 PEL 5322 130 80406
V3302	DIODE,REFERENCE	BZX84-C7V5 PEL 5322 130 33763
V3303	DIODE,CHIP	BAS28 PEL 5322 130 80214
V3304	DIODE,REFERENCE	BZX84-C4V7 PEL 5322 130 31937
V3306	DIODE,REFERENCE	BZX84-C2V4 PEL 4822 130 33703
V3307	DIODE,REFERENCE	BZX84-C3V0 PEL 5322 130 32739
V4001	TRANSISTOR,CHIP	BSS83 PEL 5322 130 60502
V4002	DIODE	BBY62 PEL 5322 130 82685
V4003	DIODE,REFERENCE	BZX84-C6V8 PEL 5322 130 80406
V4004	TRANSISTOR,CHIP	BFR31 PEL 5322 130 44787
V4005	TRANSISTOR,CHIP	BFR31 PEL 5322 130 44787
V4006	TRANSISTOR,CHIP	BF990A PEL 4822 130 62657
V4007	TRANSISTOR,CHIP	BFS20 PEL 5322 130 42718
V4008	TRANSISTOR,CHIP	BF579 TEL 5322 130 63453
V4009	TRANSISTOR,CHIP	BFR53 PEL 5322 130 61244
V4012	TRANSISTOR,CHIP	BSS83 PEL 5322 130 60502
V4013	TRANSISTOR,CHIP	BSS83 PEL 5322 130 60502
V4015	TRANSISTOR,CHIP	BC858C PEL 4822 130 42513
V4016	TRANSISTOR,CHIP	BC858C PEL 4822 130 42513
V4017	TRANSISTOR,CHIP	BC848C PEL 5322 130 42136
V4018	TRANSISTOR,CHIP	BC848C PEL 5322 130 42136
V4201	TRANSISTOR,CHIP	BF579 TEL 5322 130 63453
V4202	TRANSISTOR,CHIP	BF579 TEL 5322 130 63453
V4206	TRANSISTOR,CHIP	BC858C PEL 4822 130 42513
V4207	TRANSISTOR,CHIP	BC858C PEL 4822 130 42513
V4208	TRANSISTOR,CHIP	BC858C PEL 4822 130 42513
V4209	TRANSISTOR,CHIP	BC858C PEL 4822 130 42513
V4301	DIODE,REFERENCE	BZX84-C6V8 PEL 5322 130 80406
V4302	DIODE,REFERENCE	BZX84-C7V5 PEL 5322 130 33763
V4303	DIODE,CHIP	BAS28 PEL 5322 130 80214
V4304	DIODE,REFERENCE	BZX84-C4V7 PEL 5322 130 31937
V4306	DIODE,REFERENCE	BZX84-C2V4 PEL 4822 130 33703
V4307	DIODE,REFERENCE	BZX84-C3V0 PEL 5322 130 32739
V5001	TRANSISTOR,CHIP	BFS20 PEL 5322 130 42718
V5002	TRANSISTOR,CHIP	BFS20 PEL 5322 130 42718
V5003	TRANSISTOR,CHIP	BFR92 PEL 5322 130 42145
V5004	TRANSISTOR,CHIP	BFR92 PEL 5322 130 42145
V5006	TRANSISTOR,CHIP	BFT92 PEL 5322 130 44711
V5007	TRANSISTOR,CHIP	BFT92 PEL 5322 130 44711
V5008	TRANSISTOR,CHIP	BFT92 PEL 5322 130 44711
V5009	TRANSISTOR,CHIP	BFT92 PEL 5322 130 44711
V5011	DIODE,CHIP	BAT17 PEL 5322 130 31544
V5012	DIODE,CHIP	BAT17 PEL 5322 130 31544
V5013	DIODE,CHIP	BAT17 PEL 5322 130 31544
V5014	DIODE,CHIP	BAT17 PEL 5322 130 31544
V5016	DIODE,REFERENCE	BZX84-C6V2 PEL 5322 130 33671
V5017	TRANSISTOR,CHIP	BFT92 PEL 5322 130 44711
V5018	TRANSISTOR,CHIP	BFT92 PEL 5322 130 44711
V5501	TRANSISTOR,CHIP	BFS20 PEL 5322 130 42718

Item	Description	Ordering code
V5502	TRANSISTOR,CHIP	BFS20 PEL
V5503	TRANSISTOR,CHIP	BC848C PEL
V5504	DIODE,CHIP	BAV99 PEL
V5506	TRANSISTOR,CHIP	BC848C PEL
V5601	DIODE,REFERENCE	BZX84-C6V2 PEL
V6001	TRANSISTOR,CHIP	BC848C PEL
V6002	TRANSISTOR,CHIP	BC848C PEL
V6003	TRANSISTOR,CHIP	BC858C PEL
V6004	TRANSISTOR,CHIP	BC858C PEL
V6005	TRANSISTOR,CHIP	BC858C PEL
V6006	TRANSISTOR,CHIP	BC848C PEL
V6007	DIODE,CHIP	BAV99 PEL
V6008	TRANSISTOR,CHIP	BC848C PEL
V6012	TRANSISTOR,CHIP	BFR92 PEL
V6013	TRANSISTOR	FET ON4401 PEL
V6014	TRANSISTOR	FET ON4401 PEL
V6016	TRANSISTOR,CHIP	BC848C PEL
V6017	DIODE,CHIP	BAS28 PEL
V6018	DIODE,REFERENCE	BZX84-C5V6 PEL
V6019	TRANSISTOR,CHIP	BC848C PEL
V6022	DIODE,REFERENCE	BZX84-C5V6 PEL
V6041	DIODE,CHIP	BAS28 PEL
V6042	TRANSISTOR,CHIP	BC848C PEL
V6044	DIODE,CHIP	BAS28 PEL
V6061	TRANSISTOR,CHIP	BC858C PEL
V6062	TRANSISTOR,CHIP	BC848C PEL
V6101	DIODE,REFERENCE	BZX84-C2V4 PEL
V6506	TRANSISTOR,CHIP	BF824 PEL
V6507	TRANSISTOR,CHIP	BF824 PEL
V6532	TRANSISTOR,CHIP	BC858C PEL
V6553	TRANSISTOR,CHIP	BC858C PEL
V6573	TRANSISTOR,CHIP	BF824 PEL
V6574	TRANSISTOR,CHIP	BF824 PEL
V6593	DIODE,CHIP	BAS28 PEL
V6604	TRANSISTOR,CHIP	BFT92 PEL
V6606	TRANSISTOR,CHIP	BFT92 PEL
V6628	TRANSISTOR,CHIP	BC848C PEL
V6631	TRANSISTOR,CHIP	BC848C PEL
V6637	DIODE,REFERENCE	BZX84-C6V8 PEL
V6667	TRANSISTOR,CHIP	BC858C PEL
V6668	TRANSISTOR,CHIP	BC858C PEL
V6686	TRANSISTOR,CHIP	BC848C PEL
V6687	TRANSISTOR,CHIP	BC848C PEL
V6691	TRANSISTOR,CHIP	BC848C PEL
V6754	TRANSISTOR,CHIP	BC848C PEL
V6757	TRANSISTOR,CHIP	BC848C PEL
V6759	TRANSISTOR,CHIP	BC848C PEL
V6761	DIODE,CHIP	BAS28 PEL
V6763	TRANSISTOR,CHIP	BC848C PEL
V6764	DIODE,REFERENCE	BZX84-C6V2 PEL

Item	Description		Ordering code
V6768	TRANSISTOR,CHIP	BC848C PEL	5322 130 42136
V7001	TRANSISTOR,CHIP	BC848C PEL	5322 130 42136
V7003	TRANSISTOR,CHIP	BC858C PEL	4822 130 42513
V7004	TRANSISTOR,CHIP	BC858C PEL	4822 130 42513
V7005	TRANSISTOR,CHIP	BC858C PEL	4822 130 42513
V7006	TRANSISTOR,CHIP	BC848C PEL	5322 130 42136
V7007	DIODE,CHIP	BAV99 PEL	5322 130 34337
V7012	TRANSISTOR,CHIP	BFR92 PEL	5322 130 42145
V7016	TRANSISTOR,CHIP	BC848C PEL	5322 130 42136
V7017	DIODE,CHIP	BAS28 PEL	5322 130 80214
V7018	DIODE,REFERENCE	BZX84-C5V6 PEL	4822 130 80125
V7019	TRANSISTOR	FET ON4401 PEL	5322 130 61498
V7020	TRANSISTOR	FET ON4401 PEL	5322 130 61498
V7031	TRANSISTOR,CHIP	BF824 PEL	4822 130 60383
V7032	TRANSISTOR,CHIP	BF824 PEL	4822 130 60383
V7075	DIODE,CHIP	BAS28 PEL	5322 130 80214
V7091	TRANSISTOR,CHIP	BC848C PEL	5322 130 42136
V7093	TRANSISTOR,CHIP	BC848C PEL	5322 130 42136
V7094	TRANSISTOR,CHIP	BC848C PEL	5322 130 42136
V7150	TRANSISTOR,CHIP	BF824 PEL	4822 130 60383
V7151	TRANSISTOR,CHIP	BF824 PEL	4822 130 60383
V7152	TRANSISTOR,CHIP	BC858C PEL	4822 130 42513
V7506	TRANSISTOR,CHIP	BF824 PEL	4822 130 60383
V7507	TRANSISTOR,CHIP	BF824 PEL	4822 130 60383
V7532	TRANSISTOR,CHIP	BC858C PEL	4822 130 42513
V7553	TRANSISTOR,CHIP	BC858C PEL	4822 130 42513
V7573	TRANSISTOR,CHIP	BF824 PEL	4822 130 60383
V7574	TRANSISTOR,CHIP	BF824 PEL	4822 130 60383
V7686	TRANSISTOR,CHIP	BC848C PEL	5322 130 42136
V7687	TRANSISTOR,CHIP	BC848C PEL	5322 130 42136
V7691	TRANSISTOR,CHIP	BC848C PEL	5322 130 42136
V7714	TRANSISTOR,CHIP	BC848C PEL	5322 130 42136
V7801	DIODE,CHIP	BAV99 PEL	5322 130 34337
V7802	DIODE,CHIP	BAV99 PEL	5322 130 34337
V7803	DIODE,CHIP	BAV99 PEL	5322 130 34337
V7804	DIODE,CHIP	BAV99 PEL	5322 130 34337
V7805	DIODE,CHIP	BAV99 PEL	5322 130 34337
V7806	DIODE,CHIP	BAV99 PEL	5322 130 34337
V7807	DIODE,CHIP	BAV99 PEL	5322 130 34337
V7808	DIODE,CHIP	BAV99 PEL	5322 130 34337
V8001	TRANSISTOR,CHIP	BC848C PEL	5322 130 42136
V8002	TRANSISTOR,CHIP	BC848C PEL	5322 130 42136
V8003	TRANSISTOR,CHIP	BC848C PEL	5322 130 42136
V8004	DIODE,CHIP	BAS28 PEL	5322 130 80214
V8005	TRANSISTOR,CHIP	BC848C PEL	5322 130 42136
V8006	TRANSISTOR,CHIP	BC848C PEL	5322 130 42136
V8007	TRANSISTOR,CHIP	BC848C PEL	5322 130 42136
V8008	TRANSISTOR,CHIP	BC848C PEL	5322 130 42136
V8009	TRANSISTOR,CHIP	BC848C PEL	5322 130 42136
V8011	TRANSISTOR,CHIP	BFT92 PEL	5322 130 44711

Item	Description		Ordering code
V8012	TRANSISTOR,CHIP	BFT92 PEL	5322 130 44711
V8013	TRANSISTOR,CHIP	BFT92 PEL	5322 130 44711
V8014	TRANSISTOR,CHIP	BFT92 PEL	5322 130 44711
V8015	DIODE,REFERENCE	BZX84-C2V4 PEL	4822 130 33703
V8018	TRANSISTOR,CHIP	BC848C PEL	5322 130 42136
V8019	TRANSISTOR,CHIP	BC848C PEL	5322 130 42136
V8023	TRANSISTOR,CHIP	BFT92 PEL	5322 130 44711
V8024	TRANSISTOR,CHIP	BFT92 PEL	5322 130 44711
V8025	DIODE,CHIP	BAV99 PEL	5322 130 34337
V8028	DIODE,CHIP	BAS28 PEL	5322 130 80214
V8029	TRANSISTOR,CHIP	BFT92 PEL	5322 130 44711
V8031	TRANSISTOR,CHIP	BFT92 PEL	5322 130 44711
V8032	DIODE,CHIP	BAV99 PEL	5322 130 34337
V8040	DIODE,CHIP	BAV99 PEL	5322 130 34337
V8041	DIODE,CHIP	BAV99 PEL	5322 130 34337
V8042	TRANSISTOR,CHIP	BSV52 PEL	5322 130 44336
V8043	TRANSISTOR,CHIP	BSV52 PEL	5322 130 44336
V8044	TRANSISTOR,CHIP	BC848C PEL	5322 130 42136
V8061	TRANSISTOR,CHIP	BFR92 PEL	5322 130 42145
V8062	TRANSISTOR,CHIP	BFR92 PEL	5322 130 42145
V8063	TRANSISTOR,CHIP	BFR92 PEL	5322 130 42145
V8065	DIODE,CHIP	BAS28 PEL	5322 130 80214
V8066	TRANSISTOR,CHIP	BC858C PEL	4822 130 42513
V8067	TRANSISTOR,CHIP	BC858C PEL	4822 130 42513
V8068	TRANSISTOR,CHIP	BC848C PEL	5322 130 42136
V8101	DIODE,CHIP	BAS28 PEL	5322 130 80214

## CONNECTORS

X1301	SOCKET,MALE	50 OHM BUS	5322 265 10266
X1301	HOLD,OBJECTIVE	CONTACTPIN	5322 268 14141
X1302	HOLD,OBJECTIVE	CONTACTPIN	5322 268 14141
X1302	SOCKET,MALE	50 OHM BUS	5322 265 10266
X2301	HOLD,OBJECTIVE	CONTACTPIN	5322 268 14141
X2301	SOCKET,MALE	50 OHM BUS	5322 265 10266
X2302	SOCKET,MALE	50 OHM BUS	5322 265 10266
X2302	HOLD,OBJECTIVE	CONTACTPIN	5322 268 14141
X3301	HOLD,OBJECTIVE	CONTACTPIN	5322 268 14141
X3301	SOCKET,MALE	50 OHM BUS	5322 265 10266
X3302	HOLD,OBJECTIVE	CONTACTPIN	5322 268 14141
X3302	SOCKET,MALE	50 OHM BUS	5322 265 10266
X4108	SOCKET,MALE	50 OHM BUS	5322 265 10266
X4108	HOLD,OBJECTIVE	CONTACTPIN	5322 268 14141
X4301	HOLD,OBJECTIVE	CONTACTPIN	5322 268 14141
X4301	SOCKET,MALE	50 OHM BUS	5322 265 10266
X4302	SOCKET,MALE	50 OHM BUS	5322 265 10266
X4302	HOLD,OBJECTIVE	CONTACTPIN	5322 268 14141
X5001	CONNECTOR	DIPS 4-P HAAKS OMSL	5322 265 30907
X6010	SOCKET,MALE	50 OHM BUS	5322 265 10266
X6010	HOLD,OBJECTIVE	CONTACTPIN	5322 268 14141

Item	Description		Ordering code
X6591	HOLD,OBJECTIVE	CONTACTPIN	5322 268 14141
X6591	SOCKET,MALE	50 OHM BUS	5322 265 10266
X6592	HOLD,OBJECTIVE	CONTACTPIN	5322 268 14141
X6592	SOCKET,MALE	50 OHM BUS	5322 265 10266
X6794	HOLD,OBJECTIVE	CONTACTPIN	5322 268 14141
X6794	SOCKET,MALE	50 OHM BUS	5322 265 10266
X8011	HOLD,OBJECTIVE	CONTACTPIN	5322 268 14141
X8011	SOCKET,MALE	50 OHM BUS	5322 265 10266
X8013	HOLD,OBJECTIVE	CONTACTPIN	5322 268 14141
X8013	SOCKET,MALE	50 OHM BUS	5322 265 10266
X8014	HOLD,OBJECTIVE	CONTACTPIN	5322 268 14141
X8014	SOCKET,MALE	50 OHM BUS	5322 265 10266
X9001	CONNECTOR	50-P DBL STRGHT	5322 265 61242
X9002	CONNECTOR	16-P 1.25MM STR	5322 267 51107

**Coloured indication rings for mini coax sockets on printed circuit boards:**

black: 5322 325 50231

brown: 5322 325 50232

red: 5322 325 50233

orange: 5322 325 50234

yellow: 5322 325 50235

green: 5322 325 50236

blue: 5322 325 50237

violet: 5322 325 50238

grey: 5322 325 50239

white: 5322 325 50241

JTN



## 5.2 FINAL XYZ AMPLIFIER A2

### 5.2.1 Description A2-200 MHz version

#### 5.2.1.1 Final Y amplifier

##### Diagram 1

The output signal from the delay line is applied to the input pins 6 and 9 of amplifier IC D1001. This IC and surrounding components comprise the MF and HF square wave compensations. Also the vertical CRT text signal is applied to D1001 (pin 15 and 16). The switching between text/cursors and signal is done via control signals that are applied to pin 17 and 18 of D1001. Text is written if the voltage at pin 18 is higher than at pin 17. This switching signal is derived from the collector of the transistors V1201 and V1202. The control signals XYSW1 and XYSW0 come from the text/cursor generator IC on microprocessor unit A3. Via the transistors V1203 and V1204 similar switching signals XSW1 and XSW0 are routed to the X-deflection section for switching between text and signal.

The output signals from pin 21 and 22 of D1001 are routed to the final Y-amplifier that drives the vertical deflection plates of the CRT. This final stage is indicated on the next diagram.

The delay line leads are terminated into  $50\Omega$ . The impedance is composed by  $300\Omega$  inside D1001 paralleled by external impedances of  $60\Omega$  formed by the external resistors R1024/R1026 and R1027/R1028. All termination resistors are applied to a voltage controlled by D1001/pin 13. Pin 13 determines the common mode voltage level of the D1001 inputs. The HF square wave compensation is achieved by the two dual varicap diodes V1009 and V1011 together with associated resistors. A fixed mid-frequency compensation network is formed by C1006 and associated resistors.

Varicap V1009 is controlled by the output signal at pin 20 of octal DAC N1001. This output voltage can be in the range 0 to 10 V and controls varicap V1009 via operational amplifier N1002/1,2,3. This operational amplifier converts the N1001 output voltage (that is related to 0 V) into a voltage related to the voltage at D1001/pin 13.

Varicap V1011 is controlled by the output signal at pin 18 of octal DAC N1001. This output voltage can be in the range 0 to 10 V and controls varicap V1011 via operational amplifier N1002/5,6,7. This operational amplifier converts the N1001 output voltage (that is related to 0 V) into a voltage related to the voltage at D1001/pin 13.

LF square wave compensation is also done inside D1001. This is controlled via currents applied to pin 27 and 28. These currents are derived from the N1001 DAC voltage outputs 13 and 11 via the transistors V1014 and V1016. The actual compensating components are situated outside D1001 and are R1037/C1011/R1038 and R1029/C1009/R1031. V1023 and V1024 form a 20 mA current source to supply the bias current for the final stage inside D1001. V1024 is switched as a diode and gives temperature compensation.

Offset is adjusted via the currents from the collectors of V1021 and V1022. These currents are controlled by the DAC output pins 17 (Most Significant DAC) and 16 (Least Significant DAC). Two parallel DAC outputs are used to obtain sufficient resolution. V1018 is a current source and V1019 is for temperature compensation. Gain control occurs via an adjustable current applied to D1001/pin 26. This is done via N1001/pin 14 and R1051

DAC output N1001/15 applies via operational amplifier N1003/1,2,3 the signal YFSHF to the final stage on the next diagram. YFSHF is an adjustable dc voltage that is applied to varicap diodes that control the HF square wave response.

##### Diagram 2

This diagram shows the push-pull output amplifier. The input signal is a current and the output signal is a voltage. The output signal is applied to the vertical upper and lower plates of the CRT. The total sensitivity at the plates is 4V/div. One plate is driven by push-pull stage V1106/V1111. The driver transistors are V1102 and V1103. The input signal is YPREOUT1.

The other plate is driven by push-pull stage V1107/V1112. The driver transistors are V1101 and V1104. The input signal is YPREOUT0. The output voltage applied to the CRT deflection plates is controlled by the feedback networks R1101/R1141/R1143/C1101/V1113/R1140/C1121 and R1102/R1142/R1144/C1102/V1113/R1145/C1122.

The push-pull amplifier stages are connected between +18 V and -18V supply voltages via current sources. One of these is V1122 with temperature compensation via V1121. The other is V1123 and is adjusted via operational amplifier N1003/5,6,7. This assures that the common mode voltage at the plates of the CRT is 0 V.

The resistance network between L1101 and L1102 avoids extreme differences in power dissipation in the output transistors when a dc voltage difference exists between the CRT deflection plates.

The input of the final stage is at a common mode level of 9V dc because of the output level from D1001. This voltage is made by the dc current sources V1021 and V1022. The current from these sources is partly used by the D1001 output stage (pin 21 and 22). The remaining currents give a 9 V dc across the feedback resistors R1101/R1141 and R1102/1142. Because the output lines to the CRT plates are at 0V common mode level, the inputs are at 9V common mode level. The current in the feedback resistors runs via L1101, L1102 and V1126 to the -18V supply.

The bias current for the driver stage V1101/V1102/V1103/V1104 is controlled by V1127 and V1128 via R1167 and R1168. V1127 converts voltage into current. This current is compared with current from source V1128/R1166. In case of a difference between these currents, the resulting current feeds the base of V1103 and V1104.

The circuit with operational amplifier N1004/2,3,6 is used for automatic calibration of the vertical deflection. It measures the voltage at the vertical deflection plates of the CRT. This value is applied as signal YCAL to the microprocessor on unit A3.

### 5.2.1.2 Final X and Z amplifiers

#### Diagram 3

This diagram shows the final X amplifier. It drives the horizontal plates of the CRT. The plate sensitivity equals 8.5 V/div. The input circuit is formed by IC D2001. The octal DAC N2002 supplies the analog control signals that are used throughout the circuit.

Input pin 5 and 6 of D2001 receive the time base sawtooth or the X- deflection signal signal. Input pin 9 and 10 receive the text/cursor X- deflection signal. The selection between text/cursors and sawtooth/X- deflection signal is done via the signals XSW0 and XSW1 that are applied to pin 7 and 8 of D2001. These signals are derived from XYSW0 and XYSW1 that come from the text generator IC on microprocessor unit A3. Text is displayed with XSW0 at 0 mA and XSW1 at 1 mA. Trace is displayed with XSW0 at 1 mA and XSW1 at 0 mA.

Gain control is possible via pin 1 of D2001. This is used for trace gain control via signal XTRAGC. Gain control to compensate for CRT tolerances is achieved via pin 14 of D2001. This is controlled via the DAC output signals XCRTGCL and XCRTGCH. Offset control to compensate for CRT tolerances is achieved via pin 15 of D2001. This is controlled via the DAC output signals XCRTOFH and XCRTOFL. Adjustment of the HF response (and linearity) is achieved via signal XHFADJ via pin 17 and 26 of D2001.

The final X-amplifier consists of two identical halves that receive input signals that are in opposite phase. These signals originate from the D2001 outputs pin 24/25 (XDRIL0/XDRIL1) and pin 18/19 (XDRIR0/XDRIR1). The two X-amplifier sections drive respectively the left and right deflection plate of the CRT.

The final X amplifier half that drives the left deflection plate is explained now. Its function is identical to that of the other amplifier half. The balanced input signals XDRIL1 and XDRIL0 are applied to input stage V2101. V2104 is a current source. XDRIL0 is not used and connected to +5 V. In the collector circuit of V2101 are the zener diodes V2102/V2103 that function as level shifters. The emitter followers V2132 and V2111 supply the output stage V2134/V2113 with signal. V2113 functions as an amplifier stage and V2134 mainly as a current source. V2134 receives signal via C2131 and mainly functions as amplifier stage in the fastest sweep speeds. Via R2133/R2134 however some dc drive is also applied to V2134.

The circuit with operational amplifier N2003 is used to measure the output voltage that is applied to the X-deflection plates of the CRT. This measurement is done via high-ohmic resistors R2301 and R2302. The analog output voltage XCAL of N2003 is applied to an ADC incorporated in the microprocessor on unit A3. This enables the microprocessor to exactly measure the horizontal output voltage. This is used for automatic calibration of the horizontal deflection.

#### Diagram 4

This diagram shows the final intensity (Z) and focusing amplifiers. These amplifiers drive the intensity electrode G1 and the focusing electrode G3 of the CRT. The input circuit is formed by IC D3001.

Input pin 5 and 6 of D3001 receive the Z-pulses ZLTRA0 and ZLTRA1 that determine the intensity during signal display. Input pin 9 and 10 receive the Z-pulse ZTXT0 and ZTXT1 that determine the intensity during text display. The selection between signal intensity and text intensity is done via the signals ZSW0 and ZSW1 that are applied to pin 7 and 8 of D3001. These signals originate from the text generator IC on microprocessor unit A3. Text is displayed with ZSW0 at 0 mA and ZSW1 at 1 mA. Trace is displayed with ZSW0 at 1 mA and ZSW1 at 0 mA.

The final Z-amplifier and the focusing amplifier are identical halves that receive input signals that are in opposite phase. These signals originate from the D3001 outputs pin 24/25 (ZDRIF1/ZDRIF0) and pin 18/19 (ZDRIF2/ZDRIF1).

Via V3002 part of the ripple on the negative CRT cathode voltage (ZRIIPPLE) is applied to pin 15 of D3001. This compensates for unwanted intensity modulation due to this ripple. The diodes V3236, V3136, V3237 and V3137 protect D3001 against possible high voltage surges.

V3301 supplies the intensity determining signal INTEN-DA. This signal adjusts the "dark level" of the CRT. V3301 is controlled by DAC N2002 output signal DARK. V3311 supplies signal ASTIG that determines the astigmatism of the CRT. V3311 is controlled by DAC N2002 output signal ASTDR.

The upper amplifier half that is used for the dynamic focus control is explained now. Its function is identical to that of the lower amplifier half that is used for intensity (Z) control. The balanced input signals ZDRIF1 and ZDRIF0 are applied to input stage V3101. V3104 is a current source. ZDRIF0 is not used and connects to +5 V. In the collector circuit of V3101 are the zener diodes V3102/V3103 that function as level shifters. The emitter followers V3132 and V3111 supply the output stage V3134/V3113 with signal. V3113 functions as an amplifier stage and V3134 mainly as a current source. V3134 receives signal via C3131 and mainly functions as amplifier stage for fast input signals. Via R3133/R3134 however some dc drive is also applied to V3134.

The circuit with V3282/V3212 suppresses the light on the screen at power down. V3282 becomes conductive via the fast falling +12 V and the slowly falling charge in C3281.

#### Diagram 5

In this diagram the circuit is shown that forms an interface between the signals that determine the intensity/focusing and the CRT electrodes G1/G3 that control intensity/focusing. These electrodes, the cathode and filament (heater) of the CRT are at a high negative voltage. This voltage is separated from the other oscilloscope circuits via the 3kV capacitors C4004, C4061, C4036 and C4037.



The intensity is influenced by the output signal INTEN-AA of the Z- amplifier and the signal INTEN-DA. INTEN-AA is determined via the front-panel TRACE INTENSITY, TEXT INTENSITY, MTBI and chopper blanking control signals. The HF component in the INTEN-AA signal is applied to G1 of the CRT via C4037. The DC and LF components are applied to the base of V4034. The INTEN-DA signal is applied to the base of V4032 and forms the clamp level (dark level) of the DC and LF part of INTEN-AA derived from V4034. These two transistors form the inputs of a 150kHz modulator that basically consists of V4031 and V4033. The LF and DC components that are modulated on the 150 kHz carrier signal can pass via buffer stage V4038/V4039 and then via high voltage blocking capacitor C4036. Behind capacitor C4036 demodulation takes place via the diodes V4043 and V4044. This results in the original INTEN-AA signal that is superpositioned on the INTEN-DA voltage that corrects the cut-off voltage of the CRT applied to G1 and via R4051 also to G3. Across R4044 a small negative voltage (compared with the cathode) is developed for G1. This voltage is not big enough to make the CRT screen dark. This means that the signals to darken the screen and to control intensity are applied via C4036 and C4037.

The HF component from the focusing amplifier output signal FOCUS-AA is applied to G3 via C4004 and voltage divider R4008/R4009/C4002/C4003. This assures optimal tracking between focus and intensity. The signal FOCUS-DA is determined via the FOCUS control at the instruments front panel. The signal FOCUS-DA is then mixed with the LF component of FOCUS-AA before its level is adapted to the nominal G3 voltage via transistors V4002/V4003/V4004.

### Diagram 6

This diagram shows the RC-branches and regulators N5131 that give the supply voltages for the various circuits. Also the connectors X2501 and X2301 are indicated here. X2301 is the connector where the flat cable leaves for the small unit that incorporates the CRT-socket X2403. The flat cable arrives at the small CRT-socket unit at X2401.

### 5.2.2 Signal name list A2-200 MHz version

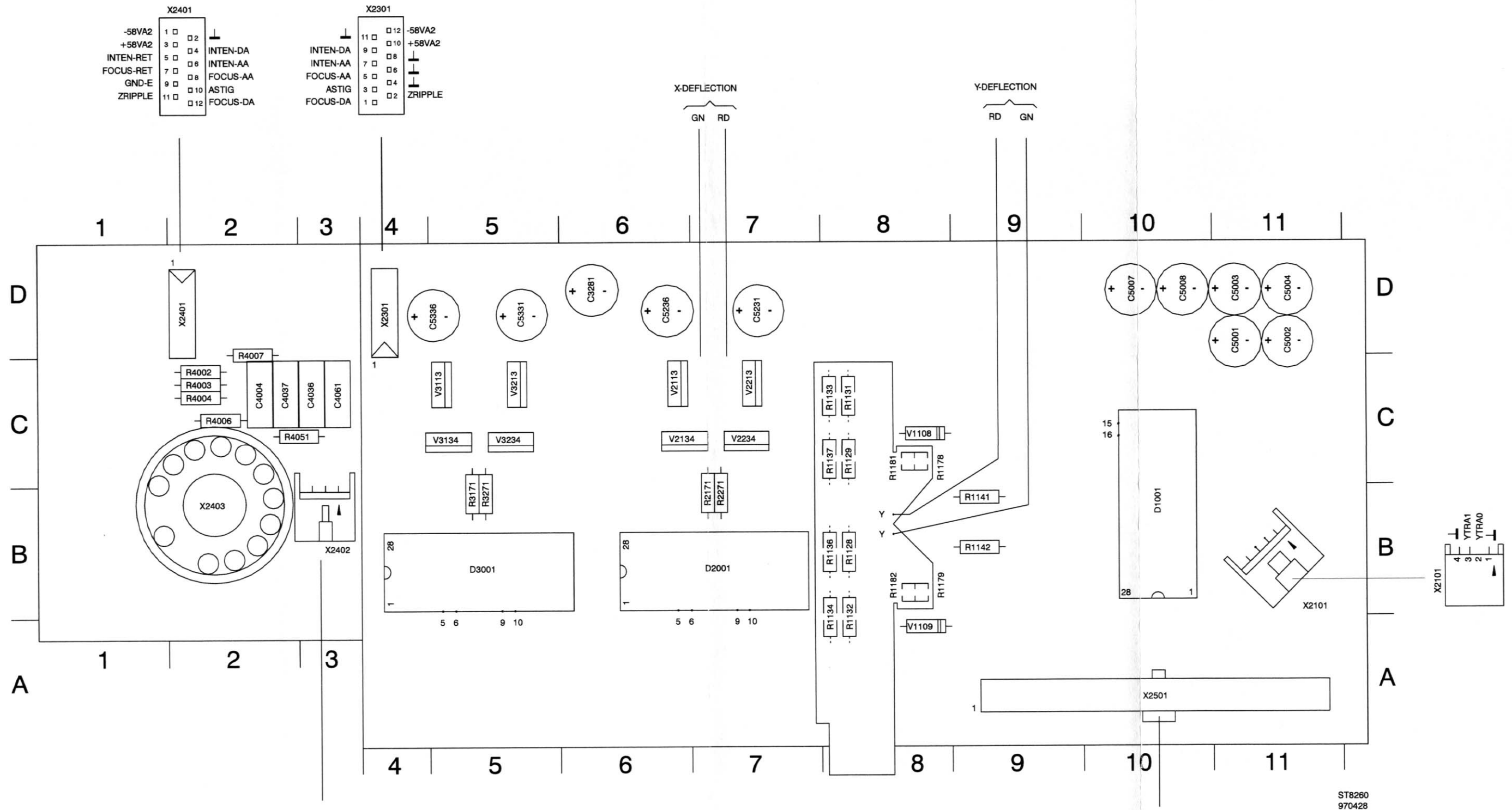
*Note: In the signal name list you find the itemnumber of the component that is source or destination. Behind this itemnumber (separated by ":") you find the number of the diagram where the source/destination can be found.*

NAME	MEANING	SOURCE	DESTINATION
ASTDR	DRIVER SIGNAL FOR ASTIGMATISM	N2002:03	R3313:04
ASTIG	ASTIGMATISM CONTROL	V3311:04	X2301:06 X2401:05 X2403:05
DARK	DRIVER SIGNAL FOR DC PART INTENS	N2002:03	V3301:04
FOCUS-AA	AC PART FOCUSING SIGNAL	R3161:04	X2301:06 X2401:05 R4008:05
FOCUS-DA	DC PART FOCUSING SIGNAL	X2501:06	X2301:06 X2401:05 C4001:05 R4001:05
G1	INTENSITY GRID 1 OF CRT	C4037:05 R4044:05	X2403:05
G3	FOCUSING GRID 3 OF CRT	C4004:05 R4051:05	X2403:05
HEATER1	FILAMENT SUPPLY F1 OF CRT	X2402:05	X2403:05
HEATER2	FILAMENT SUPPLY F2 OF CRT	X2402:05	X2403:05
INTEN-AA	AC PART OF INTENSITY SIGNAL	R3261:04	X2401:05 C4037:05
INTEN-DA	DC PART OF INTENSITY SIGNAL	V3301:04	X2301:06 X2401:05 V4032:05
SCL	SERIAL CLOCK	X2501:06	J1002:06 J2002:06
SDA	SERIAL DATA	X2501:06	J1001:06 J2001:06
XCAL	AUTOCAL SIGNAL X DEFLECTION	R2313:03	X2501:06
XDRIL0	DRIVE SIGNAL 0 LEFT X AMPLIFIER	D2001:03	R2101:03
XDRIL1	DRIVE SIGNAL 1 LEFT X AMPLIFIER	D2001:03	R2103:03
XDRIR0	DRIVE SIGNAL 0 RIGHT X AMPLIFIER	D2001:03	R2203:03
XDRIR1	DRIVE SIGNAL 1 RIGHT X AMPLIFIER	D2001:03	R2201:03
XHFADJ	HF ADJUSTMENT X AMPLIFIER	N2002:03	R2018:03
XLTXT0	X SHIFT TEXT 0	V2062:03	D2001:03
XLTXT1	X SHIFT TEXT 1	V2061:03	D2001:03
XOUT0	X OUTPUT 0	V2134:03 V2113:03	R2171:03
XOUT1	X OUTPUT 1	V2234:03 V2213:03	R2271:03
XPLATE0	X OUTPUT 0 TO CRT	R2161:03	CRT LEFT PLATE
XPLATE1	X OUTPUT 1 TO CRT	R2261:03	CRT RGHT PLATE



XSCS	SERIAL CLOCK X SECTION	J2002:06	N2002:03
XSDA	SERIAL DATA X SECTION	J2001:06	N2002:03
XSW0	X SWITCH SIGNAL 0 TRACE/TEXT	V1204:01	D2001:03
XSW1	X SWITCH SIGNAL 1 TRACE/TEXT	V1203:01	D2001:03
XYSW0	X/Y SWITCH SIGNAL 0 TRACE/TEXT	X2501:06	R1204:01
XYSW1	X/Y SWITCH SIGNAL 1 TRACE/TEXT	X2501:06	R1201:01
XTRA0	X TRACE 0 SIGNAL	X2501:06	R2004:03
XTRA1	X TRACE 1 SIGNAL	X2501:06	R2006:03
XTXT0	X TEXT 0 SIGNAL	X2501:06	R2063:03
XTXT1	X TEXT 1 SIGNAL	X2501:06	R2064:03
YCAL	AUTOCAL SIGNAL Y DEFLECTION	R1309:02	X2501:06
YFSH	HF SQ WAVE RESPONSE FINAL Y	N1003:01	R1146:02
YPREOUT0	Y PREAMPLIFIER OUT 0	R1061:01	R1147:02
YPREOUT1	Y PREAMPLIFIER OUT 1	R1059:01	V1101:01
YSCL	SERIAL CLOCK Y SECTION	J1002:06	V1102:01
YSDA	SERIAL DATA Y SECTION	J1001:06	N1001:01
YSW0	Y SWITCH SIGNAL 0 TRACE/TEXT	V1202:01	N1001:01
YSW1	Y SWITCH SIGNAL 1 TRACE/TEXT	V1201:01	D1001:01
YTRA0	Y TRACE 0 OUT FROM DELAY LINE	X2101:01	D1001:01
YTRA1	Y TRACE 1 OUT FROM DELAY LINE	X2102:01	D1001:01
YTXT0	Y TEXT 0 SIGNAL	X2501:01	D1001:01
YTXT1	Y TEXT 1 SIGNAL	X2501:01	D1001:01
ZDRIF0	DRIVER SIGNAL 0 FOCUS AMPLIFIER	D3001:04	R3101:04
ZDRIF1	DRIVER SIGNAL 1 FOCUS AMPLIFIER	D3001:04	R3103:04
ZDRII0	DRIVER SIGNAL 0 INTENS AMPLIFIER	D3001:04	R3203:04
ZDRII1	DRIVER SIGNAL 1 INTENS AMPLIFIER	D3001:04	R3201:04
ZLTRA0	Z LEVEL TRACE INTENSITY 0	V3062:04	R3004:04
ZLTRA1	Z LEVEL TRACE INTENSITY 1	V3061:04	R3006:04
ZOUTF	FEEDBACK SIGNAL FOCUS AMPLIFIER	V3113:04	R3171:04
ZOUTI	FEEDBACK SIGNAL INTENSITY AMPL.	V3213:04	R3271:04
ZRIPPLE	RIPPLE ON NEGATIVE HIGH VOLTAGE	C4061:05	V3001:04
ZSW0	Z SWITCH SIGNAL 0 TEXT/TRACE	X2501:06	D3001:04
ZSW1	Z SWITCH SIGNAL 1 TEXT/TRACE	X2501:06	D3001:04
ZTRA0	Z TRACE INTENSITY 0	X2501:06	R3063:04
ZTRA1	Z TRACE INTENSITY 1	X2501:06	R3064:04
ZTXT0	Z TEXT 0 SIGNAL	X2501:06	R3007:04
ZTXT1	Z TEXT 1 SIGNAL	X2501:06	R3008:04

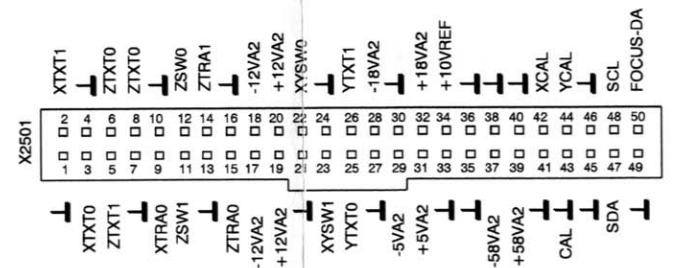
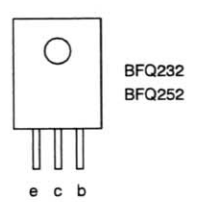
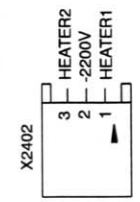
5.2.3 Unit lay-outs A2-200 MHz version



ST8260  
970428

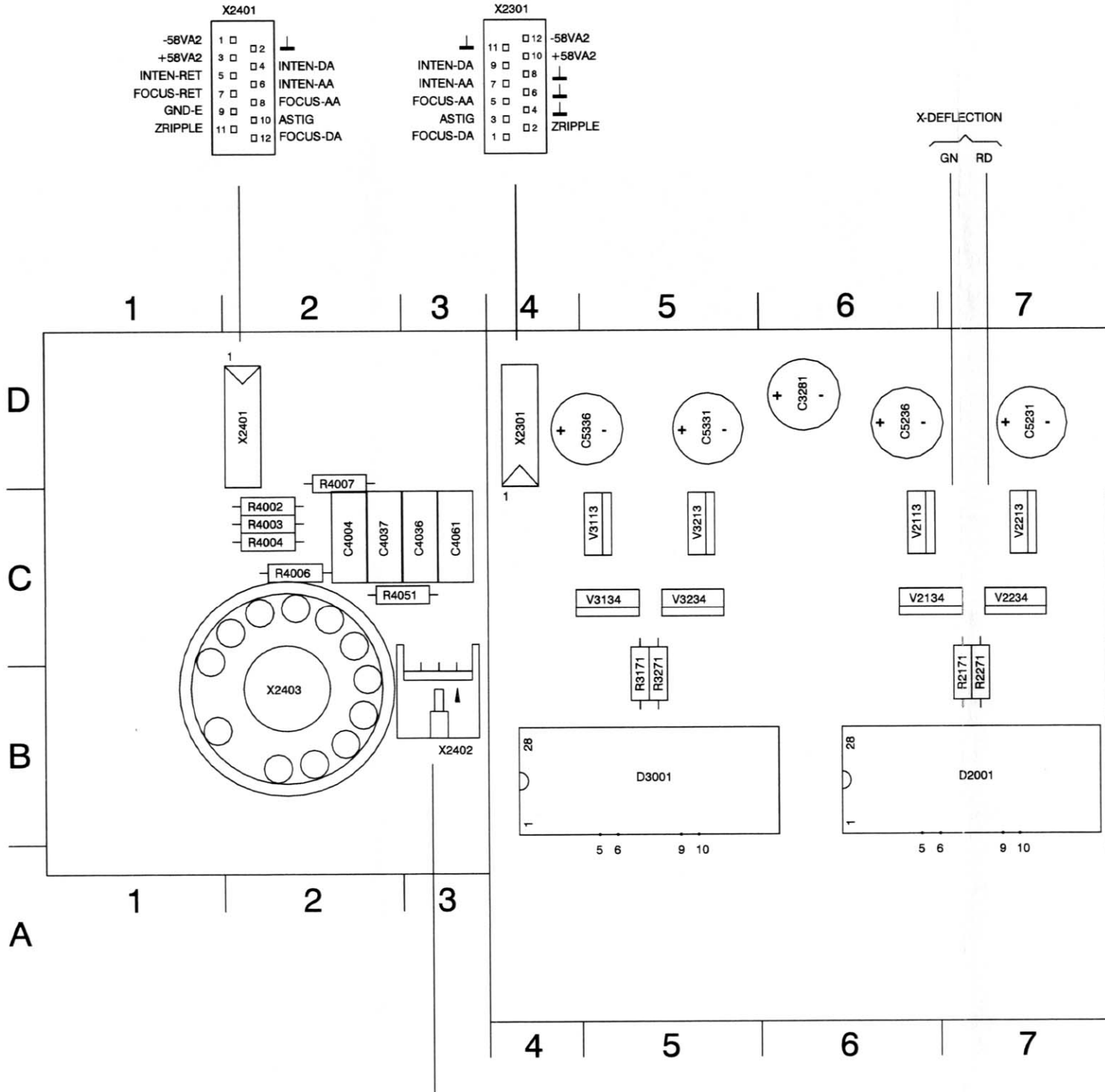
TO X1001 ON SUPPLY A6

TO X1002 ONCONNECTOR BOARD A10

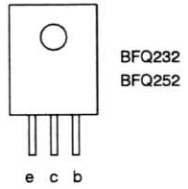
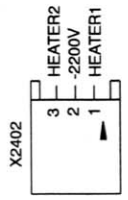


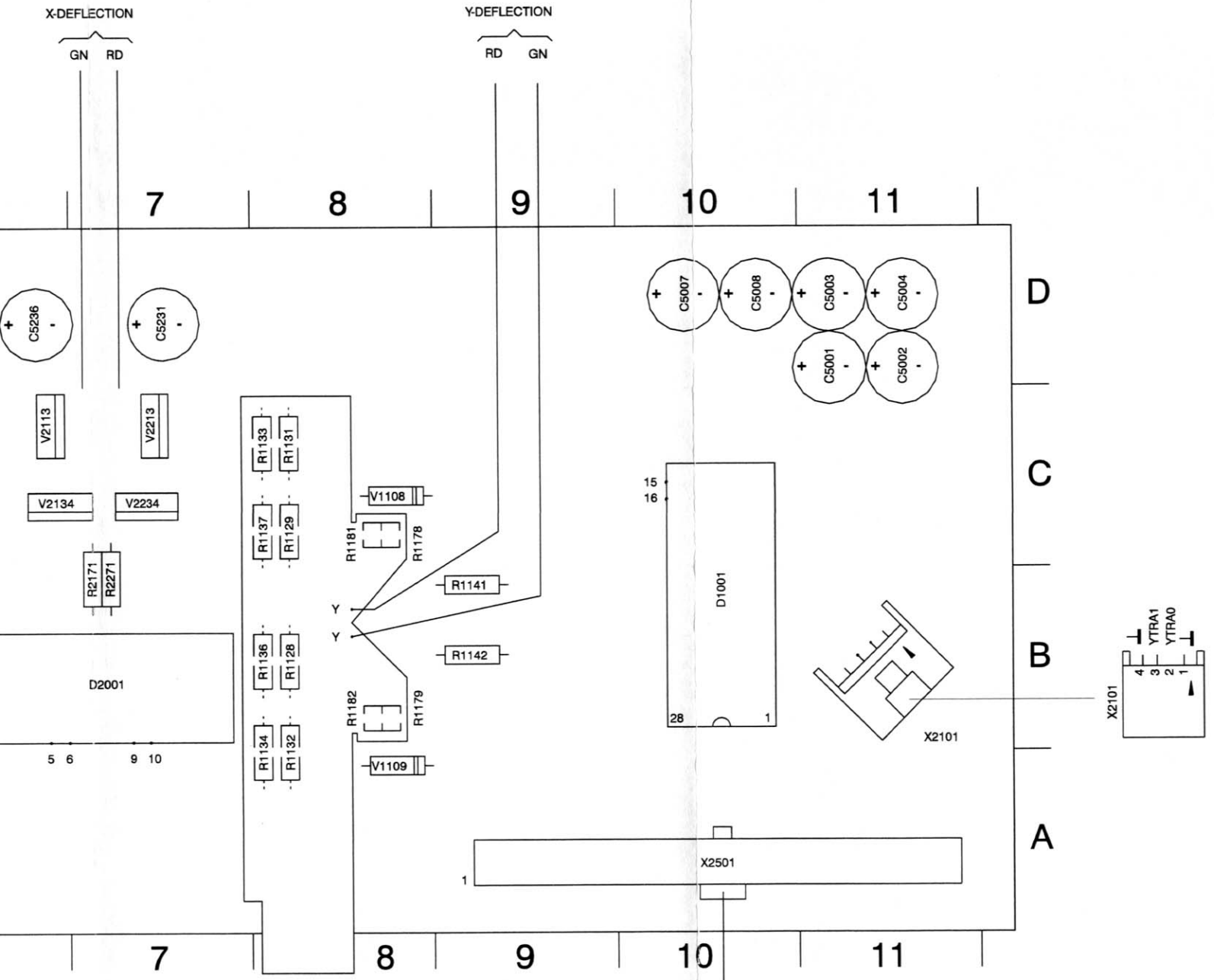
Lay-out 1 - Large component side of XYZ amplifier unit A2-200 MHz

5.2.3 Unit lay-outs A2-200 MHz version



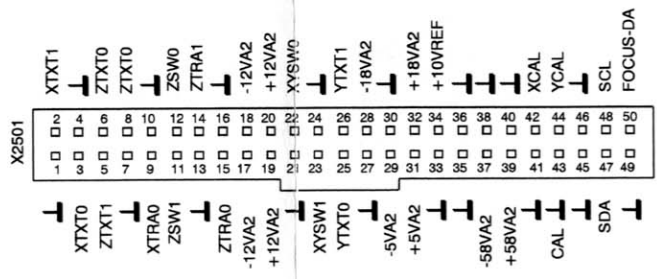
TO X1001 ON SUPPLY A6



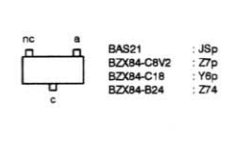
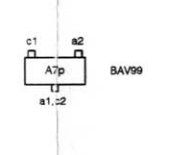
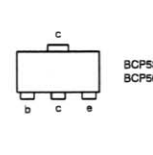
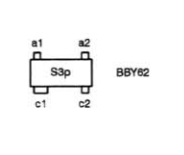
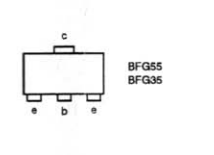
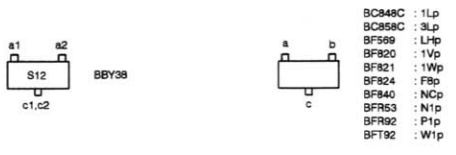
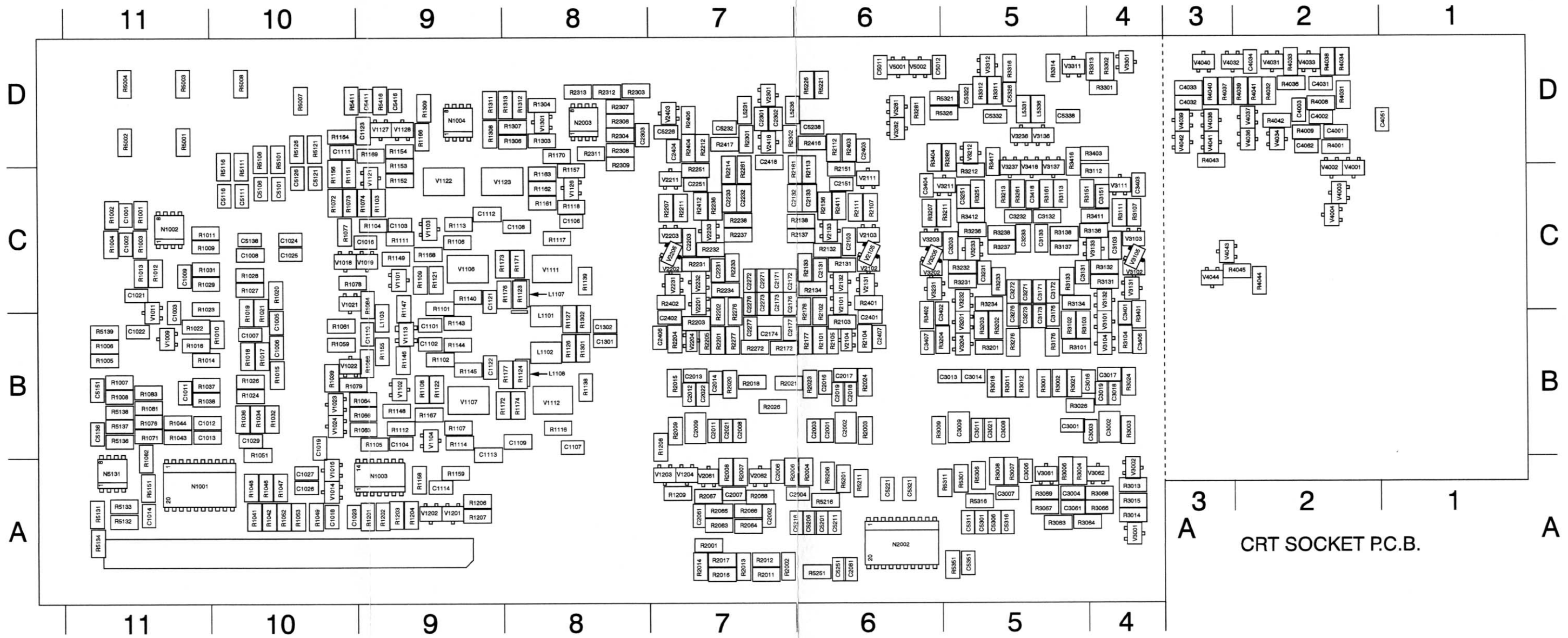


ST8260  
970428

TO X1002 ONCONNECTOR BOARD A10



Lay-out 1 - Large component side of XYZ amplifier unit A2-200 MHz

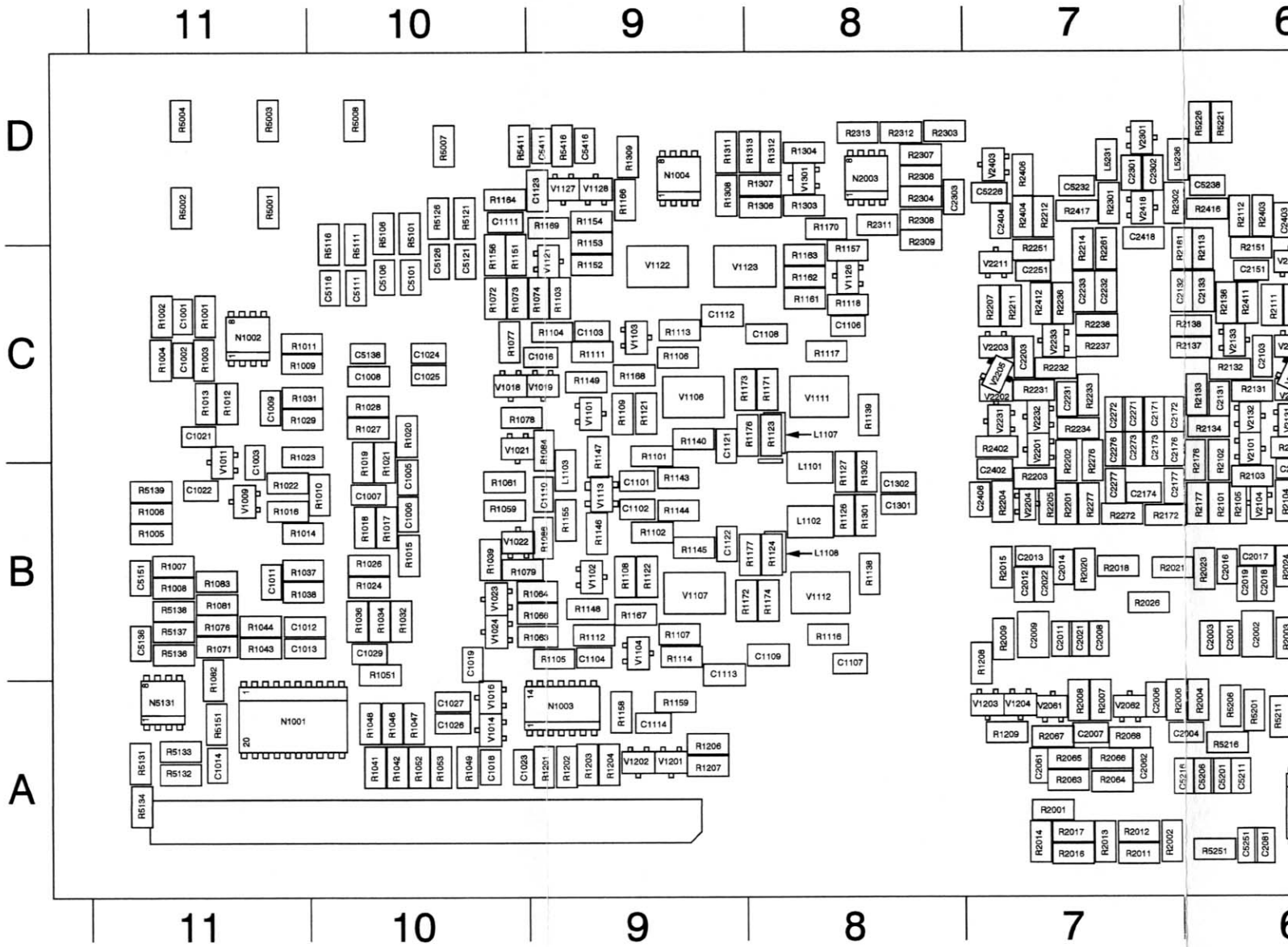


3 2 1  
A CRT SOCKET P.C.B. A

ST8261  
970428

Lay-out 2 - Small component side of XYZ amplifier unit A2-200 MHz





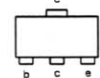
BBY38



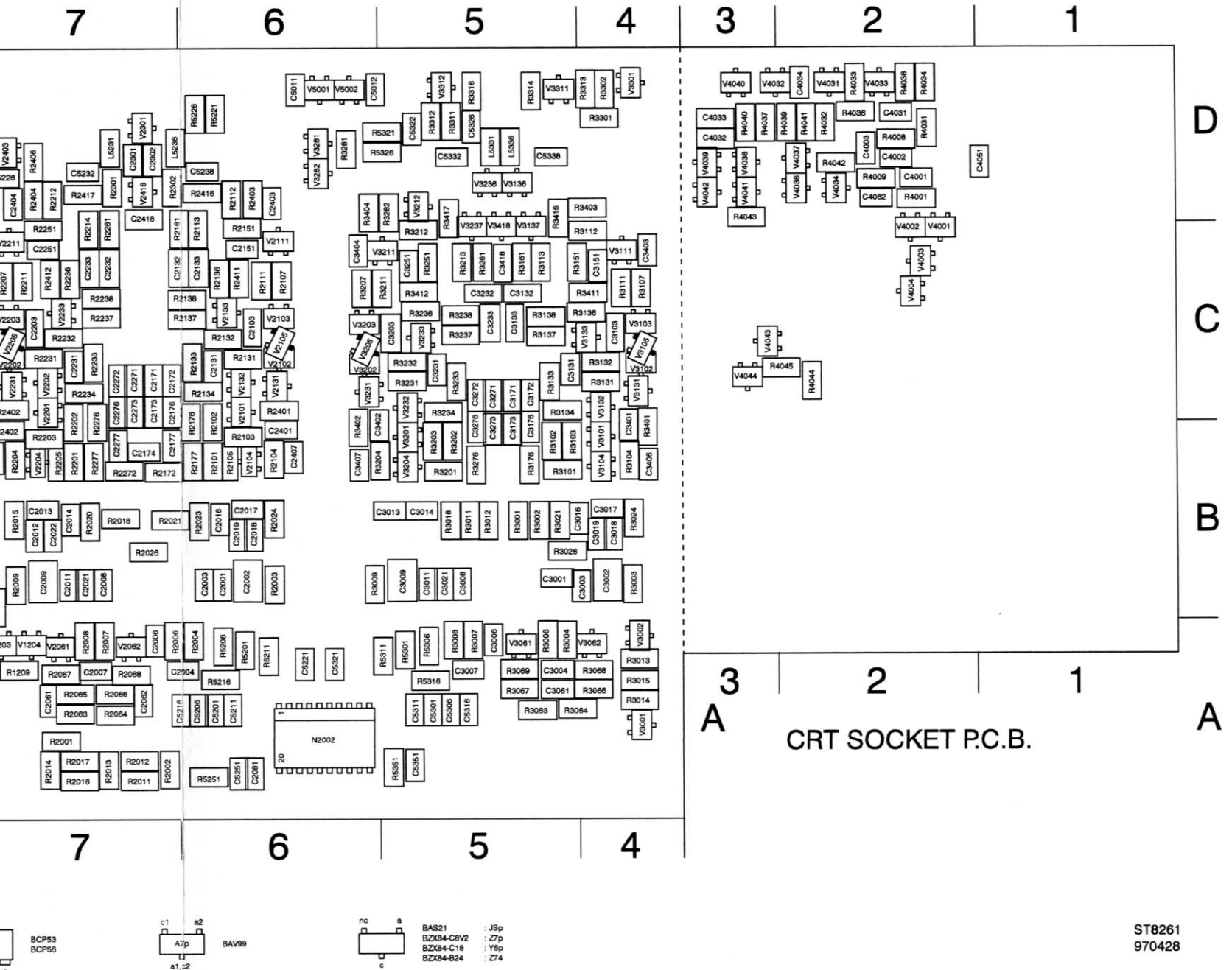
BC948C : 1Lp  
 BC858C : 3Lp  
 BF599 : Lp  
 BF820 : 1Vp  
 BF821 : 1Wp  
 BF824 : FSp  
 BF840 : NcP  
 BFR53 : N1p  
 BFR92 : P1p  
 BFT92 : W1p



BBY62



BAV99



Lay-out 2 - Small component side of XYZ amplifier unit A2-200 MHz

ST8261  
970428

### 5.2.4 Location list A2-200 MHz version

'-L' means that the component is located on the side with the large components. Otherwise the component is located on the side with small components.

C1001 C11	C2012 B7	C3009 B5	C5002 D11-L
C1002 C11	C2013 B7	C3011 B5	C5003 D11-L
C1003 B11	C2014 B7	C3013 B6	C5004 D11-L
C1005 B10	C2016 B6	C3014 B5	C5007 D10-L
C1006 B10	C2017 B6	C3016 B5	C5008 D10-L
C1007 B10	C2018 B6	C3017 B4	C5011 D6
C1008 C10	C2019 B6	C3018 B4	C5012 D6
C1009 C11	C2021 B7	C3019 B4	C5101 C10
C1011 B11	C2022 B7	C3021 B5	C5106 C10
C1012 B11	C2061 A7	C3061 A5	C5111 C10
C1013 B11	C2062 A7	C3103 C4	C5116 C10
C1014 A11	C2081 A6	C3131 C5	C5121 C10
C1016 C10	C2103 C6	C3132 C5	C5126 C10
C1018 A10	C2131 C6	C3133 C5	C5136 B11
C1019 B10	C2132 C7	C3151 C4	C5138 C10
C1021 C11	C2133 C6	C3171 C5	C5151 B11
C1022 B11	C2151 C6	C3172 C5	C5201 A6
C1023 A10	C2171 C7	C3173 B5	C5206 A6
C1024 C10	C2172 C7	C3176 B5	C5211 A6
C1025 C10	C2173 C7	C3203 C5	C5216 A7
C1026 A10	C2174 B7	C3231 C5	C5221 A6
C1027 A10	C2176 C7	C3232 C5	C5226 D7
C1029 B10	C2177 B7	C3233 C5	C5231 D7-L
C1101 B9	C2203 C7	C3251 C5	C5232 D7
C1102 B9	C2231 C7	C3271 C5	C5236 D6-L
C1103 C9	C2232 C7	C3272 C5	C5238 D6
C1104 B9	C2233 C7	C3273 B5	C5251 A6
C1106 C8	C2251 C7	C3276 B5	C5301 A5
C1107 B8	C2271 C7	C3281 D6-L	C5306 A5
C1108 C9	C2272 C7	C3401 B4	C5311 A5
C1109 B9	C2273 C7	C3402 B6	C5316 A5
C1110 B9	C2276 C7	C3403 C4	C5321 A6
C1111 D10	C2277 B7	C3404 C6	C5322 D5
C1112 C9	C2301 D7	C3406 B4	C5326 D5
C1113 B9	C2302 D7	C3407 B6	C5331 D5-L
C1114 A9	C2303 D7	C3418 C5	C5332 D5
C1121 C9	C2401 B6	C4001 D2	C5336 D5-L
C1122 B9	C2402 B7	C4002 D2	C5338 D5
C1123 D9	C2403 D6	C4003 D2	C5351 A5
C1301 B8	C2404 D7	C4004 C2-L	C5411 D9
C1302 B8	C2406 B7	C4031 D2	C5416 D9
C2001 B6	C2407 B6	C4032 D3	D1001 B10-L
C2002 B6	C2418 D7	C4033 D3	D2001 B7-L
C2003 B6	C3001 B5	C4034 D2	D3001 B5-L
C2004 A7	C3002 B4	C4036 C3-L	L1101 B8
C2006 A7	C3003 B5	C4037 C2-L	L1102 B8
C2007 A7	C3004 A5	C4051 D2	N1001 A11
C2008 B7	C3006 A5	C4061 C3-L	N1002 C11
C2009 B7	C3007 A5	C4062 D2	N1003 A9
C2011 B7	C3008 B5	C5001 D11-L	N1004 D9

N2002 A6	R1073 C10	R1153 D9	R2014 A7
N2003 D8	R1074 C10	R1154 D9	R2015 B7
N5131 A11	R1076 B11	R1155 B9	R2016 A7
R1001 C11	R1077 C10	R1156 C10	R2017 A7
R1002 C11	R1078 C10	R1157 D8	R2018 B7
R1003 C11	R1079 B10	R1158 A9	R2020 B7
R1004 C11	R1081 B11	R1159 A9	R2021 B7
R1005 B11	R1082 A11	R1161 C8	R2023 B6
R1006 B11	R1083 B11	R1162 C8	R2024 B6
R1007 B11	R1084 C9	R1163 C8	R2026 B7
R1008 B11	R1086 B9	R1164 D10	R2063 A7
R1009 C11	R1101 C9	R1166 D9	R2064 A7
R1010 B11	R1102 B9	R1167 B9	R2065 A7
R1011 C11	R1103 C9	R1168 C9	R2066 A7
R1012 C11	R1104 C9	R1169 D10	R2067 A7
R1013 C11	R1105 B9	R1170 D8	R2068 A7
R1014 B11	R1106 C9	R1171 C8	R2101 B6
R1015 B10	R1107 B9	R1172 B9	R2102 B6
R1016 B11	R1108 B9	R1173 C9	R2103 B6
R1017 B10	R1109 C9	R1174 B8	R2104 B6
R1018 B10	R1111 C9	R1176 C9	R2107 C6
R1019 B10	R1112 B9	R1177 B9	R2111 C6
R1020 C10	R1113 C9	R1178 C8-L	R2112 D6
R1021 B10	R1114 B9	R1179 B8-L	R2113 C6
R1022 B11	R1116 B9	R1181 C8-L	R2131 C6
R1023 C11	R1117 C9	R1182 B8-L	R2132 C6
R1024 B10	R1118 C8	R1201 A9	R2133 C6
R1026 B10	R1121 C8	R1202 A9	R2134 C6
R1027 C10	R1122 B8	R1203 A9	R2136 C6
R1028 C10	R1123 C8	R1204 A9	R2137 C7
R1029 C11	R1124 B8	R1206 A9	R2138 C7
R1031 C11	R1126 B8	R1207 A9	R2151 D6
R1032 B10	R1127 B8	R1208 B7	R2161 C7
R1034 B10	R1128 B8-L	R1209 A7	R2171 B7-L
R1036 B10	R1129 C8-L	R1301 B8	R2172 B7
R1037 B11	R1131 C8-L	R1302 B8	R2176 B6
R1038 B11	R1132 A8-L	R1303 D8	R2177 B6
R1039 B10	R1133 C8-L	R1304 D8	R2201 B7
R1041 A10	R1134 A8-L	R1306 D9	R2202 B7
R1042 A10	R1136 B8-L	R1307 D9	R2203 B7
R1043 B11	R1137 C8-L	R1308 D9	R2204 B7
R1044 B11	R1138 B8	R1309 D9	R2207 C7
R1046 A10	R1139 C8	R1311 D9	R2211 C7
R1047 A10	R1140 C9	R1312 D8	R2212 D7
R1048 A10	R1141 C9-L	R1313 D9	R2214 C7
R1049 A10	R1142 B9-L	R2001 A7	R2231 C7
R1051 B10	R1143 B9	R2002 A7	R2232 C7
R1052 A10	R1144 B9	R2003 B6	R2233 C7
R1053 A10	R1145 B9	R2004 A6	R2234 C7
R1059 B10	R1146 B9	R2006 A7	R2236 C7
R1061 B10	R1147 B9	R2007 A7	R2237 C7
R1063 B10	R1148 B9	R2008 A7	R2238 C7
R1064 B10	R1149 C9	R2009 B7	R2251 D7
R1066 B10	R1150 B9	R2011 A7	R2261 C7
R1071 B11	R1151 C10	R2012 A7	R2271 B7-L
R1072 C10	R1152 C9	R2013 A7	R2272 B7

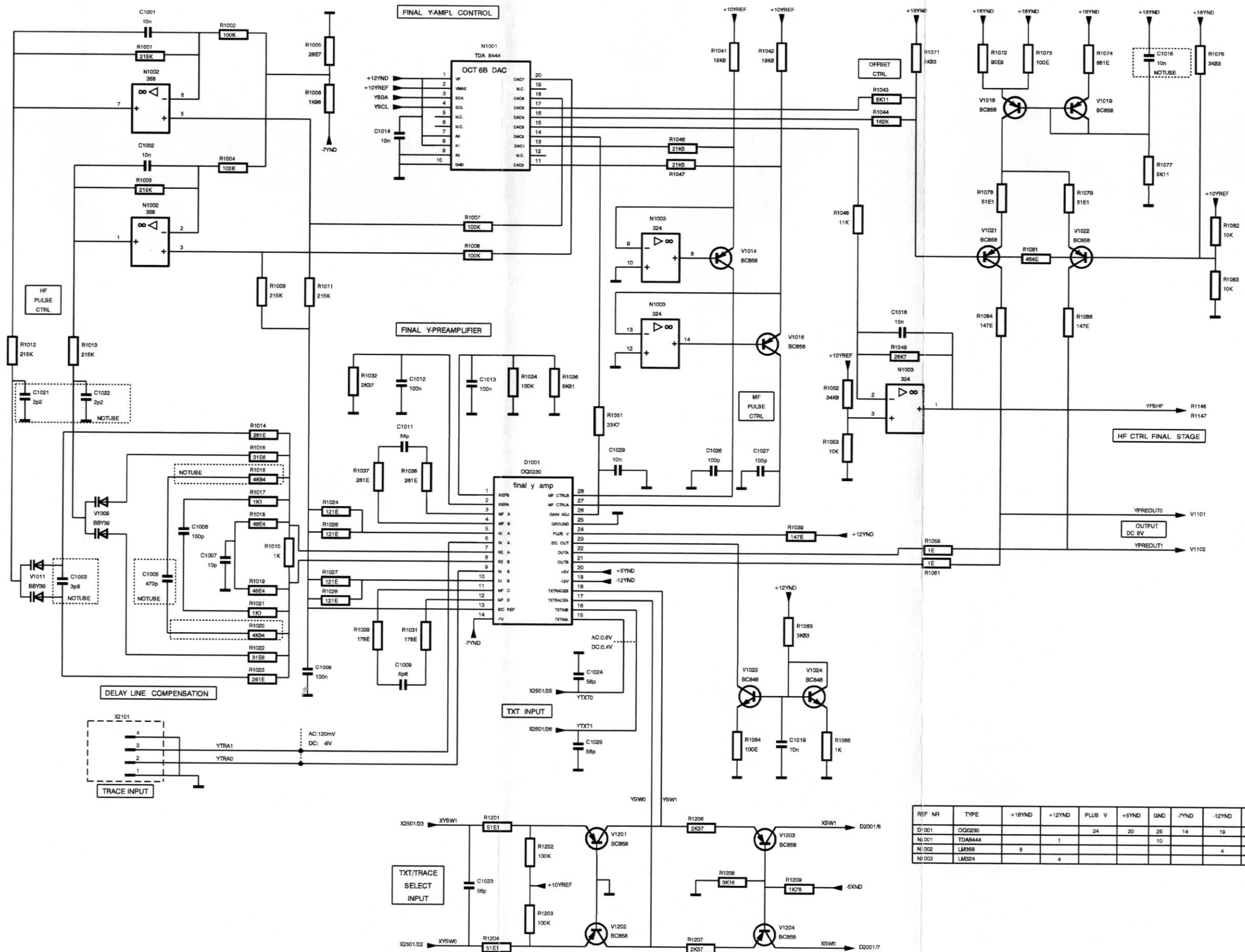
R2276 B7	R3134 C5	R4036 D2	V1018 C10
R2277 B7	R3136 C5	R4037 D3	V1019 C10
R2301 D7	R3137 C5	R4038 D2	V1021 C10
R2302 D7	R3138 C5	R4039 D2	V1022 B10
R2303 D8	R3151 C5	R4040 D3	V1023 B10
R2304 D8	R3161 C5	R4041 D2	V1024 B10
R2306 D8	R3171 B5-L	R4042 D2	V1101 C9
R2307 D8	R3176 B5	R4043 D3	V1102 B9
R2308 D8	R3201 B5	R4044 C2	V1103 C9
R2309 D8	R3202 B5	R4045 C3	V1104 B9
R2311 D8	R3203 B5	R4051 C2-L	V1106 C9
R2312 D8	R3204 B6	R5001 D11	V1107 B9
R2313 D8	R3207 C6	R5002 D11	V1108 C8-L
R2401 C6	R3211 C6	R5003 D11	V1109 B8-L
R2402 C7	R3212 C5	R5004 D11	V1111 C8
R2403 D6	R3213 C5	R5007 D10	V1112 B8
R2404 D7	R3231 C5	R5008 D10	V1113 B9
R2406 D7	R3232 C5	R5101 D10	V1121 C9
R2411 C6	R3233 C5	R5106 D10	V1122 C9
R2412 C7	R3234 C5	R5111 C10	V1123 C9
R2416 D6	R3236 C5	R5116 C10	V1126 C8
R2417 D7	R3237 C5	R5121 D10	V1127 D9
R3001 B5	R3238 C5	R5126 D10	V1128 D9
R3002 B5	R3251 C5	R5131 A11	V1201 A9
R3003 B4	R3261 C5	R5132 A11	V1202 A9
R3004 A5	R3271 B5-L	R5133 A11	V1203 A7
R3006 A5	R3276 B5	R5134 A11	V1204 A7
R3007 A5	R3281 D6	R5136 B11	V1301 D8
R3008 A5	R3282 D5	R5137 B11	V2019 B6
R3009 B6	R3301 D4	R5138 B11	V2061 A7
R3011 B5	R3302 D4	R5139 B11	V2062 A7
R3012 B5	R3311 D5	R5151 A11	V2101 C6
R3013 A4	R3312 D5	R5201 A6	V2102 C6
R3014 A4	R3313 D4	R5206 A6	V2103 C6
R3015 A4	R3314 D5	R5211 A6	V2104 B6
R3018 B5	R3316 D5	R5216 A6	V2111 C6
R3021 B5	R3401 B4	R5221 D6	V2113 C6-L
R3024 B4	R3402 B6	R5226 D6	V2131 C6
R3026 B5	R3403 D5	R5231 D7	V2132 C6
R3063 A5	R3404 D6	R5236 D7	V2133 C6
R3064 A5	R3411 C5	R5251 A6	V2134 C7-L
R3066 A5	R3412 C5	R5301 A5	V2201 C7
R3067 A5	R3416 D5	R5306 A5	V2202 C7
R3068 A5	R3417 D5	R5311 A6	V2203 C7
R3069 A5	R4001 D2	R5316 A5	V2204 B7
R3101 B5	R4002 C2-L	R5321 D6	V2211 C7
R3102 B5	R4003 C2-L	R5326 D6	V2213 C7-L
R3103 B5	R4004 C2-L	R5331 D5	V2231 C7
R3104 B4	R4006 C2-L	R5336 D5	V2232 C7
R3107 C4	R4007 D2-L	R5351 A5	V2233 C7
R3111 C4	R4008 D2	R5411 D10	V2234 C7-L
R3112 C5	R4009 D2	R5416 D9	V2301 D7
R3113 C5	R4031 D2	V1009 B11	V2403 D7
R3131 C4	R4032 D2	V1011 B11	V2418 D7
R3132 C4	R4033 D2	V1014 A10	V3001 A4
R3133 C5	R4034 D2	V1016 A10	V3002 A4



V3061 A5	V3202 C6	V3311 D5	V4040 D3
V3062 A5	V3203 C6	V3312 D5	V4041 D3
V3101 B4	V3204 B5	V3418 D5	V4042 D3
V3102 C4	V3211 C6	V4001 D2	V4043 C3
V3103 C4	V3212 D5	V4002 D2	V4044 C3
V3104 B4	V3213 C5-L	V4003 C2	V5001 D6
V3111 C4	V3231 C6	V4004 C2	V5002 D6
V3113 C5-L	V3232 C5	V4031 D2	X2101 A11-L
V3131 C4	V3233 C5	V4032 D3	X2301 D4-L
V3132 C4	V3234 C5-L	V4033 D2	X2401 D2-L
V3133 C4	V3236 D5	V4034 D2	X2402 B3-L
V3134 C5-L	V3237 D5	V4036 D2	X2403 B3-L
V3136 D5	V3281 D6	V4037 D2	X2501 A10-L
V3137 D5	V3282 D6	V4038 D3	
V3201 B5	V3301 D4	V4039 D3	

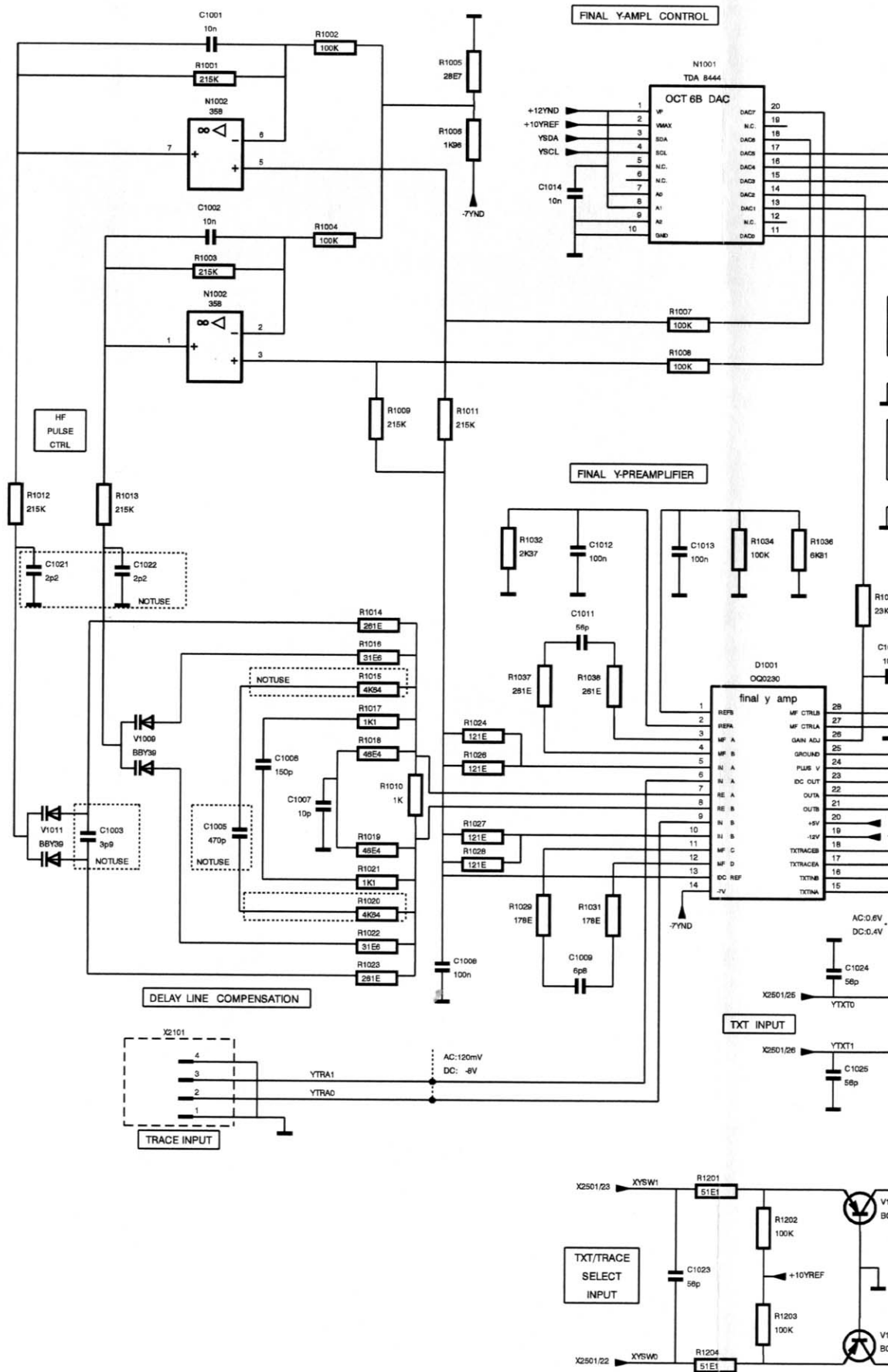
JTN

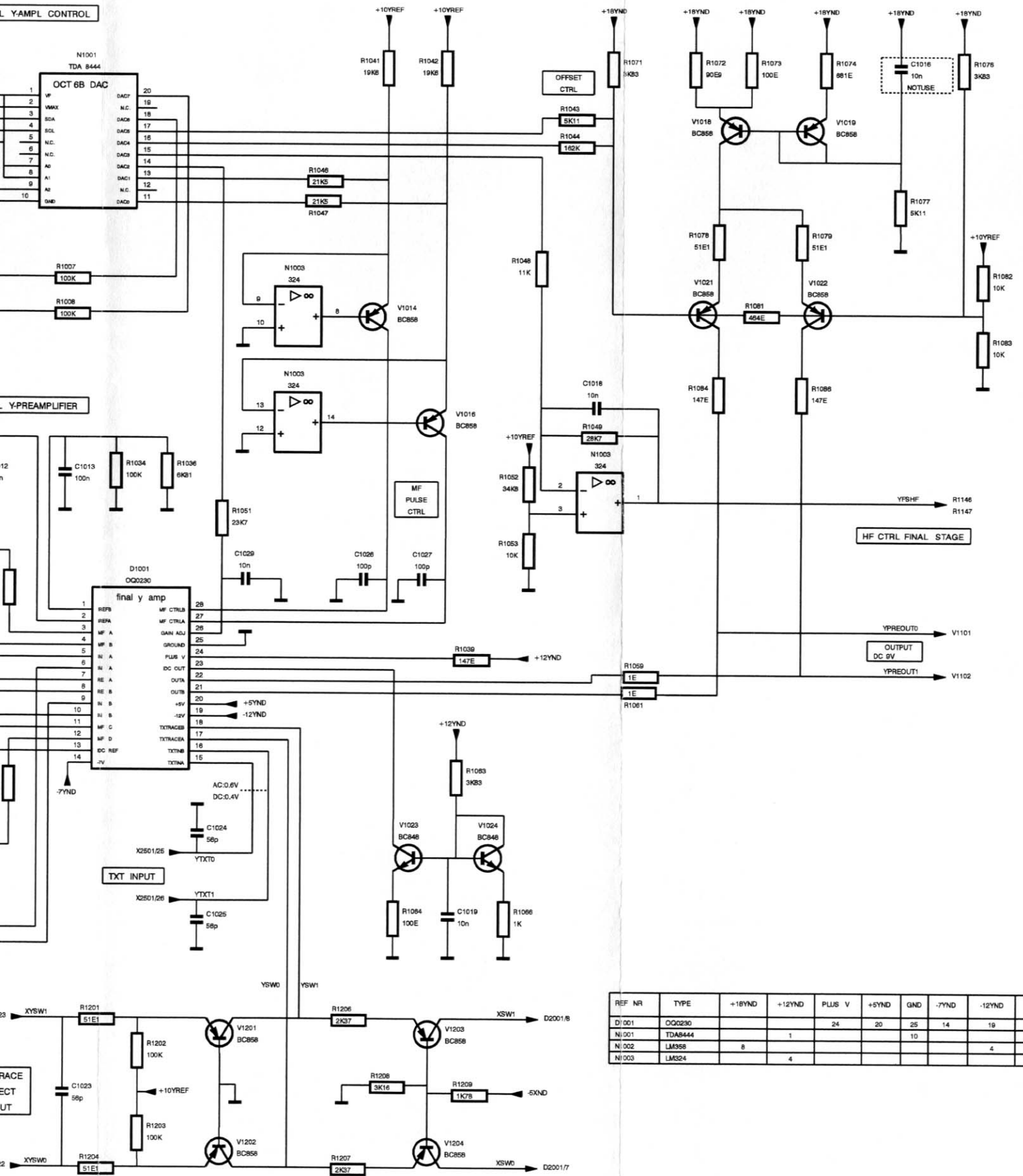
5.2.5 Circuit diagrams A2-200 MHz version



A2 (200 MHz) - Diagram 1 ; Final Y preamplifier and control

5.2.5 Circuit diagrams A2-200 MHz version

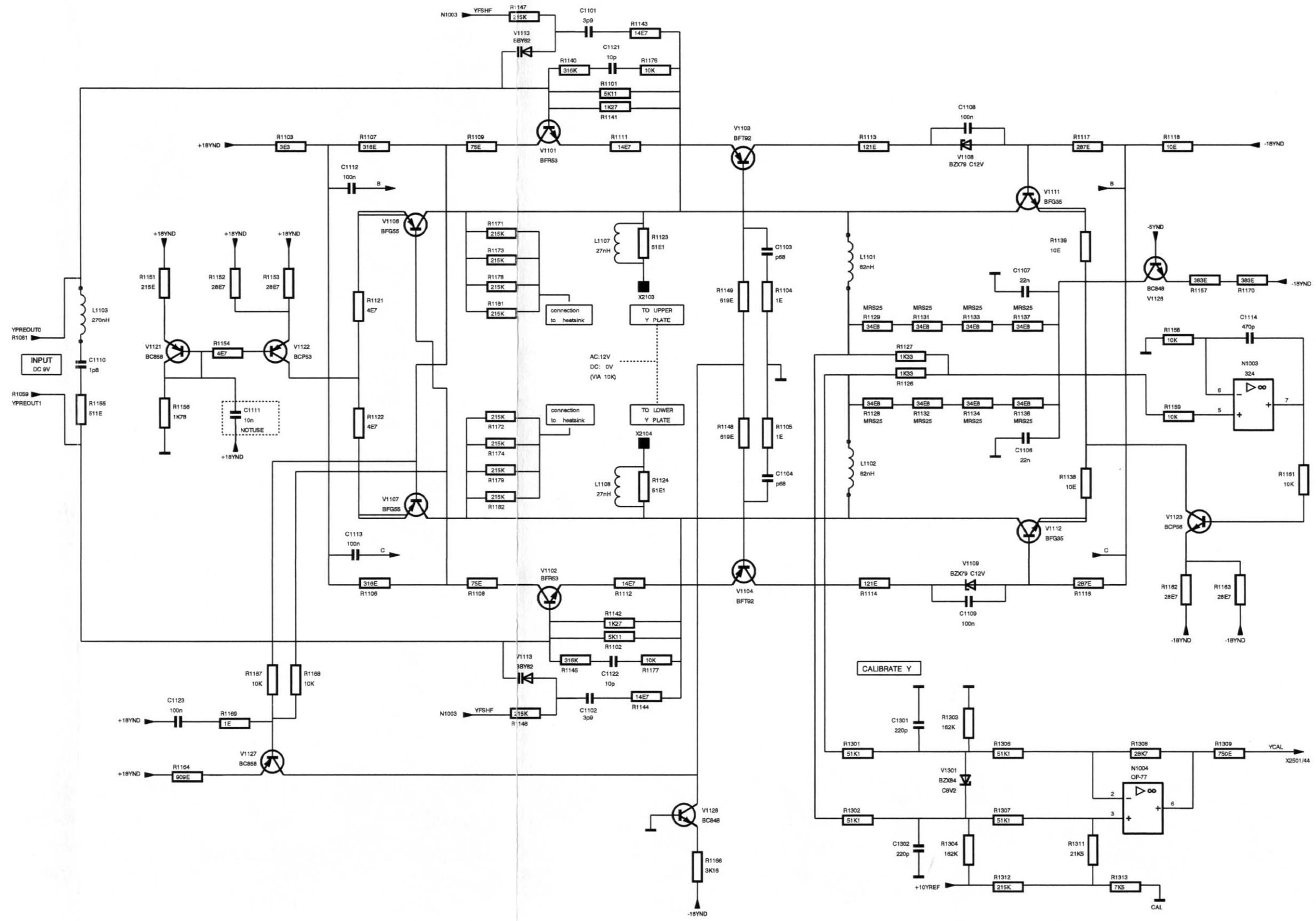




REF NR	TYPE	+18YND	+12YND	PLUS V	+5YND	GND	-7YND	-12YND	-18YND
D1001	OQ0230			24	20	25	14	19	
N1001	TD8444	1				10			
N1002	LM358	8						4	
N1003	LM324		4						11

STR262  
970428

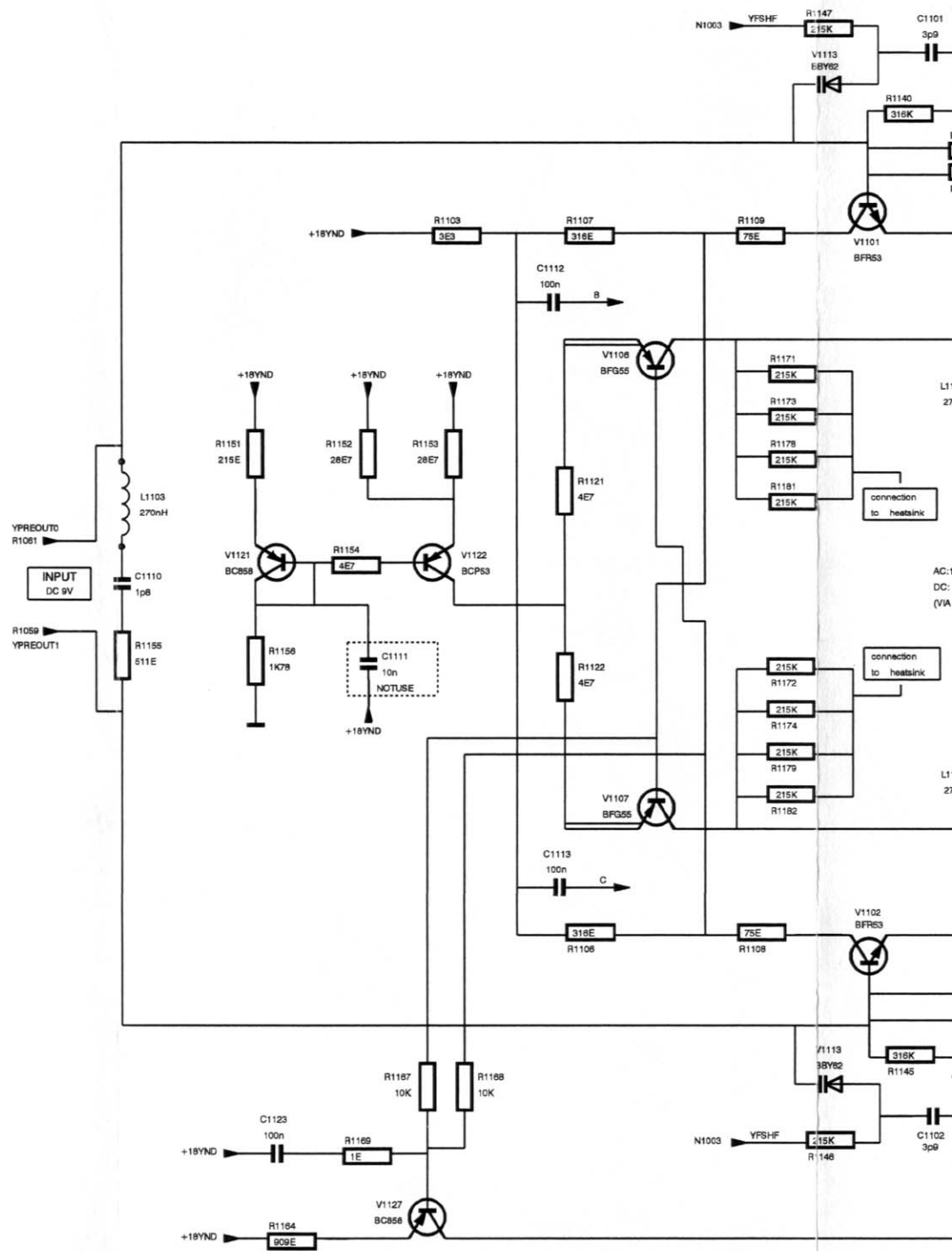
A2 (200 MHz) - Diagram 1 ; Final Y preamplifier and control

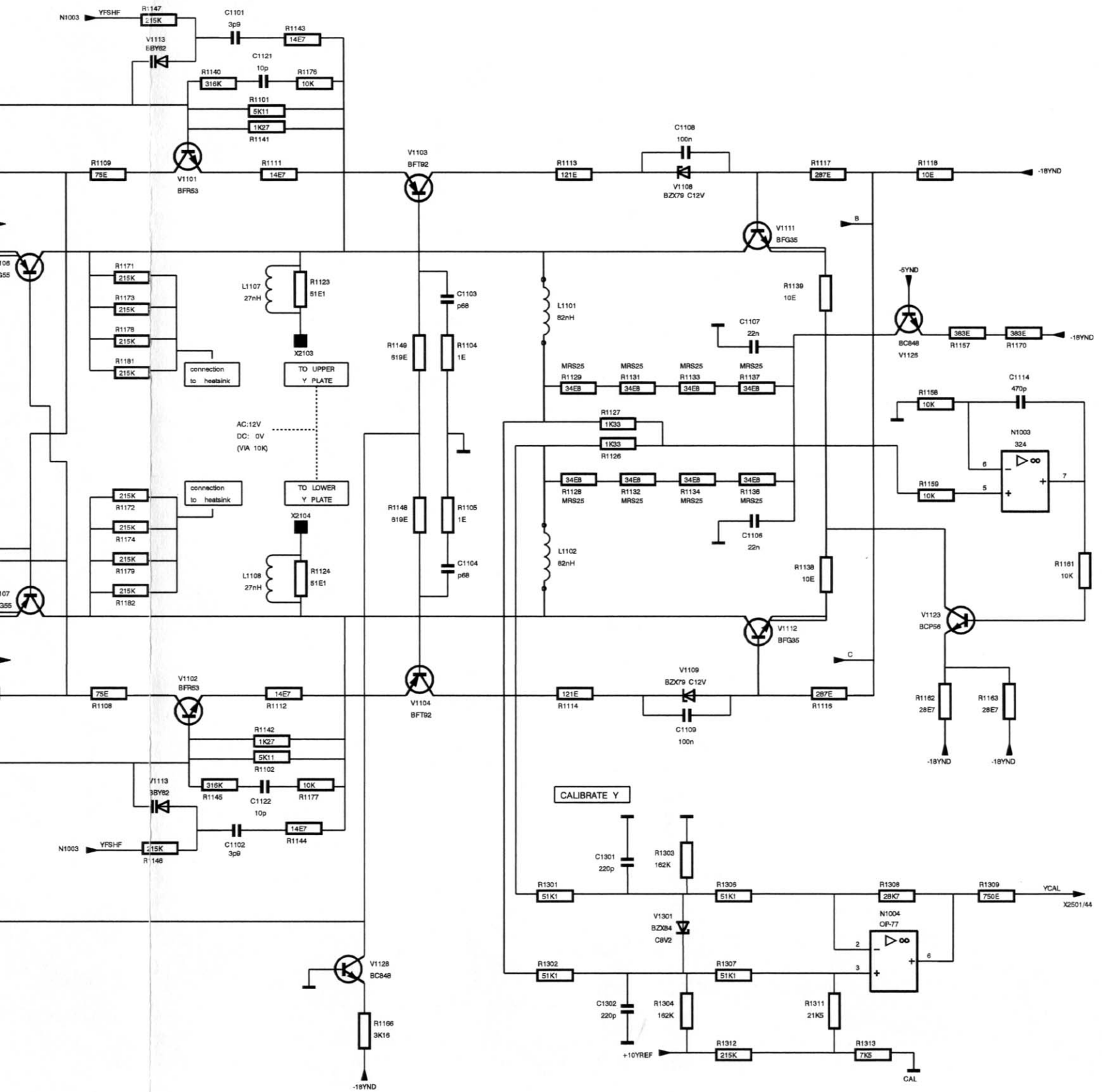


REF NR	TYPE	+12VND	+12CND	GND	-12CND	-18VND
N1003	LM324	4				11
N1004	OP-77		7		4	

A2 (200 MHz) - Diagram 2 ; Final Y output stage





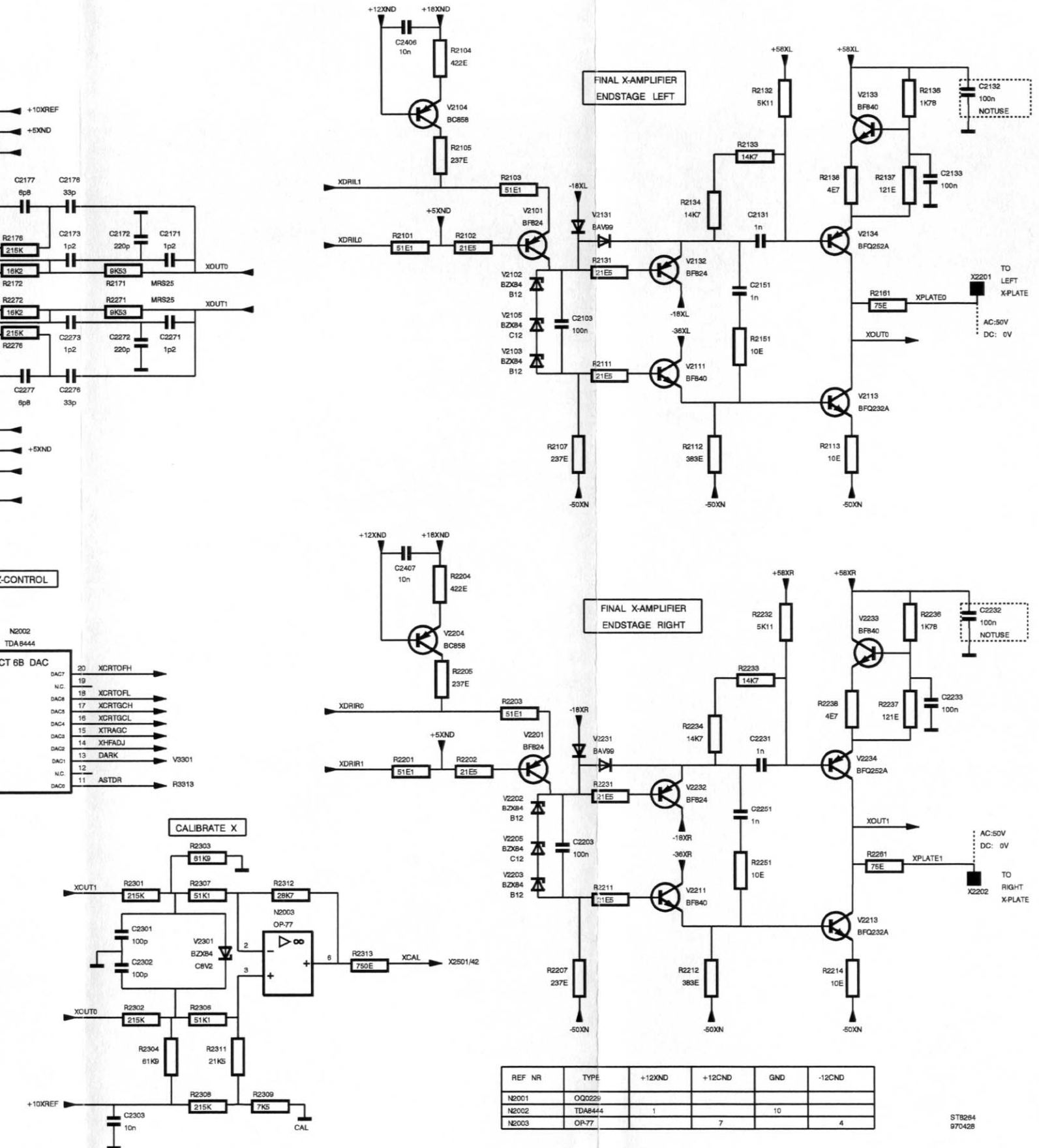


REF NR	TYPE	+12VND	+12CND	GND	-12CND	-18VND
N1003	LM324	4				11
N1004	OP-77		7		4	

A2 (200 MHz) - Diagram 2 ; Final Y output stage



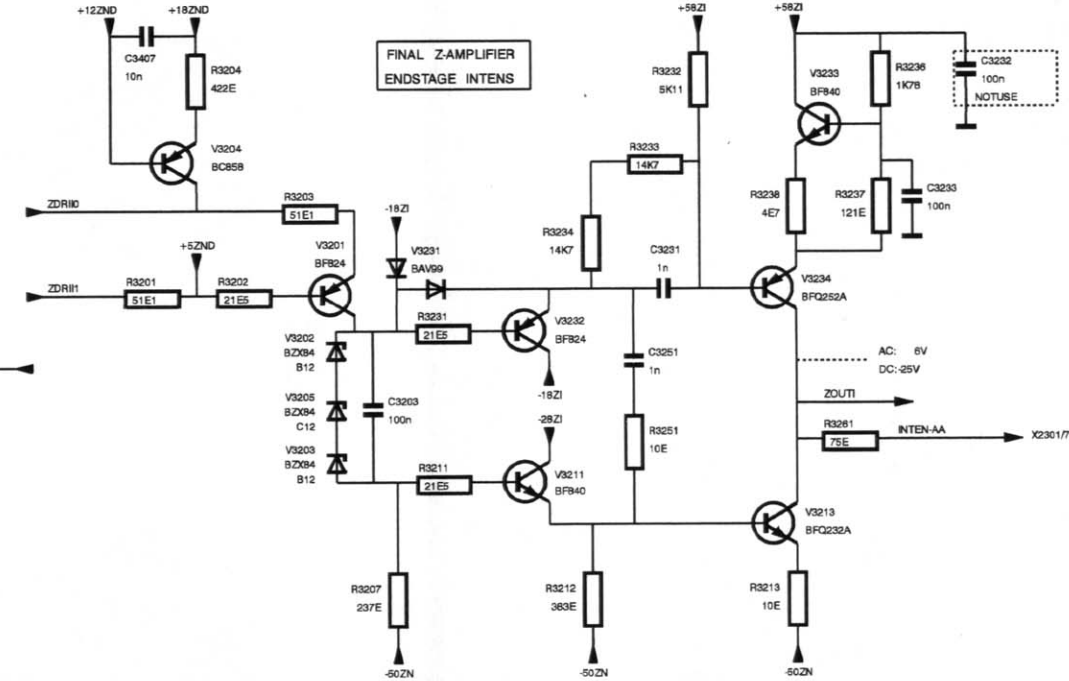
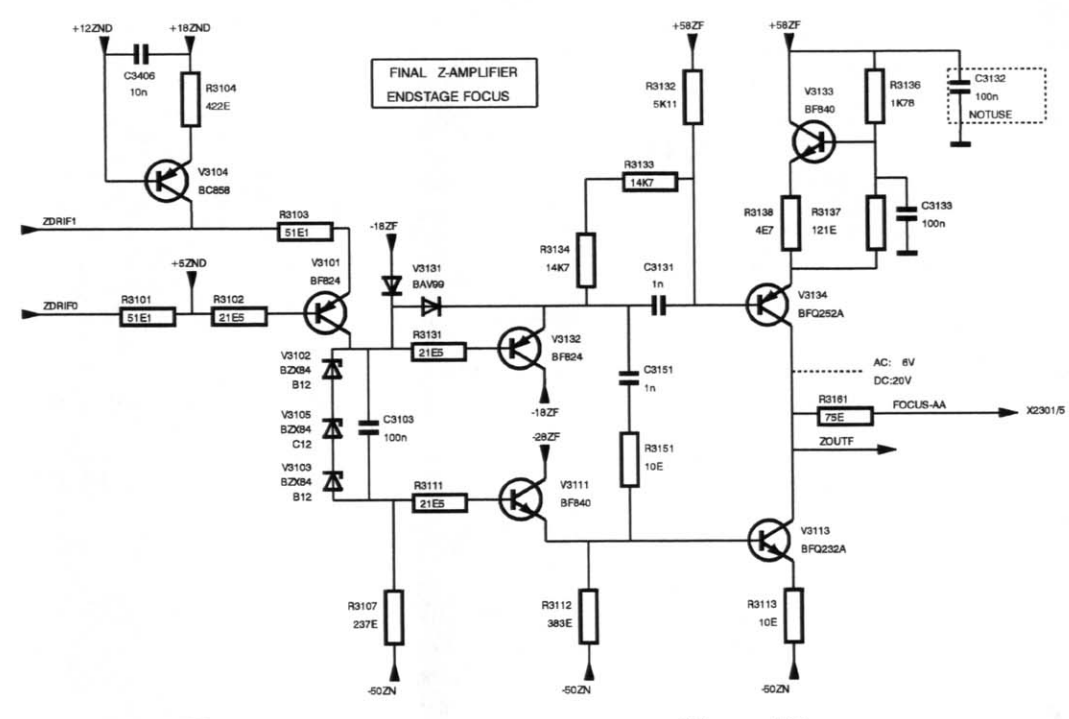
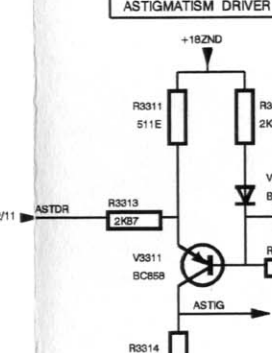
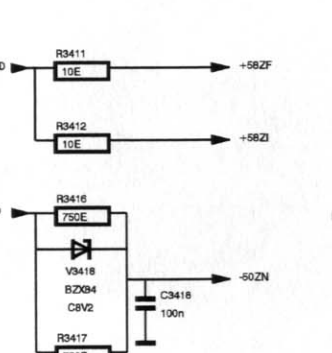
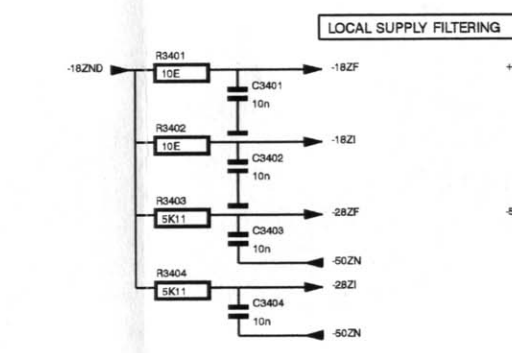
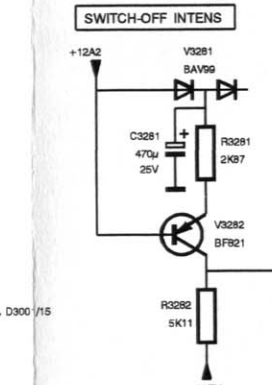
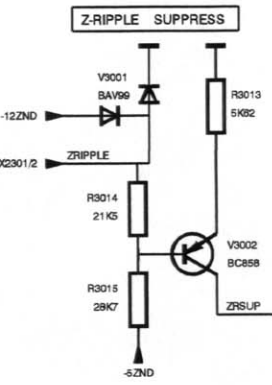
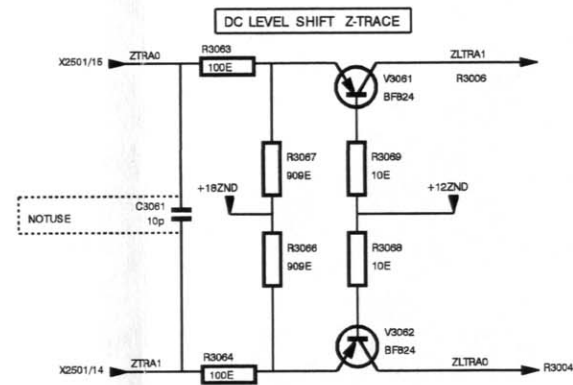
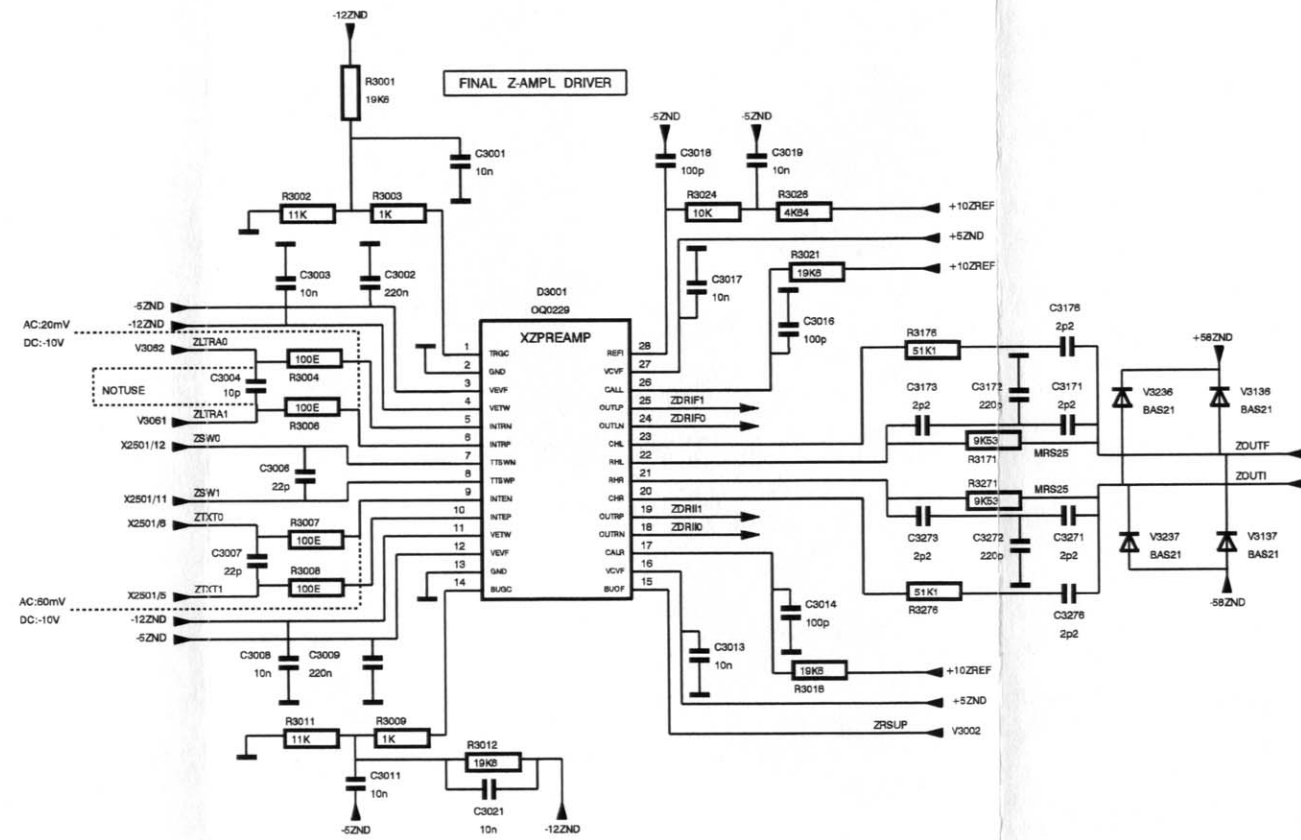




A2 (200 MHz) - Diagram 3 ; Final X preamplifier and control

ST8284  
970428

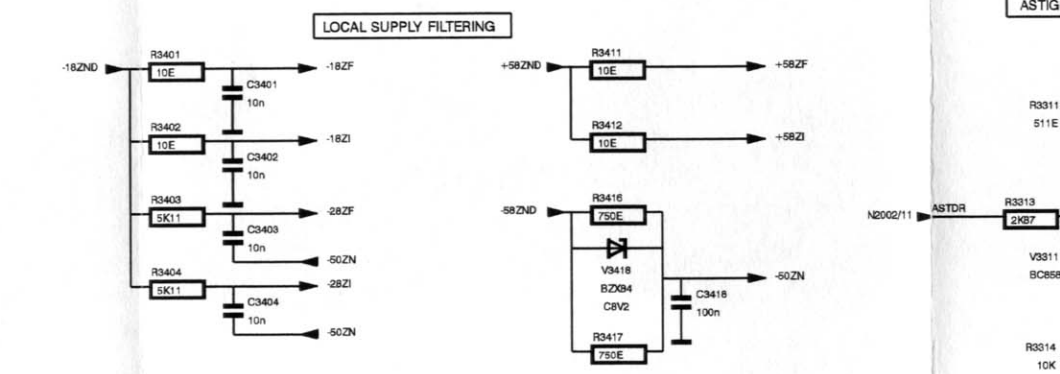
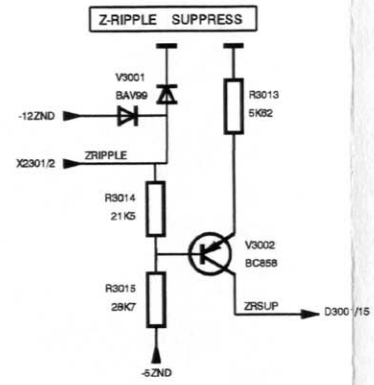
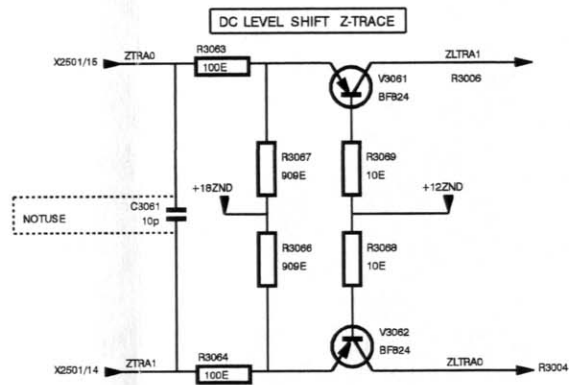
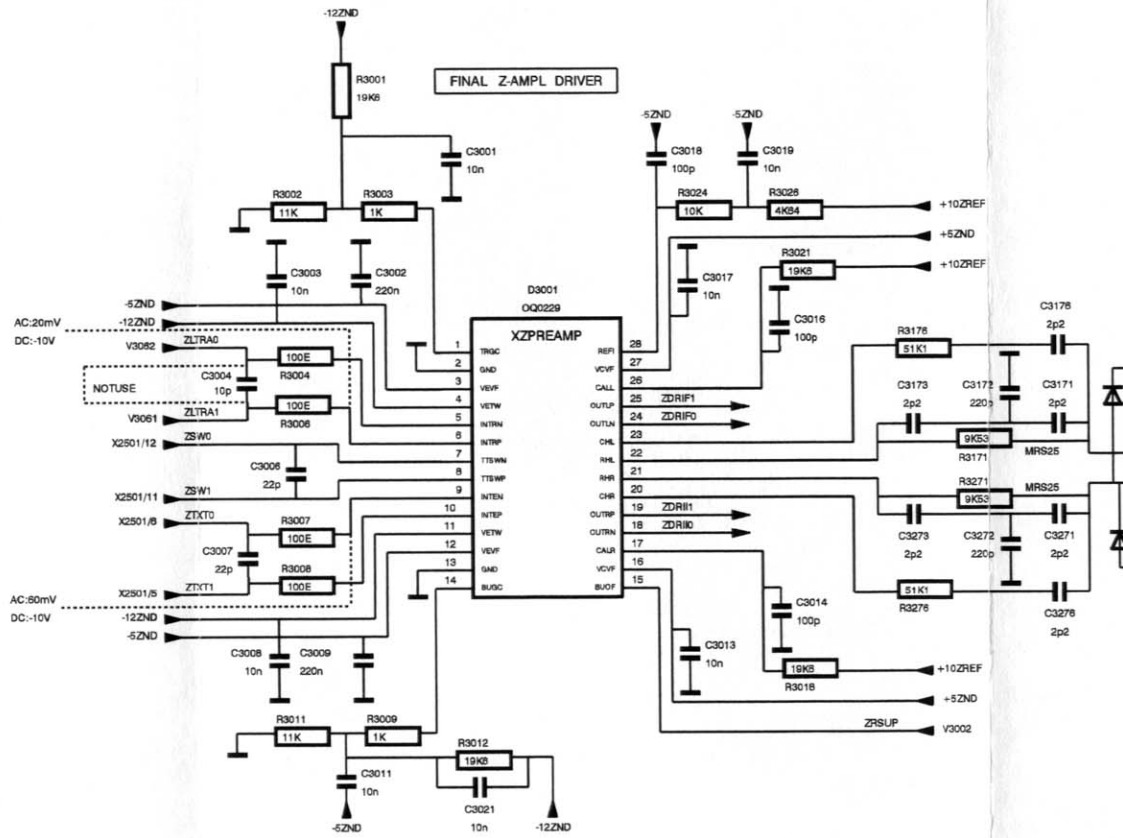




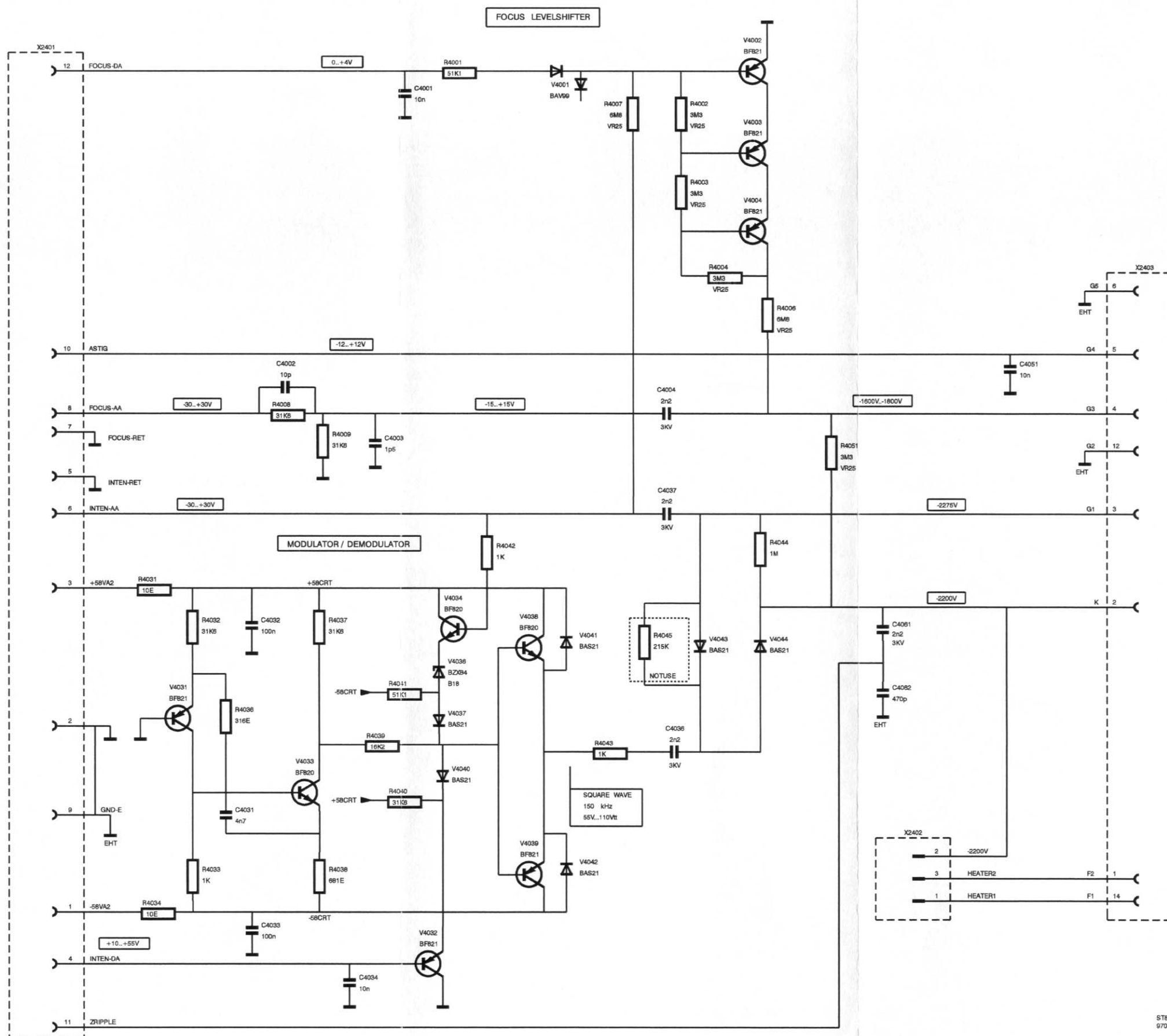
REF NR	TYPE	+12ZND	GND
N3001	OQ0229		
N3002	TDA8444	1	10

STR265  
970428

A2 (200 MHz) - Diagram 4 ; Final Z amplifier



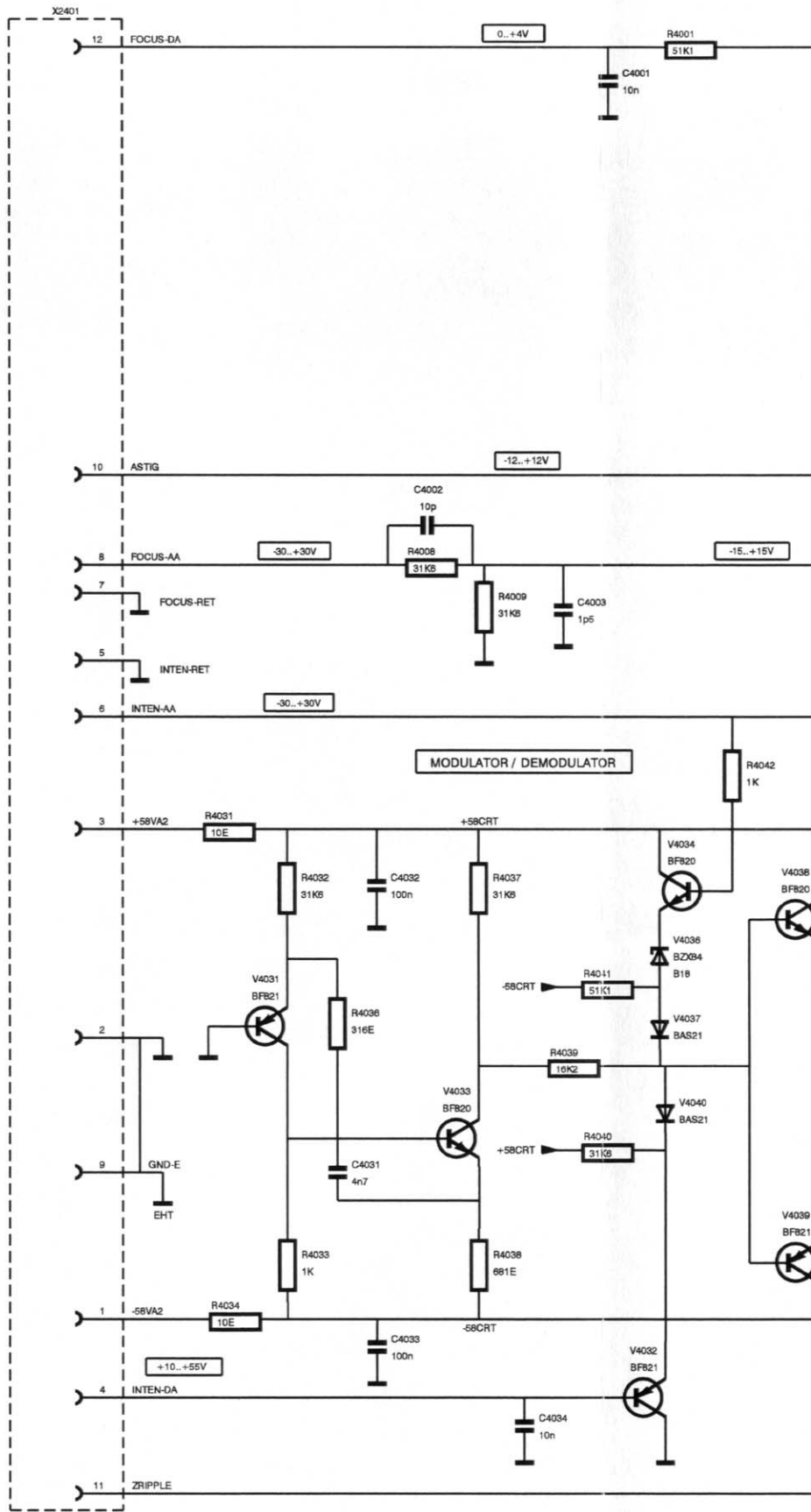




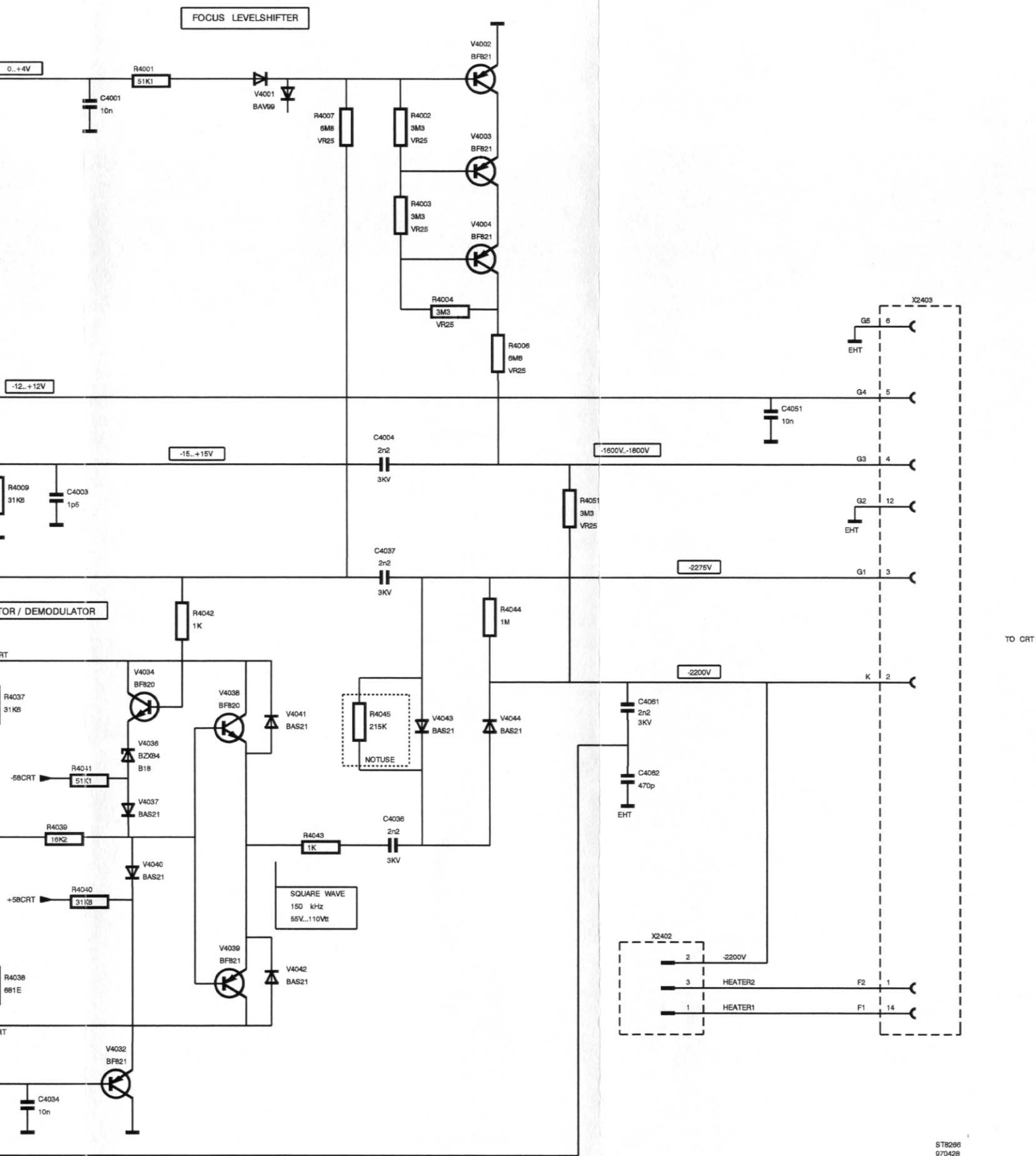
TO CRT

ST8296  
970428

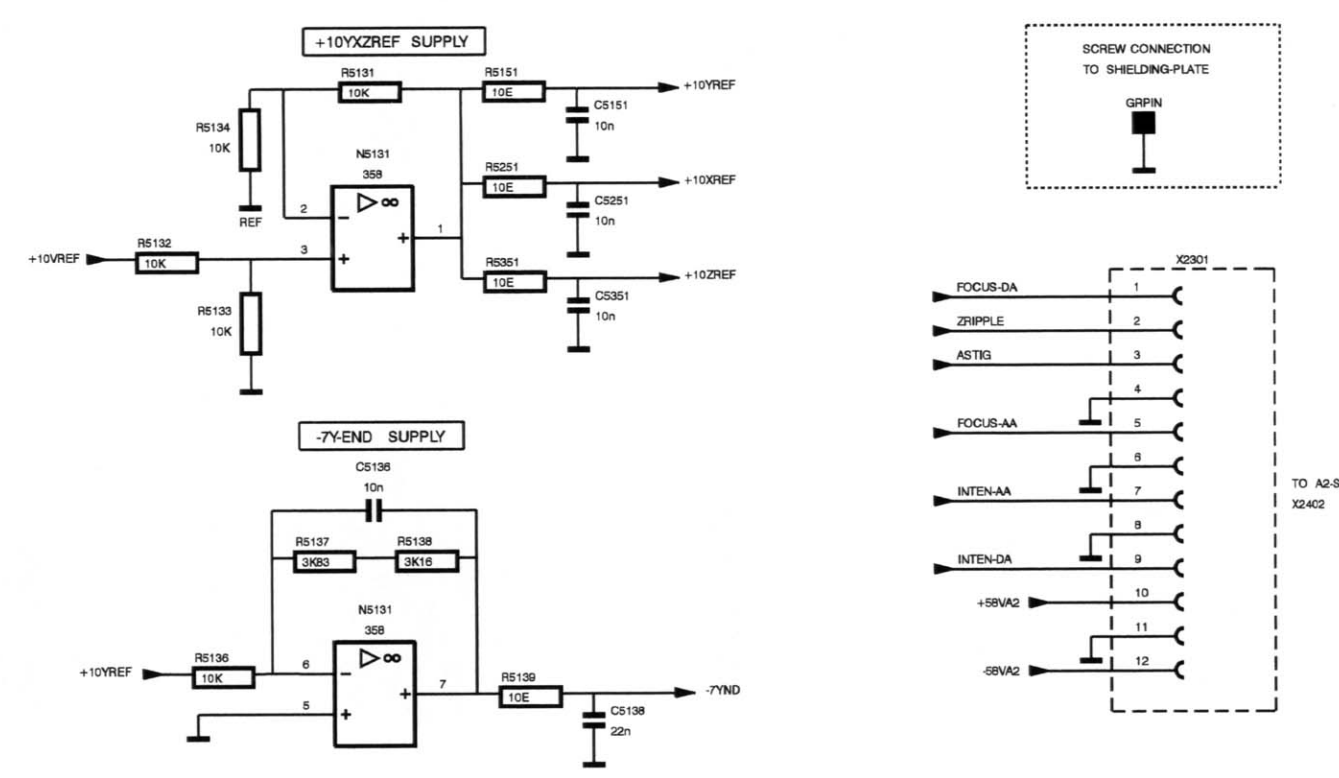
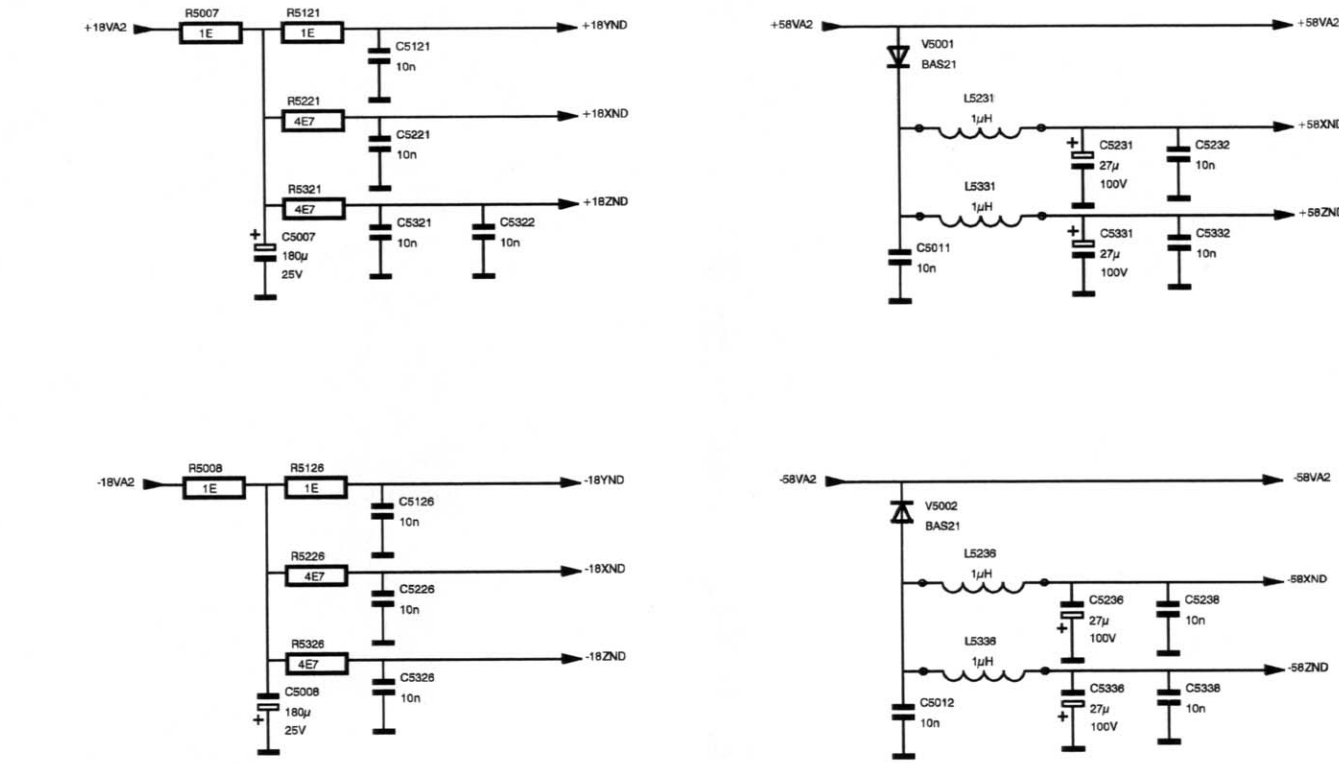
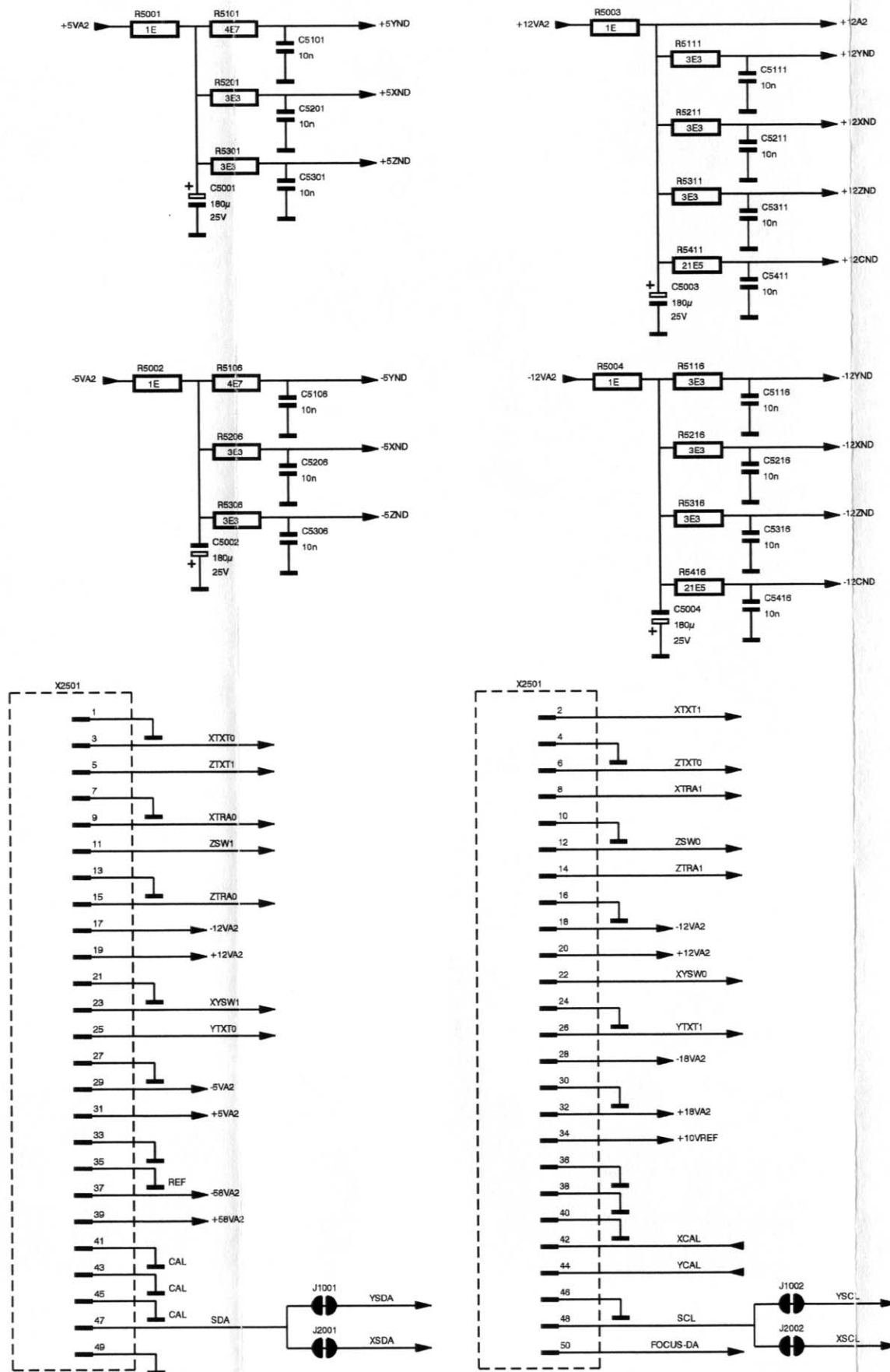
A2 (200 MHz) - Diagram 5 ; Modulator/demodulator and focus control







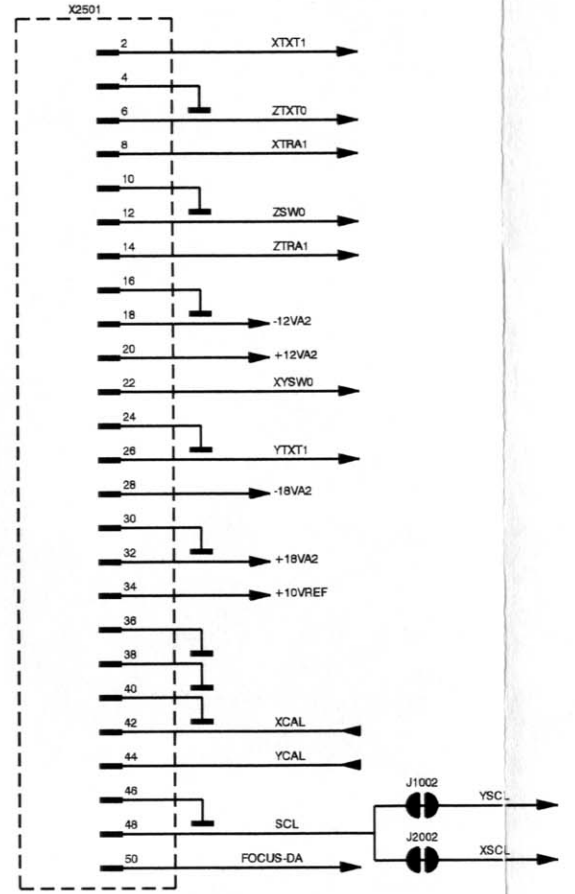
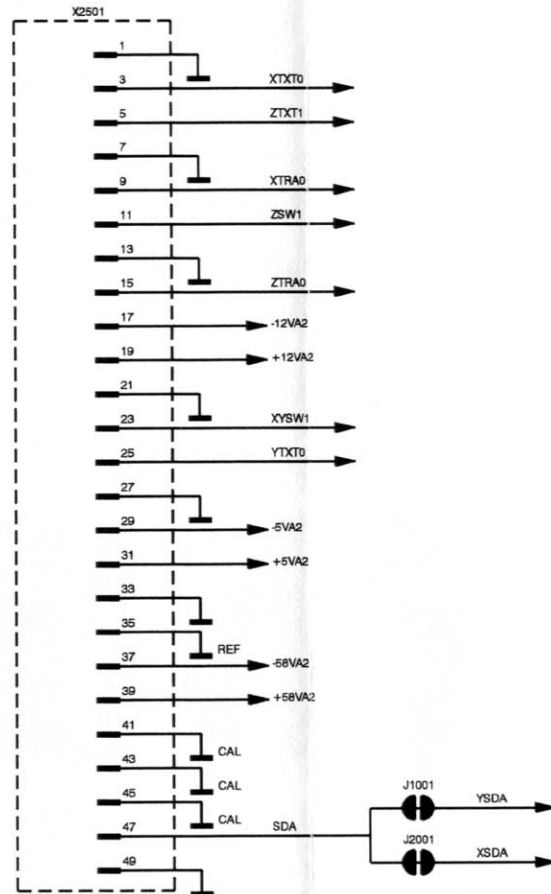
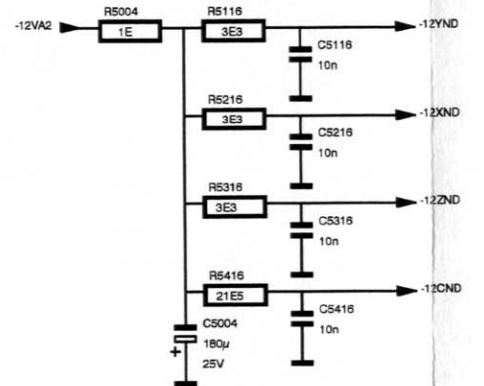
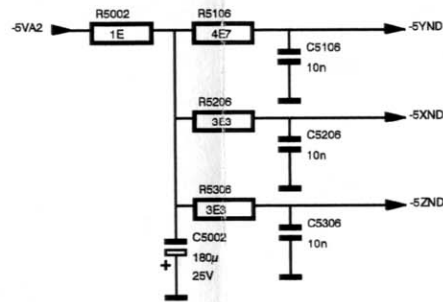
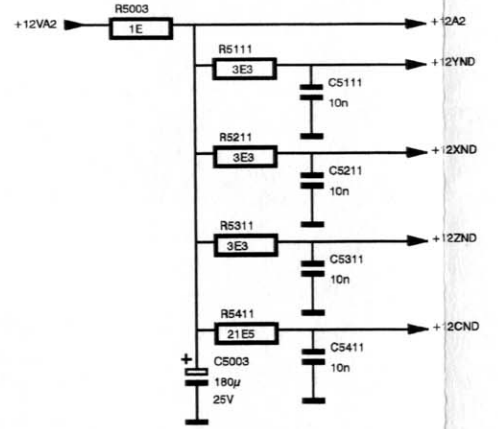
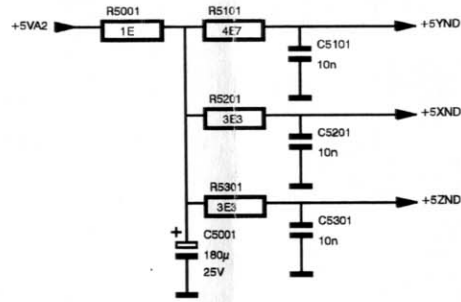
A2 (200 MHz) - Diagram 5 ; Modulator/demodulator and focus control

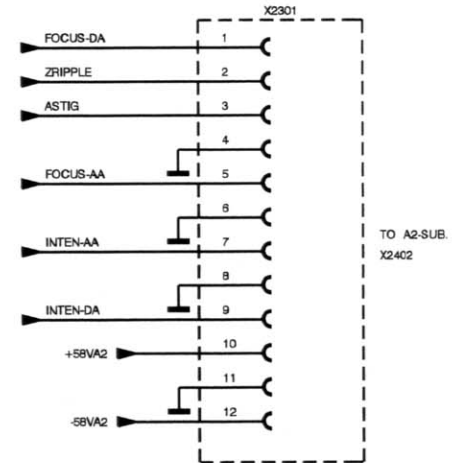
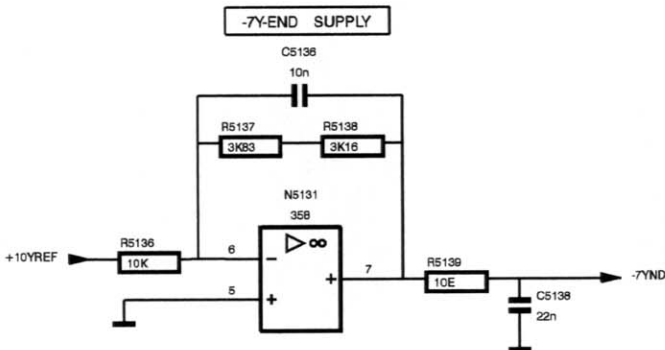
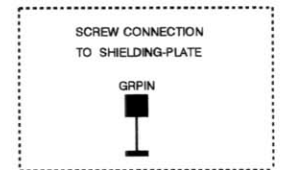
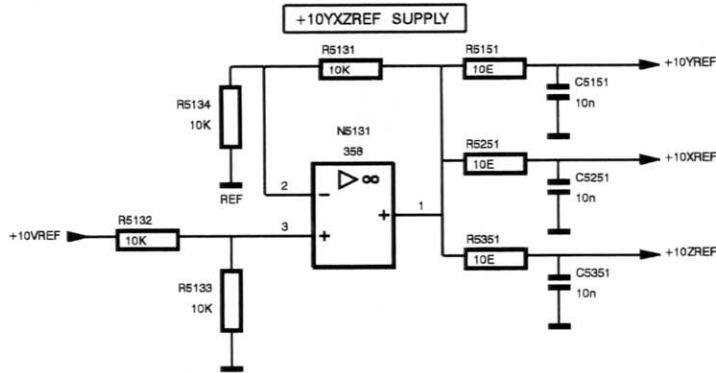
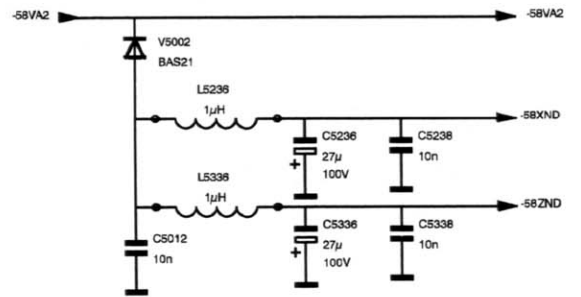
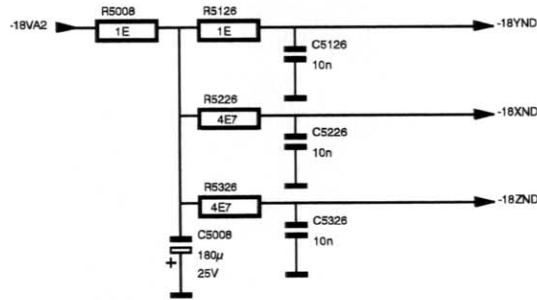
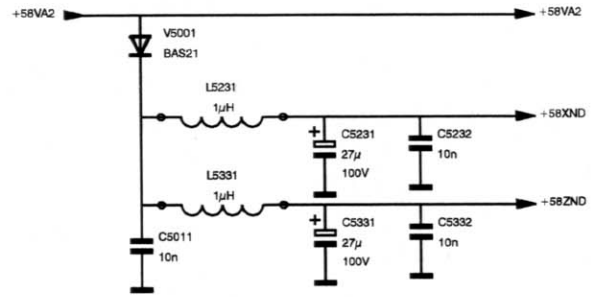
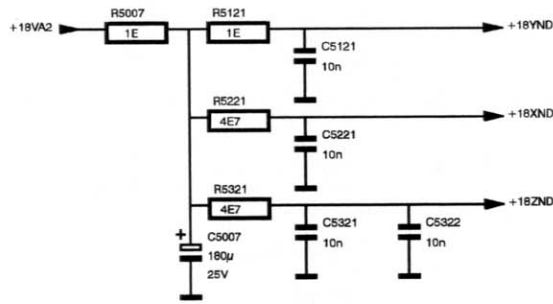
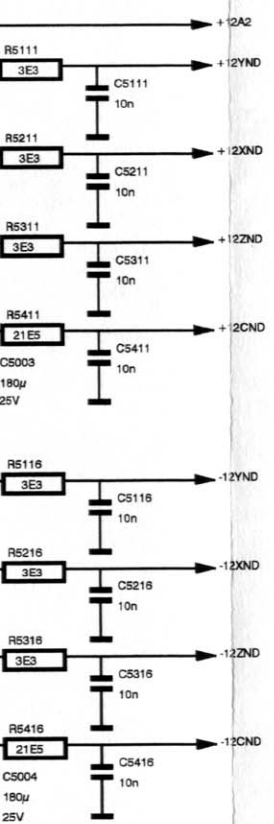


REF NR	TYPE	-12YND	+18YND
N5131	LM358	4	8

STB257  
970428

A2 (200 MHz) - Diagram 6 ; Supply circuits





REF NR	TYPE	-12YND	+18YND
N5131	LM358	4	8

ST8257  
970428

A2 (200 MHz) - Diagram 6 ; Supply circuits

Item	Description	Ordering code
<b>5.2.6</b>	<b>Parts list A2-200 MHz version</b>	
<b>MECHANICAL</b>		
0001	CABLE,CONNECT.	ASSY CABLE CRT 5322 321 62202
0003	CABLE,CONNECT.	ASSY CABLE CRT 5322 321 62198
0004	CABLE,CONNECT.	ASSY CABLE CRT 5322 321 62199
A202	BOARD,PRINTED	FINAL X-Y-Z UNIT A2 5322 216 04244

**CAPACITORS**

C1001	CAP.CHIP	AP 63V 10% 10NF	5322 122 34098
C1002	CAP.CHIP	AP 63V 10% 10NF	5322 122 34098
C1003	CAP.CERAMIC	AP 63V 0.25PF 3.9PF	5322 122 31944
C1005	CAP.CHIP	AP 63V 5% 470PF	5322 122 32268
C1006	CAP.CHIP	AP 63V 5% 150PF	5322 122 33538
C1007	CAP.CERAMIC	AP 63V 5% 10PF	5322 122 32448
C1008	CAP.CHIP	AP 63V 10% 100NF	4822 122 33496
C1009	CAP.CHIP	AP 63V 0.5PF 6.8PF	5322 122 32269
C1011	CAP.CHIP	AP 63V 5% 56PF	5322 122 32661
C1012	CAP.CHIP	AP 63V 10% 100NF	4822 122 33496
C1013	CAP.CHIP	AP 63V 10% 100NF	4822 122 33496
C1014	CAP.CHIP	AP 63V 10% 10NF	5322 122 34098
C1016	CAP.CHIP	AP 63V 10% 10NF	5322 122 34098
C1018	CAP.CHIP	AP 63V 10% 10NF	5322 122 34098
C1019	CAP.CHIP	AP 63V 10% 10NF	5322 122 34098
C1021	CAP.CHIP	AP 63V 0.25PF 2.2PF	5322 122 33063
C1022	CAP.CHIP	AP 63V 0.25PF 2.2PF	5322 122 33063
C1023	CAP.CHIP	AP 63V 5% 56PF	5322 122 32661
C1024	CAP.CHIP	AP 63V 5% 56PF	5322 122 32661
C1025	CAP.CHIP	AP 63V 5% 56PF	5322 122 32661
C1026	CAP.CHIP	AP 63V 5% 100PF	5322 122 32531
C1027	CAP.CHIP	AP 63V 5% 100PF	5322 122 32531
C1029	CAP.CHIP	AP 63V 10% 10NF	5322 122 34098
C1101	CAP.CERAMIC	AP 63V 0.25PF 3.9PF	5322 122 31944
C1102	CAP.CERAMIC	AP 63V 0.25PF 3.9PF	5322 122 31944
C1103	CAP.CHIP	AP 63V 0.25PF 0.68PF	4822 126 12342
C1104	CAP.CHIP	AP 63V 0.25PF 0.68PF	4822 126 12342
C1106	CAP.CHIP	AP 63V 10% 22NF	5322 122 32654
C1107	CAP.CHIP	AP 63V 10% 22NF	5322 122 32654
C1108	CAP.CHIP	AP 63V 10% 100NF	4822 122 33496
C1109	CAP.CHIP	AP 63V 10% 100NF	4822 122 33496
C1110	CAP.CHIP	AP 63V 0.25PF 1.8PF	5322 126 10343
C1111	CAP.CHIP	AP 63V 10% 10NF	5322 122 34098
C1112	CAP.CHIP	AP 63V 10% 100NF	4822 122 33496
C1113	CAP.CHIP	AP 63V 10% 100NF	4822 122 33496
C1114	CAP.CHIP	AP 63V 5% 470PF	5322 122 32268
C1121	CAP.CERAMIC	AP 63V 5% 10PF	5322 122 32448
C1122	CAP.CERAMIC	AP 63V 5% 10PF	5322 122 32448
C1123	CAP.CHIP	AP 63V 10% 100NF	4822 122 33496
C1301	CAP.CHIP	AP 63V 5% 220PF	4822 122 33575



Item	Description	Ordering code
C1302	CAP.CHIP	AP 63V 5% 220PF 4822 122 33575
C2001	CAP.CHIP	AP 63V 10% 10NF 5322 122 34098
C2002	CAP.CHIP	AP 63V 10% 220NF 4822 122 32916
C2003	CAP.CHIP	AP 63V 10% 10NF 5322 122 34098
C2004	CAP.CERAMIC	AP 63V 5% 10PF 5322 122 32448
C2006	CAP.CHIP	AP 63V 5% 22PF 5322 122 32658
C2007	CAP.CERAMIC	AP 63V 5% 10PF 5322 122 32448
C2008	CAP.CHIP	AP 63V 10% 10NF 5322 122 34098
C2009	CAP.CHIP	AP 63V 10% 220NF 4822 122 32916
C2011	CAP.CHIP	AP 63V 10% 10NF 5322 122 34098
C2012	CAP.CHIP	AP 63V 10% 10NF 5322 122 34098
C2013	CAP.CHIP	AP 63V 10% 10NF 5322 122 34098
C2014	CAP.CHIP	AP 63V 5% 100PF 5322 122 32531
C2016	CAP.CHIP	AP 63V 5% 100PF 5322 122 32531
C2017	CAP.CHIP	AP 63V 10% 10NF 5322 122 34098
C2018	CAP.CHIP	AP 63V 5% 100PF 5322 122 32531
C2019	CAP.CHIP	AP 63V 10% 10NF 5322 122 34098
C2021	CAP.CHIP	AP 63V 10% 10NF 5322 122 34098
C2022	CAP.CHIP	AP 63V 10% 10NF 5322 122 34098
C2061	CAP.CHIP	AP 63V 5% 56PF 5322 122 32661
C2062	CAP.CHIP	AP 63V 5% 56PF 5322 122 32661
C2081	CAP.CHIP	AP 63V 10% 10NF 5322 122 34098
C2103	CAP.CHIP	AP 63V 10% 100NF 4822 122 33496
C2131	CAP.CHIP	AP 63V 5% 1NF 5322 126 10511
C2132	CAP.CHIP	AP 63V 10% 100NF 4822 122 33496
C2133	CAP.CHIP	AP 63V 10% 100NF 4822 122 33496
C2151	CAP.CHIP	AP 63V 5% 1NF 5322 126 10511
C2171	CAP.CHIP	AP 63V 0.25PF 1.2PF 5322 122 33537
C2172	CAP.CHIP	AP 63V 5% 220PF 4822 122 33575
C2173	CAP.CHIP	AP 63V 0.25PF 1.2PF 5322 122 33537
C2174	CAP.CHIP	AP 63V 5% 1NF 5322 126 10511
C2176	CAP.CHIP	AP 63V 5% 33PF 5322 122 32659
C2177	CAP.CHIP	AP 63V 0.5PF 6.8PF 5322 122 32269
C2203	CAP.CHIP	AP 63V 10% 100NF 4822 122 33496
C2231	CAP.CHIP	AP 63V 5% 1NF 5322 126 10511
C2232	CAP.CHIP	AP 63V 10% 100NF 4822 122 33496
C2233	CAP.CHIP	AP 63V 10% 100NF 4822 122 33496
C2251	CAP.CHIP	AP 63V 5% 1NF 5322 126 10511
C2271	CAP.CHIP	AP 63V 0.25PF 1.2PF 5322 122 33537
C2272	CAP.CHIP	AP 63V 5% 220PF 4822 122 33537
C2273	CAP.CHIP	AP 63V 0.25PF 1.2PF 5322 122 33537
C2276	CAP.CHIP	AP 63V 5% 33PF 5322 122 32659
C2277	CAP.CHIP	AP 63V 0.5PF 6.8PF 5322 122 32269
C2301	CAP.CHIP	AP 63V 5% 100PF 5322 122 32531
C2302	CAP.CHIP	AP 63V 5% 100PF 5322 122 32531
C2303	CAP.CHIP	AP 63V 10% 10NF 5322 122 34098
C2401	CAP.CHIP	AP 63V 10% 10NF 5322 122 34098
C2402	CAP.CHIP	AP 63V 10% 10NF 5322 122 34098
C2403	CAP.CHIP	AP 63V 10% 10NF 5322 122 34098
C2404	CAP.CHIP	AP 63V 10% 10NF 5322 122 34098

Item	Description		Ordering code
C2406	CAP.CHIP	AP 63V 10% 10NF	5322 122 34098
C2407	CAP.CHIP	AP 63V 10% 10NF	5322 122 34098
C2418	CAP.CHIP	AP 63V 10% 100NF	4822 122 33496
C3001	CAP.CHIP	AP 63V 10% 10NF	5322 122 34098
C3002	CAP.CHIP	AP 63V 10% 220NF	4822 122 32916
C3003	CAP.CHIP	AP 63V 10% 10NF	5322 122 34098
C3004	CAP.CERAMIC	AP 63V 5% 10PF	5322 122 32448
C3006	CAP.CHIP	AP 63V 5% 22PF	5322 122 32658
C3007	CAP.CHIP	AP 63V 5% 22PF	5322 122 32658
C3008	CAP.CHIP	AP 63V 10% 10NF	5322 122 34098
C3009	CAP.CHIP	AP 63V 10% 220NF	4822 122 32916
C3011	CAP.CHIP	AP 63V 10% 10NF	5322 122 34098
C3013	CAP.CHIP	AP 63V 10% 10NF	5322 122 34098
C3014	CAP.CHIP	AP 63V 5% 100PF	5322 122 32531
C3016	CAP.CHIP	AP 63V 5% 100PF	5322 122 32531
C3017	CAP.CHIP	AP 63V 10% 10NF	5322 122 34098
C3018	CAP.CHIP	AP 63V 5% 100PF	5322 122 32531
C3019	CAP.CHIP	AP 63V 10% 10NF	5322 122 34098
C3021	CAP.CHIP	AP 63V 10% 10NF	5322 122 34098
C3061	CAP.CERAMIC	AP 63V 5% 10PF	5322 122 32448
C3103	CAP.CHIP	AP 63V 10% 100NF	4822 122 33496
C3131	CAP.CHIP	AP 63V 5% 1NF	5322 126 10511
C3132	CAP.CHIP	AP 63V 10% 100NF	4822 122 33496
C3133	CAP.CHIP	AP 63V 10% 100NF	4822 122 33496
C3151	CAP.CHIP	AP 63V 5% 1NF	5322 126 10511
C3171	CAP.CHIP	AP 63V 0.25PF 2.2PF	5322 122 33063
C3172	CAP.CHIP	AP 63V 5% 220PF	4822 122 33575
C3173	CAP.CHIP	AP 63V 0.25PF 2.2PF	5322 122 33063
C3176	CAP.CHIP	AP 63V 0.25PF 2.2PF	5322 122 33063
C3203	CAP.CHIP	AP 63V 10% 100NF	4822 122 33496
C3231	CAP.CHIP	AP 63V 5% 1NF	5322 126 10511
C3232	CAP.CHIP	AP 63V 10% 100NF	4822 122 33496
C3233	CAP.CHIP	AP 63V 10% 100NF	4822 122 33496
C3251	CAP.CHIP	AP 63V 5% 1NF	5322 126 10511
C3271	CAP.CHIP	AP 63V 0.25PF 2.2PF	5322 122 33063
C3272	CAP.CHIP	AP 63V 5% 220PF	4822 122 33575
C3273	CAP.CHIP	AP 63V 0.25PF 2.2PF	5322 122 33063
C3276	CAP.CHIP	AP 63V 0.25PF 2.2PF	5322 122 33063
C3281	CAP.FOIL	25V 20% 470UF	5322 121 43885
C3401	CAP.CHIP	AP 63V 10% 10NF	5322 122 34098
C3402	CAP.CHIP	AP 63V 10% 10NF	5322 122 34098
C3403	CAP.CHIP	AP 63V 10% 10NF	5322 122 34098
C3404	CAP.CHIP	AP 63V 10% 10NF	5322 122 34098
C3406	CAP.CHIP	AP 63V 10% 10NF	5322 122 34098
C3407	CAP.CHIP	AP 63V 10% 10NF	5322 122 34098
C3418	CAP.CHIP	AP 63V 10% 100NF	4822 122 33496
C4001	CAP.CHIP	AP 63V 10% 10NF	5322 122 34098
C4002	CAP.CERAMIC	AP 63V 5% 10PF	5322 122 32448
C4003	CAP.CHIP	AP 63V 0.25PF 1.5PF	5322 126 10225
C4004	CAP.	-10+10% 2.2NF	5322 122 33851

Item	Description	Ordering code
C4031	CAP.CHIP	AP 63V 10% 4.7NF
C4032	CAP.CHIP	AP 63V 10% 100NF
C4033	CAP.CHIP	AP 63V 10% 100NF
C4034	CAP.CHIP	AP 63V 10% 10NF
C4036	CAP.	-10+10% 2.2NF
C4037	CAP.	-10+10% 2.2NF
C4051	CAP.CHIP	AP 63V 10% 10NF
C4061	CAP.	-10+10% 2.2NF
C4062	CAP.CHIP	AP 63V 5% 470PF
C5001	CAP.ELECTROLYT.	25V 20% 180UF
C5002	CAP.ELECTROLYT.	25V 20% 180UF
C5003	CAP.ELECTROLYT.	25V 20% 180UF
C5004	CAP.ELECTROLYT.	25V 20% 180UF
C5007	CAP.ELECTROLYT.	25V 20% 180UF
C5008	CAP.ELECTROLYT.	25V 20% 180UF
C5011	CAP.CHIP	AP 63V 10% 10NF
C5012	CAP.CHIP	AP 63V 10% 10NF
C5101	CAP.CHIP	AP 63V 10% 10NF
C5106	CAP.CHIP	AP 63V 10% 10NF
C5111	CAP.CHIP	AP 63V 10% 10NF
C5116	CAP.CHIP	AP 63V 10% 10NF
C5121	CAP.CHIP	AP 63V 10% 10NF
C5126	CAP.CHIP	AP 63V 10% 10NF
C5136	CAP.CHIP	AP 63V 10% 10NF
C5138	CAP.CHIP	AP 63V 10% 22NF
C5151	CAP.CHIP	AP 63V 10% 10NF
C5201	CAP.CHIP	AP 63V 10% 10NF
C5206	CAP.CHIP	AP 63V 10% 10NF
C5211	CAP.CHIP	AP 63V 10% 10NF
C5216	CAP.CHIP	AP 63V 10% 10NF
C5221	CAP.CHIP	AP 63V 10% 10NF
C5226	CAP.CHIP	AP 63V 10% 10NF
C5231	CAP.ELECTROLYT.	100V 20% 27UF
C5232	CAP.CHIP	AP 63V 10% 10NF
C5236	CAP.ELECTROLYT.	100V 20% 27UF
C5238	CAP.CHIP	AP 63V 10% 10NF
C5251	CAP.CHIP	AP 63V 10% 10NF
C5301	CAP.CHIP	AP 63V 10% 10NF
C5306	CAP.CHIP	AP 63V 10% 10NF
C5311	CAP.CHIP	AP 63V 10% 10NF
C5316	CAP.CHIP	AP 63V 10% 10NF
C5321	CAP.CHIP	AP 63V 10% 10NF
C5322	CAP.CHIP	AP 63V 10% 10NF
C5326	CAP.CHIP	AP 63V 10% 10NF
C5331	CAP.ELECTROLYT.	100V 20% 27UF
C5332	CAP.CHIP	AP 63V 10% 10NF
C5336	CAP.ELECTROLYT.	100V 20% 27UF
C5338	CAP.CHIP	AP 63V 10% 10NF
C5351	CAP.CHIP	AP 63V 10% 10NF
C5411	CAP.CHIP	AP 63V 10% 10NF
C5416	CAP.CHIP	AP 63V 10% 10NF

Item	Description		Ordering code
<b>INTEGRATED CIRCUITS</b>			
D1001	INTEGR.CIRCUIT	OQ0230 FINAL Y AMPL	5322 209 12467
D2001	INTEGR.CIRCUIT	OQ0229 FINAL X-Z AMP	5322 209 12459
D3001	INTEGR.CIRCUIT	OQ0229 FINAL X-Z AMP	5322 209 12459
N1001	INTEGR.CIRCUIT	TDA8444AT/N2 PEL	5322 209 30233
N1002	INTEGR.CIRCUIT	LM358M NSC	4822 209 60175
N1003	INTEGR.CIRCUIT	LM324M NSC	5322 209 61473
N1004	I.C. ANALOGUE	OP-77GSR PMI	5322 130 62791
N2002	INTEGR.CIRCUIT	TDA8444AT/N2 PEL	5322 209 30233
N2003	I.C. ANALOGUE	OP-77GSR PMI	5322 130 62791
N5131	INTEGR.CIRCUIT	LM358M NSC	4822 209 60175
<b>COILS</b>			
L1101	COIL	0.082UH 5% TDK	5322 157 63382
L1102	COIL	0.082UH 5% TDK	5322 157 63382
L1103	COIL	0.27UH 5% TDK	5322 157 70204
L1107	COIL	0.027UH 5% TDK	5322 157 70857
L1108	COIL	0.027UH 5% TDK	5322 157 70857
L5231	COIL	1UH 5% TDK	5322 157 63648
L5236	COIL	1UH 5% TDK	5322 157 63648
L5331	COIL	1UH 5% TDK	5322 157 63648
L5336	COIL	1UH 5% TDK	5322 157 63648
<b>RESISTORS</b>			
R1001	RES.METAL FILM	HIP RC-02H 1% 215K	5322 117 10543
R1002	RES.CHIP	HIP RC-02H 1% 100K	4822 051 10104
R1003	RES.METAL FILM	HIP RC-02H 1% 215K	5322 117 10543
R1004	RES.CHIP	HIP RC-02H 1% 100K	4822 051 10104
R1005	RES.CHIP	RMC1/8 1% 28E7	5322 111 92015
R1006	RES.METAL FILM	HIP RC-02H 1% 1K96	5322 117 10539
R1007	RES.CHIP	HIP RC-02H 1% 100K	4822 051 10104
R1008	RES.CHIP	HIP RC-02H 1% 100K	4822 051 10104
R1009	RES.METAL FILM	HIP RC-02H 1% 215K	5322 117 10543
R1010	RES.CHIP	HIP RC-02H 1% 1K	4822 051 10102
R1011	RES.METAL FILM	HIP RC-02H 1% 215K	5322 117 10543
R1012	RES.METAL FILM	HIP RC-02H 1% 215K	5322 117 10543
R1013	RES.METAL FILM	HIP RC-02H 1% 215K	5322 117 10543
R1014	RES.CHIP	HIP RC-02H 1% 261E	4822 051 52611
R1015	RES.CHIP	HIP RC-02H 1% 4K64	4822 051 54642
R1016	RES.CHIP	RMC1/8 1% 31E6	5322 117 11732
R1017	RES.CHIP	HIP RC-02H 1% 1K1	4822 051 51102
R1018	RES.MET.GLAZED	RMC1/8 1% 46E4	5322 116 82896
R1019	RES.MET.GLAZED	RMC1/8 1% 46E4	5322 116 82896
R1020	RES.CHIP	HIP RC-02H 1% 4K64	4822 051 54642
R1021	RES.CHIP	HIP RC-02H 1% 1K1	4822 051 51102
R1022	RES.CHIP	RMC1/8 1% 31E6	5322 117 11732
R1023	RES.CHIP	HIP RC-02H 1% 261E	4822 051 52611
R1024	RES.METAL FILM	HIP RC-02H 1% 121E	5322 117 10519
R1026	RES.METAL FILM	HIP RC-02H 1% 121E	5322 117 10519



Item	Description		Ordering code
R1027	RES.METAL FILM	HIP RC-02H 1% 121E	5322 117 10519
R1028	RES.METAL FILM	HIP RC-02H 1% 121E	5322 117 10519
R1029	RES.METAL FILM	HIP RC-02H 1% 178E	5322 117 10534
R1031	RES.METAL FILM	HIP RC-02H 1% 178E	5322 117 10534
R1032	RES.METAL FILM	HIP RC-02H 1% 2K37	5322 117 10545
R1034	RES.CHIP	HIP RC-02H 1% 100K	4822 051 10104
R1036	RES.METAL FILM	HIP RC-02H 1% 6K81	5322 117 10581
R1037	RES.CHIP	HIP RC-02H 1% 261E	4822 051 52611
R1038	RES.CHIP	HIP RC-02H 1% 261E	4822 051 52611
R1039	RES.METAL FILM	HIP RC-02H 1% 147E	5322 117 10526
R1041	RES.METAL FILM	HIP RC-02H 1% 19K6	5322 117 10541
R1042	RES.METAL FILM	HIP RC-02H 1% 19K6	5322 117 10541
R1043	RES.CHIP	HIP RC-02H 1% 5K11	5322 117 10487
R1044	RES.METAL FILM	HIP RC-02H 1% 162K	5322 117 10533
R1046	RES.METAL FILM	HIP RC-02H 1% 21K5	5322 117 10542
R1047	RES.METAL FILM	HIP RC-02H 1% 21K5	5322 117 10542
R1048	RES.CHIP	HIP RC-02H 1% 11K	4822 051 10113
R1049	RES.METAL FILM	HIP RC-02H 1% 28K7	5322 117 10551
R1051	RES.METAL FILM	HIP RC-02H 1% 23K7	5322 117 10546
R1052	RES.METAL FILM	HIP RC-02H 1% 34K8	5322 117 10558
R1053	RES.CHIP	HIP RC-02H 1% 10K	4822 051 10103
R1059	RES.CHIP	HIP RC-01 5% 1E	4822 051 10108
R1061	RES.CHIP	HIP RC-01 5% 1E	4822 051 10108
R1063	RES.METAL FILM	HIP RC-02H 1% 3K83	5322 117 10561
R1064	RES.CHIP	HIP RC-02H 1% 100E	4822 051 10101
R1066	RES.CHIP	HIP RC-02H 1% 1K	4822 051 10102
R1071	RES.METAL FILM	HIP RC-02H 1% 3K83	5322 117 10561
R1072	RES.CHIP	HIP RC-02H 1% 90E9	5322 117 12557
R1073	RES.CHIP	HIP RC-02H 1% 100E	4822 051 10101
R1074	RES.METAL FILM	HIP RC-02H 1% 681E	5322 117 10579
R1076	RES.METAL FILM	HIP RC-02H 1% 3K83	5322 117 10561
R1077	RES.CHIP	HIP RC-02H 1% 5K11	5322 117 10487
R1078	RES.CHIP	RMC1/8 1% 51E1	5322 111 91893
R1079	RES.CHIP	RMC1/8 1% 51E1	5322 111 91893
R1081	RES.METAL FILM	HIP RC-02H 1% 464E	5322 117 10567
R1082	RES.CHIP	HIP RC-02H 1% 10K	4822 051 10103
R1083	RES.CHIP	HIP RC-02H 1% 10K	4822 051 10103
R1084	RES.METAL FILM	HIP RC-02H 1% 147E	5322 117 10526
R1086	RES.METAL FILM	HIP RC-02H 1% 147E	5322 117 10526
R1101	RES.CHIP	HIP RC-02H 1% 5K11	5322 117 10487
R1102	RES.CHIP	HIP RC-02H 1% 5K11	5322 117 10487
R1103	RES.CHIP	HIP RC-01 5% 3E3	4822 051 10338
R1104	RES.CHIP	HIP RC-01 5% 1E	4822 051 10108
R1105	RES.CHIP	HIP RC-01 5% 1E	4822 051 10108
R1106	RES.METAL FILM	HIP RC-02H 1% 316E	5322 117 10552
R1107	RES.METAL FILM	HIP RC-02H 1% 316E	5322 117 10552
R1108	RES.CHIP	RMC1/8 1% 75E	4822 111 91937
R1109	RES.CHIP	RMC1/8 1% 75E	4822 111 91937
R1111	RES.CHIP	HIP RC-01 5% 14E7	5322 117 12555



Item	Description	Ordering code
R1112	RES.CHIP	HIP RC-01 5% 14E7 5322 117 12555
R1113	RES.METAL FILM	HIP RC-02H 1% 121E 5322 117 10519
R1114	RES.METAL FILM	HIP RC-02H 1% 121E 5322 117 10519
R1116	RES.CHIP	HIP RC-02H 1% 287E 4822 051 52871
R1117	RES.CHIP	HIP RC-02H 1% 287E 4822 051 52871
R1118	RES.CHIP	RMC1/8 1% 10E 4822 111 91885
R1121	RES.CHIP	HIP RC-01 5% 4E7 4822 051 10478
R1122	RES.CHIP	HIP RC-01 5% 4E7 4822 051 10478
R1123	RES.CHIP	HIP RC-01 5% 51E1 5322 117 11737
R1124	RES.CHIP	HIP RC-01 5% 51E1 5322 117 11737
R1126	RES.METAL FILM	HIP RC-02H 1% 1K33 5322 117 10524
R1127	RES.METAL FILM	HIP RC-02H 1% 1K33 5322 117 10524
R1128	RES.METAL FILM	ST MRS25 1% 34E8 4822 050 23489
R1129	RES.METAL FILM	ST MRS25 1% 34E8 4822 050 23489
R1131	RES.METAL FILM	ST MRS25 1% 34E8 4822 050 23489
R1132	RES.METAL FILM	ST MRS25 1% 34E8 4822 050 23489
R1133	RES.METAL FILM	ST MRS25 1% 34E8 4822 050 23489
R1134	RES.METAL FILM	ST MRS25 1% 34E8 4822 050 23489
R1136	RES.METAL FILM	ST MRS25 1% 34E8 4822 050 23489
R1137	RES.METAL FILM	ST MRS25 1% 34E8 4822 050 23489
R1138	RES.CHIP	RMC1/8 1% 10E 4822 111 91885
R1139	RES.CHIP	RMC1/8 1% 10E 4822 111 91885
R1140	RES.METAL FILM	HIP RC-02H 1% 316K 5322 117 10555
R1141	RES.METAL FILM	ST MRS25 1% 1K27 4822 050 21272
R1142	RES.METAL FILM	ST MRS25 1% 1K27 4822 050 21272
R1143	RES.CHIP	HIP RC-01 5% 14E7 5322 117 12555
R1144	RES.CHIP	HIP RC-01 5% 14E7 5322 117 12555
R1145	RES.METAL FILM	HIP RC-02H 1% 316K 5322 117 10555
R1146	RES.METAL FILM	HIP RC-02H 1% 215K 5322 117 10543
R1147	RES.METAL FILM	HIP RC-02H 1% 215K 5322 117 10543
R1148	RES.METAL FILM	HIP RC-02H 1% 619E 5322 117 10576
R1149	RES.METAL FILM	HIP RC-02H 1% 619E 5322 117 10576
R1151	RES.CHIP	HIP RC-02H 1% 215E 5322 117 10484
R1152	RES.CHIP	RMC1/8 1% 28E7 5322 111 92015
R1153	RES.CHIP	RMC1/8 1% 28E7 5322 111 92015
R1154	RES.CHIP	HIP RC-01 5% 4E7 4822 051 10478
R1155	RES.METAL FILM	HIP RC-02H 1% 511E 5322 117 10569
R1156	RES.METAL FILM	HIP RC-02H 1% 1K78 5322 117 10535
R1157	RES.METAL FILM	HIP RC-02H 1% 383E 5322 117 10559
R1158	RES.CHIP	HIP RC-02H 1% 10K 4822 051 10103
R1159	RES.CHIP	HIP RC-02H 1% 10K 4822 051 10103
R1161	RES.CHIP	HIP RC-02H 1% 10K 4822 051 10103
R1162	RES.CHIP	RMC1/8 1% 28E7 5322 111 92015
R1163	RES.CHIP	RMC1/8 1% 28E7 5322 111 92015
R1164	RES.METAL FILM	HIP RC-02H 1% 909E 5322 117 10588
R1166	RES.METAL FILM	HIP RC-02H 1% 3K16 5322 117 10553
R1167	RES.CHIP	HIP RC-02H 1% 10K 4822 051 10103
R1168	RES.CHIP	HIP RC-02H 1% 10K 4822 051 10103
R1169	RES.CHIP	HIP RC-01 5% 1E 4822 051 10108
R1170	RES.METAL FILM	HIP RC-02H 1% 383E 5322 117 10559

Item	Description		Ordering code
R1171	RES.METAL FILM	HIP RC-02H 1% 215K	5322 117 10543
R1172	RES.METAL FILM	HIP RC-02H 1% 215K	5322 117 10543
R1173	RES.METAL FILM	HIP RC-02H 1% 215K	5322 117 10543
R1174	RES.METAL FILM	HIP RC-02H 1% 215K	5322 117 10543
R1176	RES.CHIP	HIP RC-02H 1% 10K	4822 051 10103
R1177	RES.CHIP	HIP RC-02H 1% 10K	4822 051 10103
R1178	RES.METAL FILM	HIP RC-02H 1% 215K	5322 117 10543
R1179	RES.METAL FILM	HIP RC-02H 1% 215K	5322 117 10543
R1181	RES.METAL FILM	HIP RC-02H 1% 215K	5322 117 10543
R1182	RES.METAL FILM	HIP RC-02H 1% 215K	5322 117 10543
R1201	RES.CHIP	RMC1/8 1% 51E1	5322 111 91893
R1202	RES.CHIP	HIP RC-02H 1% 100K	4822 051 10104
R1203	RES.CHIP	HIP RC-02H 1% 100K	4822 051 10104
R1204	RES.CHIP	RMC1/8 1% 51E1	5322 111 91893
R1206	RES.METAL FILM	HIP RC-02H 1% 2K37	5322 117 10545
R1207	RES.METAL FILM	HIP RC-02H 1% 2K37	5322 117 10545
R1208	RES.METAL FILM	HIP RC-02H 1% 3K16	5322 117 10553
R1209	RES.METAL FILM	HIP RC-02H 1% 1K78	5322 117 10535
R1301	RES.CHIP	HIP RC-02H 1% 51K1	4822 051 55113
R1302	RES.CHIP	HIP RC-02H 1% 51K1	4822 051 55113
R1303	RES.METAL FILM	HIP RC-02H 1% 162K	5322 117 10533
R1304	RES.METAL FILM	HIP RC-02H 1% 162K	5322 117 10533
R1306	RES.CHIP	HIP RC-02H 1% 51K1	4822 051 55113
R1307	RES.CHIP	HIP RC-02H 1% 51K1	4822 051 55113
R1308	RES.METAL FILM	HIP RC-02H 1% 28K7	5322 117 10551
R1309	RES.METAL FILM	HIP RC-02H 1% 750E	5322 117 10582
R1311	RES.METAL FILM	HIP RC-02H 1% 21K5	5322 117 10542
R1312	RES.METAL FILM	HIP RC-02H 1% 215K	5322 117 10543
R1313	RES.METAL FILM	HIP RC-02H 1% 7K5	5322 117 10583
R2001	RES.METAL FILM	HIP RC-02H 1% 16K2	5322 117 10532
R2002	RES.METAL FILM	HIP RC-02H 1% 12K1	5322 117 10522
R2003	RES.CHIP	HIP RC-02H 1% 1K	4822 051 10102
R2004	RES.CHIP	RMC1/8 1% 51E1	5322 111 91893
R2006	RES.CHIP	RMC1/8 1% 51E1	5322 111 91893
R2007	RES.METAL FILM	HIP RC-02H 1% 1K47	5322 117 10527
R2008	RES.METAL FILM	HIP RC-02H 1% 1K47	5322 117 10527
R2009	RES.CHIP	HIP RC-02H 1% 1K	4822 051 10102
R2011	RES.METAL FILM	HIP RC-02H 1% 6K81	5322 117 10581
R2012	RES.METAL FILM	HIP RC-02H 1% 215K	5322 117 10543
R2013	RES.METAL FILM	HIP RC-02H 1% 1K96	5322 117 10539
R2014	RES.CHIP	HIP RC-02H 1% 4K64	4822 051 54642
R2015	RES.CHIP	HIP RC-02H 1% 1K	4822 051 10102
R2016	RES.CHIP	HIP RC-02H 1% 10K	4822 051 10103
R2017	RES.METAL FILM	HIP RC-02H 1% 316K	5322 117 10555
R2018	RES.CHIP	HIP RC-02H 1% 46K4	5322 117 10486
R2020	RES.METAL FILM	HIP RC-02H 1% 14K7	5322 117 10528
R2021	RES.CHIP	HIP RC-02H 1% 46K4	5322 117 10486
R2023	RES.METAL FILM	HIP RC-02H 1% 14K7	5322 117 10528
R2024	RES.CHIP	HIP RC-02H 1% 10K	4822 051 10103
R2026	RES.CHIP	HIP RC-02H 1% 4K64	4822 051 54642

Item	Description		Ordering code
R2063	RES.CHIP	HIP RC-02H 1% 100E	4822 051 10101
R2064	RES.CHIP	HIP RC-02H 1% 100E	4822 051 10101
R2065	RES.METAL FILM	HIP RC-02H 1% 2K87	5322 117 10549
R2066	RES.METAL FILM	HIP RC-02H 1% 2K87	5322 117 10549
R2067	RES.CHIP	RMC1/8 1% 10E	4822 111 91885
R2068	RES.CHIP	RMC1/8 1% 10E	4822 111 91885
R2101	RES.CHIP	RMC1/8 1% 51E1	5322 111 91893
R2102	RES.CHIP	RMC1/8 1% 21E5	5322 111 92014
R2103	RES.CHIP	RMC1/8 1% 51E1	5322 111 91893
R2104	RES.METAL FILM	HIP RC-02H 1% 422E	5322 117 10564
R2105	RES.METAL FILM	HIP RC-02H 1% 237E	5322 117 10544
R2107	RES.METAL FILM	HIP RC-02H 1% 237E	5322 117 10544
R2111	RES.CHIP	RMC1/8 1% 21E5	5322 111 92014
R2112	RES.METAL FILM	HIP RC-02H 1% 383E	5322 117 10559
R2113	RES.CHIP	RMC1/8 1% 10E	4822 111 91885
R2131	RES.CHIP	RMC1/8 1% 21E5	5322 111 92014
R2132	RES.CHIP	HIP RC-02H 1% 5K11	5322 117 10487
R2133	RES.METAL FILM	HIP RC-02H 1% 14K7	5322 117 10528
R2134	RES.METAL FILM	HIP RC-02H 1% 14K7	5322 117 10528
R2136	RES.METAL FILM	HIP RC-02H 1% 1K78	5322 117 10535
R2137	RES.METAL FILM	HIP RC-02H 1% 121E	5322 117 10519
R2138	RES.CHIP	HIP RC-01 5% 4E7	4822 051 10478
R2151	RES.CHIP	RMC1/8 1% 10E	4822 111 91885
R2161	RES.CHIP	RMC1/8 1% 75E	4822 111 91937
R2171	RES.METAL FILM	ST MRS25 1% 9K53	4822 050 29532
R2172	RES.METAL FILM	HIP RC-02H 1% 16K2	5322 117 10532
R2176	RES.METAL FILM	HIP RC-02H 1% 215K	5322 117 10543
R2177	RES.METAL FILM	HIP RC-02H 1% 215K	5322 117 10543
R2201	RES.CHIP	RMC1/8 1% 51E1	5322 111 91893
R2202	RES.CHIP	RMC1/8 1% 21E5	5322 111 92014
R2203	RES.CHIP	RMC1/8 1% 51E1	5322 111 91893
R2205	RES.CHIP	RMC1/8 1% 237E	5322 117 10544
R2204	RES.METAL FILM	HIP RC-02H 1% 422E	5322 117 10564
R2207	RES.METAL FILM	HIP RC-02H 1% 237E	5322 117 10544
R2211	RES.CHIP	RMC1/8 1% 21E5	5322 111 92014
R2212	RES.METAL FILM	HIP RC-02H 1% 383E	5322 117 10559
R2214	RES.CHIP	RMC1/8 1% 10E	4822 111 91885
R2231	RES.CHIP	RMC1/8 1% 21E5	5322 111 92014
R2232	RES.CHIP	HIP RC-02H 1% 5K11	5322 117 10487
R2233	RES.METAL FILM	HIP RC-02H 1% 14K7	5322 117 10528
R2234	RES.METAL FILM	HIP RC-02H 1% 14K7	5322 117 10528
R2236	RES.METAL FILM	HIP RC-02H 1% 1K78	5322 117 10535
R2237	RES.METAL FILM	HIP RC-02H 1% 121E	5322 117 10519
R2238	RES.CHIP	HIP RC-01 5% 4E7	4822 051 10478
R2251	RES.CHIP	RMC1/8 1% 10E	4822 111 91885
R2261	RES.CHIP	RMC1/8 1% 75E	4822 111 91937
R2271	RES.METAL FILM	ST MRS25 1% 9K53	4822 050 29532
R2272	RES.METAL FILM	HIP RC-02H 1% 16K2	5322 117 10532
R2276	RES.METAL FILM	HIP RC-02H 1% 215K	5322 117 10543
R2277	RES.METAL FILM	HIP RC-02H 1% 215K	5322 117 10543

Item	Description	Ordering code
R2301	RES.METAL FILM	HIP RC-02H 1% 215K
R2302	RES.METAL FILM	HIP RC-02H 1% 215K
R2303	RES.METAL FILM	HIP RC-02H 1% 61K9
R2304	RES.METAL FILM	HIP RC-02H 1% 61K9
R2306	RES.CHIP	HIP RC-02H 1% 51K1
R2307	RES.CHIP	HIP RC-02H 1% 51K1
R2308	RES.METAL FILM	HIP RC-02H 1% 215K
R2309	RES.METAL FILM	HIP RC-02H 1% 7K5
R2311	RES.METAL FILM	HIP RC-02H 1% 21K5
R2312	RES.METAL FILM	HIP RC-02H 1% 28K7
R2313	RES.METAL FILM	HIP RC-02H 1% 750E
R2401	RES.CHIP	RMC1/8 1% 10E
R2402	RES.CHIP	RMC1/8 1% 10E
R2403	RES.CHIP	RMC1/8 1% 21E5
R2404	RES.CHIP	RMC1/8 1% 21E5
R2406	RES.METAL FILM	HIP RC-02H 1% 7K5
R2411	RES.CHIP	RMC1/8 1% 10E
R2412	RES.CHIP	RMC1/8 1% 10E
R2416	RES.METAL FILM	HIP RC-02H 1% 750E
R2417	RES.METAL FILM	HIP RC-02H 1% 750E
R3001	RES.METAL FILM	HIP RC-02H 1% 19K6
R3002	RES.CHIP	HIP RC-02H 1% 11K
R3003	RES.CHIP	HIP RC-02H 1% 1K
R3004	RES.CHIP	HIP RC-02H 1% 100E
R3006	RES.CHIP	HIP RC-02H 1% 100E
R3007	RES.CHIP	HIP RC-02H 1% 100E
R3008	RES.CHIP	HIP RC-02H 1% 100E
R3009	RES.CHIP	HIP RC-02H 1% 1K
R3011	RES.CHIP	HIP RC-02H 1% 11K
R3012	RES.METAL FILM	HIP RC-02H 1% 19K6
R3013	RES.METAL FILM	HIP RC-02H 1% 5K62
R3014	RES.METAL FILM	HIP RC-02H 1% 21K5
R3015	RES.METAL FILM	HIP RC-02H 1% 28K7
R3018	RES.METAL FILM	HIP RC-02H 1% 19K6
R3021	RES.METAL FILM	HIP RC-02H 1% 19K6
R3024	RES.CHIP	HIP RC-02H 1% 10K
R3026	RES.CHIP	HIP RC-02H 1% 4K64
R3063	RES.CHIP	HIP RC-02H 1% 100E
R3064	RES.CHIP	HIP RC-02H 1% 100E
R3066	RES.METAL FILM	HIP RC-02H 1% 909E
R3067	RES.METAL FILM	HIP RC-02H 1% 909E
R3068	RES.CHIP	RMC1/8 1% 10E
R3069	RES.CHIP	RMC1/8 1% 10E
R3101	RES.CHIP	RMC1/8 1% 51E1
R3102	RES.CHIP	RMC1/8 1% 21E5
R3103	RES.CHIP	RMC1/8 1% 51E1
R3104	RES.METAL FILM	HIP RC-02H 1% 422E
R3107	RES.METAL FILM	HIP RC-02H 1% 237E
R3111	RES.CHIP	RMC1/8 1% 21E5
R3112	RES.METAL FILM	HIP RC-02H 1% 383E



Item	Description		Ordering code
R3113	RES.CHIP	RMC1/8 1% 10E	4822 111 91885
R3131	RES.CHIP	RMC1/8 1% 21E5	5322 111 92014
R3132	RES.CHIP	HIP RC-02H 1% 5K11	5322 117 10487
R3133	RES.METAL FILM	HIP RC-02H 1% 14K7	5322 117 10528
R3134	RES.METAL FILM	HIP RC-02H 1% 14K7	5322 117 10528
R3136	RES.METAL FILM	HIP RC-02H 1% 1K78	5322 117 10535
R3137	RES.METAL FILM	HIP RC-02H 1% 121E	5322 117 10519
R3138	RES.CHIP	HIP RC-01 5% 4E7	4822 051 10478
R3151	RES.CHIP	RMC1/8 1% 10E	4822 111 91885
R3161	RES.CHIP	RMC1/8 1% 75E	4822 111 91937
R3171	RES.METAL FILM	ST MRS25 1% 9K53	4822 050 29532
R3176	RES.CHIP	HIP RC-02H 1% 51K1	4822 051 55113
R3201	RES.CHIP	RMC1/8 1% 51E1	5322 111 91893
R3202	RES.CHIP	RMC1/8 1% 21E5	5322 111 92014
R3203	RES.CHIP	RMC1/8 1% 51E1	5322 111 91893
R3204	RES.METAL FILM	HIP RC-02H 1% 422E	5322 117 10564
R3207	RES.METAL FILM	HIP RC-02H 1% 237E	5322 117 10544
R3211	RES.CHIP	RMC1/8 1% 21E5	5322 111 92014
R3212	RES.METAL FILM	HIP RC-02H 1% 383E	5322 117 10559
R3213	RES.CHIP	RMC1/8 1% 10E	4822 111 91885
R3231	RES.CHIP	RMC1/8 1% 21E5	5322 111 92014
R3232	RES.CHIP	HIP RC-02H 1% 5K11	5322 117 10487
R3233	RES.METAL FILM	HIP RC-02H 1% 14K7	5322 117 10528
R3234	RES.METAL FILM	HIP RC-02H 1% 14K7	5322 117 10528
R3236	RES.METAL FILM	HIP RC-02H 1% 1K78	5322 117 10535
R3237	RES.METAL FILM	HIP RC-02H 1% 121E	5322 117 10519
R3238	RES.CHIP	HIP RC-01 5% 4E7	4822 051 10478
R3251	RES.CHIP	RMC1/8 1% 10E	4822 111 91885
R3261	RES.CHIP	RMC1/8 1% 75E	4822 111 91937
R3271	RES.METAL FILM	ST MRS25 1% 9K53	4822 050 29532
R3276	RES.CHIP	HIP RC-02H 1% 51K1	4822 051 55113
R3281	RES.METAL FILM	HIP RC-02H 1% 2K87	5322 117 10549
R3282	RES.CHIP	HIP RC-02H 1% 5K11	5322 117 10487
R3301	RES.METAL FILM	HIP RC-02H 1% 61K9	5322 117 10578
R3302	RES.CHIP	HIP RC-02H 1% 12K1	4822 051 51213
R3311	RES.METAL FILM	HIP RC-02H 1% 511E	5322 117 10569
R3312	RES.METAL FILM	HIP RC-02H 1% 2K87	5322 117 10549
R3313	RES.METAL FILM	HIP RC-02H 1% 2K87	5322 117 10549
R3314	RES.CHIP	HIP RC-02H 1% 10K	4822 051 10103
R3316	RES.METAL FILM	HIP RC-02H 1% 14K7	5322 117 10528
R3401	RES.CHIP	RMC1/8 1% 10E	4822 111 91885
R3402	RES.CHIP	RMC1/8 1% 10E	4822 111 91885
R3403	RES.CHIP	HIP RC-02H 1% 5K11	5322 117 10487
R3404	RES.CHIP	HIP RC-02H 1% 5K11	5322 117 10487
R3411	RES.CHIP	RMC1/8 1% 10E	4822 111 91885
R3412	RES.CHIP	RMC1/8 1% 10E	4822 111 91885
R3416	RES.METAL FILM	HIP RC-02H 1% 750E	5322 117 10582
R3417	RES.METAL FILM	HIP RC-02H 1% 750E	5322 117 10582
R4001	RES.CHIP	HIP RC-02H 1% 51K1	4822 051 55113
R4002	RES.HI-TENSION	RST VR25 5% 3M3	4822 053 20335



Item	Description		Ordering code
R4003	RES.HI-TENSION	RST VR25 5% 3M3	4822 053 20335
R4004	RES.HI-TENSION	RST VR25 5% 3M3	4822 053 20335
R4006	RES.HI-TENSION	RST VR25 5% 6M8	4822 053 20685
R4007	RES.HI-TENSION	RST VR25 5% 6M8	4822 053 20685
R4008	RES.METAL FILM	HIP RC-02H 1% 31K6	5322 117 10554
R4009	RES.METAL FILM	HIP RC-02H 1% 31K6	5322 117 10554
R4031	RES.CHIP	RMC1/8 1% 10E	4822 111 91885
R4032	RES.METAL FILM	HIP RC-02H 1% 31K6	5322 117 10554
R4033	RES.CHIP	HIP RC-02H 1% 1K	4822 051 10102
R4034	RES.CHIP	RMC1/8 1% 10E	4822 111 91885
R4036	RES.METAL FILM	HIP RC-02H 1% 316E	5322 117 10552
R4037	RES.METAL FILM	HIP RC-02H 1% 31K6	5322 117 10554
R4038	RES.METAL FILM	HIP RC-02H 1% 681E	5322 117 10579
R4039	RES.METAL FILM	HIP RC-02H 1% 16K2	5322 117 10532
R4040	RES.METAL FILM	HIP RC-02H 1% 31K6	5322 117 10554
R4041	RES.CHIP	HIP RC-02H 1% 51K1	4822 051 55113
R4042	RES.CHIP	HIP RC-02H 1% 1K	4822 051 10102
R4043	RES.CHIP	HIP RC-02H 1% 1K	4822 051 10102
R4044	RES.CHIP	HIP RC-02H 1% 1M	4822 051 10105
R4045	RES.METAL FILM	HIP RC-02H 1% 215K	5322 117 10543
R4051	RES.HI-TENSION	RST VR25 5% 3M3	4822 053 20335
R5001	RES.CHIP	HIP RC-01 5% 1E	4822 051 10108
R5002	RES.CHIP	HIP RC-01 5% 1E	4822 051 10108
R5003	RES.CHIP	HIP RC-01 5% 1E	4822 051 10108
R5004	RES.CHIP	HIP RC-01 5% 1E	4822 051 10108
R5007	RES.CHIP	HIP RC-01 5% 1E	4822 051 10108
R5008	RES.CHIP	HIP RC-01 5% 1E	4822 051 10108
R5101	RES.CHIP	HIP RC-01 5% 4E7	4822 051 10478
R5106	RES.CHIP	HIP RC-01 5% 4E7	4822 051 10478
R5111	RES.CHIP	HIP RC-01 5% 3E3	4822 051 10338
R5116	RES.CHIP	HIP RC-01 5% 3E3	4822 051 10338
R5121	RES.CHIP	HIP RC-01 5% 1E	4822 051 10108
R5126	RES.CHIP	HIP RC-01 5% 1E	4822 051 10108
R5131	RES.CHIP	HIP RC-02H 1% 10K	4822 051 10103
R5132	RES.CHIP	HIP RC-02H 1% 10K	4822 051 10103
R5133	RES.CHIP	HIP RC-02H 1% 10K	4822 051 10103
R5134	RES.CHIP	HIP RC-02H 1% 10K	4822 051 10103
R5136	RES.CHIP	HIP RC-02H 1% 10K	4822 051 10103
R5137	RES.METAL FILM	HIP RC-02H 1% 3K83	5322 117 10561
R5138	RES.METAL FILM	HIP RC-02H 1% 3K16	5322 117 10553
R5139	RES.CHIP	RMC1/8 1% 10E	4822 111 91885
R5151	RES.CHIP	RMC1/8 1% 10E	4822 111 91885
R5201	RES.CHIP	HIP RC-01 5% 3E3	4822 051 10338
R5206	RES.CHIP	HIP RC-01 5% 3E3	4822 051 10338
R5211	RES.CHIP	HIP RC-01 5% 3E3	4822 051 10338
R5216	RES.CHIP	HIP RC-01 5% 3E3	4822 051 10338
R5221	RES.CHIP	HIP RC-01 5% 4E7	4822 051 10478
R5226	RES.CHIP	HIP RC-01 5% 4E7	4822 051 10478
R5251	RES.CHIP	RMC1/8 1% 10E	4822 111 91885
R5301	RES.CHIP	HIP RC-01 5% 3E3	4822 051 10338

Item	Description		Ordering code
R5306	RES.CHIP	HIP RC-01 5% 3E3	4822 051 10338
R5311	RES.CHIP	HIP RC-01 5% 3E3	4822 051 10338
R5316	RES.CHIP	HIP RC-01 5% 3E3	4822 051 10338
R5321	RES.CHIP	HIP RC-01 5% 4E7	4822 051 10478
R5326	RES.CHIP	HIP RC-01 5% 4E7	4822 051 10478
R5351	RES.CHIP	RMC1/8 1% 10E	4822 111 91885
R5411	RES.CHIP	RMC1/8 1% 21E5	5322 111 92014
R5416	RES.CHIP	RMC1/8 1% 21E5	5322 111 92014

## SEMICONDUCTORS

V1009	DIODE,CHIP	BBY39 PEL	5322 130 82199
V1011	DIODE,CHIP	BBY39 PEL	5322 130 82199
V1014	TRANSISTOR,CHIP	BC858C PEL	4822 130 42513
V1016	TRANSISTOR,CHIP	BC858C PEL	4822 130 42513
V1018	TRANSISTOR,CHIP	BC858C PEL	4822 130 42513
V1019	TRANSISTOR,CHIP	BC858C PEL	4822 130 42513
V1021	TRANSISTOR,CHIP	BC858C PEL	4822 130 42513
V1022	TRANSISTOR,CHIP	BC858C PEL	4822 130 42513
V1023	TRANSISTOR,CHIP	BC848C PEL	5322 130 42136
V1024	TRANSISTOR,CHIP	BC848C PEL	5322 130 42136
V1101	TRANSISTOR,CHIP	BFR53 PEL	5322 130 61244
V1102	TRANSISTOR,CHIP	BFR53 PEL	5322 130 61244
V1103	TRANSISTOR,CHIP	BFT92 PEL	5322 130 44711
V1104	TRANSISTOR,CHIP	BFT92 PEL	5322 130 44711
V1106	TRANSISTOR	BFG55 PEL	5322 130 62806
V1107	TRANSISTOR	BFG55 PEL	5322 130 62806
V1108	DIODE,REFERENCE	BZX79-C12 PEL	4822 130 34197
V1109	DIODE,REFERENCE	BZX79-C12 PEL	4822 130 34197
V1111	TRANSISTOR,CHIP	BFG35 PEL	5322 130 62805
V1112	TRANSISTOR,CHIP	BFG35 PEL	5322 130 62805
V1113	DIODE	BBY62 PEL	5322 130 82685
V1121	TRANSISTOR,CHIP	BC858C PEL	4822 130 42513
V1122	TRANSISTOR,CHIP	BCP53 PEL	5322 130 62804
V1123	TRANSISTOR,CHIP	BCP56 PEL	5322 130 63033
V1126	TRANSISTOR,CHIP	BC848C PEL	5322 130 42136
V1127	TRANSISTOR,CHIP	BC858C PEL	4822 130 42513
V1128	TRANSISTOR,CHIP	BC848C PEL	5322 130 42136
V1201	TRANSISTOR,CHIP	BC858C PEL	4822 130 42513
V1202	TRANSISTOR,CHIP	BC858C PEL	4822 130 42513
V1203	TRANSISTOR,CHIP	BC858C PEL	4822 130 42513
V1204	TRANSISTOR,CHIP	BC858C PEL	4822 130 42513
V1301	DIODE,REFERENCE	BZX84-C8V2 PEL	5322 130 80255
V2061	TRANSISTOR,CHIP	BC858C PEL	4822 130 42513
V2062	TRANSISTOR,CHIP	BC858C PEL	4822 130 42513
V2101	TRANSISTOR,CHIP	BF824 PEL	4822 130 60383
V2102	DIODE	BZX84-B12 PEL	4822 130 83566
V2103	DIODE	BZX84-B12 PEL	4822 130 83566
V2104	TRANSISTOR,CHIP	BC858C PEL	4822 130 42513
V2105	DIODE	BZX84-B12 PEL	4822 130 83566

Item	Description	Ordering code
V2111	TRANSISTOR,CHIP	BF840 PEL 4822 130 60887
V2113	TRANSISTOR	BFQ232A PEL 4822 130 62751
V2131	DIODE,CHIP	BAV99 PEL 5322 130 34337
V2132	TRANSISTOR,CHIP	BF824 PEL 4822 130 60383
V2133	TRANSISTOR,CHIP	BF840 PEL 4822 130 60887
V2134	TRANSISTOR	BFQ252A PEL 4822 130 62932
V2201	TRANSISTOR,CHIP	BF824 PEL 4822 130 60383
V2202	DIODE	BZX84-B12 PEL 4822 130 83566
V2203	DIODE	BZX84-B12 PEL 4822 130 83566
V2204	TRANSISTOR,CHIP	BC858C PEL 4822 130 42513
V2205	DIODE	BZX84-B12 PEL 4822 130 83566
V2211	TRANSISTOR,CHIP	BF840 PEL 4822 130 60887
V2213	TRANSISTOR	BFQ232A PEL 4822 130 62751
V2231	DIODE,CHIP	BAV99 PEL 5322 130 34337
V2232	TRANSISTOR,CHIP	BF824 PEL 4822 130 60383
V2233	TRANSISTOR,CHIP	BF840 PEL 4822 130 60887
V2234	TRANSISTOR	BFQ252A PEL 4822 130 62932
V2301	DIODE,REFERENCE	BZX84-C8V2 PEL 5322 130 80255
V2403	DIODE	BZX84-B18 PEL 5322 130 83709
V2418	DIODE,REFERENCE	BZX84-C8V2 PEL 5322 130 80255
V3001	DIODE,CHIP	BAV99 PEL 5322 130 34337
V3002	TRANSISTOR,CHIP	BC858C PEL 4822 130 42513
V3061	TRANSISTOR,CHIP	BF824 PEL 4822 130 60383
V3062	TRANSISTOR,CHIP	BF824 PEL 4822 130 60383
V3101	TRANSISTOR,CHIP	BF824 PEL 4822 130 60383
V3102	DIODE	BZX84-B12 PEL 4822 130 83566
V3103	DIODE	BZX84-B12 PEL 4822 130 83566
V3104	TRANSISTOR,CHIP	BC858C PEL 4822 130 42513
V3105	DIODE	BZX84-B12 PEL 4822 130 83566
V3111	TRANSISTOR,CHIP	BF840 PEL 4822 130 60887
V3113	TRANSISTOR	BFQ232A PEL 4822 130 62751
V3131	DIODE,CHIP	BAV99 PEL 5322 130 34337
V3132	TRANSISTOR,CHIP	BF824 PEL 4822 130 60383
V3133	TRANSISTOR,CHIP	BF840 PEL 4822 130 60887
V3134	TRANSISTOR	BFQ252A PEL 4822 130 62932
V3136	DIODE,CHIP	BAS21 PEL 4822 130 33702
V3137	DIODE,CHIP	BAS21 PEL 4822 130 33702
V3201	TRANSISTOR,CHIP	BF824 PEL 4822 130 60383
V3202	DIODE	BZX84-B12 PEL 4822 130 83566
V3203	DIODE	BZX84-B12 PEL 4822 130 83566
V3204	TRANSISTOR,CHIP	BC858C PEL 4822 130 42513
V3205	DIODE	BZX84-B12 PEL 4822 130 83566
V3211	TRANSISTOR,CHIP	BF840 PEL 4822 130 60887
V3212	TRANSISTOR,CHIP	BF820 PEL 5322 130 62802
V3213	TRANSISTOR	BFQ232A PEL 4822 130 62751
V3231	DIODE,CHIP	BAV99 PEL 5322 130 34337
V3232	TRANSISTOR,CHIP	BF824 PEL 4822 130 60383
V3233	TRANSISTOR,CHIP	BF840 PEL 4822 130 60887
V3234	TRANSISTOR	BFQ252A PEL 4822 130 62932
V3236	DIODE,CHIP	BAS21 PEL 4822 130 33702

Item	Description		Ordering code
V3237	DIODE,CHIP	BAS21 PEL	4822 130 33702
V3281	DIODE,CHIP	BAV99 PEL	5322 130 34337
V3282	TRANSISTOR,CHIP	BF821 PEL	4822 130 61923
V3301	TRANSISTOR,CHIP	BF820 PEL	5322 130 62802
V3311	TRANSISTOR,CHIP	BC858C PEL	4822 130 42513
V3312	DIODE,CHIP	BAV99 PEL	5322 130 34337
V3418	DIODE,REFERENCE	BZX84-C8V2 PEL	5322 130 80255
V4001	DIODE,CHIP	BAV99 PEL	5322 130 34337
V4002	TRANSISTOR,CHIP	BF821 PEL	4822 130 61923
V4003	TRANSISTOR,CHIP	BF821 PEL	4822 130 61923
V4004	TRANSISTOR,CHIP	BF821 PEL	4822 130 61923
V4031	TRANSISTOR,CHIP	BF821 PEL	4822 130 61923
V4032	TRANSISTOR,CHIP	BF821 PEL	4822 130 61923
V4033	TRANSISTOR,CHIP	BF820 PEL	5322 130 62802
V4034	TRANSISTOR,CHIP	BF820 PEL	5322 130 62802
V4036	DIODE,REFERENCE	BZX84-B18 PEL	5322 130 83709
V4037	DIODE,CHIP	BAS21 PEL	4822 130 33702
V4038	TRANSISTOR,CHIP	BF820 PEL	5322 130 62802
V4039	TRANSISTOR,CHIP	BF821 PEL	4822 130 61923
V4040	DIODE,CHIP	BAS21 PEL	4822 130 33702
V4041	DIODE,CHIP	BAS21 PEL	4822 130 33702
V4042	DIODE,CHIP	BAS21 PEL	4822 130 33702
V4043	DIODE,CHIP	BAS21 PEL	4822 130 33702
V4044	DIODE,CHIP	BAS21 PEL	4822 130 33702
V5001	DIODE,CHIP	BAS21 PEL	4822 130 33702
V5002	DIODE,CHIP	BAS21 PEL	4822 130 33702

### CONNECTORS

X2101	CONNECTOR	4-P HAAKS OMSL	5322 265 30907
X2301	CONNECTOR	12-P 1.25MM STR	4822 267 50668
X2401	CONNECTOR	12-P 1.25MM STR	4822 267 50668
X2402	CONNECTOR	3-P SNG RT.ANG	5322 265 30433
X2403	SOCKET	55595 CRT SOCKET	5322 255 40502
X2501	CONNECTOR	50-P DBL STRGHT	5322 265 61242



## 5.2.7 Description of A2-100 MHz version.

### 5.2.7.1 Final Y amplifier.

#### Diagram 1.

The output signal from the delay line is applied to the input pins 6 and 9 of amplifier IC D1001. This IC and surrounding components comprise the MF and HF square wave compensations. Also the vertical CRT text signal is applied to D1001 (pin 15 and 16). The switching between text/cursors and signal is done via control signals that are applied to pin 17 and 18 of D1001. Text is written if the voltage at pin 18 is higher than at pin 17. This switching signal is derived from the collector of the transistors V1201 and V1202. The control signals XYSW1 and XYSW0 come from the text/cursor generator IC on microprocessor unit A3. Via the transistors V1203 and V1204 similar switching signals XSW1 and XSW0 are routed to the X-deflection section for switching between text and signal.

The output signals from pin 21 and 22 of D1001 are routed via the common base circuits V1026 / V1027 to the final Y-amplifier. The final amplifier is located on the small printed circuit board at the CRT socket. It drives the vertical deflection plates of the CRT. This final stage is indicated on diagram 2.

The delay line leads are terminated into  $75\Omega$ . The impedance is composed by  $300\Omega$  inside D1001 paralleled by external impedances of  $60\Omega$  formed by the external resistors R1024/R1026 and R1027/R1028. All termination resistors are applied to a voltage controlled by D1001/pin 13. Pin 13 determines the common mode voltage level of the D1001 inputs. The HF square wave compensation is achieved by the two dual varicap diodes V1009 and V1011 together with associated resistors. Varicap V1009 is controlled by the output signal at pin 20 of octal DAC N1001. This output voltage can be in the range 0 to 10 V and controls varicap V1009 via operational amplifier N1002/1,2,3. This operational amplifier converts the N1001 output voltage (that is related to 0 V) into a voltage related to the voltage at D1001/pin 13.

Varicap V1011 is controlled by the output signal at pin 18 of octal DAC N1001. This output voltage can be in the range 0 to 10 V and controls varicap V1011 via operational amplifier N1002/5,6,7. This operational amplifier converts the N1001 output voltage (that is related to 0 V) into a voltage related to the voltage at D1001/pin 13.

LF square wave compensation is also done inside D1001. This is controlled via currents applied to pin 27 and 28. These currents are derived from the N1001 DAC voltage outputs 13 and 11 via the transistors V1014 and V1016. The actual compensating components are situated outside D1001 and are R1037/C1011/R1038 and R1029/C1009/R1031. V1023 and V1024 form a 20 mA current source to supply the bias current for the final stage inside D1001. V1024 is switched as a diode and gives temperature compensation.

Offset is adjusted via the currents from the collectors of V1021 and V1022. These currents are controlled by the DAC output pins 17 (coarse) and 16 (fine). Two parallel DAC outputs are used to obtain sufficient resolution. V1018 is a current source and V1019 is for temperature compensation. Gain control occurs via an adjustable current applied to D1001/pin 26. This is done via N1001/pin 14 and R1051

DAC output N1001/15 applies via operational amplifier N1003/1,2,3 the signal YFSHF to the final stage on diagram 2. YFSHF is an adjustable dc voltage that is applied to varicap diodes V4113 that control the HF square wave response of the output stage.

The circuit with operational amplifier N1004/2,3,6 is used for automatic calibration of the vertical deflection. It measures the voltage at the vertical deflection plates of the CRT. This value is applied as signal YCAL to the microprocessor on unit A3.



**Diagram 2.**

This diagram shows the Y-output amplifier. The amplifier is located at the small printed circuit board at the CRT socket. The input signal is a current and is applied to V4101 and V4102. The output signal is voltage and is applied to the vertical deflection plates of the CRT. Total sensitivity at the plates is 4V/div. One plate is driven by output stage V4111/V4108. V4111 and V4114 form a current source. The current source is an amplifier for higher frequencies because of coupling capacitor C4118. The driver transistors are V4103 and V4106. The input signal is YPREOUT1.

The other plate is driven by output stage V4109/V4112. V4112 is a current source. The current source is an amplifier for higher frequencies because of coupling capacitor C4119. The driver transistors are V4104 and V4107. The input signal is YPREOUT0.

The output signals ACALFB0 and ACALFB1 are routed to a circuit for automatic calibration of the vertical amplifiers. This circuit is present on the larger part of unit A2 and indicated on diagram 1.

**5.2.7.2 Final X and Z amplifiers.****Diagram 3.**

This diagram shows the final X amplifier. It drives the horizontal plates of the CRT. Total plate sensitivity equals 8.5 V/div. The input circuit is formed by IC D2001. The octal DAC N2002 supplies the analog control signals that are used throughout the circuit.

Input pin 5 and 6 of D2001 receive the time base sawtooth or the X- deflection signal signal. Input pin 9 and 10 receive the horizontal text/cursor signal. The selection between text/cursors and sawtooth/X- deflection signal is done via the signals XSW0 and XSW1 that are applied to pin 7 and 8 of D2001. These signals are derived from XYSW0 and XYSW1 that come from the text generator IC on microprocessor unit A3. Text is displayed with XSW0 at 0 mA and XSW1 at 1 mA. Trace is displayed with XSW0 at 1 mA and XSW1 at 0 mA.

Gain control is possible via pin 1 of D2001. This is used for trace gain control via signal XTRAGC. Gain control to compensate for CRT tolerances is achieved via pin 14 of D2001. This is controlled via the DAC output signals XCRTGCL (fine) and XCRTGCH (coarse). Offset control to compensate for CRT tolerances is achieved via pin 15 of D2001. This is controlled via the DAC output signals XCRTOFH (coarse) and XCRTOFL (fine). Adjustment of the HF response (and linearity) is achieved via signal XHFADJ via pin 17 and 26 of D2001.

The final X-amplifier consists of two identical halves that receive input signals that are in opposite phase. These signals originate from the D2001 outputs pin 24/25 (XDRIL0/XDRIL1) and pin 18/19 (XDRIR0/XDRIR1). The two X-amplifier sections drive respectively the left and right deflection plate of the CRT.

The final X amplifier half that drives the left deflection plate is explained now. Its function is identical to that of the other amplifier half. The balanced input signals XDRIL1 and XDRIL0 are applied to input stage V2101. V2134 is a current source. XDRIL0 is not used and connected to +6.8 V. In the collector circuit of V2101 are the zener diodes V2102/V2103 that function as level shifters. The emitter followers V2132 and V2111 supply the output stage V2134/V2113 with signal. V2113 functions as an amplifier stage and V2134 mainly as a current source. V2134 receives signal via C2131 and C2134 and functions as amplifier stage in the fastest sweep speeds. Via R2133/R2134 however some dc drive is also applied to V2134.

The circuit with operational amplifier N2003 is used to measure the output voltage that is applied to the X-deflection plates of the CRT. This measurement is done via high-ohmic resistors R2301 and R2302. The analog output voltage XCAL of N2003 is applied to an ADC incorporated in the microprocessor on unit A3. This enables the microprocessor to exactly measure the horizontal output voltage. This is used for automatic calibration of the horizontal deflection.

#### Diagram 4.

This diagram shows the final intensity (Z) and focusing amplifiers. These amplifiers drive the intensity electrode G1 and the focusing electrode G3 of the CRT. The input circuit is formed by IC D3001.

Input pin 5 and 6 of D3001 receive the Z-pulses ZLTRA0 and ZLTRA1 that determine the intensity during signal display. Input pin 9 and 10 receive the Z-pulse ZTXT0 and ZTXT1 that determine the intensity during text/cursor display. The selection between signal intensity and text intensity is done via the signals ZSW0 and ZSW1 that are applied to pin 7 and 8 of D3001. These signals originate from the text generator IC on microprocessor unit A3. Text is displayed with ZSW0 at 0 mA and ZSW1 at 1 mA. Trace is displayed with ZSW0 at 1 mA and ZSW1 at 0 mA.

The final Z-amplifier and the focusing amplifier are identical halves that receive input signals that are in opposite phase. These signals originate from the D3001 outputs pin 24/25 (ZDRIF1/ZDRIF0) and pin 18/19 (ZDRIF0/ZDRIF1).

Via V3002 part of the ripple on the negative CRT cathode voltage (ZRIIPPLE) is applied to pin 15 of D3001. This compensates for unwanted intensity modulation due to this ripple.

The diodes V3236, V3136, V3237 and V3137 protect D3001 against possible high voltage surges.

V3301 supplies the intensity determining signal INTEN-DA. This signal adjusts the "dark level" of the CRT. V3301 is controlled by DAC N2002 output signal DARK. V3311 supplies signal ASTIG that determines the astigmatism of the CRT. V3311 is controlled by DAC N2002 output signal ASTDR.

The upper amplifier half that is used for the dynamic focus control is explained now. Its function is identical to that of the lower amplifier half that is used for intensity (Z) control. The balanced input signals ZDRIF1 and ZDRIF0 are applied to input stage V3101. ZDRIF0 is not used and connected to +6.8 V. In the collector circuit of V3101 are the zener diodes V3102/V3103 that function as level shifters. The emitter followers V3132 and V3111 supply the output stage V3134/V3113 with signal. V3113 functions as an amplifier stage and V3134 mainly as a current source. V3134 receives signal via C3131 and C3134. It mainly functions as amplifier stage for fast input signals. Via R3133/R3134 however some dc drive is also applied to V3134.

#### Diagram 5.

In this diagram the circuit is shown that forms an interface between the signals that determine the intensity/focusing and the CRT electrodes G1/G3 that control intensity/focusing. These electrodes, the cathode and filament (heater) of the CRT are at a high negative voltage. This voltage is separated from the other oscilloscope circuits via the 3kV capacitors C4004, C4061, C4036 and C4037.

The intensity is influenced by the output signal INTEN-AA of the Z- amplifier and the signal INTEN-DA. INTEN-AA is determined via the front-panel TRACE INTENSITY, TEXT INTENSITY, MTB on, DTB on and chopper blanking control signals. The HF component in the INTEN-AA signal is applied to G1 of the CRT via C4037. The DC and LF components are applied to the base of V4034. The INTEN-DA signal is applied to the base of V4032 and forms the clamp level (dark level) of the DC and LF part of INTEN-AA derived from V4034. These two transistors form the inputs of a 150kHz modulator that basically consists of V4031 and V4033. The LF and DC components that are modulated on the 150 kHz carrier signal can pass via buffer stage V4038/V4039 and then via high voltage blocking capacitor C4036.

Behind capacitor C4036 demodulation takes place via the diodes V4043 and V4044. This results in the original INTEN-AA signal that is superpositioned on the INTEN-DA voltage that corrects the cut-off voltage of the CRT applied to G1 and via R4051 also to G3. Across R4044 a small negative voltage (compared with the cathode) is developed for G1. This voltage is not big enough to make the CRT screen dark. This means that the signals to darken the screen and to control intensity are applied via C4036 and C4037.

The HF component from the focusing amplifier output signal FOCUS-AA is applied to G3 via C4004 and voltage divider R4008/R4009/C4002/C4003. This assures optimal tracking between focus and intensity. The signal FOCUS-DA is determined via the FOCUS control at the instruments front panel.

The signal FOCUS-DA is then mixed with the LF component of FOCUS-AA before its level is adapted to the nominal G3 voltage via transistors V4002/V4003/V4004.

**Diagram 6.**

This diagram shows the RC-branches and regulators N5131 that give the supply voltages for the various circuits. Also the connectors X2501 and X2301 are indicated here. X2301 is the connector where the flat cable leaves for the small unit that incorporates the CRT-socket X2403. The flat cable arrives at the small CRT-socket unit at X2411.

JTN

### 5.2.8 Signal name list A2-100 MHz version

*Note: In the signal name list you find the itemnumber of the component that is source or destination. Behind this itemnumber (separated by ":") you find the number of the diagram where the source/destination can be found*

NAME	MEANING	SOURCE	DESTINATION
ACALF B0	AUTOCALL FUNCTION SIGNAL	R4164:02	X2411:02
ACALF B1	AUTOCALL FUNCTION SIGNAL	X2301:01	R1307:01
ASTDR	DRIVER SIGNAL FOR ASTIGMATISM	R4163:02	X2411:02
ASTIG	ASTIGMATISM CONTROL	X2301:01	R1306:01
		N2002:03	R3313:04
		V3311:04	X2301:06
		X2411:06	X2403:05
DARK	DRIVER SIGNAL FOR DC PART INTENS	N2002:03	V3301:04
FOCUS-AA	AC PART FOCUSING SIGNAL	R3161:04	X2301:06
FOCUS-DA	DC PSRT FOCUSING SIGNAL	X2411:05	R4008:05
		X2501:06	X2301:06
		X2411:05	R4001:05
G1	INTENSITY GRID 1 OF CRT	C4037:05	X2403:05
			R4044:05
G3	FOCUSING GRID 3 OF CRT	C4004:05	X2403:05
			R4051:05
HEATER1	FILAMENT SUPPLY F1 OF CRT	X2402:05	X2403:05
HEATER2	FILAMENT SUPPLY F2 OF CRT	X2402:05	X2403:05
INTEN-AA	AC PART OF INTENSITY SIGNAL	R3261:04	X2301:06
INTEN-DA	DC PART OF INTENSITY SIGNAL	X2411:05	C4037:05
		V3301:04	X2301:06
		X2411:05	V4032:05
SCL	SERIAL CLOCK	X2501:06	J1002:06
SDA	SERIAL DATA		J2002:06
		X2501:06	J1002:06
			J2001:06
XCAL	AUTOCAL SIGNAL X DEFLECTION	R2313:03	X2501:06
XCRTGCH	CRT X-GAIN CONTROL HIGH	N2002:03	R2011:03
XCRTGCL	CRT X-GAIN CONTROL LOW	N2002:03	R2012:03
XCRTOFH	CRT OFFSET CONTROL HIGH	N2002:03	R2016:03
XCRTOFL	CRT OFFSET CONTROL LOW	N2002:03	R2017:03
XDRIL0	DRIVE SIGNAL 0 LEFT X AMPLIFIER	D2001:03	R2101:03
XDRIL1	DRIVE SIGNAL 1 LEFT X AMPLIFIER	D2001:03	R2103:03
XDRIR0	DRIVE SIGNAL 0 RIGHT X AMPLIFIER	D2001:03	R2203:03
XDRIR1	DRIVE SIGNAL 1 RIGHT X AMPLIFIER	D2001:03	R2201:03
XHFADJ	HF ADJUSTMENT X AMPLIFIER	N2002:03	R2021:03
XLTXT0	X SHIFT TEXT 0	V2062:03	R2007:03
XLTXT1	X SHIFT TEST 1	V2062:03	R2008:03
XOUTO	X OUTPUT 0	V2134:03	R2171:03
		V2113:03	R2302:03

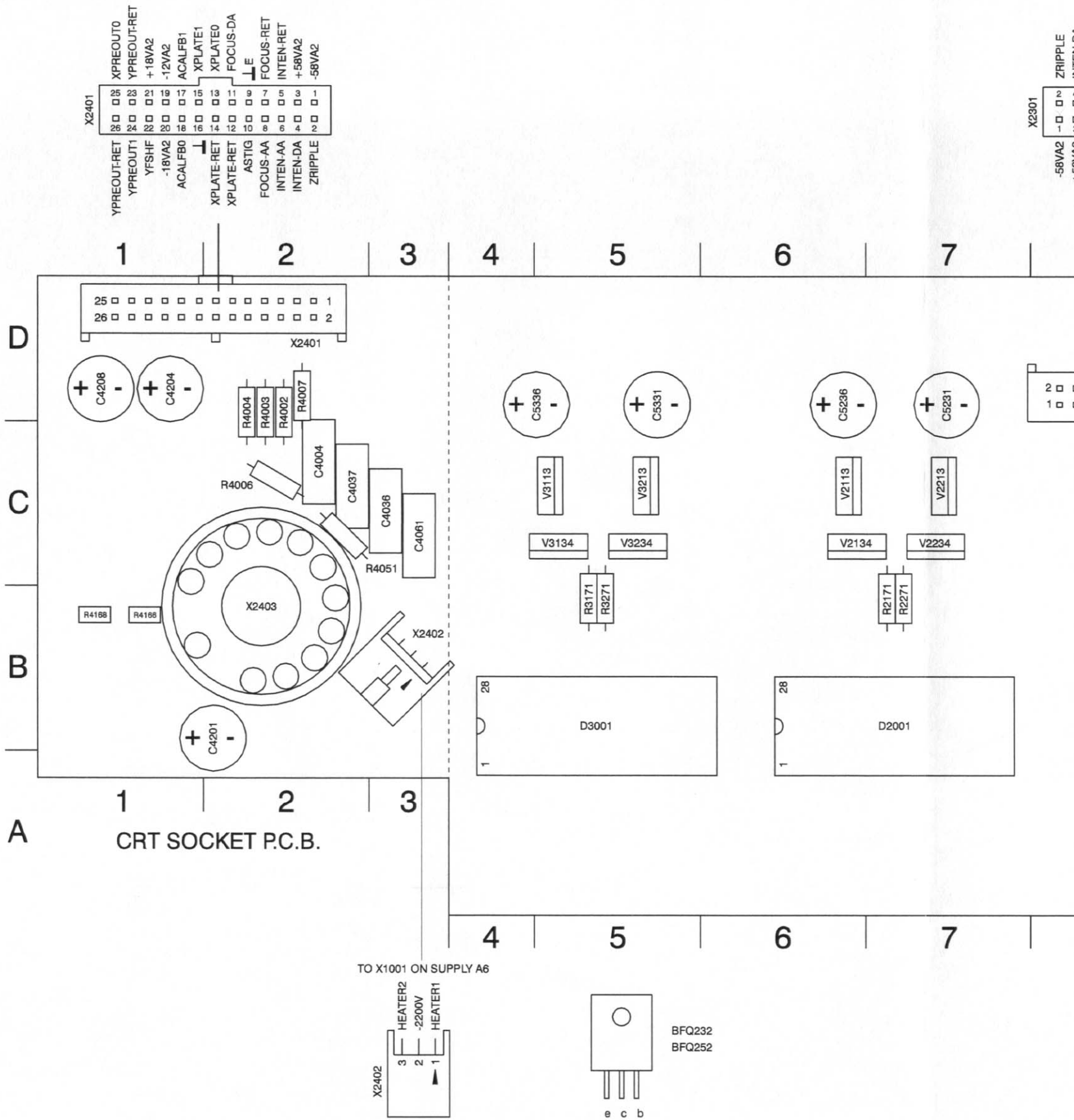


NAME	MEANING	SOURCE	DESTINATION
XOUT1	X OUTPUT 1	V2234:03	R2271:03
XPLATE0	X OUTPUT 0 TO CRT LEFT PLATE	V2213:03	R2301:03
XPLATE1	X OUTPUT 1 TO CRT RIGHT PLATE	R2161:03	X2411:02
XPLATEC0	X OUTPUT 0 TO CRT LEFT PLATE	R2261:03	X2411:02
XPLATEC1	X OUTPUT 1 TO CRT RIGHT PLATE	R4261:02	X2403:02
XSCL	SERIAL CLOCK X SECTION	R4262:02	X2403:02
XSDA	SERIAL DATA X SECTION	J2002:06	N2002:03
XSW0	X SWITCH SIGNAL 0 TRACE/TEXT	J2001:06	N2002:03
XSW1	X SWITCH SIGNAL 1 TRACE/TEXT	V1204:01	D2001:03
XTRA0	X TRACE 0 SIGNAL	V1203:01	D2001:03
XTRA1	X TRACE 1 SIGNAL	X2501:06	R2006:03
XTRAGC	X TRACE SIGNAL GAIN CONTROL	X2501:06	R2006:03
XTXT0	X TEXT 0 SIGNAL	N2002:03	R2002:03
XTXT1	X TEXT 1 SIGNAL	X2501:06	R2063:03
XYSW0	X/Y SWITCH SIGNAL 0 TRACE/TEXT	X2501:06	R2064:03
XYSW1	X/Y SWITCH SIGNAL 1 TRACE/TEXT	X2501:06	R1204:01
YCAL	AUTOCAL SIGNAL Y DEFLECTION	X2501:06	R1201:01
YFSHF	HF SQ WAVE RESPONSE FINAL Y	R1309:01	X2501:06
		R1091:01	X2301:06
		X2411:02	R4181:02
			R4182:02
YFSHF1	HF SQ WAVE RESPONSE FINAL Y 1	R4181:02	V4113:02
YFSHF2	HF SQ WAVE RESPONSE FINAL Y 2	R4182:02	V4114:02
YPREOUT0	Y PREAMPLIFIER OUT 0	V1027:01	X2301:06
		X2411:02	R4112:02
YPREOUT1	Y PREAMPLIFIER OUT 1	V1026:01	X2301:06
		X2411:02	R4111:02
YSCL	SERIAL CLOCK Y SECTION	J1002:06	N1001:01
YSDA	SERIAL DATA Y SECTION	J1001:06	N1001:01
YSW0	Y SWITCH SIGNAL 0 TRACE/TEXT	V1202:01	D1001:01
YSW1	Y SWITCH SIGNAL 1 TRACE/TEXT	V1201:01	D1001:01
YTRA0	Y TRACE 0 OUT FROM DELAY LINE	X2101:01	D1001:01
YTRA1	Y TRACE 1 OUT FROM DELAY LINE	X2101:01	D1001:01
YTXT0	Y TEXT 0 SIGNAL	X2501:06	D1001:01
YTXT1	Y TEXT 1 SIGNAL	X2501:06	D1001:01
ZDRIF0	DRIVER SIGNAL 0 FOCUS AMPLIFIER	D3001:04	R3101:04
ZDRIF1	DRIVER SIGNAL 1 FOCUS AMPLIFIER	D3001:04	R3103:04
ZDRII0	DRIVER SIGNAL 0 INTENS AMPLIFIER	D3001:04	R3203:04
ZDRII1	DRIVER SIGNAL 1 INTENS AMPLIFIER	D3001:04	R3201:04
ZLTRA0	Z LEVEL TRACE INTENSITY 0	V3062:04	R3004:04
ZLTRA1	Z LEVEL TRACE INTENSITY 1	V3061:04	R3006:04
ZOUTF	FEEDBACK SIGNAL FOCUS AMPLIFIER	V3113:04	R3171:04
ZOUTI	FEEDBACK SIGNAL INTENSITY AMPLIFIER	V3213:04	R3271:04
ZRIPPLE	RIPPLE ON NEGATIVE HIGH VOLTAGE	C4061:05	X2411:05
		X2301:06	R3014:04
ZRSUP	Z RIPPLE SUPPRESS	V3002:04	D3001:04
ZSW0	Z SWITCH SIGNAL 0 TEXT/TRACE	X2501:06	D3001:04
ZSW1	Z SWITCH SIGNAL 1 TEXT/TRACE	X2501:06	D3001:04
ZTRA0	Z TRACE INTENSITY 0	X2501:06	R3063:04
ZTRA1	Z TRACE INTENSITY 1	X2501:06	R3064:04
ZTXT0	Z TEXT 0 SIGNAL	X2501:06	R3007:04
ZTXT1	Z TEXT 1 SIGNAL	X2501:06	R3008:04

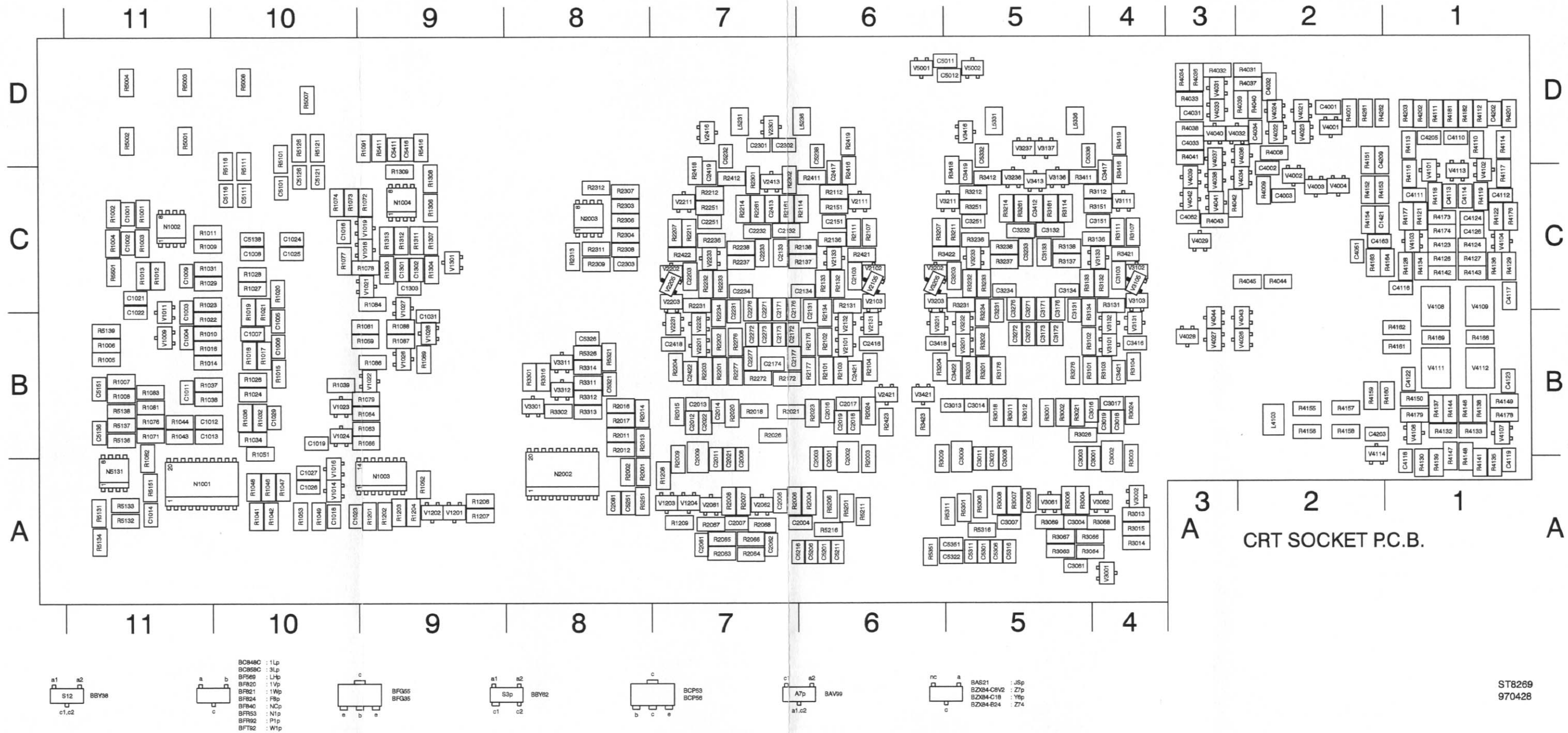




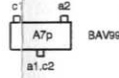
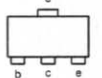
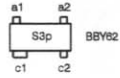
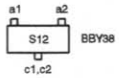
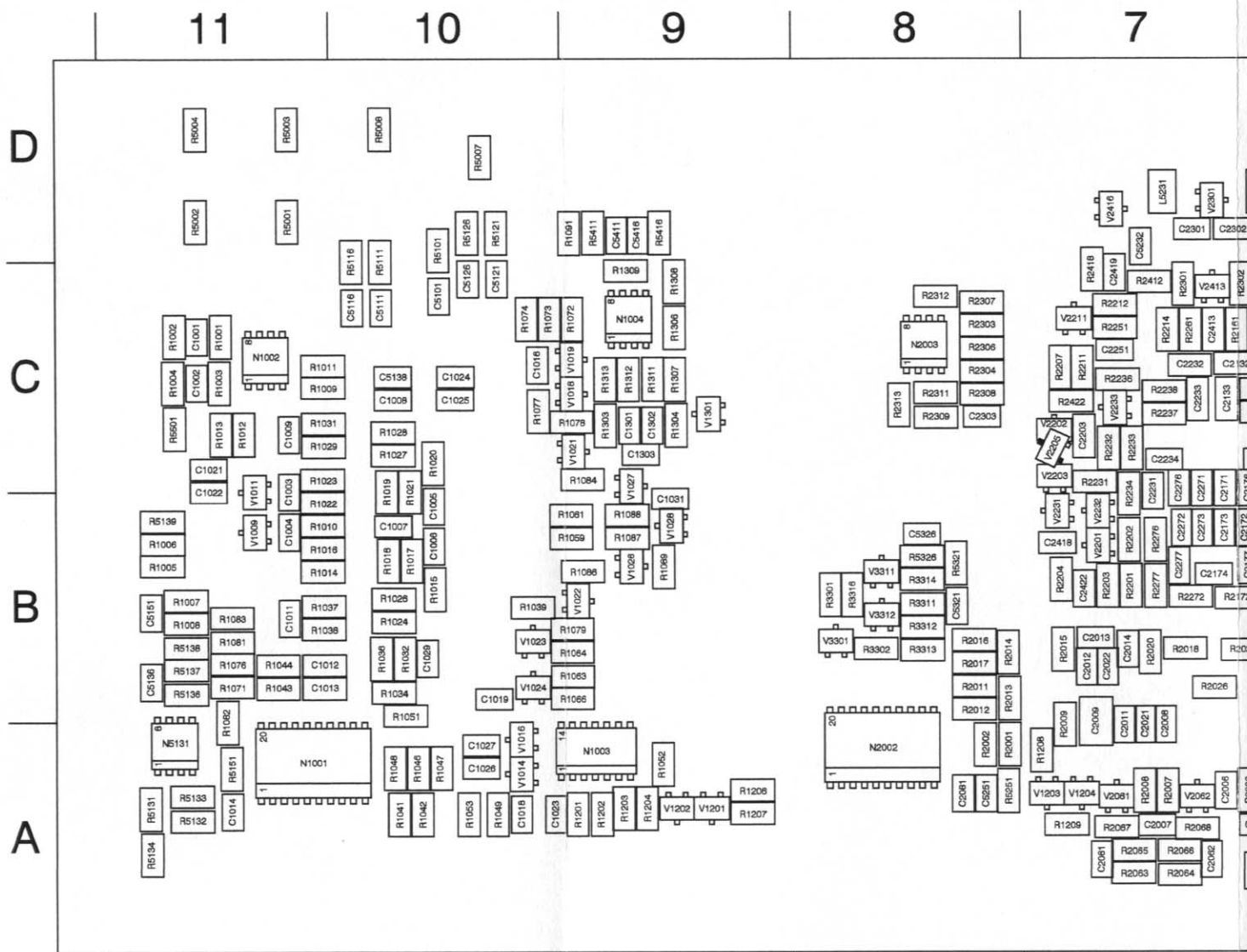
5.2.9 Unit lay-outs A2-100 MHz version







Lay-out 2 - Small component side of XYZ amplifier unit A2-100MHz



- BC846C : 1Lp
- BC856C : 3Lp
- BF569 : LHp
- BF820 : 1Wp
- BF821 : 1Wp
- BF824 : Fp
- BF840 : NCP
- BF753 : N1p
- BF792 : P1p
- BF792 : W1p





### 5.2.10 Location List A2-100 MHz version

'-L' means that the component is located on the side with the large components. Otherwise the component is located on the side with small components.

C1001 C11	C2131 B6	C3131 C5	C4124 C1
C1002 C11	C2132 C7	C3132 C5	C4163 D1
C1003 C11	C2133 C7	C3133 C5	C4201 B1-L
C1004 B11	C2134 C7	C3134 C5	C4202 B1
C1005 B10	C2151 C6	C3151 C5	C4203 B1
C1006 B10	C2171 C7	C3171 C5	C4204 D1-L
C1007 B10	C2172 B7	C3172 B5	C4206 C1
C1008 C10	C2173 B7	C3173 B5	C4207 C1
C1009 C11	C2174 B7	C3176 C5	C4208 D1-L
C1011 B11	C2176 C7	C3203 C6	C4209 C1
C1012 B11	C2177 B7	C3231 B5	C5001 D11-L
C1013 B11	C2203 C7	C3232 C5	C5002 D11-L
C1014 A11	C2231 B7	C3233 C5	C5003 D11-L
C1016 C10	C2232 C7	C3234 C5	C5004 D11-L
C1018 A10	C2233 C7	C3251 C5	C5007 D10-L
C1019 B10	C2234 C7	C3271 C5	C5008 D10-L
C1021 C11	C2251 C7	C3272 B5	C5011 D6
C1022 C11	C2271 C7	C3273 B5	C5012 D6
C1023 A10	C2272 B7	C3276 C5	C5101 C10
C1024 C10	C2273 B7	C3412 C5	C5111 C10
C1025 C10	C2276 C7	C3416 B4	C5116 C10
C1026 A10	C2277 B7	C3417 C4	C5121 C10
C1027 A10	C2301 D7	C3418 B6	C5126 C10
C1029 B10	C2302 D7	C3419 C5	C5136 B11
C1031 C9	C2303 C8	C3421 B4	C5138 C10
C1301 C9	C2413 C7	C3422 B6	C5151 B11
C1302 C9	C2416 B6	C4001 D2	C5201 A6
C1303 C9	C2417 C6	C4002 D2	C5206 A6
C2001 A6	C2418 B7	C4003 D2	C5211 A6
C2002 A6	C2419 C7	C4004 C2-L	C5216 A7
C2003 A6	C2421 B6	C4031 D3	C5231 D7-L
C2004 A7	C2422 B7	C4032 C3	C5232 D7
C2006 A7	C3001 A5	C4033 D3	C5236 D6-L
C2007 A7	C3002 A4	C4034 D2	C5238 D6
C2008 A7	C3003 A5	C4036 C3-L	C5251 A8
C2009 A7	C3004 A5	C4037 C2-L	C5301 A5
C2011 A7	C3006 A5	C4051 C2	C5306 A5
C2012 B7	C3007 A5	C4061 C3-L	C5311 A5
C2013 B7	C3008 A5	C4062 D2	C5316 A5
C2014 B7	C3009 A5	C4111 C1	C5321 B8
C2016 B6	C3011 A5	C4112 C1	C5322 A6
C2017 B6	C3013 B6	C4113 C1	C5326 B8
C2018 B6	C3014 B5	C4114 C1	C5331 C5-L
C2019 B6	C3016 B5	C4116 C1	C5332 D5
C2021 A7	C3017 B4	C4117 C1	C5336 C5-L
C2022 B7	C3018 B4	C4118 B1	C5338 D5
C2061 A7	C3019 B4	C4119 B1	C5351 A6
C2062 A7	C3021 A5	C4121 C1	C5411 D9
C2081 A8	C3061 A5	C4122 B1	C5416 D9
C2103 C6	C3103 C4	C4123 B1	D1001 B10-L

D2001 B7-L	R1052 A9	R2018 B7	R2303 C8
D3001 B5-L	R1053 A10	R2020 B7	R2304 C8
L4101 B2	R1059 B10	R2021 B7	R2306 C8
L4102 B2	R1061 B10	R2023 B6	R2307 C8
L4103 B2	R1063 B10	R2024 B6	R2308 C8
N1001 A11	R1064 B10	R2026 B7	R2309 C8
N1002 C11	R1066 B10	R2063 A7	R2311 C8
N1003 A9	R1071 B11	R2064 A7	R2312 C8
N1004 C9	R1072 C10	R2065 A7	R2313 C8
N2002 A8	R1073 C10	R2066 A7	R2411 C7
N2003 C8	R1074 C10	R2067 A7	R2412 C7
N5131 A11	R1076 B11	R2068 A7	R2416 C6
R1001 C11	R1077 C10	R2101 B6	R2418 C7
R1002 C11	R1078 C10	R2102 B6	R2419 D6
R1003 C11	R1079 B10	R2103 B6	R2421 C6
R1004 C11	R1081 B11	R2104 B6	R2422 C7
R1005 B11	R1082 A11	R2107 C6	R2423 B6
R1006 B11	R1083 B11	R2111 C6	R3001 B5
R1007 B11	R1084 C10	R2112 C6	R3002 B5
R1008 B11	R1086 B10	R2114 C7	R3003 A4
R1009 C11	R1087 B9	R2131 C6	R3004 A5
R1010 B11	R1088 B9	R2132 C6	R3006 A5
R1011 C11	R1089 B9	R2133 C6	R3007 A5
R1012 C11	R1091 D10	R2134 B6	R3008 A5
R1013 C11	R1201 A10	R2136 C6	R3009 A6
R1014 B11	R1202 A9	R2137 C7	R3011 B5
R1015 B10	R1203 A9	R2138 C7	R3012 B5
R1016 B11	R1204 A9	R2151 C6	R3013 A4
R1017 B10	R1206 A9	R2161 C7	R3014 A4
R1018 B10	R1207 A9	R2171 B7-L	R3015 A4
R1019 C10	R1208 A7	R2172 B7	R3018 B5
R1020 C10	R1209 A7	R2176 B6	R3021 B5
R1021 C10	R1303 C9	R2177 B6	R3024 B4
R1022 C11	R1304 C9	R2201 B7	R3026 B5
R1023 C11	R1306 C9	R2202 B7	R3063 A5
R1024 B10	R1307 C9	R2203 B7	R3064 A5
R1026 B10	R1308 C9	R2204 B7	R3066 A5
R1027 C10	R1309 D9	R2207 C7	R3067 A5
R1028 C10	R1311 C9	R2211 C7	R3068 A5
R1029 C11	R1312 C9	R2212 C7	R3069 A5
R1031 C11	R1313 C9	R2214 C7	R3101 B5
R1032 B10	R2001 A8	R2231 C7	R3102 B5
R1034 B10	R2002 A8	R2232 C7	R3103 B4
R1036 B10	R2003 A6	R2233 C7	R3104 B4
R1037 B11	R2004 A6	R2234 B7	R3107 C4
R1038 B11	R2006 A7	R2236 C7	R3111 C4
R1039 B10	R2007 A7	R2237 C7	R3112 C5
R1041 A10	R2008 A7	R2238 C7	R3114 C5
R1042 A10	R2009 A7	R2251 C7	R3131 C4
R1043 B11	R2011 B8	R2261 C7	R3132 C4
R1044 B11	R2012 B8	R2271 B7-L	R3133 C5
R1046 A10	R2013 B8	R2272 B7	R3134 B5
R1047 A10	R2014 B8	R2276 B7	R3136 C5
R1048 A10	R2015 B7	R2277 B7	R3137 C5
R1049 A10	R2016 B8	R2301 C7	R3138 C5
R1051 B10	R2017 B8	R2302 C7	R3151 C5

R3161 C5	R4043 C3	R4182 D1	V1026 B9
R3171 B5-L	R4044 C2	R4201 D1	V1027 C9
R3176 B5	R4045 B3	R4202 D2	V1028 A9
R3201 B5	R4051 C3-L	R4203 D1	V1201 B9
R3202 B5	R4104 C2	R4261 D2	V1202 A9
R3203 B5	R4111 D1	R4262 D2	V1203 A7
R3204 B6	R4112 D1	R5001 D11	V1204 A7
R3207 C6	R4113 D1	R5002 D11	V1301 C9
R3211 C6	R4114 D1	R5003 D11	V2061 A7
R3212 C5	R4116 D1	R5004 D11	V2062 A7
R3214 C5	R4117 D1	R5007 D10	V2101 B6
R3231 C6	R4118 C1	R5008 D10	V2102 C6
R3232 C5	R4119 C1	R5101 D10	V2103 C6
R3233 C5	R4121 C1	R5111 D10	V2111 C6
R3234 B5	R4122 C1	R5116 D10	V2113 C7-L
R3236 C5	R4123 C1	R5121 D10	V2131 B6
R3237 C5	R4124 C1	R5126 D10	V2132 B6
R3238 C5	R4126 C1	R5131 A11	V2133 C6
R3251 C5	R4127 C1	R5132 A11	V2134 C7-L
R3261 C5	R4128 C1	R5133 A11	V2201 B7
R3271 B5-L	R4129 C1	R5134 A11	V2202 C7
R3276 B5	R4131 B1	R5136 B11	V2203 C7
R3301 B8	R4132 B1	R5137 B11	V2211 C7
R3302 B8	R4133 B1	R5138 B11	V2213 C7-L
R3311 B8	R4134 C1	R5139 B11	V2231 B7
R3312 B8	R4136 C1	R5151 A11	V2232 B7
R3313 B8	R4137 B1	R5201 A6	V2233 C7
R3314 B8	R4138 B1	R5202 A6	V2234 C7-L
R3316 B8	R4139 B1	R5206 A6	V2301 D7
R3411 C5	R4141 B1	R5211 A6	V2413 C7
R3412 C5	R4142 C1	R5216 A6	V2416 D7
R3416 C4	R4143 C1	R5231 D7	V2421 B6
R3418 C6	R4144 B1	R5236 D7	V3001 A4
R3419 D4	R4146 B1	R5251 A8	V3002 A4
R3421 C4	R4147 B1	R5301 A5	V3061 A5
R3422 C6	R4148 B1	R5306 A5	V3062 A5
R3423 B6	R4149 B1	R5311 A6	V3101 B4
R4001 D2	R4151 B1	R5316 A5	V3102 C4
R4002 D2-L	R4152 C2	R5321 B8	V3103 C4
R4003 D2-L	R4153 C2	R5326 B8	V3111 C4
R4004 D2-L	R4154 C1	R5331 D5	V3113 C5-L
R4006 C2-L	R4155 B2	R5336 D5	V3131 C4
R4007 D2-L	R4156 B2	R5351 A6	V3132 B4
R4008 D2	R4157 B2	R5411 D9	V3133 C4
R4009 D2	R4158 B2	R5416 D9	V3134 C5-L
R4031 D3	R4159 B2	R5501 C11	V3136 C5
R4032 D3	R4160 B2	V1009 B11	V3137 D5
R4033 D3	R4161 B1	V1011 C11	V3201 B5
R4034 D3	R4162 C1	V1014 A10	V3202 C6
R4036 D3	R4163 C2	V1016 A10	V3203 C6
R4037 D3	R4164 C2	V1018 C10	V3211 C6
R4038 D3	R4166 B1-L	V1019 C10	V3213 C5-L
R4039 D3	R4167 B1	V1021 C10	V3231 B6
R4040 D2	R4168 B1-L	V1022 B10	V3232 B5
R4041 D3	R4169 B1	V1023 B10	V3233 C5
R4042 C2	R4181 D1	V1024 B10	V3234 C5-L

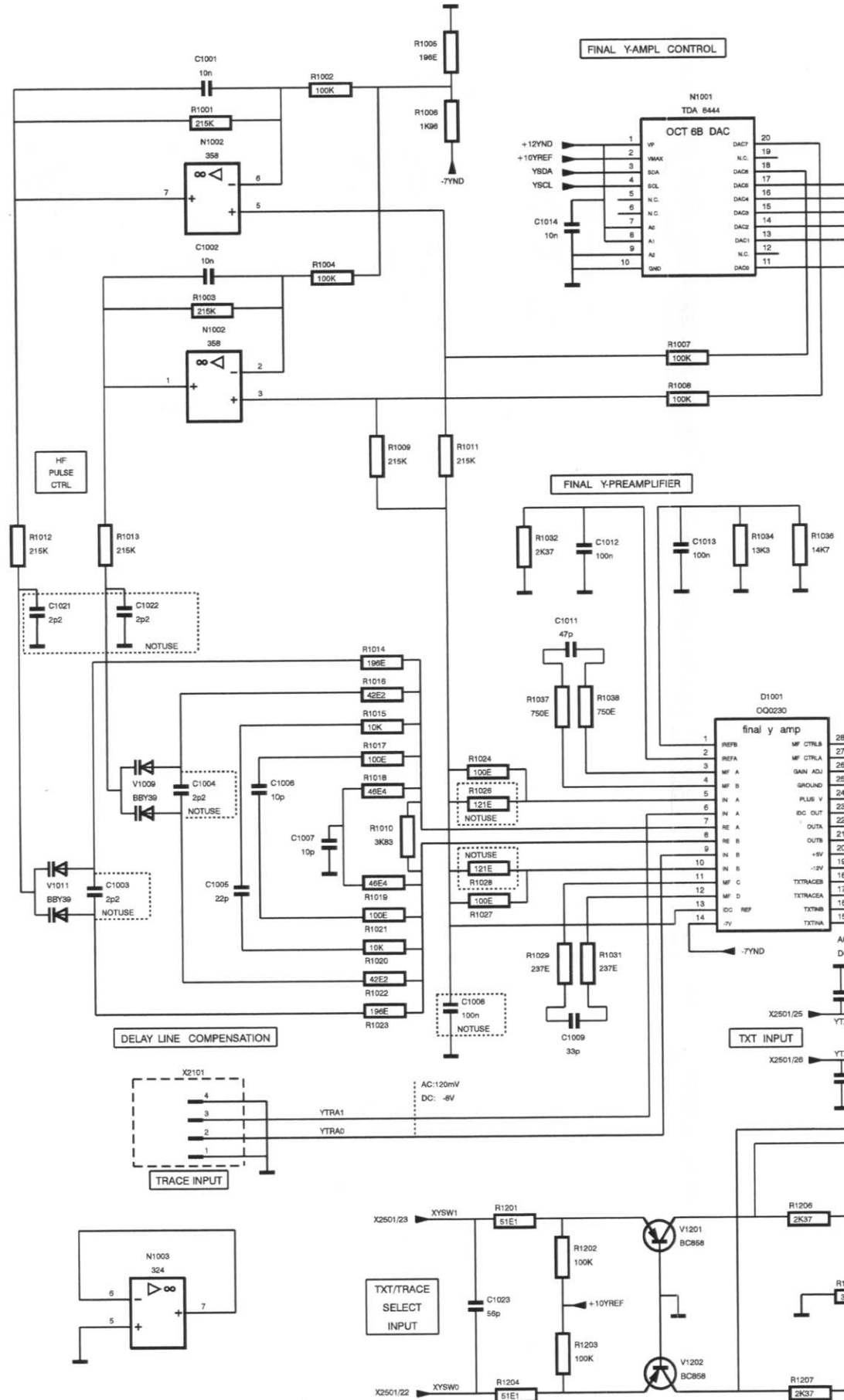
V3236 C5	V4031 D3	V4044 B3	V4113 D1
V3237 D5	V4032 D2	V4084 C3	V4114 B2
V3301 B8	V4033 D3	V4101 D1	V5001 D6
V3311 B8	V4034 C3	V4102 D1	V5002 D5
V3312 B8	V4036 D3	V4103 C1	X2101 B11-L
V3413 C5	V4037 D3	V4104 C1	X2301 D9-L
V3416 D5	V4038 C3	V4106 C1	X2401 D2-L
V3421 B6	V4039 C3	V4107 C1	X2402 B3-L
V4001 D2	V4040 D3	V4108 C1	X2403 B2-L
V4002 D2	V4041 C3	V4109 C1	X2501 A8-L
V4003 D2	V4042 C3	V4111 B1	
V4004 D2	V4043 C3	V4112 B1	

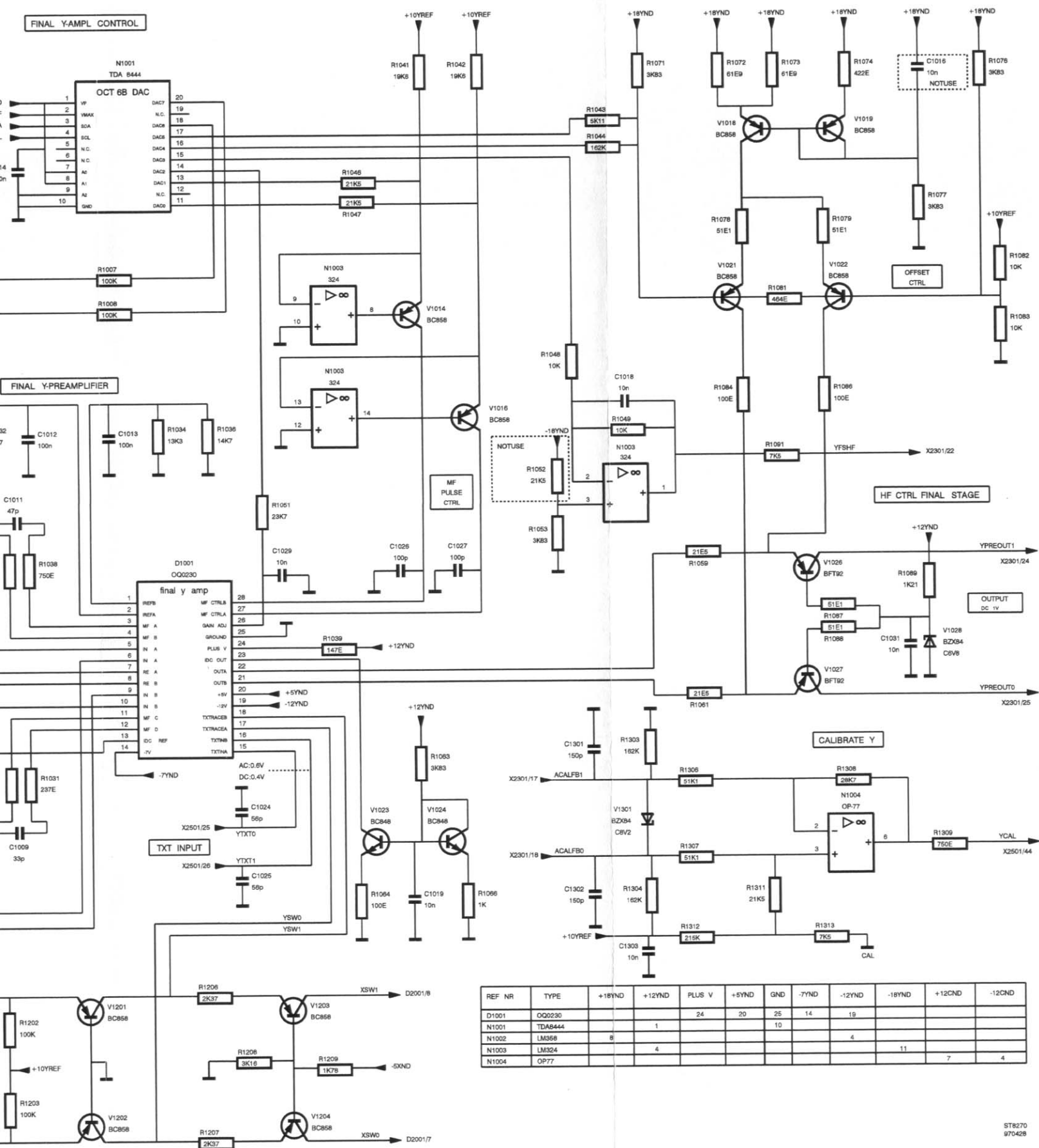
JTN





5.2.11 Circuit diagrams A2-100 MHz version

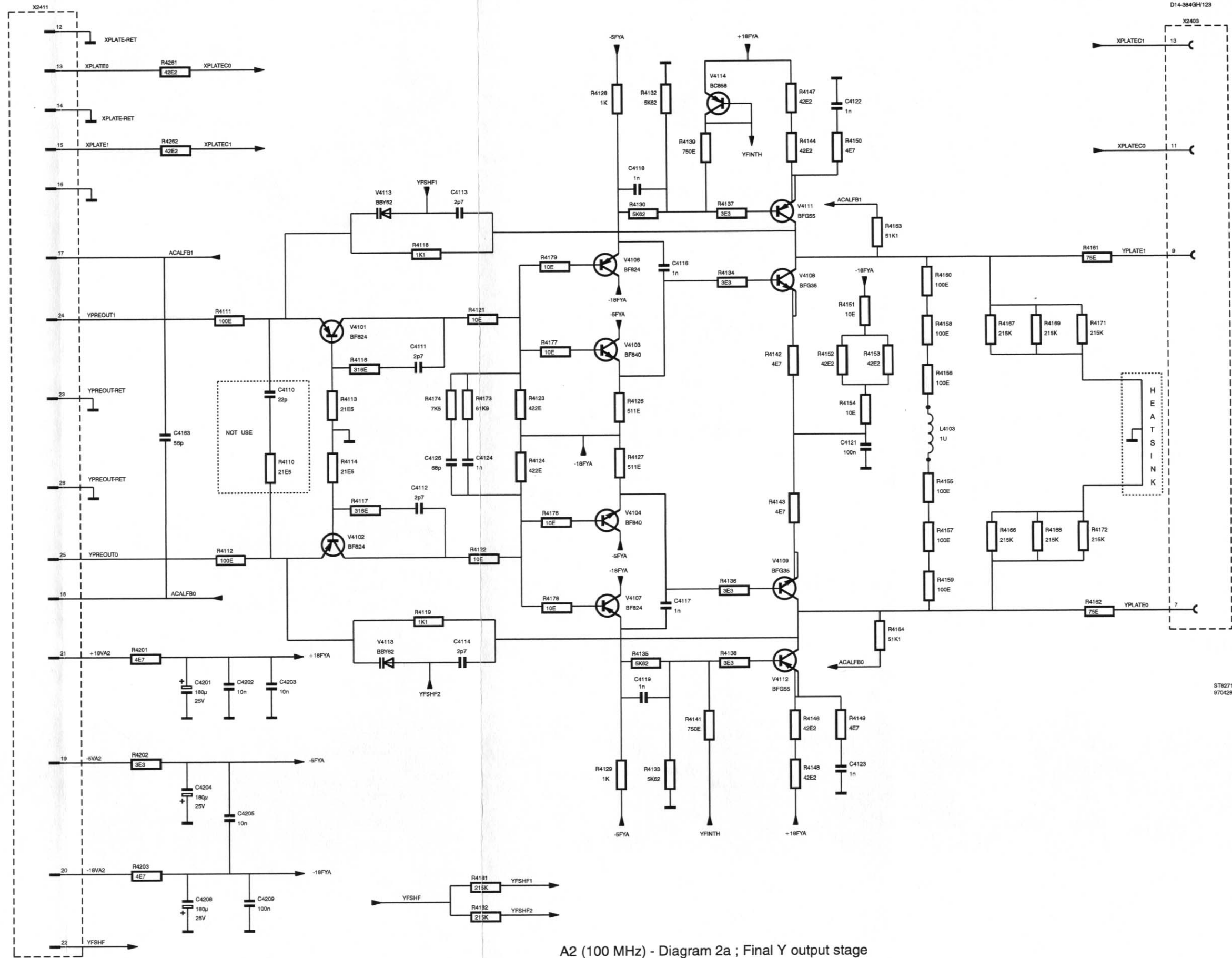




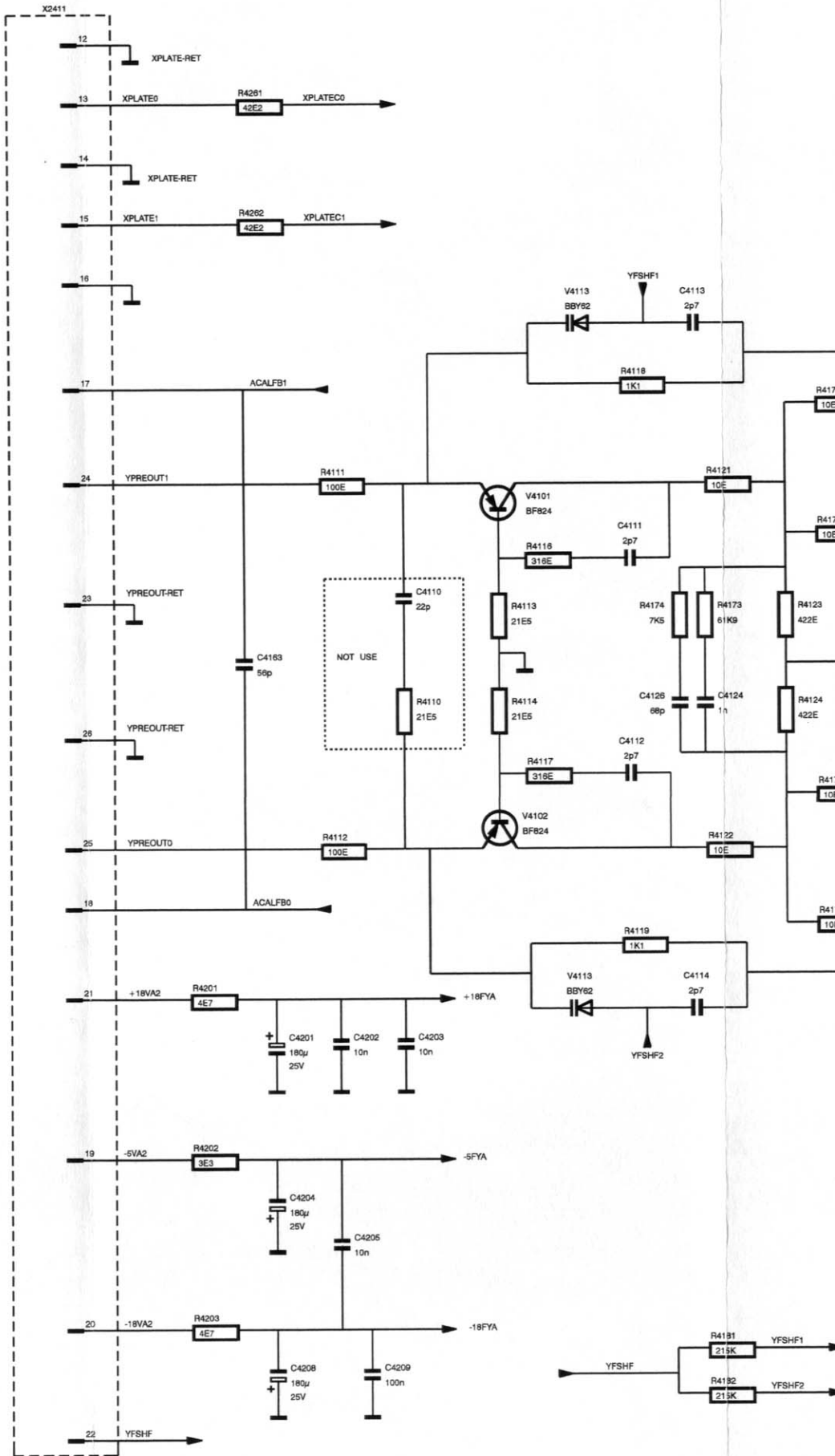
REF NR	TYPE	+18YND	+12YND	PLUS V	+5YND	GND	-7YND	-12YND	-18YND	+12CND	-12CND
D1001	OQ0230			24	20	25	14	19			
N1001	TDA8444		1			10					
N1002	LM368	8						4			
N1003	LM324		4						11		
N1004	OP77									7	4

ST8270  
970428

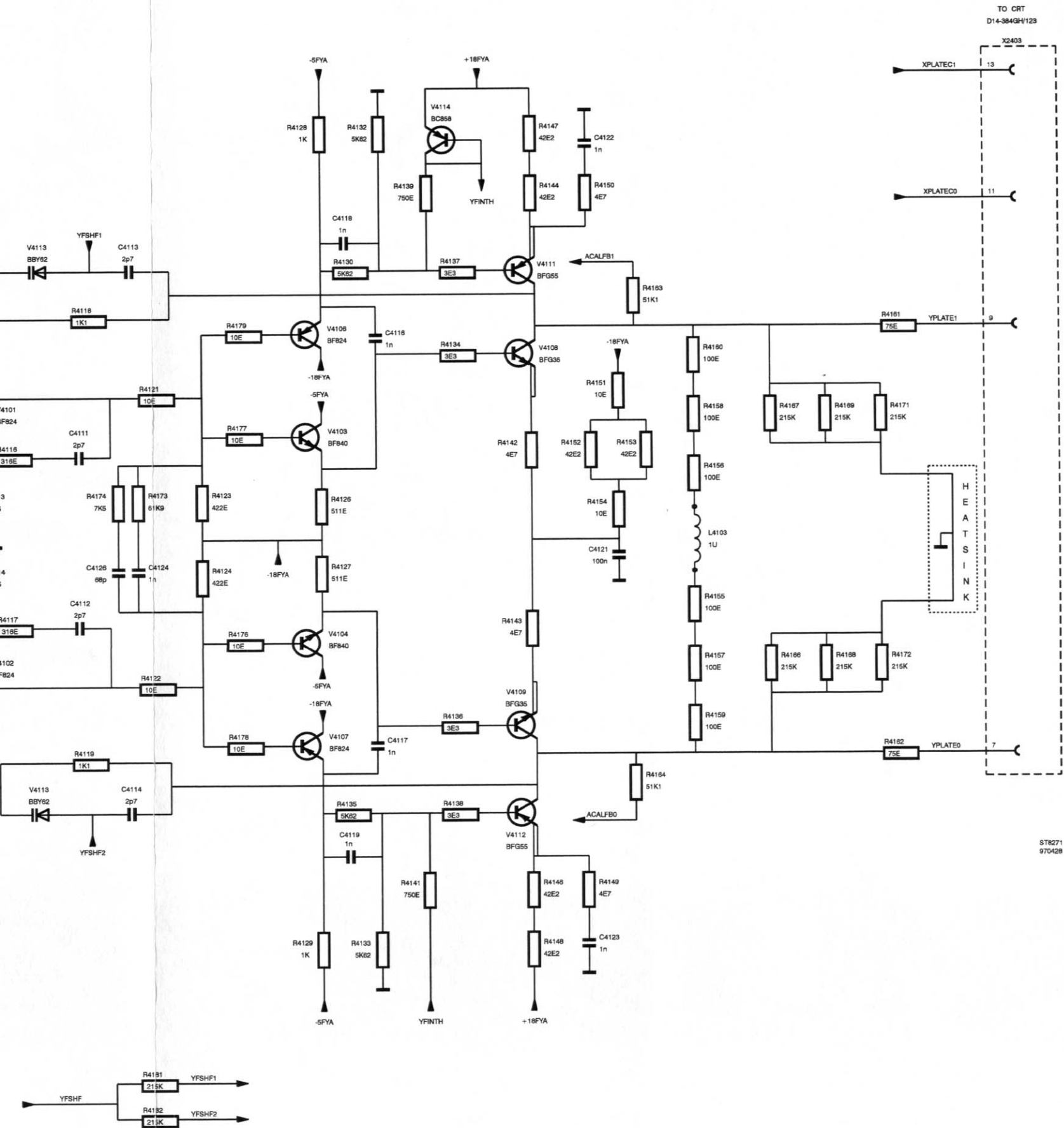
A2 (100 MHz) - Diagram 1a ; Final Y preamplifier and control



ST6271  
970428



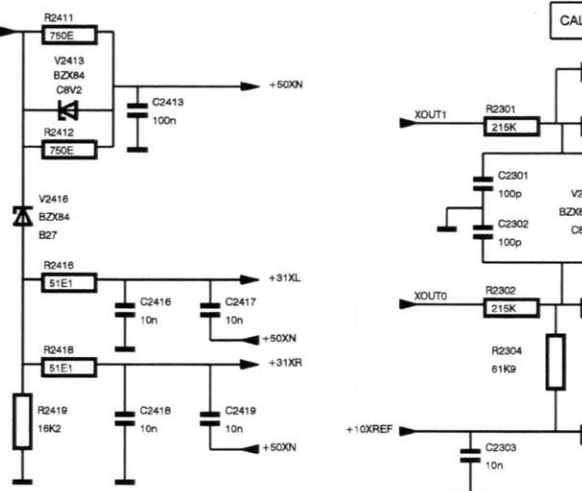
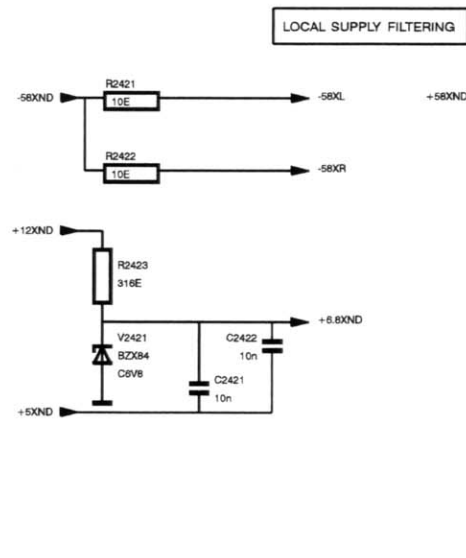
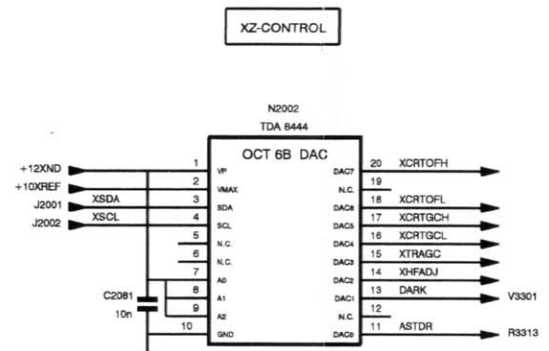
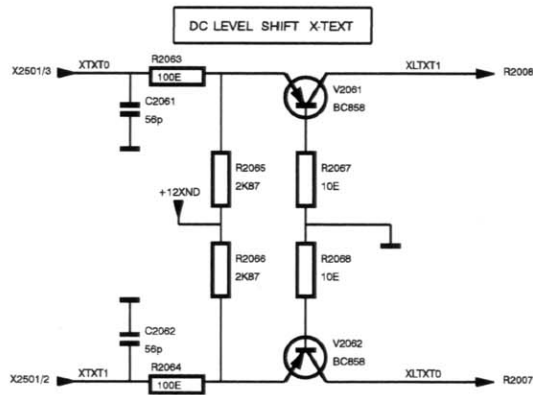
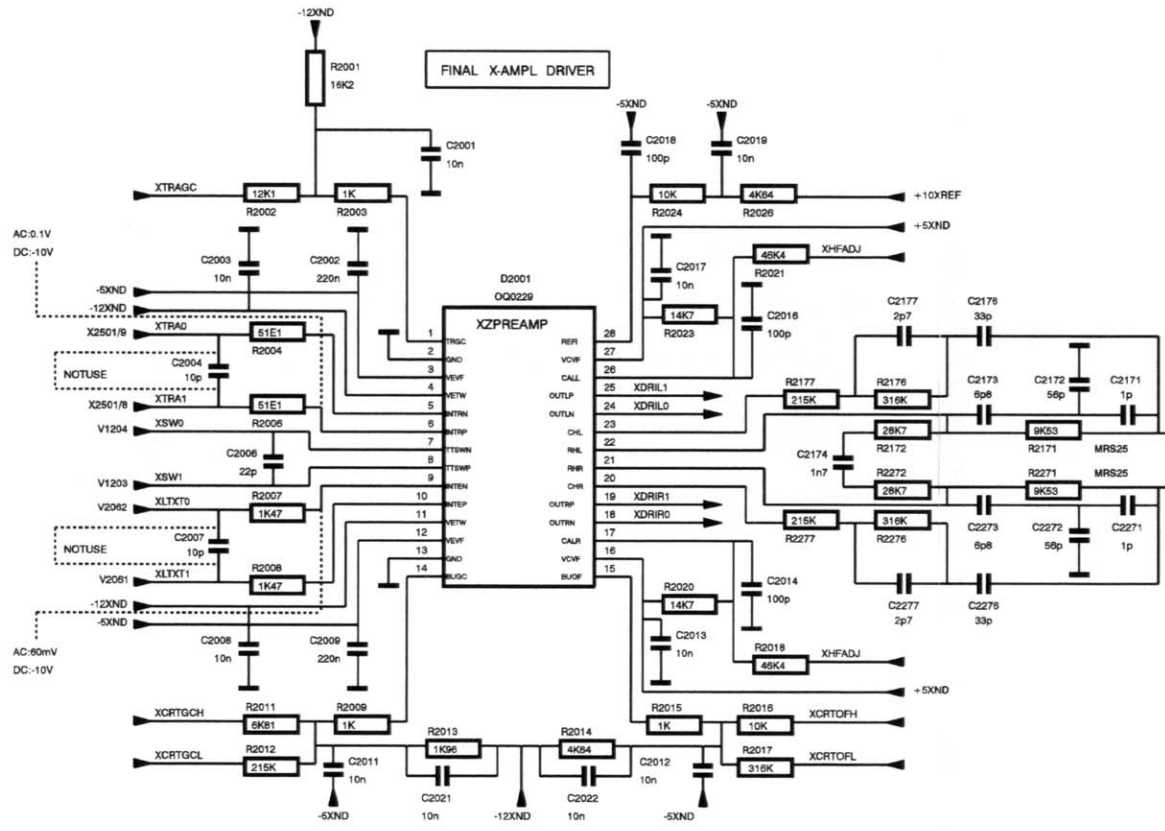


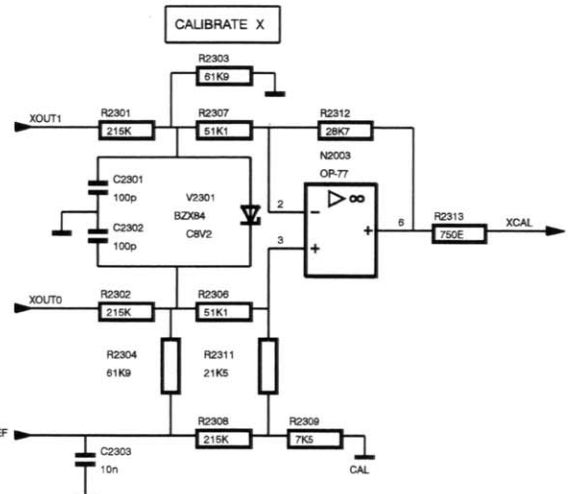
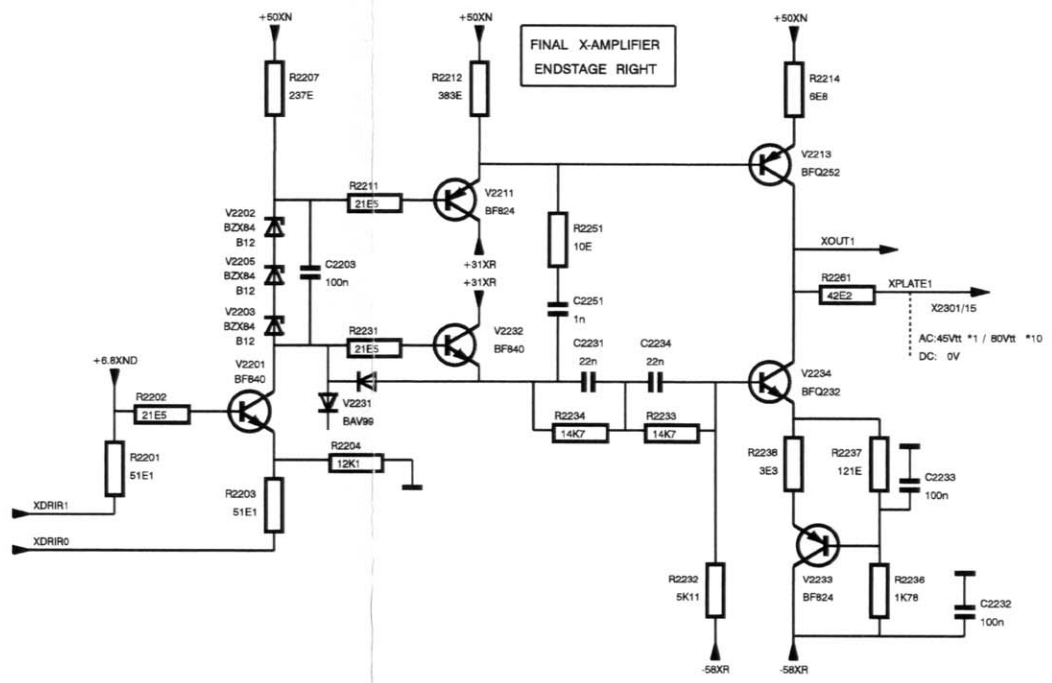
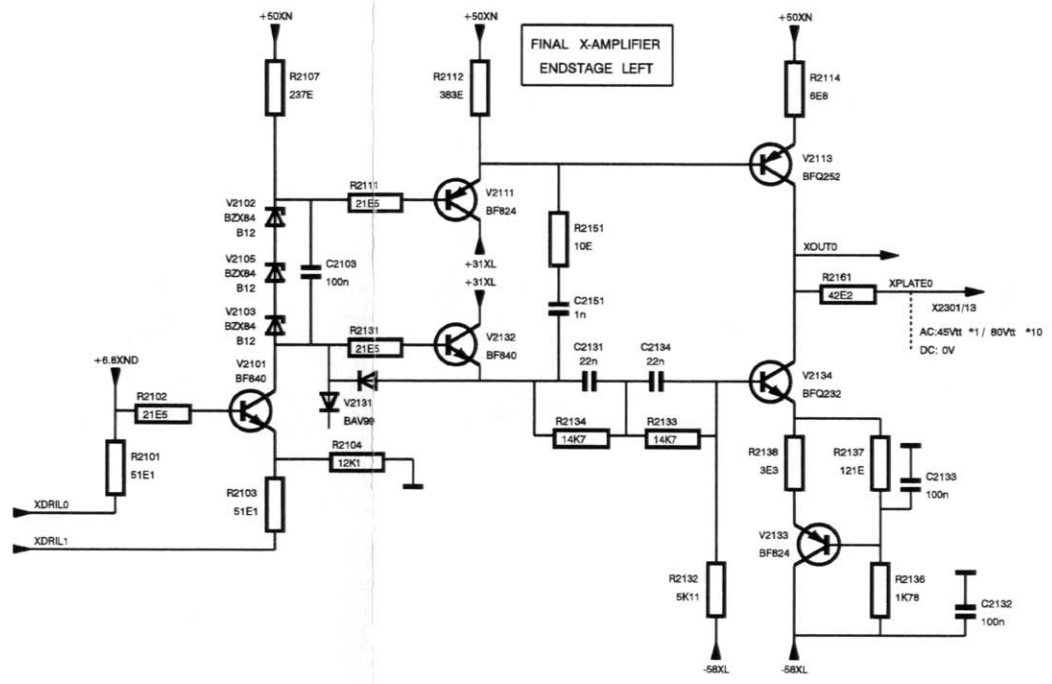
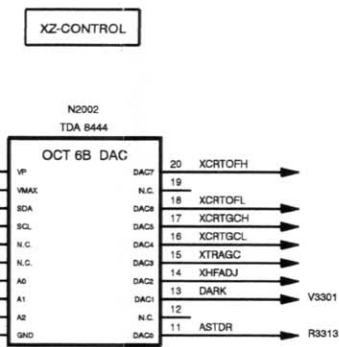
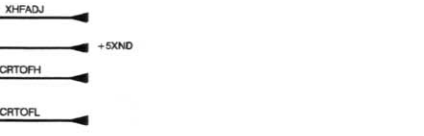
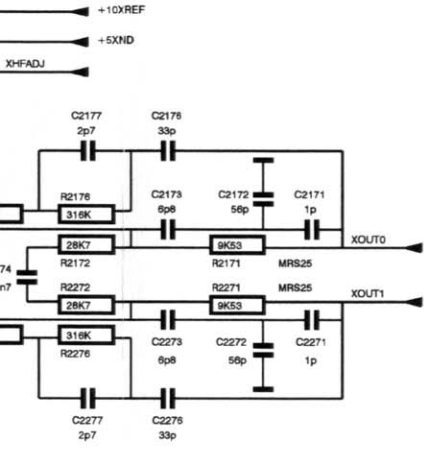


A2 (100 MHz) - Diagram 2a ; Final Y output stage

ST8271  
970428







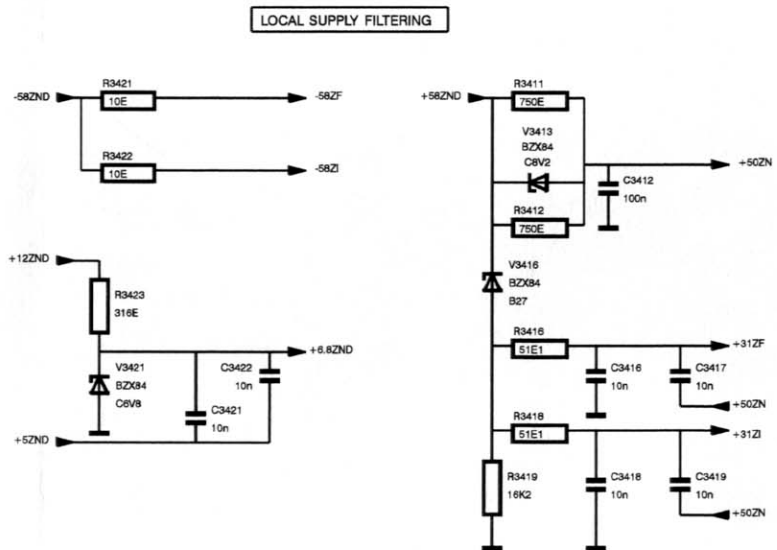
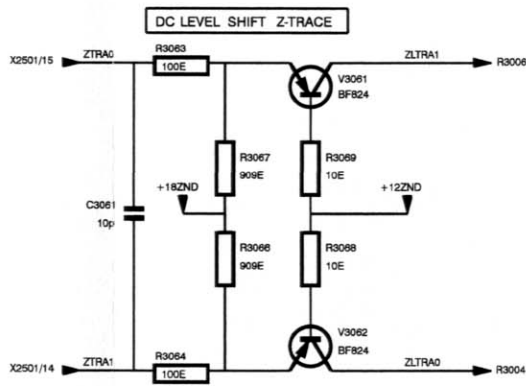
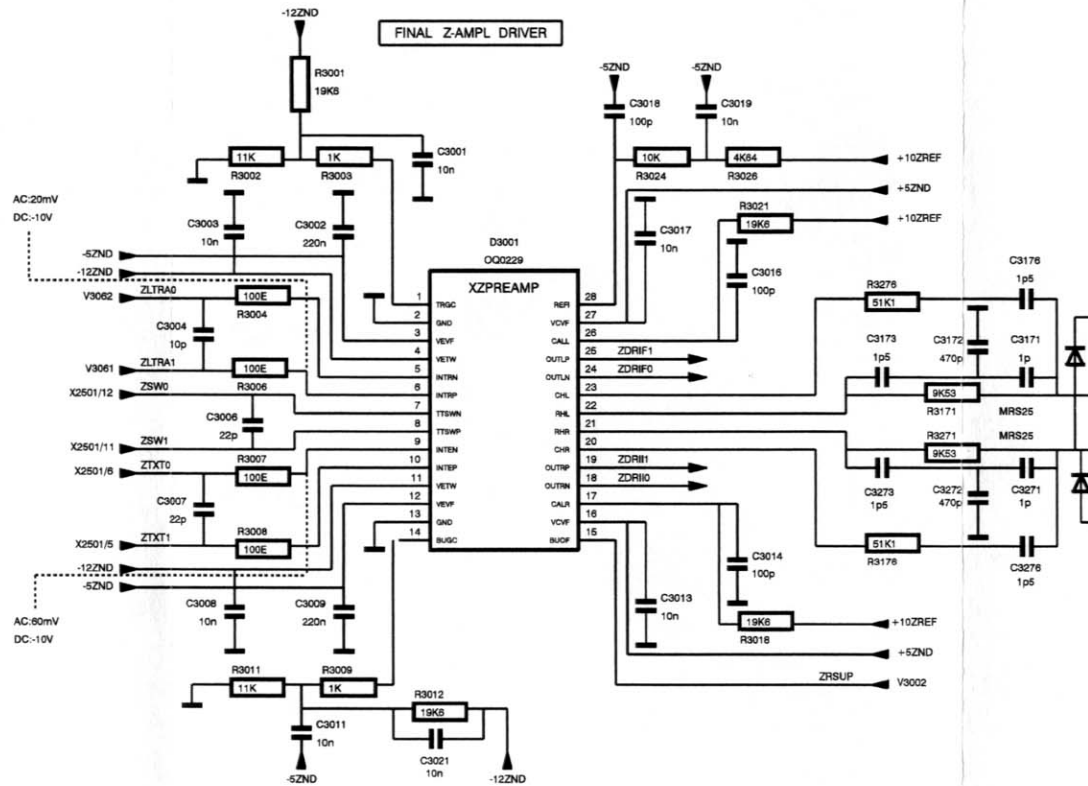
REF NR	TYPE	+12XND	+12CND	GND	-12CND
N2001	OQ0229				
N2002	TDA8444	1		10	
N2003	OP-77		7		4

ST8272  
970428

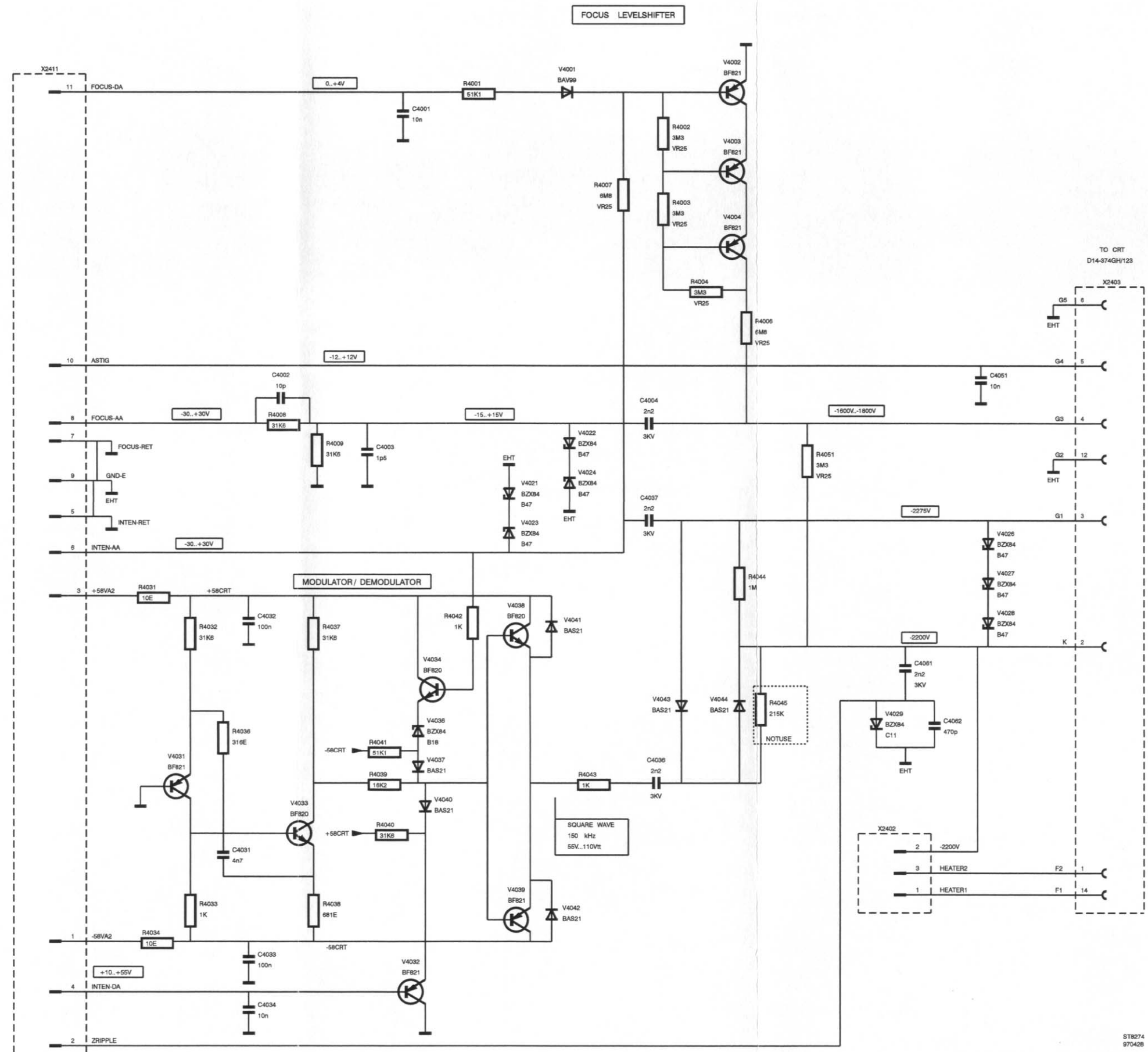
A2 (100 MHz) - Diagram 3a ; Final X amplifier and control







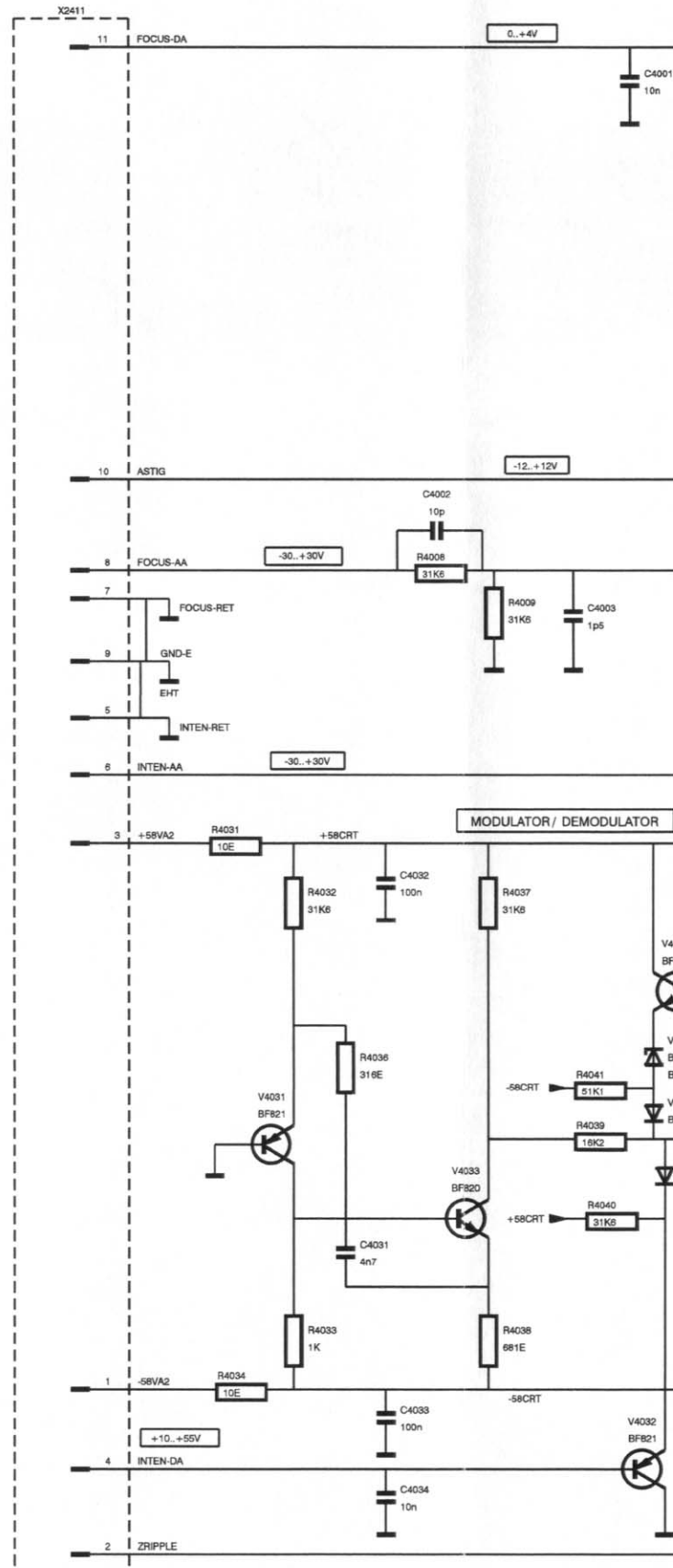


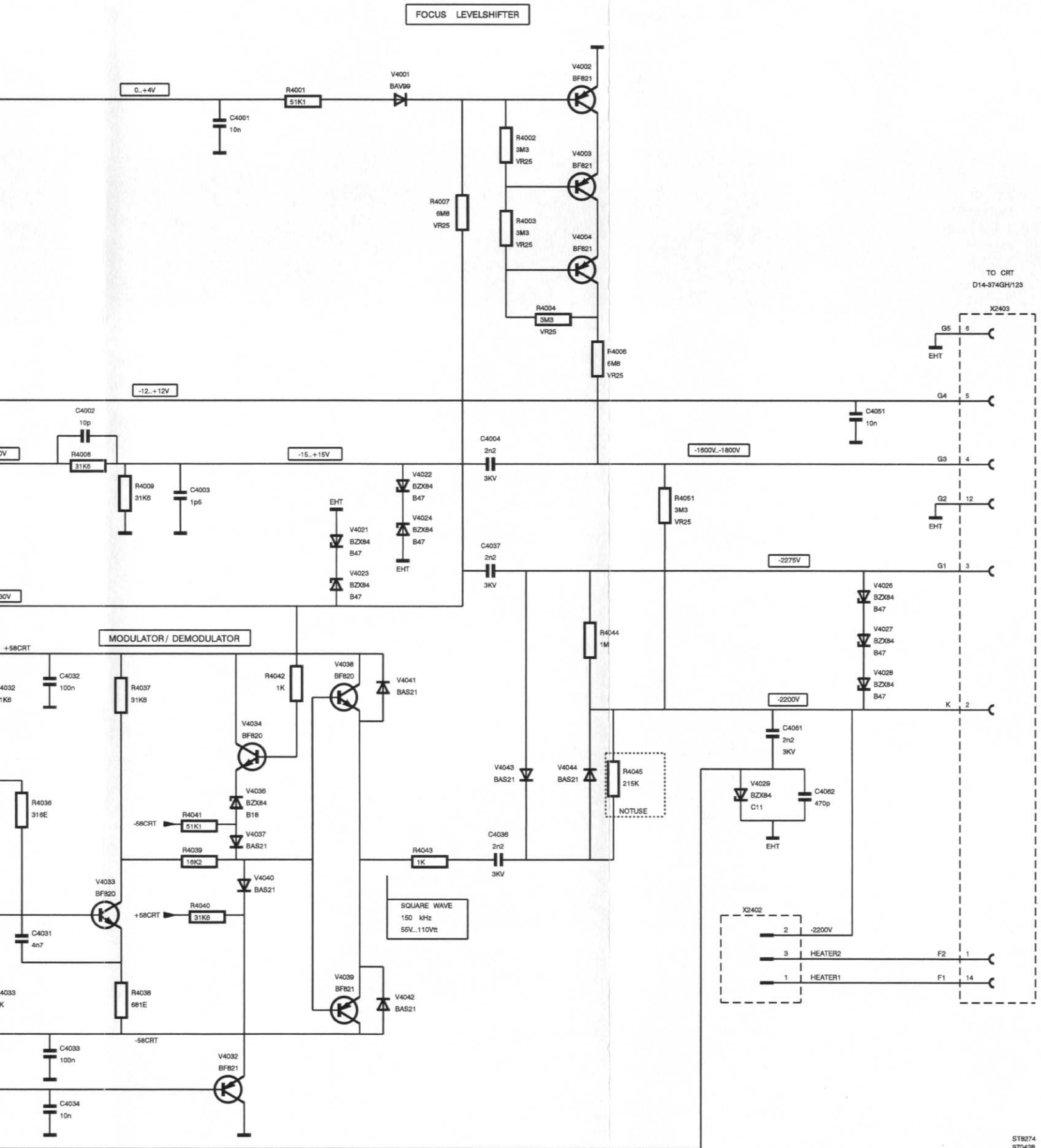


A2 (100 MHz) - Diagram 5a ; Modulator/demodulator and focus control

518274  
970428

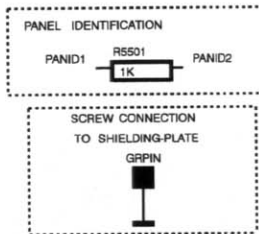
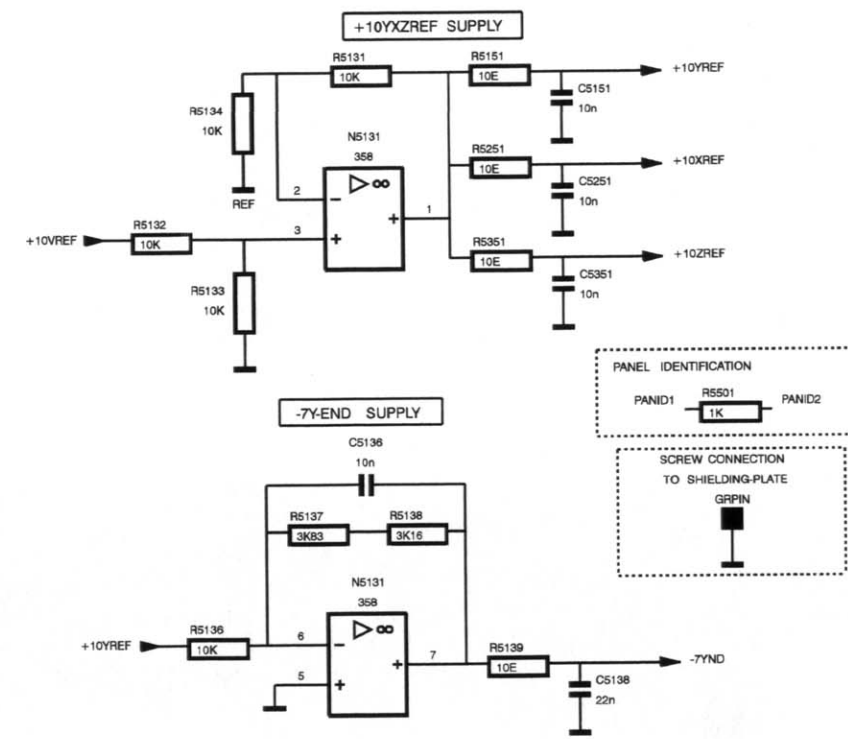
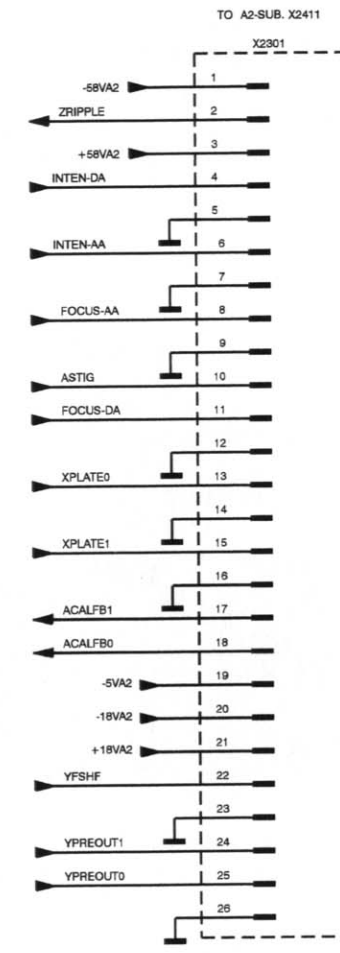
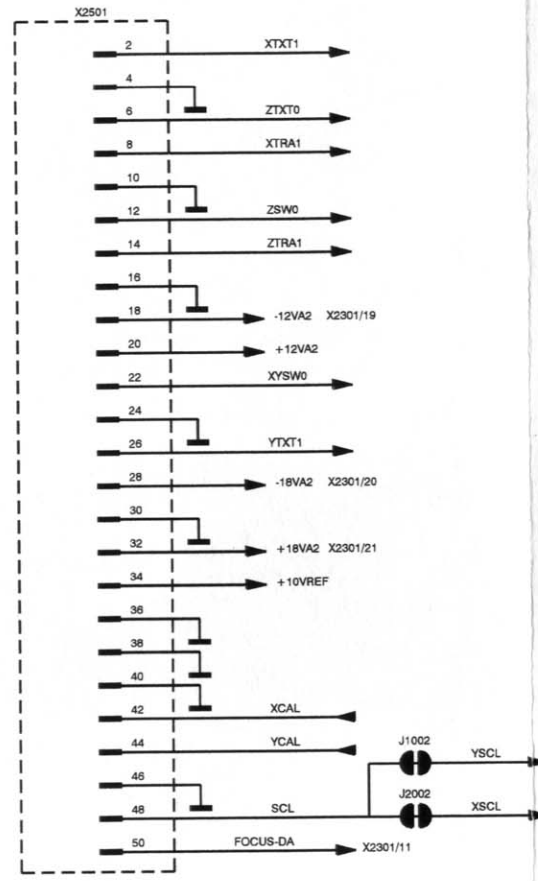
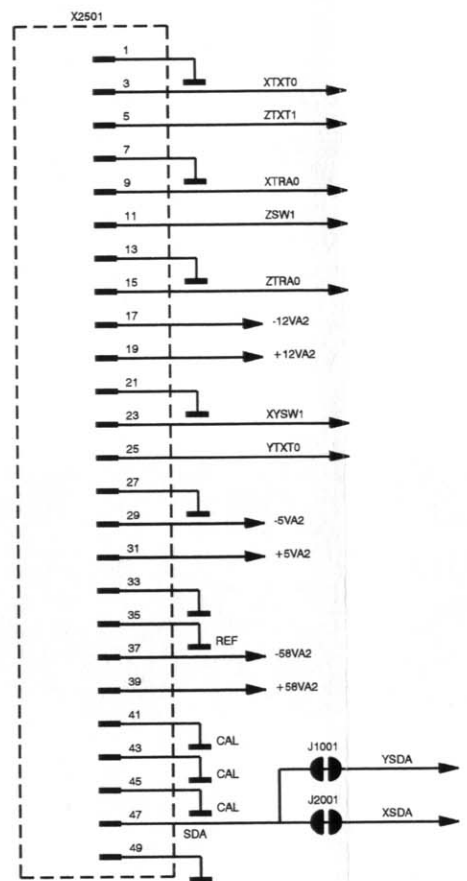
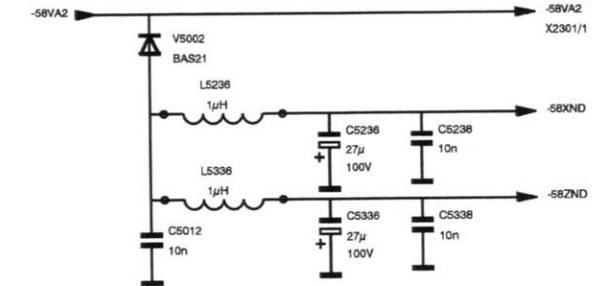
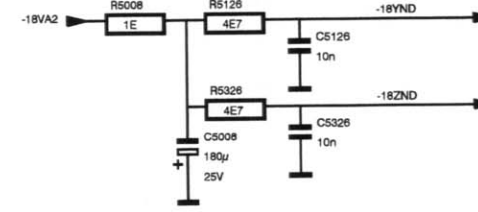
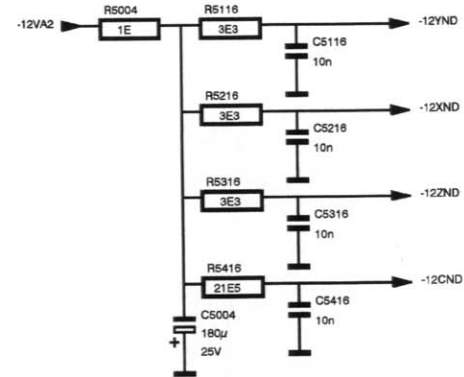
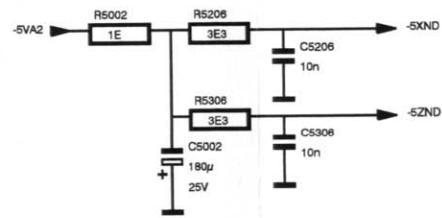
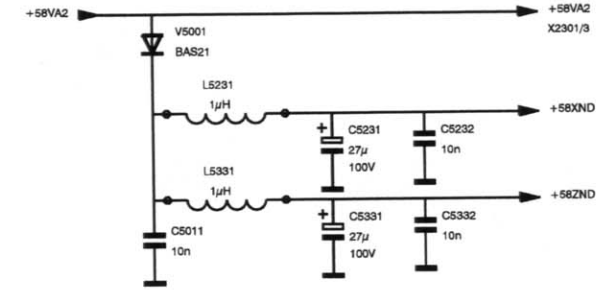
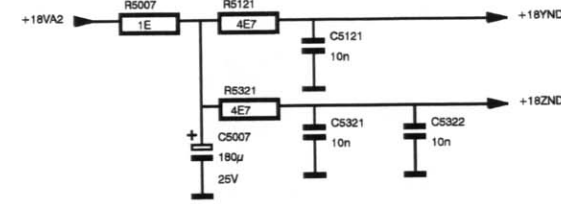
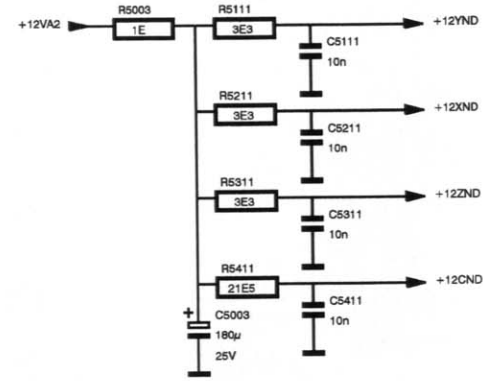
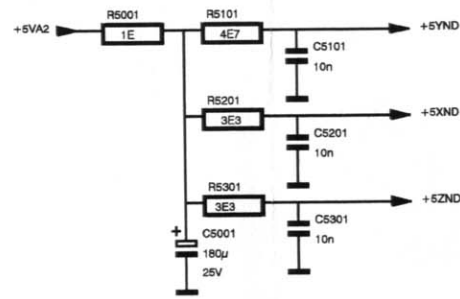
UNIT DESCRIPTIONS





A2 (100 MHz) - Diagram 5a ; Modulator/demodulator and focus control

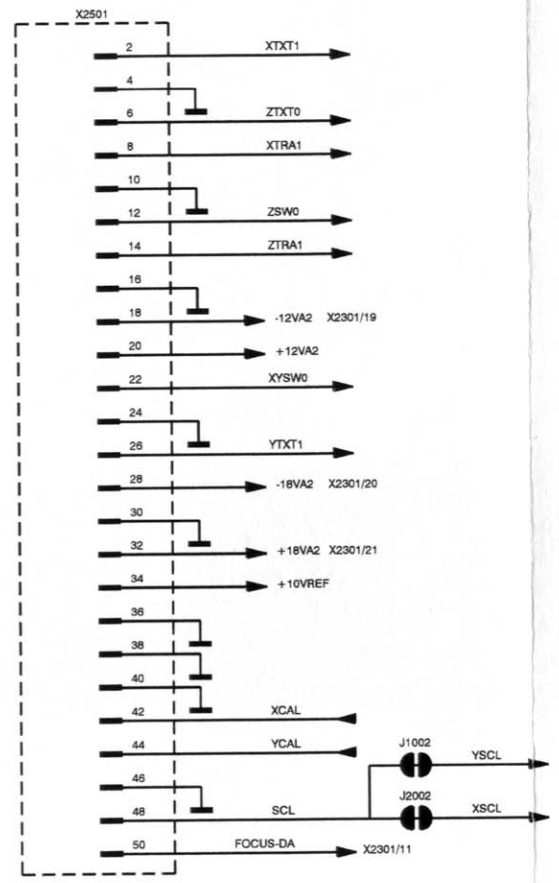
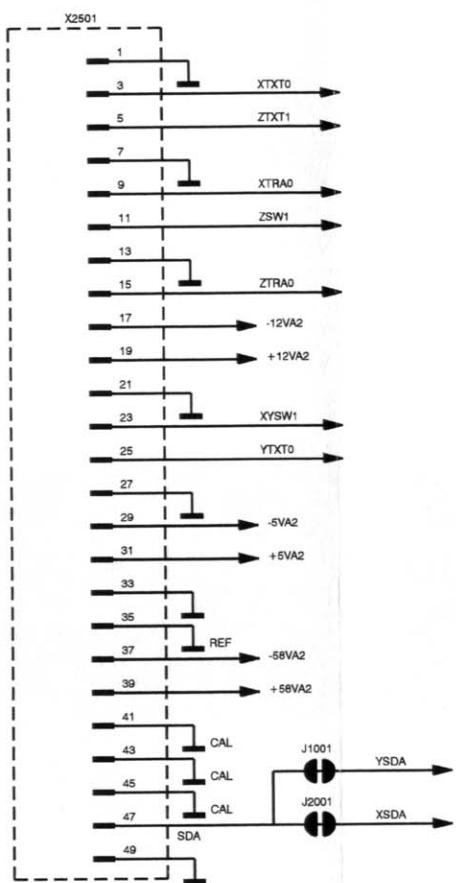
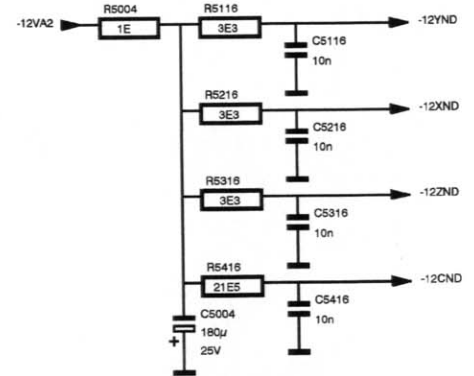
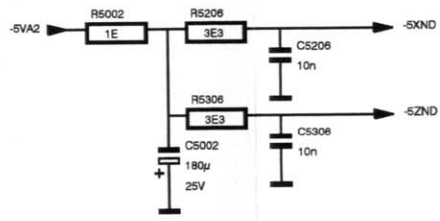
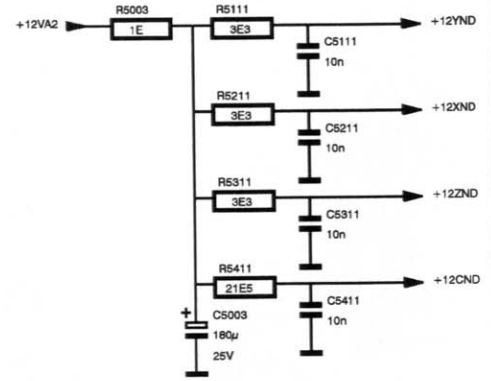
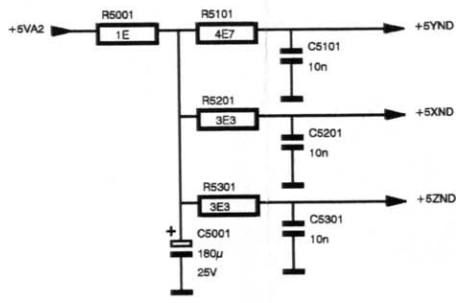


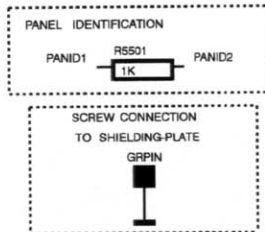
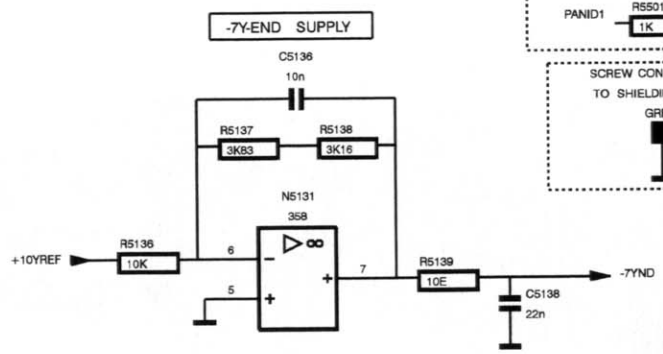
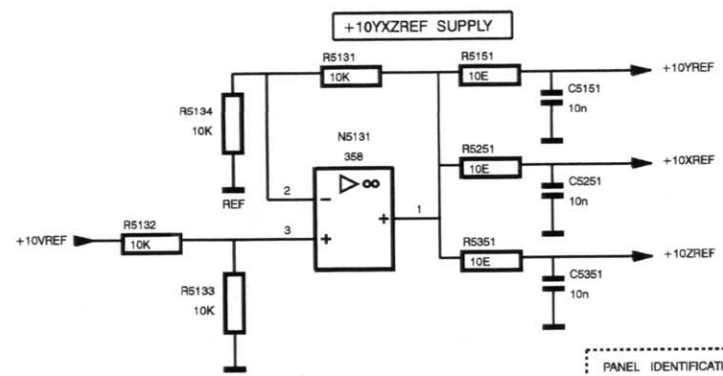
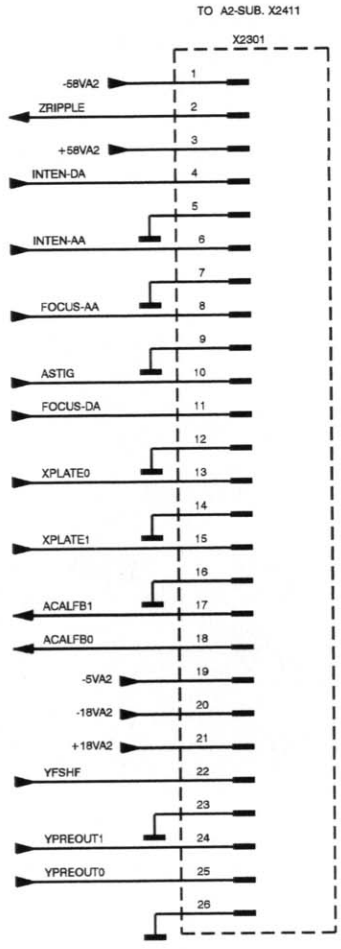
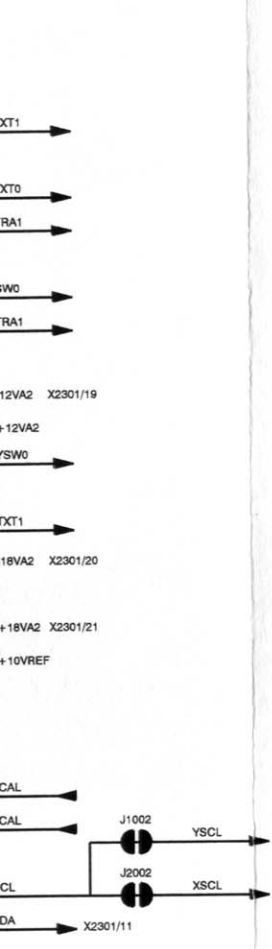
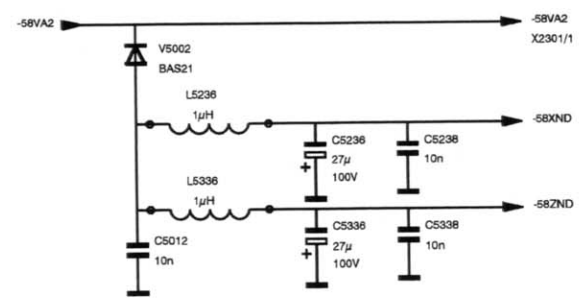
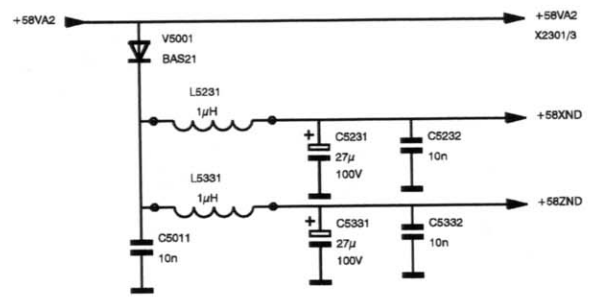
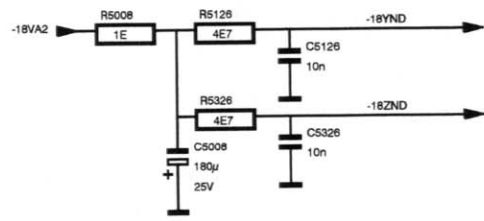
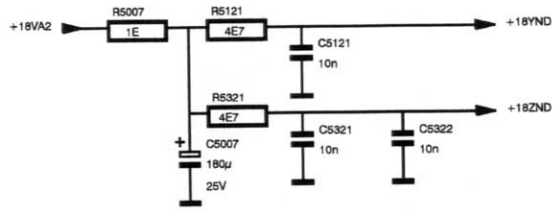
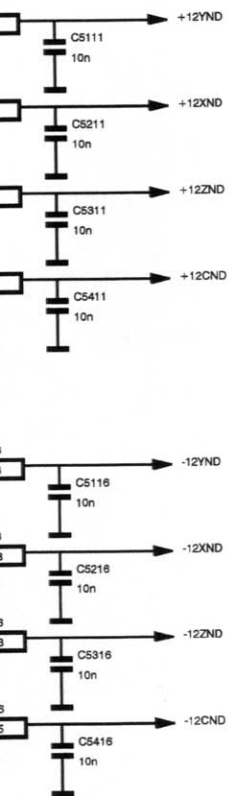


REF NR	TYPE	-12YND	+18YND
N5131	LM358	4	8

ST8275  
970428

A2 (100 MHz) - Diagram 6a ; Supply circuits





REF NR	TYPE	-12YND	+18YND
N5131	LM358	4	8

STR275  
970428

A2 (100 MHz) - Diagram 6a ; Supply circuits

Item	Description				Ordering code
<b>5.2.12 Parts list A2-100 MHz version</b>					
<b>CAPACITORS</b>					
C 1001	CAP.CHIP	63V	10%	10NF	5322 122 34098
C 1002	CAP.CHIP	63V	10%	10NF	5322 122 34098
C 1003	CAP.CHIP	63V	0.25PF	2.2PF	5322 122 33063
C 1005	CAP.CHIP	63V	5%	22PF	5322 122 32658
C 1006	CAP.CHIP	63V	5%	10PF	5322 122 32448
C 1007	CAP.CERAMIC	63V	5%	10PF	5322 122 32448
C 1009	CAP.CERAMIC	63V	5%	33PF	5322 122 32659
C 1011	CAP.CHIP	63V	5%	47PF	5322 122 32452
C 1012	CAP.CHIP	63V	10%	100NF	4822 122 33496
C 1013	CAP.CHIP	63V	10%	100NF	4822 122 33496
C 1014	CAP.CHIP	63V	10%	10NF	5322 122 34098
C 1018	CAP.CHIP	63V	10%	10NF	5322 122 34098
C 1019	CAP.CHIP	63V	10%	10NF	5322 122 34098
C 1023	CAP.CHIP	63V	5%	56PF	5322 122 32661
C 1024	CAP.CHIP	63V	5%	56PF	5322 122 32661
C 1025	CAP.CHIP	63V	5%	56PF	5322 122 32661
C 1026	CAP.CHIP	63V	5%	100PF	5322 122 32531
C 1027	CAP.CHIP	63V	5%	100PF	5322 122 32531
C 1029	CAP.CHIP	63V	10%	10NF	5322 122 34098
C 1031	CAP.CHIP	63V	10%	10NF	5322 122 34098
C 1301	CAP.CHIP	63V	5%	150PF	5322 122 33538
C 1302	CAP.CHIP	63V	5%	150PF	5322 122 33538
C 1303	CAP.CHIP	63V	10%	10NF	5322 122 34098
C 2001	CAP.CHIP	63V	10%	10NF	5322 122 34098
C 2002	CAP.CHIP	63V	10%	220NF	4822 122 32916
C 2003	CAP.CHIP	63V	10%	10NF	5322 122 34098
C 2006	CAP.CHIP	63V	5%	22PF	5322 122 32658
C 2008	CAP.CHIP	63V	10%	10NF	5322 122 34098
C 2009	CAP.CHIP	63V	10%	220NF	4822 122 32916
C 2011	CAP.CHIP	63V	10%	10NF	5322 122 34098
C 2012	CAP.CHIP	63V	10%	10NF	5322 122 34098
C 2013	CAP.CHIP	63V	10%	10NF	5322 122 34098
C 2014	CAP.CHIP	63V	5%	100PF	5322 122 32531
C 2016	CAP.CHIP	63V	5%	100PF	5322 122 32531
C 2017	CAP.CHIP	63V	10%	10NF	5322 122 34098
C 2018	CAP.CHIP	63V	5%	100PF	5322 122 32531
C 2019	CAP.CHIP	63V	10%	10NF	5322 122 34098
C 2021	CAP.CHIP	63V	10%	10NF	5322 122 34098
C 2022	CAP.CHIP	63V	10%	10NF	5322 122 34098
C 2061	CAP.CHIP	63V	5%	56PF	5322 122 32661
C 2062	CAP.CHIP	63V	5%	56PF	5322 122 32661
C 2081	CAP.CHIP	63V	10%	10NF	5322 122 34098
C 2103	CAP.CHIP	63V	10%	100NF	4822 122 33496
C 2131	CAP.CHIP	63V	10%	22NF	5322 122 32654
C 2132	CAP.CHIP	63V	10%	100NF	4822 122 33496

Item	Description		Ordering code
C 2133	CAP.CHIP	63V 10% 100NF	4822 122 33496
C 2134	CAP.CHIP	63V 10% 22NF	5322 122 32654
C 2151	CAP.CHIP	63V 5% 1NF	5322 126 10511
C 2171	CAP.CHIP	63V 0.25PF 1PF	5322 122 32447
C 2172	CAP.CHIP	63V 5% 56PF	5322 122 32661
C 2173	CAP.CHIP	63V 0.25PF 6.8PF	5322 122 32269
C 2174	CAP.CHIP	63V 5% 1NF	5322 126 10511
C 2176	CAP.CHIP	63V 5% 33PF	5322 122 32659
C 2177	CAP.CHIP	63V 0.5PF 2.7PF	5322 122 31873
C 2203	CAP.CHIP	63V 10% 100NF	4822 122 33496
C 2231	CAP.CHIP	63V 10% 22NF	5322 122 32654
C 2232	CAP.CHIP	63V 10% 100NF	4822 122 33496
C 2233	CAP.CHIP	63V 10% 100NF	4822 122 33496
C 2231	CAP.CHIP	63V 10% 22NF	5322 122 32654
C 2251	CAP.CHIP	63V 5% 1NF	5322 126 10511
C 2271	CAP.CHIP	63V 0.25PF 1PF	5322 122 32447
C 2272	CAP.CHIP	63V 5% 56PF	5322 122 32661
C 2273	CAP.CHIP	63V 0.25PF 6.8PF	5322 122 32269
C 2276	CAP.CHIP	63V 5% 33PF	5322 122 32659
C 2277	CAP.CHIP	63V 0.5PF 2.7PF	5322 122 31873
C 2301	CAP.CHIP	63V 5% 100PF	5322 122 32531
C 2302	CAP.CHIP	63V 5% 100PF	5322 122 32531
C 2303	CAP.CHIP	63V 10% 10NF	5322 122 34098
C 2413	CAP.CHIP	63V 10% 100NF	4822 122 33496
C 2416	CAP.CHIP	63V 10% 10NF	5322 122 34098
C 2417	CAP.CHIP	63V 10% 10NF	5322 122 34098
C 2418	CAP.CHIP	63V 10% 10NF	5322 122 34098
C 2419	CAP.CHIP	63V 10% 10NF	5322 122 34098
C 2421	CAP.CHIP	63V 10% 10NF	5322 122 34098
C 2422	CAP.CHIP	63V 10% 10NF	5322 122 34098
C 3001	CAP.CHIP	63V 10% 10NF	5322 122 34098
C 3002	CAP.CHIP	63V 10% 220NF	4822 122 32916
C 3003	CAP.CHIP	63V 10% 10NF	5322 122 34098
C 3004	CAP.CHIP	63V 5% 10PF	5322 122 32448
C 3006	CAP.CHIP	63V 5% 22PF	5322 122 32658
C 3007	CAP.CHIP	63V 5% 22PF	5322 122 32658
C 3008	CAP.CHIP	63V 10% 10NF	5322 122 34098
C 3009	CAP.CHIP	63V 10% 220NF	4822 122 32916
C 3011	CAP.CHIP	63V 10% 10NF	5322 122 34098
C 3013	CAP.CHIP	63V 10% 10NF	5322 122 34098
C 3014	CAP.CHIP	63V 5% 100PF	5322 122 32531
C 3016	CAP.CHIP	63V 5% 100PF	5322 122 32531
C 3017	CAP.CHIP	63V 10% 10NF	5322 122 34098
C 3018	CAP.CHIP	63V 5% 100PF	5322 122 32531
C 3019	CAP.CHIP	63V 10% 10NF	5322 122 34098
C 3021	CAP.CHIP	63V 10% 10NF	5322 122 34098
C 3061	CAP.CHIP	63V 5% 10PF	5322 122 32448
C 3103	CAP.CHIP	63V 10% 100NF	4822 122 33496
C 3131	CAP.CHIP	63V 10% 22NF	5322 122 32654
C 3132	CAP.CHIP	63V 10% 100NF	4822 122 33496



Item	Description		Ordering code
C 3133	CAP.CHIP	63V 10% 100NF	4822 122 33496
C 3134	CAP.CHIP	63V 10% 22NF	5322 122 32654
C 3151	CAP.CHIP	63V 5% 1NF	5322 126 10511
C 3171	CAP.CHIP	63V 0.25PF 1PF	5322 122 32447
C 3172	CAP.CHIP	63V 5% 470PF	5322 122 32268
C 3173	CAP.CHIP	63V 0.25PF 1.5PF	5322 126 10225
C 3176	CAP.CHIP	63V 0.25PF 1.5PF	5322 126 10225
C 3203	CAP.CHIP	63V 10% 100NF	4822 122 33496
C 3231	CAP.CHIP	63V 10% 22NF	5322 122 32654
C 3232	CAP.CHIP	63V 10% 100NF	4822 122 33496
C 3233	CAP.CHIP	63V 10% 100NF	4822 122 33496
C 3234	CAP.CHIP	63V 10% 22NF	5322 122 32654
C 3251	CAP.CHIP	63V 5% 1NF	5322 126 10511
C 3271	CAP.CHIP	63V 0.25PF 1PF	5322 122 32447
C 3272	CAP.CHIP	63V 5% 470PF	5322 122 32268
C 3273	CAP.CHIP	63V 0.25PF 1.5PF	5322 126 10225
C 3276	CAP.CHIP	63V 0.25PF 1.5PF	5322 126 10225
C 3412	CAP.CHIP	63V 10% 100NF	4822 122 33496
C 3416	CAP.CHIP	63V 10% 10NF	5322 122 34098
C 3417	CAP.CHIP	63V 10% 10NF	5322 122 34098
C 3418	CAP.CHIP	63V 10% 10NF	5322 122 34098
C 3419	CAP.CHIP	63V 10% 10NF	5322 122 34098
C 3421	CAP.CHIP	63V 10% 10NF	5322 122 34098
C 3422	CAP.CHIP	63V 10% 10NF	5322 122 34098
C 4001	CAP.CHIP	63V 10% 10NF	5322 122 34098
C 4002	CAP.CHIP	63V 5% 150PF	5322 122 33538
C 4003	CAP.CHIP	63V 0.25PF 1.5PF	5322 126 10225
C 4004	CAP.	-10+10% 2.2NF	5322 122 33851
C 4031	CAP.CHIP	63V 10% 4.7NF	5322 126 10223
C 4032	CAP.CHIP	63V 10% 100NF	4822 122 33496
C 4033	CAP.CHIP	63V 10% 100NF	4822 122 33496
C 4034	CAP.CHIP	63V 10% 10NF	5322 122 34098
C 4036	CAP.	-10+10% 2.2NF	5322 122 33851
C 4037	CAP.	-10+10% 2.2NF	5322 122 33851
C 4051	CAP.CHIP	63V 10% 10NF	5322 122 34098
C 4061	CAP.	-10+10% 2.2NF	5322 122 33851
C 4062	CAP.CHIP	63V 5% 470PF	5322 122 32268
C 4110	CAP.CHIP	63V 5% 22PF	5322 122 32658
C 4111	CAP.CHIP	63V 0.25PF 2.7PF	5322 122 31873
C 4112	CAP.CHIP	63V 0.25PF 2.7PF	5322 122 31873
C 4113	CAP.CHIP	63V 0.25PF 2.7PF	5322 122 31873
C 4114	CAP.CHIP	63V 0.25PF 2.7PF	5322 122 31873
C 4116	CAP.CHIP	63V 5% 1NF	5322 126 10511
C 4117	CAP.CHIP	63V 5% 1NF	5322 126 10511
C 4118	CAP.CHIP	63V 5% 1NF	5322 126 10511
C 4119	CAP.CHIP	63V 5% 1NF	5322 126 10511
C 4121	CAP.CHIP	63V 10% 100NF	4822 122 33496
C 4122	CAP.CHIP	63V 5% 1NF	5322 126 10511
C 4123	CAP.CHIP	63V 5% 1NF	5322 126 10511
C 4124	CAP.CHIP	63V 5% 1NF	5322 126 10511

Item	Description				Ordering code
C 4126	CAP.CHIP	63V	5%	68PF	4822 122 33514
C 4163	CAP.CHIP	63V	5%	56PF	5322 122 32661
C 4201	CAP.ELECTROLYT.	25V	20%	180UF	5322 124 42228
C 4202	CAP.CHIP	63V	10%	10NF	5322 122 34098
C 4203	CAP.CHIP	63V	10%	10NF	5322 122 34098
C 4204	CAP.ELECTROLYT.	25V	20%	180UF	5322 124 42228
C 4205	CAP.CHIP	63V	10%	10NF	5322 122 34098
C 4206	CAP.CHIP	63V	10%	10NF	5322 122 34098
C 4207	CAP.CHIP	63V	10%	10NF	5322 122 34098
C 4208	CAP.ELECTROLYT.	25V	20%	180UF	5322 124 42228
C 4209	CAP.CHIP	63V	10%	100NF	4822 122 33496
C 5001	CAP.ELECTROLYT.	25V	20%	180UF	5322 124 42228
C 5002	CAP.ELECTROLYT.	25V	20%	180UF	5322 124 42228
C 5003	CAP.ELECTROLYT.	25V	20%	180UF	5322 124 42228
C 5004	CAP.ELECTROLYT.	25V	20%	180UF	5322 124 42228
C 5007	CAP.ELECTROLYT.	25V	20%	180UF	5322 124 42228
C 5008	CAP.ELECTROLYT.	25V	20%	180UF	5322 124 42228
C 5011	CAP.CHIP	63V	10%	10NF	5322 122 34098
C 5012	CAP.CHIP	63V	10%	10NF	5322 122 34098
C 5101	CAP.CHIP	63V	10%	10NF	5322 122 34098
C 5111	CAP.CHIP	63V	10%	10NF	5322 122 34098
C 5116	CAP.CHIP	63V	10%	10NF	5322 122 34098
C 5121	CAP.CHIP	63V	10%	10NF	5322 122 34098
C 5126	CAP.CHIP	63V	10%	10NF	5322 122 34098
C 5136	CAP.CHIP	63V	10%	10NF	5322 122 34098
C 5138	CAP.CHIP	63V	10%	22NF	5322 122 32654
C 5151	CAP.CHIP	63V	10%	10NF	5322 122 34098
C 5201	CAP.CHIP	63V	10%	10NF	5322 122 34098
C 5206	CAP.CHIP	63V	10%	10NF	5322 122 34098
C 5211	CAP.CHIP	63V	10%	10NF	5322 122 34098
C 5216	CAP.CHIP	63V	10%	10NF	5322 122 34098
C 5231	CAP.ELECTROLYT.	100V	20%	27UF	5322 124 42193
C 5232	CAP.CHIP	63V	10%	10NF	5322 122 34098
C 5236	CAP.ELECTROLYT.	100V	20%	27UF	5322 124 42193
C 5238	CAP.CHIP	63V	10%	10NF	5322 122 34098
C 5251	CAP.CHIP	63V	10%	10NF	5322 122 34098
C 5301	CAP.CHIP	63V	10%	10NF	5322 122 34098
C 5306	CAP.CHIP	63V	10%	10NF	5322 122 34098
C 5311	CAP.CHIP	63V	10%	10NF	5322 122 34098
C 5316	CAP.CHIP	63V	10%	10NF	5322 122 34098
C 5321	CAP.CHIP	63V	10%	10NF	5322 122 34098
C 5322	CAP.CHIP	63V	10%	10NF	5322 122 34098
C 5326	CAP.CHIP	63V	10%	10NF	5322 122 34098
C 5331	CAP.ELECTROLYT.	100V	20%	27UF	5322 124 42193
C 5332	CAP.CHIP	63V	10%	10NF	5322 122 34098
C 5336	CAP.ELECTROLYT.	100V	20%	27UF	5322 124 42193
C 5338	CAP.CHIP	63V	10%	10NF	5322 122 34098
C 5351	CAP.CHIP	63V	10%	10NF	5322 122 34098
C 5411	CAP.CHIP	63V	10%	10NF	5322 122 34098
C 5416	CAP.CHIP	63V	10%	10NF	5322 122 34098

Item	Description		Ordering code
<b>COILS</b>			
L 4101	COIL	0.082UH 5% TDK	5322 157 63382
L 4102	COIL	0.082UH 5% TDK	5322 157 63382
L 41032	COIL	1UH 5% TDK	5322 157 63648
<b>INTEGRATED CIRCUITS</b>			
D 1001	INTEGR.CIRCUIT	OQ0230 FINAL Y	5322 209 12467
D 2001	INTEGR.CIRCUIT	OQ0229 FINAL X-Z	5322 209 12459
D 3001	INTEGR.CIRCUIT	OQ0229 FINAL X-Z	5322 209 12459
N 1001	INTEGR.CIRCUIT	TDA8444AT/N2 PEL	5322 209 30233
N 1002	INTEGR.CIRCUIT	LM358M NSC	4822 209 60175
N 1003	INTEGR.CIRCUIT	LM324M NSC	5322 209 61473
N 1004	I.C. ANALOGUE	OP-77GSR PMI	5322 130 62791
N 2002	INTEGR.CIRCUIT	TDA8444AT/N2 PEL	5322 209 30233
N 2003	I.C. ANALOGUE	OP-77GSR PMI	5322 130 62791
N 5131	INTEGR.CIRCUIT	LM358M NSC	4822 209 60175
<b>RESISTORS</b>			
R 1001	RES.CHIP	RC-02H 1% 215K	4822 051 52154
R 1002	RES.CHIP	RC-02H 1% 100K	4822 051 51004
R 1003	RES.CHIP	RC-02H 1% 215K	4822 051 52154
R 1004	RES.CHIP	RC-02H 1% 100K	4822 051 51004
R 1005	RES.CHIP	RC-02H 1% 196E	4822 051 51961
R 1006	RES.CHIP	RC-02H 1% 1K96	4822 051 51962
R 1007	RES.CHIP	RC-02H 1% 100K	4822 051 51004
R 1008	RES.CHIP	RC-02H 1% 100K	4822 051 51004
R 1009	RES.CHIP	RC-02H 1% 215K	4822 051 52154
R 1010	RES.CHIP	RC-02H 1% 3K83	4822 051 53832
R 1011	RES.CHIP	RC-02H 1% 215K	4822 051 52154
R 1012	RES.CHIP	RC-02H 1% 215K	4822 051 52154
R 1013	RES.CHIP	RC-02H 1% 215K	4822 051 52154
R 1014	RES.CHIP	RC-02H 1% 196E	5322 117 10538
R 1015	RES.CHIP	RC-02H 1% 10K	4822 051 10103
R 1016	RES.CHIP	RMC1/8 1% 42E2	5322 117 11753
R 1017	RES.CHIP	RC-02H 1% 100E	4822 051 10101
R 1018	RES.MET.GLAZED	RMC1/8 1% 46E4	5322 116 82896
R 1019	RES.MET.GLAZED	RMC1/8 1% 46E4	5322 116 82896
R 1020	RES.CHIP	RC-02H 1% 10K	4822 051 10103
R 1021	RES.CHIP	RC-02H 1% 100E	4822 051 10101
R 1022	RES.CHIP	RMC1/8 1% 42E2	5322 117 117 53
R 1023	RES.CHIP	RC-02H 1% 196E	5322 117 10538
R 1024	RES.CHIP	RC-02H 1% 100E	4822 051 51001
R 1027	RES.CHIP	RC-02H 1% 100E	4822 051 51001
R 1029	RES.CHIP	RC-02H 1% 237E	5322 117 10544
R 1031	RES.CHIP	RC-02H 1% 237E	5322 117 10544
R 1032	RES.CHIP	RC-02H 1% 2K37	4822 051 52372
R 1034	RES.CHIP	RC-02H 1% 13K3	4822 051 51333
R 1036	RES.CHIP	RC-02H 1% 14K7	5322 117 10528

Item	Description	Ordering code
R 1037	RES.CHIP RC-02H 1% 750E	5322 117 10582
R 1038	RES.CHIP RC-02H 1% 750E	5322 117 10582
R 1039	RES.CHIP RC-02H 1% 147E	4822 051 51471
R 1041	RES.CHIP RC-02H 1% 19K6	4822 051 51963
R 1042	RES.CHIP RC-02H 1% 19K6	4822 051 51963
R 1043	RES.CHIP RC-02H 1% 5K11	4822 051 55112
R 1044	RES.CHIP RC-02H 1% 162K	4822 051 51624
R 1046	RES.CHIP RC-02H 1% 21K5	4822 051 52153
R 1047	RES.CHIP RC-02H 1% 21K5	4822 051 52153
R 1048	RES.CHIP RC-02H 1% 10K	4822 051 51003
R 1049	RES.CHIP RC-02H 1% 10K	4822 051 51003
R 1051	RES.CHIP RC-02H 1% 23K7	4822 051 52373
R 1053	RES.CHIP RC-02H 1% 3K83	4822 051 53832
R 1059	RES.CHIP RMC1/8 1% 21E5	5322 117 11734
R 1061	RES.CHIP RMC1/8 1% 21E5	5322 117 11734
R 1063	RES.CHIP RC-02H 1% 3K83	4822 051 53832
R 1064	RES.CHIP RC-02H 1% 100E	4822 051 51001
R 1066	RES.CHIP RC-02H 1% 1K	4822 051 51002
R 1071	RES.CHIP RC-02H 1% 3K83	4822 051 53832
R 1072	RES.CHIP RMC1/8 1% 75E	4822 111 91937
R 1073	RES.CHIP RMC1/8 1% 75E	4822 111 91937
R 1074	RES.CHIP RC-02H 1% 422E	5322 117 10564
R 1076	RES.CHIP RC-02H 1% 3K83	4822 051 53832
R 1077	RES.CHIP RC-02H 1% 3K83	5322 117 10561
R 1078	RES.CHIP RMC1/8 1% 51E1	5322 111 91893
R 1079	RES.CHIP RMC1/8 1% 51E1	5322 111 91893
R 1081	RES.CHIP RC-02H 1% 464E	4822 051 54641
R 1082	RES.CHIP RC-02H 1% 10K	4822 051 51003
R 1083	RES.CHIP RC-02H 1% 10K	4822 051 51003
R 1084	RES.CHIP RC-02H 1% 100E	4822 051 51001
R 1086	RES.CHIP RC-02H 1% 100E	4822 051 51001
R 1087	RES.CHIP RC-02H 1% 51E1	5322 117 11731
R 1088	RES.CHIP RC-02H 1% 51E1	5322 117 11731
R 1089	RES.CHIP RC-02H 1% 1K21	4822 051 51212
R 1091	RES.CHIP RC-02H 1% 7K5	4822 051 57502
R 1201	RES.CHIP RMC1/8 1% 51E1	5322 111 91893
R 1202	RES.CHIP RC-02H 1% 100K	4822 051 51004
R 1203	RES.CHIP RC-02H 1% 100K	4822 051 51004
R 1204	RES.CHIP RMC1/8 1% 51E1	5322 111 91893
R 1206	RES.CHIP RC-02H 1% 2K37	4822 051 52372
R 1207	RES.CHIP RC-02H 1% 2K37	4822 051 52372
R 1208	RES.CHIP RC-02H 1% 3K16	4822 051 53162
R 1209	RES.CHIP RC-02H 1% 1K78	4822 051 51782
R 1303	RES.CHIP RC-02H 1% 162K	4822 051 51624
R 1304	RES.CHIP RC-02H 1% 162K	4822 051 51624
R 1306	RES.CHIP RC-02H 1% 51K1	4822 051 55113
R 1307	RES.CHIP RC-02H 1% 51K1	4822 051 55113
R 1308	RES.CHIP RC-02H 1% 28K7	4822 051 52873
R 1309	RES.CHIP RC-02H 1% 750E	4822 051 57501
R 1311	RES.CHIP RC-02H 1% 21K5	4822 051 52153



Item	Description	Ordering code
R 1312	RES.CHIP RC-02H 1% 215K	4822 051 52154
R 1313	RES.CHIP RC-02H 1% 7K5	4822 051 57502
R 2001	RES.CHIP RC-02H 1% 16K5	5322 117 10532
R 2002	RES.CHIP RC-02H 1% 12K1	4822 051 51213
R 2003	RES.CHIP RC-02H 1% 1K	4822 051 51002
R 2004	RES.CHIP RMC1/8 1% 51E1	5322 111 91893
R 2006	RES.CHIP RMC1/8 1% 51E1	5322 111 91893
R 2007	RES.CHIP RC-02H 1% 1K47	4822 051 51472
R 2008	RES.CHIP RC-02H 1% 1K47	4822 051 51472
R 2009	RES.CHIP RC-02H 1% 1K	4822 051 51002
R 2011	RES.CHIP RC-02H 1% 6K81	4822 051 56812
R 2012	RES.CHIP RC-02H 1% 215K	4822 051 52154
R 2013	RES.CHIP RC-02H 1% 1K96	4822 051 51962
R 2014	RES.CHIP RC-02H 1% 4K64	4822 051 54642
R 2015	RES.CHIP RC-02H 1% 1K	4822 051 51002
R 2016	RES.CHIP RC-02H 1% 10K	4822 051 51003
R 2017	RES.CHIP RC-02H 1% 316K	4822 051 53164
R 2018	RES.CHIP RC-02H 1% 46K4	4822 051 54643
R 2020	RES.CHIP RC-02H 1% 14K7	4822 051 51473
R 2021	RES.CHIP RC-02H 1% 46K4	4822 051 54643
R 2023	RES.CHIP RC-02H 1% 14K7	4822 051 51473
R 2024	RES.CHIP RC-02H 1% 14K7	4822 051 51473
R 2026	RES.CHIP RMC1/8 1% 10E	4822 111 91885
R 2063	RES.CHIP RC-02H 1% 100E	4822 051 51001
R 2064	RES.CHIP RC-02H 1% 100E	4822 051 51001
R 2065	RES.CHIP RC-02H 1% 2K87	4822 051 52872
R 2066	RES.CHIP RC-02H 1% 2K87	4822 051 52872
R 2067	RES.CHIP RMC1/8 1% 10E	4822 111 91885
R 2068	RES.CHIP RMC1/8 1% 10E	4822 111 91885
R 2101	RES.CHIP RMC1/8 1% 51E1	5322 111 91893
R 2102	RES.CHIP RMC1/8 1% 21E5	5322 111 92014
R 2103	RES.CHIP RMC1/8 1% 51E1	5322 111 91893
R 2104	RES.CHIP RC-02H 1% 12K1	5322 117 10522
R 2107	RES.CHIP RC-02H 1% 237E	4822 051 52371
R 2111	RES.CHIP RMC1/8 1% 21E5	5322 111 92014
R 2112	RES.CHIP RC-02H 1% 383E	4822 051 53831
R 2114	RES.CHIP RC-01 1% 6E8	4822 051 10688
R 2131	RES.CHIP RMC1/8 1% 21E5	5322 111 92014
R 2132	RES.CHIP RC-02H 1% 5K11	4822 051 55112
R 2133	RES.CHIP RC-02H 1% 14K7	4822 051 51473
R 2134	RES.CHIP RC-02H 1% 14K7	4822 051 51473
R 2136	RES.CHIP RC-02H 1% 1K78	5322 117 10535
R 2137	RES.CHIP RC-02H 1% 121E	4822 051 51211
R 2138	RES.CHIP RC-01 5% 3E3	4822 051 10338
R 2151	RES.CHIP RMC1/8 1% 10E	4822 111 91885
R 2161	RES.CHIP RMC1/8 1% 42E2	4822 111 91887
R 2171	RES.METAL FILM MRS25 1% 9K53	4822 050 29532
R 2172	RES.CHIP RC-02H 1% 28K7	4822 051 52873
R 2176	RES.CHIP RC-02H 1% 316K	4822 051 53164
R 2177	RES.CHIP RC-02H 1% 261K	4822 051 52614



Item	Description	Ordering code
R 2201	RES.CHIP RMC1/8 1% 51E1	5322 111 91893
R 2202	RES.CHIP RMC1/8 1% 21E5	5322 111 92014
R 2203	RES.CHIP RMC1/8 1% 51E1	5322 111 91893
R 2204	RES.CHIP RC-02H 1% 12K1	5322 117 10522
R 2207	RES.CHIP RC-02H 1% 237E	4822 051 52371
R 2211	RES.CHIP RMC1/8 1% 21E5	5322 111 92014
R 2212	RES.CHIP RC-02H 1% 383E	4822 051 53831
R 2214	RES.CHIP RMC1/8 1% 6E8	4822 051 10688
R 2231	RES.CHIP RMC1/8 1% 21E5	5322 111 92014
R 2232	RES.CHIP RC-02H 1% 5K11	4822 051 55112
R 2233	RES.CHIP RC-02H 1% 14K7	4822 051 51473
R 2234	RES.CHIP RC-02H 1% 14K7	4822 051 51473
R 2236	RES.CHIP RC-02H 1% 1K78	5322 117 10535
R 2237	RES.CHIP RC-02H 1% 121E	4822 051 51211
R 2238	RES.CHIP RC-01 5% 3E3	4822 051 10338
R 2251	RES.CHIP RMC1/8 1% 10E	4822 111 91885
R 2261	RES.CHIP RMC1/8 1% 42E2	4822 111 91887
R 2271	RES.METAL FILM MRS25 1% 9K53	4822 050 29532
R 2272	RES.CHIP RC-02H 1% 28K7	4822 051 52873
R 2276	RES.CHIP RC-02H 1% 316K	4822 051 53164
R 2277	RES.CHIP RC-02H 1% 261K	4822 051 52614
R 2301	RES.CHIP RC-02H 1% 215K	4822 051 52154
R 2302	RES.CHIP RC-02H 1% 215K	4822 051 52154
R 2303	RES.CHIP RC-02H 1% 61K9	4822 051 56193
R 2304	RES.CHIP RC-02H 1% 61K9	4822 051 56193
R 2306	RES.CHIP RC-02H 1% 51K1	4822 051 55113
R 2307	RES.CHIP RC-02H 1% 51K1	4822 051 55113
R 2308	RES.CHIP RC-02H 1% 215K	4822 051 52154
R 2309	RES.CHIP RC-02H 1% 7K5	4822 051 57502
R 2311	RES.CHIP RC-02H 1% 21K5	4822 051 52153
R 2312	RES.CHIP RC-02H 1% 28K7	4822 051 52873
R 2313	RES.CHIP RC-02H 1% 750E	4822 051 57501
R 2411	RES.CHIP RC-02H 1% 750E	4822 051 57501
R 2412	RES.CHIP RC-02H 1% 750E	4822 051 57501
R 2416	RES.CHIP RMC1/8 1% 42E2	4822 111 91887
R 2418	RES.CHIP RMC1/8 1% 42E2	4822 111 91887
R 2419	RES.CHIP RC-02H 1% 16K2	4822 051 51623
R 2421	RES.CHIP RMC1/8 1% 10E	4822 111 91885
R 2422	RES.CHIP RMC1/8 1% 10E	4822 111 91885
R 2423	RES.CHIP RC-02H 1% 316E	4822 051 53161
R 3001	RES.CHIP RC-02H 1% 19K6	4822 051 51963
R 3002	RES.CHIP RC-02H 1% 11K	4822 051 51103
R 3003	RES.CHIP RC-02H 1% 1K	4822 051 51002
R 3004	RES.CHIP RC-02H 1% 100E	4822 051 51001
R 3006	RES.CHIP RC-02H 1% 100E	4822 051 51001
R 3007	RES.CHIP RC-02H 1% 100E	4822 051 51001
R 3008	RES.CHIP RC-02H 1% 100E	4822 051 51001
R 3009	RES.CHIP RC-02H 1% 1K	4822 051 51002
R 3011	RES.CHIP RC-02H 1% 11K	4822 051 51103
R 3012	RES.CHIP RC-02H 1% 19K6	4822 051 51963

Item	Description		Ordering code
R 3013	RES.CHIP	RC-02H 1% 5K62	4822 051 55622
R 3014	RES.CHIP	RC-02H 1% 21K5	4822 051 52153
R 3015	RES.CHIP	RC-02H 1% 28K7	4822 051 52873
R 3018	RES.CHIP	RC-02H 1% 19K6	4822 051 51963
R 3021	RES.CHIP	RC-02H 1% 19K6	4822 051 51963
R 3024	RES.CHIP	RC-02H 1% 14K7	4822 051 51473
R 3026	RES.CHIP	RMC1/8 1% 10E	4822 111 91885
R 3063	RES.CHIP	RC-02H 1% 100E	4822 051 51001
R 3064	RES.CHIP	RC-02H 1% 100E	4822 051 51001
R 3066	RES.CHIP	RC-02H 1% 909E	4822 051 59091
R 3067	RES.CHIP	RC-02H 1% 909E	4822 051 59091
R 3068	RES.CHIP	RMC1/8 1% 10E	4822 111 91885
R 3069	RES.CHIP	RMC1/8 1% 10E	4822 111 91885
R 3101	RES.CHIP	RMC1/8 1% 51E1	5322 111 91893
R 3102	RES.CHIP	RMC1/8 1% 21E5	5322 111 92014
R 3103	RES.CHIP	RMC1/8 1% 51E1	5322 111 91893
R 3104	RES.CHIP	RC-02H 1% 12K1	4822 051 51213
R 3107	RES.CHIP	RC-02H 1% 237E	4822 051 52371
R 3111	RES.CHIP	RMC1/8 1% 21E5	5322 111 92014
R 3112	RES.CHIP	RC-02H 1% 383E	4822 051 53831
R 3114	RES.CHIP	RC-01 5% 6E8	4822 051 10688
R 3131	RES.CHIP	RMC1/8 1% 21E5	5322 111 92014
R 3132	RES.CHIP	RC-02H 1% 5K11	4822 051 55112
R 3133	RES.CHIP	RC-02H 1% 14K7	4822 051 51473
R 3134	RES.CHIP	RC-02H 1% 14K7	4822 051 51473
R 3136	RES.CHIP	RC-02H 1% 1K78	4822 051 51782
R 3137	RES.CHIP	RC-02H 1% 121E	4822 051 51211
R 3138	RES.CHIP	RC-01 5% 3E3	4822 051 10338
R 3151	RES.CHIP	RMC1/8 1% 10E	4822 111 91885
R 3161	RES.CHIP	RMC1/8 1% 42K2	4822 111 91887
R 3171	RES.METAL FILM	MRS25 1% 9K53	4822 050 29532
R 3176	RES.CHIP	RC-02H 1% 51K1	4822 051 55113
R 3201	RES.CHIP	RMC1/8 1% 51E1	5322 111 91893
R 3202	RES.CHIP	RMC1/8 1% 21E5	5322 111 92014
R 3203	RES.CHIP	RMC1/8 1% 51E1	5322 111 91893
R 3204	RES.CHIP	RC-02H 1% 12K1	4822 051 51213
R 3207	RES.CHIP	RC-02H 1% 237E	4822 051 52371
R 3211	RES.CHIP	RMC1/8 1% 21E5	5322 111 92014
R 3212	RES.CHIP	RC-02H 1% 383E	4822 051 53831
R 3214	RES.CHIP	RC-01 5% 6E8	4822 051 10688
R 3231	RES.CHIP	RMC1/8 1% 21E5	5322 111 92014
R 3232	RES.CHIP	RC-02H 1% 5K11	4822 051 55112
R 3233	RES.CHIP	RC-02H 1% 14K7	4822 051 51473
R 3234	RES.CHIP	RC-02H 1% 14K7	4822 051 51473
R 3236	RES.CHIP	RC-02H 1% 1K78	4822 051 51782
R 3237	RES.CHIP	RC-02H 1% 121E	4822 051 51211
R 3238	RES.CHIP	RC-01 5% 3E3	4822 051 10338
R 3251	RES.CHIP	RMC1/8 1% 10E	4822 111 91885
R 3261	RES.CHIP	RMC1/8 1% 42E2	4822 111 91887
R 3271	RES.METAL FILM	MRS25 1% 9K53	4822 050 29532

Item	Description		Ordering code
R 3276	RES.CHIP	RC-02H 1% 51K1	4822 051 55113
R 3301	RES.CHIP	RC-02H 1% 61K9	4822 051 56193
R 3302	RES.CHIP	RC-02H 1% 12K1	4822 051 51213
R 3311	RES.CHIP	RC-02H 1% 511E	4822 051 55111
R 3312	RES.CHIP	RC-02H 1% 2K87	4822 051 52872
R 3313	RES.CHIP	RC-02H 1% 2K87	4822 051 52872
R 3314	RES.CHIP	RC-02H 1% 10K	4822 051 51003
R 3316	RES.CHIP	RC-02H 1% 14K7	4822 051 51473
R 3411	RES.CHIP	RC-02H 1% 750E	4822 051 57501
R 3412	RES.CHIP	RC-02H 1% 750E	4822 051 57501
R 3416	RES.CHIP	RMC1/8 1% 51E1	5322 111 91893
R 3418	RES.CHIP	RMC1/8 1% 51E1	5322 111 91893
R 3419	RES.CHIP	RC-02H 1% 16K2	4822 051 51623
R 3421	RES.CHIP	RMC1/8 1% 10E	4822 111 91885
R 3422	RES.CHIP	RMC1/8 1% 10E	4822 111 91885
R 3423	RES.CHIP	RC-02H 1% 316E	4822 051 53161
R 4001	RES.CHIP	RC-02H 1% 51K1	4822 051 55113
R 4002	RES.HI-TENSION	VR25 5% 3M3	4822 053 20335
R 4003	RES.HI-TENSION	VR25 5% 3M3	4822 053 20335
R 4004	RES.HI-TENSION	VR25 5% 3M3	4822 053 20335
R 4006	RES.HI-TENSION	VR25 5% 6M8	4822 053 20685
R 4007	RES.HI-TENSION	VR25 5% 6M8	4822 053 20685
R 4008	RES.CHIP	RC-02H 1% 31K6	4822 051 53163
R 4009	RES.CHIP	RC-02H 1% 31K6	4822 051 53163
R 4031	RES.CHIP	RMC1/8 1% 10E	4822 111 91885
R 4032	RES.CHIP	RC-02H 1% 31K6	4822 051 53163
R 4033	RES.CHIP	RC-02H 1% 1K	4822 051 51002
R 4034	RES.CHIP	RMC1/8 1% 10E	4822 111 91885
R 4036	RES.CHIP	RC-02H 1% 316E	4822 051 53161
R 4037	RES.CHIP	RC-02H 1% 31K6	4822 051 53163
R 4038	RES.CHIP	RC-02H 1% 681E	4822 051 56811
R 4039	RES.CHIP	RC-02H 1% 16K2	4822 051 51623
R 4040	RES.CHIP	RC-02H 1% 31K6	4822 051 53163
R 4041	RES.CHIP	RC-02H 1% 51K1	4822 051 55113
R 4042	RES.CHIP	RC-02H 1% 1K	4822 051 51002
R 4043	RES.CHIP	RC-02H 1% 1K	4822 051 51002
R 4044	RES.CHIP	RC-02H 1% 1M	4822 051 51005
R 4051	RES.HI-TENSION	VR25 5% 3M3	4822 053 20335
R 4110	RES.CHIP	RC-02H 1% 21E5	5322 111 92014
R 4111	RES.CHIP	RMC1/8 1% 100E	4822 051 10101
R 4112	RES.CHIP	RMC1/8 1% 100E	4822 051 10101
R 4113	RES.CHIP	RMC1/8 1% 21E5	5322 117 11734
R 4114	RES.CHIP	RMC1/8 1% 21E5	5322 117 11734
R 4116	RES.CHIP	RC-02H 1% 316E	5322 117 10552
R 4117	RES.CHIP	RC-02H 1% 316E	5322 117 10552
R 4118	RES.CHIP	RC-02H 1% 1K1	4822 051 51102
R 4119	RES.CHIP	RC-02H 1% 1K1	4822 051 51102
R 4121	RES.CHIP	RMC1/8 1% 10E	4822 111 91885
R 4122	RES.CHIP	RMC1/8 1% 10E	4822 111 91885
R 4123	RES.CHIP	RC-02H 1% 422E	4822 051 54221

Item	Description	Ordering code
R 4124	RES.CHIP RC-02H 1% 422E	4822 051 54221
R 4126	RES.CHIP RC-02H 1% 511E	4822 051 55111
R 4127	RES.CHIP RC-02H 1% 511E	4822 051 55111
R 4128	RES.CHIP RC-02H 1% 1K	4822 051 51002
R 4129	RES.CHIP RC-02H 1% 1K	4822 051 51002
R 4130	RES.CHIP RC-02H 1% 5K62	4822 051 55622
R 4132	RES.CHIP RC-02H 1% 5K62	4822 051 55622
R 4133	RES.CHIP RC-02H 1% 5K62	4822 051 55622
R 4134	RES.CHIP RC-01 5% 3E3	4822 051 10338
R 4135	RES.CHIP RC-02H 1% 5K62	4822 051 55622
R 4136	RES.CHIP RC-01 5% 3E3	4822 051 10338
R 4137	RES.CHIP RC-01 5% 3E3	4822 051 10338
R 4138	RES.CHIP RC-01 5% 3E3	4822 051 10338
R 4139	RES.CHIP RC-02H 1% 750E	4822 051 57501
R 4141	RES.CHIP RC-02H 1% 750E	4822 051 57501
R 4142	RES.CHIP RC-01 5% 4E7	4822 051 10478
R 4143	RES.CHIP RC-01 5% 4E7	4822 051 10478
R 4144	RES.CHIP RMC1/8 1% 42E2	4822 111 91887
R 4146	RES.CHIP RMC1/8 1% 42E2	4822 111 91887
R 4147	RES.CHIP RMC1/8 1% 42E2	4822 111 91887
R 4148	RES.CHIP RMC1/8 1% 42E2	4822 111 91887
R 4149	RES.CHIP RC-01 5% 4E7	4822 051 10478
R 4150	RES.CHIP RC-01 5% 4E7	4822 051 10478
R 4151	RES.CHIP RC-01 5% 10E	4822 111 91885
R 4152	RES.CHIP RMC1/8 1% 42E2	4822 111 91887
R 4153	RES.CHIP RMC1/8 1% 42E2	4822 111 91887
R 4154	RES.CHIP RC-02H 1% 10E	4822 111 91885
R 4155	RES.CHIP RC-02H 1% 100E	4822 051 51001
R 4156	RES.CHIP RC-02H 1% 100E	4822 051 51001
R 4157	RES.CHIP RC-02H 1% 100E	4822 051 51001
R 4158	RES.CHIP RC-02H 1% 100E	4822 051 51001
R 4159	RES.CHIP RC-02H 1% 100E	4822 051 51001
R 4160	RES.CHIP RC-02H 1% 100E	4822 051 51001
R 4161	RES.CHIP RMC1/8 1% 75E	4822 111 91937
R 4162	RES.CHIP RMC1/8 1% 75E	4822 111 91937
R 4163	RES.CHIP RC-02H 1% 51K1	4822 051 55113
R 4164	RES.CHIP RC-02H 1% 51K1	4822 051 55113
R 4166	RES.CHIP RC-02H 1% 215K	4822 051 52154
R 4167	RES.CHIP RC-02H 1% 215K	4822 051 52154
R 4168	RES.CHIP RC-02H 1% 215K	4822 051 52154
R 4169	RES.CHIP RC-02H 1% 215K	4822 051 52154
R 4171	RES.CHIP RC-02H 1% 215K	4822 051 52154
R 4172	RES.CHIP RC-02H 1% 215K	4822 051 52154
R 4173	RES.CHIP RC-02G 1% 61K9	4822 051 56193
R 4174	RES.CHIP RC-02G 1% 7K50	4822 051 57502
R 4176	RES.CHIP RC-02H 1% 10E	4822 111 91885
R 4177	RES.CHIP RC-02H 1% 10K	4822 111 91885
R 4178	RES.CHIP RC-02H 1% 10E	4822 111 91885
R 4179	RES.CHIP RC-02H 1% 10E	4822 111 91885
R 4181	RES.CHIP RC-02H 1% 215K	4822 051 52154



Item	Description	Ordering code
R 4182	RES.CHIP RC-02H 1% 215K	4822 051 52154
R 4201	RES.CHIP RC-01 5% 4E7	4822 051 10478
R 4202	RES.CHIP RC-01 5% 3E3	4822 051 10338
R 4203	RES.CHIP RC-01 5% 4E7	4822 051 10478
R 4261	RES.CHIP RMC1/8 1% 42E2	4822 111 91887
R 4262	RES.CHIP RMC1/8 1% 42E2	4822 111 91887
R 5001	RES.CHIP RC-01 5% 1E	4822 051 10108
R 5002	RES.CHIP RC-01 5% 1E	4822 051 10108
R 5003	RES.CHIP RC-01 5% 1E	4822 051 10108
R 5004	RES.CHIP RC-01 5% 1E	4822 051 10108
R 5007	RES.CHIP RC-01 5% 1E	4822 051 10108
R 5008	RES.CHIP RC-01 5% 1E	4822 051 10108
R 5101	RES.CHIP RC-01 5% 4E7	4822 051 10478
R 5111	RES.CHIP RC-01 5% 3E3	4822 051 10338
R 5116	RES.CHIP RC-01 5% 3E3	4822 051 10338
R 5121	RES.CHIP RC-01 5% 4E7	4822 051 10478
R 5126	RES.CHIP RC-01 5% 4E7	4822 051 10478
R 5131	RES.CHIP RC-02H 1% 10K	4822 051 51003
R 5132	RES.CHIP RC-02H 1% 10K	4822 051 51003
R 5133	RES.CHIP RC-02H 1% 10K	4822 051 51003
R 5134	RES.CHIP RC-02H 1% 10K	4822 051 51003
R 5136	RES.CHIP RC-02H 1% 10K	4822 051 51003
R 5137	RES.CHIP RC-02H 1% 3K83	4822 051 53832
R 5138	RES.CHIP RC-02H 1% 3K16	4822 051 53162
R 5139	RES.CHIP RMC1/8 1% 10E	4822 111 91885
R 5151	RES.CHIP RMC1/8 1% 10E	4822 111 91885
R 5201	RES.CHIP RC-01 5% 3E3	4822 051 10338
R 5206	RES.CHIP RC-01 5% 3E3	4822 051 10338
R 5211	RES.CHIP RC-01 5% 3E3	4822 051 10338
R 5216	RES.CHIP RC-01 5% 3E3	4822 051 10338
R 5231	RES.CHIP RMC1/8 1% 10E	4822 111 91885
R 5236	RES.CHIP RMC1/8 1% 10E	4822 111 91885
R 5251	RES.CHIP RMC1/8 1% 10E	4822 111 91885
R 5301	RES.CHIP RC-01 5% 3E3	4822 051 10338
R 5306	RES.CHIP RC-01 5% 3E3	4822 051 10338
R 5311	RES.CHIP RC-01 5% 3E3	4822 051 10338
R 5316	RES.CHIP RC-01 5% 3E3	4822 051 10338
R 5321	RES.CHIP RC-01 5% 4E7	4822 051 10478
R 5326	RES.CHIP RC-01 5% 4E7	4822 051 10478
R 5331	RES.CHIP RMC1/8 1% 10E	4822 111 91885
R 5336	RES.CHIP RMC1/8 1% 10E	4822 111 91885
R 5351	RES.CHIP RMC1/8 1% 10E	4822 111 91885
R 5411	RES.CHIP RMC1/8 1% 21E5	5322 111 92014
R 5416	RES.CHIP RMC1/8 1% 21E5	5322 111 92014
R 5501	RES.CHIP RC-02H 1% 1K	4822 051 51002



Item	Description			Ordering code
<b>SEMI CONDUCTORS</b>				
V 1009	DIODE,CHIP	BBY39	PEL	5322 130 82199
V 1011	DIODE,CHIP	BBY39	PEL	5322 130 82199
V 1014	TRANSISTOR,CHIP	BC858C	PEL	4822 130 42513
V 1016	TRANSISTOR,CHIP	BC858C	PEL	4822 130 42513
V 1018	TRANSISTOR,CHIP	BC858C	PEL	4822 130 42513
V 1019	TRANSISTOR,CHIP	BC858C	PEL	4822 130 42513
V 1021	TRANSISTOR,CHIP	BC858C	PEL	4822 130 42513
V 1022	TRANSISTOR,CHIP	BC858C	PEL	4822 130 42513
V 1023	TRANSISTOR,CHIP	BC848C	PEL	5322 130 42136
V 1024	TRANSISTOR,CHIP	BC848C	PEL	5322 130 42136
V 1026	TRANSISTOR,CHIP	BFT92	PEL	5322 130 44711
V 1027	TRANSISTOR,CHIP	BFT92	PEL	5322 130 44711
V 1028	DIODE,CHIP	BZX84-C6V8	PEL	5322 130 80406
V 1201	TRANSISTOR,CHIP	BC858C	PEL	4822 130 42513
V 1202	TRANSISTOR,CHIP	BC858C	PEL	4822 130 42513
V 1203	TRANSISTOR,CHIP	BC858C	PEL	4822 130 42513
V 1204	TRANSISTOR,CHIP	BC858C	PEL	4822 130 42513
V 1301	DIODE,CHIP	BZX84-C8V2	PEL	5322 130 80255
V 2061	TRANSISTOR,CHIP	BC858C	PEL	4822 130 42513
V 2062	TRANSISTOR,CHIP	BC858C	PEL	4822 130 42513
V 2101	TRANSISTOR,CHIP	BF824	PEL	4822 130 60383
V 2102	DIODE,CHIP	BZX84-B12	PEL	4822 130 83566
V 2103	DIODE,CHIP	BZX84-B12	PEL	4822 130 83566
V 2105	DIODE,CHIP	BZX84-B12	PEL	4822 130 83566
V 2111	TRANSISTOR,CHIP	BF824	PEL	4822 130 60383
V 2113	TRANSISTOR	BFQ252A		4822 130 62932
V 2131	DIODE,CHIP	BAV99	PEL	5322 130 34337
V 2133	TRANSISTOR,CHIP	BF824	PEL	4822 130 60383
V 2132	TRANSISTOR,CHIP	BF840	PEL	4822 130 60887
V 2134	TRANSISTOR	BFQ232A		4822 130 62751
V 2201	TRANSISTOR,CHIP	BF840	PEL	4822 130 60887
V 2202	DIODE,CHIP	BZX84-B12	PEL	4822 130 83566
V 2203	DIODE,CHIP	BZX84-B12	PEL	4822 130 83566
V 2205	DIODE,CHIP	BZX84-B12	PEL	4822 130 83566
V 2211	TRANSISTOR,CHIP	BF824	PEL	4822 130 60383
V 2213	TRANSISTOR	BFQ252A		4822 130 62932
V 2231	DIODE,CHIP	BAV99	PEL	5322 130 34337
V 2232	TRANSISTOR,CHIP	BF840	PEL	4822 130 60887
V 2233	TRANSISTOR,CHIP	BF824	PEL	4822 130 60383
V 2234	TRANSISTOR	BFQ232A		4822 130 62751
V 2301	DIODE,CHIP	BZX84-C8V2	PEL	5322 130 80255
V 2413	DIODE,CHIP	BZX84-C8V2	PEL	5322 130 80255
V 2416	DIODE,CHIP	BZX84-B27	PEL	5322 130 82039
V 2421	DIODE,CHIP	BZX84-C6V8	PEL	5322 130 80406
V 3001	DIODE,CHIP	BAV99	PEL	5322 130 34337

Item	Description		Ordering code
V 3002	TRANSISTOR,CHIP	BC858C PEL	4822 130 42513
V 3061	TRANSISTOR,CHIP	BF824 PEL	4822 130 60383
V 3062	TRANSISTOR,CHIP	BF824 PEL	4822 130 60383
V 3101	TRANSISTOR,CHIP	BF840 PEL	4822 130 60887
V 3102	DIODE,CHIP	BZX84-B12 PEL	4822 130 83566
V 3103	DIODE,CHIP	BZX84-B12 PEL	4822 130 83566
V 3105	DIODE,CHIP	BZX84-B12 PEL	4822 130 83566
V 3111	TRANSISTOR,CHIP	BF824 PEL	4822 130 60383
V 3113	TRANSISTOR	BFQ252A	4822 130 62932
V 3131	DIODE,CHIP	BAV99 PEL	5322 130 34337
V 3132	TRANSISTOR,CHIP	BF840 PEL	4822 130 60887
V 3133	TRANSISTOR,CHIP	BF824 PEL	4822 130 60383
V 3134	TRANSISTOR	BFQ232A	4822 130 62751
V 3136	DIODE,CHIP	BAS21 PEL	4822 130 33702
V 3137	DIODE,CHIP	BAS21 PEL	4822 130 33702
V 3201	TRANSISTOR,CHIP	BF840 PEL	4822 130 60887
V 3202	DIODE,CHIP	BZX84-B12 PEL	4822 130 83566
V 3203	DIODE,CHIP	BZX84-B12 PEL	4822 130 83566
V 3205	DIODE,CHIP	BZX84-B12 PEL	4822 130 83566
V 3211	TRANSISTOR,CHIP	BF824 PEL	4822 130 60383
V 3213	TRANSISTOR	BFQ252A	4822 130 62932
V 3231	DIODE,CHIP	BAV99 PEL	5322 130 34337
V 3232	TRANSISTOR,CHIP	BF840 PEL	4822 130 60887
V 3233	TRANSISTOR,CHIP	BF824 PEL	4822 130 60383
V 3234	TRANSISTOR	BFQ232A	4822 130 62751
V 3236	DIODE,CHIP	BAS21 PEL	4822 130 33702
V 3237	DIODE,CHIP	BAS21 PEL	4822 130 33702
V 3301	TRANSISTOR,CHIP	BF820 PEL	5322 130 62802
V 3311	TRANSISTOR,CHIP	BC858C PEL	4822 130 42513
V 3312	DIODE,CHIP	BAV99 PEL	5322 130 34337
V 3413	DIODE,CHIP	BZX84-C8V2 PEL	5322 130 80255
V 3416	DIODE,CHIP	BZX84-B27 PEL	5322 130 82039
V 3421	DIODE,CHIP	BZX84-C6V8 PEL	5322 130 80406
V 4001	DIODE,CHIP	BAV99 PEL	5322 130 34337
V 4002	TRANSISTOR,CHIP	BF821 PEL	4822 130 61923
V 4003	TRANSISTOR,CHIP	BF821 PEL	4822 130 61923
V 4004	TRANSISTOR,CHIP	BF821 PEL	4822 130 61923
V 4031	TRANSISTOR,CHIP	BF821 PEL	4822 130 61923
V 4032	TRANSISTOR,CHIP	BF821 PEL	4822 130 61923
V 4033	TRANSISTOR,CHIP	BF820 PEL	5322 130 62802
V 4034	TRANSISTOR,CHIP	BF820 PEL	5322 130 62802
V 4036	DIODE,CHIP	BZX84-B18 PEL	5322 130 83709
V 4037	DIODE,CHIP	BAS21 PEL	4822 130 33702
V 4038	TRANSISTOR,CHIP	BF820 PEL	5322 130 62802
V 4039	TRANSISTOR,CHIP	BF821 PEL	4822 130 61923
V 4040	DIODE,CHIP	BAS21 PEL	4822 130 33702
V 4041	DIODE,CHIP	BAS21 PEL	4822 130 33702
V 4042	DIODE,CHIP	BAS21 PEL	4822 130 33702
V 4043	DIODE,CHIP	BAS21 PEL	4822 130 33702
V 4044	DIODE,CHIP	BAS21 PEL	4822 130 33702

Item	Description			Ordering code
V 4101	TRANSISTOR,CHIP	BF824	PEL	4822 130 60383
V 4102	TRANSISTOR,CHIP	BF824	PEL	4822 130 60383
V 4103	TRANSISTOR,CHIP	BF840	PEL	4822 130 60887
V 4104	TRANSISTOR,CHIP	BF840	PEL	4822 130 60887
V 4106	TRANSISTOR,CHIP	BF824	PEL	4822 130 60383
V 4107	TRANSISTOR,CHIP	BF824	PEL	4822 130 60383
V 4108	TRANSISTOR,CHIP	BFG35	PEL	5322 130 62805
V 4109	TRANSISTOR,CHIP	BFG35	PEL	5322 130 62805
V 4111	TRANSISTOR,CHIP	BFG55	PEL	5322 130 62806
V 4112	TRANSISTOR,CHIP	BFG55	PEL	5322 130 62806
V 4113	DIODE,CHIP	BBY62	PEL	5322 130 82685
V 4114	TRANSISTOR,CHIP	BC858C	PEL	4822 130 42513
V 5001	DIODE,CHIP	BAS21	PEL	4822 130 33702
V 5002	DIODE,CHIP	BAS21	PEL	4822 130 33702

### CONNECTORS AND SOCKETS

X 2101	CONNECTOR	4-P SNG	RT.ANG	5322 265 30907
X 2301	CONNECTOR	26-P DBL	STRGHT	4822 267 50668
X 2402	CONNECTOR	3-P SNG	RT.ANG	5322 265 30433
X 2403	SOCKET	55595	PEL	5322 255 40502
X 2411	CONNECTOR	26-P DBL	STRGHT	4822 267 50558
X 2501	CONNECTOR	50-P DBL	STRGHT	5322 265 61242

## 5.3 MICROPROCESSOR A3

### 5.3.1 Description A3

#### *Introduction*

The unit can be seen as the heart of the oscilloscope. It controls all oscilloscope functions and receives input signals from the following sources:

- the rotary and push button knobs present at front unit A4 and CRT controls unit A5.
- commands from an external computer that are applied to the RS232 interface that is part of microprocessor D1001.
- circuits throughout the oscilloscope indicating the state of the circuitry.
- commands from an external computer that are applied via the optional IEEE-488 interface. This interface is also located on unit A3.

Control signals coming from the microprocessor unit can be split up as follows:

- serial data that is applied to numerous digital-to-analog converters that control the continuous oscilloscope functions.
- serial data that is applied to latches that control "on/off" oscilloscope functions.
- 16 analog output voltages that control continuously variable "potentiometer" functions in the oscilloscope.

#### **Diagram 1**

The microprocessor system is formed by microprocessor D1001, FlashROM D1013 and RAM D1012. FlashROM D1015 is used for instrument extensions such as digital signal storage and processing. Amongst other features the processor incorporates 8 analog "ADC" inputs (ACH0 ... ACH7), a RS232 interface (CPTXD, CPRXD, CPDTR, CPRTS, CPCTS, CPDSR) and a I2C bus (SDAUP/SDA, SCLUP/SCL). Via the I2C bus structure many control buffers and digital-to-analog converters are loaded with data. D1001 has a 12 MHz clock with crystal G1001 that is connected between pin 8 and 9. Half the clock frequency is available as CPCLOCK at output pin 7. The 8 analog ADC inputs ACH0 ... ACH7 are used for the autocal function (YCAL and XCAL) and probe identification (PTEST-XA). These inputs are also used for temperature measurement (R1009) and time base status indication (signal TBSMART). The outputs PRMUX0 through PRMUX2 are used for the probe detection circuit on the next diagram.

D1011 demultiplexes the combined address and databits CPAD00 through CPAD07. The output consists of address-information only. Address information is present on the address/data bus if input ALE-HT is high.

The output latch D1017 creates the enable signals for the I2C bus latches and digital-to-analog converters that control the circuits throughout the oscilloscope.

Signal POWER-HT is low the first 250 ms after switching-on. This results via the gates D1007 in a low signal CPRESET-LT that initializes the microprocessor D1001. RESET-LT resets a number of chips at the unit A3 and also front unit A4. Signal EA is made high; this has the result that the microprocessor can only reach its internal ROM. This ROM incorporates the start-up routine. The routine ends by applying signal CPRSTCSLT to pin 11 of flipflop D1014. This makes signal EA low and the microprocessor can reach the FLASHROM D1013.

D1009 is a PAL that makes the selection for various chips on the unit. Examples are D1012 RAM selection via RAMCS-LT (pin 19) that results in RCS-LT via gate D1018. D1018 also generates the write pulse WROM-LT for D1013. D1013 EPROM selection occurs via D1009 output signal ROM0CSLT. D1015 EPROM selection occurs via D1009 output signal ROM1CSLT.

D1016 is a 3 to 8 decoder that controls circuits on unit A3. Depending on the state of the 3 inputs CPA04 through CPA06, one of the 8 outputs is low at a time.



### Diagram 2

The resistance value of the indication ring in the probe at channels 1, 2, 3 and 4 is present between ground and pin 13, 14, 15 and 12 of multiplexer D1008 respectively. The analog probe resistance value results in a certain DC voltage that is switched to ADC input PTEST-XA of the processor D1001.

The circuit part indicated with 'RS232-C INTERFACE' consists of a buffer D1302 that converts the microprocessor's TTL signals (0 and 5 volt) into -12 and +12 volt RS232 output levels. The buffer D1301 does the same in the opposite direction.

The buzzer circuit incorporates an oscillator built around the buffer D1301 and amplifier D1302. D1302 is enabled by flipflop D1102. The buzzer H1001 is a piezo ceramic transducer.

The +5 V reference voltage for the A.D.C.'s inside D1001 is derived from the instrument's +10 V reference voltage via operational amplifier N1801.

### Diagram 3

This diagram shows the "DAC-POT" IC D1112 that converts the digital data from the microprocessor into 16 analog voltages. Each of these voltages is independently adjustable between 1 V and 4 V. The reference voltage for this D/A converter comes from N1101.

This diagram also shows the IEEE interface that is a factory-installed option. The heart of the interface is IEEE-controller D1104. The registers inside D1104 can be controlled by microprocessor D1001 via the buffer D1103. The clock for D1104 is generated by crystal oscillator G1111, D1101 and divider stage D1102. The bidirectional buffers D1107, D1108, D1109, D1111 form an interface between D1004 and the IEEE bus devices outside the oscilloscope. D1106 controls the bidirectional buffers.

### Diagram 4

This diagram comprises the generation of CRT text and cursors. The heart of the system is formed by the text generator IC D1402. This device is controlled by the microprocessor via the 8 data bus lines CPA00 through CPA07. The text that has to be displayed is stored in RAM D1401. Every 19 ms the input TXTCS-LT at pin 35 of D1402 becomes active and the actual text information is written into the text generator.

The vertical component of the text display is represented by the 10 bits code Y0 through Y9. This is converted into analog via DAC N1401. The balanced current output signals are YTXT0 and YTXT1. These signals are in opposite phase.

The horizontal component of the text display is represented by the 10 bits code X0 through X9. Conversion into analog occurs via DAC N1402. The balanced current output signals are XTXT0 and XTXT1. These signals are in opposite phase.

The switching of the X and Y deflection between text and normal signal is controlled by the current signals XYSW0 and XYSW1 that are derived from pin 64 and 65 of D1402 and are in opposite phase. Text is displayed if XYSW1 is at 1mA and XYSW0 is at 0mA. Text display is on during the autocal procedure if TXTOPT-HT is high.

The current signals ZSW0 and ZSW1 switch the Z amplifier between signal display and text display and are derived from pin 80 and 1 of D1401. At time base sweep speeds of 0.1 ms/div and faster, parts of the text are displayed during the time base hold-off period. The presence of the hold off period is indicated to D1402 via V1401 by signal TBHOTXT. At sweep speeds of 0.2 ms/div and slower, the text is displayed at a random basis during the normal signal display that is interrupted for a while. This is done so that it is invisible to the user.



The signal ZINFO-LT that comes from pin 80 of D1401 determines the intensity of the text and cursors. This happens via the output current signals ZTXT0 and ZTXT1 that are in opposite phase. They originate from the circuit with V1448, V1449, V1443, V1444 and V1446. Intensity is also controlled by the front panel INTENS TEXT rotary that influences the DAC output signal INTRD0.

### Diagram 5

Diagram 5 shows the pinning of the two connectors on microprocessor unit A3. Connector X1101 makes contact with the motherboard. Connector X1501 makes contact with the signal unit A1 via a flat cable. D1931 is a real-time clock that may be present as a factory-installed option.

## 5.3.2 Signal name list A3

*Note: In the signal name list you find the itemnumber of the component that is source or destination. Behind this itemnumber (separated by ":") you find the number of the diagram where the source/destination can be found.*

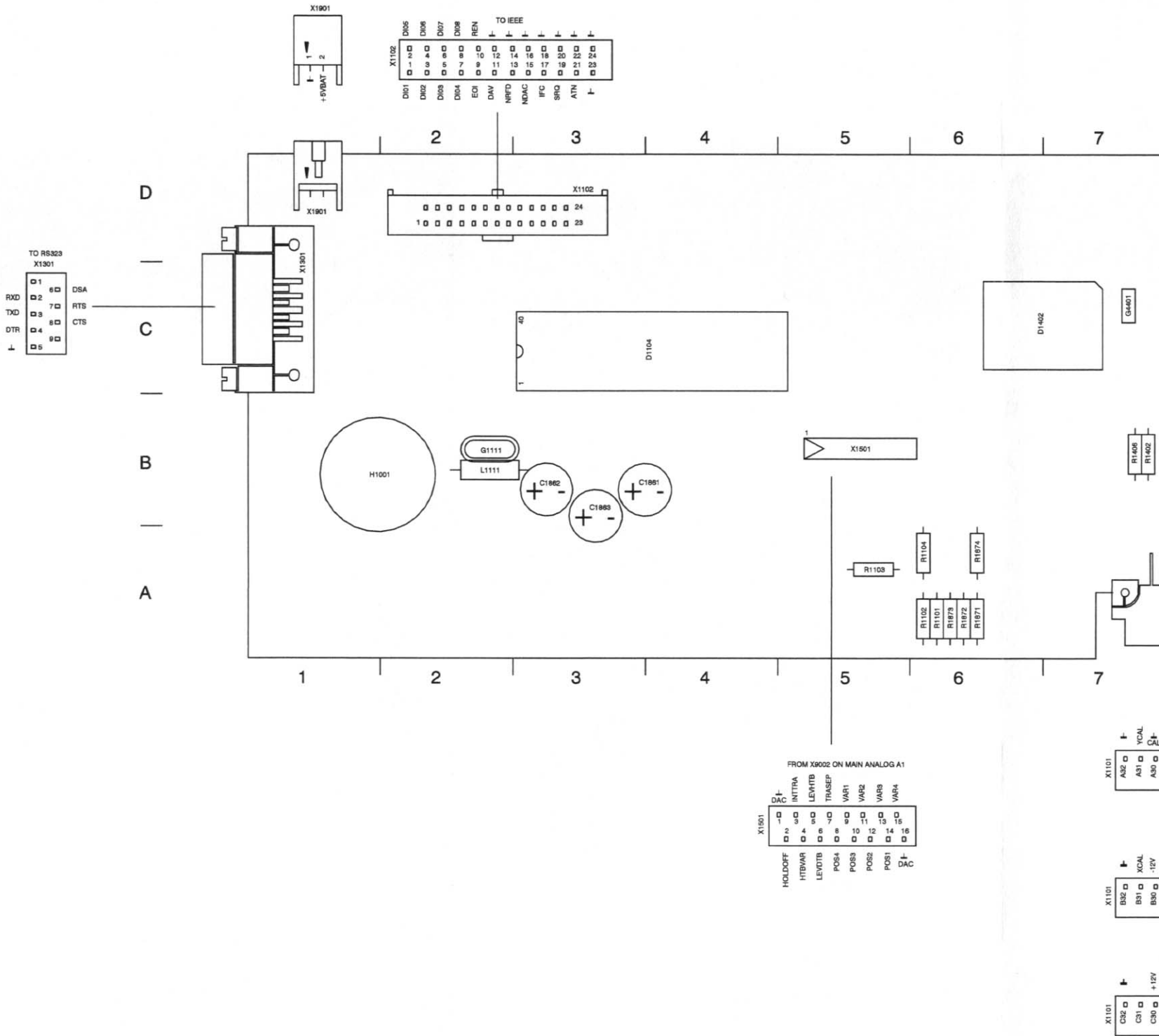
NAME	MEANING	SOURCE	DESTINATION
CPCTS	RS232 CLEAR TO SEND (TTL)	D1301:02	D1001:01
CPDSR	RS232 DATA SET READY (TTL)	D1301:02	D1001:01
CPDTR	RS232 DATA TERMINAL READY (TTL)	D1001:01	D1302:02
CPRTS	RS232 REQUEST TO SEND (TTL)	D1001:01	D1302:02
CPRXD	RS232 RECEIVE DATA (TTL)	D1301:02	D1001:01
CPTXD	RS232 TRANSMIT DATA (TTL)	D1001:01	D1302:02
DACPEN-LT	ENABLE SIGNAL FOR DACPOT CIRCUIT	D1016:01	D1112:03
DACPWR-LT	WRITE SIGNAL FOR DACPOT CIRCUIT	D1016:01	D1112:03
DLEN0-HT	DATA LATCH ENABLE 0	R1063:01	X1101:05
DLEN1-HT	DATA LATCH ENABLE 1	R1064:01	X1101:05
DLEN2-HT	DATA LATCH ENABLE 2	R1066:01	X1101:05
FOCUS-DA	DC PART FOCUSING SIGNAL	R1136:03	X1101:05
HOLDOFF	HOLD OFF CONTROL SIGNAL	R1122:03	X1501:05
INTTRA	TRACE INTENSITY CONTROL SIGNAL	R1123:03	X1501:05
MTBVAR	MAIN TB VAR CONTROL SIGNAL	R1124:03	X1501:05
LEVDTB	DELAYED TB LEVEL CONTROL SIGNAL	R1126:03	X1501:05
LEVMTB	MAIN TB LEVEL CONTROL SIGNAL	R1125:03	X1501:05
POS1	CH1 POSITION CONTROL SIGNAL	R1129:03	X1501:05
POS2	CH2 POSITION CONTROL SIGNAL	R1132:03	X1501:05
POS3	CH3 POSITION CONTROL SIGNAL	R1134:03	X1501:05
POS4	CH4 POSITION CONTROL SIGNAL	R1128:03	X1501:05
POWER-HT	POWER UP INDICATION SIGNAL	X1101:05	D1007:01
PRMUX0	PROBE READ-OUT MPX CONTROL 0	D1001:01	D1008:02
PRMUX1	PROBE READ-OUT MPX CONTROL 1	D1001:01	D1008:02
PRMUX2	PROBE READ-OUT MPX CONTROL 2	D1001:01	D1008:02
PROBE1	PROBE DETECTION/50Ω PROTECT CH1	X1101:05	V1014:02
PROBE2	PROBE DETECTION/50Ω PROTECT CH2	X1101:05	V1013:02
PROBE3	PROBE DETECTION/50Ω PROTECT CH3	X1101:05	V1012:02
PROBE4	PROBE DETECTION/50Ω PROTECT CH4	X1101:05	V1011:02
PTEST-XA	PROBE TEST SIGNAL	D1008:02	D1001:01
SCL	SERIAL CLOCK	R1054:01	X1101:05
SCLUP	SERIAL CLOCK AT MICROPROCESSOR	D1001:01	R1053:01
SDA	SERIAL DATA	R1052:01	X1101:05
SDAUP	SERIAL DATA AT MICROPROCESSOR	D1001:01	R1051:01
STROBE0-HT	STROBE/ENABLE SIGNAL 0	R1067:01	X1101:05
STROBE1-HT	STROBE/ENABLE SIGNAL 1	R1068:01	X1101:05

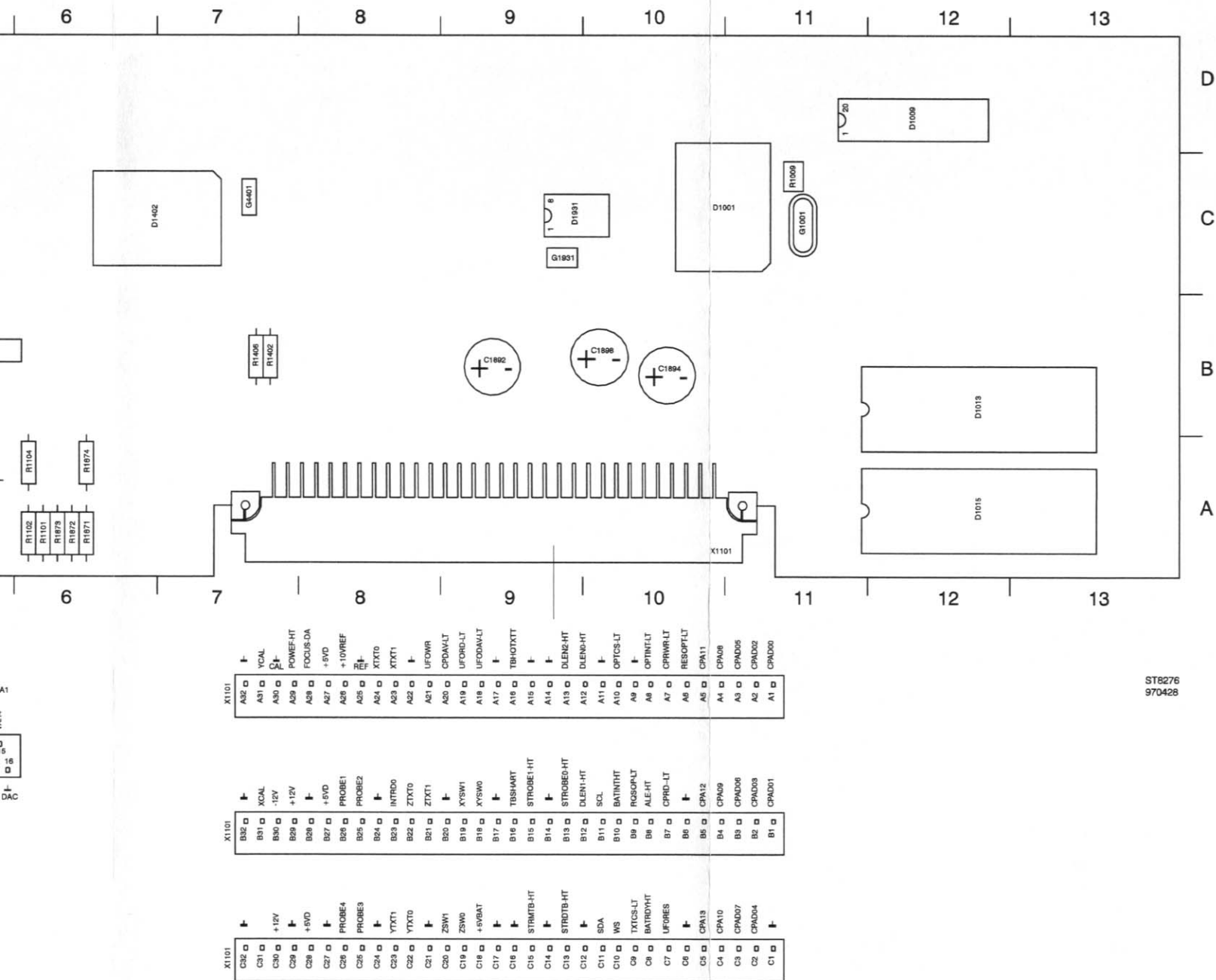
TBHOTXT	HOLD OFF INDICATION FOR TEXT IC	X1101:05	R1411:04
TRASEP	TRACE SEPARATION CONTROL SIGNAL	R1127:03	X1501:05
UFODAVLT	FRONT WRITES TO MICROPROCESSOR	X1101:05	D1001:01
UFOWR-LT	MICROPROCESSOR WRITES TO FRONT	D1016:01	X1101:05
VAR1	CH1 VARIABLE GAIN CONTROL SIGNAL	R1135:03	X1501:05
VAR2	CH2 VARIABLE GAIN CONTROL SIGNAL	R1133:03	X1501:05
VAR3	CH3 VARIABLE GAIN CONTROL SIGNAL	R1131:03	X1501:05
VAR4	CH4 VARIABLE GAIN CONTROL SIGNAL	R1130:03	X1501:05
XCAL	SIGNAL FOR X CALIBRATION	X1101:05	D1001:01
XTXT0	HORIZONTAL TEXT SIGNAL 0	R1451:04	X1101:05
XTXT1	HORIZONTAL TEXT SIGNAL 1	R1451:04	X1101:05
XYSW0	X AND Y SWITCHING TEXT/SIGNAL 0	V1431:04	X1101:05
XYSW1	X AND Y SWITCHING TEXT/SIGNAL 1	V1434:04	X1101:05
YCAL	SIGNAL FOR Y CALIBRATION	X1101:05	D1001:01
YTXT0	VERTICAL TEXT SIGNAL 0	R1453:04	X1501:05
YTXT1	VERTICAL TEXT SIGNAL 1	R1454:04	X1501:05
ZSW0	Z SWITCHING TEXT/SIGNAL 0	V1436:04	X1101:05
ZSW1	Z SWITCHING TEXT/SIGNAL 1	V1442:04	X1101:05
ZTXT0	TEXT INTENSITY 0	V1446:04	X1101:05
ZTXT1	TEXT INTENSITY 1	V1444:04	X1101:05

JTN



5.3.3 Unit lay-outs

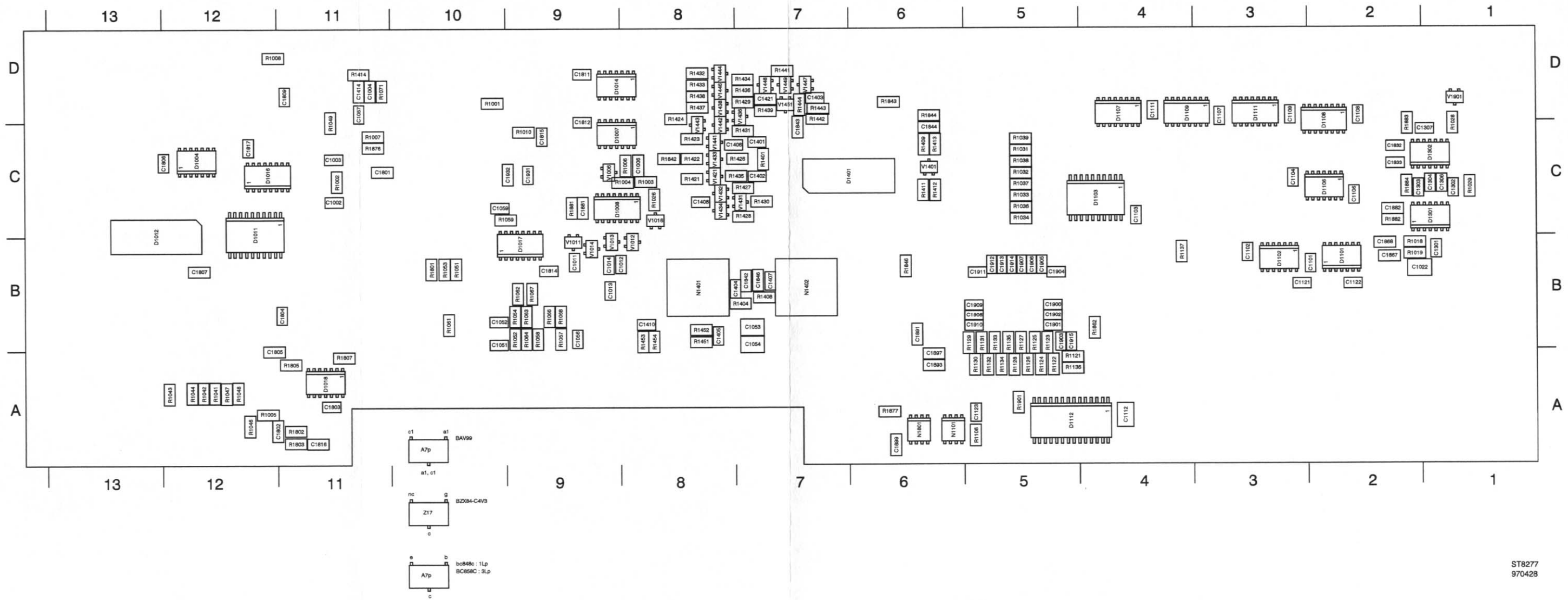




ST8276  
970428

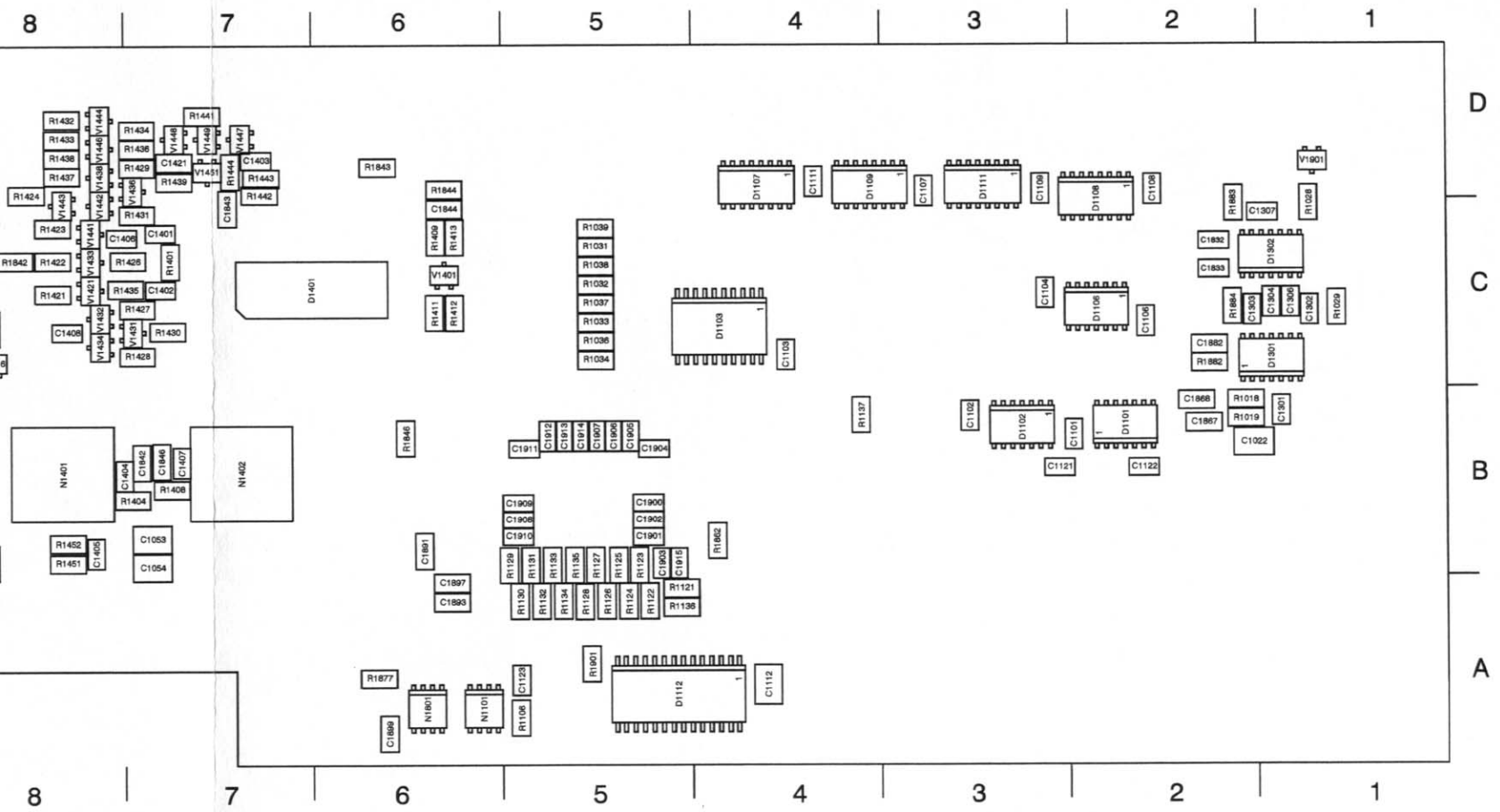
Lay-out 14 - Wire component side





Lay-out 15 - Micro-miniature component side of microprocessor unit A3





ST8277  
970428

Lay-out 15 - Micro-miniature component side of microprocessor unit A3

### 5.3.4 Location list Microprocessor unit A3

'-L' means that the component is located on the printed circuit board side with the large components. Otherwise the component is located on the side with small components (SMD's: surface mounted devices).

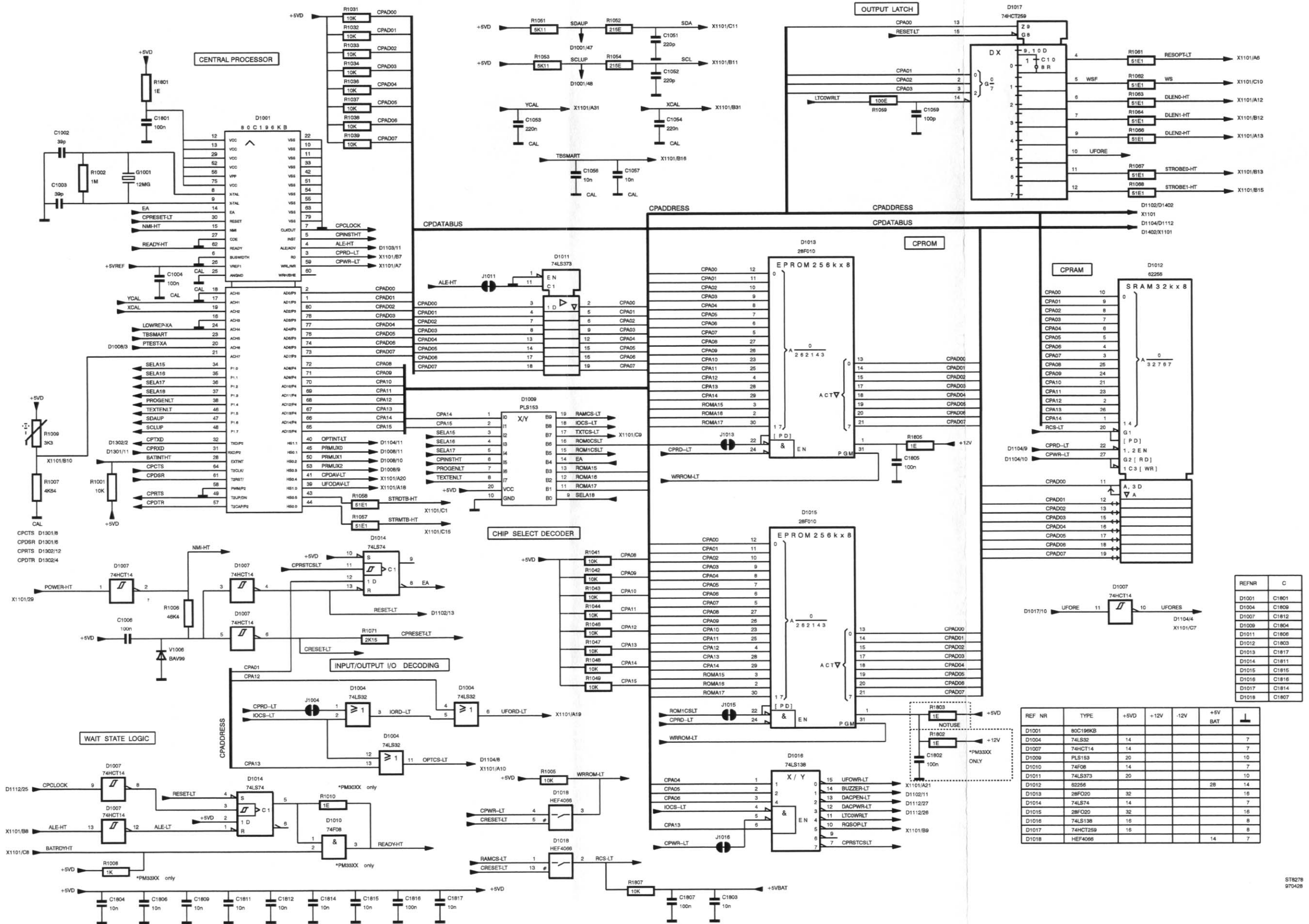
C1002 C11	C1809 D11	D1301 C1	R1061 B10
C1003 C11	C1811 D9	D1302 C1	R1062 B9
C1004 D11	C1812 D9	D1401 C7	R1063 B9
C1011 B9	C1814 C10	D1402 C6-L	R1064 B9
C1012 B8	C1815 C9	D1931 C9-L	R1066 B9
C1013 B9	C1816 A11	G1001 C11-L	R1067 B9
C1014 B9	C1817 C12	G1111 B2-L	R1068 B9
C1022 B2	C1832 C2	G1931 C9-L	R1071 D11
C1051 B10	C1833 C2	G4401 C7-L	R1101 A6-L
C1052 B10	C1842 B7	H1001 D1-L	R1102 A6-L
C1053 B7	C1843 C7	L1111 B2-L	R1103 A5-L
C1054 B7	C1844 C6	N1101 A6	R1104 A6-L
C1056 B9	C1846 B7	N1401 B8	R1106 A5
C1101 B2	C1861 B3-L	N1402 B7	R1121 A5
C1102 B3	C1862 B3-L	N1801 A6	R1122 A5
C1103 C4	C1863 B3-L	R1001 D10	R1123 B5
C1104 C3	C1867 B2	R1002 C11	R1124 A5
C1106 C2	C1868 B2	R1003 D11	R1125 B5
C1107 D3	C1881 C9	R1004 C11	R1126 A5
C1108 D2	C1882 C2	R1005 A12	R1127 B5
C1109 D3	C1891 B6	R1007 C11	R1128 A5
C1111 D4	C1892 B9-L	R1008 D12	R1129 B5
C1112 A4	C1893 A6	R1009 C11-L	R1130 A5
C1121 B3	C1894 B10-L	R1010 C9	R1131 B5
C1122 B2	C1897 A6	R1018 B2	R1132 A5
C1123 A5	C1898 B9-L	R1019 B2	R1133 B5
C1301 B1	C1899 A6	R1028 C1	R1134 A5
C1302 C1	D1001 C10-L	R1029 C1	R1135 B5
C1303 C2	D1004 C12	R1031 C5	R1136 A5
C1304 C1	D1007 C9	R1032 C5	R1137 B4
C1306 C1	D1008 C9	R1033 C5	R1401 C7
C1307 C1	D1009 D12-L	R1034 C5	R1402 B7-L
C1401 C7	D1011 C12	R1036 C5	R1404 B7
C1402 C7	D1012 C13	R1037 C5	R1406 B7-L
C1403 D7	D1013 B12-L	R1038 C5	R1408 B7
C1404 B7	D1014 D9	R1039 C5	R1409 C6
C1405 B8	D1015 A12-L	R1041 A12	R1411 C6
C1406 C7	D1016 C12	R1042 A12	R1412 C6
C1407 B7	D1017 B9	R1043 A12	R1413 C6
C1408 C8	D1018 A11	R1044 A12	R1421 C8
C1409 D7	D1101 B2	R1046 A12	R1422 C8
C1410 B8	D1102 B3	R1047 A12	R1423 C8
C1421 D7	D1103 C4	R1048 A12	R1424 D8
C1801 C11	D1104 C4-L	R1049 D11	R1426 C7
C1802 A11	D1106 C2	R1051 B10	R1427 C7
C1803 A11	D1107 D4	R1052 B9	R1428 C7
C1804 B11	D1108 D2	R1053 B10	R1429 D7
C1805 B12	D1109 D4	R1054 B9	R1430 C7
C1806 C12	D1111 D3	R1057 B9	R1431 C7
C1807 B12	D1112 A5	R1058 B9	R1432 D8

R1433 D8	R1802 A11	R1882 C2	V1438 D8
R1434 D7	R1803 A11	R1883 C2	V1441 C8
R1435 C7	R1805 A11	R1884 C2	V1442 D8
R1436 D7	R1807 A11	R1901 A5	V1443 D8
R1437 D8	R1842 C8	V1006 C9	V1444 D8
R1438 D8	R1843 D6	V1011 B9	V1446 D8
R1439 D7	R1844 D6	V1012 B8	V1447 D7
R1441 D7	R1846 B6	V1013 B9	V1448 D7
R1442 D7	R1862 B4	V1014 B9	V1449 D7
R1443 D7	R1871 A6-L	V1401 C6	V1451 D7
R1444 D7	R1872 A6-L	V1421 C8	X1101 9A-L
R1451 B8	R1873 A6-L	V1431 C7	X1102 D4-L
R1452 B8	R1874 A6-L	V1432 C8	X1301 C1-L
R1453 B8	R1876 D11	V1433 C8	X1501 B5-L
R1454 B8	R1877 A6	V1434 C8	
R1801 B10	R1881 C9	V1436 D7	

JTN



5.3.5 Circuit diagrams



REF NR	C
D1001	C1801
D1004	C1809
D1007	C1812
D1009	C1804
D1011	C1806
D1012	C1803
D1013	C1817
D1014	C1811
D1015	C1815
D1016	C1816
D1017	C1814
D1018	C1807

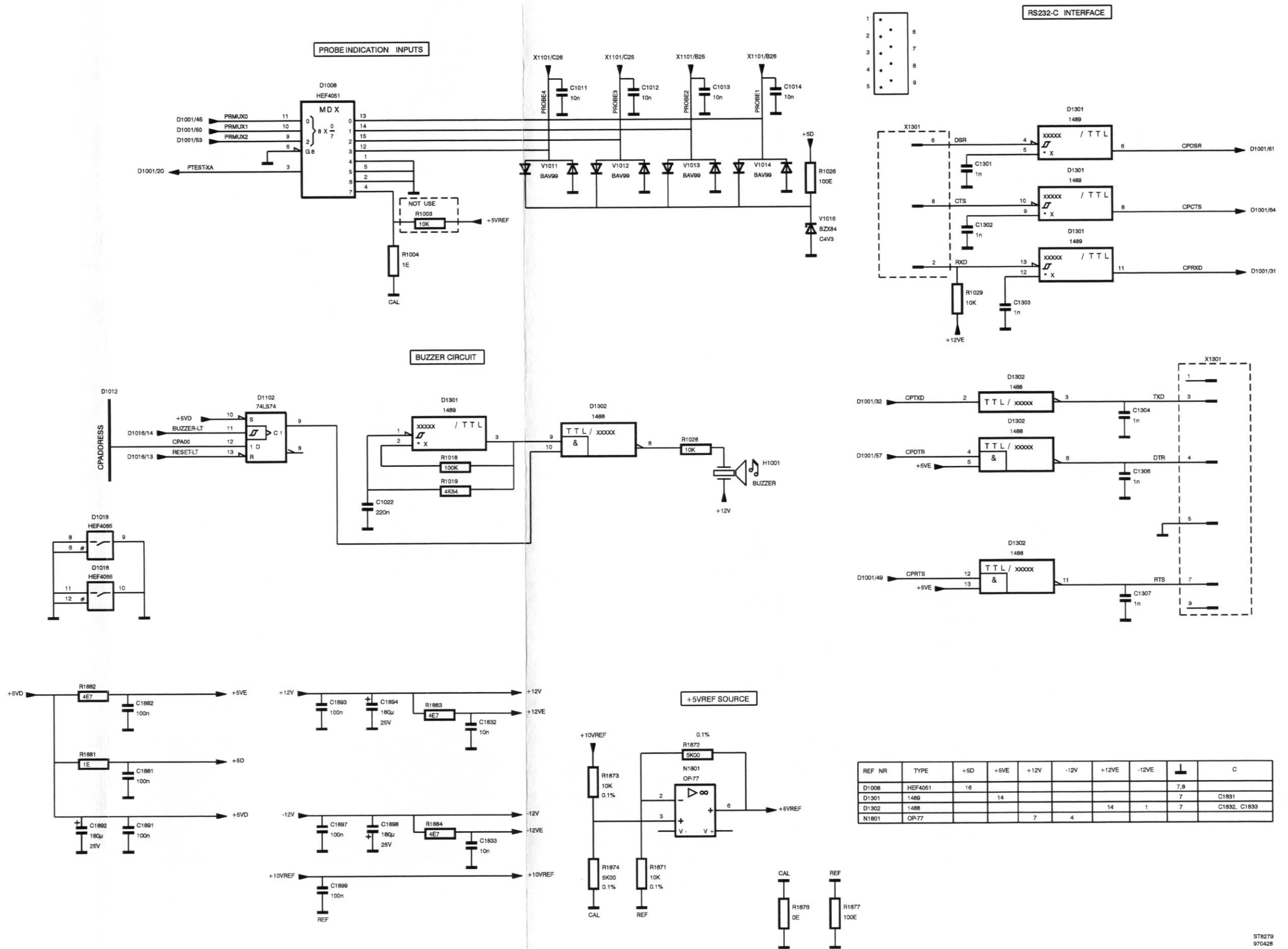
REF NR	TYPE	+5VD	+12V	-12V	+5V BAT	I
D1001	80C198KB					
D1004	74LS32					7
D1007	74HCT14					7
D1009	PLS153					10
D1010	74F08					7
D1011	74LS373					10
D1012	82256				28	14
D1013	28F020					16
D1014	74LS74					7
D1015	28F020					16
D1016	74LS138					8
D1017	74HCT259					8
D1018	HEF4066					14

Diagram 1 - Central processor unit

ST8278  
970428



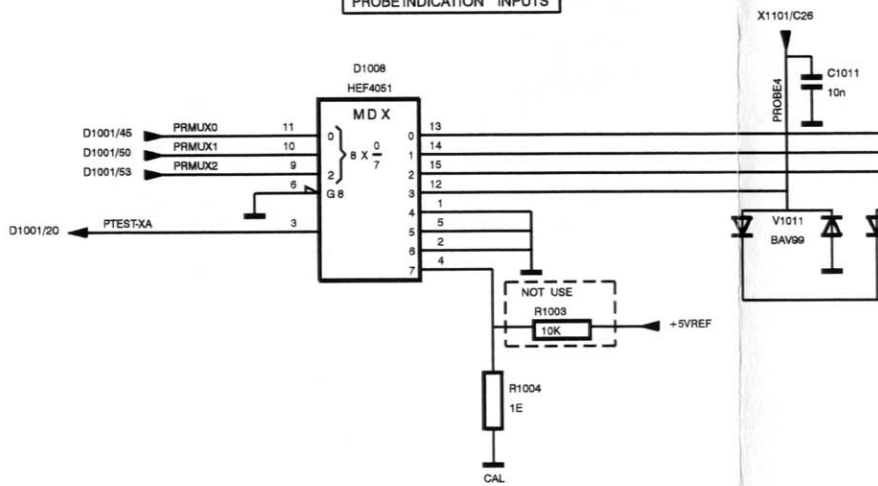




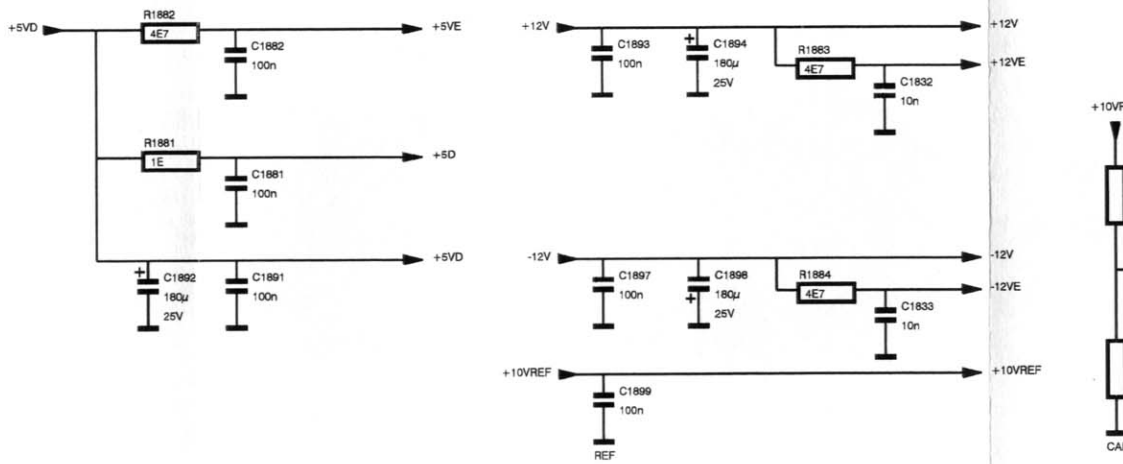
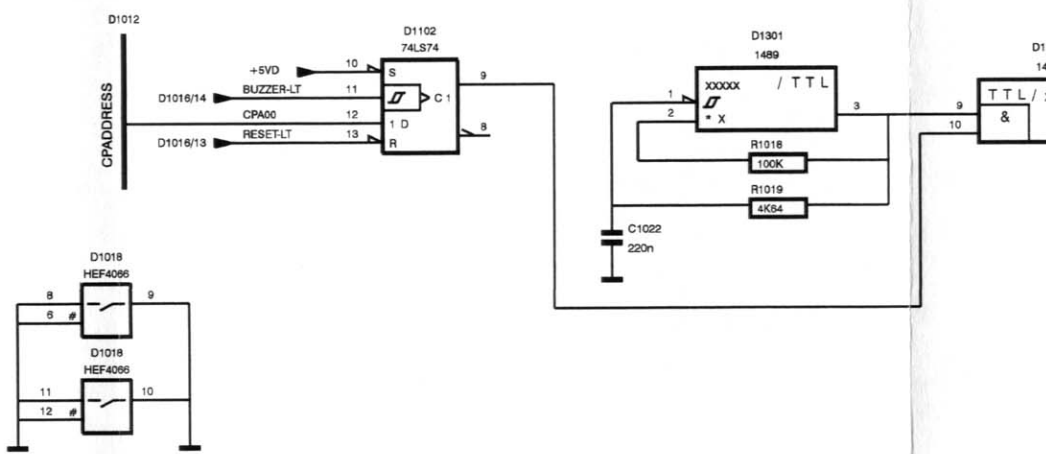
REF NR	TYPE	+5D	+5VE	+12V	-12V	+12VE	-12VE		C
D1008	HEF4051	16						7,8	
D1301	1488		14					7	C1831
D1302	1488					14	1	7	C1832, C1833
N1801	OP-77			7	4				

Diagram 2 - Auxiliary circuits

PROBE INDICATION INPUTS



BUZZER CIRCUIT





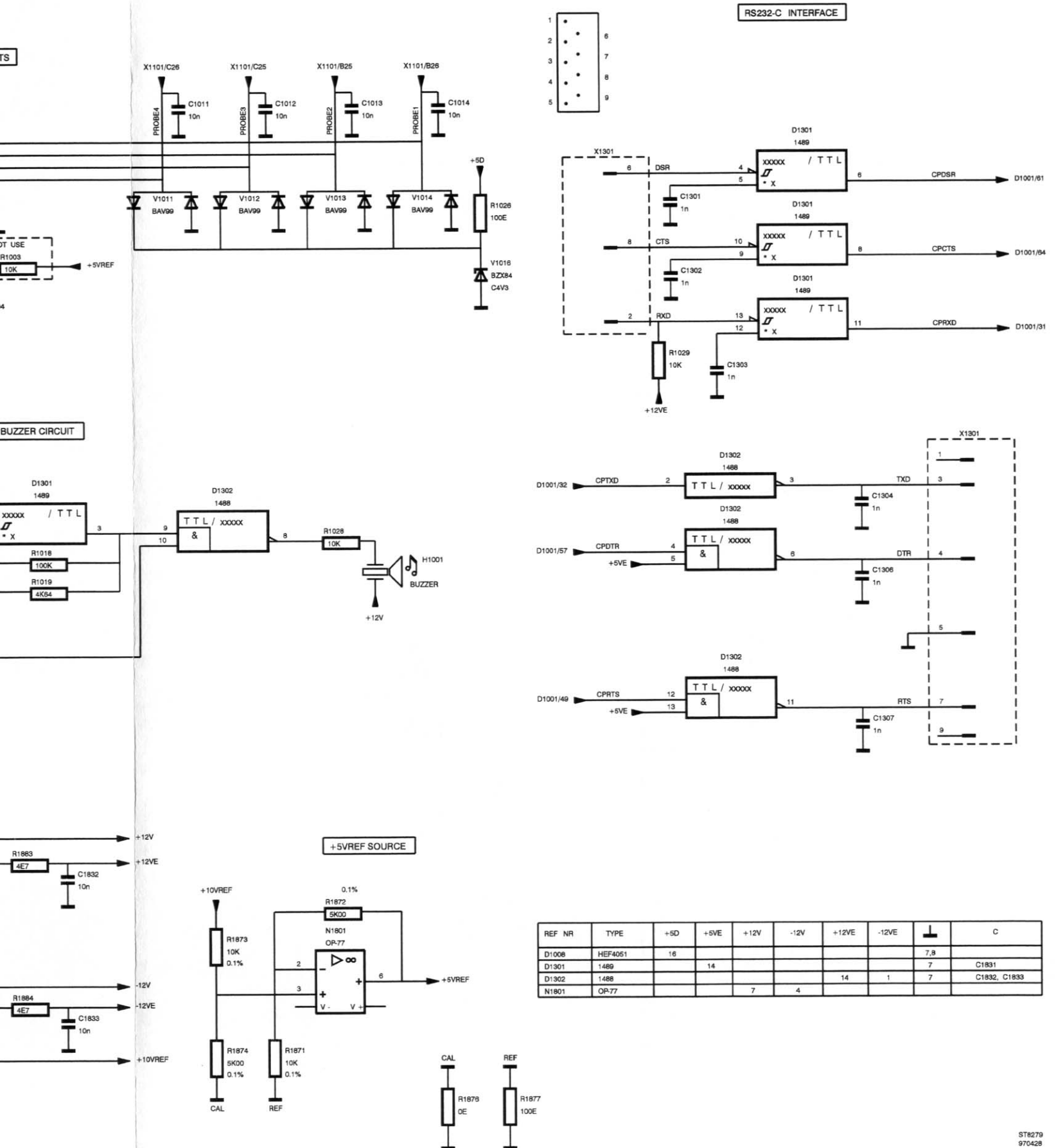


Diagram 2 - Auxiliary circuits

REF NR	TYPE	+5D	+5VE	+12V	-12V	+12VE	-12VE		C
D1008	HEF4051	16						7,8	
D1301	1489		14					7	C1831
D1302	1488					14	1	7	C1832, C1833
N1801	OP-77			7	4				

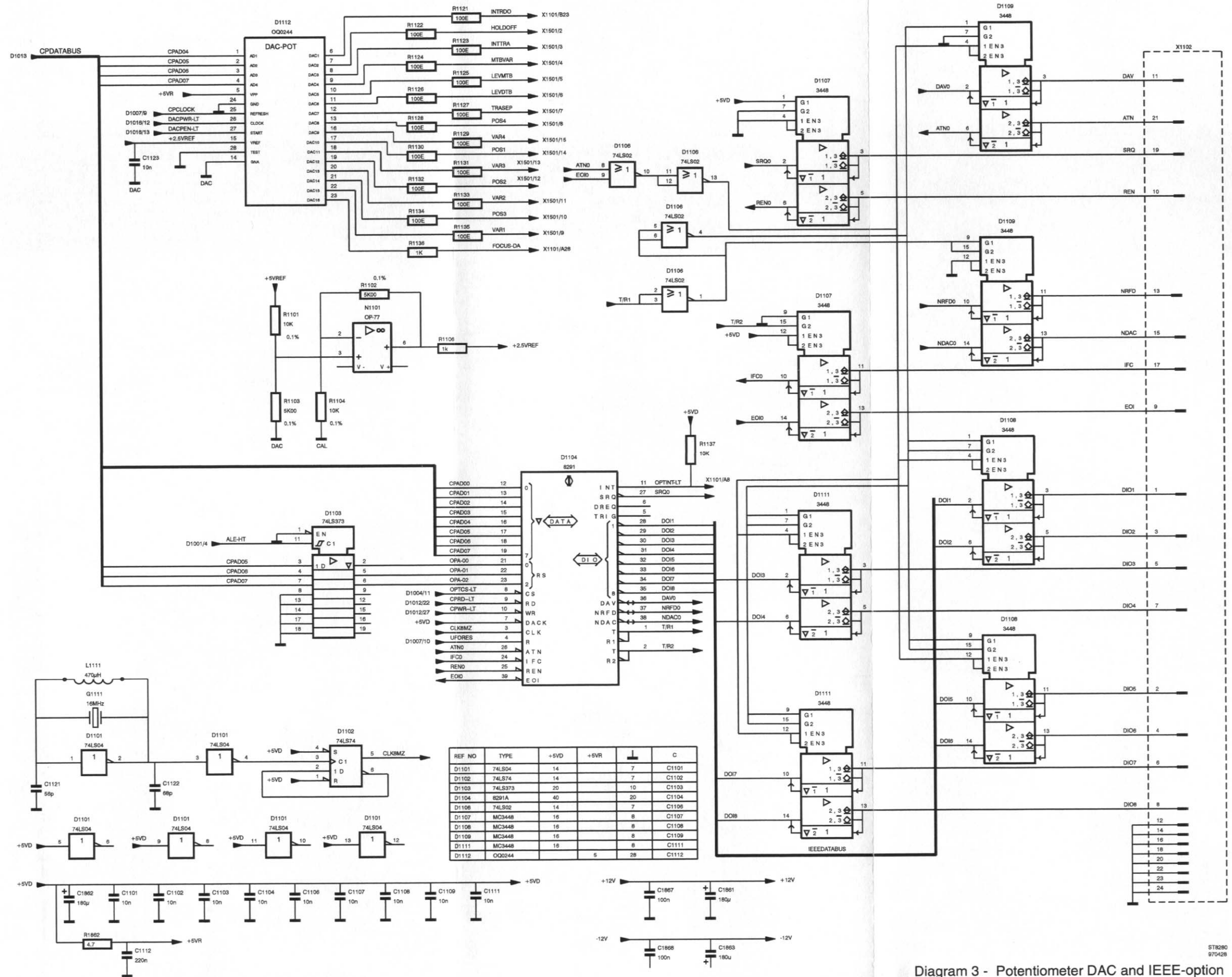
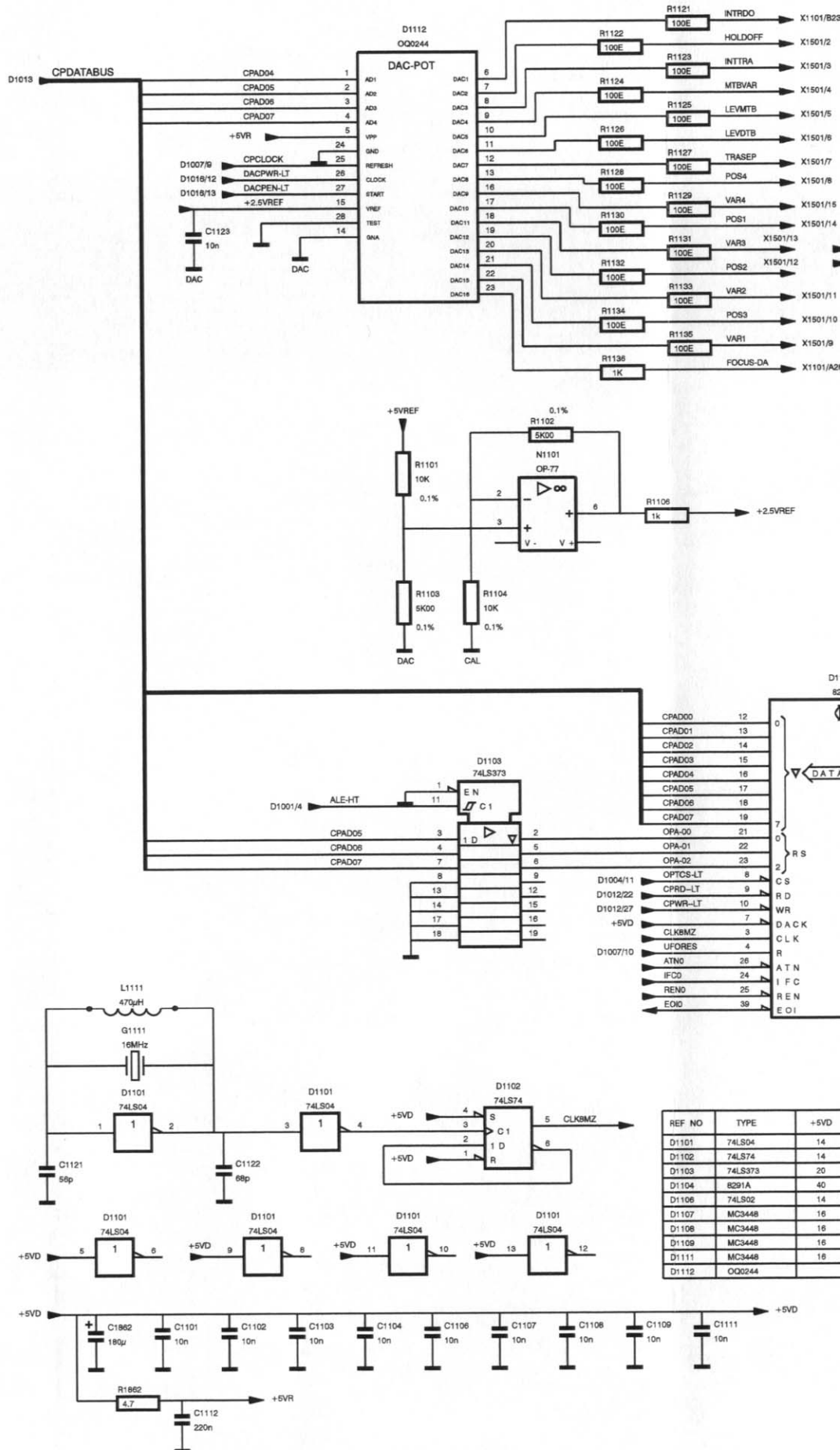


Diagram 3 - Potentiometer DAC and IEEE-option

UNIT DESCRIPTIONS



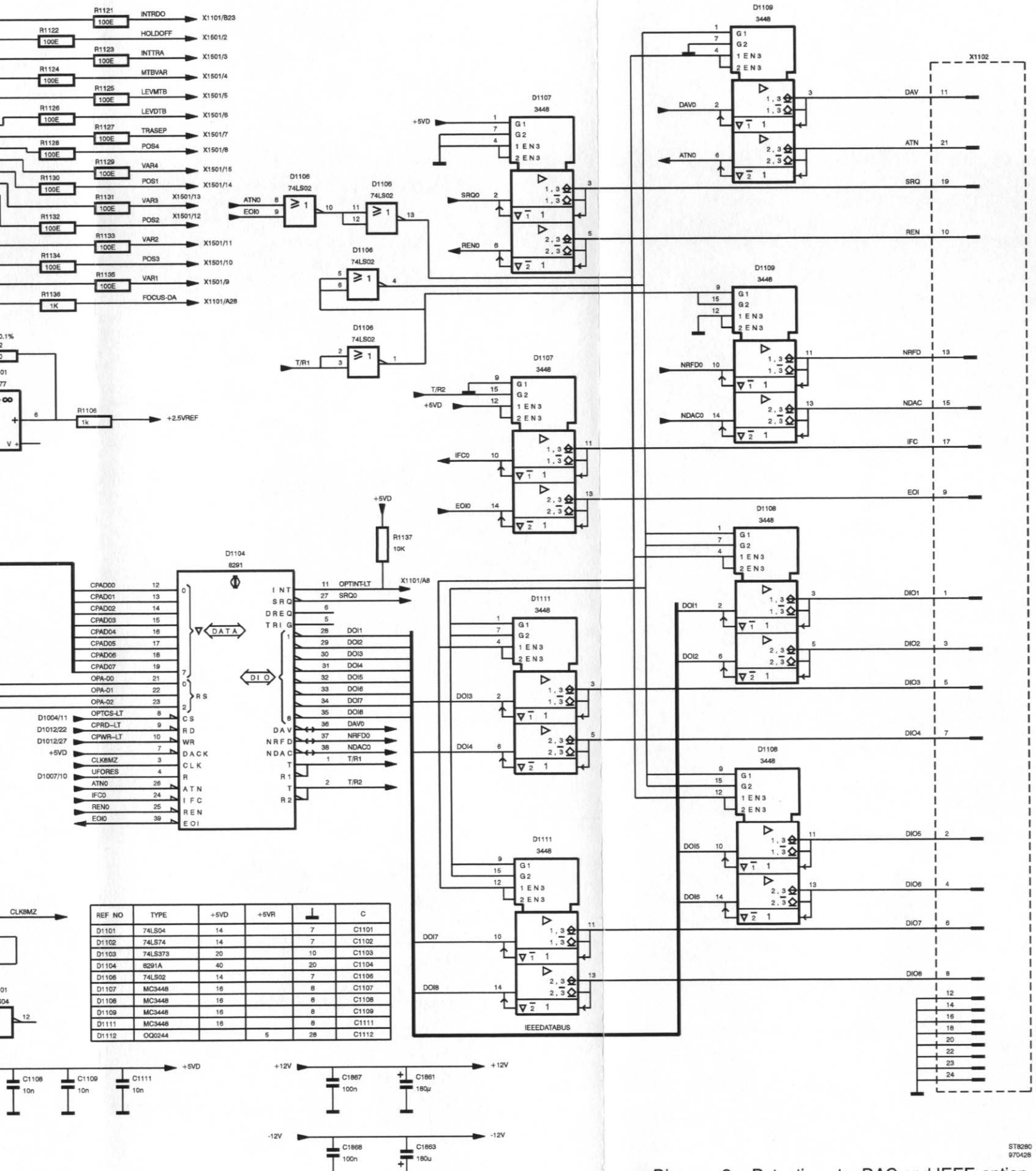


Diagram 3 - Potentiometer DAC and IEEE-option

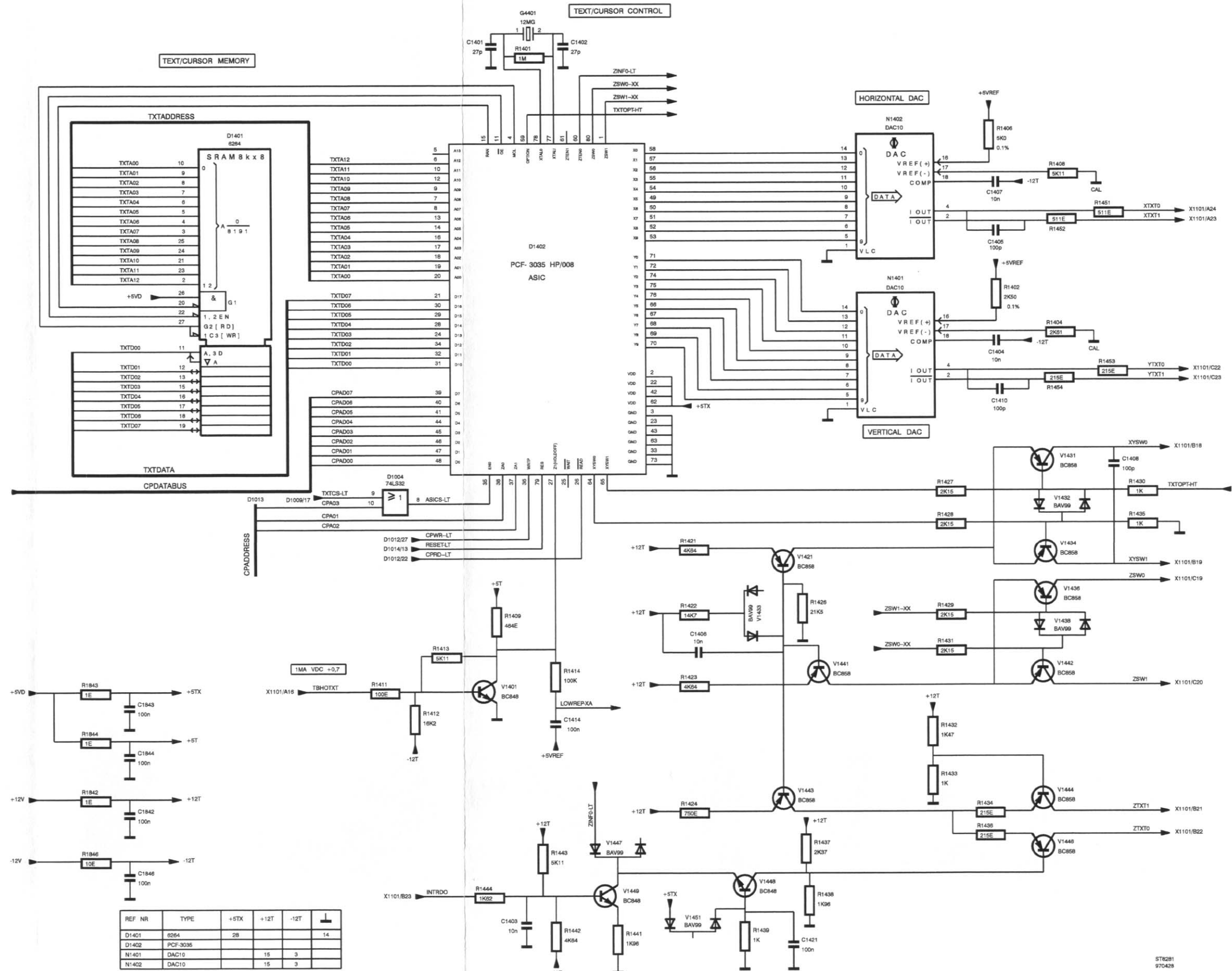
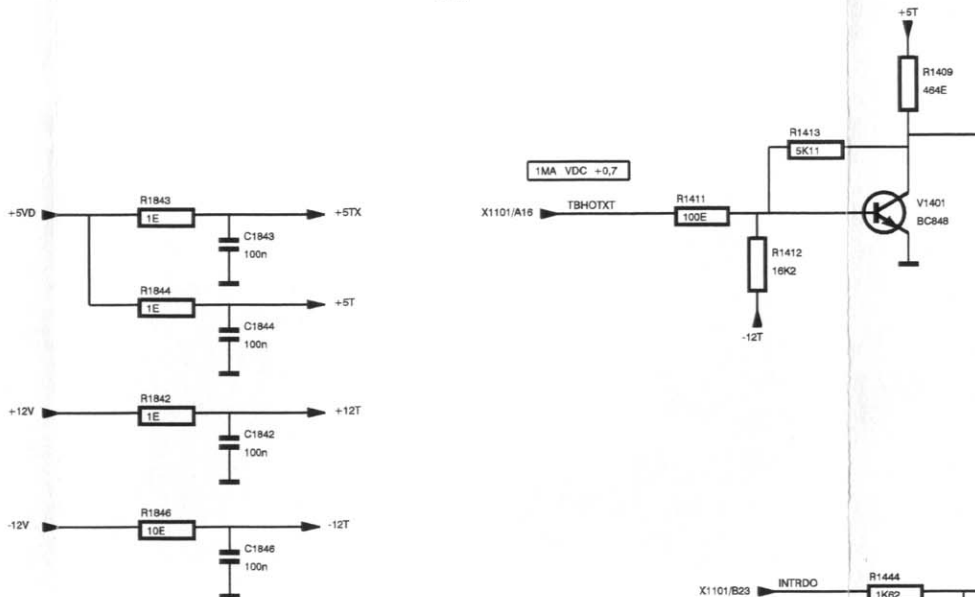
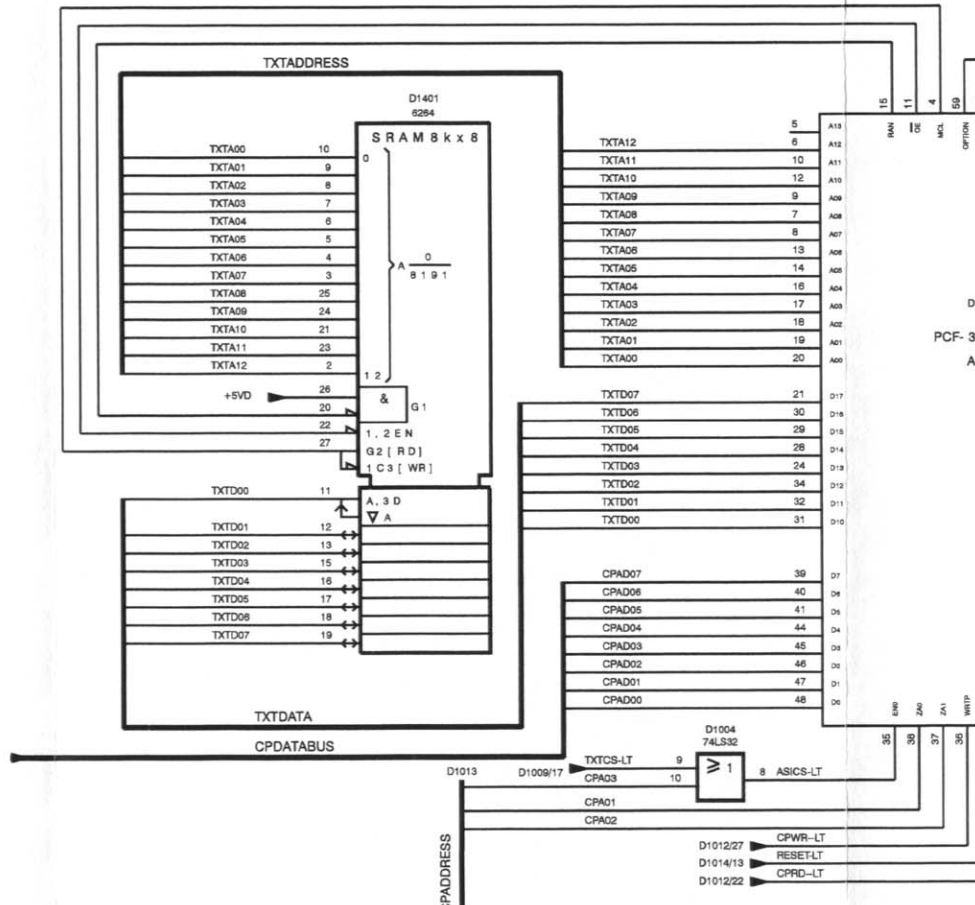


Diagram 4 - Text and cursor circuit

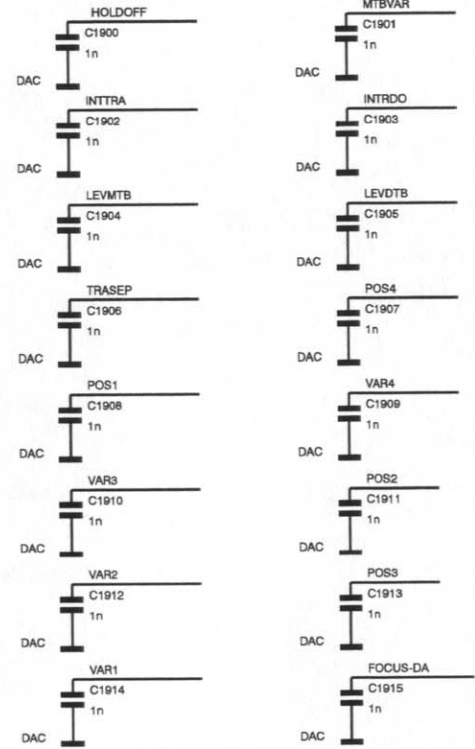
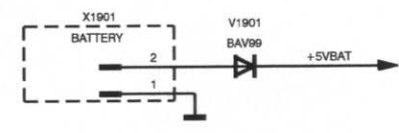
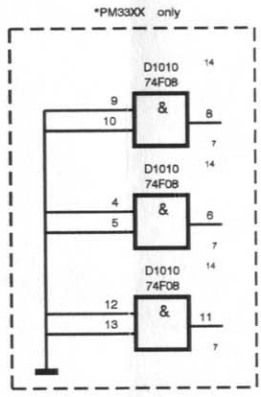
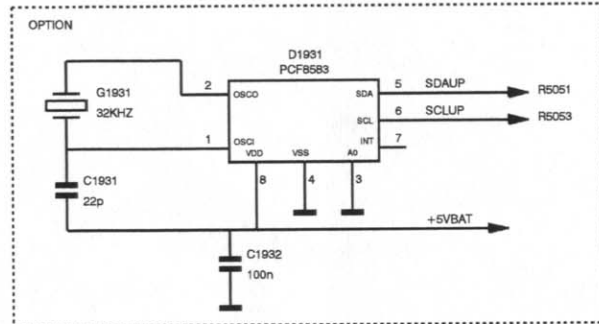
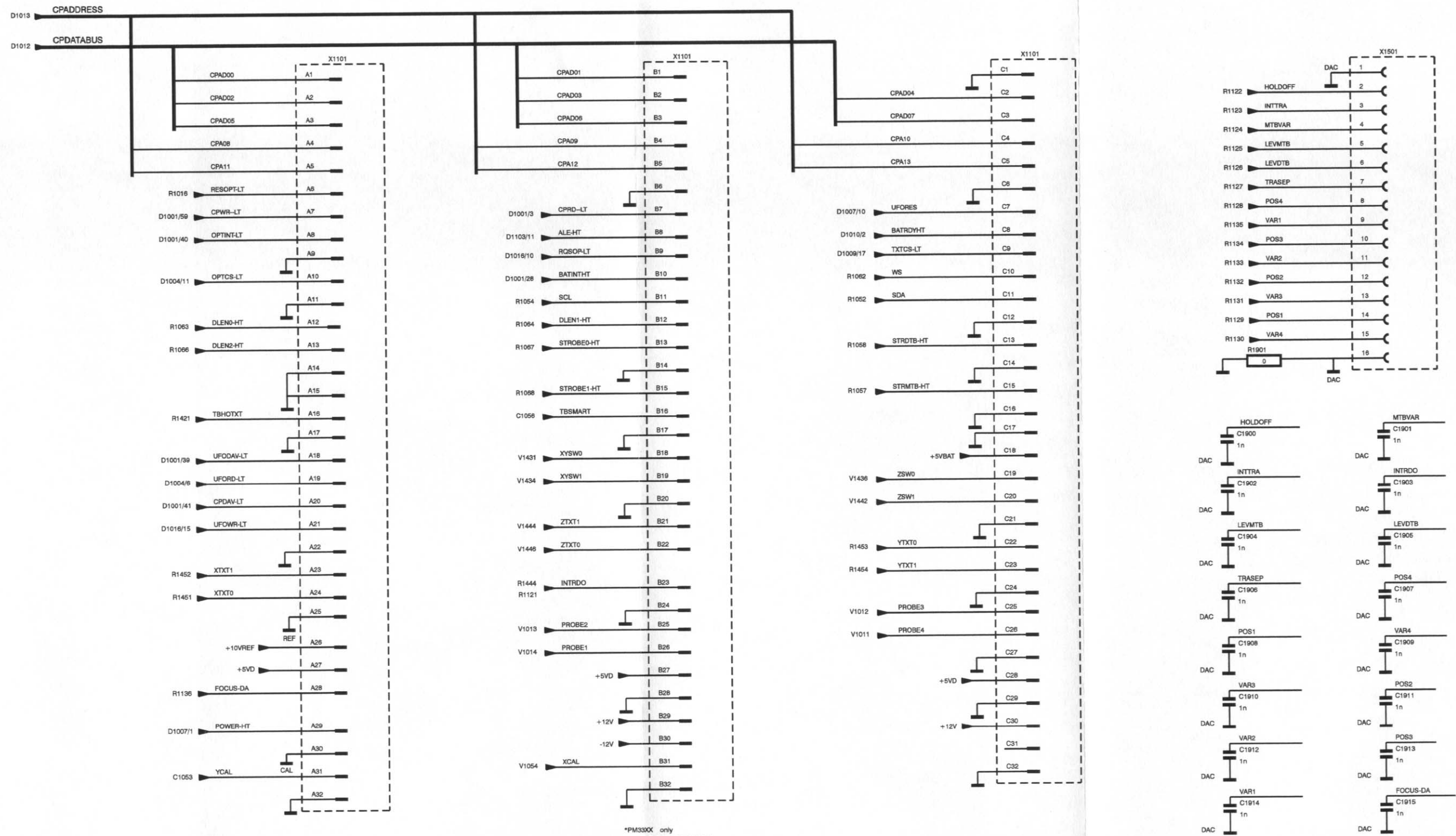


TEXT/CURSOR MEMORY



REF NR	TYPE	+5TX	+12T	-12T	⊥
D1401	6264	28			14
D1402	PCF-3035				
N1401	DAC10		15	3	
N1402	DAC10		15	3	

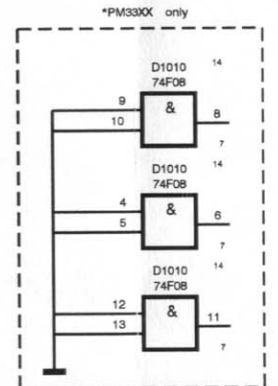
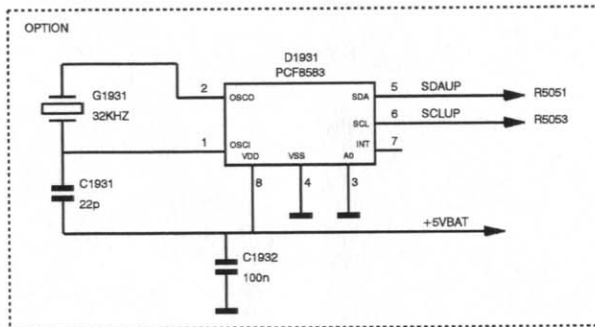
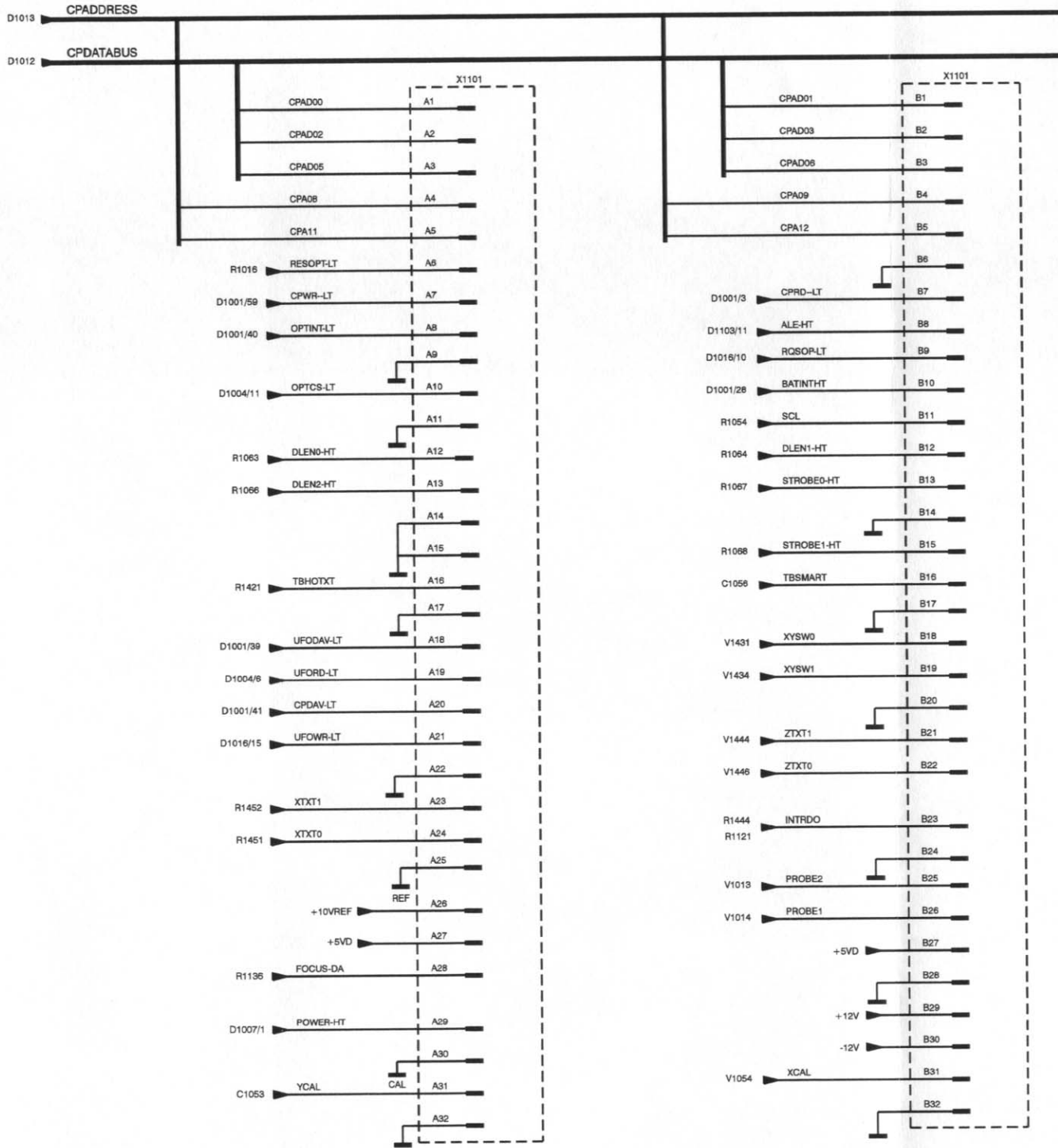


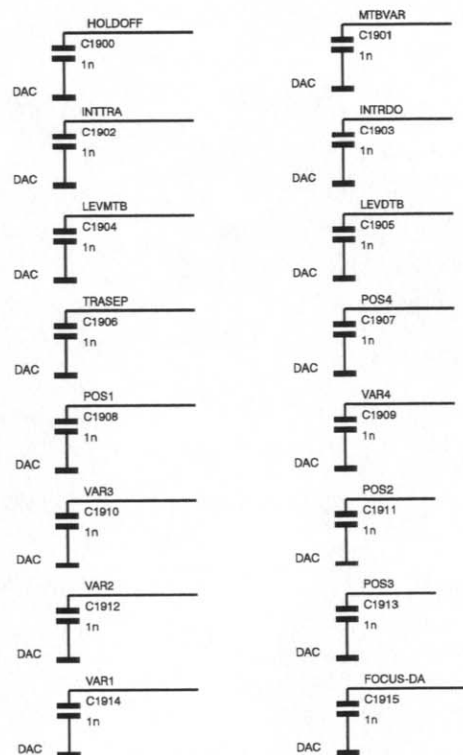
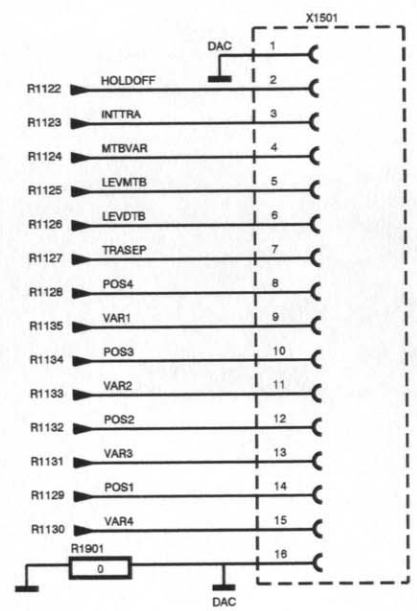
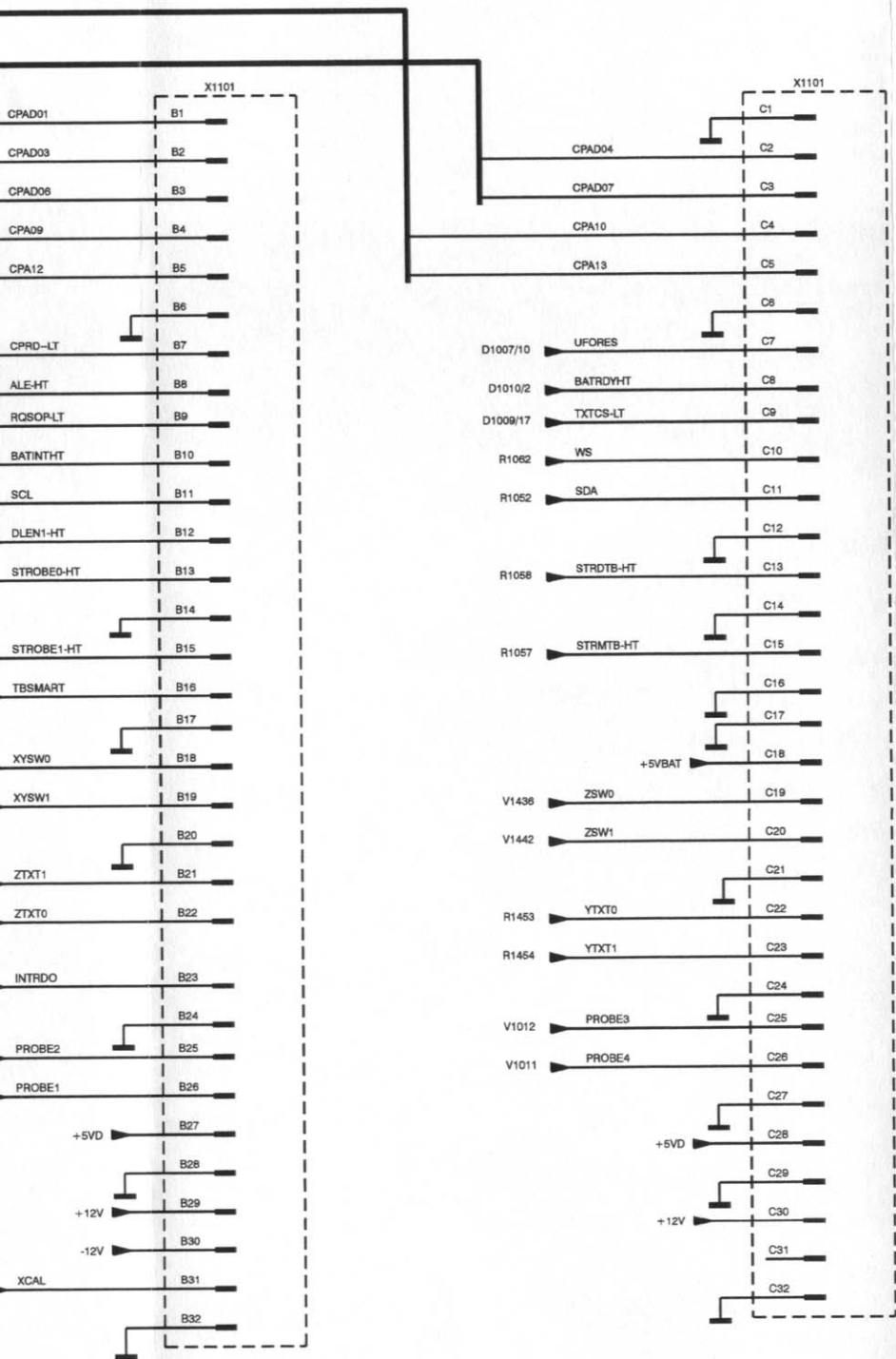


ST8282  
970428

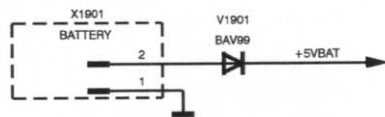
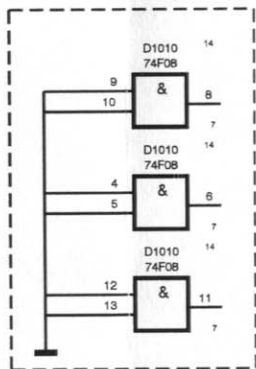
Diagram 5 - Connectors

# UNIT DESCRIPTIONS





\*PM330X only



ST8282  
970428

Diagram 5 - Connectors



Item	Description		Ordering code
<b>5.3.6 Parts list</b>			
<b>CAPACITORS</b>			
C 1002	CAP.CERAMIC	63V 5% 39pF	5322 122 32966
C 1003	CAP.CERAMIC	63V 5% 39pF	5322 122 32966
C 1004	CAP.CHIP	63V 10% 100nF	4822 122 33496
C 1006	CAP.CHIP	63V 10% 100nF	4822 122 33496
C 1011	CAP.CHIP	63V 10% 10nF	5322 122 34098
C 1012	CAP.CHIP	63V 10% 10nF	5322 122 34098
C 1013	CAP.CHIP	63V 10% 10nF	5322 122 34098
C 1014	CAP.CHIP	63V 10% 10nF	5322 122 34098
C 1021	CAP.CHIP	63V 10% 2.2nF	4822 121 41339
C 1022	CAP.CHIP	63V 10% 220nF	4822 122 32916
C 1051	CAP.CHIP	63V 5% 220pF	4822 122 33575
C 1052	CAP.CHIP	63V 5% 220pF	4822 122 33575
C 1053	CAP.CHIP	63V 10% 220nF	4822 122 32916
C 1054	CAP.CHIP	63V 10% 220nF	4822 122 32916
C 1056	CAP.CHIP	63V 10% 10nF	5322 122 34098
C 1057	CAP.CHIP	63V 10% 10nF	5322 122 34098
C 1059	CAP.CHIP	63V 10% 100pF	5322 122 32531
C 1102	CAP.CHIP	63V 10% 10nF	5322 122 34098
C 1112	CAP.CHIP	63V 10% 220nF	4822 122 32916
C 1123	CAP.CHIP	63V 10% 10nF	5322 122 34098
C 1301	CAP.CHIP	63V 5% 1nF	5322 126 10511
C 1302	CAP.CHIP	63V 5% 1nF	5322 126 10511
C 1303	CAP.CHIP	63V 5% 1nF	5322 126 10511
C 1304	CAP.CHIP	63V 5% 1nF	5322 126 10511
C 1306	CAP.CHIP	63V 5% 1nF	5322 126 10511
C 1307	CAP.CHIP	63V 5% 1nF	5322 126 10511
C 1401	CAP.CHIP	63V 5% 27pF	5322 122 31946
C 1402	CAP.CHIP	63V 5% 27pF	5322 122 31946
C 1403	CAP.CHIP	63V 10% 10nF	5322 122 34098
C 1404	CAP.CHIP	63V 10% 10nF	5322 122 34098
C 1405	CAP.CHIP	63V 5% 100pF	5322 122 32531
C 1406	CAP.CHIP	63V 10% 10nF	5322 122 34098
C 1407	CAP.CHIP	63V 10% 10nF	5322 122 34098
C 1408	CAP.CHIP	63V 5% 100pF	5322 122 32531
C 1410	CAP.CHIP	63V 5% 100pF	5322 122 32531
C 1414	CAP.CHIP	63V 5% 100nF	4822 122 33496
C 1421	CAP.CHIP	63V 10% 100nF	4822 122 33496
C 1801	CAP.CHIP	63V 10% 100nF	4822 122 33496
C 1802	CAP.CHIP	63V 10% 100nF	4822 122 33496
C 1803	CAP.CHIP	63V 10% 10nF	5322 122 34098
C 1804	CAP.CHIP	63V 10% 10nF	5322 122 34098
C 1805	CAP.CHIP	63V 10% 100nF	4822 122 33496
C 1806	CAP.CHIP	63V 10% 10nF	5322 122 34098
C 1807	CAP.CHIP	63V 10% 100nF	4822 122 33496
C 1809	CAP.CHIP	63V 10% 10nF	5322 122 34098

Item	Description		Ordering code
C 1811	CAP.CHIP	63V 10% 10nF	5322 122 34098
C 1812	CAP.CHIP	63V 10% 10nF	5322 122 34098
C 1814	CAP.CHIP	63V 10% 10nF	5322 122 34098
C 1815	CAP.CHIP	63V 10% 10nF	5322 122 34098
C 1816	CAP.CHIP	63V 10% 100nF	4822 122 33496
C 1817	CAP.CHIP	63V 10% 10nF	5322 122 34098
C 1832	CAP.CHIP	63V 10% 10nF	5322 122 34098
C 1833	CAP.CHIP	63V 10% 10nF	5322 122 34098
C 1842	CAP.CHIP	63V 10% 100nF	4822 122 33496
C 1843	CAP.CHIP	63V 10% 100nF	4822 122 33496
C 1844	CAP.CHIP	63V 10% 100nF	4822 122 33496
C 1846	CAP.CHIP	63V 10% 100nF	4822 122 33496
C 1861	CAP.CHIP	25V 20% 180µF	5322 124 42228
C 1862	CAP.CHIP	25V 20% 180µF	5322 124 42228
C 1863	CAP.CHIP	25V 20% 180µF	5322 124 42228
C 1867	CAP.CHIP	63V 10% 100nF	4822 122 33496
C 1868	CAP.CHIP	63V 10% 100nF	4822 122 33496
C 1881	CAP.CHIP	63V 10% 100nF	4822 122 33496
C 1882	CAP.CHIP	63V 10% 100nF	4822 122 33496
C 1889	CAP.CHIP	50V 10% 10nF	5322 124 21731
C 1891	CAP.CHIP	63V 10% 100nF	4822 122 33496
C 1892	CAP.ELECTROLYT.	25V 20% 180µF	5322 124 42228
C 1893	CAP.CHIP	63V 10% 100nF	4822 122 33496
C 1894	CAP.ELECTROLYT.	25V 20% 180µF	5322 124 42228
C 1897	CAP.CHIP	63V 10% 100nF	4822 122 33496
C 1898	CAP.ELECTROLYT.	25V 20% 180µF	5322 124 42228
C 1899	CAP.CHIP	63V 10% 100nF	4822 122 33496

### INTEGRATED CIRCUITS

D 1001	MICROPROC.		5322 209 52205
D 1004	INTEGR.CIRCUIT	N74LS32D PEL	5322 209 73968
D 1007	INTEGR.CIRCUIT	PC74HCT14T PEL	5322 209 71568
D 1008	INTEGR.CIRCUIT	HEF4051BT PEL	5322 209 11446
D 1009	I.C. ROM	PLS153AN-PROG	5322 209 52095
D 1009	INTEGR.CIRCUIT	PLS153AN PEL	5322 209 60478
D 1010	INTEGR.CIRCUIT	N74F08D PEL	5322 209 61002
D 1011	INTEGR.CIRCUIT	N74LS373D PEL	5322 209 60178
D 1012	INTEGR.CIRCUIT	56LFP-10TZU HIT	5322 209 30228
D 1013, D 1015	INTEGR.CIRCUIT	P28F010-150 (!) and/or	5322 209 30267
	INTEGR.CIRCUIT	P28F020-150 (!)	5322 209 52348

(\*!): This FLASH-ROM is EMPTY and must be loaded with operating and calibration software. Refer to chapter 8.9.2 for further information. FLASH-ROM capacity depends on instrument configuration (e.g. IEEE option)

D 1014	INTEGR.CIRCUIT	N74LS74AD PEL	5322 209 60993
D 1015	FOR IEEE	P28F010-150 (!)	5322 209 30267
D 1016	INTEGR.CIRCUIT	N74LS138D PEL	5322 209 61478
D 1017	INTEGR.CIRCUIT	PC74HCT259T PEL	4822 209 30086
D 1018	INTEGR.CIRCUIT	HEF4066BT PEL	5322 209 14542

Item	Description		Ordering code
D 1102	INTEGR.CIRCUIT	N74LS74AD PEL	5322 209 60993
D 1104	GPIB	P8291A	5322 209 81264
D 1112	INTEGR.CIRCUIT	OQ0244	5322 209 12468
D 1301	INTEGR.CIRCUIT	MC1489ADR2	5322 209 30232
D 1302	INTEGR.CIRCUIT	MC1488D MOT	5322 209 30269
N 1101	I.C. ANALOGUE	OP-77GSR PMI	5322 130 62791
D 1401		264ALFP-12T	5322 209 30265
D 1402		PCF3035HP/008 TEXT ASIC	5322 209 30217
N 1101		OP-77GSR	5322 130 62791
N 1401		DAC10GS	5322 209 12469
N 1402		DAC10GS	5322 209 12469
N 1801	I.C. ANALOGUE	OP-77GSR PMI	5322 130 62791

**RESISTORS**

R 1001	RES.CHIP	RC-02H 1% 10K	4822 051 51003
R 1002	RES.CHIP	RC-02H 1% 1M	4822 051 51005
R 1003	RES.CHIP	RC-02H 1% 10K	4822 051 51003
R 1004	RES.CHIP	RC-02H 1% 1E	4822 051 10108
R 1005	RES.CHIP	RC-02H 1% 10K	4822 051 51003
R 1006	RES.CHIP	RC-02H 1% 46K4	4822 051 54643
R 1007	RES.CHIP	RC-02H 1% 4K64	4822 051 54642
R 1008	RES.CHIP	RC-02H 1% 1K	4822 051 51002
R 1009	RES.N.T.C.	NTC640 2% 3K3	5322 116 30421
R 1010	RES.CHIP	RC-02H 1% 1E	4822 051 10108
R 1018	RES.CHIP	RC-02H 1% 100K	4822 051 51004
R 1019	RES.CHIP	RC-02H 1% 4K64	4822 051 54642
R 1026	RES.CHIP	RC-02H 1% 100E	4822 051 51001
R 1028	RES.CHIP	RC-02H 1% 10K	4822 051 51003
R 1029	RES.CHIP	RC-02H 1% 10K	4822 051 51003
R 1031	RES.CHIP	RC-02H 1% 10K	4822 051 51003
R 1032	RES.CHIP	RC-02H 1% 10K	4822 051 51003
R 1033	RES.CHIP	RC-02H 1% 10K	4822 051 51003
R 1034	RES.CHIP	RC-02H 1% 10K	4822 051 51003
R 1036	RES.CHIP	RC-02H 1% 10K	4822 051 51003
R 1037	RES.CHIP	RC-02H 1% 10K	4822 051 51003
R 1038	RES.CHIP	RC-02H 1% 10K	4822 051 51003
R 1039	RES.CHIP	RC-02H 1% 10K	4822 051 51003
R 1041	RES.CHIP	RC-02H 1% 10K	4822 051 51003
R 1042	RES.CHIP	RC-02H 1% 10K	4822 051 51003
R 1043	RES.CHIP	RC-02H 1% 10K	4822 051 51003
R 1044	RES.CHIP	RC-02H 1% 10K	4822 051 51003
R 1046	RES.CHIP	RC-02H 1% 10K	4822 051 51003
R 1047	RES.CHIP	RC-02H 1% 10K	4822 051 51003
R 1048	RES.CHIP	RC-02H 1% 10K	4822 051 51003
R 1049	RES.CHIP	RC-02H 1% 10K	4822 051 51003
R 1051	RES.CHIP	RC-02H 1% 5K11	4822 051 55112
R 1052	RES.CHIP	RC-02H 1% 215E	4822 051 52151
R 1053	RES.CHIP	RC-02H 1% 5K11	4822 051 55112
R 1054	RES.CHIP	RC-02H 1% 215E	4822 051 52151

Item	Description		Ordering code
R 1057	RES.CHIP	RMC1/8 1% 51E1	5322 111 91893
R 1058	RES.CHIP	RMC1/8 1% 51E1	5322 111 91893
R 1059	RES.CHIP	RMC1/8 1% 100E	4822 051 51001
R 1061	RES.CHIP	RMC1/8 1% 51E1	5322 111 91893
R 1062	RES.CHIP	RMC1/8 1% 51E1	5322 111 91893
R 1063	RES.CHIP	RMC1/8 1% 51E1	5322 111 91893
R 1064	RES.CHIP	RMC1/8 1% 51E1	5322 111 91893
R 1066	RES.CHIP	RMC1/8 1% 51E1	5322 111 91893
R 1067	RES.CHIP	RMC1/8 1% 51E1	5322 111 91893
R 1068	RES.CHIP	RMC1/8 1% 51E1	5322 111 91893
R 1071	RES.CHIP	RC-02H 1% 2K15	4822 051 52152
R 1101	RES.METAL FILM	1/4W 0.1% 10K	5322 116 82868
R 1102	RES.METAL FILM	1/4W 0.1% 5K	5322 116 80369
R 1103	RES.METAL FILM	1/4W 0.1% 5K	5322 116 80369
R 1104	RES.METAL FILM	1/4W 0.1% 10K	5322 116 82868
R 1106	RES.CHIP	RC-02H 1% 1K	4822 051 51002
R 1121	RES.CHIP	RC-02H 1% 100E	4822 051 51001
R 1122	RES.CHIP	RC-02H 1% 100E	4822 051 51001
R 1123	RES.CHIP	RC-02H 1% 100E	4822 051 51001
R 1124	RES.CHIP	RC-02H 1% 100E	4822 051 51001
R 1125	RES.CHIP	RC-02H 1% 100E	4822 051 51001
R 1126	RES.CHIP	RC-02H 1% 100E	4822 051 51001
R 1127	RES.CHIP	RC-02H 1% 100E	4822 051 51001
R 1128	RES.CHIP	RC-02H 1% 100E	4822 051 51001
R 1129	RES.CHIP	RC-02H 1% 100E	4822 051 51001
R 1130	RES.CHIP	RC-02H 1% 100E	4822 051 51001
R 1131	RES.CHIP	RC-02H 1% 100E	4822 051 51001
R 1132	RES.CHIP	RC-02H 1% 100E	4822 051 51001
R 1133	RES.CHIP	RC-02H 1% 100E	4822 051 51001
R 1134	RES.CHIP	RC-02H 1% 100E	4822 051 51001
R 1135	RES.CHIP	RC-02H 1% 100E	4822 051 51001
R 1136	RES.CHIP	RC-02H 1% 1K	4822 051 51002
R 1137	RES.CHIP	RC-02H 1% 10K	4822 051 51003
R 1401		RC-02H 1% 1M	4822 116 81165
R 1402		1/4W 0.1% 2k5	5322 116 80365
R 1404		RC-02H 1% 2k61	4822 111 91821
R 1406		1/4W 0.1% 5k	5322 116 80369
R 1408		RC-02H 1% 5k11	5322 116 81228
R 1409		RMHz 1/8 1% 464Ω	5322 116 82898
R 1411		RC-02H 1% 100Ω	5322 116 80426
R 1412		RC-02H 1% 16k2	5322 111 92025
R 1413		RC-02H 1% 5k11	5322 116 81228
R 1414	RES.CHIP	RC-02H 1% 100K	4822 051 51004
R 1421		RC-02H 1% 4k64	5322 111 91903
R 1422		RC-02H 1% 14k7	4822 111 91816
R 1423		RC-02H 1% 1k47	5322 111 91902
R 1424		RC-02H 1% 750Ω	4822 116 82384
R 1426		RC-02H 1% 21k5	4822 111 91818
R 1427		RC-02H 1% 2k15	5322 116 81794
R 1428		RC-02H 1% 2k15	5322 116 81794



Item	Description		Ordering code
R 1429		RC-02H 1% 2k15	5322 116 81794
R 1430		RC-02H 1% 1k	5322 116 80427
R 1431		RC-02H 1% 2k15	5322 116 81794
R 1432		RC-02H 1% 1k47	5322 111 91902
R 1433		RC-02H 1% 1k	5322 116 80427
R 1434		RC-02H 1% 215Ω	5322 116 81226
R 1435		RC-02H 1% 1k	5322 116 80427
R 1436		RC-02H 1% 215Ω	5322 116 81226
R 1437		RC-02H 1% 2k37	4822 111 91819
R 1438		RC-02H 1% 1k96	5322 111 92027
R 1439		RC-02H 1% 1k	5322 116 80427
R 1441		RC-02H 1% 1k96	5322 111 92027
R 1442		RC-02H 1% 4k64	5322 111 91903
R 1443		RC-02H 1% 5k11	5322 116 81228
R 1444		RC-02H 1% 1k62	4822 116 82485
R 1451		RC-02H 1% 511Ω	4822 111 91826
R 1452		RC-02H 1% 511Ω	4822 111 91826
R 1453		RC-02H 1% 215Ω	5322 116 81226
R 1454		RC-02H 1% 215Ω	5322 116 81226
R 1801	RES.CHIP	RC-01 5% 1E	4822 051 10108
R 1802	RES.CHIP	RC-01 5% 1E	4822 051 10108
R 1805	RES.CHIP	RC-01 5% 1E	4822 051 10108
R 1807	RES.CHIP	RC-02H 1% 10K	4822 051 51003
R 1842	RES.CHIP	RC-01 5% 1E	4822 051 10108
R 1843	RES.CHIP	RC-01 5% 1E	4822 051 10108
R 1844	RES.CHIP	RC-01 5% 1E	4822 051 10108
R 1846	RES.CHIP	RC-01 5% 10E	4822 111 91885
R 1862	RES.CHIP	RC-01 5% 4E7	4822 051 10478
R 1871	RES.METAL FILM	1/4W 0.1% 10K	5322 116 82868
R 1872	RES.METAL FILM	1/4W 0.1% 5K	5322 116 80369
R 1873	RES.METAL FILM	1/4W 0.1% 10K	5322 116 82868
R 1874	RES.METAL FILM	1/4W 0.1% 5K	5322 116 80369
R 1876	RES.CHIP	RC-01 0E	4822 051 10008
R 1877	RES.CHIP	RC-02H 1% 100E	4822 051 51001
R 1881	RES.CHIP	RC-01 5% 1E	4822 051 10108
R 1882	RES.CHIP	RC-01 5% 4E7	4822 051 10478
R 1883	RES.CHIP	RC-01 5% 4E7	4822 051 10478
R 1884	RES.CHIP	RC-01 5% 4E7	4822 051 10478
R 1901	RES.CHIP	RC-01 0E	4822 051 10008

**SEMICONDUCTORS**

V 1006	DIODE,CHIP	BAV99 PEL	5322 130 34337
V 1011	DIODE,CHIP	BAV99 PEL	5322 130 34337
V 1012	DIODE,CHIP	BAV99 PEL	5322 130 34337
V 1013	DIODE,CHIP	BAV99 PEL	5322 130 34337
V 1014	DIODE,CHIP	BAV99 PEL	5322 130 34337



Item	Description		Ordering code
V 1016	DIODE,CHIP	BZX84-C4V3 PEL	5322 130 80256
V 1401		BC848C	5322 130 42136
V 1421		BC858C	4822 130 42513
V 1431		BC858C	4822 130 42513
V 1432		BAV99	5322 130 34337
V 1433		BAV99	5322 130 34337
V 1434		BC858C	4822 130 42513
V 1436		BC858C	4822 130 42513
V 1438		BAV99	5322 130 34337
V 1441		BC858C	4822 130 42513
V 1442		BC858C	4822 130 42513
V 1443		BC858C	4822 130 42513
V 1444		BC858C	4822 130 42513
V 1446		BC858C	4822 130 42513
V 1447		BAV99	5322 130 34337
V 1448		BC848C	5322 130 42136
V 1449		BC848C	5322 130 42136
V 1451		BAV99	5322 130 34337
V 1901		BAV99	5322 130 34337

**CONNECTORS**

X 1101	CONNECTOR	96-P PIN 2.54	5322 265 61238
X 1301	CONNECTOR	9-P PIN DIPS	5322 265 41143
X 1501	CONNECTOR	P 1.25MM STR	5322 267 51107
X1901	CONNECTOR		5322 265 20525

**MISCELLANEOUS**

G 1001	CRYSTAL	CRYSTAL 12MHZ	5322 242 71444
G 1111	CRYSTAL	CRYSTAL 16MHZ	5322 242 72193
H 1001	BUZZER	7EPP-4001 MUR	5322 280 10249

## 5.4 FRONT UNIT A4

### 5.4.1 Description

#### Diagram 1

The front unit incorporates several keys and a number of rotary knobs that are read by a microcomputer D5001. This microcomputer can communicate with the instrument's main microprocessor on unit A3 via connector X5002. The communication from front unit A4 to unit A3 occurs via buffer D5003. The communication in the opposite direction happens via buffer D5006. The flipflops D5004 are used to facilitate this communication.

If unit A3 wants to write information to front unit A4 the following occurs:

D5006 is loaded with 8 bits of information via write pulse UFOWR-LT. This pulse is also applied to flipflop D5004/11 and this makes CPDAV-LT low. This causes an interrupt for the front processor D5001. D5001 reads D5006 via the signal CPURD-LT.

If the front A4 wants to send information to A3 the following occurs:

D5003 is loaded with 8 bits of information via write pulse CPUWR-LT. This pulse is also applied to flipflop D5004/3 and this makes UFODAVLT low. This is recognized by the main microprocessor on unit A3. This device reads the contents of D5003 via signal UFORD-LT.

The rotaries and the keys are read via the 4 bit ROT-BUS and the 8 bit SW-BUS respectively. One bit in these busses is made low at a time and via the 8 bit UFOAD-BUS an 8 bit pattern is sent back to processor D5001. This bit pattern incorporates information concerning the keys/rotaries that are activated.

#### Diagram 2

The keys and rotaries are both grouped in a matrix. The key position is read out by making one of the SW lines low at a time. If a key is pressed, a low level is switched through to one of the 8 input lines of key latch D5002. The other lines stay at a high level via the pull-up resistors R5121 through R5129.

Each rotary can occupy 4 different states. A rotary incorporates a rotor contact that can make contact with one of the two stator contacts. It is also possible that the rotor makes no contact. The last possibility is that the rotor makes contact with both stator contacts. Most of the rotaries are present on front unit A4. Via connector X5001 the rotaries on the CRT controls unit A5 are read out. The rotaries are read out via the ROT-BUS lines RA, RB, RC and RD that are made low one at a time. This results in a certain bit pattern at the input of key latch D5002. This bit pattern is read by the microprocessor via enable signal PSEN--LT.

Diodes are used throughout the key and rotary matrix to guarantee that false information is not read by the microprocessor in case more than one control is operated at a time.

### 5.4.2 Signal name list A4.

*Note: In the signal name list you find the itemnumber of the component that is source or destination. Behind this itemnumber (separated by ":") you find the number of the diagram where the source/destination can be found.*

NAME	MEANING	SOURCE	DESTINATION
PSEN-LT	READ SIGNAL FOR KNOBS AND KEYS	D5001:01	D5002:02
UFODAVLT	FRONT WRITES TO MICROPROCESSOR	D5004:01	X5002:01
UFOWR-LT	MICROPROCESSOR WRITES TO FRONT	X5002:01	D5006:01 D5004:01

### 5.4.3 Key switches

Digital oscilloscopes: PM3394A, PM3392A, PM3384A, PM3382A and PM3380A

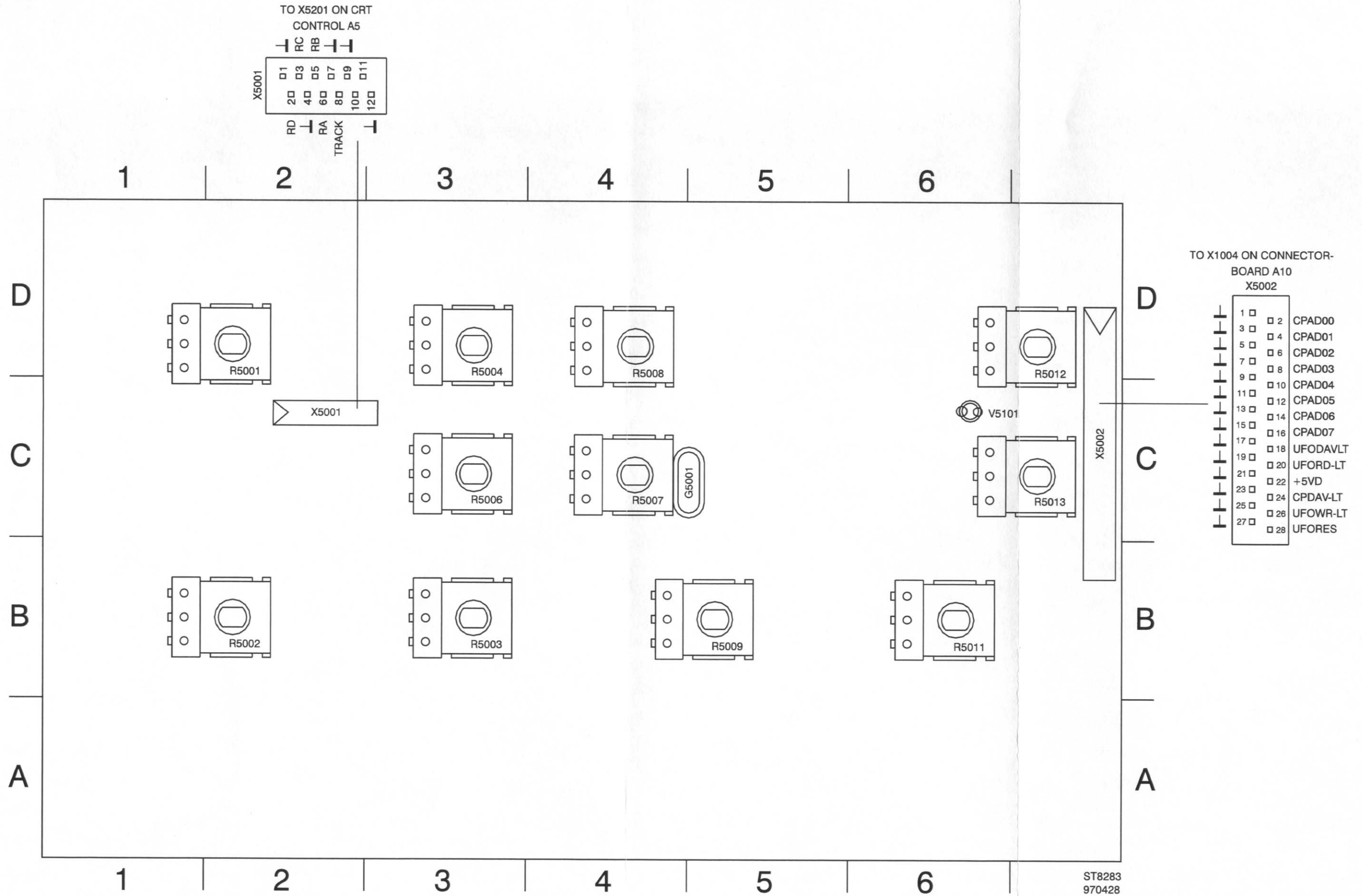
Analog oscilloscopes: PM3094, PM3092, PM3084 and PM3082

Test code is obtained via the UTIL MAINTENANCE menu. Refer to section 8.11.4.2 for detailed information.

SWITCH	DIGITAL OSC.	ANALOG OSC.	TEST CODE
S5001	DISPLAY		70
S5002	MATH		60
S5003	MEASURE		50
S5004	RECALL		40
S5006	SAVE		30
S5007	DSO		20
S5008	UTILITY	UTILITY	10
S5009	CAL	CAL	00
S5011	PLOT		71
S5012	MAGNIFY-R	TRACE SEPARATION-R	61
S5013	MAGNIFY-L	TRACE SEPARATION-L	51
S5014	TRIGGER	TB MODE	41
S5016	ACQUIRE		31
S5017	pin hole	pin hole	(21)
S5018	SETUPS	SETUPS	11
S5019	AUTO SET	AUTO SET	(01)
S5021	SINGLE	SINGLE/RESET	72
S5022	STOP		62
S5023	RUN	10x MAGN	52
S5024	CURSORS	CURSORS	42
S5026	DTB s	DTB s	32
S5027	SOFTKEY 2	SOFTKEY 2	22
S5028	SOFTKEY 1	SOFTKEY 1	12
S5029	STATUS/LOCAL	STATUS/LOCAL	02
S5031	TIME/DIV ns	MTB ns	73
S5032	TIME/DIV s	MTB s	63
S5033	TB MODE	TRIGGER MTB	53
S5034	DTB ns	DTB ns	43
S5036	MODE	DTB	33
S5037	SOFTKEY 3	SOFTKEY 3	23
S5038	SOFTKEY 4	SOFTKEY 4	13
S5039	SOFTKEY 5	SOFTKEY 5	03
S5041	AC/DC CH4	AC/DC CH4	74
S5042	INV CH4	INV CH4	64
S5043	TRIG CH4	TRIG CH4	54
S5044	AVERAGE	ALT CHOP	44
S5046		BWL	34
S5047	50Ω CH1	50Ω CH1	24
S5048	AMPL mV CH1	AMPL mV CH1	14
S5049	SOFTKEY 6	SOFTKEY 6	04

S5051	ON CH4	ON CH4	75
S5052	50Ω CH4	50Ω CH4	65
S5053	TRIG CH3	TRIG CH3	55
S5054	TRIG CH2	TRIG CH2	45
S5056	TRIG CH1	TRIG CH1	35
S5057	ON CH1	ON CH1	25
S5058	AMPL V CH1	AMPL V CH1	15
S5059	TEXT OFF	TEXT OFF	05
S5061	AMPL mV CH4	AMPL mV CH4	76
S5062	CH3+CH4	CH3+CH4	66
S5063	50Ω CH3	50Ω CH3	56
S5064	AMPL mV CH3	AMPL mV CH3	46
S5066	INV CH2	INV CH2	36
S5067	50Ω CH2	50Ω CH2	26
S5068	AMPL mV CH2	AMPL mV CH2	16
S5069	CH1+CH2	CH1+CH2	06
S5071	AMPL V CH4	AMPL V CH4	77
S5072	AC/DC CH3	AC/DC CH3	67
S5073	ON CH3	ON CH3	57
S5074	AMPL V CH3	AMPL V CH3	47
S5076	AC/DC CH2	AC/DC CH2	37
S5077	ON CH2	ON CH2	27
S5078	AMPL V CH2	AMPL V CH2	17
S5079	AC/DC CH1	AC/DC CH1	07
R5001	TRACK	TRACK	.A
R5002	POS 1	POS 1	.B
R5003	POS 2	POS 2	.3
R5004	DELTA	DELTA	.C
R5006	DELAY	LEVEL DTB	.4
R5007	TRIGGER POSITION	DELAY	.D
R5008	HOLD OFF	HOLD OFF	.5
R5009	POS 3	POS 3	.E
R5011	POS 4	POS 4	.6
R5012	X-POS	X-POS	.F
R5013	TRIGGER LEVEL	LEVEL MTB	.7

5.4.4 Unit lay-outs

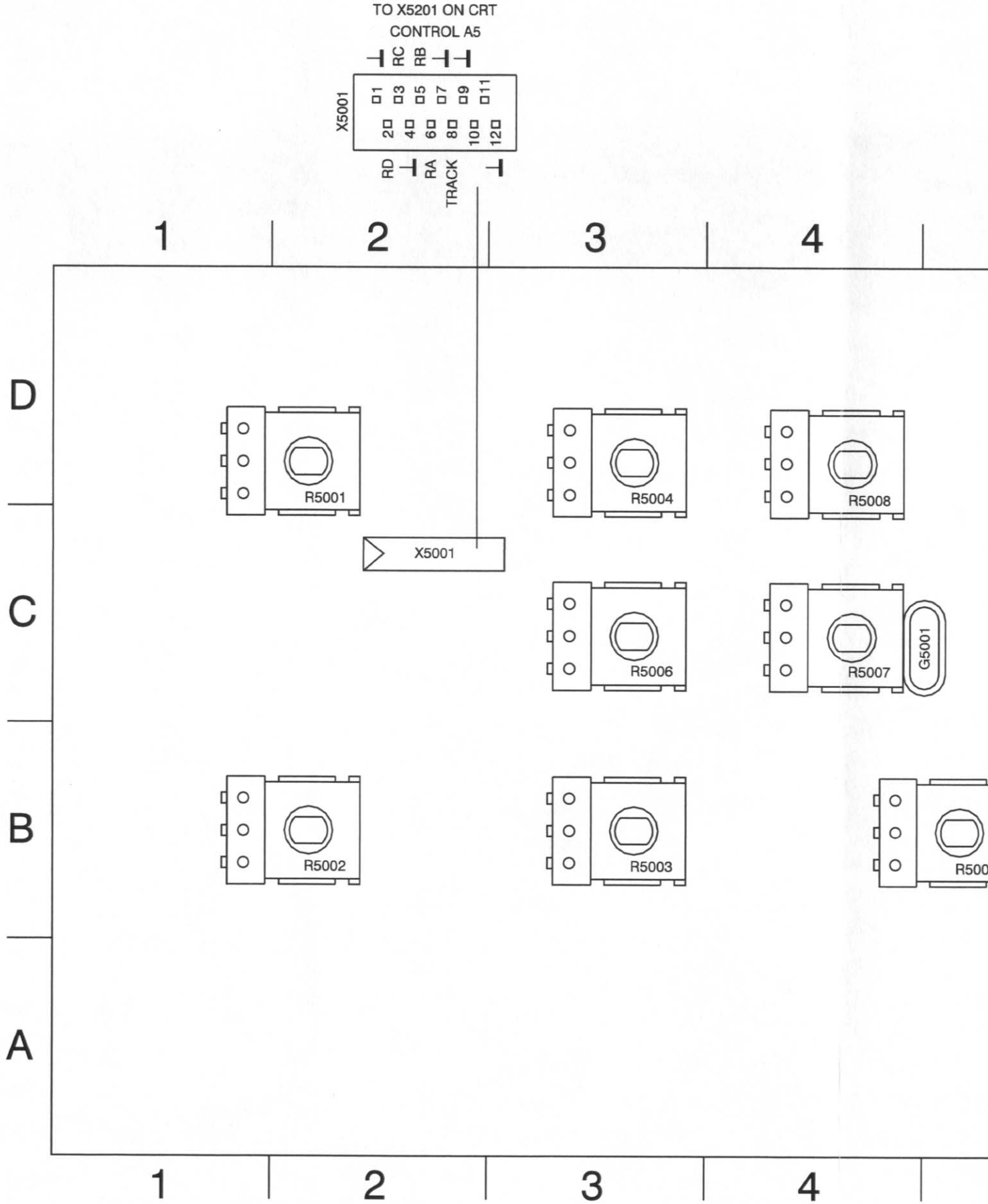


ST8283  
970428

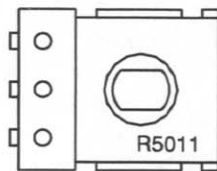
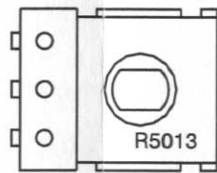
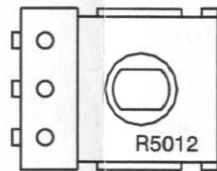
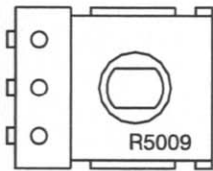
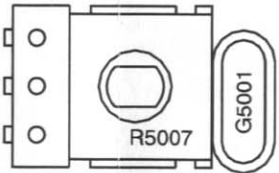
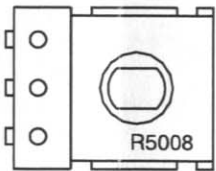
Lay-out 14 - Large component side of front unit A4



5.4.4 Unit lay-outs



4      5      6



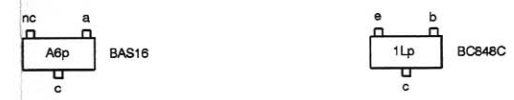
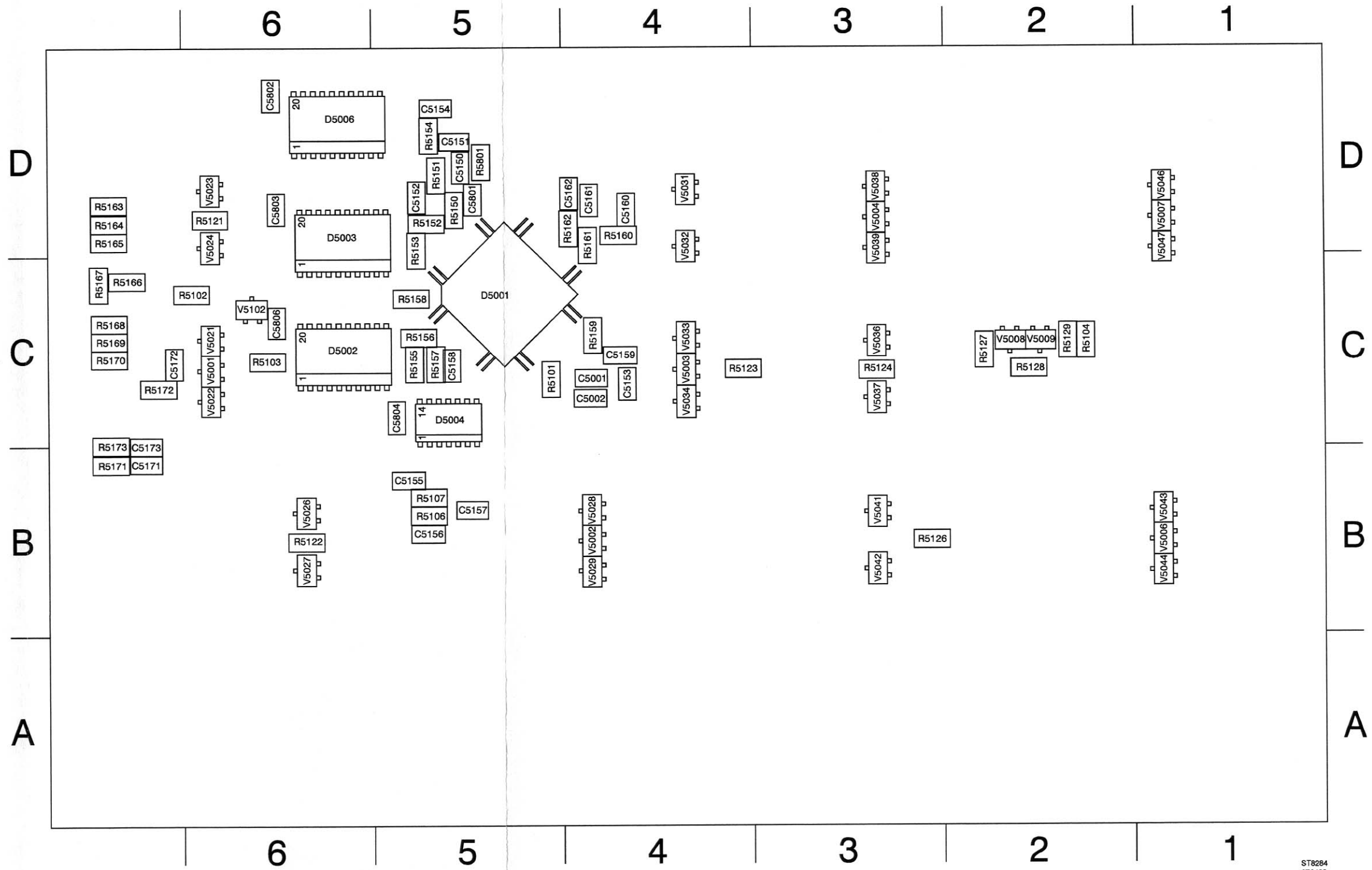
TO X1004 ON CONNECTOR-BOARD A10  
X5002

1 □	2 □	CPAD00
3 □	4 □	CPAD01
5 □	6 □	CPAD02
7 □	8 □	CPAD03
9 □	10 □	CPAD04
11 □	12 □	CPAD05
13 □	14 □	CPAD06
15 □	16 □	CPAD07
17 □	18 □	UFODAVLT
19 □	20 □	UFORD-LT
21 □	22 □	+5VD
23 □	24 □	CPDAV-LT
25 □	26 □	UFOWR-LT
27 □	28 □	UFORES

4      5      6

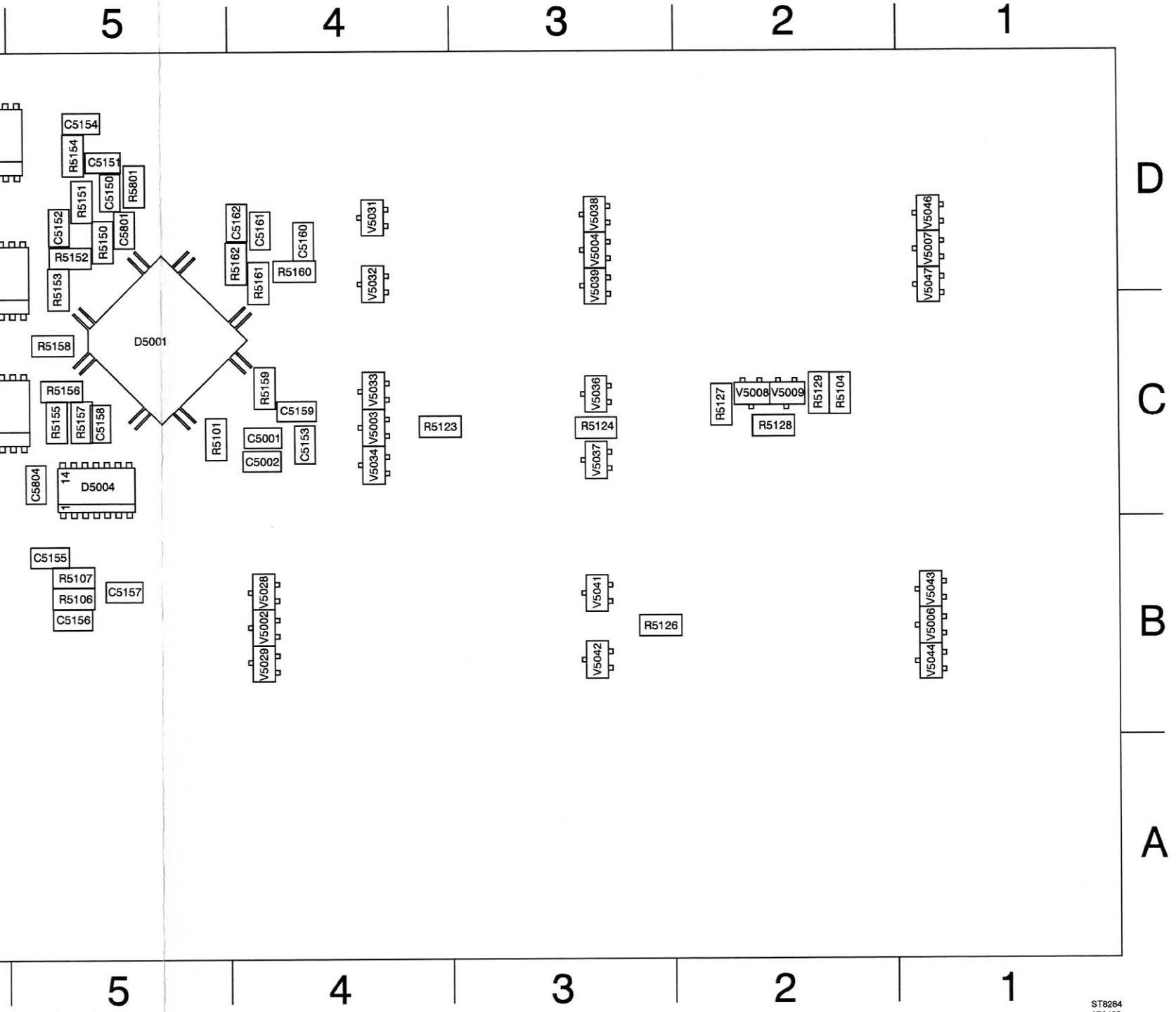
ST8283  
970428

Lay-out 14 - Large component side of front unit A4



Lay-out 15 - Small component side of front unit A4



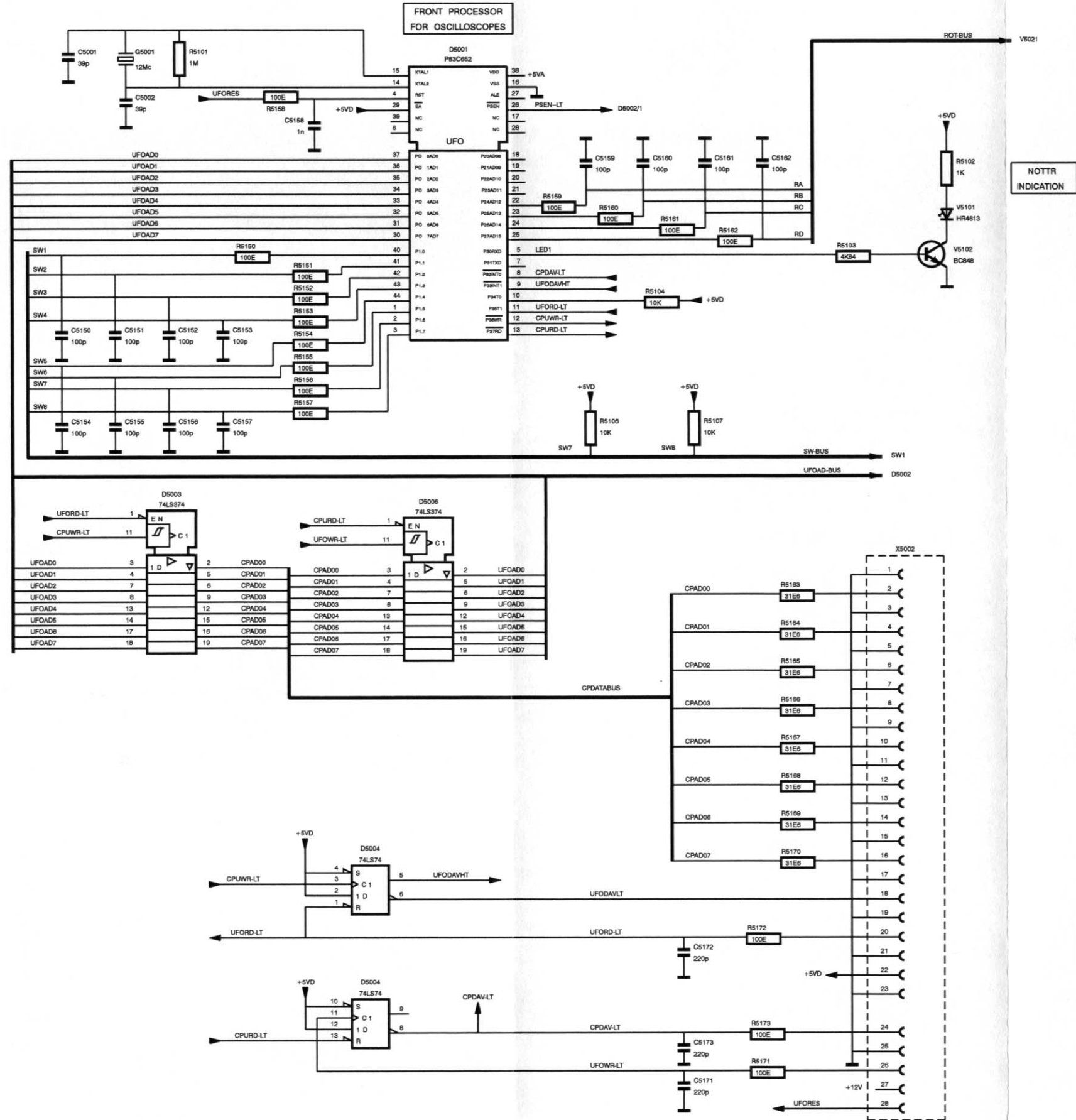


ST8284  
970428

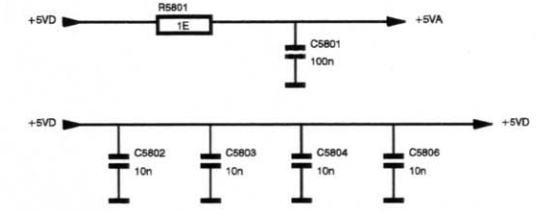
Lay-out 15 - Small component side of front unit A4



5.4.5 Circuit diagrams



NOTTR INDICATION

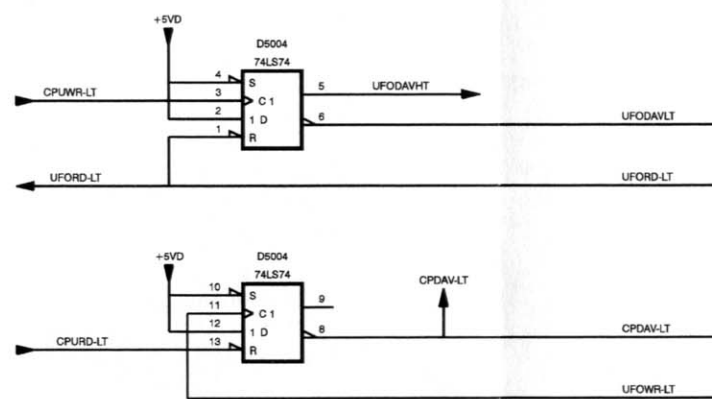
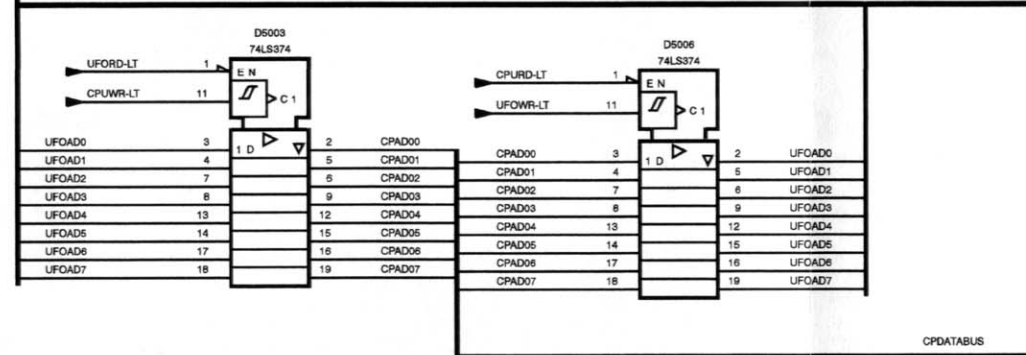
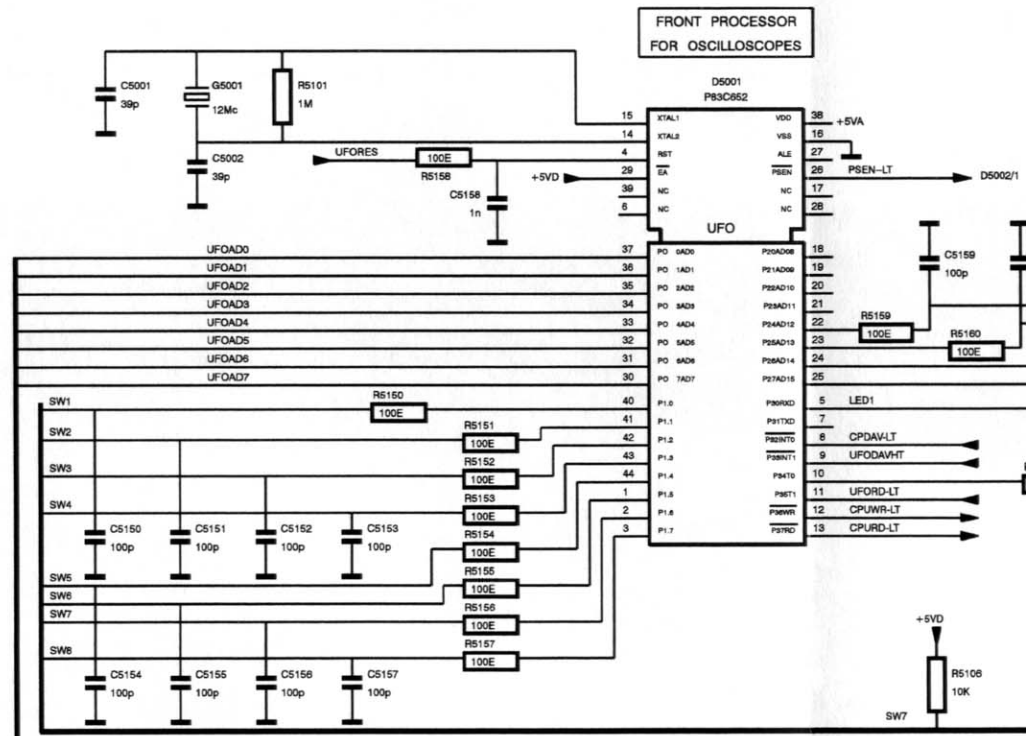


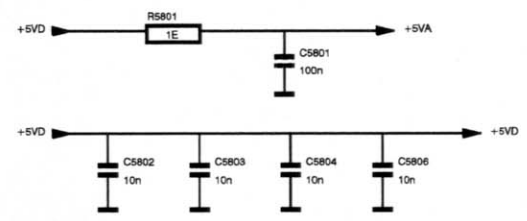
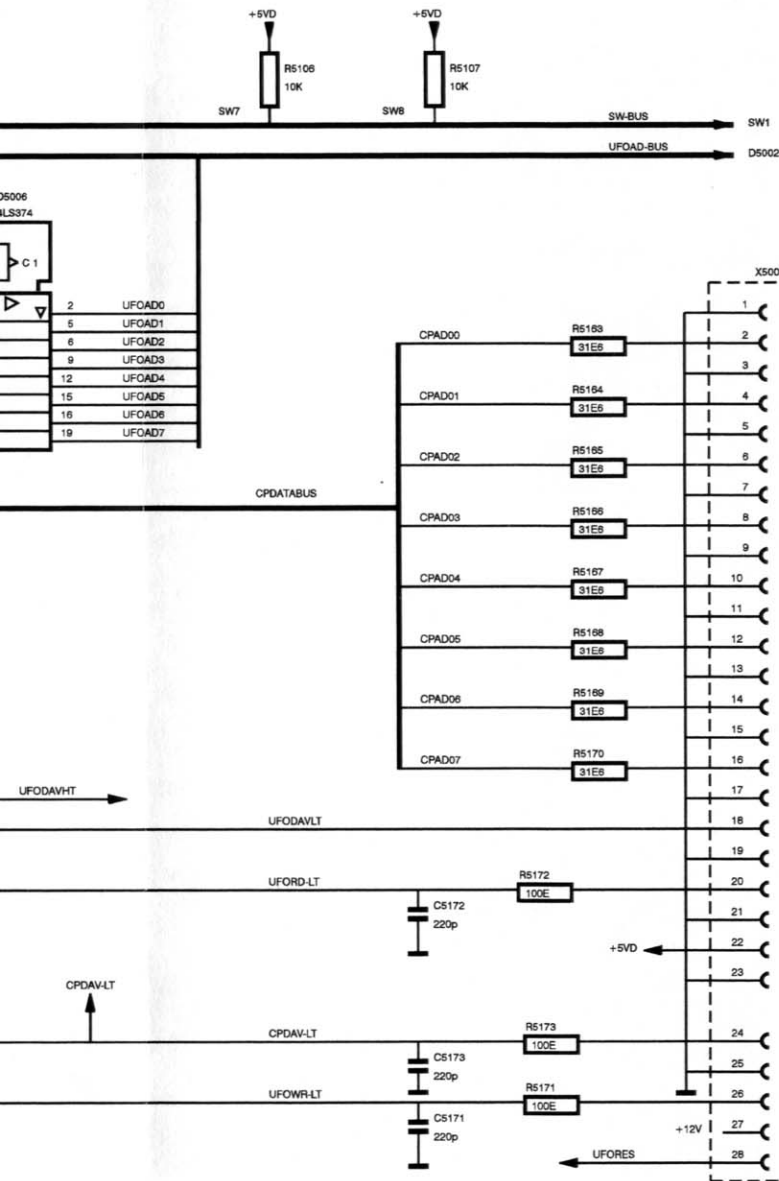
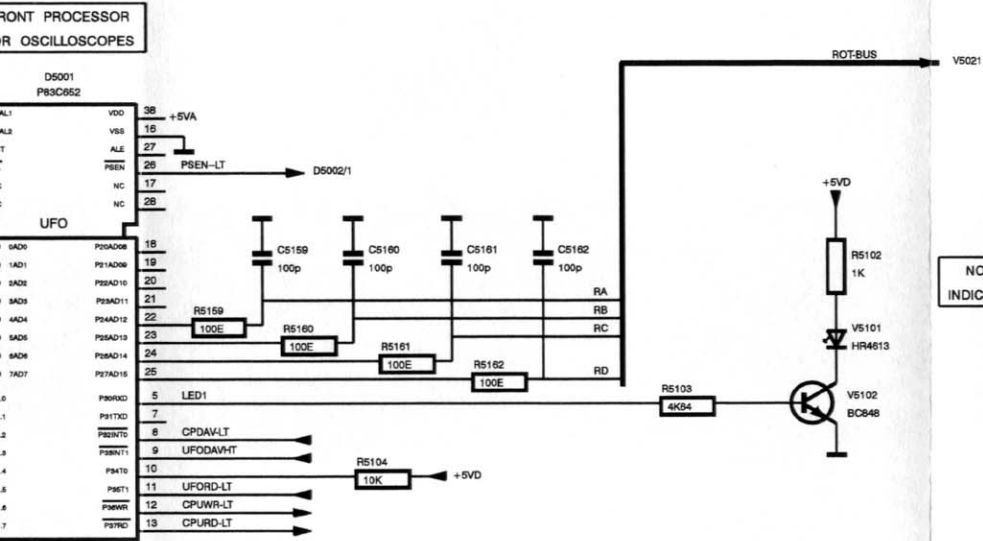
REF NR.	TYPE	+5VD	+5VA	C
D5001	PCB83C862	36	16	C5801
D5003	74LS374	20	10	C5803
D5004	74LS74	14	7	C5804
D5006	74LS374	20	10	C5806

5T8285  
970428

A4 - Diagram 1 ; Front processor

5.4.5 Circuit diagrams

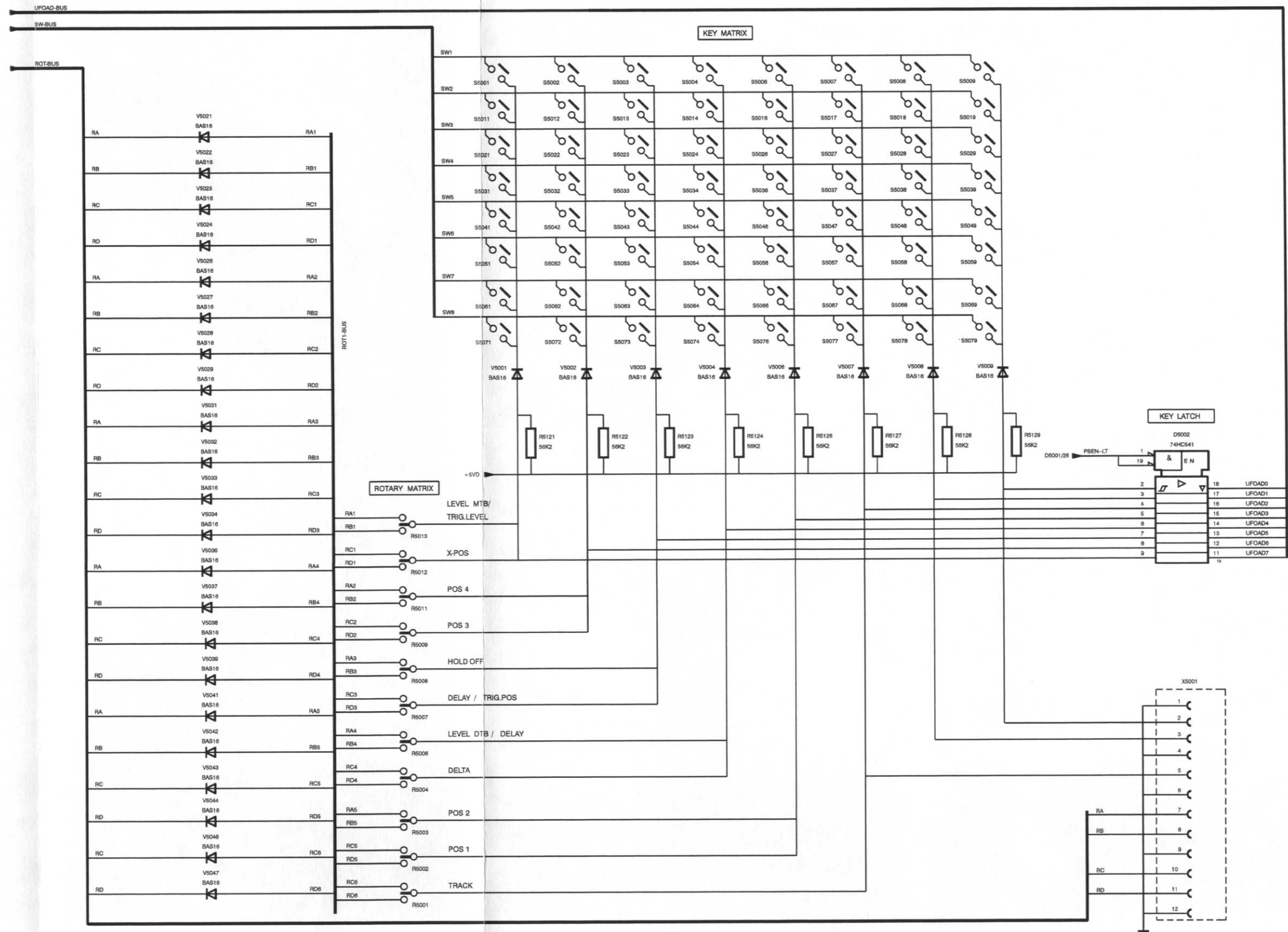




REF NR.	TYPE	+5VD	+5VA	C	
D5001	PCB83C652		38	16	C5801
D5003	74LS374	20		10	C5803
D5004	74LS374	14		7	C5804
D5006	74LS374	20		10	C5806

ST6285  
970428

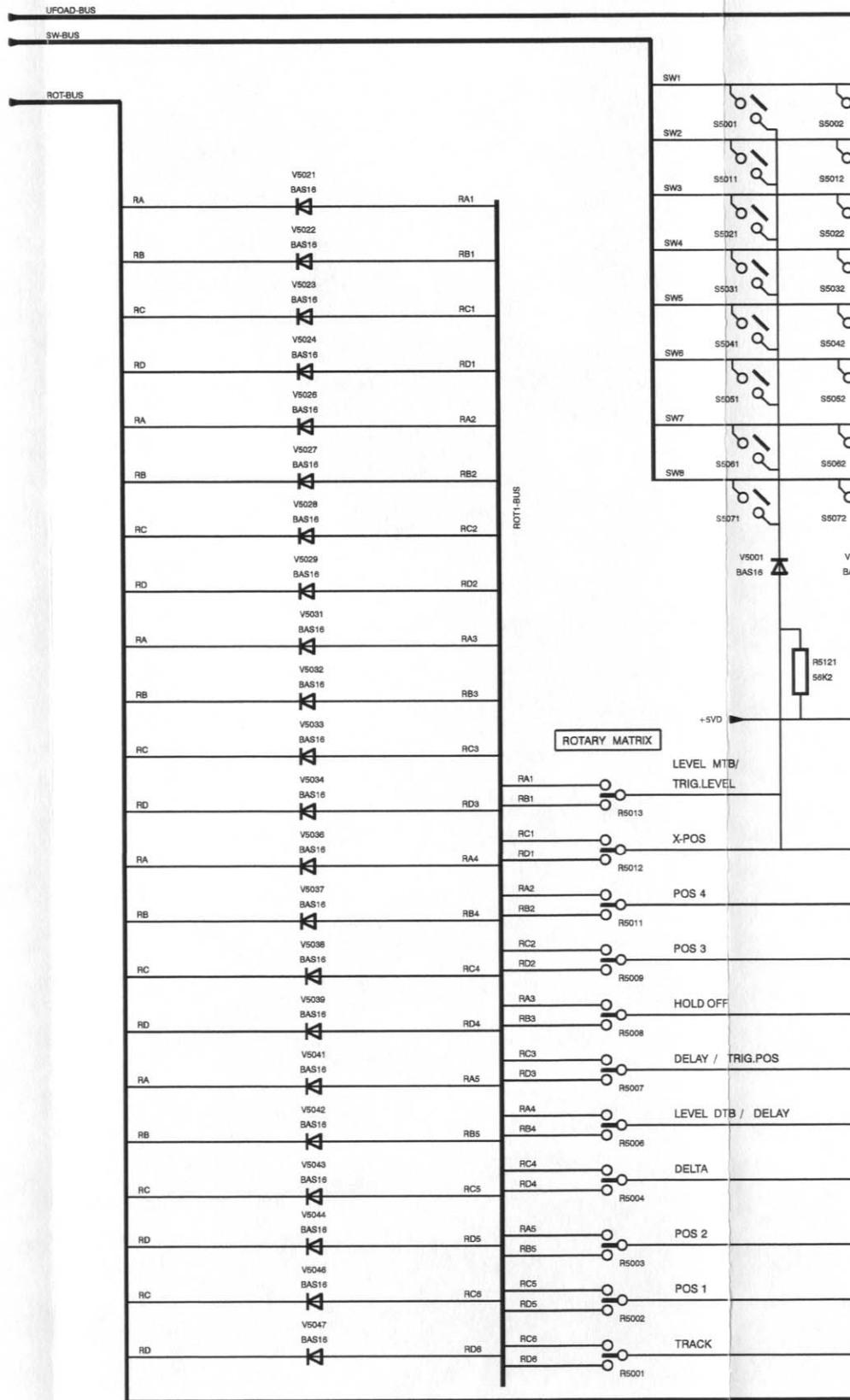
A4 - Diagram 1 ; Front processor



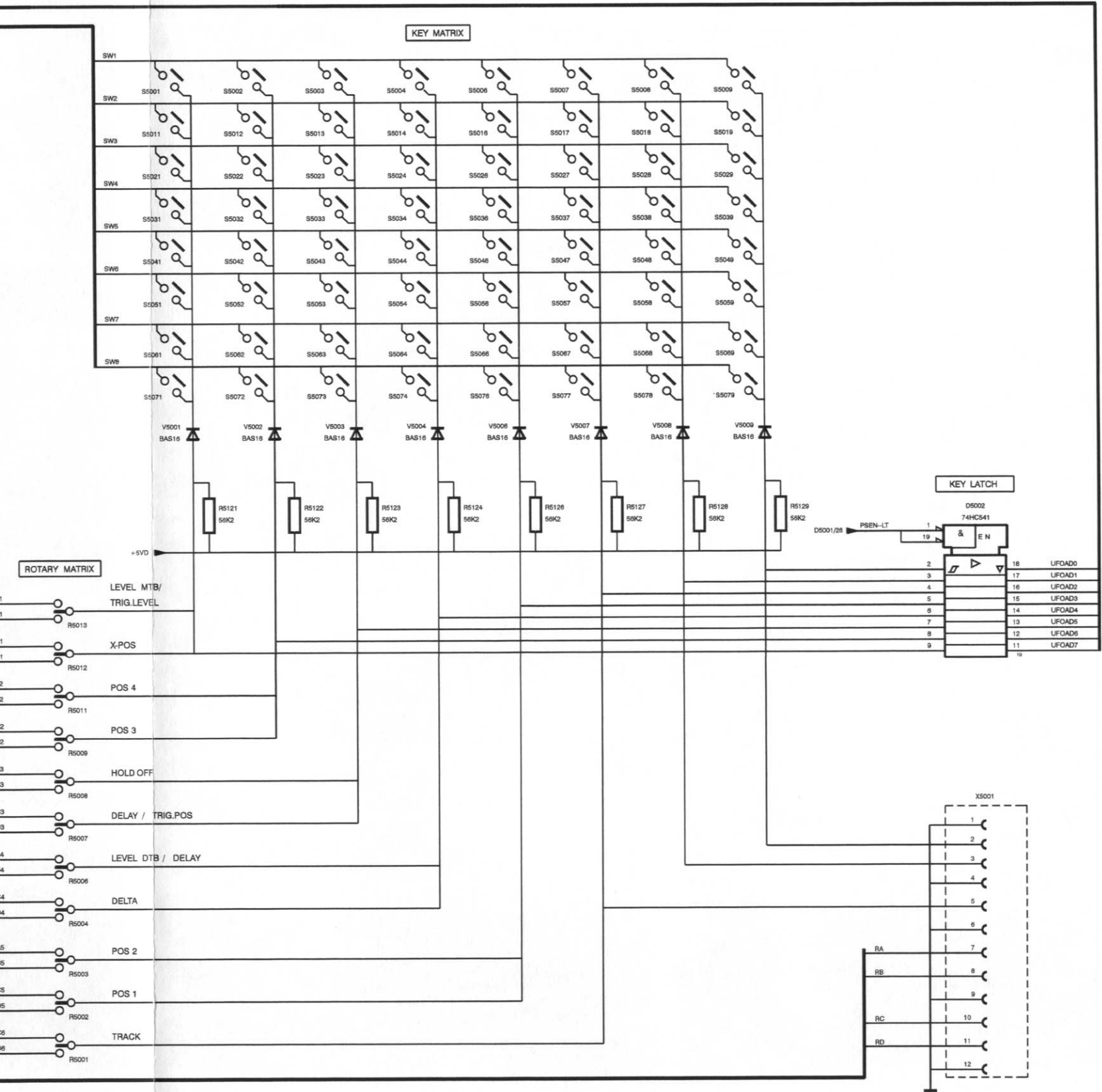
REF. NR.	TYPE	+5V	↓	C
D5002	74HC541	20	10	C5802

578286  
970428

A4 - Diagram 2 ; Key matrix







REF NR.	TYPE	+5V	↓	C
D5002	74HC541	20	10	C5802

ST3286  
970428

A4 - Diagram 2 ; Key matrix

Item	Description		Ordering code
<b>5.4.6 Parts list</b>			
<b>CAPACITORS</b>			
C 5001	CAP.CERAMIC	63V 5% 39pF	5322 122 32966
C 5002	CAP.CERAMIC	63V 5% 39pF	5322 122 32966
C 5150	CAP.CHIP	63V 5% 100pF	5322 122 32531
C 5151	CAP.CHIP	63V 5% 100pF	5322 122 32531
C 5152	CAP.CHIP	63V 5% 100pF	5322 122 32531
C 5153	CAP.CHIP	63V 5% 100pF	5322 122 32531
C 5154	CAP.CHIP	63V 5% 100pF	5322 122 32531
C 5155	CAP.CHIP	63V 5% 100pF	5322 122 32531
C 5156	CAP.CHIP	63V 5% 100pF	5322 122 32531
C 5157	CAP.CHIP	63V 5% 100pF	5322 122 32531
C 5158	CAP.CHIP	63V 5% 1nF	5322 126 10511
C 5159	CAP.CHIP	63V 5% 100pF	5322 122 32531
C 5160	CAP.CHIP	63V 5% 100pF	5322 122 32531
C 5161	CAP.CHIP	63V 5% 100pF	5322 122 32531
C 5162	CAP.CHIP	63V 5% 100pF	5322 122 32531
C 5171	CAP.CHIP	63V 5% 220pF	4822 122 33575
C 5172	CAP.CHIP	63V 5% 220pF	4822 122 33575
C 5173	CAP.CHIP	63V 5% 220pF	4822 122 33575
C 5801	CAP.CHIP	63V 10% 100nF	4822 122 33496
C 5802	CAP.CHIP	63V 10% 10nF	5322 122 34098
C 5803	CAP.CHIP	63V 10% 10nF	5322 122 34098
C 5804	CAP.CHIP	63V 10% 10nF	5322 122 34098
C 5806	CAP.CHIP	63V 10% 10nF	5322 122 34098
<b>INTEGRATED CIRCUITS</b>			
D 5001	INTEGR.CIRCUIT	P83C652 EBB/077	5322 209 90095
D 5002	I.C. INTERFACE	PC74HC541T PEL	4822 209 63763
D 5003	INTEGR.CIRCUIT	N74LS374D PEL	5322 209 60995
D 5004	INTEGR.CIRCUIT	N74LS74AD PEL	5322 209 60993
D 5006	INTEGR.CIRCUIT	N74LS374D PEL	5322 209 60995
<b>MISCELLANEOUS</b>			
G 5004	CERAM FILTER	12MHZ KYO	5322 242 71444
H 5101	LED	TLHR4613 AEG	5322 130 81522
<b>ROTARY SWITCHES</b>			
R 5001	SWITCH,ROTARY	15-SL.PHILICODER	5322 105 90036
R 5002	SWITCH,ROTARY	15-SL.PHILICODER	5322 105 90036
R 5003	SWITCH,ROTARY	15-SL.PHILICODER	5322 105 90036
R 5004	SWITCH,ROTARY	15-SL.PHILICODER	5322 105 90036
R 5006	SWITCH,ROTARY	15-SL.PHILICODER	5322 105 90036

Item	Description	Ordering code
R 5007	SWITCH,ROTARY	15-SL.PHILICODER
R 5008	SWITCH,ROTARY	15-SL.PHILICODER
R 5009	SWITCH,ROTARY	15-SL.PHILICODER
R 5011	SWITCH,ROTARY	15-SL.PHILICODER
R 5012	SWITCH,ROTARY	15-SL.PHILICODER
R 5013	SWITCH,ROTARY	15-SL.PHILICODER

**RESISTORS**

R 5101	RES.CHIP	RC-02H 1% 1M	4822 051 51005
R 5102	RES.CHIP	RC-02H 1% 1K	4822 051 10102
R 5103	RES.CHIP	RC-02H 1% 4K64	4822 051 54642
R 5104	RES.CHIP	RC-02H 1% 10K	4822 051 51003
R 5106	RES.CHIP	RC-02H 1% 10K	4822 051 51003
R 5107	RES.CHIP	RC-02H 1% 10K	4822 051 51003
R 5121	RES.CHIP	RC-02H 1% 56K2	4822 051 55623
R 5122	RES.CHIP	RC-02H 1% 56K2	4822 051 55623
R 5123	RES.CHIP	RC-02H 1% 56K2	4822 051 55623
R 5124	RES.CHIP	RC-02H 1% 56K2	4822 051 55623
R 5126	RES.CHIP	RC-02H 1% 56K2	4822 051 55623
R 5127	RES.CHIP	RC-02H 1% 56K2	4822 051 55623
R 5128	RES.CHIP	RC-02H 1% 56K2	4822 051 55623
R 5129	RES.CHIP	RC-02H 1% 56K2	4822 051 55623
R 5150	RES.CHIP	RC-02H 1% 100E	4822 051 51001
R 5151	RES.CHIP	RC-02H 1% 100E	4822 051 51001
R 5152	RES.CHIP	RC-02H 1% 100E	4822 051 51001
R 5153	RES.CHIP	RC-02H 1% 100E	4822 051 51001
R 5154	RES.CHIP	RC-02H 1% 100E	4822 051 51001
R 5155	RES.CHIP	RC-02H 1% 100E	4822 051 51001
R 5156	RES.CHIP	RC-02H 1% 100E	4822 051 51001
R 5157	RES.CHIP	RC-02H 1% 100E	4822 051 51001
R 5158	RES.CHIP	RC-02H 1% 100E	4822 051 51001
R 5159	RES.CHIP	RC-02H 1% 100E	4822 051 51001
R 5160	RES.CHIP	RC-02H 1% 100E	4822 051 51001
R 5161	RES.CHIP	RC-02H 1% 100E	4822 051 51001
R 5162	RES.CHIP	RC-02H 1% 100E	4822 051 51001
R 5163	RES.MET.GLAZED	RMC1/8 1% 31E6	5322 116 82895
R 5164	RES.MET.GLAZED	RMC1/8 1% 31E6	5322 116 82895
R 5165	RES.MET.GLAZED	RMC1/8 1% 31E6	5322 116 82895
R 5166	RES.MET.GLAZED	RMC1/8 1% 31E6	5322 116 82895
R 5167	RES.MET.GLAZED	RMC1/8 1% 31E6	5322 116 82895
R 5168	RES.MET.GLAZED	RMC1/8 1% 31E6	5322 116 82895
R 5169	RES.MET.GLAZED	RMC1/8 1% 31E6	5322 116 82895
R 5170	RES.MET.GLAZED	RMC1/8 1% 31E6	5322 116 82895
R 5171	RES.CHIP	RC-02H 1% 100E	4822 051 51001
R 5172	RES.CHIP	RC-02H 1% 100E	4822 051 51001
R 5173	RES.CHIP	RC-02H 1% 100E	4822 051 51001
R 5801	RES.CHIP	RC-01 5% 1E	4822 051 10108

Item	Description		Ordering code
<b>SEMICONDUCTORS</b>			
V 5001	DIODE,CHIP	BAS16 PEL	5322 130 31928
V 5002	DIODE,CHIP	BAS16 PEL	5322 130 31928
V 5003	DIODE,CHIP	BAS16 PEL	5322 130 31928
V 5004	DIODE,CHIP	BAS16 PEL	5322 130 31928
V 5006	DIODE,CHIP	BAS16 PEL	5322 130 31928
V 5007	DIODE,CHIP	BAS16 PEL	5322 130 31928
V 5008	DIODE,CHIP	BAS16 PEL	5322 130 31928
V 5009	DIODE,CHIP	BAS16 PEL	5322 130 31928
V 5021	DIODE,CHIP	BAS16 PEL	5322 130 31928
V 5022	DIODE,CHIP	BAS16 PEL	5322 130 31928
V 5023	DIODE,CHIP	BAS16 PEL	5322 130 31928
V 5024	DIODE,CHIP	BAS16 PEL	5322 130 31928
V 5026	DIODE,CHIP	BAS16 PEL	5322 130 31928
V 5027	DIODE,CHIP	BAS16 PEL	5322 130 31928
V 5028	DIODE,CHIP	BAS16 PEL	5322 130 31928
V 5029	DIODE,CHIP	BAS16 PEL	5322 130 31928
V 5031	DIODE,CHIP	BAS16 PEL	5322 130 31928
V 5032	DIODE,CHIP	BAS16 PEL	5322 130 31928
V 5033	DIODE,CHIP	BAS16 PEL	5322 130 31928
V 5034	DIODE,CHIP	BAS16 PEL	5322 130 31928
V 5036	DIODE,CHIP	BAS16 PEL	5322 130 31928
V 5037	DIODE,CHIP	BAS16 PEL	5322 130 31928
V 5038	DIODE,CHIP	BAS16 PEL	5322 130 31928
V 5039	DIODE,CHIP	BAS16 PEL	5322 130 31928
V 5041	DIODE,CHIP	BAS16 PEL	5322 130 31928
V 5042	DIODE,CHIP	BAS16 PEL	5322 130 31928
V 5043	DIODE,CHIP	BAS16 PEL	5322 130 31928
V 5044	DIODE,CHIP	BAS16 PEL	5322 130 31928
V 5046	DIODE,CHIP	BAS16 PEL	5322 130 31928
V 5047	DIODE,CHIP	BAS16 PEL	5322 130 31928
V 5102	TRANSISTOR,CHIP	BC848C PEL	5322 130 42136

**CONNECTORS**

X 5001	CONNECTOR	P 1.25MM STR	4822 267 50668
X 5002	CONNECTOR	P 1.25MM STR	5322 267 60311

## 5.5 CRT CONTROLS UNIT A5

### 5.5.1 Description

Each rotary can occupy 4 different states. A rotary incorporates a rotor contact that can make contact with one of the two stator contacts. It is also possible that the rotor makes no contact. The last possibility is that the rotor makes contact with both stator contacts. Most of the rotaries are present on front unit A4. Via connector X5201 the rotaries on the CRT controls unit A5 are read out. The rotaries are read out via the ROT-BUS lines RA, RB, RC and RD that are made low one at a time. This results in a certain bit pattern at the input of key latch D5002 on unit A4. This bit pattern is read by the microprocessor via enable signal PSEN--LT from the front processor on unit A4.

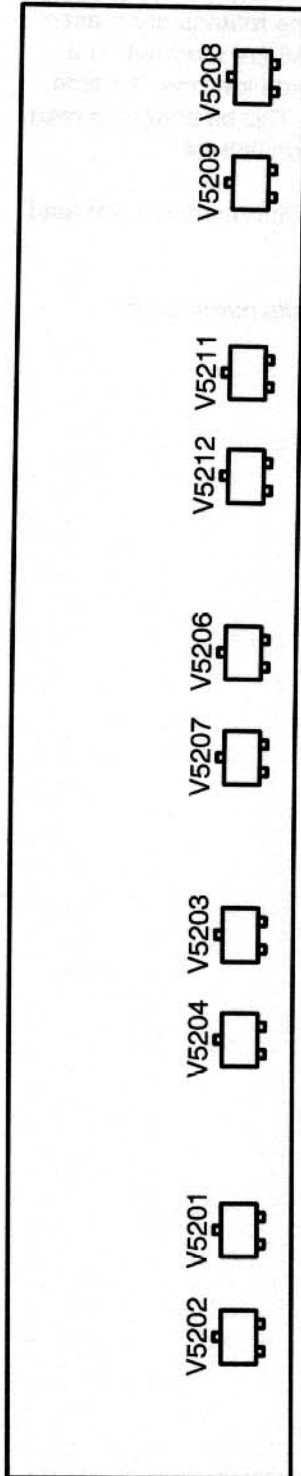
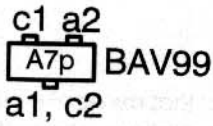
Diodes are used throughout the key and rotary matrix to guarantee that false information is not read by the microprocessor in case more than one control is operated at a time.

*Note: The connectors X5001 on unit A4 and X5201 on unit A5 have opposite numeration.*

JTN

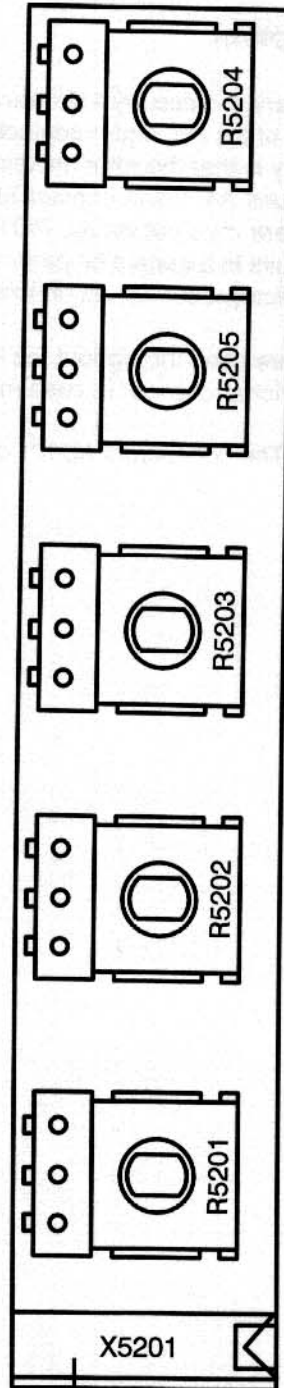


5.5.2 Unit Lay-outs

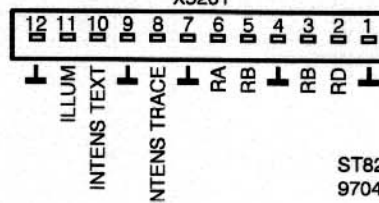


ST8288  
970420

Lay-out 1; Small component side of CRT controls unit A5



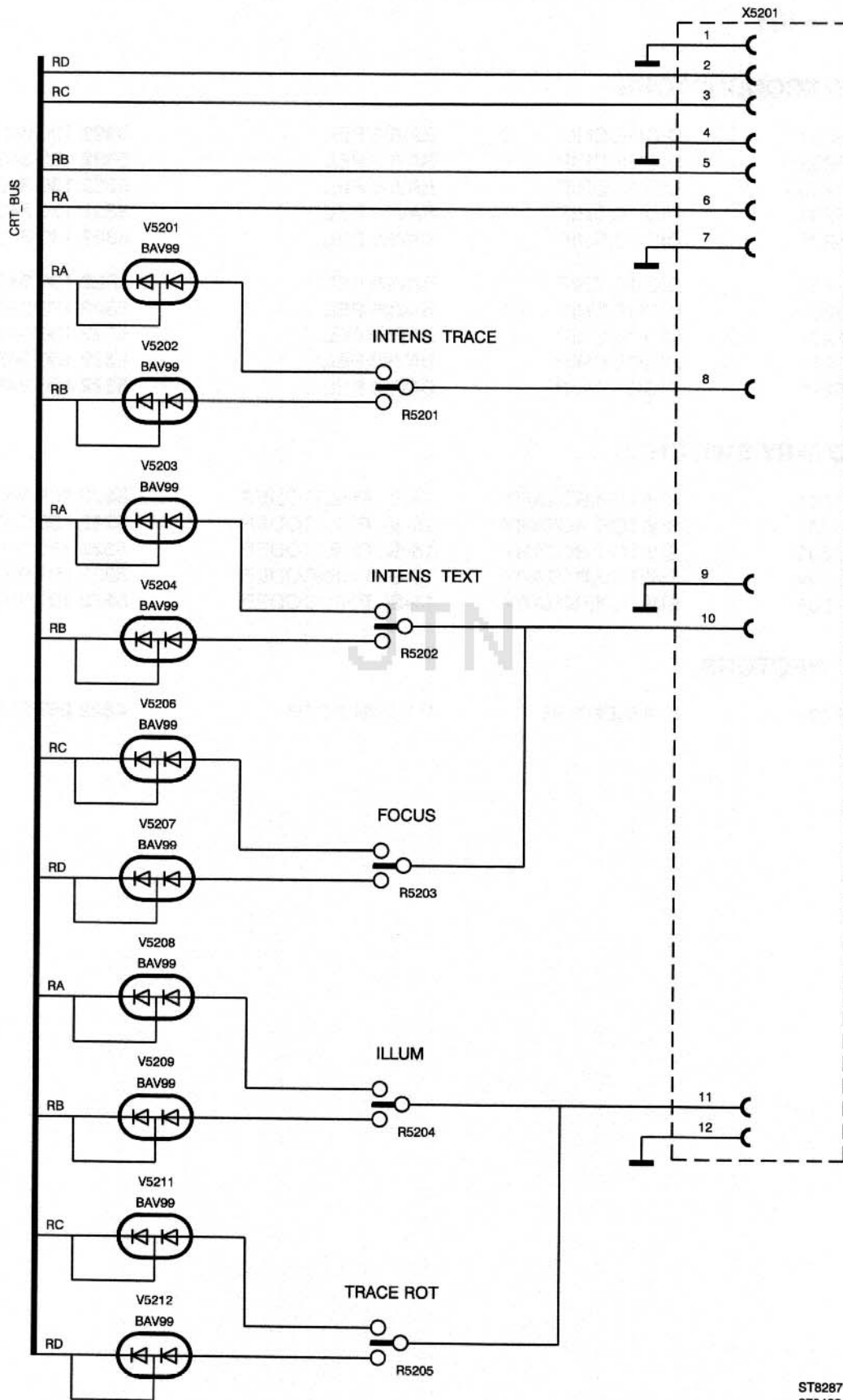
FROM X5001 ON FRONT A4  
X5201



ST8289  
970420

Lay-out 2; Large component side of CRT controls unit A5

5.5.3 Circuit diagram



ST8287  
970428

A5 - Diagram1; CRT controls unit

Item	Description	Ordering code
------	-------------	---------------

**5.5.4 Parts list****SEMICONDUCTORS**

V 5201	DIODE,CHIP	BAV99 PEL	5322 130 34337
V 5202	DIODE,CHIP	BAV99 PEL	5322 130 34337
V 5203	DIODE,CHIP	BAV99 PEL	5322 130 34337
V 5204	DIODE,CHIP	BAV99 PEL	5322 130 34337
V 5206	DIODE,CHIP	BAV99 PEL	5322 130 34337
V 5207	DIODE,CHIP	BAV99 PEL	5322 130 34337
V 5208	DIODE,CHIP	BAV99 PEL	5322 130 34337
V 5209	DIODE,CHIP	BAV99 PEL	5322 130 34337
V 5211	DIODE,CHIP	BAV99 PEL	5322 130 34337
V 5212	DIODE,CHIP	BAV99 PEL	5322 130 34337

**ROTARY SWITCHES**

R 5201	SWITCH,ROTARY	15-SL.PHILICODER	5322 105 90036
R 5202	SWITCH,ROTARY	15-SL.PHILICODER	5322 105 90036
R 5203	SWITCH,ROTARY	15-SL.PHILICODER	5322 105 90036
R 5204	SWITCH,ROTARY	15-SL.PHILICODER	5322 105 90036
R 5205	SWITCH,ROTARY	15-SL.PHILICODER	5322 105 90036

**CONNECTORS**

X 5201	CONNECTOR	P 1.25MM STR	4822 267 50668
--------	-----------	--------------	----------------

## 5.6 POWER SUPPLY A6

### 5.6.1 Description A6

#### Diagram 1

Diagram 1 comprises the following circuit parts:

- input circuit
- converter circuit
- line trigger circuit

#### Input circuit

Input to the circuit is the mains voltage. The following voltages are allowed:

- AC voltage between 90 and 250 V
- Theoretically a DC voltage between 100 and 380 V can be applied.

The mains input is primarily protected by a slow acting 1.6 A fuse (1.6 AT), which is located on the rear of the instrument.

Inrush current limiting is provided by NTC resistor R1001.

By means of the capacitors C1002, C1003, C1004 and C1006, an input signal for the line trigger generator is made. The capacitors form a voltage divider. This functions only if the mains voltage is AC.

C1001, 1002, 1006, 1007 and L1001 are for interference suppression.

The mains voltage is rectified by V1001 through 1004 and smoothed by C1008 and C1009.

The output voltage from the rectifier at C1009 can be between 100 and 380 V.

**WARNING:** For measurements in the primary circuit, the use of an isolating transformer is strongly recommended. If no isolating transformer is used, all measurements in the primary circuit must be carried out with floating measuring instruments.

#### Converter circuit

The power supply is a multiple output flyback converter of the SOPS (Self Oscillating Power Supply) principle. Basically, the converter consists of a switch with control circuitry (transistor V1019) and a transformer (T1001).

The first switching-on of V1019 is initiated by a small current via R1007/R1008. When V1019 is ON, the control voltage of T1001 pin 18 to C1011 is positive and this keeps V1016 and V1019 ON. During the ON or FORWARD cycle, the current through the primary winding of T1001 increases linearly, and energy ( $0.5 LI^2$ ) is stored into this transformer. At about 2.5 A, this value is determined by the control circuit, thyristor V1014 is switched ON and due to this, V1019 is switched OFF. This is the beginning of the OFF or FLYBACK cycle. Now, the transformer voltages are reversed and the stored energy is transformed to the secondary windings. As long as the transformer is not fully demagnetized, the voltage from pin 18 to C1011 is negative and this will keep V1007, V1016 and V1019 switched OFF. As soon as the transformer demagnetizing has ended, this voltage becomes zero and so, a positive going voltage appears at C1011. Due to this, V1007, V1016 and V1019 are switched ON and the FORWARD cycle starts again.

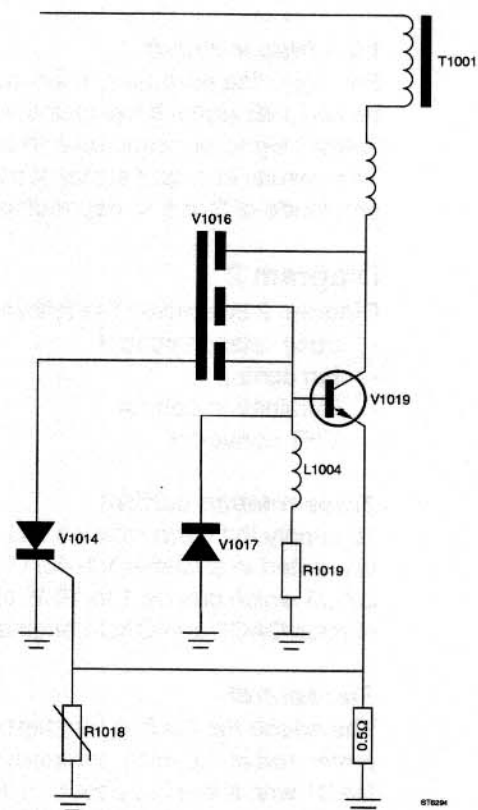


Figure 5.5 Converter circuit

To reduce the switching losses in V1019, a  $dV/dt$  limiter, often called "snubber", is used. C1021 decreases the  $dV/dt$  of the collector voltage of V1019 during switching off, as the current to the transistor can pass during a certain time through C1021. This slowing down of the collector voltage will reduce the switching losses during switching off. During the ON cycle, the energy in C1021 is transferred to L1006 and the capacitor is discharged. During the OFF cycle, the energy in L1006 is transferred to C1018 and during the next ON cycle, the energy in C1018 is delivered to the transformer. In that way, no energy is wasted. As a consequence of this system, the voltage at the transformer is slightly increased during the first part of the ON cycle, but this has no disadvantages.

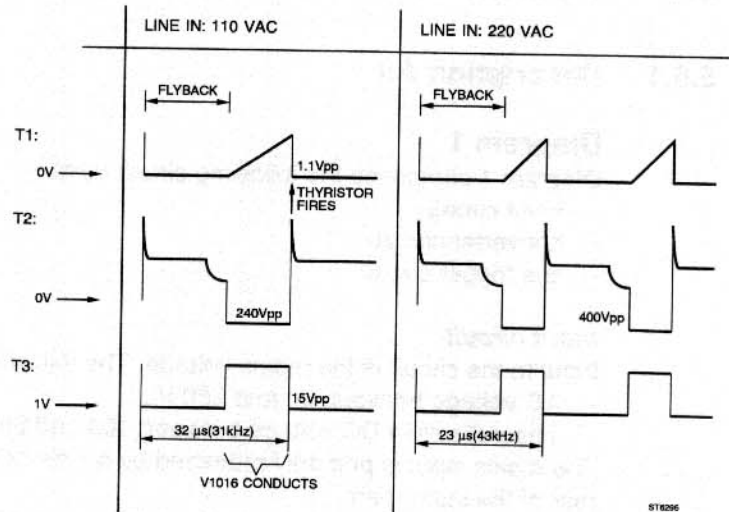


Figure 5.6 Timing diagram converter circuit

Voltage regulation takes place by varying the control voltage from R1046 to the gate of V1014. A more positive voltage will cause a smaller peak current through the transformer and this results in smaller output voltages. The converter frequency can be 20 to 50 kHz. This depends on the mains voltage and the load of the power supply. The lower the mains voltage, the lower the frequency. A lower load means a higher frequency. R1018 compensates for gate-cathode voltage variations of V1014 due to the temperature.

#### Line trigger circuit

For triggering purposes, a sinusoidal signal at the mains frequency is available. Of course there will be no LINE signal if the mains voltage is DC. A small signal is picked up with capacitors C1002, C1003, C1004 and C1006 and amplified in N1046. This results in output signal at pin 1. This circuit provides a sine-wave with low distortion and with an amplitude of 3 to 8 V, depending on the mains voltage.

#### Diagram 2

Diagram 2 comprises the following circuit parts:

- trace rotation control
- fan control
- illumination control
- EHT converter

#### Trace rotation control

To supply the trace rotation coil, of which the resistance is about 200  $\Omega$ , a voltage of -10 V to +10 V is created in amplifier V1146-1147. Control takes place via a part of N1101 by means of the signal DAC3 which can be 1 to 10 V, together with the signal DAC0 with a level between 1 and 3V. The signals DAC3 and DAC0 originate from the microprocessor unit A3.

#### Fan control

The speed the cooling fan depends on the temperature in the oscilloscope. This temperature is measured at the microprocessor unit A3 by a NTC resistor. The microprocessor generates the signal DAC1 with a level of about 1.7 to 4 V. The fan is supplied by amplifier V1148 which is controlled by this signal. The output from the amplifier is a DC voltage of -10 to +10 V.



**Illumination control**

The illumination of the graticule must be variable. For this reason the illumination voltage can be varied between about 2 and 28 V. Control of the illumination amplifier V1148 takes place by means of the signal DAC2, level about 1.7 to 4 V. The output voltage from the amplifier is -16 to +10 V.

**EHT converter**

The EHT converter supplies three voltages.

- An AC voltage of 6,3 V (F1, F2), to supply the filament of the CRT.
- The cathode voltage to the CRT, a DC voltage of -2200 V.
- The post acceleration voltage to the CRT, a DC voltage of +14 kV.

These voltages are made in a separate converter, equipped with a separate transformer. The EHT converter is a resonant flyback converter, the output voltages of the transformer are sinusoidal.

Basically, the converter consists of a resonant LC circuit formed by the transformer with its parasitic capacitances. This resonance circuit defines the converter frequency which is about 80 kHz. Energy is supplied to this LC circuit by injecting current to it from the supply voltage, the +58 V, by switching ON V1109. Most of the time, V1109 is OFF. The primary peak to peak amplitude is about 200 V, the negative peak about -40 V. During the positive half of the sine-wave, capacitor C1111 is discharged very little via R1114.

When the sine-wave reaches its most negative value, a small current will pass through C1111 and V1106 and this acts as base current for V1102. Due to this, the thyristor configuration V1102-1109 will be switched ON and energy is supplied to the resonant circuit. The ON time of V1109 can be controlled by the operational amplifier N1101 pin 7.

To protect against too high voltages, e.g. caused by a defective N1101, the circuit is provided with an over-voltage protection. This circuit consists of V1103 and V1104. The maximum output voltage is defined by this circuit as it will overrule the control circuit at too high voltage.

The AC voltage at T1002 pins 4 and 5 is used to supply the CRT filament voltage of 6.3 V. The voltage at pins 11 and 3 is rectified and this -2200 V is used as CRT cathode voltage. The voltage at pins 11 and 2 is rectified and multiplied in a cascade circuit. The output, +14 kV, is used as post acceleration voltage to the CRT.

**Diagram 3**

Diagram 3 comprises the following circuit parts:

- secondary output circuitry
- over- and under-voltage protection
- power fail circuit
- temperature protection
- 10 V reference circuit

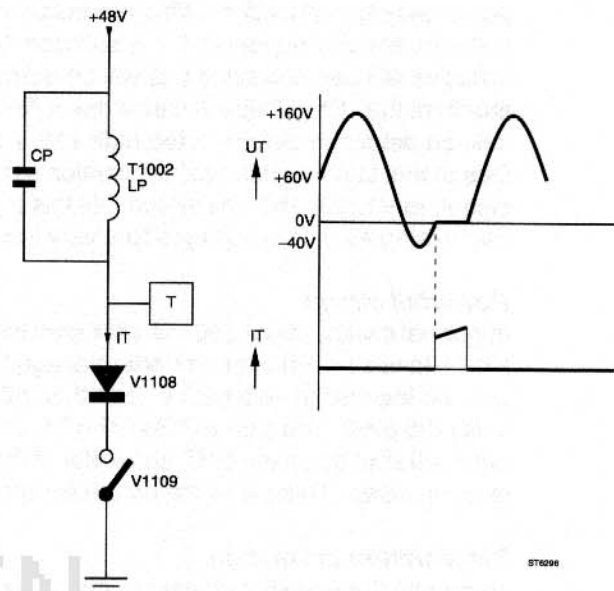


Figure 5.7 High tension generator

**Secondary output circuitry**

The secondary output circuits consist of rectifier diodes and buffer capacitors, followed by chokes and capacitors for ripple suppression. The output circuits are protected against overload by the under voltage protection.

**Over and under-voltage protection**

To protect the oscilloscope circuitry against over-voltage and the supply circuits against overload, the power supply is provided with a protection circuit. As, due to the multiple output principle, the output voltages are interdependent, it is sufficient to check only one voltage. In case of overload, the output voltages will decrease and this will be detected by the under-voltage detection, V1241, which monitors the -12 V. This will cause the collector of V1241 to be LOW. In case of over-voltage, the over-voltage detection detects a too high +12 V or +5 V and this will cause pin 13 of N1236 to be LOW. Due to this LOW signal, the intervention circuit V1241-1242-1243 will cause a current, the TPDOWN signal, to V1213. This will switch ON this thyristor and this causes switching off the converter by decreasing all output voltages to a very low, safe value.

**Powerfail circuit**

In normal cases, about 250 ms after switching on, the signal POWER HT will become HIGH and stay HIGH. In case of an over- or under-voltage failure, the signal will become LOW due to V1242. In case of a too low mains voltage, i.e. less than 80 V (AC) or 100 V (DC), the signal will become LOW due to N1236 pin 2. The signal POWER HT is a logic signal, it will not switch off the main convertor circuit, but it will shut down the EHT-convertor. POWER HT signals to the microprocessor unit A3 that power is going down. This gives the processor the opportunity to save important data.

**Temperature protection.**

To protect the circuits against too high temperatures, the oscilloscope is provided with an overheat shutdown circuit. The temperature of the power supply printed circuit board is monitored by NTC resistor R1231, which is located on the PCB. At temperatures higher than about +80 °C, pin 8 of N1236 will become HIGH and this will cause pin 14 to be LOW. Due to this, the TPDOWN signal becomes active and the converter is switched off by triggering V1213. This temperature protection is only meant for the power supply.

**+10 V reference circuit**

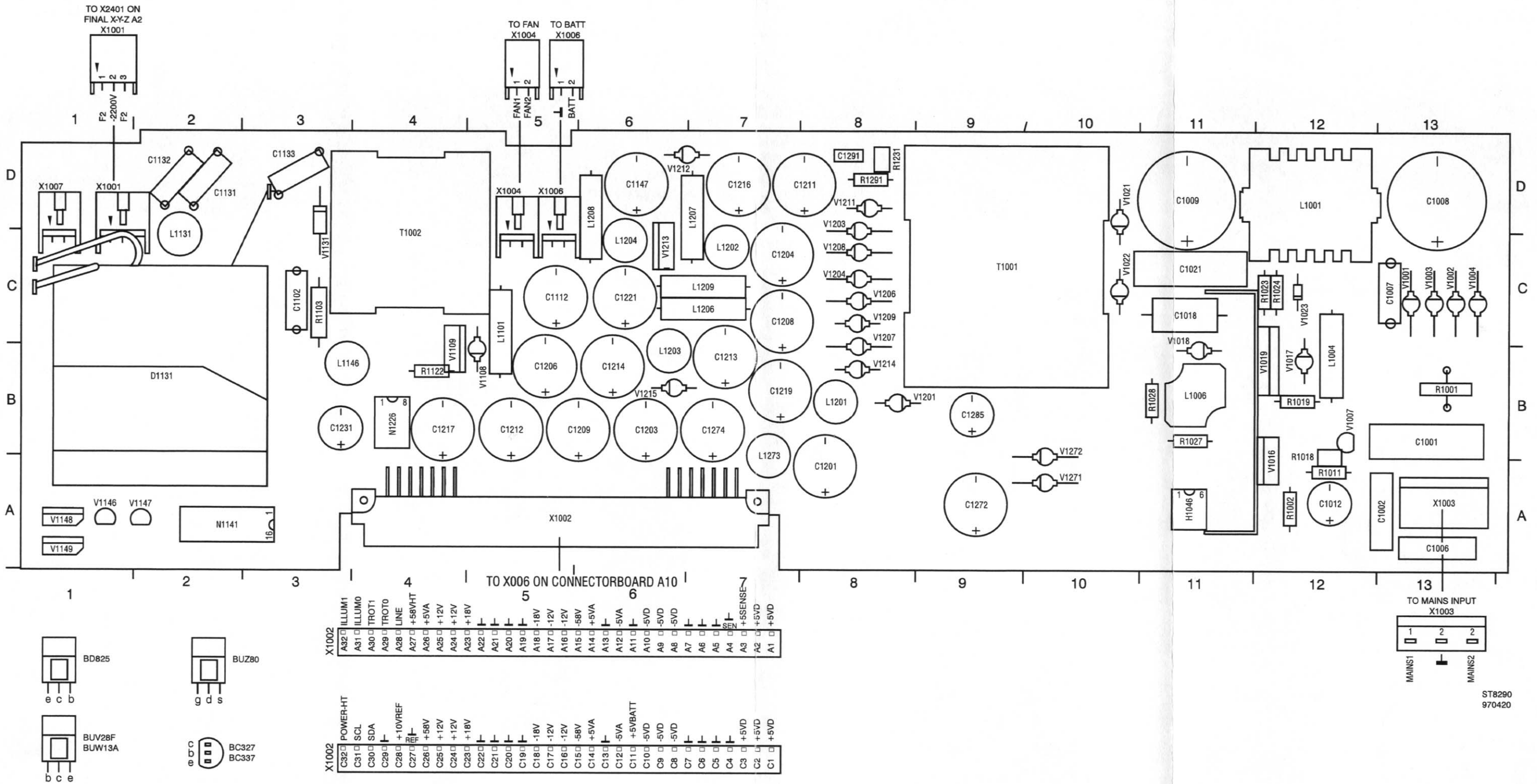
For application in the power supply and at other places in the oscilloscope, a stable +10 V reference voltage is needed. This voltage is made by N1226/V1226 in the power supply. The voltage is not adjustable. The accuracy is  $\pm 5$  mV. Temperature coefficient is  $\pm 0,001^\circ\text{K}$ . The load of the +10 V is about 10 mA.

**5.6.2 Signal name list A6**

*Note:* In the signal name list you find the itemnumber of the component that is source or destination. Behind this itemnumber (separated by ":") you find the number of the diagram where the source/destination can be found.

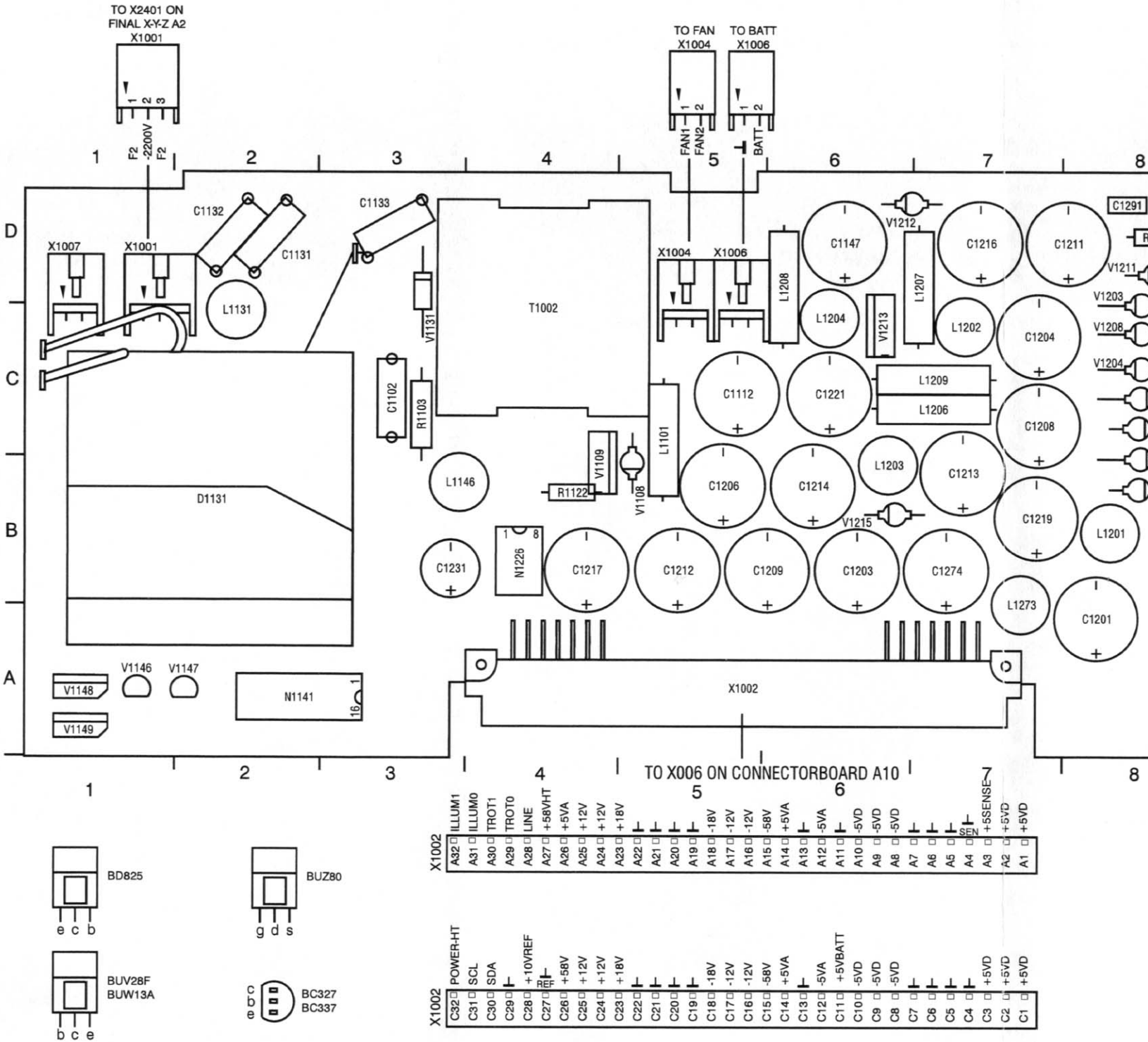
NAME	MEANING	SOURCE	DESTINATION
FAN0	FAN SUPPLY 0	S-12V:02	X1004:02
FAN1	FAN SUPPLY 1	L1146:02	X1004:02
ILLUM0	GRATICULE ILLUMINATION 0	S-18V:02	X1002:02
ILLUM1	GRATICULE ILLUMINATION 1	V1149:02	X1002:02
LINE	LINE/MAINS TRIGGER SIGNAL	N1046:01	X1002:01
POWER-HT	POWER UP INDICATION SIGNAL	N1236:03	X1002:03
			V1111:02
SCL	SERIAL CLOCK	X1002:02	N1141:02
SDA	SERIAL DATA	X1002:02	N1141:02
TROT0	TRACE ROTATION 0	EARTH:02	X1002:02
TROT1	TRACE ROTATION 1	V1146:02	X1002:02

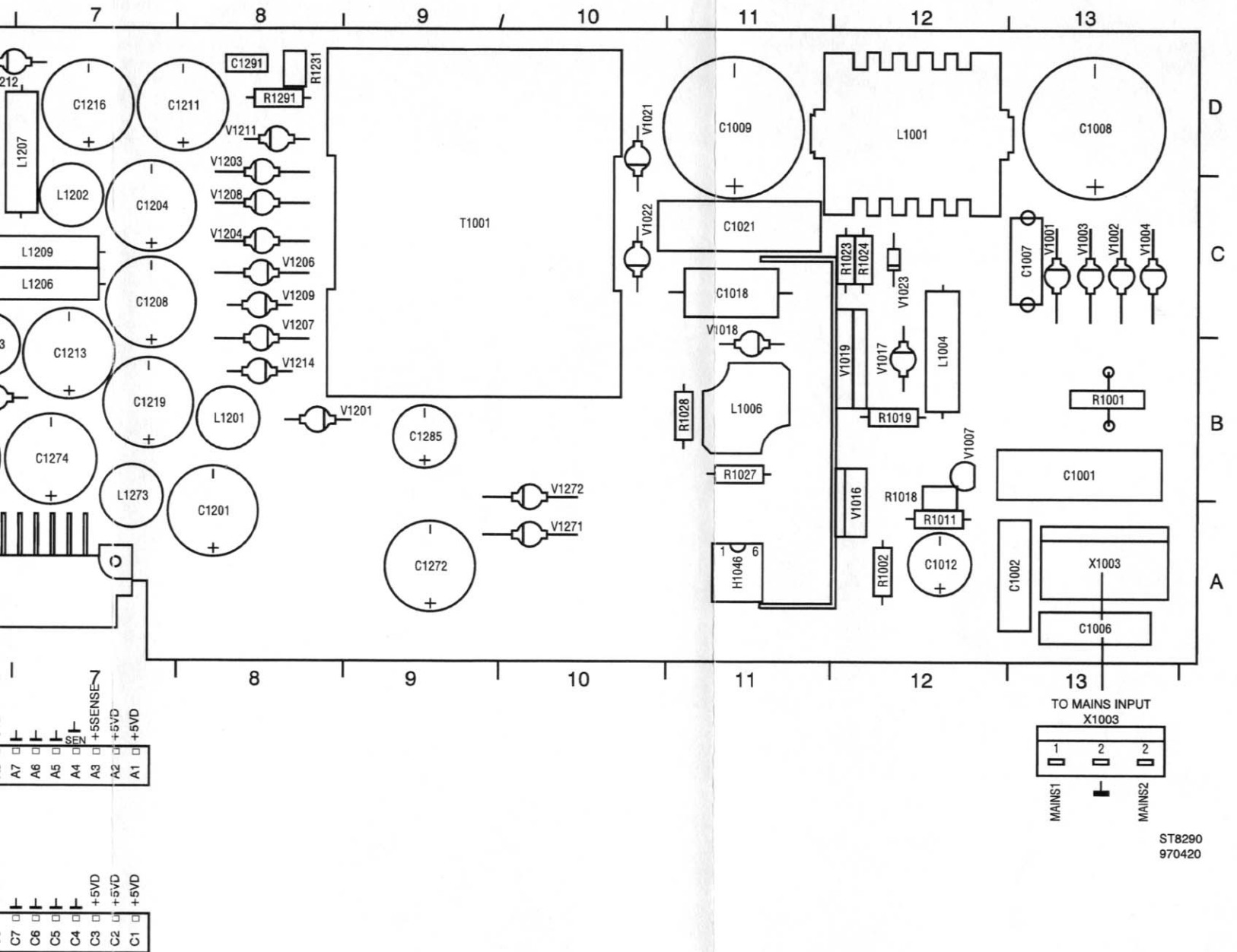
5.6.3 Unit lay-outs



Lay-out 8 - Wire component side of power supply unit A6

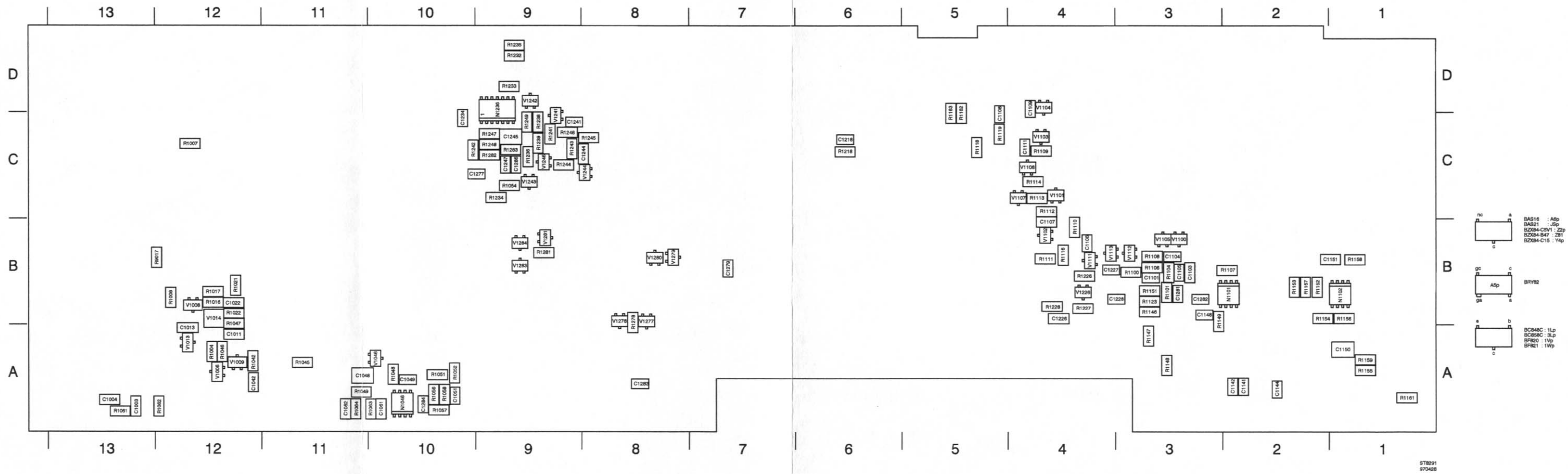
5.6.3 Unit lay-outs





Lay-out 8 - Wire component side of power supply unit A6





Lay-out 9 - Micro miniature component side of power supply unit A6





### 5.6.4 Location list Power Supply unit A3

'-L' means that the component is located on the printed circuit board side with the large components. Otherwise the component is located on the side with small components (SMD's: surface mounted devices).

C1001 B13-L	C1217 B4-L	R1011 A12-L	R1157 B2
C1002 A13-L	C1218 C6	R1016 B12	R1158 B1
C1003 A13	C1219 B7-L	R1017 B12	R1218 C6
C1004 A13	C1221 C6-L	R1018 B12-L	R1226 B4
C1006 A13-L	C1226 B4	R1019 B12-L	R1227 B4
C1007 C13-L	C1228 B4	R1021 B12	R1228 B4
C1008 D13-L	C1231 B3-L	R1022 B12	R1231 D8-L
C1009 D11-L	C1234 C10	R1023 C12-L	R1232 D9
C1011 A12	C1241 C9	R1024 C12-L	R1233 D9
C1012 A12-L	C1244 C8	R1027 B11-L	R1234 C9
C1013 A12	C1245 C9	R1028 B11-L	R1235 D9
C1018 C11-L	C1247 C9	R1042 A12	R1236 C9
C1021 C11-L	C1272 A9-L	R1046 A12	R1238 C9
C1022 B12	C1274 B7-L	R1047 B12	R1239 C9
C1042 A12	C1277 C9	R1048 A10	R1241 C9
C1048 A11	C1281 B3	R1049 A11	R1242 C10
C1049 A10	C1282 B3	R1051 A10	R1243 C9
C1051 A10	C1283 A8	R1052 A10	R1244 C9
C1061 A10	C1284 A10	R1054 C9	R1245 C8
C1062 A11	C1285 B9-L	R1056 A10	R1246 C9
C1101 B3	C1286 C9	R1057 A10	R1247 C9
C1102 C3-L	C1291 D8-L	R1058 A10	R1248 C9
C1103 B3	D1131 B2-L	R1061 A13	R1249 C9
C1104 B3	H1046 A11-L	R1063 A11	R1278 B8
C1106 B4	L1001 D12-L	R1064 A11	R1281 B9
C1107 B4	L1004 B12-L	R1101 B3	R1282 C9
C1108 C5	L1006 B11-L	R1103 C3-L	R1283 C9
C1109 C4	L1101 C5-L	R1104 B3	R1291 D8-L
C1111 C4	L1131 C2-L	R1106 B3	T1001 C9-L
C1112 C5-L	L1146 B3-L	R1107 B2	T1002 C4-L
C1131 D2-L	L1201 B8-L	R1108 B4	V1001 C13-L
C1132 D2-L	L1202 C7-L	R1109 C4	V1002 C13-L
C1133 D3-L	L1203 B6-L	R1111 B4	V1003 C13-L
C1141 A2	L1204 C6-L	R1112 C4	V1004 C13-L
C1142 A2	L1206 C7-L	R1113 B4	V1006 A12
C1144 A2	L1207 D7-L	R1114 C4	V1007 B12-L
C1147 D6-L	L1208 D6-L	R1116 B4	V1008 B12
C1148 B3	L1209 C7-L	R1118 C5	V1009 A12
C1150 B1	L1273 B7-L	R1119 C5	V1013 A12
C1201 A8-L	N1046 A10	R1122 B4-L	V1014 B12
C1203 B6-L	N1101 B2	R1123 B3	V1016 A12-L
C1204 C7-L	N1102 B1	R1146 B3	V1017 B12-L
C1206 B5-L	N1141 A2-L	R1147 A3	V1018 C11-L
C1208 C7-L	N1226 B4-L	R1148 A3	V1019 B12-L
C1209 B6-L	N1236 D9	R1149 B3	V1021 D10-L
C1211 D8-L	R1001 B13-L	R1151 B3	V1022 C10-L
C1212 B5-L	R1002 A12-L	R1152 B2	V1023 C12-L
C1213 B7-L	R1004 A12	R1153 B2	V1046 A10
C1214 B6-L	R1007 C12	R1154 B2	V1101 C4
C1216 D7-L	R1008 B12	R1156 B1	V1102 B4

V1103 C4  
V1104 D4  
V1106 C4  
V1107 C4  
V1108 B5-L  
V1109 B4-L  
V1111 B4  
V1131 D3-L  
V1146 A1-L  
V1147 A2-L  
V1148 A1-L

V1149 A1-L  
V1201 B8-L  
V1203 D8-L  
V1204 C8-L  
V1206 C8-L  
V1207 C8-L  
V1208 C8-L  
V1209 C8-L  
V1211 D8-L  
V1212 D6-L  
V1213 C6-L

V1214 B8-L  
V1216 B6-L  
V1226 B4  
V1241 C9  
V1242 D9  
V1244 C8  
V1246 C9  
V1271 A10-L  
V1272 B10-L  
V1277 B8  
V1278 B8

V1279 B8  
V1280 B8  
V1281 B9  
V1283 B9  
V1284 B9  
X1001 D1-L  
X1002 A5-L  
X1003 A13-L  
X1004 D5-L  
X1006 D5-L  
X1007 D1-L

JTN



5.6.5 Circuit diagrams

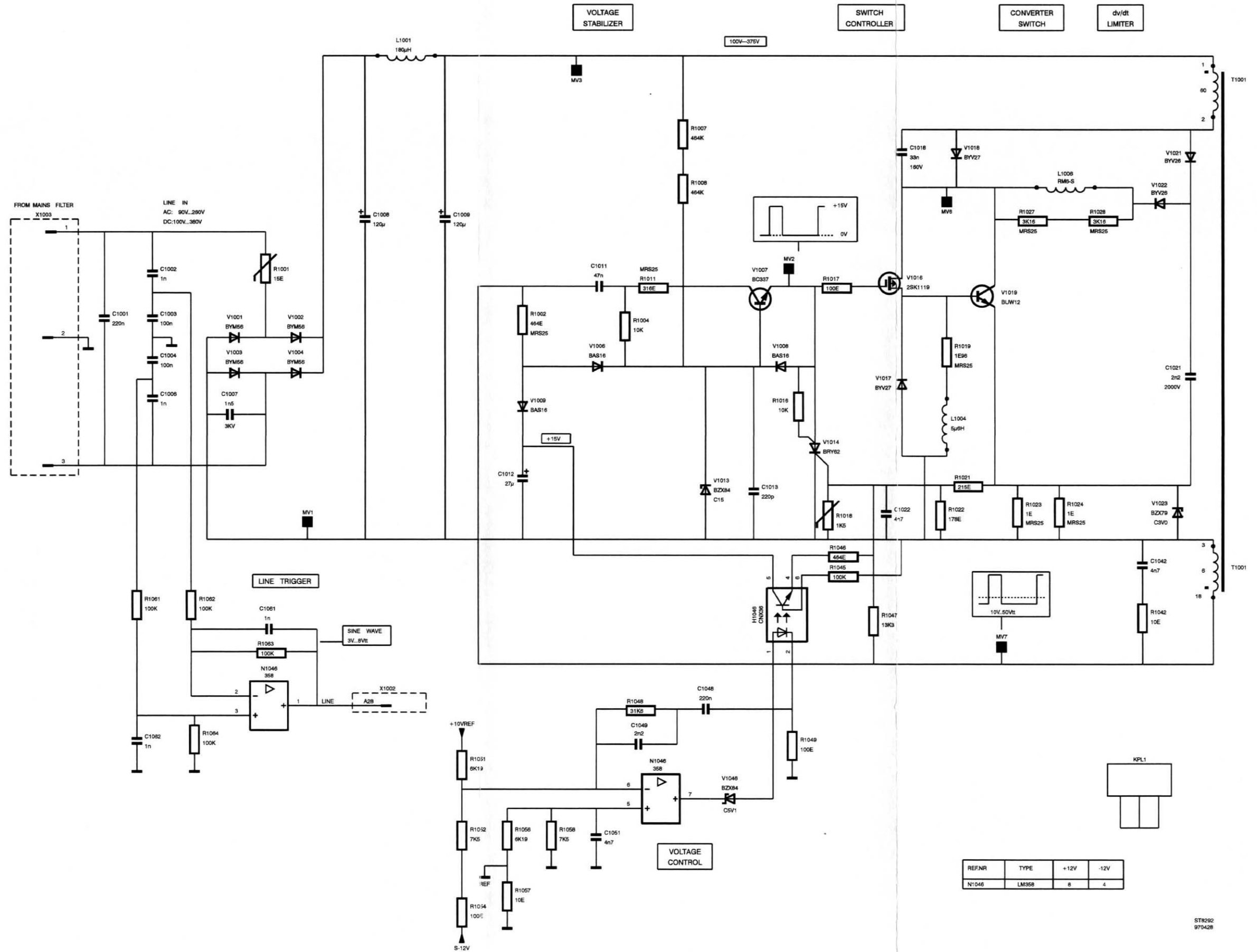
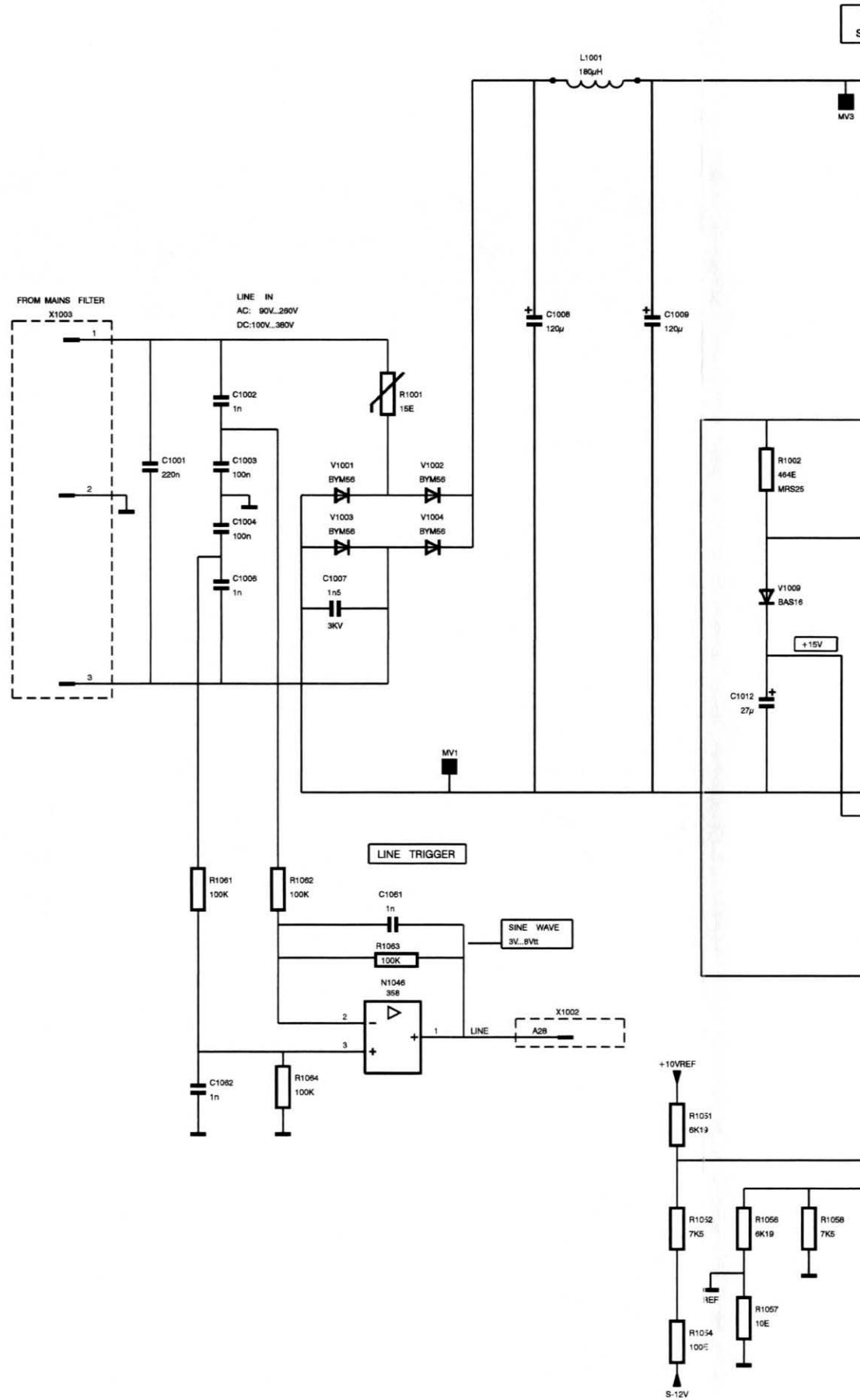


Diagram 1 - Converter circuit

STR292  
970428

5.6.5 Circuit diagrams



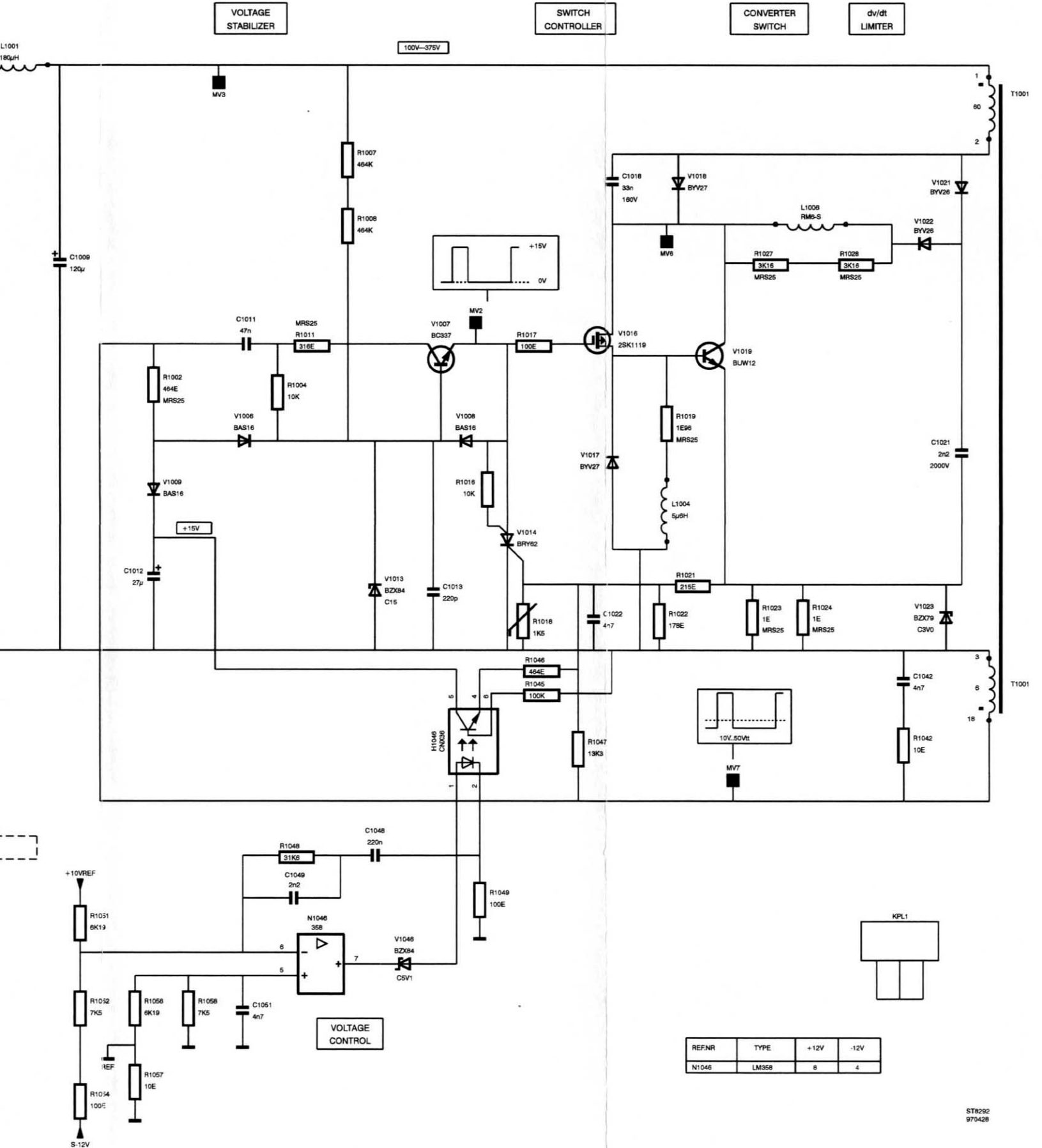
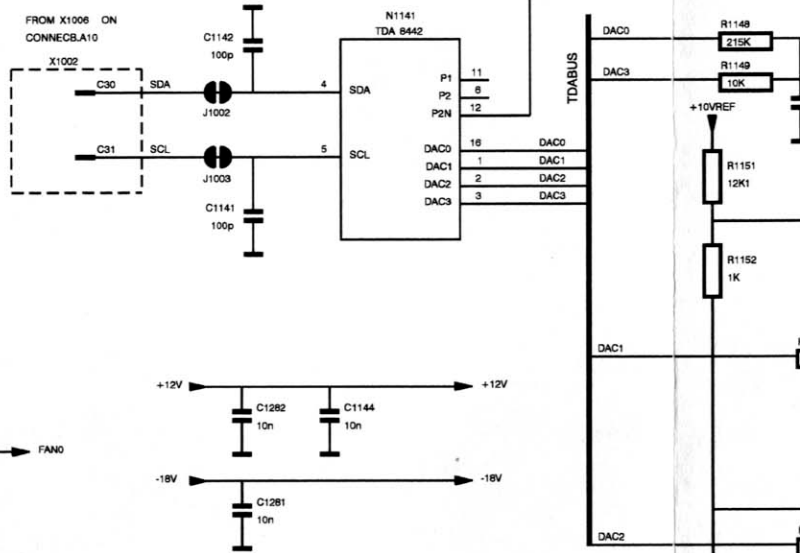
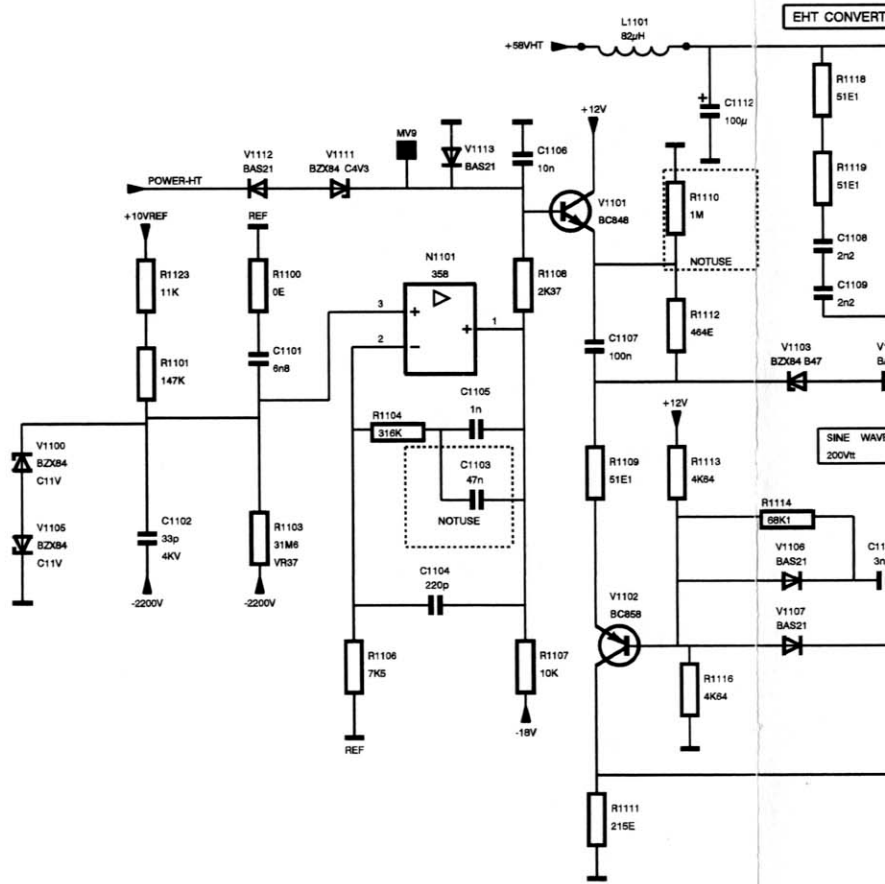


Diagram 1 - Converter circuit





REFNR	TYPE	+12V	-18V	⊥
N1101	LM358	8	4	
N1102	LM358	8	4	
N1141	TDA8442	9		8

EHT CONVERT

SINE WAVE  
200Vt

OPTIONAL



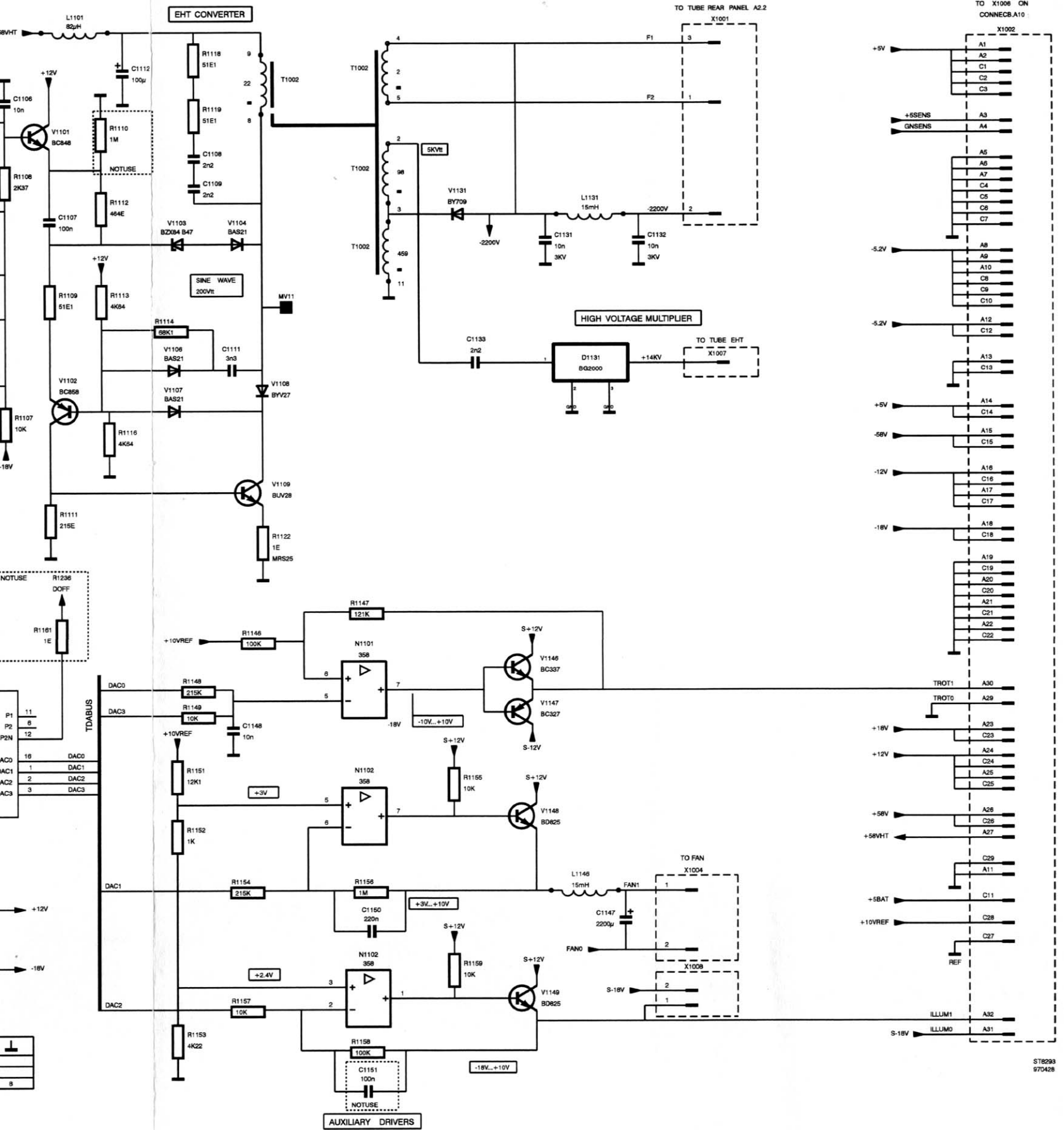
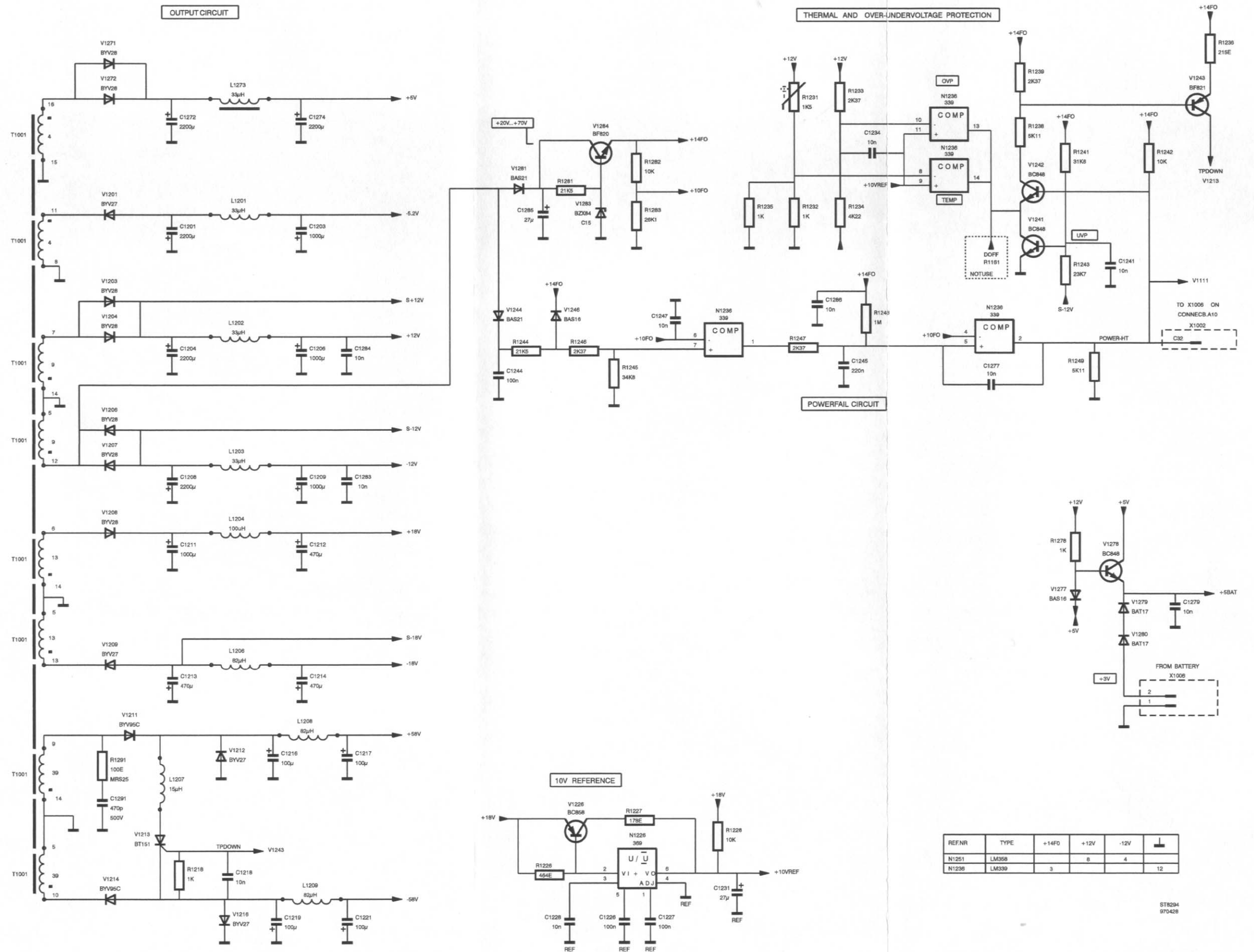


Diagram 2 - EHT converter and auxiliary circuits



REF.NR	TYPE	+14FO	+12V	-12V	
N1251	LM358		8	4	
N1236	LM339	3			12

ST8294  
970428

Diagram 3 - Output circuit and protection circuits





Item	Description		Ordering code
<b>5.6.6 Parts list</b>			
<b>CAPACITORS</b>			
C 1001	CAP.FOIL	250V 20% 220nF	5322 121 44372
C 1002	CAP.FOIL	-20+20% 1nF	5322 121 43656
C 1003	CAP.CHIP	63V 10% 100nF	4822 122 33496
C 1004	CAP.CHIP	63V 10% 100nF	4822 122 33496
C 1006	CAP.FOIL	-20+20% 1nF	5322 121 43656
C 1007	CAP.CERAMIC	3KV -20+50% 1.5nF	5322 122 50092
C 1008	CAP.ELECTROLYT.	400V 20% 120μF	5322 124 42231
C 1009	CAP.ELECTROLYT.	400V 20% 120μF	5322 124 42231
C 1011	CAP.CHIP	63V 10% 47nF	4822 122 32542
C 1012	CAP.ELECTROLYT.	100V 20% 27μF	5322 124 42193
C 1013	CAP.CHIP	63V 5% 220pF	4822 122 33575
C 1018	CAP.FOIL	160V 1% 33nF	5322 121 50997
C 1021	CAP.FOIL	2KV 5% 3.3nF	5322 121 70117
C 1022	CAP.CHIP	63V 10% 4.7nF	5322 126 10223
C 1042	CAP.CHIP	63V 10% 4.7nF	5322 126 10223
C 1048	CAP.CHIP	63V 10% 220nF	4822 122 32916
C 1049	CAP.CHIP	63V 10% 2.2nF	4822 122 33127
C 1051	CAP.CHIP	63V 10% 4.7nF	5322 126 10223
C 1061	CAP.CHIP	63V 10% 1nF	4822 122 31746
C 1062	CAP.CHIP	63V 10% 1nF	4822 122 31746
C 1101	CAP.CHIP	63V 10% 6.8nF	5322 122 31866
C 1102	CAP.CERAMIC	4KV -10+10% 33pF	5322 122 33081
C 1103	CAP.CHIP	63V 10% 47nF	4822 122 32542
C 1104	CAP.CERAMIC	63V 5% 220pF	4822 122 33575
C 1105	CAP.CHIP	63V 10% 1μF	5322 126 10511
C 1106	CAP.CHIP	63V 10% 10nF	5322 122 34098
C 1107	CAP.CHIP	63V 10% 100nF	4822 122 33496
C 1108	CAP.CHIP	63V 10% 2.2nF	4822 122 33127
C 1109	CAP.CHIP	63V 10% 2.2nF	4822 122 33127
C 1111	CAP.CHIP	63V 10% 3.3nF	4822 122 33891
C 1112	CAP.ELECTROLYT.	100V 20% 100μF	5322 124 42227
C 1114	CAP.CHIP	63V 5% 100pF	5322 122 32531
C 1131	CAP.CERAMIC	3KV -20+50% 10nF	5322 126 12921
C 1132	CAP.CERAMIC	3KV -20+50% 10nF	5322 126 12921
C 1133	CAP.	-10+10% 2.2nF	5322 122 33851
C 1141	CAP.CHIP	63V 5% 100pF	5322 122 32531
C 1142	CAP.CHIP	63V 5% 100pF	5322 122 32531
C 1144	CAP.CHIP	63V 10% 10nF	5322 122 34098
C 1147	CAP.ELECTROLYT.	25V 20% 2200μF	5322 124 42229
C 1148	CAP.CHIP	63V 10% 10nF	5322 122 34098
C 1150	CAP.CHIP	63V 10% 220nF	4822 122 32916
C 1201	CAP.ELECTROLYT.	25V 20% 2200μF	5322 124 42229
C 1203	CAP.	25V -20+20% 1000μF	5322 124 23276
C 1204	CAP.ELECTROLYT.	25V 20% 2200μF	5322 124 42229
C 1206	CAP.	25V -20+20% 1000μF	5322 124 23276



Item	Description		Ordering code
C 1208	CAP.ELECTROLYT.	25V 20% 2200 $\mu$ F	5322 124 42229
C 1209	CAP.	25V -20+20% 1000 $\mu$ F	5322 124 23276
C 1211	CAP.	25V -20+20% 1000 $\mu$ F	5322 124 23276
C 1212	CAP.FOIL	25V 20% 470 $\mu$ F	5322 121 43885
C 1213	CAP.FOIL	25V 20% 470 $\mu$ F	5322 121 43885
C 1214	CAP.FOIL	25V 20% 470 $\mu$ F	5322 121 43885
C 1216	CAP.ELECTROLYT.	100V 20% 100 $\mu$ F	5322 124 42227
C 1217	CAP.ELECTROLYT.	100V 20% 100 $\mu$ F	5322 124 42227
C 1218	CAP.CHIP	63V 10% 10nF	5322 122 34098
C 1219	CAP.ELECTROLYT.	100V 20% 100 $\mu$ F	5322 124 42227
C 1221	CAP.ELECTROLYT.	100V 20% 100 $\mu$ F	5322 124 42227
C 1226	CAP.CHIP	63V 10% 100nF	4822 122 33496
C 1227	CAP.CHIP	63V 10% 10nF	5322 122 34098
C 1228	CAP.CHIP	63V 10% 10nF	5322 122 34098
C 1231	CAP.ELECTROLYT.	100V 20% 27 $\mu$ F	5322 124 42193
C 1234	CAP.CHIP	63V 10% 10nF	5322 122 34098
C 1241	CAP.CHIP	63V 10% 10nF	5322 122 34098
C 1244	CAP.CHIP	63V 10% 100nF	4822 122 33496
C 1245	CAP.CHIP	63V 10% 220nF	4822 122 32916
C 1247	CAP.CHIP	63V 10% 10nF	5322 122 34098
C 1251	CAP.CHIP	63V 10% 100nF	4822 122 33496
C 1252	CAP.CERAMIC	63V 5% 47pF	5322 122 32452
C 1270	CAP.CHIP	63V 10% 10nF	5322 122 34098
C 1271	CAP.CHIP	63V 10% 10nF	5322 122 34098
C 1272	CAP.ELECTROLYT.	25V 20% 2200 $\mu$ F	5322 124 42229
C 1274	CAP.ELECTROLYT.	25V 20% 2200 $\mu$ F	5322 124 42229
C 1277	CAP.CHIP	63V 10% 10nF	5322 122 34098
C 1279	CAP.CHIP	63V 10% 10nF	5322 122 34098
C 1281	CAP.CHIP	63V 10% 10nF	5322 122 34098
C 1282	CAP.CHIP	63V 10% 10nF	5322 122 34098
C 1283	CAP.CHIP	63V 10% 10nF	5322 122 34098
C 1284	CAP.CHIP	63V 10% 10nF	5322 122 34098
C 1285	CAP.ELECTROLYT.	100V 20% 27 $\mu$ F	5322 124 42193
C 1286	CAP.CHIP	63V 10% 10nF	5322 122 34098
C 1291	CAP.CERAMIC	500V 10% 470pF	4822 122 31177

**MISCELLANEOUS**

H 1046	TRANSIST,PHOTO	CNX36U PEL	5322 130 91112
T 1001	TRANSFORMER	MAIN TRAF0	5322 148 60254
T 1002	TRANSFORMER	EHT TRAF0	5322 140 10587

Item	Description		Ordering code
<b>COILS</b>			
L 1001	COIL	ECH30 180UH TDK	5322 157 63378
L 1004	COIL	5.6UH	4822 157 52259
L 1006	COIL	RM6-S	5322 157 70858
L 1101	COIL	82UH	4822 158 10563
L 1131	COIL	0.015H TDK	5322 157 63383
L 1146	COIL	0.015H TDK	5322 157 63383
L 1201	COIL	33UH TDK	4822 157 62886
L 1202	COIL	33UH TDK	4822 157 62886
L 1203	COIL	33UH TDK	4822 157 62886
L 1204	COIL	100UH TDK	5322 157 52363
L 1206	COIL	82UH	4822 158 10563
L 1207	COIL	15UH	5322 157 52539
L 1208	COIL	82UH	4822 158 10563
L 1209	COIL	82UH	4822 158 10563
L 1273	COIL	3.3UH TDK	5322 157 53017

**INTEGRATED CIRCUITS**

D 1131	EHT-MULTIPLIER	BG2000-641-515	5322 130 10177
N 1046	INTEGR.CIRCUIT	LM358M NSC	4822 209 60175
N 1101	INTEGR.CIRCUIT	LM358M NSC	4822 209 60175
N 1102	INTEGR.CIRCUIT	LM358M NSC	4822 209 60175
N 1141	INTEGR.CIRCUIT	TDA8442/N3 PEL	4822 209 71703
N 1226	INTEGR.CIRCUIT	LM369DN NSC	5322 209 30266
N 1236	INTEGR.CIRCUIT	LM339D SIG	5322 209 70684
N 1251	INTEGR.CIRCUIT	LM358M NSC	4822 209 60175

**RESISTORS**

R 1001	RES.N.T.C.	2.2A 15E	5322 116 34035
R 1002	RES.METAL FILM	MRS25 1% 464E	4822 050 24641
R 1004	RES.CHIP	RC-02H 1% 10K	4822 051 51003
R 1007	RES.CHIP	RC-02H 1% 464K	4822 051 54644
R 1008	RES.CHIP	RC-02H 1% 464K	4822 051 54644
R 1011	RES.METAL FILM	MRS25 1% 316E	4822 050 23161
R 1016	RES.CHIP	RC-02H 1% 10K	4822 051 51003
R 1018	RES.N.T.C.	0.5W 10% 1K5	4822 116 30248
R 1019	RES.METAL FILM	MRS25 1% 1E96	4822 050 21968
R 1021	RES.CHIP	RC-02H 1% 215E	4822 051 52151
R 1022	RES.CHIP	RC-02H 1% 178E	4822 051 51781
R 1023	RES.METAL FILM	MRS25 1% 1E	4822 050 21008
R 1024	RES.METAL FILM	MRS25 1% 1E	4822 050 21008
R 1027	RES.METAL FILM	MRS25 1% 3K16	4822 050 23162
R 1028	RES.METAL FILM	MRS25 1% 3K16	4822 050 23162
R 1042	RES.CHIP	RMC1/8 1% 10E	4822 111 91885
R 1045	RES.CHIP	RC-02H 1% 100K	4822 051 21004
R 1046	RES.CHIP	RC-02H 1% 464E	4822 051 54641
R 1047	RES.CHIP	RC-02H 1% 13K3	4822 051 51333
R 1048	RES.CHIP	RC-02H 1% 31K6	4822 051 53163

Item	Description		Ordering code
R 1049	RES.CHIP	RC-02H 1% 100E	4822 051 51001
R 1051	RES.CHIP	RC-02H 1% 6K19	4822 051 56192
R 1052	RES.CHIP	RC-02H 1% 7K5	4822 051 57502
R 1054	RES.CHIP	RC-02H 1% 100E	4822 051 51001
R 1056	RES.CHIP	RC-02H 1% 6K19	4822 051 56192
R 1057	RES.CHIP	RMC1/8 1% 10E	4822 111 91885
R 1058	RES.CHIP	RC-02H 1% 7K5	4822 051 57502
R 1061	RES.CHIP	RC-02H 1% 100K	4822 051 10104
R 1062	RES.CHIP	RC-02H 1% 100K	4822 051 10104
R 1063	RES.CHIP	RC-02H 1% 100K	4822 051 51004
R 1064	RES.CHIP	RC-02H 1% 100K	4822 051 51004
R 1100	RES.CHIP	RC-02H 1% 0E	4822 051 10008
R 1101	RES.CHIP	RC-02H 1% 147K	4822 051 51474
R 1103	RES.HI-TENSION	VR37 1% 31M6	5322 116 64103
R 1104	RES.CHIP	RC-02H 1% 316K	4822 051 53164
R 1106	RES.CHIP	RC-02H 1% 7K5	5322 117 10583
R 1107	RES.CHIP	RC-02H 1% 10K	4822 051 51003
R 1108	RES.CHIP	RC-02H 1% 2K37	4822 051 52372
R 1109	RES.CHIP	RMC1/8 1% 51E1	5322 111 91893
R 1111	RES.CHIP	RC-02H 1% 215E	4822 051 52151
R 1112	RES.CHIP	RC-02H 1% 464E	4822 051 54641
R 1113	RES.CHIP	RC-02H 1% 4K64	4822 051 54642
R 1114	RES.CHIP	RC-02H 1% 68K1	4822 051 56813
R 1116	RES.CHIP	RC-02H 1% 4K64	4822 051 54642
R 1118	RES.CHIP	RMC1/8 1% 51E1	5322 111 91893
R 1119	RES.CHIP	RMC1/8 1% 51E1	5322 111 91893
R 1122	RES.METAL FILM	MRS25 1% 1E	4822 050 21008
R 1123	RES.CHIP	RC-02H 1% 19K6	4822 051 10113
R 1146	RES.CHIP	RC-02H 1% 100K	4822 051 51004
R 1147	RES.CHIP	RC-02H 1% 121K	4822 051 51214
R 1148	RES.CHIP	RC-02H 1% 215K	4822 051 52154
R 1149	RES.CHIP	RC-02H 1% 10K	4822 051 51003
R 1151	RES.CHIP	RC-02H 1% 12K1	4822 051 51213
R 1152	RES.CHIP	RC-02H 1% 1K	4822 051 51002
R 1153	RES.CHIP	RC-02H 1% 4K22	4822 051 54222
R 1154	RES.CHIP	RC-02H 1% 215K	4822 051 52154
R 1155	RES.CHIP	RC-02H 1% 10K	4822 051 10103
R 1156	RES.CHIP	RC-02H 1% 1M	4822 051 51005
R 1157	RES.CHIP	RC-02H 1% 10K	4822 051 51003
R 1158	RES.CHIP	RC-02H 1% 100K	4822 051 51004
R 1159	RES.CHIP	RC-02H 1% 10K	4822 051 10103
R 1162	RES.CHIP	RC-02H 1% 0E	4822 051 10008
R 1163	RES.CHIP	RC-02H 1% 0E	4822 051 10008
R 1218	RES.CHIP	RC-02H 1% 1K	4822 051 51002
R 1226	RES.CHIP	RC-02H 1% 464E	4822 051 54641
R 1227	RES.CHIP	RC-02H 1% 178E	4822 051 51781
R 1228	RES.CHIP	RC-02H 1% 10K	4822 051 51003
R 1231	RES.N.T.C.	0.5W 10% 1K5	4822 116 30248
R 1232	RES.CHIP	RC-02H 1% 511E	4822 051 55111
R 1233	RES.CHIP	RC-02H 1% 2K37	4822 051 52372

Item	Description		Ordering code
R 1234	RES.CHIP	RC-02H 1% 4K22	4822 051 54222
R 1235	RES.CHIP	RC-02H 1% 1K	4822 051 51002
R 1236	RES.CHIP	RC-02H 1% 215E	4822 051 52151
R 1238	RES.CHIP	RC-02H 1% 5K11	4822 051 55112
R 1239	RES.CHIP	RC-02H 1% 2K37	4822 051 52372
R 1241	RES.CHIP	RC-02H 1% 31K6	4822 051 53163
R 1242	RES.CHIP	RC-02H 1% 10K	4822 051 51003
R 1243	RES.CHIP	RC-02H 1% 23K7	4822 051 52373
R 1244	RES.CHIP	RC-02H 1% 21K5	4822 051 52153
R 1245	RES.CHIP	RC-02H 1% 26K1	4822 051 52613
R 1246	RES.CHIP	RC-02H 1% 2K37	4822 051 52372
R 1247	RES.CHIP	RC-02H 1% 2K37	4822 051 52372
R 1248	RES.CHIP	RC-02H 1% 1M	4822 051 51005
R 1249	RES.CHIP	RC-02H 1% 5K11	4822 051 55112
R 1251	RES.CHIP	RC-02H 1% 100E	4822 051 51001
R 1253	RES.CHIP	RC-02H 1% 5K11	4822 051 55112
R 1254	RES.CHIP	RC-02H 1% 10K	4822 051 51003
R 1256	RES.CHIP	RC-02H 1% 10K	4822 051 51003
R 1257	RES.CHIP	RC-02H 1% 5K11	4822 051 55112
R 1258	RES.CHIP	RC-02H 1% 100E	4822 051 51001
R 1260	RES.CHIP	RC-02H 1% 7K5	4822 051 57502
R 1261	RES.CHIP	RC-02H 1% 1K	4822 051 51002
R 1262	RES.CHIP	RC-02H 1% 1K	4822 051 51002
R 1263	RES.CHIP	RC-02H 1% 100E	4822 051 51001
R 1264	RES.CHIP	RC-02H 1% 100E	4822 051 51001
R 1278	RES.CHIP	RC-02H 1% 1K	4822 051 51002
R 1281	RES.CHIP	RC-02H 1% 21K5	4822 051 52153
R 1282	RES.CHIP	RC-02H 1% 10K	4822 051 51003
R 1283	RES.CHIP	RC-02H 1% 26K1	4822 051 52613
R 1291	RES.METAL FILM	MRS25 1% 100E	4822 050 21001
R 9017	RES.CHIP	RC-02H 1% 100E	4822 051 51001

**SEMICONDUCTORS**

V 1001	DIODE	BYM56E PEL	4822 130 80254
V 1002	DIODE	BYM56E PEL	4822 130 80254
V 1003	DIODE	BYM56E PEL	4822 130 80254
V 1004	DIODE	BYM56E PEL	4822 130 80254
V 1006	DIODE,CHIP	BAS16 PEL	5322 130 31928
V 1007	TRANSISTOR	BC337 PEL	4822 130 40855
V 1008	DIODE,CHIP	BAS16 PEL	5322 130 31928
V 1009	DIODE,CHIP	BAS16 PEL	5322 130 31928
V 1013	DIODE,CHIP	BZX84-C15 PEL	5322 130 33662
V 1014	TRANSISTOR,CHIP	BRY62 PEL	5322 130 62661
V 1016	MOSFET	2SK1119	5322 130 63358
V 1017	DIODE	BYV27-150 PEL	4822 130 31628
V 1018	DIODE	BYV28-150 PEL	5322 130 32043
V 1019	DIODE	BUW12A PEL	5322 130 42114
V 1021	DIODE	BYV26C PEL	4822 130 32343
V 1022	DIODE	BYV26C PEL	4822 130 32343
V 1023	DIODE,REFERENCE	BZX79-C3V0 PEL	4822 130 31881



Item	Description		Ordering code
V 1046	DIODE,CHIP	BZX84-C5V1 PEL	5322 130 32835
V 1100	DIODE	BZX84-C11	4822 130 81338
V 1105	DIODE	BZX84-C11	4822 130 81338
V 1101	TRANSISTOR,CHIP	BC848C PEL	5322 130 42136
V 1102	TRANSISTOR,CHIP	BC858C PEL	4822 130 42513
V 1103	DIODE,CHIP	BZX84-B47 PEL	4822 130 82521
V 1104	DIODE,CHIP	BAS21 PEL	4822 130 33702
V 1106	DIODE,CHIP	BAS21 PEL	4822 130 33702
V 1107	DIODE,CHIP	BAS21 PEL	4822 130 33702
V 1108	DIODE	BYV27-150 PEL	4822 130 31628
V 1109	TRANSISTOR	BUL147	5322 130 63515
V 1111	DIODE,CHIP	BZX84-C4V3 PEL	5322 130 80256
V 1112	DIODE,CHIP	BAS21 PEL	4822 130 33702
V 1113	DIODE,CHIP	BAS21 PEL	4822 130 33702
V 1131	DIODE	BY8412 PEL	5322 130 82711
V 1146	TRANSISTOR	BC337 PEL	4822 130 40855
V 1147	TRANSISTOR	BC327 PEL	4822 130 40854
V 1148	TRANSISTOR	BD825 PEL	4822 130 41746
V 1149	TRANSISTOR	BD825 PEL	4822 130 41746
V 1201	DIODE	BYV28-150 PEL	5322 130 32043
V 1203	DIODE	BYV28-150 PEL	5322 130 32043
V 1204	DIODE	BYV28-150 PEL	5322 130 32043
V 1206	DIODE	BYV28-150 PEL	5322 130 32043
V 1207	DIODE	BYV28-150 PEL	5322 130 32043
V 1208	DIODE	BYV28-150 PEL	5322 130 32043
V 1209	DIODE	BYV27-150 PEL	4822 130 31628
V 1211	DIODE	BYV95C PEL	4822 130 41487
V 1212	DIODE	BYV27-150 PEL	4822 130 31628
V 1213	TRANSISTOR	BT151 PEL	5322 130 24081
V 1214	DIODE	BYV95C PEL	4822 130 41487
V 1216	DIODE	BYV27-150 PEL	4822 130 31628
V 1226	TRANSISTOR,CHIP	BC858C PEL	4822 130 42513
V 1241	TRANSISTOR,CHIP	BC848C PEL	5322 130 42136
V 1242	TRANSISTOR,CHIP	BC848C PEL	5322 130 42136
V 1243	TRANSISTOR,CHIP	BF821 PEL	4822 130 61923
V 1244	DIODE,CHIP	BAS21 PEL	4822 130 33702
V 1246	DIODE,CHIP	BAS16 PEL	5322 130 31928
V 1251	TRANSISTOR,CHIP	BC858C PEL	4822 130 42513
V 1252	TRANSISTOR,CHIP	BC858C PEL	4822 130 42513
V 1253	DIODE,CHIP	BAS21 PEL	4822 130 33702
V 1271	DIODE	BYV28	5322 130 32043
V 1272	DIODE	BYV28	5322 130 32043
V 1277	DIODE,CHIP	BAS16 PEL	5322 130 31928
V 1278	TRANSISTOR,CHIP	BSVS2 PEL	5322 130 44336
V 1279	DIODE,CHIP	BAT17 PEL	5322 130 31544
V 1280	DIODE,CHIP	BAT17 PEL	5322 130 31544
V 1281	DIODE,CHIP	BAS21 PEL	4822 130 33702
V 1283	DIODE,CHIP	BZX84-C15 PEL	5322 130 33662
V 1284	TRANSISTOR,CHIP	BF820 PEL	5322 130 62802



Item	Description		Ordering code
<b>CONNECTORS</b>			
X 1001	CONNECTOR	3-P SNG RT.ANG	5322 265 30433
X 1002	CONNECTOR	64-P PIN 2.54MM	5322 290 61087
X 1003	CONNECTOR	5-P SNG STRGHT	5322 265 30436
X 1004	CONNECTOR	2-P SNG RT.ANG	5322 265 20525
X 1006	CONNECTOR	2-P SNG RT.ANG	5322 265 20525
X 1008	CONNECTOR	2-P SNG RT.ANG	5322 265 20525

**MECHANICAL PARTS**

Fixing clip for	V 1019		5322 492 63721
Insulator for	V 1019		5322 466 62628
Fixing clip for	V 1016		4822 492 63051
Insulator for	V 1016		5322 255 41133
Fixing spring for	EHT multiplier D1131		5322 401 11111

JTN

**5.7 RESERVED FOR FUTURE EXTENSIONS**

JTN

**5.8 RESERVED FOR FUTURE EXTENSIONS**

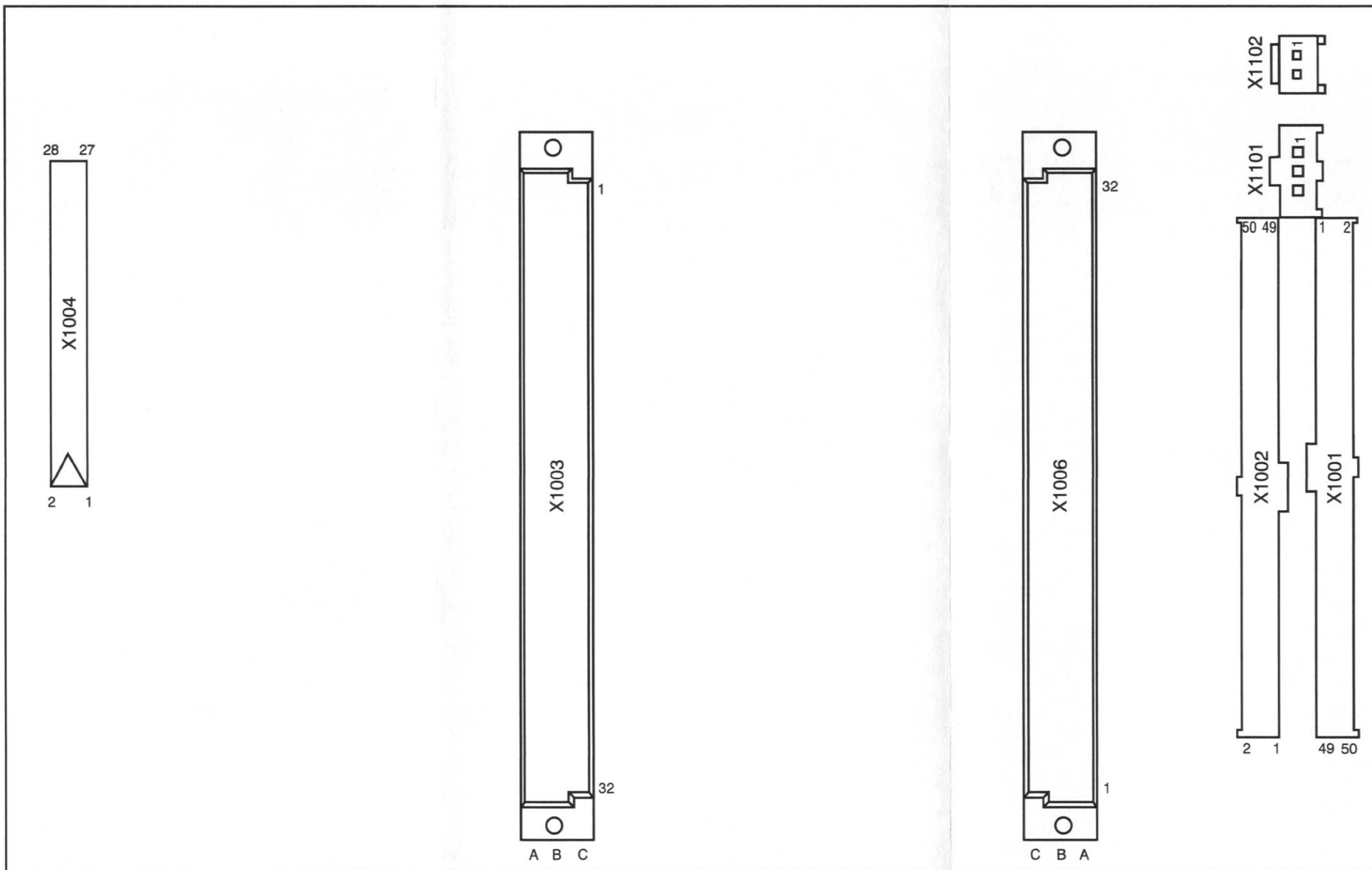
JTN

**5.9 RESERVED FOR FUTURE EXTENSIONS**

JTN

### 5.10 CONNECTOR BOARD A10

#### 5.10.1 Unit lay-out



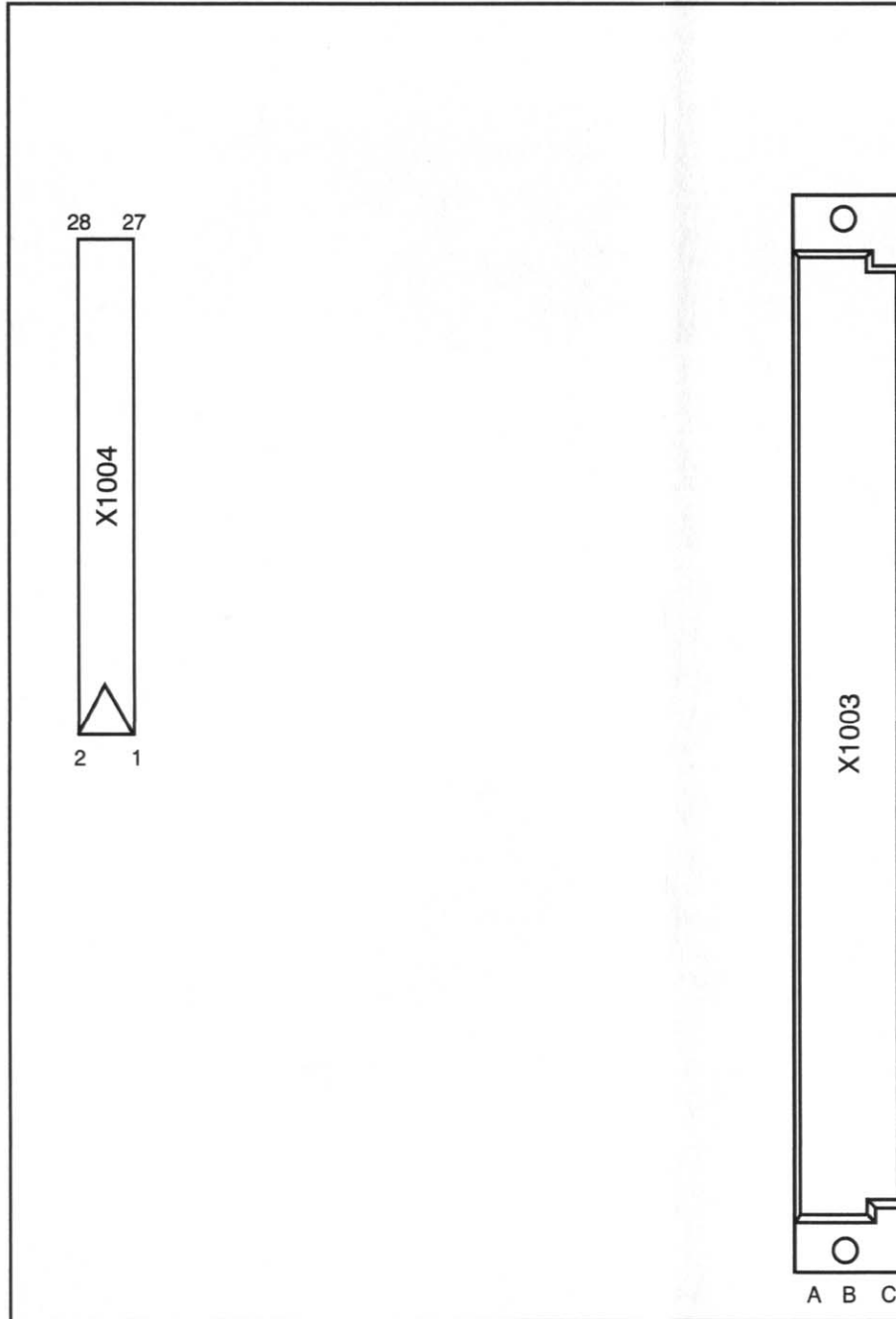
ST8295  
970420

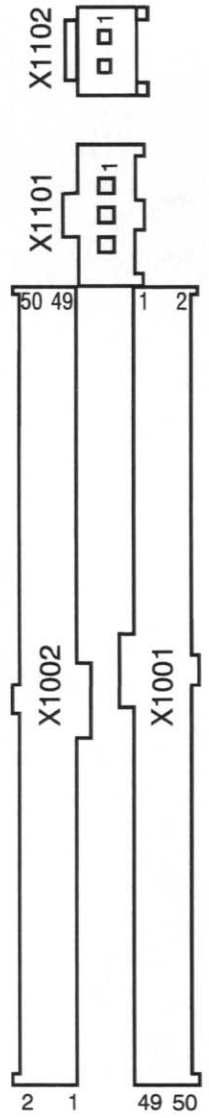
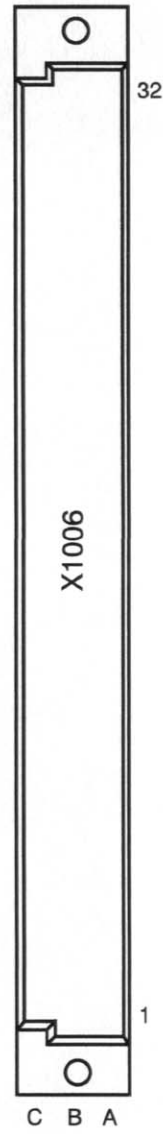
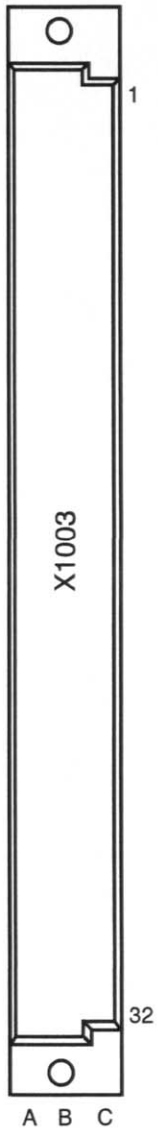
Lay-out 8 - lay-out of connector board A10



## 5.10 CONNECTOR BOARD A10

### 5.10.1 Unit lay-out



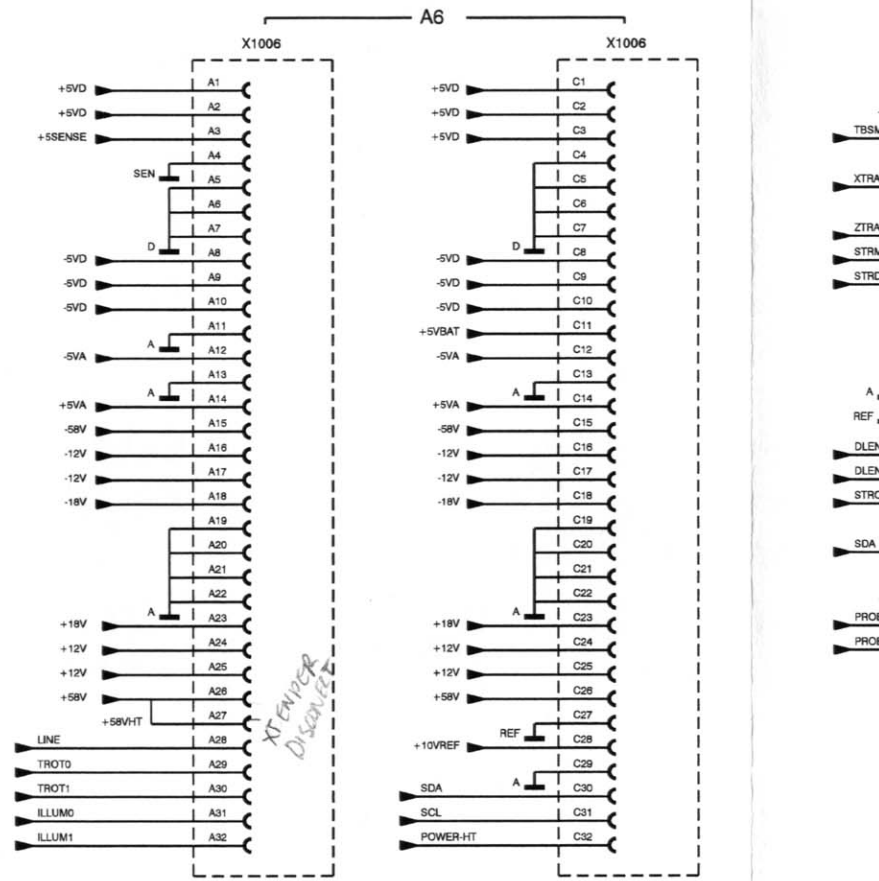
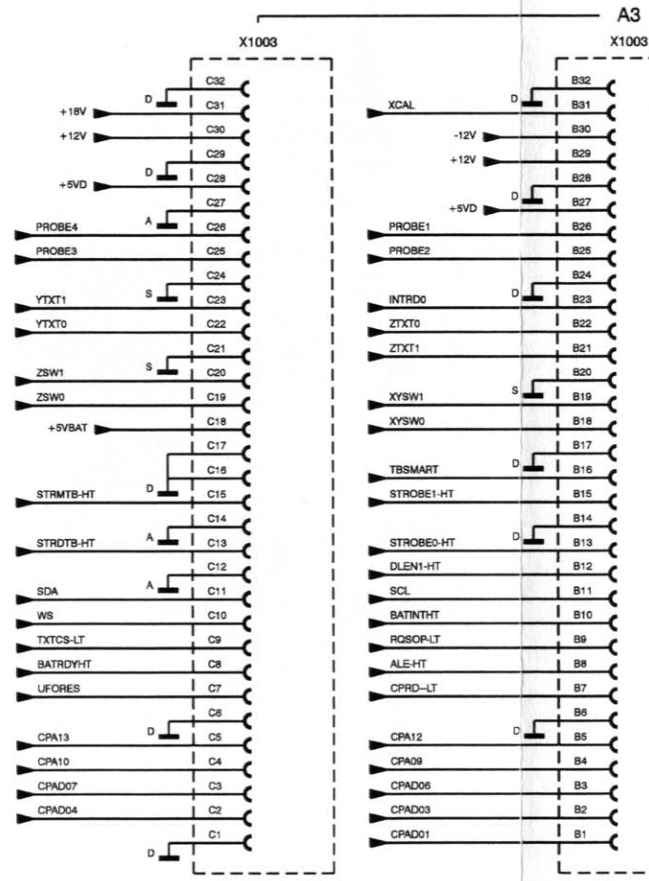


ST8295  
970420

Lay-out 8 - lay-out of connector board A10



# 5.10.2 Circuit Diagrams



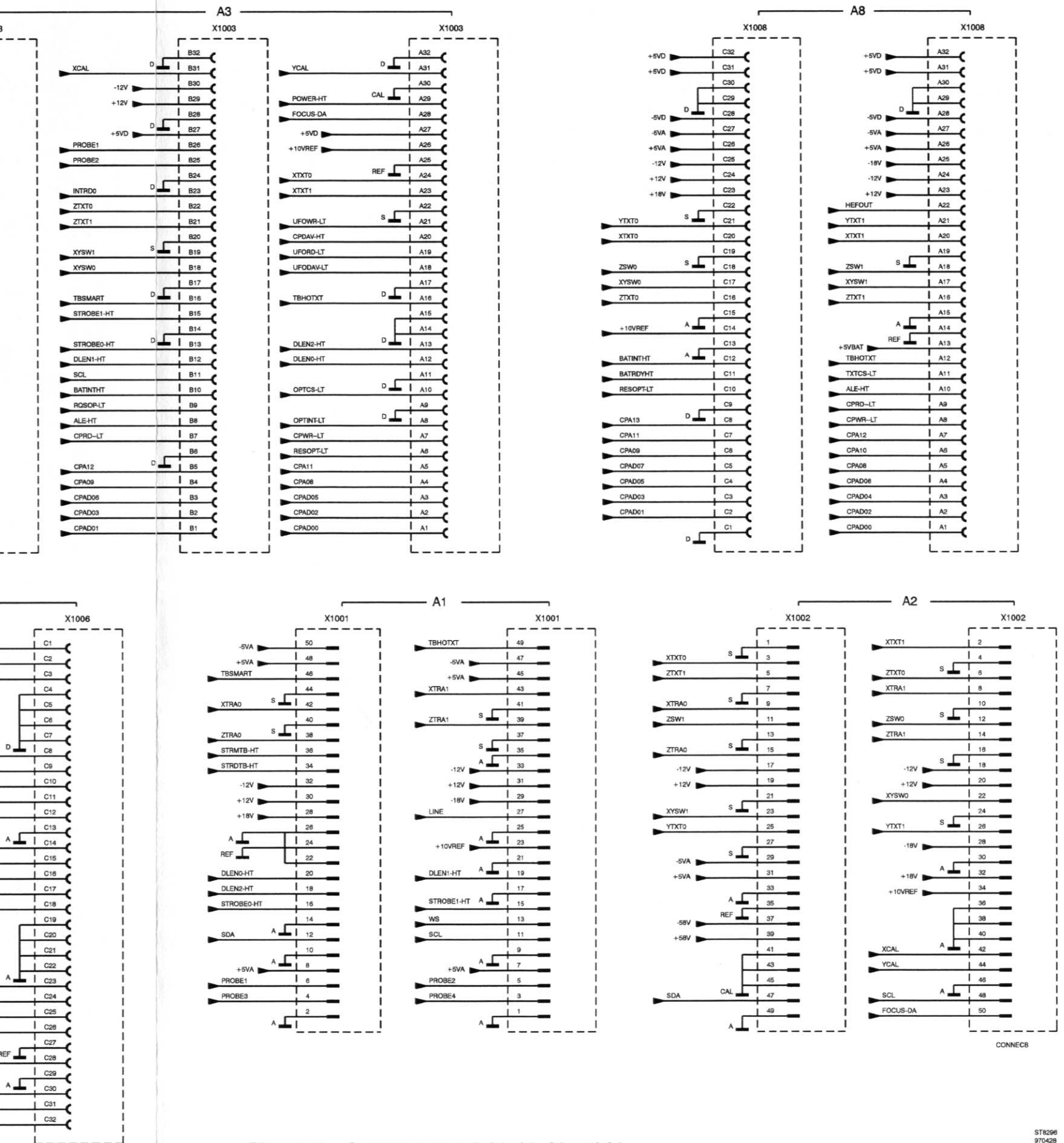
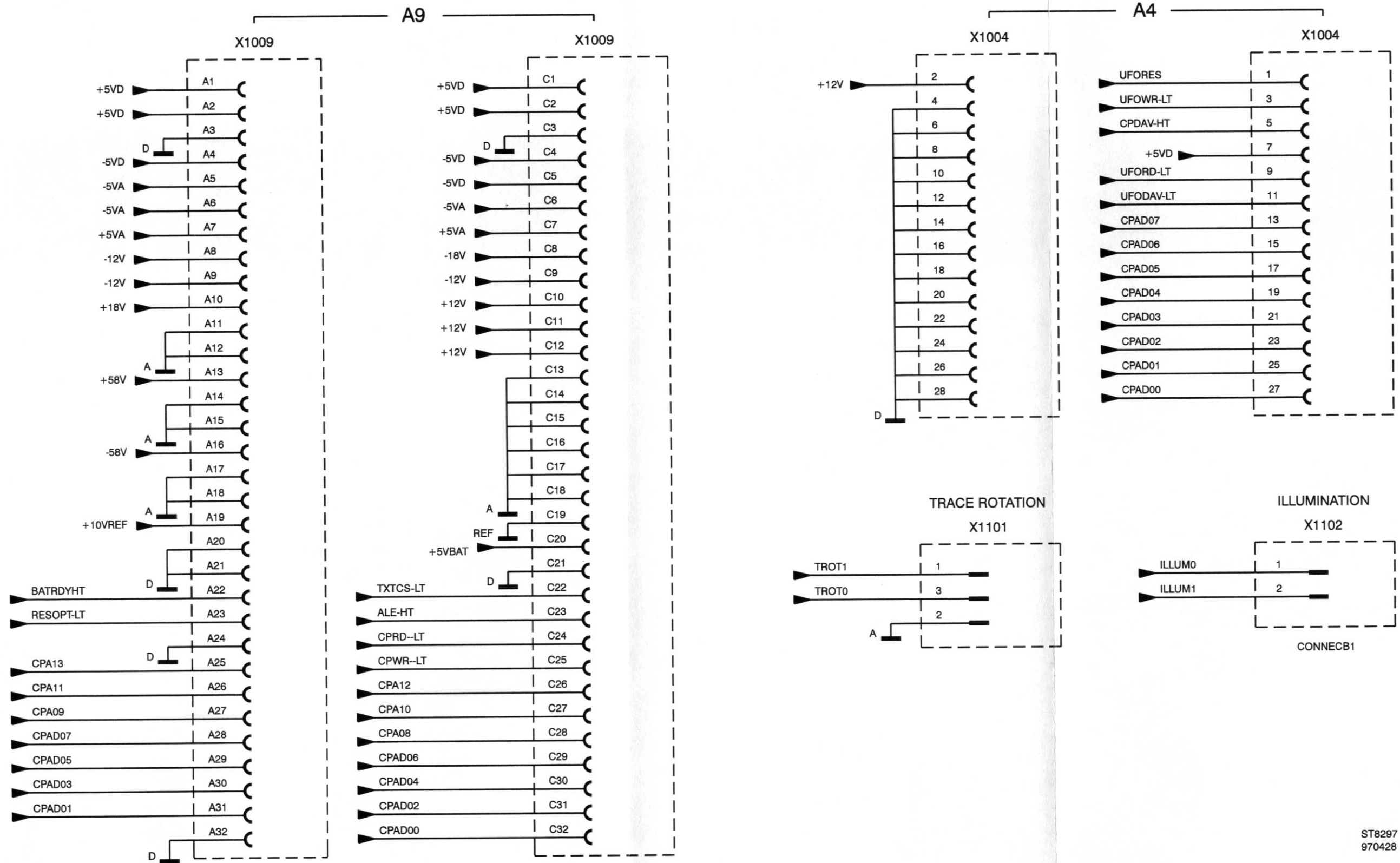
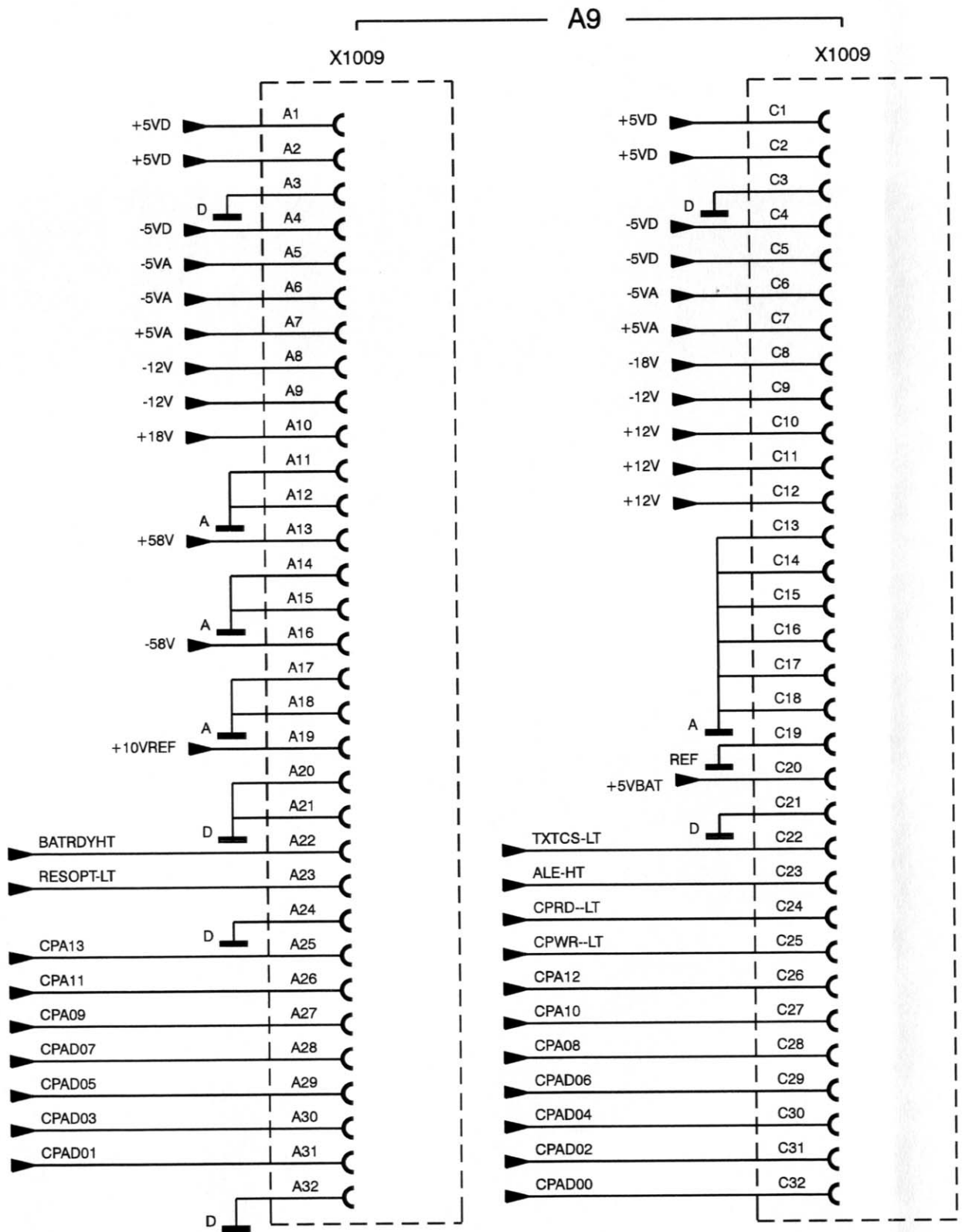


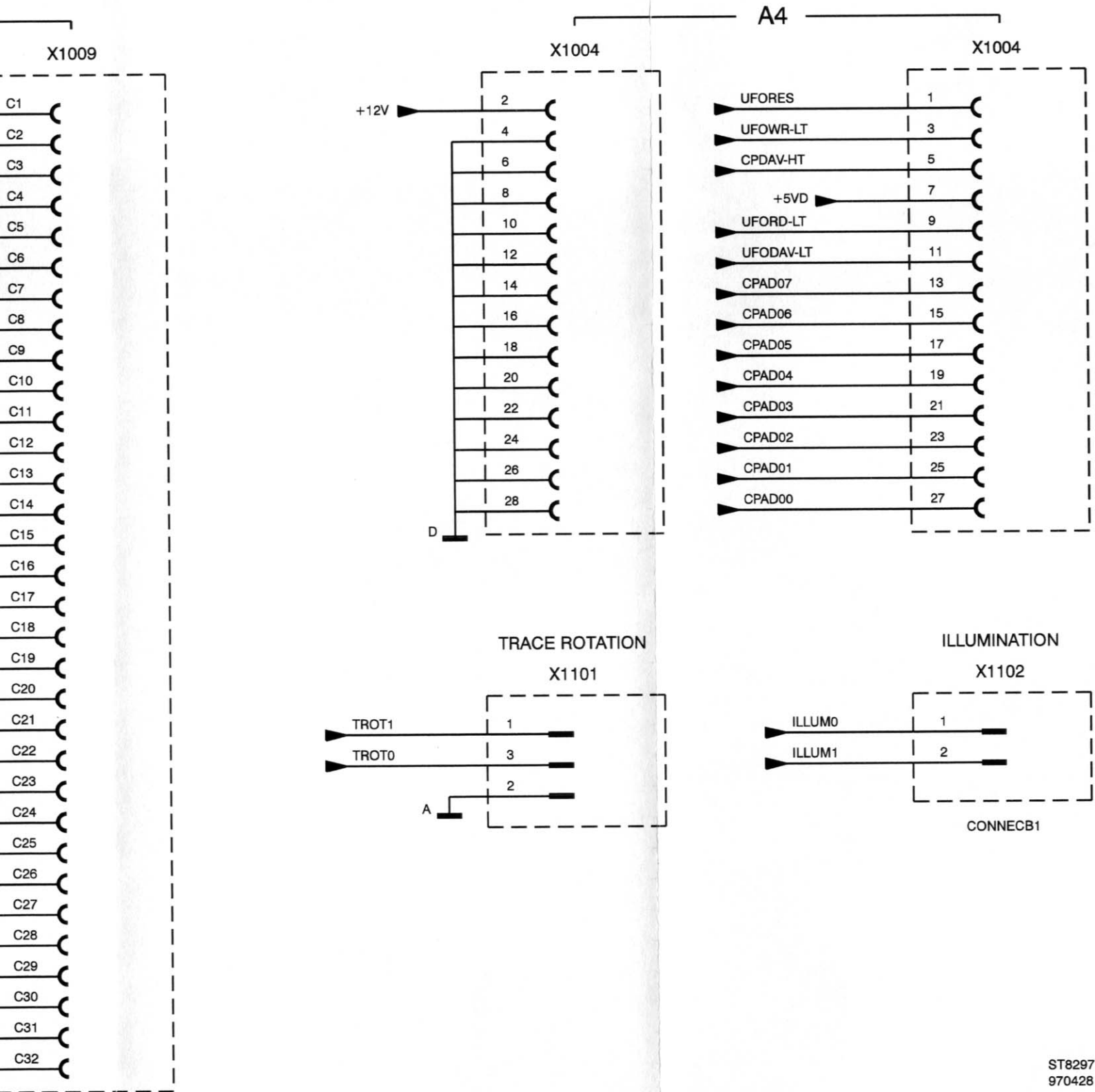
Diagram 1 - Connectors to unit A1, A2, A3 and A6





A10 - Diagram 2 ; Connectors to unit A4, A9, trace rotation and illumination





ST8297  
970428

A10 - Diagram 2 ; Connectors to unit A4, A9, trace rotation and illumination

Item	Description	Ordering code
------	-------------	---------------

**5.10.3 Parts list****CONNECTORS**

X 1001	50-P DBL STRGHT	5322 265 61242
X 1002	50-P DBL STRGHT	5322 265 61242
X 1003	96-P 2.54MM	5322 267 51108
X 1004	P 1.25MM STR	5322 267 60311
X 1006	64-P 2.54MM	5322 267 70308
X 1011	3-P SNG STRGHT	5322 265 30434
X 1012	2-P SNG STRGHT	5322 265 20275

## 5.11 FACTORY INSTALLED OPTIONS

### 5.11.1 IEEE-OPTION

This option enables the oscilloscope to be controlled by an IEEE-system using the SCPI protocol (SCPI = Standard Commands for Programmable Instruments). The IEEE connector is located at the rear panel of the oscilloscope. The version number of this factory-installable option is /40. The interface circuitry is located at the microprocessor unit A3. The specification of the interface is given in chapter 2.17. Programming data is given in a separate 'SCPI Programming Manual'.

The description is a part of the explanation of the complete unit A3 and is given in chapter 5.3. The IEEE-option requires additional software and thus requires an additional flash-ROM D1015. The IEEE-components in an oscilloscope without IEEE- option are not inserted.

### 5.11.2 AUXILIARY OUTPUTS AND EXTERNAL TRIGGER OPTION

#### Introduction to auxiliary outputs option

This option comprises 4 rear panel BNC outputs that provide Y- out, MTB-gate-out, DTB-gate-out and External trigger input signals. The characteristics of the output signals are listed in chapter 2.16.3 'Optional outputs' in this manual. Characteristics of the external trigger input are listed in this chapter.

#### General description

MTB-gate-out and DTB-gate-out are realized by adding rear panel BNC sockets and coaxial interconnection cables. The coaxial cables lead to the already existing 2-pole connectors on signal unit A1. The necessary circuitry is already present on unit A1. Refer for this to figure 1. The Y- out requires a small printed circuit board, a rear panel BNC socket and a coaxial interconnection cable. The small printed circuit board is equipped with soldering pins that fit directly into unit A1. The lay-out of this unit is given in figure 2; the belonging circuit diagram in figure 3.

#### Circuit description

The balanced input signals for the Y-out unit are FNCYOP0 and FNCYOP1. The signals originate from pin 5 and 6 of D1301 in the Y-functions section of signal unit A1.

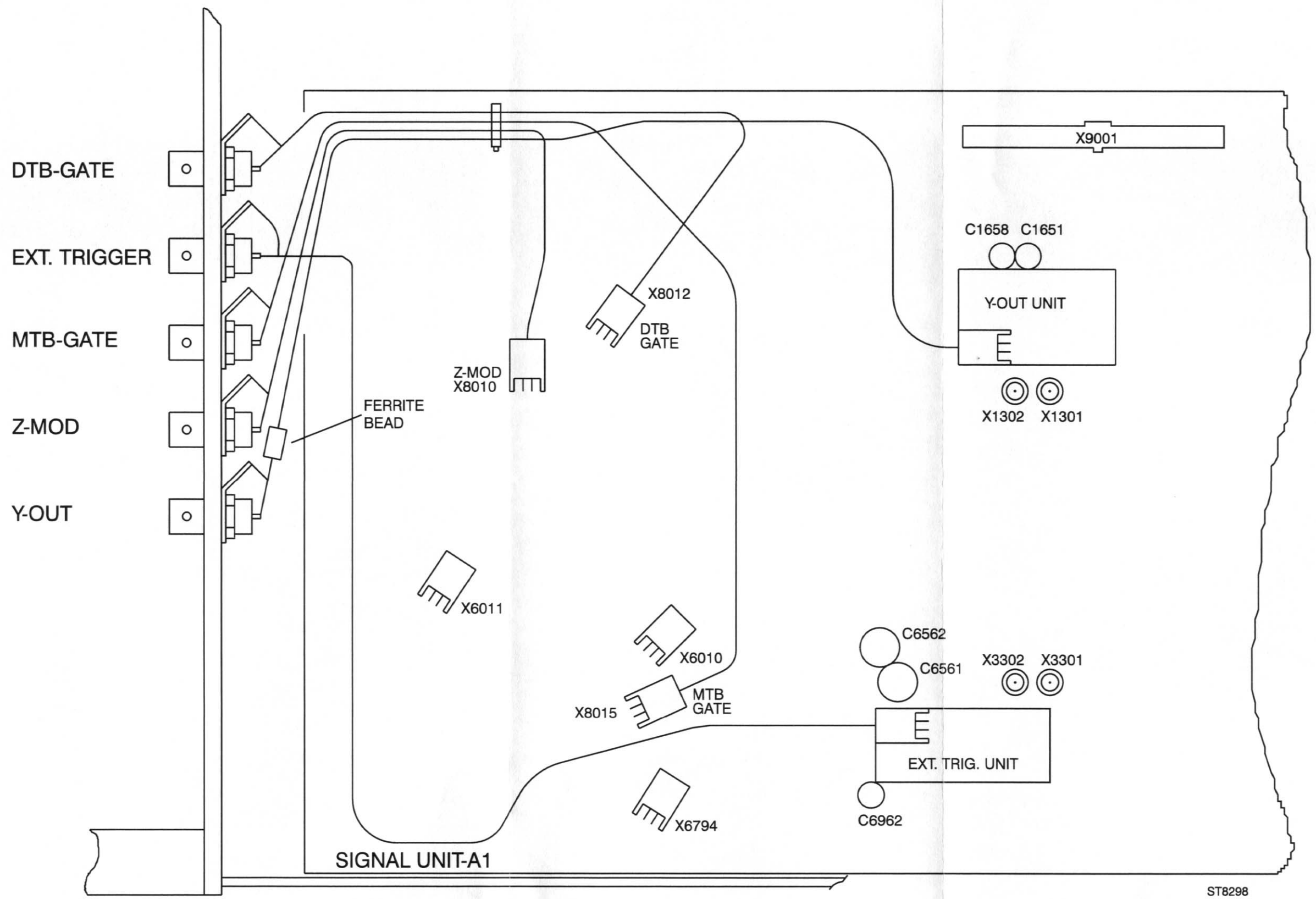
The input current signal is applied to common base circuit V1001/V1002. Then it is applied as current signal to pin 9 and 8 of N1001. The output current signals are routed from pin 11 and 6 to pin 13 and 16. The voltage signal at output pins 12 is used as feedback via C1002/R1009. The voltage signal at output pin 1 is used as output signal via the emitterfollowers N1001/2,3,4 and V1006. Feedback is achieved via R1024/C1011.

#### Parts list

Item number	Description	Service ord code
C 1001	10nF/63V	5322 122 34098
C 1002	3.3pF/63V	5322 122 32286
C 1006	1pF/63V	5322 122 32447
C 1009	10pF/63V	5322 122 32448
C 1011	2.7pF/63V	5322 122 31873
C 1012	10nF/63V	5322 122 34098
C 1013	10nF/63V	5322 122 34098
C 1014	5.6pF/63V	5322 122 32967
C 1017	22nF/63V	5322 122 32654
C 1018	100nF/63V	4822 122 33496
C 1019	100nF/63V	4822 122 33496
C 1021	100nF/63V	4822 122 33496

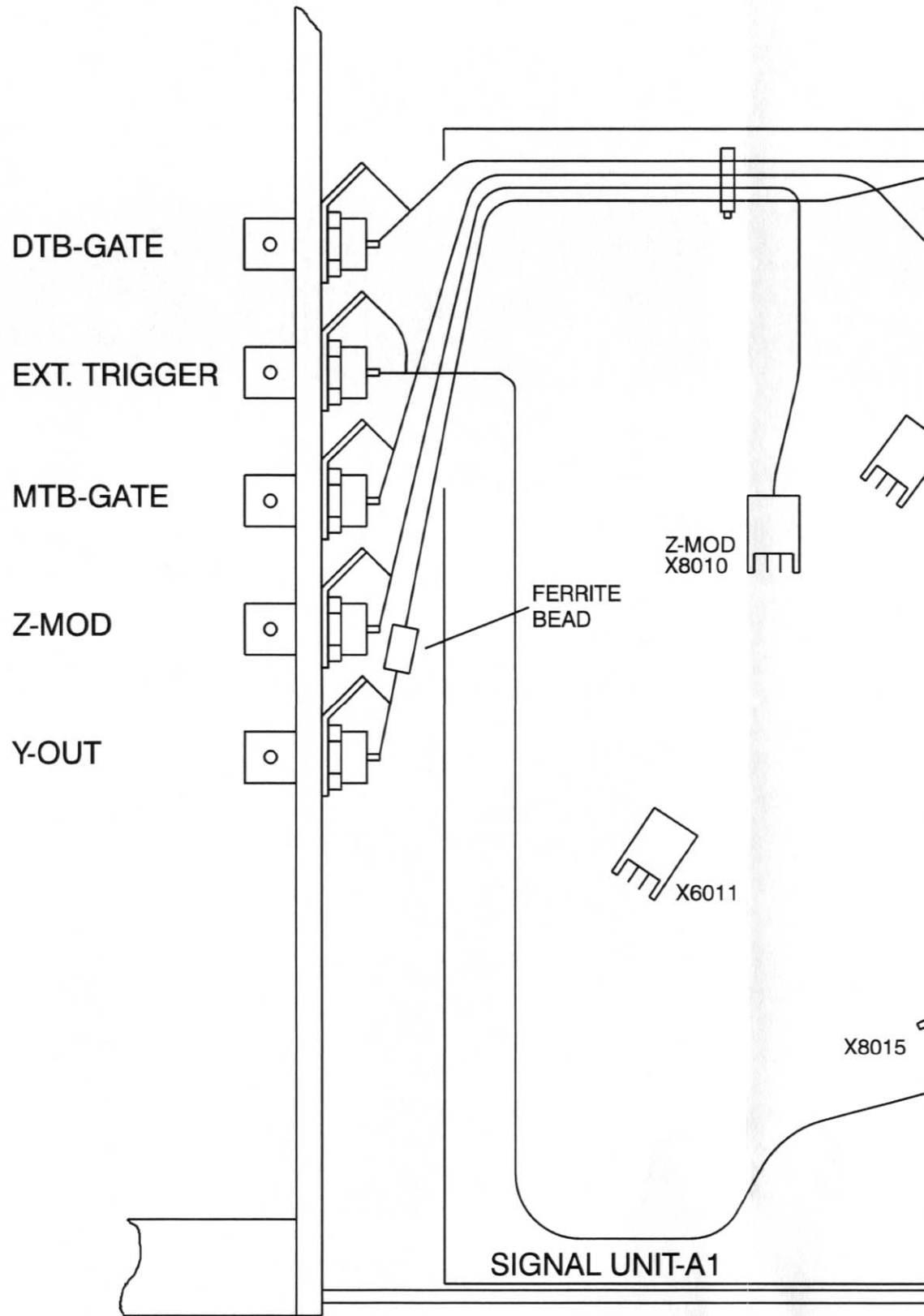
Item	Description	Service ord code
R 1001	12k1/1%	4822 051 51213
R 1002	1k1/1%	4822 051 51102
R 1003	1k/1%	4822 051 51002
R 1004	51E1/1%	5322 111 91893
R 1006	5k11/1%	4822 051 55112
R 1007	825E/1%	4822 051 58251
R 1008	825E/1%	4822 051 58251
R 1009	21E5/1%	5322 111 92014
R 1011	4E7/5%	4822 051 10478
R 1012	4E7/5%	4822 051 10478
R 1013	100E/1%	4822 051 51001
R 1014	100E/1%	4822 051 51001
R 1015	5k11/1%	4822 051 55112
R 1016	5k11/1%	4822 051 55112
R 1017	1k33/1%	4822 051 51332
R 1018	147E/1%	4822 051 51471
R 1019	348E/1%	4822 051 53481
R 1021	1k/1%	4822 051 51002
R 1022	1k/1%	4822 051 51002
R 1023	147E/1%	4822 051 51471
R 1024	51E1/1%	5322 111 91893
R 1026	100E/1%	4822 051 51001
R 1027	100E/1%	4822 051 51001
R 1028	750E/1%	4822 051 57501
R 1029	1k33/1%	4822 051 51332
R 1031	51E1/1%	5322 111 91893
R 1032	5k11/1%	4822 051 55112
R 1033	511E/1%	4822 051 55111
R 1034	147E/1%	4822 051 51471
R 1036	1k/1%	4822 051 51002
R 1037	51E1/1%	5322 111 91893
R 1038	511E/1%	4822 051 55111
R 1039	511E/1%	4822 051 55111
R 1041	4E7/5%	4822 051 10478
R 1042	4E7/5%	4822 051 10478
R 6101	1k/1%	4822 051 51002
R 8053	1E/5%	4822 051 10108
R 8073	1k/1%	4822 051 51002
R 8137	3k16/1%	4822 724 53162
R 8138	3k16/1%	4822 724 53162
V 1001	BF579	5322 130 61819
V 1002	BF579	5322 130 61819
X 1011	Male Header	5322 265 20525

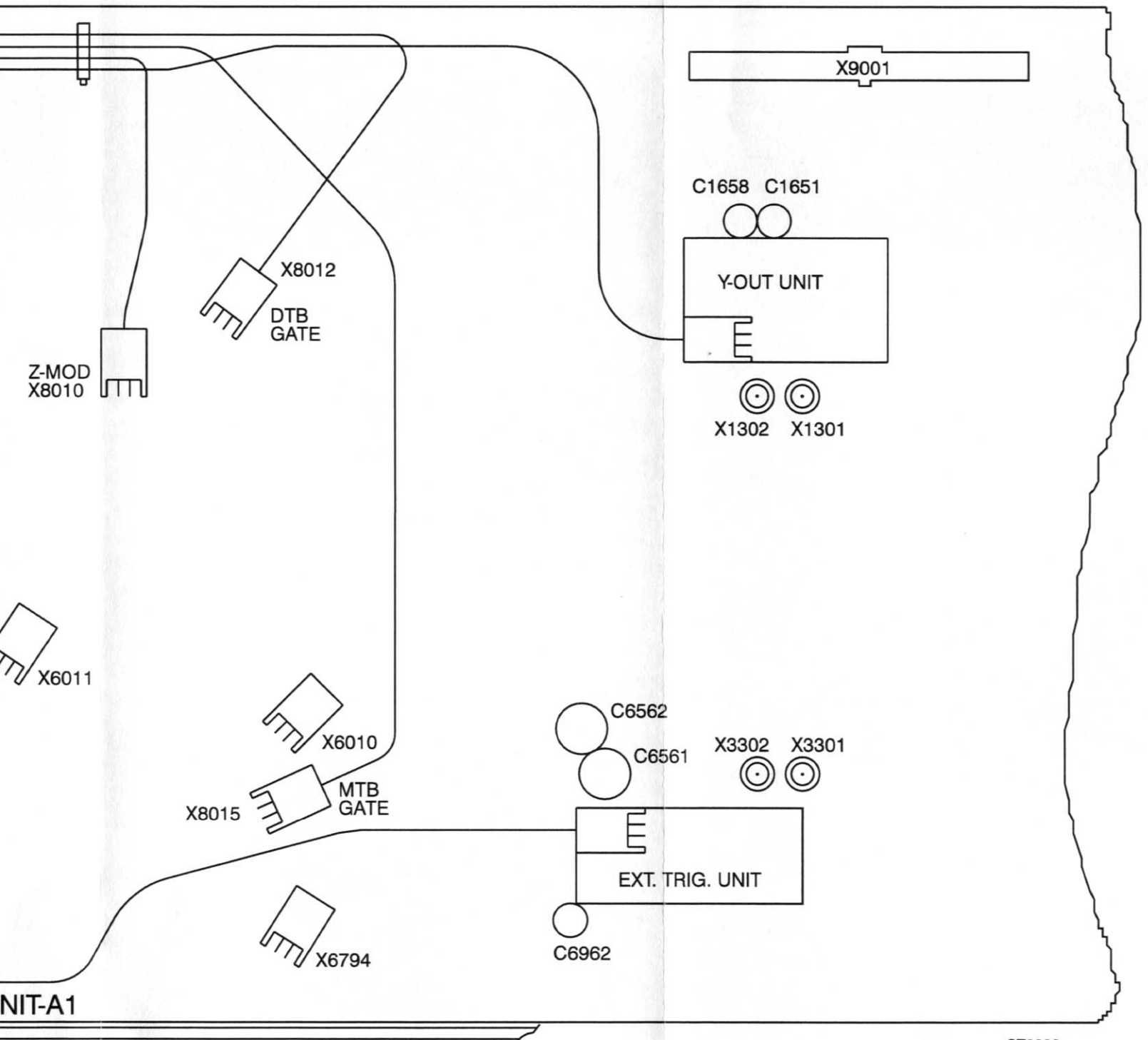




ST8298  
970428

Fig. 1. Location of options Y-out and external trigger





ST8298  
970428

Fig. 1. Location of options Y-out and external trigger

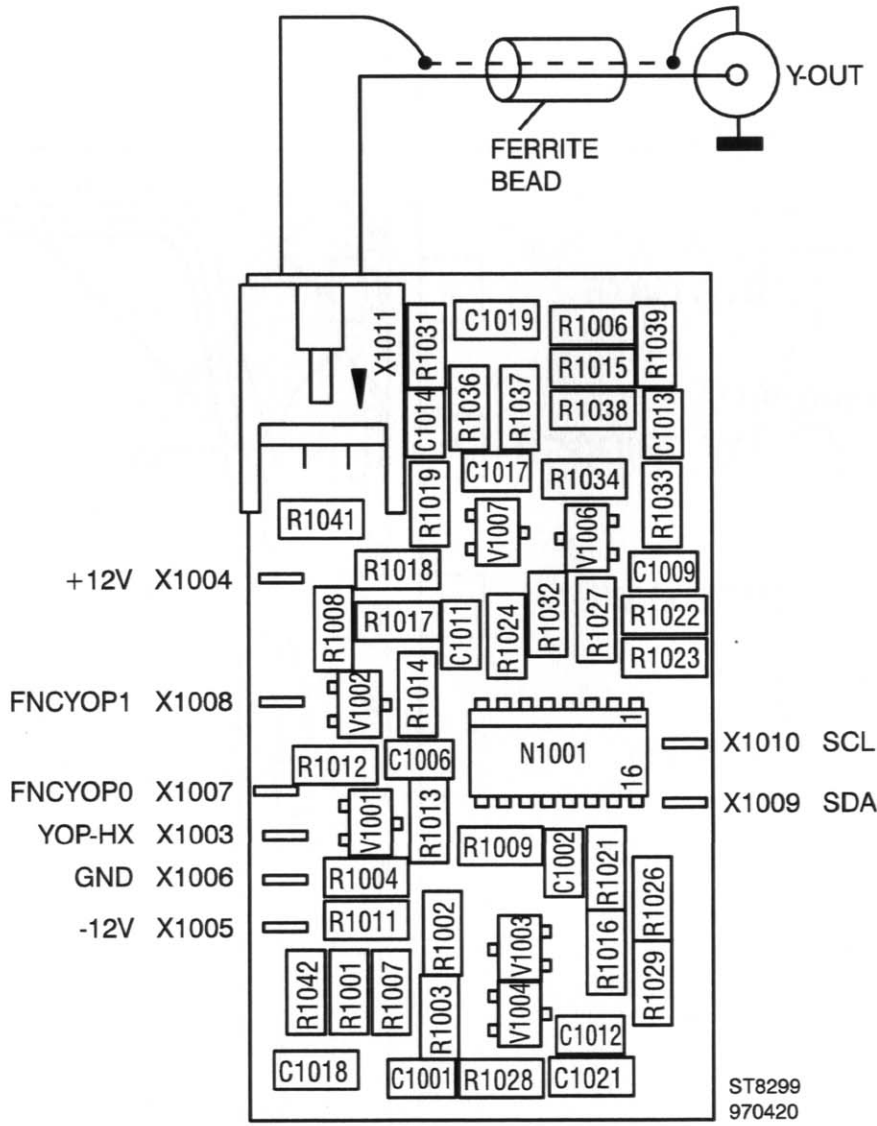
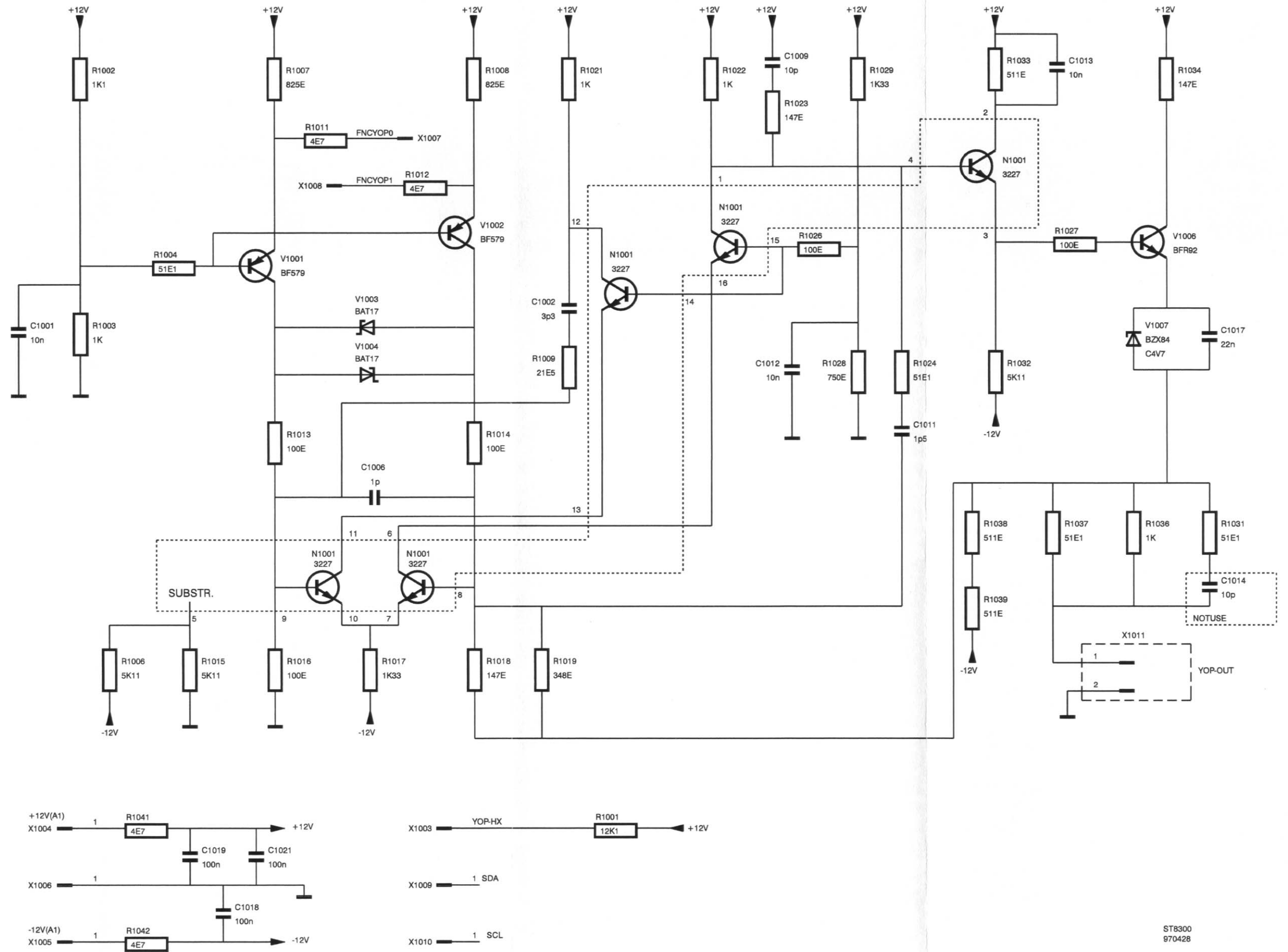


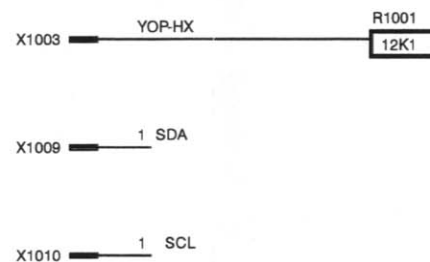
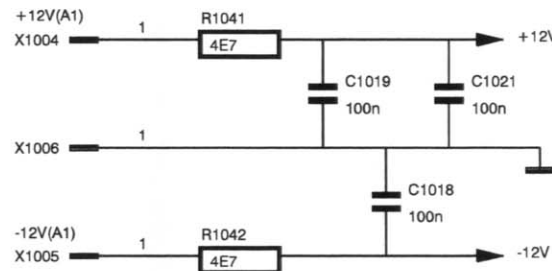
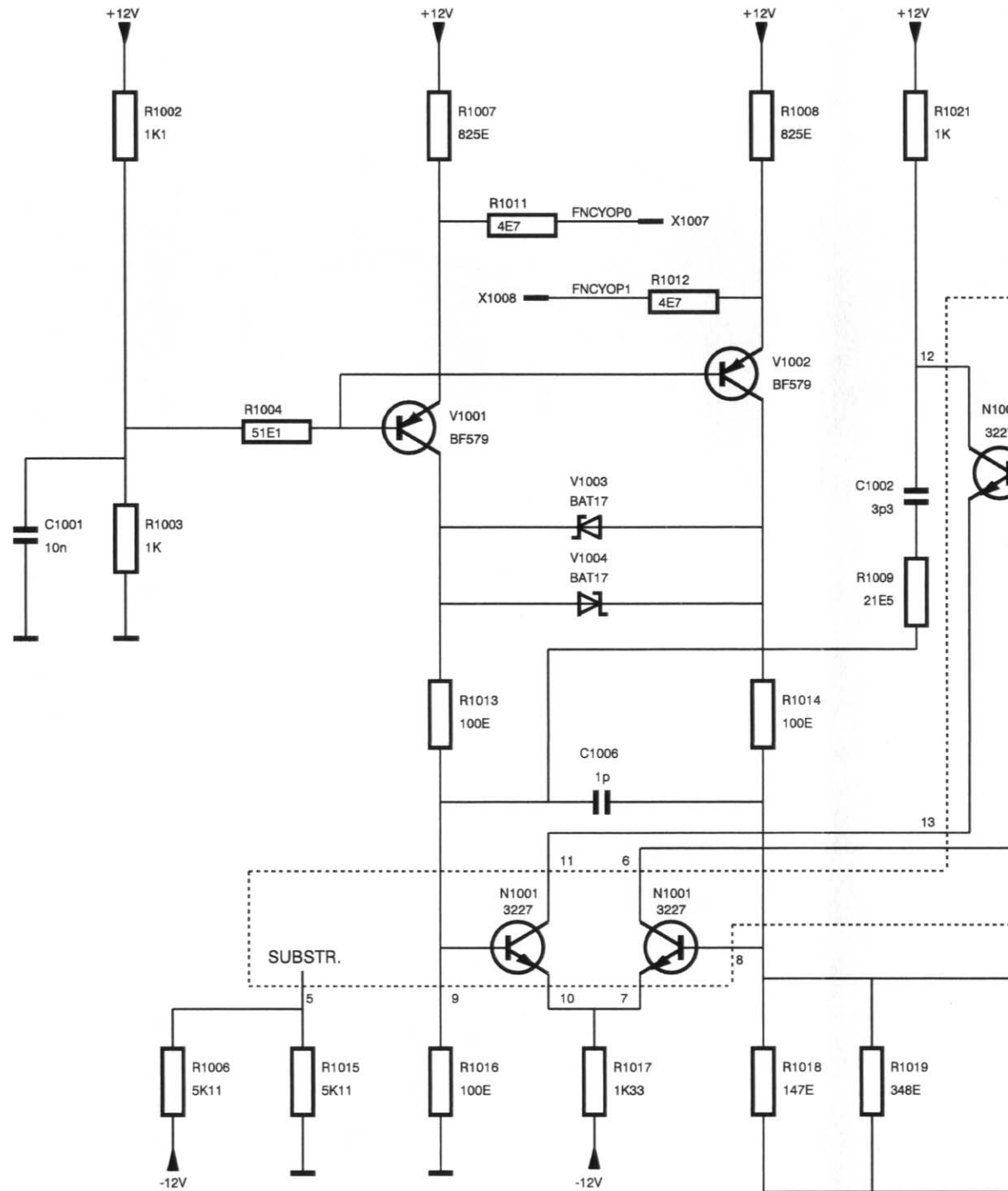
Fig. 2. Printed circuit board lay-out of Y-out unit



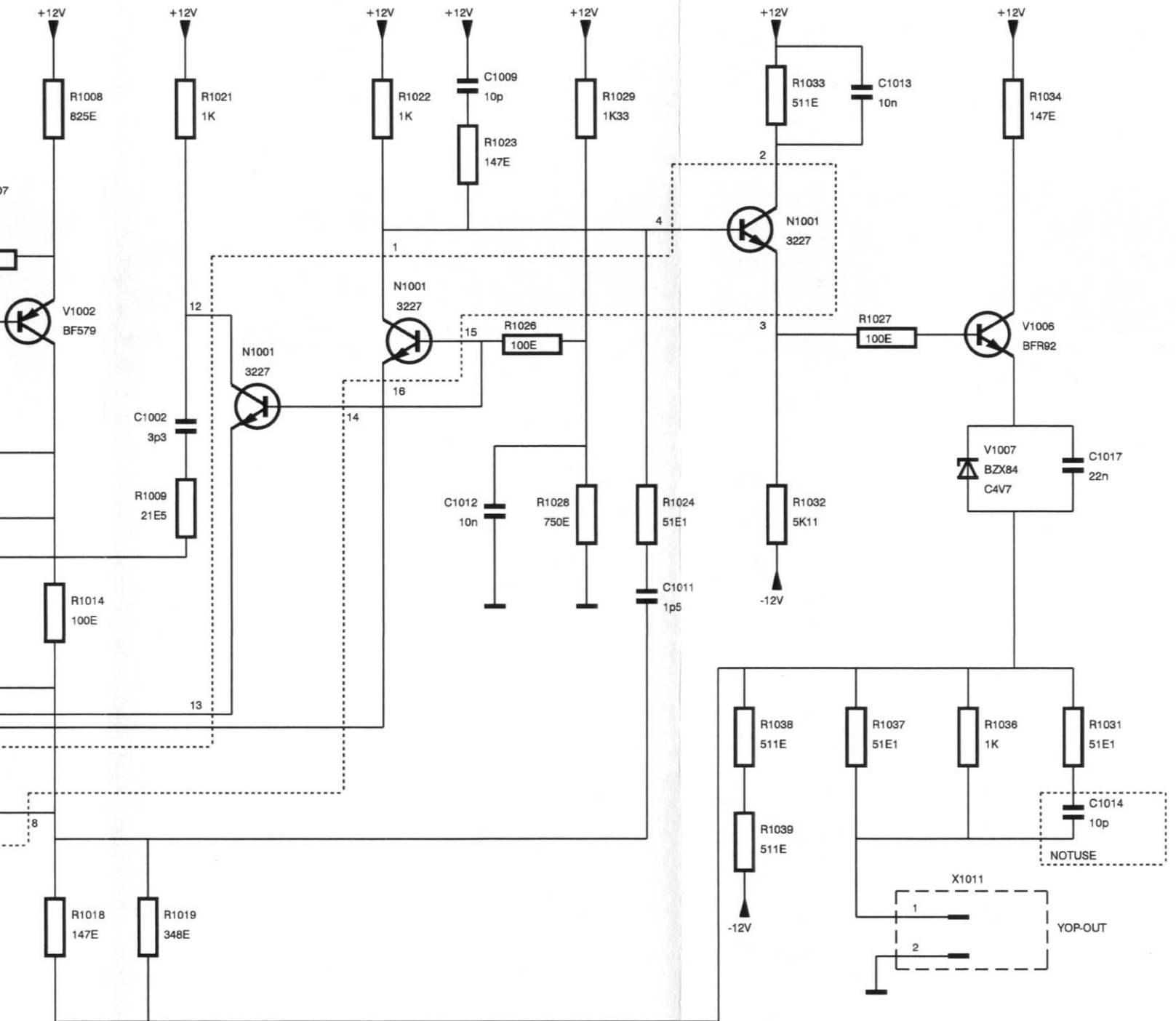
ST8300  
970428

Fig. 3. Circuit diagram of Y-out unit

UNIT DESCRIPTIONS







1 SDA

1 SCL

ST8300  
970428

Fig. 3. Circuit diagram of Y-out unit

### Introduction to external trigger option

The External Trigger Input option provides an extra input at the rear of the oscilloscope. This input can be used as the trigger source for the Main Time Base (MTB). The option is factory-installable only. The external trigger requires a small printed circuit board, a rear panel BNC socket and a coaxial interconnection cable.

The small printed circuit board is equipped with soldering pins that fit directly into unit A1. Refer to figure 1 for the exact location. The lay-out of this unit is given in figure 4; the belonging circuit diagram in figure 5.

The EXT TRIG input is suitable for use with the supplied 10:1 probe. The input characteristics are similar to those of CH1...CH4.

If External is chosen as trigger source, then the following trigger functions remain available:

- trigger filters ac, dc, lf\_rej and hf\_rej
- level-pp function
- +/- slope selection
- noise on/off

If External trigger is chosen as trigger source, then TV trigger mode is not available.

Line (50/60 Hz mains) as trigger source is not available.

If the External trigger option is present together with 'Y- out' option, then the DTB gate output of the Y-out is not available.

A diode V7801 (BAV99, 5322 130 34337) is added on signal unit A1. This diode is connected to the 'panel version identification' circuit D9013. By means of this, the internal software knows that the external trigger option is present. Diode V7801 is located on unit A1 between V7802 and R7077.

### Characteristics

The following has to be added to chapter 2.3.1 of 'characteristics'.

CHARACTERISTICS	SPECIFICATION	ADDITIONAL INFORMATION
<b>Source</b>		
SOURCE(S)	CH1 ... CH4	
MTB- triggering	External Composite	No line triggering
<b>Input characteristics</b>		
INPUT CONNECTOR	BNC	At rear of instrument
INPUT IMPEDANCE		Measured at freq.<1MHz
R parallel		
- value	1 M $\Omega$	
- tolerance	$\pm 1$ %	
C parallel		
- value	25 pF	
- tolerance	$\pm 5$ pF	
DYNAMIC RANGE		
Up to 10 MHz	$\pm 2.5$ V	Symmetrical

CHARACTERISTICS	SPECIFICATION	ADDITIONAL INFORMATION
-----------------	---------------	------------------------

INPUT VOLTAGE LIMITS  
(d.c. + a.c. peak)



±400 V

See note 1  
See note 2

Note 1: Apparatus should be properly grounded through the protective ground conductor of the power cord.

Note 2: Up to 10 kHz; > 10kHz see figure 1.1.

### Sensitivity

EDGE TRIGGER SENSITIVITY

d.c. to 5 MHz

100 mV

See note 3

d.c. to 10 MHz

200 mV

Note 3: In noise-trigger multiply stated value by 2.

### Trigger level

Range

±1.5 V

See note 4

Accuracy

≤0.4 V

at 1 kHz input signal  
trigger coupling DC

Note 4: With Level-pp on the range is restricted to the peak-peak value of the trigger signal.

### Circuit description

Refer to figure 5 for the circuit diagram. The input signal is routed via RC circuit R1001/C1002 and a coaxial cable to the small printed circuit board. Via protection diodes V2002 the signal is applied to the operational amplifier N2021. This device functions as amplifier and level shifter. The analog multiplexer D2031 the output signal MTRIGEXT. This signal is applied to the base of transistor V6507 in the MTB trigger section on unit A1 (diagram 12). Multiplexer D2031 applies -9 V (-9EXT) to the diodes V2012 if the external trigger signal is not needed. This suppresses the signal directly at the input.

### Parts list

Item number	Description	Service ord code
C 1001	33pF/500V	4822 122 31202
C 2082	47uF/25V	4822 124 20699
C 2091	47uF/25V	4822 124 20699
C 2001	56pF/63V	5322 122 32661
C 2003	100nF/63V	4822 122 33496
C 2004	100nF/63V	4822 122 33496
C 2011	10nF/63V	5322 122 34098
C 2016	100nF/63V	4822 122 33496
C 2021	100pF/63V	5322 122 32531
C 2023	33pF/63V	5322 122 32659
C 2032	100nF/63V	4822 122 33496
C 2082	100nF/63V	4822 122 33496
C 2086	100nF/63V	4822 122 33496
C 2092	100nF/63V	4822 122 33496
C 2094	100nF/63V	4822 122 33496

Item	Description	Service ord code
D 2031	HEF4053BT	5322 209 14481
R 1001	750k/0.25%	5322 116 53588
R 2001	511k/1%	4822 051 55114
R 2002	511k/1%	4822 051 55114
R 2013	10M/5%	4822 051 10106
R 2014	10M/5%	4822 051 10106
R 2021	261E/1%	4822 051 52611
R 2022	14k7/1%	4822 051 51473
R 2023	1k47/1%	4822 051 51472
R 2024	3k16/1%	4822 051 53162
R 2033	1k47/1%	4822 051 51472
R 2051	14k7/1%	4822 051 51473
R 2052	2k15/1%	4822 051 52152
R 2054	5k11/1%	4822 051 55112
R 2061	2k15/1%	4822 051 51252
R 2062	14k7/1%	4822 051 51473
R 2063	5k11/1%	4822 051 55112
R 2081	4E7/5%	4822 051 10478
R 2086	4E7/5%	4822 051 10478
R 2091	4E7/5%	4822 051 10478
R 2094	5k11/5%	4822 051 55112
V 2002	BAS28	5322 130 80214
V 2012	BAS28	5322 130 80214
V 2053	BC848C	5322 130 42136
V 2064	BC858C	4822 130 42513
V 2093	BZX84-C3V0	5322 130 32739
X 2001	Male Header	5322 265 20525

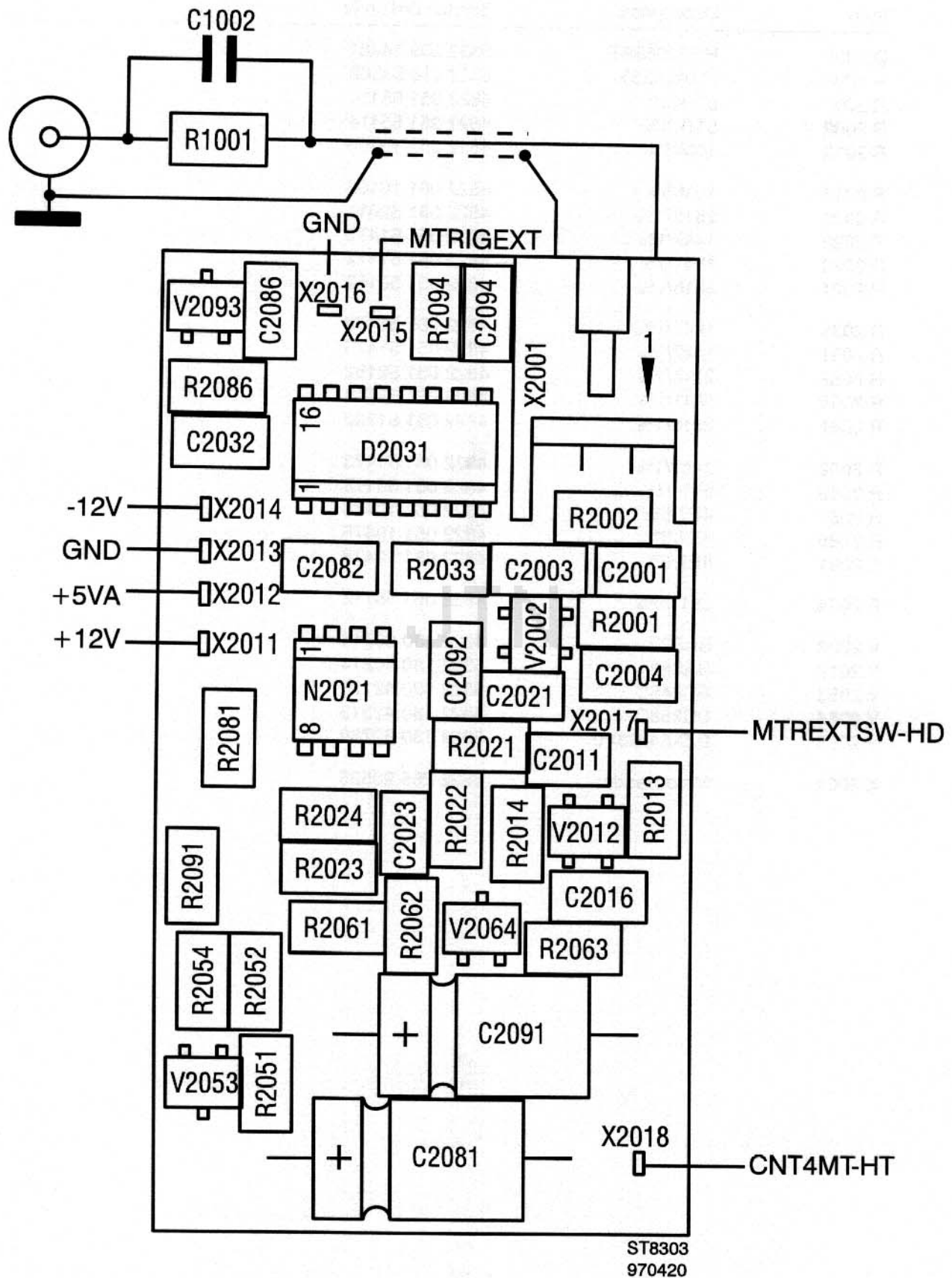
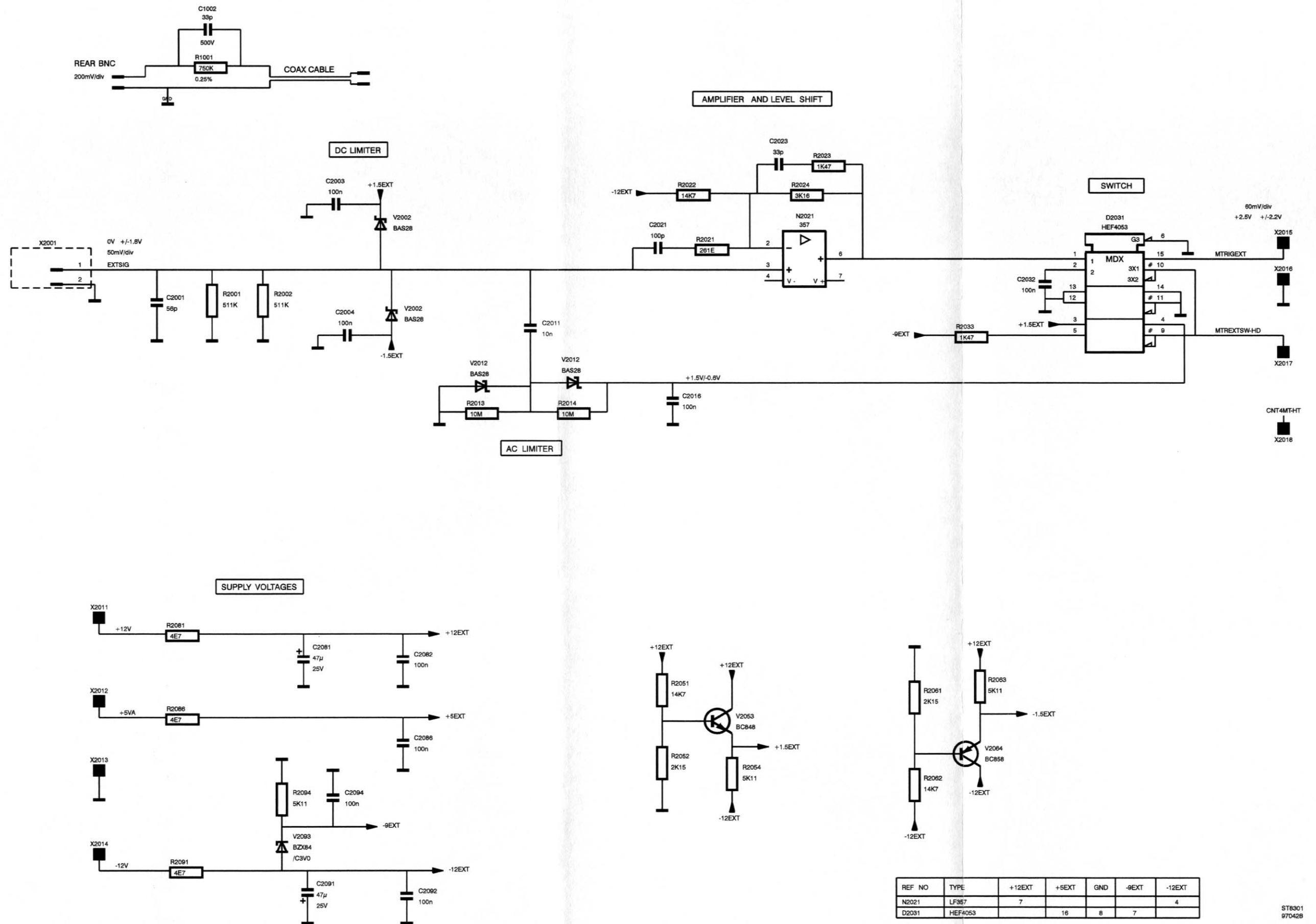


Fig. 4. Printed circuit board lay-out of external trigger unit



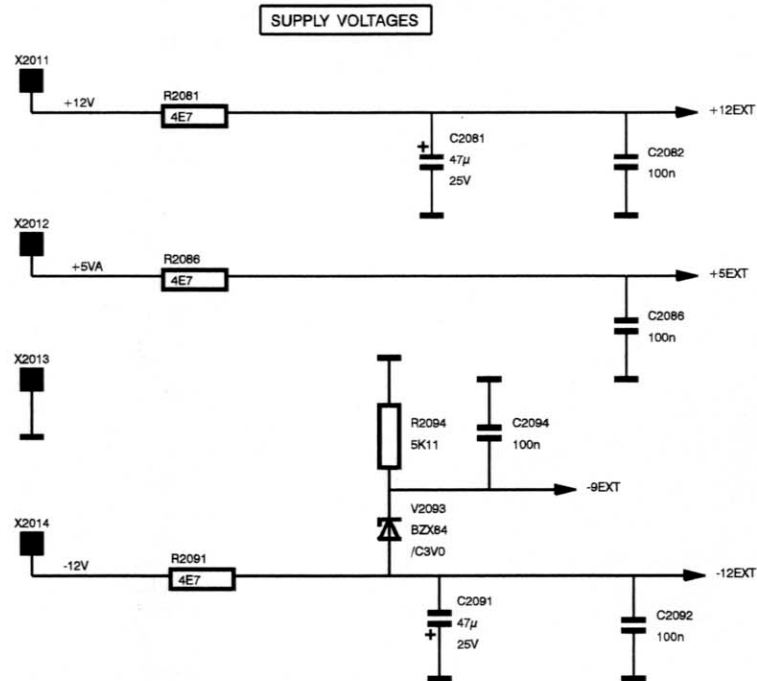
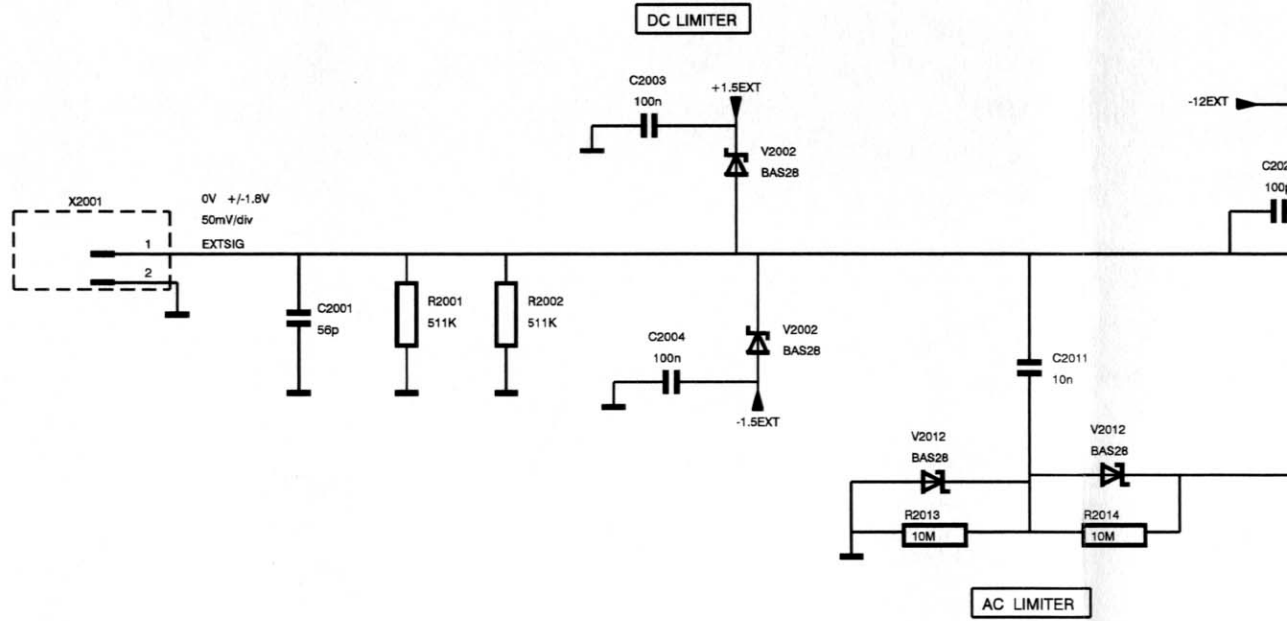
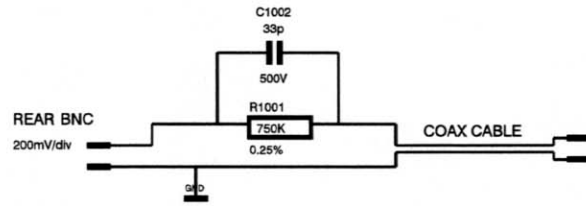
REF NO	TYPE	+12EXT	+5EXT	GND	-9EXT	-12EXT
N2021	LF357	7				4
D2031	HEF4053		16	8	7	

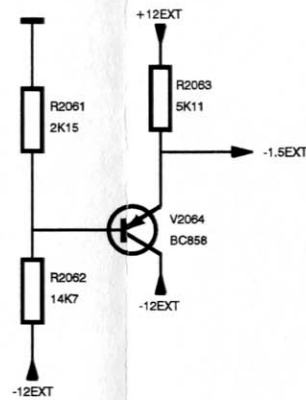
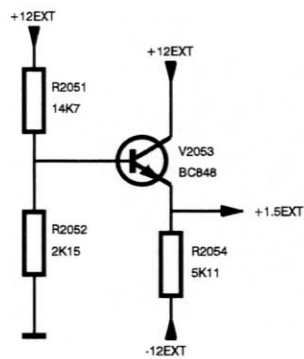
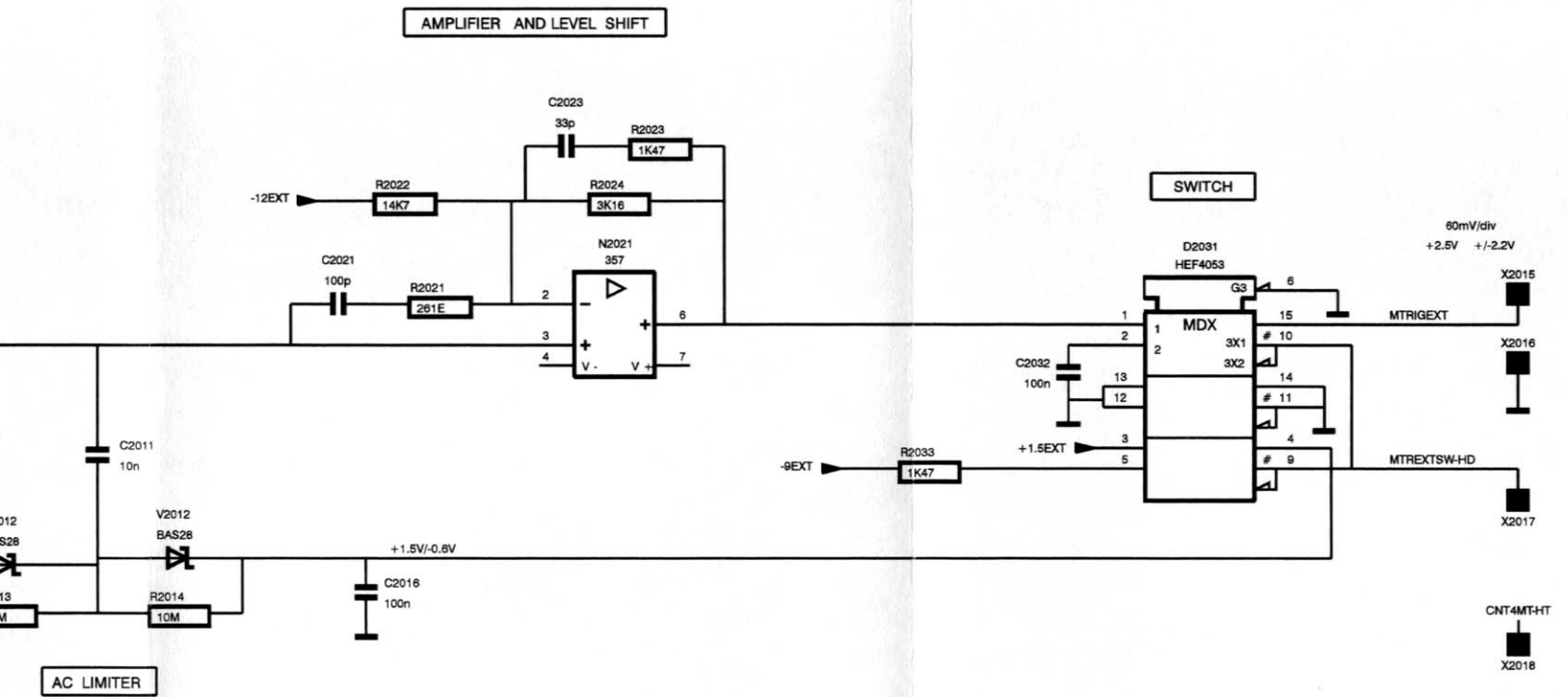
ST8901  
970428

Fig. 5. Circuit diagram of external trigger unit



# UNIT DESCRIPTIONS





REF NO	TYPE	+12EXT	+5EXT	GND	-9EXT	-12EXT
N2021	LF357	7				4
D2031	HEF4053		16	8	7	

ST8301  
970428

Fig. 5. Circuit diagram of external trigger unit

## 6 PERFORMANCE TEST

### 6.1 GENERAL INFORMATION

**WARNING:** Before turning on the instrument, ensure that it has been installed in accordance with the Installation Instructions, outlined in Section 2 of the Operation Guide.

This procedure is intended to:

- Check the instrument's specification.  
Be used for incoming inspection to determine the acceptability of newly purchased instruments and/or recently recalibrated instruments.  
Check the necessity of recalibration after the specified recalibration intervals.

**NOTE:** *The procedure does not check every facet of the instrument's calibration; rather, it is concerned primarily with those parts of the instrument which are essential to measurement accuracy and correct operation. Removing the instrument covers is not necessary to perform this procedure. All tests are made from the outside of the instrument.*

If the test is started shortly after turning on the instrument, steps may be out of specification, due to insufficient warm up time. Be sure to allow the full warm up time of 30 minutes (under average conditions).

The tests are made with a stable, well-focused, low-intensity display. Unless otherwise noted, adjust the intensity, position, and trigger level controls as needed.

#### IMPORTANT NOTES

- The input voltage must be supplied to the CH1 input, unless otherwise stated. Set the MTB/VAR key pair to a suitable position, unless otherwise stated.
- Tolerances given are for the instrument under test and do not include test equipment error. Bear in mind that the test equipment and connecting cables are properly terminated. In case of high-frequency signals, this termination must be 50Ω. This is achieved with a 50Ω termination at the end of the cable. Such termination is not necessary for the PM3094 (all channels), or CH1, CH2 of the PM3092; these oscilloscopes feature switchable internal 50Ω input impedance.
- In some tests vertical channels CH2, CH3, CH4 appear in parentheses after CH1, e.g., CH1 (CH2, CH3, CH4). This indicates that the CH1 test should be performed first, followed by the tests for CH2, CH3 and CH4.
- Some of the tests are not necessary for all four oscilloscope types. This is indicated as necessary. The test step may then be skipped.
- Test steps where the use of a 10:1 probe is required, must be done with the probe type such as supplied with the oscilloscope.

## 6.2 RECOMMENDED TEST EQUIPMENT

*Note:* The digital multimeter and oscilloscope are not required for this test.

*Note:* The FLUKE 5500A Multiproduct Calibrator is always used in SCOPE mode. The output signal must be taken from the BNC output 'Scope'.

Type of instrument	Required specification	Example of recommended instrument
Function generator	Freq: 10 Hz...100kHz Sine wave/square-wave Ampl: 0...20 V(pp) Rise time $\leq 30$ ns Duty cycle 50%	Fluke 5500A mode: waven
Constant amplitude sine wave generator	Freq: 50 kHz...300 MHz. Constant pp. amplitude of 10 mV to 5.5V.	Fluke 5500A mode: levsine
Square-wave calibration generator	For ampl. calibration: Freq: 1 kHz Ampl: 10 mV...50 V For rise time measurements: Freq: 10 kHz...1 MHz Ampl: 10...900 mV Rise time: $\leq 1$ ns	Fluke 5500A mode: volt Fluke 5500A mode: edge
Time marker generator	Repetition rate: 0.5s...2 ns	Fluke 5500A mode: marker
Digital multimeter	Wide voltage and current ranges.	Fluke 29/79 with AC, DC and resistance ranges. High voltage probe. Required: 1% accuracy, model 80K-40
Variable voltage transformer (VARIAC)	Well insulated output voltage 90...264V (ac)	
TV pattern generator with video output		Fluke PM5418
Oscilloscope	The bandwidth must be the same or higher than the bandwidth of the instrument under test.	Fluke PM3094
BNC/Probe tip adapter	For bandwidth check in PM3092	ord.nr. 5322 263 50022
50 $\Omega$ cables, 75 $\Omega$ cable, 50 $\Omega$ terminations, 75 $\Omega$ termination, 10:1 attenuator, T-piece, power splitter 2:1 attenuator	Fluke or e.g. Tektronix BNC types for fast risetime square-wave and high-frequency sinewave applications.	Fluke PM9074 Fluke PM9075 Fluke PM9581 TEK 011-0055-01 TEK 011-0059-02 Fluke PM9067 Fluke PM9584/02 TEK 011-0069-02

## 6.3 TEST PROCEDURE

### 6.3.1 Preliminary settings

*Test equipment:*

None

*Settings/procedure and requirements:*

- 1 - If not present install 2 penlight (LR6) back up batteries in the holder at the rear panel of the oscilloscope.
- 2 - Turn on the oscilloscope under test.
- 3 - Press the STATUS and TEXT OFF keys simultaneously. This assures that the oscilloscope follows the default reaction when the green AUTOSET key is pressed. The now following steps are applicable for PM3092 and PM3094.
- 4 - Press the UTILITY menu key to display the UTILITY menu.
- 5 - Press softkey AUTOSET to display the UTILITY AUTOSET menu.
- 6 - Press the relevant softkey to put the oscilloscope in the 'AUTOSET userprog' mode; the text 'userprog' must be intensified.
- 7 - Press softkey VERT.
- 8 - Select with softkey '1M $\Omega$  / 50 $\Omega$  / unafect' the 'unafect' position.
- 9 - Check for the instrument settings in the lower part of the viewing area: when not available press TEXT OFF until the maximum amount of information is displayed.

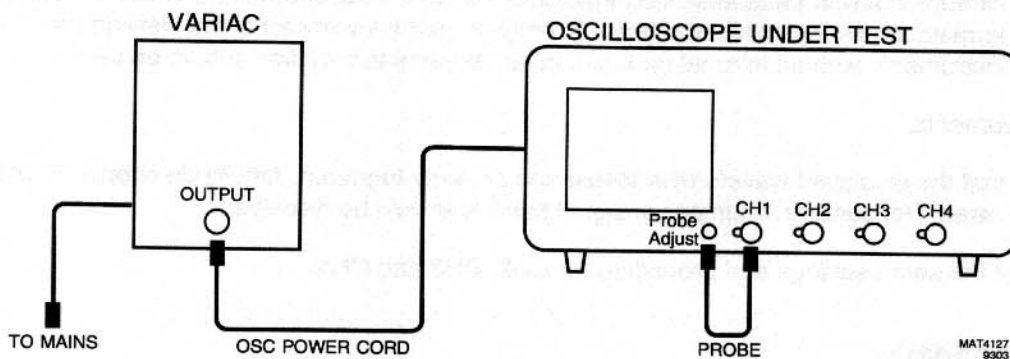
### 6.3.2 Power supply

This test checks the proper operation of the power supply at all possible line voltages.

*Test equipment:*

Variable voltage transformer (VARIAC)

*Test set-up:*



*Settings/procedure:*

- 1 - Adjust the input line voltage to the oscilloscope (output from VARIAC) to a desired value between 100 and 240V (rms), frequency 50...400 Hz.
- 2 - Press POWER ON on the oscilloscope.
- 3 - Apply the Probe Adjust signal from the front panel of the oscilloscope to input CH1, e.g., by means of a 10:1 probe.
- 4 - Press the green AUTOSET key.

*Requirements:*

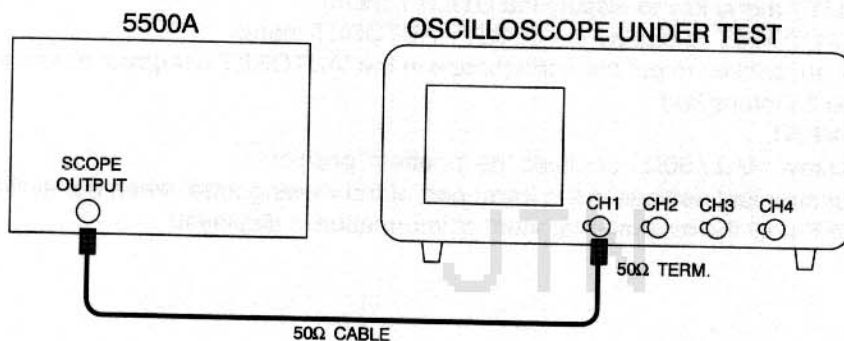
- 1 - Verify that the oscilloscope starts at any input voltage between 100 and 240V; in particular the line voltages 100, 120, 220 and 240V must be checked.
- 2 - Verify that the instrument's performance does not change over the indicated voltage range; and that the displayed Probe Adjust signal is distortion-free and has equal intensity.

**6.3.3 Auto set**

This test checks the correct working of the AUTOSET function.

*Test equipment:*

Fluke 5500A mode: levsine (Alternative: constant amplitude sine wave generator SG 503)

*Test set-up:*

STB103

*Settings/procedure:*

- 1 - Apply a 10 MHz sine wave signal of 600 mV (pp into 50Ω) to input CH1;
- 2 - Press the green AUTOSET key. Use a 50Ω termination at the end of the coax cable. For instruments with switchable 50Ω input impedance it is recommended to use the internal termination (when active, the text 'LZ' appears in the lower part of the viewing area). For instruments without internal termination, an external termination should be used.

*Requirements:*

Verify that the displayed waveform is stable and properly triggered. Amplitude should be within the screen area. Horizontally a number of signal periods should be displayed.

Repeat the same settings and procedure for CH2, CH3 and CH4.

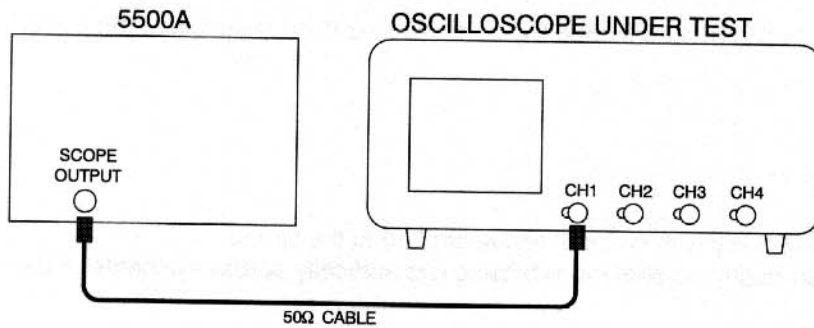
**6.3.4 Orthogonality**

This test checks the angle between the horizontal and vertical deflection plates (orthogonality).

*Test equipment:*

Fluke 5500A mode: wavegen, wave sine (Alternative: function generator PM5136)



*Test set up:**Settings/procedure:*

- 1 - Press the CAL key for a few seconds to start the autocal procedure. This takes approximately one minute. When ready, the oscilloscope is fine tuned to optimal accuracy.
- 2 - Apply a 50 Hz sine wave signal of 8 V(pp) to input CH1;
- 3 - Press the AUTOSET key and adjust the input signal to a trace- height of 8 div.
- 4 - Activate the GND function and verify that the straight line is exactly parallel to the horizontal graticule lines. If not, readjust the TRACE ROTATION.
- 5 - Switch the GND function off and verify that a signal of 8 divisions is displayed.
- 6 - Press the TB MODE menu key to display the TB MODE menu.
- 7 - Select X-DEFL 'on' in this menu; the text 'on' must be intensified. The name of the displayed menu now changes into : TB MODE X-DEFL.
- 8 - Select 'ch2' in the TB MODE X-DEFL menu.
- 9 - Use the X POS control to shift the vertical line to the center of the screen.

*Requirements:*

- 1 - Verify that the vertical line is parallel to the vertical graticule line in the center of the screen.
- 2 - Verify that the angle with respect to the horizontal graticule lines is  $90^\circ \pm 0.5^\circ$  as indicated in the figure.

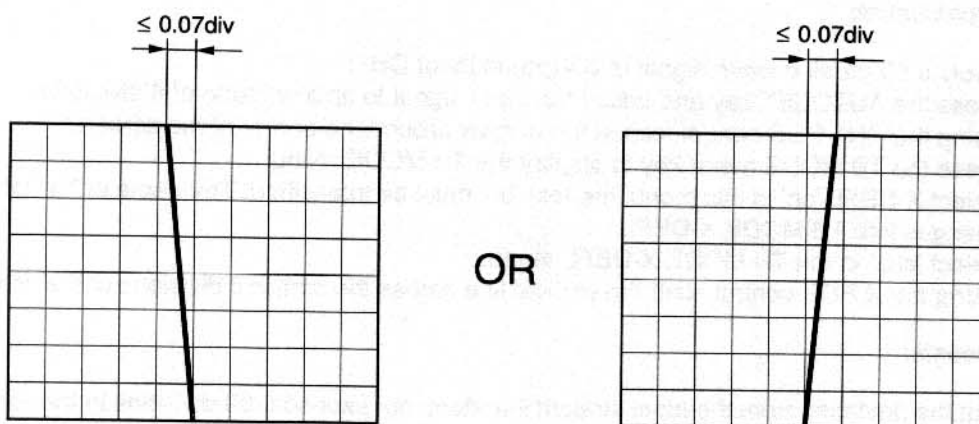


Figure 6.5 Orthogonality

### 6.3.5 Trace distortion

This test checks the distortion of a horizontal line in the central 6 x 8 divisions of the screen.

*Test equipment:*

None

*Settings/procedure:*

- 1 - Press the AUTOSSET key with no input signal applied to the scope.
- 2 - Use the CH1 POS control to shift the timebase line vertically across the center 6 divisions of the screen.

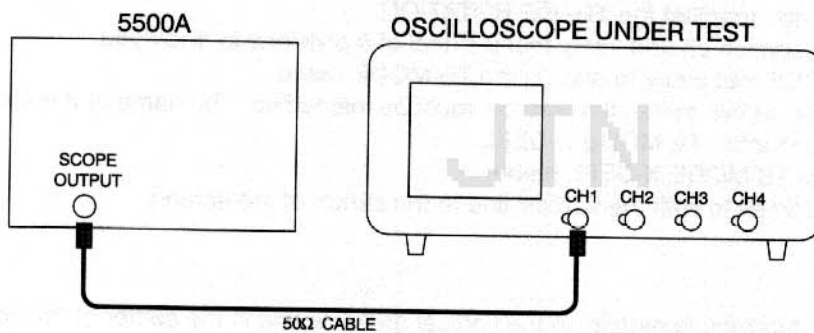
*Requirements:*

Verify that the deviation from the ideal straight line does not exceed 0.03 divisions in the center of screen and 0.1 divisions elsewhere.

*Test equipment:*

Fluke 5500A mode: wavegen, wave sine (Alternative: function generator PM5136)

*Test set-up:*



ST8104

*Settings/procedure:*

- 1 - Apply a 50 Hz sine wave signal of 8 V(pp) to input CH1;
- 2 - Press the AUTOSSET key and adjust the input signal to an amplitude of 8 divisions.
- 3 - Using the CH1 POS control, adjust the display around the center of the screen.
- 4 - Press the TB MODE menu key to display the TB MODE menu.
- 5 - Select X-DEFL 'on' in this menu; the text 'on' must be intensified. The name of the menu now changes into TB MODE X-DEFL.
- 6 - Select 'ch2' in the TB MODE X-DEFL menu.
- 7 - Using the X POS control, shift the vertical line across the center 8 divisions of the screen.

*Requirements:*

Verify that the deviation from the ideal straight line does not exceed 0.03 divisions in the center of screen and 0.1 divisions elsewhere.

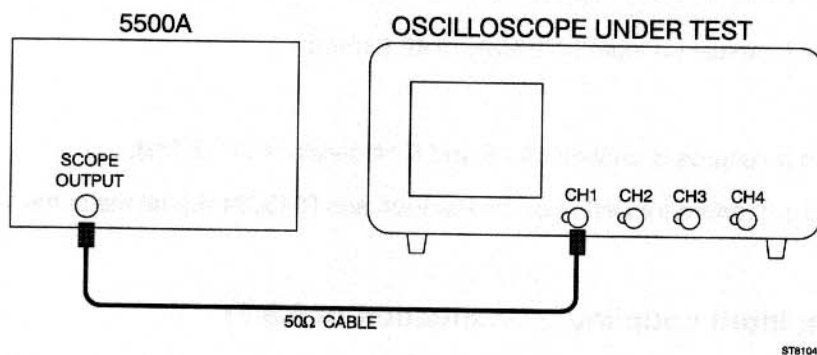
### 6.3.6 Vertical deflection; deflection coefficients

The vertical deflection coefficients of channels CH1, CH2, CH3, and CH4 are checked by means of a calibrated signal.

*Test equipment:*

Fluke 5500A mode: volt (Alternative: square-wave calibration generator PG 506)

*Test set up:*



*Settings/procedure:*

- 1 - Apply a 1 kHz square-wave signal of 20 mV to input CH1. Set the generator in volt mode. The generator must not be terminated with 50Ω (the text 'LZ' must not be visible in the lower part of the viewing area).
- 2 - Press the green AUTOSET key.
- 3 - Set CH1 to 5 mV/div and to DC input coupling. The waveform must be in the vertical middle of the screen.
- 4 - Press the BWL key to activate the bandwidth limiter.
- 5 - Press menukey TRIGGER MTB and activate softkey 'noise on' and 'hf-rej'.
- 6 - Change the input voltage and the setting of CH1 according to table I and verify that the amplitude of the signal agrees with this table. The signal should remain positioned in vertical center of the screen.

*Note:* Only the input sensitivities are checked that are essential for instrument accuracy.

*Requirements:*

table I.

Input voltage (pp)	Setting	Requirements
20 mV	5 mV	3.94...4.06 div (+/- 1.3%)
50 mV	10 mV	4.93...5.07 div (+/- 1.3%)
1V	0.2V	4.93...5.07 div (+/- 1.3%)
5V	1V	4.93...5.07 div (+/- 1.3%)

Repeat the settings/procedure in table I for CH2, CH3 and CH4. Use table II for CH3 and CH4 in PM3092 and PM3082.

table II.

Input voltage (pp)	Setting	Requirements
0.5V	0.1V	4.93...5.07 div (+/- 1.3%)
2V	0.5V	3.94...4.06 div (+/- 1.3%)

### 6.3.7 Vertical deflection; variable gain control range (continuation of 6.3.6)

This test checks the vertical VARIable gain control.

*Settings/procedure:*

- 1 - Apply a square-wave signal of 0.2V to input CH1 and press AUTOSSET.
- 2 - Set CH1 to 50 mV/div and input coupling to DC. Using the CH1 POS control, center the waveform in the screen.
- 3 - Select the VARIable mode by simultaneously pressing both AMPL keys. The readout changes into 50.0 mV/div.
- 4 - Press the mV key to adjust an input sensitivity of 40.0 mV/div.

*Requirements:*

Verify that the displayed amplitude is between 4.86 and 5.14 divisions (+/- 2.8%).

Repeat the settings and procedure for CH2. For the PM3094 and PM3084 repeat the same steps for CH3 and CH4.

### 6.3.8 Vertical deflection; input coupling (continuation of 6.3.7)

This test verifies the operation of the AC input coupling. Also, the operation of the ground (GND) function is checked.

*Settings/procedure:*

- 1 - Switch the CH1 VARIable mode off by simultaneously pressing both AMPL/VAR keys. The readout changes to 50 mV.
- 2 - CH1 sensitivity is 50 mV/div; the vertical deflection is now 4 divisions.

*Requirements:*

- 1 - Activate the CH1 GND function and verify that a horizontal line is displayed.
- 2 - Select the AC input coupling and verify that a 4 divisions square-wave signal is displayed. Center this signal in the middle of the screen.
- 3 - Select the DC input coupling and verify that the 4 divisions square-wave signal moves up. This shift is caused by the signal's positive dc component: this component is not blocked in DC coupled mode.

Repeat the settings and procedure for CH2, CH3, and CH4. In the PM3092 and PM3082, the test of the GND function is skipped for CH3 and CH4.

### 6.3.9 Vertical cursor accuracy (continuation of 6.3.8.)

This test verifies the accuracy of the voltage cursors

*Settings/procedure:*

- 1 - Change the generator output voltage to 0.1V.
- 2 - Apply this voltage to CH1.
- 3 - Switch CH1 to ON and the other channels off.
- 4 - Select DC coupled input and 20 mV/div for CH1.
- 5 - Select CH1 as trigger source (TRIG 1).
- 6 - Center the 5 div square-wave (on the dotted horizontal lines of the graticule) with the POS rotary.
- 7 - Press the CURSORS menukey.
- 8 - Select 'on' and volt cursors (=) in the CURSORS menu.
- 9 - Select  $\Delta V$  in the READOUT menu.

*Requirements:*

Position the cursor lines exactly on top and bottom of the signal using the TRACK and  $\Delta$  controls. Check for a cursor readout between 98.4 and 101.6 mV.

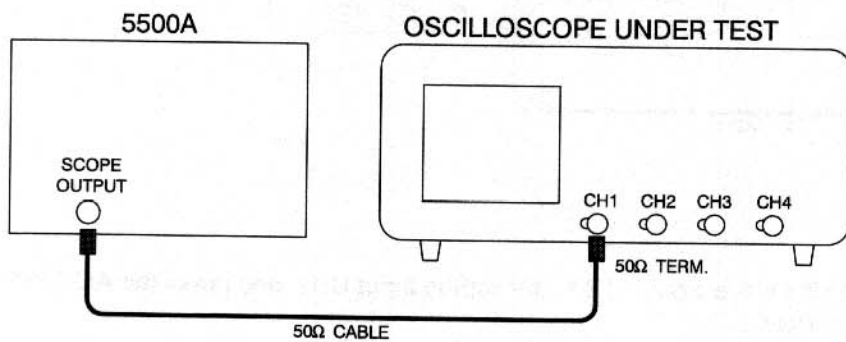
### 6.3.10 Vertical deflection, high-frequency response

This test verifies the upper transition point of the vertical bandwidth.

*Test equipment:*

Fluke 5500A mode: levsine (Alternative: constant amplitude sine wave generator SG 503)

*Test set-up:*



*Settings/procedure:*

- 1 - Apply a 50 kHz sine wave signal of 600 mV (pp into 50Ω) to input CH1, and press the AUTOSET key.
- 2 - Use an external 50Ω termination. Use the internal termination of the oscilloscope, when available (if active, the text 'LZ' is visible in the lower part of the viewing area).
- 3 - Set CH1 to 0.1 V/div.
- 4 - Adjust the input signal to an amplitude of exactly 6 divisions.
- 5 - Slowly increase the frequency to 200 MHz (PM3092, PM3094) or 100 MHz (PM3082, PM3084) and verify that the displayed amplitude does not drop below 4.2 divisions.
- 6 - Switch the frequency of the sine wave signal to 50 kHz.
- 7 - Use the BWL key to activate the vertical bandwidth limiter. The text BWL appears in the display area.
- 8 - Slowly increase the frequency to 20 MHz and verify that the vertical deflection has decreased to 4.2 div approximately at 20 MHz.
- 9 - Switch the bandwidth limiter (BWL) off.

*Requirements:*

The vertical deflection must be 4.2 divisions or more. For the bandwidth limiter the requirement is 4.2 div approximately at 20 MHz.

Repeat the above settings and procedure for CH2, CH3 and CH4. The procedure for CH3 and CH4 in PM3092 must be done via the 10:1 probe instead of the 50Ω cable. Oscilloscope in 1V/div and generator voltage 5 Vpp into 50Ω. Termination resistor directly at generator output. Use the BNC to probe tip adapter between termination resistor and probe tip. Adjust the amplitude at 50 kHz to 5 divisions, Check that the amplitude at higher frequencies does not drop below 3.5 div.

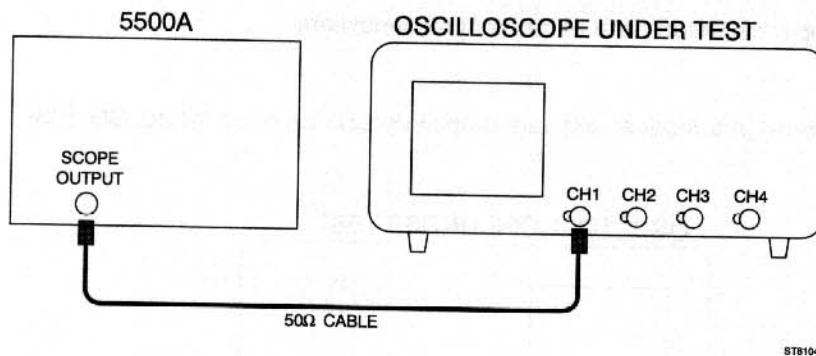
### 6.3.11 Vertical deflection, low-frequency response

This test verifies the lower transition point of the vertical bandwidth.

*Test equipment:*

Fluke 5500A mode: wavegen, wave sine (Alternative: function generator PM5136)



*Test set up:*

STB104

*Settings/procedure:*

- 1 - Apply a 5 kHz sine wave signal of 600 mV (pp) to input CH1, and press the AUTOSSET key.
- 2 - Set CH1 to 0.1 V/div.
- 3 - Adjust the input signal to an amplitude of exactly 6 divisions.
- 4 - Lower the frequency to 10 Hz and verify that the displayed amplitude does not drop below 4.2 divisions.

*Requirements:*

The vertical deflection must be 4.2 divisions or more.

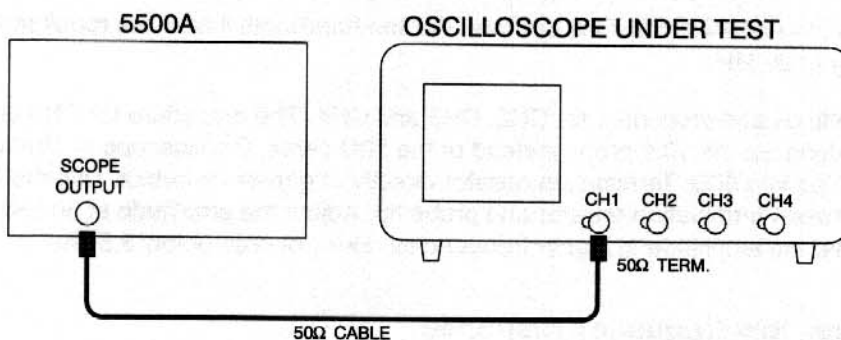
Repeat the above settings and procedure for CH2, CH3, and CH4.

### 6.3.12 Vertical deflection; dynamic range at 25/50 MHz

The oscilloscope must be capable of displaying signal amplitudes that are larger than the screen. In practice, a low frequency signal with an amplitude equivalent to 24 divisions must be displayed with no distortion.

*Test equipment:*

Fluke 5500A mode: levsine (Alternative: constant amplitude sine wave generator SG 503)

*Test set up:*

STB103



*Settings/procedure:*

- 1 - Apply a 50 MHz (PM3092/94) or 25 MHz (PM3082/84) sine wave signal of 2.4 V(pp into 50 $\Omega$ ) to input CH1 and press the AUTASET key.
- 2 - Use a 50 $\Omega$  termination. Use the internal termination when available.
- 3 - Set CH1 to 0.1 V/div.
- 4 - Using the CH1 POS control, shift the sine wave vertically over the screen.

*Requirements:*

Verify that top and bottom of the sine-wave signal of 24 divisions in amplitude can be displayed with no distortion.

Repeat the above settings and procedure for CH2, CH3, and CH4.

### 6.3.13 Vertical deflection; dynamic range at 100/200 MHz (continuation of 6.3.12)

In this test, the dynamic range of the amplifier is checked at a high frequency.

*Settings/procedure:*

- 1 - Apply a 200 MHz (PM3092, PM3094) or 100 MHz (PM3082, PM3084) sine-wave signal of 0.8V (pp into 50 $\Omega$ ) to input CH1.
- 2 - Press the AUTASET key, and set CH1 to 0.1 V/div.
- 3 - Use a 50 $\Omega$  termination. Use the internal termination when available.
- 4 - Set the amplitude to exactly 8 divisions.

*Requirements:*

Verify that the sine wave of 8 divisions in amplitude is displayed with no distortion.

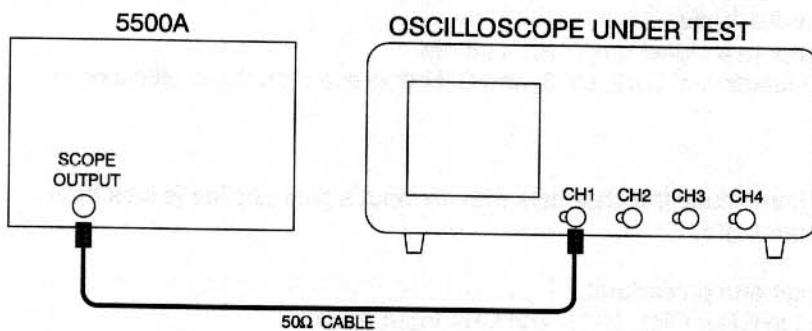
Repeat the above settings and procedure for CH2, CH3, and CH4.

### 6.3.14 Vertical deflection; position range

The range of the vertical shift is checked with a sine-wave signal of 8 divisions in amplitude.

*Test equipment*

Fluke 5500A mode: wavegen, wave sine (Alternative: function generator PM5136)

*Test set up:*

578104

*Settings/procedure:*

- 1 - Apply a 1 kHz sine wave signal with an amplitude of 0.8 V(pp) to input CH1.
- 2 - Press the AUTOSET key and set CH1 to 0.1 V/div.

*Requirements*

Turn the CH1 POS control fully clockwise and counterclockwise and verify that top and bottom of the 8 divisions signal can be positioned outside the graticule.

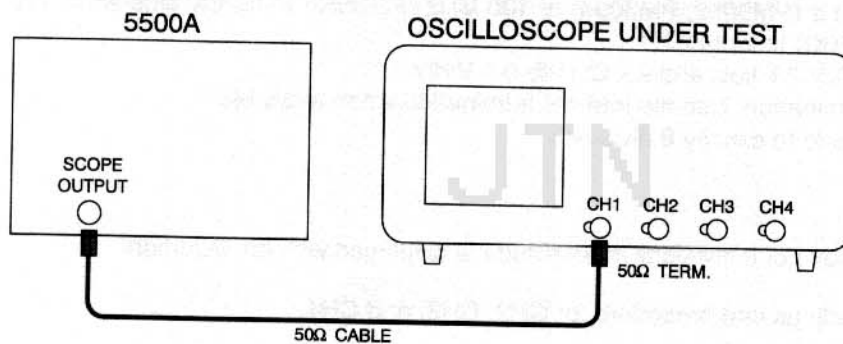
Repeat the above settings and procedure for CH2, CH3, and CH4.

### 6.3.15 Vertical deflection; crosstalk between channels at 100/200 MHz

At higher frequencies there exists some crosstalk between any two channels. In the following test, crosstalk is verified at a high frequency.

*Test equipment:*

Fluke 5500A mode: levsine (Alternative: constant amplitude sine wave generator SG 503)

*Test set up:*

578103

*Settings/procedure:*

- 1 - Apply a 200 MHz (PM3092, PM3094) or 100 MHz (PM3082, PM3084) sine-wave signal of 0.8V (pp into 50Ω) to input CH1.
- 2 - Press the AUTOSET key.
- 3 - Use a 50Ω termination. Use the internal termination when available.
- 4 - Switch all channels ON.
- 5 - Set all channels to 0.1 V/div.
- 6 - Adjust the generator to a signal amplitude of 8 div.
- 7 - Activate the GND function of CH2, CH3, and CH4 (if present on the oscilloscope).

*Requirements:*

Verify that the displayed amplitude the channels with no input signal applied is less than 0.16 divisions, (better than 1:50).

Repeat the above settings and procedure:

- Input signal applied to CH2. CH1, CH3, and CH4 input GND.
- Input signal applied to CH3. CH1, CH2, and CH4 input GND.
- Input signal applied to CH4. CH1, CH2, and CH3 input GND.

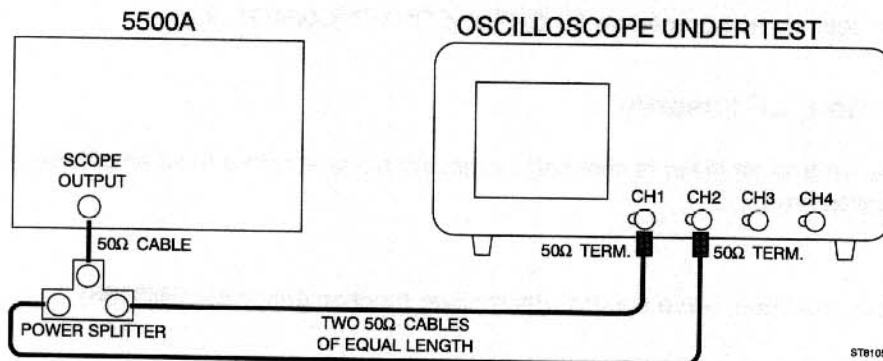
### 6.3.16 Vertical deflection; common mode rejection ratio at 1 MHz

The common mode rejection ratio (CMRR) is a measure of susceptibility to common mode signals. This susceptibility is verified in this test.

*Test equipment:*

- Fluke 5500A mode: levsine (Alternative: constant amplitude sine wave generator SG 503)
- Power splitter

*Test set up:*



*Settings/procedure:*

- 1 - Use a power splitter and two cables of equal length to CH1 and CH2. Apply a 1 MHz sine-wave signal of 1.6 V(pp into 50Ω) to inputs CH1 and CH2.
- 2 - Press the AUTOSET key.
- 3 - Use 50Ω terminations. Use the internal terminations when available.
- 4 - Set CH1 and CH2 to 0.1 V/div and adjust the generator voltage for a deflection of 8 divisions.
- 5 - Set CH1 and CH2 to DC input coupling.
- 6 - Press the CH1+CH2 key to activate the 'added' mode.
- 7 - Press the INV key of CH2; the result is the display of CH1-CH2.
- 8 - Press the ON keys of CH1 and CH2; this switches CH1 and CH2 off and only the differential signal (CH1 CH2) is now visible.
- 9 - Readjust the VAR function of CH1 or CH2 for minimum amplitude.

*Requirements*

Verify that the trace-height of the CH1-CH2 differential signal is less than 0.08 divisions.

Repeat the above settings and procedure for CH3 and CH4 (PM3084/94 only).

### 6.3.17 Vertical deflection; common mode rejection ratio at 50 MHz (continuation of 6.3.16)

The common mode rejection ratio (CMRR) indicates the susceptibility to common mode signals at higher frequencies. The susceptibility is verified in this test.

*Settings/procedure:*

- 1 - Use a power splitter and two cables of equal length to CH1 and CH2. Apply a sine-wave signal of 50 MHz with an amplitude of 0.8 V(pp into 50Ω) to inputs CH1 and CH2.
- 2 - Press the AUTOSET key.
- 3 - Use a 50Ω termination. Use the internal termination when available.
- 4 - Set CH1 and CH2 to 0.1 V/div and adjust the generator voltage for a deflection of 8 divisions.

- 5 - Set CH1 and CH2 to DC input coupling.
- 6 - Press the CH1+CH2 key; to activate the added mode.
- 7 - Press the INV key of CH2; the result is the display of the differential signal of CH1-CH2.
- 8 - Press the ON keys of CH1 and CH2; this switches CH1 and CH2 off and only the differential signal of CH1 CH2 display is now visible.
- 9 - Readjust the VAR function of CH1 or CH2 for minimum amplitude.

*Requirements:*

Verify that the amplitude of the CH1-CH2 differential signal is less than 0.32 divisions.

Repeat the above settings and procedure for CH3 and CH4 (PM3084/94 only).

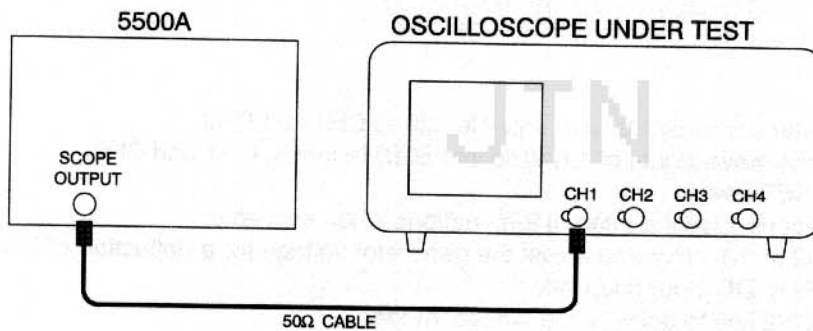
### 6.3.18 Vertical deflection; LF linearity

The linearity of the vertical amplifier is checked by moving a signal with a fixed amplitude vertically over the entire screen area.

*Test equipment*

Fluke 5500A mode: wavegen, wave square (Alternative: function generator PM5136)

*Test set up:*



ST8104

*Settings/procedure*

- 1 - Apply a 50 kHz square-wave signal of 200 mV (pp) to input CH1.
- 2 - Press the AUTOSET key and set CH1 to 0.1 V/div.
- 3 - Move the square-wave signal to the vertical center of the screen.
- 4 - Adjust the generator output so that the displayed amplitude is exactly 2 divisions.
- 5 - Use the CH1 POS control to shift the signal across the central 6 divisions of the screen.

*Requirements*

Verify that the amplitude in the two upper and lower divisions is between 1.96 ...2.04 divisions (+/-2%).

Repeat the above settings and procedure for CH2, CH3 and CH4.

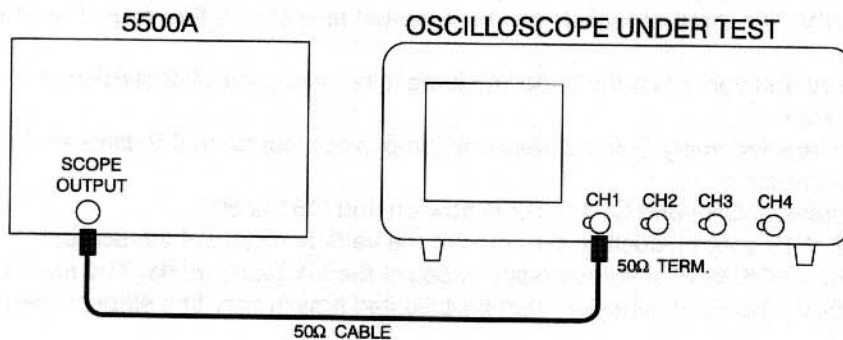
### 6.3.19 Vertical deflection; visual signal delay

Many applications require that the leading edge of a fast pulse triggering the oscilloscope be made visible. A fixed amount of signal delay is introduced in the vertical channels of this instrument to allow the timebase to start before the triggering leading edge causes vertical deflection to occur. This delay is verified in the following test.

#### Test equipment

Fluke 5500A mode: edge (Alternative: square-wave calibration generator PG 506)

#### Test set-up:

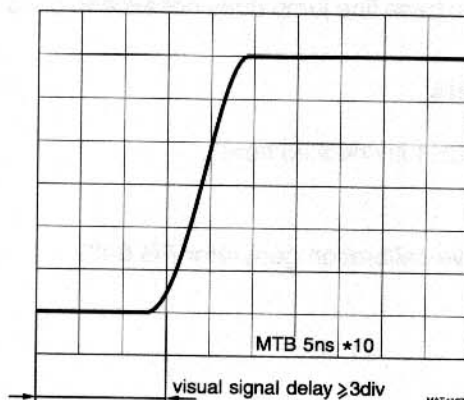


#### Settings/procedure:

- 1 - Apply a signal with a fast rise time of less than 1 ns and an amplitude of 0.5 V (into 50Ω), and a frequency of 1 MHz, to input CH1. Set the generator in the 'edge' mode.
- 2 - Press the AUTASET button and set CH1 to 0.1 V/div.
- 3 - Use a 50Ω termination. Use the internal termination when provided.
- 4 - Set the MTB to 50 ns/div.
- 5 - Press x10 MAGN and turn the X POS control to display the leading edge.
- 6 - Turn the TRACE INTENSITY control clockwise for maximum intensity.
- 7 - Press the TRIGGER MAIN TB menu key to access the TRIGGER MTB menu.
- 8 - Select level-pp 'off' mode in this menu.
- 9 - Select 'dc' trigger coupling in the menu.
- 10 - Adjust LEVEL MTB for a triggered display and maximum visible signal delay.

#### Requirements

Verify that the visible signal delay is at least 15 ns (3 divisions) for PM3092/PM3094.



For PM3082/PM3084, the visible signal delay should be at least 13 ns (2.6 divisions).

Figure 6.6 Visual signal delay



### 6.3.20 Vertical deflection; base line instability

In the following test, several adjustments of balance, offset and jump, are checked.

*Test equipment*

None

*Settings/procedure and requirements:*

- 1 - Press the AUTOSET key (no input signal) and set CH1 to 5 V/div.
- 2 - Use the CH1 POS control to position the trace in the vertical middle of the screen.
- 3 - Press both CH1 AMPL keys simultaneously to select the VARIable mode. The readout changes to 5.00V. The input sensitivity can be adjusted now in very fine steps between 2 mV and 12.5 V/div.
- 4 - Press the 'V' key and verify that the base line jump is not more than 0.2 divisions between 5.00V to 12.5 V/div.
- 5 - Press the 'mV' key and verify that the base line jump is not more than 0.2 divisions between 12.5 V/div to 5 mV/div.
- 6 - Press the ON keys of CH2 and CH1; CH2 is now on and CH1 is off.
- 7 - Using the CH2 POS control, position the trace in the vertical middle of the screen.
- 8 - Press both CH2 AMPL keys simultaneously to select the VARIable mode. The readout changes to 5.00V. The input sensitivity can be adjusted now in very fine steps between 2 mV and 12.5 V/div.
- 9 - Press the 'V' key and verify that the base line jump is not more than 0.2 divisions between 5.00V to 12.5 V/div.
- 10 - Press the 'mV' key and verify that the base line jump does not 0.2 divisions between 12.5 V/div to 5 mV/div.
- 11 - Press the INV key repeatedly and verify that the base line jump is not more than 0.2 divisions.

For the PM3094 and PM3084 repeat the above procedure for CH3 and CH4. The CH3 settings are equal to those of CH1; the CH4 settings are equal to CH2.

For the PM3092 and PM3082 the following steps are required to check CH3 and CH4:

- 1 - Press the ON keys of CH3 and CH2; CH3 is now on and CH2 is off.
- 2 - Use the CH3 POS control to position the trace in the vertical center of the screen.
- 3 - Press the CH3 AMPL key repeatedly and verify that the base line jump does not exceed 0.2 divisions.
- 4 - Press the ON keys of CH4 and CH3; CH4 is now on and CH3 is off.
- 5 - Using the CH4 POS control, position the trace in the vertical center of the screen.
- 6 - Press the CH4 AMPL key repeatedly and verify that the base line jump does not exceed 0.2 divisions.
- 7 - Press the INV key repeatedly and verify that the base line jump does not exceed 0.2 divisions.

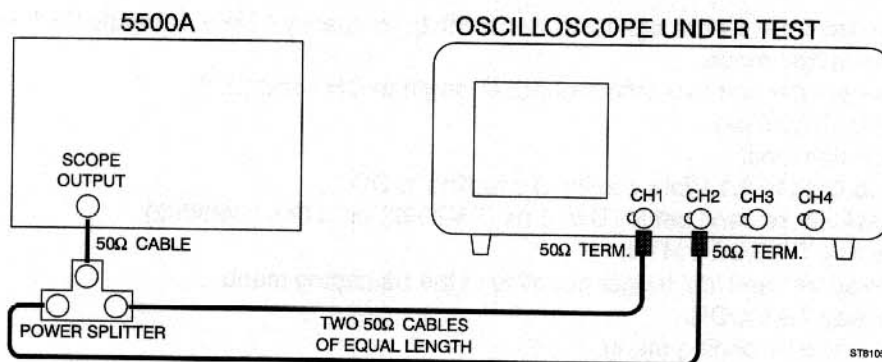
### 6.3.21 Delay difference between vertical channels

The delay difference between CH1, CH2, CH3, and CH4 is checked here.

*Test equipment:*

- Fluke 5500A mode: edge (Alternative: square wave calibration generator PG 506)
- Power splitter PM9584



*Test set up:**Settings/procedure PM3092, PM3094, PM3082, PM3084:*

- 1 - Apply a square-wave signal with a fast rise time of less than 1 ns, and an amplitude of 1V (into 50Ω), with a frequency of 1 MHz, to inputs CH1 and CH2. The generator must be set in the 'edge' mode.  
Use a power splitter and two cables of equal length to CH1 and CH2.
- 2 - Press the AUTOSSET key.
- 3 - Use 50Ω terminations. Use the internal terminations when available.
- 4 - Set CH1 and CH2 to 0.1 V/div and input coupling to DC.
- 5 - Press the 10x MAGN key and set the MTB to 2 ns/div (PM3092, PM3094) or to 5ns /div (PM3082, PM3084).
- 6 - Press menukey TRIGGER MTB.
- 7 - Select level-pp 'off' and 'dc' trigger coupling in the belonging menu.
- 8 - Press menukey TB MODE.
- 9 - Select 'trig' in the belonging menu.
- 10 - Adjust LEVEL MTB for a triggered display of the leading edge.
- 11 - Using the X POS and LEVEL MTB control, position the leading edges of the signals in the horizontal center of the screen.
- 12 - Using both CH1 and CH2 POS controls, adjust the vertical position of each trace between the dotted 0% and 100% lines. The signals appear to be superimposed.

*Requirements*

Verify that the delay difference between the two displayed signals is less than 0.25 ns.

This equals 0.13 divisions in PM3092 and PM3094 or 0.05 divisions in PM3082 and PM3084.

Repeat the above settings and procedure for CH3 and CH4.

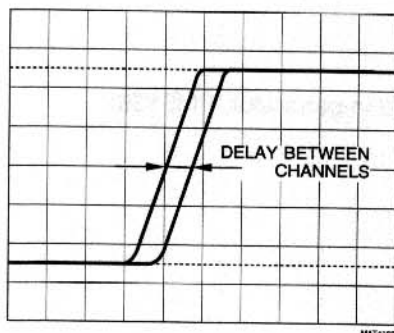


Figure 6.7 Delay difference  $\leq 0.13$  div in PM3092/94 or  $\leq 0.05$  div in PM3082/84.

*settings/procedure PM3092 and PM3082:*

- 1 - Apply a fast rise time ( $\leq 1$  ns) signal of 1V (into  $50\Omega$ ), frequency 1 MHz, to inputs CH1 and CH3. Generator in 'edge' mode.  
Use a power splitter and two cables of equal length to CH1 and CH3.
- 2 - Press the AUTOSET key.
- 3 - Use  $50\Omega$  terminations.
- 4 - Set CH1 and CH3 to 0.1 V/div and input coupling to DC.
- 5 - Press 10x MAGN key and set MTB to 2 ns (PM3092) or to 5ns (PM3082).
- 6 - Press menukey TRIGGER MTB.
- 7 - Select level-pp 'off' and 'dc' trigger coupling in the belonging menu.
- 8 - Press menukey TB MODE.
- 9 - Select 'trig' in the belonging menu.
- 10 - Adjust LEVEL MTB for a triggered display of the leading edge.
- 11 - Position the rising edges of the signals in the horizontal center of the screen, by means of the X POS and LEVEL MTB control.
- 12 - Adjust the two traces between the dotted lines 0% and 100% by means of the CH1 and CH3 POS controls so that both signals cover each other.

*requirements:*

Verify that the delay difference between the two displayed signals is less than 0.5 ns: this equals 0.25 divisions in PM3092 or 0.1 divisions in PM3082.

*Repeat settings/procedure for CH1 and CH4.*

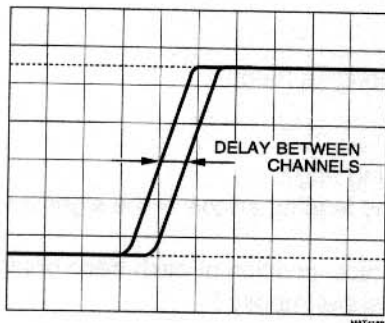


Figure 6.8 Delay difference  $\leq 0.25$  div in PM3092 or  $\leq 0.1$  div in PM3082.

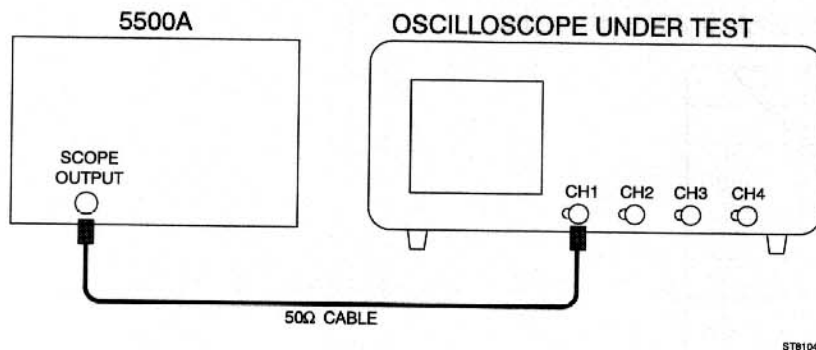
### 6.3.22 Horizontal deflection; display modes and trace separation

The correct working of main timebase (MTB), delayed timebase (DTB) and the TRACE SEPARATION is checked.

*test equipment:*

Fluke 5500A mode: wavegen, wave sine (Alternative: function generator, PM5136)

*test set-up:*



*settings/procedure and requirements:*

- 1 - Apply a 2 kHz sine-wave signal of 400 mV (pp) to input CH1.
- 2 - Press the AUTOSSET key and set CH1 to 0.1 V/div.
- 3 - Adjust the generator signal to a trace height of 4 divisions.
- 4 - Set MTB to 0.5 ms.
- 5 - Press menukey DTB.
- 6 - Set DEL'D TB to 'on' in the DELAYED TIMEBASE menu.
- 7 - Set MAIN TB to 'on' in the DELAYED TIMEBASE menu.
- 8 - Set the DELAYED TIME BASE to 50  $\mu$ s.
- 9 - Operate the DELAY control and verify that the intensified part can be shifted horizontally along the MAIN TB display.
- 10 - Operate the TRACE SEPARATION keys (or the TRACK control) and check that the DELAY TB and MAIN TB display can be shifted so that they do not cover each other.

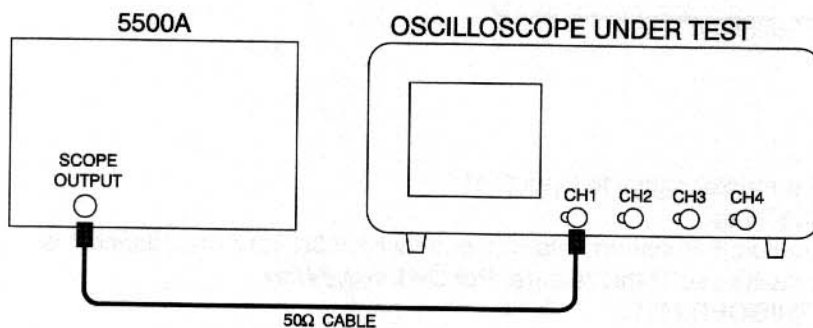
### 6.3.23 Horizontal deflection; X deflection

The correct working of the X Y mode (X-DEFL 'on') is tested.

*test equipment:*

Fluke 5500A mode: wavegen, wave sine (Alternative: function generator, PM5136)

*test set-up:*

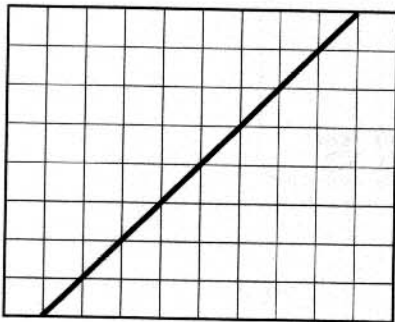


*settings/procedure:*

- 1 - Apply a 2 kHz sine-wave signal of 800 mV (pp) to input CH1.
- 2 - Press the AUTOSSET key and set CH1 to 0.1 V/div.
- 3 - Adjust the generator signal to a trace height of 8 divisions.
- 4 - Select X DEFL 'on' in the TB MODE menu (present under the TB MODE menu key).
- 5 - Select 'ch1' as X-deflection source in the TB MODE X-DEFL menu.
- 6 - Use the CH1 POS and X POS controls to obtain the display in the figure below.

requirements:

Verify that a line with an angle of  $45^\circ$  is displayed.



MAT3837

Figure 6.9 X deflection

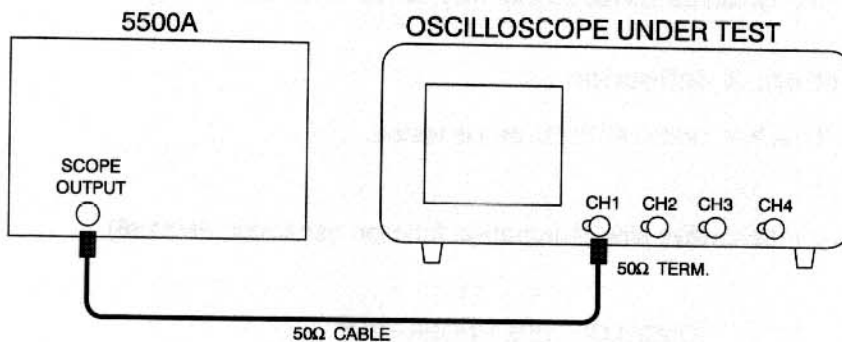
### 6.3.24 Horizontal deflection; main time-base deflection coefficients

The deflection coefficients of the main timebase generator (MTB) are verified by means of a calibration signal.

test equipment:

Fluke 5500A mode: marker (Alternative: time marker generator TG 501)

test set-up:



ST8103

settings/procedure:

- 1 - Apply a 50 ns time marker signal to input CH1.
- 2 - Press the AUTOSET key.
- 3 - Use a  $50\Omega$  termination. For instruments with switchable  $50\Omega$  input impedance it is recommended to make use of this feature. Put CH1 in 0.2V/div.
- 4 - Press menukey TRIGGER MTB.
- 5 - Select level-pp 'off' and 'dc' in the TRIGGER MAIN TB menu.
- 6 - Press menukey TB MODE.
- 7 - Select 'trig' in the TB MODE menu.
- 8 - Adjust the LEVEL MTB rotary for a correctly triggered display.
- 9 - Verify the deflection coefficients of MTB with 10x MAGN off and 10x MAGN on (MGN in display) according to the requirements in the tables. Make use of the deflection error readout of the time marker generator.

- Note:
- Error limits must be measured between the 2nd and the 10th graticule line (there are 11 graticule lines). These are the central 8 divisions.
  - With 10x MAGN on (MGN), the central 10 divisions of the expanded 100 divisions of MTB are measured.
  - Only the time base positions are checked that are essential for instrument accuracy.

Requirements analog mode 10x MAGN off:

MTB setting	Marker pulse	Max. error
20 ns	20 ns	1.8% (PM3092/94)
0.1 $\mu$ s	0.1 $\mu$ s	1.8%
0.5 $\mu$ s	0.5 $\mu$ s	1.8%
1 $\mu$ s	1 $\mu$ s	1.8%
5 $\mu$ s	5 $\mu$ s	1.8%
20 $\mu$ s	20 $\mu$ s	1.8%
0.5 ms	0.5 ms	1.8%
1 ms	1 ms	1.8%
10 ms	10 ms	1.8%

Requirements analog mode 10x MAGN on (MGN):

MTB setting	Marker pulse	Max. error
2 ns	2 ns	3.3% (PM3092/94)
5 ns	5 ns	3.3%
10 ns	10 ns	2.3%
0.1 $\mu$ s	0.1 $\mu$ s	2.3%

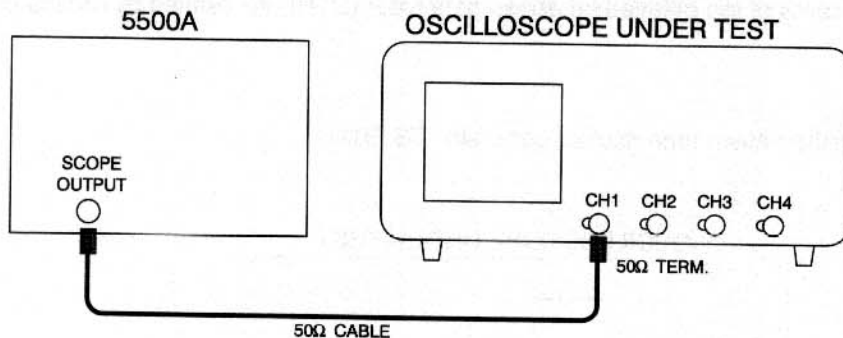
### 6.3.25 Horizontal deflection; VARIABLE mode accuracy MTB.

The horizontal MTB deflection coefficients can be varied in steps such as done in 6.3.24. A range of much finer steps can also be selected. Here, the accuracy of this range is checked.

test equipment:

Fluke 5500A mode: marker (Alternative: time marker generator TG 501)

test set-up:



Settings/procedure:

- 1 - Apply a 5 us time marker signal to input CH1.
- 2 - Press the AUTOSSET key.
- 3 - Use a 50 $\Omega$  termination. For instruments with switchable 50 $\Omega$  input impedance it is recommended to make use of this feature.

- 4 - Select in the TRIGGER MTB menu level-pp 'off' and 'dc' trigger coupling.
- 5 - Adjust LEVEL MTB for a correctly triggered display.
- 6 - Set the MTB to 5 us.
- 7 - Select the MTB VARIABLE mode by pressing both MTB keys at a time: the readout changes into 5.00 us.
- 8 - Press the 'ns' key and adjust the readout to 2.50  $\mu$ s.

*Requirements:*

Verify that the horizontal distance between the time markers equals 2 divisions. Use the X POS control to align the marker pulses with the graticule. Now check (across the central 8 divisions) if the timebase accuracy is  $\pm 2.8\%$ : make use of the deflection error readout of the time marker generator to check this.

### 6.3.26 Time cursor accuracy (continuation of 6.3.25)

This test verifies the accuracy of the time cursors.

*Settings/procedure:*

- 1 - Switch the MTB VARIABLE mode off by pressing both MTB TIME/DIV keys at a time: the readout changes to 2  $\mu$ s.
- 2 - Select 5  $\mu$ s/div for the MTB.
- 3 - Switch the deflection error facility of the time marker generator to off.
- 4 - Press the CURSORS menukey.
- 5 - Select 'on' and time cursors (/) in the CURSORS menu.
- 6 - Select  $\Delta T$  in the READOUT menu.

*Requirements:*

- Position one cursor line exactly on the 2nd time marker on the screen and the other cursor on the 10th time marker. The distance between both cursors is 8 time marker intervals then. Check for a cursor readout between 39.5 and 40.5  $\mu$ s.

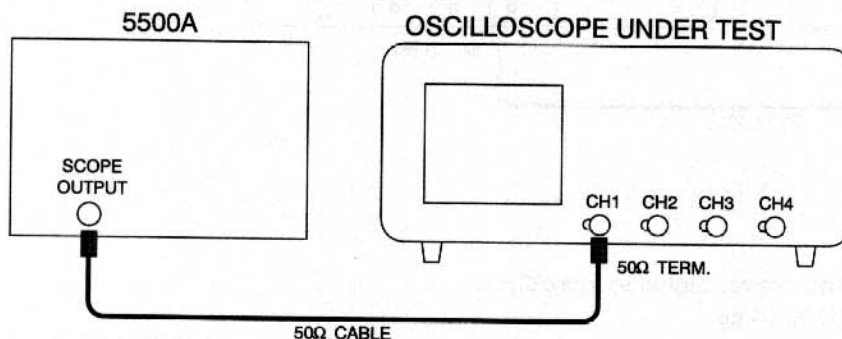
### 6.3.27 Horizontal deflection; delayed time-base deflection coefficients

The deflection coefficients of the delayed timebase generator (DTB) are verified by means of a calibration signal.

*test equipment:*

Fluke 5500A mode: (Alternative: time marker generator TG 501)

*test set-up:*





*settings/procedure:*

- 1 - Apply a 0.5 ms time marker signal to input CH1.
- 2 - Press the AUTASET key.
- 3 - Use a 50 $\Omega$  termination. For instruments with switchable 50 $\Omega$  input impedance it is recommended to make use of this feature. Put CH1 in 0.2V/div.
- 4 - Select in the TRIGGER MTB menu level-pp 'off' and 'dc' trigger coupling.
- 5 - Press the TB MODE menu key; select in the belonging menu 'trig' mode.
- 6 - Adjust LEVEL MTB for a correctly triggered display.
- 7 - Set the trace height to about 4 divisions.
- 8 - Press menukey DTB and select in the belonging menu DEL'D TB 'on' and MAIN TB 'on'.
- 9 - Set MTB to 1 ms and DTB to 0.5 ms.
- 10 - Set the delay time to about 0 sec. using the DELAY control.
- 11 - Adjust the vertical position of the MTB display with the CH1 POS control in the top half of the viewing area.
- 12 - Adjust the vertical position of the DTB display with the TRACE SEPARATION keys (or the TRACK control).
- 13 - Verify the DTB deflection coefficients with 10x MAGN off and 10x MAGN on (MGN in display) according to the requirements in the tables. Make use of the deflection error readout of the time marker generator.

- Note:*
- Error limits must be measured between the 2nd and the 10th graticule line (there are 11 graticule lines). These are the central 8 divisions.
  - With 10x MAGN on (MGN), the central 10 divisions of the expanded 100 divisions of DTB are measured.
  - Only the time base positions are checked that are essential for instrument accuracy.
  - DTB TIME/DIV is electrically coupled with MTB TIME/DIV; to check the settings in the table only the key pair MTB TIME/DIV VAR must be pressed.

## Requirements analog mode 10x MAGN off:

DTB setting	MTB setting	Marker pulse	Max. error
0.5 ms	0.5 ms	0.5 ms	1.8%
20 $\mu$ s	20 $\mu$ s	20 $\mu$ s	1.8%
5 $\mu$ s	5 $\mu$ s	5 $\mu$ s	1.8%
1 $\mu$ s	1 $\mu$ s	1 $\mu$ s	1.8%
0.5 $\mu$ s	0.5 $\mu$ s	0.5 $\mu$ s	1.8%
0.1 $\mu$ s	0.1 $\mu$ s	0.1 $\mu$ s	1.8%
50 ns	50 ns	50 ns	1.8%
20 ns	20 ns	20 ns	1.8% (PM3092/94)

## Requirements analog mode 10x MAGN on (MGN):

DTB setting	MTB setting	Marker pulse	Max. error
0.1 $\mu$ s	0.1 $\mu$ s	0.1 $\mu$ s	2.3%
10 ns	10 ns	10 ns	2.3%
5 ns	5 ns	5 ns	3.3%
2 ns	2 ns	2 ns	3.3% (PM3092/94)

### 6.3.28 Horizontal deflection; delay time multiplier

In this test the minimum and maximum delay time is checked.

*test equipment:*

None

*settings/procedure and requirements:*

- 1 - Press the AUTOSET key.
- 2 - Press the DTB menu key: select in the belonging menu DEL'D TB 'on' and MAIN TB 'on'.
- 3 - Set MTB to 0.5  $\mu$ s.
- 4 - Set DTB to 50 ns.
- 5 - Adjust the vertical position of the MTB display with the CH1 POS control in the top half of the viewing area.
- 6 - Adjust the vertical position of the DTB display with the TRACE SEPARATION keys (or the TRACK control).
- 7 - Adjust the delay time to 500.0 ns by means of the DELAY control.
- 8 - Adjust the start of the MTB display exactly on the first graticule line by means of X POS.
- 9 - Verify that the difference between start of MTB and start of intensified part is between 0.9 ... 1.1 divisions.
- 10 - Adjust the delay time to 5.000  $\mu$ s with the DELAY control.
- 11 - Verify that the difference between start of MTB and start of the intensified part is between 9.9 to 10.1 divisions.

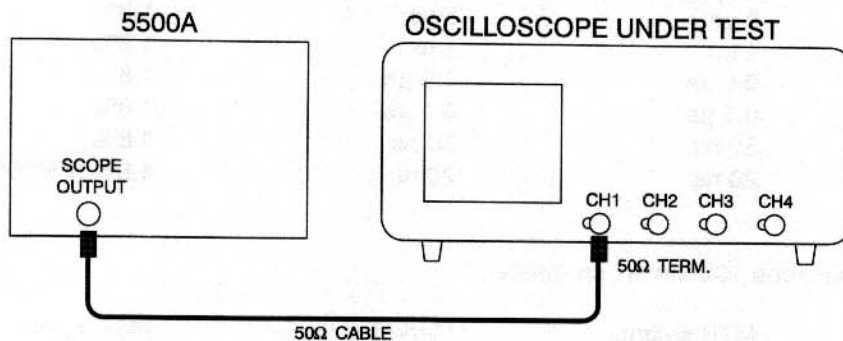
### 6.3.29 Horizontal deflection; delayed timebase jitter

There is a certain instability in the starting point, the so called jitter, of the DTB. The maximum allowed jitter is checked in this test.

*test equipment:*

Fluke 5500A mode: levsine (Alternative: function generator PM5136)

*test set-up:*



ST8103

*settings/procedure:*

- 1 - Apply a 1 MHz sine-wave signal of 120 mV (pp into 50 $\Omega$ ) to input CH1.
- 2 - Press the AUTOSET key and set for a trace-height of 6 divisions.
- 3 - Use a 50 $\Omega$  termination. For instruments with switchable 50 $\Omega$  input impedance it is recommended to make use of this feature.
- 4 - Press menukey DTB and select in the belonging menu DEL'D TB 'on' and MAIN TB 'on'.
- 5 - Set MTB to 0.5 ms.
- 6 - Set DTB to 0.5  $\mu$ s.
- 7 - Adjust the delay time to 0 s by means of the DELAY control.

- 8 - Switch the MAIN TB display to 'off' in the DELAYED TIME BASE menu: only the DELAY TB is displayed now.

*requirements:*

Verify that the jitter of the DTB is not more than 0.4 divisions. (1 part per 25000)

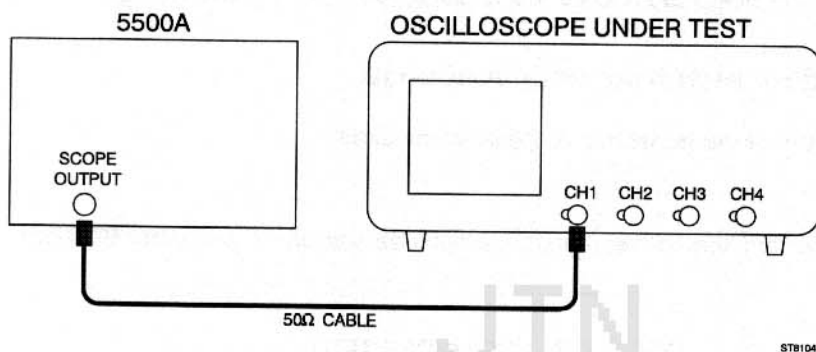
### 6.3.30 Horizontal deflection; X deflection coefficient via CH1

The amplification of the horizontal amplifier via the vertical input amplifier is checked.

*test equipment:*

Fluke 5500A mode: volt (Alternative: square-wave calibration generator PG 506)

*test set-up:*



*settings/procedure:*

- 1 - Apply a 1 kHz square-wave signal of 0.1V to input CH1. Generator in 'mode volt' mode and output not terminated into 50Ω ('LZ' must not appear in lower part of viewing area).
- 2 - Press the AUTOSSET key.
- 3 - Set CH1 to 20 mV and DC coupled input.
- 4 - Select X-DEFL 'on' and 'ch1' in the menu under the TB MODE menukey.
- 5 - Press the CH2 ON key and then the CH1 ON key; the result is that CH2 is on and CH1 off.

*requirements:*

Verify that two dots with a horizontal distance of 4.7 ... 5.3 divisions are displayed.

### 6.3.31 Horizontal deflection; X deflection coefficient via 'line'

The amplification of the horizontal amplifier via the line trigger signal is checked. Do this test only when 220V line voltage is available.

*test equipment:*

None

*settings/procedure:*

- 1 - Press the AUTOSET key.
- 2 - Select X-DEFL 'on' in the menu under the TB MODE menukey.
- 3 - Select 'line' in the menu.

*requirements:*

Verify that a horizontal line of 4.3 to 7.7 divisions is displayed when the line voltage is 220 V (rms).

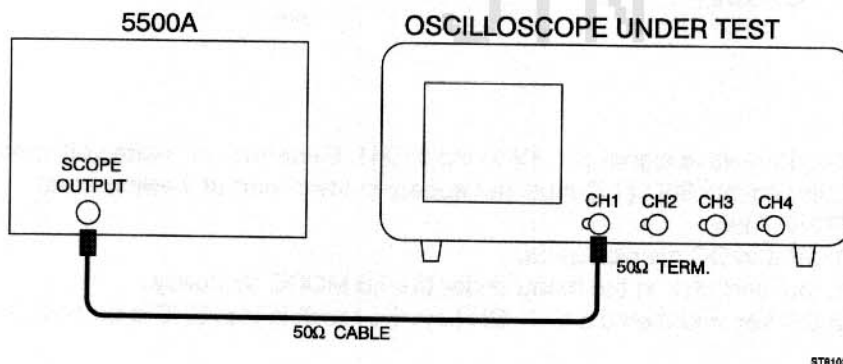
### 6.3.32 Horizontal deflection; high frequency response

In this test, the bandwidth of the horizontal amplifier is checked.

*test equipment:*

Fluke 5500A mode: levsine (Alternative: constant amplitude sine wave generator SG 503).

*test set-up:*



*settings/procedure:*

- 1 - Apply a 50 kHz sine-wave signal of 30 mV (pp into 50Ω) to input CH1.
- 2 - Press the AUTOSET key and set CH1 to 5 mV.
- 3 - Use a 50Ω termination. For instruments with switchable 50Ω input impedance it is recommended to make use of this feature ('LZ' must be visible in lower part of viewing area).
- 4 - Select X-DEFL 'on' in the menu under the TB MODE menukey.
- 5 - Select 'ch1' in the menu.
- 6 - Press the CH2 ON key and then the CH1 ON key: the result is that CH2 is on and CH1 off.
- 7 - Adjust the input voltage for exactly 6 divisions horizontal deflection.
- 8 - Increase the input frequency up to 2 MHz.

*requirements:*

Verify that the trace width is at least 4.2 divisions over the complete bandwidth range.

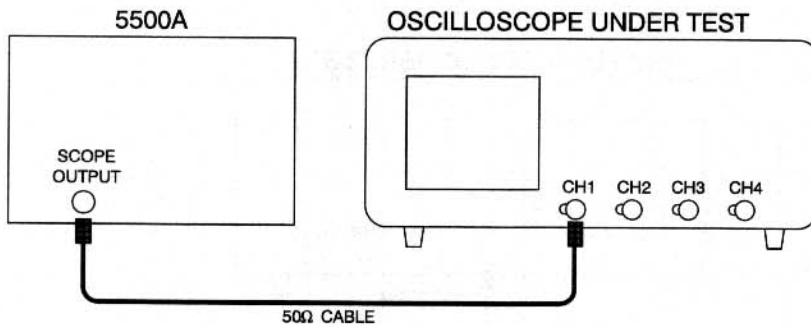
### 6.3.33 Maximum phase shift between horizontal and vertical deflection

There will be a certain phase shift between the horizontal and vertical amplifier. The value of this shift is measured here.

*test equipment:*

Fluke 5500A mode: wavegen, wave sine (Alternative: function generator, PM5136)

*test set-up:*



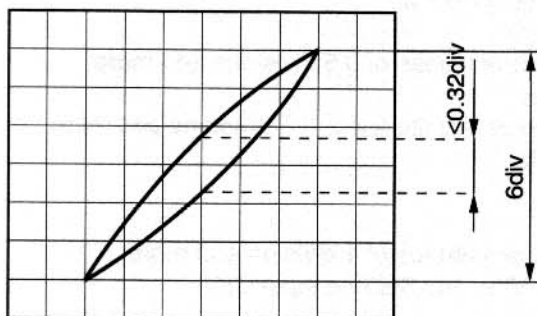
STR104

*settings/procedure:*

- 1 - Apply a 2 kHz sine-wave signal of 1.2 V (pp) to CH1.
- 2 - Press the AUTOSET key.
- 3 - Adjust the generator to a trace height of exactly 6 divisions.
- 4 - Select X-DEFL 'on' in the menu under the TB MODE menukey.
- 5 - Select 'ch1' in the menu.
- 6 - Increase the input frequency to 100 kHz.

*requirements:*

Verify that the phase shift is less than  $3^\circ$ ,  $\leq 0.32$  div, see figure).



MAT3842

Figure 6.10 Phase shift between horizontal and vertical channel

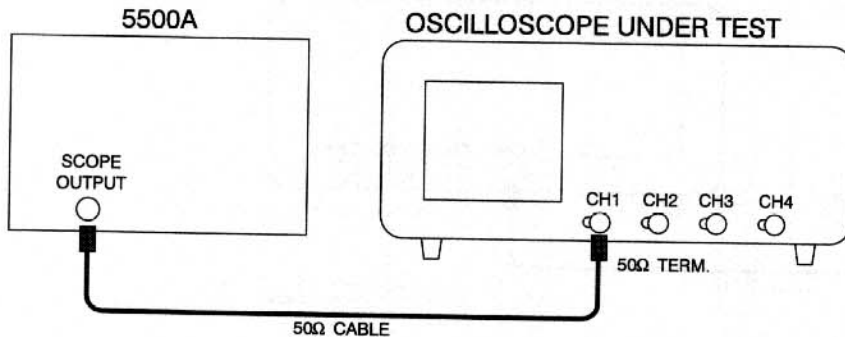
### 6.3.34 MTB triggering PM3092/3094; trigger sensitivity via CH1, CH2, CH3 and CH4

The trigger sensitivity depends on the amplitude and frequency of the trigger signal. In this test the main timebase trigger sensitivity via the CH1, CH2, CH3 and CH4 inputs is checked.

*test equipment:*

Fluke 5500A mode: levsine (Alternative: constant amplitude sine wave generators (SG 503 + SG 504))

*test set-up:*



978100

*settings/procedure and requirements:*

- 1 - Apply a 100 MHz sine-wave signal of 1 V(pp into 50Ω) from the calibrator to input CH1.
- 2 - Press the AUTOSET key and set CH1 to 0.5 V/div.
- 3 - Use a 50Ω termination. For instruments with switchable 50Ω input impedance it is recommended to make use of this feature.
- 4 - Set the input coupling of CH1 to DC and POSition the signal in the vertical center of screen.
- 5 - Select 'trig' in the TB MODE menu.
- 6 - Press the TRIGGER MTB menu key and select level-pp 'off' and 'dc' trigger coupling in the belonging menu.
- 7 - Turn LEVEL MTB control for a well-triggered signal.
- 8 - Decrease the amplitude of the input signal.
- 9 - Verify that the signal is well-triggered at amplitudes of 0.5 divisions and more.
- 10 - Decrease the input frequency to 50 kHz.
- 11 - Verify that the signal stays well-triggered at amplitudes of 0.5 divisions and more.
- 12 - Increase the input frequency to 200 MHz.
- 13 - Increase the input voltage to 1 division.
- 14 - Turn LEVEL MTB.
- 15 - Verify that the signal is well-triggered at amplitudes of 1 division and more.
- 16 - Apply a 300 MHz sine-wave signal of 2 V(pp into 50Ω) to input CH1.
- 17 - Adjust the input voltage to 2 divisions.
- 18 - Verify that the signal is well-triggered at amplitudes of 2 divisions and more; adjust LEVEL MTB when necessary.

Repeat the procedure for CH2, CH3 and CH4 for the frequencies 50 kHz (0.5 div input signal) and 300 MHz (2 div input signal)



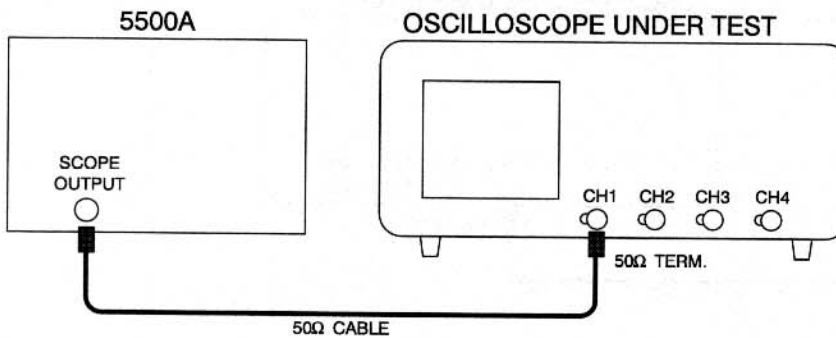
### 6.3.35 MTB triggering PM3082/3084; trigger sensitivity via CH1, CH2, CH3 and CH4

The trigger sensitivity depends on the amplitude and frequency of the trigger signal. In this test the main timebase trigger sensitivity via the CH1, CH2, CH3 and CH4 inputs is checked.

*test equipment:*

Fluke 5500A mode: levsine (Alternative: constant amplitude sine wave generator SG 503)

*test set-up:*



578103

*settings/procedure and requirements:*

- 1 - Apply a 50 MHz sine-wave signal of 1 V (pp into 50Ω) to input CH1.
- 2 - Press the AUTOSSET key and set CH1 to 0.5 V/div.
- 3 - Use a 50Ω termination.
- 4 - Set the input coupling of CH1 to DC and POSition the signal in the vertical center of screen.
- 5 - Select 'trig' in the TB MODE menu.
- 6 - Press the TRIGGER MTB menu key and select level-pp 'off' and 'dc' trigger coupling in the belonging menu.
- 7 - Turn LEVEL MTB control for a well-triggered signal.
- 8 - Decrease the amplitude of the input signal.
- 9 - Verify that the signal is well-triggered at amplitudes of 0.5 divisions and more.
- 10 - Decrease the input frequency to 50 kHz.
- 11 - Verify that the signal stays well-triggered at amplitudes of 0.5 divisions and more.
- 12 - Increase the input frequency to 100 MHz.
- 13 - Increase the input voltage to 1 division.
- 14 - Turn LEVEL MTB.
- 15 - Verify that the signal is well-triggered at amplitudes of 1 division and more.
- 16 - Increase the input frequency to 200 MHz.
- 17 - Adjust the input voltage to 2 divisions.
- 18 - Verify that the signal is well-triggered at amplitudes of 2 divisions and more; adjust LEVEL MTB when necessary.

Repeat the procedure for CH2, CH3 and CH4 for the frequencies 50 kHz (0.5 div input signal) and 200 MHz (2 div input signal)

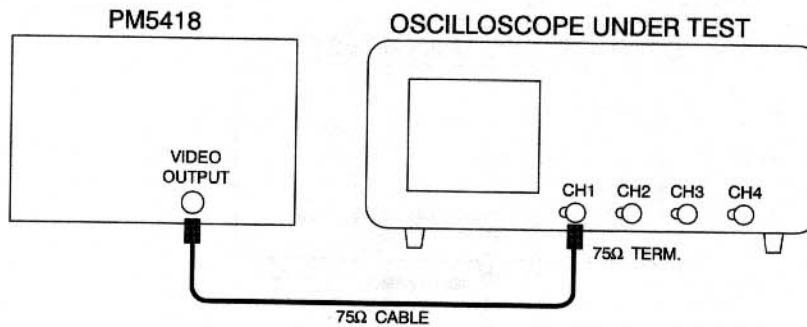
### 6.3.36 MTB/DTB triggering; trigger sensitivity TVL-TVF

This test checks the trigger sensitivity for television line- and field synchronization pulses.

*test equipment:*

TV pattern generator with video output (PM5418)

*test set-up:*



*settings/procedure:*

- 1 - Apply a video signal to input CH1 with an amplitude of about 1V synchronization pulse amplitude; use a 75Ω termination.
- 2 - Press the AUTASET key.
- 3 - Select 'tv' twice in the menu under the TRIGGER MTB menukey.
- 4 - Select 'pos' or 'neg' (depends on employed generator) in the TRIGGER MAIN TB menu. The generator must be in 'pal' system mode.
- 5 - Select in the TRIGGER MAIN TB menu 'field 1', 'field 2' or 'lines'.

*requirements:*

Decrease the amplitude of the input signal and verify that the signal is well-triggered on the narrow TV line and the wide TV field pulse, at sync pulse amplitudes of 0.7 divisions and more.

Repeat settings/procedure with the generator in 'ntsc' mode.

*settings/procedure:*

- 6 - Select 'field 1', 'field 2' in the TRIGGER MAIN TB menu. The generator must be in 'pal' system mode.
- 7 - Press menu key DTB and select in the belonging menu DEL'D TB 'on', MAIN TB 'on' and 'tvline'.
- 8 - Adjust the vertical position of the MTB display with the CH1 POS control in the top half of the viewing area.
- 9 - Adjust the vertical position of the DTB display with the TRACE SEPARATION keys (or the TRACK control).

*requirements:*

Decrease the amplitude of the input signal and verify that the signal is well-triggered on the narrow TV line pulse, at sync pulse amplitudes of 0.7 divisions and more.

Repeat settings/procedure with the generator in 'ntsc' mode.

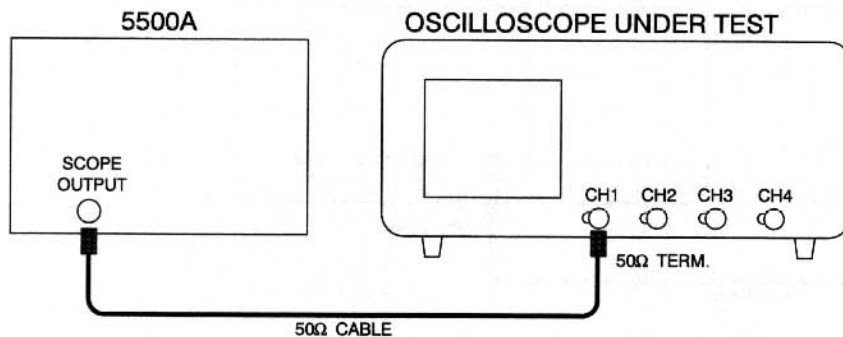
### 6.3.37 DTB triggering PM3092/3094; trigger sensitivity via CH1, CH2, CH3 and CH4

The trigger sensitivity depends on the amplitude and frequency of the trigger signal. In this test the main timebase trigger sensitivity via the CH1, CH2, CH3 and CH4 inputs is checked.

*test equipment:*

Fluke 5500A mode: levsine (Alternative: constant amplitude sine wave generators (SG 503 + SG 504))

*test set-up:*



ST8103

*settings/procedure and requirements:*

- 1 - Apply a 100 MHz sine-wave signal of 1 V(pp into 50Ω) from the calibrator to input CH1.
- 2 - Press the AUTOSSET key and set CH1 to 0.5 V/div.
- 3 - Use a 50Ω termination. For instruments with switchable 50Ω input impedance it is recommended to make use of this feature.
- 4 - Set the input coupling of CH1 to DC and POSition the signal in the vertical center of screen.
- 5 - Select 'trig' in the menu under menukey TB MODE.
- 6 - Press menukey TRIGGER MTB and select in the TRIGGER MAIN TB menu level-pp 'off' and 'dc' trigger coupling.
- 7 - Adjust LEVEL MTB for a correctly triggered display.
- 8 - Press menukey DTB and select DEL'D TB 'on' and MAIN TB 'on' in the belonging menu.
- 9 - Set MTB to 0.2 us/div and DTB to 20 ns/div.
- 10 - Adjust the DELAY control to a delay time of 1.000 μs.
- 11 - Select 'trig'd' and 'dc' coupling in the DELAYED TIME BASE menu and press the front panel key TRIG1. Or TRIG2 (CH2 on), TRIG3 (CH3 on), TRIG4 (CH4 on).
- 12 - Adjust the LEVEL DTB control for a well-triggered signal (intensified part must be visible).
- 13 - Operate the TRACE SEPARATION keys (or TRACK control) to separate MTB and DTB for well visible displays.
- 14 - Decrease the amplitude of the input signal.
- 15 - Verify that the DTB is well triggered at signal amplitudes of 0.5 divisions and more.
- 16 - Decrease the input frequency to 50 kHz. Set MTB to 50 μs/div and DTB to 20 μs/div.
- 17 - Verify that the DTB stays well triggered at signal amplitudes of 0.5 divisions and more.
- 18 - Increase the input frequency to 200 MHz.
- 19 - Increase the input voltage to 1 division.
- 20 - Operate the LEVEL DTB control.
- 21 - Verify that the DTB is well triggered at all amplitudes of 1 division or more.
- 22 - Apply a 300 MHz sine-wave signal of 2 V(pp into 50 ohm) from the calibrator to input CH1.
- 23 - Adjust the input voltage to 2 divisions.
- 24 - Verify that the DTB is well-triggered at signal amplitudes of 2 divisions and more: adjust the LEVEL DTB control if necessary.

Repeat the procedure for CH2, CH3 and CH4 for the frequencies 50 kHz (0.5 div input signal) and 300 MHz (2 div input signal)

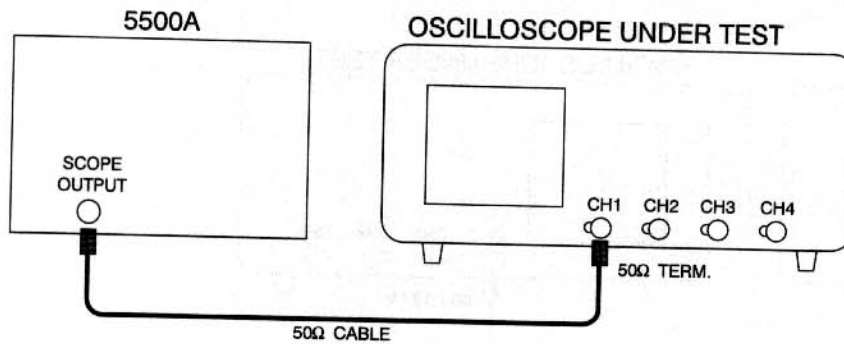
### 6.3.38 DTB triggering PM3082/3084; trigger sensitivity via CH1, CH2, CH3 and CH4

The trigger sensitivity depends on the amplitude and frequency of the trigger signal. In this test the main timebase trigger sensitivity via the CH1, CH2, CH3 and CH4 inputs is checked.

*test equipment:*

Fluke 5500A mode: levsine (Alternative: constant amplitude sine wave generator SG 503)

*test set-up:*



576103

*settings/procedure and requirements:*

- 1 - Apply a 50 MHz sine-wave signal of 1 V(pp into 50Ω) from the calibrator to input CH1.
- 2 - Press the AUTOSET key and set CH1 to 0.5 V/div.
- 3 - Use a 50Ω termination.
- 4 - Set the input coupling of CH1 to DC and POSITION the signal in the vertical center of screen.
- 5 - Select 'trig' in the menu under menukey TB MODE.
- 6 - Press menukey TRIGGER MTB and select in the TRIGGER MAIN TB menu level-pp 'off' and 'dc' trigger coupling.
- 7 - Adjust LEVEL MTB for a correctly triggered display.
- 8 - Press menukey DTB and select DEL'D TB 'on' and MAIN TB 'on' in the belonging menu.
- 9 - Set MTB to 0.2 μs/div and DTB to 20 ns/div.
- 10 - Adjust the DELAY control to a delay time of 1.000 μs.
- 11 - Select 'trig'd' and 'dc' coupling in the DELAYED TIME BASE menu and press the front panel key TRIG1. Or TRIG2 (CH2 on), TRIG3 (CH3 on), TRIG4 (CH4 on).
- 12 - Adjust the LEVEL DTB control for a well-triggered signal (intensified part must be visible).
- 13 - Operate the TRACE SEPARATION keys (or TRACK control) to separate MTB and DTB for well visible displays.
- 14 - Decrease the amplitude of the input signal.
- 15 - Verify that the DTB is well triggered at signal amplitudes of 0.5 divisions and more.
- 16 - Decrease the input frequency to 50 kHz. Set MTB to 50 μs/div and DTB to 20μs/div.
- 17 - Verify that the DTB stays well triggered at signal amplitudes of 0.5 divisions and more.
- 18 - Increase the input frequency to 100 MHz.
- 19 - Increase the input voltage to 1 division.
- 20 - Operate the LEVEL DTB control.
- 21 - Verify that the DTB is well triggered at all amplitudes of 1 division or more.
- 22 - Increase the input frequency to 200 MHz.
- 23 - Adjust the input voltage to 2 divisions.
- 24 - Verify that the DTB is well-triggered at signal amplitudes of 2 divisions and more: adjust the LEVEL DTB control if necessary.

Repeat the procedure for CH2, CH3 and CH4 for the frequencies 50 kHz (0.5 div input signal) and 200 MHz (2 div input signal)

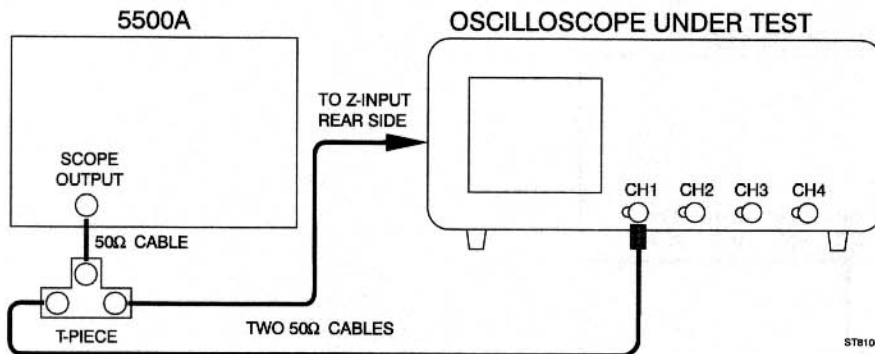
### 6.3.39 Z-MOD sensitivity

This test checks the sensitivity of the Z modulation facility.

*test equipment:*

- Fluke 5500A mode: wavegen, wave square (Alternative: function generator PM5136)
- T-piece

*test set-up:*



*settings/procedure and requirements:*

- 1 - Apply a 1 kHz square-wave signal, duty cycle 50%, amplitude between 0 to +2.5V, to input CH1. Adjust the generator to a signal of 2.5 Vpp with an offset of 1.25V.
- 2 - Press the AUTOSET key.
- 3 - Set MTB to 0.5 ms/div.
- 4 - Set the trace of CH1 in mid position with the CH1 POS control.
- 5 - Apply the same signal by means of the T-piece to the Z input (rear side).
- 6 - Adjust TRACE INTENSITY so that only the bottom half of the square-wave is displayed; the top half must be just invisible (0.5 ms light on; 0.5 ms light off).
- 7 - Decrease the input signal to 0.5 Vpp with an offset of 0.25V.
- 8 - Set CH1 to 0.5 V/div.
- 9 - Verify that the complete square-wave is visible.

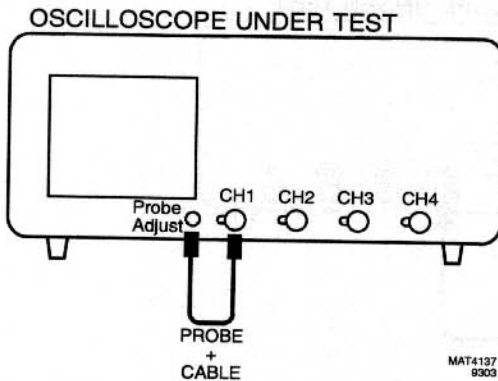
### 6.3.40 Probe Adjust signal; frequency and output voltage

The Probe Adjust (CAL) signal is a calibration signal with fixed frequency and voltage. In this test, the values of frequency and voltage are checked.

*test equipment:*

None

*test set-up:*



*settings/procedure:*

- 1 - Connect the Probe Adjust signal to input CH1 and press the AUTOSSET key.
- 2 - Select GND of CH1.
- 3 - Set the trace in the center of the screen.
- 4 - Switches GND of CH1 off.
- 5 - Select DC input coupling for CH1.

*requirements:*

- 1 - Verify that a positive going square-wave signal of 0.6 V(pp) is displayed, i.e. 3 divisions vertical at 0.2V.
- 2 - Verify that the frequency of the displayed signal is about 2 kHz, i.e. a period time between 4.0 ... 6.0 divisions horizontal at MTB 0.1 ms.



## 7 CALIBRATION ADJUSTMENT PROCEDURE

### 7.1 INTRODUCTION

The calibration adjustment procedure can be split up in two:

- Manual adjustment
- Automatic calibration (AUTOCAL).

All calibration is done with the oscilloscope's cabinet closed. This eliminates calibration inaccuracies due to temperature changes.

Manual calibration data are protected by a keyword and a seal and must be changed by qualified personnel only. Some of the adjustments require external calibration equipment. A list of necessary equipment is given in chapter 6 (performance test). Manual calibration should be done after 2000 service hours or once a year.

Operation of the front panel CAL key activates the automatic calibration. AUTOCAL can only function usefully if the manual adjustments (especially the 'screen calibrations') are correct. The AUTOCAL function should in general be activated once a week. AUTOCAL should be used always after warming-up if the oscilloscope is used in extreme environmental conditions such as very high or low temperatures while maximum accuracy is needed. AUTOCAL requires no external calibration equipment.

The calibration adjustment should be started after a warming-up time of 30 minutes.

The most accurate adjustments are done with a well-focused low intensity display.

The calibration parameters are saved after power-down if the memory back-up batteries are installed. Additionally these parameters can be saved into the instrument's non-volatile memory. This is done by pressing softkey 'save calibr data' and then activation of the pin hole key. The number of times that this save action can be done is limited. The memory is full after a number (10x) of actions and needs to be cleared. Refer to chapter 8 (corrective maintenance) for how to proceed then.

### 7.2 DARK LEVEL OF CRT

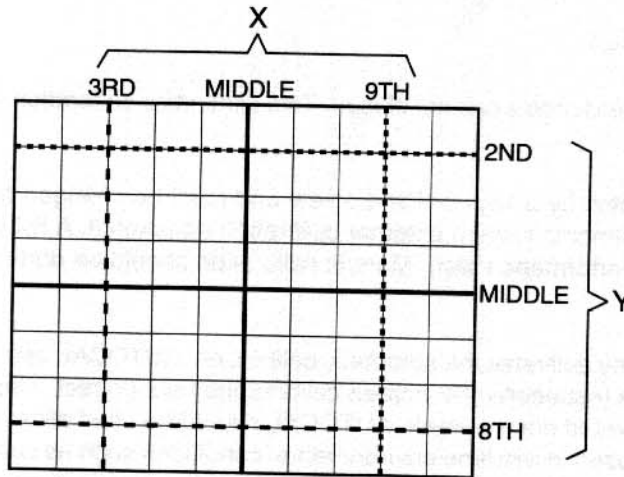
- Press the STATUS and TEXT OFF keys simultaneously: this gives a defined position of the instrument settings.
- Adjust MTB/VAR to 1 ms/div.
- Select the key sequence 'UTILITY > MAINTENANCE > ENTER KEYWORD'.
- Enter the five digit keyword '3 2 4 1 5'. If correct, an automatic return to the UTIL MAINTENANCE menu is done.
- Press softkey MANUAL CALIBR.
- Select 'dark' with the TRACK rotary.
- Put the TEXT INTENSITY and TRACE INTENSITY rotaries in minimal intensity position.
- Adjust the  $\Delta$  rotary so that the dot at the beginning of the CH1 trace is just invisible.
- Put TEXT INTENSITY and TRACE INTENSITY in normal intensity position again.
- Press softkey RETURN to go to the UTIL MAINTENANCE MENU.

### 7.3 TRACE ROTATION

- Adjust the INTENSITY TRACE rotary for a well-visible horizontal on the screen.
- Align the CH1 trace exactly in parallel with the horizontal graticule lines using screw-driver operated TRACE ROTATION rotary.

## 7.4 HORIZONTAL (X) GAIN AND OFFSET

- Press softkey SCREEN CALIBR.
- Select 'x-gain' with the softkeys.
- Adjust the TRACK (gain) and  $\Delta$  (offset) rotary so that the two vertical lines coincide exactly with the 3rd and 9th graticule line.



ST6293

Figure 7.11 Position of lines for horizontal (X) and vertical (Y) gain and offset calibration

## 7.5 TEXT STABILITY AND X-OFFSET

- Select 'x-text' with the softkeys.
- Adjust the TRACK rotary to maximal stability of the text
- Adjust the  $\Delta$  rotary so that the vertical line is exactly in the middle of the graticule.

## 7.6 VERTICAL (Y) GAIN AND OFFSET

- Select 'y-gain' with the softkeys.
- Adjust the TRACK (gain) and  $\Delta$  (offset) rotary so that the two horizontal lines coincide exactly with the 2nd and 8th graticule line.
- Select 'y-offs' with the softkeys.
- Adjust the TRACK rotary so that the horizontal line is exactly in the middle of the graticule.
- Press softkey 'accept' if the screen calibrations are correct.
- Press softkey RETURN to go to the UTIL MAINTENANCE MENU.

## 7.7 ASTIGMATISM

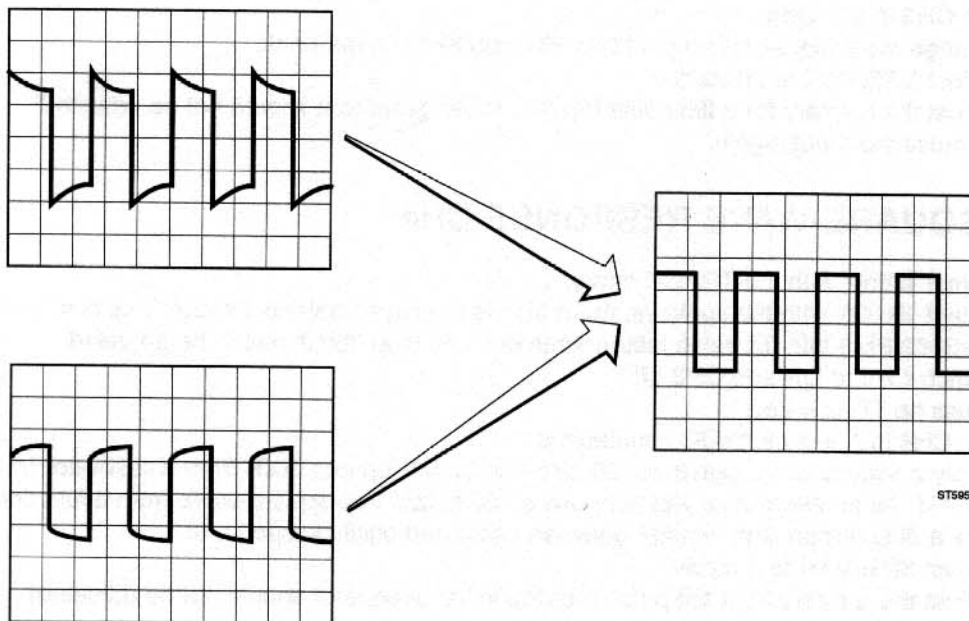
- Press softkey MANUAL CALIBR.
- Select 'astig' with the TRACK rotary.
- Position the CH1 trace in the centre of the graticule.
- Adjust the  $\Delta$  rotary for the best possible sharpness of text across the screen: the small dots from which the text is composed must be well visible. Adjustment of the FOCUS rotary is necessary during the adjustment.

## 7.8 AUTOCAL PROCEDURE

- Press the CAL key during 2 seconds.
- Within 2 minutes the instrument automatically does its main calibrations.
- Watch the CRT and check that no errors are reported. If errors are mentioned, the oscilloscope will need corrective maintenance. The error number indicates in what part of the oscilloscope the fault may be expected. Refer to chapter 8.13 for more information.

## 7.9 LF SQUARE-WAVE RESPONSE CH1

- Press menukey TB MODE.
- Switch X-DEFL to 'off' with the softkey.
- Switch CH1 to ON.
- Press the TRIG 1 key.
- Press menukey UTILITY.
- Press softkey MAINTENANCE.
- Press softkey MANUAL CALIBR.
- Select 'lf ch1' with the TRACK rotary.
- Select 'lfx100' with the softkeys.
- Put CH1 in 1 V/div with DC coupled input.
- Apply a square-wave signal of 100 kHz and 2.75 V(pp into 50Ω) from a calibrator (mode 'edge') to CH1. As an alternative you may use a 100 kHz/5 Vpp square-wave from a function generator.
- Use a 50Ω termination resistor between cable and oscilloscope input.
- Adjust MTB/VAR to 2 us/div.
- Adjust the Δ rotary for a flat pulse top (the initial overshoot should not be adjusted).
- Select 'lfx10' with the softkeys.
- Put CH1 in 0,1 V/div.
- Change the square-wave signal into 10 kHz/500 mV peak-peak.
- Adjust MTB/VAR to 20 us/div.
- Adjust the Δ rotary for a flat pulse top (the initial overshoot should not be adjusted).
- Remove the input signal.



ST5962

Figure 7.12 Adjustment of LF square wave response CH1, CH2, CH3 and CH4

## 7.10 LF SQUARE-WAVE RESPONSE CH2

- Select 'lf ch2' with the TRACK rotary.
- Select 'lfx100' with the softkeys.
- Switch CH2 to ON and CH1 off.
- Press the TRIG 2 key.
- Put CH2 in 1 V/div with DC coupled input.
- Apply a square-wave signal of 100 kHz and 2.75 V(pp into 50 $\Omega$ ) from a calibrator (mode 'edge') to CH2. As an alternative you may use a 100 kHz/5 Vpp square-wave from a function generator.
- Use a 50 $\Omega$  termination resistor between cable and oscilloscope input.
- Adjust MTB/VAR to 2 us/div.
- Adjust the  $\Delta$  rotary for a flat pulse top (the initial overshoot should not be adjusted).
- Select 'lfx10' with the softkeys.
- Put CH2 in 0,1 V/div.
- Change the square-wave signal into 10 kHz/500 mV peak-peak.
- Adjust MTB/VAR to 20 us/div.
- Adjust the  $\Delta$  rotary for a flat pulse top (the initial overshoot should not be adjusted).
- Remove the input signal.

## 7.11 LF SQUARE-WAVE RESPONSE CH3

- Select 'lf ch3' with the TRACK rotary.
- Select 'lfx100' with the softkeys: the  $\Delta$  sign is displayed behind 'lfx100'. This is not necessary in PM3082/PM3092: for these instruments only the step 'lfx10' has to be adjusted.
- Switch CH3 to ON and CH2 off.
- Press the TRIG 3 key.
- Put CH3 in 1 V/div with DC coupled input.
- Apply a square-wave signal of 100 kHz and 2.75 V(pp into 50 $\Omega$ ) from a calibrator (mode 'edge') to CH3. As an alternative you may use a 100 kHz/5 Vpp square-wave from a function generator.
- Use a 50 $\Omega$  termination resistor between cable and oscilloscope input.
- Adjust MTB/VAR to 2 us/div.
- Adjust the  $\Delta$  rotary for a flat pulse top (the initial overshoot should not be adjusted).
- Select 'lfx10' with the softkeys.
- Put CH3 in 0,1 V/div.
- Change the square-wave signal into 10kHz/500 mV peak-peak.
- Adjust MTB/VAR to 20 us/div.
- Adjust the  $\Delta$  rotary for a flat pulse top (the initial overshoot should not be adjusted).
- Remove the input signal.

## 7.12 LF SQUARE-WAVE RESPONSE CH4

- Select 'lf ch4' with the TRACK rotary.
- Select 'lfx100' with the softkeys: the  $\Delta$  sign is displayed behind 'lfx100'. This is not necessary in PM3082/PM3092: for these instruments only the step 'lfx10' has to be adjusted.
- Switch CH4 to ON and CH3 off.
- Press the TRIG 4 key.
- Put CH4 in 1 V/div with DC coupled input.
- Apply a square-wave signal of 100 kHz and 2.75 V(pp into 50 $\Omega$ ) from a calibrator (mode 'edge') to CH4. As an alternative you may use a 100 kHz/5 Vpp square-wave from a function generator.
- Use a 50 $\Omega$  termination resistor between cable and oscilloscope input.
- Adjust MTB/VAR to 2 us/div.
- Adjust the  $\Delta$  rotary for a flat pulse top (the initial overshoot should not be adjusted).
- Select 'lfx10' with the softkeys.
- Put CH4 in 0,1 V/div.
- Change the square-wave signal into 10 kHz/500 mV peak-peak.
- Adjust MTB/VAR to 20 us/div.
- Adjust the  $\Delta$  rotary for a flat pulse top (the initial overshoot should not be adjusted).
- Remove the input signal.



### 7.13 HF SQUARE-WAVE RESPONSE FINAL Y AMPLIFIER

- Select 'hf y' with the TRACK rotary.
- Apply a 1V/1 MHz square-wave signal with a rise-time faster than 1 nsec to CH1. This signal is delivered in the 'edge' mode of the calibrator. As alternative you may use the fast-rise output of the square-wave calibration generator. Use a 10x (20 dB) attenuator at the end of the cable from the generator. For reduced channels (0.1 and 0.5 V/div): use a 2:1 (6dB) attenuator.
- Press AUTOSET.
- Select the key sequence 'UTILITY > MAINTENANCE > MANUAL CALIBR'.
- Put CH1 in 20 mV/div with DC coupled input. Reduced channels must be put in 0.1 V/div.
- Select 50Ω input impedance; if not available use a 50Ω termination resistor directly at the oscilloscope input.
- Adjust MTB/VAR to its fastest position (20 or 50 ns/div). Small adjustments of MTB/VAR may be necessary to have a good view of signal details of interest.

- Select in succession 'pulse t4', 'pulse t3', 'pulse t2', 'pulse t1' and 'pulse t0' with the softkeys. Adjust the pulse top to maximum flatness and the risetime to the required value with the Δ rotary. The adjustments are a compromise between fast risetime and minimal pulse distortion (aberrations). The influence of these adjustments ranges between mid-frequency (pulse t4) and high-frequency (pulse t0). The requirement is a rise-time of  $\leq 3,6$  ns for 100 MHz instruments and  $\leq 2$  ns for 200 MHz. This value includes the generator rise-time.

The pulse aberrations must not exceed + and - 6% (excl. aberrations of test generator). The adjustment of t1 and t0 should be done in such a way that aberrations of the pulse top are symmetrical at + and -

0.4 div (see fig. 7.3). This must be achieved in such a way that the number in the adjustment menu for t0 is low (e.g. 10 .. 15) and that for t1 is in the higher ranges (e.g. 55 .. 60).

- Remove the input signal.
- Check if the pulse response (rise-time and aberrations) of CH2, CH3 or CH4 in 20 mV/div is within specification.
- Remove the input signal.
- Pulse response and bandwidth are interdependent: the higher the pulse aberrations, the higher the bandwidth and vice versa. To check the bandwidth apply a 120 mV/50 kHz sinewave from a constant amplitude sinewave generator (5500A calibrator in scope mode 'levsine') to CH1. For reduced channels apply 600 mV/50 kHz
- Press AUTOSET.
- Select 50Ω input impedance; if not available use a 50Ω termination resistor directly at the oscilloscope input.
- Adjust the amplitude of the sine-wave to 6 div exactly.

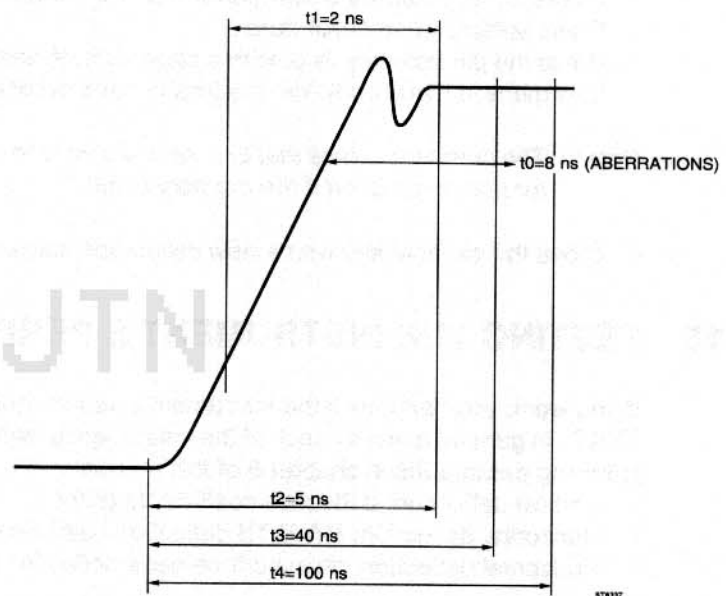


Figure 7.13 Influence of t4, t3, t2, t1 and t0 on HF square wave response

- Increase the frequency of the sinewave up to 100 MHz (for 100 MHz instruments) or 200 MHz (for 200 MHz instruments) and check that the amplitude on the screen does not become smaller than 4,2 div.
- Remove the input signal.
- Repeat the bandwidth check for CH2, CH3 and CH4 (the bandwidth check for CH3 and CH4 of PM3092 must be checked via the 10:1 probe that is delivered with the oscilloscope).
- Remove the input signal.

## 7.14 SAVING THE CALIBRATION DATA

If you are sure that the instrument is well calibrated, the calibration data must be saved. For this proceed as follows:

- Turn the TRACK rotary until softkey text 'RETURN' is visible.
- Press softkey RETURN.
- If present, remove the calibration sticker from the pin hole.
- Press softkey 'save calibr data'.
- Press the pin hole key (e.g. with a paperclip). When doing this, it is indicated in the viewing area how many 'calibration fields' are free to save calibration data.

*Note:* The number of times that this 'save' action can be done is limited to 10. Refer to chapter 8.9.2 for how to proceed if the memory is full.

- Close the pin hole key with a new calibration sticker, part number 5322 455 81144.

## 7.15 TESTING THE INSTRUMENT'S PERFORMANCE

If you want, you can check the instrument's performance by means of chapter 6 'PERFORMANCE TEST'. In general a quick check of the instrument's main characteristics is sufficient. For this, use the following paragraphs in chapter 6 of this manual:

- Vertical deflection; deflection coefficients (6.3.6).
- Horizontal deflection; MAIN TB deflection coefficients (6.3.24).
- Horizontal deflection; delayed time-base deflection coefficients (6.3.27).



## 8 CORRECTIVE MAINTENANCE PROCEDURES

### 8.1 DISMANTLING THE INSTRUMENT

#### 8.1.1 General information

This section contains the dismantling procedures required for the removal and testing of components during repair.

All circuit boards removed from the instrument must be adequately protected against damage, and all normal precautions regarding the use of tools must be observed.

During the dismantling a careful note must be made of all disconnected leads so that they can be reconnected to their correct terminals during assembly.

**CAUTION:** Damage may result if:

- The instrument is switched-on when a circuit board has been removed.
- A circuit board is removed within one minute after switching-off the instrument.

#### 8.1.2 Removing the cabinet and carrying handle

*Note:* The cabinet does not need to be removed to do the calibration adjustment procedure.

To remove the cabinet proceed as follows:

- Fit the front cover on to the instrument.
- Hinge the carrying handle clear of the front cover.
- Place the instrument with the front cover on a flat surface.
- Pull off both plastic parts that are around the instrument's rear feet.
- Remove the screws (6) that secure the cabinet to the instrument's rear panel.
- Gently slide the cabinet (and carrying handle) off the instrument.

**ATTENTION:** - When installing the cabinet again, special care must be taken that cables are not damaged between the cabinet and the chassis. This is especially important for the flat cable above the Cathode Ray Tube (CRT) that connects Front unit A4 and CRT controls unit A5.

- Also take care that the cabinet fits well into the plastic front frame and that grounding fingers are not damaged during installation.

The rotation points of the carrying handle are secured by means of metal 'omega' clips. After removal of these clips the handle can be removed by pulling both handle ends outwards away from the instrument.

### 8.2 REPLACEMENTS

**WARNING:** The Extremely High Tension (EHT) cable is directly connected to the EHT-multiplier unit. When the EHT cable to the post-acceleration anode is disconnected, the cable must be discharged by shorting the terminal to the instrument's earth.

### 8.2.1 Standard parts

Electrical and mechanical replacement parts can be obtained through your local FLUKE organization or representative. However, many of the standard electronic components can be obtained from other local suppliers. Before purchasing or ordering replacement parts, check the parts list for value, tolerance, rating and description.

*NOTE: Physical size and shape of a component may affect the instrument's performance, particularly at high frequencies. Always use direct-replacement components, unless it is known that a substitute will not degrade the instrument's performance.*

### 8.2.2 Special parts

In addition to the standard electronic components, some special components are used:

- Components, manufactured or selected by Fluke to meet specific performance requirements.
- Components which are important for the safety of the instrument.

*ATTENTION: Both type of components may only be replaced by components obtained through your local FLUKE organization or representative.*

### 8.2.3 Transistors and Integrated Circuits

- Return transistors and IC's to their original positions, if removed during routine maintenance.
- Do not replace or switch semi-conductor devices unnecessarily, as it may affect the calibration of the instrument.
- Any replacement component should be of the original type or a direct replacement. Bend the leads to fit the socket or p.c.b. holes and cut the leads to the same length as on the component being replaced. See also the Performance Test in this manual.
- When a device has been replaced, check the operation of the part of the instrument that may be affected.

## 8.3 STATIC SENSITIVE COMPONENTS

In the oscilloscope the black/yellow 'static sensitive components' symbol is present (see also figure 8.1). This means that this instrument contains electrical components that can be damaged by electrostatic discharge.

Although all MOS integrated circuits incorporate protection against electrostatic discharge, they nevertheless can be damaged by accidental over-voltages.

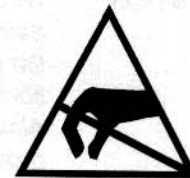


Figure 8.14 Static sensitive symbol (black/yellow)

It is also possible that a delayed failure or 'wounding' effect may occur. When this happens the component will fail anywhere between two hours to six months later.

In storing and handling static sensitive components, the normal precautions for these devices are recommended. Handling and servicing static sensitive assemblies and components should be performed only at a static free workstation by qualified personnel.

**CAUTION: Testing, handling and mounting call for special attention. Personnel, handling static sensitive devices, should normally be connected to ground via a high-ohmic resistor.**

Extensive information on how to deal with static sensitive components is contained in Support Bulletin OSC296 (ordering number 4822 872 08407).

## 8.4 SOLDERING TECHNIQUES

### 8.4.1 General soldering techniques

Working method:

- Carefully unsolder the soldering tags of a semi-conductor one after the other.
- Remove all superfluous soldering material. Use desolder braided wire; ordering code: 4822 321 40042.
- Check that the leads of the replacement part are clean and pre-tinned on the soldering places.
- Place the replacement semiconductor exactly in the same position, and solder each lead to the relevant printed conductor on the printed circuit board.

*NOTE: The maximum permissible soldering time is 10 seconds during which the temperature of the leads must not exceed 250 °C. The use of solder with a low melting point is recommended. Take care not to damage the plastic encapsulation of the semiconductor (softening point of the plastic is 150 °C).*

*ATTENTION: When you are soldering inside the instrument it is essential to use a low voltage soldering iron, the tip of which must be grounded to the chassis of the oscilloscope.*

A suitable soldering iron is:

Mini soldering iron station, WECP-COD3 (regulated transformer) and Weller LR-20 (soldering iron).

Ordinary 60/40 solder with core and 35 ... 40 W pencil-type soldering iron can be used to do the majority of the soldering. If a higher wattage-rating soldering iron is used on the printed circuit board, excessive heat can cause the circuit wiring to separate from the base material.

### 8.4.2 Soldering micro-miniature semi-conductors

Because of the small dimensions of these SOT semi-conductors and the lack of space between the components on the printed circuit board, it is necessary to use a miniature soldering iron with a pin-point tip (max. diameter 1mm) to solder a SOT on to a printed circuit board.

Suitable soldering tools are:

- Mini soldering iron station, WECP-COD3 (regulated transformer) and Weller MLR-20 (mini soldering iron).
- A hot-air solder tool: Leister Hot-Jet.

Next, the following materials are recommended:

- Soldering tin, diameter 0.8 mm, SnPb 60/40 with a Resin Mildly Activated (RMA) flux. Ordering code: 4822 390 80133.
- Desolder braided wire; ordering code 4822 321 40042.
- Solder paste 26.
- Non-corrosive and Resin Mildly Activated (RMA) flux-Colophony. Ordering code: 4822 390 50025.

Refer to the Support Bulletin OSC296 (ordering code 4822 872 08407) for a complete discussion of the soldering techniques for SMD's.

## 8.5 REMOVING THE UNITS, MECHANICAL PARTS AND CRT

*NOTE: For installation, reverse the sequence.*

### 8.5.1 Removing the rotary knobs

Rotary knobs can be removed by simply pulling them off. The knobs have an integrated shaft and fixing device. Most of the knobs (11) have a light grey colour. The knobs for cursor positioning are dark grey. The knobs DELAY and LEVEL DTB are almost white ('dark mushroom').

For installation push the rotary into its hole, rotate it gently until it clicks into place.

### 8.5.2 Detachment of ribbon cables

The white ribbon cables are used together with white connectors with integrated locking device. Proceed as follows to take the cable out of the connector:

- Lift the outside part of the connector: this unlocks the cable.
- Pull the ribbon cable out of the connector.

Proceed as follows to connect the the ribbon cable again:

- Push the ribbon cable fully into the connector. The blue line on the cable must be on the connector side where the contacts are visible (in unlocked position). Figure 8.2 explains this.
- Push down the outside part of the connector in order to lock the cable.

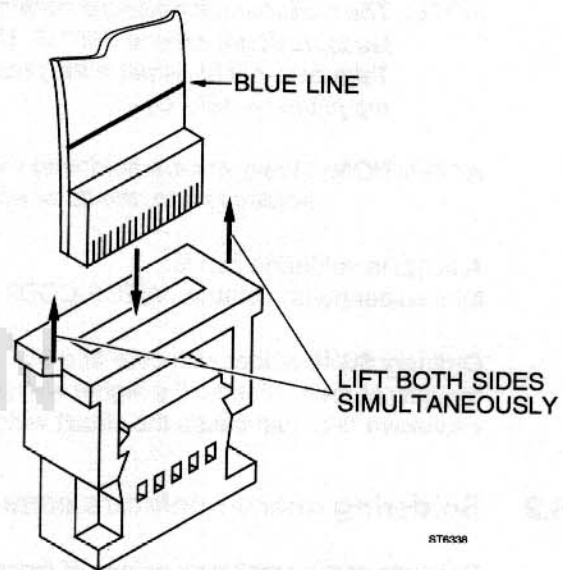


Figure 8.15 Mounting position of white ribbon cables in connector

### 8.5.3 Removal of the units in the front frame

The plastic front frame incorporates the Front unit A4 and the CRT controls unit A5. The frame can be removed from the chassis by bending out four clamping lips. Before doing so unlock the ribbon cable at the connector board.

Removal of Front unit A4:

- Pull the self-locking white plastic clamps.
- Remove the rotary knobs.
- Bend out the four clamping lips that secure unit A4 to the front frame and take the unit out.
- If required separate the rubber key mat from the printed circuit board.

*NOTE:*

- Do not allow dirt to reach the contact areas of the printed circuit board and the key mat. If dirty, contact areas may be cleaned with cleansing alcohol.
- Small studs on the key mat position it on the printed circuit board. During installation the studs must be pressed gently into the matching holes of the circuit board. This can be done by using a small screwdriver.
- The key mat as delivered as a spare part is universal. It may be that the number of keys are too much for your instrument. If so, the unnecessary keys must be cut off with a sharp knife.



Removal of CRT controls unit A5:

- Remove the rotary knobs.
- Pull the two self-locking white plastic clamps.
- Take the unit out of the front frame.

#### 8.5.4 Removal of the Power supply unit A6

**WARNING:** On the power supply unit there are many parts that carry dangerous high voltages. Some of these voltages remain some time after disconnecting the instrument from the mains. Therefore it is recommended to wait at least five minutes after having disconnected the instrument from the mains, before removing the printed circuit board. If working on the power supply under live condition cannot be avoided, it must be done by a qualified technician who is aware of the dangers involved.

- Disconnect the oscilloscope from the mains.
- Remove the screw that secures the unit to the chassis.
- Unplug the cables from the -2.2 kV cathode/filament (3 wires), the fan (2 wires) and the back-up voltage (2 wires).

**WARNING:** The E.H.T. cable is directly connected to the E.H.T. multiplier that is present on the power supply. When the E.H.T. cable is disconnected from the CRT, the cable must be discharged by shorting it to the instrument's ground (e.g. the CRT shielding).

- Unplug the +14.3 kV connector from the CRT.
- Unlock the plastic clamps (are part of the chassis) that secure the lower edges of the unit.
- Slide the unit upwards out of the instrument and unplug the mains input connector (3 thick wires).

*NOTE: The power supply unit can be measured under working conditions, by using the extension board with ordering code 5322 218 61479. On this board there is a jumper that can be removed to switch off the EHT- converter. For safety reasons it is strongly recommended to use this feature. Refer to chapter 8.8 for more faultfinding hints.*

#### 8.5.5 Removal of microprocessor unit A3

- Remove the screw that secures the unit to the rear panel.
- Remove the screw that secures (and grounds) the unit to the bottom chassis plate.
- Unplug the ribbon cable that leads to signal unit A1.
- If the IEEE option is installed, unplug the ribbon cable that leads to the IEEE-connector.
- Slide the unit upwards out of the instrument.

*NOTE: The microprocessor unit can be measured under working conditions, by using the extension board with ordering code 5322 218 61479. On this board there is a jumper that can be removed to switch off the EHT- converter. This feature is not used when testing the microprocessor.*

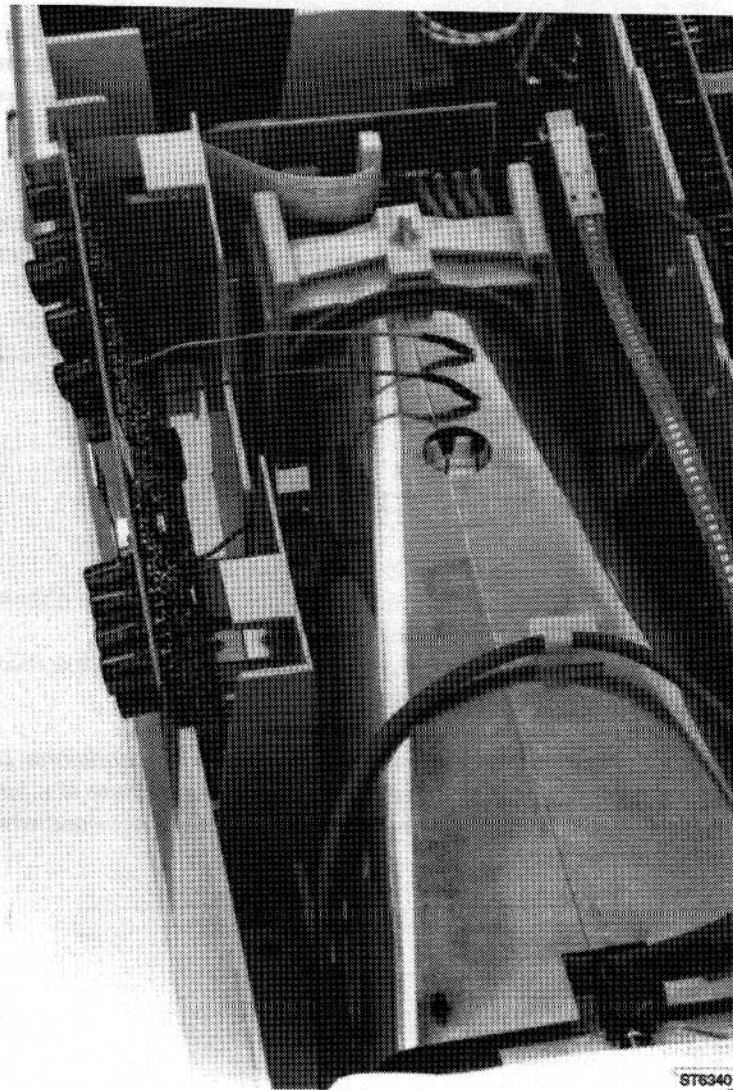
### 8.5.6 Removal of Final XYZ amplifier unit A2

**ATTENTION:** On the XYZ unit there are parts that carry high voltages. If working on the unit under live condition cannot be avoided, it must be done by a qualified technician who is aware of the dangers involved.

- Remove the screw that secures (and grounds) the unit to the bottom chassis plate.
- Disconnect the 4 wires that lead to the CRT (The X- and Y-deflection plates): this action must be done carefully to avoid damage to the side connections of the CRT. For correct reinstallation refer to the wiring diagram in chapter 4.2.
- Bend out the two clamping lips that secure the unit at the top side. The unit is loosened now.

**NOTE:** The unit can be put now in an inclined position as shown in figure 8.3. Measuring on the SMD-component side in working condition is possible then. Measuring the output wires that lead to the X- and Y-deflection plates is possible with a 10 k $\Omega$  damping resistor between measuring point and probe tip. This avoids oscillations.

- Unplug two ribbon cables and take the unit out of the chassis.
- Unplug the delayline connector.



8T6340

Figure 8.16 Final XYZ amplifier in inclined position



### 8.5.7 Removal of unit at socket of CRT

**WARNING:** On this unit there are parts that carry dangerous high voltages (-2.2 kV). Some of these voltages remain some time after disconnecting the instrument from the mains. Therefore it is recommended to wait at least five minutes after having disconnected the instrument from the mains, before removing the printed circuit board. If working on the unit under live condition cannot be avoided, it must be done by a qualified technician who is aware of the dangers involved.

Now proceed as follows:

- Unplug the ribbon cable at the Final XYZ amplifier or at the CRT socket unit.
- Pull the unit gently off the CRT socket.
- Unplug the -2.2 kV cathode/filament (3 wires).

### 8.5.8 Removal of signal unit A1

- Remove 3 screws with washers that fix the printed circuit board to the chassis plate.
- Remove 1 long screw that fixes (and grounds) the screen of the input attenuators to the chassis plate.
- Unplug the blue ribbon cable.
- Lift the rear side of the unit over the plastic stud and slide the unit backwards: the unit becomes loose from the chassis now.

**NOTE:** The unit can be toppled over. The SMD component side is accessible now and can be measured in working condition after reinstallation of the blue ribbon cable. Figure 8.4 shows this.

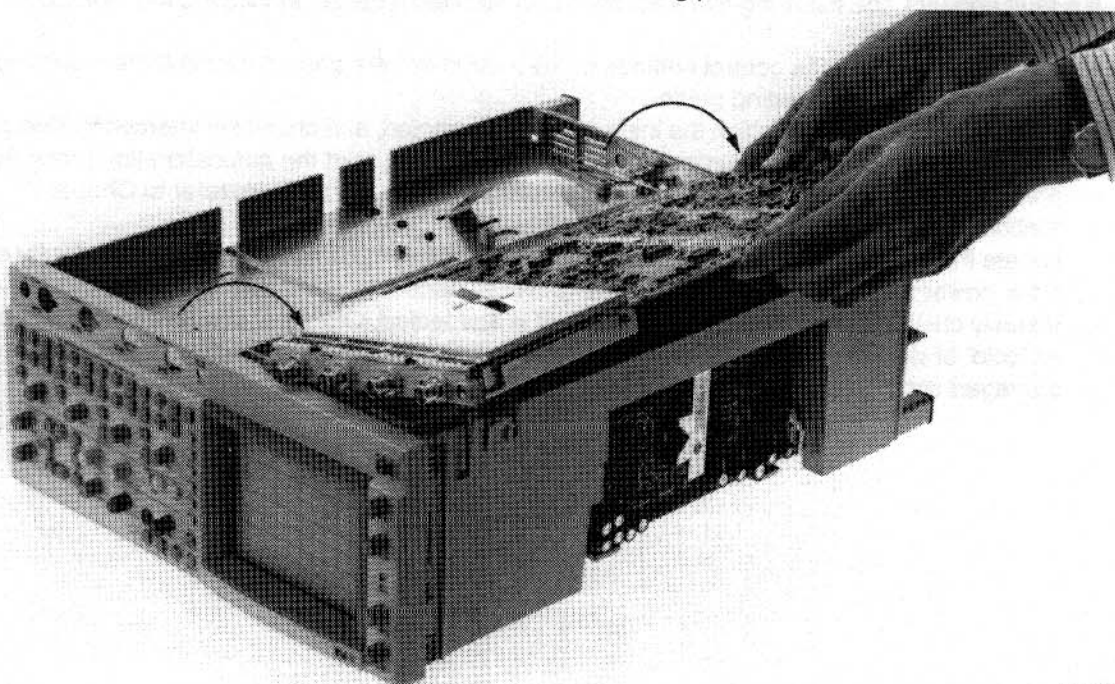
- Unplug the white ribbon cable and the coaxial delayline connector.
- Unplug the connectors for the output options (MTB gate, DTB gate, Y-out and Ext trigger) if they are present in the instrument.
- Remove the unit from the instrument.

For removal of the screen of the attenuators proceed as follows:

Pull off the plastic bracket between the BNC inputs.

Remove the two screws between the BNC's.

Remove the two screws in the sides of the screening plate.



SY8336

Figure 8.17 Signal unit in position to measure SMD component side

### 8.5.9 Removal of Cathode Ray Tube (CRT)

**IMPORTANT:**

- Handle the CRT and its side connections carefully. Rough handling or scratching can cause the CRT to implode.
- When installing the CRT, first remove its protective cover. Then take care that its screen is pressed tight to the front side of the chassis.

- Remove the unit from the socket of the CRT (refer to 8.5.7).
- Disconnect the 4 wires that lead to the CRT (The X- and Y-deflection plates): this action must be done carefully to avoid damage to the side connections of the CRT. For correct reinstallation refer to the wiring diagram in chapter 4.2.
- Pull the graticule lamp holder out of the front rubber.
- Remove the bezel and contrast filter.
- Unplug the trace rotation cable (3 wires) at the connector board.

**WARNING:** The E.H.T. cable is directly connected to the E.H.T. multiplier that is present on the power supply. When the E.H.T. cable is disconnected from the CRT, the cable must be discharged by shorting it to the instrument's ground (e.g. the CRT screen).

- Unlock the EHT cable and discharge it to ground potential.
- Push the two plastic clamping lips that secure the CRT support to the chassis and gently lift the CRT including its shield out of the oscilloscope.

## 8.6 INSTRUMENT REPACKING

If the instrument is to be shipped to a Service Centre for service or repair, attach a tag showing the full address and the name of the individual at the users firm that can be contacted. The Service Centre needs the complete instrument, its serial number and a fault description. If the original packing is not available, repack the instrument in such a way that no damage occurs during transport.

## 8.7 TROUBLESHOOTING TECHNIQUES

If a fault appears, the following test sequence can be used to assist in locating the defective component:

- Check to verify that the control settings of the instrument are correct. Consult the operating instructions in the Operating guide.
- Check the equipment to which the instrument is connected, and check the interconnection cables.
- Verify that the instrument is properly calibrated. If it is not, start the autocalibration procedure by pressing the CAL key for 2 seconds. If this does not solve the problem refer to Chapter 7 'Calibration Adjustment Procedure'.
- Locate the circuit(s) in which the fault is suspected: the symptom often indicates the faulty circuit. If the power supply is defective, the symptom may appear in several circuits.
- Visually check the circuit(s) in which the fault is suspected. Often it is possible to find faults such as 'cold' or defective solder joints, intermittent or open interconnection plugs and wires or damaged components.

## 8.8 TROUBLESHOOTING THE POWER SUPPLY

**WARNING:** On the power supply there are many parts that carry dangerous high voltages. Some of these voltages remain some time after disconnecting the unit from the mains. Therefore, it is recommended to wait at least five minutes after having disconnected the unit from the mains, before removing the unit. If working on the power supply unit under live condition cannot be avoided, it must be done by a qualified technician who is aware of the dangers involved. The use of an mains isolation transformer is strongly recommended.

The table below indicates the output voltages, currents and power figures delivered by the power supply. To determine whether a certain fault condition is initiated by the power supply itself or by the connected oscilloscope circuits, a dummy load is listed in the table. The table gives also an example of the resistor types that can be used to compose the dummy load. The resistors and connector (ordering number 5322 267 70308) that fits on connector X1002 can be ordered.

Supply voltage	Current drain	Substitution resistance	Dissipated power	Dummy load resistors
+5 V	1735 mA	2.9 $\Omega$	5.4W	3x 10 $\Omega$ /4W (4822 112 21054) in parallel
-5.2V	550 mA	9.1 $\Omega$	2.8W	10 $\Omega$ /4W (4822 112 21054)
+12 V	1160 mA	10.3 $\Omega$	13.9W	22 $\Omega$ /7W (4822 112 41063) and 27 $\Omega$ /7W (4822 112 41065) in parallel
-12 V	850 mA	14.2 $\Omega$	10.1W	27 $\Omega$ /7W (4822 112 41065) and 33 $\Omega$ /7W (4822 112 41067) in parallel
+18 V	350 mA	51.4 $\Omega$	6.3W	2x 27 $\Omega$ /4W (4822 112 21065) in series
-18 V	195 mA	92.5 $\Omega$	3.5W	2x 47 $\Omega$ /4W (4822 112 21072) in series
+58 V	60 mA	966 $\Omega$	12.1W	2x 470 $\Omega$ /7W (4822 112 41098) in series
-58 V	80 mA	725 $\Omega$	4.7W	330 $\Omega$ /4W (4822 112 21094) and 390 $\Omega$ /4W (4822 112 21096) in series
+10 Vref	9 mA	1100 $\Omega$	0.1W	--
6.3Vac	240 mA	26.3 $\Omega$	1.5W	--
-2.2kV	700 $\mu$ A	3.1M $\Omega$	1.55W	--
+14.5kV	50 $\mu$ A	290 M $\Omega$	0.7W	--

Another way of fault location is the use of the extension board with ordering code 5322 218 61479. On this board there is a jumper that can be removed to switch off the EHT-converter. For safety reasons it is strongly recommended to use this feature.

The current drawn from a certain supply voltage can be measured after having removed the series choke and connecting a current meter instead of it. The chokes are L1273 (+5 V), L1201 (-5.2 V), L1202 (+12 V), L1203 (-12 V), L1204 (+18 V), L1206 (-18 V), L1208 (+58 V) and L1209 (- 58 V).

## 8.9 SPECIAL TOOLS

### 8.9.1 Extension board

For test and repair purposes the units A3 and A6 can be plugged in their connectors via an extension board. This board is available under ordering number 5322 218 61479. On this board there is a jumper that can be removed to switch off the EHT-converter. For safety reasons it is strongly recommended to use this feature.

### 8.9.2 Flash-ROM loader program

After calibration of the oscilloscope, the softkey 'save calibr data' must be pressed. This saves the calibration data in the oscilloscope's internal Flash-ROM. When the oscilloscope is turned off now, calibration data does not disappear with no back-up batteries installed. The save action can be done 10 times.

The Flash-ROM contains blocks of calibration data (of which the most recent block is valid) and the operating software. After operation of softkey 'save calibr data', the text 'XX CALIBRATION FIELDS FREE' is displayed. XX can be a figure between 10 ... 1 or 'NO'. In case of 'NO', the Flash ROM must be emptied and redundant blocks of calibration data must be removed. To have this done, send your oscilloscope to the nearest Service Center.

The data exchange takes place via the oscilloscope's RS232 interface. It occurs via a program running on a Personal Computer with RS232 interface.

The Flash-ROM D1013 as listed in the parts lists is empty. After exchange it must be filled with operating software and calibration data. Also for this the oscilloscope must be sent to the nearest Fluke Service Center.

## 8.10 RECALIBRATION AFTER REPAIR

After any electrical component has been renewed the calibration of its associated circuit should be checked, as well as the calibration of other closely-related circuits.

Since the power supply affects all circuits, calibration of the entire instrument should be checked if work has been done in the power supply or if the transformer has been renewed.



## 8.11 TROUBLE SHOOTING TOOLS

This family of analog oscilloscopes offers a number of possibilities to trace a fault. The tests 1 ... 4 can be done quickly and easily; however they require that parts of the oscilloscope function correctly. The display part and power supply must be OK. Also the keys must be read by the microprocessor. If the scope is 'dead,' you have to start with test 5.

The following tests can be selected:

- 1 Power-up tests that are done automatically each time that the oscilloscope is switched on. A fault is indicated by a screen message. For information refer to chapter 8.12.1 'Power-up test'.
- 2 Menu-operated tests that can be done without opening the instrument. Parts of the digital circuitry can be tested. Refer to chapter 8.12.3 'Selftest'.
- 3 Menu-operated tests that put circuitry in defined state. In most cases the oscilloscope must be opened to measure the result. For this an additional measuring oscilloscope must be used. Parts of the digital circuitry can be tested in an easy way. Refer to chapter 8.12.4 'Repair tools'.
- 4 The autoCalibration function is intended to automatically calibrate most of the oscilloscope's circuitry. In case of a defective circuit part, this calibration cannot be completed for the full 100%. The procedure is terminated then with an error number. Via a table this number indicates the circuit part where a fault may be expected. Refer to chapter 8.13 'The autocal procedure' for more information.
- 5 The tests 1 ... 4 can point in a quick and easy way to the approximate fault location. To find the defective component, you have to measure in the instrument. For this purpose the circuit diagrams in this manual are provided with DC and AC voltages that can be measured with an additional measuring oscilloscope. For details refer to chapter 3.1.4. 'Voltage values in the circuit diagrams'. Where no values are mentioned, it is often possible to measure by means of comparison between identical circuit parts. This can e.g. be used for the vertical channels, MTB/DTB trigger and MTB/DTB sweep circuits. Of course for comparison these circuit parts must have the same input signal and must be put in the same settings. Also supply voltages can be measured. When measuring the power supply, you have to take care of dangerous life voltages that are present.

## 8.12 TESTS BUILT INTO THE INSTRUMENT

### 8.12.1 Power-up test

After turning the oscilloscope on, power-up tests start automatically. The tests take less than a second. A message appears on the screen when errors are found. With no message displayed, the oscilloscope is ready for use. The tests that are sequentially done and the associated error messages are:

- The oscilloscope's internal control bus is checked. This is done by addressing N9001, N9002, N9003, N8005, N6014, D9009 (unit A1), N1001, N2002 (unit A2) and N1141 (unit A6).  
Message: 'NO ACKNOWLEDGE ON I2C BUS'.
- The oscilloscope's hardware configuration is tested on the units A1 and A3. On unit A1 is tested for 100 or 200 MHz and 4 or 2+2 channels. On A3 the presence of an IEEE interface and the amount of memories. Also is tested if the software version corresponds with the hardware modification level.  
Messages: 'WRONG A1 HARDWARE VERSION' or 'WRONG A3 HARDWARE VERSION'.
- The communication between the front unit A4 (named 'ufo') and microprocessor A3 is checked.  
Message: 'CANNOT COMMUNICATE WITH UFO'.
- The contents of the settings memory is checked if back-up batteries are installed.  
Message: 'NO BATTERY BACKUP'.

### 8.12.2 Introduction to diagnostic tests

The tests are accessible via the softkey menu's. A good knowledge of the circuitry of the oscilloscope is necessary to take advantage of these tests. Refer to chapter 5 'Unit descriptions' for additional information and circuit diagrams.

Tests can be performed on:

- The microprocessor system.
- The inputs for the microprocessor (rotaries and keys via the processor in the front unit).
- The outputs from the microprocessor (digital to analog converters and output buffers).

The configuration of the microprocessor control part is given in the figure. The lines SDA (Serial DAta) and SCL (Serial CLock) are fed to the many circuits, where the serial information is converted into the different control signals.

*NOTE: For servicing, solder joints are added in the p.c.b. tracks. These can be used to localize a fault in the bus by means of isolating a suspected IC from SCL or SDA lines.*

Proceed as follows to reach the tests:

- Press menukey 'UTILITY'.
- Press softkey 'MAINTENANCE'.
- Now softkey selection is possible between 'SELFTEST' and 'REPAIR TOOLS'.

### 8.12.3 Selftest

Under the softkey 'SELFTEST' it is possible to run tests for the microprocessor memories. This comprises a checksum test for the ROM and a (non destructive) pattern write/read test for the RAM. With a toggle softkey, selection is possible between 'test-all' and 'specific'.

A test is started with softkey 'start'. A test that is being executed can be interrupted with softkey 'abort'. A test completed successfully gives the screen message 'TEST PASSED'.

The selection 'test all' tests all memories. If a fault is found, 'specific' must be selected: this gives the possibility to determine what memory is defective. By means of the 'TRACK' rotary one of the memory devices can be selected. The selection (e.g. ram 0, ram 1, rom 0, rom 1) depends on the instrument's configuration.

*Note: softkey 'RETURN' is used to move upwards in the menu structure.*



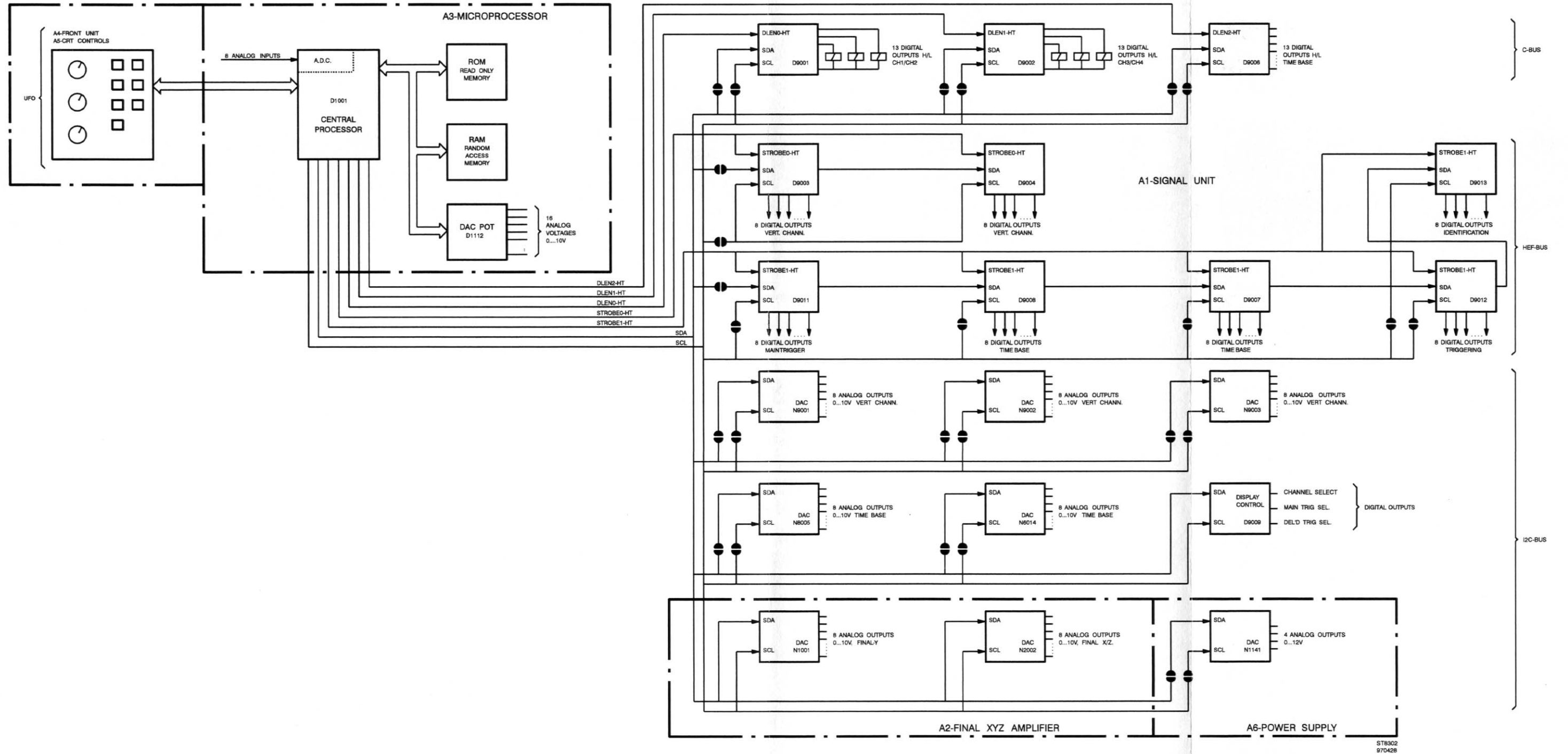
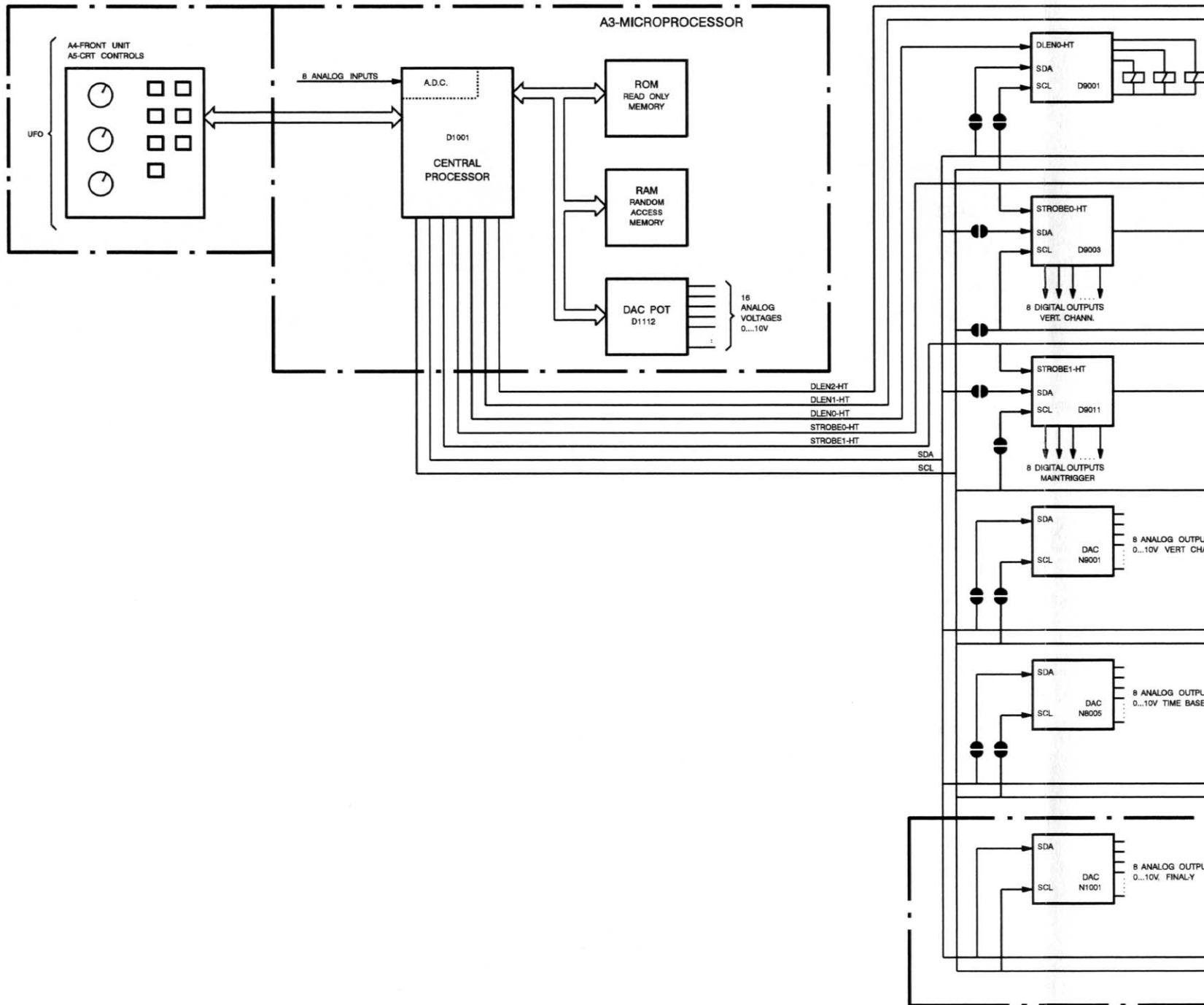


Figure 8.5. Configuration of microprocessor control part

# CORRECTIVE MAINTENANCE PROCEDURES



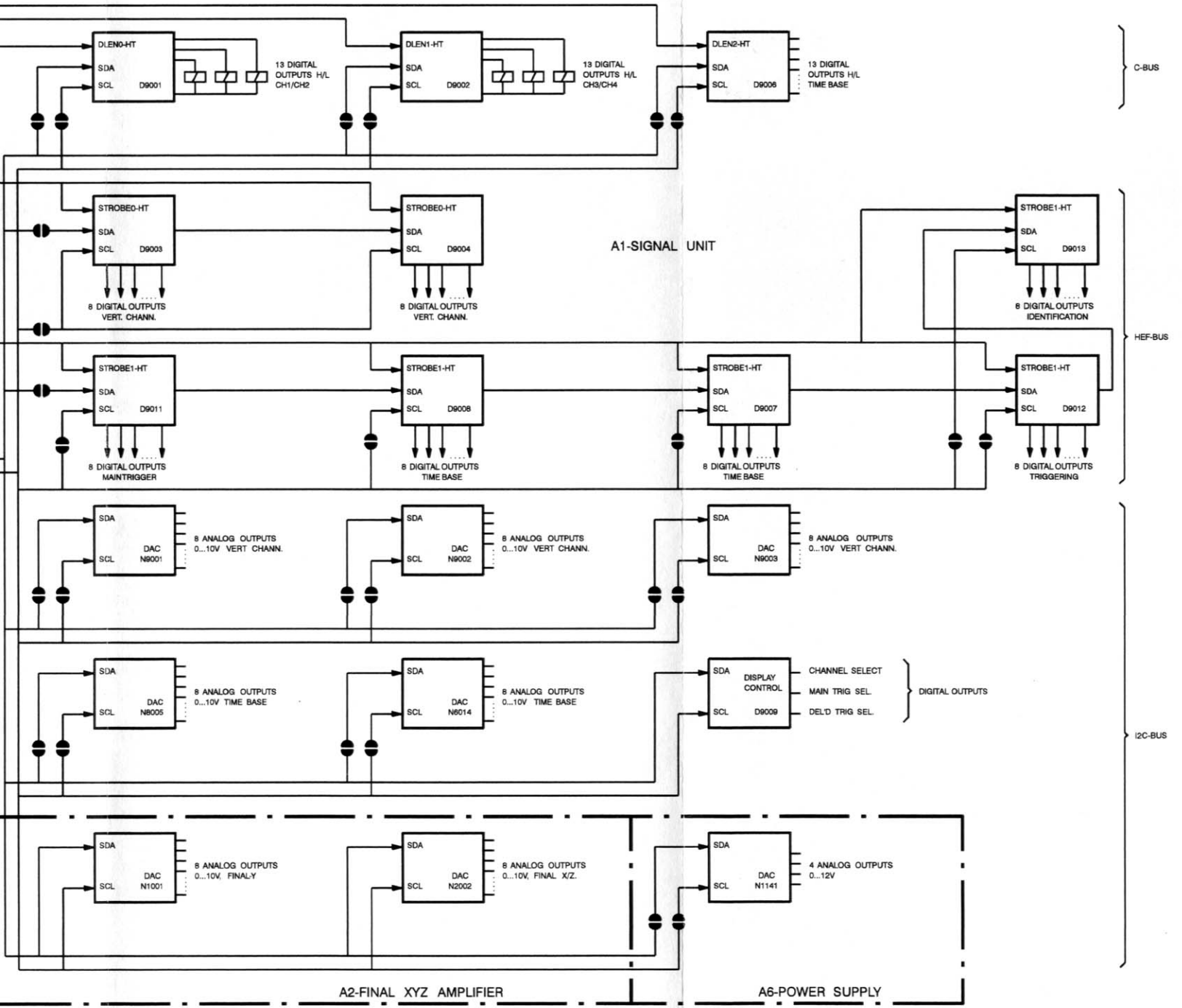


Figure 8.5. Configuration of microprocessor control part

## 8.12.4 Repair tools

### 8.12.4.1 General

Under the softkey 'REPAIR TOOLS', tests can be selected concerning the exchange of information in the area around the microprocessor:

- Data exchange between keys/rotaries and microprocessor.
- Data exchange between microprocessor and the devices that control the oscilloscope circuits.

Tests can be selected with a softkey pair. A test can be activated with toggle softkey 'on off'. Data in connection with the tests is displayed in the viewing area as two lines of information. The last setting is present in the utmost right position of the lowest of the two lines.

### 8.12.4.2 Repair tools / ufo

With this test the proper functioning of the keys and rotaries at the front panel (ufo) can be tested. Each control has its own number. There is also information given concerning the position occupied by the controls. The tables below indicate the information from controls towards microprocessor. This is separately listed for rotaries and keys.

Rotaries (L is rotation left to right, R is rotation right to left, X indicates the rotation speed):

ILLUM	L/R0X	TEXT INTENSITY	L/R1X	TRACE INTENSITY	L/R2X
POS CH2	L/R3X	LEVEL DTB	L/R4X	HOLD OFF	L/R5X
POS CH4	L/R6X	LEVEL MTB	L/R7X	FOCUS	L/R8X
FOCUS	L/R8X	TRACE ROT	L/R9X	TRACK	L/RAX
POS CH1	L/RBX	'delta'	L/RCX	DELAY	L/RDX
POS CH3	L/REX	X POS	L/RFX		

Keys (A = autorepeat, M = more than 1 key pressed, X=P is function off, X=U is function on):

CAL	X00	AUTOSET	X01	STATUS LOCAL	X02
STATUS	X02	Softkey 5	X03	Softkey 6	X04
TEXT OFF	X05	CH1 + CH2	X06	AC DC GND CH1	X07
UTILITY	X10	SETUPS	X11	Softkey 1	X12
Softkey 4	X13	AMPL mV CH1	X14	AMPL V CH1	X15
AMPL mV CH2	X16	AMPL V CH2	X17	pin hole	X21
Softkey 2	X22	Softkey 3	X23	50 ohm CH1	X24
ON CH1	X25	50 ohm CH2	X26	ON CH2	X27
DTB s	X32	DTB trig	X33	BWL	X34
TRIG1	X35	INV CH2	X36	AC DC GND CH2	X37
TB MODE	X41	CURSORS	X42	DTB ns	X43
ALT CHOP	X44	TRIG2	X45	AMPL mV CH3	X46
AMPL V CH3	X47	TRACE SEP down	X51	MAGN	X52
TRIGGER MTB	X53	TRIG4	X54	TRIG3	X55
50 ohm CH3	X56	ON CH3	X57	TRACE SEP up	X61
MTB s	X63	INV CH4	X64	50 ohm CH4	X65
CH3 + CH4	X66	AC DC GND CH3	X67	RESET	X72
MTB ns	X73	AC DC GND CH4	X74	ON CH4	X75
AMPL mV CH4	X76	AMPL V CH4	X77		

Note: the table with keys is based upon PM3094. In other oscilloscope versions (PM3082, PM3084, PM3092) some of the keys are not present or have a different function.

**8.12.4.3 Repair tools / i2cbus**

This test displays the data (SDA) that is sent by the microprocessor to a number of addressable devices. Synchronization is achieved via SCL. Each data block sent by the microprocessor is preceded by an address on which the device can respond. The characters 'A, B, C, D, E and F' represent one hexadecimal character. The devices are the ADC's mentioned under 'REPAIR TOOLS / DAC' and DAC N1141 on power supply unit A1.

Device	Unit	Name of circuit diagram	Address	Data format
D9009	A1	Display and trigger control	36	AB CD EF
N9001	A1	Control circuits	40	AB CD
N9002	A1	Control circuits	4C	AB CD
N9003	A1	Control circuits	44	AB CD
N8005	A1	Time base logic	48	AB CD
N1001	A2	Final Y preampl. + control	46	AB CD
N2002	A2	Final X amplifier + control	4E	AB CD
N1141	A6	EHT converter + auxiliary	88	AB CD

**8.12.4.4 Repair tools / adc**

This test displays the decimal representation of the input voltage applied to the analog inputs ACH0 ... ACH7 of the microprocessor D1001. The readout consists of two lines of information.

The first line displays in sequence the analog inputs:

- ACH7: the NTC-resistor R1009 (on unit A3) that measures the temperature inside the oscilloscope is connected to this input.
- ACH6 (PTEST-XA): the voltage value that represents the type of the probes applied to CH1 ... CH4 is applied to this input.
- ACH5 (TBSMART): the voltage value representing the state of a number of time base circuits is applied here. TBSMART originates from unit A1 and is applied to unit A3.
- ACH4: the applied voltage is used as a reference and derived from reference voltage +5VREF via voltage divider R1003/R1004 (unit A3).

The second line displays in sequence:

- ACH3: the applied voltage is 0 volt (CAL ground). Decimal value approx. 0.
- ACH2 (XCAL): the applied voltage originates from the measuring circuit of the horizontal output on unit A2. This is used for automatic calibration of the horizontal section.
- ACH1 (YCAL): the applied voltage originates from the measuring circuit of the vertical output on unit A2. This is used for automatic calibration of the vertical section.
- ACH0: the applied voltage is 0 volt (CAL ground). Decimal value approx. 0.

**8.12.4.5 Repair tools / hef**

To control simple on/off functions there are 7 buffers (of the type HEF4094) on unit A1: this structure is called the 'HEF-bus'. Each buffer has 8 outputs as shown in the figure. The buffers are divided into 2 groups: group 0 consists of 2 buffers and group 1 consists of 5 buffers. A group can be regarded as a shift register of 16 or 40 bits. Each group of buffers has its common enable signal: STROBE0-HT or STROBE1-HT.

The test makes the data (SDA) visible that is shifted by the microprocessor into the shift register. Data is displayed in the viewing area as two lines of information. The last data block is present in the utmost right position of the lowest of the two lines. Synchronization is achieved via SCL.



The configuration of group 0 and 1 is shown in the table:

Group	Enable signal	Buffers	Name of circuit diagram
0	STROBE0-HT	D9003 D9004	Control circuits Control circuits
1	STROBE1-HT	D9011 D9008 D9007 D9012 D9013	MTB trigger Time base logic Delayed time base DTB trigger DTB trigger

The data representation for group 0 is '0:ABCD'. Each character represents the hexadecimal (16 possible states) information for 4 outputs (total 16 outputs):

- Character 'A' represents the information for D9004 outputs 14, 13, 12, 11.
- Character 'B' represents the information for D9004 outputs 4, 5, 6, 7.
- Character 'C' represents the information for D9003 outputs 14, 13, 12, 11.
- Character 'D' represents the information for D9003 outputs 4, 5, 6, 7.

The data representation for group 1 is '1:ABCD 1:EFGH'. Each character represents the hexadecimal (16 possible states) information for 4 outputs (total 32 outputs):

- Character 'A' represents the information for D9012 outputs 14, 13, 12, 11.
- Character 'B' represents the information for D9012 outputs 4, 5, 6, 7.
- Character 'C' represents the information for D9007 outputs 14, 13, 12, 11.
- Character 'D' represents the information for D9007 outputs 4, 5, 6, 7.
- Character 'E' represents the information for D9008 outputs 14, 13, 12, 11.
- Character 'F' represents the information for D9008 outputs 4, 5, 6, 7.
- Character 'G' represents the information for D9011 outputs 14, 13, 12, 11.
- Character 'H' represents the information for D9011 outputs 4, 5, 6, 7.

*Note: the data for D9013 is not displayed. This buffer is only used when turning-on the oscilloscope: it tests if hardware and software belong to each other.*

#### 8.12.4.6 Repair tools / cbus

To control on/off functions in the CH1 ... CH4 attenuators and in the main and delayed time base, there are 3 buffers on unit A1 of the instrument. This configuration is called the 'c-bus'. Each buffer has 13 outputs and can be regarded as a shift register of 13 bits. Each buffer has its own enable signal. The test makes the data (SDA) visible that is shifted by the microprocessor into the buffer. Synchronization is achieved via SCL.

The configuration is shown in the table:

Enable signal	Buffer	Name of circuit diagram
DLEN0-HT	D9001	Control circuits
DLEN1-HT	D9002	Control circuits
DLEN2-HT	D9006	Main time base

The data representation for D9006 is '0:ABCD'. Each character represents the hexadecimal (16 possible states) information for 4 outputs. The data representation for D9001 and D9002 is more complex: these buffers drive the pulse relays in the CH1 ... CH4 attenuators. Changing an attenuator setting can cause the generation of several '0:ABCD' blocks of data. Refer to chapter 5.1.1 for information on how the pulse relays are controlled. D9001 controls CH1 and CH2: data blocks have the configuration '0:ABCD'. D9002 controls CH3 and CH4: data blocks have the configuration '1:ABCD'.



### 8.12.4.7 Repair tools / DAC

Throughout the oscilloscope there are several digital-to-analog converters (DAC's) that are controlled by the microprocessor. The 'REPAIR TOOLS' menu enables to select a certain DAC output (via TRACK) and to determine the output voltage (via  $\Delta$ ) at this output. After having opened the instrument, the voltage can be measured with a voltmeter or oscilloscope. The DAC output voltage range is between 0 ... 10V (1 ... 4V for D1112). This test is not influenced by softkey 'on off'. A DAC VALUE once changed returns to the old value if the menu is left.

The selections with the TRACK rotary have the configuration X.Y. The character X points to a certain DAC IC. The table shows the relation:

X-value	IC reference number	Unit number	Name of circuit diagram
0.Y	N9001	A1	Control circuits
2.Y	N9003	A1	Control circuits
3.Y	N1001	A2	Final Y preampl. + control
4.Y	N8005	A1	Time base logic
6.Y	N9002	A1	Control circuits
7.Y	N2002	A2	Final X amplifier + control
8.Y	D1112	A3	Potentiometer DAC + IEEE

The character Y points to a certain output within the selected DAC IC. The table shows this for N9001, N9002, N9003 and N8005 on unit A1:

Y-value	Pin number	Name of generated signal:			
		N9001	N9002	N9003	N8005
X.0	11	PA1OFFSTRG	AT3LFCAL	DLDOFFSET	TBINTTRAT-XA
X.1	13	PA1OFFSET	AT3OFFSET	PA4OFFSTRG	DTBVAR
X.2	14	AT1LFCAL	AT3LOOPCAL	PA4OFFSET	DSOCALD
X.3	15	AT1OFFSET	PA2OFFSTRG	AT4LFCAL	DSOCALM
X.4	16	AT1LOOPCAL	PA2OFFSET	AT4OFFSET	DTRSEN
X.5	17	ATCAL0	AT2LFCAL	AT4LOOPCAL	MTRTVMODE
X.6	18	ATCAL1	AT2OFFSET	PA3OFFSTRG	MTRBAL
X.7	20	ATCAL2	AT2LOOPCAL	PA3OFFSET	MTRSEN

Note: for explanation of signal names, refer to chapter 5.1.2

For N1001 and N2002 (unit A2) refer to the table below:

Y-value Pin Name/function of generated signal:

Y-value	Pin number	Name/function of generated signal:	
		N1001	N2002
X.0	11	LF sq. wave	ASTDR
X.1	13	LF sq. wave	DARK
X.2	14	Gain	XHFADJ
X.3	15	HF sq. wave	XTRAGC
X.4	16	Offset	XCRTGCL
X.5	17	Offset	XCRTGCH
X.6	18	MF sq. wave	XCRTOFL
X.7	20	MF sq. wave	XCRTOFH

Note: for explanation of signal names, refer to chapter 5.2.2

For D1112 (unit A3) refer to the table below:

Y-value	Pin number	Pin name
X.6	16	POS CH1
X.4	19	POS CH2
X.2	21	POS CH3
X.8	13	POS CH4
X.1	22	VAR CH1
X.3	20	VAR CH2
X.5	18	VAR CH3
X.7	17	VAR CH4
X.12	9	VAR MTB
X.11	10	LEVEL MTB
X.10	11	LEVEL DTB
X.15	6	INTENS TEXT
X.9	12	TRACE SEP
X.0	23	FOCUS-DA
X.14	7	HOLD OFF
X.13	8	INTENS TRACE

**IMPORTANT:** After having completed these tests, it is recommended to reset the oscilloscope. Therefore press the keys 'STATUS' and 'TEXT OFF' simultaneously.

## 8.13 THE AUTOCAL PROCEDURE

### 8.13.1 Introduction

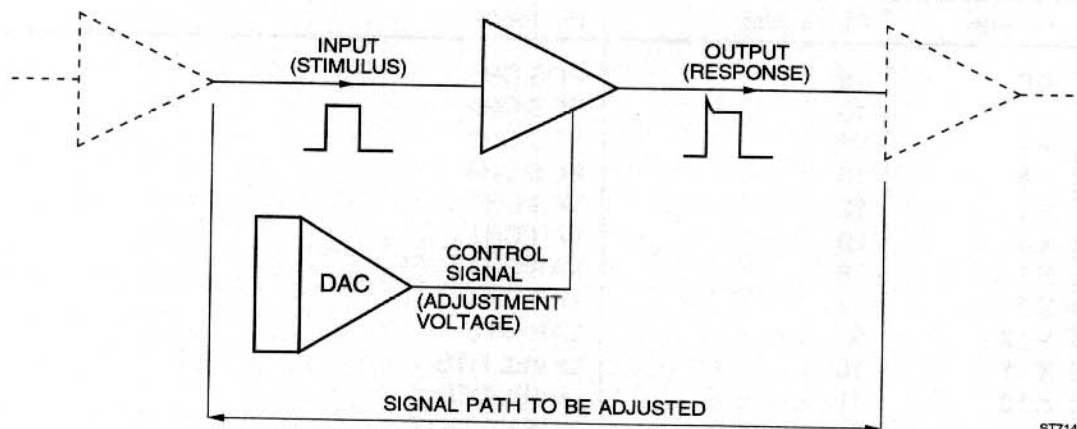
The oscilloscopes PM3094/92/84/82 have an **autocal** function. After pushing the CAL key for more than 2 seconds, a big number of adjustments are performed automatically. The advantages are:

- high measuring accuracy
- considerable gain of time. The manual calibration adjustment is limited to a job of half an hour.

The autocal procedure consists of a number of adjustment steps that are performed in sequence. Each step comprises a series of attempts - via 'successive approximation' - to obtain the ideal adjustment. The procedure is controlled by the instrument's microprocessor. The internal references are a very accurate 10 volt source and a quartz crystal.

During a calibration step, a defined **stimulus** is applied at a certain point in the circuit (the **input**). The **response** is measured at a later point in the circuit (the **output**). Somewhere inbetween, a digital-to-analog-converter (DAC) influences the performance of the circuitry. The DAC output is varied such that the output response has the desired value.

The figure shows this.



If a calibration step is not completed successfully, this is indicated at the end of the autocal procedure. This is displayed on the CRT with a message:

'ERROR DURING AUTOCALIBRATION' Via key sequence UTILITY> MAINTENANCE, you can reach a screen where an error code YXX is displayed in the bottom text line.

YXX is a hexadecimal number indicating the first adjustment step that could not be adjusted to an optimal position.

### 8.13.2 FAULT LOCATION VIA ERROR CODES

The reason that an error code is displayed after an unsuccessful autocal can be:

- 1 - the manual calibration adjustment is not OK.
- 2 - a deviation of supply voltage(s) that affects all circuitry.
- 3 - a defective circuit part.

If calibration adjustment and power supply are OK, it may be that a defective circuit part is causing the error code. The error code gives information in what circuit part the fault may be found. **This circuit part lies of course between input (stimulus) and output (response).** This publication gives a survey to indicate for each error code the circuit part to be involved.

### 8.13.3 HOW TO USE THE ERROR CODE LISTS

The error codes are listed in sequence of error number: 001, 002, etc. They are grouped per function: time-base, final amplifiers, etc.

For each error code is given:

- error code: this is a hexadecimal figure.
- calibration step: a short description of the adjustment that could not be completed.
- input: signal name and circuit diagram number of the stimulus.
- control signal: signal name and circuit diagram number of the DAC output to be adjusted.
- output: signal name and circuit diagram number of the response.

The circuit diagram number (e.g. A2/1/D1001) gives information about the printed circuit board (A1, A2, etc.), the number of the diagram itself (1, 2, etc.) and the component to which the signal is applied (e.g. D1001). A node number (e.g. N1001/17) is given if a signal has no name.

The number of the circuit diagram is given for the 200 MHz version. For the 100 MHz version the corresponding circuit diagram should be used.

### IMPORTANT:

The error code lists are a useful help in faultfinding; in many cases a displayed error code will point to the defective circuit part. However bear in mind that there is always a possibility that the fault will be found somewhere else.

## 8.13.4 ERROR CODE LISTS

### Time base autocalibration

MTB (DTB) is put in defined time/div settings to adjust for the tolerance of each timing capacitor. Also VAR is adjusted. The sweep is switched on during a certain time. This happens via control signal STRCALM-HT (STRCALD-HT) that makes MTBGATE (DTBGATE) high. The sweep is compared inside sweep generator D6011 (D7011) with +2,7 V reference TBCALREF.

A deviation of the sawtooth makes MTBCALTST (DTBCALTST) low or high. The ideal time base adjustment is obtained after a number of steps.

Error code	Calibration step	Input(s)	Control signal	Output
001 003 004 006 007 008	MTB, 0.5us/div, C6011 MTB, 1us/div, VAR MTB, 20us/div, C6012 MTB, 40us/div, VAR MTB, 5ms/div, C6013 MTB, 10ms/div, VAR	STRCALM (A1/15/V8003) TBCALREF (A1/16/D6011)	MTBVAR (A1/16/R6009)	MTBCALTST (A1/16/D6011)
002 005	DTB, 0.5us/div, C7011 DTB, 20us/div, C7012	STRCALD (A1/15/V8007) TBCALREF (A1/17/D7011)	DTBVAR (A1/17/R7009)	DTBCALTST (A1/17/D7011)

### Final amplifier autocalibration

Signals generated by the text generator - D1402 on microprocessor unit A3 in the analog versions; D8047 on digitizer unit A8 in the digital versions - are used as inputs. The output signals are measured on unit A2 on the Y- and X-deflection plates of the CRT. This results in the signals YCAL (vertical plates) and XCAL (horizontal plates).

Error code	Calibration step	Input(s) signal	Control	Output
00A	Y-offset, MSB	YTXT0/YTXT1 (A2/1/D1001)	N1001/17 (A2/1)	YCAL (A2/2/R1309)
00B 00C	Y-offset, LSB Y-gain	YTXT0/YTXT1 YTXT0/YTXT1	N1001/16 (A2/1) N1001/14 (A2/1)	YCAL YCAL
00D 00F 00E	X-offset, MSB X-gain, MSB	XTXT0/XTXT1 (A2/3/R2007) XTXT0/XTXT1	XCRTOFH (A2/3/N2002) XCRTGCH (A2/3/N2002)	XCAL (A2/3/R2313) XCAL
010	X-offset, LSB	XTXT0/XTXT1	XCRTOFL (A2/3/N2002)	XCAL
011	X-gain, LSB	XTXT0/XTXT1	XCRTGCL (A2/3/N2002)	XCAL



### Autocalibration of horizontal gain and offset

As input signals are used signals generated by generator circuit (D7004, N7014, N7015) on the DTB circuit diagram (unit A1). The accurate output signals are MCLOOP (MTB) and DCLOOP (DTB). The output signals are measured on the X-deflection plates of the CRT. This results in the signal XCAL (horizontal plates).

Error code	Calibration step	Input	Control signal	Output
013 015 01B 01C	X-pos, MTB x10 X-pos, MTB x1 X-pos 0 div, timebase X-pos -3 div, timebase	} MCLOOP (A1/17/V7075)	TBXPOS (A1/17/R7099)	XCAL (A2/3/R2313)
014 016	X-gain, MTB x10 X-gain, MTB x1	} MCLOOP	XTRAGC (A2/3/N2002)	XCAL
017 019	X-pos, DTB x1 X-pos, DTB x1	} DCLOOP (A1/17/V7075)	TBXPOS	XCAL
018 01A	X-gain, DTB x10 X-gain, DTB x1	} DCLOOP	XTRAGC	XCAL
01D 01E	X-pos 0 div, X-defl X-pos -3 div, X-defl	} LEVDTB (A1/14/R7681)	TBXPOS	XCAL

### Autocalibration of offset delay line driver and channels 4, 3, 2 and 1

As input is used the accurate signal ATCAL generated by circuit with D1152, N1104 on the circuit diagram of the input attenuators (unit A1).

The output signals are measured on the Y-deflection plates of the CRT (YCAL).

### Delay line driver offset

The delay line driver input signals FNC..OUT0 and FNC..OUT1 are differentially 0 V. D.A.C. output DLDOFFSET is adjusted such that YCAL detects the mid screen position.

Error code	Calibration step	Input(s)	Control signal	Output
02C	Delay line driver offset	FNC..OUT0 FNC..OUT1 (A1/9/R1313,R1314)	DLDOFFSET (A1/9/R5018)	YCAL (A2/2/R1309)
02E 02F	Offset trace separation 0 div idem, 3 div	} ATCAL (A1/1/R1008)	TRASEP (A1/9/R5021)	YCAL

### Position midscreen

ATCAL is set such that a positive trace shift is obtained. The microprocessor controls the trace back to just above midscreen via POS4 in the Y-functions section.

### DC loopgain

ATCAL generates a 13 Hz sq-wave. The microprocessor monitors the top of the sq-wave (via YCAL) at successive moments in time. In successive steps AT4LFCAL is adjusted for a correct sq-wave response.

**VAR gain jump**

ATCAL applies 0 V to the attenuator. VAR4 is varied between min and max in various sensitivity positions. The microprocessor adjusts PA4OFFSET to minimal trace jump (YCAL).

Error code	Calibration step	Input	Control signal	Output
Channel 4:				
021	POS midscreen CH4 10mV/div	} ATCAL (A1/4/R4008)	POS4 (A1/8/R4308)	YCAL (A2/2/R1309)
023	idem, 5mV/div			
025	idem, 5mV/div			
027	idem, 10mV/div			
029	idem, 20mV/div			
022	DC loopgain CH4 LF square-wave	ATCAL	AT4LOOPCOR (A1/4/V4001)	YCAL
024	Attenuator offset 2<->5mV/div	Attenuator :1<->:2.5	AT4OFFSET (A1/4/R4039)	YCAL
026	Preamp offset CH4 5mV/div	} VAR4 (A1/7/R4211)	PA4OFFSET (A1/7/R4203)	YCAL
028	idem, 10mV/div			
02A	idem, 20mV/div			
Channel 3:				
031	POS midscreen CH3 10mV/div	} ATCAL (A1/3/R3008)	POS3 (A1/8/R3308)	YCAL (A2/2/R1309)
033	idem, 5mV/div			
035	idem, 5mV/div			
037	idem, 10mV/div			
039	idem, 20mV/div			
032	DC loopgain CH3 LF square-wave	ATCAL	AT3LOOPCOR (A1/3/V3001)	YCAL
034	Attenuator offset 2<->5mV/div	Attenuator :1<->:2.5	AT3OFFSET (A1/3/R3039)	YCAL
036	Preamp offset CH3 5mV/div	} VAR3 (A1/7/R3211)	PA3OFFSET (A1/7/R3203)	YCAL
038	idem, 10mV/div			
03A	idem, 20mV/div			



Error code	Calibration step	Input	Control signal	Output
Channel 2:				
041	POS midscreen CH2 10mV/div	} ATCAL (A1/2/R2008)	POS2 (A1/8/R2308)	YCAL (A2/2/R1309)
043	idem, 5mV/div			
045	idem, 5mV/div			
047	idem, 10mV/div			
049	idem, 20mV/div			
042	DC loopgain CH2 LF square-wave	ATCAL	AT2LOOPCOR (A1/2/V2001)	YCAL
044	Attenuator offset 2<->5mV/div	Attenuator :1<->:2.5	AT2OFFSET (A1/2/R2039)	YCAL
046	Preamp offset CH2 5mV/div	} VAR2 (A1/6/R2211)	PA2OFFSET (A1/6/R2203)	YCAL
048	idem, 10mV/div			
04A	idem, 20mV/div			
Channel 1:				
051	POS midscreen CH1 10mV/div	} ATCAL (A1/1/R1008)	POS1 (A1/8/R1308)	YCAL (A2/2/R1309)
053	idem, 5mV/div			
055	idem, 5mV/div			
057	idem, 10mV/div			
059	idem, 20mV/div			
052	DC loopgain CH1 LF square-wave	ATCAL	AT1LOOPCOR (A1/1/V1001)	YCAL
054	Attenuator offset 2<->5mV/div	Attenuator :1<->:2.5	AT1OFFSET (A1/1/R1039)	YCAL
056	Preamp offset CH1 5mV/div	} VAR1 (A1/6/R1211)	PA1OFFSET (A1/6/R1203)	YCAL
058	idem, 10mV/div			
05A	idem, 20mV/div			

**Autocalibration of trigger offset**

The correctness of these adjustments is checked for MTB (DTB) via signal MTBCALTST (DTBCALTST).

**Trigger offset MTB**

Adjustment of the signal path between D6541 (final stage), D8004, V8013, V8014, D6011 is done here. LEVMTB is in mid position. For level-pp 'on' is MTRBAL varied such that triggering passes the trigger gap.

**Trigger offset via vertical channels**

Adjustment of the signal path between grounded input (ATCAL = GND) CH4, D4204, D4301, D6541 (dc coupled), D8004, V8013, V8014, D6011 is done here.

**Trigger offset DTB**

Adjustment of the signal path between D7541 (final stage), D8004, V8012, V8011, D7011 is done here. LEVDTB varied such that triggering passes the trigger gap.

Error code	Calibration step	Input	Control signal	Output
0A1	Trigger offset mtb pk-pk, + slope	} LEVMTB (A1/12/R6622)	MTRBAL (A1/12/R6709)	MTBCALTST (A1/16/D6011)
0A2	idem, - slope			
0A3	idem, ac + slope			
0A4	idem, ac - slope			
0A5	Trigg. offs. mtb CH4, + slope	} ATCAL (A1/4/R4008)	PA4OFFSTRG (A1/7/R4229)	MTBCALTST
0A6	idem, - slope			
0A7	Trigg. offs. mtb CH3, + slope	} ATCAL (A1/3/R3008)	PA3OFFSTRG (A1/7/R3229)	MTBCALTST
0A8	idem, - slope			
0A9	Trigg. offs. mtb CH2, + slope	} ATCAL (A1/2/R2008)	PA2OFFSTRG (A1/6/R2229)	MTBCALTST
0AA	idem, - slope			
0AB	Trigg. offs. mtb CH1, + slope	} ATCAL (A1/1/R1008)	PA1OFFSTRG (A1/6/R1229)	MTBCALTST
0AC	idem, - slope			
0AD	Trigg. offs. dtb ac, + slope	} ATCAL	LEVDTB (A1/14/R7681)	DTBCALTST (A1/17/D7011)
0AE	idem, - slope			
0AF	Trigg. offs. dtb CH4, + slope	} ATCAL	LEVDTB	DTBCALTST
0B0	idem, CH4 - slope			
0B1	idem, CH3 + slope			
0B2	idem, CH3 - slope			
0B3	idem, CH2 + slope			
0B4	idem, CH2 - slope			
0B5	idem, CH1 + slope			
0B6	idem, CH1 - slope			

## Autocal of normal/invert position and gain adjustment

### Normal invert position

ATCAL applies 0 V (GND) to the CH4 attenuator. YCAL is adjusted to mid screen via POS4 in normal and in inverted mode. Then CH3 (normal mode only), CH2 and CH1 (normal mode only) are adjusted.

### Gain adjustment

Gain is adjusted in various attenuator positions. ATCAL generates the required calibrated signals.

Error code	Calibration step	Input	Control signal	Output
Channel 4:				
061 062 063	Offset normal Offset invert Gain position	} ATCAL (A1/4/R4008)	POS4 (A1/8/R4308)	YCAL (A2/2/R1309)
064 065 066 067 068 069 06A 06B 06C 06D	Gain x1, 2mV/div Gain /2.5, 2mV/div Gain x1, 5mV/div Gain /2, 5mV/div Gain x1, 10mV/div Gain /2, 10mV/div Gain x1, 20 mV/div Gain /2.5, 20mV/div Gain x1, 50mV/div Gain /2, 50mV/div	} ATCAL	VAR4 (A1/7/R4211)	YCAL
Channel 3:				
071 073	Offset normal Gain position	} ATCAL (A1/3/R3008)	POS3 (A1/8/R3308)	YCAL (A2/2/R1309)
074 075 076 077 078 079 07A 07B 07C 07D	Gain x1, 2mV/div Gain /2.5, 2mV/div Gain x1, 5mV/div Gain /2, 5mV/div Gain x1, 10mV/div Gain /2, 10mV/div Gain x1, 20 mV/div Gain /2.5, 20mV/div Gain x1, 50mV/div Gain /2, 50mV/div	} ATCAL	VAR3 (A1/7/R3211)	YCAL

Error code	Calibration step	Input	Control signal	Output
Channel 2				
081 082 083	Offset normal Offset invert Gain position	} ATCAL (A1/2/R2008)	POS2 (A1/8/R2308)	YCAL (A2/2/R1309)
084 085 086 087 088 089 08A 08B 08C 08D	Gain x1, 2mV/div Gain /2.5, 2mV/div Gain x1, 5mV/div Gain /2, 5mV/div Gain x1, 10mV/div Gain /2, 10mV/div Gain x1, 20 mV/div Gain /2.5, 20mV/div Gain x1, 50mV/div Gain /2, 50mV/div	} ATCAL	VAR2 (A1/6/R2211)	YCAL
Channel 1				
091 093	Offset normal Gain position	} ATCAL (A1/1/R1008)	POS1 (A1/8/R1308)	YCAL (A2/2/R1309)
094 095 096 097 098 099 09A 09B 09C 09D	Gain x1, 2mV/div Gain /2.5, 2mV/div Gain x1, 5mV/div Gain /2, 5mV/div Gain x1, 10mV/div Gain /2, 10mV/div Gain x1, 20 mV/div Gain /2.5, 20mV/div Gain x1, 50mV/div Gain /2, 50mV/div	} ATCAL	VAR1 (A1/6/R1211)	YCAL

**Autocal of trigger gain MTB/DTB**

Via ATCAL a signal giving vertical deflection is applied. Coupling is dc and LEVMTB is varied such that the upper and lower level of the trigger gap are passed.

The gain is adjusted via MTRSEN. Next the same procedure is followed for DTB. Gain is adjusted with DTRSEN.

Errorcode	Calibration step	Input	Control signal	Output
0C1	Trigg. gain MTB dc, + slope	} ATCAL (A1/1/R1008)	LEVMTB (A1/12/R6622)	MTBCALTST (A1/16/D6011)
0C2	idem, - slope			
0C3	Trigg. gain DTB dc, + slope	} ATCAL	LEVDTB (A1/14/R7681)	DTBCALTST (A1/17/D7011)
0C4	idem, - slope			
0C5	Trigg. gap MTB upper, normal	} LEVMTB (A1/12/R6622)	MTRSEN (A1/12/R6554)	MTBCALTST
0C6	idem, lower, normal			
0C7	idem, upper, noise			
0C8	idem, lower, noise			
0C9	idem, upper, autaset			
0CA	idem, lower, autaset			
0CB	Trigg. gap DTB upper, normal	} LEVDTB (A1/14/R7681)	DTRSEN (A1/14/R7554)	DTBCALTST
0CC	idem, lower, normal			
0CD	idem, upper, noise			
0CE	idem, lower, noise			
0CF	idem, upper, autaset			
0D0	idem, lower, autaset			
0D1	Trigg. offs. MTB CH1, upper	} ATCAL	LEVMTB	MTBCALTST
0D2	idem, CH1, lower			
0D5	idem, CH2, upper			
0D6	idem, CH2, lower			
0D9	idem, CH3, upper			
0DA	idem, CH3, lower			
0DD	idem, CH4, upper			
0DE	idem, CH4, lower			
0D3	Trigg. offs. DTB CH1, upper	} ATCAL	LEVDTB	DTBCALTST
0D4	idem, CH1, lower			
0D7	idem, CH2, upper			
0D8	idem, CH2, lower			
0DB	idem, CH3, upper			
0DC	idem, CH3, lower			
0DF	idem, CH4, upper			
0E0	idem, CH4, lower			



## 9 SAFETY INSPECTION AND TESTS AFTER REPAIR AND MAINTENANCE IN THE PRIMARY CIRCUIT

### 9.1 GENERAL DIRECTIONS

- Take care that the creepage distances and clearances have not been reduced.
- Before soldering, bend the wires through the holes of the solder leads, or wrap the wires around the leads in the form of an open U, or, maintain wiring rigidity by cable clamps or cable lacing.
- Replace all insulating guards and plates after performing all repairs.

### 9.2 SAFETY COMPONENTS

For safety reasons, components in the primary circuit may only be replaced by components indicated in the replaceable parts list.

### 9.3 CHECKING PROTECTIVE GROUND

The correct connection and condition is checked by visual control and by measuring the resistance between the protective ground connection at the plug and the cabinet/frame. The resistance shall not be more than  $0.5 \Omega$ , test current 25A. During measurement the line cable should be removed from line power. Resistance variations indicate a defect.

### 9.4 CHECKING INSULATION RESISTANCE

Measure the insulation resistance at  $U = 500 \text{ V dc}$  between the line connections and the protective ground connections. For this purpose, set the mains switch to ON. The insulation resistance shall not be less than  $2 \text{ M}\Omega$ .

*NOTE: The insulation resistance of  $2 \text{ M}\Omega$  is a minimum requirement at  $40^\circ \text{C}$  and 95% relative humidity. Under normal conditions the insulation resistance should be much higher ( $10 \dots 20 \text{ M}\Omega$ ).*

### 9.5 CHECKING LEAKAGE CURRENT

The leakage current shall be measured between each pole of the line power supply in turn, and all accessible conductive parts connected together (including the measuring ground terminal). The leakage current is not excessive if the measured currents from the mentioned parts is  $\leq 0.5 \text{ mA rms}$  (without filter capacitor) or  $\leq 3.5 \text{ mA rms}$  (with filter capacitor).

### 9.6 VOLTAGE TEST

The instrument shall withstand, without electrical breakdown, the application of a test voltage between the supply circuit and accessible conductive parts that are likely to become energized. The test potential shall be  $1500 \text{ V rms}$  or dc equivalent at supply-circuit frequency, applied for one second. The test shall be conducted when the instrument is fully assembled, and with the primary switch in the ON position.

During the test, both sides of the primary circuit of the instrument are connected together and to one terminal of the voltage test equipment; the other voltage test equipment terminal is connected to the accessible conductive parts.