

5.5 CRT CONTROLS UNIT A5

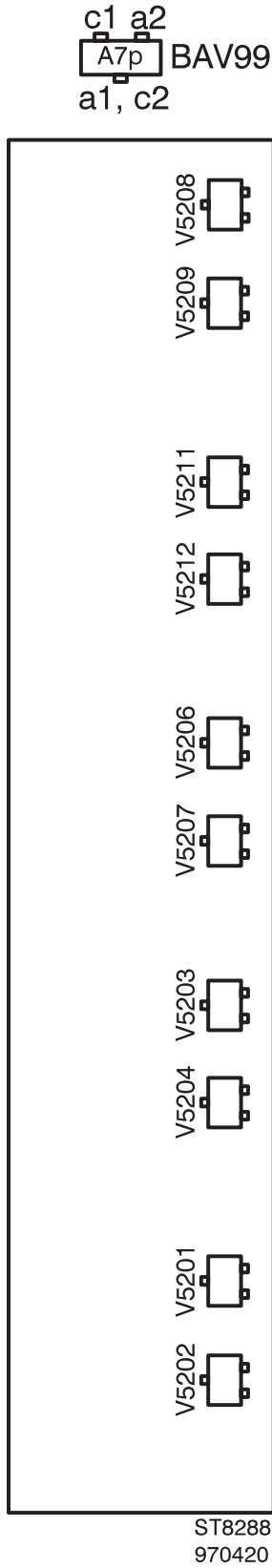
5.5.1 Description

Each rotary can occupy 4 different states. A rotary incorporates a rotor contact that can make contact with one of the two stator contacts. It is also possible that the rotor makes no contact. The last possibility is that the rotor makes contact with both stator contacts. Most of the rotaries are present on front unit A4. Via connector X5201 the rotaries on the CRT controls unit A5 are read out. The rotaries are read out via the ROT-BUS lines RA, RB, RC and RD that are made low one at a time. This results in a certain bit pattern at the input of key latch D5002 on unit A4. This bit pattern is read by the microprocessor via enable signal PSEN--LT from the front processor on unit A4.

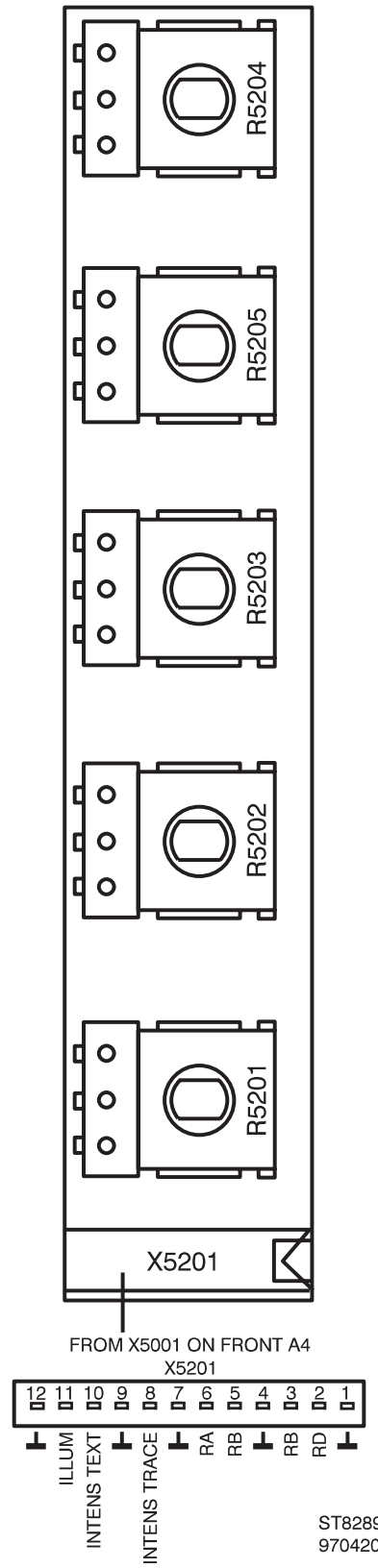
Diodes are used throughout the key and rotary matrix to guarantee that false information is not read by the microprocessor in case more than one control is operated at a time.

Note: The connectors X5001 on unit A4 and X5201 on unit A5 have opposite numeration.

5.5.2 Unit Lay-outs

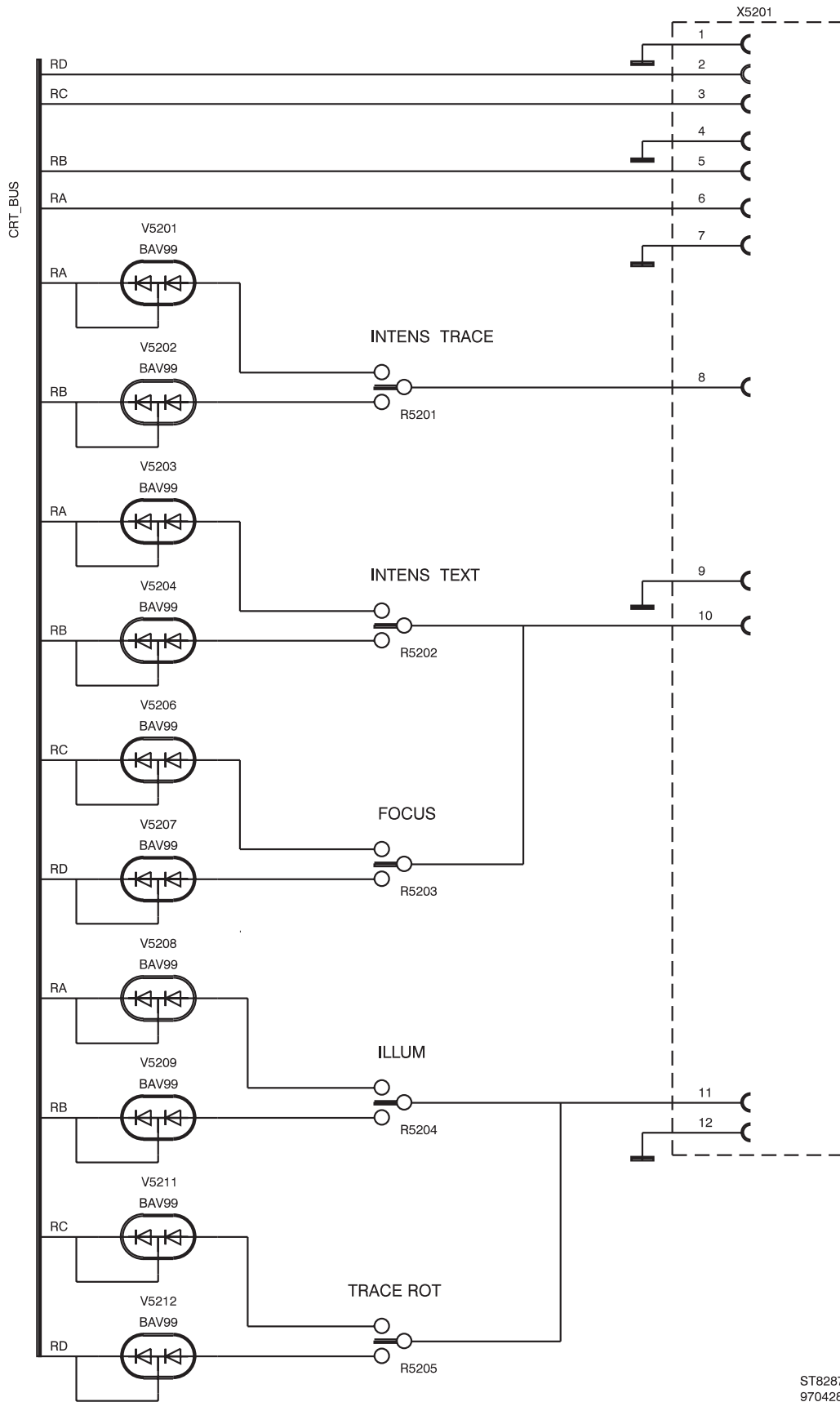


Lay-out 1; Small component side of CRT controls unit A5



Lay-out 2; Large component side of CRT controls unit A5

5.5.3 Circuit diagram



ST8287
970428

A5 - Diagram 1; CRT controls unit

5.5.4 Parts list**SEMICONDUCTORS**

V 5201	DIODE,CHIP	BAV99 PEL	5322 130 34337
V 5202	DIODE,CHIP	BAV99 PEL	5322 130 34337
V 5203	DIODE,CHIP	BAV99 PEL	5322 130 34337
V 5204	DIODE,CHIP	BAV99 PEL	5322 130 34337
V 5206	DIODE,CHIP	BAV99 PEL	5322 130 34337
V 5207	DIODE,CHIP	BAV99 PEL	5322 130 34337
V 5208	DIODE,CHIP	BAV99 PEL	5322 130 34337
V 5209	DIODE,CHIP	BAV99 PEL	5322 130 34337
V 5211	DIODE,CHIP	BAV99 PEL	5322 130 34337
V 5212	DIODE,CHIP	BAV99 PEL	5322 130 34337

ROTARY SWITCHES

R 5201	SWITCH,ROTARY	15-SL.PHILICODER	5322 105 90036
R 5202	SWITCH,ROTARY	15-SL.PHILICODER	5322 105 90036
R 5203	SWITCH,ROTARY	15-SL.PHILICODER	5322 105 90036
R 5204	SWITCH,ROTARY	15-SL.PHILICODER	5322 105 90036
R 5205	SWITCH,ROTARY	15-SL.PHILICODER	5322 105 90036

CONNECTORS

X 5201	CONNECTOR	P 1.25MM STR	4822 267 50668
--------	-----------	--------------	----------------