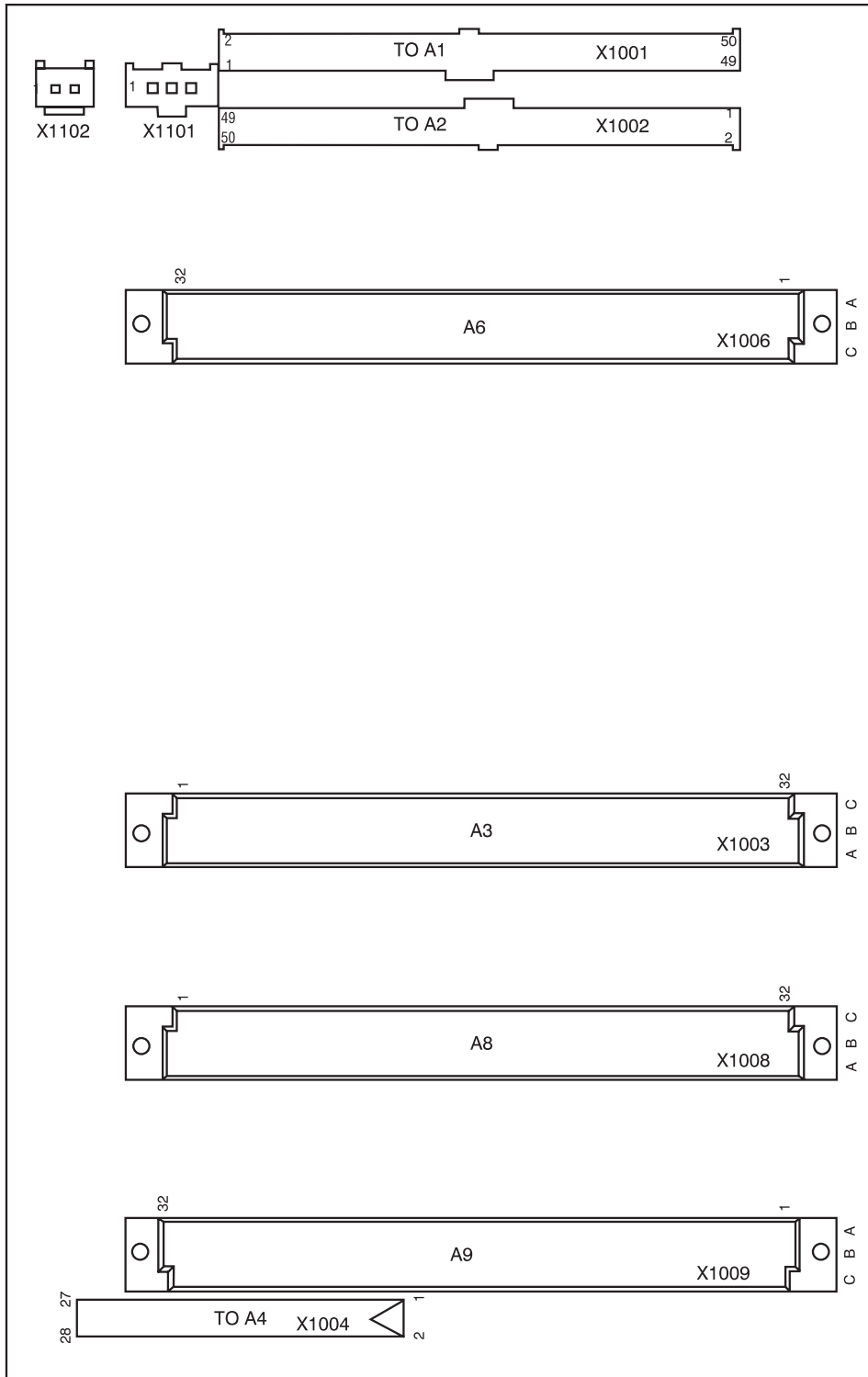


## 5.10 CONNECTOR BOARD A10

### 5.10.1 Unit lay-out

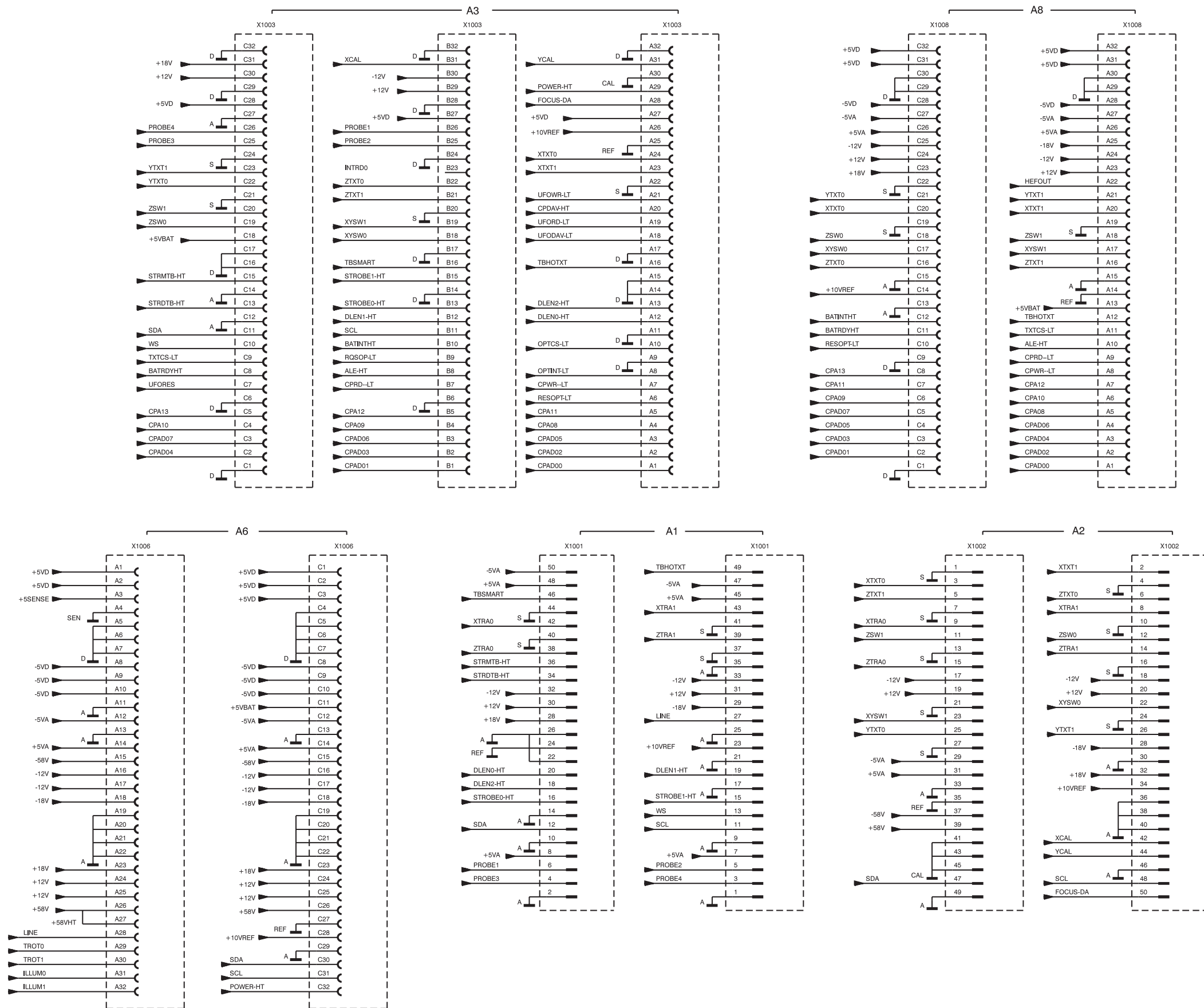


ST8350  
970728

Lay-out 1 - lay-out of connector board A10

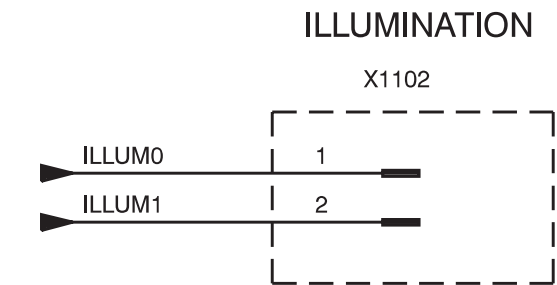
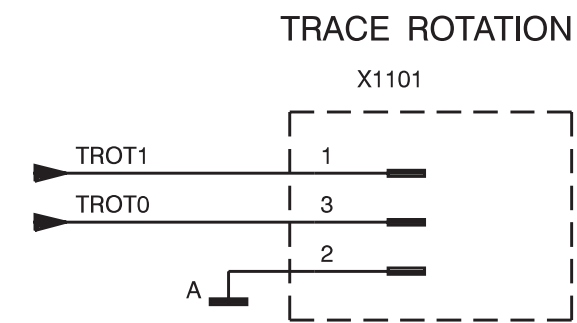
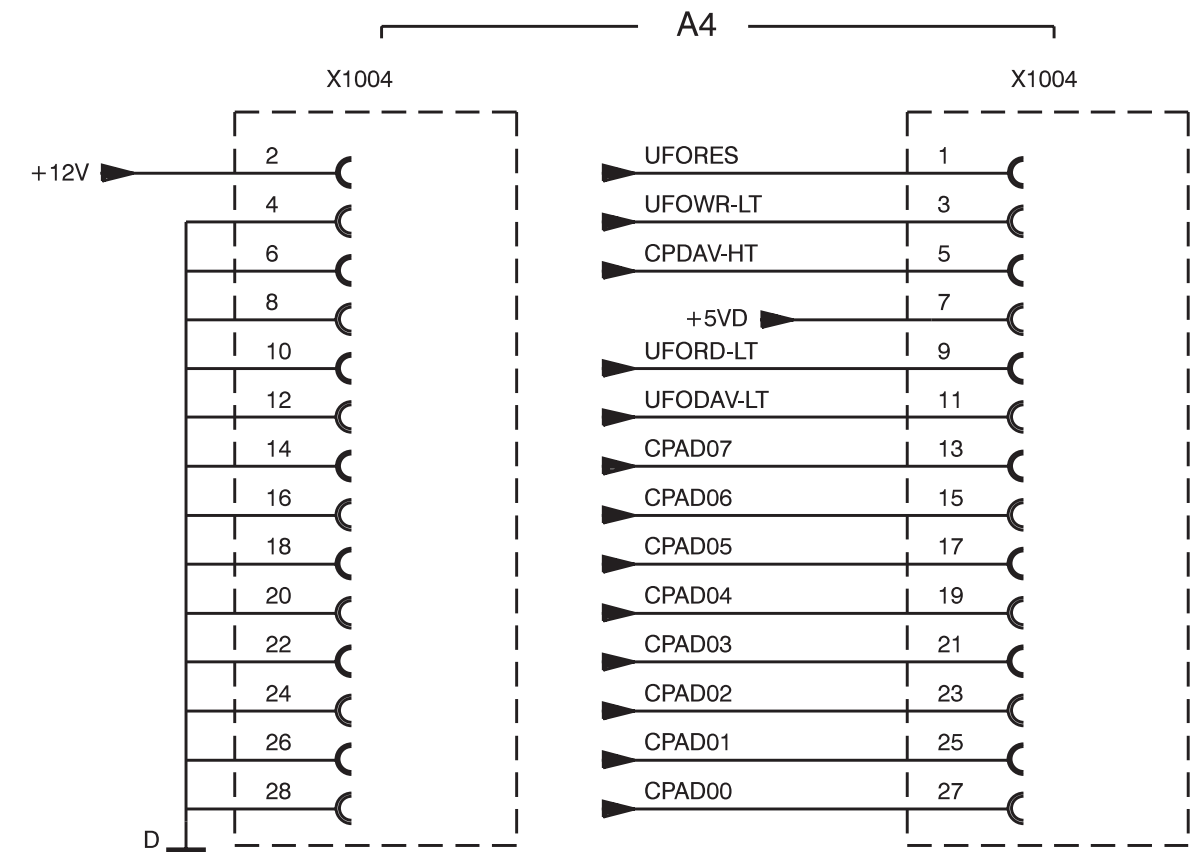
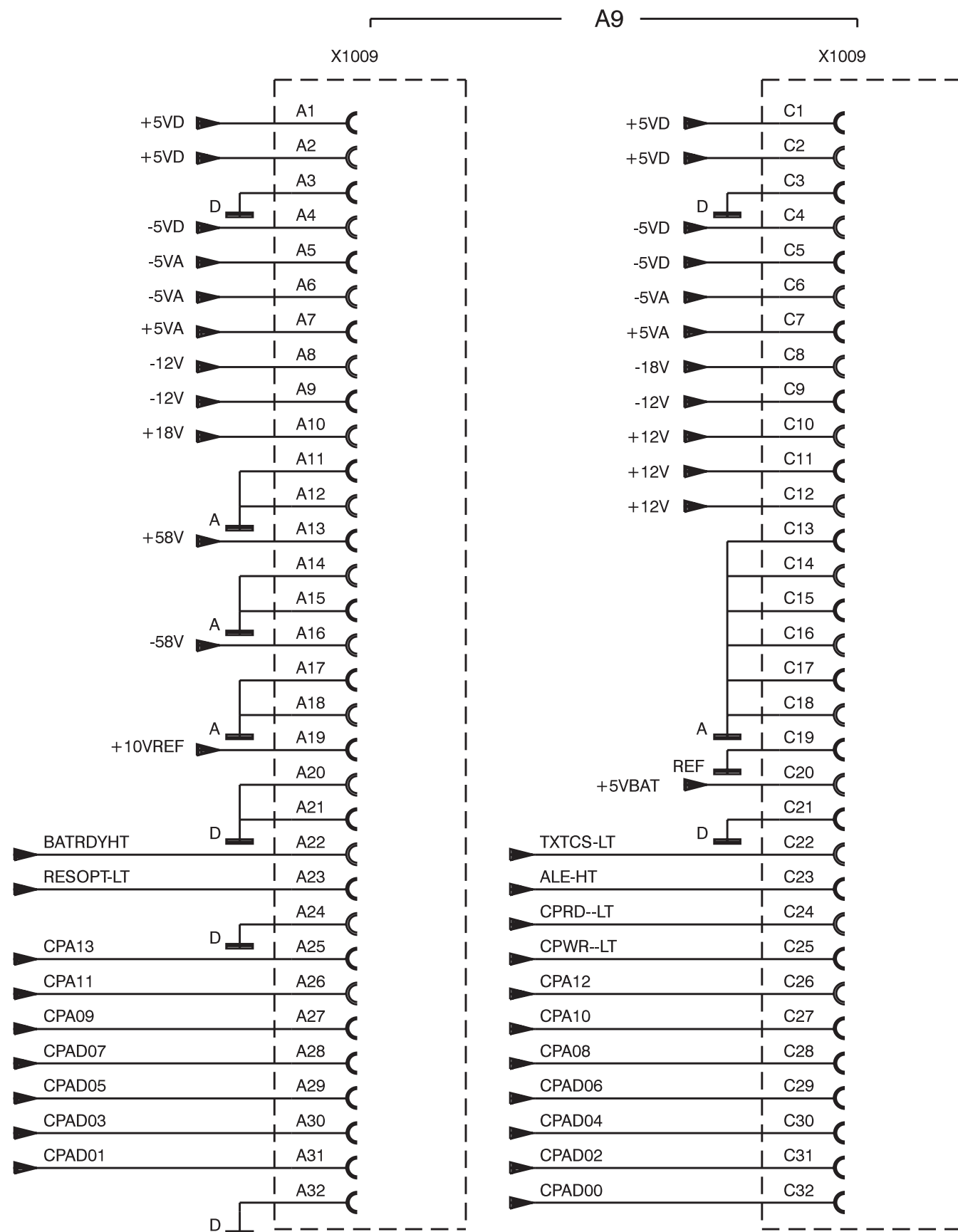


5.10.2 Circuit diagrams



A10 - Diagram 1; Connectors to unit A1, A2, A3 and A6

ST8354  
970728



ST8355  
970728

A10 - Diagram 2; Connectors to unit A4, A9, trace rotation and illumination

---

Item	Description		Ordering code
<b>5.10.3 Parts list</b>			
<b>CONNECTORS</b>			
X 1001	CONNECTOR	50-P DBL STRGHT	5322 265 61242
X 1002	CONNECTOR	50-P DBL STRGHT	5322 265 61242
X 1003	CONNECTOR	96-P 2.54MM	5322 267 51108
X 1004	CONNECTOR	P 1.25MM STR	5322 267 60311
X 1006	CONNECTOR	64-P 2.54MM	5322 267 70308
x 1008	CONNECTOR	96-P 2.54MM	5322 267 51108
X 1009	CONNECTOR	96-P 2.54MM	5322 267 51108
X 1101	CONNECTOR	3-P SNG STRGHT	5322 265 30434
X 1102	CONNECTOR	2-P SNG STRGHT	5322 265 20275

