

VIEW WITH FRONT PANEL LOWERED

WOH3043

Feeder Matching Unit (FMU) MA.1004

FEEDER MATCHING UNIT MA. 1004

CONTENTS

	<u>Para.</u>
TECHNICAL SPECIFICATION	
CHAPTER 1	GENERAL DESCRIPTION
	INTRODUCTION
	PHYSICAL DESCRIPTION
	BRIEF TECHNICAL DESCRIPTION
	AUTOMATIC TUNING
	MANUAL TUNING
	1 6 8 9 10
CHAPTER 2	INSTALLATION AND OPERATION
	INTRODUCTION
	INSTALLATION
	Initial Procedure
	Supply Voltage Tappings
	Installation into Transmitter Cabinet
	Connection of FMU in Transmitter Cabinet
	CONNECTOR FUNCTIONS
	OPERATING PROCEDURE
	CONTROLS AND INDICATORS
	INITIAL PROCEDURE
	MANUAL TUNING PROCEDURE
	AUTOMATIC TUNING PROCEDURE
	Fault Indication
	BY-PASSING OF FMU
	1 2 3 4 5 6 7 8 9 10 11 12 13 14
CHAPTER 3	PRINCIPLES OF OPERATION
	AUTOMATIC TUNING
	Initiation of a Tuning Sequence
	Coarse Tuning
	CoarseTune/Fine Tune Changeover
	Fine Tuning
	Ready condition
	'CORRECT RF' DETECTED
	SERVO PROTECTION
	SERVOS OFF
	FAULT SIGNALLING
	MANUAL TUNING
	2 6 8 13 15 16 17 18 19 20

CHAPTER 4

	Para.
DETAILED CIRCUIT DESCRIPTION	1
INTRODUCTION	3
OVERALL CIRCUIT	4
POWER SUPPLY MS448 (Prefix Codes 2 and 2A)	11
CONTROL UNIT MS450 (Prefix Code 3)	13
RANGE P.C. BOARD PS60 (Prefix Code 3B)	15
Delay Circuits	19
Thyristor Circuits	23
Trigger Pulse Circuit	24
TUNE P.C. BOARD PS59 (Prefix Code 3C)	26
Servo Condition Detector	28
AND Gate D3, D6	30
Gate TR6, TR7	31
Bistable TR10, TR12 and TR13	32
Relay and Time Delay Circuits	35
Servo Supply Switching Circuit	38
Coarse Tune Initiate Circuit	42
'Manual' Circuit	44
THE SERVO SYSTEMS	45
SERVO PRE-AMPLIFIERS PS108 (Prefix Code PS108)	51
SERVO POWER AMPLIFIERS MS265 (Prefix Codes 9 and 9A)	52
COIL, MOTOR AND GEARBOX ASSEMBLY MS451 (Prefix Codes 6 and 6A)	53
Motor and Limit Switches (Prefix Code 6)	55
Coarse-Tune Discriminator (Prefix Code 6A)	57
FINE-TUNE DISCRIMINATOR (Prefix Code 4)	58
Phase Discriminator	62
Amplitude Discriminator	65
CONSTANT-VOLTAGE AMPLIFIER MS454 (Prefix Codes 5 and 5A)	67
Ready Circuit	68
Coarse Tune Initiate Circuit	69
Servos Off Circuit	70
Fault Indicator Circuit	73
Servo Limit Circuit	74
CVA and Relay RLA	77
RF Detector	78
MICROSWITCH BANK (Prefix Code 7)	78

CHAPTER 5

FAULT LOCATION	1
INTRODUCTION	2
INITIAL FAULT LOCATION	3
FAULT LOCATION PROCEDURE (MANUAL OPERATION)	4
FAULT LOCATION PROCEDURE (AUTOMATIC OPERATION)	4
FAULT LOCATION AT RANGE TUNE AND PRE-AMPLIFIER BOARDS	5

CHAPTER 6	MAINTENANCE	Para
	INTRODUCTION	1
	ROUTINE MAINTENANCE	2
	Mechanical	3
	Electrical	5
	MECHANICAL RE-ALIGNMENT	6
	Coil and Gearbox	8
	Counter and Drive Assembly	9
	Microswitch Bank Coupling	10
	ELECTRICAL RE-ALIGNMENT	
	Test Equipment Required	11
	Power Supplies	12
	Coarse-Tune Discriminator Input level Adjustment	13
	Servo Pre-Amplifiers Adjustment	14
	Coarse-Tune Tracking	15
	Microswitch Cam Alignment	16
	Alignment of Fine-Tune Discriminators	17
CHAPTER 7	DISMANTLING AND REASSEMBLY	
	REMOVAL AND REPLACEMENT OF UNITS	
	Control Unit Removal	2
	Control Unit Replacement	3
	Counter and Drive Assemblies Removal	4
	Counter and Drive Assemblies Replacement	5
	Power Supply Removal	6
	Power Supply Replacement	7
	Loading Coil and Gearbox Assembly Removal	8
	Loading Coil and Gearbox Assembly Replacement	9
	Tuning Coil and Gearbox Assembly Removal	10
	Tuning Coil and Gearbox Assembly Replacement	11
	Discriminator Unit Removal	12
	Discriminator Unit Replacement	13
	Capacitor Bank Removal	14
	Capacitor Bank Replacement	15
	Microswitch Bank Removal	16
	Microswitch Bank Replacement	17
	Capacitor Bank Solenoids IRLA to IRLD Removal	18
	Capacitor Bank Solenoids IRLA to IRLD Replacement	19
	Coil Solenoids IRLE and IRLF Removal	20
	Coil Solenoids IRLE and IRLF Replacement	21
CHAPTER 8	COMPONENTS LIST	Page No.
	Main Chassis	8-1
	Power Supply Unit (MS448 and PS57) DA603514	8-3
	Control Unit (MS450) DA603422	8-6
	Range P.C. Board (PS60) ED603645	8-8
	Tune P.C. Board (PS59) ED603642	8-11
	Servo Pre-Amplifier P.C. Board (PS108) CC601093	8-15

CHAPTER 8

COMPONENTS LIST (Continued)

Fine-Tune Discriminator (MS449 and PS56) CA603454	8-17
Constant-Voltage Amplifier (MS454 and PS58) DC603545	8-19
Coil, Motor and Gearbox Assembly (MS451) CC603155	8-23
Coarse-Tune Discriminator (PS106) BC600506	8-24
Switchbank Assembly CA603351	8-25
Servo Power Amplifier (MS265) CC600191	8-26

Page No.

8-17

8-19

8-23

8-24

8-25

8-26

Table No.TABLES

Page No.

4.1	Selected Capacitors and Shorted Turns	4-4
5.1	Servo Motors Will not Rotate	5-3 ✓
5.2	Servos Will not Coarse-Tune Correctly	5-3 ✓
5.3	Servo Motors Will Not Rotate in 'Fine-Tune' Condition	5-4 ✓
5.4	Servos Will Not Fine-Tune Correctly	5-6 ✓ E ✓

ILLUSTRATIONS

Frontispiece	Fig. 1
Manual Coarse-Tuning Graph	Fig. 2
Simplified Block Diagram	Fig. 3
Functional Diagram	Fig. 4
Layout: Front and Sub-Front Panels	Fig. 5
Layout: Power Supply Unit (MS448)	Fig. 6
Layout: Power Supply Unit PC Board (PS57),	Fig. 7
Circuit: Power Supply Unit (MS448 and PS57)	Fig. 8
Layout: Control Unit (MS450)	Fig. 9
Layout: Motherboard (PW178)	Fig. 10
Circuit: Control Unit (MS450)	Fig. 11
Layout: Range PC Board (PS60)	Fig. 12
Circuit: Range PC Board (PS60)	Fig. 13
Layout: Tune PC Board (PS59)	Fig. 14
Circuit: Tune PC Board (PS59)	Fig. 15
Circuit and Layout: Servo Pre-Amplifier P.C. Boards (PS108)	Fig. 16
Phase Discriminator Vector Diagrams	Fig. 17
Layout: Fine-Tune Discriminator (MS449)	Fig. 18
Layout: Fine-Tune Discriminator PC Board (PS56)	Fig. 19
Circuit: Fine-Tune Discriminator (MS449 and PS56)	Fig. 20
Layout: Constant-Voltage Amplifier (CVA)(MS454)	Fig. 21
Layout: CVA P.C. Board (PS58)	Fig. 22
Circuit: Constant Voltage Amplifier (CVA)(MS454 and PS58)	Fig. 23
Layout: Coil, Motor and Gearbox (MS451)	Fig. 24
Circuit: Motor and Gearbox (MS451)	Fig. 25
Circuit and Layout: Coarse Tune Discriminator PC Board (PS106)	Fig. 26
Layout: Switchbank Assembly	Fig. 27
Circuit: Switchbank Assembly	Fig. 28
Circuit and Layout: Servo Power Amplifier (MS265 and PS201)	Fig. 29
Layout: Top View and Sub-Front Panel MA.1004	Fig. 30
Layout: Underside View MA.1004	Fig. 31
Interconnection Diagram: MA.1004 Feeder Matching Unit	

TECHNICAL SPECIFICATION

Frequency Range	1.6 - 30MHz
Input Power	50W - 1.25kW
Load Impedance	50 ohm nominal - maximum VSWR 3:1
Input Impedance	50 ohm nominal
Harmonic Output	50mW maximum (when used with Racal range of solid state transmitters).
Tuning Time	8 Seconds Maximum 3 Seconds Typical
Low level input	25 - 200mW
Low level input impedance	50 ohm nominal
Power Consumption	350 VA maximum
Mains Input (Voltage Range ((Frequency Range	210V - 250V +6% -10% 47 - 60Hz
Type of Tuning	Automatic with manual override
Weight	30kg (66lb)
Dimension	266mm (10,5/8in.) x 600mm (24in.) x 482mm (19 $\frac{1}{4}$ in.)
Temperature Range (Storage (Operating	-40°C to +70°C -10°C to +55°C
Relative Humidity (Operating)	95% at 40°C

CHAPTER 1

GENERAL DESCRIPTION

INTRODUCTION

1. The MA.1004 Feeder Matching Unit (FMU) matches the 50 ohm output of the Racal 1KW and 500W wideband solid-state linear amplifiers to antennas having impedances of up to 3:1 VSWR relative to 50 ohm.
2. A power output of 1kw CW can be accepted, in the range 1.6 to 30MHz. Tuning of the FMU is carried out automatically; the maximum time required for a frequency change is eight seconds, average time is three to four seconds. Manual tuning facilities are provided for emergency or maintenance purposes.
3. The matching network consists of two variable inductors and a switched bank of ceramic capacitors arranged in 'T' configuration. The matching network also forms a low-pass filter which attenuates harmonics of the wanted frequency.
4. The FMU is a self-contained unit complete with power supply. It is, however, normally operated only within the associated transmitter cabinet.
5. The FMU is servo-tuned in two sequences, an initial coarse-tune sequence followed by a fine-tune sequence. A low level (25mW into 50 ohm) drive is required for coarse-tuning, followed by a high power (50W minimum) input. The low-level drive is the normal output from the drive unit to the linear amplifier, the high-power signal is the output from the Linear Amplifier to the antenna.

PHYSICAL DESCRIPTION

Figs 29 & 30

6. The FMU is normally mounted on angle supports within the main transmitter cabinet. The unit can be withdrawn from the front of the cabinet but cannot be operated in the withdrawn position. The dimensions and weight are given in the Technical Specification.
7. The unit is constructed of sheet metal and embodies a main chassis upon which is mounted the sub-assemblies. A prefix coding system is used to provide unique identification of units, boards and components as listed below.

<u>Sub-Assembly</u>	<u>Prefix Ref.</u>
Main assembly (chassis)	1
Power Supply MS448	2
Including	
Power Supply PC Board PS57	2A

<u>Sub-Assembly</u>	<u>Prefix Ref</u>
Control Unit (MS450)	3
Including	
Motherboard PW178	3A
Range PC Board PS60	3B
Tune PC Board PS59	3C
Tune Servo Pre-amplifier PC Board PS108	PS108 (Tune)
Load Servo Pre-amplifier PC Board PS108	PS108 (Load)
Fine-Tune Discriminator (MS449)	4
Including	
Discriminator PC Board PS56	4A
Constant Voltage Amplifier (CVA) (MS454)	5
Including	
CVA PC Board PS58	5A
Coil, Motor and Gearbox Assembly (MS451) (Two)	6 (Coils are identified as IL1 and IL2)
Including	
Coarse-Tune Discriminator (PS106) (Two)	6A
Microswitch Bank Assembly	7
Tune Servo Power Amplifier (including PC Board PS201)	
(MS265)	9
Load Servo Power Amplifier (including PC Board PS201)	
(MS265)	9

BRIEF TECHNICAL DESCRIPTION

8. The RF network is a 'T' section filter comprising two continuously variable inductors and a bank of fixed ceramic capacitors, combinations of which are selected in eight ranges appropriate to the operating frequency. The wipers of the variable inductors are each positioned by an integral motor and gearbox which is driven by associated power and pre-amplifiers forming two independent Servo systems. The appropriate ceramic capacitors are connected by spring contacts, each operated by a solenoid and selected by the control unit. A section of each variable inductor is shorted out on the two highest frequency ranges by a similar mechanism.

AUTOMATIC TUNING

9. The sequence of Automatic Tuning is as follows:-

(a) Coarse Tuning

The low level RF drive to the Linear Amplifier from the Drive Unit is removed and rerouted, via a constant voltage amplifier (CVA), to the two coarse-tune discriminators. The outputs of the coarse tune discriminators are switched to the two servo amplifiers. The capacitor bank is then reset to neutral (i.e. no capacitors selected). The servo motors drive the wipers of the coils to the

correct position to obtain zero output from the discriminators, i.e. the coarse-tuned condition.

(b) Coarse Tune/Fine Tune Change over

When the servo motors have completed coarse tuning and a detector has sensed that the servo amplifier outputs have fallen to a sufficiently low level (i.e. servo motors stopped), the control circuit allows the unit to change over to fine tune. At this time, using information from the motor-driven microswitch bank, the correct combination of ceramic capacitors appropriate to the coil position (and hence frequency range) is selected. The RF drive is then removed from the coarse tune discriminators and reconnected to the linear amplifier, and the servo amplifier inputs are switched to the fine tune discriminator output.

(c) Fine Tuning

The fine tune discriminators sample the amplitude and phase of the input signal to the 'T' network and provide zero outputs when the nominal 50 ohm resistive condition is obtained. The phase discriminator drives the 'tuning' coil wiper and the amplitude discriminator drives the 'loading' coil wiper. The servos are allowed to fine tune for a short period (about 1½ seconds) and then a large time constant (integrator) is switched into each servo pre-amplifier feedback loop to prevent hunting. This has the effect of severely reducing the a.c. loop gain, but maintaining a high d.c. loop gain and hence high accuracy.

(d) Ready Condition

After a period of about three seconds from the coarse-tune fine-tune change over the control circuits provide a 'ready' signal output. The servos can then be inhibited, via a link in the 'Tune' P.C. Board, or can be left energized, dependent upon the transmitter system requirements.

MANUAL TUNING

10. During manual tuning, the servo system is inhibited and the selection of frequency range is made at a rotary switch situated on the control unit. This unit also contains two other switches associated with manual tuning (i) the line switch, used to select any one of four coaxial line lengths between the linear amplifier RF output and the FMU input (the lines are situated in the cabinet and in automatic operation are selected by external means) and (ii) the manual TUNE/READY switch, which is used to override the 'unready' output signal.

11. Both the manual range switch and the manual line switch operate via the range p.c. board to generate the necessary timing sequence so that arcing due to RF cannot occur at the capacitor or inductor contacts as they open and close. The variable inductors are positioned manually using the front panel control knobs in conjunction with the coarse tuning graph and the fine tune discriminator output meter.

CHAPTER 2

INSTALLATION AND OPERATION

INTRODUCTION

1. The Installation section of this chapter gives the procedures and connections necessary during initial installation (or re-installation after major maintenance) of the unit. The operating procedures are described in para. 8 and subsequent.

WARNING. DURING OPERATION HIGH-LEVEL RF VOLTAGES ARE PRESENT AT THE RF INPUT AND RF OUTPUT CONNECTORS AND SUPPLY VOLTAGES ARE PRESENT AT CERTAIN MULTI-WAY CONNECTORS; THESE CONNECTORS ARE ACCESSIBLE WHEN THE HINGED FRONT PANEL IS LOWERED. ENSURE THAT POWER IS REMOVED BEFORE ANY CONNECTOR IS DISTURBED.

INSTALLATION

2. The MA.1004 normally forms part of a 1KW or 500W Transmitter Terminal and is mounted in the transmitter cabinet. The following instructions assume that the MA.1004 is to be installed in the transmitter cabinet.

Initial Procedure

3. After unpacking the unit, carry out a careful visual check for any damage that may have been incurred during transit or storage. Lower the hinged front panel and remove the top cover of the unit and check that the interior is free of packing material etc. Raise the hinged front panel.

Supply Voltage Tappings

4. Remove the top cover of the unit and check that voltage tappings are set to suit the local supply voltage (see fig.5). Adjust tappings if necessary, and replace the cover over the FMU, ensuring that the longer screw is fitted in the central position.

Installation into Transmitter Cabinet

5. (1) Ensure that all power is removed from the cabinet.
(2) Remove blanking panel (if fitted) from the cabinet, and lower the hinged meter panel.
(3) Arrange the cabinet connecting cables so that they are positioned as close to the cabinet sides as possible, with connectors protruding from the front of the cabinet.

- (4) Lift the FMU (two people are required) and slide it into the cabinet, ensuring that cables and connectors are not trapped or damaged. Do not slide the unit fully into place, but leave it protruding 60 to 80mm (2 to 3in)
- (5) Lower the hinged front panel of the FMU.
- (6) Support the cables and slide the FMU fully into the cabinet.
- (7) Secure the FMU with the front panel screws. If necessary release the hinged front panel support arms and lower the panel to its fullest extent to gain access to screws. Replace the support arms in their normal position after securing the FMU.

Connection of the FMU in Transmitter Cabinet

6. (1) Connect the cabinet cables to the FMU as given in the table below, ensuring that the cables do not obstruct the movement of the hinged panel or the manual tuning controls when the panel is raised.

<u>Cabinet Connector</u>	<u>Connects to</u>	<u>FMU Connector</u>	<u>Remarks</u>
1SK35		1PL1	Mains supply. Arrange the cable to lie along the hinged panel between the hinge and the constant voltage amplifier (CVA) to its mating connection.
1PL28		5SK1	Low-level RF output
1SK32		5PL1	Low-level RF input
1SK34		5PL2	Control/Interface connections. Push in the connector, move the slide lock retainer to allow connector to mate fully then move the slide to 'locked' position.
1PL24		RF Input	High-power RF input
1PL26 (see note)		RF Output	High-power RF output

Note: The RF output cable of the cabinet is of extra length to allow the FMU to be by-passed if required (see para. 14). Additional cable should be stowed by pushing carefully into the side skin of the cabinet.

CONNECTOR FUNCTIONS

7. NOTE: If the FMU does not form part of a Racal Transmitter it is important to ensure compatibility of equipment.

<u>Plug and Pin No.</u>	<u>Function</u>	<u>Input or Output</u>	<u>Circuit Logic</u>
1PL1	Supply	Input	210 to 250V +6% -10% 47 to 65Hz
Pin (a)	Line		
Pin (b)	Neutral		
Pin (c)	Earth		
5PL1 (50 ohm Coaxial)	Low level RF from Exciter	Input	25-200mW 1.6-30MHz
5SK1 (50 ohm Coaxial)	Low level RF to Linear Amplifier	Output	As input from exciter (5PL1)
5PL2	Control/Interface connections		
Pin 1	Fault	Output	OV = fault +12V = normal
Pin 2	Tune	Input	OV = Tune open circuit = normal
Pin 3	Ready	Output	OV = Ready +12V = Not ready
Pin 4	Earth from Contactor	Input	OV = Normal Open circuit = otherwise
Pin 5	Earth		
Pin 6) Pin 7)	External Ready Lamp	Output	30V from 120 ohm source resistance for 24V, 55mA lamp
Pin 8	Coarse Tune Initiate	Input	Open circuit or +12V = C.T. Initiate OV = Normal
Pin 9	Servos Off	Input	OV = Servos Off Open circuit or +12V = normal
Pin 10	Line 2	Output	OV to energise cabinet line 2 selection relay. Open circuit = relay not energised.

5PL2 (contd)				
<u>Plug and Pin No.</u>	<u>Function</u>	<u>Input of Output</u>	<u>Circuit Logic</u>	
Pin 11	Line 3	Output	OV to energise cabinet line 3 selection relay, Open circuit = relay not energised	
Pin 12	+30V switched	Output	+30V supply to line selection relays in 'fine-tune' condition. Open circuit otherwise.	
Pin 13	Manual	Output	+30V for 'manual' output to line switching unit (when fitted). Open circuit in 'auto'.	
Pin 14	+30V Unstabilized	Output	+30V nom = 30V unstabilized supply available. Open circuit = 30V supply not available.	
Pin 15	+30V stabilized	Output	+30V = stabilized supply to line switching unit available (when fitted). Open circuit in other conditions.	
4SK1 (50 ohm coaxial)	High-Power RF from linear amplifier	Input	1.25KW maximum 1.6 to 30MHz	
1SK1 (50 ohm coaxial)	High-Power RF from FMU	Output	as input from Linear Amplifier Amplifier (4SK1)	

OPERATING PROCEDURE

8. When the FMU has been correctly installed as part of a Racal Transmitter Terminal it is normally only necessary to carry out the extremely simple Automatic Tuning procedure given in para. 12, after carrying out the Initial Procedure (para.10). It is however, advisable to carry out the manual tuning Procedure given in para. 11 following initial installation or major maintenance to ensure that the FMU is set-up correctly. The FMU cannot be operated as an independent unit.

CONTROLS AND INDICATORS

Fig. 4

9. The following controls and indicators are fitted to the FMU.

Front Panel

Note: Only the Front panel controls and indicators are used during Automatic Tuning.

- (1) SUPPLY ON Push-button switch and indicator lamp

- (2) TUNE Push-button switch and indicator lamp. The switch is not normally used when the FMU forms part of a Racal Transmitter Terminal. The indicator lamp illuminates during a tuning sequence.
- (3) READY indicator lamp. Illuminates when the FMU is ready to accept traffic.
- (4) SERVO LIMIT indicator lamp. Illuminates when an inductor is driven to an extreme position (see para. 13).

Sub Front Panel (Accessible when Front Panel is lowered)

- (5) TUNE control and counter. Allows manual operation of the TUNE inductor.
- (6) LOAD control and counter. Allows manual operation of the LOAD inductor.
- (7) Circuit Breakers CB1, CB2 and CB3. These protect the FMU power supplies.
- (8) DISCRIMINATOR BALANCE meter and three position switch. Used during manual tuning (para. 11).
- (9) MANUAL switch. The AUTO position is normally used (para. 12). The SERVOS OFF position inhibits the servo motors. The remainder of the positions are used during manual tuning (para. 11).
- (10) LINE switch. This switch is used during manual tuning (para. 11).
- (11) TUNE/READY switch. Used after manual tuning to signal 'ready' to drive unit.

INITIAL PROCEDURE

10. The following procedure should be carried out prior to Automatic or Manual operation.
 - (1) Ensure that the SUPPLY switch on the front panel is OFF.
 - (2) Check that the Installation Procedure (paras. 2 to 7) has been correctly carried out.
 - (3) Lower the front panel and check that the circuit breakers CB1, CB2 and CB3 are ON. Raise front panel.
 - (4) Check that the FMU output is connected to a suitable antenna or dummy load.
 - (5) Mute the output from the drive unit and switch on the system cabinet.
 - (6) Depress the SUPPLY ON push-button and check that the associated green indicator lamp illuminates.

MANUAL TUNING PROCEDURE

11. (1) Carry out the Initial Procedure (para. 10)
- (2) Set the TUNE/READY switch to TUNE.
- (3) Select the required frequency range at the MANUAL switch. When a frequency is at the end of two bands either band can be selected (e.g. when 2.0000MHz frequency is required either the 1.75 - 2 or the 2 - 2.5 range can be used).
- (4) Set the LINE switch to LINE 1.
- (5) Switch on the drive unit and set to give an output of between 25mW and 200mW at the selected frequency (see appropriate System Handbook).
- (6) Referring to the tuning graph (fig. 1) rotate the manual TUNE control until the appropriate counter setting for the required frequency is indicated.
- (7) Refer to graph and set the LOAD control to the appropriate counter setting.
- (8) Adjust the manual TUNE and LOAD controls alternately until the DISCRIMINATOR BALANCE meter needle is centralised, setting the meter switch to TUNE or LOAD as required.
- (9) Switch the meter circuit of the linear Amplifier to monitor the FORWARD POWER output (as given in the appropriate handbook) and note the reading.
- (10) Set the switch on the FMU to LINE 2.
- (11) Repeat operation (8)
- (12) Note the FORWARD POWER output of the linear amplifier
- (13) Repeat operations (8) and (9) with LINE 3 selected.
- (14) Repeat operations (7) and (9) with LINE 4 selected.
- (15) Select the LINE position that gives the greatest power output and finally re-adjust the TUNE and LOAD controls.
- (16) Set the TUNE/READY switch to READY and the DISCRIMINATOR BALANCE switch to OFF. The FMU is now correctly tuned.

AUTOMATIC TUNING PROCEDURE

12. (1) Check that the Initial Procedure (para. 10) has been carried out.

- (2) When the FMU forms part of a Racal Transmitter System, the tuning initiation procedure is normally carried out automatically. The TUNE lamp will be illuminated whilst the servos are tuning, followed by the illumination of the READY lamp after a short delay.
- (3) Switch on the drive unit and adjust it to give an output of between 25mW and 200mW at the selected frequency (see appropriate System Handbook).
- (4) If tuning is not automatically initiated the TUNE push-button should be depressed to initiate a tuning cycle. Alternatively, a TUNE input can be provided at 5PL2-2.

NOTE 1 A tuning sequence will be initiated each time the TUNE button is depressed. No RF output is available from the transmitter when the TUNE button is depressed.

NOTE 2 The selection of a line suitable for the operating frequency (operations 10 to 15 of the manual Tuning Procedure, Para. 11), is carried out automatically during the automatic Tuning Procedure.

- (5) The operation of the automatic system can be checked, if required, by ensuring that the counters adjacent to the TUNE and LOAD controls indicate approximately in accordance with the tuning graph (fig 1) at the end of coarse tuning.

Fault Indication

13. A front panel SERVO LIMIT indicator is illuminated if either inductor is driven to its extreme of travel. If this occurs initiate another tuning procedure. If fault is still present check the input frequency and the output load impedance. If fault persists refer to Chapter 5.

BY-PASSING OF FMU

14. If a failure of the FMU occurs the associated transmitter can continue in operation with a degraded VSWR by by-passing the FMU. The following procedure should be used.
- (1) Switch off the power supply to the cabinet.
 - (2) Lower the hinged panel of the FMU.
 - (3) Disconnect the high-power cables from the RF INPUT and RF OUTPUT sockets, and join them together, using the adaptor which is normally clipped to the FMU sub-front panel.
 - (4) Disconnect the low level RF connectors 5PL1 and 5SK1 and connect them together.
 - (5) Switch on the power supply to the cabinet.

CHAPTER 3

PRINCIPLES OF OPERATION

1. The following paragraphs describe the operation of the FMU during a tuning sequence to suit a change of frequency. Reference should be made to the functional diagram fig.3.

AUTOMATIC TUNING

Initiation of a Tuning Sequence

2. A tuning sequence is initiated by a +12V or open circuit input at 5PL2-8 or, alternatively, by a OV input at 5PL2-2. The front panel TUNE button may also be used in local applications. All three tune signals are commoned and fed to the Tune Board 3C pin 23, then, via 3CTR5 and 3CTR6 to the bistable 3CTR12, 3CTR13, which is reset. This removes the OV Fine Tune signal from 3C pin 16 and de-energises 3CRLA (para.4). At the same time 3CTR14, 3CTR15 and their associated delays are reset, de-energising 3CRLC, removing the Ready output (pin 28) and illuminating the TUNE indication lamp via 3CTR17 and pin 29.
3. Theremoval of the OV 'Fine-Tune' signal from 3C pin 16 (which is connected to 3B pin 30), results in an open circuit at 3B pin 29 (via 3BTR1 to 3BTR5). The relay 5RLA is, therefore, de-energized (para. 5). The open circuit at 3B pin 29 also removes the +30V output from 3B pin 27 (via 3BTR1, 3BTR6 to 3BTR13), de-energizing the solenoids IRLA to IRLF and relay 3RLA.
4. Relay 3RLA switches the servo pre-amplifier inputs to the outputs of the coarse-tune discriminators. Relays 3CRLA and 3CRLC set the gain of the servo pre-amplifiers to the coarse-tune state.
5. Relay 5RLA removes the low-level RF drive from the linear amplifier input and re-routes it, via the constant voltage amplifier (5TR1, 5TR3, 5TR4, 5TR6, 5TR8, 5TR10), to the coarse-tune discriminator inputs.

Coarse Tuning

6. The drive signal (low-level RF input) is fed to the coarse-tune discriminators which provide d.c. outputs. The outputs are amplified by the servo pre- and power amplifiers and cause the motors to drive the coil wipers to new coarse-tune positions.
7. The outputs from the servo pre-amplifiers are also applied (via 3CTR1 to 3CTR4) to gate 3CTR7, and inhibit its output until both pre-amplifier outputs have fallen below a reference level, i.e. until both servos have stopped.

Coarse Tune/Fine Tune Changeover

8. When all three input conditions of gate 3CTR7 (i.e., the two servo pre-amplifier outputs (para.7) and the 'correct RF' condition (para.16)), are satisfied, bistable 3CTR10, 3CTR12, 3CTR13 changes state (i.e. latches) and can only be reset by a coarse-tune initiate signal as described in paragraph 2.
9. The change of state results in
 - (1) a 0V Fine Tune output at 3C pin 16.
 - (2) RLA being energised, reducing the gain of servo pre-amplifiers.
 - (3) Delays 3CR27, 3CC10, 3CTR14 and 3CR28, 3CC11, 3CTR15 commence.
10. The 0V Fine Tune signal at 3C Pin 16 and 3B Pin 30 causes the output at 3B pin 27 to rise to 30V via 3BTR6 to 3BTR12 and, after a short delay, 3B Pin 29 to be grounded via 3BTR2 to 3BTR5, thus energising 5RLA (paragraph 12).
11. When the output at 3B Pin 27 rises to +30V, a trigger pulse is generated at 3B pin 26 by 3BTR13, and is routed via switch 3SA1 and the microswitch bank (Unit 7) to the appropriate range input on the Range PCB. The pulse is then encoded by diodes and used to select the appropriate combination of capacitors and coil connections in the main RF network by means of solenoids IRLA to IRLF. At the same time, relay 3RLA is energised, connecting the output of the fine-tune discriminators to the servo pre-amplifiers (paragraph 10).
12. When relay 5RLA changes over, (paragraph 10) the low-level RF drive is removed from the CVA (and coarse-tune discriminators) and re-applied to the linear amplifier input, thus providing a high-power input at 4SK1.

Fine Tuning

13. The outputs of the fine-tune discriminator (Unit 4) cause the servos to drive the coil wipers to the fine-tune position, giving a nominal 50 ohm resistive condition at 4SK1.
14. When delay 3CR27, 3CC10, 3CTR14 elapses, relay 3CR1C is energised, switching a large time constant into the servo pre-amplifiers. This drastically reduces the AC loop gain to prevent hunting, but maintains a high DC gain, giving high accuracy.

Ready Condition

15. When delay 3CR28, 3CC11, 3CTR15 has elapsed, the READY lamp is illuminated via TR16, and the TUNE lamp extinguished, via TR17. At this stage the servos are normally inhibited via the servo pre-amplifier supply gate (3CTR20 to 3CTR23) and link 3LK1. If required, however, the servos may be left energised by the removal of link 3LK1.

'CORRECT RF' DETECTED

16. If the low-level RF input is removed during any stage of the tuning procedure, (or during the 'ready' condition when servos are active), the servos are inhibited after a short delay via the RF detector 5TR15, 5TR16, 5TR17 and 3TR18 to 3TR23. This ensures that the servos cannot 'drift' away from the correctly tuned position in the absence of a compensating output from either the coarse or fine-tune discriminators. If this condition occurs in coarse tune, the coarse tune/fine tune changeover is inhibited via 3CTR7 until the RF is re-applied and coarse tuning is correctly completed. (paragraph 8).

SERVO PROTECTION

17. Current Limit Detector circuits are fitted to prevent the servo motors drawing excessive starting currents. The power amplifier output current is sensed by 9R1 which provides a control voltage via 9D1 to 9D6, to the pre-amplifiers, thus reducing the gain of the system and limiting the output current.

SERVOS OFF

18. At any stage of tuning, or afterwards, the servos may be switched off by two methods. The first is by operation of the manual range switch to the SERVOS OFF position. The second is by application of an external servos off (OV) signal to 5PL2-9. In either case, +30V is applied to 3C Pin 30 which opens the servo pre-amplifier supply gate 3CTR20 to 3CTR23.

FAULT SIGNALLING

19. Both Positive and Negative stabilised supplies are monitored, and, in the event of either supply failing, 5TR11-14 produce a fault output (OV) on 5PL2-1 provided that an external earth is applied on 5PL2-4. This earth is routed via the cabinet contactor, so that a fault output is not produced when the cabinet is switched off. If either servo runs to its limit position it operates a microswitch, which is used to disconnect the motor drive, and to illuminate the front panel SERVO LIMIT indicator. The servo limit condition also produces a fault output on 5PL2-1.

MANUAL TUNING

20. During manual operation the servo systems are completely inhibited and the selection of frequency range and line must be made by the operator (See Chapter 2.).
21. When switch 3SA is set to any of the manual range positions, +30V is applied to 3C Pin 25, via 3SA3 and 3SC1, causing 3CTR8 to 'pull down' the input to TR5, thus providing a 'tune' signal. The Fine Tune output on 3C Pin 16 is therefore removed but, after delay 3CR22, 3CC8 has expired is reapplied through 3CTR8, 3CTR9. The trigger pulse from 3B Pin 26 (para. 11) is now routed through 3SA1 to the appropriate range input on the range P.C.B. and through 3SA2, 3SC2 to the appropriate line input(a) on the range p.c.b.

22. The range P.C.B. operates normally to select appropriate capacitor combinations and coil connections; in addition it selects line lengths, at the transmitter, as the normal selection method is overridden by the manual signal.
23. If either 3SA or 3SC is moved to another position, the +30V signal on 3C Pin 25 is briefly interrupted as the switch passes between positions, therefore the OV fine tune output from 3C Pin 16 is momentarily lost. This causes the solenoids IRLA to IRLF to be unlatched. When the +30V reappears a trigger pulse is generated to reselect the combination appropriate to the new switch position. There is no necessity to remove the drive because the normal protective time sequencing operates during manual conditions.
24. Selection of a manual range applies a tune signal to 3C Pin 23, therefore the 'Ready' output must be provided manually. This is achieved by operation of switch 3SB which grounds 3CTR15 output via 3CTR8 (in 'manual' only), removes the TUNE output, and provides a READY output.

CHAPTER 4

DETAILED CIRCUIT DESCRIPTION

INTRODUCTION

1. The overall function of the unit is given in chapter 3. This chapter gives a detailed description of the circuits, the majority of which are mounted on printed circuit boards.
2. Each board carries a prefix code, as given in chapter 1, para. 7. The prefix codes are, generally, omitted from component references in this chapter unless the omission can cause ambiguity.

OVERALL CIRCUIT (prefix code 1)

Fig.31

3. The overall circuit connections are mainly self-evident, or have been discussed in chapter 3. Capacitors IC6 and IC7 form a potential divider which provides a sample of the RF output at 1SK2 (via IR1) for monitoring purposes.

POWER SUPPLY MS 448 (Prefix Codes 2 and 2A)

Fig.7

4. Components of the PC Board PS57 within the power supply are prefix coded 2A, other components are coded 2. All input and output connections to the unit are made via a fifteen-way connector fitted to the front of the unit.
5. The unit provides the following outputs.
 - +30V (nominal) unstabilized DC 1.5A
 - 30V (nominal) unstabilized DC 1.5A
 - +30V stabilized DC 1.5A
 - 30V stabilized DC 0.2A
6. The circuit utilises a single-phase transformer with two secondary windings each feeding a bridge rectifier and reservoir capacitor. The supply input is via a circuit breaker CB1. The rectified outputs are protected by damped circuit breakers in each supply rail. If a circuit breaker trips both the stabilized and unstabilized outputs of the appropriate polarity are interrupted (See Note following para. 10). The stabilized outputs are also individually protected by electronic trip circuits (para. 8).
7. The positive stabilizer circuit operates as follows. Zener diode 2AD3 and resistor 2AR20 provide a stable reference voltage which is applied to the emitter of 2ATR6. A sample of the output voltage is fed via the potential divider chain 2AR22, 2AR23 and 2AR24 to the base of 2ATR6 which it is compared with the reference voltage. If the output voltage tends to be high the conduction of 2ATR6 is increased, reducing the

voltage at 2ATR5 base. Transistors 2ATR5 and 2TR1 are emitter-followers which provide current gain, therefore the reduced voltage at 2ATR5 provides a reduced output voltage. The output level, which may be set by adjusting 2AR23, is therefore maintained at a sensibly constant level.

8. The positive current trip circuit operates as follows. The output current is fed via 2AR10 and a proportion of the voltage developed across 2AR 10 (determined by the potential divider 2AR8, 2AR12) is applied across the base and emitter of 2ATR1. When this voltage reaches the trip level, 2ATR1 conducts, driving 2ATR3 into conduction. A rapid change of state then occurs because, as 2ATR3 conducts 2ATR1 is also driven more fully, causing both transistors to 'latch' in the fully conducting condition.
9. The voltage at the collector of 2ATR3 drops to about 0.5V causing the voltage at 2ATR6 collector to drop to about +1.2V (via D1). The output voltage is, therefore, effectively reduced to zero and can only be reset by switching off the mains supply, allowing time for capacitor 2C1 to discharge (about 10 seconds), then switching on again.
10. The negative stabilizer and trip circuit operates in a similar manner to that described for the positive circuit.

NOTE: On some units the +30V stabilized supply is not routed via circuit breaker 2CB2.

CONTROL UNIT MS450 (Prefix code 3)

Fig. 10

11. The control unit is an aluminium box containing the logic circuits, capacitor switching and timing circuits and servo pre amplifiers. These functions are performed by four plug-in P.C. boards, which mate with a mother board inside the unit. Also contained in the unit are switches for manual control, a power transistor to provide a switched supply to the cabinet line-switching relays during fine-tuning and a relay used to switch the servo pre-amplifier inputs to either the coarse-tune or fine-tune discriminators. The control unit prefix code is 3, the individual printed circuit boards within the unit carry the following codes.

Code 3A	Motherboard PW178
Code 3B	Ranged Printed Circuit Board PS60
Code 3C	Tune Printed Circuit Board PS59
Code PS108 (Tune)	Tune Pre-Amplifier PS108
Code PS108 (Load)	Load pre-Amplifier PS108

12. The motherboard provides interconnections between the boards plugged into it, and includes RF filtering components for the Servo Pre-Amplifier inputs. The main function of the Range PC Board is to select the appropriate capacitors from the capacitor bank to suit the selected frequency. The Tune PC Board performs most of the logic and timing functions associated with the tuning sequence. The two Servo Pre-Amplifiers provide the high DC voltage gains necessary to raise the outputs from the discriminators to a level

sufficient to drive the servo power amplifiers and motors. Transistor TR1 provides a supply for relay 3RLA and the line switching relays in the Cabinet, and is controlled from pin 27 of the Range PCB (para. 23).

RANGE PC BOARD PS60 (Prefix Code 3B)

Fig.12

13. The Range PC Board encodes the range (frequency band) information from the microswitch bank or manual range switch and switches into the high-power circuit the correct combination of capacitors. It also switches the inductor solenoids and provides the necessary delays to prevent the capacitor and inductor solenoid contacts making and breaking whilst RF drive is applied to the linear amplifier. During manual operation the circuits also switch the coaxial relays in the Transmitter cabinet to provide one of four coaxial line lengths between the linear amplifier output and the FMU input. The operation of these relays is also sequenced to prevent arcing at the contacts.
14. A stabilized +30V supply is applied to pin 31 of the Board, the earth connection is at pin 32.

Delay Circuits

15. At the completion of coarse tuning the input at pin 30 (normally at +30V) changes to approximately +2V, cutting-off TR1. After a delay, caused by C2 discharging to approximately 6V, TR6 is cut-off, causing TR7 and TR8 to conduct and C4 to be rapidly charged via R13. The Darlington pair TR9 and TR11 are then driven into conduction, causing TR10 and TR12 to conduct and provide a +30V supply to the solenoids (via pin 27).
16. At the same time as TR6 turns off, TR2 and TR3 are also cut-off, allowing C3 to charge via R9 and R10. When the voltage across C3 rises to approximately 24V transistor TR4 is cut off and TR5 is driven into conduction, providing an output to relay 5RLA (CVA) which removes the low level RF drive from the coarse-tune discriminator and routes it to the linear amplifier.
17. When changing from fine to coarse tune, pin 30 is open circuited and TR1 conducts, rapidly charging C2 through R4. TR2 and TR3 conduct, rapidly discharging C3, via R8; TR4 conducts and TR5 is cut-off. The relay 5RLA is thus de-energised and the RF input removed from the linear amplifier. At the same time as TR2 to TR5 conduct, TR6 also conducts, cutting-off TR7 and TR8 and causing C4 to discharge through R14, R15 until, at approximately 6V, TR9, TR11, TR10, TR12 cut-off, de-energising the solenoids.
18. In manual operation, the input to pin 30 is only briefly interrupted between manual ranges, therefore, TR1 acts as a pulse stretcher to ensure that the delays have sufficient time to operate.

Thyristor Circuits

19. The thyristors CSR1 to CSR7 energize solenoids 1RLA to 1RLF to select the correct capacitor/inductor combination for the frequency range in use (see Table 4.1)

TABLE 4.1

SELECTED CAPACITORS AND SHORTED TURNS

RANGE	RANGE P.C.B.		SOLENOIDS ENERGIZED	CAPACITORS IN CIRCUIT	TOTAL CAPACITANCE	1L1 and 1L2 TURNS
	INPUT PULSE	OUTPUTS (LOW)				
1.6 to 1.75MHz	Pin 25	Pins 1 & 22	IRLA, IRLB	IC1, IC2	900pF + strays	Not shorted
1.75 to 2MHz	Pin 18	Pins 1, 2, 6	IRLA, IRLD, IRLC	IC1, IC5, IC3, IC4	774pF + strays	Not shorted
2 to 2.5MHz	Pin 16	Pins 1 & 2	IRLA, IRLD	IC1, IC5	592pF + strays	Not shorted
2.5 to 3.1MHz	Pin 23	Pin 1	IRLA	IC1	510pF + strays	Not shorted
3.1 to 4MHz	Pin 24	Pin 22	IRLB	IC2	390pF + strays	Not shorted
4 to 7.5MHz	Pin 20	Pins 2 & 6	IRLC	IC3, IC4	182pF + strays	Not shorted
7.5 to 12MHz	Pin 8	Pins 2 & 3	IRLD, IRLE, IRLF	IC5	82pF + strays	Shorted
12 to 30MHz	Pin 5	Pin 3	IRLE, IRLF	NONE	Strays only	Shorted

20. The selected thyristors are triggered by a single pulse, which is generated at the same time as the solenoid supply is energized (para. 23), and are reset by removing the supply. The +5V triggering pulse is generated by TR13 and returned, either via the microswitch bank (automatic operation) or via the Range Switch SA1 (manual operation), to the appropriate range input of the board (pin 25, 18, 16, 23, 24, 20, 8 or 5). The pulse is then steered to the appropriate thyristor(s) via diodes D8 to D11, D15 to D18 or D20, and applied to the gates of the thyristor(s) CSR1 to CSR7.

21. Thyristors CSR1 to CSR5 control solenoids IRLA to IRLF which, in turn, switch capacitors IC1 to IC5 and the selected turns of IL1 and IL2. Thyristors CSR6 and CSR7 are used, in manual conditions only, to energize the line selector relays of the transmitter cabinet.

22. The solenoid IRLA to IRLF, and relay 3RLA (which switches the servo pre-amplifier inputs between coarse-tune and fine-tune discriminators) are energized by a slave transistor 3TR1 fed from pin 27.

Trigger Pulse Circuit

23. Transistor TR13 generates a single trigger pulse each time the voltage at pin 27 rises from 0 to 30V. When pin 27 is at 0V, C5 is discharged to approximately 11V via D23 and D6. When TR12 conducts (para. 16) and pin 27 rises to +30V, capacitor C5 charges via D22, R19 and TR13 base-emitter junction, thus driving TR13 into conduction. The collector voltage rises to approximately +30V and this is limited by R20, D7 to give a +5V pulse at pin 26. When C5 is almost fully charged the voltage across R18 falls to below 0.6V, cutting-off TR13 and causing the completion of the output pulse at pin 26.

TUNE P.C. BOARD PS59 (Prefix Code 3C)

Fig. 14

24. The Tune PC Board PS59 contains circuits which

- (1) Control the Coarse-Tune, Fine-Tune, Ready Sequence.
- (2) Detect when the servo motors are running.
- (3) Switch the gain of the servo pre-amplifiers during tuning.
- (4) Signal the state of the FMU.

25. The operation of the circuit is described, assuming a start from the 'in-coarse-tune' state and progressing through 'fine tune' to 'Ready', and reverting to the 'in-coarse-tune' state due to a 'tune' signal.

Servo Condition Detector

26. The outputs of the two servo pre-amplifiers (para. 45) are fed via pins 13 and 7 of the Tune PC Board, to transistors TR1 and TR2, which are non-inverting for positive inputs and inverting for negative inputs. The transistors provide approximately unity gain.

The outputs at TR1 and TR2 collectors are, therefore, equal to the magnitude of the corresponding pre-amplifier outputs, and are combined in the 'or' gate D1, D2. The greater of the two outputs is compared, by the long-tailed pair TR3, TR4, with a reference voltage of approximately 12V, developed by R10 and R11.

27. When either output is greater than approximately +12V (which is less than the pre-amplifier output required to drive a motor against 'stiction') the servo running' condition is detected, and the collector of TR4 rises to approximately 27V. During 'servo stopped' conditions TR4 collector is at approximately 18V.

AND Gate D3, D6

28. The output of TR4 (servo(s) running) and the RF detector (see para.65) are combined in diodes D3, D6 which form an AND gate. The gate therefore gives a 0 volt output when

- (1) The servo motors are NOT running
- AND (2) RF drive is present at the detector.

29. Resistor R14 and Capacitor C5 give a delay on the output of the gate so that, should RF drive be removed during coarse tuning, and then re-applied, the servo pre-amp. outputs will have time to recover and prevent TR7 from being spuriously turned on. (See next para.).

Gate TR6, TR7

30. The output of AND gate D3, D6 is applied to TR7 and the output of pulse stretcher TR5 (Para.39) is applied to TR6. TR6 and TR7 form gates which give approximately +20V on TR7 collector when

- (1) Both servos are stopped.
- AND (2) RF drive is present at the detector
- AND (3) There is no (TUNE) output from TR5.

These are the three conditions for coarse tune/fine-tune changeover.

Bistable TR10, TR12 and TR13

31. When these three conditions are satisfied the outputs of gates TR6 and TR7 cause the bistable TR10, TR12 and TR13 to changeover and latch. This is achieved by the 20V at TR7 collector which drives TR10 and TR12 into conduction and cuts-off TR13.

Relay and Time Delay Circuits

32. The conduction of TR10 and TR12 reduces the output at pin 16 to +2V (normally at approximately +6.5V) via D13, and energizes relay RLA via D16. Relay RLA contacts switch the gain of the pre-amplifiers (para.45). The cutting-off of TR13 causes the two delay circuits R27, C10 and R28, C11 to commence timing.

33. After approximately 1.5 seconds, i. e. when C10 has charged to approximately 9V, TR14 turns on and operates RLC, provided that the +30V servo supply is available (para.35). The contacts of relay RLC are also used to switch the gain of the servo pre-amplifiers (para.45).

34. After a further delay of approximately 1.5 seconds capacitor C11 has charged to about 9V, driving TR15 and TR16 into conduction and producing a 'ready' (+30V) signal at Pin 28. TR17 is therefore cut off, removing the tune signal from pin 29.

Servo Supply Switching Circuit

35. The servos are switched off by removing the +30V supplies to the servo pre-amplifiers. This can be achieved by four methods.

- (1) An external 'Servos Off' signal, routed via the CVA (unit 5)
- (2) An internal 'Servos Off' signal from switch 3SA (Manual range switch).
- (3) Link LK1 on the Tune PC Board is normally connected to switch off the servos when the 'ready' state is achieved.
- (4) Absence of the 'correct RF' signal (OV) at pin 20.

36. The first three signals are connected together and operate instantaneously. When any of these are present, approximately +30V is applied at Pin 30 and this cuts off TR20, thus overriding TR19. TR20 to TR23 are therefore cut off removing the +30V supplies to the servo pre-amplifiers. The last signal operates via a delay so that, during keying, the servos will not be switched at the keying rate. During longer periods of no drive, however, the servos are inhibited to prevent long term d.c. drift from driving the servos in the absence of a compensating discriminator output.

37. The incorrect RF signal (+30V) at pin 20 cuts off TR18 and, when C14 has discharged via R37, R38 to about 36V, TR19 is cut off. This cuts off TR20 to 23 as given previously and removes the servo supplies.

Coarse Tune Initiate Circuit

38. A tuning sequence is initiated by a OV input to Pin 23 which performs the following functions

- (1) It resets the two delays R27, C10 and R28, C11 via R29, D21 and D24, thus de-energising RLC and removing the READY signal (See para. 34).
- (2) It resets the bistable TR10, TR12, TR13, via TR5 and TR6 by removing the supply to TR13 collector and removing the input to TR10 base.

39. TR5 is a pulse stretcher which turns off for about 200ms when a short (minimum 2m sec) OV Tune input is applied at Pin 23. This ensures that the bistable has sufficient time to reset.

40. The reset bistable allows Pin 16 to rise to about +6.5V (limited on the range PCB) and de-energises relay RLA.
41. The control circuits are now reverted to the coarse-tune state and the unit is ready to retune to a new frequency.

'Manual' Circuit

42. When manual operation is selected a +30V input is applied to pin 25 via switches SA3 and SC1 (see fig.10). This input drives TR8 into conduction, causing a 'tune' input to TR5. This causes an open circuit output at pin 16 (para.27). Capacitor C8 charges via the coil of relay RLA, R21 and R22; when the voltage at C8 reaches approximately 2.5V transistor TR9 is driven into conduction and the open circuit at pin 16 is changed to a 0V output, via D12, TR9, D11, TR8 and D9, thus giving a 'fine-tune' output to the Range P.C. Board.
43. During switch SA3 or SC1 selection the input at pin 25 is momentarily interrupted. Transistor TR9 is maintained in the conducting condition however, as C3 has insufficient time to charge via R47, preventing TR5 from conducting. After Manual tuning the switch SB must be set at the READY position to drive TR16 into conduction and indicate the 'ready' condition (para.38).

THE SERVO SYSTEMS

44. The FMU contains two identical servo systems; one drives the input (tune) variable inductor, the other drives the output (load) variable inductor. Each system consists of
 - (a) Servo pre-amplifier
 - (b) Servo Power Amplifier
 - (c) Servo Gearbox including coarse-tune discriminator.

The inputs to the servo systems are derived from discriminators. The coarse-tune discriminators are part of the Gearbox units (Unit 9) and the fine-tune discriminators are unit 4.

SERVO PRE-AMPLIFIERS PS108 (Prefix Code PS108)

Fig.15

45. The two Servo Pre-Amplifier Circuits are identical, both being used to amplify the DC signals from the Discriminators. The first stage is an operational amplifier IC1 whose gain is controlled by external relays 3ARLA and 3ARLC mounted on the Tune PCB. The operational amplifier uses supply rails of +12V and -6V which are obtained by Zener stabilisation from the +30V supplies to the remainder of the PCB. The offset in the input to the operational amplifier is countered by the potentiometer R4 which is adjusted to

give zero output in the balanced state. The output from the operational amplifier is fed to a longtailed pair, TR1 and TR2, and then to a second long-tailed pair TR3 and TR4. These pairs provide voltage amplification whilst minimizing any temperature drift.

46. The output from the second longtailed pair is fed to the output transistors, TR5 and TR6, which provide a relatively low output impedance to the Servo Power Amplifier. The gain of the second stage of the amplifier is controlled by the feedback path from the output of TR5 and TR6 to the output of the operational amplifier through R16. The d.c. balance of the output stage is adjusted by setting R19 to give equal voltages at TP1 and TP2.
47. The gain of the Servo Pre-Amplifier is controlled by external relays. In 'coarse-tune' the feedback is via R10 (1Mohm) and pin 11 is connected to pin 14 to discharge C2 if necessary. This condition gives the maximum loop gain.
48. During fine-tuning pin 11 is externally connected to pin 9, placing R2 in parallel with R10. The gain given in this condition is sufficient to bring the system to almost the correct position but there may be a tendency to hunt about the final position. When the 'ready' condition is obtained, pin 9 is connected to pin 14, switching C2 in parallel with R10 and providing a high d.c. gain and a slow a.c. response to give stability. The amplifier gain is approximately 1500 during coarse-tuning (pins 11 and 14 connected) and approximately 225 during fine-tuning (pins 9 and 11 connected).
49. The motor current feedback (current limit) signal is used to restrict stall current levels in conjunction with the Servo Power Amplifier Board. When the output current from the Servo Power Amplifier Board reaches the current limit, a voltage is fed back to pin 4 on the Servo Pre-Amplifier Board.
50. When this signal is present dominant negative feedback is applied to the long-tailed pairs on the Servo Pre-Amplifier Board via R17. This reduces the voltage gain of the pre-amplifier circuit and limits the current to a safe level during the normal tuning period. If however the high current persists for about 10 seconds, the appropriate circuit breaker in the power supply trips, thereby protecting the servo motor(s).

SERVO POWER AMPLIFIERS MS265 (Prefix Codes 9 and 9A)

Fig.28

51. Components on the PS201 P.C. Board are Prefix coded 9A, other components are coded 9. The servo power amplifier provides the current gain necessary to drive the servo motor, with a voltage gain slightly less than unity. Transistors TR1 and TR2 form a complex NPN high gain, high current transistor, and TR3, TR4 form a complex PNP high gain, high current transistor. The two complex transistors are arranged as a push-pull complementary pair. The diodes D1 to D6 provide the current limit delay, so that the voltage developed across R1 must exceed +3V approximately before an output to the servo pre-amplifier is given at pin 7.

COIL, MOTOR AND GEARBOX ASSEMBLY MS451 (Prefix Codes 6 & 6A) Fig.24

52. Components on the Coarse-Tune Discriminator PC Board are prefix-coded 6A, coils are coded 1L1 and 1L2, other components are coded 6.

Motor and limit Switches (Prefix Code 6)

53. The motor M1 is used to drive a variable inductor (1L1 'tune' or 1L2 'load') through reduction gears. Limit switches SA1 and SB1 are used to electrically disconnect the motor before mechanical end stops are reached. When the motor is driving towards the LF position a positive voltage is applied at the input pin 8. If the microswitch SB1 is operated the return path through the motor is opened and diode D2 places a short circuit across the motor to give rapid braking. When the motor is required to retune the inductor to a higher frequency, a negative voltage is applied at pin 8, D2 is reverse biased but D4 conducts, driving the motor away from the end stop. A similar action occurs when the HF limit switch SA1 is operated.

54. Microswitch contacts SA2 and SB2 are used to signal a 'Servo limit' condition.

Coarse-Tune Discriminator (Prefix Code 6A)

Fig.25

55. The Coarse-Tune Discriminator PS106 provides a d. c. input to the servo system during coarse-tuning. The RF signal from the CVA is fed via terminal 6TB1-1 to pin 1 of the P.C. board, and to Transformer T1. The signal is then fed to a bridge circuit comprising R1, R2, R3 and the variable capacitor 6C1. The outputs are detected from the junction of R3 and 6C2 and the wiper of R7.

56. 6C2 is ganged to the output of the gearbox and its position is adjusted during 'coarse-tuning' such that its impedance gives equal voltage amplitudes at the two detection points. R7 allows the bridge circuit to be balanced at a frequency of 1.6MHz. The preset variable capacitor 6AC1 allows the bridge, after adjustment at 1.6MHz, to be balanced at 30MHz. The output from pin 3 is fed to the Servo Pre-Amplifier.

FINE-TUNE DISCRIMINATOR MS449 (Prefix Code 4)

Fig.19

57. The phase discriminator compares the phase of the input RF voltage and current and provides an output which causes the 'tune' inductor 1L1 to be adjusted to give the resistive condition at the FMU input. The amplitude discriminator compares the amplitude of the input RF voltage and current and provides an output which causes the 'load' inductor to be adjusted to give an input impedance of nominally 50 ohm.

Phase Discriminator

58. The phase discriminator accepts an input from 4L1, a current transformer on the RF input line which produces two equal voltages proportional to, and in phase with, the line current. The voltages are developed across 4AR2 and 4AR5. Components 4R1, 4R2 and 4AC4 form an RC potential divider across the input which develops a voltage across

4AC4 proportional to, and lagging by 90° , the line voltage. This voltage across 4AC4 is vectorially added to the two equal voltages across 4AR2 and 4AR5.

59. If the phase relationship is correct the two resultants are equal in magnitude (see fig.16) and, after rectification in 4AD1, 4AD2, they cancel in 4AR4 to produce zero outputs at pins 5 and 6.
60. If the phase relationship is incorrect the two resultants become unequal in magnitude so that, after rectification, the cancellation is not complete and a d. c. output is produced. This output is fed to the servo pre-amplifier and causes the servo system to reduce the phase error.
61. Variable resistor 4AR4 is used to compensate for any unbalance in the discriminator and 4AR16 to correct the discriminator characteristic at the low frequency end of the range.

Amplitude Discriminator

62. The amplitude discriminator is fed via 4L2, a current transformer on the input line which develops a voltage across 4AR11 proportional to line current. Components 4C1 and 4AC7 provide a capacitive potential divider which develops a voltage across 4AC7 proportional to line voltage. These outputs are rectified in peak to peak detectors, and, if the impedance is correct, the outputs are equal in magnitude and cancel in 4AR10 to produce zero output at pins 2 and 3.
63. Resistor 4AR15 is included to correct the discriminator characteristic at the LF end of the range; resistors 4AR8 and 4AR12 reduce the effect of harmonics on the discriminator output.
64. Meter 4M1 and its associated switch 4SA is used to monitor the discriminator outputs, and is normally only used during manual tuning.

CONSTANT VOLTAGE AMPLIFIER MS454 (Prefix Codes 5 and 5A)

Fig.22

65. Components on the PS58 P.C. board of the Constant Voltage Amplifier (CVA) are prefix-coded 5A, other components are coded 5.
66. The CVA contains the input and output circuits which interface the FMU with the transmitter, the low-power RF switching relay, the RF detector and the constant-voltage amplifier. Apart from the high-power RF connections and the supply input, all external connections to the FMU are made via the CVA. The required logic states of external control connections are +12V (nominal) or open circuit for one state and OV for the second state. The connections are listed in Chapter 2.

Ready Circuit

67. The +30V 'Ready' or OV 'Not Ready' signal from the Tune P.C. Board is applied to PL3-14, and is interfaced by TR2 to provide a OV=Ready or +12V = Not Ready

signal at PL2-3. An output is taken via R37 and PL3-10 to the front panel READY indicator lamp, and, via R40 and PL2-7, to an external READY indicator lamp. Pin PL3-17 is connected to earth via the servo motor limit switches so that the earth is removed if a 'servo limit' fault occurs (para.73). PL2-6 is the return for the external READY indicator lamp.

Coarse Tune Initiate Circuit

68. Coarse tuning is initiated externally by a +12V or open circuit input at PL2-14 (normal condition of the input is OV). This signal is interfaced by TR5 to provide a OV Initiate signal at PL3-8. An external signal (OV for Initiate) may be applied to pin PL2-2 if required.

Servos Off Circuit

69. The servos can be switched off by a OV input at PL2-9, which is interfaced by TR9 to provide a +30V output at PL3-16. The normal input state is +12V or open circuit.

Fault Indicator Circuit

70. Failure of the +30V or -30V stabilized supplies provides a fault output indication (OV = fault, +12V = normal) at PL2-1. The fault output is also provided when a servo limit fault occurs (para.73). An earth input, normally derived from the transmitter cabinet contactor via PL2-4, is required before the fault circuit can operate.

71. When both the +30V and -30V supplies are available TR14 is cut-off due to the reverse bias on D21. In this condition TR13 is conducting and TR12 and TR11 are cut-off, providing a +12V output at pin PL2-1, via D19 and R32. The output is limited at this voltage by the Zener Diode D17.

72. If the -30V supply fails TR14 is driven into conduction reversing the state of TR13, TR12, and TR11 and reducing the output to approximately +1.5V at PL2-1. If the +30V supply fails, there will be no voltage on D19+ and therefore on PL21, the fault output, unless this point is connected to an external source. In this event D19 is reverse-biased via R32. TR12 is therefore 'turned on' via R33 and this turns on TR11, reducing the voltage at PL2-1 to about +1.5V.

Servo Limit Circuit

73. A servo limit fault (either 'tune' or 'load') applies an earth at PL3-9, which provides an external fault output (OV) at 5PL2-1 (via D16). The SERVO LIMIT indicator lamp is illuminated via R34, PL3-12 and PL3-13.

CVA and Relay RLA

74. When relay RLA/2 is energized by an earth at PL3-21 the low-power RF input at PL1 is routed directly to the output SK1. When the relay is de-energized the input is fed to the CVA via T2, and socket SK1 is earthed.

75. The RF from T2 is applied to the emitters of TR6, TR7, TR8 and TR10 via resistors R18, R19, R26 and R30. The collectors of TR7 and TR8 provide the output of the CVA, which is fed to the coarse-tune discriminators via T1, PL3-4 and PL3-5.

76. The output of T1 is also fed, via C4, to the detector stage D5, D6 and the detected output is compared, by the long-tailed pair TR1 and TR3, with a reference level set by potentiometer R2. The output of the comparator, at TR3 collector, is amplified by TR4 and fed to TR6 and TR10, which act as variable shunts across TR7 and TR8. The output of the circuit is, therefore, maintained at a constant level as pre-set by R2.

RF Detector

77. The RF input at PL1 is detected by the peak-to-peak detector D18, D20, whose output is used to drive TR15 into conduction, which in turn, drives TR16 into conduction. Transistor TR17 is then cut-off, disconnecting PL3-15 from the +30V supply and giving an open circuit, 'RF Detected' output at PL3-15. In the absence of RF TR17 turns on giving +30V at PL3-15.

MICROSWITCH BANK (Prefix Code 7)

Fig. 27

78. The microswitch bank consist of seven microswitches which are operated by cams on a shaft driven by the 'tune' motor and gearbox unit. Switch positioning at the completion of coarse tuning is, therefore, related to input frequency. The positions of the cams are adjusted so that the microswitches operate in succession at the frequency range changeover points. The microswitch contacts are wired so that the highest frequency range selected inhibits all the lower range outputs. The output of the switchbank is fed to the Range PC Board in the Control Unit where it is used to select the combination of capacitors and shorted inductor turns appropriate to the operating frequency.

CHAPTER 5

FAULT LOCATION

INTRODUCTION

1. The only fault indicator fitted to the FMU is the SERVO LIMIT indicator lamp. The procedure to clear a servo limit fault is given in Chapter 2.

INITIAL FAULT LOCATION

2. The following procedure should be carried out prior to detailed fault location.
 - (1) Connectors
Check that all connectors are securely mated.
 - (2) Mains Supply
Check that the circuit breaker 2CB1 is set to ON and that the supply lamp on the front panel is illuminated.
 - (3) Unstabilized Supplies
Check that circuit breakers 2CB2 and 2CB3 are set to ON.
 - (4) Stabilised Supplies
Check that +30V appears at 2TP1, and that -30V appears at 2TP2 (both test points on the power supply unit).
 - (5) Check that the correct operating procedure is being used (Chapter 2).

FAULT LOCATION PROCEDURE (MANUAL OPERATION)

3. Fault location during manual operation is relatively simple since much of the circuitry is inoperative. The range P.C.B. works in the same way as for automatic operation, except that in 'manual', it also controls the coaxial line switching relays, whereas in 'automatic' these are controlled by an external unit. Normal fault finding procedures should be applied making reference to individual circuits.

FAULT LOCATION PROCEDURE (AUTOMATIC OPERATION)

4. The detailed fault location procedure is tabulated under four headings, viz.
 - (1) Servo Motors will not rotate (Table 5.1)

- (2) Servos will not Coarse-Tune correctly (Table 5.2)
- (3) Servo Motors will not rotate in 'fine-tune' condition (Table 5.3)
- (4) Servos will not Fine-Tune correctly (Table 5.4)

The automatic operating procedure (Chapter 2) should be used during the following procedure.

FAULT LOCATION AT RANGE, TUNE and PRE-AMPLIFIER BOARDS

5. Extender boards are available to allow access to be gained to the Range, Tune and Pre-Amplifier boards in the Control Unit. Extender Board CA 604130 is used with the Tune and Range boards; extender board CA 604163 is used with the Pre-Amplifier boards.

TABLE 5.1
SERVO MOTORS WILL NOT ROTATE

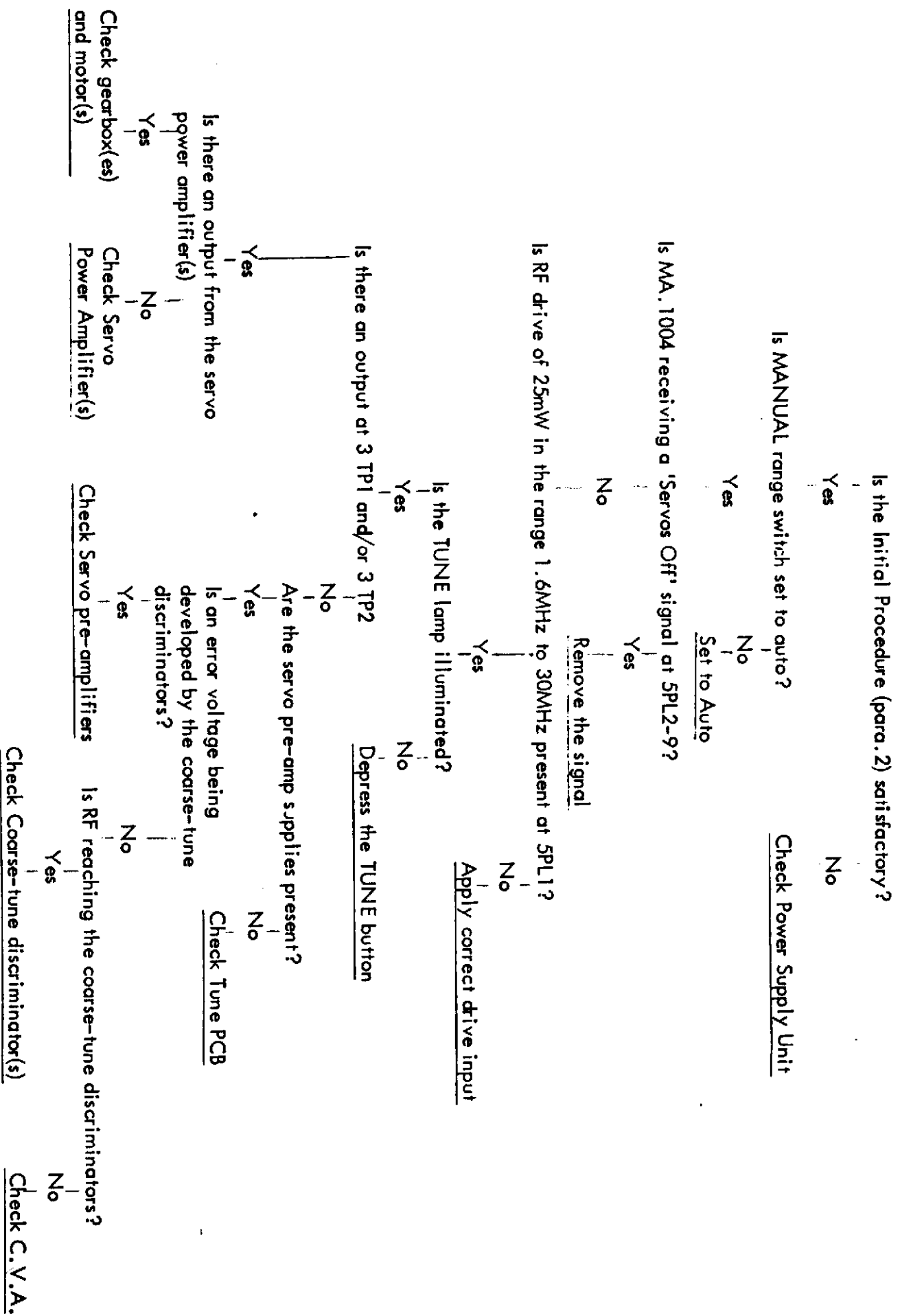


TABLE 5.2
SERVOS WILL NOT COARSE-TUNE CORRECTLY

Check that the low-power drive input is between 1.6MHz to 30MHz (at 25mW to 200mW). If drive is correct check the coarse-tune tracking (see Chapter 6)

TABLE 5.3

SERVO MOTORS WILL NOT ROTATE IN 'FINE' TUNE CONDITION

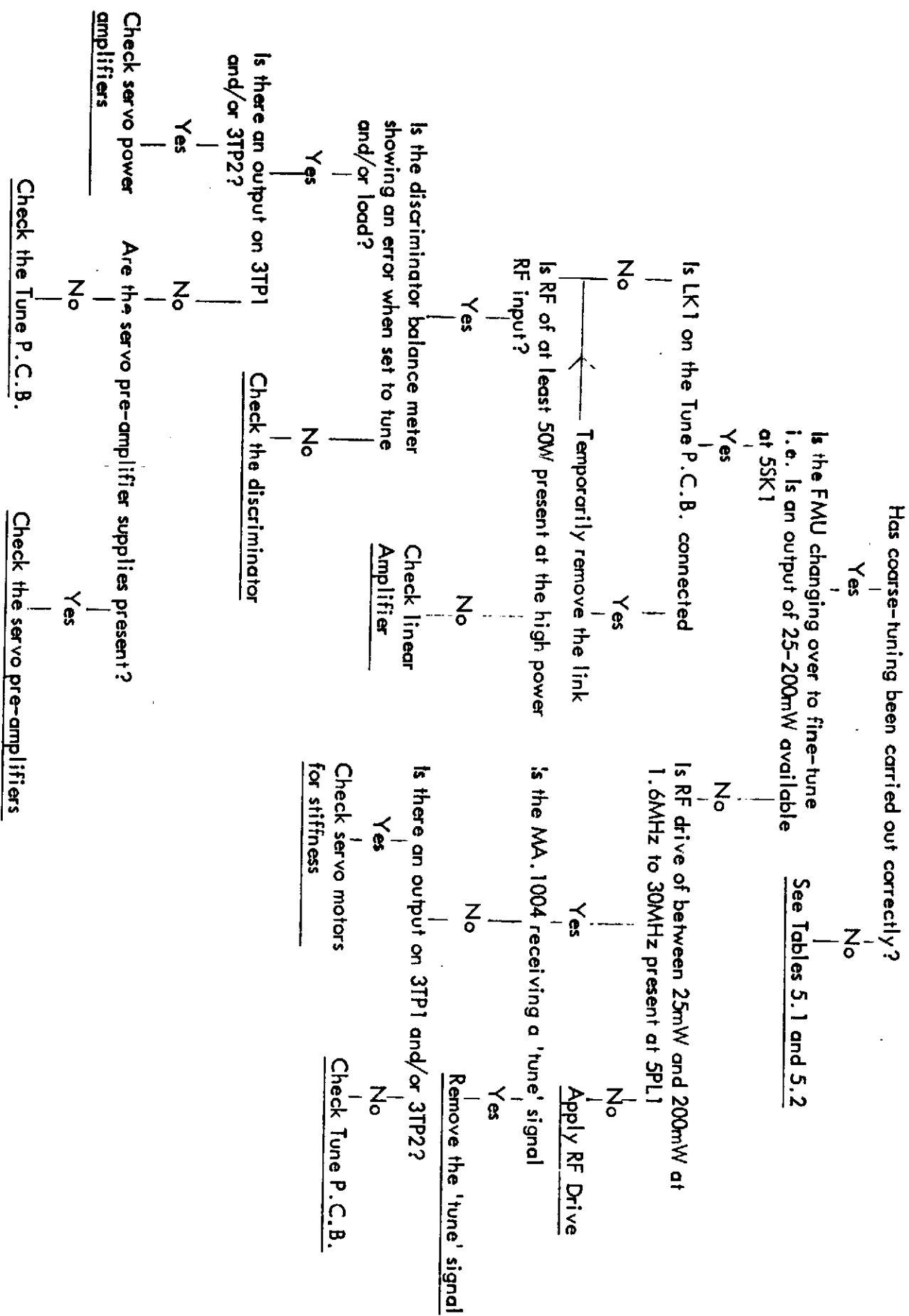
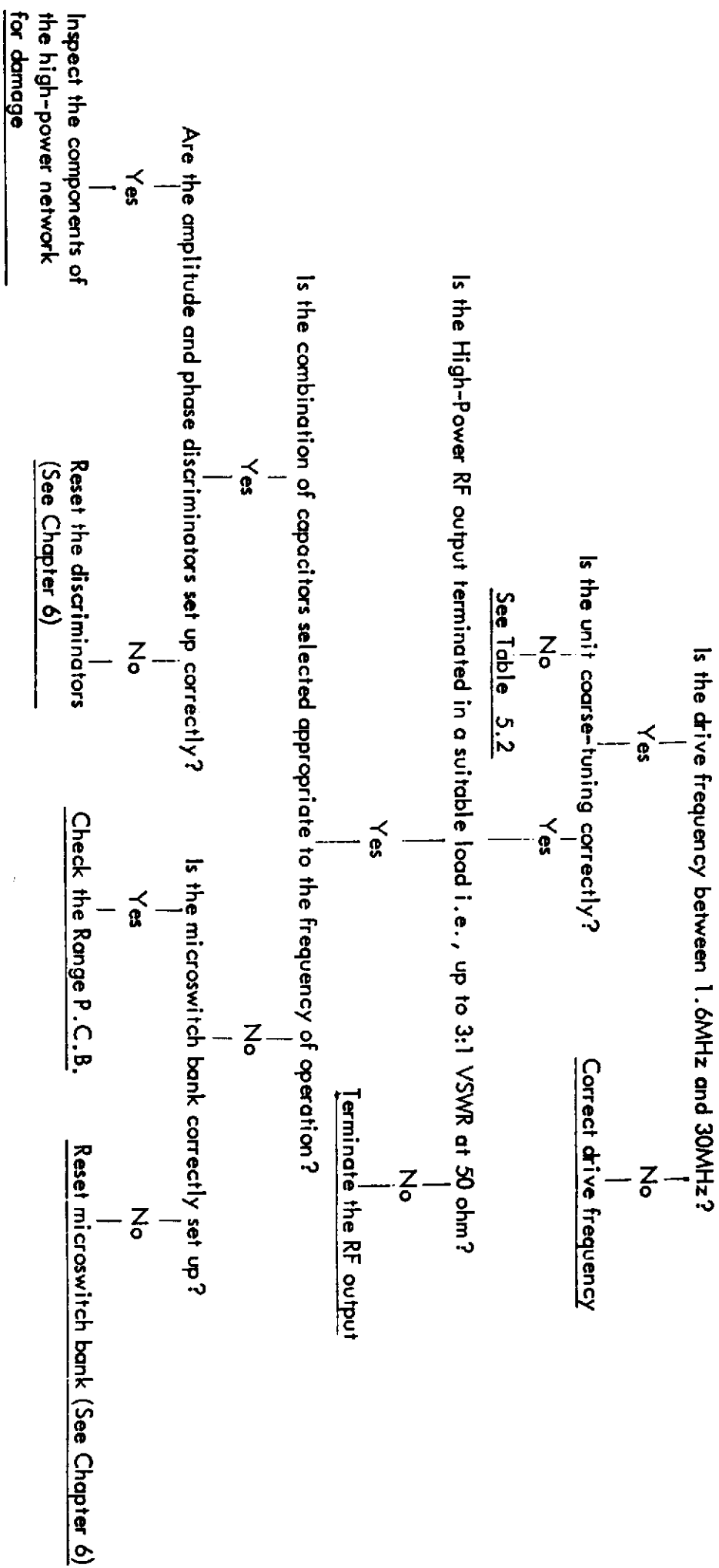


TABLE 5.4

SERVOS WILL NOT FINE-TUNE CORRECTLY



CHAPTER 6

MAINTENANCE

INTRODUCTION

1. This Chapter covers the routine maintenance procedures for the FMU, and the mechanical and electrical alignment procedures. The relevant alignment procedures should be used when assemblies are replaced after overhaul, or if the fault location procedure indicates mal-aligned component.

ROUTINE MAINTENANCE

2. The following procedure should be carried out at regular intervals.

Mechanical

3. Coil and Gearbox

Examine the spur gears periodically and lubricate if necessary with a high temperature lithium-based grease such as Esso Beacon 325.

4. Air Filter

The air intake filter mounted on the hinged panel should be removed at regular intervals and cleaned by washing in warm soapy water. Ensure that the filter is completely dry before replacement.

Electrical

5. Check the positive and negative stabilized supplies at regular intervals (test points 2TP1 and 2TP2 on the power supply unit). The method of adjustment is described under 'Realignment' (para. 12).

MECHANICAL RE-ALIGNMENT

6. Whenever a coil and gearbox is removed, it is necessary to realign the counter and drive assembly (para.9) and to reset the coarse tune tracking (para.15). In addition, when the 'tune' coil (1L1) and gearbox is removed, it is necessary to realign the microswitch bank coupling and operating cams.
7. The mechanical re-alignment procedure is carried out with all power removed from the FMU.

Coil and Gearbox

8. The following procedure is applicable to each inductor and gearbox, and is carried out with the assembly on the bench.
 - (1) Slacken the grub screw securing the gearbox microswitch striker arm and ensure that the arm is free to move on its shaft.
 - (2) Rotate the coil shaft manually until the rotor reaches the mechanical stop at the gearbox end of the shaft, ensuring that the air-spaced variable capacitor does not reach the limit of its travel.
 - (3) Check that the tips of vanes of the air spaced variable capacitor are approximately 3mm. from complete engagement. If positioning is incorrect remove the terminal block from the gearbox assembly to gain access to the solid coupling between the capacitor and gearbox. Slacken the two grub screws securing the capacitor shaft and rotate the capacitor to achieve the above condition. Tighten the two grub screws to lock the capacitor.
 - (4) Rotate the coil until the rotor is equal-distance from the two mechanical end stops, (total mechanical travel is approximately 36 turns) then move the microswitch striker arm until it lies midway between the two microswitches. Tighten the grub screw to lock the striker arm in position.
 - (5) Rotate the coil shaft until the rotor reaches a quarter turn from the mechanical stop at the opposite end of the coil from the gearbox. Adjust the striker screw for microswitch SA so that the switch just operates and lock the screw.
 - (6) Rotate the coil shaft until the rotor reaches a quarter turn from the mechanical stop at the gearbox end of the coil. Adjust the striker screw for microswitch SB so that the switch just operates and lock the screw.
 - (7) The coil and gearbox assembly is now mechanically aligned and ready for fitting into the unit.

Counter and Drive Assembly

9. The counter and drive assembly should be aligned in conjunction with its associated coil and gearbox, as follows.
 - (1) Wind the appropriate drive handle anticlockwise until the rotor reaches the mechanical end-stop.
 - (2) Rotate the handle clockwise until the rotor contacts are adjacent to the fixed shorting link on the coil assembly. If the counter indicates 100 it is correctly aligned.

- (3) If the reading is not 100, proceed as follows:-
- (4) Remove the four screws fixing the counter and drive assembly to the sub front panel and withdraw the counter and drive, taking care to support the drive coupling block.
- (5) Remove the block.
- (6) Wind the handle until the counter reads 100 and check that the rectangular metal drive block then lies with its main axis at 90° to the axis of the driven block.
- (7) If the drive block position is incorrect slacken the grub screw securing the large bevel gear and rotate the gear relative to the shaft to achieve this condition. Note: Take care not to overmesh the gear. Tighten the grub screw to lock the gear.
- (8) Replace the drive coupling block and the counter and drive assembly and then recheck that the counter reads 100.

Microswitch Bank Coupling

10. Realignment of the coupling between the coil and gearbox and the microswitch bank should only be necessary when either unit has been removed and the relationship between the gearbox shaft and the coupling has been disturbed.

- (1) Before refitting the coil and gearbox, slacken the grub screws in the coupling and slide the coupling to the bottom of the microswitch bank shaft.
- (2) When the coil and gearbox has been refitted, remove the rear and side access covers and slide the coupling up the shaft until it is fitted to an equal distance on both shafts.
- (3) Rotate the coupling until it lies in such a position that when the coil rotor is moved from end to end, all four grub screws will be accessible through the rear cover. Tighten the two grub screws on to the coil and gearbox shaft.
- (4) Remove the side access cover and rotate the microswitch bank shaft so that all the cam securing grub screws will be accessible when the coil rotor is rotated throughout its complete range. Tighten the remainder of the grub screws in the coupling.
- (5) Replace the rear access cover.

NOTE: Whenever the microswitch bank coupling is disturbed, the electrical realignment procedure (para. 16) must be carried out.

Servo Pre-Amplifiers Adjustment

14. The balance of the servo Pre-Amplifiers is adjusted as follows, with the FMU on a bench.
- (1) Connect the FMU to a mains supply and select Auto on the MANUAL Range Switch. Do not apply an RF input.
 - (2) Remove the control unit cover and unplug the Tune PCB. Make a link between 3CTR19 collector and emitter. Replace the Tune PCB and unplug the Tune servo pre-amplifier pcb. Replace the servo pre-amplifier using the test extension board.
 - (3) Switch on the FMU.
 - (4) Connect an electronic voltmeter set to +10V d.c. range to the R10, R14, R15 junction (negative lead to earth) and check that a zero voltage is indicated. If incorrect, adjust R4 to suit, increasing meter sensitivity as necessary.
 - (5) Set meter to 10V d.c. and connect the positive lead to TP1.
 - (6) Connect the negative lead to TP2 and check that the indication is zero. If incorrect adjust R19 increasing sensitivity as necessary.
 - (7) Switch off, remove test gear and replace covers unless further tests are to be carried out.

Coarse-Tune Tracking

15. The coarse-tune tracking is adjusted as follows.
- (1) Check the coarse tune discriminator input level if there is any doubt about its accuracy (refer to para. 13).
 - (2) With the FMU on the bench, set the range switch to AUTO, and connect 1PL1 to a power supply.
 - (3) Connect an RF signal generator to 5PL1 and adjust it to deliver between 25 and 200mW at 1.6MHz.
 - (4) If the readings are other than 125, use the special type G potentiometer adjusting tool, and adjust the appropriate potentiometer 6AR7 via the access hole in the left side of the unit for 'tune' and the right side for 'load' to give counter indications of 126 in both cases.
 - (5) Adjust the signal generator frequency to 30MHz. The two servo systems should run until the counters read 200. If the readings are other than 200

adjust the appropriate trimmer capacitor(s) 6AC1 via the same side access holes to bring both indicators to 200.

- (6) Repeat operations (4) and (5).

Microswitch Cam Alignment

16. Before adjusting the microswitch cams, the coarse tune tracking should be checked (para. 15).
 - (1) Carry out operations 15(2) and (3), but adjust the signal generator frequency to 1.75MHz. Allow the servo system to coarse tune.
 - (2) Remove the side access cover, slacken the grub screw in the bottom cam and adjust its position so that the appropriate microswitch is just operated (listen for click). Ensure that this cam cannot operate the adjacent microswitch. Lock cam.
 - (3) Adjust the signal generator frequency above and below 1.75MHz and check that the switch makes and breaks either side of 1.75MHz.
 - (4) Repeat operation (3) at 2.0MHz adjusting the second cam.
 - (5) Repeat operation (3) at 2.5MHz adjusting the third cam.
 - (6) Repeat operation (3) at 3.1MHz adjusting the fourth cam.
 - (7) Repeat operation (3) at 4.0MHz adjusting the fifth cam.
 - (8) Repeat operation (3) at 7.5MHz adjusting the sixth cam.
 - (9) Repeat operation (3) at 12.0 MHz adjusting the seventh cam.

Alignment of Fine-Tune Discriminators

17. The fine tune discriminators can only be aligned when the FMU is connected in the associated Linear Amplifier/Cabinet assembly. A suitable RF signal generator, 50 ohm dummy load with meter capable of handling the linear amplifier output power, and an instrument to measure in-line reflected power up to 500W (e.g. Bird ThruLine with 1kW plug-in head) is required.

- (1) Ensure all power is off. Remove the Fine-Tune Discriminator unit cover. Set Potentiometer 4AR16 to the fully anti-clockwise position.
- (2) Connect the reflected power meter in the coaxial cable connected to the input of the FMU.

IMPORTANT NOTE: The additional cable used to connect the instrument should be kept as short as possible.

- (3) Terminate the system output in the 50 ohm dummy load.
- (4) Connect the RF signal Generator to the input of the linear Amplifier and adjust its output to 10 MHz and output level to between 25 and 200mW.
- (5) Set the FMU range switch to 7.5 - 12MHz and the Line switch to LINE 1.
- (6) Refer to the coarse-tune graph (fig. 1) and set the tune and load controls to the 10MHz position.
- (7) Switch on all the power and manually tune the FMU for minimum reflected power. Note the output (forward) power.
- (8) Switch to LINE 2, retune the FMU, note the output power.
- (9) Repeat operation (8) for LINES 3 and 4.
- (10) Select the line which gave maximum output power and retune the FMU for minimum reflected power.
- (11) Set the switch on the discriminator unit to TUNE and adjust 4AR4 on the Discriminator PC Board to obtain a centre zero indication on the meter.
- (12) Set the switch on the discriminator unit to LOAD and adjust 4AR10 on the Discriminator PC Board to obtain a centre zero indication on the meter.
- (13) Set the MANUAL switch to AUTO.
- (14) Disconnect the signal generator.
- (15) Press the TUNE button.
- (16) Adjust the signal generator frequency to 3MHz, and re-connect it.
- (17) Allow FMU to tune (READY lamp illuminated) then set the MANUAL switch to SERVOS OFF.
- (18) If RF power output of transmitter is 820W or above, no further action is required.
- (19) If RF power output is below 820W adjust the TUNE manual control to give 820W output.
- (20) Set METER switch on the discriminator to OFF and carefully note needle position (which may not be exactly central).

- (21) Set METER switch to TUNE and adjust variable resistor 4AR16 until needle is at the same position as noted in operation (20).
- (22) Set MANUAL switch to AUTO.
- (23) Switch off, remove test equipment and replace covers.

CHAPTER 7
DISMANTLING AND REASSEMBLY

INTRODUCTION

1. The Dismantling and Reassembly instructions detailed in the following paragraphs assume that the Feeder Matching Unit has been isolated from all electrical supplies and removed from the Transmitter Terminal Cabinet to a suitable bench.

REMOVAL AND REPLACEMENT OF UNITS

Control Unit

Removal

2. (1) Place the feeder Matching Unit on its side.
- (2) Remove the four Control Unit fixing screws from the bottom panel.
- (3) Place the MA. 1004 on its base and lower the front panel.
- (4) Remove the sockets mating with plugs 3PL1 and 3PL2.
- (5) Remove the 2 fixing screws at the top of the Control Unit cover.
- (6) Remove the 2 fixing screws at the top of the AUTO/MANUAL switch mounting plate.
- (7) Release the retaining arms at each side of the MA. 1004 panel and lower the front panel to its fullest extent.
- (8) Remove the Control Unit by sliding it forward and tilting it slightly to clear the lower flange of the MA. 1004.

Replacement

3. (1) Replace the Control Unit in the MA. 1004.
- (2) Replace but do not tighten the 4 front panel fixing screws.
- (3) Place the unit on its side and replace but do not tighten the 4 fixing screws on the bottom panel.
- (4) Tighten the front panel fixing screws.
- (5) Tighten the bottom panel fixing screws.

Counter and Drive Assemblies

Removal

CAUTION: A COUNTER AND DRIVE ASSEMBLY MUST NOT BE REMOVED WHEN AN RF INPUT IS APPLIED TO THE FMU.

4. (1) Remove the top cover of the Feeder Matching Unit.
- (2) Lower the front panel and remove the 4 fixing screws securing the appropriate assembly.
- (3) Remove the Counter and Drive Assembly ensuring that the drive coupling does not fall down inside the unit

Replacement

5. Replacement of a Counter and Drive Assembly is effected by reversing the procedure detailed in para. (1) to (3). Before replacing an assembly refer to the Re-alignment Procedure detailed in Chapter 6 para.9.

Power Supply

Removal

6. (1) Remove the top cover of the MA.1004
- (2) Lower the front panel and disconnect the socket mating with 2PL1.
- (3) Remove the 4 Power Supply Unit fixing screws located near each corner of the aperture for the circuit breakers. 2CB1, 2CB2 and 2CB3.
- (4) Remove the 2 screws at the bottom rear of the Power Supply Unit, and disconnect the RF output cable braid from the right hand side of the unit.
- (5) Slide the Power Supply back to its fullest extent and lift it out, front first, from the MA.1004.
- (6) To obtain access to the Power Supply components, place the Power Supply Unit on a bench, remove the five cover securing screws on each side of the unit and lift off the cover.

Replacement

7. Replace the Power Supply by reversing the procedures in 6(1) to 6(5).

Loading Coil and Gearbox Assembly

Removal

8. (1) Remove the Power Supply Unit, refer to para.6.
- (2) Refer to para.4 and remove Counter and Drive Assembly.
- (3) Disconnect the RF output cable.
- (4) Slacken off the fanning strip securing screws and remove the fanning strip.
- (5) At the capacitor bank, disconnect the strap connected between the capacitor bank and the loading coil.
- (6) Support the coil and remove the 6 screws securing the assembly to the side member.
- (7) Lift the assembly clear from the Feeder Matching Unit.

Replacement

9. (1) Return the Loading Coil and Gearbox Assembly to its position in the MA.1004
- (2) Support the coil and replace but do not tighten the 6 screws securing the assembly to the side member.
- (3) Replace the Counter and Drive Assembly.
- (4) Slide the Coil and Gearbox forward to its fullest extent to engage the coupling and tighten the 6 screws securing the assembly to the side member.
- (5) Replace the strap connected between the capacitor bank and the loading coil.
- (6) Replace the fanning strip.
- (7) Replace the RF output cable and the silver plated fixings.
- (8) Replace the Power Supply Unit; refer to para.7.
- (9) Re-align the Counter and Drive Assembly (Chap.6 para.9)
- (10) Carry out the Coarse-Tune Tracking procedure (Chap.6 para.15)

Tuning Coil and Gearbox Assembly

Removal

10. (1) Remove the Power Supply Unit, refer to para.6.
- (2) Disconnect the coil end of the strap from the Discriminator Unit.
- (3) Remove the strap connected to the capacitor bank.
- (4) Slacken off the fanning strip securing screws and remove the fanning strip.
- (5) Remove the access cover on the rear panel of the MA.1004.
- (6) Look through the access hole in the rear panel to locate the coupling to the microswitch bank.
- (7) Loosen the two bottom 6-32 UNC grub screws on the coupling, rotating the Tune Control to locate the screws.
- (8) Remove the Counter and Drive Assembly, refer to para.4.
- (9) Support the coil and remove the 6 screws securing the assembly to the side member.
- (10) Lift the assembly from the Feeder Matching Unit.

Replacement

11. (1) Return the Tuning Coil and Gearbox assembly to its position in the MA.1004 and ensure that the coupling mates with the microswitch bank shaft. Do not tighten the grub screws.
- (2) Replace but do not tighten the 6 screws securing the assembly to the side member.
- (3) Replace the Counter and Drive Assembly.
- (4) Slide the Coil and Gearbox forward to its fullest extent and tighten the 6 screws securing the assembly to the side member.
- (5) Re-align the Counter and Drive Assembly (Chap.6 para.9)
- (6) Re-align the Microswitch Bank mechanically (Chap.6 para.10).
- (7) Replace the straps and fanning strip removed in (3), (4) and (5) respectively.

- (8) Replace the Power Supply Unit, refer to para.7.
- (9) Carry out the Coarse-Tune Tracking Procedure (Chap.6 para.15)
- (10) Carry out the Electrical Microswitch Bank Alignment Procedure (Chap.6 para.16).
- (11) Switch off and replace covers.

Discriminator Unit

Removal

12. (1) Remove the top cover of the MA.1004
- (2) Remove the Power Supply Unit, refer to para.6,
- (3) Disconnect the strap between the Discriminator and the Tuning Coil.
- (4) Lower the front panel and remove the Discriminator Unit cover.
- (5) Use a soldering iron to remove the connections to pins 3,4,6 and 7 of the PCB, noting their positions for replacement.
- (6) Release the retaining arm on the left hand side of the front panel and lower the front panel to its fullest extent.
- (7) Remove the fixing screws securing the unit and withdraw it from the MA.1004.

Replacement

13. Replacement of the Discriminator Unit is effected by reversing the procedures detailed in para.12(1) to (7).

Capacitor Bank

Removal

14. (1) Remove the top cover of the MA.1004
- (2) Remove the strap connecting the capacitor bank to the Tuning Coil.
- (3) At the capacitor bank disconnect the strap to the Loading Coil.
- (4) Remove the 4 corner fixing screws and lift the capacitor bank out from the MA.1004.

Replacement

15. To replace the capacitor bank reverse the procedures detailed in para. 14(1) to (4).

Microswitch Bank

Removal

16. (1) Remove the access cover on the rear panel,
(2) Rotate the tune control to locate the screws in the coupling and slacken only the bottom 2 6-32UNC grub screws in the coupling.
(3) Place the MA.1004 on its right hand side (as viewed from front).
(4) Remove the bottom panel.
(5) Disconnect the fanning strip from the microswitch bank.
(6) Remove the 4 fixing screws and remove the microswitch bank.

Replacement

17. Replacement of the microswitch bank is effected by reversing the procedures detailed in para. 16(1) to (6). Before tightening the grub screws in the coupling refer to the Realignment Mechanical and Electrical Procedures detailed in Chap. 6 paras 10 and 16.

Capacitor Bank Solenoids 1RLA to 1RLD

Removal

18. (1) Remove the capacitor bank, refer to para. 14.
(2) Remove the bottom cover and disconnect the two wires to the appropriate solenoid.
(3) Remove the two screws securing the solenoid to the platform and remove the solenoid.

Replacement

19. Replacement of a capacitor bank solenoid is effected by reversing the procedures detailed in para. 18(1) to (3).

Coil Solenoids 1RLE and 1RLF

20. (1) Remove the appropriate Coil and Gearbox Assembly, para. 8 or 10
(2) Remove the bottom cover and disconnect the two wires to the solenoid,

- (3) Remove the two fixing screws and remove the solenoid.

NOTE: Solenoids 1RLE and 1RLF carry insulating caps at the end of the plungers; solenoids 1RL2 to 1RLD do not. All solenoids are otherwise identical.

Replacement

21. Replacement of a coil solenoid is effected by reversing the procedures detailed in para.20 (2) and (3) and referring to the replacement procedure for the appropriate Coil and Gearbox Assembly.

CHAPTER 8

COMPONENTS LIST

Cct. Ref.	Value	Description	Rat	Tol %	Racal Part Number	Manufacturer
<u>MAIN CHASSIS</u>						
<u>Resistors</u>						
	<u>Ohms</u>		W			
1R1	470	Metal Oxide		2	918030	Electrosil TR5
<u>Capacitors</u>						
	F		V			
1C1	510p		6k	5	920702	LCC AAU055
1C2	390p		5k	5	920701	LCC AAU042
1C3	100p		5k	5	920703	LCC AAH042
1C4	82p		7k	5	920700	LCC AAH 042
1C5	82p		7k	5	920700	LCC AAH042
1C6	5p	Ceramic	4k	10	917977	Plessey 10
1C7	270p	Silver Mica	350	2	902171	Lemco MS611-I-R-270
<u>Inductors</u>						
1L1		See page8-23(Part of Coil, Motor and Gearbox Assembly)				
1L2		See page8-23(Part of Coil, Motor and Gearbox Assembly)				
<u>Indicator Lamps</u>						
1LP1		Lamp Filament	24V		921899	Hivac
1LP2		Lamp Filament	24V		921899	Hivac
1LP3		Lamp Filament	24V		921899	Hivac
1LP4		Lamp Filament	24V		921899	Hivac
<u>Plugs</u>						
1PL1		Supply input			915655	Amphenol 62GB-57A8-3.3p
<u>Sockets</u>						
1SK1		Connector			917555	Transradio C4/5CH
1SK2		Bulkhead receptacle			900061	Transradio BN12/5
1SK4					915970	Cannon DB25S
1SK5					915970	Cannon DB25S
1SK6					900905	Cannon DA15S
1SK7					900905	Cannon DA15S
1SK8					900905	Cannon DA15S
1SK9					915970	Cannon DB25S

Cct. Ref.	Value	Description	Ratio	Tol %	Racal Part Number	Manufacturer
<u>MAIN CHASSIS (Cont'd)</u>						
<u>Solenoids</u>						
1RLA					603285	
1RLB					603285	
1RLC					603285	
1RLD					603285	
1RLE					603285	
1RLF					603285	
<u>Switches</u>						
1SA		Supply, micro key			915362	TMC S526893
1SB		Tune, push button			906678	TMC S325595
<u>Miscellaneous</u>						
1TS1		Fanning strip			922218	Carr 44/77/534/8LH
1TS2		Fanning strip			922219	Carr 44/77/534/8RH
1TS3		Fanning strip			921445	Klippon MF2/12-2417
		Adaptor, by-pass (used when MA.1004 is by-passed)			901735	Transradio C3/5A
		Contact capacitors 1C1 to 1C5			603281	
		Lampholder, 1LP3 & 1LP4			917200	TMC S527266
		Knob for indicator lamps			914256	TMC S528914
		Diffuser for indicator lamps			915980	TMC S531962
		Clear lens for indicator lamps			915959	TMC S528926
		Filter, Green for indicator lamps			921657	TMC S531412
		Filter, Red for indicator lamps			921658	TMC S531410
		Filter, Amber for indicator lamps			922428	TMC S531411

Cct. Ref.	Value	Description	Rat	Tol %	Racal Part Number	Manufacturer
POWER SUPPLY UNIT (MS448 and PS57) DA603514						

<u>Resistors</u>						
	ohm		W			
2R1	2.2	Wirewound	9	5	922033	Welwyn W23
2AR1	120	Metal Oxide		5	906021	Electrosil TR5
2AR2	2.2k	Metal Oxide		5	908270	Electrosil TR4
2AR3	4.7k	Metal Oxide		5	900989	Electrosil TR4
2AR4	1k	Metal Oxide		5	908267	Electrosil TR4
2AR5	1k	Metal Oxide		5	908267	Electrosil TR4
2AR6	4.7k	Metal Oxide		5	900989	Electrosil TR4
2AR7	2.2k	Metal Oxide		5	908270	Electrosil TR4
2AR8	560	Metal Oxide		5	909841	Electrosil TR4
2AR9	560	Metal Oxide		5	909841	Electrosil TR4
2AR10	1	Wirewound	2.5	5	917137	Welwyn W21
2AR11	4.7	Wirewound		5	917145	Welwyn W21
2AR12	1.2k	Metal Oxide		5	908285	Electrosil TR4
2AR13	10k	Metal Oxide		5	900986	Electrosil TR4
2AR14	10k	Metal Oxide		5	900986	Electrosil TR4
2AR15	1k	Metal Oxide		5	908267	Electrosil TR4
2AR16	1.2k	Metal Oxide		5	906346	Electrosil TR4
2AR17	1.2k	Metal Oxide		5	906346	Electrosil TR4
2AR18	2.2k	Metal Oxide		5	908270	Electrosil TR4
2AR19	2.2k	Metal Oxide		5	908270	Electrosil TR4
2AR20	2.2k	Metal Oxide		5	908270	Electrosil TR4
2AR21	2.2k	Metal Oxide		5	908270	Electrosil TR4
2AR22	330	Metal Oxide		5	908268	Electrosil TR4
2AR23	2.2k	Variable			920518	Plessey MPWT
2AR24	2.2k	Metal Oxide		5	908270	Electrosil TR4
2AR25	2.2k	Metal Oxide		5	908270	Electrosil TR4
2AR26	2.2k	Variable			920518	Plessey MPWT
2AR27	330	Metal Oxide		5	908268	Electrosil TR4

<u>Capacitors</u>						
	F		V			
2C1	3300 μ	Electrolytic	63		921301	Mullard 106 18332
2C2	3300 μ	Electrolytic	63		921301	Mullard 106 18332
2AC1	0.1 μ	Fixed	100	20	914173	ITT, PMC2R
2AC2	0.1 μ	Fixed	100	20	914173	ITT, PMC2R
2AC3	16 μ	Electrolytic	64		921662	Mullard C428ARH16
2AC4	16 μ	Electrolytic	64		921662	Mullard C428ARH16
2AC5	.01 μ	Fixed	25	+50 -25	911845	Erie 831T

Cct. Ref.	Value	Description	Rat	Tol %	Racal Part Number	Manufacturer
POWER SUPPLY UNIT (Cont'd)						
<u>Capacitors (Cont'd)</u>						
	F		V			
2AC6	.01 μ	Fixed	25	+50 -25	911845	Erie 831T
2AC7	.01 μ	Fixed			920713	PMC 2R0.01K400
2AC8	.01 μ	Fixed			920713	PMC 2R0.01K400
2AC9	2.5 μ	Electrolytic			921663	Mullard C428ARH2.5
2AC10	2.5 μ	Electrolytic			921663	Mullard C428ARH2.5
2AC11	.01 μ	Fixed	25	+50 -25	911845	Erie 831T
2AC12	.01 μ	Fixed	25	+50 -25	911845	Erie 831T
2AC13	.01 μ	Fixed	25	+50 -25	911845	Erie 831T
2AC14	.01 μ	Fixed	25	+50 -25	911845	Erie 831T
<u>Transformers</u>						
2T1		Mains			CT603517	
<u>Diodes</u>						
2D1		4SB20			921300	
2D2		4SB20			921300	
2AD1		IN4149			914898	
2AD2		IN4149			914898	
2AD3		BZY88C18			915920	
2AD4		BZY88C18			915920	
<u>Transistors</u>						
2TR1		2N3055			915654	
2TR2		2N5194			923704	
2ATR1		BSV68			921608	
2ATR2		2N2484			908970	
2ATR3		2N2484			908970	
2ATR4		BSV68			921608	
2ATR5		BFY51			908753	
2ATR6		BC107			911929	
2ATR7		BCY71			911928	
2ATR8		BSV68			921608	
<u>Circuit Breakers</u>						
2CB1					921660	Highland APL1-1-6-2-252
2CB2						Highland APL1-4-5-2-252
2CB3					921661	Highland APL1-5-2-252

Cct. Ref.	Value	Description	Rat	Tol %	Racal Part Number	Manufacturer
<u>POWER SUPPLY UNIT (Cont'd)</u>						
<u>Plugs</u>						
2PL1					909729	Cannon DA15P
<u>Sockets</u>						
2SK1	(TP1)	Yellow 2mm			916023	Belling Lee L1737
2SK2	(TP2)	Yellow 2mm			916023	Belling Lee L1737

Cct. Ref.	Value	Description	Rat	Tol %	Racal Part Number	Manufacturer
<u>Resistors</u> CONTROL UNIT (MS450) DA603422						
	ohm		W			
3R1	22	Wirewound	6	5	903702	Welwyn W22
3R2	680	Metal Oxide		5	908390	Electrosil TR4
3AR1	470	Metal Oxide		5	900992	Electrosil TR4
3AR2	470	Metal Oxide		5	900992	Electrosil TR4
3AR3	Not Used					
3AR4	470	Metal Oxide		5	900992	Electrosil TR4
3AR5	470	Metal Oxide		5	900992	Electrosil TR4
<u>Capacitors</u>						
	F		V			
3C1	1 μ	Fixed			915370	PMC 2R/1.0/M100
3AC1	1000p	Fixed	500	20	915243	Erie 831
3AC2	1000p	Fixed	500	20	915243	Erie 831
3AC3	1000p	Fixed	500	20	915243	Erie 831
3AC4	1000p	Fixed	500	20	915243	Erie 831
3AC5	1000p	Fixed	500	20	915243	Erie 831
3AC6	0.1 μ	Fixed		20	914173	PMC 2R/0.1/M100
3AC7	0.1 μ	Fixed		20	914173	PMC 2R/0.1/M100
<u>Inductors</u>						
3L1	10 μ H				922281	Cambion 2960-40-02
<u>Diodes</u>						
3AD1		IN4149			914898	Mullard
3AD2		IN4149			914898	Mullard
2AD3		IN4149			914898	Mullard
<u>Transistors</u>						
3TR1		2N3055			915654	Mullard
<u>Switches</u>						
3SA		Rotary			BD603757	
3SB		Toggle, black			921672	Arrow TS3BP
3SC		Rotary			BD603758	
<u>Relays</u>						
3RLA					922076	Plessey 507/1/02196/004

Cct. Ref.	Value	Description	Rat	Tol %	Racal Part Number	Manufacturer
<u>CONTROL UNIT (Cont'd)</u>						
<u>Plugs</u>						
3PL1					916489	Cannon DP25P
3PL2					916489	Cannon DP25P
<u>Sockets</u>						
3SK1	(TP1)	Yellow 2mm			916023	Belling Lee L1737
3SK2	(TP2)	Yellow 2mm			916023	Belling Lee L1737
3ASK1					917087	Varicon 8129-015-603-002
3ASK2					917087	Varicon 8129-015-603-002
3ASK3					919406	Varicon 8131-032-603-003
3ASK4					919406	Varicon 8131-032-603-003

Cct. Ref.	Value	Description	Rat	Tol %	Racal Part Number	Manufacturer
RANGE P.C. BOARD (PS60) ED 603645						
	<u>Resistors</u> ohms		W			
3BR1	3.9k	Metal Oxide		5	900990	Electrosil TR4
3BR2	1k	Metal Oxide		5	908267	Electrosil TR4
3BR3	1M	Metal Oxide		5	914036	Electrosil TR5
3BR4	56	Metal Oxide		5	908289	Electrosil TR4
3BR5	220k	Metal Oxide		5	917454	Electrosil TR4
3BR6	220k	Metal Oxide		5	917454	Electrosil TR4
3BR7	47k	Metal Oxide		5	908391	Electrosil TR4
3BR8	56	Metal Oxide		5	908289	Electrosil TR4
3BR9	470k	Metal Oxide		5	905577	Electrosil TR4
3BR10	120k	Metal Oxide		5	908286	Electrosil TR4
3BR11	15k	Metal Oxide		5	908280	Electrosil TR4
3BR12	47k	Metal Oxide		5	908391	Electrosil TR4
3BR13	56	Metal Oxide		5	908289	Electrosil TR4
3BR14	470k	Metal Oxide		5	905577	Electrosil TR5
3BR15	68k	Metal Oxide		5	908279	Electrosil TR4
3BR16	1k	Metal Oxide		5	908267	Electrosil TR4
3BR17	3.3k	Metal Oxide		5	900991	Electrosil TR4
3BR18	1k	Metal Oxide		5	908267	Electrosil TR4
3BR19	6.6k	Metal Oxide		5	908273	Electrosil TR4
3BR20	180	Metal Oxide		5	909125	Electrosil TR4
3BR21	180	Metal Oxide		5	909125	Electrosil TR4
3BR22	1k	Metal Oxide		5	908267	Electrosil TR4
3BR23	180	Metal Oxide		5	909125	Electrosil TR4
3BR24	1k	Metal Oxide		5	908267	Electrosil TR4
3BR25	180	Metal Oxide		5	909125	Electrosil TR4
3BR26	1k	Metal Oxide		5	908267	Electrosil TR4
3BR27	180	Metal Oxide		5	909125	Electrosil TR4
3BR28	1k	Metal Oxide		5	908267	Electrosil TR4
3BR29	180	Metal Oxide		5	909125	Electrosil TR4
3BR30	1k	Metal Oxide		5	908267	Electrosil TR4
3BR31	180	Metal Oxide		5	909125	Electrosil TR4
3BR32	1k	Metal Oxide		5	908267	Electrosil TR4
3BR33	180	Metal Oxide		5	909125	Electrosil TR4
3BR34	1k	Metal Oxide		5	908267	Electrosil TR4
3BR35	680	Metal Oxide		5	908390	Electrosil TR4
3BR36	4.7k	Metal Oxide		5	900989	Electrosil TR4

Cct. Ref.	Value	Description	Rat	Tol %	Rca/Part Number	Manufacturer
<u>RANGE P.C. BOARD (Cont'd)</u>						
<u>Capacitors</u>						
	F		V			
3BC1	0.1 μ	Fixed		20	914173	ITT PMC2R/0.1/M100
3BC2	1 μ	Fixed		20	915370	ITT PMC2R/1.0/M100
3BC3	1 μ	Fixed	20	20	915370	ITT PMC2R/1.0/M100
3BC4	1 μ	Fixed		20	915370	ITT PMC2R/1.0/M100
3BC5	1 μ	Fixed		20	915370	ITT PMC2R/1.0/M100
3BC6	.01 μ	Fixed		20	914171	ITT PMC2R/.01/M400
3BC7	0.1 μ	Fixed		20	914173	ITT PMC2R/0.1/M100
3BC8	0.1 μ	Fixed		20	914173	ITT PMC2R/0.1/M100
3BC9	0.1 μ	Fixed		20	914173	ITT PMC2R/0.1/M100
3BC10	0.1 μ	Fixed		20	914173	ITT PMC2R/0.1/M100
3BC11	0.1 μ	Fixed		20	914173	ITT PMC2R/0.1/M100
3BC12	0.1 μ	Fixed		20	914173	ITT PMC2R/0.1/M100
3BC13	0.1 μ	Fixed		20	914173	ITT PMC2R/0.1/M100
3BC14	0.1 μ	Fixed		20	914173	ITT PMC2R/0.1/M100
3BC15	0.1 μ	Fixed		20	914173	ITT PMC2R/0.1/M100
3BC16	0.1 μ	Fixed		20	914173	ITT PMC2R/0.1/M100
3BC17	0.1 μ	Fixed		20	914173	ITT PMC2R/0.1/M100
3BC18	0.1 μ	Fixed		20	914173	ITT PMC2R/0.1/M100
3BC19	0.1 μ	Fixed		20	914173	ITT PMC2R/0.1/M100
3BC20	0.1 μ	Fixed		20	914173	ITT PMC2R/0.1/M100
3BC21	0.1 μ	Fixed		20	914173	ITT PMC2R/0.1/M100
3BC22	0.1 μ	Fixed		20	914173	ITT PMC2R/0.1/M100
3BC23	0.1 μ	Fixed		20	914173	ITT PMC2R/0.1/M100
3BC24	0.1 μ	Fixed		20	914173	ITT PMC2R/0.1/M100
3BC25	0.1 μ	Fixed		20	914173	ITT PMC2R/0.1/M100
<u>Transistors</u>						
3BTR1		BFY51			908753	Mullard
3BTR2		BCY71			911928	Mullard
3BTR3		BFX29			915267	Mullard
3BTR4		BC107			911929	Mullard
3BTR5		BFY51			908753	Mullard
3BTR6		BCY71			911928	Mullard
3BTR7		BCY71			911928	Mullard
3BTR8		BFX29			915267	Mullard
3BTR9		BC107			911929	Mullard
3BTR10		BCY71			911928	Mullard
3BTR11		BC107			911929	Mullard
3BTR12		BFY51			908753	Mullard
3BTR13		BCY71			911928	Mullard

Cct. Ref.	Value	Description	Rat	Tol %	Recal Part Number	Manufacturer
-----------	-------	-------------	-----	-------	-------------------	--------------

RANGE P.C. BOARD (Cont'd)

Diodes

3BD1		BZY88C5V6			912747	Mullard
3BD2		BZY88C5V6			912747	Mullard
3BD3		BZY88C5V6			912747	Mullard
3BD4		BZY88C5V6			912747	Mullard
3BD5		BZY88C5V6			912747	Mullard
3BD6		1N4002			911460	ITT
3BD7		BZY88C5V6			912747	Mullard
3BD8		1N4149			914898	Mullard
3BD9		1N4149			914898	Mullard
3BD10		1N4149			914898	Mullard
3BD11		1N4149			914898	Mullard
3BD12		1N4002			911460	ITT
3BD13		1N4002			911460	ITT
3BD14		1N4002			911460	ITT
3BD15		1N4149			914898	Mullard
3BD16		1N4149			914898	Mullard
3BD17		1N4149			914898	Mullard
3BD18		1N4149			914898	Mullard
3BD19		1N4149			914898	Mullard
3BD20		1N4149			914898	Mullard
3BD21		1N4002			911460	ITT
3BD22		1N4149			914898	Mullard
3BD23		BZY88C10			917217	Mullard

Silicon Controlled Rectifiers (SCR's)

3BSCR1		BTX18-100			917837	Mullard
3BSCR2		BTX18-100			917837	Mullard
3BSCR3		BTX18-100			917837	Mullard
3BSCR4		BTX18-100			917837	Mullard
3BSCR5		BTX18-100			917837	Mullard
3BSCR6		BTX18-100			917837	Mullard
3BSCR7		BTX18-100			917837	Mullard

Plugs

3BPL1					919362	Varicon 8131-032-610-001
-------	--	--	--	--	--------	--------------------------

Cct. Ref.	Value	Description	Rat	Tol %	Racal Part Number	Manufacturer
-----------	-------	-------------	-----	-------	-------------------	--------------

TUNE P.C. BOARD (PS59) ED 603642

<u>Resistors</u>						
	<u>ohm</u>		<u>W</u>			
3CR1	1k	Metal Oxide		5	908267	Electrosil TR4
3CR2	1k	Metal Oxide		5	908267	Electrosil TR4
3CR3	10k	Metal Oxide		5	900986	Electrosil TR4
3CR4	10k	Metal Oxide		5	900986	Electrosil TR4
3CR5	10k	Metal Oxide		5	900986	Electrosil TR4
3CR6	10k	Metal Oxide		5	900986	Electrosil TR4
3CR7	1M	Metal Oxide		5	914036	Electrosil TR5
3CR8	4.7k	Metal Oxide		5	900989	Electrosil TR4
3CR9	4.7k	Metal Oxide		5	900989	Electrosil TR4
3CR10	15k	Metal Oxide		5	908280	Electrosil TR4
3CR11	10k	Metal Oxide		5	900986	Electrosil TR4
3CR12	33	Metal Oxide		5	908690	Electrosil TR4
3CR13	4.7k	Metal Oxide		5	900989	Electrosil TR4
3CR14	68k	Metal Oxide		5	908295	Electrosil TR4
3CR15	4.7k	Metal Oxide		5	900989	Electrosil TR4
3CR16	1M	Metal Oxide		5	914036	Electrosil TR5
3CR17	4.7k	Metal Oxide		5	900986	Electrosil TR4
3CR18	1k	Metal Oxide		5	908267	Electrosil TR4
3CR19	4.7k	Metal Oxide		5	900989	Electrosil TR4
3CR20	330	Metal Oxide		5	908268	Electrosil TR4
3CR21	150	Metal Oxide		5	909121	Electrosil TR4
3CR22	47k	Metal Oxide		5	908391	Electrosil TR4
3CR23	47k	Metal Oxide		5	908391	Electrosil TR4
3CR24	4.7k	Metal Oxide		5	900989	Electrosil TR4
3CR25	10k	Metal Oxide		5	900986	Electrosil TR4
3CR26	100k	Metal Oxide		5	908293	Electrosil TR4
3CR27	27k	Metal Oxide		5	908295	Electrosil TR4
3CR28	68k	Metal Oxide		5	908295	Electrosil TR4
3CR29	33	Metal Oxide		5	908690	Electrosil TR4
3CR30	10k	Metal Oxide		5	900986	Electrosil TR4
3CR31	1.8k	Metal Oxide		5	908283	Electrosil TR4
3CR32	27k	Metal Oxide		5	908295	Electrosil TR4
3CR33	3.9k	Metal Oxide		5	900990	Electrosil TR4
3CR34	120	Metal Oxide		5	908286	Electrosil TR5
3CR35	47k	Metal Oxide		5	908391	Electrosil TR4

Cct. Ref.	Value	Description	Rat	Tol %	Racal Part Number	Manufacturer
<u>TUNE P.C. BOARD (Cont'd)</u>						
<u>Resistors (Cont'd)</u>						
	ohm		W			
3CR36	470	Metal Oxide		5	900992	Electrosil TR4
3CR37	18k	Metal Oxide		5	908272	Electrosil TR4
3CR38	330	Metal Oxide		5	908268	Electrosil TR4
3CR39	18k	Metal Oxide		5	908272	Electrosil TR4
3CR40	1k	Metal Oxide		5	908267	Electrosil TR4
3CR41	1k	Metal Oxide		5	908267	Electrosil TR4
3CR42	27k	Metal Oxide		5	908295	Electrosil TR4
3CR43	10k	Metal Oxide		5	900986	Electrosil TR4
3CR44	330	Metal Oxide		5	908268	Electrosil TR4
3CR45	330	Metal Oxide		5	908268	Electrosil TR4
3CR46	10k	Metal Oxide		5	900986	Electrosil TR4
3CR47	10k	Metal Oxide		5	900986	Electrosil TR4
3CR48	1k	Metal Oxide		5	908267	Electrosil TR4
<u>Capacitors</u>						
	F		V			
3CC1	0.1 μ	Fixed		20	914173	STC PMC2R/0.1/M100
3CC2	0.1 μ	Fixed		20	914173	STC PMC2R/0.1/M100
3CC3	33 μ	Fixed	63		920534	Mullard 108 18339
3CC4	0.1 μ	Fixed		20	914173	STC PMC2R/0.1/M100
3CC5	6.8 μ	Fixed		20	910129	Union Carbide K6R8J35S
3CC6	0.1 μ	Fixed		20	914173	STC PMC2R/0.1/M100
3CC7	0.1 μ	Fixed		20	914173	STC PMC2R/0.1/M100
3CC8	0.1 μ	Fixed		20	914173	STC PMC2R/0.1/M100
3CC9	0.1 μ	Fixed		20	914173	STC PMC2R/0.1/M100
3CC10	100 μ	Fixed	63		920246	Mullard 108 18101
3CC11	100 μ	Fixed	63		920246	Mullard 108 18101
3CC12	0.1 μ	Fixed		20	914173	STC PMC2R/0.1/M100
3CC13	0.1 μ	Fixed		20	914173	STC PMC2R/0.1/M100
3CC14	100 μ	Fixed	63		920246	Mullard 108 18101
3CC15	0.1 μ	Fixed		20	914173	STC PMC2R/0.1/M100
3CC16	0.1 μ	Fixed		20	914173	STC PMC2R/0.1/M100
3CC17	0.1 μ	Fixed		20	914173	STC PMC2R/0.1/M100
3CC18	0.1 μ	Fixed		20	914173	STC PMC2R/0.1/M100
<u>Transistors</u>						
3CTR1		BFY51			908753	Mullard
3CTR2		BFY51			908753	Mullard
3CTR3		BC107			911929	Mullard
3CTR4		BC107			911929	Mullard
3CTR5		BC107			911929	Mullard

Cct. Ref.	Value	Description	Rat	Tol %	Racal Part Number	Manufacturer
<u>TUNE P.C. BOARD (Cont'd)</u>						
<u>Transistors (Cont'd)</u>						
3CTR6		BCY71			911928	Mullard
3CTR7		BCY71			911928	Mullard
3CTR8		BFY51			908753	Mullard
3CTR9		BC107			911929	Mullard
3CTR10		BC107			911929	Mullard
3CTR11		NOT USED				
3CTR12		BFY51			908753	Mullard
3CTR13		BC107			911929	Mullard
3CTR14		BC107			911929	Mullard
3CTR15		BC107			911929	Mullard
3CTR16		BCY71			911928	Mullard
3CTR17		BCY71			911928	Mullard
3CTR18		BFX29			915267	Mullard
3CTR19		BC107			911929	Mullard
3CTR20		BCY71			911928	Mullard
3CTR21		BFX29			915267	Mullard
3CTR22		BFY51			908753	Mullard
3CTR23		BFY51			908753	Mullard
<u>Diodes</u>						
3CD1		IN4149			914898	Mullard
3CD2		IN4149			914898	Mullard
3CD3		IN4149			914898	Mullard
3CD4		BZY88C18			915920	Mullard
3CD5		IN4002			911460	Texas
3CD6		IN4149			914898	Mullard
3CD7		IN4149			914898	Mullard
3CD8		BZY88C8V2			917622	Mullard
3CD9		IN4002			911460	Texas
3CD10		IN4149			914898	Mullard
3CD11		IN4149			914898	Mullard
3CD12		IN4149			914898	Mullard
3CD13		IN4149			914898	Mullard
3CD14		IN4149			914898	Mullard
3CD15		NOT USED				
3CD16		IN4002			911460	Texas
3CD17		NOT USED				
3CD18		IN4149			914898	Mullard
3CD19		IN4149			914898	Mullard
3CD20		IN4149			914898	Mullard

Cct. Ref.	Value	Description	Rat	Tol %	Rocal Part Number	Manufacturer
<u>TUNE P.C. BOARD (Cont'd)</u>						
<u>Diodes (Cont'd)</u>						
3CD21		IN4002			911460	Texas
3CD22		IN4149			914898	Mullard
3CD23		BZY88C8V2			917622	Mullard
3CD24		IN4002			911460	Texas
3CD25		IN4149			914898	Mullard
3CD26		BZY88C8V2			917622	Mullard
3CD27		IN4149			914898	Mullard
3CD28		IN4149			914898	Mullard
3CD29		NOT USED				
3CD30		BZY88C8V2			917622	Mullard
3CD31		IN4149			914898	Mullard
<u>Relays</u>						
3CRLA					921505	Leach ER2-2A A1A
3CRLC					921505	Leach ER2-2A A1A
<u>Plugs</u>						
3CPL1					919362	Varicon 8131-032-610 -001

Cct. Ref.	Value	Description	Rat	Tol %	Racal Part Number	Manufacturer
-----------	-------	-------------	-----	-------	-------------------	--------------

SERVO PRE-AMPLIFIER P.C. BOARD (PS108) CC601093

All components are pre-fixed PS108

Resistors

	ohm		W			
R1	10k	Metal Oxide		5	900986	Electrosil TR4
R2	150k	Metal Oxide		5	908277	Electrosil TR4
R3	1k	Metal Oxide		5	908267	Electrosil TR4
R4	100k	Variable		20	916411	Morganite Type 80
R5	100k	Metal Oxide		5	908293	Electrosil TR4
R6	1.2k	Metal Oxide		5	916347	Electrosil TR6
R7	220k	Metal Oxide		5	906025	Electrosil TR5
R8	220k	Metal Oxide		5	906025	Electrosil TR5
R9	22k	Metal Oxide		5	908269	Electrosil TR4
R10	1M	Metal Oxide		5	911692	Electrosil TR5
R11	1k	Metal Oxide		5	908267	Electrosil TR4
R12	1k	Metal Oxide		5	906031	Electrosil TR5
R13	10	Metal Oxide		5	908471	Electrosil TR5
R14	1.5k	Metal Oxide		5	908296	Electrosil TR4
R15	1k	Metal Oxide		5	908267	Electrosil TR4
R16	15k	Metal Oxide		5	908280	Electrosil TR4
R17	51	Metal Oxide		5	912757	Electrosil TR4
R18	2.2k	Metal Oxide		5	908270	Electrosil TR4
R19	10k	Variable		20	916410	Morganite Type 80
R20	10k	Metal Oxide		5	900986	Electrosil TR4
R21	2.2k	Metal Oxide		5	908270	Electrosil TR4
R22	1k	Metal Oxide		5	908267	Electrosil TR4
R23	5.6k	Metal Oxide		5	916348	Electrosil TR6
R24	180	Metal Oxide		5	909125	Electrosil TR4
R25	5.6k	Metal Oxide		5	916348	Electrosil TR6
R26	100	Metal Oxide		5	908276	Electrosil TR4
R27	100	Metal Oxide		5	908276	Electrosil TR4
R28	100	Metal Oxide		5	908276	Electrosil TR4
R29	100	Metal Oxide		5	908276	Electrosil TR4
R30	100	Metal Oxide		5	900986	Electrosil TR4

Capacitors

(Volts)

C1	0.01 μ	Polyester	250	10	915918	Mullard 344-41103
C2	2.2 μ	Electrolytic	50	20	916359	Plessey 402/8/50043/002
C3	0.1 μ	Polycarbonate	100	10	915075	Mullard 344-21104
C4	0.47 μ	Polycarbonate	100	10	915172	STC PMA 047M100
C5	0.1 μ	Polycarbonate	100	10	915075	Mullard 344-21104

Cct. Ref.	Value	Description	Rot	Tol %	Racal Part Number	Manufacturer
SERVO PRE-AMPLIFIER P. C. BOARD (Cont'd)						
<u>Capacitors (Contd)</u>			<u>(Volts)</u>			
C6	0.1 μ	Polycarbonate	100	10	915075	Mullard 344-21104
C7	0.01 μ	Polyester	250	10	915918	Mullard 344-41103
C8	0.1 μ	Polycarbonate	100	10	915075	Mullard 344-21104
<u>Transistors</u>						
TR1		Silicon n-p-n			908753	Mullard BFY 51
TR2		Silicon n-p-n			908753	Mullard BFY 51
TR3		Silicon p-n-p			915497	STC 2N 4033
TR4		Silicon p-n-p			915497	STC 2N 4033
TR5		Silicon n-p-n			915496	STC BSY 56
TR6		Silicon p-n-p			915497	STC 2N 4033
<u>Diodes</u>						
D1		Zener: 3.3V	400mW	5	912567	Mullard BZY 88 C3V3
D2		Zener 3.3V	400mW	5	912567	Mullard BZY 88 C3V3
D3		Silicon			900651	Mullard 1N 914
D4		Silicon			900651	Mullard 1N 914
D5		Zener: 6.2V	400mW	5	911682	Mullard BZY 88 C6V2
D6		Zener: 6.2V	400mW	5	911682	Mullard BZY 88 C6V2
D7		Zener: 6.2V	400mW	5	911682	Mullard BZY 88 C6V2
<u>Integrated Circuits</u>						
IC1 (on/A)		Wideband Amplifier			912160	Fairchild uA 702C
IC1 (on/B)		Wideband Amplifier			917285	Fairchild uA 702A
<u>Connectors</u>						
		15-way PCB Connector			916412	Varicon 8129-015-610-001

Cct. Ref.	Value	Description	Rat	Tol %	Racal Part Number	Manufacturer
<u>FINE TUNE DISCRIMINATOR (MS449&PS56) CA603454</u>						
<u>Resistors</u>						
	ohm		W			
4R1	10k		7	5	921426	Electrosil FP7
4R2	10k		7	5	921426	Electrosil FP7
4R3	12k	Metal Oxide		5	908274	Electrosil TR4
4R4	15k	Metal Oxide		5	908280	Electrosil TR4
4AR1	18k	Metal Oxide		5	908272	Electrosil TR4
4AR2	39	Metal Oxide		5	906343	Electrosil TR5
4AR3	39	Metal Oxide		5	906343	Electrosil TR5
4AR4	22k	Variable			919816	Plessey MPWT
4AR5	39	Metal Oxide		5	906343	Electrosil TR5
4AR6	39	Metal Oxide		5	906343	Electrosil TR5
4AR7	18k	Metal Oxide		5	908272	Electrosil TR4
4AR8	1k	Metal Oxide		5	908267	Electrosil TR4
4AR9	18k	Metal Oxide		5	908272	Electrosil TR4
4AR10	22k	Variable			919816	Plessey MPWT
4AR11	39			5	922615	Electrosil TR8
4AR12	1k	Metal Oxide		5	908267	Electrosil TR4
4AR13	18k	Metal Oxide		5	908272	Electrosil TR4
4AR14	330	Metal Oxide		5	908153	Electrosil TR5
4AR15		NOT USED				
4AR16	1k	Variable			916051	Morganite 81E
<u>Capacitors;</u>						
	F		V			
4C1	5p	Ceramic	4k		917977	Plessey 10
4AC1		NOT USED				
4AC2	0.1μ	Fixed		20	914173	ITT PMC2R/0.1/M100
4AC3	0.1μ	Fixed		20	914173	ITT PMC2R/0.1/M100
4AC4	120p	Silver Mica	350	2	902163	Lemco M5611/1/R/120
4AC5	0.1μ	Fixed		20	914173	ITT PMC2R/0.1/M100
4AC6	0.1μ	Fixed		20	914173	ITT PMC2R/0.1/M100
4AC7	120p	Silver Mica	350	2	902163	Lemco M5611/1/R/120
4AC8	0.1μ	Fixed			914173	ITT PMC2R/0.1/M100
4AC9	0.1μ	Fixed			914173	ITT PMC2R/0.1/M100
4AC10	0.1μ	Fixed			914173	ITT PMC2R/0.1/M100
4AC11	0.1μ	Fixed			914173	ITT PMC2R/0.1/M100
<u>Inductors</u>						
4L1		Coil Assembly			BT603391	
4L2		Coil Assembly			BT603391	
4AL1	10μH	Choke			922364	Cambion 550-3640-45-02
4AL2	10μH	Choke			922364	Cambion 550-3640-45-02

Cct. Ref.	Value	Description	Rat	Tol %	Recal Part Number	Manufacturer
<u>FINE TUNE DISCRIMINATOR (Cont'd)</u>						
<u>Diodes</u>						
4D1		IN4149			914898	Mullard
4D2		IN4149			914898	Mullard
4AD1		IN4149			914898	Mullard
4AD2		IN4149			914898	Mullard
4AD3		IN4149			914898	Mullard
4AD4		IN4149			914898	Mullard
4AD5		IN4149			914898	Mullard
4AD6		IN4149			914898	Mullard
<u>Switches</u>						
4SA		Toggle, black			921425	Arrow TC38P
<u>Meter</u>						
4M1		Meter 50-0-50uA			921424	Turner 125E

Cct. Ref.	Value	Description	Rat	Tol %	Racal Part Number	Manufacturer
CONSTANT-VOLTAGE AMPLIFIER (MS454 & PS58) DC603545						
	Resistors ohm		W			
5AR1	3.3k	Metal Oxide		5	900991	Electrosil TR4
5AR2	1k	Variable			919805	Plessey MPWT
5AR3	1k	Metal Oxide		5	908267	Electrosil TR4
5AR4	4.7k	Metal Oxide		5	900989	Electrosil TR4
5AR5	2.2k	Metal Oxide		5	908270	Electrosil TR4
5AR6	1k	Metal Oxide		5	908267	Electrosil TR4
5AR7	4.7k	Metal Oxide		5	900989	Electrosil TR4
5AR8	820	Metal Oxide		5	908282	Electrosil TR4
5AR9	10k	Metal Oxide		5	900986	Electrosil TR4
5AR10	1k	Metal Oxide		5	908267	Electrosil TR4
5AR11	1.8k	Metal Oxide		5	908283	Electrosil TR4
5AR12	1.8k	Metal Oxide		5	908283	Electrosil TR4
5AR13	1k	Metal Oxide		5	908267	Electrosil TR4;
5AR14	560	Wirewound	2.5	5	913614	Welwyn W21
5AR15	10	Metal Oxide		5	912868	Electrosil TR4
5AR16	1k	Metal Oxide		5	908267	Electrosil TR4
5AR17	47	Metal Oxide		5	911930	Electrosil TR4
5AR18	51	Metal Oxide		5	912757	Electrosil TR4
5AR19	51	Metal Oxide		5	912757	Electrosil TR4
5AR20	1.8k	Metal Oxide		5	908283	Electrosil TR4
5AR21	1.8k	Metal Oxide		5	908283	Electrosil TR4
5AR22	330	Wirewound	2.5	5	913608	Welwyn W21
5AR23	33	Metal Oxide		5	908690	Electrosil TR4
5AR24	10	Metal Oxide		5	912868	Electrosil TR4
5AR25	330	Metal Oxide		5	908268	Electrosil TR4
5AR26	51	Metal Oxide		5	912757	Electrosil TR4
5AR27	820	Metal Oxide		5	906024	Electrosil TR5
5AR28	4.7k	Metal Oxide		5	900989	Electrosil TR4
5AR29	47	Metal Oxide		5	911930	Electrosil TR4
5AR30	51	Metal Oxide		5	912757	Electrosil TR4
5AR31	120	Metal Oxide		5	906021	Electrosil TR4
5AR32	4.7k	Metal Oxide		5	900989	Electrosil TR4
5AR33	4.7k	Metal Oxide		5	900989	Electrosil TR4
5AR34	47k	Metal Oxide		5	908391	Electrosil TR4
5AR35	1M	Metal Oxide		5	914036	Electrosil TR5
5AR36	15k	Metal Oxide		5	908280	Electrosil TR4
5AR37	120	Metal Oxide		5	906021	Electrosil TR5
5AR38	220k	Metal Oxide		5	917454	Electrosil TR4
5AR39	10k	Metal Oxide		5	900986	Electrosil TR4
5AR40	120	Metal Oxide		5	906021	Electrosil TR5

Cct. Ref.	Value	Description	Rat	Tol %	Racal Part Number	Manufacturer
-----------	-------	-------------	-----	-------	-------------------	--------------

CONSTANT-VOLTAGE AMPLIFIER (Cont'd)

Resistors (Cont'd)

	ohm		W			
5AR41	100k	Metal Oxide		5	908293	Electrosil TR4
5AR42	68	Wirewound	2.5	5	913592	Welwyn W21
5AR43	100k	Metal Oxide		5	908293	Electrosil TR4
5AR44	47k	Metal Oxide		5	908391	Electrosil TR4
5AR45	1k	Metal Oxide		5	919805	Electrosil TR4

Capacitors

	F		V			
5AC1	0.1 μ	Fixed		20	914173	ITT PMC2R/M100
5AC2	100 μ	Fixed	20	10	913445	Kemet K100 J20KS
5AC3	.001 μ	Fixed	20	500	915243	Erie 831
5AC4	.001 μ	Fixed	20	500	915243	Erie 831
5AC5	0.1 μ	Fixed		20	914173	ITT PMC2R/0.1/M100
5AC6	0.1 μ	Fixed		20	914173	ITT PMC2R/0.1/M100
5AC7	0.1 μ	Fixed		20	914173	ITT PMC2R/0.1/M100
5AC8	0.1 μ	Fixed		20	914173	ITT PMC2R/0.1/M100
5AC9	.01 μ	Fixed		+50 -25	911845	Erie 831T/25V
5AC10	68p	Fixed		10	917737	Erie 831/2200
5AC11	.01 μ	Fixed		+50 -25	911845	Erie 831T/25V
5AC12	0.1 μ	Fixed		20	914173	ITT PMC2R/0.1/M100
5AC13	0.1 μ	Fixed		20	914173	ITT PMC2R/0.1/M100
5AC14	0.1 μ	Fixed		20	914173	ITT PMC2R/0.1/M100
5AC15	0.1 μ	Fixed		20	914173	ITT PMC2R/0.1/M100
5AC16	0.1 μ	Fixed		20	914173	ITT PMC2R/0.1/M100
5AC17	0.1 μ	Fixed		20	914173	ITT PMC2R/0.1/M100
5AC18	0.1 μ	Fixed		20	914173	ITT PMC2R/0.1/M100
5AC19	0.1 μ	Fixed		20	914173	ITT PMC2R/0.1/M100
5AC20	100p	Fixed	500	10	917417	Erie 831IN3300
5AC21	470p	Fixed	500	10	917453	Erie 831K 170051
5AC22	0.1 μ	Fixed		20	914973	ITT PMC2R/0.1/M100

Inductors

5AL1	10 μ H	Choke			922364	Cambion 550-3640-45-02
------	------------	-------	--	--	--------	------------------------

Transformers

5AT1					CT603711	
5AT2					CT603710	

Cct. Ref.	Value	Description	Rat	Tol %	Racal Part Number	Manufacturer
CONSTANT-VOLTAGE AMPLIFIER (Cont'd)						
<u>Transistors</u>						
5ATR1		BC107			911929	Mullard
5ATR2		BC107			911929	Mullard
5ATR3		BC107			911929	Mullard
5ATR4		BYC71			911928	Mullard
5ATR5		BFY51			908753	Mullard
5ATR6		BSX61			916632	Mullard
5ATR7		BSX61			916632	Mullard
5ATR8		BSX61			916632	Mullard
5ATR9		BC107			911929	Mullard
5ATR10		BSX61			916632	Mullard
5ATR11		BC107			911929	Mullard
5ATR12		BC107			911929	Mullard
5ATR13		BC107			911929	Mullard
5ATR14		BC107			911929	Mullard
5ATR15		BC107			911929	Mullard
5ATR16		BCY71			911928	Mullard
5ATR17		BCY71			911928	Mullard
<u>Diodes</u>						
5AD1		BZY88C5V6			912747	Mullard
5AD2		IN4149			914898	Mullard
5AD3		BZY88C12			914310	Mullard
5AD4		NOT USED				
5AD5		IN4149			914898	Mullard
5AD6		IN4149			914898	Mullard
5AD7		IN4149			914898	Mullard
5AD8		BZY88C6V8			914064	Mullard
5AD10		IN4149			914898	Mullard
5AD11		IN4149			914898	Mullard
5AD12		IN4149			914898	Mullard
5AD13		BZY88C6V8			914064	Mullard
5AD14		BZY88C12			914310	Mullard
5AD15		IN4149			914898	Mullard
5AD16		IN4149			914898	Mullard
5AD17		BZY88C12			914310	Mullard
5AD18		IN4149			914898	Mullard
5AD19		IN4002			911460	ITT
5AD20		IN4149			914898	Mullard
5AD21		IN4149			914898	Mullard

Cct. Ref.	Value	Description	Rat	Tol %	Racal Part Number	Manufacturer
<u>CONSTANT-VOLTAGE AMPLIFIER (Cont'd)</u>						
<u>Relays</u>						
5ARLA					921505	Leach ER2-2A-A1A
<u>Plugs</u>						
5PL1		Coaxial			917970	Transradio BN14/5
5PL2					909729	Cannon DA15P
5PL3					916489	Cannon DB25P
<u>Sockets</u>						
5SK1		Coaxial			900061	Transradio BN12/5
<u>Miscellaneous</u>						
5AFB1		Ferrite bead			907488	Mullard FX1242
5AFB2		Ferrite bead			907488	Mullard FX1242
5AFB3		Ferrite bead			907488	Mullard FX1242
5AFB4		Ferrite bead			907488	Mullard FX1242

Cct. Ref.	Value	Description	Rat	Tol %	Racal Part Number	Manufacturer
-----------	-------	-------------	-----	-------	-------------------	--------------

'TUNE' COIL, MOTOR AND GEARBOX ASSEMBLY (MS451) CC603155/A
 LOAD COIL, MOTOR AND GEARBOX ASSEMBLY (MS451) CC603155/B

NOTE: The 'Tune' and 'Load' Assemblies are identical except for the Contacts for IL1 and IL2.

Resistors

	ohm		W			
6R1	56	Metal Oxide		5	908289	Electrosil TR4
6R2	10	Metal Oxide		5	912868	Electrosil TR4
6R3	220	Metal Oxide	7	10	923147	Electrosil FP7

Capacitors

	F					
6C1	0.1 μ	Fixed			914973	PMC 2R0.1/M100
6C2	395p	Variable			AD603233	
6C3	1000p	Fixed		10	915243	Erie H1-K831/K2600

Diodes

6D1		BYX38300			910957	
6D2		BYX38300			910957	
6D3		BYX38300			910957	
6D4		BYX38300			910957	

Switches

6SA		Micro			907169	Burgess M1
6SB		Micro			907169	Burgess M1

Motor

6ME1		28V			919929	Vactric 18P409
------	--	-----	--	--	--------	----------------

Terminal Strip

6TB1					901605	Carr 44/77/508/8M
------	--	--	--	--	--------	-------------------

Miscellaneous

	Contact for IL1				CD603603	
	Contact for IL2				CD603604	

Cct. Ref.	Value	Description	Rate	Tol %	Rocal Part Number	Manufacturer
-----------	-------	-------------	------	-------	-------------------	--------------

COARSE-TUNE DISCRIMINATOR (PS106) BC600506

Resistors

	ohm		W			
6AR1	560	Metal Oxide		5	909841	Electrosil TR4
6AR2	470	Metal Oxide		5	900992	Electrosil TR4
6AR3	560	Metal Oxide		5	909841	Electrosil TR4
6AR4	1k	Metal Oxide		5	908267	Electrosil TR4
6AR5	1k	Metal Oxide		5	908267	Electrosil TR4
6AR6	47k	Metal Oxide		5	908391	Electrosil TR4
6AR7	220	Variable		20	916289	Plessey Type GMK 5A

Capacitors

	F		V			
6AC1	4-60 μ	Variable	375		916940	Mullard 908-07011
6AC2	0.01 μ	Ceramic Disc	100	-20+80	900067	Erie CD801/K800011
6AC3	220p μ	Silver Mica	350	2	902242	Lemco MS119/1/R
6AC4	0.01 μ	Ceramic Disc	100	-20+80	900067	Erie CD801/K800011
6AC5	0.01 μ	Ceramic Disc	100	-20+80	900067	Erie CD801/K800011
6AC6	0.01 μ	Ceramic Disc	100	-20+80	900067	Erie CD801/K800011
6AC7	1000p μ	Ceramic	350	20	902122	Erie K350081AD/PL107

Transformers

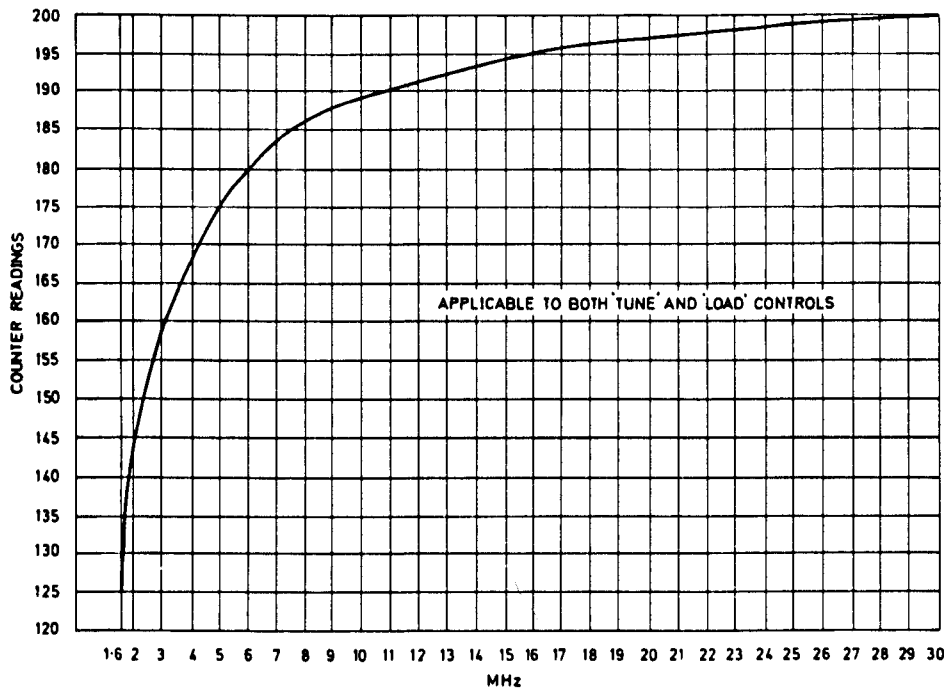
6AT1	Coil Assembly	CT600833/B
------	---------------	------------

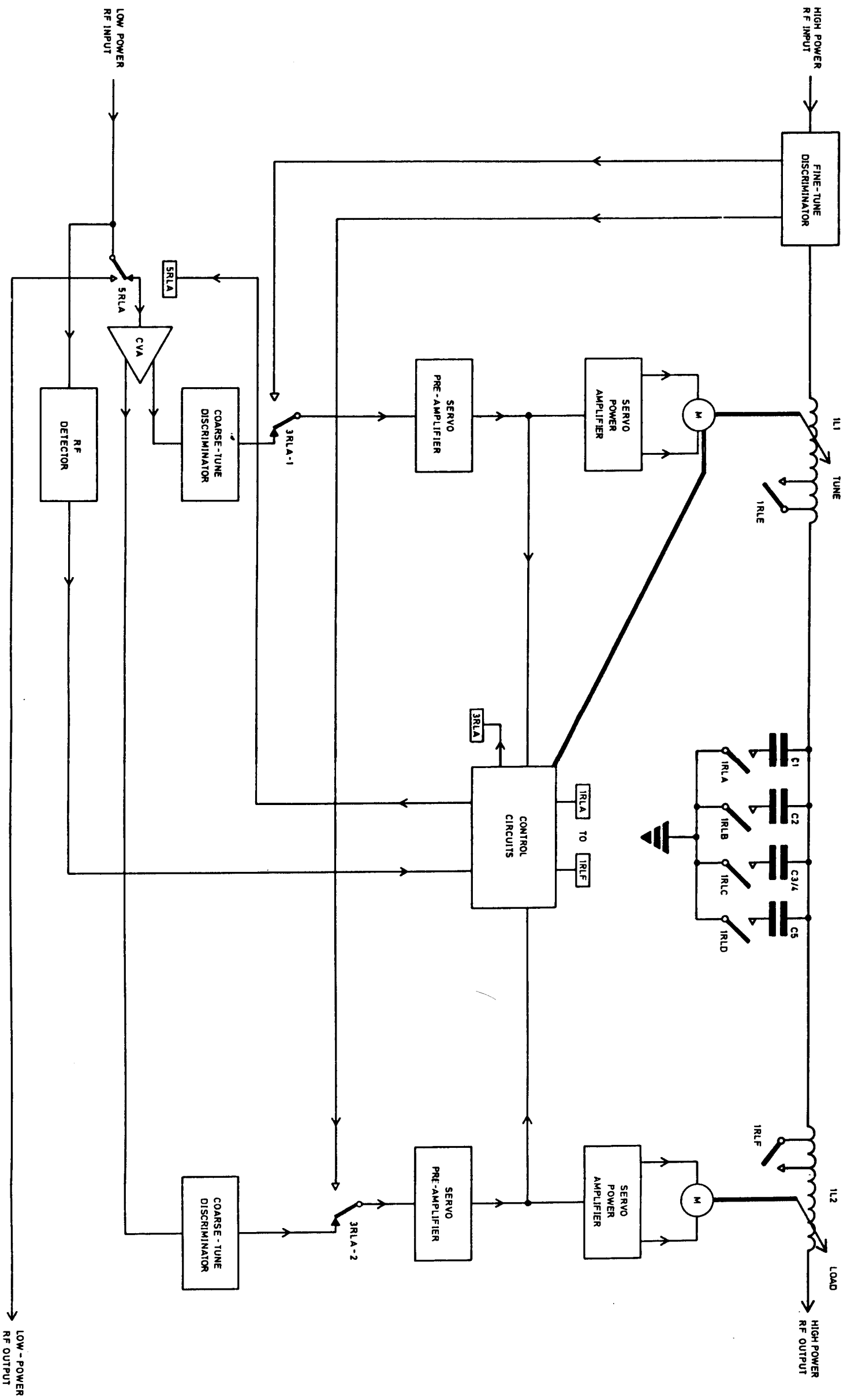
Diodes

6AD1	Silicon	906673	Mullard 1N 916
6AD2	Silicon	906673	Mullard 1N 916
6AD3	Silicon	906673	Mullard 1N 916
6AD4	Silicon	906673	Mullard 1N 916

Cct. Ref.	Value	Description	Rat	Tol %	Racal Part Number	Manufacturer
<u>SWITCHBANK ASSEMBLY CA603351</u>						
<u>Capacitors</u>						
	F		V			
7C1	0.1u	Fixed		20	914173	ITT PMC2R/0.1/M100
7C2	0.1u	Fixed		20	914173	ITT PMC2R/0.1/M100
7C3	0.1u	Fixed		20	914173	ITT PMC2R/0.1/M100
7C4	0.1u	Fixed		20	914173	ITT PMC2R/0.1/M100
7C5	0.1u	Fixed		20	914173	ITT PMC2R/0.1/M100
7C6	0.1u	Fixed		20	914173	ITT PMC2R/0.1/M100
7C7	0.1u	Fixed		20	914173	ITT PMC2R/0.1/M100
7C8	0.1u	Fixed		20	914173	ITT PMC2R/0.1/M100
7C9	0.1u	Fixed		20	914173	ITT PMC2R/0.1/M100
<u>Switches</u>						
7SA		Microswitch			919551	Burgess V4T7YR1
7SB		Microswitch			919551	Burgess V4T7YR1
7SC		Microswitch			919551	Burgess V4T7YR1
7SD		Microswitch			919551	Burgess V4T7YR1
7SE		Microswitch			919551	Burgess V4T7YR1
7SF		Microswitch			919551	Burgess V4T7YR1
7SG		Microswitch			919551	Burgess V4T7YR1
<u>Terminal Strip</u>						
7TB1		12-way			922181	Klippon MKL2/12 2413

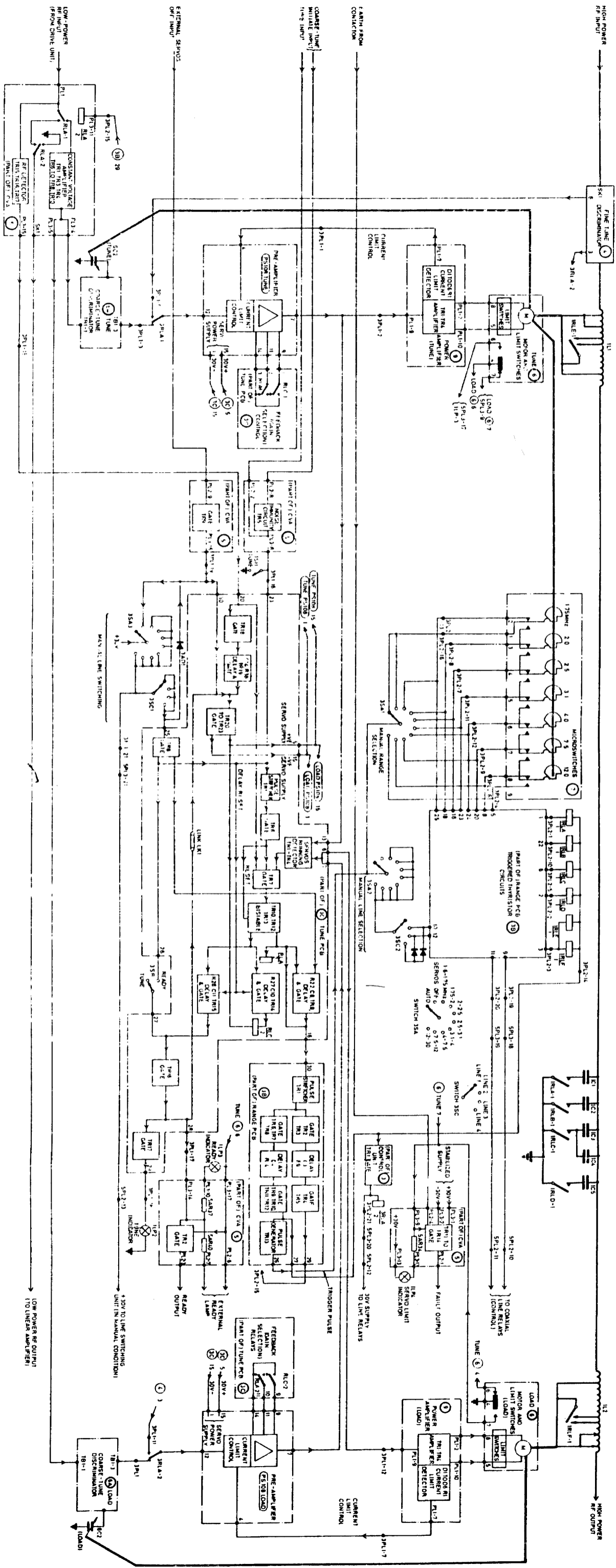
Cct. Ref.	Value	Description	Rat	Tol %	Racal Part Number	Manufacturer
<u>SERVO POWER AMPLIFIER (MS265)CC600191</u>						
<u>Resistors</u>						
	ohm		W			
9R1	1	Wirewound	12	5	918486	Welwyn W24
9R2	4.7k	Metal Oxide		5	911002	Electrosil TR5
9R3	1.5k	Metal Oxide		5	906027	Electrosil TR5
9R4	680	Metal Oxide		5	908390	Electrosil TR4
9R5	680	Metal Oxide		5	908390	Electrosil TR4
<u>Capacitors</u>						
	F		V			
9C1	0.1 μ	Polyester	250	10	915918	Mullard 344-41103
9C2	0.1 μ	Polycarbonate	100	20	914173	ITT PMC2R/0.1/M100
9C3	0.1 μ	Polycarbonate	100	20	914173	ITT PMC2R/0.1/M100
9C4	0.1 μ	Disc Ceramic	30		906675	Erie 811/T/30V
<u>Transistors</u>						
9TR1		Silicon n-p-n			917389	Mullard BSW66
9TR2		Silicon n-p-n, Power			917289	Westinghouse 2N 3233
9TR3		Silicon p-n-p, Power			917390	Motorola 2N 3635
9TR4		Silicon n-p-n, Power			917289	Westinghouse 2N 3233
<u>Diodes</u>						
9D1		Silicon			900651	Mullard 1N 914
9D2		Zener: 1.3V	400mW	5	915493	Mullard BZY 88 C1V3
9D3		Zener: 1.3V	400mW	5	915493	Mullard BZY 88 C1V3
9D4		Silicon			900651	Mullard 1N 914
9D5		Zener: 1.3V	400mW	5	915493	Mullard BZY 88 C1V3
9D6		Zener: 1.3V	400mW	5	915493	Mullard BZY 88 C1V3
<u>Connectors</u>						
9PL1		15-way Plug			909729	Cannon DA 15P
9TR1		6-way Terminal Block			915495	Wingrove & Rogers TS6-06





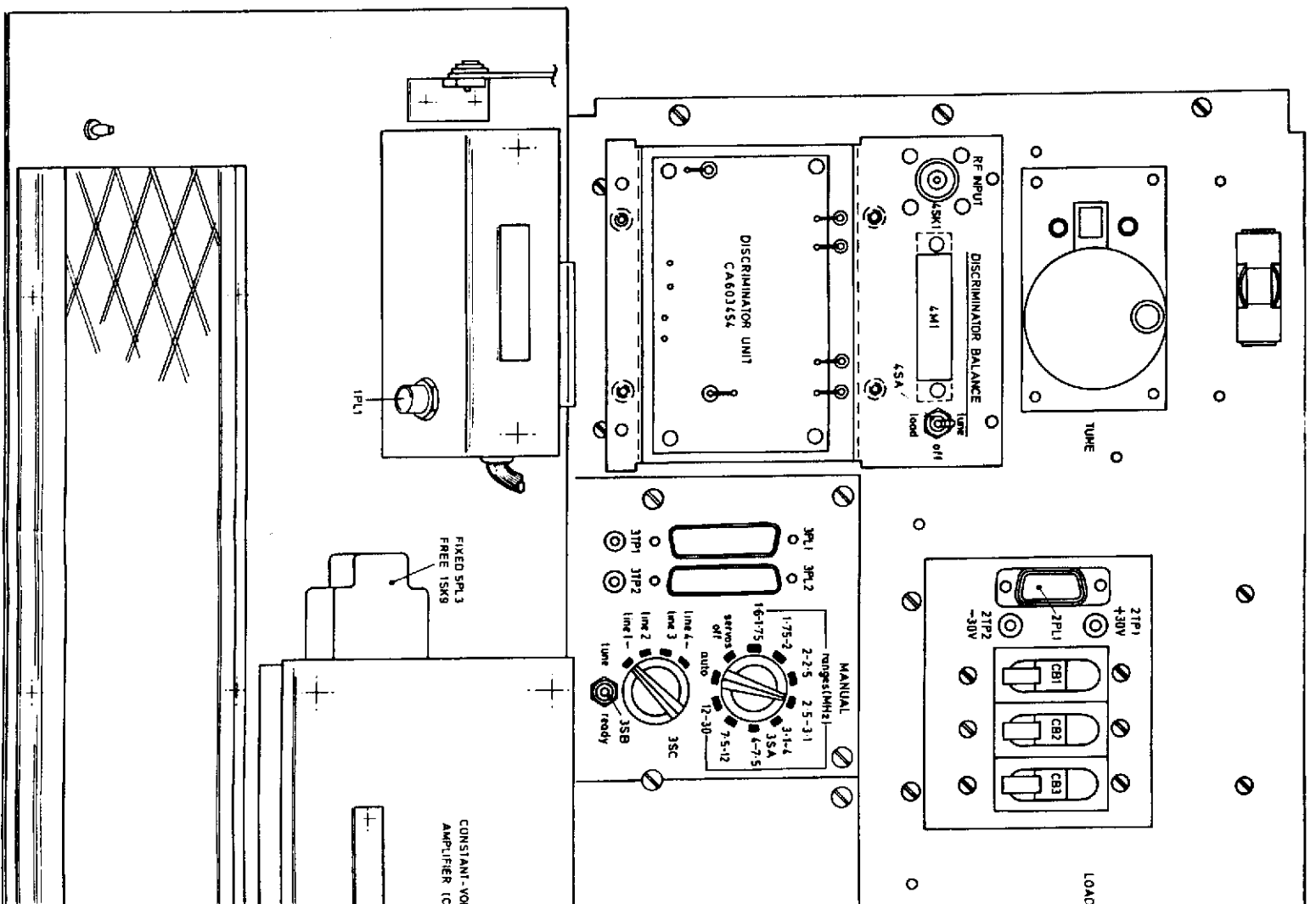
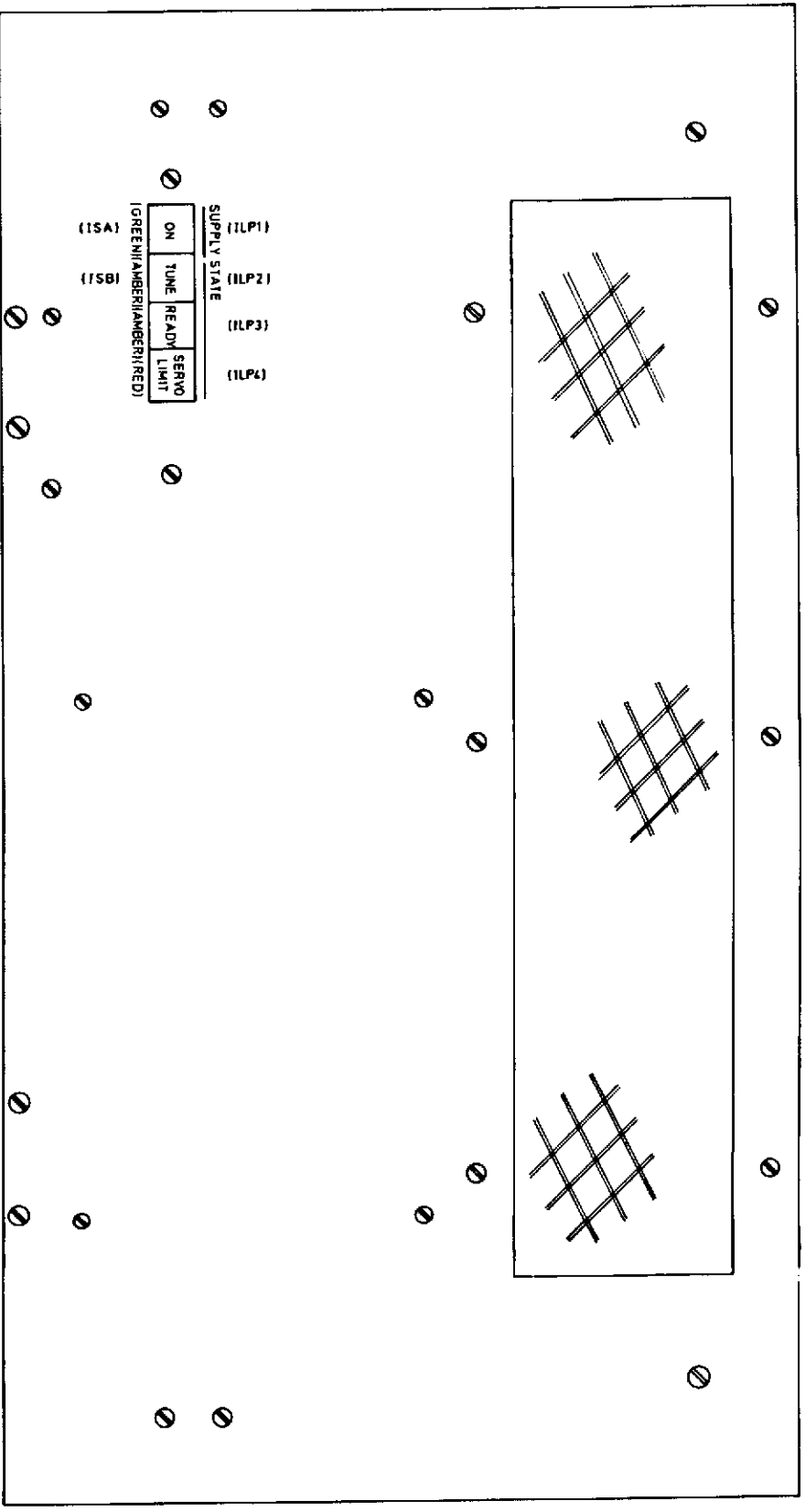
Simplified Block Diagram MA1004

Fig. 2



Functional Diagram : MA 1004 F MU

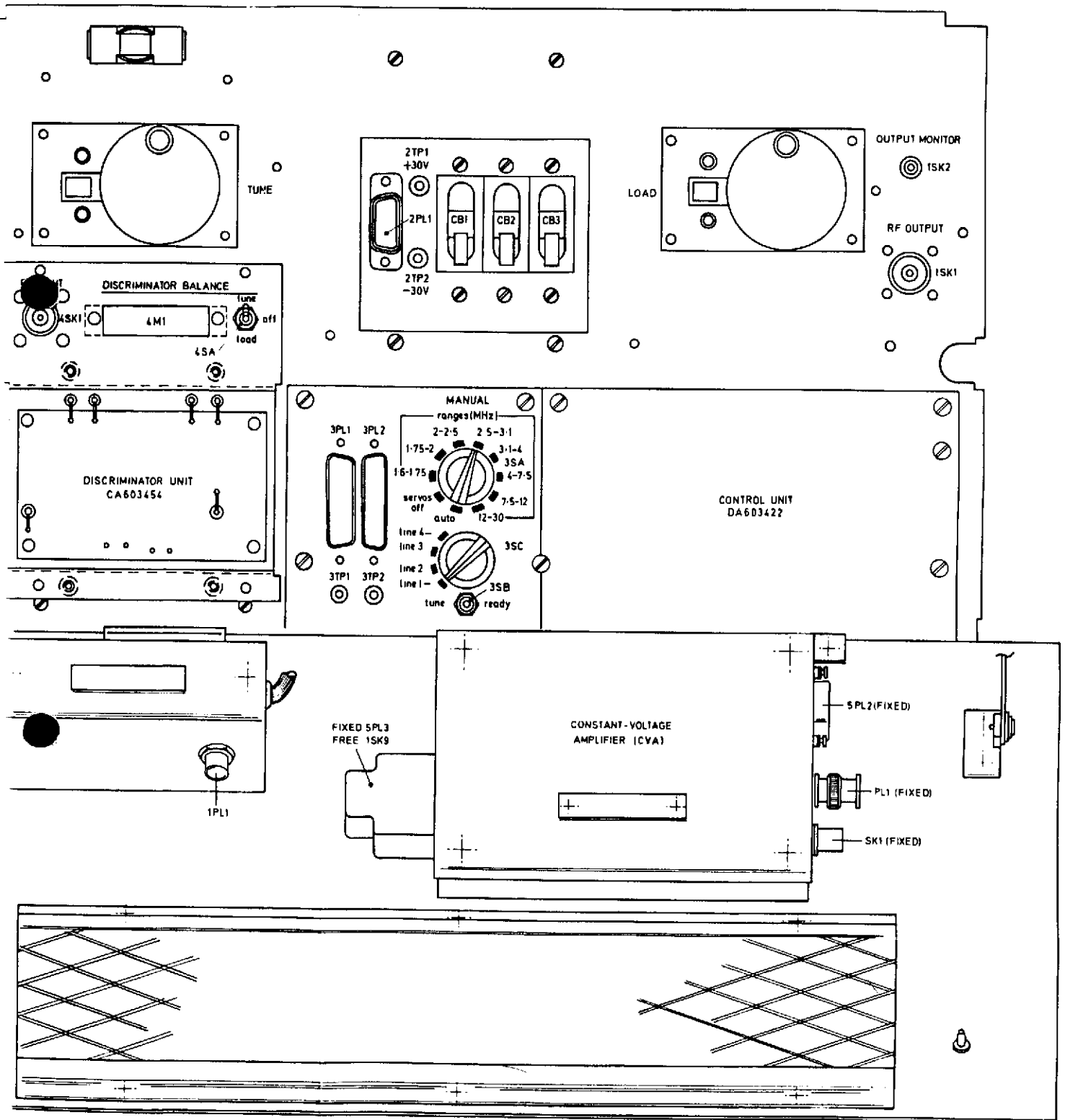
Fig. 3



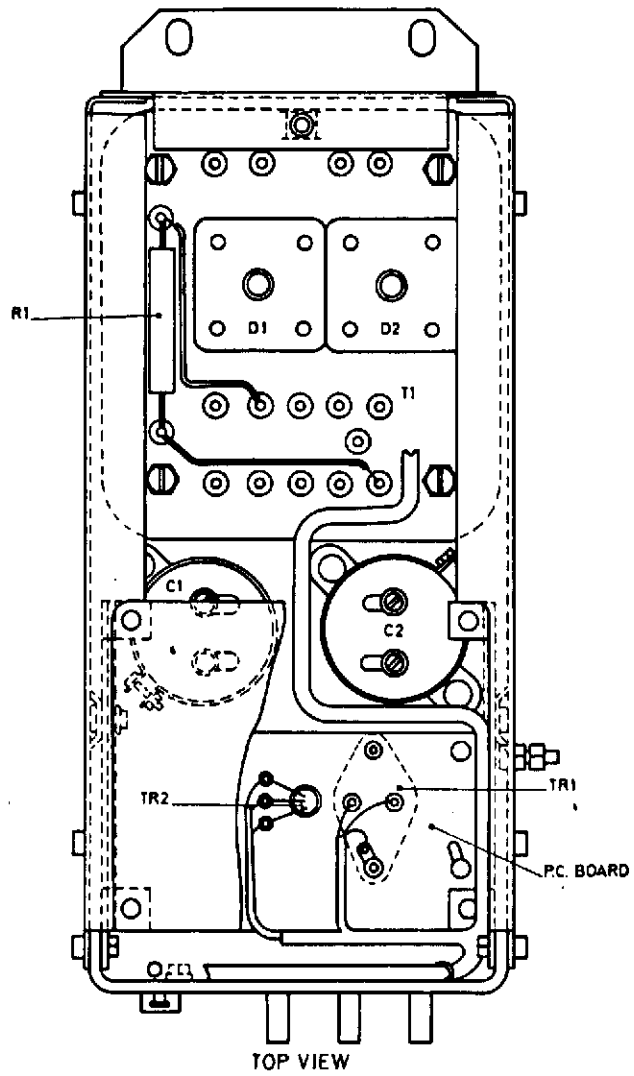
VIEW WITH FRONT PANEL LOWERED

Layout: Front and Sub-front Panels MA.1004

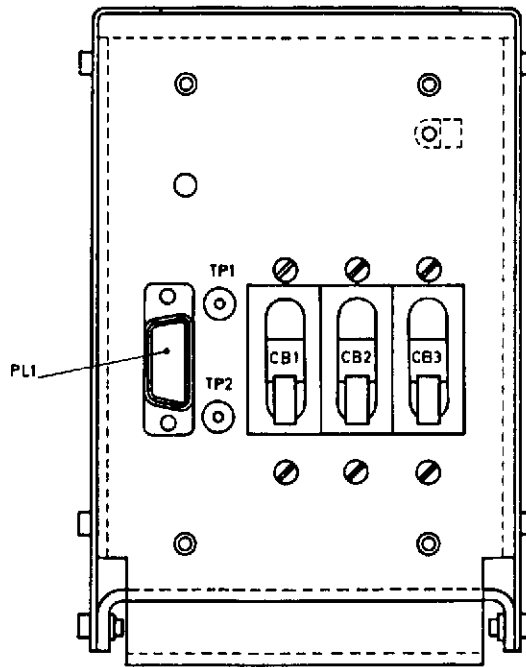
7



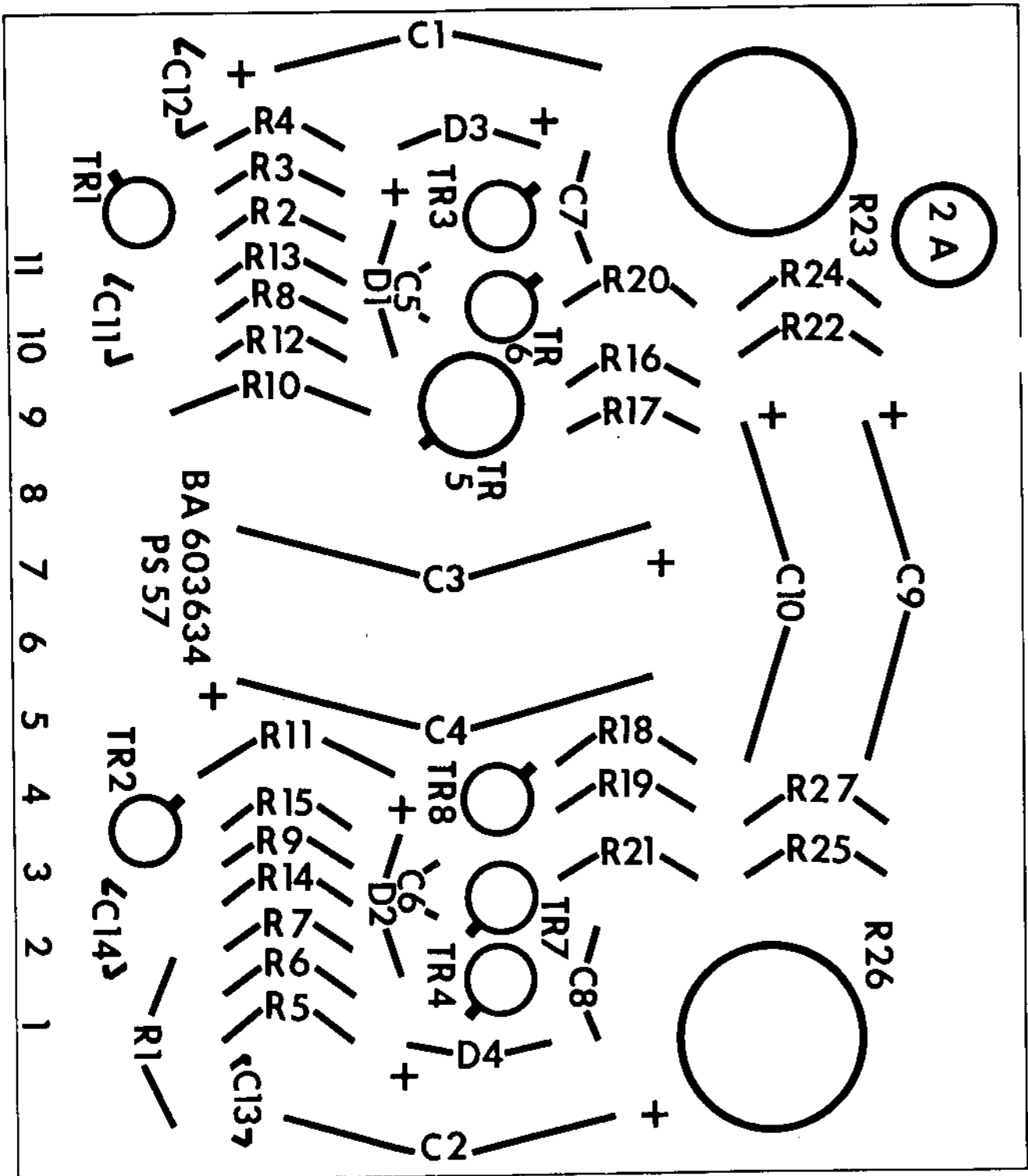
VIEW WITH FRONT PANEL LOWERED



TOP VIEW



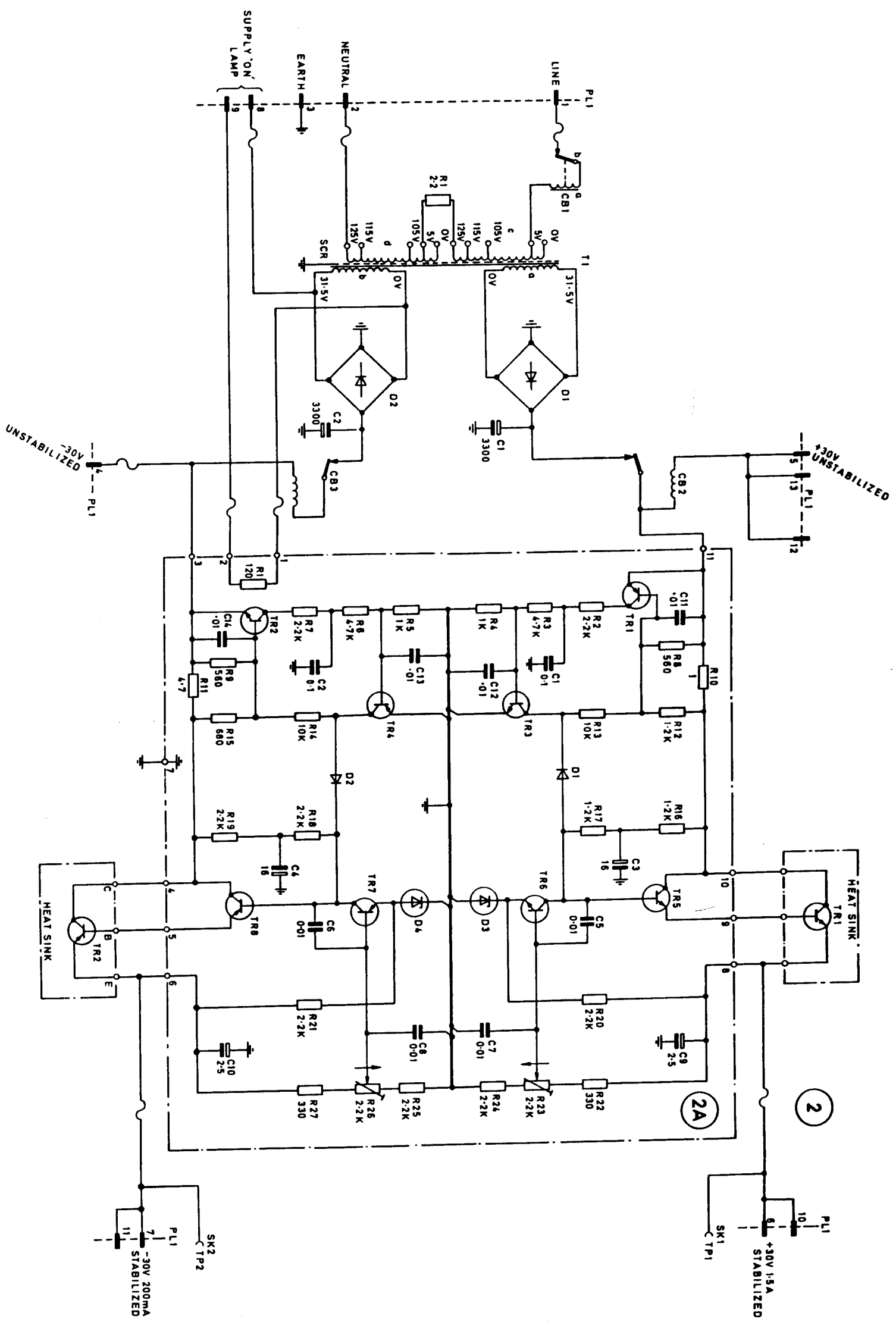
FRONT VIEW



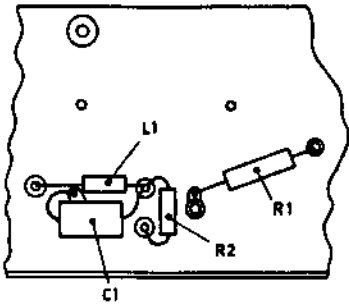
(2A)

Layout:
Power Supply Unit PC Board (PS57)

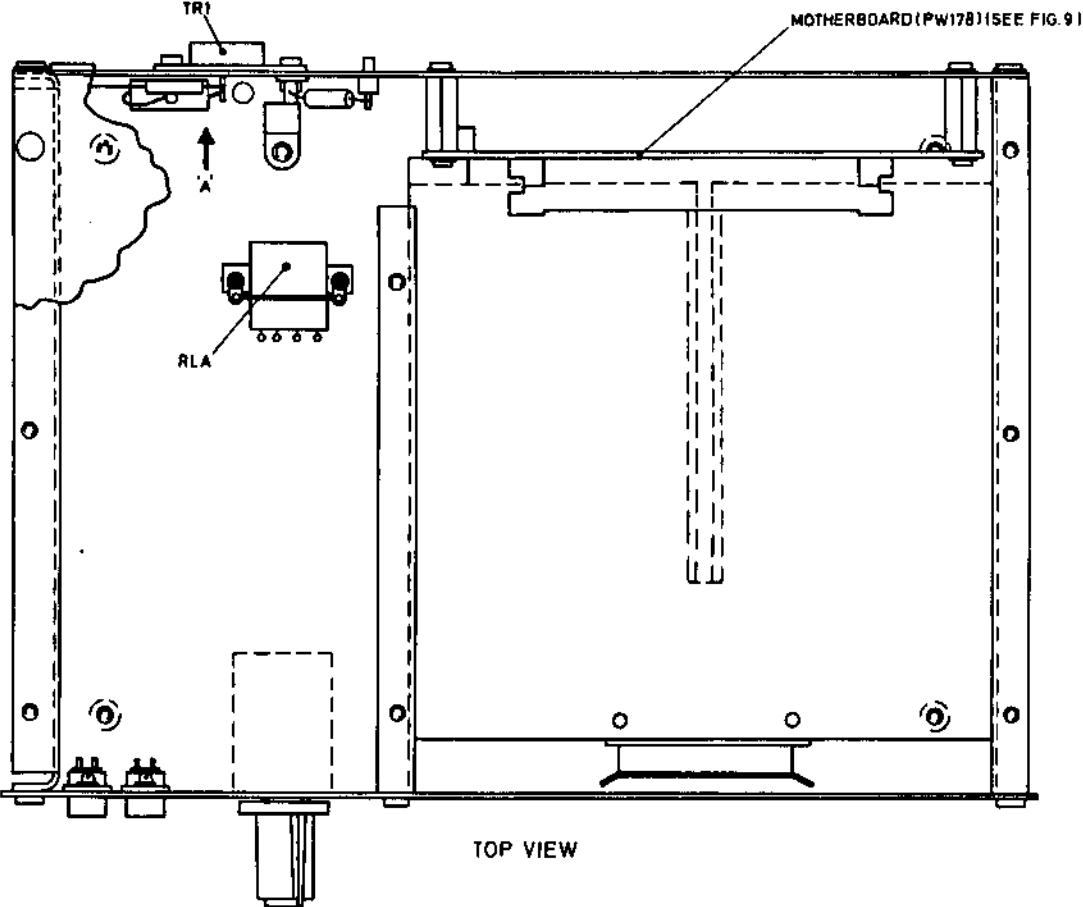
Fig. 6



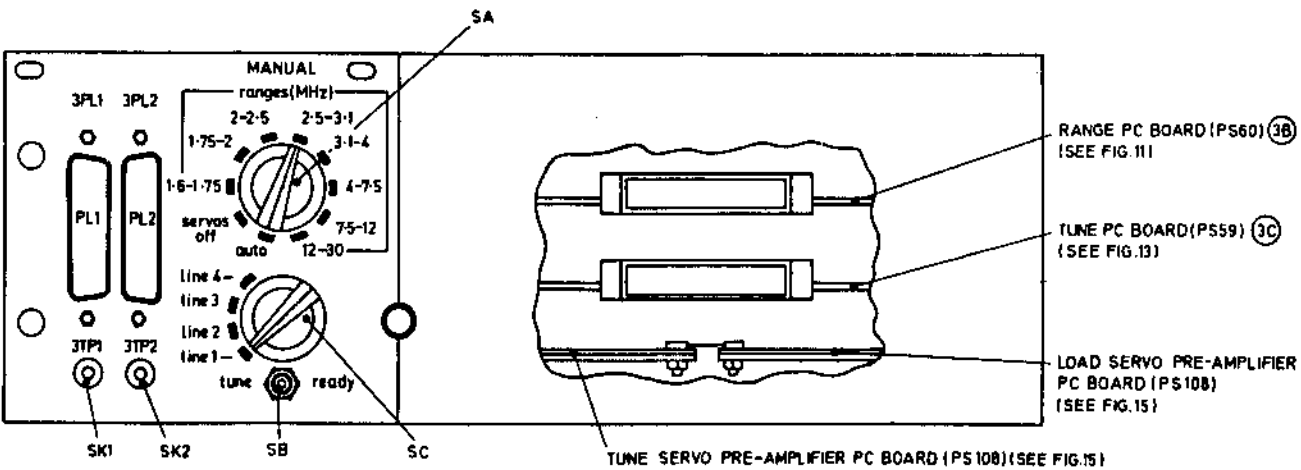
Circuit: Power Supply Unit (MS448 & PS57)



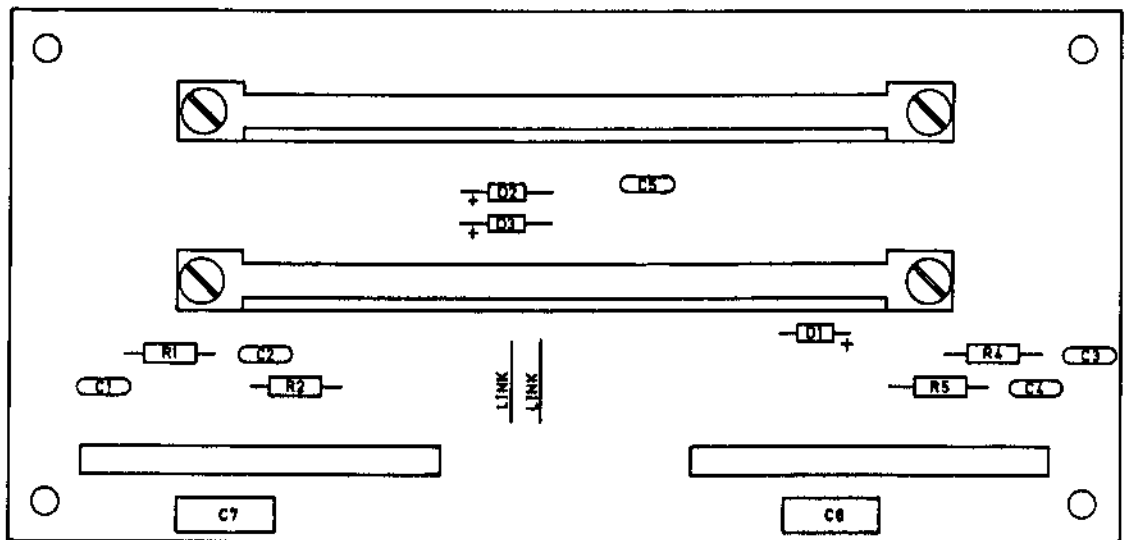
SCRAP VIEW IN DIRECTION OF ARROW 'A'

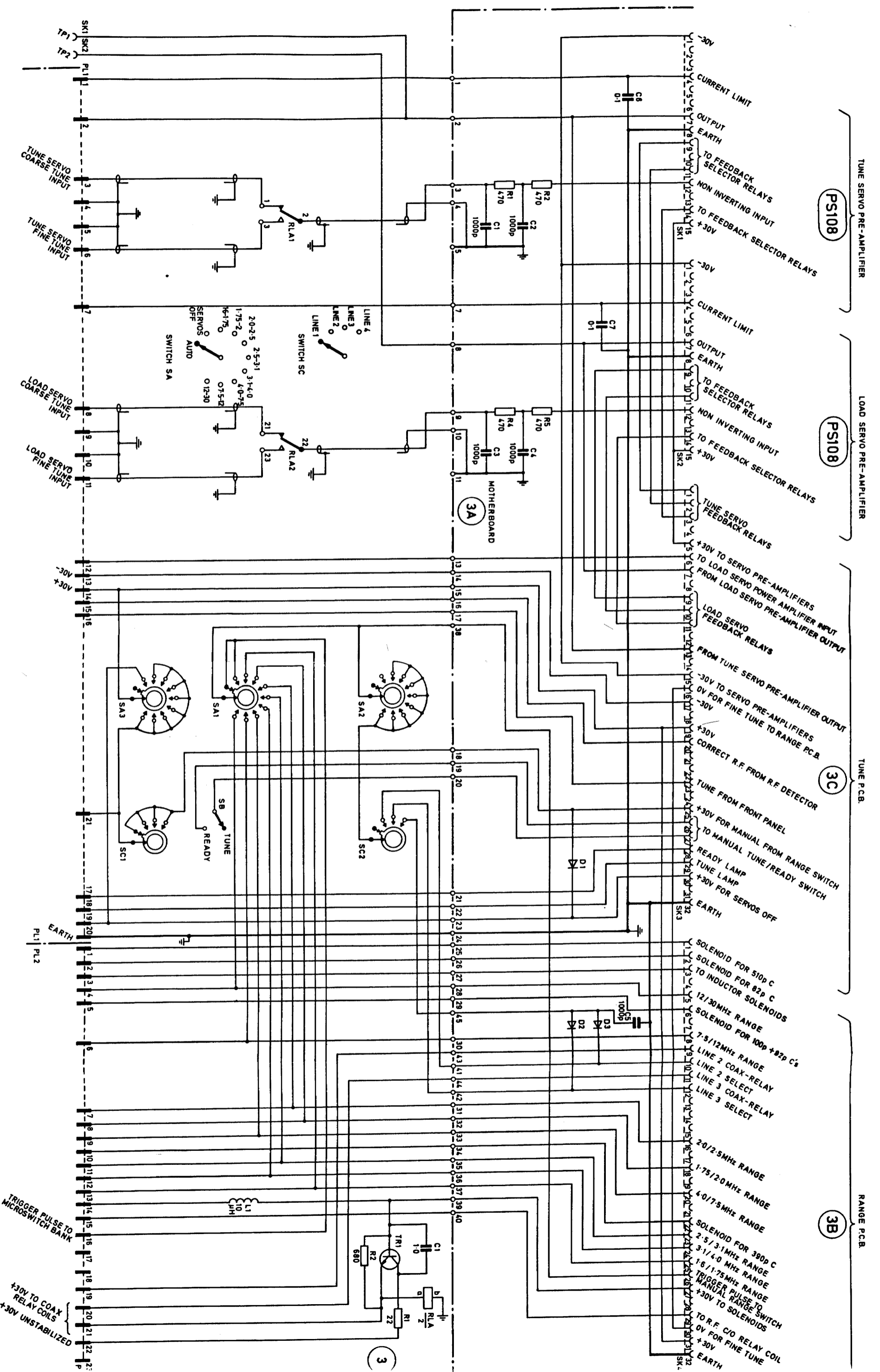


TOP VIEW

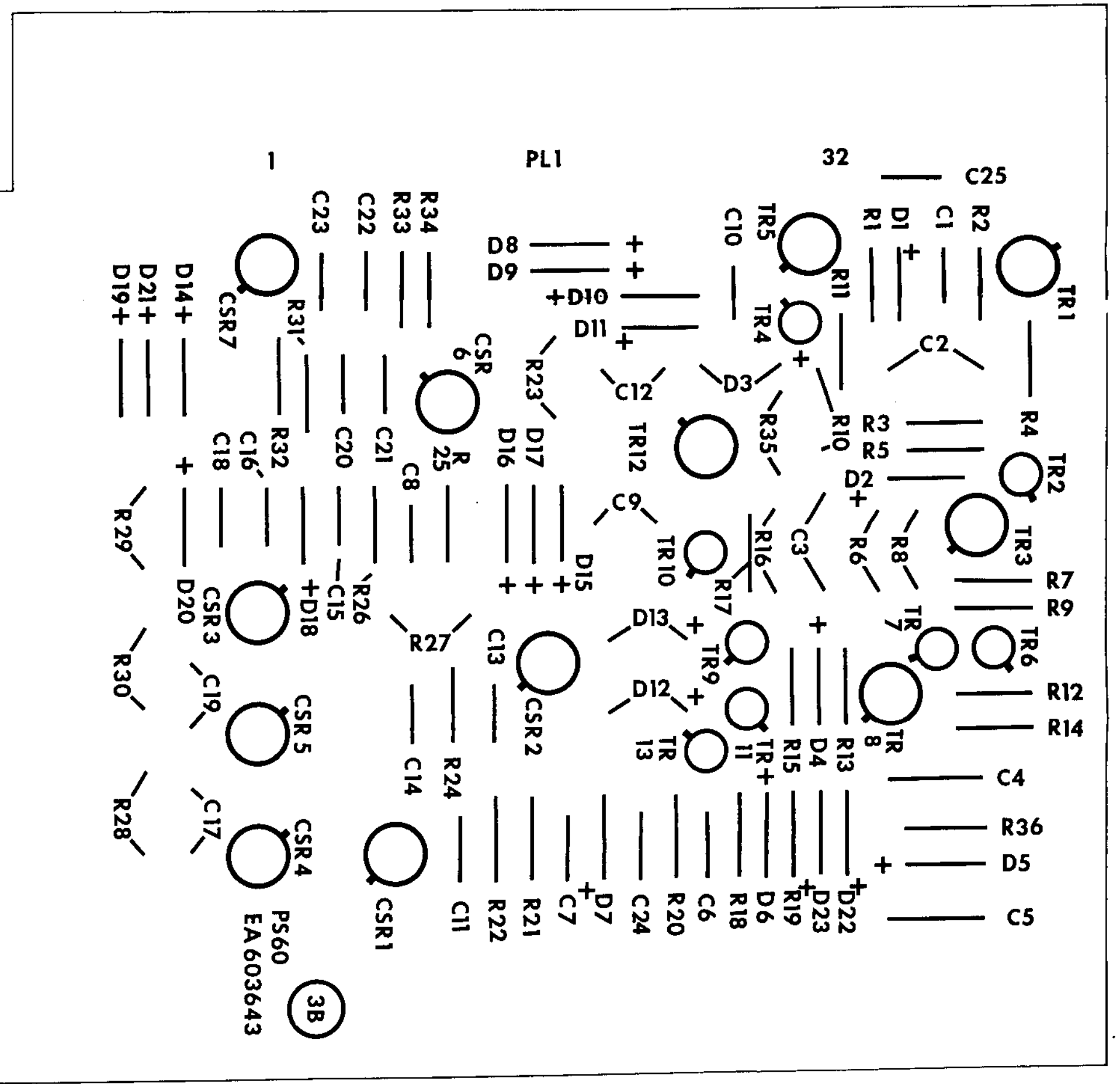


FRONT VIEW





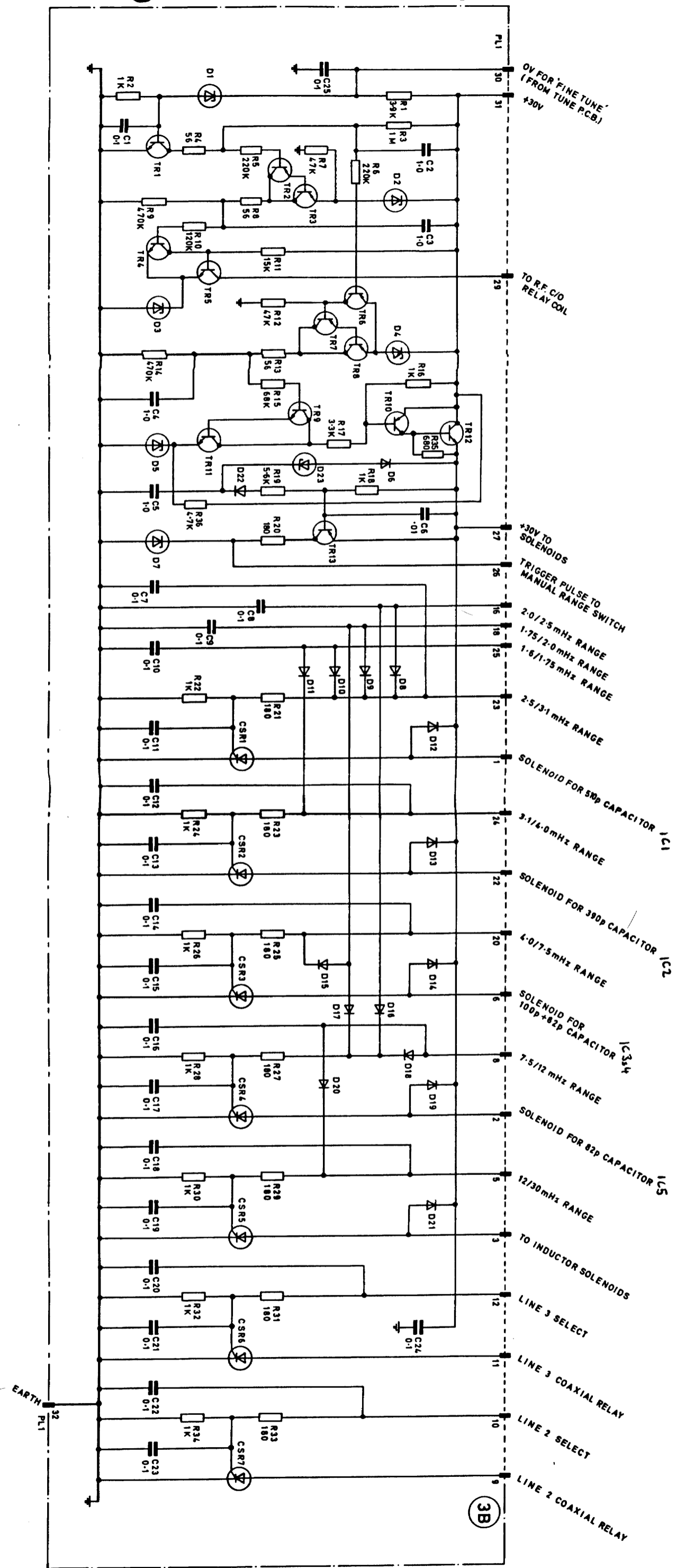
Circuit: Control Unit (MS450)



Layout: Range PC Board (PS60)

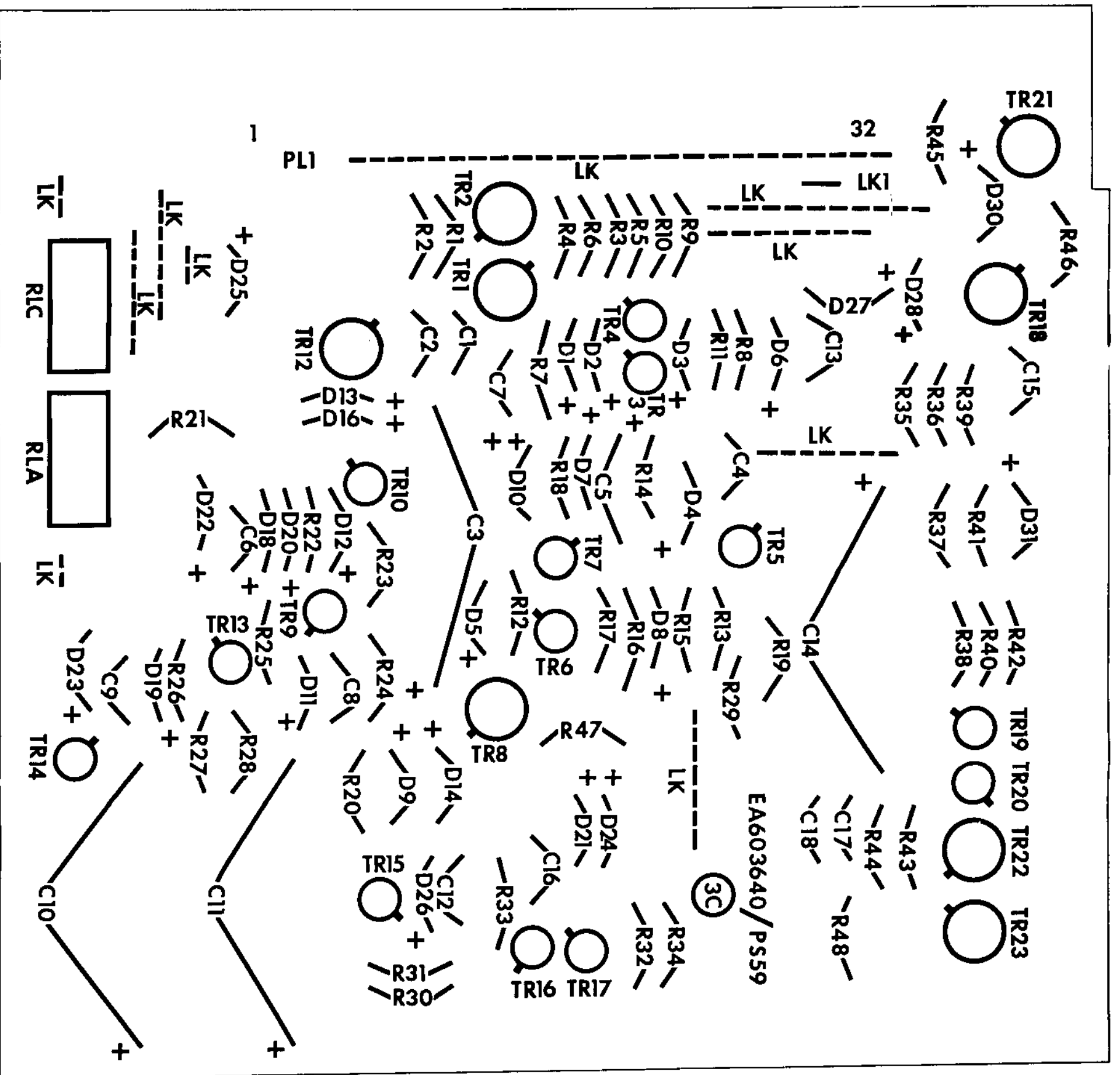
Fig. 11

WON 3A3 ED003A43
011



Circuit : Range P.C. Board (PS60)

Fig.12

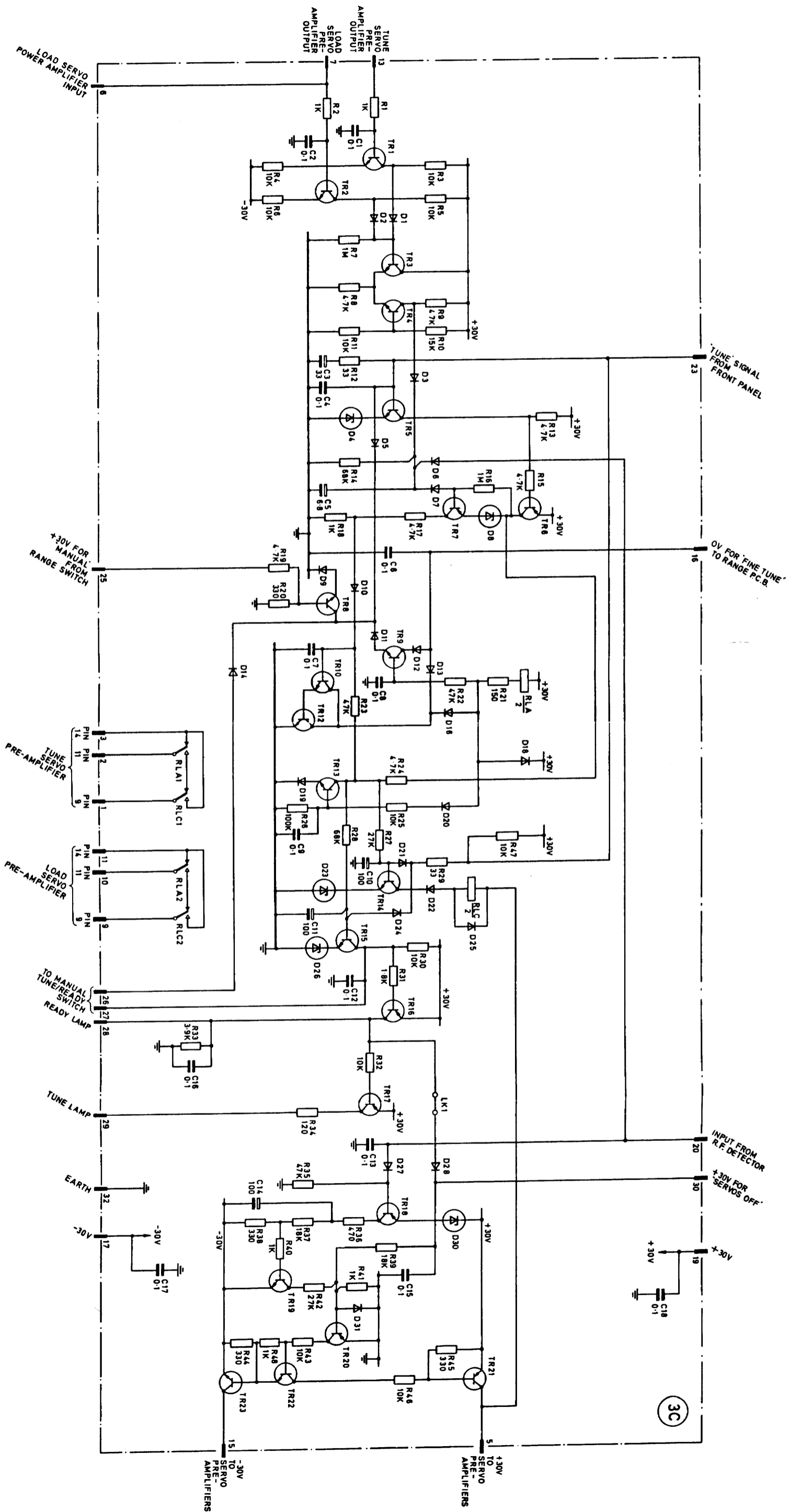


(3C)

Layout: Tune PC Board (PSS59)

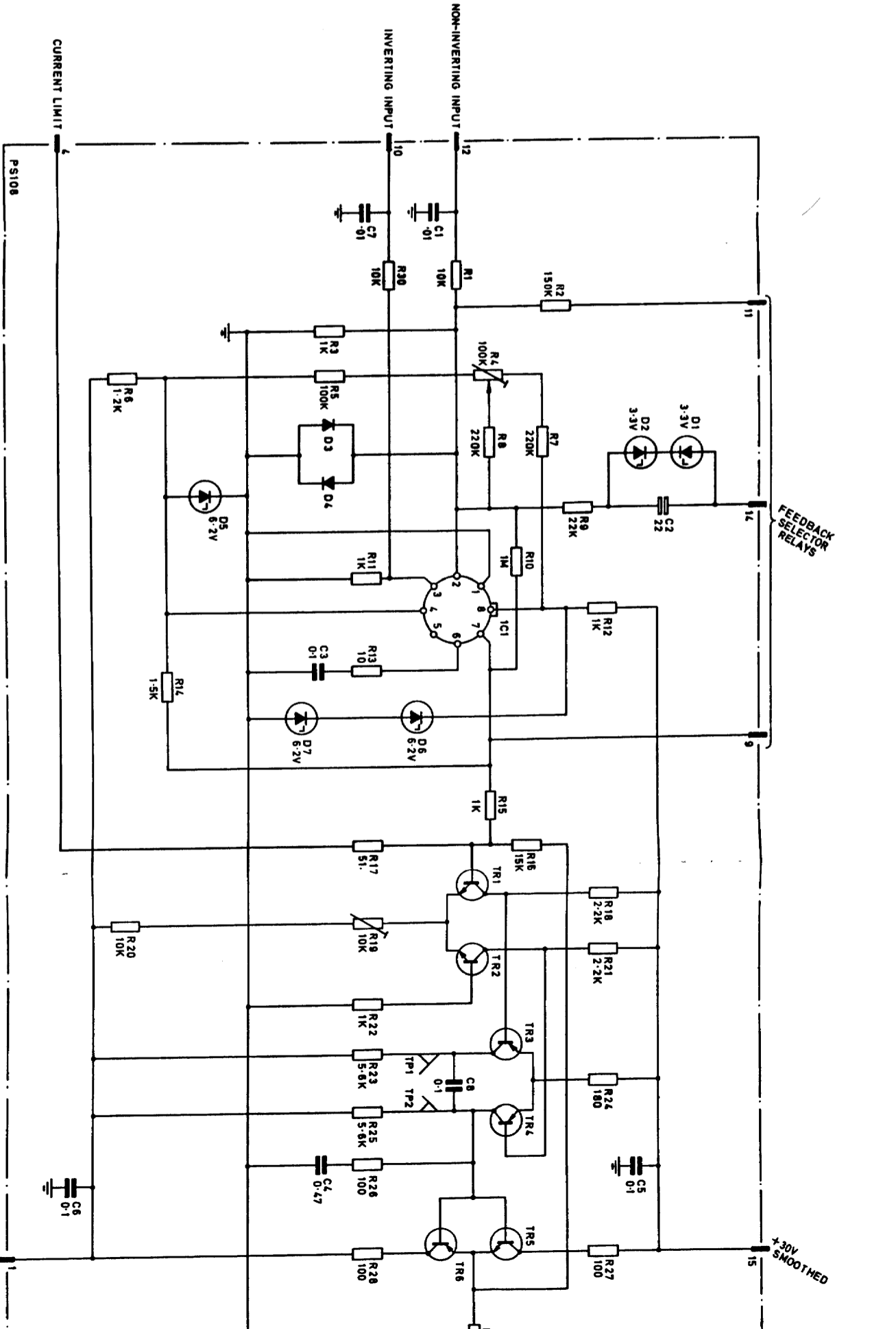
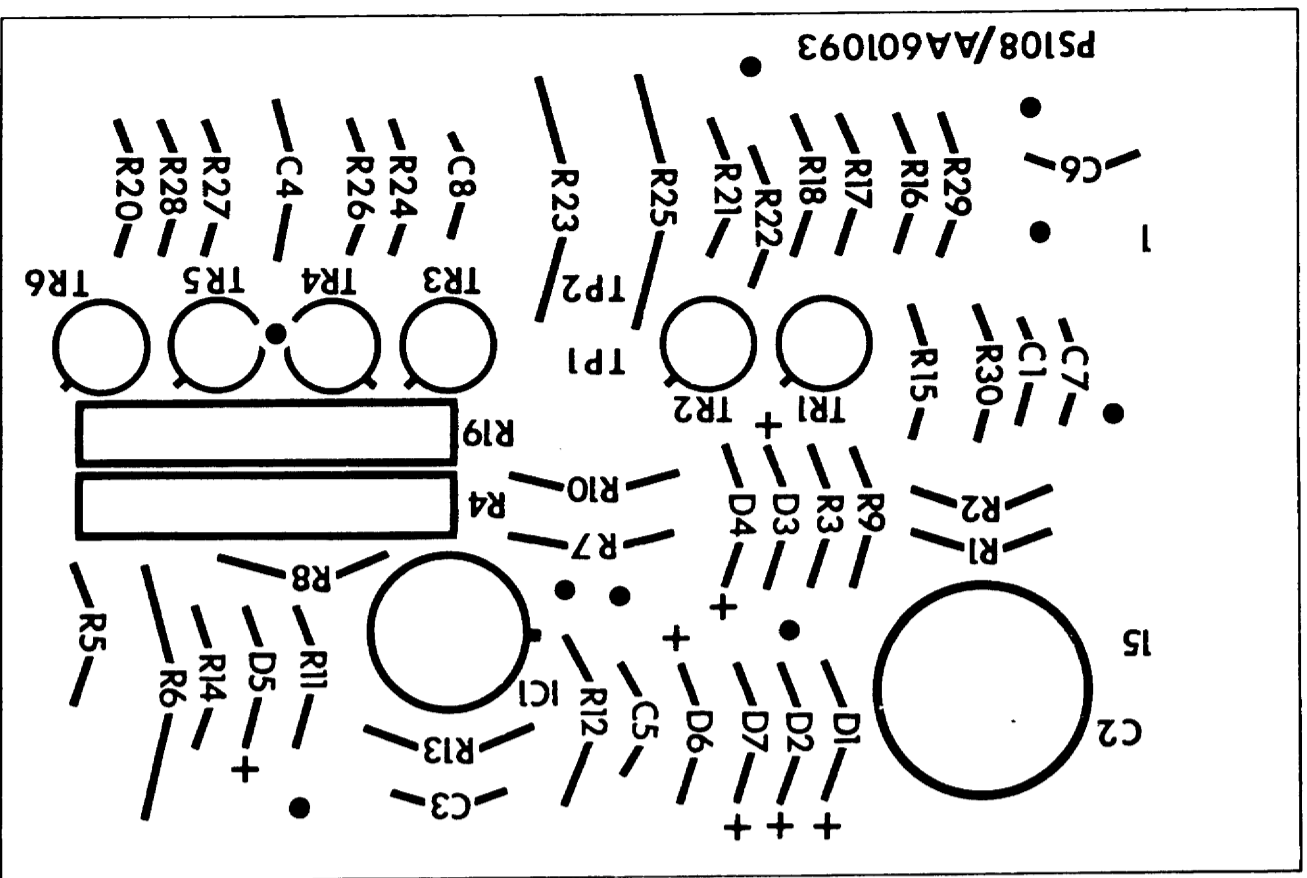
Fig. 13

WON 3043 E000043
P11

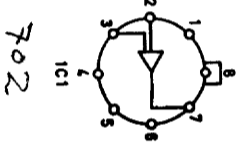


Circuit : Tune P.C. Board (PS 59)

Fig. 14



- PIN 1 - EARTH
- PIN 2 - INVERTING INPUT
- PIN 3 - NON-INVERTING INPUT
- PIN 4 - V- (CONNECTED TO CASE)
- PIN 5 - LEAD COMPENSATION
- PIN 6 - LAG COMPENSATION
- PIN 7 - OUTPUT
- PIN 8 - V+



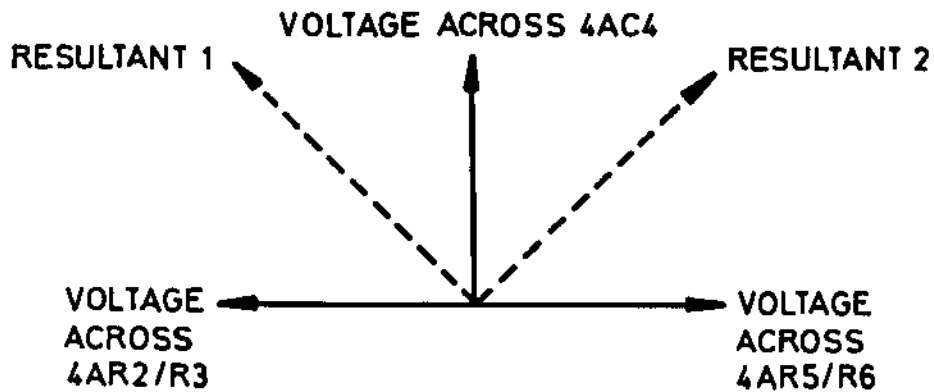
PC4225 SHIT.3
1

LAYOUT

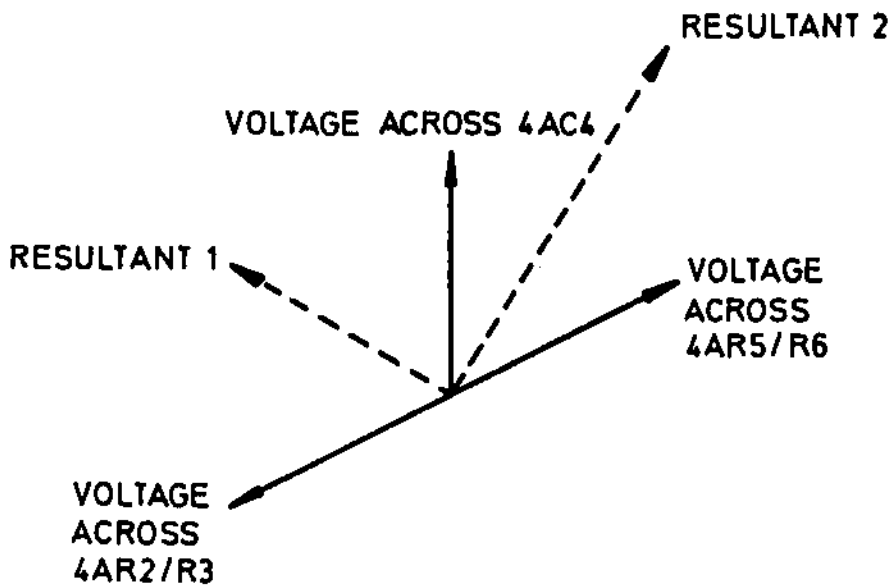
CC601093
1

CIRCUIT

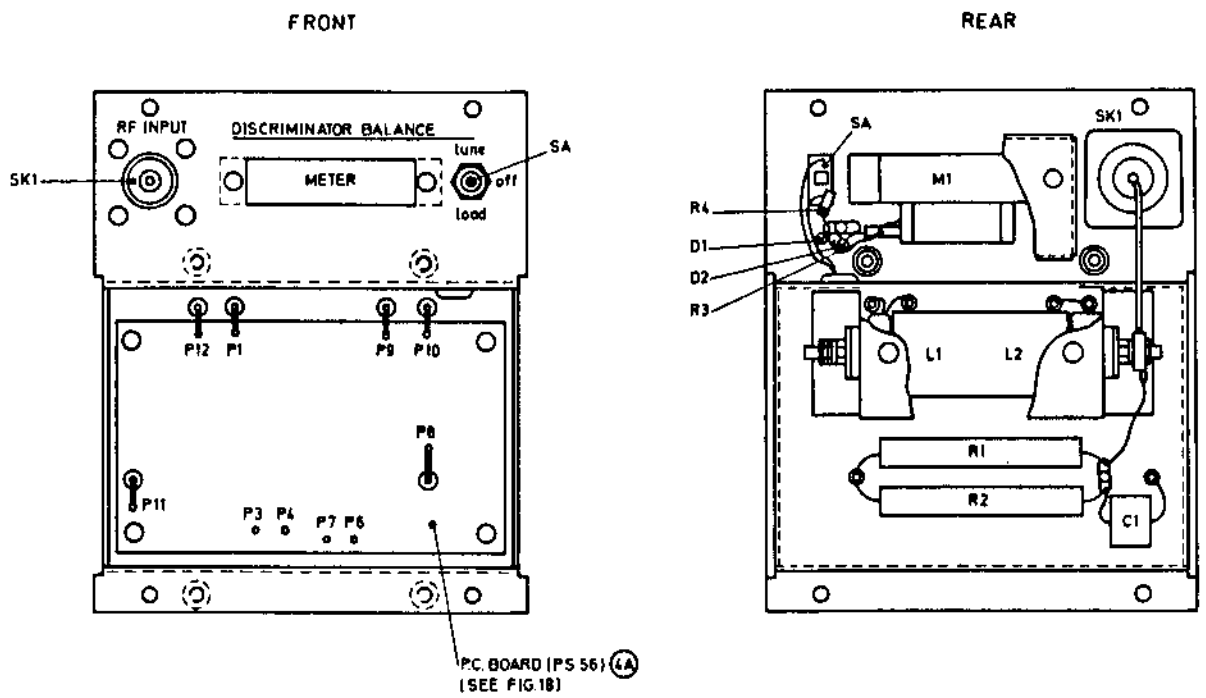
Circuit and Layout: Servo Pre-Amplifier PC Board (PS108)

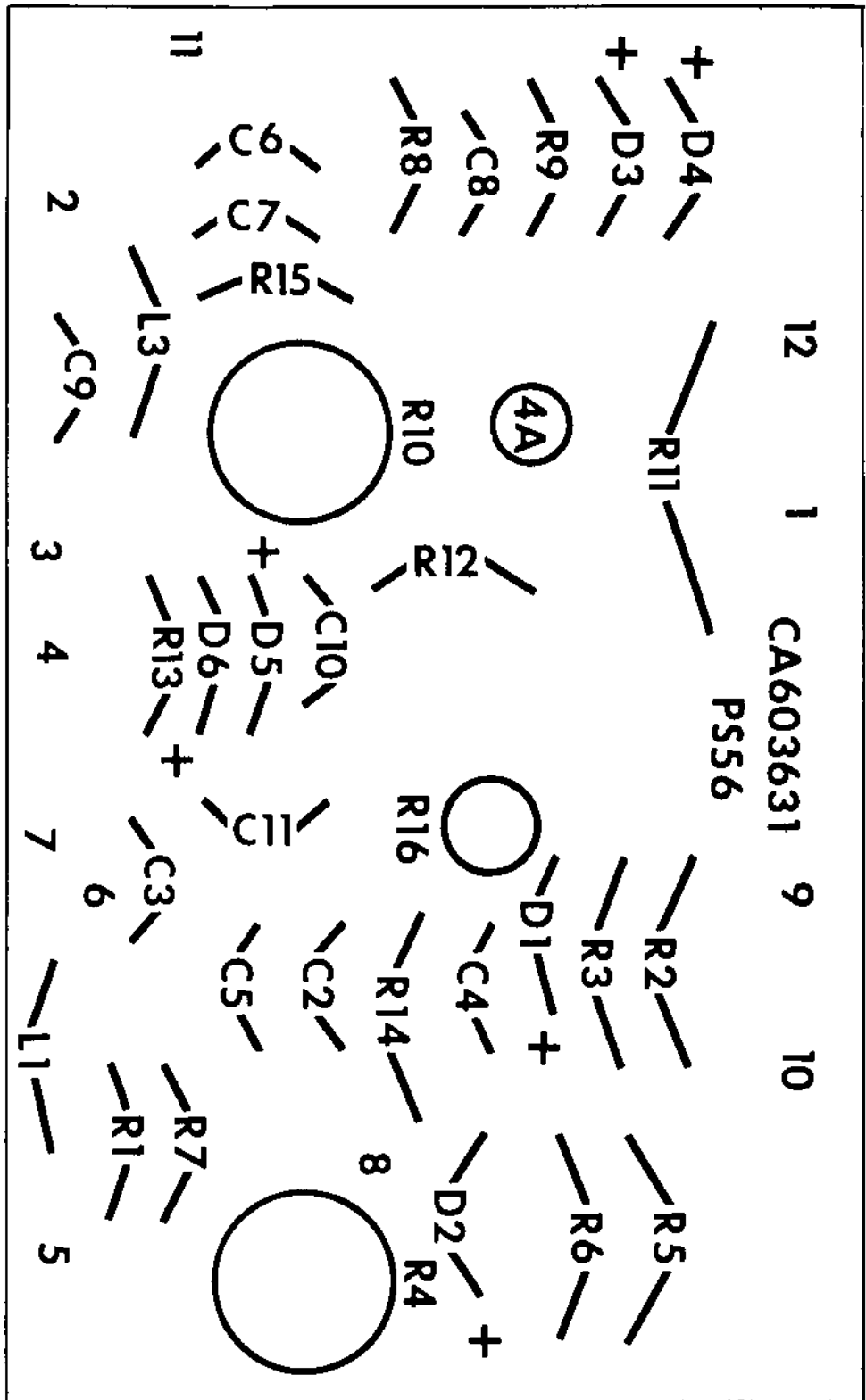


(A) INPUT IMPEDANCE RESISTIVE



(B) INPUT IMPEDANCE REACTIVE



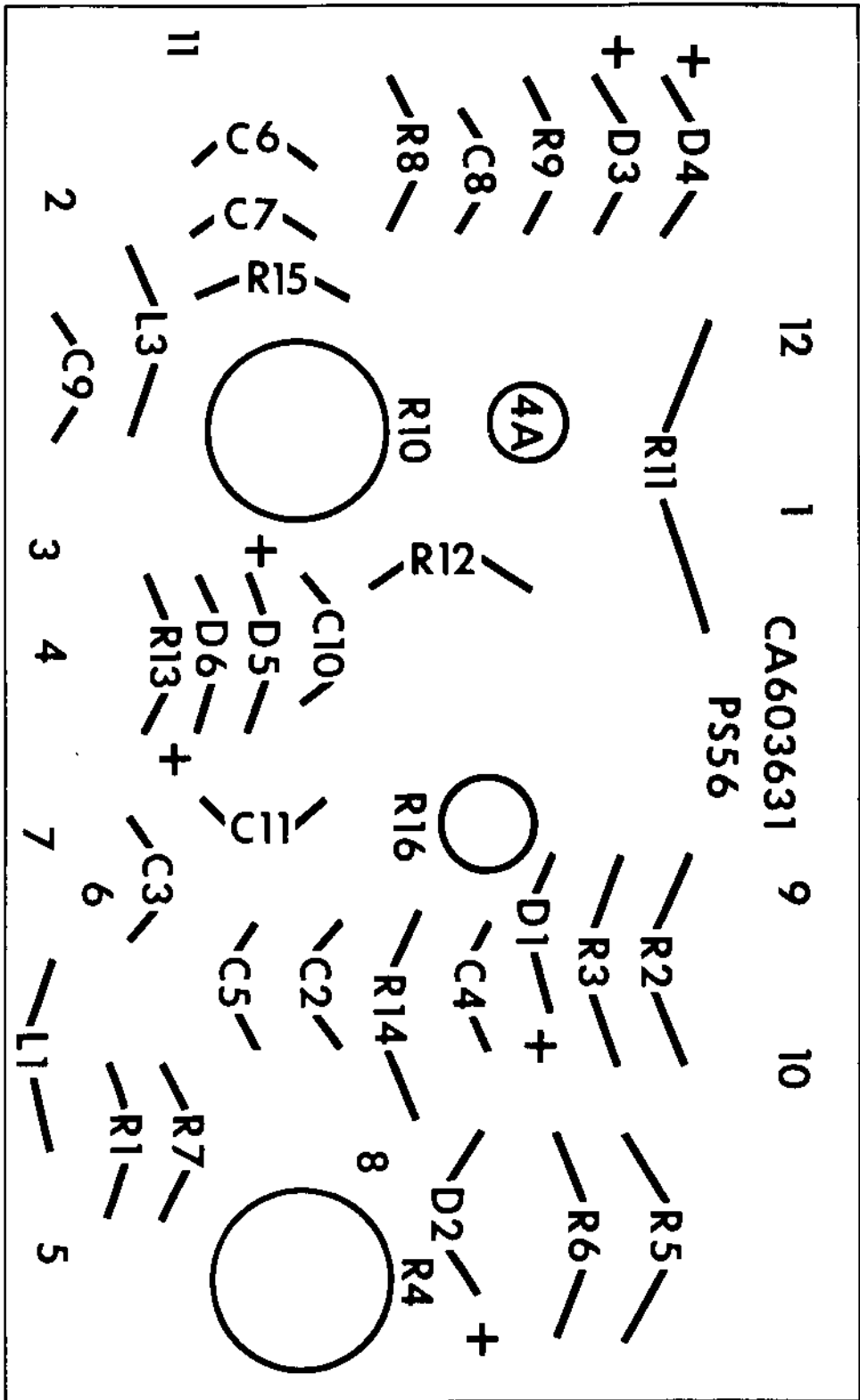


4A

Layout: Fine-Tune Discriminator
PC Board (PS56)

WOH 3043 DD603633
E

Fig.18

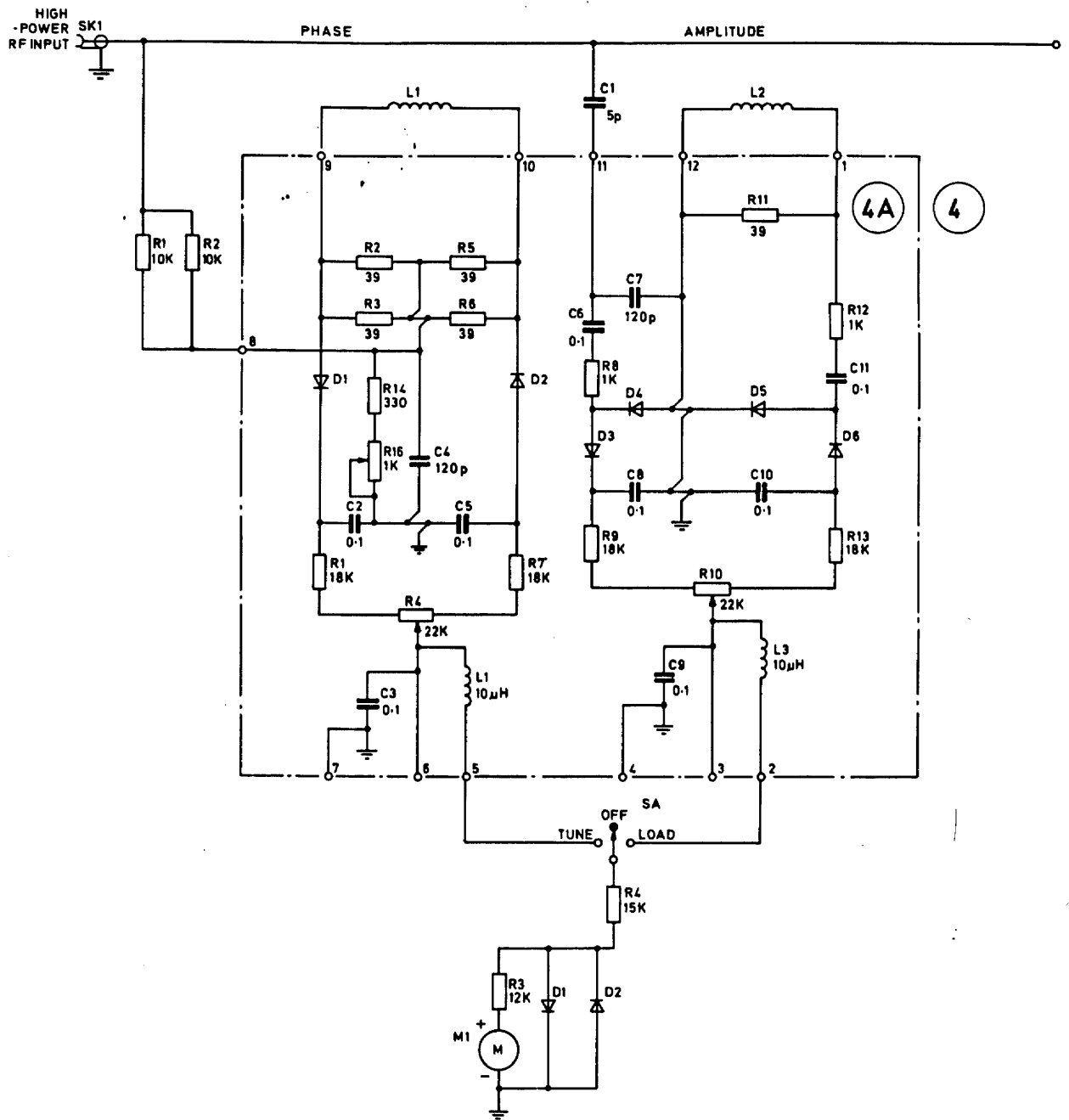


(4A)

WOH 303 DD603633
E

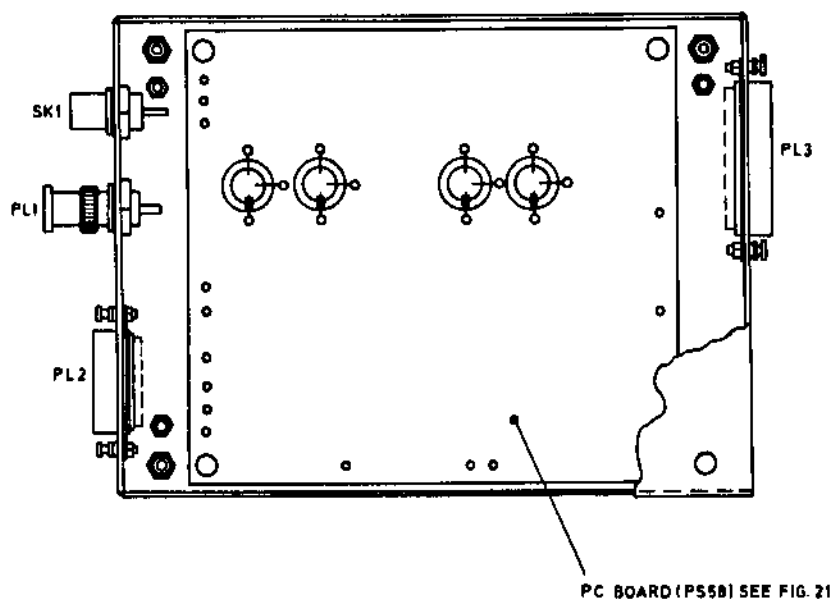
Layout: Fine-Tune Discriminator
PC Board (PS56)

Fig.18

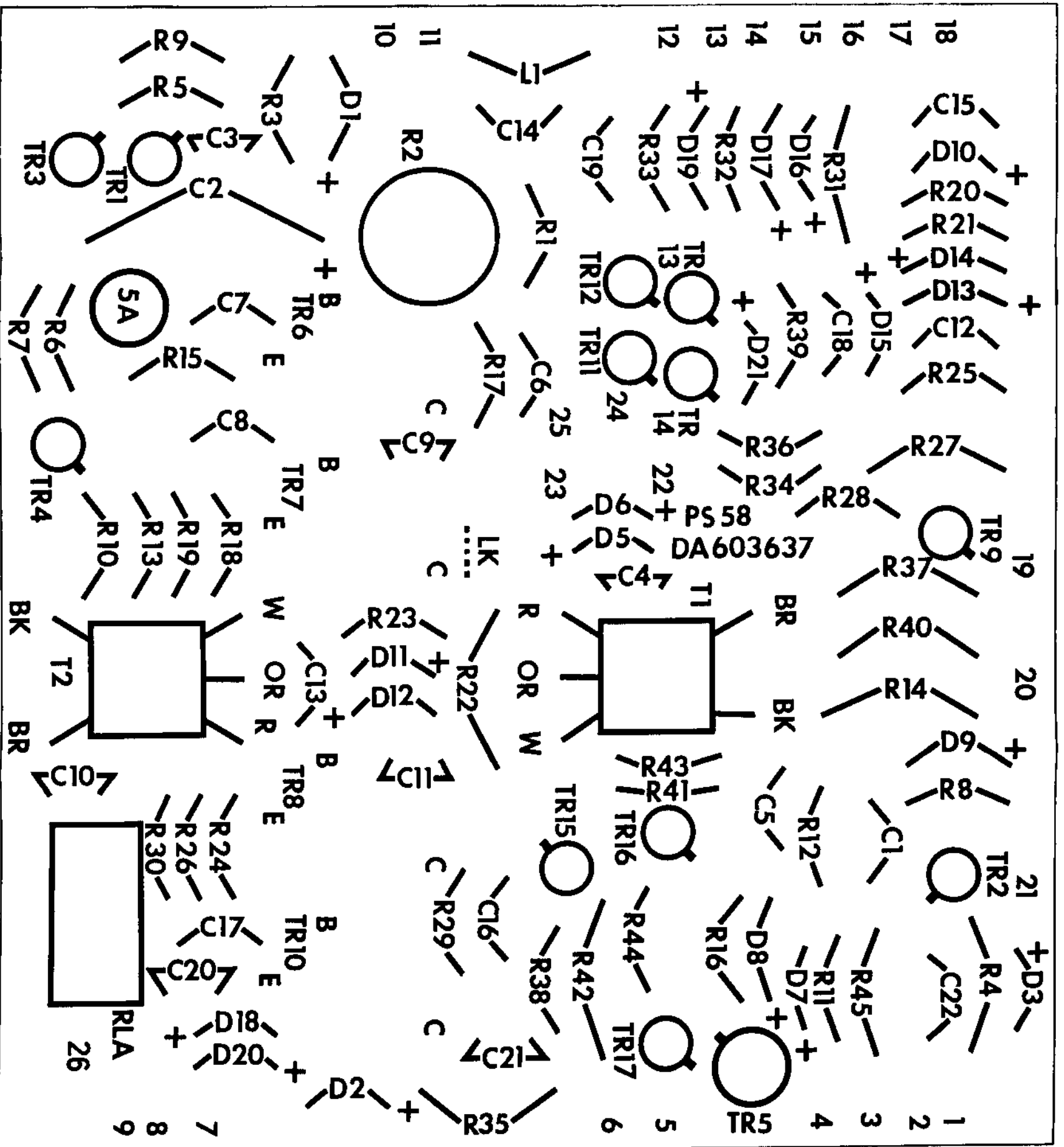


WOH 3043	CC603454
ISSUE F1	

Circuit: Fine-Tune Discriminator (MS49 & PS56)



WOH3043 Layout: Constant Voltage Amplifier (CVA) (MS454) Fig. 20

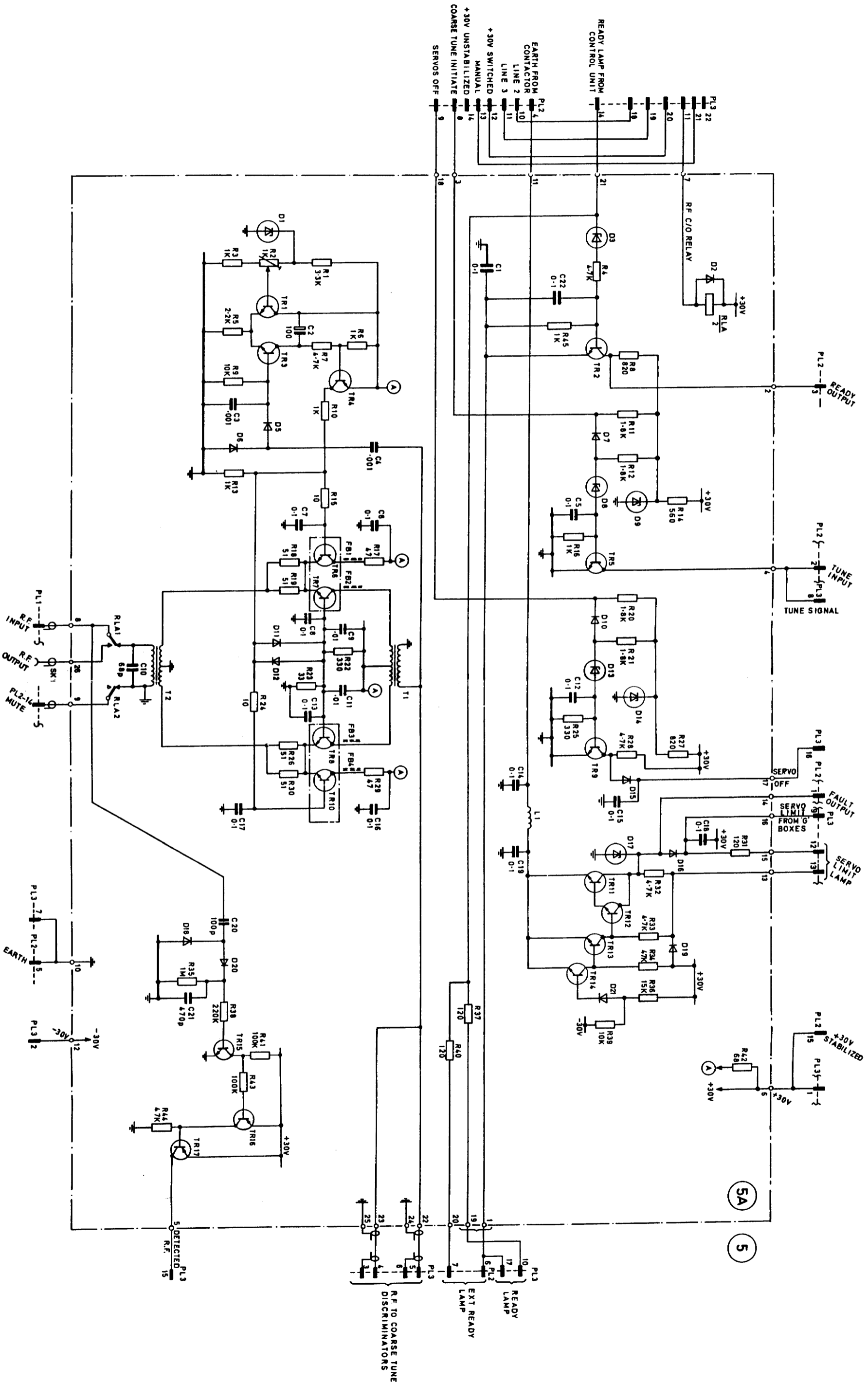


(5A)

WOK 3043 DOUGLAS
E1121

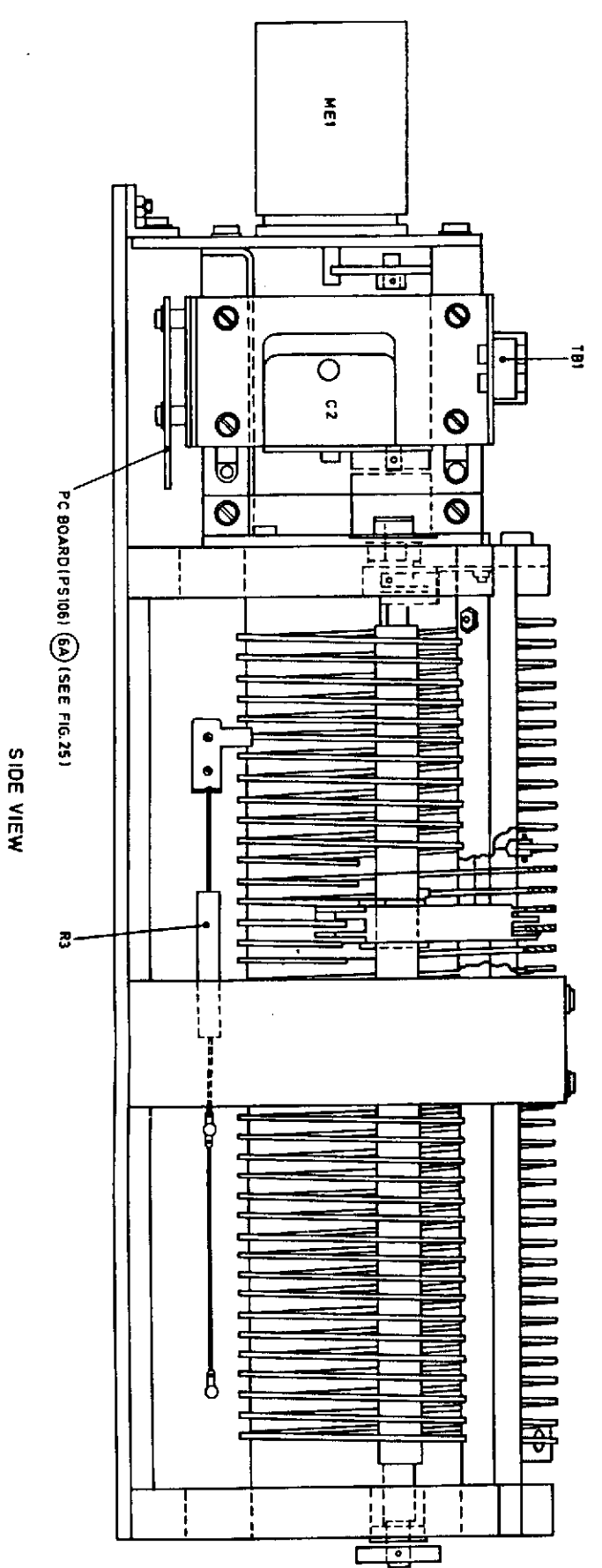
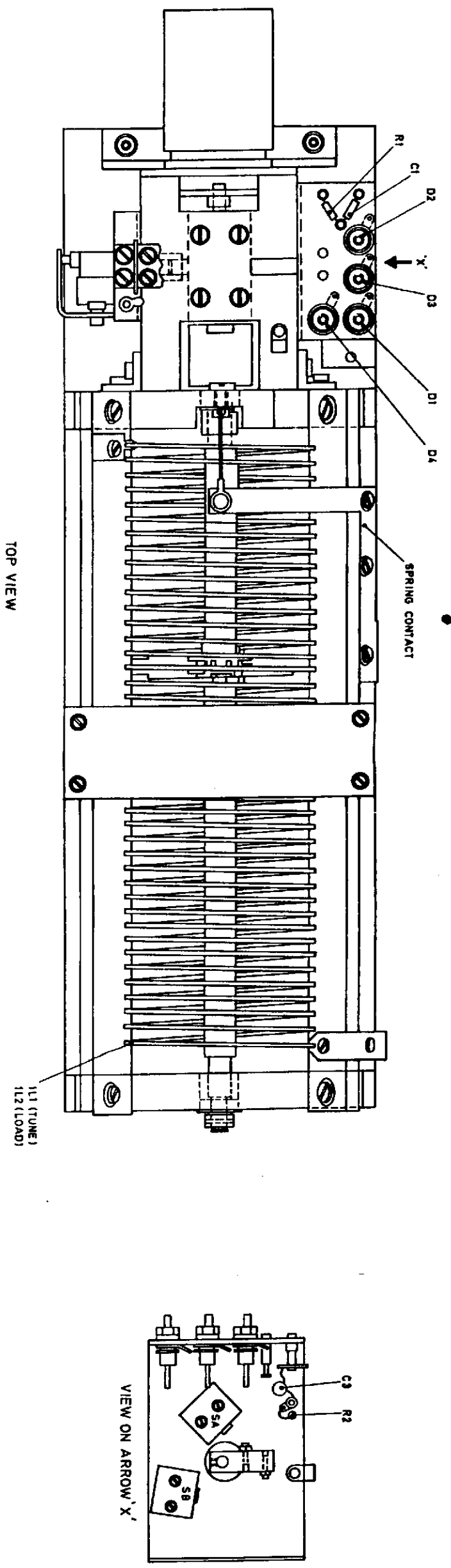
Layout: CVA PC Board (PS58)

Fig. 21



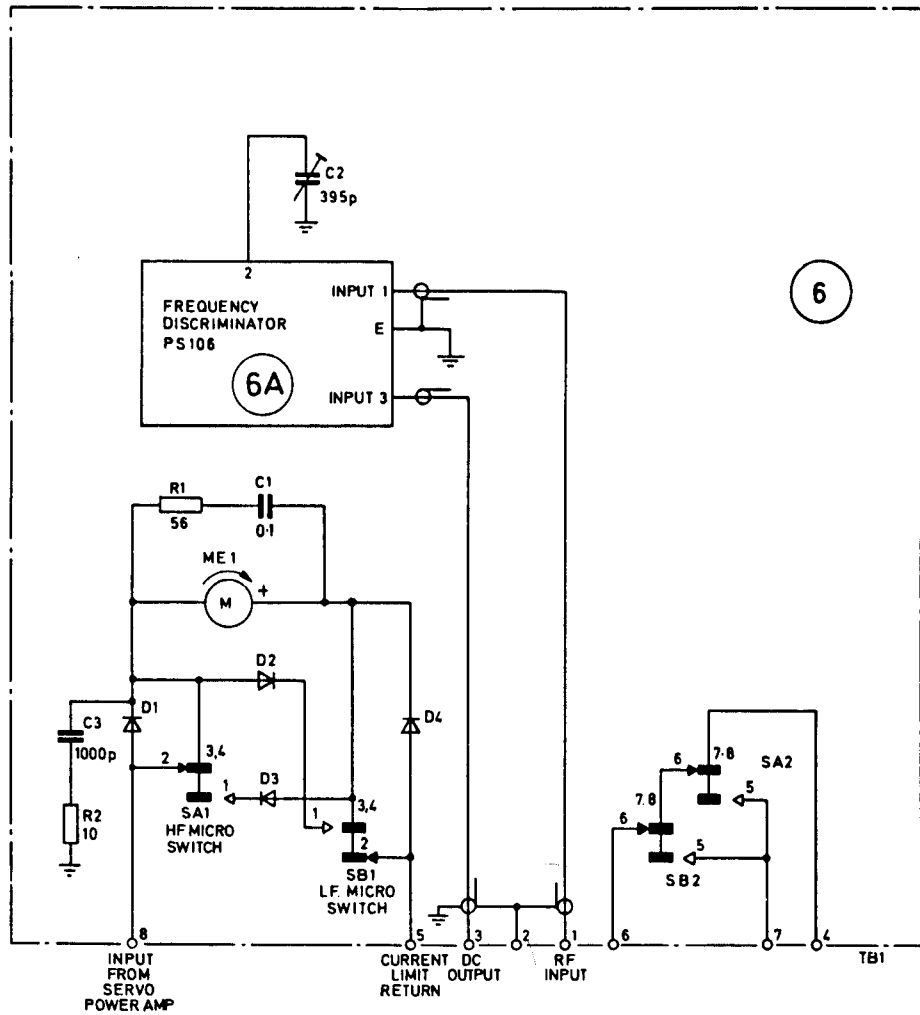
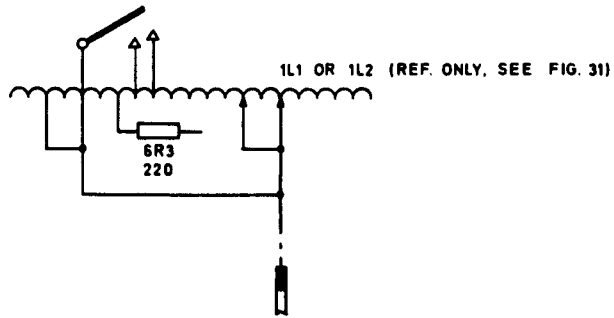
Circuit : Constant Voltage Amplifier (CVA)(MS454 & PS58)

Fig.22



Layout: Coil, Motor and Gearbox (MS451)

Fig. 23

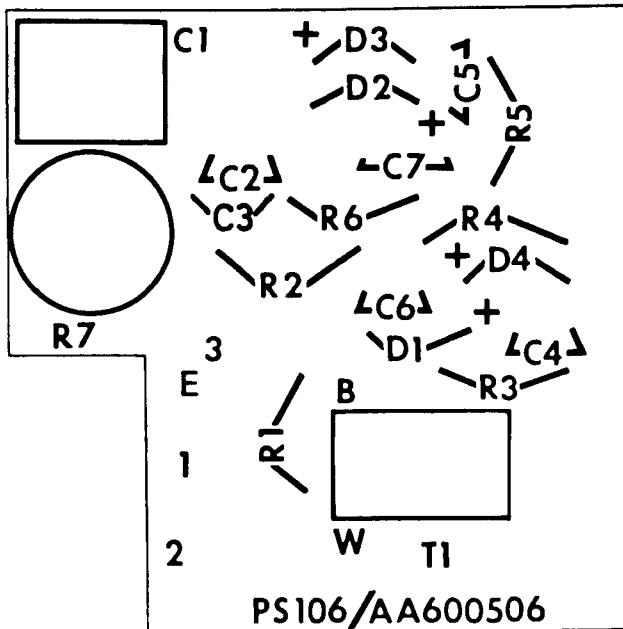


NOTE - MOTOR TERMINALS VIEWED FROM REAR

WOH 3043	CC603155
ISSUE D1	

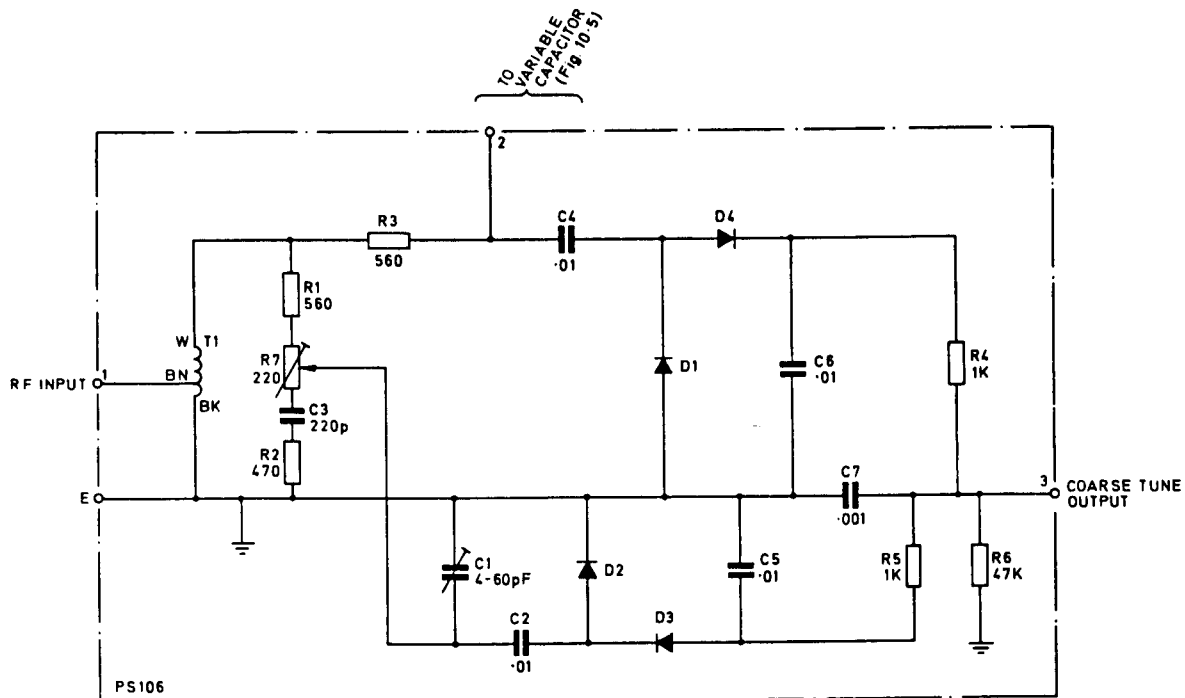
Circuit : Motor and Gearbox (MS451)

Fig.24



PC42241 SMT.3	
1	2

LAYOUT



NOTE: ALL COMPONENTS ARE PREFIXED PS106

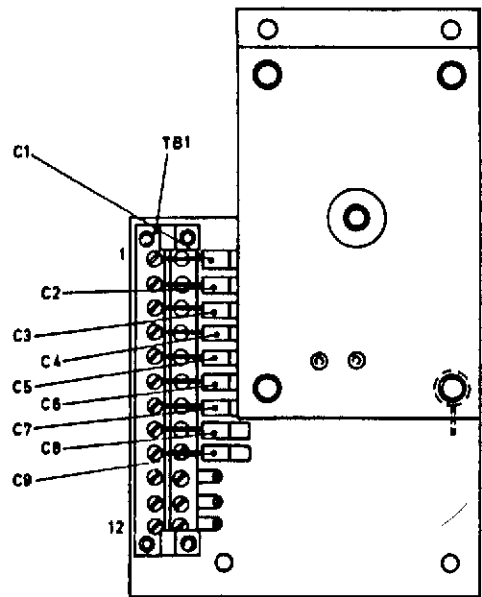
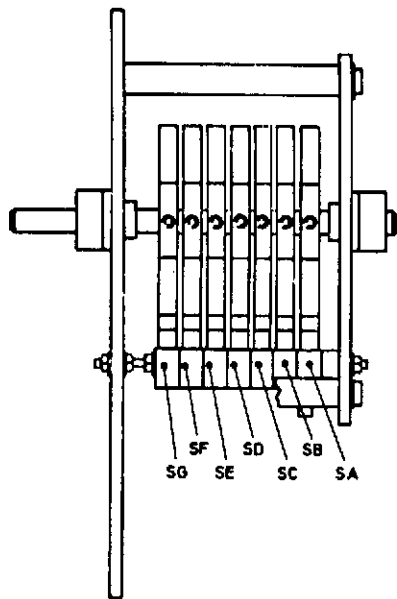
BC 600506	
1	

CIRCUIT

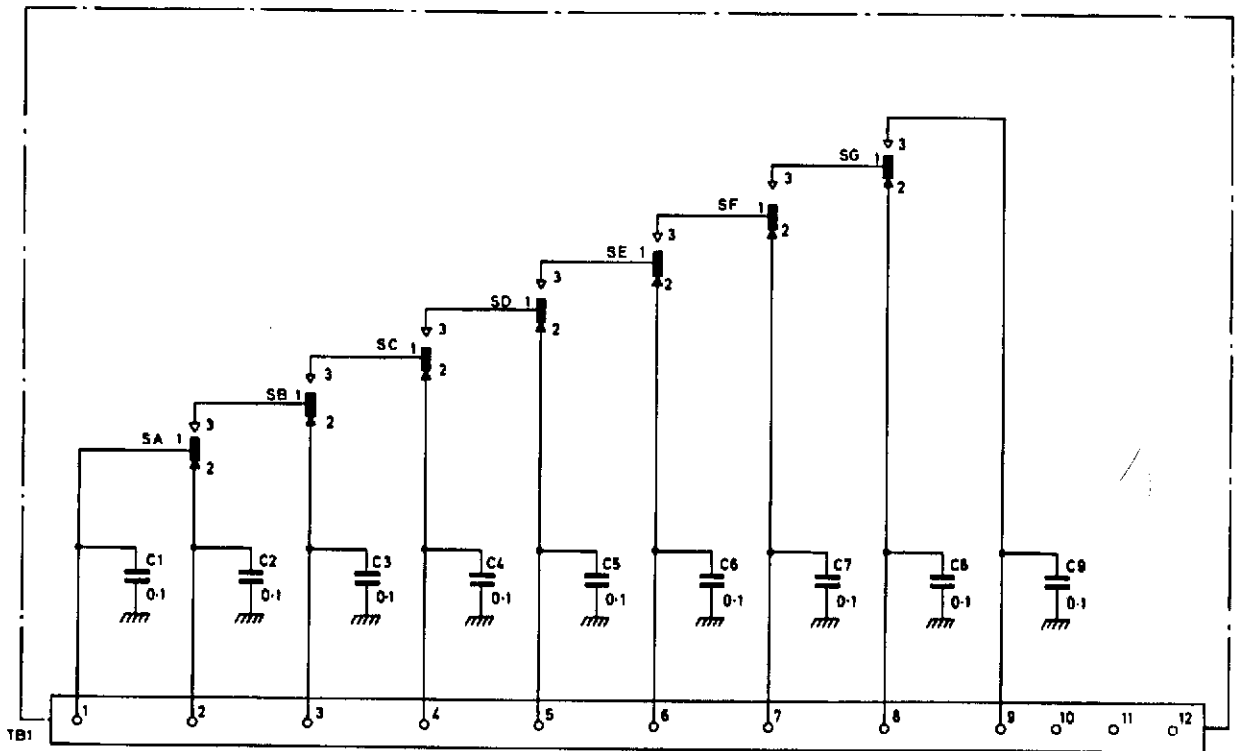
WOM 3043

Circuit and Layout:
Coarse Tune Discriminator PC Board (PS106)

Fig. 25



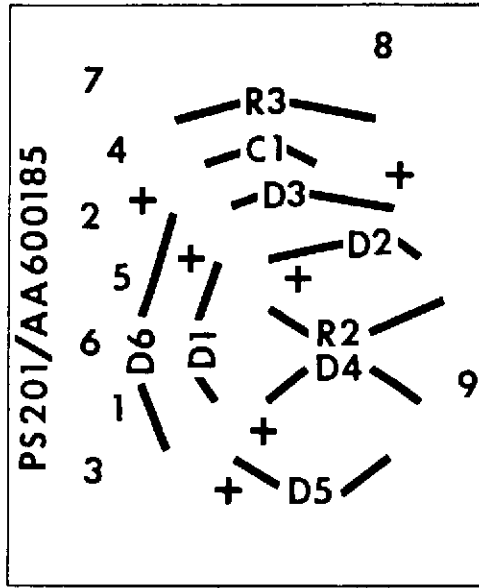
VIEW WITH TERMINAL BLOCK
AND CAPACITORS REMOVED



WOH 3043	BC603351
ISSUE B1	

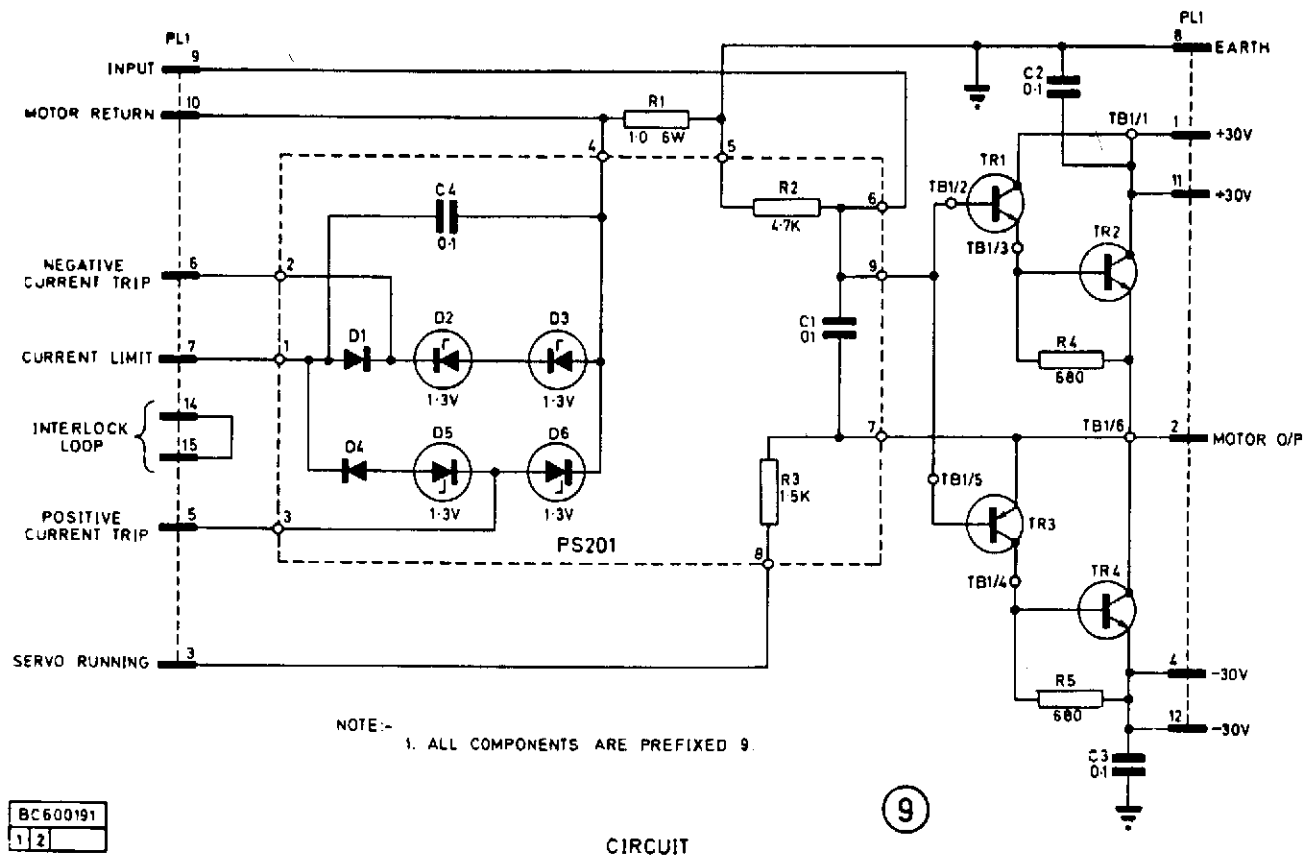
Circuit : Switchbank Assembly

Fig.27



PC42201 SMT 2
1

LAYOUT



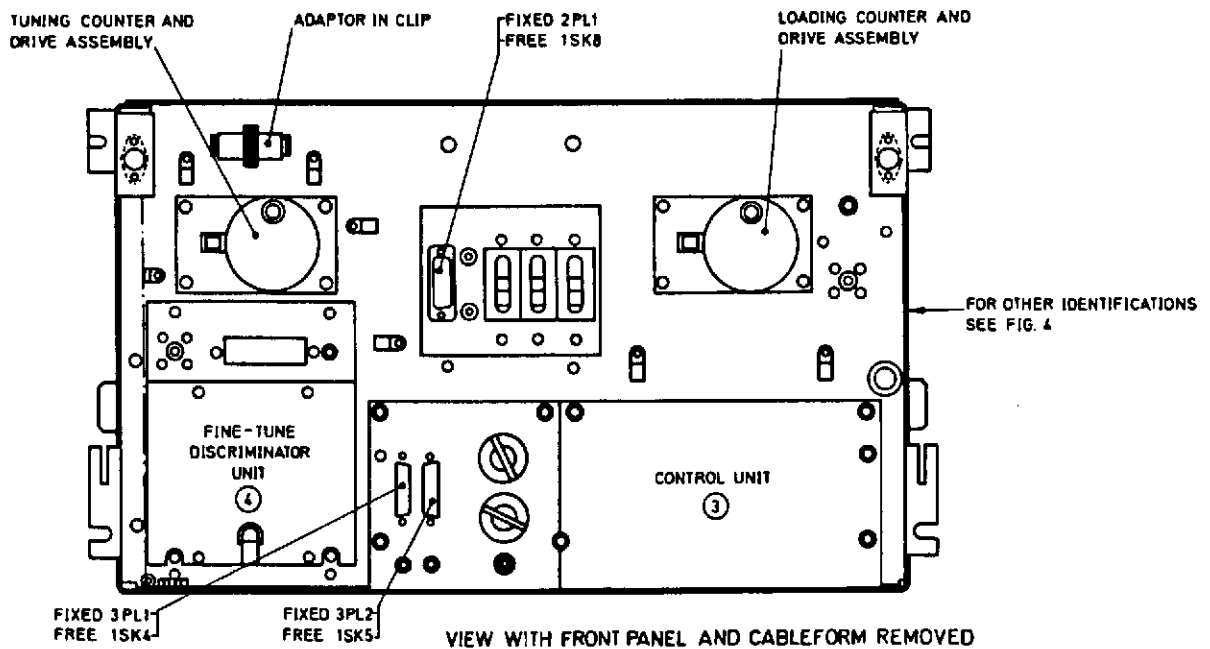
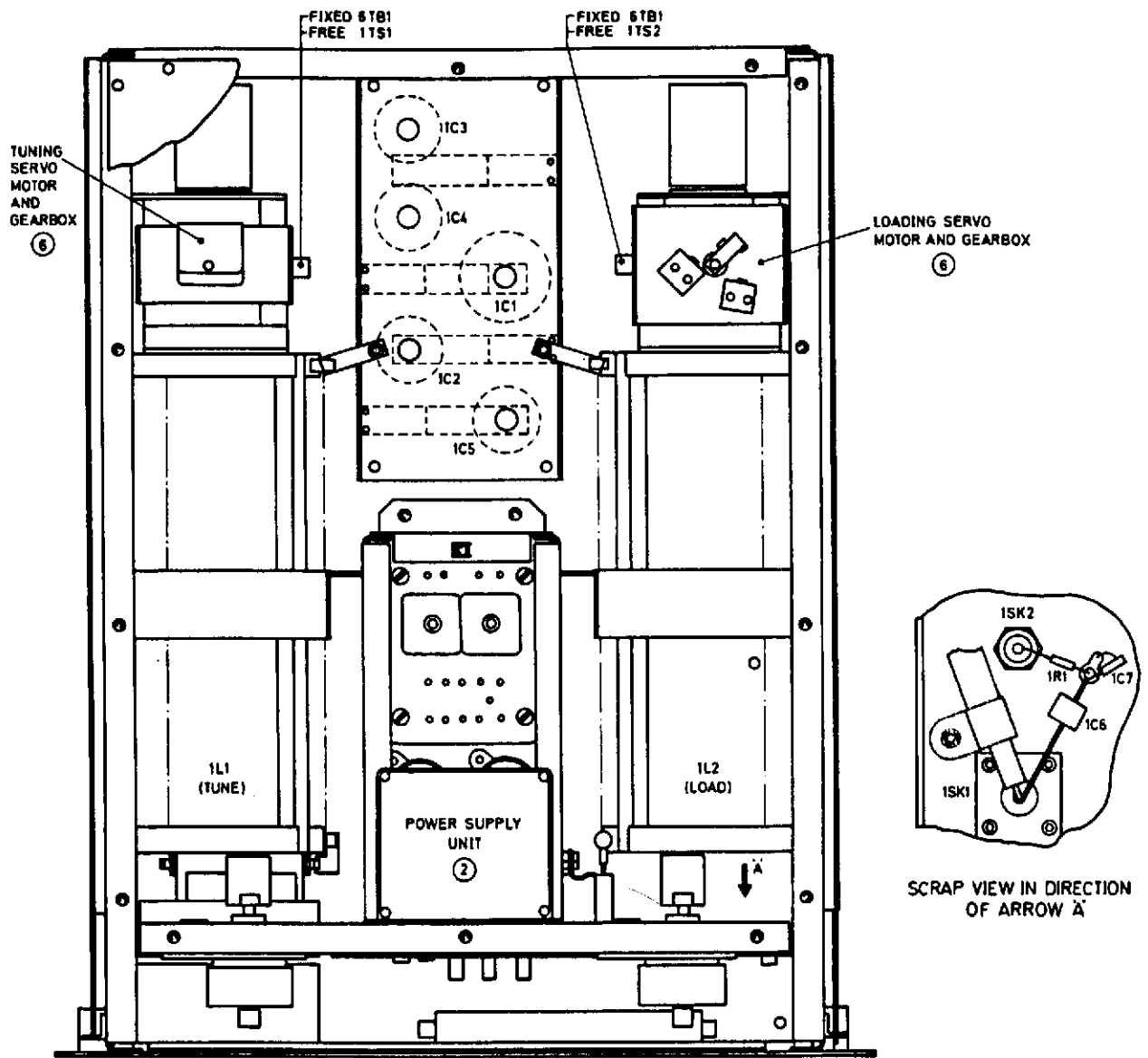
BC 600191
1 2

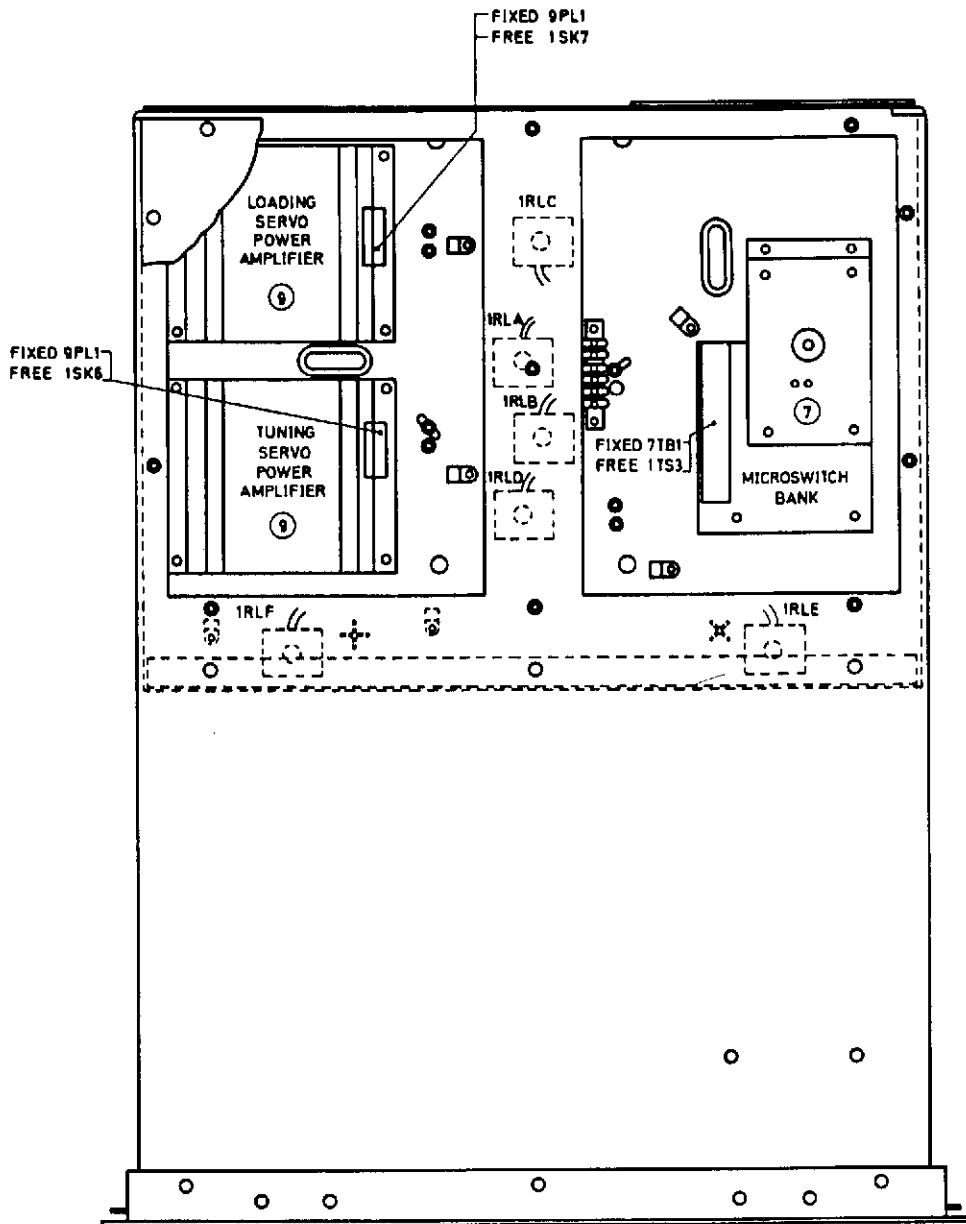
CIRCUIT

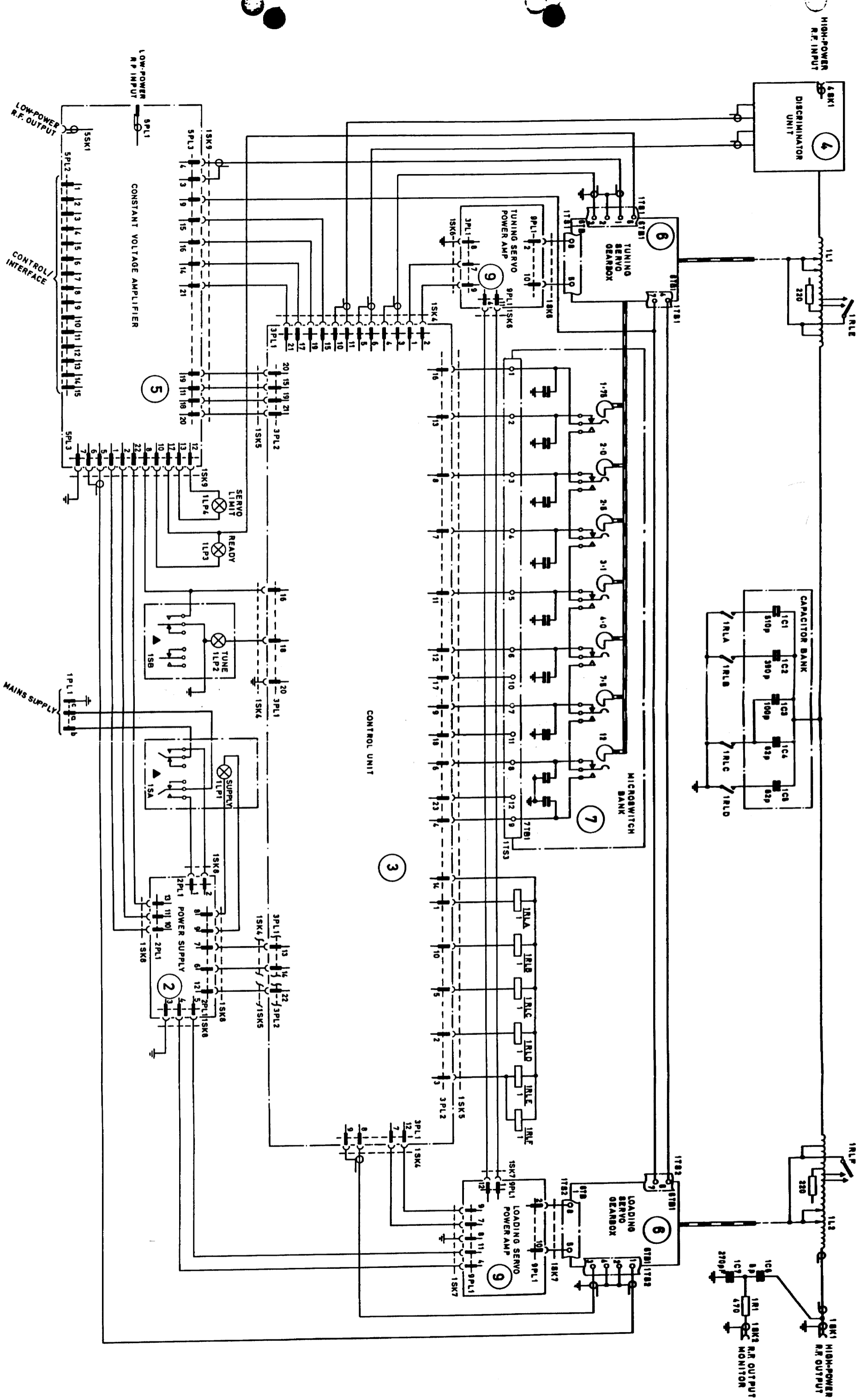
Circuit and Layout:
Servo Power Amplifier (MS265 and PS201)

Fig.28

WOH 3043







FORM 3043 DC601133
 USGWA/11

Interconnection Diagram : MA1004 Feeder Matching Unit

Fig 31

RACAL COMMUNICATIONS LIMITED, BRACKNELL

AMENDMENT TO

MA.1004 FEEDER MATCHING UNIT

CHAPTER 2 Page 2-7 Para. 14.

Delete sub paras (3) to (6) inclusive.

Add sub paras (3) to (8) to read as follows:-

- (3) Disconnect all the cabinet connectors from the FMU
- (4) Remove the four fixings which secure the FMU to the cabinet.
- (5) Lower the meter panel and slowly withdraw the FMU, taking care to support the rear of the unit as it leaves its runners.
- (6) Identify the high-power cables removed (in para (3) above) from the RF INPUT and RF OUTPUT sockets on the FMU, and join them together, using the adaptor which is normally clipped to the FMU sub-front panel.
- (7) Join together the two low level RF connectors removed from 5PL1 and 5SK1 on the FMU.
- (8) Switch on the power supply to the cabinet

Components List

Page 8-3 Power Supply Unit.

Amend capacitor 2AC1 to read $1\mu\text{F}$ Part No. 9 3370. Manufacturer ITT, PMC2R/1.0/M100.

ILLUSTRATIONS

Fig. 7. Power Supply Unit.

Amend C1 on Board PS57 to read $1.0\mu\text{F}$.

RACAL COMMUNICATIONS LIMITED, BRACKNELL

AMENDMENT TO

MA. 1004 FEEDER MATCHING UNIT

Components List

- Range P.C. Board (PS60) ED 603645
- Page 8-8 Amend resistor 3BR11 to read 10k Ω pt No. 900986.
- Page 8-9 Add capacitor 3BC26, 0.01 μ F fixed 20% pt No. 914967. Manufacturer ITT PMC2R/0.01/M400.
- Page 8-10 Amend diode 3BD3 to read IN5232B pt No. 924967. Manufacturer Motorola.
- Page 8-25 Amend capacitor 7C1 to read 0.01 μ F pt No. 914171. Manufacturer ITT PMC2R/0.01/M400.

Illustrations

Fig. 10

delete $\frac{RLA}{2}$ from TR1 emitter and earth

Insert $\frac{RLA}{2}$ between Motherboard pins 15 and 40.

Fig. 27

Amend capacitor C1 to read 0.01 μ F.

Fig. 12

Amend resistor R11 to read 10k Ω

Add capacitor 0.01 μ F in parallel with Diode D7.

RACAL COMMUNICATIONS LIMITED, BRACKNELL

AMENDMENT TO

MA.1004 FEEDER MATCHING UNIT

CHAPTER 2 Installation and Operation

Page 2-1 Para. 4 Supply Voltage Tappings

Insert the following table:-

AC Volts	<u>Line</u> Brown to winding 'c'	<u>Neutral</u> Blue to winding 'd'	Link Resistor R1	
			winding 'c'	/ winding 'd'
210	0	105	105	0
220	5	115	115	5
230	0	115	115	0
240	5	125	125	5
250	0	125	125	0

CHAPTER 6 Maintenance

Page 6-1 Para. 2 and 3

Delete: para. 2 and 3.

Insert: new para. 2 and 3 as follows:-

ROUTINE MAINTENANCE

2. The following procedures should be carried out at approximately 12 month intervals (more often under severe conditions of use).

Mechanical

3. Coil and Gearbox

- (a) Examine the spur gears and lubricate if necessary with a high temperature lithium based grease such as 'Esso Beacon 325'.
- (b) Examine the small insulating wear strips located at two corners of the rotor (either side of the coil helix) and replace if necessary using Evostik 528 adhesive.

(c) Check the backlash between the rotor assembly and shaft:-

Rotate the manual tuning handle to bring one corner of the rotor assembly to the top and then hold the handle firmly in this position. With a suitable tool e.g. small screwdriver, try to push the corner of the rotor around the helix in both directions. Note the two limits of FREE movement.

The distance between these positions should not exceed $\frac{1}{8}$ " at the circumference of the coil. If this figure exceeds $\frac{1}{8}$ ", the backlash adjustments should be performed as follows:-

Rotate the manual tuning handle so that the rotor contacts point to the bottom of the unit. Using a small screwdriver inserted between the coil turns tighten both of the screws visible in the body of the rotor by $\frac{1}{8}$ " turn ONLY.

Recheck the backlash as above and continue adjustment as necessary ensuring that both screws are turned through the same angle each time.

Do not overtighten the adjustment screws.

CHAPTER 8

Component list

Page 8-1

Main chassis

Insert: Resistor 1R2 2.7k ohms, Metal Oxide, 5%, Part No. 906347, ElectroSil TR5

Page 8-17

Add:

Capacitor 4A C12 10pF Disc Ceramic + $\frac{1}{2}$ pf 500V
Capacitor 4A C13 10pF Disc Ceramic + $\frac{1}{2}$ pf 500V
-

Page 8-24

Add:

Additional Resistor 6AR3, 680 ohms, Metal Oxide, 5%, Part No. 908390, ElectroSil TR4 (3C 600506/C only).

Illustrations

Fig. 18

Layout: Fine tune Discriminator PCB (PS56)

Add: C12 in parallel with D4.

Add: C13 in parallel with D5.

Fig. 19

Circuit: Fine tune Discriminator PCB (PS56)

Add: C12 (10p) in parallel with D4.

Add: C13 (10p) in parallel with D5.

Change No. 3.
Issue 3.
Page 2 of 3.

Fig. 25

Circuit: Coarse Tune Discriminator PCB (PS106)

Add: an asterisk to R3.

Add: * Note: for BC600506/C, R3 to be 680ohms.

Fig. 31

Diagram: Feeder Matching Unit

Add: Resistor 1R2 (2.7k ohms) from common connection 1RLA, 1RLB, 1RLC etc. to earth.