

Sorensen

DCS SERIES ***3000 Watt*** ***Power Supplies***

Instruction Manual

This manual covers models:

8-350	55-55
12-250	60-50
20-150	80-37
40-75	150-20

SORENSEN

Division of Elgar
9250 Brown Deer Road
San Diego, CA 92121-2294
1-800-525-2024
Tel: (858) 450-0085
Fax: (858) 458-0267
Email: sales@sorensen.com
www.sorensen.com

©1999 by Sorensen, Division of Elgar Electronics Corporation

This document contains information proprietary to Sorensen, division of Elgar Electronics Corporation. The information contained herein is not to be duplicated or transferred in any manner without prior written permission from Sorensen.



SORENSEN FIVE-YEAR WARRANTY

Sorensen, a division of Elgar Electronics Corporation, warrants its products to be free from defects in material and workmanship. This warranty is effective for five years from the date of shipment of the product to the original purchaser. Liability of Sorensen under this warranty shall exist provided that:

- the Buyer exposes the product to normal use and service and provides normal maintenance on the product;
- Sorensen is promptly notified of defects by the Buyer and that notification occurs within the warranty period;
- the Buyer receives a Return Material Authorization (RMA) number from Sorensen's Repair Department prior to the return of the product to Sorensen for repair, phone 800-458-4258;
- the Buyer returns the defective product in the original, or equivalent, shipping container;
- if, upon examination of such product by Sorensen it is disclosed that, in fact, a defect in materials and/or workmanship does exist, that the defect in the product was not caused by improper conditions, misuse, or negligence; and,
- that Sorensen QA seal and nameplates have not been altered or removed and the equipment has not been repaired or modified by anyone other than Sorensen authorized personnel.

This warranty is exclusive and in lieu of all other warranties, expressed or implied, including, but not limited to, implied warranties of merchantability and fitness of the product to a particular purpose. Sorensen, its agents, or representatives shall in no circumstance be liable for any direct, indirect, special, penal, or consequential loss or damage of any nature resulting from the malfunction of the product. Remedies under this warranty are expressly limited to repair or replacement of the product.

CONDITIONS OF WARRANTY

- To return a defective product, contact a Sorensen representative or the Sorensen factory for an RMA number. Unauthorized returns will not be accepted and will be returned at the shipper's expense.
- For Sorensen products found to be defective within thirty days of receipt by the original purchaser, Sorensen will absorb all ground freight charges for the repair. Products found defective within the warranty period, but beyond the initial thirty-day period, should be returned prepaid to Sorensen for repair. Sorensen will repair the unit and return it by ground freight pre-paid.
- Normal warranty service is performed at Sorensen during the weekday hours of 7:30 am to 4:30 pm Pacific time. Warranty repair work requested to be accomplished outside of normal working hours will be subject to Sorensen non-warranty service rates.
- Warranty field service is available on an emergency basis. Travel expenses (travel time, per diem expense, and related air fare) are the responsibility of the Buyer. A Buyer purchase order is required by Sorensen prior to scheduling.
- A returned product found, upon inspection by Sorensen, to be in specification is subject to an inspection fee and applicable freight charges.
- Equipment purchased in the United States carries only a United States warranty for which repair must be accomplished at the Sorensen factory.

Sorensen

Committed to Quality...Striving for Excellence

ABOUT THIS MANUAL

This manual contains user information for the DCS Series System Supplies, 3000 Watt models. It provides information about features and specifications, installation procedures, and basic functions testing, as well as operating procedures for using both basic and advanced functions. It also includes a complete set of schematics, circuit descriptions, and parts lists for the assemblies used in the system supply.

This manual is designed for the user who is familiar with basic electrical laws especially as they apply to the operation of power supplies. This implies a recognition of Constant Voltage and Constant Current operating modes and the control of input and output power, as well as the observance of safe techniques while effecting supply or pin connections and any changes in switch and jumper settings. The more knowledgeable user will find that the detailed schematics and circuit descriptions supplied will enable a greater flexibility in troubleshooting and in configuring new applications.

Section 1 Introducing the 3000 Watt System Supply describes the power supply, lists its features, and provides tables of specifications.

Section 2 Installation reviews safety and inspection procedures, then goes through the basic setup procedures. Directions for the assembling of the AC input connector, for the testing of basic functions, and for connecting the load are also included.

Section 3 Basic Operation provides procedures for local programming mode operation (Constant Voltage and Constant Current) and remote sensing.

Section 4 Advanced Operation covers remote programming mode operation as well as procedures for using advanced programming features such as Over Voltage Protection (OVP), Output Power ON/OFF, and Remote Monitoring. Procedures for using multiple supplies in series, in parallel, and in split supply configurations is also provided.

Section 5 Theory of Operation provides a block diagram of the power supply, an explanation of the functions within each block, and more detailed descriptions of the circuitry.

Section 6 Servicing the System Supply covers maintenance, calibration, and repairs and features parts lists.

Appendix A contains the schematics for the supply's component assemblies and an interconnection diagram.

Appendix B is reserved for application notes.

CONTENTS

1. INTRODUCING THE DCS SERIES SYSTEM SUPPLY

1.1 Description.....	1-1
1.2 Features.....	1-1
1.3 Specifications.....	1-2
1.3.1 Electrical Specifications.....	1-2
1.3.2 Mechanical Specifications.....	1-3

2. INSTALLATION

Front and Rear Panel Diagrams:

Front Panel Controls and Indicators
Rear Panel Connectors and Terminals

2.1 Introduction.....	2-1
2.2 Safety.....	2-1
2.2.1 High Energy/High Voltage Warning.....	2-1
2.2.2 AC Source Grounding.....	2-1
2.2.3 Operating and Servicing Precautions.....	2-2
2.2.4 Parts and Modifications.....	2-2
2.3 Initial Inspection.....	2-2
2.3.1 Physical Check.....	2-2
2.4 Location, Mounting, and Ventilation.....	2-3
2.4.1 Unit Dimensions.....	2-3
2.4.2 Rack Mounting.....	2-3
2.4.3 Ventilation.....	2-3
2.4.4 AC Input Power.....	2-3
2.5 AC Input Power Connection.....	2-4
2.5.1 AC Input Power Requirements.....	2-4
2.5.2 AC Input Connector Assembly.....	2-4
2.5.3 Strain Relief Assembly.....	2-6
2.6 Initial Functional Tests.....	2-8
2.6.1 Power-on Check.....	2-8
2.6.2 Voltage Mode Operation Check.....	2-8
2.6.3 Current Mode Operation Check.....	2-9
2.6.4 Front Panel Function Checks.....	2-9
2.7 Load Connection.....	2-10
2.7.1 Load Wiring.....	2-10
2.7.2 Making the Connections.....	2-11
2.7.3 Connecting Single Loads.....	2-11
2.7.4 Connecting Multiple Loads.....	2-12

3. BASIC OPERATION

3.1 Introduction.....	3-1
3.2 Standard Operation (Local Mode).....	3-1
3.2.1 Operating Modes and Automatic Crossover.....	3-1
3.2.2 Local Programming Mode Operation.....	3-2
3.3 Using Remote Sensing.....	3-3
3.3.1 Connecting Remote Sense Lines.....	3-4

CONTENTS

4. ADVANCED OPERATION

4.1	Introduction.....	4-1
4.2	Configuring for Remote Programming, Sensing, and Monitoring.....	4-2
4.2.1	Programming, Monitoring, and Control Functions.....	4-2
4.2.2	Locating Jumpers, Switch, and Connector.....	4-4
4.2.3	Resetting Jumpers and Switch.....	4-5
4.2.4	Making J3 Connections.....	4-6
4.3	Remote Programming of Output Voltage and Current Limit.....	4-7
4.3.1	Programming with the REM/LOC Switch.....	4-8
4.3.2	Programming Output Voltage.....	4-9
4.3.3	Programming Output Current Limit.....	4-11
4.4	Using Over Voltage Protection (OVP).....	4-13
4.4.1	Front Panel OVP Operation.....	4-13
4.4.2	Resetting the OVP Circuit.....	4-13
4.4.3	Programming OVP with an External Voltage Source.....	4-13
4.5	Using the Shutdown Function.....	4-15
4.5.1	STANDBY Switch.....	4-15
4.5.2	Programming the Shutdown Function.....	4-15
4.5.3	Shutdown Application - Contact Closure.....	4-18
4.6	Remote Monitoring of Readback Signals and Status Indicators.....	4-20
4.6.1	Readback Signals.....	4-20
4.6.2	Status Indicators.....	4-20
4.7	Using Multiple Supplies.....	4-21
4.7.1	Series Operation.....	4-21
4.7.2	Parallel Operation.....	4-22
4.7.3	Split Supply Operation.....	4-23
4.8	Output Voltage Biasing.....	4-24

5. THEORY OF OPERATION

5.1	Introduction.....	5-1
5.2	Basic Functional Blocks.....	5-1
5.2.1	AC Input and RFI Filter (A5 PCB).....	5-1
5.2.2	AC Input Rectifier and Inrush Limiting Circuit (A6 PCB).....	5-1
5.2.3	PWM, Sync and Power Transformer Drive Circuit (A3 PCB).....	5-2
5.2.4	Power Transformer, Output Rectifiers, Output Filter Inductor and Capacitors, and Local Sense Connections (Power Stage, A7 PCB, and A8 PCB).....	5-2
5.2.5	Output Current Shunt, Shunt Amplifier, and Down Programmer (A4 PCB).....	5-2
5.2.6	Control, Programming, OVP, Shutdown, Monitoring, and Auxiliary Supply Circuits (A2 PCB).....	5-2
5.2.7	Front Panel Displays and Local Operating Mode Controls (A1 PCB).....	5-3
5.3	Detailed Circuit Descriptions.....	5-4
5.3.1	AC Input and RFI Filter Circuit (A5 PCB).....	5-4
5.3.2	Input Rectifier and Inrush Limiting Circuit (A6 PCB).....	5-4
5.3.3	PWM, Sync Circuit, Power Transformer Drive Circuit, and Power Transistor Bridge (A3 PCB).....	5-5

CONTENTS

5. THEORY OF OPERATION (continued)

5.3 Detailed Circuit Descriptions (continued)	
5.3.4 Power Transformer, Output Recifiers, Output Filter Inductor and Capacitor, and Down Programmer Circuit (A4 PCB, A7 PCB, A8 PCB, and Power Stage Assembly)	5-6
5.3.5 Auxiliary Supply, OVP, Control, Programming, and Monitor Circuit (A2 PCB)	5-7
5.3.6 Front Panel Displays and Controls (A1 PCB)	5-13

Block Diagram for 3kW Power Supply

6. SERVICING THE 3000 WATT SYSTEM SUPPLY

6.1 Introduction	6-1
6.2 General Maintenance and Repair	6-1
6.2.1 Periodic Service	6-1
6.2.2 Servicing Precautions	6-1
6.2.3 Parts Replacement and Repairs	6-1
6.2.4 Unusual or Erratic Operation	6-2
6.3 Calibrating for Programming Accuracy	6-2
6.3.1 Voltage Programming Circuit Calibration	6-2
6.3.2 Current Programming Circuit Calibration	6-3
6.4 Replaceable Parts	6-4
6.4.1 Parts Replacement and Modifications	6-4
6.4.2 Ordering Parts	6-4
6.4.3 Front Panel Assembly	6-4
6.4.4 Control Circuit A2 PCB Assembly	6-7
6.4.5 Driver, Bridge, and PWM A3 PCB Assembly	6-13
6.4.6 Power Stage	6-17
6.4.7 AC Input and RFI Filter A5 PCB Assembly	6-26
6.4.8 AC Input Rectifier A6 PCB Assembly	6-26

APPENDIX A: ASSEMBLY SCHEMATICS

Interconnect Diagram	1068881
Assembly Schematics:	
A1 Assembly (Front Panel)	1068882
A2 Assembly (Control Circuit)	1068887
A3 Assembly (Driver, Bridge & PWM)	1068883
Complete Power Stage (A4, A7, Plus)	1068886
A5 Assembly (AC Input and RFI Filter)	1068884
A6 Assembly (AC Input Rectifier)	1068885

APPENDIX B: APPLICATION NOTES

Battery Charging	B-1
------------------	-----

1. INTRODUCING THE DCS SERIES SYSTEM SUPPLY

1.1 Description

The DCS Series System Supplies are 3000 Watt supplies designed to provide highly stable, continuously variable output voltage and current for a broad range of development, system, and burn-in applications. The DCS Series employs high frequency switching regulator technology to achieve high power density and small package size.

The series consists of several models designated by the DCS prefix, followed by their output voltage and current ratings. For example, the model number DCS 60-50 indicates that the unit is rated at 0-60Vdc and 0-50Amps.

1.2 Features

- Four models with voltage ranges from 0-8Vdc to 0-150Vdc and current outputs from 20A to 350A.
- Input voltage 190-250Vac, Three Phase, 47-63Hz or 200-250Vac, Single Phase, 47-63Hz .
- Simultaneous digital display of both DC output voltage and current.
- Ten-turn potentiometer voltage and current controls permit high resolution setting of the output voltage and current from zero to the model-rated output.
- Front panel push button control of Output Standby Mode, OVP reset, Remote/Local Programming Mode selection, and preview of voltage, current, or OVP setpoints.
- External indicator signals for Remote Monitoring of OVP Status, Local/Remote Programming Status, Thermal Shutdown, and Output Voltage and Current.
- Current or Voltage Mode operation with Automatic Mode Crossover to respond to varying load requirements.
- Flexible output configuration where multiple units can be connected in series or in parallel to provide increased voltage or increased current.
- Remote Sensing to compensate for losses in power leads up to 1V per lead.
- Adjustable Over Voltage Protection (OVP).
- External Shutdown using AC, DC, or TTL compatible signals (positive or negative logic).
- Remote Voltage, Current Limit, and OVP Programming with selectable programming ranges.
- Optional IEEE-488 (GPIB) interface for complete digital remote programming and readback capability.

1.3 Specifications

1.3.1 Electrical Specifications¹

Models	DCS8-350	DCS12-250	DCS20-150	DCS40-75	DCS55-55	DCS60-50	DCS80-37	DCS150-20
Output Ratings								
Output Voltage	0-8V	0-12V	0-20V	0-40V	0-55V	0-60V	0-80V	0-150V
Output Current	0-350A	0-250A	0-150A	0-75A	0-55A	0-50A	0-37A	0-20A
Output Power	2800W	3000W	3000W	3000W	3025W	3000W	2960W	3000W
Line Regulation²								
Voltage	8mV	12mV	20mV	40mV	55mV	60mV	80mV	150mV
Current	350mA	250mA	150mA	75mA	55mA	50mA	37mA	20mA
Load Regulation³								
Voltage	8mV	12mV	20mV	40mV	55mV	60mV	80mV	150mV
Current	350mA	250mA	150mA	75mA	55mA	50mA	37mA	20mA
Meter Accuracy								
Voltage	0.09V	0.13V	0.2V	0.5V	0.65V	0.7V	0.9V	1.6V
Current	4.5A	3.5A	0.1.6A	0.85A	0.65A	0.6A	0.47A	0.30A
OVP Adjustment Range	0.4-8.8V	0.6-13.2V	1-22V	2-44V	2.75-60.5V	3-66V	4-88V	7.5-165V
Output Noise and Ripple (V)								
rms	10mV	10mV	10mV	20mV	20mV	20mV	20mV	30mV
p-p (20Hz - 20MHz)	100mV	100mV	100mV	100mV	100mV	100mV	100mV	200mV
Analog Programming Linearity								
Voltage	80mV	120mV	200mV	400mV	550mV	600mV	800mV	1.5V
Current	3500mA	2500mA	1500mA	750mA	550mA	500mA	370mA	200mA

¹ Specifications are warranted over a temperature range of 0 - 50°C with default local sensing. From 50 to 70°C, derate 2% per °C.

² For input voltage variation over the AC input voltage range, with constant rated load.

³ For 0-100% load variation, with constant nominal line voltage.

AC Input: 200-250Vac at 20Arms Single Phase or 190-250Vac at 14Arms Three Phase (Output power limited to 2500W for single phase input)

Maximum Voltage Differential from output to safety ground: 400Vdc

Additional Characteristics

Models	DCS8-350	DCS12-250	DCS20-150	DCS40-75	DCS55-55	DCS60-50	DCS80-37	DCS150-20
Stability⁴								
Voltage	4mV	6mV	10mV	20mV	27.5mV	30mV	40mV	75mV
Current	175mA	125mA	75mA	37.5mA	27.5mA	25mA	18.5mA	10mA
Temperature Coefficient⁵								
Voltage	1.6mV/°C	2.4mV/°C	4mV/°C	8mV/°C	11mV/°C	12mV/°C	16mV/°C	30mV/°C
Current	105mA/°C	75mA/°C	45mA/°C	22.5mA/°C	16.5mA/°C	15mA/°C	11.1mA/°C	6.0mA/°C
Maximum Remote Sense Line Drop Compensation	1V/line	1V/line	1V/line	1V/line	1V/line	1V/line	1V/line	1V/line

⁴ Maximum drift over 8 hours with constant line, load, and temperature, after 90 minute warmup.

⁵ Change in input per °C change in ambient temperature with constant and load.

1.3 Specifications

1.3.1 Electrical Specifications

Additional Characteristics (continued)

Operating Ambient Temperature: 0 - 50°C No derating. From 50 - 70°C, derate output 2% per °C
Storage Temperature Range: -55 to +85°C
Humidity Range: 0 - 80 % Non-condensing
Time Delay from power on until output stable: 5 seconds maximum
Switching Frequency: Nominal 30 kHz (60 kHz output ripple)
Voltage Mode Transient Response Time: 1mS recovery to 1% band for 30% step load change from 70% to 100% or 100% to 70%
Remote Start/Stop and Interlock: TTL Compatible Input, Contact Closure, 12 - 250Vac or 12 - 130Vdc

Remote Analog Programming (Full Scale Input)

Parameter	Resistance	Voltage	Current
Voltage	0 - 5k	0 - 5V, 0 - 10V	0 - 1mA
Current	0 - 5k	0 - 5V, 0 - 10V	0 - 1mA
OVP	-	0 - 5V, 0 - 10V	-

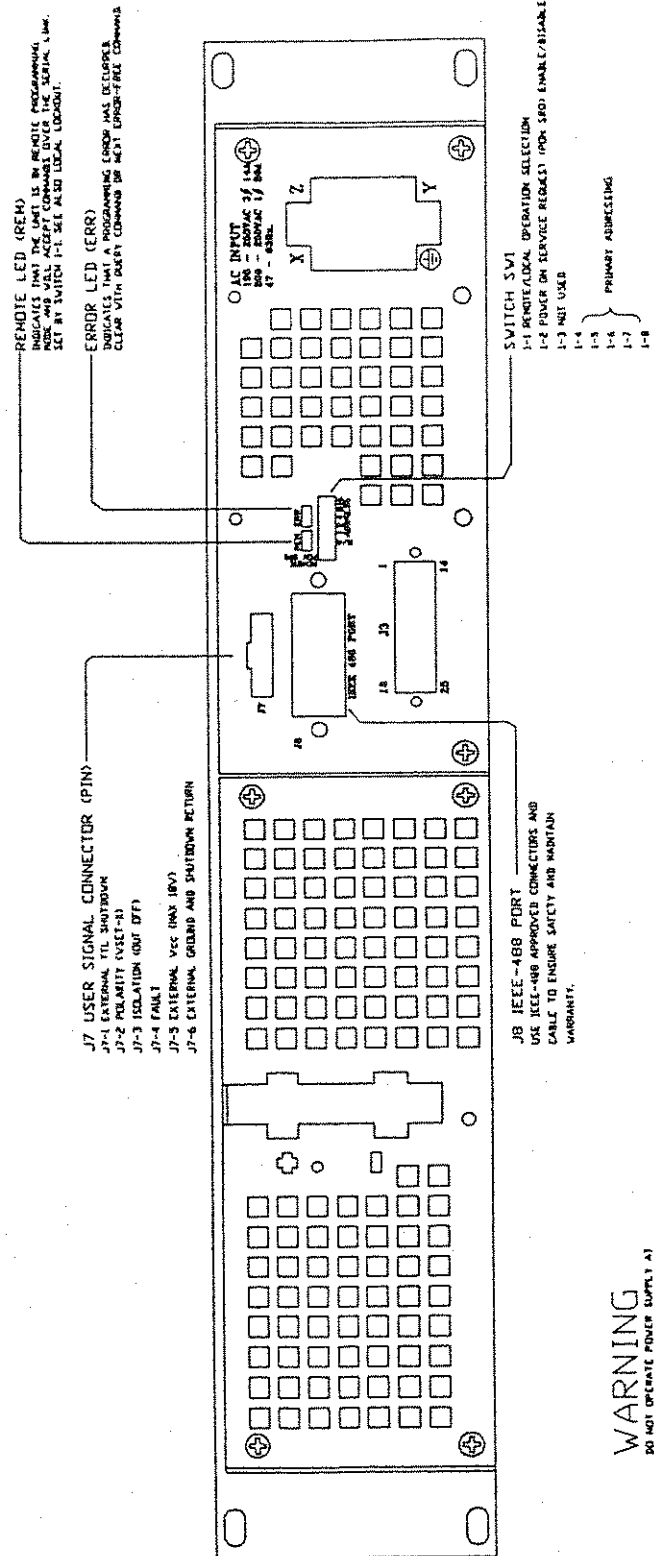
1.3.2 Mechanical Specifications

Size: 87.6mm H x 482.6mm W x 508mm D (3.45in H x 19in W x 20in D)

Weight: 16kg (35lbs) (approx.)

Output Connector: Nickel-plated copper bus bars: 2.25" X 1.0" X 0.125"
 (2.25" X 1.0" X 0.25" for 8V and 12V models)
 Bus bar load wiring mounting holes: One 0.332" diameter hole; 1/4" hardware (5/16"
 hardware for 8V and 12V models)
 Two 0.190" diameter holes on 0.5" centres; #10
 hardware

Input Connector: Chassis-Mounted Part: Housing AMP 641685-1; Contact pins AMP 350821-1
 Mating Connector Parts: Housing AMP 643267-2; Contact pins AMP 350821-1



3KW SERIES SUPPLY
 REAR PANEL
 (GPIB INTERFACE INSTALLED)

DCS Series (3kW) Supply Rear Panel Connectors and Terminals
 (including optional internal GPIB Interface)

2. INSTALLATION

2.1 Introduction

This section provides recommendations and procedures for inspecting, testing, and installing the DCS Series power supply.

1. Read and follow safety recommendations (**Section 2.2**)
2. Perform an initial physical inspection of the supply (**Section 2.3**)
3. Install the supply (bench or rack mount), ensuring adequate ventilation (**Section 2.4**)
4. Assemble and connect the AC input power connector (**Section 2.5**)
5. Perform initial function tests for voltage mode operation, current mode operation, and front panel controls (**Section 2.6**)
6. Connect the load (**Section 2.7**)

Instructions for Local Programming Mode operation (Constant Voltage and Constant Current) are given in **Section 3. Basic Operation**. Remote Programming operation, monitoring, and programmable functions are described in **Section 4. Advanced Operation**.

2.2 Safety

Please review the following points for both personal and equipment safety while using the DCS Series power supplies.

2.2.1 High Energy/High Voltage Warning

Exercise caution when using and servicing power supplies. High energy levels can be stored at the output voltage terminals on all power supplies in normal operation. In addition, potentially lethal voltages exist in the power circuit and the output connector of power supplies which are rated at 40V and over. Filter capacitors store potentially dangerous energy for some time after power is removed.

Use extreme caution when biasing the output relative to the chassis due to potential high voltage levels at the output terminals. The output of the DCS Series supplies (3kW models) may be biased up to a maximum of 400Vdc relative to the chassis.

2.2.2 AC Source Grounding

Ensure the power supply is connected to an appropriately-rated AC outlet with the recommended AC input connector as set out in **Section 2.5 AC Input Power Connection**. There is a shock hazard if the power supply chassis and cover are not connected to an electrical ground via the safety ground in the AC input connector. The third wire in a single phase AC input connector and the fourth wire in a three phase AC input connector must be connected to an electrical ground at the power outlet. Any disconnection of this ground will cause a potential shock hazard to operating personnel.

2.2 Safety

2.2.2 AC Source Grounding (continued)

This power supply is equipped with an AC line filter to reduce electromagnetic interference and must be connected to a properly-grounded receptacle, or a shock hazard will exist.

Operating the supply at line voltages or frequencies in excess of those specified may cause leakage currents in excess of 5.0mA peak from the AC line to the chassis ground.

2.2.3 Operating and Servicing Precautions

Exceeding the maximum model-rated input voltage may cause permanent damage to the unit.

Always disconnect power, discharge circuits, and remove external voltage sources before making internal adjustments or replacing components. When performing internal adjustments or servicing the power supply, ensure another person with first aid and resuscitation certification is present. Repairs must be made by experienced technical personnel only.

Be sure to isolate the power supply from the input line with an isolation transformer when using grounded test equipment, such as an oscilloscope, in the power circuit.

The power supply must not be operated where flammable gases or fumes exist.

2.2.4 Parts and Modifications

Do not use substitute parts or make any unauthorized modifications to the power supply to ensure that its safety features are not degraded. Contact the manufacturer for service and repair help.

2.3 Initial Inspection

On first receiving your DCS Series power supply, perform a quick physical check, paying particular attention to front panel controls and indicators as well as rear panel connectors and terminals. The front and rear panel diagrams are located at the end of **Section 2. Installation**.

2.3.1 Physical Check

After unpacking, perform an initial inspection to ensure the unit and parts shipped with it have not been damaged in transit. The package should contain the power supply, a manual, one (1) AC input connector, and five (5) contact pins.

1. Inspect for dents and scratches to the cover and chassis; for scratches and cracks on the front and rear panels; and for any broken controls, connectors, or displays.
2. Turn front panel controls from stop to stop. Rotation should be smooth.
3. Test the action of the power switch. Switching action should be positive.
4. If internal damage is suspected, remove the cover and check for printed circuit board and/or component damage. Reinstall cover.

2.3 Initial Inspection

2.3.1 Physical Check (continued)

If damage is found to have occurred, save all packing materials and notify the carrier immediately. Refer to the terms of the warranty. Direct any repair problems to the manufacturer.

Note: Section 2.6 Initial Functional Tests contains electrical and operational tests you can perform to ensure the unit is in proper working order after shipment. The tests are to be performed once the AC input connector has been assembled but before the load has been connected to the power supply.

2.4 Location, Mounting, and Ventilation

The DCS system supply may be used in rack mounted or in benchtop applications. In either case, sufficient space must be allowed for cooling air to reach the ventilation inlets on the top and on each side of the unit and for fan exhaust air to exit from the rear of the unit.

2.4.1 Unit Dimensions

Single Unit	HEIGHT	WIDTH	DEPTH	WEIGHT
Standard	3.45in	19in	20in	35lbs
Metric	87.6mm	482.6mm	508mm	16kg

2.4.2 Rack Mounting

The supply is designed to fit in a standard 19" equipment rack. Bolt holes in the chassis sides are provided for rack mount slides such as the ZERO #C300S18 slides. When installing the unit in a rack, be sure to provide adequate support for the rear of the unit while not obstructing the ventilation inlets on the sides of the unit.

CAUTION Rack mounting bolts must not extend more than $\frac{3}{16}$ " into the side of the power supply.

2.4.3 Ventilation

The DCS system supply is fan-cooled, so it requires space on the sides for the ventilation inlets and space at the rear for the ventilation exhaust. The following temperature ranges apply for the best results when operating or storing the unit.

Operating Ambient Temperature	0 to 50° C no derating. From 50 to 70° C, derate 2% per °C
Storage Temperature Range	-55 to +85° C

2.4.4 AC Input Power

Section 2.5 AC Input Power Connection gives instructions for making connections to either single phase or three phase AC power sources. Order replacement AC input connectors and contacts using the following part numbers.

Chassis-Mounted Parts	Housing	AMP 641685-1
	Contact Pins	AMP 350821-1
Mating Connector Parts	Connector Housing	AMP 643267-2
	Contact Pins	AMP 350821-1

2.5 AC Input Power Connection

Before you can use the DCS system supply, you must determine your AC input power requirements and assemble an appropriate line cord and connector. The power supply is shipped with a kit of connector and strain relief parts which you assemble using the procedures in this section.

2.5.1 AC Input Power Requirements

This supply may be operated from either a single phase or a three phase AC power source. The specifications for input voltage, current, and frequency are listed below.

AC Input Voltage Range	Maximum Input Current	Frequency
200-250Vac Single Phase	20Arms	47-63Hz
190-250Vac Three Phase	14Arms	47-63Hz

CAUTION

The maximum output power must be limited to 2500 Watts when the power supply is used with a single phase input to avoid tripping the power supply's input circuit breaker.

2.5.2 AC Input Connector Assembly

Each unit is shipped with a connector and contacts which mate with the chassis-mounted AC connector located on the rear panel. See Figure 2.5-1 AC Connector and Contacts.

Parts Supplied

- One (1) connector (Part number MI-6432-672)
- Five (5) contacts (Part number MC-3508-211)

Additional Parts Required

- 8 to 12 AWG wiring: three (3) wires for single phase inputs or four (4) wires for three phase inputs. The neutral wire of three-phase four (4) wire systems is not required.

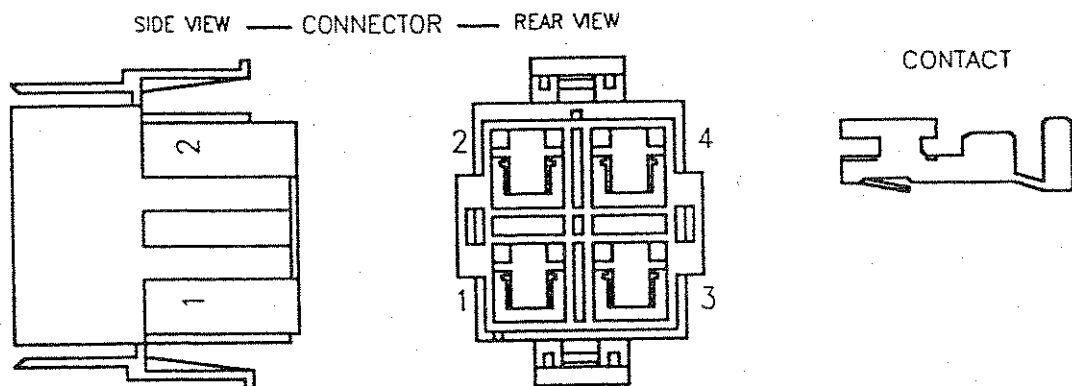


Figure 2.5-1 AC Connector and Contacts

2.5 AC Input Power Connection

2.5.2 AC Input Connector Assembly (continued)

Wire Preparation

1. Trim outer wire jacket 2". (Necessary for strain relief. See **Section 2.5.3**.)
2. Strip 0.300" at the end of the insulated AC input wire.
3. Crimp the stripped wire into the contact as indicated in **Figure 2.5-2**, then solder the connection.
4. Crimp the contact around the wire insulation as indicated in **Figure 2.5-2**.

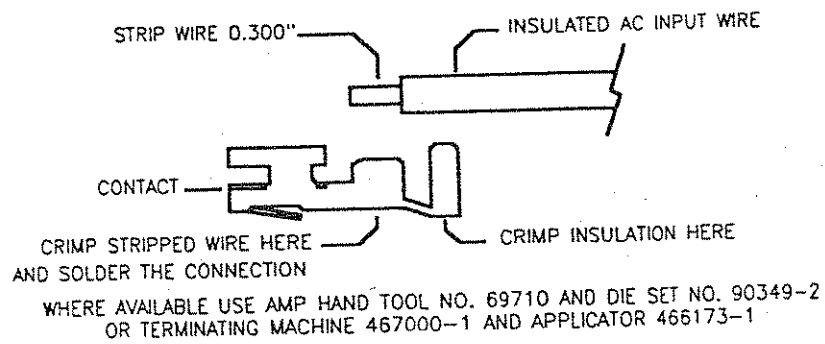


Figure 2.5-2 Wire Preparation

Contact Installation

5. Insert contact with attached wire into the connector until lock snaps into place. See **Figure 2.5-3 Contact Orientation** and **Figure 2.5-4 AC Wire Locations** to complete the connector for either single or three phase input.

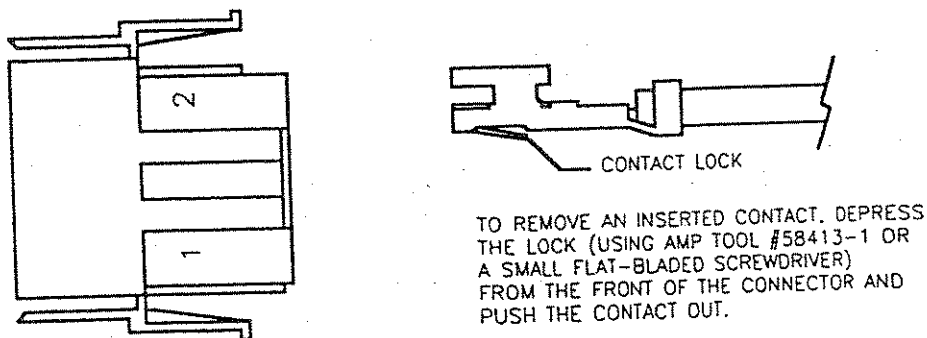


Figure 2.5-3 Contact Orientation

2.5 AC Input Power Connection

2.5.2 AC Input Connector Assembly

Contact Installation (continued)

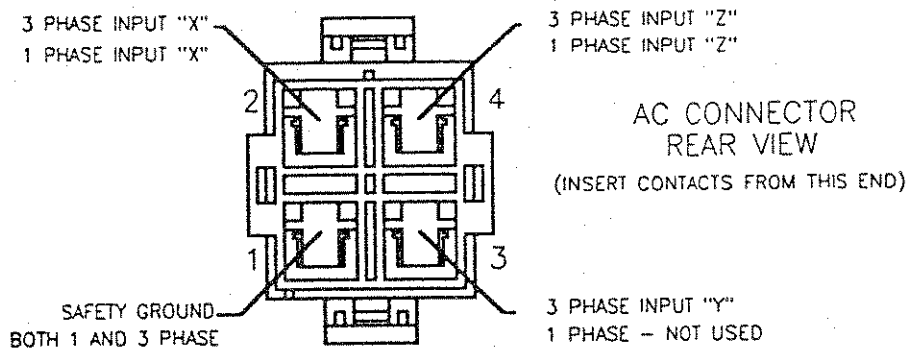


Figure 2.5-4 AC Wire Locations

2.5.3 Strain Relief Assembly

The strain relief is assembled from supplied pieces and attaches to the AC input connector to provide support for the AC input cord.

Parts Supplied

- Two (2) pieces strain relief (Part number MI-6432-661)
- Two (2) screws (Part number MS-6P12-10)

Assembly Instructions

1. Snap off the rectangular bushing attached to each piece of the strain relief. See Figure 2.5-5.

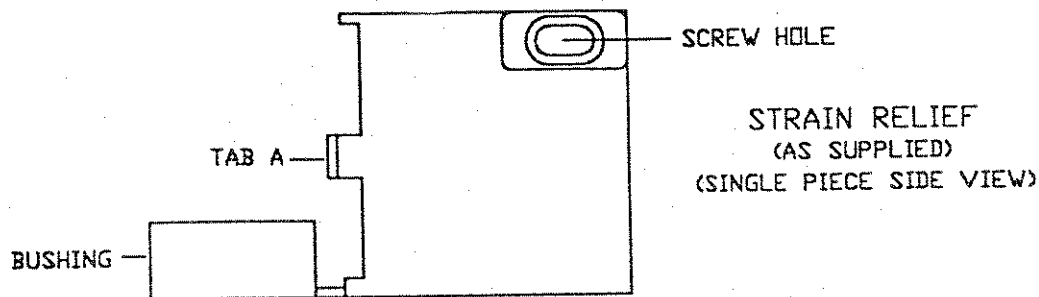


Figure 2.5-5 Strain Relief (1 piece)

2.5 AC Input Power Connection

2.5.3 Strain Relief Assembly

Assembly Instructions (continued)

2. Install bushings on strain relief pieces, if required.

If cable diameter is within ...	Then ...
0.1" to 0.4"	Install bushings
0.5" to 0.74"	Do not use bushings

3. Insert strain relief tab A into AC input connector slot B. Insert second strain relief tab A into AC input connector slot C. See Figure 2.5-6.
4. Install screws in holes provided on outside of strain relief pieces. Thread through to screw standoff inside opposite piece. Tighten to clamp outer jacket of AC wire securely, ensuring that the side of the strain relief slips into the corresponding rabbet on the opposite piece.

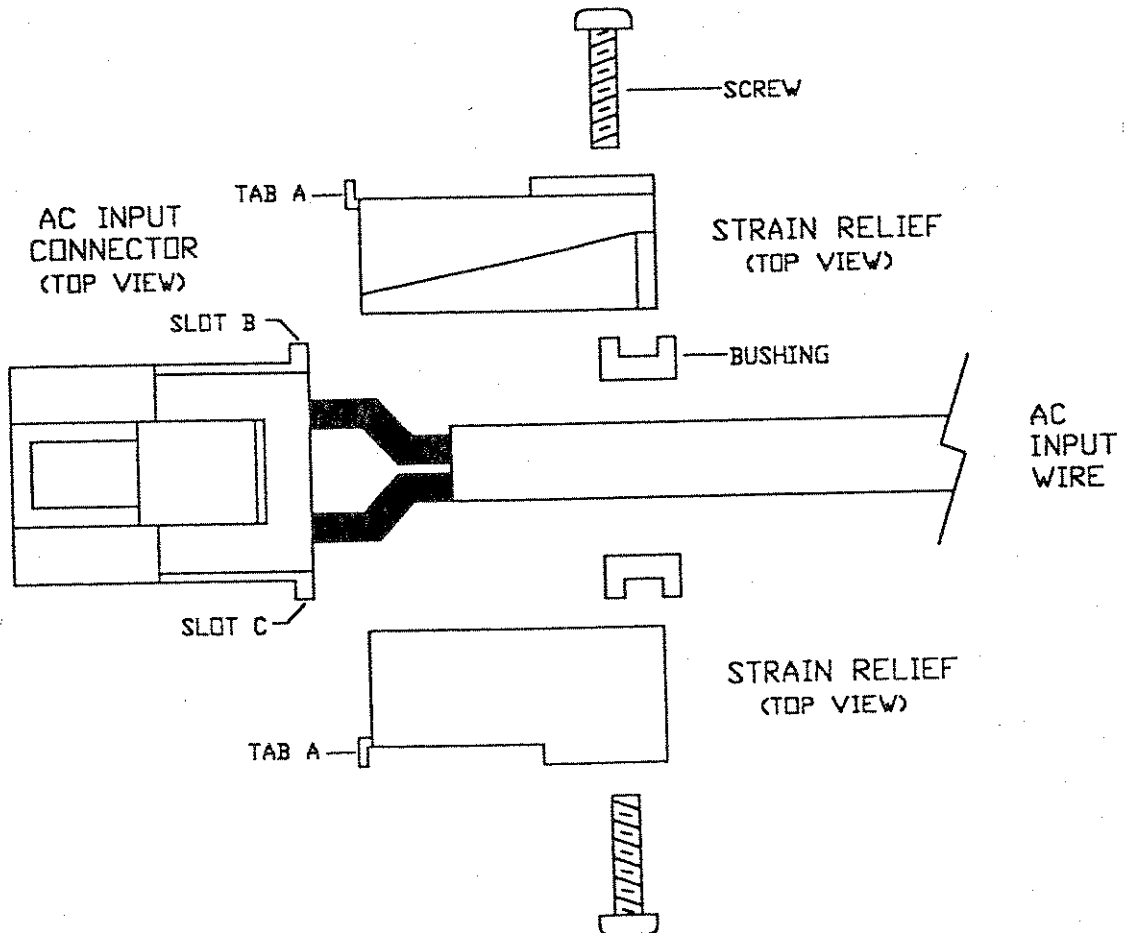


Figure 2.5-6 Strain Relief Assembly

2.6 Initial Functional Tests

The initial functional test procedure includes power-on and front panel function checks as well as voltage or current mode operation checks. Front and rear panel diagrams are available at the end of **Section 2. Installation**.

Before starting this procedure, ensure that the J3 programming connector is in place on the rear panel with jumpers connected for local operation as shown in **Figure 2.6-1**, below. This is the default configuration as shipped from the factory. If the unit has been in use and is being retested, ensure you disconnect the load, reset the J3 jumpers to the default, and turn the OVP potentiometer to maximum before performing these tests.

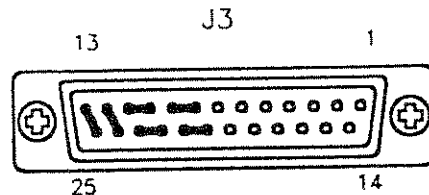


Figure 2.6-1 J3 Connector Default Configuration

2.6.1 Power-on Check

1. Ensure that the AC power switch is in the OFF position.
2. Turn the voltage and current controls fully counter-clockwise.
3. Connect the unit to an AC outlet.
4. Turn the front panel AC power switch ON.

After a short, power-on delay, the front panel digital meters will light up. Both voltmeter and ammeter displays will read zero. The green voltage mode LED will be illuminated.

2.6.2 Voltage Mode Operation Check

1. Ensure the voltage and current controls on the front panel are turned fully counter-clockwise.
2. Connect a Digital Voltmeter (DVM) to the output terminals on the rear panel, observing correct polarity. The DVM must be rated better than 0.5% accuracy.
3. Turn the CURRENT control a 1/2-turn clockwise. Slowly turn the VOLTAGE control clockwise and observe both the front panel voltmeter and the DVM.
4. Compare the DVM reading with the front panel voltmeter reading to verify the accuracy of the internal voltmeter.

The minimum control range will be from zero to the maximum rated output for this particular power supply model. The green voltage mode LED will be illuminated.

5. Turn the front panel AC power switch OFF.

2.6 Initial Functional Tests (continued)

2.6.3 Current Mode Operation Check

1. Ensure the front panel AC power switch is set to OFF.
2. Turn the voltage and current controls on the front panel fully counter-clockwise.
3. Turn the VOLTAGE control one (1) or two (2) turns clockwise.
4. Connect a DC shunt across the output terminals on the rear panel, using appropriately-gauged wire and hardware. The recommended current ratings for the DC shunt and the wire must be at least 10% more than the output current of the power supply model.
5. Connect a Digital Voltmeter (DVM) across the DC shunt. The DC shunt-DVM combination must be rated better than 0.5% accuracy.
6. Turn the AC power switch ON.
7. Turn the CURRENT control slowly clockwise.
8. Compare the DVM reading with the front panel ammeter reading using $I=V/R$ where V is the DVM reading and R is the DC shunt resistance.

The control range will be from zero to the maximum rated output for the power supply model. The red current mode LED will be illuminated.

2.6.4 Front Panel Function Checks

1. Press OVP CHECK switch and check that the voltmeter displays approximately the model-rated output voltage plus 10%.
2. Turn OVP SET potentiometer counter-clockwise and check that the voltmeter reading decreases. Continued turning (up to 20 turns) will see the reading decrease to approximately 5% of the model-rated voltage output. Turn the potentiometer clockwise until the voltmeter once again displays approximately the model-rated output voltage plus 10%.
3. With voltage and current controls turned all the way in a clockwise direction, press the V & I CHECK switch and check that the voltmeter and ammeter display a minimum of the power supply model output ratings.
4. With voltage and current controls turned all the way in a clockwise direction, push the STANDBY switch to its IN position and check that the voltmeter reading falls to zero and the S/D (Shutdown) LED illuminates. Push the STANDBY switch once again to reset it to its OUT position. The S/D LED will turn off.
5. Push REM/LOC switch to IN position and check that the REM LED illuminates and the voltmeter reading falls to zero. Reset the REM/LOC switch to its OUT position for local (default) operation.

2.7 Load Connection

This section provides recommendations for load wiring and connecting as they apply to both single and multiple load configurations.

2.7.1 Load Wiring

When connecting load wiring to the power supply, you must consider the following factors:

- the current carrying capacity of the wire,
- the maximum load wiring length for operation with sense lines, and
- noise and impedance effects of the load lines.

Current Carrying Capacity

As a minimum, load wiring must have a current capacity greater than the output current rating of the power supply. This ensures that the wiring will not be damaged even if the load is shorted. The table below shows the maximum current rating, based on 450 amps per square centimeter, for various gauges of wire rated for 105 degrees C operation. Operation at the maximum current rating results in approximately a 30 degree temperature rise for a wire operating in free air. Where load wiring must operate in areas with elevated ambient temperatures or bundled with other wiring, larger gauges or higher temperature-rated wiring should be used.

AWG	Maximum Current	AWG	Maximum Current	AWG	Maximum Current
16	7	8	39	1	209
14	11	6	67	1/0	270
12	18	4	106	2/0	330
10	23	2	170	3/0	350

Load Wiring Length for Operation with Sense Lines

For applications using remote sensing, the voltage drop across each load line must be limited to 1V or less. Figure 2.7-1, shows the maximum allowable wire length that may be used for a given load current and wire size to ensure that this limit is not exceeded.

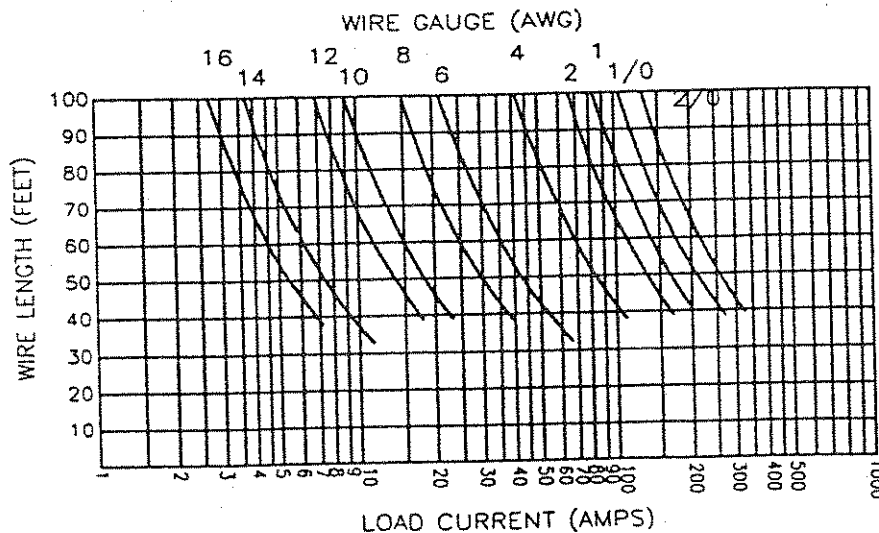


Figure 2.7-1 Maximum Load Wire Length

2.7 Load Connection

2.7.1 Load Wiring (continued)

Noise and Impedance Effects

To minimize noise pickup or radiation, load wires should be shielded-twisted pair wiring of as short a length as possible. Connect the shield to the chassis via a rear panel mounting screw. Where shielding is impossible or impractical, simply twisting the wires together will offer some noise immunity. When using local sense connections, use the largest practical wire size to minimize the effects of load line impedance on the regulation of the supply.

2.7.2 Making the Connections

Load connections to the power supply are made at the positive and negative output terminals (or bus bars) at the rear of the power supply. See the rear panel diagram at the end of **Section 2. Installation**. The power supply provides three load wiring mounting holes on each bus bar terminal as specified in the following table.

Load Wiring Mounting Holes	Diameter	Hardware Size
One (1) per terminal	0.332"	1/4" (5/16" for 8V and 12V models)
Two (2) per terminal	0.190" on 0.5" centres	#10

When making connections to the bus bars, ensure each terminal's mounting hardware and wiring assembly is placed to avoid touching the other terminal (*or EMI core*) and shorting the power supply output. Heavy connecting cables must have some form of strain relief to avoid loosening the connections or bending the bus bars.

2.7.3 Connecting Single Loads

Figures 2.7-2 and 2.7-3 show recommended load and sensing connections for single loads. Local sense lines shown are default J3 connections. Refer to **Section 3.3.1 Connecting Remote Sense Lines** for more information about the sense line shield.

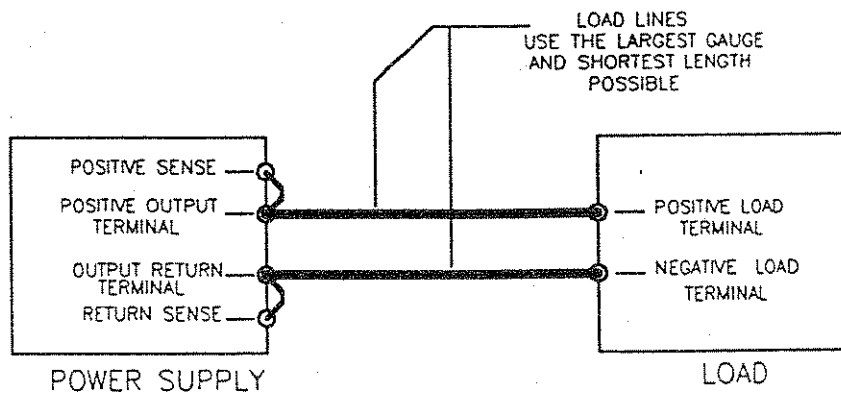


Figure 2.7-2 Single Load with Local Sensing (Default)

2.7 Load Connection

2.7.3 Connecting Single Loads (continued)

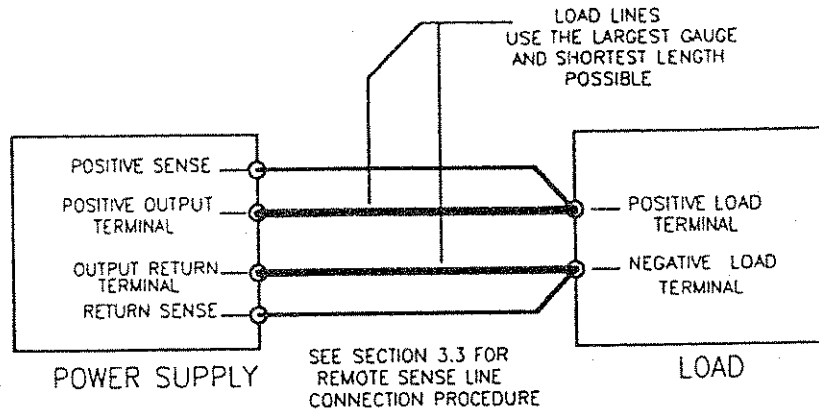


Figure 2.7-3 Single Load with Remote Sensing

2.7.4 Connecting Multiple Loads

Proper connection of distributed loads is an important aspect of power supply applications. Two common methods of connection are the parallel power distribution method and the radial distribution method.

Parallel Power Distribution

This common method involves connecting leads from the power supply to one load, from that load to the next load, and so on for each load in the system. This distribution method results in the voltage at each load depending on the current drawn by the other loads, allowing dc ground loops to develop. Except for low current applications, this method is not recommended.

Radial Distribution Method

With this method, power is connected to each load individually from a single pair of terminals designated as the positive and negative distribution terminals. These terminals may be the power supply output terminals, the terminals of one of the loads, or a distinct set of terminals especially established for distribution use. Connecting the sense leads to these terminals will compensate for losses and minimize the effect of one load upon another.

2.7 Load Connection

2.7.4 Connecting Multiple Loads (continued)

Figures 2.7-4 and 2.7-5 show recommended load and sensing connections for multiple loads. Local sense lines shown are default J3 connections. Refer to Section 3.3.1 Connecting Remote Sense Lines for more information about grounding the sense line shield.

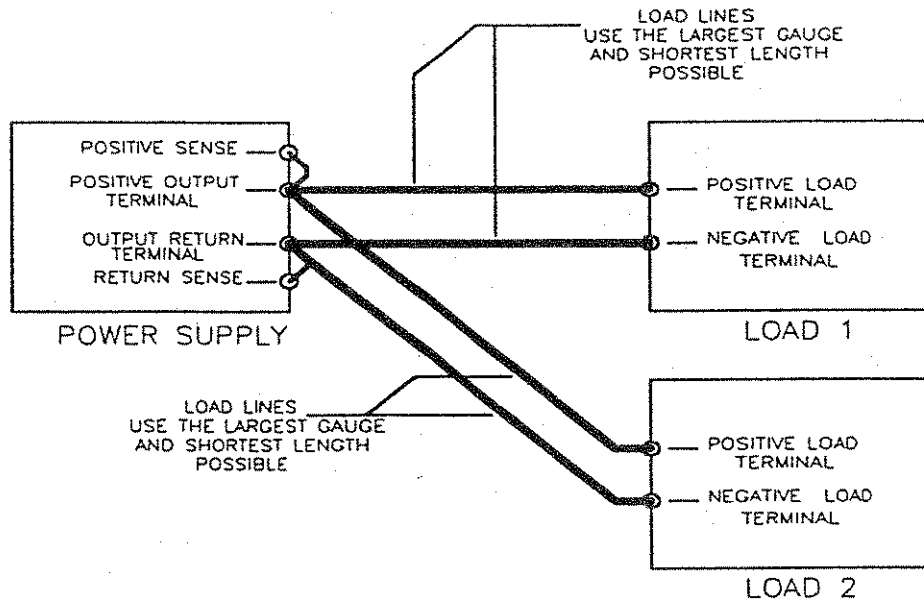


Figure 2.7-4 Multiple Loads with Local Sensing

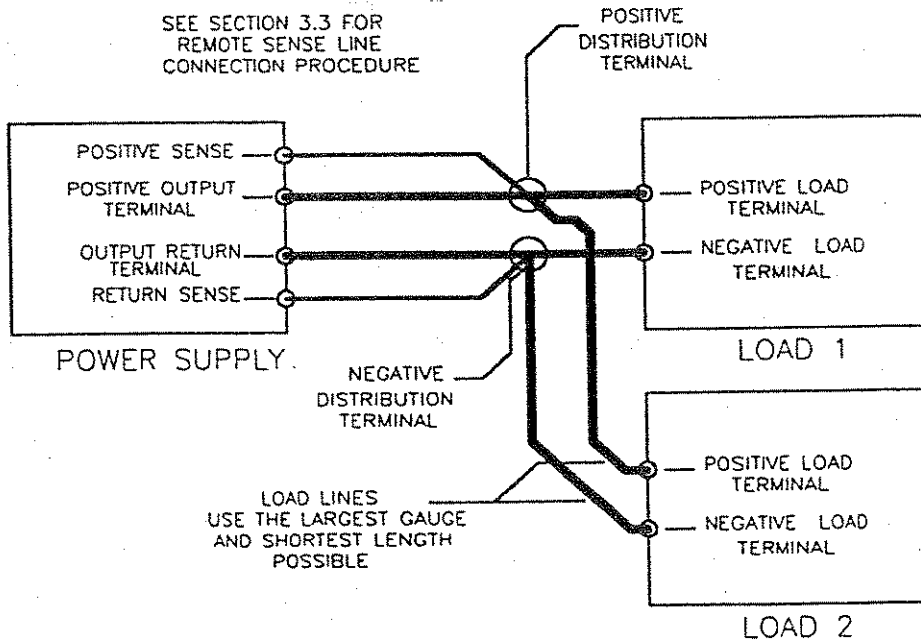


Figure 2.7-5 Multiple Loads with Remote Sensing

3. BASIC OPERATION

3.1 Introduction

Once the power supply installation is complete and both the AC input power and the load have been connected (see **Section 2. Installation**), the DCS Series power supply is in its default configuration and is ready to operate in local programming mode.

This section covers Constant Voltage and Constant Current Mode operation as controlled by local programming (**Section 3.2**). Remote sensing for voltage mode operation is described and illustrated in **Section 3.3**.

Remote Programming operation, monitoring, and programmable functions are described in **Section 4. Advanced Operation**.

3.2 Standard Operation

The DCS Series power supply has two basic operating modes: Constant Voltage Mode and Constant Current Mode, and two control modes: Local Programming Mode (default setting) and Remote Programming Mode. Both operating modes are available regardless of which control mode is used.

This section deals with power supply operations using the default Local Programming Mode in both Constant Voltage Mode and Constant Current Mode. Remote Programming Mode as well as monitoring and programmable functions information is found in **Section 4. Advanced Operation**. See also **Section 3.3 Using Remote Sensing** for remote sense operations.

3.2.1 Operating Modes and Automatic Crossover

Whether controlled by local or remote programming, the power supply has two basic operating modes: Constant Voltage Mode and Constant Current Mode. The mode in which the power supply operates at any given time depends on the combination of:

- the output voltage setting V_{SET} ,
- the output current limit setting I_{SET} , and
- the resistance of the attached load R_L .

Figure 3.2-1 Operating Modes provides a graphical representation of the relationships between these variables.

Constant Voltage Mode Operation

The power supply will operate in constant voltage mode whenever the load current I_L is less than the current limit setting I_{SET} , or: $I_L < I_{SET}$ (Note: $I_L = V_{SET} / R_L$)

In constant voltage mode, the power supply maintains the output voltage at the selected value (V_{SET}) while the load current I_L varies with the load requirements.

3.2 Standard Operation

3.2.1 Operating Modes and Automatic Crossover (continued)

Constant Current Mode Operation

The power supply will operate in constant current mode whenever the load resistance is low enough that the load current I_L is greater than the current limit setting I_{SET} , or: $I_L > I_{SET}$

In constant current mode, the power supply maintains the output current at the selected value (I_{SET}) while the load voltage varies with the load requirements.

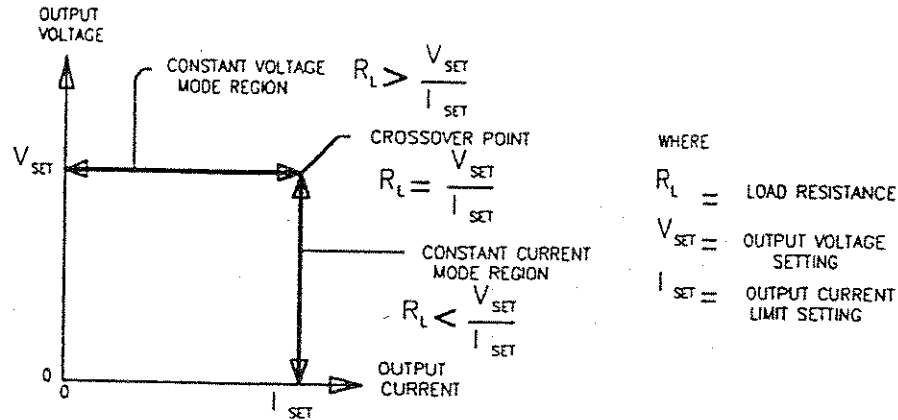


Figure 3.2-1 Operating Modes

Automatic Mode Crossover

This feature allows the power supply to automatically switch operating modes in response to changing load requirements. If, for instance, the power supply was operating in Constant Voltage Mode ($I_L < I_{SET}$), and the load changed so that the load current (I_L) became greater than the current limit setting (I_{SET}), the power supply would automatically switch into Constant Current Mode. If the additional load was subsequently removed so that the load current was again less than the current limit setting, the supply would automatically return to Constant Voltage Mode.

3.2.2 Local Programming Mode Operation

Units are shipped from the factory configured for local programming mode operation. In local programming mode:

- Output voltage and current limit settings are adjusted with the front panel controls.
- The sense point of the supply is at the output terminals.
- The front panel OVP potentiometer determines the OVP set point. See Section 4.4 Using Over Voltage Protection (OVP) for the adjustment procedure.

Local Mode Default Configuration

Figure 3.2-2 shows the default factory settings for the internal jumpers JMP1 and JMP2, for switch SW1, and for rear panel connector J3. These controls are used to select among the various options for programming, sensing, and monitoring. See Section 4.2 Configuring for Remote Programming, Sensing, and Monitoring.

3.2 Standard Operation

3.2.2 Local Programming Mode Operation

Local Mode Default Configuration (continued)

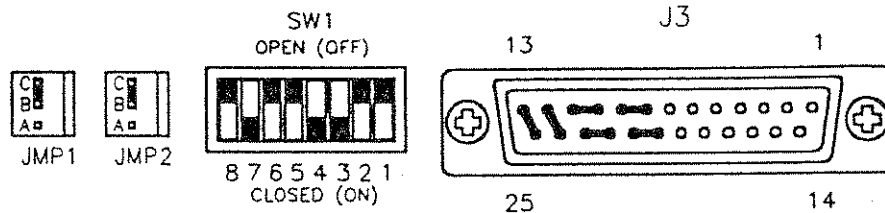


Figure 3.2-2 Local Mode Default Configuration

Setting Output Voltage and Current Limit

After installing the power supply and connecting the load as described in **Section 2. Installation**, set the required output voltage and current limit according to the following front panel procedure:

1. Turn both the voltage and current controls fully counter-clockwise.
2. Turn the AC power ON.
3. Press the STANDBY switch to its IN position to disable the power supply output.
4. Press and hold the V & I CHECK button to display the voltage and current control settings on the voltmeter and ammeter displays.
5. Adjust the voltage control to the required voltage (the compliance voltage for applications using current mode operation).
6. Adjust the current control to the required current limit setting.
7. Release the V & I CHECK button.
8. Press the STANDBY switch to its OUT position to apply power to the load.

3.3 Using Remote Sensing

Remote sensing is used during voltage mode operation to shift the power supply's regulation point from its output terminals (default sense point) to the load or distribution terminals by using a separate pair of wires to monitor the load voltage. Remote sensing allows the power supply to compensate for voltage losses in the load lines (up to 1V per line) which will otherwise degrade the regulation of the supply. The sense line connection points are located on the rear panel J3 connector. **Section 4.2 Configuring for Remote Programming, Sensing, and Monitoring** has more information about making J3 connector changes.

CAUTION

Do not use remote sensing with multiple supplies connected in series or in parallel.

3.3 Using Remote Sensing (continued)

3.3.1 Connecting Remote Sense Lines

To connect remote sense lines, refer to **Figure 3.3-1** and to the following procedure:

1. Ensure the power supply is turned OFF. Allow five (5) minutes to elapse to dissipate stored energy before altering J3 connector pin connections.
2. Remove the local sense jumpers connecting J3 pins 13 to 25 (positive sense) and pins 12 to 24 (negative sense or return sense).
3. Connect the positive sense lead to pin 13 and the negative lead to pin 12. Use shielded-twisted pair wiring of 24 AWG or larger for sense lines.
4. Ground the sense line shield, at one point only, to the power supply's return output connection at the load, or, to the power supply's return output at its output terminal, or to the power supply's chassis.
5. The optimal point for the shield ground must be determined by experiment, but the most common connection point is at the power supply's return output connection at the load.
6. Turn the power supply ON.

Notes:

1. If the power supply is operated with remote sense lines connected and with either of the positive or negative load lines not connected, the power supply shutdown circuit will be activated, causing the output voltage and current to fall to zero.
2. If the power supply is operated without remote sense lines or local sense jumpers in place, the supply will continue to work, but supply regulation will be degraded and/or erratic.

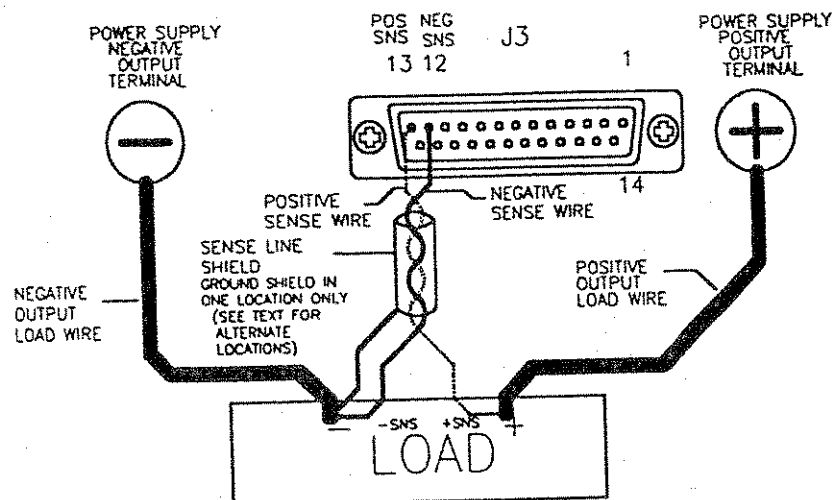


Figure 3.3-1 Connecting Remote Sense Lines

CAUTION

Do not use remote sensing with multiple supplies connected in series or in parallel.

4. ADVANCED OPERATION

4.1 Introduction

All DCS Series power supplies offer the following standard features:

- Remote Programming of Output Voltage and Current Limit with 0-5V, 0-10V, 0-1mA, and 0-5k ohms (Section 4.3)
- Overvoltage Protection (OVP) with front panel controls or 0-5V and 0-10V programming (Section 4.4)
- Programmable Shutdown with AC, DC, or TTL compatible signals and contact closure (Section 4.5)
- Remote Monitoring of Status Indicators for thermal shutdown, OVP status, remote/local programming mode, and voltage/current mode operation (Section 4.6)
- Calibrated Readback Signals for output voltage and output current with selectable 0-5V or 0-10V scales (Section 4.6)
- Multiple Supply Configurations such as series, parallel, and split supply (Section 4.7)
- Remote Voltage Sensing (Section 3.3)
- Output Voltage Biasing (Section 4.8)

Accessing these features may require that you use one or more of the following procedures:

- Using the front panel REM/LOC (Remote/Local Programming) switch.
- Reconfiguring the rear panel J3 connector.
- Making connections to the J3 connector.
- Resetting internal jumpers JMP1 and JMP2.
- Resetting internal switch SW1.

Section 4.2 Configuring for Remote Programming, Sensing, and Monitoring provides a reference to the function and location of these controls, and procedures for making any required changes.

4.2 Configuring for Remote Programming, Sensing, and Monitoring

This section lists switch, connector, and jumper functions for the DCS Series (3kW) supply. Subsequently, it provides a location diagram (Section 4.2.2), in addition to procedures for resetting the internal jumpers and switches (Section 4.2.3), and for reconfiguring or making connections to the J3 connector (Section 4.2.4).

You will find remote programming procedures and diagrams covered in more detail in Section 4.3, remote sensing in Section 3.3, and remote monitoring of readback signals and status indicators in Section 4.6.

4.2.1 Programming, Monitoring, and Control Functions

Front Panel REM/LOC Switch

You can use the REM/LOC (Remote/Local Programming) switch for remote programming. When set to REM (Remote Programming), control of BOTH output voltage AND current limit is passed to external voltage and/or current sources which are connected to the J3 connector. Resetting the switch to LOC returns the supply to local (front panel) control. See Section 4.3 Remote Programming of Output Voltage and Current Limit for more information about using this switch.

External J3 Connector

The external J3 connector provides user access to the following functions:

- Remote programming of output voltage OR current limit, and for OVP
- Remote monitoring of the following readback signals and status indicators

Readback Signals	Status Indicators
Calibrated output voltage	Thermal shutdown
Calibrated output current	OVP circuit
	Remote/local programming mode

- Remote programming of the shutdown function using AC, DC, or TTL compatible signals
- Remote sensing of output voltage

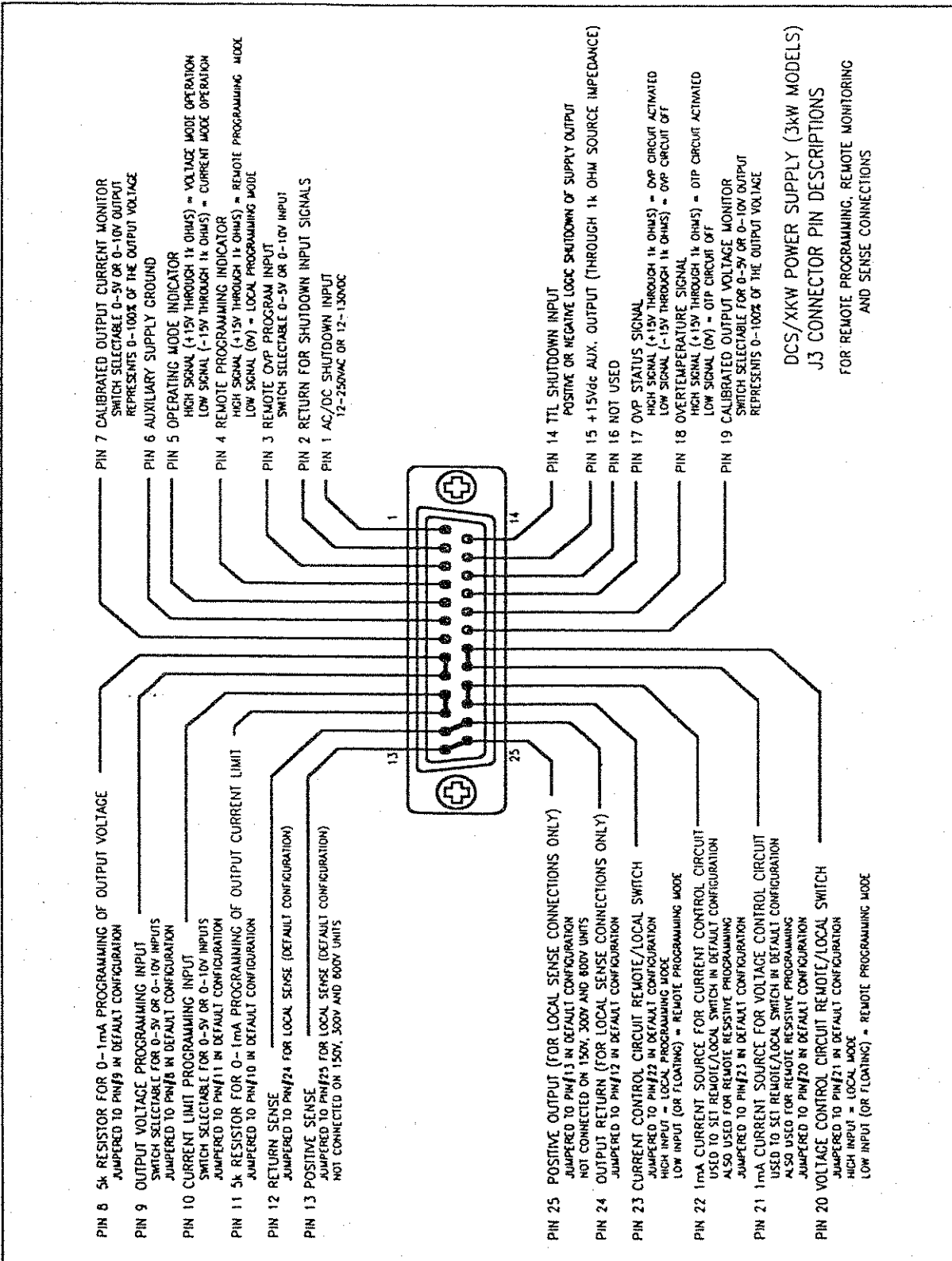
See Figure 4.2-1 J3 Connector.

WARNING

Use extreme caution when biasing the output relative to the chassis due to potential high voltage levels at the output and J3 terminals.

4.2 Configuring for Remote Programming, Sensing, and Monitoring (continued)

Figure 4.2-1 J3 Connector



4.2 Configuring for Remote Programming, Sensing, and Monitoring

4.2.1 Programming, Monitoring, and Control Functions (continued)

Internal Switch and Jumpers

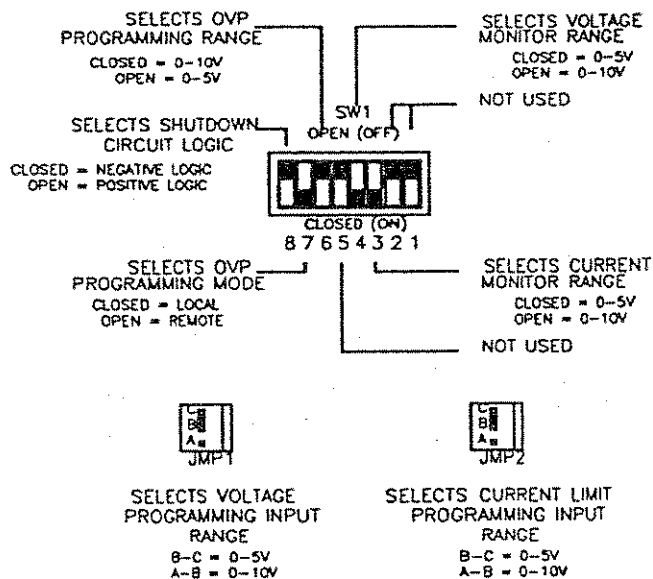
If you should need to change any of the standard configurations of the supply, internal jumpers JMP1 and JMP2, and switch SW1 enable you to select: voltage and current programming scale factor, over voltage protection (OVP) programming mode and scale, voltage and current monitor range, and shutdown circuit logic.

Figure 4.2-2 Internal Jumpers and Switch (Default Settings Shown)

4.2.2 Locating Jumpers, Switch, and Connector

Switch SW1 and jumpers JMP1 and JMP2 are located on the main printed circuit board (A2) inside the power supply. The J3 connector is located on the unit's rear panel. See Section 4.2.3 Resetting Jumpers and Switch and Section 4.2.4 Making J3 Connections.

Figure 4.2-3 Locating Jumpers, Switch, and Connector



4.2 Configuring for Remote Programming, Sensing, and Monitoring (continued)

4.2.3 Resetting Jumpers and Switch

Most applications will use the default factory settings of the internal jumpers, JMP1 and JMP2, or of the internal 8-position DIP switch, SW1. If the jumpers and switch should require resetting, read **Section 2.2 Safety**, and follow the procedures in this section.

The steps to follow are:

- Dissipating stored energy
- Removing the cover
- Removing the option board (when required)
- Resetting JMP1, JMP2 and SW1
- Replacing the option board
- Replacing the cover
- Powering up

Dissipating Stored Energy

1. Ensure the power supply is turned OFF. Disconnect the AC input connector. Allow five (5) minutes to elapse to dissipate stored energy before removing the cover.

Removing the Cover

2. Unscrew and remove the eight (8) flathead Philips screws from the top of the cover: two (2) are located near the front panel, six (6) near the rear panel. (Use a #1 Philips screwdriver.)
3. Loosen but do not remove the six (6) Philips screws located three (3) to a side in the slots along each side of the power supply.
4. Lift cover off and set aside.

Removing the Option Board (when required)

The power supply may have either of two option circuit boards installed over the A2 circuit board where the jumpers and switches are located. The option board must be removed to allow access to them.

5. Unplug any external mating connector and attached wiring.
6. Use a nutdriver to remove the jack screws which fasten the option board to the rear panel.
7. Unscrew the mounting screws which fasten the option board down.
8. Unplug any attached cables.
9. Lift out the option board and set aside.

Resetting JMP1, JMP2, and SW1

10. Lift the appropriate jumper from its pin header and replace it as the programming requires. The default location is B-C for both JMP1 and JMP2. Alternate locations are A-B in each case.
11. Push the dual position SW1 switches closed (ON) or open (OFF) as required by the application.

4.2 Configuring for Remote Programming, Sensing, and Monitoring

4.2.3 Resetting Jumpers and Switch (continued)

Replacing the Option Board (when required)

12. Place the option board into its original location over the A2 circuit board.
13. Reinstall the mounting screws into the standoffs. Reattach any cables.
14. Reinstall the jack screws with the nut driver.
15. Reconnect any external cables and connector.

Replacing the Cover

16. Place the cover in its original location.
17. Reinstall the eight (8) flathead Philips screws on the top of the cover, then tighten the six (6) Philips screws in the side slots.

Powering Up

18. Reconnect the AC input connector. Turn the power supply ON.

4.2.4 Making J3 Connections

Some applications will use only the default factory connections on the J3 connector located on the rear panel. Other applications will require replacing pin-to-pin connections or making connections to external devices such as voltage sources, current sources, or resistances. Read **Section 2.2 Safety**, and follow the procedures in this section whenever the rear panel connector, J3, is to be reconfigured.

The steps to follow are:

- Dissipating stored energy
- Making the connections
- Powering up

Refer to the Dissipating Stored Energy and Powering Up steps in **Section 4.2.3**.

Making the Connection

To make pin-to-pin connections:

1. Unsolder any pin-to-pin jumpers as required by the application.
2. Solder new connections using any appropriate single bus wire such as AWG 20 to 24.

To connect external source leads, resistance leads, or monitoring or sense lines:

3. Unsolder any jumpers as required by the application.
4. Solder leads to the specified pin using the recommended wiring and/or grounding point for the application. Pin, wiring, and grounding specifications for particular applications can be found in **Section 4. Advanced Operation** except for remote sensing specifications which are in **Section 3.3 Using Remote Sensing**.

4.3 Remote Programming of Output Voltage and Current Limit

Remote programming allows control of the power supply's output voltage and/or current limit to shift from local operation at the front panel voltage and current controls to external analog input sources. As a programming source is varied, the power supply's output varies proportionally over its output range.

The analog programming signals are connected to the rear panel J3 connector. To provide the lowest noise performance, **shielded-twisted pair wiring is recommended for making connections from external circuits to the J3 connector.** Use the shortest leads possible. Ground the shield to pin 6 on the J3 connector or to the chassis via one of the J3 connector screws.

CAUTION

The remote programming input is internally referenced to the supply's negative output. Do not connect remote programming input lines (J3 pins 9 and 10) to the supply's positive output.

Remote Programming Options

The following table summarizes access options for programming output voltage and current limit with the input scales supported for the DCS Series (3kW) supply. Refer to **Section 4.3.1** for a procedure and a connection diagram for programming output voltage and current limit using the REM/LOC switch. Subsequent sections provide short procedures and diagram the J3 connector configurations and connections required for remote programming of output voltage and/or current limit without using the REM/LOC switch.

Remote Programming Options	Control of ...	Programming Scales *
Programming with the REM/LOC Switch	Output Voltage and Current Limit	0-5V 0-1mA 0-10V (see Notes below)
Programming without the REM/LOC Switch	Output Voltage and/or Current Limit	0-5V, 0-10V 0-1mA 0-5k Local control 0-10V (see Notes below)

* These scales may be used in any combination.

Notes for Programming with a 0-10V Source:

1. Programming with a 0-10V external voltage source requires that you reset internal jumpers JMP1 and/or JMP2 in addition to performing any external operations. As in any situation that requires removing the supply's cover, following safe procedures is necessary. Review **Section 2.2 Safety** and follow the procedures for removing the cover and resetting JMP1 and JMP2 in **Section 4.2.3**.
2. Resetting internal jumpers may require a recalibration of the programming circuit to maintain programming accuracy. See **Section 6.3 Calibrating for Programming Accuracy**.

Section 4.2 Configuring for Remote Programming, Sensing, and Monitoring explains how to use the front panel REM/LOC switch, how to reconfigure or make connections to the external J3 connector, and how to access internal jumpers JMP1 and JMP2 to change their settings.

4.3 Remote Programming of Output Voltage and Current Limit (continued)

4.3.1 Programming Output Voltage and Current Limit with the REM/LOC Switch

The front panel REM/LOC (Remote/Local Programming) switch will allow you to switch back and forth between remote and local operation when programming output voltage and current limit with external voltage and/or current sources.

For programming output voltage and current limit using the REM/LOC switch:

1. Connect the programming source between pins 9 (voltage programming input/positive) and 12 (return).
2. Connect the programming source between pins 10 (current limit programming input/positive) and 12 (return).
3. Set the front panel REM/LOC switch to REM.

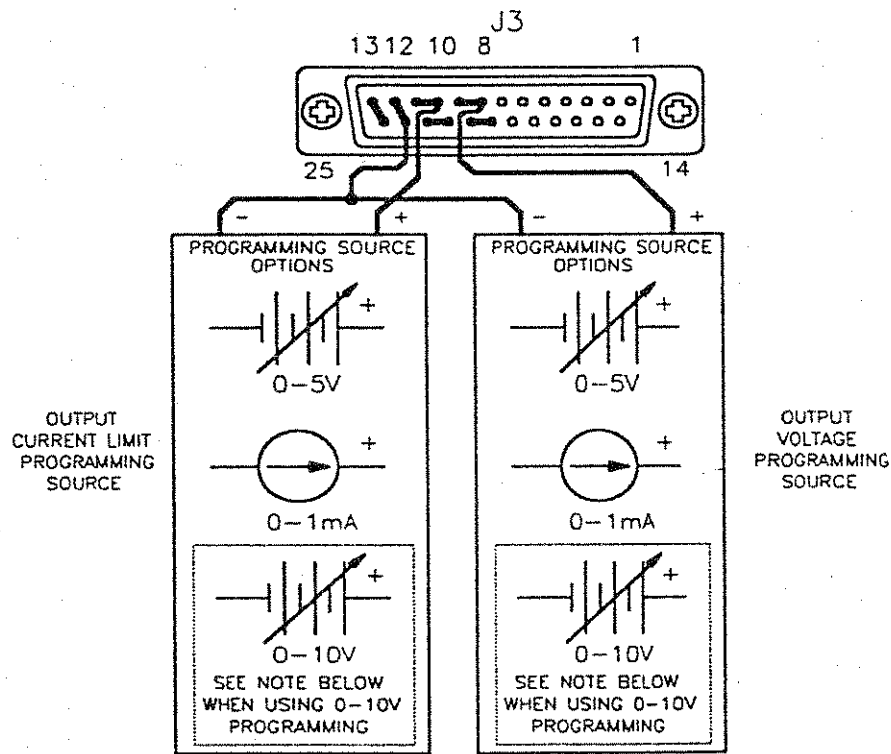


Figure 4.3-1 Programming Output Voltage and Current Limit Using the REM/LOC Switch

Notes for 0-10V Programming:

1. If you are programming both output voltage and current limit with a 0-10V source and using the REM/LOC switch, set internal jumpers JMP1 and JMP2 to their A-B locations before connecting the voltage and current limit programming inputs. As in any situation that requires removing the supply's cover, following safe procedures is necessary. Review Section 2.2 Safety and follow the procedures for removing the cover and resetting JMP1 and JMP2 in Section 4.2.3.
2. Resetting internal jumpers may require a recalibration of the programming circuit to maintain programming accuracy. See Section 6.3 Calibrating for Programming Accuracy.

4.3 Remote Programming of Output Voltage and Current Limit (continued)

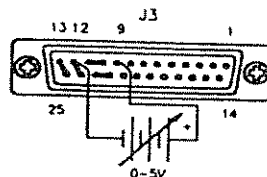
4.3.2 Programming Output Voltage

Programming Output Voltage with a 0-5Vdc Source

1. Remove the jumpers connecting pins 8 to 9 and 20 to 21 on connector J3.
2. Connect the external programming source between pins 9 (voltage programming input/positive) and 12 (return).

Varying the programming voltage from 0 to 5Vdc will cause the output to vary from 0 to 100% of the model rating. The output current limit may be programmed using another source or set locally by adjusting the front panel current limit control.

Figure 4.3-2 Programming Output Voltage with a 0-5Vdc Source



Programming Output Voltage with a 0-10V Source

1. Set jumper JMP1 to its A-B location.
2. Remove the jumpers connecting pins 8 to 9 and 20 to 21 on connector J3.
3. Connect the external voltage programming source between pins 9 (voltage programming input/positive) and 12 (return).

Varying the programming voltage from 0 to 10Vdc will cause the output voltage to vary from 0 to 100% of the model rating. The output current limit may be programmed using another source or set locally by adjusting the front panel current control.

Note: Resetting internal jumpers may require a recalibration of the programming circuit to maintain programming accuracy. See Section 6.3 Calibrating for Programming Accuracy.

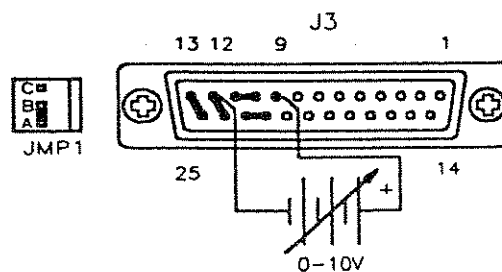


Figure 4.3-3 Programming Output Voltage with a 0-10Vdc Source

WARNING

Exercise caution when resetting internal jumpers. Review Section 2.2 Safety and follow the procedures for removing the cover and resetting jumpers in Section 4.2.3.

4.3 Remote Programming of Output Voltage and Current Limit

4.3.2 Programming Output Voltage (continued)

Programming Output Voltage with a 0-1mA Source

1. Remove the jumper between pins 20 and 21 of connector J3.
2. Connect the external programming source between pin 9 (voltage programming input/positive) and pin 12 (return) of connector J3.

Varying the current source from 0 to 1mA will vary the output voltage from 0 to 100% of the model rating. The output current limit is set by adjusting the front panel current limit control.

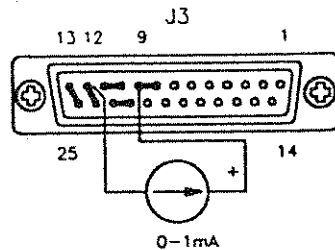


Figure 4.3-4 Programming Output Voltage with a 0-1mA Source

Programming Output Voltage with a 0-5k Resistance

1. Remove the jumpers connecting pins 8 to 9 and pins 20 to 21 on connector J3.
2. Connect pins 9 (voltage programming input/positive) and 21 (1mA current source for voltage control) to the counter-clockwise end of the 5k potentiometer and connect the tap and clockwise end of the potentiometer to pin 12 (return).

Adjusting the resistance from 0 to 5k will vary the output voltage from 0 to 100% of the model rating. The output current limit is set locally by adjusting the front panel current limit control.

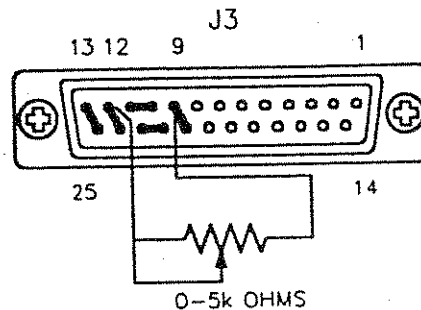


Figure 4.3-5 Programming Output Voltage with a 5k ohm Resistance

4.3 Remote Programming of Output Voltage and Current Limit (continued)

4.3.3 Programming Output Current Limit

Programming Output Current Limit with a 0-5Vdc Source

1. Remove the jumpers connecting pins 10 to 11 and 22 to 23 on connector J3.
2. Connect the external programming source between pins 10 (current limit programming input/positive) and 12 (return).

Varying the programming voltage from 0 to 5Vdc will cause the current limit to vary from 0 to 100% of the model rating. The output voltage is set locally by adjusting the front panel voltage control.

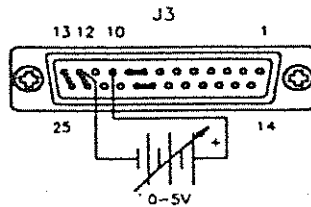


Figure 4.3-6 Programming Output Current Limit with a 0-5Vdc Source

Programming Output Current Limit with a 0-10Vdc Source

1. Set jumper JMP2 to its A-B location.
2. Remove the jumpers connecting pins 10 to 11 and 22 to 23 on connector J3.
3. Connect the external current programming source between pins 10 (current limit programming input/positive) and 12 (return).

Varying the programming voltage from 0 to 10Vdc will cause the output current limit to vary from 0 to 100% of the model rating. The output voltage is set locally by adjusting the front panel voltage control.

Note: Resetting internal jumpers may require a recalibration of the programming circuit to maintain programming accuracy. See **Section 6.3 Calibrating for Programming Accuracy**.

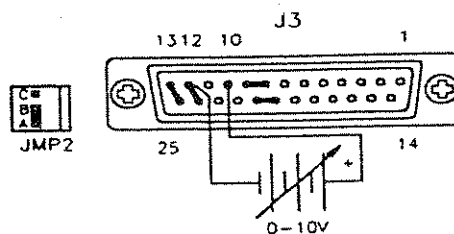


Figure 4.3-7 Programming Output Current Limit with a 0-10Vdc Source

WARNING

Exercise caution when resetting internal jumpers. Review **Section 2.2 Safety** and follow the procedures for removing the cover and resetting jumpers in **Section 4.2.3**.

4.3 Remote Programming of Output Voltage and Current Limit

4.3.3 Programming Output Current Limit (continued)

Programming Output Current Limit with a 0-1mA Source

1. Remove the jumper between pins 22 and 23 of connector J3.
2. Connect the external programming source between pin 10 (current limit programming input/positive) and pin 12 (return) of connector J3.

Varying the current source from 0 to 1mA will vary the output voltage from 0 to 100% of the model rating. The output voltage is set by adjusting the front panel voltage control.

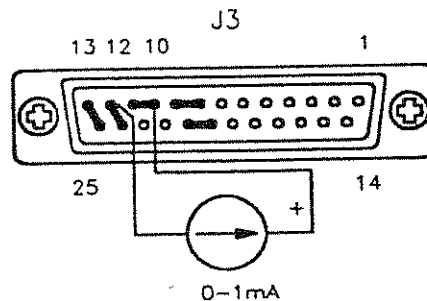


Figure 4.3-8 Programming Output Current Limit with a 0-1mA Source

Programming Output Current Limit with a 0-5k Resistance

1. Remove the jumpers connecting pins 10 to 11 and pins 22 to 23 on connector J3.
2. Connect pins 10 (current limit programming input/positive) and 22 (1mA current source for current control) to the counterclockwise end of the 5k potentiometer and connect the tap and clockwise end of the potentiometer to pin 12 (return).

Adjusting the resistance from 0 to 5k will vary the current limit from 0 to 100% of the model rating. The output voltage is set by adjusting the front panel voltage control.

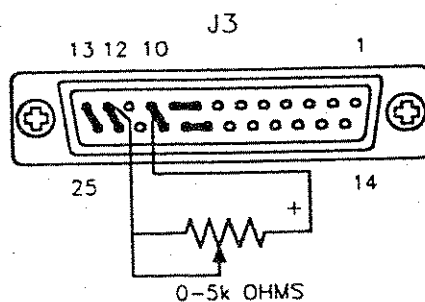


Figure 4.3-9 Programming Output Current Limit with a 5k ohm Resistance

4.4 Using Over Voltage Protection (OVP)

The OVP circuit allows for protection of the load in the event of a remote programming error, an incorrect voltage control adjustment, or a power supply failure. The protection circuit monitors the output voltage and will reduce the output current and voltage to zero whenever a preset voltage limit is exceeded. The preset voltage limit, also called the set point or trip level, can be set either in local programming mode from the front panel or by remote programming through the J3 connector on the rear panel.

The red OVP LED on the front panel will light up when the OVP circuit has been activated.

4.4.1 Front Panel OVP Operation

In local programming mode, the OVP set point can be checked at any time by pressing the OVP CHECK switch: the OVP set point is the value displayed on the digital voltmeter.

To set the trip level from the front panel:

1. Adjust the power supply output to zero volts.
2. Press the OVP CHECK switch to observe the OVP set point on the voltmeter display.
3. Turn the OVP SET potentiometer until the desired set point is reached. Release the OVP CHECK switch.
4. Increase the power supply output voltage to check that the power supply shuts off the output at the selected set point.

4.4.2 Resetting the OVP Circuit

To reset the OVP circuit after it has been activated:

1. Reduce the power supply's output voltage setting to below the OVP set point.
 2. Press the STANDBY switch IN. The Shutdown (S/D) LED on the front panel will light up.
 3. Press the STANDBY switch again to return power to the load and resume normal operation.
- OR
1. Reduce the power supply's output voltage setting to below the OVP set point.
 2. Turn the power supply OFF using the AC power switch, then turn it back ON again.

4.4.3 Programming OVP with an External Voltage Source

To set the OVP trip level with a 0-5Vdc or a 0-10Vdc external voltage source:

1. Ensure the power supply is turned OFF and that both the AC power source and the load are disconnected. Allow five (5) minutes to elapse to dissipate stored energy before resetting switches or making connections. Refer to Section 4.2 for instructions for removing the cover and resetting switches or making J3 connections.
2. Set the power supply's internal switch SW1-7 OPEN. Ensure switch SW1-6 is set to OPEN for 0-5Vdc OVP programming (factory default setting) or set it to CLOSED for 0-10Vdc OVP programming. See Figures 4.4-1 and 4.4-2.

⇒

4.4 Using Over Voltage Protection (OVP)

4.4.3 Programming OVP with an External Voltage Source (continued)

3. Connect the external voltage source between pin 3 (positive) and pin 12 (return) on the J3 connector on the rear panel. See Figures 4.4-1 and 4.4-2. The use of shielded-twisted pair wiring is recommended. Ground the shield to J3 connector pin 6 or to the chassis using one of the J3 connector screws.
4. Set the external programming source voltage to maximum (5Vdc or 10Vdc).
5. Turn the power supply ON and turn the front panel voltage control clockwise until the voltmeter shows the desired trip voltage.
6. Slowly reduce the external programming voltage until the red OVP LED lights and the power supply shuts down.

Note: When OVP is programmed by an external voltage source, the OVP set point can be approximated using the following formula:

$$\text{OVP Set Point } \pm 2\% = (V_o / \text{PGM}_{\text{SCALE}}) V_{\text{PGM}}$$

where: V_o is the power supply model-rated voltage

$\text{PGM}_{\text{SCALE}}$ is the external voltage source maximum voltage (5 or 10)

V_{PGM} is the remote OVP program voltage setting (0 to 5Vdc or 0 to 10Vdc)

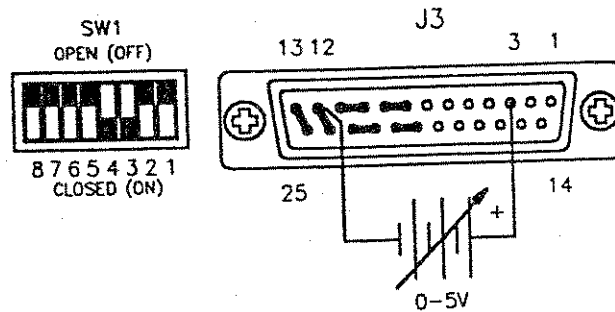


Figure 4.4-1 Remote Programming of OVP with a 0-5Vdc External Voltage Source

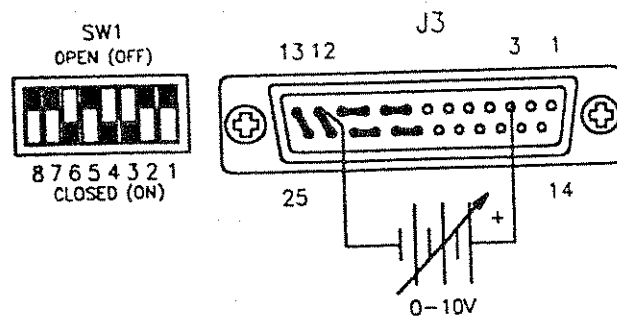


Figure 4.4-2 Remote Programming of OVP with a 0-10Vdc External Voltage Source

4.5 Using the Shutdown Function

The Shutdown function is used to disable or enable the supply's output voltage and current. It can be used to allow adjustments to be made to either the load or the power supply without shutting off the entire supply. This function may be activated from the front panel at any time by using the STANDBY switch. It can also be activated via remote programming, using positive or negative logic, with a TTL compatible input or with an AC or DC signal.

4.5.1 STANDBY Switch

The STANDBY switch is a press ON/press OFF switch located on the power supply's front panel. See the front panel diagram at the end of **Section 2. Installation**. When pushed IN, or depressed, the Shutdown circuit is activated, the output voltage and current fall to zero and the S/D (Shutdown) LED on the front panel is illuminated. Pushing the switch once more resets it to its OUT position and normal power supply operation is resumed.

4.5.2 Programming the Shutdown Function

The Shutdown circuit uses either a TTL compatible signal, or a 12-250Vac or 12-130Vdc input, to disable or enable the power supply output. Connections for either TTL, AC, or DC input signals are made at connector J3. Internal switch SW1-8 settings determine whether positive or negative logic for the signal is used. The input lines for the Shutdown circuit are optically isolated and can therefore be used by input sources with a voltage differential of up to 400Vdc.

External Wiring

Use 20 to 24 AWG wiring when making connections to the J3 connector. Keep wiring as short as possible.

TTL Shutdown

To activate the Shutdown function using a TTL compatible input:

1. Turn off the power supply and disconnect the AC power source. Allow five (5) minutes to elapse to dissipate stored energy before making connections or resetting switches.
2. Connect the TTL signal source to pin 14 (TTL Shutdown Input/positive) and pin 2 (Return for Shutdown Input) on the J3 connector on the rear panel. See **Figures 4.5-1** and **4.5-2**.
3. Set internal switch SW1-8 to select the desired circuit logic as set out in the following table.

Switch SW1-8 Setting	TTL Signal Level	Output Condition
OPEN (Positive logic)	HIGH	OFF
	LOW	ON
CLOSED (Negative logic)	HIGH	ON
	LOW	OFF

The red S/D (Shutdown) LED on the front panel lights up when the Shutdown circuit is activated.

4.5 Using the Shutdown Function

4.5.2 Programming the Shutdown Function

TTL Shutdown (continued)

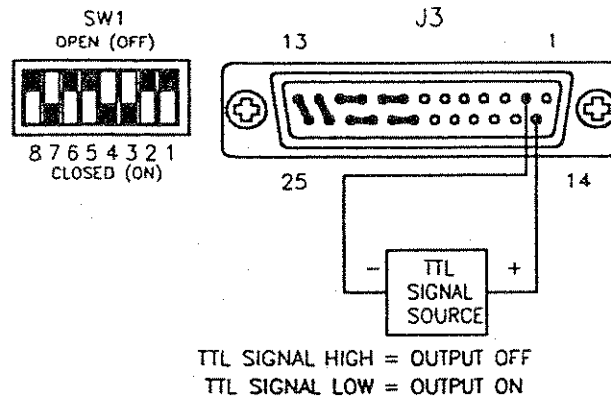


Figure 4.5-1 Using Shutdown with a TTL Compatible (Positive Logic)

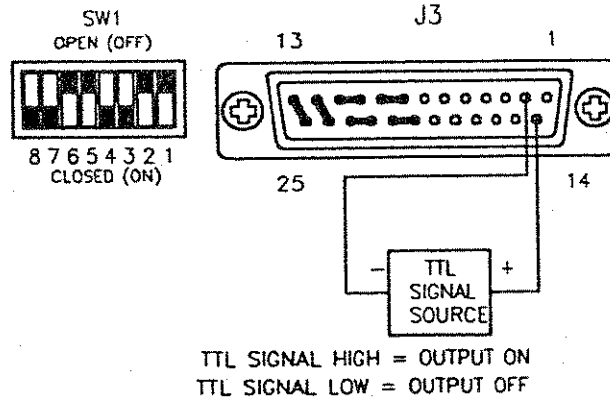


Figure 4.5-2 Using Shutdown with a TTL Compatible (Negative Logic)

4.5 Using the Shutdown Function

4.5.2 Programming the Shutdown Function (continued)

AC/DC Shutdown

To activate the Shutdown function using a 12-250Vac input or a 12-130Vdc input:

1. Turn off the power supply and disconnect the AC power source. Allow five (5) minutes to elapse to dissipate stored energy before making connections or resetting switches.
2. Connect the AC or DC source to pin 1 (positive) and pin 2 (return) on the J3 connector on the rear panel. See Figures 4.5-3 and 4.5-4.
3. Set internal switch SW1-8 to select the desired circuit logic as set out in the following table.

Switch SW1-8 Setting	AC/DC Signal Level	Output Condition
OPEN (Positive)	ON	OFF
	OFF	ON
CLOSED (Negative)	ON	ON
	OFF	OFF

The red S/D (Shutdown) LED on the front panel lights up when the Shutdown circuit is activated.

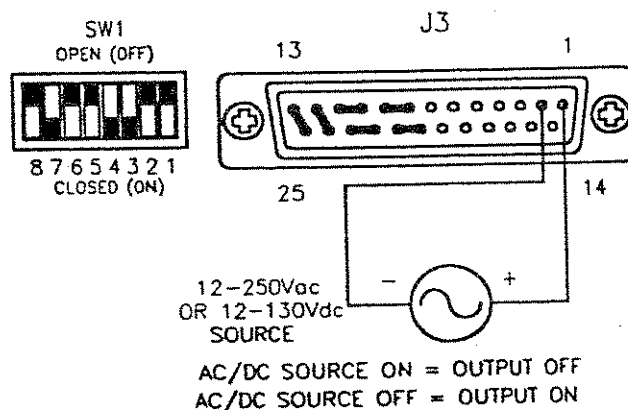


Figure 4.5-3 Using Shutdown with an AC or DC Input (Positive Logic)

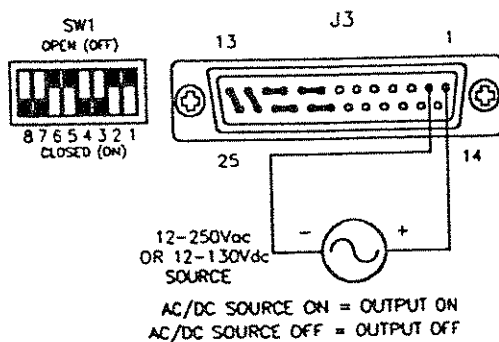


Figure 4.5-4 Using Shutdown with an AC or DC Input (Negative Logic)

4.5 Using the Shutdown Function (continued)

4.5.3 Shutdown Application - Contact Closure

An external relay, whether normally open or normally closed, may be used to activate the Shutdown circuit. Either positive or negative logic may be used.

To activate the Shutdown function using an external relay:

1. Turn off the power supply and disconnect the AC power source. Allow five (5) minutes to elapse to dissipate stored energy before making connections or resetting switches. Refer to **Section 4.2** for instructions for resetting switches or making J3 connections.
2. Connect one side of the external relay to pin 15 (+15Vdc Auxiliary Output) on connector J3. Connect the other side of the relay to pin 14 (TTL Shutdown Input). Also connect pin 2 (Shutdown Return) to pin 6 (Auxiliary Supply Ground). See **Figures 4.5-5** through **4.5-8**.
3. Set internal switch SW1-8 to select the desired circuit logic as set out in the following table.

Relay	Switch SW1-8 Setting	Relay Coil State	Output
Normally Open Relay	OPEN (Positive Logic)	Energized	OFF
		De-energized	ON
	CLOSED (Negative Logic)	Energized	ON
		De-energized	OFF
Normally Closed Relay	OPEN (Positive Logic)	Energized	ON
		De-energized	OFF
	CLOSED (Negative Logic)	Energized	OFF
		De-energized	ON

The red S/D (Shutdown) LED on the front panel lights up when the Shutdown circuit is activated.

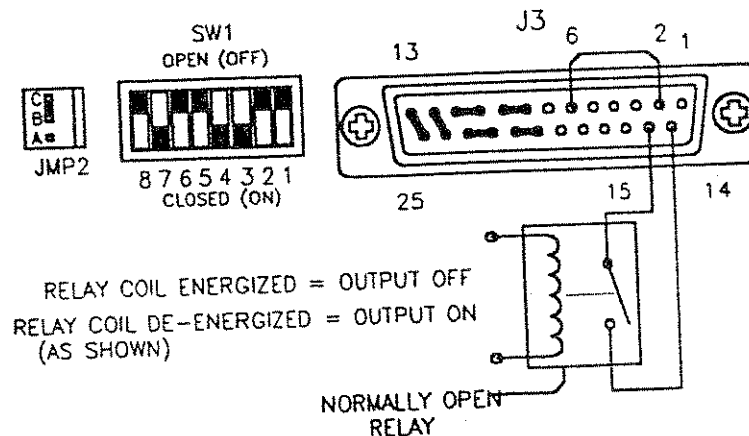


Figure 4.5-5 Using Shutdown with Contact Closure of a Normally OPEN Relay (Positive Logic)

4.5 Using the Shutdown Function

4.5.3 Shutdown Application - Contact Closure (continued)

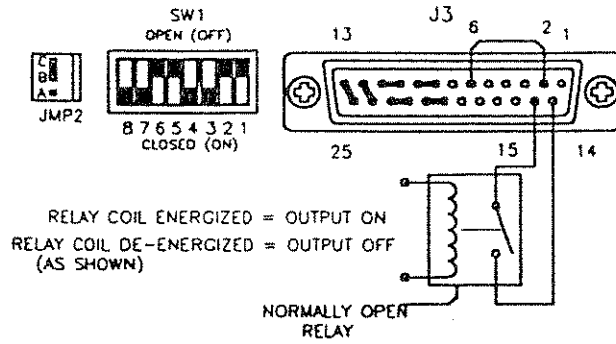


Figure 4.5-6 Using Shutdown with Contact Closure of a Normally OPEN Relay (Negative Logic)

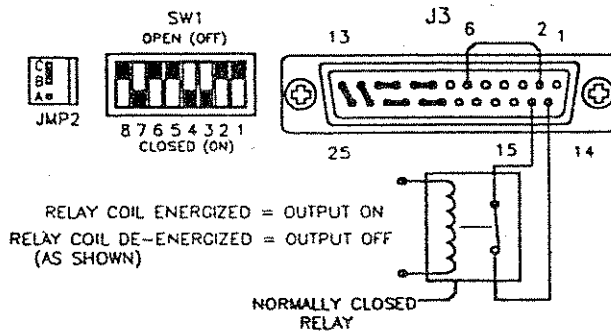


Figure 4.5-7 Using Shutdown with Contact Closure of a Normally CLOSED Relay (Positive Logic)

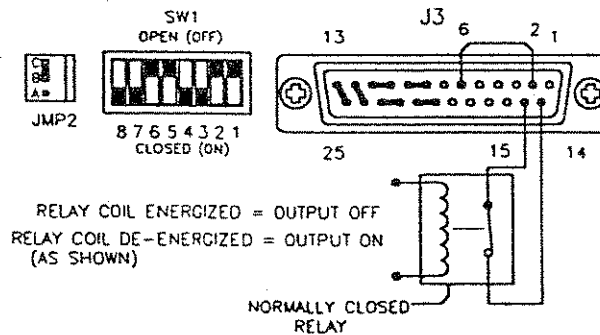


Figure 4.5-8 Using Shutdown with Contact Closure of a Normally CLOSED Relay (Negative Logic)

4.6 Remote Monitoring of Readback Signals and Status Indicators

4.6.1 Readback Signals

Calibrated readback signals for remote monitoring of the output voltage and current are available via connections at the J3 connector on the rear panel. Internal switch SW1 settings allow you to select either a 0-5Vdc or a 0-10Vdc range for the output. See Section 4.2 Configuring for Remote Programming, Sensing, and Monitoring for more information about making these connections.

The following table shows the required pin connections and switch settings for remote monitoring of readback signals with 0-5Vdc or 0-10Vdc outputs. Use shielded-twisted pair wiring (20 to 24 AWG) and ground the shield to J3 connector pin 6 or to the chassis via one of the J3 connector screws.

Readback Signal	J3 Connections:		Switch SW1 Settings:		Output Signal Range
	Signal (+)	Return (-)	Switch #	Setting	
Output Voltage	Pin 19	Pin 12	SW1-4	CLOSED OPEN	0-5Vdc 0-10Vdc
Output Current	Pin 7	Pin 12	SW1-3	CLOSED OPEN	0-5Vdc 0-10Vdc

The readback signal represents 0 to 100% of the model-rated output.

4.6.2 Status Indicators

Status indicators for thermal shutdown, OVP circuit, programming mode, and operating mode are available via connections on the J3 connector on the rear panel.

The following table shows the indicator signals, the J3 connector pin at which they are available, an approximation of the signal magnitude, and the source impedance through which the signal is fed. Use 20 to 24 AWG wiring.

Indicator Signal/ Alternate State	J3 Connections:		Signal Voltage	Source Impedance
	Signal (+)	Return (-)		
Thermal Shutdown/ Normal Operation	Pin 18 Pin 18	Pin 6 Pin 6	+13V 0V	1k ohms 1k ohms
OVP Circuit Activated/ OVP Circuit Not Activated	Pin 17 Pin 17	Pin 6 Pin 6	+13V -13V	1k ohms 1k ohms
Remote Programming Mode/ Local Programming Mode	Pin 4 Pin 4	Pin 6 Pin 6	+13V 0V	1k ohms 1k ohm
Voltage Mode Operation/ Current Mode Operation	Pin 5 Pin 5	Pin 6 Pin 6	+13V -13V	1k ohms 1k ohms

4.7 Using Multiple Supplies

DCS Series power supplies of the SAME MODEL may be operated with outputs in series or in parallel to obtain increased load voltage or increased current. Split supply operation allows two positive or a positive and a negative output to be obtained.

4.7.1 Configuring Multiple Supplies for Series Operation

Series operation is used to obtain a higher voltage from a single output using two or more supplies. Connect the negative (-) output terminal of one supply to the positive (+) output terminal of the next supply. See **Figure 4.7-1**. The total voltage available is the sum of the maximum voltages of each supply (add voltmeter readings). The maximum allowable current for a series string of power supplies is the model-rated output current of a single supply in the string.

Note: The maximum allowable sum of the output voltages is 600Vdc. This is limited by the voltage rating of certain internal components.

CAUTION

Remote sensing must not be used during series operation.

CAUTION

The remote programming input is internally referenced to the supply's negative output. Do not connect remote programming input lines (J3 pins 9 and 10) to the supply's positive output.

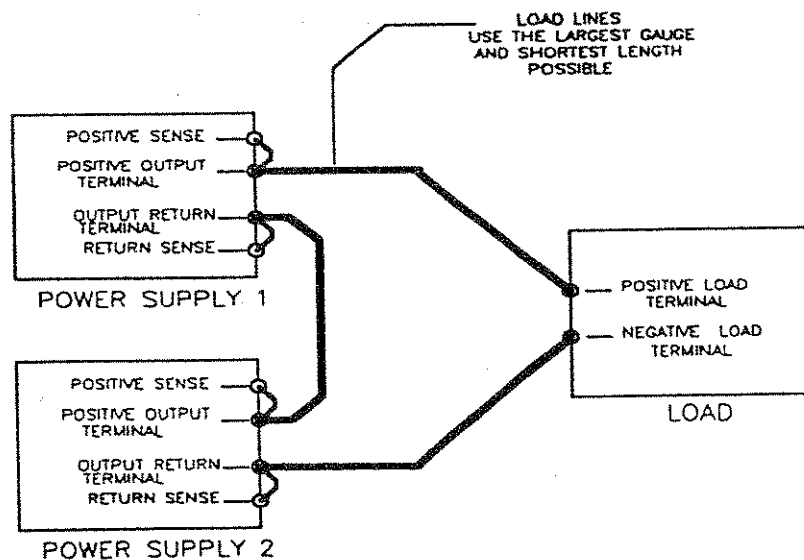


Figure 4.7-1 Series Operation of Multiple Supplies
(Local sense lines shown are default J3 connections.)

4.7 Using Multiple Supplies

4.7.2 Configuring Multiple Supplies for Parallel Operation

Parallel operation is used to obtain a higher current through a single output using two or more supplies. Set all of the outputs to the same voltage before connecting the positive (+) output terminals and negative (-) output terminals in parallel. See Figure 4.7-2. The total current available is the sum of the maximum currents of each supply.

Note: When operating multiple supplies in parallel, the operating mode of each supply will depend on the load current being drawn. For example, with two DCS 60-50 power supplies operating in parallel with a 75A load, one supply will operate in constant current mode supplying 50A and the other supply will operate in voltage mode supplying the remaining 25A.

CAUTION

To prevent internal damage to the supplies, ensure that the Over Voltage Protection (OVP) trip level of all supplies is set to maximum.

CAUTION

Remote sensing must not be used during parallel operation.

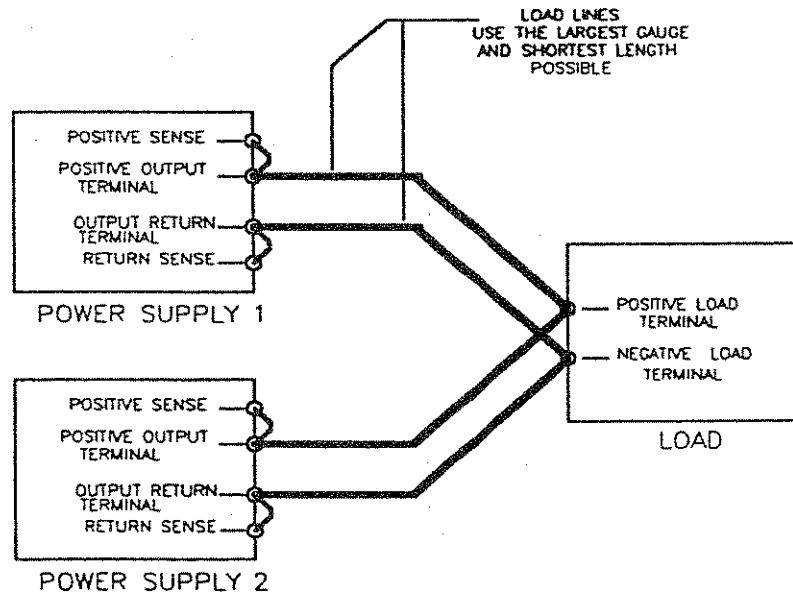


Figure 4.7-2 Parallel Operation of Multiple Supplies
(Local sense lines shown are default J3 connections.)

4.7 Using Multiple Supplies

4.7.3 Configuring Multiple Supplies for Split Supply Operation

Split supply operation uses two power supplies to obtain two positive voltages with a common ground, or to obtain a positive-negative supply.

To obtain two positive voltages, connect the negative output terminals of both supplies together. The positive output terminals will provide the required voltages with respect to the common connection. See **Figure 4.7-3**.

To obtain a positive-negative supply, connect the negative output terminal of one supply to the positive output terminal of the second supply. The positive output terminal of the first supply then provides a positive voltage relative to the common connection while the negative output terminal of the second supply provides a negative voltage. The current limits can be set independently. The maximum current available in split supply operation is equal to the model-rated output of the supplies used. See **Figure 4.7-4**.

CAUTION

To prevent possible damage to the supply, do not connect the remote program return line of the negative supply to the common connection.

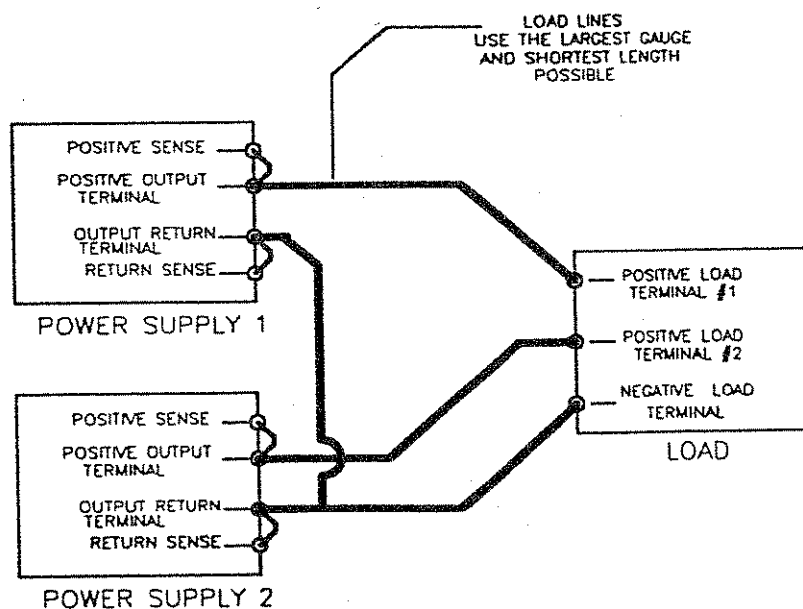


Figure 4.7-3 Split Supply Operation of Multiple Supplies (Two Positive Voltages)
 (Local sense lines shown are default J3 connections.)

4.7 Using Multiple Supplies

4.7.3 Configuring Multiple Supplies for Split Supply Operation (continued)

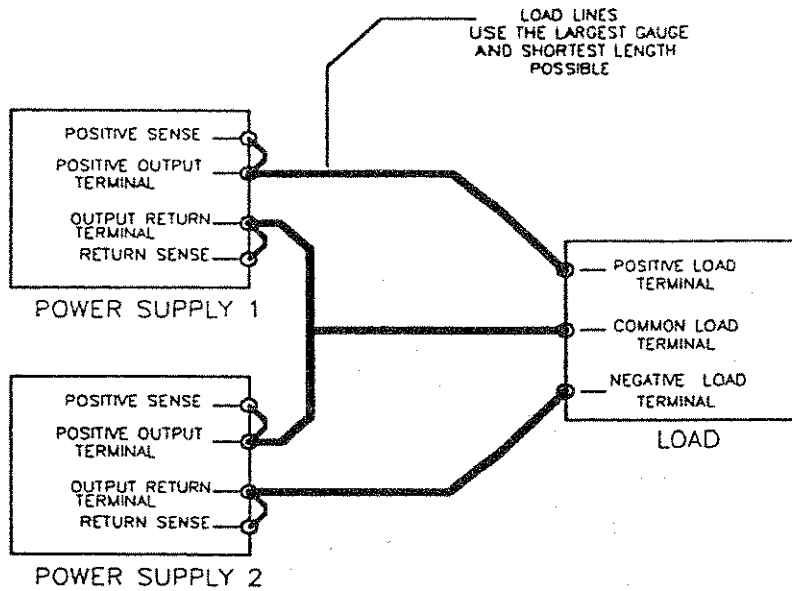


Figure 4.7-4 Split Supply Operation of Multiple Supplies (Positive-negative Supply)
 (Local sense lines shown are default J3 connections.)

4.8 Output Voltage Biasing

The power supply output may be biased up to a maximum of 400Vdc with respect to the chassis.

WARNING

Use extreme caution when biasing the output relative to the chassis due to potential high voltage levels at the output and J3 terminals.

5. THEORY OF OPERATION

5.1 Introduction

This section describes the internal operation of the DCS (3kW) Series power supply. **Section 5.2 Basic Functional Blocks** provides a block diagram of the supply and an explanation of the main functions within each block. **Section 5.3 Detailed Circuit Descriptions** contains more in-depth descriptions of the supply's circuitry, including remote programming and monitoring circuits not covered in **Section 5.2**.

The **Detailed Circuit Descriptions** are intended as a reference for when you are configuring new applications or for when you are troubleshooting. They assume that you are familiar with the operation of logic gates and with the functioning of active and passive components such as op amps, transistors, resistors, capacitors, diodes, transformers, and inductors.

5.2 Basic Functional Blocks

The DCS (3kW) Series supply is a single isolated output, switch mode power supply which utilizes a 30kHz pulse width-modulated, full bridge converter. The supply is composed of seven (7) main functional blocks:

1. AC Input and RFI Filter (A5 PCB)
2. AC Input Rectifier and Inrush Limiting Circuit (A6 PCB)
3. PWM (Pulse Width Modulator), Sync Circuit, Power Transformer Drive Circuit, and Power Transistor Bridge (A3 PCB)
4. Power Transformer, Output Rectifiers, Output Inductor, Output Filter Capacitors, and Sense Connections (Power Stage Assembly, A7 PCB, and A8 PCB)
5. Output Current Shunt, Shunt Amplifier, and Down Programmer Circuits (A4 PCB)
6. Control, Programming, OVP, Shutdown, Monitoring, and Auxiliary Supply Circuits (A2 PCB)
7. Front Panel Displays and Local Controls (A1 PCB)

See the **Block Diagram for 3kW Power Supply** drawing placed at the end of this section.

5.2.1 AC Input and RFI Filter (A5 PCB)

The AC input, either single or three phase, is connected to the power supply via a four-pole connector on the rear panel and passes through an RFI filter before going to the front panel circuit breaker. The RFI filter serves two purposes:

- It attenuates incoming noise on the AC input lines which could otherwise be passed through to the load.
- It prevents noise generated by the supply from being conducted back onto the AC supply lines where it might interfere with the operation of other equipment connected to that line.

5.2.2 AC Input Rectifier and Inrush Limiting Circuit (A6 PCB)

From the front panel circuit breaker, the AC input goes to the A6 PCB where it is rectified and filtered to provide the raw high voltage DC supply for the main power transformer and the auxiliary supply circuit on the A2 Control PCB. An inrush limiting circuit, consisting of a resistor and a relay, limits the initial current to the main filter capacitor during power up.

5.2 Basic Functional Blocks (continued)

5.2.3 PWM, Sync and Power Transformer Drive Circuit (A3 PCB)

The Pulse Width Modulator (PWM) circuit controls the main switching transistors through a drive circuit and a drive transformer. The main switching transistors chop the raw, high voltage DC supplied by the A6 PCB into a variable-duty cycle 30kHz waveform which is applied to the primary winding of the power transformer. Feedback signals from the A2 PCB voltage and current control circuits and a current sense transformer which monitors the current in the primary winding of the power transformer control the PWM output pulse width. An optically-coupled sync signal from the A2 PCB drives a phase-locked loop which synchronizes the switching frequency of the A3 PWM and the auxiliary supply circuit to provide noise immunity for the PWM.

5.2.4 Power Transformer, Output Rectifiers, Output Filter Inductor and Capacitors, and Local Sense Connections (Power Stage, A7 PCB and A8 PCB)

The switching waveform applied to the primary of the power transformer by the PWM circuit produces a square wave on the secondary windings of the transformer. The secondary waveform is rectified and then filtered by the output inductor and capacitors to provide the DC output. Sense connections on the A7 PCB monitor the output voltage and provide a feedback signal to the A2 PCB voltage control circuit.

5.2.5 Output Current Shunt, Shunt Amplifier, and Down Programmer (A4 PCB)

A shunt in the power supply return line is used to monitor the output current. The shunt voltage is scaled and conditioned by a differential amplifier to provide a feedback signal to the A2 PCB current control circuit. A down programming circuit and a preload resistor allow the supply to regulate the output under no load or lightly loaded conditions. The down programming circuit is also used to discharge the output capacitors whenever the control circuit signal goes negative or when any of the shutdown circuits are activated.

5.2.6 Control, Programming, OVP, Shutdown, Monitoring, and Auxiliary Supply Circuits (A2 PCB)

The A2 Control PCB consists of the following circuits:

1. Auxiliary supply circuit
2. Voltage and current control circuits
3. Thermal sense, fan control, and thermal shutdown circuits
4. Over Voltage Protection (OVP) circuit
5. Remote shutdown circuit
6. Remote programming, monitoring, and sense protection circuits

The auxiliary supply circuit uses the high voltage DC supply from the A6 Rectifier PCB in a multiple output flyback-type switching supply to generate the +28V, +15V, -15V, +5V, -6.2V, and +5V REFERENCE voltages required by the various control circuits.

The voltage and current control circuits monitor the output voltage and current feedback signals, compare them to a reference signal from the front panel controls or remote programming circuit, and provide a control signal for the A3 PCB PWM circuit.

Thermal sensors monitor the temperature of the input rectifier heatsink, the main switching transistor heatsink and the output rectifier heatsink to provide an input signal for the fan speed controller circuit and thermal shutdown circuit.

5.2 Basic Functional Blocks

5.2.6 Control, Programming, OVP, Shutdown, Monitoring, and Auxiliary Supply Circuits (A2 PCB) (continued)

An Over Voltage Protection (OVP) circuit monitors the output voltage and shuts down the supply whenever a user selected voltage is exceeded.

An optically-isolated remote shutdown circuit allows the use of remote AC, DC, or TTL compatible signals to disable the supply's output. The remote shutdown circuit activates an internal shutdown/soft start circuit which:

- pulls the voltage control circuit reference to zero,
- activates the PWM shutdown, and
- activates the down programming circuit.

This internal shutdown circuit is also used by the thermal shutdown, OVP, sense line protection, and PWM sync circuits, and the front panel standby switch to disable the output of the supply whenever any of these circuits are activated.

The A2 PCB also provides access to remote programming, monitoring, and sense circuits via a rear panel DSUB connector J3. Remote programming circuits are provided for:

- Output voltage
- Output current limit
- OVP trip point

Monitor signals are available for:

- Output voltage (calibrated)
- Output current (calibrated)
- Operating mode
- Thermal shutdown
- OVP status
- Local/remote programming status

5.2.7 Front Panel Displays and Local Operating Mode Controls (A1 PCB)

In addition to providing the output voltage and current displays, the front panel has the local controls for:

- Output voltage
- Output current limit
- OVP set point
- Output standby (locally-controlled shutdown)
- Remote/local programming selection

5.3 Detailed Circuit Descriptions

Refer to **Appendix A Assembly Schematics** for illustrations of the following assemblies:

1. AC Input and RFI Filter Circuit (A5 PCB)
2. Input Rectifier and Inrush Limiting Circuit (A6 PCB)
3. PWM, Sync Circuit, Power Transformer Drive Circuit, and Power Transistor Bridge (A3 PCB)
4. Power Transformer, Output Rectifiers, Output Filter Inductor and Capacitors, and Down Programmer Circuit (A4 PCB, A7 PCB, A8 PCB, and Power Stage Assembly)
5. Auxiliary Supply, Voltage and Current Control, Programming, and Monitor Circuits (A2 PCB)
6. Front Panel Displays and Controls (A1 PCB)

Note: When several like components with similar functions are referred to in the circuit descriptions in this section, a hyphenated numeric format has been used to shorten the list. For example, C1-3 denotes capacitors numbered 1 through 3, inclusive.

5.3.1 AC Input and RFI Filter Circuit (A5 PCB)

The AC input is connected to the power supply via a four-pole connector in the rear panel. For three phase operation, three (3) phase lines, X, Y, and Z (190-250Vac at 14A), and a safety ground line are required. For single phase operation, two (2) phase lines (200-250Vac at 20A), and a safety ground line are required. Single phase input lines are connected to the X and Z inputs of the connector so that each line is connected to a separate rectifier on the A6 PCB. For continuous use with single phase inputs, the output power from the supply must be limited to 2500W to avoid tripping the input circuit breaker. The safety ground connection for both single and three phase operation is essential both to ensure that there is no shock hazard present and to ensure proper operation of the RFI filter and other bypass circuits.

The RFI filter, used to attenuate both common mode and differential mode noise, is an LC filter formed by X (line-to-line) capacitors C1-3 and C7-9, inductor L1, Y (line-to-ground) capacitors C4-6, and resistors R1-3 which serve as discharge resistors for the X capacitors.

5.3.2 Input Rectifier and Inrush Limiting Circuit (A6 PCB)

The AC input is rectified by the heatsink-mounted rectifiers CR2 and CR2A and then filtered by inductor L1 and capacitor C2 to provide the raw high voltage DC (approximately 250-350V) for the main switching transistors and the A2 PCB auxiliary supply circuit. Resistor R2 provides a discharge path for the bulk capacitor C2 on power down. Capacitors C1, C3, and C4 provide noise filtering. The initial power up inrush current to capacitor C2 is limited by resistors R1. When the DC voltage reaches approximately 240V, the coil of relay K1 is energized by the auxiliary supply circuit on the A2 PCB and the inrush resistor is shorted by the relay contacts. Input current then flows through the relay contacts.

5.3 Detailed Circuit Descriptions (continued)

5.3.3 PWM, Sync Circuit, Power Transformer Drive Circuit, and Power Transistor Bridge (A3 PCB)

The A3 PCB consists of a PWM circuit, a sync circuit, a power transistor drive circuit, and a power transistor bridge.

Pulse width modulator (PWM) U1 is a fixed-frequency current mode controller which drives the main switching transistors Q8-Q11 through drive transistors Q2-Q7 and transformer T1. The PWM varies its output pulse width (and therefore the ON time of the power transistors and the power supply output) in response to feedback signals from the A2 PCB voltage and current control circuits, and current sense transformer T2 which monitors the current in the primary of the power transformer.

The PWM consists of six (6) main blocks: an error amplifier, a current sense amplifier, a comparator circuit, an oscillator circuit, a 5.1V REFERENCE circuit, and an output stage.

The error amplifier monitors the feedback signal from the A2 PCB voltage and current control circuits at pin 5 of U1 and provides a reference for the PWM comparator inverting input. A current limit signal at pin 1 of U1, derived by resistors R1 and R2 from the PWM 5.1V REFERENCE, limits the maximum output swing of the error amplifier thereby setting a maximum limit for the primary current in the power transformer.

The current sense amplifier monitors the current in the primary winding of the power transformer using transformer T2 and provides the signal to the non-inverting input of the PWM comparator. Diodes CR14 and CR15 rectify the output from T2 and resistors R3 and R11-3 scale the signal before it is input to the positive input of the current sense amplifier at pin 4 of U1. Slope compensation for PWM output duty cycles above 50% is obtained by injecting the timing capacitor ramp into the same input through transistor Q1, capacitor C3, and resistors R4 and R9.

The comparator circuit monitors the PWM error and current sense amplifier outputs and terminates the PWM output pulse when the current amplifier output signal reaches the error amplifier reference level. The oscillator circuit provides the 60kHz timing signals for the PWM.

The sync circuit is used to synchronize the switching frequency of the A3 PWM to that of the A2 auxiliary supply to reduce noise related switching problems. The circuit consists of phase-locked loop (PLL) U2 and its related components. An optically-coupled sync signal (approximately 60kHz) from the A2 auxiliary circuit oscillator is applied to one input of the PLL phase comparator at pin 3. The other input, at pin 14, comes from the A3 PWM oscillator timing capacitor (C7) via capacitor C8. The output of the phase comparator (at U2, pin 2) is connected to the PWM oscillator timing resistor R14 via resistor R18 and the low pass filter formed by R19 and capacitor C15. The comparator output controls the charging rate of the PWM timing capacitor, thereby synchronizing the two signals. The PLL also serves to shut down the PWM whenever the sync signal from the A2 PCB is absent by applying a high signal from U2 pin 10 through diode CR2 to the shutdown input of the PWM at pin 16. Whenever the sync signal is present, the shutdown signal is inhibited by the high signal at pin 5 of U2.

The gate drive signal for the main switching transistors is supplied by drive transformer T1. The primary of T1 is driven by the output from PWM at pins 11 and 14 through FETs Q2-7. In addition to providing the required drive signals, transformer T1, along with the main power transformer, current feedback transformer T2, and optocoupler U15 on the A2 PCB, provide the isolation between the power supply input and output.

5.3 Detailed Circuit Descriptions

5.3.3 PWM, Sync Circuit, Power Transformer Drive Circuit, and Power Transistor Bridge (A3 PCB) (continued)

The primary of the power transformer is driven by the main switching transistors, Q8-11 (insulated gate bipolar transistors (IGBTs)) which are configured as a full bridge. The power transistors are switched ON and OFF in pairs by drive transformer T1, with Q8 and Q10 forming one pair and Q9 and Q11 the other pair. This paired switching action reverses the polarity of the signal applied to the transformer primary to produce a 30kHz AC waveform on its input. Capacitor C25 and resistor R35 form a snubber across the power transformer primary winding. Each power transistor has a collector-to-emitter snubber consisting of a resistor, a diode, and a capacitor.

5.3.4 Power Transformer, Output Rectifiers, Output Filter Inductor and Capacitor, and Down Programmer Circuit (A4 PCB, A7 PCB, A8 PCB, and Power Stage Assembly)

The output of the power transformer is rectified using one of two rectifier output configurations:

- Full wave center tap (12 to 80V models), or
- Full wave bridge (150V model)

RC snubbers across each rectifier (also across the entire secondary of the transformer on some models) and tape-wound toroids on each transformer secondary lead are used to suppress transients. The rectifier output is filtered by capacitors C701-711 on the A7 PCB, capacitors C801-803 on the A8 PCB, and the output inductor to provide the DC output. The energy stored in the output capacitors and the input bulk capacitor provide the holdup time of the supply.

A blade-type current shunt (R19) attached to the A4 PCB is used to monitor the output current and provide a feedback signal to the A2 PCB current control circuit. Op amp U2 is a differential amplifier used to condition and scale the shunt voltage to produce a 0-5V signal.

Output voltage regulation under no load or lightly loaded conditions is made possible by preload resistor R701 and the down programming circuit (op amp U1, FET Q1 and their related parts) which draw a small current whenever there is an output voltage. The down programming circuit also serves to quickly discharge the output capacitors when changes in programming inputs require a lower output voltage from the supply. The down programming circuit monitors the control signal from the A2 PCB voltage and current control circuits at pin 6 of U1-B. Whenever this signal becomes more negative than the reference at pin 5 (approximately -0.125Vdc), the output of U1-B goes positive and FET Q1 is turned on by U1-A through resistor R4. Resistor R1 acts as a current shunt for the down programmer to provide feedback to U1-A pin 2 to maintain a constant current through Q1. Resistor R9 and diode CR4 feedback the current shunt amplifier output to U1-A to reduce the current drawn through Q1 when the load current provides a discharge path for the output capacitors.

5.3 Detailed Circuit Descriptions (continued)

5.3.5 Auxiliary Supply, OVP, Control, Programming, and Monitor Circuit (A2 PCB)

The A2 Control PCB consists of the following circuits:

1. Auxiliary supply circuit
2. Inrush limit control, input over-voltage shut down, and sync circuits
3. Voltage control, current control, mode indicator, and internal shutdown/soft start circuits
4. Remote/local programming select circuits
5. Remote analog programming input circuits
6. Remote sense line protection circuit
7. Over Voltage Protection (OVP) circuit
8. Remote shutdown circuit and front panel standby switch
9. Output voltage and current readback circuits
10. Fan control and over-temperature shutdown circuit

Auxiliary Supply Circuit

The auxiliary supply circuit is a multiple output, flyback converter which is used to generate the +28V, +15V, -15V, +5V, -6.2V, and +5V REFERENCE voltages required by the various control circuits. The main components of the auxiliary supply are oscillator U17, PWM U16, and transformer T1. Oscillator U17 is a CMOS 555 timer which generates a 60kHz signal for the PWM and the sync circuits. PWM U16 produces a 60kHz variable pulse width output which drives FET Q7. Q7 switches the primary winding of transformer T1. Current and voltage feedback signals to the PWM control its output pulse width, thereby regulating the auxiliary output voltages. Current feedback to the PWM is provided by shunt resistor R114 which monitors current in the transformer primary winding. Resistors R115, R122, and capacitor C60 scale and condition the signal before inputting it to the PWM current sense comparator at pin 3. A primary side, flyback winding on T1 and diode CR39 provides the voltage feedback signal for the PWM as well as its raw supply power. Resistors R121 and R131 scale the voltage feedback signal before it is input to the inverting side of the PWM error amplifier at pin 2. The output of the error amplifier is input to the current sense comparator which controls the PWM output pulse width. Four secondary windings on transformer T1 are diode-rectified and filtered to provide the +28V, +15V, -15V and +5V outputs. The +5V REFERENCE is derived from the +15V supply by reference IC U1. The -6.2V output is derived from the -15V supply by zener diode CR4. Diodes CR31 and CR32, resistors R107 and R108, and capacitors C45 and C46 form snubbers on the primary of T1 to limit transients. Resistor R130 and capacitor C61 are compensation components for the error amplifier. Diode CR38 provides a +18V supply voltage for the inrush limiting and over-voltage shutdown circuits.

Inrush Limit Control, Input Over-voltage Shutdown, and Sync Circuits

The inrush limit control circuit monitors the high voltage DC supply and holds the A3 PCB PWM and the A6 PCB inrush relay K1 OFF until the raw supply reaches approximately 240Vdc. The circuit is formed by op amp U14-B, transistors Q8 and Q9, and their related components. On initial power up, the output of U14-B is held low by a 5V reference signal on pin 6. As the raw supply voltage increases, the voltage on pin 5 increases until, at a raw supply voltage of approximately 240Vdc, the voltage at pin 5 exceeds the reference voltage and the output of U14-B goes high. This turns ON transistors Q8 and Q9. Q8 energizes the coil of relay K1 on the A6 PCB which closes the relay contacts and shorts out the inrush limiting resistors R1/R1A. Transistor Q9 turns on optocoupler U15 which enables the sync signal to the A3 PCB and allows the A3 PWM to start.

5.3 Detailed Circuit Descriptions

5.3.5 Auxiliary Supply, OVP, Control, Programming, and Monitor Circuit (A2 PCB)

Inrush Limit Control, Input Over-voltage Shutdown, and Sync Circuits (continued)

Input over-voltage shutdown is provided by op amp U14-A. U14-A monitors the raw supply voltage at pin 2 through the voltage divider formed by resistors R109 and R110. When the raw supply reaches approximately 410V, the voltage at pin 2 exceeds the 5V reference at pin 3 and the output of U14-A goes low. This pulls the inverting input of U14-B low through diode CR37 and causes the output of U14-B to go low. This turns OFF transistor Q9 which disables the sync signal to the A3 PWM and activates its shutdown circuit.

Voltage Control, Current Control, Mode Indicator, and Internal Shutdown/Soft Start Circuits

The voltage and current control circuits monitor the output voltage and current from the supply and provide a feedback signal for the A3 PCB PWM and the A4 PCB down programming circuits.

The voltage control circuit consists of op amp U3-D and its related components. The output voltage of the supply is monitored at the inverting input of U3-D (pin 13) through the positive sense line and the voltage divider formed by resistors R6, R7, R44, and R43. A 0-5V reference signal at the non-inverting input (pin 12) comes from one of three sources, depending on which programming mode has been selected. In local programming mode, the reference signal comes from the front panel voltage control through analog gate U4-C. When remote analog programming is enabled, the input signal is routed through analog gate U4-B. When the optional IEEE-488 programming card is enabled, the reference signal is routed to the reference input through resistor R78. Resistor R10 and capacitors C7 and C8 are compensation components for U3-D.

The current control circuit consists of op amp U3-C and its related components. Operation of the current control circuit is similar to that of the voltage control circuit. The 0-5V output current feedback signal from the A4 shunt amplifier is monitored at the inverting input of U3-C (pin 9). The 0-5V reference signal, from either the front panel control (via analog gate U3-D), a remote analog programming source (via analog gate U3-A), or an IEEE-488 programming card (via resistor R77), is monitored at the non-inverting input (pin 10).

Resistor R45 and diode CR17 "OR" the output of the voltage and current control circuits to derive the A3 PWM and A4 down programming control signal. During voltage mode operation, the output of the current control circuit remains high and the output of op amp U3-D provides the control signal through diode CR17. During current mode operation, the output of the voltage control circuit is high, diode CR17 is reverse-biased, and the output of op amp U3-C supplies the control signal through resistor R45. The control signal regulates the output of the supply by providing negative feedback to the A3 PCB PWM error amplifier. For example, if the power supply output voltage or current attempts to rise above the selected level:

- the control signal from the voltage and current control circuits decreases and
- causes the output of the PWM error amplifier to decrease, which
- reduces the output pulse width from the PWM, and
- reduces the voltage and current output to the selected level.

A complementary reaction occurs if the power supply output attempts to fall below the selected output. The control signal, error amplifier, and PWM output pulse width all increase to raise the output to the selected value.

5.3 Detailed Circuit Descriptions

5.3.5 Auxiliary Supply, OVP, Control, Programming, and Monitor Circuit (A2 PCB)

Voltage Control, Current Control, Mode Indicator, and Internal Shutdown/Soft Start Circuits (continued)

Op amp U3-B monitors the voltage across diode CR17 to control the voltage and current mode indicator LEDs on the front panel of the supply. When the supply is operating in voltage mode, diode CR17 is forward-biased, the output of U3-B is high, and the voltage mode LED is illuminated. When the supply is operating in current mode, diode CR17 is reverse-biased, the output of U3-B is low, and the current mode LED is illuminated. In addition to controlling the front panel mode LEDs, op amp U3-B also provides an analog remote monitoring signal at J3 connector pin 5 and a readback signal for the optional IEEE-488 card at pin 6 of connector P2.

The internal shutdown/soft start circuit is made up of MOSFET Q1, capacitor C3, diode CR3, and resistors R2 and R3. The circuit is activated by the remote shut down, OVP, over-temperature shutdown, and sense line protection circuits, as well as by the front panel standby switch. When any of these circuits are activated, a high signal is applied through diode CR3 to charge capacitor C3 and turn ON Q1. This clamps the reference input for the voltage control circuit at pin 12 of U3-D to ground and causes the output of the supply to fall to zero. When the shutdown condition is removed, capacitor C3 discharges through resistors R2 and R3 and the voltage control reference at pin 12 makes a controlled rise.

Remote/Local Programming Select Circuits

These circuits select the source of the voltage and current control circuit reference signals. The reference signals are provided by one of three sources:

- Front panel controls (local programming mode)
- Remote analog programming sources
- Optional IEEE-488 programming card

Note: When installed and enabled, the optional IEEE-488 card has the highest priority as a programming source and will override the selection of either local control or remote analog programming.

In both the voltage and current control circuits, selection of the reference signal source is controlled by two CMOS switches and a pair of associated logic gates. Switching between local programming mode and remote analog programming can be accomplished using either the front panel REM/LOC switch or the rear panel J3 connector. The front panel REM/LOC switch can be used whenever operations involve programming of BOTH the output voltage AND current limit using remote voltage sources (0-5V or 0-10V) or current sources (0-1mA). Use of the REM/LOC switch allows the operator to switch back and forth between local and remote analog programming without changing any of the default J3 connections. In applications requiring the use of resistive programming, or where programming of the output voltage AND/OR the output current limit is necessary, the J3 connector must be used to select the programming source.

In the voltage control circuit, analog switches U4-C and U4-B select which of the three programming sources is enabled according to the following table.

PROGRAMMING SOURCE ENABLED	Switch U4-C	Switch U4-B	IEEE-488 Enable (Pin P2-4)
Local programming	ON	OFF	HIGH
Remote analog programming	OFF	ON	HIGH
IEEE-488 programming	OFF	OFF	LOW

5.3 Detailed Circuit Descriptions

5.3.5 Auxiliary Supply, OVP, Control, Programming, and Monitor Circuit (A2 PCB)

Remote/Local Programming Select Circuits (continued)

The analog gates are controlled by logic gates U5-D and U5-A. In local programming mode, both inputs to U5-D are high and its output is low. Pin 12 of U5-D is held high by the J3 connector jumper connecting the 1mA current source at pin 21 to resistor R73 while pin 13 is held high by a +15V signal through resistors R74-R76. The low output of U5-D turns ON gate U4-C, connecting the front panel control signal to the voltage control op amp U3-D, and turns gate U4-B OFF by causing the output of U5-A to go high.

When remote analog programming is selected using the front panel REM/LOC switch, pin 13 of U5-D is pulled low through diode CR12, causing the output of U5-D to go high. This shuts OFF gate U4-C and causes the output of U5-A to go low which turns ON gate U4-B, connecting the remote programming signal to the voltage control circuit.

When analog programming is selected using the J3 connector, the jumper connecting pins 21 and 20 is removed, disconnecting the 1mA current source from resistor R73. Pin 12 of U5-D is then pulled low through resistors R72 and R73, causing the output of U5-D to go high. This turns gate U4-C OFF and gate U4-B ON, connecting the remote programming signal to U3-D.

Selection of IEEE-488 programming occurs when the IEEE card pulls pin 13 of U5-D and pin 2 of U5-A low through connector P2, pin 4. This causes the output of both U5-D and U5-A to go high and switch OFF both U4-C and U4-B. The IEEE programming signal is then input to the voltage control op amp through resistor R78.

Operation of the current control circuit is the same as the voltage control circuit with CMOS switches U4-D and U4-A and NAND gates U5-B and U5-C providing the required functions.

The operation of the front panel remote indicator LED and the J3 remote programming indicator signal is controlled by transistor Q2. Whenever either remote analog or IEEE-488 programming is selected, the output of U5-D and/or U5-C is high. This high signal is input to the base of transistor Q2 through diodes CR13 and/or CR14, turning ON the transistor, and activating the LED and the monitor signal.

Remote Analog Programming Input Circuits

These circuits are used to buffer, scale, and calibrate the remote analog programming signals before they are input to the voltage and current control circuits. Op amp U10 and its related components condition the signal to the voltage control circuit. Input to the circuit is through pin 9 of the rear panel J3 connector. Diodes CR26 and CR27 clamp any out-of-range or reverse polarity inputs. Trimpot R93 is used to null any offset voltage from U10. Trimpot R60 is used to calibrate the signal. For programming with remote voltage sources, jumper JMP1 is used to select either 0-5V or 0-10V input scales. For remote programming with 0-1mA current sources, resistor R41 generates the required 0-5V signal from the programming source. For remote programming with 0-5k ohm resistances, the 1mA current source provide by op amp U13-B generates the required 0-5V signal. U13-B and its related parts produce a regulated 1mA output by maintaining a fixed 2.5V drop across resistor R97 through transistor Q5.

Operation of the current programming input circuit is the same as the voltage circuit, with op amps U11 and U13-A and their related components performing the required functions.

5.3 Detailed Circuit Descriptions

5.3.5 Auxiliary Supply, OVP, Control, Programming, and Monitor Circuit (A2 PCB) (continued)

Remote Sense Line Protection Circuit

The remote sense line protection circuit shuts down the power supply output in the event that:

- the sense line connections are reversed.
- OR
- the positive or negative output load lines become disconnected, with the remote sense lines connected.

The circuit consists of relays K1 (positive sense) and K2 (negative sense) and diodes CR1 and CR2. When either of the fault conditions occur, current flows through the relay coils and activates the relay contacts. This connects +15V to the internal shutdown circuit to disable the output of the supply. Diodes CR1 and CR2 limit the voltage across the relay coils for reverse polarity conditions.

Over Voltage Protection (OVP) Circuit

The OVP circuit protects the load connected to the power supply from over-voltage conditions arising from programming errors, incorrect voltage control adjustments, or power supply failure. The OVP circuit monitors the output voltage and activates the internal shutdown circuit of the supply whenever the output exceeds a selected trip limit. Op amp U7-A monitors the output voltage of the supply at pin 3 through the divider formed by resistors R1 and R84. When the voltage at pin 3 rises above the trip point reference at pin 2, the output of U7-A goes high activating the internal shutdown circuit through diode CR20. Resistor R82 and diode CR22 latch the OVP circuit ON after it has been activated. Resetting of the circuit (after correcting the cause of the original activation) is accomplished by cycling the power supply OFF and then ON to release the latch. It can also be reset by using the front panel standby switch or by activating the remote shutdown function. Using standby or remote shutdown will also reset the OVP by pulling reference pin 2 high through diode CR21.

The 0-5V reference trip limit, at pin 2 of U7-A, can be set using the front panel potentiometer, using 0-5V or 0-10V analog remote programming signals, or through the optional IEEE-488 programming card. Switch SW1-7 is used to select either local (switch CLOSED) or remote (switch OPEN) programming. With SW1-7 CLOSED and SW1-6 OPEN, the trip level is set by the front panel OVP potentiometer. To use remote analog programming, switch SW1-7 is set to OPEN, disconnecting the front panel input, and the programming source is connected to J3 connector pin 3. Switch SW1-6 is used to select the programming scale: 0-5V with the switch OPEN or 0-10V with the switch CLOSED.

Remote Shutdown Circuit and the Front Panel Standby Switch

The remote shutdown circuit and the front panel standby switch are used to disable the output of the supply without shutting off the entire supply. The function can be used when making changes to either the load or to power supply settings or as part of remote startup/safety interlock circuits. The standby switch and the remote shutdown function can also be used to reset the OVP circuit after it has been activated. The remote shutdown circuit accepts 12-250Vac, 12-130Vdc, or TTL compatible inputs, while the front panel standby switch provides local access to the shutdown circuit.

5.3 Detailed Circuit Descriptions

5.3.5 Auxiliary Supply, OVP, Control, Programming, and Monitor Circuit (A2 PCB)

Remote Shutdown Circuit and the Front Panel Standby Switch (continued)

The remote shutdown circuit is made up of optocoupler U9, NAND gates U8-A and U8-B, switch SW1-8, transistor Q6, and their related components. Switch SW1-8 is used to select either positive or negative logic for the remote input signal. With the switch OPEN, the circuit uses positive logic so that a high input disables the output of the supply. With the switch CLOSED, the circuit uses negative logic so that a low input disables the output. Optocoupler U9 isolates the programming input from the supply, allowing the use of programming sources with a voltage differential of up to 400Vdc with respect to the output. NAND gates U8-A and U8-B provide the required logic for the various inputs. The output of U8-B controls transistor Q6 which activates the internal shutdown circuit of the supply through diode CR19 when it is ON. The high signal which activates the shutdown circuit also illuminates the front panel shutdown (S/D) LED through pin 14 of connector J1. Resistor R101 provides the IEEE-488 monitor signal. Diode CR24 rectifies AC inputs to the optocoupler. Diode CR25 protects against reverse polarity TTL signals.

The front panel standby switch shuts down the supply by putting a high signal on the S/D LED line which activates the internal shutdown circuit through diode CR19 and turns the front panel indicator LED ON.

Output Voltage and Current Readback Circuits

These circuits provide calibrated, switch-selectable 0-5V or 0-10V analog readback signals for remote monitoring of the output voltage and current. The output voltage readback signal is available at pin 19 of the rear panel J3 connector and the current readback signal is available at pin 7.

The voltage readback circuit is made up of op amp U6, switch SW1-4, calibration pots R55 and R56, and resistors R52, R53, R54, and R57. The op amp monitors the output voltage of the supply through the positive sense divider formed by resistors R6, R7, R44, and R43. For 0-5V readback, switch SW1-4 is CLOSED and resistors R53, R54, R57, and trimpot R56 scale and calibrate the monitor signal. Trimpot R55 is used to null any output offset. For a 0-10V readback signal, switch SW1-4 is OPEN, removing resistor R53 from the scaling resistors.

Operation of the current readback circuit is the same as the voltage readback circuit. The circuit is made up of op amp U2, switch SW1-3, calibration pots R23 and R24, and resistors R19, R20, R21, and R25. The input to the op amp is from the current shunt amplifier through the divider formed by resistors R22 and R26.

Fan Control and Over-temperature Shutdown Circuit

The fan control circuit monitors the temperature of the A6 PCB input rectifier heatsink, the A3 PWM heatsink, and the output rectifier heatsink, using thermal sensors RT1, RT2, and RT3 respectively. Op amp U7-B monitors the average value of the thermal sensor inputs (0.595Vdc @ 25 degrees C) at pin 5 and controls the fan voltage through op amp U7-C and MOSFET Q3. As the temperature of the heatsinks rises, the voltage at pin 5 falls due to the negative temperature coefficient of the thermal sensors and the output of U7-B drops. This causes the output of U7-C to rise, drawing more current through Q3 and increasing the fan speed.

When the heatsink temperature reaches approximately 100 degrees C, the output of U7-B goes negative, causing the output of U7-D to go high. This activates the internal shutdown circuit and the PWM shutdown lines through diodes CR16 and CR15. The front panel OTP (over-temperature protection) LED is illuminated through resistor R28. The J3 remote monitor line is fed by resistor R18. The IEEE-488 monitor line is activated through pin 5 of connector P2.

5.3 Detailed Circuit Descriptions (continued)

5.3.6 Front Panel Displays and Controls (A1 PCB)

The A1 front panel PCB consists of:

- Output voltage and current displays
- Local controls for output voltage and current limit
- Local control potentiometer for the OVP set point
- Switches for:
 - previewing local voltage and current limit control settings (SW3 V & I CHECK)
 - previewing local OVP set point (SW4 OVP CHECK)
 - selecting remote or local control (SW1 REM/LOC)
 - activating output standby circuit (SW2 STANDBY)
 - LED indicators for operating mode, over-temperature, remote programming operation, shutdown, and OVP
 - IEEE-488 Option connector P2 and LED indicators for ADDRESSED, SERVICE REQUEST, SYSTEM FAULT, FOLD, ERROR, FAULT, POLARITY, and ISOLATION

Output Voltage and Current Displays

The voltage and current displays are made up of three or four (depending on the model) seven-segment LED displays (DS1-DS8) driven by 3 1/2-digit analog to digital (A/D) converters (U1 and U2). In both the voltage and current display circuits, an analog signal from the A2 PCB voltage and current control circuits is compared to a reference voltage on the A/D to generate the digital output for the seven-segment displays. The A/D conversions are done and the displays updated approximately three times per second.

In the voltage display circuit, the 5V reference from the A2 PCB is divided down by resistors R15, R16, and calibration potentiometer R17 to provide a 1V reference for U2 at pin 36. The analog input from the voltage control circuit (via connector P1, pin 6) is filtered by resistor R9 and capacitor C15 before being input to pin 31 of U2. Resistor R7 and capacitor C13 set the conversion frequency. Capacitors C14, C16, and C17 with resistor R10 are used by the A/D in its reference integration, auto zero, and input signal integration circuits. Resistors R8, R18, and R19 are used to select the appropriate decimal point position for displays DS6-DS8.

The current display circuit operates similarly to the voltage circuit. Resistors R11-R14 form the reference divider. The analog input from the current control circuit via P1-8 is filtered by R3 and C5. R2 and C2 set the conversion frequency. Capacitors C4, C6, C7, and R4 are the integration and auto zero components. R1, R5, and R6 select the appropriate decimal point.

Local Output Voltage and Current Limit Controls

The local controls for voltage and current limit are ten-turn potentiometers (R27 and R20 respectively) which provide a 0-5V reference to the voltage and current control circuits on the A2 PCB.

Local OVP Set Point Control

Potentiometer R29 (or R29A depending on the production part used) is a 20-turn trimpot which provides a 0-5V reference signal to the OVP circuit on the A2 PCB via pin 17 of connector P1.

5.3 Detailed Circuit Descriptions

5.3.6 Front Panel Displays and Controls (A1 PCB) (continued)

Voltage and Current (V & I) Control Setting Check Switch SW3

The momentary switch SW3 allows the front panel voltage and current controls settings to be previewed on the voltmeter and ammeter displays. When depressed, the switch disconnects the normal meter inputs from the A2 PCB and connects a calibrated signal from the front panel controls to the meter inputs. The resistive divider formed by R24, R25, and R26 scales and calibrates the signal from the voltage control potentiometer R27. Resistors R21-R23 are used to scale and calibrate the signal from the current limit potentiometer R20.

OVP Set Point Check Switch SW4

Similarly to the V & I CHECK switch, momentary switch SW4 allows the front panel OVP potentiometer setting to be displayed on the voltmeter. When depressed, the switch disconnects the normal A2 PCB voltmeter input line and connects a calibrated signal from the OVP potentiometer to the voltmeter. Resistors R30-R32 are used to scale and calibrate the OVP control signal.

Remote/Local Switch SW1

This press ON/press OFF switch activates both the voltage and current remote programming selector circuits on the A2 PCB via P1 connector pin 19. See Section 5.3.5 for a description of the programming mode selector circuit.

Output Standby Switch SW2

This press ON/press OFF switch shuts off the power supply output so that load and/or programming changes can be made without shutting off the AC input to the supply. The switch activates the A2 PCB internal shutdown circuit through pin 14 of connector P1. See Section 5.3.5 for a description of the internal shutdown circuit operation.

Indicator LEDs

The indicator LEDs for voltage mode operation, current mode operation, over-temperature shutdown, remote programming operation, shutdown, and OVP circuit activation are located on the A1 PCB. See Section 5.3.5 for a description of how the related circuits operate.

IEEE-488 Option P2 Connector Signals and Indicator LEDs

Connector P2 provides the connection to the optional IEEE-488 digital programming, readback, and monitoring PCB. Eight LED indicators for ADDRESSED, SERVICE REQUEST, SYSTEM FAULT, FOLD, ERROR, FAULT, POLARITY, and ISOLATION conditions with their common ground are connected to pins 1-9. Pin 10 provides the option board with a signal to indicate the status of the Remote/Local switch SW1 on the front panel. Pin 11 provides a signal to the option board whenever either the front panel standby switch or the A2 remote shutdown circuit are activated.

6. SERVICING THE 3000 WATT SYSTEM SUPPLY

6.1 Introduction

This section provides general maintenance and calibration information as well as replacement parts lists for the DCS Series (3kW) supply.

Units Under Warranty

Units requiring repair during their warranty period should be returned to the manufacturer for service. Unauthorized repairs performed by any one other than the manufacturer during the warranty period may void the warranty. Any questions regarding the warranty or any repairs should be directed to the manufacturer.

WARNING

Exercise caution when using and servicing power supplies. High energy levels can be stored at the output voltage terminals on all power supplies in normal operation. In addition, potentially lethal voltages exist in the power circuit and the output connector of power supplies which are rated at 40V and over. Filter capacitors store potentially dangerous energy for some time after power is removed.

6.2 General Maintenance and Repair

6.2.1 Periodic Service

No routine servicing of the DCS Series supply is required except for periodic cleaning. Whenever a unit is removed from operation, clean it with naphtha or an equivalent solvent for the metal surfaces and with a weak solution of soap and water for the front panel. Use low pressure compressed air to blow dust from in and around components on the printed circuit boards.

6.2.2 Servicing Precautions

Always disconnect power, discharge circuits, and remove external voltage sources before making internal adjustments or replacing components. When performing internal adjustments or servicing the power supply, ensure another person with first aid and resuscitation certification is present. Repairs must be made by experienced technical personnel only.

Be sure to isolate the power supply from the input line with an isolation transformer when using grounded test equipment, such as an oscilloscope, in the power circuit.

6.2.3 Parts Replacement and Repairs

Parts lists are in **Section 6.4 Replaceable Parts**. Do not use substitute parts or make any unauthorized modifications to the power supply to ensure that its safety features are not degraded.

6.2 General Maintenance and Repair (continued)

6.2.4 Unusual or Erratic Operation

If the power supply displays any unusual or erratic operation, follow these steps:

- Shut the power supply off immediately.
- Disconnect it from the AC power source.
- Check all load, programming, and monitoring connections and circuits.
- Check the AC input for correct voltage and frequency.
- Correct any problems found.
- Retest the system. (See **Section 2.6 Initial Functional Tests**.)

If the problem is not solved after following this procedure, or if the unit fails to operate correctly upon retesting, call the manufacturer.

6.3 Calibrating for Programming Accuracy

The offset and range of the voltage and current programming circuits are calibrated for default 0-5Vdc programming signals at the factory. Recalibration may be necessary when you use custom 0-10Vdc programming or when you switch back to 0-5Vdc programming after previously calibrating for 0-10Vdc programming.

WARNING

The calibration procedures are performed with the power supply cover off and the power on. To prevent personal injury, read **Section 2.2 Safety** and follow the procedures for removing and replacing the cover in **Section 4.2.3**. Use a non-conducting, straight blade adjusting tool for regulating the multiturn trim pots.

6.3.1 Voltage Programming Circuit Calibration

Designation & Location (Multiturn trim pots)	VOLTAGE PROGRAMMING RECALIBRATION PROCEDURE
Voltage Program Offset (R93)	<ul style="list-style-type: none"> • Disconnect any load. Connect a DVM rated at better than 0.5% accuracy to the power supply output. • Apply 1% of program voltage. (Eg.: 0.1 for 0-10Vdc or 0.05 for 0-5Vdc programming source) • Adjust R93 until the DVM reads 1% of the rated output voltage. (Eg.: 0.4Vdc for Model 40-75)
Voltage Program Scale (R60)	<ul style="list-style-type: none"> • Disconnect any load. Connect a DVM rated at better than 0.5% accuracy to the power supply output. • Apply 100% of program voltage. (Eg.: 10V for 0-10Vdc or 5V for 0-5Vdc programming source) • Adjust R60 until the DVM reads 100% of the rated output voltage. (Eg.: 40Vdc for Model 40-75)

6.3 Calibrating for Programming Accuracy (continued)

6.3.2 Current Programming Circuit Calibration

Designation & Location (Multiturn trim pots)	CURRENT PROGRAMMING RECALIBRATION PROCEDURE
Current Program Offset (R95)	<ul style="list-style-type: none"> • Connect a shunt and DVM to the power supply output. See Note 1. • Apply 1% of program voltage. (Eg.: 0.1 for 0-10Vdc or 0.05 for 0-5Vdc programming source) • Adjust R95 until the DVM indicates 1% of the rated output current. (Eg.: 0.75A for Model 40-75) See Note 2.
Current Program Scale (R66)	<ul style="list-style-type: none"> • Connect a shunt and DVM to the power supply output. See Note 1. • Apply 100% of program voltage. (Eg.: 10V for 0-10Vdc or 5V for 0-5Vdc programming source) • Adjust R66 until the DVM indicates 100% of the rated output current. (Eg.: 75A for Model 40-75) See Note 2.

Notes:

1. The DC shunt-DVM combination must be rated at better than 0.5% accuracy. The recommended current ratings for the DC shunt and connecting wire must be at least 10% greater than the power supply's output current rating.
2. The required DVM reading is calculated using $V=I \times R$ where V is the DVM reading, I is the current, and R is the DC shunt resistance.

WARNING

The calibration procedures are performed with the power supply cover off and the power on. To prevent personal injury, read **Section 2.2 Safety** and follow the procedures for removing and replacing the cover in **Section 4.2.3**. Use a non-conducting, straight blade adjusting tool for regulating the multiturn trim pots.

6.4 Replaceable Parts

In this section, you will find parts lists for the following DCS Series (3kW) assemblies:

- Main Assembly
- Front Panel Assembly
- A2 Control Circuit PCB Assembly (includes J3 connector and programming shell)
- A3 Driver, Bridge, and PWM Assembly
- Power Stage (A4, A7, A8)
- A5 AC Input and RFI Filter PCB Assembly
- A6 AC Input Rectifier PCB Assembly
- A9 Ripple Current Reduction PCB Assembly (8V and 12V)
- A10 Rectifier PCB Assembly

Most assemblies consist of parts common to all DCS Series (3kW) model assemblies as well as parts which are model-specific, or differential. Each of the parts and assemblies listed, whether complete, common, or differential, can be ordered separately.

6.4.1 Parts Replacement and Modifications

Do not use substitute parts or make any unauthorized modifications to the power supply to ensure that its safety features are not degraded. For service and repair help, contact the factory.

6.4.2 Ordering Parts

Order parts from the factory using the parts numbers given in the specific assembly parts lists in this section.

Please include the power supply's model number and serial number with your order.

6.4.3 Front Panel Assembly

Front Panel A1 PCB Assembly

Order either a complete DCS Series A1 PCB Assembly which includes common and differential parts, or, check common and differential lists for the component(s) you want to replace. Differential lists are model-specific.

Complete A1 PCB Assembly

Designation	Description	Part #
Model 8-350	A1 PCB Assembly (Common and Differential Parts)	1068768-008
Model 12-250	A1 PCB Assembly (Common and Differential Parts)	1068768-012
Model 20-150	A1 PCB Assembly (Common and Differential Parts)	1068768-020
Model 40-75	A1 PCB Assembly (Common and Differential Parts)	1068768-040
Model 55-55	A1 PCB Assembly (Common and Differential Parts)	1068768-055
Model 60-50	A1 PCB Assembly (Common and Differential Parts)	1068768-060
Model 80-37	A1 PCB Assembly (Common and Differential Parts)	1068768-080
Model 150-20	A1 PCB Assembly (Common and Differential Parts)	1068768-150

6.4 Replaceable Parts

A1 PCB Assembly Common Parts

Designation	Description	Part #
C1,8	10 μ F 50V 2mm Electrolytic Radial Capacitor	CL-100C-50
C2,13	100pF 100V Z5F 10% 5mm Ceramic Rad Capacitor	CB-101F-16
C3-6,9-12,14,15, C16,18,19,20	0.33 μ F 50V Z5U -20% to +80% 5mm Cer Rad Cap	CC-334F-09
C7,17	0.1 μ F 100V MF 10% 10mm Radial Capacitor	24-2037-7
CR1,13,14	Red LED, T-1 3/4 3mcd @10mA	DS-5103-R2
CR2,12	Green LED, T-1 3/4 3mcd @10mA	106935.3-1
CR3,5,6,8,9	Red Rectangular LED, 2.5 x 5mm Step	DS-5556-R6
CR4,7,10,11	Green Rectangular LED, 2.5 x 5mm	DS-0394-G6
R2,3,7,9	100k Ω 1% 1/8W MF	586055-170
R4,10	475k Ω 1% 1/8W MF	586055-216
R13,16	3.74k Ω 1% 1/4W MF	R-3741-41
R14,17,21,24,32	500 Ω 25 Turn 10% Cermet Trimpot	RC-5000-Z8
R15,R12	750 Ω 1% 1/8W MF	586055-68
R20,27	5k 10 Turn 2W 5% Panel Mount 1/4" Shaft Pot.	RP-5001-0
R22,25,31	2.26k Ω 1% 1/8W MF	586055-91
R28	1.00k Ω 1% 1/8W MF	586055-74
R29/R29A	5k 20 Turn 10% Trimpot	RC-5001-Y9
SW1,SW2	DPDT Push On/Off PC Mount Switch	SW-2216-BB1
SW3,SW4	DPDT Momentary PC Mount Switch	SW-2212-BB1
U1,U2	7107 CMOS 3.5 Digit A/D LED Driver	UD-7107-C

A1 PCB Assembly Differential Parts - Model 8-350

Designation	Description	Part #
R18	365 Ω 1% 1/8W MF Decimal Point Resistors	586055-53
R5,6,11,19,1,8	Empty Position	
R23	38.3k Ω 1% 1/8W MF	586055-150
R26	12.7k Ω 1% 1/8W MF	586055-127
R30	10k Ω 1% 1/8W MF	586055-122

A1 PCB Assembly Differential Parts - Model 12-250

Designation	Description	Part #
R18	365 Ω 1% 1/8W MF Decimal Point Resistors	586055-53
R5,6,11,19,1,8	Empty Position	
R23	47.5k Ω 1% 1/8W MF	586055-209
R26	7.5k Ω 1% 1/8W MF	586055-116
R30	5.9k Ω 1% 1/8W MF	586055-111

6.4 Replaceable Parts

6.4.3 Front Panel Assembly (continued)

A1 PCB Assembly Differential Parts - Model 20-150

Designation	Description	Part #
DS1,2,3,5,6,7	Green 7-Segment Display	DS-0161-G7
R1,8	365Ω 1% 1/4W CF Decimal Point Resistors	R-3650-41
R5,6,11,18,19	Empty Position	
R23	5.76kΩ 1% 1/4W MF	R-5761-41
R26	59kΩ 1% 1/4W MF	R-5902-41
R30	47.5kΩ 1% 1/4W MF	R-4752-41

A1 PCB Assembly Differential Parts - Model 40-75

Designation	Description	Part #
DS1,2,3,5,6,7	Green 7-Segment Display	DS-0161-G7
R1,8	365Ω 1% 1/4W CF Decimal Point Resistors	R-3650-41
R5,6,11,18,19	Empty Position	
R23	13.7kΩ 1% 1/4W MF	R-1372-41
R26	28kΩ 1% 1/4W MF	R-2802-41
R30	22.6kΩ 1% 1/4W MF	R-2262-41

A1 PCB Assembly Differential Parts - Model 55-55

Designation	Description	Part #
DS1,2,3,5,6,7	Green 7-Segment Display	DS-0161-G7
R1,8	365Ω 1% 1/4W CF Decimal Point Resistors	R-3650-41
R5,6,11,18,19	Empty Position	
R23,26	19.6kΩ 1% 1/4W MF	R-1962-41
R30	15.8kΩ 1% 1/4W MF	R-1582-41

A1 PCB Assembly Differential Parts - Model 60-50

Designation	Description	Part #
DS1,2,3,5,6,7	Green 7-Segment Display	DS-0161-G7
R1,8	365Ω 1% 1/4W CF Decimal Point Resistors	R-3650-41
R5,6,11,18,19	Empty Position	
R23	22.1kΩ 1% 1/4W MF	R-2212-41
R26	17.8kΩ 1% 1/4W MF	R-1782-41
R30	14.0kΩ 1% 1/4W MF	R-1402-41

6.4 Replaceable Parts

6.4.3 Front Panel Assembly (continued)

A1 PCB Assembly Differential Parts - Model 80-37

Designation	Description	Part #
DS1,2,3,5,6,7	Green 7-Segment Display	DS-0161-G7
R1,8	365Ω 1% 1/4W CF Decimal Point Resistors	R-3650-41
R5,6,11,18,19	Empty Position	
R23	30.9kΩ 1% 1/4W MF	R-3092-41
R26	12.7kΩ 1% 1/4W MF	R-1272-41
R30	10kΩ 1% 1/4W MF	R-1002-41

A1 PCB Assembly Differential Parts - Model 150-20

Designation	Description	Part #
DS1,2,3,5,6,7,8	Green 7-Segment Display	DS-0161-G7
R1,8	365Ω 1% 1/4W CF Decimal Point Resistors	R-3650-41
R5,6,11,18,19	Empty Position	
R23	59kΩ 1% 1/4W MF	R-5902-41
R26	5.62kΩ 1% 1/4W MF	R-5621-41
R30	4.02kΩ 1% 1/4W MF	R-4021-41

6.4.4 Control Circuit A2 PCB Assembly

The A2 Assembly can be ordered in its complete, model-specific version. Individual parts, whether they are common to all models or differential, can also be ordered. Consult the lists provided.

Complete A2 PCB Assembly

Designation	Description	Part #
Model 8-350	A2 PCB Assembly (Common and Differential Parts)	X2-25A2-008
Model 12-250	A2 PCB Assembly (Common and Differential Parts)	X2-25A2-012
Model 20-150	A2 PCB Assembly (Common and Differential Parts)	X2-25A2-020
Model 40-75	A2 PCB Assembly (Common and Differential Parts)	X2-25A2-040
Model 55-55	A2 PCB Assembly (Common and Differential Parts)	X2-25A2-055
Model 60-50	A2 PCB Assembly (Common and Differential Parts)	X2-25A2-060
Model 80-37	A2 PCB Assembly (Common and Differential Parts)	X2-25A2-080
Model 150-37	A2 PCB Assembly (Common and Differential Parts)	X2-25A2-150

A2 PCB Assembly Common Parts

Designation	Description	Part #
	A2 380V Input Wire Assembly	WA-25A2-380
	Wire Assembly Soft Start	WA-25A2-SS
+OUT,RTN	PCB Disconnect Pin 2.95mm dia.	MC-1137-PIN
Continued on next page.		

6.4 Replaceable Parts

6.4.4 Control Circuit A2 PCB Assembly

A2 PCB Assembly Common Parts (continued)

Designation	Description	Part #
C1,2,4,8A,9,10A,11, 12-16,18,19,21-32, 36-39,41,42,44,49,51 54A,55-57,59,62,64, 65 (U15 5-8)	0.33 μ F 50V Z5U -20 to +80% 5.0mm Cer Rad Cap	CC-334F-09
C3	3.3 μ F 50V 5x11,2mm 20% Electrolytic Rad Cap	CL-3U3C-50
C5,43	10nF 1kV Z5U -20 to +80% 10mm Cer Rad Cap	CC-103J-69
C10,40	10 μ F 25V 20% 2.5mm Tantalum Capacitor	CJ-100D-25
C17,20	10nF 100V X7R 10% 5mm Ceramic Radial Cap	CB-103F-16
C16A,34,61	100pF 100V Z5F 10% 5mm Ceramic Rad Capacitor	CB-101F-16
C33	1 μ F 35V 10% 2.5mm Tantalum Capacitor	CJ-1U0D-35
C35	10 μ F 50V 2.0mm Electrolytic Radial Capacitor	CL-100C-50
C45	1nF 1kV X7R 10% 6.5mm Ceramic Radial Cap	CB-102G-66
C46	470pF 1kV X7R 10% 6.5mm Cer Rad Capacitor	CB-471G-66
C47	0.1 μ F 400V 20% 15mm Metal Film Capacitor	CD-104L-47
C48	470 μ F 35V 13x25,5mm 20% Electrolytic Rad Cap	CL-471F-35
C50,52	220 μ F 35V 5mm Electrolytic Radial Capacitor	CL-221F-35
C53	470 μ F 16V 10x20,5mm 20% Electrolytic Rad Cap	CL-471F-16
C54	33 μ F 25V 2.5mm 20% Electrolytic Radial Cap	CL-330D-25
C58	100 μ F 25Vdc 5mm Electrolytic Radial Capacitor	CL-101F-25
C60	470pF 100V X7R 10% 5mm Ceramic Rad Cap	CB-471F-16
C63	2.2nF 100V X7R 10% 5mm Ceramic Rad Cap	CB-222F-16
CR1,2	1.5KE160 TS DO41 160V 1500W Transorb	CR-T160-15
CR3,5-23,25-30,30A,37	1N4148 UR DO35 75V 300mA Diode	CR-4148
CR4	1N4735A DO41 6.2V 1W Zener Diode	CR-4735-A
CR24	1N4005 R DO41 600V 1.A Diode	CR-4005
CR31-36,38,39	MUR160 UR 600V 1A DO41 Diode	CR-0160-UR
J1	20 pin MTA 22AWG 17" Ribbon Cable Assembly	WA-2022-34
For J1 cable	NOMEX 10 Mil. x 2.5" wide	IN-2500-10
J3	25 pin Female R/A PCB Mount DSUB Connector	MC-2501-D
For J3	25 pin DSUB Programming Shell w. Default Jumpers	X2-2500-J3
For J3	25 pin DSUB Programming Shell (No Jumpers)	MC-2500-D
J5	9 pin MTA 22AWG 3.5" Ribbon Cable Assembly	WA-0922-07
J6	9 pin MTA 22AWG 12" Ribbon Cable Assembly	WA-0922-24
J7	2-pole PCB Mount Barrier Strip	MC-0222-BS
JMP1,JMP2	3 pin MTA Male 0.1" Friction Lock Pin Header	MC-0303-MC
For JMP1,JMP2	2 pin Female 0.1" Jumper	MC-0201-JMP
K1,2	5Vdc Reed Relay 1/2A PC Mount SIP	K1-005D-0A5P2
L1	Sense Line Common Mode Inductor	L2-1SNS
P2	15 pin MTA Male 0.1" Friction Lock Pin Header	MC-1503-MC
PCB	A2 PCB Rev. C (bare)	PC-2502-B
Q1	2N7000 NM 60V 500mA TO226AA JFET	QJ-7000
Q2,8-11	PN2222A NB 40V 500mA 500mW TO92 Transistor	QM-2222-A
Q3	IRF640 NM 200V 0.18 Ω 18A TO220 FET	QF-0640-IR

Continued on next page.

6.4 Replaceable Parts

6.4.4 Control Circuit A2 PCB Assembly

A2 PCB Assembly Common Parts (continued)

Designation	Description	Part #
Q4,5,6 For Q5 Q7	PN2907A PB 60V 0.5mA 400mW TO92 Transistor TO-220 Plug In Heatsink MTP3N100 1000V 4Ω 3.0A 75W TO220 FET	QN-2907-A HS-5768-0240 QF-P4N-90
R2,4,16,18,27,28,42,43, 51,58,63,69,82,91,101, 105,106,115,120,126	1.00kΩ 1% 1/4W MF	R-1001-41
R3,17,49,72,75,103	100k 1% 1/4W MF	R-1003-41
R5,62,68	392Ω 1% 1/4W MF	R-3920-41
R8,11,14,25,26,29,32, 34,36,47,57,74,77-79, 80,81,83,84,87,99,104	10k 1% 1/4W MF	R-1002-41
R9	20MΩ 5% 1/4W MF	R-2005
R12	Empty Position	
R13	10MΩ 5% 1/4W MF	R-1005
R19,52	221Ω 1% 1/4W MF	R-2210-41
R20,53	1.82kΩ 1% 1/4W MF	R-1821-41
R21,54	18.2k 1% 1/4W MF	R-1822-41
R22	1.13k 1% 1/4W MF	R-1131-41
R23,24,55,56,60, 66,93,95	10k Multiturn 10% Trimpot	RC-1002-Y9
R30,92,92A,102, 116,124	475k 1% 1/4W MF	R-4753-41
R31,33,35	49.9kΩ 1% 1/4W MF	R-4992-41
R37,45	2k 1% 1/4W MF	R-2001-41
R38	16.9k 1% 1/4W MF	R-1692-41
R39,127	100Ω 1% 1/4W MF	R-1000-41
R40,41,59,94	4.99kΩ 1% 1/4W MF	R-4991-41
R48,76	1MΩ 1% 1/4W MF	R-1004-41
R61,67	2.49k 1% 1/4W MF	R-2491-41
R64,71	931Ω 1% 1/4W MF	R-9310-41
R65,70	12.4k 1% 1/4W MF	R-1242-41
R85	549Ω 1% 1/4W MF	R-5490-41
R86	4.53k 1% 1/8W MF	586055-327
R88	118k 1% 1/8W MF	586055-292
R89	1k 5% 1/2W CF	R-1001-3
R90	5.1k 5% 5W Wire Wound Resistor	RW-5101-5
R96,97	2.49k 1% 1/4W MF	R-2491-41
R98,100	47.5k 1% 1/4W MF	R-4752-41
R107	1.2k 5% 1W CF	R-1201-1
R108	10k 5% 5W Wire Wound Resistor	RW-1002-5
R109	909k 1% 1/4W MF	R-9093-41
R110	1.5M 1% 1/4W MF	R-1504-41
R111	120k 5% 2W CF	R-1203-2

Continued on next page.

6.4 Replaceable Parts

6.4.4 Control Circuit A2 PCB Assembly

A2 PCB Assembly Common Parts (continued)

Designation	Description	Part #
R112	27.4Ω 1% 1/4W MF	R-27R4-41
R50,73,113,117-19,128	20.0k 1% 1/4W MF	R-2002-41
R114	2Ω 1% 1/4W MF	R-2R00-41
R121	19.6k 1% 1/4W MF	R-1962-41
R122	2.21k 1% 1/4W MF	812-221-1F
R123,125	4.75k 1% 1/4W MF	R-4751-41
R129	3.83k 1% 1/4W MF	R-3831-41
R130	150k 1% 1/4W MF	R-1503-41
R131	3.16k 1% 1/4W MF	R-3161-41
RT1	Thermistor, NTC GL, 100@25°C 6.8k@100°C	1068627-1
SW1	8 Position DIP 5V 0.06A Rocker Switch	SW-8156-RU3
T1	2.5kΩ 60Hz 20VA Flyback Aux. Transformer	T2-25A2
TP1	9 pin MTA Male 0.1" Friction Lock Pin Header	MC-0903-MC
U1	8 pin DIP Precision 5V Reference 0.5%	UV-REF0-2
For U1,2,6,10,11,13-17	8 pin IC Socket	MC-0008-IC
U2,6,10,11	JFET Input 351 Op Amp	UA-0351-N
U3	14 pin DIP LF347N Quad JFET Op Amp	UA-0347-N
U4	16 pin MIL SPEC DG444 Quad SPST Analog Switch	UI-D444-N
For U4	16 pin IC Socket	MC-0016-IC
U5,8	14 pin DIP 4011B Quad 2 Input NAND	UC-4011-BN
U7	14 pin DIP 324 Quad Op Amp (Ground Sensing)	UA-0324-N
U9	6 pin DIP 4N37 Opto-Coupler	UP-4N37
For U9	6 pin IC Socket	MC-0006-IC
U12	TL431CLP Adjustable Shunt Regulator TO92	UR-0431-CP
U13,14	8 pin DIP LM358 Dual Op Amp	UA-0358-N
U15	2.5M baud Logic Opto 1.6mA Drive	UP-HCPL-2200
U16	8 pin DIP 3842 IMODE PWM	UR-3842-N
For U3,5,8	14 pin IC Socket	MC-0014-IC
U17	8 pin DIP 7555 CMOS Timer	UC-7555-P

A2 PCB Assembly Differential Parts - Model 8-350

Designation	Description	Part #
C6	Empty Location	
C7	10nF 100V X7R 10% 5mm Cer Rad Capacitor	CB-103F-16
C8	100pF 100V 5mm Cer Rad Capacitor	CB-101F-16
F1	1/8A 125V Fast Pico Fuse (Axial Leads)	F1-0036-F2
R1	10k 1% 1/4W MF	R-1002-41
R6	3.83k 1% 1/4W MF	R-3831-41
R7	499Ω 1% 1/4W MF	R-4990-41
R10	150k 1% 1/4W MF	R-1503-41
R15	15.4k 1% 1/4W MF	R-1542-41
R44	4.64k 1% 1/4W MF	R-4641-41
R46	20.0k 1% 1/4W MF	R-2002-41

6.4 Replaceable Parts

6.4.4 Control Circuit A2 PCB Assembly (continued)

A2 PCB Assembly Differential Parts - Model 12-250

Designation	Description	Part #
C6	Empty Location	
C7	10nF 100V X7R 10% 5mm Cer Rad Capacitor	CB-103F-16
C76	.01 uF 200V Film	822-103-05
R1	20.0k 1% 1/8W MF	586055-194
R6	5.9k 1% 1/8W MF	586055-111
R7	340Ω 1% 1/8W MF	586055-52
R10	150k 1% 1/8W MF	586055-236
R15	18.7k 1% 1/8W MF	586055-135
R44	2.74k 1% 1/8W MF	586055-95
R46	20.0k 1% 1/8W MF	586055-194

A2 PCB Assembly Differential Parts - Model 20-150

Designation	Description	Part #
C6	Empty Location	
C7	1nF 100V X7R 10% 5mm Cer Rad Capacitor	CB-102F-16
C76	.01 uF 200V Film	822-103-05
R1	4022k 1% 1/8W MF	586055-151
R6	75k 1% 1/8W MF	586055-164
R7	2.00kΩ 1% 1/8W MF	586055-301
R10	150k 1% 1/8W MF	586055-236
R15	2.32k 1% 1/8W MF	586055-92
R44	21k 1% 1/8W MF	586055-304
R46	20.0k 1% 1/8W MF	586055-194

A2 PCB Assembly Differential Parts - Model 40-75

Designation	Description	Part #
C6	Empty Location	
C7	3.3nF 100V X7R 10% 5mm Cer Rad Capacitor	CB-332F-16
C76	.01 uF 200V Film	822-103-05
R1	90.9k 1% 1/8W MF	586055-168
R6	88.7k 1% 1/8W MF	586055-320
R7	1.00kΩ 1% 1/8W MF	586055-74
R10	150k 1% 1/8W MF	586055-236
R15	5.49k 1% 1/8W MF	586055-312
R44	10.2k 1% 1/8W MF	586055-290
R46	20.5k 1% 1/8W MF	586055-137

6.4 Replaceable Parts

6.4.4 A2 Control Circuit PCB Assembly (continued)

A2 PCB Assembly Differential Parts - Model 55-55

Designation	Description	Part #
C6	Empty Location	
C7	3.3nF 100V X7R 10% 5mm Cer Rad Capacitor	CB-332F-16
C8	100pF 100V 5mm Cer Rad Capacitor	CB-101F-16
F1	1/8A 125V Fast Pico Fuse (Axial Leads)	F1-0036-F2
R1	127k 1% 1/4W MF	R-1273-41
R6	90.9k 1% 1/4W MF	R-9092-41
R7	732Ω 1% 1/4W MF	R-7320-41
R10	150k 1% 1/4W MF	R-1503-41
R15	7.87k 1% 1/4W MF	R-7871-41
R44	7.15k 1% 1/4W MF	R-7151-41
R46	20.0k 1% 1/4W MF	R-2002-41

A2 PCB Assembly Differential Parts - Model 60-50

Designation	Description	Part #
C6	Empty Location	
C7	3.3nF 100V X7R 10% 5mm Cer Rad Cap	CB-332F-16
C8	100pF 100V 5mm Cer Rad Capacitor	CB-101F-16
F1	1/8A 125V Fast Pico Fuse (Axial Leads)	F1-0036-F2
R1	140.0k 1% 1/4W MF	R-1403-41
R6	90.9k 1% 1/4W MF	R-9092-41
R7	665Ω 1% 1/4W MF	R-6650-41
R10	150k 1% 1/4W MF	R-1503-41
R15	8.87k 1% 1/4W MF	R-8871-41
R44	6.49k 5% 1/4W CF	R-6491-41
R46	20.0k 1% 1/4W MF	R-2002-41

A2 PCB Assembly Differential Parts - Model 80-37

Designation	Description	Part #
C6	Empty Location	
C7	10nF 100V X7R 10% 5mm Cer Rad Capacitor	CB-103F-16
C8	100pF 100V 5mm Cer Rad Capacitor	CB-101F-16
F1	1/8A 125V Fast Pico Fuse (Axial Leads)	F1-0036-F2
R1	191k 1% 1/4W MF	R-1913-41
R6	93.1k 1% 1/4W MF	R-9312-41
R7	499Ω 1% 1/4W MF	R-4990-41
R10	150k 1% 1/4W MF	R-1503-41
R15	12.1kΩ 1% 1/4W MF	R-1212-41
R44	4.64k 1% 1/4W MF	R-4641-41
R46	20.0k 1% 1/4W MF	R-2002-41

6.4 Replaceable Parts

6.4.4 Control Circuit A2 PCB Assembly (continued)

A2 PCB Assembly Differential Parts - Model 150-20

Designation	Description	Part #
C6	1nF 1kV X7R 10% -20% to 80%	CB-102G-66
C7	10nF 100V X7R 10% 5mm Cer Rad Capacitor	CB-102F-16
C76	.01 uF 200V Film	822-103-05
R1	365k 1% 1/8W MF	586055-194
R6	93.1k 1% 1/8W MF	586055-111
R7	274Ω 1% 1/8W MF	586055-52
R10	787k 1% 1/8W MF	586055-236
R15	23.7kΩ 1% 1/8W MF	586055-135
R44	2.0k 1% 1/8W MF	586055-95
R46	20.0k 1% 1/8W MF	586055-194

6.4.5 Driver, Bridge and PWM A3 PCB Assembly

The A3 Assembly can be ordered in its complete, model-specific version. You can also order individual parts, whether they are common to all models or differential. Consult the following lists.

Complete A3 PCB Assembly

Designation	Description	Part #
Model 8-350	A3 PCB Assembly (Common and Differential Parts)	X2-25A3-008
Model 12-250	A3 PCB Assembly (Common and Differential Parts)	X2-25A3-012
Model 20-150	A3 PCB Assembly (Common and Differential Parts)	X2-25A3-020
Model 40-75	A3 PCB Assembly (Common and Differential Parts)	X2-25A3-040
Model 55-55	A3 PCB Assembly (Common and Differential Parts)	X2-25A3-055
Model 60-50	A3 PCB Assembly (Common and Differential Parts)	X2-25A3-060
Model 80-37	A2 PCB Assembly (Common and Differential Parts)	X2-25A3-080
Model 150-20	A2 PCB Assembly (Common and Differential Parts)	X2-25A3-150

A3 PCB Assembly Common Parts

Designation	Description	Part #
For current sense X/F For current sense X/F	A3 380V Input Wire Assembly	WA-25A3-380
	#12 Naftar Sleeving	IS-1151-12
	#14 Bus Wire Tinned Cu	WB-0014-0010
C1,2,13,14,16, 17,18,20,21	Power Transformer Primary Assembly	WA-25A3-PRIM
	0.33μF 50V Z5U -20% to +80% 5mm Cer Rad Cap	CC-334F-09
C3,4,5	220pF 100V X7R 10% 5mm Cer Rad Capacitor	CB-221F-16
C6,8	100pF 100V X7R 10% 5mm Cer Rad Capacitor	CB-101F-16
C7	1000pF 100V 2%	821-102-02
C12	1nF 100V X7R 10% 5mm Cer Rad Capacitor	CB-102F-16
C9	50nF 1kV Z5U -20% to +80% 10mm Cer Rad Cap	CC-503J-69
C10,19	10μF 50V 2.0mm Elec Rad Capacitor	CL-100C-50
C15	3.3nF 100V X7R 10% 5mm Cer Rad Capacitor	CB-332F-16

Continued on the next page.

6.4 Replaceable Parts

6.4.5 Driver, Bridge and PWM A3 PCB Assembly

A3 PCB Assembly Common Parts (continued)

Designation	Description	Part #
C22,23,26,27	2.2nF 1KV Z5U 20% 6.5mm Cer Rad Capacitor	CB-222G-66
C24	1.5 μ F 630V 10% MF Axial 32 mm	CD-155A-B6
C25	470pF 1kV X7R 10% 6.5mm Cer Rad Capacitor	CB-471G-66
CR1	T1- $\frac{3}{4}$ 3.0mcd @ 10mA Red	DS-5103-R2
CR2,3,4,5,14,15	IN4148 UR DO35 75V 300mA Diode	CR-4148
CR6,7	IN4746A Z DO4 18V 500mW Zener Diode	CR-4746-A
CR12,13,16-21	15A, 400V MF Rectifier TO220	CR-1540-MF
For chassis ground connection	Heatsink To Chassis Wire Assembly	WA-25A3-HS
P5	9 pin Male 0.1" Friction Lock Pin Header	MC-0903-MC
PCB	A3 PCB Rev. D (bare)	PC-2503-B
Q1	PN2222A NB 40V 500mA 500mW TO92 Transistor	QM-2222-A
Q2-7	MTD5N05-1 NM 50V 5A .4 Ω 1.25/20W DPAK FET	QF-5N05-1
R1,2,6,8,21,24	10k 1% $\frac{1}{4}$ W MF	R-1002-41
R3	Empty Position	
R4	4.99k Ω 1% $\frac{1}{4}$ W MF	R-4991-41
R5	4.75k 1% $\frac{1}{4}$ W MF	R-4751-41
R7,20	100k 1% $\frac{1}{4}$ W MF	R-1003-41
R10,12,15	1.00k Ω 1% $\frac{1}{4}$ W MF	R-1001-41
R11	3.01 Ω 1% $\frac{1}{4}$ W MF	R-3R01-41
R13	2k 1% $\frac{1}{4}$ W MF	R-2001-41
R14	27.4k 1% $\frac{1}{8}$ W MF	586055-143
R19	30.1k 1% $\frac{1}{4}$ W MF	R-3012-41
R16,17,26,27,30,31	47.5 Ω 1% $\frac{1}{4}$ W MF	R-47R5-41
R18	243k 1% $\frac{1}{4}$ W MF	R-2433-41
R22,23	220 Ω 5% 1W CF	R-2200-1
R33,34,36,37	200 Ω 10W Non Inductive Resistor	RN-2000-0
R35	1k 5W 5% WW Low Inductance Resistor	RN-1001-5
RT1	Thermistor, NTC GL, 100@25°C 6.8k@100°C	1068627-1
T1	Drive Transformer	T2-25DR
T2	Current Sense Transformer	T2-25IS
U1	16 pin DIP 3846 IMODE PWM	UR-3846-N
U2	14 pin DIP 4046 Phase Lock Loop	UC-4046-BN
For U1,U2	16 pin DIL IC Socket	MC-0016-IC

A3 PCB Assembly Differential Parts - Model 8-350

Designation	Description	Part #
C11	0.33 μ F 50V Z5U -20 %to +80% 5.0mm Cer Rad Cap	CC-334F-09
CR8-11	Empty Position	
Q8-11	27A 600V IGBT 200nS 160W TO247	QG-27NP-60U
R3,24,27,28,29,32	Empty Position	

6.4 Replaceable Parts

6.4.5 Driver, Bridge and PWM A3 PCB Assembly (continued)

A3 PCB Assembly Differential Parts - Model 12-250

Designation	Description	Part #
C11	0.33 μ F 50V Z5U -20 %to +80% 5.0mm Cer Rad Cap	CC-334F-09
CR8-11	Empty Position	QG-20NP-60U
Q8-11	20A 600V IGBT 200nS 160W TO247	
R3,24,27,28,29,32	Empty Position	

A3 PCB Assembly Differential Parts - Model 20-150

Designation	Description	Part #
C11	0.33 μ F 50V Z5U -20 %to +80% 5.0mm Cer Rad Cap	CC-334F-09
CR8-11	Empty Position	QG-20NP-60U
Q8-11	20A 600V IGBT 200nS 160W TO247	
R3,24,27,28,29,32	Empty Position	

A3 PCB Assembly Differential Parts - Model 40-75

Designation	Description	Part #
C11	0.33 μ F 50V Z5U -20 %to +80% 5.0mm Cer Rad Cap	CC-334F-09
CR8-11	Empty Position	QG-20NP-60U
Q8-11	20A 600V IGBT 200nS 160W TO247	
R3,24,27,28,29,32	Empty Position	

A3 PCB Assembly Differential Parts - Model 55-55

Designation	Description	Part #
C11	0.33 μ F 50V Z5U -20 %to +80% 5.0mm Cer Rad Cap	CC-334F-09
CR8-11	Empty Position	QG-20NP-60U
Q8-11	20A 600V IGBT 200nS 160W TO247	
R3,24,27,28,29,32	Empty Position	

A3 PCB Assembly Differential Parts - Model 60-50

Designation	Description	Part #
C11	0.33 μ F 50V Z5U -20 %to +80% 5.0mm Cer Rad Cap	CC-334F-09
CR8-11	Empty Position	QG-20NP-60U
Q8-11	20A 600V IGBT 200nS 160W TO247	
R3,24,27,28,29,32	Empty Position	

A3 PCB Assembly Differential Parts - Model 80-37

Designation	Description	Part #
C11,11A	0.33 μ F 50V Z5U -20 %to +80% 5.0mm Cer Rad Cap	CC-334F-09
CR8-11	Empty Position	QG-20NP-60U
Q8-11	20A 600V IGBT 200nS 160W TO247	
R3,24,27,28,29,32	Empty Position	

6.4 Replaceable Parts (continued)

6.4.5 Driver, Bridge and PWM A3 PCB Assembly (continued)

A3 PCB Assembly Differential Parts - Model 150-20

Designation	Description	Part #
C11	0.33 μ F 50V Z5U -20 %to +80% 5.0mm Cer Rad Cap	CC-334F-09
CR8-11	Empty Position	
Q8-11	20A 600V IGBT 200nS 160W TO247	QG-20NP-60U
R3,24,27,28,29,32	Empty Position	

6.4.6 Power Stage

The complete Power Stage includes:

- A4 Down Program, Current Sense, and Shunt PCB Assembly
- A7 Output Filter PCB Assembly
- Output Rectifier and Snubbers Assembly
- Power Transformer and Inductor Assembly
- Power Stage Hardware

Down Program, Current Sense, and Shunt A4 PCB Assembly

The A4 Assembly can be ordered in its complete, model-specific version. Individual parts, whether they are common to all models or differential, can also be ordered. Mounting hardware is in Power Stage Hardware.

Complete A4 PCB Assembly

Designation	Description	Part #
Model 8-350	A4 PCB Assembly (Common and Differential Parts)	X2-25A4-008
Model 12-250	A4 PCB Assembly (Common and Differential Parts)	X2-25A4-012
Model 20-150	A4 PCB Assembly (Common and Differential Parts)	X2-25A4-020
Model 40-75	A4 PCB Assembly (Common and Differential Parts)	X2-25A4-040
Model 55-55	A4 PCB Assembly (Common and Differential Parts)	X2-25A4-055
Model 60-50	A4 PCB Assembly (Common and Differential Parts)	X2-25A4-060
Model 80-37	A4 PCB Assembly (Common and Differential Parts)	X2-25A4-080
Model 150-20	A4 PCB Assembly (Common and Differential Parts)	X2-25A4-150

A4 PCB Assembly Common Parts

Designation	Description	Part #
C1,4,5,8,12	0.33 μ F 50V Z5U -20% to +80% 5mm Cer Rad Cap	CC-334F-09
C2,7	220pF 100V X7R 10% 5.0mm Cer Rad Capacitor	CB-221F-16
C3,3A,3B	3.3 μ F 25V 10% 2.5mm Tantalum Capacitor	CJ-3U3D-25
C6,11	10nF 100V X7R 10% 5.0mm Ceramic Rad Capacitor	CB-103F-16
C9,13	33 μ F 25V 2.5mm 20% Electrolytic Rad Capacitor	CL-330D-25
C10	Empty Position	
CR1	1N5240A Z DO35 10% 500mW 10V Zener Diode	CR-5240-A
CR2	1N753A 6.2V Zener Diode	CR-0753-A
CR3,4	1N4148 UR DO35 75V 300mA Diode	CR-4148

Continued on next page.

6.4 Replaceable Parts

6.4.6 Power Stage

A4 PCB Assembly Common Parts (continued)

Designation	Description	Part #
Down programmer	IRF 640 NM 200V .18 Ω 18A TO220 FET	QF-0640-IR
For down programmer	Wire Assembly #22 x 3 x 1.5"	WA-0322-03
F1	1/8A 125V Fast Pico Fuse	F1-0036-F2
P6	9 pin Male 0.1" Friction Lock Pin Header	MC-0903-MC
PCB	A4 PCB Rev. B (bare)	PC-2504-B
R3,9	1.00k Ω 1% 1/4W MF	R-1001-41
R4	100 Ω 1% 1/4W MF	R-1000-41
R5	22.1k 1% 1/4W MF	R-2212-41
R6	47.5k 1% 1/4W MF	R-4752-41
R7	953k 1% 1/4W MF	R-9533-41
R10	1M Ω 1% 1/4W MF	R-1004-41
R11,12	10k 1% 1/4W MF	R-1002-41
R13,16	10 Ω 1% 1/4W MF	R-10R0-41
R15,18	100k 1% 1/4W MF	R-1003-41
R18A	10k 10-turn Trimpot	RC-1002-Y9
RT1	Thermistor, NTC GL, 100@25°C 6.8k@100°C	1068627-1
U1	8 pin DIP LM358 Dual Op Amp	UA-0358-N
U2	OP-07E Precision Op Amp	UA-OP07-E
For U1,U2	8 pin DIL IC Socket	MC-0008-IC

A4 PCB Assembly Differential Parts - Model 8-350

Designation	Description	Part #
R1	0.1 Ω 5% 2W MF	RA-R100-2
R2	9.53k 1% 1/4W MF	R-9531-41
R6	221k Ω 1% 1/4W MF	R-2113-41
R14,17	887 Ω 1% 1/4W MF	R-8870-41
R19	400A, 50mV Blade Shunt	RS-400B-050A

A4 PCB Assembly Differential Parts - Model 12-250

Designation	Description	Part #
R1	0.1 Ω 5% 2W MF	RA-R100-2
R2	15k 1% 1/4W MF	R-1502-41
R6	221k Ω 1% 1/4W MF	R-2213-41
R14,17	845 Ω 1% 1/4W MF	R-8450-41
R19	300A, 50mV Blade Shunt	RS-300B-050A

6.4 Replaceable Parts

6.4.6 Power Stage (continued)

A4 PCB Assembly Differential Parts - Model 20-150

Designation	Description	Part #
R1	0.1 Ω 5% 2W MF	RA-R100-2
R2	26.1k 1% 1/4W MF	R-2612-41
R6	221k Ω 1% 1/4W MF	R-2213-41
R14,17	511 Ω 1% 1/4W MF	R-5110-41
R19	300A, 50mV Blade Shunt	RS-300B-050A

A4 PCB Assembly Differential Parts - Model 40-75

Designation	Description	Part #
R1	0.1 Ω 5% 2W MF	RA-R100-2
R2	26.1k 1% 1/4W MF	R-2612-41
R6	221k Ω 1% 1/4W MF	R-2213-41
R14,17	511 Ω 1% 1/4W MF	R-5110-41
R19	300A, 50mV Blade Shunt	RS-300B-050A

A4 PCB Assembly Differential Parts - Model 55-55

Designation	Description	Part #
R1	0.1W 5% 2W MF	RA-R100-2
R2	73.2k 1% 1/4W MF	R-7322-41
R6	221k Ω 1% 1/4W MF	R-2213-41
R14,17	750 Ω 1% 1/4W MF	R-7500-41
R19	75A, 50mV Blade Shunt	RS-075B-050A

A4 PCB Assembly Differential Parts - Model 60-50

Designation	Description	Part #
R1	0.1 Ω 5% 2W MF	RA-R100-2
R2	80.6k 1% 1/4W MF	R-8062-41
R6	221k Ω 1% 1/4W MF	R-2213-41
R14,17	681 Ω 1% 1/4W MF	R-6810-41
R19	75A, 50mV Blade Shunt	RS-075B-050A

A4 PCB Assembly Differential Parts - Model 80-37

Designation	Description	Part #
R1	0.1 Ω 5% 2W MF	RA-R100-2
R2	110k 1% 1/4W MF	R-1103-41
R6	221k Ω 1% 1/4W MF	R-2213-41
R14,17	750 Ω 1% 1/4W MF	R-7500-41
R19	50A, 50mV Blade Shunt	RS-050B-050A

6.4 Replaceable Parts

6.4.6 Power Stage (continued)

A4 PCB Assembly Differential Parts - Model 150-20

Designation	Description	Part #
R1	0.2Ω 5% 2W MF	RW-R100-2
R2	150k 1% 1/4W MF	R-1503-41
R6	121k 1% 1/4W MF	R-1213-41
R14,17	750Ω 1% 1/4W MF	R-7500-41
R19	50A, 50mV Blade Shunt	RS-050B-050A

Output Filter A7 PCB Assembly

The A7 PCB Assembly can be ordered in its complete, model-specific version. Individual parts, whether they are common to all models or differential, can also be ordered. Mounting hardware for the A7 PCB can be found in **Power Stage Hardware** later in this section.

Complete A7 PCB Assembly

Designation	Description	Part #
Model 8-350	A7 PCB Assembly (Common and Differential Parts)	X2-25A7-008
Model 12-250	A7 PCB Assembly (Common and Differential Parts)	X2-25A7-012
Model 20-150	A7 PCB Assembly (Common and Differential Parts)	X2-25A7-020
Model 40-75	A7 PCB Assembly (Common and Differential Parts)	X2-25A7-040
Model 55-55	A7 PCB Assembly (Common and Differential Parts)	X2-25A7-055
Model 60-50	A7 PCB Assembly (Common and Differential Parts)	X2-25A7-060
Model 80-37	A7 PCB Assembly (Common and Differential Parts)	X2-25A7-080
Model 150-20	A7 PCB Assembly (Common and Differential Parts)	X2-25A7-150

A7 PCB Assembly Common Parts

Designation	Description	Part #
C10,11	50nF 1kV Z5U -20% to +80% 10mm Cer Rad Cap	CC-503J-69
PCB	A7 PCB Rev. A (bare)	PC-2507-A
	Output Sense Jumper Assembly	WA-1SNS
	A7 Chassis Ground Wire Assembly	WA-25A7-CH

A7 PCB Assembly Differential Parts - Model 8-350

Designation	Description	Part #
C1,2,3	47000μF 16V 10mm Snap-in Elec Rad Cap 30D x 45L	CL-473J-16
C4	100μF 100V 5mm Electrolytic Rad Capacitor	CL-101F-76
C6,8	Empty Position	
C7	50nF 1kV Z5U -20% to +80% 10mm Cer Rad Cap	CC-503J-69
C9	1μF 100V MF 10% 15mm Radial Capacitor	CD-105L-16
R1	20Ω 5% 5W WW Resistor	RW-20R0-5

6.4 Replaceable Parts

6.4.6 Power Stage (continued)

A7 PCB Assembly Differential Parts - Model 12-250

Designation	Description	Part #
C1,2,3	47000 μ F 16V 10mm Snap-in Elec Rad Cap 30D x 45L	CL-473J-16
C4	100 μ F 100V 5mm Electrolytic Rad Capacitor	CL-101F-76
C6,8	Empty Position	
C7	50nF 1kV Z5U -20% to +80% 10mm Cer Rad Cap	CC-503J-69
C9	1 μ F 100V MF 10% 15mm Radial Capacitor	CD-105L-16
R1	39 Ω 5% 5W WW Resistor	RW-39R0-5

A7 PCB Assembly Differential Parts - Model 20-150

Designation	Description	Part #
C1,2,3	22000 μ F 25V 10mm Snap-in Elec Rad Cap 30D x 45L	CL-223J-25
C4	100 μ F 100V 5mm Electrolytic Rad Capacitor	CL-101F-76
C6,8	Empty Position	
C7	50nF 1kV Z5U -20% to +80% 10mm Cer Rad Cap	CC-503J-69
C9	1 μ F 100V MF 10% 15mm Radial Capacitor	CD-105L-16
R1	100 Ω 5% 5W WW Resistor	RW-1000-5

A7 PCB Assembly Differential Parts - Model 40-75

Designation	Description	Part #
C1,2,3	3300 μ F 63V 10mm Snap-in Elec Rad Cap 35D x 30L	CE-332J-63
C4	100 μ F 100V 5mm Electrolytic Rad Capacitor	CL-101F-76
C6,8	Empty Position	
C7	50nF 1kV Z5U -20% to +80% 10mm Cer Rad Cap	CC-503J-69
C9	1 μ F 100V MF 10% 15mm Radial Capacitor	CD-105L-16
R1	470 Ω 5% 5W WW Resistor	RW-4700-5

A7 PCB Assembly Differential Parts - Model 55-55

Designation	Description	Part #
C1,2,3	3300 μ F 63V 10mm Snap-in Elec Rad Cap 35D x 30L	CE-332J-63
C4	100 μ F 100V 5mm Elec Rad Capacitor	CL-101F-76
C6,8	Empty Position	
C7	50nF 1kV Z5U -20% to +80% 10mm Cer Rad Cap	CC-503J-69
C9	1 μ F 100V MF 10% 15mm Radial Capacitor	CD-105L-16
R1	1k 5% 5W WW Resistor	RW-1001-5

A7 PCB Assembly Differential Parts - Model 60-50

Designation	Description	Part #
C1,2,3	3300 μ F 63V 10mm Snap-in Elec Rad Capacitor 35D x 30L	CE-332J-63
C4	100 μ F 100V 5mm Elec Rad Capacitor	CL-101F-76
C6,8	Empty Position	
Continued on next page.		

6.4 Replaceable Parts

6.4.6 Power Stage (continued)

A7 PCB Assembly Differential Parts - Model 60-50 (continued)

Designation	Description	Part #
C7	50nF 1kV Z5U -20% to +80% 10mm Cer Rad Cap	CC-503J-69
C9	1 μ F 100V MF 10% 15mm Radial Capacitor	CD-105L-16
R1	1k 5% 5W WW Resistor	RW-1001-5

A7 PCB Assembly Differential Parts - Model 80-37

Designation	Description	Part #
C1,2,3	1000 μ F 100V 10mm Snap-in Elec Rad Capacitor 30 x 30	CE-102J-76
C4	100 μ F 100V 5mm Elec Rad Capacitor	CL-101F-76
C6,8	Empty Position	
C7	50nF 1kV Z5U -20% to +80% 10mm Cer Rad Cap	CC-503J-69
C9	1 μ F 100V MF 10% 15mm Radial Capacitor	CD-105L-16
R1	2k 5% 5W WW Resistor	RW-2001-5

A7 PCB Assembly Differential Parts - Model 150-20

Designation	Description	Part #
C1,2,3	1000 μ F 200V 10mm Snap-in Elec Rad Capacitor	CL-102J-80
C4	100 μ F 100V 5mm Elec Rad Capacitor	CL-101F-76
C6,8	Empty Position	
C7	50nF 1kV Z5U -20% to +80% 10mm Cer Rad Cap	CC-503J-69
C9	1 μ F 100V MF 10% 15mm Radial Capacitor	CD-105L-16
R1	2k 5% 5W WW Resistor	RW-2001-5

Auxiliary Output Filter A8 PCB Assembly

The A8 PCB Assembly can be ordered in its complete version. Component parts can also be ordered. Mounting hardware for the A8 PCB can be found in **Power Stage Hardware** later in this section.

Complete A8 PCB Assembly

Designation	Description	Part #
Model 8-350	A8 PCB Assembly	X2-25RF-008
Model 12-250	A8 PCB Assembly	X2-25RF-012
Model 20-150	A8 PCB Assembly	X2-25RF-020
Model 40-75	A8 PCB Assembly	X2-25RF-040
Model 55-55	A8 PCB Assembly	X2-25RF-055
Model 60-50	A8 PCB Assembly	X2-25RF-060
Model 80-37	A8 PCB Assembly	X2-25RF-080

6.4 Replaceable Parts

6.4.6 Power Stage (continued)

A8 PCB Assembly Common Parts

Designation	Description	Part #
C1, C2 PCB	Empty Position 1 μ F 100V MF Capacitor A8 PCB (bare)	CD-105L-16 PC-2508

A8 PCB Assembly Output Filter Differential Parts - Model 8-350

Designation	Description	Part #
C3	1 μ F 100V MF Capacitor	CD-105L-16
C4,5	1 μ F 50V Z5U Cer 10% Radial Capacitor	CC-105F-06
For bus bar screws	10 μ F 50V 10% Film Axial Lug 1.25"	CD-106A-06

A8 PCB Assembly Output Filter Differential Parts - Model 12-250

Designation	Description	Part #
C3	1 μ F 100V MF Capacitor	CD-105L-16
C4,5	1 μ F 50V Z5U Cer 10% Radial Capacitor	CC-105F-06
For bus bar screws	10 μ F 50V 10% Film Axial Lug 1.25"	CD-106A-06

A8 PCB Assembly Output Filter Differential Parts - Model 20-150

Designation	Description	Part #
C3	1 μ F 100V MF Capacitor	CD-105L-16
C4,5	1 μ F 50V Z5U Cer 10% Radial Capacitor	CC-105F-06

Output Rectifier and Snubbers Assembly

Model-specific output rectifiers as well as snubber assemblies can be ordered from the following lists. Mounting hardware for this assembly can be found in **Power Stage Hardware** later in this section.

Snubbers Assembly Parts

Designation	Description	Part #
Model 8-350	47nF 50V X7R 10% 5.0mm Ceramic Radial Capacitor	CB-473F-06
Model 12-250, 20-150	0.01 μ F, 250Vac, 20%, MPY, 30MML	822-103-54
Model 40-75	4.7 μ F 400V Film Capacitor	CD-472J-46
Models 55-55, 60-50, 80-37	3.3nF 1kV Z5U -20% to +80% 6.5mm Ceramic Radial Capacitor	CC-332G-67
Model 8-350, 12-250, 20-150	1 Ω 5W 5% 100PPM/C Non-Inductive (Snubber Resistor)	RN-1R00-5
Model 40-75	12 Ω 5W 5% NI (Snubber Resistor)	RN-12R0-5
Model 55-55, 60-50	12 Ω 5W 5% NI (Snubber Resistor)	RN-12R0-5
Model 80-37	28 Ω 5W 5% NI (Snubber Resistor)	RN-28R0-5
For mounting snubbers	#10 Solder Lug, Bent, Locking $\frac{7}{8}$ " #6 Solder Lug, Bent, Locking $\frac{13}{16}$ "	MC-0214-SL MC-6213-SL

6.4 Replaceable Parts

6.4.6 Power Stage (continued)

Output Rectifiers

Designation	Description	Part #
Model 8-350	MBR 30045 DSR 300A 45V Power Tap	CR-3004-PT
Model 12-250	MBR 30060 DSR 300A 60V Power Tap	CR-3006-PT
Model 20-150	200A, 200V DMFR Rectifier, Power Tap	CR-2040-PT
Model 40-75	200A, 200V DMFR Rectifier, Power Tap	CR-2040-PT
Model 55-55	200A, 400V DMFR Rectifier, Power Tap	CR-2040-PT
Model 60-50	200A, 400V DMFR Rectifier, Power Tap	CR-2040-PT
Model 80-37	200A, 400V DMFR Rectifier, Power Tap	CR-2040-PT

Bus bars

Designation	Description	Part #
Model 8-350, 12-250 20-150	Inductor/Shunt Bus Bar 1/4" Negative Output Bus Bar 1/4" Positive Output Bus Bar 1/4"	SM-2525-LB SM-2525-NB SM-2525-PB
Model 40-75, 55-55, 60-50, 80-37, 150-20	Inductor/Shunt Bus Bar 1/8" Negative Output Bus Bar 1/8" Positive Output Bus Bar 1/8"	SM-2512-LB SM-2512-NB SM-2512-PB

Complete A9 PCB Assembly

Designation	Description	Part #
Model 8-350	A9 PCB Assembly	X2-25A9-008
Model 12-250	A9 PCB Assembly	X2-25A9-012

A9 PCB Assembly Ripple Current Reduction Common Parts

Designation	Description	Part #
L1	1.060" x 0.437" Torroid Powdered Iron	FT-1044-PI
P1	2 Pole Mate Mate-N-Lok PCB Header	MC-0209-ML
For Mounting A9 PCB	#6-32 x 1/4" Kep Nut	MN-632K-08
For Mounting A9 PCB	#6 x 1/4" Internal Lockwasher	MW-6108
For Mounting A9 PCB	#6 x 5/16" Flatwasher, Plated	MR-625T-06
For Mounting A9 PCB	Standoff, Hex Brass 6-32 x 3/8" Ni Plate	MS-6P00-05
PCB	A9 PCB Rev. A (bare)	PC-2509-A

A9 PCB Assembly Ripple Current Reduction Differential Parts – 8V, 12V, 20V Models

Designation	Description	Part #
C1	3300µF 63V 10mm El Capacitor 350x30L Snap-In	CE-332J-63
R1	0.1Ω 2W 5% MF	RA-R100-2
For Torroid Mounting	#18 Teflon Sleeving	IS-T200-18
For Torroid Mounting	#18 Bus Wire Tinned Cu.	WB-0018-0010

6.4 Replaceable Parts

6.4.6 Power Stage (continued)

A10 PCB Assembly Output Rectifier – 150V Models

Designation	Description	Part #
C1,2,3,4,5 CR1,2,3,4 PCB R1,2,3,4 R5 S1,2	A10 Rectifier Assembly Inductor Wire	WA-2510-L
	A10 Rectifier Assembly Output Wire	WA-2510-OUT
	A10 Rectifier Clamp Insulator	IN-2510-N
	A10 Thermal Insulator	IN-2510-TH
	Fast on Fm 1/4 x 0.32" Awg 14-16	MC-0250-FO
	1/4" Ring Tongue, 12-10 Awg, Non-Insulated	MC-1204-RT
	#10 TEW Stranded Red	WT-0110-RD
	220pF 3kV 20% Z5U 6.5mm Ceramic Capacitor	CC-221G-97
	DSEI30-10A UR 30A 1kV 50nS TO247AD	CR-3010-AMF
	A10 PCB (bare)	PC-2510
	330Ω 3W 5% MF	RA-3300-6
470Ω 5W 5% WW Low Inductance	RN-4700-5	
#6-32 Vertical PCB Mounted Screw Terminal	MC-8191-PC	

Power Transformer and Inductor Assembly

This component of the Power Stage Assembly is available as a complete, model-specific assembly as well as its model-specific inductor and transformer assemblies. Mounting hardware for this assembly can be found in **Power Stage Hardware**.

Complete Power Transformer and Inductor Assembly

Designation	Description	Part #
Model 8-350	Power Transformer and Inductor Assembly	X2-25TL-008
Model 12-250	Power Transformer and Inductor Assembly	X2-25TL-012
Model 20-150	Power Transformer and Inductor Assembly	X2-25TL-020
Model 40-75	Power Transformer and Inductor Assembly	X2-25TL-040
Model 55-55	Power Transformer and Inductor Assembly	X2-25TL-055
Model 60-50	Power Transformer and Inductor Assembly	X2-25TL-060
Model 80-37	Power Transformer and Inductor Assembly	X2-25TL-080
Model 150-20	Power Transformer and Inductor Assembly	X2-25TL-150

Power Transformer and Inductor Assemblies

Designation	Description	Part #
Model 8-350	Output Inductor Assembly for Power Stage	L2-25PS-008
	Output Transformer Assembly	T2-25PS-008
	8V Transformer/Inductor Wire Assembly	WA-25TL-008
Model 12-250	Output Inductor Assembly for Power Stage	L2-25PS-012
	Output Transformer Assembly	T2-25PS-012
	12V Transformer/Inductor Wire Assembly	WA-25TL-012
Model 20-150	Output Inductor Assembly for Power Stage	L2-25PS-020
	Output Transformer Assembly	T2-25PS-020
	20V Transformer/Inductor Wire Assembly	WA-25TL-020

Continued on next page.

6.4 Replaceable Parts

6.4.6 Power Stage

Power Transformer and Inductor Assemblies (continued)

Designation	Description	Part #
Model 40-75	Output Inductor Assembly for Power Stage	L2-25PS-040
	Output Transformer Assembly	T2-25PS-040
	40V Transformer/Inductor Wire Assembly	WA-25TL-040
Model 55-55	Output Inductor Assembly for Power Stage	L2-25PS-055
	Output Transformer Assembly	T2-25PS-055
	55V Transformer/Inductor Wire Assembly	WA-25TL-055
Model 60-50	Output Inductor Assembly for Power Stage	L2-25PS-055
	Output Transformer Assembly	T2-25PS-060
	60V Transformer/Inductor Wire Assembly	WA-25TL-060
Model 80-37	Output Inductor Assembly for Power Stage	L2-25PS-080
	Output Transformer Assembly	T2-25PS-080
	80V Transformer/Inductor Wire Assembly	WA-25TL-080
Model 150-20	Output Inductor Assembly for Power Stage	L2-25PS-150
	Output Transformer Assembly	T2-25PS-150
	150V Transformer/Inductor Wire Assembly	WA-25TL-150

Power Stage Hardware

Designation	Description	Part #
Heatsink	Heatsink (2 per unit)	HS-2500-PS
For mounting heatsinks	2.5kΩ H/S Mounting Extrusion, NORYL EN265 (2 per unit)	MI-2500-EX
For mounting bus bars	#6 Nylon Shoulder Washer 0.25" x 3/8"	MI-0625-SW
	#6 x 3/8" Male Threaded Solder Turret	MR-625C-06
	5 mil. NOMEX Insulator	IN-25PS-HS
	9 mil. Thermally Conductive Insulator	IN-25PS-PB
For mounting rectifier to bus bars	1/4-20 x 7/16" Hex Nut	MN-120H-14
	1/4" Bronze Split Lockwasher	MW-1318-B
	1/4" Brass Flatwasher	MW-1418-B
For mounting transformer, inductor, and snubbers	#10-32 x 3/8" Brass Hex Nut	MN-032B-12
	#10 x 3/8" Brass Internal Lockwasher	MW-0112-B
	#10 x 7/16" Brass Flatwasher	MW-0414-B
	Transformer Bus Tab	SM-2500-TB
For mounting transformer bus tab to rectifier	1/4-20 x 3/8" Brass Binderhead Screw	MS-7S27-06
	1/4" Bronze Split Lockwasher	MW-1318-B
	1/4" Brass Flatwasher	MW-1418-B
For mounting shunt/A4 PCB to bus bar	5/16-18 x 1/2" Hex Nut Brass	MN-318B-16
	5/16" Bronze Split Lockwasher	MW-2324-B
	Brass Washer 0.337" ID x 0.75" OD	MW-2424-B
	1/4" x 15/32" Brass Internal Lockwasher"	MW-1115-B

Continued on next page.

6.4 Replaceable Parts

6.4.6 Power Stage

Power Stage Hardware (continued)

Designation	Description	Part #
For mounting A7 PCB and bus bars	#6 x 1/4" Internal Lockwasher	MW-6108
For A8 PCB, rectifier, downprogrammer FET, and snubbers	#6-32 x 3/8" PPM Zinc Screw	MS-6P00-06
For A7 and A8 PCBs, and bus bars	#6-32 x 1/4" KEP Nut	MN-632K-08
For A8 PCB	#6 x 3/16" Flatwasher	MW-6410
	#6-32 x 7/16" PPM Zinc Screw	MS-6P00-07

6.4.7 AC Input and RFI Filter A5 PCB Assembly

Designation	Description	Part #
Chassis-mounted AC I/P connector	A5 Wire Harness	WA-25A5
AC I/P mating connector housing	4 Position Plug Housing High Current Chassis	MI-6416-851
For AC I/P wire strain relief mounting	4 position Cap Housing High Current	MI-6432-672
For AC housing C1-3, 7-9	4 position Cap Housing Strain Relief	MI-6432-661
C4-6	#6-32 x 5/8" Type B Screws	MS-6P12-10
L1	Contact Pins	MC-3508-211
For mounting L1	1 µF 250Vac X 10% MF Rad 27.5mm	CD-105P-36
	10 nF 250Vac Y 10% MF Rad 15mm	CD-103L-36
PCB	Input Common Mode Inductor	L2-25A5
RI-3	#6-32 x 5/16" Philips Pan Screw	MS-6P00-05
	#6 x 1/4" Flat Washer	MW-6410
	#6-32 x 1/4" Kep Nut	MN-632K-08
	A5 PCB Rev. A. (bare)	PC-2505-A
	1MΩ 1% 1/4W MF	R-1004-41

6.4.8 AC Input Rectifier A6 PCB Assembly

Designation	Description	Part #
	A6 Input PFC Inductor	L2-25A6
	A6 Wire Harness	WA-25A6
	Insulator, NOMEX 20 mil	IN-1730-20
C1	1µF 250Vac X 10% MF Rad 27.5mm	CD-105P-36
C3,4	10nF 250Vac Y 10% MF Rad 15mm	CD-103L-36
CR1	1N4005 R D041 600V 1.A Diode	CR-4005
CR6,6A	800V 35A Chassis-mount Bridge Rectifier	CR-B358
For mounting rectifier	#6-32 x 1/4" KEP Nut	MN-632K-08
F1	2A 250V 3AG Fast Fuse	F2-0200-F
F2	20A 600V Fast Fuse 13/32 x 1 1/2"	F2-2000-F
For F2	5AG Tin-Plate Brass PC Mount Fuseclip	MC-5011-FC
Continued on next page.		

6.4 Replaceable Parts

6.4.8 AC Input Rectifier A6 PCB Assembly

Designation	Description	Part #
F3	500mA 250V 3AG Fast Fuse	F2-0050-F
For F1 & F3	3AG Tin-Plate Brass PC Mount Fuseclip	MC-3001-FC
For K1	Relay Dust Cover For T90 Style Relay	MI-0T90-DC
K1	12V 30A SPST PC Mount	K1-012D-30AP
P1,3,4	2 Pole Mate-N-Lok PCB Header	MC-0209-ML
P2,5	Fast-On 0.25" Male Right Angle PCB Mount	MC-2520-1MFO
PCB	A6 PCB Rev. C (bare)	PC-2506-C
For mounting PCB	Heatsink	SM-25A6-HS
	#6-32 x 5/16" PPM Zinc Screw	MS-6P00-05
	#6 Internal Lockwasher	MW-6108
	#6 x 5/16" Flatwasher, Plated	MW-6410
R1	51Ω 10W 5% WW Resistor	RW-51R0-0
R2	36k 5W 5% WW Resistor	RW-3602-5

APPENDIX A

ASSEMBLY SCHEMATICS

Interconnect Diagram

Assembly Schematics:

A1 Assembly (Front Panel)

A2 Assembly (Control Circuit)

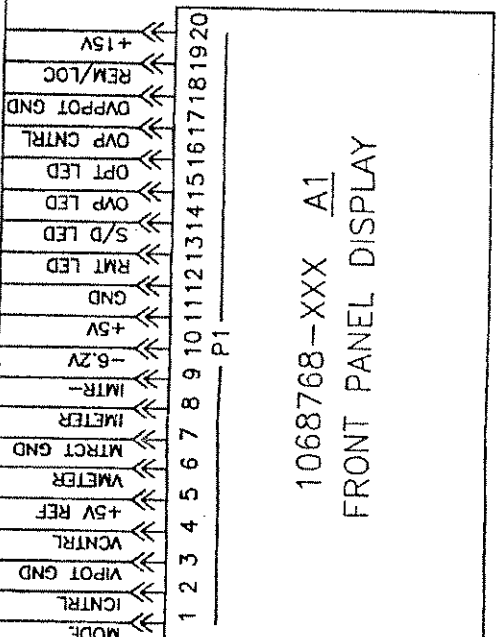
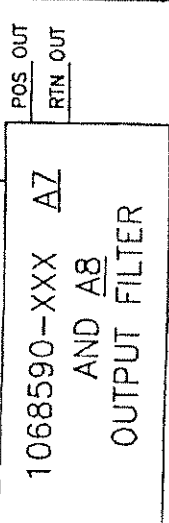
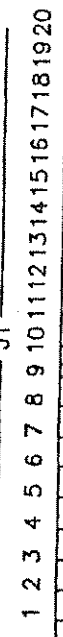
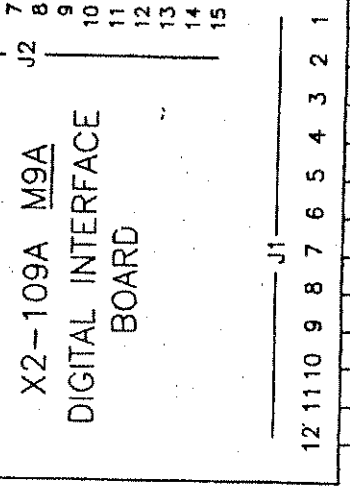
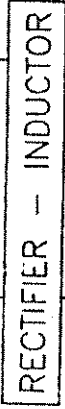
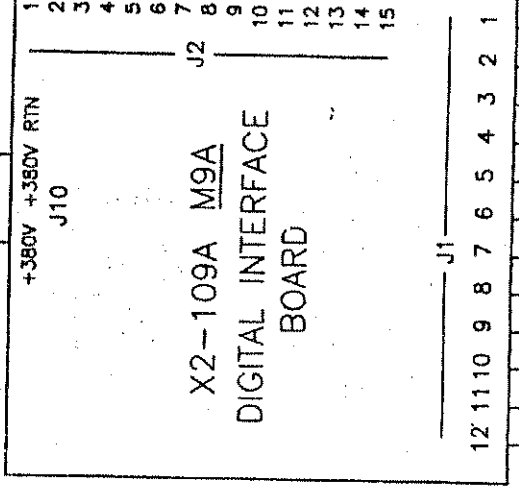
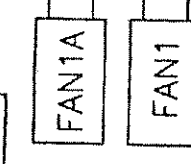
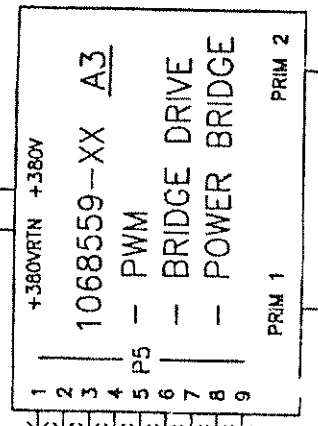
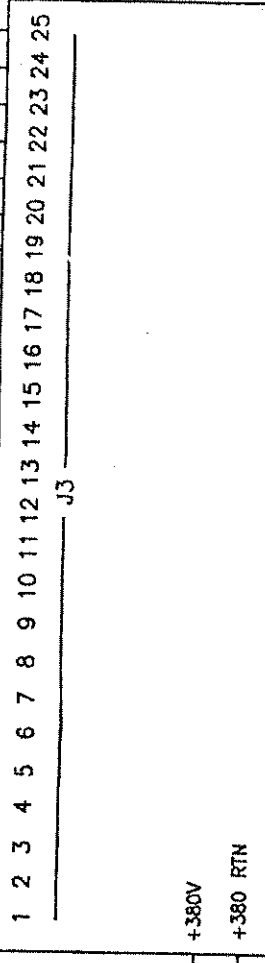
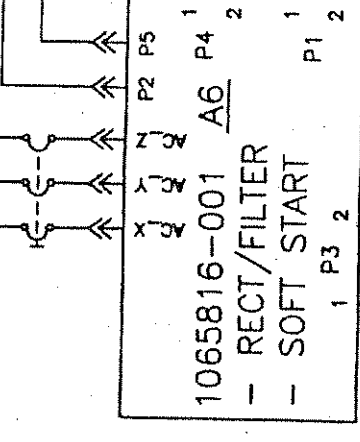
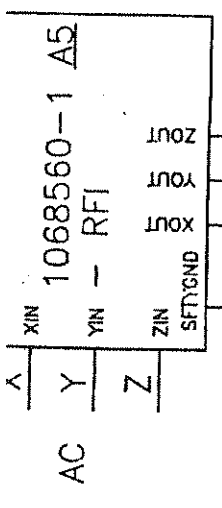
A3 Assembly (Driver, Bridge & PWM)

Complete Power Stage (A4, A7, A8, Plus)

A5 Assembly (AC Input and RFI Filter)

A6 Assembly (AC Input Rectifier)

ORIGINATED	930802
RELEASED PER ECO SJA176	930812



FOR LIST OF PARTS SEE

Sorensen
A Division of Switchcraft
A Raytheon Company
Paxton, N. 60957

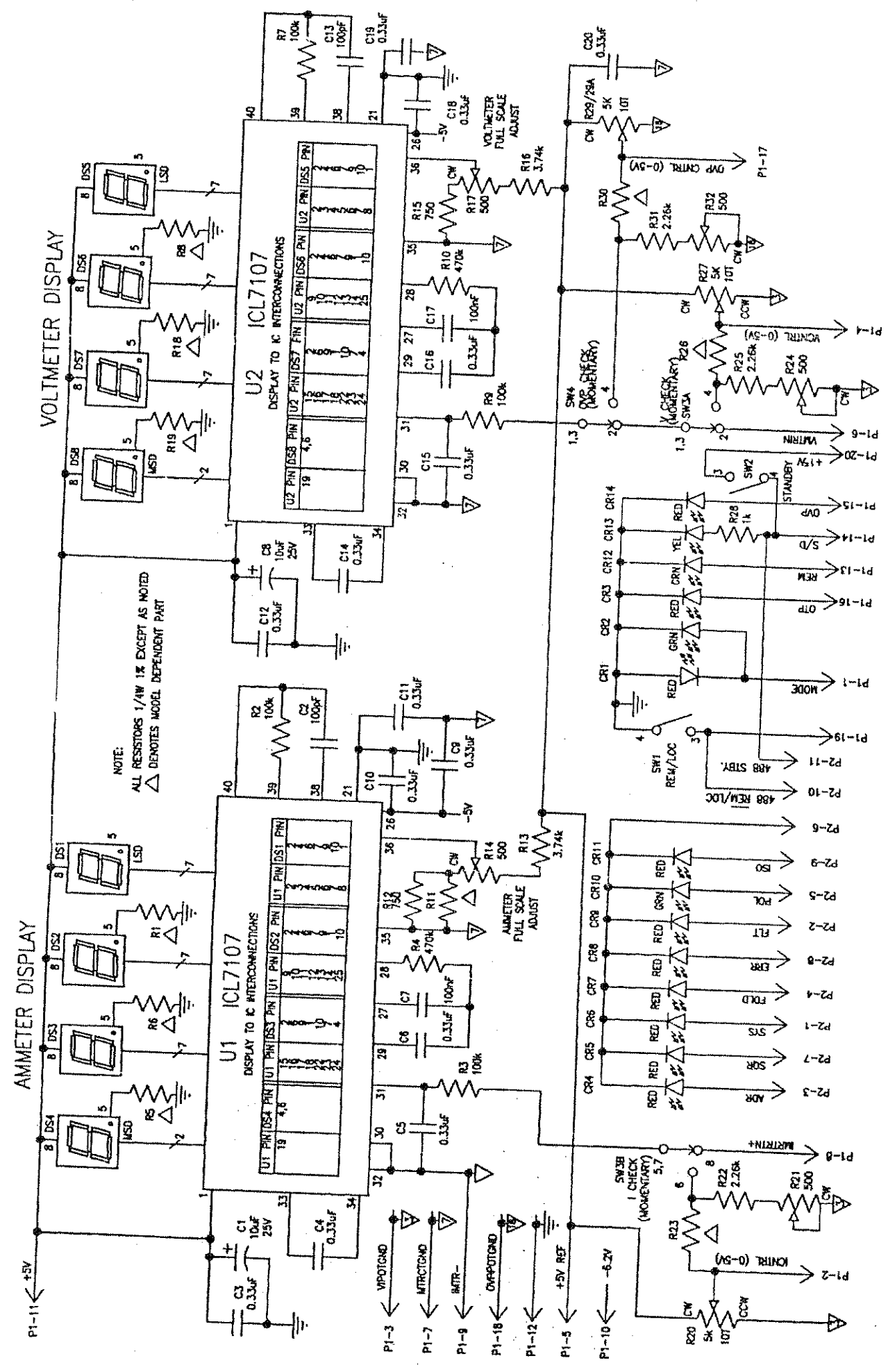
DRAWING TITLE: 3KW INTERCONNECT DIAGRAM

UNLESS OTHERWISE SPECIFIED TOLERANCES ARE:	SIZE	FSCN No.	DRAWING No.
1 PLACE DECIMAL ± .1	C		1068881
2 PLACE DECIMAL ± .01			
3 PLACE DECIMAL ± .005			
DRAWN BY: J. MARCH	SCALE	CLASS CODE	SHEET
CHECKED BY: C. BRUNSWICK		699	1 OF 1
APPROVED BY:			

NEXT ASSY: USED ON

APPLICATION: 2

ZONE	REV	DESCRIPTION	DATE	APP
		ORIGINATED	930614	
	A	RELEASED PER ECO 93A176	930619	



FOR LIST OF PARTS SEE

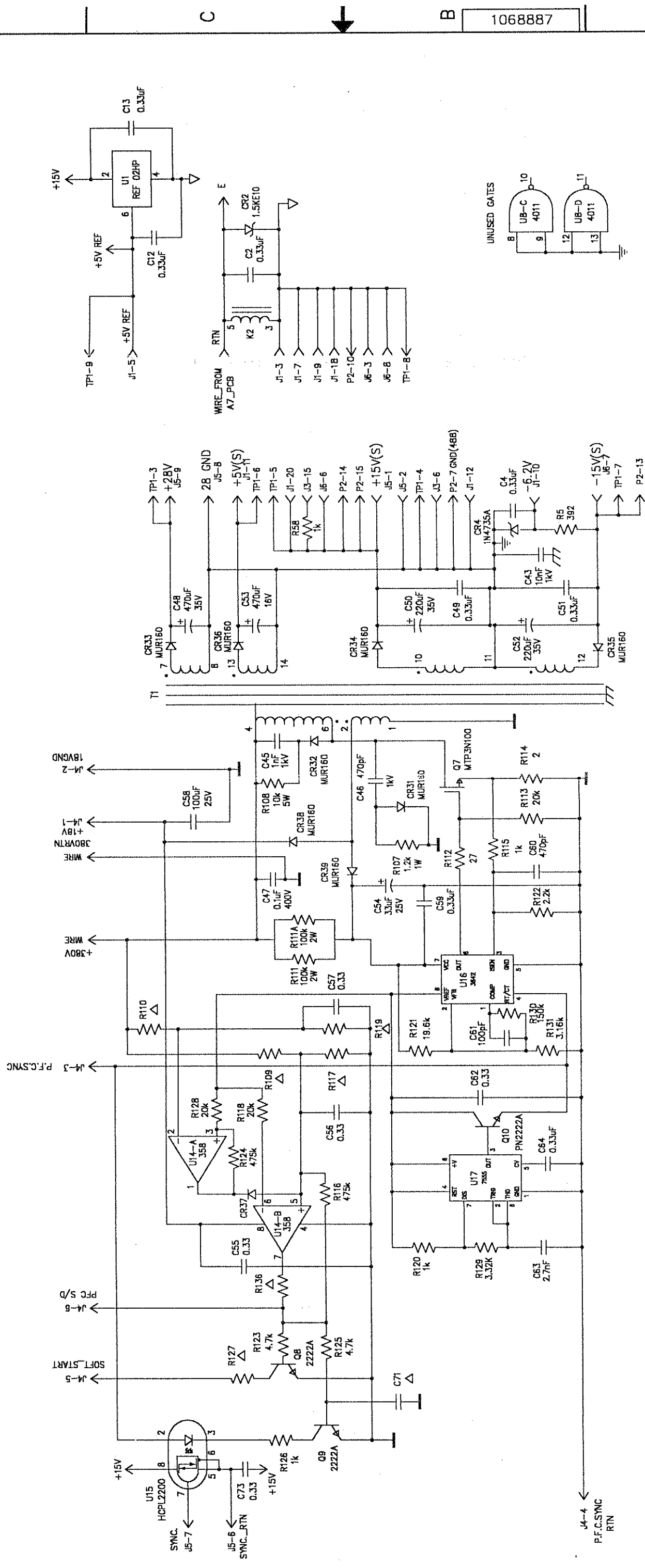
Sorenson A Raytheon Company		A Division of Switchcraft Peardon, IL 60957	
DRAWING TITLE SCHEMATIC, A1 ASSEMBLY			
UNLESS OTHERWISE SPECIFIED TOLERANCES ARE:	SIZE	DRAWING NO.	CLASS CODE
1. PLACE DECIMAL ± .1	C	-	699
2. PLACE DECIMAL ± .01		1068882	
3. PLACE DECIMAL ± .005			
DRAWN BY J. MARCH	CHECKED BY C. BRUNSWICK	SCALE NONE	SHEET 1 OF 1
3KW "DCS"	USED ON		
APPLICATION			

D C B A

2 3 4

1068887

A	RELEASED PER ECO 93A420	930827	CB
B	REVISED PER ECO 93A480	931008	CB
C	REVISED PER ECO 93A577	931215	CB
D	REVISED PER ECN N950084	DR 950711	ML
E	REVISED PER ECN N950649	DR 950912	ML
F	REVISED PER ECN N960552	DO 961018	ML
G	REVISED PER ECN N970611	DO 970728	ML



1. ALL DIODES ARE 1N4148 UNLESS SPECIFIED OTHERWISE.
2. ALL CAPACITORS ARE IN uF UNLESS SPECIFIED OTHERWISE.
3. ALL RESISTORS ARE IN OHMS.
4. ALL RESISTORS ARE 1/4W 1% TOL UNLESS SPECIFIED OTHERWISE.

REF	WITHOUT PFC	WITH PFC
C71	OPEN	3.3 uf
CR40	SHORT	1N4148
R109	909K	1M
R110	1.5M	1M
R117	20K	22.6K
R119	20K	13K
R127	100 OHMS	5.62
R136	SHORT	2.49K



SCHEMATIC, 3KW CONTROL PCB, A2

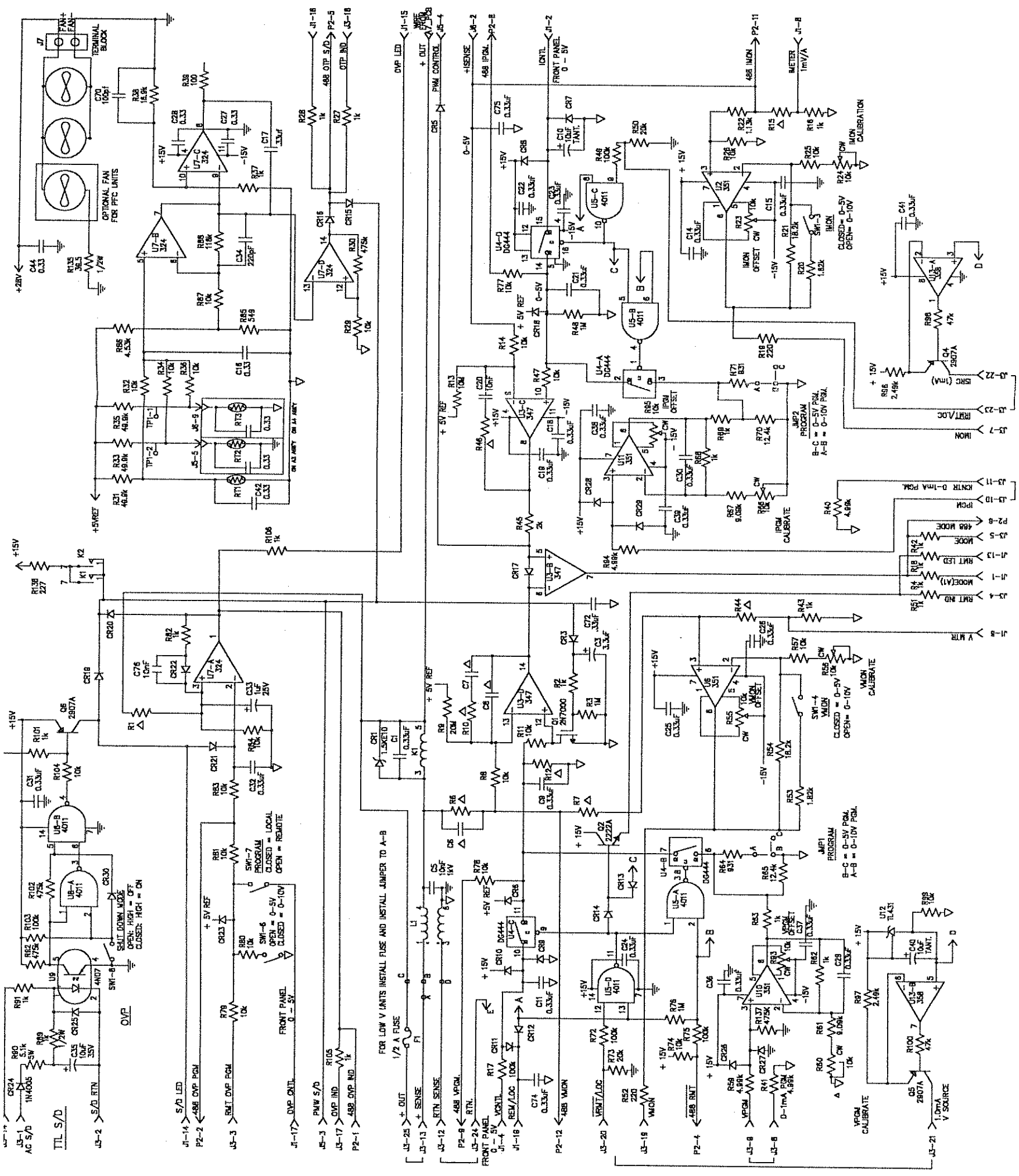
CONTRACT NO.	DATE
FIRST MADE FOR:	APPROVAL
DRAWN	K.P.
CHECKED	
ENGINEER	
QA-REL.	
UNLESS OTHERWISE SPECIFIED DIMENSIONS ARE IN INCHES	ANGLES
DECIMALS	FRACTIONS
.XX ± .03	± 1/32
.XXX ± .010	DO NOT SCALE THIS DRAWING
MATERIAL:	
DCS	USED ON
APPLICATION	
NEXT ASSY.	
FINISH:	
THE INFORMATION SHOWN HEREON WAS ORIGINATED BY AND IS THE PROPERTY OF ELGAR CORPORATION. IT IS HEREBY GRANTED TO THE UNITED STATES GOVERNMENT, ELGAR CORPORATION RESERVES ALL PATENT, COPYRIGHT, AND MANUFACTURING AND REPRODUCTION RIGHTS THEREIN.	

SIZE	CODE IDENT. NO.	DWG. NO.	REV.
D	25965	1068887	H
SCALE	NONE		
SHEET	1 OF 2		

NOTES:

UNCLASSIFIED
EXCLUDED FROM AUTOMATIC
DOWNGRADING AND
DECLASSIFICATION

REV	H
1068887	
25965	
SCALE NONE	
SHEET 2 OF 2	1



SEE SHEET 1

1068887

1

2

3

4

5

6

7

8

P2-3 TIL S/D

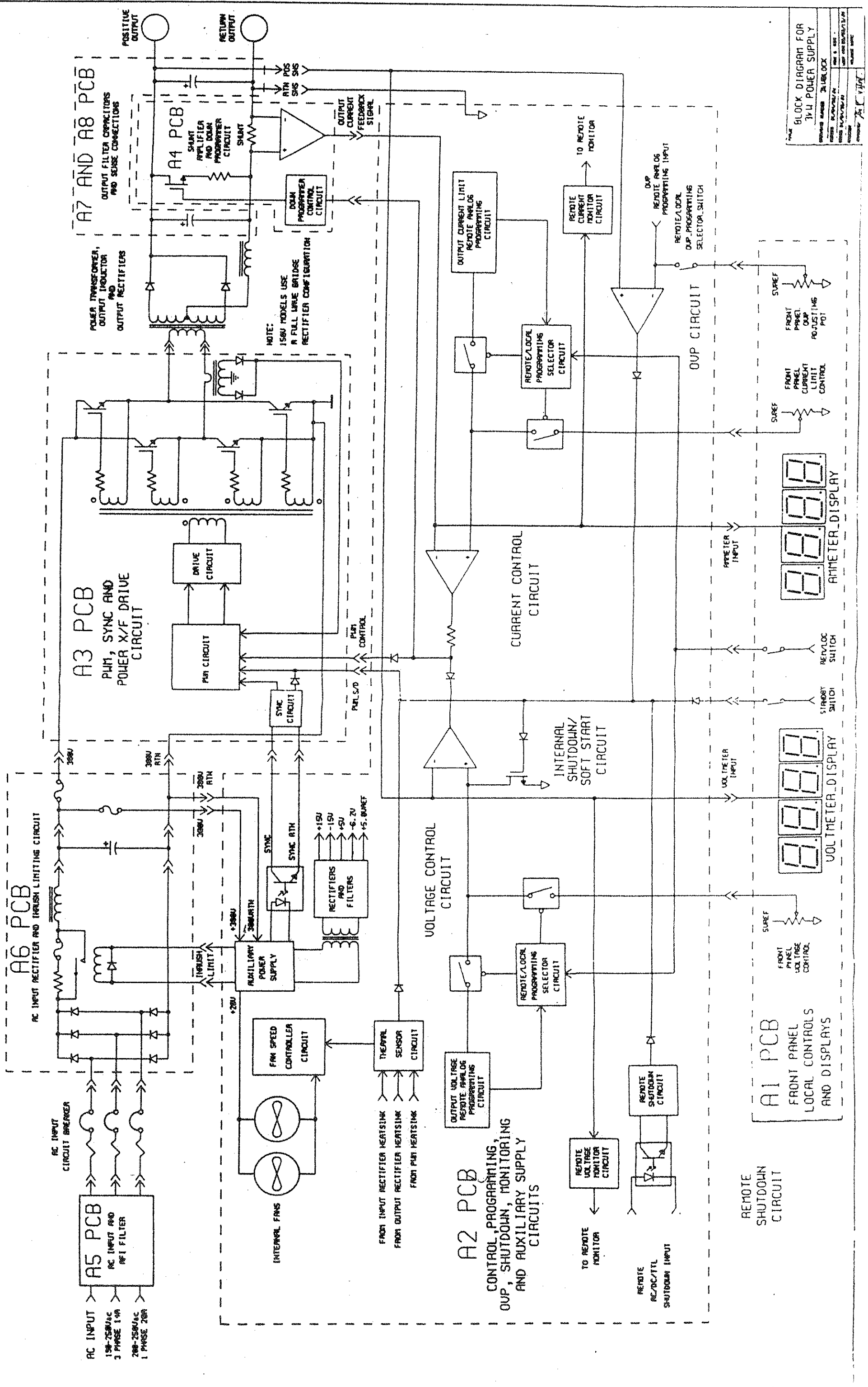


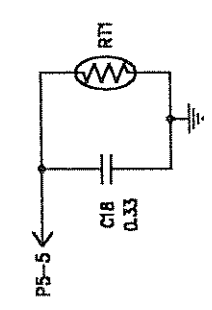
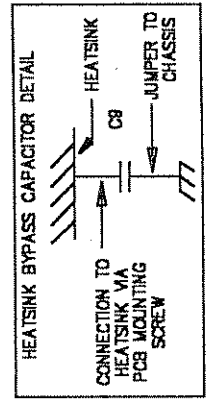
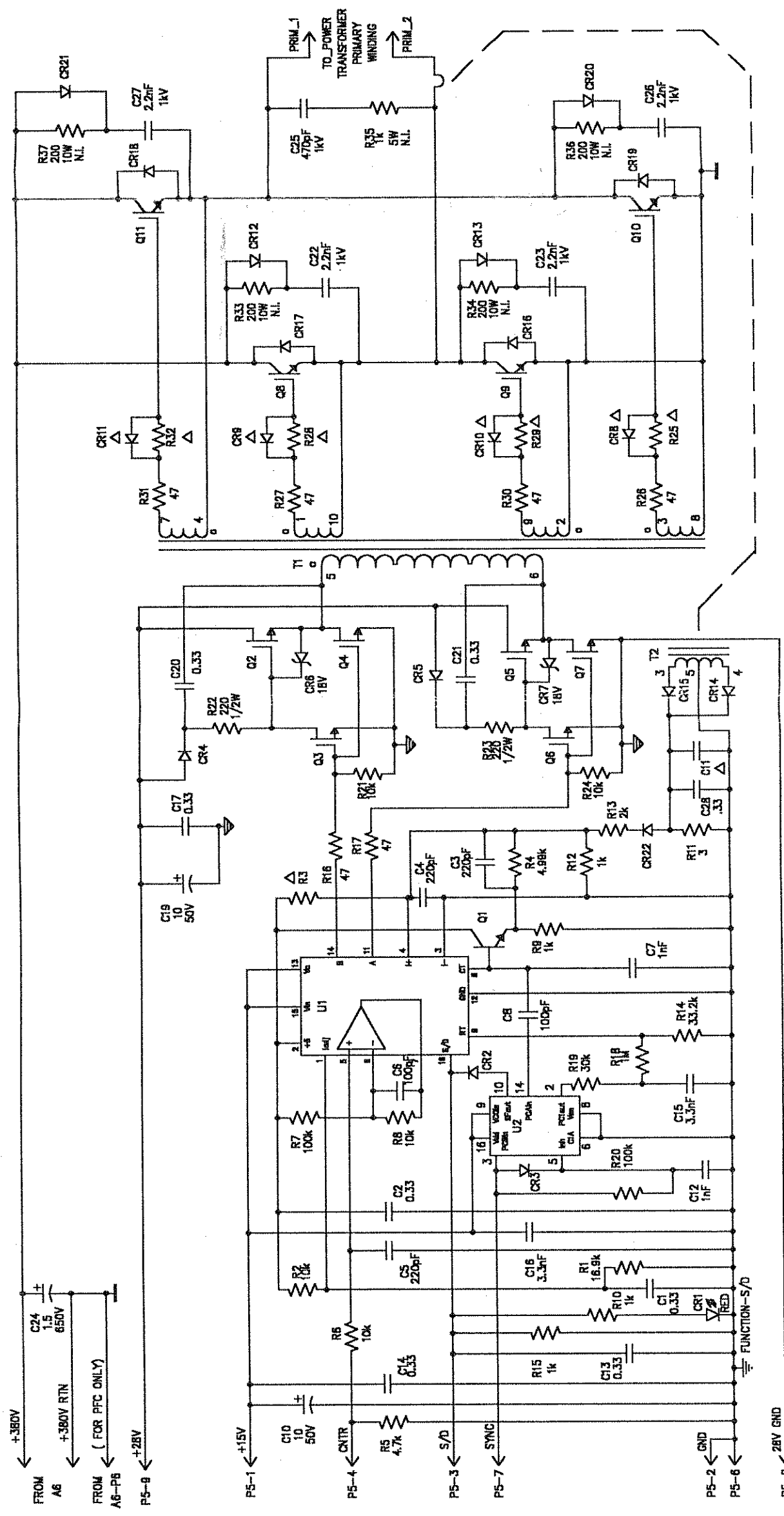
FIG. 1
BLOCK DIAGRAM FOR
74V POWER SUPPLY

DESIGNED BY: J. C. BLOOM
DATE: 10/10/74
REV: 1
DRAWN BY: J. C. BLOOM
CHECKED BY: J. C. BLOOM

A	RELEASED PER ECO 930110	930619
B	REVISED PER ECO 94A247	940718
C	REVISED PER ECN N950311	DR 950605
D	REVISED PER ECN N970611	DO 970728
		ML
		ML

1068883

1. ALL DIODES ARE 1N4148 UNLESS OTHERWISE INDICATED.
2. ALL CAPACITOR VALUES ARE IN μ F UNLESS OTHERWISE INDICATED.
3. ALL RESISTOR VALUES ARE IN OHMS.
4. Δ DENOTES A MODEL SPECIFIC PART.



ELGAR			
ASSEMBLY, DRIVER, BRIDGE AND P. W. M.			
CONTRACT NO.	DATE		
FIRST MADE FOR:	APPROVAL		
DESIGNED BY	DATE		
ENGINEER	DATE		
QA-REL	DATE		
UNLESS OTHERWISE SPECIFIED DIMENSIONS ARE IN INCHES DECIMAL FRACTIONS XX ± .03 ± 1/32 ± 1/2 XX ± .010 DO NOT SCALE THIS DRAWING			
MATERIAL:	DCS 3KW USED ON		
APPLICATION:	USED ON		
NEXT ASSY:			
THE INFORMATION DISCLOSED HEREIN WAS ORIGINATED BY AND IS THE PROPERTY OF ELGAR CORPORATION AND IS NOT TO BE REPRODUCED, COPIED, OR TRANSMITTED IN ANY FORM OR BY ANY MEANS, ELECTRONIC OR MECHANICAL, INCLUDING PHOTOCOPYING, RECORDING, OR BY ANY INFORMATION STORAGE AND RETRIEVAL SYSTEM, WITHOUT THE WRITTEN PERMISSION OF ELGAR CORPORATION. GOVERNMENT, ELGAR CORPORATION RESERVES ALL PATENT, PROPRIETARY, DESIGN, USE, SALE, MANUFACTURING AND REPRODUCTION RIGHTS THEREIN.			
SIZE	CODE IDENT. NO.	DWG. NO.	REV
D	25965	1068883	D
SCALE	NONE		SHEET 1 OF 1

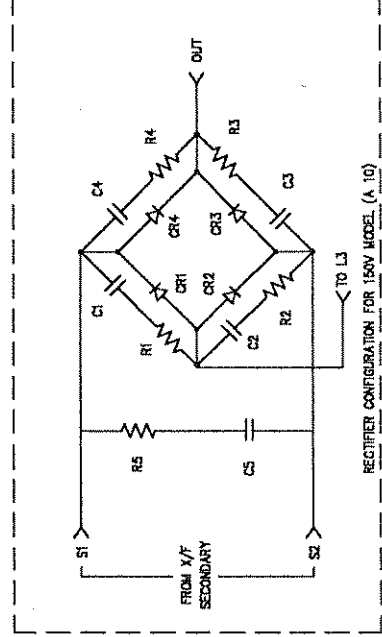
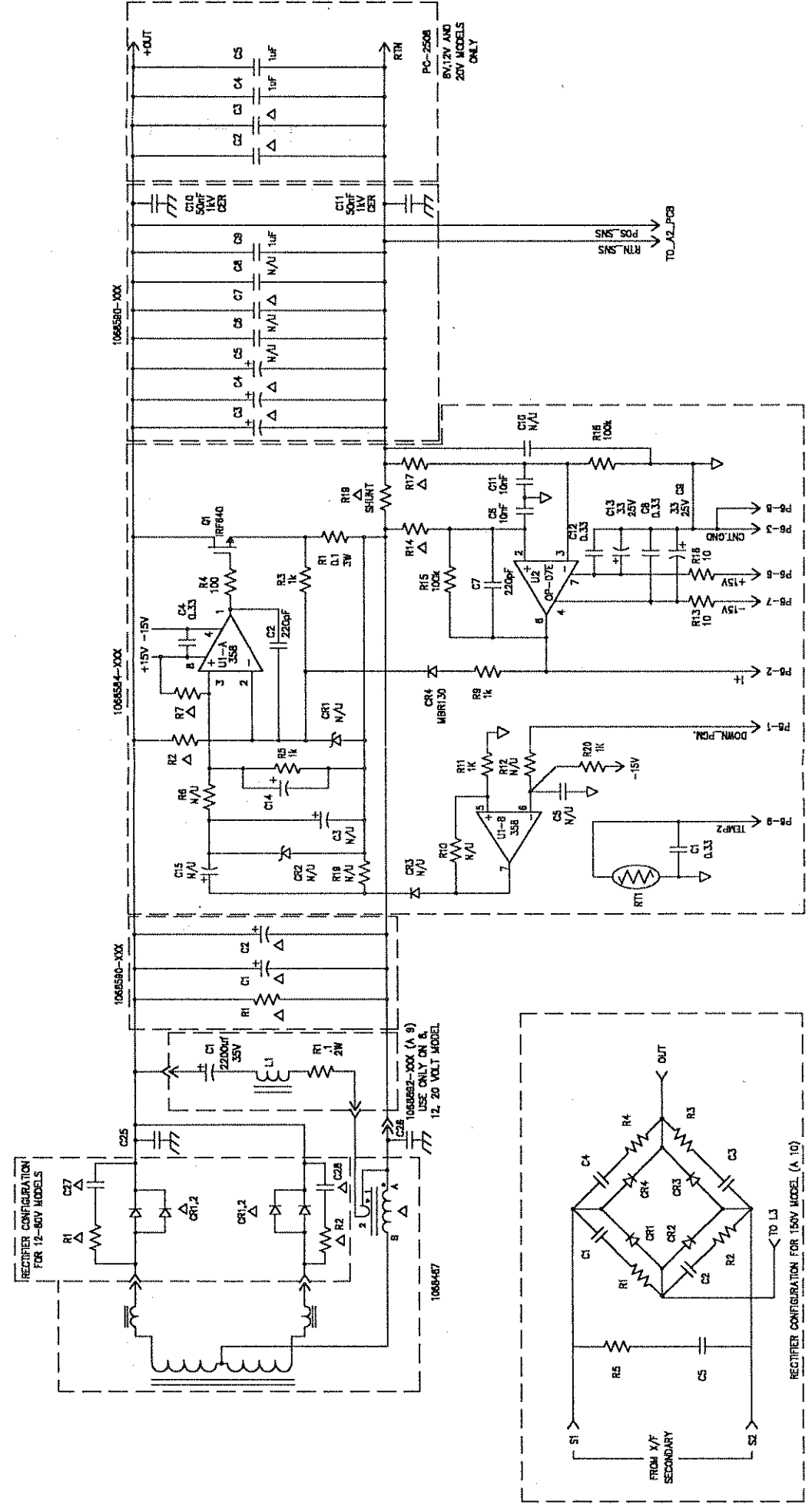
1	2	3	4	5	6	7	8
---	---	---	---	---	---	---	---

NOTES:

ORIGINAL

A	REVISED PER ECO 93A176	930812
B	REVISED PER ECO 93A506	931207
C	REVISED PER ECO 94A111	940524
D	REVISED PER ECO 94A175	940618
E	REVISED PER ECO 94A240	940708
F	REVISED PER ECO 94A244	940714
G	REVISED PER ECN N950311 DR	950605
H	REVISED PER ECN N970611 DO	970728
J	REVISED PER ECN N980723 DO	980810
K	REVISED PER ECN N980913 RH	12/14/98
L	REVISED PER ECN N981214 RH	12/14/98

1. AREAS ENCLOSED BY DASHED LINES REPRESENT COMPONENTS ASSOCIATED WITH SUB-ASSEMBLIES OF X2-25PS-XXX
2. ALL CAPACITOR VALUES ARE IN uF UNLESS OTHERWISE SPECIFIED.
3. ALL RESISTOR VALUES ARE IN OHMS UNLESS OTHERWISE SPECIFIED.
4. XXX INDICATES MODEL DEPENDENT NUMBERS IN ASSEMBLY NUMBERS
5. Δ INDICATES MODEL DEPENDENT COMPONENT VALUES.



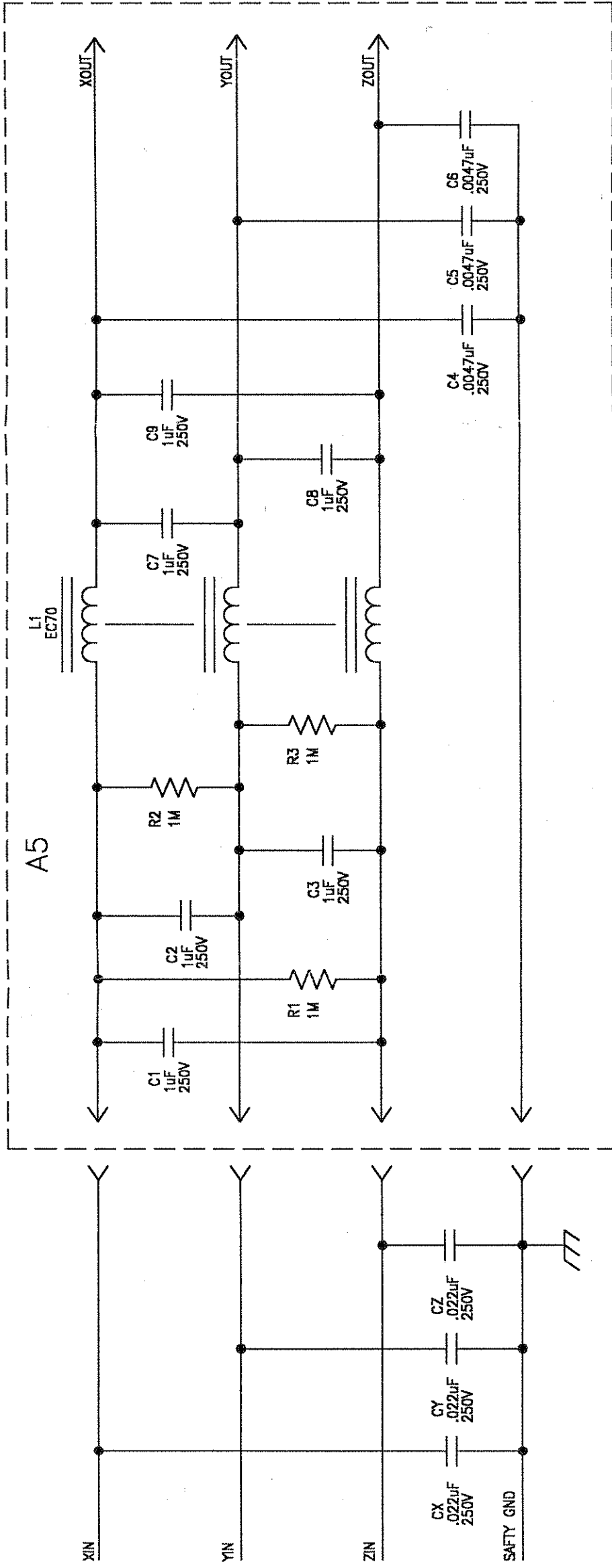
1068886

ELGAR		
COMPLETE POWER STAGE 3 KW POWER SUPPLY		
CONTRACT NO.	DATE	
FIRST MADE FOR APPROVAL	DATE	
DRAWN KP	ENGINEER	
CHECKED C. BRUSHWICK	DA-REL	
SEE DOCUMENT CONTROL FOR ORIGINAL SIGNATURES		
SIZE D	CODE BENT. NO. 1068886	REV L
SCALE NONE		SHEET 1 OF 1

UNLESS OTHERWISE SPECIFIED DIMENSIONS ARE IN INCHES	DECIMALS ± 0.03	FRACTIONS ± 1/32	ANGLES ± 1/2
DO NOT SCALE THIS DRAWING			
MATERIAL:	DCS, 3KW USED ON		
FINISH:			
APPLICATION:			
THE INFORMATION DESCRIBED HEREIN WAS ORIGINATED BY AND IS THE PROPERTY OF ELGAR CORPORATION, AND EXCEPT FOR THE INFORMATION CONTAINED HEREIN, NO PARTS, COMPONENTS, DESIGN, USE, SALE, MANUFACTURING AND REPRODUCTION RIGHTS HERETO.			

REVISIONS				
ZONE	REV	DESCRIPTION	DATE	APPROVED
	A	REL PER ECO 93A176	06/19/93	
	B	REV PER ECN #N960278	5-30-96	ML

NOTES: UNLESS OTHERWISE SPECIFIED.
 1. ALL CAPACITOR VALUES ARE uF UNLESS OTHERWISE SPECIFIED.
 2. ALL RESISTORS ARE 1/4W 1% TOLERANCE.



SEE SEPARATE PARTS LIST



SCHEM, DCS 3KW A.C.
 INPUT & RFI FILTER

CONTRACT NO.	
FIRST MADE FOR:	DATE
APPROVAL	06/14/93
DRAWN J. MARCH	
CHECKED	
ENGINEER	
QA-REL	

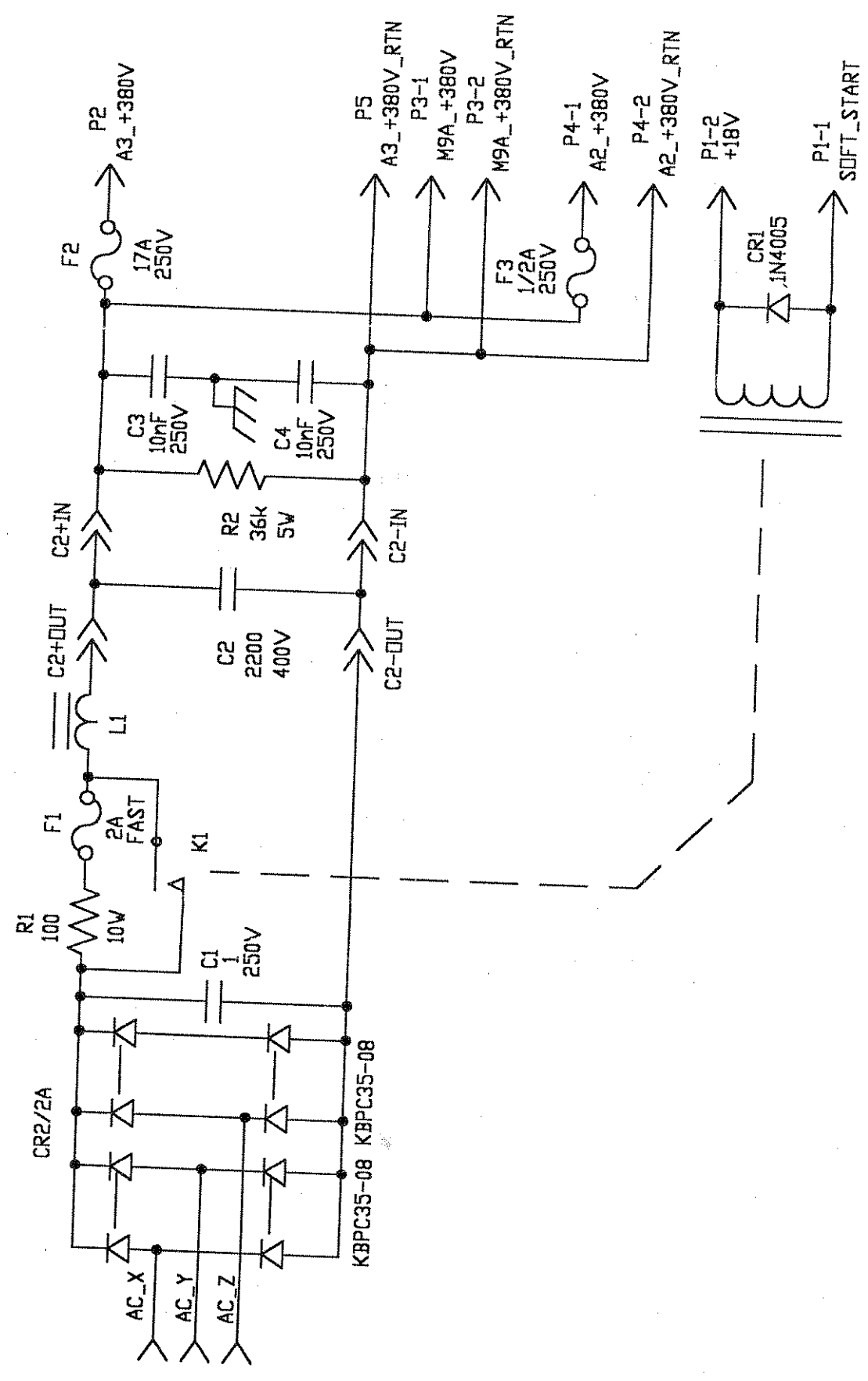
UNLESS OTHERWISE SPECIFIED
 DIMENSIONS ARE IN INCHES
 TOLERANCES ON
 DECIMALS FRACTIONS ANGLES
 .XX ± .03 ± 1/32 ± 1/2°
 .XXX ± .010
 DO NOT SCALE THIS DRAWING

NEXT ASSY.	USED ON
APPLICATION	
FINISH:	

THE INFORMATION DISCLOSED HEREIN WAS ORIGINATED BY AND IS THE PROPERTY OF ELGAR CORPORATION, AND EXCEPT FOR THE INFORMATION CONTAINED HEREIN, NO OTHER INFORMATION, INCLUDING BUT NOT LIMITED TO, PATENT, PROPRIETARY, DESIGN, USE, SALE, MANUFACTURING AND REPRODUCTION RIGHTS THEREOF.

SIZE	CODE IDENT. NO.	DWG. NO.	REV
C	25965	1068884	B
SCALE	1/1		SHEET 1 OF 1

REVISIONS			
ZONE	REV	DESCRIPTION	DATE
-	-	ORIGINATED	930614
-	A	RELEASED PER ECD 93A176	930619
-	-	OBSOLETE PER ECN N970678	980528



FOR LIST OF PARTS SEE

Sorensen

DRAWING TITLE		POWER RECTIFIER AND FILTER AG	
UNLESS OTHERWISE SPECIFIED TOLERANCES ARE:	1. PLACE DECIMAL + .1	SIZE / PCH No.	DRAWING No. 1068885
	2. PLACE DECIMAL -.1	SCALE	1-1
	3. PLACE DECIMAL -.005	CLASS CODE	603
DRAWN BY	J. MARCH	SHEET	1 OF 1
CHECKED BY	C. BRUNSWICK		
APPROVED BY			
APPLICATION			

2

3

4

D

C

B

A

APPENDIX B
APPLICATION NOTES

Battery Charging

Battery Charging

When using the DCS Series (3kW) power supply to charge a battery, take the following precautions to prevent damage to the supply and/or the battery in case the overvoltage protection (OVP) circuit is activated.

- Select a diode rated to handle the required charging current and voltage. Use the following table as a reference.

Peak Charging Current	Maximum Voltage	Diode Type
250-350A	40V	Two (2) parallel MBR30045CT
60-249A	40V	One (1) MBR30045CT
25-59A	100V	One (1) MUR7015
10-24A	300V	One (1) MUR3040PT
5-9A	500V	One (1) MUR1560
<5A	600V	One (1) MUR758

- Connect the diode in series with either supply output to prevent the battery from discharging through the internal OVP crowbar transistor. The diode must be mounted on a suitably-rated heatsink to prevent its case temperature from exceeding the manufacturer's maximum limits.