



product modification

045-0118-00

M61380

FIRMWARE UPDATE

For the following TEKTRONIX[®] instruments:

836 Serial Numbers R010276 - R010353

This product improvement kit provides firmware (U235) and installation instructions to eliminate errors encountered when using "1 A Transfer" function with 830 Series ROM Packs.

KIT PARTS LIST:

Ckt. Number	Quantity	Part Number	Description
U235	1 EA	160-3352-05	MICROCKT, DGTL:H MOS, 16384 EPROM
----	1 EA	-----	LABEL, IDENT

INSTRUCTIONS:

WARNING

Before proceeding, ensure the mainframe power switch is in the off position, then disconnect the instrument from the power source.

The following instructions are for use by qualified service personnel only. To avoid personal injury, do not perform any of the following procedures unless you are qualified to do so.

- () 1. Remove the bottom cover. Refer to Figure 1.

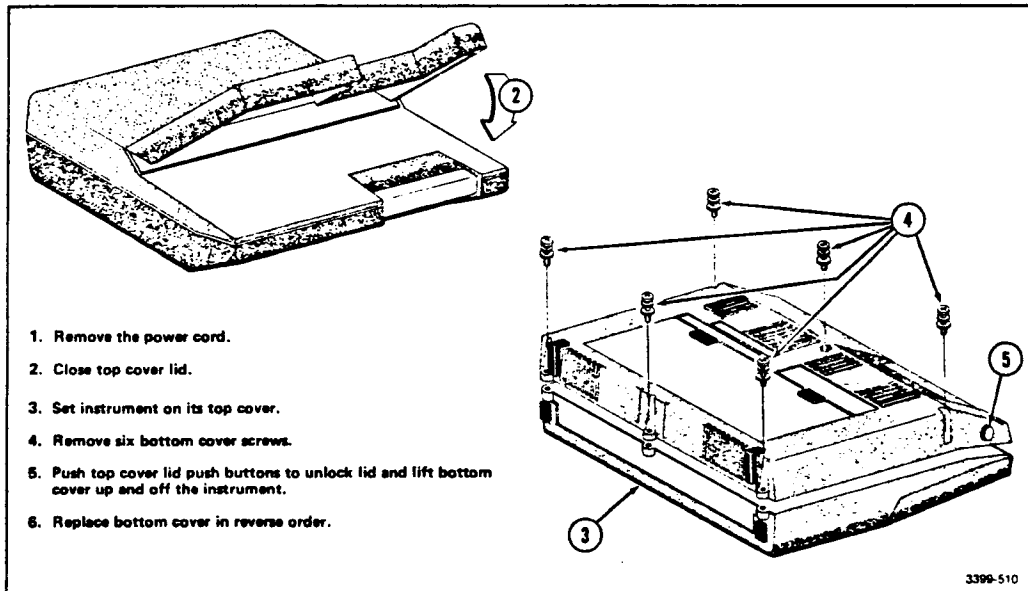


Figure 1. Bottom cover removal and replacement.

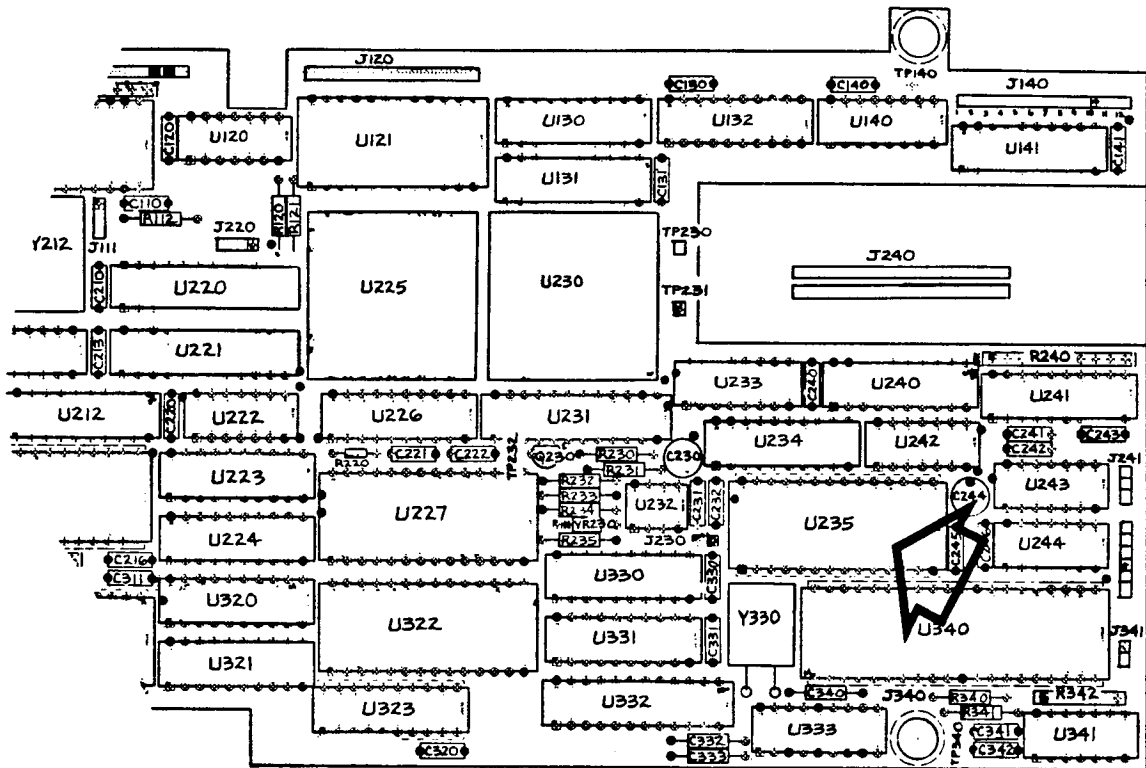


Figure 2. Location of U235 on the Processor (A1) circuit board.

- () 2. On the Processor circuit board -- Replace U235 with microcircuit (pn 160-3352-05) provided in the kit. Refer to Figure 2 for location of U235.
- () 3. Reassemble the instrument, reversing disassembly procedure.
- () 4. Affix the identification label, provided in the kit, to the bottom cover (near the center cover-securing screw) to indicate this kit has been installed.
- () 5. For future reference, correct the Electrical Parts List in the Instruction Manual to reflect the change incorporated by this kit.
- () 6. Refer to the 835/836 Service Manual and perform the LIST-ROM TEST to verify the correct internal ROM has been installed as follows:

CSROM: PN=3352-05