

ATTENUATOR REPLACEMENT

For the following TEKTRONIX[®] instruments:

11A32 All Serial Numbers
11A34 All Serial Numbers

This kit contains parts and instructions to replace the attenuator module. Each attenuator replacement requires the installation of (2) metal-on-elastomer (MOE strips). New replacement MOE strips are recommended any time the attenuators are removed from the circuit board.

KIT PARTS LIST: (parts are included in the 045-kit)

Quantity	Part Number	Description
1 ea	119-2000-02	Attenuator: Actively trimmed novar
2 ea	131-3383-01	Conn assy, elec: Elastomeric, MOE strip

INSTRUCTIONS:**WARNING**

Before proceeding, ensure the mainframe power switch is in the off position. Then, remove the 11A32 or 11A34 plug-in from the instrument. Disassembly should only be attempted by qualified service personnel.

- () 1. Remove the left and right electrical shields. Take care not to bend or damage the electrical shields during removal.
- () 2. Unhook the return spring from the latch, and set it aside.
- () 3. Remove the four (4) torx screws that secure subpanel to the top and bottom frames using a T-9 torx screwdriver.
- () 4. Pull the latch out to the extended position.
- () 5. Separate the front panel from subpanel. **11A32**, use the two (2) large holes located in the subpanel casting to push the front panel out away from the instrument. **11A34**, use a slender, sharp-pointed tool. Insert the tool at the notch around the latch area, be careful not to bend or damage front panel during this separation.

NOTE

It may be necessary to pull the top and bottom frames away from the subpanel tabs.

- () 6. Remove the two (2) torx screws that secure the attenuator to the Main circuit board using a T-9 torx screwdriver. The screws are located on the front (component) side of the Main circuit board.
- () 7. Disconnect the coaxial cables that connect the attenuators to the rear (solder) side of the Main circuit board. Disconnect the circuit board end of the coaxial cables, not the attenuator end.
- () 8. Set the instrument on its side with the attenuator bodies facing up.

- () 9. Remove the four (4) torx screws that secure the attenuator to the front subpanel, using a T-6 screwdriver. Use T-6 tip only, any other size may damage the screw drive system.
- () 10. Lift the rear of the attenuator up about a 1/4 inch from the circuit board, then carefully withdraw the attenuator from the instrument. the plastic bezels may fall out from the front panel while removing the attenuator/bnc's. Set the bezels aside for later assembly.
- () 11. Remove the old metal-on-elastomer (MOE) strips from the MOE holder.
- () 12. Install the two (2) new MOE strips that are provided in this kit, placing the strips in the holders. The exposed elastomer side of the MOE strips face towards the center of the holder, refer to figure 1.

NOTE

Before installing the new attenuator bnc's into the front panel, make sure that the plastic bezels are in the proper position.

- () 13. Install the new attenuator that is provided in this kit. Insert the bnc's through the holes in the front subpanel, then let the attenuator rest on the Main circuit board.
- () 14. While holding the attenuator against the MOE assembly, install the two (2) torx screws T-9 that secure the attenuator to the Main circuit board. Do not tighten, fasten just enough to hold the attenuator in place.
- () 15. Replace the four torx screws T-6, that secure the attenuator to the front subpanel.
- () 16. While the latch is in the extended position, place the front panel so that the notch in the bottom fits over the latch rod. Carefully insert the four front panel-tabs into the slots in the front subpanel.

NOTE

It may be necessary to pull the top and bottom frames away from the subpanel tabs to allow the front-panel tabs to fit between the casting and the frames.

- () 17. Gently snap the edges of the front panel into place around the input connectors and the outer edges of the panel.
- () 18. Replace the four torx screws T-9, that secure the subpanel to the top and bottom frames removed in step 3. Hold the front panel firmly in place while installing the four screws.
- () 19. Install the latch spring removed in step 2. Orient the spring so that its loop fits over the frame hook correctly.

- () 20. Tighten the two (2) screws T-9, installed in step 14.
- () 21. Connect the coaxial cable disconnected in step 8.

NOTE

Continue to Section B, 045-0142-00, Kit, for further installation instructions.

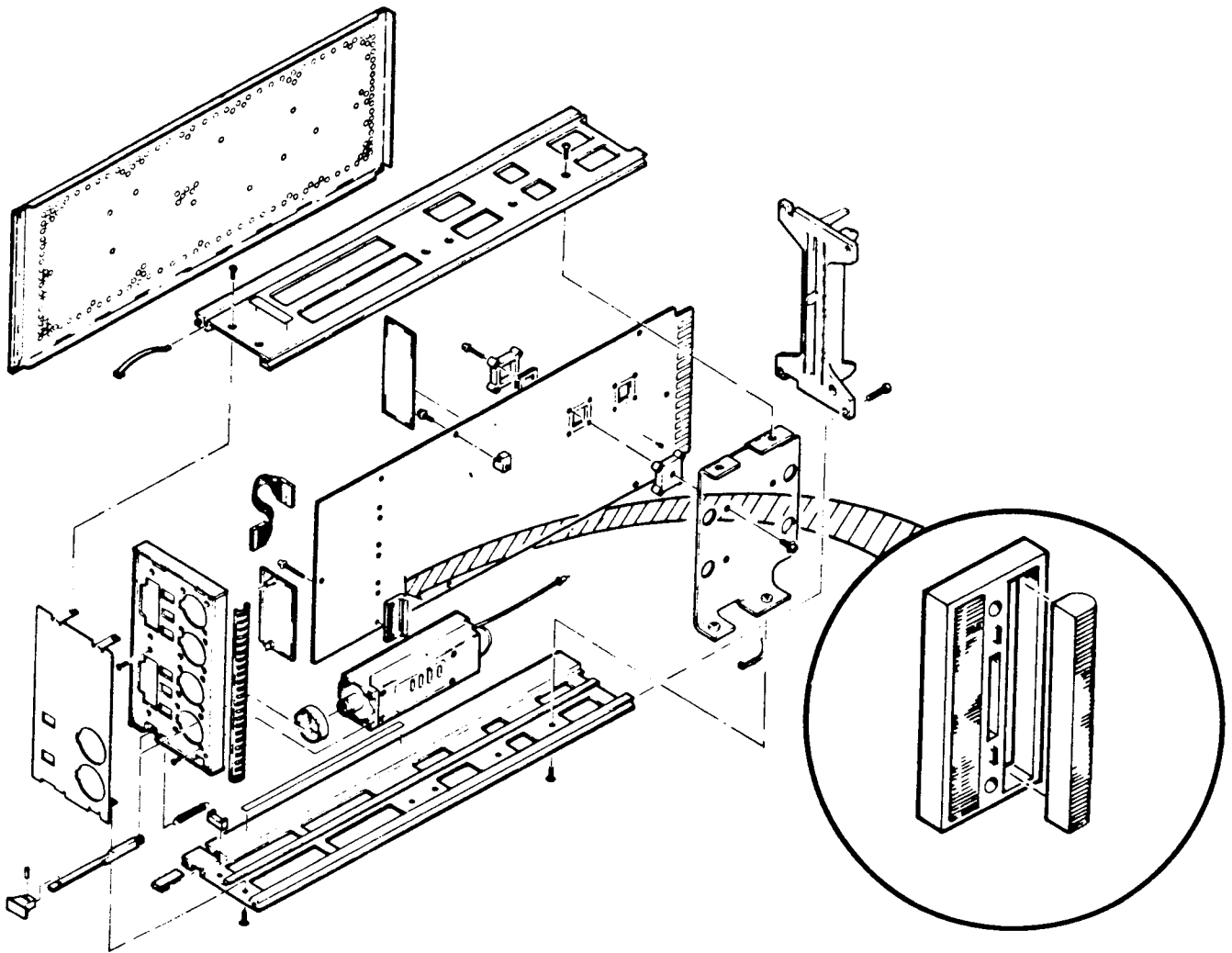


Figure 1. - Exploded view.