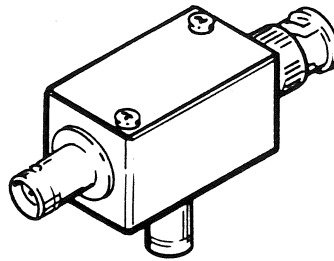


067-0640-00 CALIBRATION FIXTURE



The 067-0640-00 Calibration Fixture is used to modulate the sinewave Marker Output frequencies of the 2901 Time Mark Generator by its Trigger Output signals to produce sidebands and their harmonics. These can then be used to calibrate or check the Frequency Span (MHz/Div) of high frequency Spectrum Analyzers such as the 1401A, 1L20, 491, etc. It is used as follows:

- 1) Connect the MARKER connector of the Calibration Fixture onto the Marker Out connector of the 2901 Time Mark Generator then apply the 2901 Trigger Out signal through a short 50 Ω coaxial cable to the TRIGGER connector of the Harmonic Modulator.
- 2) Apply the SIGNAL OUT through a coaxial cable and 20 dB attenuator to the RF Input of the appropriate Spectrum Analyzer.
- 3) Use an appropriate Marker Out signal (such as 100 MHz or 200 MHz) and modulate this frequency with the trigger frequency that corresponds to the frequency span you desire to check.
- 4) Tune the Spectrum Analyzer Center Frequency through the band checking frequency span accuracy and linearity as described in the instrument manual which may be described for the Type 184 Time-Mark Generator.

NO.	062-1411-00
DATE	DEC 1983 (R)
COPYRIGHT © 1983 TEKTRONIX, INC. ALL RIGHTS RESERVED.	

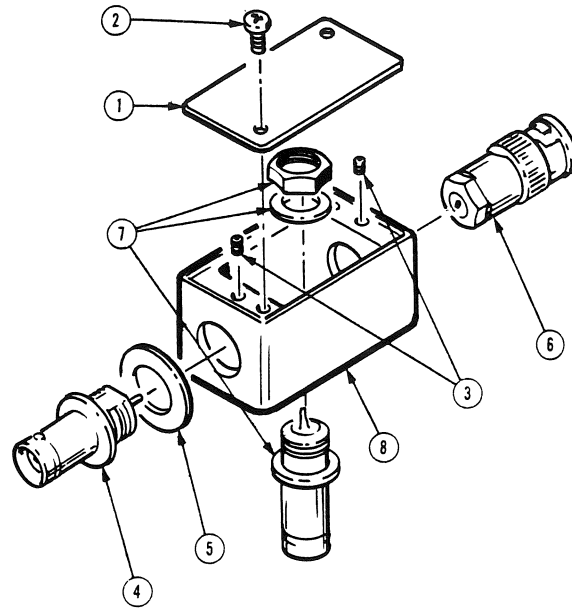


Fig. & Index No.	Tektronix Part No.	Serial/Model No. Eff	Dscont	Qty	1	2	3	4	5	Name & Description	Mfr Code	Mfr Part Number
-1	067-0640-00			1						FIXTURE,CAL:MODULATOR	80009	067-0640-00
	200-1457-00			1						.COV,HMCN MIXER: ***** (ATTACHING PARTS) *****	80009	200-1457-00
-2	213-0138-00			2						.SCR,TPG,TF:4-24 X 0.188 INCH,PNH STL ***** (END ATTACHING PARTS) *****	83385	ORD BY DESCR
	108-0367-00			1						.COIL,RF:FIXED,1.03UH	80009	108-0367-00
	152-0153-00			2						.SEMICONV DEVICE:SILICON,15V,50MA	07263	FD7003
-3	213-0075-00			2						.SETSCREW:4-40 X 0.094,STL BK OXD,HEX	000BK	ORD BY DESCR
-4	131-0126-00			1						.CONNECTOR,RCPT,:BNC,FEMALE	77820	9663-1 NT-34
-5	210-0962-00			1						.WASHER,FLAT:0.505 ID X 0.047 THK,VINYL,0.	80009	210-0962-00
-6	134-0044-00			1						.SHELL,ELEC CONN:FEMALE BNC PLUG	95712	33600-1
-7	131-0106-00			1						.CONNECTOR,RCPT,:FEMALE,BNC	95712	9856-1
-8	202-0095-01			1						.HSG,STANDARDIZE:1.5 X 0.875 X 0.812	80009	202-0095-01

CROSS INDEX—MFR. CODE NUMBER TO MANUFACTURER

Mfr. Code	Manufacturer	Address	City, State, Zip
000BK	STAUFFER SUPPLY	105 SE TAYLOR	PORTLAND, OR 97214
07263	FAIRCHILD SEMICONDUCTOR, A DIV. OF FAIRCHILD CAMERA AND INSTRUMENT CORP.	464 ELLIS STREET	MOUNTAIN VIEW, CA 94042
77820	BENDIX CORP., THE ELECTRICAL COMPONENTS DIVISION	SHERMAN AVE.	SIDNEY, NY 13838
80009	TEKTRONIX, INC.	P O BOX 500	BEAVERTON, OR 97077
83385	CENTRAL SCREW CO.	2530 CRESCENT DR.	BROADVIEW, IL 60153
95712	BENDIX CORP., THE ELECTRICAL COMPONENTS DIV., MICROWAVE DEVICES PLANT	HURRICANE ROAD	FRANKLIN, IN 46131