



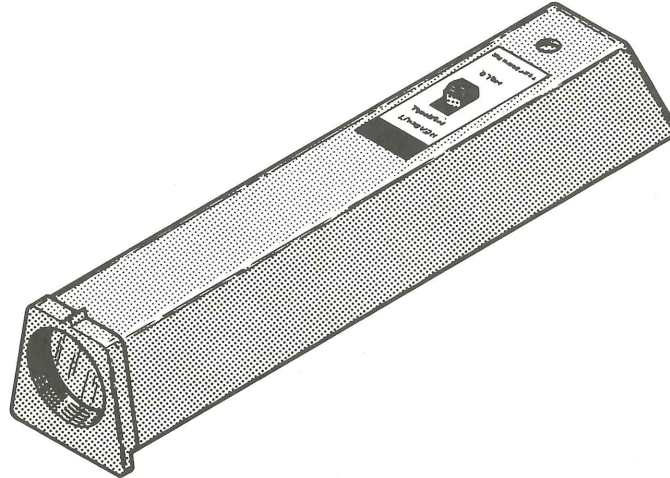
TEKTRONIX®

committed to
technical excellence

data sheet

PARTS PUBLICATION

J6504 UNCORRECTED PROBE



The J6504 is designed for applications where only relative measurements need be made. A UV-enhanced silicon sensor is used with no correction filter so that the spectral response characteristics of the silicon detector (see graph) may be utilized directly. The UV-transmitting window allows use at wavelengths as short as 250 nanometers. The J6504 is useful for checking light sources used in photoresist or photo-processing applications and comparisons of ultraviolet light sources.

A HOLD switch is provided to allow the reading to be stored at any time. A standard 0.25"-20 mounting socket is located on the bottom for use in mounting on an optical bench or tripod.

An optional filter holder (016-0527-00) may be used to mount standard 1-inch diameter filters on standard-configuration probes. Ultraviolet, visible, or near infrared filters can be used to select the wavelength of interest and exclude ambient light.

NOTE

Replacement of any components indicated by an asterisk (*) will require recalibration of the probe. Do not adjust R310 without the use of a standard calibrated light source. See your J16 Instruction Manual for further information.

NO. 062-1535-00
DATE JAN. 1976 (R)

COPYRIGHT © 1972
TEKTRONIX INC.
ALL RIGHTS RESERVED

J6504 PROBE

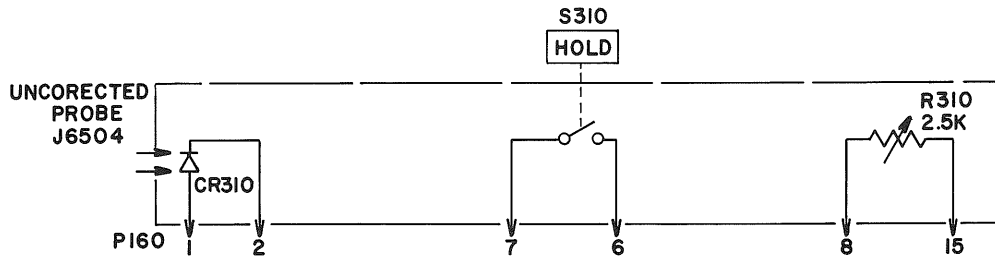
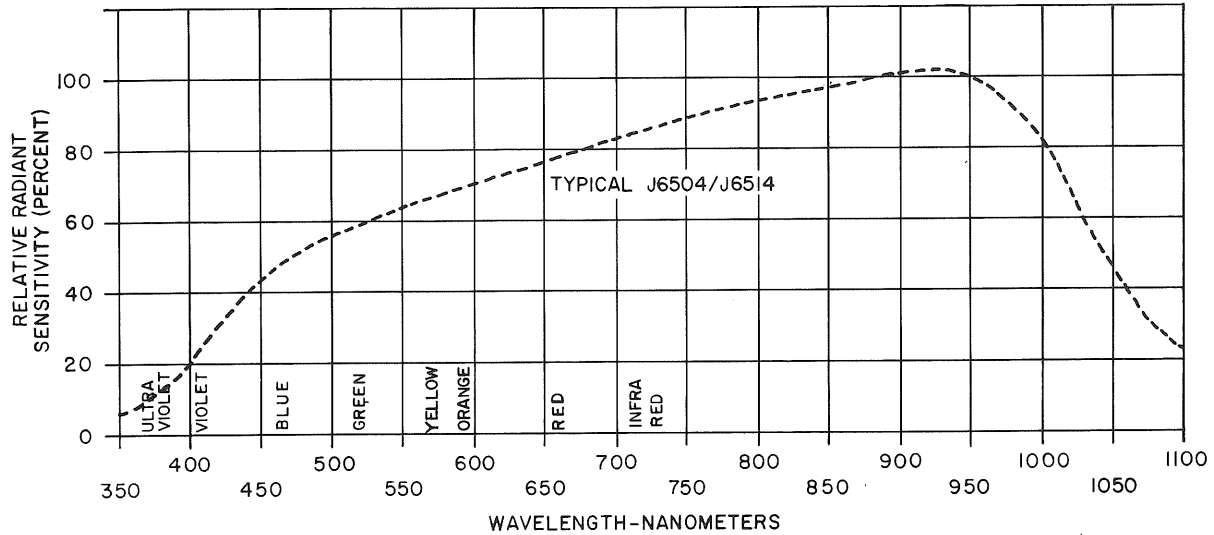
SPECIFICATIONS: (When used with the J16)

Measurement range: Relative response only (full scale)

Resolution: Relative response only

Spectral response: UV-enhanced silicon spectral curve

Accuracy: Probe-to-probe accuracy within $\pm 5\%$ with 3100°K tungsten halogen light source



CROSS INDEX MFR. CODE NUMBER TO MANUFACTURER

MFR.CODE	MANUFACTURER	ADDRESS	CITY,STATE,ZIP
10389	CHICAGO SWITCH, INC.	2035 WABANSIA AVE.	CHICAGO, IL 60647
71785	TRW ELECTRONIC COMPONENTS, CINCH CONNECTOR OPERATIONS	1501 MORSE AVE.	ELK GROVE VILLAGE, IL 60007
73138	BECKMAN INSTRUMENTS, INC., HELIPOT DIV.	2500 HARBOR BLVD.	FULLERTON, CA 92634
73743	FISCHER SPECIAL MFG. CO.	446 MORGAN ST.	CINCINNATI, OH 45206
78189	ILLINOIS TOOL WORKS, INC. SHAKEPROOF DIVISION	ST. CHARLES ROAD	ELGIN, IL 60120
80009	TEKTRONIX, INC.	P. O. BOX 500	BEAVERTON, OR 97077
83385	CENTRAL SCREW CO.	2530 CRESCENT DR.	BROADVIEW, IL 60153

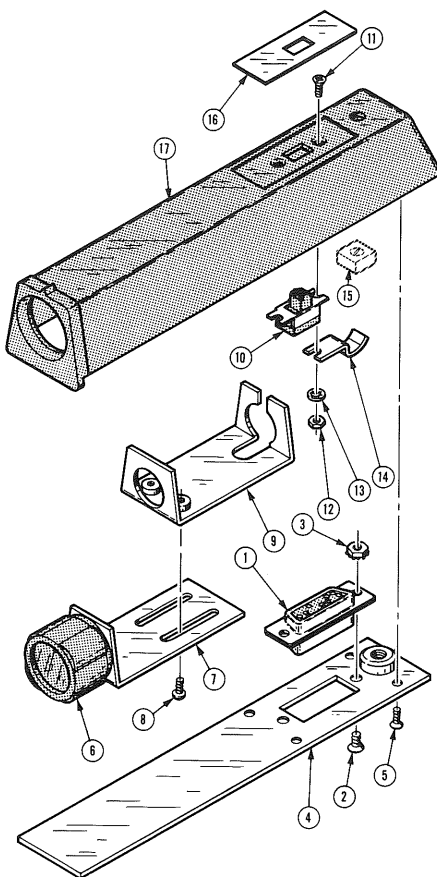


Fig. & Index No.	Tektronix Part No.	Serial/Model No. Eff	Dscnt	Qty	Name & Description					Mfr Code	Mfr Part Number
					1	2	3	4	5		
-1	131-0459-00			1						71785	DA-15P
-2	211-0101-00			2						83385	OBD
-3	210-0586-00			2						78189	OBD
-4	200-1409-00	B010100	B020263	1						80009	200-1409-00
	200-1409-02	B020264		1						80009	200-1409-02
-5	211-0022-00	B010100	B020263	4						83385	OBD
	211-0030-00	B020264		4						83385	OBD
-6	152-0548-00*	B010100	B020171	1						80009	152-0548-00
	152-0548-01*	B020172		1						80009	152-0548-01
-7	343-0380-00			1						80009	343-0380-00
-8	211-0022-00			2						83385	OBD
-9	343-0379-00			1						80009	343-0379-00
-10	260-0960-00			1						10389	23-021-006
-11	211-0030-00			2						83385	OBD
-12	210-0405-00			2						73743	2X12157-402
-13	210-0001-00			2						78189	1202-00-00-0541C
-14	343-0406-00			1						80009	343-0406-00
-15	311-1239-00*			1						73138	72Y-26-0-252K
-16	334-2009-00			1						80009	334-2009-00
-17	380-0298-00	B010100	B020263	1						80009	380-0298-00
	380-0298-03	B020264		1						80009	380-0298-03
	334-2063-00			1						80009	334-2063-00

