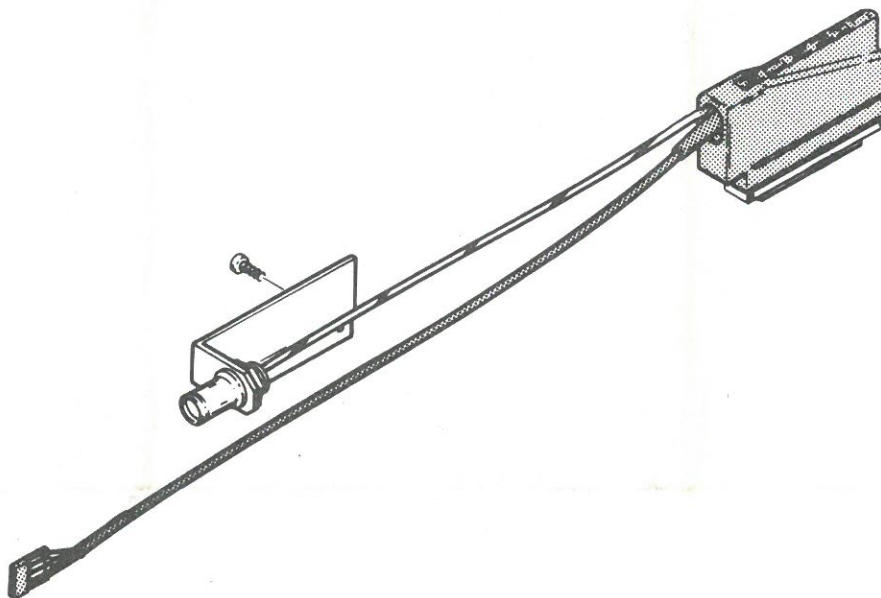


LA 501W CLOCK ACCESS CONVERSION KIT

Part No. 012-0725-01



INSTRUCTIONS

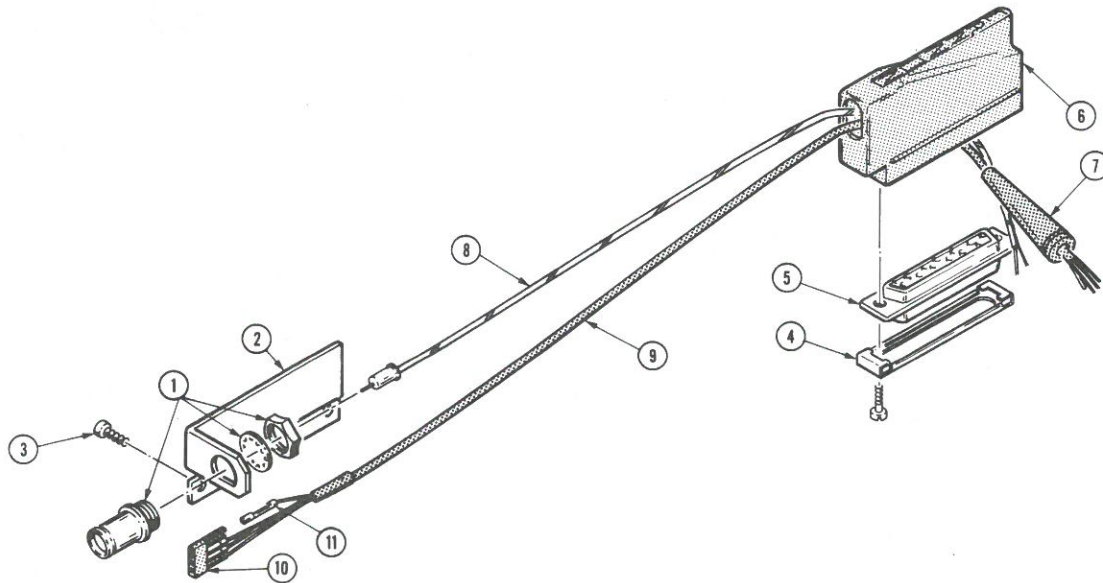
1. Place the LA 501W on its top, remove the two screws securing the bottom EMI cover. Remove the bottom cover and two side covers.
2. Remove the two screws securing the central bracket (407-1733-00) to the Memory board (A2). Save the hex nuts, but discard the screws. Attach the BNC bracket from the kit, using the two longer screws provided and the hex nuts. The BNC connector should face the front panel.
3. Unlock and remove connector P120, 25 pin subminiature D connector, by using a long screwdriver to slide the locking plate toward the rear of the LA 501W. Remove P120 by lifting the connector body with the fingers. Disconnect the four-pin harmonica connector (P446) in the WR501. Discard P120 and cable assembly.
4. Replace P120 connector and cable assembly with the new assembly supplied in the kit. The new assembly is the same except for the addition of a 50 Ω coaxial cable that plugs into the rear of the BNC connector installed in step 2 above. Be careful not to bend the center conductor when inserting the coaxial cable into the BNC connector. Route the 4 pin harmonica connector and cable through the slot in the card edge connector in the rear of the WR501. Lock P120 connector by sliding the metal clip toward the front of the instrument.
5. Remove the right cutout cover on the front panel and route the 18 inch BNC cable supplied with the DL 502, through the cutout to the BNC connector on the bracket. Attach and lock the BNC connector. The cutout cover may be stored on the threaded stud at the rear of the central bracket (407-1733-00).

NO. 062-3532-00

DATE OCT. 1977

COPYRIGHT © 1977
TEKTRONIX INC.
ALL RIGHTS RESERVED

6. Attach the bottom cover with the two screws removed in step 1 above. Attach the two side covers by pressing firmly into place.
7. Locate P4 at the back of the LA 501W. Remove P4 to provide easy access to signal selector P300. P300 is a 12 position selector consisting of a four and eight pin harmonica connectors. (Pin 1 of the four pin connector corresponds to pin 1 of the 12 pin selector, pin 1 of the eight pin connector corresponds to pin 5 of the 12 pin connector, etc.). Remove P300.
8. Remove gold pin connector from position 2 of the eight pin connector and install in position 7 of the eight pin connector. This corresponds to changing the jumper from pins 2 and 6 of P300 to pins 2 and 11. Reinstall signal selector P300 so that position 1 of the four pin harmonica corresponds to pin 1 of the 12 position selector. (Pin 1 is on the extreme left when facing the rear of the instrument.) Reinstall P4 in its proper position.
9. Connect the BNC cable to the STORE CLOCK IN connector on the front panel of the digital latch. Remove the right side cover of the DL 502 and set the clock selector P11 to the LA 501W position. Reinstall the side cover.
10. The instruments are now ready for operation.



REPLACEABLE PARTS LIST

Fig. & Index No.	Tektronix Part No.	Serial/Model No. Eff	Dscont	Qty	1	2	3	4	5	Name & Description	Mfr Code	Mfr Part Number
	012-0725-01			1						CABLE,INTCON:10.0 LA501 TO WR501	80009	012-0725-01
-1	131-1315-00			1						. CONNECTOR,RCPT,:BNC,FEMALE	24931	28JR235-1
-2	407-2089-00			1						. BRACKET,ANGLE:CONNECTOR	80009	407-2089-00
-3	211-0198-00			2						. SCREW,MACHINE:4-40 X 0.438 PNH,STL,POZ	77250	OBD
-4	343-0323-00			1						. RETAINER,CONN:	09133	DB51221-1
-5	131-0570-00			1						. CONNECTOR,RCPT,:25 PIN,MALE	71468	DB25P
-6	200-0821-00			1						. SHLD,ELEC CONN:RIGHT ANGLE U	71468	DB51213-1
-7	200-0901-00			1						. CABLE,NIP ELEC:0.14 ID X 1.625 L,BLACK	80009	200-0901-00
-8	175-2168-00			1						. CABLE ASSY,RF:50 OHM COAX,9.6 INCH LONG	80009	175-2168-00
-9	175-2167-00			1						. CA ASSY,SP,ELEC:3.26 AWG,12.0 INCH LONG	80009	175-2167-00

STANDARD ACCESSORIES

062-3532-00	1	DATA SHEET:012-0725-01	80009	062-3532-00
-------------	---	------------------------	-------	-------------

CROSS INDEX—MFR. CODE NUMBER TO MANUFACTURER

Mfr. Code	Manufacturer	Address	City, State, Zip
09133	KIERULFF ELECTRONICS, INC.	2585 COMMERCE WAY	LOS ANGELES, CA 90040
22526	BERG ELECTRONICS, INC.	YOUK EXPRESSWAY	NEW CUMBERLAND, PA 17070
24931	SPECIALTY CONNECTOR CO., INC.	3560 MADISON AVE.	INDIANAPOLIS, IN 46227
71468	ITT CANNON ELECTRIC	666 E. DYER RD.	SANTA ANA, CA 92702
77250	PHELL MANUFACTURING CO., DIVISION OF ALLIED PRODUCTS CORP.	5700 W. ROOSEVELT RD.	CHICAGO, IL 60650
80009	TEKTRONIX, INC.	P O BOX 500	BEAVERTON, OR 97077