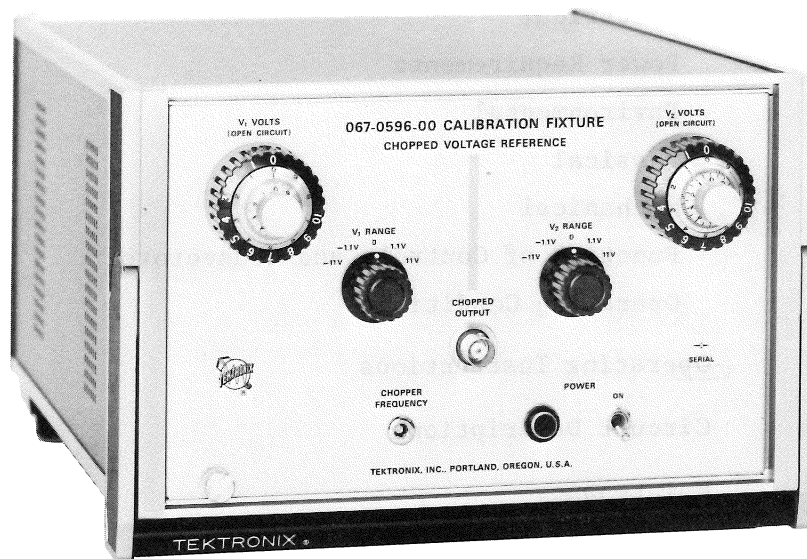


067-0596-00 CALIBRATION FIXTURE

Chopped Voltage Reference



The Chopped Voltage Reference provides two precise voltages for differential amplitude measurements. This calibration fixture is specifically designed for use with the Tektronix Type 1A5 Differential Amplifier in measuring television waveform amplitudes.

The output waveform is derived by mechanically switching between the two precision voltage sources. Using chopped voltages instead of a fixed DC level eliminates long-term level shifts in differential amplifiers usually caused by junction temperature changes.

Because of loading effects of external circuits connected to the Chopped Voltage Reference Output, corrections will have to be used to determine the actual settings of V_1 VOLTS or V_2 VOLTS dials for the desired output voltages. The table, Section 10, corrects for 1 megohm loading.

CONTENTS

Section 1	Characteristics
	Electrical
	Power Requirements
	Environmental
	Physical
	Mechanical
	Function of Controls and Connectors
	Operating Conditions
Section 2	Operating Instructions
Section 3	Circuit Description
Section 4	Maintenance
	General Information
	Calibration
Section 5	Schematic Diagrams
Section 6	Electrical Parts List
Section 7	Mechanical Parts List
	Mechanical Parts List Illustrations
Section 8	Tables — Amplitude Corrections for 1 Megohm Loading

SECTION 1
CHARACTERISTICS
ELECTRICAL

Characteristic	Performance Limits
Chopped Output	
Accuracy	Within 0.2 mV of the indicated V_1 or V_2 VOLTS (OPEN CIRCUIT)
Frequency Range	Less than 15 Hz to greater than 100 Hz. Set to 60 Hz
Noise	Less than 2 mV

POWER REQUIREMENTS

Characteristic	Performance Limits
Line Voltage	
Selector switch on rear panel	
115 VAC	104 to 126 volts RMS
230 VAC	208 to 252 volts RMS
Line Current	0.1 A (maximum) at 115 V, 48 Hz
Power Consumption	4 watts maximum
Line Frequency	48 to 65 Hz
Fuse	
115 VAC	0.2 A Slo Blo
230 VAC	0.1 A Slo Blo

ENVIRONMENTAL

Characteristic	Performance Limits
Temperature	Performance requirements listed apply over a temperature range of 15°C to 35°C
Warm Up Time	5 minutes at 25°C

PHYSICAL

Characteristic	Information
Construction	
Chassis	Aluminum Alloy
Cabinet	Aluminum Alloy with blue-vinyl finish
Panel	Aluminum Alloy with anodized finish
Circuit Board	Glass-Epoxy finish

MECHANICAL

Characteristic	Information
Over-all Dimensions	
Height	6 inches
Width	9 inches
Depth	13 inches
Weight	8 lb, 3 oz
Connectors	
Front Panel	BNC

FRONT PANEL CONTROLS AND CONNECTORS

V_1 VOLTS (Open Circuit)

Selects the voltage within the range set by the V_1 RANGE switch. Outer knob selects first digit and 10 turn dial selects three digits.

V_2 VOLTS (Open Circuit)

Selects the voltage within the range set by the V_2 RANGE switch. Outer knob selects first digit and 10 turn dial selects three digits.

V_1 RANGE

Selects V_1 VOLTS range and polarity.

V_2 RANGE

Selects V_2 VOLTS range and polarity.

CHOPPED OUTPUT

BNC connector for chopped output signal.

OPERATING CONDITIONS

There are certain conditions that must be met before the performance limits specified are valid.

The instrument must be calibrated at an ambient temperature between +20°C and +30°C.

Unless otherwise noted, the instrument must be operating for at least 20 minutes within the environmental limits listed in Section 2.

The instrument is intended to be operated from a power source with its neutral at or near ground (earth) potential. It is not intended for operation from two phases of a multi-phase system, or across the legs of a single-phase, three wire system.

SECTION 2

OPERATING INSTRUCTIONS

The Chopped Voltage Reference consists of two identical voltage sources with a mechanical chopper alternately switching between the two sources. When used with a Differential Input Oscilloscope, signal voltages may be measured very accurately by comparing the unknown signal with the Chopped Voltage Reference. The measurement is made by adding (or subtracting), with the Differential Amplifier, the chopped reference amplitude to the unknown signal. This is particularly useful for accurately measuring incremental amplitudes in complex waveshapes such as a television color bar signal.

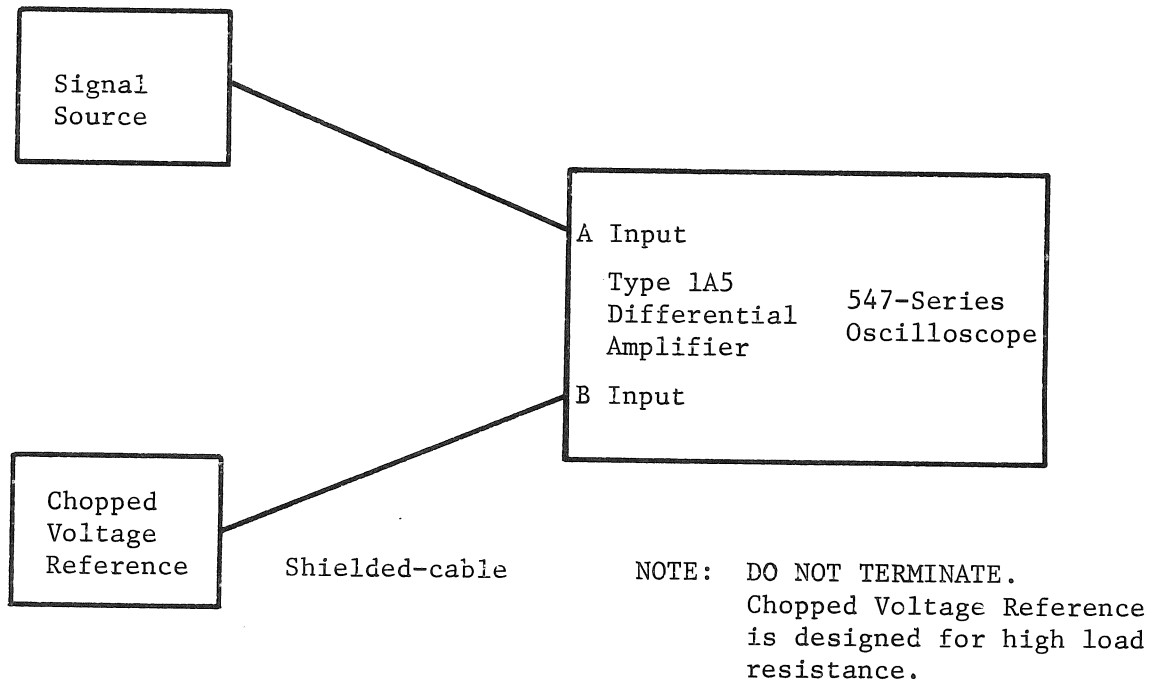


Figure 3-1

TEST EQUIPMENT SETUP

MEASURING THE AMPLITUDE OF AN UNKNOWN SIGNAL

Connect the Chopped Voltage Reference and Differential Amplifier as shown in Figure 3-1. With the Differential Amplifier input grounded, and free-running trace, establish a convenient zero reference with the Oscilloscope position control. Set V_1 RANGE and V_1 VOLTS to the approximate value of the voltage to be measured; set V_2 RANGE to zero. Apply the unknown signal and the Chopped Voltage Reference to the inputs of the Differential Amplifier, DC coupled. Trigger the Oscilloscope from the unknown signal; the Chopped Voltage Reference should run asynchronously with the unknown signal. Adjust V_1 VOLTS until the desired portion of the unknown signal is at the zero reference previously established. The switch and dial reading is the voltage of the unknown signal.

NOTE: The switch and dial readings are open circuit voltages. The readings must be corrected for loading of the Differential Amplifier input resistance. Section 8 provides a correction table for 1 megohm loads such as the Type 1A5. Corrections for loads other than 1 megohm can be calculated; see page 2-5.

The Differential Amplifier displays the difference between the two input signals, $V_{\text{reference}}$ and V_{unknown} . When $V_{\text{reference}}$ is adjusted so that V_{unknown} is at the zero position on the graticule, then

$$\begin{aligned} V_{\text{unknown}} - V_{\text{reference}} &= 0 \\ \text{and } V_{\text{unknown}} &= V_{\text{reference}} \end{aligned}$$

The attenuator of the Differential Amplifier may be set for any deflection factor (within the limitations of the Amplifier) thus increasing the ability to resolve amplitude measurements to a much higher accuracy than the oscilloscope alone.

This technique is essentially the same as using the comparison voltage feature of the Type 1A5 Differential Amplifier except that the Chopped Voltage Reference has a higher degree of accuracy.

An example of this measurement is illustrated by figures 3-2 and 3-3. Figure 3-2 is the unknown signal; the zero reference has been established. Applying the Chopped Voltage Reference results in the display of Figure 3-3. The upper waveform is the original unknown signal. The lower waveform is displayed by the Chopped Voltage Reference V_1 ; the fourth step is at the zero reference, thus the amplitude of that step is the V_1 VOLTS dial reading.

For this example, V_1 VOLTS dial reading is 0.64210, or 642.10 mV. Referring to Section 8, the nearest actual reading is 642.18; the absolute error is 3.1880. Rounding and subtracting, $642.10 - 3.19 = 638.91$ mV actual output voltage into 1 megohm load. Therefore, the amplitude of the fourth step is 638.91 mV.

MEASURING THE AMPLITUDE OF MODULATION RIDING ON A DC LEVEL

Connect the Chopped Voltage Reference and Differential Amplifier as shown in Figure 3-1. With the Differential Amplifier inputs grounded and free-running trace, establish a convenient zero reference with the Oscilloscope position control. Apply the unknown signal and the Chopped Voltage Reference to the inputs of the Differential Amplifier, DC coupled. Trigger the Oscilloscope from the unknown signal; the Chopped Voltage Reference should run asynchronously with the unknown signal. Adjust V_1 RANGE and V_1 VOLTS, and V_2 RANGE and V_2 VOLTS such that the top and bottom of the desired modulation just meet at the zero reference previously established. The Differential Amplifier displays the difference between the two signals,

$$(V_{DC} + V_{AC \text{ peak}}) - (V_1 \text{ Reference}) = 0$$

$$(V_{DC} - V_{AC \text{ peak}}) - (V_2 \text{ Reference}) = 0$$

Subtracting these two equations,

$$V_{DC} + V_{AC \text{ peak}} - V_1 \text{ Reference} - V_{DC} + V_{AC \text{ peak}} + V_2 \text{ Reference} = 0$$

Reducing terms,

$$2 V_{AC \text{ peak}} - 1 V_1 \text{ Reference} + V_2 \text{ Reference} = 0$$

Rearranging,

$$V_{AC \text{ peak-to-peak}} = V_1 \text{ Reference} - V_2 \text{ Reference}$$

The peak-to-peak AC voltage or modulation is the difference between the two Chopped Voltage References.

NOTE: The switch and dial readings are open circuit voltages. The readings must be corrected for loading of the Differential Amplifier input resistance. Section 8 provides a correction table for 1 megohm leads such as the Type 1A5. Corrections for loads other than 1 megohm can be calculated; see page 2-5.

An example of this measurement technique is illustrated by Figures 3-4 and 3-5. Figure 3-4 is the unknown signal with modulation riding on a DC level. For this example, the modulation on the third modulated step is measured. In Figure 3-5 the zero reference was established at the graticule centerline. V_1 VOLTS and V_2 VOLTS were adjusted for the top and bottom of the modulation to just touch the zero reference line (and each other). The difference between V_1 and V_2 is the modulation amplitude.

For this example, V_1 VOLTS dial reading is +0.6358 or 635.8 mV and V_2 VOLTS dial reading is +0.0602 or 60.2 mV from the tables, Section 8,

	V_1	V_2
Actual Output mV	633.00	60.00
Actual Reading mV	636.12	60.15
Absolute Error mV	3.1270	0.1581

Thus, Actual Output $V_1 = 635.8 - 3.1 = 632.7$ mV

$V_2 = 60.2 - 0.15 = 60.05$ mV

The peak-to-peak modulation amplitude is $V_1 - V_2$ or $632.7 - 60.05 = 572.7$ mV.

DETERMINING ACTUAL OUTPUT VOLTAGE

The Chopped Voltage Reference RANGE and VOLTS are calibrated as open circuit voltages only. The loading effects of Oscilloscope input circuits must be considered to determine the actual output voltage.

Since most oscilloscopes have a 1 megohm input resistance, a correction table is provided in Section 8, which gives the actual dial readings for actual output voltages in 1 mV increments from 0 mV to 1099 mV. Also included is the absolute error in mV (absolute error = actual reading - actual output). The absolute error may be used for interpolation between 1 mV increments.

The table is written in millivolts and can be used directly with the 1.1 V RANGE for V_1 and V_2 . For the 11 V RANGE of V_1 and V_2 , multiply the numbers in the table by 10.

For example, to set 368.0 mV actual output voltage at the input of the Differential Amplifier, the actual reading would be 369.62.

Or, to set 216.8 mV actual output voltage into 1 megohm, the actual reading would be $216.8 + 0.7205 = 217.52$.

If a load resistance other than 1 megohm is to be used with the Chopped Voltage Reference, the value of V_1 VOLTS or V_2 VOLTS compensated for that load can be calculated from the following:

$$X = \frac{-B + \sqrt{B^2 - 4AC}}{2A}$$

Where X = Actual Reading of ten-turn dial

A = 49.4 V

B = $12.1 R_L - 60.5 V + 2 NV$

C = $12.1 NV + 12.1 VR_L + 12.1 V - UN^2 + 12.1 NR_L$

V = Desired output voltage in volts

N = Actual reading of 11 position switch (0 through 10)

R_L = Load resistance in $k\Omega$

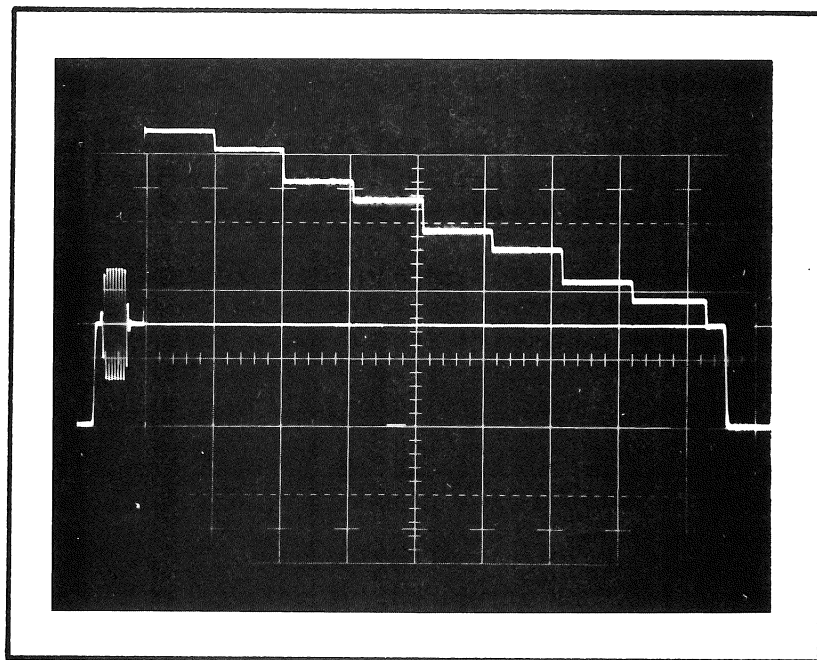


Figure 3-2

Unknown Signal; Zero Reference 1 cm Below Graticule Center

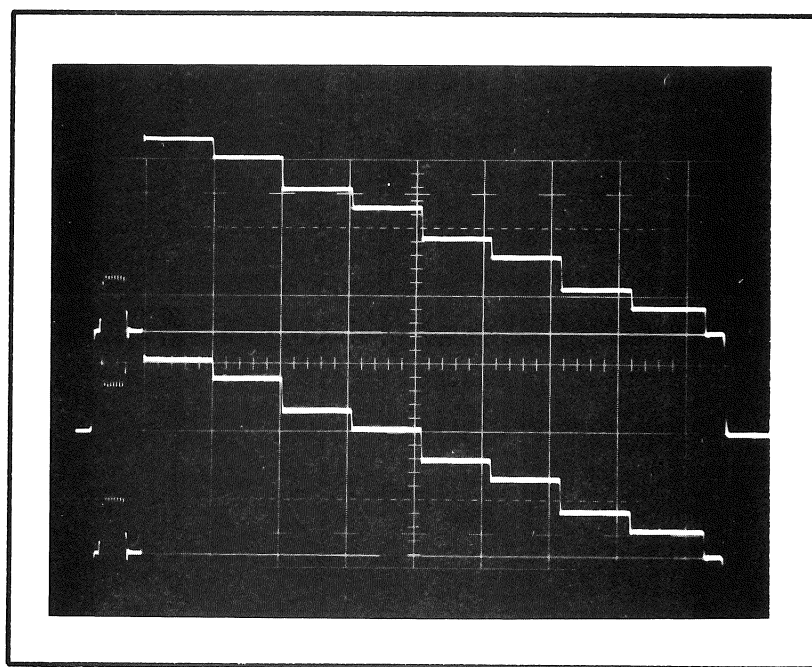


Figure 3-3

Measuring the Amplitude of the Fourth Step with the Chopped Voltage Reference

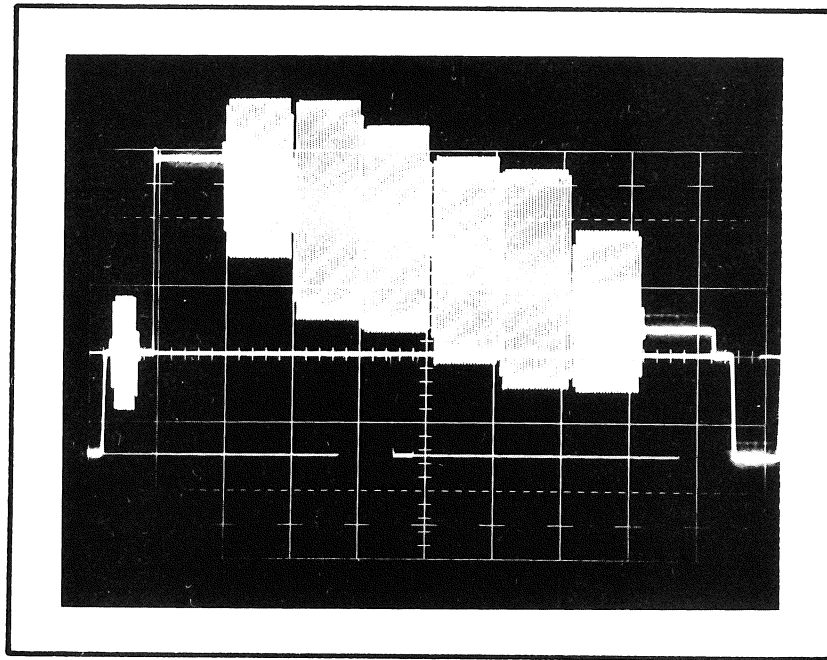


Figure 3-4

Unknown Signal with Modulation; Zero Reference at Graticule Center

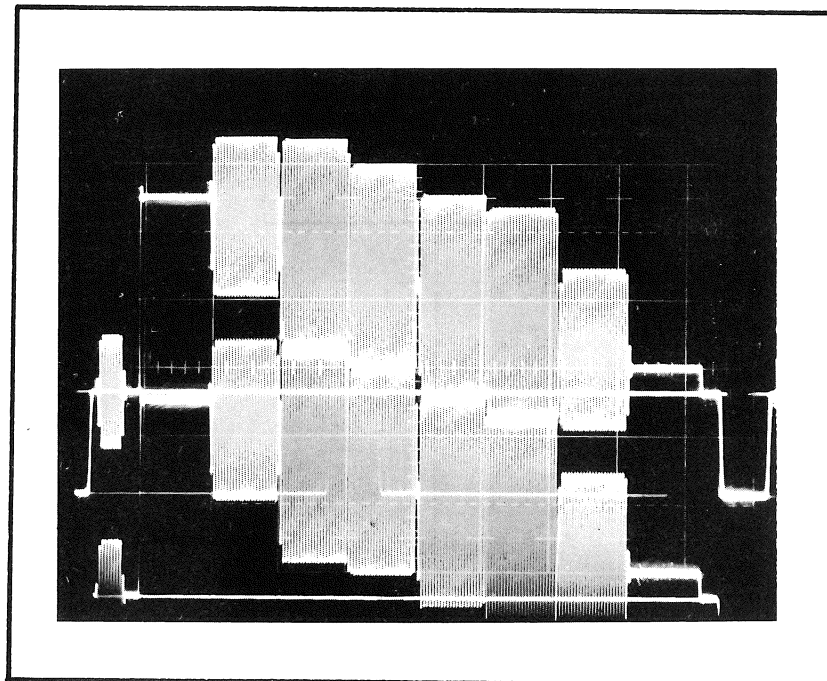
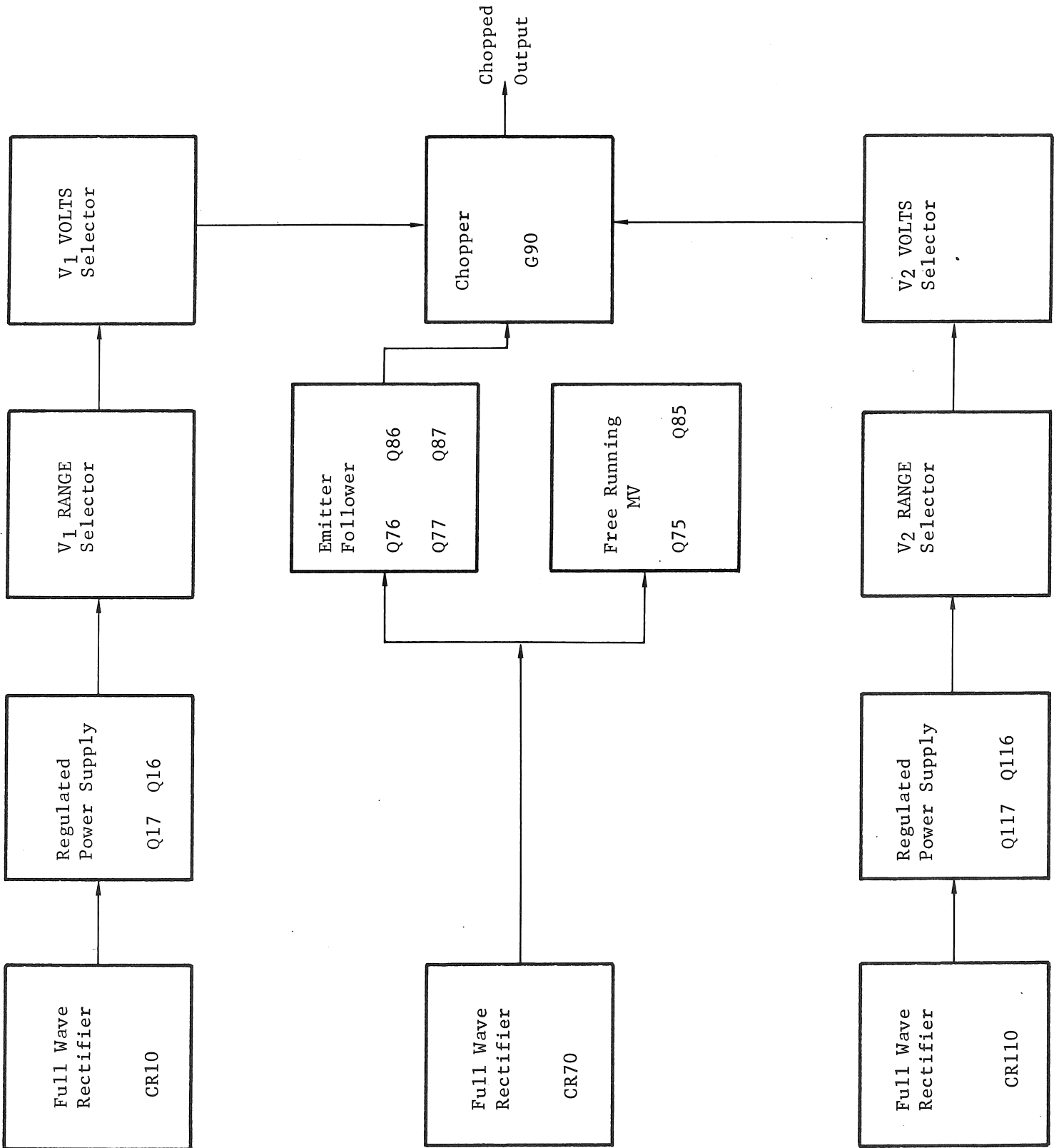


Figure 3-5

Measuring the Peak-to-Peak Amplitude of Third Modulation Steps with the Chopped Voltage Reference

BLOCK DIAGRAM



SECTION 3

CIRCUIT DESCRIPTION

POWER SUPPLYPower Input:

Power is applied to the primary winding of transformer T1 via the POWER switch S1, fuse F1, voltage selector switch S2 and the Range Selector S3. The voltage selector switch S2 connects the split primaries of T1 in parallel for 115 volts range of operation, or in series for 230 volt range. A second line fuse, F2, is connected into the circuit when the voltage selector switch is placed in the 230 volts position to provide the correct protection for 230 volt operation. The current rating of F2 is one half of F1. The Range Selector switch S3 allows the instrument to regulate properly on higher or lower than normal line voltages. Each half of the primary has taps above and below the 115 volts (230 V) point. As the Range Selector switch is moved from Lo to M and then to Hi, more turns are added to the primary windings. Therefore, whether the primary voltage has increased or decreased, the secondary voltage can be maintained at a nearly constant level.

V₁ and V₂ Reference Voltage circuits are identical. The following discussion uses V₁ supply circuit numbers; the V₂ circuit numbers are the range from 100 to 159.

Supply:

The basic purpose of the supply is to provide a constant regulated 7.5 mA current for VR30. Q17 is a series regulator which provides a constant regulated voltage at its emitter. The current through VR30 is set by R15 and is equal to the current through R21 minus 1 mA, which flows through the output attenuator circuit. Since the voltage on one side of R21 is held constant by the voltage regulator circuit and the voltage on the opposite side is held constant by VR30 voltage drop the current is constant. Q16 is the voltage comparator stage for the supply and uses VR30 for a reference. Q16A detects any change in the output voltage of Q17 through the divider composed of R13, R15, and R17. VR11 provides approximate regulation for the collector supply of Q16A.

R23 makes the base driving impedance of Q16B equal to the impedance seen by the base of Q16A to provide temperature compensation.

C21 and C16 provide high frequency compensation. C23 attenuates AC error signals at the base of Q16B.

The operating voltage for the multivibrator is developed from an unregulated supply consisting of CR70, R71, and C71.

Voltage Reference Range:

The voltage range circuitry consists of R30, R31, R33, R37. This portion of the V_1 RANGE switch selects the range of voltage applied to V_1 VOLTS controls.

R30 is selected to set the voltage within the adjustment range of the V_1 CAL control R31.

When the V_1 RANGE is set to +1.1 or -1.1, a precision divider network consisting of R33 and R37 reduces the voltage to 10:1.

When the V_1 RANGE switch (SW30) is set to the +11 or +1.1 position, (VR30) cathode connects to the plug (+) side of the supply to provide the plus (+) voltage to the output circuitry. VR30 anode connects to ground.

When the V_1 RANGE switch is set to 0, -1.1 V, or -11 V, VR30 cathode connects to ground and its anode connects to the minus (-) side of the supply to provide the minus (-) voltage to the output circuitry.

Reference Voltage Output Circuit

The reference voltage output circuit is composed of the (V_1) VOLTS combination control (SW57) and (R57) with associated circuitry. The V_1 VOLTS control is a combination of two controls: (1) Switch SW57 selects the first digit within the range set by the V_1 RANGE switch, and (2) the 10-turn potentiometer (R57) selects the remaining digits.

A string of twelve resistors (R41 through R52) makes up the main divider. This portion of the reference voltage output circuitry could be called a hybrid Kelvin-Verley bridge. The reference voltage is applied to the top end of the divider and the bottom end is grounded. A shunt divider consisting of R55, R56, and R57 is connected across two of the resistors in the main divider by means of SW57. The equivalent resistance of the shunted portion of the main divider is equal to 1 K.

The TRACKING control (R56) provides the means for setting the shunt resistance accurately.

Switch SW57 has 11 positions to permit switching the shunt divider across two resistors at a time along the string of resistors in the main divider. Each position corresponds to one digit of voltage. Variable control (R57) in the shunt circuit is the vernier control for dividing the reference voltage further so smaller divisions of the voltage can be resolved. For example, if the V_1 RANGE switch is set to +11, SW57 is set to 6, and R57 is set to 1 - 25, the reference voltage reading is +6.125 volts.

Chopper Drive Circuit

Q75 and Q85 make up a free running multivibrator whose frequency can be adjusted by R77. If a wider range of frequencies than can be reached by the adjustment of R77 is desired, C75 and C85 are mounted so they can easily be removed and other values of capacitors can be selected.

Q76, Q77, Q86, and Q87 are emitter followers that take the outputs from the collectors of Q75 and Q85 and provide enough drive to run the chopper (G90). G90 switches between the reference voltage set by V_1 VOLTS and V_2 VOLTS.

SECTION 4
MAINTENANCE

GENERAL INFORMATION

Introduction

This portion of the manual contains a complete calibration procedure for the 067-0596-00 Calibration Fixture. The instrument will not often require a complete, start-from-scratch calibration, but will need occasional adjustments as components age or are replaced.

Calibration is a valuable part of preventive maintenance, since many types of minor troubles may be discovered and corrected before they become serious enough to disable the instrument. Also, certain troubles can be easily isolated to a particular section of the instrument by attempting calibration.

This section includes a list of all instruments required to calibrate the Type 067-0596-00 Calibration Fixture, a check out list, and a step-by-step calibration procedure. The check out list is, essentially, a short form calibration check; it has the same sequence of steps and the same limits on checks or adjustments as the calibration procedure. This list may be used to quickly check performance or locate faulty circuits.

It will be assumed in this manual that appropriate interconnections and necessary adapters are available.

It will also be assumed that a control will be left in the position indicated on the previous step unless otherwise indicated.

All front-panel control labels of the 067-0596-00 Calibration Fixture or test instrument are in capital letters (V_1 RANGE), etc. Internal adjustment labels are identified by an R or C number (R156, V_2 Tracking).

Visual Inspection

The instrument should be visually inspected occasionally for such defects as poor connections, broken or damaged parts, improperly seated transistors, and heat damaged parts. The remedy for most of these defects is not obvious. A heat damaged part is usually the symptom of some defect that is not obvious. The cause of overheating should be determined and corrected before the part is replaced, otherwise the damage may be repeated.

Transistor Checks

Periodic preventive maintenance checks on the transistors are not recommended. Satisfactory operation of the instrument in all respects is adequate assurance that the transistors are performing properly.

Recalibration

To insure that the 067-0596-00 Calibration Fixture maintains its accuracy, check the calibration after each 500 hours of operation or every six months if used intermittently. Complete calibration instructions appear later in this section.

The calibration procedure can also be helpful in isolating troubles in the instrument. Also, minor troubles in the instrument that may not be apparent during normal operation may be revealed and corrected during calibration.

Ordering Parts

Many of the components are standard electronic parts that may be purchased locally. However, all standard parts in the instrument can be obtained from Tektronix through your local Tektronix Field Engineer or Field Office. Before ordering, consult the parts list of this manual to determine the value, tolerance, and rating required. Some of the parts used are not standard parts and may or may not be available for replacement. Consult any particular replacement with your local Tektronix Field Engineer or Field Office.

CALIBRATION

Equipment Required:

TEKTRONIX Instruments

- 1 TYPE 76TU LINE-VOLTAGE CONTROL UNIT
- 1 TYPE 540 series OSCILLOSCOPE
- 1 TYPE 1A5 DIFFERENTIAL AMPLIFIER

Accessories

- 1 50 Ω BNC Coax Cable (012-0057-01)
- 1 P6006 BNC 10X PROBE (010-0127-00)

Other Equipment

- 1 Differential Voltmeter (John Fluke Model 825A or equivalent)
- 1 20,000 Ω /VDC Multimeter

CHECK OUT LIST

1. Check Power Supply Resistance to Ground

<u>SUPPLY</u>	<u>APPROX. RESISTANCE</u>
V ₁ Supply	4 k Ω from pin T to pin N
V ₂ Supply	4 k Ω from pin AA to pin N
Multi-Vibrator	1 k Ω from pin X to chassis ground

2. (a) Check Accuracy and Regulation of Power Supply.

<u>SUPPLY</u>	<u>VOLTS</u>	<u>ACCURACY</u>	<u>REGULATION</u>	<u>RIPPLE</u>
V ₁ (across R21)	8.5	0.1%	Less than 5 mV change with line voltage	\approx 5 mV
V ₂ (across R121)	8.5	0.1%	Less than 5 mV change with line voltage	\approx 5 mV
Chopper Drive	\approx 9			

- (b) Check Line Voltage Selector Switch for 230 V Operation.

- 3. Check for an Output at all positions of V₁ and V₂ VOLTS setting.
- 4. Chopper Frequency: \approx 60 Hz
- 5. Chopped Output Noise: 2 mV or less

CALIBRATION PROCEDURE

1. PRESET

a. Set the Chopped Voltage Reference controls as follows:

V ₁ VOLTS	0-0-0
V ₂ VOLTS	0-0-0
V ₁ RANGE	0
V ₂ RANGE	0
POWER	ON

2. POWER SUPPLY

a. Check 9 V Supply

Monitor the voltage at Pin X.

Apply power to the 067-0596-00 via a TYPE 76TU LINE VOLTAGE CONTROL UNIT. Set the line voltage to 115 V.

Check that the voltage at pin X reads approximately 9 V.

b. Check V₁ and V₂ Voltage Regulation: 5 mV or less.

Connect the differential voltmeter across R21. Set the differential voltmeter to 8.5 V. Adjust R15 for 8.5 V.

Vary the line voltage between 104 VAC and 126 VAC and check that the voltage across R21 does not change more than 5 mV.

Connect the differential voltmeter across R121 and adjust R115 for 8.5 V.

Vary the line voltage between 104 VAC and 126 VAC and check that the voltage across R121 does not change more than 5 mV.

Change the Line Voltage Range (rear panel) to Hi and repeat the voltage check for both channels while varying the line voltage between 112 VAC and 136 VAC.

Change the Line Voltage Range to Lo and repeat the voltage check for both channels while varying the line voltage between 90 VAC and 110 VAC.

Return the Line Selector Range to M and line voltage to 115 VAC.

Remove the differential voltmeter.

c. Supply Ripple

Connect a shorting strap from Pin N of IC board to chassis ground.

Connect a 10X probe from A INPUT of the Type 1A5 to the emitter of Q17. Check for approximately 5 mV ripple. Move probe to emitter of Q117 and check for approximately 5 mV of ripple.

CALIBRATION (CONT)

2. (cont)

d. Check 230 V operation.

Connect a 10X probe to Pin 11 of the power transformer. Note the ripple amplitude. Change the Line Voltage Range to 230 V operation. The ripple amplitude should be one-half the previously noted amplitude. Remove 10X probe and return Line Voltage Range to 115 V operation.

3. *Remove Shorting Strap from Pin N to Chassis ground.*
CONSTANT CURRENT SETUP FOR V_1 and V_2 .

a. Adjust VR30 Current (R15) to within 0.1%.

Set the differential voltmeter to +8.5 V. Connect the differential voltmeter across R21. Turn V_1 RANGE to 11 V. Adjust R15 for a null reading on the meter.

b. Adjust VR 130 Current (R115) to within 0.1%.

Connect the differential voltmeter across R121. Turn V_2 RANGE to 11 V. Adjust R115 for a null reading on the meter.

Remove voltmeter.

4. V_1 and V_2 CAL SETUPa. Adjust V_1 Cal (R31) to within 1 mV.

Remove chopper (G90).

Set V_1 RANGE to 11 V and V_1 VOLTS to 11.000 (10-10-0).

Set the differential voltmeter to +11 volts. Connect the voltmeter between gnd and the CHOPPED OUTPUT jack and pin AI.

Adjust R31 (lower pot on V_1 RANGE switch) for a null reading on the meter. (If R31 has insufficient range, select R30.)

Turn V_1 RANGE OFF.

b. Adjust V_2 Cal (R131) to within 1 mV.

Set V_2 RANGE to 11 V and V_2 VOLTS to 11.000 (10-10-0).

Connect the differential voltmeter to pin AH.

Adjust R131 (upper pot on V_2 RANGE switch) for a null reading on the meter. (If R131 has insufficient range, select R130.)

5. V_1 and V_2 TRACKINGa. Adjust V_2 Tracking (R156) to within 0.2 mV.

Set V_2 VOLTS to 1.000 (0-10-0). Set differential voltmeter to +1 volt.

Adjust R156 (lower pot on V_2 RANGE switch) for a null reading on the meter.

Turn V_2 RANGE to 0.

CALIBRATION (CONT)

5. (cont)

b. Adjust V_1 Tracking (R56) to within 0.2 mV.

Set V_1 RANGE to 11 V and V_1 VOLTS to 1.000 (0-10-0). Reconnect the differential voltmeter to pin AI.

Adjust R56 (upper pot on V_1 RANGE switch) for a null reading on the meter.

There is interaction between steps 4 and 5, repeat as necessary.

6. REFERENCE VOLTAGE ACCURACY

a. Check V_1 and V_2 Reference Voltage Accuracy: Within 0.03% ± 1 mV with VOLTS set to 0.000 (0-0-0).

Set V_2 RANGE off and use the following chart to determine the reference voltage accuracy.

V_1 VOLTS	Dial	Differential Voltmeter Reading	Max Deviation from Null
0.000	0-0-0	0.0 V	+1.0 mV
1.000	1-0-0	1.0 V	+1.3 mV
2.000	2-0-0	2.0 V	+1.6 mV
3.000	3-0-0	3.0 V	+1.9 mV
4.000	4-0-0	4.0 V	+2.2 mV
5.000	5-0-0	5.0 V	+2.5 mV
6.000	6-0-0	6.0 V	+2.8 mV
7.000	7-0-0	7.0 V	+3.1 mV
8.000	8-0-0	8.0 V	+3.4 mV
9.000	9-0-0	9.0 V	+3.7 mV
10.000	10-0-0	10.0 V	+4.0 mV
0.100	0-1-0	0.1 V	+1.5 mV
0.200	0-2-0	0.2 V	+2.0 mV
0.300	0-3-0	0.3 V	+2.0 mV
0.400	0-4-0	0.4 V	+2.0 mV
0.500	0-5-0	0.5 V	+2.0 mV
0.600	0-6-0	0.6 V	+2.0 mV
0.700	0-7-0	0.7 V	+2.0 mV
0.800	0-8-0	0.8 V	+2.0 mV
0.900	0-9-0	0.9 V	+2.0 mV
1.000	0-10-0	1.0 V	+2.0 mV

Set V_1 RANGE off and turn V_2 RANGE to 11 V. Connect the differential voltmeter to pin AH. Check V_2 VOLTS using same chart as used for checking V_1 VOLTS.

CALIBRATION (CONT)

6. (cont)

b. Readjust V_2 Cal (R131) to within 0.2 mV.

Set V_2 RANGE to 1.1 V and V_2 VOLTS to 11.000 (10-10-0). Connect the differential voltmeter to pin AH.

Adjust R131 (upper pot on V_2 RANGE switch) for a null reading on the meter.

Turn V_2 RANGE off.

c. Readjust V_1 Cal (R31) to within 0.2 mV.

Set V_1 RANGE to 1.1 V and V_1 VOLTS to 11.000 (10-10-0). Connect the differential voltmeter to pin AI.

Adjust R31 (lower pot on V_1 RANGE switch) for a null reading on the meter.

d. Readjust V_1 Tracking (R56) to within 0.2 mV.

Set V_1 VOLTS to 1.000 (0-10-0). Set the differential voltmeter to 0.1 V.

Adjust R56 (upper pot on V_1 RANGE switch) for a null reading on the meter.

Turn V_1 RANGE off.

e. Readjust V_2 Tracking (R156) to within 0.2 mV.

Turn V_2 RANGE to 1.1 V and V_2 VOLTS to 1.000 (0-10-0). Connect the differential voltmeter to AH.

Adjust R156 (lower pot on V_2 RANGE switch) for a null reading on the meter.

7. COMPARISON VOLTAGE DIVIDERS

a. Check V_2 10:1 Divider: Within 0.04%.

Set the differential voltmeter to +11 V. Set V_2 RANGE to 11 V and V_2 VOLTS to 11.000 (10-10-0).

Check for reading on the differential voltmeter of 11.000 V within 4.4 mV.

b. Check V_2 Reference Voltage 10:1 Divider: Within 0.04%.

Switch V_2 RANGE to -11 V. Set polarity of the differential voltmeter to -.

Check for 11 W within 4.4 mV on the voltmeter.

Switch V_2 RANGE to -1.1 V. Set the differential voltmeter to 1.1 V.

Check for a reading on the voltmeter of 1.1 V within 0.44 mV.

Turn V_2 RANGE off.

CALIBRATION (CONT)

7. (cont)

c. Check V_1 Reference Voltage 10:1 Divider: Within 0.04%.

Set the differential voltmeter to +11 V. Set V_1 RANGE to 11 V and V_1 VOLTS to 11.000 (10-10-0).

Connect the differential voltmeter to pin AI.

Check for 11.000 V within 4.4 mV on the voltmeter.

d. Check V_1 (-) Reference Voltage 10:1 Divider: Within 0.04%.

Set V_1 RANGE to -11 V. Set polarity of the differential voltmeter to -.

Check for a reading on the voltmeter of 11.000 V within 4.4 mV.

Switch V_1 RANGE to -1.1 V. Set differential voltmeter to -1.1 V.

Check for a reading on the voltmeter of -1.100 V within 0.44 mV.

Remove differential voltmeter.

Replace chopper (G90).

8. CHOPPER OUTPUT

a. Chopper Frequency (R77)

Connect a coax cable from CHOPPED OUTPUT to the Type 1A5.

Check range of CHOPPER FREQUENCY from 15 Hz to 100 Hz. Set CHOPPER FREQUENCY to 60 \sim .

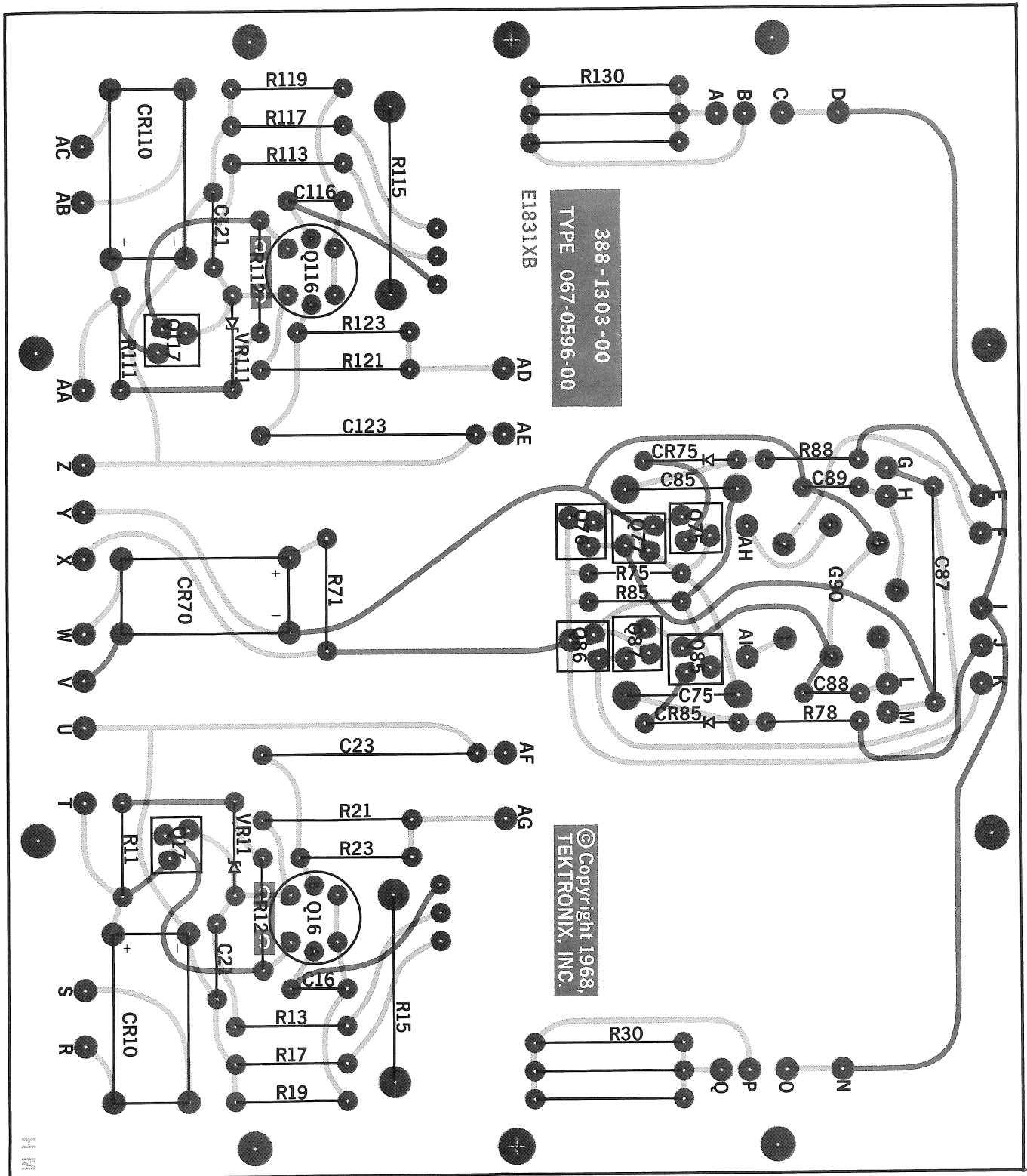
b. Check CHOPPED OUTPUT Noise: 2 mV or less

With CHOPPED OUTPUT to A INPUT of the Type 1A5 put VOLTS/CM to 1 mV, A INPUT to AC. Set the 067-0596-00 V_1 RANGE to 1.1 V, V_1 AMPLITUDE to 5.000 (5-0-0), V_2 RANGE to 1.1 V and V_2 AMPLITUDE to 5.000 (5-0-0).

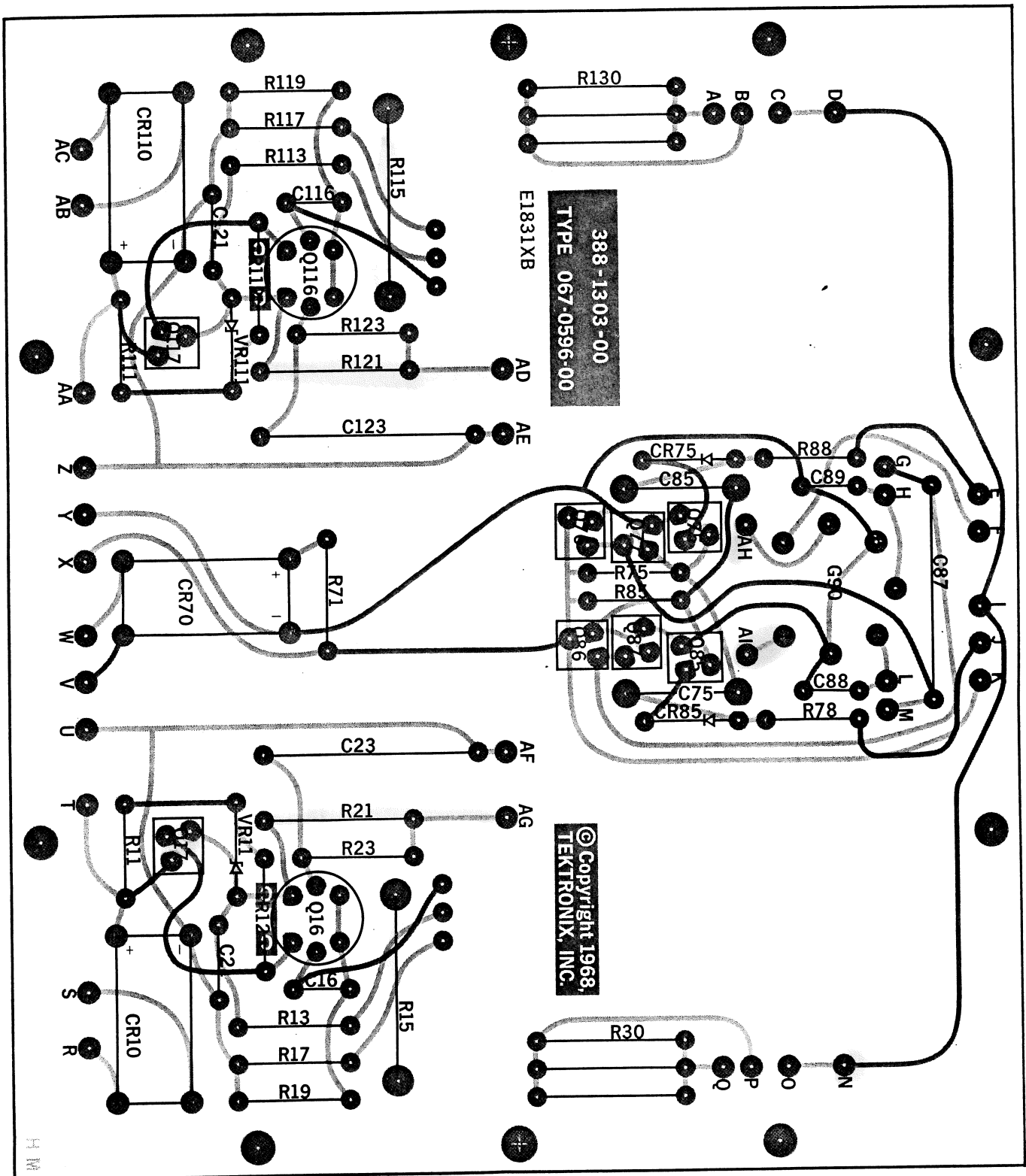
Check for 2 mV or less noise as observed on the test scope (disregard switching transients).

Check for an output at all positions of V_1 and V_2 RANGE settings.

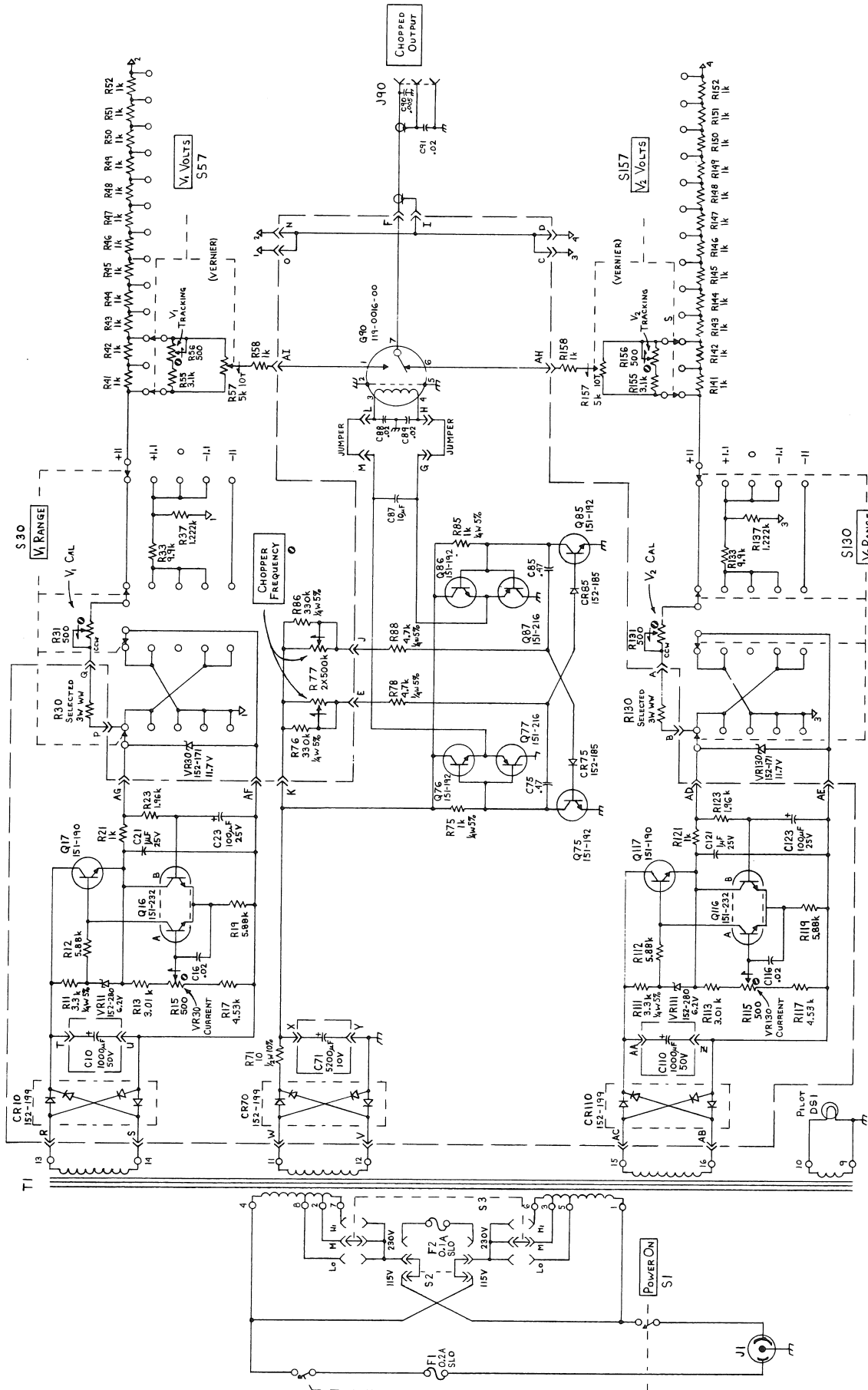
CIRCUIT BOARD



CIRCUIT BOARD



SCHEMATIC DIAGRAMS



SECTION 6

ELECTRICAL PARTS LIST

Values are fixed unless marked Variable.

Ckt. No.	Tektronix Part No.	Serial/Model No. Eff	Disc	Description
Bulb				
DS1	150-0065-00			Incandescent, 10 V, 40 mA green lens
Capacitors				
Tolerance $\pm 20\%$ unless otherwise indicated.				
C10	290-0122-00		1000 μF	Elect. 50 V
C16	283-0004-00		0.02 μF	Cer 150 V
C21	283-0059-00		1 μF	Cer 25 V +80%-20%
C23	290-0215-00		100 μF	Elect. 25 V
C71	290-0403-00		5200 μF	Elect. 10 V +75%-10%
C75	290-0244-00		0.47 μF	Elect. 35 V 5%
C85	290-0244-00		0.47 μF	Elect. 35 V 5%
C87	290-0290-00		10 μF	Elect. 25 V
C88	283-0004-00		0.02 μF	Cer 150 V
C89	283-0004-00		0.02 μF	Cer 150 V
C90	283-0110-00		0.005 μF	Cer 150 V
C91	283-0004-00		0.02 μF	Cer 150 V
C110	290-0122-00		1000 μF	Elect. 50 V
C116	283-0004-00		0.02 μF	Cer 150 V
C121	283-0059-00		1 μF	Cer 25 V +80%-20%
C123	290-0215-00		100 μF	Elect. 25 V
Semiconductor Device, Diodes				
CR10	152-0199-00			Rectifier Bridge MDA 962-3
CR70	152-0199-00			Rectifier Bridge MDA 962-3
CR75	*152-0185-00		Silicon	Replaceable by 1N4152
CR85	*152-0185-00		Silicon	Replaceable by 1N4152
CR110	152-0199-00			Rectifier Bridge MDA 962-3
VR11	152-0280-00		Zener 1N753A	400 mW, 6.2 V, 5%
VR30	152-0171-00		Zener 1N944	11.7 V, 5%
VR111	152-0280-00		Zener 1N753A	400 mW, 6.2 V, 5%
VR130	152-0171-00		Zener 1N944	11.7 V, 5%

Electrical Parts List--Type 067-0596-00

Values are fixed unless marked Variable.

Ckt. No.	Tektronix Part No.	Serial/Model No. Eff	Disc	Description
----------	--------------------	----------------------	------	-------------

Fuses

F1	159-0044-00		2/10 A 3 AG	S1o-B1o
F2	159-0048-00		1/10 A 3 AG	S1o-B1o

Chopper

G90	119-0016-00			Chopper, Airpax 175
-----	-------------	--	--	---------------------

Connectors

J1	131-0171-00			Motor base, 3 wire
J90	131-0274-00			BNC

Transistors

Q16	151-0232-00		Silicon	Dual
Q17	151-0190-00		Silicon	2N3904
Q75	151-0192-00		Silicon	Replaceable by MPS 6521
Q76	151-0192-00		Silicon	Replaceable by MPS 6521
Q77	151-0216-00		Silicon	Replaceable by MPS 6523
Q85	151-0192-00		Silicon	Replaceable by MPS 6521
Q86	151-0192-00		Silicon	Replaceable by MPS 6521
Q87	151-0216-00		Silicon	Replaceable by MPS 6523
Q116	151-0232-00		Silicon	Dual
Q117	151-0190-00		Silicon	2N3904

Resistors

Resistors are fixed, composition, $\pm 10\%$ unless otherwise indicated.

R11	315-0332-00		3.3 k Ω	1/4 W		5%
R12	321-0625-00		5.88 k Ω	1/8 W	Prec	1%
R13	321-0239-00		3.01 k Ω	1/8 W	Prec	1%
R15	311-0484-00		500 Ω , Var			
R17	321-0256-00		4.53 k Ω	1/8 W	Prec	1%

Values are fixed unless marked Variable.

Ckt. No.	Tektronix Part No.	Serial/Model No. Eff	Disc	Description		
Resistors (cont)						
R19	321-0625-00		5.88 k Ω	1/8 W	Prec	1%
R21	308-0435-00		1 k Ω	3 W	WW	0.25%
R23	321-0221-00		1.96 k Ω	1/8 W	Prec	1%
R30	Selected					
R31	311-0484-00		500 Ω , Var			
R33	308-0326-00		9.9 k Ω	1/8 W	WW	0.01%
R37	308-0324-00		1.2222 k Ω	1/8 W	WW	0.01%
R41 thru R52	308-0323-00		1 k Ω	1/4 W	(matched set of 12)	
R55	308-0316-00		3.1 k Ω	1/2 W	WW	1%
R56	311-0484-00		500 Ω , Var			
R57	311-0360-00		5 k Ω , Var			
R58	302-0102-00		1 k Ω	1/2 W		
R71	302-0100-00		10 Ω	1/2 W		
R75	315-0102-00		1 k Ω	1/4 W		5%
R76	315-0334-00		330 k Ω	1/4 W		5%
R77	311-0400-00		2 x 500 k Ω , Var			
R78	315-0472-00		4.7 k Ω	1/4 W		5%
R85	315-0102-00		1 k Ω	1/4 W		5%
R86	315-0334-00		330 k Ω	1/4 W		5%
R88	315-0472-00		4.7 k Ω	1/4 W		5%
R111	315-0332-00		3.3 k Ω	1/4 W		5%
R112	321-0625-00		5.88 k Ω	1/8 W	Prec	1%
R113	321-0239-00		3.01 k Ω	1/8 W	Prec	1%
R115	311-0484-00		500 Ω , Var			
R117	321-0256-00		4.53 k Ω	1/8 W	Prec	1%
R119	321-0625-00		5.88 k Ω	1/8 W	Prec	1%
R121	308-0435-00		1 k Ω	3 W	WW	0.25%
R123	321-0221-00		1.96 k Ω	1/8 W	Prec	1%
R130	Selected					
R131	311-0484-00		500 k Ω , Var			

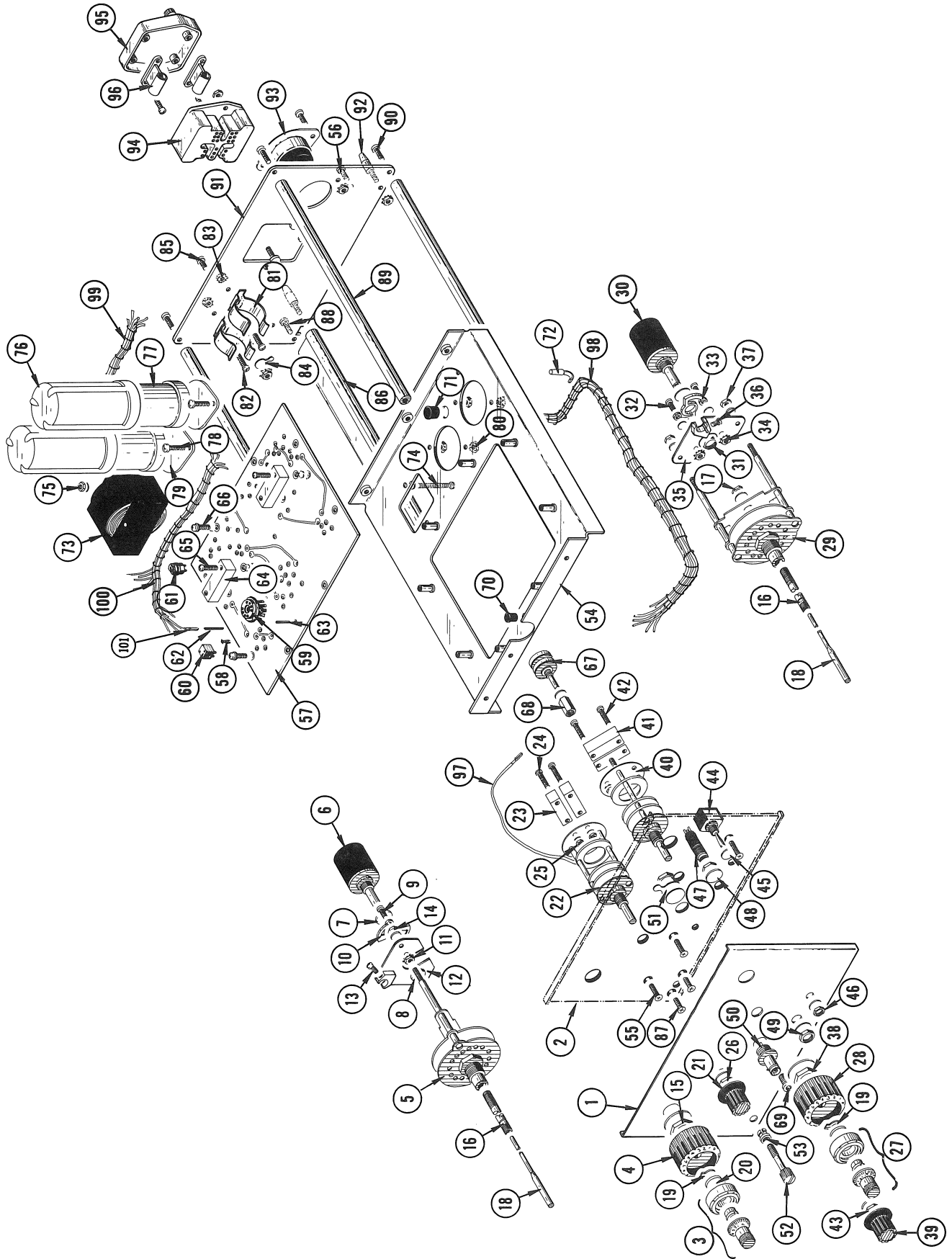
Electrical Parts List--Type 067-0596-00

Values are fixed unless marked Variable.

Ckt. No.	Tektronix Part No.	Serial/Model No. Eff	Disc	Description		
Resistors (cont)						
R133	308-0326-00		9.9 k Ω	1/8 W	WW	0.01%
R137	308-0324-00		1.2222 k Ω	1/8 W	WW	0.01%
R141 thru R152	308-0323-00		1 k Ω	1/4 W (matched set of 12)		
R155	308-0316-00		3.1 k Ω	1/2 W	WW	1%
R156	311-0484-00		500 Ω , Var			
R157	311-0360-00		5 k Ω , Var			
R158	302-0102-00		1 k Ω	1/2 W		
Switches						
	Wired or Unwired					
S1	260-0834-00		Toggle	POWER ON		
S2 ¹						
S3 ¹						
S30 Wired	*262-0879-00		Rotary	V ₁ RANGE		
S30	260-0633-00		Rotary	V ₁ RANGE		
S57 Wired	*262-0880-00		Rotary	V ₁ AMPLITUDE		
S57	260-0712-00		Rotary	V ₁ AMPLITUDE		
S130 Wired	*262-0879-00		Rotary	V ₂ RANGE		
S130	260-0633-00		Rotary	V ₂ RANGE		
S157 Wired	*262-0880-00		Rotary	V ₂ AMPLITUDE		
S157	260-0712-00		Rotary	V ₂ AMPLITUDE		
Transformer						
T1	E*120-0618-00			Power, chop voltage reference		

¹ See Mechanical Parts List. Line Voltage Selector Body.

FIG. 1 EXPLODED



SECTION 7

MECHANICAL PARTS LIST
FIG. 1 EXPLODED

Fig. & Index No.	Tektronix Part No.	Serial/Model Eff No.	No. Disc	Q					Description
				Y	1	2	3	4	
1-1	E333-1225-01			1					PANEL, front
-2	E386-1583-00			1					SUB-PANEL, front
-3	331-0152-00			1					DIAL, w/o brake -- V ₁ VOLTS
-4	366-0324-00			1					KNOB, charcoal -- V ₁ VOLTS
	- - - - -			-					knob includes:
	213-0022-00			2					SCREW, set, 4-40 x 3/16 inch, HSS
-5	E262-0880-00			1					SWITCH, wired -- V ₁ VOLTS
	- - - - -			-					switch includes:
	260-0712-00			1					SWITCH, unwired
	213-0075-00			2					SCREW, set, 4-40 x 3/32 inch, HSS
-6	- - - - -			1					RESISTOR, variable
	- - - - -			-					mounting hardware: (not included w/resistor)
-7	210-0012-00			1					LOCKWASHER, internal, 3/8 ID x 1/2 inch OD
-8	210-0413-00			1					NUT, hex., 3/8-32 x 1/2 inch
-9	211-0097-00			2					SCREW, 4-40 x 5/16 inch, PHS
	210-0004-00			2					LOCKWASHER, internal, #4
-10	426-0289-00			1					MOUNT, plastic
-11	210-0586-00			2					NUT, keps, 4-40 x 1/4 inch
-12	337-0360-00			1					SHIELD
	- - - - -			-					shield includes:
-13	211-0094-00			1					SCREW, 4-40 x 1/2 inch, THS
	- - - - -			-					mounting hardware: (not included w/shield)
	210-0017-00			2					LOCKWASHER, split, #5
-14	210-0449-00			2					NUT, hex., 5-40 x 1/4 inch
	- - - - -			-					mounting hardware: (not included w/switch)
	210-1010-00			1					WASHER, flat, 0.643 ID x 0.875 inch OD
-15	210-0579-00			1					NUT, hex., 5/8-24 x 3/4 inch
-16	384-0362-00			2					SHAFT, dial index, 2.750 inches long
	- - - - -			-					mounting hardware for each:
	- - - - -			-					(not included w/shaft)
	210-0046-00			1					LOCKWASHER, internal, 0.261 ID
	- - - - -			-					x 0.400 inch OD
-17	210-0583-00			2					NUT, hex., 1/4-32 x 5/16 inch
-18	384-0364-00			2					SHAFT, dial index, 3.852 inches long
-19	354-0184-00			2					RING, retaining
-20	210-0853-00			2					WASHER, flat, 17/64 ID x 1/2 inch OD

FIG. 1 EXPLODED (cont)

Fig. & Index No.	Tektronix Part No.	Serial/Model No. Eff	No. Disc	Q					Description	
				t	Y	1	2	3		4
1-21	366-0173-00			1						1 KNOB, charcoal -- V ₁ RANGE
	- - - - -			-						knob includes:
	213-0004-00			1						1 SCREW, set, 6-32 x 3/16 inch, HSS
-22	E 262-0879-00			1						1 SWITCH, wired -- V ₁ RANGE
	- - - - -			-						switch includes:
	260-0633-00			1						1 SWITCH, unwired
-23	- - - - -			2						2 RESISTOR, variable
	- - - - -			-						mounting hardware for each:
	- - - - -			-						(not included w/resistor)
-24	211-0089-00			2						2 SCREW, 2-56 x 3/8 inch, RHS
	210-0001-00			2						2 LOCKWASHER, internal, #2
-25	210-0405-00			2						2 NUT, hex., 2-56 x 3/16 inch
	- - - - -			-						mounting hardware: (not included w/switch)
	210-0840-00			1						1 WASHER, flat, 0.390 ID x 9/16 inch OD
-26	210-0413-00			1						1 NUT, hex., 3/8-32 x 1/2 inch
-27	331-0152-00			1						1 DIAL, w/o brake -- V ₂ VOLTS
-28	366-0324-00			1						1 KNOB, charcoal -- V ₂ VOLTS
	- - - - -			-						knob includes:
	213-0022-00			2						2 SCREW, set, 4-40 x 3/16 inch, HSS
-29	E 262-0880-00			1						1 SWITCH, wired -- V ₂ VOLTS
	- - - - -			-						switch includes:
	260-0712-00			1						1 SWITCH, unwired
	213-0075-00			2						2 SCREW, set, 4-40 x 3/32 inch, HSS
-30	- - - - -			1						1 RESISTOR, variable
	- - - - -			-						mounting hardware:
	- - - - -			-						(not included w/resistor)
	210-0012-00			1						1 LOCKWASHER, internal, 3/8 ID x 1/2 inch
-31	210-0413-00			1						1 NUT, hex., 3/8-32 x 1/2 inch
-32	211-0097-00			2						2 SCREW, 4-40 x 5/16 inch, PHS
	210-0004-00			2						2 LOCKWASHER, internal, #4
-33	426-0289-00			1						1 MOUNT, plastic
-34	210-0586-00			2						2 NUT, keps, 4-40 x 1/4 inch

FIG. 1 EXPLODED (cont)

Fig. & Index No.	Tektronix Part No.	Serial/Model No. Eff	No. Disc	Q					Description
				y	1	2	3	4	
1-35	337-0360-00			1					SHIELD
	- - - - -			-					shield includes:
-36	211-0094-00			1					SCREW, 4-40 x 1/2 inch, THS
	- - - - -			-					mounting hardware: (not included w/shield)
	210-0017-00			2					LOCKWASHER, split, #5
-37	210-0449-00			2					NUT, hex., 5-40 x 1/4 inch
	- - - - -			-					mounting hardware: (not included w/switch)
	210-1010-00			1					WASHER, flat, 0.643 ID x 0.875 inch OD
-38	210-0579-00			1					NUT, hex., 5/8-24 x 3/4 inch
-39	366-0173-00			1					KNOB, charcoal -- V ₂ RANGE
	- - - - -			-					knob includes:
	213-0004-00			1					SCREW, set, 6-32 x 3/16 inch, HSS
-40	E262-0879-00			1					SWITCH, wired -- V ₂ RANGE
	- - - - -			-					switch includes:
	260-0633-00			1					SWITCH, unwired
-41	- - - - -			2					RESISTOR, variable
	- - - - -			-					mounting hardware for each:
	- - - - -			-					(not included w/resistor)
-42	211-0089-00			2					SCREW, 2-56 x 3/8 inch, RHS
	210-0001-00			2					LOCKWASHER, internal, #2
	210-0405-00			2					NUT, hex., 2-56 x 3/16 inch
	- - - - -			-					mounting hardware: (not included w/switch)
	210-0840-00			1					WASHER, flat, 0.390 ID x 9/16 inch OD
-43	210-0413-00			1					NUT, hex., 3/8-32 x 1/2 inch
-44	260-0834-00			1					SWITCH, toggle -- ON
	- - - - -			-					mounting hardware: (not included w/switch)
-45	210-0046-00			1					LOCKWASHER, internal, 0.261 ID
	- - - - -			-					x 0.400 inch OD
	210-0940-00			1					WASHER, flat, 1/4 ID x 3/8 inch OD
-46	210-0562-00			1					NUT, hex., 1/4-40 x 5/16 inch
-47	136-0164-00			1					SOCKET, light
	- - - - -			-					mounting hardware: (not included w/socket)
	210-0413-00			1					NUT, hex., 3/8-32 x 1/2 inch
-48	210-0012-00			1					LOCKWASHER, internal, 3/8 ID x 1/2 inch OD
	210-0978-00			1					WASHER, flat, 3/8 ID x 1/2 inch OD
-49	220-0480-02			1					NUT, plain, 3/8-32 x 0.438 inch

FIG. 1 EXPLODED (cont)

Fig. & Index No.	Tektronix Part No.	Serial/Model No. Eff	No. Disc	Q					Description
				t	Y	1	2	3	
1-50	131-0274-00			1					CONNECTOR, insulated, BNC, female, w/hardware
	- - - - -			-					mounting hardware: (not included w/connector)
-51	210-0241-00			1					LUG, terminal
-52	214-0553-00			1					LATCH SCREW
-53	358-0255-00			1					BUSHING, latch screw
-54	E 441-0883-00			1					CHASSIS
	- - - - -			-					mounting hardware: (not included w/chassis)
-55	211-0538-00			3					SCREW, 6-32 x 5/16 inch, 100° csk, FHS
-56	211-0507-00			3					SCREW, 6-32 x 5/16 inch, PHS
-57	E 670-0300-00			1					ASSEMBLY, circuit board
	- - - - -			-					assembly includes:
	E 388-1303-00			1					BOARD, circuit
-58	131-0639-00			4					CONTACT, electrical
-59	136-0058-00			1					SOCKET, tube, 7 pin
-60	136-0220-00			8					SOCKET, transistor, 3 pin
-61	136-0235-00			2					SOCKET, semiconductor, 6 pin
-62	131-0608-00			11					TERMINAL, pin, 0.365 inch long
-63	131-0589-00			24					TERMINAL, pin, 0.500 inch long
-64	- - - - -			2					RESISTOR, variable
	- - - - -			-					mounting hardware for each: (not included w/resistor)
-65	211-0089-00			2					SCREW, 2-56 x 3/16 inch, RHS
	210-0001-00			2					LOCKWASHER, internal, #2
	210-0405-00			2					NUT, hex., 2-56 x 3/16 inch
	- - - - -			-					mounting hardware: (not included w/assembly)
-66	211-0116-00			8					SCREW, sems, 4-40 x 5/16 inch, PHB
-67	- - - - -			1					RESISTOR, variable
	- - - - -			-					mounting hardware: (not included w/resistor)
	210-0046-00			1					LOCKWASHER, internal, 0.261 ID x 0.400 inch OD
-68	210-0471-00			1					NUT, hex., 1/4-32 x 5/16 inch
-69	358-0054-00			1					BUSHING

FIG. 1 EXPLODED (cont)

Fig. & Index No.	Tektronix Part No.	Serial/Model No. Eff	No. Disc	Q					Description	
				y	1	2	3	4		5
1-70	348-0055-00			1						GROMMET, plastic, 1/4 inch diameter
-71	348-0056-00			1						GROMMET, plastic, 3/8 inch diameter
-72	E343-0213-00			1						CLAMP, cable, plastic
-73	- - - - -			1						TRANSFORMER
	- - - - -			-						mounting hardware:
	- - - - -			-						(not included w/transformer)
-74	211-0019-00			2						SCREW, 4-40 x 1 inch, RHS
	210-0906-00			4						WASHER, fiber, 1/8 ID x 13/64 inch OD
-75	210-0406-00			2						NUT, hex., 4-40 x 3/16 inch
-76	200-0293-00			2						COVER, capacitor, plastic, 1.365 ID
	- - - - -			-						x 2 9/16 inches long
-77	- - - - -			2						CAPACITOR
	- - - - -			-						mounting hardware for each:
	- - - - -			-						(not included w/capacitor)
-78	211-0507-00			2						SCREW, 6-32 x 5/16 inch, PHS
-79	386-0254-00			1						PLATE, fiber, large
-80	210-0457-00			2						NUT, keps, 6-32 x 5/16 inch
-81	344-0118-00			2						CLIP, capacitor mounting
	- - - - -			-						mounting hardware for each:
	- - - - -			-						(not included w/clip)
-82	211-0507-00			1						SCREW, 6-32 x 5/16 inch, PHS
-83	210-0457-00			1						NUT, keps, 6-32 x 5/16 inch
-84	210-0202-00			1						LUG, solder, SE #6
	- - - - -			-						mounting hardware: (not included w/lug)
	210-0457-00			1						NUT, keps, 6-32 x 5/16 inch
-85	211-0507-00			1						SCREW, 6-32 x 5/16 inch, PHS
-86	351-0089-02			1						RAIL, guide
	- - - - -			-						mounting hardware not included w/rail
-87	211-0538-00			2						SCREW, 6-32 x 5/16 inch, 100° csk, PHS
-88	212-0008-00			1						SCREW, 8-32 x 1/2 inch, PHS
	214-0680-00			1						PIN, locating

FIG. 1 EXPLODED (cont)

Fig. & Index No.	Tektronix Part No.	Serial/Model Eff	No. Disc	Q					Description
				†	1	2	3	4	
1-89	385-0181-00			3					ROD, spacer
	- - - - -			-					mounting hardware for each:
	- - - - -			-					(not included w/rod)
-90	212-0008-00			1					SCREW, 8-32 x 1/2 inch, PHS
-91	386-1582-00			1					PANEL, rear
-92	214-0680-00			1					PIN, locating
	- - - - -			-					mounting hardware: (not included w/pin)
	210-0458-00			1					NUT, keps, 8-32 x 11/32 inch
-93	131-0171-00			1					CONNECTOR, motor base, 3 wire
	- - - - -			-					mounting hardware:
	- - - - -			-					(not included w/connector)
	211-0507-00			2					SCREW, 6-32 x 5/16 inch, PHS
	210-0457-00			2					NUT, keps, 6-32 x 5/16 inch
-94	204-0279-00			1					BODY, line voltage selector
	- - - - -			-					mounting hardware: (not included w/body)
	210-0006-00			2					LOCKWASHER, internal, #6
	210-0407-00			2					NUT, hex., 6-32 x 1/4 inch
-95	200-0762-00			1					COVER, line voltage selector
	- - - - -			-					cover includes:
-96	352-0102-00			2					HOLDER, fuse
	- - - - -			-					mounting hardware for each:
	- - - - -			-					(not included w/holder)
	213-0088-00			2					SCREW, thread forming, #4 x 1/4 inch, PHS
-97	131-0621-00			23					CONNECTOR, terminal, female
-98	179-1391-00			1					CABLE HARNESS, line voltage
-99	179-1392-00			1					CABLE HARNESS, AC
-100	179-1390-00			1					CABLE HARNESS, chassis
	- - - - -			-					cable harness includes:
-101	131-0621-00			12					CONNECTOR, terminal, female

FIG. 2 CABINET

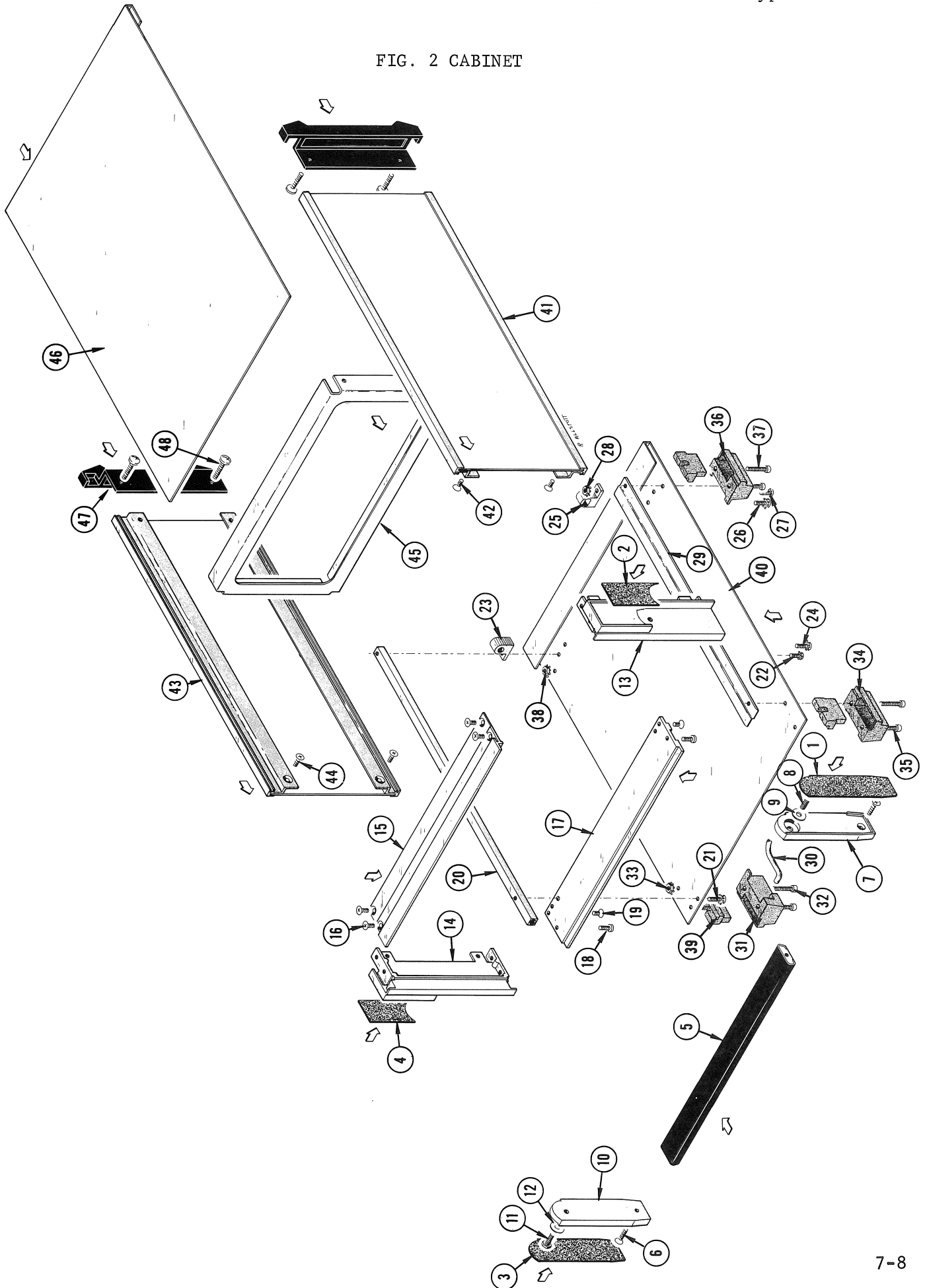


FIG. 2 CABINET

Fig. & Index No.	Tektronix Part No.	Serial/Model No. Eff Disc	Q					Description
			†	y	1	2	3	
2-	437-0077-01		1					ASSEMBLY, cabinet
	- - - - -		-					assembly includes:
-1	377-0122-00		1					INSERT, handle pivot, right
-2	377-0120-00		1					INSERT, frame, right
-3	377-0123-00		1					INSERT, handle pivot, left
-4	377-0121-00		1					INSERT, frame, left
-5	367-0052-00		1					HANDLE
	- - - - -		-					mounting hardware: (not included w/handle)
-6	212-0040-00		2					SCREW, 8-32 x 3/8 inch, 100° csk, FHS
-7	367-0050-00		1					PIVOT, handle, right
	- - - - -		-					mounting hardware: (not included w/pivot)
-8	214-0554-00		1					BOLT, hinge, 10-32 x 0.468 inch, HHS
-9	214-0558-00		1					WASHER, thrust, 5/16 ID x 1/2 inch OD
-10	367-0051-00		1					PIVOT, handle, left
	- - - - -		-					mounting hardware: (not included w/pivot)
-11	214-0554-00		1					BOLT, hinge, 10-32 x 0.468 inch, HHS
-12	214-0558-00		1					WASHER, thrust, 5/16 ID x 1/2 inch OD
-13	426-0252-00		1					FRAME, front, right
-14	426-0253-00		1					FRAME, front, left
-15	426-0255-00		1					FRAME, front, top
	- - - - -		-					mounting hardware: (not included w/frame)
-16	212-0002-00		4					SCREW, 8-32 x 1/4 inch, 100° csk, FHS
-17	426-0254-00		1					FRAME, front, bottom
	- - - - -		-					mounting hardware: (not included w/frame)
-18	212-0004-00		2					SCREW, 8-32 x 5/16 inch, PHS
-19	212-0002-00		2					SCREW, 8-32 x 1/4 inch, 100° csk, FHS
-20	351-0095-00		1					GUIDE, left
	- - - - -		-					mounting hardware: (not included w/guide)
-21	212-0023-00		1					SCREW, 8-32 x 0.375 inch, PHS
	210-0007-00		1					LOCKWASHER, external, #8
-22	211-0510-00		1					SCREW, 6-32 x 3/8 inch, PHS
	210-0005-00		1					LOCKWASHER, external, #6
-23	358-0293-01		1					BUSHING, plug-in securing, left
	- - - - -		-					mounting hardware: (not included w/ bushing)
-24	212-0001-00		1					SCREW, 8-32 x 1/4 inch, PHS
	210-0007-00		1					LOCKWASHER, external, #8

FIG. 2 CABINET (cont)

Fig. & Index No.	Tektronix Part No.	Serial/Model No. Eff	No. Disc	Q					Description	
				†	Y	1	2	3		4
2-25	358-0294-01			1						BUSHING, plug-in securing, right
	- - - - -			-						mounting hardware: (not included
	- - - - -			-						w/bushing)
-26	212-0001-00			1						SCREW, 8-32 x 1/4 inch, PHS
	210-0007-00			1						LOCKWASHER, external, #8
-27	211-0510-00			1						SCREW, 6-32 x 1/2 inch, PHS
	210-0005-00			1						LOCKWASHER, external, #6
-28	210-0457-00			1						NUT, keps, 6-32 x 5/16 inch
-29	351-0094-00			1						GUIDE, right
-30	348-0072-00			1						FOOT, flip stand
-31	348-0073-00			1						FOOT, bail limiting, left front
	- - - - -			-						mounting hardware: (not included w/foot)
-32	211-0532-00			2						SCREW, 6-32 x 3/4 inch, Fil HS
-33	210-0457-00			1						NUT, keps, 6-32 x 5/16 inch
-34	348-0074-00			1						FOOT, bail limiting, right front
	- - - - -			-						mounting hardware: (not included w/foot)
-35	211-0532-00			2						SCREW, 6-32 x 3/4 inch, Fil HS
-36	348-0073-00			1						FOOT, bail limiting, right rear
	- - - - -			-						mounting hardware: (not included w/foot)
-37	211-0532-00			2						SCREW, 6-32 x 3/4 inch, Fil HS
	348-0074-00			1						FOOT, bail limiting, left rear (not shown)
	- - - - -			-						mounting hardware: (not included w/foot)
	211-0532-00			2						SCREW, 6-32 x 3/4 inch, Fil HS
-38	210-0457-00			1						NUT, keps, 6-32 x 5/16 inch
-39	377-0119-00			4						INSERT, foot
-40	386-0147-01			1						CABINET BOTTOM
-41	386-0148-00			2						CABINET SIDE
	- - - - -			-						mounting hardware for each:
	- - - - -			-						(not included w/cabinet side)
-42	212-0002-00			2						SCREW, 8-32 x 1/4 inch, 100° csk, FHS
-43	386-0139-00			1						PLATE, rear
-44	386-0149-00			1						PLATE, top
-45	348-0075-00			2						FOOT, rear guard
	- - - - -			-						mounting hardware for each:
	- - - - -			-						(not included w/foot)
-46	212-0004-00			2						SCREW, 8-32 x 5/16 inch, PHS

FIG. 3 STANDARD ACCESSORIES

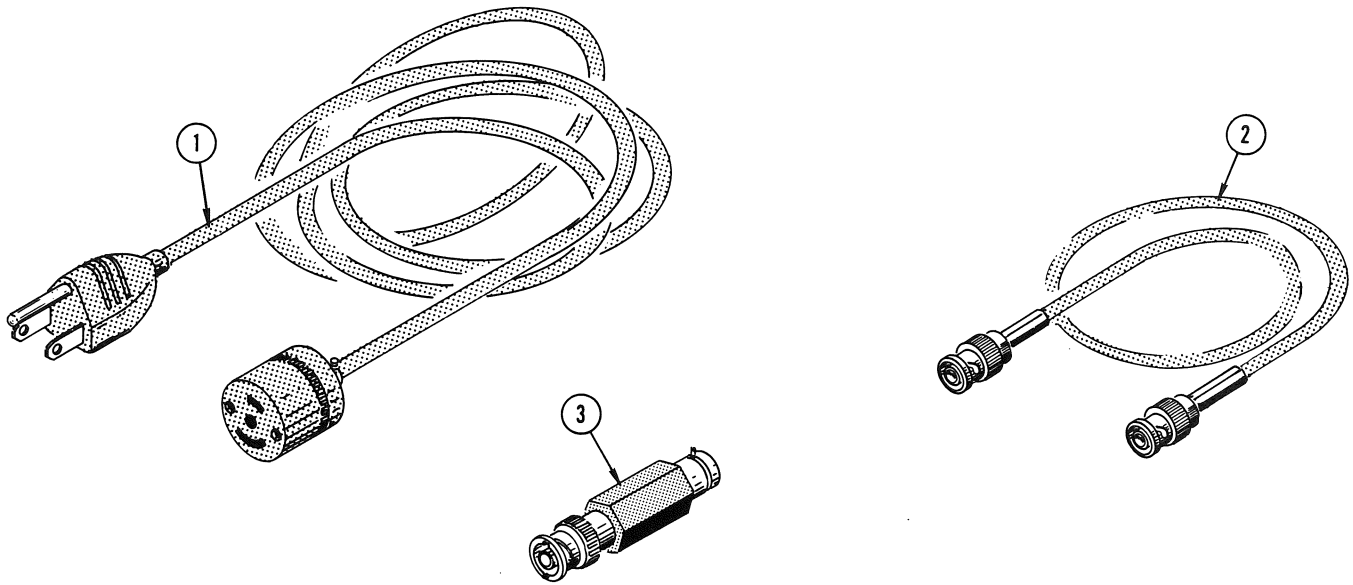


Fig. & Index No.	Tektronix Part No.	Serial/Model Eff	No. Disc	Q					Description	
				†	Y	1	2	3		4
3-1	161-0036-00			1						CABLE ASSEMBLY, power, 7 1/2 feet long
-2	012-0159-00			1						CABLE, special purpose, BNC
-3	011-0103-02			1						TERMINATION, coaxial, 75 Ω
	062-1094-00			2						MANUAL, instruction (not shown)

SECTION 8

Type 067-0596-00

TABLES

CORRECTION VALUES FOR ERROR DUE TO 1 MEGOHM LOAD

ACTUAL OUTPUT MV	0.00	1.00	2.00	3.00	4.00	5.00	6.00	7.00	8.00	9.00
ACTUAL READING MV	0.00	1.00	2.00	3.00	4.00	5.00	6.00	7.00	8.00	9.00
ABSOLUTE ERROR MV	0.0000	0.0000	0.0019	0.0033	0.0046	0.0062	0.0076	0.0093	0.0109	0.0127
ACTUAL OUTPUT MV	10.00	11.00	12.00	13.00	14.00	15.00	16.00	17.00	18.00	19.00
ACTUAL READING MV	10.01	11.01	12.01	13.02	14.02	15.02	16.02	17.02	18.03	19.03
ABSOLUTE ERROR MV	0.0145	0.0165	0.0184	0.0205	0.0227	0.0249	0.0271	0.0294	0.0318	0.0342
ACTUAL OUTPUT MV	20.00	21.00	22.00	23.00	24.00	25.00	26.00	27.00	28.00	29.00
ACTUAL READING MV	20.03	21.03	22.04	23.04	24.04	25.04	26.05	27.05	28.05	29.06
ABSOLUTE ERROR MV	0.0367	0.0393	0.0418	0.0445	0.0472	0.0498	0.0526	0.0554	0.0582	0.0611
ACTUAL OUTPUT MV	30.00	31.00	32.00	33.00	34.00	35.00	36.00	37.00	38.00	39.00
ACTUAL READING MV	30.06	31.06	32.06	33.07	34.07	35.07	36.08	37.08	38.08	39.09
ABSOLUTE ERROR MV	0.0640	0.0669	0.0698	0.0728	0.0757	0.0787	0.0818	0.0848	0.0878	0.0909
ACTUAL OUTPUT MV	40.00	41.00	42.00	43.00	44.00	45.00	46.00	47.00	48.00	49.00
ACTUAL READING MV	40.09	41.09	42.10	43.10	44.10	45.10	46.11	47.11	48.11	49.12
ABSOLUTE ERROR MV	0.0939	0.0969	0.1000	0.1030	0.1060	0.1090	0.1121	0.1151	0.1180	0.1210
ACTUAL OUTPUT MV	50.00	51.00	52.00	53.00	54.00	55.00	56.00	57.00	58.00	59.00
ACTUAL READING MV	50.12	51.12	52.12	53.13	54.13	55.13	56.14	57.14	58.14	59.14
ABSOLUTE ERROR MV	0.1240	0.1269	0.1298	0.1327	0.1355	0.1383	0.1411	0.1438	0.1465	0.1492
ACTUAL OUTPUT MV	60.00	61.00	62.00	63.00	64.00	65.00	66.00	67.00	68.00	69.00
ACTUAL READING MV	60.15	61.15	62.15	63.15	64.16	65.16	66.16	67.16	68.17	69.17
ABSOLUTE ERROR MV	0.1518	0.1543	0.1568	0.1593	0.1617	0.1640	0.1663	0.1685	0.1707	0.1728
ACTUAL OUTPUT MV	70.00	71.00	72.00	73.00	74.00	75.00	76.00	77.00	78.00	79.00
ACTUAL READING MV	70.17	71.17	72.17	73.18	74.18	75.18	76.18	77.18	78.18	79.18
ABSOLUTE ERROR MV	0.1748	0.1768	0.1787	0.1804	0.1822	0.1838	0.1854	0.1868	0.1882	0.1895
ACTUAL OUTPUT MV	80.00	81.00	82.00	83.00	84.00	85.00	86.00	87.00	88.00	89.00
ACTUAL READING MV	80.19	81.19	82.19	83.19	84.19	85.19	86.19	87.19	88.19	89.19
ABSOLUTE ERROR MV	0.1907	0.1918	0.1928	0.1937	0.1945	0.1951	0.1957	0.1962	0.1965	0.1968
ACTUAL OUTPUT MV	90.00	91.00	92.00	93.00	94.00	95.00	96.00	97.00	98.00	99.00
ACTUAL READING MV	90.19	91.19	92.19	93.19	94.19	95.19	96.19	97.19	98.19	99.19
ABSOLUTE ERROR MV	0.1969	0.1969	0.1968	0.1965	0.1962	0.1957	0.1950	0.1942	0.1933	0.1923

ACTUAL OUTPUT MV	100.00	101.00	102.00	103.00	104.00	105.00	106.00	107.00	108.00	109.00
ACTUAL READING MV	100.19	101.19	102.20	103.21	104.21	105.22	106.23	107.24	108.24	109.25
ABSOLUTE ERROR MV	0.1926	0.1994	0.2062	0.2130	0.2198	0.2266	0.2335	0.2403	0.2471	0.2539
ACTUAL OUTPUT MV	110.00	111.00	112.00	113.00	114.00	115.00	116.00	117.00	118.00	119.00
ACTUAL READING MV	110.26	111.26	112.27	113.28	114.28	115.29	116.30	117.30	118.31	119.32
ABSOLUTE ERROR MV	0.2607	0.2675	0.2743	0.2810	0.2878	0.2945	0.3012	0.3079	0.3145	0.3211
ACTUAL OUTPUT MV	120.00	121.00	122.00	123.00	124.00	125.00	126.00	127.00	128.00	129.00
ACTUAL READING MV	120.32	121.33	122.34	123.34	124.35	125.36	126.36	127.37	128.37	129.38
ABSOLUTE ERROR MV	0.3277	0.3343	0.3408	0.3473	0.3537	0.3601	0.3664	0.3727	0.3789	0.3851
ACTUAL OUTPUT MV	130.00	131.00	132.00	133.00	134.00	135.00	136.00	137.00	138.00	139.00
ACTUAL READING MV	130.39	131.39	132.40	133.40	134.41	135.42	136.42	137.43	138.43	139.44
ABSOLUTE ERROR MV	0.3912	0.3973	0.4032	0.4092	0.4150	0.4208	0.4265	0.4322	0.4378	0.4432
ACTUAL OUTPUT MV	140.00	141.00	142.00	143.00	144.00	145.00	146.00	147.00	148.00	149.00
ACTUAL READING MV	140.44	141.45	142.45	143.46	144.46	145.47	146.47	147.48	148.48	149.49
ABSOLUTE ERROR MV	0.4486	0.4540	0.4592	0.4643	0.4694	0.4743	0.4792	0.4840	0.4886	0.4932
ACTUAL OUTPUT MV	150.00	151.00	152.00	153.00	154.00	155.00	156.00	157.00	158.00	159.00
ACTUAL READING MV	150.49	151.50	152.50	153.51	154.51	155.51	156.52	157.52	158.52	159.53
ABSOLUTE ERROR MV	0.4976	0.5019	0.5062	0.5103	0.5143	0.5181	0.5219	0.5255	0.5290	0.5324
ACTUAL OUTPUT MV	160.00	161.00	162.00	163.00	164.00	165.00	166.00	167.00	168.00	169.00
ACTUAL READING MV	160.53	161.53	162.54	163.54	164.54	165.54	166.55	167.55	168.55	169.55
ABSOLUTE ERROR MV	0.5356	0.5387	0.5417	0.5445	0.5472	0.5498	0.5522	0.5544	0.5565	0.5585
ACTUAL OUTPUT MV	170.00	171.00	172.00	173.00	174.00	175.00	176.00	177.00	178.00	179.00
ACTUAL READING MV	170.56	171.56	172.56	173.56	174.56	175.56	176.56	177.56	178.56	179.56
ABSOLUTE ERROR MV	0.5603	0.5619	0.5634	0.5647	0.5659	0.5669	0.5677	0.5683	0.5688	0.5691
ACTUAL OUTPUT MV	180.00	181.00	182.00	183.00	184.00	185.00	186.00	187.00	188.00	189.00
ACTUAL READING MV	180.56	181.56	182.56	183.56	184.56	185.56	186.56	187.56	188.56	189.56
ABSOLUTE ERROR MV	0.5692	0.5691	0.5689	0.5684	0.5678	0.5670	0.5660	0.5648	0.5634	0.5618
ACTUAL OUTPUT MV	190.00	191.00	192.00	193.00	194.00	195.00	196.00	197.00	198.00	199.00
ACTUAL READING MV	190.56	191.55	192.55	193.55	194.55	195.54	196.54	197.54	198.53	199.53
ABSOLUTE ERROR MV	0.5600	0.5580	0.5557	0.5533	0.5507	0.5478	0.5448	0.5415	0.5380	0.5342

ACTUAL OUTPUT MV	200.00	201.00	202.00	203.00	204.00	205.00	206.00	207.00	208.00	209.00
ACTUAL READING MV	200.53	201.55	202.56	203.57	204.58	205.59	206.60	207.62	208.63	209.64
ABSOLUTE ERROR MV	0.5388	0.5509	0.5628	0.5747	0.5864	0.5981	0.6098	0.6213	0.6327	0.6440
ACTUAL OUTPUT MV	210.00	211.00	212.00	213.00	214.00	215.00	216.00	217.00	218.00	219.00
ACTUAL READING MV	210.65	211.66	212.67	213.68	214.69	215.70	216.72	217.73	218.74	219.75
ABSOLUTE ERROR MV	0.6553	0.6664	0.6775	0.6884	0.6992	0.7099	0.7205	0.7310	0.7414	0.7517
ACTUAL OUTPUT MV	220.00	221.00	222.00	223.00	224.00	225.00	226.00	227.00	228.00	229.00
ACTUAL READING MV	220.76	221.77	222.78	223.79	224.80	225.81	226.81	227.82	228.83	229.84
ABSOLUTE ERROR MV	0.7618	0.7718	0.7817	0.7914	0.8011	0.8105	0.8199	0.8291	0.8382	0.8471
ACTUAL OUTPUT MV	230.00	231.00	232.00	233.00	234.00	235.00	236.00	237.00	238.00	239.00
ACTUAL READING MV	230.85	231.86	232.87	233.88	234.88	235.89	236.90	237.91	238.92	239.92
ABSOLUTE ERROR MV	0.8559	0.8645	0.8730	0.8813	0.8895	0.8975	0.9054	0.9131	0.9206	0.9280
ACTUAL OUTPUT MV	240.00	241.00	242.00	243.00	244.00	245.00	246.00	247.00	248.00	249.00
ACTUAL READING MV	240.93	241.94	242.94	243.95	244.96	245.96	246.97	247.98	248.98	249.99
ABSOLUTE ERROR MV	0.9352	0.9422	0.9490	0.9557	0.9622	0.9685	0.9746	0.9805	0.9863	0.9918
ACTUAL OUTPUT MV	250.00	251.00	252.00	253.00	254.00	255.00	256.00	257.00	258.00	259.00
ACTUAL READING MV	250.99	252.00	253.00	254.01	255.01	256.02	257.02	258.02	259.03	260.03
ABSOLUTE ERROR MV	0.9972	1.0023	1.0073	1.0121	1.0166	1.0210	1.0251	1.0290	1.0328	1.0363
ACTUAL OUTPUT MV	260.00	261.00	262.00	263.00	264.00	265.00	266.00	267.00	268.00	269.00
ACTUAL READING MV	261.03	262.04	263.04	264.04	265.05	266.05	267.05	268.05	269.05	270.05
ABSOLUTE ERROR MV	1.0396	1.0426	1.0455	1.0481	1.0505	1.0526	1.0546	1.0563	1.0577	1.0590
ACTUAL OUTPUT MV	270.00	271.00	272.00	273.00	274.00	275.00	276.00	277.00	278.00	279.00
ACTUAL READING MV	271.06	272.06	273.06	274.06	275.06	276.06	277.06	278.05	279.05	280.05
ABSOLUTE ERROR MV	1.0600	1.0607	1.0612	1.0615	1.0615	1.0612	1.0607	1.0599	1.0589	1.0576
ACTUAL OUTPUT MV	280.00	281.00	282.00	283.00	284.00	285.00	286.00	287.00	288.00	289.00
ACTUAL READING MV	281.05	282.05	283.05	284.04	285.04	286.04	287.04	288.03	289.03	290.03
ABSOLUTE ERROR MV	1.0561	1.0543	1.0522	1.0499	1.0472	1.0443	1.0412	1.0377	1.0340	1.0300
ACTUAL OUTPUT MV	290.00	291.00	292.00	293.00	294.00	295.00	296.00	297.00	298.00	299.00
ACTUAL READING MV	291.02	292.02	293.01	294.01	295.00	295.99	296.99	297.98	298.98	299.97
ABSOLUTE ERROR MV	1.0257	1.0211	1.0162	1.0111	1.0056	0.9999	0.9938	0.9874	0.9808	0.9738

ACTUAL OUTPUT MV	300.00	301.00	302.00	303.00	304.00	305.00	306.00	307.00	308.00	309.00
ACTUAL READING MV	300.99	302.00	303.02	304.03	305.05	306.07	307.08	308.10	309.11	310.13
ABSOLUTE ERROR MV	0.9901	1.0068	1.0233	1.0397	1.0559	1.0719	1.0878	1.1034	1.1189	1.1342
ACTUAL OUTPUT MV	310.00	311.00	312.00	313.00	314.00	315.00	316.00	317.00	318.00	319.00
ACTUAL READING MV	311.14	312.16	313.17	314.19	315.20	316.22	317.23	318.24	319.26	320.27
ABSOLUTE ERROR MV	1.1493	1.1642	1.1790	1.1935	1.2078	1.2220	1.2359	1.2496	1.2632	1.2765
ACTUAL OUTPUT MV	320.00	321.00	322.00	323.00	324.00	325.00	326.00	327.00	328.00	329.00
ACTUAL READING MV	321.28	322.30	323.31	324.32	325.33	326.35	327.36	328.37	329.38	330.39
ABSOLUTE ERROR MV	1.2896	1.3025	1.3151	1.3276	1.3398	1.3518	1.3636	1.3752	1.3869	1.3976
ACTUAL OUTPUT MV	330.00	331.00	332.00	333.00	334.00	335.00	336.00	337.00	338.00	339.00
ACTUAL READING MV	331.40	332.41	333.42	334.43	335.44	336.45	337.46	338.47	339.48	340.49
ABSOLUTE ERROR MV	1.4084	1.4190	1.4294	1.4396	1.4495	1.4591	1.4685	1.4776	1.4865	1.4952
ACTUAL OUTPUT MV	340.00	341.00	342.00	343.00	344.00	345.00	346.00	347.00	348.00	349.00
ACTUAL READING MV	341.50	342.51	343.51	344.52	345.53	346.54	347.54	348.55	349.56	350.56
ABSOLUTE ERROR MV	1.5035	1.5117	1.5195	1.5271	1.5344	1.5415	1.5482	1.5547	1.5610	1.5669
ACTUAL OUTPUT MV	350.00	351.00	352.00	353.00	354.00	355.00	356.00	357.00	358.00	359.00
ACTUAL READING MV	351.57	352.57	353.58	354.58	355.59	356.59	357.60	358.60	359.60	360.61
ABSOLUTE ERROR MV	1.5726	1.5780	1.5831	1.5879	1.5924	1.5966	1.6005	1.6042	1.6075	1.6106
ACTUAL OUTPUT MV	360.00	361.00	362.00	363.00	364.00	365.00	366.00	367.00	368.00	369.00
ACTUAL READING MV	361.61	362.61	363.61	364.61	365.62	366.62	367.62	368.62	369.62	370.62
ABSOLUTE ERROR MV	1.6133	1.6157	1.6178	1.6196	1.6211	1.6223	1.6232	1.6237	1.6240	1.6239
ACTUAL OUTPUT MV	370.00	371.00	372.00	373.00	374.00	375.00	376.00	377.00	378.00	379.00
ACTUAL READING MV	371.62	372.62	373.62	374.62	375.61	376.61	377.61	378.61	379.60	380.60
ABSOLUTE ERROR MV	1.6235	1.6227	1.6216	1.6202	1.6185	1.6164	1.6140	1.6112	1.6081	1.6047
ACTUAL OUTPUT MV	380.00	381.00	382.00	383.00	384.00	385.00	386.00	387.00	388.00	389.00
ACTUAL READING MV	381.60	382.59	383.59	384.58	385.58	386.57	387.57	388.56	389.55	390.55
ABSOLUTE ERROR MV	1.6009	1.5968	1.5923	1.5875	1.5823	1.5767	1.5708	1.5646	1.5580	1.5510
ACTUAL OUTPUT MV	390.00	391.00	392.00	393.00	394.00	395.00	396.00	397.00	398.00	399.00
ACTUAL READING MV	391.54	392.53	393.52	394.51	395.51	396.50	397.49	398.48	399.47	400.46
ABSOLUTE ERROR MV	1.5436	1.5359	1.5278	1.5193	1.5105	1.5013	1.4917	1.4817	1.4713	1.4606

ACTUAL OUTPUT MV	400.00	401.00	402.00	403.00	404.00	405.00	406.00	407.00	408.00	409.00
ACTUAL READING MV	401.49	402.51	403.53	404.55	405.57	406.59	407.61	408.63	409.65	410.67
ABSOLUTE ERROR MV	1.4966	1.5175	1.5380	1.5583	1.5784	1.5982	1.6177	1.6369	1.6558	1.6745
ACTUAL OUTPUT MV	410.00	411.00	412.00	413.00	414.00	415.00	416.00	417.00	418.00	419.00
ACTUAL READING MV	411.69	412.71	413.72	414.74	415.76	416.78	417.79	418.81	419.82	420.84
ABSOLUTE ERROR MV	1.6929	1.7110	1.7289	1.7464	1.7637	1.7806	1.7973	1.8137	1.8298	1.8455
ACTUAL OUTPUT MV	420.00	421.00	422.00	423.00	424.00	425.00	426.00	427.00	428.00	429.00
ACTUAL READING MV	421.86	422.87	423.89	424.90	425.91	426.93	427.94	428.96	429.97	430.98
ABSOLUTE ERROR MV	1.8610	1.8762	1.8910	1.9056	1.9198	1.9338	1.9474	1.9607	1.9736	1.9863
ACTUAL OUTPUT MV	430.00	431.00	432.00	433.00	434.00	435.00	436.00	437.00	438.00	439.00
ACTUAL READING MV	431.99	433.01	434.02	435.03	436.04	437.05	438.06	439.07	440.08	441.09
ABSOLUTE ERROR MV	1.9986	2.0106	2.0223	2.0336	2.0446	2.0553	2.0656	2.0756	2.0852	2.0945
ACTUAL OUTPUT MV	440.00	441.00	442.00	443.00	444.00	445.00	446.00	447.00	448.00	449.00
ACTUAL READING MV	442.10	443.11	444.12	445.12	446.13	447.14	448.14	449.15	450.16	451.16
ABSOLUTE ERROR MV	2.1035	2.1121	2.1203	2.1282	2.1358	2.1430	2.1498	2.1563	2.1624	2.1681
ACTUAL OUTPUT MV	450.00	451.00	452.00	453.00	454.00	455.00	456.00	457.00	458.00	459.00
ACTUAL READING MV	452.17	453.17	454.18	455.18	456.19	457.19	458.19	459.20	460.20	461.20
ABSOLUTE ERROR MV	2.1735	2.1785	2.1831	2.1874	2.1913	2.1948	2.1979	2.2006	2.2030	2.2049
ACTUAL OUTPUT MV	460.00	461.00	462.00	463.00	464.00	465.00	466.00	467.00	468.00	469.00
ACTUAL READING MV	462.20	463.20	464.20	465.20	466.20	467.20	468.20	469.20	470.20	471.20
ABSOLUTE ERROR MV	2.2065	2.2077	2.2085	2.2089	2.2089	2.2085	2.2077	2.2065	2.2050	2.2029
ACTUAL OUTPUT MV	470.00	471.00	472.00	473.00	474.00	475.00	476.00	477.00	478.00	479.00
ACTUAL READING MV	472.20	473.19	474.19	475.19	476.18	477.18	478.17	479.17	480.16	481.16
ABSOLUTE ERROR MV	2.2005	2.1977	2.1945	2.1908	2.1868	2.1823	2.1774	2.1721	2.1663	2.1602
ACTUAL OUTPUT MV	480.00	481.00	482.00	483.00	484.00	485.00	486.00	487.00	488.00	489.00
ACTUAL READING MV	482.15	483.14	484.13	485.13	486.12	487.11	488.10	489.09	490.08	491.07
ABSOLUTE ERROR MV	2.1536	2.1466	2.1391	2.1312	2.1229	2.1141	2.1049	2.0953	2.0852	2.0747
ACTUAL OUTPUT MV	490.00	491.00	492.00	493.00	494.00	495.00	496.00	497.00	498.00	499.00
ACTUAL READING MV	492.06	493.05	494.04	495.02	496.01	497.00	497.98	498.97	499.95	500.94
ABSOLUTE ERROR MV	2.0638	2.0523	2.0405	2.0282	2.0154	2.0022	1.9885	1.9744	1.9598	1.9447

ACTUAL OUTPUT MV	500.00	501.00	502.00	503.00	504.00	505.00	506.00	507.00	508.00	509.00
ACTUAL READING MV	502.00	503.03	504.05	505.08	506.10	507.12	508.14	509.17	510.19	511.21
ABSOLUTE ERROR MV	2.0080	2.0324	2.0564	2.0800	2.1033	2.1263	2.1489	2.1711	2.1929	2.2144
ACTUAL OUTPUT MV	510.00	511.00	512.00	513.00	514.00	515.00	516.00	517.00	518.00	519.00
ACTUAL READING MV	512.23	513.25	514.27	515.29	516.31	517.33	518.35	519.37	520.39	521.40
ABSOLUTE ERROR MV	2.2355	2.2562	2.2766	2.2965	2.3161	2.3353	2.3541	2.3726	2.3906	2.4082
ACTUAL OUTPUT MV	520.00	521.00	522.00	523.00	524.00	525.00	526.00	527.00	528.00	529.00
ACTUAL READING MV	522.42	523.44	524.45	525.47	526.49	527.50	528.52	529.53	530.54	531.56
ABSOLUTE ERROR MV	2.4255	2.4423	2.4588	2.4749	2.4905	2.5058	2.5206	2.5350	2.5491	2.5627
ACTUAL OUTPUT MV	530.00	531.00	532.00	533.00	534.00	535.00	536.00	537.00	538.00	539.00
ACTUAL READING MV	532.57	533.58	534.60	535.61	536.62	537.63	538.64	539.65	540.66	541.67
ABSOLUTE ERROR MV	2.5759	2.5886	2.6010	2.6129	2.6245	2.6355	2.6462	2.6564	2.6662	2.6756
ACTUAL OUTPUT MV	540.00	541.00	542.00	543.00	544.00	545.00	546.00	547.00	548.00	549.00
ACTUAL READING MV	542.68	543.69	544.70	545.70	546.71	547.72	548.72	549.73	550.74	551.74
ABSOLUTE ERROR MV	2.6846	2.6931	2.7011	2.7087	2.7159	2.7227	2.7290	2.7348	2.7402	2.7451
ACTUAL OUTPUT MV	550.00	551.00	552.00	553.00	554.00	555.00	556.00	557.00	558.00	559.00
ACTUAL READING MV	552.74	553.75	554.75	555.76	556.76	557.76	558.76	559.76	560.76	561.76
ABSOLUTE ERROR MV	2.7496	2.7537	2.7572	2.7604	2.7630	2.7652	2.7669	2.7682	2.7690	2.7693
ACTUAL OUTPUT MV	560.00	561.00	562.00	563.00	564.00	565.00	566.00	567.00	568.00	569.00
ACTUAL READING MV	562.76	563.76	564.76	565.76	566.76	567.76	568.75	569.75	570.75	571.74
ABSOLUTE ERROR MV	2.7692	2.7686	2.7675	2.7659	2.7638	2.7613	2.7583	2.7548	2.7508	2.7463
ACTUAL OUTPUT MV	570.00	571.00	572.00	573.00	574.00	575.00	576.00	577.00	578.00	579.00
ACTUAL READING MV	572.74	573.73	574.73	575.72	576.71	577.70	578.70	579.69	580.68	581.67
ABSOLUTE ERROR MV	2.7414	2.7359	2.7300	2.7236	2.7166	2.7092	2.7013	2.6928	2.6839	2.6745
ACTUAL OUTPUT MV	580.00	581.00	582.00	583.00	584.00	585.00	586.00	587.00	588.00	589.00
ACTUAL READING MV	582.66	583.65	584.64	585.63	586.61	587.60	588.59	589.58	590.56	591.55
ABSOLUTE ERROR MV	2.6645	2.6541	2.6431	2.6316	2.6197	2.6072	2.5942	2.5806	2.5666	2.5520
ACTUAL OUTPUT MV	590.00	591.00	592.00	593.00	594.00	595.00	596.00	597.00	598.00	599.00
ACTUAL READING MV	592.53	593.52	594.50	595.48	596.47	597.45	598.43	599.41	600.39	601.37
ABSOLUTE ERROR MV	2.5369	2.5213	2.5052	2.4885	2.4713	2.4536	2.4354	2.4166	2.3973	2.3774

ACTUAL OUTPUT MV	600.00	601.00	602.00	603.00	604.00	605.00	606.00	607.00	608.00	609.00
ACTUAL READING MV	602.47	603.50	604.52	605.55	606.57	607.60	608.63	609.65	610.67	611.70
ABSOLUTE ERROR MV	2.4728	2.5002	2.5271	2.5535	2.5795	2.6051	2.6302	2.6548	2.6790	2.7027
ACTUAL OUTPUT MV	610.00	611.00	612.00	613.00	614.00	615.00	616.00	617.00	618.00	619.00
ACTUAL READING MV	612.72	613.74	614.77	615.79	616.81	617.83	618.85	619.87	620.89	621.91
ABSOLUTE ERROR MV	2.7259	2.7487	2.7709	2.7928	2.8141	2.8350	2.8554	2.8753	2.8947	2.9136
ACTUAL OUTPUT MV	620.00	621.00	622.00	623.00	624.00	625.00	626.00	627.00	628.00	629.00
ACTUAL READING MV	622.93	623.95	624.96	625.98	627.00	628.01	629.03	630.04	631.06	632.07
ABSOLUTE ERROR MV	2.9321	2.9501	2.9675	2.9845	3.0010	3.0170	3.0325	3.0475	3.0620	3.0760
ACTUAL OUTPUT MV	630.00	631.00	632.00	633.00	634.00	635.00	636.00	637.00	638.00	639.00
ACTUAL READING MV	633.08	634.10	635.11	636.12	637.13	638.14	639.15	640.16	641.17	642.18
ABSOLUTE ERROR MV	3.0895	3.1025	3.1150	3.1270	3.1384	3.1494	3.1598	3.1697	3.1791	3.1880
ACTUAL OUTPUT MV	640.00	641.00	642.00	643.00	644.00	645.00	646.00	647.00	648.00	649.00
ACTUAL READING MV	643.19	644.20	645.21	646.21	647.22	648.23	649.23	650.24	651.24	652.24
ABSOLUTE ERROR MV	3.1964	3.2042	3.2115	3.2183	3.2246	3.2303	3.2355	3.2402	3.2443	3.2479
ACTUAL OUTPUT MV	650.00	651.00	652.00	653.00	654.00	655.00	656.00	657.00	658.00	659.00
ACTUAL READING MV	653.25	654.25	655.25	656.25	657.25	658.25	659.25	660.25	661.25	662.25
ABSOLUTE ERROR MV	3.2509	3.2535	3.2554	3.2569	3.2578	3.2581	3.2579	3.2571	3.2558	3.2540
ACTUAL OUTPUT MV	660.00	661.00	662.00	663.00	664.00	665.00	666.00	667.00	668.00	669.00
ACTUAL READING MV	663.25	664.24	665.24	666.24	667.23	668.23	669.22	670.21	671.21	672.20
ABSOLUTE ERROR MV	3.2516	3.2486	3.2451	3.2410	3.2364	3.2312	3.2254	3.2191	3.2122	3.2048
ACTUAL OUTPUT MV	670.00	671.00	672.00	673.00	674.00	675.00	676.00	677.00	678.00	679.00
ACTUAL READING MV	673.19	674.18	675.17	676.16	677.15	678.14	679.13	680.12	681.11	682.09
ABSOLUTE ERROR MV	3.1967	3.1881	3.1790	3.1692	3.1589	3.1481	3.1366	3.1245	3.1119	3.0987
ACTUAL OUTPUT MV	680.00	681.00	682.00	683.00	684.00	685.00	686.00	687.00	688.00	689.00
ACTUAL READING MV	683.08	684.07	685.05	686.04	687.02	688.00	688.99	689.97	690.95	691.93
ABSOLUTE ERROR MV	3.0849	3.0706	3.0556	3.0401	3.0240	3.0073	2.9900	2.9721	2.9536	2.9345
ACTUAL OUTPUT MV	690.00	691.00	692.00	693.00	694.00	695.00	696.00	697.00	698.00	699.00
ACTUAL READING MV	692.91	693.89	694.87	695.85	696.83	697.80	698.78	699.76	700.73	701.71
ABSOLUTE ERROR MV	2.9148	2.8945	2.8737	2.8522	2.8301	2.8075	2.7842	2.7603	2.7358	2.7107

ACTUAL OUTPUT MV	700.00	701.00	702.00	703.00	704.00	705.00	706.00	707.00	708.00	709.00
ACTUAL READING MV	702.83	703.86	704.89	705.92	706.95	707.98	709.01	710.03	711.06	712.08
ABSOLUTE ERROR MV	2.8393	2.8691	2.8984	2.9271	2.9553	2.9829	3.0100	3.0365	3.0625	3.0879
ACTUAL OUTPUT MV	710.00	711.00	712.00	713.00	714.00	715.00	716.00	717.00	718.00	719.00
ACTUAL READING MV	713.11	714.13	715.16	716.18	717.20	718.22	719.24	720.27	721.29	722.31
ABSOLUTE ERROR MV	3.1127	3.1370	3.1607	3.1838	3.2064	3.2284	3.2498	3.2707	3.2909	3.3106
ACTUAL OUTPUT MV	720.00	721.00	722.00	723.00	724.00	725.00	726.00	727.00	728.00	729.00
ACTUAL READING MV	723.32	724.34	725.36	726.38	727.40	728.41	729.43	730.44	731.46	732.47
ABSOLUTE ERROR MV	3.3292	3.3483	3.3663	3.3837	3.4005	3.4167	3.4324	3.4474	3.4619	3.4757
ACTUAL OUTPUT MV	730.00	731.00	732.00	733.00	734.00	735.00	736.00	737.00	738.00	739.00
ACTUAL READING MV	733.48	734.50	735.51	736.52	737.53	738.54	739.55	740.56	741.57	742.58
ABSOLUTE ERROR MV	3.4890	3.5017	3.5138	3.5252	3.5361	3.5464	3.5561	3.5652	3.5737	3.5816
ACTUAL OUTPUT MV	740.00	741.00	742.00	743.00	744.00	745.00	746.00	747.00	748.00	749.00
ACTUAL READING MV	743.58	744.59	745.60	746.60	747.61	748.61	749.61	750.62	751.62	752.62
ABSOLUTE ERROR MV	3.5888	3.5955	3.6015	3.6070	3.6118	3.6160	3.6196	3.6226	3.6250	3.6267
ACTUAL OUTPUT MV	750.00	751.00	752.00	753.00	754.00	755.00	756.00	757.00	758.00	759.00
ACTUAL READING MV	753.62	754.62	755.62	756.62	757.62	758.62	759.62	760.61	761.61	762.60
ABSOLUTE ERROR MV	3.6278	3.6283	3.6282	3.6275	3.6261	3.6241	3.6215	3.6182	3.6143	3.6098
ACTUAL OUTPUT MV	760.00	761.00	762.00	763.00	764.00	765.00	766.00	767.00	768.00	769.00
ACTUAL READING MV	763.60	764.59	765.59	766.58	767.57	768.56	769.56	770.55	771.54	772.52
ABSOLUTE ERROR MV	3.6047	3.5989	3.5925	3.5854	3.5777	3.5694	3.5604	3.5508	3.5406	3.5297
ACTUAL OUTPUT MV	770.00	771.00	772.00	773.00	774.00	775.00	776.00	777.00	778.00	779.00
ACTUAL READING MV	773.51	774.50	775.49	776.47	777.46	778.45	779.43	780.41	781.40	782.38
ABSOLUTE ERROR MV	3.5181	3.5059	3.4931	3.4796	3.4655	3.4507	3.4353	3.4192	3.4024	3.3850
ACTUAL OUTPUT MV	780.00	781.00	782.00	783.00	784.00	785.00	786.00	787.00	788.00	789.00
ACTUAL READING MV	783.36	784.34	785.32	786.30	787.28	788.26	789.24	790.22	791.19	792.17
ABSOLUTE ERROR MV	3.3670	3.3483	3.3289	3.3089	3.2882	3.2669	3.2449	3.2222	3.1989	3.1749
ACTUAL OUTPUT MV	790.00	791.00	792.00	793.00	794.00	795.00	796.00	797.00	798.00	799.00
ACTUAL READING MV	793.15	794.12	795.09	796.07	797.04	798.01	798.98	799.95	800.92	801.89
ABSOLUTE ERROR MV	3.1502	3.1249	3.0989	3.0722	3.0449	3.0169	2.9882	2.9588	2.9288	2.8981

ACTUAL OUTPUT MV	800.00	801.00	802.00	803.00	804.00	805.00	806.00	807.00	808.00	809.00
ACTUAL READING MV	803.05	804.08	805.11	806.14	807.17	808.20	809.23	810.26	811.29	812.31
ABSOLUTE ERROR MV	3.0554	3.0872	3.1184	3.1489	3.1787	3.2080	3.2365	3.2644	3.2917	3.3183
ACTUAL OUTPUT MV	810.00	811.00	812.00	813.00	814.00	815.00	816.00	817.00	818.00	819.00
ACTUAL READING MV	813.34	814.36	815.39	816.41	817.44	818.46	819.48	820.50	821.52	822.54
ABSOLUTE ERROR MV	3.3443	3.3696	3.3942	3.4182	3.4415	3.4642	3.4862	3.5075	3.5282	3.5482
ACTUAL OUTPUT MV	820.00	821.00	822.00	823.00	824.00	825.00	826.00	827.00	828.00	829.00
ACTUAL READING MV	823.56	824.58	825.60	826.62	827.63	828.65	829.66	830.68	831.69	832.71
ABSOLUTE ERROR MV	3.5675	3.5862	3.6042	3.6215	3.6382	3.6542	3.6695	3.6841	3.6980	3.7113
ACTUAL OUTPUT MV	830.00	831.00	832.00	833.00	834.00	835.00	836.00	837.00	838.00	839.00
ACTUAL READING MV	833.72	834.73	835.74	836.75	837.76	838.77	839.78	840.79	841.80	842.80
ABSOLUTE ERROR MV	3.7239	3.7358	3.7470	3.7576	3.7674	3.7766	3.7851	3.7929	3.8000	3.8064
ACTUAL OUTPUT MV	840.00	841.00	842.00	843.00	844.00	845.00	846.00	847.00	848.00	849.00
ACTUAL READING MV	843.81	844.81	845.82	846.82	847.82	848.83	849.83	850.83	851.83	852.83
ABSOLUTE ERROR MV	3.8122	3.8172	3.8215	3.8252	3.8282	3.8304	3.8320	3.8329	3.8330	3.8325
ACTUAL OUTPUT MV	850.00	851.00	852.00	853.00	854.00	855.00	856.00	857.00	858.00	859.00
ACTUAL READING MV	853.83	854.82	855.82	856.82	857.81	858.81	859.80	860.80	861.79	862.78
ABSOLUTE ERROR MV	3.8313	3.8293	3.8267	3.8233	3.8193	3.8145	3.8091	3.8029	3.7960	3.7885
ACTUAL OUTPUT MV	860.00	861.00	862.00	863.00	864.00	865.00	866.00	867.00	868.00	869.00
ACTUAL READING MV	863.78	864.77	865.76	866.75	867.73	868.72	869.71	870.70	871.68	872.67
ABSOLUTE ERROR MV	3.7802	3.7712	3.7614	3.7510	3.7399	3.7280	3.7154	3.7021	3.6881	3.6734
ACTUAL OUTPUT MV	870.00	871.00	872.00	873.00	874.00	875.00	876.00	877.00	878.00	879.00
ACTUAL READING MV	873.65	874.64	875.62	876.60	877.58	878.56	879.55	880.52	881.50	882.48
ABSOLUTE ERROR MV	3.6580	3.6418	3.6249	3.6073	3.5890	3.5699	3.5502	3.5297	3.5084	3.4865
ACTUAL OUTPUT MV	880.00	881.00	882.00	883.00	884.00	885.00	886.00	887.00	888.00	889.00
ACTUAL READING MV	883.46	884.44	885.41	886.39	887.36	888.33	889.31	890.28	891.25	892.22
ABSOLUTE ERROR MV	3.4638	3.4404	3.4163	3.3914	3.3659	3.3395	3.3125	3.2847	3.2562	3.2270
ACTUAL OUTPUT MV	890.00	891.00	892.00	893.00	894.00	895.00	896.00	897.00	898.00	899.00
ACTUAL READING MV	893.19	894.16	895.13	896.10	897.06	898.03	899.00	899.96	900.93	901.89
ABSOLUTE ERROR MV	3.1970	3.1663	3.1348	3.1027	3.0697	3.0361	3.0017	2.9666	2.9307	2.8941

ACTUAL OUTPUT MV	900.00	901.00	902.00	903.00	904.00	905.00	906.00	907.00	908.00	909.00
ACTUAL READING MV	903.06	904.10	905.13	906.16	907.19	908.22	909.25	910.28	911.31	912.34
ABSOLUTE ERROR MV	3.0687	3.1021	3.1347	3.1666	3.1978	3.2282	3.2579	3.2868	3.3150	3.3424
ACTUAL OUTPUT MV	910.00	911.00	912.00	913.00	914.00	915.00	916.00	917.00	918.00	919.00
ACTUAL READING MV	913.36	914.39	915.42	916.44	917.46	918.49	919.51	920.53	921.55	922.57
ABSOLUTE ERROR MV	3.3691	3.3951	3.4202	3.4447	3.4684	3.4913	3.5135	3.5349	3.5556	3.5755
ACTUAL OUTPUT MV	920.00	921.00	922.00	923.00	924.00	925.00	926.00	927.00	928.00	929.00
ACTUAL READING MV	923.59	924.61	925.63	926.64	927.66	928.67	929.69	930.70	931.72	932.73
ABSOLUTE ERROR MV	3.5946	3.6130	3.6306	3.6475	3.6636	3.6790	3.6936	3.7074	3.7204	3.7327
ACTUAL OUTPUT MV	930.00	931.00	932.00	933.00	934.00	935.00	936.00	937.00	938.00	939.00
ACTUAL READING MV	933.74	934.75	935.76	936.77	937.78	938.79	939.79	940.80	941.80	942.81
ABSOLUTE ERROR MV	3.7443	3.7550	3.7650	3.7742	3.7827	3.7904	3.7973	3.8035	3.8088	3.8134
ACTUAL OUTPUT MV	940.00	941.00	942.00	943.00	944.00	945.00	946.00	947.00	948.00	949.00
ACTUAL READING MV	943.81	944.82	945.82	946.82	947.82	948.82	949.82	950.82	951.82	952.81
ABSOLUTE ERROR MV	3.8173	3.8203	3.8226	3.8241	3.8248	3.8248	3.8240	3.8224	3.8200	3.8168
ACTUAL OUTPUT MV	950.00	951.00	952.00	953.00	954.00	955.00	956.00	957.00	958.00	959.00
ACTUAL READING MV	953.81	954.80	955.80	956.79	957.78	958.78	959.77	960.76	961.75	962.74
ABSOLUTE ERROR MV	3.8129	3.8082	3.8027	3.7964	3.7894	3.7815	3.7729	3.7635	3.7533	3.7423
ACTUAL OUTPUT MV	960.00	961.00	962.00	963.00	964.00	965.00	966.00	967.00	968.00	969.00
ACTUAL READING MV	963.73	964.71	965.70	966.69	967.67	968.66	969.64	970.62	971.60	972.58
ABSOLUTE ERROR MV	3.7306	3.7180	3.7047	3.6906	3.6757	3.6600	3.6435	3.6262	3.6081	3.5893
ACTUAL OUTPUT MV	970.00	971.00	972.00	973.00	974.00	975.00	976.00	977.00	978.00	979.00
ACTUAL READING MV	973.56	974.54	975.52	976.50	977.48	978.45	979.43	980.41	981.38	982.35
ABSOLUTE ERROR MV	3.5697	3.5492	3.5280	3.5060	3.4832	3.4595	3.4352	3.4100	3.3841	3.3573
ACTUAL OUTPUT MV	980.00	981.00	982.00	983.00	984.00	985.00	986.00	987.00	988.00	989.00
ACTUAL READING MV	983.32	984.30	985.27	986.24	987.21	988.18	989.14	990.11	991.08	992.04
ABSOLUTE ERROR MV	3.3297	3.3014	3.2722	3.2423	3.2115	3.1800	3.1477	3.1145	3.0806	3.0459
ACTUAL OUTPUT MV	990.00	991.00	992.00	993.00	994.00	995.00	996.00	997.00	998.00	999.00
ACTUAL READING MV	993.01	993.97	994.93	995.89	996.86	997.82	998.78	999.73	1000.69	1001.65
ABSOLUTE ERROR MV	3.0104	2.9740	2.9369	2.8990	2.8603	2.8208	2.7805	2.7393	2.6974	2.6547

ACTUAL OUTPUT MV	1000.00	1001.00	1003.00	1004.00	1005.00	1006.00	1007.00	1008.00	1009.00
ACTUAL READING MV	1002.82	1003.86	1005.92	1006.96	1007.99	1009.02	1010.05	1011.08	1012.10
ABSOLUTE ERROR MV	2.8268	2.8615	2.9283	2.9605	2.9918	3.0223	3.0519	3.0807	3.1086
ACTUAL OUTPUT MV	1010.00	1011.00	1013.00	1014.00	1015.00	1016.00	1017.00	1018.00	1019.00
ACTUAL READING MV	1013.13	1014.16	1016.21	1017.23	1018.25	1019.28	1020.30	1021.32	1022.34
ABSOLUTE ERROR MV	3.1358	3.1620	3.2120	3.2358	3.2587	3.2807	3.3019	3.3223	3.3418
ACTUAL OUTPUT MV	1020.00	1021.00	1023.00	1024.00	1025.00	1026.00	1027.00	1028.00	1029.00
ACTUAL READING MV	1023.36	1024.37	1026.41	1027.42	1028.44	1029.45	1030.46	1031.47	1032.49
ABSOLUTE ERROR MV	3.3605	3.3723	3.4114	3.4267	3.4411	3.4547	3.4674	3.4793	3.4904
ACTUAL OUTPUT MV	1030.00	1031.00	1033.00	1034.00	1035.00	1036.00	1037.00	1038.00	1039.00
ACTUAL READING MV	1033.50	1034.50	1036.52	1037.53	1038.53	1039.54	1040.54	1041.55	1042.55
ABSOLUTE ERROR MV	3.5005	3.5099	3.5260	3.5328	3.5387	3.5438	3.5480	3.5514	3.5539
ACTUAL OUTPUT MV	1040.00	1041.00	1043.00	1044.00	1045.00	1046.00	1047.00	1048.00	1049.00
ACTUAL READING MV	1043.55	1044.55	1046.55	1047.55	1048.55	1049.54	1050.54	1051.53	1052.53
ABSOLUTE ERROR MV	3.5556	3.5564	3.5555	3.5537	3.5511	3.5476	3.5433	3.5382	3.5321
ACTUAL OUTPUT MV	1050.00	1051.00	1053.00	1054.00	1055.00	1056.00	1057.00	1058.00	1059.00
ACTUAL READING MV	1053.52	1054.51	1056.49	1057.48	1058.47	1059.46	1060.45	1061.43	1062.42
ABSOLUTE ERROR MV	3.5252	3.5175	3.5069	3.4955	3.4852	3.4780	3.4660	3.4594	3.4428
ACTUAL OUTPUT MV	1060.00	1061.00	1063.00	1064.00	1065.00	1066.00	1067.00	1068.00	1069.00
ACTUAL READING MV	1063.40	1064.39	1066.35	1067.33	1068.31	1069.29	1070.27	1071.25	1072.23
ABSOLUTE ERROR MV	3.4093	3.3930	3.3578	3.3389	3.3192	3.2986	3.2772	3.2548	3.2317
ACTUAL OUTPUT MV	1070.00	1071.00	1073.00	1074.00	1075.00	1076.00	1077.00	1078.00	1079.00
ACTUAL READING MV	1073.20	1074.18	1076.13	1077.10	1078.07	1079.04	1080.01	1080.98	1081.95
ABSOLUTE ERROR MV	3.2076	3.1827	3.1304	3.1029	3.0746	3.0454	3.0154	2.9845	2.9527
ACTUAL OUTPUT MV	1080.00	1081.00	1083.00	1084.00	1085.00	1086.00	1087.00	1088.00	1089.00
ACTUAL READING MV	1082.92	1083.88	1085.81	1086.78	1087.74	1088.70	1089.66	1090.62	1091.58
ABSOLUTE ERROR MV	2.9201	2.8866	2.8171	2.7810	2.7441	2.7063	2.6677	2.6282	2.5879
ACTUAL OUTPUT MV	1090.00	1091.00	1093.00	1094.00	1095.00	1096.00	1097.00	1098.00	1099.00
ACTUAL READING MV	1092.54	1093.50	1095.41	1096.37	1097.32	1098.28	1099.23	1100.18	1101.13
ABSOLUTE ERROR MV	2.5467	2.5046	2.4179	2.3732	2.3277	2.2814	2.2342	2.1861	2.1372