

# SECTOR CARD TEST FIXTURE

067-0745-00

Tektronix, Inc.  
P.O. Box 500  
Beaverton, Oregon 97077

MEASUREMENT SYSTEMS DIVISION

070-3232-00

FIRST PRINTING – FEB. 1976

## CONTENTS

<b>Usage</b>	<b>1-1</b>
<b>Components</b>	<b>1-1</b>
<b>Front Panel Description</b>	<b>1-1</b>
<b>Area 1: General Logic Data Source</b>	<b>1-3</b>
<b>Area 2: CLOCK FUNCTION</b>	<b>1-4</b>
<b>Area 3: SAMPLE AND HOLD VOLTAGE</b>	<b>1-5</b>
<b>Parts List</b>	<b>2-1</b>
<b>Diagrams</b>	

## WARRANTY

All TEKTRONIX instruments are warranted against defective materials and workmanship for one year. Any questions with respect to the warranty should be taken up with your TEKTRONIX Field Engineer or representative.

All requests for repairs and replacement parts should be directed to the TEKTRONIX Field Office or representative in your area. This will assure you the fastest possible service. Please include the instrument Type Number or Part Number and Serial Number with all requests for parts or service.

Specifications and price change privileges reserved.

Copyright © 1976 by Tektronix, Inc., Beaverton, Oregon. Printed in the United States of America. All rights reserved. Contents of this publication may not be reproduced in any form without permission of Tektronix, Inc.

U.S.A. and foreign TEKTRONIX products covered by U.S. and foreign patents and/or patents pending.

TEKTRONIX is a registered trademark of Tektronix, Inc.

## SECTOR CARD TEST FIXTURE

067-0745-00

### Usage

The Sector Card Test Fixture is used in the test, calibration, and repair of 1803 sector cards. The fixture provides all stimulus required to test and calibrate the functions of a sector card.

### Components

Sector Card Test Fixture	067-0745-00
Test Fixture Power Supply	016-0343-00
Connector Post, 8 each	134-0013-00
Connector Post, 8 each	134-0014-00
Extender Card	670-4132-00

### Optional

Test Leads, red, 6 each	012-0031-00
Test Leads, black, 2 each	012-0039-00

### Front Panel Description

For this description, the front panel is divided into three areas that correspond to the main functions. (See Figure 1-1.)

- Area 1. (Front portion) is the general logic data source and sector card input/output sources.
- Area 2. (Right-hand portion of the top) is the clock function.
- Area 3. (Left-hand portion of the top) is the sample and hold voltage source.

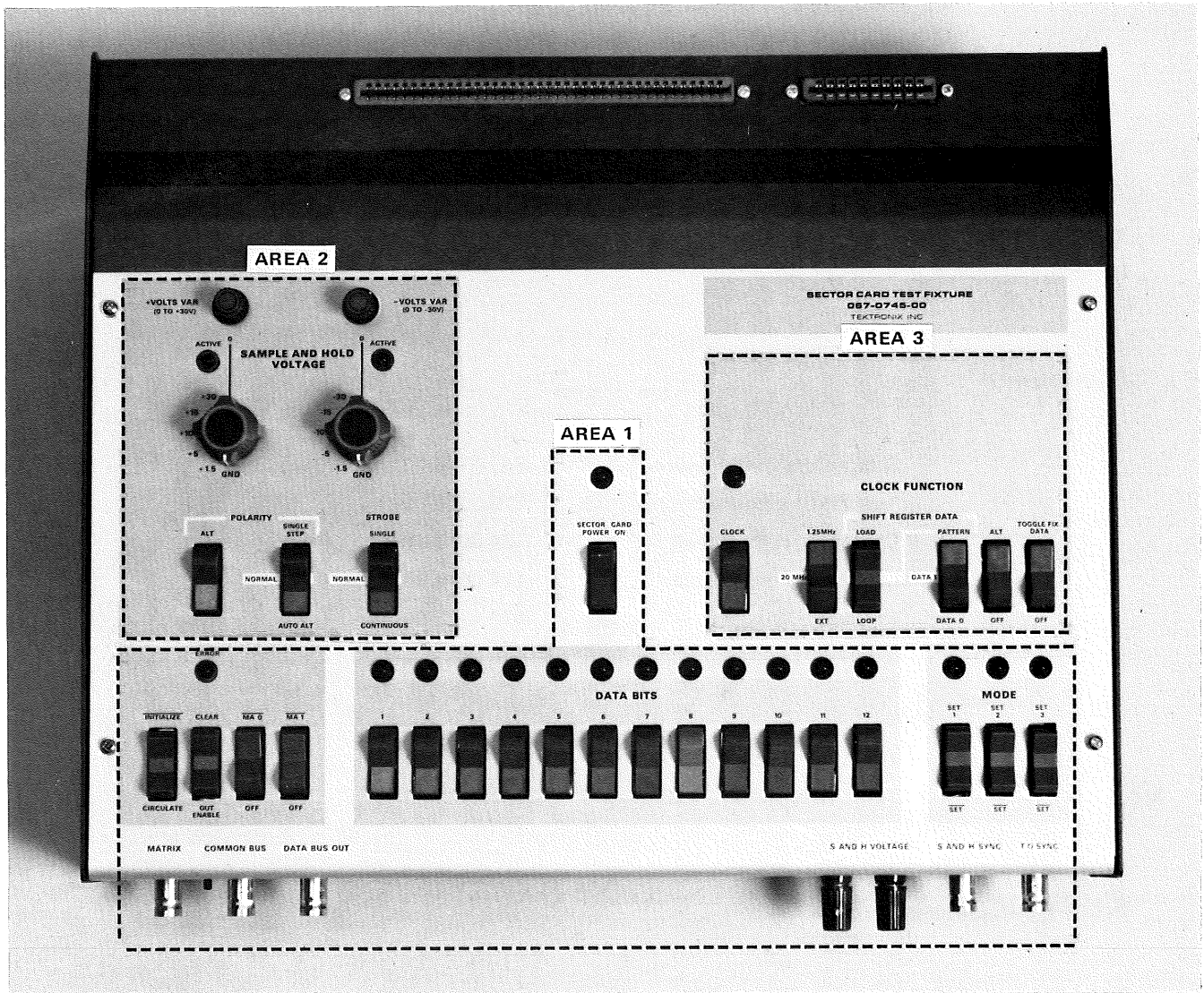


Figure 1-1. Front Panel Areas and Corresponding Functions.

## Area 1. General Logic Data Source

- **Sector Card Power On:** Controls the DC power to the sector card under test. Also provides an initialize signal to the sector card and to the fixture logic and clock functions. The lamp above the switch indicates the status of the sector power.
- **DATA BITS 1-12:** Momentary contact switches that will turn the data bits on or off as indicated. These bits are applied to the input of the mode and setup register on the sector card via the connector at the top of the fixture.
- **MODE 1-2-3/SET/ $\overline{\text{SET}}$ :** These three switches determine which of the sector card's mode registers will receive data. Depressing a MODE switch to its SET position will set the data selector by the DATA:BIT(1-12) switches into the selected mode register. Depressing a MODE switch to the  $\overline{\text{SET}}$  position will remove the data selected by DATA BIT(1-12) switches from the selected mode register.

When a MODE switch is pressed, either SET or  $\overline{\text{SET}}$ , the DATA BITS lamps indicate the status of the data bits in the selected mode register. The bit status is displayed only when the switch is held depressed.

- **$\overline{\text{MA0}}$ :** A two-position switch that controls the  $\overline{\text{MA0}}$  signal to the sector card. Depressing the switch applies  $\overline{\text{MA0}}$  to the sector card.
- **$\overline{\text{MA1}}$ :** A two-position switch that controls the  $\overline{\text{MA1}}$  signal to the sector card. Depressing the switch applies  $\overline{\text{MA1}}$  to the sector card.
- **ERROR CLEAR/—/OUT ENABLE:** A three-position switch with the center position being neutral. Pressing the switch toward ERROR CLEAR, will hold the ERROR CLEAR line of the sector card high until released. The switch is spring loaded only in the ERROR CLEAR direction. Pressing the switch toward OUT ENABLE will hold the OUT ENABLE line of the sector card high. The lamp above the switch lights when the sector card has generated an error. The indicator lamp monitors pin L on J2 and pin  $\overline{6}$  on J1 of the sector card.
- **$\overline{\text{INITIALIZE}}$ /—/CIRCULATE:** A three-position switch with the center position being neutral. Pressing the switch to the  $\overline{\text{INITIALIZE}}$  position will hold the  $\overline{\text{INITIALIZE}}$  line of the sector card low until released. The  $\overline{\text{INITIALIZE}}$  position will also clear the test fixture DATA BITS and the fixture's internal mode registers. This switch is spring-loaded only in the  $\overline{\text{INITIALIZE}}$  position. When selected, the CIRCULATE position will apply a high true signal to the CIRCULATE line of the sector card under test.

- **MATRIX LOAD:** When pressed, this switch connects a pull-down resistor to -5.2 volts. This is for a MECL load, to test the sector card logic that is connected to the DELTA T SUBSYSTEM via the 50-ohm matrix. When the switch is released, the load is disconnected.
- **MATRIX:** BNC connector that is connected to the MATRIX pin (J1 pin 40) of the sector card under test.
- **COMMON BUS:** BNC connector that is connected to the COMMON BUS pin (J1 pin 38) of the sector card under test.
- **DATA BUS OUT:** BNC connector that is connected to the DATA BUS OUT pin (J1 pin V) of the sector card under test.
- **S AND H VOLTAGE:** Two connectors provided for monitoring the voltage that is connected to the sector card when adjusting the sample and hold voltages.
- **S AND H SYNC:** The signal from this BNC connector is used as a trigger signal when using the AUTO ALT mode of the SAMPLE AND HOLD VOLTAGE. Allows user to synchronize an oscilloscope to the sample and hold voltage that is changing polarity.
- **T $\emptyset$  SYNC PATTERN SYNC:** The signal(s) from this BNC connector are used as triggers to synchronize a user scope, either on the T $\emptyset$  signal or PATTERN SYNC. The signal source is determined by the setting of the switch that is adjacent to the connector. T $\emptyset$  corresponds to the T $\emptyset$  signal that goes to the sector card. PATTERN corresponds to a trigger that is generated once per 1032 T $\emptyset$  signals.

## Area 2: CLOCK FUNCTION

- **CLOCK:** A spring-loaded two-position switch that will turn the clock signal on or off. The clock output status is indicated by the lamp that is located above the switch. When on, the clock signal generates all the strobes required for the sector card.
- **1.25 MHz/20 MHz/EXT:** A three-position switch used to select the clock frequency or an external signal source. In the EXT position, the user has the option of using a built-in 10 kHz clock. The 10 kHz clock is selected by a switch on the rear panel (located next to EXT CLOCK BNC connector). This rear-panel switch selects either the 10 kHz clock or EXT source.

- **SHIFT REGISTER DATA:** Two switches are used for this function: PATTERN/DATA1/DATA0 and LOAD/LOOP. The PATTERN/DATA1/DATA0 switch selects the type of data that will be forced to the DATA IN BUS on the sector card. In the PATTERN position, a fixed pattern is generated by the Test Fixture. In the DATA1 or DATA0 position, a continuous logic level is asserted corresponding to the switch designation. The LOAD/LOOP switch controls the internal pattern data to the sector card. In the LOOP position, the data is continuously clocked to the sector card. When the switch is momentarily depressed to the LOAD position, the pattern data is clocked for a count of 1032 and then the fixture clock is turned off. This is especially useful for loading the shift register of the sector, and then changing the mode of the register so that register is connected to register. This allows the user to verify the content of the shift register. The center position of the switch is neutral.
- **PAT1/PAT0:** This switch is used to select the logic level to the PATTERN line to the sector card under test.
- **TOGGLE FIX DATA:** This two-position switch is used to dynamically troubleshoot mode bits. SHIFT REGISTER DATA switch must be in the LOOP position with the TOGGLE FIX DATA switch in the ON position, the MODE selected will alternately SET and  $\overline{\text{SET}}$  the mode bits. Note: the indicator lamps for the MODE switches will always indicate the MODE selection.

### Area 3: SAMPLE AND HOLD VOLTAGE

- **ROTARY SWITCHES:** These two voltage-supply switches have the following selections: GND, 1.5 V, 5 V, 10 V, 15 V, 30 V, and a variable position. Each voltage supply has a status lamp that is labeled ACTIVE.
- **Polarity:** This function is controlled by two switches: ALT and SINGLE STEP/NORMAL/AUTO ALT.
- **ALT:** This switch is used momentarily to change voltage polarity.
- **SINGLE STEP/NORMAL/AUTO ALT:** This switch permits the user to change the sample and hold voltage polarity and create a sample and hold strobe signal when set to the AUTO ALT position. The user can single-step through this process by holding the switch in the SINGLE STEP position.

#### NOTE

*Eight single steps are required to change polarity and create one sample and hold strobe. This function is useful for skewing the sample and hold on a sector card between two voltage levels.*

NORMAL is a neutral position.

- **STROBE:** This three-position switch will generate a single strobe ( $\approx 2.5$  ms) or a continuous strobe level to the sector card under test. Pressing the switch to the **SINGLE** position generates a single sample and hold strobe to the sector card under test. The **CONTINUOUS** position produces a continuous "true" sample and hold strobe level. **NORMAL** is a neutral position.

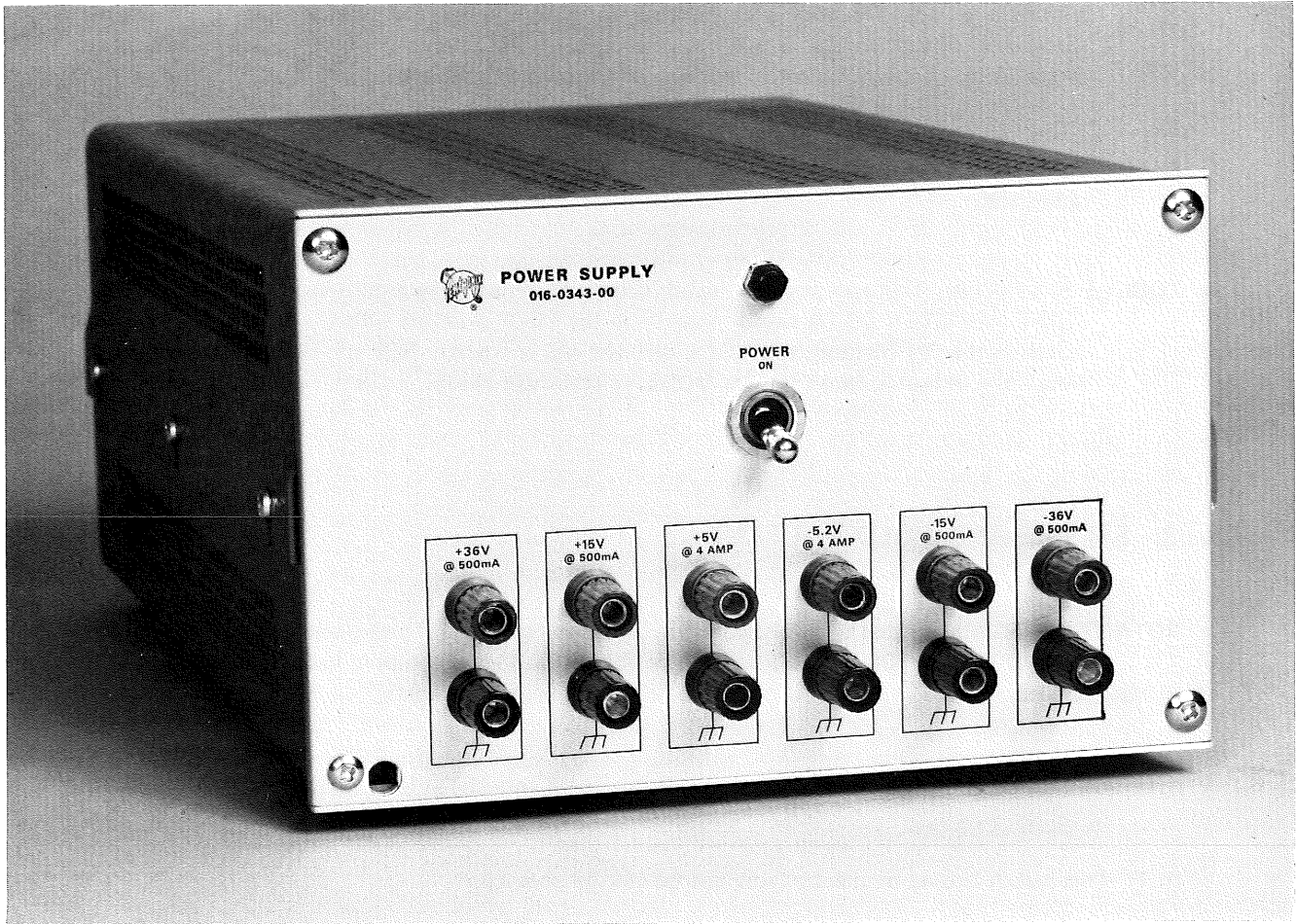


Figure 1-2. Power Supply.



Table 1-1. Sector Card Mode and Bit Selection

MODE 1

MODE 2

MODE 3

Bit #	Bit Name	Function
1	INV	Invert Driver Data 0 = Normal 1 = Invert
2	RZ	Return to Zero Data 0 = NRZ 1 = RZ
3	SDS0	Sector Data
		4 3 Source (P1-2) Bus Out (P1-22)
4	SDS1	0 0 Shift Register
		0 1 Computer Shift Register
5	EOB0	1 0 Data Bus N-1 Shift Register
		1 1 Shift Register Data Bus In
6	EOB1	Error Bus to Error Data to Computer (AY)
		0 0 Error Bus from N-1 Error Interrupt
7	SR10	0 1 Error Data to N+1 Card ID
		1 0 Zero Shift Register
8	SR11	1 1 Shift Register Force Data
		8 7 Shift Register Input Source
9	FC0	0 0 Recirculate
		0 1 Computer Data
10	FC1	1 0 Error Data
		1 1 Error Bus Data
11	OCB-A	0 = Disable Automode Switching
		1 = Enable Automode Switching Preset to Force
12	OCB-B	Clock Card Phase Select
		0 = Data Phase (PL Read) 1 = Clock Phase
12	L2	12 11 Output-Common Bus Switch
		0 0 No Connection
12	L1	0 1 Connect to Ground
		1 0 Not Used
12	L2	1 1 Connect Output to Common Bus
		0 0 Common Bus

Bit #	Bit Name	Function
1	MF0	2 1 Mask Function Mode Control
		0 0 Fixed, preset to FMD } Bit 3
2	MF1	0 1 Toggle, preset to FMD } Bit 3
		1 0 Follow pattern data
3	FMD	1 1 Alternate Fixed - Pattern
		Fixed Mask Data 0 = Mask 1 = Unmask
4	CL0	5 4 Compare Function Mode Control
		0 0 Fixed, preset to FCD } Bit 6
5	CL1	0 1 Toggle, preset to FCD } Bit 6
		1 0 Follow pattern data
6	FCD	1 1 Alternate fixed - pattern
		Fixed Compare Data 0 = Compare with One 1 = Compare with Zero
7	IF0	8 7 Inhibit Function Mode Control
		0 0 Fixed, preset to FID } Bit 9
8	IF1	0 1 Toggle, preset to FID } Bit 9
		1 0 Follow pattern data
9	FID	1 1 Alternate fixed - pattern
		Fixed Inhibit Data 0 = Inhibit 1 = Uninhibit
10	FF0	11 10 Force Function Mode Control
		0 0 Fixed, preset to FFD } Bit 12
11	FF1	0 1 Toggle, preset to FFD } Bit 12
		1 0 Follow pattern data
12	FFD	1 1 Alternate fixed - pattern
		Fixed Force Data 0 = Force with One 1 = Force with Zero

Bit #	Bit Name	Function
1	DSH	Set Driver Sample & Hold (DS Read)
2	CSH	Set Comparator Sample & Hold
3	IA	4 3 Input Control
		0 0 Disconnect Input, Driver, Matrix
4	IB	0 1 Connect I1 to IM
		1 0 Connect I2 to IM
5	ICB-A	1 1 Connect I1 to I2
		6 5 Input to Common Bus
6	ICB-B	0 0 No connection
		0 1 Connect Input to Ground
7	OA	1 0 For D2 cards connect Input to D2, otherwise not used.
		1 1 Connect Input to Common Bus
8	OB	8 7 Output Control
		0 0 No connection (reads OM, BM, CLM, CHM open)
9	O1	0 1 Close OM if a 1 is set at O1
		1 0 Close BM
10	O2	1 1 Close CLM if comparing data with 0, or close CHM if comparing data with 1
		10 9 Output Switch Output
11	L1	0 0 No connection
		0 1 Connect Output to Matrix through OM
12	L2	1 0 Connect Output to Buffer, ±30-V range
		1 1 Connect Output to Buffer, ±5-V range
12	L2	Load module #1 (reed switch), 0 - open, 1 - close
		Load module #2 (reed switch), 0 - open, 1 - close

Example:

- (1) To program the Invert Data function set Bit #1 and press MODE 1 to the SET position.
- (2) To close module #2 reed switch, set Bit #12 and press MODE 3 to the SET position.



# REPLACEABLE ELECTRICAL PARTS

## PARTS ORDERING INFORMATION

Replacement parts are available from or through your local Tektronix, Inc. Field Office or representative.

Changes to Tektronix instruments are sometimes made to accommodate improved components as they become available, and to give you the benefit of the latest circuit improvements developed in our engineering department. It is therefore important, when ordering parts, to include the following information in your order: Part number, instrument type or number, serial number, and modification number if applicable.

If a part you have ordered has been replaced with a new or improved part, your local Tektronix, Inc. Field Office or representative will contact you concerning any change in part number.

Change information, if any, is located at the rear of this manual.

## SPECIAL NOTES AND SYMBOLS

X000 Part first added at this serial number  
00X Part removed after this serial number

### ITEM NAME

In the Parts List, an Item Name is separated from the description by a colon (:). Because of space limitations, an Item Name may sometimes appear as incomplete. For further Item Name identification, the U.S. Federal Cataloging Handbook H6-1 can be utilized where possible.

## ABBREVIATIONS

ACTR	ACTUATOR	PLSTC	PLASTIC
ASSY	ASSEMBLY	QTZ	QUARTZ
CAP	CAPACITOR	RECP	RECEPTACLE
CER	CERAMIC	RES	RESISTOR
CKT	CIRCUIT	RF	RADIO FREQUENCY
COMP	COMPOSITION	SEL	SELECTED
CONN	CONNECTOR	SEMICOND	SEMICONDUCTOR
ELCTLT	ELECTROLYTIC	SENS	SENSITIVE
ELEC	ELECTRICAL	VAR	VARIABLE
INCAND	INCANDESCENT	WW	WIREWOUND
LED	LIGHT EMITTING DIODE	XFMR	TRANSFORMER
NONWIR	NON WIREWOUND	XTAL	CRYSTAL

## CROSS INDEX MFR. CODE NUMBER TO MANUFACTURER

MFR.CODE	MANUFACTURER	ADDRESS	CITY,STATE,ZIP
90853	SANGAMO ELECTRIC CO., S. CAROLINA DIV.	P. O. BOX 128	PICKENS, SC 29671
01121	ALLEN-BRADLEY CO.	1201 2ND ST. SOUTH	MILWAUKEE, WI 53204
01295	TEXAS INSTRUMENTS, INC., SEMICONDUCTOR GROUP	P. O. BOX 5012	DALLAS, TX 75222
03508	GENERAL ELECTRIC CO., SEMI-CONDUCTOR PRODUCTS DEPT.	ELECTRONICS PARK	SYRACUSE, NY 13201
03877	TRANSITRON ELECTRONIC CORP.	168 ALBTON ST.	WAKEFIELD, MA 01880
04713	MOTOROLA, INC., SEMICONDUCTOR PRODUCTS DIV.	5005 E. MCDOWELL RD.	PHOENIX, AZ 85036
07263	FAIRCHILD SEMICONDUCTOR, A DIV. OF FAIRCHILD CAMERA AND INSTRUMENT CORP.	464 ELLIS ST.	MOUNTAIN VIEW, CA 94042
07910	TELEDYNE SEMICONDUCTOR	12515 CHADRON AVE.	HAWTHORNE, CA 90250
08806	GENERAL ELECTRIC CO., MINIATURE LAMP PRODUCTS DEPT.	NELA PK.	CLEVELAND, OH 44112
09353	C AND K COMPONENTS, INC.	103 MORSE STREET	WATERTOWN, MA 02172
11237	CTS KEENE, INC.		PASO ROBLES, CA 93446
18324	SIGNETICS CORP.	811 E. ARQUES	SUNNYVALE, CA 94086
22753	U. I. D. ELECTRONICS CORP.	4105 PEMBROKE RD.	HOLLYWOOD, FL 33021
23936	WILLIAM J PURDY CO., PAMOTOR DIVISION	770 AIRPORT BLVD.	BURLINGAME, CA 94010
24211	GRIGSBY-BARTON INC.	3800 INDUSTRIAL DRIVE	ROLLING MEADOWS, IL 60008
24796	AMF, INC., POTTER AND BRUMFIELD DIV.	26181 AVENIDA AEROPUERTO	SAN JUAN CAPISTRANO, CA 92675
27014	NATIONAL SEMICONDUCTOR CORP.	2900 SAN YSIDRO WAY	SANTA CLARA, CA 95051
27193	CUTLER-HAMMER, INC.		
	SPECIALTY PRODUCTS DIVISION	4201 N. 27TH ST.	MILWAUKEE, WI 53216
37327	MICROSYSTEM INTERNATIONAL, LTD.	P.O. BOX 3529	OTTOWA, ONTARIO, CANADA
56289	SPRAGUE ELECTRIC CO.		NORTH ADAMS, MA 01247
70903	BELDEN CORP.	415 S. KILPATRICK	CHICAGO, IL 60644
71400	BUSSMAN MFG., DIVISION OF MCGRAW- EDISON CO.	2536 W. UNIVERSITY ST.	ST. LOUIS, MO 63107
72982	ERIE TECHNOLOGICAL PRODUCTS, INC.	644 W. 12TH ST.	ERIE, PA 16512
73138	BECKMAN INSTRUMENTS, INC., HELIPOT DIV.	2500 HARBOR BLVD.	FULLERTON, CA 92634
75042	TRW ELECTRONIC COMPONENTS, IRC FIXED RESISTORS, PHILADELPHIA DIVISION	401 N. BROAD ST.	PHILADELPHIA, PA 19108
80009	TEKTRONIX, INC.	P. O. BOX 500	BEAVERTON, OR 97077
81073	GRAYHILL, INC.	561 HILLGROVE AVE.	LA GRANGE, IL 60525
81483	INTERNATIONAL RECTIFIER CORP.	9220 SUNSET BLVD.	LOS ANGELES, CA 90069
90201	MALLORY CAPACITOR CO., DIV. OF P. R. MALLORY CO., INC.	3029 E. WASHINGTON ST.	INDIANAPOLIS, IN 46206
91637	DALE ELECTRONICS, INC.	P. O. BOX 609	COLUMBUS, NB 68601

Ckt No.	Tektronix Part No.	Serial/Model No. Eff	Dscont	Name & Description	Mfr Code	Mfr Part Number
CHASSIS						
CR11	150-1014-00			LAMP, LED: RED, 50MA	37327	MA2404R
CR12	150-1014-00			LAMP, LED: RED, 50MA	37327	MA2404R
CR13	150-1014-00			LAMP, LED: RED, 50MA	37327	MA2404R
CR51	150-1014-00			LAMP, LED: RED, 50MA	37327	MA2404R
CR52	150-1014-00			LAMP, LED: RED, 50MA	37327	MA2404R
CR61	150-1014-00			LAMP, LED: RED, 50MA	37327	MA2404R
CR62	150-1014-00			LAMP, LED: RED, 50MA	37327	MA2404R
CR91	150-1014-00			LAMP, LED: RED, 50MA	37327	MA2404R
CR52	152-0141-02			SEMICOND DEVICE: SILICON, 30V, 150MA	07910	1N4152
CR53	152-0141-02			SEMICOND DEVICE: SILICON, 30V, 150MA	07910	1N4152
CR54	152-0141-02			SEMICOND DEVICE: SILICON, 30V, 150MA	07910	1N4152
R12	315-0221-00			RES., FXD, CMPSN: 220 OHM, 5%, 0.25W	01121	CB2215
R25	315-0511-00			RES., FXD, CMPSN: 510 OHM, 5%, 0.25W	01121	CB5115
R52	315-0101-00			RES., FXD, CMPSN: 100 OHM, 5%, 0.25W	01121	CB1015
R53	315-0511-00			RES., FXD, CMPSN: 510 OHM, 5%, 0.25W	01121	CB5115
R54	315-0511-00			RES., FXD, CMPSN: 510 OHM, 5%, 0.25W	01121	CB5115
R55	315-0512-00			RES., FXD, CMPSN: 5.1K OHM, 5%, 0.25W	01121	CB5125
R60	321-0230-00			RES., FXD, FILM: 2.43K OHM, 1%, 0.125W	75042	CEAT0-2431F
R61	321-0229-00			RES., FXD, FILM: 2.37K OHM, 1%, 0.125W	75042	CEAT0-2371F
R62	321-0816-03			RES., FXD, FILM: 5K OHM, 0.25%, 0.125W	75042	CEAT2-5KC
R63	321-0816-03			RES., FXD, FILM: 5K OHM, 0.25%, 0.125W	75042	CEAT2-5KC
R64	321-0932-03			RES., FXD, FILM: 2.5K OHM, 0.25%, 0.125W	91637	MFF1816D25000C
R65	321-0816-03			RES., FXD, FILM: 5K OHM, 0.25%, 0.125W	75042	CEAT2-5KC
R66	321-0932-03			RES., FXD, FILM: 2.5K OHM, 0.25%, 0.125W	91637	MFF1816D25000C
R67	321-0236-03			RES., FXD, FILM: 2.80K OHM, 0.25%, 0.125W	91637	MFF1816D28000C
R68	321-0222-03			RES., FXD, FILM: 2K OHM, 0.25%, 0.125W	75042	CEAT22KC
R69	321-0612-03			RES., FXD, FILM: 500 OHM, 0.25%, 0.125W	75042	CEAT2-5000C
R70	321-0230-00			RES., FXD, FILM: 2.43K OHM, 1%, 0.125W	75042	CEAT0-2431F
R71	321-0229-00			RES., FXD, FILM: 2.37K OHM, 1%, 0.125W	75042	CEAT0-2371F
R72	321-0816-03			RES., FXD, FILM: 5K OHM, 0.25%, 0.125W	75042	CEAT2-5KC
R73	321-0816-03			RES., FXD, FILM: 5K OHM, 0.25%, 0.125W	75042	CEAT2-5KC
R74	321-0932-03			RES., FXD, FILM: 2.5K OHM, 0.25%, 0.125W	91637	MFF1816D25000C
R75	321-0816-03			RES., FXD, FILM: 5K OHM, 0.25%, 0.125W	75042	CEAT2-5KC
R76	321-0932-03			RES., FXD, FILM: 2.5K OHM, 0.25%, 0.125W	91637	MFF1816D25000C
R77	321-0236-00			RES., FXD, FILM: 2.8K OHM, 1%, 0.125W	75042	CEAT0-2801F
R78	321-0222-03			RES., FXD, FILM: 2K OHM, 0.25%, 0.125W	75042	CEAT22KC
R79	321-0612-03			RES., FXD, FILM: 500 OHM, 0.25%, 0.125W	75042	CEAT2-5000C
R80	315-0201-00			RES., FXD, CMPSN: 200 OHM, 5%, 0.25W	01121	CB2015
R81	311-1424-00			RES., VAR, NON WW: 10K OHM, 0.75W	11237	VA305-6P1026
R82	315-0201-00			RES., FXD, CMPSN: 200 OHM, 5%, 0.25W	01121	CB2015
R83	311-1424-00			RES., VAR, NON WW: 10K OHM, 0.75W	11237	VA305-6P1026
R91	315-0221-00			RES., FXD, CMPSN: 220 OHM, 5%, 0.25W	01121	CB2215
S10	260-1273-00			SWITCH, ROCKER: DPDT, 0.5A, 125VAC	22753	RSW-422E-GE
S11	260-1642-00			SWITCH, SLIDE: DPTT, 0.5A, 125VAC	22753	RSW-423-SRO-GF
S12	260-1642-00			SWITCH, SLIDE: DPTT, 0.5A, 125VAC	22753	RSW-423-SRO-GF
S13	260-1642-00			SWITCH, SLIDE: DPTT, 0.5A, 125VAC	22753	RSW-423-SRO-GF
S21	260-1274-00			SWITCH, ROCKER: SPDT, 0.5A, 125VAC	22753	RSW-412-SR
S22	260-1274-00			SWITCH, ROCKER: SPDT, 0.5A, 125VAC	22753	RSW-412-SR

**Electrical Parts List—067-0745-00**

Ckt No.	Tektronix Part No.	Serial/Model No. Eff	Dscont	Name & Description	Mfr Code	Mfr Part Number
S23	260-1274-00			SWITCH,ROCKER:SPDT,0.5A,125VAC	22753	RSW-412-SR
S24	260-1274-00			SWITCH,ROCKER:SPDT,0.5A,125VAC	22753	RSW-412-SR
S25	260-1274-00			SWITCH,ROCKER:SPDT,0.5A,125VAC	22753	RSW-412-SR
S26	260-1274-00			SWITCH,ROCKER:SPDT,0.5A,125VAC	22753	RSW-412-SR
S27	260-1274-00			SWITCH,ROCKER:SPDT,0.5A,125VAC	22753	RSW-412-SR
S28	260-1274-00			SWITCH,ROCKER:SPDT,0.5A,125VAC	22753	RSW-412-SR
S29	260-1274-00			SWITCH,ROCKER:SPDT,0.5A,125VAC	22753	RSW-412-SR
S30	260-1274-00			SWITCH,ROCKER:SPDT,0.5A,125VAC	22753	RSW-412-SR
S31	260-1274-00			SWITCH,ROCKER:SPDT,0.5A,125VAC	22753	RSW-412-SR
S32	260-1274-00			SWITCH,ROCKER:SPDT,0.5A,125VAC	22753	RSW-412-SR
S33	260-1334-00			SWITCH,ROCKER:SPDT,0.5A,125VAC	22753	RSW-412
S34	260-1334-00			SWITCH,ROCKER:SPDT,0.5A,125VAC	22753	RSW-412
S35A,B	260-1642-00			SWITCH,SLIDE:DPTT,0.5A,125VAC	22753	RSW-423-SRO-GF
S36A,B	260-1642-00			SWITCH,SLIDE:DPTT,0.5A,125VAC	22753	RSW-423-SRO-GF
S39	260-0735-00			SWITCH,PUSH:SPST	81073	39-1
S42	260-0613-00			SWITCH,TOGGLE:SPDT,115V	09353	7101N
S51	260-1334-00			SWITCH,ROCKER:SPDT,0.5A,125VAC	22753	RSW-412
S52	260-1640-00			SWITCH,SLIDE:DPTT,0.5A,125VAC	22753	RSW-423-GF
S53	260-1274-00			SWITCH,ROCKER:SPDT,0.5A,125VAC	22753	RSW-412-SR
S54	260-1642-00			SWITCH,SLIDE:DPTT,0.5A,125VAC	22753	RSW-423-SRO-GF
S55	260-1640-00			SWITCH,SLIDE:DPTT,0.5A,125VAC	22753	RSW-423-GF
S61	260-1642-00			SWITCH,SLIDE:DPTT,0.5A,125VAC	22753	RSW-423-SRO-GF
S62	260-1642-00			SWITCH,SLIDE:DPTT,0.5A,125VAC	22753	RSW-423-SRO-GF
S63	260-1274-00			SWITCH,ROCKER:SPDT,0.5A,125VAC	22753	RSW-412-SR
S64	260-1800-00			SWITCH,ROTARY:2 SECT,7 POSN,30 DEG THROW	80009	260-1800-00
S65	260-1800-00			SWITCH,ROTARY:2 SECT,7 POSN,30 DEG THROW	80009	260-1800-00
S91	260-1334-00			SWITCH,ROCKER:SPDT,0.5A,125VAC	22753	RSW-412
	670-4137-00			CKT BOARD ASSY:MODE WORD DISPLAY	80009	670-4137-00
CR21	150-1014-00			LAMP,LED:RED,50MA	37327	MA2404R
CR22	150-1014-00			LAMP,LED:RED,50MA	37327	MA2404R
CR23	150-1014-00			LAMP,LED:RED,50MA	37327	MA2404R
CR24	150-1014-00			LAMP,LED:RED,50MA	37327	MA2404R
CR25	150-1014-00			LAMP,LED:RED,50MA	37327	MA2404R
CR26	150-1014-00			LAMP,LED:RED,50MA	37327	MA2404R
CR27	150-1014-00			LAMP,LED:RED,50MA	37327	MA2404R
CR28	150-1014-00			LAMP,LED:RED,50MA	37327	MA2404R
CR29	150-1014-00			LAMP,LED:RED,50MA	37327	MA2404R
CR30	150-1014-00			LAMP,LED:RED,50MA	37327	MA2404R
CR31	150-1014-00			LAMP,LED:RED,50MA	37327	MA2404R
CR32	150-1014-00			LAMP,LED:RED,50MA	37327	MA2404R
	670-4174-00			CKT BOARD ASSY:POWER SUPPLY DISTRIBUTION	80009	670-4174-00
CR110	152-0141-02			SEMICONV DEVICE:SILICON,30V,150MA	07910	1N4152
K11	148-0029-00			RELAY,ARMATURE:430 OHM,24VOC	24796	R10-E1-Y6
R110	315-0221-00			RES.,FXD,CMPSPN:220 OHM,5%,0.25W	01121	CB2215

Ckt No.	Tektronix Part No.	Serial/Model No. Eff Dscont	Name & Description	Mfr Code	Mfr Part Number
	670-4210-00		CKT BOARD ASSY:S-H VOLTAGE	80009	670-4210-00
C110	283-0177-00		CAP.,FXD,CER DI:1UF,+80-20%,25V	72982	8131N039651105Z
C111	283-0177-00		CAP.,FXD,CER DI:1UF,+80-20%,25V	72982	8131N039651105Z
C130	283-0177-00		CAP.,FXD,CER DI:1UF,+80-20%,25V	72982	8131N039651105Z
C150	283-0204-00		CAP.,FXD,CER DI:0.01UF,20%,50V	72982	8121N058651103M
C151	283-0204-00		CAP.,FXD,CER DI:0.01UF,20%,50V	72982	8121N058651103M
C160	283-0204-00		CAP.,FXD,CER DI:0.01UF,20%,50V	72982	8121N058651103M
C161	283-0110-00		CAP.,FXD,CER DI:0.005UF,+80-20%,150V	56289	19C242B
C162	283-0060-00		CAP.,FXD,CER DI:100PF,5%,200V	72982	855-535U2J101J
C163	283-0177-00		CAP.,FXD,CER DI:1UF,+80-20%,25V	72982	8131N039651105Z
C170	283-0110-00		CAP.,FXD,CER DI:0.005UF,+80-20%,150V	56289	19C242B
C171	283-0060-00		CAP.,FXD,CER DI:100PF,5%,200V	72982	855-535U2J101J
C210	283-0204-00		CAP.,FXD,CER DI:0.01UF,20%,50V	72982	8121N058651103M
C250	283-0177-00		CAP.,FXD,CER DI:1UF,+80-20%,25V	72982	8131N039651105Z
C270	283-0177-00		CAP.,FXD,CER DI:1UF,+80-20%,25V	72982	8131N039651105Z
C271	283-0177-00		CAP.,FXD,CER DI:1UF,+80-20%,25V	72982	8131N039651105Z
C280	283-0177-00		CAP.,FXD,CER DI:1UF,+80-20%,25V	72982	8131N039651105Z
C281	283-0177-00		CAP.,FXD,CER DI:1UF,+80-20%,25V	72982	8131N039651105Z
C370	283-0060-00		CAP.,FXD,CER DI:100PF,5%,200V	72982	855-535U2J101J
C371	283-0111-00		CAP.,FXD,CER DI:0.1UF,20%,50V	72982	8131N075651104M
C380	283-0111-00		CAP.,FXD,CER DI:0.1UF,20%,50V	72982	8131N075651104M
C381	283-0060-00		CAP.,FXD,CER DI:100PF,5%,200V	72982	855-535U2J101J
CR260	152-0141-02		SEMICONV DEVICE:SILICON,30V,150MA	07910	1N4152
CR270	152-0141-02		SEMICONV DEVICE:SILICON,30V,150MA	07910	1N4152
CR281	152-0141-02		SEMICONV DEVICE:SILICON,30V,150MA	07910	1N4152
CR360	152-0141-02		SEMICONV DEVICE:SILICON,30V,150MA	07910	1N4152
K260	148-0076-01		RELAY,REED:1 FORM A,5V,0.25A,100V	24211	GB831A-22
K360	148-0076-01		RELAY,REED:1 FORM A,5V,0.25A,100V	24211	GB831A-22
Q260	151-0190-00		TRANSISTOR:SILICON,NPN	80009	151-0190-00
Q261	151-0190-00		TRANSISTOR:SILICON,NPN	80009	151-0190-00
Q370	151-0389-00		TRANSISTOR:SILICON,PNP	04713	SS5917
Q380	151-0260-00		TRANSISTOR:SILICON,NPN	04713	2N5859
R120	321-0368-00		RES.,FXD,FILM:66.5K OHM,1%,0.125W	75042	CEATO-6652F
R121	321-0395-00		RES.,FXD,FILM:127K OHM,1%,0.125W	75042	CEATO-1273F
R130	315-0302-00		RES.,FXD,CMPSN:3K OHM,5%,0.25W	01121	CB3025
R131	315-0102-00		RES.,FXD,CMPSN:1K OHM,5%,0.25W	01121	CB1025
R150	315-0512-00		RES.,FXD,CMPSN:5.1K OHM,5%,0.25W	01121	CB5125
R151	315-0271-00		RES.,FXD,CMPSN:270 OHM,5%,0.25W	01121	CB2715
R160	315-0512-00		RES.,FXD,CMPSN:5.1K OHM,5%,0.25W	01121	CB5125
R170	308-0304-00		RES.,FXD,WW:1.5K OHM,1%,3W	56289	242E1521
R180	315-0202-00		RES.,FXD,CMPSN:2K OHM,5%,0.25W	01121	CB2025
R181	308-0304-00		RES.,FXD,WW:1.5K OHM,1%,3W	56289	242E1521
R211	315-0512-00		RES.,FXD,CMPSN:5.1K OHM,5%,0.25W	01121	CB5125
R212	315-0512-00		RES.,FXD,CMPSN:5.1K OHM,5%,0.25W	01121	CB5125
R213	315-0512-00		RES.,FXD,CMPSN:5.1K OHM,5%,0.25W	01121	CB5125
R214	315-0512-00		RES.,FXD,CMPSN:5.1K OHM,5%,0.25W	01121	CB5125
R232	315-0512-00		RES.,FXD,CMPSN:5.1K OHM,5%,0.25W	01121	CB5125
R233	315-0512-00		RES.,FXD,CMPSN:5.1K OHM,5%,0.25W	01121	CB5125
R234	315-0512-00		RES.,FXD,CMPSN:5.1K OHM,5%,0.25W	01121	CB5125
R235	315-0512-00		RES.,FXD,CMPSN:5.1K OHM,5%,0.25W	01121	CB5125

# Electrical Parts List—067-0745-00

Ckt No.	Tektronix Part No.	Serial/Model No. Eff Dscont	Name & Description	Mfr Code	Mfr Part Number
R236	315-0512-00		RES.,FXD,CMPSN:5.1K OHM,5%,0.25W	01121	CB5125
R244	315-0221-00		RES.,FXD,CMPSN:220 OHM,5%,0.25W	01121	CB2215
R245	315-0221-00		RES.,FXD,CMPSN:220 OHM,5%,0.25W	01121	CB2215
R250	315-0102-00		RES.,FXD,CMPSN:1K OHM,5%,0.25W	01121	CB1025
R251	315-0102-00		RES.,FXD,CMPSN:1K OHM,5%,0.25W	01121	CB1025
R271	321-0689-00		RES.,FXD,FILM:24.9K OHM,0.5%,0.125W	75042	CEAT0-2492D
R272	315-0102-00		RES.,FXD,CMPSN:1K OHM,5%,0.25W	01121	CB1025
R280	315-0202-00		RES.,FXD,CMPSN:2K OHM,5%,0.25W	01121	CB2025
R281	321-0689-00		RES.,FXD,FILM:24.9K OHM,0.5%,0.125W	75042	CEAT0-2492D
R370	321-0692-00		RES.,FXD,FILM:49.9K OHM,0.5%,0.125W	75042	CEAT0-4992D
R380	315-0102-00		RES.,FXD,CMPSN:1K OHM,5%,0.25W	01121	CB1025
R381	321-0692-00		RES.,FXD,FILM:49.9K OHM,0.5%,0.125W	75042	CEAT0-4992D
U12	156-0072-00		MICROCIRCUIT,DI:MONOSTABLE MV,TTL	27014	DM74121N
U13	156-0386-00		MICROCIRCUIT,DI:TRIPLE 3-INPUT NAND GATE	01295	SN74LS10N
U15	156-0412-00		MICROCIRCUIT,DI:4-BIT BIN UP/DOWN COUNTER	01295	SN74LS193N
U16	156-0388-00		MICROCIRCUIT,DI:DUAL D-TYPE FLIP-FLOP	01295	SN74LS74N
U17	156-0067-00		MICROCIRCUIT,LI:OPERATIONAL AMPLIFIER	80009	156-0067-00
U18	156-0067-00		MICROCIRCUIT,LI:OPERATIONAL AMPLIFIER	80009	156-0067-00
U21	156-0402-00		MICROCIRCUIT,DI:TIMER	18324	NE555V
U22	156-0508-00		MICROCIRCUIT,DI:QUAD R-S LATCH	01295	SN74279N
U24	156-0382-00		MICROCIRCUIT,DI:QUAD 2-INPUT NAND GATE	01295	SN74LS00N
U25	156-0058-00		MICROCIRCUIT,DI:HEX INVERTER	01295	SN7404N
VR270	152-0171-00		SEMICOND DEVICE:ZENER,0.5W,11.7V,5%	04713	SZ13464
VR280	152-0171-00		SEMICOND DEVICE:ZENER,0.5W,11.7V,5%	04713	SZ13464
	670-4191-01		CKT BOARD ASSY:CLOCK BOARD	80009	670-4191-01
C110	290-0517-00		CAP.,FXD,ELCTLT:6.8UF,20%,35V	56289	196D685X0035KA1
C111	290-0517-00		CAP.,FXD,ELCTLT:6.8UF,20%,35V	56289	196D685X0035KA1
C250	290-0720-00		CAP.,FXD,ELCTLT:68UF,20%,15V	56289	196D686X0015PE3
C260	283-0177-00		CAP.,FXD,CER DI:1UF,+80-20%,25V	72982	8131N039651105Z
C261	290-0536-00		CAP.,FXD,ELCTLT:10UF,20%,25V	90201	TDC106M025NLF
C320	283-0177-00		CAP.,FXD,CER DI:1UF,+80-20%,25V	72982	8131N039651105Z
C321	283-0177-00		CAP.,FXD,CER DI:1UF,+80-20%,25V	72982	8131N039651105Z
C370	283-0177-00		CAP.,FXD,CER DI:1UF,+80-20%,25V	72982	8131N039651105Z
C410	283-0204-00		CAP.,FXD,CER DI:0.01UF,20%,50V	72982	8121N058651103M
C540	283-0635-00		CAP.,FXD,MICA D:51PF,1%,100V	00853	D151E510F0
C560	283-0177-00		CAP.,FXD,CER DI:1UF,+80-20%,25V	72982	8131N039651105Z
C570	281-0160-00		CAP.,VAR,CER DI:7-25PF,350V	72982	538-011B7-25
C571	283-0635-00		CAP.,FXD,MICA D:51PF,1%,100V	00853	D151E510F0
C572	283-0204-00		CAP.,FXD,CER DI:0.01UF,20%,50V	72982	8121N058651103M
C573	283-0067-00		CAP.,FXD,CER DI:0.001UF,10%,200V	72982	835-515B102K
C610	283-0177-00		CAP.,FXD,CER DI:1UF,+80-20%,25V	72982	8131N039651105Z
C670	283-0177-00		CAP.,FXD,CER DI:1UF,+80-20%,25V	72982	8131N039651105Z
CR250	152-0141-02		SEMICOND DEVICE:SILICON,30V,150MA	07910	1N4152
CR251	152-0141-02		SEMICOND DEVICE:SILICON,30V,150MA	07910	1N4152
CR370	152-0141-02		SEMICOND DEVICE:SILICON,30V,150MA	07910	1N4152
CR540	152-0141-02		SEMICOND DEVICE:SILICON,30V,150MA	07910	1N4152
CR650	152-0141-02		SEMICOND DEVICE:SILICON,30V,150MA	07910	1N4152
CR651	152-0141-02		SEMICOND DEVICE:SILICON,30V,150MA	07910	1N4152
CR652	152-0141-02		SEMICOND DEVICE:SILICON,30V,150MA	07910	1N4152



Electrical Parts List—067-0745-00

Ckt No.	Tektronix Part No.	Serial/Model No. Eff Dscont	Name & Description	Mfr Code	Mfr Part Number
CR660	152-0141-02		SEMICOND DEVICE: SILICON, 30V, 150MA	07910	1N4152
DL12	119-0500-00		DELAY LINE, ELEC: 14 LEAD DIP	80009	119-0500-00
DL13	119-0500-00		DELAY LINE, ELEC: 14 LEAD DIP	80009	119-0500-00
DL46	119-0500-00		DELAY LINE, ELEC: 14 LEAD DIP	80009	119-0500-00
R110	315-0181-00		RES., FXD, CMPSN: 180 OHM, 5%, 0.25W	01121	CB1815
R111	315-0271-00		RES., FXD, CMPSN: 270 OHM, 5%, 0.25W	01121	CB2715
R140	315-0271-00		RES., FXD, CMPSN: 270 OHM, 5%, 0.25W	01121	CB2715
R142	315-0181-00		RES., FXD, CMPSN: 180 OHM, 5%, 0.25W	01121	CB1815
R143	315-0271-00		RES., FXD, CMPSN: 270 OHM, 5%, 0.25W	01121	CB2715
R150	311-1266-00		RES., VAR, NONWIR: 2.5K OHM, 10%, 0.50W	73138	62PT-349-0
R151	315-0271-00		RES., FXD, CMPSN: 270 OHM, 5%, 0.25W	01121	CB2715
R153	315-0271-00		RES., FXD, CMPSN: 270 OHM, 5%, 0.25W	01121	CB2715
R170	315-0271-00		RES., FXD, CMPSN: 270 OHM, 5%, 0.25W	01121	CB2715
R171	315-0271-00		RES., FXD, CMPSN: 270 OHM, 5%, 0.25W	01121	CB2715
R172	311-1266-00		RES., VAR, NONWIR: 2.5K OHM, 10%, 0.50W	73138	62PT-349-0
R210	315-0122-00		RES., FXD, CMPSN: 1.2K OHM, 5%, 0.25W	01121	CB1225
R211	315-0122-00		RES., FXD, CMPSN: 1.2K OHM, 5%, 0.25W	01121	CB1225
R230	315-0511-00		RES., FXD, CMPSN: 510 OHM, 5%, 0.25W	01121	CB5115
R231	315-0511-00		RES., FXD, CMPSN: 510 OHM, 5%, 0.25W	01121	CB5115
R232	315-0511-00		RES., FXD, CMPSN: 510 OHM, 5%, 0.25W	01121	CB5115
R233	315-0102-00		RES., FXD, CMPSN: 1K OHM, 5%, 0.25W	01121	CB1025
R234	315-0511-00		RES., FXD, CMPSN: 510 OHM, 5%, 0.25W	01121	CB5115
R250	315-0271-00		RES., FXD, CMPSN: 270 OHM, 5%, 0.25W	01121	CB2715
R251	315-0271-00		RES., FXD, CMPSN: 270 OHM, 5%, 0.25W	01121	CB2715
R252	311-1266-00		RES., VAR, NONWIR: 2.5K OHM, 10%, 0.50W	73138	62PT-349-0
R253	311-1266-00		RES., VAR, NONWIR: 2.5K OHM, 10%, 0.50W	73138	62PT-349-0
R254	315-0101-00		RES., FXD, CMPSN: 100 OHM, 5%, 0.25W	01121	CB1015
R255	315-0102-00		RES., FXD, CMPSN: 1K OHM, 5%, 0.25W	01121	CB1025
R260	315-0271-00		RES., FXD, CMPSN: 270 OHM, 5%, 0.25W	01121	CB2715
R261	315-0271-00		RES., FXD, CMPSN: 270 OHM, 5%, 0.25W	01121	CB2715
R262	311-1266-00		RES., VAR, NONWIR: 2.5K OHM, 10%, 0.50W	73138	62PT-349-0
R263	311-1266-00		RES., VAR, NONWIR: 2.5K OHM, 10%, 0.50W	73138	62PT-349-0
R264	315-0271-00		RES., FXD, CMPSN: 270 OHM, 5%, 0.25W	01121	CB2715
R265	315-0271-00		RES., FXD, CMPSN: 270 OHM, 5%, 0.25W	01121	CB2715
R268	315-0271-00		RES., FXD, CMPSN: 270 OHM, 5%, 0.25W	01121	CB2715
R269	311-1266-00		RES., VAR, NONWIR: 2.5K OHM, 10%, 0.50W	73138	62PT-349-0
R320	315-0511-00		RES., FXD, CMPSN: 510 OHM, 5%, 0.25W	01121	CB5115
R321	315-0511-00		RES., FXD, CMPSN: 510 OHM, 5%, 0.25W	01121	CB5115
R330	315-0511-00		RES., FXD, CMPSN: 510 OHM, 5%, 0.25W	01121	CB5115
R331	315-0271-00		RES., FXD, CMPSN: 270 OHM, 5%, 0.25W	01121	CB2715
R332	315-0271-00		RES., FXD, CMPSN: 270 OHM, 5%, 0.25W	01121	CB2715
R333	315-0511-00		RES., FXD, CMPSN: 510 OHM, 5%, 0.25W	01121	CB5115
R334	315-0511-00		RES., FXD, CMPSN: 510 OHM, 5%, 0.25W	01121	CB5115
R335	315-0511-00		RES., FXD, CMPSN: 510 OHM, 5%, 0.25W	01121	CB5115
R336	311-1266-00		RES., VAR, NONWIR: 2.5K OHM, 10%, 0.50W	73138	62PT-349-0
R337	311-1266-00		RES., VAR, NONWIR: 2.5K OHM, 10%, 0.50W	73138	62PT-349-0
R342	315-0511-00		RES., FXD, CMPSN: 510 OHM, 5%, 0.25W	01121	CB5115
R343	315-0511-00		RES., FXD, CMPSN: 510 OHM, 5%, 0.25W	01121	CB5115
R350	315-0511-00		RES., FXD, CMPSN: 510 OHM, 5%, 0.25W	01121	CB5115
R351	315-0511-00		RES., FXD, CMPSN: 510 OHM, 5%, 0.25W	01121	CB5115
R352	315-0511-00		RES., FXD, CMPSN: 510 OHM, 5%, 0.25W	01121	CB5115
R353	315-0511-00		RES., FXD, CMPSN: 510 OHM, 5%, 0.25W	01121	CB5115

# Electrical Parts List—067-0745-00

Ckt No.	Tektronix Part No.	Serial/Model No. Eff Dscont	Name & Description	Mfr Code	Mfr Part Number
R370	315-0511-00		RES.,FXD,CMPSN:510 OHM,5%,0.25W	01121	CB5115
R371	315-0470-00		RES.,FXD,CMPSN:47 OHM,5%,0.25W	01121	CB4705
R372	315-0181-00		RES.,FXD,CMPSN:180 OHM,5%,0.25W	01121	CB1815
R373	315-0271-00		RES.,FXD,CMPSN:270 OHM,5%,0.25W	01121	CB2715
R374	315-0511-00		RES.,FXD,CMPSN:510 OHM,5%,0.25W	01121	CB5115
R410	315-0511-00		RES.,FXD,CMPSN:510 OHM,5%,0.25W	01121	CB5115
R411	315-0511-00		RES.,FXD,CMPSN:510 OHM,5%,0.25W	01121	CB5115
R412	315-0181-00		RES.,FXD,CMPSN:180 OHM,5%,0.25W	01121	CB1815
R413	315-0511-00		RES.,FXD,CMPSN:510 OHM,5%,0.25W	01121	CB5115
R420	315-0511-00		RES.,FXD,CMPSN:510 OHM,5%,0.25W	01121	CB5115
R421	315-0511-00		RES.,FXD,CMPSN:510 OHM,5%,0.25W	01121	CB5115
R430	315-0511-00		RES.,FXD,CMPSN:510 OHM,5%,0.25W	01121	CB5115
R440	315-0511-00		RES.,FXD,CMPSN:510 OHM,5%,0.25W	01121	CB5115
R441	315-0511-00		RES.,FXD,CMPSN:510 OHM,5%,0.25W	01121	CB5115
R442	315-0511-00		RES.,FXD,CMPSN:510 OHM,5%,0.25W	01121	CB5115
R451	315-0271-00		RES.,FXD,CMPSN:270 OHM,5%,0.25W	01121	CB2715
R460	315-0181-00		RES.,FXD,CMPSN:180 OHM,5%,0.25W	01121	CB1815
R520	315-0102-00		RES.,FXD,CMPSN:1K OHM,5%,0.25W	01121	CB1025
R541	315-0302-00		RES.,FXD,CMPSN:3K OHM,5%,0.25W	01121	CB3025
R550	315-0511-00		RES.,FXD,CMPSN:510 OHM,5%,0.25W	01121	CB5115
R551	315-0202-00		RES.,FXD,CMPSN:2K OHM,5%,0.25W	01121	CB2025
R561	315-0511-00		RES.,FXD,CMPSN:510 OHM,5%,0.25W	01121	CB5115
R562	315-0511-00		RES.,FXD,CMPSN:510 OHM,5%,0.25W	01121	CB5115
R563	315-0511-00		RES.,FXD,CMPSN:510 OHM,5%,0.25W	01121	CB5115
R564	315-0511-00		RES.,FXD,CMPSN:510 OHM,5%,0.25W	01121	CB5115
R570	315-0511-00		RES.,FXD,CMPSN:510 OHM,5%,0.25W	01121	CB5115
R571	315-0511-00		RES.,FXD,CMPSN:510 OHM,5%,0.25W	01121	CB5115
R620	315-0102-00		RES.,FXD,CMPSN:1K OHM,5%,0.25W	01121	CB1025
R630	315-0102-00		RES.,FXD,CMPSN:1K OHM,5%,0.25W	01121	CB1025
R631	315-0102-00		RES.,FXD,CMPSN:1K OHM,5%,0.25W	01121	CB1025
R640	315-0102-00		RES.,FXD,CMPSN:1K OHM,5%,0.25W	01121	CB1025
R650	315-0511-00		RES.,FXD,CMPSN:510 OHM,5%,0.25W	01121	CB5115
R651	315-0511-00		RES.,FXD,CMPSN:510 OHM,5%,0.25W	01121	CB5115
R652	315-0511-00		RES.,FXD,CMPSN:510 OHM,5%,0.25W	01121	CB5115
R653	315-0102-00		RES.,FXD,CMPSN:1K OHM,5%,0.25W	01121	CB1025
R654	315-0511-00		RES.,FXD,CMPSN:510 OHM,5%,0.25W	01121	CB5115
R660	315-0511-00		RES.,FXD,CMPSN:510 OHM,5%,0.25W	01121	CB5115
R661	315-0511-00		RES.,FXD,CMPSN:510 OHM,5%,0.25W	01121	CB5115
R662	315-0511-00		RES.,FXD,CMPSN:510 OHM,5%,0.25W	01121	CB5115
R663	315-0511-00		RES.,FXD,CMPSN:510 OHM,5%,0.25W	01121	CB5115
R664	315-0102-00		RES.,FXD,CMPSN:1K OHM,5%,0.25W	01121	CB1025
R670	315-0511-00		RES.,FXD,CMPSN:510 OHM,5%,0.25W	01121	CB5115
U14	156-0631-00		MICROCIRCUIT,DI:QUAD 2-INPUT,OR/NOR GATE	04713	MC10101P
U15	156-0631-00		MICROCIRCUIT,DI:QUAD 2-INPUT,OR/NOR GATE	04713	MC10101P
U17	156-0205-00		MICROCIRCUIT,DI:QUAD 2-INPUT NOR GATE	04713	MC10102L
U23	156-0368-00		MICROCIRCUIT,LI:QUAD TTL TO ECL CONVERTER	04713	MC10124L
U24	156-0510-00		MICROCIRCUIT,DI:MECL 10K,UNIV DECADE CNTR	04713	MC10137L
U25	156-0205-00		MICROCIRCUIT,DI:QUAD 2-INPUT NOR GATE	04713	MC10102L
U26	156-0205-00		MICROCIRCUIT,DI:QUAD 2-INPUT NOR GATE	04713	MC10102L
U32	156-0458-00		MICROCIRCUIT,DI:ECL 10K QUAD AND GATE	04713	MC10104L
U33	156-0205-00		MICROCIRCUIT,DI:QUAD 2-INPUT NOR GATE	04713	MC10102L
U35	156-0230-00		MICROCIRCUIT,DI:DUAL D MA-SLAVE FLIP-FLOP	04713	MC10131L

Ckt No.	Tektronix Part No.	Serial/Model No. Eff Dscont	Name & Description	Mfr Code	Mfr Part Number
U37	156-0641-00		MICROCIRCUIT,DI:UNIVERSAL,HEXIDECIMAL CNTR	04713	MC10136L
U41	156-0316-00		MICROCIRCUIT,DI:QUAD ECL TO TTL CONVERTER	04713	MC10125L
U42	156-0641-00		MICROCIRCUIT,DI:UNIVERSAL,HEXIDECIMAL CNTR	04713	MC10136L
U43	156-0641-00		MICROCIRCUIT,DI:UNIVERSAL,HEXIDECIMAL CNTR	04713	MC10136L
U44	156-0641-00		MICROCIRCUIT,DI:UNIVERSAL,HEXIDECIMAL CNTR	04713	MC10136L
U45	156-0205-00		MICROCIRCUIT,DI:QUAD 2-INPUT NOR GATE	04713	MC10102L
U52	156-0035-00		MICROCIRCUIT,DI:SGL 8-INPUT POS NAND GATE	80009	156-0035-00
U54	156-0458-00		MICROCIRCUIT,DI:ECL 10K QUAD AND GATE	04713	MC10104L
U55	156-0230-00		MICROCIRCUIT,DI:DUAL D MA-SLAVE FLIP-FLOP	04713	MC10131L
U56	156-0205-00		MICROCIRCUIT,DI:QUAD 2-INPUT NOR GATE	04713	MC10102L
U57	156-0224-00		MICROCIRCUIT,LI:VOLTAGE CONTROLLED OSC	04713	MC1658L
U61	156-0058-00		MICROCIRCUIT,DI:HEX INVERTER	01295	SN7404N
U62	156-0131-00		MICROCIRCUIT,DI:8-BIT SER TO PARALLEL SHF	01295	SN74164N
U63	156-0058-00		MICROCIRCUIT,DI:HEX INVERTER	01295	SN7404N
U64	156-0368-00		MICROCIRCUIT,LI:QUAD TTL TO ECL CONVERTER	04713	MC10124L
U65	156-0230-00		MICROCIRCUIT,DI:DUAL D MA-SLAVE FLIP-FLOP	04713	MC10131L
U66	156-0205-00		MICROCIRCUIT,DI:QUAD 2-INPUT NOR GATE	04713	MC10102L
U67	156-0458-00		MICROCIRCUIT,DI:ECL 10K QUAD AND GATE	04713	MC10104L
	670-4149-00		CKT BOARD ASSY:CONTROL BOARD	80009	670-4149-00
C210	283-0177-00		CAP.,FXD,CER DI:1UF,+80-20%,25V	72982	8131N039651105Z
C230	283-0177-00		CAP.,FXD,CER DI:1UF,+80-20%,25V	72982	8131N039651105Z
C290	283-0177-00		CAP.,FXD,CER DI:1UF,+80-20%,25V	72982	8131N039651105Z
C291	283-0177-00		CAP.,FXD,CER DI:1UF,+80-20%,25V	72982	8131N039651105Z
C320	283-0177-00		CAP.,FXD,CER DI:1UF,+80-20%,25V	72982	8131N039651105Z
C340	283-0177-00		CAP.,FXD,CER DI:1UF,+80-20%,25V	72982	8131N039651105Z
C380	283-0177-00		CAP.,FXD,CER DI:1UF,+80-20%,25V	72982	8131N039651105Z
C460	283-0177-00		CAP.,FXD,CER DI:1UF,+80-20%,25V	72982	8131N039651105Z
C480	283-0154-00		CAP.,FXD,CER DI:22PF,5%,50V	72982	8111A058COG220J
C520	283-0177-00		CAP.,FXD,CER DI:1UF,+80-20%,25V	72982	8131N039651105Z
C560	283-0177-00		CAP.,FXD,CER DI:1UF,+80-20%,25V	72982	8131N039651105Z
C670	290-0536-00		CAP.,FXD,ELCTLT:10UF,20%,25V	90201	TDC106M025NLF
C690	283-0177-00		CAP.,FXD,CER DI:1UF,+80-20%,25V	72982	8131N039651105Z
R110	315-0512-00		RES.,FXD,CMPSN:5.1K OHM,5%,0.25W	01121	CB5125
R111	315-0512-00		RES.,FXD,CMPSN:5.1K OHM,5%,0.25W	01121	CB5125
R112	315-0512-00		RES.,FXD,CMPSN:5.1K OHM,5%,0.25W	01121	CB5125
R150	315-0512-00		RES.,FXD,CMPSN:5.1K OHM,5%,0.25W	01121	CB5125
R151	315-0512-00		RES.,FXD,CMPSN:5.1K OHM,5%,0.25W	01121	CB5125
R152	315-0512-00		RES.,FXD,CMPSN:5.1K OHM,5%,0.25W	01121	CB5125
R153	315-0512-00		RES.,FXD,CMPSN:5.1K OHM,5%,0.25W	01121	CB5125
R154	315-0512-00		RES.,FXD,CMPSN:5.1K OHM,5%,0.25W	01121	CB5125
R220	315-0512-00		RES.,FXD,CMPSN:5.1K OHM,5%,0.25W	01121	CB5125
R221	315-0512-00		RES.,FXD,CMPSN:5.1K OHM,5%,0.25W	01121	CB5125
R222	315-0512-00		RES.,FXD,CMPSN:5.1K OHM,5%,0.25W	01121	CB5125
R240	315-0512-00		RES.,FXD,CMPSN:5.1K OHM,5%,0.25W	01121	CB5125
R241	315-0512-00		RES.,FXD,CMPSN:5.1K OHM,5%,0.25W	01121	CB5125
R242	315-0512-00		RES.,FXD,CMPSN:5.1K OHM,5%,0.25W	01121	CB5125
R243	315-0512-00		RES.,FXD,CMPSN:5.1K OHM,5%,0.25W	01121	CB5125
R244	315-0512-00		RES.,FXD,CMPSN:5.1K OHM,5%,0.25W	01121	CB5125
R245	315-0512-00		RES.,FXD,CMPSN:5.1K OHM,5%,0.25W	01121	CB5125
R270	315-0512-00		RES.,FXD,CMPSN:5.1K OHM,5%,0.25W	01121	CB5125

**Electrical Parts List—067-0745-00**

Ckt No.	Tektronix Part No.	Serial/Model No. Eff Dscont	Name & Description	Mfr Code	Mfr Part Number
R271	315-0512-00		RES.,FXD,CMPSN:5.1K OHM,5%,0.25W	01121	CB5125
R290	315-0102-00		RES.,FXD,CMPSN:1K OHM,5%,0.25W	01121	CB1025
R291	315-0512-00		RES.,FXD,CMPSN:5.1K OHM,5%,0.25W	01121	CB5125
R470	315-0512-00		RES.,FXD,CMPSN:5.1K OHM,5%,0.25W	01121	CB5125
R480	315-0203-00		RES.,FXD,CMPSN:20K OHM,5%,0.25W	01121	CB2035
R481	315-0103-00		RES.,FXD,CMPSN:10K OHM,5%,0.25W	01121	CB1035
R520	315-0102-00		RES.,FXD,CMPSN:1K OHM,5%,0.25W	01121	CB1025
R540	315-0102-00		RES.,FXD,CMPSN:1K OHM,5%,0.25W	01121	CB1025
R560	315-0102-00		RES.,FXD,CMPSN:1K OHM,5%,0.25W	01121	CB1025
R590	315-0102-00		RES.,FXD,CMPSN:1K OHM,5%,0.25W	01121	CB1025
R660	315-0512-00		RES.,FXD,CMPSN:5.1K OHM,5%,0.25W	01121	CB5125
R661	315-0512-00		RES.,FXD,CMPSN:5.1K OHM,5%,0.25W	01121	CB5125
R662	315-0512-00		RES.,FXD,CMPSN:5.1K OHM,5%,0.25W	01121	CB5125
R663	315-0512-00		RES.,FXD,CMPSN:5.1K OHM,5%,0.25W	01121	CB5125
R664	315-0221-00		RES.,FXD,CMPSN:220 OHM,5%,0.25W	01121	CB2215
R670	315-0512-00		RES.,FXD,CMPSN:5.1K OHM,5%,0.25W	01121	CB5125
R671	315-0512-00		RES.,FXD,CMPSN:5.1K OHM,5%,0.25W	01121	CB5125
R672	315-0512-00		RES.,FXD,CMPSN:5.1K OHM,5%,0.25W	01121	CB5125
R673	315-0512-00		RES.,FXD,CMPSN:5.1K OHM,5%,0.25W	01121	CB5125
R674	315-0221-00		RES.,FXD,CMPSN:220 OHM,5%,0.25W	01121	CB2215
R680	315-0512-00		RES.,FXD,CMPSN:5.1K OHM,5%,0.25W	01121	CB5125
R681	315-0512-00		RES.,FXD,CMPSN:5.1K OHM,5%,0.25W	01121	CB5125
R682	315-0512-00		RES.,FXD,CMPSN:5.1K OHM,5%,0.25W	01121	CB5125
R683	315-0512-00		RES.,FXD,CMPSN:5.1K OHM,5%,0.25W	01121	CB5125
R684	315-0512-00		RES.,FXD,CMPSN:5.1K OHM,5%,0.25W	01121	CB5125
R685	315-0512-00		RES.,FXD,CMPSN:5.1K OHM,5%,0.25W	01121	CB5125
R686	315-0512-00		RES.,FXD,CMPSN:5.1K OHM,5%,0.25W	01121	CB5125
R687	315-0512-00		RES.,FXD,CMPSN:5.1K OHM,5%,0.25W	01121	CB5125
R688	315-0512-00		RES.,FXD,CMPSN:5.1K OHM,5%,0.25W	01121	CB5125
R689	315-0512-00		RES.,FXD,CMPSN:5.1K OHM,5%,0.25W	01121	CB5125
R690	315-0512-00		RES.,FXD,CMPSN:5.1K OHM,5%,0.25W	01121	CB5125
R720	315-0271-00		RES.,FXD,CMPSN:270 OHM,5%,0.25W	01121	CB2715
R721	315-0271-00		RES.,FXD,CMPSN:270 OHM,5%,0.25W	01121	CB2715
R722	315-0271-00		RES.,FXD,CMPSN:270 OHM,5%,0.25W	01121	CB2715
R723	315-0271-00		RES.,FXD,CMPSN:270 OHM,5%,0.25W	01121	CB2715
R724	315-0271-00		RES.,FXD,CMPSN:270 OHM,5%,0.25W	01121	CB2715
R725	315-0271-00		RES.,FXD,CMPSN:270 OHM,5%,0.25W	01121	CB2715
R726	315-0271-00		RES.,FXD,CMPSN:270 OHM,5%,0.25W	01121	CB2715
R727	315-0271-00		RES.,FXD,CMPSN:270 OHM,5%,0.25W	01121	CB2715
R730	315-0271-00		RES.,FXD,CMPSN:270 OHM,5%,0.25W	01121	CB2715
R731	315-0271-00		RES.,FXD,CMPSN:270 OHM,5%,0.25W	01121	CB2715
R732	315-0271-00		RES.,FXD,CMPSN:270 OHM,5%,0.25W	01121	CB2715
R733	315-0271-00		RES.,FXD,CMPSN:270 OHM,5%,0.25W	01121	CB2715
R750	315-0512-00		RES.,FXD,CMPSN:5.1K OHM,5%,0.25W	01121	CB5125
R751	315-0512-00		RES.,FXD,CMPSN:5.1K OHM,5%,0.25W	01121	CB5125
R752	315-0512-00		RES.,FXD,CMPSN:5.1K OHM,5%,0.25W	01121	CB5125
R753	315-0512-00		RES.,FXD,CMPSN:5.1K OHM,5%,0.25W	01121	CB5125
R754	315-0512-00		RES.,FXD,CMPSN:5.1K OHM,5%,0.25W	01121	CB5125
R755	315-0512-00		RES.,FXD,CMPSN:5.1K OHM,5%,0.25W	01121	CB5125
R756	315-0512-00		RES.,FXD,CMPSN:5.1K OHM,5%,0.25W	01121	CB5125
R757	315-0512-00		RES.,FXD,CMPSN:5.1K OHM,5%,0.25W	01121	CB5125
R760	315-0512-00		RES.,FXD,CMPSN:5.1K OHM,5%,0.25W	01121	CB5125
R761	315-0512-00		RES.,FXD,CMPSN:5.1K OHM,5%,0.25W	01121	CB5125

Ckt No.	Tektronix Part No.	Serial/Model No. Eff Dscont	Name & Description	Mfr Code	Mfr Part Number
R762	315-0512-00		RES., FXD, CMPSN: 5.1K OHM, 5%, 0.25W	01121	CB5125
R763	315-0512-00		RES., FXD, CMPSN: 5.1K OHM, 5%, 0.25W	01121	CB5125
R764	315-0512-00		RES., FXD, CMPSN: 5.1K OHM, 5%, 0.25W	01121	CB5125
R765	315-0512-00		RES., FXD, CMPSN: 5.1K OHM, 5%, 0.25W	01121	CB5125
R766	315-0512-00		RES., FXD, CMPSN: 5.1K OHM, 5%, 0.25W	01121	CB5125
R767	315-0512-00		RES., FXD, CMPSN: 5.1K OHM, 5%, 0.25W	01121	CB5125
R770	315-0512-00		RES., FXD, CMPSN: 5.1K OHM, 5%, 0.25W	01121	CB5125
R771	315-0512-00		RES., FXD, CMPSN: 5.1K OHM, 5%, 0.25W	01121	CB5125
R772	315-0512-00		RES., FXD, CMPSN: 5.1K OHM, 5%, 0.25W	01121	CB5125
R773	315-0512-00		RES., FXD, CMPSN: 5.1K OHM, 5%, 0.25W	01121	CB5125
R774	315-0512-00		RES., FXD, CMPSN: 5.1K OHM, 5%, 0.25W	01121	CB5125
R775	315-0512-00		RES., FXD, CMPSN: 5.1K OHM, 5%, 0.25W	01121	CB5125
R776	315-0512-00		RES., FXD, CMPSN: 5.1K OHM, 5%, 0.25W	01121	CB5125
R777	315-0512-00		RES., FXD, CMPSN: 5.1K OHM, 5%, 0.25W	01121	CB5125
U11	156-0385-00		MICROCIRCUIT, DI: HEX. INVERTER	01295	SN74LS04N
U15	156-0385-00		MICROCIRCUIT, DI: HEX. INVERTER	01295	SN74LS04N
U21	156-0327-00		MICROCIRCUIT, DI: QUAD LATCH	07263	93L14DC
U22	156-0479-00		MICROCIRCUIT, DI: QUAD 2-INPUT OR GATE	01295	SN74LS32N
U23	156-0327-00		MICROCIRCUIT, DI: QUAD LATCH	07263	93L14DC
U24	156-0479-00		MICROCIRCUIT, DI: QUAD 2-INPUT OR GATE	01295	SN74LS32N
U25	156-0327-00		MICROCIRCUIT, DI: QUAD LATCH	07263	93L14DC
U26	156-0479-00		MICROCIRCUIT, DI: QUAD 2-INPUT OR GATE	01295	SN74LS32N
U27	156-0530-00		MICROCIRCUIT, DI: SEL/MULTIPLEXE, 16 PIN DIP	01295	SN74LS157N
U28	156-0385-00		MICROCIRCUIT, DI: HEX. INVERTER	01295	SN74LS04N
U29	156-0058-00		MICROCIRCUIT, DI: HEX INVERTER	01295	SN7404N
U31	156-0327-00		MICROCIRCUIT, DI: QUAD LATCH	07263	93L14DC
U32	156-0530-00		MICROCIRCUIT, DI: SEL/MULTIPLEXE, 16 PIN DIP	01295	SN74LS157N
U33	156-0327-00		MICROCIRCUIT, DI: QUAD LATCH	07263	93L14DC
U34	156-0530-00		MICROCIRCUIT, DI: SEL/MULTIPLEXE, 16 PIN DIP	01295	SN74LS157N
U35	156-0327-00		MICROCIRCUIT, DI: QUAD LATCH	07263	93L14DC
U36	156-0530-00		MICROCIRCUIT, DI: SEL/MULTIPLEXE, 16 PIN DIP	01295	SN74LS157N
U37	156-0043-00		MICROCIRCUIT, DI: 2-INPUT NOR GATE	80009	156-0043-00
U38	156-0386-00		MICROCIRCUIT, DI: TRIPLE 3-INPUT NAND GATE	01295	SN74LS10N
U39	156-0530-00		MICROCIRCUIT, DI: SEL/MULTIPLEXE, 16 PIN DIP	01295	SN74LS157N
U41	156-0327-00		MICROCIRCUIT, DI: QUAD LATCH	07263	93L14DC
U42	156-0387-00		MICROCIRCUIT, DI: DUAL J-K NEG EDGE TRIG	01295	SN74LS73N
U43	156-0327-00		MICROCIRCUIT, DI: QUAD LATCH	07263	93L14DC
U44	156-0387-00		MICROCIRCUIT, DI: DUAL J-K NEG EDGE TRIG	01295	SN74LS73N
U45	156-0327-00		MICROCIRCUIT, DI: QUAD LATCH	07263	93L14DC
U46	156-0387-00		MICROCIRCUIT, DI: DUAL J-K NEG EDGE TRIG	01295	SN74LS73N
U47	156-0382-00		MICROCIRCUIT, DI: QUAD 2-INPUT NAND GATE	01295	SN74LS00N
U48	156-0172-00		MICROCIRCUIT, DI: DUAL MONOSTABLE MV	80009	156-0172-00
U49	156-0382-00		MICROCIRCUIT, DI: QUAD 2-INPUT NAND GATE	01295	SN74LS00N
U51	156-0471-00		MICROCIRCUIT, DI: DUAL 4-LINE TO 1-LINE	01295	SN74LS253N
U52	156-0387-00		MICROCIRCUIT, DI: DUAL J-K NEG EDGE TRIG	01295	SN74LS73N
U53	156-0471-00		MICROCIRCUIT, DI: DUAL 4-LINE TO 1-LINE	01295	SN74LS253N
U54	156-0387-00		MICROCIRCUIT, DI: DUAL J-K NEG EDGE TRIG	01295	SN74LS73N
U55	156-0471-00		MICROCIRCUIT, DI: DUAL 4-LINE TO 1-LINE	01295	SN74LS253N
U56	156-0387-00		MICROCIRCUIT, DI: DUAL J-K NEG EDGE TRIG	01295	SN74LS73N
U57	156-0041-00		MICROCIRCUIT, DI: DUAL D-TYPE FLIP-FLOP	27014	DM7474N
U58	156-0383-00		MICROCIRCUIT, DI: QUAD 2-INPUT NOR GATE	01295	SN74LS02N
U59	156-0041-00		MICROCIRCUIT, DI: DUAL D-TYPE FLIP-FLOP	27014	DM7474N
U61	156-0471-00		MICROCIRCUIT, DI: DUAL 4-LINE TO 1-LINE	01295	SN74LS253N

**Electrical Parts List—067-0745-00**

Ckt No.	Tektronix	Serial/Model No.		Name & Description	Mfr	
	Part No.	Eff	Dscont		Code	Mfr Part Number
U62	156-0508-00			MICROCIRCUIT,DI:QUAD R-S LATCH	80009	156-0508-00
U63	156-0471-00			MICROCIRCUIT,DI:DUAL 4-LINE TO 1-LINE	01295	SN74LS253N
U64	156-0508-00			MICROCIRCUIT,DI:QUAD R-S LATCH	80009	156-0508-00
U65	156-0471-00			MICROCIRCUIT,DI:DUAL 4-LINE TO 1-LINE	01295	SN74LS253N
U66	156-0508-00			MICROCIRCUIT,DI:QUAD R-S LATCH	80009	156-0508-00
U67	156-0508-00			MICROCIRCUIT,DI:QUAD R-S LATCH	80009	156-0508-00
U68	156-0508-00			MICROCIRCUIT,DI:QUAD R-S LATCH	80009	156-0508-00
U69	156-0178-00			MICROCIRCUIT,DI:TRIPLE 3-INPUT NOR GATE	01295	SN7427N
U71	156-0093-00			MICROCIRCUIT,DI:HEX. INVERTER	01295	SN7416N
U74	156-0093-00			MICROCIRCUIT,DI:HEX. INVERTER	01295	SN7416N
U79	156-0479-00			MICROCIRCUIT,DI:QUAD 2-INPUT OR GATE	01295	SN74LS32N
	670-4206-00			CKT BOARD ASSY:J1/J2 INTERFACE	80009	670-4206-00
CR140	152-0008-00			SEMICONV DEVICE:GERMANIUM,75V,60MA	03877	T-12G
CR141	152-0141-02			SEMICONV DEVICE:SILICON,30V,150MA	07910	1N4152
CR142	152-0141-02			SEMICONV DEVICE:SILICON,30V,150MA	07910	1N4152
Q140	151-0190-01			TRANSISTOR:SILICON,NPN	07910	TE23652
R110	315-0512-00			RES.,FXD,CMPNS:5.1K OHM,5%,0.25W	01121	CB5125
R111	315-0102-00			RES.,FXD,CMPNS:1K OHM,5%,0.25W	01121	CB1025
R120	315-0820-00			RES.,FXD,CMPNS:82 OHM,5%,0.25W	01121	CB8205
R121	315-0121-00			RES.,FXD,CMPNS:120 OHM,5%,0.25W	01121	CB1215
R122	315-0121-00			RES.,FXD,CMPNS:120 OHM,5%,0.25W	01121	CB1215
R123	315-0121-00			RES.,FXD,CMPNS:120 OHM,5%,0.25W	01121	CB1215
R124	315-0820-00			RES.,FXD,CMPNS:82 OHM,5%,0.25W	01121	CB8205
R125	315-0820-00			RES.,FXD,CMPNS:82 OHM,5%,0.25W	01121	CB8205
R130	315-0121-00			RES.,FXD,CMPNS:120 OHM,5%,0.25W	01121	CB1215
R131	315-0121-00			RES.,FXD,CMPNS:120 OHM,5%,0.25W	01121	CB1215
R132	315-0820-00			RES.,FXD,CMPNS:82 OHM,5%,0.25W	01121	CB8205
R133	315-0820-00			RES.,FXD,CMPNS:82 OHM,5%,0.25W	01121	CB8205
R134	315-0820-00			RES.,FXD,CMPNS:82 OHM,5%,0.25W	01121	CB8205
R135	315-0121-00			RES.,FXD,CMPNS:120 OHM,5%,0.25W	01121	CB1215
R140	315-0511-00			RES.,FXD,CMPNS:510 OHM,5%,0.25W	01121	CB5115
R141	315-0121-00			RES.,FXD,CMPNS:120 OHM,5%,0.25W	01121	CB1215
R142	315-0820-00			RES.,FXD,CMPNS:82 OHM,5%,0.25W	01121	CB8205
R144	315-0122-00			RES.,FXD,CMPNS:1.2K OHM,5%,0.25W	01121	CB1225
R145	315-0471-00			RES.,FXD,CMPNS:470 OHM,5%,0.25W	01121	CB4715
	670-4329-00			CKT BOARD ASSY:10 KHZ CLOCK	80009	670-4329-00
C41	283-0204-00			CAP.,FXD,CER DI:0.01UF,20%,50V	72982	8121N058651103M
R41	315-0392-00			RES.,FXD,CMPNS:3.9K OHM,5%,0.25W	01121	CB3925
R42	315-0822-00			RES.,FXD,CMPNS:8.2K OHM,5%,0.25W	01121	CB8225
S41	260-0613-00			SWITCH,TOGGLE:SPDT,115V	09353	7101N
U41	156-0402-00			MICROCIRCUIT,DI:TIMER	18324	NE555V

Electrical Parts List—067-0745-00

Ckt No.	Tektronix Part No.	Serial/Model No. Eff Dscont	Name & Description	Mfr Code	Mfr Part Number
	016-0343-00		POWER SUPPLY:CALIBRATION FIXTURE	80009	016-0343-00
			CHASSIS		
B900	119-0215-00		FAN,TUBEAXIAL:115V,50-60 HZ,18W	23936	8500
C915	290-0657-00		CAP.,FXD,ELCTLT:65,000UF,+75-10%,15V	56289	36D7677
C918	290-0655-00		CAP.,FXD,ELCTLT:8,800UF,+75-10%,40V	56289	36D7708
C919	290-0655-00		CAP.,FXD,ELCTLT:8,800UF,+75-10%,40V	56289	36D7708
C925	290-0657-00		CAP.,FXD,ELCTLT:65,000UF,+75-10%,15V	56289	36D7677
C928	290-0655-00		CAP.,FXD,ELCTLT:8,800UF,+75-10%,40V	56289	36D7708
C929	290-0655-00		CAP.,FXD,ELCTLT:8,800UF,+75-10%,40V	56289	36D7708
CR910	152-0475-00		SEMICON DVC,DI:RECT,SILICON,50V,12A	04713	SDA10211
CR918	152-0414-00		SEMICON DVC,DI:RECT,SILICON,50V,12A	80009	152-0414-00
CR919	152-0414-00		SEMICON DVC,DI:RECT,SILICON,50V,12A	80009	152-0414-00
CR920	152-0475-00		SEMICON DVC,DI:RECT,SILICON,50V,12A	04713	SDA10211
CR928	152-0414-00		SEMICON DVC,DI:RECT,SILICON,50V,12A	80009	152-0414-00
CR929	152-0414-00		SEMICON DVC,DI:RECT,SILICON,50V,12A	80009	152-0414-00
DS930	150-0045-00		LAMP, INCAND:5V,0.06A	08806	685
F900	159-0023-00		FUSE,CARTRIDGE:3AG,2A,250V,SLOW-BLOW	71400	MDX 2
F901	159-0041-00		FUSE,CARTRIDGE:1.25A,3AG,SLOW-BLOW	71400	MDX 1 25/100
P900	161-0049-00		CABLE ASSY,PWR,:3 COND,6 FEET,8 INCHES L	70903	KH5603
Q910	151-0433-00		TRANSISTOR:SILICON,NPN	04713	SJ2943
Q920	151-0258-00		TRANSISTOR:SILICON,PNP	04713	MJ2955
R914	308-0789-00		RES.,FXD,WW:0.4 OHM,10W		
R915	305-0750-00		RES.,FXD,CMPNS:75 OHM,5%,2W	01121	HB7505
R918	305-0471-00		RES.,FXD,CMPNS:470 OHM,5%,2W	01121	HB4715
R919	305-0471-00		RES.,FXD,CMPNS:470 OHM,5%,2W	01121	HB4715
R924	308-0789-00		RES.,FXD,WW:0.4 OHM,10W		
R925	305-0750-00		RES.,FXD,CMPNS:75 OHM,5%,2W	01121	HB7505
R928	305-0471-00		RES.,FXD,CMPNS:470 OHM,5%,2W	01121	HB4715
R929	305-0471-00		RES.,FXD,CMPNS:470 OHM,5%,2W	01121	HB4715
S930	260-0276-00		SWITCH,TOGGLE:DPST,15A,125V	27193	8906K
T920	120-0653-00		XFMR,PWR,STPDN:	80009	120-0653-00
	670-4172-00		CKT BOARD ASSY:POWER SUPPLY	80009	670-4172-00
C100	283-0065-00		CAP.,FXD,CER DI:0.001UF,5%,100V	72982	805-505B102J
C110	283-0065-00		CAP.,FXD,CER DI:0.001UF,5%,100V	72982	805-505B102J
C121	283-0065-00		CAP.,FXD,CER DI:0.001UF,5%,100V	72982	805-505B102J
C130	283-0178-00		CAP.,FXD,CER DI:0.1UF,+80-20%,100V	72982	8131N145651104Z
C131	283-0065-00		CAP.,FXD,CER DI:0.001UF,5%,100V	72982	805-505B102J
C200	283-0178-00		CAP.,FXD,CER DI:0.1UF,+80-20%,100V	72982	8131N145651104Z
C210	283-0178-00		CAP.,FXD,CER DI:0.1UF,+80-20%,100V	72982	8131N145651104Z
C220	283-0178-00		CAP.,FXD,CER DI:0.1UF,+80-20%,100V	72982	8131N145651104Z
C320	290-0524-00		CAP.,FXD,ELCTLT:4.7UF,20%,10V	90201	TDC475M010EL
C321	290-0523-00		CAP.,FXD,ELCTLT:2.2UF,20%,20V	56289	196D225X0025HA1

Electrical Parts List—067-0745-00

Ckt No.	Tektronix Part No.	Serial/Model No. Eff Dscont	Name & Description	Mfr Code	Mfr Part Number
C330	290-0524-00		CAP.,FXD,ELCTLT:4.7UF,20%,10V	90201	TDC475M010EL
C331	290-0523-00		CAP.,FXD,ELCTLT:2.2UF,20%,20V	56289	196D225X0025HA1
Q100	151-0350-00		TRANSISTOR:SILICON,PNP	07263	2N5401
Q110	151-0347-00		TRANSISTOR:SILICON,NPN	80009	151-0347-00
Q120	151-0350-00		TRANSISTOR:SILICON,PNP	07263	2N5401
Q130	151-0347-00		TRANSISTOR:SILICON,NPN	80009	151-0347-00
Q200	151-0464-00		TRANSISTOR:SILICON,PNP	01295	TIP29C
Q210	151-0462-00		TRANSISTOR:SILICON,PNP	01295	TIP30C
Q220	151-0464-00		TRANSISTOR:SILICON,PNP	01295	TIP29C
Q300	151-0462-00		TRANSISTOR:SILICON,PNP	01295	TIP30C
Q320	151-0352-00		TRANSISTOR:SILICON,NPN	03508	X44C282
Q330	151-0366-00		TRANSISTOR:SILICON,PNP	03508	X45C277
R100	311-1279-00		RES.,VAR,NONWIR:500 OHM,10%,0.50W	73138	62PAS-322-0
R101	315-0682-00		RES.,FXD,CMPSN:6.8K OHM,5%,0.25W	01121	CB6825
R102	315-0333-00		RES.,FXD,CMPSN:33K OHM,5%,0.25W	01121	CB3335
R103	308-0488-00		RES.,FXD,WW:5 OHM,1%,2.5W	91637	RS2B-D5R000F
R104	315-0622-00		RES.,FXD,CMPSN:6.2K OHM,5%,0.25W	01121	CB6225
R106	315-0622-00		RES.,FXD,CMPSN:6.2K OHM,5%,0.25W	01121	CB6225
R107	315-0471-00		RES.,FXD,CMPSN:470 OHM,5%,0.25W	01121	CB4715
R108	308-0779-00		RES.,FXD,WW:2 OHM,1%,3W	91637	NS2B2R000F
R110	311-1279-00		RES.,VAR,NONWIR:500 OHM,10%,0.50W	73138	62PAS-322-0
R111	315-0333-00		RES.,FXD,CMPSN:33K OHM,5%,0.25W	01121	CB3335
R112	315-0682-00		RES.,FXD,CMPSN:6.8K OHM,5%,0.25W	01121	CB6825
R113	308-0488-00		RES.,FXD,WW:5 OHM,1%,2.5W	91637	RS2B-D5R000F
R115	308-0779-00		RES.,FXD,WW:2 OHM,1%,3W	91637	NS2B2R000F
R120	311-1280-00		RES.,VAR,NONWIR:1K OHM,10%,0.5W	73138	62PAS-323-0
R121	315-0512-00		RES.,FXD,CMPSN:5.1K OHM,5%,0.25W	01121	CB5125
R122	315-0752-00		RES.,FXD,CMPSN:7.5K OHM,5%,0.25W	01121	CB7525
R123	315-0512-00		RES.,FXD,CMPSN:5.1K OHM,5%,0.25W	01121	CB5125
R124	315-0562-00		RES.,FXD,CMPSN:5.6K OHM,5%,0.25W	01121	CB5625
R130	311-1280-00		RES.,VAR,NONWIR:1K OHM,10%,0.5W	73138	62PAS-323-0
R131	315-0752-00		RES.,FXD,CMPSN:7.5K OHM,5%,0.25W	01121	CB7525
R132	315-0332-00		RES.,FXD,CMPSN:3.3K OHM,5%,0.25W	01121	CB3325
R133	315-0621-00		RES.,FXD,CMPSN:620 OHM,5%,0.25W	01121	CB6215
R134	315-0562-00		RES.,FXD,CMPSN:5.6K OHM,5%,0.25W	01121	CB5625
R200	308-0488-00		RES.,FXD,WW:5 OHM,1%,2.5W	91637	RS2B-D5R000F
R220	315-0621-00		RES.,FXD,CMPSN:620 OHM,5%,0.25W	01121	CB6215
R221	315-0332-00		RES.,FXD,CMPSN:3.3K OHM,5%,0.25W	01121	CB3325
R230	308-0779-00		RES.,FXD,WW:2 OHM,1%,3W	91637	NS2B2R000F
R231	308-0488-00		RES.,FXD,WW:5 OHM,1%,2.5W	91637	RS2B-D5R000F
R300	308-0779-00		RES.,FXD,WW:2 OHM,1%,3W	91637	NS2B2R000F
R301	315-0471-00		RES.,FXD,CMPSN:470 OHM,5%,0.25W	01121	CB4715
U100	156-0400-00		MICROCIRCUIT,LI:OPERATIONAL AMPLIFIER	04713	MC1436CG
U110	156-0400-00		MICROCIRCUIT,LI:OPERATIONAL AMPLIFIER	04713	MC1436CG
U120	156-0400-00		MICROCIRCUIT,LI:OPERATIONAL AMPLIFIER	04713	MC1436CG
U130	156-0400-00		MICROCIRCUIT,LI:OPERATIONAL AMPLIFIER	04713	MC1436CG
U310	156-0655-00		MICROCIRCUIT,LI:VR NEG,5.2V,500MA	04713	MC7905.2CP
U320	156-0277-00		MICROCIRCUIT,LI:VOLTAGE REGULATOR	27014	LM340T-5
VR100	152-0166-00		SEMICONV DEVICE:ZENER,0.4W,6.2V,5%	81483	69-9035
VR101	152-0166-00		SEMICONV DEVICE:ZENER,0.4W,6.2V,5%	81483	69-9035
VR110	152-0166-00		SEMICONV DEVICE:ZENER,0.4W,6.2V,5%	81483	69-9035
VR111	152-0166-00		SEMICONV DEVICE:ZENER,0.4W,6.2V,5%	81483	69-9035



Electrical Parts List—067-0745-00

Ckt No.	Tektronix Part No.	Serial/Model No. Eff	Dscont	Name & Description	Mfr Code	Mfr Part Number
VR120	152-0166-00			SEMICOND DEVICE:ZENER,0.4W,6.2V,5%	81483	69-9035
VR130	152-0166-00			SEMICOND DEVICE:ZENER,0.4W,6.2V,5%	81483	69-9035

# REPLACEABLE MECHANICAL PARTS

## PARTS ORDERING INFORMATION

Replacement parts are available from or through your local Tektronix, Inc. Field Office or representative.

Changes to Tektronix instruments are sometimes made to accommodate improved components as they become available, and to give you the benefit of the latest circuit improvements developed in our engineering department. It is therefore important, when ordering parts, to include the following information in your order: Part number, instrument type or number, serial number, and modification number if applicable.

If a part you have ordered has been replaced with a new or improved part, your local Tektronix, Inc. Field Office or representative will contact you concerning any change in part number.

Change information, if any, is located at the rear of this manual.

## SPECIAL NOTES AND SYMBOLS

- X000 Part first added at this serial number
- 00X Part removed after this serial number

## FIGURE AND INDEX NUMBERS

Items in this section are referenced by figure and index numbers to the illustrations.

## INDENTATION SYSTEM

This mechanical parts list is indented to indicate item relationships. Following is an example of the indentation system used in the description column.

- ```

1 2 3 4 5           Name & Description
Assembly and/or Component
Attaching parts for Assembly and/or Component
    --- * ---
Detail Part of Assembly and/or Component
Attaching parts for Detail Part
    --- * ---
Parts of Detail Part
Attaching parts for Parts of Detail Part
    --- * ---
    
```

Attaching Parts always appear in the same indentation as the item it mounts, while the detail parts are indented to the right. Indented items are part of, and included with, the next higher indentation. The separation symbol --- \* --- indicates the end of attaching parts.

**Attaching parts must be purchased separately, unless otherwise specified.**

## ITEM NAME

In the Parts List, an Item Name is separated from the description by a colon (:). Because of space limitations, an Item Name may sometimes appear as incomplete. For further Item Name identification, the U.S. Federal Cataloging Handbook H6-1 can be utilized where possible.

## ABBREVIATIONS

|       |                    |         |                       |          |                      |          |                 |
|-------|--------------------|---------|-----------------------|----------|----------------------|----------|-----------------|
| "     | INCH               | ELCTRN  | ELECTRON              | IN       | INCH                 | SE       | SINGLE END      |
| #     | NUMBER SIZE        | ELEC    | ELECTRICAL            | INCAND   | INCANDESCENT         | SECT     | SECTION         |
| ACTR  | ACTUATOR           | ELCTLT  | ELECTROLYTIC          | INSUL    | INSULATOR            | SEMICOND | SEMICONDUCTOR   |
| ADPTR | ADAPTER            | ELEM    | ELEMENT               | INTL     | INTERNAL             | SHLD     | SHIELD          |
| ALIGN | ALIGNMENT          | EPL     | ELECTRICAL PARTS LIST | LPHLDR   | LAMPHOLDER           | SHLDR    | SHOULDERED      |
| AL    | ALUMINUM           | EQPT    | EQUIPMENT             | MACH     | MACHINE              | SKT      | SOCKET          |
| ASSEM | ASSEMBLED          | EXT     | EXTERNAL              | MECH     | MECHANICAL           | SL       | SLIDE           |
| ASSY  | ASSEMBLY           | FIL     | FILLISTER HEAD        | MTG      | MOUNTING             | SLFLKG   | SELF-LOCKING    |
| ATTEN | ATTENUATOR         | FLEX    | FLEXIBLE              | NIP      | NIPPLE               | SLVG     | SLEEVING        |
| AWG   | AMERICAN WIRE GAGE | FLH     | FLAT HEAD             | NON WIRE | NOT WIRE WOUND       | SPR      | SPRING          |
| BD    | BOARD              | FLTR    | FILTER                | OBD      | ORDER BY DESCRIPTION | SQ       | SQUARE          |
| BRKT  | BRACKET            | FR      | FRAME or FRONT        | OD       | OUTSIDE DIAMETER     | SST      | STAINLESS STEEL |
| BRS   | BRASS              | FSTNR   | FASTENER              | OVH      | OVAL HEAD            | STL      | STEEL           |
| BRZ   | BRONZE             | FT      | FOOT                  | PH BRZ   | PHOSPHOR BRONZE      | SW       | SWITCH          |
| BSHG  | BUSHING            | FXD     | FIXED                 | PL       | PLAIN or PLATE       | T        | TUBE            |
| CAB   | CABINET            | GSKT    | GASKET                | PLSTC    | PLASTIC              | TERM     | TERMINAL        |
| CAP   | CAPACITOR          | HDL     | HANDLE                | PN       | PART NUMBER          | THD      | THREAD          |
| CER   | CERAMIC            | HEX     | HEXAGON               | PNH      | PAN HEAD             | THK      | THICK           |
| CHAS  | CHASSIS            | HEX HD  | HEXAGONAL HEAD        | PWR      | POWER                | TNSN     | TENSION         |
| CKT   | CIRCUIT            | HEX SOC | HEXAGONAL SOCKET      | RCPT     | RECEPTACLE           | TPG      | TAPPING         |
| COMP  | COMPOSITION        | HLCPS   | HELICAL COMPRESSION   | RES      | RESISTOR             | TRH      | TRUSS HEAD      |
| CONN  | CONNECTOR          | HLEXT   | HELICAL EXTENSION     | RGD      | RIGID                | V        | VOLTAGE         |
| COV   | COVER              | HV      | HIGH VOLTAGE          | RLF      | RELIEF               | VAR      | VARIABLE        |
| CPLG  | COUPLING           | IC      | INTEGRATED CIRCUIT    | RTNR     | RETAINER             | W/       | WITH            |
| CRT   | CATHODE RAY TUBE   | ID      | INSIDE DIAMETER       | SCH      | SOCKET HEAD          | WSHR     | WASHER          |
| DEG   | DEGREE             | IDNT    | IDENTIFICATION        | SCOPE    | OSCILLOSCOPE         | XFMR     | TRANSFORMER     |
| DWR   | DRAWER             | IMPLR   | IMPELLER              | SCR      | SCREW                | XSTR     | TRANSISTOR      |

## CROSS INDEX MFR. CODE NUMBER TO MANUFACTURER

| MFR.CODE | MANUFACTURER                                                | ADDRESS                   | CITY,STATE,ZIP              |
|----------|-------------------------------------------------------------|---------------------------|-----------------------------|
| 0000C    | GETTIG ENGINEERING AND MANUFACTURING CO.                    |                           | SPRINGMILL, PA 16875        |
| 00779    | AMP, INC.                                                   | P. O. BOX 3608            | HARRISBURG, PA 17105        |
| 01295    | TEXAS INSTRUMENTS, INC.,<br>SEMICONDUCTOR GROUP             | P. O. BOX 5012            | DALLAS, TX 75222            |
| 05574    | VIKING INDUSTRIES, INC.                                     | 9324 TOPANGA CANYON BLVD. | CHATSWORTH, CA 91311        |
| 09353    | C AND K COMPONENTS, INC.                                    | 103 MORSE STREET          | WATERTOWN, MA 02172         |
| 12327    | FREEWAY CORP.                                               | 9301 ALLEN DR.            | CLEVELAND, OH 44125         |
| 22526    | BERG ELECTRONICS, INC.                                      | YOUK EXPRESSWAY           | NEW CUMBERLAND, PA 17070    |
| 22753    | U. I. D. ELECTRONICS CORP.                                  | 4105 PEMBROKE RD.         | HOLLYWOOD, FL 33021         |
| 58474    | SUPERIOR ELECTRIC CO., THE                                  | 383 MIDDLE ST.            | BRISTOL, CT 06010           |
| 71279    | CAMBRIDGE THERMIONIC CORP.                                  | 445 CONCORD AVE.          | CAMBRIDGE, MA 02138         |
| 71785    | TRW ELECTRONIC COMPONENTS, CINCH<br>CONNECTOR OPERATIONS    | 1501 MORSE AVE.           | ELK GROVE VILLAGE, IL 60007 |
| 73743    | FISCHER SPECIAL MFG. CO.                                    | 446 MORGAN ST.            | CINCINNATI, OH 45206        |
| 74445    | HOLO-KROME CO.                                              | 31 BROOK ST. WEST         | HARTFORD, CT 06110          |
| 74868    | BUNKER RAMO CORP., THE AMPHENOL RF DIV.                     | 33 E. FRANKLIN ST.        | DANBURY, CT 06810           |
| 75037    | MINNESOTA MINING AND MFG. CO., ELECTRO<br>PRODUCTS DIVISION | 3M CENTER                 | ST. PAUL, MN 55101          |
| 78189    | ILLINOIS TOOL WORKS, INC.<br>SHAKEPROOF DIVISION            | ST. CHARLES ROAD          | ELGIN, IL 60120             |
| 78471    | TILLEY MFG. CO.                                             | 900 INDUSTRIAL RD.        | SAN CARLOS, CA 94070        |
| 79807    | WROUGHT WASHER MFG. CO.                                     | 2100 S. O BAY ST.         | MILWAUKEE, WI 53207         |
| 80009    | TEKTRONIX, INC.                                             | P. O. BOX 500             | BEAVERTON, OR 97077         |
| 81073    | GRAYHILL, INC.                                              | 561 HILLGROVE AVE.        | LA GRANGE, IL 60525         |
| 82647    | TEXAS INSTRUMENTS, INC.,<br>CONTROL PRODUCTS DIV.           | 34 FOREST ST.             | ATTLEBORO, MA 02703         |
| 83385    | CENTRAL SCREW CO.                                           | 2530 CRESCENT DR.         | BROADVIEW, IL 60153         |
| 98291    | SEAELECTRO CORP.                                            | 225 HOYT                  | MAMARONECK, NY 10544        |

Mechanical Parts List—067-0745-00

| Fig. &<br>Index<br>No. | Tektronix<br>Part No. | Serial/Model No.<br>Eff Dscont | Qty | 1 2 3 4 5 |  |  |  |                                                                            | Name & Description | Mfr<br>Code      | Mfr Part Number |
|------------------------|-----------------------|--------------------------------|-----|-----------|--|--|--|----------------------------------------------------------------------------|--------------------|------------------|-----------------|
|                        |                       |                                |     |           |  |  |  |                                                                            |                    |                  |                 |
| 1-1                    | 386-3466-00           |                                | 1   |           |  |  |  | SUBPANEL, KYBD:<br>(ATTACHING PARTS)                                       | 80009              | 386-3466-00      |                 |
| -2                     | 211-0504-00           |                                | 3   |           |  |  |  | SCREW, MACHINE: 6-32 X 0.25 INCH, PNH STL                                  | 83385              | OBD              |                 |
| -3                     | 211-0008-00           |                                | 4   |           |  |  |  | SCREW, MACHINE: 4-40 X 0.25 INCH, PNH STL<br>- - - * - - -                 | 83385              | OBD              |                 |
| -4                     | 366-0493-00           |                                | 2   |           |  |  |  | KNOB: RED<br>- . EACH KNOB INCLUDES:                                       | 80009              | 366-0493-00      |                 |
|                        | 213-0153-00           |                                | 1   |           |  |  |  | . SETSCREW: 5-40 X 0.125 INCH, HEX SOC STL                                 | 74445              | OBD              |                 |
| -5                     | 366-0500-00           |                                | 2   |           |  |  |  | KNOB: GRAY, 4 SIDED<br>- . EACH KNOB INCLUDES:                             | 80009              | 366-0500-00      |                 |
|                        | 213-0153-00           |                                | 2   |           |  |  |  | . SETSCREW: 5-40 X 0.125 INCH, HEX SOC STL                                 | 74445              | OBD              |                 |
| -6                     |                       |                                | 2   |           |  |  |  | VARIABLE RESISTOR: (SEE R81 AND R83 EPL)<br>(ATTACHING PARTS FOR EACH)     |                    |                  |                 |
| -7                     | 210-0562-00           |                                | 1   |           |  |  |  | NUT, PLAIN, HEX.: 0.25-40 X 0.312 INCH, BBS                                | 73743              | 2X20224-402      |                 |
| -8                     | 210-0940-00           |                                | 1   |           |  |  |  | WASHER, FLAT: 0.25 ID X 0.375 INCH OD, STL                                 | 79807              | OBD              |                 |
| -9                     | 210-0046-00           |                                | 1   |           |  |  |  | WASHER, LOCK: INTL, 0.26 ID X 0.40" OD, STL<br>- - - * - - -               | 78189              | 1214-05-00-0541C |                 |
| -10                    | 260-1800-00           |                                | 2   |           |  |  |  | SWITCH, ROTARY: 2 SECT, 7 POSN, 30 DEG THROW<br>(ATTACHING PARTS FOR EACH) | 80009              | 260-1800-00      |                 |
| -11                    | 210-0590-00           |                                | 1   |           |  |  |  | NUT, PLAIN, HEX.: 0.375 X 0.438 INCH, STL                                  | 73743              | 2X28269-402      |                 |
| -12                    | 210-0978-00           |                                | 2   |           |  |  |  | WASHER, FLAT: 0.375 ID X 0.50 INCH OD, STL<br>- - - * - - -                | 78471              | OBD              |                 |
| -13                    | 333-2105-00           |                                | 1   |           |  |  |  | PANEL, FRONT: 067-0745-00                                                  | 80009              | 333-2105-00      |                 |
| -14                    |                       |                                | 8   |           |  |  |  | LAMP, LED: (SEE CR11, 12, 13, 51, 52, 61, 62, 91 EPL)                      |                    |                  |                 |
| -15                    | 131-0106-02           |                                | 1   |           |  |  |  | CONNECTOR, RCPT, : BNC                                                     | 80009              | 131-0106-02      |                 |
| -16                    | 131-0106-02           |                                | 5   |           |  |  |  | CONNECTOR, RCPT, : BNC<br>(ATTACHING PARTS FOR EACH)                       | 80009              | 131-0106-02      |                 |
| -17                    | 210-0255-00           |                                | 1   |           |  |  |  | TERMINAL, LUG: 0.391" ID INT TOOTH<br>- - - * - - -                        | 80009              | 210-0255-00      |                 |
| -18                    | 129-0064-00           |                                | 1   |           |  |  |  | POST, BDG, ELEC: CHARCOAL, 5-WAY MINIATURE<br>(ATTACHING PARTS)            | 58474              | BINP BB10167G13T |                 |
| -19                    | 210-0408-00           |                                | 1   |           |  |  |  | NUT, PLAIN, HEX.: 6-32 X 0.312 INCH, BRS                                   | 73743              | 3040-402         |                 |
| -20                    | 358-0181-00           |                                | 1   |           |  |  |  | INSULATOR, BSHG: CHARCOAL<br>- - - * - - -                                 | 58474              | BB10166G13BX     |                 |
| -21                    | 129-0064-01           |                                | 1   |           |  |  |  | POST, BDG, ELEC: RED, 5-WAY MINIATURE<br>(ATTACHING PARTS)                 | 58474              | BB10167G2BX      |                 |
| -22                    | 210-0408-00           |                                | 1   |           |  |  |  | NUT, PLAIN, HEX.: 6-32 X 0.312 INCH, BRS                                   | 73743              | 3040-402         |                 |
| -23                    | 358-0181-01           |                                | 1   |           |  |  |  | INSULATOR, BSHG: RED<br>- - - * - - -                                      | 58474              | BB1066G2         |                 |
| -24                    | 260-0735-00           |                                | 1   |           |  |  |  | SWITCH, PUSH: SPST                                                         | 81073              | 39-1             |                 |
| -25                    | 260-0613-00           |                                | 1   |           |  |  |  | SWITCH, TOGGLE: SPDT, 115V<br>(ATTACHING PARTS)                            | 09353              | 7101N            |                 |
| -26                    | 210-0583-00           |                                | 1   |           |  |  |  | NUT, PLAIN, HEX.: 0.25-32 X 0.312 INCH, BRS                                | 73743              | 2X20224-402      |                 |
| -27                    | 210-0940-00           |                                | 1   |           |  |  |  | WASHER, FLAT: 0.25 ID X 0.375 INCH OD, STL                                 | 79807              | OBD              |                 |
| -28                    | 210-0046-00           |                                | 1   |           |  |  |  | WASHER, LOCK: INTL, 0.26 ID X 0.40" OD, STL<br>- - - * - - -               | 78189              | 1214-05-00-0541C |                 |
| -29                    | 131-0809-00           |                                | 1   |           |  |  |  | TERMINAL, STUD: PNL MT, 4-40 TAP 1 END<br>(ATTACHING PARTS)                | 71279              | 1510-1-05.19     |                 |
| -30                    | 210-0406-00           |                                | 1   |           |  |  |  | NUT, PLAIN, HEX.: 4-40 X 0.188 INCH, BRS<br>- - - * - - -                  | 73743              | 2X12161-402      |                 |
| -31                    | 260-1274-00           |                                | 14  |           |  |  |  | SWITCH, ROCKER: SPDT, 0.5A, 125VAC<br>(ATTACHING PARTS FOR EACH)           | 22753              | RSW-412-SR       |                 |
| -32                    | 210-0406-00           |                                | 2   |           |  |  |  | NUT, PLAIN, HEX.: 4-40 X 0.188 INCH, BRS<br>- - - * - - -                  | 73743              | 2X12161-402      |                 |
| -33                    | 260-1273-00           |                                | 1   |           |  |  |  | SWITCH, ROCKER: DPDT, 0.5A, 125VAC<br>(ATTACHING PARTS)                    | 22753              | RSW-422E-GE      |                 |
| -34                    | 210-0406-00           |                                | 2   |           |  |  |  | NUT, PLAIN, HEX.: 4-40 X 0.188 INCH, BRS<br>- - - * - - -                  | 73743              | 2X12161-402      |                 |
|                        | 260-1334-00           |                                | 3   |           |  |  |  | SWITCH, ROCKER: SPDT, 0.5A, 125VAC<br>(ATTACHING PARTS FOR EACH)           | 22753              | RSW-412          |                 |
|                        | 210-0406-00           |                                | 2   |           |  |  |  | NUT, PLAIN, HEX.: 4-40 X 0.188 INCH, BRS<br>- - - * - - -                  | 73743              | 2X12161-402      |                 |

Mechanical Parts List—067-0745-00

| Fig. & Index No. | Tektronix Part No. | Serial/Model No. Eff | No. Dscont | Qty | 1 | 2 | 3 | 4 | 5 | Name & Description                                                | Mfr Code | Mfr Part Number  |
|------------------|--------------------|----------------------|------------|-----|---|---|---|---|---|-------------------------------------------------------------------|----------|------------------|
| 1-35             | 260-1334-00        |                      |            | 1   |   |   |   |   |   | SWITCH,ROCKER:SPDT,0.5A,125VAC<br>(ATTACHING PARTS)               | 22753    | RSW-412          |
| -36              | 210-0406-00        |                      |            | 1   |   |   |   |   |   | NUT,PLAIN,HEX.:4-40 X 0.188 INCH,BRS                              | 73743    | 2X12161-402      |
| -37              | 131-0809-00        |                      |            | 1   |   |   |   |   |   | TERMINAL,STUD:PNL MT,4-40 TAP 1 END                               | 71279    | 1510-1-05.19     |
| -38              | 210-0851-00        |                      |            | 1   |   |   |   |   |   | WASHER,FLAT:0.119 ID X 0.375 INCH OD,STL                          | 12327    | OBD              |
| -39              | 210-0004-00        |                      |            | 1   |   |   |   |   |   | WASHER,LOCK:INFL,0.12 ID X 0.26"OD,STL<br>- - - * - - -           | 78189    | 1204-00-00-0541C |
| -40              | 260-1640-00        |                      |            | 2   |   |   |   |   |   | SWITCH,SLIDE:DPTT,0.5A,125VAC<br>(ATTACHING PARTS)                | 22753    | RSW-423-GF       |
| -41              | 211-0097-00        |                      |            | 4   |   |   |   |   |   | SCREW,MACHINE:4-40 X 0.312 INCH,PNH STL                           | 83385    | OBD              |
| -42              | 210-0004-00        |                      |            | 4   |   |   |   |   |   | WASHER,LOCK:INFL,0.12 ID X 0.26"OD,STL                            | 78189    | 1204-00-00-0541C |
| -43              | 210-0201-00        |                      |            | 1   |   |   |   |   |   | TERMINAL,LUG:SE #4                                                | 78189    | 2104-04-00-2520N |
| -44              | 129-0353-00        |                      |            | 4   |   |   |   |   |   | POST,ELEC-MECH:0.188 HEX X 0.385 INCH LONG<br>- - - * - - -       | 80009    | 129-0353-00      |
| -45              | 260-1642-00        |                      |            | 8   |   |   |   |   |   | SWITCH,SLIDE:DPTT,0.5A,125VAC<br>(ATTACHING PARTS)                | 22753    | RSW-423-SRO-GF   |
| -46              | 211-0097-00        |                      |            | 16  |   |   |   |   |   | SCREW,MACHINE:4-40 X 0.312 INCH,PNH STL                           | 83385    | OBD              |
| -47              | 210-0004-00        |                      |            | 14  |   |   |   |   |   | WASHER,LOCK:INFL,0.12 ID X 0.26"OD,STL                            | 78189    | 1204-00-00-0541C |
|                  | 210-0201-00        |                      |            | 2   |   |   |   |   |   | TERMINAL,LUG:SE #4                                                | 78189    | 2104-04-00-2520N |
| -48              | 129-0353-00        |                      |            | 16  |   |   |   |   |   | POST,ELEC-MECH:0.188 HEX X 0.385 INCH LONG<br>- - - * - - -       | 80009    | 129-0353-00      |
| -49              | -----              |                      |            | 1   |   |   |   |   |   | CKT BOARD ASSY:MODE WORD DISPLAY(SEE EPL)<br>(ATTACHING PARTS)    |          |                  |
| -50              | 210-0406-00        |                      |            | 2   |   |   |   |   |   | NUT,PLAIN,HEX.:4-40 X 0.188 INCH,BRS<br>- - - * - - -             | 73743    | 2X12161-402      |
|                  | -----              |                      |            | -   |   |   |   |   |   | . CKT BOARD ASSY INCLUDES:                                        |          |                  |
| -51              | 131-0608-00        |                      |            | 13  |   |   |   |   |   | CONTACT,ELEC:0.365 INCH LONG                                      | 22526    | 47357            |
| -52              | 386-2436-00        |                      |            | 1   |   |   |   |   |   | PANEL,REAR:<br>(ATTACHING PARTS)                                  | 80009    | 386-2436-00      |
| -53              | 211-0007-00        |                      |            | 4   |   |   |   |   |   | SCREW,MACHINE:4-40 X 0.188 INCH,PNH STL                           | 83385    | OBD              |
| -54              | 210-0586-00        |                      |            | 4   |   |   |   |   |   | NUT,PLAIN,EXT W:4-40 X 0.25 INCH,STL<br>- - - * - - -             | 78189    | OBD              |
| -55              | 407-1034-00        |                      |            | 1   |   |   |   |   |   | BRACKET,ANGLE:REAR,LEFT<br>(ATTACHING PARTS)                      | 80009    | 407-1034-00      |
|                  | 211-0504-00        |                      |            | 2   |   |   |   |   |   | SCREW,MACHINE:6-32 X 0.25 INCH,PNH STL<br>- - - * - - -           | 83385    | OBD              |
| -56              | 407-1035-00        |                      |            | 1   |   |   |   |   |   | BRACKET,ANGLE:REAR,RIGHT<br>(ATTACHING PARTS)                     | 80009    | 407-1035-00      |
|                  | 211-0504-00        |                      |            | 2   |   |   |   |   |   | SCREW,MACHINE:6-32 X 0.25 INCH,PNH STL<br>- - - * - - -           | 83385    | OBD              |
| -57              | 426-0979-01        |                      |            | 1   |   |   |   |   |   | FRAME SECTION:UPPER FRONT<br>(ATTACHING PARTS)                    | 80009    | 426-0979-01      |
|                  | 211-0559-00        |                      |            | 2   |   |   |   |   |   | SCREW,MACHINE:6-32 X 0.375,100 DEG,FLH STL<br>- - - * - - -       | 83385    | OBD              |
| -58              | 386-3480-00        |                      |            | 1   |   |   |   |   |   | PANEL:CONN MOUNTING<br>(ATTACHING PARTS)                          | 80009    | 386-3480-00      |
| -59              | 211-0007-00        |                      |            | 4   |   |   |   |   |   | SCREW,MACHINE:4-40 X 0.188 INCH,PNH STL                           | 83385    | OBD              |
| -60              | 210-0586-00        |                      |            | 4   |   |   |   |   |   | NUT,PLAIN,EXT W:4-40 X 0.25 INCH,STL<br>- - - * - - -             | 78189    | OBD              |
| -61              | 129-0064-00        |                      |            | 6   |   |   |   |   |   | POST,BDG,ELEC:CHARCOAL,5-WAY MINIATURE<br>(ATTACHING PARTS)       | 58474    | BINP BB10167G13T |
| -62              | 210-0408-00        |                      |            | 6   |   |   |   |   |   | NUT,PLAIN,HEX.:6-32 X 0.312 INCH,BRS                              | 73743    | 3040-402         |
| -63              | 358-0181-00        |                      |            | 6   |   |   |   |   |   | INSULATOR,BSHG:CHARCOAL<br>- - - * - - -                          | 58474    | BB10166G13BX     |
| -64              | 129-0064-01        |                      |            | 3   |   |   |   |   |   | POST,BDG,ELEC:RED,5-WAY MINIATURE<br>(ATTACHING PARTS)            | 58474    | BB10167G2BX      |
| -65              | 210-0408-00        |                      |            | 3   |   |   |   |   |   | NUT,PLAIN,HEX.:6-32 X 0.312 INCH,BRS                              | 73743    | 3040-402         |
| -66              | 358-0181-01        |                      |            | 3   |   |   |   |   |   | INSULATOR,BSHG:RED<br>- - - * - - -                               | 58474    | BB1066G2         |
| -67              | 129-0064-03        |                      |            | 3   |   |   |   |   |   | POST,BDG,ELEC:GREEN,5-WAY MINIATURE<br>(ATTACHING PARTS FOR EACH) | 58474    | DF21GNC          |
| -68              | 210-0408-00        |                      |            | 1   |   |   |   |   |   | NUT,PLAIN,HEX.:6-32 X 0.312 INCH,BRS<br>- - - * - - -             | 73743    | 3040-402         |

**Mechanical Parts List—067-0745-00**

| Fig. & Index No. | Tektronix Part No. | Serial/Model No. Eff | No. Dscont | Qty | 1 2 3 4 5 | Name & Description                                                    | Mfr Code | Mfr Part Number  |
|------------------|--------------------|----------------------|------------|-----|-----------|-----------------------------------------------------------------------|----------|------------------|
| 1-69             | 386-1244-00        |                      |            | 1   |           | PL,RET.,ELEC CO:FOR 36 CONTACT RIBBON TYPE (ATTACHING PARTS)          | 80009    | 386-1244-00      |
| -70              | 211-0504-00        |                      |            | 4   |           | SCREW,MACHINE:6-32 X 0.25 INCH,PNH STL                                | 83385    | OBD              |
| -71              | 210-0006-00        |                      |            | 4   |           | WASHER,LOCK:INTL,0.146 ID X 0.288 OD,STL<br>- - - * - - -             | 78189    | 1206-00-00-0541C |
| -72              | 200-0817-00        |                      |            | 4   |           | COVER,CONN MTG:2.812 X 0.75 X 0.05 INCH AL (ATTACHING PARTS FOR EACH) | 80009    | 200-0817-00      |
| -73              | 211-0062-00        |                      |            | 2   |           | SCREW,MACHINE:2-56 X 0.312 INCH,RDH STL                               | 83385    | OBD              |
| -74              | 210-0405-00        |                      |            | 2   |           | NUT,PLAIN,HEX.:2-56 X 0.188 INCH,BRS                                  | 73743    | 2X12157-402      |
|                  | 210-0001-00        |                      |            | 2   |           | WASHER,LOCK:INTL,0.092 ID X 0.18"OD,STL<br>- - - * - - -              | 78189    | 1202-00-00-0541C |
| -75              | -----              |                      |            | 1   |           | CKT BOARD ASSY:POWER DISTRIBUTION(SEE EPL)                            |          |                  |
| -76              | 131-0589-00        |                      |            | 36  |           | . CONTACT,ELEC:0.46 INCH LONG                                         | 22526    | 47350            |
| -77              | -----              |                      |            | 1   |           | CKT BOARD ASSY:10KHZ CLOCK(SEE EPL) (ATTACHING PARTS)                 |          |                  |
| -78              | 210-0562-00        |                      |            | 1   |           | NUT,PLAIN,HEX.:0.25-40 X 0.312 INCH,BBS                               | 73743    | 2X20224-402      |
| -79              | 210-0940-00        |                      |            | 1   |           | WASHER,FLAT:0.25 ID X 0.375 INCH OD,STL                               | 79807    | OBD              |
| -80              | 210-0046-00        |                      |            | 1   |           | WASHER,LOCK:INTL,0.26 ID X 0.40" OD,STL<br>- - - * - - -              | 78189    | 1214-05-00-0541C |
|                  | -----              |                      |            | -   |           | . CIRCUIT BOARD ASSEMBLY INCLUDES:                                    |          |                  |
| -81              | 136-0514-00        |                      |            | 1   |           | . SOCKET,PLUG-IN:MICROCIRCUIT,8 CONTACT                               | 82647    | C930802          |
| -82              | 260-0613-00        |                      |            | 1   |           | . SWITCH,TOGGLE:SPDT,115V                                             | 09353    | 7101N            |
| -83              | -----              |                      |            | 1   |           | CKT BOARD ASSY:J1/J2 INTERFACE(SEE EPL) (ATTACHING PARTS)             |          |                  |
| -84              | 211-0007-00        |                      |            | 4   |           | SCREW,MACHINE:4-40 X 0.188 INCH,PNH STL<br>- - - * - - -              | 83385    | OBD              |
|                  | -----              |                      |            | -   |           | . CIRCUIT BOARD ASSEMBLY INCLUDES:                                    |          |                  |
| -85              | 131-0391-00        |                      |            | 3   |           | . CONNECTOR,RCPT,:50 OHM,COAX,SNAP-ON MALE                            | 98291    | 51-051-0049      |
| -86              | 131-0589-00        |                      |            | 14  |           | . CONTACT,ELEC:0.46 INCH LONG                                         | 22526    | 47350            |
|                  | 131-0608-00        |                      |            | 34  |           | . CONTACT,ELEC:0.365 INCH LONG                                        | 22526    | 47357            |
| -87              | 131-0820-00        |                      |            | 1   |           | . CONNECTOR,RCPT,:10/20 CONTACT                                       | 05574    | 2VH10/1AV3       |
| -88              | 131-1346-00        |                      |            | 1   |           | . CONNECTOR,RCPT,:40/80 DOUBLE ROW                                    | 05574    | 3VH40/1CV3       |
| -89              | 131-1003-00        |                      |            | 7   |           | . CONNECTOR BODY,:CKT BD MT,3 PRONG                                   | 80009    | 131-1003-00      |
|                  | 136-0220-00        |                      |            | 1   |           | . SOCKET,PLUG-IN:3 PIN,SQUARE                                         | 71785    | 133-23-11-034    |
|                  | 136-0252-04        |                      |            | 7   |           | . CONTACT,ELEC:0.188 INCH LONG                                        | 22526    | 75060            |
| -90              | 386-1559-00        |                      |            | 3   |           | . SPACER,CKT BD:PLASTIC                                               | 80009    | 386-1559-00      |
| -91              | -----              |                      |            | 1   |           | CKT BOARD ASSY:SECTOR CARD EXTENDER                                   |          |                  |
| -92              | 131-0820-00        |                      |            | 1   |           | . CONNECTOR,RCPT,:10/20 CONTACT                                       | 05574    | 2VH10/1AV3       |
| -93              | 131-1346-00        |                      |            | 1   |           | . CONNECTOR,RCPT,:40/80 DOUBLE ROW                                    | 05574    | 3VH40/1CV3       |
| -94              | 214-0579-00        |                      |            | 100 |           | . TERM.,TEST PT:0.40 INCH LONG                                        | 80009    | 214-0579-00      |
| -95              | -----              |                      |            | 1   |           | CKT BOARD ASSY:S/H VOLTAGE(SEE EPL) (ATTACHING PARTS)                 |          |                  |
| -96              | 211-0116-00        |                      |            | 4   |           | SCR,ASSEM WSHR:4-40 X 0.312 INCH,PNH BRS<br>- - - * - - -             | 83385    | OBD              |
|                  | -----              |                      |            | -   |           | . CIRCUIT BOARD ASSEMBLY INCLUDES:                                    |          |                  |
| -97              | 131-0589-00        |                      |            | 7   |           | . CONTACT,ELEC:0.46 INCH LONG                                         | 22526    | 47350            |
|                  | 131-0608-00        |                      |            | 28  |           | . CONTACT,ELEC:0.365 INCH LONG                                        | 22526    | 47357            |
| -98              | 136-0183-00        |                      |            | 2   |           | . SOCKET,PLUG-IN:3 PIN,ROUND                                          | 80009    | 136-0183-00      |
| -99              | 136-0220-00        |                      |            | 2   |           | . SOCKET,PLUG-IN:3 PIN,SQUARE                                         | 71785    | 133-23-11-034    |
| -100             | 136-0252-04        |                      |            | 8   |           | . CONTACT,ELEC:0.188 INCH LONG                                        | 22526    | 75060            |
| -101             | 136-0260-02        |                      |            | 2   |           | . SOCKET,PLUG-IN:16 CONTACT,LOW CLEARANCE                             | 01295    | C931602          |
| -102             | 136-0269-02        |                      |            | 5   |           | . SOCKET,PLUG-IN:14 CONTACT,LOW CLEARANCE                             | 01295    | C931402          |
| -103             | 136-0514-00        |                      |            | 3   |           | . SOCKET,PLUG-IN:MICROCIRCUIT,8 CONTACT                               | 82647    | C930802          |
| -104             | 214-0579-00        |                      |            | 1   |           | . TERM.,TEST PT:0.40 INCH LONG                                        | 80009    | 214-0579-00      |
| -105             | -----              |                      |            | 1   |           | CKT BOARD ASSY:CONTROL BOARD(SEE EPL) (ATTACHING PARTS)               |          |                  |
| -106             | 211-0116-00        |                      |            | 4   |           | SCR,ASSEM WSHR:4-40 X 0.312 INCH,PNH BRS<br>- - - * - - -             | 83385    | OBD              |
|                  | -----              |                      |            | -   |           | . CIRCUIT BOARD ASSEMBLY INCLUDES:                                    |          |                  |
| -107             | 131-0589-00        |                      |            | 5   |           | . CONTACT,ELEC:0.46 INCH LONG                                         | 22526    | 47350            |
|                  | 131-0608-00        |                      |            | 134 |           | . CONTACT,ELEC:0.365 INCH LONG                                        | 22526    | 47357            |
| -108             | 131-1003-00        |                      |            | 2   |           | . CONNECTOR BODY,:CKT BD MT,3 PRONG                                   | 80009    | 131-1003-00      |
| -109             | 136-0252-04        |                      |            | 2   |           | . CONTACT,ELEC:0.188 INCH LONG                                        | 22526    | 75060            |

Mechanical Parts List—067-0745-00

| Fig. & Index No. | Tektronix Part No. | Serial/Model No. Eff | Dscont | Qty | 1                                             | 2                           | 3   | 4 | 5 | Name & Description                           | Mfr Code | Mfr Part Number  |
|------------------|--------------------|----------------------|--------|-----|-----------------------------------------------|-----------------------------|-----|---|---|----------------------------------------------|----------|------------------|
| 1-110            | 136-0260-00        |                      |        | 26  | .                                             |                             |     |   |   | SOCKET, PLUG-IN:16 CONTACT, RECT SHAPE       | 71785    | 133-51-92-008    |
| -111             | 136-0269-02        |                      |        | 24  | .                                             |                             |     |   |   | SOCKET, PLUG-IN:14 CONTACT, LOW CLEARANCE    | 01295    | C931402          |
| -112             | 214-0579-00        |                      |        | 1   | .                                             |                             |     |   |   | TERM., TEST PT:0.40 INCH LONG                | 80009    | 214-0579-00      |
| -113             | -----              |                      |        | 1   | .                                             |                             |     |   |   | CKT BOARD ASSY:CLOCK(SEE EPL)                |          |                  |
|                  |                    |                      |        |     |                                               |                             |     |   |   | (ATTACHING PARTS)                            |          |                  |
| -114             | 211-0116-00        |                      |        | 4   | SCR, ASSEM                                    | WSHR:4-40 X 0.312 INCH, PNH | BRS |   |   |                                              | 83385    | OBD              |
|                  |                    |                      |        |     |                                               |                             |     |   |   | -----*                                       |          |                  |
|                  |                    |                      |        |     | .                                             |                             |     |   |   | CIRCUIT BOARD ASSEMBLY INCLUDES:             |          |                  |
| -115             | 131-0391-00        |                      |        | 2   | .                                             |                             |     |   |   | CONNECTOR, RCPT, :50 OHM, COAX, SNAP-ON MALE | 98291    | 51-051-0049      |
| -116             | 131-0589-00        |                      |        | 6   | .                                             |                             |     |   |   | CONTACT, ELEC:0.46 INCH LONG                 | 22526    | 47350            |
|                  | 131-0608-00        |                      |        | 76  | .                                             |                             |     |   |   | CONTACT, ELEC:0.365 INCH LONG                | 22526    | 47357            |
| -117             | 131-0993-00        |                      |        | 11  | .                                             |                             |     |   |   | LINK, TERM, CONNE:2 WIRE BLACK               | 00779    | 530153-2         |
| -118             | 131-1003-00        |                      |        | 8   | .                                             |                             |     |   |   | CONNECTOR BODY, :CKT BD MT, 3 PRONG          | 80009    | 131-1003-00      |
| -119             | 136-0252-04        |                      |        | 8   | .                                             |                             |     |   |   | CONTACT, ELEC:0.188 INCH LONG                | 22526    | 75060            |
| -120             | 136-0260-02        |                      |        | 24  | .                                             |                             |     |   |   | SOCKET, PLUG-IN:16 CONTACT, LOW CLEARANCE    | 01295    | C931602          |
| -121             | 136-0269-02        |                      |        | 7   | .                                             |                             |     |   |   | SOCKET, PLUG-IN:14 CONTACT, LOW CLEARANCE    | 01295    | C931402          |
| -122             | 214-0579-00        |                      |        | 3   | .                                             |                             |     |   |   | TERM., TEST PT:0.40 INCH LONG                | 80009    | 214-0579-00      |
| -123             | 131-0566-00        |                      |        | 1   | .                                             |                             |     |   |   | LINK, TERM, CONNE:0.086 DIA X 2.375 INCH L   | 0000C    | L-2007-1         |
| -124             | 390-0506-00        |                      |        | 1   | .                                             |                             |     |   |   | CABINET:WRAPAROUND                           | 80009    | 390-0506-00      |
| -125             | 407-1032-00        |                      |        | 2   | BRACKET, ANGLE:KEYBOARD COVER, LEFT AND RIGHT |                             |     |   |   |                                              | 80009    | 407-1032-00      |
|                  |                    |                      |        |     |                                               |                             |     |   |   | (ATTACHING PARTS FOR EACH)                   |          |                  |
| -126             | 211-0008-00        |                      |        | 2   | SCREW, MACHINE:4-40 X 0.25 INCH, PNH          | STL                         |     |   |   |                                              | 83385    | OBD              |
| -127             | 210-0586-00        |                      |        | 2   | NUT, PLAIN, EXT W:4-40 X 0.25 INCH, STL       |                             |     |   |   |                                              | 78189    | OBD              |
|                  |                    |                      |        |     |                                               |                             |     |   |   | -----*                                       |          |                  |
| -128             | 129-0285-00        |                      |        | 12  | POST, ELEC-MECH:0.281 L X 0.188 HEX           | BRS                         |     |   |   |                                              | 80009    | 129-0285-00      |
|                  |                    |                      |        |     |                                               |                             |     |   |   | (ATTACHING PARTS FOR EACH)                   |          |                  |
| -129             | 211-0007-00        |                      |        | 1   | SCREW, MACHINE:4-40 X 0.188 INCH, PNH         | STL                         |     |   |   |                                              | 83385    | OBD              |
| -130             | 210-0004-00        |                      |        | 1   | WASHER, LOCK:INTL, 0.12 ID X 0.26"OD, STL     |                             |     |   |   |                                              | 78189    | 1204-00-00-0541C |
|                  |                    |                      |        |     |                                               |                             |     |   |   | -----*                                       |          |                  |
| -131             | 348-0048-00        |                      |        | 4   | FOOT:W/6-32 X 0.350 INCH                      | STUD                        |     |   |   |                                              | 80009    | 348-0048-00      |
|                  | 175-1751-00        |                      |        | 1   | WIRE, ELECTRICAL:                             |                             |     |   |   |                                              | 80009    | 175-1751-00      |
| -132             | 175-1084-00        |                      |        | FT  | .                                             |                             |     |   |   | WIRE, ELECTRICAL:FLAT TYPE, 3 INCHES LONG    | 75037    | 3365             |
| -133             | 131-0833-00        |                      |        | 2   | .                                             |                             |     |   |   | CONNECTOR, PLUG, :34 CONTACTS                | 75037    | 3414             |
| -134             | 179-2383-00        |                      |        | 1   | WIRING HARNESS:DATA BITS SWITCH               |                             |     |   |   |                                              | 80009    | 179-2383-00      |
| -135             | 131-0707-00        |                      |        | 50  | .                                             |                             |     |   |   | CONTACT, ELEC:0.48"L, 22-26 AWG WIRE         | 22526    | 47439            |
| -136             | 352-0163-05        |                      |        | 2   | .                                             |                             |     |   |   | CONN BODY, PL, EL:5 WIRE GREEN               | 80009    | 352-0163-05      |
| -137             | 352-0166-04        |                      |        | 2   | .                                             |                             |     |   |   | CONN BODY, PL, EL:8 WIRE YELLOW              | 80009    | 352-0166-04      |
|                  | 352-0166-09        |                      |        | 1   | .                                             |                             |     |   |   | CONN BODY, PL, EL:8 WIRE WHITE               | 80009    | 352-0166-09      |
|                  | 352-0166-07        |                      |        | 1   | .                                             |                             |     |   |   | CONN BODY, PL, EL:8 WIRE VIOLET              | 80009    | 352-0166-07      |
|                  | 352-0166-06        |                      |        | 1   | .                                             |                             |     |   |   | CONN BODY, PL, EL:8 WIRE BLUE                | 80009    | 352-0166-06      |
|                  | 179-2384-00        |                      |        | 1   | WIRING HARNESS:CLOCK SWITCH                   |                             |     |   |   |                                              | 80009    | 179-2384-00      |
|                  | 131-0707-00        |                      |        | 38  | .                                             |                             |     |   |   | CONTACT, ELEC:0.48"L, 22-26 AWG WIRE         | 22526    | 47439            |
|                  | 352-0166-08        |                      |        | 1   | .                                             |                             |     |   |   | CONN BODY, PL, EL:8 WIRE GRAY                | 80009    | 352-0166-08      |
|                  | 352-0163-00        |                      |        | 1   | .                                             |                             |     |   |   | CONN BODY, PL, EL:5 WIRE BLACK               | 80009    | 352-0163-00      |
|                  | 352-0163-02        |                      |        | 2   | .                                             |                             |     |   |   | CONN BODY, PL, EL:5 WIRE RED                 | 80009    | 352-0163-02      |
|                  | 352-0163-01        |                      |        | 1   | .                                             |                             |     |   |   | CONN BODY, PL, EL:5 WIRE BROWN               | 80009    | 352-0163-01      |
|                  | 352-0162-03        |                      |        | 1   | .                                             |                             |     |   |   | CONN BODY, PL, EL:4 WIRE ORANGE              | 80009    | 352-0162-03      |
|                  | 352-0164-02        |                      |        | 1   | .                                             |                             |     |   |   | CONN BODY, PL, EL:6 WIRE RED                 | 80009    | 352-0164-02      |
|                  | 352-0161-03        |                      |        | 1   | .                                             |                             |     |   |   | CONN BODY, PL, EL:3 WIRE ORANGE              | 80009    | 352-0161-03      |
|                  | 352-0160-06        |                      |        | 1   | .                                             |                             |     |   |   | CONN BODY, PL, EL:2 WIRE BLUE                | 80009    | 352-0160-06      |
|                  | 210-0774-00        |                      |        | 2   | EYELET, METALLIC:0.152 OD X 0.245 INCH L, BRS |                             |     |   |   |                                              | 80009    | 210-0774-00      |
|                  | 210-0775-00        |                      |        | 2   | EYELET, METALLIC:0.126 OD X 0.23 INCH L, BRS  |                             |     |   |   |                                              | 80009    | 210-0775-00      |
|                  | 179-2385-00        |                      |        | 1   | WIRING HARNESS:SAMPLE AND HOLD                |                             |     |   |   |                                              | 80009    | 179-2385-00      |
|                  | 131-0707-00        |                      |        | 28  | .                                             |                             |     |   |   | CONTACT, ELEC:0.48"L, 22-26 AWG WIRE         | 22526    | 47439            |
|                  | 352-0161-02        |                      |        | 1   | .                                             |                             |     |   |   | CONN BODY, PL, EL:3 WIRE RED                 | 80009    | 352-0161-02      |
|                  | 352-0162-03        |                      |        | 1   | .                                             |                             |     |   |   | CONN BODY, PL, EL:4 WIRE ORANGE              | 80009    | 352-0162-03      |
|                  | 352-0162-01        |                      |        | 1   | .                                             |                             |     |   |   | CONN BODY, PL, EL:4 WIRE BROWN               | 80009    | 352-0162-01      |
|                  | 352-0165-00        |                      |        | 1   | .                                             |                             |     |   |   | CONN BODY, PL, EL:7 WIRE BLACK               | 80009    | 352-0165-00      |
|                  | 352-0163-04        |                      |        | 1   | .                                             |                             |     |   |   | CONN BODY, PL, EL:5 WIRE YELLOW              | 80009    | 352-0163-04      |
|                  | 352-0163-05        |                      |        | 1   | .                                             |                             |     |   |   | CONN BODY, PL, EL:5 WIRE GREEN               | 80009    | 352-0163-05      |
|                  | 352-0202-00        |                      |        | 2   | .                                             |                             |     |   |   | CONN BODY, PL, EL:6 WIRE BLACK               | 80009    | 352-0202-00      |
|                  | 352-0201-03        |                      |        | 1   | .                                             |                             |     |   |   | CONN BODY, PL, EL:5 WIRE ORANGE              | 80009    | 352-0201-03      |
|                  | 352-0200-03        |                      |        | 1   | .                                             |                             |     |   |   | CONN BODY, PL, EL:4 WIRE ORANGE              | 80009    | 352-0200-03      |

# Mechanical Parts List—067-0745-00

| Fig. &<br>Index<br>No. | Tektronix<br>Part No. | Serial/Model No.<br>Eff | No.<br>Dscont | Qty |   |   |   |   |   | Name & Description                            | Mfr<br>Code | Mfr Part Number |             |
|------------------------|-----------------------|-------------------------|---------------|-----|---|---|---|---|---|-----------------------------------------------|-------------|-----------------|-------------|
|                        |                       |                         |               |     | 1 | 2 | 3 | 4 | 5 |                                               |             | Mfr             | Part Number |
| 1-                     | 352-0199-01           |                         |               | 1   |   |   |   |   |   | . CONN BODY,PL,EL:3 WIRE BROWN                | 80009       | 352-0199-01     |             |
|                        | 179-2386-00           |                         |               | 1   |   |   |   |   |   | WIRING HARNESS:POWER DISTRIBUTION             | 80009       | 179-2386-00     |             |
|                        | 131-0621-00           |                         |               | 32  |   |   |   |   |   | . CONTACT,ELEC:0.577"L,22-26 AWG WIRE         | 22526       | 46231           |             |
|                        | 352-0203-06           |                         |               | 2   |   |   |   |   |   | . CONN BODY,PL,EL:7 WIRE BLUE                 | 80009       | 352-0203-06     |             |
|                        | 352-0202-02           |                         |               | 2   |   |   |   |   |   | . CONN BODY,PL,EL:6 WIRE RED                  | 80009       | 352-0202-02     |             |
|                        | 352-0199-03           |                         |               | 2   |   |   |   |   |   | . CONN BODY,PL,EL:3 WIRE ORANGE               | 80009       | 352-0199-03     |             |
| -138                   | 179-2387-00           |                         |               | 1   |   |   |   |   |   | WIRING HARNESS:COAX                           | 80009       | 179-2387-00     |             |
| -139                   | 210-0774-00           |                         |               | 14  |   |   |   |   |   | . EYELET,METALLIC:0.152 OD X 0.245 INCH L,BRS | 80009       | 210-0774-00     |             |
| -140                   | 210-0775-00           |                         |               | 14  |   |   |   |   |   | . EYELET,METALLIC:0.126 OD X 0.23 INCH L,BRS  | 80009       | 210-0775-00     |             |



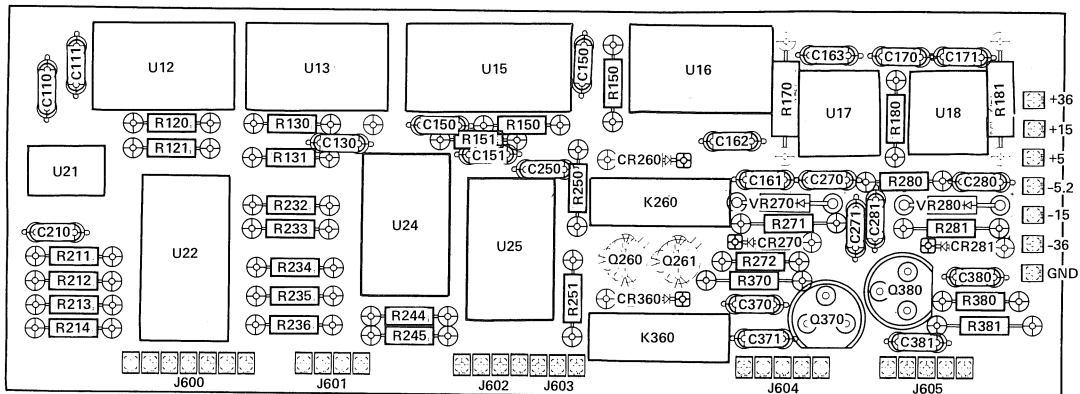
| Fig. &<br>Index<br>No. | Tektronix<br>Part No. | Serial/Model No.<br>Eff Dscont | Qty | 1 2 3 4 5 |  |  |  |  | Name & Description                                                        | Mfr<br>Code | Mfr Part Number  |
|------------------------|-----------------------|--------------------------------|-----|-----------|--|--|--|--|---------------------------------------------------------------------------|-------------|------------------|
|                        |                       |                                |     |           |  |  |  |  |                                                                           |             |                  |
| 2-1                    | 390-0007-01           |                                | 1   |           |  |  |  |  | CABINET, TOP:<br>(ATTACHING PARTS)                                        | 80009       | 390-0007-01      |
| -2                     | 211-0503-00           |                                | 6   |           |  |  |  |  | SCREW, MACHINE: 6-32 X 0.188 INCH, PNH STL<br>- - - * - - -               | 83385       | OBD              |
| -3                     | 390-0006-01           |                                | 1   |           |  |  |  |  | CABINET, BOTTOM:                                                          | 80009       | 390-0006-01      |
| -4                     | 348-0001-00           |                                | 4   |           |  |  |  |  | MOUNT, RESILIENT: BLACK RUBBER<br>(ATTACHING PARTS FOR EACH)              | 71218       | F-7264A          |
| -5                     | 211-0507-00           |                                | 1   |           |  |  |  |  | SCREW, MACHINE: 6-32 X 0.312 INCH, PNH STL<br>- - - * - - -               | 83385       | OBD              |
| -6                     | 333-2111-00           |                                | 1   |           |  |  |  |  | PANEL, FRONT: 016-0343-00<br>(ATTACHING PARTS)                            | 80009       | 333-2111-00      |
| -7                     | 212-0039-00           |                                | 3   |           |  |  |  |  | SCREW, MACHINE: 8-32 X 0.375 INCH, TRH STL                                | 83385       | OBD              |
| -8                     | 214-0553-00           |                                | 1   |           |  |  |  |  | THUMBSCREW: 1.388 INCH LONG                                               | 80009       | 214-0553-00      |
| -9                     | 358-0255-00           |                                | 1   |           |  |  |  |  | BUSHING, SLEEVE: 0.206 ID X 0.338 OD<br>- - - * - - -                     | 80009       | 358-0255-00      |
| -10                    | 386-3486-00           |                                | 1   |           |  |  |  |  | PLATE, SUBPANEL:                                                          | 80009       | 386-3486-00      |
| -11                    | 136-0223-00           |                                | 1   |           |  |  |  |  | LIGHT, INDICATOR: W/GREEN LENS                                            | 03797       | HLA1010HL230GT   |
| -12                    | 260-0276-00           |                                | 1   |           |  |  |  |  | SWITCH, TOGGLE: DPST, 15A, 125V<br>(ATTACHING PARTS)                      | 27193       | 8906K            |
| -13                    | 210-0473-00           |                                | 1   |           |  |  |  |  | NUT, PLAIN, DODEC: 0.469-32 X 0.638 INCH, BRS                             | 80009       | 210-0473-00      |
| -14                    | 210-0902-00           |                                | 1   |           |  |  |  |  | WASHER, FLAT: 0.470 ID X 0.656 INCH OD, STL                               | 12327       | OBD              |
| -15                    | 210-0021-00           |                                | 1   |           |  |  |  |  | WASHER, LOCK: INTL, 0.476 ID X 0.60" OD STL                               | 78189       | 1222-01-00-0541C |
| -16                    | 210-0414-00           |                                | 1   |           |  |  |  |  | NUT, PLAIN, HEX.: 0.468-32 X 0.562 INCH, BRS<br>- - - * - - -             | 73743       | 3167-402         |
| -17                    | 129-0064-00           |                                | 6   |           |  |  |  |  | POST, BDG, ELEC: CHARCOAL, 5-WAY MINIATURE<br>(ATTACHING PARTS FOR EACH)  | 58474       | BINP BB10167G13T |
| -18                    | 210-0408-00           |                                | 2   |           |  |  |  |  | NUT, PLAIN, HEX.: 6-32 X 0.312 INCH, BRS                                  | 73743       | 3040-402         |
| -19                    | 210-0206-00           |                                | 1   |           |  |  |  |  | TERMINAL, LUG: SE #10                                                     | 78189       | 2103-10-00-2520N |
| -20                    | 210-0255-00           |                                | 1   |           |  |  |  |  | TERMINAL, LUG: 0.391" ID INT TOOTH                                        | 80009       | 210-0255-00      |
| -21                    | 358-0161-00           |                                | 1   |           |  |  |  |  | BSHG, STRAIN RLF: FOR 0.50 INCH HOLE, PLASTIC<br>- - - * - - -            | 28520       | SR5P4            |
| -22                    | 129-0064-01           |                                | 3   |           |  |  |  |  | POST, BDG, ELEC: RED, 5-WAY MINIATURE<br>(ATTACHING PARTS)                | 58474       | BB10167G2BX      |
| -23                    | 210-0408-00           |                                | 6   |           |  |  |  |  | NUT, PLAIN, HEX.: 6-32 X 0.312 INCH, BRS                                  | 73743       | 3040-402         |
| -24                    | 210-0204-00           |                                | 2   |           |  |  |  |  | TERMINAL, LUG: 0.146 INCH DIA DE, 45 DEG BEND                             | 78189       | 2157-06-01-2520N |
|                        | 210-0273-00           |                                | 1   |           |  |  |  |  | TERMINAL, LUG: 0.781 INCH LONG                                            | 79963       | 547              |
| -25                    | 358-0181-01           |                                | 3   |           |  |  |  |  | INSULATOR, BSHG: RED<br>- - - * - - -                                     | 58474       | BB1066G2         |
| -26                    | 129-0064-03           |                                | 3   |           |  |  |  |  | POST, BDG, ELEC: GREEN, 5-WAY MINIATURE<br>(ATTACHING PARTS)              | 58474       | DF21GNC          |
| -27                    | 210-0408-00           |                                | 6   |           |  |  |  |  | NUT, PLAIN, HEX.: 6-32 X 0.312 INCH, BRS                                  | 73743       | 3040-402         |
|                        | 210-0204-00           |                                | 2   |           |  |  |  |  | TERMINAL, LUG: 0.146 INCH DIA DE, 45 DEG BEND                             | 78189       | 2157-06-01-2520N |
| -28                    | 210-0273-00           |                                | 1   |           |  |  |  |  | TERMINAL, LUG: 0.781 INCH LONG<br>- - - * - - -                           | 79963       | 547              |
| -29                    | 351-0473-00           |                                | 1   |           |  |  |  |  | GUIDE, SLIDE:<br>(ATTACHING PARTS)                                        | 80009       | 351-0473-00      |
| -30                    | 211-0538-00           |                                | 1   |           |  |  |  |  | SCREW, MACHINE: 6-32 X 0.312" 100 DEG, FLH STL                            | 83385       | OBD              |
| -31                    | 212-0004-00           |                                | 1   |           |  |  |  |  | SCREW, MACHINE: 8-32 X 0.312 INCH, PNH STL                                | 83385       | OBD              |
| -32                    | 214-0680-00           |                                | 1   |           |  |  |  |  | PIN, STR, THREADE: 0.225 OD X 0.712 INCH LONG<br>- - - * - - -            | 80009       | 214-0680-00      |
| -33                    | 384-0615-00           |                                | 3   |           |  |  |  |  | SPACER, ROD: 0.375 OD X 12.25" LONG, BRS<br>(ATTACHING PARTS FOR EACH)    | 80009       | 384-0615-00      |
| -34                    | 212-0004-00           |                                | 1   |           |  |  |  |  | SCREW, MACHINE: 8-32 X 0.312 INCH, PNH STL<br>- - - * - - -               | 83385       | OBD              |
| -35                    | 386-3481-00           |                                | 1   |           |  |  |  |  | SUPPORT, CHASSIS:<br>(ATTACHING PARTS)                                    | 80009       | 386-3481-00      |
| -36                    | 211-0538-00           |                                | 1   |           |  |  |  |  | SCREW, MACHINE: 6-32 X 0.312" 100 DEG, FLH STL                            | 83385       | OBD              |
| -37                    | 211-0507-00           |                                | 4   |           |  |  |  |  | SCREW, MACHINE: 6-32 X 0.312 INCH, PNH STL                                | 83385       | OBD              |
| -38                    | 210-0457-00           |                                | 5   |           |  |  |  |  | NUT, PLAIN, EXT W: 6-32 X 0.312 INCH, STL<br>- - - * - - -                | 83385       | OBD              |
| -39                    | -----                 |                                | 4   |           |  |  |  |  | CAPACITOR: (SEE C918, C919, C928, C929 EPL)<br>(ATTACHING PARTS FOR EACH) |             |                  |
| -40                    | 212-0518-00           |                                | 4   |           |  |  |  |  | SCREW, MACHINE: 10-32 X 0.312 INCH, PNH STL                               | 83385       | OBD              |
| -41                    | 210-0206-00           |                                | 4   |           |  |  |  |  | TERMINAL, LUG: SE #10                                                     | 78189       | 2103-10-00-2520N |
| -42                    | 210-0010-00           |                                | 2   |           |  |  |  |  | WASHER, LOCK: INT, 0.20 ID X 0.376" OD, STL<br>- - - * - - -              | 78189       | 1210-00-00-0541C |

Mechanical Parts List—067-0745-00

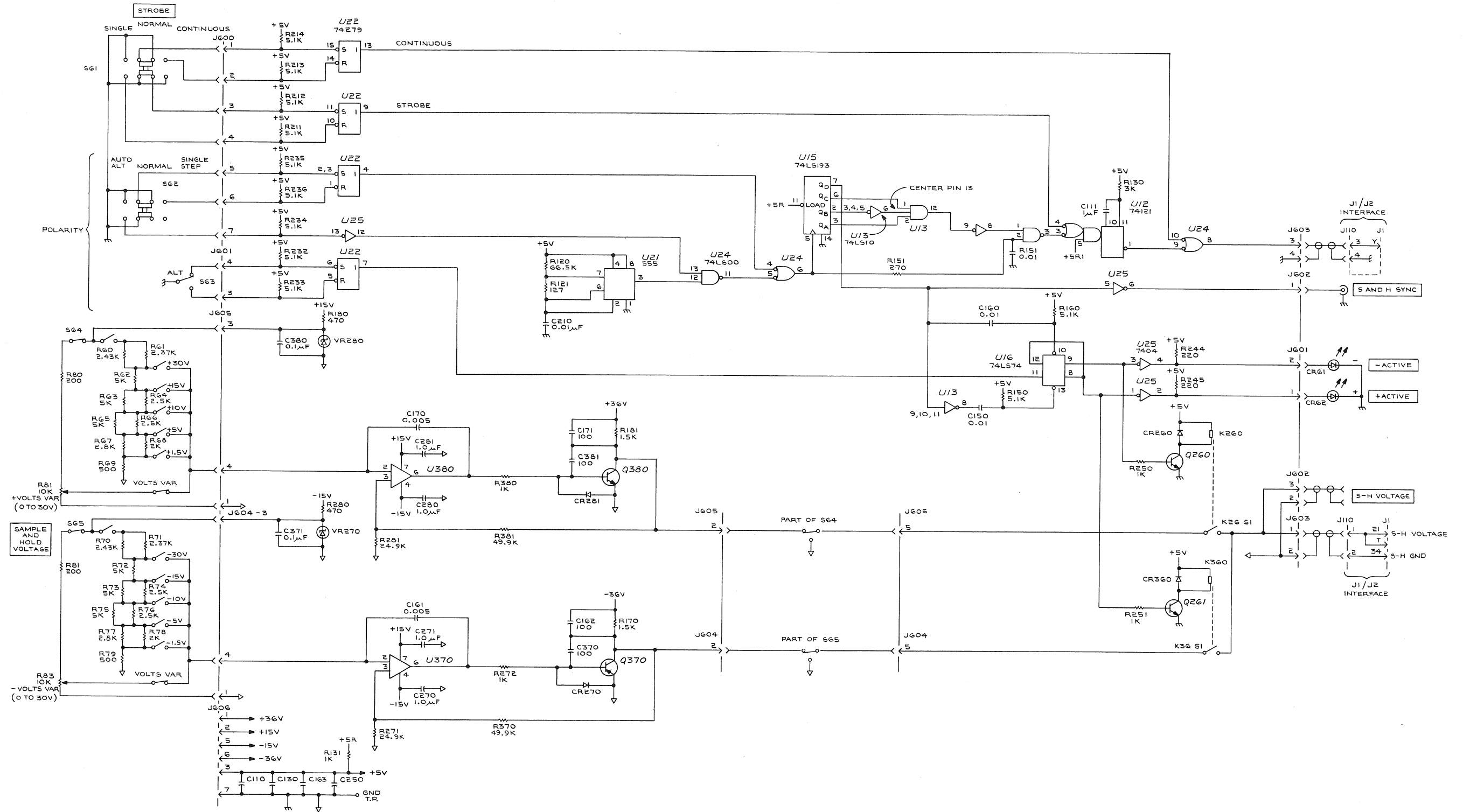
| Fig. & Index No. | Tektronix Part No. | Serial/Model No. Eff | No. Dscont | Qty | Name & Description                                                         |   |   |   |   | Mfr Code | Mfr Part Number  |
|------------------|--------------------|----------------------|------------|-----|----------------------------------------------------------------------------|---|---|---|---|----------|------------------|
|                  |                    |                      |            |     | 1                                                                          | 2 | 3 | 4 | 5 |          |                  |
| 2-43             | -----              | -----                |            | 2   | CAPACITOR: (SEE C915, C925 EPL)<br>(ATTACHING PARTS FOR EACH)              |   |   |   |   |          |                  |
| -44              | 212-0008-00        |                      |            | 1   | SCREW, MACHINE: 8-32 X 0.312 INCH, PNH STL                                 |   |   |   |   | 83385    | OBD              |
| -45              | 210-0458-00        |                      |            | 1   | NUT, PLAIN, EXT W: 8-32 X 0.344 INCH, STL                                  |   |   |   |   | 83385    | OBD              |
|                  |                    |                      |            |     | ----- * -----                                                              |   |   |   |   |          |                  |
| -46              | 343-0064-00        |                      |            | 2   | CLAMP, LOOP: 2.5" DIA, W 3 FEET, STL<br>(ATTACHING PARTS)                  |   |   |   |   | 80009    | 343-0064-00      |
| -47              | 212-0001-00        |                      |            | 6   | SCREW, MACHINE: 8-32 X 0.250 INCH, PNH STL                                 |   |   |   |   | 77250    | OBD              |
| -48              | 210-0458-00        |                      |            | 6   | NUT, PLAIN, EXT W: 8-32 X 0.344 INCH, STL                                  |   |   |   |   | 83385    | OBD              |
| -49              | 210-0205-00        |                      |            | 3   | TERMINAL, LUG: SE #8                                                       |   |   |   |   | 78189    | 2104-08-00-2520N |
|                  |                    |                      |            |     | ----- * -----                                                              |   |   |   |   |          |                  |
| -50              | 210-0206-00        |                      |            | 7   | TERMINAL, LUG: SE #10                                                      |   |   |   |   | 78189    | 2103-10-00-2520N |
| -51              | 210-0273-00        |                      |            | 2   | TERMINAL, LUG: 0.781 INCH LONG<br>(ATTACHING PARTS)                        |   |   |   |   | 79963    | 547              |
| -52              | 212-0518-00        |                      |            | 4   | SCREW, MACHINE: 10-32 X 0.312 INCH, PNH STL                                |   |   |   |   | 83385    | OBD              |
| -53              | 210-0010-00        |                      |            | 4   | WASHER, LOCK: INT, 0.20 ID X 0.376" OD, STL                                |   |   |   |   | 78189    | 1210-00-00-0541C |
|                  |                    |                      |            |     | ----- * -----                                                              |   |   |   |   |          |                  |
| -54              | 131-0775-00        |                      |            | 6   | CONTACT, ELEC: HEX, 0.25 INCH W/6-32 1 END<br>(ATTACHING PARTS FOR EACH)   |   |   |   |   | 88245    | 1601-A           |
| -55              | 211-0503-00        |                      |            | 1   | SCREW, MACHINE: 6-32 X 0.188 INCH, PNH STL                                 |   |   |   |   | 83385    | OBD              |
| -56              | 210-0005-00        |                      |            | 1   | WASHER, LOCK: EXT #6                                                       |   |   |   |   | 78189    | 1106-00-00-0541C |
|                  |                    |                      |            |     | ----- * -----                                                              |   |   |   |   |          |                  |
| -57              | -----              | -----                |            | 2   | TRANSISTOR: (SEE Q910, Q920 EPL)<br>(ATTACHING PARTS FOR EACH)             |   |   |   |   |          |                  |
| -58              | 211-0511-00        |                      |            | 2   | SCREW, MACHINE: 6-32 X 0.50 INCH, PNH STL                                  |   |   |   |   | 83385    | OBD              |
| -59              | 211-0513-00        |                      |            | 2   | SCREW, MACHINE: 6-32 X 0.625 INCH, PNH STL                                 |   |   |   |   | 83385    | OBD              |
| -60              | 210-0803-00        |                      |            | 4   | WASHER, FLAT: 0.15 ID X 0.375 INCH OD, STL                                 |   |   |   |   | 12327    | OBD              |
| -61              | 210-0813-00        |                      |            | 4   | WSHR, SHOULDERED: # 10 FIBER                                               |   |   |   |   | 74921    | OBD              |
| -62              | 210-0273-00        |                      |            | 2   | TERMINAL, LUG: 0.781 INCH LONG                                             |   |   |   |   | 79963    | 547              |
| -63              | 210-0202-00        |                      |            | 2   | TERMINAL, LUG: SE #6                                                       |   |   |   |   | 78189    | 2104-06-00-2520N |
| -64              | 210-0457-00        |                      |            | 4   | NUT, PLAIN, EXT W: 6-32 X 0.312 INCH, STL                                  |   |   |   |   | 83385    | OBD              |
| -65              | 214-0559-00        |                      |            | 2   | HEATSINK, XSTR: FOR TYPE TO-3                                              |   |   |   |   | 98978    | OBD              |
|                  |                    |                      |            |     | ----- * -----                                                              |   |   |   |   |          |                  |
| -66              | -----              | -----                |            | 2   | BRIDGE DIODE: (SEE CR910, CR920 EPL)<br>(ATTACHING PARTS FOR EACH)         |   |   |   |   |          |                  |
| -67              | 211-0513-00        |                      |            | 1   | SCREW, MACHINE: 6-32 X 0.625 INCH, PNH STL                                 |   |   |   |   | 83385    | OBD              |
| -68              | 210-0457-00        |                      |            | 1   | NUT, PLAIN, EXT W: 6-32 X 0.312 INCH, STL                                  |   |   |   |   | 83385    | OBD              |
|                  |                    |                      |            |     | ----- * -----                                                              |   |   |   |   |          |                  |
| -69              | -----              | -----                |            | 1   | TRANSFORMER: (SEE T920 EPL)<br>(ATTACHING PARTS)                           |   |   |   |   |          |                  |
| -70              | 212-0523-00        |                      |            | 4   | SCREW, MACHINE: 10-32 X 2.75" LONG HEX HD                                  |   |   |   |   | 83385    | OBD              |
| -71              | 220-0410-00        |                      |            | 4   | NUT, EXTENDED WA: 10-32 X 0.375 INCH, STL                                  |   |   |   |   | 83385    | OBD              |
| -72              | 210-0812-00        |                      |            | 8   | WASHER, NONMETAL: #10, FIBER                                               |   |   |   |   | 06982    | OBD              |
| -73              | 129-0590-00        |                      |            | 4   | SPACER, POST: 0.375" LONG, 10.32 THD THRU                                  |   |   |   |   | 80009    | 129-0590-00      |
| -74              | 166-0434-00        |                      |            | 4   | SPACER, SLEEVE: 2.25 INCHES LONG                                           |   |   |   |   | 24691    | OBD              |
|                  |                    |                      |            |     | ----- * -----                                                              |   |   |   |   |          |                  |
| -75              | 441-1313-00        |                      |            | 1   | CHAS, PWR SUPPLY:                                                          |   |   |   |   | 80009    | 441-1313-00      |
| -76              | 210-0202-00        |                      |            | 3   | TERMINAL, LUG: SE #6<br>(ATTACHING PARTS FOR EACH)                         |   |   |   |   | 78189    | 2104-06-00-2520N |
| -77              | 211-0504-00        |                      |            | 1   | SCREW, MACHINE: 6-32 X 0.25 INCH, PNH STL                                  |   |   |   |   | 83385    | OBD              |
| -78              | 210-0407-00        |                      |            | 1   | NUT, PLAIN, HEX.: 6-32 X 0.25 INCH, BRS                                    |   |   |   |   | 73743    | 3038-0228-402    |
|                  |                    |                      |            |     | ----- * -----                                                              |   |   |   |   |          |                  |
| -79              | 348-0064-00        |                      |            | 1   | GROMMET, PLASTIC: 0.625 INCH DIA                                           |   |   |   |   | 80009    | 348-0064-00      |
| -80              | 384-0616-00        |                      |            | 4   | POST, ELEC-MECH: HEX, 0.25 X 1.370 INCH LONG<br>(ATTACHING PARTS FOR EACH) |   |   |   |   | 80009    | 384-0616-00      |
| -81              | 211-0116-00        |                      |            | 1   | SCR, ASSEM WSHR: 4-40 X 0.312 INCH, PNH BRS                                |   |   |   |   | 83385    | OBD              |
|                  |                    |                      |            |     | ----- * -----                                                              |   |   |   |   |          |                  |
| -82              | -----              | -----                |            | 1   | CKT BOARD ASSY: POWER SUPPLY (SEE EPL)<br>(ATTACHING PARTS)                |   |   |   |   |          |                  |
| -83              | 211-0116-00        |                      |            | 4   | SCR, ASSEM WSHR: 4-40 X 0.312 INCH, PNH BRS                                |   |   |   |   | 83385    | OBD              |
|                  |                    |                      |            |     | ----- * -----                                                              |   |   |   |   |          |                  |

| Fig. & Index No. | Tektronix Part No. | Serial/Model No. Eff | Model No. Dscont | Qty | 1 | 2 | 3 | 4 | 5 | Name & Description                             | Mfr Code | Mfr Part Number  |
|------------------|--------------------|----------------------|------------------|-----|---|---|---|---|---|------------------------------------------------|----------|------------------|
|                  | -----              |                      |                  | -   |   |   |   |   |   | . CKT BOARD ASSEMBLY INCLUDES:                 |          |                  |
| -84              | 136-0237-00        |                      |                  | 4   |   |   |   |   |   | . SOCKET, PLUG-IN: 8 CONTACT, ROUND            | 71785    | 133-98-12-062    |
| -85              | 214-0579-00        |                      |                  | 7   |   |   |   |   |   | . TERM., TEST PT: 0.40 INCH LONG               | 80009    | 214-0579-00      |
| -86              | 214-1292-00        |                      |                  | 4   |   |   |   |   |   | . HEAT SINK, ELEC: TRANSISTOR                  | 05820    | 205-AB           |
| -87              | 276-0507-00        |                      |                  | 4   |   |   |   |   |   | . SHIELDING BEAD, :0.6UH                       | 78488    | 57-0180-7D       |
| -88              | 214-1967-00        |                      |                  | 6   |   |   |   |   |   | . HEATSINK DIODE: FINGER TYPE, BLACK           | 13103    | 6107B-14         |
|                  |                    |                      |                  |     |   |   |   |   |   | (ATTACHING PARTS FOR EACH)                     |          |                  |
| -89              | 211-0097-00        |                      |                  | 1   |   |   |   |   |   | . SCREW, MACHINE: 4-40 X 0.312 INCH, PNH STL   | 83385    | OBD              |
| -90              | 210-0406-00        |                      |                  | 1   |   |   |   |   |   | . NUT, PLAIN, HEX.: 4-40 X 0.188 INCH, BRS     | 73743    | 2X12161-402      |
| -91              | 210-0054-00        |                      |                  | 1   |   |   |   |   |   | . WASHER, LOCK: SPLIT, 0.118 ID X 0.212"OD STL | 83385    | OBD              |
|                  |                    |                      |                  |     |   |   |   |   |   | - - - * - - -                                  |          |                  |
| -92              | 386-3181-02        |                      |                  | 1   |   |   |   |   |   | PANEL, REAR:                                   | 80009    | 386-3181-02      |
|                  |                    |                      |                  |     |   |   |   |   |   | (ATTACHING PARTS)                              |          |                  |
| -93              | 211-0507-00        |                      |                  | 4   |   |   |   |   |   | SCREW, MACHINE: 6-32 X 0.312 INCH, PNH STL     | 83385    | OBD              |
| -94              | 210-0457-00        |                      |                  | 4   |   |   |   |   |   | NUT, PLAIN, EXT W: 6-32 X 0.312 INCH, STL      | 83385    | OBD              |
|                  |                    |                      |                  |     |   |   |   |   |   | - - - * - - -                                  |          |                  |
| -95              | 200-0706-00        |                      |                  | 1   |   |   |   |   |   | COV, LINE VOLTAGE:                             | 80009    | 200-0706-00      |
| -96              | 352-0102-00        |                      |                  | 2   |   |   |   |   |   | . FUSEHOLDER: 0.262" ID TUBE FOR CRTG FUSE     | 80009    | 352-0102-00      |
|                  |                    |                      |                  |     |   |   |   |   |   | (ATTACHING PARTS FOR EACH)                     |          |                  |
| -97              | 213-0088-00        |                      |                  | 2   |   |   |   |   |   | . SCR, TPG, THD CTG: 4-24 X 0.25 INCH, PNH STL | 83385    | OBD              |
|                  |                    |                      |                  |     |   |   |   |   |   | - - - * - - -                                  |          |                  |
| -98              | 204-0281-00        |                      |                  | 1   |   |   |   |   |   | BODY ASSY, LINE:                               | 80009    | 204-0281-00      |
|                  |                    |                      |                  |     |   |   |   |   |   | (ATTACHING PARTS)                              |          |                  |
| -99              | 210-0407-00        |                      |                  | 2   |   |   |   |   |   | NUT, PLAIN, HEX.: 6-32 X 0.25 INCH, BRS        | 73743    | 3038-0228-402    |
|                  |                    |                      |                  |     |   |   |   |   |   | - - - * - - -                                  |          |                  |
| -100             | 380-0468-00        |                      |                  | 1   |   |   |   |   |   | FR, AIR INL-OUT:                               | 80009    | 380-0468-00      |
|                  |                    |                      |                  |     |   |   |   |   |   | (ATTACHING PARTS)                              |          |                  |
| -101             | 210-0401-00        |                      |                  | 4   |   |   |   |   |   | NUT, PLAIN, HEX.: 6-32 X 0.312 INCH, CD PLATED | 73743    | 3262-402         |
|                  |                    |                      |                  |     |   |   |   |   |   | - - - * - - -                                  |          |                  |
| -102             | 378-0035-00        |                      |                  | 1   |   |   |   |   |   | FILTER, ELEM, AIR: POLYURETHANE FOAM           | 18121    | OBD              |
| -103             | 119-0215-00        |                      |                  | 1   |   |   |   |   |   | FAN, TUBE AXIAL:                               | 23936    | 8500             |
|                  |                    |                      |                  |     |   |   |   |   |   | (ATTACHING PARTS)                              |          |                  |
| -104             | 211-0623-00        |                      |                  | 4   |   |   |   |   |   | SCREW, MACHINE: 6-32 X 2.250, PNH, STL         | 83385    | OBD              |
| -105             | 385-0079-00        |                      |                  | 4   |   |   |   |   |   | SPACER, POST:                                  | 80009    | 385-0079-00      |
| -106             | 210-0803-00        |                      |                  | 4   |   |   |   |   |   | WASHER, FLAT: 0.15 ID X 0.375 INCH OD, STL     | 12327    | OBD              |
| -107             | 210-0005-00        |                      |                  | 4   |   |   |   |   |   | WASHER, LOCK: EXT #6                           | 78189    | 1106-00-00-0541C |
|                  |                    |                      |                  |     |   |   |   |   |   | - - - * - - -                                  |          |                  |
| -108             | 378-0077-00        |                      |                  | 1   |   |   |   |   |   | SCREEN, FAN:                                   | 80009    | 378-0077-00      |
| -109             | 161-0049-00        |                      |                  | 1   |   |   |   |   |   | CABLE ASSY, PWR, :3 COND, 6 FEET, 8 INCHES L   | 70903    | KH5603           |
|                  |                    |                      |                  |     |   |   |   |   |   | (ATTACHING PARTS)                              |          |                  |
| -110             | 358-0161-00        |                      |                  | 1   |   |   |   |   |   | BSHG, STRAIN RELF: FOR 0.50 INCH HOLE, PLASTIC | 28520    | SR5P4            |
|                  |                    |                      |                  |     |   |   |   |   |   | - - - * - - -                                  |          |                  |
| -111             | 179-2388-00        |                      |                  | 1   |   |   |   |   |   | WIRING HARNESS: DC POWER                       | 80009    | 179-2388-00      |
|                  | 179-2389-00        |                      |                  | 1   |   |   |   |   |   | WIRING HARNESS: AC POWER                       | 80009    | 179-2389-00      |
|                  |                    |                      |                  |     |   |   |   |   |   | STANDARD ACCESSORIES                           |          |                  |
|                  | 070-3232-00        |                      |                  | 1   |   |   |   |   |   | MANUAL, TECH: INSTRUCTION                      | 80009    | 070-3232-00      |





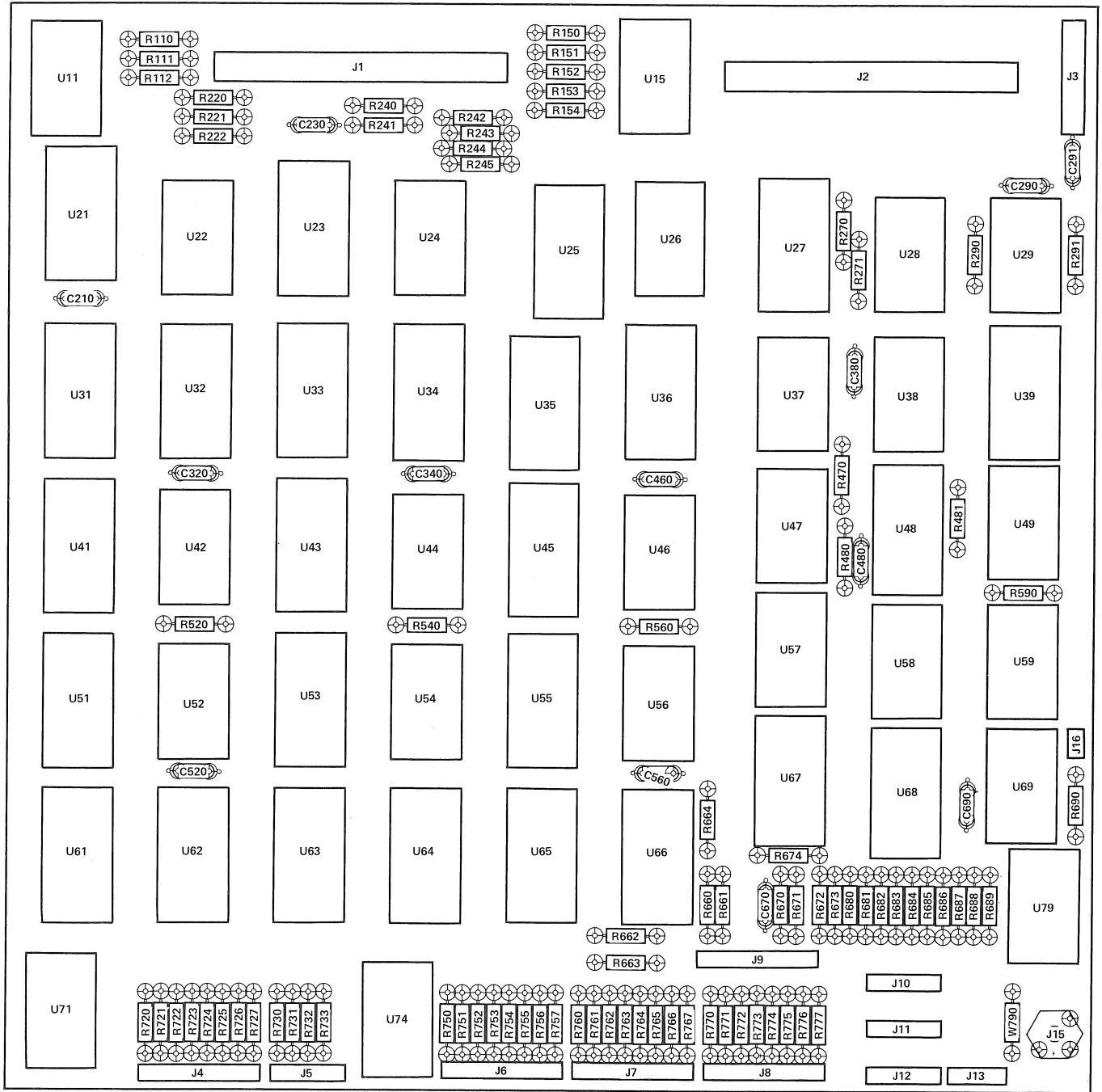
Sample and Hold Voltage



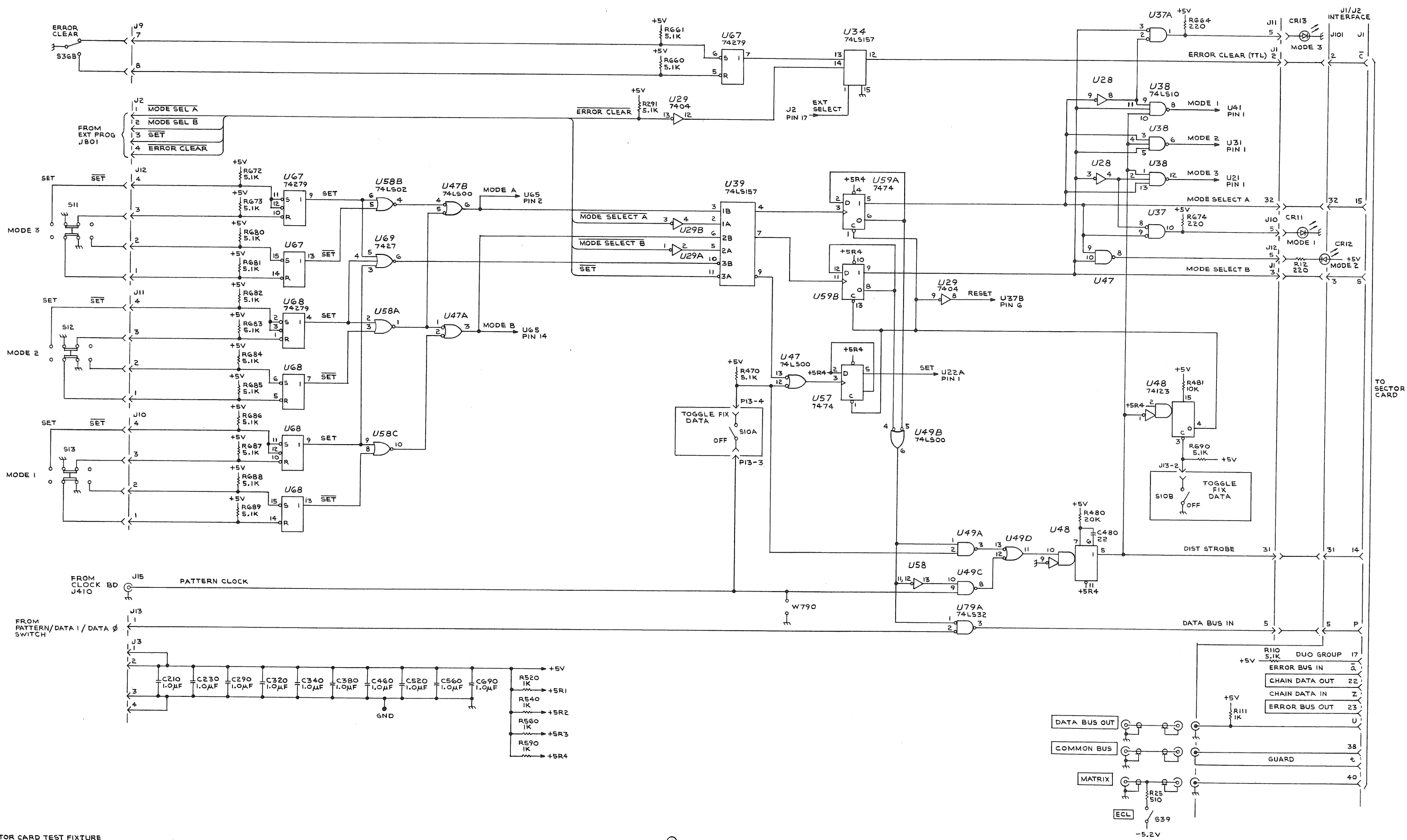
SECTOR CARD TEST FIXTURE  
670-4210-01

@

S-H VOLTAGE BOARD 375  
RDP



Control Board

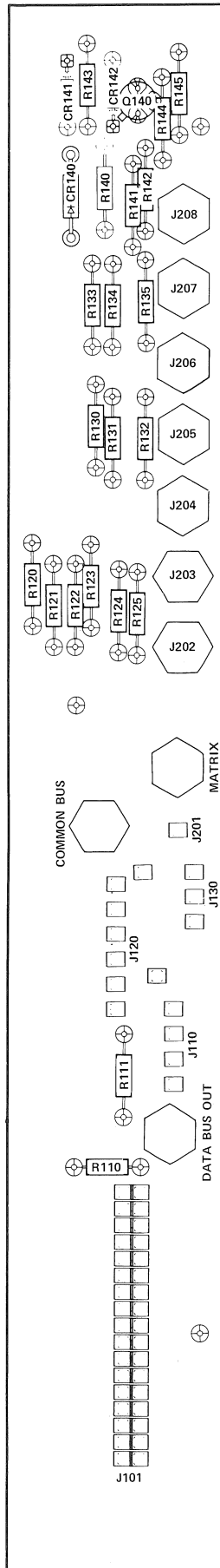


SECTOR CARD TEST FIXTURE  
 SC4642  
 670-4149-00

CONTROL BOARD 175 EKP

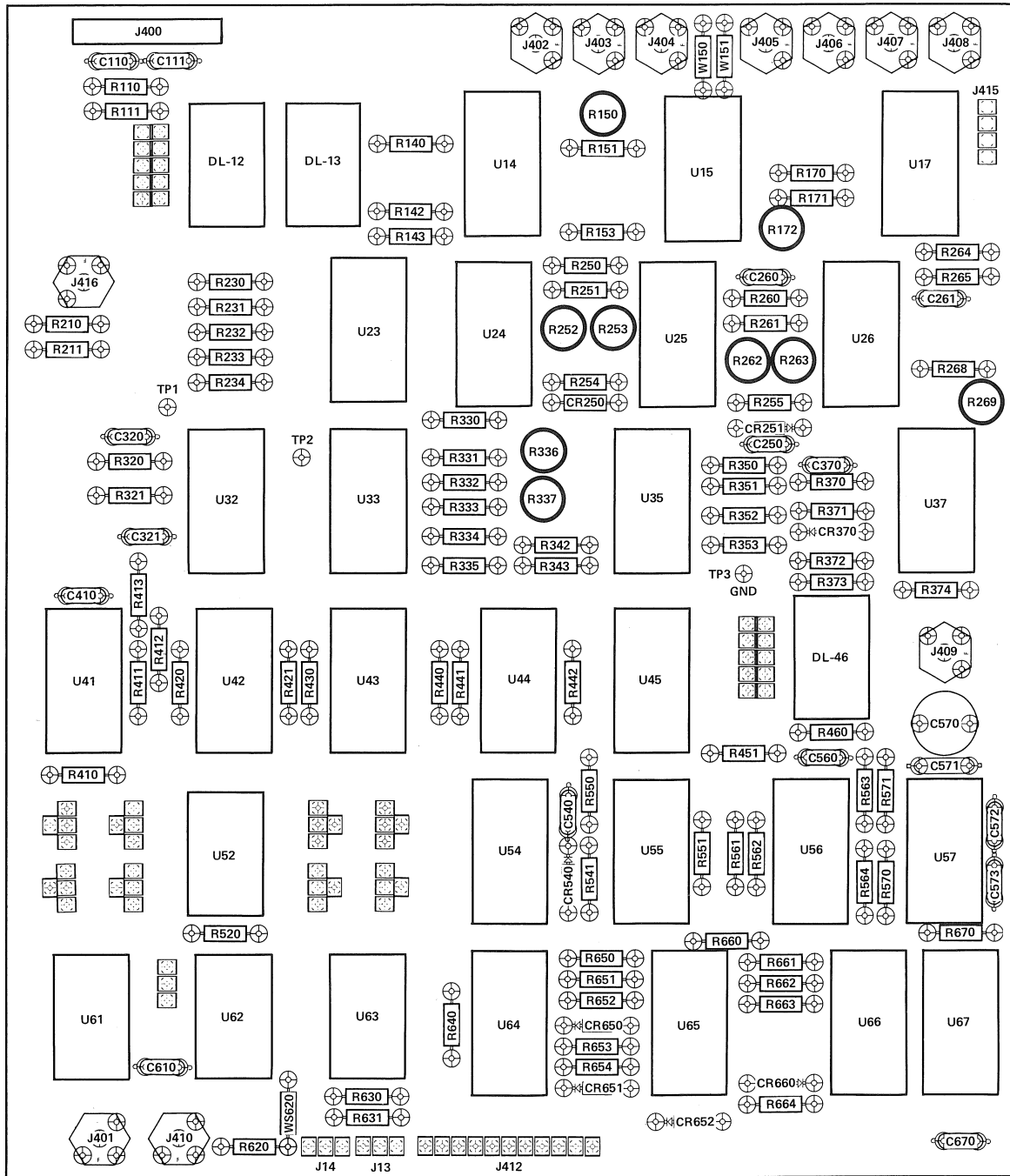
CONTROL BOARD



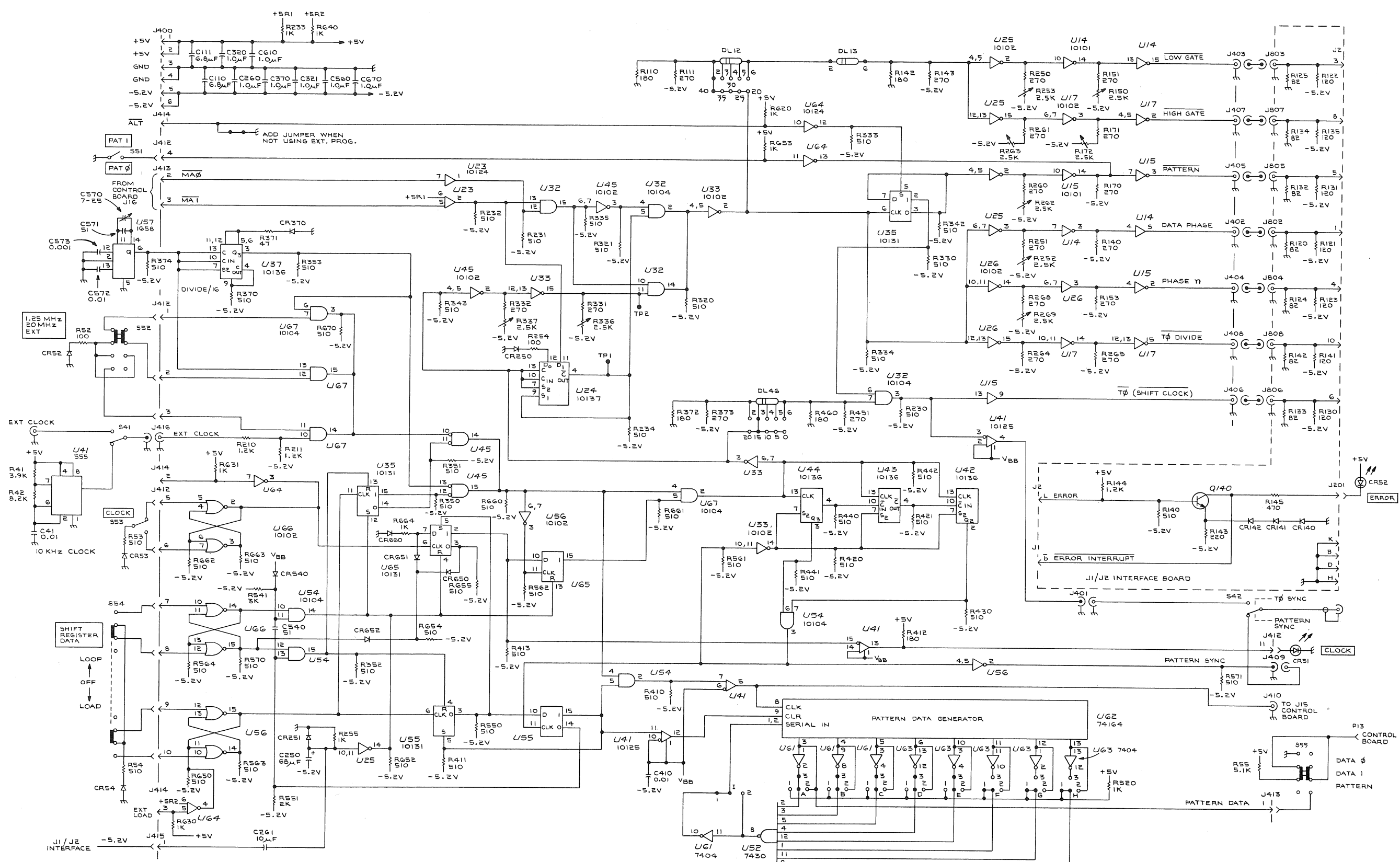


J1 & J2 Interface





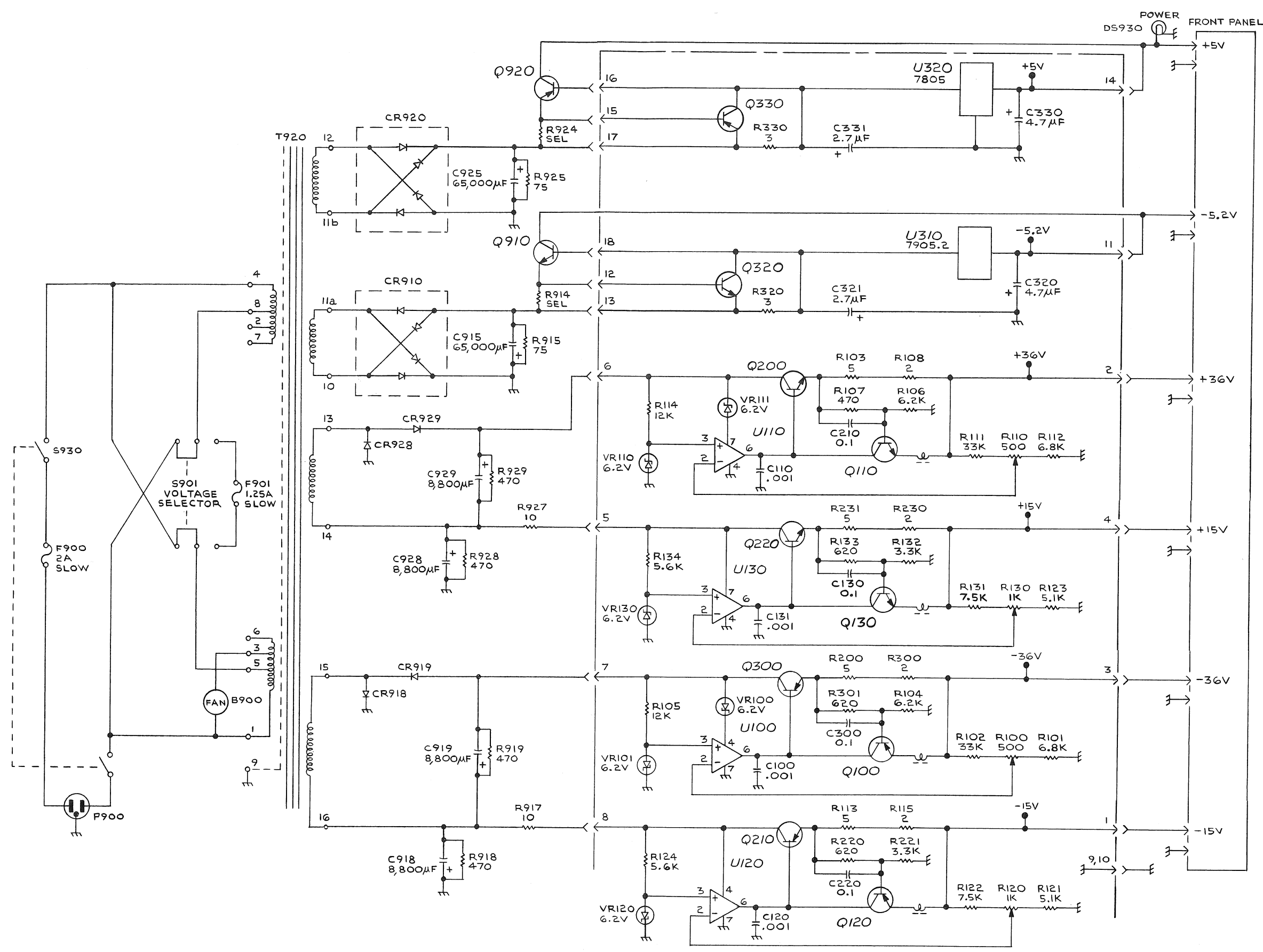
Clock Board

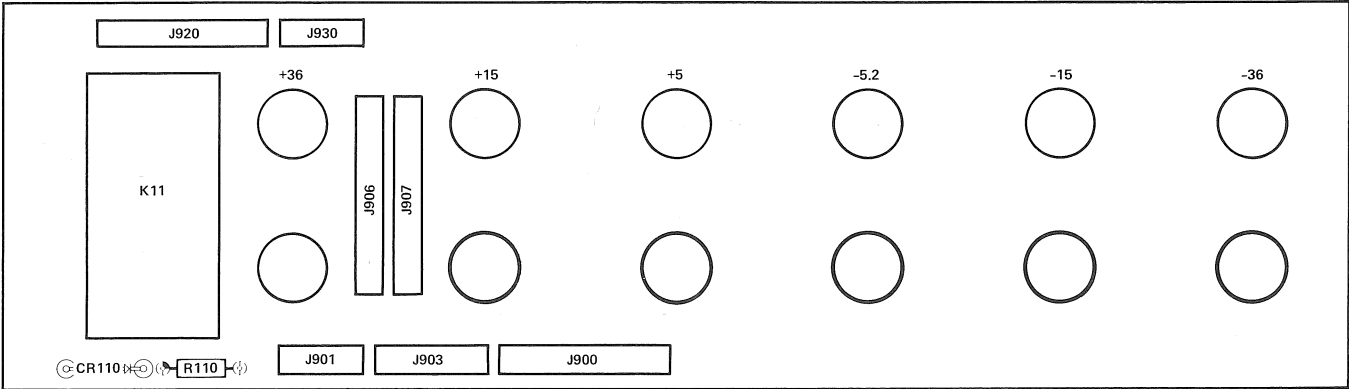


SECTOR CARD TEST FIXTURE  
SA 4695-00

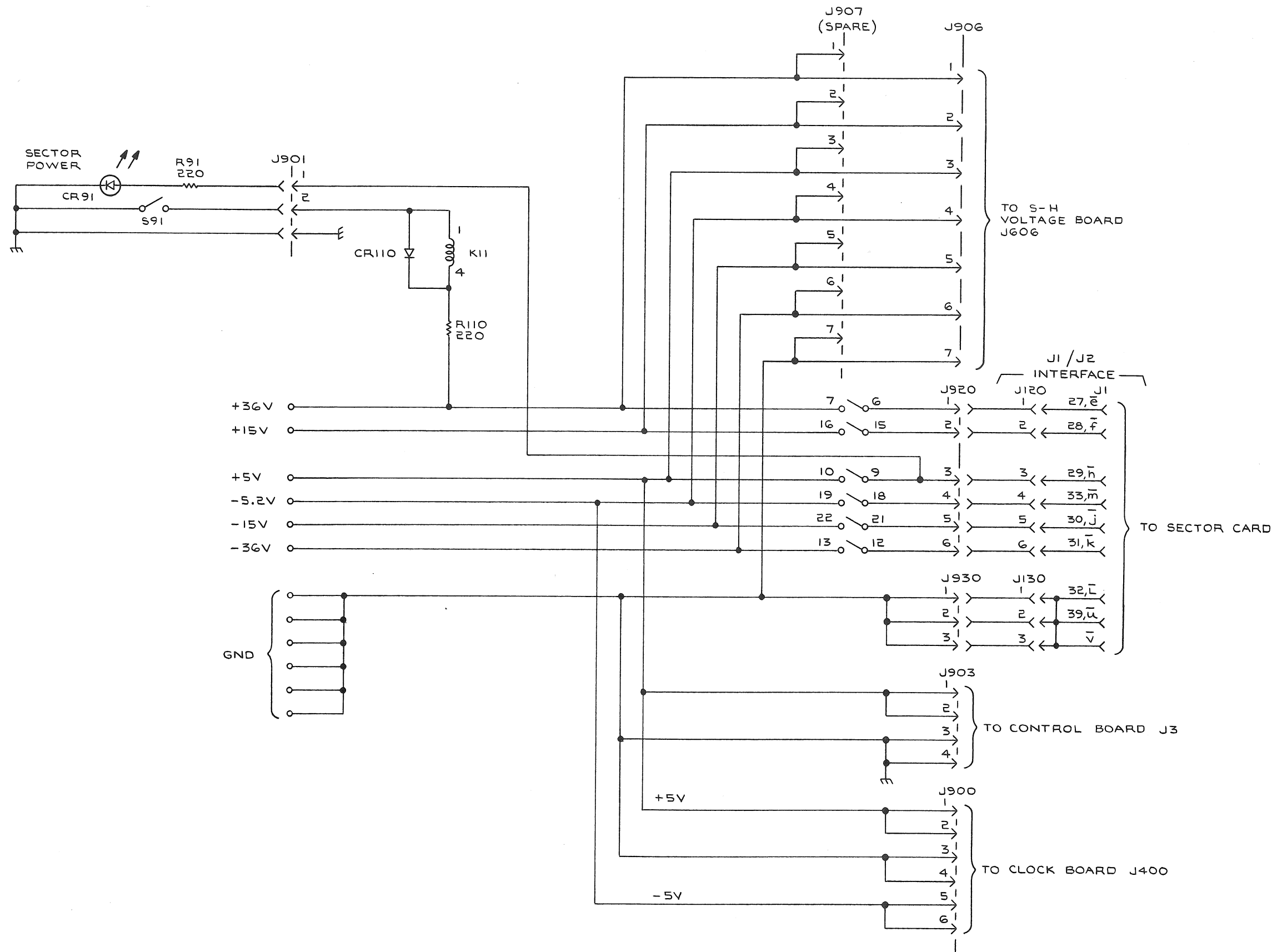
CLOCK 1075 RDP

CLOCK





Power Supply Distribution



POWER SUPPLY DISTRIBUTION

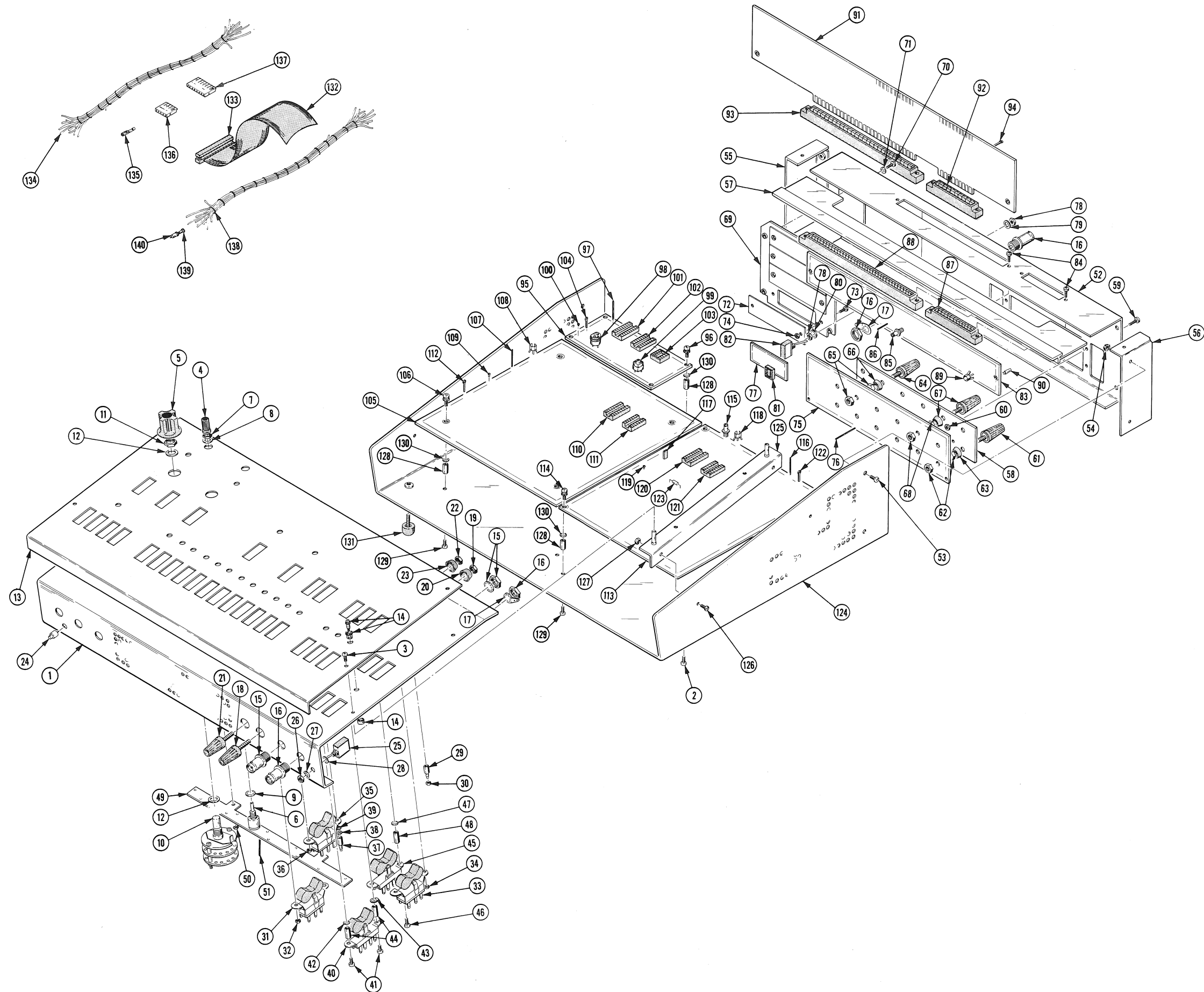
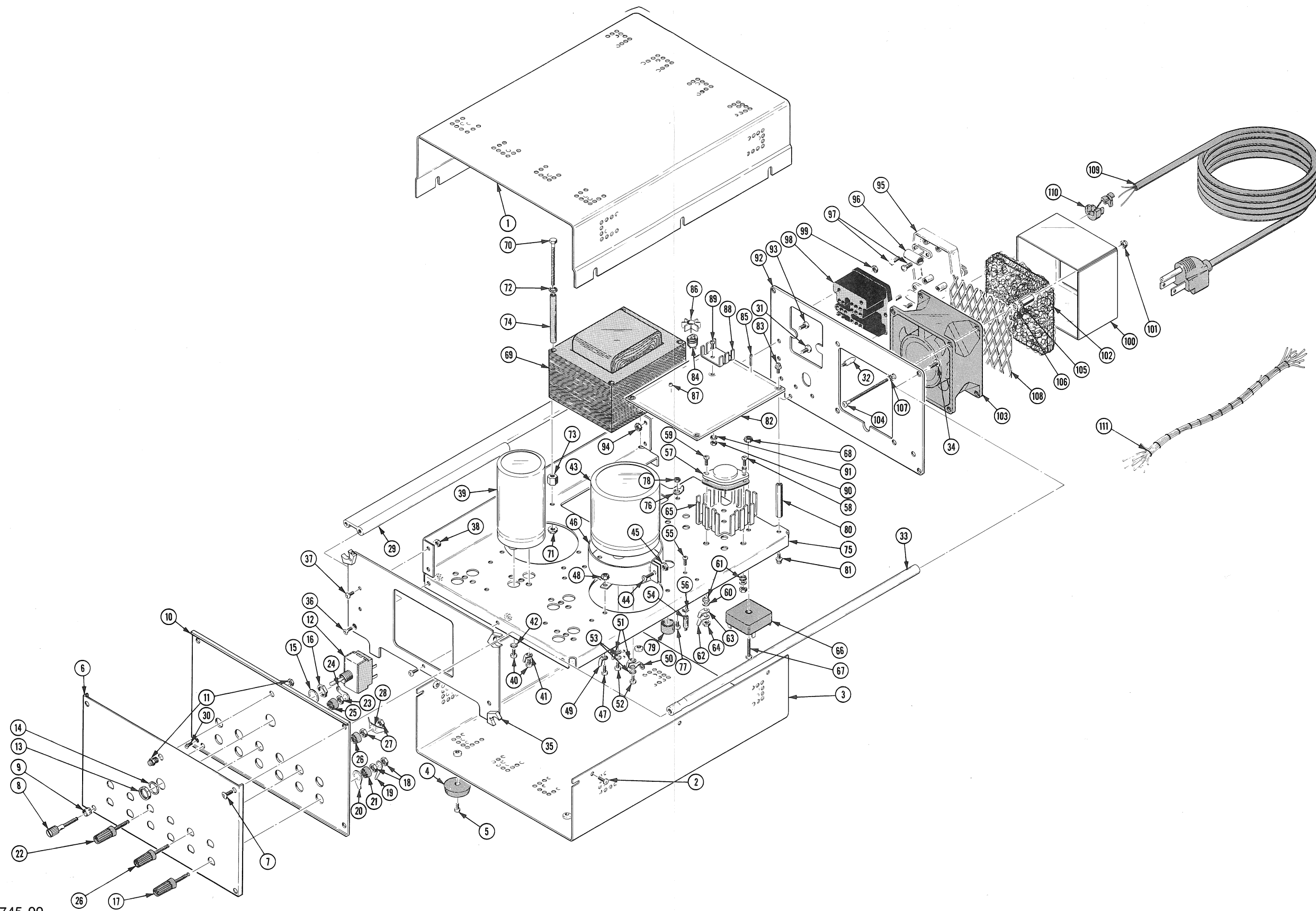


Fig. 1. CAL FIXTURE



Fig. 2. POWER SUPPLY

067-0745-00



## **MANUAL CHANGE INFORMATION**

At Tektronix, we continually strive to keep up with latest electronic developments by adding circuit and component improvements to our instruments as soon as they are developed and tested.

Sometimes, due to printing and shipping requirements, we can't get these changes immediately into printed manuals. Hence, your manual may contain new change information on following pages.

A single change may affect several sections. Since the change information sheets are carried in the manual until all changes are permanently entered, some duplication may occur. If no such change pages appear following this page, your manual is correct as printed.

## **SERVICE NOTE**

Because of the universal parts procurement problem, some electrical parts in your instrument may be different from those described in the Replaceable Electrical Parts List. The parts used will in no way alter or compromise the performance or reliability of this instrument. They are installed when necessary to ensure prompt delivery to the customer. Order replacement parts from the Replaceable Electrical Parts List.

# CALIBRATION TEST EQUIPMENT REPLACEMENT

## Calibration Test Equipment Chart

This chart compares TM 500 product performance to that of older Tektronix equipment. Only those characteristics where significant specification differences occur, are listed. In some cases the new instrument may not be a total functional replacement. Additional support instrumentation may be needed or a change in calibration procedure may be necessary.

### Comparison of Main Characteristics

|                                                   |                                                                                                                                                                                             |                                                                                                                                                                                                                                                                                                               |
|---------------------------------------------------|---------------------------------------------------------------------------------------------------------------------------------------------------------------------------------------------|---------------------------------------------------------------------------------------------------------------------------------------------------------------------------------------------------------------------------------------------------------------------------------------------------------------|
| DM 501 replaces 7D13                              |                                                                                                                                                                                             |                                                                                                                                                                                                                                                                                                               |
| PG 501 replaces 107                               | PG 501 - Risetime less than 3.5 ns into 50 $\Omega$ .                                                                                                                                       | 107 - Risetime less than 3.0 ns into 50 $\Omega$ .                                                                                                                                                                                                                                                            |
| 108                                               | PG 501 - 5 V output pulse; 3.5 ns Risetime.                                                                                                                                                 | 108 - 10 V output pulse; 1 ns Risetime.                                                                                                                                                                                                                                                                       |
| 111                                               | PG 501 - Risetime less than 3.5 ns; 8 ns Pretrigger pulse delay.                                                                                                                            | 111 - Risetime 0.5 ns; 30 to 250 ns Pretrigger Pulse delay.                                                                                                                                                                                                                                                   |
| 114                                               | PG 501 - $\pm 5$ V output.                                                                                                                                                                  | 114 - $\pm 10$ V output. Short proof output.                                                                                                                                                                                                                                                                  |
| 115                                               | PG 501 - Does not have Paired, Burst, Gated, or Delayed pulse mode; $\pm 5$ V dc Offset. Has $\pm 5$ V output.                                                                              | 115 - Paired, Burst, Gated, and Delayed pulse mode; $\pm 10$ V output. Short-proof output.                                                                                                                                                                                                                    |
| PG 502 replaces 107                               |                                                                                                                                                                                             |                                                                                                                                                                                                                                                                                                               |
| 108                                               | PG 502 - 5 V output                                                                                                                                                                         | 108 - 10 V output.                                                                                                                                                                                                                                                                                            |
| 111                                               | PG 502 - Risetime less than 1 ns; 10 ns Pretrigger pulse delay.                                                                                                                             | 111 - Risetime 0.5 ns; 30 to 250 ns Pretrigger pulse delay.                                                                                                                                                                                                                                                   |
| 114                                               | PG 502 - $\pm 5$ V output                                                                                                                                                                   | 114 - $\pm 10$ V output. Short proof output.                                                                                                                                                                                                                                                                  |
| 115                                               | PG 502 - Does not have Paired, Burst, Gated, Delayed & Undelayed pulse mode; Has $\pm 5$ V output.                                                                                          | 115 - Paired, Burst, Gated, Delayed & Undelayed pulse mode; $\pm 10$ V output. Short-proof output.                                                                                                                                                                                                            |
| 2101                                              | PG 502 - Does not have Paired or Delayed pulse. Has $\pm 5$ V output.                                                                                                                       | 2101 - Paired and Delayed pulse; 10 V output.                                                                                                                                                                                                                                                                 |
| PG 506 replaces 106                               | PG 506 - Positive-going trigger output signal at least 1 V; High Amplitude output, 60 V.                                                                                                    | 106 - Positive and Negative-going trigger output signal, 50 ns and 1 V; High Amplitude output, 100 V.                                                                                                                                                                                                         |
| 067-0502-01                                       | PG 506 - Does not have chopped feature.                                                                                                                                                     | 0502-01 - Comparator output can be alternately chopped to a reference voltage.                                                                                                                                                                                                                                |
| SG 503 replaces 190, 190A, 190B, 191, 067-0532-01 | SG 503 - Amplitude range 5 mV to 5.5 V p-p.<br>SG 503 - Frequency range 250 kHz to 250 MHz.<br>SG 503 - Frequency range 250 kHz to 250 MHz.                                                 | 190B - Amplitude range 40 mV to 10 V p-p.<br>191 - Frequency range 350 kHz to 100 MHz.<br>0532-01 - Frequency range 65 MHz to 500 MHz.                                                                                                                                                                        |
| TG 501 replaces 180, 180A                         | TG 501 - Marker outputs, 5 sec to 1 ns. Sinewave available at 5, 2, and 1 ns. Trigger output - slaved to marker output from 5 sec through 100 ns. One time-mark can be generated at a time. | 180A - Marker outputs, 5 sec to 1 $\mu$ s. Sinewave available at 20, 10, and 2 ns. Trigger pulses 1, 10, 100 Hz; 1, 10, and 100 kHz. Multiple time-marks can be generated simultaneously.                                                                                                                     |
| 181                                               | TG 501 - Marker outputs, 5 sec to 1 ns. Sinewave available at 5, 2, and 1 ns.                                                                                                               | 181 - Marker outputs, 1, 10, 100, 1000, and 10,000 $\mu$ s, plus 10 ns sinewave.                                                                                                                                                                                                                              |
| 184                                               | TG 501 - Marker outputs, 5 sec to 1 ns. Sinewave available at 5, 2, and 1 ns. Trigger output - slaved to marker output from 5 sec through 100 ns. One time-mark can be generated at a time. | 184 - Marker outputs, 5 sec to 2 ns. Sinewave available at 50, 20, 10, 5, and 2 ns. Separate trigger pulses of 1 and .1 sec; 10, 1, and .1 ms; 10 and 1 $\mu$ s. Marker amplifier provides positive or negative time marks of 25 V min. Marker intervals of 1 and .1 sec; 10, 1, and .1 ms; 10 and 1 $\mu$ s. |
| 2901                                              | TG 501 - Marker outputs, 5 sec to 1 ns. Sinewave available at 5, 2, and 1 ns. Trigger output - slaved to marker output from 5 sec through 100 ns. One time-mark can be generated at a time. | 2901 - Marker outputs, 5 sec to 0.1 $\mu$ s. Sinewave available to 50, 10, and 5 ns. Separate trigger pulses, from 5 sec to 0.1 $\mu$ s. Multiple time-marks can be generated simultaneously.                                                                                                                 |

**NOTE: All TM 500 generator outputs are short-proof. All TM 500 plug-in instruments require TM 500-Series Power Module.**