

11401 and 11402

Digitizing Oscilloscopes

Extended Service Manual Volume 2

WARNING

The following servicing instructions are for use by qualified personnel only. To avoid personal injury, do not perform any servicing unless you are qualified to do so. Refer to the Safety Summary prior to performing any service.

Please check for CHANGE INFORMATION at the rear of this manual.

Serial Number _____

Scans By *Artek Media*

Artek Media
1042 Plummer Cir. SW
Rochester, MN 55902

www.artekmedia.com

“High resolution scans of obsolete technical manuals”

If you are looking for a quality scanned technical manual in PDF format please visit our WEB site at www.artekmedia.com or drop us an email at manuals@artekmedia.com and we will be happy to email you a current list of the manuals we have available.

If you don't see the manual you need on the list drop us a line anyway we may still be able to point you to other sources. If you have an existing manual you would like scanned please write for details, This can often be done very reasonably in consideration for adding your manual to our library.

Typically the scans in our manuals are done as follows;

- 1) Typed text pages are typically scanned in black and white at 300 dpi.
- 2) Photo pages are typically scanned in gray scale mode at 600 dpi
- 3) Schematic diagram pages are typically scanned in black and white at 600 dpi unless the original manual had colored high lighting (as is the case for some 70's vintage Tektronix manuals).

If you purchased this manual from us (typically through our Ebay name of ArtekMedia) thank you very much. If you received this from a well-meaning “friend” for free we would appreciate your treating this much like you would “share ware”. By that we mean a donation of at least \$5-10 per manual is appreciated in recognition of the time (a manual can take as much as 40 hours to reproduce, book, link etc.), energy and quality of effort that went into preserving this manual. Donations via PayPal go to: manuals@artekmedia.com or can be mailed to us the address above.

Thanks




Dave & Lynn Henderson
Artek Media

INSTRUMENT SERIAL NUMBERS

Each instrument has a serial number on a panel insert, tag, or stamped on the chassis. The first number or letter designates the country of manufacture. The last five digits of the serial number are assigned sequentially and are unique to each instrument. Those manufactured in the United States have six unique digits. The country of manufacture is identified as follows:

B000000	Tektronix, Inc. Beaverton, Oregon, USA
100000	Tektronix Guernsey, Ltd., Channel Islands
200000	Tektronix United Kingdom, Ltd., London
300000	Sony/Tektronix, Japan
700000	Tektronix Holland, NV, Heerenveen, The Netherlands

Tektronix, Inc., P.O. Box 500, Beaverton, OR 97077

Copyright © Tektronix, Inc., 1988. All rights reserved. Tektronix products are covered by U.S. and foreign patents, issued and pending. TEKTRONIX, TEK., SCOPEMOBILE and  are registered trademarks.

Printed in U.S.A.

Contents

Section 5—Electrical Parts

Electrical Parts List

Section 6—Schematic Diagrams and Circuit Board Illustrations

Group 1 External Control

Group 2 Digitizer

Group 3 Executive

Group 4 Display

Group 5 Power

Section 7—Mechanical Parts

Mechanical Parts List and Exploded View Drawings

Change Information

Related Documentation

The Mechanical Parts List at the rear of this manual lists the Tektronix part numbers for all Standard and Optional Accessories provided with this product.

Manuals (Standard Accessories)

Introduction to the 11401 and 11402 Digitizing Oscilloscopes

11401 and 11402 User Reference Manual

11401 and 11402 Operators Manual

11401 and 11402 Functional Test

Option 1R Rackmounting Instructions

Safety Summary

The general safety information in this part of the summary is for both operating and servicing personnel. Specific warnings and cautions will be found throughout the manual where they apply, but may not appear in this summary.

Terms

In This Manual

CAUTION statements identify conditions or practices that could result in damage to the equipment or other property.

WARNING statements identify conditions or practices that could result in personal injury or loss of life.


As Marked On Equipment


CAUTION indicates a personal injury hazard not immediately accessible as one reads the marking, or a hazard to property including the equipment itself.

DANGER indicates a personal injury hazard immediately accessible as one reads the marking.


Symbols


In This Manual

 Static-Sensitive Devices.

 This symbol indicates where applicable cautionary or other information is to be found.

As Marked On Equipment

 DANGER—High voltage.

 Protective ground (earth) terminal.

 ATTENTION—refer to manual.

Warnings

Power Source

This product is intended to operate from a power source that will not apply more than 250 volts rms between the supply conductors or between either supply conductor and ground. A protective ground connection, by way of the grounding conductor in the power cord, is essential for safe operation.

Use the Proper Power Cord

Use only the power cord and connector specified for your product. Use only a power cord that is in good condition.

Grounding the Product

This product is grounded through the grounding conductor of the mainframe power cord. To avoid electric shock, plug the power cord into a properly wired receptacle before connecting to the product input or output terminals. A protective-ground connection, by way of the grounding conductor in the power cord, is essential for safe operation.

Danger Arising From Loss of Ground

Upon loss of the protective-ground connection, all accessible conductive parts (including knobs and controls that may appear to be insulating), can render an electric shock.

Use the Proper Fuse

To avoid fire hazard, use only the fuse specified in the parts list for your product, and which is identical in type, voltage rating, and current rating.

Do Not Operate in Explosive Atmospheres

To avoid explosion, do not operate this product in an atmosphere of explosive gasses unless it has been specifically certified for such operation.

Do Not Service Alone

Do not perform internal service or adjustment of this product unless another person capable of rendering first aid and resuscitation is present.

Use Care When Servicing with Power On

Dangerous voltages exist at several points in this product. To avoid personal injury, do not touch exposed connections and components while power is on.

Disconnect power before removing protective panels, soldering, or replacing components.

Crt Handling

Use care when handling a crt. Breakage of the crt causes a high-velocity scattering of glass fragments (implosion). Protective clothing and safety glasses should be worn. Avoid striking the crt on any object which might cause it to crack or implode. When storing a crt, place it in a protective carton or set it face down in a protected location on a smooth surface with a soft mat under the faceplate.

Silicone Grease Handling

Handle silicone grease with care. Avoid getting the silicone grease in your eyes. Wash hands thoroughly after using silicone grease.

REPLACEABLE ELECTRICAL PARTS

PARTS ORDERING INFORMATION

Replacement parts are available from or through your local Tektronix, Inc. Field Office or representative.

Changes to Tektronix instruments are sometimes made to accommodate improved components as they become available, and to give you the benefit of the latest circuit improvements developed in our engineering department. It is therefore important, when ordering parts, to include the following information in your order: Part number, instrument type or number, serial number, and modification number if applicable.

If a part you have ordered has been replaced with a new or improved part, your local Tektronix, Inc. Field Office or representative will contact you concerning any change in part number.

Change information, if any, is located at the rear of this manual.

LIST OF ASSEMBLIES

A list of assemblies can be found at the beginning of the Electrical Parts List. The assemblies are listed in numerical order. When the complete component number of a part is known, this list will identify the assembly in which the part is located.

CROSS INDEX-MFR. CODE NUMBER TO MANUFACTURER

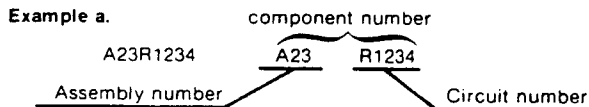
The Mfr. Code Number to Manufacturer index for the Electrical Parts List is located immediately after this page. The Cross Index provides codes, names and addresses of manufacturers of components listed in the Electrical Parts List.

ABBREVIATIONS

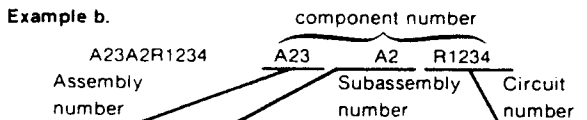
Abbreviations conform to American National Standard Y1.1.

COMPONENT NUMBER (column one of the Electrical Parts List)

A numbering method has been used to identify assemblies, subassemblies and parts. Examples of this numbering method and typical expansions are illustrated by the following:



Read: Resistor 1234 of Assembly 23



Read: Resistor 1234 of Subassembly 2 of Assembly 23

Only the circuit number will appear on the diagrams and circuit board illustrations. Each diagram and circuit board illustration is clearly marked with the assembly number. Assembly numbers are also marked on the mechanical exploded views located in the Mechanical Parts List. The component number is obtained by adding the assembly number prefix to the circuit number.

The Electrical Parts List is divided and arranged by assemblies in numerical sequence (e.g., assembly A1 with its subassemblies and parts, precedes assembly A2 with its subassemblies and parts).

Chassis-mounted parts have no assembly number prefix and are located at the end of the Electrical Parts List.

TEKTRONIX PART NO. (column two of the Electrical Parts List)

Indicates part number to be used when ordering replacement part from Tektronix.

SERIAL/MODEL NO. (columns three and four of the Electrical Parts List)

Column three (3) indicates the serial number at which the part was first used. Column four (4) indicates the serial number at which the part was removed. No serial number entered indicates part is good for all serial numbers.

NAME & DESCRIPTION (column five of the Electrical Parts List)

In the Parts List, an Item Name is separated from the description by a colon (:). Because of space limitations, an Item Name may sometimes appear as incomplete. For further Item Name identification, the U.S. Federal Cataloging Handbook H6-1 can be utilized where possible.

MFR. CODE (column six of the Electrical Parts List)

Indicates the code number of the actual manufacturer of the part. (Code to name and address cross reference can be found immediately after this page.)

MFR. PART NUMBER (column seven of the Electrical Parts List)

Indicates actual manufacturers part number.

CROSS INDEX - MFR. CODE NUMBER TO MANUFACTURER

Mfr. Code	Manufacturer	Address	City, State, Zip Code
00213	NYTRONICS COMPONENTS GROUP INC SUBSIDIARY OF NYTRONICS INC	ORANGE ST	DARLINGTON SC 29532
00779	AMP INC	2800 FULLING MILL PO BOX 3608	HARRISBURG PA 17105
00853	SANGAMO WESTON INC COMPONENTS DIV	SANGAMO RD PO BOX 128	PICKENS SC 29671-9716
01121	ALLEN-BRADLEY CO	1201 S 2ND ST	MILWAUKEE WI 53204-2410
01295	TEXAS INSTRUMENTS INC SEMICONDUCTOR GROUP	13500 N CENTRAL EXPY PO BOX 655012	DALLAS TX 75265
01537	MOTOROLA COMMUNICATIONS AND ELECTRONICS INC	2553 N EDGINGTON ST	FRANKLIN PARK IL 60131-3401
01961	VARIAN ASSOCIATES INC PULSE ENGINEERING SUBSIDIARY	7250 CONVOY CT P O BOX 12235	SAN DIEGO CA 92112
02113	COILCRAFT INC	1102 SILVER LAKE RD	CARY IL 60013-1658
02114	AMPEREX ELECTRONIC CORP FERROXCUBE DIV	5083 KINGS HWY	SAUGERTIES NY 12477
02735	RCA CORP SOLID STATE DIVISION	ROUTE 202	SOMERVILLE NJ 08876
03508	GENERAL ELECTRIC CO SEMI-CONDUCTOR PRODUCTS DEPT	W GENESEE ST	AUBURN NY 13021
03888	PYROFILM DIV DIV OF KDI ELECTRONICS INC	60 S JEFFERSON RD	WHIPPANY NJ 07981-1001
04099	CAPCO INC	1328 WINTERS AVE PO BOX 1028	GRAND JUNCTION CO 81502
04222	AVX CERAMICS DIV OF AVX CORP	19TH AVE SOUTH P O BOX 867	MYRTLE BEACH SC 29577
04426	LICON DIV OF ILLINOIS TOOL WORKS INC	6615 W IRVING PARK RD	CHICAGO IL 60634-2410
04713	MOTOROLA INC SEMICONDUCTOR PRODUCTS SECTOR	5005 E MCDOWELL RD	PHOENIX AZ 85008-4229
05397	UNION CARBIDE CORP MATERIALS SYSTEMS DIV	11901 MADISON AVE	CLEVELAND OH 44101
05828	GENERAL INSTRUMENT CORP GOVERNMENT SYSTEMS DIV	600 W JOHN ST	HICKSVILLE NY 11802
06665	PRECISION MONOLITHICS INC SUB OF BOURNS INC	1500 SPACE PARK DR	SANTA CLARA CA 95050
07263	FAIRCHILD SEMICONDUCTOR CORP NORTH AMERICAN SALES SUB OF SCHLUMBERGER LTD MS 118	10400 RIDGEVIEW CT	CUPERTINO CA 95014
07716	TRW INC TRW IRC FIXED RESISTORS/BURLINGTON	2850 MT PLEASANT AVE	BURLINGTON IA 52601
09922	BURNDY CORP	RICHARDS AVE	NORWALK CT 06852
11236	CTS CORP BERNE DIV THICK FILM PRODUCTS GROUP	406 PARR ROAD	BERNE IN 46711-9506
12954	MICROSEMI CORP - SCOTTSDALE	8700 E THOMAS RD P O BOX 1390	SCOTTSDALE AZ 85252
12969	UNITRODE CORP	5 FORBES RD	LEXINGTON MA 02173-7305
14193	CAL-R INC	1601 OLYMPIC BLVD PO BOX 1397	SANTA MONICA CA 90406
14301	ANDERSON ELECTRONICS INC	310 PENN ST PO BOX 89	HOLLIDAYSBURG PA 16648-2009
14433	ITT SEMICONDUCTORS DIV		WEST PALM BEACH FL
14752	ELECTRO CUBE INC	1710 S DEL MAR AVE	SAN GABRIEL CA 91776-3825
14936	GENERAL INSTRUMENT CORP DISCRETE SEMI CONDUCTOR DIV	600 W JOHN ST	HICKSVILLE NY 11802
15238	ITT SEMICONDUCTORS A DIVISION OF INTERNATIONAL TELEPHONE AND TELEGRAPH CORP	500 BROADWAY PO BOX 168	LAWRENCE MA 01841-3002
15454	AMETEK INC RODAN DIV	721 N POPLAR ST	ORANGE CA 92668
15636	ELEC-TROL INC	26477 N GOLDEN VALLEY RD	SAUGUS CA 91350-2621
17856	SILICONIX INC	2201 LAURELWOOD RD	SANTA CLARA CA 95054-1516
18324	SIGNETICS CORP MILITARY PRODUCTS DIV	4130 S MARKET COURT	SACRAMENTO CA 95834-1222

CROSS INDEX - MFR. CODE NUMBER TO MANUFACTURER

Mfr. Code	Manufacturer	Address	City, State, Zip Code
19613	MINNESOTA MINING AND MFG CO TEXTTOOL PRODUCTS DEPT ELECTRONIC PRODUCT DIV	1410 E PIONEER DR	IRVING TX 75061-7847
19701	MEPCO/CENTRALAB A NORTH AMERICAN PHILIPS CO MINERAL WELLS AIRPORT	PO BOX 760	MINERAL WELLS TX 76067-0760
20932	KYOCERA INTERNATIONAL INC	11620 SORRENTO VALLEY RD PO BOX 81543 PLANT NO 1	SAN DIEGO CA 92121
20933	KAPPA NETWORKS INC	765 ROOSEVELT AVE	CARTERET NJ 07008
22526	DU PONT E I DE NEMOURS AND CO INC DU PONT CONNECTOR SYSTEMS DIV MILITARY PRODUCTS GROUP	515 FISHING CREEK RD	NEW CUMBERLAND PA 17070-3007
22753	UID SWITCHES INC DIV OF ILLINOIS TOOL WORKS INC	6615 W IRVING PARK RD	CHICAGO IL 60634
24355	ANALOG DEVICES INC	RT 1 INDUSTRIAL PK PO BOX 9106	NORWOOD MA 02062
24546	CORNING GLASS WORKS	550 HIGH ST	BRADFORD PA 16701-3737
25088	SIEMENS CORP	186 WOOD AVE S	ISELIN NJ 08830-2704
25403	AMPEREX ELECTRONIC CORP SEMICONDUCTOR SOLID STATE AND ACTIVE DEVICES-ELECTRO OPTICAL DEVICES	GEORGE WASHINGTON HWY	SMITHFIELD RI 02917
26742	METHODE ELECTRONICS INC BACPLAIN DIVISION	7444 W WILSON AVE	CHICAGO IL 60656
27014	NATIONAL SEMICONDUCTOR CORP	2900 SEMICONDUCTOR DR	SANTA CLARA CA 95051-0606
27264	MOLEX INC	2222 WELLINGTON COURT	LISLE IL 60532-1613
31433	KEMET ELECTRONICS CORP NATIONAL SALES HEADQUARTERS	PO BOX 5928	GREENVILLE SC 29606
31918	ITT SCHADOW INC	8081 WALLACE RD	EDEN PRAIRIE MN 55344-2224
32293	INTERSIL INC SUB OF GENERAL ELECTRIC CO	10600 RIDGEVIEW COURT	CUPERTINO CA 95014-0704
32997	BOURNS INC TRIMPOT DIV	1200 COLUMBIA AVE	RIVERSIDE CA 92507-2114
33096	COLORADO CRYSTAL CORP	2303 W 8TH ST	LOVELAND CO 80537-5268
33297	NEC ELECTRONICS USA INC ELECTRONICS ARRAYS DIV	550 E MIDDLEFIELD RD	MOUNTAIN VIEW CA 94043-4408
34335	ADVANCED MICRO DEVICES	901 THOMPSON PL	SUNNYVALE CA 94086-4518
34479	RENCO CORP	26 COROMAR DRIVE	GOLETA CA 93117-3024
34576	ROCKWELL INTERNATIONAL CORP SEMICONDUCTOR PRODUCTS DIV	4311 JAMBOREE RD PO BOX C	NEWPORT BEACH CA 92660-3007
34649	INTEL CORP SALES OFFICE /ST4-2/	3065 BOWERS AVE	SANTA CLARA CA 95051
34707	HYCOMP INC	165 CEDAR HILL ST	MARLBOROUGH MA 01752
34899	FAIR-RITE PRODUCTS CORP	1 COMMERCIAL ROW	WALLKILL NY 12589
50101	FREQUENCY SOURCES INC SEMICONDUCTOR DIV SUB OF LORAL CORP	16 MAPLE RD	CHELMSFORD MA 01824-3737
50434	HEWLETT-PACKARD CO OPTOELECTRONICS DIV	370 W TRIMBLE RD	SAN JOSE CA 95131
50558	ELECTRONIC CONCEPTS INC	526 INDUSTRIAL WAY W	EATONTOWN NJ 07724-2212
50783	PENN-TRAN CORP	ROUTE 144 NORTH PO BOX 1321	WINGATE PA 16880
51406	MURATA ERIE NORTH AMERICA INC HEADQUARTERS AND GEORGIA OPERATIONS	2200 LAKE PARK DR	SMYRNA GA 30080
51984	NEC AMERICA INC	2741 PROSPERITY AVE	FAIRFAX VA 22031-4308
53387	MINNESOTA MINING AND MFG CO ELECTRONIC PRODUCTS DIV	3M CENTER	ST PAUL MN 55101-1428
54473	MATSUSHITA ELECTRIC CORP OF AMERICA	ONE PANASONIC WAY PO BOX 1501	SECAUCUS NJ 07094-2917
54583	TDK ELECTRONICS CORP	12 HARBOR PARK DR	PORT WASHINGTON NY 11550
54937	DEYOUNG MANUFACTURING INC	12920 NE 125TH WAY	KIRKLAND WA 98034-7716
55112	WESTLAKE CAPACITORS INC	5334 STERLING CENTER DRIVE	WESTLAKE VILLAGE CA 91361
55680	NICHICON /AMERICA/ CORP	927 E STATE PKY	SCHAUMBURG IL 60195-4526
56289	SPRAGUE ELECTRIC CO WORLD HEADQUARTERS	92 HAYDEN AVE	LEXINGTON MA 02173-7929
57027	INTERNATIONAL RESISTIVE PRODUCTS INC	4222 S STAPLES	CORPUS CHRISTI TX 78411-2702

CROSS INDEX - MFR. CODE NUMBER TO MANUFACTURER

Mfr. Code	Manufacturer	Address	City, State, Zip Code
57668	ROHM CORP	8 WHATNEY PO BOX 19515	IRVINE CA 92713
58224	XENELL CORP	11 DUMBARTON RD PO BOX 4401	CHERRY HILL NJ 08003-2107
59660	TUSONIX INC	7741 N BUSINESS PARK DR PO BOX 37144	TUCSON AZ 85740-7144
59821	MEPCO/CENTRALAB	7158 MERCHANT AVE	EL PASO TX 79915-1207
61058	A NORTH AMERICAN PHILIPS CO MATSUSHITA ELECTRIC CORP OF AMERICA	ONE PANASONIC WAY PO BOX 1502	SECAUCUS NJ 07094-2917
61429	PANASONIC INDUSTRIAL CO DIV FOX ELECTRONICS FOX ENTERPRISES INC	PO BOX 1078	CAPE CORAL FL 33910-1078
65786	CYPRESS SEMICONDUCTOR CORP	3901 N 1ST ST	SAN JOSE CA 95134-1506
71400	BUSSMANN	114 OLD STATE RD PO BOX 14460	ST LOUIS MO 63178
71590	DIV OF COOPER INDUSTRIES INC MEPCO/CENTRALAB INC	HWY 20 W PO BOX 858	FORT DODGE IA 50501
72982	A NORTH AMERICAN PHILIPS CO ERIE SPECIALTY PRODUCTS INC	645 W 11TH ST	ERIE PA 16512
74970	JOHNSON E F CO	299 10TH AVE S W	WASECA MN 56093-2539
75042	IRC ELECTRONIC COMPONENTS PHILADELPHIA DIV	401 N BROAD ST	PHILADELPHIA PA 19108-1001
75378	TRW FIXED RESISTORS CTS KNIGHTS INC	400 REIMANN AVE	SANDWICH IL 60548-1846
75498	MULTICOMP INC	3005 SW 154TH TERRACE #3	BEAVERTON OR 97006
75915	LITTELFUSE INC	800 E NORTHWEST HWY	DES PLAINES IL 60016-3049
76493	SUB TRACOR INC BELL INDUSTRIES INC	19070 REYES AVE PO BOX 5825	COMPTON CA 90224-5825
80009	JW MILLER DIV TEKTRONIX INC	14150 SW KARL BRAUN DR PO BOX 500	BEAVERTON OR 97707-0001
81312	WINCHESTER ELECTRONICS DIVISION OF LITTON SYSTEMS INC	400 PARK RD	WATERTOWN CT 06795-1612
81483	INTERNATIONAL RECTIFIER	9220 SUNSET BLVD	LOS ANGELES CA 90069-3501
91293	JOHANSON MFG CO	400 ROCKWAY VALLEY RD	BOONTON NJ 07005
91637	DALE ELECTRONICS INC	2064 12TH AVE PO BOX 609	COLUMBUS NE 68601-3632
91925	MICROCIRCUITS CO	RT 1 BOX 518	NEW BUFFALO MI 49117-9801
93410	ESSEX GROUP INC CONTROLS DIV LEXINGTON PLANT	45-55 PLYMOUTH ST P O BOX 1007	LEXINGTON OH 44904
96733	SFE TECHNOLOGIES	1501 FIRST ST	SAN FERNANDO CA 91340-2707
D5243	ROEDERSTEIN E SPEZIALFABRIK FUER KONDENSATOREN GMBN	LUDMILLASTRASSE 23-25	8300 LANDSHUT GERMANY
S4307	SCHAFFNER ELECTRONIK AG		LUTERBACH SWITZERLAND
TK0510	PANASONIC COMPANY DIV OF MATSUSHITA ELECTRIC CORP	ONE PANASONIC WAY	SECAUCUS NJ 07094
TK0515	RIFA INC	403 INTERNATIONAL PKY PO BOX 853904	RICHARDSON TX 75085-3904
TK0961	NEC ELECTRONICS USA INC ELECTRON DIV	401 ELLIS ST PO BOX 7241	MOUNTAIN VIEW CA 94039
TK1066	STAR MICRONICS		
TK1148	ACACIA SALES INC (DIST)	7763 SW CIRRUS DR BLDG 26	BEAVERTON OR 97005-6452
TK1262	MURPHY ELECTRONICS INC (DIST)	14933 NE 40TH ST	REDMOND WA 98052-5326
TK1345	ZMAN AND ASSOCIATES	7633 S 180TH	KENT WA 98032
TK1356	MURATA/ERIE N AMERICA CORP	645 W 11TH AVE	ERIE PA 16512
TK1424	MARCON AMERICA CORP	3 PEARL CT	ALLENDALE NJ 07401
TK1441	GFS MANUFACTURING INC	6 PROGRESS DR PO BOX 1409	DOVER NH 03820
TK1450	TOKYO COSMOS ELECTRIC CO LTD	2-268 SOBUDAI ZAWA	KANAGAWA 228 JAPAN
TK1456	PAPST MECHATRONIC CORP	AQUIDNECK INDUSTRIAL PK	NEWPORT RI 02840
TK1547	MOORE ELECTRONICS INC (DIST)	19500 SW 90TH COURT PO BOX 1030	TUALATIN OR 97062
TK1573	WILHELM WESTERMAN	PO BOX 2345 AUGUSTA-ANLAGE 56	6800 MANNHEIM 1 WEST GERMANY

CROSS INDEX - MFR. CODE NUMBER TO MANUFACTURER

Mfr. Code	Manufacturer	Address	City, State, Zip Code
TK1601	PULSE ENGINEERING INC	2801 MOORPARK AVE SUITE 7	SAN JOSE CA 95128
TK1859	PLETRONICS INC	155 NE 100TH ST SUITE 403	SEATTLE WA 98125
TK1869	ALPS	100 N CNTRE AVE	ROCKVILLE CENTRE NY 11570

Replaceable Electrical Parts
11401 Extended Service Volume 2

Component No.	Tektronix Part No.	Serial/Assembly No. Effective	Discort	Name & Description	Mfr. Code	Mfr. Part No.
A1	670-8852-00			CIRCUIT BD ASSY:PL-IN INTERFACE	80009	670-8852-00
A2	620-0022-00	B010100	B010957	POWER SUPPLY:ET MAINFRAME	80009	620-0022-00
A2	620-0022-01	B010958		POWER SUPPLY:ET,RT,HIRES MAIN FRAMES	80009	620-0022-01
A2A1	670-9326-00	B010100	B010957	CIRCUIT BD ASSY:LINE INVERTER 388-8656-XX	80009	670-9326-00
A2A1	670-9326-01	B010958		CIRCUIT BD ASSY:LINE INVERTER	80009	670-9326-01
A2A2	670-8839-00	B010100	B010670	CIRCUIT BD ASSY:CONTROL RECTIFIER	80009	670-8839-00
A2A2	670-8839-01	B010671	B011031	CIRCUIT BD ASSY:CONTROL RECTIFIER	80009	670-8839-01
A2A2	670-8839-02	B011032		CIRCUIT BD ASSY:CONTROL RECTIFIER	80009	670-8839-02
A4	670-8840-00	B010100	B010977	CIRCUIT BD ASSY:REGULATOR	80009	670-8840-00
A4	670-8840-01	B010978		CIRCUIT BD ASSY:REGULATOR	80009	670-8840-01
A5	670-8850-00	B010100	B010396	CIRCUIT BD ASSY:ACQUISITION	80009	670-8850-00
A5	670-8850-01	B010397	B010490	CIRCUIT BD ASSY:ACQUISITION	80009	670-8850-01
A5	670-8850-02	B010491	B010907	CIRCUIT BD ASSY:ACQUISITION	80009	670-8850-02
A5	670-8850-03	B010908	B021020	CIRCUIT BD ASSY:ACQUISITION	80009	670-8850-03
A5	670-8850-04	B021021		CIRCUIT BD ASSY:ACQUISITION	80009	670-8850-04
A5A19	671-0828-00	B021021		CIRCUIT BD ASSY:TRIGGER ENHANCEMENT	80009	671-0828-00
A6	670-8849-01	B010100	B010624	CIRCUIT BD ASSY:TIMEBASE	80009	670-8849-01
A6	670-8849-02	B010625	B021020	CIRCUIT BD ASSY:TIME BASE	80009	670-8849-02
A6	670-8849-03	B021021		CIRCUIT BD ASSY:TIME BASE	80009	670-8849-03
A7	670-8848-00	B010100	B021020	CIRCUIT BD ASSY:DISPLAY CONTROLLER	80009	670-8848-00
A7	670-8848-01	B021021		CIRCUIT BD ASSY:DISPLAY CONTROLLER	80009	670-8848-01
A8	670-8846-00	B010100	B010412	CIRCUIT BD ASSY:CRT DRIVER	80009	670-8846-00
A8	670-8846-01	B010413	B010670	CIRCUIT BD ASSY:CRT DRIVER	80009	670-8846-01
A8	670-8846-02	B010671	B021020	CIRCUIT BD ASSY:CRT DRIVER	80009	670-8846-02
A8	670-8846-03	B021021		CIRCUIT BD ASSY:CRT DRIVER	80009	670-8846-03
A9	-----			CIRCUIT BD ASSY:TOUCH PANEL (NOT AVAILABLE, ORDER A9)		
A9	614-0727-00	B010100	B010818	PANEL SUBASSY:TOUCH	80009	614-0727-00
A9	614-0727-01	B010819		FRONT PNL ASSY:	80009	614-0727-01
A10	670-8847-00			CIRCUIT BD ASSY:FRONT PANEL CONTROL	80009	670-8847-00
A11	670-9367-00			CIRCUIT BD ASSY:FRONT PANEL BUTTON	80009	670-9367-00
A12	670-8853-00			CIRCUIT BD ASSY:REAR PANEL	80009	670-8853-00
A13	670-8851-00			CIRCUIT BD ASSY:MOTHER	80009	670-8851-00
A14	670-8854-00	B010100	B011007	CIRCUIT BD ASSY:INPUT/OUTPUT	80009	670-8854-00
A14	670-8854-01	B011008		CIRCUIT BD ASSY:INPUT/OUTPUT	80009	670-8854-01
A15	670-8858-00			CIRCUIT BD ASSY:MEMORY MGT UNIT	80009	670-8858-00
A15	670-8858-50			CIRCUIT BD ASSY:MEMORY MGT UNIT (OPTION 2D ONLY)	80009	670-8858-50
A16	670-8859-00			CIRCUIT BD ASSY:COMPRESSOR	80009	670-8859-00
A17	670-8855-00	B010100	B010921	CIRCUIT BD ASSY:MAIN PROCESSOR	80009	670-8855-00
A17	670-8855-01	B010922	B021020	CIRCUIT BD ASSY:MAIN PROCESSOR	80009	670-8855-01
A17	670-8855-02	B021021		CIRCUIT BD ASSY:MAIN PROCESSOR	80009	670-8855-02

Replaceable Electrical Parts
11401 Extended Service Volume 2

Component No.	Tektronix Part No.	Serial/Assembly No. Effective	Dscont	Name & Description	Mfr. Code	Mfr. Part No.
A17	670-8855-50	B010100	B010921	CIRCUIT BD ASSY:MAIN PROCESSOR	80009	670-8855-50
A17	670-8855-51	B010922	B021020	CIRCUIT BD ASSY:MAIN PROCESSOR	80009	670-8855-51
A17	670-8855-52	B021021		CIRCUIT BD ASSY:MAIN PROCESSOR (OPTION 4D ONLY)	80009	670-8855-52
A18	670-8856-00	B010100	B021020	CIRCUIT BD ASSY:MEMORY	80009	670-8856-00
A18	670-8856-01	B021021		CIRCUIT BD ASSY:MEMORY	80009	670-8856-01
A1	670-8852-00			CIRCUIT BD ASSY:PL-IN INTERFACE	80009	670-8852-00
A1C100	281-0913-00			CAP,FXD,CER DI:0.1UF,50V,AXIAL	04222	SA105E104ZAA
A1C101	290-0778-00			CAP,FXD,ELCTLT:1UF,20%,50V,NPLZD	54473	ECE-A50N1
A1C102	290-0778-00			CAP,FXD,ELCTLT:1UF,20%,50V,NPLZD	54473	ECE-A50N1
A1C103	290-0778-00			CAP,FXD,ELCTLT:1UF,20%,50V,NPLZD	54473	ECE-A50N1
A1C104	290-0778-00			CAP,FXD,ELCTLT:1UF,20%,50V,NPLZD	54473	ECE-A50N1
A1C200	281-0913-00			CAP,FXD,CER DI:0.1UF,50V,AXIAL	04222	SA105E104ZAA
A1C201	290-0766-00			CAP,FXD,ELCTLT:2.2UF,+50-10%,160VDC	54473	ECEA2CS2R2
A1C202	290-0766-00			CAP,FXD,ELCTLT:2.2UF,+50-10%,160VDC	54473	ECEA2CS2R2
A1C300	281-0913-00			CAP,FXD,CER DI:0.1UF,50V,AXIAL	04222	SA105E104ZAA
A1J1	131-1003-00			CONN,RCPT,ELEC:CKT BD MT,3 PRONG	80009	131-1003-00
A1J2	131-1003-00			CONN,RCPT,ELEC:CKT BD MT,3 PRONG	80009	131-1003-00
A1J3	131-1003-00			CONN,RCPT,ELEC:CKT BD MT,3 PRONG	80009	131-1003-00
A1J4	131-1003-00			CONN,RCPT,ELEC:CKT BD MT,3 PRONG	80009	131-1003-00
A1J5	131-1003-00			CONN,RCPT,ELEC:CKT BD MT,3 PRONG	80009	131-1003-00
A1J6	131-1003-00			CONN,RCPT,ELEC:CKT BD MT,3 PRONG	80009	131-1003-00
A1J9	131-1003-00			CONN,RCPT,ELEC:CKT BD MT,3 PRONG	80009	131-1003-00
A1J30	131-1003-00			CONN,RCPT,ELEC:CKT BD MT,3 PRONG	80009	131-1003-00
A1J31	131-1003-00			CONN,RCPT,ELEC:CKT BD MT,3 PRONG	80009	131-1003-00
A1J32	131-1003-00			CONN,RCPT,ELEC:CKT BD MT,3 PRONG	80009	131-1003-00
A1J33	131-1003-00			CONN,RCPT,ELEC:CKT BD MT,3 PRONG	80009	131-1003-00
A1J34	131-1003-00			CONN,RCPT,ELEC:CKT BD MT,3 PRONG	80009	131-1003-00
A1J36	131-1003-00			CONN,RCPT,ELEC:CKT BD MT,3 PRONG	80009	131-1003-00
A1J64	175-9800-00			CA ASSY,SP,ELEC:12.0 L	80009	175-9800-00
A1J90	131-3357-00			CONN,RCPT,ELEC:CKT BD,MALE,16 CONT,0.05SP	53387	3916-0000T
A1J91	131-3323-00			CONN,RCPT,ELEC:HEADER,2 X 20,0.1 SPACING	22526	66506-025
A1J92	131-3544-01	B010100	B010688	CONN,RCPT,ELEC:HEADER,2 X 38	80009	131-3544-01
A1J92	131-3544-03	B010689		CONN,RCPT,ELEC:HEADER,2 X 38	80009	131-3544-03
A1J93	131-3544-01	B010100	B010688	CONN,RCPT,ELEC:HEADER,2 X 38	80009	131-3544-01
A1J93	131-3544-03	B010689		CONN,RCPT,ELEC:HEADER,2 X 38	80009	131-3544-03
A1J94	131-3544-00	B010100	B010688	CONN,RCPT,ELEC:HEADER,2 X 38	80009	131-3544-00
A1J94	131-3544-02	B010689		CONN,RCPT,ELEC:HEADER,2 X 38	80009	131-3544-02
A1J95	131-2089-00			TERM SET,QIK DI:15 TERM,14/22 AWG	27264	22-17-2152
A1J96	131-2088-00			CONN,RCPT,ELEC:CKT BD,8 CONTACTS	27264	09-62-3082
A1R100	315-0510-00			RES,FXD,FILM:51 OHM,5%,0.25W	19701	5043CX51R00J
A1R200	315-0510-00			RES,FXD,FILM:51 OHM,5%,0.25W	19701	5043CX51R00J
A1R300	315-0510-00			RES,FXD,FILM:51 OHM,5%,0.25W	19701	5043CX51R00J
A1W90	175-9813-00			CA ASSY,SP,ELEC:16,15.0 L	TK1547	ORDER BY DESCR
A2	620-0022-00	B010100	B010957	POWER SUPPLY:ET MAINFRAME	80009	620-0022-00
A2	620-0022-01	B010958		POWER SUPPLY:ET,RT,HIRES MAIN FRAMES	80009	620-0022-01
A2B50	119-1725-01			FAN,TUBEAXIAL:8 14.5VDC,6W,3200RPM,106CFM	TK1456	4112 KX
A2F99	159-0013-00			FUSE,CARTRIDGE:3AG,6A,250V,MEDIUM BLOW	71400	MTH-CW-6
A2FL99	119-2064-00			FILTER,RFI:6A,115-230V,48-440HZ	S4307	FN322R-6/05
A2J70	175-9856-00			CA ASSY,SP,ELEC:20,28 AWG,3.75 L	80009	175-9856-00
A2J81	175-9915-00			CA ASSY,SP,ELEC:2,22 AWG,4.0 L	80009	175-9915-00
A2R99	302-0105-00			RES,FXD,CMPSPN:1M OHM,10%,0.5W	01121	EB1051

Replaceable Electrical Parts
11401 Extended Service Volume 2

Component No.	Tektronix Part No.	Serial/Assembly No. Effective	Dscont	Name & Description	Mfr. Code	Mfr. Part No.
A2W96	196-3072-00			LEAD, ELECTRICAL: 18 AWG, 2.0 L, 9-N	80009	196-3072-00
A2W97	196-3071-00			LEAD, ELECTRICAL: 18 AWG, 4.0 L, 5-4	80009	196-3071-00
A2W99	196-3074-00			LEAD, ELECTRICAL: 18 AWG, 12.0 L, 5-4	80009	196-3074-00
A2W130	196-3075-00			LEAD, ELECTRICAL: 18 AWG, 2.0 L, 9-N	80009	196-3075-00
A2W131	196-3075-00			LEAD, ELECTRICAL: 18 AWG, 2.0 L, 9-N	80009	196-3075-00
A2A1	670-9326-00	B010100	8010957	CIRCUIT BD ASSY: LINE INVERTER 388-8656-XX	80009	670-9326-00
A2A1	670-9326-01	B010958		CIRCUIT BD ASSY: LINE INVERTER	80009	670-9326-01
A2A1C140	285-1252-00			CAP, FXD, PLASTIC: 0.15UF, 10%, 250VAC	D5243	F1772-415-2000
A2A1C200	290-1106-00			CAP, FXD, ELCTLT: 470UF, 20%, 200WVDC	TK1424	CEFW2D471B#P
A2A1C220	290-1106-00			CAP, FXD, ELCTLT: 470UF, 20%, 200WVDC	TK1424	CEFW2D471B#P
A2A1C230	285-1252-00			CAP, FXD, PLASTIC: 0.15UF, 10%, 250VAC	D5243	F1772-415-2000
A2A1C310	290-1106-00			CAP, FXD, ELCTLT: 470UF, 20%, 200WVDC	TK1424	CEFW2D471B#P
A2A1C320	290-1106-00			CAP, FXD, ELCTLT: 470UF, 20%, 200WVDC	TK1424	CEFW2D471B#P
A2A1C400	285-1192-00			CAP, FXD, PPR DI: 0.0022 UF, 20%, 250VAC	TK0515	PME271Y510
A2A1C401	285-1192-00			CAP, FXD, PPR DI: 0.0022 UF, 20%, 250VAC	TK0515	PME271Y510
A2A1C500	285-1336-00			CAP, FXD, MTLZD: 1.5UF, 20%, 400VDC	TK1573	MKC4 1.5/400/20
A2A1C630	285-1347-00			CAP, FXD, MTLZD: 2.2MFD, 20%, 250V	TK1573	MKC4 2.2 20% 250
A2A1C631	285-1347-00			CAP, FXD, MTLZD: 2.2MFD, 20%, 250V	TK1573	MKC4 2.2 20% 250
A2A1C640	285-0572-00			CAP, FXD, PLASTIC: 0.1UF, 20%, 200V	56289	192P10402
A2A1C730	281-0770-00			CAP, FXD, CER DI: 1000PF, 20%, 100V	04222	MA101C102MAA
A2A1C850	290-0922-02			CAP, FXD, ELCTLT: 1000UF, 20%, 50V	56289	5130108M050EN4G
A2A1CR340	152-0838-00			SEMICON DVC, DI: BRDG RECT, SI, 400V, 8A	14936	RKBPC804-11
A2A1CR500	152-0839-00			SEMICON DVC, DI: RECT, SI, 400V, 50A, TO-220	80009	152-0839-00
A2A1CR600	152-0141-02			SEMICON DVC, DI: SW, SI, 30V, 150MA, 30V, DO-35	03508	DA2527 (1N4152)
A2A1CR610	152-0400-00			SEMICON DVC, DI: RECT, SI, 400V, 1A	04713	SR1977K
A2A1CR611	152-0141-02			SEMICON DVC, DI: SW, SI, 30V, 150MA, 30V, DO-35	03508	DA2527 (1N4152)
A2A1CR612	152-0141-02			SEMICON DVC, DI: SW, SI, 30V, 150MA, 30V, DO-35	03508	DA2527 (1N4152)
A2A1CR620	152-0400-00			SEMICON DVC, DI: RECT, SI, 400V, 1A	04713	SR1977K
A2A1CR621	152-0141-02			SEMICON DVC, DI: SW, SI, 30V, 150MA, 30V, DO-35	03508	DA2527 (1N4152)
A2A1CR750	152-0585-00			SEMICON DVC, DI: RECT, SI, 200V, 1A	14936	W02M-30
A2A1CR800	152-0141-02			SEMICON DVC, DI: SW, SI, 30V, 150MA, 30V, DO-35	03508	DA2527 (1N4152)
A2A1CR801	152-0141-02			SEMICON DVC, DI: SW, SI, 30V, 150MA, 30V, DO-35	03508	DA2527 (1N4152)
A2A1CR802	152-0141-02			SEMICON DVC, DI: SW, SI, 30V, 150MA, 30V, DO-35	03508	DA2527 (1N4152)
A2A1CR803	152-0141-02			SEMICON DVC, DI: SW, SI, 30V, 150MA, 30V, DO-35	03508	DA2527 (1N4152)
A2A1DS640	150-0030-00			LAMP, GLOW: 60-90V MAX, 0.6MA, A28-T, WIRE LEADS	58224	A2B-T
A2A1E230	119-0181-00			ARSR, ELEC SURGE: 230, GAS FILLED	25088	B1-A230
A2A1E231	119-0181-00			ARSR, ELEC SURGE: 230, GAS FILLED	25088	B1-A230
A2A1E630	119-0181-00			ARSR, ELEC SURGE: 230, GAS FILLED	25088	B1-A230
A2A1F410	159-0021-00			FUSE, CARTRIDGE: 3AG, 2A, 250V, FAST BLOW	71400	AGC-CW-2
A2A1F650	159-0248-00			FUSE, WIRE LEAD: 1.5 A, AXIAL LEAD	75915	R25101.5 T1
A2A1J70	131-0608-00			TERMINAL, PIN: 0.365 L X 0.025 BRZ GLD PL (QUANTITY OF 19)	22526	48283-036
A2A1J97	131-2088-00			CONN, RCPT, ELEC: CKT BD, 8 CONTACTS	27264	09-62-3082
A2A1J98	131-2088-00			CONN, RCPT, ELEC: CKT BD, 8 CONTACTS	27264	09-62-3082
A2A1L520	108-1290-00			COIL, RF: FIXED, 1.7MH, 2A, 100KHZ, POT CORE	54937	108-1290-00
A2A1Q600	151-1141-00			TRANSISTOR: FE, N-CHANNEL, SI, TO-220	04713	STP3000
A2A1Q601	151-1141-00			TRANSISTOR: FE, N-CHANNEL, SI, TO-220	04713	STP3000
A2A1Q610	151-1137-00			TRANSISTOR: FE, N-CHANNEL, MOSFET, TO-220	80009	151-1137-00
A2A1Q620	151-1137-00			TRANSISTOR: FE, N-CHANNEL, MOSFET, TO-220	80009	151-1137-00
A2A1Q740	151-0190-00			TRANSISTOR: NPN, SI, TO-92	80009	151-0190-00
A2A1Q800	151-0188-00			TRANSISTOR: PNP, SI, TO-92	80009	151-0188-00
A2A1Q801	151-0188-00			TRANSISTOR: PNP, SI, TO-92	80009	151-0188-00
A2A1Q840	151-0647-00			TRANSISTOR: PNP, SI, TO-220	04713	MJE15031
A2A1R140	308-0874-00			RES, FXD, WW: 10 OHM, 5%, 1W	57027	BW-20F-10-5%
A2A1R220	301-0474-00			RES, FXD, FILM: 470K OHM, 5%, 0.5W	19701	5053CX470K0J
A2A1R600	315-0330-00			RES, FXD, FILM: 33 OHM, 5%, 0.25W	19701	5043CX33R00J

Replaceable Electrical Parts
11401 Extended Service Volume 2

Component No.	Elektronix Part No.	Serial/Assembly No.		Name & Description	Mfr. Code	Mfr. Part No.
		Effective	Discont			
A2A1R610	315-0330-00			RES,FXD,FILM:33 OHM,5%,0.25W	19701	5043CX33R00J
A2A1R611	315-0330-00			RES,FXD,FILM:33 OHM,5%,0.25W	19701	5043CX33R00J
A2A1R620	315-0330-00			RES,FXD,FILM:33 OHM,5%,0.25W	19701	5043CX33R00J
A2A1R630	315-0104-00			RES,FXD,FILM:100K OHM,5%,0.25W	57668	NTR25J-E100K
A2A1R631	315-0104-00			RES,FXD,FILM:100K OHM,5%,0.25W	57668	NTR25J-E100K
A2A1R640	302-0106-00			RES,FXD,CMPSN:10M OHM,10%,0.5W	01121	EB1061
A2A1R800	315-0104-00			RES,FXD,FILM:100K OHM,5%,0.25W	57668	NTR25J-E100K
A2A1R830	315-0911-00			RES,FXD,FILM:910 OHM,5%,0.25W	57668	NTR25J-E910E
A2A1R831	315-0223-00			RES,FXD,FILM:22K OHM,5%,0.25W	19701	5043CX22K00J92U
A2A1R832	321-0197-00			RES,FXD,FILM:1.10K OHM,1%,0.125W,TC=T0	07716	CEAD11000F
A2A1R833	321-0221-00			RES,FXD,FILM:1.96K OHM,1%,0.125W,TC=T0	19701	5043ED1K960F
A2A1R840	315-0222-00			RES,FXD,FILM:2.2K OHM,5%,0.25W	57668	NTR25J-E02K2
A2A1RT130	307-0746-00			RES,THERMAL:5 OHM,10%,7A/DEG C	15454	SG200-S
A2A1RT240	307-0746-00			RES,THERMAL:5 OHM,10%,7A/DEG C	15454	SG200-S
A2A1S99	260-0907-02			SWITCH,THRMSTC:NC OPEN 97.8,15A,125VAC	93410	430-1607
A2A1S130	260-2116-01			SWITCH,SLIDE:DPOT,10A,125VAC,POWER	22753	SE1022SDCEPBLORA
A2A1S250	260-2116-00			SWITCH,SLIDE:DPOT,10A,125VAC,LINE SEL	04426	18-000-0019
A2A1T410	120-1654-00			TRANSFORMER,PWR:8MH,1.5A,COMMON MODE	TK1601	62911-003
A2A1T440	120-1647-00			XFMR,PWR,STU:ISOLATING,DUAL PRIME/SECONDARY	80009	120-1647-00
A2A1T700	120-1670-00			TRANSFORMER:CURRENT SENSE,DUAL,TWO CORE, 1.100,1.100,POTTED	TK1441	85-801-4
A2A1T710	120-1655-00			TRANSFORMER,PWR:GATE DR,1:1:1,1.5MH,50KHZ	TK1441	85-404-2
A2A1T720	120-1655-00			TRANSFORMER,PWR:GATE DR,1:1:1,1.5MH,50KHZ	TK1441	85-404-2
A2A1VR830	152-0166-00			SEMICONV DVC,DI:ZEN,SI,6.2V,5%,400MW,DO-7	04713	SZ11738RL
A2A1W400	196-3075-00			LEAD,ELECTRICAL:18 AWG,2.0 L,9-N	80009	196-3075-00
A2A1W401	196-3075-00			LEAD,ELECTRICAL:18 AWG,2.0 L,9-N	80009	196-3075-00
A2A1W520	108-1290-00			COIL,RF:FIXED,1.7MH,2A,100KHZ,POT CORE	54937	108-1290-00
A2A1W521	108-1290-00			COIL,RF:FIXED,1.7MH,2A,100KHZ,POT CORE	54937	108-1290-00
A2A2	670-8839-00	B010100	B010670	CIRCUIT BD ASSY:CONTROL RECTIFIER	80009	670-8839-00
A2A2	670-8839-01	B010671	B011031	CIRCUIT BD ASSY:CONTROL RECTIFIER	80009	670-8839-01
A2A2	670-8839-02	B011032		CIRCUIT BD ASSY:CONTROL RECTIFIER	80009	670-8839-02
A2A2C110	281-0775-00			CAP,FXD,CER DI:0.1UF,20%,50V	04222	MA205E104MAA
A2A2C120	290-0778-00			CAP,FXD,ELCTLT:1UF,20%,50V,NPLZD	54473	ECE-A50N1
A2A2C121	290-0778-00			CAP,FXD,ELCTLT:1UF,20%,50V,NPLZD	54473	ECE-A50N1
A2A2C130	290-0939-00			CAP,FXD,ELCTLT:10UF,+100-10%,100V	56289	672D106H100CG2C
A2A2C200	281-0775-00			CAP,FXD,CER DI:0.1UF,20%,50V	04222	MA205E104MAA
A2A2C210	281-0775-00			CAP,FXD,CER DI:0.1UF,20%,50V	04222	MA205E104MAA
A2A2C211	290-0804-00			CAP,FXD,ELCTLT:10UF,+50-20%,25V	55680	ULB1E100TAAANA
A2A2C212	290-0804-00			CAP,FXD,ELCTLT:10UF,+50-20%,25V	55680	ULB1E100TAAANA
A2A2C213	290-0804-00			CAP,FXD,ELCTLT:10UF,+50-20%,25V	55680	ULB1E100TAAANA
A2A2C214	290-0804-00			CAP,FXD,ELCTLT:10UF,+50-20%,25V	55680	ULB1E100TAAANA
A2A2C215	290-0804-00			CAP,FXD,ELCTLT:10UF,+50-20%,25V	55680	ULB1E100TAAANA
A2A2C220	281-0775-00			CAP,FXD,CER DI:0.1UF,20%,50V	04222	MA205E104MAA
A2A2C221	281-0775-00			CAP,FXD,CER DI:0.1UF,20%,50V	04222	MA205E104MAA
A2A2C230	290-0939-00			CAP,FXD,ELCTLT:10UF,+100-10%,100V	56289	672D106H100CG2C
A2A2C241	281-0775-00			CAP,FXD,CER DI:0.1UF,20%,50V	04222	MA205E104MAA
A2A2C250	281-0773-00			CAP,FXD,CER DI:0.01UF,10%,100V	04222	MA201C103KAA
A2A2C251	281-0786-00			CAP,FXD,CER DI:150PF,10%,100V	04222	MA101A151KAA
A2A2C300	281-0770-00			CAP,FXD,CER DI:1000PF,20%,100V	04222	MA101C102MAA
A2A2C301	281-0786-00			CAP,FXD,CER DI:150PF,10%,100V	04222	MA101A151KAA
A2A2C302	290-0804-00			CAP,FXD,ELCTLT:10UF,+50-20%,25V	55680	ULB1E100TAAANA
A2A2C303	281-0786-00			CAP,FXD,CER DI:150PF,10%,100V	04222	MA101A151KAA
A2A2C304	290-0804-00			CAP,FXD,ELCTLT:10UF,+50-20%,25V	55680	ULB1E100TAAANA
A2A2C305	281-0773-00			CAP,FXD,CER DI:0.01UF,10%,100V	04222	MA201C103KAA
A2A2C310	281-0770-00			CAP,FXD,CER DI:1000PF,20%,100V	04222	MA101C102MAA
A2A2C311	281-0791-00			CAP,FXD,CER DI:270PF,10%,100V	04222	MA101C271KAA

Replaceable Electrical Parts
11401 Extended Service Volume 2

Component No.	Tektronix Part No.	Serial/Assembly No. Effective Dscnt	Name & Description	Mfr. Code	Mfr. Part No.
A2A2C312	281-0811-00		CAP, FXD, CER DI: 10PF, 10%, 100V	04222	MA101A100KAA
A2A2C320	281-0775-00		CAP, FXD, CER DI: 0.1UF, 20%, 50V	04222	MA205E104MAA
A2A2C321	281-0775-00		CAP, FXD, CER DI: 0.1UF, 20%, 50V	04222	MA205E104MAA
A2A2C322	290-0942-00		CAP, FXD, ELCTLT: 100UF, +100-10%, 25V	55680	UPA1E101MAH
A2A2C323	290-0804-00		CAP, FXD, ELCTLT: 10UF, +50-20%, 25V	55680	ULB1E100TAAANA
A2A2C324	290-0778-00		CAP, FXD, ELCTLT: 1UF, 20%, 50V, NPLZD	54473	ECE-A50N1
A2A2C325	290-0778-00		CAP, FXD, ELCTLT: 1UF, 20%, 50V, NPLZD	54473	ECE-A50N1
A2A2C330	290-0942-00		CAP, FXD, ELCTLT: 100UF, +100-10%, 25V	55680	UPA1E101MAH
A2A2C331	281-0773-00		CAP, FXD, CER DI: 0.01UF, 10%, 100V	04222	MA201C103KAA
A2A2C400	281-0775-00		CAP, FXD, CER DI: 0.1UF, 20%, 50V	04222	MA205E104MAA
A2A2C401	281-0775-00		CAP, FXD, CER DI: 0.1UF, 20%, 50V	04222	MA205E104MAA
A2A2C410	281-0775-00		CAP, FXD, CER DI: 0.1UF, 20%, 50V	04222	MA205E104MAA
A2A2C411	290-0778-00		CAP, FXD, ELCTLT: 1UF, 20%, 50V, NPLZD	54473	ECE-A50N1
A2A2C425	290-0804-00		CAP, FXD, ELCTLT: 10UF, +50-20%, 25V	55680	ULB1E100TAAANA
A2A2C440	290-0942-00		CAP, FXD, ELCTLT: 100UF, +100-10%, 25V	55680	UPA1E101MAH
A2A2C441	290-0800-00		CAP, FXD, ELCTLT: 250UF, +100-10%, 20V	56289	672D257H020DM5C
A2A2C450	290-0800-00		CAP, FXD, ELCTLT: 250UF, +100-10%, 20V	56289	672D257H020DM5C
A2A2C451	281-0775-00		CAP, FXD, CER DI: 0.1UF, 20%, 50V	04222	MA205E104MAA
A2A2C500	281-0775-00		CAP, FXD, CER DI: 0.1UF, 20%, 50V	04222	MA205E104MAA
A2A2C501	281-0775-00		CAP, FXD, CER DI: 0.1UF, 20%, 50V	04222	MA205E104MAA
A2A2C502	281-0775-00		CAP, FXD, CER DI: 0.1UF, 20%, 50V	04222	MA205E104MAA
A2A2C503	281-0775-00		CAP, FXD, CER DI: 0.1UF, 20%, 50V	04222	MA205E104MAA
A2A2C504	281-0775-00		CAP, FXD, CER DI: 0.1UF, 20%, 50V	04222	MA205E104MAA
A2A2C510	281-0775-00		CAP, FXD, CER DI: 0.1UF, 20%, 50V	04222	MA205E104MAA
A2A2C520	281-0775-00		CAP, FXD, CER DI: 0.1UF, 20%, 50V	04222	MA205E104MAA
A2A2C521	281-0775-00		CAP, FXD, CER DI: 0.1UF, 20%, 50V	04222	MA205E104MAA
A2A2C526	281-0773-00		CAP, FXD, CER DI: 0.01UF, 10%, 100V	04222	MA201C103KAA
A2A2C530	290-0800-00		CAP, FXD, ELCTLT: 250UF, +100-10%, 20V	56289	672D257H020DM5C
A2A2C532	281-0773-00		CAP, FXD, CER DI: 0.01UF, 10%, 100V	04222	MA201C103KAA
A2A2C550	290-0800-00		CAP, FXD, ELCTLT: 250UF, +100-10%, 20V	56289	672D257H020DM5C
A2A2C620	281-0775-00		CAP, FXD, CER DI: 0.1UF, 20%, 50V	04222	MA205E104MAA
A2A2C630	281-0775-00		CAP, FXD, CER DI: 0.1UF, 20%, 50V	04222	MA205E104MAA
A2A2C639	281-0775-00		CAP, FXD, CER DI: 0.1UF, 20%, 50V	04222	MA205E104MAA
A2A2C644	281-0775-00		CAP, FXD, CER DI: 0.1UF, 20%, 50V	04222	MA205E104MAA
A2A2C706	281-0775-00		CAP, FXD, CER DI: 0.1UF, 20%, 50V	04222	MA205E104MAA
A2A2C715	281-0775-00		CAP, FXD, CER DI: 0.1UF, 20%, 50V	04222	MA205E104MAA
A2A2C721	281-0773-00		CAP, FXD, CER DI: 0.01UF, 10%, 100V	04222	MA201C103KAA
A2A2C731	281-0773-00		CAP, FXD, CER DI: 0.01UF, 10%, 100V	04222	MA201C103KAA
A2A2C732	281-0773-00		CAP, FXD, CER DI: 0.01UF, 10%, 100V	04222	MA201C103KAA
A2A2C743	290-0778-00		CAP, FXD, ELCTLT: 1UF, 20%, 50V, NPLZD	54473	ECE-A50N1
A2A2C744	281-0775-00		CAP, FXD, CER DI: 0.1UF, 20%, 50V	04222	MA205E104MAA
A2A2C745	281-0775-00		CAP, FXD, CER DI: 0.1UF, 20%, 50V	04222	MA205E104MAA
A2A2C746	281-0775-00		CAP, FXD, CER DI: 0.1UF, 20%, 50V	04222	MA205E104MAA
A2A2C750	281-0775-00		CAP, FXD, CER DI: 0.1UF, 20%, 50V	04222	MA205E104MAA
A2A2C757	281-0775-00		CAP, FXD, CER DI: 0.1UF, 20%, 50V	04222	MA205E104MAA
A2A2C758	290-0778-00		CAP, FXD, ELCTLT: 1UF, 20%, 50V, NPLZD	54473	ECE-A50N1
A2A2C821	290-0778-00		CAP, FXD, ELCTLT: 1UF, 20%, 50V, NPLZD	54473	ECE-A50N1
A2A2C840	281-0773-00		CAP, FXD, CER DI: 0.01UF, 10%, 100V	04222	MA201C103KAA
A2A2C841	290-0778-00		CAP, FXD, ELCTLT: 1UF, 20%, 50V, NPLZD	54473	ECE-A50N1
A2A2C852	290-0778-00		CAP, FXD, ELCTLT: 1UF, 20%, 50V, NPLZD	54473	ECE-A50N1
A2A2CR110	152-0141-02		SEMICON DVC, DI: SW, SI, 30V, 150MA, 30V, DO-35	03508	DA2527 (1N4152)
A2A2CR111	152-0141-02		SEMICON DVC, DI: SW, SI, 30V, 150MA, 30V, DO-35	03508	DA2527 (1N4152)
A2A2CR112	152-0141-02		SEMICON DVC, DI: SW, SI, 30V, 150MA, 30V, DO-35	03508	DA2527 (1N4152)
A2A2CR113	152-0141-02		SEMICON DVC, DI: SW, SI, 30V, 150MA, 30V, DO-35	03508	DA2527 (1N4152)
A2A2CR120	152-0905-00		SEMICON DVC, DI: DUAL RECT, SCHOTTKY, 40V, 16A, TO-220	80009	152-0905-00
A2A2CR121	152-0794-00		SEMICON DVC, DI: RECT, SI, 10A, 30V, TO-220	81483	95-4269
A2A2CR150	152-0601-01		SEMICON DVC, DI: RECTIFIER, SI, 150V, 1A, 35NS	80009	152-0601-01

Replaceable Electrical Parts
11401 Extended Service Volume 2

Component No.	Tektronix Part No.	Serial/Assembly No. Effective Dscont	Name & Description	Mfr. Code	Mfr. Part No.
A2A2CR151	152-0601-01		SEMICON DVC,DI:RECTIFIER,SI,150V,1A,35NS	80009	152-0601-01
A2A2CR152	152-0601-01		SEMICON DVC,DI:RECTIFIER,SI,150V,1A,35NS	80009	152-0601-01
A2A2CR153	152-0601-01		SEMICON DVC,DI:RECTIFIER,SI,150V,1A,35NS	80009	152-0601-01
A2A2CR200	152-0141-02		SEMICON DVC,DI:SW,SI,30V,150MA,30V,DO-35	03508	DA2527 (1N4152)
A2A2CR240	152-0908-00		SEMICON DVC,DI:DUAL RECT,20V,8A PER DIODE, TO-220	80009	152-0908-00
A2A2CR250	152-0141-02		SEMICON DVC,DI:SW,SI,30V,150MA,30V,DO-35	03508	DA2527 (1N4152)
A2A2CR251	152-0141-02		SEMICON DVC,DI:SW,SI,30V,150MA,30V,DO-35	03508	DA2527 (1N4152)
A2A2CR300	152-0141-02		SEMICON DVC,DI:SW,SI,30V,150MA,30V,DO-35	03508	DA2527 (1N4152)
A2A2CR310	152-0141-02		SEMICON DVC,DI:SW,SI,30V,150MA,30V,DO-35	03508	DA2527 (1N4152)
A2A2CR311	152-0141-02		SEMICON DVC,DI:SW,SI,30V,150MA,30V,DO-35	03508	DA2527 (1N4152)
A2A2CR312	152-0141-02		SEMICON DVC,DI:SW,SI,30V,150MA,30V,DO-35	03508	DA2527 (1N4152)
A2A2CR313	152-0141-02		SEMICON DVC,DI:SW,SI,30V,150MA,30V,DO-35	03508	DA2527 (1N4152)
A2A2CR315	152-0141-02		SEMICON DVC,DI:SW,SI,30V,150MA,30V,DO-35	03508	DA2527 (1N4152)
A2A2CR320	152-0141-02		SEMICON DVC,DI:SW,SI,30V,150MA,30V,DO-35	03508	DA2527 (1N4152)
A2A2CR321	152-0141-02		SEMICON DVC,DI:SW,SI,30V,150MA,30V,DO-35	03508	DA2527 (1N4152)
A2A2CR330	152-0908-00		SEMICON DVC,DI:DUAL RECT,20V,8A PER DIODE, TO-220	80009	152-0908-00
A2A2CR331	152-0794-00		SEMICON DVC,DI:RECT,SI,10A,30V,TO-220	81483	95-4269
A2A2CR340	152-0827-00		SEMICON DVC,DI:RECT,SI,45V,3A	04713	MBR2545CT
A2A2CR350	152-0827-00		SEMICON DVC,DI:RECT,SI,45V,3A	04713	MBR2545CT
A2A2CR410	152-0141-02		SEMICON DVC,DI:SW,SI,30V,150MA,30V,DO-35	03508	DA2527 (1N4152)
A2A2CR411	152-0141-02		SEMICON DVC,DI:SW,SI,30V,150MA,30V,DO-35	03508	DA2527 (1N4152)
A2A2CR412	152-0141-02		SEMICON DVC,DI:SW,SI,30V,150MA,30V,DO-35	03508	DA2527 (1N4152)
A2A2CR413	152-0141-02		SEMICON DVC,DI:SW,SI,30V,150MA,30V,DO-35	03508	DA2527 (1N4152)
A2A2CR420	152-0141-02		SEMICON DVC,DI:SW,SI,30V,150MA,30V,DO-35	03508	DA2527 (1N4152)
A2A2CR421	152-0141-02		SEMICON DVC,DI:SW,SI,30V,150MA,30V,DO-35	03508	DA2527 (1N4152)
A2A2CR422	152-0141-02		SEMICON DVC,DI:SW,SI,30V,150MA,30V,DO-35	03508	DA2527 (1N4152)
A2A2CR423	152-0141-02		SEMICON DVC,DI:SW,SI,30V,150MA,30V,DO-35	03508	DA2527 (1N4152)
A2A2CR424	152-0141-02		SEMICON DVC,DI:SW,SI,30V,150MA,30V,DO-35	03508	DA2527 (1N4152)
A2A2CR510	152-0141-02		SEMICON DVC,DI:SW,SI,30V,150MA,30V,DO-35	03508	DA2527 (1N4152)
A2A2CR511	152-0141-02		SEMICON DVC,DI:SW,SI,30V,150MA,30V,DO-35	03508	DA2527 (1N4152)
A2A2CR512	152-0141-02		SEMICON DVC,DI:SW,SI,30V,150MA,30V,DO-35	03508	DA2527 (1N4152)
A2A2CR513	152-0141-02		SEMICON DVC,DI:SW,SI,30V,150MA,30V,DO-35	03508	DA2527 (1N4152)
A2A2CR514	152-0141-02		SEMICON DVC,DI:SW,SI,30V,150MA,30V,DO-35	03508	DA2527 (1N4152)
A2A2CR515	152-0141-02		SEMICON DVC,DI:SW,SI,30V,150MA,30V,DO-35	03508	DA2527 (1N4152)
A2A2CR516	152-0141-02		SEMICON DVC,DI:SW,SI,30V,150MA,30V,DO-35	03508	DA2527 (1N4152)
A2A2CR517	152-0141-02		SEMICON DVC,DI:SW,SI,30V,150MA,30V,DO-35	03508	DA2527 (1N4152)
A2A2CR520	152-0141-02		SEMICON DVC,DI:SW,SI,30V,150MA,30V,DO-35	03508	DA2527 (1N4152)
A2A2CR521	152-0141-02		SEMICON DVC,DI:SW,SI,30V,150MA,30V,DO-35	03508	DA2527 (1N4152)
A2A2CR522	152-0141-02		SEMICON DVC,DI:SW,SI,30V,150MA,30V,DO-35	03508	DA2527 (1N4152)
A2A2CR523	152-0141-02		SEMICON DVC,DI:SW,SI,30V,150MA,30V,DO-35	03508	DA2527 (1N4152)
A2A2CR524	152-0141-02		SEMICON DVC,DI:SW,SI,30V,150MA,30V,DO-35	03508	DA2527 (1N4152)
A2A2CR525	152-0141-02		SEMICON DVC,DI:SW,SI,30V,150MA,30V,DO-35	03508	DA2527 (1N4152)
A2A2CR526	152-0141-02		SEMICON DVC,DI:SW,SI,30V,150MA,30V,DO-35	03508	DA2527 (1N4152)
A2A2CR527	152-0141-02		SEMICON DVC,DI:SW,SI,30V,150MA,30V,DO-35	03508	DA2527 (1N4152)
A2A2CR600	152-0141-02		SEMICON DVC,DI:SW,SI,30V,150MA,30V,DO-35	03508	DA2527 (1N4152)
A2A2CR601	152-0141-02		SEMICON DVC,DI:SW,SI,30V,150MA,30V,DO-35	03508	DA2527 (1N4152)
A2A2CR602	152-0141-02		SEMICON DVC,DI:SW,SI,30V,150MA,30V,DO-35	03508	DA2527 (1N4152)
A2A2CR610	152-0141-02		SEMICON DVC,DI:SW,SI,30V,150MA,30V,DO-35	03508	DA2527 (1N4152)
A2A2CR611	152-0141-02		SEMICON DVC,DI:SW,SI,30V,150MA,30V,DO-35	03508	DA2527 (1N4152)
A2A2CR612	152-0141-02		SEMICON DVC,DI:SW,SI,30V,150MA,30V,DO-35	03508	DA2527 (1N4152)
A2A2CR613	152-0141-02		SEMICON DVC,DI:SW,SI,30V,150MA,30V,DO-35	03508	DA2527 (1N4152)
A2A2CR614	152-0141-02		SEMICON DVC,DI:SW,SI,30V,150MA,30V,DO-35	03508	DA2527 (1N4152)
A2A2CR615	152-0141-02		SEMICON DVC,DI:SW,SI,30V,150MA,30V,DO-35	03508	DA2527 (1N4152)
A2A2CR616	152-0141-02		SEMICON DVC,DI:SW,SI,30V,150MA,30V,DO-35	03508	DA2527 (1N4152)
A2A2CR617	152-0141-02		SEMICON DVC,DI:SW,SI,30V,150MA,30V,DO-35	03508	DA2527 (1N4152)
A2A2CR620	152-0141-02		SEMICON DVC,DI:SW,SI,30V,150MA,30V,DO-35	03508	DA2527 (1N4152)

Replaceable Electrical Parts
11401 Extended Service Volume 2

Component No.	Tektronix Part No.	Serial/Assembly No. Effective	Discont	Name & Description	Mfr. Code	Mfr. Part No.
A2A2CR621	152-0141-02			SEMICON DVC,DI:SW,SI,30V,150MA,30V,DO-35	03508	DA2527 (1N4152)
A2A2CR622	152-0141-02			SEMICON DVC,DI:SW,SI,30V,150MA,30V,DO-35	03508	DA2527 (1N4152)
A2A2CR623	152-0141-02			SEMICON DVC,DI:SW,SI,30V,150MA,30V,DO-35	03508	DA2527 (1N4152)
A2A2CR702	152-0141-02			SEMICON DVC,DI:SW,SI,30V,150MA,30V,DO-35	03508	DA2527 (1N4152)
A2A2CR703	152-0141-02			SEMICON DVC,DI:SW,SI,30V,150MA,30V,DO-35	03508	DA2527 (1N4152)
A2A2CR704	152-0141-02			SEMICON DVC,DI:SW,SI,30V,150MA,30V,DO-35	03508	DA2527 (1N4152)
A2A2CR705	152-0141-02			SEMICON DVC,DI:SW,SI,30V,150MA,30V,DO-35	03508	DA2527 (1N4152)
A2A2CR716	152-0141-02			SEMICON DVC,DI:SW,SI,30V,150MA,30V,DO-35	03508	DA2527 (1N4152)
A2A2CR717	152-0141-02			SEMICON DVC,DI:SW,SI,30V,150MA,30V,DO-35	03508	DA2527 (1N4152)
A2A2CR718	152-0141-02			SEMICON DVC,DI:SW,SI,30V,150MA,30V,DO-35	03508	DA2527 (1N4152)
A2A2CR720	152-0141-02			SEMICON DVC,DI:SW,SI,30V,150MA,30V,DO-35	03508	DA2527 (1N4152)
A2A2CR721	152-0141-02			SEMICON DVC,DI:SW,SI,30V,150MA,30V,DO-35	03508	DA2527 (1N4152)
A2A2CR740	152-0066-01			SEMICON DVC,DI:SELECTED	80009	152-0066-01
A2A2CR841	152-0066-01			SEMICON DVC,DI:SELECTED	80009	152-0066-01
A2A2DS100	150-1171-00			LT EMITTING DIO:RED	50434	HLMP13020PT002
A2A2DS530	150-1163-00			LT EMITTING DIO:GREEN	50434	HLMP15400PT002
A2A2DS531	150-1163-00			LT EMITTING DIO:GREEN	50434	HLMP15400PT002
A2A2DS533	150-1163-00			LT EMITTING DIO:GREEN	50434	HLMP15400PT002
A2A2DS630	150-1163-00			LT EMITTING DIO:GREEN	50434	HLMP15400PT002
A2A2E240	276-0532-00	B010100	B011031	SHLD BEAD,ELEK:FERRITE	02114	56-590-65/4A6
A2A2E241	276-0532-00	B010100	B011031	SHLD BEAD,ELEK:FERRITE	02114	56-590-65/4A6
A2A2F740	159-0220-00			FUSE,WIRE LEAD:3A,125V,FAST	71400	TRA3
A2A2J44	131-0608-00			TERMINAL,PIN:0.365 L X 0.025 BRZ GLD PL (QUANTITY OF 23)	22526	48283-036
A2A2J62	131-2250-00			CONN,RCPT,ELEC:HEADER,1 X 5 0.156 CTR (J62A)	26742	3109-11-205-01
A2A2J62	131-2576-00			TERM SET,PIN:6 CONTACT,MALE	27264	09-61-1061
A2A2J63	131-2576-00			TERM SET,PIN:6 CONTACT,MALE	27264	09-61-1061
A2A2J64	131-2789-00			CONN,RCPT,ELEC:HEADER,1 X 4,0.156 SPACING	27264	09-61-1045
A2A2J65	131-0608-00			TERMINAL,PIN:0.365 L X 0.025 BRZ GLD PL (QUANTITY OF 8)	22526	48283-036
A2A2J66	131-2250-00			CONN,RCPT,ELEC:HEADER,1 X 5 0.156 CTR	26742	3109-11-205-01
A2A2J70	131-0608-00			TERMINAL,PIN:0.365 L X 0.025 BRZ GLD PL (QUANTITY OF 19)	22526	48283-036
A2A2J81	131-0608-00			TERMINAL,PIN:0.365 L X 0.025 BRZ GLD PL (QUANTITY OF 3)	22526	48283-036
A2A2L140	108-1144-00			COIL,RF:FIXED,27 UH,20%	34479	RL1284
A2A2L141	108-1144-00			COIL,RF:FIXED,27 UH,20%	34479	RL1284
A2A2L220	108-0925-00			COIL,RF:FIXED,21UH	80009	108-0925-00
A2A2L221	108-0925-00			COIL,RF:FIXED,21UH	80009	108-0925-00
A2A2L330	108-0554-00			COIL,RF:FIXED,5UH,+/-20%	TK1345	108-0554-00
A2A2L331	108-0554-00			COIL,RF:FIXED,5UH,+/-20%	TK1345	108-0554-00
A2A2L340	108-0554-00			COIL,RF:FIXED,5UH,+/-20%	TK1345	108-0554-00
A2A2L341	108-1289-00			COIL,RF:1UH,30ADC,1.2M,MAX FERRITE SP CORE	TK1345	Z-1289
A2A2L440	108-1289-00			COIL,RF:1UH,30ADC,1.2M,MAX FERRITE SP CORE	TK1345	Z-1289
A2A2Q100	151-0188-00			TRANSISTOR:PNP,SI,TO-92	80009	151-0188-00
A2A2Q210	151-0188-00			TRANSISTOR:PNP,SI,TO-92	80009	151-0188-00
A2A2Q213	151-0188-00			TRANSISTOR:PNP,SI,TO-92	80009	151-0188-00
A2A2Q250	151-0188-00			TRANSISTOR:PNP,SI,TO-92	80009	151-0188-00
A2A2Q410	151-0188-00			TRANSISTOR:PNP,SI,TO-92	80009	151-0188-00
A2A2Q430	151-0190-00			TRANSISTOR:NPN,SI,TO-92	80009	151-0190-00
A2A2Q431	151-0508-00			TRANSISTOR:UJT,SI,TO-98	03508	X13T520
A2A2Q432	151-0508-00			TRANSISTOR:UJT,SI,TO-98	03508	X13T520
A2A2Q530	151-0453-00			TRANSISTOR:PNP,SI,TO-92	27014	ORDER BY DESCR
A2A2Q600	151-0190-00			TRANSISTOR:NPN,SI,TO-92	80009	151-0190-00
A2A2Q630	151-0432-00			TRANSISTOR:NPN,SI,625MW,TO-92	04713	SPS8512
A2A2Q640	151-0716-00			TRANSISTOR:DARLINGTON,NPN,SI,TO-92	27014	92 PU45A
A2A2Q700	151-0190-00			TRANSISTOR:NPN,SI,TO-92	80009	151-0190-00
A2A2Q701	151-0188-00			TRANSISTOR:PNP,SI,TO-92	80009	151-0188-00

Component No.	Tektronix Part No.	Serial/Assembly No. Effective	Discnt	Name & Description	Mfr. Code	Mfr. Part No.
A2A2Q702	151-0188-00			TRANSISTOR:PNP,SI,TO-92	80009	151-0188-00
A2A2Q720	151-0508-00			TRANSISTOR:UJT,SI,TO-98	03508	X13T520
A2A2Q721	151-0508-00			TRANSISTOR:UJT,SI,TO-98	03508	X13T520
A2A2Q740	151-0190-00			TRANSISTOR:NPN,SI,TO-92	80009	151-0190-00
A2A2R100	313-1221-00			RES,FXD,FILM:220 OHM,5%,0.2W	57668	TR20JE220E
A2A2R101	313-1332-00			RES,FXD,FILM:3.3K OHM,5%,0.2W	57668	TR20JE 03K3
A2A2R104	313-1102-00			RES,FXD,FILM:1K OHM,5%,0.2W	57668	TR20JE01K0
A2A2R110	313-1100-00			RES,FXD,FILM:10 OHM,5%,0.2W	57668	TR20JE10E0
A2A2R111	313-1100-00			RES,FXD,FILM:10 OHM,5%,0.2W	57668	TR20JE10E0
A2A2R112	313-1100-00			RES,FXD,FILM:10 OHM,5%,0.2W	57668	TR20JE10E0
A2A2R200	313-1472-00			RES,FXD,FILM:4.7K OHM,5%,0.2W	57668	TR20JE 04K7
A2A2R201	313-1472-00			RES,FXD,FILM:4.7K OHM,5%,0.2W	57668	TR20JE 04K7
A2A2R202	313-1472-00			RES,FXD,FILM:4.7K OHM,5%,0.2W	57668	TR20JE 04K7
A2A2R203	313-1473-00			RES,FXD,FILM:47K OHM,5%,0.2W	57668	TR20JE 47K
A2A2R240	315-0103-00			RES,FXD,FILM:10K OHM,5%,0.25W	19701	5043CX10K00J
A2A2R241	315-0221-00			RES,FXD,FILM:220 OHM,5%,0.25W	57668	NTR25J-E220E
A2A2R242	307-0113-00			RES,FXD,CMPNS:5.1 OHM,5%,0.25W	01121	CB51G5
A2A2R250	315-0102-00			RES,FXD,FILM:1K OHM,5%,0.25W	57668	NTR25JE01K0
A2A2R300	313-1104-00			RES,FXD,FILM:100K OHM,5%,0.2W	57668	TR20JE100K
A2A2R301	313-1473-00			RES,FXD,FILM:47K OHM,5%,0.2W	57668	TR20JE 47K
A2A2R302	313-1102-00			RES,FXD,FILM:1K OHM,5%,0.2W	57668	TR20JE01K0
A2A2R304	313-1472-00			RES,FXD,FILM:4.7K OHM,5%,0.2W	57668	TR20JE 04K7
A2A2R305	313-1221-00			RES,FXD,FILM:220 OHM,5%,0.2W	57668	TR20JE220E
A2A2R310	313-1472-00			RES,FXD,FILM:4.7K OHM,5%,0.2W	57668	TR20JE 04K7
A2A2R311	313-1102-00			RES,FXD,FILM:1K OHM,5%,0.2W	57668	TR20JE01K0
A2A2R312	313-1101-00			RES,FXD,FILM:100 OHM,5%,0.2W	57668	TR20JE100E
A2A2R313	313-1683-00			RES,FXD,FILM:68K OHM,5%,0.2W	57668	TR20JE 68K
A2A2R314	313-1472-00			RES,FXD,FILM:4.7K OHM,5%,0.2W	57668	TR20JE 04K7
A2A2R315	313-1102-00			RES,FXD,FILM:1K OHM,5%,0.2W	57668	TR20JE01K0
A2A2R316	313-1473-00			RES,FXD,FILM:47K OHM,5%,0.2W	57668	TR20JE 47K
A2A2R317	313-1472-00			RES,FXD,FILM:4.7K OHM,5%,0.2W	57668	TR20JE 04K7
A2A2R318	313-1222-00			RES,FXD,FILM:2.2K OHM,5%,0.2W	57668	TR20JE 02K2
A2A2R319	315-0155-00			RES,FXD,FILM:1.5M OHM,5%,0.25W	19701	5043CX1M500J
A2A2R320	313-1103-00			RES,FXD,FILM:10K OHM,5%,0.2W	57668	TR20JE10K0
A2A2R321	313-1104-00			RES,FXD,FILM:100K OHM,5%,0.2W	57668	TR20JE100K
A2A2R322	313-1104-00			RES,FXD,FILM:100K OHM,5%,0.2W	57668	TR20JE100K
A2A2R323	313-1103-00			RES,FXD,FILM:10K OHM,5%,0.2W	57668	TR20JE10K0
A2A2R324	315-0473-00			RES,FXD,FILM:47K OHM,5%,0.25W	57668	NTR25J-E47K0
A2A2R325	313-1102-00			RES,FXD,FILM:1K OHM,5%,0.2W	57668	TR20JE01K0
A2A2R326	313-1332-00			RES,FXD,FILM:3.3K OHM,5%,0.2W	57668	TR20JE 03K3
A2A2R327	313-1103-00			RES,FXD,FILM:10K OHM,5%,0.2W	57668	TR20JE10K0
A2A2R328	313-1333-00			RES,FXD,FILM:33K OHM,5%,0.2W	57668	TR20JE 33K
A2A2R329	313-1153-00			RES,FXD,FILM:15K,5%,0.2W	57668	TR20JE15K0
A2A2R330	313-1333-00			RES,FXD,FILM:33K OHM,5%,0.2W	57668	TR20JE 33K
A2A2R331	307-0113-00			RES,FXD,CMPNS:5.1 OHM,5%,0.25W	01121	CB51G5
A2A2R400	315-0330-00			RES,FXD,FILM:33 OHM,5%,0.25W	19701	5043CX33R00J
A2A2R410	315-0103-00			RES,FXD,FILM:10K OHM,5%,0.25W	19701	5043CX10K00J
A2A2R411	315-0222-00			RES,FXD,FILM:2.2K OHM,5%,0.25W	57668	NTR25J-E02K2
A2A2R412	321-0052-00	B010100	B010670	RES,FXD,FILM:34.0 OHM,1%,0.125W,TC=TO	57668	CRB14 FXE 34 OHM
A2A2R412	321-0062-00	B010671		RES,FXD,FILM:43.2 OHM,0.5%,0.125W,TC=TO	57668	CRB14 FXE 43.2
A2A2R413	315-0334-00			RES,FXD,FILM:330K OHM,5%,0.25W	57668	NTR25J-E 330K
A2A2R414	315-0472-00			RES,FXD,FILM:4.7K OHM,5%,0.25W	57668	NTR25J-E04K7
A2A2R415	321-0052-00			RES,FXD,FILM:34.0 OHM,1%,0.125W,TC=TO	57668	CRB14 FXE 34 OHM
A2A2R420	315-0103-00			RES,FXD,FILM:10K OHM,5%,0.25W	19701	5043CX10K00J
A2A2R421	315-0472-00			RES,FXD,FILM:4.7K OHM,5%,0.25W	57668	NTR25J-E04K7
A2A2R422	315-0222-00			RES,FXD,FILM:2.2K OHM,5%,0.25W	57668	NTR25J-E02K2
A2A2R423	315-0222-00			RES,FXD,FILM:2.2K OHM,5%,0.25W	57668	NTR25J-E02K2
A2A2R424	315-0330-00			RES,FXD,FILM:33 OHM,5%,0.25W	19701	5043CX33R00J

Replaceable Electrical Parts
11401 Extended Service Volume 2

Component No.	Tektronix Part No.	Serial/Assembly No. Effective	Discont	Name & Description	Mfr. Code	Mfr. Part No.
A2A2R430	315-0472-00			RES, FXD, FILM:4.7K OHM, 5%, 0.25W	57668	NTR25J-E04K7
A2A2R500	315-0472-00			RES, FXD, FILM:4.7K OHM, 5%, 0.25W	57668	NTR25J-E04K7
A2A2R501	315-0103-00			RES, FXD, FILM:10K OHM, 5%, 0.25W	19701	5043CX10K00J
A2A2R502	315-0472-00			RES, FXD, FILM:4.7K OHM, 5%, 0.25W	57668	NTR25J-E04K7
A2A2R503	315-0330-00			RES, FXD, FILM:33 OHM, 5%, 0.25W	19701	5043CX33R00J
A2A2R504	315-0330-00			RES, FXD, FILM:33 OHM, 5%, 0.25W	19701	5043CX33R00J
A2A2R505	315-0330-00			RES, FXD, FILM:33 OHM, 5%, 0.25W	19701	5043CX33R00J
A2A2R506	315-0330-00			RES, FXD, FILM:33 OHM, 5%, 0.25W	19701	5043CX33R00J
A2A2R507	315-0332-00			RES, FXD, FILM:3.3K OHM, 5%, 0.25W	57668	NTR25J-E03K3
A2A2R508	315-0330-00			RES, FXD, FILM:33 OHM, 5%, 0.25W	19701	5043CX33R00J
A2A2R509	321-0274-00			RES, FXD, FILM:6.98K OHM, 1%, 0.125W, TC=TO	19701	5043ED6K980F
A2A2R510	315-0471-00			RES, FXD, FILM:470 OHM, 5%, 0.25W	57668	NTR25J-E470E
A2A2R511	315-0471-00			RES, FXD, FILM:470 OHM, 5%, 0.25W	57668	NTR25J-E470E
A2A2R512	315-0471-00			RES, FXD, FILM:470 OHM, 5%, 0.25W	57668	NTR25J-E470E
A2A2R513	315-0471-00			RES, FXD, FILM:470 OHM, 5%, 0.25W	57668	NTR25J-E470E
A2A2R514	315-0332-00			RES, FXD, FILM:3.3K OHM, 5%, 0.25W	57668	NTR25J-E03K3
A2A2R515	315-0330-00			RES, FXD, FILM:33 OHM, 5%, 0.25W	19701	5043CX33R00J
A2A2R516	321-0052-00			RES, FXD, FILM:34.0 OHM, 1%, 0.125W, TC=TO	57668	CRB14 FXE 34 OHM
A2A2R517	321-0274-00			RES, FXD, FILM:6.98K OHM, 1%, 0.125W, TC=TO	19701	5043ED6K980F
A2A2R518	321-0052-00			RES, FXD, FILM:34.0 OHM, 1%, 0.125W, TC=TO	57668	CRB14 FXE 34 OHM
A2A2R519	321-0274-00			RES, FXD, FILM:6.98K OHM, 1%, 0.125W, TC=TO	19701	5043ED6K980F
A2A2R520	315-0152-00			RES, FXD, FILM:1.5K OHM, 5%, 0.25W	57668	NTR25J-E01K5
A2A2R521	315-0152-00			RES, FXD, FILM:1.5K OHM, 5%, 0.25W	57668	NTR25J-E01K5
A2A2R522	315-0152-00			RES, FXD, FILM:1.5K OHM, 5%, 0.25W	57668	NTR25J-E01K5
A2A2R523	315-0152-00			RES, FXD, FILM:1.5K OHM, 5%, 0.25W	57668	NTR25J-E01K5
A2A2R524	315-0222-00			RES, FXD, FILM:2.2K OHM, 5%, 0.25W	57668	NTR25J-E02K2
A2A2R525	315-0472-00			RES, FXD, FILM:4.7K OHM, 5%, 0.25W	57668	NTR25J-E04K7
A2A2R526	315-0102-00			RES, FXD, FILM:1K OHM, 5%, 0.25W	57668	NTR25JE01K0
A2A2R527	315-0330-00			RES, FXD, FILM:33 OHM, 5%, 0.25W	19701	5043CX33R00J
A2A2R530	315-0222-00			RES, FXD, FILM:2.2K OHM, 5%, 0.25W	57668	NTR25J-E02K2
A2A2R531	315-0102-00			RES, FXD, FILM:1K OHM, 5%, 0.25W	57668	NTR25JE01K0
A2A2R532	315-0472-00			RES, FXD, FILM:4.7K OHM, 5%, 0.25W	57668	NTR25J-E04K7
A2A2R533	315-0333-00			RES, FXD, FILM:33K OHM, 5%, 0.25W	57668	NTR25J-E33K0
A2A2R534	315-0101-00			RES, FXD, FILM:100 OHM, 5%, 0.25W	57668	NTR25J-E 100E
A2A2R535	307-0755-00			RES, FXD, CMPSN:0.5 OHM, 5%, 0.5W	57668	TR50J-E0E5E
A2A2R536	315-0472-00			RES, FXD, FILM:4.7K OHM, 5%, 0.25W	57668	NTR25J-E04K7
A2A2R537	307-0889-00			RES, FXD, FILM:1 OHM, 5%, 0.25W	19701	5043CX1R000J
A2A2R540	315-0221-00			RES, FXD, FILM:220 OHM, 5%, 0.25W	57668	NTR25J-E220E
A2A2R600	315-0471-00			RES, FXD, FILM:470 OHM, 5%, 0.25W	57668	NTR25J-E470E
A2A2R601	315-0104-00			RES, FXD, FILM:100K OHM, 5%, 0.25W	57668	NTR25J-E100K
A2A2R610	315-0334-00			RES, FXD, FILM:330K OHM, 5%, 0.25W	57668	NTR25J-E 330K
A2A2R611	315-0103-00			RES, FXD, FILM:10K OHM, 5%, 0.25W	19701	5043CX10K00J
A2A2R612	315-0471-00			RES, FXD, FILM:470 OHM, 5%, 0.25W	57668	NTR25J-E470E
A2A2R613	315-0152-00			RES, FXD, FILM:1.5K OHM, 5%, 0.25W	57668	NTR25J-E01K5
A2A2R620	315-0330-00			RES, FXD, FILM:33 OHM, 5%, 0.25W	19701	5043CX33R00J
A2A2R621	315-0152-00			RES, FXD, FILM:1.5K OHM, 5%, 0.25W	57668	NTR25J-E01K5
A2A2R622	315-0222-00			RES, FXD, FILM:2.2K OHM, 5%, 0.25W	57668	NTR25J-E02K2
A2A2R623	315-0222-00			RES, FXD, FILM:2.2K OHM, 5%, 0.25W	57668	NTR25J-E02K2
A2A2R624	315-0102-00			RES, FXD, FILM:1K OHM, 5%, 0.25W	57668	NTR25JE01K0
A2A2R625	315-0222-00			RES, FXD, FILM:2.2K OHM, 5%, 0.25W	57668	NTR25J-E02K2
A2A2R626	321-0052-00			RES, FXD, FILM:34.0 OHM, 1%, 0.125W, TC=TO	57668	CRB14 FXE 34 OHM
A2A2R627	321-0274-00			RES, FXD, FILM:6.98K OHM, 1%, 0.125W, TC=TO	19701	5043ED6K980F
A2A2R629	321-0289-07			RES, FXD, FILM:10.0K OHM, 0.1%, 0.125W, TC=TO	19701	5033RE10K00B
A2A2R630	315-0222-00			RES, FXD, FILM:2.2K OHM, 5%, 0.25W	57668	NTR25J-E02K2
A2A2R631	315-0333-00			RES, FXD, FILM:33K OHM, 5%, 0.25W	57668	NTR25J-E33K0
A2A2R635	321-0274-00			RES, FXD, FILM:6.98K OHM, 1%, 0.125W, TC=TO	19701	5043ED6K980F
A2A2R636	307-0093-00			RES, FXD, CMPSN:1.2 OHM, 5%, 0.5W	01121	EB12G5
A2A2R637	307-0113-00	B010100	B010670	RES, FXD, CMPSN:5.1 OHM, 5%, 0.25W	01121	CB51G5

Replaceable Electrical Parts
11401 Extended Service Volume 2

Component No.	Tektronix Part No.	Serial/Assembly No. Effective	Discort	Name & Description	Mfr. Code	Mfr. Part No.
A2A2R637	307-0103-00	B010671		RES, FXD, CMPSN: 2.7 OHM, 5%, 0.25W	01121	CB27G5
A2A2R639	315-0223-00			RES, FXD, FILM: 22K OHM, 5%, 0.25W	19701	5043CX22K00J92U
A2A2R640	315-0221-00			RES, FXD, FILM: 220 OHM, 5%, 0.25W	57668	NTR25J-E220E
A2A2R643	315-0101-00			RES, FXD, FILM: 100 OHM, 5%, 0.25W	57668	NTR25J-E 100E
A2A2R644	315-0223-00			RES, FXD, FILM: 22K OHM, 5%, 0.25W	19701	5043CX22K00J92U
A2A2R700	315-0472-00			RES, FXD, FILM: 4.7K OHM, 5%, 0.25W	57668	NTR25J-E04K7
A2A2R701	321-0253-00			RES, FXD, FILM: 4.22K OHM, 1%, 0.125W, TC=T0	19701	5033ED 4K 220F
A2A2R702	315-0102-00			RES, FXD, FILM: 1K OHM, 5%, 0.25W	57668	NTR25JE01K0
A2A2R703	321-0250-00			RES, FXD, FILM: 3.92K OHM, 1%, 0.125W, TC=T0	07716	CEAD39200F
A2A2R704	315-0103-00			RES, FXD, FILM: 4.7K OHM, 5%, 0.25W	57668	NTR25J-E04K7
A2A2R705	315-0102-00			RES, FXD, FILM: 1K OHM, 5%, 0.25W	57668	NTR25JE01K0
A2A2R706	315-0102-00			RES, FXD, FILM: 1K OHM, 5%, 0.25W	57668	NTR25JE01K0
A2A2R707	315-0472-00			RES, FXD, FILM: 4.7K OHM, 5%, 0.25W	57668	NTR25J-E04K7
A2A2R710	315-0102-00			RES, FXD, FILM: 1K OHM, 5%, 0.25W	57668	NTR25JE01K0
A2A2R711	315-0101-00			RES, FXD, FILM: 100 OHM, 5%, 0.25W	57668	NTR25J-E 100E
A2A2R712	315-0332-00			RES, FXD, FILM: 3.3K OHM, 5%, 0.25W	57668	NTR25J-E03K3
A2A2R713	315-0103-00			RES, FXD, FILM: 4.7K OHM, 5%, 0.25W	19701	5043CX10K00J
A2A2R714	321-0052-00	B010100	B010670	RES, FXD, FILM: 34.0 OHM, 1%, 0.125W, TC=T0	57668	CRB14 FXE 34 OHM
A2A2R714	321-0062-00	B010671		RES, FXD, FILM: 43.2 OHM, 0.5%, 0.125W, TC=T0	57668	CRB14 FXE 43.2
A2A2R715	321-0274-00			RES, FXD, FILM: 6.98K OHM, 1%, 0.125W, TC=T0	19701	5043ED6K980F
A2A2R716	315-0330-00			RES, FXD, FILM: 33 OHM, 5%, 0.25W	19701	5043CX33R00J
A2A2R717	315-0331-00			RES, FXD, FILM: 330 OHM, 5%, 0.25W	57668	NTR25J-E330E
A2A2R721	315-0103-00			RES, FXD, FILM: 10K OHM, 5%, 0.25W	19701	5043CX10K00J
A2A2R722	315-0472-00			RES, FXD, FILM: 4.7K OHM, 5%, 0.25W	57668	NTR25J-E04K7
A2A2R723	315-0103-00			RES, FXD, FILM: 10K OHM, 5%, 0.25W	19701	5043CX10K00J
A2A2R724	315-0155-00			RES, FXD, FILM: 1.5M OHM, 5%, 0.25W	19701	5043CX1M500J
A2A2R725	321-0332-00			RES, FXD, FILM: 28.0K OHM, 1%, 0.125W, TC=T0	07716	CEAD28001F
A2A2R726	321-0360-00			RES, FXD, FILM: 54.9K OHM, 1%, 0.125W, TC=T0	19701	5033ED54K90F
A2A2R727	321-0380-00			RES, FXD, FILM: 88.7K OHM, 1%, 0.125W, TC=T0	07716	CEAD88701F
A2A2R728	315-0155-00			RES, FXD, FILM: 1.5M OHM, 5%, 0.25W	19701	5043CX1M500J
A2A2R731	313-1332-00			RES, FXD, FILM: 3.3K OHM, 5%, 0.2W	57668	TR20JE 03K3
A2A2R733	321-0385-00			RES, FXD, FILM: 100K OHM, 1%, 0.125W, TC=T0	19701	5033ED100K0F
A2A2R734	321-0385-00			RES, FXD, FILM: 100K OHM, 1%, 0.125W, TC=T0	19701	5033ED100K0F
A2A2R735	321-0332-00			RES, FXD, FILM: 28.0K OHM, 1%, 0.125W, TC=T0	07716	CEAD28001F
A2A2R737	313-1100-00			RES, FXD, FILM: 10 OHM, 5%, 0.2W	57668	TR20JE10E0
A2A2R738	315-0472-00			RES, FXD, FILM: 4.7K OHM, 5%, 0.25W	57668	NTR25J-E04K7
A2A2R739	307-0755-00			RES, FXD, CMPSN: 0.5 OHM, 5%, 0.5W	57668	TR50J-E0E5E
A2A2R740	313-1102-00			RES, FXD, FILM: 1K OHM, 5%, 0.2W	57668	TR20JE01K0
A2A2R743	315-0103-00			RES, FXD, FILM: 10K OHM, 5%, 0.25W	19701	5043CX10K00J
A2A2R744	313-1102-00			RES, FXD, FILM: 1K OHM, 5%, 0.2W	57668	TR20JE01K0
A2A2R750	313-1102-00			RES, FXD, FILM: 1K OHM, 5%, 0.2W	57668	TR20JE01K0
A2A2R800	311-2257-00			RES, VAR, NONW: TRMR, 500 OHM, 20%, 0.5W	32997	3362-M-1-501R
A2A2R841	315-0471-00			RES, FXD, FILM: 470 OHM, 5%, 0.25W	57668	NTR25J-E470E
A2A2R842	313-1100-00			RES, FXD, FILM: 10 OHM, 5%, 0.2W	57668	TR20JE10E0
A2A2T130	120-1672-00			TRANSFORMER, PWR: HIGH FREQUENCY	75498	120-1672-00
A2A2T140	120-1673-00			TRANSFORMER, PWR: HIGH FREQUENCY	75498	120-1673-00
A2A2TP100	131-0608-00			TERMINAL, PIN: 0.365 L X 0.025 BRZ GLD PL	22526	48283-036
A2A2TP121	131-0608-00			TERMINAL, PIN: 0.365 L X 0.025 BRZ GLD PL	22526	48283-036
A2A2TP201	131-0608-00			TERMINAL, PIN: 0.365 L X 0.025 BRZ GLD PL	22526	48283-036
A2A2TP202	131-0608-00			TERMINAL, PIN: 0.365 L X 0.025 BRZ GLD PL	22526	48283-036
A2A2TP210	131-0608-00			TERMINAL, PIN: 0.365 L X 0.025 BRZ GLD PL	22526	48283-036
A2A2TP211	131-0608-00			TERMINAL, PIN: 0.365 L X 0.025 BRZ GLD PL	22526	48283-036
A2A2TP220	131-0608-00			TERMINAL, PIN: 0.365 L X 0.025 BRZ GLD PL	22526	48283-036
A2A2TP221	131-0608-00			TERMINAL, PIN: 0.365 L X 0.025 BRZ GLD PL	22526	48283-036
A2A2TP300	131-0608-00			TERMINAL, PIN: 0.365 L X 0.025 BRZ GLD PL	22526	48283-036
A2A2TP301	131-0608-00			TERMINAL, PIN: 0.365 L X 0.025 BRZ GLD PL	22526	48283-036
A2A2TP310	131-0608-00			TERMINAL, PIN: 0.365 L X 0.025 BRZ GLD PL	22526	48283-036
A2A2TP311	131-0608-00			TERMINAL, PIN: 0.365 L X 0.025 BRZ GLD PL	22526	48283-036

Replaceable Electrical Parts
11401 Extended Service Volume 2

Component No.	Tektronix Part No.	Serial/Assembly No. Effective	Discort	Name & Description	Mfr. Code	Mfr. Part No.
A2A2TP312	131-0608-00			TERMINAL, PIN:0.365 L X 0.025 BRZ GLD PL	22526	48283-036
A2A2TP320	131-0608-00			TERMINAL, PIN:0.365 L X 0.025 BRZ GLD PL	22526	48283-036
A2A2TP321	131-0608-00			TERMINAL, PIN:0.365 L X 0.025 BRZ GLD PL	22526	48283-036
A2A2TP400	131-0608-00			TERMINAL, PIN:0.365 L X 0.025 BRZ GLD PL	22526	48283-036
A2A2TP410	131-0608-00			TERMINAL, PIN:0.365 L X 0.025 BRZ GLD PL	22526	48283-036
A2A2TP420	131-0608-00			TERMINAL, PIN:0.365 L X 0.025 BRZ GLD PL	22526	48283-036
A2A2TP500	131-0608-00			TERMINAL, PIN:0.365 L X 0.025 BRZ GLD PL	22526	48283-036
A2A2TP540	131-0608-00			TERMINAL, PIN:0.365 L X 0.025 BRZ GLD PL	22526	48283-036
A2A2TP541	131-0608-00			TERMINAL, PIN:0.365 L X 0.025 BRZ GLD PL	22526	48283-036
A2A2TP542	131-0608-00			TERMINAL, PIN:0.365 L X 0.025 BRZ GLD PL	22526	48283-036
A2A2TP543	131-0608-00			TERMINAL, PIN:0.365 L X 0.025 BRZ GLD PL	22526	48283-036
A2A2TP550	131-0608-00			TERMINAL, PIN:0.365 L X 0.025 BRZ GLD PL	22526	48283-036
A2A2TP551	131-0608-00			TERMINAL, PIN:0.365 L X 0.025 BRZ GLD PL	22526	48283-036
A2A2TP600	131-0608-00			TERMINAL, PIN:0.365 L X 0.025 BRZ GLD PL	22526	48283-036
A2A2TP630	131-0608-00			TERMINAL, PIN:0.365 L X 0.025 BRZ GLD PL	22526	48283-036
A2A2TP640	131-0608-00			TERMINAL, PIN:0.365 L X 0.025 BRZ GLD PL	22526	48283-036
A2A2TP641	131-0608-00			TERMINAL, PIN:0.365 L X 0.025 BRZ GLD PL	22526	48283-036
A2A2TP642	131-0608-00			TERMINAL, PIN:0.365 L X 0.025 BRZ GLD PL	22526	48283-036
A2A2TP643	131-0608-00			TERMINAL, PIN:0.365 L X 0.025 BRZ GLD PL	22526	48283-036
A2A2TP644	131-0608-00			TERMINAL, PIN:0.365 L X 0.025 BRZ GLD PL	22526	48283-036
A2A2TP645	131-0608-00			TERMINAL, PIN:0.365 L X 0.025 BRZ GLD PL	22526	48283-036
A2A2TP646	131-0608-00			TERMINAL, PIN:0.365 L X 0.025 BRZ GLD PL	22526	48283-036
A2A2TP647	131-0608-00			TERMINAL, PIN:0.365 L X 0.025 BRZ GLD PL	22526	48283-036
A2A2TP650	131-0608-00			TERMINAL, PIN:0.365 L X 0.025 BRZ GLD PL	22526	48283-036
A2A2TP651	131-0608-00			TERMINAL, PIN:0.365 L X 0.025 BRZ GLD PL	22526	48283-036
A2A2TP652	131-0608-00			TERMINAL, PIN:0.365 L X 0.025 BRZ GLD PL	22526	48283-036
A2A2TP701	131-0608-00			TERMINAL, PIN:0.365 L X 0.025 BRZ GLD PL	22526	48283-036
A2A2TP730	131-0608-00			TERMINAL, PIN:0.365 L X 0.025 BRZ GLD PL	22526	48283-036
A2A2TP731	131-0608-00			TERMINAL, PIN:0.365 L X 0.025 BRZ GLD PL	22526	48283-036
A2A2TP732	131-0608-00			TERMINAL, PIN:0.365 L X 0.025 BRZ GLD PL	22526	48283-036
A2A2TP830	131-0608-00			TERMINAL, PIN:0.365 L X 0.025 BRZ GLD PL	22526	48283-036
A2A2TP831	131-0608-00			TERMINAL, PIN:0.365 L X 0.025 BRZ GLD PL	22526	48283-036
A2A2U100	156-2462-00			MICROCKT, DGTL: CMOS, HIGH CURRENT QUAD POWER DRIVER, SCRN	17856	D469 CJ OR CK
A2A2U200	156-0366-02			MICROCKT, DGTL: CMOS, DUAL D FLIP-FLOP, SCRN	02735	CD40138FX
A2A2U300	156-0285-00			MICROCKT, LINEAR: VOLTAGE REGULATOR	04713	MC7812CT
A2A2U400	156-0853-00			MICROCKT, LINEAR: OPNL AMPL, DUAL	04713	LM358N
A2A2U410	156-0411-00			MICROCKT, LINEAR: SGL SPLY COMPARATOR	04713	LM339N
A2A2U420	156-0411-00			MICROCKT, LINEAR: SGL SPLY COMPARATOR	04713	LM339N
A2A2U610	156-0411-00			MICROCKT, LINEAR: SGL SPLY COMPARATOR	04713	LM339N
A2A2U620	156-0411-00			MICROCKT, LINEAR: SGL SPLY COMPARATOR	04713	LM339N
A2A2U723	156-2461-00			MICROCKT, LINEAR: TEMP SENSOR, CURRENT OUTPUT	24355	AD592AN
A2A2U800	156-1631-00			MICROCKT, LINEAR: ADJUSTABLE SHUNT REGULATOR	01295	TL431C-LP
A2A2U810	156-0495-00			MICROCKT, LINEAR: OPNL AMPL	01295	LM324N
A2A2VR500	152-0166-00			SEMICON DVC, DI: ZEN, SI, 6.2V, 5%, 400MW, DO-7	04713	SZ11738RL
A2A2VR510	152-0166-00			SEMICON DVC, DI: ZEN, SI, 6.2V, 5%, 400MW, DO-7	04713	SZ11738RL
A2A2VR511	152-0166-00			SEMICON DVC, DI: ZEN, SI, 6.2V, 5%, 400MW, DO-7	04713	SZ11738RL
A2A2VR620	152-0166-00			SEMICON DVC, DI: ZEN, SI, 6.2V, 5%, 400MW, DO-7	04713	SZ11738RL
A2A2VR630	152-0166-00			SEMICON DVC, DI: ZEN, SI, 6.2V, 5%, 400MW, DO-7	04713	SZ11738RL
A2A2VR700	152-0166-00			SEMICON DVC, DI: ZEN, SI, 6.2V, 5%, 400MW, DO-7	04713	SZ11738RL
A2A2VR701	152-0166-00			SEMICON DVC, DI: ZEN, SI, 6.2V, 5%, 400MW, DO-7	04713	SZ11738RL
A2A2VR704	152-0055-00			SEMICON DVC, DI: ZEN, SI, 11V, 5%, 0.4W, DO-7	14433	Z5407
A2A2VR710	152-0166-00			SEMICON DVC, DI: ZEN, SI, 6.2V, 5%, 400MW, DO-7	04713	SZ11738RL
A2A2VR731	152-0055-00			SEMICON DVC, DI: ZEN, SI, 11V, 5%, 0.4W, DO-7	14433	Z5407
A4	670-8840-00	B010100	B010977	CIRCUIT BD ASSY: REGULATOR	80009	670-8840-00
A4	670-8840-01	B010978		CIRCUIT BD ASSY: REGULATOR	80009	670-8840-01

Replaceable Electrical Parts
11401 Extended Service Volume 2

Component No.	Tektronix Part No.	Serial/Assembly No.		Name & Description	Mfr. Code	Mfr. Part No.
		Effective	Discont.			
A4C110	290-0942-00			CAP, FXD, ELCTLT:100UF,+100-10%,25V	55680	UPA1E101MAH
A4C111	290-0778-00			CAP, FXD, ELCTLT:1UF,20%,50V,NPLZD	54473	ECE-A50N1
A4C120	283-0330-00			CAP, FXD, CER DI:100PF,5%,50V	05397	C320C101J5R5CA
A4C121	283-0220-00			CAP, FXD, CER DI:0.01UF,20%,50V	04222	3429 050C 103M
A4C130	283-0330-00			CAP, FXD, CER DI:100PF,5%,50V	05397	C320C101J5R5CA
A4C210	290-0942-00			CAP, FXD, ELCTLT:100UF,+100-10%,25V	55680	UPA1E101MAH
A4C211	290-0942-00			CAP, FXD, ELCTLT:100UF,+100-10%,25V	55680	UPA1E101MAH
A4C230	283-0330-00			CAP, FXD, CER DI:100PF,5%,50V	05397	C320C101J5R5CA
A4C231	283-0167-00			CAP, FXD, CER DI:0.1UF,10%,100V	04222	3430-100C-104K
A4C240	290-0939-00			CAP, FXD, ELCTLT:10UF,+100-10%,100V	56289	672D106H100CG2C
A4C241	290-0939-00			CAP, FXD, ELCTLT:10UF,+100-10%,100V	56289	672D106H100CG2C
A4C242	283-0159-00			CAP, FXD, CER DI:18PF,5%,50V	04222	SR155A180JAA
A4C310	290-0778-00			CAP, FXD, ELCTLT:1UF,20%,50V,NPLZD	54473	ECE-A50N1
A4C320	283-0330-00			CAP, FXD, CER DI:100PF,5%,50V	05397	C320C101J5R5CA
A4C321	283-0220-00			CAP, FXD, CER DI:0.01UF,20%,50V	04222	3429 050C 103M
A4C322	283-0159-00			CAP, FXD, CER DI:18PF,5%,50V	04222	SR155A180JAA
A4C323	283-0167-00			CAP, FXD, CER DI:0.1UF,10%,100V	04222	3430-100C-104K
A4C324	283-0220-00			CAP, FXD, CER DI:0.01UF,20%,50V	04222	3429 050C 103M
A4C330	283-0167-00			CAP, FXD, CER DI:0.1UF,10%,100V	04222	3430-100C-104K
A4C331	283-0167-00			CAP, FXD, CER DI:0.1UF,10%,100V	04222	3430-100C-104K
A4C332	283-0167-00			CAP, FXD, CER DI:0.1UF,10%,100V	04222	3430-100C-104K
A4C333	283-0220-00			CAP, FXD, CER DI:0.01UF,20%,50V	04222	3429 050C 103M
A4C340	290-0942-00			CAP, FXD, ELCTLT:100UF,+100-10%,25V	55680	UPA1E101MAH
A4C341	290-0942-00			CAP, FXD, ELCTLT:100UF,+100-10%,25V	55680	UPA1E101MAH
A4C342	283-0167-00			CAP, FXD, CER DI:0.1UF,10%,100V	04222	3430-100C-104K
A4C410	290-0942-00			CAP, FXD, ELCTLT:100UF,+100-10%,25V	55680	UPA1E101MAH
A4C411	290-0778-00			CAP, FXD, ELCTLT:1UF,20%,50V,NPLZD	54473	ECE-A50N1
A4C412	283-0220-00			CAP, FXD, CER DI:0.01UF,20%,50V	04222	3429 050C 103M
A4C440	290-0942-00			CAP, FXD, ELCTLT:100UF,+100-10%,25V	55680	UPA1E101MAH
A4C441	290-0942-00			CAP, FXD, ELCTLT:100UF,+100-10%,25V	55680	UPA1E101MAH
A4C510	290-0778-00			CAP, FXD, ELCTLT:1UF,20%,50V,NPLZD	54473	ECE-A50N1
A4C511	283-0220-00			CAP, FXD, CER DI:0.01UF,20%,50V	04222	3429 050C 103M
A4C600	283-0167-00			CAP, FXD, CER DI:0.1UF,10%,100V	04222	3430-100C-104K
A4C601	283-0167-00			CAP, FXD, CER DI:0.1UF,10%,100V	04222	3430-100C-104K
A4C602	283-0167-00			CAP, FXD, CER DI:0.1UF,10%,100V	04222	3430-100C-104K
A4C603	283-0167-00			CAP, FXD, CER DI:0.1UF,10%,100V	04222	3430-100C-104K
A4C604	290-0778-00			CAP, FXD, ELCTLT:1UF,20%,50V,NPLZD	54473	ECE-A50N1
A4C610	290-0939-00			CAP, FXD, ELCTLT:10UF,+100-10%,100V	56289	672D106H100CG2C
A4C611	290-0939-00			CAP, FXD, ELCTLT:10UF,+100-10%,100V	56289	672D106H100CG2C
A4C700	283-0167-00			CAP, FXD, CER DI:0.1UF,10%,100V	04222	3430-100C-104K
A4C701	283-0167-00			CAP, FXD, CER DI:0.1UF,10%,100V	04222	3430-100C-104K
A4C702	290-0778-00			CAP, FXD, ELCTLT:1UF,20%,50V,NPLZD	54473	ECE-A50N1
A4C703	283-0167-00			CAP, FXD, CER DI:0.1UF,10%,100V	04222	3430-100C-104K
A4C704	283-0167-00			CAP, FXD, CER DI:0.1UF,10%,100V	04222	3430-100C-104K
A4C705	290-0778-00			CAP, FXD, ELCTLT:1UF,20%,50V,NPLZD	54473	ECE-A50N1
A4C706	283-0167-00			CAP, FXD, CER DI:0.1UF,10%,100V	04222	3430-100C-104K
A4C732	290-0782-01			CAP, FXD, ELCTLT:4.7UF,20%,35VDC	55680	UVX1V4R7MAA1TD
A4C739	290-0778-00			CAP, FXD, ELCTLT:1UF,20%,50V,NPLZD	54473	ECE-A50N1
A4CR420	152-0066-00			SEMICON DVC,DI:RECT,SI,400V,1A,DO-41	05828	GP10G-020
A4CR421	152-0066-00			SEMICON DVC,DI:RECT,SI,400V,1A,DO-41	05828	GP10G-020
A4CR430	152-0066-00			SEMICON DVC,DI:RECT,SI,400V,1A,DO-41	05828	GP10G-020
A4CR431	152-0066-00			SEMICON DVC,DI:RECT,SI,400V,1A,DO-41	05828	GP10G-020
A4CR432	152-0066-00			SEMICON DVC,DI:RECT,SI,400V,1A,DO-41	05828	GP10G-020
A4CR433	152-0066-00			SEMICON DVC,DI:RECT,SI,400V,1A,DO-41	05828	GP10G-020
A4CR434	152-0141-02			SEMICON DVC,DI:SW,SI,30V,150MA,30V,DO-35	03508	DA2527 (1N4152)
A4CR435	152-0141-02			SEMICON DVC,DI:SW,SI,30V,150MA,30V,DO-35	03508	DA2527 (1N4152)
A4CR510	152-0141-02			SEMICON DVC,DI:SW,SI,30V,150MA,30V,DO-35	03508	DA2527 (1N4152)
A4CR511	152-0141-02			SEMICON DVC,DI:SW,SI,30V,150MA,30V,DO-35	03508	DA2527 (1N4152)

Replaceable Electrical Parts
11401 Extended Service Volume 2

Component No.	Tektronix Part No.	Serial/Assembly No. Effective Dscont	Name & Description	Mfr. Code	Mfr. Part No.
A4CR512	152-0141-02		SEMICON DVC,DI:SW,SI,30V,150MA,30V,DO-35	03508	DA2527 (1N4152)
A4CR513	152-0141-02		SEMICON DVC,DI:SW,SI,30V,150MA,30V,DO-35	03508	DA2527 (1N4152)
A4F430	159-0220-00		FUSE,WIRE LEAD:3A,125V,FAST	71400	TRA3
A4J40	131-0608-00		TERMINAL,PIN:0.365 L X 0.025 BRZ GLD PL (QUANTITY OF 3)	22526	48283-036
A4J57	131-0608-00		TERMINAL,PIN:0.365 L X 0.025 BRZ GLD PL (QUANTITY OF 6)	22526	48283-036
A4J60	131-0608-00		TERMINAL,PIN:0.365 L X 0.025 BRZ GLD PL (QUANTITY OF 3)	22526	48283-036
A4J62	131-2250-00		CONN,RCPT,ELEC:HEADER,1 X 5 0.156 CTR	26742	3109-11-205-01
A4J62	131-2576-00		TERM SET,PIN:6 CONTACT,MALE (J62A)	27264	09-61-1061
A4J65	131-0608-00		TERMINAL,PIN:0.365 L X 0.025 BRZ GLD PL (QUANTITY OF 7)	22526	48283-036
A4J95	131-0591-00		TERMINAL,PIN:0.835 L X 0.025 SQ PH BRZ (QUANTITY OF 15)	22526	47332
A4J96	131-3588-00		CONN,RCPT,ELEC:1 X 8 RT ANGLE,0.156 SPACING	27264	09-71-1081
A4J820	131-0608-00		TERMINAL,PIN:0.365 L X 0.025 BRZ GLD PL (QUANTITY OF 4)	22526	48283-036
A4L600	108-1144-00		COIL,RF:FIXED,27 UH,20%	34479	RL1284
A4L601	108-1144-00		COIL,RF:FIXED,27 UH,20%	34479	RL1284
A4L700	108-0554-00		COIL,RF:FIXED,5UH,+/-20%	TK1345	108-0554-00
A4L701	108-0554-00		COIL,RF:FIXED,5UH,+/-20%	TK1345	108-0554-00
A4L710	108-0554-00		COIL,RF:FIXED,5UH,+/-20%	TK1345	108-0554-00
A4L711	108-0554-00		COIL,RF:FIXED,5UH,+/-20%	TK1345	108-0554-00
A4P820	131-0993-00		BUS,CONDUCTOR:SHUNT ASSEMBLY,BLACK	22526	65474-005
A4Q100	151-1199-00		TRANSISTOR:NOSFET,PWR,50V,0.06 OHM,TO-220	80009	151-1199-00
A4Q110	151-0190-00		TRANSISTOR:NPN,SI,TO-92	80009	151-0190-00
A4Q200	151-1199-00		TRANSISTOR:NOSFET,PWR,50V,0.06 OHM,TO-220	80009	151-1199-00
A4Q201	151-1171-00		TRANSISTOR:FET,MOS,12A,50V,TO-220	25088	BUZ71A
A4Q210	151-0190-00		TRANSISTOR:NPN,SI,TO-92	80009	151-0190-00
A4Q310	151-0190-00		TRANSISTOR:NPN,SI,TO-92	80009	151-0190-00
A4Q311	151-0190-00		TRANSISTOR:NPN,SI,TO-92	80009	151-0190-00
A4Q400	151-1171-00		TRANSISTOR:FET,MOS,12A,50V,TO-220	25088	BUZ71A
A4Q500	151-0657-00		TRANSISTOR:DARLINGTON,PNP,SI,TO-220	04713	SJE1973
A4Q501	151-0656-00		TRANSISTOR:DARLINGTON,NPN,SI,TO-220	02735	2N6044
A4Q510	151-0432-00		TRANSISTOR:NPN,SI,625MW,TO-92	04713	SPS8512
A4Q511	151-0453-00		TRANSISTOR:PNP,SI,TO-92	27014	ORDER BY DESCR
A4Q720	151-0464-00		TRANSISTOR:NPN,SI,TO-220	80009	151-0464-00
A4Q730	151-0464-00		TRANSISTOR:NPN,SI,TO-220	80009	151-0464-00
A4Q820	151-0462-00		TRANSISTOR:PNP,SI,TO-220	04713	SJE491
A4Q830	151-0462-00		TRANSISTOR:PNP,SI,TO-220	04713	SJE491
A4R110	301-0682-00		RES,FXD,FILM:6.8K OHM,5%,0.5W	19701	5053CX6K800J
A4R111	315-0102-00		RES,FXD,FILM:1K OHM,5%,0.25W	57668	NTR25JE01K0
A4R120	131-0566-00		BUS,CONDUCTOR:DUMMY RES,0.094 OD X 0.225 L	24546	OMA 07
A4R121	315-0163-00		RES,FXD,FILM:16K OHM,5%,0.25W	57668	NTR25J-E 16K
A4R122	321-0318-07		RES,FXD,FILM:20.0K OHM,0.1%,0.125W,TC=T9	19701	5033RE20K00BCM
A4R130	315-0103-00		RES,FXD,FILM:10K OHM,5%,0.25W	19701	5043CX10K00J
A4R131	315-0510-00		RES,FXD,FILM:51 OHM,5%,0.25W	19701	5043CX51R00J
A4R132	315-0103-00		RES,FXD,FILM:10K OHM,5%,0.25W	19701	5043CX10K00J
A4R133	315-0510-00		RES,FXD,FILM:51 OHM,5%,0.25W	19701	5043CX51R00J
A4R134	315-0103-00		RES,FXD,FILM:10K OHM,5%,0.25W	19701	5043CX10K00J
A4R135	321-0685-07		RES,FXD,FILM:30K OHM,0.1%,0.125W,TC=T9	07716	CEAE30001B
A4R136	321-0603-07		RES,FXD,FILM:15K OHM,0.1%,0.125W,TC=T9	19701	5033RE15K00B
A4R137	321-0685-07		RES,FXD,FILM:30K OHM,0.1%,0.125W,TC=T9	07716	CEAE30001B
A4R138	321-0318-07		RES,FXD,FILM:20.0K OHM,0.1%,0.125W,TC=T9	19701	5033RE20K00BCM
A4R139	321-0318-07		RES,FXD,FILM:20.0K OHM,0.1%,0.125W,TC=T9	19701	5033RE20K00BCM
A4R140	315-0103-00		RES,FXD,FILM:10K OHM,5%,0.25W	19701	5043CX10K00J
A4R141	315-0303-00		RES,FXD,FILM:30K OHM,5%,0.25W	19701	5043CX30K00J

Replaceable Electrical Parts
11401 Extended Service Volume 2

Component No.	Tektronix Part No.	Serial/Assembly No. Effective	Discort	Name & Description	Mfr. Code	Mfr. Part No.
A4R142	315-0104-00			RES, FXD, FILM:100K OHM, 5%, 0.25W	57668	NTR25J-E100K
A4R143	315-0104-00			RES, FXD, FILM:100K OHM, 5%, 0.25W	57668	NTR25J-E100K
A4R144	315-0103-00			RES, FXD, FILM:10K OHM, 5%, 0.25W	19701	5043CX10K00J
A4R210	315-0103-00			RES, FXD, FILM:10K OHM, 5%, 0.25W	19701	5043CX10K00J
A4R220	301-0682-00			RES, FXD, FILM:6.8K OHM, 5%, 0.5W	19701	5053CX6K800J
A4R221	315-0510-00			RES, FXD, FILM:51 OHM, 5%, 0.25W	19701	5043CX51R00J
A4R222	315-0510-00			RES, FXD, FILM:51 OHM, 5%, 0.25W	19701	5043CX51R00J
A4R223	321-0318-07			RES, FXD, FILM:20.0K OHM, 0.1%, 0.125W, TC=T9	19701	5033RE20K00BCM
A4R224	321-0385-07			RES, FXD, FILM:100K OHM, 0.1%, 0.125W, TC=T9	19701	5033RE100K0B
A4R225	131-0566-00			BUS, CONDUCTOR: DUMMY RES, 0.094 OD X 0.225 L	24546	OMA 07
A4R230	315-0163-00			RES, FXD, FILM:16K OHM, 5%, 0.25W	57668	NTR25J-E 16K
A4R231	315-0510-00			RES, FXD, FILM:51 OHM, 5%, 0.25W	19701	5043CX51R00J
A4R232	315-0223-00			RES, FXD, FILM:22K OHM, 5%, 0.25W	19701	5043CX22K00J92U
A4R233	315-0510-00			RES, FXD, FILM:51 OHM, 5%, 0.25W	19701	5043CX51R00J
A4R234	315-0682-00			RES, FXD, FILM:6.8K OHM, 5%, 0.25W	57668	NTR25J-E06K8
A4R235	321-0385-07			RES, FXD, FILM:100K OHM, 0.1%, 0.125W, TC=T9	19701	5033RE100K0B
A4R236	321-0289-07			RES, FXD, FILM:10.0K OHM, 0.1%, 0.125W, TC=T9	19701	5033RE10K00B
A4R237	321-0318-07			RES, FXD, FILM:20.0K OHM, 0.1%, 0.125W, TC=T9	19701	5033RE20K00BCM
A4R238	315-0104-00			RES, FXD, FILM:100K OHM, 5%, 0.25W	57668	NTR25J-E100K
A4R239	315-0204-00			RES, FXD, FILM:200K OHM, 5%, 0.25W	19701	5043CX200K0J
A4R240	315-0100-00			RES, FXD, FILM:10 OHM, 5%, 0.25W	19701	5043CX10R000J
A4R241	321-0986-07			RES, FXD, FILM:25K OHM, 0.1%, 0.125W, TC=T9	19701	5033RE25K00B
A4R242	315-0303-00			RES, FXD, FILM:30K OHM, 5%, 0.25W	19701	5043CX30K00J
A4R243	315-0332-00			RES, FXD, FILM:3.3K OHM, 5%, 0.25W	57668	NTR25J-E03K3
A4R244	315-0473-00	B010100	8010977	RES, FXD, FILM:47K OHM, 5%, 0.25W	57668	NTR25J-E47K0
A4R244	131-0566-00	B010978		BUS, CONDUCTOR: DUMMY RES, 0.094 OD X 0.225 L	24546	OMA 07
A4R245	131-0566-00			BUS, CONDUCTOR: DUMMY RES, 0.094 OD X 0.225 L	24546	OMA 07
A4R310	301-0682-00			RES, FXD, FILM:6.8K OHM, 5%, 0.5W	19701	5053CX6K800J
A4R311	315-0102-00			RES, FXD, FILM:1K OHM, 5%, 0.25W	57668	NTR25JE01K0
A4R320	131-0566-00			BUS, CONDUCTOR: DUMMY RES, 0.094 OD X 0.225 L	24546	OMA 07
A4R321	315-0473-00	B010100	8010977	RES, FXD, FILM:47K OHM, 5%, 0.25W	57668	NTR25J-E47K0
A4R321	131-0566-00	B010978		BUS, CONDUCTOR: DUMMY RES, 0.094 OD X 0.225 L	24546	OMA 07
A4R322	315-0104-00			RES, FXD, FILM:100K OHM, 5%, 0.25W	57668	NTR25J-E100K
A4R410	301-0682-00			RES, FXD, FILM:6.8K OHM, 5%, 0.5W	19701	5053CX6K800J
A4R411	315-0104-00			RES, FXD, FILM:100K OHM, 5%, 0.25W	57668	NTR25J-E100K
A4R412	315-0101-00			RES, FXD, FILM:100 OHM, 5%, 0.25W	57668	NTR25J-E 100E
A4R510	315-0221-00			RES, FXD, FILM:220 OHM, 5%, 0.25W	57668	NTR25J-E220E
A4R511	315-0101-00			RES, FXD, FILM:100 OHM, 5%, 0.25W	57668	NTR25J-E 100E
A4R512	315-0221-00			RES, FXD, FILM:220 OHM, 5%, 0.25W	57668	NTR25J-E220E
A4R520	315-0104-00			RES, FXD, FILM:100K OHM, 5%, 0.25W	57668	NTR25J-E100K
A4R720	315-0103-00			RES, FXD, FILM:10K OHM, 5%, 0.25W	19701	5043CX10K00J
A4R721	315-0103-00			RES, FXD, FILM:10K OHM, 5%, 0.25W	19701	5043CX10K00J
A4R730	315-0223-00			RES, FXD, FILM:22K OHM, 5%, 0.25W	19701	5043CX22K00J92U
A4R731	315-0223-00			RES, FXD, FILM:22K OHM, 5%, 0.25W	19701	5043CX22K00J92U
A4R830	311-2257-00			RES, VAR, NONWV: TRMR, 500 OHM, 20%, 0.5W	32997	3362-M-1-501R
A4R831	315-0103-00			RES, FXD, FILM:10K OHM, 5%, 0.25W	19701	5043CX10K00J
A4R832	321-0197-00			RES, FXD, FILM:1.10K OHM, 1%, 0.125W, TC=T0	07716	CEAD11000F
A4R840	321-0254-00			RES, FXD, FILM:4.32K OHM, 1%, 0.125W, TC=T0	07716	CEAD43200F
A4TP820	131-0608-00			TERMINAL, PIN:0.365 L X 0.025 BRZ GLD PL	22526	48283-036
A4TP821	131-0608-00			TERMINAL, PIN:0.365 L X 0.025 BRZ GLD PL	22526	48283-036
A4TP822	131-0608-00			TERMINAL, PIN:0.365 L X 0.025 BRZ GLD PL	22526	48283-036
A4TP830	131-0608-00			TERMINAL, PIN:0.365 L X 0.025 BRZ GLD PL	22526	48283-036
A4TP831	131-0608-00			TERMINAL, PIN:0.365 L X 0.025 BRZ GLD PL	22526	48283-036
A4TP832	131-0608-00			TERMINAL, PIN:0.365 L X 0.025 BRZ GLD PL	22526	48283-036
A4U220	156-2614-00			MICROCKT, LINEAR: OP AMP, QUAD, BIFET, DECOMPENSATED	04713	MC34085AP
A4U230	156-2614-00			MICROCKT, LINEAR: OP AMP, QUAD, BIFET, DECOMPENSATED	04713	MC34085AP

Replaceable Electrical Parts
11401 Extended Service Volume 2

Component No.	Tektronix Part No.	Serial/Assembly No. Effective	Discnt	Name & Description	Mfr. Code	Mfr. Part No.
A4U730	156-1631-00			MICROCKT, LINEAR:ADJUSTABLE SHUNT REGULATOR	01295	TL431C-LP
A4VR110	152-0149-00			SEMICON DVC, DI:ZEN, SI, 10V, 5%, 0.4W, DO-7	04713	1N961B
A4VR121	152-0590-00			SEMICON DVC, DI:ZEN, SI, 18V, 5%, 400MW	80009	152-0590-00
A4VR210	152-0590-00			SEMICON DVC, DI:ZEN, SI, 18V, 5%, 400MW	80009	152-0590-00
A4VR211	152-0590-00			SEMICON DVC, DI:ZEN, SI, 18V, 5%, 400MW	80009	152-0590-00
A4VR310	152-0304-00			SEMICON DVC, DI:ZEN, SI, 20V, 5%, 0.4W, DO-7	15238	Z5411
A4VR410	152-0590-00			SEMICON DVC, DI:ZEN, SI, 18V, 5%, 400MW	80009	152-0590-00
A4VR510	152-0283-00			SEMICON DVC, DI:ZEN, SI, 43V, 5%, 0.4W, D-07	04713	1N976B
A4VR520	152-0283-00			SEMICON DVC, DI:ZEN, SI, 43V, 5%, 0.4W, D-07	04713	1N976B
A4VR720	152-0304-00			SEMICON DVC, DI:ZEN, SI, 20V, 5%, 0.4W, DO-7	15238	Z5411
A4VR730	152-0149-00			SEMICON DVC, DI:ZEN, SI, 10V, 5%, 0.4W, DO-7	04713	1N961B
A4VR731	152-0149-00			SEMICON DVC, DI:ZEN, SI, 10V, 5%, 0.4W, DO-7	04713	1N961B
A4VR732	152-0304-00			SEMICON DVC, DI:ZEN, SI, 20V, 5%, 0.4W, DO-7	15238	Z5411
A5	670-8850-00	8010100	8010396	CIRCUIT BD ASSY:ACQUISITION	80009	670-8850-00
A5	670-8850-01	8010397	8010490	CIRCUIT BD ASSY:ACQUISITION	80009	670-8850-01
A5	670-8850-02	8010491	8010907	CIRCUIT BD ASSY:ACQUISITION	80009	670-8850-02
A5	670-8850-03	8010908	8021020	CIRCUIT BD ASSY:ACQUISITION	80009	670-8850-03
A5	670-8850-04	8021021		CIRCUIT BD ASSY:ACQUISITION	80009	670-8850-04
A5C106	283-0360-00			CAP, FXD, CER DI:3300PF, 10%, 200V	05397	C330C332K2G5CA
A5C118	283-0220-02			CAP, FXD, CER DI:0.01UF, 20%, 50V	05397	C320C103M2R5CA
A5C119	283-0220-02			CAP, FXD, CER DI:0.01UF, 20%, 50V	05397	C320C103M2R5CA
A5C120	283-0220-02			CAP, FXD, CER DI:0.01UF, 20%, 50V	05397	C320C103M2R5CA
A5C200	283-0660-00			CAP, FXD, MICA DI:510PF, 2%, 500V	00853	D155F511G0
A5C201	281-0913-00			CAP, FXD, CER DI:0.1UF, 50V, AXIAL	04222	SA105E104ZAA
A5C206	281-0913-00			CAP, FXD, CER DI:0.1UF, 50V, AXIAL	04222	SA105E104ZAA
A5C208	283-0220-02			CAP, FXD, CER DI:0.01UF, 20%, 50V	05397	C320C103M2R5CA
A5C210	283-0220-02			CAP, FXD, CER DI:0.01UF, 20%, 50V	05397	C320C103M2R5CA
A5C212	281-0928-00			CAP, FXD, CER DI:150PF, 5%	04222	MA101A151JAA
A5C214	283-0220-02			CAP, FXD, CER DI:0.01UF, 20%, 50V	05397	C320C103M2R5CA
A5C216	283-0636-00			CAP, FXD, MICA DI:36PF, 1.4%, 100V	00853	D155E360G0
A5C217	281-0166-00			CAP, VAR, AIR DI:1.9-15.7 PF, 250V	74970	187-0109-055
A5C218	283-0115-00			CAP, FXD, CER DI:47PF, 5%, 200V	59821	2DDT60K470J
A5C230	281-0913-00			CAP, FXD, CER DI:0.1UF, 50V, AXIAL	04222	SA105E104ZAA
A5C232	281-0913-00			CAP, FXD, CER DI:0.1UF, 50V, AXIAL	04222	SA105E104ZAA
A5C240	281-0913-00			CAP, FXD, CER DI:0.1UF, 50V, AXIAL	04222	SA105E104ZAA
A5C242	281-0913-00			CAP, FXD, CER DI:0.1UF, 50V, AXIAL	04222	SA105E104ZAA
A5C250	281-0913-00			CAP, FXD, CER DI:0.1UF, 50V, AXIAL	04222	SA105E104ZAA
A5C252	281-0913-00			CAP, FXD, CER DI:0.1UF, 50V, AXIAL	04222	SA105E104ZAA
A5C253	281-0224-00			CAP, VAR, CER DI:0.5-2.0PF, 250VDC	91293	9401-2
A5C254	281-0913-00			CAP, FXD, CER DI:0.1UF, 50V, AXIAL	04222	SA105E104ZAA
A5C255	281-0913-00			CAP, FXD, CER DI:0.1UF, 50V, AXIAL	04222	SA105E104ZAA
A5C260	281-0913-00			CAP, FXD, CER DI:0.1UF, 50V, AXIAL	04222	SA105E104ZAA
A5C262	281-0913-00			CAP, FXD, CER DI:0.1UF, 50V, AXIAL	04222	SA105E104ZAA
A5C270	281-0913-00			CAP, FXD, CER DI:0.1UF, 50V, AXIAL	04222	SA105E104ZAA
A5C272	281-0913-00			CAP, FXD, CER DI:0.1UF, 50V, AXIAL	04222	SA105E104ZAA
A5C280	281-0913-00			CAP, FXD, CER DI:0.1UF, 50V, AXIAL	04222	SA105E104ZAA
A5C282	281-0913-00			CAP, FXD, CER DI:0.1UF, 50V, AXIAL	04222	SA105E104ZAA
A5C304	281-0765-00			CAP, FXD, CER DI:100PF, 5%, 100V	04222	MA101A101JAA
A5C305	281-0765-00			CAP, FXD, CER DI:100PF, 5%, 100V	04222	MA101A101JAA
A5C317	283-0220-02			CAP, FXD, CER DI:0.01UF, 20%, 50V	05397	C320C103M2R5CA
A5C318	283-0220-02			CAP, FXD, CER DI:0.01UF, 20%, 50V	05397	C320C103M2R5CA
A5C319	290-0776-01			CAP, FXD, ELCTLT:22UF, 20%, 10WVDC	55680	ULB1A220MAA1TD
A5C320	281-0913-00			CAP, FXD, CER DI:0.1UF, 50V, AXIAL	04222	SA105E104ZAA
A5C322	290-0776-01			CAP, FXD, ELCTLT:22UF, 20%, 10WVDC	55680	ULB1A220MAA1TD
A5C340	283-0167-02			CAP, FXD, CER DI:0.1UF, 10%, 100V, TAPED & REELED, 0.2 SPACING	54583	FK26X5R2A104K-T

Replaceable Electrical Parts
11401 Extended Service Volume 2

Component No.	Tektronix Part No.	Serial/Assembly No. Effective Dscnt	Name & Description	Mfr. Code	Mfr. Part No.
A5C342	281-0913-00		CAP, FXD, CER DI: 0.1UF, 50V, AXIAL	04222	SA105E104ZAA
A5C343	281-0913-00		CAP, FXD, CER DI: 0.1UF, 50V, AXIAL	04222	SA105E104ZAA
A5C360	281-0913-00		CAP, FXD, CER DI: 0.1UF, 50V, AXIAL	04222	SA105E104ZAA
A5C362	281-0814-01		CAP, FXD, CER DI: 100PF, 5%, 100V	04222	SA101A101JAA
A5C369	290-0776-01		CAP, FXD, ELCTLT: 22UF, 20%, 10WVDC	55680	ULB1A220MAA1TD
A5C380	281-0913-00		CAP, FXD, CER DI: 0.1UF, 50V, AXIAL	04222	SA105E104ZAA
A5C382	281-0913-00		CAP, FXD, CER DI: 0.1UF, 50V, AXIAL	04222	SA105E104ZAA
A5C400	285-0918-00		CAP, FXD, PLASTIC: 0.001UF, 5%, 200V	04099	TEK13-13
A5C402	283-0156-00		CAP, FXD, CER DI: 1000PF, +80-20%, 200V	05397	C315C102Z2R5CA
A5C405	283-0220-02		CAP, FXD, CER DI: 0.01UF, 20%, 50V	05397	C320C103M2R5CA
A5C406	281-0898-00		CAP, FXD, CER DI: 7.5PF, +/-0.5PF, 500V	96733	XR3446
A5C408	283-0140-00		CAP, FXD, CER DI: 4.7PF, +/-0.25PF, 50V	72982	8101E003A479C
A5C410	285-0918-00		CAP, FXD, PLASTIC: 0.001UF, 5%, 200V	04099	TEK13-13
A5C412	283-0201-00		CAP, FXD, CER DI: 27PF, 10%, 200V	05397	C312C270K2G5CA
A5C414	283-0140-00		CAP, FXD, CER DI: 4.7PF, +/-0.25PF, 50V	72982	8101E003A479C
A5C416	290-0804-00		CAP, FXD, ELCTLT: 10UF, +50-20%, 25V	55680	ULB1E100TAANA
A5C440	283-0220-02		CAP, FXD, CER DI: 0.01UF, 20%, 50V	05397	C320C103M2R5CA
A5C441	283-0167-02		CAP, FXD, CER DI: 0.1UF, 10%, 100V, TAPED & REELED, 0.2 SPACING	54583	FK26X5R2A104K-T
A5C442	283-0177-05		CAP, FXD, CER DI: 1UF, +80-20%, 25V	04222	SR305E105ZAATR
A5C444	283-0220-02		CAP, FXD, CER DI: 0.01UF, 20%, 50V	05397	C320C103M2R5CA
A5C460	281-0814-01		CAP, FXD, CER DI: 100PF, 5%, 100V	04222	SA101A101JAA
A5C468	281-0925-01		CAP, FXD, CER DI: 0.22UA, 20%, 50V, AXIAL	31433	C114C224M5Y5CA
A5C480	281-0913-00		CAP, FXD, CER DI: 0.1UF, 50V, AXIAL	04222	SA105E104ZAA
A5C500	281-0166-00		CAP, VAR, ATR DI: 1.9-15.7 PF, 250V	74970	187-0109-055
A5C502	283-0108-00		CAP, FXD, CER DI: 220PF, 10%, 200V	31433	C320C221K2G5CA
A5C504	283-0201-00		CAP, FXD, CER DI: 27PF, 10%, 200V	05397	C312C270K2G5CA
A5C506	283-0167-02		CAP, FXD, CER DI: 0.1UF, 10%, 100V, TAPED & REELED, 0.2 SPACING	54583	FK26X5R2A104K-T
A5C510	283-0220-02		CAP, FXD, CER DI: 0.01UF, 20%, 50V	05397	C320C103M2R5CA
A5C512	283-0220-02		CAP, FXD, CER DI: 0.01UF, 20%, 50V	05397	C320C103M2R5CA
A5C514	283-0167-02		CAP, FXD, CER DI: 0.1UF, 10%, 100V, TAPED & REELED, 0.2 SPACING	54583	FK26X5R2A104K-T
A5C515	290-0776-01		CAP, FXD, ELCTLT: 22UF, 20%, 10WVDC	55680	ULB1A220MAA1TD
A5C516	283-0156-00		CAP, FXD, CER DI: 1000PF, +80-20%, 200V	05397	C315C102Z2R5CA
A5C518	283-0220-02		CAP, FXD, CER DI: 0.01UF, 20%, 50V	05397	C320C103M2R5CA
A5C532	290-0943-01		CAP, FXD, ELCTLT: 47UF, 20%, 25V	55680	ULB1E470MPAANA1T
A5C533	290-0776-01		CAP, FXD, ELCTLT: 22UF, 20%, 10WVDC	55680	ULB1A220MAA1TD
A5C535	283-0220-02		CAP, FXD, CER DI: 0.01UF, 20%, 50V	05397	C320C103M2R5CA
A5C544	283-0167-02		CAP, FXD, CER DI: 0.1UF, 10%, 100V, TAPED & REELED, 0.2 SPACING	54583	FK26X5R2A104K-T
A5C548	108-0341-00	B021021	COIL, RF: FIXED, 1.4UH	80009	108-0341-00
A5C560	281-0913-00		CAP, FXD, CER DI: 0.1UF, 50V, AXIAL	04222	SA105E104ZAA
A5C561	281-0913-00		CAP, FXD, CER DI: 0.1UF, 50V, AXIAL	04222	SA105E104ZAA
A5C562	281-0814-01		CAP, FXD, CER DI: 100PF, 5%, 100V	04222	SA101A101JAA
A5C563	281-0814-01		CAP, FXD, CER DI: 100PF, 5%, 100V	04222	SA101A101JAA
A5C564	290-0776-01		CAP, FXD, ELCTLT: 22UF, 20%, 10WVDC	55680	ULB1A220MAA1TD
A5C578	283-0167-02		CAP, FXD, CER DI: 0.1UF, 10%, 100V, TAPED & REELED, 0.2 SPACING	54583	FK26X5R2A104K-T
A5C609	283-0220-02		CAP, FXD, CER DI: 0.01UF, 20%, 50V	05397	C320C103M2R5CA
A5C610	283-0156-00		CAP, FXD, CER DI: 1000PF, +80-20%, 200V	05397	C315C102Z2R5CA
A5C612	283-0220-02		CAP, FXD, CER DI: 0.01UF, 20%, 50V	05397	C320C103M2R5CA
A5C614	281-0913-00		CAP, FXD, CER DI: 0.1UF, 50V, AXIAL	04222	SA105E104ZAA
A5C616	283-0167-02		CAP, FXD, CER DI: 0.1UF, 10%, 100V, TAPED & REELED, 0.2 SPACING	54583	FK26X5R2A104K-T
A5C621	281-0913-00		CAP, FXD, CER DI: 0.1UF, 50V, AXIAL	04222	SA105E104ZAA
A5C622	281-0913-00		CAP, FXD, CER DI: 0.1UF, 50V, AXIAL	04222	SA105E104ZAA
A5C630	290-0943-01		CAP, FXD, ELCTLT: 47UF, 20%, 25V	55680	ULB1E470MPAANA1T

Replaceable Electrical Parts
11401 Extended Service Volume 2

Component No.	Tektronix Part No.	Serial/Assembly No. Effective Dscnt	Name & Description	Mfr. Code	Mfr. Part No.
A5C640	281-0913-00		CAP, FXD, CER DI: 0.1UF, 50V, AXIAL	04222	SA105E104ZAA
A5C642	281-0913-00		CAP, FXD, CER DI: 0.1UF, 50V, AXIAL	04222	SA105E104ZAA
A5C650	281-0913-00		CAP, FXD, CER DI: 0.1UF, 50V, AXIAL	04222	SA105E104ZAA
A5C670	290-0944-01		CAP, FXD, ELCTLT: 220UF, 20%, 10V	55680	UVX1C221MPA1TA
A5C682	290-0782-01		CAP, FXD, ELCTLT: 4.7UF, 20%, 35VDC	55680	UVX1V4R7MAA1TD
A5C689	281-0913-00		CAP, FXD, CER DI: 0.1UF, 50V, AXIAL	04222	SA105E104ZAA
A5C700	281-0913-00		CAP, FXD, CER DI: 0.1UF, 50V, AXIAL	04222	SA105E104ZAA
A5C722	281-0913-00		CAP, FXD, CER DI: 0.1UF, 50V, AXIAL	04222	SA105E104ZAA
A5C733	281-0913-00		CAP, FXD, CER DI: 0.1UF, 50V, AXIAL	04222	SA105E104ZAA
A5C735	281-0913-00		CAP, FXD, CER DI: 0.1UF, 50V, AXIAL	04222	SA105E104ZAA
A5C738	281-0913-00		CAP, FXD, CER DI: 0.1UF, 50V, AXIAL	04222	SA105E104ZAA
A5C750	281-0913-00		CAP, FXD, CER DI: 0.1UF, 50V, AXIAL	04222	SA105E104ZAA
A5C780	290-0776-01		CAP, FXD, ELCTLT: 22UF, 20%, 10WVDC	55680	ULB1A220MAA1TD
A5C800	281-0913-00		CAP, FXD, CER DI: 0.1UF, 50V, AXIAL	04222	SA105E104ZAA
A5C810	281-0913-00		CAP, FXD, CER DI: 0.1UF, 50V, AXIAL	04222	SA105E104ZAA
A5C820	281-0913-00		CAP, FXD, CER DI: 0.1UF, 50V, AXIAL	04222	SA105E104ZAA
A5C832	281-0913-00		CAP, FXD, CER DI: 0.1UF, 50V, AXIAL	04222	SA105E104ZAA
A5C834	281-0814-01		CAP, FXD, CER DI: 100PF, 5%, 100V	04222	SA101A101JAA
A5C835	281-0814-01		CAP, FXD, CER DI: 100PF, 5%, 100V	04222	SA101A101JAA
A5C836	281-0814-01		CAP, FXD, CER DI: 100PF, 5%, 100V	04222	SA101A101JAA
A5C838	281-0814-01		CAP, FXD, CER DI: 100PF, 5%, 100V	04222	SA101A101JAA
A5C860	290-0944-01		CAP, FXD, ELCTLT: 220UF, 20%, 10V	55680	UVX1C221MPA1TA
A5C870	290-0944-01		CAP, FXD, ELCTLT: 220UF, 20%, 10V	55680	UVX1C221MPA1TA
A5C872	290-0944-01		CAP, FXD, ELCTLT: 220UF, 20%, 10V	55680	UVX1C221MPA1TA
A5C874	290-0974-00		CAP, FXD, ELCTLT: 10UF, 20%, 50VDC	55680	ULB1H100MAA
A5C876	283-0177-05		CAP, FXD, CER DI: 1UF, +80-20%, 25V	04222	SR305E105ZAATR
A5C880	290-0776-01		CAP, FXD, ELCTLT: 22UF, 20%, 10WVDC	55680	ULB1A220MAA1TD
A5C904	281-0913-00		CAP, FXD, CER DI: 0.1UF, 50V, AXIAL	04222	SA105E104ZAA
A5C908	281-0913-00		CAP, FXD, CER DI: 0.1UF, 50V, AXIAL	04222	SA105E104ZAA
A5C922	281-0913-00		CAP, FXD, CER DI: 0.1UF, 50V, AXIAL	04222	SA105E104ZAA
A5C930	281-0814-01		CAP, FXD, CER DI: 100PF, 5%, 100V	04222	SA101A101JAA
A5C932	281-0814-01		CAP, FXD, CER DI: 100PF, 5%, 100V	04222	SA101A101JAA
A5C934	281-0814-01		CAP, FXD, CER DI: 100PF, 5%, 100V	04222	SA101A101JAA
A5C936	281-0814-01		CAP, FXD, CER DI: 100PF, 5%, 100V	04222	SA101A101JAA
A5C938	281-0913-00		CAP, FXD, CER DI: 0.1UF, 50V, AXIAL	04222	SA105E104ZAA
A5C939	290-0943-01		CAP, FXD, ELCTLT: 47UF, 20%, 25V	55680	ULB1E470MPAANA1T
A5C940	281-0913-00		CAP, FXD, CER DI: 0.1UF, 50V, AXIAL	04222	SA105E104ZAA
A5C941	281-0913-00		CAP, FXD, CER DI: 0.1UF, 50V, AXIAL	04222	SA105E104ZAA
A5C942	281-0913-00		CAP, FXD, CER DI: 0.1UF, 50V, AXIAL	04222	SA105E104ZAA
A5C950	281-0913-00		CAP, FXD, CER DI: 0.1UF, 50V, AXIAL	04222	SA105E104ZAA
A5C952	281-0913-00		CAP, FXD, CER DI: 0.1UF, 50V, AXIAL	04222	SA105E104ZAA
A5C953	281-0913-00		CAP, FXD, CER DI: 0.1UF, 50V, AXIAL	04222	SA105E104ZAA
A5C954	281-0814-01		CAP, FXD, CER DI: 100PF, 5%, 100V	04222	SA101A101JAA
A5C956	281-0814-01		CAP, FXD, CER DI: 100PF, 5%, 100V	04222	SA101A101JAA
A5C958	281-0814-01		CAP, FXD, CER DI: 100PF, 5%, 100V	04222	SA101A101JAA
A5C959	281-0814-01		CAP, FXD, CER DI: 100PF, 5%, 100V	04222	SA101A101JAA
A5C960	281-0913-00		CAP, FXD, CER DI: 0.1UF, 50V, AXIAL	04222	SA105E104ZAA
A5C964	290-0974-00		CAP, FXD, ELCTLT: 10UF, 20%, 50VDC	55680	ULB1H100MAA
A5C966	290-0804-00		CAP, FXD, ELCTLT: 10UF, +50-20%, 25V	55680	ULB1E100TAAANA
A5C968	281-0913-00		CAP, FXD, CER DI: 0.1UF, 50V, AXIAL	04222	SA105E104ZAA
A5C970	281-0913-00		CAP, FXD, CER DI: 0.1UF, 50V, AXIAL	04222	SA105E104ZAA
A5C971	281-0913-00		CAP, FXD, CER DI: 0.1UF, 50V, AXIAL	04222	SA105E104ZAA
A5C973	281-0913-00		CAP, FXD, CER DI: 0.1UF, 50V, AXIAL	04222	SA105E104ZAA
A5C974	281-0775-00		CAP, FXD, CER DI: 0.1UF, 20%, 50V	04222	MA205E104MAA
A5C976	281-0775-00		CAP, FXD, CER DI: 0.1UF, 20%, 50V	04222	MA205E104MAA
A5C977	281-0775-00		CAP, FXD, CER DI: 0.1UF, 20%, 50V	04222	MA205E104MAA
A5C978	281-0775-00		CAP, FXD, CER DI: 0.1UF, 20%, 50V	04222	MA205E104MAA
A5C979	281-0775-00		CAP, FXD, CER DI: 0.1UF, 20%, 50V	04222	MA205E104MAA

Replaceable Electrical Parts
11401 Extended Service Volume 2

Component No.	Tektronix Part No.	Serial/Assembly No.		Name & Description	Mfr. Code	Mfr. Part No.
		Effective	Discont			
A5C982	281-0775-00			CAP, FXD, CER DI: 0.1UF, 20%, 50V	04222	MA205E104MAA
A5C984	281-0775-00			CAP, FXD, CER DI: 0.1UF, 20%, 50V	04222	MA205E104MAA
A5C985	281-0775-00			CAP, FXD, CER DI: 0.1UF, 20%, 50V	04222	MA205E104MAA
A5C1002	281-0913-00			CAP, FXD, CER DI: 0.1UF, 50V, AXIAL	04222	SA105E104ZAA
A5C1006	290-0246-00			CAP, FXD, ELCTLT: 3.3UF, 10%, 15V	12954	D3R3EA15K1
A5C1020	281-0913-00			CAP, FXD, CER DI: 0.1UF, 50V, AXIAL	04222	SA105E104ZAA
A5C1021	281-0913-00			CAP, FXD, CER DI: 0.1UF, 50V, AXIAL	04222	SA105E104ZAA
A5C1032	281-0913-00			CAP, FXD, CER DI: 0.1UF, 50V, AXIAL	04222	SA105E104ZAA
A5C1051	281-0913-00			CAP, FXD, CER DI: 0.1UF, 50V, AXIAL	04222	SA105E104ZAA
A5C1052	281-0913-00			CAP, FXD, CER DI: 0.1UF, 50V, AXIAL	04222	SA105E104ZAA
A5C1060	290-0944-00			CAP, FXD, ELCTLT: 220UF, +50-20%, 10V	55680	ULB1A221TPAANA
A5C1061	281-0913-00			CAP, FXD, CER DI: 0.1UF, 50V, AXIAL	04222	SA105E104ZAA
A5C1062	281-0775-00	B010100	B010949	CAP, FXD, CER DI: 0.1UF, 20%, 50V	04222	MA205E104MAA
A5C1062	285-1300-01	B010950		CAP, FXD, MTLZD: 0.1UF, 10%, 63V	55112	185/0.1/K/63/ABA
A5C1064	281-0775-00			CAP, FXD, CER DI: 0.1UF, 20%, 50V	04222	MA205E104MAA
A5C1066	281-0775-00			CAP, FXD, CER DI: 0.1UF, 20%, 50V	04222	MA205E104MAA
A5C1068	281-0775-00			CAP, FXD, CER DI: 0.1UF, 20%, 50V	04222	MA205E104MAA
A5C1069	281-0775-00			CAP, FXD, CER DI: 0.1UF, 20%, 50V	04222	MA205E104MAA
A5C1070	281-0775-00			CAP, FXD, CER DI: 0.1UF, 20%, 50V	04222	MA205E104MAA
A5C1072	281-0775-00			CAP, FXD, CER DI: 0.1UF, 20%, 50V	04222	MA205E104MAA
A5C1074	281-0775-00			CAP, FXD, CER DI: 0.1UF, 20%, 50V	04222	MA205E104MAA
A5C1104	290-0943-01			CAP, FXD, ELCTLT: 47UF, 20%, 25V	55680	ULB1E470MPAANA1T
A5C1108	281-0913-00			CAP, FXD, CER DI: 0.1UF, 50V, AXIAL	04222	SA105E104ZAA
A5C1111	281-0913-00			CAP, FXD, CER DI: 0.1UF, 50V, AXIAL	04222	SA105E104ZAA
A5C1120	281-0913-00			CAP, FXD, CER DI: 0.1UF, 50V, AXIAL	04222	SA105E104ZAA
A5C1150	281-0913-00			CAP, FXD, CER DI: 0.1UF, 50V, AXIAL	04222	SA105E104ZAA
A5C1160	281-0913-00			CAP, FXD, CER DI: 0.1UF, 50V, AXIAL	04222	SA105E104ZAA
A5C1200	281-0913-00			CAP, FXD, CER DI: 0.1UF, 50V, AXIAL	04222	SA105E104ZAA
A5C1202	281-0913-00			CAP, FXD, CER DI: 0.1UF, 50V, AXIAL	04222	SA105E104ZAA
A5C1204	281-0913-00			CAP, FXD, CER DI: 0.1UF, 50V, AXIAL	04222	SA105E104ZAA
A5C1212	290-0804-00			CAP, FXD, ELCTLT: 10UF, +50-20%, 25V	55680	ULB1E100TAAANA
A5C1220	281-0913-00			CAP, FXD, CER DI: 0.1UF, 50V, AXIAL	04222	SA105E104ZAA
A5C1222	281-0913-00			CAP, FXD, CER DI: 0.1UF, 50V, AXIAL	04222	SA105E104ZAA
A5C1224	281-0913-00			CAP, FXD, CER DI: 0.1UF, 50V, AXIAL	04222	SA105E104ZAA
A5C1233	290-0246-00			CAP, FXD, ELCTLT: 3.3UF, 10%, 15V	12954	D3R3EA15K1
A5C1250	281-0913-00			CAP, FXD, CER DI: 0.1UF, 50V, AXIAL	04222	SA105E104ZAA
A5C1260	281-0775-00			CAP, FXD, CER DI: 0.1UF, 20%, 50V	04222	MA205E104MAA
A5C1262	281-0775-00	B010100	B010490	CAP, FXD, CER DI: 0.1UF, 20%, 50V	04222	MA205E104MAA
A5C1262	285-1300-01	B010491		CAP, FXD, MTLZD: 0.1UF, 10%, 63V	55112	185/0.1/K/63/ABA
A5C1264	281-0775-00	B010100	B010490	CAP, FXD, CER DI: 0.1UF, 20%, 50V	04222	MA205E104MAA
A5C1264	285-1300-01	B010491		CAP, FXD, MTLZD: 0.1UF, 10%, 63V	55112	185/0.1/K/63/ABA
A5C1266	281-0775-00	B010100	B010490	CAP, FXD, CER DI: 0.1UF, 20%, 50V	04222	MA205E104MAA
A5C1266	285-1300-01	B010491		CAP, FXD, MTLZD: 0.1UF, 10%, 63V	55112	185/0.1/K/63/ABA
A5C1270	281-0775-00	B010100	B010490	CAP, FXD, CER DI: 0.1UF, 20%, 50V	04222	MA205E104MAA
A5C1270	285-1300-01	B010491		CAP, FXD, MTLZD: 0.1UF, 10%, 63V	55112	185/0.1/K/63/ABA
A5C1272	281-0775-00			CAP, FXD, CER DI: 0.1UF, 20%, 50V	04222	MA205E104MAA
A5C1274	281-0775-00			CAP, FXD, CER DI: 0.1UF, 20%, 50V	04222	MA205E104MAA
A5C1300	281-0913-00			CAP, FXD, CER DI: 0.1UF, 50V, AXIAL	04222	SA105E104ZAA
A5C1302	281-0913-00			CAP, FXD, CER DI: 0.1UF, 50V, AXIAL	04222	SA105E104ZAA
A5C1304	281-0913-00			CAP, FXD, CER DI: 0.1UF, 50V, AXIAL	04222	SA105E104ZAA
A5C1320	281-0913-00			CAP, FXD, CER DI: 0.1UF, 50V, AXIAL	04222	SA105E104ZAA
A5C1322	281-0913-00			CAP, FXD, CER DI: 0.1UF, 50V, AXIAL	04222	SA105E104ZAA
A5C1324	281-0913-00			CAP, FXD, CER DI: 0.1UF, 50V, AXIAL	04222	SA105E104ZAA
A5C1333	290-0246-00			CAP, FXD, ELCTLT: 3.3UF, 10%, 15V	12954	D3R3EA15K1
A5C1340	281-0913-00			CAP, FXD, CER DI: 0.1UF, 50V, AXIAL	04222	SA105E104ZAA
A5C1342	281-0913-00			CAP, FXD, CER DI: 0.1UF, 50V, AXIAL	04222	SA105E104ZAA
A5C1350	281-0913-00			CAP, FXD, CER DI: 0.1UF, 50V, AXIAL	04222	SA105E104ZAA
A5C1370	281-0913-00			CAP, FXD, CER DI: 0.1UF, 50V, AXIAL	04222	SA105E104ZAA

Replaceable Electrical Parts
11401 Extended Service Volume 2

Component No.	Tektronix Part No.	Serial/Assembly No. Effective	Dscont	Name & Description	Mfr. Code	Mfr. Part No.
A5C1404	290-0246-00			CAP, FXD, ELCTLT: 3.3UF, 10%, 15V	12954	D3R3EA15K1
A5C1408	281-0913-00			CAP, FXD, CER DI: 0.1UF, 50V, AXIAL	04222	SA105E104ZAA
A5C1433	281-0913-00			CAP, FXD, CER DI: 0.1UF, 50V, AXIAL	04222	SA105E104ZAA
A5C1455	290-0943-01			CAP, FXD, ELCTLT: 47UF, 20%, 25V	55680	ULB1E470MPAANA1T
A5C1462	283-0177-05			CAP, FXD, CER DI: 1UF, +80-20%, 25V	04222	SR305E105ZAATR
A5C1464	281-0913-00			CAP, FXD, CER DI: 0.1UF, 50V, AXIAL	04222	SA105E104ZAA
A5C1500	281-0913-00			CAP, FXD, CER DI: 0.1UF, 50V, AXIAL	04222	SA105E104ZAA
A5C1504	290-0246-00			CAP, FXD, ELCTLT: 3.3UF, 10%, 15V	12954	D3R3EA15K1
A5C1505	281-0913-00			CAP, FXD, CER DI: 0.1UF, 50V, AXIAL	04222	SA105E104ZAA
A5C1506	290-0943-01			CAP, FXD, ELCTLT: 47UF, 20%, 25V	55680	ULB1E470MPAANA1T
A5C1518	290-0246-00			CAP, FXD, ELCTLT: 3.3UF, 10%, 15V	12954	D3R3EA15K1
A5C1520	281-0913-00			CAP, FXD, CER DI: 0.1UF, 50V, AXIAL	04222	SA105E104ZAA
A5C1522	281-0913-00			CAP, FXD, CER DI: 0.1UF, 50V, AXIAL	04222	SA105E104ZAA
A5C1530	281-0913-00			CAP, FXD, CER DI: 0.1UF, 50V, AXIAL	04222	SA105E104ZAA
A5C1532	281-0913-00			CAP, FXD, CER DI: 0.1UF, 50V, AXIAL	04222	SA105E104ZAA
A5C1540	281-0913-00			CAP, FXD, CER DI: 0.1UF, 50V, AXIAL	04222	SA105E104ZAA
A5C1564	281-0785-00			CAP, FXD, CER DI: 68PF, 10%, 100V	04222	MA101A680KAA
A5C1566	281-0913-00			CAP, FXD, CER DI: 0.1UF, 50V, AXIAL	04222	SA105E104ZAA
A5C1568	283-0177-05			CAP, FXD, CER DI: 1UF, +80-20%, 25V	04222	SR305E105ZAATR
A5C1570	281-0913-00	B010100	B010490	CAP, FXD, CER DI: 0.1UF, 50V, AXIAL	04222	SA105E104ZAA
A5C1570	285-1300-01	B010491		CAP, FXD, MTLZD: 0.1UF, 10%, 63V	55112	185/0.1/K/63/ABA
A5C1571	281-0913-00			CAP, FXD, CER DI: 0.1UF, 50V, AXIAL	04222	SA105E104ZAA
A5C1572	281-0913-00	B010100	B010490	CAP, FXD, CER DI: 0.1UF, 50V, AXIAL	04222	SA105E104ZAA
A5C1572	281-0826-00	B010491		CAP, FXD, CER DI: 2200PF, 10%, 100V	20932	401EM100AD222K
A5C1574	281-0913-00			CAP, FXD, CER DI: 0.1UF, 50V, AXIAL	04222	SA105E104ZAA
A5C1576	281-0913-00			CAP, FXD, CER DI: 0.1UF, 50V, AXIAL	04222	SA105E104ZAA
A5C1600	290-0943-01			CAP, FXD, ELCTLT: 47UF, 20%, 25V	55680	ULB1E470MPAANA1T
A5C1603	281-0913-00			CAP, FXD, CER DI: 0.1UF, 50V, AXIAL	04222	SA105E104ZAA
A5C1604	290-0246-00			CAP, FXD, ELCTLT: 3.3UF, 10%, 15V	12954	D3R3EA15K1
A5C1608	281-0913-00			CAP, FXD, CER DI: 0.1UF, 50V, AXIAL	04222	SA105E104ZAA
A5C1618	283-0470-00			CAP, FXD, CER DI: 0.1UF, +80-20%, 50WVDC	05397	C1210E104Z5XAV
A5C1620	281-0913-00			CAP, FXD, CER DI: 0.1UF, 50V, AXIAL	04222	SA105E104ZAA
A5C1644	281-0913-00			CAP, FXD, CER DI: 0.1UF, 50V, AXIAL	04222	SA105E104ZAA
A5C1651	281-0913-00			CAP, FXD, CER DI: 0.1UF, 50V, AXIAL	04222	SA105E104ZAA
A5C1654	281-0770-00			CAP, FXD, CER DI: 1000PF, 20%, 100V	04222	MA101C102MAA
A5C1672	281-0913-00			CAP, FXD, CER DI: 0.1UF, 50V, AXIAL	04222	SA105E104ZAA
A5C1674	281-0913-00			CAP, FXD, CER DI: 0.1UF, 50V, AXIAL	04222	SA105E104ZAA
A5C1706	283-0470-00			CAP, FXD, CER DI: 0.1UF, +80-20%, 50WVDC	05397	C1210E104Z5XAV
A5C1708	281-0913-00			CAP, FXD, CER DI: 0.1UF, 50V, AXIAL	04222	SA105E104ZAA
A5C1710	281-0913-00			CAP, FXD, CER DI: 0.1UF, 50V, AXIAL	04222	SA105E104ZAA
A5C1719	281-0913-00			CAP, FXD, CER DI: 0.1UF, 50V, AXIAL	04222	SA105E104ZAA
A5C1720	281-0913-00			CAP, FXD, CER DI: 0.1UF, 50V, AXIAL	04222	SA105E104ZAA
A5C1722	281-0913-00			CAP, FXD, CER DI: 0.1UF, 50V, AXIAL	04222	SA105E104ZAA
A5C1724	281-0913-00			CAP, FXD, CER DI: 0.1UF, 50V, AXIAL	04222	SA105E104ZAA
A5C1728	281-0913-00			CAP, FXD, CER DI: 0.1UF, 50V, AXIAL	04222	SA105E104ZAA
A5C1734	281-0913-00			CAP, FXD, CER DI: 0.1UF, 50V, AXIAL	04222	SA105E104ZAA
A5C1740	283-0671-00			CAP, FXD, MICA DI: 164PF, 1%, 500V	00853	D155F1640F0
A5C1744	281-0913-00			CAP, FXD, CER DI: 0.1UF, 50V, AXIAL	04222	SA105E104ZAA
A5C1746	281-0913-00			CAP, FXD, CER DI: 0.1UF, 50V, AXIAL	04222	SA105E104ZAA
A5C1750	281-0913-00			CAP, FXD, CER DI: 0.1UF, 50V, AXIAL	04222	SA105E104ZAA
A5C1752	281-0770-00			CAP, FXD, CER DI: 1000PF, 20%, 100V	04222	MA101C102MAA
A5C1753	281-0812-00	B021021		CAP, FXD, CER DI: 1000PF, 10%, 100V	04222	MA101C102KAA
A5C1760	281-0770-00			CAP, FXD, CER DI: 1000PF, 20%, 100V	04222	MA101C102MAA
A5C1764	281-0913-00			CAP, FXD, CER DI: 0.1UF, 50V, AXIAL	04222	SA105E104ZAA
A5C1770	281-0913-00			CAP, FXD, CER DI: 0.1UF, 50V, AXIAL	04222	SA105E104ZAA
A5C1772	281-0773-00			CAP, FXD, CER DI: 0.01UF, 10%, 100V	04222	MA201C103KAA
A5C1780	281-0913-00			CAP, FXD, CER DI: 0.1UF, 50V, AXIAL	04222	SA105E104ZAA
A5C1800	290-0943-01			CAP, FXD, ELCTLT: 47UF, 20%, 25V	55680	ULB1E470MPAANA1T

Replaceable Electrical Parts
11401 Extended Service Volume 2

Component No.	Tektronix Part No.	Serial/Assembly No. Effective Discnt	Name & Description	Mfr. Code	Mfr. Part No.
A5C1810	281-0913-00		CAP,FXD,CER DI:0.1UF,50V,AXIAL	04222	SA105E104ZAA
A5C1820	290-0246-00		CAP,FXD,ELCTLT:3.3UF,10%,15V	12954	D3R3EA15K1
A5C1833	281-0913-00		CAP,FXD,CER DI:0.1UF,50V,AXIAL	04222	SA105E104ZAA
A5C1834	281-0913-00		CAP,FXD,CER DI:0.1UF,50V,AXIAL	04222	SA105E104ZAA
A5C1840	281-0913-00		CAP,FXD,CER DI:0.1UF,50V,AXIAL	04222	SA105E104ZAA
A5C1844	281-0913-00		CAP,FXD,CER DI:0.1UF,50V,AXIAL	04222	SA105E104ZAA
A5C1850	283-0649-00		CAP,FXD,MICA DI:105PF,1%,300V	00853	D155F1050F0
A5C1852	281-0913-00		CAP,FXD,CER DI:0.1UF,50V,AXIAL	04222	SA105E104ZAA
A5C1860	281-0913-00		CAP,FXD,CER DI:0.1UF,50V,AXIAL	04222	SA105E104ZAA
A5C1862	281-0913-00		CAP,FXD,CER DI:0.1UF,50V,AXIAL	04222	SA105E104ZAA
A5C1863	281-0913-00		CAP,FXD,CER DI:0.1UF,50V,AXIAL	04222	SA105E104ZAA
A5C1865	290-0943-01		CAP,FXD,ELCTLT:47UF,20%,25V	55680	ULB1E470MPAANA1T
A5C1870	281-0811-00		CAP,FXD,CER DI:10PF,10%,100V	04222	MA101A100KAA
A5C1874	281-0913-00		CAP,FXD,CER DI:0.1UF,50V,AXIAL	04222	SA105E104ZAA
A5C1876	281-0913-00		CAP,FXD,CER DI:0.1UF,50V,AXIAL	04222	SA105E104ZAA
A5C1880	281-0913-00		CAP,FXD,CER DI:0.1UF,50V,AXIAL	04222	SA105E104ZAA
A5C1900	290-0246-00		CAP,FXD,ELCTLT:3.3UF,10%,15V	12954	D3R3EA15K1
A5C1901	290-0246-00		CAP,FXD,ELCTLT:3.3UF,10%,15V	12954	D3R3EA15K1
A5C1902	281-0913-00		CAP,FXD,CER DI:0.1UF,50V,AXIAL	04222	SA105E104ZAA
A5C1904	281-0913-00		CAP,FXD,CER DI:0.1UF,50V,AXIAL	04222	SA105E104ZAA
A5C1915	290-0943-01		CAP,FXD,ELCTLT:47UF,20%,25V	55680	ULB1E470MPAANA1T
A5C1924	281-0913-00		CAP,FXD,CER DI:0.1UF,50V,AXIAL	04222	SA105E104ZAA
A5C1925	281-0913-00		CAP,FXD,CER DI:0.1UF,50V,AXIAL	04222	SA105E104ZAA
A5C1940	281-0812-00	B021021	CAP,FXD,CER DI:1000PF,10%,100V	04222	MA101C102KAA
A5C1941	281-0913-00		CAP,FXD,CER DI:0.1UF,50V,AXIAL	04222	SA105E104ZAA
A5C1942	281-0913-00		CAP,FXD,CER DI:0.1UF,50V,AXIAL	04222	SA105E104ZAA
A5C1944	281-0913-00		CAP,FXD,CER DI:0.1UF,50V,AXIAL	04222	SA105E104ZAA
A5C1946	281-0913-00		CAP,FXD,CER DI:0.1UF,50V,AXIAL	04222	SA105E104ZAA
A5C1948	281-0913-00		CAP,FXD,CER DI:0.1UF,50V,AXIAL	04222	SA105E104ZAA
A5C1952	283-0728-00		CAP,FXD,MICA DI:120PF,1%,500V	00853	D155F121F0
A5C1954	281-0913-00		CAP,FXD,CER DI:0.1UF,50V,AXIAL	04222	SA105E104ZAA
A5C1960	281-0913-00		CAP,FXD,CER DI:0.1UF,50V,AXIAL	04222	SA105E104ZAA
A5C1962	290-0943-01		CAP,FXD,ELCTLT:47UF,20%,25V	55680	ULB1E470MPAANA1T
A5C1964	281-0913-00		CAP,FXD,CER DI:0.1UF,50V,AXIAL	04222	SA105E104ZAA
A5C1968	281-0773-00		CAP,FXD,CER DI:0.01UF,10%,100V	04222	MA201C103KAA
A5C1970	290-0943-01		CAP,FXD,ELCTLT:47UF,20%,25V	55680	ULB1E470MPAANA1T
A5C1980	281-0913-00		CAP,FXD,CER DI:0.1UF,50V,AXIAL	04222	SA105E104ZAA
A5C1985	281-0909-00		CAP,FXD,CER DI:0.022UF,20%,50V	54583	MA12X7R1H223M-T
A5C2019	281-0913-00		CAP,FXD,CER DI:0.1UF,50V,AXIAL	04222	SA105E104ZAA
A5C2020	281-0913-00		CAP,FXD,CER DI:0.1UF,50V,AXIAL	04222	SA105E104ZAA
A5C2021	290-0943-01		CAP,FXD,ELCTLT:47UF,20%,25V	55680	ULB1E470MPAANA1T
A5C2023	290-0943-01		CAP,FXD,ELCTLT:47UF,20%,25V	55680	ULB1E470MPAANA1T
A5C2040	281-0913-00		CAP,FXD,CER DI:0.1UF,50V,AXIAL	04222	SA105E104ZAA
A5CR124	152-0141-02		SEMICON DVC,DI:SW,SI,30V,150MA,30V,DO-35	03508	DA2527 (1N4152)
A5CR126	152-0141-02		SEMICON DVC,DI:SW,SI,30V,150MA,30V,DO-35	03508	DA2527 (1N4152)
A5CR128	152-0141-02		SEMICON DVC,DI:SW,SI,30V,150MA,30V,DO-35	03508	DA2527 (1N4152)
A5CR402	152-0141-02		SEMICON DVC,DI:SW,SI,30V,150MA,30V,DO-35	03508	DA2527 (1N4152)
A5CR404	152-0650-00		SEMICON DVC,DI:VVC,30V,11.5PF,A276	50101	U11-4101
A5CR546	152-0322-00		SEMICON DVC,DI:SchOTTKY,SI,15V,1.2PF,DO-35	50434	5082-2672
A5CR548	152-0581-00	B021021	SEMICON DVC,DI:RECT,SI,20V,1A,A59	04713	1N5817
A5CR670	152-0141-02		SEMICON DVC,DI:SW,SI,30V,150MA,30V,DO-35	03508	DA2527 (1N4152)
A5CR1310	152-0322-00		SEMICON DVC,DI:SchOTTKY,SI,15V,1.2PF,DO-35	50434	5082-2672
A5CR1406	152-0322-00		SEMICON DVC,DI:SchOTTKY,SI,15V,1.2PF,DO-35	50434	5082-2672
A5CR1408	152-0322-00		SEMICON DVC,DI:SchOTTKY,SI,15V,1.2PF,DO-35	50434	5082-2672
A5CR1409	152-0141-02		SEMICON DVC,DI:SW,SI,30V,150MA,30V,DO-35	03508	DA2527 (1N4152)
A5CR1410	152-0322-00		SEMICON DVC,DI:SchOTTKY,SI,15V,1.2PF,DO-35	50434	5082-2672
A5CR1562	152-0141-02		SEMICON DVC,DI:SW,SI,30V,150MA,30V,DO-35	03508	DA2527 (1N4152)
A5CR1566	152-0141-02		SEMICON DVC,DI:SW,SI,30V,150MA,30V,DO-35	03508	DA2527 (1N4152)

Replaceable Electrical Parts
11401 Extended Service Volume 2

Component No.	Tektronix	Serial/Assembly No.		Name & Description	Mfr.	Mfr. Part No.
	Part No.	Effective	Discort		Code	
A5CR1570	152-0141-02			SEMICON DVC,DI:SW,SI,30V,150MA,30V,DO-35	03508	DA2527 (1N4152)
A5CR1664	152-0141-02			SEMICON DVC,DI:SW,SI,30V,150MA,30V,DO-35	03508	DA2527 (1N4152)
A5CR1736	152-0322-00			SEMICON DVC,DI:SCHOTTKY,SI,15V,1.2PF,DO-35	50434	5082-2672
A5CR1744	152-0322-00			SEMICON DVC,DI:SCHOTTKY,SI,15V,1.2PF,DO-35	50434	5082-2672
A5CR1754	152-0322-00			SEMICON DVC,DI:SCHOTTKY,SI,15V,1.2PF,DO-35	50434	5082-2672
A5CR1767	152-0141-02			SEMICON DVC,DI:SW,SI,30V,150MA,30V,DO-35	03508	DA2527 (1N4152)
A5CR1769	152-0141-02			SEMICON DVC,DI:SW,SI,30V,150MA,30V,DO-35	03508	DA2527 (1N4152)
A5CR1852	152-0322-00			SEMICON DVC,DI:SCHOTTKY,SI,15V,1.2PF,DO-35	50434	5082-2672
A5CR1864	152-0141-02			SEMICON DVC,DI:SW,SI,30V,150MA,30V,DO-35	03508	DA2527 (1N4152)
A5CR1865	152-0141-02			SEMICON DVC,DI:SW,SI,30V,150MA,30V,DO-35	03508	DA2527 (1N4152)
A5CR1874	152-0141-02			SEMICON DVC,DI:SW,SI,30V,150MA,30V,DO-35	03508	DA2527 (1N4152)
A5CR1950	152-0322-00			SEMICON DVC,DI:SCHOTTKY,SI,15V,1.2PF,DO-35	50434	5082-2672
A5CR1952	152-0322-00			SEMICON DVC,DI:SCHOTTKY,SI,15V,1.2PF,DO-35	50434	5082-2672
A5CR1954	152-0141-02			SEMICON DVC,DI:SW,SI,30V,150MA,30V,DO-35	03508	DA2527 (1N4152)
A5CR1956	152-0141-02			SEMICON DVC,DI:SW,SI,30V,150MA,30V,DO-35	03508	DA2527 (1N4152)
A5DL720	119-1380-00			DELAY LINE,ELEC:10NS,100 OHM,TAPPED,7 SIP	01961	PE 20662
A5DL722	119-1380-00			DELAY LINE,ELEC:10NS,100 OHM,TAPPED,7 SIP	01961	PE 20662
A5DL920	119-1382-00			DELAY LINE,ELEC:16NS,85 OHM,TAPPED,10 SIP	01961	PE 20988
A5E219	276-0752-00			CORE,EM:FERRITE	34899	2743001111
A5E371	276-0752-00			CORE,EM:FERRITE	34899	2743001111
A5E516	276-0752-00			CORE,EM:FERRITE	34899	2743001111
A5E547	276-0752-00			CORE,EM:FERRITE	34899	2743001111
A5E548	276-0752-00	B010100	B021020	CORE,EM:FERRITE	34899	2743001111
A5E562	276-0752-00			CORE,EM:FERRITE	34899	2743001111
A5E880	276-0752-00			CORE,EM:FERRITE	34899	2743001111
A5E960	276-0752-00			CORE,EM:FERRITE	34899	2743001111
A5E962	276-0752-00			CORE,EM:FERRITE	34899	2743001111
A5E1830	276-0752-00			CORE,EM:FERRITE	34899	2743001111
A5E1865	276-0752-00			CORE,EM:FERRITE	34899	2743001111
A5E2020	276-0752-00			CORE,EM:FERRITE	34899	2743001111
A5J1	131-1003-00			CONN,RCPT,ELEC:CKT BD MT,3 PRONG	80009	131-1003-00
A5J2	131-1003-00			CONN,RCPT,ELEC:CKT BD MT,3 PRONG	80009	131-1003-00
A5J3	131-1003-00			CONN,RCPT,ELEC:CKT BD MT,3 PRONG	80009	131-1003-00
A5J4	131-1003-00			CONN,RCPT,ELEC:CKT BD MT,3 PRONG	80009	131-1003-00
A5J5	131-1003-00			CONN,RCPT,ELEC:CKT BD MT,3 PRONG	80009	131-1003-00
A5J6	131-1003-00			CONN,RCPT,ELEC:CKT BD MT,3 PRONG	80009	131-1003-00
A5J26	131-1003-00			CONN,RCPT,ELEC:CKT BD MT,3 PRONG	80009	131-1003-00
A5J30	131-1003-00			CONN,RCPT,ELEC:CKT BD MT,3 PRONG	80009	131-1003-00
A5J31	131-1003-00			CONN,RCPT,ELEC:CKT BD MT,3 PRONG	80009	131-1003-00
A5J32	131-1003-00			CONN,RCPT,ELEC:CKT BD MT,3 PRONG	80009	131-1003-00
A5J33	131-1003-00			CONN,RCPT,ELEC:CKT BD MT,3 PRONG	80009	131-1003-00
A5J34	131-1003-00			CONN,RCPT,ELEC:CKT BD MT,3 PRONG	80009	131-1003-00
A5J36	131-1003-00			CONN,RCPT,ELEC:CKT BD MT,3 PRONG	80009	131-1003-00
A5J66	131-3407-00			CONN,RCPT,ELEC:CKT BD,MALE RT ANGLE 3 PIN 0.25 SPACING	00779	1-350943-0
A5J84	131-3366-00			CONN,RCPT,ELEC:HEADER,RTANG,60 PIN	53387	3597-5002
A5J85	131-3181-00			CONN,RCPT,ELEC:HEADER,RTANG,2 X 20,0.1 CTR	22526	75867-007
A5J86	131-3363-00			CONN,RCPT,ELEC:HEADER,RTANG,34 PIN	53387	3594-5002
A5J91	131-3361-00			CONN,RCPT,ELEC:HEADER,RTANG,26 PIN (J91A)	53387	3593-5002
A5J91	131-3445-00			CONN,RCPT,ELEC:HEADER,2 X 7,0.100 SPACING (J91C)	53387	3598-5002
A5K1564	148-0076-00			RLY,REED:FRM A,250MA,100V,COIL,5V,500 OHM	15636	R4060-1
A5L119	108-0538-00			COIL,RF:FIXED,2.7UH	76493	JWM#B7059
A5L120	108-0537-00			COIL,RF:FIXED,200UH	80009	108-0537-00
A5L122	108-0537-00			COIL,RF:FIXED,200UH	80009	108-0537-00
A5L500	108-1198-00			COIL,RF:FXD,14NH	TK1345	108-1198-00
A5L760	108-0538-00			COIL,RF:FIXED,2.7UH	76493	JWM#B7059

Replaceable Electrical Parts
11401 Extended Service Volume 2

Component No.	Tektronix		Serial/Assembly No.		Name & Description	Mfr. Code	Mfr. Part No.
	Part No.	Effective	Discont				
A5L780	108-0925-00				COIL, RF: FIXED, 21UH	80009	108-0925-00
A5L860	108-0828-00				COIL, RF: FXD, 56.4UH	80009	108-0828-00
A5L880	108-0828-00				COIL, RF: FXD, 56.4UH	80009	108-0828-00
A5L960	108-0538-00				COIL, RF: FIXED, 2.7UH	76493	JWM#B7059
A5L1004	108-0538-00				COIL, RF: FIXED, 2.7UH	76493	JWM#B7059
A5L1106	108-0538-00				COIL, RF: FIXED, 2.7UH	76493	JWM#B7059
A5L1110	108-0538-00				COIL, RF: FIXED, 2.7UH	76493	JWM#B7059
A5L1133	108-0538-00				COIL, RF: FIXED, 2.7UH	76493	JWM#B7059
A5L1404	108-0538-00				COIL, RF: FIXED, 2.7UH	76493	JWM#B7059
A5L1430	108-0538-00				COIL, RF: FIXED, 2.7UH	76493	JWM#B7059
A5L1504	108-0538-00				COIL, RF: FIXED, 2.7UH	76493	JWM#B7059
A5L1560	108-0538-00				COIL, RF: FIXED, 2.7UH	76493	JWM#B7059
A5L1701	108-0538-00				COIL, RF: FIXED, 2.7UH	76493	JWM#B7059
A5L1740	108-0271-00				COIL, RF: FIXED, 245NH	80009	108-0271-00
A5L1754	108-0271-00				COIL, RF: FIXED, 245NH	80009	108-0271-00
A5L1854	108-0271-00				COIL, RF: FIXED, 245NH	80009	108-0271-00
A5L1900	108-0538-00				COIL, RF: FIXED, 2.7UH	76493	JWM#B7059
A5L1924	108-0538-00				COIL, RF: FIXED, 2.7UH	76493	JWM#B7059
A5L1965	108-0538-00				COIL, RF: FIXED, 2.7UH	76493	JWM#B7059
A5L1970	108-0828-00				COIL, RF: FXD, 56.4UH	80009	108-0828-00
A5P1	174-1355-00	B021021			CABLE, SP, ELEC: 26 AWG, RIBBON	80009	174-1355-00
A5P2	196-3227-00	B021021			LEAD, ELECTRICAL: 26 AWG, 3.0 L	80009	196-3227-00
A5Q200	151-0190-00				TRANSISTOR: NPN, SI, TO-92	80009	151-0190-00
A5Q210	151-0302-00				TRANSISTOR: NPN, SI, TO-18	04713	ST899
A5Q212	151-0302-00				TRANSISTOR: NPN, SI, TO-18	04713	ST899
A5Q214	151-0190-00				TRANSISTOR: NPN, SI, TO-92	80009	151-0190-00
A5Q324	321-0242-08				RES, FXD, FILM: 3.24K OHM, 1%, 0.125W, TC=T2	19701	5033RC3K240F
A5Q406	151-0719-00				TRANSISTOR: PNP, SI, TO-92B	04713	SPS8226 (MPSH81)
A5Q609	151-0301-00				TRANSISTOR: PNP, SI, TO-18	04713	ST898
A5Q612	151-0752-00				TRANSISTOR: NPN, SI, MARCO T	25403	BFR96
A5Q660	151-1171-00				TRANSISTOR: FET, MOS, 12A, 50V, TO-220	25088	BUZ71A
A5Q770	151-1171-00				TRANSISTOR: FET, MOS, 12A, 50V, TO-220	25088	BUZ71A
A5Q1030	151-0472-00				TRANSISTOR: NPN, SI, TO-92	51984	NE41632B
A5Q1032	151-0472-00				TRANSISTOR: NPN, SI, TO-92	51984	NE41632B
A5Q1430	151-0221-08				TRANSISTOR: PNP, SI, TO-92	80009	151-0221-08
A5Q1432	151-0221-08				TRANSISTOR: PNP, SI, TO-92	80009	151-0221-08
A5Q1440	151-0221-08				TRANSISTOR: PNP, SI, TO-92	80009	151-0221-08
A5Q1442	151-0221-08				TRANSISTOR: PNP, SI, TO-92	80009	151-0221-08
A5Q1560	151-0212-00				TRANSISTOR: NPN, SI, TO-72	04713	SRF 518
A5Q1562	151-0212-00				TRANSISTOR: NPN, SI, TO-72	04713	SRF 518
A5Q1620	151-0188-00				TRANSISTOR: PNP, SI, TO-92	80009	151-0188-00
A5Q1630	151-0712-00				TRANSISTOR: PNP, SI, TO-92	04713	SPS8223
A5Q1632	151-0712-00				TRANSISTOR: PNP, SI, TO-92	04713	SPS8223
A5Q1646	151-0221-08				TRANSISTOR: PNP, SI, TO-92	80009	151-0221-08
A5Q1648	151-0221-08				TRANSISTOR: PNP, SI, TO-92	80009	151-0221-08
A5Q1652	151-0216-00				TRANSISTOR: PNP, SI, TO-92	04713	SPS8803
A5Q1668	151-0712-00				TRANSISTOR: PNP, SI, TO-92	04713	SPS8223
A5Q1730	151-0190-00				TRANSISTOR: NPN, SI, TO-92	80009	151-0190-00
A5Q1732	151-0711-00				TRANSISTOR: NPN, SI, TO-92B	80009	151-0711-00
A5Q1734	151-0711-00				TRANSISTOR: NPN, SI, TO-92B	80009	151-0711-00
A5Q1736	151-0711-00				TRANSISTOR: NPN, SI, TO-92B	80009	151-0711-00
A5Q1742	151-1036-00				TRANSISTOR: FET, N-CHAN, SI, TO-71	80009	151-1036-00
A5Q1746	151-0712-00	B010100	B021020		TRANSISTOR: PNP, SI, TO-92	04713	SPS8223
A5Q1746	151-0712-00	B021021			TRANSISTOR: PNP, SI, TO-92	04713	SPS8223
A5Q1748	151-0712-00	B010100	B021020		TRANSISTOR: PNP, SI, TO-92	04713	SPS8223
A5Q1748	151-0712-00	B021021			TRANSISTOR: PNP, SI, TO-92	04713	SPS8223
A5Q1752	151-0220-06				TRANSISTOR: PNP, SI	80009	151-0220-06
A5Q1754	151-0220-06				TRANSISTOR: PNP, SI	80009	151-0220-06

Replaceable Electrical Parts
11401 Extended Service Volume 2

Component No.	Tektronix		Serial/Assembly No. Effective Dscort	Name & Description	Mfr.	
	Part No.				Code	Mfr. Part No.
A5Q1756	151-0711-00			TRANSISTOR:NPN,SI,TO-92B	80009	151-0711-00
A5Q1758	151-0216-00			TRANSISTOR:PMP,SI,TO-92	04713	SPS8803
A5Q1830	151-0190-00			TRANSISTOR:NPN,SI,TO-92	80009	151-0190-00
A5Q1832	151-0711-00			TRANSISTOR:NPN,SI,TO-92B	80009	151-0711-00
A5Q1846	151-1036-00			TRANSISTOR:FET,N-CHAN,SI,TO-71	80009	151-1036-00
A5Q1848	151-0188-00			TRANSISTOR:PMP,SI,TO-92	80009	151-0188-00
A5Q1850	151-0711-00			TRANSISTOR:NPN,SI,TO-92B	80009	151-0711-00
A5Q1854	151-0711-00			TRANSISTOR:NPN,SI,TO-92B	80009	151-0711-00
A5Q1860	151-0216-00			TRANSISTOR:PMP,SI,TO-92	04713	SPS8803
A5Q1948	151-1036-00			TRANSISTOR:FET,N-CHAN,SI,TO-71	80009	151-1036-00
A5Q1952	151-0711-00			TRANSISTOR:NPN,SI,TO-92B	80009	151-0711-00
A5Q1954	151-0712-00			TRANSISTOR:PMP,SI,TO-92	04713	SPS8223
A5Q1968	151-0188-00			TRANSISTOR:PMP,SI,TO-92	80009	151-0188-00
A5Q1969	151-0190-00			TRANSISTOR:NPN,SI,TO-92	80009	151-0190-00
A5R102	313-1272-00			RES,FXD,FILM:2.7K OHM,5%,0.2W	57668	TR20JE 02K7
A5R104	313-1752-00			RES,FXD,FILM:7.5K OHM,5%,0.2W	57668	TR20JE 07K5
A5R106	313-1223-00			RES,FXD,FILM:22K OHM,5%,0.2W	57668	TR20JE 22K
A5R110	313-1102-00			RES,FXD,FILM:1K OHM,5%,0.2W	57668	TR20JE01K0
A5R112	313-1203-00			RES,FXD,FILM:20K OHM,5%,0.2W	57668	TR20JE20K
A5R114	313-1393-00			RES,FXD,FILM:39K OHM,5%,0.2W	57668	TR20JE 39K
A5R116	313-1753-00			RES,FXD,FILM:75K OHM,5%,0.2W	57668	TR20JE 75K
A5R118	313-1510-00			RES,FXD,FILM:51 OHM,5%,0.2W	80009	313-1510-00
A5R124	313-1472-00			RES,FXD,FILM:4.7K OHM,5%,0.2W	57668	TR20JE 04K7
A5R130	313-1102-00			RES,FXD,FILM:1K OHM,5%,0.2W	57668	TR20JE01K0
A5R132	313-1122-00			RES,FXD,FILM:1.2K OHM,5%,0.2W	57668	TR20JE01K2
A5R140	307-1266-00			RES NTWK,FXD,FI:160-240 OHM,8 PIN,SIP	71590	HC2308161/241GA
A5R200	313-1621-00			RES,FXD,FILM:620 OHM,5%,0.2W	57668	TR20JE 620E
A5R206	313-1272-00			RES,FXD,FILM:2.7K OHM,5%,0.2W	57668	TR20JE 02K7
A5R208	313-1102-00			RES,FXD,FILM:1K OHM,5%,0.2W	57668	TR20JE01K0
A5R210	313-1121-00			RES,FXD,FILM:120 OHM,5%,0.2W	80009	313-1121-00
A5R212	313-1431-00			RES,FXD,FILM:430 OHM,5%,0.2W	57668	TR20JE 430E
A5R214	313-1122-00			RES,FXD,FILM:1.2K OHM,5%,0.2W	57668	TR20JE01K2
A5R216	313-1472-00			RES,FXD,FILM:4.7K OHM,5%,0.2W	57668	TR20JE 04K7
A5R218	313-1101-00			RES,FXD,FILM:100 OHM,5%,0.2W	57668	TR20JE100E
A5R230	307-0738-00			RES NTWK,FXD,FI:10,270 OHM,2%,0.19 EACH	91637	CS11A-1-271G
A5R231	307-0695-00			RES NTWK,FXD,FI:9,150 OHM,2%,0.2W EA	11236	750-101-R150 OHM
A5R240	307-1318-00			RES NTWK,FXD,FI:(2) 162 OHM,(2) 260 OHM,2%,0.125W	32997	4604X-4W1-000
A5R253	313-1561-00			RES,FXD,FILM:560 OHM,5%,0.2W	57668	TR20JE 560E
A5R260	307-1266-00			RES NTWK,FXD,FI:160-240 OHM,8 PIN,SIP	71590	HC2308161/241GA
A5R263	307-0738-00			RES NTWK,FXD,FI:10,270 OHM,2%,0.19 EACH	91637	CS11A-1-271G
A5R264	307-0695-00			RES NTWK,FXD,FI:9,150 OHM,2%,0.2W EA	11236	750-101-R150 OHM
A5R271	307-1266-00			RES NTWK,FXD,FI:160-240 OHM,8 PIN,SIP	71590	HC2308161/241GA
A5R272	307-1266-00			RES NTWK,FXD,FI:160-240 OHM,8 PIN,SIP	71590	HC2308161/241GA
A5R282	307-0503-00			RES NTWK,FXD,FI:(9) 510 OHM,20%,0.125W	11236	750-101-R510
A5R300	322-3138-00			RES,FXD,FILM:267 OHM,1%,0.2W,TC=TO	57668	CRB20 FXE 267E
A5R301	313-1471-00			RES,FXD,FILM:470 OHM,5%,0.2W	57668	TR20JE 470E
A5R302	322-3138-00			RES,FXD,FILM:267 OHM,1%,0.2W,TC=TO	57668	CRB20 FXE 267E
A5R304	313-1471-00			RES,FXD,FILM:470 OHM,5%,0.2W	57668	TR20JE 470E
A5R305	313-1161-00			RES,FXD,FILM:160 OHM,5%,0.2W	57668	TR20JE160E
A5R306	313-1241-00			RES,FXD,FILM:240 OHM,5%,0.2W	57668	TR20JE 240E
A5R308	322-3137-00			RES,FXD,FILM:261 OHM,1%,0.2W,TC=TO	57668	CRB20 FXE 261E
A5R309	322-3137-00			RES,FXD,FILM:261 OHM,1%,0.2W,TC=TO	57668	CRB20 FXE 261E
A5R310	322-3266-00			RES,FXD,FILM:5.76K OHM,1%,0.2W,TC=TO	57668	CRB20 FXE 5K76
A5R312	322-3266-00			RES,FXD,FILM:5.76K OHM,1%,0.2W,TC=TO	57668	CRB20 FXE 5K76
A5R314	313-1101-00			RES,FXD,FILM:100 OHM,5%,0.2W	57668	TR20JE100E
A5R320	321-0195-02			RES,FXD,FILM:1.05K OHM,0.5%,0.125W,TC=T2	07716	CEAC105000
A5R322	321-0193-02			RES,FXD,FILM:1K OHM,0.5%,0.125W,TC=T2	07716	CEA 1KOHM 0.5%T2

Replaceable Electrical Parts
11401 Extended Service Volume 2

Component No.	Tektronix Part No.	Serial/Assembly No. Effective	Discont	Name & Description	Mfr. Code	Mfr. Part No.
A5R360	313-1151-00			RES, FXD, FILM:150 OHM, 5%, 0.2W	57668	TR20JE150E
A5R361	313-1271-00			RES, FXD, FILM:270 OHM, 5%, 0.2W	57668	TR20JE 270E
A5R362	313-1151-00			RES, FXD, FILM:150 OHM, 5%, 0.2W	57668	TR20JE150E
A5R363	313-1271-00			RES, FXD, FILM:270 OHM, 5%, 0.2W	57668	TR20JE 270E
A5R364	313-1621-00			RES, FXD, FILM:620 OHM, 5%, 0.2W	57668	TR20JE 620E
A5R365	321-0193-02			RES, FXD, FILM:1K OHM, 0.5%, 0.125W, TC=T2	07716	CEA 1KOHM 0.5%T2
A5R366	313-1511-00			RES, FXD, FILM:510 OHM, 5%, 0.2W	57668	TR20JT68 510E
A5R367	321-0318-03			RES, FXD, FILM:20.0K OHM, 0.125%, 0.125W, TC=T2	19701	5033RC20K00C
A5R368	321-0289-02			RES, FXD, FILM:10.0K OHM, 0.5%, 0.125W, TC=T2	19701	5033RC10K00C
A5R369	313-1621-00			RES, FXD, FILM:620 OHM, 5%, 0.2W	57668	TR20JE 620E
A5R382	307-0503-00			RES NTWK, FXD, FI:(9) 510 OHM, 20%, 0.125W	11236	750-101-R510
A5R400	317-0103-00			RES, FXD, CMPSN:10K OHM, 5%, 0.125W	01121	BB1035
A5R402	313-1330-00			RES, FXD, FILM:33 OHM, 5%, 0.2W	91637	CCF501G33RQJ
A5R410	313-1360-00			RES, FXD, FILM:36 OHM, 5%, 0.2W	57668	TR20JE 36E
A5R419	307-1318-00			RES NTWK, FXD, FI:(2) 162 OHM, (2) 260 OHM, 2%, 0.125W	32997	4604X-4W1-000
A5R420	321-0979-01			RES, FXD, FILM:125K OHM, 0.1%, 0.125W, TC=T2	19701	5033RD125K0D
A5R421	321-0979-01			RES, FXD, FILM:125K OHM, 0.1%, 0.125W, TC=T2	19701	5033RD125K0D
A5R423	321-0193-02			RES, FXD, FILM:1K OHM, 0.5%, 0.125W, TC=T2	07716	CEA 1KOHM 0.5%T2
A5R424	313-1241-00			RES, FXD, FILM:240 OHM, 5%, 0.2W	57668	TR20JE 240E
A5R425	313-1241-00			RES, FXD, FILM:240 OHM, 5%, 0.2W	57668	TR20JE 240E
A5R426	321-0318-03			RES, FXD, FILM:20.0K OHM, 0.125%, 0.125W, TC=T2	19701	5033RC20K00C
A5R427	321-0206-02			RES, FXD, FILM:1.37K OHM, 0.5%, 0.125W, TC=T2	19701	5033RC1K370D
A5R428	321-0318-03			RES, FXD, FILM:20.0K OHM, 0.125%, 0.125W, TC=T2	19701	5033RC20K00C
A5R440	322-3097-00			RES, FXD, FILM:100 OHM, 1%, 0.2W, TC=T0	57668	CRB20 FXE 100E
A5R441	322-0097-07			RES, FXD, FILM:100 OHM, 0.1%, 0.125W, TC=T9	91637	CMF55116C100ROB
A5R443	322-3231-00			RES, FXD, FILM:2.49K OHM, 1%, 0.2W, TC=T0	57668	CRB20 FXE 2K49
A5R444	313-1510-00			RES, FXD, FILM:51 OHM, 5%, 0.2W	80009	313-1510-00
A5R445	307-1318-00			RES NTWK, FXD, FI:(2) 162 OHM, (2) 260 OHM, 2%, 0.125W	32997	4604X-4W1-000
A5R446	313-1510-00			RES, FXD, FILM:51 OHM, 5%, 0.2W	80009	313-1510-00
A5R450	313-1470-00			RES, FXD, FILM:47 OHM, 5%, 0.2W	57668	TR20JE 47E
A5R451	307-1318-00			RES NTWK, FXD, FI:(2) 162 OHM, (2) 260 OHM, 2%, 0.125W	32997	4604X-4W1-000
A5R462	321-0188-09			RES, FXD, FILM:887 OHM, 1%, 0.125W, TC=T9	19701	5033RE887ROF
A5R464	321-0193-02			RES, FXD, FILM:1K OHM, 0.5%, 0.125W, TC=T2	07716	CEA 1KOHM 0.5%T2
A5R466	321-0318-03			RES, FXD, FILM:20.0K OHM, 0.125%, 0.125W, TC=T2	19701	5033RC20K00C
A5R484	313-1511-00			RES, FXD, FILM:510 OHM, 5%, 0.2W	57668	TR20JT68 510E
A5R486	313-1511-00			RES, FXD, FILM:510 OHM, 5%, 0.2W	57668	TR20JT68 510E
A5R500	313-1911-00			RES, FXD, FILM:910 OHM, 5%, 0.2W	57668	TR20JE910E
A5R502	313-1102-00			RES, FXD, FILM:1K OHM, 5%, 0.2W	57668	TR20JE01K0
A5R504	313-1332-00			RES, FXD, FILM:3.3K OHM, 5%, 0.2W	57668	TR20JE 03K3
A5R510	313-1101-00			RES, FXD, FILM:100 OHM, 5%, 0.2W	57668	TR20JE100E
A5R512	313-1331-00			RES, FXD, FILM:330 OHM, 5%, 0.2W	57668	TR20JE 330E
A5R514	313-1332-00			RES, FXD, FILM:3.3K OHM, 5%, 0.2W	57668	TR20JE 03K3
A5R516	317-0201-00			RES, FXD, CMPSN:200 OHM, 5%, 0.125W	01121	BB2015
A5R518	313-1560-00			RES, FXD, FILM:56 OHM, 5%, 0.2W	57668	TR20JE 56E
A5R519	322-3195-00			RES, FXD, FILM:1.05K OHM, 1%, 0.2W, TC=T0	57668	CRB20 FXE 1K05
A5R530	321-0318-03			RES, FXD, FILM:20.0K OHM, 0.125%, 0.125W, TC=T2	19701	5033RC20K00C
A5R532	321-0979-01			RES, FXD, FILM:125K OHM, 0.1%, 0.125W, TC=T2	19701	5033RD125K0D
A5R534	321-0193-02			RES, FXD, FILM:1K OHM, 0.5%, 0.125W, TC=T2	07716	CEA 1KOHM 0.5%T2
A5R535	313-1510-00			RES, FXD, FILM:51 OHM, 5%, 0.2W	80009	313-1510-00
A5R544	321-0307-00			RES, FXD, FILM:15.4K OHM, 1%, 0.125W, TC=T0	19701	5043ED15K40F
A5R546	313-1391-00	B010100	B010490	RES, FXD, FILM:390 OHM, 5%, 0.2W	57668	TR20JE 390E
A5R546	313-1241-00	B010491		RES, FXD, FILM:240 OHM, 5%, 0.2W	57668	TR20JE 240E
A5R568	313-1621-00			RES, FXD, FILM:620 OHM, 5%, 0.2W	57668	TR20JE 620E
A5R569	313-1621-00			RES, FXD, FILM:620 OHM, 5%, 0.2W	57668	TR20JE 620E
A5R570	321-0193-02			RES, FXD, FILM:1K OHM, 0.5%, 0.125W, TC=T2	07716	CEA 1KOHM 0.5%T2

Replaceable Electrical Parts
11401 Extended Service Volume 2

Component No.	Tektronix Part No.	Serial/Assembly No. Effective Dscnt	Name & Description	Mfr. Code	Mfr. Part No.
A5R571	321-0318-03		RES,FXD,FILM:20.0K OHM,0.125W,TC=T2	19701	5033RC20K00C
A5R573	321-0168-02		RES,FXD,FILM:549 OHM,0.5%,0.125W,TC=T2	19701	5033RC549R0D
A5R574	321-0193-02		RES,FXD,FILM:1K OHM,0.5%,0.125W,TC=T2	07716	CEA 1K0HM 0.5%T2
A5R576	321-0318-02		RES,FXD,FILM:20.0K 0.5%,0.125W,TC=T2	19701	5033RC20K00D
A5R577	321-1609-03		RES,FXD,FILM:2.02K OHM,0.25%,0.125W,TC=T2	24546	NC55C2021C
A5R578	321-0603-00		RES,FXD,FILM:15K OHM,0.25%,0.125W,TC=T2	19701	5033RC15K00C
A5R579	322-3251-00		RES,FXD,FILM:4.02K OHM,1%,0.2W,TC=T0	57668	CRB20 FXE 4K02
A5R580	322-3268-00		RES,FXD,FILM:6.04K OHM,1%,0.2W,TC=T0	57668	CRB20 FXE 6K04
A5R582	313-1102-00		RES,FXD,FILM:1K OHM,5%,0.2W	57668	TR20JE01K0
A5R600	313-1161-00		RES,FXD,FILM:160 OHM,5%,0.2W	57668	TR20JE160E
A5R601	313-1241-00		RES,FXD,FILM:240 OHM,5%,0.2W	57668	TR20JE 240E
A5R603	313-1562-00		RES,FXD,FILM:5.6K OHM,5%,0.2W	57668	TR20JE 05K6
A5R604	313-1202-00		RES,FXD,FILM:2K OHM,5%,0.2W	57668	TR20JE02K0
A5R606	313-1201-00		RES,FXD,FILM:200 OHM,5%,0.2W	57668	TR20JE200E
A5R607	313-1511-00		RES,FXD,FILM:510 OHM,5%,0.2W	57668	TR20JT68 510E
A5R609	313-1181-00		RES,FXD,FILM:180 OHM,5%,0.2W	57668	TR20JE180E
A5R610	317-0121-00		RES,FXD,CMPSN:120 OHM,5%,0.125W	01121	BB1215
A5R612	317-0100-00		RES,FXD,CMPSN:10 OHM,5%,0.125W	01121	BB1005
A5R620	307-1266-00		RES NTWK,FXD,FI:160-240 OHM,8 PIN,SIP	71590	HC2308161/241GA
A5R642	313-1470-00		RES,FXD,FILM:47 OHM,5%,0.2W	57668	TR20JE 47E
A5R643	313-1470-00		RES,FXD,FILM:47 OHM,5%,0.2W	57668	TR20JE 47E
A5R650	313-1470-00		RES,FXD,FILM:47 OHM,5%,0.2W	57668	TR20JE 47E
A5R660	322-3134-00		RES,FXD,FILM:243 OHM,1%,0.2W,TC=T0	57668	CRB20 FXE243E
A5R663	322-3211-00		RES,FXD,FILM:1.54K OHM,1%,0.2W,TC=T0	57668	CRB20 FXE 1K54
A5R666	311-1307-00		RES,VAR,NONMW:TRMR,500 OHM,0.5W	32997	3299W-R27-501
A5R680	322-3195-00		RES,FXD,FILM:1.05K OHM,1%,0.2W,TC=T0	57668	CRB20 FXE 1K05
A5R682	313-1392-00		RES,FXD,FILM:3.9K OHM,5%,0.2W	57668	TR20JE 03K9
A5R684	313-1272-00		RES,FXD,FILM:2.7K OHM,5%,0.2W	57668	TR20JE 02K7
A5R686	322-3286-00		RES,FXD,FILM:9.31K OHM,1%,0.2W,TC=T0	57668	CRB20 FXE 9K31
A5R688	322-3251-00		RES,FXD,FILM:4.02K OHM,1%,0.2W,TC=T0	57668	CRB20 FXE 4K02
A5R689	313-1471-00		RES,FXD,FILM:470 OHM,5%,0.2W	57668	TR20JE 470E
A5R700	307-1266-00		RES NTWK,FXD,FI:160-240 OHM,8 PIN,SIP	71590	HC2308161/241GA
A5R710	307-1266-00		RES NTWK,FXD,FI:160-240 OHM,8 PIN,SIP	71590	HC2308161/241GA
A5R733	313-1103-00		RES,FXD,FILM:10K OHM,5%,0.2W	57668	TR20JE10K0
A5R735	313-1103-00		RES,FXD,FILM:10K OHM,5%,0.2W	57668	TR20JE10K0
A5R737	313-1103-00		RES,FXD,FILM:10K OHM,5%,0.2W	57668	TR20JE10K0
A5R738	313-1103-00		RES,FXD,FILM:10K OHM,5%,0.2W	57668	TR20JE10K0
A5R750	321-1668-03		RES,FXD,FILM:52.6 OHM,0.25%,0.125W,TC=T2	91637	MFF1816D52R60C
A5R752	321-0226-02		RES,FXD,FILM:2.21K OHM,0.5%,0.125W,TC=T2	91637	MFF1816D22100D
A5R754	322-3069-00		RES,FXD,FILM:51.1 OHM,1%,0.2W,TC=T0	57668	CRB20 FXE 51E1
A5R810	307-1266-00		RES NTWK,FXD,FI:160-240 OHM,8 PIN,SIP	71590	HC2308161/241GA
A5R820	307-1266-00		RES NTWK,FXD,FI:160-240 OHM,8 PIN,SIP	71590	HC2308161/241GA
A5R821	313-1511-00		RES,FXD,FILM:510 OHM,5%,0.2W	57668	TR20JT68 510E
A5R822	307-1266-00		RES NTWK,FXD,FI:160-240 OHM,8 PIN,SIP	71590	HC2308161/241GA
A5R823	313-1511-00		RES,FXD,FILM:510 OHM,5%,0.2W	57668	TR20JT68 510E
A5R830	313-1103-00		RES,FXD,FILM:10K OHM,5%,0.2W	57668	TR20JE10K0
A5R832	313-1103-00		RES,FXD,FILM:10K OHM,5%,0.2W	57668	TR20JE10K0
A5R833	313-1103-00		RES,FXD,FILM:10K OHM,5%,0.2W	57668	TR20JE10K0
A5R834	313-1103-00		RES,FXD,FILM:10K OHM,5%,0.2W	57668	TR20JE10K0
A5R835	313-1242-00		RES,FXD,FILM:2.4K OHM,5%,0.2W	57668	TR20JE 02K4
A5R836	313-1242-00		RES,FXD,FILM:2.4K OHM,5%,0.2W	57668	TR20JE 02K4
A5R860	313-1103-00		RES,FXD,FILM:10K OHM,5%,0.2W	57668	TR20JE10K0
A5R862	313-1103-00		RES,FXD,FILM:10K OHM,5%,0.2W	57668	TR20JE10K0
A5R902	313-1112-00		RES,FXD,FILM:1.1K,5%,0.2W	80009	313-1112-00
A5R904	313-1112-00		RES,FXD,FILM:1.1K,5%,0.2W	80009	313-1112-00
A5R906	313-1122-00		RES,FXD,FILM:1.2K OHM,5%,0.2W	57668	TR20JE01K2
A5R908	313-1122-00		RES,FXD,FILM:1.2K OHM,5%,0.2W	57668	TR20JE01K2
A5R910	307-1266-00		RES NTWK,FXD,FI:160-240 OHM,8 PIN,SIP	71590	HC2308161/241GA

Replaceable Electrical Parts
11401 Extended Service Volume 2

Component No.	Tektronix		Serial/Assembly No. Effective Discort	Name & Description	Mfr.	Mfr. Part No.
	Part No.				Code	
A5R922	307-1318-00			RES NTKW,FXD,FI:(2) 162 OHM,(2) 260 OHM,2%, 0.125W	32997	4604X-4W1-000
A5R932	313-1242-00			RES,FXD,FILM:2.4K OHM,5%,0.2W	57668	TR20JE 02K4
A5R934	313-1242-00			RES,FXD,FILM:2.4K OHM,5%,0.2W	57668	TR20JE 02K4
A5R936	313-1510-00			RES,FXD,FILM:51 OHM,5%,0.2W	80009	313-1510-00
A5R938	313-1510-00			RES,FXD,FILM:51 OHM,5%,0.2W	80009	313-1510-00
A5R940	322-0618-00			RES,FXD,FILM:50 OHM,1%,0.25W,TC=TO	91637	CMF6042G50R00F
A5R942	322-0618-00			RES,FXD,FILM:50 OHM,1%,0.25W,TC=TO	91637	CMF6042G50R00F
A5R943	322-0618-00			RES,FXD,FILM:50 OHM,1%,0.25W,TC=TO	91637	CMF6042G50R00F
A5R944	322-0618-00			RES,FXD,FILM:50 OHM,1%,0.25W,TC=TO	91637	CMF6042G50R00F
A5R945	322-0618-00			RES,FXD,FILM:50 OHM,1%,0.25W,TC=TO	91637	CMF6042G50R00F
A5R947	322-0618-00			RES,FXD,FILM:50 OHM,1%,0.25W,TC=TO	91637	CMF6042G50R00F
A5R948	322-3289-00			RES,FXD,FILM:10K OHM,1%,0.2W,TC=TO	57668	CRB20 FXE 10K0
A5R953	313-1103-00			RES,FXD,FILM:10K OHM,5%,0.2W	57668	TR20JE10K0
A5R954	313-1242-00			RES,FXD,FILM:2.4K OHM,5%,0.2W	57668	TR20JE 02K4
A5R955	313-1242-00			RES,FXD,FILM:2.4K OHM,5%,0.2W	57668	TR20JE 02K4
A5R960	313-1103-00			RES,FXD,FILM:10K OHM,5%,0.2W	57668	TR20JE10K0
A5R1004	307-1318-00			RES NTKW,FXD,FI:(2) 162 OHM,(2) 260 OHM,2%, 0.125W	32997	4604X-4W1-000
A5R1010	307-1266-00			RES NTKW,FXD,FI:160-240 OHM,8 PIN,SIP	71590	HC2308161/241GA
A5R1020	307-1266-00			RES NTKW,FXD,FI:160-240 OHM,8 PIN,SIP	71590	HC2308161/241GA
A5R1022	313-1820-00			RES,FXD,FILM:82 OHM,5%,0.2W	57668	TR20JE 82E
A5R1033	307-1318-00			RES NTKW,FXD,FI:(2) 162 OHM,(2) 260 OHM,2%, 0.125W	32997	4604X-4W1-000
A5R1034	313-1100-00			RES,FXD,FILM:10 OHM,5%,0.2W	57668	TR20JE10E0
A5R1040	322-3289-00			RES,FXD,FILM:10K OHM,1%,0.2W,TC=TO	57668	CRB20 FXE 10K0
A5R1041	313-1100-00			RES,FXD,FILM:10 OHM,5%,0.2W	57668	TR20JE10E0
A5R1042	322-3289-00			RES,FXD,FILM:10K OHM,1%,0.2W,TC=TO	57668	CRB20 FXE 10K0
A5R1044	313-1100-00			RES,FXD,FILM:10 OHM,5%,0.2W	57668	TR20JE10E0
A5R1046	313-1100-00			RES,FXD,FILM:10 OHM,5%,0.2W	57668	TR20JE10E0
A5R1047	313-1100-00			RES,FXD,FILM:10 OHM,5%,0.2W	57668	TR20JE10E0
A5R1048	313-1100-00			RES,FXD,FILM:10 OHM,5%,0.2W	57668	TR20JE10E0
A5R1049	313-1100-00			RES,FXD,FILM:10 OHM,5%,0.2W	57668	TR20JE10E0
A5R1052	307-0539-00			RES NTKW,FXD,FI:(7)510 OHM,10%,1W	11236	750-81-R510 OHM
A5R1064	313-1332-00			RES,FXD,FILM:3.3K OHM,5%,0.2W	57668	TR20JE 03K3
A5R1074	313-1332-00			RES,FXD,FILM:3.3K OHM,5%,0.2W	57668	TR20JE 03K3
A5R1110	307-1266-00			RES NTKW,FXD,FI:160-240 OHM,8 PIN,SIP	71590	HC2308161/241GA
A5R1130	307-1318-00			RES NTKW,FXD,FI:(2) 162 OHM,(2) 260 OHM,2%, 0.125W	32997	4604X-4W1-000
A5R1131	307-1318-00			RES NTKW,FXD,FI:(2) 162 OHM,(2) 260 OHM,2%, 0.125W	32997	4604X-4W1-000
A5R1132	313-1471-00			RES,FXD,FILM:470 OHM,5%,0.2W	57668	TR20JE 470E
A5R1134	307-0503-00			RES NTKW,FXD,FI:(9) 510 OHM,20%,0.125W	11236	750-101-R510
A5R1136	307-1266-00			RES NTKW,FXD,FI:160-240 OHM,8 PIN,SIP	71590	HC2308161/241GA
A5R1140	322-3135-00			RES,FXD,FILM:249 OHM,1%,0.2W,TC=TO	57668	CRB20 FXE 249E
A5R1150	313-1681-00			RES,FXD,FILM:680 OHM,5%,0.2W	57668	TR20JE 680E
A5R1152	307-0539-00			RES NTKW,FXD,FI:(7)510 OHM,10%,1W	11236	750-81-R510 OHM
A5R1160	313-1241-00			RES,FXD,FILM:240 OHM,5%,0.2W	57668	TR20JE 240E
A5R1162	313-1161-00			RES,FXD,FILM:160 OHM,5%,0.2W	57668	TR20JE160E
A5R1164	313-1332-00			RES,FXD,FILM:3.3K OHM,5%,0.2W	57668	TR20JE 03K3
A5R1172	313-1332-00			RES,FXD,FILM:3.3K OHM,5%,0.2W	57668	TR20JE 03K3
A5R1210	321-0318-07			RES,FXD,FILM:20.0K OHM,0.1%,0.125W,TC=T9	19701	5033RE20K00BCM
A5R1212	307-1318-00			RES NTKW,FXD,FI:(2) 162 OHM,(2) 260 OHM,2%, 0.125W	32997	4604X-4W1-000
A5R1231	307-1318-00			RES NTKW,FXD,FI:(2) 162 OHM,(2) 260 OHM,2%, 0.125W	32997	4604X-4W1-000
A5R1244	307-0539-00			RES NTKW,FXD,FI:(7)510 OHM,10%,1W	11236	750-81-R510 OHM

Replaceable Electrical Parts
11401 Extended Service Volume 2

Component No.	Tektronix Part No.	Serial/Assembly No.		Name & Description	Mfr. Code	Mfr. Part No.
		Effective	Dscont			
A5R1310	307-1318-00			RES NTWK,FXD,FI:(2) 162 OHM,(2) 260 OHM,2%,0.125W	32997	4604X-4W1-000
A5R1312	321-0318-07			RES,FXD,FILM:20.0K OHM,0.1%,0.125W,TC=T9	19701	5033RE20K00BCM
A5R1314	321-1399-06			RES,FXD,FILM:142K OHM,0.25%,0.125W,TC=T9	91637	MFF1816C14202C
A5R1330	307-1318-00			RES NTWK,FXD,FI:(2) 162 OHM,(2) 260 OHM,2%,0.125W	32997	4604X-4W1-000
A5R1360	313-1471-00			RES,FXD,FILM:470 OHM,5%,0.2W	57668	TR20JE 470E
A5R1400	321-1399-06			RES,FXD,FILM:142K OHM,0.25%,0.125W,TC=T9	91637	MFF1816C14202C
A5R1402	321-0318-07			RES,FXD,FILM:20.0K OHM,0.1%,0.125W,TC=T9	19701	5033RE20K00BCM
A5R1404	321-0318-07			RES,FXD,FILM:20.0K OHM,0.1%,0.125W,TC=T9	19701	5033RE20K00BCM
A5R1410	313-1181-00			RES,FXD,FILM:180 OHM,5%,0.2W	57668	TR20JE180E
A5R1412	313-1271-00			RES,FXD,FILM:270 OHM,5%,0.2W	57668	TR20JE 270E
A5R1419	313-1821-00			RES,FXD,FILM:820 OHM,5%,0.2W	57668	TR20JE 820E
A5R1420	307-1266-00			RES NTWK,FXD,FI:160-240 OHM,8 PIN,SIP	71590	HC2308161/241GA
A5R1430	307-1266-00			RES NTWK,FXD,FI:160-240 OHM,8 PIN,SIP	71590	HC2308161/241GA
A5R1431	307-1318-00			RES NTWK,FXD,FI:(2) 162 OHM,(2) 260 OHM,2%,0.125W	32997	4604X-4W1-000
A5R1440	313-1560-00			RES,FXD,FILM:56 OHM,5%,0.2W	57668	TR20JE 56E
A5R1441	313-1201-00			RES,FXD,FILM:200 OHM,5%,0.2W	57668	TR20JE200E
A5R1442	313-1181-00			RES,FXD,FILM:180 OHM,5%,0.2W	57668	TR20JE180E
A5R1443	313-1271-00			RES,FXD,FILM:270 OHM,5%,0.2W	57668	TR20JE 270E
A5R1444	313-1201-00			RES,FXD,FILM:200 OHM,5%,0.2W	57668	TR20JE200E
A5R1446	313-1470-00			RES,FXD,FILM:47 OHM,5%,0.2W	57668	TR20JE 47E
A5R1447	313-1560-00			RES,FXD,FILM:56 OHM,5%,0.2W	57668	TR20JE 56E
A5R1448	313-1511-00			RES,FXD,FILM:510 OHM,5%,0.2W	57668	TR20JT68 510E
A5R1450	313-1472-00			RES,FXD,FILM:4.7K OHM,5%,0.2W	57668	TR20JE 04K7
A5R1480	313-1561-00			RES,FXD,FILM:560 OHM,5%,0.2W	57668	TR20JE 560E
A5R1482	313-1112-00			RES,FXD,FILM:1.1K,5%,0.2W	80009	313-1112-00
A5R1500	322-3268-00			RES,FXD,FILM:6.04K OHM,1%,0.2W,TC=TO	57668	CRB20 FXE 6K04
A5R1502	322-3268-00			RES,FXD,FILM:6.04K OHM,1%,0.2W,TC=TO	57668	CRB20 FXE 6K04
A5R1505	313-1472-00			RES,FXD,FILM:4.7K OHM,5%,0.2W	57668	TR20JE 04K7
A5R1506	322-3070-00			RES,FXD,FILM:52.3 OHM,1%,0.2W,TC=TO	57668	CRB20 FXE 52E3
A5R1508	322-3121-00			RES,FXD,FILM:178 OHM,1%,0.2W,TC=TO	57668	CRB20 FXE 178E
A5R1520	307-1266-00			RES NTWK,FXD,FI:160-240 OHM,8 PIN,SIP	71590	HC2308161/241GA
A5R1532	307-0811-00			RES NTWK,FXD,FI:6,180 OHM,6,270 OHM	01121	316T110
A5R1542	313-1821-00			RES,FXD,FILM:820 OHM,5%,0.2W	57668	TR20JE 820E
A5R1543	307-0811-00			RES NTWK,FXD,FI:6,180 OHM,6,270 OHM	01121	316T110
A5R1550	313-1112-00			RES,FXD,FILM:1.1K,5%,0.2W	80009	313-1112-00
A5R1552	313-1271-00			RES,FXD,FILM:270 OHM,5%,0.2W	57668	TR20JE 270E
A5R1554	313-1151-00			RES,FXD,FILM:150 OHM,5%,0.2W	57668	TR20JE150E
A5R1555	313-1472-00			RES,FXD,FILM:4.7K OHM,5%,0.2W	57668	TR20JE 04K7
A5R1556	313-1471-00			RES,FXD,FILM:470 OHM,5%,0.2W	57668	TR20JE 470E
A5R1557	313-1102-00			RES,FXD,FILM:1K OHM,5%,0.2W	57668	TR20JE01K0
A5R1558	313-1152-00			RES,FXD,FILM:1.5K OHM,5%,0.2W	57668	TR20JE01K5
A5R1559	313-1472-00			RES,FXD,FILM:4.7K OHM,5%,0.2W	57668	TR20JE 04K7
A5R1560	313-1510-00			RES,FXD,FILM:51 OHM,5%,0.2W	80009	313-1510-00
A5R1561	322-3085-00			RES,FXD,FILM:75 OHM,1%,0.2W,TC=TO	57668	CRB20 FXE 75E0
A5R1562	321-0661-00			RES,FXD,FILM:600 OHM,1%,0.125W,TC=TO	19701	5033RD600ROF
A5R1563	313-1470-00			RES,FXD,FILM:47 OHM,5%,0.2W	57668	TR20JE 47E
A5R1564	321-0773-07			RES,FXD,FILM:400 OHM,0.1%,0.125W,TC=T9	19701	5033RE400ROB
A5R1566	313-1101-00			RES,FXD,FILM:100 OHM,5%,0.2W	57668	TR20JE100E
A5R1571	313-1027-00			RES,FXD,FILM:2.7 OHM,5%,0.2W	57668	TR20JE 02E7
A5R1572	313-1514-00			RES,FXD,FILM:510K OHM,5%,0.2W	57668	TR20JE 510K
A5R1576	311-1897-00			RES,VAR,NONNW:TRMR,25K OHM,10%,0.5W,LIN	32997	3299W-R27-253
A5R1580	315-0155-00			RES,FXD,FILM:1.5M OHM,5%,0.25W	19701	5043CX1M500J
A5R1582	311-1897-00			RES,VAR,NONNW:TRMR,25K OHM,10%,0.5W,LIN	32997	3299W-R27-253
A5R1600	322-3201-00			RES,FXD,FILM:1.21K OHM,1%,0.2W,TC=TO	57668	CRB20 FXE 1K21
A5R1602	322-3201-00			RES,FXD,FILM:1.21K OHM,1%,0.2W,TC=TO	57668	CRB20 FXE 1K21

Replaceable Electrical Parts
11401 Extended Service Volume 2

Component No.	Tektronix Part No.	Serial/Assembly No. Effective	Discount	Name & Description	Mfr. Code	Mfr. Part No.
A5R1604	313-1271-00	B010100	8021020	RES,FXD,FILM:270 OHM,5%,0.2W	57668	TR20JE 270E
A5R1605	322-3117-00	B021021		RES,FXD,FILM:162 OHM,1%,0.2W,TC=TO	57668	CRB 20 FXE 162E
A5R1606	322-3105-00	B021021		RES,FXD,FILM:121 OHM,1%,0.2W,TC=TO	57668	CRB20 FXE 121E
A5R1621	313-1510-00			RES,FXD,FILM:51 OHM,5%,0.2W	80009	313-1510-00
A5R1622	313-1821-00			RES,FXD,FILM:820 OHM,5%,0.2W	57668	TR20JE 820E
A5R1630	313-1472-00			RES,FXD,FILM:4.7K OHM,5%,0.2W	57668	TR20JE 04K7
A5R1631	322-3210-00			RES,FXD,FILM:1.5K OHM,1%,0.2W,TC=TO	57668	CRB20 FXE 1K50
A5R1632	322-3197-00			RES,FXD,FILM:1.1K OHM,1%,0.2W,TC=TO	57668	CRB20 FXE 1K10
A5R1639	313-1510-00	B021021		RES,FXD,FILM:51 OHM,5%,0.2W	80009	313-1510-00
A5R1640	307-1266-00			RES NTKW,FXD,FI:160-240 OHM,8 PIN,SIP	71590	HC2308161/241GA
A5R1641	313-1510-00	B021021		RES,FXD,FILM:51 OHM,5%,0.2W	80009	313-1510-00
A5R1642	313-1112-00			RES,FXD,FILM:1.1K,5%,0.2W	80009	313-1112-00
A5R1646	313-1151-00			RES,FXD,FILM:150 OHM,5%,0.2W	57668	TR20JE150E
A5R1648	313-1432-00			RES,FXD,FILM:4.3K OHM,5%,0.2W	57668	TR20JE 04K3
A5R1650	313-1271-00			RES,FXD,FILM:270 OHM,5%,0.2W	57668	TR20JE 270E
A5R1651	313-1112-00			RES,FXD,FILM:1.1K,5%,0.2W	80009	313-1112-00
A5R1652	322-3246-00			RES,FXD,FILM:3.57K OHM,1%,0.2W,TC=TO	57668	CRB20 FXE 3K57
A5R1654	313-1104-00			RES,FXD,FILM:100K OHM,5%,0.2W	57668	TR20JE100K
A5R1655	322-3289-00			RES,FXD,FILM:10K OHM,1%,0.2W,TC=TO	57668	CRB20 FXE 10K0
A5R1656	322-3289-00			RES,FXD,FILM:10K OHM,1%,0.2W,TC=TO	57668	CRB20 FXE 10K0
A5R1657	322-3289-00			RES,FXD,FILM:10K OHM,1%,0.2W,TC=TO	57668	CRB20 FXE 10K0
A5R1660	322-3289-00			RES,FXD,FILM:10K OHM,1%,0.2W,TC=TO	57668	CRB20 FXE 10K0
A5R1662	322-3289-00			RES,FXD,FILM:10K OHM,1%,0.2W,TC=TO	57668	CRB20 FXE 10K0
A5R1664	322-3289-00			RES,FXD,FILM:10K OHM,1%,0.2W,TC=TO	57668	CRB20 FXE 10K0
A5R1665	313-1241-00			RES,FXD,FILM:240 OHM,5%,0.2W	57668	TR20JE 240E
A5R1666	321-1068-07			RES,FXD,FILM:50.5 OHM,0.1%,0.125W,TC=T9	57668	RB14 BZE 50E5
A5R1670	313-1103-00			RES,FXD,FILM:10K OHM,5%,0.2W	57668	TR20JE10K0
A5R1672	313-1103-00			RES,FXD,FILM:10K OHM,5%,0.2W	57668	TR20JE10K0
A5R1674	313-1103-00			RES,FXD,FILM:10K OHM,5%,0.2W	57668	TR20JE10K0
A5R1703	313-1103-00	B010100	8010396	RES,FXD,FILM:10K OHM,5%,0.2W	57668	TR20JE10K0
A5R1705	313-1470-00	B010100	8010396	RES,FXD,FILM:47 OHM,5%,0.2W	57668	TR20JE 47E
A5R1720	313-1822-00			RES,FXD,FILM:8.2K,OHM,5%,0.2W	57668	TR20JE 08K2
A5R1722	313-1562-00			RES,FXD,FILM:5.6K OHM,5%,0.2W	57668	TR20JE 05K6
A5R1725	313-1152-00			RES,FXD,FILM:1.5K OHM,5%,0.2W	57668	TR20JE01K5
A5R1726	313-1100-00			RES,FXD,FILM:10 OHM,5%,0.2W	57668	TR20JE10E0
A5R1728	313-1271-00			RES,FXD,FILM:270 OHM,5%,0.2W	57668	TR20JE 270E
A5R1730	313-1222-00			RES,FXD,FILM:2.2K OHM,5%,0.2W	57668	TR20JE 02K2
A5R1732	313-1101-00			RES,FXD,FILM:100 OHM,5%,0.2W	57668	TR20JE100E
A5R1734	313-1101-00			RES,FXD,FILM:100 OHM,5%,0.2W	57668	TR20JE100E
A5R1737	322-3164-00			RES,FXD,FILM:499 OHM,1%,0.2W,TC=TO	57668	CRB20 FXE 499E
A5R1738	322-3097-00			RES,FXD,FILM:100 OHM,1%,0.2W,TC=TO	57668	CRB20 FXE 100E
A5R1740	313-1510-00			RES,FXD,FILM:51 OHM,5%,0.2W	80009	313-1510-00
A5R1742	313-1510-00			RES,FXD,FILM:51 OHM,5%,0.2W	80009	313-1510-00
A5R1743	313-1510-00			RES,FXD,FILM:51 OHM,5%,0.2W	80009	313-1510-00
A5R1744	322-3097-00			RES,FXD,FILM:100 OHM,1%,0.2W,TC=TO	57668	CRB20 FXE 100E
A5R1745	313-1510-00			RES,FXD,FILM:51 OHM,5%,0.2W	80009	313-1510-00
A5R1746	313-1100-00			RES,FXD,FILM:10 OHM,5%,0.2W	57668	TR20JE10E0
A5R1748	313-1222-00			RES,FXD,FILM:2.2K OHM,5%,0.2W	57668	TR20JE 02K2
A5R1749	313-1101-00			RES,FXD,FILM:100 OHM,5%,0.2W	57668	TR20JE100E
A5R1750	313-1101-00			RES,FXD,FILM:100 OHM,5%,0.2W	57668	TR20JE100E
A5R1752	313-1472-00			RES,FXD,FILM:4.7K OHM,5%,0.2W	57668	TR20JE 04K7
A5R1753	313-1510-00			RES,FXD,FILM:51 OHM,5%,0.2W	80009	313-1510-00
A5R1755	313-1510-00			RES,FXD,FILM:51 OHM,5%,0.2W	80009	313-1510-00
A5R1756	313-1510-00	B021021		RES,FXD,FILM:51 OHM,5%,0.2W	80009	313-1510-00
A5R1757	322-3197-00			RES,FXD,FILM:1.1K OHM,1%,0.2W,TC=TO	57668	CRB20 FXE 1K10
A5R1758	313-1432-00			RES,FXD,FILM:4.3K OHM,5%,0.2W	57668	TR20JE 04K3
A5R1759	313-1112-00			RES,FXD,FILM:1.1K,5%,0.2W	80009	313-1112-00
A5R1760	322-3246-00			RES,FXD,FILM:3.57K OHM,1%,0.2W,TC=TO	57668	CRB20 FXE 3K57

Replaceable Electrical Parts
11401 Extended Service Volume 2

Component No.	Tektronix Part No.	Serial/Assembly No. Effective	Descnt	Name & Description	Mfr. Code	Mfr. Part No.
A5R1761	313-1104-00			RES,FXD,FILM:100K OHM,5%,0.2W	57668	TR20JE100K
A5R1762	313-1104-00			RES,FXD,FILM:100K OHM,5%,0.2W	57668	TR20JE100K
A5R1763	313-1102-00			RES,FXD,FILM:1K OHM,5%,0.2W	57668	TR20JE01K0
A5R1764	313-1362-00			RES,FXD,FILM:3.6K OHM,5%,0.2W	57668	TR20JE 03K6
A5R1765	313-1152-00			RES,FXD,FILM:1.5K OHM,5%,0.2W	57668	TR20JE01K5
A5R1766	313-1510-00			RES,FXD,FILM:51 OHM,5%,0.2W	80009	313-1510-00
A5R1767	313-1302-00			RES,FXD,FILM:3K OHM,5%,0.2W	57668	TR20JE 03K0
A5R1768	313-1302-00			RES,FXD,FILM:3K OHM,5%,0.2W	57668	TR20JE 03K0
A5R1769	313-1621-00			RES,FXD,FILM:620 OHM,5%,0.2W	57668	TR20JE 620E
A5R1770	322-3189-00			RES,FXD,FILM:909 OHM,1%,0.2W,TC=TO	57668	CRB 20 FXE 909E
A5R1772	322-3189-00			RES,FXD,FILM:909 OHM,1%,0.2W,TC=TO	57668	CRB 20 FXE 909E
A5R1800	313-1103-00	B010100	B010396	RES,FXD,FILM:10K OHM,5%,0.2W	57668	TR20JE10K0
A5R1801	313-1470-00	B010100	B010396	RES,FXD,FILM:47 OHM,5%,0.2W	57668	TR20JE 47E
A5R1802	321-0195-02	B010100	B010396	RES,FXD,FILM:1.05K OHM,0.5%,0.125W,TC=T2	07716	CEAC105000
A5R1802	321-0099-00	B010397		RES,FXD,FILM:105 OHM,1%,0.125W,TC=TO	07716	CEAD105R0F
A5R1803	321-0673-00	B010100	B010396	RES,FXD,FILM:17.0K OHM,0.5%,0.125W,TC=T2	19701	5033RC17K000
A5R1803	321-0215-00	B010397		RES,FXD,FILM:1.69K OHM,1%,0.125W,TC=TO	07716	CEAD16900F
A5R1804	321-0195-02	B010100	B010396	RES,FXD,FILM:1.05K OHM,0.5%,0.125W,TC=T2	07716	CEAC105000
A5R1804	321-0099-00	B010397		RES,FXD,FILM:105 OHM,1%,0.125W,TC=TO	07716	CEAD105R0F
A5R1805	321-0673-00	B010100	B010396	RES,FXD,FILM:17.0K OHM,0.5%,0.125W,TC=T2	19701	5033RC17K000
A5R1805	321-0215-00	B010397		RES,FXD,FILM:1.69K OHM,1%,0.125W,TC=TO	07716	CEAD16900F
A5R1806	322-3070-00			RES,FXD,FILM:52.3 OHM,1%,0.2W,TC=TO	57668	CRB20 FXE 52E3
A5R1807	322-3201-00			RES,FXD,FILM:1.21K OHM,1%,0.2W,TC=TO	57668	CRB20 FXE 1K21
A5R1808	322-3121-00			RES,FXD,FILM:178 OHM,1%,0.2W,TC=TO	57668	CRB20 FXE 178E
A5R1809	322-3201-00			RES,FXD,FILM:1.21K OHM,1%,0.2W,TC=TO	57668	CRB20 FXE 1K21
A5R1810	321-1068-07			RES,FXD,FILM:50.5 OHM,0.1%,0.125W,TC=T9	57668	RB14 BZE 50E5
A5R1811	321-0816-03			RES,FXD,FILM:5K OHM,0.25%,0.125W,TC=T2	19701	5033RC5K000C
A5R1812	322-3121-00			RES,FXD,FILM:178 OHM,1%,0.2W,TC=TO	57668	CRB20 FXE 178E
A5R1814	322-3201-00			RES,FXD,FILM:1.21K OHM,1%,0.2W,TC=TO	57668	CRB20 FXE 1K21
A5R1816	322-3070-00			RES,FXD,FILM:52.3 OHM,1%,0.2W,TC=TO	57668	CRB20 FXE 52E3
A5R1818	322-3201-00			RES,FXD,FILM:1.21K OHM,1%,0.2W,TC=TO	57668	CRB20 FXE 1K21
A5R1822	313-1271-00			RES,FXD,FILM:270 OHM,5%,0.2W	57668	TR20JE 270E
A5R1824	313-1201-00			RES,FXD,FILM:200 OHM,5%,0.2W	57668	TR20JE200E
A5R1826	313-1100-00			RES,FXD,FILM:10 OHM,5%,0.2W	57668	TR20JE10E0
A5R1828	313-1101-00			RES,FXD,FILM:100 OHM,5%,0.2W	57668	TR20JE100E
A5R1832	313-1271-00			RES,FXD,FILM:270 OHM,5%,0.2W	57668	TR20JE 270E
A5R1833	313-1511-00			RES,FXD,FILM:510 OHM,5%,0.2W	57668	TR20JT68 510E
A5R1840	313-1821-00			RES,FXD,FILM:820 OHM,5%,0.2W	57668	TR20JE 820E
A5R1842	313-1511-00			RES,FXD,FILM:510 OHM,5%,0.2W	57668	TR20JT68 510E
A5R1844	313-1822-00			RES,FXD,FILM:8.2K,OHM,5%,0.2W	57668	TR20JE 08K2
A5R1846	322-3097-00			RES,FXD,FILM:100 OHM,1%,0.2W,TC=TO	57668	CRB20 FXE 100E
A5R1848	313-1562-00			RES,FXD,FILM:5.6K OHM,5%,0.2W	57668	TR20JE 05K6
A5R1850	313-1510-00			RES,FXD,FILM:51 OHM,5%,0.2W	80009	313-1510-00
A5R1852	322-3097-00			RES,FXD,FILM:100 OHM,1%,0.2W,TC=TO	57668	CRB20 FXE 100E
A5R1854	322-3197-00			RES,FXD,FILM:1.1K OHM,1%,0.2W,TC=TO	57668	CRB20 FXE 1K10
A5R1855	313-1510-00			RES,FXD,FILM:51 OHM,5%,0.2W	80009	313-1510-00
A5R1856	313-1101-00			RES,FXD,FILM:100 OHM,5%,0.2W	57668	TR20JE100E
A5R1857	313-1101-00			RES,FXD,FILM:100 OHM,5%,0.2W	57668	TR20JE100E
A5R1858	322-3246-00			RES,FXD,FILM:3.57K OHM,1%,0.2W,TC=TO	57668	CRB20 FXE 3K57
A5R1860	313-1100-00			RES,FXD,FILM:10 OHM,5%,0.2W	57668	TR20JE10E0
A5R1864	301-0430-00			RES,FXD,FILM:43 OHM,5%,0.5W	19701	5053CX43R00J
A5R1865	301-0430-00			RES,FXD,FILM:43 OHM,5%,0.5W	19701	5053CX43R00J
A5R1866	313-1510-00			RES,FXD,FILM:51 OHM,5%,0.2W	80009	313-1510-00
A5R1868	313-1510-00			RES,FXD,FILM:51 OHM,5%,0.2W	80009	313-1510-00
A5R1870	313-1102-00			RES,FXD,FILM:1K OHM,5%,0.2W	57668	TR20JE01K0
A5R1872	313-1102-00			RES,FXD,FILM:1K OHM,5%,0.2W	57668	TR20JE01K0
A5R1874	321-0816-03			RES,FXD,FILM:5K OHM,0.25%,0.125W,TC=T2	19701	5033RC5K000C
A5R1876	321-0816-03			RES,FXD,FILM:5K OHM,0.25%,0.125W,TC=T2	19701	5033RC5K000C

Replaceable Electrical Parts
11401 Extended Service Volume 2

Component No.	Tektronix Part No.	Serial/Assembly No. Effective	Dscont	Name & Description	Mfr. Code	Mfr. Part No.
A5R1877	307-1252-00			RES NTWK,FXD,FI:(3) 9K,(2) 6K,(2) 1.1K,(1) 12K,(1) 1K OHMS	34707	HC8106
A5R1878	313-1105-00			RES,FXD,FILM:1M OHM,5%,0.2W	57668	TR20JE1M
A5R1900	322-3268-00			RES,FXD,FILM:6.04K OHM,1%,0.2W,TC=TO	57668	CRB20 FXE 6K04
A5R1902	322-3268-00			RES,FXD,FILM:6.04K OHM,1%,0.2W,TC=TO	57668	CRB20 FXE 6K04
A5R1912	322-3268-00			RES,FXD,FILM:6.04K OHM,1%,0.2W,TC=TO	57668	CRB20 FXE 6K04
A5R1914	322-3268-00			RES,FXD,FILM:6.04K OHM,1%,0.2W,TC=TO	57668	CRB20 FXE 6K04
A5R1920	313-1681-00			RES,FXD,FILM:680 OHM,5%,0.2W	57668	TR20JE 680E
A5R1922	313-1561-00			RES,FXD,FILM:560 OHM,5%,0.2W	57668	TR20JE 560E
A5R1924	313-1431-00			RES,FXD,FILM:430 OHM,5%,0.2W	57668	TR20JE 430E
A5R1926	313-1152-00			RES,FXD,FILM:1.5K OHM,5%,0.2W	57668	TR20JE01K5
A5R1940	322-3289-00	8010100	8021020	RES,FXD,FILM:10K OHM,1%,0.2W,TC=TO	57668	CRB20 FXE 10K0
A5R1940	322-3126-00	8021021		RES,FXD,FILM:200 OHM,1%,0.2W,TC=TO	91637	CCF501G200ROF
A5R1941	322-3289-00	8010100	8021020	RES,FXD,FILM:10K OHM,1%,0.2W,TC=TO	57668	CRB20 FXE 10K0
A5R1941	322-3126-00	8021021		RES,FXD,FILM:200 OHM,1%,0.2W,TC=TO	91637	CCF501G200ROF
A5R1942	313-1122-00			RES,FXD,FILM:1.2K OHM,5%,0.2W	57668	TR20JE01K2
A5R1943	322-3210-00			RES,FXD,FILM:1.5K OHM,1%,0.2W,TC=TO	57668	CRB20 FXE 1K50
A5R1944	322-3164-00			RES,FXD,FILM:499 OHM,1%,0.2W,TC=TO	57668	CRB20 FXE 499E
A5R1945	313-1112-00			RES,FXD,FILM:1.1K,5%,0.2W	80009	313-1112-00
A5R1947	322-3097-00			RES,FXD,FILM:100 OHM,1%,0.2W,TC=TO	57668	CRB20 FXE 100E
A5R1948	313-1510-00			RES,FXD,FILM:51 OHM,5%,0.2W	80009	313-1510-00
A5R1950	322-3097-00			RES,FXD,FILM:100 OHM,1%,0.2W,TC=TO	57668	CRB20 FXE 100E
A5R1952	313-1112-00			RES,FXD,FILM:1.1K,5%,0.2W	80009	313-1112-00
A5R1960	313-1222-00			RES,FXD,FILM:2.2K OHM,5%,0.2W	57668	TR20JE 02K2
A5R1962	313-1112-00			RES,FXD,FILM:1.1K,5%,0.2W	80009	313-1112-00
A5R1964	313-1272-00			RES,FXD,FILM:2.7K OHM,5%,0.2W	57668	TR20JE 02K7
A5R1965	313-1510-00			RES,FXD,FILM:51 OHM,5%,0.2W	80009	313-1510-00
A5R1966	321-1068-07			RES,FXD,FILM:50.5 OHM,0.1%,0.125W,TC=T9	57668	RB14 BZE 50E5
A5R1968	313-1302-00			RES,FXD,FILM:3K OHM,5%,0.2W	57668	TR20JE 03K0
A5R1980	313-1102-00			RES,FXD,FILM:1K OHM,5%,0.2W	57668	TR20JE01K0
A5R1982	313-1102-00			RES,FXD,FILM:1K OHM,5%,0.2W	57668	TR20JE01K0
A5R1984	313-1102-00			RES,FXD,FILM:1K OHM,5%,0.2W	57668	TR20JE01K0
A5R1985	313-1681-00			RES,FXD,FILM:680 OHM,5%,0.2W	57668	TR20JE 680E
A5R1986	322-3289-00			RES,FXD,FILM:10K OHM,1%,0.2W,TC=TO	57668	CRB20 FXE 10K0
A5R1987	313-1201-00	8010795		RES,FXD,FILM:200 OHM,5%,0.2W	57668	TR20JE200E
A5T1602	120-0444-00			XFMR,TOROID:	80009	120-0444-00
A5T1902	120-0444-00			XFMR,TOROID:	80009	120-0444-00
A5T1912	120-0444-00			XFMR,TOROID:	80009	120-0444-00
A5TP214	131-0608-00			TERMINAL,PIN:0.365 L X 0.025 BRZ GLD PL	22526	48283-036
A5TP410	131-0608-00			TERMINAL,PIN:0.365 L X 0.025 BRZ GLD PL	22526	48283-036
A5TP609	131-0608-00			TERMINAL,PIN:0.365 L X 0.025 BRZ GLD PL	22526	48283-036
A5TP660	131-0608-00			TERMINAL,PIN:0.365 L X 0.025 BRZ GLD PL	22526	48283-036
A5TP665	131-0608-00			TERMINAL,PIN:0.365 L X 0.025 BRZ GLD PL	22526	48283-036
A5U200	156-0518-00			MICROCKT,DGTL:MOT,PHASE FREQ DET,EMTR CPLLGC	04713	MC12040L
A5U230	160-4012-00			MICROCKT,DGTL:ECL,254 X 4 PROM W/3 STATE OUT,PRGM	80009	160-4012-00
A5U232	156-0760-01			MICROCKT,DGTL:ECL,QUINT LATCH D TYPE,SCRN	04713	MC10175P/L
A5U240	160-4013-01			MICROCKT,DGTL:ECL,254 X 4 PROM W/3 STATE OUT,PRGM	80009	160-4013-01
A5U242	156-0230-02			MICROCKT,DGTL:ECL,DUAL D-TYPE M/S FF	04713	MC10131LD
A5U250	156-0368-03			MICROCKT,DGTL:TTL TO ECL QUAD TRANSLATOR	04713	MC10124PD/LD
A5U252	156-0368-03			MICROCKT,DGTL:TTL TO ECL QUAD TRANSLATOR	04713	MC10124PD/LD
A5U260	156-1641-01			MICROCKT,DGTL:ECL,QUAD 2 INP AND GATE,SCRN	04713	MC10H102(LDORPD)
A5U262	156-1674-00			MICROCKT,DGTL:ECL,QUAD 2 INP AND GATE,SCRN	04713	MC10H104LD
A5U266	156-1639-01			MICROCKT,DGTL:ECL,DUAL D MA-SLAVE FF,SCRN	04713	MC10H131PD
A5U270	156-1639-01			MICROCKT,DGTL:ECL,DUAL D MA-SLAVE FF,SCRN	04713	MC10H131PD
A5U272	156-1639-01			MICROCKT,DGTL:ECL,DUAL D MA-SLAVE FF,SCRN	04713	MC10H131PD

Replaceable Electrical Parts
11401 Extended Service Volume 2

Component No.	Tektronix Part No.	Serial/Assembly No. Effective	Dscont	Name & Description	Mfr. Code	Mfr. Part No.
A5U312	156-1338-00			MICROCKT,LINER:OPERATIONAL AMPLIFIER	01295	NE5534P
A5U320	156-1699-00			MICROCKT,LINER:DUAL BI-FET,OPNL AMPL	01295	TL288CP
A5U350	155-0289-01			MICROCKT,DGTL:A-D CONV,0.25V REF VOLTAGE	80009	155-0289-01
A5U370	156-1639-01			MICROCKT,DGTL:ECL,DUAL D MA-SLAVE FF,SCRN	04713	MC10H131PD
A5U372	156-1639-01			MICROCKT,DGTL:ECL,DUAL D MA-SLAVE FF,SCRN	04713	MC10H131PD
A5U430	155-0290-01			MICROCKT,DGTL:A-D CONVERTER,1V REF VOLTAGE	80009	155-0290-01
A5U442	155-0282-00			MICROCKT,DGTL:DIGITAL TO ANALOG CONVERTER	80009	155-0282-00
A5U443	155-0349-00			MICROCKT,LINER:CHANNEL SWITCH,M490	80009	155-0349-00
A5U464	156-1699-00			MICROCKT,LINER:DUAL BI-FET,OPNL AMPL	01295	TL288CP
A5U470	156-1639-01			MICROCKT,DGTL:ECL,DUAL D MA-SLAVE FF,SCRN	04713	MC10H131PD
A5U532	156-1582-00			MICROCKT,LINER:OPERATIONAL AMPL,BIPOLAR	80009	156-1582-00
A5U552	155-0289-01			MICROCKT,DGTL:A-D CONV,0.25V REF VOLTAGE	80009	155-0289-01
A5U574	156-1664-00			MICROCKT,DGTL:SCREENED	01295	SN74ALS574(NP3)
A5U575	156-1699-00			MICROCKT,LINER:DUAL BI-FET,OPNL AMPL	01295	TL288CP
A5U580	156-0158-01			MICROCKT,LINER:DUAL OPNL AMPL,CHK	01295	MC1458P3
A5U600	156-1639-01			MICROCKT,DGTL:ECL,DUAL D MA-SLAVE FF,SCRN	04713	MC10H131PD
A5U610	156-1711-00			MICROCKT,DGTL:ECL,DUAL 3-INP 3-OUT OR GATE	04713	MC10H210PD
A5U620	156-1642-01			MICROCKT,DGTL:ECL,TRIPLE 2-3-2 INP OR/NOR	04713	MC10H105LD
A5U660	156-1161-00			MICROCKT,LINER:VOLTAGE REGULATOR,POS,ADJ	12969	UC317T
A5U700	156-0642-01			MICROCKT,DGTL:BI QUINARY CNTR,SCREENED	04713	MC10138PD/LD
A5U710	156-1874-00			MICROCKT,DGTL:4-BIT UNIV SHIFT REGISTER	04713	MC10H141L/P
A5U712	156-1874-00			MICROCKT,DGTL:4-BIT UNIV SHIFT REGISTER	04713	MC10H141L/P
A5U720	156-1641-01			MICROCKT,DGTL:ECL,QUAD 2 INP AND GATE,SCRN	04713	MC10H102(LDORPD)
A5U722	156-1642-01			MICROCKT,DGTL:ECL,TRIPLE 2-3-2 INP OR/NOR	04713	MC10H105LD
A5U740	156-2976-00			MICROCKT,HYBRID:CUSTOM,SAMPLING GATE	80009	156-2976-00
A5U760	156-1200-00			MICROCKT,LINER:OPERATIONAL AMP,QUAD BI-FET	01295	TL074CN
A5U810	156-1874-00			MICROCKT,DGTL:4-BIT UNIV SHIFT REGISTER	04713	MC10H141L/P
A5U820	156-1642-01			MICROCKT,DGTL:ECL,TRIPLE 2-3-2 INP OR/NOR	04713	MC10H105LD
A5U822	156-1642-01			MICROCKT,DGTL:ECL,TRIPLE 2-3-2 INP OR/NOR	04713	MC10H105LD
A5U860	156-1200-00			MICROCKT,LINER:OPERATIONAL AMP,QUAD BI-FET	01295	TL074CN
A5U910	156-1639-01			MICROCKT,DGTL:ECL,DUAL D MA-SLAVE FF,SCRN	04713	MC10H131PD
A5U912	156-1641-01			MICROCKT,DGTL:ECL,QUAD 2 INP AND GATE,SCRN	04713	MC10H102(LDORPD)
A5U922	156-1889-00			MICROCKT,DGTL:MECL,UNIV HEXADECIMAL,SCRN	04713	MC10H136L/P
A5U960	156-1850-00			MICROCKT,LINER:CMOS,QUAD SPST ANALOG SW	17856	SDG21107
A5U970	156-1850-00			MICROCKT,LINER:CMOS,QUAD SPST ANALOG SW	17856	SDG21107
A5U1010	156-1642-01			MICROCKT,DGTL:ECL,TRIPLE 2-3-2 INP OR/NOR	04713	MC10H105LD
A5U1020	156-1889-00			MICROCKT,DGTL:MECL,UNIV HEXADECIMAL,SCRN	04713	MC10H136L/P
A5U1040	155-0320-00	B010100	8010763	MICROCKT,LINER:STROBE DRIVER	80009	155-0320-00
A5U1040	155-0320-01	B010764		MICROCKT,LINER:STROBE DRIVER	80009	155-0320-01
A5U1052	156-1639-01			MICROCKT,DGTL:ECL,DUAL D MA-SLAVE FF,SCRN	04713	MC10H131PD
A5U1060	156-1200-00			MICROCKT,LINER:OPERATIONAL AMP,QUAD BI-FET	01295	TL074CN
A5U1070	156-0874-02			MICROCKT,DGTL:8 BIT ADDRESSABLE LATCH	04713	SN74LS259NDS
A5U1072	156-1850-00			MICROCKT,LINER:CMOS,QUAD SPST ANALOG SW	17856	SDG21107
A5U1110	156-1682-00			MICROCKT,DGTL:ECL,DUAL 4-5 INP OR/NOR GATE	04713	MC10H109LD
A5U1120	156-1639-01			MICROCKT,DGTL:ECL,DUAL D MA-SLAVE FF,SCRN	04713	MC10H131PD
A5U1130	156-1641-01			MICROCKT,DGTL:ECL,QUAD 2 INP AND GATE,SCRN	04713	MC10H102(LDORPD)
A5U1144	156-0368-03			MICROCKT,DGTL:TTL TO ECL QUAD TRANSLATOR	04713	MC10124PD/LD
A5U1150	156-1639-01			MICROCKT,DGTL:ECL,DUAL D MA-SLAVE FF,SCRN	04713	MC10H131PD
A5U1152	156-1495-00			MICROCKT,DGTL:ECL,1 OF 8 DECODER	04713	MC10162L
A5U1160	156-1200-00			MICROCKT,LINER:OPERATIONAL AMP,QUAD BI-FET	01295	TL074CN
A5U1170	156-1850-00			MICROCKT,LINER:CMOS,QUAD SPST ANALOG SW	17856	SDG21107
A5U1172	156-0874-02			MICROCKT,DGTL:8 BIT ADDRESSABLE LATCH	04713	SN74LS259NDS
A5U1200	165-2065-00	B010100	8010808	MICROCKT,HYBRID:TIME INTERPOLATOR	80009	165-2065-00
A5U1200	165-2065-01	B010809	8010907	MICROCKT,HYBRID:TIME INTERPOLATOR	80009	165-2065-01
A5U1200	165-2065-02	B010908		TIME INTERP:HYBRID W/NEW IC DESIGN	80009	165-2065-02
A5U1220	165-2065-00	B010100	8010808	MICROCKT,HYBRID:TIME INTERPOLATOR	80009	165-2065-00
A5U1220	165-2065-01	B010809	8010907	MICROCKT,HYBRID:TIME INTERPOLATOR	80009	165-2065-01
A5U1220	165-2065-02	B010908		TIME INTERP:HYBRID W/NEW IC DESIGN	80009	165-2065-02

Component No.	Tektronix Part No.	Serial/Assembly No. Effective	Dscont	Name & Description	Mfr. Code	Mfr. Part No.
ASU1240	156-0316-00			MICROCKT,DGTL:ECL,QUAD 2-INP ECL TO TTL	04713	MC10125L
ASU1242	156-0796-01			MICROCKT,DGTL:8 STG SHF & STORE BUS RGTR	02735	CD4094BFX
ASU1244	156-0746-01			MICROCKT,DGTL:QUAD 2-INP MUX	04713	MC10158 P1 OR L1
ASU1246	156-0316-00			MICROCKT,DGTL:ECL,QUAD 2-INP ECL TO TTL	04713	MC10125L
ASU1250	156-2120-00			MICROCKT,DGTL:SER-IN PRL-OUT SHIFT RGTR	07263	74F164PCQR/DCQR
ASU1260	156-1200-00			MICROCKT,LINEAR:OPERATIONAL AMP,QUAD BI-FET	01295	TL074CN
ASU1270	156-1850-00			MICROCKT,LINEAR:CMOS,QUAD SPST ANALOG SW	17856	SDG21107
ASU1272	156-1850-00			MICROCKT,LINEAR:CMOS,QUAD SPST ANALOG SW	17856	SDG21107
ASU1340	156-1724-00			MICROCKT,DGTL:FTTL,QUAD 2 INP OR GATE	04713	MC74F32ND
ASU1342	156-1723-00			MICROCKT,DGTL:QUAD 2 INPUT & GATE	04713	MC74F08 ND OR JD
ASU1344	156-1756-00			MICROCKT,DGTL:ALSTTL,DUAL D TYPE FF,W/CL	01295	SN74ALS74NP3/JP4
ASU1350	156-1973-00			MICROCKT,DGTL:STTL,QUAD D FF	07263	74F175PCQR
ASU1352	156-1723-00			MICROCKT,DGTL:QUAD 2 INPUT & GATE	04713	MC74F08 ND OR JD
ASU1360	156-1200-00			MICROCKT,LINEAR:OPERATIONAL AMP,QUAD BI-FET	01295	TL074CN
ASU1370	156-0874-02			MICROCKT,DGTL:8 BIT ADDRESSABLE LATCH	04713	SN74LS259NDS
ASU1410	156-1640-00			MICROCKT,DGTL:ECL,TPL LINE RCVR	04713	MC10H116(L OR P)
ASU1420	156-1639-01			MICROCKT,DGTL:ECL,DUAL D MA-SLAVE FF,SCRN	04713	MC10H131PD
ASU1430	156-1640-00			MICROCKT,DGTL:ECL,TPL LINE RCVR	04713	MC10H116(L OR P)
ASU1440	156-1973-00			MICROCKT,DGTL:STTL,QUAD D FF	07263	74F175PCQR
ASU1444	156-1743-00			MICROCKT,DGTL:FTTL,QUAD 2-INPUT NOR GATE	18324	74F02 NB OR FB
ASU1450	156-1707-00			MICROCKT,DGTL:QUAD 2-INPUT NAND GATE,SCRN	04713	MC7400(NDORJD)
ASU1452	156-1724-00			MICROCKT,DGTL:FTTL,QUAD 2 INP OR GATE	04713	MC74F32ND
ASU1470	156-2621-00			MICROCKT,LINEAR:12 BIT D/A CONVERTER,VOUT, MPU COMPATIBLE	80009	156-2621-00
ASU1502	156-1338-00			MICROCKT,LINEAR:OPERATIONAL AMPLIFIER	01295	NE5534P
ASU1510	156-1639-01			MICROCKT,DGTL:ECL,DUAL D MA-SLAVE FF,SCRN	04713	MC10H131PD
ASU1520	156-1641-01			MICROCKT,DGTL:ECL,QUAD 2 INP AND GATE,SCRN	04713	MC10H102(LDORPD)
ASU1530	156-1874-00			MICROCKT,DGTL:4-BIT UNIV SHIFT REGISTER	04713	MC10H141L/P
ASU1540	156-2142-00			MICROCKT,DGTL:ECL,4-BIT COUNTER	04713	MC10H016(P OR L)
ASU1544	156-1611-00			MICROCKT,DGTL:ASTTL,DUAL D TYPE EDGE-TRIG	80009	156-1611-00
ASU1546	156-1611-00			MICROCKT,DGTL:ASTTL,DUAL D TYPE EDGE-TRIG	80009	156-1611-00
ASU1550	156-1911-00			MICROCKT,DGTL:FTTL,HEX D FF,SCRN	04713	MC74F174S
ASU1552	156-1611-00			MICROCKT,DGTL:ASTTL,DUAL D TYPE EDGE-TRIG	80009	156-1611-00
ASU1570	156-1664-00			MICROCKT,DGTL:SCREENED	01295	SN74ALS574(NP3)
ASU1630	156-0651-02			MICROCKT,DGTL:8-BIT PRL-OUT SER SHF RGTR	01295	SN74LS164NP3
ASU1640	156-0458-01			MICROCKT,DGTL:QUAD AND GATE 2 INP	04713	MC10104PD/LD
ASU1644	156-1611-00			MICROCKT,DGTL:ASTTL,DUAL D TYPE EDGE-TRIG	80009	156-1611-00
ASU1670	156-0541-02			MICROCKT,DGTL:DUAL 2-TO 4-LINE DCDR/DEMUX	04713	SN74LS139NDS
ASU1672	156-1850-00			MICROCKT,LINEAR:CMOS,QUAD SPST ANALOG SW	17856	SDG21107
ASU1705	156-1699-00	B010100	B010396	MICROCKT,LINEAR:DUAL BI-FET,OPNL AMPL	01295	TL288CP
ASU1710	155-0239-02			MICROCKT,LINEAR:TRIGGER	80009	155-0239-02
ASU1750	156-1200-00			MICROCKT,LINEAR:OPERATIONAL AMP,QUAD BI-FET	01295	TL074CN
ASU1770	156-1688-00			MICROCKT,LINEAR:DUAL BI-FET OPNL AMPL	01295	TL287CP
ASU1772	156-1850-00			MICROCKT,LINEAR:CMOS,QUAD SPST ANALOG SW	17856	SDG21107
ASU1832	156-1611-00			MICROCKT,DGTL:ASTTL,DUAL D TYPE EDGE-TRIG	80009	156-1611-00
ASU1834	156-1344-00			MICROCKT,LINEAR:ECL,COMPARATOR	24355	AD9685BH
ASU1842	156-1639-01			MICROCKT,DGTL:ECL,DUAL D MA-SLAVE FF,SCRN	04713	MC10H131PD
ASU1870	156-2620-00			MICROCKT,LINEAR:OP AMP DUAL,LOW OFFSET,WIDE BANDWIDTH	80009	156-2620-00
ASU1900	156-1338-00			MICROCKT,LINEAR:OPERATIONAL AMPLIFIER	01295	NE5534P
ASU1925	156-1338-00			MICROCKT,LINEAR:OPERATIONAL AMPLIFIER	01295	NE5534P
ASU1930	156-1743-00			MICROCKT,DGTL:FTTL,QUAD 2-INPUT NOR GATE	18324	74F02 NB OR FB
ASU1932	156-2113-00			MICROCKT,DGTL:QUAD 2-INP POSITIVE-AND GATE	01295	SN74ALS08N3
ASU1940	156-1339-00			MICROCKT,LINEAR:HIGH SPEED DUAL DIFF COMPTR	18324	NE521N/SUPRII-B
ASU1970	156-0513-02			MICROCKT,DGTL:CMOS,ANALOG MUX/DEMUX	02735	CD4051BFX
ASU2030	156-0796-01			MICROCKT,DGTL:8 STG SHF & STORE BUS RGTR	02735	CD4094BFX
ASU2044	156-1744-00			MICROCKT,DGTL:FTTL,OCTAL BUFFER/LINE DRVR	07263	74F240PCQR
ASU2050	156-1909-00			MICROCKT,DGTL:QUAD 2 INP MULTIPLEXER	04713	74F157 ND OR JD

Replaceable Electrical Parts
11401 Extended Service Volume 2

Component No.	Tektronix Part No.	Serial/Assembly No. Effective	Discont	Name & Description	Mfr. Code	Mfr. Part No.
A5U2060	156-1611-00			MICROCKT,DGTL:ASTTL,DUAL D TYPE EDGE-TRIG	80009	156-1611-00
A5U2070	156-1754-01			MICROCKT,DGTL:OCTAL BUFFER W/3-STATE OUT	01295	SN74ALS244AN3
A5VR322	152-0486-00			SEMICON DVC,DI:ZEN,SI,6.2V,2%,400MM,DO-35	04713	SZG20008
A5VR368	152-0486-00			SEMICON DVC,DI:ZEN,SI,6.2V,2%,400MM,DO-35	04713	SZG20008
A5VR622	152-0456-00			SEMICON DVC,DI:ZEN,SI,6.2V,5%,0.4W,DO-7	04713	1N827
A5VR623	152-0456-00			SEMICON DVC,DI:ZEN,SI,6.2V,5%,0.4W,DO-7	04713	1N827
A5VR660	152-0149-00			SEMICON DVC,DI:ZEN,SI,10V,5%,0.4W,DO-7	04713	1N961B
A5VR1570	152-0760-00			SEMICON DVC,DI:ZEN,SI,6.2V,2%,400MM,DO-35	04713	SZG30205
A5VR1820	152-0195-00			SEMICON DVC,DI:ZEN,SI,5.1V,5%,0.4W,DO-7	04713	SZ11755RL
A5VR1944	152-0195-00			SEMICON DVC,DI:ZEN,SI,5.1V,5%,0.4W,DO-7	04713	SZ11755RL
A5X350	136-0813-00			SKT,PL-IN ELEK:CHIP CARRIER,68 CONTACTS	19613	268-5400-00-1102
A5X430	136-0813-00			SKT,PL-IN ELEK:CHIP CARRIER,68 CONTACTS	19613	268-5400-00-1102
A5X552	136-0813-00			SKT,PL-IN ELEK:CHIP CARRIER,68 CONTACTS	19613	268-5400-00-1102
A5X1040	136-0751-00			SKT,PL-IN ELEK:MICROCKT,24 PIN	09922	DILB24P108
A5X1200	136-0763-00			SKT,PL-IN ELEK:26 LINE CONT IMPD HYBRID	00779	ORDER BY DESCR
A5X1220	136-0763-00			SKT,PL-IN ELEK:26 LINE CONT IMPD HYBRID	00779	ORDER BY DESCR
A5X1710	136-0764-00			SKT,PL-IN ELEK:48 LINE CONT IMPD HYBRID	00779	ORDER BY DESCR
A5Y100	158-0325-00			XTAL UNIT,QTZ:10.000MHZ,0.001%,HC-47	33096	CCAT 303350
A5Y2040	119-1502-00			OSCILLATOR,RF:19.6608MHZ,14 DIP PKG	75378	MX050
A5A19	671-0828-00	B021021		CIRCUIT BD ASSY:TRIGGER ENHANCEMENT	80009	671-0828-00
A5A19C100	281-0913-00	B021021		CAP,FXD,CER DI:0.1UF,50V,AXIAL	04222	SA105E104ZAA
A5A19C110	281-0913-00	B021021		CAP,FXD,CER DI:0.1UF,50V,AXIAL	04222	SA105E104ZAA
A5A19C200	281-0122-00	B021021		CAP,VAR,CER DI:2.5-9PF,100V	59660	518-000A2.5-9
A5A19C300	281-0913-00	B021021		CAP,FXD,CER DI:0.1UF,50V,AXIAL	04222	SA105E104ZAA
A5A19CR410	152-0141-05	B021021		SEMICON DVC,DI:SW,SI,30V,150MA,30V,DO-35	80009	152-0141-05
A5A19CR412	152-0141-05	B021021		SEMICON DVC,DI:SW,SI,30V,150MA,30V,DO-35	80009	152-0141-05
A5A19CR414	152-0141-05	B021021		SEMICON DVC,DI:SW,SI,30V,150MA,30V,DO-35	80009	152-0141-05
A5A19CR416	152-0141-05	B021021		SEMICON DVC,DI:SW,SI,30V,150MA,30V,DO-35	80009	152-0141-05
A5A19CR418	152-0141-05	B021021		SEMICON DVC,DI:SW,SI,30V,150MA,30V,DO-35	80009	152-0141-05
A5A19DL210	119-1380-00	B021021		DELAY LINE,ELEC:10NS,100 OHM,TAPPED,7 SIP	01961	PE 20662
A5A19J1	131-0608-00	B021021		TERMINAL,PIN:0.365 L X 0.025 BRZ GLD PL (QUANTITY OF 8)	22526	48283-036
A5A19J2	131-0608-00	B021021		TERMINAL,PIN:0.365 L X 0.025 BRZ GLD PL	22526	48283-036
A5A19J3	131-0608-00	B021021		TERMINAL,PIN:0.365 L X 0.025 BRZ GLD PL	22526	48283-036
A5A19Q100	151-0711-02	B021021		TRANSISTOR:NPN,SI,TO-92	27014	X42094B
A5A19R100	313-1121-00	B021021		RES,FXD,FILM:120 OHM,5%,0.2W	80009	313-1121-00
A5A19R102	322-3181-00	B021021		RES,FXD,FILM:750 OHM,1%,0.2W,TC=TO	91637	CCF501G750R0F
A5A19R110	322-3210-00	B021021		RES,FXD,FILM:1.5K OHM,1%,0.2W,TC=TO	57668	CRB20 FXE 1K50
A5A19R112	313-1331-00	B021021		RES,FXD,FILM:330 OHM,5%,0.2W	57668	TR20JE 330E
A5A19R114	322-3154-00	B021021		RES,FXD,FILM:392 OHM,1%,0.2W,TC=TO	57668	RB20FX392E
A5A19R200	322-3147-00	B021021		RES,FXD,FILM:332 OHM,1%,0.2W,TC=TO	80009	322-3147-00
A5A19R202	313-1101-00	B021021		RES,FXD,FILM:100 OHM,5%,0.2W	57668	TR20JE100E
A5A19R300	307-1318-00	B021021		RES NTWK,FXD,FI:(2) 162 OHM,(2) 260 OHM,2%,0.125W	32997	4604X-4W1-000
A5A19R310	307-1318-00	B021021		RES NTWK,FXD,FI:(2) 162 OHM,(2) 260 OHM,2%,0.125W	32997	4604X-4W1-000
A5A19R400	313-1332-00	B021021		RES,FXD,FILM:3.3K OHM,5%,0.2W	57668	TR20JE 03K3
A5A19R402	313-1432-00	B021021		RES,FXD,FILM:4.3K OHM,5%,0.2W	57668	TR20JE 04K3
A5A19R404	313-1821-00	B021021		RES,FXD,FILM:820 OHM,5%,0.2W	57668	TR20JE 820E
A5A19R406	313-1511-00	B021021		RES,FXD,FILM:510 OHM,5%,0.2W	57668	TR20JT68 510E
A5A19TP1	131-0608-00	B021021		TERMINAL,PIN:0.365 L X 0.025 BRZ GLD PL	22526	48283-036
A5A19TP2	131-0608-00	B021021		TERMINAL,PIN:0.365 L X 0.025 BRZ GLD PL	22526	48283-036
A5A19TP3	131-0608-00	B021021		TERMINAL,PIN:0.365 L X 0.025 BRZ GLD PL	22526	48283-036
A5A19U210	156-2114-00	B021021		MICROCKT,DGTL:ECL,QUAD LINE RECEIVER	04713	MC10H115P
A5A19U300	156-1639-01	B021021		MICROCKT,DGTL:ECL,DUAL D MA-SLAVE FF,SCRN	04713	MC10H131PD
A6	670-8849-01	B010100	B010624	CIRCUIT BD ASSY:TIMEBASE	80009	670-8849-01

Component No.	Tektronix Part No.	Serial/Assembly No. Effective	Discnt	Name & Description	Mfr. Code	Mfr. Part No.
A6	670-8849-02	B010625	8021020	CIRCUIT BD ASSY:TIME BASE	80009	670-8849-02
A6	670-8849-03	B021021		CIRCUIT BD ASSY:TIME BASE	80009	670-8849-03
A6C01	290-0944-01			CAP, FXD, ELCTLT:220UF, 20%, 10V	55680	UVX1C221MPA1TA
A6C03	290-0944-01			CAP, FXD, ELCTLT:220UF, 20%, 10V	55680	UVX1C221MPA1TA
A6C04	290-0944-01			CAP, FXD, ELCTLT:220UF, 20%, 10V	55680	UVX1C221MPA1TA
A6C10	281-0913-00			CAP, FXD, CER DI:0.1UF, 50V, AXIAL	04222	SA105E104ZAA
A6C11	281-0913-00			CAP, FXD, CER DI:0.1UF, 50V, AXIAL	04222	SA105E104ZAA
A6C14	281-0913-00			CAP, FXD, CER DI:0.1UF, 50V, AXIAL	04222	SA105E104ZAA
A6C15	281-0913-00			CAP, FXD, CER DI:0.1UF, 50V, AXIAL	04222	SA105E104ZAA
A6C20	281-0913-00			CAP, FXD, CER DI:0.1UF, 50V, AXIAL	04222	SA105E104ZAA
A6C21	281-0913-00			CAP, FXD, CER DI:0.1UF, 50V, AXIAL	04222	SA105E104ZAA
A6C22	281-0913-00			CAP, FXD, CER DI:0.1UF, 50V, AXIAL	04222	SA105E104ZAA
A6C24	281-0913-00			CAP, FXD, CER DI:0.1UF, 50V, AXIAL	04222	SA105E104ZAA
A6C25	281-0913-00			CAP, FXD, CER DI:0.1UF, 50V, AXIAL	04222	SA105E104ZAA
A6C30	281-0913-00			CAP, FXD, CER DI:0.1UF, 50V, AXIAL	04222	SA105E104ZAA
A6C31	281-0913-00			CAP, FXD, CER DI:0.1UF, 50V, AXIAL	04222	SA105E104ZAA
A6C32	281-0913-00			CAP, FXD, CER DI:0.1UF, 50V, AXIAL	04222	SA105E104ZAA
A6C35	281-0913-00			CAP, FXD, CER DI:0.1UF, 50V, AXIAL	04222	SA105E104ZAA
A6C40	281-0913-00			CAP, FXD, CER DI:0.1UF, 50V, AXIAL	04222	SA105E104ZAA
A6C41	281-0913-00			CAP, FXD, CER DI:0.1UF, 50V, AXIAL	04222	SA105E104ZAA
A6C45	281-0913-00			CAP, FXD, CER DI:0.1UF, 50V, AXIAL	04222	SA105E104ZAA
A6C50	281-0913-00			CAP, FXD, CER DI:0.1UF, 50V, AXIAL	04222	SA105E104ZAA
A6C51	281-0913-00			CAP, FXD, CER DI:0.1UF, 50V, AXIAL	04222	SA105E104ZAA
A6C53	281-0913-00			CAP, FXD, CER DI:0.1UF, 50V, AXIAL	04222	SA105E104ZAA
A6C60	281-0913-00			CAP, FXD, CER DI:0.1UF, 50V, AXIAL	04222	SA105E104ZAA
A6C61	281-0913-00			CAP, FXD, CER DI:0.1UF, 50V, AXIAL	04222	SA105E104ZAA
A6C62	281-0913-00			CAP, FXD, CER DI:0.1UF, 50V, AXIAL	04222	SA105E104ZAA
A6C64	281-0913-00			CAP, FXD, CER DI:0.1UF, 50V, AXIAL	04222	SA105E104ZAA
A6C66	281-0913-00			CAP, FXD, CER DI:0.1UF, 50V, AXIAL	04222	SA105E104ZAA
A6C70	281-0913-00			CAP, FXD, CER DI:0.1UF, 50V, AXIAL	04222	SA105E104ZAA
A6C71	281-0913-00			CAP, FXD, CER DI:0.1UF, 50V, AXIAL	04222	SA105E104ZAA
A6C72	281-0913-00			CAP, FXD, CER DI:0.1UF, 50V, AXIAL	04222	SA105E104ZAA
A6C74	281-0913-00			CAP, FXD, CER DI:0.1UF, 50V, AXIAL	04222	SA105E104ZAA
A6C80	281-0913-00			CAP, FXD, CER DI:0.1UF, 50V, AXIAL	04222	SA105E104ZAA
A6C81	281-0913-00			CAP, FXD, CER DI:0.1UF, 50V, AXIAL	04222	SA105E104ZAA
A6C82	281-0913-00			CAP, FXD, CER DI:0.1UF, 50V, AXIAL	04222	SA105E104ZAA
A6C83	281-0913-00			CAP, FXD, CER DI:0.1UF, 50V, AXIAL	04222	SA105E104ZAA
A6C86	281-0913-00			CAP, FXD, CER DI:0.1UF, 50V, AXIAL	04222	SA105E104ZAA
A6C94	281-0913-00			CAP, FXD, CER DI:0.1UF, 50V, AXIAL	04222	SA105E104ZAA
A6C97	281-0913-00			CAP, FXD, CER DI:0.1UF, 50V, AXIAL	04222	SA105E104ZAA
A6C100	281-0913-00			CAP, FXD, CER DI:0.1UF, 50V, AXIAL	04222	SA105E104ZAA
A6C103	281-0913-00			CAP, FXD, CER DI:0.1UF, 50V, AXIAL	04222	SA105E104ZAA
A6C104	281-0913-00			CAP, FXD, CER DI:0.1UF, 50V, AXIAL	04222	SA105E104ZAA
A6C110	281-0913-00			CAP, FXD, CER DI:0.1UF, 50V, AXIAL	04222	SA105E104ZAA
A6C113	281-0913-00			CAP, FXD, CER DI:0.1UF, 50V, AXIAL	04222	SA105E104ZAA
A6C114	281-0913-00			CAP, FXD, CER DI:0.1UF, 50V, AXIAL	04222	SA105E104ZAA
A6C121	281-0913-00			CAP, FXD, CER DI:0.1UF, 50V, AXIAL	04222	SA105E104ZAA
A6C122	281-0913-00			CAP, FXD, CER DI:0.1UF, 50V, AXIAL	04222	SA105E104ZAA
A6C123	281-0913-00			CAP, FXD, CER DI:0.1UF, 50V, AXIAL	04222	SA105E104ZAA
A6C124	281-0913-00			CAP, FXD, CER DI:0.1UF, 50V, AXIAL	04222	SA105E104ZAA
A6C131	281-0913-00			CAP, FXD, CER DI:0.1UF, 50V, AXIAL	04222	SA105E104ZAA
A6C133	281-0913-00			CAP, FXD, CER DI:0.1UF, 50V, AXIAL	04222	SA105E104ZAA
A6C134	281-0913-00			CAP, FXD, CER DI:0.1UF, 50V, AXIAL	04222	SA105E104ZAA
A6C141	281-0913-00			CAP, FXD, CER DI:0.1UF, 50V, AXIAL	04222	SA105E104ZAA
A6C142	281-0913-00			CAP, FXD, CER DI:0.1UF, 50V, AXIAL	04222	SA105E104ZAA
A6C143	281-0913-00			CAP, FXD, CER DI:0.1UF, 50V, AXIAL	04222	SA105E104ZAA
A6C144	281-0913-00			CAP, FXD, CER DI:0.1UF, 50V, AXIAL	04222	SA105E104ZAA

Replaceable Electrical Parts
11401 Extended Service Volume 2

Component No.	Tektronix	Serial/Assembly No.		Name & Description	Mfr. Code	Mfr. Part No.
	Part No.	Effective	Discont			
A6C150	281-0913-00			CAP, FXD, CER DI: 0.1UF, 50V, AXIAL	04222	SA105E104ZAA
A6C152	281-0913-00			CAP, FXD, CER DI: 0.1UF, 50V, AXIAL	04222	SA105E104ZAA
A6C153	281-0913-00			CAP, FXD, CER DI: 0.1UF, 50V, AXIAL	04222	SA105E104ZAA
A6C161	281-0913-00			CAP, FXD, CER DI: 0.1UF, 50V, AXIAL	04222	SA105E104ZAA
A6C165	281-0913-00			CAP, FXD, CER DI: 0.1UF, 50V, AXIAL	04222	SA105E104ZAA
A6C166	281-0913-00			CAP, FXD, CER DI: 0.1UF, 50V, AXIAL	04222	SA105E104ZAA
A6C170	281-0913-00			CAP, FXD, CER DI: 0.1UF, 50V, AXIAL	04222	SA105E104ZAA
A6C171	281-0913-00			CAP, FXD, CER DI: 0.1UF, 50V, AXIAL	04222	SA105E104ZAA
A6C175	281-0913-00			CAP, FXD, CER DI: 0.1UF, 50V, AXIAL	04222	SA105E104ZAA
A6C176	281-0913-00			CAP, FXD, CER DI: 0.1UF, 50V, AXIAL	04222	SA105E104ZAA
A6C180	281-0913-00			CAP, FXD, CER DI: 0.1UF, 50V, AXIAL	04222	SA105E104ZAA
A6C181	281-0913-00			CAP, FXD, CER DI: 0.1UF, 50V, AXIAL	04222	SA105E104ZAA
A6C185	281-0913-00			CAP, FXD, CER DI: 0.1UF, 50V, AXIAL	04222	SA105E104ZAA
A6C190	281-0913-00			CAP, FXD, CER DI: 0.1UF, 50V, AXIAL	04222	SA105E104ZAA
A6C193	281-0913-00			CAP, FXD, CER DI: 0.1UF, 50V, AXIAL	04222	SA105E104ZAA
A6C195	281-0913-00			CAP, FXD, CER DI: 0.1UF, 50V, AXIAL	04222	SA105E104ZAA
A6C196	281-0913-00			CAP, FXD, CER DI: 0.1UF, 50V, AXIAL	04222	SA105E104ZAA
A6C200	281-0913-00			CAP, FXD, CER DI: 0.1UF, 50V, AXIAL	04222	SA105E104ZAA
A6C205	281-0913-00			CAP, FXD, CER DI: 0.1UF, 50V, AXIAL	04222	SA105E104ZAA
A6C206	281-0913-00			CAP, FXD, CER DI: 0.1UF, 50V, AXIAL	04222	SA105E104ZAA
A6C210	281-0913-00			CAP, FXD, CER DI: 0.1UF, 50V, AXIAL	04222	SA105E104ZAA
A6C215	281-0913-00			CAP, FXD, CER DI: 0.1UF, 50V, AXIAL	04222	SA105E104ZAA
A6C216	281-0913-00			CAP, FXD, CER DI: 0.1UF, 50V, AXIAL	04222	SA105E104ZAA
A6C224	281-0913-00			CAP, FXD, CER DI: 0.1UF, 50V, AXIAL	04222	SA105E104ZAA
A6C226	281-0913-00			CAP, FXD, CER DI: 0.1UF, 50V, AXIAL	04222	SA105E104ZAA
A6C232	281-0913-00			CAP, FXD, CER DI: 0.1UF, 50V, AXIAL	04222	SA105E104ZAA
A6C237	281-0913-00			CAP, FXD, CER DI: 0.1UF, 50V, AXIAL	04222	SA105E104ZAA
A6C240	281-0913-00			CAP, FXD, CER DI: 0.1UF, 50V, AXIAL	04222	SA105E104ZAA
A6C250	281-0913-00			CAP, FXD, CER DI: 0.1UF, 50V, AXIAL	04222	SA105E104ZAA
A6C252	281-0913-00			CAP, FXD, CER DI: 0.1UF, 50V, AXIAL	04222	SA105E104ZAA
A6C258	281-0913-00			CAP, FXD, CER DI: 0.1UF, 50V, AXIAL	04222	SA105E104ZAA
A6C260	281-0913-00			CAP, FXD, CER DI: 0.1UF, 50V, AXIAL	04222	SA105E104ZAA
A6C262	281-0913-00			CAP, FXD, CER DI: 0.1UF, 50V, AXIAL	04222	SA105E104ZAA
A6C264	281-0913-00			CAP, FXD, CER DI: 0.1UF, 50V, AXIAL	04222	SA105E104ZAA
A6C267	281-0913-00			CAP, FXD, CER DI: 0.1UF, 50V, AXIAL	04222	SA105E104ZAA
A6C268	281-0913-00			CAP, FXD, CER DI: 0.1UF, 50V, AXIAL	04222	SA105E104ZAA
A6C271	281-0913-00			CAP, FXD, CER DI: 0.1UF, 50V, AXIAL	04222	SA105E104ZAA
A6C275	281-0913-00			CAP, FXD, CER DI: 0.1UF, 50V, AXIAL	04222	SA105E104ZAA
A6C276	281-0913-00			CAP, FXD, CER DI: 0.1UF, 50V, AXIAL	04222	SA105E104ZAA
A6C277	281-0913-00			CAP, FXD, CER DI: 0.1UF, 50V, AXIAL	04222	SA105E104ZAA
A6C278	281-0913-00			CAP, FXD, CER DI: 0.1UF, 50V, AXIAL	04222	SA105E104ZAA
A6C279	281-0913-00			CAP, FXD, CER DI: 0.1UF, 50V, AXIAL	04222	SA105E104ZAA
A6C287	281-0913-00			CAP, FXD, CER DI: 0.1UF, 50V, AXIAL	04222	SA105E104ZAA
A6C288	281-0913-00			CAP, FXD, CER DI: 0.1UF, 50V, AXIAL	04222	SA105E104ZAA
A6C289	281-0913-00			CAP, FXD, CER DI: 0.1UF, 50V, AXIAL	04222	SA105E104ZAA
A6C293	281-0913-00			CAP, FXD, CER DI: 0.1UF, 50V, AXIAL	04222	SA105E104ZAA
A6C298	281-0913-00			CAP, FXD, CER DI: 0.1UF, 50V, AXIAL	04222	SA105E104ZAA
A6C301	281-0913-00			CAP, FXD, CER DI: 0.1UF, 50V, AXIAL	04222	SA105E104ZAA
A6C303	281-0913-00			CAP, FXD, CER DI: 0.1UF, 50V, AXIAL	04222	SA105E104ZAA
A6C310	281-0913-00			CAP, FXD, CER DI: 0.1UF, 50V, AXIAL	04222	SA105E104ZAA
A6C311	281-0913-00			CAP, FXD, CER DI: 0.1UF, 50V, AXIAL	04222	SA105E104ZAA
A6C312	281-0913-00	B010625		CAP, FXD, CER DI: 0.1UF, 50V, AXIAL	04222	SA105E104ZAA
A6C313	281-0913-00	B010625		CAP, FXD, CER DI: 0.1UF, 50V, AXIAL	04222	SA105E104ZAA
A6C500	281-0913-00			CAP, FXD, CER DI: 0.1UF, 50V, AXIAL	04222	SA105E104ZAA
A6C501	281-0913-00			CAP, FXD, CER DI: 0.1UF, 50V, AXIAL	04222	SA105E104ZAA
A6C502	281-0913-00			CAP, FXD, CER DI: 0.1UF, 50V, AXIAL	04222	SA105E104ZAA
A6C503	281-0913-00			CAP, FXD, CER DI: 0.1UF, 50V, AXIAL	04222	SA105E104ZAA
A6C504	281-0913-00			CAP, FXD, CER DI: 0.1UF, 50V, AXIAL	04222	SA105E104ZAA

Component No.	Tektronix Part No.	Serial/Assembly No. Effective	Dscont	Name & Description	Mfr. Code	Mfr. Part No.
A6C505	281-0913-00			CAP,FXD,CER DI:0.1UF,50V,AXIAL	04222	SA105E104ZAA
A6C506	281-0913-00			CAP,FXD,CER DI:0.1UF,50V,AXIAL	04222	SA105E104ZAA
A6C507	281-0913-00			CAP,FXD,CER DI:0.1UF,50V,AXIAL	04222	SA105E104ZAA
A6CR300	152-0141-02	B010100	B010624	SEMICON DVC,DI:SW,SI,30V,150MA,30V,DO-35	03508	DA2527 (1N4152)
A6CR301	152-0141-02	B010100	B010624	SEMICON DVC,DI:SW,SI,30V,150MA,30V,DO-35	03508	DA2527 (1N4152)
A6CR303	152-0141-02	B010100	B010624	SEMICON DVC,DI:SW,SI,30V,150MA,30V,DO-35	03508	DA2527 (1N4152)
A6CR304	152-0141-02	B010100	B010624	SEMICON DVC,DI:SW,SI,30V,150MA,30V,DO-35	03508	DA2527 (1N4152)
A6CR305	152-0141-02	B010100	B010624	SEMICON DVC,DI:SW,SI,30V,150MA,30V,DO-35	03508	DA2527 (1N4152)
A6DS90	150-1152-00			LT EMITTING DIO:RED 5V,T-1 PACKAGE	50434	HLMP3600 OPT 002
A6DS92	150-1152-00			LT EMITTING DIO:RED 5V,T-1 PACKAGE	50434	HLMP3600 OPT 002
A6J09	131-1003-00	B010100	B010624	CONN,RCPT,ELEC:CKT BD MT,3 PRONG	80009	131-1003-00
A6J30	131-0608-00			TERMINAL,PIN:0.365 L X 0.025 BRZ GLD PL (QUANTITY OF 3)	22526	48283-036
A6J40	131-0608-00			TERMINAL,PIN:0.365 L X 0.025 BRZ GLD PL (QUANTITY OF 3)	22526	48283-036
A6J50	131-0608-00			TERMINAL,PIN:0.365 L X 0.025 BRZ GLD PL (QUANTITY OF 3)	22526	48283-036
A6J66	131-3408-00			CONN,RCPT,ELEC:CKT BD,MALE,RT ANGLE 2 PIN 0.250 SPCG	00779	1-350946-0
A6J83	131-3182-00			CONN,RCPT,ELEC:HDR,RTANG,2 X 25,0.1 CENTER	22526	75867-008
A6J84	131-3366-00			CONN,RCPT,ELEC:HEADER,RTANG,60 PIN	53387	3597-5002
A6J85	131-3181-00			CONN,RCPT,ELEC:HEADER,RTANG,2 X 20,0.1 CTR	22526	75867-007
A6J86	131-3363-00			CONN,RCPT,ELEC:HEADER,RTANG,34 PIN	53387	3594-5002
A6J91	131-3361-00			CONN,RCPT,ELEC:HEADER,RTANG,26 PIN	53387	3593-5002
A6J100	131-3563-00	B010100	B010624	CONNECTOR,TERM:6 PIN,SQ PIN JUMPER	22526	76264-103
A6J200	131-0608-00			TERMINAL,PIN:0.365 L X 0.025 BRZ GLD PL (QUANTITY OF 20)	22526	48283-036
A6J290	131-0608-00			TERMINAL,PIN:0.365 L X 0.025 BRZ GLD PL (QUANTITY OF 7)	22526	48283-036
A6J450	131-0608-00			TERMINAL,PIN:0.365 L X 0.025 BRZ GLD PL (QUANTITY OF 2)	22526	48283-036
A6J451	131-0608-00			TERMINAL,PIN:0.365 L X 0.025 BRZ GLD PL (QUANTITY OF 2)	22526	48283-036
A6Q300	151-0190-00	B010100	B010624	TRANSISTOR:NPN,SI,TO-92	80009	151-0190-00
A6Q302	151-0190-00	B010100	B010624	TRANSISTOR:NPN,SI,TO-92	80009	151-0190-00
A6Q304	151-0190-00	B010100	B010624	TRANSISTOR:NPN,SI,TO-92	80009	151-0190-00
A6R16	307-0717-00			RES NTWK,FXD,FI:4,100 OHM,2%,0.3W	11236	750-83-R100
A6R26	307-0717-00			RES NTWK,FXD,FI:4,100 OHM,2%,0.3W	11236	750-83-R100
A6R36	307-0717-00			RES NTWK,FXD,FI:4,100 OHM,2%,0.3W	11236	750-83-R100
A6R42	307-0649-00			RES NTWK,FXD,FI:8,33 OHM,2%,0.125W	01121	316B330
A6R52	307-0649-00			RES NTWK,FXD,FI:8,33 OHM,2%,0.125W	01121	316B330
A6R90	307-0649-00			RES NTWK,FXD,FI:8,33 OHM,2%,0.125W	01121	316B330
A6R91	307-0649-00			RES NTWK,FXD,FI:8,33 OHM,2%,0.125W	01121	316B330
A6R92	307-0649-00			RES NTWK,FXD,FI:8,33 OHM,2%,0.125W	01121	316B330
A6R105	307-0446-00			RES NTWK,FXD,FI:10K OHM,20%,(9)RES	11236	750-101-R10K
A6R107	307-0676-00			RES NTWK,FXD,FI:14,330 OHM,14,680 OHM,0.1W	01121	316E331681
A6R120	313-1242-00	B010100	B010624	RES,FXD,FILM:2.4K OHM,5%,0.2W	57668	TR20JE 02K4
A6R122	313-1242-00	B010100	B010624	RES,FXD,FILM:2.4K OHM,5%,0.2W	57668	TR20JE 02K4
A6R124	313-1242-00	B010100	B010624	RES,FXD,FILM:2.4K OHM,5%,0.2W	57668	TR20JE 02K4
A6R127	307-0676-00			RES NTWK,FXD,FI:14,330 OHM,14,680 OHM,0.1W	01121	316E331681
A6R134	307-0446-00			RES NTWK,FXD,FI:10K OHM,20%,(9)RES	11236	750-101-R10K
A6R195	313-1472-00			RES,FXD,FILM:4.7K OHM,5%,0.2W	57668	TR20JE 04K7
A6R200	315-0820-00			RES,FXD,FILM:82 OHM,5%,0.25W	57668	NTR25J-E82E0
A6R202	315-0820-00			RES,FXD,FILM:82 OHM,5%,0.25W	57668	NTR25J-E82E0
A6R224	313-1103-00			RES,FXD,FILM:10K OHM,5%,0.2W	57668	TR20JE10K0
A6R252	307-0675-00			RES NTWK,FXD,FI:9,1K OHM,2%1.25W	11236	750-101-R1K OHM
A6R253	307-0675-00			RES NTWK,FXD,FI:9,1K OHM,2%1.25W	11236	750-101-R1K OHM
A6R265	307-0897-00			RES NTWK,FXD,FI:9,330 OHM,2%,1.2W	01121	210A331
A6R270	313-1472-00			RES,FXD,FILM:4.7K OHM,5%,0.2W	57668	TR20JE 04K7

Replaceable Electrical Parts
11401 Extended Service Volume 2

Component No.	Tektronix Part No.	Serial/Assembly No. Effective	Dscort	Name & Description	Mfr. Code	Mfr. Part No.
A6R275	307-0897-00			RES NTWK,FXD,FI:9,330 OHM,2%,1.2W	01121	210A331
A6R290	313-1751-00			RES,FXD,FILM:750 OHM,5%,0.2W	57668	TR20JE 750E
A6R292	313-1751-00			RES,FXD,FILM:750 OHM,5%,0.2W	57668	TR20JE 750E
A6R300	313-1132-00	B010100	B010624	RES,FXD,FILM:1.3K OHM,5%,0.2W	57668	TR20JE01K3
A6R301	313-1131-00	B010100	B010624	RES,FXD,FILM:130 OHM,5%,0.26	57668	TR20JT68 130E
A6R302	313-1152-00	B010100	B010624	RES,FXD,FILM:1.5K OHM,5%,0.2W	57668	TR20JE01K5
A6R303	313-1182-00	B010100	B010624	RES,FXD,FILM:1.8K OHM 5%,0.2W	57668	TR20JT681K8
A6R305	313-1102-00	B010100	B010624	RES,FXD,FILM:1K OHM,5%,0.2W	57668	TR20JE01K0
A6R306	313-1622-00	B010100	B010624	RES,FXD,FILM:6.2K OHM,5%,0.2W	57668	TR20JE 06K2
A6R307	313-1242-00	B010100	B010624	RES,FXD,FILM:2.4K OHM,5%,0.2W	57668	TR20JE 02K4
A6R308	315-0100-00	B010100	B010624	RES,FXD,FILM:10 OHM,5%,0.25W	19701	5043CX10RR00J
A6R310	307-0446-00			RES NTWK,FXD,FI:10K OHM,20%,(9)RES	11236	750-101-R10K
A6R600	313-1102-00	B010219		RES,FXD,FILM:1K OHM,5%,0.2W	57668	TR20JE01K0
A6R600	313-1102-00	B010625		RES,FXD,FILM:1K OHM,5%,0.2W	57668	TR20JE01K0
A6R602	313-1242-00	B010625		RES,FXD,FILM:2.4K OHM,5%,0.2W	57668	TR20JE 02K4
A6TP1	131-0608-00			TERMINAL,PIN:0.365 L X 0.025 BRZ GLD PL	22526	48283-036
A6TP2	131-0608-00			TERMINAL,PIN:0.365 L X 0.025 BRZ GLD PL	22526	48283-036
A6TP3	131-0608-00			TERMINAL,PIN:0.365 L X 0.025 BRZ GLD PL	22526	48283-036
A6TP4	131-0608-00			TERMINAL,PIN:0.365 L X 0.025 BRZ GLD PL	22526	48283-036
A6TP5	131-0608-00			TERMINAL,PIN:0.365 L X 0.025 BRZ GLD PL	22526	48283-036
A6TP6	131-0608-00			TERMINAL,PIN:0.365 L X 0.025 BRZ GLD PL	22526	48283-036
A6TP7	131-0608-00			TERMINAL,PIN:0.365 L X 0.025 BRZ GLD PL	22526	48283-036
A6TP8	131-0608-00			TERMINAL,PIN:0.365 L X 0.025 BRZ GLD PL	22526	48283-036
A6TP9	131-0608-00			TERMINAL,PIN:0.365 L X 0.025 BRZ GLD PL	22526	48283-036
A6TP10	131-0608-00			TERMINAL,PIN:0.365 L X 0.025 BRZ GLD PL	22526	48283-036
A6TP11	131-0608-00			TERMINAL,PIN:0.365 L X 0.025 BRZ GLD PL	22526	48283-036
A6TP12	131-0608-00			TERMINAL,PIN:0.365 L X 0.025 BRZ GLD PL	22526	48283-036
A6TP13	131-0608-00			TERMINAL,PIN:0.365 L X 0.025 BRZ GLD PL	22526	48283-036
A6TP14	131-0608-00			TERMINAL,PIN:0.365 L X 0.025 BRZ GLD PL	22526	48283-036
A6TP15	131-0608-00			TERMINAL,PIN:0.365 L X 0.025 BRZ GLD PL	22526	48283-036
A6TP16	131-0608-00			TERMINAL,PIN:0.365 L X 0.025 BRZ GLD PL	22526	48283-036
A6TP17	131-0608-00			TERMINAL,PIN:0.365 L X 0.025 BRZ GLD PL	22526	48283-036
A6TP18	131-0608-00			TERMINAL,PIN:0.365 L X 0.025 BRZ GLD PL	22526	48283-036
A6TP19	131-0608-00			TERMINAL,PIN:0.365 L X 0.025 BRZ GLD PL	22526	48283-036
A6TP20	131-0608-00			TERMINAL,PIN:0.365 L X 0.025 BRZ GLD PL	22526	48283-036
A6TP21	131-0608-00			TERMINAL,PIN:0.365 L X 0.025 BRZ GLD PL	22526	48283-036
A6TP22	131-0608-00			TERMINAL,PIN:0.365 L X 0.025 BRZ GLD PL	22526	48283-036
A6TP23	131-0608-00			TERMINAL,PIN:0.365 L X 0.025 BRZ GLD PL	22526	48283-036
A6TP24	131-0608-00			TERMINAL,PIN:0.365 L X 0.025 BRZ GLD PL	22526	48283-036
A6TP25	131-0608-00			TERMINAL,PIN:0.365 L X 0.025 BRZ GLD PL	22526	48283-036
A6TP26	131-0608-00			TERMINAL,PIN:0.365 L X 0.025 BRZ GLD PL	22526	48283-036
A6TP27	131-0608-00			TERMINAL,PIN:0.365 L X 0.025 BRZ GLD PL	22526	48283-036
A6TP28	131-0608-00			TERMINAL,PIN:0.365 L X 0.025 BRZ GLD PL	22526	48283-036
A6TP29	131-0608-00			TERMINAL,PIN:0.365 L X 0.025 BRZ GLD PL	22526	48283-036
A6TP30	131-0608-00			TERMINAL,PIN:0.365 L X 0.025 BRZ GLD PL	22526	48283-036
A6TP31	131-0608-00			TERMINAL,PIN:0.365 L X 0.025 BRZ GLD PL	22526	48283-036
A6TP32	131-0608-00			TERMINAL,PIN:0.365 L X 0.025 BRZ GLD PL	22526	48283-036
A6TP34	131-0608-00			TERMINAL,PIN:0.365 L X 0.025 BRZ GLD PL	22526	48283-036
A6TP35	131-0608-00			TERMINAL,PIN:0.365 L X 0.025 BRZ GLD PL	22526	48283-036
A6TP40	131-0608-00			TERMINAL,PIN:0.365 L X 0.025 BRZ GLD PL	22526	48283-036
A6TP41	131-0608-00			TERMINAL,PIN:0.365 L X 0.025 BRZ GLD PL	22526	48283-036
A6TP42	131-0608-00			TERMINAL,PIN:0.365 L X 0.025 BRZ GLD PL	22526	48283-036
A6TP43	131-0608-00			TERMINAL,PIN:0.365 L X 0.025 BRZ GLD PL	22526	48283-036
A6TP44	131-0608-00			TERMINAL,PIN:0.365 L X 0.025 BRZ GLD PL	22526	48283-036
A6TP45	131-0608-00			TERMINAL,PIN:0.365 L X 0.025 BRZ GLD PL	22526	48283-036
A6TP46	131-0608-00			TERMINAL,PIN:0.365 L X 0.025 BRZ GLD PL	22526	48283-036
A6TP47	131-0608-00			TERMINAL,PIN:0.365 L X 0.025 BRZ GLD PL	22526	48283-036
A6U10	156-2788-00			MICROCKT,DGTL:CMOS,4096 X 4,SRAM	80009	156-2788-00

Replaceable Electrical Parts
11401 Extended Service Volume 2

Component No.	Tektronix	Serial/Assembly No.		Name & Description	Mfr.	Mfr. Part No.
	Part No.	Effective	Discort		Code	
A6U11	156-2788-00			MICROCKT,DGTL:CMOS,4096 X 4,SRAM	80009	156-2788-00
A6U12	156-1704-00			MICROCKT,DGTL:ASTTL,OCTAL D TYPE FF	07263	74F374PCQR
A6U13	156-1664-00			MICROCKT,DGTL:SCREENED	01295	SN74ALS574(NP3)
A6U14	156-1961-00			MICROCKT,DGTL:BIDIRECTIONAL UNIV SHF RGTR	07263	74F194P
A6U15	156-1961-00			MICROCKT,DGTL:BIDIRECTIONAL UNIV SHF RGTR	07263	74F194P
A6U16	156-0316-00			MICROCKT,DGTL:ECL,QUAD 2-INP ECL TO TTL	04713	MC10125L
A6U20	156-2788-00			MICROCKT,DGTL:CMOS,4096 X 4,SRAM	80009	156-2788-00
A6U21	156-2788-00			MICROCKT,DGTL:CMOS,4096 X 4,SRAM	80009	156-2788-00
A6U22	156-2201-00			MICROCKT,DGTL:64 BIT RANDOM ACCESS MEMORY W/3 STATE OUT,SCRN	07263	74F219PCQR
A6U23	156-1664-00			MICROCKT,DGTL:SCREENED	01295	SN74ALS574(NP3)
A6U24	156-1961-00			MICROCKT,DGTL:BIDIRECTIONAL UNIV SHF RGTR	07263	74F194P
A6U25	156-1961-00			MICROCKT,DGTL:BIDIRECTIONAL UNIV SHF RGTR	07263	74F194P
A6U26	156-0316-00			MICROCKT,DGTL:ECL,QUAD 2-INP ECL TO TTL	04713	MC10125L
A6U30	156-2788-00			MICROCKT,DGTL:CMOS,4096 X 4,SRAM	80009	156-2788-00
A6U31	156-2788-00			MICROCKT,DGTL:CMOS,4096 X 4,SRAM	80009	156-2788-00
A6U32	156-2201-00			MICROCKT,DGTL:64 BIT RANDOM ACCESS MEMORY W/3 STATE OUT,SCRN	07263	74F219PCQR
A6U33	156-1754-01			MICROCKT,DGTL:OCTAL BUFFER W/3-STATE OUT	01295	SN74ALS244AN3
A6U34	156-1704-00			MICROCKT,DGTL:ASTTL,OCTAL D TYPE FF	07263	74F374PCQR
A6U35	156-1704-00			MICROCKT,DGTL:ASTTL,OCTAL D TYPE FF	07263	74F374PCQR
A6U36	156-0316-00			MICROCKT,DGTL:ECL,QUAD 2-INP ECL TO TTL	04713	MC10125L
A6U40	156-2788-00			MICROCKT,DGTL:CMOS,4096 X 4,SRAM	80009	156-2788-00
A6U41	156-2788-00			MICROCKT,DGTL:CMOS,4096 X 4,SRAM	80009	156-2788-00
A6U43	156-1754-01			MICROCKT,DGTL:OCTAL BUFFER W/3-STATE OUT	01295	SN74ALS244AN3
A6U44	156-1704-00			MICROCKT,DGTL:ASTTL,OCTAL D TYPE FF	07263	74F374PCQR
A6U45	156-1704-00			MICROCKT,DGTL:ASTTL,OCTAL D TYPE FF	07263	74F374PCQR
A6U50	156-2788-00			MICROCKT,DGTL:CMOS,4096 X 4,SRAM	80009	156-2788-00
A6U51	156-2788-00			MICROCKT,DGTL:CMOS,4096 X 4,SRAM	80009	156-2788-00
A6U53	156-1911-00			MICROCKT,DGTL:FTTL,HEX D FF,SCRN	04713	MC74F174S
A6U54	156-2179-00			MICROCKT,DGTL:TTL,HEX/QUAD D-TYPE FF W/CLR	01295	SN74ALS174N3
A6U55	156-2179-00			MICROCKT,DGTL:TTL,HEX/QUAD D-TYPE FF W/CLR	01295	SN74ALS174N3
A6U56	156-0985-01			MICROCKT,DGTL:LSTTL,DUAL 5 INP NOR GATE	04713	SN74LS260NDS
A6U57	156-1751-00			MICROCKT,DGTL:FTTL,4-2-3-2 INP AND/OR	04713	MC74F64NDS
A6U60	156-2788-00			MICROCKT,DGTL:CMOS,4096 X 4,SRAM	80009	156-2788-00
A6U61	156-2788-00			MICROCKT,DGTL:CMOS,4096 X 4,SRAM	80009	156-2788-00
A6U62	156-1909-00			MICROCKT,DGTL:QUAD 2 INP MULTIPLEXER	04713	74F157 ND OR JD
A6U63	156-1909-00			MICROCKT,DGTL:QUAD 2 INP MULTIPLEXER	04713	74F157 ND OR JD
A6U64	156-1743-00			MICROCKT,DGTL:FTTL,QUAD 2-INPUT NOR GATE	18324	74F02 NB OR FB
A6U65	156-2091-00			MICROCKT,DGTL:QUAD 2-INP POS NAND GATES	01295	SN74ALS00AN3
A6U66	156-1723-00			MICROCKT,DGTL:QUAD 2 INPUT & GATE	04713	MC74F08 ND OR JD
A6U67	156-2094-00			MICROCKT,DGTL:HEX INVERTERS	01295	SN74ALS04BN3/J4
A6U70	156-2788-00			MICROCKT,DGTL:CMOS,4096 X 4,SRAM	80009	156-2788-00
A6U71	156-2788-00			MICROCKT,DGTL:CMOS,4096 X 4,SRAM	80009	156-2788-00
A6U72	156-1911-00			MICROCKT,DGTL:FTTL,HEX D FF,SCRN	04713	MC74F174S
A6U73	156-1726-00			MICROCKT,DGTL:FTTL,DUAL 1 OF 4 DCDR,SCRN	04713	MC74F139 N
A6U74	156-1724-00			MICROCKT,DGTL:FTTL,QUAD 2 INP OR GATE	04713	MC74F32ND
A6U75	156-1611-00			MICROCKT,DGTL:ASTTL,DUAL D TYPE EDGE-TRIG	80009	156-1611-00
A6U76	156-2093-00			MICROCKT,DGTL:QUAD 2-INP POSITIVE OR GATE	01295	SN74ALS32N3
A6U77	156-1756-00			MICROCKT,DGTL:ALSTTL,DUAL D TYPE FF,W/CL	01295	SN74ALS74NP3/JP4
A6U80	156-2788-00			MICROCKT,DGTL:CMOS,4096 X 4,SRAM	80009	156-2788-00
A6U81	156-2788-00			MICROCKT,DGTL:CMOS,4096 X 4,SRAM	80009	156-2788-00
A6U83	156-1752-00			MICROCKT,DGTL:FTTL,TRIPLE 3 INP NAND GATE	04713	MC 74F10N
A6U84	156-1756-00			MICROCKT,DGTL:ALSTTL,DUAL D TYPE FF,W/CL	01295	SN74ALS74NP3/JP4
A6U85	156-2113-00			MICROCKT,DGTL:QUAD 2-INP POSITIVE-AND GATE	01295	SN74ALS08N3
A6U86	156-1754-01			MICROCKT,DGTL:OCTAL BUFFER W/3-STATE OUT	01295	SN74ALS244AN3
A6U93	156-1722-00			MICROCKT,DGTL:FTTL,HEX INVERTER	04713	MC74F04ND
A6U94	156-2167-00			MICROCKT,DGTL:HEX INVERTING BUFFER,SCRN	01295	SN74AS1004N3

Replaceable Electrical Parts
11401 Extended Service Volume 2

Component No.	Tektronix		Serial/Assembly No.		Name & Description	Mfr. Code	Mfr. Part No.
	Part No.	Effective	Discont				
A6U95	156-0951-02				MICROCKT,DGTL:QUAD D RGSTR,SCREENED	01295	SN74LS173N3
A6U96	156-0951-02				MICROCKT,DGTL:QUAD D RGSTR,SCREENED	01295	SN74LS173N3
A6U97	156-0951-02				MICROCKT,DGTL:QUAD D RGSTR,SCREENED	01295	SN74LS173N3
A6U100	156-1911-00				MICROCKT,DGTL:FTTL,HEX D FF,SCRN	04713	MC74F174S
A6U101	156-1911-00				MICROCKT,DGTL:FTTL,HEX D FF,SCRN	04713	MC74F174S
A6U102	156-1911-00				MICROCKT,DGTL:FTTL,HEX D FF,SCRN	04713	MC74F174S
A6U103	156-1911-00				MICROCKT,DGTL:FTTL,HEX D FF,SCRN	04713	MC74F174S
A6U104	156-1664-00				MICROCKT,DGTL:SCREENED	01295	SN74ALS574(NP3)
A6U105	156-1691-00				MICROCKT,DGTL:STTL,D-TYPE EDGE-TRIGGERED FF W/INVT OUT	01295	SN74ALS564NP3
A6U106	156-1664-00				MICROCKT,DGTL:SCREENED	01295	SN74ALS574(NP3)
A6U110	156-1714-00				MICROCKT,DGTL:ASTTL,SYN UP/DOWN BIN COUNTER	07263	74F191 (PCQR)
A6U111	156-1714-00				MICROCKT,DGTL:ASTTL,SYN UP/DOWN BIN COUNTER	07263	74F191 (PCQR)
A6U112	156-1714-00				MICROCKT,DGTL:ASTTL,SYN UP/DOWN BIN COUNTER	07263	74F191 (PCQR)
A6U113	156-1714-00				MICROCKT,DGTL:ASTTL,SYN UP/DOWN BIN COUNTER	07263	74F191 (PCQR)
A6U114	156-1664-00				MICROCKT,DGTL:SCREENED	01295	SN74ALS574(NP3)
A6U115	156-1753-00				MICROCKT,DGTL:OCTAL BUFFER & LINE DRIVER	01295	74ALS240NP3
A6U116	156-1664-00				MICROCKT,DGTL:SCREENED	01295	SN74ALS574(NP3)
A6U120	156-1957-00				MICROCKT,DGTL:DUAL 4 INPUT NAND GATE	04713	74F20 N
A6U121	156-1723-00				MICROCKT,DGTL:QUAD 2 INPUT & GATE	04713	MC74F08 ND OR JD
A6U122	156-1752-00				MICROCKT,DGTL:FTTL,TRIPLE 3 INP NAND GATE	04713	MC 74F10N
A6U123	156-1727-00				MICROCKT,DGTL:1 OF 8 DCDR/DEMULTIPLEXER	04713	MC74F138 N
A6U124	156-1664-00				MICROCKT,DGTL:SCREENED	01295	SN74ALS574(NP3)
A6U125	156-1754-01				MICROCKT,DGTL:OCTAL BUFFER W/3-STATE OUT	01295	SN74ALS244AN3
A6U126	156-1664-00				MICROCKT,DGTL:SCREENED	01295	SN74ALS574(NP3)
A6U131	156-1911-00				MICROCKT,DGTL:FTTL,HEX D FF,SCRN	04713	MC74F174S
A6U132	156-2113-00				MICROCKT,DGTL:QUAD 2-INP POSITIVE-AND GATE	01295	SN74ALS08N3
A6U133	156-1800-00				MICROCKT,DGTL:ASTTL,QUAD 2 INP EXCL OR GATE	18324	N74F86(NB OR JB)
A6U134	156-1748-02				MICROCKT,DGTL:OCTAL BUS XCVR W/3-STATE OUT	01295	SN74ALS245AN3
A6U135	156-1664-00				MICROCKT,DGTL:SCREENED	01295	SN74ALS574(NP3)
A6U136	156-1664-00				MICROCKT,DGTL:SCREENED	01295	SN74ALS574(NP3)
A6U140	156-1707-00				MICROCKT,DGTL:QUAD 2-INPUT NAND GATE,SCRN	04713	MC7400(NDORJD)
A6U141	156-2094-00				MICROCKT,DGTL:HEX INVERTERS	01295	SN74ALS048N3/J4
A6U142	156-2101-00				MICROCKT,DGTL:DUAL 4-INP POS NAND GATES	01295	SN74ALS20AN3
A6U143	156-0985-01				MICROCKT,DGTL:LSSTTL,DUAL 5 INP NOR GATE	04713	SN74LS260NDS
A6U144	156-1957-00				MICROCKT,DGTL:DUAL 4 INPUT NAND GATE	04713	74F20 N
A6U145	156-1722-00				MICROCKT,DGTL:FTTL,HEX INVERTER	04713	MC74F04ND
A6U146	156-1754-01				MICROCKT,DGTL:OCTAL BUFFER W/3-STATE OUT	01295	SN74ALS244AN3
A6U150	156-1911-00				MICROCKT,DGTL:FTTL,HEX D FF,SCRN	04713	MC74F174S
A6U151	156-2091-00				MICROCKT,DGTL:QUAD 2-INP POS NAND GATES	01295	SN74ALS00AN3
A6U152	156-2101-00				MICROCKT,DGTL:DUAL 4-INP POS NAND GATES	01295	SN74ALS20AN3
A6U153	156-2239-00				MICROCKT,DGTL:DUAL 4 INP POS AND GATES	01295	SN74ALS21N3
A6U160	156-1911-00				MICROCKT,DGTL:FTTL,HEX D FF,SCRN	04713	MC74F174S
A6U161	156-1663-00				MICROCKT,DGTL:ASTTL,TPL 3-INP & GATE	04713	MC74F11ND/JD
A6U162	156-1611-00				MICROCKT,DGTL:ASTTL,DUAL D TYPE EDGE-TRIG	80009	156-1611-00
A6U163	156-1664-00				MICROCKT,DGTL:SCREENED	01295	SN74ALS574(NP3)
A6U164	156-2093-00				MICROCKT,DGTL:QUAD 2-INP POSITIVE OR GATE	01295	SN74ALS32N3
A6U165	156-1973-00				MICROCKT,DGTL:STTL,QUAD D FF	07263	74F175PCQR
A6U166	156-2645-00				MICROCKT,DGTL:CMOS,SEMI CUSTOM,STD CELL	80009	156-2645-00
A6U167	156-2072-00				MICROCKT,DGTL:PIPELINE REGISTER	34335	AM29818DCB
A6U170	156-1722-00				MICROCKT,DGTL:FTTL,HEX INVERTER	04713	MC74F04ND
A6U171	156-2097-00				MICROCKT,DGTL:TRIPLE 3-INP POS NORGATES	01295	SN74ALS27N3
A6U172	156-2095-00				MICROCKT,DGTL:QUAD 2-INP EXCLUSIVE OR GATE	01295	SN74ALS86N3/J4
A6U173	160-3940-00	B010100	B010624		MICROCKT,DGTL:STTL,256 X 4,3 STATE,PROM	80009	160-3940-00
A6U173	160-3940-01	B010625			MICROCKT,DGTL:STTL,256 X 4,3 STATE,PROM	80009	160-3940-01
A6U174	156-1909-00				MICROCKT,DGTL:QUAD 2 INP MULTIPLEXER	04713	74F157 ND OR JD
A6U175	156-1611-00				MICROCKT,DGTL:ASTTL,DUAL D TYPE EDGE-TRIG	80009	156-1611-00
A6U176	156-2072-00				MICROCKT,DGTL:PIPELINE REGISTER	34335	AM29818DCB

Component No.	Tektronix		Serial/Assembly No.		Name & Description	Mfr. Code	Mfr. Part No.
	Part No.	Effective	Discont				
A6U180	156-1961-00				MICROCKT,DGTL: BIDIRECTIONAL UNIV SHF RGTR	07263	74F194P
A6U181	160-3939-00				MICROCKT,DGTL: BIPOLAR PROGRAMMABLE SEQ	80009	160-3939-00
A6U183	156-1961-00				MICROCKT,DGTL: BIDIRECTIONAL UNIV SHF RGTR	07263	74F194P
A6U184	160-4144-00	B010100	B010624		MICROCKT,DGTL: STTL, 256 X 4 PROM, PRGM	80009	160-4144-00
A6U184	160-4144-01	B010625			MICROCKT,DGTL: STTL, 256 X 4, 3 STATE, PROM	80009	160-4144-01
A6U185	156-1756-00				MICROCKT,DGTL: ALSTTL, DUAL D TYPE FF, W/CL	01295	SN74ALS74NP3/JP4
A6U186	156-1754-01				MICROCKT,DGTL: OCTAL BUFFER W/3-STATE OUT	01295	SN74ALS244AN3
A6U190	156-1743-00				MICROCKT,DGTL: FTTL, QUAD 2-INPUT NOR GATE	18324	74F02 NB OR FB
A6U193	156-1752-00				MICROCKT,DGTL: FTTL, TRIPLE 3 INP NAND GATE	04713	MC 74F10N
A6U194	156-1909-00				MICROCKT,DGTL: QUAD 2 INP MULTIPLEXER	04713	74F157 ND OR JD
A6U195	156-2113-00				MICROCKT,DGTL: QUAD 2-INP POSITIVE-AND GATE	01295	SN74ALS08N3
A6U196	156-1373-01				MICROCKT,DGTL: LSTTL, QUAD BUS BFR	27014	DM74LS125 NA+
A6U197	156-1373-01				MICROCKT,DGTL: LSTTL, QUAD BUS BFR	27014	DM74LS125 NA+
A6U198	156-1664-00				MICROCKT,DGTL: SCREENED	01295	SN74ALS574(NP3)
A6U200	156-1611-00				MICROCKT,DGTL: ASTTL, DUAL D TYPE EDGE-TRIG	80009	156-1611-00
A6U201	156-2179-00				MICROCKT,DGTL: TTL, HEX/QUAD D-TYPE FF W/CLR	01295	SN74ALS174N3
A6U202	156-1961-00				MICROCKT,DGTL: BIDIRECTIONAL UNIV SHF RGTR	07263	74F194P
A6U203	156-2264-00				MICROCKT,DGTL: QUAD PARALLEL RGTR W/ENABLE	07263	74F379PCQR
A6U204	156-2201-00				MICROCKT,DGTL: 64 BIT RANDOM ACCESS MEMORY W/3 STATE OUT, SCRN	07263	74F219PCQR
A6U205	156-2201-00				MICROCKT,DGTL: 64 BIT RANDOM ACCESS MEMORY W/3 STATE OUT, SCRN	07263	74F219PCQR
A6U206	156-2093-00				MICROCKT,DGTL: QUAD 2-INP POSITIVE OR GATE	01295	SN74ALS32N3
A6U207	156-0541-02				MICROCKT,DGTL: DUAL 2-TO 4-LINE DCDR/DEMUX	04713	SN74LS139NDS
A6U210	156-1911-00				MICROCKT,DGTL: FTTL, HEX D FF, SCRN	04713	MC74F174S
A6U211	156-1724-00				MICROCKT,DGTL: FTTL, QUAD 2 INP OR GATE	04713	MC74F32ND
A6U212	156-1704-00				MICROCKT,DGTL: ASTTL, OCTAL D TYPE FF	07263	74F374PCQR
A6U213	156-1751-00				MICROCKT,DGTL: FTTL, 4-2-3-2 INP AND/OR	04713	MC74F64NDS
A6U214	156-2201-00				MICROCKT,DGTL: 64 BIT RANDOM ACCESS MEMORY W/3 STATE OUT, SCRN	07263	74F219PCQR
A6U215	156-2201-00				MICROCKT,DGTL: 64 BIT RANDOM ACCESS MEMORY W/3 STATE OUT, SCRN	07263	74F219PCQR
A6U216	156-2093-00				MICROCKT,DGTL: QUAD 2-INP POSITIVE OR GATE	01295	SN74ALS32N3
A6U217	156-0541-02				MICROCKT,DGTL: DUAL 2-TO 4-LINE DCDR/DEMUX	04713	SN74LS139NDS
A6U218	156-0541-02				MICROCKT,DGTL: DUAL 2-TO 4-LINE DCDR/DEMUX	04713	SN74LS139NDS
A6U220	156-1756-00				MICROCKT,DGTL: ALSTTL, DUAL D TYPE FF, W/CL	01295	SN74ALS74NP3/JP4
A6U221	156-2094-00				MICROCKT,DGTL: HEX INVERTERS	01295	SN74ALS04BN3/J4
A6U224	156-1841-00				MICROCKT,DGTL: 16 BIT MICROPROCESSOR	34335	R80186
A6U225	156-1704-00				MICROCKT,DGTL: ASTTL, OCTAL D TYPE FF	07263	74F374PCQR
A6U226	156-2094-00				MICROCKT,DGTL: HEX INVERTERS	01295	SN74ALS04BN3/J4
A6U227	156-1395-01				MICROCKT,DGTL: LSTTL, QUAD 2 TO 1 LINE DATA	04713	SN74LS158ND
A6U228	156-0469-02				MICROCKT,DGTL: 3/8 LINE DCDR, SCRN	01295	SN74LS138NP3
A6U230	156-2093-00				MICROCKT,DGTL: QUAD 2-INP POSITIVE OR GATE	01295	SN74ALS32N3
A6U232	156-1318-00				MICROCKT,DGTL: LSTTL, 4-BIT BISTABLE LATCH	01295	SN74LS375NP3
A6U235	156-2113-00				MICROCKT,DGTL: QUAD 2-INP POSITIVE-AND GATE	01295	SN74ALS08N3
A6U236	156-1707-00				MICROCKT,DGTL: QUAD 2-INPUT NAND GATE, SCRN	04713	MC7400(NDORJD)
A6U237	156-1611-00				MICROCKT,DGTL: ASTTL, DUAL D TYPE EDGE-TRIG	80009	156-1611-00
A6U238	156-0469-02				MICROCKT,DGTL: 3/8 LINE DCDR, SCRN	01295	SN74LS138NP3
A6U239	156-1723-00				MICROCKT,DGTL: QUAD 2 INPUT & GATE	04713	MC74F08 ND OR JD
A6U240	156-1998-00				MICROCKT,DGTL: ALSTTL, OCTAL D TYPE FF	01295	SN74ALS273
A6U241	156-1754-01				MICROCKT,DGTL: OCTAL BUFFER W/3-STATE OUT	01295	SN74ALS244AN3
A6U245	156-1724-00				MICROCKT,DGTL: FTTL, QUAD 2 INP OR GATE	04713	MC74F32ND
A6U246	156-1722-00				MICROCKT,DGTL: FTTL, HEX INVERTER	04713	MC74F04ND
A6U247	156-1723-00				MICROCKT,DGTL: QUAD 2 INPUT & GATE	04713	MC74F08 ND OR JD
A6U248	156-2093-00				MICROCKT,DGTL: QUAD 2-INP POSITIVE OR GATE	01295	SN74ALS32N3
A6U249	156-1754-01				MICROCKT,DGTL: OCTAL BUFFER W/3-STATE OUT	01295	SN74ALS244AN3
A6U250	156-1664-00				MICROCKT,DGTL: SCREENED	01295	SN74ALS574(NP3)
A6U251	156-1664-00				MICROCKT,DGTL: SCREENED	01295	SN74ALS574(NP3)

Replaceable Electrical Parts
11401 Extended Service Volume 2

Component No.	Tektronix Part No.	Serial/Assembly No.		Name & Description	Mfr. Code	Mfr. Part No.
		Effective	Discnt			
A6U252	156-1858-00			MICROCKT,DGTL:TRANSPARENT D-TYPE LATCHES	80009	156-1858-00
A6U253	156-1858-00			MICROCKT,DGTL:TRANSPARENT D-TYPE LATCHES	80009	156-1858-00
A6U254	156-1663-00			MICROCKT,DGTL:ASTTL,TPL 3-INP & GATE	04713	MC74F11ND/JD
A6U255	156-1611-00			MICROCKT,DGTL:ASTTL,DUAL D TYPE EDGE-TRIG	80009	156-1611-00
A6U256	156-1751-00			MICROCKT,DGTL:FTTL,4-2-3-2 INP AND/OR	04713	MC74F64NDS
A6U257	156-1611-00			MICROCKT,DGTL:ASTTL,DUAL D TYPE EDGE-TRIG	80009	156-1611-00
A6U258	156-1973-00			MICROCKT,DGTL:STTL,QUAD D FF	07263	74F175PCQR
A6U260	156-1664-00			MICROCKT,DGTL:SCREENED	01295	SN74ALS574(NP3)
A6U261	156-1664-00			MICROCKT,DGTL:SCREENED	01295	SN74ALS574(NP3)
A6U262	156-1748-02			MICROCKT,DGTL:OCTAL BUS XCVR W/3-STATE OUT	01295	SN74ALS245AN3
A6U263	156-1748-02			MICROCKT,DGTL:OCTAL BUS XCVR W/3-STATE OUT	01295	SN74ALS245AN3
A6U264	156-2646-00			MICROCKT,DGTL:CMOS,SEMI CUSTOM,STD CELL, TIME BASE	80009	156-2646-00
A6U267	156-2091-00			MICROCKT,DGTL:QUAD 2-INP POS NAND GATES	01295	SN74ALS00AN3
A6U268	156-1724-00			MICROCKT,DGTL:FTTL,QUAD 2 INP OR GATE	04713	MC74F32ND
A6U271	156-2066-00			MICROCKT,DGTL:CMOS,8192 X 8,SCRN	80009	156-2066-00
A6U273	156-2066-00			MICROCKT,DGTL:CMOS,8192 X 8,SCRN	80009	156-2066-00
A6U275	156-2646-00			MICROCKT,DGTL:CMOS,SEMI CUSTOM,STD CELL, TIME BASE	80009	156-2646-00
A6U276	156-2167-00			MICROCKT,DGTL:HEX INVERTING BUFFER,SCRN	01295	SN74AS1004N3
A6U277	156-2113-00			MICROCKT,DGTL:QUAD 2-INP POSITIVE-AND GATE	01295	SN74ALS08N3
A6U278	156-1751-00			MICROCKT,DGTL:FTTL,4-2-3-2 INP AND/OR	04713	MC74F64NDS
A6U279	156-1724-00			MICROCKT,DGTL:FTTL,QUAD 2 INP OR GATE	04713	MC74F32ND
A6U281	160-3941-01	B010100	B010324	MICROCKT,DGTL:HMOS,65536 X 8 EPROM,W/3 STATE OUT,PRGM	80009	160-3941-01
A6U281	160-3941-02	B010325	B010458	MICROCKT,DGTL:HMOS,65536 X 8 EPROM,PRGM	80009	160-3941-02
A6U281	160-3941-03	B010459	B010608	MICROCKT,DGTL:HMOS,65536 X 8 EPROM,PRGM	80009	160-3941-03
A6U281	160-3941-04	B010609	B010657	MICROCKT,DGTL:HMOS,65536 X 8 EPROM,PRGM	80009	160-3941-04
A6U281	160-3941-05	B010658	B021020	MICROCKT,DGTL:HMOS,65536 X 8 EPROM,PRGM	80009	160-3941-05
A6U281	160-3941-06	B021021		MICROCKT,DGTL:HMOS,65536 X 8 EPROM,PRGM	80009	160-3941-06
A6U283	160-3942-01	B010100	B010324	MICROCKT,DGTL:HMOS,65536 X 8 EPROM,W/3 STATE OUT,PRGM	80009	160-3942-01
A6U283	160-3942-02	B010325	B010458	MICROCKT,DGTL:HMOS,65536 X 8 EPROM,PRGM	80009	160-3942-02
A6U283	160-3942-03	B010459	B010608	MICROCKT,DGTL:HMOS,65536 X 8 EPROM,PRGM	80009	160-3942-03
A6U283	160-3942-04	B010609	B010657	MICROCKT,DGTL:HMOS,65536 X 8 EPROM,PRGM	80009	160-3942-04
A6U283	160-3942-05	B010658	B021020	MICROCKT,DGTL:HMOS,65536 X 8 EPROM,PRGM	80009	160-3942-05
A6U283	160-3942-06	B021021		MICROCKT,DGTL:HMOS,65536 X 8 EPROM,PRGM	80009	160-3942-06
A6U284	156-1664-00			MICROCKT,DGTL:SCREENED	01295	SN74ALS574(NP3)
A6U285	156-1751-00			MICROCKT,DGTL:FTTL,4-2-3-2 INP AND/OR	04713	MC74F64NDS
A6U286	156-1664-00			MICROCKT,DGTL:SCREENED	01295	SN74ALS574(NP3)
A6U287	156-1751-00			MICROCKT,DGTL:FTTL,4-2-3-2 INP AND/OR	04713	MC74F64NDS
A6U288	156-1724-00			MICROCKT,DGTL:FTTL,QUAD 2 INP OR GATE	04713	MC74F32ND
A6U289	156-1664-00			MICROCKT,DGTL:SCREENED	01295	SN74ALS574(NP3)
A6U290	156-1998-00			MICROCKT,DGTL:ALSTTL,OCTAL D TYPE FF	01295	SN74ALS273
A6U293	156-1751-00			MICROCKT,DGTL:FTTL,4-2-3-2 INP AND/OR	04713	MC74F64NDS
A6U294	156-2002-00			MICROCKT,DGTL:FTTL,OCTAL D TYPE FF	04713	DM74F534NDS
A6U295	156-1756-00	B010100	B010624	MICROCKT,DGTL:ALSTTL,DUAL D TYPE FF,W/CL	01295	SN74ALS74NP3/JP4
A6U295	160-4526-00	B010625	B010811	MICROCKT,DGTL:STTL,HS 16 INP RGTR,PRGM	80009	160-4526-00
A6U295	160-4526-01	B010812		MICROCKT,DGTL:STTL,HS 16 INP RGTR,PRGM	80009	160-4526-01
A6U296	156-0721-02	B010100	B010624	MICROCKT,DGTL:QUAD ST 2-INP NAND GATES	18324	N74LS132(NBORFB)
A6U296	160-4527-00	B010625		MICROCKT,DGTL:STTL,HEX 16 INP RGTR,PRGM	80009	160-4527-00
A6U297	156-1704-00			MICROCKT,DGTL:ASTTL,OCTAL D TYPE FF	07263	74F374PCQR
A6U298	156-1743-00			MICROCKT,DGTL:FTTL,QUAD 2-INPUT NOR GATE	18324	74F02 NB OR FB
A6U300	156-1748-02			MICROCKT,DGTL:OCTAL BUS XCVR W/3-STATE OUT	01295	SN74ALS245AN3
A6U301	156-1172-01			MICROCKT,DGTL:DUAL 4 BIT BIN CNTR,SCRN	01295	SN74LS393NP3
A6U302	160-4066-00			MICROCKT,DGTL:STTL,256 X 4 PROM,PRGM	80009	160-4066-00
A6U303	156-1935-00			MICROCKT,DGTL:SYNC PRESETTABLE BINARY CNTR	04713	MC74F163ND/JD
A6U304	156-1935-00			MICROCKT,DGTL:SYNC PRESETTABLE BINARY CNTR	04713	MC74F163ND/JD
A6X166	136-0875-00			SKT,PL-IN ELEK:MICROCKT,68 PIN	00779	821574-1

Component No.	Tektronix Part No.	Serial/Assembly No. Effective	Discnt	Name & Description	Mfr. Code	Mfr. Part No.
A6X224	136-0813-00			SKT, PL-IN ELEK:CHIP CARRIER, 68 CONTACTS	19613	268-5400-00-1102
A6X281	136-0755-00			SKT, PL-IN ELEK:MICROCIRCUIT, 28 DIP	09922	DILB28P-108
A6X283	136-0755-00			SKT, PL-IN ELEK:MICROCIRCUIT, 28 DIP	09922	DILB28P-108
A6Y220	119-1408-00			OSC, XTAL CLOCK:16MHZ, 0.01%	80009	119-1408-00
A7	670-8848-00	B010100	B021020	CIRCUIT BD ASSY:DISPLAY CONTROLLER	80009	670-8848-00
A7	670-8848-01	B021021		CIRCUIT BD ASSY:DISPLAY CONTROLLER	80009	670-8848-01
A7C100	281-0913-00			CAP, FXD, CER DI:0.1UF, 50V, AXIAL	04222	SA105E104ZAA
A7C101	281-0913-00			CAP, FXD, CER DI:0.1UF, 50V, AXIAL	04222	SA105E104ZAA
A7C102	281-0913-00			CAP, FXD, CER DI:0.1UF, 50V, AXIAL	04222	SA105E104ZAA
A7C103	281-0913-00			CAP, FXD, CER DI:0.1UF, 50V, AXIAL	04222	SA105E104ZAA
A7C110	281-0913-00			CAP, FXD, CER DI:0.1UF, 50V, AXIAL	04222	SA105E104ZAA
A7C111	281-0913-00			CAP, FXD, CER DI:0.1UF, 50V, AXIAL	04222	SA105E104ZAA
A7C112	281-0913-00			CAP, FXD, CER DI:0.1UF, 50V, AXIAL	04222	SA105E104ZAA
A7C113	281-0913-00			CAP, FXD, CER DI:0.1UF, 50V, AXIAL	04222	SA105E104ZAA
A7C120	281-0913-00			CAP, FXD, CER DI:0.1UF, 50V, AXIAL	04222	SA105E104ZAA
A7C121	281-0913-00			CAP, FXD, CER DI:0.1UF, 50V, AXIAL	04222	SA105E104ZAA
A7C122	281-0913-00			CAP, FXD, CER DI:0.1UF, 50V, AXIAL	04222	SA105E104ZAA
A7C123	281-0913-00			CAP, FXD, CER DI:0.1UF, 50V, AXIAL	04222	SA105E104ZAA
A7C124	281-0913-00			CAP, FXD, CER DI:0.1UF, 50V, AXIAL	04222	SA105E104ZAA
A7C125	281-0913-00			CAP, FXD, CER DI:0.1UF, 50V, AXIAL	04222	SA105E104ZAA
A7C130	290-0944-00			CAP, FXD, ELCTLT:220UF, +50-20%, 10V	55680	ULB1A221TPAAMA
A7C200	281-0913-00			CAP, FXD, CER DI:0.1UF, 50V, AXIAL	04222	SA105E104ZAA
A7C201	281-0913-00			CAP, FXD, CER DI:0.1UF, 50V, AXIAL	04222	SA105E104ZAA
A7C210	281-0913-00			CAP, FXD, CER DI:0.1UF, 50V, AXIAL	04222	SA105E104ZAA
A7C211	281-0913-00			CAP, FXD, CER DI:0.1UF, 50V, AXIAL	04222	SA105E104ZAA
A7C212	281-0913-00			CAP, FXD, CER DI:0.1UF, 50V, AXIAL	04222	SA105E104ZAA
A7C213	281-0913-00			CAP, FXD, CER DI:0.1UF, 50V, AXIAL	04222	SA105E104ZAA
A7C214	281-0913-00			CAP, FXD, CER DI:0.1UF, 50V, AXIAL	04222	SA105E104ZAA
A7C215	281-0913-00			CAP, FXD, CER DI:0.1UF, 50V, AXIAL	04222	SA105E104ZAA
A7C216	281-0913-00			CAP, FXD, CER DI:0.1UF, 50V, AXIAL	04222	SA105E104ZAA
A7C217	281-0913-00			CAP, FXD, CER DI:0.1UF, 50V, AXIAL	04222	SA105E104ZAA
A7C223	281-0913-00			CAP, FXD, CER DI:0.1UF, 50V, AXIAL	04222	SA105E104ZAA
A7C224	281-0913-00			CAP, FXD, CER DI:0.1UF, 50V, AXIAL	04222	SA105E104ZAA
A7C230	281-0913-00			CAP, FXD, CER DI:0.1UF, 50V, AXIAL	04222	SA105E104ZAA
A7C231	281-0913-00			CAP, FXD, CER DI:0.1UF, 50V, AXIAL	04222	SA105E104ZAA
A7C300	281-0913-00			CAP, FXD, CER DI:0.1UF, 50V, AXIAL	04222	SA105E104ZAA
A7C301	281-0913-00			CAP, FXD, CER DI:0.1UF, 50V, AXIAL	04222	SA105E104ZAA
A7C310	281-0913-00			CAP, FXD, CER DI:0.1UF, 50V, AXIAL	04222	SA105E104ZAA
A7C311	281-0913-00			CAP, FXD, CER DI:0.1UF, 50V, AXIAL	04222	SA105E104ZAA
A7C312	281-0913-00			CAP, FXD, CER DI:0.1UF, 50V, AXIAL	04222	SA105E104ZAA
A7C313	281-0913-00			CAP, FXD, CER DI:0.1UF, 50V, AXIAL	04222	SA105E104ZAA
A7C314	281-0913-00			CAP, FXD, CER DI:0.1UF, 50V, AXIAL	04222	SA105E104ZAA
A7C315	281-0913-00			CAP, FXD, CER DI:0.1UF, 50V, AXIAL	04222	SA105E104ZAA
A7C316	281-0913-00			CAP, FXD, CER DI:0.1UF, 50V, AXIAL	04222	SA105E104ZAA
A7C317	281-0913-00			CAP, FXD, CER DI:0.1UF, 50V, AXIAL	04222	SA105E104ZAA
A7C324	281-0913-00			CAP, FXD, CER DI:0.1UF, 50V, AXIAL	04222	SA105E104ZAA
A7C326	281-0913-00			CAP, FXD, CER DI:0.1UF, 50V, AXIAL	04222	SA105E104ZAA
A7C330	281-0913-00			CAP, FXD, CER DI:0.1UF, 50V, AXIAL	04222	SA105E104ZAA
A7C332	281-0913-00			CAP, FXD, CER DI:0.1UF, 50V, AXIAL	04222	SA105E104ZAA
A7C333	281-0913-00			CAP, FXD, CER DI:0.1UF, 50V, AXIAL	04222	SA105E104ZAA
A7C335	281-0913-00			CAP, FXD, CER DI:0.1UF, 50V, AXIAL	04222	SA105E104ZAA
A7C337	281-0913-00			CAP, FXD, CER DI:0.1UF, 50V, AXIAL	04222	SA105E104ZAA
A7C401	281-0913-00			CAP, FXD, CER DI:0.1UF, 50V, AXIAL	04222	SA105E104ZAA
A7C402	281-0913-00			CAP, FXD, CER DI:0.1UF, 50V, AXIAL	04222	SA105E104ZAA
A7C403	281-0913-00			CAP, FXD, CER DI:0.1UF, 50V, AXIAL	04222	SA105E104ZAA
A7C410	281-0913-00			CAP, FXD, CER DI:0.1UF, 50V, AXIAL	04222	SA105E104ZAA

Replaceable Electrical Parts
11401 Extended Service Volume 2

Component No.	Tektronix Part No.	Serial/Assembly No. Effective Dscnt	Name & Description	Mfr. Code	Mfr. Part No.
A7C411	281-0913-00		CAP,FXD,CER DI:0.1UF,50V,AXIAL	04222	SA105E104ZAA
A7C413	281-0913-00		CAP,FXD,CER DI:0.1UF,50V,AXIAL	04222	SA105E104ZAA
A7C420	281-0913-00		CAP,FXD,CER DI:0.1UF,50V,AXIAL	04222	SA105E104ZAA
A7C421	281-0913-00		CAP,FXD,CER DI:0.1UF,50V,AXIAL	04222	SA105E104ZAA
A7C423	281-0913-00		CAP,FXD,CER DI:0.1UF,50V,AXIAL	04222	SA105E104ZAA
A7C424	281-0913-00		CAP,FXD,CER DI:0.1UF,50V,AXIAL	04222	SA105E104ZAA
A7C425	281-0913-00		CAP,FXD,CER DI:0.1UF,50V,AXIAL	04222	SA105E104ZAA
A7C426	281-0913-00		CAP,FXD,CER DI:0.1UF,50V,AXIAL	04222	SA105E104ZAA
A7C427	281-0913-00		CAP,FXD,CER DI:0.1UF,50V,AXIAL	04222	SA105E104ZAA
A7C430	281-0913-00		CAP,FXD,CER DI:0.1UF,50V,AXIAL	04222	SA105E104ZAA
A7C431	281-0913-00		CAP,FXD,CER DI:0.1UF,50V,AXIAL	04222	SA105E104ZAA
A7C432	281-0913-00		CAP,FXD,CER DI:0.1UF,50V,AXIAL	04222	SA105E104ZAA
A7C434	281-0913-00		CAP,FXD,CER DI:0.1UF,50V,AXIAL	04222	SA105E104ZAA
A7C435	281-0913-00		CAP,FXD,CER DI:0.1UF,50V,AXIAL	04222	SA105E104ZAA
A7C502	281-0913-00		CAP,FXD,CER DI:0.1UF,50V,AXIAL	04222	SA105E104ZAA
A7C503	281-0913-00		CAP,FXD,CER DI:0.1UF,50V,AXIAL	04222	SA105E104ZAA
A7C510	281-0913-00		CAP,FXD,CER DI:0.1UF,50V,AXIAL	04222	SA105E104ZAA
A7C511	281-0913-00		CAP,FXD,CER DI:0.1UF,50V,AXIAL	04222	SA105E104ZAA
A7C512	281-0913-00		CAP,FXD,CER DI:0.1UF,50V,AXIAL	04222	SA105E104ZAA
A7C513	281-0913-00		CAP,FXD,CER DI:0.1UF,50V,AXIAL	04222	SA105E104ZAA
A7C516	281-0913-00		CAP,FXD,CER DI:0.1UF,50V,AXIAL	04222	SA105E104ZAA
A7C521	281-0913-00		CAP,FXD,CER DI:0.1UF,50V,AXIAL	04222	SA105E104ZAA
A7C523	281-0913-00		CAP,FXD,CER DI:0.1UF,50V,AXIAL	04222	SA105E104ZAA
A7C524	281-0913-00		CAP,FXD,CER DI:0.1UF,50V,AXIAL	04222	SA105E104ZAA
A7C525	281-0913-00		CAP,FXD,CER DI:0.1UF,50V,AXIAL	04222	SA105E104ZAA
A7C526	281-0913-00		CAP,FXD,CER DI:0.1UF,50V,AXIAL	04222	SA105E104ZAA
A7C531	281-0913-00		CAP,FXD,CER DI:0.1UF,50V,AXIAL	04222	SA105E104ZAA
A7C532	281-0913-00		CAP,FXD,CER DI:0.1UF,50V,AXIAL	04222	SA105E104ZAA
A7C600	281-0913-00		CAP,FXD,CER DI:0.1UF,50V,AXIAL	04222	SA105E104ZAA
A7C601	281-0913-00		CAP,FXD,CER DI:0.1UF,50V,AXIAL	04222	SA105E104ZAA
A7C602	281-0913-00		CAP,FXD,CER DI:0.1UF,50V,AXIAL	04222	SA105E104ZAA
A7C613	281-0913-00		CAP,FXD,CER DI:0.1UF,50V,AXIAL	04222	SA105E104ZAA
A7C614	281-0913-00		CAP,FXD,CER DI:0.1UF,50V,AXIAL	04222	SA105E104ZAA
A7C615	281-0913-00		CAP,FXD,CER DI:0.1UF,50V,AXIAL	04222	SA105E104ZAA
A7C620	281-0913-00		CAP,FXD,CER DI:0.1UF,50V,AXIAL	04222	SA105E104ZAA
A7C622	281-0913-00		CAP,FXD,CER DI:0.1UF,50V,AXIAL	04222	SA105E104ZAA
A7C631	281-0913-00		CAP,FXD,CER DI:0.1UF,50V,AXIAL	04222	SA105E104ZAA
A7C632	281-0913-00		CAP,FXD,CER DI:0.1UF,50V,AXIAL	04222	SA105E104ZAA
A7C634	281-0913-00		CAP,FXD,CER DI:0.1UF,50V,AXIAL	04222	SA105E104ZAA
A7C710	281-0913-00		CAP,FXD,CER DI:0.1UF,50V,AXIAL	04222	SA105E104ZAA
A7C713	281-0913-00		CAP,FXD,CER DI:0.1UF,50V,AXIAL	04222	SA105E104ZAA
A7C721	281-0913-00		CAP,FXD,CER DI:0.1UF,50V,AXIAL	04222	SA105E104ZAA
A7C731	281-0913-00		CAP,FXD,CER DI:0.1UF,50V,AXIAL	04222	SA105E104ZAA
A7DS500	150-1152-00		LT EMITTING DIO:RED 5V,T-1 PACKAGE	50434	HLMP3600 OPT 002
A7DS501	150-1152-00		LT EMITTING DIO:RED 5V,T-1 PACKAGE	50434	HLMP3600 OPT 002
A7J5	131-0608-00		TERMINAL,PIN:0.365 L X 0.025 BRZ GLD PL (QUANTITY OF 3)	22526	48283-036
A7J6	131-0608-00		TERMINAL,PIN:0.365 L X 0.025 BRZ GLD PL (QUANTITY OF 3)	22526	48283-036
A7J7	131-0608-00		TERMINAL,PIN:0.365 L X 0.025 BRZ GLD PL (QUANTITY OF 3)	22526	48283-036
A7J8	131-0608-00		TERMINAL,PIN:0.365 L X 0.025 BRZ GLD PL (QUANTITY OF 3)	22526	48283-036
A7J9	131-0608-00		TERMINAL,PIN:0.365 L X 0.025 BRZ GLD PL (QUANTITY OF 3)	22526	48283-036
A7J10	131-0608-00		TERMINAL,PIN:0.365 L X 0.025 BRZ GLD PL (QUANTITY OF 3)	22526	48283-036
A7J11	131-0608-00		TERMINAL,PIN:0.365 L X 0.025 BRZ GLD PL (QUANTITY OF 3)	22526	48283-036

Replaceable Electrical Parts
11401 Extended Service Volume 2

Component No.	Tektronix Part No.	Serial/Assembly No. Effective Dscont	Name & Description	Mfr. Code	Mfr. Part No.
A7J12	131-0608-00		TERMINAL, PIN: 0.365 L X 0.025 BRZ GLD PL (QUANTITY OF 3)	22526	48283-036
A7J13	131-0608-00		TERMINAL, PIN: 0.365 L X 0.025 BRZ GLD PL (QUANTITY OF 3)	22526	48283-036
A7J52	131-3147-00		CONN, RCPT, ELEC: HEADER, 2 X 25, 0.1 SPACING	53387	3596-6002
A7J53	131-3359-00		CONN, RCPT, ELEC: HEADER, RTANG, 20 PIN	53387	3592-5002
A7J63	131-3408-00		CONN, RCPT, ELEC: CKT BD, MALE, RT ANGLE 2 PIN 0.250 SPCG	00779	1-350946-0
A7R110	307-0648-00		RES NTWK, FXD, FI: 8, 100 OHM, 2%, 0.125 W	01121	3168101
A7R111	307-0648-00		RES NTWK, FXD, FI: 8, 100 OHM, 2%, 0.125 W	01121	3168101
A7R112	307-0648-00		RES NTWK, FXD, FI: 8, 100 OHM, 2%, 0.125 W	01121	3168101
A7R113	307-0648-00		RES NTWK, FXD, FI: 8, 100 OHM, 2%, 0.125 W	01121	3168101
A7R114	307-0648-00		RES NTWK, FXD, FI: 8, 100 OHM, 2%, 0.125 W	01121	3168101
A7R124	307-0649-00		RES NTWK, FXD, FI: 8, 33 OHM, 2%, 0.125W	01121	3168330
A7R200	307-0648-00		RES NTWK, FXD, FI: 8, 100 OHM, 2%, 0.125 W	01121	3168101
A7R201	307-0648-00		RES NTWK, FXD, FI: 8, 100 OHM, 2%, 0.125 W	01121	3168101
A7R220	307-0648-00		RES NTWK, FXD, FI: 8, 100 OHM, 2%, 0.125 W	01121	3168101
A7R300	307-0648-00		RES NTWK, FXD, FI: 8, 100 OHM, 2%, 0.125 W	01121	3168101
A7R301	307-0648-00		RES NTWK, FXD, FI: 8, 100 OHM, 2%, 0.125 W	01121	3168101
A7R410	307-0649-00		RES NTWK, FXD, FI: 8, 33 OHM, 2%, 0.125W	01121	3168330
A7R534	307-0422-00		RES, FXD, FILM: 2.4K OHM, 15 RES. NETWORK, DIP	03888	PD16L 2.4K JB
A7R610	307-0675-00		RES NTWK, FXD, FI: 9, 1K OHM, 2% 1.25W	11236	750-101-R1K OHM
A7R613	315-0103-00		RES, FXD, FILM: 10K OHM, 5%, 0.25W	19701	5043CX10K00J
A7R620	307-0675-00		RES NTWK, FXD, FI: 9, 1K OHM, 2% 1.25W	11236	750-101-R1K OHM
A7R720	315-0751-00		RES, FXD, FILM: 750 OHM, 5%, 0.25W	57668	NTR25J-E750E
A7R721	315-0751-00		RES, FXD, FILM: 750 OHM, 5%, 0.25W	57668	NTR25J-E750E
A7TP1	131-0608-00		TERMINAL, PIN: 0.365 L X 0.025 BRZ GLD PL	22526	48283-036
A7TP2	131-0608-00		TERMINAL, PIN: 0.365 L X 0.025 BRZ GLD PL	22526	48283-036
A7TP3	131-0608-00		TERMINAL, PIN: 0.365 L X 0.025 BRZ GLD PL	22526	48283-036
A7TP4	131-0608-00		TERMINAL, PIN: 0.365 L X 0.025 BRZ GLD PL	22526	48283-036
A7TP6	131-0608-00		TERMINAL, PIN: 0.365 L X 0.025 BRZ GLD PL	22526	48283-036
A7TP8	131-0608-00		TERMINAL, PIN: 0.365 L X 0.025 BRZ GLD PL	22526	48283-036
A7TP9	131-0608-00		TERMINAL, PIN: 0.365 L X 0.025 BRZ GLD PL	22526	48283-036
A7TP10	131-0608-00		TERMINAL, PIN: 0.365 L X 0.025 BRZ GLD PL	22526	48283-036
A7TP11	131-0608-00		TERMINAL, PIN: 0.365 L X 0.025 BRZ GLD PL	22526	48283-036
A7TP12	131-0608-00		TERMINAL, PIN: 0.365 L X 0.025 BRZ GLD PL	22526	48283-036
A7TP13	131-0608-00		TERMINAL, PIN: 0.365 L X 0.025 BRZ GLD PL	22526	48283-036
A7TP14	131-0608-00		TERMINAL, PIN: 0.365 L X 0.025 BRZ GLD PL	22526	48283-036
A7TP15	131-0608-00		TERMINAL, PIN: 0.365 L X 0.025 BRZ GLD PL	22526	48283-036
A7TP16	131-0608-00		TERMINAL, PIN: 0.365 L X 0.025 BRZ GLD PL	22526	48283-036
A7TP17	131-0608-00		TERMINAL, PIN: 0.365 L X 0.025 BRZ GLD PL	22526	48283-036
A7TP18	131-0608-00		TERMINAL, PIN: 0.365 L X 0.025 BRZ GLD PL	22526	48283-036
A7TP19	131-0608-00		TERMINAL, PIN: 0.365 L X 0.025 BRZ GLD PL	22526	48283-036
A7TP20	131-0608-00		TERMINAL, PIN: 0.365 L X 0.025 BRZ GLD PL	22526	48283-036
A7TP21	131-0608-00		TERMINAL, PIN: 0.365 L X 0.025 BRZ GLD PL	22526	48283-036
A7TP22	131-0608-00		TERMINAL, PIN: 0.365 L X 0.025 BRZ GLD PL	22526	48283-036
A7TP24	131-0608-00		TERMINAL, PIN: 0.365 L X 0.025 BRZ GLD PL	22526	48283-036
A7TP25	131-0608-00		TERMINAL, PIN: 0.365 L X 0.025 BRZ GLD PL	22526	48283-036
A7TP26	131-0608-00		TERMINAL, PIN: 0.365 L X 0.025 BRZ GLD PL	22526	48283-036
A7TP27	131-0608-00		TERMINAL, PIN: 0.365 L X 0.025 BRZ GLD PL	22526	48283-036
A7TP28	131-0608-00		TERMINAL, PIN: 0.365 L X 0.025 BRZ GLD PL	22526	48283-036
A7TP29	131-0608-00		TERMINAL, PIN: 0.365 L X 0.025 BRZ GLD PL	22526	48283-036
A7TP30	131-0608-00		TERMINAL, PIN: 0.365 L X 0.025 BRZ GLD PL	22526	48283-036
A7TP31	131-0608-00		TERMINAL, PIN: 0.365 L X 0.025 BRZ GLD PL	22526	48283-036
A7TP33	131-0608-00		TERMINAL, PIN: 0.365 L X 0.025 BRZ GLD PL	22526	48283-036
A7TP34	131-0608-00		TERMINAL, PIN: 0.365 L X 0.025 BRZ GLD PL	22526	48283-036
A7TP35	131-0608-00		TERMINAL, PIN: 0.365 L X 0.025 BRZ GLD PL	22526	48283-036
A7TP36	131-0608-00		TERMINAL, PIN: 0.365 L X 0.025 BRZ GLD PL	22526	48283-036

Replaceable Electrical Parts
11401 Extended Service Volume 2

Component No.	Tektronix	Serial/Assembly No.		Name & Description	Mfr.	Mfr. Part No.
	Part No.	Effective	Dscont		Code	
A7TP37	131-0608-00			TERMINAL, PIN:0.365 L X 0.025 BRZ GLD PL	22526	48283-036
A7TP38	131-0608-00			TERMINAL, PIN:0.365 L X 0.025 BRZ GLD PL	22526	48283-036
A7TP39	131-0608-00			TERMINAL, PIN:0.365 L X 0.025 BRZ GLD PL	22526	48283-036
A7TP40	131-0608-00			TERMINAL, PIN:0.365 L X 0.025 BRZ GLD PL	22526	48283-036
A7TP41	131-0608-00			TERMINAL, PIN:0.365 L X 0.025 BRZ GLD PL	22526	48283-036
A7TP42	131-0608-00			TERMINAL, PIN:0.365 L X 0.025 BRZ GLD PL	22526	48283-036
A7TP43	131-0608-00			TERMINAL, PIN:0.365 L X 0.025 BRZ GLD PL	22526	48283-036
A7TP44	131-0608-00			TERMINAL, PIN:0.365 L X 0.025 BRZ GLD PL	22526	48283-036
A7TP45	131-0608-00			TERMINAL, PIN:0.365 L X 0.025 BRZ GLD PL	22526	48283-036
A7TP46	131-0608-00			TERMINAL, PIN:0.365 L X 0.025 BRZ GLD PL	22526	48283-036
A7TP47	131-0608-00			TERMINAL, PIN:0.365 L X 0.025 BRZ GLD PL	22526	48283-036
A7TP48	131-0608-00			TERMINAL, PIN:0.365 L X 0.025 BRZ GLD PL	22526	48283-036
A7U100	156-1111-02			MICROCKT, DGTL:OCTAL BUS XCVR W/3 STATE OUT	01295	SN74LS245N3
A7U101	156-1111-02			MICROCKT, DGTL:OCTAL BUS XCVR W/3 STATE OUT	01295	SN74LS245N3
A7U102	156-1111-02			MICROCKT, DGTL:OCTAL BUS XCVR W/3 STATE OUT	01295	SN74LS245N3
A7U103	156-1111-02			MICROCKT, DGTL:OCTAL BUS XCVR W/3 STATE OUT	01295	SN74LS245N3
A7U110	156-2145-00			MICROCKT, DGTL:NMOS, 16384 X 4 DRAM	91925	IMS 2620-12
A7U111	156-2145-00			MICROCKT, DGTL:NMOS, 16384 X 4 DRAM	91925	IMS 2620-12
A7U112	156-2145-00			MICROCKT, DGTL:NMOS, 16384 X 4 DRAM	91925	IMS 2620-12
A7U113	156-2145-00			MICROCKT, DGTL:NMOS, 16384 X 4 DRAM	91925	IMS 2620-12
A7U120	156-2145-00			MICROCKT, DGTL:NMOS, 16384 X 4 DRAM	91925	IMS 2620-12
A7U121	156-2145-00			MICROCKT, DGTL:NMOS, 16384 X 4 DRAM	91925	IMS 2620-12
A7U122	156-2145-00			MICROCKT, DGTL:NMOS, 16384 X 4 DRAM	91925	IMS 2620-12
A7U123	156-2145-00			MICROCKT, DGTL:NMOS, 16384 X 4 DRAM	91925	IMS 2620-12
A7U124	156-1727-00			MICROCKT, DGTL:1 OF 8 DCDR/DEMULPLEXER	04713	MC74F138 N
A7U125	156-2385-00			MICROCKT, DGTL:CMOS, SEMI CUSTOM, GATE ARRAY, VRS DISPLAY CONTROLLER	80009	156-2385-00
A7U200	156-1111-02			MICROCKT, DGTL:OCTAL BUS XCVR W/3 STATE OUT	01295	SN74LS245N3
A7U201	156-1111-02			MICROCKT, DGTL:OCTAL BUS XCVR W/3 STATE OUT	01295	SN74LS245N3
A7U210	156-2145-00			MICROCKT, DGTL:NMOS, 16384 X 4 DRAM	91925	IMS 2620-12
A7U211	156-2145-00			MICROCKT, DGTL:NMOS, 16384 X 4 DRAM	91925	IMS 2620-12
A7U212	156-2145-00			MICROCKT, DGTL:NMOS, 16384 X 4 DRAM	91925	IMS 2620-12
A7U213	156-2145-00			MICROCKT, DGTL:NMOS, 16384 X 4 DRAM	91925	IMS 2620-12
A7U214	156-2145-00			MICROCKT, DGTL:NMOS, 16384 X 4 DRAM	91925	IMS 2620-12
A7U215	156-2145-00			MICROCKT, DGTL:NMOS, 16384 X 4 DRAM	91925	IMS 2620-12
A7U216	156-2145-00			MICROCKT, DGTL:NMOS, 16384 X 4 DRAM	91925	IMS 2620-12
A7U217	156-2145-00			MICROCKT, DGTL:NMOS, 16384 X 4 DRAM	91925	IMS 2620-12
A7U220	156-1933-00			MICROCKT, DGTL:16 BIT SHIFT REGISTER, SCRN	07263	74F676PCQR/DCQR
A7U221	156-1933-00			MICROCKT, DGTL:16 BIT SHIFT REGISTER, SCRN	07263	74F676PCQR/DCQR
A7U222	156-1707-00			MICROCKT, DGTL:QUAD 2-INPUT NAND GATE, SCRN	04713	MC7400 (NDORJD)
A7U223	156-1707-00			MICROCKT, DGTL:QUAD 2-INPUT NAND GATE, SCRN	04713	MC7400 (NDORJD)
A7U224	156-1707-00			MICROCKT, DGTL:QUAD 2-INPUT NAND GATE, SCRN	04713	MC7400 (NDORJD)
A7U230	156-1611-00			MICROCKT, DGTL:ASTTL, DUAL D TYPE EDGE-TRIG	80009	156-1611-00
A7U231	160-3714-00			MICROCKT, DGTL:STTL, OCTL 16 INPUT I/O PROGRAMMABLE, PRGM	80009	160-3714-00
A7U300	156-1111-02			MICROCKT, DGTL:OCTAL BUS XCVR W/3 STATE OUT	01295	SN74LS245N3
A7U301	156-1111-02			MICROCKT, DGTL:OCTAL BUS XCVR W/3 STATE OUT	01295	SN74LS245N3
A7U310	156-2145-00			MICROCKT, DGTL:NMOS, 16384 X 4 DRAM	91925	IMS 2620-12
A7U311	156-2145-00			MICROCKT, DGTL:NMOS, 16384 X 4 DRAM	91925	IMS 2620-12
A7U312	156-2145-00			MICROCKT, DGTL:NMOS, 16384 X 4 DRAM	91925	IMS 2620-12
A7U313	156-2145-00			MICROCKT, DGTL:NMOS, 16384 X 4 DRAM	91925	IMS 2620-12
A7U314	156-2145-00			MICROCKT, DGTL:NMOS, 16384 X 4 DRAM	91925	IMS 2620-12
A7U315	156-2145-00			MICROCKT, DGTL:NMOS, 16384 X 4 DRAM	91925	IMS 2620-12
A7U316	156-2145-00			MICROCKT, DGTL:NMOS, 16384 X 4 DRAM	91925	IMS 2620-12
A7U317	156-2145-00			MICROCKT, DGTL:NMOS, 16384 X 4 DRAM	91925	IMS 2620-12
A7U320	156-1752-00			MICROCKT, DGTL:FTTL, TRIPLE 3 INP NAND GATE	04713	MC 74F10N
A7U321	156-1752-00			MICROCKT, DGTL:FTTL, TRIPLE 3 INP NAND GATE	04713	MC 74F10N
A7U322	156-1752-00			MICROCKT, DGTL:FTTL, TRIPLE 3 INP NAND GATE	04713	MC 74F10N

Component No.	Tektronix Part No.	Serial/Assembly No. Effective Dscnt	Name & Description	Mfr. Code	Mfr. Part No.
A7U323	156-0385-02		MICROCKT,DGTL:HEX INVERTER,SCRN	07263	74LS04PCQR
A7U324	156-0479-02		MICROCKT,DGTL:QUAD 2-INP OR GATE,SCRN	01295	SN74LS32NP3
A7U325	156-1611-00		MICROCKT,DGTL:ASTTL,DUAL D TYPE EDGE-TRIG	80009	156-1611-00
A7U326	156-2120-00		MICROCKT,DGTL:SER-IN PRL-OUT SHIFT RGTR	07263	74F164PCQR/DCQR
A7U330	156-0479-02		MICROCKT,DGTL:QUAD 2-INP OR GATE,SCRN	01295	SN74LS32NP3
A7U331	156-0383-02		MICROCKT,DGTL:QUAD 2-INP NOR GATE,SCRN,	18324	N74LS02NB
A7U332	156-1707-00		MICROCKT,DGTL:QUAD 2-INPUT NAND GATE,SCRN	04713	MC7400(NDORJD)
A7U333	156-1707-00		MICROCKT,DGTL:QUAD 2-INPUT NAND GATE,SCRN	04713	MC7400(NDORJD)
A7U334	156-0385-02		MICROCKT,DGTL:HEX INVERTER,SCRN	07263	74LS04PCQR
A7U335	156-0718-03		MICROCKT,DGTL:TRIPLE 3-INP NOR GATE,SCRN	01295	SN74LS27NP3
A7U336	156-0718-03		MICROCKT,DGTL:TRIPLE 3-INP NOR GATE,SCRN	01295	SN74LS27NP3
A7U337	156-1724-00		MICROCKT,DGTL:FTTL,QUAD 2 INP OR GATE	04713	MC74F32ND
A7U400	156-1909-00		MICROCKT,DGTL:QUAD 2 INP MULTIPLEXER	04713	74F157 ND OR JD
A7U401	156-0383-02		MICROCKT,DGTL:QUAD 2-INP NOR GATE,SCRN,	18324	N74LS02NB
A7U402	156-0388-03		MICROCKT,DGTL:DUAL D FLIP-FLOP,SCRN	01295	SN74LS74ANP3
A7U403	156-1909-00		MICROCKT,DGTL:QUAD 2 INP MULTIPLEXER	04713	74F157 ND OR JD
A7U404	156-0530-02		MICROCKT,DGTL:QUAD 2-INP MUX,SCRN	01295	SN74LS157NP3
A7U405	156-0530-02		MICROCKT,DGTL:QUAD 2-INP MUX,SCRN	01295	SN74LS157NP3
A7U410	156-0530-02		MICROCKT,DGTL:QUAD 2-INP MUX,SCRN	01295	SN74LS157NP3
A7U411	156-0530-02		MICROCKT,DGTL:QUAD 2-INP MUX,SCRN	01295	SN74LS157NP3
A7U412	156-0679-01		MICROCKT,DGTL:4-BIT BINARY ADDER,SCRN	04713	SN74LS283NDS
A7U413	156-1909-00		MICROCKT,DGTL:QUAD 2 INP MULTIPLEXER	04713	74F157 ND OR JD
A7U414	156-0530-02		MICROCKT,DGTL:QUAD 2-INP MUX,SCRN	01295	SN74LS157NP3
A7U415	156-0530-02		MICROCKT,DGTL:QUAD 2-INP MUX,SCRN	01295	SN74LS157NP3
A7U420	156-1909-00		MICROCKT,DGTL:QUAD 2 INP MULTIPLEXER	04713	74F157 ND OR JD
A7U421	156-1909-00		MICROCKT,DGTL:QUAD 2 INP MULTIPLEXER	04713	74F157 ND OR JD
A7U423	156-0530-02		MICROCKT,DGTL:QUAD 2-INP MUX,SCRN	01295	SN74LS157NP3
A7U424	156-0679-01		MICROCKT,DGTL:4-BIT BINARY ADDER,SCRN	04713	SN74LS283NDS
A7U425	156-1611-00		MICROCKT,DGTL:ASTTL,DUAL D TYPE EDGE-TRIG	80009	156-1611-00
A7U426	156-1611-00		MICROCKT,DGTL:ASTTL,DUAL D TYPE EDGE-TRIG	80009	156-1611-00
A7U427	156-1724-00		MICROCKT,DGTL:FTTL,QUAD 2 INP OR GATE	04713	MC74F32ND
A7U428	156-0679-01		MICROCKT,DGTL:4-BIT BINARY ADDER,SCRN	04713	SN74LS283NDS
A7U430	156-0479-02		MICROCKT,DGTL:QUAD 2-INP OR GATE,SCRN	01295	SN74LS32NP3
A7U431	156-1935-00		MICROCKT,DGTL:SYNC PRESETTABLE BINARY CNTR	04713	MC74F163ND/JD
A7U432	156-1957-00		MICROCKT,DGTL:DUAL 4 INPUT NAND GATE	04713	74F20 N
A7U433	156-0994-02		MICROCKT,DGTL:8 INPUT DATA SEL/MUX,SCRN	01295	SN74LS151NP3
A7U434	156-1722-00		MICROCKT,DGTL:FTTL,HEX INVERTER	04713	MC74F04ND
A7U435	156-1611-00		MICROCKT,DGTL:ASTTL,DUAL D TYPE EDGE-TRIG	80009	156-1611-00
A7U500	156-1664-00		MICROCKT,DGTL:SCREENED	01295	SN74ALS574(NP3)
A7U501	156-1664-00		MICROCKT,DGTL:SCREENED	01295	SN74ALS574(NP3)
A7U502	156-0956-02		MICROCKT,DGTL:OCTAL BFR W/3 STATE OUT,SCRN	01295	SN74LS244NP3
A7U503	156-1858-00		MICROCKT,DGTL:TRANSPARENT D-TYPE LATCHES	80009	156-1858-00
A7U510	156-1664-00		MICROCKT,DGTL:SCREENED	01295	SN74ALS574(NP3)
A7U511	156-1664-00		MICROCKT,DGTL:SCREENED	01295	SN74ALS574(NP3)
A7U512	156-0956-02		MICROCKT,DGTL:OCTAL BFR W/3 STATE OUT,SCRN	01295	SN74LS244NP3
A7U513	156-1858-00		MICROCKT,DGTL:TRANSPARENT D-TYPE LATCHES	80009	156-1858-00
A7U514	156-0679-01		MICROCKT,DGTL:4-BIT BINARY ADDER,SCRN	04713	SN74LS283NDS
A7U515	156-1785-00		MICROCKT,DGTL:CRT CONTROLLER,SCREENED	34576	R6545-1P
A7U516	156-0388-03		MICROCKT,DGTL:DUAL D FLIP-FLOP,SCRN	01295	SN74LS74ANP3
A7U517	156-0480-02		MICROCKT,DGTL:QUAD 2-INP & GATE,SCRN,	01295	SN74LS08NP3
A7U520	156-0679-01		MICROCKT,DGTL:4-BIT BINARY ADDER,SCRN	04713	SN74LS283NDS
A7U521	156-0679-01		MICROCKT,DGTL:4-BIT BINARY ADDER,SCRN	04713	SN74LS283NDS
A7U523	156-2450-00		MICROCKT,DGTL:HMS,MULTIFUNCTION INTERFACE	34649	P8256AHORD8256AH
A7U524	156-1841-00		MICROCKT,DGTL:16 BIT MICROPROCESSOR	34335	R80186
A7U525	156-0385-02		MICROCKT,DGTL:HEX INVERTER,SCRN	07263	74LS04PCQR
A7U526	156-1318-00		MICROCKT,DGTL:LSTTL,4-BIT BISTABLE LATCH	01295	SN74LS375NP3
A7U530	156-0994-02		MICROCKT,DGTL:8 INPUT DATA SEL/MUX,SCRN	01295	SN74LS151NP3
A7U531	156-1611-00		MICROCKT,DGTL:ASTTL,DUAL D TYPE EDGE-TRIG	80009	156-1611-00

Replaceable Electrical Parts
11401 Extended Service Volume 2

Component No.	Tektronix Part No.	Serial/Assembly No.		Name & Description	Mfr. Code	Mfr. Part No.
		Effective	Discont			
A7U532	156-1723-00			MICROCKT,DGTL:QUAD 2 INPUT & GATE	04713	MC74F08 ND OR JD
A7U533	156-0479-02			MICROCKT,DGTL:QUAD 2-INP OR GATE,SCRN	01295	SN74LS32NP3
A7U534	156-0651-02			MICROCKT,DGTL:8-BIT PRL-OUT SER SHF RGTR	01295	SN74LS164NP3
A7U600	156-1998-00			MICROCKT,DGTL:ALSTTL,OCTAL D TYPE FF	01295	SN74ALS273
A7U601	156-1594-00			MICROCKT,DGTL:NMOS,2048 X 8 SRAM	65786	CY6116-55PC
A7U602	160-3716-02	B010100	B010324	MICROCKT,DGTL:HMOS,65536 X 8 EPROM,W/3 STATE OUT,PRGM	80009	160-3716-02
A7U602	160-3716-03	B010325	B010608	MICROCKT,DGTL:HMOS,65536 X 8 EPROM,PRGM	80009	160-3716-03
A7U602	160-3716-04	B010609	B010657	MICROCKT,DGTL:HMOS,65536 X 8 EPROM,PRGM	80009	160-3716-04
A7U602	160-3716-05	B010658	B021020	MICROCKT,DGTL:HMOS,65536 X 8 EPROM,PRGM	80009	160-3716-05
A7U602	160-3716-06	B021021		MICROCKT,DGTL:NMOS,65536 X 8 EPROM,PRGM	80009	160-3716-06
A7U610	156-1998-00			MICROCKT,DGTL:ALSTTL,OCTAL D TYPE FF	01295	SN74ALS273
A7U611	156-1594-00			MICROCKT,DGTL:NMOS,2048 X 8 SRAM	65786	CY6116-55PC
A7U612	160-3717-02	B010100	B010324	MICROCKT,DGTL:HMOS,65536 X 8 EPROM,W/3 STATE OUT,PRGM	80009	160-3717-02
A7U612	160-3717-03	B010325	B010608	MICROCKT,DGTL:HMOS,65536 X 8 EPROM,PRGM	80009	160-3717-03
A7U612	160-3717-04	B010609	B010657	MICROCKT,DGTL:HMOS,65536 X 8 EPROM,PRGM	80009	160-3717-04
A7U612	160-3717-05	B010658	B021020	MICROCKT,DGTL:HMOS,65536 X 8 EPROM,PRGM	80009	160-3717-05
A7U612	160-3717-06	B021021		MICROCKT,DGTL:NMOS,65536 X 8 EPROM,PRGM	80009	160-3717-06
A7U613	156-0479-02			MICROCKT,DGTL:QUAD 2-INP OR GATE,SCRN	01295	SN74LS32NP3
A7U614	156-1858-00			MICROCKT,DGTL:TRANSPARENT D-TYPE LATCHES	80009	156-1858-00
A7U615	156-1748-02			MICROCKT,DGTL:OCTAL BUS XCVR W/3-STATE OUT	01295	SN74ALS245AN3
A7U616	156-0956-02			MICROCKT,DGTL:OCTAL BFR W/3 STATE OUT,SCRN	01295	SN74LS244NP3
A7U620	156-1858-00			MICROCKT,DGTL:TRANSPARENT D-TYPE LATCHES	80009	156-1858-00
A7U621	156-1748-02			MICROCKT,DGTL:OCTAL BUS XCVR W/3-STATE OUT	01295	SN74ALS245AN3
A7U622	156-0956-02			MICROCKT,DGTL:OCTAL BFR W/3 STATE OUT,SCRN	01295	SN74LS244NP3
A7U623	156-1724-00			MICROCKT,DGTL:FTTL,QUAD 2 INP OR GATE	04713	MC74F32ND
A7U630	156-1723-00			MICROCKT,DGTL:QUAD 2 INPUT & GATE	04713	MC74F08 ND OR JD
A7U631	156-0388-03			MICROCKT,DGTL:DUAL D FLIP-FLOP,SCRN	01295	SN74LS74ANP3
A7U632	156-0530-02			MICROCKT,DGTL:QUAD 2-INP MUX,SCRN	01295	SN74LS157NP3
A7U633	156-0530-02			MICROCKT,DGTL:QUAD 2-INP MUX,SCRN	01295	SN74LS157NP3
A7U634	156-0385-02			MICROCKT,DGTL:HEX INVERTER,SCRN	07263	74LS04PCQR
A7U635	156-0530-02			MICROCKT,DGTL:QUAD 2-INP MUX,SCRN	01295	SN74LS157NP3
A7U636	156-0385-02			MICROCKT,DGTL:HEX INVERTER,SCRN	07263	74LS04PCQR
A7U637	160-3715-00			MICROCKT,DGTL:LSTTL,DUAL 16 INPUT AND OR INVERT PROGRAMMABLE LOGIC ARRAY,PRGM	80009	160-3715-00
A7U710	156-0479-02			MICROCKT,DGTL:QUAD 2-INP OR GATE,SCRN	01295	SN74LS32NP3
A7U711	156-0479-02			MICROCKT,DGTL:QUAD 2-INP OR GATE,SCRN	01295	SN74LS32NP3
A7U713	156-1111-02			MICROCKT,DGTL:OCTAL BUS XCVR W/3 STATE OUT	01295	SN74LS245N3
A7U720	156-1111-02			MICROCKT,DGTL:OCTAL BUS XCVR W/3 STATE OUT	01295	SN74LS245N3
A7U721	156-0479-02			MICROCKT,DGTL:QUAD 2-INP OR GATE,SCRN	01295	SN74LS32NP3
A7U731	156-1839-00			MICROCKT,DGTL:OCTAL BIDIRECTIONAL I/O PORT	34335	AM2952DCB
A7U732	156-0383-02			MICROCKT,DGTL:QUAD 2-INP NOR GATE,SCRN,	18324	N74LS02NB
A7U733	156-1389-00			MICROCKT,DGTL:8 BIT BIDIRECTIONAL I/O PORTS	80009	156-1389-00
A7X524	136-0813-00			SKT,PL-IN ELEK:CHIP CARRIER,68 CONTACTS	19613	268-5400-00-1102
A7X602	136-0755-00			SKT,PL-IN ELEK:MICROCIRCUIT,28 DIP	09922	D1LB28P-108
A7X612	136-0755-00			SKT,PL-IN ELEK:MICROCIRCUIT,28 DIP	09922	D1LB28P-108
A7X700	136-0797-01			SKT,PL-IN ELEK:MICROCKT,28 CONTACT	80009	136-0797-01
A7X712	136-0797-01			SKT,PL-IN ELEK:MICROCKT,28 CONTACT	80009	136-0797-01
A7Y430	158-0302-00			OSC,XTAL CONT:32MHZ,0.01%	01537	K1115AM32.0 MHZ
A8	670-8846-00	B010100	B010412	CIRCUIT BD ASSY:CRT DRIVER	80009	670-8846-00
A8	670-8846-01	B010413	B010670	CIRCUIT BD ASSY:CRT DRIVER	80009	670-8846-01
A8	670-8846-02	B010671	B021020	CIRCUIT BD ASSY:CRT DRIVER	80009	670-8846-02
A8	670-8846-03	B021021		CIRCUIT BD ASSY:CRT DRIVER	80009	670-8846-03
A8C100	283-0343-00			CAP,FXD,CER DI:0.01UF,20%,2000V	72982	3848545Z5U0103M
A8C130	290-0942-00			CAP,FXD,ELCTLT:100UF,+100-10%,25V	55680	UPA1E101MAH
A8C131	285-1090-00			CAP,FXD,PLASTIC:0.01UF,5%,1600V	14752	C2838

Component No.	Tektronix Part No.	Serial/Assembly No. Effective	Dscnt	Name & Description	Mfr. Code	Mfr. Part No.
A8C202	283-0129-00			CAP, FXD, CER DI: 0.56UF, 20%, 100V	04222	SR501C564MAA
A8C210	290-0880-00			CAP, FXD, ELCTLT: 10UF, +50-10%, 160V	54473	ECE-A160V10U
A8C221	290-0943-00	B010100	B010412	CAP, FXD, ELCTLT: 47UF, +50-20%, 25V	55680	ULB1E470TAAANA
A8C221	290-0942-00	B010413		CAP, FXD, ELCTLT: 100UF, +100-10%, 25V	55680	UPA1E101MAH
A8C230	285-1217-00			CAP, FXD, PLASTIC: 1.33UF, 5%, 200V	50558	MP1-4501J
A8C231	285-0931-00			CAP, FXD, PLASTIC: 0.005UF, 5%, 2000V	14752	C2839
A8C300	283-0339-00			CAP, FXD, CER DI: 0.22UF, 10%, 50V	05397	C330C224K5R5CA
A8C301	281-0765-00			CAP, FXD, CER DI: 100PF, 5%, 100V	04222	MA101A101JAA
A8C310	290-0880-00			CAP, FXD, ELCTLT: 10UF, +50-10%, 160V	54473	ECE-A160V10U
A8C311	281-0799-00			CAP, FXD, CER DI: 62PF, 2%, 100V	04222	MA101A620GAA
A8C312	281-0819-00			CAP, FXD, CER DI: 33 PF, 5%, 50V	04222	GC105A330J
A8C320	290-0947-00			CAP, FXD, ELCTLT: 33UF, +50-10%, 160V W/SLEEVE	55680	UHC2C330TFA
A8C322	290-0880-00			CAP, FXD, ELCTLT: 10UF, +50-10%, 160V	54473	ECE-A160V10U
A8C323	290-0804-00	B010413		CAP, FXD, ELCTLT: 10UF, +50-20%, 25V	55680	ULB1E100TAAANA
A8C330	283-0339-00			CAP, FXD, CER DI: 0.22UF, 10%, 50V	05397	C330C224K5R5CA
A8C344	281-0770-00			CAP, FXD, CER DI: 1000PF, 20%, 100V	04222	MA101C102MAA
A8C400	290-0804-00			CAP, FXD, ELCTLT: 10UF, +50-20%, 25V	55680	ULB1E100TAAANA
A8C410	281-0775-00			CAP, FXD, CER DI: 0.1UF, 20%, 50V	04222	MA205E104MAA
A8C419	290-0183-00			CAP, FXD, ELCTLT: 1UF, 10%, 35V	05397	T3228105K035AS
A8C420	281-0772-00			CAP, FXD, CER DI: 4700PF, 10%, 100V	04222	MA201C472KAA
A8C422	283-0057-00			CAP, FXD, CER DI: 0.1UF, +80-20%, 200V	04222	SR306E104ZAA
A8C423	285-0627-00			CAP, FXD, PLASTIC: 0.0033UF, 5%, 100V	07716	TEK44-33251
A8C430	281-0783-00	B010100	B010412	CAP, FXD, CER DI: 0.1 UF 20%, 100V	04222	MA401C104MAA
A8C430	281-0773-00	B010413		CAP, FXD, CER DI: 0.01UF, 10%, 100V	04222	MA201C103KAA
A8C431	290-0804-00			CAP, FXD, ELCTLT: 10UF, +50-20%, 25V	55680	ULB1E100TAAANA
A8C441	281-0775-00			CAP, FXD, CER DI: 0.1UF, 20%, 50V	04222	MA205E104MAA
A8C520	290-0916-00			CAP, FXD, ELCTLT: 2200UF, +50-20%, 35WVDC	55680	ULB1V222TFAANA
A8C521	290-0919-00			CAP, FXD, ELCTLT: 470UF, +50-20%, 35V	55680	UVX1V471MPA
A8C522	283-0057-00			CAP, FXD, CER DI: 0.1UF, +80-20%, 200V	04222	SR306E104ZAA
A8C523	283-0057-00			CAP, FXD, CER DI: 0.1UF, +80-20%, 200V	04222	SR306E104ZAA
A8C530	290-0804-00			CAP, FXD, ELCTLT: 10UF, +50-20%, 25V	55680	ULB1E100TAAANA
A8C531	290-0880-00			CAP, FXD, ELCTLT: 10UF, +50-10%, 160V	54473	ECE-A160V10U
A8C540	285-0808-00			CAP, FXD, PLASTIC: 0.1UF, 10%, 50V	04099	EK13-16
A8C541	285-0808-00			CAP, FXD, PLASTIC: 0.1UF, 10%, 50V	04099	EK13-16
A8C600	281-0775-00			CAP, FXD, CER DI: 0.1UF, 20%, 50V	04222	MA205E104MAA
A8C610	290-0943-00			CAP, FXD, ELCTLT: 47UF, +50-20%, 25V	55680	ULB1E470TAAANA
A8C620	290-0916-00	B010100	B010670	CAP, FXD, ELCTLT: 2200UF, +50-20%, 35WVDC	55680	ULB1V222TFAANA
A8C620	290-0919-00	B010671		CAP, FXD, ELCTLT: 470UF, +50-20%, 35V	55680	UVX1V471MPA
A8C621	285-0808-00			CAP, FXD, PLASTIC: 0.1UF, 10%, 50V	04099	EK13-16
A8C623	290-0942-00			CAP, FXD, ELCTLT: 100UF, +100-10%, 25V	55680	UPA1E101MAH
A8C632	281-0819-00			CAP, FXD, CER DI: 33 PF, 5%, 50V	04222	GC105A330J
A8CR100	152-0353-00			SEMICON DVC, DI: RECT, SI, 800V, 1W	05828	GP10K-014
A8CR130	152-0400-00	B010100	B010412	SEMICON DVC, DI: RECT, SI, 400V, 1A	04713	SR1977K
A8CR200	152-0353-00			SEMICON DVC, DI: RECT, SI, 800V, 1W	05828	GP10K-014
A8CR220	152-0400-00			SEMICON DVC, DI: RECT, SI, 400V, 1A	04713	SR1977K
A8CR221	152-0400-00			SEMICON DVC, DI: RECT, SI, 400V, 1A	04713	SR1977K
A8CR240	152-0661-00			SEMICON DVC, DI: RECT, SI, 600V, 3A	04713	SR3523
A8CR301	152-0141-02			SEMICON DVC, DI: SW, SI, 30V, 150MA, 30V, DO-35	03508	DA2527 (1N4152)
A8CR311	152-0141-02			SEMICON DVC, DI: SW, SI, 30V, 150MA, 30V, DO-35	03508	DA2527 (1N4152)
A8CR312	152-0141-02			SEMICON DVC, DI: SW, SI, 30V, 150MA, 30V, DO-35	03508	DA2527 (1N4152)
A8CR320	152-0141-02			SEMICON DVC, DI: SW, SI, 30V, 150MA, 30V, DO-35	03508	DA2527 (1N4152)
A8CR510	152-0141-02			SEMICON DVC, DI: SW, SI, 30V, 150MA, 30V, DO-35	03508	DA2527 (1N4152)
A8CR511	152-0141-02			SEMICON DVC, DI: SW, SI, 30V, 150MA, 30V, DO-35	03508	DA2527 (1N4152)
A8CR530	152-0141-02			SEMICON DVC, DI: SW, SI, 30V, 150MA, 30V, DO-35	03508	DA2527 (1N4152)
A8CR531	152-0141-02			SEMICON DVC, DI: SW, SI, 30V, 150MA, 30V, DO-35	03508	DA2527 (1N4152)
A8CR640	152-0414-00			SEMICON DVC, DI: RECT, SI, 200V, 1.0A, TEK A59	80009	152-0414-00
A8F401	159-0279-00			FUSE, WIRE LEAD: 0.375A, 250V, SLOW	75915	230.375
A8F401	159-0103-00	B010193		FUSE, CARTRIDGE: 0.4A, 125V, 0.25SEC	75915	279.400

Replaceable Electrical Parts
11401 Extended Service Volume 2

Component No.	Tektronix Part No.	Serial/Assembly No. Effective	Discont	Name & Description	Mfr. Code	Mfr. Part No.
A8J53	131-3360-00			CONN, RCPT, ELEC: HEADER, STR, 20 PIN	53387	3592-6002
A8J54	131-2575-00			TERM SET, PIN: 4 CONTACT, MALE	27264	09-60-1041
A8J56	131-2527-00			TERM SET, PIN: HEADER, 1 X 7, 0.156 CTR	26742	3CLF-24602-0725
A8J57	131-0608-00			TERMINAL, PIN: 0.365 L X 0.025 BRZ GLD PL (QUANTITY OF 4)	22526	48283-036
A8L120	114-0421-00			COIL, RF: VAR, 10-40UH	50783	EW8182
A8L200	108-1246-00			COIL, RF: FXD, 3.9UH, 10%	54583	SPT 0406-3R9K-6
A8L210	108-1317-00			COIL, RF: FXD, LINEARITY 5 TO 54UH	50783	EL8273
A8L220	108-0422-00			COIL, RF: FIXED, 80UH	80009	108-0422-00
A8L340	108-0422-00			COIL, RF: FIXED, 80UH	80009	108-0422-00
A8Q130	151-0632-00			TRANSISTOR: NPN, SILICON, TO-220	04713	MJE13007
A8Q300	151-0124-00			TRANSISTOR: NPN, SI, TO-39	04713	SM8138
A8Q320	151-0710-00			TRANSISTOR: NPN, SI, TO-92 PLUS	04713	MPSW01A
A8Q510	151-0188-00			TRANSISTOR: PNP, SI, TO-92	80009	151-0188-00
A8R100	311-2296-00			RES, VAR, WW: TRIMMER, 2.5 MEGOHMS, 0.5W	32997	3386N HVI-255
A8R201	301-0390-00			RES, FXD, FILM: 39 OHM, 5%, 0.5W	01121	EB3905
A8R202	311-2240-00			RES, VAR, NONWW: TRMR, 200K OHM, 20%, 0.5W LINEAR	TK1450	GF06UT 200K
A8R230	308-0767-00	B010100	B010412	RES, FXD, WW: 1.1 OHM, 5%, 1W	75042	BW-20-1R100J
A8R230	307-0059-00	B010413		RES, FXD, CMPSN: 6.2 OHM, 5%, 0.5W	01121	EB62G5
A8R300	308-0253-00			RES, FXD, WW: 1.32K OHM, 5%, 3W	14193	SA31-1321J
A8R301	315-0513-00			RES, FXD, FILM: 51K OHM, 5%, 0.25W	57668	NTR25J-E51K0
A8R303	321-0114-00			RES, FXD, FILM: 150 OHM, 1%, 0.125 W, TC=TO	19701	5033ED150R0F
A8R310	315-0274-00			RES, FXD, FILM: 270K OHM, 5%, 0.25W	57668	NTR25J-E270K
A8R311	321-0141-00			RES, FXD, FILM: 287 OHM, 1%, 0.125W, TC=TO	19701	5033ED287R0F
A8R312	321-0168-00			RES, FXD, FILM: 549 OHM, 1%, 0.125W, TC=TO	07716	CEAD549R0F
A8R330	303-0101-00	B010100	B010412	RES, FXD, CMPSN: 100 OHM, 5%, 1W	01121	GB1015
A8R330	303-0241-00	B010413		RES, FXD, CMPSN: 240 OHM, 5%, 1W	01121	GB2415
A8R331	308-0142-00	B010100	B010412	RES, FXD, WW: 30 OHM, 5%, 3W	00213	1240S-30-5
A8R331	308-0767-00	B010413		RES, FXD, WW: 1.1 OHM, 5%, 1W	75042	BW-20-1R100J
A8R338	315-0473-00			RES, FXD, FILM: 47K OHM, 5%, 0.25W	57668	NTR25J-E47K0
A8R340	301-0243-00			RES, FXD, FILM: 24K OHM, 5%, 0.5W	19701	5053CX24K00J
A8R341	308-0212-00			RES, FXD, WW: 10K OHM, 5%, 3W	00213	1240S-10000-5
A8R344	308-0076-00			RES, FXD, WW: 300 OHM, 5%, 3W	00213	1240S 300-5
A8R400	307-0889-00			RES, FXD, FILM: 1 OHM, 5%, 0.25W	19701	5043CX1R000J
A8R410	315-0302-00			RES, FXD, FILM: 3K OHM, 5%, 0.25W	57668	NTR25J-E03K0
A8R420	315-0332-00			RES, FXD, FILM: 3.3K OHM, 5%, 0.25W	57668	NTR25J-E03K3
A8R421	315-0222-00			RES, FXD, FILM: 2.2K OHM, 5%, 0.25W	57668	NTR25J-E02K2
A8R422	315-0103-00			RES, FXD, FILM: 10K OHM, 5%, 0.25W	19701	5043CX10K00J
A8R424	315-0222-00			RES, FXD, FILM: 2.2K OHM, 5%, 0.25W	57668	NTR25J-E02K2
A8R425	315-0511-00			RES, FXD, FILM: 510 OHM, 5%, 0.25W	19701	5043CX510R0J
A8R426	315-0102-00			RES, FXD, FILM: 1K OHM, 5%, 0.25W	57668	NTR25JE01K0
A8R427	315-0223-00			RES, FXD, FILM: 22K OHM, 5%, 0.25W	19701	5043CX22K00J92U
A8R430	315-0242-00			RES, FXD, FILM: 2.4K OHM, 5%, 0.25W	57668	NTR25J-E02K4
A8R431	321-0287-00			RES, FXD, FILM: 9.53K OHM, 1%, 0.125W, TC=TO	19701	5033ED9K530F
A8R432	301-0271-00			RES, FXD, FILM: 270 OHM, 5%, 0.5W	19701	5053CX270R0J
A8R440	315-0511-00			RES, FXD, FILM: 510 OHM, 5%, 0.25W	19701	5043CX510R0J
A8R441	307-0023-00			RES, FXD, CMPSN: 4.7 OHM, 10%, 0.5W	01121	EB47G1
A8R500	321-0932-03			RES, FXD, FILM: 2.5K OHM, 0.25%, 0.125W, TC=T2	19701	5033RC2K500C
A8R501	321-0816-03			RES, FXD, FILM: 5K OHM, 0.25%, 0.125W, TC=T2	19701	5033RC5K000C
A8R503	321-0289-02			RES, FXD, FILM: 10.0K OHM, 0.5%, 0.125W, TC=T2	19701	5033RC10K00D
A8R504	321-0318-02			RES, FXD, FILM: 20.0K 0.5%, 0.125W, TC=T2	19701	5033RC20K00D
A8R505	321-0924-02			RES, FXD, FILM: 40K OHM, 0.5%, 0.125W, TC=T2	19701	5033RC40K00D
A8R506	321-0376-00			RES, FXD, FILM: 80.6K OHM, 1%, 0.125W, TC=TO	19701	5043ED80K60F
A8R510	315-0472-00			RES, FXD, FILM: 4.7K OHM, 5%, 0.25W	57668	NTR25J-E04K7
A8R511	315-0152-00			RES, FXD, FILM: 1.5K OHM, 5%, 0.25W	57668	NTR25J-E01K5
A8R512	315-0124-00			RES, FXD, FILM: 120K OHM, 5%, 0.25W	19701	5043CX120K0J
A8R520	311-2227-00			RES, VAR, NONWW: TRMR, 100 OHM, 20%, 0.5W LINEAR	TK1450	GF06UT 100
A8R521	308-0764-00	B010100	B010670	RES, FXD, WW: 2.7 OHM, 5%, 2W	75042	BWF 2.7 OHM +-5%

Replaceable Electrical Parts
11401 Extended Service Volume 2

Component No.	Tektronix Part No.	Serial/Assembly No. Effective	Discort	Name & Description	Mfr. Code	Mfr. Part No.
A8R521	315-0120-00	B010671		RES,FXD,FILM:12 OHM,5%,0.25W	57668	NTR25J-R12
A8R522	308-0764-00			RES,FXD,WW:2.7 OHM,5%,2W	75042	BWF 2.7 OHM +-5%
A8R530	311-2234-00			RES,VAR,NONWW:TRMR,5K OHM,20%,0.5W LINEAR TAPE & REEL	TK1450	GF06UT 5K
A8R531	315-0333-00			RES,FXD,FILM:33K OHM,5%,0.25W	57668	NTR25J-E33K0
A8R540	311-2231-00			RES,VAR,NONWW:TRMR,1K OHM,20%,0.5W LINEAR	TK1450	GF06UT 1K
A8R541	311-2239-00			RES,VAR,NONWW:TRMR,100K OHM,20%,0.5W LINEAR	TK1450	GF06UT 100K
A8R600	315-0103-00			RES,FXD,FILM:10K OHM,5%,0.25W	19701	5043CX10K00J
A8R620	311-2239-00			RES,VAR,NONWW:TRMR,100K OHM,20%,0.5W LINEAR	TK1450	GF06UT 100K
A8R621	311-2239-00			RES,VAR,NONWW:TRMR,100K OHM,20%,0.5W LINEAR	TK1450	GF06UT 100K
A8R630	315-0124-00			RES,FXD,FILM:120K OHM,5%,0.25W	19701	5043CX120K0J
A8R631	315-0563-00			RES,FXD,FILM:56K OHM,5%,0.25W	19701	5043CX56K00J
A8R632	315-0224-00			RES,FXD,FILM:220K OHM,5%,0.25W	57668	NTR25J-E220K
A8R633	321-0412-00	B010100	B010412	RES,FXD,FILM:191K OHM,1%,0.125W,TC=TO	07716	CEAD19102F
A8R633	321-0418-00	B010413		RES,FXD,FILM:221K OHM,1%,0.125W,TC=TO	07716	CEAD22102F
A8R634	315-0473-00			RES,FXD,FILM:47K OHM,5%,0.25W	57668	NTR25J-E47K0
A8R635	315-0563-00			RES,FXD,FILM:56K OHM,5%,0.25W	19701	5043CX56K00J
A8R636	315-0563-00			RES,FXD,FILM:56K OHM,5%,0.25W	19701	5043CX56K00J
A8R640	315-0474-00			RES,FXD,FILM:470K OHM,5%,0.25W	19701	5043CX470K0J92U
A8R641	315-0473-00			RES,FXD,FILM:47K OHM,5%,0.25W	57668	NTR25J-E47K0
A8R642	315-0474-00			RES,FXD,FILM:470K OHM,5%,0.25W	19701	5043CX470K0J92U
A8T110	120-1650-00			XFMR,FLYBACK:HV OUT 13KV,3 LV OUTPUTS 0.575	51406	MSH1ABF109
A8T330	120-1476-00			XFMR,BASE DRIVE:	02113	701-560-016
A8TP100	131-0608-00			TERMINAL,PIN:0.365 L X 0.025 BRZ GLD PL	22526	48283-036
A8TP120	131-0608-00			TERMINAL,PIN:0.365 L X 0.025 BRZ GLD PL	22526	48283-036
A8TP320	131-0608-00			TERMINAL,PIN:0.365 L X 0.025 BRZ GLD PL	22526	48283-036
A8TP402	131-0608-00			TERMINAL,PIN:0.365 L X 0.025 BRZ GLD PL	22526	48283-036
A8TP410	131-0608-00			TERMINAL,PIN:0.365 L X 0.025 BRZ GLD PL	22526	48283-036
A8TP510	131-0608-00			TERMINAL,PIN:0.365 L X 0.025 BRZ GLD PL	22526	48283-036
A8TP540	131-0608-00			TERMINAL,PIN:0.365 L X 0.025 BRZ GLD PL	22526	48283-036
A8U400	156-1726-00			MICROCKT,DGTL:FRTL,DUAL 1 OF 4 DCDR,SCRN	04713	MC74F139 N
A8U420	156-1147-00			MICROCKT,LINER:TV HORIZ PROCESSOR	02735	CA1391E
A8U600	156-0914-02			MICROCKT,DGTL:OCT ST BFR W/3 STATE OUT,SCRN	80009	156-0914-02
A8U601	156-0572-02			MICROCKT,DGTL:8 BIT SERIAL IN/PRL OUT,SEL	27014	MM74C164JA+
A8U630	156-1693-02			MICROCKT,LINER:VERTICAL DEFLECTION SYSTEM	56289	ULN2270W
A8VR320	152-0357-00			SEMICON DVC,DI:ZEN,SI,82V,5%,0.4W,DO-7	04713	SZ12461KRL
A9	-----			CIRCUIT BD ASSY:TOUCH PANEL (NOT AVAILABLE,ORDER A9)		
A9	614-0727-00	B010100	B010818	PANEL SUBASSY:TOUCH	80009	614-0727-00
A9	614-0727-01	B010819		FRONT PNL ASSY:	80009	614-0727-01
A9C700	283-5004-00			CAP,FXD,CER DI:0.1UF,10%,25V	54583	C3216X7R1E104K
A9C740	283-5004-00			CAP,FXD,CER DI:0.1UF,10%,25V	54583	C3216X7R1E104K
A9C760	283-5004-00			CAP,FXD,CER DI:0.1UF,10%,25V	54583	C3216X7R1E104K
A9C761	283-5004-00			CAP,FXD,CER DI:0.1UF,10%,25V	54583	C3216X7R1E104K
A9C762	283-5004-00			CAP,FXD,CER DI:0.1UF,10%,25V	54583	C3216X7R1E104K
A9C770	283-5004-00			CAP,FXD,CER DI:0.1UF,10%,25V	54583	C3216X7R1E104K
A9C771	290-5003-00			CAP,FXD,ELCTL:47UF,20%,10V	56289	1930476X0010E2
A9C772	283-5004-00			CAP,FXD,CER DI:0.1UF,10%,25V	54583	C3216X7R1E104K
A9C800	283-5004-00			CAP,FXD,CER DI:0.1UF,10%,25V	54583	C3216X7R1E104K
A9C801	283-5013-00			CAP,FXD,CER DI:680PF,10%,50V	04222	08051C681KAT050R
A9CR110	151-0817-00	B010100	B010312	TRANSISTOR:NPN,SI,PHOTO,30V	04713	MRD 701
A9CR110	151-0846-00	B010313		TRANSISTOR:NPN,SI,5W,TO-39	80009	151-0846-00
A9CR111	151-0817-00	B010100	B010312	TRANSISTOR:NPN,SI,PHOTO,30V	04713	MRD 701
A9CR111	151-0846-00	B010313		TRANSISTOR:NPN,SI,5W,TO-39	80009	151-0846-00
A9CR112	151-0817-00	B010100	B010312	TRANSISTOR:NPN,SI,PHOTO,30V	04713	MRD 701

Replaceable Electrical Parts
11401 Extended Service Volume 2

Component No.	Tektronix Part No.	Serial/Assembly No. Effective	Dscnt	Name & Description	Mfr. Code	Mfr. Part No.
A9CR502	151-0846-00	B010313		TRANSISTOR:NPN,SI,5W,TO-39	80009	151-0846-00
A9CR600	151-0817-00	B010100	B010312	TRANSISTOR:NPN,SI,PHOTO,30V	04713	MRD 701
A9CR600	151-0846-00	B010313		TRANSISTOR:NPN,SI,5W,TO-39	80009	151-0846-00
A9CR700	152-0731-01			SEMICON DVC,DI:SIG,SI,SER PR	80009	152-0731-01
A9DS270	150-1153-00	B010100	B010312	LT EMITTING DIO:IR,940 NM	04713	MLED 71
A9DS270	150-1168-00	B010313		LT EMITTING DIO:IR	80009	150-1168-00
A9DS271	150-1153-00	B010100	B010312	LT EMITTING DIO:IR,940 NM	04713	MLED 71
A9DS271	150-1168-00	B010313		LT EMITTING DIO:IR	80009	150-1168-00
A9DS272	150-1153-00	B010100	B010312	LT EMITTING DIO:IR,940 NM	04713	MLED 71
A9DS272	150-1168-00	B010313		LT EMITTING DIO:IR	80009	150-1168-00
A9DS370	150-1153-00	B010100	B010312	LT EMITTING DIO:IR,940 NM	04713	MLED 71
A9DS370	150-1168-00	B010313		LT EMITTING DIO:IR	80009	150-1168-00
A9DS371	150-1153-00	B010100	B010312	LT EMITTING DIO:IR,940 NM	04713	MLED 71
A9DS371	150-1168-00	B010313		LT EMITTING DIO:IR	80009	150-1168-00
A9DS470	150-1153-00	B010100	B010312	LT EMITTING DIO:IR,940 NM	04713	MLED 71
A9DS470	150-1168-00	B010313		LT EMITTING DIO:IR	80009	150-1168-00
A9DS471	150-1153-00	B010100	B010312	LT EMITTING DIO:IR,940 NM	04713	MLED 71
A9DS471	150-1168-00	B010313		LT EMITTING DIO:IR	80009	150-1168-00
A9DS570	150-1153-00	B010100	B010312	LT EMITTING DIO:IR,940 NM	04713	MLED 71
A9DS570	150-1168-00	B010313		LT EMITTING DIO:IR	80009	150-1168-00
A9DS571	150-1153-00	B010100	B010312	LT EMITTING DIO:IR,940 NM	04713	MLED 71
A9DS571	150-1168-00	B010313		LT EMITTING DIO:IR	80009	150-1168-00
A9DS572	150-1153-00	B010100	B010312	LT EMITTING DIO:IR,940 NM	04713	MLED 71
A9DS572	150-1168-00	B010313		LT EMITTING DIO:IR	80009	150-1168-00
A9DS670	150-1153-00	B010100	B010312	LT EMITTING DIO:IR,940 NM	04713	MLED 71
A9DS670	150-1168-00	B010313		LT EMITTING DIO:IR	80009	150-1168-00
A9DS710	150-1153-00	B010100	B010312	LT EMITTING DIO:IR,940 NM	04713	MLED 71
A9DS710	150-1168-00	B010313		LT EMITTING DIO:IR	80009	150-1168-00
A9DS711	150-1153-00	B010100	B010312	LT EMITTING DIO:IR,940 NM	04713	MLED 71
A9DS711	150-1168-00	B010313		LT EMITTING DIO:IR	80009	150-1168-00
A9DS712	150-1153-00	B010100	B010312	LT EMITTING DIO:IR,940 NM	04713	MLED 71
A9DS712	150-1168-00	B010313		LT EMITTING DIO:IR	80009	150-1168-00
A9DS713	150-1154-00			LIGHT BAR:4 LED,GREEN	50434	HLMP 2550
A9DS714	150-1154-00			LIGHT BAR:4 LED,GREEN	50434	HLMP 2550
A9DS715	150-1154-00			LIGHT BAR:4 LED,GREEN	50434	HLMP 2550
A9DS720	150-1153-00	B010100	B010312	LT EMITTING DIO:IR,940 NM	04713	MLED 71
A9DS720	150-1168-00	B010313		LT EMITTING DIO:IR	80009	150-1168-00
A9DS721	150-1153-00	B010100	B010312	LT EMITTING DIO:IR,940 NM	04713	MLED 71
A9DS721	150-1168-00	B010313		LT EMITTING DIO:IR	80009	150-1168-00
A9DS722	150-1153-00	B010100	B010312	LT EMITTING DIO:IR,940 NM	04713	MLED 71
A9DS722	150-1168-00	B010313		LT EMITTING DIO:IR	80009	150-1168-00
A9DS723	150-1153-00	B010100	B010312	LT EMITTING DIO:IR,940 NM	04713	MLED 71
A9DS723	150-1168-00	B010313		LT EMITTING DIO:IR	80009	150-1168-00
A9DS724	150-1154-00			LIGHT BAR:4 LED,GREEN	50434	HLMP 2550
A9DS725	150-1154-00			LIGHT BAR:4 LED,GREEN	50434	HLMP 2550
A9DS730	150-1153-00	B010100	B010312	LT EMITTING DIO:IR,940 NM	04713	MLED 71
A9DS730	150-1168-00	B010313		LT EMITTING DIO:IR	80009	150-1168-00
A9DS731	150-1153-00	B010100	B010312	LT EMITTING DIO:IR,940 NM	04713	MLED 71
A9DS731	150-1168-00	B010313		LT EMITTING DIO:IR	80009	150-1168-00
A9DS732	150-1153-00	B010100	B010312	LT EMITTING DIO:IR,940 NM	04713	MLED 71
A9DS732	150-1168-00	B010313		LT EMITTING DIO:IR	80009	150-1168-00
A9DS733	150-1167-00			LIGHT BAR:2 LED,GREEN	50434	HLMP 2500
A9DS734	150-1167-00			LIGHT BAR:2 LED,GREEN	50434	HLMP 2500
A9DS740	150-1153-00	B010100	B010312	LT EMITTING DIO:IR,940 NM	04713	MLED 71
A9DS740	150-1168-00	B010313		LT EMITTING DIO:IR	80009	150-1168-00
A9DS741	150-1153-00	B010100	B010312	LT EMITTING DIO:IR,940 NM	04713	MLED 71
A9DS741	150-1168-00	B010313		LT EMITTING DIO:IR	80009	150-1168-00
A9DS742	150-1153-00	B010100	B010312	LT EMITTING DIO:IR,940 NM	04713	MLED 71

Replaceable Electrical Parts
11401 Extended Service Volume 2

Component No.	Tektronix Part No.	Serial/Assembly No. Effective	Discnt	Name & Description	Mfr. Code	Mfr. Part No.
A9DS742	150-1168-00	B010313		LT EMITTING DIO:IR	80009	150-1168-00
A9DS743	150-1153-00	B010100	B010312	LT EMITTING DIO:IR,940 NM	04713	MLED 71
A9DS743	150-1168-00	B010313		LT EMITTING DIO:IR	80009	150-1168-00
A9DS750	150-1153-00	B010100	B010312	LT EMITTING DIO:IR,940 NM	04713	MLED 71
A9DS750	150-1168-00	B010313		LT EMITTING DIO:IR	80009	150-1168-00
A9DS751	150-1153-00	B010100	B010312	LT EMITTING DIO:IR,940 NM	04713	MLED 71
A9DS751	150-1168-00	B010313		LT EMITTING DIO:IR	80009	150-1168-00
A9DS752	150-1153-00	B010100	B010312	LT EMITTING DIO:IR,940 NM	04713	MLED 71
A9DS752	150-1168-00	B010313		LT EMITTING DIO:IR	80009	150-1168-00
A9DS760	150-1153-00	B010100	B010312	LT EMITTING DIO:IR,940 NM	04713	MLED 71
A9DS760	150-1168-00	B010313		LT EMITTING DIO:IR	80009	150-1168-00
A9DS761	150-1153-00	B010100	B010312	LT EMITTING DIO:IR,940 NM	04713	MLED 71
A9DS761	150-1168-00	B010313		LT EMITTING DIO:IR	80009	150-1168-00
A9DS762	150-1153-00	B010100	B010312	LT EMITTING DIO:IR,940 NM	04713	MLED 71
A9DS762	150-1168-00	B010313		LT EMITTING DIO:IR	80009	150-1168-00
A9DS763	150-1153-00	B010100	B010312	LT EMITTING DIO:IR,940 NM	04713	MLED 71
A9DS763	150-1168-00	B010313		LT EMITTING DIO:IR	80009	150-1168-00
A9DS770	150-1153-00	B010100	B010312	LT EMITTING DIO:IR,940 NM	04713	MLED 71
A9DS770	150-1168-00	B010313		LT EMITTING DIO:IR	80009	150-1168-00
A9J73	131-2098-00			CONN,RCPT,ELEC:CIRCUIT BOARD,26 CONTACTS	22526	65495-021
A9P73	175-9801-00			CA ASSY,SP,ELEC:40,4.0 L	TK1547	ORDER BY DESCR
A9R700	325-5003-00			RES,FXD,FILM:10K,5%,0.125W	91637	CRCW 1206-103J-T
A9R701	325-5003-00			RES,FXD,FILM:10K,5%,0.125W	91637	CRCW 1206-103J-T
A9R702	325-5003-00			RES,FXD,FILM:10K,5%,0.125W	91637	CRCW 1206-103J-T
A9R703	315-0566-00	B010418		RES,FXD,FILM:56M OHM,5%,0.25W	01121	CB5665
A9R760	325-5013-00			RES,FXD,FILM:4.7K OHM,5%	01121	BCD4701J
A9R770	321-5004-00			RES,FXD,FILM:22.1 OHM,1%,0.125W	57668	MCR18FWEA22E1
A9R801	325-5003-00			RES,FXD,FILM:10K,5%,0.125W	91637	CRCW 1206-103J-T
A9R802	325-5003-00			RES,FXD,FILM:10K,5%,0.125W	91637	CRCW 1206-103J-T
A9R803	325-5002-00			RES,FXD,FILM:1K,5%,0.125W	01121	BCD1001JT
A9R804	325-5003-00			RES,FXD,FILM:10K,5%,0.125W	91637	CRCW 1206-103J-T
A9R810	325-5013-00			RES,FXD,FILM:4.7K OHM,5%	01121	BCD4701J
A9R820	325-5013-00			RES,FXD,FILM:4.7K OHM,5%	01121	BCD4701J
A9R821	325-5013-00			RES,FXD,FILM:4.7K OHM,5%	01121	BCD4701J
A9R830	325-5013-00			RES,FXD,FILM:4.7K OHM,5%	01121	BCD4701J
A9R831	325-5013-00			RES,FXD,FILM:4.7K OHM,5%	01121	BCD4701J
A9R840	325-5013-00			RES,FXD,FILM:4.7K OHM,5%	01121	BCD4701J
A9S1	260-2280-01			SW,PUSH BUTTON:SPRT,NORMALLY OPEN,LOW PROFILE,SHORT TRAVEL	31918	211100
A9S3	260-2280-01			SW,PUSH BUTTON:SPRT,NORMALLY OPEN,LOW PROFILE,SHORT TRAVEL	31918	211100
A9S4	260-2280-01			SW,PUSH BUTTON:SPRT,NORMALLY OPEN,LOW PROFILE,SHORT TRAVEL	31918	211100
A9S5	260-2280-01			SW,PUSH BUTTON:SPRT,NORMALLY OPEN,LOW PROFILE,SHORT TRAVEL	31918	211100
A9S6	260-2280-01			SW,PUSH BUTTON:SPRT,NORMALLY OPEN,LOW PROFILE,SHORT TRAVEL	31918	211100
A9S7	260-2280-01			SW,PUSH BUTTON:SPRT,NORMALLY OPEN,LOW PROFILE,SHORT TRAVEL	31918	211100
A9U110	156-5050-00			MICROCKT,DGTL:HCMOS,ANALOG SW,8 CHANNEL	80009	156-5050-00
A9U130	156-5050-00			MICROCKT,DGTL:HCMOS,ANALOG SW,8 CHANNEL	80009	156-5050-00
A9U160	156-5050-00			MICROCKT,DGTL:HCMOS,ANALOG SW,8 CHANNEL	80009	156-5050-00
A9U200	156-5050-00			MICROCKT,DGTL:HCMOS,ANALOG SW,8 CHANNEL	80009	156-5050-00
A9U500	156-5050-00			MICROCKT,DGTL:HCMOS,ANALOG SW,8 CHANNEL	80009	156-5050-00
A9U700	156-1989-00			MICROCKT,LINEAR:OPERATIONAL AMPLIFIER,DUAL,BIFET	04713	MC34002D
A9U740	156-5050-00			MICROCKT,DGTL:HCMOS,ANALOG SW,8 CHANNEL	80009	156-5050-00

Replaceable Electrical Parts
11401 Extended Service Volume 2

Component No.	Tektronix	Serial/Assembly No.		Name & Description	Mfr.	Mfr. Part No.
	Part No.	Effective	Discont		Code	
A9U760	156-5033-00			MICROCKT, DGTL: LSTTL, 3 TO 8 LINE DCDR/DEMUX	18324	74LS138D
A9U761	156-5033-00			MICROCKT, DGTL: LSTTL, 3 TO 8 LINE DCDR/DEMUX	18324	74LS138D
A9U770	156-5049-00			MICROCKT, DGTL: LSTTL, DRIVER/DECODER, BCD TO DECIMAL	80009	156-5049-00
A9U840	156-5049-00			MICROCKT, DGTL: LSTTL, DRIVER/DECODER, BCD TO DECIMAL	80009	156-5049-00
A9U860	156-5049-00			MICROCKT, DGTL: LSTTL, DRIVER/DECODER, BCD TO DECIMAL	80009	156-5049-00
A9U870	156-5049-00			MICROCKT, DGTL: LSTTL, DRIVER/DECODER, BCD TO DECIMAL	80009	156-5049-00
A9U871	156-5049-00			MICROCKT, DGTL: LSTTL, DRIVER/DECODER, BCD TO DECIMAL	80009	156-5049-00
A10	670-8847-00			CIRCUIT BD ASSY: FRONT PANEL CONTROL	80009	670-8847-00
A10C100	290-1123-00			CAP, FXD, ELCTLT: 68MF, 20%, 10V	TK1424	CEUST1A680 (T-7)
A10C102	290-1123-00			CAP, FXD, ELCTLT: 68MF, 20%, 10V	TK1424	CEUST1A680 (T-7)
A10C103	281-0909-00			CAP, FXD, CER DI: 0.022UF, 20%, 50V	54583	MA12X7R1H223M-T
A10C104	281-0909-00			CAP, FXD, CER DI: 0.022UF, 20%, 50V	54583	MA12X7R1H223M-T
A10C110	281-0909-00			CAP, FXD, CER DI: 0.022UF, 20%, 50V	54583	MA12X7R1H223M-T
A10C111	281-0909-00			CAP, FXD, CER DI: 0.022UF, 20%, 50V	54583	MA12X7R1H223M-T
A10C112	281-0865-00			CAP, FXD, CER DI: 1000PF, 5%, 100V	04222	MA101A102JAA
A10C113	281-0909-00			CAP, FXD, CER DI: 0.022UF, 20%, 50V	54583	MA12X7R1H223M-T
A10C114	281-0909-00			CAP, FXD, CER DI: 0.022UF, 20%, 50V	54583	MA12X7R1H223M-T
A10C115	281-0909-00			CAP, FXD, CER DI: 0.022UF, 20%, 50V	54583	MA12X7R1H223M-T
A10C200	281-0909-00			CAP, FXD, CER DI: 0.022UF, 20%, 50V	54583	MA12X7R1H223M-T
A10C201	281-0909-00			CAP, FXD, CER DI: 0.022UF, 20%, 50V	54583	MA12X7R1H223M-T
A10C202	281-0909-00			CAP, FXD, CER DI: 0.022UF, 20%, 50V	54583	MA12X7R1H223M-T
A10C210	281-0814-01			CAP, FXD, CER DI: 100PF, 5%, 100V	04222	SA101A101JAA
A10C211	281-0909-00			CAP, FXD, CER DI: 0.022UF, 20%, 50V	54583	MA12X7R1H223M-T
A10C212	281-0909-00			CAP, FXD, CER DI: 0.022UF, 20%, 50V	54583	MA12X7R1H223M-T
A10C213	281-0909-00			CAP, FXD, CER DI: 0.022UF, 20%, 50V	54583	MA12X7R1H223M-T
A10C218	281-0909-00			CAP, FXD, CER DI: 0.022UF, 20%, 50V	54583	MA12X7R1H223M-T
A10J72	131-3323-00			CONN, RCPT, ELEC: HEADER, 2 X 20, 0.1 SPACING	22526	66506-025
A10J73	131-3362-00			CONN, RCPT, ELEC: HEADER, STR, 26 PIN	53387	3593-6002
A10J74	131-0608-00			TERMINAL, PIN: 0.365 L X 0.025 BRZ GLD PL (QUANTITY OF 6)	22526	48283-036
A10J75	131-3520-00			CONN, RCPT, ELEC: HEADER, 10 CONT, STR SLDR PIN	53387	3591-6002
A10LS202	119-2101-00			XDCR, AUDIO: 6V, 40MA, 2-2.5KHZ, WATER WASHABLE	TK1066	SMX-06
A10R100	315-0511-00			RES, FXD, FILM: 510 OHM, 5%, 0.25W	19701	5043CX510R0J
A10R111	315-0432-00			RES, FXD, FILM: 4.3K OHM, 5%, 0.25W	57668	NTR25J-E04K3
A10R112	315-0432-00			RES, FXD, FILM: 4.3K OHM, 5%, 0.25W	57668	NTR25J-E04K3
A10R113	315-0472-00			RES, FXD, FILM: 4.7K OHM, 5%, 0.25W	57668	NTR25J-E04K7
A10R115	315-0472-00			RES, FXD, FILM: 4.7K OHM, 5%, 0.25W	57668	NTR25J-E04K7
A10R201	307-0383-00			RES NTWK, FXD, F1: 13, 4.7K OHM, 2%, 0.25W	03888	PD14L 4.7K GB
A10R204	307-1253-00			RES, FXD, FILM: 4.7K OHM, 2%	01121	3148472
A10R206	307-1255-00			RES, FXD, FILM: 240 OHM, 2%	01121	3148241
A10R210	315-0752-00			RES, FXD, FILM: 7.5K OHM, 5%, 0.25W	57668	NTR25J-E07K5
A10R211	315-0563-00			RES, FXD, FILM: 56K OHM, 5%, 0.25W	19701	5043CX56K00J
A10R212	315-0563-00			RES, FXD, FILM: 56K OHM, 5%, 0.25W	19701	5043CX56K00J
A10R213	315-0563-00			RES, FXD, FILM: 56K OHM, 5%, 0.25W	19701	5043CX56K00J
A10R214	315-0563-00			RES, FXD, FILM: 56K OHM, 5%, 0.25W	19701	5043CX56K00J
A10R215	307-1253-00			RES, FXD, FILM: 4.7K OHM, 2%	01121	3148472
A10R217	307-1256-00			RES, FXD, FILM: 390 OHM, 2%	01121	3148391
A10TP102	131-0608-00			TERMINAL, PIN: 0.365 L X 0.025 BRZ GLD PL	22526	48283-036
A10TP103	131-0608-00			TERMINAL, PIN: 0.365 L X 0.025 BRZ GLD PL	22526	48283-036
A10TP110	131-0608-00			TERMINAL, PIN: 0.365 L X 0.025 BRZ GLD PL	22526	48283-036
A10TP210	131-0608-00			TERMINAL, PIN: 0.365 L X 0.025 BRZ GLD PL	22526	48283-036

Replaceable Electrical Parts
11401 Extended Service Volume 2

Component No.	Tektronix		Serial/Assembly No. Effective Dscnt	Name & Description	Mfr.	
	Part No.				Code	Mfr. Part No.
A10TP217	131-0608-00			TERMINAL,PIN:0.365 L X 0.025 BRZ GLD PL	22526	48283-036
A10U100	156-0874-02			MICROCKT,DGTL:8 BIT ADDRESSABLE LATCH	04713	SN74LS259NDS
A10U103	156-1535-00			MICROCKT,DGTL:NMOS,PROGRAMMABLE KYBD/DLY INTERFACE	34335	AM8279-5(N OR J)
A10U110	156-0385-02			MICROCKT,DGTL:HEX INVERTER,SCRN	07263	74LS04PCQR
A10U111	156-0402-02			MICROCKT,LINEAR:TIMER,CHECKED	27014	LM555CN/A+
A10U113	156-0388-03			MICROCKT,DGTL:DUAL D FLIP-FLOP,SCRN	01295	SN74LS74ANP3
A10U114	156-0412-02			MICROCKT,DGTL:SYN 4 BIT UP/DOWN CNTR,SCRN	27014	DM74LS193NA+
A10U115	156-0382-02			MICROCKT,DGTL:QUAD 2 INP NAND GATE BURN	18324	N74LS00NB
A10U200	156-0480-02			MICROCKT,DGTL:QUAD 2-INP & GATE,SCRN,	01295	SN74LS08NP3
A10U201	156-0994-02			MICROCKT,DGTL:8 INPUT DATA SEL/MUX,SCRN	01295	SN74LS151NP3
A10U203	156-0480-02			MICROCKT,DGTL:QUAD 2-INP & GATE,SCRN,	01295	SN74LS08NP3
A10U205	156-0355-00			MICROCKT,LINEAR:7-TRANSISTOR,COMMON EMITTER	02735	CA3081
A10U210	156-0733-02			MICROCKT,DGTL:DUAL MONOSTABLE MV W/ST INP	01295	SN74LS221N3
A10U211	156-0956-02			MICROCKT,DGTL:OCTAL BFR W/3 STATE OUT,SCRN	01295	SN74LS244NP3
A10U212	156-0386-02			MICROCKT,DGTL:TRIPLE 3-INP NAND GATE,SCRN	07263	74LS10PCQR
A10U213	156-1172-01			MICROCKT,DGTL:DUAL 4 BIT BIN CNTR,SCRN	01295	SN74LS393NP3
A10U214	156-0480-02			MICROCKT,DGTL:QUAD 2-INP & GATE,SCRN,	01295	SN74LS08NP3
A10U216	156-0355-00			MICROCKT,LINEAR:7-TRANSISTOR,COMMON EMITTER	02735	CA3081
A10U218	156-0330-02			MICROCKT,DGTL:HEX BUFFER,SCREENED	02735	CD4050BFX
A10VR100	152-0195-00			SEMICON DVC,DI:ZEN,SI,5.1V,5%,0.4W,DO-7	04713	SZ11755RL
A11	670-9367-00			CIRCUIT BD ASSY:FRONT PANEL BUTTON	80009	670-9367-00
A11DS100	150-1167-00			LIGHT BAR:2 LED,GREEN	50434	HLMP 2500
A11DS110	150-1167-00			LIGHT BAR:2 LED,GREEN	50434	HLMP 2500
A11J75	131-3519-00			CONN,RCPT,ELEC:CKT BD,10 CONTACT,4 ROW	53387	3474-0000T
A11P75	175-9802-00			CA ASSY,SP,ELEC:34,2.0 L	TK1148	ORDER BY DESC
A11S100	260-2280-01			SW,PUSH BUTTON:SPRT,NORMALLY OPEN,LOW PROFILE,SHORT TRAVEL	31918	211100
A11S200	260-2280-01			SW,PUSH BUTTON:SPRT,NORMALLY OPEN,LOW PROFILE,SHORT TRAVEL	31918	211100
A11S300	260-2280-01			SW,PUSH BUTTON:SPRT,NORMALLY OPEN,LOW PROFILE,SHORT TRAVEL	31918	211100
A11S400	260-2280-01			SW,PUSH BUTTON:SPRT,NORMALLY OPEN,LOW PROFILE,SHORT TRAVEL	31918	211100
A12	670-8853-00			CIRCUIT BD ASSY:REAR PANEL	80009	670-8853-00
A12C100	281-0767-00			CAP,FXD,CER DI:330PF,20%,100V	04222	MA106C331MAA
A12C110	281-0767-00			CAP,FXD,CER DI:330PF,20%,100V	04222	MA106C331MAA
A12C111	281-0767-00			CAP,FXD,CER DI:330PF,20%,100V	04222	MA106C331MAA
A12C112	281-0909-00			CAP,FXD,CER DI:0.022UF,20%,50V	54583	MA12X7R1H223M-T
A12C114	281-0913-00			CAP,FXD,CER DI:0.1UF,50V,AXIAL	04222	SA105E104ZAA
A12C115	281-0913-00			CAP,FXD,CER DI:0.1UF,50V,AXIAL	04222	SA105E104ZAA
A12C117	281-0913-00			CAP,FXD,CER DI:0.1UF,50V,AXIAL	04222	SA105E104ZAA
A12C118	281-0913-00			CAP,FXD,CER DI:0.1UF,50V,AXIAL	04222	SA105E104ZAA
A12C120	281-0909-00			CAP,FXD,CER DI:0.022UF,20%,50V	54583	MA12X7R1H223M-T
A12C200	281-0909-00			CAP,FXD,CER DI:0.022UF,20%,50V	54583	MA12X7R1H223M-T
A12C210	281-0909-00			CAP,FXD,CER DI:0.022UF,20%,50V	54583	MA12X7R1H223M-T
A12C233	281-0809-00			CAP,FXD,CER DI:200 PF,5%,100V	04222	MA101A201JAA
A12C241	281-0809-00			CAP,FXD,CER DI:200 PF,5%,100V	04222	MA101A201JAA
A12C242	290-1123-00			CAP,FXD,ELCTLT:68MF,20%,10V	TK1424	CEUST1A680 (T-7)
A12C300	281-0913-00			CAP,FXD,CER DI:0.1UF,50V,AXIAL	04222	SA105E104ZAA
A12C310	281-0913-00			CAP,FXD,CER DI:0.1UF,50V,AXIAL	04222	SA105E104ZAA
A12C330	281-0909-00			CAP,FXD,CER DI:0.022UF,20%,50V	54583	MA12X7R1H223M-T
A12C400	281-0909-00			CAP,FXD,CER DI:0.022UF,20%,50V	54583	MA12X7R1H223M-T
A12C410	281-0909-00			CAP,FXD,CER DI:0.022UF,20%,50V	54583	MA12X7R1H223M-T

Component No.	Tektronix Part No.	Serial/Assembly No. Effective Dscont	Name & Description	Mfr. Code	Mfr. Part No.
A12C430	281-0909-00		CAP,FXD,CER DI:0.022UF,20%,50V	54583	MA12X7R1H223M-T
A12C431	281-0909-00		CAP,FXD,CER DI:0.022UF,20%,50V	54583	MA12X7R1H223M-T
A12C500	281-0909-00		CAP,FXD,CER DI:0.022UF,20%,50V	54583	MA12X7R1H223M-T
A12C510	281-0909-00		CAP,FXD,CER DI:0.022UF,20%,50V	54583	MA12X7R1H223M-T
A12C520	281-0909-00		CAP,FXD,CER DI:0.022UF,20%,50V	54583	MA12X7R1H223M-T
A12C530	281-0909-00		CAP,FXD,CER DI:0.022UF,20%,50V	54583	MA12X7R1H223M-T
A12C531	281-0909-00		CAP,FXD,CER DI:0.022UF,20%,50V	54583	MA12X7R1H223M-T
A12C600	281-0909-00		CAP,FXD,CER DI:0.022UF,20%,50V	54583	MA12X7R1H223M-T
A12C601	281-0913-00		CAP,FXD,CER DI:0.1UF,50V,AXIAL	04222	SA105E104ZAA
A12C606	281-0913-00		CAP,FXD,CER DI:0.1UF,50V,AXIAL	04222	SA105E104ZAA
A12C610	281-0909-00		CAP,FXD,CER DI:0.022UF,20%,50V	54583	MA12X7R1H223M-T
A12CR114	152-0834-01		SEMICON DVC,DI:16 DI ARRAY,COMMON ANODE, 35V,4NS	80009	152-0834-01
A12CR115	152-0835-01		SEMICON DVC,DI:16 DIODE ARRAY,COMMON CATHODE,35V,4NS	80009	152-0835-01
A12CR400	152-0107-03		SEMICON DVC,DI:RECT,SI,400V,400MA,A1	04713	1N4004
A12CR401	152-0107-03		SEMICON DVC,DI:RECT,SI,400V,400MA,A1	04713	1N4004
A12CR602	152-0835-01		SEMICON DVC,DI:16 DIODE ARRAY,COMMON CATHODE,35V,4NS	80009	152-0835-01
A12CR603	152-0834-01		SEMICON DVC,DI:16 DI ARRAY,COMMON ANODE, 35V,4NS	80009	152-0834-01
A12CR605	152-0834-01		SEMICON DVC,DI:16 DI ARRAY,COMMON ANODE, 35V,4NS	80009	152-0834-01
A12CR606	152-0835-01		SEMICON DVC,DI:16 DIODE ARRAY,COMMON CATHODE,35V,4NS	80009	152-0835-01
A12DS700	150-1152-00		LT EMITTING DIO:RED 5V,T-1 PACKAGE	50434	HLMP3600 OPT 002
A12DS710	150-1152-00		LT EMITTING DIO:RED 5V,T-1 PACKAGE	50434	HLMP3600 OPT 002
A12DS711	150-1152-00		LT EMITTING DIO:RED 5V,T-1 PACKAGE	50434	HLMP3600 OPT 002
A12J50	131-3426-00		CONN,RCPT,ELEC:CKT BD,24 CONT,FEMALE	00779	554501-2
A12J51	131-3428-00		CONN,RCPT,ELEC:CKT BD,25 CONT,FEMALE	00779	745187-7
A12J78	131-3181-00		CONN,RCPT,ELEC:HEADER,RTANG,2 X 20,0.1 CTR	22526	75867-007
A12J111	131-3427-00		CONN,RCPT,ELEC:CKT BD,FEMALE 36 CONTACT WITH CKT BD TAILS	00779	554400-2
A12R111	315-0472-00		RES,FXD,FILM:4.7K OHM,5%,0.25W	57668	NTR25J-E04K7
A12R120	315-0472-00		RES,FXD,FILM:4.7K OHM,5%,0.25W	57668	NTR25J-E04K7
A12R222	315-0472-00		RES,FXD,FILM:4.7K OHM,5%,0.25W	57668	NTR25J-E04K7
A12R230	315-0471-00		RES,FXD,FILM:470 OHM,5%,0.25W	57668	NTR25J-E470E
A12R231	315-0471-00		RES,FXD,FILM:470 OHM,5%,0.25W	57668	NTR25J-E470E
A12R232	315-0103-00		RES,FXD,FILM:10K OHM,5%,0.25W	19701	5043CX10K00J
A12R320	315-0472-00		RES,FXD,FILM:4.7K OHM,5%,0.25W	57668	NTR25J-E04K7
A12R321	315-0242-00		RES,FXD,FILM:2.4K OHM,5%,0.25W	57668	NTR25J-E02K4
A12R340	315-0472-00		RES,FXD,FILM:4.7K OHM,5%,0.25W	57668	NTR25J-E04K7
A12R341	315-0103-00		RES,FXD,FILM:10K OHM,5%,0.25W	19701	5043CX10K00J
A12R342	315-0472-00		RES,FXD,FILM:4.7K OHM,5%,0.25W	57668	NTR25J-E04K7
A12R520	315-0472-00		RES,FXD,FILM:4.7K OHM,5%,0.25W	57668	NTR25J-E04K7
A12R600	315-0472-00		RES,FXD,FILM:4.7K OHM,5%,0.25W	57668	NTR25J-E04K7
A12R640	315-0332-00		RES,FXD,FILM:3.3K OHM,5%,0.25W	57668	NTR25J-E03K3
A12R650	307-0675-00		RES NTWK,FXD,FI:9,1K OHM,2%1.25W	11236	750-101-R1K OHM
A12U110	156-0385-02		MICROCKT,DGTL:HEX INVERTER,SCRN	07263	74LS04PCQR
A12U120	156-0385-02		MICROCKT,DGTL:HEX INVERTER,SCRN	07263	74LS04PCQR
A12U210	156-0878-01		MICROCKT,INTFC:BIPOLAR,QUAD RS-232C LINE RECEIVER	04713	MC1489LDS
A12U310	156-0879-01		MICROCKT,INTFC:BIPOLAR,QUAD RS-232C LINE DRIVER	04713	MC1488LD
A12U311	156-1737-00		MICROCKT,DGTL:DUAL ASYNC RECEIVER/XMTR	18324	SCN2681AC1N40
A12U330	156-1600-00		MICROCKT,DGTL:LSTTL,DUAL RETRIG MONOSTAB MV	01295	SN74LS123N3/J4
A12U410	156-1444-01		MICROCKT,DGTL:NMOS,GPIB INTFC CONTROLLER	01295	TMS9914A (NL
A12U430	156-1570-00		MICROCKT,DGTL:NMOS,PRDM PRPHL INTFC,SCRN	34335	P8255AB

Replaceable Electrical Parts
11401 Extended Service Volume 2

Component No.	Tektronix Part No.	Serial/Assembly No.		Name & Description	Mfr. Code	Mfr. Part No.
		Effective	Discont			
A12U500	156-1414-02			MICROCKT,DGTL:OCTAL GPIB BUS XCVR,SCRN	27014	DS75160A N
A12U510	156-1415-01			MICROCKT,DGTL:OCTAL GPIB XCVR-MANAGEMENT	27014	DS75161A NA+
A12U520	156-0956-02			MICROCKT,DGTL:OCTAL BFR W/3 STATE OUT,SCRN	01295	SN74LS244NP3
A12U530	156-0384-02			MICROCKT,DGTL:QUAD 2-INP NAND GATE,SCRN	07263	74LS03PCQR
A12U540	156-0956-02			MICROCKT,DGTL:OCTAL BFR W/3 STATE OUT,SCRN	01295	SN74LS244NP3
A12U541	156-0956-02			MICROCKT,DGTL:OCTAL BFR W/3 STATE OUT,SCRN	01295	SN74LS244NP3
A12U600	156-0479-02			MICROCKT,DGTL:QUAD 2-INP OR GATE,SCRN	01295	SN74LS32NP3
A12U610	156-0383-02			MICROCKT,DGTL:QUAD 2-INP NOR GATE,SCRN,	18324	N74LS02NB
A12VR117	152-0405-00			SEMICOND DVC,DI:ZEN,SI,15V,5%,1W,TO-41	12954	DZ841205A
A12VR118	152-0405-00			SEMICOND DVC,DI:ZEN,SI,15V,5%,1W,TO-41	12954	DZ841205A
A12VR600	152-0691-00			SEMICOND DVC,DI:ZEN,SI,5.1V,10%,1.0W,DO-41	04713	1N4733
A12W140	196-3089-00			LEAD,ELECTRICAL:18 AWG,9.3 L,0-N W/CONN	80009	196-3089-00
A12Y320	158-0307-00			XTAL UNIT,QTZ:3.6864MHZ,SER	14301	X-1871
A13	670-8851-00			CIRCUIT BD ASSY:MOTHER	80009	670-8851-00
A13J63	131-2857-00			CONN,RCPT,ELEC:HEADER,1 X 4,0.25 SPACING	00779	350792-1
A13J100	131-2963-00			CONN,RCPT,ELEC:MALE,3 X 32,0.1 CTR	81312	94P032110105-589
A13J101	131-2963-00			CONN,RCPT,ELEC:MALE,3 X 32,0.1 CTR	81312	94P032110105-589
A13J102	131-2963-00			CONN,RCPT,ELEC:MALE,3 X 32,0.1 CTR	81312	94P032110105-589
A13J103	131-2963-00			CONN,RCPT,ELEC:MALE,3 X 32,0.1 CTR	81312	94P032110105-589
A13J104	131-2963-00			CONN,RCPT,ELEC:MALE,3 X 32,0.1 CTR	81312	94P032110105-589
A13J105	131-2963-00			CONN,RCPT,ELEC:MALE,3 X 32,0.1 CTR	81312	94P032110105-589
A13J106	131-2963-00			CONN,RCPT,ELEC:MALE,3 X 32,0.1 CTR	81312	94P032110105-589
A13J107	131-2963-00			CONN,RCPT,ELEC:MALE,3 X 32,0.1 CTR	81312	94P032110105-589
A14	670-8854-00	B010100	B011007	CIRCUIT BD ASSY:INPUT/OUTPUT	80009	670-8854-00
A14	670-8854-01	B011008		CIRCUIT BD ASSY:INPUT/OUTPUT	80009	670-8854-01
A14BT130	146-0055-00			BATTERY,DRY:3.0V,1200 MAH,LITHIUM	TK0510	BR-2/3A-E2P
A14C100	281-0909-00			CAP,FXD,CER DI:0.022UF,20%,50V	54583	MA12X7R1H223M-T
A14C110	281-0913-00			CAP,FXD,CER DI:0.1UF,50V,AXIAL	04222	SA105E104ZAA
A14C111	281-0913-00			CAP,FXD,CER DI:0.1UF,50V,AXIAL	04222	SA105E104ZAA
A14C112	281-0909-00			CAP,FXD,CER DI:0.022UF,20%,50V	54583	MA12X7R1H223M-T
A14C114	290-0943-01	B011008		CAP,FXD,ELCTLT:47UF,20%,25V	55680	ULB1E470MPAANA1T
A14C116	290-0943-01	B011008		CAP,FXD,ELCTLT:47UF,20%,25V	55680	ULB1E470MPAANA1T
A14C118	281-0913-00	B011008		CAP,FXD,CER DI:0.1UF,50V,AXIAL	04222	SA105E104ZAA
A14C120	281-0909-00	B010100	B011007	CAP,FXD,CER DI:0.022UF,20%,50V	54583	MA12X7R1H223M-T
A14C121	281-0913-00			CAP,FXD,CER DI:0.1UF,50V,AXIAL	04222	SA105E104ZAA
A14C122	281-0913-00			CAP,FXD,CER DI:0.1UF,50V,AXIAL	04222	SA105E104ZAA
A14C129	281-0770-00			CAP,FXD,CER DI:1000PF,20%,100V	04222	MA101C102MAA
A14C130	281-0770-00			CAP,FXD,CER DI:1000PF,20%,100V	04222	MA101C102MAA
A14C131	290-0943-00			CAP,FXD,ELCTLT:47UF,+50-20%,25V	55680	ULB1E470TAAANA
A14C135	281-0770-00			CAP,FXD,CER DI:1000PF,20%,100V	04222	MA101C102MAA
A14C200	281-0909-00			CAP,FXD,CER DI:0.022UF,20%,50V	54583	MA12X7R1H223M-T
A14C210	281-0909-00			CAP,FXD,CER DI:0.022UF,20%,50V	54583	MA12X7R1H223M-T
A14C211	281-0773-00			CAP,FXD,CER DI:0.01UF,10%,100V	04222	MA201C103KAA
A14C212	281-0913-00			CAP,FXD,CER DI:0.1UF,50V,AXIAL	04222	SA105E104ZAA
A14C213	281-0913-00			CAP,FXD,CER DI:0.1UF,50V,AXIAL	04222	SA105E104ZAA
A14C220	281-0913-00			CAP,FXD,CER DI:0.1UF,50V,AXIAL	04222	SA105E104ZAA
A14C222	281-0773-00			CAP,FXD,CER DI:0.01UF,10%,100V	04222	MA201C103KAA
A14C226	290-0943-00			CAP,FXD,ELCTLT:47UF,+50-20%,25V	55680	ULB1E470TAAANA
A14C230	285-1300-01			CAP,FXD,MTLZD:0.1UF,10%,63V	55112	185/0.1/K/63/ABA
A14C300	290-0804-00			CAP,FXD,ELCTLT:10UF,+50-20%,25V	55680	ULB1E100TAAANA
A14C310	281-0909-00			CAP,FXD,CER DI:0.022UF,20%,50V	54583	MA12X7R1H223M-T
A14C312	281-0909-00			CAP,FXD,CER DI:0.022UF,20%,50V	54583	MA12X7R1H223M-T
A14C320	281-0909-00			CAP,FXD,CER DI:0.022UF,20%,50V	54583	MA12X7R1H223M-T
A14C330	281-0909-00			CAP,FXD,CER DI:0.022UF,20%,50V	54583	MA12X7R1H223M-T
A14C332	281-0909-00			CAP,FXD,CER DI:0.022UF,20%,50V	54583	MA12X7R1H223M-T

Component No.	Tektronix Part No.	Serial/Assembly No. Effective	Discont	Name & Description	Mfr. Code	Mfr. Part No.
A14C410	281-0909-00			CAP,FXD,CER DI:0.022UF,20%,50V	54583	MA12X7R1H223M-T
A14C420	281-0909-00			CAP,FXD,CER DI:0.022UF,20%,50V	54583	MA12X7R1H223M-T
A14C422	281-0909-00			CAP,FXD,CER DI:0.022UF,20%,50V	54583	MA12X7R1H223M-T
A14C430	281-0909-00			CAP,FXD,CER DI:0.022UF,20%,50V	54583	MA12X7R1H223M-T
A14C432	281-0909-00			CAP,FXD,CER DI:0.022UF,20%,50V	54583	MA12X7R1H223M-T
A14C433	281-0909-00			CAP,FXD,CER DI:0.022UF,20%,50V	54583	MA12X7R1H223M-T
A14C500	290-0804-00			CAP,FXD,ELCTLT:10UF,+50-20%,25V	55680	ULB1E100TAAANA
A14C502	290-0943-00			CAP,FXD,ELCTLT:47UF,+50-20%,25V	55680	ULB1E470TAAANA
A14C510	281-0265-00			CAP,VAR,CER DI:5.2-30PF,100V	TK1356	TZ03R300FR169
A14C511	281-0797-00	B010100	B011007	CAP,FXD,CER DI:15PF,10%,100V	04222	SA106A150KAA
A14C511	281-0811-00	B011008		CAP,FXD,CER DI:10PF,10%,100V	04222	MA10IA100KAA
A14C520	281-0909-00			CAP,FXD,CER DI:0.022UF,20%,50V	54583	MA12X7R1H223M-T
A14C522	281-0909-00			CAP,FXD,CER DI:0.022UF,20%,50V	54583	MA12X7R1H223M-T
A14C530	281-0909-00			CAP,FXD,CER DI:0.022UF,20%,50V	54583	MA12X7R1H223M-T
A14C532	281-0909-00			CAP,FXD,CER DI:0.022UF,20%,50V	54583	MA12X7R1H223M-T
A14C534	281-0909-00			CAP,FXD,CER DI:0.022UF,20%,50V	54583	MA12X7R1H223M-T
A14C600	281-0909-00			CAP,FXD,CER DI:0.022UF,20%,50V	54583	MA12X7R1H223M-T
A14C610	281-0909-00			CAP,FXD,CER DI:0.022UF,20%,50V	54583	MA12X7R1H223M-T
A14C612	281-0909-00			CAP,FXD,CER DI:0.022UF,20%,50V	54583	MA12X7R1H223M-T
A14C614	281-0909-00			CAP,FXD,CER DI:0.022UF,20%,50V	54583	MA12X7R1H223M-T
A14C620	281-0909-00			CAP,FXD,CER DI:0.022UF,20%,50V	54583	MA12X7R1H223M-T
A14C622	281-0909-00			CAP,FXD,CER DI:0.022UF,20%,50V	54583	MA12X7R1H223M-T
A14C630	281-0909-00			CAP,FXD,CER DI:0.022UF,20%,50V	54583	MA12X7R1H223M-T
A14C632	281-0909-00			CAP,FXD,CER DI:0.022UF,20%,50V	54583	MA12X7R1H223M-T
A14C700	281-0909-00			CAP,FXD,CER DI:0.022UF,20%,50V	54583	MA12X7R1H223M-T
A14C701	290-0943-00			CAP,FXD,ELCTLT:47UF,+50-20%,25V	55680	ULB1E470TAAANA
A14C710	281-0909-00			CAP,FXD,CER DI:0.022UF,20%,50V	54583	MA12X7R1H223M-T
A14C712	281-0909-00			CAP,FXD,CER DI:0.022UF,20%,50V	54583	MA12X7R1H223M-T
A14C714	281-0909-00			CAP,FXD,CER DI:0.022UF,20%,50V	54583	MA12X7R1H223M-T
A14C720	281-0909-00			CAP,FXD,CER DI:0.022UF,20%,50V	54583	MA12X7R1H223M-T
A14C722	281-0909-00			CAP,FXD,CER DI:0.022UF,20%,50V	54583	MA12X7R1H223M-T
A14C730	281-0909-00			CAP,FXD,CER DI:0.022UF,20%,50V	54583	MA12X7R1H223M-T
A14C732	281-0909-00			CAP,FXD,CER DI:0.022UF,20%,50V	54583	MA12X7R1H223M-T
A14C800	281-0909-00			CAP,FXD,CER DI:0.022UF,20%,50V	54583	MA12X7R1H223M-T
A14C810	281-0909-00			CAP,FXD,CER DI:0.022UF,20%,50V	54583	MA12X7R1H223M-T
A14C812	281-0909-00			CAP,FXD,CER DI:0.022UF,20%,50V	54583	MA12X7R1H223M-T
A14C814	281-0909-00			CAP,FXD,CER DI:0.022UF,20%,50V	54583	MA12X7R1H223M-T
A14C820	281-0909-00			CAP,FXD,CER DI:0.022UF,20%,50V	54583	MA12X7R1H223M-T
A14C822	281-0909-00			CAP,FXD,CER DI:0.022UF,20%,50V	54583	MA12X7R1H223M-T
A14C830	281-0909-00			CAP,FXD,CER DI:0.022UF,20%,50V	54583	MA12X7R1H223M-T
A14C832	281-0909-00			CAP,FXD,CER DI:0.022UF,20%,50V	54583	MA12X7R1H223M-T
A14C833	290-0943-00			CAP,FXD,ELCTLT:47UF,+50-20%,25V	55680	ULB1E470TAAANA
A14CR121	152-0107-00			SEMICON DVC,DI:RECT,SI,400 V,400MA,A1	12969	"G72"
A14CR210	152-0141-02			SEMICON DVC,DI:SW,SI,30V,150MA,30V,DO-35	03508	DA2527 (1N4152)
A14CR230	152-0834-01			SEMICON DVC,DI:16 DI ARRAY,COMMON ANODE, 35V,4NS	80009	152-0834-01
A14CR231	152-0835-01			SEMICON DVC,DI:16 DIODE ARRAY,COMMON CATHODE,35V,4NS	80009	152-0835-01
A14F200	159-0245-00			FUSE,WIRE LEAD:1A,125V,FAST	75915	R251001T1
A14F600	159-0245-00			FUSE,WIRE LEAD:1A,125V,FAST	75915	R251001T1
A14F602	159-0245-00			FUSE,WIRE LEAD:1A,125V,FAST	75915	R251001T1
A14F800	159-0245-00			FUSE,WIRE LEAD:1A,125V,FAST	75915	R251001T1
A14J72	131-3181-00			CONN,RCPT,ELEC:HEADER,RTANG,2 X 20,0.1 CTR	22526	75867-007
A14J77	131-3363-00			CONN,RCPT,ELEC:HEADER,RTANG,34 PIN	53387	3594-5002
A14J78	131-3181-00			CONN,RCPT,ELEC:HEADER,RTANG,2 X 20,0.1 CTR	22526	75867-007
A14J90	131-3453-00			CONN,RCPT,ELEC:HEADER,2 X 8 RT ANGLE	53387	3599-5002
A14J230	131-0608-00			TERMINAL,PIN:0.365 L X 0.025 BRZ GLD PL (QUANTITY OF 2)	22526	48283-036

Replaceable Electrical Parts
11401 Extended Service Volume 2

Component No.	Tektronix Part No.	Serial/Assembly No. Effective	Discont	Name & Description	Mfr. Code	Mfr. Part No.
A14J430	131-0608-00			TERMINAL, PIN:0.365 L X 0.025 BRZ GLD PL (QUANTITY OF 2)	22526	48283-036
A14J432	131-0608-00			TERMINAL, PIN:0.365 L X 0.025 BRZ GLD PL (QUANTITY OF 2)	22526	48283-036
A14J710	131-0608-00			TERMINAL, PIN:0.365 L X 0.025 BRZ GLD PL (QUANTITY OF 3)	22526	48283-036
A14J711	131-0608-00			TERMINAL, PIN:0.365 L X 0.025 BRZ GLD PL (QUANTITY OF 3)	22526	48283-036
A14J712	131-0608-00			TERMINAL, PIN:0.365 L X 0.025 BRZ GLD PL (QUANTITY OF 3)	22526	48283-036
A14J713	131-0608-00			TERMINAL, PIN:0.365 L X 0.025 BRZ GLD PL (QUANTITY OF 3)	22526	48283-036
A14J714	131-0608-00			TERMINAL, PIN:0.365 L X 0.025 BRZ GLD PL (QUANTITY OF 3)	22526	48283-036
A14J715	131-0608-00			TERMINAL, PIN:0.365 L X 0.025 BRZ GLD PL (QUANTITY OF 3)	22526	48283-036
A14L100	108-0537-00	B011008		COIL, RF: FIXED, 200UH	80009	108-0537-00
A14L102	108-0537-00	B011008		COIL, RF: FIXED, 200UH	80009	108-0537-00
A14P105	131-2964-00			CONN, RCPT, ELEC: FEMALE, 3 X 32, RTANG, 0.1 CTR	81312	096S-6043-0731-0
A14R110	311-2267-00	B010100	B011007	RES, VAR, NONWV: TRMR, 50K OHM, 20%, 0.5W	TK1450	GF06VT B50K-OHM
A14R111	321-1618-02			RES, FXD, FILM: 6.5K OHM, 0.5%, 0.125W, TC=T2	19701	5033RC6K500D
A14R112	311-2277-00	B010100	B011007	RES, VAR, NONWV: TRMR, 50 OHM, 20%, 0.5W	TK1450	GF06VT 50 OHM
A14R112	311-2270-00	B011008		RES, VAR, NONWV: TRMR, 10K OHM, 20%, 0.5W	TK1450	GF06VT 10 K OHM
A14R113	321-0931-03	B010100	B011007	RES, FXD, FILM: 1.11K OHM, 0.25%, 0.125W, TC=T2	19701	5033RC1K110C
A14R113	321-0199-03	B011008		RES, FXD, FILM: 1.15K OHM, 0.25%, 0.125W, TC=T2	91637	MFF1816D11500C
A14R114	321-1618-02			RES, FXD, FILM: 6.5K OHM, 0.5%, 0.125W, TC=T2	19701	5033RC6K500D
A14R120	315-0102-00			RES, FXD, FILM: 1K OHM, 5%, 0.25W	57668	NTR25JE01K0
A14R121	321-0385-07	B011008		RES, FXD, FILM: 100K OHM, 0.1%, 0.125W, TC=T9	19701	5033RE100K0B
A14R122	321-0963-07	B011008		RES, FXD, FILM: 98.73K OHM, 0.1%, 0.125W, TC=T9	07716	CEA 98.73KOHM 1%
A14R123	315-0513-00	B011008		RES, FXD, FILM: 51K OHM, 5%, 0.25W	57668	NTR25J-E51K0
A14R130	321-0203-00	B010100	B011007	RES, FXD, FILM: 1.27K OHM, 1%, 0.125W, TC=T0	07716	CEAD12700F
A14R130	321-0203-07	B011008		RES, FXD, FILM: 1.27K, 0.1%, 0.125W, TC=T9	80009	321-0203-07
A14R131	321-0361-06	B010100	B011007	RES, FXD, FILM: 56.2K OHM, 0.25%, 0.125W	19701	5033RE56K20C
A14R132	321-0318-02	B010100	B011007	RES, FXD, FILM: 20.0K 0.5%, 0.125W, TC=T2	19701	5033RC20K00D
A14R132	321-0673-07	B011008		RES, FXD, FILM: 17K OHM, 0.1%, 0.125W, TC=T9	07716	CEAE17001B
A14R133	321-0329-02	B010100	B011007	RES, FXD, FILM: 26.1K OHM, 0.5%, 0.125W, TC=T2	19701	5033RC26K10D
A14R133	321-0332-07	B011008		RES, FXD, FILM: 28.0K OHM, 0.1%, 0.125W, TC=T9	19701	5033RE28K00B
A14R134	321-0289-07			RES, FXD, FILM: 10.0K OHM, 0.1%, 0.125W, TC=T9	19701	5033RE10K00B
A14R135	313-1202-00	B010100	B011007	RES, FXD, FILM: 2K OHM, 5%, 0.2W	57668	TR20JE02K0
A14R135	315-0202-00	B011008		RES, FXD, FILM: 2K OHM, 5%, 0.25W	57668	NTR25J-E 2K
A14R200	315-0103-00			RES, FXD, FILM: 10K OHM, 5%, 0.25W	19701	5043CX10K00J
A14R214	315-0222-00			RES, FXD, FILM: 2.2K OHM, 5%, 0.25W	57668	NTR25J-E02K2
A14R216	315-0103-00			RES, FXD, FILM: 10K OHM, 5%, 0.25W	19701	5043CX10K00J
A14R220	315-0101-00			RES, FXD, FILM: 100 OHM, 5%, 0.25W	57668	NTR25J-E 100E
A14R230	307-0446-00			RES NTWK, FXD, FI: 10K OHM, 20%, (9)RES	11236	750-101-R10K
A14R231	315-0471-00			RES, FXD, FILM: 470 OHM, 5%, 0.25W	57668	NTR25J-E470E
A14R310	315-0103-00			RES, FXD, FILM: 10K OHM, 5%, 0.25W	19701	5043CX10K00J
A14R311	315-0103-00			RES, FXD, FILM: 10K OHM, 5%, 0.25W	19701	5043CX10K00J
A14R312	315-0103-00			RES, FXD, FILM: 10K OHM, 5%, 0.25W	19701	5043CX10K00J
A14R313	315-0103-00			RES, FXD, FILM: 10K OHM, 5%, 0.25W	19701	5043CX10K00J
A14R332	315-0103-00	B010100	B011007	RES, FXD, FILM: 10K OHM, 5%, 0.25W	19701	5043CX10K00J
A14R333	315-0103-00			RES, FXD, FILM: 10K OHM, 5%, 0.25W	19701	5043CX10K00J
A14R334	315-0472-00			RES, FXD, FILM: 4.7K OHM, 5%, 0.25W	57668	NTR25J-E04K7
A14R400	315-0100-00			RES, FXD, FILM: 10 OHM, 5%, 0.25W	19701	5043CX10R000J
A14R410	315-0103-00			RES, FXD, FILM: 10K OHM, 5%, 0.25W	19701	5043CX10K00J
A14R411	315-0472-00			RES, FXD, FILM: 4.7K OHM, 5%, 0.25W	57668	NTR25J-E04K7
A14R412	315-0472-00			RES, FXD, FILM: 4.7K OHM, 5%, 0.25W	57668	NTR25J-E04K7
A14R413	315-0622-00			RES, FXD, FILM: 6.2K OHM, 5%, 0.25W	19701	5043CX6K200J
A14R414	315-0472-00			RES, FXD, FILM: 4.7K OHM, 5%, 0.25W	57668	NTR25J-E04K7

Component No.	Tektronix Part No.	Serial/Assembly No.		Name & Description	Mfr. Code	Mfr. Part No.
		Effective	Discnt			
A14R420	315-0472-00			RES, FXD, FILM: 4.7K OHM, 5%, 0.25W	57668	NTR25J-E04K7
A14R422	313-1470-00	B010100	B011007	RES, FXD, FILM: 47 OHM, 5%, 0.2W	57668	TR20JE 47E
A14R422	315-0470-00	B011008		RES, FXD, FILM: 47 OHM, 5%, 0.25W	57668	NTR25J-E47E0
A14R430	315-0472-00			RES, FXD, FILM: 4.7K OHM, 5%, 0.25W	57668	NTR25J-E04K7
A14R431	315-0470-00			RES, FXD, FILM: 47 OHM, 5%, 0.25W	57668	NTR25J-E47E0
A14R432	315-0472-00			RES, FXD, FILM: 4.7K OHM, 5%, 0.25W	57668	NTR25J-E04K7
A14R433	315-0472-00			RES, FXD, FILM: 4.7K OHM, 5%, 0.25W	57668	NTR25J-E04K7
A14R434	315-0472-00			RES, FXD, FILM: 4.7K OHM, 5%, 0.25W	57668	NTR25J-E04K7
A14R500	315-0472-00			RES, FXD, FILM: 4.7K OHM, 5%, 0.25W	57668	NTR25J-E04K7
A14R510	315-0101-00			RES, FXD, FILM: 100 OHM, 5%, 0.25W	57668	NTR25J-E 100E
A14R511	307-0648-00			RES NTWK, FXD, FI: 8, 100 OHM, 2%, 0.125 W	01121	316B101
A14R512	315-0101-00			RES, FXD, FILM: 100 OHM, 5%, 0.25W	57668	NTR25J-E 100E
A14R515	315-0472-00			RES, FXD, FILM: 4.7K OHM, 5%, 0.25W	57668	NTR25J-E04K7
A14R700	315-0102-00			RES, FXD, FILM: 1K OHM, 5%, 0.25W	57668	NTR25JE01K0
A14R711	315-0472-00			RES, FXD, FILM: 4.7K OHM, 5%, 0.25W	57668	NTR25J-E04K7
A14R712	315-0331-00			RES, FXD, FILM: 330 OHM, 5%, 0.25W	57668	NTR25J-E330E
A14R714	315-0471-00			RES, FXD, FILM: 470 OHM, 5%, 0.25W	57668	NTR25J-E470E
A14R716	315-0471-00			RES, FXD, FILM: 470 OHM, 5%, 0.25W	57668	NTR25J-E470E
A14R810	315-0472-00			RES, FXD, FILM: 4.7K OHM, 5%, 0.25W	57668	NTR25J-E04K7
A14R811	315-0472-00			RES, FXD, FILM: 4.7K OHM, 5%, 0.25W	57668	NTR25J-E04K7
A14R820	315-0103-00			RES, FXD, FILM: 10K OHM, 5%, 0.25W	19701	5043CX10K00J
A14R821	315-0472-00			RES, FXD, FILM: 4.7K OHM, 5%, 0.25W	57668	NTR25J-E04K7
A14TP100	131-0608-00			TERMINAL, PIN: 0.365 L X 0.025 BRZ GLD PL	22526	48283-036
A14TP101	131-0608-00			TERMINAL, PIN: 0.365 L X 0.025 BRZ GLD PL	22526	48283-036
A14TP102	131-0608-00			TERMINAL, PIN: 0.365 L X 0.025 BRZ GLD PL	22526	48283-036
A14TP103	131-0608-00			TERMINAL, PIN: 0.365 L X 0.025 BRZ GLD PL	22526	48283-036
A14TP104	131-0608-00			TERMINAL, PIN: 0.365 L X 0.025 BRZ GLD PL	22526	48283-036
A14TP105	131-0608-00			TERMINAL, PIN: 0.365 L X 0.025 BRZ GLD PL	22526	48283-036
A14TP106	131-0608-00			TERMINAL, PIN: 0.365 L X 0.025 BRZ GLD PL	22526	48283-036
A14TP107	131-0608-00			TERMINAL, PIN: 0.365 L X 0.025 BRZ GLD PL	22526	48283-036
A14TP108	131-0608-00			TERMINAL, PIN: 0.365 L X 0.025 BRZ GLD PL	22526	48283-036
A14TP109	131-0608-00			TERMINAL, PIN: 0.365 L X 0.025 BRZ GLD PL	22526	48283-036
A14TP110	131-0608-00			TERMINAL, PIN: 0.365 L X 0.025 BRZ GLD PL	22526	48283-036
A14TP111	131-0608-00			TERMINAL, PIN: 0.365 L X 0.025 BRZ GLD PL	22526	48283-036
A14TP112	131-0608-00			TERMINAL, PIN: 0.365 L X 0.025 BRZ GLD PL	22526	48283-036
A14TP113	131-0608-00			TERMINAL, PIN: 0.365 L X 0.025 BRZ GLD PL	22526	48283-036
A14TP114	131-0608-00			TERMINAL, PIN: 0.365 L X 0.025 BRZ GLD PL	22526	48283-036
A14TP130	131-0608-00			TERMINAL, PIN: 0.365 L X 0.025 BRZ GLD PL	22526	48283-036
A14TP212	131-0608-00			TERMINAL, PIN: 0.365 L X 0.025 BRZ GLD PL	22526	48283-036
A14TP310	131-0608-00			TERMINAL, PIN: 0.365 L X 0.025 BRZ GLD PL	22526	48283-036
A14TP320	131-0608-00			TERMINAL, PIN: 0.365 L X 0.025 BRZ GLD PL	22526	48283-036
A14TP330	131-0608-00			TERMINAL, PIN: 0.365 L X 0.025 BRZ GLD PL	22526	48283-036
A14TP400	131-0608-00			TERMINAL, PIN: 0.365 L X 0.025 BRZ GLD PL	22526	48283-036
A14TP412	131-0608-00			TERMINAL, PIN: 0.365 L X 0.025 BRZ GLD PL	22526	48283-036
A14TP510	131-0608-00			TERMINAL, PIN: 0.365 L X 0.025 BRZ GLD PL	22526	48283-036
A14TP511	131-0608-00			TERMINAL, PIN: 0.365 L X 0.025 BRZ GLD PL	22526	48283-036
A14TP512	131-0608-00			TERMINAL, PIN: 0.365 L X 0.025 BRZ GLD PL	22526	48283-036
A14TP513	131-0608-00			TERMINAL, PIN: 0.365 L X 0.025 BRZ GLD PL	22526	48283-036
A14TP514	131-0608-00			TERMINAL, PIN: 0.365 L X 0.025 BRZ GLD PL	22526	48283-036
A14TP532	131-0608-00			TERMINAL, PIN: 0.365 L X 0.025 BRZ GLD PL	22526	48283-036
A14TP534	131-0608-00			TERMINAL, PIN: 0.365 L X 0.025 BRZ GLD PL	22526	48283-036
A14TP535	131-0608-00			TERMINAL, PIN: 0.365 L X 0.025 BRZ GLD PL	22526	48283-036
A14TP536	131-0608-00			TERMINAL, PIN: 0.365 L X 0.025 BRZ GLD PL	22526	48283-036
A14TP600	131-0608-00			TERMINAL, PIN: 0.365 L X 0.025 BRZ GLD PL	22526	48283-036
A14TP614	131-0608-00			TERMINAL, PIN: 0.365 L X 0.025 BRZ GLD PL	22526	48283-036
A14TP615	131-0608-00			TERMINAL, PIN: 0.365 L X 0.025 BRZ GLD PL	22526	48283-036
A14TP700	131-0608-00			TERMINAL, PIN: 0.365 L X 0.025 BRZ GLD PL	22526	48283-036
A14TP712	131-0608-00			TERMINAL, PIN: 0.365 L X 0.025 BRZ GLD PL	22526	48283-036

Replaceable Electrical Parts
11401 Extended Service Volume 2

Component No.	Tektronix Part No.	Serial/Assembly No.		Name & Description	Mfr. Code	Mfr. Part No.
		Effective	Discnt			
A14TP732	131-0608-00			TERMINAL,PIN:0.365 L X 0.025 BRZ GLD PL	22526	48283-036
A14TP800	131-0608-00			TERMINAL,PIN:0.365 L X 0.025 BRZ GLD PL	22526	48283-036
A14TP810	131-0608-00			TERMINAL,PIN:0.365 L X 0.025 BRZ GLD PL	22526	48283-036
A14TP811	131-0608-00			TERMINAL,PIN:0.365 L X 0.025 BRZ GLD PL	22526	48283-036
A14U100	156-1111-02			MICROCKT,DGTL:OCTAL BUS XCVR W/3 STATE OUT	01295	SN74LS245N3
A14U110	156-0158-00			MICROCKT,LINER:DUAL OPNL AMPL	04713	MC1458P1/MC1458U
A14U112	156-1527-00			MICROCKT,LINER:5 XSTR ARRAY	02735	CA3183AE-98
A14U120	156-0480-02	B010100	B011007	MICROCKT,DGTL:QUAD 2-INP & GATE,SCRN,	01295	SN74LS08NP3
A14U122	156-1126-01			MICROCKT,LINER:VOLTAGE COMPARATOR,SELECTED	01295	LM311JG4
A14U124	156-0854-01			MICROCKT,LINER:OPERATIONAL AMPL,SCREENED	27014	LM308AJ-8A+
A14U130	156-2516-00			MICROCKT,LINER:TEMP SENSOR,CURRENT OUTPUT	24355	AD592BN
A14U200	156-0956-02			MICROCKT,DGTL:OCTAL BFR W/3 STATE OUT,SCRN	01295	SN74LS244NP3
A14U210	156-0956-02			MICROCKT,DGTL:OCTAL BFR W/3 STATE OUT,SCRN	01295	SN74LS244NP3
A14U212	156-1255-00			MICROCKT,LINER:D/A CONVERTER,8 BIT	06665	DAC08-157Q
A14U214	156-1569-00			MICROCKT,DGTL:QUAD TRANSISTOR ARRAY,PNP	04713	MPQ3467
A14U220	156-0402-00			MICROCKT,LINER:TIMER	27014	LM555CN
A14U300	156-2735-00			MICROCKT,LINER:VOLTAGE RGLTR,+12V,TO-92	80009	156-2735-00
A14U310	156-0479-02			MICROCKT,DGTL:QUAD 2-INP OR GATE,SCRN	01295	SN74LS32NP3
A14U312	156-0480-02			MICROCKT,DGTL:QUAD 2-INP & GATE,SCRN,	01295	SN74LS08NP3
A14U320	156-0385-02			MICROCKT,DGTL:HEX INVERTER,SCRN	07263	74LS04PCQR
A14U330	156-2622-00			MICROCKT,DGTL:HMOS,SEMI CUSTOM,STANDARD CELL,SERIAL DATA INTERFACE	80009	156-2622-00
A14U400	156-2263-00			MICROCKT,LINER:VOLTAGE REGULATOR,12V,5%	04713	MC79L12ACP
A14U410	156-0479-02			MICROCKT,DGTL:QUAD 2-INP OR GATE,SCRN	01295	SN74LS32NP3
A14U412	156-0480-02			MICROCKT,DGTL:QUAD 2-INP & GATE,SCRN,	01295	SN74LS08NP3
A14U420	156-0385-02			MICROCKT,DGTL:HEX INVERTER,SCRN	07263	74LS04PCQR
A14U422	156-1910-00			MICROCKT,DGTL:ALSTTL,8 INP NAND GATE	01295	SN74ALS30AN3
A14U430	156-1759-00			MICROCKT,DGTL:ALSTTL,13 INP NAND GATE	27014	DM74ALS133 NA+
A14U432	156-0387-02			MICROCKT,DGTL:DUAL J-K FF,SCRN	04713	SN74LS73NDS
A14U520	156-0464-02			MICROCKT,DGTL:DUAL 4-INP NAND GATE	01295	SN74LS20NP3
A14U522	156-0464-02			MICROCKT,DGTL:DUAL 4-INP NAND GATE	01295	SN74LS20NP3
A14U530	156-0465-02			MICROCKT,DGTL:8-INP NAND GATE,SCRN	01295	SN74LS30NP3
A14U532	156-1707-00			MICROCKT,DGTL:QUAD 2-INPUT NAND GATE,SCRN	04713	MC7400 (NDORJD)
A14U534	156-1962-00			MICROCKT,DGTL:OCTAL BUFFER/LINE DRIVER,SCRN	04713	MC74F244N
A14U600	156-1111-02			MICROCKT,DGTL:OCTAL BUS XCVR W/3 STATE OUT	01295	SN74LS245N3
A14U610	156-0982-03			MICROCKT,DGTL:OCTAL-D-EDGE TRIG FF,SCRN	01295	SN74LS374N3
A14U612	156-0956-02			MICROCKT,DGTL:OCTAL BFR W/3 STATE OUT,SCRN	01295	SN74LS244NP3
A14U614	156-2478-00			MICROCKT,DGTL:CMOS,CLOCK,DATE & TIME	32293	ICM7170CPG/IPG
A14U620	156-1759-00			MICROCKT,DGTL:ALSTTL,13 INP NAND GATE	27014	DM74ALS133 NA+
A14U622	156-1065-01			MICROCKT,DGTL:LSTTL,OCTAL D-TYPE TRANS	04713	SN74LS373 ND/JD
A14U630	156-1065-01			MICROCKT,DGTL:LSTTL,OCTAL D-TYPE TRANS	04713	SN74LS373 ND/JD
A14U632	156-1065-01			MICROCKT,DGTL:LSTTL,OCTAL D-TYPE TRANS	04713	SN74LS373 ND/JD
A14U700	156-0388-03			MICROCKT,DGTL:DUAL D FLIP-FLOP,SCRN	01295	SN74LS74ANP3
A14U710	156-1611-00			MICROCKT,DGTL:ASTTL,DUAL D TYPE EDGE-TRIG	80009	156-1611-00
A14U712	156-0480-02			MICROCKT,DGTL:QUAD 2-INP & GATE,SCRN,	01295	SN74LS08NP3
A14U714	156-0479-02			MICROCKT,DGTL:QUAD 2-INP OR GATE,SCRN	01295	SN74LS32NP3
A14U720	156-1065-01			MICROCKT,DGTL:LSTTL,OCTAL D-TYPE TRANS	04713	SN74LS373 ND/JD
A14U722	160-3735-00	B010100	B011007	MICROCKT,DGTL:STTL,HEX 12 INPUT AOI PROGRAMMABLE LOGIC ARRAY	80009	160-3735-00
A14U722	160-3735-01	B011008		MICROCK,DGTL:STTL,HEX 12 INPUT AOI,PRGM	80009	160-3735-01
A14U730	160-3736-00	B010100	B011007	MICROCKT,DGTL:STTL,HEX 12 INPUT AOI PROGRAMMABLE LOGIC ARRAY	80009	160-3736-00
A14U730	160-3736-01	B011008		MICROCK,DGTL:STTL,HEX 12 INPUT AOI,PRGM	80009	160-3736-01
A14U732	160-3737-00	B010100	B011007	MICROCKT,DGTL:STTL,HEX 12 INPUT AOI PROGRAMMABLE LOGIC ARRAY	80009	160-3737-00
A14U732	160-3737-01	B011008		MICROCK,DGTL:STTL,HEX 12 INPUT AOI,PRGM	80009	160-3737-01
A14U800	156-0956-02			MICROCKT,DGTL:OCTAL BFR W/3 STATE OUT,SCRN	01295	SN74LS244NP3
A14U810	156-1722-00			MICROCKT,DGTL:FTTL,HEX INVERTER	04713	MC74F04ND

Replaceable Electrical Parts
11401 Extended Service Volume 2

Component No.	Tektronix Part No.	Serial/Assembly No. Effective Dscnt	Name & Description	Mfr. Code	Mfr. Part No.
A14U812	156-0388-03		MICROCKT,DGTL:DUAL D FLIP-FLOP,SCRN	01295	SN74LS74ANP3
A14U814	156-0385-02		MICROCKT,DGTL:HEX INVERTER,SCRN	07263	74LS04PCQR
A14U820	156-0381-02		MICROCKT,DGTL:QUAD 2-INP EXCL OR GATE	07263	74LS86PCQR
A14U822	156-1853-00		MICROCKT,DGTL:NMOS,PRGM INTERVAL TIMER,SCRN	34649	Q(P OR D)8254-2
A14U830	156-1111-02		MICROCKT,DGTL:OCTAL BUS XCVR W/3 STATE OUT	01295	SN74LS245N3
A14U832	156-1748-01		MICROCKT,DGTL:ALSTTL,OCTAL BUS XCVR	01295	74ALS245A-1N3
A14VR100	152-0727-00		SEMICON DVC,DI:ZEN,SI,6.3V 2%,0.4W,DO-7	04713	SZG20246
A14X330	136-0813-00		SKT,PL-IN ELEK:CHIP CARRIER,68 CONTACTS	19613	268-5400-00-1102
A14Y433	119-1897-00		OSCILLATOR,RF:XTAL CONTROLLED,8.00MHZ,0.01%	01537	RASCO-1-8.00 MHZ
A14Y510	158-0305-00		XTAL UNIT,QTZ:32.768 HZ,PARALLEL RESONANCE, DIP CASE,2 PIN	61429	FCX1V32.768KHZ
A15	670-8858-00		CIRCUIT BD ASSY:MEMORY MGT UNIT	80009	670-8858-00
A15	670-8858-50		CIRCUIT BD ASSY:MEMORY MGT UNIT (OPTION 2D ONLY)	80009	670-8858-50
A15C110	281-0913-00		CAP,FXD,CER DI:0.1UF,50V,AXIAL	04222	SA105E104ZAA
A15C120	281-0913-00		CAP,FXD,CER DI:0.1UF,50V,AXIAL	04222	SA105E104ZAA
A15C121	281-0913-00		CAP,FXD,CER DI:0.1UF,50V,AXIAL	04222	SA105E104ZAA
A15C122	281-0913-00		CAP,FXD,CER DI:0.1UF,50V,AXIAL	04222	SA105E104ZAA
A15C123	281-0913-00		CAP,FXD,CER DI:0.1UF,50V,AXIAL	04222	SA105E104ZAA
A15C124	281-0913-00		CAP,FXD,CER DI:0.1UF,50V,AXIAL	04222	SA105E104ZAA
A15C125	281-0913-00		CAP,FXD,CER DI:0.1UF,50V,AXIAL	04222	SA105E104ZAA
A15C130	281-0913-00		CAP,FXD,CER DI:0.1UF,50V,AXIAL	04222	SA105E104ZAA
A15C131	281-0913-00		CAP,FXD,CER DI:0.1UF,50V,AXIAL	04222	SA105E104ZAA
A15C220	281-0913-00		CAP,FXD,CER DI:0.1UF,50V,AXIAL	04222	SA105E104ZAA
A15C222	281-0913-00		CAP,FXD,CER DI:0.1UF,50V,AXIAL	04222	SA105E104ZAA
A15C224	281-0913-00		CAP,FXD,CER DI:0.1UF,50V,AXIAL	04222	SA105E104ZAA
A15C230	281-0913-00		CAP,FXD,CER DI:0.1UF,50V,AXIAL	04222	SA105E104ZAA
A15C320	281-0913-00		CAP,FXD,CER DI:0.1UF,50V,AXIAL	04222	SA105E104ZAA
A15C322	281-0913-00		CAP,FXD,CER DI:0.1UF,50V,AXIAL	04222	SA105E104ZAA
A15C324	281-0913-00		CAP,FXD,CER DI:0.1UF,50V,AXIAL	04222	SA105E104ZAA
A15C330	281-0913-00		CAP,FXD,CER DI:0.1UF,50V,AXIAL	04222	SA105E104ZAA
A15C332	281-0913-00		CAP,FXD,CER DI:0.1UF,50V,AXIAL	04222	SA105E104ZAA
A15C334	281-0913-00		CAP,FXD,CER DI:0.1UF,50V,AXIAL	04222	SA105E104ZAA
A15C400	281-0913-00		CAP,FXD,CER DI:0.1UF,50V,AXIAL	04222	SA105E104ZAA
A15C402	281-0913-00		CAP,FXD,CER DI:0.1UF,50V,AXIAL	04222	SA105E104ZAA
A15C410	281-0913-00		CAP,FXD,CER DI:0.1UF,50V,AXIAL	04222	SA105E104ZAA
A15C412	281-0913-00		CAP,FXD,CER DI:0.1UF,50V,AXIAL	04222	SA105E104ZAA
A15C420	281-0913-00		CAP,FXD,CER DI:0.1UF,50V,AXIAL	04222	SA105E104ZAA
A15C422	281-0913-00		CAP,FXD,CER DI:0.1UF,50V,AXIAL	04222	SA105E104ZAA
A15C424	281-0913-00		CAP,FXD,CER DI:0.1UF,50V,AXIAL	04222	SA105E104ZAA
A15C430	281-0913-00		CAP,FXD,CER DI:0.1UF,50V,AXIAL	04222	SA105E104ZAA
A15C432	281-0913-00		CAP,FXD,CER DI:0.1UF,50V,AXIAL	04222	SA105E104ZAA
A15C434	290-1123-00		CAP,FXD,ELCLTL:68MF,20%,10V	TK1424	CEUST1A680 (T-7)
A15C501	281-0913-00		CAP,FXD,CER DI:0.1UF,50V,AXIAL	04222	SA105E104ZAA
A15C502	281-0913-00		CAP,FXD,CER DI:0.1UF,50V,AXIAL	04222	SA105E104ZAA
A15C510	281-0913-00		CAP,FXD,CER DI:0.1UF,50V,AXIAL	04222	SA105E104ZAA
A15C512	281-0913-00		CAP,FXD,CER DI:0.1UF,50V,AXIAL	04222	SA105E104ZAA
A15C514	281-0913-00		CAP,FXD,CER DI:0.1UF,50V,AXIAL	04222	SA105E104ZAA
A15C524	281-0913-00		CAP,FXD,CER DI:0.1UF,50V,AXIAL	04222	SA105E104ZAA
A15C600	281-0913-00		CAP,FXD,CER DI:0.1UF,50V,AXIAL	04222	SA105E104ZAA
A15C602	281-0913-00		CAP,FXD,CER DI:0.1UF,50V,AXIAL	04222	SA105E104ZAA
A15C610	281-0913-00		CAP,FXD,CER DI:0.1UF,50V,AXIAL	04222	SA105E104ZAA
A15C612	281-0913-00		CAP,FXD,CER DI:0.1UF,50V,AXIAL	04222	SA105E104ZAA
A15C614	281-0913-00		CAP,FXD,CER DI:0.1UF,50V,AXIAL	04222	SA105E104ZAA
A15C624	281-0913-00		CAP,FXD,CER DI:0.1UF,50V,AXIAL	04222	SA105E104ZAA
A15C700	281-0913-00		CAP,FXD,CER DI:0.1UF,50V,AXIAL	04222	SA105E104ZAA

Replaceable Electrical Parts
11401 Extended Service Volume 2

Component No.	Tektronix Part No.	Serial/Assembly No. Effective Dscort	Name & Description	Mfr. Code	Mfr. Part No.
A15C702	281-0913-00		CAP, FXD, CER DI:0.1UF, 50V, AXIAL	04222	SA105E104ZAA
A15C712	281-0913-00		CAP, FXD, CER DI:0.1UF, 50V, AXIAL	04222	SA105E104ZAA
A15C714	281-0913-00		CAP, FXD, CER DI:0.1UF, 50V, AXIAL	04222	SA105E104ZAA
A15C722	281-0913-00		CAP, FXD, CER DI:0.1UF, 50V, AXIAL	04222	SA105E104ZAA
A15C724	281-0913-00		CAP, FXD, CER DI:0.1UF, 50V, AXIAL	04222	SA105E104ZAA
A15C802	281-0913-00		CAP, FXD, CER DI:0.1UF, 50V, AXIAL	04222	SA105E104ZAA
A15C812	281-0913-00		CAP, FXD, CER DI:0.1UF, 50V, AXIAL	04222	SA105E104ZAA
A15C814	281-0913-00		CAP, FXD, CER DI:0.1UF, 50V, AXIAL	04222	SA105E104ZAA
A15C822	281-0913-00		CAP, FXD, CER DI:0.1UF, 50V, AXIAL	04222	SA105E104ZAA
A15C824	281-0913-00		CAP, FXD, CER DI:0.1UF, 50V, AXIAL	04222	SA105E104ZAA
A15DL100	119-1446-00		DELAY LINE, ELEC:25NS, TAPPED, 8 PIN SPCL PKG	20933	00T167
A15DL102	119-1446-00		DELAY LINE, ELEC:25NS, TAPPED, 8 PIN SPCL PKG	20933	00T167
A15J79	131-3182-00		CONN, RCPT, ELEC:HDR, RTANG, 2 X 25, 0.1 CENTER	22526	75867-008
A15J83	131-3182-00		CONN, RCPT, ELEC:HDR, RTANG, 2 X 25, 0.1 CENTER	22526	75867-008
A15J201	131-0608-00		TERMINAL, PIN:0.365 L X 0.025 BRZ GLD PL (QUANTITY OF 3)	22526	48283-036
A15P101	131-2964-00		CONN, RCPT, ELEC:FEMALE, 3 X 32, RTANG, 0.1 CTR	81312	096S-6043-0731-0
A15R114	307-0649-00		RES NTWK, FXD, FI:8.33 OHM, 2%, 0.125W	01121	316B330
A15R132	307-0650-00		RES NTWK, FXD, FI:9.2.7K OHM, 5%, 0.150W	11236	750-101-R2.7K
A15R200	307-0650-00		RES NTWK, FXD, FI:9.2.7K OHM, 5%, 0.150W	11236	750-101-R2.7K
A15R202	307-0650-00		RES NTWK, FXD, FI:9.2.7K OHM, 5%, 0.150W	11236	750-101-R2.7K
A15R214	307-0649-00		RES NTWK, FXD, FI:8.33 OHM, 2%, 0.125W	01121	316B330
A15R314	307-0649-00		RES NTWK, FXD, FI:8.33 OHM, 2%, 0.125W	01121	316B330
A15R405	307-0650-00		RES NTWK, FXD, FI:9.2.7K OHM, 5%, 0.150W	11236	750-101-R2.7K
A15R414	307-0649-00		RES NTWK, FXD, FI:8.33 OHM, 2%, 0.125W	01121	316B330
A15R505	307-0650-00		RES NTWK, FXD, FI:9.2.7K OHM, 5%, 0.150W	11236	750-101-R2.7K
A15R515	307-0650-00		RES NTWK, FXD, FI:9.2.7K OHM, 5%, 0.150W	11236	750-101-R2.7K
A15R520	307-0649-00		RES NTWK, FXD, FI:8.33 OHM, 2%, 0.125W	01121	316B330
A15R522	307-0649-00		RES NTWK, FXD, FI:8.33 OHM, 2%, 0.125W	01121	316B330
A15R615	307-0650-00		RES NTWK, FXD, FI:9.2.7K OHM, 5%, 0.150W	11236	750-101-R2.7K
A15R620	307-0649-00		RES NTWK, FXD, FI:8.33 OHM, 2%, 0.125W	01121	316B330
A15R622	307-0649-00		RES NTWK, FXD, FI:8.33 OHM, 2%, 0.125W	01121	316B330
A15R714	313-1331-00		RES, FXD, FILM:330 OHM, 5%, 0.2W	57668	TR20JE 330E
A15R721	307-0650-00		RES NTWK, FXD, FI:9.2.7K OHM, 5%, 0.150W	11236	750-101-R2.7K
A15R821	307-0650-00		RES NTWK, FXD, FI:9.2.7K OHM, 5%, 0.150W	11236	750-101-R2.7K
A15TP0	131-0608-00		TERMINAL, PIN:0.365 L X 0.025 BRZ GLD PL	22526	48283-036
A15TP1	131-0608-00		TERMINAL, PIN:0.365 L X 0.025 BRZ GLD PL	22526	48283-036
A15TP2	131-0608-00		TERMINAL, PIN:0.365 L X 0.025 BRZ GLD PL	22526	48283-036
A15TP3	131-0608-00		TERMINAL, PIN:0.365 L X 0.025 BRZ GLD PL	22526	48283-036
A15TP4	131-0608-00		TERMINAL, PIN:0.365 L X 0.025 BRZ GLD PL	22526	48283-036
A15TP5	131-0608-00		TERMINAL, PIN:0.365 L X 0.025 BRZ GLD PL	22526	48283-036
A15TP6	131-0608-00		TERMINAL, PIN:0.365 L X 0.025 BRZ GLD PL	22526	48283-036
A15TP7	131-0608-00		TERMINAL, PIN:0.365 L X 0.025 BRZ GLD PL	22526	48283-036
A15TP8	131-0608-00		TERMINAL, PIN:0.365 L X 0.025 BRZ GLD PL	22526	48283-036
A15TP9	131-0608-00		TERMINAL, PIN:0.365 L X 0.025 BRZ GLD PL	22526	48283-036
A15TP10	131-0608-00		TERMINAL, PIN:0.365 L X 0.025 BRZ GLD PL	22526	48283-036
A15U110	156-1724-00		MICROCKT, DGTL:FTTL, QUAD 2 INP OR GATE	04713	MC74F32ND
A15U112	156-1754-01		MICROCKT, DGTL:OCTAL BUFFER W/3-STATE OUT	01295	SN74ALS244AN3
A15U120	156-2145-00		MICROCKT, DGTL:NMOS, 16384 X 4 DRAM	91925	IMS 2620-12
A15U120	156-2372-00		MICROCKT, DGTL:NMOS 65536 X 4 DRAM (OPTION 2D ONLY)	33297	UPD41254D/C
A15U122	156-2145-00		MICROCKT, DGTL:NMOS, 16384 X 4 DRAM	91925	IMS 2620-12
A15U122	156-2372-00		MICROCKT, DGTL:NMOS 65536 X 4 DRAM (OPTIN 2D ONLY)	33297	UPD41254D/C
A15U124	156-2145-00		MICROCKT, DGTL:NMOS, 16384 X 4 DRAM	91925	IMS 2620-12
A15U124	156-2372-00		MICROCKT, DGTL:NMOS 65536 X 4 DRAM (OPTION 2D ONLY)	33297	UPD41254D/C
A15U130	156-2145-00		MICROCKT, DGTL:NMOS, 16384 X 4 DRAM	91925	IMS 2620-12
A15U130	156-2372-00		MICROCKT, DGTL:NMOS 65536 X 4 DRAM	33297	UPD41254D/C

Replaceable Electrical Parts
11401 Extended Service Volume 2

Component No.	Tektronix Part No.	Serial/Assembly No. Effective Dscont	Name & Description	Mfr. Code	Mfr. Part No.
			(OPTION 2D ONLY)		
A15U200	156-1723-00		MICROCKT,DGTL:QUAD 2 INPUT & GATE	04713	MC74F08 ND OR JD
A15U210	156-2472-00		MICROCKT,DGTL:CMOS,CUSTOM,GATE ARRAY,MEMORY MANAGEMENT UNIT FOR 11K SERIES,SCRN	80009	156-2472-00
A15U220	156-2145-00		MICROCKT,DGTL:NMOS,16384 X 4 DRAM	91925	IMS 2620-12
A15U220	156-2372-00		MICROCKT,DGTL:NMOS 65536 X 4 DRAM (OPTION 2D ONLY)	33297	UPD41254D/C
A15U222	156-2145-00		MICROCKT,DGTL:NMOS,16384 X 4 DRAM	91925	IMS 2620-12
A15U222	156-2372-00		MICROCKT,DGTL:NMOS 65536 X 4 DRAM (OPTION 2D ONLY)	33297	UPD41254D/C
A15U224	156-2145-00		MICROCKT,DGTL:NMOS,16384 X 4 DRAM	91925	IMS 2620-12
A15U224	156-2372-00		MICROCKT,DGTL:NMOS 65536 X 4 DRAM (OPTION 2D ONLY)	33297	UPD41254D/C
A15U230	156-2145-00		MICROCKT,DGTL:NMOS,16384 X 4 DRAM	91925	IMS 2620-12
A15U230	156-2372-00		MICROCKT,DGTL:NMOS 65536 X 4 DRAM (OPTION 2D ONLY)	33297	UPD41254D/C
A15U232	156-2238-00		MICROCKT,DGTL:8 BIT IDENTITY COMPARATOR	01295	SN74ALS521N3
A15U300	156-1756-00		MICROCKT,DGTL:ALSTTL,DUAL D TYPE FF,W/CL	01295	SN74ALS74NP3/JP4
A15U320	156-2145-00		MICROCKT,DGTL:NMOS,16384 X 4 DRAM	91925	IMS 2620-12
A15U320	156-2372-00		MICROCKT,DGTL:NMOS 65536 X 4 DRAM (OPTION 2D ONLY)	33297	UPD41254D/C
A15U322	156-2145-00		MICROCKT,DGTL:NMOS,16384 X 4 DRAM	91925	IMS 2620-12
A15U322	156-2372-00		MICROCKT,DGTL:NMOS 65536 X 4 DRAM (OPTION 2D ONLY)	33297	UPD41254D/C
A15U324	156-2145-00		MICROCKT,DGTL:NMOS,16384 X 4 DRAM	91925	IMS 2620-12
A15U324	156-2372-00		MICROCKT,DGTL:NMOS 65536 X 4 DRAM (OPTION 2D ONLY)	33297	UPD41254D/C
A15U330	156-2145-00		MICROCKT,DGTL:NMOS,16384 X 4 DRAM	91925	IMS 2620-12
A15U330	156-2372-00		MICROCKT,DGTL:NMOS 65536 X 4 DRAM (OPTION 2D ONLY)	33297	UPD41254D/C
A15U332	160-3738-03		MICROCKT,DGTL:ATTL,QUAD 14 INPUT AOI GATE ARRAY,PRGM	80009	160-3738-03
A15U334	156-2096-00		MICROCKT,DGTL:OCTAL D-TYPE FLIP-FLOPS	01295	SN74ALS175N
A15U400	156-1962-00		MICROCKT,DGTL:OCTAL BUFFER/LINE DRIVER,SCRN	04713	MC74F244N
A15U402	156-1748-02		MICROCKT,DGTL:OCTAL BUS XCVR W/3-STATE OUT	01295	SN74ALS245AN3
A15U410	156-2111-00		MICROCKT,DGTL:OCTAL D-TYPE LATCHES	01295	SN74ALS373N3
A15U412	156-2111-00		MICROCKT,DGTL:OCTAL D-TYPE LATCHES	01295	SN74ALS373N3
A15U420	156-2145-00		MICROCKT,DGTL:NMOS,16384 X 4 DRAM	91925	IMS 2620-12
A15U420	156-2372-00		MICROCKT,DGTL:NMOS 65536 X 4 DRAM (OPTION 2D ONLY)	33297	UPD41254D/C
A15U422	156-2145-00		MICROCKT,DGTL:NMOS,16384 X 4 DRAM	91925	IMS 2620-12
A15U422	156-2372-00		MICROCKT,DGTL:NMOS 65536 X 4 DRAM (OPTION 2D ONLY)	33297	UPD41254D/C
A15U424	156-2145-00		MICROCKT,DGTL:NMOS,16384 X 4 DRAM	91925	IMS 2620-12
A15U424	156-2372-00		MICROCKT,DGTL:NMOS 65536 X 4 DRAM (OPTION 2D ONLY)	33297	UPD41254D/C
A15U430	156-2145-00		MICROCKT,DGTL:NMOS,16384 X 4 DRAM	91925	IMS 2620-12
A15U430	156-2372-00		MICROCKT,DGTL:NMOS 65536 X 4 DRAM (OPTION 2D ONLY)	33297	UPD41254D/C
A15U432	156-2093-00		MICROCKT,DGTL:QUAD 2-INP POSITIVE OR GATE	01295	SN74ALS32N3
A15U434	156-2091-00		MICROCKT,DGTL:QUAD 2-INP POS NAND GATES	01295	SN74ALS00AN3
A15U500	156-2182-00		MICROCKT,DGTL:TTL,QUAD 2 TO 1 LINE DATA SEL	01295	SN74ALS157N/J
A15U501	156-1754-01		MICROCKT,DGTL:OCTAL BUFFER W/3-STATE OUT	01295	SN74ALS244AN3
A15U502	156-1748-02		MICROCKT,DGTL:OCTAL BUS XCVR W/3-STATE OUT	01295	SN74ALS245AN3
A15U510	156-2111-00		MICROCKT,DGTL:OCTAL D-TYPE LATCHES	01295	SN74ALS373N3
A15U512	156-2111-00		MICROCKT,DGTL:OCTAL D-TYPE LATCHES	01295	SN74ALS373N3
A15U514	156-1748-02		MICROCKT,DGTL:OCTAL BUS XCVR W/3-STATE OUT	01295	SN74ALS245AN3
A15U524	156-2063-00		MICROCKT,DGTL:8D-TYPE FLIP-FLOP	01295	SN74ALS374N3
A15U530	156-2096-00		MICROCKT,DGTL:OCTAL D-TYPE FLIP-FLOPS	01295	SN74ALS175N

Replaceable Electrical Parts
11401 Extended Service Volume 2

Component No.	Tektronix Part No.	Serial/Assembly No. Effective Dscort	Name & Description	Mfr. Code	Mfr. Part No.
A15U600	156-1748-02		MICROCKT,DGTL:OCTAL BUS XCVR W/3-STATE OUT	01295	SN74ALS245AN3
A15U602	156-1748-02		MICROCKT,DGTL:OCTAL BUS XCVR W/3-STATE OUT	01295	SN74ALS245AN3
A15U610	156-1748-02		MICROCKT,DGTL:OCTAL BUS XCVR W/3-STATE OUT	01295	SN74ALS245AN3
A15U612	156-1680-00		MICROCKT,DGTL:STTL,TRIPLE 3 INP AND GATE	01295	SN74S15NP3
A15U614	156-1748-02		MICROCKT,DGTL:OCTAL BUS XCVR W/3-STATE OUT	01295	SN74ALS245AN3
A15U624	156-2094-00		MICROCKT,DGTL:HEX INVERTERS	01295	SN74ALS04BN3/J4
A15U700	156-1748-02		MICROCKT,DGTL:OCTAL BUS XCVR W/3-STATE OUT	01295	SN74ALS245AN3
A15U702	156-1748-02		MICROCKT,DGTL:OCTAL BUS XCVR W/3-STATE OUT	01295	SN74ALS245AN3
A15U712	156-1748-02		MICROCKT,DGTL:OCTAL BUS XCVR W/3-STATE OUT	01295	SN74ALS245AN3
A15U714	156-1611-00		MICROCKT,DGTL:ASTTL,DUAL D TYPE EDGE-TRIG	80009	156-1611-00
A15U720	156-2093-00		MICROCKT,DGTL:QUAD 2-INP POSITIVE OR GATE	01295	SN74ALS32N3
A15U722	156-1721-00		MICROCKT,DGTL:ASTTL,OCTAL TRANSPARENT LATCH	04713	MC74F373ND
A15U724	156-1748-01		MICROCKT,DGTL:ALSTTL,OCTAL BUS XCVR	01295	74ALS245A-1N3
A15U802	156-1748-02		MICROCKT,DGTL:OCTAL BUS XCVR W/3-STATE OUT	01295	SN74ALS245AN3
A15U812	156-1748-02		MICROCKT,DGTL:OCTAL BUS XCVR W/3-STATE OUT	01295	SN74ALS245AN3
A15U814	156-1707-00		MICROCKT,DGTL:QUAD 2-INPUT NAND GATE,SCRN	04713	MC7400(NDORJD)
A15U822	156-1721-00		MICROCKT,DGTL:ASTTL,OCTAL TRANSPARENT LATCH	04713	MC74F373ND
A15U824	156-1748-01		MICROCKT,DGTL:ALSTTL,OCTAL BUS XCVR	01295	74ALS245A-1N3
A15X332	136-0752-00		SKT,PL-IN ELEK:MICROCIRCUIT,20 DIP	09922	D1LB20P-108
A15Y103	119-2340-00		OSCILLATOR,RF:23MHZ,0.05%,TTL	TK1859	P1114HC23.000MHz
A16	670-8859-00		CIRCUIT BD ASSY:COMPRESSOR	80009	670-8859-00
A16C100	281-0909-00		CAP,FXD,CER DI:0.022UF,20%,50V	54583	MA12X7R1H223M-T
A16C102	281-0909-00		CAP,FXD,CER DI:0.022UF,20%,50V	54583	MA12X7R1H223M-T
A16C110	281-0909-00		CAP,FXD,CER DI:0.022UF,20%,50V	54583	MA12X7R1H223M-T
A16C112	281-0909-00		CAP,FXD,CER DI:0.022UF,20%,50V	54583	MA12X7R1H223M-T
A16C114	281-0909-00		CAP,FXD,CER DI:0.022UF,20%,50V	54583	MA12X7R1H223M-T
A16C120	281-0909-00		CAP,FXD,CER DI:0.022UF,20%,50V	54583	MA12X7R1H223M-T
A16C124	281-0909-00		CAP,FXD,CER DI:0.022UF,20%,50V	54583	MA12X7R1H223M-T
A16C130	281-0909-00		CAP,FXD,CER DI:0.022UF,20%,50V	54583	MA12X7R1H223M-T
A16C200	281-0909-00		CAP,FXD,CER DI:0.022UF,20%,50V	54583	MA12X7R1H223M-T
A16C202	281-0909-00		CAP,FXD,CER DI:0.022UF,20%,50V	54583	MA12X7R1H223M-T
A16C210	281-0909-00		CAP,FXD,CER DI:0.022UF,20%,50V	54583	MA12X7R1H223M-T
A16C212	281-0909-00		CAP,FXD,CER DI:0.022UF,20%,50V	54583	MA12X7R1H223M-T
A16C214	281-0909-00		CAP,FXD,CER DI:0.022UF,20%,50V	54583	MA12X7R1H223M-T
A16C220	281-0909-00		CAP,FXD,CER DI:0.022UF,20%,50V	54583	MA12X7R1H223M-T
A16C222	281-0909-00		CAP,FXD,CER DI:0.022UF,20%,50V	54583	MA12X7R1H223M-T
A16C224	281-0909-00		CAP,FXD,CER DI:0.022UF,20%,50V	54583	MA12X7R1H223M-T
A16C230	281-0909-00		CAP,FXD,CER DI:0.022UF,20%,50V	54583	MA12X7R1H223M-T
A16C232	281-0909-00		CAP,FXD,CER DI:0.022UF,20%,50V	54583	MA12X7R1H223M-T
A16C300	281-0909-00		CAP,FXD,CER DI:0.022UF,20%,50V	54583	MA12X7R1H223M-T
A16C302	281-0909-00		CAP,FXD,CER DI:0.022UF,20%,50V	54583	MA12X7R1H223M-T
A16C310	281-0909-00		CAP,FXD,CER DI:0.022UF,20%,50V	54583	MA12X7R1H223M-T
A16C312	281-0909-00		CAP,FXD,CER DI:0.022UF,20%,50V	54583	MA12X7R1H223M-T
A16C314	281-0909-00		CAP,FXD,CER DI:0.022UF,20%,50V	54583	MA12X7R1H223M-T
A16C320	281-0909-00		CAP,FXD,CER DI:0.022UF,20%,50V	54583	MA12X7R1H223M-T
A16C322	281-0909-00		CAP,FXD,CER DI:0.022UF,20%,50V	54583	MA12X7R1H223M-T
A16C324	281-0909-00		CAP,FXD,CER DI:0.022UF,20%,50V	54583	MA12X7R1H223M-T
A16C330	281-0909-00		CAP,FXD,CER DI:0.022UF,20%,50V	54583	MA12X7R1H223M-T
A16C332	281-0909-00		CAP,FXD,CER DI:0.022UF,20%,50V	54583	MA12X7R1H223M-T
A16C400	281-0909-00		CAP,FXD,CER DI:0.022UF,20%,50V	54583	MA12X7R1H223M-T
A16C402	281-0909-00		CAP,FXD,CER DI:0.022UF,20%,50V	54583	MA12X7R1H223M-T
A16C410	281-0909-00		CAP,FXD,CER DI:0.022UF,20%,50V	54583	MA12X7R1H223M-T
A16C412	281-0909-00		CAP,FXD,CER DI:0.022UF,20%,50V	54583	MA12X7R1H223M-T
A16C414	281-0909-00		CAP,FXD,CER DI:0.022UF,20%,50V	54583	MA12X7R1H223M-T
A16C420	281-0909-00		CAP,FXD,CER DI:0.022UF,20%,50V	54583	MA12X7R1H223M-T
A16C422	281-0909-00		CAP,FXD,CER DI:0.022UF,20%,50V	54583	MA12X7R1H223M-T

Component No.	Tektronix Part No.	Serial/Assembly No. Effective Dscnt	Name & Description	Mfr. Code	Mfr. Part No.
A16C424	281-0909-00		CAP, FXD, CER DI: 0.022UF, 20%, 50V	54583	MA12X7R1H223M-T
A16C430	281-0909-00		CAP, FXD, CER DI: 0.022UF, 20%, 50V	54583	MA12X7R1H223M-T
A16C432	281-0909-00		CAP, FXD, CER DI: 0.022UF, 20%, 50V	54583	MA12X7R1H223M-T
A16C500	281-0909-00		CAP, FXD, CER DI: 0.022UF, 20%, 50V	54583	MA12X7R1H223M-T
A16C502	281-0909-00		CAP, FXD, CER DI: 0.022UF, 20%, 50V	54583	MA12X7R1H223M-T
A16C510	281-0909-00		CAP, FXD, CER DI: 0.022UF, 20%, 50V	54583	MA12X7R1H223M-T
A16C512	281-0909-00		CAP, FXD, CER DI: 0.022UF, 20%, 50V	54583	MA12X7R1H223M-T
A16C514	281-0909-00		CAP, FXD, CER DI: 0.022UF, 20%, 50V	54583	MA12X7R1H223M-T
A16C520	281-0909-00		CAP, FXD, CER DI: 0.022UF, 20%, 50V	54583	MA12X7R1H223M-T
A16C522	281-0909-00		CAP, FXD, CER DI: 0.022UF, 20%, 50V	54583	MA12X7R1H223M-T
A16C524	281-0909-00		CAP, FXD, CER DI: 0.022UF, 20%, 50V	54583	MA12X7R1H223M-T
A16C530	290-1123-00		CAP, FXD, ELCTLT: 68MF, 20%, 10V	TK1424	CEUST1A680 (T-7)
A16C600	281-0909-00		CAP, FXD, CER DI: 0.022UF, 20%, 50V	54583	MA12X7R1H223M-T
A16C602	281-0909-00		CAP, FXD, CER DI: 0.022UF, 20%, 50V	54583	MA12X7R1H223M-T
A16C610	281-0909-00		CAP, FXD, CER DI: 0.022UF, 20%, 50V	54583	MA12X7R1H223M-T
A16C612	281-0909-00		CAP, FXD, CER DI: 0.022UF, 20%, 50V	54583	MA12X7R1H223M-T
A16C614	281-0909-00		CAP, FXD, CER DI: 0.022UF, 20%, 50V	54583	MA12X7R1H223M-T
A16C620	281-0909-00		CAP, FXD, CER DI: 0.022UF, 20%, 50V	54583	MA12X7R1H223M-T
A16C622	281-0909-00		CAP, FXD, CER DI: 0.022UF, 20%, 50V	54583	MA12X7R1H223M-T
A16C624	281-0909-00		CAP, FXD, CER DI: 0.022UF, 20%, 50V	54583	MA12X7R1H223M-T
A16C700	281-0909-00		CAP, FXD, CER DI: 0.022UF, 20%, 50V	54583	MA12X7R1H223M-T
A16C702	281-0909-00		CAP, FXD, CER DI: 0.022UF, 20%, 50V	54583	MA12X7R1H223M-T
A16C710	281-0909-00		CAP, FXD, CER DI: 0.022UF, 20%, 50V	54583	MA12X7R1H223M-T
A16C712	281-0909-00		CAP, FXD, CER DI: 0.022UF, 20%, 50V	54583	MA12X7R1H223M-T
A16C714	281-0909-00		CAP, FXD, CER DI: 0.022UF, 20%, 50V	54583	MA12X7R1H223M-T
A16C720	281-0909-00		CAP, FXD, CER DI: 0.022UF, 20%, 50V	54583	MA12X7R1H223M-T
A16C722	281-0909-00		CAP, FXD, CER DI: 0.022UF, 20%, 50V	54583	MA12X7R1H223M-T
A16C724	281-0909-00		CAP, FXD, CER DI: 0.022UF, 20%, 50V	54583	MA12X7R1H223M-T
A16C800	281-0909-00		CAP, FXD, CER DI: 0.022UF, 20%, 50V	54583	MA12X7R1H223M-T
A16C802	281-0909-00		CAP, FXD, CER DI: 0.022UF, 20%, 50V	54583	MA12X7R1H223M-T
A16C810	281-0909-00		CAP, FXD, CER DI: 0.022UF, 20%, 50V	54583	MA12X7R1H223M-T
A16C812	281-0909-00		CAP, FXD, CER DI: 0.022UF, 20%, 50V	54583	MA12X7R1H223M-T
A16C814	281-0909-00		CAP, FXD, CER DI: 0.022UF, 20%, 50V	54583	MA12X7R1H223M-T
A16C820	281-0909-00		CAP, FXD, CER DI: 0.022UF, 20%, 50V	54583	MA12X7R1H223M-T
A16C822	281-0909-00		CAP, FXD, CER DI: 0.022UF, 20%, 50V	54583	MA12X7R1H223M-T
A16C824	281-0909-00		CAP, FXD, CER DI: 0.022UF, 20%, 50V	54583	MA12X7R1H223M-T
A16J52	131-3182-00		CONN, RCPT, ELEC: HDR, RTANG, 2 X 25, 0.1 CENTER	22526	75867-008
A16J79	131-3182-00		CONN, RCPT, ELEC: HDR, RTANG, 2 X 25, 0.1 CENTER	22526	75867-008
A16P100	131-2964-00		CONN, RCPT, ELEC: FEMALE, 3 X 32, RTANG, 0.1 CTR	81312	096S-6043-0731-0
A16R102	315-0222-00		RES, FXD, FILM: 2.2K OHM, 5%, 0.25W	57668	NTR25J-E02K2
A16R120	315-0103-00		RES, FXD, FILM: 10K OHM, 5%, 0.25W	19701	5043CX10K00J
A16R130	315-0103-00		RES, FXD, FILM: 10K OHM, 5%, 0.25W	19701	5043CX10K00J
A16R210	315-0103-00		RES, FXD, FILM: 10K OHM, 5%, 0.25W	19701	5043CX10K00J
A16R332	315-0103-00		RES, FXD, FILM: 10K OHM, 5%, 0.25W	19701	5043CX10K00J
A16R810	315-0222-00		RES, FXD, FILM: 2.2K OHM, 5%, 0.25W	57668	NTR25J-E02K2
A16R820	315-0103-00		RES, FXD, FILM: 10K OHM, 5%, 0.25W	19701	5043CX10K00J
A16TP1	131-0608-00		TERMINAL, PIN: 0.365 L X 0.025 BRZ GLD PL	22526	48283-036
A16TP2	131-0608-00		TERMINAL, PIN: 0.365 L X 0.025 BRZ GLD PL	22526	48283-036
A16TP3	131-0608-00		TERMINAL, PIN: 0.365 L X 0.025 BRZ GLD PL	22526	48283-036
A16TP4	131-0608-00		TERMINAL, PIN: 0.365 L X 0.025 BRZ GLD PL	22526	48283-036
A16TP5	131-0608-00		TERMINAL, PIN: 0.365 L X 0.025 BRZ GLD PL	22526	48283-036
A16TP6	131-0608-00		TERMINAL, PIN: 0.365 L X 0.025 BRZ GLD PL	22526	48283-036
A16TP7	131-0608-00		TERMINAL, PIN: 0.365 L X 0.025 BRZ GLD PL	22526	48283-036
A16TP8	131-0608-00		TERMINAL, PIN: 0.365 L X 0.025 BRZ GLD PL	22526	48283-036
A16TP9	131-0608-00		TERMINAL, PIN: 0.365 L X 0.025 BRZ GLD PL	22526	48283-036
A16TP10	131-0608-00		TERMINAL, PIN: 0.365 L X 0.025 BRZ GLD PL	22526	48283-036
A16TP11	131-0608-00		TERMINAL, PIN: 0.365 L X 0.025 BRZ GLD PL	22526	48283-036
A16TP12	131-0608-00		TERMINAL, PIN: 0.365 L X 0.025 BRZ GLD PL	22526	48283-036

Replaceable Electrical Parts
11401 Extended Service Volume 2

Component No.	Tektronix Part No.	Serial/Assembly No. Effective Dscnt	Name & Description	Mfr. Code	Mfr. Part No.
A16TP13	131-0608-00		TERMINAL,PIN:0.365 L X 0.025 BRZ GLD PL	22526	48283-036
A16TP14	131-0608-00		TERMINAL,PIN:0.365 L X 0.025 BRZ GLD PL	22526	48283-036
A16TP15	131-0608-00		TERMINAL,PIN:0.365 L X 0.025 BRZ GLD PL	22526	48283-036
A16TP16	131-0608-00		TERMINAL,PIN:0.365 L X 0.025 BRZ GLD PL	22526	48283-036
A16TP17	131-0608-00		TERMINAL,PIN:0.365 L X 0.025 BRZ GLD PL	22526	48283-036
A16TP18	131-0608-00		TERMINAL,PIN:0.365 L X 0.025 BRZ GLD PL	22526	48283-036
A16TP19	131-0608-00		TERMINAL,PIN:0.365 L X 0.025 BRZ GLD PL	22526	48283-036
A16TP20	131-0608-00		TERMINAL,PIN:0.365 L X 0.025 BRZ GLD PL	22526	48283-036
A16TP21	131-0608-00		TERMINAL,PIN:0.365 L X 0.025 BRZ GLD PL	22526	48283-036
A16TP22	131-0608-00		TERMINAL,PIN:0.365 L X 0.025 BRZ GLD PL	22526	48283-036
A16TP23	131-0608-00		TERMINAL,PIN:0.365 L X 0.025 BRZ GLD PL	22526	48283-036
A16TP24	131-0608-00		TERMINAL,PIN:0.365 L X 0.025 BRZ GLD PL	22526	48283-036
A16TP25	131-0608-00		TERMINAL,PIN:0.365 L X 0.025 BRZ GLD PL	22526	48283-036
A16TP26	131-0608-00		TERMINAL,PIN:0.365 L X 0.025 BRZ GLD PL	22526	48283-036
A16TP27	131-0608-00		TERMINAL,PIN:0.365 L X 0.025 BRZ GLD PL	22526	48283-036
A16TP28	131-0608-00		TERMINAL,PIN:0.365 L X 0.025 BRZ GLD PL	22526	48283-036
A16TP29	131-0608-00		TERMINAL,PIN:0.365 L X 0.025 BRZ GLD PL	22526	48283-036
A16TP30	131-0608-00		TERMINAL,PIN:0.365 L X 0.025 BRZ GLD PL	22526	48283-036
A16TP31	131-0608-00		TERMINAL,PIN:0.365 L X 0.025 BRZ GLD PL	22526	48283-036
A16TP32	131-0608-00		TERMINAL,PIN:0.365 L X 0.025 BRZ GLD PL	22526	48283-036
A16TP33	131-0608-00		TERMINAL,PIN:0.365 L X 0.025 BRZ GLD PL	22526	48283-036
A16TP34	131-0608-00		TERMINAL,PIN:0.365 L X 0.025 BRZ GLD PL	22526	48283-036
A16TP35	131-0608-00		TERMINAL,PIN:0.365 L X 0.025 BRZ GLD PL	22526	48283-036
A16TP36	131-0608-00		TERMINAL,PIN:0.365 L X 0.025 BRZ GLD PL	22526	48283-036
A16TP37	131-0608-00		TERMINAL,PIN:0.365 L X 0.025 BRZ GLD PL	22526	48283-036
A16TP38	131-0608-00		TERMINAL,PIN:0.365 L X 0.025 BRZ GLD PL	22526	48283-036
A16TP39	131-0608-00		TERMINAL,PIN:0.365 L X 0.025 BRZ GLD PL	22526	48283-036
A16TP40	131-0608-00		TERMINAL,PIN:0.365 L X 0.025 BRZ GLD PL	22526	48283-036
A16TP41	131-0608-00		TERMINAL,PIN:0.365 L X 0.025 BRZ GLD PL	22526	48283-036
A16TP42	131-0608-00		TERMINAL,PIN:0.365 L X 0.025 BRZ GLD PL	22526	48283-036
A16TP43	131-0608-00		TERMINAL,PIN:0.365 L X 0.025 BRZ GLD PL	22526	48283-036
A16TP44	131-0608-00		TERMINAL,PIN:0.365 L X 0.025 BRZ GLD PL	22526	48283-036
A16TP45	131-0608-00		TERMINAL,PIN:0.365 L X 0.025 BRZ GLD PL	22526	48283-036
A16TP46	131-0608-00		TERMINAL,PIN:0.365 L X 0.025 BRZ GLD PL	22526	48283-036
A16TP47	131-0608-00		TERMINAL,PIN:0.365 L X 0.025 BRZ GLD PL	22526	48283-036
A16TP48	131-0608-00		TERMINAL,PIN:0.365 L X 0.025 BRZ GLD PL	22526	48283-036
A16TP49	131-0608-00		TERMINAL,PIN:0.365 L X 0.025 BRZ GLD PL	22526	48283-036
A16U100	156-2113-00		MICROCKT,DGTL:QUAD 2-INP POSITIVE-AND GATE	01295	SN74ALS08N3
A16U102	156-2094-00		MICROCKT,DGTL:HEX INVERTERS	01295	SN74ALS04BN3/J4
A16U110	156-2097-00		MICROCKT,DGTL:TRIPLE 3-INP POS NORGATES	01295	SN74ALS27N3
A16U112	156-1832-01		MICROCKT,DGTL:TRIPLE 3-INP POS NAND GATES	01295	SN74ALS10AN3
A16U114	156-1832-01		MICROCKT,DGTL:TRIPLE 3-INP POS NAND GATES	01295	SN74ALS10AN3
A16U120	156-1756-00		MICROCKT,DGTL:ALSTTL,DUAL D TYPE FF,W/CL	01295	SN74ALS74NP3/JP4
A16U124	156-1756-00		MICROCKT,DGTL:ALSTTL,DUAL D TYPE FF,W/CL	01295	SN74ALS74NP3/JP4
A16U130	156-2093-00		MICROCKT,DGTL:QUAD 2-INP POSITIVE OR GATE	01295	SN74ALS32N3
A16U200	156-2238-00		MICROCKT,DGTL:8 BIT IDENTITY COMPARATOR	01295	SN74ALS521N3
A16U202	156-2182-00		MICROCKT,DGTL:TTL,QUAD 2 TO 1 LINE DATA SEL	01295	SN74ALS157N/J
A16U210	156-1756-00		MICROCKT,DGTL:ALSTTL,DUAL D TYPE FF,W/CL	01295	SN74ALS74NP3/JP4
A16U212	156-1691-00		MICROCKT,DGTL:STTL,D-TYPE EDGE-TRIGGERED FF W/INVT OUT	01295	SN74ALS564NP3
A16U214	156-1664-00		MICROCKT,DGTL:SCREENED	01295	SN74ALS574(NP3)
A16U220	156-1664-00		MICROCKT,DGTL:SCREENED	01295	SN74ALS574(NP3)
A16U222	160-3672-01		MICROCKT,DGTL:ALSTTL,OCTAL INPUT REGISTERED	80009	160-3672-01
A16U224	160-3673-01		MICROCKT,DGTL:ALSTTL,OCTAL INPUT REGISTERED	80009	160-3673-01
A16U230	156-2113-00		MICROCKT,DGTL:QUAD 2-INP POSITIVE-AND GATE	01295	SN74ALS08N3
A16U232	156-2094-00		MICROCKT,DGTL:HEX INVERTERS	01295	SN74ALS04BN3/J4
A16U300	156-2238-00		MICROCKT,DGTL:8 BIT IDENTITY COMPARATOR	01295	SN74ALS521N3

Replaceable Electrical Parts
11401 Extended Service Volume 2

Component No.	Tektronix Part No.	Serial/Assembly No. Effective Dscort	Name & Description	Mfr. Code	Mfr. Part No.
A16U302	156-2336-00		MICROCKT,DGTL:LSTTL,8 BIT MAGTD COMPARATOR	01295	SN74LS684N3
A16U310	156-1664-00		MICROCKT,DGTL:SCREENED	01295	SN74ALS574(NP3)
A16U312	156-1664-00		MICROCKT,DGTL:SCREENED	01295	SN74ALS574(NP3)
A16U314	156-2182-00		MICROCKT,DGTL:TTL,QUAD 2 TO 1 LINE DATA SEL	01295	SN74ALS157N/J
A16U320	156-2182-00		MICROCKT,DGTL:TTL,QUAD 2 TO 1 LINE DATA SEL	01295	SN74ALS157N/J
A16U322	156-1705-00		MICROCKT,DGTL:4-BIT BIN FULL ADDER	07263	74F283PCQR
A16U324	156-2093-00		MICROCKT,DGTL:QUAD 2-INP POSITIVE OR GATE	01295	SN74ALS32N3
A16U330	156-1756-00		MICROCKT,DGTL:ALSTTL,DUAL D TYPE FF,W/CL	01295	SN74ALS74NP3/JP4
A16U332	156-1756-00		MICROCKT,DGTL:ALSTTL,DUAL D TYPE FF,W/CL	01295	SN74ALS74NP3/JP4
A16U400	156-1754-02		MICROCKT,DGTL:OCTAL BUFFER & LINE DRIVER W/ 3-STATE OUT	01295	SN74ALS244A-1N
A16U402	156-1754-02		MICROCKT,DGTL:OCTAL BUFFER & LINE DRIVER W/ 3-STATE OUT	01295	SN74ALS244A-1N
A16U410	156-2336-00		MICROCKT,DGTL:LSTTL,8 BIT MAGTD COMPARATOR	01295	SN74LS684N3
A16U412	156-1664-00		MICROCKT,DGTL:SCREENED	01295	SN74ALS574(NP3)
A16U414	156-2182-00		MICROCKT,DGTL:TTL,QUAD 2 TO 1 LINE DATA SEL	01295	SN74ALS157N/J
A16U420	160-3669-00		MICROCKT,DGTL:LSTTL,DUAL 16-INPUT AND OR INVERT LOGIC ARRAY,PRGM	80009	160-3669-00
A16U422	156-1705-00		MICROCKT,DGTL:4-BIT BIN FULL ADDER	07263	74F283PCQR
A16U424	156-1664-00		MICROCKT,DGTL:SCREENED	01295	SN74ALS574(NP3)
A16U430	156-2100-00		MICROCKT,DGTL:3 TO 8 LINE DECODERS/DEMUX	01295	SN74ALS138N3
A16U432	156-2092-00		MICROCKT,DGTL:QUAD 2-INP POS NOR GATES	01295	SN74ALS02N3
A16U500	156-1664-00		MICROCKT,DGTL:SCREENED	01295	SN74ALS574(NP3)
A16U502	160-3671-00		MICROCKT,DGTL:LSTTL,OCTAL 10 INPUT AND OR INVERT LOGIC ARRAY,PRGM	80009	160-3671-00
A16U510	156-1664-00		MICROCKT,DGTL:SCREENED	01295	SN74ALS574(NP3)
A16U512	156-1664-00		MICROCKT,DGTL:SCREENED	01295	SN74ALS574(NP3)
A16U514	156-1705-00		MICROCKT,DGTL:4-BIT BIN FULL ADDER	07263	74F283PCQR
A16U520	160-3669-00		MICROCKT,DGTL:LSTTL,DUAL 16-INPUT AND OR INVERT LOGIC ARRAY,PRGM	80009	160-3669-00
A16U522	156-1754-02		MICROCKT,DGTL:OCTAL BUFFER & LINE DRIVER W/ 3-STATE OUT	01295	SN74ALS244A-1N
A16U524	156-2238-00		MICROCKT,DGTL:8 BIT IDENTITY COMPARATOR	01295	SN74ALS521N3
A16U600	156-1754-02		MICROCKT,DGTL:OCTAL BUFFER & LINE DRIVER W/ 3-STATE OUT	01295	SN74ALS244A-1N
A16U602	160-3670-00		MICROCKT,DGTL:LSTTL,OCTAL 10 INPUT AND OR INVERT LOGIC ARRAY,PRGM	80009	160-3670-00
A16U610	156-2336-00		MICROCKT,DGTL:LSTTL,8 BIT MAGTD COMPARATOR	01295	SN74LS684N3
A16U612	156-1664-00		MICROCKT,DGTL:SCREENED	01295	SN74ALS574(NP3)
A16U614	156-2182-00		MICROCKT,DGTL:TTL,QUAD 2 TO 1 LINE DATA SEL	01295	SN74ALS157N/J
A16U620	156-1705-00		MICROCKT,DGTL:4-BIT BIN FULL ADDER	07263	74F283PCQR
A16U622	156-1754-02		MICROCKT,DGTL:OCTAL BUFFER & LINE DRIVER W/ 3-STATE OUT	01295	SN74ALS244A-1N
A16U624	156-1664-00		MICROCKT,DGTL:SCREENED	01295	SN74ALS574(NP3)
A16U700	156-1754-02		MICROCKT,DGTL:OCTAL BUFFER & LINE DRIVER W/ 3-STATE OUT	01295	SN74ALS244A-1N
A16U702	156-1754-02		MICROCKT,DGTL:OCTAL BUFFER & LINE DRIVER W/ 3-STATE OUT	01295	SN74ALS244A-1N
A16U710	156-2336-00		MICROCKT,DGTL:LSTTL,8 BIT MAGTD COMPARATOR	01295	SN74LS684N3
A16U712	156-1664-00		MICROCKT,DGTL:SCREENED	01295	SN74ALS574(NP3)
A16U714	156-2182-00		MICROCKT,DGTL:TTL,QUAD 2 TO 1 LINE DATA SEL	01295	SN74ALS157N/J
A16U720	156-1754-02		MICROCKT,DGTL:OCTAL BUFFER & LINE DRIVER W/ 3-STATE OUT	01295	SN74ALS244A-1N
A16U722	156-1664-00		MICROCKT,DGTL:SCREENED	01295	SN74ALS574(NP3)
A16U724	156-1664-00		MICROCKT,DGTL:SCREENED	01295	SN74ALS574(NP3)
A16U800	156-1664-00		MICROCKT,DGTL:SCREENED	01295	SN74ALS574(NP3)
A16U802	156-2238-00		MICROCKT,DGTL:8 BIT IDENTITY COMPARATOR	01295	SN74ALS521N3
A16U810	156-2238-00		MICROCKT,DGTL:8 BIT IDENTITY COMPARATOR	01295	SN74ALS521N3

Replaceable Electrical Parts
11401 Extended Service Volume 2

Component No.	Tektronix Part No.	Serial/Assembly No.		Name & Description	Mfr. Code	Mfr. Part No.
		Effective	Discont			
A16U812	156-1664-00			MICROCKT,DGTL:SCREENED	01295	SN74ALS574(NP3)
A16U814	156-2334-00			MICROCKT,DGTL:ALSTTL,SYNC,4 BIT UP/DN CNTR	01295	SN74ALS191N3
A16U820	156-2334-00			MICROCKT,DGTL:ALSTTL,SYNC,4 BIT UP/DN CNTR	01295	SN74ALS191N3
A16U822	156-1754-02			MICROCKT,DGTL:OCTAL BUFFER & LINE DRIVER W/ 3-STATE OUT	01295	SN74ALS244A-1N
A16U824	156-1664-00			MICROCKT,DGTL:SCREENED	01295	SN74ALS574(NP3)
A16Y122	119-1413-00			OSC,XTAL CLOCK:20MHZ,0.05%	14301	AE 404-417
A17	670-8855-00	B010100	B010921	CIRCUIT BD ASSY:MAIN PROCESSOR	80009	670-8855-00
A17	670-8855-01	B010922	B021020	CIRCUIT BD ASSY:MAIN PROCESSOR	80009	670-8855-01
A17	670-8855-02	B021021		CIRCUIT BD ASSY:MAIN PROCESSOR	80009	670-8855-02
A17	670-8855-50	B010100	B010921	CIRCUIT BD ASSY:MAIN PROCESSOR	80009	670-8855-50
A17	670-8855-51	B010922	B021020	CIRCUIT BD ASSY:MAIN PROCESSOR	80009	670-8855-51
A17	670-8855-52	B021021		CIRCUIT BD ASSY:MAIN PROCESSOR (OPTION 4D ONLY)	80009	670-8855-52
A17BT160	146-0055-00			BATTERY,DRY:3.0V,1200 MAH,LITHIUM	TK0510	BR-2/3A-E2P
A17C100	281-0909-00			CAP,FXD,CER DI:0.022UF,20%,50V	54583	MA12X7R1H223M-T
A17C101	290-0943-01			CAP,FXD,ELCTLT:47UF,20%,25V	55680	ULB1E470MPAANA1T
A17C110	281-0909-00			CAP,FXD,CER DI:0.022UF,20%,50V	54583	MA12X7R1H223M-T
A17C120	281-0909-00			CAP,FXD,CER DI:0.022UF,20%,50V	54583	MA12X7R1H223M-T
A17C130	281-0909-00			CAP,FXD,CER DI:0.022UF,20%,50V	54583	MA12X7R1H223M-T
A17C140	281-0913-00			CAP,FXD,CER DI:0.1UF,50V,AXIAL	04222	SA105E104ZAA
A17C141	281-0909-00			CAP,FXD,CER DI:0.022UF,20%,50V	54583	MA12X7R1H223M-T
A17C142	290-0782-01			CAP,FXD,ELCTLT:4.7UF,20%,35VDC	55680	UVX1V4R7MAA1TD
A17C150	285-1365-00			CAP,FXD,PLASTIC:1UF,10%,50V	14752	650D1A105K
A17C151	290-0804-00			CAP,FXD,ELCTLT:10UF,+50-20%,25V	55680	ULB1E100TAAANA
A17C160	290-0943-01	B010100	B010921	CAP,FXD,ELCTLT:47UF,20%,25V	55680	ULB1E470MPAANA1T
A17C210	281-0909-00			CAP,FXD,CER DI:0.022UF,20%,50V	54583	MA12X7R1H223M-T
A17C220	281-0909-00			CAP,FXD,CER DI:0.022UF,20%,50V	54583	MA12X7R1H223M-T
A17C230	281-0909-00			CAP,FXD,CER DI:0.022UF,20%,50V	54583	MA12X7R1H223M-T
A17C240	281-0909-00			CAP,FXD,CER DI:0.022UF,20%,50V	54583	MA12X7R1H223M-T
A17C250	281-0909-00			CAP,FXD,CER DI:0.022UF,20%,50V	54583	MA12X7R1H223M-T
A17C260	281-0913-00			CAP,FXD,CER DI:0.1UF,50V,AXIAL	04222	SA105E104ZAA
A17C270	281-0913-00			CAP,FXD,CER DI:0.1UF,50V,AXIAL	04222	SA105E104ZAA
A17C271	281-0909-00			CAP,FXD,CER DI:0.022UF,20%,50V	54583	MA12X7R1H223M-T
A17C310	281-0909-00			CAP,FXD,CER DI:0.022UF,20%,50V	54583	MA12X7R1H223M-T
A17C311	281-0909-00			CAP,FXD,CER DI:0.022UF,20%,50V	54583	MA12X7R1H223M-T
A17C320	281-0909-00			CAP,FXD,CER DI:0.022UF,20%,50V	54583	MA12X7R1H223M-T
A17C340	281-0909-00			CAP,FXD,CER DI:0.022UF,20%,50V	54583	MA12X7R1H223M-T
A17C350	281-0909-00			CAP,FXD,CER DI:0.022UF,20%,50V	54583	MA12X7R1H223M-T
A17C360	281-0909-00			CAP,FXD,CER DI:0.022UF,20%,50V	54583	MA12X7R1H223M-T
A17C410	281-0909-00			CAP,FXD,CER DI:0.022UF,20%,50V	54583	MA12X7R1H223M-T
A17C411	281-0909-00			CAP,FXD,CER DI:0.022UF,20%,50V	54583	MA12X7R1H223M-T
A17C420	281-0909-00			CAP,FXD,CER DI:0.022UF,20%,50V	54583	MA12X7R1H223M-T
A17C430	281-0909-00			CAP,FXD,CER DI:0.022UF,20%,50V	54583	MA12X7R1H223M-T
A17C500	281-0913-00			CAP,FXD,CER DI:0.1UF,50V,AXIAL	04222	SA105E104ZAA
A17C510	281-0909-00			CAP,FXD,CER DI:0.022UF,20%,50V	54583	MA12X7R1H223M-T
A17C511	281-0909-00			CAP,FXD,CER DI:0.022UF,20%,50V	54583	MA12X7R1H223M-T
A17C520	281-0909-00			CAP,FXD,CER DI:0.022UF,20%,50V	54583	MA12X7R1H223M-T
A17C530	281-0909-00			CAP,FXD,CER DI:0.022UF,20%,50V	54583	MA12X7R1H223M-T
A17C540	281-0909-00			CAP,FXD,CER DI:0.022UF,20%,50V	54583	MA12X7R1H223M-T
A17C550	281-0909-00			CAP,FXD,CER DI:0.022UF,20%,50V	54583	MA12X7R1H223M-T
A17C560	281-0909-00			CAP,FXD,CER DI:0.022UF,20%,50V	54583	MA12X7R1H223M-T
A17C610	281-0909-00			CAP,FXD,CER DI:0.022UF,20%,50V	54583	MA12X7R1H223M-T
A17C620	281-0909-00			CAP,FXD,CER DI:0.022UF,20%,50V	54583	MA12X7R1H223M-T
A17C630	281-0909-00			CAP,FXD,CER DI:0.022UF,20%,50V	54583	MA12X7R1H223M-T
A17C640	281-0909-00			CAP,FXD,CER DI:0.022UF,20%,50V	54583	MA12X7R1H223M-T

Component No.	Tektronix		Serial/Assembly No.		Name & Description	Mfr. Code	Mfr. Part No.
	Part No.	Effective	Dscont				
A17C650	281-0909-00				CAP,FXD,CER DI:0.022UF,20%,50V	54583	MA12X7R1H223M-T
A17C651	281-0909-00				CAP,FXD,CER DI:0.022UF,20%,50V	54583	MA12X7R1H223M-T
A17C660	281-0909-00				CAP,FXD,CER DI:0.022UF,20%,50V	54583	MA12X7R1H223M-T
A17C700	281-0909-00				CAP,FXD,CER DI:0.022UF,20%,50V	54583	MA12X7R1H223M-T
A17C710	281-0909-00				CAP,FXD,CER DI:0.022UF,20%,50V	54583	MA12X7R1H223M-T
A17C711	281-0909-00				CAP,FXD,CER DI:0.022UF,20%,50V	54583	MA12X7R1H223M-T
A17C720	281-0909-00				CAP,FXD,CER DI:0.022UF,20%,50V	54583	MA12X7R1H223M-T
A17C730	281-0909-00				CAP,FXD,CER DI:0.022UF,20%,50V	54583	MA12X7R1H223M-T
A17C740	281-0909-00				CAP,FXD,CER DI:0.022UF,20%,50V	54583	MA12X7R1H223M-T
A17C750	281-0909-00				CAP,FXD,CER DI:0.022UF,20%,50V	54583	MA12X7R1H223M-T
A17C751	281-0909-00				CAP,FXD,CER DI:0.022UF,20%,50V	54583	MA12X7R1H223M-T
A17C760	281-0909-00				CAP,FXD,CER DI:0.022UF,20%,50V	54583	MA12X7R1H223M-T
A17C850	281-0909-00				CAP,FXD,CER DI:0.022UF,20%,50V	54583	MA12X7R1H223M-T
A17C851	283-0422-00				CAP,FXD,CER DI:0.047UF,+80-20%,50V	04222	BD015E473ZAA
A17C852	281-0913-00				CAP,FXD,CER DI:0.1UF,50V,AXIAL	04222	SA105E104ZAA
A17C853	281-0913-00				CAP,FXD,CER DI:0.1UF,50V,AXIAL	04222	SA105E104ZAA
A17C860	281-0909-00				CAP,FXD,CER DI:0.022UF,20%,50V	54583	MA12X7R1H223M-T
A17C861	281-0909-00				CAP,FXD,CER DI:0.022UF,20%,50V	54583	MA12X7R1H223M-T
A17C900	281-0913-00				CAP,FXD,CER DI:0.1UF,50V,AXIAL	04222	SA105E104ZAA
A17C910	281-0913-00				CAP,FXD,CER DI:0.1UF,50V,AXIAL	04222	SA105E104ZAA
A17C960	281-0757-00				CAP,FXD,CER DI:10PF,20%,100V TUBULAR,MI	04222	MA101A100MAA
A17C961	281-0762-00				CAP,FXD,CER DI:27PF,20%,100V	04222	MA101A270MAA
A17C970	290-0943-01				CAP,FXD,ELCLT:47UF,20%,25V	55680	ULB1E470MPAANA1T
A17CR150	152-0141-02				SEMICON DVC,DI:SW,SI,30V,150MA,30V,DO-35	03508	DA2527 (1N4152)
A17CR151	152-0141-02				SEMICON DVC,DI:SW,SI,30V,150MA,30V,DO-35	03508	DA2527 (1N4152)
A17CR152	152-0141-02				SEMICON DVC,DI:SW,SI,30V,150MA,30V,DO-35	03508	DA2527 (1N4152)
A17CR153	152-0141-02				SEMICON DVC,DI:SW,SI,30V,150MA,30V,DO-35	03508	DA2527 (1N4152)
A17CR160	152-0141-02				SEMICON DVC,DI:SW,SI,30V,150MA,30V,DO-35	03508	DA2527 (1N4152)
A17CR161	152-0141-02				SEMICON DVC,DI:SW,SI,30V,150MA,30V,DO-35	03508	DA2527 (1N4152)
A17CR162	152-0141-02				SEMICON DVC,DI:SW,SI,30V,150MA,30V,DO-35	03508	DA2527 (1N4152)
A17DS306	150-1152-00				LT EMITTING DIO:RED 5V,T-1 PACKAGE	50434	HLMP3600 OPT 002
A17DS307	150-1152-00				LT EMITTING DIO:RED 5V,T-1 PACKAGE	50434	HLMP3600 OPT 002
A17J77	131-3363-00				CONN,RCPT,ELEC:HEADER,RTANG,34 PIN	53387	3594-5002
A17J140	131-0608-00				TERMINAL,PIN:0.365 L X 0.025 BRZ GLD PL (QUANTITY OF 3)	22526	48283-036
A17J150	131-0608-00				TERMINAL,PIN:0.365 L X 0.025 BRZ GLD PL (QUANTITY OF 2)	22526	48283-036
A17J150	131-3640-00	8010100	8010657		CONN,RCPT,ELEC:1 X 4 POSN SQ PIN JUMPER	22526	76278-102
A17J330	131-0608-00				TERMINAL,PIN:0.365 L X 0.025 BRZ GLD PL (QUANTITY OF 2)	22526	48283-036
A17J440	131-0608-00				TERMINAL,PIN:0.365 L X 0.025 BRZ GLD PL (QUANTITY OF 3)	22526	48283-036
A17J550	131-0608-00				TERMINAL,PIN:0.365 L X 0.025 BRZ GLD PL (QUANTITY OF 3)	22526	48283-036
A17J600	131-0608-00				TERMINAL,PIN:0.365 L X 0.025 BRZ GLD PL (QUANTITY OF 2)	22526	48283-036
A17J660	131-0608-00				TERMINAL,PIN:0.365 L X 0.025 BRZ GLD PL (QUANTITY OF 2)	22526	48283-036
A17J720	131-0608-00				TERMINAL,PIN:0.365 L X 0.025 BRZ GLD PL (QUANTITY OF 2)	22526	48283-036
A17J800	131-0608-00				TERMINAL,PIN:0.365 L X 0.025 BRZ GLD PL (QUANTITY OF 8)	22526	48283-036
A17J950	131-0608-00				TERMINAL,PIN:0.365 L X 0.025 BRZ GLD PL (QUANTITY OF 2)	22526	48283-036
A17J960	131-0608-00				TERMINAL,PIN:0.365 L X 0.025 BRZ GLD PL (QUANTITY OF 2)	22526	48283-036
A17P104	131-2964-00				CONN,RCPT,ELEC:FEMALE,3 X 32,RTANG,0.1 CTR	81312	096S-6043-0731-0
A17Q160	151-0311-01				TRANSISTOR:NPN,SI,TO-126	04713	SJE908
A17Q170	151-0188-00				TRANSISTOR:PMP,SI,TO-92	80009	151-0188-00

Replaceable Electrical Parts
11401 Extended Service Volume 2

Component No.	Tektronix Part No.	Serial/Assembly No. Effective Dscont	Name & Description	Mfr. Code	Mfr. Part No.
A17Q171	151-0188-00		TRANSISTOR:PNP,SI,TO-92	80009	151-0188-00
A17R150	315-0102-00		RES,FXD,FILM:1K OHM,5%,0.25W	57668	NTR25JE01K0
A17R151	315-0102-00		RES,FXD,FILM:1K OHM,5%,0.25W	57668	NTR25JE01K0
A17R152	315-0471-00		RES,FXD,FILM:470 OHM,5%,0.25W	57668	NTR25J-E470E
A17R160	315-0272-00		RES,FXD,FILM:2.7K OHM,5%,0.25W	57668	NTR25J-E02K7
A17R163	315-0472-00		RES,FXD,FILM:4.7K OHM,5%,0.25W	57668	NTR25J-E04K7
A17R164	315-0204-00		RES,FXD,FILM:200K OHM,5%,0.25W	19701	5043CX200K0J
A17R165	315-0472-00		RES,FXD,FILM:4.7K OHM,5%,0.25W	57668	NTR25J-E04K7
A17R166	315-0102-00		RES,FXD,FILM:1K OHM,5%,0.25W	57668	NTR25JE01K0
A17R170	315-0103-00		RES,FXD,FILM:10K OHM,5%,0.25W	19701	5043CX10K00J
A17R171	315-0223-00		RES,FXD,FILM:22K OHM,5%,0.25W	19701	5043CX22K00J92U
A17R300	307-0446-00		RES NTWK,FXD,FI:10K OHM,20%,(9)RES	11236	750-101-R10K
A17R330	315-0472-00		RES,FXD,FILM:4.7K OHM,5%,0.25W	57668	NTR25J-E04K7
A17R331	315-0472-00		RES,FXD,FILM:4.7K OHM,5%,0.25W	57668	NTR25J-E04K7
A17R332	315-0472-00		RES,FXD,FILM:4.7K OHM,5%,0.25W	57668	NTR25J-E04K7
A17R333	315-0472-00		RES,FXD,FILM:4.7K OHM,5%,0.25W	57668	NTR25J-E04K7
A17R334	315-0100-00		RES,FXD,FILM:10 OHM,5%,0.25W	19701	5043CX10RR00J
A17R440	315-0472-00		RES,FXD,FILM:4.7K OHM,5%,0.25W	57668	NTR25J-E04K7
A17R441	315-0472-00		RES,FXD,FILM:4.7K OHM,5%,0.25W	57668	NTR25J-E04K7
A17R560	307-0445-00		RES NTWK,FXD,FI:4.7K OHM,20%,(9)RES	32997	4310R-101-472
A17R561	307-0445-00		RES NTWK,FXD,FI:4.7K OHM,20%,(9)RES	32997	4310R-101-472
A17R570	315-0301-00		RES,FXD,FILM:300 OHM,5%,0.25W	57668	NTR25J-E300E
A17R610	315-0472-00		RES,FXD,FILM:4.7K OHM,5%,0.25W	57668	NTR25J-E04K7
A17R611	315-0911-00		RES,FXD,FILM:910 OHM,5%,0.25W	57668	NTR25J-E910E
A17R612	315-0103-00		RES,FXD,FILM:10K OHM,5%,0.25W	19701	5043CX10K00J
A17R720	315-0472-00		RES,FXD,FILM:4.7K OHM,5%,0.25W	57668	NTR25J-E04K7
A17R740	315-0472-00		RES,FXD,FILM:4.7K OHM,5%,0.25W	57668	NTR25J-E04K7
A17R800	315-0472-00		RES,FXD,FILM:4.7K OHM,5%,0.25W	57668	NTR25J-E04K7
A17R920	307-0446-00		RES NTWK,FXD,FI:10K OHM,20%,(9)RES	11236	750-101-R10K
A17R960	315-0472-00		RES,FXD,FILM:4.7K OHM,5%,0.25W	57668	NTR25J-E04K7
A17R980	315-0106-00	B010922	RES,FXD,FILM:10M OHM,5%,0.25W	01121	CB1065
A17TP109	131-0608-00		TERMINAL,PIN:0.365 L X 0.025 BRZ GLD PL	22526	48283-036
A17TP130	131-0608-00		TERMINAL,PIN:0.365 L X 0.025 BRZ GLD PL	22526	48283-036
A17TP131	131-0608-00		TERMINAL,PIN:0.365 L X 0.025 BRZ GLD PL	22526	48283-036
A17TP132	131-0608-00		TERMINAL,PIN:0.365 L X 0.025 BRZ GLD PL	22526	48283-036
A17TP200	131-0608-00		TERMINAL,PIN:0.365 L X 0.025 BRZ GLD PL	22526	48283-036
A17TP201	131-0608-00		TERMINAL,PIN:0.365 L X 0.025 BRZ GLD PL	22526	48283-036
A17TP202	131-0608-00		TERMINAL,PIN:0.365 L X 0.025 BRZ GLD PL	22526	48283-036
A17TP203	131-0608-00		TERMINAL,PIN:0.365 L X 0.025 BRZ GLD PL	22526	48283-036
A17TP204	131-0608-00		TERMINAL,PIN:0.365 L X 0.025 BRZ GLD PL	22526	48283-036
A17TP205	131-0608-00		TERMINAL,PIN:0.365 L X 0.025 BRZ GLD PL	22526	48283-036
A17TP206	131-0608-00		TERMINAL,PIN:0.365 L X 0.025 BRZ GLD PL	22526	48283-036
A17TP230	131-0608-00		TERMINAL,PIN:0.365 L X 0.025 BRZ GLD PL	22526	48283-036
A17TP231	131-0608-00		TERMINAL,PIN:0.365 L X 0.025 BRZ GLD PL	22526	48283-036
A17TP550	131-0608-00		TERMINAL,PIN:0.365 L X 0.025 BRZ GLD PL	22526	48283-036
A17TP551	131-0608-00		TERMINAL,PIN:0.365 L X 0.025 BRZ GLD PL	22526	48283-036
A17TP552	131-0608-00		TERMINAL,PIN:0.365 L X 0.025 BRZ GLD PL	22526	48283-036
A17TP553	131-0608-00		TERMINAL,PIN:0.365 L X 0.025 BRZ GLD PL	22526	48283-036
A17TP610	131-0608-00		TERMINAL,PIN:0.365 L X 0.025 BRZ GLD PL	22526	48283-036
A17TP800	131-0608-00		TERMINAL,PIN:0.365 L X 0.025 BRZ GLD PL	22526	48283-036
A17TP801	131-0608-00		TERMINAL,PIN:0.365 L X 0.025 BRZ GLD PL	22526	48283-036
A17TP940	131-0608-00		TERMINAL,PIN:0.365 L X 0.025 BRZ GLD PL	22526	48283-036
A17U100	156-0386-02		MICROCKT,DGTL:TRIPLE 3-INP NAND GATE,SCRN	07263	74LS10PCQR
A17U110	156-1318-00		MICROCKT,DGTL:LSTTL,4-BIT BISTABLE LATCH	01295	SN74LS375NP3
A17U120	156-0386-02		MICROCKT,DGTL:TRIPLE 3-INP NAND GATE,SCRN	07263	74LS10PCQR
A17U130	156-0479-02		MICROCKT,DGTL:QUAD 2-INP OR GATE,SCRN	01295	SN74LS32NP3
A17U140	156-2396-00		MICROCKT,DGTL:RESET GENERATOR,5V SUPPLY	01295	TL7705 ACP
A17U210	156-0865-02		MICROCKT,DGTL:OCTAL D FF W/CLEAR,SCRN	01295	SN74LS273NP3

Component No.	Tektronix Part No.	Serial/Assembly No. Effective	Discont	Name & Description	Mfr. Code	Mfr. Part No.
A17U220	156-1111-02			MICROCKT,DGTL:OCTAL BUS XCVR W/3 STATE OUT	01295	SN74LS245N3
A17U230	156-1111-02			MICROCKT,DGTL:OCTAL BUS XCVR W/3 STATE OUT	01295	SN74LS245N3
A17U240	160-3749-02	B010100	B010324	MICROCKT,DGTL:NMOS,65536 X 8 EPROM,W/3 STATE OUT,PRGM	80009	160-3749-02
A17U240	160-3749-03	B010325	B010458	MICROCKT,DGTL:HMOS,65536 X 8 EPROM,PRGM	80009	160-3749-03
A17U240	160-3749-04	B010459	B010608	MICROCKT,DGTL:HMOS,65536 X 8 EPROM,PRGM	80009	160-3749-04
A17U240	160-3749-05	B010609	B010657	MICROCKT,DGTL:HMOS,65536 X 8 EPROM,PRGM	80009	160-3749-05
A17U240	160-3749-06	B010658	B010852	MICROCKT,DGTL:HMOS,65536 X 8 EPROM,PRGM	80009	160-3749-06
A17U240	160-3749-07	B010853	B021020	MICROCKT,DGTL:HMOS,65536 X 8 EPROM,PRGM	80009	160-3749-07
A17U240	160-3749-08	B021021	B021088	MICROCKT,DGTL:NMOS,65536 X 8 EPROM,PRGM	80009	160-3749-08
A17U240	160-3749-09	B021089		MICROCKT,DGTL:NMOS,65536 X 8 EPROM,PRGM	80009	160-3749-09
A17U250	160-3748-02	B010100	B010324	MICROCKT,DGTL:NMOS,65536 X 8 EPROM,W/3 STATE OUT,PRGM	80009	160-3748-02
A17U250	160-3748-03	B010325	B010458	MICROCKT,DGTL:HMOS,65536 X 8 EPROM,PRGM	80009	160-3748-03
A17U250	160-3748-04	B010459	B010608	MICROCKT,DGTL:HMOS,65536 X 8 EPROM,PRGM	80009	160-3748-04
A17U250	160-3748-05	B010609	B010657	MICROCKT,DGTL:HMOS,65536 X 8 EPROM,PRGM	80009	160-3748-05
A17U250	160-3748-06	B010658	B010852	MICROCKT,DGTL:HMOS,65536 X 8 EPROM,PRGM	80009	160-3748-06
A17U250	160-3748-07	B010853	B021020	MICROCKT,DGTL:HMOS,65536 X 8 EPROM,PRGM	80009	160-3748-07
A17U250	160-3748-08	B021021	B021088	MICROCKT,DGTL:NMOS,65536 X 8 EPROM,PRGM	80009	160-3748-08
A17U250	160-3748-09	B021089		MICROCKT,DGTL:NMOS,65536 X 8 EPROM,PRGM	80009	160-3748-09
A17U260	156-2473-00			MICROCKT,DGTL:8192 X 8 CMOS,LOW STANDBY POWER,200 NS ACCESS	TK0961	uPD4464C-20
A17U270	156-2473-00			MICROCKT,DGTL:8192 X 8 CMOS,LOW STANDBY POWER,200 NS ACCESS	TK0961	uPD4464C-20
A17U310	156-0385-02			MICROCKT,DGTL:HEX INVERTER,SCRN	07263	74LS04PCQR
A17U311	156-1724-00			MICROCKT,DGTL:FTTL,QUAD 2 INP OR GATE	04713	MC74F32ND
A17U320	156-0386-02			MICROCKT,DGTL:TRIPLE 3-INP NAND GATE,SCRN	07263	74LS10PCQR
A17U340	156-0478-02			MICROCKT,DGTL:DUAL 4-INP & GATE,SCRN	01295	SN74LS21NP3
A17U350	156-1204-01			MICROCKT,DGTL:INTERRUPT CONTROLLER,SCRN	34649	D8259A
A17U360	156-1204-01			MICROCKT,DGTL:INTERRUPT CONTROLLER,SCRN	34649	D8259A
A17U370	156-1204-01			MICROCKT,DGTL:INTERRUPT CONTROLLER,SCRN	34649	D8259A
A17U410	156-0385-02			MICROCKT,DGTL:HEX INVERTER,SCRN	07263	74LS04PCQR
A17U411	156-1611-00			MICROCKT,DGTL:ASTTL,DUAL D TYPE EDGE-TRIG	80009	156-1611-00
A17U420	156-2120-00			MICROCKT,DGTL:SER-IN PRL-OUT SHIFT RGTR	07263	74F164PCQR/DCQR
A17U430	156-0385-02			MICROCKT,DGTL:HEX INVERTER,SCRN	07263	74LS04PCQR
A17U500	156-1883-01			MICROCKT,DGTL:NMOS,NUMERIC PROCESSOR EXTENSION,8MHZ	80009	156-1883-01
A17U510	156-0385-02			MICROCKT,DGTL:HEX INVERTER,SCRN	07263	74LS04PCQR
A17U511	156-0465-02			MICROCKT,DGTL:8-INP NAND GATE,SCRN	01295	SN74LS30NP3
A17U520	156-0391-02			MICROCKT,DGTL:HEX LATCH W/CLEAR,SCRN	01295	SN74LS174NP3
A17U530	156-0956-02			MICROCKT,DGTL:OCTAL BFR W/3 STATE OUT,SCRN	01295	SN74LS244NP3
A17U540	156-2001-00			MICROCKT,DGTL:FTTL,QUAD 2 INP MUX	04713	MC74F257
A17U550	156-1722-00			MICROCKT,DGTL:FTTL,HEX INVERTER	04713	MC74F04ND
A17U560	156-0403-02			MICROCKT,DGTL:HEX INVERTER,SCRN	18324	N74S05(NB OR FB)
A17U561	156-0385-02			MICROCKT,DGTL:HEX INVERTER,SCRN	07263	74LS04PCQR
A17U570	156-0385-02			MICROCKT,DGTL:HEX INVERTER,SCRN	07263	74LS04PCQR
A17U610	156-1065-01			MICROCKT,DGTL:LSTTL,OCTAL D-TYPE TRANS	04713	SN74LS373 ND/JD
A17U620	156-1065-01			MICROCKT,DGTL:LSTTL,OCTAL D-TYPE TRANS	04713	SN74LS373 ND/JD
A17U630	156-0464-02			MICROCKT,DGTL:DUAL 4-INP NAND GATE	01295	SN74LS20NP3
A17U640	156-1065-01			MICROCKT,DGTL:LSTTL,OCTAL D-TYPE TRANS	04713	SN74LS373 ND/JD
A17U650	156-1748-01			MICROCKT,DGTL:ALSTTL,OCTAL BUS XCVR	01295	74ALS245A-1N3
A17U651	156-1748-01			MICROCKT,DGTL:ALSTTL,OCTAL BUS XCVR	01295	74ALS245A-1N3
A17U660	156-1748-01			MICROCKT,DGTL:ALSTTL,OCTAL BUS XCVR	01295	74ALS245A-1N3
A17U710	160-3733-01			MICROCKT,DGTL:STTL,HEX 12 INPUT AOI PRGM LOGIC ARRAY	80009	160-3733-01
A17U711	160-3734-00			MICROCKT,DGTL:STTL,HEX 12 INPUT AOI PROGRAMMABLE LOGIC ARRAY	80009	160-3734-00
A17U720	156-0465-02			MICROCKT,DGTL:8-INP NAND GATE,SCRN	01295	SN74LS30NP3
A17U730	156-1065-01			MICROCKT,DGTL:LSTTL,OCTAL D-TYPE TRANS	04713	SN74LS373 ND/JD

Replaceable Electrical Parts
11401 Extended Service Volume 2

Component No.	Tektronix Part No.	Serial/Assembly No. Effective	Dscont	Name & Description	Mfr. Code	Mfr. Part No.
A17U740	156-0465-02			MICROCKT,DGTL:8-INP NAND GATE,SCRN	01295	SN74LS30NP3
A17U750	156-1882-00			MICROCKT,DGTL:NMOS,BUS CONTROLLER	34649	D82288-6
A17U751	156-1962-00			MICROCKT,DGTL:OCTAL BUFFER/LINE DRIVER,SCRN	04713	MC74F244N
A17U760	156-1962-00			MICROCKT,DGTL:OCTAL BUFFER/LINE DRIVER,SCRN	04713	MC74F244N
A17U800	156-2477-00			MICROCKT,DGTL:NMOS,PERIPHERAL,DRAM CONT (OPTION 4D ONLY)	34649	D82258
A17U830	156-1877-00			MICROCKT,DGTL:NMOS,16 BIT MICROPROCESSOR	34649	C80286-6
A17U850	156-1875-00			MICROCKT,DGTL:NMOS,CLOCK GEN & READY INTFC	34649	82284-6
A17U860	156-1748-01			MICROCKT,DGTL:ALSTTL,OCTAL BUS XCVR	01295	74ALS245A-1N3
A17U861	156-1748-01			MICROCKT,DGTL:ALSTTL,OCTAL BUS XCVR	01295	74ALS245A-1N3
A17VR165	152-0693-00			SEMICON DVC,DI:ZEN,SI,4.0V,5%,1MA,400MH	04713	SZG30068
A17VR170	152-0693-00			SEMICON DVC,DI:ZEN,SI,4.0V,5%,1MA,400MH	04713	SZG30068
A17X240	136-0755-00			SKT,PL-IN ELEK:MICROCIRCUIT,28 DIP	09922	D1LB28P-108
A17X250	136-0755-00			SKT,PL-IN ELEK:MICROCIRCUIT,28 DIP	09922	D1LB28P-108
A17X710	136-0752-00			SKT,PL-IN ELEK:MICROCIRCUIT,20 DIP	09922	D1LB20P-108
A17X711	136-0752-00			SKT,PL-IN ELEK:MICROCIRCUIT,20 DIP	09922	D1LB20P-108
A17X800	136-0813-00			SKT,PL-IN ELEK:CHIP CARRIER,68 CONTACTS	19613	268-5400-00-1102
A17X830	136-0813-00			SKT,PL-IN ELEK:CHIP CARRIER,68 CONTACTS	19613	268-5400-00-1102
A17Y700	119-1897-00			OSCILLATOR,RF:XTAL CONTROLLED,8.00MHZ,0.01%	01537	RASCO-1-8.00 MHZ
A17Y950	158-0306-00			XTAL UNIT,QTZ:12 MHZ,PARALLEL RESONANCE,HC-18/UCASE	14301	MAE120-1
A18	670-8856-00	B010100	8021020	CIRCUIT BD ASSY:MEMORY	80009	670-8856-00
A18	670-8856-01	B021021		CIRCUIT BD ASSY:MEMORY	80009	670-8856-01
A18C110	281-0913-00			CAP,FXD,CER DI:0.1UF,50V,AXIAL	04222	SA105E104ZAA
A18C111	281-0913-00			CAP,FXD,CER DI:0.1UF,50V,AXIAL	04222	SA105E104ZAA
A18C112	281-0913-00			CAP,FXD,CER DI:0.1UF,50V,AXIAL	04222	SA105E104ZAA
A18C113	281-0913-00			CAP,FXD,CER DI:0.1UF,50V,AXIAL	04222	SA105E104ZAA
A18C120	281-0913-00			CAP,FXD,CER DI:0.1UF,50V,AXIAL	04222	SA105E104ZAA
A18C121	281-0913-00			CAP,FXD,CER DI:0.1UF,50V,AXIAL	04222	SA105E104ZAA
A18C122	281-0913-00			CAP,FXD,CER DI:0.1UF,50V,AXIAL	04222	SA105E104ZAA
A18C123	281-0913-00			CAP,FXD,CER DI:0.1UF,50V,AXIAL	04222	SA105E104ZAA
A18C130	281-0913-00			CAP,FXD,CER DI:0.1UF,50V,AXIAL	04222	SA105E104ZAA
A18C131	281-0913-00			CAP,FXD,CER DI:0.1UF,50V,AXIAL	04222	SA105E104ZAA
A18C132	281-0913-00			CAP,FXD,CER DI:0.1UF,50V,AXIAL	04222	SA105E104ZAA
A18C140	281-0913-00			CAP,FXD,CER DI:0.1UF,50V,AXIAL	04222	SA105E104ZAA
A18C141	281-0913-00			CAP,FXD,CER DI:0.1UF,50V,AXIAL	04222	SA105E104ZAA
A18C142	281-0913-00			CAP,FXD,CER DI:0.1UF,50V,AXIAL	04222	SA105E104ZAA
A18C143	281-0913-00			CAP,FXD,CER DI:0.1UF,50V,AXIAL	04222	SA105E104ZAA
A18C150	290-1123-00			CAP,FXD,ELCTLT:68MF,20%,10V	TK1424	CEUST1A680 (T-7)
A18C210	281-0913-00			CAP,FXD,CER DI:0.1UF,50V,AXIAL	04222	SA105E104ZAA
A18C212	281-0913-00			CAP,FXD,CER DI:0.1UF,50V,AXIAL	04222	SA105E104ZAA
A18C220	281-0913-00			CAP,FXD,CER DI:0.1UF,50V,AXIAL	04222	SA105E104ZAA
A18C222	281-0913-00			CAP,FXD,CER DI:0.1UF,50V,AXIAL	04222	SA105E104ZAA
A18C230	281-0913-00			CAP,FXD,CER DI:0.1UF,50V,AXIAL	04222	SA105E104ZAA
A18C232	281-0913-00			CAP,FXD,CER DI:0.1UF,50V,AXIAL	04222	SA105E104ZAA
A18C240	281-0913-00			CAP,FXD,CER DI:0.1UF,50V,AXIAL	04222	SA105E104ZAA
A18C242	281-0913-00			CAP,FXD,CER DI:0.1UF,50V,AXIAL	04222	SA105E104ZAA
A18C320	281-0913-00			CAP,FXD,CER DI:0.1UF,50V,AXIAL	04222	SA105E104ZAA
A18C330	281-0913-00			CAP,FXD,CER DI:0.1UF,50V,AXIAL	04222	SA105E104ZAA
A18C332	281-0913-00			CAP,FXD,CER DI:0.1UF,50V,AXIAL	04222	SA105E104ZAA
A18C333	281-0775-00			CAP,FXD,CER DI:0.1UF,20%,50V	04222	MA205E104MAA
A18C340	281-0913-00			CAP,FXD,CER DI:0.1UF,50V,AXIAL	04222	SA105E104ZAA
A18C342	281-0913-00			CAP,FXD,CER DI:0.1UF,50V,AXIAL	04222	SA105E104ZAA
A18C350	281-0913-00			CAP,FXD,CER DI:0.1UF,50V,AXIAL	04222	SA105E104ZAA
A18C352	281-0913-00			CAP,FXD,CER DI:0.1UF,50V,AXIAL	04222	SA105E104ZAA
A18C420	281-0913-00			CAP,FXD,CER DI:0.1UF,50V,AXIAL	04222	SA105E104ZAA

Component No.	Tektronix		Serial/Assembly No. Effective Dscnt	Name & Description	Mfr. Code	Mfr. Part No.
	Part No.					
A18C430	281-0913-00			CAP,FXD,CER DI:0.1UF,50V,AXIAL	04222	SA105E104ZAA
A18C431	290-1127-00			CAP,FXD,ELCLT:1UF,20%,50V,AXIAL	TK1424	CEUST1H010 T7
A18C432	285-1364-00			CAP,FXD,PLASTIC:0.47MF,10%,50V	14752	230D1B474K
A18C450	281-0913-00			CAP,FXD,CER DI:0.1UF,50V,AXIAL	04222	SA105E104ZAA
A18C452	281-0913-00			CAP,FXD,CER DI:0.1UF,50V,AXIAL	04222	SA105E104ZAA
A18C510	281-0913-00			CAP,FXD,CER DI:0.1UF,50V,AXIAL	04222	SA105E104ZAA
A18C530	281-0913-00			CAP,FXD,CER DI:0.1UF,50V,AXIAL	04222	SA105E104ZAA
A18C540	281-0913-00			CAP,FXD,CER DI:0.1UF,50V,AXIAL	04222	SA105E104ZAA
A18C542	281-0913-00			CAP,FXD,CER DI:0.1UF,50V,AXIAL	04222	SA105E104ZAA
A18C550	281-0913-00			CAP,FXD,CER DI:0.1UF,50V,AXIAL	04222	SA105E104ZAA
A18C552	281-0913-00			CAP,FXD,CER DI:0.1UF,50V,AXIAL	04222	SA105E104ZAA
A18C600	281-0913-00			CAP,FXD,CER DI:0.1UF,50V,AXIAL	04222	SA105E104ZAA
A18C612	281-0913-00			CAP,FXD,CER DI:0.1UF,50V,AXIAL	04222	SA105E104ZAA
A18C620	281-0913-00			CAP,FXD,CER DI:0.1UF,50V,AXIAL	04222	SA105E104ZAA
A18C632	281-0913-00			CAP,FXD,CER DI:0.1UF,50V,AXIAL	04222	SA105E104ZAA
A18C640	281-0913-00			CAP,FXD,CER DI:0.1UF,50V,AXIAL	04222	SA105E104ZAA
A18C642	281-0913-00			CAP,FXD,CER DI:0.1UF,50V,AXIAL	04222	SA105E104ZAA
A18C700	281-0913-00			CAP,FXD,CER DI:0.1UF,50V,AXIAL	04222	SA105E104ZAA
A18C712	281-0913-00			CAP,FXD,CER DI:0.1UF,50V,AXIAL	04222	SA105E104ZAA
A18C720	281-0913-00			CAP,FXD,CER DI:0.1UF,50V,AXIAL	04222	SA105E104ZAA
A18C730	281-0913-00			CAP,FXD,CER DI:0.1UF,50V,AXIAL	04222	SA105E104ZAA
A18C732	281-0913-00			CAP,FXD,CER DI:0.1UF,50V,AXIAL	04222	SA105E104ZAA
A18C740	281-0913-00			CAP,FXD,CER DI:0.1UF,50V,AXIAL	04222	SA105E104ZAA
A18C742	281-0913-00			CAP,FXD,CER DI:0.1UF,50V,AXIAL	04222	SA105E104ZAA
A18C810	281-0913-00			CAP,FXD,CER DI:0.1UF,50V,AXIAL	04222	SA105E104ZAA
A18C820	281-0913-00			CAP,FXD,CER DI:0.1UF,50V,AXIAL	04222	SA105E104ZAA
A18C821	290-1123-00			CAP,FXD,ELCLT:68MF,20%,10V	TK1424	CEUST1A680 (T-7)
A18C830	281-0913-00			CAP,FXD,CER DI:0.1UF,50V,AXIAL	04222	SA105E104ZAA
A18C832	281-0913-00			CAP,FXD,CER DI:0.1UF,50V,AXIAL	04222	SA105E104ZAA
A18C840	281-0913-00			CAP,FXD,CER DI:0.1UF,50V,AXIAL	04222	SA105E104ZAA
A18C842	281-0913-00			CAP,FXD,CER DI:0.1UF,50V,AXIAL	04222	SA105E104ZAA
A18CR330	152-0141-02			SEMICON DVC,DI:SW,SI,30V,150MA,30V,DO-35	03508	DA2527 (1N4152)
A18J501	131-0608-00			TERMINAL,PIN:0.365 L X 0.025 BRZ GLD PL (QUANTITY OF 12)	22526	48283-036
A18J520	131-0608-00			TERMINAL,PIN:0.365 L X 0.025 BRZ GLD PL (QUANTITY OF 12)	22526	48283-036
A18J521	131-0608-00			TERMINAL,PIN:0.365 L X 0.025 BRZ GLD PL (QUANTITY OF 16)	22526	48283-036
A18J541	131-0608-00			TERMINAL,PIN:0.365 L X 0.025 BRZ GLD PL (QUANTITY OF 8)	22526	48283-036
A18J543	131-0608-00			TERMINAL,PIN:0.365 L X 0.025 BRZ GLD PL (QUANTITY OF 3)	22526	48283-036
A18J800	131-0608-00			TERMINAL,PIN:0.365 L X 0.025 BRZ GLD PL (QUANTITY OF 6)	22526	48283-036
A18P106	131-2964-00			CONN,RCPT,ELEC:FEMALE,3 X 32,RTANG,0.1 CTR	81312	096S-6043-0731-0
A18P501	131-3563-00			CONNECTOR,TERM:6 PIN,SQ PIN JUMPER	22526	76264-103
A18P520	131-3563-00			CONNECTOR,TERM:6 PIN,SQ PIN JUMPER	22526	76264-103
A18P521	131-3564-00			CONNECTOR,TERM:8 PIN,SQ PIN JUMPER	22526	76264-104
A18P541	131-3562-00			CONNECTOR,TERM:4 PIN SQ PIN JUMPER	22526	76264-102
A18R310	307-0648-00			RES NTWK,FXD,FI:8,100 OHM,2%,0.125 W	01121	3168101
A18R312	307-0648-00			RES NTWK,FXD,FI:8,100 OHM,2%,0.125 W	01121	3168101
A18R330	315-0472-00			RES,FXD,FILM:4.7K OHM,5%,0.25W	57668	NTR25J-E04K7
A18R331	315-0102-00			RES,FXD,FILM:1K OHM,5%,0.25W	57668	NTR25JE01K0
A18R332	315-0103-00			RES,FXD,FILM:10K OHM,5%,0.25W	19701	5043CX10K00J
A18R333	315-0390-00			RES,FXD,FILM:39 OHM,5%,0.25W	57668	NTR25J-E39E0
A18R334	315-0390-00			RES,FXD,FILM:39 OHM,5%,0.25W	57668	NTR25J-E39E0
A18R420	315-0471-00			RES,FXD,FILM:470 OHM,5%,0.25W	57668	NTR25J-E470E
A18R440	307-0648-00			RES NTWK,FXD,FI:8,100 OHM,2%,0.125 W	01121	3168101
A18R442	307-0648-00			RES NTWK,FXD,FI:8,100 OHM,2%,0.125 W	01121	3168101

Replaceable Electrical Parts
11401 Extended Service Volume 2

Component No.	Tektronix Part No.	Serial/Assembly No. Effective Dscnt	Name & Description	Mfr. Code	Mfr. Part No.
A18R500	315-0472-00		RES,FXD,FILM:4.7K OHM,5%,0.25W	57668	NTR25J-E04K7
A18R510	315-0472-00		RES,FXD,FILM:4.7K OHM,5%,0.25W	57668	NTR25J-E04K7
A18R511	315-0472-00		RES,FXD,FILM:4.7K OHM,5%,0.25W	57668	NTR25J-E04K7
A18R512	315-0472-00		RES,FXD,FILM:4.7K OHM,5%,0.25W	57668	NTR25J-E04K7
A18R513	315-0472-00		RES,FXD,FILM:4.7K OHM,5%,0.25W	57668	NTR25J-E04K7
A18R530	315-0102-00		RES,FXD,FILM:1K OHM,5%,0.25W	57668	NTR25JE01K0
A18R531	315-0432-00		RES,FXD,FILM:4.3K OHM,5%,0.25W	57668	NTR25J-E04K3
A18R532	315-0472-00		RES,FXD,FILM:4.7K OHM,5%,0.25W	57668	NTR25J-E04K7
A18R533	315-0472-00		RES,FXD,FILM:4.7K OHM,5%,0.25W	57668	NTR25J-E04K7
A18R630	315-0100-00		RES,FXD,FILM:10 OHM,5%,0.25W	19701	5043CX10RR00J
A18R800	315-0472-00		RES,FXD,FILM:4.7K OHM,5%,0.25W	57668	NTR25J-E04K7
A18R810	315-0472-00		RES,FXD,FILM:4.7K OHM,5%,0.25W	57668	NTR25J-E04K7
A18R812	315-0472-00		RES,FXD,FILM:4.7K OHM,5%,0.25W	57668	NTR25J-E04K7
A18TP200	131-0608-00		TERMINAL,PIN:0.365 L X 0.025 BRZ GLD PL	22526	48283-036
A18TP201	131-0608-00		TERMINAL,PIN:0.365 L X 0.025 BRZ GLD PL	22526	48283-036
A18TP202	131-0608-00		TERMINAL,PIN:0.365 L X 0.025 BRZ GLD PL	22526	48283-036
A18TP203	131-0608-00		TERMINAL,PIN:0.365 L X 0.025 BRZ GLD PL	22526	48283-036
A18TP204	131-0608-00		TERMINAL,PIN:0.365 L X 0.025 BRZ GLD PL	22526	48283-036
A18TP205	131-0608-00		TERMINAL,PIN:0.365 L X 0.025 BRZ GLD PL	22526	48283-036
A18TP206	131-0608-00		TERMINAL,PIN:0.365 L X 0.025 BRZ GLD PL	22526	48283-036
A18TP207	131-0608-00		TERMINAL,PIN:0.365 L X 0.025 BRZ GLD PL	22526	48283-036
A18TP208	131-0608-00		TERMINAL,PIN:0.365 L X 0.025 BRZ GLD PL	22526	48283-036
A18TP300	131-0608-00		TERMINAL,PIN:0.365 L X 0.025 BRZ GLD PL	22526	48283-036
A18TP301	131-0608-00		TERMINAL,PIN:0.365 L X 0.025 BRZ GLD PL	22526	48283-036
A18TP302	131-0608-00		TERMINAL,PIN:0.365 L X 0.025 BRZ GLD PL	22526	48283-036
A18TP303	131-0608-00		TERMINAL,PIN:0.365 L X 0.025 BRZ GLD PL	22526	48283-036
A18TP500	131-0608-00		TERMINAL,PIN:0.365 L X 0.025 BRZ GLD PL	22526	48283-036
A18TP501	131-0608-00		TERMINAL,PIN:0.365 L X 0.025 BRZ GLD PL	22526	48283-036
A18TP502	131-0608-00		TERMINAL,PIN:0.365 L X 0.025 BRZ GLD PL	22526	48283-036
A18TP503	131-0608-00		TERMINAL,PIN:0.365 L X 0.025 BRZ GLD PL	22526	48283-036
A18TP504	131-0608-00		TERMINAL,PIN:0.365 L X 0.025 BRZ GLD PL	22526	48283-036
A18TP505	131-0608-00		TERMINAL,PIN:0.365 L X 0.025 BRZ GLD PL	22526	48283-036
A18TP800	131-0608-00		TERMINAL,PIN:0.365 L X 0.025 BRZ GLD PL	22526	48283-036
A18TP801	131-0608-00		TERMINAL,PIN:0.365 L X 0.025 BRZ GLD PL	22526	48283-036
A18TP802	131-0608-00		TERMINAL,PIN:0.365 L X 0.025 BRZ GLD PL	22526	48283-036
A18TP803	131-0608-00		TERMINAL,PIN:0.365 L X 0.025 BRZ GLD PL	22526	48283-036
A18TP804	131-0608-00		TERMINAL,PIN:0.365 L X 0.025 BRZ GLD PL	22526	48283-036
A18TP805	131-0608-00		TERMINAL,PIN:0.365 L X 0.025 BRZ GLD PL	22526	48283-036
A18TP806	131-0608-00		TERMINAL,PIN:0.365 L X 0.025 BRZ GLD PL	22526	48283-036
A18TP807	131-0608-00		TERMINAL,PIN:0.365 L X 0.025 BRZ GLD PL	22526	48283-036
A18TP808	131-0608-00		TERMINAL,PIN:0.365 L X 0.025 BRZ GLD PL	22526	48283-036
A18TP809	131-0608-00		TERMINAL,PIN:0.365 L X 0.025 BRZ GLD PL	22526	48283-036
A18U110	156-2372-00		MICROCKT,DGTL:NMOS 65536 X 4 DRAM	33297	UPD41254D/C
A18U112	156-2372-00		MICROCKT,DGTL:NMOS 65536 X 4 DRAM	33297	UPD41254D/C
A18U120	156-2372-00		MICROCKT,DGTL:NMOS 65536 X 4 DRAM	33297	UPD41254D/C
A18U122	156-2372-00		MICROCKT,DGTL:NMOS 65536 X 4 DRAM	33297	UPD41254D/C
A18U210	156-2372-00		MICROCKT,DGTL:NMOS 65536 X 4 DRAM	33297	UPD41254D/C
A18U212	156-2372-00		MICROCKT,DGTL:NMOS 65536 X 4 DRAM	33297	UPD41254D/C
A18U220	156-2372-00		MICROCKT,DGTL:NMOS 65536 X 4 DRAM	33297	UPD41254D/C
A18U222	156-2372-00		MICROCKT,DGTL:NMOS 65536 X 4 DRAM	33297	UPD41254D/C
A18U320	156-0789-02		MICROCKT,DGTL:LSTTL,8 BIT SHF REG W/PRL LOAD	04713	SN74LS165JDS
A18U330	156-0385-02		MICROCKT,DGTL:HEX INVERTER,SCRN	07263	74LS04PCQR
A18U332	156-0386-02		MICROCKT,DGTL:TRIPLE 3-INP NAND GATE,SCRN	07263	74LS10PCQR
A18U340	156-0386-02		MICROCKT,DGTL:TRIPLE 3-INP NAND GATE,SCRN	07263	74LS10PCQR
A18U342	156-1318-00		MICROCKT,DGTL:LSTTL,4-BIT BISTABLE LATCH	01295	SN74LS375NP3
A18U350	156-0464-02		MICROCKT,DGTL:DUAL 4-INP NAND GATE	01295	SN74LS20NP3
A18U352	156-1318-00		MICROCKT,DGTL:LSTTL,4-BIT BISTABLE LATCH	01295	SN74LS375NP3

Component No.	Tektronix Part No.	Serial/Assembly No. Effective	Discont	Name & Description	Mfr. Code	Mfr. Part No.
A18U410	156-1881-00			MICROCKT,DGTL:NMOS,DYNAMIC RAM CONTROLLER	34649	R8207-16
A18U420	156-0789-02			MICROCKT,DGTL:LSTTL,8 BIT SHF REG W/PRL LOAD	04713	SN74LS165JDS
A18U430	156-2396-00			MICROCKT,DGTL:RESET GENERATOR,5V SUPPLY	01295	TL7705 ACP
A18U450	156-0383-02			MICROCKT,DGTL:QUAD 2-INP NOR GATE,SCRN,	18324	N74LS02NB
A18U452	156-0480-02			MICROCKT,DGTL:QUAD 2-INP & GATE,SCRN,	01295	SN74LS08NP3
A18U530	156-1723-00			MICROCKT,DGTL:QUAD 2 INPUT & GATE	04713	MC74F08 ND OR JD
A18U540	156-2111-00			MICROCKT,DGTL:OCTAL D-TYPE LATCHES	01295	SN74ALS373N3
A18U542	160-3732-01			MICROCKT,DGTL:STTL,HEX 12 INPUT AOI PRGM LOGIC ARRAY	80009	160-3732-01
A18U550	156-1962-00			MICROCKT,DGTL:OCTAL BUFFER/LINE DRIVER,SCRN	04713	MC74F244N
A18U552	156-0403-02			MICROCKT,DGTL:HEX INVERTER,SCRN	18324	N74S05(NB OR FB)
A18U600	160-3746-01	B010100	B010324	MICROCKT,DGTL:NMOS,65536 X 8 EPROM,W/3 STATE OUT,PRGM	80009	160-3746-01
A18U600	160-3746-02	B010325	B010458	MICROCKT,DGTL:HMOS,65536 X 8 EPROM,PRGM	80009	160-3746-02
A18U600	160-3746-03	B010459	B010608	MICROCKT,DGTL:HMOS,65536 X 8 EPROM,PRGM	80009	160-3746-03
A18U600	160-3746-04	B010609	B010657	MICROCKT,DGTL:HMOS,65536 X 8 EPROM,PRGM	80009	160-3746-04
A18U600	160-3746-05	B010658	B010852	MICROCKT,DGTL:HMOS,65536 X 8 EPROM,PRGM	80009	160-3746-05
A18U600	160-3746-06	B010853	B021020	MICROCKT,DGTL:HMOS,65536 X 8 EPROM,PRGM	80009	160-3746-06
A18U600	160-3746-07	B021021	B021088	MICROCKT,DGTL:NMOS,65536 X 8 EPROM,PRGM	80009	160-3746-07
A18U600	160-3746-08	B021089		MICROCKT,DGTL:NMOS,65536 X 8 EPROM,PRGM	80009	160-3746-08
A18U612	160-3744-01	B010100	B010324	MICROCKT,DGTL:NMOS,65536 X 8 EPROM,W/3 STATE OUT,PRGM	80009	160-3744-01
A18U612	160-3744-02	B010325	B010458	MICROCKT,DGTL:HMOS,65536 X 8 EPROM,PRGM	80009	160-3744-02
A18U612	160-3744-03	B010459	B010608	MICROCKT,DGTL:HMOS,65536 X 8 EPROM,PRGM	80009	160-3744-03
A18U612	160-3744-04	B010609	B010657	MICROCKT,DGTL:HMOS,65536 X 8 EPROM,PRGM	80009	160-3744-04
A18U612	160-3744-05	B010658	B010852	MICROCKT,DGTL:HMOS,65536 X 8 EPROM,PRGM	80009	160-3744-05
A18U612	160-3744-06	B010853	B021020	MICROCKT,DGTL:HMOS,65536 X 8 EPROM,PRGM	80009	160-3744-06
A18U612	160-3744-07	B021021	B021088	MICROCKT,DGTL:NMOS,65536 X 8 EPROM,PRGM	80009	160-3744-07
A18U612	160-3744-08	B021089		MICROCKT,DGTL:NMOS,65536 X 8 EPROM,PRGM	80009	160-3744-08
A18U620	160-3742-01	B010100	B010324	MICROCKT,DGTL:NMOS,65586 X 8 EPROM,W/3 STATE OUT,PRGM	80009	160-3742-01
A18U620	160-3742-02	B010325	B010458	MICROCKT,DGTL:HMOS,65536 X 8 EPROM,PRGM	80009	160-3742-02
A18U620	160-3742-03	B010459	B010608	MICROCKT,DGTL:HMOS,65536 X 8 EPROM,PRGM	80009	160-3742-03
A18U620	160-3742-04	B010609	B010657	MICROCKT,DGTL:HMOS,65536 X 8 EPROM,PRGM	80009	160-3742-04
A18U620	160-3742-05	B010658	B010852	MICROCKT,DGTL:HMOS,65536 X 8 EPROM,PRGM	80009	160-3742-05
A18U620	160-3742-06	B010853	B021020	MICROCKT,DGTL:HMOS,65536 X 8 EPROM,PRGM	80009	160-3742-06
A18U620	160-3742-07	B021021	B021088	MICROCKT,DGTL:NMOS,65536 X 8 EPROM,PRGM	80009	160-3742-07
A18U620	160-3742-08	B021089		MICROCKT,DGTL:NMOS,65536 X 8 EPROM,PRGM	80009	160-3742-08
A18U630	160-3740-01	B010100	B010324	MICROCKT,DGTL:NMOS,65586 X 8 EPROM,W/3 STATE OUT,PRGM	80009	160-3740-01
A18U630	160-3740-02	B010325	B010458	MICROCKT,DGTL:HMOS,65536 X 8 EPROM,PRGM	80009	160-3740-02
A18U630	160-3740-03	B010459	B010608	MICROCKT,DGTL:HMOS,65536 X 8 EPROM,PRGM	80009	160-3740-03
A18U630	160-3740-04	B010609	B010657	MICROCKT,DGTL:HMOS,65536 X 8 EPROM,PRGM	80009	160-3740-04
A18U630	160-3740-05	B010658	B010852	MICROCKT,DGTL:HMOS,65536 X 8 EPROM,PRGM	80009	160-3740-05
A18U630	160-3740-06	B010853	B021020	MICROCKT,DGTL:HMOS,65536 X 8 EPROM,PRGM	80009	160-3740-06
A18U630	160-3740-07	B021021	B021088	MICROCKT,DGTL:NMOS,65536 X 8 EPROM,PRGM	80009	160-3740-07
A18U630	160-3740-08	B021089		MICROCKT,DGTL:NMOS,65536 X 8 EPROM,PRGM	80009	160-3740-08
A18U632	156-0464-02			MICROCKT,DGTL:DUAL 4-INP NAND GATE	01295	SN74LS20NP3
A18U640	156-2111-00			MICROCKT,DGTL:OCTAL D-TYPE LATCHES	01295	SN74ALS373N3
A18U642	156-2111-00			MICROCKT,DGTL:OCTAL D-TYPE LATCHES	01295	SN74ALS373N3
A18U700	160-3747-01	B010100	B010324	MICROCKT,DGTL:NMOS,65536 X 8 EPROM,W/3 STATE OUT,PRGM	80009	160-3747-01
A18U700	160-3747-02	B010325	B010458	MICROCKT,DGTL:HMOS,65536 X 8 EPROM,PRGM	80009	160-3747-02
A18U700	160-3747-03	B010459	B010608	MICROCKT,DGTL:HMOS,65536 X 8 EPROM,PRGM	80009	160-3747-03
A18U700	160-3747-04	B010609	B010657	MICROCKT,DGTL:HMOS,65536 X 8 EPROM,PRGM	80009	160-3747-04
A18U700	160-3747-05	B010658	B010852	MICROCKT,DGTL:HMOS,65536 X 8 EPROM,PRGM	80009	160-3747-05
A18U700	160-3747-06	B010853	B021020	MICROCKT,DGTL:HMOS,65536 X 8 EPROM,PRGM	80009	160-3747-06
A18U700	160-3747-07	B021021	B021088	MICROCKT,DGTL:NMOS,65536 X 8 EPROM,PRGM	80009	160-3747-07
A18U700	160-3747-08	B021089		MICROCKT,DGTL:NMOS,65536 X 8 EPROM,PRGM	80009	160-3747-08

Replaceable Electrical Parts
11401 Extended Service Volume 2

Component No.	Tektronix Part No.	Serial/Assembly No. Effective	Discort	Name & Description	Mfr. Code	Mfr. Part No.
A18U712	160-3745-01	B010100	B010324	MICROCKT,DGTL:NMOS,65536 X 8 EPROM,W/3 STATE OUT,PRGM	80009	160-3745-01
A18U712	160-3745-02	B010325	B010458	MICROCKT,DGTL:HMOS,65536 X 8 EPROM,PRGM	80009	160-3745-02
A18U712	160-3745-03	B010459	B010608	MICROCKT,DGTL:HMOS,65536 X 8 EPROM,PRGM	80009	160-3745-03
A18U712	160-3745-04	B010609	B010657	MICROCKT,DGTL:HMOS,65536 X 8 EPROM,PRGM	80009	160-3745-04
A18U712	160-3745-05	B010658	B010852	MICROCKT,DGTL:HMOS,65536 X 8 EPROM,PRGM	80009	160-3745-05
A18U712	160-3745-06	B010853	B021020	MICROCKT,DGTL:HMOS,65536 X 8 EPROM,PRGM	80009	160-3745-06
A18U712	160-3745-07	B021021	B021088	MICROCKT,DGTL:NMOS,65536 X 8 EPROM,PRGM	80009	160-3745-07
A18U712	160-3745-08	B021089		MICROCKT,DGTL:NMOS,65536 X 8 EPROM,PRGM	80009	160-3745-08
A18U720	160-3743-01	B010100	B010324	MICROCKT,DGTL:NMOS,65586 X 8 EPROM,W/3 STATE OUT,PRGM	80009	160-3743-01
A18U720	160-3743-02	B010325	B010458	MICROCKT,DGTL:HMOS,65536 X 8 EPROM,PRGM	80009	160-3743-02
A18U720	160-3743-03	B010459	B010608	MICROCKT,DGTL:HMOS,65536 X 8 EPROM,PRGM	80009	160-3743-03
A18U720	160-3743-04	B010609	B010657	MICROCKT,DGTL:HMOS,65536 X 8 EPROM,PRGM	80009	160-3743-04
A18U720	160-3743-05	B010658	B010852	MICROCKT,DGTL:HMOS,65536 X 8 EPROM,PRGM	80009	160-3743-05
A18U720	160-3743-06	B010853	B021020	MICROCKT,DGTL:HMOS,65536 X 8 EPROM,PRGM	80009	160-3743-06
A18U720	160-3743-07	B021021	B021088	MICROCKT,DGTL:NMOS,65536 X 8 EPROM,PRGM	80009	160-3743-07
A18U720	160-3743-08	B021089		MICROCKT,DGTL:NMOS,65536 X 8 EPROM,PRGM	80009	160-3743-08
A18U730	160-3741-01	B010100	B010324	MICROCKT,DGTL:NMOS,65586 X 8 EPROM,W/3 STATE OUT,PRGM	80009	160-3741-01
A18U730	160-3741-02	B010325	B010458	MICROCKT,DGTL:HMOS,65536 X 8 EPROM,PRGM	80009	160-3741-02
A18U730	160-3741-03	B010459	B010608	MICROCKT,DGTL:HMOS,65536 X 8 EPROM,PRGM	80009	160-3741-03
A18U730	160-3741-04	B010609	B010657	MICROCKT,DGTL:HMOS,65536 X 8 EPROM,PRGM	80009	160-3741-04
A18U730	160-3741-05	B010658	B010852	MICROCKT,DGTL:HMOS,65536 X 8 EPROM,PRGM	80009	160-3741-05
A18U730	160-3741-06	B010853	B021020	MICROCKT,DGTL:HMOS,65536 X 8 EPROM,PRGM	80009	160-3741-06
A18U730	160-3741-07	B021021	B021088	MICROCKT,DGTL:NMOS,65536 X 8 EPROM,PRGM	80009	160-3741-07
A18U730	160-3741-08	B021089		MICROCKT,DGTL:NMOS,65536 X 8 EPROM,PRGM	80009	160-3741-08
A18U732	156-0385-02			MICROCKT,DGTL:HEX INVERTER,SCRN	07263	74LS04PCQR
A18U740	156-1748-01			MICROCKT,DGTL:ALSTTL,OCTAL BUS XCVR	01295	74ALS245A-1N3
A18U742	156-1748-01			MICROCKT,DGTL:ALSTTL,OCTAL BUS XCVR	01295	74ALS245A-1N3
A18U810	156-2120-00			MICROCKT,DGTL:SER-IN PRL-OUT SHIFT RGTR	07263	74F164PCQR/DCQR
A18U820	156-1611-00			MICROCKT,DGTL:ASTTL,DUAL D TYPE EDGE-TRIG	80009	156-1611-00
A18U830	156-0386-02			MICROCKT,DGTL:TRIPLE 3-INP NAND GATE,SCRN	07263	74LS10PCQR
A18U832	156-1754-02			MICROCKT,DGTL:OCTAL BUFFER & LINE DRIVER W/ 3-STATE OUT	01295	SN74ALS244A-1N
A18U840	156-1754-02			MICROCKT,DGTL:OCTAL BUFFER & LINE DRIVER W/ 3-STATE OUT	01295	SN74ALS244A-1N
A18U842	156-1754-02			MICROCKT,DGTL:OCTAL BUFFER & LINE DRIVER W/ 3-STATE OUT	01295	SN74ALS244A-1N
A18X410	136-0813-00			SKT,PL-IN ELEK:CHIP CARRIER,68 CONTACTS	19613	268-5400-00-1102
A18X542	136-0752-00			SKT,PL-IN ELEK:MICROCIRCUIT,20 DIP	09922	D1LB20P-108
A18X600	136-0755-00			SKT,PL-IN ELEK:MICROCIRCUIT,28 DIP	09922	D1LB28P-108
A18X612	136-0755-00			SKT,PL-IN ELEK:MICROCIRCUIT,28 DIP	09922	D1LB28P-108
A18X620	136-0755-00			SKT,PL-IN ELEK:MICROCIRCUIT,28 DIP	09922	D1LB28P-108
A18X630	136-0755-00			SKT,PL-IN ELEK:MICROCIRCUIT,28 DIP	09922	D1LB28P-108
A18X700	136-0755-00			SKT,PL-IN ELEK:MICROCIRCUIT,28 DIP	09922	D1LB28P-108
A18X712	136-0755-00			SKT,PL-IN ELEK:MICROCIRCUIT,28 DIP	09922	D1LB28P-108
A18X720	136-0755-00			SKT,PL-IN ELEK:MICROCIRCUIT,28 DIP	09922	D1LB28P-108
A18X730	136-0755-00			SKT,PL-IN ELEK:MICROCIRCUIT,28 DIP	09922	D1LB28P-108
DS60	150-0121-05			LAMP,CARTRIDGE:5V,0.06A,GREEN LENS	80009	150-0121-05
J01	175-9905-00			CABLE ASSY,RF:50 OHM COAX,18.0 L,9-1	80009	175-9905-00
J02	175-9906-00			CABLE ASSY,RF:50 OHM COAX,18.0 L,9-2	80009	175-9906-00
J03	175-9907-00			CABLE ASSY,RF:50 OHM COAX,18.0 L,9-3	80009	175-9907-00
J04	175-9908-00			CABLE ASSY,RF:50 OHM COAX,18.0 L,9-4	80009	175-9908-00
J05	175-9909-00			CABLE ASSY,RF:50 OHM COAX,18.0 L,9-5	80009	175-9909-00
J06	175-9910-00			CABLE ASSY,RF:50 OHM COAX,18.0 L,9-6	80009	175-9910-00
J11	131-1315-01			CONN,RCPT,ELEC:BNC,FEMALE	80009	131-1315-01

Replaceable Electrical Parts
11401 Extended Service Volume 2

Component No.	Tektronix		Serial/Assembly No. Effective Dscnt	Name & Description	Mfr. Code	Mfr. Part No.
	Part No.					
J12	131-1315-01			CONN, RCPT, ELEC: BNC, FEMALE	80009	131-1315-01
J13	131-1315-01			CONN, RCPT, ELEC: BNC, FEMALE	80009	131-1315-01
J14	131-1315-01			CONN, RCPT, ELEC: BNC, FEMALE	80009	131-1315-01
J15	131-1315-01			CONN, RCPT, ELEC: BNC, FEMALE	80009	131-1315-01
J16	131-1315-01			CONN, RCPT, ELEC: BNC, FEMALE	80009	131-1315-01
J17	131-1315-01			CONN, RCPT, ELEC: BNC, FEMALE	80009	131-1315-01
J18	131-1315-01			CONN, RCPT, ELEC: BNC, FEMALE (J11 THRU J18, QUANTITY OF 2. FRONT AND BACK. OPTION 1C ONLY)	80009	131-1315-01
J26	174-0287-00			CABLE ASSY, RF: 50 OHM COAX, 29.0 L, W/PALTALAS	80009	174-0287-00
J52	175-9810-00			CA ASSY, SP, ELEC: 50, 4.0 L	80009	175-9810-00
J53	175-9811-00			CA ASSY, SP, ELEC: 20, 6.0 L	80009	175-9811-00
J56	175-9855-00			CA ASSY, SP, ELEC: 7 PIN CONN W/CRT SKT, 4.5 L	80009	175-9855-00
J57	175-9799-00			CA ASSY, SP, ELEC: 16.5 L	80009	175-9799-00
J63	175-9857-00			CA ASSY, SP, ELEC: 11, 18 AWG, 7.25 L, RIBBON	80009	175-9857-00
J65	175-9803-00			CA ASSY, SP, ELEC: 7, 26 AWG, 7.5 L, RIBBON	80009	175-9803-00
J66	175-9798-00			CA ASSY, SP, ELEC: 18.0 L	80009	175-9798-00
J72	175-9854-00			CA ASSY, SP, ELEC: 36, 28 AWG, 7.0 L	80009	175-9854-00
J74	175-9807-00			CA, ASSY, SP, ELEC:	80009	175-9807-00
J77	175-9814-00			CA ASSY, SP, ELEC: 34, 3.0 L	80009	175-9814-00
J78	175-9815-00			CA ASSY, SP, ELEC: 34, 12.0 L	80009	175-9815-00
J79	175-9809-00			CA ASSY, SP, ELEC: 50, 3.0 L	80009	175-9809-00
J83	175-9808-00			CA ASSY, SP, ELEC: 50, 18.0 L	80009	175-9808-00
J84	175-9806-00			CA ASSY, SP, ELEC: 60, 4.0 L	80009	175-9806-00
J85	175-9805-00			CA ASSY, SP, ELEC: 40, 4.0 L	80009	175-9805-00
J86	175-9804-00			CA ASSY, SP, ELEC: 34, 4.0 L	80009	175-9804-00
J91	175-9812-00			CA ASSY, SP, ELEC: 26, 7.0 L	80009	175-9812-00
S60	260-2275-00			SWITCH, ROCKER: SPST, 30MA, 12V	TK1262	ME010-D
S74	311-2320-00			ENCODER, DIGITAL: INCREMENTAL, 50PPR, 50 DETENT , QUAD OUTPUT, LOC LUG AT 9 O'CLOCK	TK1869	LA22661
S75	311-2320-00			ENCODER, DIGITAL: INCREMENTAL, 50PPR, 50 DETENT , QUAD OUTPUT, LOC LUG AT 9 O'CLOCK	TK1869	LA22661
V70	154-0898-00			ELECTRON TUBE: CRT W/DEFLECTION YOKE	61058	M22JPT3GH/M-ITC

REPLACEABLE ELECTRICAL PARTS

PARTS ORDERING INFORMATION

Replacement parts are available from or through your local Tektronix, Inc. Field Office or representative.

Changes to Tektronix instruments are sometimes made to accommodate improved components as they become available, and to give you the benefit of the latest circuit improvements developed in our engineering department. It is therefore important, when ordering parts, to include the following information in your order: Part number, instrument type or number, serial number, and modification number if applicable.

If a part you have ordered has been replaced with a new or improved part, your local Tektronix, Inc. Field Office or representative will contact you concerning any change in part number.

Change information, if any, is located at the rear of this manual.

LIST OF ASSEMBLIES

A list of assemblies can be found at the beginning of the Electrical Parts List. The assemblies are listed in numerical order. When the complete component number of a part is known, this list will identify the assembly in which the part is located.

CROSS INDEX-MFR. CODE NUMBER TO MANUFACTURER

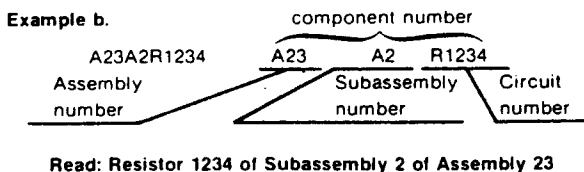
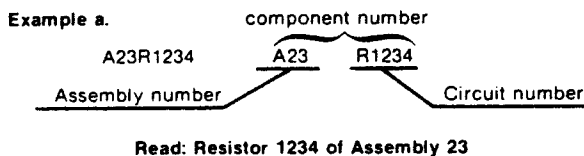
The Mfr. Code Number to Manufacturer index for the Electrical Parts List is located immediately after this page. The Cross Index provides codes, names and addresses of manufacturers of components listed in the Electrical Parts List.

ABBREVIATIONS

Abbreviations conform to American National Standard Y1.1.

COMPONENT NUMBER (column one of the Electrical Parts List)

A numbering method has been used to identify assemblies, subassemblies and parts. Examples of this numbering method and typical expansions are illustrated by the following:



Only the circuit number will appear on the diagrams and circuit board illustrations. Each diagram and circuit board illustration is clearly marked with the assembly number. Assembly numbers are also marked on the mechanical exploded views located in the Mechanical Parts List. The component number is obtained by adding the assembly number prefix to the circuit number.

The Electrical Parts List is divided and arranged by assemblies in numerical sequence (e.g., assembly A1 with its subassemblies and parts, precedes assembly A2 with its subassemblies and parts).

Chassis-mounted parts have no assembly number prefix and are located at the end of the Electrical Parts List.

TEKTRONIX PART NO. (column two of the Electrical Parts List)

Indicates part number to be used when ordering replacement part from Tektronix.

SERIAL/MODEL NO. (columns three and four of the Electrical Parts List)

Column three (3) indicates the serial number at which the part was first used. Column four (4) indicates the serial number at which the part was removed. No serial number entered indicates part is good for all serial numbers.

NAME & DESCRIPTION (column five of the Electrical Parts List)

In the Parts List, an Item Name is separated from the description by a colon (:). Because of space limitations, an Item Name may sometimes appear as incomplete. For further Item Name identification, the U.S. Federal Cataloging Handbook H6-1 can be utilized where possible.

MFR. CODE (column six of the Electrical Parts List)

Indicates the code number of the actual manufacturer of the part. (Code to name and address cross reference can be found immediately after this page.)

MFR. PART NUMBER (column seven of the Electrical Parts List)

Indicates actual manufacturers part number.

CROSS INDEX - MFR. CODE NUMBER TO MANUFACTURER

Mfr. Code	Manufacturer	Address	City, State, Zip Code
00213	NYTRONICS COMPONENTS GROUP INC SUBSIDIARY OF NYTRONICS INC	ORANGE ST	DARLINGTON SC 29532
00779	AMP INC	2800 FULLING MILL PO BOX 3608	HARRISBURG PA 17105
00853	SANGAMO WESTON INC COMPONENTS DIV	SANGAMO RD PO BOX 128	PICKENS SC 29671-9716
01121	ALLEN-BRADLEY CO	1201 S 2ND ST	MILWAUKEE WI 53204-2410
01295	TEXAS INSTRUMENTS INC SEMICONDUCTOR GROUP	13500 N CENTRAL EXPY PO BOX 655012	DALLAS TX 75265
01537	MOTOROLA COMMUNICATIONS AND ELECTRONICS INC	2553 N EDGINGTON ST	FRANKLIN PARK IL 60131-3401
01961	VARIAN ASSOCIATES INC PULSE ENGINEERING SUBSIDIARY	7250 CONVOY CT P O BOX 12235	SAN DIEGO CA 92112
02113	COILCRAFT INC	1102 SILVER LAKE RD	CARY IL 60013-1658
02114	AMPEREX ELECTRONIC CORP FERROXCUBE DIV	5083 KINGS HWY	SAUGERTIES NY 12477
02735	RCA CORP SOLID STATE DIVISION	ROUTE 202	SOMERVILLE NJ 08876
03508	GENERAL ELECTRIC CO SEMI-CONDUCTOR PRODUCTS DEPT	W GENESEE ST	AUBURN NY 13021
03888	PYROFILM DIV DIV OF KDI ELECTRONICS INC	60 S JEFFERSON RD	WHIPPANY NJ 07981-1001
04099	CAPCO INC	1328 WINTERS AVE PO BOX 1028	GRAND JUNCTION CO 81502
04222	AVX CERAMICS DIV OF AVX CORP	19TH AVE SOUTH P O BOX 867	MYRTLE BEACH SC 29577
04426	LICON DIV OF ILLINOIS TOOL WORKS INC	6615 W IRVING PARK RD	CHICAGO IL 60634-2410
04713	MOTOROLA INC SEMICONDUCTOR PRODUCTS SECTOR	5005 E MCDOWELL RD	PHOENIX AZ 85008-4229
05397	UNION CARBIDE CORP MATERIALS SYSTEMS DIV	11901 MADISON AVE	CLEVELAND OH 44101
05828	GENERAL INSTRUMENT CORP GOVERNMENT SYSTEMS DIV	600 W JOHN ST	HICKSVILLE NY 11802
06665	PRECISION MONOLITHICS INC SUB OF BOURNS INC	1500 SPACE PARK DR	SANTA CLARA CA 95050
07263	FAIRCHILD SEMICONDUCTOR CORP NORTH AMERICAN SALES SUB OF SCHLUMBERGER LTD MS 118	10400 RIDGEVIEW CT	CUPERTINO CA 95014
07716	TRW INC TRW IRC FIXED RESISTORS/BURLINGTON	2850 MT PLEASANT AVE	BURLINGTON IA 52601
09922	BURNDY CORP	RICHARDS AVE	NORWALK CT 06852
11236	CTS CORP BERNE DIV THICK FILM PRODUCTS GROUP	406 PARR ROAD	BERNE IN 46711-9506
12954	MICROSEMI CORP - SCOTTSDALE	8700 E THOMAS RD P O BOX 1390	SCOTTSDALE AZ 85252
12969	UNITRODE CORP	5 FORBES RD	LEXINGTON MA 02173-7305
14193	CAL-R INC	1601 OLYMPIC BLVD PO BOX 1397	SANTA MONICA CA 90406
14301	ANDERSON ELECTRONICS INC	310 PENN ST PO BOX 89	HOLLIDAYSBURG PA 16648-2009
14433	ITT SEMICONDUCTORS DIV		WEST PALM BEACH FL
14752	ELECTRO CUBE INC	1710 S DEL MAR AVE	SAN GABRIEL CA 91776-3825
14936	GENERAL INSTRUMENT CORP DISCRETE SEMI CONDUCTOR DIV	600 W JOHN ST	HICKSVILLE NY 11802
15238	ITT SEMICONDUCTORS A DIVISION OF INTERNATIONAL TELEPHONE AND TELEGRAPH CORP	500 BROADWAY PO BOX 168	LAWRENCE MA 01841-3002
15454	AMETEK INC RODAN DIV	721 N POPLAR ST	ORANGE CA 92668
15636	ELEC-TROL INC	26477 N GOLDEN VALLEY RD	SAUGUS CA 91350-2621
17856	SILICONIX INC	2201 LAURELWOOD RD	SANTA CLARA CA 95054-1516
18324	SIGNETICS CORP MILITARY PRODUCTS DIV	4130 S MARKET COURT	SACRAMENTO CA 95834-1222

CROSS INDEX - MFR. CODE NUMBER TO MANUFACTURER

Mfr. Code	Manufacturer	Address	City, State, Zip Code
19613	MINNESOTA MINING AND MFG CO TEXTOL PRODUCTS DEPT ELECTRONIC PRODUCT DIV	1410 E PIONEER DR	IRVING TX 75061-7847
19701	MEPCO/CENTRALAB A NORTH AMERICAN PHILIPS CO MINERAL WELLS AIRPORT	PO BOX 760	MINERAL WELLS TX 76067-0760
20932	KYOCERA INTERNATIONAL INC	11620 SORRENTO VALLEY RD PO BOX 81543 PLANT NO 1	SAN DIEGO CA 92121
20933	KAPPA NETWORKS INC	765 ROOSEVELT AVE	CARTERET NJ 07008
22526	DU PONT E I DE NEMOURS AND CO INC DU PONT CONNECTOR SYSTEMS DIV MILITARY PRODUCTS GROUP	515 FISHING CREEK RD	NEW CUMBERLAND PA 17070-3007
22753	UID SWITCHES INC DIV OF ILLINOIS TOOL WORKS INC	6615 W IRVING PARK RD	CHICAGO IL 60634
24355	ANALOG DEVICES INC	RT 1 INDUSTRIAL PK PO BOX 9106	NORWOOD MA 02062
24546	CORNING GLASS WORKS	550 HIGH ST	BRADFORD PA 16701-3737
25088	SIEMENS CORP	186 WOOD AVE S	ISELIN NJ 08830-2704
25403	AMPEREX ELECTRONIC CORP SEMICONDUCTOR SOLID STATE AND ACTIVE DEVICES-ELECTRO OPTICAL DEVICES	GEORGE WASHINGTON HWY	SMITHFIELD RI 02917
26742	METHODE ELECTRONICS INC BACPLAIN DIVISION	7444 W WILSON AVE	CHICAGO IL 60656
27014	NATIONAL SEMICONDUCTOR CORP	2900 SEMICONDUCTOR DR	SANTA CLARA CA 95051-0606
27264	MOLEX INC	2222 WELLINGTON COURT	LISLE IL 60532-1613
31433	KEMET ELECTRONICS CORP NATIONAL SALES HEADQUARTERS	PO BOX 5928	GREENVILLE SC 29606
31918	ITT SCHADOW INC	8081 WALLACE RD	EDEN PRAIRIE MN 55344-2224
32293	INTERSIL INC SUB OF GENERAL ELECTRIC CO	10600 RIDGEVIEW COURT	CUPERTINO CA 95014-0704
32997	BOURNS INC TRIMPOT DIV	1200 COLUMBIA AVE	RIVERSIDE CA 92507-2114
33096	COLORADO CRYSTAL CORP	2303 W 8TH ST	LOVELAND CO 80537-5268
33297	NEC ELECTRONICS USA INC ELECTRONICS ARRAYS DIV	550 E MIDDLEFIELD RD	MOUNTAIN VIEW CA 94043-4408
34335	ADVANCED MICRO DEVICES	901 THOMPSON PL	SUNNYVALE CA 94086-4518
34479	RENCO CORP	26 COROMAR DRIVE	GOLETA CA 93117-3024
34576	ROCKWELL INTERNATIONAL CORP SEMICONDUCTOR PRODUCTS DIV	4311 JAMBOREE RD PO BOX C	NEWPORT BEACH CA 92660-3007
34649	INTEL CORP SALES OFFICE /ST4-2/	3065 BOWERS AVE	SANTA CLARA CA 95051
34707	HYCOMP INC	165 CEDAR HILL ST	MARLBOROUGH MA 01752
34899	FAIR-RITE PRODUCTS CORP	1 COMMERCIAL ROW	WALLKILL NY 12589
50101	FREQUENCY SOURCES INC SEMICONDUCTOR DIV SUB OF LORAL CORP	16 MAPLE RD	CHELMSFORD MA 01824-3737
50434	HEWLETT-PACKARD CO OPTOELECTRONICS DIV	370 W TRIMBLE RD	SAN JOSE CA 95131
50558	ELECTRONIC CONCEPTS INC	526 INDUSTRIAL WAY W	EATONTOWN NJ 07724-2212
50783	PENN-TRAN CORP	ROUTE 144 NORTH PO BOX 1321	WINGATE PA 16880
51406	MURATA ERIE NORTH AMERICA INC HEADQUARTERS AND GEORGIA OPERATIONS	2200 LAKE PARK DR	SMYRNA GA 30080
51984	NEC AMERICA INC	2741 PROSPERITY AVE	FAIRFAX VA 22031-4308
53387	MINNESOTA MINING AND MFG CO ELECTRONIC PRODUCTS DIV	3M CENTER	ST PAUL MN 55101-1428
54473	MATSUSHITA ELECTRIC CORP OF AMERICA	ONE PANASONIC WAY PO BOX 1501	SECAUCUS NJ 07094-2917
54583	TDK ELECTRONICS CORP	12 HARBOR PARK DR	PORT WASHINGTON NY 11550
54937	DEYOUNG MANUFACTURING INC	12920 NE 125TH WAY	KIRKLAND WA 98034-7716
55112	WESTLAKE CAPACITORS INC	5334 STERLING CENTER DRIVE	WESTLAKE VILLAGE CA 91361
55680	NICHICON /AMERICA/ CORP	927 E STATE PKY	SCHAUMBURG IL 60195-4526
56289	SPRAGUE ELECTRIC CO WORLD HEADQUARTERS	92 HAYDEN AVE	LEXINGTON MA 02173-7929
57027	INTERNATIONAL RESISTIVE PRODUCTS INC	4222 S STAPLES	CORPUS CHRISTI TX 78411-2702

CROSS INDEX - MFR. CODE NUMBER TO MANUFACTURER

Mfr. Code	Manufacturer	Address	City, State, Zip Code
57668	ROHM CORP	8 WHATNEY PO BOX 19515	IRVINE CA 92713
58224	XENELL CORP	11 DUNBARTON RD PO BOX 4401	CHERRY HILL NJ 08003-2107
59660	TUSONIX INC	7741 N BUSINESS PARK DR PO BOX 37144	TUCSON AZ 85740-7144
59821	MEPCO/CENTRALAB	7158 MERCHANT AVE	EL PASO TX 79915-1207
61058	A NORTH AMERICAN PHILIPS CO MATSUSHITA ELECTRIC CORP OF AMERICA PANASONIC INDUSTRIAL CO DIV	ONE PANASONIC WAY PO BOX 1502	SECAUCUS NJ 07094-2917
61429	FOX ELECTRONICS FOX ENTERPRISES INC	PO BOX 1078	CAPE CORAL FL 33910-1078
65786	CYPRESS SEMICONDUCTOR CORP	3901 N 1ST ST	SAN JOSE CA 95134-1506
71400	BUSSMANN DIV OF COOPER INDUSTRIES INC	114 OLD STATE RD PO BOX 14460	ST LOUIS MO 63178
71590	MEPCO/CENTRALAB INC A NORTH AMERICAN PHILIPS CO	HWY 20 W PO BOX 858	FORT DODGE IA 50501
72982	ERIE SPECIALTY PRODUCTS INC	645 W 11TH ST	ERIE PA 16512
74970	JOHNSON E F CO	299 10TH AVE S W	WASECA MN 56093-2539
75042	IRC ELECTRONIC COMPONENTS PHILADELPHIA DIV TRW FIXED RESISTORS	401 N BROAD ST	PHILADELPHIA PA 19108-1001
75378	CTS KNIGHTS INC	400 REIMANN AVE	SANDWICH IL 60548-1846
75498	MULTICOMP INC	3005 SW 154TH TERRACE #3	BEAVERTON OR 97006
75915	LITTELFUSE INC SUB TRACOR INC	800 E NORTHWEST HWY	DES PLAINES IL 60016-3049
76493	BELL INDUSTRIES INC JW MILLER DIV	19070 REYES AVE PO BOX 5825	COMPTON CA 90224-5825
80009	TEKTRONIX INC	14150 SW KARL BRAUN DR PO BOX 500	BEAVERTON OR 97707-0001
81312	WINCHESTER ELECTRONICS DIVISION OF LITTON SYSTEMS INC	400 PARK RD	WATERTOWN CT 06795-1612
81483	INTERNATIONAL RECTIFIER	9220 SUNSET BLVD	LOS ANGELES CA 90069-3501
91293	JOHANSON MFG CO	400 ROCKWAY VALLEY RD	BOONTON NJ 07005
91637	DALE ELECTRONICS INC	2064 12TH AVE PO BOX 609	COLUMBUS NE 68601-3632
91925	MICROCIRCUITS CO	RT 1 BOX 518	NEW BUFFALO MI 49117-9801
93410	ESSEX GROUP ING CONTROLS DIV LEXINGTON PLANT	45-55 PLYMOUTH ST P O BOX 1007	LEXINGTON OH 44904
96733	SFE TECHNOLOGIES	1501 FIRST ST	SAN FERNANDO CA 91340-2707
D5243	ROEDERSTEIN E SPEZIALFABRIK FUER KONDENSATOREN GMBH	LUDMILLASTRASSE 23-25	8300 LANDSHUT GERMANY
S4307	SCHAFFNER ELECTRONIK AG		LUTERBACH SWITZERLAND
TK0510	PANASONIC COMPANY DIV OF MATSUSHITA ELECTRIC CORP	ONE PANASONIC WAY	SECAUCUS NJ 07094
TK0515	RIFA INC	403 INTERNATIONAL PKY PO BOX 853904	RICHARDSON TX 75085-3904
TK0961	NEC ELECTRONICS USA INC ELECTRON DIV	401 ELLIS ST PO BOX 7241	MOUNTAIN VIEW CA 94039
TK1066	STAR MICRONICS		
TK1148	ACACIA SALES INC (DIST)	7763 SW CIRRUS DR BLDG 26	BEAVERTON OR 97005-6452
TK1262	MURPHY ELECTRONICS INC (DIST)	14933 NE 40TH ST	REDMOND WA 98052-5326
TK1345	ZMAN AND ASSOCIATES	7633 S 180TH	KENT WA 98032
TK1356	MURATA/ERIE N AMERICA CORP	645 W 11TH AVE	ERIE PA 16512
TK1424	MARCON AMERICA CORP	3 PEARL CT	ALLENDALE NJ 07401
TK1441	GFS MANUFACTURING INC	6 PROGRESS DR PO BOX 1409	DOVER NH 03820
TK1450	TOKYO COSMOS ELECTRIC CO LTD	2-268 SOBUDAI ZAWA	KANAGAWA 228 JAPAN
TK1456	PAPST MECHATRONIC CORP	AQUIDNECK INDUSTRIAL PK	NEWPORT RI 02840
TK1547	MOORE ELECTRONICS INC (DIST)	19500 SW 90TH COURT PO BOX 1030	TUALATIN OR 97062
TK1573	WILHELM WESTERMAN	PO BOX 2345 AUGUSTA-ANLAGE 56	6800 MANNHEIM 1 WEST GERMANY

CROSS INDEX - MFR. CODE NUMBER TO MANUFACTURER

<u>Mfr. Code</u>	<u>Manufacturer</u>	<u>Address</u>	<u>City, State, Zip Code</u>
TK1601	PULSE ENGINEERING INC	2801 MOORPARK AVE SUITE 7	SAN JOSE CA 95128
TK1859	PLETRONICS INC	155 NE 100TH ST SUITE 403	SEATTLE WA 98125
TK1869	ALPS	100 N CNTRE AVE	ROCKVILLE CENTRE NY 11570

Replaceable Electrical Parts
11402 Extended Service Volume 2

Component No.	Tektronix Part No.	Serial/Assembly No. Effective	Discont	Name & Description	Mfr. Code	Mfr. Part No.
A1	670-8852-00			CIRCUIT BD ASSY:PL-IN INTERFACE	80009	670-8852-00
A2	620-0022-00	B010100	B011024	POWER SUPPLY:ET MAINFRAME	80009	620-0022-00
A2	620-0022-01	B011025		POWER SUPPLY:ET,RT,HIRES MAIN FRAMES	80009	620-0022-01
A2A1	670-9326-00	B010100	B011024	CIRCUIT BD ASSY:LINE INVERTER 388-8656-XX	80009	670-9326-00
A2A1	670-9326-01	B011025		CIRCUIT BD ASSY:LINE INVERTER	80009	670-9326-01
A2A2	670-8839-00	B010100	B010677	CIRCUIT BD ASSY:CONTROL RECTIFIER	80009	670-8839-00
A2A2	670-8839-01	B010678	B011096	CIRCUIT BD ASSY:CONTROL RECTIFIER	80009	670-8839-01
A2A2	670-8839-02	B011097		CIRCUIT BD ASSY:CONTROL RECTIFIER	80009	670-8839-02
A4	670-8840-00	B010100	B011038	CIRCUIT BD ASSY:REGULATOR	80009	670-8840-00
A4	670-8840-01	B011039		CIRCUIT BD ASSY:REGULATOR	80009	670-8840-01
A5	671-0024-00	B010100	B010266	CIRCUIT BD ASSY:ACQUISITION	80009	671-0024-00
A5	671-0024-01	B010267	B010361	CIRCUIT BD ASSY:ACQUISITION	80009	671-0024-01
A5	671-0024-02	B010362	B010989	CIRCUIT BD ASSY:ACQUISITION	80009	671-0024-02
A5	671-0024-03	B010990	B021081	CIRCUIT BD ASSY:ACQUISITION	80009	671-0024-03
A5	671-0024-04	B021082		CIRCUIT BD ASSY:ACQUISITION	80009	671-0024-04
ASA1	670-9976-00	B010100	B021103	CIRCUIT BD ASSY:STROBE	80009	670-9976-00
ASA1	670-9976-01	B021104		CIRCUIT BD ASSY:STROBE (SUBPARTS ARE NOT REPLACEABLE)	80009	670-9976-01
ASA19	671-0828-00	B021082		CIRCUIT BD ASSY:TRIGGER ENHANCEMENT	80009	671-0828-00
A6	670-8849-01	B010100	B010649	CIRCUIT BD ASSY:TIMEBASE	80009	670-8849-01
A6	670-8849-02	B010650	B021081	CIRCUIT BD ASSY:TIME BASE	80009	670-8849-02
A6	670-8849-03	B021082		CIRCUIT BD ASSY:TIME BASE	80009	670-8849-03
A7	670-8848-00	B010100	B021081	CIRCUIT BD ASSY:DISPLAY CONTROLLER	80009	670-8848-00
A7	670-8848-01	B021082		CIRCUIT BD ASSY:DISPLAY CONTROLLER	80009	670-8848-01
A8	670-8846-00	B010100	B010278	CIRCUIT BD ASSY:CRT DRIVER	80009	670-8846-00
A8	670-8846-01	B010279	B010677	CIRCUIT BD ASSY:CRT DRIVER	80009	670-8846-01
A8	670-8846-02	B010678	B021081	CIRCUIT BD ASSY:CRT DRIVER	80009	670-8846-02
A8	670-8846-03	B021082		CIRCUIT BD ASSY:CRT DRIVER	80009	670-8846-03
A9	-----			CIRCUIT BD ASSY:TOUCH PANEL (NOT AVAILABLE,ORDER A9)		
A9	614-0785-00	B010100	B010920	FRONT PNL ASSY:	80009	614-0785-00
A9	614-0785-01	B010921		FRONT PNL ASSY:	80009	614-0785-01
A10	670-8847-00			CIRCUIT BD ASSY:FRONT PANEL CONTROL	80009	670-8847-00
A11	670-9367-00			CIRCUIT BD ASSY:FRONT PANEL BUTTON	80009	670-9367-00
A12	670-8853-00			CIRCUIT BD ASSY:REAR PANEL	80009	670-8853-00
A13	670-8851-00			CIRCUIT BD ASSY:MOTHER	80009	670-8851-00
A14	670-8854-00	B010100	B011068	CIRCUIT BD ASSY:INPUT/OUTPUT	80009	670-8854-00
A14	670-8854-01	B011069		CIRCUIT BD ASSY:INPUT/OUTPUT	80009	670-8854-01
A15	670-8858-00			CIRCUIT BD ASSY:MEMORY MGT UNIT	80009	670-8858-00
A15	670-8858-50			CIRCUIT BD ASSY:MEMORY MGT UNIT (OPTION 2D ONLY)	80009	670-8858-50
A16	670-8859-00			CIRCUIT BD ASSY:COMPRESSOR	80009	670-8859-00

Replaceable Electrical Parts
11402 Extended Service Volume 2

Component No.	Tektronix Part No.	Serial/Assembly No. Effective	Discnt	Name & Description	Mfr. Code	Mfr. Part No.
A17	671-0068-00	B010100	B010998	CIRCUIT BD ASSY:MAIN PROCESSOR	80009	671-0068-00
A17	671-0068-01	B010999	B021081	CIRCUIT BD ASSY:MAIN PROCESSOR	80009	671-0068-01
A17	671-0068-02	B021082		CIRCUIT BD ASSY:MAIN PROCESSOR	80009	671-0068-02
A17	671-0068-50	B010100	B010998	CIRCUIT BD ASSY:MAIN PROCESSOR(DMA OPT)	80009	671-0068-50
A17	671-0068-51	B010999	B021081	CIRCUIT BD ASSY:MAIN PROCESSOR	80009	671-0068-51
A17	671-0068-52	B021082		CIRCUIT BD ASSY:MAIN PROCESSOR (OPTION 4D ONLY)	80009	671-0068-52
A18	670-8856-00	B010100	B021081	CIRCUIT BD ASSY:MEMORY	80009	670-8856-00
A18	670-8856-01	B021082		CIRCUIT BD ASSY:MEMORY	80009	670-8856-01
A1	670-8852-00			CIRCUIT BD ASSY:PL-IN INTERFACE	80009	670-8852-00
A1C100	281-0913-00			CAP,FXD,CER DI:0.1UF,50V,AXIAL	04222	SA105E104ZAA
A1C101	290-0778-00			CAP,FXD,ELCTLT:1UF,20%,50V,NPLZD	54473	ECE-A50N1
A1C102	290-0778-00			CAP,FXD,ELCTLT:1UF,20%,50V,NPLZD	54473	ECE-A50N1
A1C103	290-0778-00			CAP,FXD,ELCTLT:1UF,20%,50V,NPLZD	54473	ECE-A50N1
A1C104	290-0778-00			CAP,FXD,ELCTLT:1UF,20%,50V,NPLZD	54473	ECE-A50N1
A1C200	281-0913-00			CAP,FXD,CER DI:0.1UF,50V,AXIAL	04222	SA105E104ZAA
A1C201	290-0766-00			CAP,FXD,ELCTLT:2.2UF,+50-10%,160VDC	54473	ECEA2CS2R2
A1C202	290-0766-00			CAP,FXD,ELCTLT:2.2UF,+50-10%,160VDC	54473	ECEA2CS2R2
A1C300	281-0913-00			CAP,FXD,CER DI:0.1UF,50V,AXIAL	04222	SA105E104ZAA
A1J1	131-1003-00			CONN,RCPT,ELEC:CKT BD MT,3 PRONG	80009	131-1003-00
A1J2	131-1003-00			CONN,RCPT,ELEC:CKT BD MT,3 PRONG	80009	131-1003-00
A1J3	131-1003-00			CONN,RCPT,ELEC:CKT BD MT,3 PRONG	80009	131-1003-00
A1J4	131-1003-00			CONN,RCPT,ELEC:CKT BD MT,3 PRONG	80009	131-1003-00
A1J5	131-1003-00			CONN,RCPT,ELEC:CKT BD MT,3 PRONG	80009	131-1003-00
A1J6	131-1003-00			CONN,RCPT,ELEC:CKT BD MT,3 PRONG	80009	131-1003-00
A1J9	131-1003-00			CONN,RCPT,ELEC:CKT BD MT,3 PRONG	80009	131-1003-00
A1J30	131-1003-00			CONN,RCPT,ELEC:CKT BD MT,3 PRONG	80009	131-1003-00
A1J31	131-1003-00			CONN,RCPT,ELEC:CKT BD MT,3 PRONG	80009	131-1003-00
A1J32	131-1003-00			CONN,RCPT,ELEC:CKT BD MT,3 PRONG	80009	131-1003-00
A1J33	131-1003-00			CONN,RCPT,ELEC:CKT BD MT,3 PRONG	80009	131-1003-00
A1J34	131-1003-00			CONN,RCPT,ELEC:CKT BD MT,3 PRONG	80009	131-1003-00
A1J36	131-1003-00			CONN,RCPT,ELEC:CKT BD MT,3 PRONG	80009	131-1003-00
A1J64	175-9800-00			CA ASSY,SP,ELEC:12.0 L	80009	175-9800-00
A1J90	131-3357-00			CONN,RCPT,ELEC:CKT BD,MALE,16 CONT,0.05SP	53387	3916-0000T
A1J91	131-3323-00			CONN,RCPT,ELEC:HEADER,2 X 20,0.1 SPACING	22526	66506-025
A1J92	131-3544-01	B010100	B010725	CONN,RCPT,ELEC:HEADER,2 X 38	80009	131-3544-01
A1J92	131-3544-03	B010726		CONN,RCPT,ELEC:HEADER,2 X 38	80009	131-3544-03
A1J93	131-3544-01	B010100	B010725	CONN,RCPT,ELEC:HEADER,2 X 38	80009	131-3544-01
A1J93	131-3544-03	B010726		CONN,RCPT,ELEC:HEADER,2 X 38	80009	131-3544-03
A1J94	131-3544-00	B010100	B010725	CONN,RCPT,ELEC:HEADER,2 X 38	80009	131-3544-00
A1J94	131-3544-02	B010726		CONN,RCPT,ELEC:HEADER,2 X 38	80009	131-3544-02
A1J95	131-2089-00			TERM SET,QIK DI:15 TERM,14/22 AWG	27264	22-17-2152
A1J96	131-2088-00			CONN,RCPT,ELEC:CKT BD,8 CONTACTS	27264	09-62-3082
A1R100	315-0510-00			RES,FXD,FILM:51 OHM,5%,0.25W	19701	5043CX51R00J
A1R200	315-0510-00			RES,FXD,FILM:51 OHM,5%,0.25W	19701	5043CX51R00J
A1R300	315-0510-00			RES,FXD,FILM:51 OHM,5%,0.25W	19701	5043CX51R00J
A1W90	175-9813-00			CA ASSY,SP,ELEC:16,15.0 L	TK1547	ORDER BY DESCR
A2	620-0022-00	B010100	B011024	POWER SUPPLY:ET MAINFRAME	80009	620-0022-00
A2	620-0022-01	B011025		POWER SUPPLY:ET,RT,HIRES MAIN FRAMES	80009	620-0022-01
A2B50	119-1725-01			FAN,TUBEAXIAL:8 14.5VDC,6W,3200RPM,106CFM	TK1456	4112 KX
A2F99	159-0013-00			FUSE,CARTRIDGE:3AG,6A,250V,MEDIUM BLOW	71400	MTH-CW-6

Replaceable Electrical Parts
11402 Extended Service Volume 2

Component No.	Tektronix Part No.	Serial/Assembly No. Effective	Descnt	Name & Description	Mfr. Code	Mfr. Part No.
A2FL99	119-2064-00			FILTER,RFI:6A,115-230V,48-440HZ	S4307	FN322R-6/05
A2J70	175-9856-00			CA ASSY,SP,ELEC:20,28 AWG,3.75 L	80009	175-9856-00
A2J81	175-9915-00			CA ASSY,SP,ELEC:2,22 AWG,4.0 L	80009	175-9915-00
A2R99	302-0105-00			RES,FXD,CMPNS:1M OHM,10%,0.5W	01121	EB1051
A2W96	196-3072-00			LEAD,ELECTRICAL:18 AWG,2.0 L,9-N	80009	196-3072-00
A2W97	196-3071-00			LEAD,ELECTRICAL:18 AWG,4.0 L,5-4	80009	196-3071-00
A2W99	196-3074-00			LEAD,ELECTRICAL:18 AWG,12.0 L,5-4	80009	196-3074-00
A2W130	196-3075-00			LEAD,ELECTRICAL:18 AWG,2.0 L,9-N	80009	196-3075-00
A2W131	196-3075-00			LEAD,ELECTRICAL:18 AWG,2.0 L,9-N	80009	196-3075-00
A2A1	670-9326-00	B010100	B011024	CIRCUIT BD ASSY:LINE INVERTER 388-8656-XX	80009	670-9326-00
A2A1	670-9326-01	B011025		CIRCUIT BD ASSY:LINE INVERTER	80009	670-9326-01
A2A1C140	285-1252-00			CAP,FXD,PLASTIC:0.15UF,10%,250VAC	D5243	F1772-415-2000
A2A1C200	290-1106-00			CAP,FXD,ELCTLT:470UF,20%,200WVDC	TK1424	CEFHW2D471B#P
A2A1C220	290-1106-00			CAP,FXD,ELCTLT:470UF,20%,200WVDC	TK1424	CEFHW2D471B#P
A2A1C230	285-1252-00			CAP,FXD,PLASTIC:0.15UF,10%,250VAC	D5243	F1772-415-2000
A2A1C310	290-1106-00			CAP,FXD,ELCTLT:470UF,20%,200WVDC	TK1424	CEFHW2D471B#P
A2A1C320	290-1106-00			CAP,FXD,ELCTLT:470UF,20%,200WVDC	TK1424	CEFHW2D471B#P
A2A1C400	285-1192-00			CAP,FXD,PPR DI:0.0022 UF,20%,250VAC	TK0515	PME271Y510
A2A1C401	285-1192-00			CAP,FXD,PPR DI:0.0022 UF,20%,250VAC	TK0515	PME271Y510
A2A1C500	285-1336-00			CAP,FXD,MTLZD:1.5UF,20%,400VDC	TK1573	MKC4 1.5/400/20
A2A1C630	285-1347-00			CAP,FXD,MTLZD:2.2MF0,20%,250V	TK1573	MKC4 2.2 20% 250
A2A1C631	285-1347-00			CAP,FXD,MTLZD:2.2MF0,20%,250V	TK1573	MKC4 2.2 20% 250
A2A1C640	285-0572-00			CAP,FXD,PLASTIC:0.1UF,20%,200V	56289	192P10402
A2A1C730	281-0770-00			CAP,FXD,CER DI:1000PF,20%,100V	04222	MA101C102MAA
A2A1C850	290-0922-02			CAP,FXD,ELCTLT:1000UF,20%,50V	56289	513D108M050EN4G
A2A1CR340	152-0838-00			SEMICON DVC,DI:BRDG RECT,SI,400V,8A	14936	RKBPC804-11
A2A1CR500	152-0839-00			SEMICON DVC,DI:RECT,SI,400V,50A,TO-220	80009	152-0839-00
A2A1CR600	152-0141-02			SEMICON DVC,DI:SW,SI,30V,150MA,30V,DO-35	03508	DA2527 (1N4152)
A2A1CR610	152-0400-00			SEMICON DVC,DI:RECT,SI,400V,1A	04713	SR1977K
A2A1CR611	152-0141-02			SEMICON DVC,DI:SW,SI,30V,150MA,30V,DO-35	03508	DA2527 (1N4152)
A2A1CR612	152-0141-02			SEMICON DVC,DI:SW,SI,30V,150MA,30V,DO-35	03508	DA2527 (1N4152)
A2A1CR620	152-0400-00			SEMICON DVC,DI:RECT,SI,400V,1A	04713	SR1977K
A2A1CR621	152-0141-02			SEMICON DVC,DI:SW,SI,30V,150MA,30V,DO-35	03508	DA2527 (1N4152)
A2A1CR750	152-0585-00			SEMICON DVC,DI:RECT,SI,200V,1A	14936	W02M-30
A2A1CR800	152-0141-02			SEMICON DVC,DI:SW,SI,30V,150MA,30V,DO-35	03508	DA2527 (1N4152)
A2A1CR801	152-0141-02			SEMICON DVC,DI:SW,SI,30V,150MA,30V,DO-35	03508	DA2527 (1N4152)
A2A1CR802	152-0141-02			SEMICON DVC,DI:SW,SI,30V,150MA,30V,DO-35	03508	DA2527 (1N4152)
A2A1CR803	152-0141-02			SEMICON DVC,DI:SW,SI,30V,150MA,30V,DO-35	03508	DA2527 (1N4152)
A2A1DS640	150-0030-00			LAMP,GLOW:60-90V MAX,0.6MA,A28-T,WIRE LEADS	58224	A28-T
A2A1E230	119-0181-00			ARSR,ELEC SURGE:230,GAS FILLED	25088	B1-A230
A2A1E231	119-0181-00			ARSR,ELEC SURGE:230,GAS FILLED	25088	B1-A230
A2A1E630	119-0181-00			ARSR,ELEC SURGE:230,GAS FILLED	25088	B1-A230
A2A1F410	159-0021-00			FUSE,CARTRIDGE:3AG,2A,250V,FAST BLOW	71400	AGC-CW-2
A2A1F650	159-0248-00			FUSE,WIRE LEAD:1.5 A,AXIAL LEAD	75915	R25101.5 T1
A2A1J70	131-0608-00			TERMINAL,PIN:0.365 L X 0.025 BRZ GLD PL (QUANTITY OF 19)	22526	48283-036
A2A1J97	131-2088-00			CONN,RCPT,ELEC:CKT BD,8 CONTACTS	27264	09-62-3082
A2A1J98	131-2088-00			CONN,RCPT,ELEC:CKT BD,8 CONTACTS	27264	09-62-3082
A2A1L520	108-1290-00			COIL,RF:FIXED,1.7MH,2A,100KHZ,POT CORE	54937	108-1290-00
A2A1Q600	151-1141-00			TRANSISTOR:FE,N-CHANNEL,SI,TO-220	04713	STP3000
A2A1Q601	151-1141-00			TRANSISTOR:FE,N-CHANNEL,SI,TO-220	04713	STP3000
A2A1Q610	151-1137-00			TRANSISTOR:FE,N-CHANNEL,MOSFET,TO-220	80009	151-1137-00
A2A1Q620	151-1137-00			TRANSISTOR:FE,N-CHANNEL,MOSFET,TO-220	80009	151-1137-00
A2A1Q740	151-0190-00			TRANSISTOR:NPN,SI,TO-92	80009	151-0190-00
A2A1Q800	151-0188-00			TRANSISTOR:PMP,SI,TO-92	80009	151-0188-00
A2A1Q801	151-0188-00			TRANSISTOR:PMP,SI,TO-92	80009	151-0188-00

Component No.	Tektronix Part No.	Serial/Assembly No. Effective	Discnt	Name & Description	Mfr. Code	Mfr. Part No.
A2A1Q840	151-0647-00			TRANSISTOR:PNP,SI,TO-220	04713	MJE15031
A2AIR140	308-0874-00			RES,FXD,WW:10 OHM,5%,1W	57027	BW-20F-10-5%
A2AIR220	301-0474-00			RES,FXD,FILM:470K OHM,5%,0.5W	19701	5053CX470K0J
A2AIR600	315-0330-00			RES,FXD,FILM:33 OHM,5%,0.25W	19701	5043CX33R00J
A2AIR610	315-0330-00			RES,FXD,FILM:33 OHM,5%,0.25W	19701	5043CX33R00J
A2AIR611	315-0330-00			RES,FXD,FILM:33 OHM,5%,0.25W	19701	5043CX33R00J
A2AIR620	315-0330-00			RES,FXD,FILM:33 OHM,5%,0.25W	19701	5043CX33R00J
A2AIR630	315-0104-00			RES,FXD,FILM:100K OHM,5%,0.25W	57668	NTR25J-E100K
A2AIR631	315-0104-00			RES,FXD,FILM:100K OHM,5%,0.25W	57668	NTR25J-E100K
A2AIR640	302-0106-00			RES,FXD,CMPSN:10M OHM,10%,0.5W	01121	EB1061
A2AIR800	315-0104-00			RES,FXD,FILM:100K OHM,5%,0.25W	57668	NTR25J-E100K
A2AIR830	315-0911-00			RES,FXD,FILM:910 OHM,5%,0.25W	57668	NTR25J-E910E
A2AIR831	315-0223-00			RES,FXD,FILM:22K OHM,5%,0.25W	19701	5043CX22K00J92U
A2AIR832	321-0197-00			RES,FXD,FILM:1.10K OHM,1%,0.125W,TC=TO	07716	CEAD11000F
A2AIR833	321-0221-00			RES,FXD,FILM:1.96K OHM,1%,0.125W,TC=TO	19701	5043ED1K960F
A2AIR840	315-0222-00			RES,FXD,FILM:2.2K OHM,5%,0.25W	57668	NTR25J-E02K2
A2AIRT130	307-0746-00			RES,THERMAL:5 OHM,10%,7A/DEG C	15454	SG200-S
A2AIRT240	307-0746-00			RES,THERMAL:5 OHM,10%,7A/DEG C	15454	SG200-S
A2AIS99	260-0907-02			SWITCH,THRMSTC:NC OPEN 97.8,15A,125VAC	93410	430-1607
A2AIS130	260-2116-01			SWITCH,SLIDE:DPDT,10A,125VAC,POWER	22753	SE1022SDCEPBLORA
A2AIS250	260-2116-00			SWITCH,SLIDE:DPDT,10A,125VAC,LINE SEL	04426	18-000-0019
A2AIT410	120-1654-00			TRANSFORMER,PWR:8MH,1.5A,COMMON MODE	TK1601	62911-003
A2AIT440	120-1647-00			XFMR,PWR,STU:ISOLATING,DUAL PRIME/SECONDARY	80009	120-1647-00
A2AIT700	120-1670-00			TRANSFORMER:CURRENT SENSE,DUAL,TWO CORE, 1.100,1.100,POTTED	TK1441	85-801-4
A2AIT710	120-1655-00			TRANSFORMER,PWR:GATE DR,1:1:1,1.5MH,50KHZ	TK1441	85-404-2
A2AIT720	120-1655-00			TRANSFORMER,PWR:GATE DR,1:1:1,1.5MH,50KHZ	TK1441	85-404-2
A2A1VR830	152-0166-00			SEMICON DVC,DI:ZEN,SI,6.2V,5%,400MM,DO-7	04713	SZ11738RL
A2AIW400	196-3075-00			LEAD,ELECTRICAL:18 AWG,2.0 L,9-N	80009	196-3075-00
A2AIW401	196-3075-00			LEAD,ELECTRICAL:18 AWG,2.0 L,9-N	80009	196-3075-00
A2AIW520	108-1290-00			COIL,RF:FIXED,1.7MH,2A,100KHZ,POT CORE	54937	108-1290-00
A2AIW521	108-1290-00			COIL,RF:FIXED,1.7MH,2A,100KHZ,POT CORE	54937	108-1290-00
A2A2	670-8839-00	B010100	B010677	CIRCUIT BD ASSY:CONTROL RECTIFIER	80009	670-8839-00
A2A2	670-8839-01	B010678	B011096	CIRCUIT BD ASSY:CONTROL RECTIFIER	80009	670-8839-01
A2A2	670-8839-02	B011097		CIRCUIT BD ASSY:CONTROL RECTIFIER	80009	670-8839-02
A2A2C110	281-0775-00			CAP,FXD,CER DI:0.1UF,20%,50V	04222	MA205E104MAA
A2A2C120	290-0778-00			CAP,FXD,ELCTLT:1UF,20%,50V,NPLZD	54473	ECE-A50N1
A2A2C121	290-0778-00			CAP,FXD,ELCTLT:1UF,20%,50V,NPLZD	54473	ECE-A50N1
A2A2C130	290-0939-00			CAP,FXD,ELCTLT:10UF,+100-10%,100V	56289	672D106H100CG2C
A2A2C200	281-0775-00			CAP,FXD,CER DI:0.1UF,20%,50V	04222	MA205E104MAA
A2A2C210	281-0775-00			CAP,FXD,CER DI:0.1UF,20%,50V	04222	MA205E104MAA
A2A2C211	290-0804-00			CAP,FXD,ELCTLT:10UF,+50-20%,25V	55680	ULB1E100TAAANA
A2A2C212	290-0804-00			CAP,FXD,ELCTLT:10UF,+50-20%,25V	55680	ULB1E100TAAANA
A2A2C213	290-0804-00			CAP,FXD,ELCTLT:10UF,+50-20%,25V	55680	ULB1E100TAAANA
A2A2C214	290-0804-00			CAP,FXD,ELCTLT:10UF,+50-20%,25V	55680	ULB1E100TAAANA
A2A2C215	290-0804-00			CAP,FXD,ELCTLT:10UF,+50-20%,25V	55680	ULB1E100TAAANA
A2A2C220	281-0775-00			CAP,FXD,CER DI:0.1UF,20%,50V	04222	MA205E104MAA
A2A2C221	281-0775-00			CAP,FXD,CER DI:0.1UF,20%,50V	04222	MA205E104MAA
A2A2C230	290-0939-00			CAP,FXD,ELCTLT:10UF,+100-10%,100V	56289	672D106H100CG2C
A2A2C241	281-0775-00			CAP,FXD,CER DI:0.1UF,20%,50V	04222	MA205E104MAA
A2A2C250	281-0773-00			CAP,FXD,CER DI:0.01UF,10%,100V	04222	MA201C103KAA
A2A2C251	281-0786-00			CAP,FXD,CER DI:150PF,10%,100V	04222	MA101A151KAA
A2A2C300	281-0770-00			CAP,FXD,CER DI:1000PF,20%,100V	04222	MA101C102MAA
A2A2C301	281-0786-00			CAP,FXD,CER DI:150PF,10%,100V	04222	MA101A151KAA
A2A2C302	290-0804-00			CAP,FXD,ELCTLT:10UF,+50-20%,25V	55680	ULB1E100TAAANA
A2A2C303	281-0786-00			CAP,FXD,CER DI:150PF,10%,100V	04222	MA101A151KAA

Replaceable Electrical Parts
11402 Extended Service Volume 2

Component No.	Tektronix Part No.	Serial/Assembly No. Effective Dscont	Name & Description	Mfr. Code	Mfr. Part No.
A2A2C304	290-0804-00		CAP, FXD, ELCTLT: 10UF, +50-20%, 25V	55680	ULB1E100TAAANA
A2A2C305	281-0773-00		CAP, FXD, CER DI: 0.01UF, 10%, 100V	04222	MA201C103KAA
A2A2C310	281-0770-00		CAP, FXD, CER DI: 1000PF, 20%, 100V	04222	MA101C102MAA
A2A2C311	281-0791-00		CAP, FXD, CER DI: 270PF, 10%, 100V	04222	MA101C271KAA
A2A2C312	281-0811-00		CAP, FXD, CER DI: 10PF, 10%, 100V	04222	MA101A100KAA
A2A2C320	281-0775-00		CAP, FXD, CER DI: 0.1UF, 20%, 50V	04222	MA205E104MAA
A2A2C321	281-0775-00		CAP, FXD, CER DI: 0.1UF, 20%, 50V	04222	MA205E104MAA
A2A2C322	290-0942-00		CAP, FXD, ELCTLT: 100UF, +100-10%, 25V	55680	UPA1E101MAH
A2A2C323	290-0804-00		CAP, FXD, ELCTLT: 10UF, +50-20%, 25V	55680	ULB1E100TAAANA
A2A2C324	290-0778-00		CAP, FXD, ELCTLT: 1UF, 20%, 50V, NPLZD	54473	ECE-A50N1
A2A2C325	290-0778-00		CAP, FXD, ELCTLT: 1UF, 20%, 50V, NPLZD	54473	ECE-A50N1
A2A2C330	290-0942-00		CAP, FXD, ELCTLT: 100UF, +100-10%, 25V	55680	UPA1E101MAH
A2A2C331	281-0773-00		CAP, FXD, CER DI: 0.01UF, 10%, 100V	04222	MA201C103KAA
A2A2C400	281-0775-00		CAP, FXD, CER DI: 0.1UF, 20%, 50V	04222	MA205E104MAA
A2A2C401	281-0775-00		CAP, FXD, CER DI: 0.1UF, 20%, 50V	04222	MA205E104MAA
A2A2C410	281-0775-00		CAP, FXD, CER DI: 0.1UF, 20%, 50V	04222	MA205E104MAA
A2A2C411	290-0778-00		CAP, FXD, ELCTLT: 1UF, 20%, 50V, NPLZD	54473	ECE-A50N1
A2A2C425	290-0804-00		CAP, FXD, ELCTLT: 10UF, +50-20%, 25V	55680	ULB1E100TAAANA
A2A2C440	290-0942-00		CAP, FXD, ELCTLT: 100UF, +100-10%, 25V	55680	UPA1E101MAH
A2A2C441	290-0800-00		CAP, FXD, ELCTLT: 250UF, +100-10%, 20V	56289	672D257H020DM5C
A2A2C450	290-0800-00		CAP, FXD, ELCTLT: 250UF, +100-10%, 20V	56289	672D257H020DM5C
A2A2C451	281-0775-00		CAP, FXD, CER DI: 0.1UF, 20%, 50V	04222	MA205E104MAA
A2A2C500	281-0775-00		CAP, FXD, CER DI: 0.1UF, 20%, 50V	04222	MA205E104MAA
A2A2C501	281-0775-00		CAP, FXD, CER DI: 0.1UF, 20%, 50V	04222	MA205E104MAA
A2A2C502	281-0775-00		CAP, FXD, CER DI: 0.1UF, 20%, 50V	04222	MA205E104MAA
A2A2C503	281-0775-00		CAP, FXD, CER DI: 0.1UF, 20%, 50V	04222	MA205E104MAA
A2A2C504	281-0775-00		CAP, FXD, CER DI: 0.1UF, 20%, 50V	04222	MA205E104MAA
A2A2C510	281-0775-00		CAP, FXD, CER DI: 0.1UF, 20%, 50V	04222	MA205E104MAA
A2A2C520	281-0775-00		CAP, FXD, CER DI: 0.1UF, 20%, 50V	04222	MA205E104MAA
A2A2C521	281-0775-00		CAP, FXD, CER DI: 0.1UF, 20%, 50V	04222	MA205E104MAA
A2A2C526	281-0773-00		CAP, FXD, CER DI: 0.01UF, 10%, 100V	04222	MA201C103KAA
A2A2C530	290-0800-00		CAP, FXD, ELCTLT: 250UF, +100-10%, 20V	56289	672D257H020DM5C
A2A2C532	281-0773-00		CAP, FXD, CER DI: 0.01UF, 10%, 100V	04222	MA201C103KAA
A2A2C550	290-0800-00		CAP, FXD, ELCTLT: 250UF, +100-10%, 20V	56289	672D257H020DM5C
A2A2C620	281-0775-00		CAP, FXD, CER DI: 0.1UF, 20%, 50V	04222	MA205E104MAA
A2A2C630	281-0775-00		CAP, FXD, CER DI: 0.1UF, 20%, 50V	04222	MA205E104MAA
A2A2C639	281-0775-00		CAP, FXD, CER DI: 0.1UF, 20%, 50V	04222	MA205E104MAA
A2A2C644	281-0775-00		CAP, FXD, CER DI: 0.1UF, 20%, 50V	04222	MA205E104MAA
A2A2C706	281-0775-00		CAP, FXD, CER DI: 0.1UF, 20%, 50V	04222	MA205E104MAA
A2A2C715	281-0775-00		CAP, FXD, CER DI: 0.1UF, 20%, 50V	04222	MA205E104MAA
A2A2C721	281-0773-00		CAP, FXD, CER DI: 0.01UF, 10%, 100V	04222	MA201C103KAA
A2A2C731	281-0773-00		CAP, FXD, CER DI: 0.01UF, 10%, 100V	04222	MA201C103KAA
A2A2C732	281-0773-00		CAP, FXD, CER DI: 0.01UF, 10%, 100V	04222	MA201C103KAA
A2A2C743	290-0778-00		CAP, FXD, ELCTLT: 1UF, 20%, 50V, NPLZD	54473	ECE-A50N1
A2A2C744	281-0775-00		CAP, FXD, CER DI: 0.1UF, 20%, 50V	04222	MA205E104MAA
A2A2C745	281-0775-00		CAP, FXD, CER DI: 0.1UF, 20%, 50V	04222	MA205E104MAA
A2A2C746	281-0775-00		CAP, FXD, CER DI: 0.1UF, 20%, 50V	04222	MA205E104MAA
A2A2C750	281-0775-00		CAP, FXD, CER DI: 0.1UF, 20%, 50V	04222	MA205E104MAA
A2A2C757	281-0775-00		CAP, FXD, CER DI: 0.1UF, 20%, 50V	04222	MA205E104MAA
A2A2C758	290-0778-00		CAP, FXD, ELCTLT: 1UF, 20%, 50V, NPLZD	54473	ECE-A50N1
A2A2C821	290-0778-00		CAP, FXD, ELCTLT: 1UF, 20%, 50V, NPLZD	54473	ECE-A50N1
A2A2C840	281-0773-00		CAP, FXD, CER DI: 0.01UF, 10%, 100V	04222	MA201C103KAA
A2A2C841	290-0778-00		CAP, FXD, ELCTLT: 1UF, 20%, 50V, NPLZD	54473	ECE-A50N1
A2A2C852	290-0778-00		CAP, FXD, ELCTLT: 1UF, 20%, 50V, NPLZD	54473	ECE-A50N1
A2A2CR110	152-0141-02		SEMICOND DVC, DI: SW, SI, 30V, 150MA, 30V, DO-35	03508	DA2527 (1N4152)
A2A2CR111	152-0141-02		SEMICOND DVC, DI: SW, SI, 30V, 150MA, 30V, DO-35	03508	DA2527 (1N4152)
A2A2CR112	152-0141-02		SEMICOND DVC, DI: SW, SI, 30V, 150MA, 30V, DO-35	03508	DA2527 (1N4152)
A2A2CR113	152-0141-02		SEMICOND DVC, DI: SW, SI, 30V, 150MA, 30V, DO-35	03508	DA2527 (1N4152)

Component No.	Tektronix Part No.	Serial/Assembly No. Effective Dscont	Name & Description	Mfr. Code	Mfr. Part No.
A2A2CR120	152-0905-00		SEMICON DVC,DI:DUAL RECT,SCHOTTKY,40V,16A, TO-220	80009	152-0905-00
A2A2CR121	152-0794-00		SEMICON DVC,DI:RECT,SI,10A,30V,TO-220	81483	95-4269
A2A2CR150	152-0601-01		SEMICON DVC,DI:RECTIFIER,SI,150V,1A,35NS	80009	152-0601-01
A2A2CR151	152-0601-01		SEMICON DVC,DI:RECTIFIER,SI,150V,1A,35NS	80009	152-0601-01
A2A2CR152	152-0601-01		SEMICON DVC,DI:RECTIFIER,SI,150V,1A,35NS	80009	152-0601-01
A2A2CR153	152-0601-01		SEMICON DVC,DI:RECTIFIER,SI,150V,1A,35NS	80009	152-0601-01
A2A2CR200	152-0141-02		SEMICON DVC,DI:SW,SI,30V,150MA,30V,DO-35	03508	DA2527 (1N4152)
A2A2CR240	152-0908-00		SEMICON DVC,DI:DUAL RECT,20V,8A PER DIODE, TO-220	80009	152-0908-00
A2A2CR250	152-0141-02		SEMICON DVC,DI:SW,SI,30V,150MA,30V,DO-35	03508	DA2527 (1N4152)
A2A2CR251	152-0141-02		SEMICON DVC,DI:SW,SI,30V,150MA,30V,DO-35	03508	DA2527 (1N4152)
A2A2CR300	152-0141-02		SEMICON DVC,DI:SW,SI,30V,150MA,30V,DO-35	03508	DA2527 (1N4152)
A2A2CR310	152-0141-02		SEMICON DVC,DI:SW,SI,30V,150MA,30V,DO-35	03508	DA2527 (1N4152)
A2A2CR311	152-0141-02		SEMICON DVC,DI:SW,SI,30V,150MA,30V,DO-35	03508	DA2527 (1N4152)
A2A2CR312	152-0141-02		SEMICON DVC,DI:SW,SI,30V,150MA,30V,DO-35	03508	DA2527 (1N4152)
A2A2CR313	152-0141-02		SEMICON DVC,DI:SW,SI,30V,150MA,30V,DO-35	03508	DA2527 (1N4152)
A2A2CR315	152-0141-02		SEMICON DVC,DI:SW,SI,30V,150MA,30V,DO-35	03508	DA2527 (1N4152)
A2A2CR320	152-0141-02		SEMICON DVC,DI:SW,SI,30V,150MA,30V,DO-35	03508	DA2527 (1N4152)
A2A2CR321	152-0141-02		SEMICON DVC,DI:SW,SI,30V,150MA,30V,DO-35	03508	DA2527 (1N4152)
A2A2CR330	152-0908-00		SEMICON DVC,DI:DUAL RECT,20V,8A PER DIODE, TO-220	80009	152-0908-00
A2A2CR331	152-0794-00		SEMICON DVC,DI:RECT,SI,10A,30V,TO-220	81483	95-4269
A2A2CR340	152-0827-00		SEMICON DVC,DI:RECT,SI,45V,3A	04713	MBR2545CT
A2A2CR350	152-0827-00		SEMICON DVC,DI:RECT,SI,45V,3A	04713	MBR2545CT
A2A2CR410	152-0141-02		SEMICON DVC,DI:SW,SI,30V,150MA,30V,DO-35	03508	DA2527 (1N4152)
A2A2CR411	152-0141-02		SEMICON DVC,DI:SW,SI,30V,150MA,30V,DO-35	03508	DA2527 (1N4152)
A2A2CR412	152-0141-02		SEMICON DVC,DI:SW,SI,30V,150MA,30V,DO-35	03508	DA2527 (1N4152)
A2A2CR413	152-0141-02		SEMICON DVC,DI:SW,SI,30V,150MA,30V,DO-35	03508	DA2527 (1N4152)
A2A2CR420	152-0141-02		SEMICON DVC,DI:SW,SI,30V,150MA,30V,DO-35	03508	DA2527 (1N4152)
A2A2CR421	152-0141-02		SEMICON DVC,DI:SW,SI,30V,150MA,30V,DO-35	03508	DA2527 (1N4152)
A2A2CR422	152-0141-02		SEMICON DVC,DI:SW,SI,30V,150MA,30V,DO-35	03508	DA2527 (1N4152)
A2A2CR423	152-0141-02		SEMICON DVC,DI:SW,SI,30V,150MA,30V,DO-35	03508	DA2527 (1N4152)
A2A2CR424	152-0141-02		SEMICON DVC,DI:SW,SI,30V,150MA,30V,DO-35	03508	DA2527 (1N4152)
A2A2CR510	152-0141-02		SEMICON DVC,DI:SW,SI,30V,150MA,30V,DO-35	03508	DA2527 (1N4152)
A2A2CR511	152-0141-02		SEMICON DVC,DI:SW,SI,30V,150MA,30V,DO-35	03508	DA2527 (1N4152)
A2A2CR512	152-0141-02		SEMICON DVC,DI:SW,SI,30V,150MA,30V,DO-35	03508	DA2527 (1N4152)
A2A2CR513	152-0141-02		SEMICON DVC,DI:SW,SI,30V,150MA,30V,DO-35	03508	DA2527 (1N4152)
A2A2CR514	152-0141-02		SEMICON DVC,DI:SW,SI,30V,150MA,30V,DO-35	03508	DA2527 (1N4152)
A2A2CR515	152-0141-02		SEMICON DVC,DI:SW,SI,30V,150MA,30V,DO-35	03508	DA2527 (1N4152)
A2A2CR516	152-0141-02		SEMICON DVC,DI:SW,SI,30V,150MA,30V,DO-35	03508	DA2527 (1N4152)
A2A2CR517	152-0141-02		SEMICON DVC,DI:SW,SI,30V,150MA,30V,DO-35	03508	DA2527 (1N4152)
A2A2CR520	152-0141-02		SEMICON DVC,DI:SW,SI,30V,150MA,30V,DO-35	03508	DA2527 (1N4152)
A2A2CR521	152-0141-02		SEMICON DVC,DI:SW,SI,30V,150MA,30V,DO-35	03508	DA2527 (1N4152)
A2A2CR522	152-0141-02		SEMICON DVC,DI:SW,SI,30V,150MA,30V,DO-35	03508	DA2527 (1N4152)
A2A2CR523	152-0141-02		SEMICON DVC,DI:SW,SI,30V,150MA,30V,DO-35	03508	DA2527 (1N4152)
A2A2CR524	152-0141-02		SEMICON DVC,DI:SW,SI,30V,150MA,30V,DO-35	03508	DA2527 (1N4152)
A2A2CR525	152-0141-02		SEMICON DVC,DI:SW,SI,30V,150MA,30V,DO-35	03508	DA2527 (1N4152)
A2A2CR526	152-0141-02		SEMICON DVC,DI:SW,SI,30V,150MA,30V,DO-35	03508	DA2527 (1N4152)
A2A2CR527	152-0141-02		SEMICON DVC,DI:SW,SI,30V,150MA,30V,DO-35	03508	DA2527 (1N4152)
A2A2CR600	152-0141-02		SEMICON DVC,DI:SW,SI,30V,150MA,30V,DO-35	03508	DA2527 (1N4152)
A2A2CR601	152-0141-02		SEMICON DVC,DI:SW,SI,30V,150MA,30V,DO-35	03508	DA2527 (1N4152)
A2A2CR602	152-0141-02		SEMICON DVC,DI:SW,SI,30V,150MA,30V,DO-35	03508	DA2527 (1N4152)
A2A2CR610	152-0141-02		SEMICON DVC,DI:SW,SI,30V,150MA,30V,DO-35	03508	DA2527 (1N4152)
A2A2CR611	152-0141-02		SEMICON DVC,DI:SW,SI,30V,150MA,30V,DO-35	03508	DA2527 (1N4152)
A2A2CR612	152-0141-02		SEMICON DVC,DI:SW,SI,30V,150MA,30V,DO-35	03508	DA2527 (1N4152)
A2A2CR613	152-0141-02		SEMICON DVC,DI:SW,SI,30V,150MA,30V,DO-35	03508	DA2527 (1N4152)
A2A2CR614	152-0141-02		SEMICON DVC,DI:SW,SI,30V,150MA,30V,DO-35	03508	DA2527 (1N4152)

Replaceable Electrical Parts
11402 Extended Service Volume 2

Component No.	Tektronix Part No.	Serial/Assembly No. Effective	Discnt	Name & Description	Mfr. Code	Mfr. Part No.
A2A2CR615	152-0141-02			SEMICON DVC,DI:SW,SI,30V,150MA,30V,DO-35	03508	DA2527 (1N4152)
A2A2CR616	152-0141-02			SEMICON DVC,DI:SW,SI,30V,150MA,30V,DO-35	03508	DA2527 (1N4152)
A2A2CR617	152-0141-02			SEMICON DVC,DI:SW,SI,30V,150MA,30V,DO-35	03508	DA2527 (1N4152)
A2A2CR620	152-0141-02			SEMICON DVC,DI:SW,SI,30V,150MA,30V,DO-35	03508	DA2527 (1N4152)
A2A2CR621	152-0141-02			SEMICON DVC,DI:SW,SI,30V,150MA,30V,DO-35	03508	DA2527 (1N4152)
A2A2CR622	152-0141-02			SEMICON DVC,DI:SW,SI,30V,150MA,30V,DO-35	03508	DA2527 (1N4152)
A2A2CR623	152-0141-02			SEMICON DVC,DI:SW,SI,30V,150MA,30V,DO-35	03508	DA2527 (1N4152)
A2A2CR702	152-0141-02			SEMICON DVC,DI:SW,SI,30V,150MA,30V,DO-35	03508	DA2527 (1N4152)
A2A2CR703	152-0141-02			SEMICON DVC,DI:SW,SI,30V,150MA,30V,DO-35	03508	DA2527 (1N4152)
A2A2CR704	152-0141-02			SEMICON DVC,DI:SW,SI,30V,150MA,30V,DO-35	03508	DA2527 (1N4152)
A2A2CR705	152-0141-02			SEMICON DVC,DI:SW,SI,30V,150MA,30V,DO-35	03508	DA2527 (1N4152)
A2A2CR716	152-0141-02			SEMICON DVC,DI:SW,SI,30V,150MA,30V,DO-35	03508	DA2527 (1N4152)
A2A2CR717	152-0141-02			SEMICON DVC,DI:SW,SI,30V,150MA,30V,DO-35	03508	DA2527 (1N4152)
A2A2CR718	152-0141-02			SEMICON DVC,DI:SW,SI,30V,150MA,30V,DO-35	03508	DA2527 (1N4152)
A2A2CR720	152-0141-02			SEMICON DVC,DI:SW,SI,30V,150MA,30V,DO-35	03508	DA2527 (1N4152)
A2A2CR721	152-0141-02			SEMICON DVC,DI:SW,SI,30V,150MA,30V,DO-35	03508	DA2527 (1N4152)
A2A2CR740	152-0066-01			SEMICON DVC,DI:SELECTED	80009	152-0066-01
A2A2CR841	152-0066-01			SEMICON DVC,DI:SELECTED	80009	152-0066-01
A2A2DS100	150-1171-00			LT EMITTING DIO:RED	50434	HLMP1302OPT002
A2A2DS530	150-1163-00			LT EMITTING DIO:GREEN	50434	HLMP15400PT002
A2A2DS531	150-1163-00			LT EMITTING DIO:GREEN	50434	HLMP15400PT002
A2A2DS533	150-1163-00			LT EMITTING DIO:GREEN	50434	HLMP15400PT002
A2A2DS630	150-1163-00			LT EMITTING DIO:GREEN	50434	HLMP15400PT002
A2A2E240	276-0532-00	B010100	B011096	SHLD BEAD,ELEK:FERRITE	02114	56-590-65/4A6
A2A2E241	276-0532-00	B010100	B011096	SHLD BEAD,ELEK:FERRITE	02114	56-590-65/4A6
A2A2F740	159-0220-00			FUSE,WIRE LEAD:3A,125V,FAST	71400	TRA3
A2A2J44	131-0608-00			TERMINAL,PIN:0.365 L X 0.025 BRZ GLD PL (QUANTITY OF 23)	22526	48283-036
A2A2J62	131-2250-00			CONN,RCPT,ELEC:HEADER,1 X 5 0.156 CTR (J62A)	26742	3109-11-205-01
A2A2J62	131-2576-00			TERM SET,PIN:6 CONTACT,MALE	27264	09-61-1061
A2A2J63	131-2576-00			TERM SET,PIN:6 CONTACT,MALE	27264	09-61-1061
A2A2J64	131-2789-00			CONN,RCPT,ELEC:HEADER,1 X 4,0.156 SPACING	27264	09-61-1045
A2A2J65	131-0608-00			TERMINAL,PIN:0.365 L X 0.025 BRZ GLD PL (QUANTITY OF 8)	22526	48283-036
A2A2J66	131-2250-00			CONN,RCPT,ELEC:HEADER,1 X 5 0.156 CTR	26742	3109-11-205-01
A2A2J70	131-0608-00			TERMINAL,PIN:0.365 L X 0.025 BRZ GLD PL (QUANTITY OF 19)	22526	48283-036
A2A2J81	131-0608-00			TERMINAL,PIN:0.365 L X 0.025 BRZ GLD PL (QUANTITY OF 3)	22526	48283-036
A2A2L140	108-1144-00			COIL,RF:FIXED,27 UH,20%	34479	RL1284
A2A2L141	108-1144-00			COIL,RF:FIXED,27 UH,20%	34479	RL1284
A2A2L220	108-0925-00			COIL,RF:FIXED,21UH	80009	108-0925-00
A2A2L221	108-0925-00			COIL,RF:FIXED,21UH	80009	108-0925-00
A2A2L330	108-0554-00			COIL,RF:FIXED,5UH,+/-20%	TK1345	108-0554-00
A2A2L331	108-0554-00			COIL,RF:FIXED,5UH,+/-20%	TK1345	108-0554-00
A2A2L340	108-0554-00			COIL,RF:FIXED,5UH,+/-20%	TK1345	108-0554-00
A2A2L341	108-1289-00			COIL,RF:1UH,30ADC,1.2M,MAX FERRITE SP CORE	TK1345	Z-1289
A2A2L440	108-1289-00			COIL,RF:1UH,30ADC,1.2M,MAX FERRITE SP CORE	TK1345	Z-1289
A2A2Q100	151-0188-00			TRANSISTOR:PNP,SI,TO-92	80009	151-0188-00
A2A2Q210	151-0188-00			TRANSISTOR:PNP,SI,TO-92	80009	151-0188-00
A2A2Q213	151-0188-00			TRANSISTOR:PNP,SI,TO-92	80009	151-0188-00
A2A2Q250	151-0188-00			TRANSISTOR:PNP,SI,TO-92	80009	151-0188-00
A2A2Q410	151-0188-00			TRANSISTOR:PNP,SI,TO-92	80009	151-0188-00
A2A2Q430	151-0190-00			TRANSISTOR:NPN,SI,TO-92	80009	151-0190-00
A2A2Q431	151-0508-00			TRANSISTOR:UJT,SI,TO-98	03508	X13T520
A2A2Q432	151-0508-00			TRANSISTOR:UJT,SI,TO-98	03508	X13T520
A2A2Q530	151-0453-00			TRANSISTOR:PNP,SI,TO-92	27014	ORDER BY DESCR
A2A2Q600	151-0190-00			TRANSISTOR:NPN,SI,TO-92	80009	151-0190-00

Component No.	Tektronix Part No.	Serial/Assembly No. Effective	Dscont	Name & Description	Mfr. Code	Mfr. Part No.
A2A2Q630	151-0432-00			TRANSISTOR:NPN,SI,625MW,TO-92	04713	SPS8512
A2A2Q640	151-0716-00			TRANSISTOR:DARLINGTON,NPN,SI,TO-92	27014	92 PU45A
A2A2Q700	151-0190-00			TRANSISTOR:NPN,SI,TO-92	80009	151-0190-00
A2A2Q701	151-0188-00			TRANSISTOR:PMP,SI,TO-92	80009	151-0188-00
A2A2Q702	151-0188-00			TRANSISTOR:PMP,SI,TO-92	80009	151-0188-00
A2A2Q720	151-0508-00			TRANSISTOR:UJT,SI,TO-98	03508	X13T520
A2A2Q721	151-0508-00			TRANSISTOR:UJT,SI,TO-98	03508	X13T520
A2A2Q740	151-0190-00			TRANSISTOR:NPN,SI,TO-92	80009	151-0190-00
A2A2R100	313-1221-00			RES,FXD,FILM:220 OHM,5%,0.2W	57668	TR20JE220E
A2A2R101	313-1332-00			RES,FXD,FILM:3.3K OHM,5%,0.2W	57668	TR20JE 03K3
A2A2R104	313-1102-00			RES,FXD,FILM:1K OHM,5%,0.2W	57668	TR20JE01K0
A2A2R110	313-1100-00			RES,FXD,FILM:10 OHM,5%,0.2W	57668	TR20JE10E0
A2A2R111	313-1100-00			RES,FXD,FILM:10 OHM,5%,0.2W	57668	TR20JE10E0
A2A2R112	313-1100-00			RES,FXD,FILM:10 OHM,5%,0.2W	57668	TR20JE10E0
A2A2R200	313-1472-00			RES,FXD,FILM:4.7K OHM,5%,0.2W	57668	TR20JE 04K7
A2A2R201	313-1472-00			RES,FXD,FILM:4.7K OHM,5%,0.2W	57668	TR20JE 04K7
A2A2R202	313-1472-00			RES,FXD,FILM:4.7K OHM,5%,0.2W	57668	TR20JE 04K7
A2A2R203	313-1473-00			RES,FXD,FILM:47K OHM,5%,0.2W	57668	TR20JE 47K
A2A2R240	315-0103-00			RES,FXD,FILM:10K OHM,5%,0.25W	19701	5043CX10K00J
A2A2R241	315-0221-00			RES,FXD,FILM:220 OHM,5%,0.25W	57668	NTR25J-E220E
A2A2R242	307-0113-00			RES,FXD,CMPSN:5.1 OHM,5%,0.25W	01121	CB51G5
A2A2R250	315-0102-00			RES,FXD,FILM:1K OHM,5%,0.25W	57668	NTR25JE01K0
A2A2R300	313-1104-00			RES,FXD,FILM:100K OHM,5%,0.2W	57668	TR20JE100K
A2A2R301	313-1473-00			RES,FXD,FILM:47K OHM,5%,0.2W	57668	TR20JE 47K
A2A2R302	313-1102-00			RES,FXD,FILM:1K OHM,5%,0.2W	57668	TR20JE01K0
A2A2R304	313-1472-00			RES,FXD,FILM:4.7K OHM,5%,0.2W	57668	TR20JE 04K7
A2A2R305	313-1221-00			RES,FXD,FILM:220 OHM,5%,0.2W	57668	TR20JE220E
A2A2R310	313-1472-00			RES,FXD,FILM:4.7K OHM,5%,0.2W	57668	TR20JE 04K7
A2A2R311	313-1102-00			RES,FXD,FILM:1K OHM,5%,0.2W	57668	TR20JE01K0
A2A2R312	313-1101-00			RES,FXD,FILM:100 OHM,5%,0.2W	57668	TR20JE100E
A2A2R313	313-1683-00			RES,FXD,FILM:68K OHM,5%,0.2W	57668	TR20JE 68K
A2A2R314	313-1472-00			RES,FXD,FILM:4.7K OHM,5%,0.2W	57668	TR20JE 04K7
A2A2R315	313-1102-00			RES,FXD,FILM:1K OHM,5%,0.2W	57668	TR20JE01K0
A2A2R316	313-1473-00			RES,FXD,FILM:47K OHM,5%,0.2W	57668	TR20JE 47K
A2A2R317	313-1472-00			RES,FXD,FILM:4.7K OHM,5%,0.2W	57668	TR20JE 04K7
A2A2R318	313-1222-00			RES,FXD,FILM:2.2K OHM,5%,0.2W	57668	TR20JE 02K2
A2A2R319	315-0155-00			RES,FXD,FILM:1.5M OHM,5%,0.25W	19701	5043CX1M500J
A2A2R320	313-1103-00			RES,FXD,FILM:10K OHM,5%,0.2W	57668	TR20JE10K0
A2A2R321	313-1104-00			RES,FXD,FILM:100K OHM,5%,0.2W	57668	TR20JE100K
A2A2R322	313-1104-00			RES,FXD,FILM:100K OHM,5%,0.2W	57668	TR20JE100K
A2A2R323	313-1103-00			RES,FXD,FILM:10K OHM,5%,0.2W	57668	TR20JE10K0
A2A2R324	315-0473-00			RES,FXD,FILM:47K OHM,5%,0.25W	57668	NTR25J-E47K0
A2A2R325	313-1102-00			RES,FXD,FILM:1K OHM,5%,0.2W	57668	TR20JE01K0
A2A2R326	313-1332-00			RES,FXD,FILM:3.3K OHM,5%,0.2W	57668	TR20JE 03K3
A2A2R327	313-1103-00			RES,FXD,FILM:10K OHM,5%,0.2W	57668	TR20JE10K0
A2A2R328	313-1333-00			RES,FXD,FILM:33K OHM,5%,0.2W	57668	TR20JE 33K
A2A2R329	313-1153-00			RES,FXD,FILM:15K,5%,0.2W	57668	TR20JE15K0
A2A2R330	313-1333-00			RES,FXD,FILM:33K OHM,5%,0.2W	57668	TR20JE 33K
A2A2R331	307-0113-00			RES,FXD,CMPSN:5.1 OHM,5%,0.25W	01121	CB51G5
A2A2R400	315-0330-00			RES,FXD,FILM:33 OHM,5%,0.25W	19701	5043CX33R00J
A2A2R410	315-0103-00			RES,FXD,FILM:10K OHM,5%,0.25W	19701	5043CX10K00J
A2A2R411	315-0222-00			RES,FXD,FILM:2.2K OHM,5%,0.25W	57668	NTR25J-E02K2
A2A2R412	321-0052-00	B010100	B010677	RES,FXD,FILM:34.0 OHM,1%,0.125W,TC=TO	57668	CRB14 FXE 34 OHM
A2A2R412	321-0062-00	B010678		RES,FXD,FILM:43.2 OHM,0.5%,0.125W,TC=TO	57668	CRB14 FXE 43.2
A2A2R413	315-0334-00			RES,FXD,FILM:330K OHM,5%,0.25W	57668	NTR25J-E 330K
A2A2R414	315-0472-00			RES,FXD,FILM:4.7K OHM,5%,0.25W	57668	NTR25J-E04K7
A2A2R415	321-0052-00			RES,FXD,FILM:34.0 OHM,1%,0.125W,TC=TO	57668	CRB14 FXE 34 OHM
A2A2R420	315-0103-00			RES,FXD,FILM:10K OHM,5%,0.25W	19701	5043CX10K00J

Replaceable Electrical Parts
11402 Extended Service Volume 2

Component No.	Tektronix Part No.	Serial/Assembly No. Effective Dscnt	Name & Description	Mfr. Code	Mfr. Part No.
A2A2R421	315-0472-00		RES, FXD, FILM: 4.7K OHM, 5%, 0.25W	57668	NTR25J-E04K7
A2A2R422	315-0222-00		RES, FXD, FILM: 2.2K OHM, 5%, 0.25W	57668	NTR25J-E02K2
A2A2R423	315-0222-00		RES, FXD, FILM: 2.2K OHM, 5%, 0.25W	57668	NTR25J-E02K2
A2A2R424	315-0330-00		RES, FXD, FILM: 33 OHM, 5%, 0.25W	19701	5043CX33R00J
A2A2R430	315-0472-00		RES, FXD, FILM: 4.7K OHM, 5%, 0.25W	57668	NTR25J-E04K7
A2A2R500	315-0472-00		RES, FXD, FILM: 4.7K OHM, 5%, 0.25W	57668	NTR25J-E04K7
A2A2R501	315-0103-00		RES, FXD, FILM: 10K OHM, 5%, 0.25W	19701	5043CX10K00J
A2A2R502	315-0472-00		RES, FXD, FILM: 4.7K OHM, 5%, 0.25W	57668	NTR25J-E04K7
A2A2R503	315-0330-00		RES, FXD, FILM: 33 OHM, 5%, 0.25W	19701	5043CX33R00J
A2A2R504	315-0330-00		RES, FXD, FILM: 33 OHM, 5%, 0.25W	19701	5043CX33R00J
A2A2R505	315-0330-00		RES, FXD, FILM: 33 OHM, 5%, 0.25W	19701	5043CX33R00J
A2A2R506	315-0330-00		RES, FXD, FILM: 33 OHM, 5%, 0.25W	19701	5043CX33R00J
A2A2R507	315-0332-00		RES, FXD, FILM: 3.3K OHM, 5%, 0.25W	57668	NTR25J-E03K3
A2A2R508	315-0330-00		RES, FXD, FILM: 33 OHM, 5%, 0.25W	19701	5043CX33R00J
A2A2R509	321-0274-00		RES, FXD, FILM: 6.98K OHM, 1%, 0.125W, TC=TO	19701	5043ED6K980F
A2A2R510	315-0471-00		RES, FXD, FILM: 470 OHM, 5%, 0.25W	57668	NTR25J-E470E
A2A2R511	315-0471-00		RES, FXD, FILM: 470 OHM, 5%, 0.25W	57668	NTR25J-E470E
A2A2R512	315-0471-00		RES, FXD, FILM: 470 OHM, 5%, 0.25W	57668	NTR25J-E470E
A2A2R513	315-0471-00		RES, FXD, FILM: 470 OHM, 5%, 0.25W	57668	NTR25J-E470E
A2A2R514	315-0332-00		RES, FXD, FILM: 3.3K OHM, 5%, 0.25W	57668	NTR25J-E03K3
A2A2R515	315-0330-00		RES, FXD, FILM: 33 OHM, 5%, 0.25W	19701	5043CX33R00J
A2A2R516	321-0052-00		RES, FXD, FILM: 34.0 OHM, 1%, 0.125W, TC=TO	57668	CRB14 FXE 34 OHM
A2A2R517	321-0274-00		RES, FXD, FILM: 6.98K OHM, 1%, 0.125W, TC=TO	19701	5043ED6K980F
A2A2R518	321-0052-00		RES, FXD, FILM: 34.0 OHM, 1%, 0.125W, TC=TO	57668	CRB14 FXE 34 OHM
A2A2R519	321-0274-00		RES, FXD, FILM: 6.98K OHM, 1%, 0.125W, TC=TO	19701	5043ED6K980F
A2A2R520	315-0152-00		RES, FXD, FILM: 1.5K OHM, 5%, 0.25W	57668	NTR25J-E01K5
A2A2R521	315-0152-00		RES, FXD, FILM: 1.5K OHM, 5%, 0.25W	57668	NTR25J-E01K5
A2A2R522	315-0152-00		RES, FXD, FILM: 1.5K OHM, 5%, 0.25W	57668	NTR25J-E01K5
A2A2R523	315-0152-00		RES, FXD, FILM: 1.5K OHM, 5%, 0.25W	57668	NTR25J-E01K5
A2A2R524	315-0222-00		RES, FXD, FILM: 2.2K OHM, 5%, 0.25W	57668	NTR25J-E02K2
A2A2R525	315-0472-00		RES, FXD, FILM: 4.7K OHM, 5%, 0.25W	57668	NTR25J-E04K7
A2A2R526	315-0102-00		RES, FXD, FILM: 1K OHM, 5%, 0.25W	57668	NTR25JE01K0
A2A2R527	315-0330-00		RES, FXD, FILM: 33 OHM, 5%, 0.25W	19701	5043CX33R00J
A2A2R530	315-0222-00		RES, FXD, FILM: 2.2K OHM, 5%, 0.25W	57668	NTR25J-E02K2
A2A2R531	315-0102-00		RES, FXD, FILM: 1K OHM, 5%, 0.25W	57668	NTR25JE01K0
A2A2R532	315-0472-00		RES, FXD, FILM: 4.7K OHM, 5%, 0.25W	57668	NTR25J-E04K7
A2A2R533	315-0333-00		RES, FXD, FILM: 33K OHM, 5%, 0.25W	57668	NTR25J-E33K0
A2A2R534	315-0101-00		RES, FXD, FILM: 100 OHM, 5%, 0.25W	57668	NTR25J-E 100E
A2A2R535	307-0755-00		RES, FXD, CMPSN: 0.5 OHM, 5%, 0.5W	57668	TR50J-E0E5E
A2A2R536	315-0472-00		RES, FXD, FILM: 4.7K OHM, 5%, 0.25W	57668	NTR25J-E04K7
A2A2R537	307-0889-00		RES, FXD, FILM: 1 OHM, 5%, 0.25W	19701	5043CX1R000J
A2A2R540	315-0221-00		RES, FXD, FILM: 220 OHM, 5%, 0.25W	57668	NTR25J-E220E
A2A2R600	315-0471-00		RES, FXD, FILM: 470 OHM, 5%, 0.25W	57668	NTR25J-E470E
A2A2R601	315-0104-00		RES, FXD, FILM: 100K OHM, 5%, 0.25W	57668	NTR25J-E100K
A2A2R610	315-0334-00		RES, FXD, FILM: 330K OHM, 5%, 0.25W	57668	NTR25J-E 330K
A2A2R611	315-0103-00		RES, FXD, FILM: 10K OHM, 5%, 0.25W	19701	5043CX10K00J
A2A2R612	315-0471-00		RES, FXD, FILM: 470 OHM, 5%, 0.25W	57668	NTR25J-E470E
A2A2R613	315-0152-00		RES, FXD, FILM: 1.5K OHM, 5%, 0.25W	57668	NTR25J-E01K5
A2A2R620	315-0330-00		RES, FXD, FILM: 33 OHM, 5%, 0.25W	19701	5043CX33R00J
A2A2R621	315-0152-00		RES, FXD, FILM: 1.5K OHM, 5%, 0.25W	57668	NTR25J-E01K5
A2A2R622	315-0222-00		RES, FXD, FILM: 2.2K OHM, 5%, 0.25W	57668	NTR25J-E02K2
A2A2R623	315-0222-00		RES, FXD, FILM: 2.2K OHM, 5%, 0.25W	57668	NTR25J-E02K2
A2A2R624	315-0102-00		RES, FXD, FILM: 1K OHM, 5%, 0.25W	57668	NTR25JE01K0
A2A2R625	315-0222-00		RES, FXD, FILM: 2.2K OHM, 5%, 0.25W	57668	NTR25J-E02K2
A2A2R626	321-0052-00		RES, FXD, FILM: 34.0 OHM, 1%, 0.125W, TC=TO	57668	CRB14 FXE 34 OHM
A2A2R627	321-0274-00		RES, FXD, FILM: 6.98K OHM, 1%, 0.125W, TC=TO	19701	5043ED6K980F
A2A2R629	321-0289-07		RES, FXD, FILM: 10.0K OHM, 0.1%, 0.125W, TC=T9	19701	5033RE10K00B
A2A2R630	315-0222-00		RES, FXD, FILM: 2.2K OHM, 5%, 0.25W	57668	NTR25J-E02K2

Replaceable Electrical Parts
11402 Extended Service Volume 2

Component No.	Tektronix Part No.	Serial/Assembly No. Effective	Discont	Name & Description	Mfr. Code	Mfr. Part No.
A2A2R631	315-0333-00			RES,FXD,FILM:33K OHM,5%,0.25W	57668	NTR25J-E33K0
A2A2R635	321-0274-00			RES,FXD,FILM:6.98K OHM,1%,0.125W,TC=T0	19701	5043ED6K980F
A2A2R636	307-0093-00			RES,FXD,CMPNS:1.2 OHM,5%,0.5W	01121	EB12G5
A2A2R637	307-0113-00	B010100	B010677	RES,FXD,CMPNS:5.1 OHM,5%,0.25W	01121	CB51G5
A2A2R637	307-0103-00	B010678		RES,FXD,CMPNS:2.7 OHM,5%,0.25W	01121	CB27G5
A2A2R639	315-0223-00			RES,FXD,FILM:22K OHM,5%,0.25W	19701	5043CX22K00J92U
A2A2R640	315-0221-00			RES,FXD,FILM:220 OHM,5%,0.25W	57668	NTR25J-E220E
A2A2R643	315-0101-00			RES,FXD,FILM:100 OHM,5%,0.25W	57668	NTR25J-E 100E
A2A2R644	315-0223-00			RES,FXD,FILM:22K OHM,5%,0.25W	19701	5043CX22K00J92U
A2A2R700	315-0472-00			RES,FXD,FILM:4.7K OHM,5%,0.25W	57668	NTR25J-E04K7
A2A2R701	321-0253-00			RES,FXD,FILM:4.22K OHM,1%,0.125W,TC=T0	19701	5033ED 4K 220F
A2A2R702	315-0102-00			RES,FXD,FILM:1K OHM,5%,0.25W	57668	NTR25JE01K0
A2A2R703	321-0250-00			RES,FXD,FILM:3.92K OHM,1%,0.125W,TC=T0	07716	CEAD39200F
A2A2R704	315-0472-00			RES,FXD,FILM:4.7K OHM,5%,0.25W	57668	NTR25J-E04K7
A2A2R705	315-0102-00			RES,FXD,FILM:1K OHM,5%,0.25W	57668	NTR25JE01K0
A2A2R706	315-0102-00			RES,FXD,FILM:1K OHM,5%,0.25W	57668	NTR25JE01K0
A2A2R707	315-0472-00			RES,FXD,FILM:4.7K OHM,5%,0.25W	57668	NTR25J-E04K7
A2A2R710	315-0102-00			RES,FXD,FILM:1K OHM,5%,0.25W	57668	NTR25JE01K0
A2A2R711	315-0101-00			RES,FXD,FILM:100 OHM,5%,0.25W	57668	NTR25J-E 100E
A2A2R712	315-0332-00			RES,FXD,FILM:3.3K OHM,5%,0.25W	57668	NTR25J-E03K3
A2A2R713	315-0103-00			RES,FXD,FILM:10K OHM,5%,0.25W	19701	5043CX10K00J
A2A2R714	321-0052-00	B010100	B010677	RES,FXD,FILM:34.0 OHM,1%,0.125W,TC=T0	57668	CRB14 FXE 34 OHM
A2A2R714	321-0062-00	B010678		RES,FXD,FILM:43.2 OHM,0.5%,0.125W,TC=T0	57668	CRB14 FXE 43.2
A2A2R715	321-0274-00			RES,FXD,FILM:6.98K OHM,1%,0.125W,TC=T0	19701	5043ED6K980F
A2A2R716	315-0330-00			RES,FXD,FILM:33 OHM,5%,0.25W	19701	5043CX33R00J
A2A2R717	315-0331-00			RES,FXD,FILM:330 OHM,5%,0.25W	57668	NTR25J-E330E
A2A2R721	315-0103-00			RES,FXD,FILM:10K OHM,5%,0.25W	19701	5043CX10K00J
A2A2R722	315-0472-00			RES,FXD,FILM:4.7K OHM,5%,0.25W	57668	NTR25J-E04K7
A2A2R723	315-0103-00			RES,FXD,FILM:10K OHM,5%,0.25W	19701	5043CX10K00J
A2A2R724	315-0155-00			RES,FXD,FILM:1.5M OHM,5%,0.25W	19701	5043CX1M500J
A2A2R725	321-0332-00			RES,FXD,FILM:28.0K OHM,1%,0.125W,TC=T0	07716	CEAD28001F
A2A2R726	321-0360-00			RES,FXD,FILM:54.9K OHM,1%,0.125W,TC=T0	19701	5033ED54K90F
A2A2R727	321-0380-00			RES,FXD,FILM:88.7K OHM,1%,0.125W,TC=T0	07716	CEAD88701F
A2A2R728	315-0155-00			RES,FXD,FILM:1.5M OHM,5%,0.25W	19701	5043CX1M500J
A2A2R731	313-1332-00			RES,FXD,FILM:3.3K OHM,5%,0.2W	57668	TR20JE 03K3
A2A2R733	321-0385-00			RES,FXD,FILM:100K OHM,1%,0.125W,TC=T0	19701	5033ED100K0F
A2A2R734	321-0385-00			RES,FXD,FILM:100K OHM,1%,0.125W,TC=T0	19701	5033ED100K0F
A2A2R735	321-0332-00			RES,FXD,FILM:28.0K OHM,1%,0.125W,TC=T0	07716	CEAD28001F
A2A2R737	313-1100-00			RES,FXD,FILM:10 OHM,5%,0.2W	57668	TR20JE10E0
A2A2R738	315-0472-00			RES,FXD,FILM:4.7K OHM,5%,0.25W	57668	NTR25J-E04K7
A2A2R739	307-0755-00			RES,FXD,CMPNS:0.5 OHM,5%,0.5W	57668	TR50J-E0E5E
A2A2R740	313-1102-00			RES,FXD,FILM:1K OHM,5%,0.2W	57668	TR20JE01K0
A2A2R743	315-0103-00			RES,FXD,FILM:10K OHM,5%,0.25W	19701	5043CX10K00J
A2A2R744	313-1102-00			RES,FXD,FILM:1K OHM,5%,0.2W	57668	TR20JE01K0
A2A2R750	313-1102-00			RES,FXD,FILM:1K OHM,5%,0.2W	57668	TR20JE01K0
A2A2R800	311-2257-00			RES,VAR,NONWM:TRMR,500 OHM,20%,0.5W	32997	3362-M-1-501R
A2A2R841	315-0471-00			RES,FXD,FILM:470 OHM,5%,0.25W	57668	NTR25J-E470E
A2A2R842	313-1100-00			RES,FXD,FILM:10 OHM,5%,0.2W	57668	TR20JE10E0
A2A2T130	120-1672-00			TRANSFORMER,PWR:HIGH FREQUENCY	75498	120-1672-00
A2A2T140	120-1673-00			TRANSFORMER,PWR:HIGH FREQUENCY	75498	120-1673-00
A2A2TP100	131-0608-00			TERMINAL,PIN:0.365 L X 0.025 BRZ GLD PL	22526	48283-036
A2A2TP121	131-0608-00			TERMINAL,PIN:0.365 L X 0.025 BRZ GLD PL	22526	48283-036
A2A2TP201	131-0608-00			TERMINAL,PIN:0.365 L X 0.025 BRZ GLD PL	22526	48283-036
A2A2TP202	131-0608-00			TERMINAL,PIN:0.365 L X 0.025 BRZ GLD PL	22526	48283-036
A2A2TP210	131-0608-00			TERMINAL,PIN:0.365 L X 0.025 BRZ GLD PL	22526	48283-036
A2A2TP211	131-0608-00			TERMINAL,PIN:0.365 L X 0.025 BRZ GLD PL	22526	48283-036
A2A2TP220	131-0608-00			TERMINAL,PIN:0.365 L X 0.025 BRZ GLD PL	22526	48283-036
A2A2TP221	131-0608-00			TERMINAL,PIN:0.365 L X 0.025 BRZ GLD PL	22526	48283-036

Replaceable Electrical Parts
11402 Extended Service Volume 2

Component No.	Tektronix Part No.	Serial/Assembly No. Effective Dscmt	Name & Description	Mfr. Code	Mfr. Part No.
A2A2TP300	131-0608-00		TERMINAL, PIN:0.365 L X 0.025 BRZ GLD PL	22526	48283-036
A2A2TP301	131-0608-00		TERMINAL, PIN:0.365 L X 0.025 BRZ GLD PL	22526	48283-036
A2A2TP310	131-0608-00		TERMINAL, PIN:0.365 L X 0.025 BRZ GLD PL	22526	48283-036
A2A2TP311	131-0608-00		TERMINAL, PIN:0.365 L X 0.025 BRZ GLD PL	22526	48283-036
A2A2TP312	131-0608-00		TERMINAL, PIN:0.365 L X 0.025 BRZ GLD PL	22526	48283-036
A2A2TP320	131-0608-00		TERMINAL, PIN:0.365 L X 0.025 BRZ GLD PL	22526	48283-036
A2A2TP321	131-0608-00		TERMINAL, PIN:0.365 L X 0.025 BRZ GLD PL	22526	48283-036
A2A2TP400	131-0608-00		TERMINAL, PIN:0.365 L X 0.025 BRZ GLD PL	22526	48283-036
A2A2TP410	131-0608-00		TERMINAL, PIN:0.365 L X 0.025 BRZ GLD PL	22526	48283-036
A2A2TP420	131-0608-00		TERMINAL, PIN:0.365 L X 0.025 BRZ GLD PL	22526	48283-036
A2A2TP500	131-0608-00		TERMINAL, PIN:0.365 L X 0.025 BRZ GLD PL	22526	48283-036
A2A2TP540	131-0608-00		TERMINAL, PIN:0.365 L X 0.025 BRZ GLD PL	22526	48283-036
A2A2TP541	131-0608-00		TERMINAL, PIN:0.365 L X 0.025 BRZ GLD PL	22526	48283-036
A2A2TP542	131-0608-00		TERMINAL, PIN:0.365 L X 0.025 BRZ GLD PL	22526	48283-036
A2A2TP543	131-0608-00		TERMINAL, PIN:0.365 L X 0.025 BRZ GLD PL	22526	48283-036
A2A2TP550	131-0608-00		TERMINAL, PIN:0.365 L X 0.025 BRZ GLD PL	22526	48283-036
A2A2TP551	131-0608-00		TERMINAL, PIN:0.365 L X 0.025 BRZ GLD PL	22526	48283-036
A2A2TP600	131-0608-00		TERMINAL, PIN:0.365 L X 0.025 BRZ GLD PL	22526	48283-036
A2A2TP630	131-0608-00		TERMINAL, PIN:0.365 L X 0.025 BRZ GLD PL	22526	48283-036
A2A2TP640	131-0608-00		TERMINAL, PIN:0.365 L X 0.025 BRZ GLD PL	22526	48283-036
A2A2TP641	131-0608-00		TERMINAL, PIN:0.365 L X 0.025 BRZ GLD PL	22526	48283-036
A2A2TP642	131-0608-00		TERMINAL, PIN:0.365 L X 0.025 BRZ GLD PL	22526	48283-036
A2A2TP643	131-0608-00		TERMINAL, PIN:0.365 L X 0.025 BRZ GLD PL	22526	48283-036
A2A2TP644	131-0608-00		TERMINAL, PIN:0.365 L X 0.025 BRZ GLD PL	22526	48283-036
A2A2TP645	131-0608-00		TERMINAL, PIN:0.365 L X 0.025 BRZ GLD PL	22526	48283-036
A2A2TP646	131-0608-00		TERMINAL, PIN:0.365 L X 0.025 BRZ GLD PL	22526	48283-036
A2A2TP647	131-0608-00		TERMINAL, PIN:0.365 L X 0.025 BRZ GLD PL	22526	48283-036
A2A2TP650	131-0608-00		TERMINAL, PIN:0.365 L X 0.025 BRZ GLD PL	22526	48283-036
A2A2TP651	131-0608-00		TERMINAL, PIN:0.365 L X 0.025 BRZ GLD PL	22526	48283-036
A2A2TP652	131-0608-00		TERMINAL, PIN:0.365 L X 0.025 BRZ GLD PL	22526	48283-036
A2A2TP701	131-0608-00		TERMINAL, PIN:0.365 L X 0.025 BRZ GLD PL	22526	48283-036
A2A2TP730	131-0608-00		TERMINAL, PIN:0.365 L X 0.025 BRZ GLD PL	22526	48283-036
A2A2TP731	131-0608-00		TERMINAL, PIN:0.365 L X 0.025 BRZ GLD PL	22526	48283-036
A2A2TP732	131-0608-00		TERMINAL, PIN:0.365 L X 0.025 BRZ GLD PL	22526	48283-036
A2A2TP830	131-0608-00		TERMINAL, PIN:0.365 L X 0.025 BRZ GLD PL	22526	48283-036
A2A2TP831	131-0608-00		TERMINAL, PIN:0.365 L X 0.025 BRZ GLD PL	22526	48283-036
A2A2U100	156-2462-00		MICROCKT, DGTL:CMOS, HIGH CURRENT QUAD POWER DRIVER, SCRNM	17856	D469 CJ OR CK
A2A2U200	156-0366-02		MICROCKT, DGTL:CMOS, DUAL D FLIP-FLOP, SCRNM	02735	CD4013BFX
A2A2U300	156-0285-00		MICROCKT, LINEAR:VOLTAGE REGULATOR	04713	MC7812CT
A2A2U400	156-0853-00		MICROCKT, LINEAR:OPNL AMPL, DUAL	04713	LM358N
A2A2U410	156-0411-00		MICROCKT, LINEAR:SGL SPLY COMPARATOR	04713	LM339N
A2A2U420	156-0411-00		MICROCKT, LINEAR:SGL SPLY COMPARATOR	04713	LM339N
A2A2U610	156-0411-00		MICROCKT, LINEAR:SGL SPLY COMPARATOR	04713	LM339N
A2A2U620	156-0411-00		MICROCKT, LINEAR:SGL SPLY COMPARATOR	04713	LM339N
A2A2U723	156-2461-00		MICROCKT, LINEAR:TEMP SENSOR, CURRENT OUTPUT	24355	AD592AN
A2A2U800	156-1631-00		MICROCKT, LINEAR:ADJUSTABLE SHUNT REGULATOR	01295	TL431C-LP
A2A2U810	156-0495-00		MICROCKT, LINEAR:OPNL AMPL	01295	LM324N
A2A2VR500	152-0166-00		SEMICON DVC, DI:ZEN, SI, 6.2V, 5%, 400MW, DO-7	04713	SZ11738RL
A2A2VR510	152-0166-00		SEMICON DVC, DI:ZEN, SI, 6.2V, 5%, 400MW, DO-7	04713	SZ11738RL
A2A2VR511	152-0166-00		SEMICON DVC, DI:ZEN, SI, 6.2V, 5%, 400MW, DO-7	04713	SZ11738RL
A2A2VR620	152-0166-00		SEMICON DVC, DI:ZEN, SI, 6.2V, 5%, 400MW, DO-7	04713	SZ11738RL
A2A2VR630	152-0166-00		SEMICON DVC, DI:ZEN, SI, 6.2V, 5%, 400MW, DO-7	04713	SZ11738RL
A2A2VR700	152-0166-00		SEMICON DVC, DI:ZEN, SI, 6.2V, 5%, 400MW, DO-7	04713	SZ11738RL
A2A2VR701	152-0166-00		SEMICON DVC, DI:ZEN, SI, 6.2V, 5%, 400MW, DO-7	04713	SZ11738RL
A2A2VR704	152-0055-00		SEMICON DVC, DI:ZEN, SI, 11V, 5%, 0.4W, DO-7	14433	Z5407
A2A2VR710	152-0166-00		SEMICON DVC, DI:ZEN, SI, 6.2V, 5%, 400MW, DO-7	04713	SZ11738RL
A2A2VR731	152-0055-00		SEMICON DVC, DI:ZEN, SI, 11V, 5%, 0.4W, DO-7	14433	Z5407

Replaceable Electrical Parts
11402 Extended Service Volume 2

Component No.	Tektronix Part No.	Serial/Assembly No. Effective	Discount	Name & Description	Mfr. Code	Mfr. Part No.
A4	670-8840-00	8010100	8011038	CIRCUIT BD ASSY:REGULATOR	80009	670-8840-00
A4	670-8840-01	8011039		CIRCUIT BD ASSY:REGULATOR	80009	670-8840-01
A4C110	290-0942-00			CAP, FXD, ELCTLT:100UF,+100-10%,25V	55680	UPA1E101MAH
A4C111	290-0778-00			CAP, FXD, ELCTLT:1UF,20%,50V,NPLZD	54473	ECE-A50N1
A4C120	283-0330-00			CAP, FXD, CER DI:100PF,5%,50V	05397	C320C101J5R5CA
A4C121	283-0220-00			CAP, FXD, CER DI:0.01UF,20%,50V	04222	3429 050C 103M
A4C130	283-0330-00			CAP, FXD, CER DI:100PF,5%,50V	05397	C320C101J5R5CA
A4C210	290-0942-00			CAP, FXD, ELCTLT:100UF,+100-10%,25V	55680	UPA1E101MAH
A4C211	290-0942-00			CAP, FXD, ELCTLT:100UF,+100-10%,25V	55680	UPA1E101MAH
A4C230	283-0330-00			CAP, FXD, CER DI:100PF,5%,50V	05397	C320C101J5R5CA
A4C231	283-0167-00			CAP, FXD, CER DI:0.1UF,10%,100V	04222	3430-100C-104K
A4C240	290-0939-00			CAP, FXD, ELCTLT:10UF,+100-10%,100V	56289	672D106H100CG2C
A4C241	290-0939-00			CAP, FXD, ELCTLT:10UF,+100-10%,100V	56289	672D106H100CG2C
A4C242	283-0159-00			CAP, FXD, CER DI:18PF,5%,50V	04222	SR155A18QJAA
A4C310	290-0778-00			CAP, FXD, ELCTLT:1UF,20%,50V,NPLZD	54473	ECE-A50N1
A4C320	283-0330-00			CAP, FXD, CER DI:100PF,5%,50V	05397	C320C101J5R5CA
A4C321	283-0220-00			CAP, FXD, CER DI:0.01UF,20%,50V	04222	3429 050C 103M
A4C322	283-0159-00			CAP, FXD, CER DI:18PF,5%,50V	04222	SR155A18QJAA
A4C323	283-0167-00			CAP, FXD, CER DI:0.1UF,10%,100V	04222	3430-100C-104K
A4C324	283-0220-00			CAP, FXD, CER DI:0.01UF,20%,50V	04222	3429 050C 103M
A4C330	283-0167-00			CAP, FXD, CER DI:0.1UF,10%,100V	04222	3430-100C-104K
A4C331	283-0167-00			CAP, FXD, CER DI:0.1UF,10%,100V	04222	3430-100C-104K
A4C332	283-0167-00			CAP, FXD, CER DI:0.1UF,10%,100V	04222	3430-100C-104K
A4C333	283-0220-00			CAP, FXD, CER DI:0.01UF,20%,50V	04222	3429 050C 103M
A4C340	290-0942-00			CAP, FXD, ELCTLT:100UF,+100-10%,25V	55680	UPA1E101MAH
A4C341	290-0942-00			CAP, FXD, ELCTLT:100UF,+100-10%,25V	55680	UPA1E101MAH
A4C342	283-0167-00			CAP, FXD, CER DI:0.1UF,10%,100V	04222	3430-100C-104K
A4C410	290-0942-00			CAP, FXD, ELCTLT:100UF,+100-10%,25V	55680	UPA1E101MAH
A4C411	290-0778-00			CAP, FXD, ELCTLT:1UF,20%,50V,NPLZD	54473	ECE-A50N1
A4C412	283-0220-00			CAP, FXD, CER DI:0.01UF,20%,50V	04222	3429 050C 103M
A4C440	290-0942-00			CAP, FXD, ELCTLT:100UF,+100-10%,25V	55680	UPA1E101MAH
A4C441	290-0942-00			CAP, FXD, ELCTLT:100UF,+100-10%,25V	55680	UPA1E101MAH
A4C510	290-0778-00			CAP, FXD, ELCTLT:1UF,20%,50V,NPLZD	54473	ECE-A50N1
A4C511	283-0220-00			CAP, FXD, CER DI:0.01UF,20%,50V	04222	3429 050C 103M
A4C600	283-0167-00			CAP, FXD, CER DI:0.1UF,10%,100V	04222	3430-100C-104K
A4C601	283-0167-00			CAP, FXD, CER DI:0.1UF,10%,100V	04222	3430-100C-104K
A4C602	283-0167-00			CAP, FXD, CER DI:0.1UF,10%,100V	04222	3430-100C-104K
A4C603	283-0167-00			CAP, FXD, CER DI:0.1UF,10%,100V	04222	3430-100C-104K
A4C604	290-0778-00			CAP, FXD, ELCTLT:1UF,20%,50V,NPLZD	54473	ECE-A50N1
A4C610	290-0939-00			CAP, FXD, ELCTLT:10UF,+100-10%,100V	56289	672D106H100CG2C
A4C611	290-0939-00			CAP, FXD, ELCTLT:10UF,+100-10%,100V	56289	672D106H100CG2C
A4C700	283-0167-00			CAP, FXD, CER DI:0.1UF,10%,100V	04222	3430-100C-104K
A4C701	283-0167-00			CAP, FXD, CER DI:0.1UF,10%,100V	04222	3430-100C-104K
A4C702	290-0778-00			CAP, FXD, ELCTLT:1UF,20%,50V,NPLZD	54473	ECE-A50N1
A4C703	283-0167-00			CAP, FXD, CER DI:0.1UF,10%,100V	04222	3430-100C-104K
A4C704	283-0167-00			CAP, FXD, CER DI:0.1UF,10%,100V	04222	3430-100C-104K
A4C705	290-0778-00			CAP, FXD, ELCTLT:1UF,20%,50V,NPLZD	54473	ECE-A50N1
A4C706	283-0167-00			CAP, FXD, CER DI:0.1UF,10%,100V	04222	3430-100C-104K
A4C732	290-0782-01			CAP, FXD, ELCTLT:4.7UF,20%,35VDC	55680	UVX1V4R7MAA1TD
A4C739	290-0778-00			CAP, FXD, ELCTLT:1UF,20%,50V,NPLZD	54473	ECE-A50N1
A4CR420	152-0066-00			SEMICON DVC,DI:RECT,SI,400V,1A,DO-41	05828	GP10G-020
A4CR421	152-0066-00			SEMICON DVC,DI:RECT,SI,400V,1A,DO-41	05828	GP10G-020
A4CR430	152-0066-00			SEMICON DVC,DI:RECT,SI,400V,1A,DO-41	05828	GP10G-020
A4CR431	152-0066-00			SEMICON DVC,DI:RECT,SI,400V,1A,DO-41	05828	GP10G-020
A4CR432	152-0066-00			SEMICON DVC,DI:RECT,SI,400V,1A,DO-41	05828	GP10G-020
A4CR433	152-0066-00			SEMICON DVC,DI:RECT,SI,400V,1A,DO-41	05828	GP10G-020

Replaceable Electrical Parts
11402 Extended Service Volume 2

Component No.	Tektronix Part No.	Serial/Assembly No. Effective Dscnt	Name & Description	Mfr. Code	Mfr. Part No.
A4CR434	152-0141-02		SEMICON DVC,DI:SW,SI,30V,150MA,30V,DO-35	03508	DA2527 (1N4152)
A4CR435	152-0141-02		SEMICON DVC,DI:SW,SI,30V,150MA,30V,DO-35	03508	DA2527 (1N4152)
A4CR510	152-0141-02		SEMICON DVC,DI:SW,SI,30V,150MA,30V,DO-35	03508	DA2527 (1N4152)
A4CR511	152-0141-02		SEMICON DVC,DI:SW,SI,30V,150MA,30V,DO-35	03508	DA2527 (1N4152)
A4CR512	152-0141-02		SEMICON DVC,DI:SW,SI,30V,150MA,30V,DO-35	03508	DA2527 (1N4152)
A4CR513	152-0141-02		SEMICON DVC,DI:SW,SI,30V,150MA,30V,DO-35	03508	DA2527 (1N4152)
A4F430	159-0220-00		FUSE,WIRE LEAD:3A,125V,FAST	71400	TRA3
A4J40	131-0608-00		TERMINAL,PIN:0.365 L X 0.025 BRZ GLD PL (QUANTITY OF 3)	22526	48283-036
A4J57	131-0608-00		TERMINAL,PIN:0.365 L X 0.025 BRZ GLD PL (QUANTITY OF 6)	22526	48283-036
A4J60	131-0608-00		TERMINAL,PIN:0.365 L X 0.025 BRZ GLD PL (QUANTITY OF 3)	22526	48283-036
A4J62	131-2250-00		CONN,RCPT,ELEC:HEADER,1 X 5 0.156 CTR	26742	3109-11-205-01
A4J62	131-2576-00		TERM SET,PIN:6 CONTACT,MALE (J62A)	27264	09-61-1061
A4J65	131-0608-00		TERMINAL,PIN:0.365 L X 0.025 BRZ GLD PL (QUANTITY OF 7)	22526	48283-036
A4J95	131-0591-00		TERMINAL,PIN:0.835 L X 0.025 SQ PH BRZ (QUANTITY OF 15)	22526	47332
A4J96	131-3588-00		CONN,RCPT,ELEC:1 X 8 RT ANGLE,0.156 SPACING	27264	09-71-1081
A4J820	131-0608-00		TERMINAL,PIN:0.365 L X 0.025 BRZ GLD PL (QUANTITY OF 4)	22526	48283-036
A4L600	108-1144-00		COIL,RF:FIXED,27 UH,20%	34479	RL1284
A4L601	108-1144-00		COIL,RF:FIXED,27 UH,20%	34479	RL1284
A4L700	108-0554-00		COIL,RF:FIXED,5UH,+/-20%	TK1345	108-0554-00
A4L701	108-0554-00		COIL,RF:FIXED,5UH,+/-20%	TK1345	108-0554-00
A4L710	108-0554-00		COIL,RF:FIXED,5UH,+/-20%	TK1345	108-0554-00
A4L711	108-0554-00		COIL,RF:FIXED,5UH,+/-20%	TK1345	108-0554-00
A4P820	131-0993-00		BUS,CONDUCTOR:SHUNT ASSEMBLY,BLACK	22526	65474-005
A4Q100	151-1199-00		TRANSISTOR:NOSFET,PWR,50V,0.06 OHM,TO-220	80009	151-1199-00
A4Q110	151-0190-00		TRANSISTOR:NPN,SI,TO-92	80009	151-0190-00
A4Q200	151-1199-00		TRANSISTOR:NOSFET,PWR,50V,0.06 OHM,TO-220	80009	151-1199-00
A4Q201	151-1171-00		TRANSISTOR:FET,MOS,12A,50V,TO-220	25088	BUZ71A
A4Q210	151-0190-00		TRANSISTOR:NPN,SI,TO-92	80009	151-0190-00
A4Q310	151-0190-00		TRANSISTOR:NPN,SI,TO-92	80009	151-0190-00
A4Q311	151-0190-00		TRANSISTOR:NPN,SI,TO-92	80009	151-0190-00
A4Q400	151-1171-00		TRANSISTOR:FET,MOS,12A,50V,TO-220	25088	BUZ71A
A4Q500	151-0657-00		TRANSISTOR:DARLINGTON,PNP,SI,TO-220	04713	SJE1973
A4Q501	151-0656-00		TRANSISTOR:DARLINGTON,PNP,SI,TO-220	02735	2N6044
A4Q510	151-0432-00		TRANSISTOR:NPN,SI,625MW,TO-92	04713	SPS8512
A4Q511	151-0453-00		TRANSISTOR:PNP,SI,TO-92	27014	ORDER BY DESCR
A4Q720	151-0464-00		TRANSISTOR:NPN,SI,TO-220	80009	151-0464-00
A4Q730	151-0464-00		TRANSISTOR:NPN,SI,TO-220	80009	151-0464-00
A4Q820	151-0462-00		TRANSISTOR:PNP,SI,TO-220	04713	SJE491
A4Q830	151-0462-00		TRANSISTOR:PNP,SI,TO-220	04713	SJE491
A4R110	301-0682-00		RES,FXD,FILM:6.8K OHM,5%,0.5W	19701	5053CX6K800J
A4R111	315-0102-00		RES,FXD,FILM:1K OHM,5%,0.25W	57668	NTR25JE01K0
A4R120	131-0566-00		BUS,CONDUCTOR:DUMMY RES,0.094 OD X 0.225 L	24546	OMA 07
A4R121	315-0163-00		RES,FXD,FILM:16K OHM,5%,0.25W	57668	NTR25J-E 16K
A4R122	321-0318-07		RES,FXD,FILM:20.0K OHM,0.1%,0.125W,TC=T9	19701	5033RE20K00BCM
A4R130	315-0103-00		RES,FXD,FILM:10K OHM,5%,0.25W	19701	5043CX10K00J
A4R131	315-0510-00		RES,FXD,FILM:51 OHM,5%,0.25W	19701	5043CX51R00J
A4R132	315-0103-00		RES,FXD,FILM:10K OHM,5%,0.25W	19701	5043CX10K00J
A4R133	315-0510-00		RES,FXD,FILM:51 OHM,5%,0.25W	19701	5043CX51R00J
A4R134	315-0103-00		RES,FXD,FILM:10K OHM,5%,0.25W	19701	5043CX10K00J
A4R135	321-0685-07		RES,FXD,FILM:30K OHM,0.1%,0.125W,TC=T9	07716	CEAE30001B
A4R136	321-0603-07		RES,FXD,FILM:15K OHM,0.1%,0.125W,TC=T9	19701	5033RE15K00B
A4R137	321-0685-07		RES,FXD,FILM:30K OHM,0.1%,0.125W,TC=T9	07716	CEAE30001B

Replaceable Electrical Parts
11402 Extended Service Volume 2

Component No.	Tektronix Part No.	Serial/Assembly No. Effective	Discort	Name & Description	Mfr. Code	Mfr. Part No.
A4R138	321-0318-07			RES, FXD, FILM: 20.0K OHM, 0.1%, 0.125W, TC=T9	19701	5033RE20K00BCM
A4R139	321-0318-07			RES, FXD, FILM: 20.0K OHM, 0.1%, 0.125W, TC=T9	19701	5033RE20K00BCM
A4R140	315-0103-00			RES, FXD, FILM: 10K OHM, 5%, 0.25W	19701	5043CX10K00J
A4R141	315-0303-00			RES, FXD, FILM: 30K OHM, 5%, 0.25W	19701	5043CX30K00J
A4R142	315-0104-00			RES, FXD, FILM: 100K OHM, 5%, 0.25W	57668	NTR25J-E100K
A4R143	315-0104-00			RES, FXD, FILM: 100K OHM, 5%, 0.25W	57668	NTR25J-E100K
A4R144	315-0103-00			RES, FXD, FILM: 10K OHM, 5%, 0.25W	19701	5043CX10K00J
A4R210	315-0103-00			RES, FXD, FILM: 10K OHM, 5%, 0.25W	19701	5043CX10K00J
A4R220	301-0682-00			RES, FXD, FILM: 6.8K OHM, 5%, 0.5W	19701	5053CX6K800J
A4R221	315-0510-00			RES, FXD, FILM: 51 OHM, 5%, 0.25W	19701	5043CX51R00J
A4R222	315-0510-00			RES, FXD, FILM: 51 OHM, 5%, 0.25W	19701	5043CX51R00J
A4R223	321-0318-07			RES, FXD, FILM: 20.0K OHM, 0.1%, 0.125W, TC=T9	19701	5033RE20K00BCM
A4R224	321-0385-07			RES, FXD, FILM: 100K OHM, 0.1%, 0.125W, TC=T9	19701	5033RE100K0B
A4R225	131-0566-00			BUS, CONDUCTOR: DUMMY RES, 0.094 OD X 0.225 L	24546	OMA 07
A4R230	315-0163-00			RES, FXD, FILM: 16K OHM, 5%, 0.25W	57668	NTR25J-E 16K
A4R231	315-0510-00			RES, FXD, FILM: 51 OHM, 5%, 0.25W	19701	5043CX51R00J
A4R232	315-0223-00			RES, FXD, FILM: 22K OHM, 5%, 0.25W	19701	5043CX22K00J92U
A4R233	315-0510-00			RES, FXD, FILM: 51 OHM, 5%, 0.25W	19701	5043CX51R00J
A4R234	315-0682-00			RES, FXD, FILM: 6.8K OHM, 5%, 0.25W	57668	NTR25J-E06K8
A4R235	321-0385-07			RES, FXD, FILM: 100K OHM, 0.1%, 0.125W, TC=T9	19701	5033RE100K0B
A4R236	321-0289-07			RES, FXD, FILM: 10.0K OHM, 0.1%, 0.125W, TC=T9	19701	5033RE10K00B
A4R237	321-0318-07			RES, FXD, FILM: 20.0K OHM, 0.1%, 0.125W, TC=T9	19701	5033RE20K00BCM
A4R238	315-0104-00			RES, FXD, FILM: 100K OHM, 5%, 0.25W	57668	NTR25J-E100K
A4R239	315-0204-00			RES, FXD, FILM: 200K OHM, 5%, 0.25W	19701	5043CX200K0J
A4R240	315-0100-00			RES, FXD, FILM: 10 OHM, 5%, 0.25W	19701	5043CX10RR00J
A4R241	321-0986-07			RES, FXD, FILM: 25K OHM, 0.1%, 0.125W, TC=T9	19701	5033RE25K00B
A4R242	315-0303-00			RES, FXD, FILM: 30K OHM, 5%, 0.25W	19701	5043CX30K00J
A4R243	315-0332-00			RES, FXD, FILM: 3.3K OHM, 5%, 0.25W	57668	NTR25J-E03K3
A4R244	315-0473-00	B010100	B011038	RES, FXD, FILM: 47K OHM, 5%, 0.25W	57668	NTR25J-E47K0
A4R244	131-0566-00	B011039		BUS, CONDUCTOR: DUMMY RES, 0.094 OD X 0.225 L	24546	OMA 07
A4R245	131-0566-00			BUS, CONDUCTOR: DUMMY RES, 0.094 OD X 0.225 L	24546	OMA 07
A4R310	301-0682-00			RES, FXD, FILM: 6.8K OHM, 5%, 0.5W	19701	5053CX6K800J
A4R311	315-0102-00			RES, FXD, FILM: 1K OHM, 5%, 0.25W	57668	NTR25JE01K0
A4R320	131-0566-00			BUS, CONDUCTOR: DUMMY RES, 0.094 OD X 0.225 L	24546	OMA 07
A4R321	315-0473-00	B010100	B011038	RES, FXD, FILM: 47K OHM, 5%, 0.25W	57668	NTR25J-E47K0
A4R321	131-0566-00	B011039		BUS, CONDUCTOR: DUMMY RES, 0.094 OD X 0.225 L	24546	OMA 07
A4R322	315-0104-00			RES, FXD, FILM: 100K OHM, 5%, 0.25W	57668	NTR25J-E100K
A4R410	301-0682-00			RES, FXD, FILM: 6.8K OHM, 5%, 0.5W	19701	5053CX6K800J
A4R411	315-0104-00			RES, FXD, FILM: 100K OHM, 5%, 0.25W	57668	NTR25J-E100K
A4R412	315-0101-00			RES, FXD, FILM: 100 OHM, 5%, 0.25W	57668	NTR25J-E 100E
A4R510	315-0221-00			RES, FXD, FILM: 220 OHM, 5%, 0.25W	57668	NTR25J-E220E
A4R511	315-0101-00			RES, FXD, FILM: 100 OHM, 5%, 0.25W	57668	NTR25J-E 100E
A4R512	315-0221-00			RES, FXD, FILM: 220 OHM, 5%, 0.25W	57668	NTR25J-E220E
A4R520	315-0104-00			RES, FXD, FILM: 100K OHM, 5%, 0.25W	57668	NTR25J-E100K
A4R720	315-0103-00			RES, FXD, FILM: 10K OHM, 5%, 0.25W	19701	5043CX10K00J
A4R721	315-0103-00			RES, FXD, FILM: 10K OHM, 5%, 0.25W	19701	5043CX10K00J
A4R730	315-0223-00			RES, FXD, FILM: 22K OHM, 5%, 0.25W	19701	5043CX22K00J92U
A4R731	315-0223-00			RES, FXD, FILM: 22K OHM, 5%, 0.25W	19701	5043CX22K00J92U
A4R830	311-2257-00			RES, VAR, NONW: TRMR, 500 OHM, 20%, 0.5W	32997	3362-M-1-501R
A4R831	315-0103-00			RES, FXD, FILM: 10K OHM, 5%, 0.25W	19701	5043CX10K00J
A4R832	321-0197-00			RES, FXD, FILM: 1.10K OHM, 1%, 0.125W, TC=T0	07716	CEAD11000F
A4R840	321-0254-00			RES, FXD, FILM: 4.32K OHM, 1%, 0.125W, TC=T0	07716	CEAD43200F
A4TP820	131-0608-00			TERMINAL, PIN: 0.365 L X 0.025 BRZ GLD PL	22526	48283-036
A4TP821	131-0608-00			TERMINAL, PIN: 0.365 L X 0.025 BRZ GLD PL	22526	48283-036
A4TP822	131-0608-00			TERMINAL, PIN: 0.365 L X 0.025 BRZ GLD PL	22526	48283-036
A4TP830	131-0608-00			TERMINAL, PIN: 0.365 L X 0.025 BRZ GLD PL	22526	48283-036
A4TP831	131-0608-00			TERMINAL, PIN: 0.365 L X 0.025 BRZ GLD PL	22526	48283-036
A4TP832	131-0608-00			TERMINAL, PIN: 0.365 L X 0.025 BRZ GLD PL	22526	48283-036

Replaceable Electrical Parts
11402 Extended Service Volume 2

Component No.	Tektronix Part No.	Serial/Assembly No.		Name & Description	Mfr. Code	Mfr. Part No.
		Effective	Discnt			
A4U220	156-2614-00			MICROCKT, LINEAR:OP AMP, QUAD, BIFET, DECOMPENSATED	04713	MC34085AP
A4U230	156-2614-00			MICROCKT, LINEAR:OP AMP, QUAD, BIFET, DECOMPENSATED	04713	MC34085AP
A4U730	156-1631-00			MICROCKT, LINEAR:ADJUSTABLE SHUNT REGULATOR	01295	TL431C-LP
A4VR110	152-0149-00			SEMICON DVC, DI:ZEN, SI, 10V, 5%, 0.4W, DO-7	04713	1N961B
A4VR121	152-0590-00			SEMICON DVC, DI:ZEN, SI, 18V, 5%, 400MW	80009	152-0590-00
A4VR210	152-0590-00			SEMICON DVC, DI:ZEN, SI, 18V, 5%, 400MW	80009	152-0590-00
A4VR211	152-0590-00			SEMICON DVC, DI:ZEN, SI, 18V, 5%, 400MW	80009	152-0590-00
A4VR310	152-0304-00			SEMICON DVC, DI:ZEN, SI, 20V, 5%, 0.4W, DO-7	15238	Z5411
A4VR410	152-0590-00			SEMICON DVC, DI:ZEN, SI, 18V, 5%, 400MW	80009	152-0590-00
A4VR510	152-0283-00			SEMICON DVC, DI:ZEN, SI, 43V, 5%, 0.4W, D-07	04713	1N976B
A4VR520	152-0283-00			SEMICON DVC, DI:ZEN, SI, 43V, 5%, 0.4W, D-07	04713	1N976B
A4VR720	152-0304-00			SEMICON DVC, DI:ZEN, SI, 20V, 5%, 0.4W, DO-7	15238	Z5411
A4VR730	152-0149-00			SEMICON DVC, DI:ZEN, SI, 10V, 5%, 0.4W, DO-7	04713	1N961B
A4VR731	152-0149-00			SEMICON DVC, DI:ZEN, SI, 10V, 5%, 0.4W, DO-7	04713	1N961B
A4VR732	152-0304-00			SEMICON DVC, DI:ZEN, SI, 20V, 5%, 0.4W, DO-7	15238	Z5411
A5	671-0024-00	B010100	B010266	CIRCUIT BD ASSY:ACQUISITION	80009	671-0024-00
A5	671-0024-01	B010267	B010361	CIRCUIT BD ASSY:ACQUISITION	80009	671-0024-01
A5	671-0024-02	B010362	B010989	CIRCUIT BD ASSY:ACQUISITION	80009	671-0024-02
A5	671-0024-03	B010990	B021081	CIRCUIT BD ASSY:ACQUISITION	80009	671-0024-03
A5	671-0024-04	B021082		CIRCUIT BD ASSY:ACQUISITION	80009	671-0024-04
A5C106	283-0360-00			CAP, FXD, CER DI:3300PF, 10%, 200V	05397	C330C332K2G5CA
A5C118	283-0220-02			CAP, FXD, CER DI:0.01UF, 20%, 50V	05397	C320C103M2R5CA
A5C119	283-0220-02			CAP, FXD, CER DI:0.01UF, 20%, 50V	05397	C320C103M2R5CA
A5C120	283-0220-02			CAP, FXD, CER DI:0.01UF, 20%, 50V	05397	C320C103M2R5CA
A5C200	283-0660-00			CAP, FXD, MICA DI:510PF, 2%, 500V	00853	D155F511G0
A5C201	281-0913-00			CAP, FXD, CER DI:0.1UF, 50V, AXIAL	04222	SA105E104ZAA
A5C206	281-0913-00			CAP, FXD, CER DI:0.1UF, 50V, AXIAL	04222	SA105E104ZAA
A5C208	283-0220-02			CAP, FXD, CER DI:0.01UF, 20%, 50V	05397	C320C103M2R5CA
A5C210	283-0220-02			CAP, FXD, CER DI:0.01UF, 20%, 50V	05397	C320C103M2R5CA
A5C212	281-0928-00			CAP, FXD, CER DI:150PF, 5%	04222	MA101A151JAA
A5C214	283-0220-02			CAP, FXD, CER DI:0.01UF, 20%, 50V	05397	C320C103M2R5CA
A5C216	283-0636-00			CAP, FXD, MICA DI:36PF, 1.4%, 100V	00853	D155E360G0
A5C217	281-0166-00			CAP, VAR, AIR DI:1.9-15.7 PF, 250V	74970	187-0109-055
A5C218	283-0115-00			CAP, FXD, CER DI:47PF, 5%, 200V	59821	2DDT60K470J
A5C230	281-0913-00			CAP, FXD, CER DI:0.1UF, 50V, AXIAL	04222	SA105E104ZAA
A5C232	281-0913-00			CAP, FXD, CER DI:0.1UF, 50V, AXIAL	04222	SA105E104ZAA
A5C240	281-0913-00			CAP, FXD, CER DI:0.1UF, 50V, AXIAL	04222	SA105E104ZAA
A5C242	281-0913-00			CAP, FXD, CER DI:0.1UF, 50V, AXIAL	04222	SA105E104ZAA
A5C250	281-0913-00			CAP, FXD, CER DI:0.1UF, 50V, AXIAL	04222	SA105E104ZAA
A5C252	281-0913-00			CAP, FXD, CER DI:0.1UF, 50V, AXIAL	04222	SA105E104ZAA
A5C253	281-0224-00			CAP, VAR, CER DI:0.5-2.0PF, 250VDC	91293	9401-2
A5C254	281-0913-00			CAP, FXD, CER DI:0.1UF, 50V, AXIAL	04222	SA105E104ZAA
A5C255	281-0913-00			CAP, FXD, CER DI:0.1UF, 50V, AXIAL	04222	SA105E104ZAA
A5C260	281-0913-00			CAP, FXD, CER DI:0.1UF, 50V, AXIAL	04222	SA105E104ZAA
A5C262	281-0913-00			CAP, FXD, CER DI:0.1UF, 50V, AXIAL	04222	SA105E104ZAA
A5C270	281-0913-00			CAP, FXD, CER DI:0.1UF, 50V, AXIAL	04222	SA105E104ZAA
A5C272	281-0913-00			CAP, FXD, CER DI:0.1UF, 50V, AXIAL	04222	SA105E104ZAA
A5C280	281-0913-00			CAP, FXD, CER DI:0.1UF, 50V, AXIAL	04222	SA105E104ZAA
A5C282	281-0913-00			CAP, FXD, CER DI:0.1UF, 50V, AXIAL	04222	SA105E104ZAA
A5C304	281-0765-00			CAP, FXD, CER DI:100PF, 5%, 100V	04222	MA101A101JAA
A5C305	281-0765-00			CAP, FXD, CER DI:100PF, 5%, 100V	04222	MA101A101JAA
A5C317	283-0220-02			CAP, FXD, CER DI:0.01UF, 20%, 50V	05397	C320C103M2R5CA
A5C318	283-0220-02			CAP, FXD, CER DI:0.01UF, 20%, 50V	05397	C320C103M2R5CA
A5C319	290-0776-01			CAP, FXD, ELCTLT:22UF, 20%, 10WVDC	55680	ULB1A220MAA1TD
A5C320	281-0913-00			CAP, FXD, CER DI:0.1UF, 50V, AXIAL	04222	SA105E104ZAA

Replaceable Electrical Parts
11402 Extended Service Volume 2

Component No.	Tektronix Part No.	Serial/Assembly No. Effective Dscont	Name & Description	Mfr. Code	Mfr. Part No.
A5C322	290-0776-01		CAP, FXD, ELCTLT: 22UF, 20%, 10WVDC	55680	ULB1A220MAA1TD
A5C340	283-0167-02		CAP, FXD, CER DI: 0.1UF, 10%, 100V, TAPED & REELED, 0.2 SPACING	54583	FK26X5R2A104K-T
A5C342	281-0913-00		CAP, FXD, CER DI: 0.1UF, 50V, AXIAL	04222	SA105E104ZAA
A5C343	281-0913-00		CAP, FXD, CER DI: 0.1UF, 50V, AXIAL	04222	SA105E104ZAA
A5C360	281-0913-00		CAP, FXD, CER DI: 0.1UF, 50V, AXIAL	04222	SA105E104ZAA
A5C362	281-0814-01		CAP, FXD, CER DI: 100PF, 5%, 100V	04222	SA101A101JAA
A5C369	290-0776-01		CAP, FXD, ELCTLT: 22UF, 20%, 10WVDC	55680	ULB1A220MAA1TD
A5C380	281-0913-00		CAP, FXD, CER DI: 0.1UF, 50V, AXIAL	04222	SA105E104ZAA
A5C382	281-0913-00		CAP, FXD, CER DI: 0.1UF, 50V, AXIAL	04222	SA105E104ZAA
A5C400	285-0918-00		CAP, FXD, PLASTIC: 0.001UF, 5%, 200V	04099	TEK13-13
A5C402	283-0156-00		CAP, FXD, CER DI: 1000PF, +80-20%, 200V	05397	C315C102Z2R5CA
A5C405	283-0220-02		CAP, FXD, CER DI: 0.01UF, 20%, 50V	05397	C320C103M2R5CA
A5C406	281-0898-00		CAP, FXD, CER DI: 7.5PF, +/- 0.5PF, 500V	96733	XR3446
A5C408	283-0140-00		CAP, FXD, CER DI: 4.7PF, +/- 0.25PF, 50V	72982	8101E003A479C
A5C410	285-0918-00		CAP, FXD, PLASTIC: 0.001UF, 5%, 200V	04099	TEK13-13
A5C412	283-0201-00		CAP, FXD, CER DI: 27PF, 10%, 200V	05397	C312C270K2G5CA
A5C414	283-0140-00		CAP, FXD, CER DI: 4.7PF, +/- 0.25PF, 50V	72982	8101E003A479C
A5C416	290-0804-00		CAP, FXD, ELCTLT: 10UF, +50-20%, 25V	55680	ULB1E100TAANA
A5C440	283-0220-02		CAP, FXD, CER DI: 0.01UF, 20%, 50V	05397	C320C103M2R5CA
A5C441	283-0167-02		CAP, FXD, CER DI: 0.1UF, 10%, 100V, TAPED & REELED, 0.2 SPACING	54583	FK26X5R2A104K-T
A5C442	283-0177-05		CAP, FXD, CER DI: 1UF, +80-20%, 25V	04222	SR305E105ZAATR
A5C444	283-0220-02		CAP, FXD, CER DI: 0.01UF, 20%, 50V	05397	C320C103M2R5CA
A5C460	281-0814-01		CAP, FXD, CER DI: 100PF, 5%, 100V	04222	SA101A101JAA
A5C468	281-0925-01		CAP, FXD, CER DI: 0.22UA, 20%, 50V, AXIAL	31433	C114C224M5Y5CA
A5C480	281-0913-00		CAP, FXD, CER DI: 0.1UF, 50V, AXIAL	04222	SA105E104ZAA
A5C500	281-0166-00		CAP, VAR, AIR DI: 1.9-15.7 PF, 250V	74970	187-0109-055
A5C502	283-0108-00		CAP, FXD, CER DI: 220PF, 10%, 200V	31433	C320C221K2G5CA
A5C504	283-0201-00		CAP, FXD, CER DI: 27PF, 10%, 200V	05397	C312C270K2G5CA
A5C506	283-0167-02		CAP, FXD, CER DI: 0.1UF, 10%, 100V, TAPED & REELED, 0.2 SPACING	54583	FK26X5R2A104K-T
A5C510	283-0220-02		CAP, FXD, CER DI: 0.01UF, 20%, 50V	05397	C320C103M2R5CA
A5C512	283-0220-02		CAP, FXD, CER DI: 0.01UF, 20%, 50V	05397	C320C103M2R5CA
A5C514	283-0167-02		CAP, FXD, CER DI: 0.1UF, 10%, 100V, TAPED & REELED, 0.2 SPACING	54583	FK26X5R2A104K-T
A5C515	290-0776-01		CAP, FXD, ELCTLT: 22UF, 20%, 10WVDC	55680	ULB1A220MAA1TD
A5C516	283-0156-00		CAP, FXD, CER DI: 1000PF, +80-20%, 200V	05397	C315C102Z2R5CA
A5C518	283-0220-02		CAP, FXD, CER DI: 0.01UF, 20%, 50V	05397	C320C103M2R5CA
A5C532	290-0943-01		CAP, FXD, ELCTLT: 47UF, 20%, 25V	55680	ULB1E470MPAANA1T
A5C533	290-0776-01		CAP, FXD, ELCTLT: 22UF, 20%, 10WVDC	55680	ULB1A220MAA1TD
A5C535	283-0220-02		CAP, FXD, CER DI: 0.01UF, 20%, 50V	05397	C320C103M2R5CA
A5C544	283-0167-02		CAP, FXD, CER DI: 0.1UF, 10%, 100V, TAPED & REELED, 0.2 SPACING	54583	FK26X5R2A104K-T
A5C548	108-0341-00	B021082	COIL, RF: FIXED, 1.4UH	80009	108-0341-00
A5C560	281-0913-00		CAP, FXD, CER DI: 0.1UF, 50V, AXIAL	04222	SA105E104ZAA
A5C561	281-0913-00		CAP, FXD, CER DI: 0.1UF, 50V, AXIAL	04222	SA105E104ZAA
A5C562	281-0814-01		CAP, FXD, CER DI: 100PF, 5%, 100V	04222	SA101A101JAA
A5C563	281-0814-01		CAP, FXD, CER DI: 100PF, 5%, 100V	04222	SA101A101JAA
A5C564	290-0776-01		CAP, FXD, ELCTLT: 22UF, 20%, 10WVDC	55680	ULB1A220MAA1TD
A5C578	283-0167-02		CAP, FXD, CER DI: 0.1UF, 10%, 100V, TAPED & REELED, 0.2 SPACING	54583	FK26X5R2A104K-T
A5C609	283-0220-02		CAP, FXD, CER DI: 0.01UF, 20%, 50V	05397	C320C103M2R5CA
A5C610	283-0156-00		CAP, FXD, CER DI: 1000PF, +80-20%, 200V	05397	C315C102Z2R5CA
A5C612	283-0220-02		CAP, FXD, CER DI: 0.01UF, 20%, 50V	05397	C320C103M2R5CA
A5C614	281-0913-00		CAP, FXD, CER DI: 0.1UF, 50V, AXIAL	04222	SA105E104ZAA
A5C616	283-0167-02		CAP, FXD, CER DI: 0.1UF, 10%, 100V, TAPED & REELED, 0.2 SPACING	54583	FK26X5R2A104K-T

Replaceable Electrical Parts
11402 Extended Service Volume 2

Component No.	Tektronix Part No.	Serial/Assembly No. Effective Dscont	Name & Description	Mfr. Code	Mfr. Part No.
A5C621	281-0913-00		CAP,FXD,CER DI:0.1UF,50V,AXIAL	04222	SA105E104ZAA
A5C622	281-0913-00		CAP,FXD,CER DI:0.1UF,50V,AXIAL	04222	SA105E104ZAA
A5C630	290-0943-01		CAP,FXD,ELCTLT:47UF,20%,25V	55680	ULB1E470MPAANA1T
A5C640	281-0913-00		CAP,FXD,CER DI:0.1UF,50V,AXIAL	04222	SA105E104ZAA
A5C642	281-0913-00		CAP,FXD,CER DI:0.1UF,50V,AXIAL	04222	SA105E104ZAA
A5C650	281-0913-00		CAP,FXD,CER DI:0.1UF,50V,AXIAL	04222	SA105E104ZAA
A5C670	290-0944-01		CAP,FXD,ELCTLT:220UF,20%,10V	55680	UVX1C221MPA1TA
A5C682	290-0782-01		CAP,FXD,ELCTLT:4.7UF,20%,35VDC	55680	UVX1V4R7MAA1TD
A5C689	281-0913-00		CAP,FXD,CER DI:0.1UF,50V,AXIAL	04222	SA105E104ZAA
A5C700	281-0913-00		CAP,FXD,CER DI:0.1UF,50V,AXIAL	04222	SA105E104ZAA
A5C722	281-0913-00		CAP,FXD,CER DI:0.1UF,50V,AXIAL	04222	SA105E104ZAA
A5C733	281-0913-00		CAP,FXD,CER DI:0.1UF,50V,AXIAL	04222	SA105E104ZAA
A5C735	281-0913-00		CAP,FXD,CER DI:0.1UF,50V,AXIAL	04222	SA105E104ZAA
A5C738	281-0913-00		CAP,FXD,CER DI:0.1UF,50V,AXIAL	04222	SA105E104ZAA
A5C750	281-0913-00		CAP,FXD,CER DI:0.1UF,50V,AXIAL	04222	SA105E104ZAA
A5C780	290-0776-01		CAP,FXD,ELCTLT:220UF,20%,10WVDC	55680	ULB1A220MAA1TD
A5C800	281-0913-00		CAP,FXD,CER DI:0.1UF,50V,AXIAL	04222	SA105E104ZAA
A5C810	281-0913-00		CAP,FXD,CER DI:0.1UF,50V,AXIAL	04222	SA105E104ZAA
A5C820	281-0913-00		CAP,FXD,CER DI:0.1UF,50V,AXIAL	04222	SA105E104ZAA
A5C832	281-0913-00		CAP,FXD,CER DI:0.1UF,50V,AXIAL	04222	SA105E104ZAA
A5C860	290-0944-01		CAP,FXD,ELCTLT:220UF,20%,10V	55680	UVX1C221MPA1TA
A5C870	290-0944-01		CAP,FXD,ELCTLT:220UF,20%,10V	55680	UVX1C221MPA1TA
A5C872	290-0944-01		CAP,FXD,ELCTLT:220UF,20%,10V	55680	UVX1C221MPA1TA
A5C874	290-0974-00		CAP,FXD,ELCTLT:10UF,20%,50VDC	55680	ULB1H100MAA
A5C876	283-0177-05		CAP,FXD,CER DI:1UF,+80-20%,25V	04222	SR305E105ZAATR
A5C880	290-0776-01		CAP,FXD,ELCTLT:22UF,20%,10WVDC	55680	ULB1A220MAA1TD
A5C904	281-0913-00		CAP,FXD,CER DI:0.1UF,50V,AXIAL	04222	SA105E104ZAA
A5C908	281-0913-00		CAP,FXD,CER DI:0.1UF,50V,AXIAL	04222	SA105E104ZAA
A5C922	281-0913-00		CAP,FXD,CER DI:0.1UF,50V,AXIAL	04222	SA105E104ZAA
A5C938	281-0913-00		CAP,FXD,CER DI:0.1UF,50V,AXIAL	04222	SA105E104ZAA
A5C939	290-0943-01		CAP,FXD,ELCTLT:47UF,20%,25V	55680	ULB1E470MPAANA1T
A5C940	281-0913-00		CAP,FXD,CER DI:0.1UF,50V,AXIAL	04222	SA105E104ZAA
A5C941	281-0913-00		CAP,FXD,CER DI:0.1UF,50V,AXIAL	04222	SA105E104ZAA
A5C942	281-0913-00		CAP,FXD,CER DI:0.1UF,50V,AXIAL	04222	SA105E104ZAA
A5C950	281-0913-00		CAP,FXD,CER DI:0.1UF,50V,AXIAL	04222	SA105E104ZAA
A5C952	281-0913-00		CAP,FXD,CER DI:0.1UF,50V,AXIAL	04222	SA105E104ZAA
A5C953	281-0913-00		CAP,FXD,CER DI:0.1UF,50V,AXIAL	04222	SA105E104ZAA
A5C960	281-0913-00		CAP,FXD,CER DI:0.1UF,50V,AXIAL	04222	SA105E104ZAA
A5C964	290-0974-00		CAP,FXD,ELCTLT:10UF,20%,50VDC	55680	ULB1H100MAA
A5C966	290-0804-00		CAP,FXD,ELCTLT:10UF,+50-20%,25V	55680	ULB1E100TAANA
A5C968	281-0913-00		CAP,FXD,CER DI:0.1UF,50V,AXIAL	04222	SA105E104ZAA
A5C970	281-0913-00		CAP,FXD,CER DI:0.1UF,50V,AXIAL	04222	SA105E104ZAA
A5C971	281-0913-00		CAP,FXD,CER DI:0.1UF,50V,AXIAL	04222	SA105E104ZAA
A5C973	281-0913-00		CAP,FXD,CER DI:0.1UF,50V,AXIAL	04222	SA105E104ZAA
A5C974	281-0775-00		CAP,FXD,CER DI:0.1UF,20%,50V	04222	MA205E104MAA
A5C976	281-0775-00		CAP,FXD,CER DI:0.1UF,20%,50V	04222	MA205E104MAA
A5C977	281-0775-00		CAP,FXD,CER DI:0.1UF,20%,50V	04222	MA205E104MAA
A5C978	281-0775-00		CAP,FXD,CER DI:0.1UF,20%,50V	04222	MA205E104MAA
A5C979	281-0775-00		CAP,FXD,CER DI:0.1UF,20%,50V	04222	MA205E104MAA
A5C982	281-0775-00		CAP,FXD,CER DI:0.1UF,20%,50V	04222	MA205E104MAA
A5C984	281-0775-00		CAP,FXD,CER DI:0.1UF,20%,50V	04222	MA205E104MAA
A5C985	281-0775-00		CAP,FXD,CER DI:0.1UF,20%,50V	04222	MA205E104MAA
A5C1002	281-0913-00		CAP,FXD,CER DI:0.1UF,50V,AXIAL	04222	SA105E104ZAA
A5C1006	290-0246-00		CAP,FXD,ELCTLT:3.3UF,10%,15V	12954	D3R3EA15KI
A5C1020	281-0913-00		CAP,FXD,CER DI:0.1UF,50V,AXIAL	04222	SA105E104ZAA
A5C1021	281-0913-00		CAP,FXD,CER DI:0.1UF,50V,AXIAL	04222	SA105E104ZAA
A5C1032	281-0913-00		CAP,FXD,CER DI:0.1UF,50V,AXIAL	04222	SA105E104ZAA
A5C1051	281-0913-00		CAP,FXD,CER DI:0.1UF,50V,AXIAL	04222	SA105E104ZAA

Component No.	Tektronix Part No.	Serial/Assembly No. Effective	Discount	Name & Description	Mfr. Code	Mfr. Part No.
A5C1052	281-0913-00			CAP, FXD, CER DI:0.1UF, 50V, AXIAL	04222	SA105E104ZAA
A5C1060	290-0944-01			CAP, FXD, ELCTLT:220UF, 20%, 10V	55680	UVX1C221MPA1TA
A5C1061	281-0913-00			CAP, FXD, CER DI:0.1UF, 50V, AXIAL	04222	SA105E104ZAA
A5C1062	281-0775-00	B010100	B011018	CAP, FXD, CER DI:0.1UF, 20%, 50V	04222	MA205E104MAA
A5C1062	285-1300-01	B011019		CAP, FXD, MTLZD:0.1UF, 10%, 63V	55112	185/0.1/K/63/ABA
A5C1064	281-0775-00			CAP, FXD, CER DI:0.1UF, 20%, 50V	04222	MA205E104MAA
A5C1066	281-0775-00			CAP, FXD, CER DI:0.1UF, 20%, 50V	04222	MA205E104MAA
A5C1068	281-0775-00			CAP, FXD, CER DI:0.1UF, 20%, 50V	04222	MA205E104MAA
A5C1069	281-0775-00			CAP, FXD, CER DI:0.1UF, 20%, 50V	04222	MA205E104MAA
A5C1070	281-0775-00			CAP, FXD, CER DI:0.1UF, 20%, 50V	04222	MA205E104MAA
A5C1072	281-0775-00			CAP, FXD, CER DI:0.1UF, 20%, 50V	04222	MA205E104MAA
A5C1074	281-0775-00			CAP, FXD, CER DI:0.1UF, 20%, 50V	04222	MA205E104MAA
A5C1104	290-0943-01			CAP, FXD, ELCTLT:47UF, 20%, 25V	55680	ULB1E470MPAANA1T
A5C1108	281-0913-00			CAP, FXD, CER DI:0.1UF, 50V, AXIAL	04222	SA105E104ZAA
A5C1111	281-0913-00			CAP, FXD, CER DI:0.1UF, 50V, AXIAL	04222	SA105E104ZAA
A5C1120	281-0913-00			CAP, FXD, CER DI:0.1UF, 50V, AXIAL	04222	SA105E104ZAA
A5C1150	281-0913-00			CAP, FXD, CER DI:0.1UF, 50V, AXIAL	04222	SA105E104ZAA
A5C1160	281-0913-00			CAP, FXD, CER DI:0.1UF, 50V, AXIAL	04222	SA105E104ZAA
A5C1200	281-0913-00			CAP, FXD, CER DI:0.1UF, 50V, AXIAL	04222	SA105E104ZAA
A5C1202	281-0913-00			CAP, FXD, CER DI:0.1UF, 50V, AXIAL	04222	SA105E104ZAA
A5C1204	281-0913-00			CAP, FXD, CER DI:0.1UF, 50V, AXIAL	04222	SA105E104ZAA
A5C1212	290-0804-00			CAP, FXD, ELCTLT:10UF, +50-20%, 25V	55680	ULB1E100TAAANA
A5C1220	281-0913-00			CAP, FXD, CER DI:0.1UF, 50V, AXIAL	04222	SA105E104ZAA
A5C1222	281-0913-00			CAP, FXD, CER DI:0.1UF, 50V, AXIAL	04222	SA105E104ZAA
A5C1224	281-0913-00			CAP, FXD, CER DI:0.1UF, 50V, AXIAL	04222	SA105E104ZAA
A5C1233	290-0246-00			CAP, FXD, ELCTLT:3.3UF, 10%, 15V	12954	D3R3EA15K1
A5C1250	281-0913-00			CAP, FXD, CER DI:0.1UF, 50V, AXIAL	04222	SA105E104ZAA
A5C1260	281-0775-00			CAP, FXD, CER DI:0.1UF, 20%, 50V	04222	MA205E104MAA
A5C1262	281-0775-00	B010100	B010361	CAP, FXD, CER DI:0.1UF, 20%, 50V	04222	MA205E104MAA
A5C1262	285-1300-01	B010362		CAP, FXD, MTLZD:0.1UF, 10%, 63V	55112	185/0.1/K/63/ABA
A5C1264	281-0775-00	B010100	B010361	CAP, FXD, CER DI:0.1UF, 20%, 50V	04222	MA205E104MAA
A5C1264	285-1300-01	B010362		CAP, FXD, MTLZD:0.1UF, 10%, 63V	55112	185/0.1/K/63/ABA
A5C1266	281-0775-00	B010100	B010361	CAP, FXD, CER DI:0.1UF, 20%, 50V	04222	MA205E104MAA
A5C1266	285-1300-01	B010362		CAP, FXD, MTLZD:0.1UF, 10%, 63V	55112	185/0.1/K/63/ABA
A5C1270	281-0775-00	B010100	B010361	CAP, FXD, CER DI:0.1UF, 20%, 50V	04222	MA205E104MAA
A5C1270	285-1300-01	B010362		CAP, FXD, MTLZD:0.1UF, 10%, 63V	55112	185/0.1/K/63/ABA
A5C1272	281-0775-00			CAP, FXD, CER DI:0.1UF, 20%, 50V	04222	MA205E104MAA
A5C1274	281-0775-00			CAP, FXD, CER DI:0.1UF, 20%, 50V	04222	MA205E104MAA
A5C1300	281-0913-00			CAP, FXD, CER DI:0.1UF, 50V, AXIAL	04222	SA105E104ZAA
A5C1302	281-0913-00			CAP, FXD, CER DI:0.1UF, 50V, AXIAL	04222	SA105E104ZAA
A5C1304	281-0913-00			CAP, FXD, CER DI:0.1UF, 50V, AXIAL	04222	SA105E104ZAA
A5C1320	281-0913-00			CAP, FXD, CER DI:0.1UF, 50V, AXIAL	04222	SA105E104ZAA
A5C1322	281-0913-00			CAP, FXD, CER DI:0.1UF, 50V, AXIAL	04222	SA105E104ZAA
A5C1324	281-0913-00			CAP, FXD, CER DI:0.1UF, 50V, AXIAL	04222	SA105E104ZAA
A5C1333	290-0246-00			CAP, FXD, ELCTLT:3.3UF, 10%, 15V	12954	D3R3EA15K1
A5C1340	281-0913-00			CAP, FXD, CER DI:0.1UF, 50V, AXIAL	04222	SA105E104ZAA
A5C1342	281-0913-00			CAP, FXD, CER DI:0.1UF, 50V, AXIAL	04222	SA105E104ZAA
A5C1350	281-0913-00			CAP, FXD, CER DI:0.1UF, 50V, AXIAL	04222	SA105E104ZAA
A5C1370	281-0913-00			CAP, FXD, CER DI:0.1UF, 50V, AXIAL	04222	SA105E104ZAA
A5C1404	290-0246-00			CAP, FXD, ELCTLT:3.3UF, 10%, 15V	12954	D3R3EA15K1
A5C1408	281-0913-00			CAP, FXD, CER DI:0.1UF, 50V, AXIAL	04222	SA105E104ZAA
A5C1433	281-0913-00			CAP, FXD, CER DI:0.1UF, 50V, AXIAL	04222	SA105E104ZAA
A5C1455	290-0943-01			CAP, FXD, ELCTLT:47UF, 20%, 25V	55680	ULB1E470MPAANA1T
A5C1462	283-0177-05			CAP, FXD, CER DI:1UF, +80-20%, 25V	04222	SR305E105ZAATR
A5C1464	281-0913-00			CAP, FXD, CER DI:0.1UF, 50V, AXIAL	04222	SA105E104ZAA
A5C1500	281-0913-00			CAP, FXD, CER DI:0.1UF, 50V, AXIAL	04222	SA105E104ZAA
A5C1504	290-0246-00			CAP, FXD, ELCTLT:3.3UF, 10%, 15V	12954	D3R3EA15K1
A5C1505	281-0913-00			CAP, FXD, CER DI:0.1UF, 50V, AXIAL	04222	SA105E104ZAA

Replaceable Electrical Parts
11402 Extended Service Volume 2

Component No.	Tektronix Part No.	Serial/Assembly No. Effective	Discnt	Name & Description	Mfr. Code	Mfr. Part No.
A5C1506	290-0943-01			CAP, FXD, ELCTLT: 47UF, 20%, 25V	55680	ULB1E470MPAANA1T
A5C1518	290-0246-00			CAP, FXD, ELCTLT: 3.3UF, 10%, 15V	12954	D3R3EA15K1
A5C1520	281-0913-00			CAP, FXD, CER DI: 0.1UF, 50V, AXIAL	04222	SA105E104ZAA
A5C1522	281-0913-00			CAP, FXD, CER DI: 0.1UF, 50V, AXIAL	04222	SA105E104ZAA
A5C1530	281-0913-00			CAP, FXD, CER DI: 0.1UF, 50V, AXIAL	04222	SA105E104ZAA
A5C1532	281-0913-00			CAP, FXD, CER DI: 0.1UF, 50V, AXIAL	04222	SA105E104ZAA
A5C1540	281-0913-00			CAP, FXD, CER DI: 0.1UF, 50V, AXIAL	04222	SA105E104ZAA
A5C1564	281-0785-00			CAP, FXD, CER DI: 68PF, 10%, 100V	04222	MA101A680KAA
A5C1566	281-0913-00			CAP, FXD, CER DI: 0.1UF, 50V, AXIAL	04222	SA105E104ZAA
A5C1568	283-0177-05			CAP, FXD, CER DI: 1UF, +80-20%, 25V	04222	SR305E105ZAATR
A5C1570	281-0913-00	B010100	B010361	CAP, FXD, CER DI: 0.1UF, 50V, AXIAL	04222	SA105E104ZAA
A5C1570	285-1300-01	B010362		CAP, FXD, MTLZD: 0.1UF, 10%, 63V	55112	185/0.1/K/63/ABA
A5C1571	281-0913-00			CAP, FXD, CER DI: 0.1UF, 50V, AXIAL	04222	SA105E104ZAA
A5C1572	281-0913-00	B010100	B010361	CAP, FXD, CER DI: 0.1UF, 50V, AXIAL	04222	SA105E104ZAA
A5C1572	281-0826-00	B010362		CAP, FXD, CER DI: 2200PF, 10%, 100V	20932	401EML00AD222K
A5C1574	281-0913-00			CAP, FXD, CER DI: 0.1UF, 50V, AXIAL	04222	SA105E104ZAA
A5C1576	281-0913-00			CAP, FXD, CER DI: 0.1UF, 50V, AXIAL	04222	SA105E104ZAA
A5C1600	290-0943-01			CAP, FXD, ELCTLT: 47UF, 20%, 25V	55680	ULB1E470MPAANA1T
A5C1603	281-0913-00			CAP, FXD, CER DI: 0.1UF, 50V, AXIAL	04222	SA105E104ZAA
A5C1604	290-0246-00			CAP, FXD, ELCTLT: 3.3UF, 10%, 15V	12954	D3R3EA15K1
A5C1608	281-0913-00			CAP, FXD, CER DI: 0.1UF, 50V, AXIAL	04222	SA105E104ZAA
A5C1618	283-0470-00			CAP, FXD, CER DI: 0.1UF, +80-20%, 50WVDC	05397	C1210E104Z5XAV
A5C1620	281-0913-00			CAP, FXD, CER DI: 0.1UF, 50V, AXIAL	04222	SA105E104ZAA
A5C1644	281-0913-00			CAP, FXD, CER DI: 0.1UF, 50V, AXIAL	04222	SA105E104ZAA
A5C1651	281-0913-00			CAP, FXD, CER DI: 0.1UF, 50V, AXIAL	04222	SA105E104ZAA
A5C1654	281-0770-00			CAP, FXD, CER DI: 1000PF, 20%, 100V	04222	MA101C102MAA
A5C1672	281-0913-00			CAP, FXD, CER DI: 0.1UF, 50V, AXIAL	04222	SA105E104ZAA
A5C1674	281-0913-00			CAP, FXD, CER DI: 0.1UF, 50V, AXIAL	04222	SA105E104ZAA
A5C1706	283-0470-00			CAP, FXD, CER DI: 0.1UF, +80-20%, 50WVDC	05397	C1210E104Z5XAV
A5C1708	281-0913-00			CAP, FXD, CER DI: 0.1UF, 50V, AXIAL	04222	SA105E104ZAA
A5C1710	281-0913-00			CAP, FXD, CER DI: 0.1UF, 50V, AXIAL	04222	SA105E104ZAA
A5C1719	281-0913-00			CAP, FXD, CER DI: 0.1UF, 50V, AXIAL	04222	SA105E104ZAA
A5C1720	281-0913-00			CAP, FXD, CER DI: 0.1UF, 50V, AXIAL	04222	SA105E104ZAA
A5C1722	281-0913-00			CAP, FXD, CER DI: 0.1UF, 50V, AXIAL	04222	SA105E104ZAA
A5C1724	281-0913-00			CAP, FXD, CER DI: 0.1UF, 50V, AXIAL	04222	SA105E104ZAA
A5C1728	281-0913-00			CAP, FXD, CER DI: 0.1UF, 50V, AXIAL	04222	SA105E104ZAA
A5C1734	281-0913-00			CAP, FXD, CER DI: 0.1UF, 50V, AXIAL	04222	SA105E104ZAA
A5C1740	283-0671-00			CAP, FXD, MICA DI: 164PF, 1%, 500V	00853	D155F1640F0
A5C1744	281-0913-00			CAP, FXD, CER DI: 0.1UF, 50V, AXIAL	04222	SA105E104ZAA
A5C1746	281-0913-00			CAP, FXD, CER DI: 0.1UF, 50V, AXIAL	04222	SA105E104ZAA
A5C1750	281-0913-00			CAP, FXD, CER DI: 0.1UF, 50V, AXIAL	04222	SA105E104ZAA
A5C1752	281-0770-00			CAP, FXD, CER DI: 1000PF, 20%, 100V	04222	MA101C102MAA
A5C1753	281-0812-00	B021082		CAP, FXD, CER DI: 1000PF, 10%, 100V	04222	MA101C102KAA
A5C1760	281-0770-00			CAP, FXD, CER DI: 1000PF, 20%, 100V	04222	MA101C102MAA
A5C1764	281-0913-00			CAP, FXD, CER DI: 0.1UF, 50V, AXIAL	04222	SA105E104ZAA
A5C1770	281-0913-00			CAP, FXD, CER DI: 0.1UF, 50V, AXIAL	04222	SA105E104ZAA
A5C1772	281-0773-00			CAP, FXD, CER DI: 0.01UF, 10%, 100V	04222	MA201C103KAA
A5C1780	281-0913-00			CAP, FXD, CER DI: 0.1UF, 50V, AXIAL	04222	SA105E104ZAA
A5C1800	290-0943-01			CAP, FXD, ELCTLT: 47UF, 20%, 25V	55680	ULB1E470MPAANA1T
A5C1810	281-0913-00			CAP, FXD, CER DI: 0.1UF, 50V, AXIAL	04222	SA105E104ZAA
A5C1820	290-0246-00			CAP, FXD, ELCTLT: 3.3UF, 10%, 15V	12954	D3R3EA15K1
A5C1833	281-0913-00			CAP, FXD, CER DI: 0.1UF, 50V, AXIAL	04222	SA105E104ZAA
A5C1834	281-0913-00			CAP, FXD, CER DI: 0.1UF, 50V, AXIAL	04222	SA105E104ZAA
A5C1840	281-0913-00			CAP, FXD, CER DI: 0.1UF, 50V, AXIAL	04222	SA105E104ZAA
A5C1844	281-0913-00			CAP, FXD, CER DI: 0.1UF, 50V, AXIAL	04222	SA105E104ZAA
A5C1850	283-0649-00			CAP, FXD, MICA DI: 105PF, 1%, 300V	00853	D155F1050F0
A5C1852	281-0913-00			CAP, FXD, CER DI: 0.1UF, 50V, AXIAL	04222	SA105E104ZAA
A5C1860	281-0913-00			CAP, FXD, CER DI: 0.1UF, 50V, AXIAL	04222	SA105E104ZAA

Component No.	Tektronix Part No.	Serial/Assembly No. Effective Dscnt	Name & Description	Mfr. Code	Mfr. Part No.
A5C1862	281-0913-00		CAP,FXD,CER DI:0.1UF,50V,AXIAL	04222	SA105E104ZAA
A5C1863	281-0913-00		CAP,FXD,CER DI:0.1UF,50V,AXIAL	04222	SA105E104ZAA
A5C1865	290-0943-01		CAP,FXD,ELCTLT:47UF,20%,25V	55680	ULB1E47OMPAANA1T
A5C1870	281-0811-00		CAP,FXD,CER DI:10PF,10%,100V	04222	MA101A100KAA
A5C1874	281-0913-00		CAP,FXD,CER DI:0.1UF,50V,AXIAL	04222	SA105E104ZAA
A5C1876	281-0913-00		CAP,FXD,CER DI:0.1UF,50V,AXIAL	04222	SA105E104ZAA
A5C1880	281-0913-00		CAP,FXD,CER DI:0.1UF,50V,AXIAL	04222	SA105E104ZAA
A5C1900	290-0246-00		CAP,FXD,ELCTLT:3.3UF,10%,15V	12954	D3R3EA15K1
A5C1901	290-0246-00		CAP,FXD,ELCTLT:3.3UF,10%,15V	12954	D3R3EA15K1
A5C1902	281-0913-00		CAP,FXD,CER DI:0.1UF,50V,AXIAL	04222	SA105E104ZAA
A5C1904	281-0913-00		CAP,FXD,CER DI:0.1UF,50V,AXIAL	04222	SA105E104ZAA
A5C1915	290-0943-01		CAP,FXD,ELCTLT:47UF,20%,25V	55680	ULB1E47OMPAANA1T
A5C1924	281-0913-00		CAP,FXD,CER DI:0.1UF,50V,AXIAL	04222	SA105E104ZAA
A5C1925	281-0913-00		CAP,FXD,CER DI:0.1UF,50V,AXIAL	04222	SA105E104ZAA
A5C1940	281-0812-00	B021082	CAP,FXD,CER DI:1000PF,10%,100V	04222	MA101C102KAA
A5C1941	281-0913-00		CAP,FXD,CER DI:0.1UF,50V,AXIAL	04222	SA105E104ZAA
A5C1942	281-0913-00		CAP,FXD,CER DI:0.1UF,50V,AXIAL	04222	SA105E104ZAA
A5C1944	281-0913-00		CAP,FXD,CER DI:0.1UF,50V,AXIAL	04222	SA105E104ZAA
A5C1946	281-0913-00		CAP,FXD,CER DI:0.1UF,50V,AXIAL	04222	SA105E104ZAA
A5C1948	281-0913-00		CAP,FXD,CER DI:0.1UF,50V,AXIAL	04222	SA105E104ZAA
A5C1952	283-0728-00		CAP,FXD,MICA DI:120PF,1%,500V	00853	D155F121F0
A5C1954	281-0913-00		CAP,FXD,CER DI:0.1UF,50V,AXIAL	04222	SA105E104ZAA
A5C1960	281-0913-00		CAP,FXD,CER DI:0.1UF,50V,AXIAL	04222	SA105E104ZAA
A5C1962	290-0943-01		CAP,FXD,ELCTLT:47UF,20%,25V	55680	ULB1E47OMPAANA1T
A5C1964	281-0913-00		CAP,FXD,CER DI:0.1UF,50V,AXIAL	04222	SA105E104ZAA
A5C1968	281-0773-00		CAP,FXD,CER DI:0.01UF,10%,100V	04222	MA201C103KAA
A5C1970	290-0943-01		CAP,FXD,ELCTLT:47UF,20%,25V	55680	ULB1E47OMPAANA1T
A5C1980	281-0913-00		CAP,FXD,CER DI:0.1UF,50V,AXIAL	04222	SA105E104ZAA
A5C1985	281-0909-00		CAP,FXD,CER DI:0.022UF,20%,50V	54583	MA12X7R1H223M-T
A5C2019	281-0913-00		CAP,FXD,CER DI:0.1UF,50V,AXIAL	04222	SA105E104ZAA
A5C2020	281-0913-00		CAP,FXD,CER DI:0.1UF,50V,AXIAL	04222	SA105E104ZAA
A5C2021	290-0943-01		CAP,FXD,ELCTLT:47UF,20%,25V	55680	ULB1E47OMPAANA1T
A5C2023	290-0943-01		CAP,FXD,ELCTLT:47UF,20%,25V	55680	ULB1E47OMPAANA1T
A5C2040	281-0913-00		CAP,FXD,CER DI:0.1UF,50V,AXIAL	04222	SA105E104ZAA
A5CR124	152-0141-02		SEMICON DVC,DI:SW,SI,30V,150MA,30V,DO-35	03508	DA2527 (1N4152)
A5CR126	152-0141-02		SEMICON DVC,DI:SW,SI,30V,150MA,30V,DO-35	03508	DA2527 (1N4152)
A5CR128	152-0141-02		SEMICON DVC,DI:SW,SI,30V,150MA,30V,DO-35	03508	DA2527 (1N4152)
A5CR402	152-0141-02		SEMICON DVC,DI:SW,SI,30V,150MA,30V,DO-35	03508	DA2527 (1N4152)
A5CR404	152-0650-00		SEMICON DVC,DI:VVC,30V,11.5PF,A276	50101	U11-4101
A5CR546	152-0322-00		SEMICON DVC,DI:SCHOTTKY,SI,15V,1.2PF,DO-35	50434	5082-2672
A5CR548	152-0581-00	B021082	SEMICON DVC,DI:RECT,SI,20V,1A,A59	04713	1N5817
A5CR670	152-0141-02		SEMICON DVC,DI:SW,SI,30V,150MA,30V,DO-35	03508	DA2527 (1N4152)
A5CR1310	152-0322-00		SEMICON DVC,DI:SCHOTTKY,SI,15V,1.2PF,DO-35	50434	5082-2672
A5CR1406	152-0322-00		SEMICON DVC,DI:SCHOTTKY,SI,15V,1.2PF,DO-35	50434	5082-2672
A5CR1408	152-0322-00		SEMICON DVC,DI:SCHOTTKY,SI,15V,1.2PF,DO-35	50434	5082-2672
A5CR1409	152-0141-02		SEMICON DVC,DI:SW,SI,30V,150MA,30V,DO-35	03508	DA2527 (1N4152)
A5CR1410	152-0322-00		SEMICON DVC,DI:SCHOTTKY,SI,15V,1.2PF,DO-35	50434	5082-2672
A5CR1562	152-0141-02		SEMICON DVC,DI:SW,SI,30V,150MA,30V,DO-35	03508	DA2527 (1N4152)
A5CR1566	152-0141-02		SEMICON DVC,DI:SW,SI,30V,150MA,30V,DO-35	03508	DA2527 (1N4152)
A5CR1570	152-0141-02		SEMICON DVC,DI:SW,SI,30V,150MA,30V,DO-35	03508	DA2527 (1N4152)
A5CR1664	152-0141-02		SEMICON DVC,DI:SW,SI,30V,150MA,30V,DO-35	03508	DA2527 (1N4152)
A5CR1736	152-0322-00		SEMICON DVC,DI:SCHOTTKY,SI,15V,1.2PF,DO-35	50434	5082-2672
A5CR1744	152-0322-00		SEMICON DVC,DI:SCHOTTKY,SI,15V,1.2PF,DO-35	50434	5082-2672
A5CR1754	152-0322-00		SEMICON DVC,DI:SCHOTTKY,SI,15V,1.2PF,DO-35	50434	5082-2672
A5CR1767	152-0141-02		SEMICON DVC,DI:SW,SI,30V,150MA,30V,DO-35	03508	DA2527 (1N4152)
A5CR1769	152-0141-02		SEMICON DVC,DI:SW,SI,30V,150MA,30V,DO-35	03508	DA2527 (1N4152)
A5CR1852	152-0322-00		SEMICON DVC,DI:SCHOTTKY,SI,15V,1.2PF,DO-35	50434	5082-2672
A5CR1864	152-0141-02		SEMICON DVC,DI:SW,SI,30V,150MA,30V,DO-35	03508	DA2527 (1N4152)

Replaceable Electrical Parts
11402 Extended Service Volume 2

Component No.	Tektronix Part No.	Serial/Assembly No. Effective	Discont	Name & Description	Mfr. Code	Mfr. Part No.
A5CR1865	152-0141-02			SEMICON DVC,DI:SW,SI,30V,150MA,30V,DO-35	03508	DA2527 (1N4152)
A5CR1874	152-0141-02			SEMICON DVC,DI:SW,SI,30V,150MA,30V,DO-35	03508	DA2527 (1N4152)
A5CR1950	152-0322-00			SEMICON DVC,DI:SCHOTTKY,SI,15V,1.2PF,DO-35	50434	5082-2672
A5CR1952	152-0322-00			SEMICON DVC,DI:SCHOTTKY,SI,15V,1.2PF,DO-35	50434	5082-2672
A5CR1954	152-0141-02			SEMICON DVC,DI:SW,SI,30V,150MA,30V,DO-35	03508	DA2527 (1N4152)
A5CR1956	152-0141-02			SEMICON DVC,DI:SW,SI,30V,150MA,30V,DO-35	03508	DA2527 (1N4152)
A5DL720	119-1380-00			DELAY LINE,ELEC:10NS,100 OHM,TAPPED,7 SIP	01961	PE 20662
A5DL722	119-1380-00			DELAY LINE,ELEC:10NS,100 OHM,TAPPED,7 SIP	01961	PE 20662
A5DL920	119-1382-00			DELAY LINE,ELEC:16NS,85 OHM,TAPPED,10 SIP	01961	PE 20988
A5E219	276-0752-00			CORE,EM:FERRITE	34899	2743001111
A5E371	276-0752-00			CORE,EM:FERRITE	34899	2743001111
A5E516	276-0752-00			CORE,EM:FERRITE	34899	2743001111
A5E547	276-0752-00			CORE,EM:FERRITE	34899	2743001111
A5E548	276-0752-00	8010100	8021081	CORE,EM:FERRITE	34899	2743001111
A5E562	276-0752-00			CORE,EM:FERRITE	34899	2743001111
A5E880	276-0752-00			CORE,EM:FERRITE	34899	2743001111
A5E960	276-0752-00			CORE,EM:FERRITE	34899	2743001111
A5E962	276-0752-00			CORE,EM:FERRITE	34899	2743001111
A5E1830	276-0752-00			CORE,EM:FERRITE	34899	2743001111
A5E1865	276-0752-00			CORE,EM:FERRITE	34899	2743001111
A5E2020	276-0752-00			CORE,EM:FERRITE	34899	2743001111
A5J1	131-1003-00			CONN,RCPT,ELEC:CKT BD MT,3 PRONG	80009	131-1003-00
A5J2	131-1003-00			CONN,RCPT,ELEC:CKT BD MT,3 PRONG	80009	131-1003-00
A5J3	131-1003-00			CONN,RCPT,ELEC:CKT BD MT,3 PRONG	80009	131-1003-00
A5J4	131-1003-00			CONN,RCPT,ELEC:CKT BD MT,3 PRONG	80009	131-1003-00
A5J5	131-1003-00			CONN,RCPT,ELEC:CKT BD MT,3 PRONG	80009	131-1003-00
A5J6	131-1003-00			CONN,RCPT,ELEC:CKT BD MT,3 PRONG	80009	131-1003-00
A5J26	131-1003-00			CONN,RCPT,ELEC:CKT BD MT,3 PRONG	80009	131-1003-00
A5J30	131-1003-00			CONN,RCPT,ELEC:CKT BD MT,3 PRONG	80009	131-1003-00
A5J31	131-1003-00			CONN,RCPT,ELEC:CKT BD MT,3 PRONG	80009	131-1003-00
A5J32	131-1003-00			CONN,RCPT,ELEC:CKT BD MT,3 PRONG	80009	131-1003-00
A5J33	131-1003-00			CONN,RCPT,ELEC:CKT BD MT,3 PRONG	80009	131-1003-00
A5J34	131-1003-00			CONN,RCPT,ELEC:CKT BD MT,3 PRONG	80009	131-1003-00
A5J36	131-1003-00			CONN,RCPT,ELEC:CKT BD MT,3 PRONG	80009	131-1003-00
A5J66	131-3407-00			CONN,RCPT,ELEC:CKT BD,MALE RT ANGLE 3 PIN 0.25 SPACING	00779	1-350943-0
A5J84	131-3366-00			CONN,RCPT,ELEC:HEADER,RTANG,60 PIN	53387	3597-5002
A5J85	131-3181-00			CONN,RCPT,ELEC:HEADER,RTANG,2 X 20,0.1 CTR	22526	75867-007
A5J86	131-3363-00			CONN,RCPT,ELEC:HEADER,RTANG,34 PIN	53387	3594-5002
A5J91	131-3361-00			CONN,RCPT,ELEC:HEADER,RTANG,26 PIN (J91A)	53387	3593-5002
A5J91	131-3445-00			CONN,RCPT,ELEC:HEADER,2 X 7,0.100 SPACING (J91C)	53387	3598-5002
A5K1564	148-0076-00			RLY,REED:FRM A,250MA,100V,COIL,5V,500 OHM	15636	R4060-1
A5L119	108-0538-00			COIL,RF:FIXED,2.7UH	76493	JWM#B7059
A5L120	108-0537-00			COIL,RF:FIXED,200UH	80009	108-0537-00
A5L122	108-0537-00			COIL,RF:FIXED,200UH	80009	108-0537-00
A5L500	108-1198-00			COIL,RF:FXD,14NH	TK1345	108-1198-00
A5L760	108-0538-00			COIL,RF:FIXED,2.7UH	76493	JWM#B7059
A5L780	108-0925-00			COIL,RF:FIXED,21UH	80009	108-0925-00
A5L860	108-0828-00			COIL,RF:FXD,56.4UH	80009	108-0828-00
A5L880	108-0828-00			COIL,RF:FXD,56.4UH	80009	108-0828-00
A5L960	108-0538-00			COIL,RF:FIXED,2.7UH	76493	JWM#B7059
A5L1004	108-0538-00			COIL,RF:FIXED,2.7UH	76493	JWM#B7059
A5L1106	108-0538-00			COIL,RF:FIXED,2.7UH	76493	JWM#B7059
A5L1110	108-0538-00			COIL,RF:FIXED,2.7UH	76493	JWM#B7059
A5L1133	108-0538-00			COIL,RF:FIXED,2.7UH	76493	JWM#B7059
A5L1404	108-0538-00			COIL,RF:FIXED,2.7UH	76493	JWM#B7059

Replaceable Electrical Parts
11402 Extended Service Volume 2

Component No.	Tektronix Part No.	Serial/Assembly No. Effective	Discort	Name & Description	Mfr. Code	Mfr. Part No.
A5L1430	108-0538-00			COIL, RF: FIXED, 2.7UH	76493	JWM#B7059
A5L1504	108-0538-00			COIL, RF: FIXED, 2.7UH	76493	JWM#B7059
A5L1560	108-0538-00			COIL, RF: FIXED, 2.7UH	76493	JWM#B7059
A5L1701	108-0538-00			COIL, RF: FIXED, 2.7UH	76493	JWM#B7059
A5L1740	108-0271-00			COIL, RF: FIXED, 245NH	80009	108-0271-00
A5L1754	108-0271-00			COIL, RF: FIXED, 245NH	80009	108-0271-00
A5L1854	108-0271-00			COIL, RF: FIXED, 245NH	80009	108-0271-00
A5L1900	108-0538-00			COIL, RF: FIXED, 2.7UH	76493	JWM#B7059
A5L1924	108-0538-00			COIL, RF: FIXED, 2.7UH	76493	JWM#B7059
A5L1965	108-0538-00			COIL, RF: FIXED, 2.7UH	76493	JWM#B7059
A5L1970	108-0828-00			COIL, RF: FXD, 56.4UH	80009	108-0828-00
A5P1	174-1355-00	B021082		CABLE, SP, ELEC: 26 AWG, RIBBON	80009	174-1355-00
A5P2	196-3227-00	B021082		LEAD, ELECTRICAL: 26 AWG, 3.0 L	80009	196-3227-00
A5Q200	151-0190-00			TRANSISTOR: NPN, SI, TO-92	80009	151-0190-00
A5Q210	151-0302-00			TRANSISTOR: NPN, SI, TO-18	04713	ST899
A5Q212	151-0302-00			TRANSISTOR: NPN, SI, TO-18	04713	ST899
A5Q214	151-0190-00			TRANSISTOR: NPN, SI, TO-92	80009	151-0190-00
A5Q406	151-0719-00			TRANSISTOR: PNP, SI, TO-92B	04713	SPS8226 (MPSH81)
A5Q609	151-0301-00			TRANSISTOR: PNP, SI, TO-18	04713	ST898
A5Q612	151-0752-00			TRANSISTOR: NPN, SI, MARCO T	25403	BFR96
A5Q660	151-1171-00			TRANSISTOR: FET, MOS, 12A, 50V, TO-220	25088	BUZ71A
A5Q770	151-1171-00			TRANSISTOR: FET, MOS, 12A, 50V, TO-220	25088	BUZ71A
A5Q1030	151-0472-00			TRANSISTOR: NPN, SI, TO-92	51984	NE41632B
A5Q1032	151-0472-00			TRANSISTOR: NPN, SI, TO-92	51984	NE41632B
A5Q1430	151-0221-00			TRANSISTOR: PNP, SI, TO-92	80009	151-0221-00
A5Q1432	151-0221-00			TRANSISTOR: PNP, SI, TO-92	80009	151-0221-00
A5Q1440	151-0221-00			TRANSISTOR: PNP, SI, TO-92	80009	151-0221-00
A5Q1442	151-0221-00			TRANSISTOR: PNP, SI, TO-92	80009	151-0221-00
A5Q1560	151-0212-00			TRANSISTOR: NPN, SI, TO-72	04713	SRF 518
A5Q1562	151-0212-00			TRANSISTOR: NPN, SI, TO-72	04713	SRF 518
A5Q1620	151-0188-00			TRANSISTOR: PNP, SI, TO-92	80009	151-0188-00
A5Q1630	151-0712-00			TRANSISTOR: PNP, SI, TO-92	04713	SPS8223
A5Q1632	151-0712-00			TRANSISTOR: PNP, SI, TO-92	04713	SPS8223
A5Q1646	151-0221-00			TRANSISTOR: PNP, SI, TO-92	80009	151-0221-00
A5Q1648	151-0221-00			TRANSISTOR: PNP, SI, TO-92	80009	151-0221-00
A5Q1652	151-0216-00			TRANSISTOR: PNP, SI, TO-92	04713	SPS8803
A5Q1668	151-0712-00			TRANSISTOR: PNP, SI, TO-92	04713	SPS8223
A5Q1730	151-0190-00			TRANSISTOR: NPN, SI, TO-92	80009	151-0190-00
A5Q1732	151-0198-00			TRANSISTOR: SELECTED	04713	SPS8802-1
A5Q1734	151-0198-00			TRANSISTOR: SELECTED	04713	SPS8802-1
A5Q1736	151-0198-00			TRANSISTOR: SELECTED	04713	SPS8802-1
A5Q1742	151-1036-00			TRANSISTOR: FET, N-CHAN, SI, TO-71	80009	151-1036-00
A5Q1746	151-0712-00	B010100	B021081	TRANSISTOR: PNP, SI, TO-92	04713	SPS8223
A5Q1746	151-0712-00	B021082		TRANSISTOR: PNP, SI, TO-92	04713	SPS8223
A5Q1748	151-0712-00	B010100	B021081	TRANSISTOR: PNP, SI, TO-92	04713	SPS8223
A5Q1748	151-0712-00	B021082		TRANSISTOR: PNP, SI, TO-92	04713	SPS8223
A5Q1752	151-0220-00			TRANSISTOR: PNP, SI, TO-92	80009	151-0220-00
A5Q1754	151-0220-00			TRANSISTOR: PNP, SI, TO-92	80009	151-0220-00
A5Q1756	151-0198-00			TRANSISTOR: SELECTED	04713	SPS8802-1
A5Q1758	151-0216-00			TRANSISTOR: PNP, SI, TO-92	04713	SPS8803
A5Q1830	151-0190-00			TRANSISTOR: NPN, SI, TO-92	80009	151-0190-00
A5Q1832	151-0198-00			TRANSISTOR: SELECTED	04713	SPS8802-1
A5Q1846	151-1036-00			TRANSISTOR: FET, N-CHAN, SI, TO-71	80009	151-1036-00
A5Q1848	151-0188-00			TRANSISTOR: PNP, SI, TO-92	80009	151-0188-00
A5Q1850	151-0198-00			TRANSISTOR: SELECTED	04713	SPS8802-1
A5Q1854	151-0711-00			TRANSISTOR: NPN, SI, TO-92B	80009	151-0711-00
A5Q1860	151-0216-00			TRANSISTOR: PNP, SI, TO-92	04713	SPS8803
A5Q1948	151-1036-00			TRANSISTOR: FET, N-CHAN, SI, TO-71	80009	151-1036-00

Replaceable Electrical Parts
11402 Extended Service Volume 2

Component No.	Tektronix Part No.	Serial/Assembly No. Effective Dscnt	Name & Description	Mfr. Code	Mfr. Part No.
A5Q1952	151-0711-00		TRANSISTOR:NPN,SI,TO-92B	80009	151-0711-00
A5Q1954	151-0712-00		TRANSISTOR:PMP,SI,TO-92	04713	SPS8223
A5Q1968	151-0188-00		TRANSISTOR:PMP,SI,TO-92	80009	151-0188-00
A5Q1969	151-0190-00		TRANSISTOR:NPN,SI,TO-92	80009	151-0190-00
A5R102	313-1272-00		RES,FXD,FILM:2.7K OHM,5%,0.2W	57668	TR20JE 02K7
A5R104	313-1752-00		RES,FXD,FILM:7.5K OHM,5%,0.2W	57668	TR20JE 07K5
A5R106	313-1223-00		RES,FXD,FILM:22K,OHM,5%,0.2W	57668	TR20JE 22K
A5R110	313-1102-00		RES,FXD,FILM:1K OHM,5%,0.2W	57668	TR20JE01K0
A5R112	313-1203-00		RES,FXD,FILM:20K OHM,5%,0.2W	57668	TR20JE20K
A5R114	313-1393-00		RES,FXD,FILM:39K OHM,5%,0.2W	57668	TR20JE 39K
A5R116	313-1753-00		RES,FXD,FILM:75K OHM,5%,0.2W	57668	TR20JE 75K
A5R118	313-1510-00		RES,FXD,FILM:51 OHM,5%,0.2W	80009	313-1510-00
A5R124	313-1472-00		RES,FXD,FILM:4.7K OHM,5%,0.2W	57668	TR20JE 04K7
A5R130	313-1102-00		RES,FXD,FILM:1K OHM,5%,0.2W	57668	TR20JE01K0
A5R132	313-1122-00		RES,FXD,FILM:1.2K OHM,5%,0.2W	57668	TR20JE01K2
A5R140	307-1266-00		RES NTKW,FXD,FI:160-240 OHM,8 PIN,SIP	71590	HC2308161/241GA
A5R200	313-1621-00		RES,FXD,FILM:620 OHM,5%,0.2W	57668	TR20JE 620E
A5R206	313-1272-00		RES,FXD,FILM:2.7K OHM,5%,0.2W	57668	TR20JE 02K7
A5R208	313-1102-00		RES,FXD,FILM:1K OHM,5%,0.2W	57668	TR20JE01K0
A5R210	313-1121-00		RES,FXD,FILM:120 OHM,5%,0.2W	80009	313-1121-00
A5R212	313-1431-00		RES,FXD,FILM:430 OHM,5%,0.2W	57668	TR20JE 430E
A5R214	313-1122-00		RES,FXD,FILM:1.2K OHM,5%,0.2W	57668	TR20JE01K2
A5R216	313-1472-00		RES,FXD,FILM:4.7K OHM,5%,0.2W	57668	TR20JE 04K7
A5R218	313-1101-00		RES,FXD,FILM:100 OHM,5%,0.2W	57668	TR20JE100E
A5R230	307-0738-00		RES NTKW,FXD,FI:10,270 OHM,2%,0.19 EACH	91637	CS11A-1-271G
A5R231	307-0695-00		RES NTKW,FXD,FI:9,150 OHM,2%,0.2W EA	11236	750-101-R150 OHM
A5R240	307-1318-00		RES NTKW,FXD,FI:(2) 162 OHM,(2) 260 OHM,2%,0.125W	32997	4604X-4W1-000
A5R253	313-1561-00		RES,FXD,FILM:560 OHM,5%,0.2W	57668	TR20JE 560E
A5R260	307-1266-00		RES NTKW,FXD,FI:160-240 OHM,8 PIN,SIP	71590	HC2308161/241GA
A5R263	307-0738-00		RES NTKW,FXD,FI:10,270 OHM,2%,0.19 EACH	91637	CS11A-1-271G
A5R264	307-0695-00		RES NTKW,FXD,FI:9,150 OHM,2%,0.2W EA	11236	750-101-R150 OHM
A5R271	307-1266-00		RES NTKW,FXD,FI:160-240 OHM,8 PIN,SIP	71590	HC2308161/241GA
A5R272	307-1266-00		RES NTKW,FXD,FI:160-240 OHM,8 PIN,SIP	71590	HC2308161/241GA
A5R282	307-0503-00		RES NTKW,FXD,FI:(9) 510 OHM,20%,0.125W	11236	750-101-R510
A5R300	322-3138-00		RES,FXD,FILM:267 OHM,1%,0.2W,TC=TO	57668	CRB20 FXE 267E
A5R301	313-1471-00		RES,FXD,FILM:470 OHM,5%,0.2W	57668	TR20JE 470E
A5R302	322-3138-00		RES,FXD,FILM:267 OHM,1%,0.2W,TC=TO	57668	CRB20 FXE 267E
A5R304	313-1471-00		RES,FXD,FILM:470 OHM,5%,0.2W	57668	TR20JE 470E
A5R305	313-1161-00		RES,FXD,FILM:160 OHM,5%,0.2W	57668	TR20JE160E
A5R306	313-1241-00		RES,FXD,FILM:240 OHM,5%,0.2W	57668	TR20JE 240E
A5R308	322-3137-00		RES,FXD,FILM:261 OHM,1%,0.2W,TC=TO	57668	CRB20 FXE 261E
A5R309	322-3137-00		RES,FXD,FILM:261 OHM,1%,0.2W,TC=TO	57668	CRB20 FXE 261E
A5R310	322-3266-00		RES,FXD,FILM:5.76K OHM,1%,0.2W,TC=TO	57668	CRB20 FXE 5K76
A5R312	322-3266-00		RES,FXD,FILM:5.76K OHM,1%,0.2W,TC=TO	57668	CRB20 FXE 5K76
A5R314	313-1101-00		RES,FXD,FILM:100 OHM,5%,0.2W	57668	TR20JE100E
A5R320	321-0195-02		RES,FXD,FILM:1.05K OHM,0.5%,0.125W,TC=T2	07716	CEAC105000
A5R322	321-0193-02		RES,FXD,FILM:1K OHM,0.5%,0.125W,TC=T2	07716	CEA 1K0HM 0.5%T2
A5R324	321-0242-08		RES,FXD,FILM:3.24K OHM,1%,0.125W,TC=T2	19701	5033RC3K240F
A5R360	313-1151-00		RES,FXD,FILM:150 OHM,5%,0.2W	57668	TR20JE150E
A5R361	313-1271-00		RES,FXD,FILM:270 OHM,5%,0.2W	57668	TR20JE 270E
A5R362	313-1151-00		RES,FXD,FILM:150 OHM,5%,0.2W	57668	TR20JE150E
A5R363	313-1271-00		RES,FXD,FILM:270 OHM,5%,0.2W	57668	TR20JE 270E
A5R364	313-1621-00		RES,FXD,FILM:620 OHM,5%,0.2W	57668	TR20JE 620E
A5R365	321-0193-02		RES,FXD,FILM:1K OHM,0.5%,0.125W,TC=T2	07716	CEA 1K0HM 0.5%T2
A5R366	313-1511-00		RES,FXD,FILM:510 OHM,5%,0.2W	57668	TR20JT68 510E
A5R367	321-0318-03		RES,FXD,FILM:20.0K OHM,0.125%,0.125W,TC=T2	19701	5033RC20K00C
A5R368	321-0289-02		RES,FXD,FILM:10.0K OHM,0.5%,0.125W,TC=T2	19701	5033RC10K00D

Replaceable Electrical Parts
11402 Extended Service Volume 2

Component No.	Tektronix Part No.	Serial/Assembly No. Effective	Discort	Name & Description	Mfr. Code	Mfr. Part No.
A5R369	313-1621-00			RES, FXD, FILM: 620 OHM, 5%, 0.2W	57668	TR20JE 620E
A5R382	307-0503-00			RES NTWK, FXD, FI: (9) 510 OHM, 20%, 0.125W	11236	750-101-R510
A5R400	317-0103-00			RES, FXD, CMPSN: 10K OHM, 5%, 0.125W	01121	BB1035
A5R402	313-1330-00			RES, FXD, FILM: 33 OHM, 5%, 0.2W	91637	CCF501G33R0J
A5R410	313-1360-00			RES, FXD, FILM: 36 OHM, 5%, 0.2W	57668	TR20JE 36E
A5R419	307-1318-00			RES NTWK, FXD, FI: (2) 162 OHM, (2) 260 OHM, 2%, 0.125W	32997	4604X-4W1-000
A5R420	321-0979-01			RES, FXD, FILM: 125K OHM, 0.1%, 0.125W, TC=T2	19701	5033RD125K0D
A5R421	321-0979-01			RES, FXD, FILM: 125K OHM, 0.1%, 0.125W, TC=T2	19701	5033RD125K0D
A5R423	321-0193-02			RES, FXD, FILM: 1K OHM, 0.5%, 0.125W, TC=T2	07716	CEA 1KOHM 0.5%T2
A5R424	313-1241-00			RES, FXD, FILM: 240 OHM, 5%, 0.2W	57668	TR20JE 240E
A5R425	313-1241-00			RES, FXD, FILM: 240 OHM, 5%, 0.2W	57668	TR20JE 240E
A5R426	321-0318-03			RES, FXD, FILM: 20.0K OHM, 0.125%, 0.125W, TC=T2	19701	5033RC20K00C
A5R427	321-0206-02			RES, FXD, FILM: 1.37K OHM, 0.5%, 0.125W, TC=T2	19701	5033RC1K370D
A5R428	321-0318-03			RES, FXD, FILM: 20.0K OHM, 0.125%, 0.125W, TC=T2	19701	5033RC20K00C
A5R440	322-3097-00			RES, FXD, FILM: 100 OHM, 1%, 0.2W, TC=T0	57668	CRB20 FXE 100E
A5R441	321-0097-07			RES, FXD, FILM: 100 OHM, 0.1%, 0.125W, TC=T9	91637	CMF55116C100R0B
A5R443	322-3231-00			RES, FXD, FILM: 2.49K OHM, 1%, 0.2W, TC=T0	57668	CRB20 FXE 2K49
A5R444	313-1510-00			RES, FXD, FILM: 51 OHM, 5%, 0.2W	80009	313-1510-00
A5R445	307-1318-00			RES NTWK, FXD, FI: (2) 162 OHM, (2) 260 OHM, 2%, 0.125W	32997	4604X-4W1-000
A5R446	313-1510-00			RES, FXD, FILM: 51 OHM, 5%, 0.2W	80009	313-1510-00
A5R450	313-1470-00			RES, FXD, FILM: 47 OHM, 5%, 0.2W	57668	TR20JE 47E
A5R451	307-1318-00			RES NTWK, FXD, FI: (2) 162 OHM, (2) 260 OHM, 2%, 0.125W	32997	4604X-4W1-000
A5R462	321-0188-09			RES, FXD, FILM: 887 OHM, 1%, 0.125W, TC=T9	19701	5033RE887R0F
A5R464	321-0193-02			RES, FXD, FILM: 1K OHM, 0.5%, 0.125W, TC=T2	07716	CEA 1KOHM 0.5%T2
A5R466	321-0318-03			RES, FXD, FILM: 20.0K OHM, 0.125%, 0.125W, TC=T2	19701	5033RC20K00C
A5R484	313-1511-00			RES, FXD, FILM: 510 OHM, 5%, 0.2W	57668	TR20JT68 510E
A5R486	313-1511-00			RES, FXD, FILM: 510 OHM, 5%, 0.2W	57668	TR20JT68 510E
A5R500	313-1911-00			RES, FXD, FILM: 910 OHM, 5%, 0.2W	57668	TR20JE910E
A5R502	313-1102-00			RES, FXD, FILM: 1K OHM, 5%, 0.2W	57668	TR20JE01K0
A5R504	313-1332-00			RES, FXD, FILM: 3.3K OHM, 5%, 0.2W	57668	TR20JE 03K3
A5R510	313-1101-00			RES, FXD, FILM: 100 OHM, 5%, 0.2W	57668	TR20JE100E
A5R512	313-1331-00			RES, FXD, FILM: 330 OHM, 5%, 0.2W	57668	TR20JE 330E
A5R514	313-1332-00			RES, FXD, FILM: 3.3K OHM, 5%, 0.2W	57668	TR20JE 03K3
A5R516	317-0201-00			RES, FXD, CMPSN: 200 OHM, 5%, 0.125W	01121	BB2015
A5R518	313-1560-00			RES, FXD, FILM: 56 OHM, 5%, 0.2W	57668	TR20JE 56E
A5R519	322-3195-00			RES, FXD, FILM: 1.05K OHM, 1%, 0.2W, TC=T0	57668	CRB20 FXE 1K05
A5R530	321-0318-03			RES, FXD, FILM: 20.0K OHM, 0.125%, 0.125W, TC=T2	19701	5033RC20K00C
A5R532	321-0979-01			RES, FXD, FILM: 125K OHM, 0.1%, 0.125W, TC=T2	19701	5033RD125K0D
A5R534	321-0193-02			RES, FXD, FILM: 1K OHM, 0.5%, 0.125W, TC=T2	07716	CEA 1KOHM 0.5%T2
A5R535	313-1510-00			RES, FXD, FILM: 51 OHM, 5%, 0.2W	80009	313-1510-00
A5R544	321-0307-00			RES, FXD, FILM: 15.4K OHM, 1%, 0.125W, TC=T0	19701	5043ED15K40F
A5R546	313-1391-00	B010100	B010361	RES, FXD, FILM: 390 OHM, 5%, 0.2W	57668	TR20JE 390E
A5R546	313-1391-00	B010362		RES, FXD, FILM: 390 OHM, 5%, 0.2W	57668	TR20JE 390E
A5R568	313-1621-00			RES, FXD, FILM: 620 OHM, 5%, 0.2W	57668	TR20JE 620E
A5R569	313-1621-00			RES, FXD, FILM: 620 OHM, 5%, 0.2W	57668	TR20JE 620E
A5R570	321-0193-02			RES, FXD, FILM: 1K OHM, 0.5%, 0.125W, TC=T2	07716	CEA 1KOHM 0.5%T2
A5R571	321-0318-03			RES, FXD, FILM: 20.0K OHM, 0.125%, 0.125W, TC=T2	19701	5033RC20K00C
A5R573	321-0168-02			RES, FXD, FILM: 549 OHM, 0.5%, 0.125W, TC=T2	19701	5033RC549R0D
A5R574	321-0193-02			RES, FXD, FILM: 1K OHM, 0.5%, 0.125W, TC=T2	07716	CEA 1KOHM 0.5%T2
A5R576	321-0318-02			RES, FXD, FILM: 20.0K 0.5%, 0.125W, TC=T2	19701	5033RC20K00D
A5R577	321-1609-03			RES, FXD, FILM: 2.02K OHM, 0.25%, 0.125W, TC=T2	24546	NC55C2021C
A5R578	321-0603-00			RES, FXD, FILM: 15K OHM, 0.25%, 0.125W, TC=T2	19701	5033RC15K00C
A5R579	322-3251-00			RES, FXD, FILM: 4.02K OHM, 1%, 0.2W, TC=T0	57668	CRB20 FXE 4K02
A5R580	322-3268-00			RES, FXD, FILM: 6.04K OHM, 1%, 0.2W, TC=T0	57668	CRB20 FXE 6K04
A5R582	313-1102-00			RES, FXD, FILM: 1K OHM, 5%, 0.2W	57668	TR20JE01K0

Replaceable Electrical Parts
11402 Extended Service Volume 2

Component No.	Tektronix Part No.	Serial/Assembly No. Effective	Discort	Name & Description	Mfr. Code	Mfr. Part No.
A5R600	313-1161-00			RES, FXD, FILM:160 OHM, 5%, 0.2W	57668	TR20JE160E
A5R601	313-1241-00			RES, FXD, FILM:240 OHM, 5%, 0.2W	57668	TR20JE 240E
A5R603	313-1562-00			RES, FXD, FILM:5.6K OHM, 5%, 0.2W	57668	TR20JE 05K6
A5R604	313-1202-00			RES, FXD, FILM:2K OHM, 5%, 0.2W	57668	TR20JE02K0
A5R606	313-1201-00			RES, FXD, FILM:200 OHM, 5%, 0.2W	57668	TR20JE200E
A5R607	313-1511-00			RES, FXD, FILM:510 OHM, 5%, 0.2W	57668	TR20JT68 510E
A5R609	313-1181-00			RES, FXD, FILM:180 OHM, 5%, 0.2W	57668	TR20JE180E
A5R610	317-0121-00			RES, FXD, CMPSN:120 OHM, 5%, 0.125W	01121	BB1215
A5R612	317-0100-00			RES, FXD, CMPSN:10 OHM, 5%, 0.125W	01121	BB1005
A5R620	307-1266-00			RES NTWK, FXD, FI:160-240 OHM, 8 PIN, SIP	71590	HC2308161/241GA
A5R642	313-1470-00			RES, FXD, FILM:47 OHM, 5%, 0.2W	57668	TR20JE 47E
A5R643	313-1470-00			RES, FXD, FILM:47 OHM, 5%, 0.2W	57668	TR20JE 47E
A5R650	313-1470-00			RES, FXD, FILM:47 OHM, 5%, 0.2W	57668	TR20JE 47E
A5R660	322-3134-00			RES, FXD, FILM:243 OHM, 1%, 0.2W, TC=T0	57668	CRB20 FXE243E
A5R663	322-3211-00			RES, FXD, FILM:1.54K OHM, 1%, 0.2W, TC=T0	57668	CRB20 FXE 1K54
A5R666	311-1307-00			RES, VAR, NONNW: TRMR, 500 OHM, 0.5W	32997	3299W-R27-501
A5R680	322-3195-00			RES, FXD, FILM:1.05K OHM, 1%, 0.2W, TC=T0	57668	CRB20 FXE 1K05
A5R682	313-1392-00			RES, FXD, FILM:3.9K OHM, 5%, 0.2W	57668	TR20JE 03K9
A5R684	313-1272-00			RES, FXD, FILM:2.7K OHM, 5%, 0.2W	57668	TR20JE 02K7
A5R686	322-3286-00			RES, FXD, FILM:9.31K OHM, 1%, 0.2W, TC=T0	57668	CRB20 FXE 9K31
A5R688	322-3251-00			RES, FXD, FILM:4.02K OHM, 1%, 0.2W, TC=T0	57668	CRB20 FXE 4K02
A5R689	313-1471-00			RES, FXD, FILM:470 OHM, 5%, 0.2W	57668	TR20JE 470E
A5R700	307-1266-00			RES NTWK, FXD, FI:160-240 OHM, 8 PIN, SIP	71590	HC2308161/241GA
A5R710	307-1266-00			RES NTWK, FXD, FI:160-240 OHM, 8 PIN, SIP	71590	HC2308161/241GA
A5R750	321-1668-03			RES, FXD, FILM:52.6 OHM, 0.25%, 0.125W, TC=T2	91637	MFF1816052R60C
A5R752	321-1609-03			RES, FXD, FILM:2.02K OHM, 0.25%, 0.125W, TC=T2	24546	NC55C2021C
A5R754	322-3069-00			RES, FXD, FILM:51.1 OHM, 1%, 0.2W, TC=T0	57668	CRB20 FXE 51E1
A5R810	307-1266-00			RES NTWK, FXD, FI:160-240 OHM, 8 PIN, SIP	71590	HC2308161/241GA
A5R820	307-1266-00			RES NTWK, FXD, FI:160-240 OHM, 8 PIN, SIP	71590	HC2308161/241GA
A5R821	313-1511-00			RES, FXD, FILM:510 OHM, 5%, 0.2W	57668	TR20JT68 510E
A5R822	307-1266-00			RES NTWK, FXD, FI:160-240 OHM, 8 PIN, SIP	71590	HC2308161/241GA
A5R823	313-1511-00			RES, FXD, FILM:510 OHM, 5%, 0.2W	57668	TR20JT68 510E
A5R902	313-1112-00			RES, FXD, FILM:1.1K, 5%, 0.2W	80009	313-1112-00
A5R904	313-1112-00			RES, FXD, FILM:1.1K, 5%, 0.2W	80009	313-1112-00
A5R906	313-1122-00			RES, FXD, FILM:1.2K OHM, 5%, 0.2W	57668	TR20JE01K2
A5R908	313-1122-00			RES, FXD, FILM:1.2K OHM, 5%, 0.2W	57668	TR20JE01K2
A5R910	307-1266-00			RES NTWK, FXD, FI:160-240 OHM, 8 PIN, SIP	71590	HC2308161/241GA
A5R922	307-1318-00			RES NTWK, FXD, FI:(2) 162 OHM, (2) 260 OHM, 2%, 0.125W	32997	4604X-4W1-000
A5R936	313-1510-00			RES, FXD, FILM:51 OHM, 5%, 0.2W	80009	313-1510-00
A5R938	313-1510-00			RES, FXD, FILM:51 OHM, 5%, 0.2W	80009	313-1510-00
A5R948	322-3289-00			RES, FXD, FILM:10K OHM, 1%, 0.2W, TC=T0	57668	CRB20 FXE 10K0
A5R1004	307-1318-00			RES NTWK, FXD, FI:(2) 162 OHM, (2) 260 OHM, 2%, 0.125W	32997	4604X-4W1-000
A5R1010	307-1266-00			RES NTWK, FXD, FI:160-240 OHM, 8 PIN, SIP	71590	HC2308161/241GA
A5R1020	307-1266-00			RES NTWK, FXD, FI:160-240 OHM, 8 PIN, SIP	71590	HC2308161/241GA
A5R1022	313-1820-00			RES, FXD, FILM:82 OHM, 5%, 0.2W	57668	TR20JE 82E
A5R1033	307-1318-00			RES NTWK, FXD, FI:(2) 162 OHM, (2) 260 OHM, 2%, 0.125W	32997	4604X-4W1-000
A5R1034	313-1100-00			RES, FXD, FILM:10 OHM, 5%, 0.2W	57668	TR20JE10E0
A5R1040	322-3289-00			RES, FXD, FILM:10K OHM, 1%, 0.2W, TC=T0	57668	CRB20 FXE 10K0
A5R1041	313-1100-00			RES, FXD, FILM:10 OHM, 5%, 0.2W	57668	TR20JE10E0
A5R1042	322-3289-00			RES, FXD, FILM:10K OHM, 1%, 0.2W, TC=T0	57668	CRB20 FXE 10K0
A5R1044	313-1100-00			RES, FXD, FILM:10 OHM, 5%, 0.2W	57668	TR20JE10E0
A5R1046	313-1100-00			RES, FXD, FILM:10 OHM, 5%, 0.2W	57668	TR20JE10E0
A5R1047	313-1100-00			RES, FXD, FILM:10 OHM, 5%, 0.2W	57668	TR20JE10E0
A5R1048	313-1100-00			RES, FXD, FILM:10 OHM, 5%, 0.2W	57668	TR20JE10E0
A5R1049	313-1100-00			RES, FXD, FILM:10 OHM, 5%, 0.2W	57668	TR20JE10E0

Replaceable Electrical Parts
11402 Extended Service Volume 2

Component No.	Tektronix Part No.	Serial/Assembly No. Effective	Dscont	Name & Description	Mfr. Code	Mfr. Part No.
A5R1052	307-0539-00			RES NTWK, FXD, FI: (7) 510 OHM, 10%, 1W	11236	750-81-R510 OHM
A5R1064	313-1332-00			RES, FXD, FILM: 3.3K OHM, 5%, 0.2W	57668	TR20JE 03K3
A5R1074	313-1332-00			RES, FXD, FILM: 3.3K OHM, 5%, 0.2W	57668	TR20JE 03K3
A5R1110	307-1266-00			RES NTWK, FXD, FI: 160-240 OHM, 8 PIN, SIP	71590	HC2308161/241GA
A5R1130	307-1318-00			RES NTWK, FXD, FI: (2) 162 OHM, (2) 260 OHM, 2%, 0.125W	32997	4604X-4W1-000
A5R1131	307-1318-00			RES NTWK, FXD, FI: (2) 162 OHM, (2) 260 OHM, 2%, 0.125W	32997	4604X-4W1-000
A5R1132	313-1471-00			RES, FXD, FILM: 470 OHM, 5%, 0.2W	57668	TR20JE 470E
A5R1134	307-0503-00			RES NTWK, FXD, FI: (9) 510 OHM, 20%, 0.125W	11236	750-101-R510
A5R1136	307-1266-00			RES NTWK, FXD, FI: 160-240 OHM, 8 PIN, SIP	71590	HC2308161/241GA
A5R1140	322-3145-00	B010100	B010852	RES, FXD, FILM: 316 OHM, 1%, 0.2W, TC=TO	57668	CRB20 FXE 316E
A5R1140	322-3139-00	B010853		RES, FXD, FILM: 274 OHM, 1%, 0.2W, TC=TO	57668	CRB20 FXE 274E
A5R1150	313-1681-00			RES, FXD, FILM: 680 OHM, 5%, 0.2W	57668	TR20JE 680E
A5R1152	307-0539-00			RES NTWK, FXD, FI: (7) 510 OHM, 10%, 1W	11236	750-81-R510 OHM
A5R1160	313-1241-00			RES, FXD, FILM: 240 OHM, 5%, 0.2W	57668	TR20JE 240E
A5R1162	313-1161-00			RES, FXD, FILM: 160 OHM, 5%, 0.2W	57668	TR20JE160E
A5R1164	313-1332-00			RES, FXD, FILM: 3.3K OHM, 5%, 0.2W	57668	TR20JE 03K3
A5R1172	313-1332-00			RES, FXD, FILM: 3.3K OHM, 5%, 0.2W	57668	TR20JE 03K3
A5R1210	321-0318-07			RES, FXD, FILM: 20.0K OHM, 0.1%, 0.125W, TC=T9	19701	5033RE20K00BCM
A5R1212	307-1318-00			RES NTWK, FXD, FI: (2) 162 OHM, (2) 260 OHM, 2%, 0.125W	32997	4604X-4W1-000
A5R1231	307-1318-00			RES NTWK, FXD, FI: (2) 162 OHM, (2) 260 OHM, 2%, 0.125W	32997	4604X-4W1-000
A5R1244	307-0539-00			RES NTWK, FXD, FI: (7) 510 OHM, 10%, 1W	11236	750-81-R510 OHM
A5R1310	307-1318-00			RES NTWK, FXD, FI: (2) 162 OHM, (2) 260 OHM, 2%, 0.125W	32997	4604X-4W1-000
A5R1312	321-0318-07			RES, FXD, FILM: 20.0K OHM, 0.1%, 0.125W, TC=T9	19701	5033RE20K00BCM
A5R1314	321-1399-06			RES, FXD, FILM: 142K OHM, 0.25%, 0.125W, TC=T9	91637	MFF1816C14202C
A5R1330	307-1318-00			RES NTWK, FXD, FI: (2) 162 OHM, (2) 260 OHM, 2%, 0.125W	32997	4604X-4W1-000
A5R1360	313-1471-00			RES, FXD, FILM: 470 OHM, 5%, 0.2W	57668	TR20JE 470E
A5R1400	321-1399-06			RES, FXD, FILM: 142K OHM, 0.25%, 0.125W, TC=T9	91637	MFF1816C14202C
A5R1402	321-0318-07			RES, FXD, FILM: 20.0K OHM, 0.1%, 0.125W, TC=T9	19701	5033RE20K00BCM
A5R1404	321-0318-07			RES, FXD, FILM: 20.0K OHM, 0.1%, 0.125W, TC=T9	19701	5033RE20K00BCM
A5R1410	313-1181-00			RES, FXD, FILM: 180 OHM, 5%, 0.2W	57668	TR20JE180E
A5R1412	313-1271-00			RES, FXD, FILM: 270 OHM, 5%, 0.2W	57668	TR20JE 270E
A5R1419	313-1821-00			RES, FXD, FILM: 820 OHM, 5%, 0.2W	57668	TR20JE 820E
A5R1420	307-1266-00			RES NTWK, FXD, FI: 160-240 OHM, 8 PIN, SIP	71590	HC2308161/241GA
A5R1430	307-1266-00			RES NTWK, FXD, FI: 160-240 OHM, 8 PIN, SIP	71590	HC2308161/241GA
A5R1431	307-1318-00			RES NTWK, FXD, FI: (2) 162 OHM, (2) 260 OHM, 2%, 0.125W	32997	4604X-4W1-000
A5R1440	313-1560-00			RES, FXD, FILM: 56 OHM, 5%, 0.2W	57668	TR20JE 56E
A5R1441	313-1201-00			RES, FXD, FILM: 200 OHM, 5%, 0.2W	57668	TR20JE200E
A5R1442	313-1181-00			RES, FXD, FILM: 180 OHM, 5%, 0.2W	57668	TR20JE180E
A5R1443	313-1271-00			RES, FXD, FILM: 270 OHM, 5%, 0.2W	57668	TR20JE 270E
A5R1444	313-1201-00			RES, FXD, FILM: 200 OHM, 5%, 0.2W	57668	TR20JE200E
A5R1446	313-1470-00			RES, FXD, FILM: 47 OHM, 5%, 0.2W	57668	TR20JE 47E
A5R1447	313-1560-00			RES, FXD, FILM: 56 OHM, 5%, 0.2W	57668	TR20JE 56E
A5R1448	313-1511-00			RES, FXD, FILM: 510 OHM, 5%, 0.2W	57668	TR20JT68 510E
A5R1450	313-1472-00			RES, FXD, FILM: 4.7K OHM, 5%, 0.2W	57668	TR20JE 04K7
A5R1480	313-1561-00			RES, FXD, FILM: 560 OHM, 5%, 0.2W	57668	TR20JE 560E
A5R1482	313-1112-00			RES, FXD, FILM: 1.1K, 5%, 0.2W	80009	313-1112-00
A5R1500	322-3268-00			RES, FXD, FILM: 6.04K OHM, 1%, 0.2W, TC=TO	57668	CRB20 FXE 6K04
A5R1502	322-3268-00			RES, FXD, FILM: 6.04K OHM, 1%, 0.2W, TC=TO	57668	CRB20 FXE 6K04
A5R1505	313-1472-00			RES, FXD, FILM: 4.7K OHM, 5%, 0.2W	57668	TR20JE 04K7
A5R1506	322-3070-00			RES, FXD, FILM: 52.3 OHM, 1%, 0.2W, TC=TO	57668	CRB20 FXE 52E3
A5R1508	322-3121-00			RES, FXD, FILM: 178 OHM, 1%, 0.2W, TC=TO	57668	CRB20 FXE 178E

Replaceable Electrical Parts
11402 Extended Service Volume 2

Component No.	Tektronix Part No.	Serial/Assembly No.		Name & Description	Mfr. Code	Mfr. Part No.
		Effective	Discont			
A5R1520	307-1266-00			RES NTWK,FXD,FI:160-240 OHM,8 PIN,SIP	71590	HC2308161/241GA
A5R1532	307-0811-00			RES NTWK,FXD,FI:6,180 OHM,6,270 OHM	01121	316T110
A5R1542	313-1821-00			RES,FXD,FILM:820 OHM,5%,0.2W	57668	TR20JE 820E
A5R1543	307-0811-00			RES NTWK,FXD,FI:6,180 OHM,6,270 OHM	01121	316T110
A5R1550	313-1112-00			RES,FXD,FILM:1.1K,5%,0.2W	80009	313-1112-00
A5R1552	313-1271-00			RES,FXD,FILM:270 OHM,5%,0.2W	57668	TR20JE 270E
A5R1554	313-1151-00			RES,FXD,FILM:150 OHM,5%,0.2W	57668	TR20JE150E
A5R1555	313-1472-00			RES,FXD,FILM:4.7K OHM,5%,0.2W	57668	TR20JE 04K7
A5R1556	313-1471-00			RES,FXD,FILM:470 OHM,5%,0.2W	57668	TR20JE 470E
A5R1557	313-1102-00			RES,FXD,FILM:1K OHM,5%,0.2W	57668	TR20JE01K0
A5R1558	313-1152-00			RES,FXD,FILM:1.5K OHM,5%,0.2W	57668	TR20JE01K5
A5R1559	313-1472-00			RES,FXD,FILM:4.7K OHM,5%,0.2W	57668	TR20JE 04K7
A5R1560	313-1510-00			RES,FXD,FILM:51 OHM,5%,0.2W	80009	313-1510-00
A5R1561	322-3085-00			RES,FXD,FILM:75 OHM,1%,0.2W,TC=TO	57668	CRB20 FXE 75E0
A5R1562	321-0661-00			RES,FXD,FILM:600 OHM,1%,0.125W,TC=TO	19701	5033RD600R0F
A5R1563	313-1470-00			RES,FXD,FILM:47 OHM,5%,0.2W	57668	TR20JE 47E
A5R1564	321-0773-07			RES,FXD,FILM:400 OHM,0.1%,0.125W,TC=T9	19701	5033RE400R0B
A5R1566	313-1101-00			RES,FXD,FILM:100 OHM,5%,0.2W	57668	TR20JE100E
A5R1571	313-1027-00			RES,FXD,FILM:2.7 OHM,5%,0.2W	57668	TR20JE 02E7
A5R1572	313-1514-00			RES,FXD,FILM:510K OHM,5%,0.2W	57668	TR20JE 510K
A5R1576	311-1897-00			RES,VAR,NONMW:TRMR,25K OHM,10%,0.5W,LIN	32997	3299W-R27-253
A5R1580	315-0155-00			RES,FXD,FILM:1.5M OHM,5%,0.25W	19701	5043CX1M500J
A5R1582	311-1897-00			RES,VAR,NONMW:TRMR,25K OHM,10%,0.5W,LIN	32997	3299W-R27-253
A5R1600	322-3201-00			RES,FXD,FILM:1.21K OHM,1%,0.2W,TC=TO	57668	CRB20 FXE 1K21
A5R1602	322-3201-00			RES,FXD,FILM:1.21K OHM,1%,0.2W,TC=TO	57668	CRB20 FXE 1K21
A5R1604	313-1271-00	B010100	B021081	RES,FXD,FILM:270 OHM,5%,0.2W	57668	TR20JE 270E
A5R1605	322-3117-00	B021082		RES,FXD,FILM:162 OHM,1%,0.2W,TC=TO	57668	CRB 20 FXE 162E
A5R1606	322-3105-00	B021082		RES,FXD,FILM:121 OHM,1%,0.2W,TC=TO	57668	CRB20 FXE 121E
A5R1621	313-1510-00			RES,FXD,FILM:51 OHM,5%,0.2W	80009	313-1510-00
A5R1622	313-1821-00			RES,FXD,FILM:820 OHM,5%,0.2W	57668	TR20JE 820E
A5R1630	313-1472-00			RES,FXD,FILM:4.7K OHM,5%,0.2W	57668	TR20JE 04K7
A5R1631	322-3197-00			RES,FXD,FILM:1.1K OHM,1%,0.2W,TC=TO	57668	CRB20 FXE 1K10
A5R1632	322-3197-00			RES,FXD,FILM:1.1K OHM,1%,0.2W,TC=TO	57668	CRB20 FXE 1K10
A5R1639	313-1510-00	B021082		RES,FXD,FILM:51 OHM,5%,0.2W	80009	313-1510-00
A5R1640	307-1266-00			RES NTWK,FXD,FI:160-240 OHM,8 PIN,SIP	71590	HC2308161/241GA
A5R1641	313-1510-00	B021082		RES,FXD,FILM:51 OHM,5%,0.2W	80009	313-1510-00
A5R1642	313-1112-00			RES,FXD,FILM:1.1K,5%,0.2W	80009	313-1112-00
A5R1646	313-1151-00			RES,FXD,FILM:150 OHM,5%,0.2W	57668	TR20JE150E
A5R1648	313-1432-00			RES,FXD,FILM:4.3K OHM,5%,0.2W	57668	TR20JE 04K3
A5R1650	313-1271-00			RES,FXD,FILM:270 OHM,5%,0.2W	57668	TR20JE 270E
A5R1651	313-1112-00			RES,FXD,FILM:1.1K,5%,0.2W	80009	313-1112-00
A5R1652	322-3246-00			RES,FXD,FILM:3.57K OHM,1%,0.2W,TC=TO	57668	CRB20 FXE 3K57
A5R1654	313-1104-00			RES,FXD,FILM:100K OHM,5%,0.2W	57668	TR20JE100K
A5R1655	322-3289-00			RES,FXD,FILM:10K OHM,1%,0.2W,TC=TO	57668	CRB20 FXE 10K0
A5R1656	322-3289-00			RES,FXD,FILM:10K OHM,1%,0.2W,TC=TO	57668	CRB20 FXE 10K0
A5R1657	322-3289-00			RES,FXD,FILM:10K OHM,1%,0.2W,TC=TO	57668	CRB20 FXE 10K0
A5R1660	322-3289-00			RES,FXD,FILM:10K OHM,1%,0.2W,TC=TO	57668	CRB20 FXE 10K0
A5R1662	322-3289-00			RES,FXD,FILM:10K OHM,1%,0.2W,TC=TO	57668	CRB20 FXE 10K0
A5R1664	322-3289-00			RES,FXD,FILM:10K OHM,1%,0.2W,TC=TO	57668	CRB20 FXE 10K0
A5R1665	313-1241-00			RES,FXD,FILM:240 OHM,5%,0.2W	57668	TR20JE 240E
A5R1666	321-1068-07			RES,FXD,FILM:50.5 OHM,0.1%,0.125W,TC=T9	57668	RB14 BZE 50E5
A5R1670	313-1103-00			RES,FXD,FILM:10K OHM,5%,0.2W	57668	TR20JE10K0
A5R1672	313-1103-00			RES,FXD,FILM:10K OHM,5%,0.2W	57668	TR20JE10K0
A5R1674	313-1103-00			RES,FXD,FILM:10K OHM,5%,0.2W	57668	TR20JE10K0
A5R1703	313-1103-00	B010100	B010266	RES,FXD,FILM:10K OHM,5%,0.2W	57668	TR20JE10K0
A5R1705	313-1470-00	B010100	B010266	RES,FXD,FILM:47 OHM,5%,0.2W	57668	TR20JE 47E
A5R1720	313-1822-00			RES,FXD,FILM:8.2K,OHM,5%,0.2W	57668	TR20JE 08K2
A5R1722	313-1562-00			RES,FXD,FILM:5.6K OHM,5%,0.2W	57668	TR20JE 05K6

Replaceable Electrical Parts
11402 Extended Service Volume 2

Component No.	Tektronix Part No.	Serial/Assembly No. Effective	Discont	Name & Description	Mfr. Code	Mfr. Part No.
A5R1725	313-1152-00			RES,FXD,FILM:1.5K OHM,5%,0.2W	57668	TR20JE01K5
A5R1726	313-1100-00			RES,FXD,FILM:10 OHM,5%,0.2W	57668	TR20JE10E0
A5R1728	313-1271-00			RES,FXD,FILM:270 OHM,5%,0.2W	57668	TR20JE 270E
A5R1730	313-1222-00			RES,FXD,FILM:2.2K OHM,5%,0.2W	57668	TR20JE 02K2
A5R1732	313-1101-00			RES,FXD,FILM:100 OHM,5%,0.2W	57668	TR20JE100E
A5R1734	313-1101-00			RES,FXD,FILM:100 OHM,5%,0.2W	57668	TR20JE100E
A5R1737	322-3164-00			RES,FXD,FILM:499 OHM,1%,0.2W,TC=TO	57668	CRB20 FXE 499E
A5R1738	322-3097-00			RES,FXD,FILM:100 OHM,1%,0.2W,TC=TO	57668	CRB20 FXE 100E
A5R1740	313-1510-00			RES,FXD,FILM:51 OHM,5%,0.2W	80009	313-1510-00
A5R1742	313-1510-00			RES,FXD,FILM:51 OHM,5%,0.2W	80009	313-1510-00
A5R1743	313-1510-00			RES,FXD,FILM:51 OHM,5%,0.2W	80009	313-1510-00
A5R1744	322-3097-00			RES,FXD,FILM:100 OHM,1%,0.2W,TC=TO	57668	CRB20 FXE 100E
A5R1745	313-1510-00			RES,FXD,FILM:51 OHM,5%,0.2W	80009	313-1510-00
A5R1746	313-1100-00			RES,FXD,FILM:10 OHM,5%,0.2W	57668	TR20JE10E0
A5R1748	313-1222-00			RES,FXD,FILM:2.2K OHM,5%,0.2W	57668	TR20JE 02K2
A5R1749	313-1101-00			RES,FXD,FILM:100 OHM,5%,0.2W	57668	TR20JE100E
A5R1750	313-1101-00			RES,FXD,FILM:100 OHM,5%,0.2W	57668	TR20JE100E
A5R1752	313-1472-00			RES,FXD,FILM:4.7K OHM,5%,0.2W	57668	TR20JE 04K7
A5R1753	313-1510-00			RES,FXD,FILM:51 OHM,5%,0.2W	80009	313-1510-00
A5R1755	313-1510-00			RES,FXD,FILM:51 OHM,5%,0.2W	80009	313-1510-00
A5R1756	313-1510-00	B021082		RES,FXD,FILM:51 OHM,5%,0.2W	80009	313-1510-00
A5R1757	322-3197-00			RES,FXD,FILM:1.1K OHM,1%,0.2W,TC=TO	57668	CRB20 FXE 1K10
A5R1758	313-1432-00			RES,FXD,FILM:4.3K OHM,5%,0.2W	57668	TR20JE 04K3
A5R1759	313-1112-00			RES,FXD,FILM:1.1K,5%,0.2W	80009	313-1112-00
A5R1760	322-3246-00			RES,FXD,FILM:3.57K OHM,1%,0.2W,TC=TO	57668	CRB20 FXE 3K57
A5R1761	313-1104-00			RES,FXD,FILM:100K OHM,5%,0.2W	57668	TR20JE100K
A5R1762	313-1104-00			RES,FXD,FILM:100K OHM,5%,0.2W	57668	TR20JE100K
A5R1763	313-1102-00			RES,FXD,FILM:1K OHM,5%,0.2W	57668	TR20JE01K0
A5R1764	313-1362-00			RES,FXD,FILM:3.6K OHM,5%,0.2W	57668	TR20JE 03K6
A5R1765	313-1152-00			RES,FXD,FILM:1.5K OHM,5%,0.2W	57668	TR20JE01K5
A5R1766	313-1510-00			RES,FXD,FILM:51 OHM,5%,0.2W	80009	313-1510-00
A5R1767	313-1302-00			RES,FXD,FILM:3K OHM,5%,0.2W	57668	TR20JE 03K0
A5R1768	313-1302-00			RES,FXD,FILM:3K OHM,5%,0.2W	57668	TR20JE 03K0
A5R1769	313-1621-00			RES,FXD,FILM:620 OHM,5%,0.2W	57668	TR20JE 620E
A5R1770	322-3189-00			RES,FXD,FILM:909 OHM,1%,0.2W,TC=TO	57668	CRB 20 FXE 909E
A5R1772	322-3189-00			RES,FXD,FILM:909 OHM,1%,0.2W,TC=TO	57668	CRB 20 FXE 909E
A5R1800	313-1103-00	B010100	B010266	RES,FXD,FILM:10K OHM,5%,0.2W	57668	TR20JE10K0
A5R1801	313-1470-00	B010100	B010266	RES,FXD,FILM:47 OHM,5%,0.2W	57668	TR20JE 47E
A5R1802	321-0195-02	B010100	B010266	RES,FXD,FILM:1.05K OHM,0.5%,0.125W,TC=T2	07716	CEAC105000
A5R1802	321-0099-00	B010267		RES,FXD,FILM:105 OHM,1%,0.125W,TC=TO	07716	CEAD105R0F
A5R1803	321-0673-00	B010100	B010266	RES,FXD,FILM:17.0K OHM,0.5%,0.125W,TC=T2	19701	5033RC17K00D
A5R1803	321-0215-00	B010267		RES,FXD,FILM:1.69K OHM,1%,0.125W,TC=TO	07716	CEAD16900F
A5R1804	321-0195-02	B010100	B010266	RES,FXD,FILM:1.05K OHM,0.5%,0.125W,TC=T2	07716	CEAC105000
A5R1804	321-0099-00	B010267		RES,FXD,FILM:105 OHM,1%,0.125W,TC=TO	07716	CEAD105R0F
A5R1805	321-0673-00	B010100	B010266	RES,FXD,FILM:17.0K OHM,0.5%,0.125W,TC=T2	19701	5033RC17K00D
A5R1805	321-0215-00	B010267		RES,FXD,FILM:1.69K OHM,1%,0.125W,TC=TO	07716	CEAD16900F
A5R1806	322-3070-00			RES,FXD,FILM:52.3 OHM,1%,0.2W,TC=TO	57668	CRB20 FXE 52E3
A5R1807	322-3201-00			RES,FXD,FILM:1.21K OHM,1%,0.2W,TC=TO	57668	CRB20 FXE 1K21
A5R1808	322-3121-00			RES,FXD,FILM:178 OHM,1%,0.2W,TC=TO	57668	CRB20 FXE 178E
A5R1809	322-3201-00			RES,FXD,FILM:1.21K OHM,1%,0.2W,TC=TO	57668	CRB20 FXE 1K21
A5R1810	321-1068-07			RES,FXD,FILM:50.5 OHM,0.1%,0.125W,TC=T9	57668	RB14 BZE 50E5
A5R1811	321-0816-03			RES,FXD,FILM:5K OHM,0.25%,0.125W,TC=T2	19701	5033RC5K000C
A5R1812	322-3121-00			RES,FXD,FILM:178 OHM,1%,0.2W,TC=TO	57668	CRB20 FXE 178E
A5R1814	322-3201-00			RES,FXD,FILM:1.21K OHM,1%,0.2W,TC=TO	57668	CRB20 FXE 1K21
A5R1816	322-3070-00			RES,FXD,FILM:52.3 OHM,1%,0.2W,TC=TO	57668	CRB20 FXE 52E3
A5R1818	322-3201-00			RES,FXD,FILM:1.21K OHM,1%,0.2W,TC=TO	57668	CRB20 FXE 1K21
A5R1822	313-1271-00			RES,FXD,FILM:270 OHM,5%,0.2W	57668	TR20JE 270E
A5R1824	313-1201-00			RES,FXD,FILM:200 OHM,5%,0.2W	57668	TR20JE200E

Replaceable Electrical Parts
11402 Extended Service Volume 2

Component No.	Tektronix Part No.	Serial/Assembly No. Effective	Discnt	Name & Description	Mfr. Code	Mfr. Part No.
A5R1826	313-1100-00			RES, FXD, FILM: 10 OHM, 5%, 0.2W	57668	TR20JE10E0
A5R1828	313-1101-00			RES, FXD, FILM: 100 OHM, 5%, 0.2W	57668	TR20JE10E0E
A5R1832	313-1271-00			RES, FXD, FILM: 270 OHM, 5%, 0.2W	57668	TR20JE 270E
A5R1833	313-1511-00			RES, FXD, FILM: 510 OHM, 5%, 0.2W	57668	TR20JT68 510E
A5R1840	313-1821-00			RES, FXD, FILM: 820 OHM, 5%, 0.2W	57668	TR20JE 820E
A5R1842	313-1511-00			RES, FXD, FILM: 510 OHM, 5%, 0.2W	57668	TR20JT68 510E
A5R1844	313-1822-00			RES, FXD, FILM: 8.2K, OHM, 5%, 0.2W	57668	TR20JE 08K2
A5R1846	322-3097-00			RES, FXD, FILM: 100 OHM, 1%, 0.2W, TC=TO	57668	CRB20 FXE 100E
A5R1848	313-1562-00			RES, FXD, FILM: 5.6K OHM, 5%, 0.2W	57668	TR20JE 05K6
A5R1850	313-1510-00			RES, FXD, FILM: 51 OHM, 5%, 0.2W	80009	313-1510-00
A5R1852	322-3097-00			RES, FXD, FILM: 100 OHM, 1%, 0.2W, TC=TO	57668	CRB20 FXE 100E
A5R1854	322-3197-00			RES, FXD, FILM: 1.1K OHM, 1%, 0.2W, TC=TO	57668	CRB20 FXE 1K10
A5R1855	313-1510-00			RES, FXD, FILM: 51 OHM, 5%, 0.2W	80009	313-1510-00
A5R1856	313-1101-00			RES, FXD, FILM: 100 OHM, 5%, 0.2W	57668	TR20JE10E0E
A5R1857	313-1101-00			RES, FXD, FILM: 100 OHM, 5%, 0.2W	57668	TR20JE10E0E
A5R1858	322-3246-00			RES, FXD, FILM: 3.57K OHM, 1%, 0.2W, TC=TO	57668	CRB20 FXE 3K57
A5R1860	313-1100-00			RES, FXD, FILM: 10 OHM, 5%, 0.2W	57668	TR20JE10E0
A5R1864	301-0430-00			RES, FXD, FILM: 43 OHM, 5%, 0.5W	19701	5053CX43R00J
A5R1865	301-0430-00			RES, FXD, FILM: 43 OHM, 5%, 0.5W	19701	5053CX43R00J
A5R1866	313-1510-00			RES, FXD, FILM: 51 OHM, 5%, 0.2W	80009	313-1510-00
A5R1868	313-1510-00			RES, FXD, FILM: 51 OHM, 5%, 0.2W	80009	313-1510-00
A5R1870	313-1102-00			RES, FXD, FILM: 1K OHM, 5%, 0.2W	57668	TR20JE01K0
A5R1872	313-1102-00			RES, FXD, FILM: 1K OHM, 5%, 0.2W	57668	TR20JE01K0
A5R1874	321-0816-03			RES, FXD, FILM: 5K OHM, 0.25%, 0.125W, TC=T2	19701	5033RC5K000C
A5R1876	321-0816-03			RES, FXD, FILM: 5K OHM, 0.25%, 0.125W, TC=T2	19701	5033RC5K000C
A5R1877	307-1252-00			RES NTWK, FXD, FI: (3) 9K, (2) 6K, (2) 1.1K, (1) 12K, (1) 1K OHMS	34707	HC8106
A5R1878	313-1105-00			RES, FXD, FILM: 1M OHM, 5%, 0.2W	57668	TR20JE1M
A5R1900	322-3268-00			RES, FXD, FILM: 6.04K OHM, 1%, 0.2W, TC=TO	57668	CRB20 FXE 6K04
A5R1902	322-3268-00			RES, FXD, FILM: 6.04K OHM, 1%, 0.2W, TC=TO	57668	CRB20 FXE 6K04
A5R1912	322-3268-00			RES, FXD, FILM: 6.04K OHM, 1%, 0.2W, TC=TO	57668	CRB20 FXE 6K04
A5R1914	322-3268-00			RES, FXD, FILM: 6.04K OHM, 1%, 0.2W, TC=TO	57668	CRB20 FXE 6K04
A5R1920	313-1681-00			RES, FXD, FILM: 680 OHM, 5%, 0.2W	57668	TR20JE 680E
A5R1922	313-1561-00			RES, FXD, FILM: 560 OHM, 5%, 0.2W	57668	TR20JE 560E
A5R1924	313-1431-00			RES, FXD, FILM: 430 OHM, 5%, 0.2W	57668	TR20JE 430E
A5R1926	313-1152-00			RES, FXD, FILM: 1.5K OHM, 5%, 0.2W	57668	TR20JE01K5
A5R1940	322-3289-00	B010100	B021081	RES, FXD, FILM: 10K OHM, 1%, 0.2W, TC=TO	57668	CRB20 FXE 10K0
A5R1940	322-3126-00	B021082		RES, FXD, FILM: 200 OHM, 1%, 0.2W, TC=TO	91637	CCF501G200ROF
A5R1941	322-3289-00	B010100	B021081	RES, FXD, FILM: 10K OHM, 1%, 0.2W, TC=TO	57668	CRB20 FXE 10K0
A5R1941	322-3126-00	B021082		RES, FXD, FILM: 200 OHM, 1%, 0.2W, TC=TO	91637	CCF501G200ROF
A5R1942	313-1122-00			RES, FXD, FILM: 1.2K OHM, 5%, 0.2W	57668	TR20JE01K2
A5R1943	322-3210-00			RES, FXD, FILM: 1.5K OHM, 1%, 0.2W, TC=TO	57668	CRB20 FXE 1K50
A5R1944	322-3164-00			RES, FXD, FILM: 499 OHM, 1%, 0.2W, TC=TO	57668	CRB20 FXE 499E
A5R1945	313-1112-00			RES, FXD, FILM: 1.1K, 5%, 0.2W	80009	313-1112-00
A5R1947	322-3097-00			RES, FXD, FILM: 100 OHM, 1%, 0.2W, TC=TO	57668	CRB20 FXE 100E
A5R1948	313-1510-00			RES, FXD, FILM: 51 OHM, 5%, 0.2W	80009	313-1510-00
A5R1950	322-3097-00			RES, FXD, FILM: 100 OHM, 1%, 0.2W, TC=TO	57668	CRB20 FXE 100E
A5R1952	313-1112-00			RES, FXD, FILM: 1.1K, 5%, 0.2W	80009	313-1112-00
A5R1960	313-1222-00			RES, FXD, FILM: 2.2K OHM, 5%, 0.2W	57668	TR20JE 02K2
A5R1962	313-1112-00			RES, FXD, FILM: 1.1K, 5%, 0.2W	80009	313-1112-00
A5R1964	313-1272-00			RES, FXD, FILM: 2.7K OHM, 5%, 0.2W	57668	TR20JE 02K7
A5R1965	313-1510-00			RES, FXD, FILM: 51 OHM, 5%, 0.2W	80009	313-1510-00
A5R1966	321-1068-07			RES, FXD, FILM: 50.5 OHM, 0.1%, 0.125W, TC=T9	57668	RB14 BZE 50E5
A5R1968	313-1302-00			RES, FXD, FILM: 3K OHM, 5%, 0.2W	57668	TR20JE 03K0
A5R1980	313-1102-00			RES, FXD, FILM: 1K OHM, 5%, 0.2W	57668	TR20JE01K0
A5R1982	313-1102-00			RES, FXD, FILM: 1K OHM, 5%, 0.2W	57668	TR20JE01K0
A5R1984	313-1102-00			RES, FXD, FILM: 1K OHM, 5%, 0.2W	57668	TR20JE01K0
A5R1985	313-1681-00			RES, FXD, FILM: 680 OHM, 5%, 0.2W	57668	TR20JE 680E

Component No.	Tektronix Part No.	Serial/Assembly No. Effective	Discont	Name & Description	Mfr. Code	Mfr. Part No.
A5R1986	322-3289-00			RES, FXD, FILM:10K OHM, 1%, 0.2W, TC=TO	57668	CRB20 FXE 10K0
A5R1987	313-1201-00	8010894		RES, FXD, FILM:200 OHM, 5%, 0.2W	57668	TR20JE200E
A5T1602	120-0444-00			XFMR, TOROID:	80009	120-0444-00
A5T1902	120-0444-00			XFMR, TOROID:	80009	120-0444-00
A5T1912	120-0444-00			XFMR, TOROID:	80009	120-0444-00
A5TP214	131-0608-00			TERMINAL, PIN:0.365 L X 0.025 BRZ GLD PL	22526	48283-036
A5TP410	131-0608-00			TERMINAL, PIN:0.365 L X 0.025 BRZ GLD PL	22526	48283-036
A5TP609	131-0608-00			TERMINAL, PIN:0.365 L X 0.025 BRZ GLD PL	22526	48283-036
A5TP660	131-0608-00			TERMINAL, PIN:0.365 L X 0.025 BRZ GLD PL	22526	48283-036
A5TP665	131-0608-00			TERMINAL, PIN:0.365 L X 0.025 BRZ GLD PL	22526	48283-036
A5U200	156-0518-00			MICROCKT, DGTL:MDT, PHASE FREQ DET, EMTR CPLLGC	04713	MC12040L
A5U230	160-4012-00			MICROCKT, DGTL:ECL, 254 X 4 PROM W/3 STATE OUT, PRGM	80009	160-4012-00
A5U232	156-0760-01			MICROCKT, DGTL:ECL, QUINT LATCH D TYPE, SCRN	04713	MC10175P/L
A5U240	160-4013-01			MICROCKT, DGTL:ECL, 254 X 4 PROM W/3 STATE OUT, PRGM	80009	160-4013-01
A5U242	156-0230-02			MICROCKT, DGTL:ECL, DUAL D-TYPE M/S FF	04713	MC10131LD
A5U250	156-0368-03			MICROCKT, DGTL:TTL TO ECL QUAD TRANSLATOR	04713	MC10124PD/LD
A5U252	156-0368-03			MICROCKT, DGTL:TTL TO ECL QUAD TRANSLATOR	04713	MC10124PD/LD
A5U260	156-1641-01			MICROCKT, DGTL:ECL, QUAD 2 INP AND GATE, SCRN	04713	MC10H102(LDORPD)
A5U262	156-1674-00			MICROCKT, DGTL:ECL, QUAD 2 INP AND GATE, SCRN	04713	MC10H104LD
A5U266	156-1639-01			MICROCKT, DGTL:ECL, DUAL D MA-SLAVE FF, SCRN	04713	MC10H131PD
A5U270	156-1639-01			MICROCKT, DGTL:ECL, DUAL D MA-SLAVE FF, SCRN	04713	MC10H131PD
A5U272	156-1639-01			MICROCKT, DGTL:ECL, DUAL D MA-SLAVE FF, SCRN	04713	MC10H131PD
A5U312	156-1338-00			MICROCKT, LINEAR:OPERATIONAL AMPLIFIER	01295	NE5534P
A5U320	156-1699-00			MICROCKT, LINEAR:DUAL BI-FET, OPNL AMPL	01295	TL288CP
A5U350	155-0289-01			MICROCKT, DGTL:A-D CONV, 0.25V REF VOLTAGE	80009	155-0289-01
A5U370	156-1639-01			MICROCKT, DGTL:ECL, DUAL D MA-SLAVE FF, SCRN	04713	MC10H131PD
A5U372	156-1639-01			MICROCKT, DGTL:ECL, DUAL D MA-SLAVE FF, SCRN	04713	MC10H131PD
A5U430	155-0290-01			MICROCKT, DGTL:A-D CONVERTER, 1V REF VOLTAGE	80009	155-0290-01
A5U442	155-0282-00			MICROCKT, DGTL:DIGITAL TO ANALOG CONVERTER	80009	155-0282-00
A5U443	155-0349-00			MICROCKT, LINEAR:CHANNEL SWITCH, M490	80009	155-0349-00
A5U464	156-1699-00			MICROCKT, LINEAR:DUAL BI-FET, OPNL AMPL	01295	TL288CP
A5U470	156-1639-01			MICROCKT, DGTL:ECL, DUAL D MA-SLAVE FF, SCRN	04713	MC10H131PD
A5U532	156-1582-00			MICROCKT, LINEAR:OPERATIONAL AMPL, BIPOLAR	80009	156-1582-00
A5U552	155-0289-01			MICROCKT, DGTL:A-D CONV, 0.25V REF VOLTAGE	80009	155-0289-01
A5U574	156-1664-00			MICROCKT, DGTL:SCREENED	01295	SN74ALS574(NP3)
A5U575	156-1699-00			MICROCKT, LINEAR:DUAL BI-FET, OPNL AMPL	01295	TL288CP
A5U580	156-0158-01			MICROCKT, LINEAR:DUAL OPNL AMPL, CHK	01295	MC1458P3
A5U600	156-1639-01			MICROCKT, DGTL:ECL, DUAL D MA-SLAVE FF, SCRN	04713	MC10H131PD
A5U610	156-1711-00			MICROCKT, DGTL:ECL, DUAL 3-INP 3-OUT OR GATE	04713	MC10H210PD
A5U620	156-1642-01			MICROCKT, DGTL:ECL, TRIPLE 2-3-2 INP OR/NOR	04713	MC10H105LD
A5U660	156-1161-00			MICROCKT, LINEAR:VOLTAGE REGULATOR, POS, ADJ	12969	UC317T
A5U700	156-0642-01			MICROCKT, DGTL:BI QUINARY CNTR, SCREENED	04713	MC10138PD/LD
A5U710	156-1874-00			MICROCKT, DGTL:4-BIT UNIV SHIFT REGISTER	04713	MC10H141L/P
A5U712	156-1874-00			MICROCKT, DGTL:4-BIT UNIV SHIFT REGISTER	04713	MC10H141L/P
A5U720	156-1641-01			MICROCKT, DGTL:ECL, QUAD 2 INP AND GATE, SCRN	04713	MC10H102(LDORPD)
A5U722	156-1642-01			MICROCKT, DGTL:ECL, TRIPLE 2-3-2 INP OR/NOR	04713	MC10H105LD
A5U740	156-2977-00			MICROCKT, HYBRID:CUSTOM, SAMPLING GATE	80009	156-2977-00
A5U760	156-1200-00			MICROCKT, LINEAR:OPERATIONAL AMP, QUAD BI-FET	01295	TL074CN
A5U810	156-1874-00			MICROCKT, DGTL:4-BIT UNIV SHIFT REGISTER	04713	MC10H141L/P
A5U820	156-1642-01			MICROCKT, DGTL:ECL, TRIPLE 2-3-2 INP OR/NOR	04713	MC10H105LD
A5U822	156-1642-01			MICROCKT, DGTL:ECL, TRIPLE 2-3-2 INP OR/NOR	04713	MC10H105LD
A5U860	156-1200-00			MICROCKT, LINEAR:OPERATIONAL AMP, QUAD BI-FET	01295	TL074CN
A5U910	156-1639-01			MICROCKT, DGTL:ECL, DUAL D MA-SLAVE FF, SCRN	04713	MC10H131PD
A5U912	156-1641-01			MICROCKT, DGTL:ECL, QUAD 2 INP AND GATE, SCRN	04713	MC10H102(LDORPD)
A5U922	156-1889-00			MICROCKT, DGTL:MECL, UNIV HEXADECIMAL, SCRN	04713	MC10H136L/P

Replaceable Electrical Parts
11402 Extended Service Volume 2

Component No.	Tektronix Part No.	Serial/Assembly No. Effective	Discnt	Name & Description	Mfr. Code	Mfr. Part No.
A5U960	156-1850-00			MICROCKT, LINEAR:CMOS, QUAD SPST ANALOG SW	17856	SDG21107
A5U970	156-1850-00			MICROCKT, LINEAR:CMOS, QUAD SPST ANALOG SW	17856	SDG21107
A5U1010	156-1642-01			MICROCKT, DGTL:ECL, TRIPLE 2-3-2 INP OR/NOR	04713	MC10H105LD
A5U1020	156-1889-00			MICROCKT, DGTL:MECL, UNIV HEXADECIMAL, SCRN	04713	MC10H136L/P
A5U1040	155-0320-00	B010100	B010852	MICROCKT, LINEAR:STROBE DRIVER	80009	155-0320-00
A5U1040	155-0320-01	B010853		MICROCKT, LINEAR:STROBE DRIVER	80009	155-0320-01
A5U1052	156-1639-01			MICROCKT, DGTL:ECL, DUAL D MA-SLAVE FF, SCRN	04713	MC10H131PD
A5U1060	156-1200-00			MICROCKT, LINEAR:OPERATIONAL AMP, QUAD BI-FET	01295	TL074CN
A5U1070	156-0874-02			MICROCKT, DGTL:8 BIT ADDRESSABLE LATCH	04713	SN74LS259NDS
A5U1072	156-1850-00			MICROCKT, LINEAR:CMOS, QUAD SPST ANALOG SW	17856	SDG21107
A5U1110	156-1682-00			MICROCKT, DGTL:ECL, DUAL 4-5 INP OR/NOR GATE	04713	MC10H109LD
A5U1120	156-1639-01			MICROCKT, DGTL:ECL, DUAL D MA-SLAVE FF, SCRN	04713	MC10H131PD
A5U1130	156-1641-01			MICROCKT, DGTL:ECL, QUAD 2 INP AND GATE, SCRN	04713	MC10H102(LDORPD)
A5U1144	156-0368-03			MICROCKT, DGTL:TTL TO ECL QUAD TRANSLATOR	04713	MC10124PD/LD
A5U1150	156-1639-01			MICROCKT, DGTL:ECL, DUAL D MA-SLAVE FF, SCRN	04713	MC10H131PD
A5U1152	156-1495-00			MICROCKT, DGTL:ECL, 1 OF 8 DECODER	04713	MC10162L
A5U1160	156-1200-00			MICROCKT, LINEAR:OPERATIONAL AMP, QUAD BI-FET	01295	TL074CN
A5U1170	156-1850-00			MICROCKT, LINEAR:CMOS, QUAD SPST ANALOG SW	17856	SDG21107
A5U1172	156-0874-02			MICROCKT, DGTL:8 BIT ADDRESSABLE LATCH	04713	SN74LS259NDS
A5U1200	165-2065-00	B010100	B010907	MICROCKT, HYBRID:TIME INTERPOLATOR	80009	165-2065-00
A5U1200	165-2065-01	B010908	B010989	MICROCKT, HYBRID:TIME INTERPOLATOR	80009	165-2065-01
A5U1200	165-2065-02	B010990		TIME INTERP:HYBRID W/NEW IC DESIGN	80009	165-2065-02
A5U1220	165-2065-00	B010100	B010907	MICROCKT, HYBRID:TIME INTERPOLATOR	80009	165-2065-00
A5U1220	165-2065-01	B010908	B010989	MICROCKT, HYBRID:TIME INTERPOLATOR	80009	165-2065-01
A5U1220	165-2065-02	B010990		TIME INTERP:HYBRID W/NEW IC DESIGN	80009	165-2065-02
A5U1240	156-0316-00			MICROCKT, DGTL:ECL, QUAD 2-INP ECL TO TTL	04713	MC10125L
A5U1242	156-0796-01			MICROCKT, DGTL:8 STG SHF & STORE BUS RGTR	02735	CD4094BFX
A5U1244	156-0746-01			MICROCKT, DGTL:QUAD 2-INP MUX	04713	MC10158 P1 OR L1
A5U1246	156-0316-00			MICROCKT, DGTL:ECL, QUAD 2-INP ECL TO TTL	04713	MC10125L
A5U1250	156-2120-00			MICROCKT, DGTL:SER-IN PRL-OUT SHIFT RGTR	07263	74F164PCQR/DCQR
A5U1260	156-1200-00			MICROCKT, LINEAR:OPERATIONAL AMP, QUAD BI-FET	01295	TL074CN
A5U1270	156-1850-00			MICROCKT, LINEAR:CMOS, QUAD SPST ANALOG SW	17856	SDG21107
A5U1272	156-1850-00			MICROCKT, LINEAR:CMOS, QUAD SPST ANALOG SW	17856	SDG21107
A5U1340	156-1724-00			MICROCKT, DGTL:FTTL, QUAD 2 INP OR GATE	04713	MC74F32ND
A5U1342	156-1723-00			MICROCKT, DGTL:QUAD 2 INPUT & GATE	04713	MC74F08 ND OR JD
A5U1344	156-1756-00			MICROCKT, DGTL:ALSTTL, DUAL D TYPE FF, W/CL	01295	SN74ALS74NP3/JP4
A5U1350	156-1973-00			MICROCKT, DGTL:STTL, QUAD D FF	07263	74F175PCQR
A5U1352	156-1723-00			MICROCKT, DGTL:QUAD 2 INPUT & GATE	04713	MC74F08 ND OR JD
A5U1360	156-1200-00			MICROCKT, LINEAR:OPERATIONAL AMP, QUAD BI-FET	01295	TL074CN
A5U1370	156-0874-02			MICROCKT, DGTL:8 BIT ADDRESSABLE LATCH	04713	SN74LS259NDS
A5U1410	156-1640-00			MICROCKT, DGTL:ECL, TPL LINE RCVR	04713	MC10H116(L OR P)
A5U1420	156-1639-01			MICROCKT, DGTL:ECL, DUAL D MA-SLAVE FF, SCRN	04713	MC10H131PD
A5U1430	156-1640-00			MICROCKT, DGTL:ECL, TPL LINE RCVR	04713	MC10H116(L OR P)
A5U1440	156-1973-00			MICROCKT, DGTL:STTL, QUAD D FF	07263	74F175PCQR
A5U1444	156-1743-00			MICROCKT, DGTL:FTTL, QUAD 2-INPUT NOR GATE	18324	74F02 NB OR FB
A5U1450	156-1707-00			MICROCKT, DGTL:QUAD 2-INPUT NAND GATE, SCRN	04713	MC7400(NDORJD)
A5U1452	156-1724-00			MICROCKT, DGTL:FTTL, QUAD 2 INP OR GATE	04713	MC74F32ND
A5U1470	156-2621-00			MICROCKT, LINEAR:12 BIT D/A CONVERTER, VOUT, MPU COMPATIBLE	80009	156-2621-00
A5U1502	156-1338-00			MICROCKT, LINEAR:OPERATIONAL AMPLIFIER	01295	NE5534P
A5U1510	156-1639-01			MICROCKT, DGTL:ECL, DUAL D MA-SLAVE FF, SCRN	04713	MC10H131PD
A5U1520	156-1641-01			MICROCKT, DGTL:ECL, QUAD 2 INP AND GATE, SCRN	04713	MC10H102(LDORPD)
A5U1530	156-1874-00			MICROCKT, DGTL:4-BIT UNIV SHIFT REGISTER	04713	MC10H141L/P
A5U1540	156-2142-00			MICROCKT, DGTL:ECL, 4-BIT COUNTER	04713	MC10H016(P OR L)
A5U1544	156-1611-00			MICROCKT, DGTL:ASTTL, DUAL D TYPE EDGE-TRIG	80009	156-1611-00
A5U1546	156-1611-00			MICROCKT, DGTL:ASTTL, DUAL D TYPE EDGE-TRIG	80009	156-1611-00
A5U1550	156-1911-00			MICROCKT, DGTL:FTTL, HEX D FF, SCRN	04713	MC74F174S
A5U1552	156-1611-00			MICROCKT, DGTL:ASTTL, DUAL D TYPE EDGE-TRIG	80009	156-1611-00

Component No.	Tektronix Part No.	Serial/Assembly No. Effective	Dscont	Name & Description	Mfr. Code	Mfr. Part No.
A5U1570	156-1664-00			MICROCKT,DGTL:SCREENED	01295	SN74ALS574(NP3)
A5U1630	156-0651-02			MICROCKT,DGTL:8-BIT PRL-OUT SER SHF RGTR	01295	SN74LS164NP3
A5U1640	156-0458-01			MICROCKT,DGTL:QUAD AND GATE 2 INP	04713	MC10104PD/LD
A5U1644	156-1611-00			MICROCKT,DGTL:ASTTL,DUAL D TYPE EDGE-TRIG	80009	156-1611-00
A5U1670	156-0541-02			MICROCKT,DGTL:DUAL 2-TO 4-LINE DCDR/DEMUX	04713	SN74LS139NDS
A5U1672	156-1850-00			MICROCKT,LINEAR:CMOS,QUAD SPST ANALOG SW	17856	SDG21107
A5U1705	156-1699-00	B010100	B010266	MICROCKT,LINEAR:DUAL BI-FET,OPNL AMPL	01295	TL288CP
A5U1710	155-0239-02			MICROCKT,LINEAR:TRIGGER	80009	155-0239-02
A5U1750	156-1200-00			MICROCKT,LINEAR:OPERATIONAL AMP,QUAD BI-FET	01295	TL074CN
A5U1770	156-1688-00			MICROCKT,LINEAR:DUAL BI-FET OPNL AMPL	01295	TL287CP
A5U1772	156-1850-00			MICROCKT,LINEAR:CMOS,QUAD SPST ANALOG SW	17856	SDG21107
A5U1832	156-1611-00			MICROCKT,DGTL:ASTTL,DUAL D TYPE EDGE-TRIG	80009	156-1611-00
A5U1834	156-1344-00			MICROCKT,LINEAR:ECL,COMPARATOR	24355	AD9685BH
A5U1842	156-1639-01			MICROCKT,DGTL:ECL,DUAL D MA-SLAVE FF,SCRN	04713	MC10H131PD
A5U1870	156-2620-00			MICROCKT,LINEAR:OP AMP DUAL,LOW OFFSET,WIDE BANDWIDTH	80009	156-2620-00
A5U1900	156-1338-00			MICROCKT,LINEAR:OPERATIONAL AMPLIFIER	01295	NE5534P
A5U1925	156-1338-00			MICROCKT,LINEAR:OPERATIONAL AMPLIFIER	01295	NE5534P
A5U1930	156-1743-00			MICROCKT,DGTL:FTTL,QUAD 2-INPUT NOR GATE	18324	74F02 NB OR FB
A5U1932	156-2113-00			MICROCKT,DGTL:QUAD 2-INP POSITIVE-AND GATE	01295	SN74ALS08N3
A5U1940	156-1339-00			MICROCKT,LINEAR:HIGH SPEED DUAL DIFF COMPTR	18324	NE521N/SUPRII-B
A5U1970	156-0513-02			MICROCKT,DGTL:CMOS,ANALOG MUX/DEMUX	02735	CD4051BFX
A5U2030	156-0796-01			MICROCKT,DGTL:8 STG SHF & STORE BUS RGTR	02735	CD4094BFX
A5U2044	156-1744-00			MICROCKT,DGTL:FTTL,OCTAL BUFFER/LINE DRVR	07263	74F240PCQR
A5U2050	156-1909-00			MICROCKT,DGTL:QUAD 2 INP MULTIPLEXER	04713	74F157 ND OR JD
A5U2060	156-1611-00			MICROCKT,DGTL:ASTTL,DUAL D TYPE EDGE-TRIG	80009	156-1611-00
A5U2070	156-1754-01			MICROCKT,DGTL:OCTAL BUFFER W/3-STATE OUT	01295	SN74ALS244AN3
A5VR322	152-0486-00			SEMICON DVC,DI:ZEN,SI,6.2V,2%,400MW,DO-35	04713	SZG20008
A5VR368	152-0486-00			SEMICON DVC,DI:ZEN,SI,6.2V,2%,400MW,DO-35	04713	SZG20008
A5VR622	152-0456-00			SEMICON DVC,DI:ZEN,SI,6.2V,5%,0.4W,DO-7	04713	1N827
A5VR623	152-0456-00			SEMICON DVC,DI:ZEN,SI,6.2V,5%,0.4W,DO-7	04713	1N827
A5VR660	152-0149-00			SEMICON DVC,DI:ZEN,SI,10V,5%,0.4W,DO-7	04713	1N9618
A5VR1570	152-0760-00			SEMICON DVC,DI:ZEN,SI,6.2V,2%,400MW,DO-35	04713	SZG30205
A5VR1820	152-0195-00			SEMICON DVC,DI:ZEN,SI,5.1V,5%,0.4W,DO-7	04713	SZ11755RL
A5VR1944	152-0195-00			SEMICON DVC,DI:ZEN,SI,5.1V,5%,0.4W,DO-7	04713	SZ11755RL
A5X230	136-0729-00			SKT,PL-IN ELEK:MICROCKT,16 CONTACT	09922	DILB16P-108T
A5X240	136-0729-00			SKT,PL-IN ELEK:MICROCKT,16 CONTACT	09922	DILB16P-108T
A5X350	136-0813-00			SKT,PL-IN ELEK:CHIP CARRIER,68 CONTACTS	19613	268-5400-00-1102
A5X430	136-0813-00			SKT,PL-IN ELEK:CHIP CARRIER,68 CONTACTS	19613	268-5400-00-1102
A5X552	136-0813-00			SKT,PL-IN ELEK:CHIP CARRIER,68 CONTACTS	19613	268-5400-00-1102
A5X1040	136-0751-00			SKT,PL-IN ELEK:MICROCKT,24 PIN	09922	DILB24P108
A5X1200	136-0763-00			SKT,PL-IN ELEK:26 LINE CONT IMPD HYBRID	00779	ORDER BY DESCR
A5X1220	136-0763-00			SKT,PL-IN ELEK:26 LINE CONT IMPD HYBRID	00779	ORDER BY DESCR
A5X1710	136-0764-00			SKT,PL-IN ELEK:48 LINE CONT IMPD HYBRID	00779	ORDER BY DESCR
A5Y100	158-0325-00			XTAL UNIT,QTZ:10.000MHZ,0.001%,HC-47	33096	CCAT 303350
A5Y2040	119-1502-00			OSCILLATOR,RF:19.6608MHZ,14 DIP PKG	75378	MX050
A5A1	670-9976-00	B010100	B021103	CIRCUIT BD ASSY:STROBE	80009	670-9976-00
A5A1	670-9976-01	B021104		CIRCUIT BD ASSY:STROBE (SUBPARTS ARE NOT REPLACEABLE)	80009	670-9976-01
A5A19	671-0828-00	B021082		CIRCUIT BD ASSY:TRIGGER ENHANCEMENT	80009	671-0828-00
A5A19C100	281-0913-00	B021082		CAP,FXD,CER DI:0.1UF,50V,AXIAL	04222	SA105E104ZAA
A5A19C110	281-0913-00	B021082		CAP,FXD,CER DI:0.1UF,50V,AXIAL	04222	SA105E104ZAA
A5A19C200	281-0122-00	B021082		CAP,VAR,CER DI:2.5-9PF,100V	59660	518-000A2.5-9
A5A19C300	281-0913-00	B021082		CAP,FXD,CER DI:0.1UF,50V,AXIAL	04222	SA105E104ZAA
A5A19CR410	152-0141-05	B021082		SEMICON DVC,DI:SW,SI,30V,150MA,30V,DO-35	80009	152-0141-05

Replaceable Electrical Parts
11402 Extended Service Volume 2

Component No.	Tektronix Part No.	Serial/Assembly No. Effective	Discont	Name & Description	Mfr. Code	Mfr. Part No.
A5A19CR412	152-0141-05	B021082		SEMICON DVC,DI:SW,SI,30V,150MA,30V,DO-35	80009	152-0141-05
A5A19CR414	152-0141-05	B021082		SEMICON DVC,DI:SW,SI,30V,150MA,30V,DO-35	80009	152-0141-05
A5A19CR416	152-0141-05	B021082		SEMICON DVC,DI:SW,SI,30V,150MA,30V,DO-35	80009	152-0141-05
A5A19CR418	152-0141-05	B021082		SEMICON DVC,DI:SW,SI,30V,150MA,30V,DO-35	80009	152-0141-05
A5A19DL210	119-1380-00	B021082		DELAY LINE,ELEC:10NS,100 OHM,TAPPED,7 SIP	01961	PE 20662
A5A19J1	131-0608-00	B021082		TERMINAL,PIN:0.365 L X 0.025 BRZ GLD PL (QUANTITY OF 8)	22526	48283-036
A5A19J2	131-0608-00	B021082		TERMINAL,PIN:0.365 L X 0.025 BRZ GLD PL	22526	48283-036
A5A19J3	131-0608-00	B021082		TERMINAL,PIN:0.365 L X 0.025 BRZ GLD PL	22526	48283-036
A5A19Q100	151-0711-02	B021082		TRANSISTOR:NPN,SI,TO-92	27014	X42094B
A5A19R100	313-1121-00	B021082		RES,FXD,FILM:120 OHM,5%,0.2W	80009	313-1121-00
A5A19R102	322-3181-00	B021082		RES,FXD,FILM:750 OHM,1%,0.2W,TC=T0	91637	CCF501G750ROF
A5A19R110	322-3210-00	B021082		RES,FXD,FILM:1.5K OHM,1%,0.2W,TC=T0	57668	CRB20 FXE 1K50
A5A19R112	313-1331-00	B021082		RES,FXD,FILM:330 OHM,5%,0.2W	57668	TR20JE 330E
A5A19R114	322-3154-00	B021082		RES,FXD,FILM:392 OHM,1%,0.2W,TC=T0	57668	RB20FX392E
A5A19R200	322-3147-00	B021082		RES,FXD,FILM:332 OHM,1%,0.2W,TC=T0	80009	322-3147-00
A5A19R202	313-1101-00	B021082		RES,FXD,FILM:100 OHM,5%,0.2W	57668	TR20JE100E
A5A19R300	307-1318-00	B021082		RES NTWK,FXD,FI:(2) 162 OHM,(2) 260 OHM,2%, 0.125W	32997	4604X-4W1-000
A5A19R310	307-1318-00	B021082		RES NTWK,FXD,FI:(2) 162 OHM,(2) 260 OHM,2%, 0.125W	32997	4604X-4W1-000
A5A19R400	313-1332-00	B021082		RES,FXD,FILM:3.3K OHM,5%,0.2W	57668	TR20JE 03K3
A5A19R402	313-1432-00	B021082		RES,FXD,FILM:4.3K OHM,5%,0.2W	57668	TR20JE 04K3
A5A19R404	313-1821-00	B021082		RES,FXD,FILM:820 OHM,5%,0.2W	57668	TR20JE 820E
A5A19R406	313-1511-00	B021082		RES,FXD,FILM:510 OHM,5%,0.2W	57668	TR20JT68 510E
A5A19TP1	131-0608-00	B021082		TERMINAL,PIN:0.365 L X 0.025 BRZ GLD PL	22526	48283-036
A5A19TP2	131-0608-00	B021082		TERMINAL,PIN:0.365 L X 0.025 BRZ GLD PL	22526	48283-036
A5A19TP3	131-0608-00	B021082		TERMINAL,PIN:0.365 L X 0.025 BRZ GLD PL	22526	48283-036
A5A19U210	156-2114-00	B021082		MICROCKT,DGTL:ECL,QUAD LINE RECEIVER	04713	MC10H115P
A5A19U300	156-1639-01	B021082		MICROCKT,DGTL:ECL,DUAL D MA-SLAVE FF,SCRN	04713	MC10H131PD
A6	670-8849-01	B010100	B010649	CIRCUIT BD ASSY:TIMEBASE	80009	670-8849-01
A6	670-8849-02	B010650	B021081	CIRCUIT BD ASSY:TIME BASE	80009	670-8849-02
A6	670-8849-03	B021082		CIRCUIT BD ASSY:TIME BASE	80009	670-8849-03
A6C01	290-0944-01			CAP,FXD,ELCTL:220UF,20%,10V	55680	UVX1C221MPA1TA
A6C03	290-0944-01			CAP,FXD,ELCTL:220UF,20%,10V	55680	UVX1C221MPA1TA
A6C04	290-0944-01			CAP,FXD,ELCTL:220UF,20%,10V	55680	UVX1C221MPA1TA
A6C10	281-0913-00			CAP,FXD,CER DI:0.1UF,50V,AXIAL	04222	SA105E104ZAA
A6C11	281-0913-00			CAP,FXD,CER DI:0.1UF,50V,AXIAL	04222	SA105E104ZAA
A6C14	281-0913-00			CAP,FXD,CER DI:0.1UF,50V,AXIAL	04222	SA105E104ZAA
A6C15	281-0913-00			CAP,FXD,CER DI:0.1UF,50V,AXIAL	04222	SA105E104ZAA
A6C20	281-0913-00			CAP,FXD,CER DI:0.1UF,50V,AXIAL	04222	SA105E104ZAA
A6C21	281-0913-00			CAP,FXD,CER DI:0.1UF,50V,AXIAL	04222	SA105E104ZAA
A6C22	281-0913-00			CAP,FXD,CER DI:0.1UF,50V,AXIAL	04222	SA105E104ZAA
A6C24	281-0913-00			CAP,FXD,CER DI:0.1UF,50V,AXIAL	04222	SA105E104ZAA
A6C25	281-0913-00			CAP,FXD,CER DI:0.1UF,50V,AXIAL	04222	SA105E104ZAA
A6C30	281-0913-00			CAP,FXD,CER DI:0.1UF,50V,AXIAL	04222	SA105E104ZAA
A6C31	281-0913-00			CAP,FXD,CER DI:0.1UF,50V,AXIAL	04222	SA105E104ZAA
A6C32	281-0913-00			CAP,FXD,CER DI:0.1UF,50V,AXIAL	04222	SA105E104ZAA
A6C35	281-0913-00			CAP,FXD,CER DI:0.1UF,50V,AXIAL	04222	SA105E104ZAA
A6C40	281-0913-00			CAP,FXD,CER DI:0.1UF,50V,AXIAL	04222	SA105E104ZAA
A6C41	281-0913-00			CAP,FXD,CER DI:0.1UF,50V,AXIAL	04222	SA105E104ZAA
A6C45	281-0913-00			CAP,FXD,CER DI:0.1UF,50V,AXIAL	04222	SA105E104ZAA
A6C50	281-0913-00			CAP,FXD,CER DI:0.1UF,50V,AXIAL	04222	SA105E104ZAA
A6C51	281-0913-00			CAP,FXD,CER DI:0.1UF,50V,AXIAL	04222	SA105E104ZAA
A6C53	281-0913-00			CAP,FXD,CER DI:0.1UF,50V,AXIAL	04222	SA105E104ZAA
A6C60	281-0913-00			CAP,FXD,CER DI:0.1UF,50V,AXIAL	04222	SA105E104ZAA
A6C61	281-0913-00			CAP,FXD,CER DI:0.1UF,50V,AXIAL	04222	SA105E104ZAA

Component No.	Tektronix Part No.	Serial/Assembly No. Effective Dscnt	Name & Description	Mfr. Code	Mfr. Part No.
A6C62	281-0913-00		CAP, FXD, CER DI: 0.1UF, 50V, AXIAL	04222	SA105E104ZAA
A6C64	281-0913-00		CAP, FXD, CER DI: 0.1UF, 50V, AXIAL	04222	SA105E104ZAA
A6C66	281-0913-00		CAP, FXD, CER DI: 0.1UF, 50V, AXIAL	04222	SA105E104ZAA
A6C70	281-0913-00		CAP, FXD, CER DI: 0.1UF, 50V, AXIAL	04222	SA105E104ZAA
A6C71	281-0913-00		CAP, FXD, CER DI: 0.1UF, 50V, AXIAL	04222	SA105E104ZAA
A6C72	281-0913-00		CAP, FXD, CER DI: 0.1UF, 50V, AXIAL	04222	SA105E104ZAA
A6C74	281-0913-00		CAP, FXD, CER DI: 0.1UF, 50V, AXIAL	04222	SA105E104ZAA
A6C80	281-0913-00		CAP, FXD, CER DI: 0.1UF, 50V, AXIAL	04222	SA105E104ZAA
A6C81	281-0913-00		CAP, FXD, CER DI: 0.1UF, 50V, AXIAL	04222	SA105E104ZAA
A6C82	281-0913-00		CAP, FXD, CER DI: 0.1UF, 50V, AXIAL	04222	SA105E104ZAA
A6C83	281-0913-00		CAP, FXD, CER DI: 0.1UF, 50V, AXIAL	04222	SA105E104ZAA
A6C86	281-0913-00		CAP, FXD, CER DI: 0.1UF, 50V, AXIAL	04222	SA105E104ZAA
A6C94	281-0913-00		CAP, FXD, CER DI: 0.1UF, 50V, AXIAL	04222	SA105E104ZAA
A6C97	281-0913-00		CAP, FXD, CER DI: 0.1UF, 50V, AXIAL	04222	SA105E104ZAA
A6C100	281-0913-00		CAP, FXD, CER DI: 0.1UF, 50V, AXIAL	04222	SA105E104ZAA
A6C103	281-0913-00		CAP, FXD, CER DI: 0.1UF, 50V, AXIAL	04222	SA105E104ZAA
A6C104	281-0913-00		CAP, FXD, CER DI: 0.1UF, 50V, AXIAL	04222	SA105E104ZAA
A6C110	281-0913-00		CAP, FXD, CER DI: 0.1UF, 50V, AXIAL	04222	SA105E104ZAA
A6C113	281-0913-00		CAP, FXD, CER DI: 0.1UF, 50V, AXIAL	04222	SA105E104ZAA
A6C114	281-0913-00		CAP, FXD, CER DI: 0.1UF, 50V, AXIAL	04222	SA105E104ZAA
A6C121	281-0913-00		CAP, FXD, CER DI: 0.1UF, 50V, AXIAL	04222	SA105E104ZAA
A6C122	281-0913-00		CAP, FXD, CER DI: 0.1UF, 50V, AXIAL	04222	SA105E104ZAA
A6C123	281-0913-00		CAP, FXD, CER DI: 0.1UF, 50V, AXIAL	04222	SA105E104ZAA
A6C124	281-0913-00		CAP, FXD, CER DI: 0.1UF, 50V, AXIAL	04222	SA105E104ZAA
A6C131	281-0913-00		CAP, FXD, CER DI: 0.1UF, 50V, AXIAL	04222	SA105E104ZAA
A6C133	281-0913-00		CAP, FXD, CER DI: 0.1UF, 50V, AXIAL	04222	SA105E104ZAA
A6C134	281-0913-00		CAP, FXD, CER DI: 0.1UF, 50V, AXIAL	04222	SA105E104ZAA
A6C141	281-0913-00		CAP, FXD, CER DI: 0.1UF, 50V, AXIAL	04222	SA105E104ZAA
A6C142	281-0913-00		CAP, FXD, CER DI: 0.1UF, 50V, AXIAL	04222	SA105E104ZAA
A6C143	281-0913-00		CAP, FXD, CER DI: 0.1UF, 50V, AXIAL	04222	SA105E104ZAA
A6C144	281-0913-00		CAP, FXD, CER DI: 0.1UF, 50V, AXIAL	04222	SA105E104ZAA
A6C150	281-0913-00		CAP, FXD, CER DI: 0.1UF, 50V, AXIAL	04222	SA105E104ZAA
A6C152	281-0913-00		CAP, FXD, CER DI: 0.1UF, 50V, AXIAL	04222	SA105E104ZAA
A6C153	281-0913-00		CAP, FXD, CER DI: 0.1UF, 50V, AXIAL	04222	SA105E104ZAA
A6C161	281-0913-00		CAP, FXD, CER DI: 0.1UF, 50V, AXIAL	04222	SA105E104ZAA
A6C165	281-0913-00		CAP, FXD, CER DI: 0.1UF, 50V, AXIAL	04222	SA105E104ZAA
A6C166	281-0913-00		CAP, FXD, CER DI: 0.1UF, 50V, AXIAL	04222	SA105E104ZAA
A6C170	281-0913-00		CAP, FXD, CER DI: 0.1UF, 50V, AXIAL	04222	SA105E104ZAA
A6C171	281-0913-00		CAP, FXD, CER DI: 0.1UF, 50V, AXIAL	04222	SA105E104ZAA
A6C175	281-0913-00		CAP, FXD, CER DI: 0.1UF, 50V, AXIAL	04222	SA105E104ZAA
A6C176	281-0913-00		CAP, FXD, CER DI: 0.1UF, 50V, AXIAL	04222	SA105E104ZAA
A6C180	281-0913-00		CAP, FXD, CER DI: 0.1UF, 50V, AXIAL	04222	SA105E104ZAA
A6C181	281-0913-00		CAP, FXD, CER DI: 0.1UF, 50V, AXIAL	04222	SA105E104ZAA
A6C185	281-0913-00		CAP, FXD, CER DI: 0.1UF, 50V, AXIAL	04222	SA105E104ZAA
A6C190	281-0913-00		CAP, FXD, CER DI: 0.1UF, 50V, AXIAL	04222	SA105E104ZAA
A6C193	281-0913-00		CAP, FXD, CER DI: 0.1UF, 50V, AXIAL	04222	SA105E104ZAA
A6C195	281-0913-00		CAP, FXD, CER DI: 0.1UF, 50V, AXIAL	04222	SA105E104ZAA
A6C196	281-0913-00		CAP, FXD, CER DI: 0.1UF, 50V, AXIAL	04222	SA105E104ZAA
A6C200	281-0913-00		CAP, FXD, CER DI: 0.1UF, 50V, AXIAL	04222	SA105E104ZAA
A6C205	281-0913-00		CAP, FXD, CER DI: 0.1UF, 50V, AXIAL	04222	SA105E104ZAA
A6C206	281-0913-00		CAP, FXD, CER DI: 0.1UF, 50V, AXIAL	04222	SA105E104ZAA
A6C210	281-0913-00		CAP, FXD, CER DI: 0.1UF, 50V, AXIAL	04222	SA105E104ZAA
A6C215	281-0913-00		CAP, FXD, CER DI: 0.1UF, 50V, AXIAL	04222	SA105E104ZAA
A6C216	281-0913-00		CAP, FXD, CER DI: 0.1UF, 50V, AXIAL	04222	SA105E104ZAA
A6C224	281-0913-00		CAP, FXD, CER DI: 0.1UF, 50V, AXIAL	04222	SA105E104ZAA
A6C226	281-0913-00		CAP, FXD, CER DI: 0.1UF, 50V, AXIAL	04222	SA105E104ZAA
A6C232	281-0913-00		CAP, FXD, CER DI: 0.1UF, 50V, AXIAL	04222	SA105E104ZAA
A6C237	281-0913-00		CAP, FXD, CER DI: 0.1UF, 50V, AXIAL	04222	SA105E104ZAA

Replaceable Electrical Parts
11402 Extended Service Volume 2

Component No.	Tektronix Part No.	Serial/Assembly No.		Name & Description	Mfr. Code	Mfr. Part No.
		Effective	Discnt			
A6C240	281-0913-00			CAP,FXD,CER DI:0.1UF,50V,AXIAL	04222	SA105E104ZAA
A6C250	281-0913-00			CAP,FXD,CER DI:0.1UF,50V,AXIAL	04222	SA105E104ZAA
A6C252	281-0913-00			CAP,FXD,CER DI:0.1UF,50V,AXIAL	04222	SA105E104ZAA
A6C258	281-0913-00			CAP,FXD,CER DI:0.1UF,50V,AXIAL	04222	SA105E104ZAA
A6C260	281-0913-00			CAP,FXD,CER DI:0.1UF,50V,AXIAL	04222	SA105E104ZAA
A6C262	281-0913-00			CAP,FXD,CER DI:0.1UF,50V,AXIAL	04222	SA105E104ZAA
A6C264	281-0913-00			CAP,FXD,CER DI:0.1UF,50V,AXIAL	04222	SA105E104ZAA
A6C267	281-0913-00			CAP,FXD,CER DI:0.1UF,50V,AXIAL	04222	SA105E104ZAA
A6C268	281-0913-00			CAP,FXD,CER DI:0.1UF,50V,AXIAL	04222	SA105E104ZAA
A6C271	281-0913-00			CAP,FXD,CER DI:0.1UF,50V,AXIAL	04222	SA105E104ZAA
A6C275	281-0913-00			CAP,FXD,CER DI:0.1UF,50V,AXIAL	04222	SA105E104ZAA
A6C276	281-0913-00			CAP,FXD,CER DI:0.1UF,50V,AXIAL	04222	SA105E104ZAA
A6C277	281-0913-00			CAP,FXD,CER DI:0.1UF,50V,AXIAL	04222	SA105E104ZAA
A6C278	281-0913-00			CAP,FXD,CER DI:0.1UF,50V,AXIAL	04222	SA105E104ZAA
A6C279	281-0913-00			CAP,FXD,CER DI:0.1UF,50V,AXIAL	04222	SA105E104ZAA
A6C287	281-0913-00			CAP,FXD,CER DI:0.1UF,50V,AXIAL	04222	SA105E104ZAA
A6C288	281-0913-00			CAP,FXD,CER DI:0.1UF,50V,AXIAL	04222	SA105E104ZAA
A6C289	281-0913-00			CAP,FXD,CER DI:0.1UF,50V,AXIAL	04222	SA105E104ZAA
A6C293	281-0913-00			CAP,FXD,CER DI:0.1UF,50V,AXIAL	04222	SA105E104ZAA
A6C298	281-0913-00			CAP,FXD,CER DI:0.1UF,50V,AXIAL	04222	SA105E104ZAA
A6C301	281-0913-00			CAP,FXD,CER DI:0.1UF,50V,AXIAL	04222	SA105E104ZAA
A6C303	281-0913-00			CAP,FXD,CER DI:0.1UF,50V,AXIAL	04222	SA105E104ZAA
A6C310	281-0913-00			CAP,FXD,CER DI:0.1UF,50V,AXIAL	04222	SA105E104ZAA
A6C311	281-0913-00			CAP,FXD,CER DI:0.1UF,50V,AXIAL	04222	SA105E104ZAA
A6C312	281-0913-00	B010650		CAP,FXD,CER DI:0.1UF,50V,AXIAL	04222	SA105E104ZAA
A6C313	281-0913-00	B010650		CAP,FXD,CER DI:0.1UF,50V,AXIAL	04222	SA105E104ZAA
A6C500	281-0913-00			CAP,FXD,CER DI:0.1UF,50V,AXIAL	04222	SA105E104ZAA
A6C501	281-0913-00			CAP,FXD,CER DI:0.1UF,50V,AXIAL	04222	SA105E104ZAA
A6C502	281-0913-00			CAP,FXD,CER DI:0.1UF,50V,AXIAL	04222	SA105E104ZAA
A6C503	281-0913-00			CAP,FXD,CER DI:0.1UF,50V,AXIAL	04222	SA105E104ZAA
A6C504	281-0913-00			CAP,FXD,CER DI:0.1UF,50V,AXIAL	04222	SA105E104ZAA
A6C505	281-0913-00			CAP,FXD,CER DI:0.1UF,50V,AXIAL	04222	SA105E104ZAA
A6C506	281-0913-00			CAP,FXD,CER DI:0.1UF,50V,AXIAL	04222	SA105E104ZAA
A6C507	281-0913-00			CAP,FXD,CER DI:0.1UF,50V,AXIAL	04222	SA105E104ZAA
A6CR300	152-0141-02	B010100	B010649	SEMICON DVC,DI:SW,SI,30V,150MA,30V,DO-35	03508	DA2527 (1N4152)
A6CR301	152-0141-02	B010100	B010649	SEMICON DVC,DI:SW,SI,30V,150MA,30V,DO-35	03508	DA2527 (1N4152)
A6CR303	152-0141-02	B010100	B010649	SEMICON DVC,DI:SW,SI,30V,150MA,30V,DO-35	03508	DA2527 (1N4152)
A6CR304	152-0141-02	B010100	B010649	SEMICON DVC,DI:SW,SI,30V,150MA,30V,DO-35	03508	DA2527 (1N4152)
A6CR305	152-0141-02	B010100	B010649	SEMICON DVC,DI:SW,SI,30V,150MA,30V,DO-35	03508	DA2527 (1N4152)
A6DS90	150-1152-00			LT EMITTING DIO:RED 5V,T-1 PACKAGE	50434	HLMP3600 OPT 002
A6DS92	150-1152-00			LT EMITTING DIO:RED 5V,T-1 PACKAGE	50434	HLMP3600 OPT 002
A6J09	131-1003-00	B010100	B010649	CONN,RCPT,ELEC:CKT BD MT,3 PRONG	80009	131-1003-00
A6J30	131-0608-00			TERMINAL,PIN:0.365 L X 0.025 BRZ GLD PL (QUANTITY OF 3)	22526	48283-036
A6J40	131-0608-00			TERMINAL,PIN:0.365 L X 0.025 BRZ GLD PL (QUANTITY OF 3)	22526	48283-036
A6J50	131-0608-00			TERMINAL,PIN:0.365 L X 0.025 BRZ GLD PL (QUANTITY OF 3)	22526	48283-036
A6J66	131-3408-00			CONN,RCPT,ELEC:CKT BD,MALE,RT ANGLE 2 PIN 0.250 SPCG	00779	1-350946-0
A6J83	131-3182-00			CONN,RCPT,ELEC:HDR,RTANG,2 X 25,0.1 CENTER	22526	75867-008
A6J84	131-3366-00			CONN,RCPT,ELEC:HEADER,RTANG,60 PIN	53387	3597-5002
A6J85	131-3181-00			CONN,RCPT,ELEC:HEADER,RTANG,2 X 20,0.1 CTR	22526	75867-007
A6J86	131-3363-00			CONN,RCPT,ELEC:HEADER,RTANG,34 PIN	53387	3594-5002
A6J91	131-3361-00			CONN,RCPT,ELEC:HEADER,RTANG,26 PIN	53387	3593-5002
A6J100	131-3563-00	B010100	B010649	CONNECTOR,TERM:6 PIN,SQ PIN JUMPER	22526	76264-103
A6J200	131-0608-00			TERMINAL,PIN:0.365 L X 0.025 BRZ GLD PL (QUANTITY OF 20)	22526	48283-036

Component No.	Tektronix Part No.	Serial/Assembly No. Effective	Discont	Name & Description	Mfr. Code	Mfr. Part No.
A6J290	131-0608-00			TERMINAL, PIN: 0.365 L X 0.025 BRZ GLD PL (QUANTITY OF 7)	22526	48283-036
A6J450	131-0608-00			TERMINAL, PIN: 0.365 L X 0.025 BRZ GLD PL (QUANTITY OF 2)	22526	48283-036
A6J451	131-0608-00			TERMINAL, PIN: 0.365 L X 0.025 BRZ GLD PL (QUANTITY OF 2)	22526	48283-036
A6Q300	151-0190-00	B010100	B010649	TRANSISTOR: NPN, SI, TO-92	80009	151-0190-00
A6Q302	151-0190-00	B010100	B010649	TRANSISTOR: NPN, SI, TO-92	80009	151-0190-00
A6Q304	151-0190-00	B010100	B010649	TRANSISTOR: NPN, SI, TO-92	80009	151-0190-00
A6R16	307-0717-00			RES NTWK, FXD, FI: 4, 100 OHM, 2%, 0.3W	11236	750-83-R100
A6R26	307-0717-00			RES NTWK, FXD, FI: 4, 100 OHM, 2%, 0.3W	11236	750-83-R100
A6R36	307-0717-00			RES NTWK, FXD, FI: 4, 100 OHM, 2%, 0.3W	11236	750-83-R100
A6R42	307-0649-00			RES NTWK, FXD, FI: 8, 33 OHM, 2%, 0.125W	01121	3168330
A6R52	307-0649-00			RES NTWK, FXD, FI: 8, 33 OHM, 2%, 0.125W	01121	3168330
A6R90	307-0649-00			RES NTWK, FXD, FI: 8, 33 OHM, 2%, 0.125W	01121	3168330
A6R91	307-0649-00			RES NTWK, FXD, FI: 8, 33 OHM, 2%, 0.125W	01121	3168330
A6R92	307-0649-00			RES NTWK, FXD, FI: 8, 33 OHM, 2%, 0.125W	01121	3168330
A6R105	307-0446-00			RES NTWK, FXD, FI: 10K OHM, 20%, (9)RES	11236	750-101-R10K
A6R107	307-0676-00			RES NTWK, FXD, FI: 14, 330 OHM, 14, 680 OHM, 0.1W	01121	316E331681
A6R120	313-1242-00	B010100	B010649	RES, FXD, FILM: 2.4K OHM, 5%, 0.2W	57668	TR20JE 02K4
A6R122	313-1242-00	B010100	B010649	RES, FXD, FILM: 2.4K OHM, 5%, 0.2W	57668	TR20JE 02K4
A6R124	313-1242-00	B010100	B010649	RES, FXD, FILM: 2.4K OHM, 5%, 0.2W	57668	TR20JE 02K4
A6R127	307-0676-00			RES NTWK, FXD, FI: 14, 330 OHM, 14, 680 OHM, 0.1W	01121	316E331681
A6R134	307-0446-00			RES NTWK, FXD, FI: 10K OHM, 20%, (9)RES	11236	750-101-R10K
A6R195	313-1472-00			RES, FXD, FILM: 4.7K OHM, 5%, 0.2W	57668	TR20JE 04K7
A6R200	315-0820-00			RES, FXD, FILM: 82 OHM, 5%, 0.25W	57668	NTR25J-E82E0
A6R202	315-0820-00			RES, FXD, FILM: 82 OHM, 5%, 0.25W	57668	NTR25J-E82E0
A6R224	313-1103-00			RES, FXD, FILM: 10K OHM, 5%, 0.2W	57668	TR20JE10K0
A6R252	307-0675-00			RES NTWK, FXD, FI: 9, 1K OHM, 2% 1.25W	11236	750-101-R1K OHM
A6R253	307-0675-00			RES NTWK, FXD, FI: 9, 1K OHM, 2% 1.25W	11236	750-101-R1K OHM
A6R265	307-0897-00			RES NTWK, FXD, FI: 9, 330 OHM, 2%, 1.2W	01121	210A331
A6R270	313-1472-00			RES, FXD, FILM: 4.7K OHM, 5%, 0.2W	57668	TR20JE 04K7
A6R275	307-0897-00			RES NTWK, FXD, FI: 9, 330 OHM, 2%, 1.2W	01121	210A331
A6R290	313-1751-00			RES, FXD, FILM: 750 OHM, 5%, 0.2W	57668	TR20JE 750E
A6R292	313-1751-00			RES, FXD, FILM: 750 OHM, 5%, 0.2W	57668	TR20JE 750E
A6R300	313-1132-00	B010100	B010649	RES, FXD, FILM: 1.3K OHM, 5%, 0.2W	57668	TR20JE01K3
A6R301	313-1131-00	B010100	B010649	RES, FXD, FILM: 130 OHM, 5%, 0.26	57668	TR20JT68 130E
A6R302	313-1152-00	B010100	B010649	RES, FXD, FILM: 1.5K OHM, 5%, 0.2W	57668	TR20JE01K5
A6R303	313-1182-00	B010100	B010649	RES, FXD, FILM: 1.8K OHM 5%, 0.2W	57668	TR20JT681K8
A6R305	313-1102-00	B010100	B010649	RES, FXD, FILM: 1K OHM, 5%, 0.2W	57668	TR20JE01K0
A6R306	313-1622-00	B010100	B010649	RES, FXD, FILM: 6.2K OHM, 5%, 0.2W	57668	TR20JE 06K2
A6R307	313-1242-00	B010100	B010649	RES, FXD, FILM: 2.4K OHM, 5%, 0.2W	57668	TR20JE 02K4
A6R308	315-0100-00	B010100	B010649	RES, FXD, FILM: 10 OHM, 5%, 0.25W	19701	5043CX10RR00J
A6R310	307-0446-00			RES NTWK, FXD, FI: 10K OHM, 20%, (9)RES	11236	750-101-R10K
A6R600	313-1102-00	B010105		RES, FXD, FILM: 1K OHM, 5%, 0.2W	57668	TR20JE01K0
A6R600	313-1102-00	B010650		RES, FXD, FILM: 1K OHM, 5%, 0.2W	57668	TR20JE01K0
A6R602	313-1242-00	B010650		RES, FXD, FILM: 2.4K OHM, 5%, 0.2W	57668	TR20JE 02K4
A6TP1	131-0608-00			TERMINAL, PIN: 0.365 L X 0.025 BRZ GLD PL	22526	48283-036
A6TP2	131-0608-00			TERMINAL, PIN: 0.365 L X 0.025 BRZ GLD PL	22526	48283-036
A6TP3	131-0608-00			TERMINAL, PIN: 0.365 L X 0.025 BRZ GLD PL	22526	48283-036
A6TP4	131-0608-00			TERMINAL, PIN: 0.365 L X 0.025 BRZ GLD PL	22526	48283-036
A6TP5	131-0608-00			TERMINAL, PIN: 0.365 L X 0.025 BRZ GLD PL	22526	48283-036
A6TP6	131-0608-00			TERMINAL, PIN: 0.365 L X 0.025 BRZ GLD PL	22526	48283-036
A6TP7	131-0608-00			TERMINAL, PIN: 0.365 L X 0.025 BRZ GLD PL	22526	48283-036
A6TP8	131-0608-00			TERMINAL, PIN: 0.365 L X 0.025 BRZ GLD PL	22526	48283-036
A6TP9	131-0608-00			TERMINAL, PIN: 0.365 L X 0.025 BRZ GLD PL	22526	48283-036
A6TP10	131-0608-00			TERMINAL, PIN: 0.365 L X 0.025 BRZ GLD PL	22526	48283-036
A6TP11	131-0608-00			TERMINAL, PIN: 0.365 L X 0.025 BRZ GLD PL	22526	48283-036

Replaceable Electrical Parts
11402 Extended Service Volume 2

Component No.	Tektronix Part No.	Serial/Assembly No. Effective Dscont	Name & Description	Mfr. Code	Mfr. Part No.
A6TP12	131-0608-00		TERMINAL, PIN:0.365 L X 0.025 BRZ GLD PL	22526	48283-036
A6TP13	131-0608-00		TERMINAL, PIN:0.365 L X 0.025 BRZ GLD PL	22526	48283-036
A6TP14	131-0608-00		TERMINAL, PIN:0.365 L X 0.025 BRZ GLD PL	22526	48283-036
A6TP15	131-0608-00		TERMINAL, PIN:0.365 L X 0.025 BRZ GLD PL	22526	48283-036
A6TP16	131-0608-00		TERMINAL, PIN:0.365 L X 0.025 BRZ GLD PL	22526	48283-036
A6TP17	131-0608-00		TERMINAL, PIN:0.365 L X 0.025 BRZ GLD PL	22526	48283-036
A6TP18	131-0608-00		TERMINAL, PIN:0.365 L X 0.025 BRZ GLD PL	22526	48283-036
A6TP19	131-0608-00		TERMINAL, PIN:0.365 L X 0.025 BRZ GLD PL	22526	48283-036
A6TP20	131-0608-00		TERMINAL, PIN:0.365 L X 0.025 BRZ GLD PL	22526	48283-036
A6TP21	131-0608-00		TERMINAL, PIN:0.365 L X 0.025 BRZ GLD PL	22526	48283-036
A6TP22	131-0608-00		TERMINAL, PIN:0.365 L X 0.025 BRZ GLD PL	22526	48283-036
A6TP23	131-0608-00		TERMINAL, PIN:0.365 L X 0.025 BRZ GLD PL	22526	48283-036
A6TP24	131-0608-00		TERMINAL, PIN:0.365 L X 0.025 BRZ GLD PL	22526	48283-036
A6TP25	131-0608-00		TERMINAL, PIN:0.365 L X 0.025 BRZ GLD PL	22526	48283-036
A6TP26	131-0608-00		TERMINAL, PIN:0.365 L X 0.025 BRZ GLD PL	22526	48283-036
A6TP27	131-0608-00		TERMINAL, PIN:0.365 L X 0.025 BRZ GLD PL	22526	48283-036
A6TP28	131-0608-00		TERMINAL, PIN:0.365 L X 0.025 BRZ GLD PL	22526	48283-036
A6TP29	131-0608-00		TERMINAL, PIN:0.365 L X 0.025 BRZ GLD PL	22526	48283-036
A6TP30	131-0608-00		TERMINAL, PIN:0.365 L X 0.025 BRZ GLD PL	22526	48283-036
A6TP31	131-0608-00		TERMINAL, PIN:0.365 L X 0.025 BRZ GLD PL	22526	48283-036
A6TP32	131-0608-00		TERMINAL, PIN:0.365 L X 0.025 BRZ GLD PL	22526	48283-036
A6TP34	131-0608-00		TERMINAL, PIN:0.365 L X 0.025 BRZ GLD PL	22526	48283-036
A6TP35	131-0608-00		TERMINAL, PIN:0.365 L X 0.025 BRZ GLD PL	22526	48283-036
A6TP40	131-0608-00		TERMINAL, PIN:0.365 L X 0.025 BRZ GLD PL	22526	48283-036
A6TP41	131-0608-00		TERMINAL, PIN:0.365 L X 0.025 BRZ GLD PL	22526	48283-036
A6TP42	131-0608-00		TERMINAL, PIN:0.365 L X 0.025 BRZ GLD PL	22526	48283-036
A6TP43	131-0608-00		TERMINAL, PIN:0.365 L X 0.025 BRZ GLD PL	22526	48283-036
A6TP44	131-0608-00		TERMINAL, PIN:0.365 L X 0.025 BRZ GLD PL	22526	48283-036
A6TP45	131-0608-00		TERMINAL, PIN:0.365 L X 0.025 BRZ GLD PL	22526	48283-036
A6TP46	131-0608-00		TERMINAL, PIN:0.365 L X 0.025 BRZ GLD PL	22526	48283-036
A6TP47	131-0608-00		TERMINAL, PIN:0.365 L X 0.025 BRZ GLD PL	22526	48283-036
A6U10	156-2788-00		MICROCKT, DGTL:CMOS,4096 X 4,SRAM	80009	156-2788-00
A6U11	156-2788-00		MICROCKT, DGTL:CMOS,4096 X 4,SRAM	80009	156-2788-00
A6U12	156-1704-00		MICROCKT, DGTL:ASTTL,OCTAL D TYPE FF	07263	74F374PCQR
A6U13	156-1664-00		MICROCKT, DGTL:SCREENED	01295	SN74ALS574(NP3)
A6U14	156-1961-00		MICROCKT, DGTL: BIDIRECTIONAL UNIV SHF RGTR	07263	74F194P
A6U15	156-1961-00		MICROCKT, DGTL: BIDIRECTIONAL UNIV SHF RGTR	07263	74F194P
A6U16	156-0316-00		MICROCKT, DGTL:ECL,QUAD 2-INP ECL TO TTL	04713	MC10125L
A6U20	156-2788-00		MICROCKT, DGTL:CMOS,4096 X 4,SRAM	80009	156-2788-00
A6U21	156-2788-00		MICROCKT, DGTL:CMOS,4096 X 4,SRAM	80009	156-2788-00
A6U22	156-2201-00		MICROCKT, DGTL:64 BIT RANDOM ACCESS MEMORY W/3 STATE OUT,SCRN	07263	74F219PCQR
A6U23	156-1664-00		MICROCKT, DGTL:SCREENED	01295	SN74ALS574(NP3)
A6U24	156-1961-00		MICROCKT, DGTL: BIDIRECTIONAL UNIV SHF RGTR	07263	74F194P
A6U25	156-1961-00		MICROCKT, DGTL: BIDIRECTIONAL UNIV SHF RGTR	07263	74F194P
A6U26	156-0316-00		MICROCKT, DGTL:ECL,QUAD 2-INP ECL TO TTL	04713	MC10125L
A6U30	156-2788-00		MICROCKT, DGTL:CMOS,4096 X 4,SRAM	80009	156-2788-00
A6U31	156-2788-00		MICROCKT, DGTL:CMOS,4096 X 4,SRAM	80009	156-2788-00
A6U32	156-2201-00		MICROCKT, DGTL:64 BIT RANDOM ACCESS MEMORY W/3 STATE OUT,SCRN	07263	74F219PCQR
A6U33	156-1754-01		MICROCKT, DGTL:OCTAL BUFFER W/3-STATE OUT	01295	SN74ALS244AN3
A6U34	156-1704-00		MICROCKT, DGTL:ASTTL,OCTAL D TYPE FF	07263	74F374PCQR
A6U35	156-1704-00		MICROCKT, DGTL:ASTTL,OCTAL D TYPE FF	07263	74F374PCQR
A6U36	156-0316-00		MICROCKT, DGTL:ECL,QUAD 2-INP ECL TO TTL	04713	MC10125L
A6U40	156-2788-00		MICROCKT, DGTL:CMOS,4096 X 4,SRAM	80009	156-2788-00
A6U41	156-2788-00		MICROCKT, DGTL:CMOS,4096 X 4,SRAM	80009	156-2788-00
A6U43	156-1754-01		MICROCKT, DGTL:OCTAL BUFFER W/3-STATE OUT	01295	SN74ALS244AN3
A6U44	156-1704-00		MICROCKT, DGTL:ASTTL,OCTAL D TYPE FF	07263	74F374PCQR

Component No.	Tektronix Part No.	Serial/Assembly No. Effective Dscnt	Name & Description	Mfr. Code	Mfr. Part No.
A6U45	156-1704-00		MICROCKT, DGTL:ASTTL, OCTAL D TYPE FF	07263	74F374PCQR
A6U50	156-2788-00		MICROCKT, DGTL:CMOS, 4096 X 4, SRAM	80009	156-2788-00
A6U51	156-2788-00		MICROCKT, DGTL:CMOS, 4096 X 4, SRAM	80009	156-2788-00
A6U53	156-1911-00		MICROCKT, DGTL:FTTL, HEX D FF, SCRN	04713	MC74F174S
A6U54	156-2179-00		MICROCKT, DGTL:TTL, HEX/QUAD D-TYPE FF W/CLR	01295	SN74ALS174N3
A6U55	156-2179-00		MICROCKT, DGTL:TTL, HEX/QUAD D-TYPE FF W/CLR	01295	SN74ALS174N3
A6U56	156-0985-01		MICROCKT, DGTL:LSTTL, DUAL 5 INP NOR GATE	04713	SN74LS260NDS
A6U57	156-1751-00		MICROCKT, DGTL:FTTL, 4-2-3-2 INP AND/OR	04713	MC74F64NDS
A6U60	156-2788-00		MICROCKT, DGTL:CMOS, 4096 X 4, SRAM	80009	156-2788-00
A6U61	156-2788-00		MICROCKT, DGTL:CMOS, 4096 X 4, SRAM	80009	156-2788-00
A6U62	156-1909-00		MICROCKT, DGTL:QUAD 2 INP MULTIPLEXER	04713	74F157 ND OR JD
A6U63	156-1909-00		MICROCKT, DGTL:QUAD 2 INP MULTIPLEXER	04713	74F157 ND OR JD
A6U64	156-1743-00		MICROCKT, DGTL:FTTL, QUAD 2-INPUT NOR GATE	18324	74F02 NB OR FB
A6U65	156-2091-00		MICROCKT, DGTL:QUAD 2-INP POS NAND GATES	01295	SN74ALS00AN3
A6U66	156-1723-00		MICROCKT, DGTL:QUAD 2 INPUT & GATE	04713	MC74F08 ND OR JD
A6U67	156-2094-00		MICROCKT, DGTL:HEX INVERTERS	01295	SN74ALS04BN3/J4
A6U70	156-2788-00		MICROCKT, DGTL:CMOS, 4096 X 4, SRAM	80009	156-2788-00
A6U71	156-2788-00		MICROCKT, DGTL:CMOS, 4096 X 4, SRAM	80009	156-2788-00
A6U72	156-1911-00		MICROCKT, DGTL:FTTL, HEX D FF, SCRN	04713	MC74F174S
A6U73	156-1726-00		MICROCKT, DGTL:FTTL, DUAL 1 OF 4 DCDR, SCRN	04713	MC74F139 N
A6U74	156-1724-00		MICROCKT, DGTL:FTTL, QUAD 2 INP OR GATE	04713	MC74F32ND
A6U75	156-1611-00		MICROCKT, DGTL:ASTTL, DUAL D TYPE EDGE-TRIG	80009	156-1611-00
A6U76	156-2093-00		MICROCKT, DGTL:QUAD 2-INP POSITIVE OR GATE	01295	SN74ALS32N3
A6U77	156-1756-00		MICROCKT, DGTL:ALSTTL, DUAL D TYPE FF, W/CL	01295	SN74ALS74NP3/JP4
A6U80	156-2788-00		MICROCKT, DGTL:CMOS, 4096 X 4, SRAM	80009	156-2788-00
A6U81	156-2788-00		MICROCKT, DGTL:CMOS, 4096 X 4, SRAM	80009	156-2788-00
A6U83	156-1752-00		MICROCKT, DGTL:FTTL, TRIPLE 3 INP NAND GATE	04713	MC 74F10N
A6U84	156-1756-00		MICROCKT, DGTL:ALSTTL, DUAL D TYPE FF, W/CL	01295	SN74ALS74NP3/JP4
A6U85	156-2113-00		MICROCKT, DGTL:QUAD 2-INP POSITIVE-AND GATE	01295	SN74ALS08N3
A6U86	156-1754-01		MICROCKT, DGTL:OCTAL BUFFER W/3-STATE OUT	01295	SN74ALS244AN3
A6U93	156-1722-00		MICROCKT, DGTL:FTTL, HEX INVERTER	04713	MC74F04ND
A6U94	156-2167-00		MICROCKT, DGTL:HEX INVERTING BUFFER, SCRN	01295	SN74AS1004N3
A6U95	156-0951-02		MICROCKT, DGTL:QUAD D RGSTR, SCREENED	01295	SN74LS173N3
A6U96	156-0951-02		MICROCKT, DGTL:QUAD D RGSTR, SCREENED	01295	SN74LS173N3
A6U97	156-0951-02		MICROCKT, DGTL:QUAD D RGSTR, SCREENED	01295	SN74LS173N3
A6U100	156-1911-00		MICROCKT, DGTL:FTTL, HEX D FF, SCRN	04713	MC74F174S
A6U101	156-1911-00		MICROCKT, DGTL:FTTL, HEX D FF, SCRN	04713	MC74F174S
A6U102	156-1911-00		MICROCKT, DGTL:FTTL, HEX D FF, SCRN	04713	MC74F174S
A6U103	156-1911-00		MICROCKT, DGTL:FTTL, HEX D FF, SCRN	01295	SN74ALS574(NP3)
A6U104	156-1664-00		MICROCKT, DGTL:SCREENED	01295	SN74ALS564NP3
A6U105	156-1691-00		MICROCKT, DGTL:STTL, D-TYPE EDGE-TRIGGERED FF W/INVT OUT	01295	SN74ALS574(NP3)
A6U106	156-1664-00		MICROCKT, DGTL:SCREENED	01295	SN74ALS574(NP3)
A6U110	156-1714-00		MICROCKT, DGTL:ASTTL, SYN UP/DOWN BIN COUNTER	07263	74F191 (PCQR)
A6U111	156-1714-00		MICROCKT, DGTL:ASTTL, SYN UP/DOWN BIN COUNTER	07263	74F191 (PCQR)
A6U112	156-1714-00		MICROCKT, DGTL:ASTTL, SYN UP/DOWN BIN COUNTER	07263	74F191 (PCQR)
A6U113	156-1714-00		MICROCKT, DGTL:ASTTL, SYN UP/DOWN BIN COUNTER	07263	74F191 (PCQR)
A6U114	156-1664-00		MICROCKT, DGTL:SCREENED	01295	SN74ALS574(NP3)
A6U115	156-1753-00		MICROCKT, DGTL:OCTAL BUFFER & LINE DRIVER	01295	74ALS240NP3
A6U116	156-1664-00		MICROCKT, DGTL:SCREENED	01295	SN74ALS574(NP3)
A6U120	156-1957-00		MICROCKT, DGTL:DUAL 4 INPUT NAND GATE	04713	74F20 N
A6U121	156-1723-00		MICROCKT, DGTL:QUAD 2 INPUT & GATE	04713	MC74F08 ND OR JD
A6U122	156-1752-00		MICROCKT, DGTL:FTTL, TRIPLE 3 INP NAND GATE	04713	MC 74F10N
A6U123	156-1727-00		MICROCKT, DGTL:1 OF 8 DCDR/DEMULTIPLEXER	04713	MC74F138 N
A6U124	156-1664-00		MICROCKT, DGTL:SCREENED	01295	SN74ALS574(NP3)
A6U125	156-1754-01		MICROCKT, DGTL:OCTAL BUFFER W/3-STATE OUT	01295	SN74ALS244AN3
A6U126	156-1664-00		MICROCKT, DGTL:SCREENED	01295	SN74ALS574(NP3)
A6U131	156-1911-00		MICROCKT, DGTL:FTTL, HEX D FF, SCRN	04713	MC74F174S

Replaceable Electrical Parts
11402 Extended Service Volume 2

Component No.	Tektronix Part No.	Serial/Assembly No. Effective	Discort	Name & Description	Mfr. Code	Mfr. Part No.
AGU132	156-2113-00			MICROCKT, DGTL: QUAD 2-INP POSITIVE-AND GATE	01295	SN74ALS08N3
AGU133	156-1800-00			MICROCKT, DGTL: ASTTL, QUAD 2 INP EXCL OR GATE	18324	N74F86(NB OR JB)
AGU134	156-1748-02			MICROCKT, DGTL: OCTAL BUS XCVR W/3-STATE OUT	01295	SN74ALS245AN3
AGU135	156-1664-00			MICROCKT, DGTL: SCREENED	01295	SN74ALS574(NP3)
AGU136	156-1664-00			MICROCKT, DGTL: SCREENED	01295	SN74ALS574(NP3)
AGU140	156-1707-00			MICROCKT, DGTL: QUAD 2-INPUT NAND GATE, SCRN	04713	MC7400(NDORJD)
AGU141	156-2094-00			MICROCKT, DGTL: HEX INVERTERS	01295	SN74ALS048N3/J4
AGU142	156-2101-00			MICROCKT, DGTL: DUAL 4-INP POS NAND GATES	01295	SN74ALS20AN3
AGU143	156-0985-01			MICROCKT, DGTL: LSTTL, DUAL 5 INP NOR GATE	04713	SN74LS260NDS
AGU144	156-1957-00			MICROCKT, DGTL: DUAL 4 INPUT NAND GATE	04713	74F20 N
AGU145	156-1722-00			MICROCKT, DGTL: FTTL, HEX INVERTER	04713	MC74F04ND
AGU146	156-1754-01			MICROCKT, DGTL: OCTAL BUFFER W/3-STATE OUT	01295	SN74ALS244AN3
AGU150	156-1911-00			MICROCKT, DGTL: FTTL, HEX D FF, SCRN	04713	MC74F174S
AGU151	156-2091-00			MICROCKT, DGTL: QUAD 2-INP POS NAND GATES	01295	SN74ALS00AN3
AGU152	156-2101-00			MICROCKT, DGTL: DUAL 4-INP POS NAND GATES	01295	SN74ALS20AN3
AGU153	156-2239-00			MICROCKT, DGTL: DUAL 4 INP POS AND GATES	01295	SN74ALS21N3
AGU160	156-1911-00			MICROCKT, DGTL: FTTL, HEX D FF, SCRN	04713	MC74F174S
AGU161	156-1663-00			MICROCKT, DGTL: ASTTL, TPL 3-INP & GATE	04713	MC74F11ND/JD
AGU162	156-1611-00			MICROCKT, DGTL: ASTTL, DUAL D TYPE EDGE-TRIG	80009	156-1611-00
AGU163	156-1664-00			MICROCKT, DGTL: SCREENED	01295	SN74ALS574(NP3)
AGU164	156-2093-00			MICROCKT, DGTL: QUAD 2-INP POSITIVE OR GATE	01295	SN74ALS32N3
AGU165	156-1973-00			MICROCKT, DGTL: STTL, QUAD D FF	07263	74F175PCQR
AGU166	156-2645-00			MICROCKT, DGTL: CMOS, SEMI CUSTOM, STD CELL	80009	156-2645-00
AGU167	156-2072-00			MICROCKT, DGTL: PIPELINE REGISTER	34335	AM29818DCB
AGU170	156-1722-00			MICROCKT, DGTL: FTTL, HEX INVERTER	04713	MC74F04ND
AGU171	156-2097-00			MICROCKT, DGTL: TRIPLE 3-INP POS NOR GATES	01295	SN74ALS27N3
AGU172	156-2095-00			MICROCKT, DGTL: QUAD 2-INP EXCLUSIVE OR GATE	01295	SN74ALS86N3/J4
AGU173	160-3940-00	B010100	B010649	MICROCKT, DGTL: STTL, 256 X 4, 3 STATE, PROM	80009	160-3940-00
AGU173	160-3940-01	B010650		MICROCKT, DGTL: STTL, 256 X 4, 3 STATE, PROM	80009	160-3940-01
AGU174	156-1909-00			MICROCKT, DGTL: QUAD 2 INP MULTIPLEXER	04713	74F157 ND OR JD
AGU175	156-1611-00			MICROCKT, DGTL: ASTTL, DUAL D TYPE EDGE-TRIG	80009	156-1611-00
AGU176	156-2072-00			MICROCKT, DGTL: PIPELINE REGISTER	34335	AM29818DCB
AGU180	156-1961-00			MICROCKT, DGTL: BIDIRECTIONAL UNIV SHF RGTR	07263	74F194P
AGU181	160-3939-00			MICROCKT, DGTL: BIPOLAR PROGRAMMABLE SEQ	80009	160-3939-00
AGU183	156-1961-00			MICROCKT, DGTL: BIDIRECTIONAL UNIV SHF RGTR	07263	74F194P
AGU184	160-4144-00	B010100	B010649	MICROCKT, DGTL: STTL, 256 X 4 PROM, PRGM	80009	160-4144-00
AGU184	160-4144-01	B010650		MICROCKT, DGTL: STTL, 256 X 4, 3 STATE, PROM	80009	160-4144-01
AGU185	156-1756-00			MICROCKT, DGTL: ALSTTL, DUAL D TYPE FF, W/CL	01295	SN74ALS74NP3/JP4
AGU186	156-1754-01			MICROCKT, DGTL: OCTAL BUFFER W/3-STATE OUT	01295	SN74ALS244AN3
AGU190	156-1743-00			MICROCKT, DGTL: FTTL, QUAD 2-INPUT NOR GATE	18324	74F02 NB OR FB
AGU193	156-1752-00			MICROCKT, DGTL: FTTL, TRIPLE 3 INP NAND GATE	04713	MC 74F10N
AGU194	156-1909-00			MICROCKT, DGTL: QUAD 2 INP MULTIPLEXER	04713	74F157 ND OR JD
AGU195	156-2113-00			MICROCKT, DGTL: QUAD 2-INP POSITIVE-AND GATE	01295	SN74ALS08N3
AGU196	156-1373-01			MICROCKT, DGTL: LSTTL, QUAD BUS BFR	27014	DM74LS125 NA+
AGU197	156-1373-01			MICROCKT, DGTL: LSTTL, QUAD BUS BFR	27014	DM74LS125 NA+
AGU198	156-1664-00			MICROCKT, DGTL: SCREENED	01295	SN74ALS574(NP3)
AGU200	156-1611-00			MICROCKT, DGTL: ASTTL, DUAL D TYPE EDGE-TRIG	80009	156-1611-00
AGU201	156-2179-00			MICROCKT, DGTL: TTL, HEX/QUAD D-TYPE FF W/CLR	01295	SN74ALS174N3
AGU202	156-1961-00			MICROCKT, DGTL: BIDIRECTIONAL UNIV SHF RGTR	07263	74F194P
AGU203	156-2264-00			MICROCKT, DGTL: QUAD PARALLEL RGTR W/ENABLE	07263	74F379PCQR
AGU204	156-2201-00			MICROCKT, DGTL: 64 BIT RANDOM ACCESS MEMORY W/3 STATE OUT, SCRN	07263	74F219PCQR
AGU205	156-2201-00			MICROCKT, DGTL: 64 BIT RANDOM ACCESS MEMORY W/3 STATE OUT, SCRN	07263	74F219PCQR
AGU206	156-2093-00			MICROCKT, DGTL: QUAD 2-INP POSITIVE OR GATE	01295	SN74ALS32N3
AGU207	156-0541-02			MICROCKT, DGTL: DUAL 2-TO 4-LINE DCDR/DEMUX	04713	SN74LS139NDS
AGU210	156-1911-00			MICROCKT, DGTL: FTTL, HEX D FF, SCRN	04713	MC74F174S
AGU211	156-1724-00			MICROCKT, DGTL: FTTL, QUAD 2 INP OR GATE	04713	MC74F32ND

Replaceable Electrical Parts
11402 Extended Service Volume 2

Component No.	Tektronix Part No.	Serial/Assembly No.		Name & Description	Mfr. Code	Mfr. Part No.
		Effective	Dscont			
AGU212	156-1704-00			MICROCKT, DGTL:ASTTL, OCTAL D TYPE FF	07263	74F374PCQR
AGU213	156-1751-00			MICROCKT, DGTL:FTTL, 4-2-3-2 INP AND/OR	04713	MC74F64NDS
AGU214	156-2201-00			MICROCKT, DGTL:64 BIT RANDOM ACCESS MEMORY W/3 STATE OUT, SCRN	07263	74F219PCQR
AGU215	156-2201-00			MICROCKT, DGTL:64 BIT RANDOM ACCESS MEMORY W/3 STATE OUT, SCRN	07263	74F219PCQR
AGU216	156-2093-00			MICROCKT, DGTL:QUAD 2-INP POSITIVE OR GATE	01295	SN74ALS32N3
AGU217	156-0541-02			MICROCKT, DGTL:DUAL 2-TO 4-LINE DCDR/DEMUX	04713	SN74LS139NDS
AGU218	156-0541-02			MICROCKT, DGTL:DUAL 2-TO 4-LINE DCDR/DEMUX	04713	SN74LS139NDS
AGU220	156-1756-00			MICROCKT, DGTL:ALSTTL, DUAL D TYPE FF, W/CL	01295	SN74ALS74NP3/JP4
AGU221	156-2094-00			MICROCKT, DGTL:HEX INVERTERS	01295	SN74ALS04BN3/J4
AGU224	156-1841-00			MICROCKT, DGTL:16 BIT MICROPROCESSOR	34335	R80186
AGU225	156-1704-00			MICROCKT, DGTL:ASTTL, OCTAL D TYPE FF	07263	74F374PCQR
AGU226	156-2094-00			MICROCKT, DGTL:HEX INVERTERS	01295	SN74ALS04BN3/J4
AGU227	156-1395-01			MICROCKT, DGTL:LSTTL, QUAD 2 TO 1 LINE DATA	04713	SN74LS158ND
AGU228	156-0469-02			MICROCKT, DGTL:3/8 LINE DCDR, SCRN	01295	SN74LS138NP3
AGU230	156-2093-00			MICROCKT, DGTL:QUAD 2-INP POSITIVE OR GATE	01295	SN74ALS32N3
AGU232	156-1318-00			MICROCKT, DGTL:LSTTL, 4-BIT BISTABLE LATCH	01295	SN74LS375NP3
AGU235	156-2113-00			MICROCKT, DGTL:QUAD 2-INP POSITIVE-AND GATE	01295	SN74ALS08N3
AGU236	156-1707-00			MICROCKT, DGTL:QUAD 2-INPUT NAND GATE, SCRN	04713	MC7400(NDRJJD)
AGU237	156-1611-00			MICROCKT, DGTL:ASTTL, DUAL D TYPE EDGE-TRIG	80009	156-1611-00
AGU238	156-0469-02			MICROCKT, DGTL:3/8 LINE DCDR, SCRN	01295	SN74LS138NP3
AGU239	156-1723-00			MICROCKT, DGTL:QUAD 2 INPUT & GATE	04713	MC74F08 ND OR JD
AGU240	156-1998-00			MICROCKT, DGTL:ALSTTL, OCTAL D TYPE FF	01295	SN74ALS273
AGU241	156-1754-01			MICROCKT, DGTL:OCTAL BUFFER W/3-STATE OUT	01295	SN74ALS244AN3
AGU245	156-1724-00			MICROCKT, DGTL:FTTL, QUAD 2 INP OR GATE	04713	MC74F32ND
AGU246	156-1722-00			MICROCKT, DGTL:FTTL, HEX INVERTER	04713	MC74F04ND
AGU247	156-1723-00			MICROCKT, DGTL:QUAD 2 INPUT & GATE	04713	MC74F08 ND OR JD
AGU248	156-2093-00			MICROCKT, DGTL:QUAD 2-INP POSITIVE OR GATE	01295	SN74ALS32N3
AGU249	156-1754-01			MICROCKT, DGTL:OCTAL BUFFER W/3-STATE OUT	01295	SN74ALS244AN3
AGU250	156-1664-00			MICROCKT, DGTL:SCREENED	01295	SN74ALS574(NP3)
AGU251	156-1664-00			MICROCKT, DGTL:SCREENED	01295	SN74ALS574(NP3)
AGU252	156-1858-00			MICROCKT, DGTL:TRANSPARENT D-TYPE LATCHES	80009	156-1858-00
AGU253	156-1858-00			MICROCKT, DGTL:TRANSPARENT D-TYPE LATCHES	80009	156-1858-00
AGU254	156-1663-00			MICROCKT, DGTL:ASTTL, TPL 3-INP & GATE	04713	MC74F11ND/JD
AGU255	156-1611-00			MICROCKT, DGTL:ASTTL, DUAL D TYPE EDGE-TRIG	80009	156-1611-00
AGU256	156-1751-00			MICROCKT, DGTL:FTTL, 4-2-3-2 INP AND/OR	04713	MC74F64NDS
AGU257	156-1611-00			MICROCKT, DGTL:ASTTL, DUAL D TYPE EDGE-TRIG	80009	156-1611-00
AGU258	156-1973-00			MICROCKT, DGTL:STTL, QUAD D FF	07263	74F175PCQR
AGU260	156-1664-00			MICROCKT, DGTL:SCREENED	01295	SN74ALS574(NP3)
AGU261	156-1664-00			MICROCKT, DGTL:SCREENED	01295	SN74ALS574(NP3)
AGU262	156-1748-02			MICROCKT, DGTL:OCTAL BUS XCVR W/3-STATE OUT	01295	SN74ALS245AN3
AGU263	156-1748-02			MICROCKT, DGTL:OCTAL BUS XCVR W/3-STATE OUT	01295	SN74ALS245AN3
AGU264	156-2646-00			MICROCKT, DGTL:CMOS, SEMI CUSTOM, STD CELL, TIME BASE	80009	156-2646-00
AGU267	156-2091-00			MICROCKT, DGTL:QUAD 2-INP POS NAND GATES	01295	SN74ALS00AN3
AGU268	156-1724-00			MICROCKT, DGTL:FTTL, QUAD 2 INP OR GATE	04713	MC74F32ND
AGU271	156-2066-00			MICROCKT, DGTL:CMOS, 8192 X 8, SCRN	80009	156-2066-00
AGU273	156-2066-00			MICROCKT, DGTL:CMOS, 8192 X 8, SCRN	80009	156-2066-00
AGU275	156-2646-00			MICROCKT, DGTL:CMOS, SEMI CUSTOM, STD CELL, TIME BASE	80009	156-2646-00
AGU276	156-2167-00			MICROCKT, DGTL:HEX INVERTING BUFFER, SCRN	01295	SN74AS1004N3
AGU277	156-2113-00			MICROCKT, DGTL:QUAD 2-INP POSITIVE-AND GATE	01295	SN74ALS08N3
AGU278	156-1751-00			MICROCKT, DGTL:FTTL, 4-2-3-2 INP AND/OR	04713	MC74F64NDS
AGU279	156-1724-00			MICROCKT, DGTL:FTTL, QUAD 2 INP OR GATE	04713	MC74F32ND
AGU281	160-3941-01	B010100	B010189	MICROCKT, DGTL:HMONS, 65536 X 8 EPROM, W/3 STATE OUT, PRGM	80009	160-3941-01
AGU281	160-3941-02	B010190	B010330	MICROCKT, DGTL:HMONS, 65536 X 8 EPROM, PRGM	80009	160-3941-02

Replaceable Electrical Parts
11402 Extended Service Volume 2

Component No.	Tektronix	Serial/Assembly No.		Name & Description	Mfr.	Mfr. Part No.
	Part No.	Effective	Discont		Code	
A6U281	160-3941-03	B010331	B010534	MICROCKT, DGTL:HMOS, 65536 X 8 EPROM, PRGM	80009	160-3941-03
A6U281	160-3941-04	B010535	B010653	MICROCKT, DGTL:HMOS, 65536 X 8 EPROM, PRGM	80009	160-3941-04
A6U281	160-3941-05	B010654	B021081	MICROCKT, DGTL:HMOS, 65536 X 8 EPROM, PRGM	80009	160-3941-05
A6U281	160-3941-06	B021082		MICROCKT, DGTL:HMOS, 65536 X 8 EPROM, PRGM	80009	160-3941-06
A6U283	160-3942-01	B010100	B010189	MICROCKT, DGTL:HMOS, 65536 X 8 EPROM, W/3 STATE OUT, PRGM	80009	160-3942-01
A6U283	160-3942-02	B010190	B010330	MICROCKT, DGTL:HMOS, 65536 X 8 EPROM, PRGM	80009	160-3942-02
A6U283	160-3942-03	B010331	B010534	MICROCKT, DGTL:HMOS, 65536 X 8 EPROM, PRGM	80009	160-3942-03
A6U283	160-3942-04	B010535	B010653	MICROCKT, DGTL:HMOS, 65536 X 8 EPROM, PRGM	80009	160-3942-04
A6U283	160-3942-05	B010654	B021081	MICROCKT, DGTL:HMOS, 65536 X 8 EPROM, PRGM	80009	160-3942-05
A6U283	160-3942-06	B021082		MICROCKT, DGTL:HMOS, 65536 X 8 EPROM, PRGM	80009	160-3942-06
A6U284	156-1664-00			MICROCKT, DGTL:SCREENED	01295	SN74ALS574(NP3)
A6U285	156-1751-00			MICROCKT, DGTL:F TTL, 4-2-3-2 INP AND/OR	04713	MC74F64NDS
A6U286	156-1664-00			MICROCKT, DGTL:SCREENED	01295	SN74ALS574(NP3)
A6U287	156-1751-00			MICROCKT, DGTL:F TTL, 4-2-3-2 INP AND/OR	04713	MC74F64NDS
A6U288	156-1724-00			MICROCKT, DGTL:F TTL, QUAD 2 INP OR GATE	04713	MC74F32ND
A6U289	156-1664-00			MICROCKT, DGTL:SCREENED	01295	SN74ALS574(NP3)
A6U290	156-1998-00			MICROCKT, DGTL:ALSTTL, OCTAL D TYPE FF	01295	SN74ALS273
A6U293	156-1751-00			MICROCKT, DGTL:F TTL, 4-2-3-2 INP AND/OR	04713	MC74F64NDS
A6U294	156-2002-00			MICROCKT, DGTL:F TTL, OCTAL D TYPE FF	04713	DM74F534NDS
A6U295	156-1756-00	B010100	B010649	MICROCKT, DGTL:ALSTTL, DUAL D TYPE FF, W/CL	01295	SN74ALS74NP3/JP4
A6U295	160-4526-00	B010650	B010913	MICROCKT, DGTL:STTL, HS 16 INP RGTR, PRGM	80009	160-4526-00
A6U295	160-4526-01	B010914		MICROCKT, DGTL:STTL, HS 16 INP RGTR, PRGM	80009	160-4526-01
A6U296	156-0721-02	B010100	B010649	MICROCKT, DGTL:QUAD ST 2-INP NAND GATES	18324	N74LS132(NBORFB)
A6U296	160-4527-00	B010650		MICROCKT, DGTL:STTL, HEX 16 INP RGTR, PRGM	80009	160-4527-00
A6U297	156-1704-00			MICROCKT, DGTL:ASTTL, OCTAL D TYPE FF	07263	74F374PCQR
A6U298	156-1743-00			MICROCKT, DGTL:F TTL, QUAD 2-INPUT NOR GATE	18324	74F02 NB OR FB
A6U300	156-1748-02			MICROCKT, DGTL:OCTAL BUS XCVR W/3-STATE OUT	01295	SN74ALS245AN3
A6U301	156-1172-01			MICROCKT, DGTL:DUAL 4 BIT BIN CNTR, SCRN	01295	SN74LS393NP3
A6U302	160-4066-00			MICROCKT, DGTL:STTL, 256 X 4 PROM, PRGM	80009	160-4066-00
A6U303	156-1935-00			MICROCKT, DGTL:SYNC PRESETTABLE BINARY CNTR	04713	MC74F163ND/JD
A6U304	156-1935-00			MICROCKT, DGTL:SYNC PRESETTABLE BINARY CNTR	04713	MC74F163ND/JD
A6X166	136-0875-00			SKT, PL-IN ELEK:MICROCKT, 68 PIN	00779	821574-1
A6X224	136-0813-00			SKT, PL-IN ELEK:CHIP CARRIER, 68 CONTACTS	19613	268-5400-00-1102
A6X281	136-0755-00			SKT, PL-IN ELEK:MICROCIRCUIT, 28 DIP	09922	D1LB28P-108
A6X283	136-0755-00			SKT, PL-IN ELEK:MICROCIRCUIT, 28 DIP	09922	D1LB28P-108
A6Y220	119-1408-00			OSC, XTAL CLOCK:16MHZ, 0.01%	80009	119-1408-00
A7	670-8848-00	B010100	B021081	CIRCUIT BD ASSY:DISPLAY CONTROLLER	80009	670-8848-00
A7	670-8848-01	B021082		CIRCUIT BD ASSY:DISPLAY CONTROLLER	80009	670-8848-01
A7C100	281-0913-00			CAP, FXD, CER DI:0.1UF, 50V, AXIAL	04222	SA105E104ZAA
A7C101	281-0913-00			CAP, FXD, CER DI:0.1UF, 50V, AXIAL	04222	SA105E104ZAA
A7C102	281-0913-00			CAP, FXD, CER DI:0.1UF, 50V, AXIAL	04222	SA105E104ZAA
A7C103	281-0913-00			CAP, FXD, CER DI:0.1UF, 50V, AXIAL	04222	SA105E104ZAA
A7C110	281-0913-00			CAP, FXD, CER DI:0.1UF, 50V, AXIAL	04222	SA105E104ZAA
A7C111	281-0913-00			CAP, FXD, CER DI:0.1UF, 50V, AXIAL	04222	SA105E104ZAA
A7C112	281-0913-00			CAP, FXD, CER DI:0.1UF, 50V, AXIAL	04222	SA105E104ZAA
A7C113	281-0913-00			CAP, FXD, CER DI:0.1UF, 50V, AXIAL	04222	SA105E104ZAA
A7C120	281-0913-00			CAP, FXD, CER DI:0.1UF, 50V, AXIAL	04222	SA105E104ZAA
A7C121	281-0913-00			CAP, FXD, CER DI:0.1UF, 50V, AXIAL	04222	SA105E104ZAA
A7C122	281-0913-00			CAP, FXD, CER DI:0.1UF, 50V, AXIAL	04222	SA105E104ZAA
A7C123	281-0913-00			CAP, FXD, CER DI:0.1UF, 50V, AXIAL	04222	SA105E104ZAA
A7C124	281-0913-00			CAP, FXD, CER DI:0.1UF, 50V, AXIAL	04222	SA105E104ZAA
A7C125	281-0913-00			CAP, FXD, CER DI:0.1UF, 50V, AXIAL	04222	SA105E104ZAA
A7C130	290-0944-00			CAP, FXD, ELCTLT:220UF, +50-20%, 10V	55680	ULB1A221TPAANA
A7C200	281-0913-00			CAP, FXD, CER DI:0.1UF, 50V, AXIAL	04222	SA105E104ZAA
A7C201	281-0913-00			CAP, FXD, CER DI:0.1UF, 50V, AXIAL	04222	SA105E104ZAA
A7C210	281-0913-00			CAP, FXD, CER DI:0.1UF, 50V, AXIAL	04222	SA105E104ZAA

Replaceable Electrical Parts
11401 Extended Service Volume 2

Component No.	Tektronix Part No.	Serial/Assembly No. Effective Dscnt	Name & Description	Mfr. Code	Mfr. Part No.
A7C411	281-0913-00		CAP, FXD, CER DI:0.1UF, 50V, AXIAL	04222	SA105E104ZAA
A7C413	281-0913-00		CAP, FXD, CER DI:0.1UF, 50V, AXIAL	04222	SA105E104ZAA
A7C420	281-0913-00		CAP, FXD, CER DI:0.1UF, 50V, AXIAL	04222	SA105E104ZAA
A7C421	281-0913-00		CAP, FXD, CER DI:0.1UF, 50V, AXIAL	04222	SA105E104ZAA
A7C423	281-0913-00		CAP, FXD, CER DI:0.1UF, 50V, AXIAL	04222	SA105E104ZAA
A7C424	281-0913-00		CAP, FXD, CER DI:0.1UF, 50V, AXIAL	04222	SA105E104ZAA
A7C425	281-0913-00		CAP, FXD, CER DI:0.1UF, 50V, AXIAL	04222	SA105E104ZAA
A7C426	281-0913-00		CAP, FXD, CER DI:0.1UF, 50V, AXIAL	04222	SA105E104ZAA
A7C427	281-0913-00		CAP, FXD, CER DI:0.1UF, 50V, AXIAL	04222	SA105E104ZAA
A7C430	281-0913-00		CAP, FXD, CER DI:0.1UF, 50V, AXIAL	04222	SA105E104ZAA
A7C431	281-0913-00		CAP, FXD, CER DI:0.1UF, 50V, AXIAL	04222	SA105E104ZAA
A7C432	281-0913-00		CAP, FXD, CER DI:0.1UF, 50V, AXIAL	04222	SA105E104ZAA
A7C434	281-0913-00		CAP, FXD, CER DI:0.1UF, 50V, AXIAL	04222	SA105E104ZAA
A7C435	281-0913-00		CAP, FXD, CER DI:0.1UF, 50V, AXIAL	04222	SA105E104ZAA
A7C502	281-0913-00		CAP, FXD, CER DI:0.1UF, 50V, AXIAL	04222	SA105E104ZAA
A7C503	281-0913-00		CAP, FXD, CER DI:0.1UF, 50V, AXIAL	04222	SA105E104ZAA
A7C510	281-0913-00		CAP, FXD, CER DI:0.1UF, 50V, AXIAL	04222	SA105E104ZAA
A7C511	281-0913-00		CAP, FXD, CER DI:0.1UF, 50V, AXIAL	04222	SA105E104ZAA
A7C512	281-0913-00		CAP, FXD, CER DI:0.1UF, 50V, AXIAL	04222	SA105E104ZAA
A7C513	281-0913-00		CAP, FXD, CER DI:0.1UF, 50V, AXIAL	04222	SA105E104ZAA
A7C516	281-0913-00		CAP, FXD, CER DI:0.1UF, 50V, AXIAL	04222	SA105E104ZAA
A7C521	281-0913-00		CAP, FXD, CER DI:0.1UF, 50V, AXIAL	04222	SA105E104ZAA
A7C523	281-0913-00		CAP, FXD, CER DI:0.1UF, 50V, AXIAL	04222	SA105E104ZAA
A7C524	281-0913-00		CAP, FXD, CER DI:0.1UF, 50V, AXIAL	04222	SA105E104ZAA
A7C525	281-0913-00		CAP, FXD, CER DI:0.1UF, 50V, AXIAL	04222	SA105E104ZAA
A7C526	281-0913-00		CAP, FXD, CER DI:0.1UF, 50V, AXIAL	04222	SA105E104ZAA
A7C531	281-0913-00		CAP, FXD, CER DI:0.1UF, 50V, AXIAL	04222	SA105E104ZAA
A7C532	281-0913-00		CAP, FXD, CER DI:0.1UF, 50V, AXIAL	04222	SA105E104ZAA
A7C600	281-0913-00		CAP, FXD, CER DI:0.1UF, 50V, AXIAL	04222	SA105E104ZAA
A7C601	281-0913-00		CAP, FXD, CER DI:0.1UF, 50V, AXIAL	04222	SA105E104ZAA
A7C602	281-0913-00		CAP, FXD, CER DI:0.1UF, 50V, AXIAL	04222	SA105E104ZAA
A7C613	281-0913-00		CAP, FXD, CER DI:0.1UF, 50V, AXIAL	04222	SA105E104ZAA
A7C614	281-0913-00		CAP, FXD, CER DI:0.1UF, 50V, AXIAL	04222	SA105E104ZAA
A7C615	281-0913-00		CAP, FXD, CER DI:0.1UF, 50V, AXIAL	04222	SA105E104ZAA
A7C620	281-0913-00		CAP, FXD, CER DI:0.1UF, 50V, AXIAL	04222	SA105E104ZAA
A7C622	281-0913-00		CAP, FXD, CER DI:0.1UF, 50V, AXIAL	04222	SA105E104ZAA
A7C631	281-0913-00		CAP, FXD, CER DI:0.1UF, 50V, AXIAL	04222	SA105E104ZAA
A7C632	281-0913-00		CAP, FXD, CER DI:0.1UF, 50V, AXIAL	04222	SA105E104ZAA
A7C634	281-0913-00		CAP, FXD, CER DI:0.1UF, 50V, AXIAL	04222	SA105E104ZAA
A7C710	281-0913-00		CAP, FXD, CER DI:0.1UF, 50V, AXIAL	04222	SA105E104ZAA
A7C713	281-0913-00		CAP, FXD, CER DI:0.1UF, 50V, AXIAL	04222	SA105E104ZAA
A7C721	281-0913-00		CAP, FXD, CER DI:0.1UF, 50V, AXIAL	04222	SA105E104ZAA
A7C731	281-0913-00		CAP, FXD, CER DI:0.1UF, 50V, AXIAL	04222	SA105E104ZAA
A7DS500	150-1152-00		LT EMITTING DIO:RED 5V, T-1 PACKAGE	50434	HLMP3600 OPT 002
A7DS501	150-1152-00		LT EMITTING DIO:RED 5V, T-1 PACKAGE	50434	HLMP3600 OPT 002
A7J5	131-0608-00		TERMINAL, PIN:0.365 L X 0.025 BRZ GLD PL (QUANTITY OF 3)	22526	48283-036
A7J6	131-0608-00		TERMINAL, PIN:0.365 L X 0.025 BRZ GLD PL (QUANTITY OF 3)	22526	48283-036
A7J7	131-0608-00		TERMINAL, PIN:0.365 L X 0.025 BRZ GLD PL (QUANTITY OF 3)	22526	48283-036
A7J8	131-0608-00		TERMINAL, PIN:0.365 L X 0.025 BRZ GLD PL (QUANTITY OF 3)	22526	48283-036
A7J9	131-0608-00		TERMINAL, PIN:0.365 L X 0.025 BRZ GLD PL (QUANTITY OF 3)	22526	48283-036
A7J10	131-0608-00		TERMINAL, PIN:0.365 L X 0.025 BRZ GLD PL (QUANTITY OF 3)	22526	48283-036
A7J11	131-0608-00		TERMINAL, PIN:0.365 L X 0.025 BRZ GLD PL (QUANTITY OF 3)	22526	48283-036

Replaceable Electrical Parts
11401 Extended Service Volume 2

Component No.	Tektronix		Serial/Assembly No.		Name & Description	Mfr. Code	Mfr. Part No.
	Part No.	Effective	Discnt				
A7J12	131-0608-00				TERMINAL, PIN:0.365 L X 0.025 BRZ GLD PL (QUANTITY OF 3)	22526	48283-036
A7J13	131-0608-00				TERMINAL, PIN:0.365 L X 0.025 BRZ GLD PL (QUANTITY OF 3)	22526	48283-036
A7J52	131-3147-00				CONN, RCPT, ELEC:HEADER, 2 X 25, 0.1 SPACING	53387	3596-6002
A7J53	131-3359-00				CONN, RCPT, ELEC:HEADER, RTANG, 20 PIN	53387	3592-5002
A7J63	131-3408-00				CONN, RCPT, ELEC:CKT BD, MALE, RT ANGLE 2 PIN 0.250 SPCG	00779	1-350946-0
A7R110	307-0648-00				RES NTKW, FXD, FI:8, 100 OHM, 2%, 0.125 W	01121	3168101
A7R111	307-0648-00				RES NTKW, FXD, FI:8, 100 OHM, 2%, 0.125 W	01121	3168101
A7R112	307-0648-00				RES NTKW, FXD, FI:8, 100 OHM, 2%, 0.125 W	01121	3168101
A7R113	307-0648-00				RES NTKW, FXD, FI:8, 100 OHM, 2%, 0.125 W	01121	3168101
A7R114	307-0648-00				RES NTKW, FXD, FI:8, 100 OHM, 2%, 0.125 W	01121	3168101
A7R124	307-0649-00				RES NTKW, FXD, FI:8, 33 OHM, 2%, 0.125W	01121	3168330
A7R200	307-0648-00				RES NTKW, FXD, FI:8, 100 OHM, 2%, 0.125 W	01121	3168101
A7R201	307-0648-00				RES NTKW, FXD, FI:8, 100 OHM, 2%, 0.125 W	01121	3168101
A7R220	307-0648-00				RES NTKW, FXD, FI:8, 100 OHM, 2%, 0.125 W	01121	3168101
A7R300	307-0648-00				RES NTKW, FXD, FI:8, 100 OHM, 2%, 0.125 W	01121	3168101
A7R301	307-0648-00				RES NTKW, FXD, FI:8, 100 OHM, 2%, 0.125 W	01121	3168101
A7R410	307-0649-00				RES NTKW, FXD, FI:8, 33 OHM, 2%, 0.125W	01121	3168330
A7R534	307-0422-00				RES, FXD, FILM:2.4K OHM, 15 RES. NETWORK, DIP	03888	PD16L 2.4K JB
A7R610	307-0675-00				RES NTKW, FXD, FI:9, 1K OHM, 2% .25W	11236	750-101-R1K OHM
A7R613	315-0103-00				RES, FXD, FILM:10K OHM, 5%, 0.25W	19701	5043CX10K00J
A7R620	307-0675-00				RES NTKW, FXD, FI:9, 1K OHM, 2% .25W	11236	750-101-R1K OHM
A7R720	315-0751-00				RES, FXD, FILM:750 OHM, 5%, 0.25W	57668	NTR25J-E750E
A7R721	315-0751-00				RES, FXD, FILM:750 OHM, 5%, 0.25W	57668	NTR25J-E750E
A7TP1	131-0608-00				TERMINAL, PIN:0.365 L X 0.025 BRZ GLD PL	22526	48283-036
A7TP2	131-0608-00				TERMINAL, PIN:0.365 L X 0.025 BRZ GLD PL	22526	48283-036
A7TP3	131-0608-00				TERMINAL, PIN:0.365 L X 0.025 BRZ GLD PL	22526	48283-036
A7TP4	131-0608-00				TERMINAL, PIN:0.365 L X 0.025 BRZ GLD PL	22526	48283-036
A7TP6	131-0608-00				TERMINAL, PIN:0.365 L X 0.025 BRZ GLD PL	22526	48283-036
A7TP8	131-0608-00				TERMINAL, PIN:0.365 L X 0.025 BRZ GLD PL	22526	48283-036
A7TP9	131-0608-00				TERMINAL, PIN:0.365 L X 0.025 BRZ GLD PL	22526	48283-036
A7TP10	131-0608-00				TERMINAL, PIN:0.365 L X 0.025 BRZ GLD PL	22526	48283-036
A7TP11	131-0608-00				TERMINAL, PIN:0.365 L X 0.025 BRZ GLD PL	22526	48283-036
A7TP12	131-0608-00				TERMINAL, PIN:0.365 L X 0.025 BRZ GLD PL	22526	48283-036
A7TP13	131-0608-00				TERMINAL, PIN:0.365 L X 0.025 BRZ GLD PL	22526	48283-036
A7TP14	131-0608-00				TERMINAL, PIN:0.365 L X 0.025 BRZ GLD PL	22526	48283-036
A7TP15	131-0608-00				TERMINAL, PIN:0.365 L X 0.025 BRZ GLD PL	22526	48283-036
A7TP16	131-0608-00				TERMINAL, PIN:0.365 L X 0.025 BRZ GLD PL	22526	48283-036
A7TP17	131-0608-00				TERMINAL, PIN:0.365 L X 0.025 BRZ GLD PL	22526	48283-036
A7TP18	131-0608-00				TERMINAL, PIN:0.365 L X 0.025 BRZ GLD PL	22526	48283-036
A7TP19	131-0608-00				TERMINAL, PIN:0.365 L X 0.025 BRZ GLD PL	22526	48283-036
A7TP20	131-0608-00				TERMINAL, PIN:0.365 L X 0.025 BRZ GLD PL	22526	48283-036
A7TP21	131-0608-00				TERMINAL, PIN:0.365 L X 0.025 BRZ GLD PL	22526	48283-036
A7TP22	131-0608-00				TERMINAL, PIN:0.365 L X 0.025 BRZ GLD PL	22526	48283-036
A7TP24	131-0608-00				TERMINAL, PIN:0.365 L X 0.025 BRZ GLD PL	22526	48283-036
A7TP25	131-0608-00				TERMINAL, PIN:0.365 L X 0.025 BRZ GLD PL	22526	48283-036
A7TP26	131-0608-00				TERMINAL, PIN:0.365 L X 0.025 BRZ GLD PL	22526	48283-036
A7TP27	131-0608-00				TERMINAL, PIN:0.365 L X 0.025 BRZ GLD PL	22526	48283-036
A7TP28	131-0608-00				TERMINAL, PIN:0.365 L X 0.025 BRZ GLD PL	22526	48283-036
A7TP29	131-0608-00				TERMINAL, PIN:0.365 L X 0.025 BRZ GLD PL	22526	48283-036
A7TP30	131-0608-00				TERMINAL, PIN:0.365 L X 0.025 BRZ GLD PL	22526	48283-036
A7TP31	131-0608-00				TERMINAL, PIN:0.365 L X 0.025 BRZ GLD PL	22526	48283-036
A7TP33	131-0608-00				TERMINAL, PIN:0.365 L X 0.025 BRZ GLD PL	22526	48283-036
A7TP34	131-0608-00				TERMINAL, PIN:0.365 L X 0.025 BRZ GLD PL	22526	48283-036
A7TP35	131-0608-00				TERMINAL, PIN:0.365 L X 0.025 BRZ GLD PL	22526	48283-036
A7TP36	131-0608-00				TERMINAL, PIN:0.365 L X 0.025 BRZ GLD PL	22526	48283-036

Replaceable Electrical Parts
11402 Extended Service Volume 2

Component No.	Tektronix Part No.	Serial/Assembly No. Effective Dscort	Name & Description	Mfr. Code	Mfr. Part No.
A7U125	156-2385-00		MICROCKT,DGTL:CMOS,SEMI CUSTOM,GATE ARRAY, VRS DISPLAY CONTROLLER	80009	156-2385-00
A7U200	156-1111-02		MICROCKT,DGTL:OCTAL BUS XCVR W/3 STATE OUT	01295	SN74LS245N3
A7U201	156-1111-02		MICROCKT,DGTL:OCTAL BUS XCVR W/3 STATE OUT	01295	SN74LS245N3
A7U210	156-2145-00		MICROCKT,DGTL:NMOS,16384 X 4 DRAM	91925	IMS 2620-12
A7U211	156-2145-00		MICROCKT,DGTL:NMOS,16384 X 4 DRAM	91925	IMS 2620-12
A7U212	156-2145-00		MICROCKT,DGTL:NMOS,16384 X 4 DRAM	91925	IMS 2620-12
A7U213	156-2145-00		MICROCKT,DGTL:NMOS,16384 X 4 DRAM	91925	IMS 2620-12
A7U214	156-2145-00		MICROCKT,DGTL:NMOS,16384 X 4 DRAM	91925	IMS 2620-12
A7U215	156-2145-00		MICROCKT,DGTL:NMOS,16384 X 4 DRAM	91925	IMS 2620-12
A7U216	156-2145-00		MICROCKT,DGTL:NMOS,16384 X 4 DRAM	91925	IMS 2620-12
A7U217	156-2145-00		MICROCKT,DGTL:NMOS,16384 X 4 DRAM	91925	IMS 2620-12
A7U220	156-1933-00		MICROCKT,DGTL:16 BIT SHIFT REGISTER,SCRN	07263	74F676PCQR/DCQR
A7U221	156-1933-00		MICROCKT,DGTL:16 BIT SHIFT REGISTER,SCRN	07263	74F676PCQR/DCQR
A7U222	156-1707-00		MICROCKT,DGTL:QUAD 2-INPUT NAND GATE,SCRN	04713	MC7400(NDORJD)
A7U223	156-1707-00		MICROCKT,DGTL:QUAD 2-INPUT NAND GATE,SCRN	04713	MC7400(NDORJD)
A7U224	156-1707-00		MICROCKT,DGTL:QUAD 2-INPUT NAND GATE,SCRN	04713	MC7400(NDORJD)
A7U230	156-1611-00		MICROCKT,DGTL:ASTTL,DUAL D TYPE EDGE-TRIG	80009	156-1611-00
A7U231	160-3714-00		MICROCKT,DGTL:STTL,OCTL 16 INPUT I/O PROGRAMMABLE,PRGM	80009	160-3714-00
A7U300	156-1111-02		MICROCKT,DGTL:OCTAL BUS XCVR W/3 STATE OUT	01295	SN74LS245N3
A7U301	156-1111-02		MICROCKT,DGTL:OCTAL BUS XCVR W/3 STATE OUT	01295	SN74LS245N3
A7U310	156-2145-00		MICROCKT,DGTL:NMOS,16384 X 4 DRAM	91925	IMS 2620-12
A7U311	156-2145-00		MICROCKT,DGTL:NMOS,16384 X 4 DRAM	91925	IMS 2620-12
A7U312	156-2145-00		MICROCKT,DGTL:NMOS,16384 X 4 DRAM	91925	IMS 2620-12
A7U313	156-2145-00		MICROCKT,DGTL:NMOS,16384 X 4 DRAM	91925	IMS 2620-12
A7U314	156-2145-00		MICROCKT,DGTL:NMOS,16384 X 4 DRAM	91925	IMS 2620-12
A7U315	156-2145-00		MICROCKT,DGTL:NMOS,16384 X 4 DRAM	91925	IMS 2620-12
A7U316	156-2145-00		MICROCKT,DGTL:NMOS,16384 X 4 DRAM	91925	IMS 2620-12
A7U317	156-2145-00		MICROCKT,DGTL:NMOS,16384 X 4 DRAM	91925	IMS 2620-12
A7U320	156-1752-00		MICROCKT,DGTL:FTTL,TRIPLE 3 INP NAND GATE	04713	MC 74F10N
A7U321	156-1752-00		MICROCKT,DGTL:FTTL,TRIPLE 3 INP NAND GATE	04713	MC 74F10N
A7U322	156-1752-00		MICROCKT,DGTL:FTTL,TRIPLE 3 INP NAND GATE	04713	MC 74F10N
A7U323	156-0385-02		MICROCKT,DGTL:HEX INVERTER,SCRN	07263	74LS04PCQR
A7U324	156-0479-02		MICROCKT,DGTL:QUAD 2-INP OR GATE,SCRN	01295	SN74LS32NP3
A7U325	156-1611-00		MICROCKT,DGTL:ASTTL,DUAL D TYPE EDGE-TRIG	80009	156-1611-00
A7U326	156-2120-00		MICROCKT,DGTL:SER-IN PRL-OUT SHIFT RGTR	07263	74F164PCQR/DCQR
A7U330	156-0479-02		MICROCKT,DGTL:QUAD 2-INP OR GATE,SCRN	01295	SN74LS32NP3
A7U331	156-0383-02		MICROCKT,DGTL:QUAD 2-INP NOR GATE,SCRN,	18324	N74LS02NB
A7U332	156-1707-00		MICROCKT,DGTL:QUAD 2-INPUT NAND GATE,SCRN	04713	MC7400(NDORJD)
A7U333	156-1707-00		MICROCKT,DGTL:QUAD 2-INPUT NAND GATE,SCRN	04713	MC7400(NDORJD)
A7U334	156-0385-02		MICROCKT,DGTL:HEX INVERTER,SCRN	07263	74LS04PCQR
A7U335	156-0718-03		MICROCKT,DGTL:TRIPLE 3-INP NOR GATE,SCRN	01295	SN74LS27NP3
A7U336	156-0718-03		MICROCKT,DGTL:TRIPLE 3-INP NOR GATE,SCRN	01295	SN74LS27NP3
A7U337	156-1724-00		MICROCKT,DGTL:FTTL,QUAD 2 INP OR GATE	04713	MC74F32ND
A7U400	156-1909-00		MICROCKT,DGTL:QUAD 2 INP MULTIPLEXER	04713	74F157 ND OR JD
A7U401	156-0383-02		MICROCKT,DGTL:QUAD 2-INP NOR GATE,SCRN,	18324	N74LS02NB
A7U402	156-0388-03		MICROCKT,DGTL:DUAL D FLIP-FLOP,SCRN	01295	SN74LS74ANP3
A7U403	156-1909-00		MICROCKT,DGTL:QUAD 2 INP MULTIPLEXER	04713	74F157 ND OR JD
A7U404	156-0530-02		MICROCKT,DGTL:QUAD 2-INP MUX,SCRN	01295	SN74LS157NP3
A7U405	156-0530-02		MICROCKT,DGTL:QUAD 2-INP MUX,SCRN	01295	SN74LS157NP3
A7U410	156-0530-02		MICROCKT,DGTL:QUAD 2-INP MUX,SCRN	01295	SN74LS157NP3
A7U411	156-0530-02		MICROCKT,DGTL:QUAD 2-INP MUX,SCRN	01295	SN74LS157NP3
A7U412	156-0679-01		MICROCKT,DGTL:4-BIT BINARY ADDER,SCRN	04713	SN74LS283NDS
A7U413	156-1909-00		MICROCKT,DGTL:QUAD 2 INP MULTIPLEXER	04713	74F157 ND OR JD
A7U414	156-0530-02		MICROCKT,DGTL:QUAD 2-INP MUX,SCRN	01295	SN74LS157NP3
A7U415	156-0530-02		MICROCKT,DGTL:QUAD 2-INP MUX,SCRN	01295	SN74LS157NP3
A7U420	156-1909-00		MICROCKT,DGTL:QUAD 2 INP MULTIPLEXER	04713	74F157 ND OR JD

Component No.	Tektronix		Serial/Assembly No.		Name & Description	Mfr. Code	Mfr. Part No.
	Part No.	Effective	Discnt				
A7U421	156-1909-00				MICROCKT,DGTL:QUAD 2 INP MULTIPLEXER	04713	74F157 ND OR JD
A7U423	156-0530-02				MICROCKT,DGTL:QUAD 2-INP MUX,SCRN	01295	SN74LS157NP3
A7U424	156-0679-01				MICROCKT,DGTL:4-BIT BINARY ADDER,SCRN	04713	SN74LS283NDS
A7U425	156-1611-00				MICROCKT,DGTL:ASTTL,DUAL D TYPE EDGE-TRIG	80009	156-1611-00
A7U426	156-1611-00				MICROCKT,DGTL:ASTTL,DUAL D TYPE EDGE-TRIG	80009	156-1611-00
A7U427	156-1724-00				MICROCKT,DGTL:FTTL,QUAD 2 INP OR GATE	04713	MC74F32ND
A7U428	156-0679-01				MICROCKT,DGTL:4-BIT BINARY ADDER,SCRN	04713	SN74LS283NDS
A7U430	156-0479-02				MICROCKT,DGTL:QUAD 2-INP OR GATE,SCRN	01295	SN74LS32NP3
A7U431	156-1935-00				MICROCKT,DGTL:SYNC PRESETTABLE BINARY CNTR	04713	MC74F163ND/JD
A7U432	156-1957-00				MICROCKT,DGTL:QUAD 4 INPUT NAND GATE	04713	74F20 N
A7U433	156-0994-02				MICROCKT,DGTL:8 INPUT DATA SEL/MUX,SCRN	01295	SN74LS151NP3
A7U434	156-1722-00				MICROCKT,DGTL:FTTL,HEX INVERTER	04713	MC74F04ND
A7U435	156-1611-00				MICROCKT,DGTL:ASTTL,DUAL D TYPE EDGE-TRIG	80009	156-1611-00
A7U500	156-1664-00				MICROCKT,DGTL:SCREENED	01295	SN74ALS574(NP3)
A7U501	156-1664-00				MICROCKT,DGTL:SCREENED	01295	SN74ALS574(NP3)
A7U502	156-0956-02				MICROCKT,DGTL:OCTAL BFR W/3 STATE OUT,SCRN	01295	SN74LS244NP3
A7U503	156-1858-00				MICROCKT,DGTL:TRANSPARENT D-TYPE LATCHES	80009	156-1858-00
A7U510	156-1664-00				MICROCKT,DGTL:SCREENED	01295	SN74ALS574(NP3)
A7U511	156-1664-00				MICROCKT,DGTL:SCREENED	01295	SN74ALS574(NP3)
A7U512	156-0956-02				MICROCKT,DGTL:OCTAL BFR W/3 STATE OUT,SCRN	01295	SN74LS244NP3
A7U513	156-1858-00				MICROCKT,DGTL:TRANSPARENT D-TYPE LATCHES	80009	156-1858-00
A7U514	156-0679-01				MICROCKT,DGTL:4-BIT BINARY ADDER,SCRN	04713	SN74LS283NDS
A7U515	156-1785-00				MICROCKT,DGTL:CRT CONTROLLER,SCREENED	34576	R6545-1P
A7U516	156-0388-03				MICROCKT,DGTL:DUAL D FLIP-FLOP,SCRN	01295	SN74LS74ANP3
A7U517	156-0480-02				MICROCKT,DGTL:QUAD 2-INP & GATE,SCRN,	01295	SN74LS08NP3
A7U520	156-0679-01				MICROCKT,DGTL:4-BIT BINARY ADDER,SCRN	04713	SN74LS283NDS
A7U521	156-0679-01				MICROCKT,DGTL:4-BIT BINARY ADDER,SCRN	04713	SN74LS283NDS
A7U523	156-2450-00				MICROCKT,DGTL:HMOS,MULTIFUNCTION INTERFACE	34649	P8256AHORD8256AH
A7U524	156-1841-00				MICROCKT,DGTL:16 BIT MICROPROCESSOR	34335	R80186
A7U525	156-0385-02				MICROCKT,DGTL:HEX INVERTER,SCRN	07263	74LS04PCQR
A7U526	156-1318-00				MICROCKT,DGTL:LSTTL,4-BIT BISTABLE LATCH	01295	SN74LS375NP3
A7U530	156-0994-02				MICROCKT,DGTL:8 INPUT DATA SEL/MUX,SCRN	01295	SN74LS151NP3
A7U531	156-1611-00				MICROCKT,DGTL:ASTTL,DUAL D TYPE EDGE-TRIG	80009	156-1611-00
A7U532	156-1723-00				MICROCKT,DGTL:QUAD 2 INPUT & GATE	04713	MC74F08 ND OR JD
A7U533	156-0479-02				MICROCKT,DGTL:QUAD 2-INP OR GATE,SCRN	01295	SN74LS32NP3
A7U534	156-0651-02				MICROCKT,DGTL:8-BIT PRL-OUT SER SHF RGTR	01295	SN74LS164NP3
A7U600	156-1998-00				MICROCKT,DGTL:ALSTTL,OCTAL D TYPE FF	01295	SN74ALS273
A7U601	156-1594-00				MICROCKT,DGTL:NMOS,2048 X 8 SRAM	65786	CY6116-55PC
A7U602	160-3716-02	B010100	B010189		MICROCKT,DGTL:HMOS,65536 X 8 EPROM,W/3 STATE OUT,PRGM	80009	160-3716-02
A7U602	160-3716-03	B010190	B010534		MICROCKT,DGTL:HMOS,65536 X 8 EPROM,PRGM	80009	160-3716-03
A7U602	160-3716-04	B010535	B010653		MICROCKT,DGTL:HMOS,65536 X 8 EPROM,PRGM	80009	160-3716-04
A7U602	160-3716-05	B010654	B021081		MICROCKT,DGTL:HMOS,65536 X 8 EPROM,PRGM	80009	160-3716-05
A7U602	160-3716-06	B021082			MICROCKT,DGTL:NMOS,65536 X 8 EPROM,PRGM	80009	160-3716-06
A7U610	156-1998-00				MICROCKT,DGTL:ALSTTL,OCTAL D TYPE FF	01295	SN74ALS273
A7U611	156-1594-00				MICROCKT,DGTL:NMOS,2048 X 8 SRAM	65786	CY6116-55PC
A7U612	160-3717-02	B010100	B010189		MICROCKT,DGTL:HMOS,65536 X 8 EPROM,W/3 STATE OUT,PRGM	80009	160-3717-02
A7U612	160-3717-03	B010190	B010534		MICROCKT,DGTL:HMOS,65536 X 8 EPROM,PRGM	80009	160-3717-03
A7U612	160-3717-04	B010535	B010653		MICROCKT,DGTL:HMOS,65536 X 8 EPROM,PRGM	80009	160-3717-04
A7U612	160-3717-05	B010654	B021081		MICROCKT,DGTL:HMOS,65536 X 8 EPROM,PRGM	80009	160-3717-05
A7U612	160-3717-06	B021082			MICROCKT,DGTL:NMOS,65536 X 8 EPROM,PRGM	80009	160-3717-06
A7U613	156-0479-02				MICROCKT,DGTL:QUAD 2-INP OR GATE,SCRN	01295	SN74LS32NP3
A7U614	156-1858-00				MICROCKT,DGTL:TRANSPARENT D-TYPE LATCHES	80009	156-1858-00
A7U615	156-1748-02				MICROCKT,DGTL:OCTAL BUS XCVR W/3-STATE OUT	01295	SN74ALS245AN3
A7U616	156-0956-02				MICROCKT,DGTL:OCTAL BFR W/3 STATE OUT,SCRN	01295	SN74LS244NP3
A7U620	156-1858-00				MICROCKT,DGTL:TRANSPARENT D-TYPE LATCHES	80009	156-1858-00
A7U621	156-1748-02				MICROCKT,DGTL:OCTAL BUS XCVR W/3-STATE OUT	01295	SN74ALS245AN3

Replaceable Electrical Parts
11402 Extended Service Volume 2

Component No.	Tektronix Part No.	Serial/Assembly No.		Name & Description	Mfr. Code	Mfr. Part No.
		Effective	Discort			
A7U622	156-0956-02			MICROCKT,DGTL:OCTAL BFR W/3 STATE OUT,SCRN	01295	SN74LS244NP3
A7U623	156-1724-00			MICROCKT,DGTL:FTTL,QUAD 2 INP OR GATE	04713	MC74F32ND
A7U630	156-1723-00			MICROCKT,DGTL:QUAD 2 INPUT & GATE	04713	MC74F08 ND OR JD
A7U631	156-0388-03			MICROCKT,DGTL:DUAL D FLIP-FLOP,SCRN	01295	SN74LS74ANP3
A7U632	156-0530-02			MICROCKT,DGTL:QUAD 2-INP MUX,SCRN	01295	SN74LS157NP3
A7U633	156-0530-02			MICROCKT,DGTL:QUAD 2-INP MUX,SCRN	01295	SN74LS157NP3
A7U634	156-0385-02			MICROCKT,DGTL:HEX INVERTER,SCRN	07263	74LS04PCQR
A7U635	156-0530-02			MICROCKT,DGTL:QUAD 2-INP MUX,SCRN	01295	SN74LS157NP3
A7U636	156-0385-02			MICROCKT,DGTL:HEX INVERTER,SCRN	07263	74LS04PCQR
A7U637	160-3715-00			MICROCKT,DGTL:LSTTL,DUAL 16 INPUT AND OR INVERT PROGRAMMABLE LOGIC ARRAY,PRGM	80009	160-3715-00
A7U710	156-0479-02			MICROCKT,DGTL:QUAD 2-INP OR GATE,SCRN	01295	SN74LS32NP3
A7U711	156-0479-02			MICROCKT,DGTL:QUAD 2-INP OR GATE,SCRN	01295	SN74LS32NP3
A7U713	156-1111-02			MICROCKT,DGTL:OCTAL BUS XCVR W/3 STATE OUT	01295	SN74LS245N3
A7U720	156-1111-02			MICROCKT,DGTL:OCTAL BUS XCVR W/3 STATE OUT	01295	SN74LS245N3
A7U721	156-0479-02			MICROCKT,DGTL:QUAD 2-INP OR GATE,SCRN	01295	SN74LS32NP3
A7U731	156-1839-00			MICROCKT,DGTL:OCTAL BIDIRECTIONAL I/O PORT	34335	AM2952DCB
A7U732	156-0383-02			MICROCKT,DGTL:QUAD 2-INP NOR GATE,SCRN,	18324	N74LS02NB
A7U733	156-1389-00			MICROCKT,DGTL:8 BIT BIDIRECTIONAL I/O PORTS	80009	156-1389-00
A7X524	136-0813-00			SKT,PL-IN ELEK:CHIP CARRIER,68 CONTACTS	19613	268-5400-00-1102
A7X602	136-0755-00			SKT,PL-IN ELEK:MICROCIRCUIT,28 DIP	09922	D1LB28P-108
A7X612	136-0755-00			SKT,PL-IN ELEK:MICROCIRCUIT,28 DIP	09922	D1LB28P-108
A7X700	136-0797-01			SKT,PL-IN ELEK:MICROCKT,28 CONTACT	80009	136-0797-01
A7X712	136-0797-01			SKT,PL-IN ELEK:MICROCKT,28 CONTACT	80009	136-0797-01
A7Y430	158-0302-00			OSC,XTAL CONT:32MHZ,0.01%	01537	K1115AM32.0 MHZ
A8	670-8846-00	B010100	B010278	CIRCUIT BD ASSY:CRT DRIVER	80009	670-8846-00
A8	670-8846-01	B010279	B010677	CIRCUIT BD ASSY:CRT DRIVER	80009	670-8846-01
A8	670-8846-02	B010678	B021081	CIRCUIT BD ASSY:CRT DRIVER	80009	670-8846-02
A8	670-8846-03	B021082		CIRCUIT BD ASSY:CRT DRIVER	80009	670-8846-03
A8C100	283-0343-00			CAP,FXD,CER DI:0.01UF,20%,2000V	72982	3848545Z5U0103M
A8C130	290-0942-00			CAP,FXD,ELCTLT:100UF,+100-10%,25V	55680	UPA1E101MAH
A8C131	285-1090-00			CAP,FXD,PLASTIC:0.01UF,5%,1600V	14752	C2838
A8C202	283-0129-00			CAP,FXD,CER DI:0.56UF,20%,100V	04222	SR501C564MAA
A8C210	290-0880-00			CAP,FXD,ELCTLT:10UF,+50-10%,160V	54473	ECE-A160V10U
A8C221	290-0943-00	B010100	B010278	CAP,FXD,ELCTLT:47UF,+50-20%,25V	55680	ULB1E470TAAANA
A8C221	290-0942-00	B010279		CAP,FXD,ELCTLT:100UF,+100-10%,25V	55680	UPA1E101MAH
A8C230	285-1217-00			CAP,FXD,PLASTIC:1.33UF,5%,200V	50558	MP1-4501J
A8C231	285-0931-00			CAP,FXD,PLASTIC:0.005UF,5%,2000V	14752	C2839
A8C300	283-0339-00			CAP,FXD,CER DI:0.22UF,10%,50V	05397	C330C224K5R5CA
A8C301	281-0765-00			CAP,FXD,CER DI:100PF,5%,100V	04222	MA101A101JAA
A8C310	290-0880-00			CAP,FXD,ELCTLT:10UF,+50-10%,160V	54473	ECE-A160V10U
A8C311	281-0799-00			CAP,FXD,CER DI:62PF,2%,100V	04222	MA101A620GAA
A8C312	281-0819-00			CAP,FXD,CER DI:33 PF,5%,50V	04222	GC105A330J
A8C320	290-0947-00			CAP,FXD,ELCTLT:33UF,+50-10%,160V W/SLEEVE	55680	UHC2C330TFA
A8C322	290-0880-00			CAP,FXD,ELCTLT:10UF,+50-10%,160V	54473	ECE-A160V10U
A8C323	290-0804-00	B010279		CAP,FXD,ELCTLT:10UF,+50-20%,25V	55680	ULB1E100TAAANA
A8C330	283-0339-00			CAP,FXD,CER DI:0.22UF,10%,50V	05397	C330C224K5R5CA
A8C344	281-0770-00			CAP,FXD,CER DI:1000PF,20%,100V	04222	MA101C102MAA
A8C400	290-0804-00			CAP,FXD,ELCTLT:10UF,+50-20%,25V	55680	ULB1E100TAAANA
A8C410	281-0775-00			CAP,FXD,CER DI:0.1UF,20%,50V	04222	MA205E104MAA
A8C419	290-0183-00			CAP,FXD,ELCTLT:1UF,10%,35V	05397	T3228105K035AS
A8C420	281-0772-00			CAP,FXD,CER DI:4700PF,10%,100V	04222	MA201C472KAA
A8C422	283-0057-00			CAP,FXD,CER DI:0.1UF,+80-20%,200V	04222	SR306E104ZAA
A8C423	285-0627-00			CAP,FXD,PLASTIC:0.0033UF,5%,100V	07716	TEK44-33251
A8C430	281-0783-00	B010100	B010278	CAP,FXD,CER DI:0.1 UF 20%,100V	04222	MA401C104MAA
A8C430	281-0773-00	B010279		CAP,FXD,CER DI:0.01UF,10%,100V	04222	MA201C103KAA

Component No.	Tektronix Part No.	Serial/Assembly No. Effective	Discont	Name & Description	Mfr. Code	Mfr. Part No.
A8C431	290-0804-00			CAP, FXD, ELCTLT:10UF,+50-20%,25V	55680	ULB1E100TAANA
A8C441	281-0775-00			CAP, FXD, CER DI:0.1UF,20%,50V	04222	MA205E104MAA
A8C520	290-0916-00			CAP, FXD, ELCTLT:2200UF,+50-20%,35WDC	55680	ULB1V222TFAANA
A8C521	290-0919-00			CAP, FXD, ELCTLT:470UF,+50-20%,35V	55680	UVX1V471MPA
A8C522	283-0057-00			CAP, FXD, CER DI:0.1UF,+80-20%,200V	04222	SR306E104ZAA
A8C523	283-0057-00			CAP, FXD, CER DI:0.1UF,+80-20%,200V	04222	SR306E104ZAA
A8C530	290-0804-00			CAP, FXD, ELCTLT:10UF,+50-20%,25V	55680	ULB1E100TAANA
A8C531	290-0880-00			CAP, FXD, ELCTLT:10UF,+50-10%,160V	54473	ECE-A160V10U
A8C540	285-0808-00			CAP, FXD, PLASTIC:0.1UF,10%,50V	04099	EK13-16
A8C541	285-0808-00			CAP, FXD, PLASTIC:0.1UF,10%,50V	04099	EK13-16
A8C600	281-0775-00			CAP, FXD, CER DI:0.1UF,20%,50V	04222	MA205E104MAA
A8C610	290-0943-00			CAP, FXD, ELCTLT:47UF,+50-20%,25V	55680	ULB1E470TAANA
A8C620	290-0916-00	B010100	B010677	CAP, FXD, ELCTLT:2200UF,+50-20%,35WDC	55680	ULB1V222TFAANA
A8C620	290-0919-00	B010678		CAP, FXD, ELCTLT:470UF,+50-20%,35V	55680	UVX1V471MPA
A8C621	285-0808-00			CAP, FXD, PLASTIC:0.1UF,10%,50V	04099	EK13-16
A8C623	290-0942-00			CAP, FXD, ELCTLT:100UF,+100-10%,25V	55680	UPA1E101MAH
A8C632	281-0819-00			CAP, FXD, CER DI:33 PF,5%,50V	04222	GC105A330J
A8CR100	152-0353-00			SEMICON DVC,DI:RECT,SI,800V,1W	05828	GP10K-014
A8CR130	152-0400-00	B010100	B010278	SEMICON DVC,DI:RECT,SI,400V,1A	04713	SR1977K
A8CR200	152-0353-00			SEMICON DVC,DI:RECT,SI,800V,1W	05828	GP10K-014
A8CR220	152-0400-00			SEMICON DVC,DI:RECT,SI,400V,1A	04713	SR1977K
A8CR221	152-0400-00			SEMICON DVC,DI:RECT,SI,400V,1A	04713	SR1977K
A8CR240	152-0661-00			SEMICON DVC,DI:RECT,SI,600V,3A	04713	SR3523
A8CR301	152-0141-02			SEMICON DVC,DI:SW,SI,30V,150MA,30V,DO-35	03508	DA2527 (1N4152)
A8CR311	152-0141-02			SEMICON DVC,DI:SW,SI,30V,150MA,30V,DO-35	03508	DA2527 (1N4152)
A8CR312	152-0141-02			SEMICON DVC,DI:SW,SI,30V,150MA,30V,DO-35	03508	DA2527 (1N4152)
A8CR320	152-0141-02			SEMICON DVC,DI:SW,SI,30V,150MA,30V,DO-35	03508	DA2527 (1N4152)
A8CR510	152-0141-02			SEMICON DVC,DI:SW,SI,30V,150MA,30V,DO-35	03508	DA2527 (1N4152)
A8CR511	152-0141-02			SEMICON DVC,DI:SW,SI,30V,150MA,30V,DO-35	03508	DA2527 (1N4152)
A8CR530	152-0141-02			SEMICON DVC,DI:SW,SI,30V,150MA,30V,DO-35	03508	DA2527 (1N4152)
A8CR531	152-0141-02			SEMICON DVC,DI:SW,SI,30V,150MA,30V,DO-35	03508	DA2527 (1N4152)
A8CR640	152-0414-00			SEMICON DVC,DI:RECT,SI,200V,1.0A,TEK A59	80009	152-0414-00
A8F401	159-0279-00			FUSE,WIRE LEAD:0.375A,250V,SLOW	75915	230.375
A8F401	159-0103-00	B010193		FUSE,CARTRIDGE:0.4A,125V,0.25SEC	75915	279.400
A8J53	131-3360-00			CONN,RCPT,ELEC:HEADER,STR,20 PIN	53387	3592-6002
A8J54	131-2575-00			TERM SET,PIN:4 CONTACT,MALE	27264	09-60-1041
A8J56	131-2527-00			TERM SET,PIN:HEADER,1 X 7,0.156 CTR	26742	3CLF-24602-0725
A8J57	131-0608-00			TERMINAL,PIN:0.365 L X 0.025 BRZ GLD PL (QUANTITY OF 4)	22526	48283-036
A8L120	114-0421-00			COIL,RF:VAR,10-40UH	50783	EW8182
A8L200	108-1246-00			COIL,RF:FXD,3.9UH,10%	54583	SPT 0406-3R9K-6
A8L210	108-1317-00			COIL,RF:FXD,LINEARITY 5 TO 54UH	50783	EL8273
A8L220	108-0422-00			COIL,RF:FIXED,80UH	80009	108-0422-00
A8L340	108-0422-00			COIL,RF:FIXED,80UH	80009	108-0422-00
A8Q130	151-0632-00			TRANSISTOR:NPN,SILICON,TO-220	04713	MJE13007
A8Q300	151-0124-00			TRANSISTOR:NPN,SI,TO-39	04713	SM8138
A8Q320	151-0710-00			TRANSISTOR:NPN,SI,TO-92 PLUS	04713	MPSW01A
A8Q510	151-0188-00			TRANSISTOR:PNP,SI,TO-92	80009	151-0188-00
A8R100	311-2296-00			RES,VAR,WV:TRIMMER,2.5 MEGOHMS,0.5W	32997	3386N HVI-255
A8R201	301-0390-00			RES,FXD,FILM:39 OHM,5%,0.5W	01121	EB3905
A8R202	311-2240-00			RES,VAR,NONMW:TRMR,200K OHM,20%,0.5W LINEAR	TK1450	GF06UT 200K
A8R230	308-0767-00	B010100	B010278	RES,FXD,WV:1.1 OHM,5%,1W	75042	BW-20-1R100J
A8R230	307-0059-00	B010279		RES,FXD,CMPSN:6.2 OHM,5%,0.5W	01121	EB6265
A8R300	308-0253-00			RES,FXD,WV:1.32K OHM,5%,3W	14193	SA31-1321J
A8R301	315-0513-00			RES,FXD,FILM:51K OHM,5%,0.25W	57668	NTR25J-E51K0
A8R303	321-0114-00			RES,FXD,FILM:150 OHM,1%,0.125 W,TC=TO	19701	5033ED150ROF
A8R310	315-0274-00			RES,FXD,FILM:270K OHM,5%,0.25W	57668	NTR25J-E270K
A8R311	321-0141-00			RES,FXD,FILM:287 OHM,1%,0.125W,TC=TO	19701	5033ED287ROF

Replaceable Electrical Parts
11402 Extended Service Volume 2

Component No.	Tektronix Part No.	Serial/Assembly No.		Name & Description	Mfr. Code	Mfr. Part No.
		Effective	Discnt			
A8R312	321-0168-00			RES,FXD,FILM:549 OHM,1%,0.125W,TC=TO	07716	CEAD549R0F
A8R330	303-0101-00	B010100	B010278	RES,FXD,CMPSN:100 OHM,5%,1W	01121	G81015
A8R330	303-0241-00	B010279		RES,FXD,CMPSN:240 OHM,5%,1W	01121	G82415
A8R331	308-0142-00	B010100	B010278	RES,FXD,WW:30 OHM,5%,3W	00213	1240S-30-5
A8R331	308-0767-00	B010279		RES,FXD,WW:1.1 OHM,5%,1W	75042	BW-20-1R100J
A8R338	315-0473-00			RES,FXD,FILM:47K OHM,5%,0.25W	57668	NTR25J-E47K0
A8R340	301-0243-00			RES,FXD,FILM:24K OHM,5%,0.5W	19701	5053CX24K00J
A8R341	308-0212-00			RES,FXD,WW:10K OHM,5%,3W	00213	1240S-10000-5
A8R344	308-0076-00			RES,FXD,WW:300 OHM,5%,3W	00213	1240S 300-5
A8R400	307-0889-00			RES,FXD,FILM:1 OHM,5%,0.25W	19701	5043CX1R0R0J
A8R410	315-0302-00			RES,FXD,FILM:3K OHM,5%,0.25W	57668	NTR25J-E03K0
A8R420	315-0332-00			RES,FXD,FILM:3.3K OHM,5%,0.25W	57668	NTR25J-E03K3
A8R421	315-0222-00			RES,FXD,FILM:2.2K OHM,5%,0.25W	57668	NTR25J-E02K2
A8R422	315-0103-00			RES,FXD,FILM:10K OHM,5%,0.25W	19701	5043CX10K00J
A8R424	315-0222-00			RES,FXD,FILM:2.2K OHM,5%,0.25W	57668	NTR25J-E02K2
A8R425	315-0511-00			RES,FXD,FILM:510 OHM,5%,0.25W	19701	5043CX510R0J
A8R426	315-0102-00			RES,FXD,FILM:1K OHM,5%,0.25W	57668	NTR25JE01K0
A8R427	315-0223-00			RES,FXD,FILM:22K OHM,5%,0.25W	19701	5043CX22K00J92U
A8R430	315-0242-00			RES,FXD,FILM:2.4K OHM,5%,0.25W	57668	NTR25J-E02K4
A8R431	321-0287-00			RES,FXD,FILM:9.53K OHM,1%,0.125W,TC=TO	19701	5033ED9K530F
A8R432	301-0271-00			RES,FXD,FILM:270 OHM,5%,0.5W	19701	5053CX270R0J
A8R440	315-0511-00			RES,FXD,FILM:510 OHM,5%,0.25W	19701	5043CX510R0J
A8R441	307-0023-00			RES,FXD,CMPSN:4.7 OHM,10%,0.5W	01121	EB4761
A8R500	321-0932-03			RES,FXD,FILM:2.5K OHM,0.25%,0.125W,TC=T2	19701	5033RC2K500C
A8R501	321-0816-03			RES,FXD,FILM:5K OHM,0.25%,0.125W,TC=T2	19701	5033RC5K000C
A8R503	321-0289-02			RES,FXD,FILM:10.0K OHM,0.5%,0.125W,TC=T2	19701	5033RC10K00D
A8R504	321-0318-02			RES,FXD,FILM:20.0K 0.5%,0.125W,TC=T2	19701	5033RC20K00D
A8R505	321-0924-02			RES,FXD,FILM:40K OHM,0.5%,0.125W,TC=T2	19701	5033RC40K00D
A8R506	321-0376-00			RES,FXD,FILM:80.6K OHM,1%,0.125W,TC=TO	19701	5043ED80K60F
A8R510	315-0472-00			RES,FXD,FILM:4.7K OHM,5%,0.25W	57668	NTR25J-E04K7
A8R511	315-0152-00			RES,FXD,FILM:1.5K OHM,5%,0.25W	57668	NTR25J-E01K5
A8R512	315-0124-00			RES,FXD,FILM:120K OHM,5%,0.25W	19701	5043CX120K0J
A8R520	311-2227-00			RES,VAR,NONWW:TRMR,100 OHM,20%,0.5W LINEAR	TK1450	GF06UT 100
A8R521	308-0764-00	B010100	B010677	RES,FXD,WW:2.7 OHM,5%,2W	75042	BWF 2.7 OHM +-5%
A8R521	315-0120-00	B010678		RES,FXD,FILM:12 OHM,5%,0.25W	57668	NTR25J-R12
A8R522	308-0764-00			RES,FXD,WW:2.7 OHM,5%,2W	75042	BWF 2.7 OHM +-5%
A8R530	311-2234-00			RES,VAR,NONWW:TRMR,5K OHM,20%,0.5W LINEAR TAPE & REEL	TK1450	GF06UT 5K
A8R531	315-0333-00			RES,FXD,FILM:33K OHM,5%,0.25W	57668	NTR25J-E33K0
A8R540	311-2231-00			RES,VAR,NONWW:TRMR,1K OHM,20%,0.5W LINEAR	TK1450	GF06UT 1K
A8R541	311-2239-00			RES,VAR,NONWW:TRMR,100K OHM,20%,0.5W LINEAR	TK1450	GF06UT 100K
A8R600	315-0103-00			RES,FXD,FILM:10K OHM,5%,0.25W	19701	5043CX10K00J
A8R620	311-2239-00			RES,VAR,NONWW:TRMR,100K OHM,20%,0.5W LINEAR	TK1450	GF06UT 100K
A8R621	311-2239-00			RES,VAR,NONWW:TRMR,100K OHM,20%,0.5W LINEAR	TK1450	GF06UT 100K
A8R630	315-0124-00			RES,FXD,FILM:120K OHM,5%,0.25W	19701	5043CX120K0J
A8R631	315-0563-00			RES,FXD,FILM:56K OHM,5%,0.25W	19701	5043CX56K00J
A8R632	315-0224-00			RES,FXD,FILM:220K OHM,5%,0.25W	57668	NTR25J-E220K
A8R633	321-0412-00	B010100	B010278	RES,FXD,FILM:191K OHM,1%,0.125W,TC=TO	07716	CEAD19102F
A8R633	321-0418-00	B010279		RES,FXD,FILM:221K OHM,1%,0.125W,TC=TO	07716	CEAD22102F
A8R634	315-0473-00			RES,FXD,FILM:47K OHM,5%,0.25W	57668	NTR25J-E47K0
A8R635	315-0563-00			RES,FXD,FILM:56K OHM,5%,0.25W	19701	5043CX56K00J
A8R636	315-0563-00			RES,FXD,FILM:56K OHM,5%,0.25W	19701	5043CX56K00J
A8R640	315-0474-00			RES,FXD,FILM:470K OHM,5%,0.25W	19701	5043CX470K0J92U
A8R641	315-0473-00			RES,FXD,FILM:47K OHM,5%,0.25W	57668	NTR25J-E47K0
A8R642	315-0474-00			RES,FXD,FILM:470K OHM,5%,0.25W	19701	5043CX470K0J92U
A8T110	120-1650-00			XFMR,FLYBACK:HV OUT 13KV,3 LV OUTPUTS 0.575	51406	MSH1ABF109
A8T330	120-1476-00			XFMR,BASE DRIVE:	02113	701-560-016
A8TP100	131-0608-00			TERMINAL,PIN:0.365 L X 0.025 BRZ GLD PL	22526	48283-036

Component No.	Tektronix Part No.	Serial/Assembly No. Effective	Discont	Name & Description	Mfr. Code	Mfr. Part No.
A8TP120	131-0608-00			TERMINAL, PIN:0.365 L X 0.025 BRZ GLD PL	22526	48283-036
A8TP320	131-0608-00			TERMINAL, PIN:0.365 L X 0.025 BRZ GLD PL	22526	48283-036
A8TP402	131-0608-00			TERMINAL, PIN:0.365 L X 0.025 BRZ GLD PL	22526	48283-036
A8TP410	131-0608-00			TERMINAL, PIN:0.365 L X 0.025 BRZ GLD PL	22526	48283-036
A8TP510	131-0608-00			TERMINAL, PIN:0.365 L X 0.025 BRZ GLD PL	22526	48283-036
A8TP540	131-0608-00			TERMINAL, PIN:0.365 L X 0.025 BRZ GLD PL	22526	48283-036
A8U400	156-1726-00			MICROCKT, DGTL: FTTL, DUAL 1 OF 4 DCDR, SCR N	04713	MC74F139 N
A8U420	156-1147-00			MICROCKT, LINEAR: TV HORIZ PROCESSOR	02735	CA1391E
A8U600	156-0914-02			MICROCKT, DGTL: OCT ST BFR W/3 STATE OUT, SCR N	80009	156-0914-02
A8U601	156-0572-02			MICROCKT, DGTL: 8 BIT SERIAL IN/PRL OUT, SEL	27014	MM74C164JA+
A8U630	156-1693-02			MICROCKT, LINEAR: VERTICAL DEFLECTION SYSTEM	56289	ULN2270W
A8VR320	152-0357-00			SEMICON DVC, DI: ZEN, SI, 82V, 5%, 0.4W, DO-7	04713	SZ12461KRL
A9	-----			CIRCUIT BD ASSY: TOUCH PANEL (NOT AVAILABLE, ORDER A9)		
A9	614-0785-00	B010100	B010920	FRONT PNL ASSY:	80009	614-0785-00
A9	614-0785-01	B010921		FRONT PNL ASSY:	80009	614-0785-01
A9C700	283-5004-00			CAP, FXD, CER DI: 0.1UF, 10%, 25V	54583	C3216X7R1E104K
A9C740	283-5004-00			CAP, FXD, CER DI: 0.1UF, 10%, 25V	54583	C3216X7R1E104K
A9C760	283-5004-00			CAP, FXD, CER DI: 0.1UF, 10%, 25V	54583	C3216X7R1E104K
A9C761	283-5004-00			CAP, FXD, CER DI: 0.1UF, 10%, 25V	54583	C3216X7R1E104K
A9C762	283-5004-00			CAP, FXD, CER DI: 0.1UF, 10%, 25V	54583	C3216X7R1E104K
A9C770	283-5004-00			CAP, FXD, CER DI: 0.1UF, 10%, 25V	54583	C3216X7R1E104K
A9C771	290-5003-00			CAP, FXD, ELCTLT: 47UF, 20%, 10V	56289	193D476X0010E2
A9C772	283-5004-00			CAP, FXD, CER DI: 0.1UF, 10%, 25V	54583	C3216X7R1E104K
A9C800	283-5004-00			CAP, FXD, CER DI: 0.1UF, 10%, 25V	54583	C3216X7R1E104K
A9C801	283-5013-00			CAP, FXD, CER DI: 680PF, 10%, 50V	04222	08051C681KAT050R
A9CR110	151-0817-00	B010100	B010198	TRANSISTOR: NPN, SI, PHOTO, 30V	04713	MRD 701
A9CR110	151-0846-00	B010199		TRANSISTOR: NPN, SI, 5W, TO-39	80009	151-0846-00
A9CR111	151-0817-00	B010100	B010198	TRANSISTOR: NPN, SI, PHOTO, 30V	04713	MRD 701
A9CR111	151-0846-00	B010199		TRANSISTOR: NPN, SI, 5W, TO-39	80009	151-0846-00
A9CR112	151-0817-00	B010100	B010198	TRANSISTOR: NPN, SI, PHOTO, 30V	04713	MRD 701
A9CR112	151-0846-00	B010199		TRANSISTOR: NPN, SI, 5W, TO-39	80009	151-0846-00
A9CR113	151-0817-00	B010100	B010198	TRANSISTOR: NPN, SI, PHOTO, 30V	04713	MRD 701
A9CR113	151-0846-00	B010199		TRANSISTOR: NPN, SI, 5W, TO-39	80009	151-0846-00
A9CR120	151-0817-00	B010100	B010198	TRANSISTOR: NPN, SI, PHOTO, 30V	04713	MRD 701
A9CR120	151-0846-00	B010199		TRANSISTOR: NPN, SI, 5W, TO-39	80009	151-0846-00
A9CR121	151-0817-00	B010100	B010198	TRANSISTOR: NPN, SI, PHOTO, 30V	04713	MRD 701
A9CR121	151-0846-00	B010199		TRANSISTOR: NPN, SI, 5W, TO-39	80009	151-0846-00
A9CR122	151-0817-00	B010100	B010198	TRANSISTOR: NPN, SI, PHOTO, 30V	04713	MRD 701
A9CR122	151-0846-00	B010199		TRANSISTOR: NPN, SI, 5W, TO-39	80009	151-0846-00
A9CR130	151-0817-00	B010100	B010198	TRANSISTOR: NPN, SI, PHOTO, 30V	04713	MRD 701
A9CR130	151-0846-00	B010199		TRANSISTOR: NPN, SI, 5W, TO-39	80009	151-0846-00
A9CR131	151-0817-00	B010100	B010198	TRANSISTOR: NPN, SI, PHOTO, 30V	04713	MRD 701
A9CR131	151-0846-00	B010199		TRANSISTOR: NPN, SI, 5W, TO-39	80009	151-0846-00
A9CR132	151-0817-00	B010100	B010198	TRANSISTOR: NPN, SI, PHOTO, 30V	04713	MRD 701
A9CR132	151-0846-00	B010199		TRANSISTOR: NPN, SI, 5W, TO-39	80009	151-0846-00
A9CR133	151-0817-00	B010100	B010198	TRANSISTOR: NPN, SI, PHOTO, 30V	04713	MRD 701
A9CR133	151-0846-00	B010199		TRANSISTOR: NPN, SI, 5W, TO-39	80009	151-0846-00
A9CR140	151-0817-00	B010100	B010198	TRANSISTOR: NPN, SI, PHOTO, 30V	04713	MRD 701
A9CR140	151-0846-00	B010199		TRANSISTOR: NPN, SI, 5W, TO-39	80009	151-0846-00
A9CR141	151-0817-00	B010100	B010198	TRANSISTOR: NPN, SI, PHOTO, 30V	04713	MRD 701
A9CR141	151-0846-00	B010199		TRANSISTOR: NPN, SI, 5W, TO-39	80009	151-0846-00
A9CR142	151-0817-00	B010100	B010198	TRANSISTOR: NPN, SI, PHOTO, 30V	04713	MRD 701
A9CR142	151-0846-00	B010199		TRANSISTOR: NPN, SI, 5W, TO-39	80009	151-0846-00
A9CR150	151-0817-00	B010100	B010198	TRANSISTOR: NPN, SI, PHOTO, 30V	04713	MRD 701
A9CR150	151-0846-00	B010199		TRANSISTOR: NPN, SI, 5W, TO-39	80009	151-0846-00

Replaceable Electrical Parts
11402 Extended Service Volume 2

Component No.	Tektronix Part No.	Serial/Assembly No. Effective	Discnt	Name & Description	Mfr. Code	Mfr. Part No.
A9CR151	151-0817-00	B010100	8010198	TRANSISTOR:NPN,SI,PHOTO,30V	04713	MRD 701
A9CR151	151-0846-00	B010199		TRANSISTOR:NPN,SI,5W,TO-39	80009	151-0846-00
A9CR152	151-0817-00	B010100	8010198	TRANSISTOR:NPN,SI,PHOTO,30V	04713	MRD 701
A9CR152	151-0846-00	B010199		TRANSISTOR:NPN,SI,5W,TO-39	80009	151-0846-00
A9CR153	151-0817-00	B010100	8010198	TRANSISTOR:NPN,SI,PHOTO,30V	04713	MRD 701
A9CR153	151-0846-00	B010199		TRANSISTOR:NPN,SI,5W,TO-39	80009	151-0846-00
A9CR160	151-0817-00	B010100	8010198	TRANSISTOR:NPN,SI,PHOTO,30V	04713	MRD 701
A9CR160	151-0846-00	B010199		TRANSISTOR:NPN,SI,5W,TO-39	80009	151-0846-00
A9CR161	151-0817-00	B010100	8010198	TRANSISTOR:NPN,SI,PHOTO,30V	04713	MRD 701
A9CR161	151-0846-00	B010199		TRANSISTOR:NPN,SI,5W,TO-39	80009	151-0846-00
A9CR162	151-0817-00	B010100	8010198	TRANSISTOR:NPN,SI,PHOTO,30V	04713	MRD 701
A9CR162	151-0846-00	B010199		TRANSISTOR:NPN,SI,5W,TO-39	80009	151-0846-00
A9CR170	151-0817-00	B010100	8010198	TRANSISTOR:NPN,SI,PHOTO,30V	04713	MRD 701
A9CR170	151-0846-00	B010199		TRANSISTOR:NPN,SI,5W,TO-39	80009	151-0846-00
A9CR200	151-0817-00	B010100	8010198	TRANSISTOR:NPN,SI,PHOTO,30V	04713	MRD 701
A9CR200	151-0846-00	B010199		TRANSISTOR:NPN,SI,5W,TO-39	80009	151-0846-00
A9CR201	151-0817-00	B010100	8010198	TRANSISTOR:NPN,SI,PHOTO,30V	04713	MRD 701
A9CR201	151-0846-00	B010199		TRANSISTOR:NPN,SI,5W,TO-39	80009	151-0846-00
A9CR202	151-0817-00	B010100	8010198	TRANSISTOR:NPN,SI,PHOTO,30V	04713	MRD 701
A9CR202	151-0846-00	B010199		TRANSISTOR:NPN,SI,5W,TO-39	80009	151-0846-00
A9CR300	151-0817-00	B010100	8010198	TRANSISTOR:NPN,SI,PHOTO,30V	04713	MRD 701
A9CR300	151-0846-00	B010199		TRANSISTOR:NPN,SI,5W,TO-39	80009	151-0846-00
A9CR301	151-0817-00	B010100	8010198	TRANSISTOR:NPN,SI,PHOTO,30V	04713	MRD 701
A9CR301	151-0846-00	B010199		TRANSISTOR:NPN,SI,5W,TO-39	80009	151-0846-00
A9CR400	151-0817-00	B010100	8010198	TRANSISTOR:NPN,SI,PHOTO,30V	04713	MRD 701
A9CR400	151-0846-00	B010199		TRANSISTOR:NPN,SI,5W,TO-39	80009	151-0846-00
A9CR401	151-0817-00	B010100	8010198	TRANSISTOR:NPN,SI,PHOTO,30V	04713	MRD 701
A9CR401	151-0846-00	B010199		TRANSISTOR:NPN,SI,5W,TO-39	80009	151-0846-00
A9CR500	151-0817-00	B010100	8010198	TRANSISTOR:NPN,SI,PHOTO,30V	04713	MRD 701
A9CR500	151-0846-00	B010199		TRANSISTOR:NPN,SI,5W,TO-39	80009	151-0846-00
A9CR501	151-0817-00	B010100	8010198	TRANSISTOR:NPN,SI,PHOTO,30V	04713	MRD 701
A9CR501	151-0846-00	B010199		TRANSISTOR:NPN,SI,5W,TO-39	80009	151-0846-00
A9CR502	151-0817-00	B010100	8010198	TRANSISTOR:NPN,SI,PHOTO,30V	04713	MRD 701
A9CR502	151-0846-00	B010199		TRANSISTOR:NPN,SI,5W,TO-39	80009	151-0846-00
A9CR600	151-0817-00	B010100	8010198	TRANSISTOR:NPN,SI,PHOTO,30V	04713	MRD 701
A9CR600	151-0846-00	B010199		TRANSISTOR:NPN,SI,5W,TO-39	80009	151-0846-00
A9CR700	152-0731-01			SEMICON DVC,DI:SIG,SI,SER PR	80009	152-0731-01
A9DS270	150-1153-00	B010100	8010198	LT EMITTING DIO:IR,940 NM	04713	MLED 71
A9DS270	150-1168-00	B010199		LT EMITTING DIO:IR	80009	150-1168-00
A9DS271	150-1153-00	B010100	8010198	LT EMITTING DIO:IR,940 NM	04713	MLED 71
A9DS271	150-1168-00	B010199		LT EMITTING DIO:IR	80009	150-1168-00
A9DS272	150-1153-00	B010100	8010198	LT EMITTING DIO:IR,940 NM	04713	MLED 71
A9DS272	150-1168-00	B010199		LT EMITTING DIO:IR	80009	150-1168-00
A9DS370	150-1153-00	B010100	8010198	LT EMITTING DIO:IR,940 NM	04713	MLED 71
A9DS370	150-1168-00	B010199		LT EMITTING DIO:IR	80009	150-1168-00
A9DS371	150-1153-00	B010100	8010198	LT EMITTING DIO:IR,940 NM	04713	MLED 71
A9DS371	150-1168-00	B010199		LT EMITTING DIO:IR	80009	150-1168-00
A9DS470	150-1153-00	B010100	8010198	LT EMITTING DIO:IR,940 NM	04713	MLED 71
A9DS470	150-1168-00	B010199		LT EMITTING DIO:IR	80009	150-1168-00
A9DS471	150-1153-00	B010100	8010198	LT EMITTING DIO:IR,940 NM	04713	MLED 71
A9DS471	150-1168-00	B010199		LT EMITTING DIO:IR	80009	150-1168-00
A9DS570	150-1153-00	B010100	8010198	LT EMITTING DIO:IR,940 NM	04713	MLED 71
A9DS570	150-1168-00	B010199		LT EMITTING DIO:IR	80009	150-1168-00
A9DS571	150-1153-00	B010100	8010198	LT EMITTING DIO:IR,940 NM	04713	MLED 71
A9DS571	150-1168-00	B010199		LT EMITTING DIO:IR	80009	150-1168-00
A9DS572	150-1153-00	B010100	8010198	LT EMITTING DIO:IR,940 NM	04713	MLED 71
A9DS572	150-1168-00	B010199		LT EMITTING DIO:IR	80009	150-1168-00
A9DS670	150-1153-00	B010100	8010198	LT EMITTING DIO:IR,940 NM	04713	MLED 71

Replaceable Electrical Parts
11402 Extended Service Volume 2

Component No.	Tektronix Part No.	Serial/Assembly No. Effective	Discont	Name & Description	Mfr. Code	Mfr. Part No.
A9DS670	150-1168-00	B010199		LT EMITTING DIO:IR	80009	150-1168-00
A9DS710	150-1153-00	B010100	8010198	LT EMITTING DIO:IR,940 NM	04713	MLED 71
A9DS710	150-1168-00	B010199		LT EMITTING DIO:IR	80009	150-1168-00
A9DS711	150-1153-00	B010100	8010198	LT EMITTING DIO:IR,940 NM	04713	MLED 71
A9DS711	150-1168-00	B010199		LT EMITTING DIO:IR	80009	150-1168-00
A9DS712	150-1153-00	B010100	8010198	LT EMITTING DIO:IR,940 NM	04713	MLED 71
A9DS712	150-1168-00	B010199		LT EMITTING DIO:IR	80009	150-1168-00
A9DS713	150-1154-00			LIGHT BAR:4 LED,GREEN	50434	HLMP 2550
A9DS714	150-1154-00			LIGHT BAR:4 LED,GREEN	50434	HLMP 2550
A9DS715	150-1154-00			LIGHT BAR:4 LED,GREEN	50434	HLMP 2550
A9DS720	150-1153-00	B010100	8010198	LT EMITTING DIO:IR,940 NM	04713	MLED 71
A9DS720	150-1168-00	B010199		LT EMITTING DIO:IR	80009	150-1168-00
A9DS721	150-1153-00	B010100	8010198	LT EMITTING DIO:IR,940 NM	04713	MLED 71
A9DS721	150-1168-00	B010199		LT EMITTING DIO:IR	80009	150-1168-00
A9DS722	150-1153-00	B010100	8010198	LT EMITTING DIO:IR,940 NM	04713	MLED 71
A9DS722	150-1168-00	B010199		LT EMITTING DIO:IR	80009	150-1168-00
A9DS723	150-1153-00	B010100	8010198	LT EMITTING DIO:IR,940 NM	04713	MLED 71
A9DS723	150-1168-00	B010199		LT EMITTING DIO:IR	80009	150-1168-00
A9DS724	150-1154-00			LIGHT BAR:4 LED,GREEN	50434	HLMP 2550
A9DS725	150-1154-00			LIGHT BAR:4 LED,GREEN	50434	HLMP 2550
A9DS730	150-1153-00	B010100	8010198	LT EMITTING DIO:IR,940 NM	04713	MLED 71
A9DS730	150-1168-00	B010199		LT EMITTING DIO:IR	80009	150-1168-00
A9DS731	150-1153-00	B010100	8010198	LT EMITTING DIO:IR,940 NM	04713	MLED 71
A9DS731	150-1168-00	B010199		LT EMITTING DIO:IR	80009	150-1168-00
A9DS732	150-1153-00	B010100	8010198	LT EMITTING DIO:IR,940 NM	04713	MLED 71
A9DS732	150-1168-00	B010199		LT EMITTING DIO:IR	80009	150-1168-00
A9DS733	150-1167-00			LIGHT BAR:2 LED,GREEN	50434	HLMP 2500
A9DS734	150-1167-00			LIGHT BAR:2 LED,GREEN	50434	HLMP 2500
A9DS740	150-1153-00	B010100	8010198	LT EMITTING DIO:IR,940 NM	04713	MLED 71
A9DS740	150-1168-00	B010199		LT EMITTING DIO:IR	80009	150-1168-00
A9DS741	150-1153-00	B010100	8010198	LT EMITTING DIO:IR,940 NM	04713	MLED 71
A9DS741	150-1168-00	B010199		LT EMITTING DIO:IR	80009	150-1168-00
A9DS742	150-1153-00	B010100	8010198	LT EMITTING DIO:IR,940 NM	04713	MLED 71
A9DS742	150-1168-00	B010199		LT EMITTING DIO:IR	80009	150-1168-00
A9DS743	150-1153-00	B010100	8010198	LT EMITTING DIO:IR,940 NM	04713	MLED 71
A9DS743	150-1168-00	B010199		LT EMITTING DIO:IR	80009	150-1168-00
A9DS750	150-1153-00	B010100	8010198	LT EMITTING DIO:IR,940 NM	04713	MLED 71
A9DS750	150-1168-00	B010199		LT EMITTING DIO:IR	80009	150-1168-00
A9DS751	150-1153-00	B010100	8010198	LT EMITTING DIO:IR,940 NM	04713	MLED 71
A9DS751	150-1168-00	B010199		LT EMITTING DIO:IR	80009	150-1168-00
A9DS752	150-1153-00	B010100	8010198	LT EMITTING DIO:IR,940 NM	04713	MLED 71
A9DS752	150-1168-00	B010199		LT EMITTING DIO:IR	80009	150-1168-00
A9DS760	150-1153-00	B010100	8010198	LT EMITTING DIO:IR,940 NM	04713	MLED 71
A9DS760	150-1168-00	B010199		LT EMITTING DIO:IR	80009	150-1168-00
A9DS761	150-1153-00	B010100	8010198	LT EMITTING DIO:IR,940 NM	04713	MLED 71
A9DS761	150-1168-00	B010199		LT EMITTING DIO:IR	80009	150-1168-00
A9DS762	150-1153-00	B010100	8010198	LT EMITTING DIO:IR,940 NM	04713	MLED 71
A9DS762	150-1168-00	B010199		LT EMITTING DIO:IR	80009	150-1168-00
A9DS763	150-1153-00	B010100	8010198	LT EMITTING DIO:IR,940 NM	04713	MLED 71
A9DS763	150-1168-00	B010199		LT EMITTING DIO:IR	80009	150-1168-00
A9DS770	150-1153-00	B010100	8010198	LT EMITTING DIO:IR,940 NM	04713	MLED 71
A9DS770	150-1168-00	B010199		LT EMITTING DIO:IR	80009	150-1168-00
A9J73	131-2098-00			CONN,RCPT,ELEC:CIRCUIT BOARD,26 CONTACTS	22526	65495-021
A9P73	175-9801-00			CA ASSY,SP,ELEC:40,4.0 L	TK1547	ORDER BY DESCR
A9R700	325-5003-00			RES,FXD,FILM:10K,5%,0.125W	91637	CRCW 1206-103J-T
A9R701	325-5003-00			RES,FXD,FILM:10K,5%,0.125W	91637	CRCW 1206-103J-T
A9R702	325-5003-00			RES,FXD,FILM:10K,5%,0.125W	91637	CRCW 1206-103J-T
A9R703	315-0566-00	B010286		RES,FXD,FILM:56M OHM,5%,0.25W	01121	C85665

Replaceable Electrical Parts
11402 Extended Service Volume 2

Component No.	Tektronix Part No.	Serial/Assembly No. Effective Dscont	Name & Description	Mfr. Code	Mfr. Part No.
A9R760	325-5013-00		RES,FXD,FILM:4.7K OHM,5%	01121	BCD4701J
A9R770	321-5004-00		RES,FXD,FILM:22.1 OHM,1%,0.125W	57668	MCR18FWEA22E1
A9R801	325-5003-00		RES,FXD,FILM:10K,5%,0.125W	91637	CRCW 1206-103J-T
A9R802	325-5003-00		RES,FXD,FILM:10K,5%,0.125W	91637	CRCW 1206-103J-T
A9R803	325-5002-00		RES,FXD,FILM:1K,5%,0.125W	01121	BCD1001JT
A9R804	325-5003-00		RES,FXD,FILM:10K,5%,0.125W	91637	CRCW 1206-103J-T
A9R810	325-5013-00		RES,FXD,FILM:4.7K OHM,5%	01121	BCD4701J
A9R820	325-5013-00		RES,FXD,FILM:4.7K OHM,5%	01121	BCD4701J
A9R821	325-5013-00		RES,FXD,FILM:4.7K OHM,5%	01121	BCD4701J
A9R830	325-5013-00		RES,FXD,FILM:4.7K OHM,5%	01121	BCD4701J
A9R831	325-5013-00		RES,FXD,FILM:4.7K OHM,5%	01121	BCD4701J
A9R840	325-5013-00		RES,FXD,FILM:4.7K OHM,5%	01121	BCD4701J
A9S1	260-2280-01		SW,PUSH BUTTON:SPRT,NORMALLY OPEN,LOW PROFILE,SHORT TRAVEL	31918	211100
A9S3	260-2280-01		SW,PUSH BUTTON:SPRT,NORMALLY OPEN,LOW PROFILE,SHORT TRAVEL	31918	211100
A9S4	260-2280-01		SW,PUSH BUTTON:SPRT,NORMALLY OPEN,LOW PROFILE,SHORT TRAVEL	31918	211100
A9S5	260-2280-01		SW,PUSH BUTTON:SPRT,NORMALLY OPEN,LOW PROFILE,SHORT TRAVEL	31918	211100
A9S6	260-2280-01		SW,PUSH BUTTON:SPRT,NORMALLY OPEN,LOW PROFILE,SHORT TRAVEL	31918	211100
A9S7	260-2280-01		SW,PUSH BUTTON:SPRT,NORMALLY OPEN,LOW PROFILE,SHORT TRAVEL	31918	211100
A9U110	156-5050-00		MICROCKT,DGTL:CMOS,ANALOG SW,8 CHANNEL	80009	156-5050-00
A9U130	156-5050-00		MICROCKT,DGTL:CMOS,ANALOG SW,8 CHANNEL	80009	156-5050-00
A9U160	156-5050-00		MICROCKT,DGTL:CMOS,ANALOG SW,8 CHANNEL	80009	156-5050-00
A9U200	156-5050-00		MICROCKT,DGTL:CMOS,ANALOG SW,8 CHANNEL	80009	156-5050-00
A9U500	156-5050-00		MICROCKT,DGTL:CMOS,ANALOG SW,8 CHANNEL	80009	156-5050-00
A9U700	156-1989-00		MICROCKT,LINER:OPERATIONAL AMPLIFIER,DUAL,BIFET	04713	MC34002D
A9U740	156-5050-00		MICROCKT,DGTL:CMOS,ANALOG SW,8 CHANNEL	80009	156-5050-00
A9U760	156-5033-00		MICROCKT,DGTL:LSTTL,3 TO 8 LINE DCDR/DEMUX	18324	74LS138D
A9U761	156-5033-00		MICROCKT,DGTL:LSTTL,3 TO 8 LINE DCDR/DEMUX	18324	74LS138D
A9U770	156-5049-00		MICROCKT,DGTL:LSTTL,DRIVER/DECODER,BCD TO DECIMAL	80009	156-5049-00
A9U840	156-5049-00		MICROCKT,DGTL:LSTTL,DRIVER/DECODER,BCD TO DECIMAL	80009	156-5049-00
A9U860	156-5049-00		MICROCKT,DGTL:LSTTL,DRIVER/DECODER,BCD TO DECIMAL	80009	156-5049-00
A9U870	156-5049-00		MICROCKT,DGTL:LSTTL,DRIVER/DECODER,BCD TO DECIMAL	80009	156-5049-00
A9U871	156-5049-00		MICROCKT,DGTL:LSTTL,DRIVER/DECODER,BCD TO DECIMAL	80009	156-5049-00
A10	670-8847-00		CIRCUIT BD ASSY:FRONT PANEL CONTROL	80009	670-8847-00
A10C100	290-1123-00		CAP,FXD,ELCTLT:68MF,20%,10V	TK1424	CEUST1A680 (T-7)
A10C102	290-1123-00		CAP,FXD,ELCTLT:68MF,20%,10V	TK1424	CEUST1A680 (T-7)
A10C103	281-0909-00		CAP,FXD,CER DI:0.022UF,20%,50V	54583	MA12X7R1H223M-T
A10C104	281-0909-00		CAP,FXD,CER DI:0.022UF,20%,50V	54583	MA12X7R1H223M-T
A10C110	281-0909-00		CAP,FXD,CER DI:0.022UF,20%,50V	54583	MA12X7R1H223M-T
A10C111	281-0909-00		CAP,FXD,CER DI:0.022UF,20%,50V	54583	MA12X7R1H223M-T
A10C112	281-0865-00		CAP,FXD,CER DI:1000PF,5%,100V	04222	MA101A102JAA
A10C113	281-0909-00		CAP,FXD,CER DI:0.022UF,20%,50V	54583	MA12X7R1H223M-T
A10C114	281-0909-00		CAP,FXD,CER DI:0.022UF,20%,50V	54583	MA12X7R1H223M-T
A10C115	281-0909-00		CAP,FXD,CER DI:0.022UF,20%,50V	54583	MA12X7R1H223M-T
A10C200	281-0909-00		CAP,FXD,CER DI:0.022UF,20%,50V	54583	MA12X7R1H223M-T

Replaceable Electrical Parts
11402 Extended Service Volume 2

Component No.	Tektronix Part No.	Serial/Assembly No. Effective Dscnt	Name & Description	Mfr. Code	Mfr. Part No.
A10C201	281-0909-00		CAP,FXD,CER DI:0.022UF,20%,50V	54583	MA12X7R1H223M-T
A10C202	281-0909-00		CAP,FXD,CER DI:0.022UF,20%,50V	54583	MA12X7R1H223M-T
A10C210	281-0814-01		CAP,FXD,CER DI:100PF,5%,100V	04222	SA101A101JAA
A10C211	281-0909-00		CAP,FXD,CER DI:0.022UF,20%,50V	54583	MA12X7R1H223M-T
A10C212	281-0909-00		CAP,FXD,CER DI:0.022UF,20%,50V	54583	MA12X7R1H223M-T
A10C213	281-0909-00		CAP,FXD,CER DI:0.022UF,20%,50V	54583	MA12X7R1H223M-T
A10C218	281-0909-00		CAP,FXD,CER DI:0.022UF,20%,50V	54583	MA12X7R1H223M-T
A10J72	131-3323-00		CONN,RCPT,ELEC:HEADER,2 X 20,0.1 SPACING	22526	66506-025
A10J73	131-3362-00		CONN,RCPT,ELEC:HEADER,STR,26 PIN	53387	3593-6002
A10J74	131-0608-00		TERMINAL,PIN:0.365 L X 0.025 BRZ GLD PL (QUANTITY OF 6)	22526	48283-036
A10J75	131-3520-00		CONN,RCPT,ELEC:HEADER,10 CONT,STR SLDR PIN	53387	3591-6002
A10LS202	119-2101-00		XDCR,AUDIO:6V,40MA,2-2.5KHZ,WATER WASHABLE	TK1066	SMX-06
A10R100	315-0511-00		RES,FXD,FILM:510 OHM,5%,0.25W	19701	5043CX510R0J
A10R111	315-0432-00		RES,FXD,FILM:4.3K OHM,5%,0.25W	57668	NTR25J-E04K3
A10R112	315-0432-00		RES,FXD,FILM:4.3K OHM,5%,0.25W	57668	NTR25J-E04K3
A10R113	315-0472-00		RES,FXD,FILM:4.7K OHM,5%,0.25W	57668	NTR25J-E04K7
A10R115	315-0472-00		RES,FXD,FILM:4.7K OHM,5%,0.25W	57668	NTR25J-E04K7
A10R201	307-0383-00		RES NTWK,FXD,FI:13,4.7K OHM,2%,0.25W	03888	PD14L 4.7K GB
A10R204	307-1253-00		RES,FXD,FILM:4.7K OHM,2%	01121	3148472
A10R206	307-1255-00		RES,FXD,FILM:240 OHM,2%	01121	3148241
A10R210	315-0752-00		RES,FXD,FILM:7.5K OHM,5%,0.25W	57668	NTR25J-E07K5
A10R211	315-0563-00		RES,FXD,FILM:56K OHM,5%,0.25W	19701	5043CX56K00J
A10R212	315-0563-00		RES,FXD,FILM:56K OHM,5%,0.25W	19701	5043CX56K00J
A10R213	315-0563-00		RES,FXD,FILM:56K OHM,5%,0.25W	19701	5043CX56K00J
A10R214	315-0563-00		RES,FXD,FILM:56K OHM,5%,0.25W	19701	5043CX56K00J
A10R215	307-1253-00		RES,FXD,FILM:4.7K OHM,2%	01121	3148472
A10R217	307-1256-00		RES,FXD,FILM:390 OHM,2%	01121	3148391
A10TP102	131-0608-00		TERMINAL,PIN:0.365 L X 0.025 BRZ GLD PL	22526	48283-036
A10TP103	131-0608-00		TERMINAL,PIN:0.365 L X 0.025 BRZ GLD PL	22526	48283-036
A10TP110	131-0608-00		TERMINAL,PIN:0.365 L X 0.025 BRZ GLD PL	22526	48283-036
A10TP210	131-0608-00		TERMINAL,PIN:0.365 L X 0.025 BRZ GLD PL	22526	48283-036
A10TP217	131-0608-00		TERMINAL,PIN:0.365 L X 0.025 BRZ GLD PL	22526	48283-036
A10U100	156-0874-02		MICROCKT,DGTL:8 BIT ADDRESSABLE LATCH	04713	SN74LS259NDS
A10U103	156-1535-00		MICROCKT,DGTL:NMOS,PROGRAMMABLE KYBD/DLY INTERFACE	34335	AM8279-5(N OR J)
A10U110	156-0385-02		MICROCKT,DGTL:HEX INVERTER,SCRN	07263	74LS04PCQR
A10U111	156-0402-02		MICROCKT,LINER:TIMER,CHECKED	27014	LM555CN/A+
A10U113	156-0388-03		MICROCKT,DGTL:DUAL D FLIP-FLOP,SCRN	01295	SN74LS74ANP3
A10U114	156-0412-02		MICROCKT,DGTL:SYN 4 BIT UP/DOWN CNTR,SCRN	27014	DM74LS193NA+
A10U115	156-0382-02		MICROCKT,DGTL:QUAD 2 INP NAND GATE BURN	18324	N74LS00NB
A10U200	156-0480-02		MICROCKT,DGTL:QUAD 2-INP & GATE,SCRN,	01295	SN74LS08NP3
A10U201	156-0994-02		MICROCKT,DGTL:8 INPUT DATA SEL/MUX,SCRN	01295	SN74LS151NP3
A10U203	156-0480-02		MICROCKT,DGTL:QUAD 2-INP & GATE,SCRN,	01295	SN74LS08NP3
A10U205	156-0355-00		MICROCKT,LINER:7-TRANSISTOR,COMMON EMITTER	02735	CA3081
A10U210	156-0733-02		MICROCKT,DGTL:DUAL MONOSTABLE MV W/ST INP	01295	SN74LS221N3
A10U211	156-0956-02		MICROCKT,DGTL:OCTAL BFR W/3 STATE OUT,SCRN	01295	SN74LS244NP3
A10U212	156-0386-02		MICROCKT,DGTL:TRIPLE 3-INP NAND GATE,SCRN	07263	74LS10PCQR
A10U213	156-1172-01		MICROCKT,DGTL:DUAL 4 BIT BIN CNTR,SCRN	01295	SN74LS393NP3
A10U214	156-0480-02		MICROCKT,DGTL:QUAD 2-INP & GATE,SCRN,	01295	SN74LS08NP3
A10U216	156-0355-00		MICROCKT,LINER:7-TRANSISTOR,COMMON EMITTER	02735	CA3081
A10U218	156-0330-02		MICROCKT,DGTL:HEX BUFFER,SCREENED	02735	CD4050BFX
A10VR100	152-0195-00		SEMICON DVC,DI:ZEN,SI,5.1V,5%,0.4W,DO-7	04713	SZ11755RL
A11	670-9367-00		CIRCUIT BD ASSY:FRONT PANEL BUTTON	80009	670-9367-00
A11DS100	150-1167-00		LIGHT BAR:2 LED,GREEN	50434	HLMP 2500
A11DS110	150-1167-00		LIGHT BAR:2 LED,GREEN	50434	HLMP 2500

Replaceable Electrical Parts
11402 Extended Service Volume 2

Component No.	Tektronix Part No.	Serial/Assembly No. Effective Dscort	Name & Description	Mfr. Code	Mfr. Part No.
A11J75	131-3519-00		CONN,RCPT,ELEC:CKT BD,10 CONTACT,4 ROW	53387	3474-0000T
A11P75	175-9802-00		CA ASSY,SP,ELEC:34,2.0 L	TK1148	ORDER BY DESCR
A11S100	260-2280-01		SW,PUSH BUTTON:SPRT,NORMALLY OPEN,LOW PROFILE,SHORT TRAVEL	31918	211100
A11S200	260-2280-01		SW,PUSH BUTTON:SPRT,NORMALLY OPEN,LOW PROFILE,SHORT TRAVEL	31918	211100
A11S300	260-2280-01		SW,PUSH BUTTON:SPRT,NORMALLY OPEN,LOW PROFILE,SHORT TRAVEL	31918	211100
A11S400	260-2280-01		SW,PUSH BUTTON:SPRT,NORMALLY OPEN,LOW PROFILE,SHORT TRAVEL	31918	211100
A12	670-8853-00		CIRCUIT BD ASSY:REAR PANEL	80009	670-8853-00
A12C100	281-0767-00		CAP,FXD,CER DI:330PF,20%,100V	04222	MA106C331MAA
A12C110	281-0767-00		CAP,FXD,CER DI:330PF,20%,100V	04222	MA106C331MAA
A12C111	281-0767-00		CAP,FXD,CER DI:330PF,20%,100V	04222	MA106C331MAA
A12C112	281-0909-00		CAP,FXD,CER DI:0.022UF,20%,50V	54583	MA12X7R1H223M-T
A12C114	281-0913-00		CAP,FXD,CER DI:0.1UF,50V,AXIAL	04222	SA105E104ZAA
A12C115	281-0913-00		CAP,FXD,CER DI:0.1UF,50V,AXIAL	04222	SA105E104ZAA
A12C117	281-0913-00		CAP,FXD,CER DI:0.1UF,50V,AXIAL	04222	SA105E104ZAA
A12C118	281-0913-00		CAP,FXD,CER DI:0.1UF,50V,AXIAL	04222	SA105E104ZAA
A12C120	281-0909-00		CAP,FXD,CER DI:0.022UF,20%,50V	54583	MA12X7R1H223M-T
A12C200	281-0909-00		CAP,FXD,CER DI:0.022UF,20%,50V	54583	MA12X7R1H223M-T
A12C210	281-0909-00		CAP,FXD,CER DI:0.022UF,20%,50V	54583	MA12X7R1H223M-T
A12C233	281-0809-00		CAP,FXD,CER DI:200 PF,5%,100V	04222	MA101A201JAA
A12C241	281-0809-00		CAP,FXD,CER DI:200 PF,5%,100V	04222	MA101A201JAA
A12C242	290-1123-00		CAP,FXD,ELCTLT:68MF,20%,10V	TK1424	CEUST1A680 (T-7)
A12C300	281-0913-00		CAP,FXD,CER DI:0.1UF,50V,AXIAL	04222	SA105E104ZAA
A12C310	281-0913-00		CAP,FXD,CER DI:0.1UF,50V,AXIAL	04222	SA105E104ZAA
A12C330	281-0909-00		CAP,FXD,CER DI:0.022UF,20%,50V	54583	MA12X7R1H223M-T
A12C400	281-0909-00		CAP,FXD,CER DI:0.022UF,20%,50V	54583	MA12X7R1H223M-T
A12C410	281-0909-00		CAP,FXD,CER DI:0.022UF,20%,50V	54583	MA12X7R1H223M-T
A12C430	281-0909-00		CAP,FXD,CER DI:0.022UF,20%,50V	54583	MA12X7R1H223M-T
A12C431	281-0909-00		CAP,FXD,CER DI:0.022UF,20%,50V	54583	MA12X7R1H223M-T
A12C500	281-0909-00		CAP,FXD,CER DI:0.022UF,20%,50V	54583	MA12X7R1H223M-T
A12C510	281-0909-00		CAP,FXD,CER DI:0.022UF,20%,50V	54583	MA12X7R1H223M-T
A12C520	281-0909-00		CAP,FXD,CER DI:0.022UF,20%,50V	54583	MA12X7R1H223M-T
A12C530	281-0909-00		CAP,FXD,CER DI:0.022UF,20%,50V	54583	MA12X7R1H223M-T
A12C531	281-0909-00		CAP,FXD,CER DI:0.022UF,20%,50V	54583	MA12X7R1H223M-T
A12C600	281-0909-00		CAP,FXD,CER DI:0.022UF,20%,50V	54583	MA12X7R1H223M-T
A12C601	281-0913-00		CAP,FXD,CER DI:0.1UF,50V,AXIAL	04222	SA105E104ZAA
A12C606	281-0913-00		CAP,FXD,CER DI:0.1UF,50V,AXIAL	04222	SA105E104ZAA
A12C610	281-0909-00		CAP,FXD,CER DI:0.022UF,20%,50V	54583	MA12X7R1H223M-T
A12CR114	152-0834-01		SEMICONV DVC,DI:16 DI ARRAY,COMMON ANODE, 35V,4NS	80009	152-0834-01
A12CR115	152-0835-01		SEMICONV DVC,DI:16 DIODE ARRAY,COMMON CATHODE,35V,4NS	80009	152-0835-01
A12CR400	152-0107-03		SEMICONV DVC,DI:RECT,SI,400V,400MA,A1	04713	1N4004
A12CR401	152-0107-03		SEMICONV DVC,DI:RECT,SI,400V,400MA,A1	04713	1N4004
A12CR602	152-0835-01		SEMICONV DVC,DI:16 DIODE ARRAY,COMMON CATHODE,35V,4NS	80009	152-0835-01
A12CR603	152-0834-01		SEMICONV DVC,DI:16 DI ARRAY,COMMON ANODE, 35V,4NS	80009	152-0834-01
A12CR605	152-0834-01		SEMICONV DVC,DI:16 DI ARRAY,COMMON ANODE, 35V,4NS	80009	152-0834-01
A12CR606	152-0835-01		SEMICONV DVC,DI:16 DIODE ARRAY,COMMON CATHODE,35V,4NS	80009	152-0835-01
A12DS700	150-1152-00		LT EMITTING DIO:RED 5V,T-1 PACKAGE	50434	HLMP3600 OPT 002

Replaceable Electrical Parts
11402 Extended Service Volume 2

Component No.	Tektronix Part No.	Serial/Assembly No. Effective	Discnt	Name & Description	Mfr. Code	Mfr. Part No.
A12DS710	150-1152-00			LT EMITTING DIO:RED 5V,T-1 PACKAGE	50434	HLMP3600 OPT 002
A12DS711	150-1152-00			LT EMITTING DIO:RED 5V,T-1 PACKAGE	50434	HLMP3600 OPT 002
A12J50	131-3426-00			CONN,RCPT,ELEC:CKT BD,24 CONT,FEMALE	00779	554501-2
A12J51	131-3428-00			CONN,RCPT,ELEC:CKT BD,25 CONT,FEMALE	00779	745187-7
A12J78	131-3181-00			CONN,RCPT,ELEC:HEADER,RTANG,2 X 20,0.1 CTR	22526	75867-007
A12J111	131-3427-00			CONN,RCPT,ELEC:CKT BD,FEMALE 36 CONTACT WITH CKT BD TAILS	00779	554400-2
A12R111	315-0472-00			RES,FXD,FILM:4.7K OHM,5%,0.25W	57668	NTR25J-E04K7
A12R120	315-0472-00			RES,FXD,FILM:4.7K OHM,5%,0.25W	57668	NTR25J-E04K7
A12R222	315-0472-00			RES,FXD,FILM:4.7K OHM,5%,0.25W	57668	NTR25J-E04K7
A12R230	315-0471-00			RES,FXD,FILM:470 OHM,5%,0.25W	57668	NTR25J-E470E
A12R231	315-0471-00			RES,FXD,FILM:470 OHM,5%,0.25W	57668	NTR25J-E470E
A12R232	315-0103-00			RES,FXD,FILM:10K OHM,5%,0.25W	19701	5043CX10K00J
A12R320	315-0472-00			RES,FXD,FILM:4.7K OHM,5%,0.25W	57668	NTR25J-E04K7
A12R321	315-0242-00			RES,FXD,FILM:2.4K OHM,5%,0.25W	57668	NTR25J-E02K4
A12R340	315-0472-00			RES,FXD,FILM:4.7K OHM,5%,0.25W	57668	NTR25J-E04K7
A12R341	315-0103-00			RES,FXD,FILM:10K OHM,5%,0.25W	19701	5043CX10K00J
A12R342	315-0472-00			RES,FXD,FILM:4.7K OHM,5%,0.25W	57668	NTR25J-E04K7
A12R520	315-0472-00			RES,FXD,FILM:4.7K OHM,5%,0.25W	57668	NTR25J-E04K7
A12R600	315-0472-00			RES,FXD,FILM:4.7K OHM,5%,0.25W	57668	NTR25J-E04K7
A12R640	315-0332-00			RES,FXD,FILM:3.3K OHM,5%,0.25W	57668	NTR25J-E03K3
A12R650	307-0675-00			RES NTWK,FXD,FI:9.1K OHM,2%1.25W	11236	750-101-R1K OHM
A12U110	156-0385-02			MICROCKT,DGTL:HEX INVERTER,SCRN	07263	74LS04PCQR
A12U120	156-0385-02			MICROCKT,DGTL:HEX INVERTER,SCRN	07263	74LS04PCQR
A12U210	156-0878-01			MICROCKT,INTFC:BIPOLAR,QUAD RS-232C LINE RECEIVER	04713	MC1489LDS
A12U310	156-0879-01			MICROCKT,INTFC:BIPOLAR,QUAD RS-232C LINE DRIVER	04713	MC1488LD
A12U311	156-1737-00			MICROCKT,DGTL:DUAL ASYNC RECEIVER/XMTR	18324	SCN2681AC1N40
A12U330	156-1600-00			MICROCKT,DGTL:LSTTL,DUAL RETRIG MONOSTAB MV	01295	SN74LS123N3/J4
A12U410	156-1444-01			MICROCKT,DGTL:NMOS,GPIB INTFC CONTROLLER	01295	TMS9914A (NL
A12U430	156-1570-00			MICROCKT,DGTL:NMOS,PRDM PRPHL INTFC,SCRN	34335	P8255AB
A12U500	156-1414-02			MICROCKT,DGTL:OCTAL GPIB BUS XCVR,SCRN	27014	DS75160A N
A12U510	156-1415-01			MICROCKT,DGTL:OCTAL GPIB XCVR-MANAGEMENT	27014	DS75161A NA+
A12U520	156-0956-02			MICROCKT,DGTL:OCTAL BFR W/3 STATE OUT,SCRN	01295	SN74LS244NP3
A12U530	156-0384-02			MICROCKT,DGTL:QUAD 2-INP NAND GATE,SCRN	07263	74LS03PCQR
A12U540	156-0956-02			MICROCKT,DGTL:OCTAL BFR W/3 STATE OUT,SCRN	01295	SN74LS244NP3
A12U541	156-0956-02			MICROCKT,DGTL:OCTAL BFR W/3 STATE OUT,SCRN	01295	SN74LS244NP3
A12U600	156-0479-02			MICROCKT,DGTL:QUAD 2-INP OR GATE,SCRN	01295	SN74LS32NP3
A12U610	156-0383-02			MICROCKT,DGTL:QUAD 2-INP NOR GATE,SCRN,	18324	N74LS02NB
A12VR117	152-0405-00			SEMICON DVC,DI:ZEN,SI,15V,5%,1W,TO-41	12954	DZ841205A
A12VR118	152-0405-00			SEMICON DVC,DI:ZEN,SI,15V,5%,1W,TO-41	12954	DZ841205A
A12VR600	152-0691-00			SEMICON DVC,DI:ZEN,SI,5.1V,10%,1.0W,DO-41	04713	1N4733
A12W140	196-3089-00			LEAD,ELECTRICAL:18 AWG,9.3 L,0-N W/CONN	80009	196-3089-00
A12Y320	158-0307-00			XTAL UNIT,QTZ:3.6864MHZ,SER	14301	X-1871
A13	670-8851-00			CIRCUIT BD ASSY:MOTHER	80009	670-8851-00
A13J63	131-2857-00			CONN,RCPT,ELEC:HEADER,1 X 4,0.25 SPACING	00779	350792-1
A13J100	131-2963-00			CONN,RCPT,ELEC:MALE,3 X 32,0.1 CTR	81312	94P032110105-589
A13J101	131-2963-00			CONN,RCPT,ELEC:MALE,3 X 32,0.1 CTR	81312	94P032110105-589
A13J102	131-2963-00			CONN,RCPT,ELEC:MALE,3 X 32,0.1 CTR	81312	94P032110105-589
A13J103	131-2963-00			CONN,RCPT,ELEC:MALE,3 X 32,0.1 CTR	81312	94P032110105-589
A13J104	131-2963-00			CONN,RCPT,ELEC:MALE,3 X 32,0.1 CTR	81312	94P032110105-589
A13J105	131-2963-00			CONN,RCPT,ELEC:MALE,3 X 32,0.1 CTR	81312	94P032110105-589
A13J106	131-2963-00			CONN,RCPT,ELEC:MALE,3 X 32,0.1 CTR	81312	94P032110105-589
A13J107	131-2963-00			CONN,RCPT,ELEC:MALE,3 X 32,0.1 CTR	81312	94P032110105-589
A14	670-8854-00	B010100	B011068	CIRCUIT BD ASSY:INPUT/OUTPUT	80009	670-8854-00

Replaceable Electrical Parts
11402 Extended Service Volume 2

Component No.	Tektronix Part No.	Serial/Assembly No. Effective	Discort	Name & Description	Mfr. Code	Mfr. Part No.
A14	670-8854-01	B011069		CIRCUIT BD ASSY:INPUT/OUTPUT	80009	670-8854-01
A14BT130	146-0055-00			BATTERY, DRY:3.0V, 1200 MAH, LITHIUM	TK0510	BR-2/3A-E2P
A14C100	281-0909-00			CAP, FXD, CER DI:0.022UF, 20%, 50V	54583	MA12X7R1H223M-T
A14C110	281-0913-00			CAP, FXD, CER DI:0.1UF, 50V, AXIAL	04222	SA105E104ZAA
A14C111	281-0913-00			CAP, FXD, CER DI:0.1UF, 50V, AXIAL	04222	SA105E104ZAA
A14C112	281-0909-00			CAP, FXD, CER DI:0.022UF, 20%, 50V	54583	MA12X7R1H223M-T
A14C114	290-0943-01	B011069		CAP, FXD, ELCTLT:47UF, 20%, 25V	55680	ULB1E470MPAANA1T
A14C116	290-0943-01	B011069		CAP, FXD, ELCTLT:47UF, 20%, 25V	55680	ULB1E470MPAANA1T
A14C118	281-0913-00	B011069		CAP, FXD, CER DI:0.1UF, 50V, AXIAL	04222	SA105E104ZAA
A14C120	281-0909-00	B010100	B011068	CAP, FXD, CER DI:0.022UF, 20%, 50V	54583	MA12X7R1H223M-T
A14C121	281-0913-00			CAP, FXD, CER DI:0.1UF, 50V, AXIAL	04222	SA105E104ZAA
A14C122	281-0913-00			CAP, FXD, CER DI:0.1UF, 50V, AXIAL	04222	SA105E104ZAA
A14C129	281-0770-00			CAP, FXD, CER DI:1000PF, 20%, 100V	04222	MA101C102MAA
A14C130	281-0770-00			CAP, FXD, CER DI:1000PF, 20%, 100V	04222	MA101C102MAA
A14C131	290-0943-00			CAP, FXD, ELCTLT:47UF, +50-20%, 25V	55680	ULB1E470TAAANA
A14C135	281-0770-00			CAP, FXD, CER DI:1000PF, 20%, 100V	04222	MA101C102MAA
A14C200	281-0909-00			CAP, FXD, CER DI:0.022UF, 20%, 50V	54583	MA12X7R1H223M-T
A14C210	281-0909-00			CAP, FXD, CER DI:0.022UF, 20%, 50V	54583	MA12X7R1H223M-T
A14C211	281-0773-00			CAP, FXD, CER DI:0.01UF, 10%, 100V	04222	MA201C103KAA
A14C212	281-0913-00			CAP, FXD, CER DI:0.1UF, 50V, AXIAL	04222	SA105E104ZAA
A14C213	281-0913-00			CAP, FXD, CER DI:0.1UF, 50V, AXIAL	04222	SA105E104ZAA
A14C220	281-0913-00			CAP, FXD, CER DI:0.1UF, 50V, AXIAL	04222	SA105E104ZAA
A14C222	281-0773-00			CAP, FXD, CER DI:0.01UF, 10%, 100V	04222	MA201C103KAA
A14C226	290-0943-00			CAP, FXD, ELCTLT:47UF, +50-20%, 25V	55680	ULB1E470TAAANA
A14C230	285-1300-01			CAP, FXD, MTLZD:0.1UF, 10%, 63V	55112	185/0.1/K/63/ABA
A14C300	290-0804-00			CAP, FXD, ELCTLT:10UF, +50-20%, 25V	55680	ULB1E100TAAANA
A14C310	281-0909-00			CAP, FXD, CER DI:0.022UF, 20%, 50V	54583	MA12X7R1H223M-T
A14C312	281-0909-00			CAP, FXD, CER DI:0.022UF, 20%, 50V	54583	MA12X7R1H223M-T
A14C320	281-0909-00			CAP, FXD, CER DI:0.022UF, 20%, 50V	54583	MA12X7R1H223M-T
A14C330	281-0909-00			CAP, FXD, CER DI:0.022UF, 20%, 50V	54583	MA12X7R1H223M-T
A14C332	281-0909-00			CAP, FXD, CER DI:0.022UF, 20%, 50V	54583	MA12X7R1H223M-T
A14C410	281-0909-00			CAP, FXD, CER DI:0.022UF, 20%, 50V	54583	MA12X7R1H223M-T
A14C420	281-0909-00			CAP, FXD, CER DI:0.022UF, 20%, 50V	54583	MA12X7R1H223M-T
A14C422	281-0909-00			CAP, FXD, CER DI:0.022UF, 20%, 50V	54583	MA12X7R1H223M-T
A14C430	281-0909-00			CAP, FXD, CER DI:0.022UF, 20%, 50V	54583	MA12X7R1H223M-T
A14C432	281-0909-00			CAP, FXD, CER DI:0.022UF, 20%, 50V	54583	MA12X7R1H223M-T
A14C433	281-0909-00			CAP, FXD, CER DI:0.022UF, 20%, 50V	54583	MA12X7R1H223M-T
A14C500	290-0804-00			CAP, FXD, ELCTLT:10UF, +50-20%, 25V	55680	ULB1E100TAAANA
A14C502	290-0943-00			CAP, FXD, ELCTLT:47UF, +50-20%, 25V	55680	ULB1E470TAAANA
A14C510	281-0265-00			CAP, VAR, CER DI:5.2-30PF, 100V	TK1356	TZ03R300FR169
A14C511	281-0797-00	B010100	B011068	CAP, FXD, CER DI:15PF, 10%, 100V	04222	SA106A150KAA
A14C511	281-0811-00	B011069		CAP, FXD, CER DI:10PF, 10%, 100V	04222	MA101A100KAA
A14C520	281-0909-00			CAP, FXD, CER DI:0.022UF, 20%, 50V	54583	MA12X7R1H223M-T
A14C522	281-0909-00			CAP, FXD, CER DI:0.022UF, 20%, 50V	54583	MA12X7R1H223M-T
A14C530	281-0909-00			CAP, FXD, CER DI:0.022UF, 20%, 50V	54583	MA12X7R1H223M-T
A14C532	281-0909-00			CAP, FXD, CER DI:0.022UF, 20%, 50V	54583	MA12X7R1H223M-T
A14C534	281-0909-00			CAP, FXD, CER DI:0.022UF, 20%, 50V	54583	MA12X7R1H223M-T
A14C600	281-0909-00			CAP, FXD, CER DI:0.022UF, 20%, 50V	54583	MA12X7R1H223M-T
A14C610	281-0909-00			CAP, FXD, CER DI:0.022UF, 20%, 50V	54583	MA12X7R1H223M-T
A14C612	281-0909-00			CAP, FXD, CER DI:0.022UF, 20%, 50V	54583	MA12X7R1H223M-T
A14C614	281-0909-00			CAP, FXD, CER DI:0.022UF, 20%, 50V	54583	MA12X7R1H223M-T
A14C620	281-0909-00			CAP, FXD, CER DI:0.022UF, 20%, 50V	54583	MA12X7R1H223M-T
A14C622	281-0909-00			CAP, FXD, CER DI:0.022UF, 20%, 50V	54583	MA12X7R1H223M-T
A14C630	281-0909-00			CAP, FXD, CER DI:0.022UF, 20%, 50V	54583	MA12X7R1H223M-T
A14C632	281-0909-00			CAP, FXD, CER DI:0.022UF, 20%, 50V	54583	MA12X7R1H223M-T
A14C700	281-0909-00			CAP, FXD, CER DI:0.022UF, 20%, 50V	54583	MA12X7R1H223M-T
A14C701	290-0943-00			CAP, FXD, ELCTLT:47UF, +50-20%, 25V	55680	ULB1E470TAAANA

Component No.	Tektronix Part No.	Serial/Assembly No. Effective	Discort	Name & Description	Mfr. Code	Mfr. Part No.
A14C710	281-0909-00			CAP,FXD,CER DI:0.022UF,20%,50V	54583	MA12X7R1H223M-T
A14C712	281-0909-00			CAP,FXD,CER DI:0.022UF,20%,50V	54583	MA12X7R1H223M-T
A14C714	281-0909-00			CAP,FXD,CER DI:0.022UF,20%,50V	54583	MA12X7R1H223M-T
A14C720	281-0909-00			CAP,FXD,CER DI:0.022UF,20%,50V	54583	MA12X7R1H223M-T
A14C722	281-0909-00			CAP,FXD,CER DI:0.022UF,20%,50V	54583	MA12X7R1H223M-T
A14C730	281-0909-00			CAP,FXD,CER DI:0.022UF,20%,50V	54583	MA12X7R1H223M-T
A14C732	281-0909-00			CAP,FXD,CER DI:0.022UF,20%,50V	54583	MA12X7R1H223M-T
A14C800	281-0909-00			CAP,FXD,CER DI:0.022UF,20%,50V	54583	MA12X7R1H223M-T
A14C810	281-0909-00			CAP,FXD,CER DI:0.022UF,20%,50V	54583	MA12X7R1H223M-T
A14C812	281-0909-00			CAP,FXD,CER DI:0.022UF,20%,50V	54583	MA12X7R1H223M-T
A14C814	281-0909-00			CAP,FXD,CER DI:0.022UF,20%,50V	54583	MA12X7R1H223M-T
A14C820	281-0909-00			CAP,FXD,CER DI:0.022UF,20%,50V	54583	MA12X7R1H223M-T
A14C822	281-0909-00			CAP,FXD,CER DI:0.022UF,20%,50V	54583	MA12X7R1H223M-T
A14C830	281-0909-00			CAP,FXD,CER DI:0.022UF,20%,50V	54583	MA12X7R1H223M-T
A14C832	281-0909-00			CAP,FXD,CER DI:0.022UF,20%,50V	54583	MA12X7R1H223M-T
A14C833	290-0943-00			CAP,FXD,ELCTLT:47UF,+50-20%,25V	55680	ULB1E470TAAANA
A14CR121	152-0107-00			SEMICONV DVC,DI:RECT,SI,400 V,400MA,A1	12969	"G727"
A14CR210	152-0141-02			SEMICONV DVC,DI:SW,SI,30V,150MA,30V,DO-35	03508	DA2527 (1N4152)
A14CR230	152-0834-01			SEMICONV DVC,DI:16 DI ARRAY,COMMON ANODE,35V,4NS	80009	152-0834-01
A14CR231	152-0835-01			SEMICONV DVC,DI:16 DIODE ARRAY,COMMON CATHODE,35V,4NS	80009	152-0835-01
A14F200	159-0245-00			FUSE,WIRE LEAD:1A,125V,FAST	75915	R251001T1
A14F600	159-0245-00			FUSE,WIRE LEAD:1A,125V,FAST	75915	R251001T1
A14F602	159-0245-00			FUSE,WIRE LEAD:1A,125V,FAST	75915	R251001T1
A14F800	159-0245-00			FUSE,WIRE LEAD:1A,125V,FAST	75915	R251001T1
A14J72	131-3181-00			CONN,RCPT,ELEC:HEADER,RTANG,2 X 20,0.1 CTR	22526	75867-007
A14J77	131-3363-00			CONN,RCPT,ELEC:HEADER,RTANG,34 PIN	53387	3594-5002
A14J78	131-3181-00			CONN,RCPT,ELEC:HEADER,RTANG,2 X 20,0.1 CTR	22526	75867-007
A14J90	131-3453-00			CONN,RCPT,ELEC:HEADER,2 X 8 RT ANGLE	53387	3599-5002
A14J230	131-0608-00			TERMINAL,PIN:0.365 L X 0.025 BRZ GLD PL (QUANTITY OF 2)	22526	48283-036
A14J430	131-0608-00			TERMINAL,PIN:0.365 L X 0.025 BRZ GLD PL (QUANTITY OF 2)	22526	48283-036
A14J432	131-0608-00			TERMINAL,PIN:0.365 L X 0.025 BRZ GLD PL (QUANTITY OF 2)	22526	48283-036
A14J710	131-0608-00			TERMINAL,PIN:0.365 L X 0.025 BRZ GLD PL (QUANTITY OF 3)	22526	48283-036
A14J711	131-0608-00			TERMINAL,PIN:0.365 L X 0.025 BRZ GLD PL (QUANTITY OF 3)	22526	48283-036
A14J712	131-0608-00			TERMINAL,PIN:0.365 L X 0.025 BRZ GLD PL (QUANTITY OF 3)	22526	48283-036
A14J713	131-0608-00			TERMINAL,PIN:0.365 L X 0.025 BRZ GLD PL (QUANTITY OF 3)	22526	48283-036
A14J714	131-0608-00			TERMINAL,PIN:0.365 L X 0.025 BRZ GLD PL (QUANTITY OF 3)	22526	48283-036
A14J715	131-0608-00			TERMINAL,PIN:0.365 L X 0.025 BRZ GLD PL (QUANTITY OF 3)	22526	48283-036
A14L100	108-0537-00	B011069		COIL,RF:FIXED,200UH	80009	108-0537-00
A14L102	108-0537-00	B011069		COIL,RF:FIXED,200UH	80009	108-0537-00
A14P105	131-2964-00			CONN,RCPT,ELEC:FEMALE,3 X 32,RTANG,0.1 CTR	81312	096S-6043-0731-0
A14R110	311-2267-00	B010100	B011068	RES,VAR,NONWM:TRMR,50K OHM,20%,0.5W	TK1450	GF06VT B50K-OHM
A14R111	321-1618-02			RES,FXD,FILM:6.5K OHM,0.5%,0.125W,TC=T2	19701	5033RC6K500D
A14R112	311-2277-00	B010100	B011068	RES,VAR,NONWM:TRMR,50 OHM,20%,0.5W	TK1450	GF06VT 50 OHM
A14R112	311-2270-00	B011069		RES,VAR,NONWM:TRMR,10K OHM,20%,0.5W	TK1450	GF06VT 10 K OHM
A14R113	321-0931-03	B010100	B011068	RES,FXD,FILM:1.11K OHM,0.25%,0.125W,TC=T2	19701	5033RC1K110C
A14R113	321-0199-03	B011069		RES,FXD,FILM:1.15K OHM,0.25%,0.125W,TC=T2	91637	MFF1816D11500C
A14R114	321-1618-02			RES,FXD,FILM:6.5K OHM,0.5%,0.125W,TC=T2	19701	5033RC6K500D
A14R120	315-0102-00			RES,FXD,FILM:1K OHM,5%,0.25W	57668	NTR25JE01K0

Replaceable Electrical Parts
11402 Extended Service Volume 2

Component No.	Tektronix Part No.	Serial/Assembly No. Effective	Discont	Name & Description	Mfr. Code	Mfr. Part No.
A14R121	321-0385-07	B011069		RES, FXD, FILM:100K OHM, 0.1%, 0.125W, TC=T9	19701	5033RE100K08
A14R122	321-0963-07	B011069		RES, FXD, FILM:98.73K OHM, 0.1%, 0.125W, TC=T9	07716	CEA 98.73KOHM 1%
A14R123	315-0513-00	B011069		RES, FXD, FILM:51K OHM, 5%, 0.25W	57668	NTR25J-E51K0
A14R130	321-0203-00			RES, FXD, FILM:1.27K OHM, 1%, 0.125W, TC=T0	07716	CEAD12700F
A14R130	321-0203-07	B011069		RES, FXD, FILM:1.27K, 0.1%, 0.125W, TC=T9	80009	321-0203-07
A14R131	321-0361-06	B010100	B011068	RES, FXD, FILM:56.2K OHM, 0.25%, 0.125W	19701	5033RE56K20C
A14R132	321-0318-02	B010100	B011068	RES, FXD, FILM:20.0K 0.5%, 0.125W, TC=T2	19701	5033RC20K00D
A14R132	321-0673-07	B011069		RES, FXD, FILM:17K OHM, 0.1%, 0.125W, TC=T9	07716	CEAE17001B
A14R133	321-0329-02	B010100	B011068	RES, FXD, FILM:26.1K OHM, 0.5%, 0.125W, TC=T2	19701	5033RC26K10D
A14R133	321-0332-07	B011069		RES, FXD, FILM:28.0K OHM, 0.1%, 0.125W, TC=T9	19701	5033RE28K00B
A14R134	321-0289-07			RES, FXD, FILM:10.0K OHM, 0.1%, 0.125W, TC=T9	19701	5033RE10K00B
A14R135	313-1202-00			RES, FXD, FILM:2K OHM, 5%, 0.2W	57668	TR20JE02K0
A14R135	315-0202-00	B011069		RES, FXD, FILM:2K OHM, 5%, 0.25W	57668	NTR25J-E 2K
A14R200	315-0103-00			RES, FXD, FILM:10K OHM, 5%, 0.25W	19701	5043CX10K00J
A14R214	315-0222-00			RES, FXD, FILM:2.2K OHM, 5%, 0.25W	57668	NTR25J-E02K2
A14R216	315-0103-00			RES, FXD, FILM:10K OHM, 5%, 0.25W	19701	5043CX10K00J
A14R220	315-0101-00			RES, FXD, FILM:100 OHM, 5%, 0.25W	57668	NTR25J-E 100E
A14R230	307-0446-00			RES NTWK, FXD, FI:10K OHM, 20%, (9)RES	11236	750-101-R10K
A14R231	315-0471-00			RES, FXD, FILM:470 OHM, 5%, 0.25W	57668	NTR25J-E470E
A14R310	315-0103-00			RES, FXD, FILM:10K OHM, 5%, 0.25W	19701	5043CX10K00J
A14R311	315-0103-00			RES, FXD, FILM:10K OHM, 5%, 0.25W	19701	5043CX10K00J
A14R312	315-0103-00			RES, FXD, FILM:10K OHM, 5%, 0.25W	19701	5043CX10K00J
A14R313	315-0103-00			RES, FXD, FILM:10K OHM, 5%, 0.25W	19701	5043CX10K00J
A14R332	315-0103-00	B010100	B011068	RES, FXD, FILM:10K OHM, 5%, 0.25W	19701	5043CX10K00J
A14R333	315-0103-00			RES, FXD, FILM:10K OHM, 5%, 0.25W	19701	5043CX10K00J
A14R334	315-0472-00			RES, FXD, FILM:4.7K OHM, 5%, 0.25W	57668	NTR25J-E04K7
A14R400	315-0100-00			RES, FXD, FILM:10 OHM, 5%, 0.25W	19701	5043CX10RR00J
A14R410	315-0103-00			RES, FXD, FILM:10K OHM, 5%, 0.25W	19701	5043CX10K00J
A14R411	315-0472-00			RES, FXD, FILM:4.7K OHM, 5%, 0.25W	57668	NTR25J-E04K7
A14R412	315-0472-00			RES, FXD, FILM:4.7K OHM, 5%, 0.25W	57668	NTR25J-E04K7
A14R413	315-0622-00			RES, FXD, FILM:6.2K OHM, 5%, 0.25W	19701	5043CX6K200J
A14R414	315-0472-00			RES, FXD, FILM:4.7K OHM, 5%, 0.25W	57668	NTR25J-E04K7
A14R420	315-0472-00			RES, FXD, FILM:4.7K OHM, 5%, 0.25W	57668	NTR25J-E04K7
A14R422	313-1470-00			RES, FXD, FILM:47 OHM, 5%, 0.2W	57668	TR20JE 47E
A14R422	315-0470-00	B011069		RES, FXD, FILM:47 OHM, 5%, 0.25W	57668	NTR25J-E47E0
A14R430	315-0472-00			RES, FXD, FILM:4.7K OHM, 5%, 0.25W	57668	NTR25J-E04K7
A14R431	315-0470-00			RES, FXD, FILM:47 OHM, 5%, 0.25W	57668	NTR25J-E47E0
A14R432	315-0472-00			RES, FXD, FILM:4.7K OHM, 5%, 0.25W	57668	NTR25J-E04K7
A14R433	315-0472-00			RES, FXD, FILM:4.7K OHM, 5%, 0.25W	57668	NTR25J-E04K7
A14R434	315-0472-00			RES, FXD, FILM:4.7K OHM, 5%, 0.25W	57668	NTR25J-E04K7
A14R500	315-0472-00			RES, FXD, FILM:4.7K OHM, 5%, 0.25W	57668	NTR25J-E04K7
A14R510	315-0101-00			RES, FXD, FILM:100 OHM, 5%, 0.25W	57668	NTR25J-E 100E
A14R511	307-0648-00			RES NTWK, FXD, FI:8,100 OHM, 2%, 0.125 W	01121	316B101
A14R512	315-0101-00			RES, FXD, FILM:100 OHM, 5%, 0.25W	57668	NTR25J-E 100E
A14R515	315-0472-00			RES, FXD, FILM:4.7K OHM, 5%, 0.25W	57668	NTR25J-E04K7
A14R700	315-0102-00			RES, FXD, FILM:1K OHM, 5%, 0.25W	57668	NTR25JE01K0
A14R711	315-0472-00			RES, FXD, FILM:4.7K OHM, 5%, 0.25W	57668	NTR25J-E04K7
A14R712	315-0331-00			RES, FXD, FILM:330 OHM, 5%, 0.25W	57668	NTR25J-E330E
A14R714	315-0471-00			RES, FXD, FILM:470 OHM, 5%, 0.25W	57668	NTR25J-E470E
A14R716	315-0471-00			RES, FXD, FILM:470 OHM, 5%, 0.25W	57668	NTR25J-E470E
A14R810	315-0472-00			RES, FXD, FILM:4.7K OHM, 5%, 0.25W	57668	NTR25J-E04K7
A14R811	315-0472-00			RES, FXD, FILM:4.7K OHM, 5%, 0.25W	57668	NTR25J-E04K7
A14R820	315-0103-00			RES, FXD, FILM:10K OHM, 5%, 0.25W	19701	5043CX10K00J
A14R821	315-0472-00			RES, FXD, FILM:4.7K OHM, 5%, 0.25W	57668	NTR25J-E04K7
A14TP100	131-0608-00			TERMINAL, PIN:0.365 L X 0.025 BRZ GLD PL	22526	48283-036
A14TP101	131-0608-00			TERMINAL, PIN:0.365 L X 0.025 BRZ GLD PL	22526	48283-036
A14TP102	131-0608-00			TERMINAL, PIN:0.365 L X 0.025 BRZ GLD PL	22526	48283-036
A14TP103	131-0608-00			TERMINAL, PIN:0.365 L X 0.025 BRZ GLD PL	22526	48283-036

Component No.	Tektronix Part No.	Serial/Assembly No. Effective	Discnt	Name & Description	Mfr. Code	Mfr. Part No.
A14TP104	131-0608-00			TERMINAL, PIN: 0.365 L X 0.025 BRZ GLD PL	22526	48283-036
A14TP105	131-0608-00			TERMINAL, PIN: 0.365 L X 0.025 BRZ GLD PL	22526	48283-036
A14TP106	131-0608-00			TERMINAL, PIN: 0.365 L X 0.025 BRZ GLD PL	22526	48283-036
A14TP107	131-0608-00			TERMINAL, PIN: 0.365 L X 0.025 BRZ GLD PL	22526	48283-036
A14TP108	131-0608-00			TERMINAL, PIN: 0.365 L X 0.025 BRZ GLD PL	22526	48283-036
A14TP109	131-0608-00			TERMINAL, PIN: 0.365 L X 0.025 BRZ GLD PL	22526	48283-036
A14TP110	131-0608-00			TERMINAL, PIN: 0.365 L X 0.025 BRZ GLD PL	22526	48283-036
A14TP111	131-0608-00			TERMINAL, PIN: 0.365 L X 0.025 BRZ GLD PL	22526	48283-036
A14TP112	131-0608-00			TERMINAL, PIN: 0.365 L X 0.025 BRZ GLD PL	22526	48283-036
A14TP113	131-0608-00			TERMINAL, PIN: 0.365 L X 0.025 BRZ GLD PL	22526	48283-036
A14TP114	131-0608-00			TERMINAL, PIN: 0.365 L X 0.025 BRZ GLD PL	22526	48283-036
A14TP130	131-0608-00			TERMINAL, PIN: 0.365 L X 0.025 BRZ GLD PL	22526	48283-036
A14TP212	131-0608-00			TERMINAL, PIN: 0.365 L X 0.025 BRZ GLD PL	22526	48283-036
A14TP310	131-0608-00			TERMINAL, PIN: 0.365 L X 0.025 BRZ GLD PL	22526	48283-036
A14TP320	131-0608-00			TERMINAL, PIN: 0.365 L X 0.025 BRZ GLD PL	22526	48283-036
A14TP330	131-0608-00			TERMINAL, PIN: 0.365 L X 0.025 BRZ GLD PL	22526	48283-036
A14TP400	131-0608-00			TERMINAL, PIN: 0.365 L X 0.025 BRZ GLD PL	22526	48283-036
A14TP412	131-0608-00			TERMINAL, PIN: 0.365 L X 0.025 BRZ GLD PL	22526	48283-036
A14TP510	131-0608-00			TERMINAL, PIN: 0.365 L X 0.025 BRZ GLD PL	22526	48283-036
A14TP511	131-0608-00			TERMINAL, PIN: 0.365 L X 0.025 BRZ GLD PL	22526	48283-036
A14TP512	131-0608-00			TERMINAL, PIN: 0.365 L X 0.025 BRZ GLD PL	22526	48283-036
A14TP513	131-0608-00			TERMINAL, PIN: 0.365 L X 0.025 BRZ GLD PL	22526	48283-036
A14TP514	131-0608-00			TERMINAL, PIN: 0.365 L X 0.025 BRZ GLD PL	22526	48283-036
A14TP532	131-0608-00			TERMINAL, PIN: 0.365 L X 0.025 BRZ GLD PL	22526	48283-036
A14TP534	131-0608-00			TERMINAL, PIN: 0.365 L X 0.025 BRZ GLD PL	22526	48283-036
A14TP535	131-0608-00			TERMINAL, PIN: 0.365 L X 0.025 BRZ GLD PL	22526	48283-036
A14TP536	131-0608-00			TERMINAL, PIN: 0.365 L X 0.025 BRZ GLD PL	22526	48283-036
A14TP600	131-0608-00			TERMINAL, PIN: 0.365 L X 0.025 BRZ GLD PL	22526	48283-036
A14TP614	131-0608-00			TERMINAL, PIN: 0.365 L X 0.025 BRZ GLD PL	22526	48283-036
A14TP615	131-0608-00			TERMINAL, PIN: 0.365 L X 0.025 BRZ GLD PL	22526	48283-036
A14TP700	131-0608-00			TERMINAL, PIN: 0.365 L X 0.025 BRZ GLD PL	22526	48283-036
A14TP712	131-0608-00			TERMINAL, PIN: 0.365 L X 0.025 BRZ GLD PL	22526	48283-036
A14TP732	131-0608-00			TERMINAL, PIN: 0.365 L X 0.025 BRZ GLD PL	22526	48283-036
A14TP800	131-0608-00			TERMINAL, PIN: 0.365 L X 0.025 BRZ GLD PL	22526	48283-036
A14TP810	131-0608-00			TERMINAL, PIN: 0.365 L X 0.025 BRZ GLD PL	22526	48283-036
A14TP811	131-0608-00			TERMINAL, PIN: 0.365 L X 0.025 BRZ GLD PL	22526	48283-036
A14U100	156-1111-02			MICROCKT, DGTL: OCTAL BUS XCVR W/3 STATE OUT	01295	SN74LS245N3
A14U110	156-0158-00			MICROCKT, LINEAR: DUAL OPNL AMPL	04713	MC1458P1/MC1458U
A14U112	156-1527-00			MICROCKT, LINEAR: 5 XSTR ARRAY	02735	CA3183AE-98
A14U120	156-0480-02	B010100	B011068	MICROCKT, DGTL: QUAD 2-INP & GATE, SCRNL	01295	SN74LS08NP3
A14U122	156-1126-01			MICROCKT, LINEAR: VOLTAGE COMPARATOR, SELECTED	01295	LM311JG4
A14U124	156-0854-01			MICROCKT, LINEAR: OPERATIONAL AMPL, SCREENED	27014	LM308AJ-8A+
A14U130	156-2516-00			MICROCKT, LINEAR: TEMP SENSOR, CURRENT OUTPUT	24355	AD592BN
A14U200	156-0956-02			MICROCKT, DGTL: OCTAL BFR W/3 STATE OUT, SCRNL	01295	SN74LS244NP3
A14U210	156-0956-02			MICROCKT, DGTL: OCTAL BFR W/3 STATE OUT, SCRNL	01295	SN74LS244NP3
A14U212	156-1255-00			MICROCKT, LINEAR: D/A CONVERTER, 8 BIT	06665	DAC08-157Q
A14U214	156-1569-00			MICROCKT, DGTL: QUAD TRANSISTOR ARRAY, PNP	04713	MPQ3467
A14U220	156-0402-00			MICROCKT, LINEAR: TIMER	27014	LM555CN
A14U300	156-2735-00			MICROCKT, LINEAR: VOLTAGE RGLTR, +12V, TO-92	80009	156-2735-00
A14U310	156-0479-02			MICROCKT, DGTL: QUAD 2-INP OR GATE, SCRNL	01295	SN74LS32NP3
A14U312	156-0480-02			MICROCKT, DGTL: QUAD 2-INP & GATE, SCRNL	01295	SN74LS08NP3
A14U320	156-0385-02			MICROCKT, DGTL: HEX INVERTER, SCRNL	07263	74LS04PCQR
A14U330	156-2622-00			MICROCKT, DGTL: HMOS, SEMI CUSTOM, STANDARD CELL, SERIAL DATA INTERFACE	80009	156-2622-00
A14U400	156-2263-00			MICROCKT, LINEAR: VOLTAGE REGULATOR, 12V, 5%	04713	MC79L12ACP
A14U410	156-0479-02			MICROCKT, DGTL: QUAD 2-INP OR GATE, SCRNL	01295	SN74LS32NP3
A14U412	156-0480-02			MICROCKT, DGTL: QUAD 2-INP & GATE, SCRNL	01295	SN74LS08NP3
A14U420	156-0385-02			MICROCKT, DGTL: HEX INVERTER, SCRNL	07263	74LS04PCQR

Replaceable Electrical Parts
11402 Extended Service Volume 2

Component No.	Tektronix Part No.	Serial/Assembly No. Effective	Dscont	Name & Description	Mfr. Code	Mfr. Part No.
A14U422	156-1910-00			MICROCKT,DGTL:ALSTTL,8 INP NAND GATE	01295	SN74ALS30AN3
A14U430	156-1759-00			MICROCKT,DGTL:ALSTTL,13 INP NAND GATE	27014	DM74ALS133 NA+
A14U432	156-0387-02			MICROCKT,DGTL:DUAL J-K FF,SCRN	04713	SN74LS73NDS
A14U520	156-0464-02			MICROCKT,DGTL:DUAL 4-INP NAND GATE	01295	SN74LS20NP3
A14U522	156-0464-02			MICROCKT,DGTL:DUAL 4-INP NAND GATE	01295	SN74LS20NP3
A14U530	156-0465-02			MICROCKT,DGTL:8-INP NAND GATE,SCRN	01295	SN74LS30NP3
A14U532	156-1707-00			MICROCKT,DGTL:QUAD 2-INPUT NAND GATE,SCRN	04713	MC7400(NDORJD)
A14U534	156-1962-00			MICROCKT,DGTL:OCTAL BUFFER/LINE DRIVER,SCRN	04713	MC74F244N
A14U600	156-1111-02			MICROCKT,DGTL:OCTAL BUS XCVR W/3 STATE OUT	01295	SN74LS245N3
A14U610	156-0982-03			MICROCKT,DGTL:OCTAL-D-EDGE TRIG FF,SCRN	01295	SN74LS374N3
A14U612	156-0956-02			MICROCKT,DGTL:OCTAL BFR W/3 STATE OUT,SCRN	01295	SN74LS244NP3
A14U614	156-2478-00			MICROCKT,DGTL:CMOS,CLOCK,DATE & TIME	32293	ICM7170CPG/IPG
A14U620	156-1759-00			MICROCKT,DGTL:ALSTTL,13 INP NAND GATE	27014	DM74ALS133 NA+
A14U622	156-1065-01			MICROCKT,DGTL:LSTTL,OCTAL D-TYPE TRANS	04713	SN74LS373 ND/JD
A14U630	156-1065-01			MICROCKT,DGTL:LSTTL,OCTAL D-TYPE TRANS	04713	SN74LS373 ND/JD
A14U632	156-1065-01			MICROCKT,DGTL:LSTTL,OCTAL D-TYPE TRANS	04713	SN74LS373 ND/JD
A14U700	156-0388-03			MICROCKT,DGTL:DUAL D FLIP-FLOP,SCRN	01295	SN74LS74ANP3
A14U710	156-1611-00			MICROCKT,DGTL:ASTTL,DUAL D TYPE EDGE-TRIG	80009	156-1611-00
A14U712	156-0480-02			MICROCKT,DGTL:QUAD 2-INP & GATE,SCRN,	01295	SN74LS08NP3
A14U714	156-0479-02			MICROCKT,DGTL:QUAD 2-INP OR GATE,SCRN	01295	SN74LS32NP3
A14U720	156-1065-01			MICROCKT,DGTL:LSTTL,OCTAL D-TYPE TRANS	04713	SN74LS373 ND/JD
A14U722	160-3735-00	B010100	B011068	MICROCKT,DGTL:STTL,HEX 12 INPUT AOI PROGRAMMABLE LOGIC ARRAY	80009	160-3735-00
A14U722	160-3735-01	B011069		MICROCK,DGTL:STTL,HEX 12 INPUT AOI,PRGM	80009	160-3735-01
A14U730	160-3736-00	B010100	B011068	MICROCKT,DGTL:STTL,HEX 12 INPUT AOI PROGRAMMABLE LOGIC ARRAY	80009	160-3736-00
A14U730	160-3736-01	B011069		MICROCK,DGTL:STTL,HEX 12 INPUT AOI,PRGM	80009	160-3736-01
A14U732	160-3737-00	B010100	B011068	MICROCKT,DGTL:STTL,HEX 12 INPUT AOI PROGRAMMABLE LOGIC ARRAY	80009	160-3737-00
A14U732	160-3737-01	B011069		MICROCK,DGTL:STTL,HEX 12 INPUT AOI,PRGM	80009	160-3737-01
A14U800	156-0956-02			MICROCKT,DGTL:OCTAL BFR W/3 STATE OUT,SCRN	01295	SN74LS244NP3
A14U810	156-1722-00			MICROCKT,DGTL:FTTL,HEX INVERTER	04713	MC74F04ND
A14U812	156-0388-03			MICROCKT,DGTL:DUAL D FLIP-FLOP,SCRN	01295	SN74LS74ANP3
A14U814	156-0385-02			MICROCKT,DGTL:HEX INVERTER,SCRN	07263	74LS04PCQR
A14U820	156-0381-02			MICROCKT,DGTL:QUAD 2-INP EXCL OR GATE	07263	74LS86PCQR
A14U822	156-1853-00			MICROCKT,DGTL:NMOS,PRGM INTERVAL TIMER,SCRN	34649	Q(P OR D)8254-2
A14U830	156-1111-02			MICROCKT,DGTL:OCTAL BUS XCVR W/3 STATE OUT	01295	SN74LS245N3
A14U832	156-1748-01			MICROCKT,DGTL:ALSTTL,OCTAL BUS XCVR	01295	74ALS245A-1N3
A14VR100	152-0727-00			SEMICON DVC,DI:ZEN,SI,6.3V 2%,0.4W,DO-7	04713	SZG20246
A14X330	136-0813-00			SKT,PL-IN ELEK:CHIP CARRIER,68 CONTACTS	19613	268-5400-00-1102
A14Y433	119-1897-00			OSCILLATOR,RF:XTAL CONTROLLED,8.00MHZ,0.01%	01537	RASCO-1-8.00 MHZ
A14Y510	158-0305-00			XTAL UNIT,QTZ:32.768 HZ,PARALLEL RESONANCE, DIP CASE,2 PIN	61429	FCX1V32.768KHZ
A15	670-8858-00			CIRCUIT BD ASSY:MEMORY MGT UNIT	80009	670-8858-00
A15	670-8858-50			CIRCUIT BD ASSY:MEMORY MGT UNIT (OPTION 2D ONLY)	80009	670-8858-50
A15C110	281-0913-00			CAP,FXD,CER DI:0.1UF,50V,AXIAL	04222	SA105E104ZAA
A15C120	281-0913-00			CAP,FXD,CER DI:0.1UF,50V,AXIAL	04222	SA105E104ZAA
A15C121	281-0913-00			CAP,FXD,CER DI:0.1UF,50V,AXIAL	04222	SA105E104ZAA
A15C122	281-0913-00			CAP,FXD,CER DI:0.1UF,50V,AXIAL	04222	SA105E104ZAA
A15C123	281-0913-00			CAP,FXD,CER DI:0.1UF,50V,AXIAL	04222	SA105E104ZAA
A15C124	281-0913-00			CAP,FXD,CER DI:0.1UF,50V,AXIAL	04222	SA105E104ZAA
A15C125	281-0913-00			CAP,FXD,CER DI:0.1UF,50V,AXIAL	04222	SA105E104ZAA
A15C130	281-0913-00			CAP,FXD,CER DI:0.1UF,50V,AXIAL	04222	SA105E104ZAA
A15C131	281-0913-00			CAP,FXD,CER DI:0.1UF,50V,AXIAL	04222	SA105E104ZAA
A15C220	281-0913-00			CAP,FXD,CER DI:0.1UF,50V,AXIAL	04222	SA105E104ZAA

Component No.	Tektronix		Serial/Assembly No.		Name & Description	Mfr.	
	Part No.	Effective	Discont	Code		Mfr. Part No.	
A15C222	281-0913-00				CAP, FXD, CER DI:0.1UF, 50V, AXIAL	04222	SA105E104ZAA
A15C224	281-0913-00				CAP, FXD, CER DI:0.1UF, 50V, AXIAL	04222	SA105E104ZAA
A15C230	281-0913-00				CAP, FXD, CER DI:0.1UF, 50V, AXIAL	04222	SA105E104ZAA
A15C320	281-0913-00				CAP, FXD, CER DI:0.1UF, 50V, AXIAL	04222	SA105E104ZAA
A15C322	281-0913-00				CAP, FXD, CER DI:0.1UF, 50V, AXIAL	04222	SA105E104ZAA
A15C324	281-0913-00				CAP, FXD, CER DI:0.1UF, 50V, AXIAL	04222	SA105E104ZAA
A15C330	281-0913-00				CAP, FXD, CER DI:0.1UF, 50V, AXIAL	04222	SA105E104ZAA
A15C332	281-0913-00				CAP, FXD, CER DI:0.1UF, 50V, AXIAL	04222	SA105E104ZAA
A15C334	281-0913-00				CAP, FXD, CER DI:0.1UF, 50V, AXIAL	04222	SA105E104ZAA
A15C400	281-0913-00				CAP, FXD, CER DI:0.1UF, 50V, AXIAL	04222	SA105E104ZAA
A15C402	281-0913-00				CAP, FXD, CER DI:0.1UF, 50V, AXIAL	04222	SA105E104ZAA
A15C410	281-0913-00				CAP, FXD, CER DI:0.1UF, 50V, AXIAL	04222	SA105E104ZAA
A15C412	281-0913-00				CAP, FXD, CER DI:0.1UF, 50V, AXIAL	04222	SA105E104ZAA
A15C420	281-0913-00				CAP, FXD, CER DI:0.1UF, 50V, AXIAL	04222	SA105E104ZAA
A15C422	281-0913-00				CAP, FXD, CER DI:0.1UF, 50V, AXIAL	04222	SA105E104ZAA
A15C424	281-0913-00				CAP, FXD, CER DI:0.1UF, 50V, AXIAL	04222	SA105E104ZAA
A15C430	281-0913-00				CAP, FXD, CER DI:0.1UF, 50V, AXIAL	04222	SA105E104ZAA
A15C432	281-0913-00				CAP, FXD, CER DI:0.1UF, 50V, AXIAL	04222	SA105E104ZAA
A15C434	290-1123-00				CAP, FXD, ELCTLT:68MF, 20%, 10V	TK1424	CEUST1A680 (T-7)
A15C501	281-0913-00				CAP, FXD, CER DI:0.1UF, 50V, AXIAL	04222	SA105E104ZAA
A15C502	281-0913-00				CAP, FXD, CER DI:0.1UF, 50V, AXIAL	04222	SA105E104ZAA
A15C510	281-0913-00				CAP, FXD, CER DI:0.1UF, 50V, AXIAL	04222	SA105E104ZAA
A15C512	281-0913-00				CAP, FXD, CER DI:0.1UF, 50V, AXIAL	04222	SA105E104ZAA
A15C514	281-0913-00				CAP, FXD, CER DI:0.1UF, 50V, AXIAL	04222	SA105E104ZAA
A15C524	281-0913-00				CAP, FXD, CER DI:0.1UF, 50V, AXIAL	04222	SA105E104ZAA
A15C600	281-0913-00				CAP, FXD, CER DI:0.1UF, 50V, AXIAL	04222	SA105E104ZAA
A15C602	281-0913-00				CAP, FXD, CER DI:0.1UF, 50V, AXIAL	04222	SA105E104ZAA
A15C610	281-0913-00				CAP, FXD, CER DI:0.1UF, 50V, AXIAL	04222	SA105E104ZAA
A15C612	281-0913-00				CAP, FXD, CER DI:0.1UF, 50V, AXIAL	04222	SA105E104ZAA
A15C614	281-0913-00				CAP, FXD, CER DI:0.1UF, 50V, AXIAL	04222	SA105E104ZAA
A15C624	281-0913-00				CAP, FXD, CER DI:0.1UF, 50V, AXIAL	04222	SA105E104ZAA
A15C700	281-0913-00				CAP, FXD, CER DI:0.1UF, 50V, AXIAL	04222	SA105E104ZAA
A15C702	281-0913-00				CAP, FXD, CER DI:0.1UF, 50V, AXIAL	04222	SA105E104ZAA
A15C712	281-0913-00				CAP, FXD, CER DI:0.1UF, 50V, AXIAL	04222	SA105E104ZAA
A15C714	281-0913-00				CAP, FXD, CER DI:0.1UF, 50V, AXIAL	04222	SA105E104ZAA
A15C722	281-0913-00				CAP, FXD, CER DI:0.1UF, 50V, AXIAL	04222	SA105E104ZAA
A15C724	281-0913-00				CAP, FXD, CER DI:0.1UF, 50V, AXIAL	04222	SA105E104ZAA
A15C802	281-0913-00				CAP, FXD, CER DI:0.1UF, 50V, AXIAL	04222	SA105E104ZAA
A15C812	281-0913-00				CAP, FXD, CER DI:0.1UF, 50V, AXIAL	04222	SA105E104ZAA
A15C814	281-0913-00				CAP, FXD, CER DI:0.1UF, 50V, AXIAL	04222	SA105E104ZAA
A15C822	281-0913-00				CAP, FXD, CER DI:0.1UF, 50V, AXIAL	04222	SA105E104ZAA
A15C824	281-0913-00				CAP, FXD, CER DI:0.1UF, 50V, AXIAL	04222	SA105E104ZAA
A15DL100	119-1446-00				DELAY LINE, ELEC:25NS, TAPPED, 8 PIN SPCL PKG	20933	00T167
A15DL102	119-1446-00				DELAY LINE, ELEC:25NS, TAPPED, 8 PIN SPCL PKG	20933	00T167
A15J79	131-3182-00				CONN, RCPT, ELEC:HDR, RTANG, 2 X 25, 0.1 CENTER	22526	75867-008
A15J83	131-3182-00				CONN, RCPT, ELEC:HDR, RTANG, 2 X 25, 0.1 CENTER	22526	75867-008
A15J201	131-0608-00				TERMINAL, PIN:0.365 L X 0.025 BRZ GLD PL (QUANTITY OF 3)	22526	48283-036
A15P101	131-2964-00				CONN, RCPT, ELEC:FEMALE, 3 X 32, RTANG, 0.1 CTR	81312	096S-6043-0731-0
A15R114	307-0649-00				RES NTWK, FXD, FI:8.33 OHM, 2%, 0.125W	01121	316B330
A15R132	307-0650-00				RES NTWK, FXD, FI:9.2.7K OHM, 5%, 0.150W	11236	750-101-R2.7K
A15R200	307-0650-00				RES NTWK, FXD, FI:9.2.7K OHM, 5%, 0.150W	11236	750-101-R2.7K
A15R202	307-0650-00				RES NTWK, FXD, FI:9.2.7K OHM, 5%, 0.150W	11236	750-101-R2.7K
A15R214	307-0649-00				RES NTWK, FXD, FI:8.33 OHM, 2%, 0.125W	01121	316B330
A15R314	307-0649-00				RES NTWK, FXD, FI:8.33 OHM, 2%, 0.125W	01121	316B330
A15R405	307-0650-00				RES NTWK, FXD, FI:9.2.7K OHM, 5%, 0.150W	11236	750-101-R2.7K
A15R414	307-0649-00				RES NTWK, FXD, FI:8.33 OHM, 2%, 0.125W	01121	316B330
A15R505	307-0650-00				RES NTWK, FXD, FI:9.2.7K OHM, 5%, 0.150W	11236	750-101-R2.7K

Replaceable Electrical Parts
11402 Extended Service Volume 2

Component No.	Tektronix Part No.	Serial/Assembly No.		Name & Description	Mfr. Code	Mfr. Part No.
		Effective	Dscont			
A15R515	307-0650-00			RES NTWK, FXD, FI:9, 2.7K OHM, 5%, 0.150W	11236	750-101-R2.7K
A15R520	307-0649-00			RES NTWK, FXD, FI:8, 33 OHM, 2%, 0.125W	01121	3168330
A15R522	307-0649-00			RES NTWK, FXD, FI:8, 33 OHM, 2%, 0.125W	01121	3168330
A15R615	307-0650-00			RES NTWK, FXD, FI:9, 2.7K OHM, 5%, 0.150W	11236	750-101-R2.7K
A15R620	307-0649-00			RES NTWK, FXD, FI:8, 33 OHM, 2%, 0.125W	01121	3168330
A15R622	307-0649-00			RES NTWK, FXD, FI:8, 33 OHM, 2%, 0.125W	01121	3168330
A15R714	313-1331-00			RES, FXD, FILM:330 OHM, 5%, 0.2W	57668	TR20JE 330E
A15R721	307-0650-00			RES NTWK, FXD, FI:9, 2.7K OHM, 5%, 0.150W	11236	750-101-R2.7K
A15R821	307-0650-00			RES NTWK, FXD, FI:9, 2.7K OHM, 5%, 0.150W	11236	750-101-R2.7K
A15TP0	131-0608-00			TERMINAL, PIN:0.365 L X 0.025 BRZ GLD PL	22526	48283-036
A15TP1	131-0608-00			TERMINAL, PIN:0.365 L X 0.025 BRZ GLD PL	22526	48283-036
A15TP2	131-0608-00			TERMINAL, PIN:0.365 L X 0.025 BRZ GLD PL	22526	48283-036
A15TP3	131-0608-00			TERMINAL, PIN:0.365 L X 0.025 BRZ GLD PL	22526	48283-036
A15TP4	131-0608-00			TERMINAL, PIN:0.365 L X 0.025 BRZ GLD PL	22526	48283-036
A15TP5	131-0608-00			TERMINAL, PIN:0.365 L X 0.025 BRZ GLD PL	22526	48283-036
A15TP6	131-0608-00			TERMINAL, PIN:0.365 L X 0.025 BRZ GLD PL	22526	48283-036
A15TP7	131-0608-00			TERMINAL, PIN:0.365 L X 0.025 BRZ GLD PL	22526	48283-036
A15TP8	131-0608-00			TERMINAL, PIN:0.365 L X 0.025 BRZ GLD PL	22526	48283-036
A15TP9	131-0608-00			TERMINAL, PIN:0.365 L X 0.025 BRZ GLD PL	22526	48283-036
A15TP10	131-0608-00			TERMINAL, PIN:0.365 L X 0.025 BRZ GLD PL	22526	48283-036
A15U110	156-1724-00			MICROCKT, DGTL: FTTL, QUAD 2 INP OR GATE	04713	MC74F32ND
A15U112	156-1754-01			MICROCKT, DGTL: OCTAL BUFFER W/3-STATE OUT	01295	SN74ALS244AN3
A15U120	156-2145-00			MICROCKT, DGTL: NMOS, 16384 X 4 DRAM	91925	IMS 2620-12
A15U120	156-2372-00			MICROCKT, DGTL: NMOS 65536 X 4 DRAM (OPTION 2D ONLY)	33297	UPD41254D/C
A15U122	156-2145-00			MICROCKT, DGTL: NMOS, 16384 X 4 DRAM	91925	IMS 2620-12
A15U122	156-2372-00			MICROCKT, DGTL: NMOS 65536 X 4 DRAM (OPTIN 2D ONLY)	33297	UPD41254D/C
A15U124	156-2145-00			MICROCKT, DGTL: NMOS, 16384 X 4 DRAM	91925	IMS 2620-12
A15U124	156-2372-00			MICROCKT, DGTL: NMOS 65536 X 4 DRAM (OPTION 2D ONLY)	33297	UPD41254D/C
A15U130	156-2145-00			MICROCKT, DGTL: NMOS, 16384 X 4 DRAM	91925	IMS 2620-12
A15U130	156-2372-00			MICROCKT, DGTL: NMOS 65536 X 4 DRAM (OPTION 2D ONLY)	33297	UPD41254D/C
A15U200	156-1723-00			MICROCKT, DGTL: QUAD 2 INPUT & GATE	04713	MC74F08 ND OR JD
A15U210	156-2472-00			MICROCKT, DGTL: CMOS, CUSTOM, GATE ARRAY, MEMORY MANAGEMENT UNIT FOR 11K SERIES, SCRNM	80009	156-2472-00
A15U220	156-2145-00			MICROCKT, DGTL: NMOS, 16384 X 4 DRAM	91925	IMS 2620-12
A15U220	156-2372-00			MICROCKT, DGTL: NMOS 65536 X 4 DRAM (OPTION 2D ONLY)	33297	UPD41254D/C
A15U222	156-2145-00			MICROCKT, DGTL: NMOS, 16384 X 4 DRAM	91925	IMS 2620-12
A15U222	156-2372-00			MICROCKT, DGTL: NMOS 65536 X 4 DRAM (OPTION 2D ONLY)	33297	UPD41254D/C
A15U224	156-2145-00			MICROCKT, DGTL: NMOS, 16384 X 4 DRAM	91925	IMS 2620-12
A15U224	156-2372-00			MICROCKT, DGTL: NMOS 65536 X 4 DRAM (OPTION 2D ONLY)	33297	UPD41254D/C
A15U230	156-2145-00			MICROCKT, DGTL: NMOS, 16384 X 4 DRAM	91925	IMS 2620-12
A15U230	156-2372-00			MICROCKT, DGTL: NMOS 65536 X 4 DRAM (OPTION 2D ONLY)	33297	UPD41254D/C
A15U232	156-2238-00			MICROCKT, DGTL: 8 BIT IDENTITY COMPARATOR	01295	SN74ALS521N3
A15U300	156-1756-00			MICROCKT, DGTL: ALSTTL, DUAL D TYPE FF, W/CL	01295	SN74ALS74NP3/JP4
A15U320	156-2145-00			MICROCKT, DGTL: NMOS, 16384 X 4 DRAM	91925	IMS 2620-12
A15U320	156-2372-00			MICROCKT, DGTL: NMOS 65536 X 4 DRAM (OPTION 2D ONLY)	33297	UPD41254D/C
A15U322	156-2145-00			MICROCKT, DGTL: NMOS, 16384 X 4 DRAM	91925	IMS 2620-12
A15U322	156-2372-00			MICROCKT, DGTL: NMOS 65536 X 4 DRAM (OPTION 2D ONLY)	33297	UPD41254D/C
A15U324	156-2145-00			MICROCKT, DGTL: NMOS, 16384 X 4 DRAM	91925	IMS 2620-12
A15U324	156-2372-00			MICROCKT, DGTL: NMOS 65536 X 4 DRAM (OPTION 2D ONLY)	33297	UPD41254D/C

Replaceable Electrical Parts
11402 Extended Service Volume 2

Component No.	Tektronix Part No.	Serial/Assembly No. Effective Dscnt	Name & Description	Mfr. Code	Mfr. Part No.
A15U330	156-2145-00		MICROCKT,DGTL:NMOS,16384 X 4 DRAM	91925	IMS 2620-12
A15U330	156-2372-00		MICROCKT,DGTL:NMOS 65536 X 4 DRAM	33297	UPD41254D/C
A15U332	160-3738-03		MICROCKT,DGTL:ATTL,QUAD 14 INPUT AOI GATE ARRAY,PRGM	80009	160-3738-03
A15U334	156-2096-00		MICROCKT,DGTL:OCTAL D-TYPE FLIP-FLOPS	01295	SN74ALS175N
A15U400	156-1962-00		MICROCKT,DGTL:OCTAL BUFFER/LINE DRIVER,SCRN	04713	MC74F244N
A15U402	156-1748-02		MICROCKT,DGTL:OCTAL BUS XCVR W/3-STATE OUT	01295	SN74ALS245AN3
A15U410	156-2111-00		MICROCKT,DGTL:OCTAL D-TYPE LATCHES	01295	SN74ALS373N3
A15U412	156-2111-00		MICROCKT,DGTL:OCTAL D-TYPE LATCHES	01295	SN74ALS373N3
A15U420	156-2145-00		MICROCKT,DGTL:NMOS,16384 X 4 DRAM	91925	IMS 2620-12
A15U420	156-2372-00		MICROCKT,DGTL:NMOS 65536 X 4 DRAM (OPTION 2D ONLY)	33297	UPD41254D/C
A15U422	156-2145-00		MICROCKT,DGTL:NMOS,16384 X 4 DRAM	91925	IMS 2620-12
A15U422	156-2372-00		MICROCKT,DGTL:NMOS 65536 X 4 DRAM (OPTION 2D ONLY)	33297	UPD41254D/C
A15U424	156-2145-00		MICROCKT,DGTL:NMOS,16384 X 4 DRAM	91925	IMS 2620-12
A15U424	156-2372-00		MICROCKT,DGTL:NMOS 65536 X 4 DRAM (OPTION 2D ONLY)	33297	UPD41254D/C
A15U430	156-2145-00		MICROCKT,DGTL:NMOS,16384 X 4 DRAM	91925	IMS 2620-12
A15U430	156-2372-00		MICROCKT,DGTL:NMOS 65536 X 4 DRAM (OPTION 2D ONLY)	33297	UPD41254D/C
A15U432	156-2093-00		MICROCKT,DGTL:QUAD 2-INP POSITIVE OR GATE	01295	SN74ALS32N3
A15U434	156-2091-00		MICROCKT,DGTL:QUAD 2-INP POS NAND GATES	01295	SN74ALS00AN3
A15U500	156-2182-00		MICROCKT,DGTL:TTL,QUAD 2 TO 1 LINE DATA SEL	01295	SN74ALS157N/J
A15U501	156-1754-01		MICROCKT,DGTL:OCTAL BUFFER W/3-STATE OUT	01295	SN74ALS244AN3
A15U502	156-1748-02		MICROCKT,DGTL:OCTAL BUS XCVR W/3-STATE OUT	01295	SN74ALS245AN3
A15U510	156-2111-00		MICROCKT,DGTL:OCTAL D-TYPE LATCHES	01295	SN74ALS373N3
A15U512	156-2111-00		MICROCKT,DGTL:OCTAL D-TYPE LATCHES	01295	SN74ALS373N3
A15U514	156-1748-02		MICROCKT,DGTL:OCTAL BUS XCVR W/3-STATE OUT	01295	SN74ALS245AN3
A15U524	156-2063-00		MICROCKT,DGTL:8D-TYPE FLIP-FLOP	01295	SN74ALS374N3
A15U530	156-2096-00		MICROCKT,DGTL:OCTAL D-TYPE FLIP-FLOPS	01295	SN74ALS175N
A15U600	156-1748-02		MICROCKT,DGTL:OCTAL BUS XCVR W/3-STATE OUT	01295	SN74ALS245AN3
A15U602	156-1748-02		MICROCKT,DGTL:OCTAL BUS XCVR W/3-STATE OUT	01295	SN74ALS245AN3
A15U610	156-1748-02		MICROCKT,DGTL:OCTAL BUS XCVR W/3-STATE OUT	01295	SN74ALS245AN3
A15U612	156-1680-00		MICROCKT,DGTL:STTL,TRIPLE 3 INP AND GATE	01295	SN74S15NP3
A15U614	156-1748-02		MICROCKT,DGTL:OCTAL BUS XCVR W/3-STATE OUT	01295	SN74ALS245AN3
A15U624	156-2094-00		MICROCKT,DGTL:HEX INVERTERS	01295	SN74ALS04BN3/J4
A15U700	156-1748-02		MICROCKT,DGTL:OCTAL BUS XCVR W/3-STATE OUT	01295	SN74ALS245AN3
A15U702	156-1748-02		MICROCKT,DGTL:OCTAL BUS XCVR W/3-STATE OUT	01295	SN74ALS245AN3
A15U712	156-1748-02		MICROCKT,DGTL:OCTAL BUS XCVR W/3-STATE OUT	01295	SN74ALS245AN3
A15U714	156-1611-00		MICROCKT,DGTL:ASTTL,DUAL 0 TYPE EDGE-TRIG	80009	156-1611-00
A15U720	156-2093-00		MICROCKT,DGTL:QUAD 2-INP POSITIVE OR GATE	01295	SN74ALS32N3
A15U722	156-1721-00		MICROCKT,DGTL:ASTTL,OCTAL TRANSPARENT LATCH	04713	MC74F373ND
A15U724	156-1748-01		MICROCKT,DGTL:ALSTTL,OCTAL BUS XCVR	01295	74ALS245A-1N3
A15U802	156-1748-02		MICROCKT,DGTL:OCTAL BUS XCVR W/3-STATE OUT	01295	SN74ALS245AN3
A15U812	156-1748-02		MICROCKT,DGTL:OCTAL BUS XCVR W/3-STATE OUT	01295	SN74ALS245AN3
A15U814	156-1707-00		MICROCKT,DGTL:QUAD 2-INPUT NAND GATE,SCRN	04713	MC7400(NDORJD)
A15U822	156-1721-00		MICROCKT,DGTL:ASTTL,OCTAL TRANSPARENT LATCH	04713	MC74F373ND
A15U824	156-1748-01		MICROCKT,DGTL:ALSTTL,OCTAL BUS XCVR	01295	74ALS245A-1N3
A15X332	136-0752-00		SKT,PL-IN ELEK:MICROCIRCUIT,20 DIP	09922	D1LB20P-108
A15Y103	119-2340-00		OSCILLATOR,RF:23MHZ,0.05%,TTL	TK1859	P1114HC23.000MHz
A16	670-8859-00		CIRCUIT BD ASSY:COMPRESSOR	80009	670-8859-00
A16C100	281-0909-00		CAP,FXD,CER DI:0.022UF,20%,50V	54583	MA12X7R1H223M-T
A16C102	281-0909-00		CAP,FXD,CER DI:0.022UF,20%,50V	54583	MA12X7R1H223M-T
A16C110	281-0909-00		CAP,FXD,CER DI:0.022UF,20%,50V	54583	MA12X7R1H223M-T
A16C112	281-0909-00		CAP,FXD,CER DI:0.022UF,20%,50V	54583	MA12X7R1H223M-T

Replaceable Electrical Parts
11402 Extended Service Volume 2

Component No.	Tektronix Part No.	Serial/Assembly No. Effective Dscort	Name & Description	Mfr. Code	Mfr. Part No.
A16C724	281-0909-00		CAP,FXD,CER DI:0.022UF,20%,50V	54583	MA12X7R1H223M-T
A16C800	281-0909-00		CAP,FXD,CER DI:0.022UF,20%,50V	54583	MA12X7R1H223M-T
A16C802	281-0909-00		CAP,FXD,CER DI:0.022UF,20%,50V	54583	MA12X7R1H223M-T
A16C810	281-0909-00		CAP,FXD,CER DI:0.022UF,20%,50V	54583	MA12X7R1H223M-T
A16C812	281-0909-00		CAP,FXD,CER DI:0.022UF,20%,50V	54583	MA12X7R1H223M-T
A16C814	281-0909-00		CAP,FXD,CER DI:0.022UF,20%,50V	54583	MA12X7R1H223M-T
A16C820	281-0909-00		CAP,FXD,CER DI:0.022UF,20%,50V	54583	MA12X7R1H223M-T
A16C822	281-0909-00		CAP,FXD,CER DI:0.022UF,20%,50V	54583	MA12X7R1H223M-T
A16C824	281-0909-00		CAP,FXD,CER DI:0.022UF,20%,50V	54583	MA12X7R1H223M-T
A16J52	131-3182-00		CONN,RCPT,ELEC:HDR,RTANG,2 X 25,0.1 CENTER	22526	75867-008
A16J79	131-3182-00		CONN,RCPT,ELEC:HDR,RTANG,2 X 25,0.1 CENTER	22526	75867-008
A16P100	131-2964-00		CONN,RCPT,ELEC:FEMALE,3 X 32,RTANG,0.1 CTR	81312	0965-6043-0731-0
A16R102	315-0222-00		RES,FXD,FILM:2.2K OHM,5%,0.25W	57668	NTR25J-E02K2
A16R120	315-0103-00		RES,FXD,FILM:10K OHM,5%,0.25W	19701	5043CX10K00J
A16R130	315-0103-00		RES,FXD,FILM:10K OHM,5%,0.25W	19701	5043CX10K00J
A16R210	315-0103-00		RES,FXD,FILM:10K OHM,5%,0.25W	19701	5043CX10K00J
A16R332	315-0103-00		RES,FXD,FILM:10K OHM,5%,0.25W	19701	5043CX10K00J
A16R810	315-0222-00		RES,FXD,FILM:2.2K OHM,5%,0.25W	57668	NTR25J-E02K2
A16R820	315-0103-00		RES,FXD,FILM:10K OHM,5%,0.25W	19701	5043CX10K00J
A16TP1	131-0608-00		TERMINAL,PIN:0.365 L X 0.025 BRZ GLD PL	22526	48283-036
A16TP2	131-0608-00		TERMINAL,PIN:0.365 L X 0.025 BRZ GLD PL	22526	48283-036
A16TP3	131-0608-00		TERMINAL,PIN:0.365 L X 0.025 BRZ GLD PL	22526	48283-036
A16TP4	131-0608-00		TERMINAL,PIN:0.365 L X 0.025 BRZ GLD PL	22526	48283-036
A16TP5	131-0608-00		TERMINAL,PIN:0.365 L X 0.025 BRZ GLD PL	22526	48283-036
A16TP6	131-0608-00		TERMINAL,PIN:0.365 L X 0.025 BRZ GLD PL	22526	48283-036
A16TP7	131-0608-00		TERMINAL,PIN:0.365 L X 0.025 BRZ GLD PL	22526	48283-036
A16TP8	131-0608-00		TERMINAL,PIN:0.365 L X 0.025 BRZ GLD PL	22526	48283-036
A16TP9	131-0608-00		TERMINAL,PIN:0.365 L X 0.025 BRZ GLD PL	22526	48283-036
A16TP10	131-0608-00		TERMINAL,PIN:0.365 L X 0.025 BRZ GLD PL	22526	48283-036
A16TP11	131-0608-00		TERMINAL,PIN:0.365 L X 0.025 BRZ GLD PL	22526	48283-036
A16TP12	131-0608-00		TERMINAL,PIN:0.365 L X 0.025 BRZ GLD PL	22526	48283-036
A16TP13	131-0608-00		TERMINAL,PIN:0.365 L X 0.025 BRZ GLD PL	22526	48283-036
A16TP14	131-0608-00		TERMINAL,PIN:0.365 L X 0.025 BRZ GLD PL	22526	48283-036
A16TP15	131-0608-00		TERMINAL,PIN:0.365 L X 0.025 BRZ GLD PL	22526	48283-036
A16TP16	131-0608-00		TERMINAL,PIN:0.365 L X 0.025 BRZ GLD PL	22526	48283-036
A16TP17	131-0608-00		TERMINAL,PIN:0.365 L X 0.025 BRZ GLD PL	22526	48283-036
A16TP18	131-0608-00		TERMINAL,PIN:0.365 L X 0.025 BRZ GLD PL	22526	48283-036
A16TP19	131-0608-00		TERMINAL,PIN:0.365 L X 0.025 BRZ GLD PL	22526	48283-036
A16TP20	131-0608-00		TERMINAL,PIN:0.365 L X 0.025 BRZ GLD PL	22526	48283-036
A16TP21	131-0608-00		TERMINAL,PIN:0.365 L X 0.025 BRZ GLD PL	22526	48283-036
A16TP22	131-0608-00		TERMINAL,PIN:0.365 L X 0.025 BRZ GLD PL	22526	48283-036
A16TP23	131-0608-00		TERMINAL,PIN:0.365 L X 0.025 BRZ GLD PL	22526	48283-036
A16TP24	131-0608-00		TERMINAL,PIN:0.365 L X 0.025 BRZ GLD PL	22526	48283-036
A16TP25	131-0608-00		TERMINAL,PIN:0.365 L X 0.025 BRZ GLD PL	22526	48283-036
A16TP26	131-0608-00		TERMINAL,PIN:0.365 L X 0.025 BRZ GLD PL	22526	48283-036
A16TP27	131-0608-00		TERMINAL,PIN:0.365 L X 0.025 BRZ GLD PL	22526	48283-036
A16TP28	131-0608-00		TERMINAL,PIN:0.365 L X 0.025 BRZ GLD PL	22526	48283-036
A16TP29	131-0608-00		TERMINAL,PIN:0.365 L X 0.025 BRZ GLD PL	22526	48283-036
A16TP30	131-0608-00		TERMINAL,PIN:0.365 L X 0.025 BRZ GLD PL	22526	48283-036
A16TP31	131-0608-00		TERMINAL,PIN:0.365 L X 0.025 BRZ GLD PL	22526	48283-036
A16TP32	131-0608-00		TERMINAL,PIN:0.365 L X 0.025 BRZ GLD PL	22526	48283-036
A16TP33	131-0608-00		TERMINAL,PIN:0.365 L X 0.025 BRZ GLD PL	22526	48283-036
A16TP34	131-0608-00		TERMINAL,PIN:0.365 L X 0.025 BRZ GLD PL	22526	48283-036
A16TP35	131-0608-00		TERMINAL,PIN:0.365 L X 0.025 BRZ GLD PL	22526	48283-036
A16TP36	131-0608-00		TERMINAL,PIN:0.365 L X 0.025 BRZ GLD PL	22526	48283-036
A16TP37	131-0608-00		TERMINAL,PIN:0.365 L X 0.025 BRZ GLD PL	22526	48283-036
A16TP38	131-0608-00		TERMINAL,PIN:0.365 L X 0.025 BRZ GLD PL	22526	48283-036
A16TP39	131-0608-00		TERMINAL,PIN:0.365 L X 0.025 BRZ GLD PL	22526	48283-036

Replaceable Electrical Parts
11402 Extended Service Volume 2

Component No.	Tektronix Part No.	Serial/Assembly No. Effective Dscnt	Name & Description	Mfr. Code	Mfr. Part No.
A16TP40	131-0608-00		TERMINAL, PIN:0.365 L X 0.025 BRZ GLD PL	22526	48283-036
A16TP41	131-0608-00		TERMINAL, PIN:0.365 L X 0.025 BRZ GLD PL	22526	48283-036
A16TP42	131-0608-00		TERMINAL, PIN:0.365 L X 0.025 BRZ GLD PL	22526	48283-036
A16TP43	131-0608-00		TERMINAL, PIN:0.365 L X 0.025 BRZ GLD PL	22526	48283-036
A16TP44	131-0608-00		TERMINAL, PIN:0.365 L X 0.025 BRZ GLD PL	22526	48283-036
A16TP45	131-0608-00		TERMINAL, PIN:0.365 L X 0.025 BRZ GLD PL	22526	48283-036
A16TP46	131-0608-00		TERMINAL, PIN:0.365 L X 0.025 BRZ GLD PL	22526	48283-036
A16TP47	131-0608-00		TERMINAL, PIN:0.365 L X 0.025 BRZ GLD PL	22526	48283-036
A16TP48	131-0608-00		TERMINAL, PIN:0.365 L X 0.025 BRZ GLD PL	22526	48283-036
A16TP49	131-0608-00		TERMINAL, PIN:0.365 L X 0.025 BRZ GLD PL	22526	48283-036
A16U100	156-2113-00		MICROCKT, DGTL:QUAD 2-INP POSITIVE-AND GATE	01295	SN74ALS08N3
A16U102	156-2094-00		MICROCKT, DGTL:HEX INVERTERS	01295	SN74ALS04BN3/J4
A16U110	156-2097-00		MICROCKT, DGTL:TRIPLE 3-INP POS NORGATES	01295	SN74ALS27N3
A16U112	156-1832-01		MICROCKT, DGTL:TRIPLE 3-INP POS NAND GATES	01295	SN74ALS10AN3
A16U114	156-1832-01		MICROCKT, DGTL:TRIPLE 3-INP POS NAND GATES	01295	SN74ALS10AN3
A16U120	156-1756-00		MICROCKT, DGTL:ALSTTL, DUAL D TYPE FF, W/CL	01295	SN74ALS74NP3/JP4
A16U124	156-1756-00		MICROCKT, DGTL:ALSTTL, DUAL D TYPE FF, W/CL	01295	SN74ALS74NP3/JP4
A16U130	156-2093-00		MICROCKT, DGTL:QUAD 2-INP POSITIVE OR GATE	01295	SN74ALS32N3
A16U200	156-2238-00		MICROCKT, DGTL:8 BIT IDENTITY COMPARATOR	01295	SN74ALS521N3
A16U202	156-2182-00		MICROCKT, DGTL:TTL, QUAD 2 TO 1 LINE DATA SEL	01295	SN74ALS157N/J
A16U210	156-1756-00		MICROCKT, DGTL:ALSTTL, DUAL D TYPE FF, W/CL	01295	SN74ALS74NP3/JP4
A16U212	156-1691-00		MICROCKT, DGTL:STTL, D-TYPE EDGE-TRIGGERED FF W/INVT OUT	01295	SN74ALS564NP3
A16U214	156-1664-00		MICROCKT, DGTL:SCREENED	01295	SN74ALS574(NP3)
A16U220	156-1664-00		MICROCKT, DGTL:SCREENED	01295	SN74ALS574(NP3)
A16U222	160-3672-01		MICROCKT, DGTL:ALSTTL, OCTAL INPUT REGISTERED	80009	160-3672-01
A16U224	160-3673-01		MICROCKT, DGTL:ALSTTL, OCTAL INPUT REGISTERED	80009	160-3673-01
A16U230	156-2113-00		MICROCKT, DGTL:QUAD 2-INP POSITIVE-AND GATE	01295	SN74ALS08N3
A16U232	156-2094-00		MICROCKT, DGTL:HEX INVERTERS	01295	SN74ALS04BN3/J4
A16U300	156-2238-00		MICROCKT, DGTL:8 BIT IDENTITY COMPARATOR	01295	SN74ALS521N3
A16U302	156-2336-00		MICROCKT, DGTL:LSTTL, 8 BIT MAGTD COMPARATOR	01295	SN74LS684N3
A16U310	156-1664-00		MICROCKT, DGTL:SCREENED	01295	SN74ALS574(NP3)
A16U312	156-1664-00		MICROCKT, DGTL:SCREENED	01295	SN74ALS574(NP3)
A16U314	156-2182-00		MICROCKT, DGTL:TTL, QUAD 2 TO 1 LINE DATA SEL	01295	SN74ALS157N/J
A16U320	156-2182-00		MICROCKT, DGTL:TTL, QUAD 2 TO 1 LINE DATA SEL	01295	SN74ALS157N/J
A16U322	156-1705-00		MICROCKT, DGTL:4-BIT BIN FULL ADDER	07263	74F283PCQR
A16U324	156-2093-00		MICROCKT, DGTL:QUAD 2-INP POSITIVE OR GATE	01295	SN74ALS32N3
A16U330	156-1756-00		MICROCKT, DGTL:ALSTTL, DUAL D TYPE FF, W/CL	01295	SN74ALS74NP3/JP4
A16U332	156-1756-00		MICROCKT, DGTL:ALSTTL, DUAL D TYPE FF, W/CL	01295	SN74ALS74NP3/JP4
A16U400	156-1754-02		MICROCKT, DGTL:OCTAL BUFFER & LINE DRIVER W/ 3-STATE OUT	01295	SN74ALS244A-1N
A16U402	156-1754-02		MICROCKT, DGTL:OCTAL BUFFER & LINE DRIVER W/ 3-STATE OUT	01295	SN74ALS244A-1N
A16U410	156-2336-00		MICROCKT, DGTL:LSTTL, 8 BIT MAGTD COMPARATOR	01295	SN74LS684N3
A16U412	156-1664-00		MICROCKT, DGTL:SCREENED	01295	SN74ALS574(NP3)
A16U414	156-2182-00		MICROCKT, DGTL:TTL, QUAD 2 TO 1 LINE DATA SEL	01295	SN74ALS157N/J
A16U420	160-3669-00		MICROCKT, DGTL:LSTTL, DUAL 16-INPUT AND OR INVERT LOGIC ARRAY, PRGM	80009	160-3669-00
A16U422	156-1705-00		MICROCKT, DGTL:4-BIT BIN FULL ADDER	07263	74F283PCQR
A16U424	156-1664-00		MICROCKT, DGTL:SCREENED	01295	SN74ALS574(NP3)
A16U430	156-2100-00		MICROCKT, DGTL:3 TO 8 LINE DECODERS/DEMUX	01295	SN74ALS138N3
A16U432	156-2092-00		MICROCKT, DGTL:QUAD 2-INP POS NOR GATES	01295	SN74ALS02N3
A16U500	156-1664-00		MICROCKT, DGTL:SCREENED	01295	SN74ALS574(NP3)
A16U502	160-3671-00		MICROCKT, DGTL:LSTTL, OCTAL 10 INPUT AND OR INVERT LOGIC ARRAY, PRGM	80009	160-3671-00
A16U510	156-1664-00		MICROCKT, DGTL:SCREENED	01295	SN74ALS574(NP3)
A16U512	156-1664-00		MICROCKT, DGTL:SCREENED	01295	SN74ALS574(NP3)
A16U514	156-1705-00		MICROCKT, DGTL:4-BIT BIN FULL ADDER	07263	74F283PCQR

Component No.	Tektronix Part No.	Serial/Assembly No. Effective	Discnt	Name & Description	Mfr. Code	Mfr. Part No.
A16U520	160-3669-00			MICROCKT,DGTL:LSTTL,DUAL 16-INPUT AND OR INVERT LOGIC ARRAY,PRGM	80009	160-3669-00
A16U522	156-1754-02			MICROCKT,DGTL:OCTAL BUFFER & LINE DRIVER W/ 3-STATE OUT	01295	SN74ALS244A-1N
A16U524	156-2238-00			MICROCKT,DGTL:8 BIT IDENTITY COMPARATOR	01295	SN74ALS521N3
A16U600	156-1754-02			MICROCKT,DGTL:OCTAL BUFFER & LINE DRIVER W/ 3-STATE OUT	01295	SN74ALS244A-1N
A16U602	160-3670-00			MICROCKT,DGTL:LSTTL,OCTAL 10 INPUT AND OR INVERT LOGIC ARRAY,PRGM	80009	160-3670-00
A16U610	156-2336-00			MICROCKT,DGTL:LSTTL,8 BIT MAGTD COMPARATOR	01295	SN74LS684N3
A16U612	156-1664-00			MICROCKT,DGTL:SCREENED	01295	SN74ALS574(NP3)
A16U614	156-2182-00			MICROCKT,DGTL:TTL,QUAD 2 TO 1 LINE DATA SEL	01295	SN74ALS157N/J
A16U620	156-1705-00			MICROCKT,DGTL:4-BIT BIN FULL ADDER	07263	74F283PCQR
A16U622	156-1754-02			MICROCKT,DGTL:OCTAL BUFFER & LINE DRIVER W/ 3-STATE OUT	01295	SN74ALS244A-1N
A16U624	156-1664-00			MICROCKT,DGTL:SCREENED	01295	SN74ALS574(NP3)
A16U700	156-1754-02			MICROCKT,DGTL:OCTAL BUFFER & LINE DRIVER W/ 3-STATE OUT	01295	SN74ALS244A-1N
A16U702	156-1754-02			MICROCKT,DGTL:OCTAL BUFFER & LINE DRIVER W/ 3-STATE OUT	01295	SN74ALS244A-1N
A16U710	156-2336-00			MICROCKT,DGTL:LSTTL,8 BIT MAGTD COMPARATOR	01295	SN74LS684N3
A16U712	156-1664-00			MICROCKT,DGTL:SCREENED	01295	SN74ALS574(NP3)
A16U714	156-2182-00			MICROCKT,DGTL:TTL,QUAD 2 TO 1 LINE DATA SEL	01295	SN74ALS157N/J
A16U720	156-1754-02			MICROCKT,DGTL:OCTAL BUFFER & LINE DRIVER W/ 3-STATE OUT	01295	SN74ALS244A-1N
A16U722	156-1664-00			MICROCKT,DGTL:SCREENED	01295	SN74ALS574(NP3)
A16U724	156-1664-00			MICROCKT,DGTL:SCREENED	01295	SN74ALS574(NP3)
A16U800	156-1664-00			MICROCKT,DGTL:SCREENED	01295	SN74ALS574(NP3)
A16U802	156-2238-00			MICROCKT,DGTL:8 BIT IDENTITY COMPARATOR	01295	SN74ALS521N3
A16U810	156-2238-00			MICROCKT,DGTL:8 BIT IDENTITY COMPARATOR	01295	SN74ALS521N3
A16U812	156-1664-00			MICROCKT,DGTL:SCREENED	01295	SN74ALS574(NP3)
A16U814	156-2334-00			MICROCKT,DGTL:ALSTTL,SYNC,4 BIT UP/DN CNTR	01295	SN74ALS191N3
A16U820	156-2334-00			MICROCKT,DGTL:ALSTTL,SYNC,4 BIT UP/DN CNTR	01295	SN74ALS191N3
A16U822	156-1754-02			MICROCKT,DGTL:OCTAL BUFFER & LINE DRIVER W/ 3-STATE OUT	01295	SN74ALS244A-1N
A16U824	156-1664-00			MICROCKT,DGTL:SCREENED	01295	SN74ALS574(NP3)
A16Y122	119-1413-00			OSC,XTAL CLOCK:20MHZ,0.05%	14301	AE 404-417
A17	671-0068-00	B010100	B010998	CIRCUIT BD ASSY:MAIN PROCESSOR	80009	671-0068-00
A17	671-0068-01	B010999	B021081	CIRCUIT BD ASSY:MAIN PROCESSOR	80009	671-0068-01
A17	671-0068-02	B021082		CIRCUIT BD ASSY:MAIN PROCESSOR	80009	671-0068-02
A17	671-0068-50	B010100	B010998	CIRCUIT BD ASSY:MAIN PROCESSOR(DMA OPT)	80009	671-0068-50
A17	671-0068-51	B010999	B021081	CIRCUIT BD ASSY:MAIN PROCESSOR	80009	671-0068-51
A17	671-0068-52	B021082		CIRCUIT BD ASSY:MAIN PROCESSOR (OPTION 4D ONLY)	80009	671-0068-52
A17BT160	146-0055-00			BATTERY, DRY:3.0V, 1200 MAH, LITHIUM	TK0510	BR-2/3A-E2P
A17C100	281-0909-00			CAP,FXD,CER DI:0.022UF,20%,50V	54583	MA12X7R1H223M-T
A17C101	290-0943-01			CAP,FXD,ELCTLT:47UF,20%,25V	55680	ULB1E470MPAANA1T
A17C110	281-0909-00			CAP,FXD,CER DI:0.022UF,20%,50V	54583	MA12X7R1H223M-T
A17C120	281-0909-00			CAP,FXD,CER DI:0.022UF,20%,50V	54583	MA12X7R1H223M-T
A17C130	281-0909-00			CAP,FXD,CER DI:0.022UF,20%,50V	54583	MA12X7R1H223M-T
A17C140	281-0913-00			CAP,FXD,CER DI:0.1UF,50V,AXIAL	04222	SA105E104ZAA
A17C141	281-0909-00			CAP,FXD,CER DI:0.022UF,20%,50V	54583	MA12X7R1H223M-T
A17C142	290-0782-01			CAP,FXD,ELCTLT:4.7UF,20%,35VDC	55680	UVX1V4R7MAA1TD
A17C150	285-1365-00			CAP,FXD,PLASTIC:1UF,10%,50V	14752	650D1A105K
A17C151	290-0804-00			CAP,FXD,ELCTLT:10UF,+50-20%,25V	55680	ULB1E100TAAANA
A17C160	290-0943-01	B010100	B010998	CAP,FXD,ELCTLT:47UF,20%,25V	55680	ULB1E470MPAANA1T

Replaceable Electrical Parts
11402 Extended Service Volume 2

Component No.	Tektronix		Serial/Assembly No.		Name & Description	Mfr. Code	Mfr. Part No.
	Part No.		Effective	Discnt			
A17C210	281-0909-00				CAP, FXD, CER DI:0.022UF, 20%, 50V	54583	MA12X7R1H223M-T
A17C220	281-0909-00				CAP, FXD, CER DI:0.022UF, 20%, 50V	54583	MA12X7R1H223M-T
A17C230	281-0909-00				CAP, FXD, CER DI:0.022UF, 20%, 50V	54583	MA12X7R1H223M-T
A17C240	281-0909-00				CAP, FXD, CER DI:0.022UF, 20%, 50V	54583	MA12X7R1H223M-T
A17C250	281-0909-00				CAP, FXD, CER DI:0.022UF, 20%, 50V	54583	MA12X7R1H223M-T
A17C260	281-0913-00				CAP, FXD, CER DI:0.1UF, 50V, AXIAL	04222	SA105E104ZAA
A17C270	281-0913-00				CAP, FXD, CER DI:0.1UF, 50V, AXIAL	04222	SA105E104ZAA
A17C271	281-0909-00				CAP, FXD, CER DI:0.022UF, 20%, 50V	54583	MA12X7R1H223M-T
A17C310	281-0909-00				CAP, FXD, CER DI:0.022UF, 20%, 50V	54583	MA12X7R1H223M-T
A17C311	281-0909-00				CAP, FXD, CER DI:0.022UF, 20%, 50V	54583	MA12X7R1H223M-T
A17C320	281-0909-00				CAP, FXD, CER DI:0.022UF, 20%, 50V	54583	MA12X7R1H223M-T
A17C340	281-0909-00				CAP, FXD, CER DI:0.022UF, 20%, 50V	54583	MA12X7R1H223M-T
A17C350	281-0909-00				CAP, FXD, CER DI:0.022UF, 20%, 50V	54583	MA12X7R1H223M-T
A17C360	281-0909-00				CAP, FXD, CER DI:0.022UF, 20%, 50V	54583	MA12X7R1H223M-T
A17C410	281-0909-00				CAP, FXD, CER DI:0.022UF, 20%, 50V	54583	MA12X7R1H223M-T
A17C411	281-0909-00				CAP, FXD, CER DI:0.022UF, 20%, 50V	54583	MA12X7R1H223M-T
A17C420	281-0909-00				CAP, FXD, CER DI:0.022UF, 20%, 50V	54583	MA12X7R1H223M-T
A17C430	281-0909-00				CAP, FXD, CER DI:0.022UF, 20%, 50V	54583	MA12X7R1H223M-T
A17C500	281-0913-00				CAP, FXD, CER DI:0.1UF, 50V, AXIAL	04222	SA105E104ZAA
A17C510	281-0909-00				CAP, FXD, CER DI:0.022UF, 20%, 50V	54583	MA12X7R1H223M-T
A17C511	281-0909-00				CAP, FXD, CER DI:0.022UF, 20%, 50V	54583	MA12X7R1H223M-T
A17C520	281-0909-00				CAP, FXD, CER DI:0.022UF, 20%, 50V	54583	MA12X7R1H223M-T
A17C530	281-0909-00				CAP, FXD, CER DI:0.022UF, 20%, 50V	54583	MA12X7R1H223M-T
A17C540	281-0909-00				CAP, FXD, CER DI:0.022UF, 20%, 50V	54583	MA12X7R1H223M-T
A17C550	281-0909-00				CAP, FXD, CER DI:0.022UF, 20%, 50V	54583	MA12X7R1H223M-T
A17C560	281-0909-00				CAP, FXD, CER DI:0.022UF, 20%, 50V	54583	MA12X7R1H223M-T
A17C610	281-0909-00				CAP, FXD, CER DI:0.022UF, 20%, 50V	54583	MA12X7R1H223M-T
A17C620	281-0909-00				CAP, FXD, CER DI:0.022UF, 20%, 50V	54583	MA12X7R1H223M-T
A17C630	281-0909-00				CAP, FXD, CER DI:0.022UF, 20%, 50V	54583	MA12X7R1H223M-T
A17C640	281-0909-00				CAP, FXD, CER DI:0.022UF, 20%, 50V	54583	MA12X7R1H223M-T
A17C650	281-0909-00				CAP, FXD, CER DI:0.022UF, 20%, 50V	54583	MA12X7R1H223M-T
A17C651	281-0909-00				CAP, FXD, CER DI:0.022UF, 20%, 50V	54583	MA12X7R1H223M-T
A17C660	281-0909-00				CAP, FXD, CER DI:0.022UF, 20%, 50V	54583	MA12X7R1H223M-T
A17C700	281-0909-00				CAP, FXD, CER DI:0.022UF, 20%, 50V	54583	MA12X7R1H223M-T
A17C710	281-0909-00				CAP, FXD, CER DI:0.022UF, 20%, 50V	54583	MA12X7R1H223M-T
A17C711	281-0909-00				CAP, FXD, CER DI:0.022UF, 20%, 50V	54583	MA12X7R1H223M-T
A17C720	281-0909-00				CAP, FXD, CER DI:0.022UF, 20%, 50V	54583	MA12X7R1H223M-T
A17C730	281-0909-00				CAP, FXD, CER DI:0.022UF, 20%, 50V	54583	MA12X7R1H223M-T
A17C740	281-0909-00				CAP, FXD, CER DI:0.022UF, 20%, 50V	54583	MA12X7R1H223M-T
A17C750	281-0909-00				CAP, FXD, CER DI:0.022UF, 20%, 50V	54583	MA12X7R1H223M-T
A17C751	281-0909-00				CAP, FXD, CER DI:0.022UF, 20%, 50V	54583	MA12X7R1H223M-T
A17C760	281-0909-00				CAP, FXD, CER DI:0.022UF, 20%, 50V	54583	MA12X7R1H223M-T
A17C850	281-0909-00				CAP, FXD, CER DI:0.022UF, 20%, 50V	54583	MA12X7R1H223M-T
A17C851	283-0422-00				CAP, FXD, CER DI:0.047UF, +80-20%, 50V	04222	BD015E473ZAA
A17C852	281-0913-00				CAP, FXD, CER DI:0.1UF, 50V, AXIAL	04222	SA105E104ZAA
A17C853	281-0913-00				CAP, FXD, CER DI:0.1UF, 50V, AXIAL	04222	SA105E104ZAA
A17C860	281-0909-00				CAP, FXD, CER DI:0.022UF, 20%, 50V	54583	MA12X7R1H223M-T
A17C861	281-0909-00				CAP, FXD, CER DI:0.022UF, 20%, 50V	54583	MA12X7R1H223M-T
A17C900	281-0913-00				CAP, FXD, CER DI:0.1UF, 50V, AXIAL	04222	SA105E104ZAA
A17C910	281-0913-00				CAP, FXD, CER DI:0.1UF, 50V, AXIAL	04222	SA105E104ZAA
A17C960	281-0757-00				CAP, FXD, CER DI:10PF, 20%, 100V TUBULAR, MI	04222	MA101A100MAA
A17C961	281-0762-00				CAP, FXD, CER DI:27PF, 20%, 100V	04222	MA101A270MAA
A17C970	290-0943-01				CAP, FXD, ELCLT:47UF, 20%, 25V	55680	ULB1E470MPAANA1T
A17CR150	152-0141-02				SEMICON DVC, DI:SW, SI, 30V, 150MA, 30V, DO-35	03508	DA2527 (1N4152)
A17CR151	152-0141-02				SEMICON DVC, DI:SW, SI, 30V, 150MA, 30V, DO-35	03508	DA2527 (1N4152)
A17CR152	152-0141-02				SEMICON DVC, DI:SW, SI, 30V, 150MA, 30V, DO-35	03508	DA2527 (1N4152)
A17CR153	152-0141-02				SEMICON DVC, DI:SW, SI, 30V, 150MA, 30V, DO-35	03508	DA2527 (1N4152)
A17CR160	152-0141-02				SEMICON DVC, DI:SW, SI, 30V, 150MA, 30V, DO-35	03508	DA2527 (1N4152)

Component No.	Tektronix Part No.	Serial/Assembly No. Effective	Discnt	Name & Description	Mfr. Code	Mfr. Part No.
A17CR161	152-0141-02			SEMICON DVC,DI:SW,SI,30V,150MA,30V,DO-35	03508	DA2527 (1N4152)
A17CR162	152-0141-02			SEMICON DVC,DI:SW,SI,30V,150MA,30V,DO-35	03508	DA2527 (1N4152)
A17DS306	150-1152-00			LT EMITTING DIO:RED 5V,T-1 PACKAGE	50434	HLMP3600 OPT 002
A17DS307	150-1152-00			LT EMITTING DIO:RED 5V,T-1 PACKAGE	50434	HLMP3600 OPT 002
A17J77	131-3363-00			CONN,RCPT,ELEC:HEADER,RTANG,34 PIN	53387	3594-5002
A17J140	131-0608-00			TERMINAL,PIN:0.365 L X 0.025 BRZ GLD PL (QUANTITY OF 3)	22526	48283-036
A17J150	131-0608-00			TERMINAL,PIN:0.365 L X 0.025 BRZ GLD PL (QUANTITY OF 2)	22526	48283-036
A17J150	131-3640-00	B010100	B010649	CONN,RCPT,ELEC:1 X 4 POSN SQ PIN JUMPER	22526	76278-102
A17J330	131-0608-00			TERMINAL,PIN:0.365 L X 0.025 BRZ GLD PL (QUANTITY OF 2)	22526	48283-036
A17J440	131-0608-00			TERMINAL,PIN:0.365 L X 0.025 BRZ GLD PL (QUANTITY OF 3)	22526	48283-036
A17J550	131-0608-00			TERMINAL,PIN:0.365 L X 0.025 BRZ GLD PL (QUANTITY OF 3)	22526	48283-036
A17J600	131-0608-00			TERMINAL,PIN:0.365 L X 0.025 BRZ GLD PL (QUANTITY OF 2)	22526	48283-036
A17J660	131-0608-00			TERMINAL,PIN:0.365 L X 0.025 BRZ GLD PL (QUANTITY OF 2)	22526	48283-036
A17J720	131-0608-00			TERMINAL,PIN:0.365 L X 0.025 BRZ GLD PL (QUANTITY OF 2)	22526	48283-036
A17J800	131-0608-00			TERMINAL,PIN:0.365 L X 0.025 BRZ GLD PL (QUANTITY OF 8)	22526	48283-036
A17J950	131-0608-00			TERMINAL,PIN:0.365 L X 0.025 BRZ GLD PL (QUANTITY OF 2)	22526	48283-036
A17J960	131-0608-00			TERMINAL,PIN:0.365 L X 0.025 BRZ GLD PL (QUANTITY OF 2)	22526	48283-036
A17P104	131-2964-00			CONN,RCPT,ELEC:FEMALE,3 X 32,RTANG,0.1 CTR	81312	096S-6043-0731-0
A17P140	131-0993-07	B010100	B010655	BUS,CONDUCTOR:SHUNT ASSEMBLY,VIOLET	00779	850100-7
A17P140	131-0993-00	B010656		BUS,CONDUCTOR:SHUNT ASSEMBLY,BLACK	22526	65474-005
A17P330	131-0993-07	B010100	B010655	BUS,CONDUCTOR:SHUNT ASSEMBLY,VIOLET	00779	850100-7
A17P330	131-0993-00	B010656		BUS,CONDUCTOR:SHUNT ASSEMBLY,BLACK	22526	65474-005
A17P440	131-0993-07	B010100	B010655	BUS,CONDUCTOR:SHUNT ASSEMBLY,VIOLET	00779	850100-7
A17P440	131-0993-00	B010656		BUS,CONDUCTOR:SHUNT ASSEMBLY,BLACK	22526	65474-005
A17P550	131-0993-07	B010100	B010655	BUS,CONDUCTOR:SHUNT ASSEMBLY,VIOLET	00779	850100-7
A17P550	131-0993-00	B010656		BUS,CONDUCTOR:SHUNT ASSEMBLY,BLACK	22526	65474-005
A17P600	131-0993-07	B010100	B010655	BUS,CONDUCTOR:SHUNT ASSEMBLY,VIOLET	00779	850100-7
A17P600	131-0993-00	B010656		BUS,CONDUCTOR:SHUNT ASSEMBLY,BLACK	22526	65474-005
A17P660	131-0993-07	B010100	B010655	BUS,CONDUCTOR:SHUNT ASSEMBLY,VIOLET	00779	850100-7
A17P660	131-0993-00	B010656		BUS,CONDUCTOR:SHUNT ASSEMBLY,BLACK	22526	65474-005
A17P800	131-0993-07	B010100	B010655	BUS,CONDUCTOR:SHUNT ASSEMBLY,VIOLET	00779	850100-7
A17P800	131-0993-00	B010656		BUS,CONDUCTOR:SHUNT ASSEMBLY,BLACK	22526	65474-005
A17P950	131-0993-07	B010100	B010655	BUS,CONDUCTOR:SHUNT ASSEMBLY,VIOLET	00779	850100-7
A17P950	131-0993-00	B010656		BUS,CONDUCTOR:SHUNT ASSEMBLY,BLACK	22526	65474-005
A17P960	131-0993-07	B010100	B010655	BUS,CONDUCTOR:SHUNT ASSEMBLY,VIOLET	00779	850100-7
A17P960	131-0993-00	B010656		BUS,CONDUCTOR:SHUNT ASSEMBLY,BLACK	22526	65474-005
A17Q160	151-0311-01			TRANSISTOR:NPN,SI,TO-126	04713	SJE908
A17Q170	151-0188-00			TRANSISTOR:PNP,SI,TO-92	80009	151-0188-00
A17Q171	151-0188-00			TRANSISTOR:PNP,SI,TO-92	80009	151-0188-00
A17R150	315-0102-00			RES,FXD,FILM:1K OHM,5%,0.25W	57668	NTR25JE01K0
A17R151	315-0102-00			RES,FXD,FILM:1K OHM,5%,0.25W	57668	NTR25JE01K0
A17R152	315-0471-00			RES,FXD,FILM:470 OHM,5%,0.25W	57668	NTR25J-E470E
A17R160	315-0272-00			RES,FXD,FILM:2.7K OHM,5%,0.25W	57668	NTR25J-E02K7
A17R163	315-0472-00			RES,FXD,FILM:4.7K OHM,5%,0.25W	57668	NTR25J-E04K7
A17R164	315-0472-00			RES,FXD,FILM:4.7K OHM,5%,0.25W	57668	NTR25J-E04K7
A17R165	315-0472-00			RES,FXD,FILM:4.7K OHM,5%,0.25W	57668	NTR25J-E04K7
A17R166	315-0102-00			RES,FXD,FILM:1K OHM,5%,0.25W	57668	NTR25JE01K0
A17R170	315-0103-00			RES,FXD,FILM:10K OHM,5%,0.25W	19701	5043CX10K00J

Replaceable Electrical Parts
11402 Extended Service Volume 2

Component No.	Tektronix Part No.	Serial/Assembly No. Effective	Discont	Name & Description	Mfr. Code	Mfr. Part No.
A17R171	315-0223-00			RES,FXD,FILM:22K OHM,5%,0.25W	19701	5043CX22K00J92U
A17R300	307-0446-00			RES NTWK,FXD,FI:10K OHM,20%,(9)RES	11236	750-101-R10K
A17R330	315-0472-00			RES,FXD,FILM:4.7K OHM,5%,0.25W	57668	NTR25J-E04K7
A17R331	315-0472-00			RES,FXD,FILM:4.7K OHM,5%,0.25W	57668	NTR25J-E04K7
A17R332	315-0472-00			RES,FXD,FILM:4.7K OHM,5%,0.25W	57668	NTR25J-E04K7
A17R333	315-0472-00			RES,FXD,FILM:4.7K OHM,5%,0.25W	57668	NTR25J-E04K7
A17R334	315-0100-00			RES,FXD,FILM:10 OHM,5%,0.25W	19701	5043CX10RR00J
A17R440	315-0472-00			RES,FXD,FILM:4.7K OHM,5%,0.25W	57668	NTR25J-E04K7
A17R441	315-0472-00			RES,FXD,FILM:4.7K OHM,5%,0.25W	57668	NTR25J-E04K7
A17R560	307-0445-00			RES NTWK,FXD,FI:4.7K OHM,20%,(9)RES	32997	4310R-101-472
A17R561	307-0445-00			RES NTWK,FXD,FI:4.7K OHM,20%,(9)RES	32997	4310R-101-472
A17R570	315-0301-00			RES,FXD,FILM:300 OHM,5%,0.25W	57668	NTR25J-E300E
A17R610	315-0472-00			RES,FXD,FILM:4.7K OHM,5%,0.25W	57668	NTR25J-E04K7
A17R611	315-0911-00			RES,FXD,FILM:910 OHM,5%,0.25W	57668	NTR25J-E910E
A17R612	315-0103-00			RES,FXD,FILM:10K OHM,5%,0.25W	19701	5043CX10K00J
A17R720	315-0472-00			RES,FXD,FILM:4.7K OHM,5%,0.25W	57668	NTR25J-E04K7
A17R740	315-0472-00			RES,FXD,FILM:4.7K OHM,5%,0.25W	57668	NTR25J-E04K7
A17R800	315-0472-00			RES,FXD,FILM:4.7K OHM,5%,0.25W	57668	NTR25J-E04K7
A17R920	307-0446-00			RES NTWK,FXD,FI:10K OHM,20%,(9)RES	11236	750-101-R10K
A17R960	315-0472-00			RES,FXD,FILM:4.7K OHM,5%,0.25W	57668	NTR25J-E04K7
A17R980	315-0106-00	8010999		RES,FXD,FILM:10M OHM,5%,0.25W	01121	CB1065
A17TP109	131-0608-00			TERMINAL,PIN:0.365 L X 0.025 BRZ GLD PL	22526	48283-036
A17TP130	131-0608-00			TERMINAL,PIN:0.365 L X 0.025 BRZ GLD PL	22526	48283-036
A17TP131	131-0608-00			TERMINAL,PIN:0.365 L X 0.025 BRZ GLD PL	22526	48283-036
A17TP132	131-0608-00			TERMINAL,PIN:0.365 L X 0.025 BRZ GLD PL	22526	48283-036
A17TP200	131-0608-00			TERMINAL,PIN:0.365 L X 0.025 BRZ GLD PL	22526	48283-036
A17TP201	131-0608-00			TERMINAL,PIN:0.365 L X 0.025 BRZ GLD PL	22526	48283-036
A17TP202	131-0608-00			TERMINAL,PIN:0.365 L X 0.025 BRZ GLD PL	22526	48283-036
A17TP203	131-0608-00			TERMINAL,PIN:0.365 L X 0.025 BRZ GLD PL	22526	48283-036
A17TP204	131-0608-00			TERMINAL,PIN:0.365 L X 0.025 BRZ GLD PL	22526	48283-036
A17TP205	131-0608-00			TERMINAL,PIN:0.365 L X 0.025 BRZ GLD PL	22526	48283-036
A17TP206	131-0608-00			TERMINAL,PIN:0.365 L X 0.025 BRZ GLD PL	22526	48283-036
A17TP230	131-0608-00			TERMINAL,PIN:0.365 L X 0.025 BRZ GLD PL	22526	48283-036
A17TP231	131-0608-00			TERMINAL,PIN:0.365 L X 0.025 BRZ GLD PL	22526	48283-036
A17TP550	131-0608-00			TERMINAL,PIN:0.365 L X 0.025 BRZ GLD PL	22526	48283-036
A17TP551	131-0608-00			TERMINAL,PIN:0.365 L X 0.025 BRZ GLD PL	22526	48283-036
A17TP552	131-0608-00			TERMINAL,PIN:0.365 L X 0.025 BRZ GLD PL	22526	48283-036
A17TP553	131-0608-00			TERMINAL,PIN:0.365 L X 0.025 BRZ GLD PL	22526	48283-036
A17TP610	131-0608-00			TERMINAL,PIN:0.365 L X 0.025 BRZ GLD PL	22526	48283-036
A17TP800	131-0608-00			TERMINAL,PIN:0.365 L X 0.025 BRZ GLD PL	22526	48283-036
A17TP801	131-0608-00			TERMINAL,PIN:0.365 L X 0.025 BRZ GLD PL	22526	48283-036
A17TP940	131-0608-00			TERMINAL,PIN:0.365 L X 0.025 BRZ GLD PL	22526	48283-036
A17U100	156-0386-02			MICROCKT,DGTL:TRIPLE 3-INP NAND GATE,SCRN	07263	74LS10PCQR
A17U110	156-1318-00			MICROCKT,DGTL:LSSTL,4-BIT BISTABLE LATCH	01295	SN74LS375NP3
A17U120	156-0386-02			MICROCKT,DGTL:TRIPLE 3-INP NAND GATE,SCRN	07263	74LS10PCQR
A17U130	156-0479-02			MICROCKT,DGTL:QUAD 2-INP OR GATE,SCRN	01295	SN74LS32NP3
A17U140	156-2396-00			MICROCKT,DGTL:RESET GENERATOR,5V SUPPLY	01295	TL7705 ACP
A17U210	156-0865-02			MICROCKT,DGTL:OCTAL D FF W/CLEAR,SCRN	01295	SN74LS273NP3
A17U220	156-1111-02			MICROCKT,DGTL:OCTAL BUS XCVR W/3 STATE OUT	01295	SN74LS245N3
A17U230	156-1111-02			MICROCKT,DGTL:OCTAL BUS XCVR W/3 STATE OUT	01295	SN74LS245N3
A17U240	160-4555-02	8010100	8010330	MICROCKT,DGTL:HMOS,65536 X 8 EPROM,PRGM	80009	160-4555-02
A17U240	160-4555-03	8010331	8010534	MICROCKT,DGTL:HMOS,65536 X 8 EPROM,PRGM	80009	160-4555-03
A17U240	160-4555-04	8010535	8010653	MICROCKT,DGTL:HMOS,65536 X 8 EPROM,PRGM	80009	160-4555-04
A17U240	160-4555-05	8010654	8010956	MICROCKT,DGTL:HMOS,65536 X 8 EPROM,PRGM	80009	160-4555-05
A17U240	160-4555-06	8010957	8021081	MICROCKT,DGTL:HMOS,65536 X 8 EPROM,PRGM	80009	160-4555-06
A17U240	160-4555-07	8021082	8021239	MICROCKT,DGTL:NMOS,65536 X 8 EPROM,PRGM	80009	160-4555-07
A17U240	160-4555-08	8021240		MICROCKT,DGTL:NMOS,65536 X 8 EPROM,PRGM	80009	160-4555-08
A17U250	160-4554-02	8010100	8010330	MICROCKT,DGTL:HMOS,65536 X 8 EPROM,PRGM	80009	160-4554-02

Component No.	Tektronix Part No.	Serial/Assembly No. Effective	Discont	Name & Description	Mfr. Code	Mfr. Part No.
A17U250	160-4554-03	B010331	B010534	MICROCKT,DGTL:H MOS,65536 X 8 EPROM,PRGM	80009	160-4554-03
A17U250	160-4554-04	B010535	B010653	MICROCKT,DGTL:H MOS,65536 X 8 EPROM,PRGM	80009	160-4554-04
A17U250	160-4554-05	B010654	B010956	MICROCKT,DGTL:H MOS,65536 X 8 EPROM,PRGM	80009	160-4554-05
A17U250	160-4554-06	B010957	B021081	MICROCKT,DGTL:H MOS,65536 X 8 EPROM,PRGM	80009	160-4554-06
A17U250	160-4554-07	B021082	B021239	MICROCKT,DGTL:H MOS,65536 X 8 EPROM,PRGM	80009	160-4554-07
A17U250	160-4554-08	B021240		MICROCKT,DGTL:H MOS,65536 X 8 EPROM,PRGM	80009	160-4554-08
A17U260	156-2473-00			MICROCKT,DGTL:8192 X 8 CMOS,LOW STANDBY POWER,200 NS ACCESS	TK0961	uPD4464C-20
A17U270	156-2473-00			MICROCKT,DGTL:8192 X 8 CMOS,LOW STANDBY POWER,200 NS ACCESS	TK0961	uPD4464C-20
A17U310	156-0385-02			MICROCKT,DGTL:HEX INVERTER,SCRN	07263	74LS04PCQR
A17U311	156-1724-00			MICROCKT,DGTL:FTTL,QUAD 2 INP OR GATE	04713	MC74F32ND
A17U320	156-0386-02			MICROCKT,DGTL:TRIPLE 3-INP NAND GATE,SCRN	07263	74LS10PCQR
A17U340	156-0478-02			MICROCKT,DGTL:DUAL 4-INP & GATE,SCRN	01295	SN74LS21NP3
A17U350	156-1204-01			MICROCKT,DGTL:INTERRUPT CONTROLLER,SCRN	34649	D8259A
A17U360	156-1204-01			MICROCKT,DGTL:INTERRUPT CONTROLLER,SCRN	34649	D8259A
A17U370	156-1204-01			MICROCKT,DGTL:INTERRUPT CONTROLLER,SCRN	34649	D8259A
A17U410	156-0385-02			MICROCKT,DGTL:HEX INVERTER,SCRN	07263	74LS04PCQR
A17U411	156-1611-00			MICROCKT,DGTL:ASTTL,DUAL D TYPE EDGE-TRIG	80009	156-1611-00
A17U420	156-2120-00			MICROCKT,DGTL:SER-IN PRL-OUT SHIFT RGTR	07263	74F164PCQR/DCQR
A17U430	156-0385-02			MICROCKT,DGTL:HEX INVERTER,SCRN	07263	74LS04PCQR
A17U500	156-1883-01			MICROCKT,DGTL:N MOS,NUMERIC PROCESSOR EXTENSION,8MHZ	80009	156-1883-01
A17U510	156-0385-02			MICROCKT,DGTL:HEX INVERTER,SCRN	07263	74LS04PCQR
A17U511	156-0465-02			MICROCKT,DGTL:8-INP NAND GATE,SCRN	01295	SN74LS30NP3
A17U520	156-0391-02			MICROCKT,DGTL:HEX LATCH W/CLEAR,SCRN	01295	SN74LS174NP3
A17U530	156-0956-02			MICROCKT,DGTL:OCTAL BFR W/3 STATE OUT,SCRN	01295	SN74LS244NP3
A17U540	156-2001-00			MICROCKT,DGTL:FTTL,QUAD 2 INP MUX	04713	MC74F257
A17U550	156-1722-00			MICROCKT,DGTL:FTTL,HEX INVERTER	04713	MC74F04ND
A17U560	156-0403-02			MICROCKT,DGTL:HEX INVERTER,SCRN	18324	N74S05(NB OR FB)
A17U561	156-0385-02			MICROCKT,DGTL:HEX INVERTER,SCRN	07263	74LS04PCQR
A17U570	156-0385-02			MICROCKT,DGTL:HEX INVERTER,SCRN	07263	74LS04PCQR
A17U610	156-1065-01			MICROCKT,DGTL:LSTTL,OCTAL D-TYPE TRANS	04713	SN74LS373 ND/JD
A17U620	156-1065-01			MICROCKT,DGTL:LSTTL,OCTAL D-TYPE TRANS	04713	SN74LS373 ND/JD
A17U630	156-0464-02			MICROCKT,DGTL:DUAL 4-INP NAND GATE	01295	SN74LS20NP3
A17U640	156-1065-01			MICROCKT,DGTL:LSTTL,OCTAL D-TYPE TRANS	04713	SN74LS373 ND/JD
A17U650	156-1748-01			MICROCKT,DGTL:ALSTTL,OCTAL BUS XCVR	01295	74ALS245A-1N3
A17U651	156-1748-01			MICROCKT,DGTL:ALSTTL,OCTAL BUS XCVR	01295	74ALS245A-1N3
A17U660	156-1748-01			MICROCKT,DGTL:ALSTTL,OCTAL BUS XCVR	01295	74ALS245A-1N3
A17U710	160-3733-01			MICROCKT,DGTL:STTL,HEX 12 INPUT AOI PRGM LOGIC ARRAY	80009	160-3733-01
A17U711	160-3734-00			MICROCKT,DGTL:STTL,HEX 12 INPUT AOI PROGRAMMABLE LOGIC ARRAY	80009	160-3734-00
A17U720	156-0465-02			MICROCKT,DGTL:8-INP NAND GATE,SCRN	01295	SN74LS30NP3
A17U730	156-1065-01			MICROCKT,DGTL:LSTTL,OCTAL D-TYPE TRANS	04713	SN74LS373 ND/JD
A17U740	156-0465-02			MICROCKT,DGTL:8-INP NAND GATE,SCRN	01295	SN74LS30NP3
A17U750	156-1882-00			MICROCKT,DGTL:N MOS,BUS CONTROLLER	34649	D82288-6
A17U751	156-1962-00			MICROCKT,DGTL:OCTAL BUFFER/LINE DRIVER,SCRN	04713	MC74F244N
A17U760	156-1962-00			MICROCKT,DGTL:OCTAL BUFFER/LINE DRIVER,SCRN	04713	MC74F244N
A17U800	156-2477-00			MICROCKT,DGTL:N MOS,PERIPHERAL,DRAM CONT (OPTION 4D ONLY)	34649	D82258
A17U830	156-1877-00			MICROCKT,DGTL:N MOS,16 BIT MICROPROCESSOR	34649	C80286-6
A17U850	156-1875-00			MICROCKT,DGTL:N MOS,CLOCK GEN & READY INTFC	34649	82284-6
A17U860	156-1748-01			MICROCKT,DGTL:ALSTTL,OCTAL BUS XCVR	01295	74ALS245A-1N3
A17U861	156-1748-01			MICROCKT,DGTL:ALSTTL,OCTAL BUS XCVR	01295	74ALS245A-1N3
A17VR165	152-0693-00			SEMICON DVC,DI:ZEN,SI,4.OV,5%,1MA,400MW	04713	SZG30068
A17VR170	152-0693-00			SEMICON DVC,DI:ZEN,SI,4.OV,5%,1MA,400MW	04713	SZG30068
A17X240	136-0755-00			SKT,PL-IN ELEK:MICROCIRCUIT,28 DIP	09922	D1LB28P-108

Replaceable Electrical Parts
11402 Extended Service Volume 2

Component No.	Tektronix Part No.	Serial/Assembly No. Effective	Dscort	Name & Description	Mfr. Code	Mfr. Part No.
A17X250	136-0755-00			SKT, PL-IN ELEK:MICROCIRCUIT, 28 DIP	09922	D1LB28P-108
A17X710	136-0752-00			SKT, PL-IN ELEK:MICROCIRCUIT, 20 DIP	09922	D1LB20P-108
A17X711	136-0752-00			SKT, PL-IN ELEK:MICROCIRCUIT, 20 DIP	09922	D1LB20P-108
A17X800	136-0813-00			SKT, PL-IN ELEK:CHIP CARRIER, 68 CONTACTS	19613	268-5400-00-1102
A17X830	136-0813-00			SKT, PL-IN ELEK:CHIP CARRIER, 68 CONTACTS	19613	268-5400-00-1102
A17Y700	119-1897-00			OSCILLATOR, RF:XTAL CONTROLLED, 8.00MHZ, 0.01%	01537	RASCO-1-8.00 MHZ
A17Y950	158-0306-00			XTAL UNIT, QTZ:12 MHZ, PARALLEL RESONANCE, HC-18/UCASE	14301	MAE120-1
A18	670-8856-00	B010100	B021081	CIRCUIT BD ASSY:MEMORY	80009	670-8856-00
A18	670-8856-01	B021082		CIRCUIT BD ASSY:MEMORY	80009	670-8856-01
A18C110	281-0913-00			CAP, FXD, CER DI:0.1UF, 50V, AXIAL	04222	SA105E104ZAA
A18C111	281-0913-00			CAP, FXD, CER DI:0.1UF, 50V, AXIAL	04222	SA105E104ZAA
A18C112	281-0913-00			CAP, FXD, CER DI:0.1UF, 50V, AXIAL	04222	SA105E104ZAA
A18C113	281-0913-00			CAP, FXD, CER DI:0.1UF, 50V, AXIAL	04222	SA105E104ZAA
A18C120	281-0913-00			CAP, FXD, CER DI:0.1UF, 50V, AXIAL	04222	SA105E104ZAA
A18C121	281-0913-00			CAP, FXD, CER DI:0.1UF, 50V, AXIAL	04222	SA105E104ZAA
A18C122	281-0913-00			CAP, FXD, CER DI:0.1UF, 50V, AXIAL	04222	SA105E104ZAA
A18C123	281-0913-00			CAP, FXD, CER DI:0.1UF, 50V, AXIAL	04222	SA105E104ZAA
A18C130	281-0913-00			CAP, FXD, CER DI:0.1UF, 50V, AXIAL	04222	SA105E104ZAA
A18C131	281-0913-00			CAP, FXD, CER DI:0.1UF, 50V, AXIAL	04222	SA105E104ZAA
A18C132	281-0913-00			CAP, FXD, CER DI:0.1UF, 50V, AXIAL	04222	SA105E104ZAA
A18C140	281-0913-00			CAP, FXD, CER DI:0.1UF, 50V, AXIAL	04222	SA105E104ZAA
A18C141	281-0913-00			CAP, FXD, CER DI:0.1UF, 50V, AXIAL	04222	SA105E104ZAA
A18C142	281-0913-00			CAP, FXD, CER DI:0.1UF, 50V, AXIAL	04222	SA105E104ZAA
A18C143	281-0913-00			CAP, FXD, CER DI:0.1UF, 50V, AXIAL	04222	SA105E104ZAA
A18C150	290-1123-00			CAP, FXD, ELCTLT: 68MF, 20%, 10V	TK1424	CEUST1A680 (T-7)
A18C210	281-0913-00			CAP, FXD, CER DI:0.1UF, 50V, AXIAL	04222	SA105E104ZAA
A18C212	281-0913-00			CAP, FXD, CER DI:0.1UF, 50V, AXIAL	04222	SA105E104ZAA
A18C220	281-0913-00			CAP, FXD, CER DI:0.1UF, 50V, AXIAL	04222	SA105E104ZAA
A18C222	281-0913-00			CAP, FXD, CER DI:0.1UF, 50V, AXIAL	04222	SA105E104ZAA
A18C230	281-0913-00			CAP, FXD, CER DI:0.1UF, 50V, AXIAL	04222	SA105E104ZAA
A18C232	281-0913-00			CAP, FXD, CER DI:0.1UF, 50V, AXIAL	04222	SA105E104ZAA
A18C240	281-0913-00			CAP, FXD, CER DI:0.1UF, 50V, AXIAL	04222	SA105E104ZAA
A18C242	281-0913-00			CAP, FXD, CER DI:0.1UF, 50V, AXIAL	04222	SA105E104ZAA
A18C320	281-0913-00			CAP, FXD, CER DI:0.1UF, 50V, AXIAL	04222	SA105E104ZAA
A18C330	281-0913-00			CAP, FXD, CER DI:0.1UF, 50V, AXIAL	04222	SA105E104ZAA
A18C332	281-0913-00			CAP, FXD, CER DI:0.1UF, 50V, AXIAL	04222	SA105E104ZAA
A18C333	281-0775-00			CAP, FXD, CER DI:0.1UF, 20%, 50V	04222	MA205E104MAA
A18C340	281-0913-00			CAP, FXD, CER DI:0.1UF, 50V, AXIAL	04222	SA105E104ZAA
A18C342	281-0913-00			CAP, FXD, CER DI:0.1UF, 50V, AXIAL	04222	SA105E104ZAA
A18C350	281-0913-00			CAP, FXD, CER DI:0.1UF, 50V, AXIAL	04222	SA105E104ZAA
A18C352	281-0913-00			CAP, FXD, CER DI:0.1UF, 50V, AXIAL	04222	SA105E104ZAA
A18C420	281-0913-00			CAP, FXD, CER DI:0.1UF, 50V, AXIAL	04222	SA105E104ZAA
A18C430	281-0913-00			CAP, FXD, CER DI:0.1UF, 50V, AXIAL	04222	SA105E104ZAA
A18C431	290-1127-00			CAP, FXD, ELCTLT: 1UF, 20%, 50V, AXIAL	TK1424	CEUST1H010 T7
A18C432	285-1364-00			CAP, FXD, PLASTIC: 0.47MF, 10%, 50V	14752	230D1B474K
A18C450	281-0913-00			CAP, FXD, CER DI:0.1UF, 50V, AXIAL	04222	SA105E104ZAA
A18C452	281-0913-00			CAP, FXD, CER DI:0.1UF, 50V, AXIAL	04222	SA105E104ZAA
A18C510	281-0913-00			CAP, FXD, CER DI:0.1UF, 50V, AXIAL	04222	SA105E104ZAA
A18C530	281-0913-00			CAP, FXD, CER DI:0.1UF, 50V, AXIAL	04222	SA105E104ZAA
A18C540	281-0913-00			CAP, FXD, CER DI:0.1UF, 50V, AXIAL	04222	SA105E104ZAA
A18C542	281-0913-00			CAP, FXD, CER DI:0.1UF, 50V, AXIAL	04222	SA105E104ZAA
A18C550	281-0913-00			CAP, FXD, CER DI:0.1UF, 50V, AXIAL	04222	SA105E104ZAA
A18C552	281-0913-00			CAP, FXD, CER DI:0.1UF, 50V, AXIAL	04222	SA105E104ZAA
A18C600	281-0913-00			CAP, FXD, CER DI:0.1UF, 50V, AXIAL	04222	SA105E104ZAA
A18C612	281-0913-00			CAP, FXD, CER DI:0.1UF, 50V, AXIAL	04222	SA105E104ZAA

Component No.	Tektronix Part No.	Serial/Assembly No. Effective Dscont	Name & Description	Mfr. Code	Mfr. Part No.
A18C620	281-0913-00		CAP,FXD,CER DI:0.1UF,50V,AXIAL	04222	SA105E104ZAA
A18C632	281-0913-00		CAP,FXD,CER DI:0.1UF,50V,AXIAL	04222	SA105E104ZAA
A18C640	281-0913-00		CAP,FXD,CER DI:0.1UF,50V,AXIAL	04222	SA105E104ZAA
A18C642	281-0913-00		CAP,FXD,CER DI:0.1UF,50V,AXIAL	04222	SA105E104ZAA
A18C700	281-0913-00		CAP,FXD,CER DI:0.1UF,50V,AXIAL	04222	SA105E104ZAA
A18C712	281-0913-00		CAP,FXD,CER DI:0.1UF,50V,AXIAL	04222	SA105E104ZAA
A18C720	281-0913-00		CAP,FXD,CER DI:0.1UF,50V,AXIAL	04222	SA105E104ZAA
A18C730	281-0913-00		CAP,FXD,CER DI:0.1UF,50V,AXIAL	04222	SA105E104ZAA
A18C732	281-0913-00		CAP,FXD,CER DI:0.1UF,50V,AXIAL	04222	SA105E104ZAA
A18C740	281-0913-00		CAP,FXD,CER DI:0.1UF,50V,AXIAL	04222	SA105E104ZAA
A18C742	281-0913-00		CAP,FXD,CER DI:0.1UF,50V,AXIAL	04222	SA105E104ZAA
A18C810	281-0913-00		CAP,FXD,CER DI:0.1UF,50V,AXIAL	04222	SA105E104ZAA
A18C820	281-0913-00		CAP,FXD,CER DI:0.1UF,50V,AXIAL	04222	SA105E104ZAA
A18C821	290-1123-00		CAP,FXD,ELCTLT:68MF,20%,10V	TK1424	CEUST1A680 (T-7)
A18C830	281-0913-00		CAP,FXD,CER DI:0.1UF,50V,AXIAL	04222	SA105E104ZAA
A18C832	281-0913-00		CAP,FXD,CER DI:0.1UF,50V,AXIAL	04222	SA105E104ZAA
A18C840	281-0913-00		CAP,FXD,CER DI:0.1UF,50V,AXIAL	04222	SA105E104ZAA
A18C842	281-0913-00		CAP,FXD,CER DI:0.1UF,50V,AXIAL	04222	SA105E104ZAA
A18CR330	152-0141-02		SEMICOND DVC,DI:SW,SI,30V,150MA,30V,DO-35	03508	DA2527 (1N4152)
A18J501	131-0608-00		TERMINAL,PIN:0.365 L X 0.025 BRZ GLD PL (QUANTITY OF 12)	22526	48283-036
A18J520	131-0608-00		TERMINAL,PIN:0.365 L X 0.025 BRZ GLD PL (QUANTITY OF 12)	22526	48283-036
A18J521	131-0608-00		TERMINAL,PIN:0.365 L X 0.025 BRZ GLD PL (QUANTITY OF 16)	22526	48283-036
A18J541	131-0608-00		TERMINAL,PIN:0.365 L X 0.025 BRZ GLD PL (QUANTITY OF 8)	22526	48283-036
A18J543	131-0608-00		TERMINAL,PIN:0.365 L X 0.025 BRZ GLD PL (QUANTITY OF 3)	22526	48283-036
A18J800	131-0608-00		TERMINAL,PIN:0.365 L X 0.025 BRZ GLD PL (QUANTITY OF 6)	22526	48283-036
A18P106	131-2964-00		CONN,RCPT,ELEC:FEMALE,3 X 32,RTANG,0.1 CTR	81312	0965-6043-0731-0
A18P501	131-3563-00		CONNECTOR,TERM:6 PIN,SQ PIN JUMPER	22526	76264-103
A18P520	131-3563-00		CONNECTOR,TERM:6 PIN,SQ PIN JUMPER	22526	76264-103
A18P521	131-3564-00		CONNECTOR,TERM:8 PIN,SQ PIN JUMPER	22526	76264-104
A18P541	131-3562-00		CONNECTOR,TERM:4 PIN SQ PIN JUMPER	22526	76264-102
A18R310	307-0648-00		RES NTWK,FXD,FI:8,100 OHM,2%,0.125 W	01121	316B101
A18R312	307-0648-00		RES NTWK,FXD,FI:8,100 OHM,2%,0.125 W	01121	316B101
A18R330	315-0472-00		RES,FXD,FILM:4.7K OHM,5%,0.25W	57668	NTR25J-E04K7
A18R331	315-0102-00		RES,FXD,FILM:1K OHM,5%,0.25W	57668	NTR25JE01K0
A18R332	315-0103-00		RES,FXD,FILM:10K OHM,5%,0.25W	19701	5043CX10K00J
A18R333	315-0390-00		RES,FXD,FILM:39 OHM,5%,0.25W	57668	NTR25J-E39E0
A18R334	315-0390-00		RES,FXD,FILM:39 OHM,5%,0.25W	57668	NTR25J-E39E0
A18R420	315-0471-00		RES,FXD,FILM:470 OHM,5%,0.25W	57668	NTR25J-E470E
A18R440	307-0648-00		RES NTWK,FXD,FI:8,100 OHM,2%,0.125 W	01121	316B101
A18R442	307-0648-00		RES NTWK,FXD,FI:8,100 OHM,2%,0.125 W	01121	316B101
A18R500	315-0472-00		RES,FXD,FILM:4.7K OHM,5%,0.25W	57668	NTR25J-E04K7
A18R510	315-0472-00		RES,FXD,FILM:4.7K OHM,5%,0.25W	57668	NTR25J-E04K7
A18R511	315-0472-00		RES,FXD,FILM:4.7K OHM,5%,0.25W	57668	NTR25J-E04K7
A18R512	315-0472-00		RES,FXD,FILM:4.7K OHM,5%,0.25W	57668	NTR25J-E04K7
A18R513	315-0472-00		RES,FXD,FILM:4.7K OHM,5%,0.25W	57668	NTR25J-E04K7
A18R530	315-0102-00		RES,FXD,FILM:1K OHM,5%,0.25W	57668	NTR25JE01K0
A18R531	315-0432-00		RES,FXD,FILM:4.3K OHM,5%,0.25W	57668	NTR25J-E04K3
A18R532	315-0472-00		RES,FXD,FILM:4.7K OHM,5%,0.25W	57668	NTR25J-E04K7
A18R533	315-0472-00		RES,FXD,FILM:4.7K OHM,5%,0.25W	57668	NTR25J-E04K7
A18R630	315-0100-00		RES,FXD,FILM:10 OHM,5%,0.25W	19701	5043CX10RR00J
A18R800	315-0472-00		RES,FXD,FILM:4.7K OHM,5%,0.25W	57668	NTR25J-E04K7
A18R810	315-0472-00		RES,FXD,FILM:4.7K OHM,5%,0.25W	57668	NTR25J-E04K7
A18R812	315-0472-00		RES,FXD,FILM:4.7K OHM,5%,0.25W	57668	NTR25J-E04K7

Replaceable Electrical Parts
11402 Extended Service Volume 2

Component No.	Tektronix Part No.	Serial/Assembly No. Effective Dscont	Name & Description	Mfr. Code	Mfr. Part No.
A18TP200	131-0608-00		TERMINAL, PIN:0.365 L X 0.025 BRZ GLD PL	22526	48283-036
A18TP201	131-0608-00		TERMINAL, PIN:0.365 L X 0.025 BRZ GLD PL	22526	48283-036
A18TP202	131-0608-00		TERMINAL, PIN:0.365 L X 0.025 BRZ GLD PL	22526	48283-036
A18TP203	131-0608-00		TERMINAL, PIN:0.365 L X 0.025 BRZ GLD PL	22526	48283-036
A18TP204	131-0608-00		TERMINAL, PIN:0.365 L X 0.025 BRZ GLD PL	22526	48283-036
A18TP205	131-0608-00		TERMINAL, PIN:0.365 L X 0.025 BRZ GLD PL	22526	48283-036
A18TP206	131-0608-00		TERMINAL, PIN:0.365 L X 0.025 BRZ GLD PL	22526	48283-036
A18TP207	131-0608-00		TERMINAL, PIN:0.365 L X 0.025 BRZ GLD PL	22526	48283-036
A18TP208	131-0608-00		TERMINAL, PIN:0.365 L X 0.025 BRZ GLD PL	22526	48283-036
A18TP300	131-0608-00		TERMINAL, PIN:0.365 L X 0.025 BRZ GLD PL	22526	48283-036
A18TP301	131-0608-00		TERMINAL, PIN:0.365 L X 0.025 BRZ GLD PL	22526	48283-036
A18TP302	131-0608-00		TERMINAL, PIN:0.365 L X 0.025 BRZ GLD PL	22526	48283-036
A18TP303	131-0608-00		TERMINAL, PIN:0.365 L X 0.025 BRZ GLD PL	22526	48283-036
A18TP500	131-0608-00		TERMINAL, PIN:0.365 L X 0.025 BRZ GLD PL	22526	48283-036
A18TP501	131-0608-00		TERMINAL, PIN:0.365 L X 0.025 BRZ GLD PL	22526	48283-036
A18TP502	131-0608-00		TERMINAL, PIN:0.365 L X 0.025 BRZ GLD PL	22526	48283-036
A18TP503	131-0608-00		TERMINAL, PIN:0.365 L X 0.025 BRZ GLD PL	22526	48283-036
A18TP504	131-0608-00		TERMINAL, PIN:0.365 L X 0.025 BRZ GLD PL	22526	48283-036
A18TP505	131-0608-00		TERMINAL, PIN:0.365 L X 0.025 BRZ GLD PL	22526	48283-036
A18TP800	131-0608-00		TERMINAL, PIN:0.365 L X 0.025 BRZ GLD PL	22526	48283-036
A18TP801	131-0608-00		TERMINAL, PIN:0.365 L X 0.025 BRZ GLD PL	22526	48283-036
A18TP802	131-0608-00		TERMINAL, PIN:0.365 L X 0.025 BRZ GLD PL	22526	48283-036
A18TP803	131-0608-00		TERMINAL, PIN:0.365 L X 0.025 BRZ GLD PL	22526	48283-036
A18TP804	131-0608-00		TERMINAL, PIN:0.365 L X 0.025 BRZ GLD PL	22526	48283-036
A18TP805	131-0608-00		TERMINAL, PIN:0.365 L X 0.025 BRZ GLD PL	22526	48283-036
A18TP806	131-0608-00		TERMINAL, PIN:0.365 L X 0.025 BRZ GLD PL	22526	48283-036
A18TP807	131-0608-00		TERMINAL, PIN:0.365 L X 0.025 BRZ GLD PL	22526	48283-036
A18TP808	131-0608-00		TERMINAL, PIN:0.365 L X 0.025 BRZ GLD PL	22526	48283-036
A18TP809	131-0608-00		TERMINAL, PIN:0.365 L X 0.025 BRZ GLD PL	22526	48283-036
A18U110	156-2372-00		MICROCKT, DGTL:NMOS 65536 X 4 DRAM	33297	UPD412540/C
A18U112	156-2372-00		MICROCKT, DGTL:NMOS 65536 X 4 DRAM	33297	UPD412540/C
A18U120	156-2372-00		MICROCKT, DGTL:NMOS 65536 X 4 DRAM	33297	UPD412540/C
A18U122	156-2372-00		MICROCKT, DGTL:NMOS 65536 X 4 DRAM	33297	UPD412540/C
A18U210	156-2372-00		MICROCKT, DGTL:NMOS 65536 X 4 DRAM	33297	UPD412540/C
A18U212	156-2372-00		MICROCKT, DGTL:NMOS 65536 X 4 DRAM	33297	UPD412540/C
A18U220	156-2372-00		MICROCKT, DGTL:NMOS 65536 X 4 DRAM	33297	UPD412540/C
A18U222	156-2372-00		MICROCKT, DGTL:NMOS 65536 X 4 DRAM	33297	UPD412540/C
A18U320	156-0789-02		MICROCKT, DGTL:LSTTL, 8 BIT SHF REG W/PRL LOAD	04713	SN74LS165JDS
A18U330	156-0385-02		MICROCKT, DGTL:HEX INVERTER, SCRN	07263	74LS04PCQR
A18U332	156-0386-02		MICROCKT, DGTL:TRIPLE 3-INP NAND GATE, SCRN	07263	74LS10PCQR
A18U340	156-0386-02		MICROCKT, DGTL:TRIPLE 3-INP NAND GATE, SCRN	07263	74LS10PCQR
A18U342	156-1318-00		MICROCKT, DGTL:LSTTL, 4-BIT BISTABLE LATCH	01295	SN74LS375NP3
A18U350	156-0464-02		MICROCKT, DGTL:DUAL 4-INP NAND GATE	01295	SN74LS20NP3
A18U352	156-1318-00		MICROCKT, DGTL:LSTTL, 4-BIT BISTABLE LATCH	01295	SN74LS375NP3
A18U410	156-1881-00		MICROCKT, DGTL:NMOS, DYNAMIC RAM CONTROLLER	34649	R8207-16
A18U420	156-0789-02		MICROCKT, DGTL:LSTTL, 8 BIT SHF REG W/PRL LOAD	04713	SN74LS165JDS
A18U430	156-2396-00		MICROCKT, DGTL:RESET GENERATOR, 5V SUPPLY	01295	TL7705 ACP
A18U450	156-0383-02		MICROCKT, DGTL:QUAD 2-INP NOR GATE, SCRN,	18324	N74LS02NB
A18U452	156-0480-02		MICROCKT, DGTL:QUAD 2-INP & GATE, SCRN,	01295	SN74LS08NP3
A18U530	156-1723-00		MICROCKT, DGTL:QUAD 2 INPUT & GATE	04713	MC74F08 ND OR JD
A18U540	156-2111-00		MICROCKT, DGTL:OCTAL D-TYPE LATCHES	01295	SN74ALS373N3
A18U542	160-3732-01		MICROCKT, DGTL:STTL, HEX 12 INPUT AOI PRGM LOGIC ARRAY	80009	160-3732-01
A18U550	156-1962-00		MICROCKT, DGTL:OCTAL BUFFER/LINE DRIVER, SCRN	04713	MC74F244N
A18U552	156-0403-02		MICROCKT, DGTL:HEX INVERTER, SCRN	18324	N74S05(NB OR FB)

Replaceable Electrical Parts
11402 Extended Service Volume 2

Component No.	Tektronix Part No.	Serial/Assembly No. Effective	Dscont	Name & Description	Mfr. Code	Mfr. Part No.
A18U600	160-3746-01	B010100	B010189	MICROCKT, DGTL:NMOS, 65536 X 8 EPROM, W/3 STATE OUT, PRGM	80009	160-3746-01
A18U600	160-3746-02	B010190	B010330	MICROCKT, DGTL:HMOS, 65536 X 8 EPROM, PRGM	80009	160-3746-02
A18U600	160-3746-03	B010331	B010534	MICROCKT, DGTL:HMOS, 65536 X 8 EPROM, PRGM	80009	160-3746-03
A18U600	160-3746-04	B010535	B010653	MICROCKT, DGTL:HMOS, 65536 X 8 EPROM, PRGM	80009	160-3746-04
A18U600	160-3746-05	B010654	B010956	MICROCKT, DGTL:HMOS, 65536 X 8 EPROM, PRGM	80009	160-3746-05
A18U600	160-3746-06	B010957	B021081	MICROCKT, DGTL:HMOS, 65536 X 8 EPROM, PRGM	80009	160-3746-06
A18U600	160-3746-07	B021082	B021239	MICROCKT, DGTL:NMOS, 65536 X 8 EPROM, PRGM	80009	160-3746-07
A18U600	160-3746-08	B021240		MICROCKT, DGTL:NMOS, 65536 X 8 EPROM, PRGM	80009	160-3746-08
A18U612	160-3744-01	B010100	B010189	MICROCKT, DGTL:NMOS, 65536 X 8 EPROM, W/3 STATE OUT, PRGM	80009	160-3744-01
A18U612	160-3744-02	B010190	B010330	MICROCKT, DGTL:HMOS, 65536 X 8 EPROM, PRGM	80009	160-3744-02
A18U612	160-3744-03	B010331	B010534	MICROCKT, DGTL:HMOS, 65536 X 8 EPROM, PRGM	80009	160-3744-03
A18U612	160-3744-04	B010535	B010653	MICROCKT, DGTL:HMOS, 65536 X 8 EPROM, PRGM	80009	160-3744-04
A18U612	160-3744-05	B010654	B010956	MICROCKT, DGTL:HMOS, 65536 X 8 EPROM, PRGM	80009	160-3744-05
A18U612	160-3744-06	B010957	B021081	MICROCKT, DGTL:HMOS, 65536 X 8 EPROM, PRGM	80009	160-3744-06
A18U612	160-3744-07	B021082	B021239	MICROCKT, DGTL:NMOS, 65536 X 8 EPROM, PRGM	80009	160-3744-07
A18U612	160-3744-08	B021240		MICROCKT, DGTL:NMOS, 65536 X 8 EPROM, PRGM	80009	160-3744-08
A18U620	160-3742-01	B010100	B010189	MICROCKT, DGTL:NMOS, 65586 X 8 EPROM, W/3 STATE OUT, PRGM	80009	160-3742-01
A18U620	160-3742-02	B010190	B010330	MICROCKT, DGTL:HMOS, 65536 X 8 EPROM, PRGM	80009	160-3742-02
A18U620	160-3742-03	B010331	B010534	MICROCKT, DGTL:HMOS, 65536 X 8 EPROM, PRGM	80009	160-3742-03
A18U620	160-3742-04	B010535	B010653	MICROCKT, DGTL:HMOS, 65536 X 8 EPROM, PRGM	80009	160-3742-04
A18U620	160-3742-05	B010654	B010956	MICROCKT, DGTL:HMOS, 65536 X 8 EPROM, PRGM	80009	160-3742-05
A18U620	160-3742-06	B010957	B021081	MICROCKT, DGTL:HMOS, 65536 X 8 EPROM, PRGM	80009	160-3742-06
A18U620	160-3742-07	B021082	B021239	MICROCKT, DGTL:NMOS, 65536 X 8 EPROM, PRGM	80009	160-3742-07
A18U620	160-3742-08	B021240		MICROCKT, DGTL:NMOS, 65536 X 8 EPROM, PRGM	80009	160-3742-08
A18U630	160-3740-01	B010100	B010189	MICROCKT, DGTL:NMOS, 65586 X 8 EPROM, W/3 STATE OUT, PRGM	80009	160-3740-01
A18U630	160-3740-02	B010190	B010330	MICROCKT, DGTL:HMOS, 65536 X 8 EPROM, PRGM	80009	160-3740-02
A18U630	160-3740-03	B010331	B010534	MICROCKT, DGTL:HMOS, 65536 X 8 EPROM, PRGM	80009	160-3740-03
A18U630	160-3740-04	B010535	B010653	MICROCKT, DGTL:HMOS, 65536 X 8 EPROM, PRGM	80009	160-3740-04
A18U630	160-3740-05	B010654	B010956	MICROCKT, DGTL:HMOS, 65536 X 8 EPROM, PRGM	80009	160-3740-05
A18U630	160-3740-06	B010957	B021081	MICROCKT, DGTL:HMOS, 65536 X 8 EPROM, PRGM	80009	160-3740-06
A18U630	160-3740-07	B021082	B021239	MICROCKT, DGTL:NMOS, 65536 X 8 EPROM, PRGM	80009	160-3740-07
A18U630	160-3740-08	B021240		MICROCKT, DGTL:NMOS, 65536 X 8 EPROM, PRGM	80009	160-3740-08
A18U632	156-0464-02			MICROCKT, DGTL:DUAL 4-INP NAND GATE	01295	SN74LS20NP3
A18U640	156-2111-00			MICROCKT, DGTL:OCTAL D-TYPE LATCHES	01295	SN74ALS373N3
A18U642	156-2111-00			MICROCKT, DGTL:OCTAL D-TYPE LATCHES	01295	SN74ALS373N3
A18U700	160-3747-01	B010100	B010189	MICROCKT, DGTL:NMOS, 65536 X 8 EPROM, W/3 STATE OUT, PRGM	80009	160-3747-01
A18U700	160-3747-02	B010190	B010330	MICROCKT, DGTL:HMOS, 65536 X 8 EPROM, PRGM	80009	160-3747-02
A18U700	160-3747-03	B010331	B010534	MICROCKT, DGTL:HMOS, 65536 X 8 EPROM, PRGM	80009	160-3747-03
A18U700	160-3747-04	B010535	B010653	MICROCKT, DGTL:HMOS, 65536 X 8 EPROM, PRGM	80009	160-3747-04
A18U700	160-3747-05	B010654	B010956	MICROCKT, DGTL:HMOS, 65536 X 8 EPROM, PRGM	80009	160-3747-05
A18U700	160-3747-06	B010957	B021081	MICROCKT, DGTL:HMOS, 65536 X 8 EPROM, PRGM	80009	160-3747-06
A18U700	160-3747-07	B021082	B021239	MICROCKT, DGTL:NMOS, 65536 X 8 EPROM, PRGM	80009	160-3747-07
A18U700	160-3747-08	B021240		MICROCKT, DGTL:NMOS, 65536 X 8 EPROM, PRGM	80009	160-3747-08
A18U712	160-3745-01	B010100	B010189	MICROCKT, DGTL:NMOS, 65536 X 8 EPROM, W/3 STATE OUT, PRGM	80009	160-3745-01
A18U712	160-3745-02	B010190	B010330	MICROCKT, DGTL:HMOS, 65536 X 8 EPROM, PRGM	80009	160-3745-02
A18U712	160-3745-03	B010331	B010534	MICROCKT, DGTL:HMOS, 65536 X 8 EPROM, PRGM	80009	160-3745-03
A18U712	160-3745-04	B010535	B010653	MICROCKT, DGTL:HMOS, 65536 X 8 EPROM, PRGM	80009	160-3745-04
A18U712	160-3745-05	B010654	B010956	MICROCKT, DGTL:HMOS, 65536 X 8 EPROM, PRGM	80009	160-3745-05
A18U712	160-3745-06	B010957	B021081	MICROCKT, DGTL:HMOS, 65536 X 8 EPROM, PRGM	80009	160-3745-06
A18U712	160-3745-07	B021082	B021239	MICROCKT, DGTL:NMOS, 65536 X 8 EPROM, PRGM	80009	160-3745-07
A18U712	160-3745-08	B021240		MICROCKT, DGTL:NMOS, 65536 X 8 EPROM, PRGM	80009	160-3745-08
A18U720	160-3743-01	B010100	B010189	MICROCKT, DGTL:NMOS, 65586 X 8 EPROM, W/3 STATE OUT, PRGM	80009	160-3743-01
A18U720	160-3743-02	B010190	B010330	MICROCKT, DGTL:HMOS, 65536 X 8 EPROM, PRGM	80009	160-3743-02
A18U720	160-3743-03	B010331	B010534	MICROCKT, DGTL:HMOS, 65536 X 8 EPROM, PRGM	80009	160-3743-03

Replaceable Electrical Parts
11402 Extended Service Volume 2

Component No.	Tektronix Part No.	Serial/Assembly No. Effective	Discort	Name & Description	Mfr. Code	Mfr. Part No.
A18U720	160-3743-04	B010535	B010653	MICROCKT,DGTL:H MOS,65536 X 8 EPROM,PRGM	80009	160-3743-04
A18U720	160-3743-05	B010654	B010956	MICROCKT,DGTL:H MOS,65536 X 8 EPROM,PRGM	80009	160-3743-05
A18U720	160-3743-06	B010957	B021081	MICROCKT,DGTL:H MOS,65536 X 8 EPROM,PRGM	80009	160-3743-06
A18U720	160-3743-07	B021082	B021239	MICROCKT,DGTL:H MOS,65536 X 8 EPROM,PRGM	80009	160-3743-07
A18U720	160-3743-08	B021240		MICROCKT,DGTL:H MOS,65536 X 8 EPROM,PRGM	80009	160-3743-08
A18U730	160-3741-01	B010100	B010189	MICROCKT,DGTL:H MOS,65586 X 8 EPROM,W/3 STATE OUT,PRGM	80009	160-3741-01
A18U730	160-3741-02	B010190	B010330	MICROCKT,DGTL:H MOS,65536 X 8 EPROM,PRGM	80009	160-3741-02
A18U730	160-3741-03	B010331	B010534	MICROCKT,DGTL:H MOS,65536 X 8 EPROM,PRGM	80009	160-3741-03
A18U730	160-3741-04	B010535	B010653	MICROCKT,DGTL:H MOS,65536 X 8 EPROM,PRGM	80009	160-3741-04
A18U730	160-3741-05	B010654	B010956	MICROCKT,DGTL:H MOS,65536 X 8 EPROM,PRGM	80009	160-3741-05
A18U730	160-3741-06	B010957	B021081	MICROCKT,DGTL:H MOS,65536 X 8 EPROM,PRGM	80009	160-3741-06
A18U730	160-3741-07	B021082	B021239	MICROCKT,DGTL:H MOS,65536 X 8 EPROM,PRGM	80009	160-3741-07
A18U730	160-3741-08	B021240		MICROCKT,DGTL:H MOS,65536 X 8 EPROM,PRGM	80009	160-3741-08
A18U732	156-0385-02			MICROCKT,DGTL:HEX INVERTER,SCRN	07263	74LS04PCQR
A18U740	156-1748-01			MICROCKT,DGTL:ALSTTL,OCTAL BUS XCVR	01295	74ALS245A-1N3
A18U742	156-1748-01			MICROCKT,DGTL:ALSTTL,OCTAL BUS XCVR	01295	74ALS245A-1N3
A18U810	156-2120-00			MICROCKT,DGTL:SER-IN PRL-OUT SHIFT RGTR	07263	74F164PCQR/DCQR
A18U820	156-1611-00			MICROCKT,DGTL:ASTTL,DUAL D TYPE EDGE-TRIG	80009	156-1611-00
A18U830	156-0386-02			MICROCKT,DGTL:TRIPLE 3-INP NAND GATE,SCRN	07263	74LS10PCQR
A18U832	156-1754-02			MICROCKT,DGTL:OCTAL BUFFER & LINE DRIVER W/ 3-STATE OUT	01295	SN74ALS244A-1N
A18U840	156-1754-02			MICROCKT,DGTL:OCTAL BUFFER & LINE DRIVER W/ 3-STATE OUT	01295	SN74ALS244A-1N
A18U842	156-1754-02			MICROCKT,DGTL:OCTAL BUFFER & LINE DRIVER W/ 3-STATE OUT	01295	SN74ALS244A-1N
A18X410	136-0813-00			SKT,PL-IN ELEK:CHIP CARRIER,68 CONTACTS	19613	268-5400-00-1102
A18X542	136-0752-00			SKT,PL-IN ELEK:MICROCIRCUIT,20 DIP	09922	D1LB20P-108
A18X600	136-0755-00			SKT,PL-IN ELEK:MICROCIRCUIT,28 DIP	09922	D1LB28P-108
A18X612	136-0755-00			SKT,PL-IN ELEK:MICROCIRCUIT,28 DIP	09922	D1LB28P-108
A18X620	136-0755-00			SKT,PL-IN ELEK:MICROCIRCUIT,28 DIP	09922	D1LB28P-108
A18X630	136-0755-00			SKT,PL-IN ELEK:MICROCIRCUIT,28 DIP	09922	D1LB28P-108
A18X700	136-0755-00			SKT,PL-IN ELEK:MICROCIRCUIT,28 DIP	09922	D1LB28P-108
A18X712	136-0755-00			SKT,PL-IN ELEK:MICROCIRCUIT,28 DIP	09922	D1LB28P-108
A18X720	136-0755-00			SKT,PL-IN ELEK:MICROCIRCUIT,28 DIP	09922	D1LB28P-108
A18X730	136-0755-00			SKT,PL-IN ELEK:MICROCIRCUIT,28 DIP	09922	D1LB28P-108
DS60	150-0121-05			LAMP,CARTRIDGE:5V,0.06A,GREEN LENS	80009	150-0121-05
J01	175-9905-00			CABLE ASSY,RF:50 OHM COAX,18.0 L,9-1	80009	175-9905-00
J02	175-9906-00			CABLE ASSY,RF:50 OHM COAX,18.0 L,9-2	80009	175-9906-00
J03	175-9907-00			CABLE ASSY,RF:50 OHM COAX,18.0 L,9-3	80009	175-9907-00
J04	175-9908-00			CABLE ASSY,RF:50 OHM COAX,18.0 L,9-4	80009	175-9908-00
J05	175-9909-00			CABLE ASSY,RF:50 OHM COAX,18.0 L,9-5	80009	175-9909-00
J06	175-9910-00			CABLE ASSY,RF:50 OHM COAX,18.0 L,9-6	80009	175-9910-00
J11	131-1315-01			CONN,RCPT,ELEC:BNC,FEMALE	80009	131-1315-01
J12	131-1315-01			CONN,RCPT,ELEC:BNC,FEMALE	80009	131-1315-01
J13	131-1315-01			CONN,RCPT,ELEC:BNC,FEMALE	80009	131-1315-01
J14	131-1315-01			CONN,RCPT,ELEC:BNC,FEMALE	80009	131-1315-01
J15	131-1315-01			CONN,RCPT,ELEC:BNC,FEMALE	80009	131-1315-01
J16	131-1315-01			CONN,RCPT,ELEC:BNC,FEMALE	80009	131-1315-01
J17	131-1315-01			CONN,RCPT,ELEC:BNC,FEMALE	80009	131-1315-01
J18	131-1315-01			CONN,RCPT,ELEC:BNC,FEMALE	80009	131-1315-01
J26	174-0287-00			(J11 THRU J18,QUANTITY OF 2. FRONT AND BACK. OPTION 1C ONLY)		
J52	175-9810-00			CABLE ASSY,RF:50 OHM COAX,29.0 L,W/PELTALAS	80009	174-0287-00
J53	175-9811-00			CA ASSY,SP,ELEC:50,4.0 L	80009	175-9810-00
J56	175-9855-00			CA ASSY,SP,ELEC:20,6.0 L	80009	175-9811-00
J57	175-9855-00			CA ASSY,SP,ELEC:7 PIN CONN W/CRT SKT,4.5 L	80009	175-9855-00
J57	175-9799-00			CA ASSY,SP,ELEC:16.5 L	80009	175-9799-00

Replaceable Electrical Parts
11402 Extended Service Volume 2

Component No.	Tektronix	Serial/Assembly No.		Name & Description	Mfr.	Mfr. Part No.
	Part No.	Effective	Discnt		Code	
J63	175-9857-00			CA ASSY, SP, ELEC:11,18 AWG,7.25 L,RIBBON	80009	175-9857-00
J65	175-9803-00			CA ASSY, SP, ELEC:7,26 AWG,7.5 L,RIBBON	80009	175-9803-00
J66	175-9798-00			CA ASSY, SP, ELEC:18.0 L	80009	175-9798-00
J72	175-9854-00			CA ASSY, SP, ELEC:36,28 AWG,7.0 L	80009	175-9854-00
J74	175-9807-00			CA, ASSY, SP, ELEC:	80009	175-9807-00
J77	175-9814-00			CA ASSY, SP, ELEC:34,3.0 L	80009	175-9814-00
J78	175-9815-00			CA ASSY, SP, ELEC:34,12.0 L	80009	175-9815-00
J79	175-9809-00			CA ASSY, SP, ELEC:50,3.0 L	80009	175-9809-00
J83	175-9808-00			CA ASSY, SP, ELEC:50,18.0 L	80009	175-9808-00
J84	175-9806-00			CA ASSY, SP, ELEC:60,4.0 L	80009	175-9806-00
J85	175-9805-00			CA ASSY, SP, ELEC:40,4.0 L	80009	175-9805-00
J86	175-9804-00			CA ASSY, SP, ELEC:34,4.0 L	80009	175-9804-00
J91	175-9812-00			CA ASSY, SP, ELEC:26,7.0 L	80009	175-9812-00
S60	260-2275-00			SWITCH,ROCKER:SPST,30MA,12V	TK1262	ME010-D
S74	311-2320-00			ENCODER,DIGITAL:INCREMENTAL,50PPR,50 DETENT	TK1869	LA22661
S75	311-2320-00			,QUAD OUTPUT,LOC LUG AT 9 O'CLOCK ENCODER,DIGITAL:INCREMENTAL,50PPR,50 DETENT	TK1869	LA22661
				,QUAD OUTPUT,LOC LUG AT 9 O'CLOCK		
V70	154-0898-00			ELECTRON TUBE:CRT W/DEFLECTION YOKE	61058	M22JPT3GH/M-ITC

Schematic Diagrams and Circuit Board Illustrations

Symbols

Graphic symbols and class designation letters are based on ANSI Standard Y32.2-1975.

Logic symbology is based on ANSI/IEEE Std 91-1984 in terms of positive logic. Logic symbols depict the logic function performed and may differ from the manufacturer's data.

The overline on a signal name indicates that the signal performs its intended function when it is in the low state.

Abbreviations are based on ANSI Y1.1-1972.

Other ANSI standards that are used in the preparation of diagrams by Tektronix, Inc. are:

Y14.15, 1966
Y14.2, 1973
Y10.5, 1968

Drafting Practices.
Line Conventions and Lettering.
Letter Symbols for Quantities Used in
Electrical Science and Electrical
Engineering.

American National Standard Institute
1430 Broadway
New York, New York 10018

Component Values

Electrical components shown on the diagrams are in the following units unless noted otherwise:

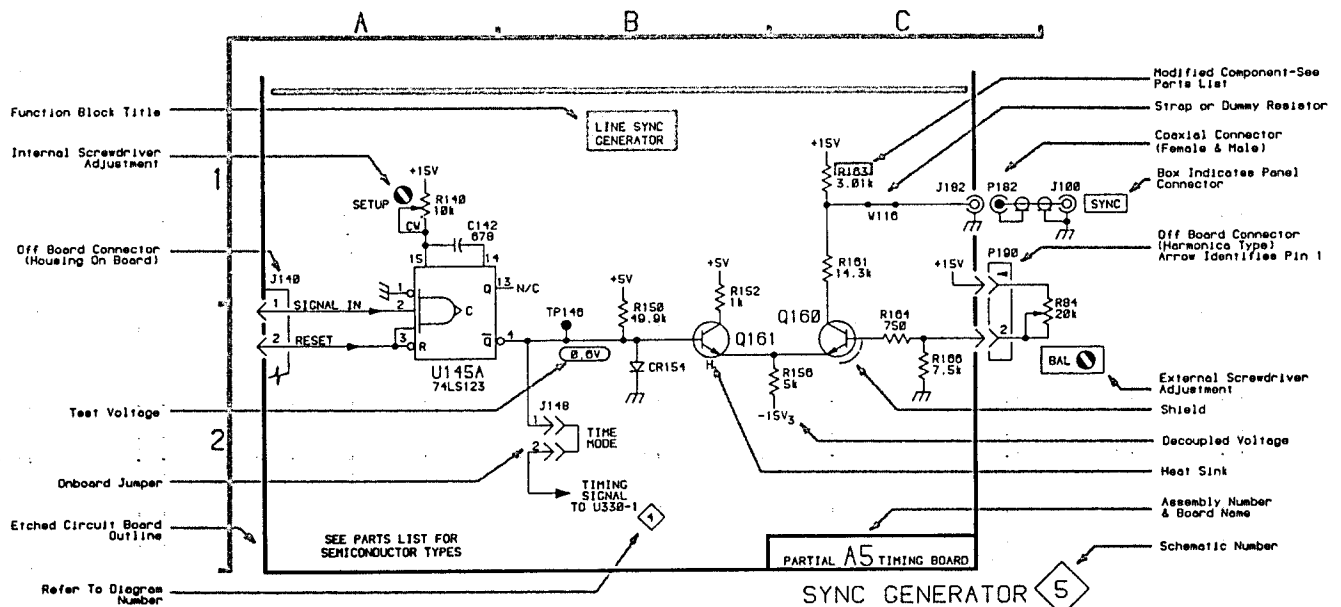
Capacitors = Values one or greater are in picofarads (pF). Values less than one are in microfarads (μF).
Resistors = Ohms (Ω).

The information and special symbols below may appear in this manual.

Assembly Numbers and Grid Coordinates

Each assembly in the instrument is assigned an assembly number (e.g., A20). The assembly number appears on the circuit board outline on the diagram, in the title for the circuit board component location illustration, and in the lookup table for the schematic diagram and corresponding component locator illustration. The Replaceable Electrical Parts list is arranged by assemblies in numerical sequence; the components are listed by component number.

The schematic diagram and circuit board component location illustration have grids. A lookup table with the grid coordinates is provided for ease of locating the component. Only the components illustrated on the facing diagram are listed in the lookup table. When more than one schematic diagram is used to illustrate the circuitry on a circuit board, the circuit board illustration may only appear opposite the first diagram on which it was illustrated; the lookup table will list the diagram number of other diagrams that the circuitry of the circuit board appears on.



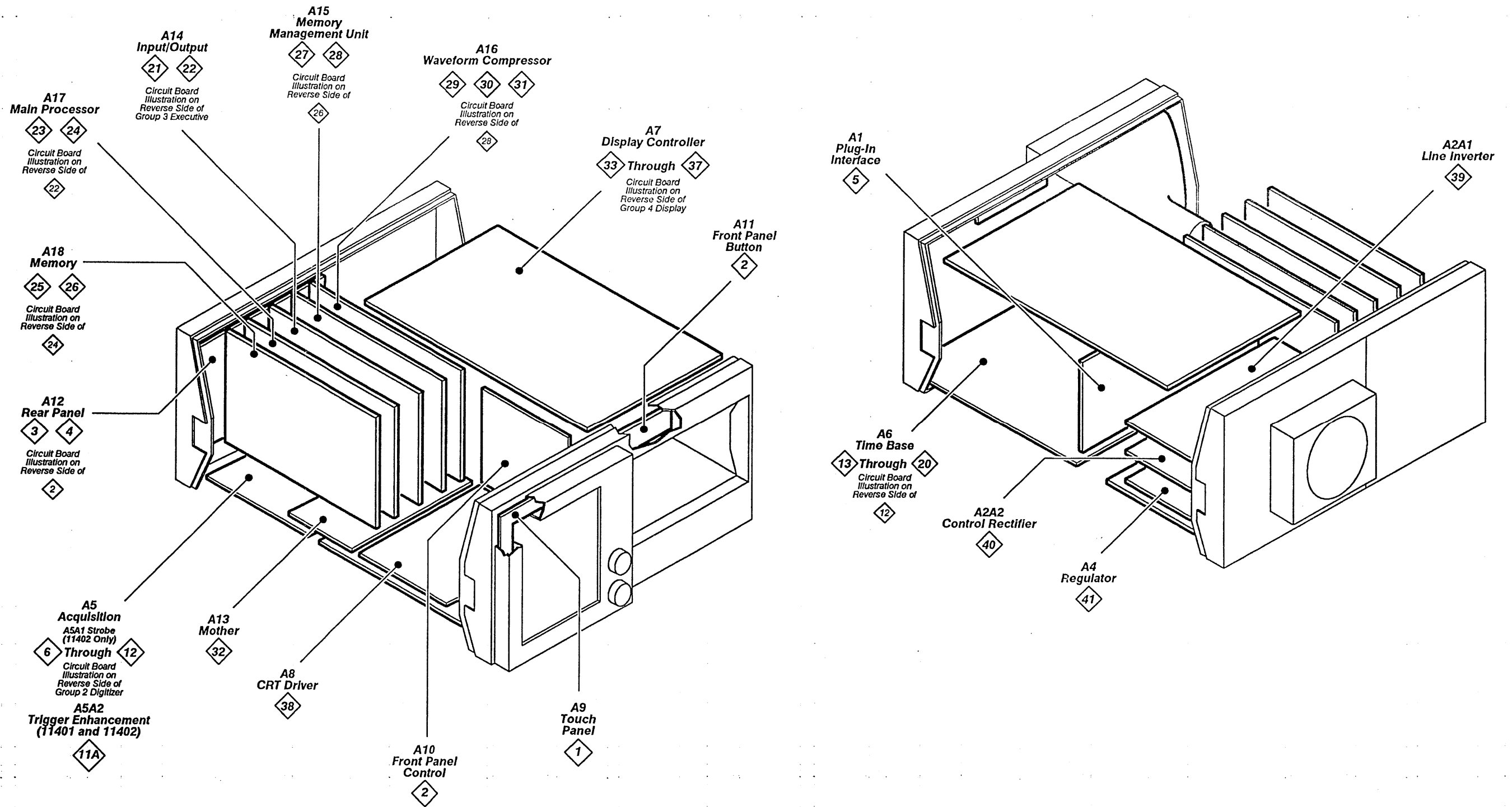


Figure 6-1. 11401/11402 Circuit Board Locator

Note
Lead configurations and case styles are typical, but may vary due to vendor changes or instrument modifications.

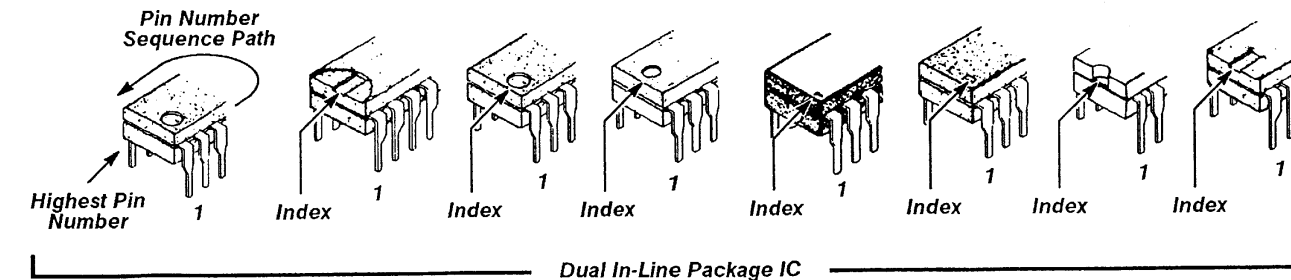
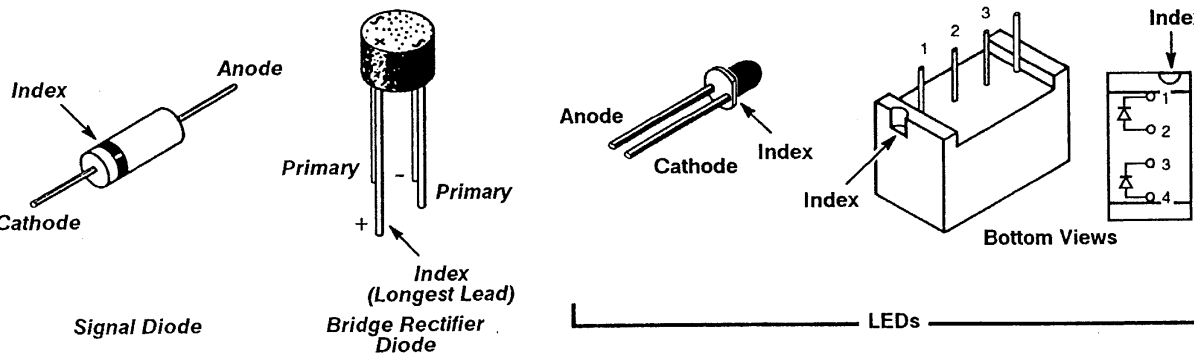
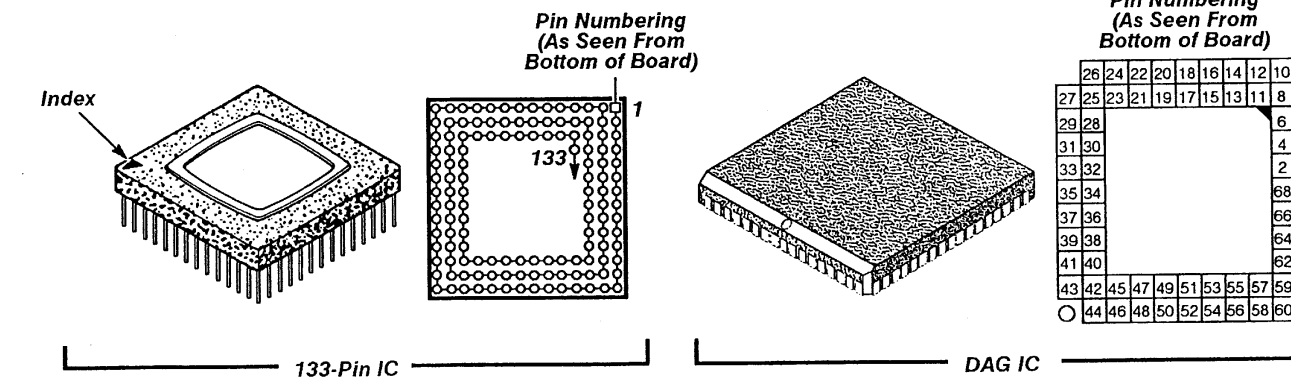
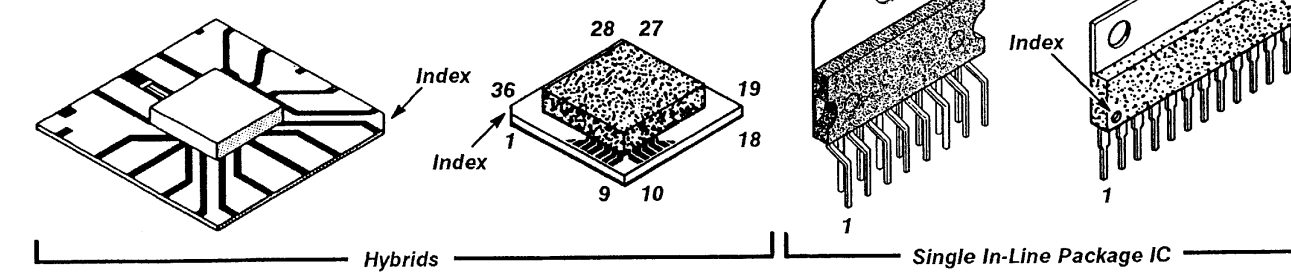
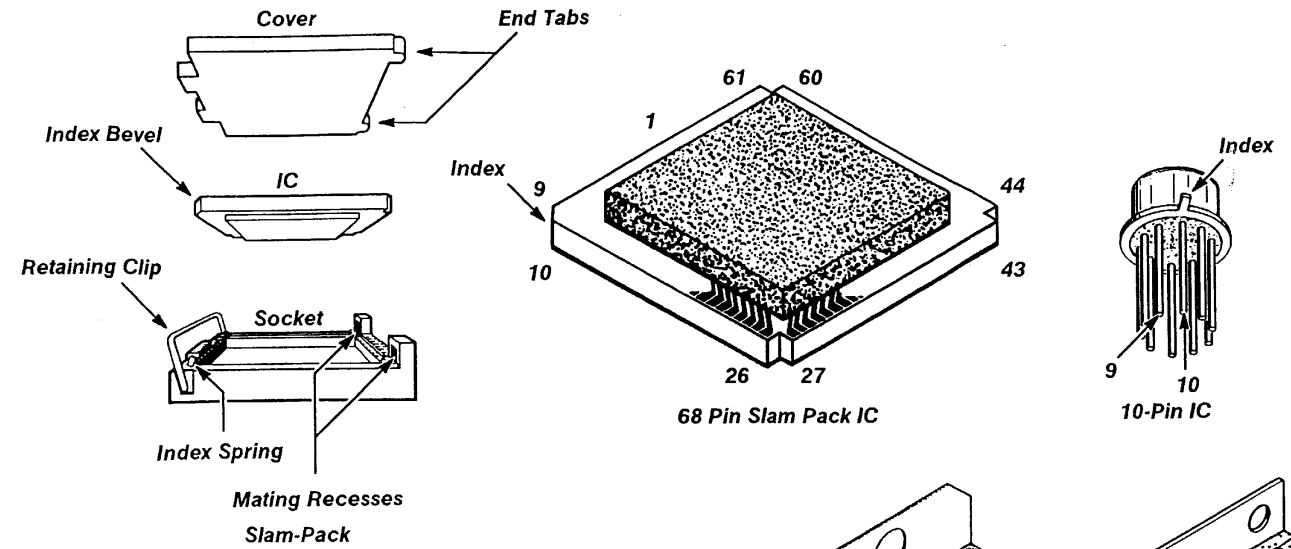
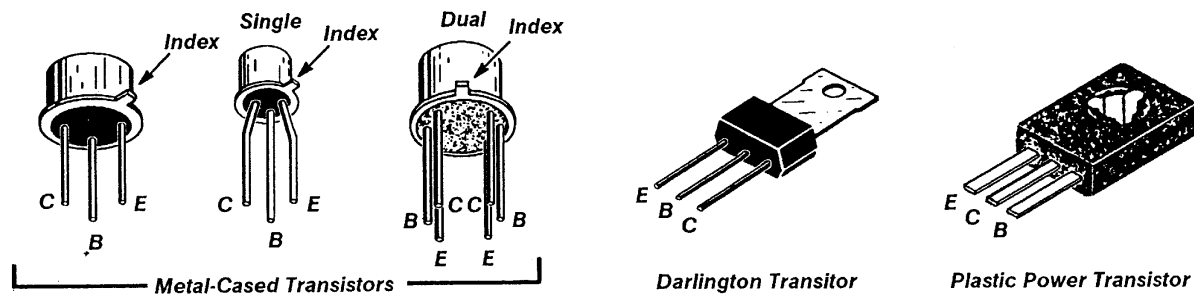
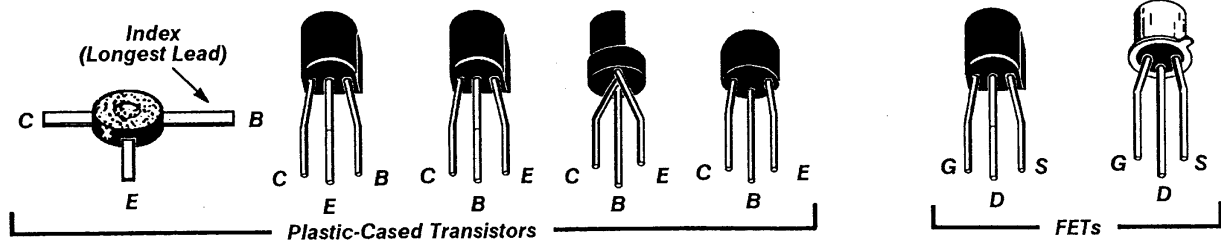


Figure 6-2. Semiconductor Lead Configurations

5(B)85

CHASSIS MOUNTED PARTS

CIRCUIT NUMBER	SCHEM NUMBER	CIRCUIT NUMBER	SCHEM NUMBER	CIRCUIT NUMBER	SCHEM NUMBER
B50	40	J52	42	J93	42
B50	42	J53	42	J94	42
		J54	42	J95	42
DS60	41	J56	42	J95	42
DS60	42	J57	42	J96	42
		J57	42	J96	42
F99	39	J57	42	J97	42
		J60	42	J98	42
FL99	39	J62	42	J99	39
		J63C	42	J99	42
J1	42	J63	42	J111	42
J2	42	J64A	42		
J3	42	J64	42	P100	42
J4	42	J65	42	P101	42
J5	42	J66A	42	P104	42
J6	42	J66B	42	P105	42
J9	42	J66	42	P106	42
J9	42	J70	42		
J11	42	J72	42	R99	39
J12	42	J73	42		
J13	42	J74	42	S60	41
J14	42	J75	42	S60	42
J15	42	J77	42	S74	42
J16	42	J78	42	S75	2
J17	42	J79	42	S75	42
J18	42	J79	42	S99	39
J26	42	J81	42		
J26	42	J83	42	T130	42
J30	42	J83	42	T240	42
J31	42	J84	42		
J32	42	J85	42	V70	38
J33	42	J86	42	V70	42
J34	42	J90	42		
J36	42	J90	42	W96	39
J40	42	J91A	42	W97	39
J44	42	J91B	42	W99	39
J50	42	J91C	42	W130	39
J51	42	J91	42		
J52B	42	J92	42		

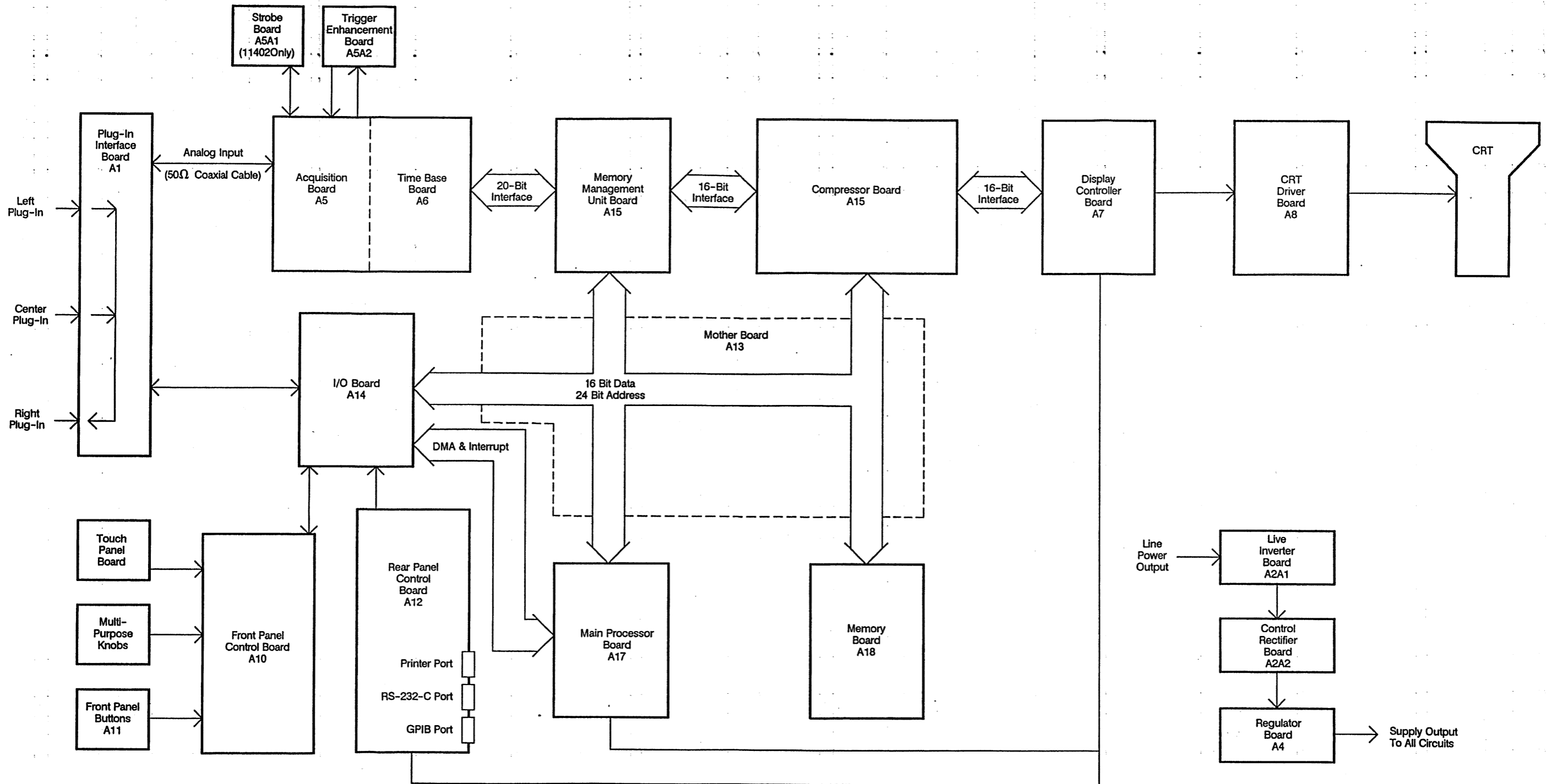


Figure 6-3. 11401/11402 Block Diagram

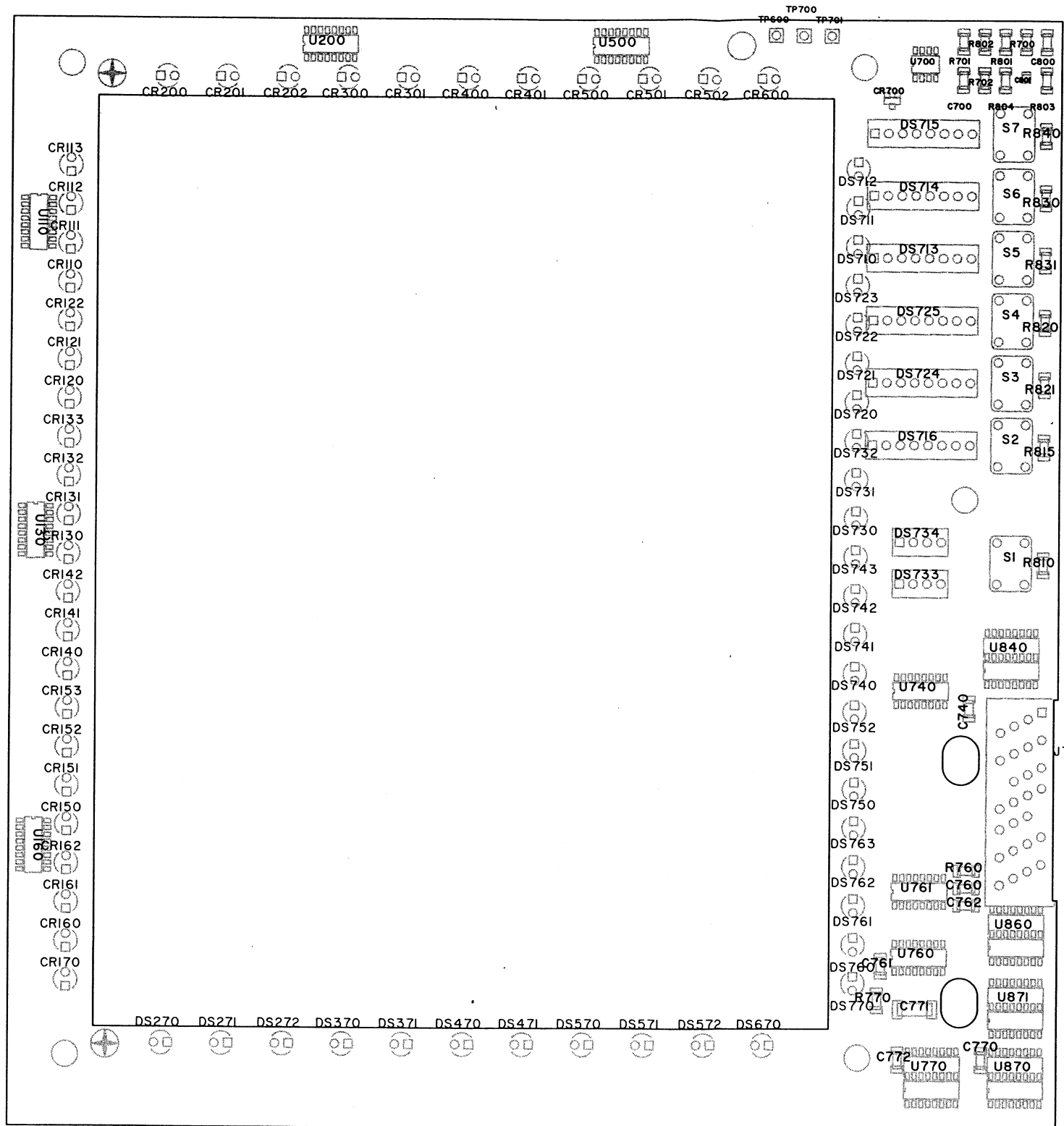
Group 1 External Control

- 1 I-R Touch Panel
- 2 Front Panel Control
- 3 Rear Panel-GPIB & RS-232-C
- 4 Rear Panel-Printer
- 5 Plug-in Interface

Group 1
External Control

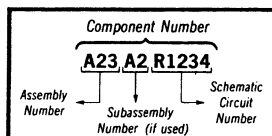
Reverse Side
A9

Assembly A9



⊗ Static Sensitive Devices
See Maintenance Section

COMPONENT NUMBER EXAMPLE



Chassis-mounted components have no Assembly Number prefix—see end of Replaceable Electrical Parts List.

Figure 6-4. A9-Touch Panel Circuit Board Assembly

7387-603

G-1-2

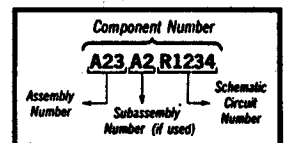
I-R TOUCH PANEL DIAGRAM

1

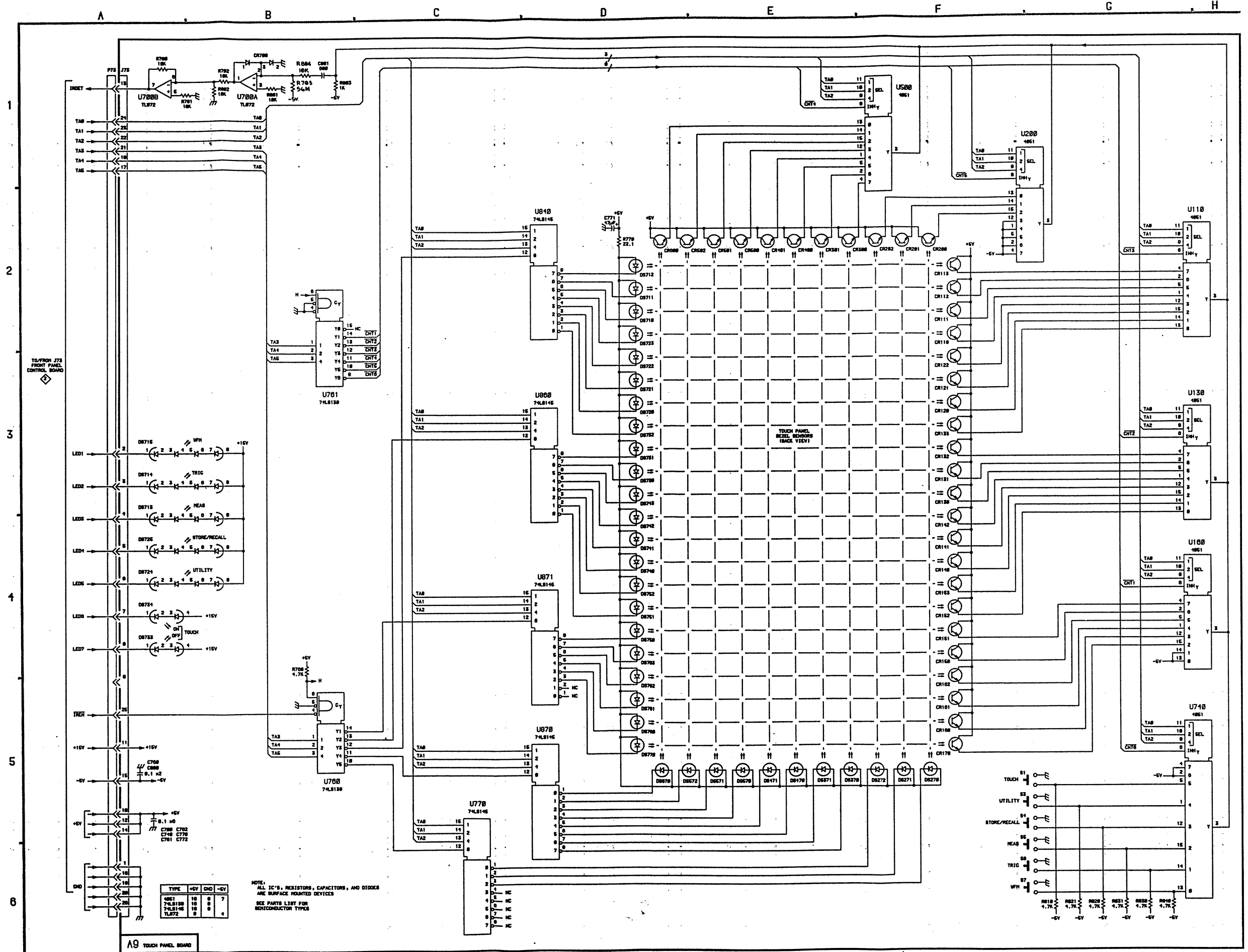
ASSEMBLY A9					
CIRCUIT NUMBER	SCHEM LOCATION	CIRCUIT NUMBER	SCHEM LOCATION	CIRCUIT NUMBER	SCHEM LOCATION
C700	5A	CR600	2D	J73	1A
C740	5A	CR700	1B		
C760	5A			P73	1A
C761	5A	DS270	5F		
C762	5A	DS271	5F	R700	1A
C770	5A	DS272	5F	R701	1B
C771	2D	DS370	5E	R702	1B
C772	5A	DS371	5E	R703	1B
C800	5A	DS470	5E	R760	4B
C801	1B	DS471	5E	R770	2D
		DS570	5E	R801	1B
CR110	2F	DS571	5E	R802	1B
CR111	2F	DS572	5D	R803	1B
CR112	2F	DS670	5D	R804	1B
CR113	2F	DS710	2D	R810	6G
CR120	3F	DS711	2D	R820	6G
CR121	3F	DS712	2D	R821	6G
CR122	3F	DS713	3A	R830	6G
CR130	3F	DS714	3A	R831	6G
CR131	3F	DS715	3A	R840	6G
CR132	3F	DS720	3D		
CR133	3F	DS721	3D	S1	5F
CR140	4F	DS722	3D	S3	5F
CR141	4F	DS723	2D	S4	5F
CR142	4F	DS724	4A	S5	6F
CR150	4F	DS725	4A	S6	6F
CR151	4F	DS730	3D	S7	6F
CR152	4F	DS731	3D		
CR153	4F	DS732	3D	U110	2H
CR160	5F	DS733	4A	U130	3H
CR161	5F	DS734	4A	U160	4H
CR162	5F	DS740	4D	U200	1G
CR170	5F	DS741	4D	U500	1F
CR200	2F	DS742	4D	U700A	1B
CR201	2F	DS743	3D	U700B	1A
CR202	2F	DS750	4D	U740	5H
CR300	2E	DS751	4D	U760	5B
CR301	2E	DS752	4D	U761	3B
CR400	2E	DS760	5D	U770	5C
CR401	2E	DS761	5D	U840	2D
CR500	2E	DS762	5D	U860	3D
CR501	2E	DS763	4D	U870	5D
CR502	2E	DS770	5D	U871	4D

 **Static Sensitive Devices**
See Maintenance Section

COMPONENT NUMBER EXAMPLE



Chassis-mounted components have no Assembly Number prefix—see end of Replaceable Electrical Parts List.



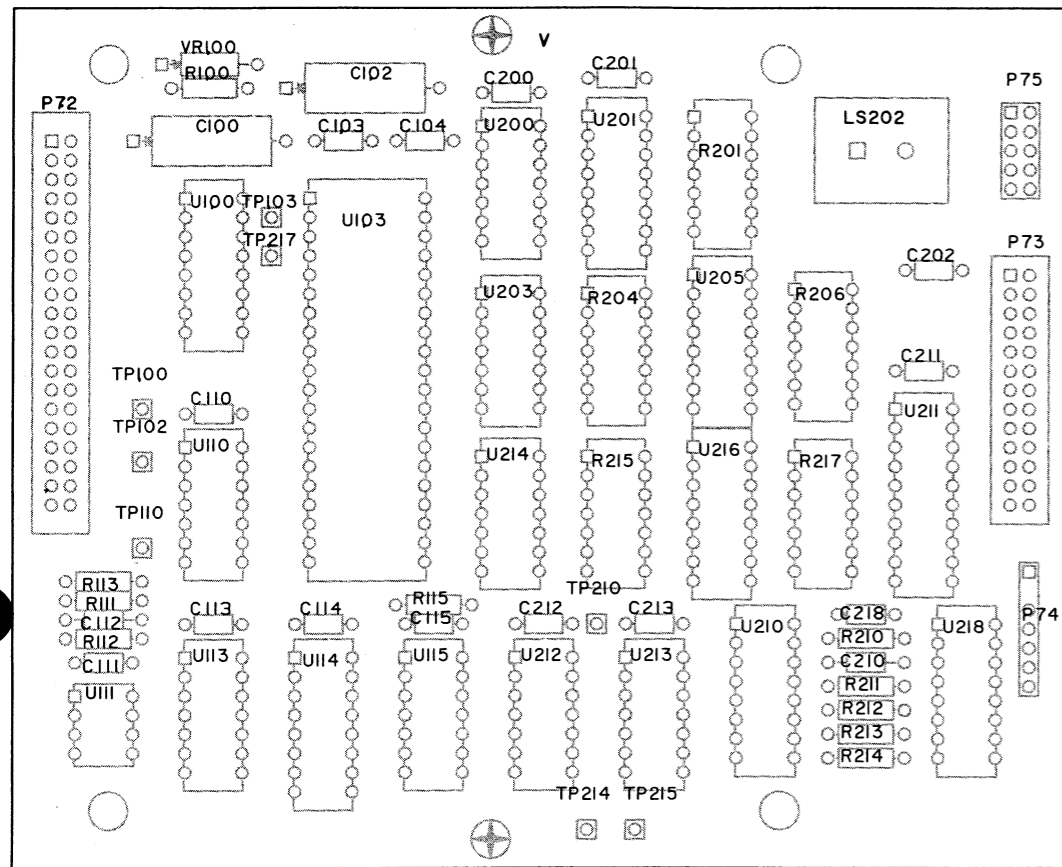
Static Sensitive Devices
See Maintenance Section

COMPONENT NUMBER EXAMPLE

Component Number		
A23	A2	R1234
Assembly Number	Subassembly Number (if used)	Schematic Circuit Number

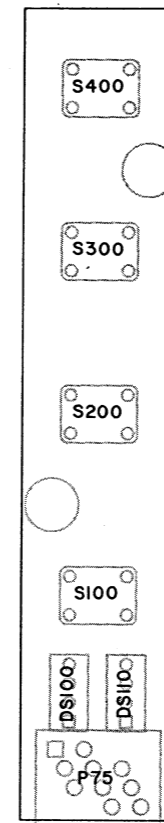
NOTE: ALL IC'S, RESISTORS, CAPACITORS, AND DIODES ARE SURFACE MOUNTED DEVICES. SEE PARTS LIST FOR SEMICONDUCTOR TYPES.

TYPE	+5V	DIO	-5V
4861	10	0	7
74LS138	10	0	7
74LS146	10	0	7
TL872	0	0	4



7387-605

Figure 6-5. A10-Front Panel Circuit Board Assembly

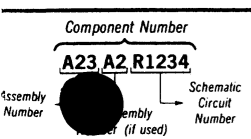


7387-606

Figure 6-6. A11-Front Panel Button Circuit Board Assembly

Static Sensitive Devices
See Maintenance Section

COMPONENT NUMBER EXAMPLE



Surface-mounted components have no Assembly Number
Soldered components—see end of Replaceable Electrical Parts List.

FRONT PANEL CONTROL DIAGRAM

2

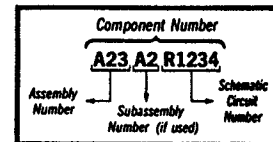
ASSEMBLY A10					
CIRCUIT NUMBER	SCHEM LOCATION	CIRCUIT NUMBER	SCHEM LOCATION	CIRCUIT NUMBER	SCHEM LOCATION
C100	4A	P72	5G	U110A	3D
C102	2B	P73	1G	U110B	5E
C103	4B	P73	3A	U110C	1C
C104	4B	P74	3A	U110D	3D
C110	4B			U110E	4E
C111	4B	R100	2A	U110F	4E
C112	1B	R111	1B	U111	1B
C113	4B	R112	1B	U113A	1C
C114	4B	R113	1E	U113B	1D
C115	4B	R115	1E	U114	1B
C200	4B	R201	1E	U115A	3D
C201	4B	R201	3B	U115B	1C
C202	2B	R204	3F	U115D	3D
C210	2C	R206	3G	U200	3F
C211	4B	R210	2B	U201	3C
C212	4B	R211	2B	U203	4F
C213	4B	R212	2B	U205	3F
C218	4B	R213	2B	U210A	2C
		R214	2B	U211	2E
J72	1A	R215	4F	U212A	3E
J72	4A	R217	5G	U212B	1D
J72	5G			U212C	1C
J73	1G	TP102	5E	U213A	2D
J73	3A	TP103	2D	U213B	2E
J74	3A	TP110	2A	U214	4F
		TP210	2C	U216	4F
LS202	2A	TP217	3D	U218	2A
P72	1A	U100	3D	VR100	2B
P72	4A	U103	3E		

ASSEMBLY A11					
CIRCUIT NUMBER	SCHEM LOCATION	CIRCUIT NUMBER	SCHEM LOCATION	CIRCUIT NUMBER	SCHEM LOCATION
DS100	4G	P75	4G	S300	6C
DS110	4G	P75	5B	S400	6C
J75	4G	S100	5B		
J75	5B	S200	6C		

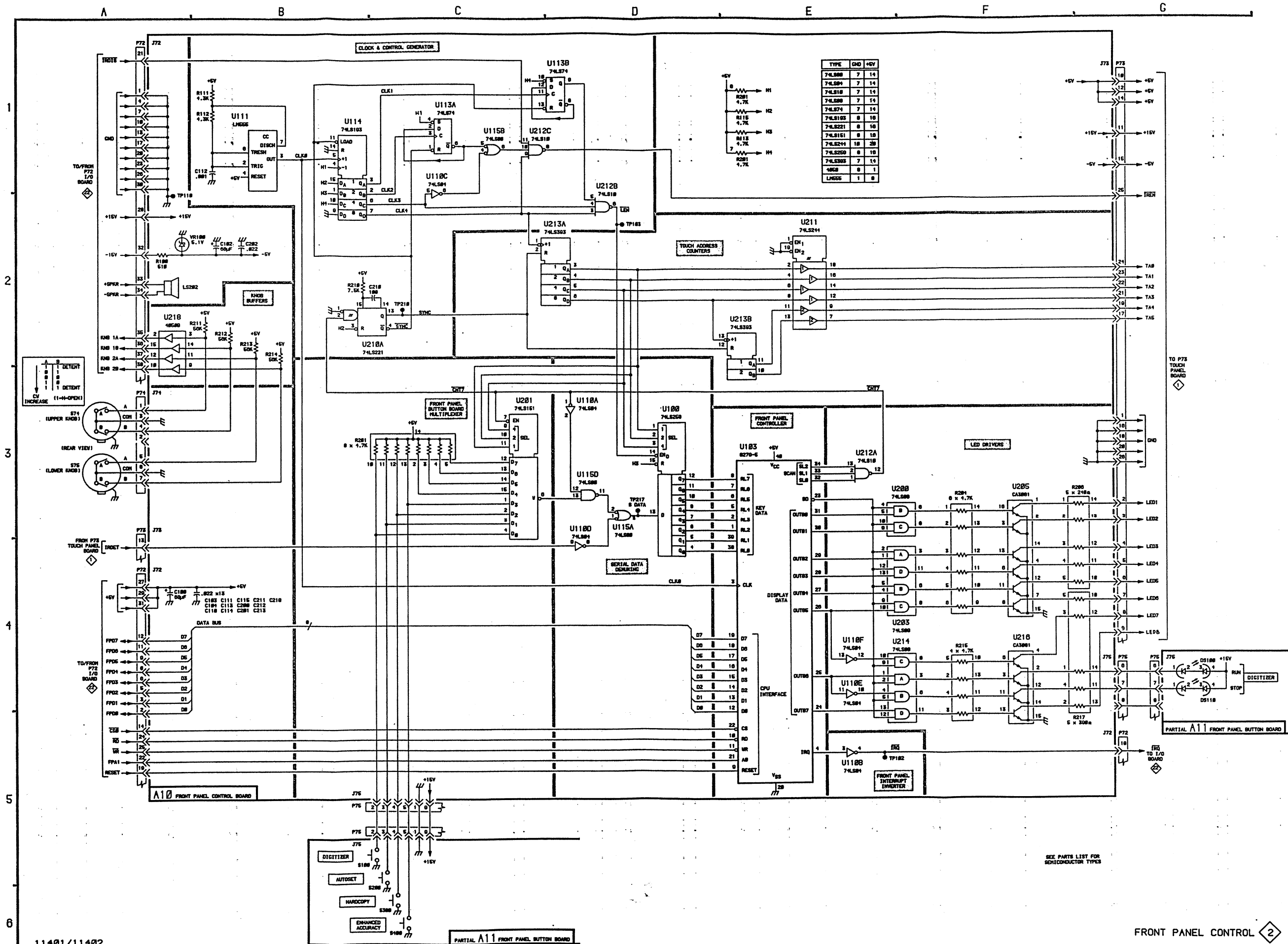
CHASSIS MOUNTED PARTS					
CIRCUIT NUMBER	SCHEM LOCATION	CIRCUIT NUMBER	SCHEM LOCATION	CIRCUIT NUMBER	SCHEM LOCATION
S74	3A	S75	3A		

Static Sensitive Devices
See Maintenance Section

COMPONENT NUMBER EXAMPLE



Chassis-mounted components have no Assembly Number prefix—see end of Replaceable Electrical Parts List.



Static Sensitive Devices
See Maintenance Section

COMPONENT NUMBER EXAMPLE

Component Number
A23 A2 R1234

Assembly Number Subassembly Number (if used) Schematic Circuit Number

Chassis-mounted components have no Assembly Number prefix—see end of Replaceable Electrical Parts List.

11401/11402

7387-607

SEE PARTS LIST FOR SEMICONDUCTOR TYPES

FRONT PANEL CONTROL 2

G1-5

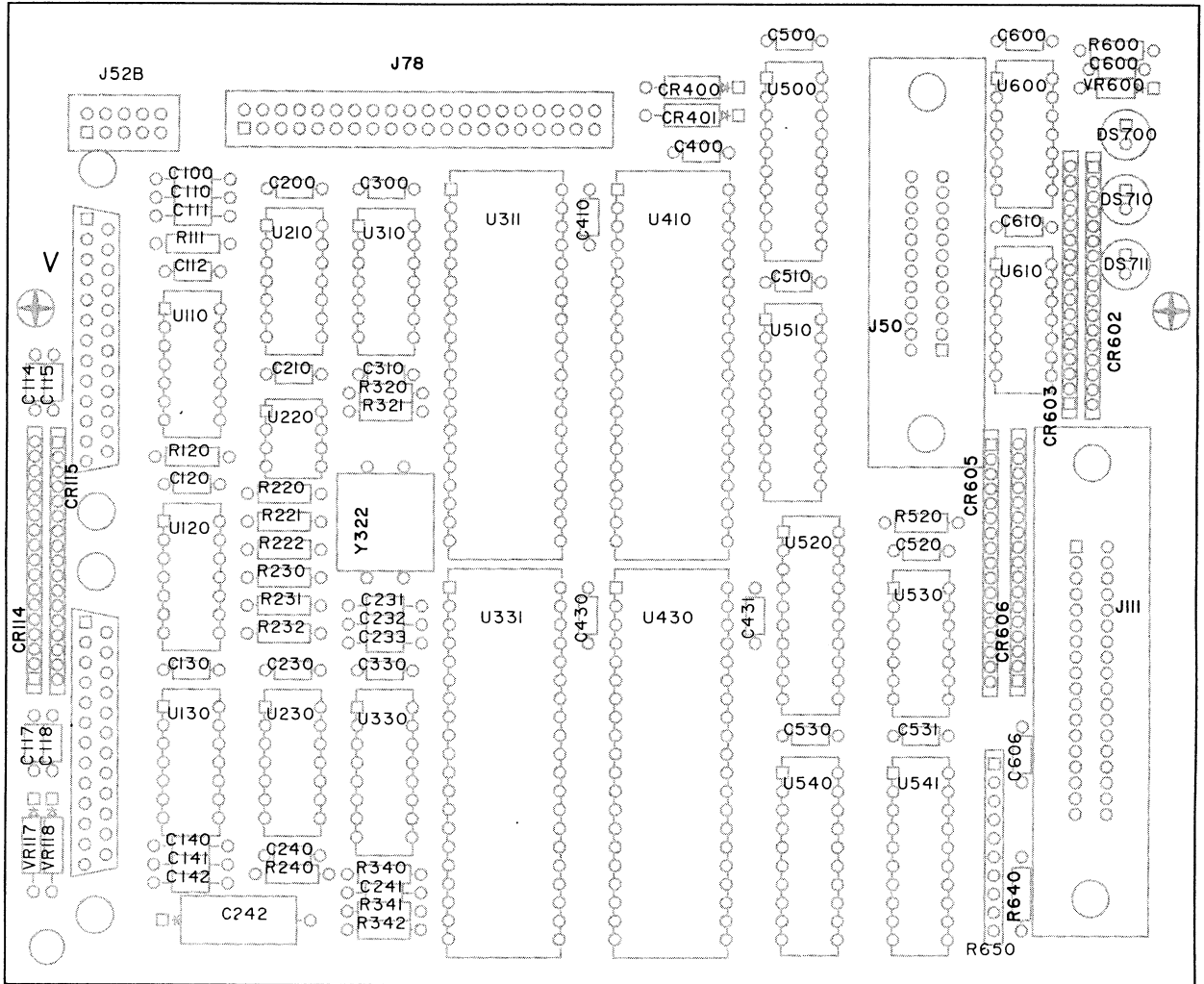


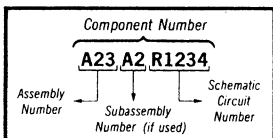
Figure 6-7. A12-Rear Panel Circuit Board Assembly

7387-608

A12-Rear Panel circuit board illustration to be used with diagrams 3 and 4

Static Sensitive Devices
See Maintenance Section

COMPONENT NUMBER EXAMPLE



Chassis-mounted components have no Assembly Number prefix—see end of Replaceable Electrical Parts List.

REAR PANEL-GPIB & RS-232 DIAGRAM

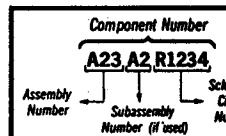
3

ASSEMBLY A12					
CIRCUIT NUMBER	SCHEM LOCATION	CIRCUIT NUMBER	SCHEM LOCATION	CIRCUIT NUMBER	SCHEM LOCATION
C100	4F	CR114A	5E	U110B	3F
C110	4F	CR115A	5E	U110C	3F
C111	4F	CR400	4A	U110E	4F
C112	4A	CR401	4A	U110F	3D
C114	4E	CR602	1E	U120A	2E
C115	5E	CR603	1E	U120B	2E
C120	4A			U120D	4B
C130*	4A	DS700	4C	U210	4D
C200	5A	DS710	4C	U220*	4F
C210	5A	DS711	4C	U310	4F
C230*	4A			U311	3E
C231	2E	J50	1G	U410	2B
C232	2E	J51	4G	U500	2C
C240*	4A	J52B*	3G	U510	3D
C242	4A	J78	1A	U600A	4C
C300	4A			U600B	4C
C310	4A	P78	1A	U600C	3C
C330	5A			U600D	4C
C400	5A	R111	4E	U610A	3C
C410	5A	R120	5E		
C430	4B	R220*	4F	VR117	4E
C431	4B	R221*	4F	VR118	5E
C500	4B	R222	2F	VR600	1E
C510	5B	R230	2E		
C520	5B	R231	2E	W140	5A
C530	5B	R320	4F		
C531	5B	R321	3F	Y320	2E
C600	5B	R600	1E		
C601	1E				
C610	5B	U110A	4F		

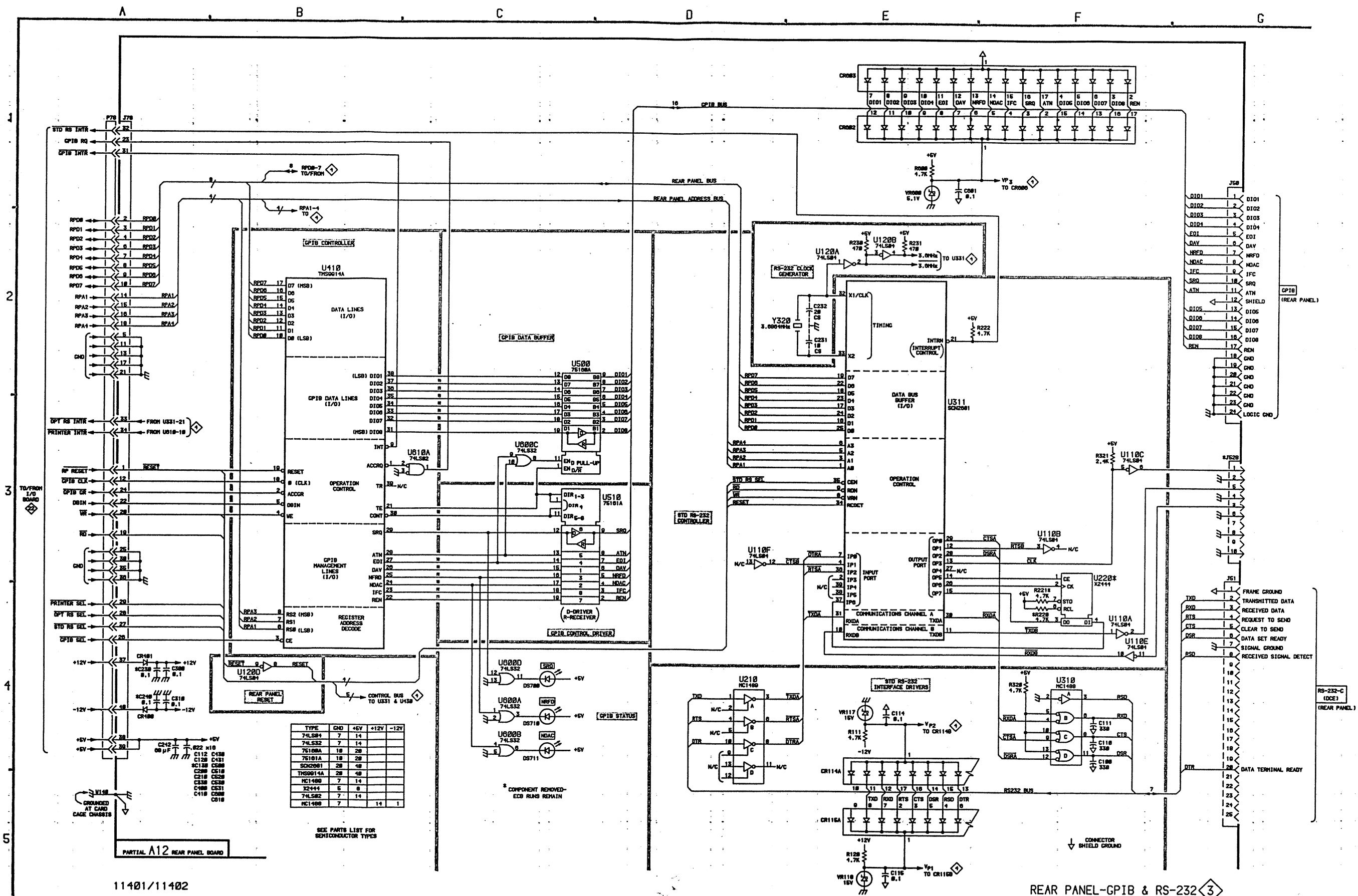
Partial A12 also shown on diagram 4.

Static Sensitive Dev
See Maintenance Sec

COMPONENT NUMBER EXAM



Chassis-mounted components have no Assembly prefix—see end of Replaceable Electrical P



Static Sensitive Devices
See Maintenance Section

COMPONENT NUMBER EXAMPLE

Component Number
A23 A2 R1234

Assembly Number Subassembly Number (if used) Schematic Circuit Number

Chassis-mounted components have no Assembly Number prefix—see end of Replaceable Electrical Parts List.

REAR PANEL-PRINTER DIAGRAM

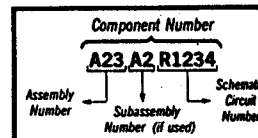
4

ASSEMBLY A12					
CIRCUIT NUMBER	SCHEM LOCATION	CIRCUIT NUMBER	SCHEM LOCATION	CIRCUIT NUMBER	SCHEM LOCATION
C117	4B	J111	2G	U230*	4C
C118	5B			U330A	4D
C140*	4C	R232	4D	U330B	4D
C141*	4C	R240*	4B	U331*	2B
C142*	5C	R340	4D	U430	1C
C233	4D	R341	4D	U520	1F
C241	4D	R342	3B	U530A	2E
C606	1F	R520	3F	U530B	4F
		R640	4F	U530C	3F
CR114B	5B	R650	2E	U540	2F
CR115B	5B	R650	3G	U541	4F
CR605	1E	R650	4F	U610B	3E
CR606	1E			U610C	3D
		U130*	4A	U610D	4E

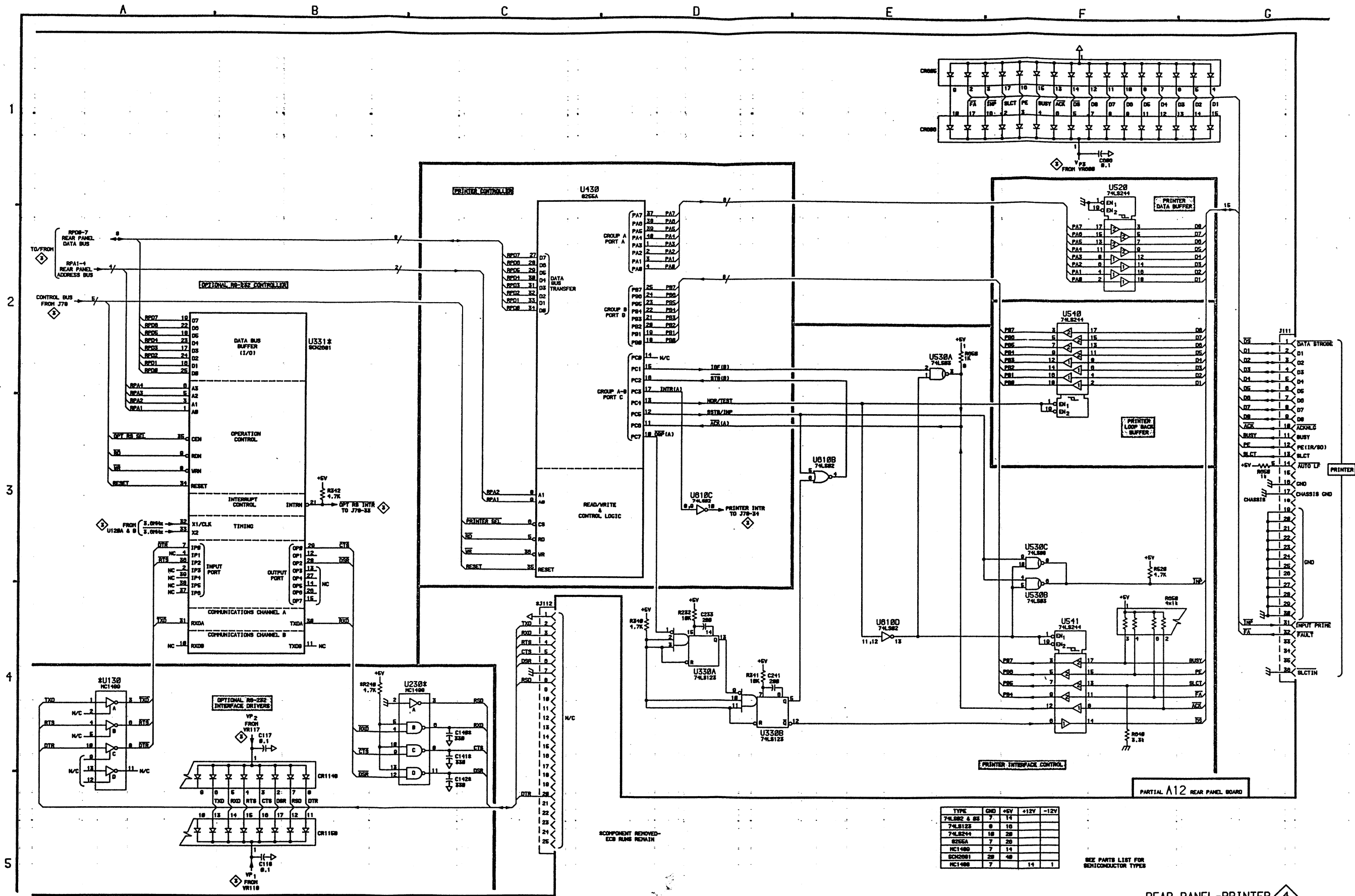
Partial A12 also shown on diagram 3.

⊗ Static Sensitive Devices
See Maintenance Section

COMPONENT NUMBER EXAMPLE



Chassis-mounted components have no Assembly Number prefix—see end of Replaceable Electrical Parts List



TYPE	QND	+5V	+12V	-12V
74LS02 & 05	7	14		
74LS123	0	10		
74LS244	10	20		
8255A	7	20		
MC1489	7	14		
82C201	20	40		
MC1489	7		14	1

SEE PARTS LIST FOR SEMICONDUCTOR TYPES

11401/11402

REAR PANEL-PRINTER 4

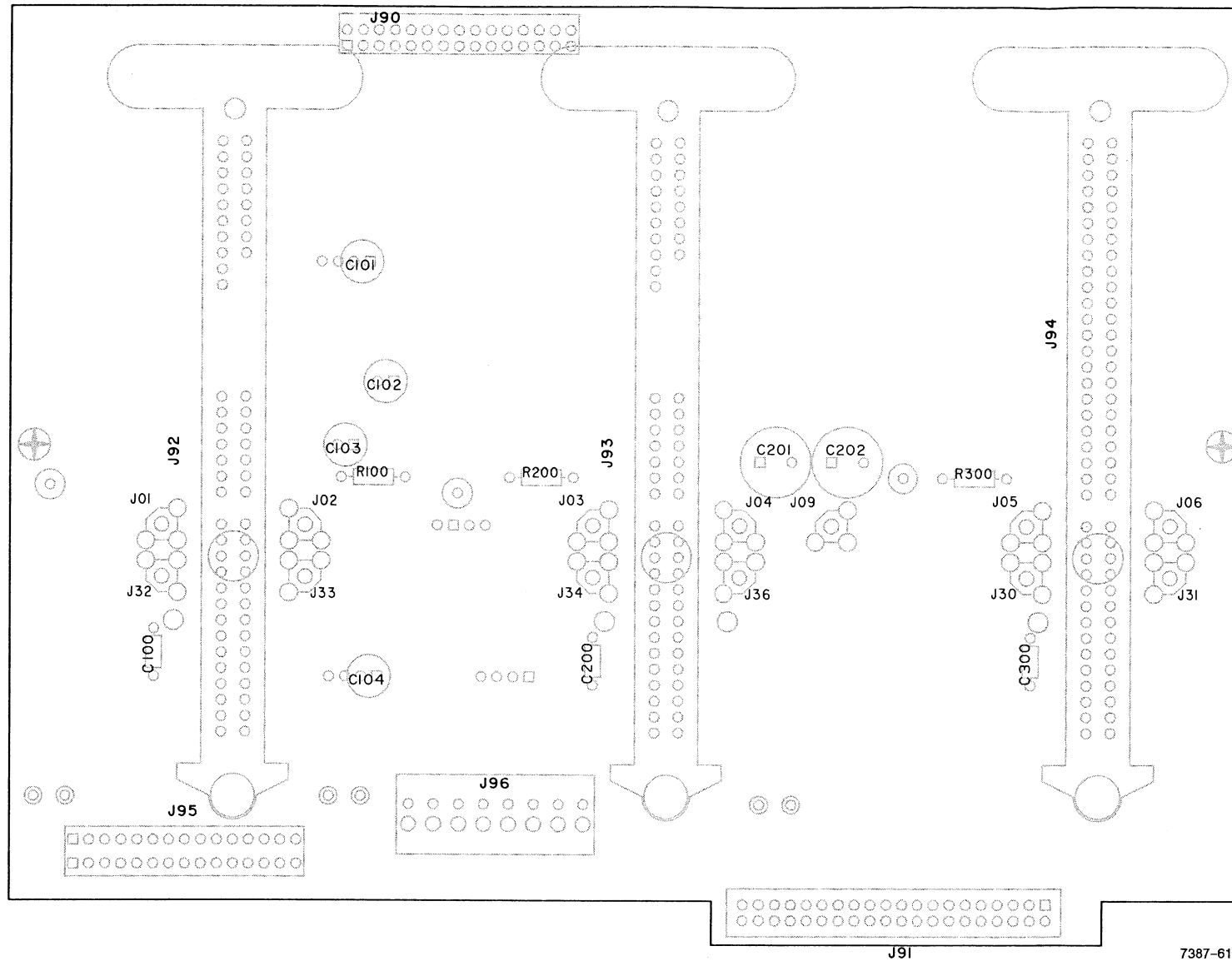
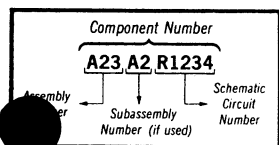


Figure 6-8. A1-Plug-in Interface Circuit Board Assembly

7387-611

 Static Sensitive Devices
 See Maintenance Section

COMPONENT NUMBER EXAMPLE



Chassis-mounted components have no Assembly Number prefix—see end of Replaceable Electrical Parts List.

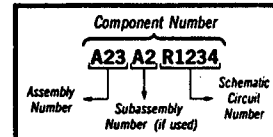
PLUG-IN INTERFACE DIAGRAM

5

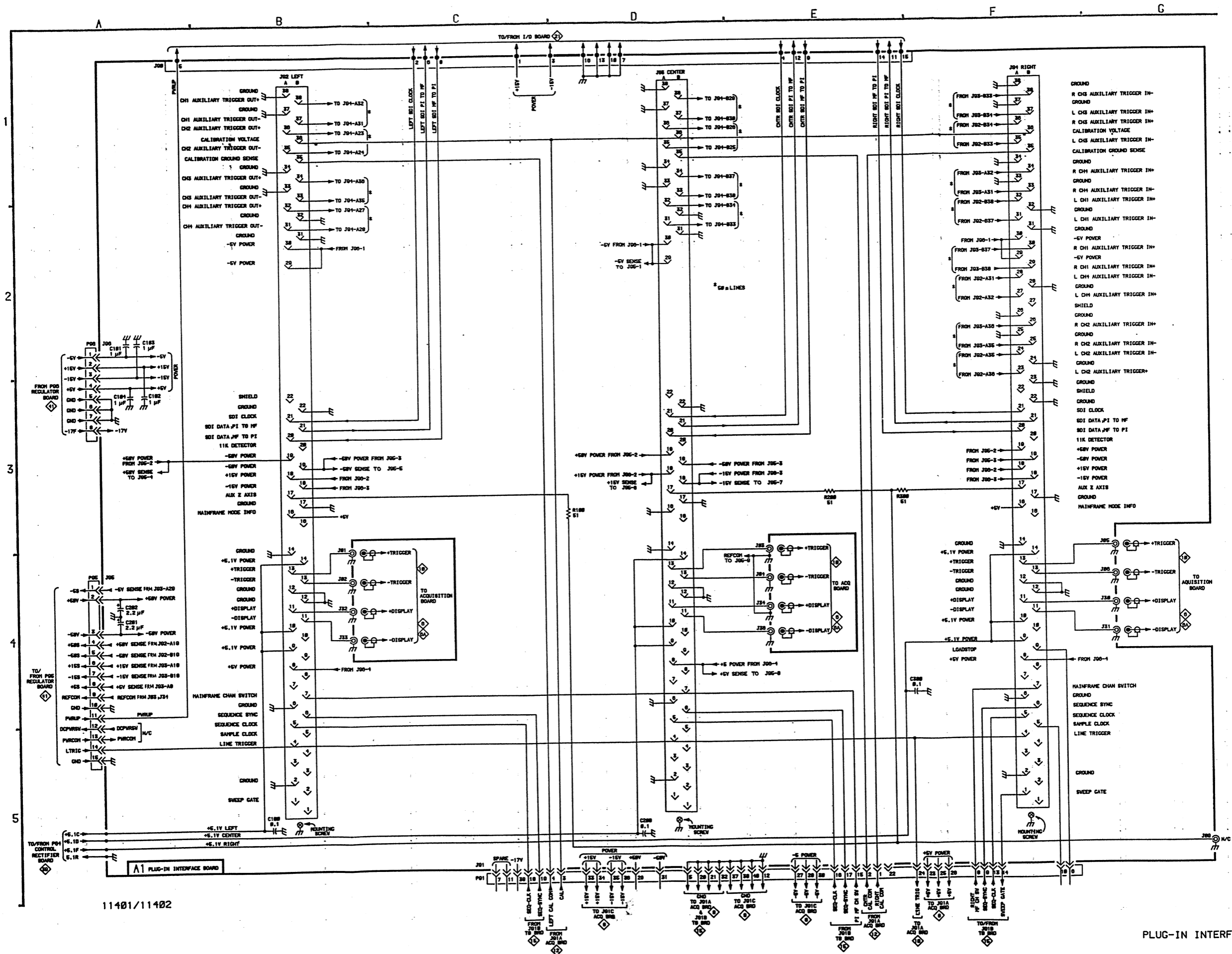
ASSEMBLY A1			
CIRCUIT NUMBER	SCHEM LOCATION	CIRCUIT NUMBER	SCHEM LOCATION
C100	5B	J32	4B
C101	2A	J33	4B
C102	3A	J34	4E
C103	2A	J36	4E
C104	3A	J90	1A
C200	5D	J91	5C
C201	4A	J92	1B
C202	4A	J93	1D
C300	4F	J94	1F
		J95	4A
J1	4B	J96	2A
J2	4B		
J3	4E	P91	5C
J4	4E	P95	4A
J5	4G	P96	2A
J6	4G		
J9	5G	R100	3D
J30	4G	R200	3E
J31	4G	R300	3E

 Static Sensitive Devices
See Maintenance Section

COMPONENT NUMBER EXAMPLE



Chassis-mounted components have no Assembly Number prefix—see end of Replaceable Electrical Parts List.

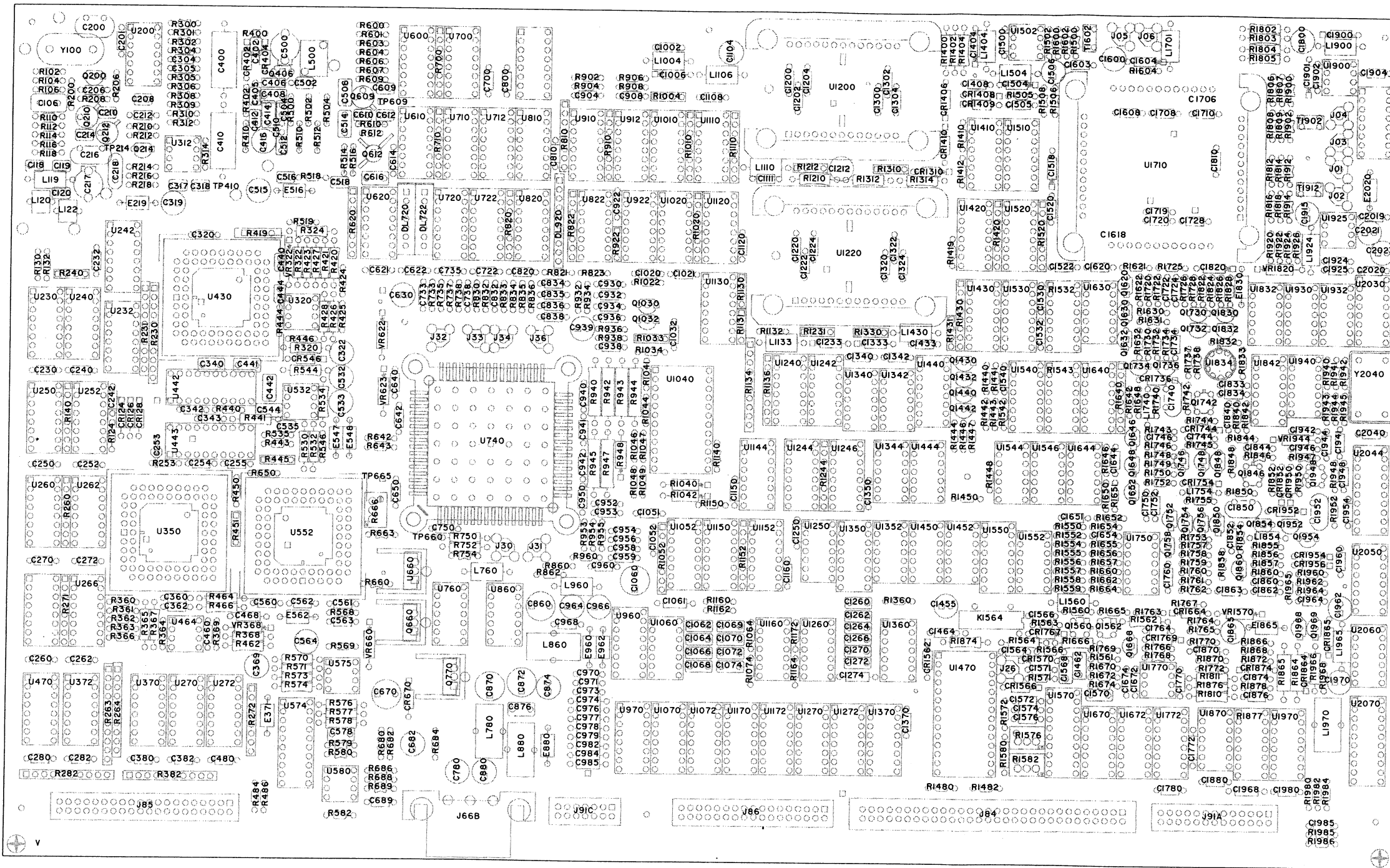


11401/11402

PLUG-IN INTERFACE 5

Group 2 Digitizer

- ◇ 6 ACQ Sampler (11401)
- ◇ 6A ACQ Sampler (11402)
- ◇ 7 ACQ Clock Generators & Time Interpolators
- ◇ 8 ACQ A/D Converters
- ◇ 9 ACQ 200MHz Phase Lock Loop
- ◇ 10 ACQ Triggers & Holdoff Lock
- ◇ 11 ACQ Main & Fine Holdoff Generators
- ◇ 11A Trigger Enhancement
- ◇ 12 ACQ Autocal & Refresh
- ◇ 13 TB Memory
- ◇ 14 TB A/D Interface
- ◇ 15 TB Control Latches & Plug-in Sequencer
- ◇ 16 TB MPU Kernel & Address Decoding
- ◇ 17 TB Digitizer/MMU Interface
- ◇ 18 TB Main Counters
- ◇ 19 TB Window Counters
- ◇ 20 TB DAG Interface



	26	24	22	20	18	16	14	12	10
27	25	23	21	19	17	15	13	11	8
29	28							6	7
31	30							4	5
33	32							2	3
35	34							68	1
37	36							66	67
39	38							64	65
41	40							62	63
43	42	45	47	49	51	53	55	57	59
44	46	48	50	52	54	56	58	60	

Pin Numbering of U350, U430, and U552 (as Seen from Bottom of Circuit Board)

Figure 6-9. A5-Acquisition Circuit Board Assembly

Static Sensitive Devices
See Maintenance Section

COMPONENT NUMBER EXAMPLE

Component Number
A23 A2 R1234

Assembly Number Subassembly Number (if used) Schematic Circuit Number

is-mounted components have no Assembly Number
(—see end of Replaceable Electrical Parts List.

A5-Acquisition circuit board illustration to be used with diagrams 6, 6A through 12

ACQ SAMPLER-11401 DIAGRAM

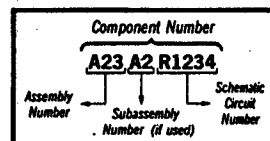


ASSEMBLY A5					
CIRCUIT NUMBER	SCHEM LOCATION	CIRCUIT NUMBER	SCHEM LOCATION	CIRCUIT NUMBER	SCHEM LOCATION
C320	1A	J33	2F	R947	3D
C630	3B	J34	2F	R953	3D
C640	1F	J36	2F	R954	3D
C642	2F	J86	3A	R955	3E
C650	5G	J86	4C	R960	3E
C689	1B			R1022	2C
C733	4B	L760	3B	R1033	2B
C735	3B	L960	4B	R1033	3B
C738	4B			R1033	5B
C750	1G	Q770	1A	R1034	1D
C832	3B	Q1030	2B	R1041	2D
C834	2E	Q1032	2C	R1044	1D
C835	1D			R1046	2D
C836	1E	R660	1G	R1047	2D
C838	1D	R663	1F	R1048	3D
C930	2D	R666	1F	R1049	3D
C932	2D	R684	1B	R1052	3E
C934	2E	R686	1B	R1052	4E
C936	2E	R688	1B	R1052	5B
C938	2B	R689	1B	R1140	3C
C939	4B	R733	1D	R1152	3E
C940	2F	R735	1E	R1152	4D
C941	2F	R737	2E	R1152	4E
C942	3F	R738	1D	R1152	5B
C950	2F	R750	4F	R1152	5D
C952	2B	R752	4F	R1160	3E
C953	4B	R754	5F	R1162	3E
C954	3E	R820	2A		
C956	3D	R820	5B	TP660	1G
C958	3E	R822	2B	TP665	1G
C959	2D	R822	3A		
C960	3B	R822	3B	U580	1A
C966	2A	R822	5B	U660	1F
C1032	2B	R830	2D	U722B	2B
C1051	1B	R832	2E	U740	1G
C1052	2B	R833	2E	U820A	3D
C1060	1B	R834	2D	U820C	2B
C1061	4E	R835	1D	U822A	3B
C1150	1A	R836	2E	U1040	1C
C1160	1A	R860	3E	U1052	3E
		R862	3D	U1144A	3A
CR670	1A	R932	2E	U1144B	4D
		R934	2D	U1144C	5D
DL920	2B	R936	2B	U1150	4E
		R938	2C	U1152	4D
E962	1A	R940	2D		
		R942	1D	VR622	4B
J30	3F	R943	2D	VR623	4B
J31	3F	R944	2D		
J32	1F	R945	2D		

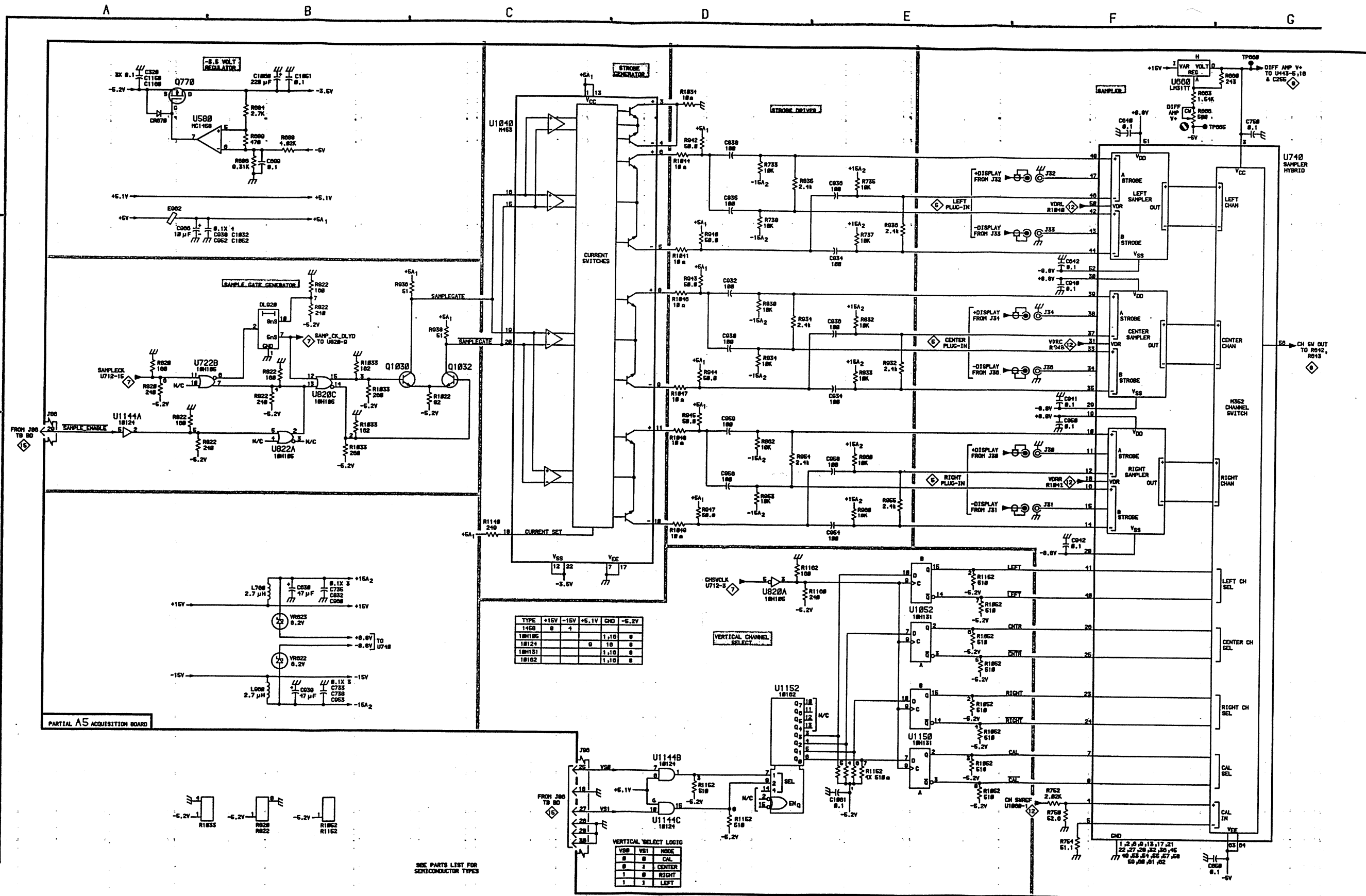
Partial A5 also shown on diagram 7.

Static Sensitive Devices
 See Maintenance Section

COMPONENT NUMBER EXAMPLE



Chassis-mounted components have no Assembly Number prefix—see end of Replaceable Electrical Parts List.



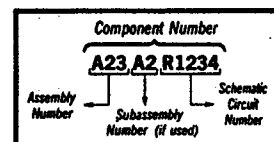
ACQ SAMPLER-11402 DIAGRAM

6A

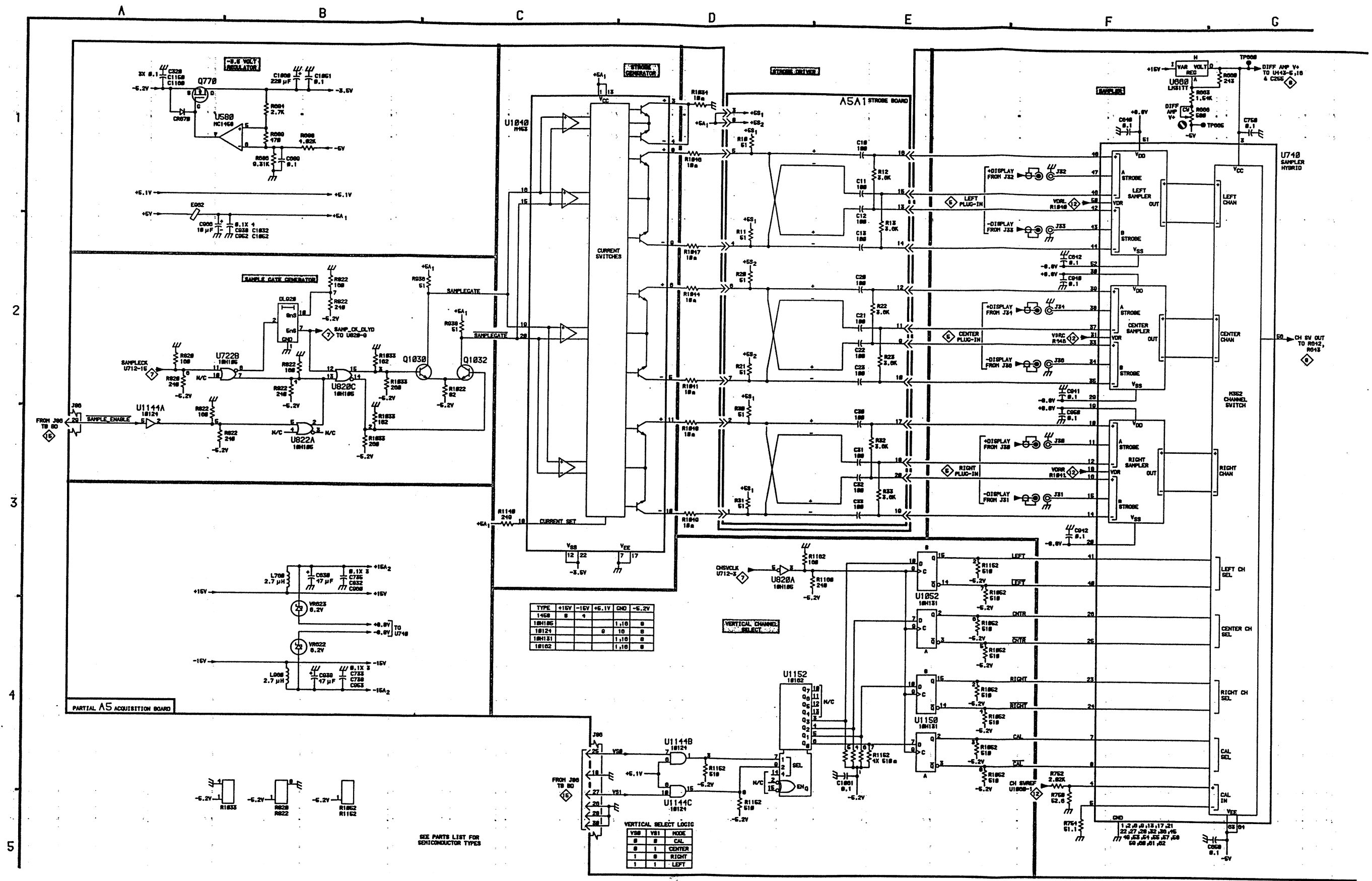
ASSEMBLY A5					
CIRCUIT NUMBER	SCHEM LOCATION	CIRCUIT NUMBER	SCHEM LOCATION	CIRCUIT NUMBER	SCHEM LOCATION
C10	1E	J30	3F	R938	2C
C11	1E	J31	3F	R1022	2C
C12	1E	J32	1F	R1033	2B
C13	2E	J33	2F	R1033	3B
C20	2E	J34	2F	R1033	5B
C21	2E	J36	2F	R1034	1D
C22	2E	J86	2A	R1041	2D
C23	2E	J86	4C	R1044	2D
C30	2E			R1046	1D
C31	3E	L760	3B	R1047	2D
C32	3E	L960	4B	R1048	3D
C33	3E			R1049	3D
C320	1A	Q770	1A	R1052	3E
C630	3B	Q1030	2B	R1052	4E
C640	1F	Q1032	2C	R1052	5B
C642	2F			R1140	3C
C650	5G	R10	1D	R1152	3E
C689	1B	R11	2D	R1152	4D
C733	4B	R12	1E	R1152	4E
C735	3B	R13	2E	R1152	5B
C738	4B	R20	2D	R1152	5D
C750	1G	R21	2D	R1160	3E
C832	3B	R22	2E	R1162	3E
C938	2B	R23	2E		
C939	4B	R30	2D	TP660	1G
C940	2F	R31	3D	TP665	1G
C941	2F	R32	3E		
C942	3F	R33	3E	U580	1B
C950	2F	R643	2G	U660	1F
C952	2B	R660	1G	U722B	2B
C953	4B	R663	1F	U740	1G
C960	3B	R666	1F	U820A	3D
C966	2A	R684	1B	U820C	2B
C1032	2B	R686	1B	U822A	3B
C1051	1B	R688	1B	U1040	1C
C1052	2B	R689	1B	U1052	3E
C1060	1B	R750	4F	U1144A	3A
C1061	4E	R752	4F	U1144B	4D
C1150	1A	R754	5F	U1144C	5D
C1160	1A	R820	2A	U1150	4E
		R820	5B	U1152	4D
CR670	1A	R822	2B		
		R822	3A	VR622	4B
DL920	2B	R822	3B	VR623	4B
		R822	5B		
E962	1A	R936	2C		

Static Sensitive Devices
See Maintenance Section

COMPONENT NUMBER EXAMPLE



Chassis-mounted components have no Assembly Number prefix—see end of Replaceable Electrical Parts List.



TYPE	+15V	-15V	+5.1V	GND	-5.2V
1458	8	4			
18H185			1,10	8	
18I24			0	10	8
18H131			1,10	8	
18I62			1,10	8	

VERTICAL SELECT LOGIC

V50	V51	NODE
0	0	CAL
0	1	CENTER
1	0	RIGHT
1	1	LEFT

SEE PARTS LIST FOR SEMICONDUCTOR TYPES

ACQ CLOCK GENERATORS & TIME INTERPOLATORS DIAGRAM

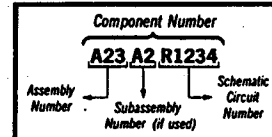
7

ASSEMBLY A5					
CIRCUIT NUMBER	SCHEM LOCATION	CIRCUIT NUMBER	SCHEM LOCATION	CIRCUIT NUMBER	SCHEM LOCATION
C621	5B	R810	2A	R1404	4B
C622	5B	R810	5B	R1420	5B
C722	5B	R820	1B	R1430	5B
C800	5B	R820	1C	R1431	5C
C810	5B	R820	1D	R1480	2G
C904	5B	R820	5B	R1482	2G
C908	5B	R821	1H	R1520	5B
C922	5B	R822	1C	R1640	5B
C1002	5B	R822	1D		
C1006	5B	R823	1H	U620A	1D
C1020	5B	R902	3F	U620B	2D
C1021	5B	R904	3F	U620C	2D
C1104	3C	R906	3F	U710	1C
C1108	5B	R908	3F	U712	1B
C1111	5B	R910	2F	U720A	1B
C1120	5B	R910	3F	U720B	1D
C1200	5C	R910	4F	U720C	1B
C1202	3C	R910	5B	U720D	1B
C1204	3C	R922	3F	U722A	1C
C1212	2B	R922	3G	U722C	1C
C1220	3B	R1004	4B	U810	1B
C1222	2B	R1004	5C	U820B	1D
C1224	2C	R1010	1C	U822B	1H
C1233	3B	R1010	2C	U822C	1C
C1250	5B	R1010	2E	U910B	1B
C1300	5B	R1010	5B	U912A	3F
C1302	3C	R1020	2E	U912B	2F
C1304	3C	R1020	2F	U912D	3F
C1320	3B	R1020	3E	U922	3G
C1322	2C	R1020	5B	U1010A	4B
C1324	2C	R1110	2D	U1010B	3E
C1333	2C	R1110	3E	U1010C	2D
C1340	5B	R1110	4E	U1020	2G
C1342	5B	R1110	5B	U1110A	2E
C1350	5B	R1130	2B	U1110B	3E
C1404	3C	R1130	3B	U1120A	2E
C1433	5B	R1130	5C	U1120B	3E
		R1131	2D	U1130A	2E
CR1406	4B	R1131	4E	U1130B	2D
CR1408	4B	R1131	5C	U1130C	3D
CR1410	3B	R1134	2G	U1130D	2B
		R1134	3G	U1200	3B
DL720	1C	R1136	1E	U1220	2B
DL722	1D	R1136	2E	U1240	1E
		R1136	3E	U1244	2G
J84	1H	R1136	5B	U1246	2H
J84	5A	R1150	2G	U1250	5G
J86	1H	R1210	3B	U1340A	4E
J86	4H	R1212	4B	U1340B	4F
		R1212	5C	U1340C	3A
L1004	5B	R1231	2B	U1340D	4A
L1106	3C	R1231	3B	U1342A	4D
L1110	2C	R1231	5C	U1342B	4D
L1133	3B	R1244	2G	U1342C	3A
L1404	3C	R1310	3B	U1342D	4A
L1430	2C	R1310	3B	U1344A	5D
		R1310	4B	U1344B	5D
R620	1D	R1310	5C	U1350	5E
R620	2C	R1312	3B	U1352A	5D
R620	5B	R1314	3B	U1352B	5F
R710	1B	R1330	2B	U1440	4G
R710	5B	R1330	5C	U1444A	4F
R810	1A	R1400	4B	U1444B	5A
R810	1C	R1402	4B		

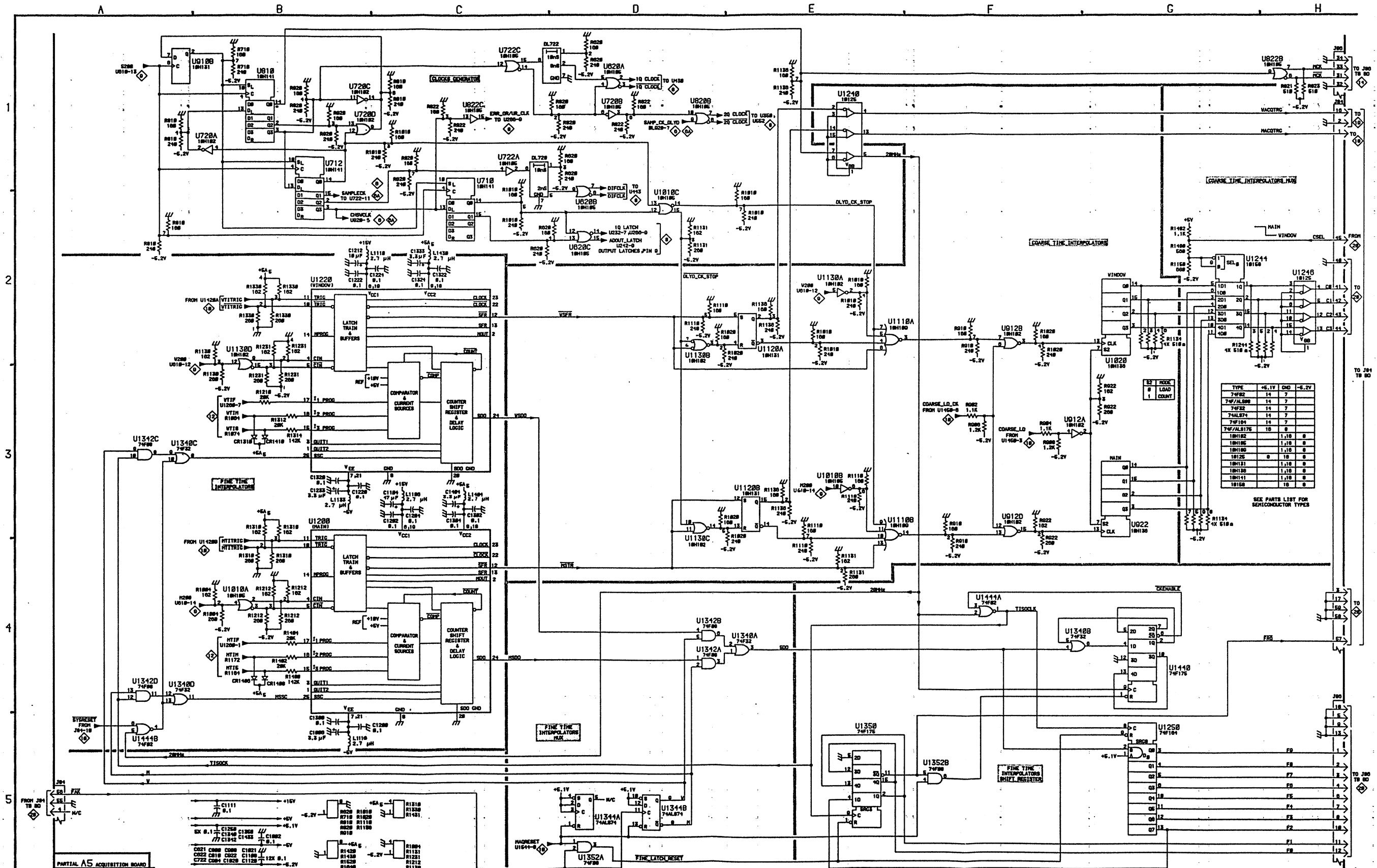
Partial A5 also shown on diagram 6.

Static Sensitive Devices
See Maintenance Section

COMPONENT NUMBER EXAMPLE



Chassis-mounted components have no Assembly Number prefix—see end of Replaceable Electrical Parts List.



TYPE	+5V	QD	-5.2V
74F02	14	7	
74F/AL000	14	7	
74F04	14	7	
74ALS74	14	7	
74F/AL176	18	9	
18H102	1,10	0	
18H100	1,10	0	
18H125	0	10	0
18H131	1,10	0	
18H120	1,10	0	
18H141	1,10	0	
18150	10	0	

SEE PARTS LIST FOR SEMICONDUCTOR TYPES

11401/11402

ACQ CLOCK GENERATORS & TIME INTERPOLATORS

ACQ A/D CONVERTERS DIAGRAM

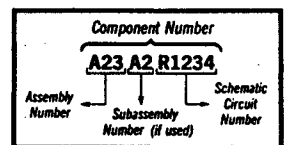
8

ASSEMBLY A5											
CIRCUIT NUMBER	SCHEM LOCATION	CIRCUIT NUMBER	SCHEM LOCATION	CIRCUIT NUMBER	SCHEM LOCATION	CIRCUIT NUMBER	SCHEM LOCATION	CIRCUIT NUMBER	SCHEM LOCATION	CIRCUIT NUMBER	SCHEM LOCATION
C230	3B	C872	3A	R240	2F	R282	5H	R445	6D	U252B	1B
C232	3B	C874	2A	R240	2F	R282	5H	R446	5A	U252C	1B
C240	3B	C876	3A	R253	5E	R282	5H	R450	3E	U252D	1B
C242	3B	C880	3A	R260	1G	R282	5H	R451	2E	U260A	1G
C250	3B	C964	2B	R260	1G	R282	5H	R451	2E	U260B	1G
C252	2A	C968	2A	R260	1G	R282	5H	R451	2E	U260C	1G
C253	5E	C1970	2A	R260	1G	R320	5C	R451	2E	U260D	1G
C254	5D			R260	1G	R322	4A	R462	4D	U262	3F
C255	4D	CR124	4C	R260	1G	R324	3A	R464	3E	U266A	1H
C260	3B	CR126	4C	R260	1G	R360	5F	R466	3D	U266B	1H
C262	3B	CR128	4C	R260	1G	R361	5F	R484	3H	U270	3H
C270	3B	CR546	5C	R263	1H	R362	4F	R486	3H	U272	3H
C272	3B			R263	1H	R363	4F	R519	3A	U320A	3A
C280	3B	E371	4E	R263	4G	R364	2E	R530	3C	U320B	5A
C282	3B	E547	3D	R263	4G	R365	2E	R532	4C	U320	5B
C320	3B	E548	3D	R263	4G	R366	5G	R534	4D	U350	2F
C322	3A	E562	4E	R263	4G	R367	2D	R535	3D	U370	4H
C340	3B	E880	2A	R263	5G	R368	2D	R544	5C	U372	4H
C340	3B	E960	2A	R263	5G	R369	4E	R546	3D	U430	4B
C342	5C			R263	5G	R382	3H	R568	4E	U442	4C
C343	5D	J66B	3A	R264	1H	R382	3H	R569	5E	U443	5D
C360	3B	J84	1A	R264	1H	R382	3H	R570	4E	U464A	2E
C362	2E	J85	2H	R264	3G	R382	3H	R571	4D	U464B	4E
C369	4E	J86	1A	R264	4G	R382	3H	R573	4D	U464	3D
C380	3B	J91A	1A	R264	4G	R382	4H	R574	5E	U470	5H
C382	3B	J91C	2A	R264	4G	R382	4H	R576	5E	U532	3C
C440	5A			R264	5G	R382	4H	R577	5E	U532	3D
C441	5B	L780	3A	R264	5G	R382	4H	R578	5E	U552	4F
C442	5C	L860	2A	R264	5G	R419	4A	R579	2B	U574	1A
C444	3A	L880	3A	R271	1C	R419	4A	R580	3B	U575A	4E
C460	4E	L1970	2A	R271	1C	R419	4A	R582	2F	U575B	5E
C468	2D			R271	1G	R419	4A	R642	4A	U575	3D
C480	3B	Q660	3A	R272	2B	R420	4A	R643	4A	U580A	2B
C532	3D			R272	2B	R421	4A	R650	4E	U620A	4A
C535	3D	R124	4C	R272	2G	R423	5A	R680	2D	U620B	5C
C544	3D	R130	2F	R272	2G	R424	3B	R682	3B	U60	4D
C560	3B	R132	2F	R272	2G	R425	5B			U820B	2D
C561	3B	R140	1D	R272	2G	R426	3A	U230	1G	U820B	4E
C562	4E	R140	1D	R272	3G	R427	5A	U232	2C		
C563	5E	R230	2B	R272	3G	R428	5A	U240	2G	VR322	3A
C564	4E	R230	2B	R272	3G	R440	4D	U242A	2C	VR 368	2D
C578	3B	R230	3C	R272	3G	R441	4D	U242B	2C	VR660	3B
C670	3B	R231	2B	R272	3G	R443	5C	U250A	1B		
C682	3B	R231	2B	R272	3G	R444	3A	U250B	1B		
C780	3A	R231	3C	R282	4H	R445	5D	U250C	1B		
C860	2B	R240	2F	R282	4H	R445	5D	U250D	1B		
C870	3B	R240	2F	R282	4H	R445	6D	U252A	1B		

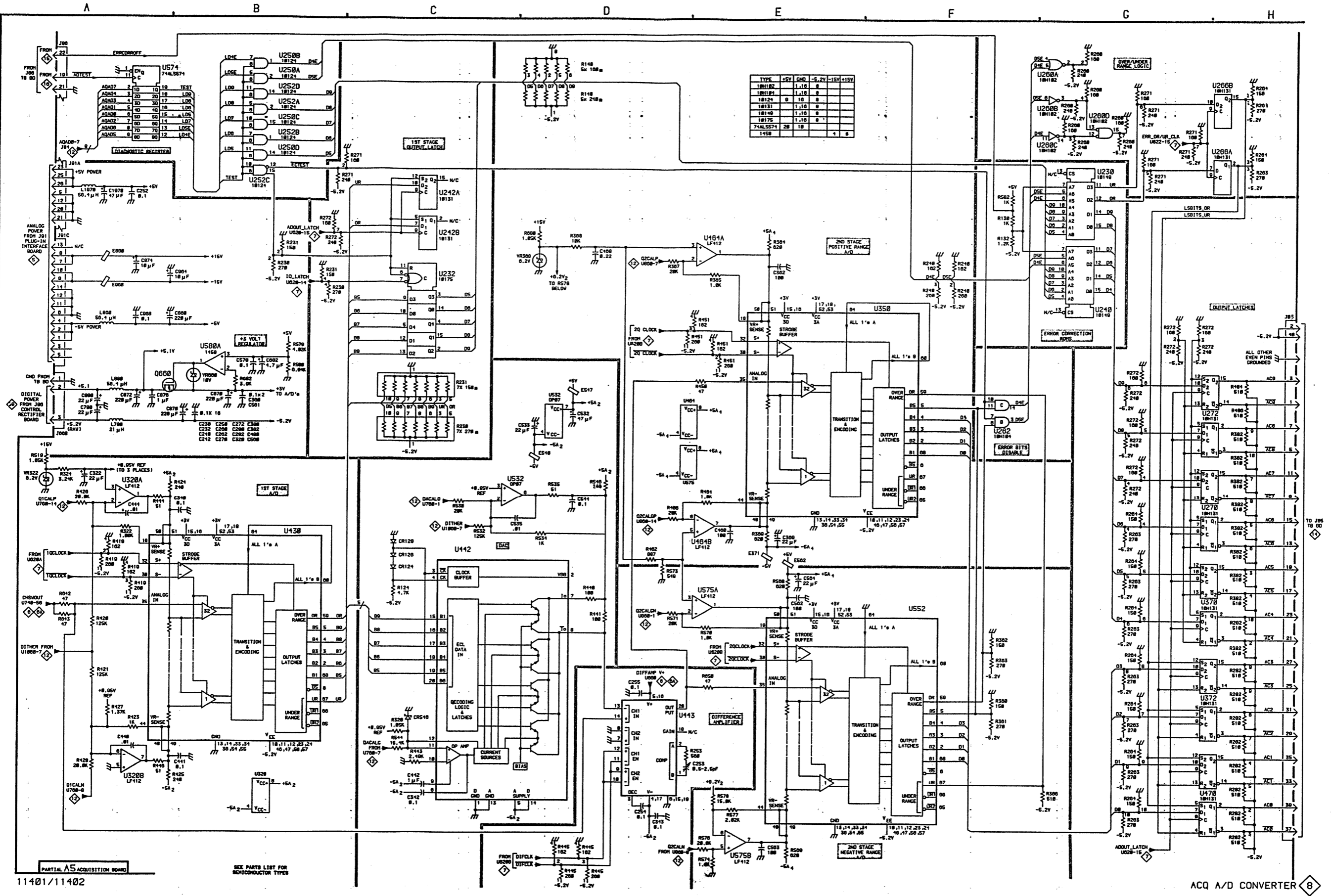
Partial A5 also shown on diagram 9.

Static Sensitive Devices
See Maintenance Section

COMPONENT NUMBER EXAMPLE



Chassis-mounted components have no Assembly Number prefix—see end of Replaceable Electrical Parts List.



ACQ 200 MHz PHASE LOCK LOOP DIAGRAM

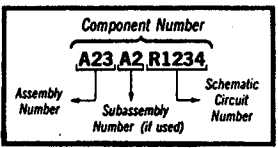
9

ASSEMBLY A5					
CIRCUIT NUMBER	SCHEM LOCATION	CIRCUIT NUMBER	SCHEM LOCATION	CIRCUIT NUMBER	SCHEM LOCATION
C106	3B	CR402	3E	R314	3E
C118	1A	CR404	3E	R400	3E
C119	3B			R402	3E
C120	1A	E219	2A	R410	3F
C200	3A	E516	1B	R500	2E
C201	2B			R502	3E
C206	3A	L119	3B	R504	3E
C208	2B	L120	1A	R510	2E
C210	3B	L122	3B	R512	2E
C212	3C	L500	3F	R514	3F
C214	3B			R516	3F
C216	3B	Q200	3A	R518	2F
C217	3B	Q210	3B	R600	2F
C218	3C	Q212	3B	R601	2F
C304	3D	Q214	3C	R603	3F
C305	3D	Q406	3E	R604	2F
C317	3C	Q609	2F	R606	2F
C318	2A	Q612	3G	R607	3G
C319	2A			R609	3G
C400	3D	R102	3A	R610	2G
C402	3E	R104	3A	R612	3G
C405	3E	R106	3A	R700	1F
C406	3E	R110	3B	R700	1G
C408	3F	R112	3B	R700	2F
C410	3D	R114	3B	R710	3G
C412	3F	H116	3B		
C414	3F	R118	3B	S200	2H
C416	2F	R200	3B		
C500	3F	R206	3A	TP214	3C
C502	3E	R208	3A	TP410	3E
C504	3F	R210	3C	TP609	3G
C506	2F	R212	3C		
C510	2F	R214	3C	U200	3D
C512	2F	R216	3C	U312	3D
C514	3F	R218	3C	U600A	2G
C515	1B	R300	3D	U610A	3G
C516	3F	R301	3D	U610B	3G
C518	3F	R302	3D	U700	1F
C609	2A	R304	3D		
C610	2F	R305	3C	W200	2H
C612	3G	R306	3C		
C614	2A	R308	3D	Y100	3B
C616	2F	R309	3D		
C700	2B	R310	3D		
C820	2B	R312	3D		

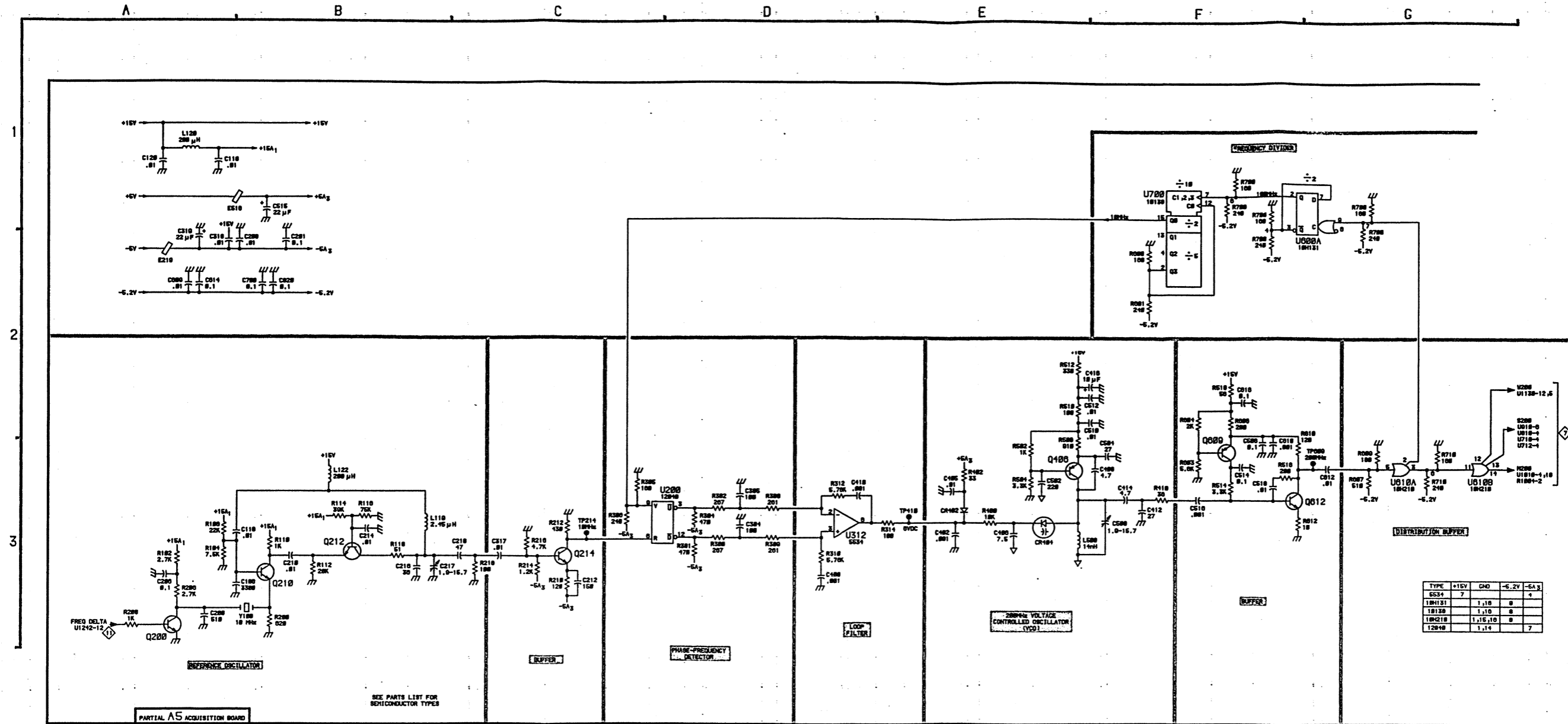
Partial A5 also shown on diagram 8.

⊗ Static Sensitive Devices
See Maintenance Section

COMPONENT NUMBER EXAMPLE



Chassis-mounted components have no Assembly Number prefix—see end of Replaceable Electrical Parts List.



11401/11402

ACQ 200MHz PHASE LOCK LOOP 9

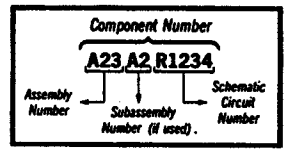
ACQ TRIGGER & HOLDOFF LOGIC DIAGRAM

10

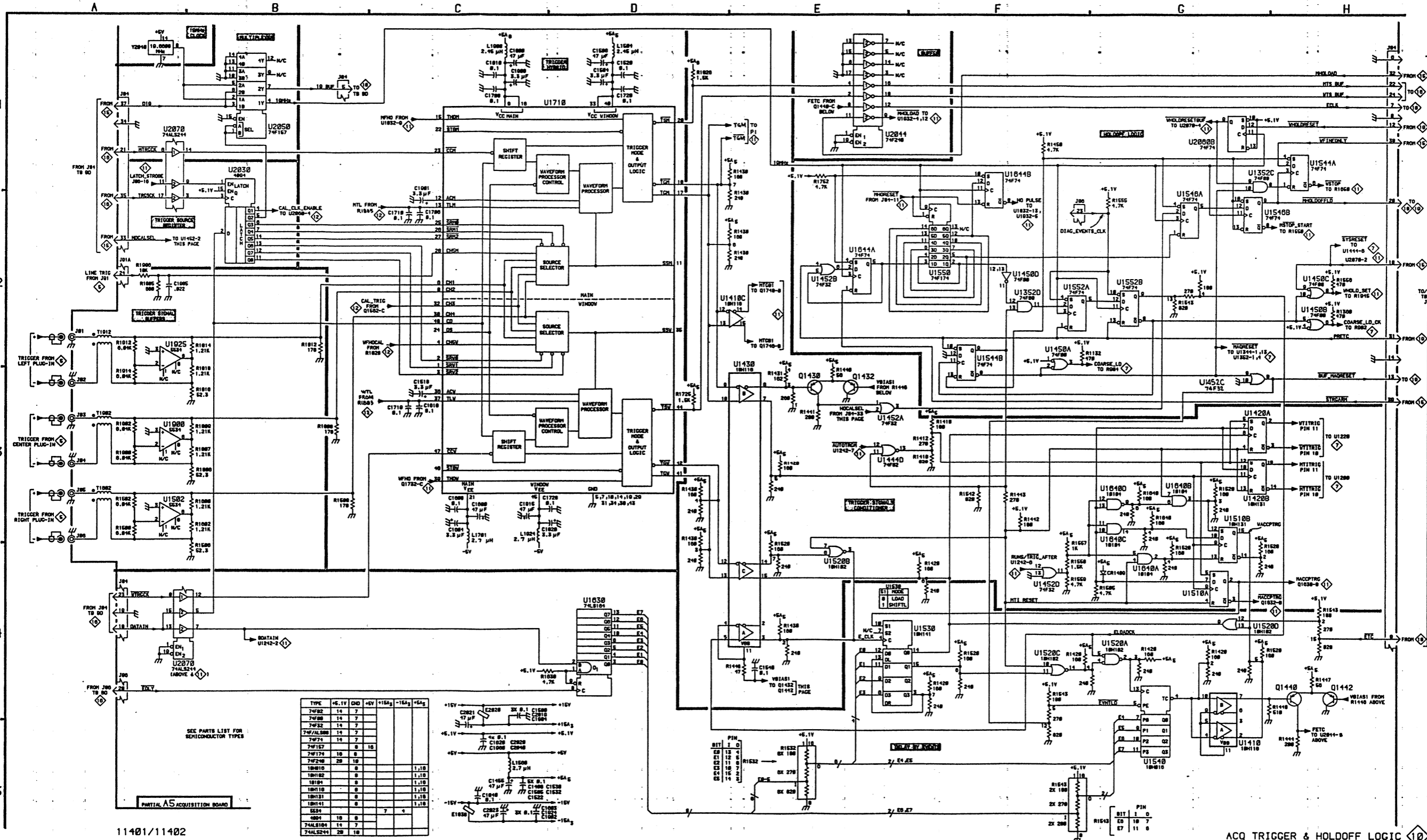
ASSEMBLY A5					
CIRCUIT NUMBER	SCHEM LOCATION	CIRCUIT NUMBER	SCHEM LOCATION	CIRCUIT NUMBER	SCHEM LOCATION
C1408	5C	L1900	1C	R1900	3A
C1455	5C	L1924	3C	R1902	3A
C1500	4C			R1912	2A
C1504	1D	Q1430	3E	R1914	3A
C1505	5C	Q1432	3E	R1926	1D
C1506	1D	Q1440	4H	R1985	2A
C1518	3C	Q1442	4H	R1986	2A
C1520	1D				
C1522	5C	R1132	2G	T1602	3A
C1530	5C	R1360	2H	T1902	3A
C1532	5C	R1410	3F	T1912	2A
C1540	4E	R1412	3F		
C1600	3C	R1419	3F	U1352C	1G
C1603	5C	R1420	3E	U1352D	2F
C1604	3C	R1420	4F	U1410C	2E
C1608	3C	R1420	4G	U1410	5G
C1618	3C	R1430	1E	U1420A	3G
C1620	5C	R1430	2E	U1420B	3G
C1706	2C	R1430	3D	U1430	2E
C1708	1C	R1430	4E	U1444D	3E
C1710	2C	R1431	3E	U1450A	2F
C1719	3C	R1440	3E	U1450B	2H
C1720	1D	R1441	3E	U1450C	2H
C1728	3D	R1442	3F	U1450D	2F
C1800	1C	R1443	3F	U1452A	3E
C1810	1C	R1444	5H	U1452B	2E
C1820	3D	R1446	4E	U1452C	3G
C1840	5C	R1447	4H	U1452D	4F
C1900	1C	R1448	4H	U1502	3A
C1901	1C	R1450	1F	U1510A	4G
C1902	5C	R1500	3A	U1510B	3G
C1904	4C	R1502	3A	U1520A	4G
C1915	3C	R1505	4G	U1520B	4E
C1924	5C	R1506	4B	U1520C	4F
C1960	5C	R1508	3B	U1520D	4G
C1985	2A	R1520	3E	U1530	4E
C2019	4C	R1520	3G	U1540	5G
C2020	5C	R1520	4F	U1544A	1H
C2021	4C	R1520	4G	U1544B	2F
C2023	5C	R1532	5E	U1546A	2G
C2040	5C	R1542	3F	U1546B	2H
		R1543	2G	U1550	2F
CR1409	4G	R1543	4F	U1552A	2F
		R1543	4H	U1552B	2G
E1830	5C	R1543	5F	U1630	4D
E2020	4C	R1555	2G	U1640A	4G
		R1556	2H	U1640B	3G
J1	2A	R1557	3F	U1640C	3G
J2	3A	R1558	4F	U1640D	3G
J3	3A	R1559	4F	U1644A	2E
J4	3A	R1600	3B	U1644B	1F
J5	3A	R1602	3B	U1710	1D
J6	3A	R1630	4D	U1900	3A
J84	1A	R1640	3G	U1925	2A
J84	1B	R1725	3D	U2030	1B
J84	1H	R1752	1E	U2044	1E
J84	4A	R1806	3B	U2050	1B
J86	2F	R1807	3B	U2060B	1G
J86	4A	R1808	3B	U2070	1A
J91A	2A	R1809	3B	U2070	4A
		R1812	2B		
L1504	1D	R1814	2B	Y2040	1A
L1560	5C	R1816	3B		
L1701	3C	R1818	2B		

⊗ Static Sensitive Devices
See Maintenance Section

COMPONENT NUMBER EXAMPLE



Chassis-mounted components have no Assembly Number prefix—see end of Replaceable Electrical Parts List.



G2-11

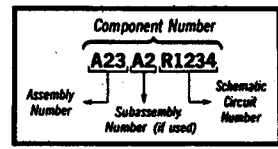
ACQ Trigger & Holdoff Logic

ACQ MAIN & WINDOW FINE HOLDOFF GENERATORS DIAGRAM

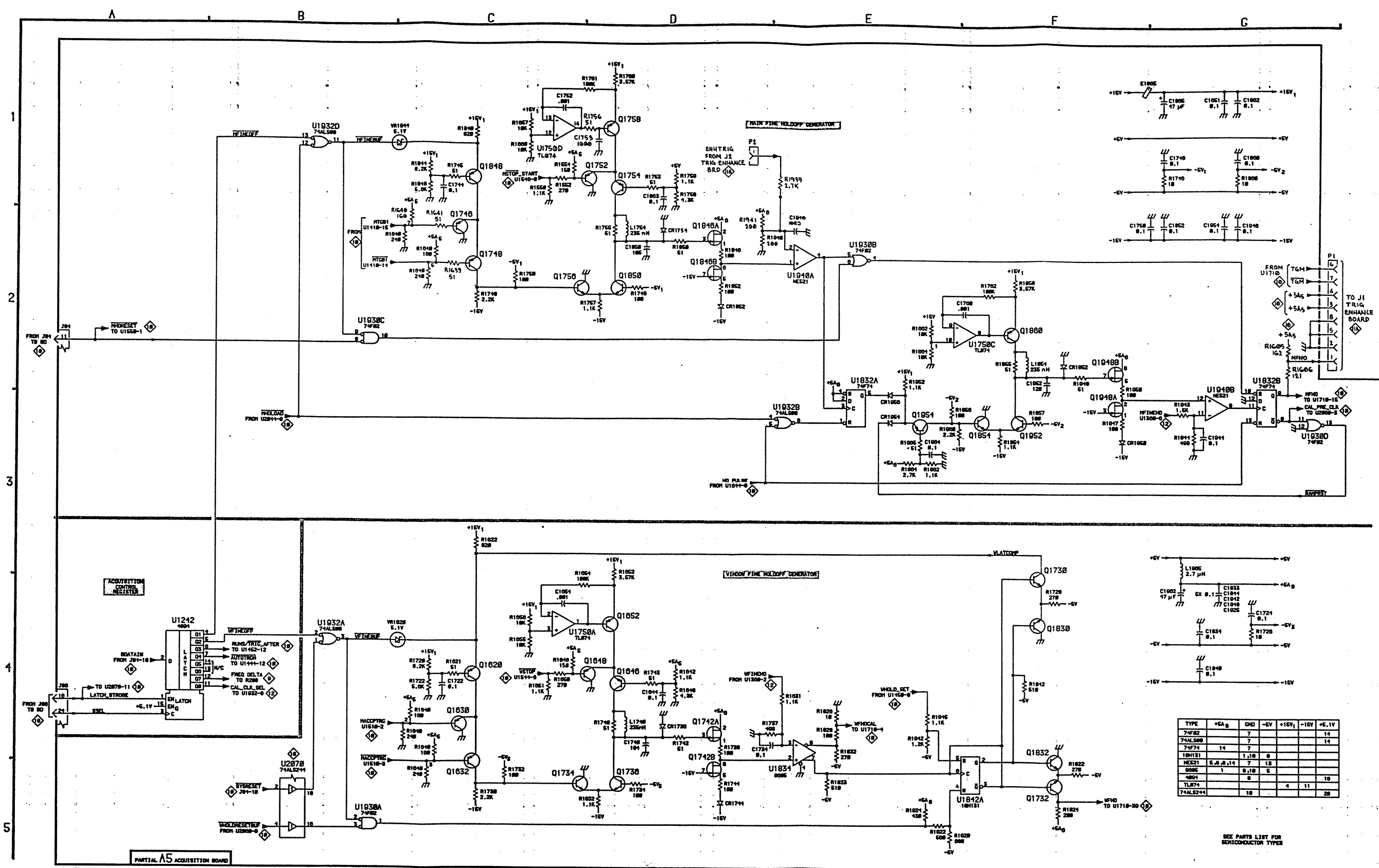
ASSEMBLY A5					
CIRCUIT NUMBER	SCHEM LOCATION	CIRCUIT NUMBER	SCHEM LOCATION	CIRCUIT NUMBER	SCHEM LOCATION
C1644	4D	Q1752	1D	R1757	2D
C1651	1G	Q1754	1D	R1758	1D
C1654	4C	Q1756	2C	R1759	1D
C1722	4C	Q1758	1D	R1760	1D
C1724	4G	Q1830	4F	R1761	1D
C1734	4D	Q1832	4F	R1762	2F
C1740	4D	Q1846A	2D	R1822	5F
C1744	1C	Q1846B	2D	R1824	5F
C1746	1G	Q1848	1C	R1826	4E
C1750	2F	Q1850	2D	R1828	4E
C1752	1C	Q1854	3F	R1832	4E
C1753	1D	Q1860	2F	R1833	5E
C1760	2F	Q1948A	3F	R1840	1C
C1833	4G	Q1948B	2F	R1842	4F
C1834	4G	Q1952	3F	R1844	1C
C1840	4G	Q1954	3E	R1846	2D
C1844	4G			R1848	1C
C1850	2D	P1	2G	R1650	2D
C1852	2G			R1852	2D
C1860	1G	R1550	1C	R1854	3F
C1862	1G	R1552	1C	R1855	2F
C1863	1D	R1554	1C	R1856	3F
C1865	1G	R1605	2G	R1857	3F
C1925	4G	R1606	2G	R1858	2F
C1940	2E	R1621	4C	R1860	1G
C1942	4G	R1622	3C	R1920	5F
C1944	3G	R1631	4E	R1922	5E
C1946	2G	R1632	5D	R1924	5E
C1948	4G	R1639	2C	R1939	1E
C1952	2F	R1640	2C	R1940	2E
C1954	2G	R1640	4C	R1941	2D
C1962	4G	R1640	5C	R1942	4E
C1964	3E	R1641	2C	R1943	3G
		R1642	4D	R1944	3G
CR1736	4D	R1646	4C	R1945	4E
CR1744	5D	R1648	4D	R1947	3F
CR1754	2D	R1650	4C	R1948	2F
CR1852	2D	R1651	4C	R1950	2F
CR1950	3F	R1652	3D	R1952	2E
CR1952	2F	R1654	3D	R1960	3E
CR1954	3E	R1655	4C	R1962	3E
CR1956	3E	R1656	4C	R1964	3E
		R1657	1C	R1965	3E
E1865	1G	R1660	1C		
		R1662	2E	U1242	4A
J84	2A	R1664	2E	U1750A	4C
J86	4A	R1720	4C	U1750C	2F
		R1722	4C	U1750D	1C
L1740	4D	R1726	4G	U1832A	2E
L1754	2D	R1728	4F	U1832B	2G
L1854	2F	R1730	5C	U1834	5E
L1965	3G	R1732	5C	U1842A	5F
		R1734	5D	U1930A	5B
Q1620	4C	R1737	4E	U1930B	2E
Q1630	4C	R1738	4D	U1930C	2B
Q1632	5C	R1740	4D	U1930D	3G
Q1646	4D	R1742	4D	U1932A	4B
Q1648	4D	R1743	4D	U1932B	3E
Q1652	4D	R1744	5D	U1932D	1B
Q1730	3F	R1745	1C	U1940A	2E
Q1732	5F	R1746	1G	U1940B	2G
Q1734	5C	R1748	2C	U2070	5B
Q1736	5D	R1749	2D		
Q1724A	4D	R1750	2C	VR1820	4C
Q1742B	4D	R1753	1D	VR1944	1C
Q1746	2C	R1755	2D		
Q1748	2C	R1756	1D		

Static Sensitive Devices
See Maintenance Section

COMPONENT NUMBER EXAMPLE



Chassis-mounted components have no Assembly Number prefix—see end of Replaceable Electrical Parts List.

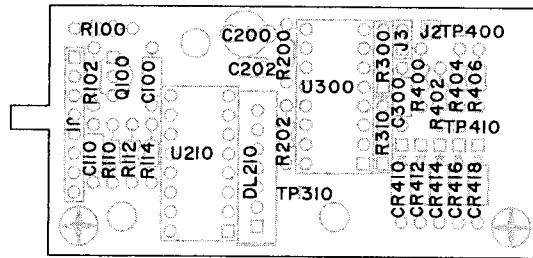


TYPE	+5A _B	CHD	-5V	+15V ₁	-15V	+5.1V
74F82	7				14	
74ALS88	7				14	
74F74	14	7				
18H131		1,10	8			
6885	1	0,10	5			
4804		8			10	
TL874			4	11		
74ALS244	18				28	

SEE PARTS LIST FOR SEMICONDUCTOR TYPES

11401/11402

ACQ MAIN & WINDOW FINE HOLDOFF GENERATORS

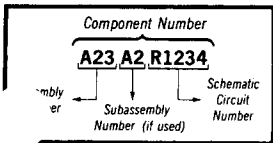


7387-621

Figure 6-10. A5A2-Trigger Enhancement Circuit Board Assembly

 **Static Sensitive Devices**
See Maintenance Section

COMPONENT NUMBER EXAMPLE



Chassis-mounted components have no Assembly Number prefix—see end of Replaceable Electrical Parts List.

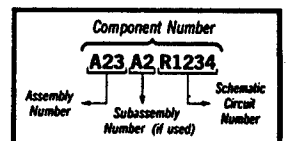
TRIGGER ENHANCEMENT DIAGRAM



ASSEMBLY A5A2					
CIRCUIT NUMBER	SCHEM LOCATION	CIRCUIT NUMBER	SCHEM LOCATION	CIRCUIT NUMBER	SCHEM LOCATION
C100	2A			R310	3B
C110	2A	Q100	1A	R310	3B
C200	1C			R400	2D
C300	2A	R100	1A	R402	2C
CR410	2B	R102	1B	R404	1C
CR412	2B	R110	1B	R406	1C
CR414	2B	R112	1B		
CR416	2B	R114	2B	TP310	2A
CR418	2C	R200	1B	TP400	1C
		R202	2B	TP410	2A
DL210	3B	R300	1B		
		R300	1B	U210	1B
J1	1A	R300	2C	U300A	2C
J2	2D	R300	2C	U300B	1C
J3	2C	R310	2D		
		R310	2D		

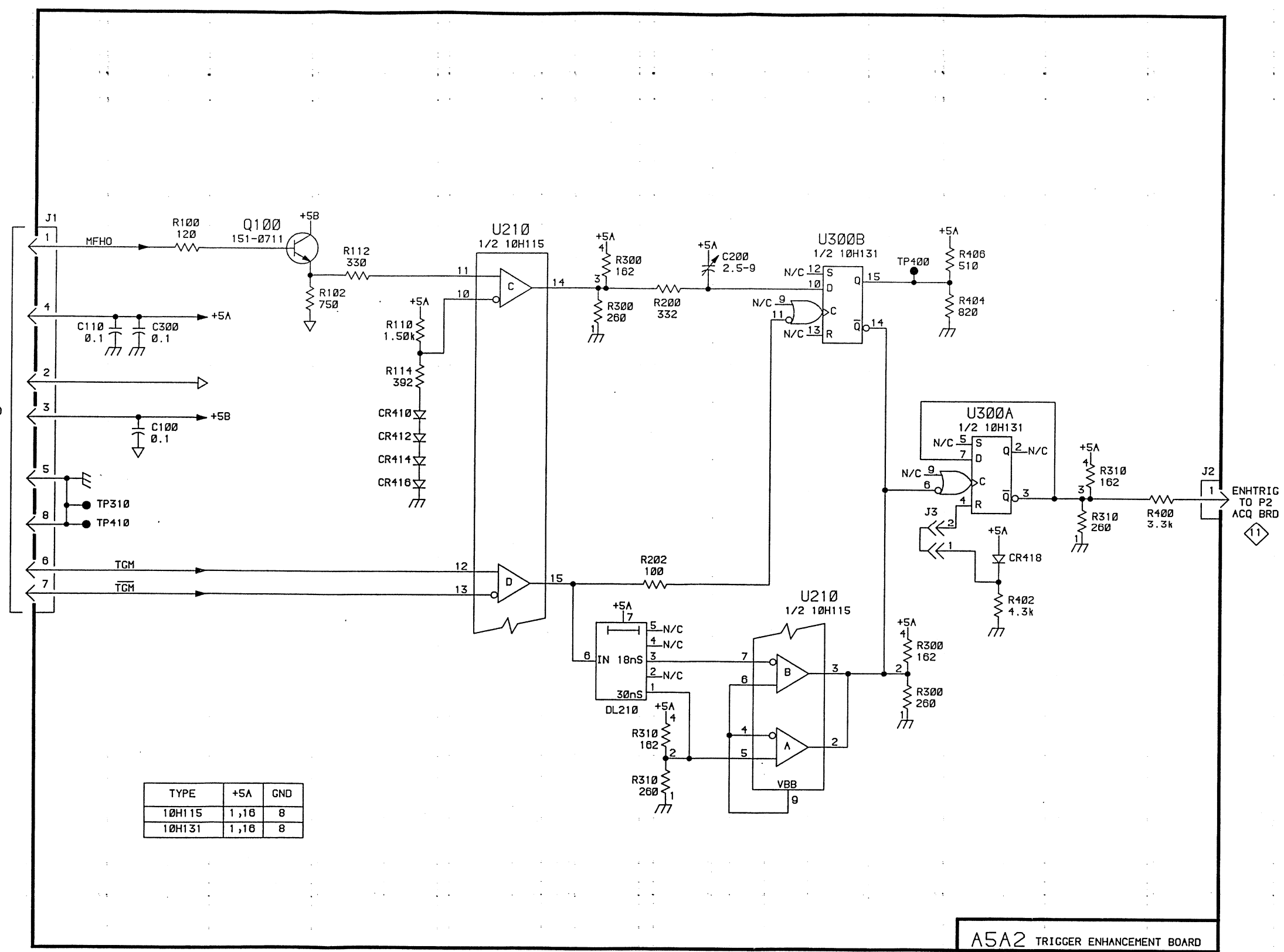
Static Sensitive Devices
 See Maintenance Section

COMPONENT NUMBER EXAMPLE



Chassis-mounted components have no Assembly Number prefix—see end of Replaceable Electrical Parts List.

A B C D



TYPE	+5A	GND
10H115	1,16	8
10H131	1,16	8

A5A2 TRIGGER ENHANCEMENT BOARD

ACQ AUTOCAL & REFRESH DIAGRAM

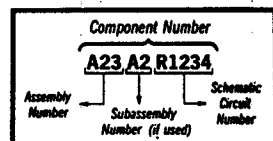
12

ASSEMBLY A5					
CIRCUIT NUMBER	SCHEM LOCATION	CIRCUIT NUMBER	SCHEM LOCATION	CIRCUIT NUMBER	SCHEM LOCATION
C970	1G			R1868	4F
C971	1G	J28	3G	R1870	4F
C973	1G	J28	3H	R1872	5G
C974	1F	J84	2A	R1874	5E
C976	1E	J88	3G	R1876	5F
C977	1F	J91A	4G	R1877	5D
C978	1F			R1878	5F
C979	2E	K1564	4F	R1968	4F
C982	2F			R1968	4F
C984	2F	P84	2A	R1980	5G
C985	2F	P91A	4G	R1982	5G
C1062	1C			R1984	5G
C1064	1C	Q1560	4G		
C1066	1C	Q1562	4G	TP1570	5C
C1068	1C	Q1668	4G	TP1572	5C
C1069	1C	Q1968	5F		
C1070	2C	Q1969	4F	U760	2F
C1072	1C			U860	1F
C1074	2C	R948	3D	U960	1E
C1260	2C	R1040	1D	U970	2E
C1262	3C	R1042	1C	U1060A	1C
C1264	3C	R1084	2D	U1060B	1D
C1268	2C	R1074	1D	U1060C	1D
C1270	3C	R1164	2D	U1060D	1C
C1272	3C	R1172	1D	U1070	1E
C1274	2C	R1560	4G	U1072	1C
C1370	1G	R1581	4G	U1160A	2C
C1462	3G	R1582	4G	U1160B	1C
C1464	1G	R1583	4G	U1160C	2C
C1564	4F	R1584	3F	U1160D	1C
C1566	4G	R1588	3F	U1170	2C
C1568	3G	R1571	3G	U1172	1B
C1570	5C	R1572	5B	U1260A	2C
C1571	3G	R1576	5C	U1260B	2D
C1572	5B	R1580	5B	U1260C	2C
C1574	1G	R1582	5C	U1260D	3C
C1576	1G	R1665	4G	U1270	2C
C1672	1G	R1666	4F	U1272	3C
C1674	1G	R1670	5G	U1360A	3C
C1764	4F	R1672	5G	U1360B	3C
C1770	1G	R1674	5F	U1360C	3C
C1772	5E	R1783	4G	U1370	2B
C1780	1G	R1764	4F	U1444C	3F
C1870	4F	R1765	4F	U1470	4B
C1874	5F	R1766	4F	U1570	4D
C1876	1G	R1767	3G	U1670A	4E
C1880	1G	R1768	3G	U1670B	4D
C1968	4G	R1769	4G	U1672	4D
C1980	1G	R1770	4E	U1770A	5D
		R1772	5E	U1770B	5D
CR1562	4F	R1802	2D	U1772	4E
CR1568	3G	R1803	2C	U1870A	5F
CR1570	3G	R1804	3D	U1870B	5F
CR1664	4G	R1805	3C	U1932C	3F
CR1767	4G	R1810	5E	U1970	5F
CR1769	4G	R1811	5F	U2060A	3F
CR1864	4F	R1884	4F		
CR1865	4F	R1865	5F		
CR1874	5F	R1868	5F	VR1570	4G

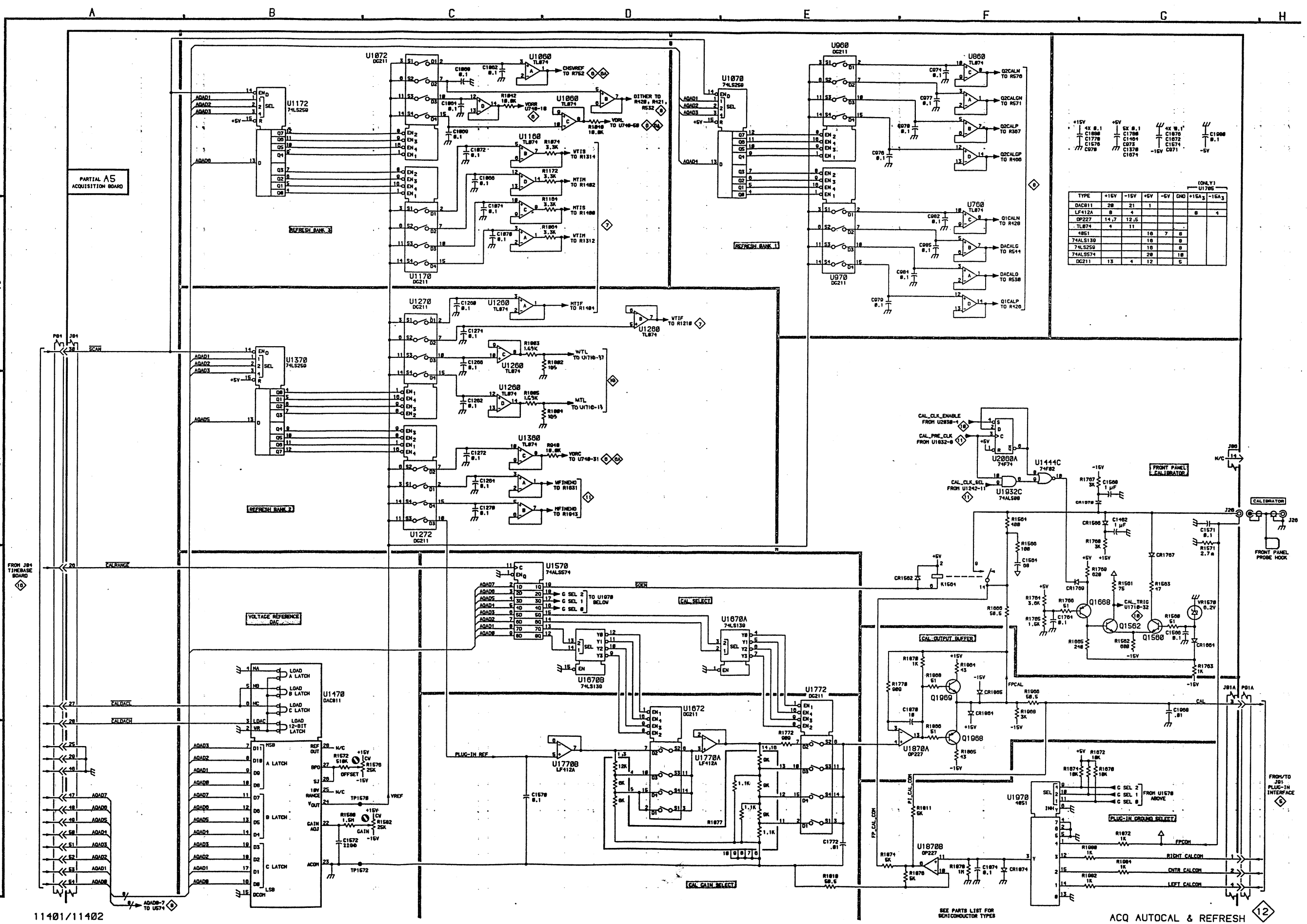
Partial A5 also shown on diagram 10.

Static Sensitive Devices.
See Maintenance Section

COMPONENT NUMBER EXAMPLE



Chassis-mounted components have no Assembly Number prefix—see end of Replaceable Electrical Parts List.



(ONLY) U1705

TYPE	+15V	-15V	+5V	-5V	GND	+15A3	-15A3
DACB11	20	21	1				
LF412A	8	4			8	4	
OP227	14,7	12,5					
TL874	4	11					
4851			10	7			
74ALS130			10	8			
74LS250			10	8			
74ALS574			20	18			
DC211	13	4	12	5			

TYPE	+15V	-15V	+5V	-5V	GND	+15A3	-15A3
4X 0.1							
C1808							
C1778							
C1404							
C073							
C1574							
C1378							
C1074							
5K 0.1							
C1788							
C1570							
C071							
4X 0.1							
C1870							
C1572							
C1071							
4X 0.1							
C1808							
C1778							
C1404							
C073							
C1574							
C1378							
C1074							

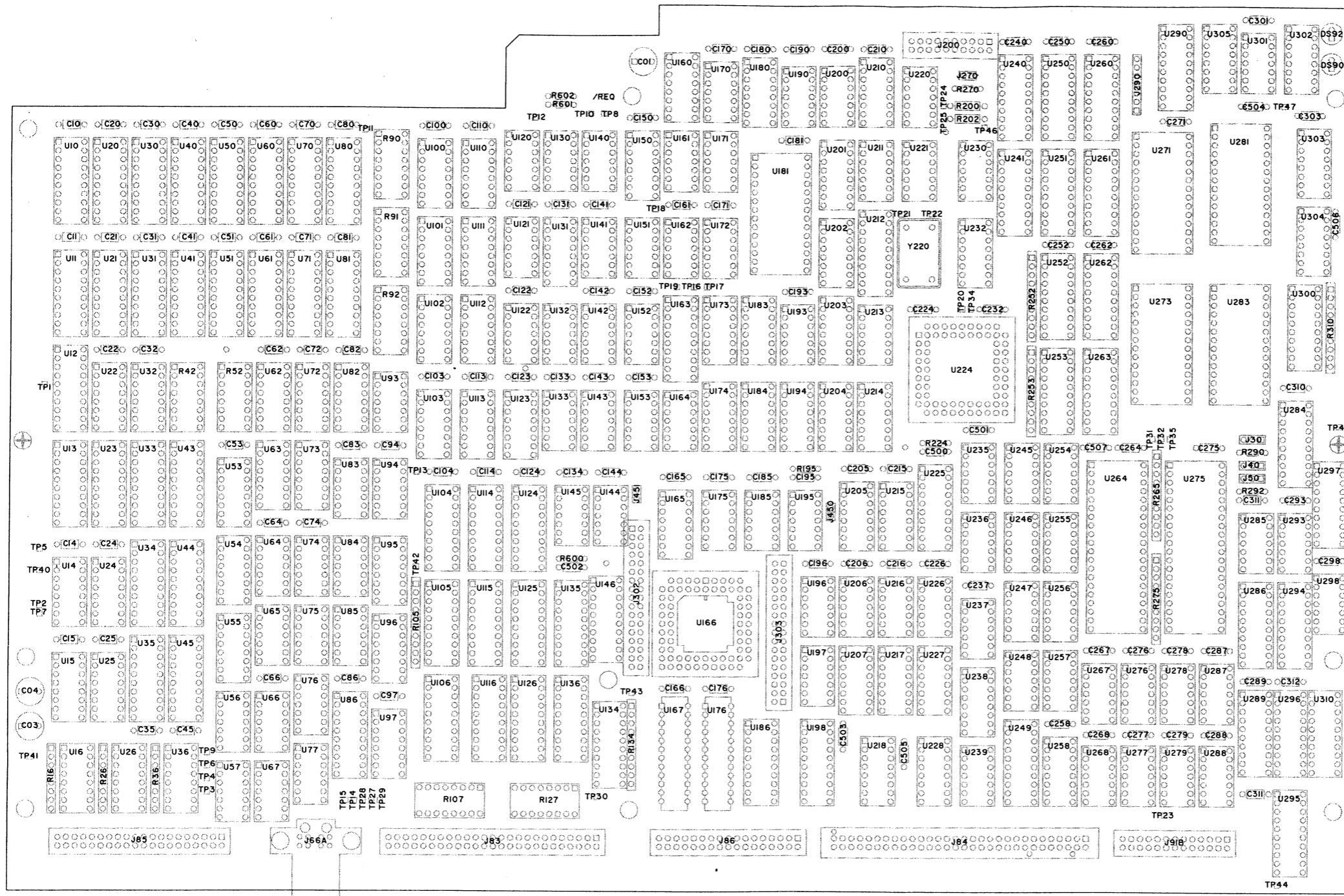
11401/11402

7387-923

SEE PARTS LIST FOR SEMICONDUCTOR TYPES

ACQ AUTOCAL & REFRESH

92-15



26	24	22	20	18	16	14	12	10		
27	25	23	21	19	17	15	13	11		
28	28							6	7	
31	30							4	5	
33	32							2	3	
35	34							68	1	
37	36							66	67	
39	38							64	65	
41	40							62	63	
43	42	45	47	49	51	53	55	57	59	61
44	46	48	50	52	54	56	58	60		

Pin Numbering of U166 (DAG IC) (As Seen From Bottom of Circuit Board)

52	54	56	58	60	62	64	66	68		
51	53	55	57	59	61	63	65	67	2	1
49	50							4	3	
47	48							6	5	
45	46							8	7	
43	44							10	9	
41	42							12	11	
39	40							14	13	
37	38							16	15	
35	36	33	31	29	27	25	23	21	19	17
34	32	30	28	26	24	22	20	18		

Pin Numbering of U224 (as Seen from Bottom of Circuit Board)

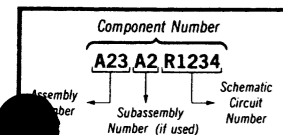
Figure 6-11. A6-Time Base Circuit Board Assembly

7387-624

A6-Time Base circuit board illustration to be used with diagrams 13 through 20

Static Sensitive Devices
See Maintenance Section

COMPONENT NUMBER EXAMPLE



Chassis-mounted components have no Assembly Number prefix—see end of Replaceable Electrical Parts List.

G2-16

TB MEMORY DIAGRAM

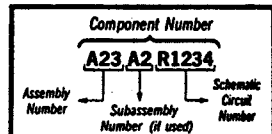
13

ASSEMBLY A6					
CIRCUIT NUMBER	SCHEM LOCATION	CIRCUIT NUMBER	SCHEM LOCATION	CIRCUIT NUMBER	SCHEM LOCATION
R42	2H	U60	4F	U131	1C
R52	1H	U61	5F	U133A	3B
R90	3D	U70	4G	U133B	3B
R91	2D	U71	5G	U133D	3B
R91	3D	U74A	5E	U140A	3C
R92	5D	U80	4G	U140B	3B
		U81	5G	U140C	1B
TP5	2A	U93E	2C	U140D	1A
TP8	1B	U100	1D	U141A	1B
TP10	3C	U101	3D	U141F	4A
TP11	3B	U102	3D	U150	1B
TP12	1D	U103	5D	U151A	2B
TP13	1D	U110	4D	U151D	2B
		U111	3D	U160	4B
U10	2E	U112	3D	U161B	1B
U11	3E	U113	2D	U161C	2B
U20	2F	U120A	4C	U162B	3B
U21	3F	U121B	2D	U163	2A
U30	2G	U121C	3C	U164B	1A
U31	3G	U121D	1D	U164D	1A
U40	2G	U122A	4C	U170D	4A
U41	3G	U122B	1D	U174	3B
U50	4E	U122C	2D	U211A	4A
U51	5E	U123	1C	U212	4B

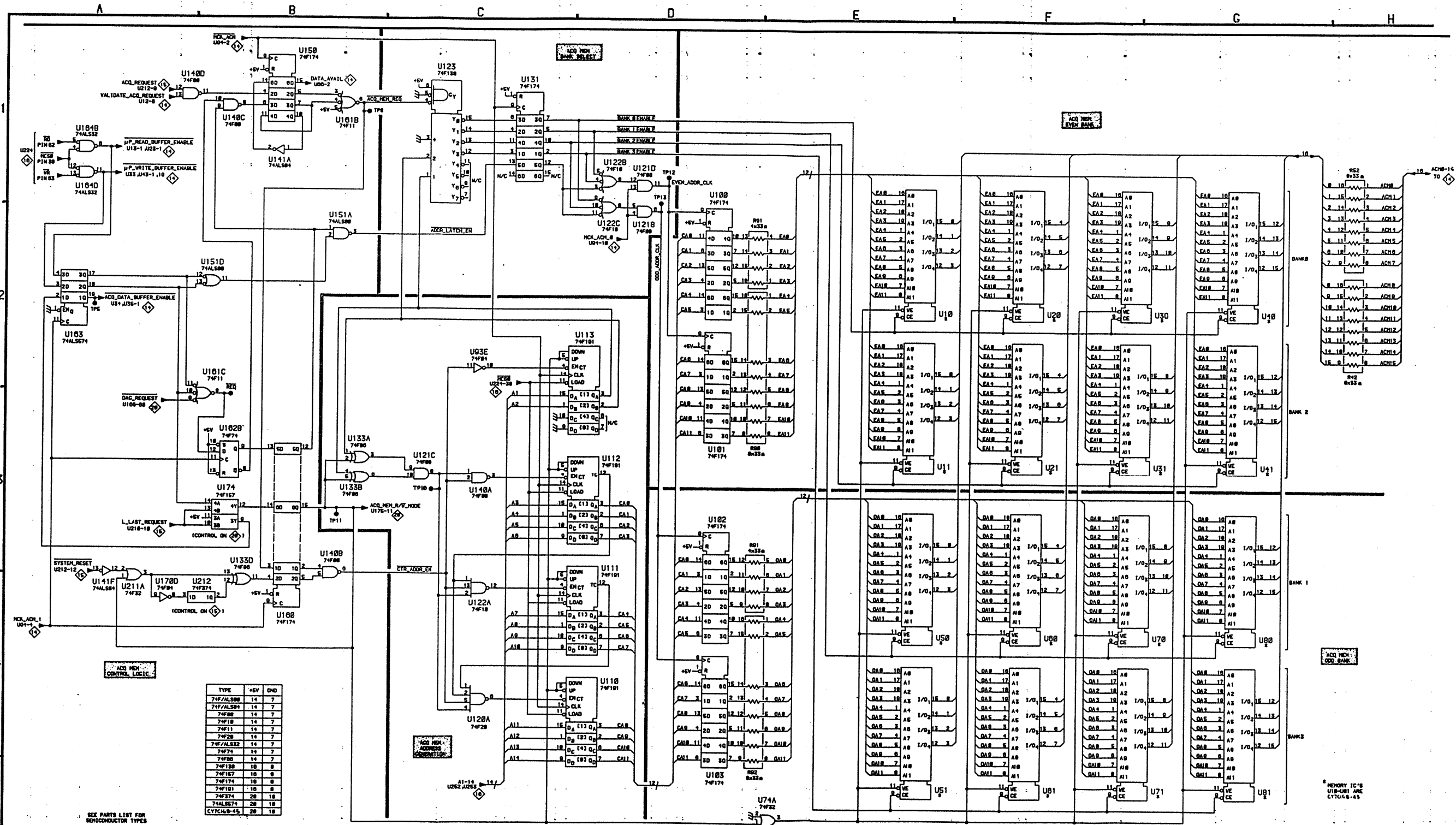
Partial A6 also shown on diagram 14.

 Static Sensitive Devices
See Maintenance Section

COMPONENT NUMBER EXAMPLE



Chassis-mounted components have no Assembly Number prefix—see end of Replaceable Electrical Parts List.



11401/11402

PARTIAL A6 TIMING BOARD

TB MEMORY 13

13 Memory

TB A/D INTERFACE & SYSTEM CLOCK DIAGRAM

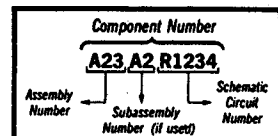
14

ASSEMBLY A6					
CIRCUIT NUMBER	SCHEM LOCATION	CIRCUIT NUMBER	SCHEM LOCATION	CIRCUIT NUMBER	SCHEM LOCATION
C1	1A	C181	4G	TP4	1D
C3	1A	C185	4G	TP6	4C
C4	1A	C190	4G	TP7	1A
C10	4G	C193	4G	TP9	4C
C11	4G	C195	4G	TP40	1A
C14	4G	C196	4G	TP41	1A
C15	4G	C200	4G	TP42	1A
C20	4G	C205	4G	TP43	1A
C21	4G	C206	4G	TP44	1A
C22	4G	C210	4G	TP45	1A
C24	4G	C215	4G	TP46	1A
C25	4G	C216	4G	TP47	1A
C30	4G	C224	4G		
C31	4G	C226	4G	U12	4B
C32	4G	C232	4G	U13	4F
C35	4G	C237	4G	U14	3C
C40	4G	C240	4G	U15	1B
C41	4G	C250	5G	U16	4A
C45	4G	C252	5G	U22	4F
C50	4G	C258	5G	U23	3F
C51	4G	C260	5G	U24	2C
C53	4G	C262	5G	U25	2C
C60	4G	C264	5G	U26	3A
C61	5G	C267	5G	U32	5F
C62	5G	C268	5G	U33	3E
C64	5G	C271	5G	U34	3D
C66	5G	C275	5G	U35	3D
C70	5G	C276	4G	U36	2A
C71	5G	C277	4G	U43	3E
C72	5G	C278	4G	U44	1E
C74	5G	C279	4G	U45	1E
C80	5G	C287	4G	U53	1F
C81	5G	C288	4G	U54	2F
C82	4G	C289	4G	U55	2F
C83	4G	C293	4G	U56	1D
C86	4G	C298	4G	U57	4A
C94	4G	C301	4G	U62	4E
C97	4G	C303	4G	U63	5E
C100	4G	C310	4G	U64A	1C
C103	4G	C311	4G	U64B	1C
C104	4G	C312	5G	U65B	2C
C110	4G	C313	5G	U65C	1B
C113	4G	C500	4G	U65D	4A
C114	4G	C501	4G	U66A	4C
C121	4G	C502	4G	U66B	1D
C122	4G	C503	4G	U67A	2C
C123	4G	C504	4G	U67B	4A
C124	4G	C505	4G	U67C	5A
C131	4G	C506	4G	U72	4D
C133	4G	C507	5G	U73A	4E
C134	4G			U94A	4C
C141	4G	J66A	1A	U94	4B
C142	4G	J85	1A	U132C	2G
C143	5G	J86	3A	U132D	4A
C144	5G			U133C	4B
C150	5G	R16	3A	U141C	3F
C15D	5G	R16	4A	U141D	3G
C153	5G	R26	2A	U141E	1F
C161	5G	R26	3A	U142A	1G
C165	5G	R36	1A	U142B	2G
C166	5G	R36	2A	U143	2F
C170	5G	R275	5B	U151B	1G
C171	5G			U151C	3G
C175	4G	TP1	4B	U152A	3G
C176	4G	TP2	4B	U153	3F
C180	4G	TP3	1B	U276	5B

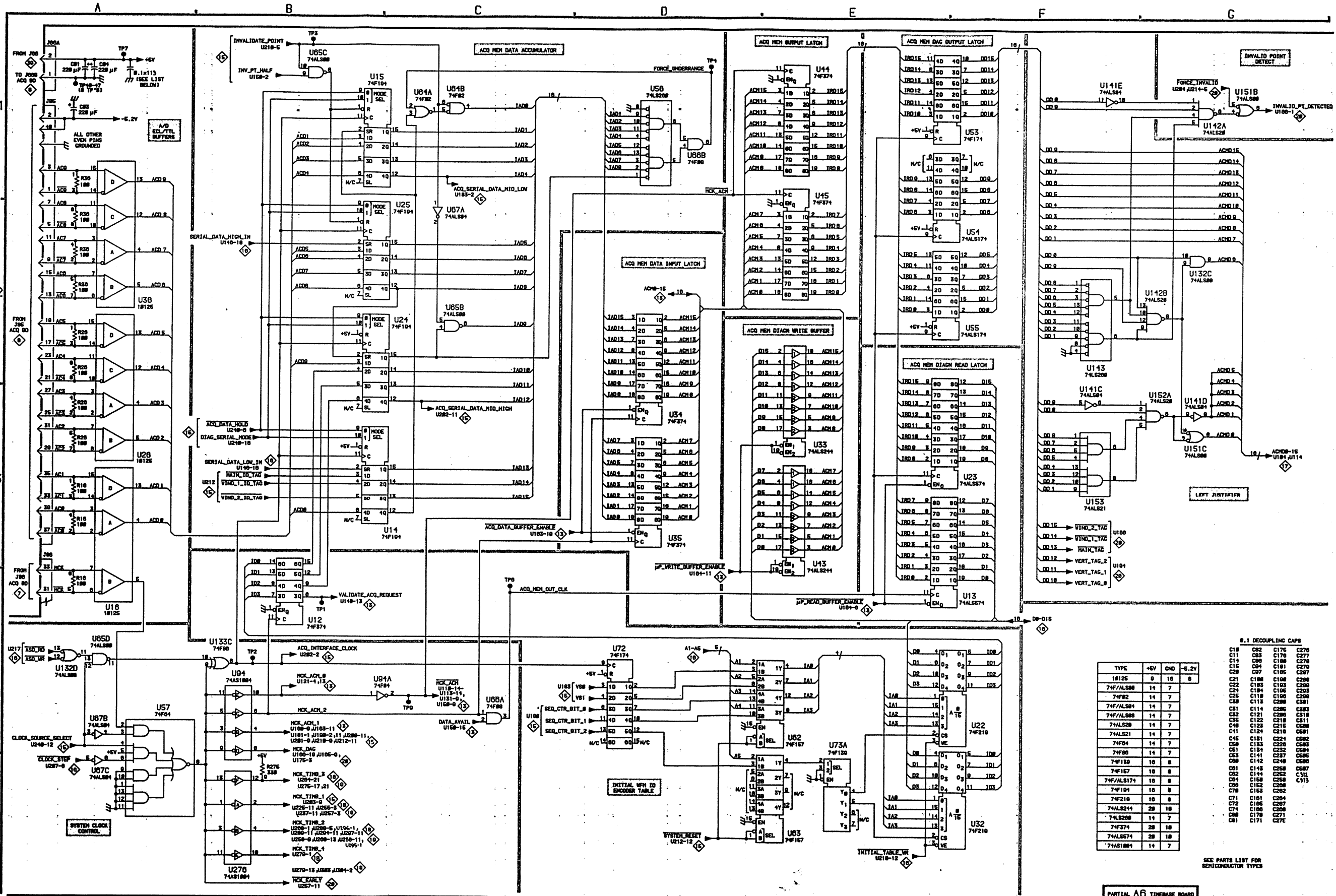
Partial A6 also shown on diagram 13

 Static Sensitive Devices
See Maintenance Section

COMPONENT NUMBER EXAMPLE



Chassis-mounted components have no Assembly Number prefix—see end of Replaceable Electrical Parts List.



0.1 DECOUPLING CAPS

TYPE	+5V	GND	-5.2V
C11			
C14			
C15			
C21			
C22			
C24			
C25			
C26			
C27			
C28			
C29			
C30			
C31			
C32			
C33			
C34			
C35			
C36			
C37			
C38			
C39			
C40			
C41			
C42			
C43			
C44			
C45			
C46			
C47			
C48			
C49			
C50			
C51			
C52			
C53			
C54			
C55			
C56			
C57			
C58			
C59			
C60			
C61			
C62			
C63			
C64			
C65			
C66			
C67			
C68			
C69			
C70			
C71			
C72			
C73			
C74			
C75			
C76			
C77			
C78			
C79			
C80			
C81			
C82			
C83			
C84			
C85			
C86			
C87			
C88			
C89			
C90			
C91			
C92			
C93			
C94			
C95			
C96			
C97			
C98			
C99			
C100			

SEE PARTS LIST FOR SEMICONDUCTOR TYPES

PARTIAL A6 TIMENASE BOARD

TB CONTROL LATCHES & PI SEQUENCER DIAGRAM

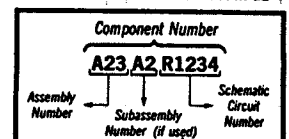
15

ASSEMBLY A6					
CIRCUIT NUMBER	SCHEM LOCATION	CIRCUIT NUMBER	SCHEM LOCATION	CIRCUIT NUMBER	SCHEM LOCATION
J84	2B	U160	3E	U203	3D
J84	3B	U160	4F	U210	2F
J86	2B	U170F	4F	U211B	4E
J86	4H	U171	5C	U211C	4E
J91B	3H	U172B	3E	U212	3B
J91B	4H	U172	5C	U212	3E
J270	1B	U173	4G	U212	4C
		U180	4G	U212	4E
R200	5G	U181	4D	U213	2D
R202	5G	U183	3G	U220A	2E
R270	1B	U184	4F	U221A	2E
R600	3B	U190A	4G	U221B	2E
R602	1B	U190C	4E	U221C	3D
		U190D	3F	U240	1A
TP16	4G	U193A	3C	U241	1B
TP17	4G	U193B	4F	U249	3B
TP18	3E	U195D	3B	U250	5A
TP20	3H	U200A	2F	U251	2A
TP23	4G	U220B	4F	U260	3A
TP24	5E	U201	2C	U261	4A
TP25	5E	U201	2E		
		U201	5E	W601	1B
U150	2G	U202	2D		

Partial A6 also shown on diagrams 16, 17, 18, 19 and 20.

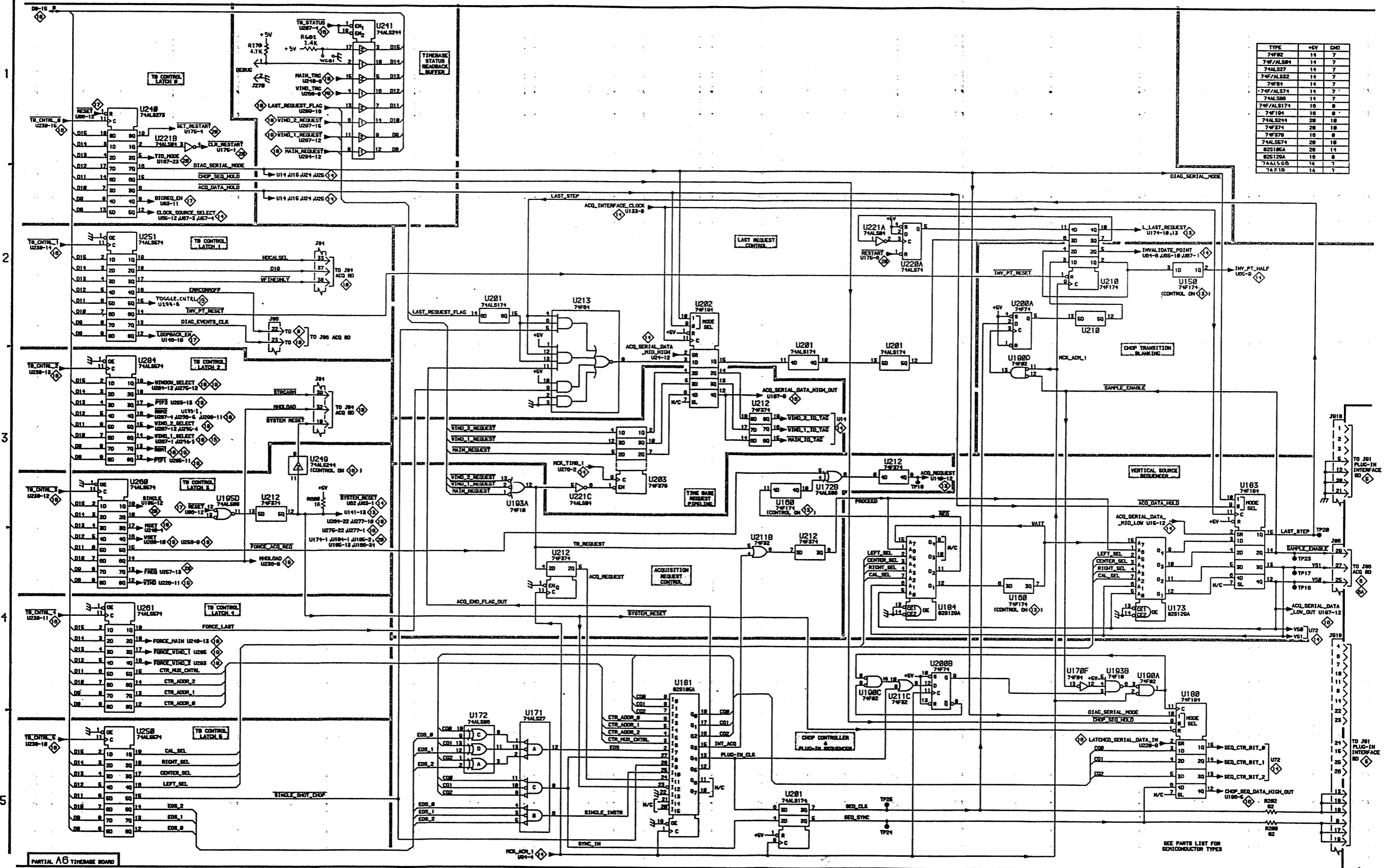
 Static Sensitive Devices
See Maintenance Section

COMPONENT NUMBER EXAMPLE



Chassis-mounted components have no Assembly Number prefix—see end of Replaceable Electrical Parts List.

A B C D E F G H



TYPE	+5V	GND
74F82	14	7
74FALS694	14	7
74ALS27	14	7
74FALS22	14	7
74FB4	14	7
74FALS74	14	7
74ALS50	14	7
74FALS174	18	8
74F104	18	8
74ALS24	28	18
74F374	28	18
74F370	18	8
74ALS574	28	18
82S16CA	28	14
82S120A	18	8
74ALS52B	14	7
74F10	14	7

PARTIAL A6 TIMEBASE BOARD
11401/11402

TB CONTROL LATCHES & PLUG-IN SEQUENCER 15

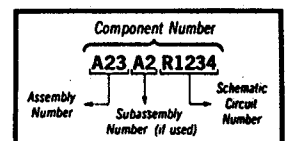
TB MPU KERNEL & ADDRESS DECODING DIAGRAM

16

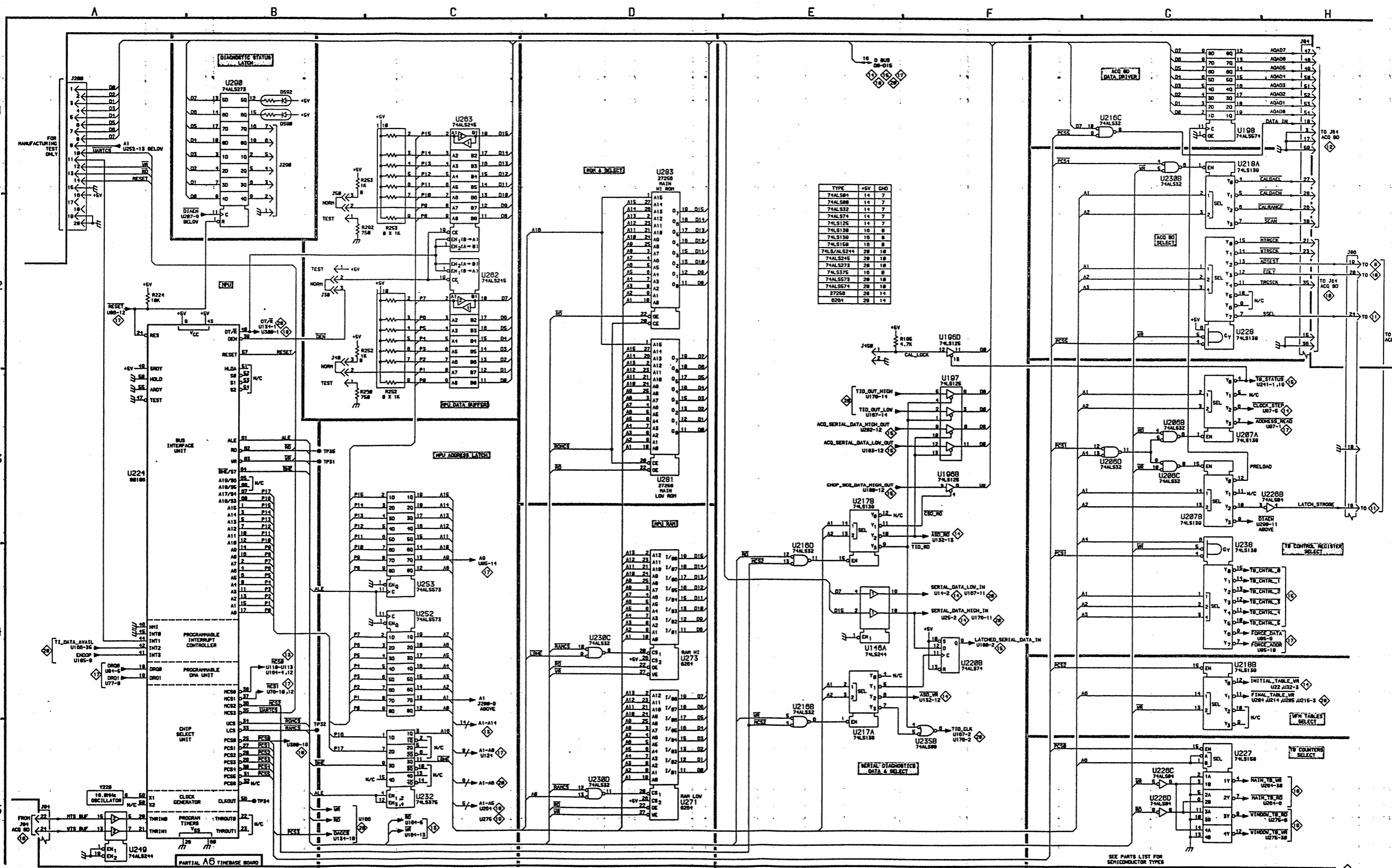
ASSEMBLY A6					
CIRCUIT NUMBER	SCHEM LOCATION	CIRCUIT NUMBER	SCHEM LOCATION	CIRCUIT NUMBER	SCHEM LOCATION
DS90	1B	TP32	5B	U226B	3H
DS92	1B	TP34	5B	U226C	5G
		TP35	3B	U226D	5G
J30	2B			U227	5G
J40	2B	U146A	4E	U228	2G
J50	1B	U196B	3F	U230B	1G
J84	1H	U196D	2F	U230C	4D
J84	5A	U197	3F	U230D	5D
J86	2H	U198	1G	U232	5C
J200	1A	U206B	3G	U235B	5F
J290	1B	U206C	3G	U238	4G
J450	2E	U206D	3G	U249	5A
		U207A	3G	U252	4C
R195	2F	U207B	3G	U253	4C
R224	2A	U216B	4E	U262	2C
R240	3C	U216C	1G	U263	1C
R252	2C	U216D	4E	U271	5D
R252	3C	U217A	5E	U273	4D
R253	1C	U217B	3E	U281	3D
R253	2C	U218A	1G	U283	1D
R292	2C	U218B	4G	U290	1B
TP31	3B	U224	3A	Y220	5A

Partial A6 also shown on diagrams 15, 17, 18, 19 and 20.

 **Static Sensitive Devices**
See Maintenance Section
COMPONENT NUMBER EXAMPLE



Chassis-mounted components have no Assembly Number prefix—see end of Replaceable Electrical Parts List.



TYPE	+5V	CHD
74ALS01	14	7
74ALS08	14	7
74ALS32	14	7
74ALS74	14	7
74LS125	14	7
74LS130	10	0
74LS138	10	0
74LS159	10	0
74LSALS244	20	10
74LS245	20	10
74LS273	20	10
74LS375	10	0
74ALS574	20	10
27258	20	14
0204	20	14

SEE PARTS LIST FOR SEMICONDUCTOR TYPES
TB MPU KERNEL & ADDRESS DECODING 16

11401/11402

TB DIGITIZER/MMU INTERFACE DIAGRAM

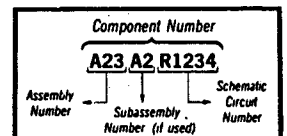
17

ASSEMBLY A6					
CIRCUIT NUMBER	SCHEM LOCATION	CIRCUIT NUMBER	SCHEM LOCATION	CIRCUIT NUMBER	SCHEM LOCATION
J83	1A	TP29	5A	U86	5B
J83	1G	TP30	3B	U86	5C
J83	3A			U93C	4C
J83	5D	U74C	5B	U95	4G
		U75A	3C	U96	4G
R105	2F	U75B	4C	U97	1B
R107	1A	U76A	4C	U104	2E
R107	3A	U76B	4C	U105	2F
R107	3C	U76C	4B	U106	2C
R107	4A	U76D	4B	U114	1E
R107	4G	U77B	4C	U115	2G
R107	5A	U83C	5B	U116	2D
R107	5C	U84A	3C	U124	1F
R127	2G	U84B	4B	U125	2G
		U85A	4B	U126	1C
TP14	4A	U85B	4B	U135	2F
TP15	3C	U85C	3A	U136	1D
TP27	3A	U86	3C	U146B	3A
TP28	5D	U86	4A		

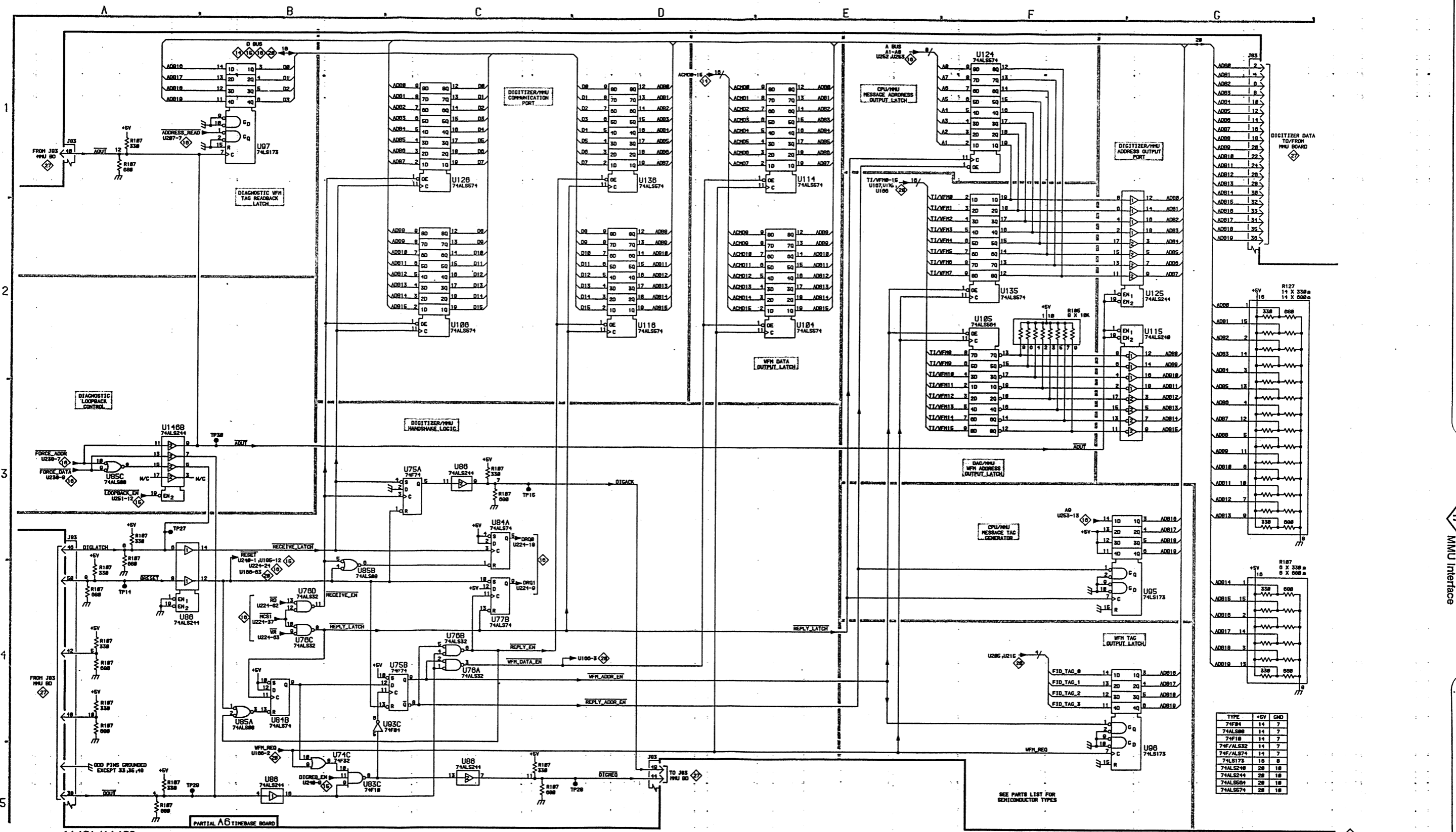
Partial A6 also shown on diagrams 15, 16, 18, 19 and 20.

 Static Sensitive Devices
See Maintenance Section

COMPONENT NUMBER EXAMPLE



Chassis-mounted components have no Assembly Number prefix—see end of Replaceable Electrical Parts List.



11401/11402

TYPE	+5V	GND
74F84	14	7
74ALS88	14	7
74F18	14	7
74F/ALS32	14	7
74F/ALS74	14	7
74LS173	16	8
74ALS248	28	18
74ALS244	28	18
74ALS64	28	18
74ALS74	28	18

SEE PARTS LIST FOR SEMICONDUCTOR TYPES

TB MAIN COUNTERS DIAGRAM

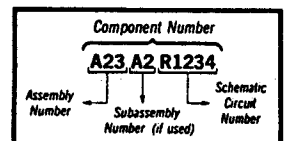
18

ASSEMBLY A6					
CIRCUIT NUMBER	SCHEM LOCATION	CIRCUIT NUMBER	SCHEM LOCATION	CIRCUIT NUMBER	SCHEM LOCATION
J84	1A	U236D	4D	U279B	3C
J84	1H	U237A	1E	U286	2E
J84	4H	U239D	2C	U287	2B
		U245D	2F	U288A	3C
R265	1D	U246A	4C	U288B	3C
R265	2C	U246C	4B	U288C	4D
R265	3C	U246F	4E	U289	2F
R265	3D	U247C	1C	U289	2G
R265	4D	U247D	1C	U289	3G
R265	4D	U248B	2A	U293	3F
R275	1D	U248D	2G	U294	2B
R275	2C	U254B	2G	U294	2E
R275	2D	U255A	3C	U294	2G
R310	4E	U258	3B	U294	3G
		U258	2A	U294	5C
TP21	2G	U258	3E	U296	2G
TP22	2H	U264	1D	U297	2B
		U267C	2C	U297	2D
U185A	4C	U267D	3F	U297	2F
U225	2F	U268A	2C	U297	3G
U225	3F	U268B	2C	U298B	2F
U235D	2F	U277B	4D	U298D	4F
U236A	2B	U277C	2G	U300	4F
U236C	1E	U279A	3C		

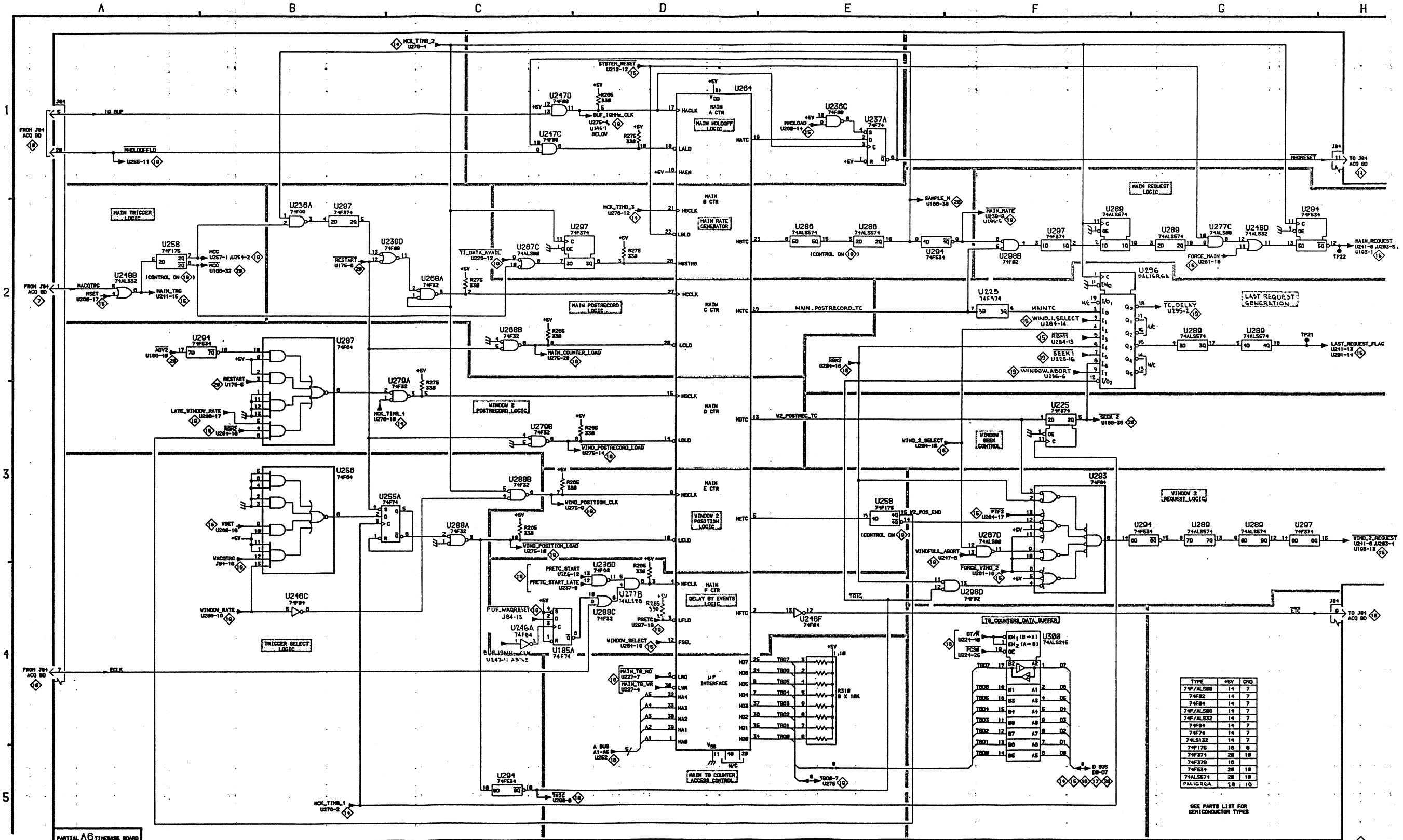
Partial a6 also shown on diagrams 15, 16, 17, 19 and 20.

Static Sensitive Devices
 See Maintenance Section

COMPONENT NUMBER EXAMPLE



Chassis-mounted components have no Assembly Number prefix—see end of Replaceable Electrical Parts List.



TYPE	+5V	GND
74F/ALS588	14	7
74F52	14	7
74F54	14	7
74F/ALS588	14	7
74F/ALS32	14	7
74F04	14	7
74F74	14	7
74LS182	14	7
74F175	10	8
74F374	28	18
74F370	10	7
74F534	28	18
74ALS574	28	18
PAL16RGA	20	10

SEE PARTS LIST FOR SEMICONDUCTOR TYPES

PARTIAL A6 TIMING BOARD
11401/11402

TB MAIN COUNTERS 18

TB WINDOW COUNTERS DIAGRAM

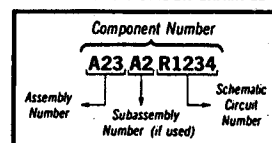


ASSEMBLY A6					
CIRCUIT NUMBER	SCHEM LOCATION	CIRCUIT NUMBER	SCHEM LOCATION	CIRCUIT NUMBER	SCHEM LOCATION
J84	2A	U247A	1B	U286	1B
J84	2H	U247B	1F	U286	1E
J84	4A	U248A	1C	U286	1F
J84	4G	U248C	2A	U286	2E
		U249	4B	U286	2H
R265	4D	U254A	1C	U289	3G
R275	1D	U255B	4C	U294	2B
R275	2D	U257A	1C	U294	3G
		U258	2B	U295	1B
U225	2E	U258	3E	U297	2C
U226E	1C	U267A	3F	U297	2G
U226F	1C	U267B	2C	U297	2H
U236B	1D	U286C	2A	U297	3H
U237B	2G	U268D	2D	U298C	3F
U239C	2B	U275	1D	U301	2F
U245B	2G	U277A	1E	U302	1G
U245C	1C	U278	2C	U303	1G
U246B	1G	U279C	3D	U304	2G
U246D	1B	U279D	2D		
U246E	4E	U285	3F		

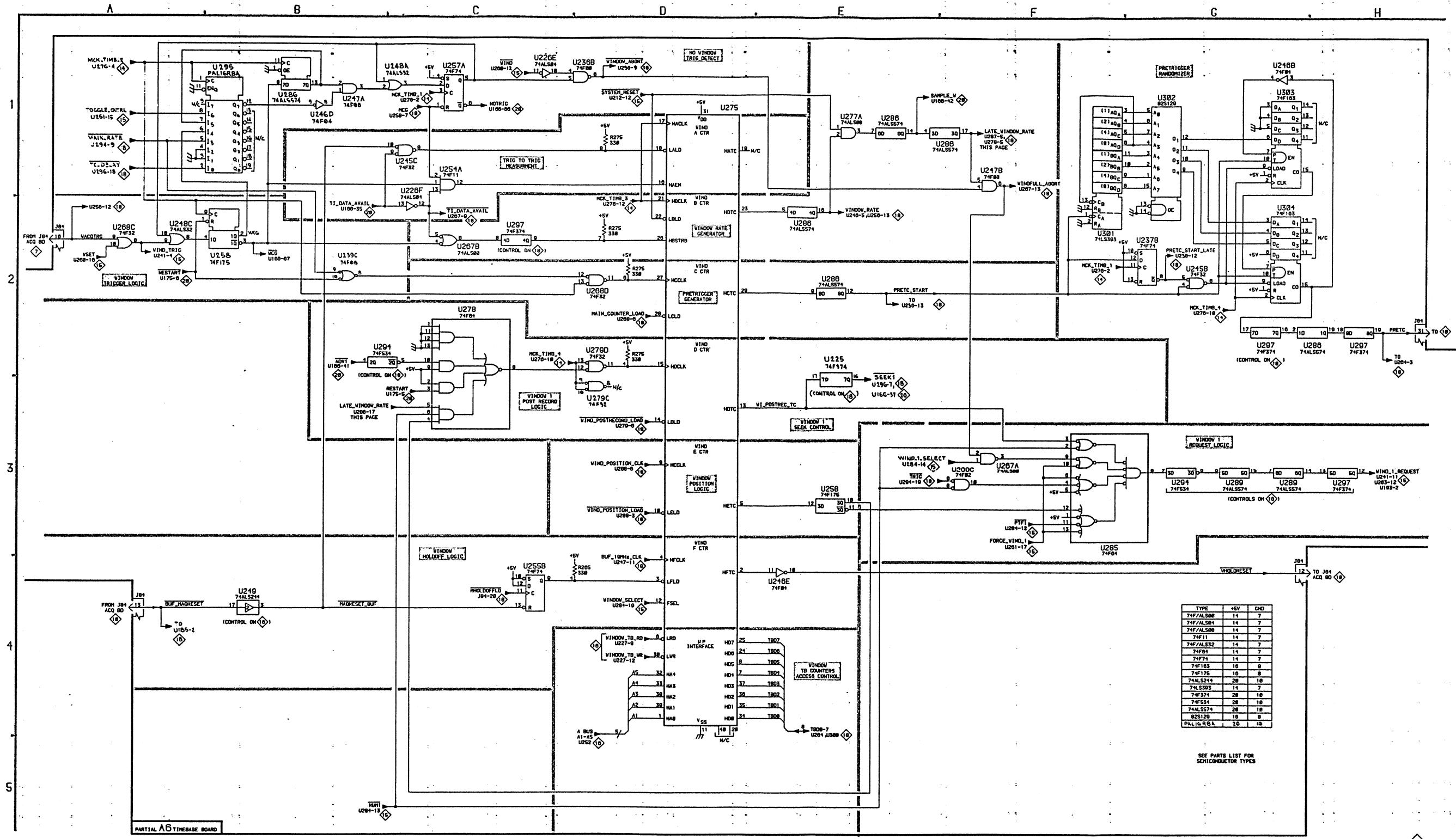
Partial A6 also shown on diagrams 15, 16, 17, 18 and 20.

Static Sensitive Devices
See Maintenance Section

COMPONENT NUMBER EXAMPLE



Chassis-mounted components have no Assembly Number prefix—see end of Replaceable Electrical Parts List.



11401/11402

TB WINDOW COUNTERS 19

TB DAG INTERFACE DIAGRAM

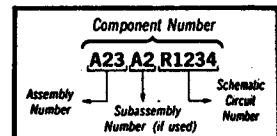


ASSEMBLY A6					
CIRCUIT NUMBER	SCHEM LOCATION	CIRCUIT NUMBER	SCHEM LOCATION	CIRCUIT NUMBER	SCHEM LOCATION
J84	1A	U134	1G	U185B	4F
J84	2H	U144B	4G	U186A	2G
J84	4H	U145D	1B	U194	4A
J86	1A	U165	4E	U195A	5F
J451	4E	U165	4F	U204	3C
		U166	1F	U205	4C
R134	1F	U167	1C	U214	3C
		U174	3A	U215	4C
TP19	3C	U175A	5G	U225	2D
		U175B	3D	U249	4G
U73B	3B	U176	2C	U257B	2D

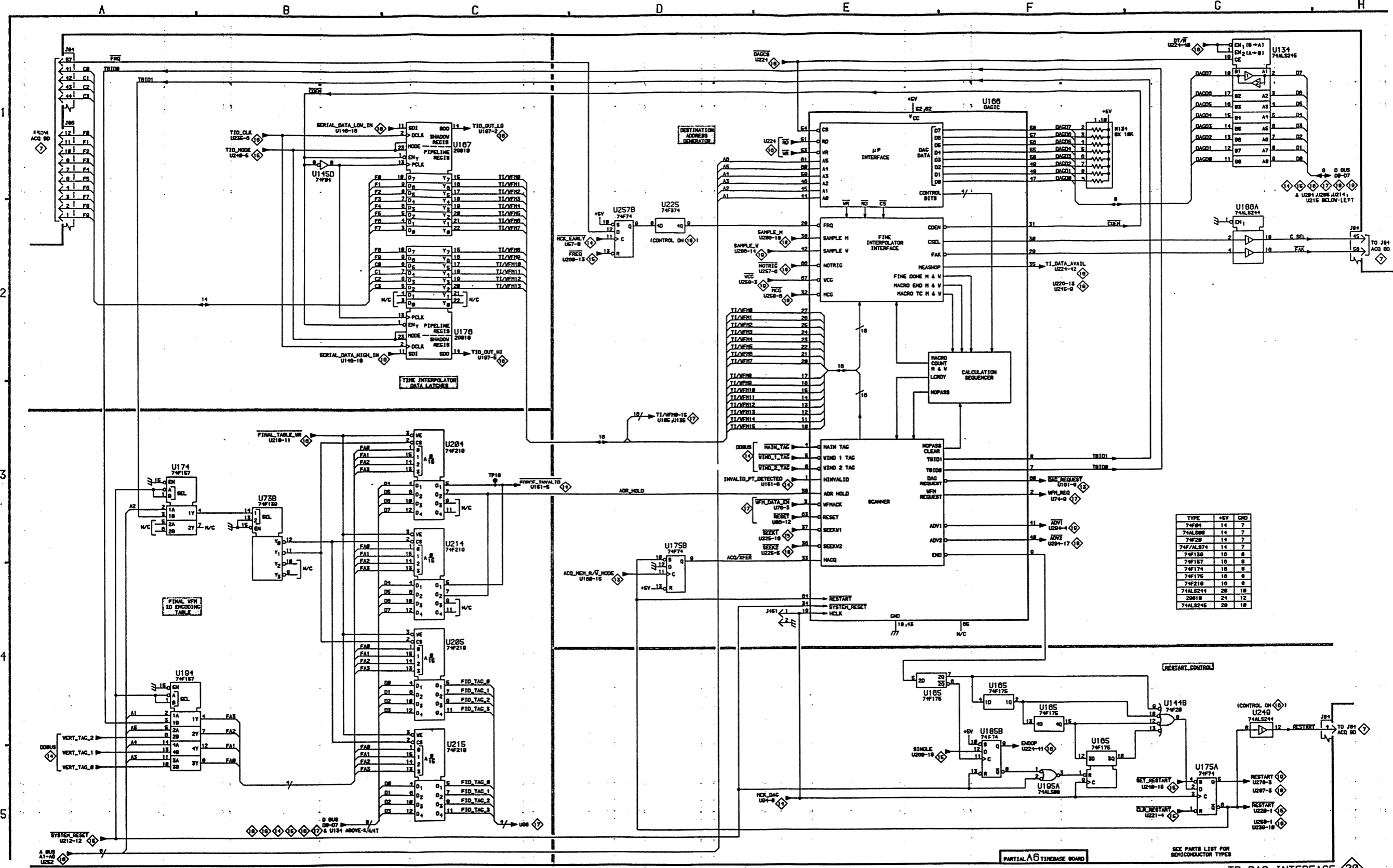
Partial A6 also shown on diagrams 15, 16, 17, 18 and 19.

 **Static Sensitive Devices**
See Maintenance Section

COMPONENT NUMBER EXAMPLE



Chassis-mounted components have no Assembly Number prefix—see end of Replaceable Electrical Parts List.



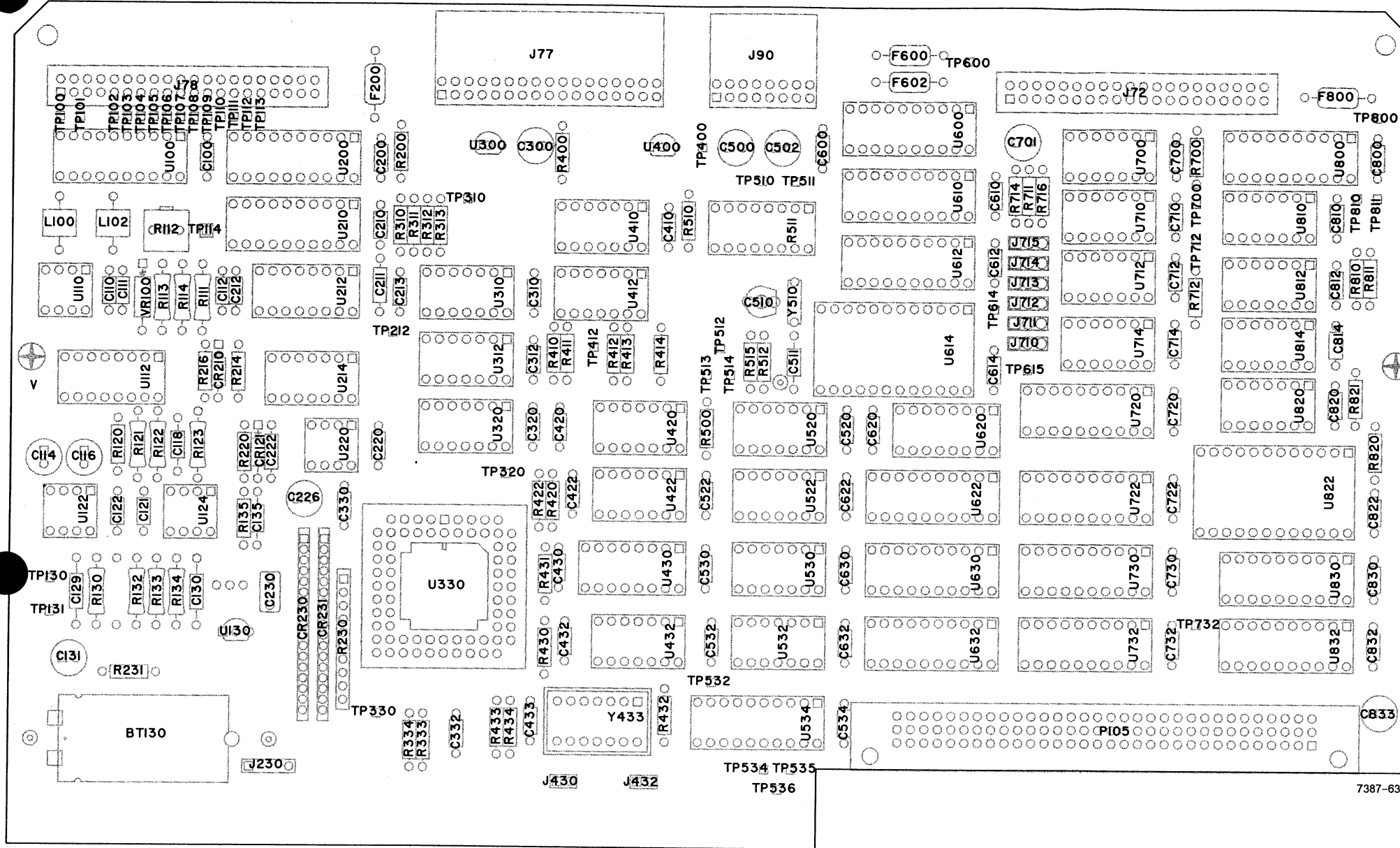
TYPE	+5V	CHD
74F81	14	7
74ALS88	14	7
74F28	14	7
74F/ALS74	14	7
74F156	10	6
74F167	10	6
74F174	10	6
74F176	10	6
74F210	10	6
74ALS244	28	18
20018	24	12
74ALS246	28	18

11401/11402

G2-24

Group 3 Executive

- ◇ 21 *I/O-Internal & Control*
- ◇ 22 *I/O-External & Temp. Tone*
- ◇ 23 *Main Processor-Buffers & Kernel*
- ◇ 24 *Main Processor-Memory, Interrupt & DMA*
- ◇ 25 *Memory-EPROM*
- ◇ 26 *Memory-DRAM*
- ◇ 27 *MMU-I/O Ports & Gate Array*
- ◇ 28 *MMU DRAMs & Data Paths*
- ◇ 29 *Compressor Control & Processor Interface*
- ◇ 30 *Compressor*
- ◇ 31 *Compressor Adder & Display Interface*
- ◇ 32 *Card Cage Interconnect*





26	24	22	20	18	16	14	12	10		
27	25	23	21	19	17	15	13	11	8	9
29	28								6	7
31	30								4	5
33	32								2	3
35	34								68	1
37	36								66	67
39	38								64	65
41	40								62	63
43	42	45	47	49	51	53	55	57	59	61
44	46	48	50	52	54	56	58	60		

Pin Numbering
of
U330
(as Seen from
Bottom of Circuit
Board)

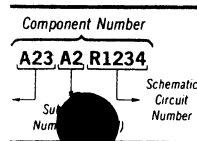
7387-633

Figure 6-12. A14-I/O Circuit Board Assembly

A14-I/O circuit board illustration to be used with diagrams  and 

Static Sensitive Devices
See Maintenance Section

COMPONENT NUMBER EXAMPLE



Components have no Assembly Number
of Replaceable Electrical Parts List

I/O-INTERNAL & CONTROL DIAGRAM

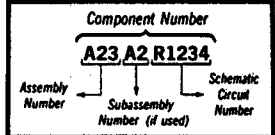


ASSEMBLY A14					
CIRCUIT NUMBER	SCHEM LOCATION	CIRCUIT NUMBER	SCHEM LOCATION	CIRCUIT NUMBER	SCHEM LOCATION
BT00130	2F	R714	5A	U522A	4D
C510	1F	R810	2E	U522B	4D
C511	1F	R811	2E	U530	4D
CR230	3G	R820	1D	U532A	5B
CR231	3G	R821	2A	U532D	2B
J77	3G	TP101	5B	U534A	4B
J90	2G	TP212	2E	U614	3F
J230	2E	TP310	4F	U620	2B
J430	1C	TP320	2F	U622	30
J432	1D	TP330	1F	U630	4D
P105	1A	TP412	5E	U632	3B
R230	1G	TP512	4E	U710A	5A
R230	2F	TP513	4E	U710B	5B
R230	2G	TP532	2B	U712A	2D
R230	3F	TP534	4B	U712B	2D
R231	2E	TP534	4B	U712C	2D
R333	2G	TP535	4B	U712D	2D
R334	1C	TP536	2D	U714A	2D
R400	4G	TP614	2E	U714B	2B
R410	3G	TP615	2C	U714C	2D
R411	3G	TP732	1B	U714D	2D
R412	3A	U310A	2E	U720	2C
R413	2F	U310B	2F	U722	4B
R414	4C	U310C	2E	U730	3C
R420	3D	U312A	4G	U732	4B
R430	5D	U312B	4G	U810B	5B
R431	5D	U320A	4G	U810C	5A
R432	1C	U320C	2F	U810F	3E
R433	1D	U320D	3G	U812A	2E
R434	1C	U320E	2G	U812B	1E
R500	4D	U320F	2G	U814A	2C
R510	2G	U330	1G	U814B	2B
R511	2G	U420A	2E	U814C	2D
R511	3G	U420B	3E	U814D	2C
R511	3G	U420C	3E	U814E	2C
R511	3G	U420D	3A	U814F	2D
R512	1F	U420E	4C	U820C	3D
R515	2E	U422	3D	U820D	3E
R712	2A	U430	5D	U822	1D
		U432A	1D	U830	2C
		U432B	1D	U832	2B
		U520A	3D	Y433	1C
		U520B	2B	Y510	1F

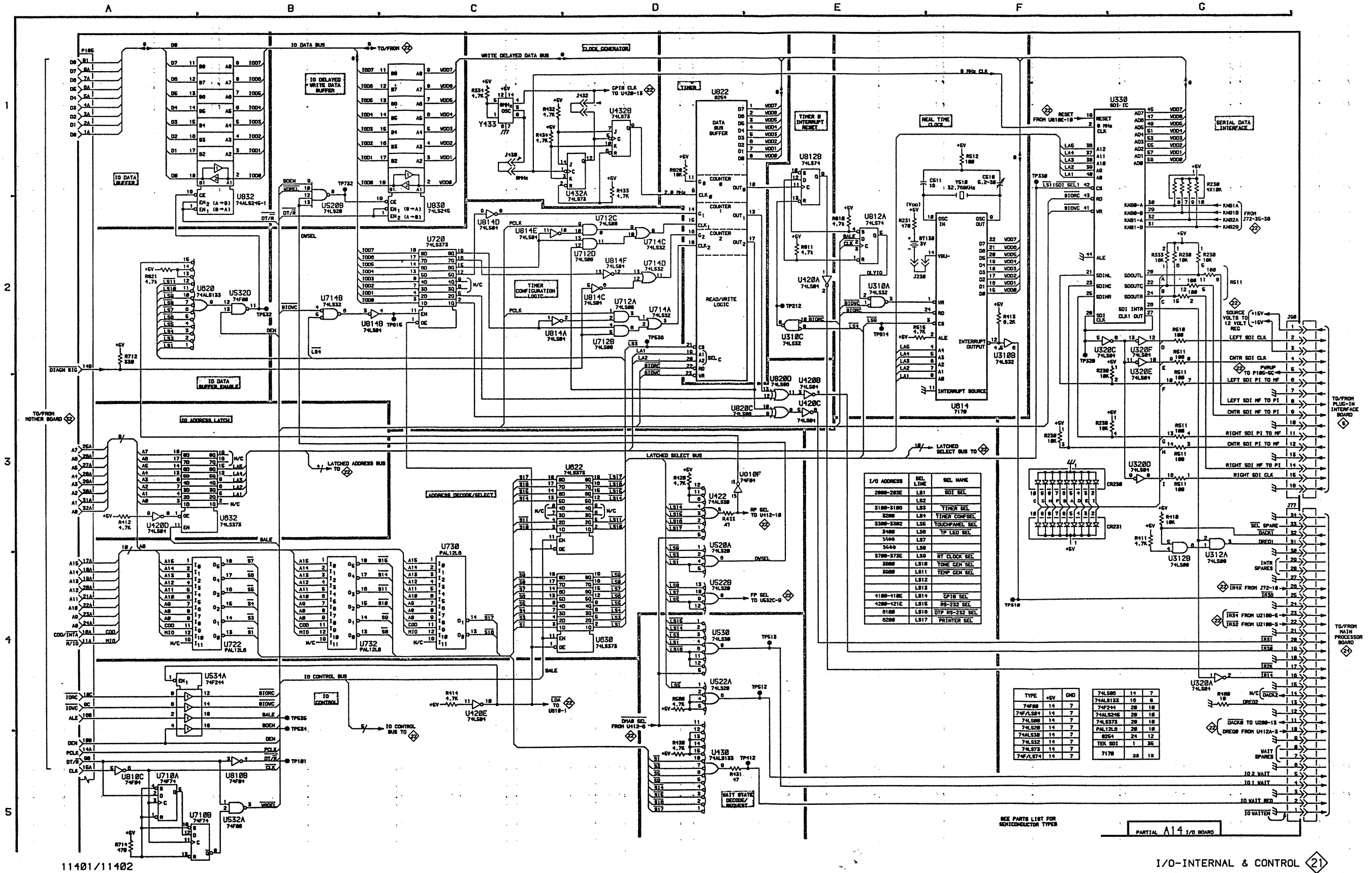
Partial A14 also shown on diagram 22.

Static Sensitive Devices
See Maintenance Section

COMPONENT NUMBER EXAMPLE



Chassis-mounted components have no Assembly Number prefix—see end of Replaceable Electrical Parts List.



11401/11402

I/O-INTERNAL & CONTROL 21

I/O-EXTERNAL & TEMP, TONE DIAGRAM

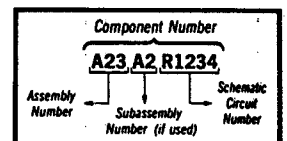
22

ASSEMBLY A14					
CIRCUIT NUMBER	SCHEM LOCATION	CIRCUIT NUMBER	SCHEM LOCATION	CIRCUIT NUMBER	SCHEM LOCATION
C100	2A	C814	2A	TP106	2F
C110	2C	C820	2A	TP107	2G
C111	2C	C822	2A	TP108	2G
C112	3C	C830	2A	TP109	2G
C114	1C	C832	2A	TP110	2G
C116	2C	C833	2A	TP111	2G
C118	2B			TP112	2G
C120	2A	CR121	5E	TP113	2G
C121	2D	CR210	4D	TP114	2C
C122	2C			TP130	5A
C129	5C	F200	3G	TP131	5A
C130	5A	F600	1B	TP510	4B
C131	2A	F602	2B	TP511	4B
C135	5A	F800	5G	TP514	4F
C200	2A			TP600	4G
C210	2A	J72	3G	TP700	4G
C211	4C	J78	1G	TP800	5G
C212	3C	J710	4B	TP810	4G
C213	4C	J711	4B	TP811	4G
C220	4E	J712	4B		
C222	4D	J713	5B	U100	1E
C226	4E	J714	5B	U110A	2B
C230	4D	J715	5B	U110	2C
C300	1C			U112	4D
C310	2A	L100	1C	U122	2D
C312	2A	L102	2C	U122	5B
C320	2A			U124	2C
C330	2A	P105	2A	U124	5A
C332	2A	P105	3G	U130	5A
C410	2A			U200	1F
C420	2A	R110	5A	U210A	3F
C422	2A	R111	4C	U210B	3G
C430	2A	R112	2B	U212	3C
C432	2A	R113	2B	U214	3D
C433	2A	R114	4C	U220	4E
C500	1C	R120	5B	U300	1B
C502	1B	R121	2B	U312C	5B
C520	2A	R122	2B	U400	2B
C522	2A	R123	2B	U410A	4B
C530	2A	R130	5C	U410B	4B
C532	2A	R131	5A	U410C	5B
C534	2A	R132	5A	U410D	5F
C600	2A	R133	5A	U412A	2G
C610	2A	R134	5A	U412B	2F
C612	2A	R135	5A	U412C	1D
C614	2A	R200	4E	U412D	4B
C620	2A	R214	3D	U420F	1G
C622	2A	R216	5D	U532B	1D
C630	2A	R220	2F	U532C	4F
C632	2A	R310	3F	U600	4F
C700	2A	R311	3F	U610	3B
C701	2B	R312	3F	U612	4C
C710	2A	R313	3F	U700A	5B
C712	2A	R700	5B	U700B	5F
C714	2A	R711	5F	U800	4F
C720	2A	R716	4B	U810A	3F
C722	2A			U810E	4F
C730	2A	TP100	1F	U820B	2F
C732	2A	TP102	1G		
C800	2A	TP103	1G	VR100	2B
C810	2A	TP104	1D		
C812	2A	TP105	2F		

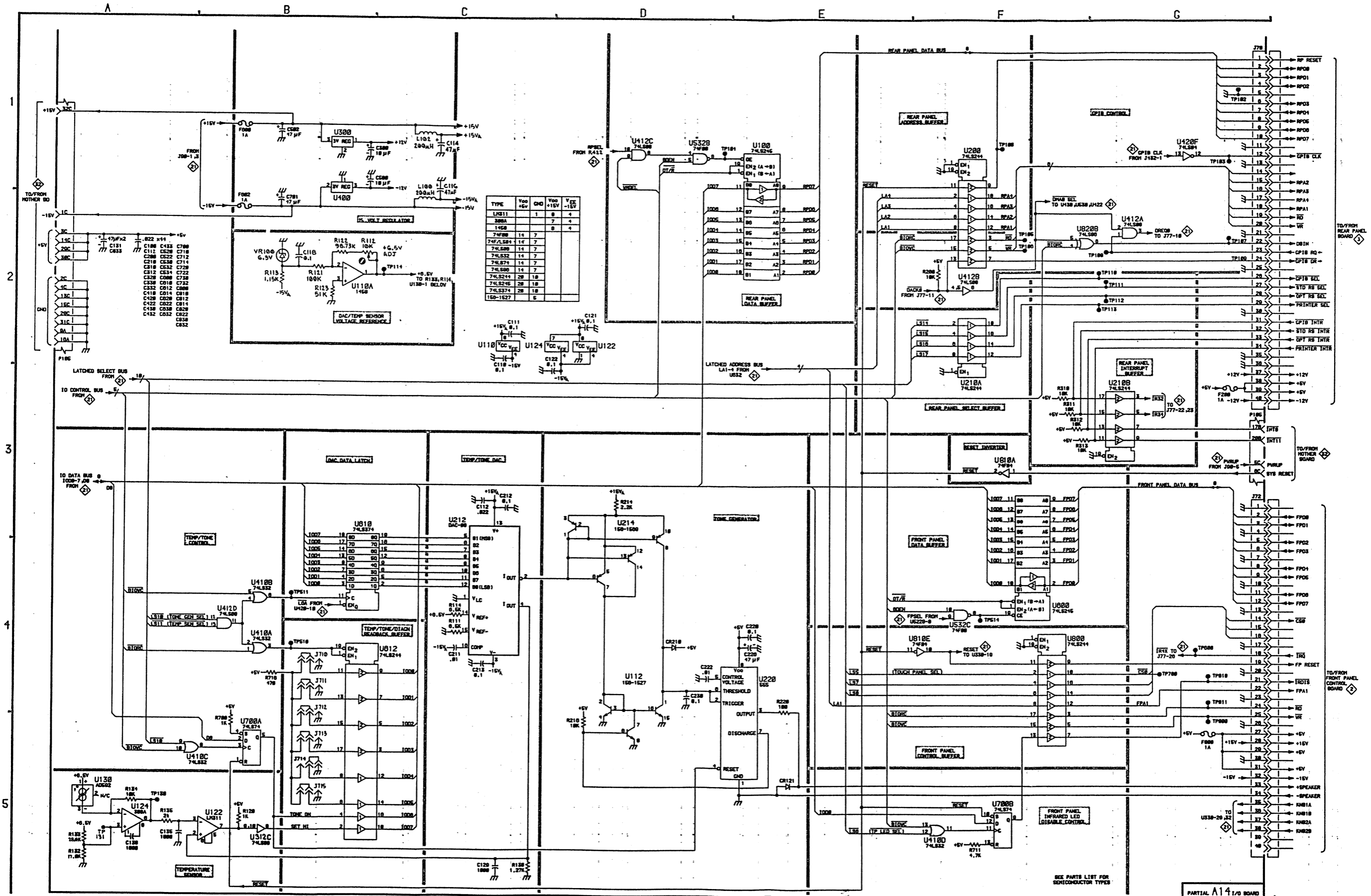
Partial A14 also shown on diagram 21.

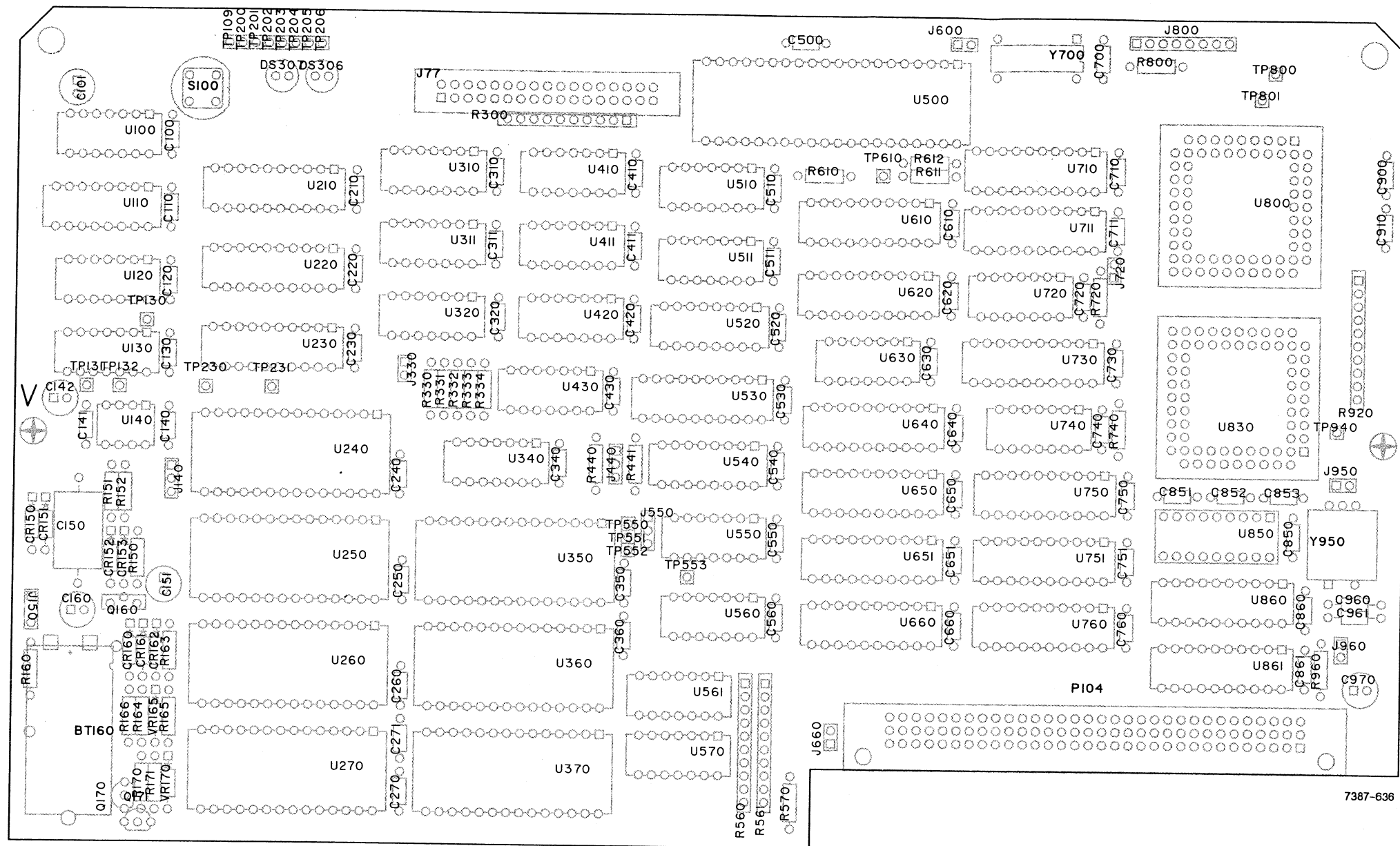
Static Sensitive Devices
See Maintenance Section .

COMPONENT NUMBER EXAMPLE



Chassis-mounted components have no Assembly Number prefix—see end of Replaceable Electrical Parts List.





	52	54	56	58	60	62	64	66	68	
51	53	55	57	59	61	63	65	67	2	1
49	50								4	3
47	48								6	5
45	46								8	7
43	44								10	9
41	42								12	11
39	40								14	13
37	38								16	15
35	36	33	31	29	27	25	23	21	19	17
34	32	30	28	26	24	22	20	18		

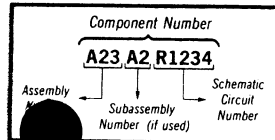
Pin Numbering of U800 and U830 (as Seen from Bottom of Circuit Board)

Figure 6-13. A17-Main Processor Circuit Board Assembly

A17-Main Processor circuit board illustration to be used with diagrams 23 and 24

Static Sensitive Devices See Maintenance Section

COMPONENT NUMBER EXAMPLE



Chassis-mounted components have no Assembly Number prefix—see end of Replaceable Electrical Parts List

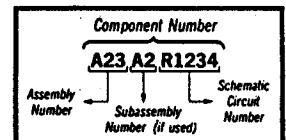
MAIN PROCESSOR-BUFFERS & KERNEL DIAGRAM

ASSEMBLY A17					
CIRCUIT NUMBER	SCHEM LOCATION	CIRCUIT NUMBER	SCHEM LOCATION	CIRCUIT NUMBER	SCHEM LOCATION
C100	3A	C711	4A	R920	3B
C101	3A	C720	4A	R920	3C
C110	3A	C730	4A	R920	5B
C120	3A	C740	4A	R960	1F
C130	3A	C750	4A		
C140	1A	C751	4A	TP130	5D
C141	3A	C760	4A	TP610	5A
C142	1A	C850	4A	TP940	1A
C210	3A	C851	2C		
C220	4A	C852	3A	U130A	5D
C230	4A	C853	3A	U130B	5D
C240	4A	C860	4A	U140	1A
C250	4A	C861	4A	U310E	4E
C271	4A	C900	3A	U430A	5E
C310	4A	C910	3A	U430B	3F
C311	4A	C960	1A	U430F	4D
C320	4A	C961	1A	U500	4B
C340	4A	C970	3A	U520	4D
C350	3A			U530A	5E
C360	3A	J440	4E	U530B	1E
C410	3A	J550	1D	U540	4E
C411	3A	J600	4A	U550A	1D
C420	3A	J660	2A	U550E	2A
C430	3A	J800	3F	U630A	3E
C500	3A	J950	1B	U630B	3E
C510	4A	J960	2F	U650	3G
C511	4A			U651	4G
C520	4A	P104	1H	U660	5G
C530	4A	P104	4A	U710	3E
C540	4A			U711	2E
C550	4A	R151	1A	U740	2F
C560	4A	R152	1A	U750	2B
C610	4A	R440	1D	U751	4F
C620	4A	R441	4E	U760	4F
C630	3A	R570	2A	U830	1C
C640	3A	R611	1B	U850	1B
C650	3A	R612	4B	U860	1G
C651	3A	R740	2F	U861	2G
C660	3A	R800	3F		
C700	3A	R920	1B	Y700	4A
C710	4A	R920	2B	Y950	1B

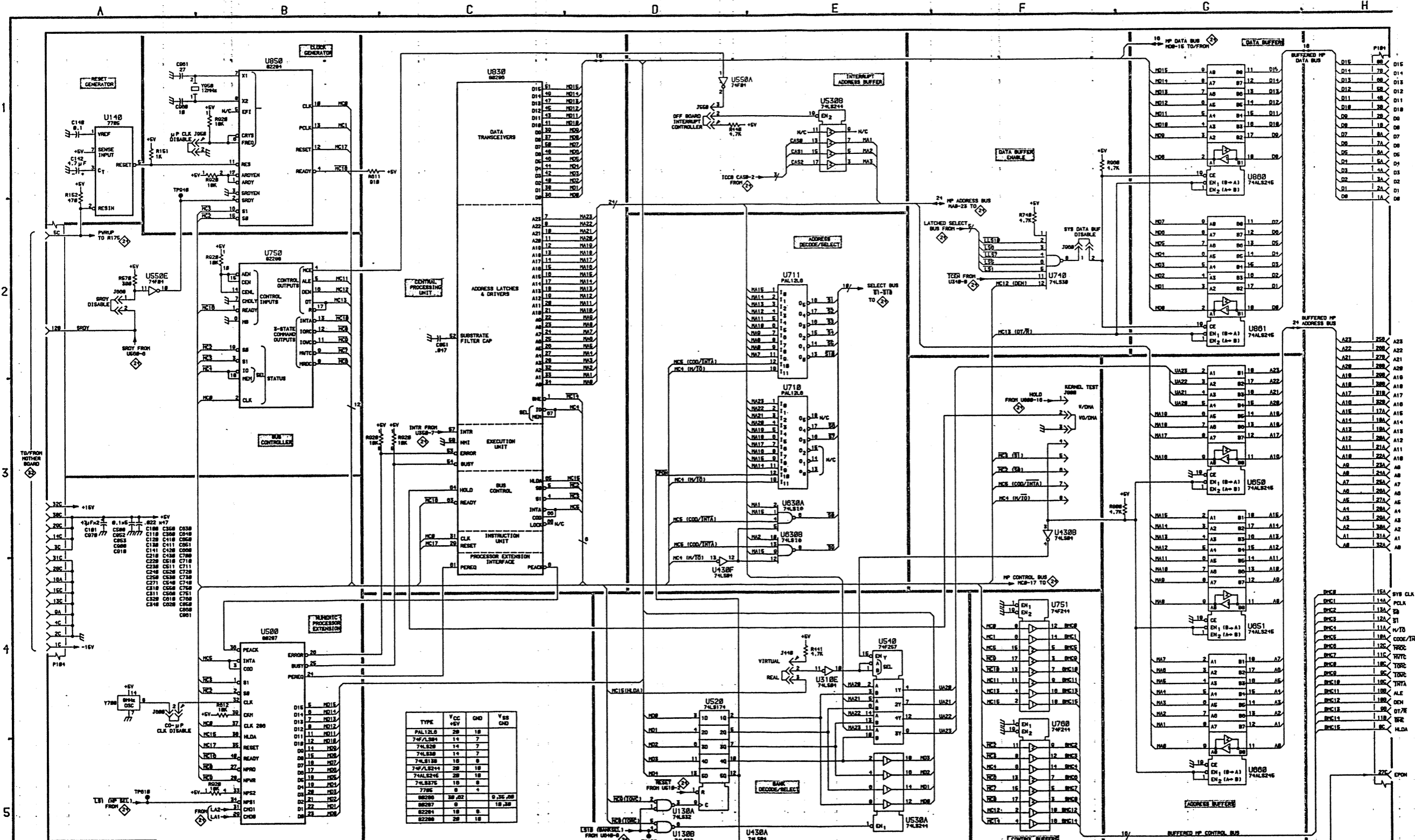
Partial A17 also shown on diagram 24.

Static Sensitive Devices
See Maintenance Section

COMPONENT NUMBER EXAMPLE



Chassis-mounted components have no Assembly Number prefix—see end of Replaceable Electrical Parts List.



TYPE	VCC	GND	VSS
PAL12L8	20	18	
74ALS24	14	7	
74LS28	14	7	
74LS125	18	8	
74ALS24	20	18	
74LS27E	18	8	
7785	8	4	
86290	30	22	0, 35, 50
86287	8	18	30
62291	18	8	
62288	20	18	

SEE PARTS LIST FOR SEMICONDUCTOR TYPES

11401/11402

MAIN PROCESSOR-BUFFERS & KERNEL

MAIN PROCESSOR-MEMORY INTERRUPT & DMA DIAGRAM

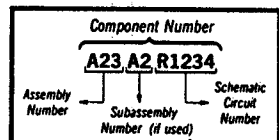
24

ASSEMBLY A14					
CIRCUIT NUMBER	SCHEM LOCATION	CIRCUIT NUMBER	SCHEM LOCATION	CIRCUIT NUMBER	SCHEM LOCATION
BT160	1E	R560	4D	U310	2A
		R560	5D	U311A	4B
C150	1E	R561	4D	U311B	5B
C151	2E	R561	5D	U311C	5A
C160	1E	R610	1D	U311D	5C
C260	1E	R720	4B	U320A	5B
C270	1E	R920	2B	U320B	5B
		R980	1E	U320C	5B
CR150	1E			U340A	3D
CR151	1E	TP109	4D	U340B	5H
CR152	1D	TP131	4D	U350	4G
CR153	1D	TP132	4B	U360	4F
CR160	1E	TP200	4E	U370	4E
CR161	2E	TP201	4E	U410	1A
CR162	2E	TP202	4E	U411A	4C
		TP203	4E	U411B	4C
DS306	4E	TP204	4E	U420	4C
DS307	4D	TP205	4E	U430D	4B
		TP206	4D	U430E	5B
J77	1A	TP230	3F	U510A	4D
J140	1F	TP231	3F	U510B	3G
J150	1E	TP550	3G	U510C	2E
J330	3G	TP551	3F	U510D	2E
J720	4B	TP552	4E	U510E	4C
		TP553	4C	U510F	1D
P104	3A	TP800	2B	U511	4B
		TP801	3B	U550B	4C
				U550C	3D
Q170	1E	U100A	3G	U550F	5D
Q171	1E	U100B	3G	U560A	4A
Q160	1E	U100C	3G	U560B	4A
		U110A	2E	U560C	4C
R150	1D	U110B	4C	U560D	4A
R160	1E	U120A	2E	U560F	4B
R163	2E	U120B	4C	U561	5D
R164	1E	U120B	4C	U570	5D
R165	1E	U130C	4D	U610	2D
R166	2E	U130D	4C	U620	1D
R170	2E	U210	4D	U640	3D
R171	1E	U220	1H	U720	4B
R300	1A	U230	2H	U730	3D
R330	1G	U240	1G	U800	1B
R331	4B	U250	2G		
R332	4C	U260	1F		
R333	4A	U270	2F	VR165	1E
R334	5C	U310F	2E	VR170	2E

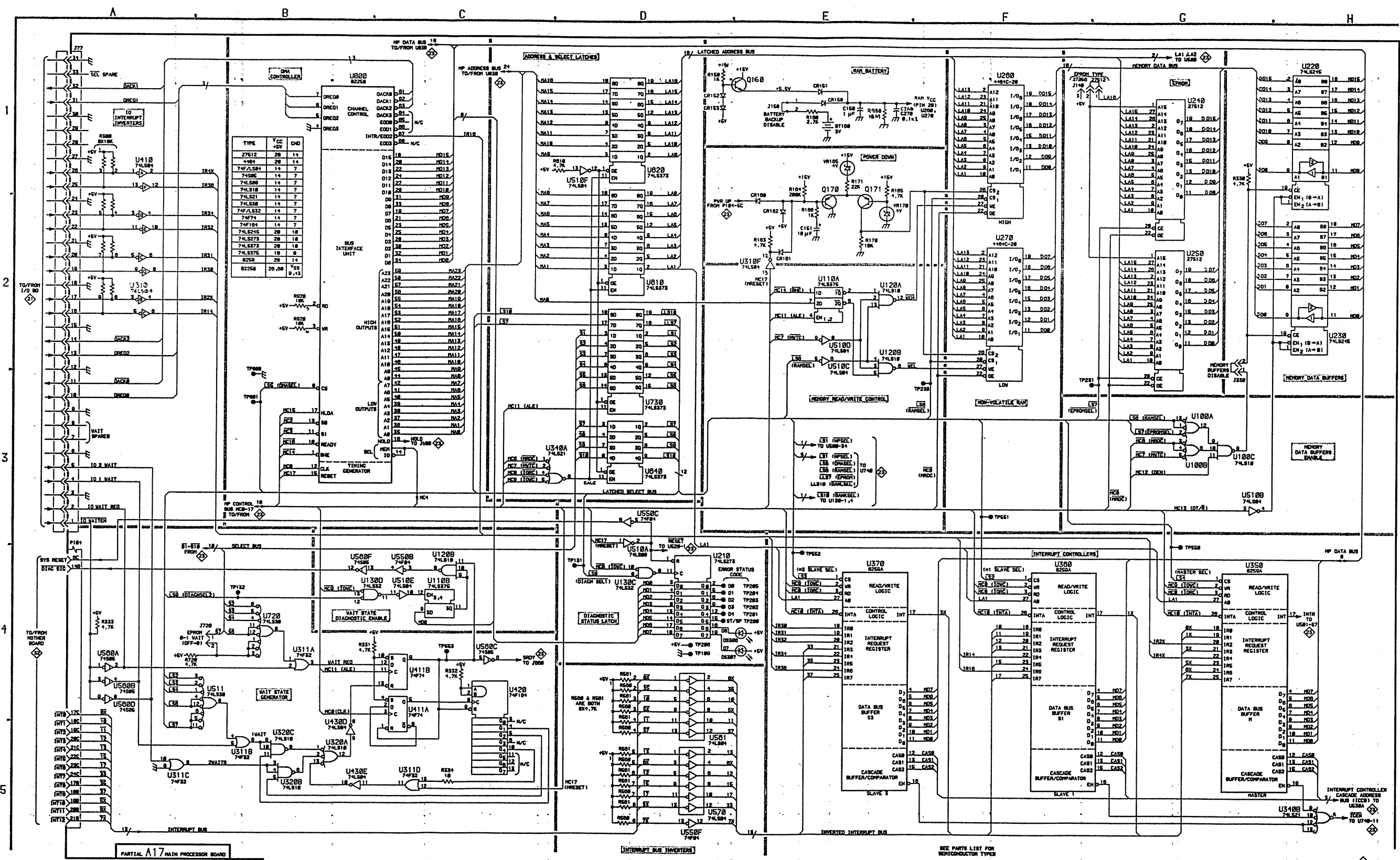
Partial A17 also shown on diagram 23.

Static Sensitive Devices
See Maintenance Section

COMPONENT NUMBER EXAMPLE



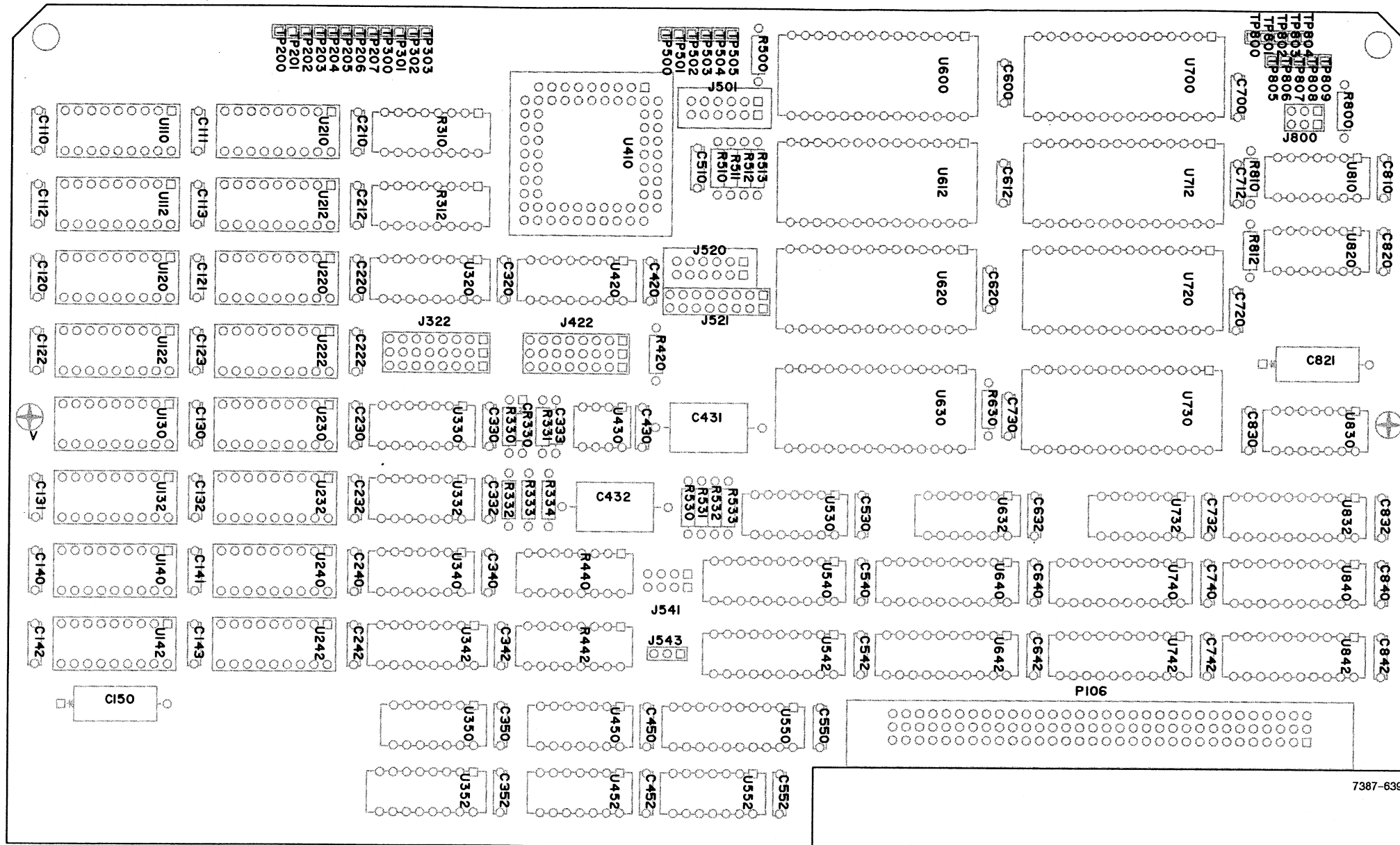
Chassis-mounted components have no Assembly Number prefix—see end of Replaceable Electrical Parts List.



11401/11402

24 Main Processor Mem, Intrl & DMA Reverse Side A18

G-3-7



52	54	56	58	60	62	64	66	68		
51	53	55	57	59	61	63	65	67	2	1
49	50								4	3
47	48								6	5
45	46								8	7
43	44								10	9
41	42								12	11
39	40								14	13
37	38								16	15
35	36	33	31	29	27	25	23	21	19	17
34	32	30	28	26	24	22	20	18		

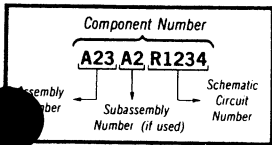
Pin Numbering of U410 (as Seen from Bottom of Circuit Board)

Figure 6-14. A18-Memory Circuit Board Assembly

A18-Memory circuit board illustration to be used with diagrams and

Static Sensitive Devices
See Maintenance Section

COMPONENT NUMBER EXAMPLE



Chassis mounted components have no Assembly Number prefix—see end of Replaceable Electrical Parts List

MEMORY-EPROM DIAGRAM

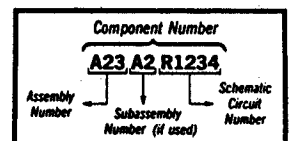
25

ASSEMBLY A18					
CIRCUIT NUMBER	SCHEM LOCATION	CIRCUIT NUMBER	SCHEM LOCATION	CIRCUIT NUMBER	SCHEM LOCATION
C110	5B	C712	5B	U350A	1B
C111	5B	C720	5B	U350B	1B
C112	5B	C730	5B	U352A	1B
C113	5B	C732	5B	U352B	1D
C120	5B	C740	5B	U450A	1D
C121	5B	C742	5B	U450B	1D
C122	5B	C810	5B	U450C	1B
C123	5B	C820	5B	U450D	2B
C130	5B	C821	4A	U452A	1E
C131	5B	C830	5B	U452B	1E
C132	5B	C832	5B	U452C	1E
C140	5B	C840	5B	U530A	2F
C141	5B	C842	5B	U530B	3C
C142	5B			U530C	3C
C143	5B	J541	5D	U530D	4A
C150	4A	J543	2D	U540	3D
C210	5B	J800	2F	U542	2C
C212	5B			U550A	1A
C220	5B	P106	1A	U550A	1D
C222	5B	P106	1H	U550	3B
C230	5B			U552A	1F
C232	5B	R330	4C	U552B	2F
C240	5B	R532	5C	U552D	1E
C242	5B	R533	4A	U552E	1E
C320	5B	R630	4G	U600	4G
C330	5B	R800	2E	U612	4F
C332	5B	R810	2E	U620	4E
C340	5B	R812	2D	U630	4D
C342	5B			U632A	2D
C350	5B	TP204	1D	U632B	4A
C352	5B	TP206	2F	U640	4D
C420	5B	TP501	4C	U642	3D
C430	5B	TP502	4C	U700	3G
C450	5B	TP503	4C	U712	3F
C452	5B	TP504	3C	U720	3E
C510	5B	TP505	4C	U730	3D
C530	5B	TP801	4B	U732A	2F
C540	5B	TP802	3D	U732B	2F
C542	5B	TP803	3E	U732D	1A
C550	5B	TP804	3F	U732E	1C
C552	5B	TP805	3F	U810	2E
C600	5B	TP806	2D	U820A	2E
C612	5B	TP807	2D	U820B	2D
C620	5B	TP808	1F	U830A	2G
C632	5B	TP809	2G	U830B	2F
C640	5B			U832	1C
C642	5B	U330E	4C	U840	3G
C700	5B	U330F	4B	U842	3G

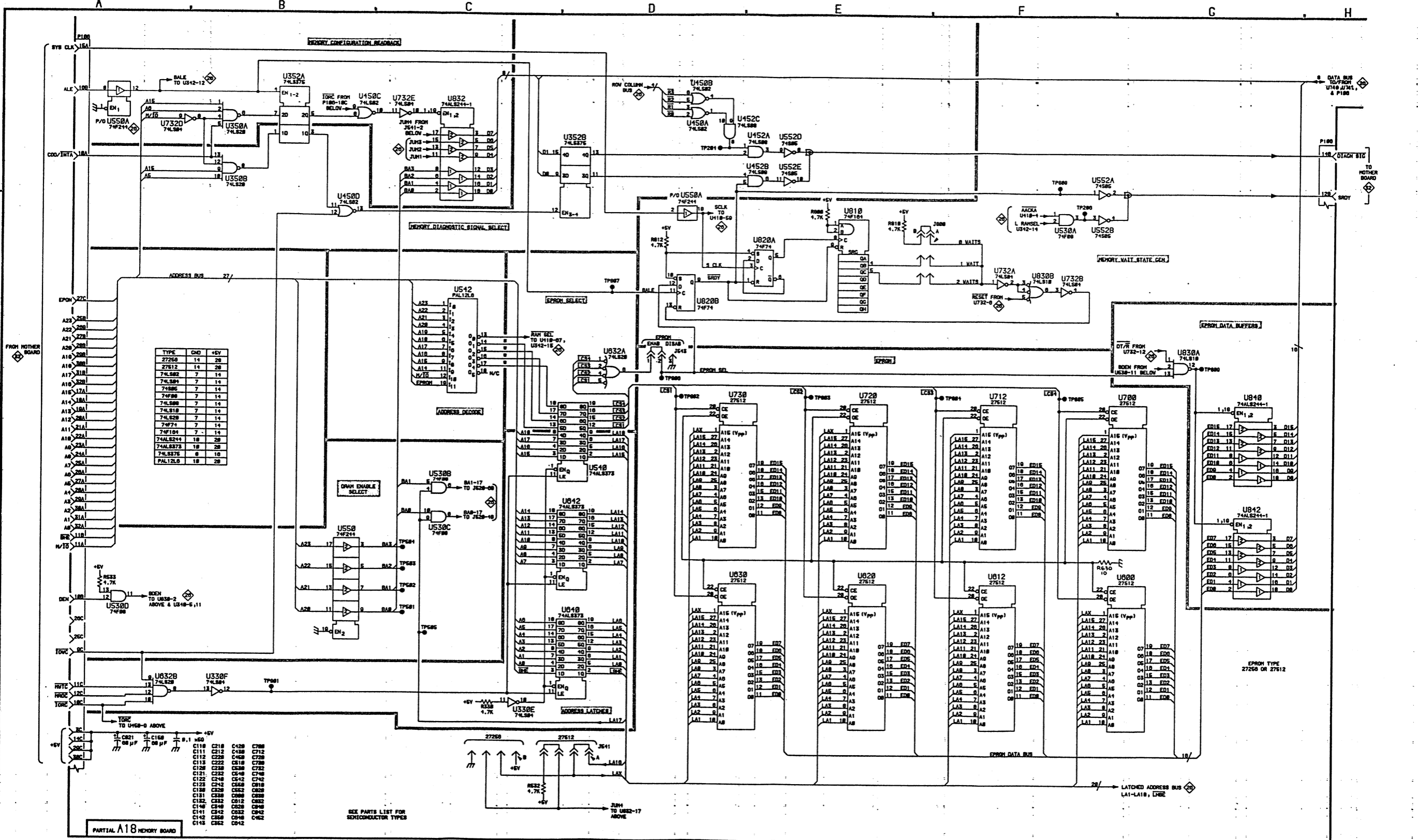
Partial A18 also shown on diagram 26.

 Static Sensitive Devices
See Maintenance Section

COMPONENT NUMBER EXAMPLE



Chassis-mounted components have no Assembly Number prefix—see end of Replaceable Electrical Parts List.



11401/11402

MEMORY-DRAM DIAGRAM

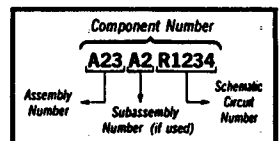


ASSEMBLY A18					
CIRCUIT NUMBER	SCHEM LOCATION	CIRCUIT NUMBER	SCHEM LOCATION	CIRCUIT NUMBER	SCHEM LOCATION
C333	5B	R442	4G	U120	3D
C431	5B	R500	1A	U122	3D
C432	5A	R510	3B	U210	1E
		R511	3B	U212	2E
CR330	5A	R512	1B	U220	3E
		R513	1A	U222	3E
J322	4A	R530	5A	U320	4B
J422	3A	R531	5A	U330B	5B
J501	2A			U330C	5B
J520	1C	TP200	2A	U330D	5C
J521	1A	TP201	5B	U330	4B
		TP202	3A	U332B	4C
P106	2A	TP203	3B	U332C	4C
P106	3G	TP205	4C	U340B	4C
P106	5A	TP207	5C	U340C	4C
		TP300	4C	U342	4C
R310	2C	TP301	4C	U410	2B
R312	2C	TP302	4C	U420	4B
R331	5B	TP303	4C	U430	5B
R332	5A	TP500	2A	U550A	3A
R333	4C	TP800	2A	U732C	5A
R334	4C			U732F	5B
R420	3A	U110	1D	U740	3G
R440	3G	U112	2D	U742	4G

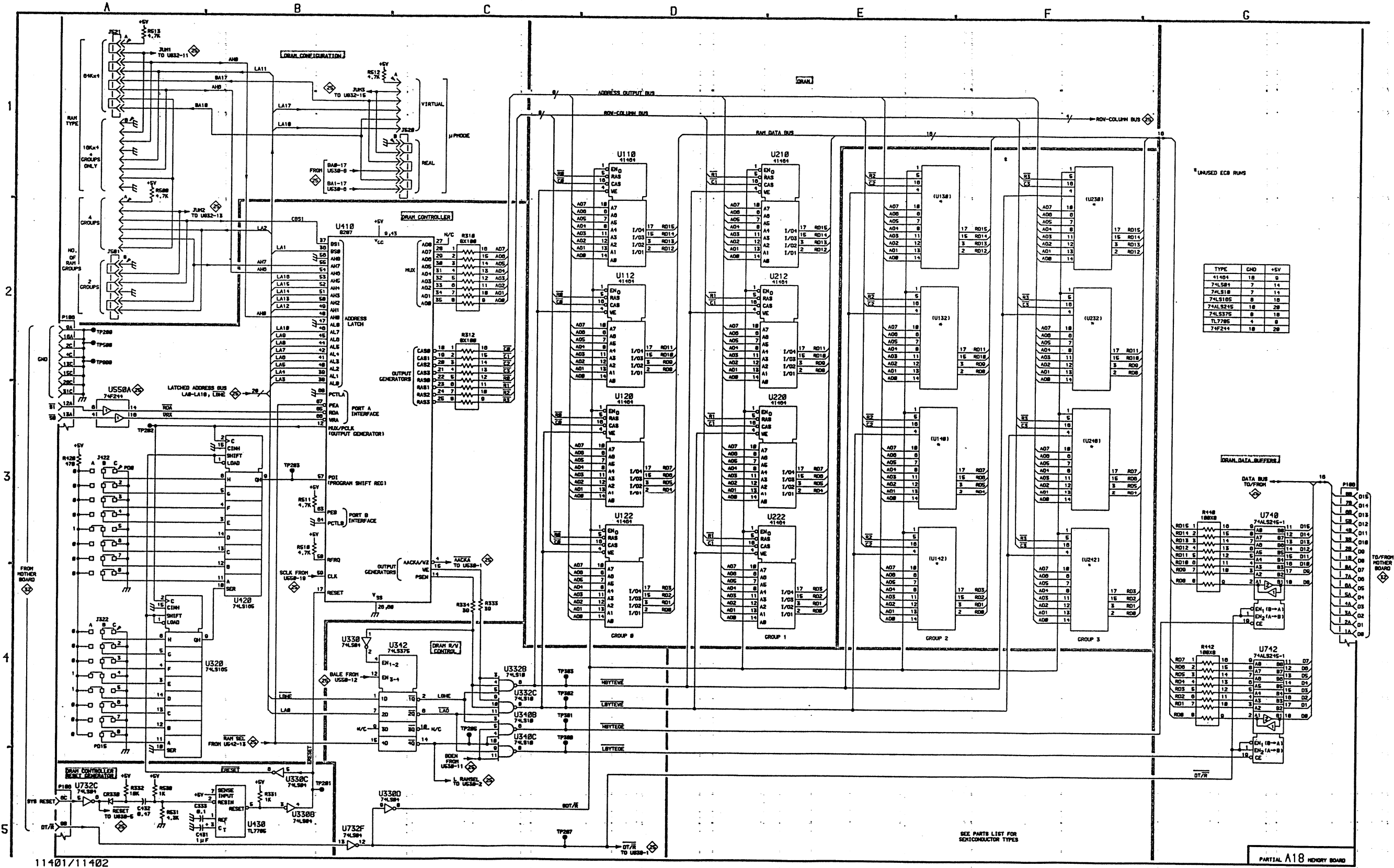
Partial A18 also shown on diagram 25.

Static Sensitive Devices
 See Maintenance Section

COMPONENT NUMBER EXAMPLE



Chassis-mounted components have no Assembly Number prefix—see end of Replaceable Electrical Parts List.

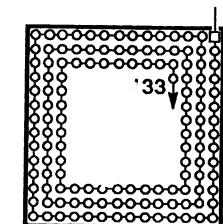
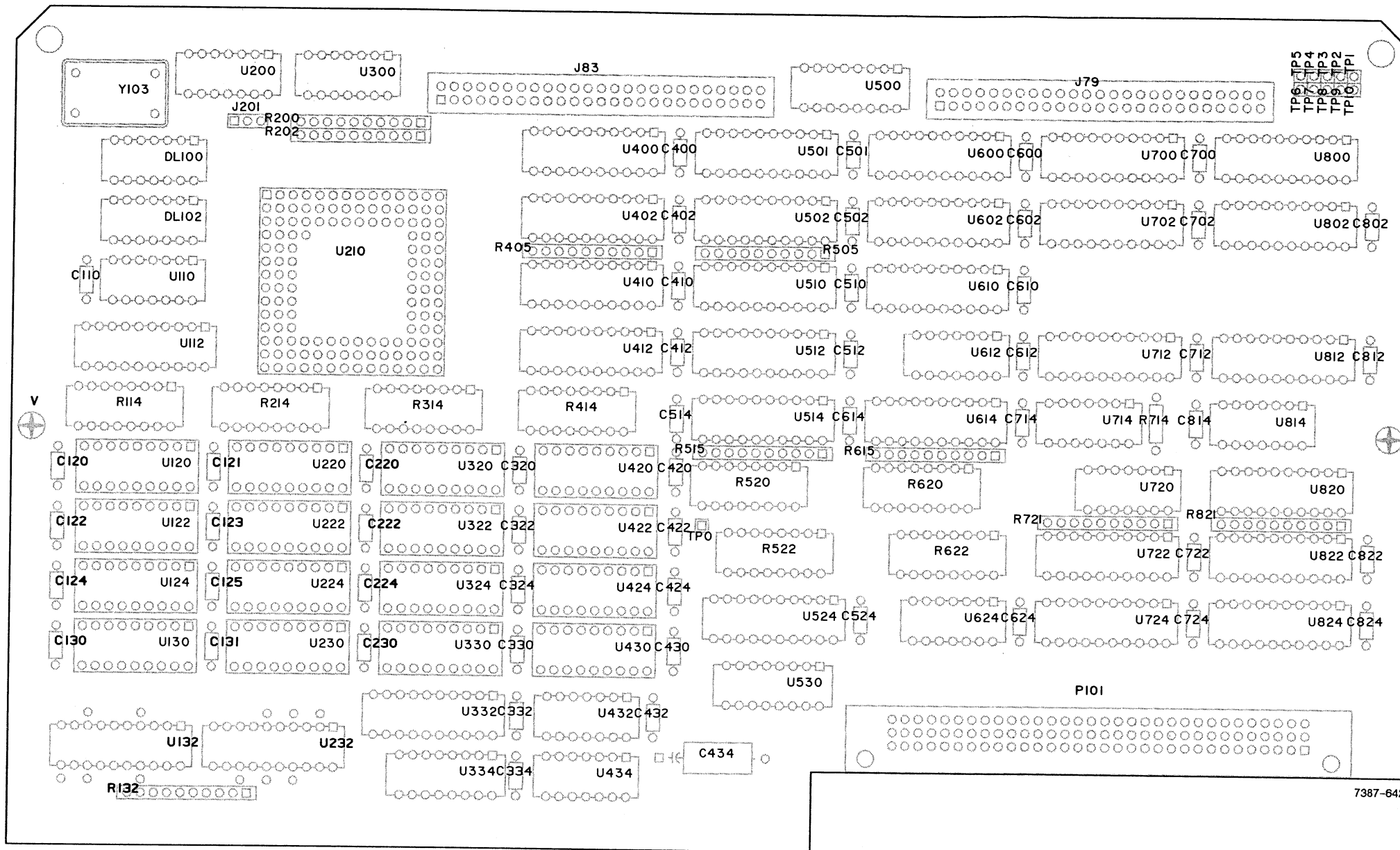


UNUSED ECB RUNS

TYPE	CHD	+5V
41404	10	0
74LS10	7	14
74LS10	7	14
74LS105	8	10
74LS245	10	20
74LS375	8	10
74795	4	0
74F244	10	20

11401/11402

MEMORY BOARD-DRAM



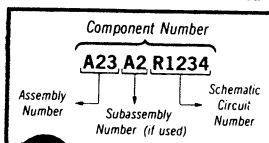
Pin Numbering of U210 (as Seen from Bottom of Circuit Board)

Figure 6-15. A15-MMU Circuit Board Assembly

A15-MMU circuit board illustration to be used with diagrams 27 and 28

Static Sensitive Devices See Maintenance Section

COMPONENT NUMBER EXAMPLE



Check components have no Assembly Number present in the List of Replaceable Electrical Parts List

MMU-I/O PORTS & GATE ARRAY DIAGRAM

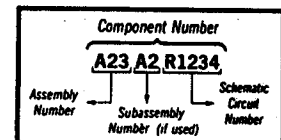
27

ASSEMBLY A15					
CIRCUIT NUMBER	SCHEM LOCATION	CIRCUIT NUMBER	SCHEM LOCATION	CIRCUIT NUMBER	SCHEM LOCATION
C434	3A	R821	1C	U434A	3B
DL100	3G	R821	5D	U434C	3C
DL102	3G			U434C	4D
		TP0	3A	U434D	3C
J79	5D	TP1	1G	U500	2E
J83	1C	TP2	1F	U501B	1D
J201	5F	TP3	1E	U501	1E
		TP4	1F	U501	5E
		TP5	1C	U524	4E
P101	1A	TP6	5E	U530	3D
		TP7	1E	U612A	5C
R114	3F	TP8	5G	U612B	4C
R114	3G	TP9	5F	U624A	4E
R132	3D	TP10	5E	U624B	4E
R1232	4A			U624C	4E
R132	4B	U110A	2G	U624D	1G
R200	1E	U110B	5D	U624E	3E
R200	1F	U110C	3G	U624F	1B
R200	3E	U110D	4E	U714A	5D
R200	4D	U112	2D	U714B	5C
R200	5E	U220C	4E	U720A	3C
R200	5F	U200D	3B	U720B	1C
R202	1G	U210	3F	U722	2B
R202	2E	U232	5A	U724	2B
R202	3E	U300A	4D	U814A	4C
R202	5G	U300B	4D	U814B	5D
R214	3F	U332	4B	U814C	5C
R314	2F	U334	4C	U814D	5D
R414	2F	U400	1G	U822	2B
R414	2G	U400	5F	U824	2B
R615	5D	U432A	4C		
R714	4D	U432B	4C	Y103	4D
R721	1D	U432C	3B		
R721	5C	U432D	4B		

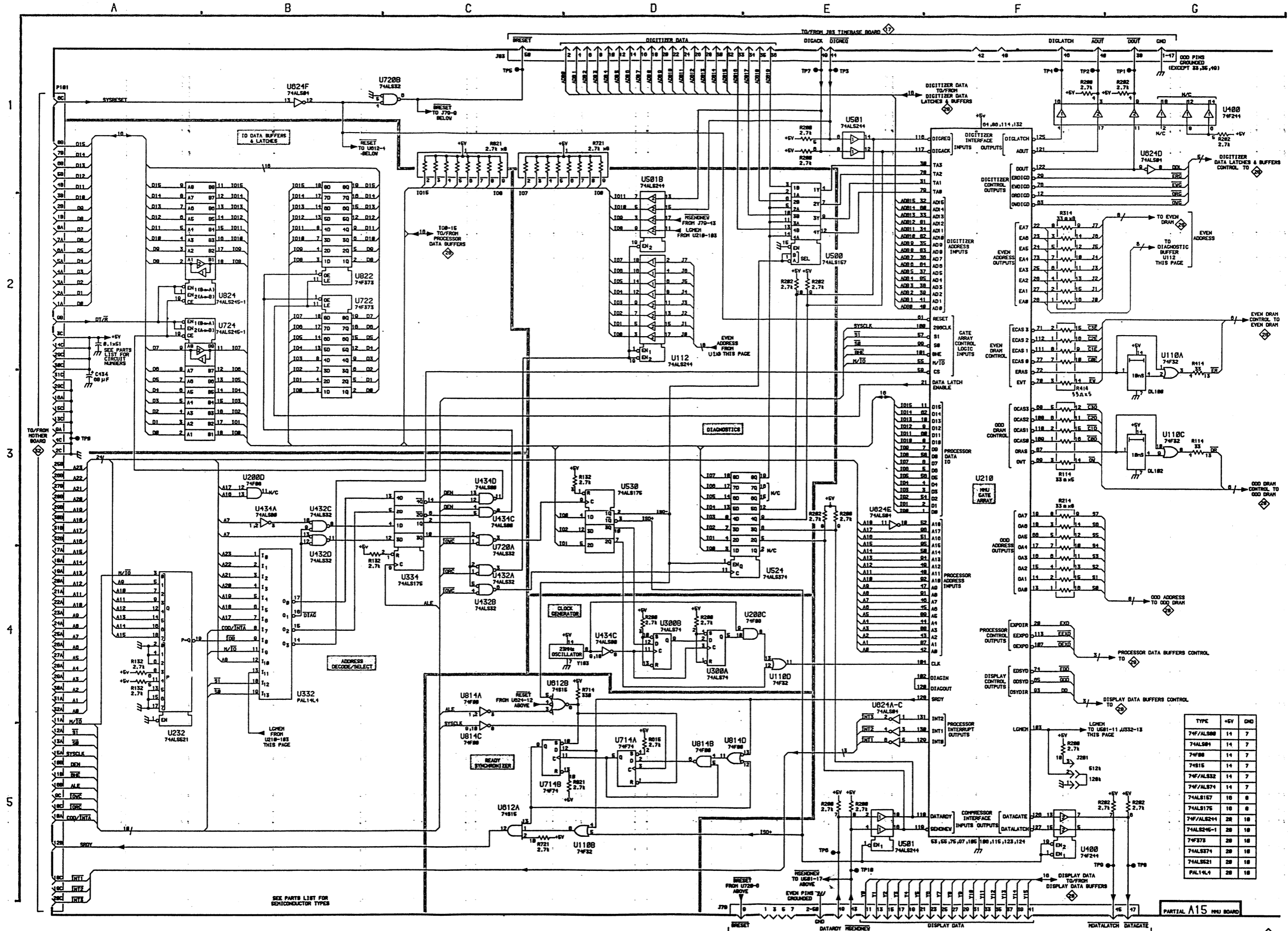
Partial A15 also shown on diagram 28.

Static Sensitive Devices
See Maintenance Section

COMPONENT NUMBER EXAMPLE



Chassis-mounted components have no Assembly Number prefix—see end of Replaceable Electrical Parts List.



G3-12

MMU-DRAMS & DATA PATHS DIAGRAM

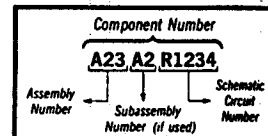
28

ASSEMBLY A15					
CIRCUIT NUMBER	SCHEM LOCATION	CIRCUIT NUMBER	SCHEM LOCATION	CIRCUIT NUMBER	SCHEM LOCATION
R405	5D	U220	3D	U502	4E
R505	5D	U222	3C	U510	4E
R515	1D	U224	3B	U512	2E
R520	1C	U230	3A	U514	1E
R520	1D	U320	2D	U600	4F
R522	4C	U322	2C	U602	2F
R522	4D	U324	2B	U610	1F
R615	1D	U330	2A	U614	2E
R620	1B	U402	3E	U700	3F
R622	4B	U410	3E	U702	2G
		U412	1E	U712	4G
U120	5D	U420	1D	U802	1G
U122	5C	U422	1C	U812	3G
U124	5B	U424	1B		
U130	5A	U430	1A		

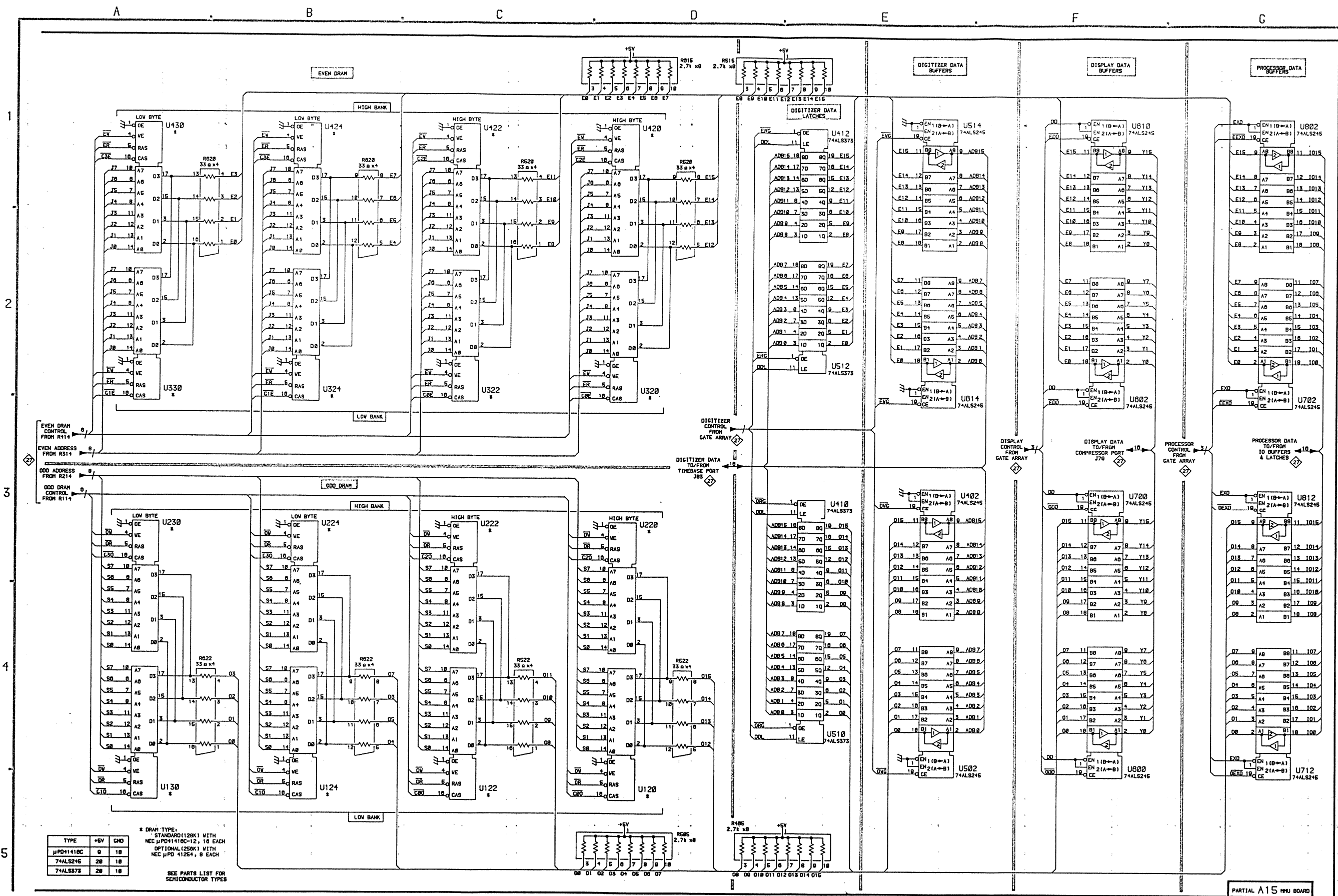
Partial A15 also shown on diagram 27.

Static Sensitive Devices
See Maintenance Section

COMPONENT NUMBER EXAMPLE



Chassis-mounted components have no Assembly Number prefix—see end of Replaceable Electrical Parts List.



TYPE	+5V	GND
μPD41410C	0	18
74ALS245	28	18
74ALS373	20	18

* DRAM TYPE: STANDARD (128K) WITH NEC μPD4110C-12, 10 EACH
 OPTIONAL (256K) WITH NEC μPD 41264, 8 EACH

SEE PARTS LIST FOR SEMICONDUCTOR TYPES

PARTIAL A15 MPU BOARD

28 MMU DRAMS & Data Paths
 Reverse Side A16

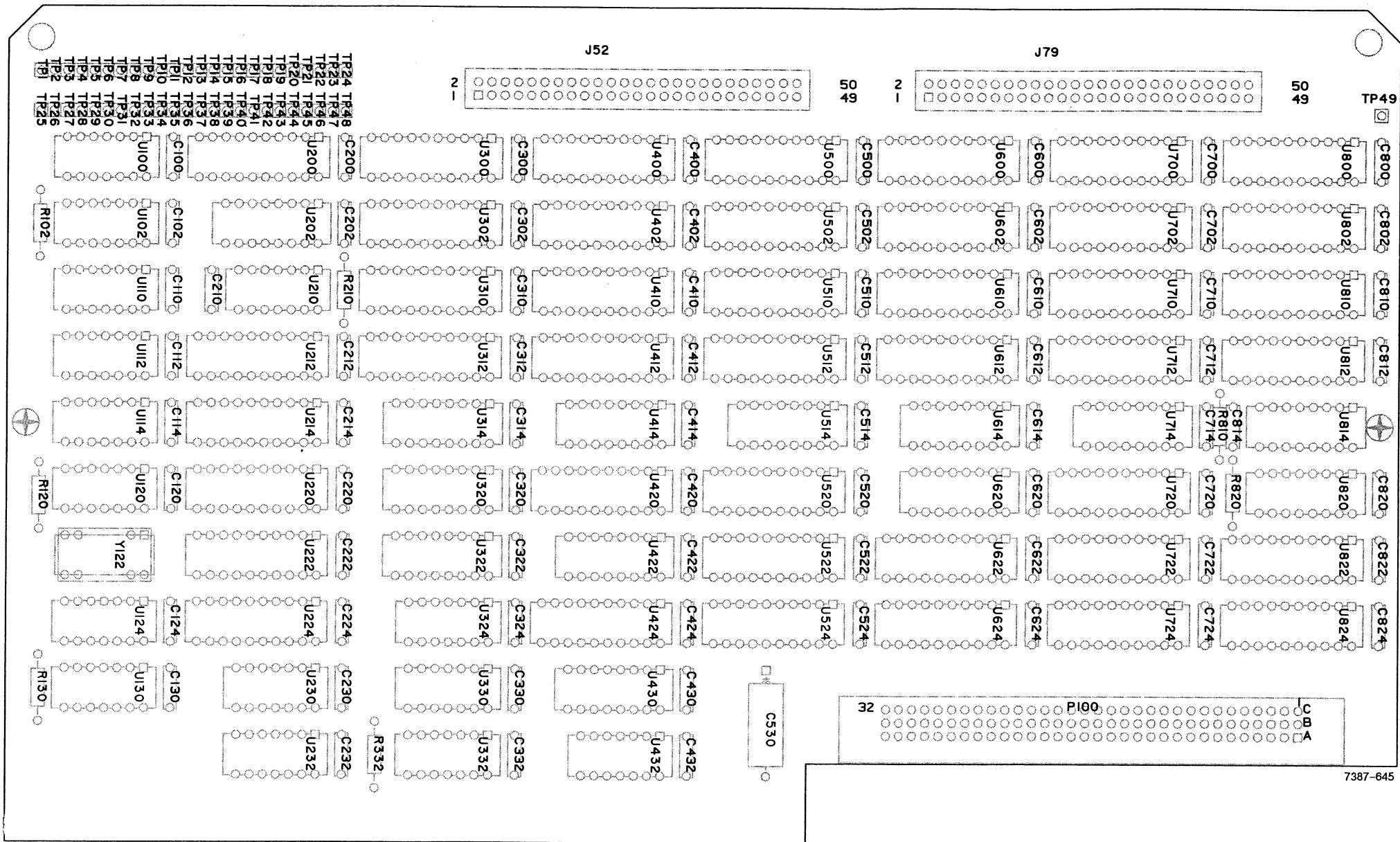
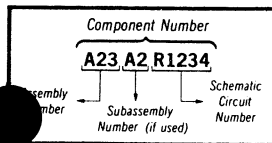


Figure 6-16. A16-Compressor Circuit Board Assembly

A16-Compressor circuit board illustration to be used with diagrams 29 30 and 31

Static Sensitive Devices
See Maintenance Section

COMPONENT NUMBER EXAMPLE



Chassis-mounted components have no Assembly Number prefix—see end of Replaceable Electrical Parts List

COMPRESSOR CONTROL & PROCESSOR INTERFACE DIAGRAM

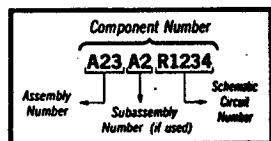
29

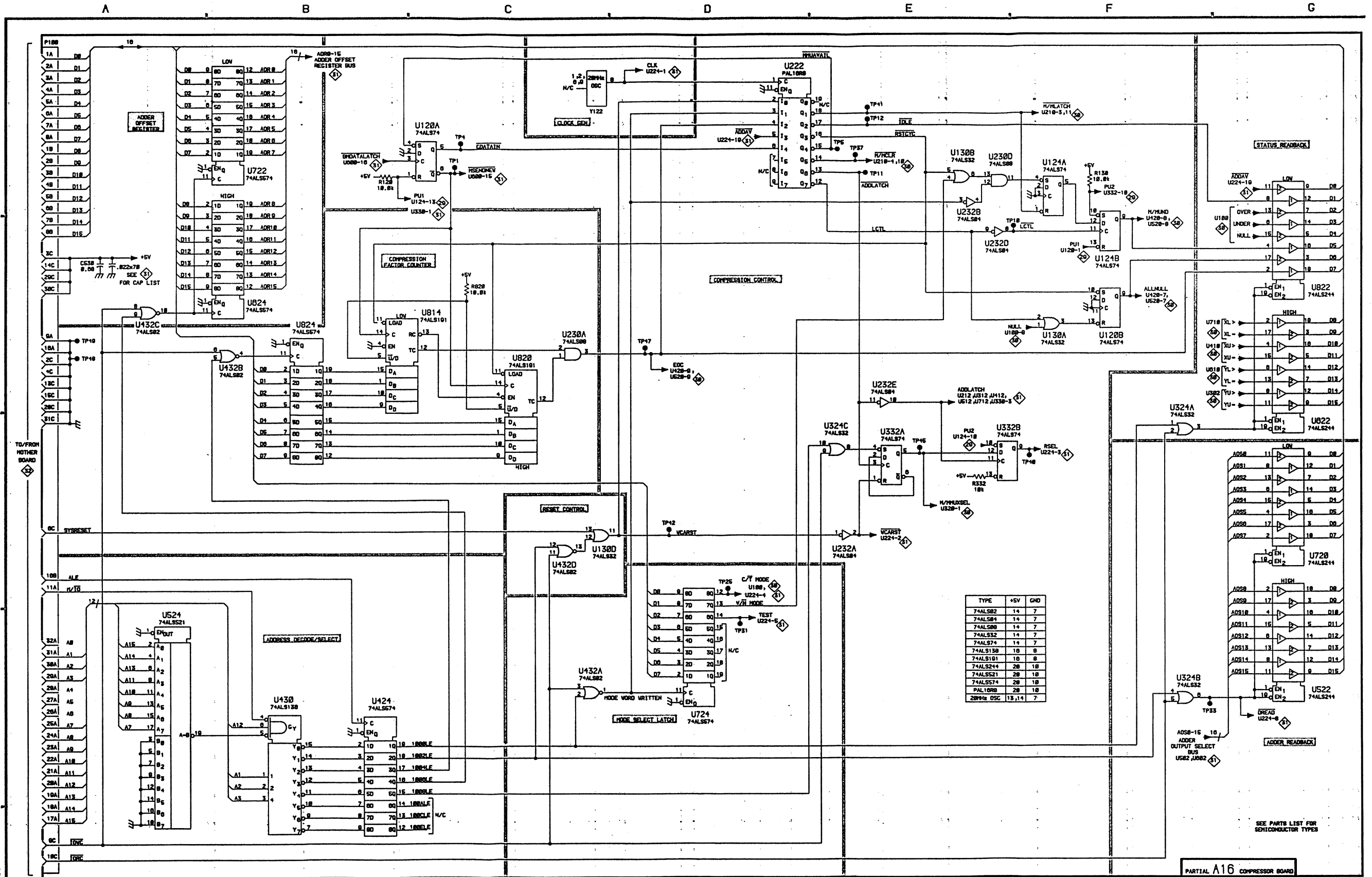
ASSEMBLY A16					
CIRCUIT NUMBER	SCHEM LOCATION	CIRCUIT NUMBER	SCHEM LOCATION	CIRCUIT NUMBER	SCHEM LOCATION
C530	2A	TP45	3E	U332A	3E
P100	1A	TP47	2D	U332B	3F
R120	1B	TP48	2A	U424	4B
R130	1F	TP49	2A	U430	4B
R332	3E			U432A	4C
R820	2C	U120A	1C	U432B	2B
TP1	1C	U120B	2F	U432C	2A
TP4	1C	U124A	1F	U432D	3C
TP5	1E	U124B	2F	U522	4G
TP10	2F	U130A	2F	U524	4A
TP11	1E	U130B	1E	U622	3G
TP12	1E	U130D	3C	U624	2B
TP25	3D	U222	1D	U720	3G
TP31	4D	U230A	2C	U722	1B
TP33	4F	U230D	1E	U724	4D
TP37	1E	U232A	3E	U814	2C
TP40	3F	U232B	1E	U820	2C
TP41	1E	U232D	2E	U822	2G
TP42	3D	U232E	2E	U824	2B
		U324A	2F		
		U324B	4F	Y122	1C
		U324C	3E		

Partial A16 also shown on diagrams 30 and 31.

Static Sensitive Devices
 See Maintenance Section

COMPONENT NUMBER EXAMPLE





TYPE	+5V	GND
74ALS82	14	7
74ALS84	14	7
74ALS88	14	7
74ALS92	14	7
74ALS74	14	7
74ALS138	16	8
74ALS244	20	18
74ALS521	28	18
74ALS574	28	18
74ALS169B	28	18
28V16 OSC	13,14	7

PARTIAL A16 COMPRESSOR BOARD

11401/11402

G3-15

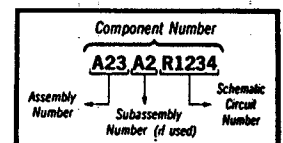
COMPRESSOR DIAGRAM 30

ASSEMBLY A16					
CIRCUIT NUMBER	SCHEM LOCATION	CIRCUIT NUMBER	SCHEM LOCATION	CIRCUIT NUMBER	SCHEM LOCATION
J79	2A	TP26	3E	U220	2F
P79	2A	TP35	3F	U300	2D
		TP36	3F	U302	4C
		TP38	3F	U310	3G
R102	3B	TP39	2F	U312	4G
R210	2F	TP44	4D	U320	3F
R210	3D	TP46	4D	U410	1C
R210	3F			U412	2G
R810	3C	U100A	4E	U420	4F
		U100B	3E	U500	1B
TP3	3E	U100C	3E	U510	2G
TP6	2E	U102C	2B	U512	3G
TP13	2F	U102E	3D	U520	1F
TP14	2F	U110A	3D	U610	4C
TP15	2F	U110B	3E	U612	3G
TP18	3F	U110C	3E	U710	1C
TP19	4D	U200	2C	U712	1G
TP20	2D	U210A	2F	U800	3B
TP21	2D	U210B	3F	U802	2E
TP22	1D	U212	2F	U810	2C
TP23	1D	U212	3F	U812	1G
TP24	3D	U214	3E		

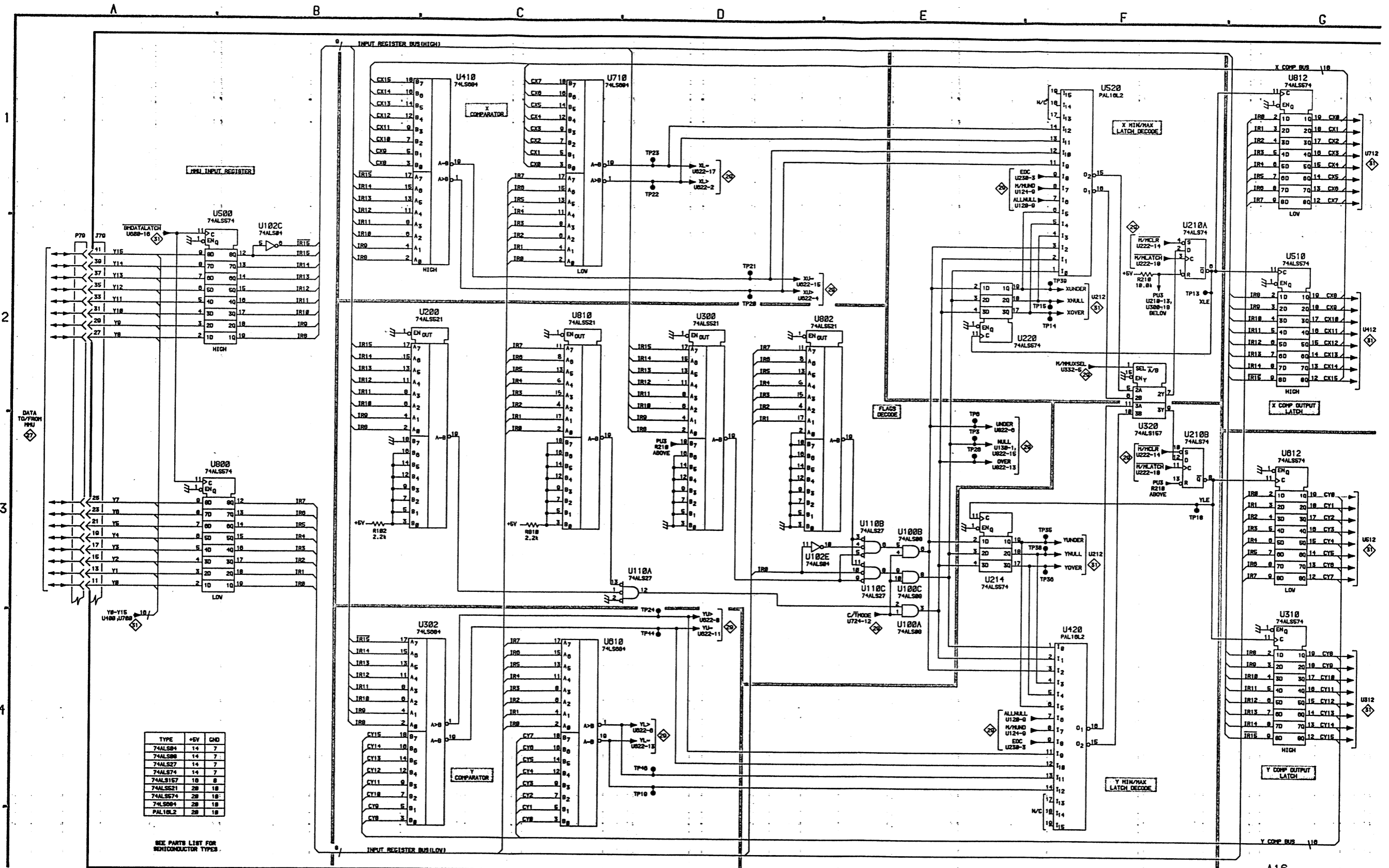
Partial A16 also shown on diagrams 29 and 31.

Static Sensitive Devices
See Maintenance Section

COMPONENT NUMBER EXAMPLE



Chassis-mounted components have no Assembly Number prefix—see end of Replaceable Electrical Parts List.



PARTIAL A16 COMPRESSOR BOARD

COMPRESSOR 30

11401/11402

COMPRESSOR ADDER & DISPLAY INTERFACE DIAGRAM

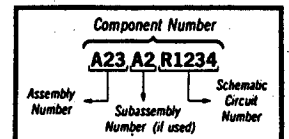
31

ASSEMBLY A16					
CIRCUIT NUMBER	SCHEM LOCATION	CIRCUIT NUMBER	SCHEM LOCATION	CIRCUIT NUMBER	SCHEM LOCATION
C100	4E	C602	5E	TP28	1F
C102	4E	C610	5E	TP29	1E
C110	5E	C612	5E	TP30	1E
C112	5E	C614	4E	TP32	1D
C114	5E	C620	4E	TP34	1F
C120	5E	C622	5E	TP43	1E
C124	5E	C624	5E		
C130	5E	C700	5E		
C200	5E	C702	5E	U100D	2F
C202	5E	C710	5E	U102A	4C
C210	4E	C712	5E	U102F	4C
C212	4E	C714	5E	U112A	4C
C214	5E	C720	5E	U112B	4D
C220	5E	C722	4E	U114A	4D
C222	5E	C724	4E	U114B	4D
C224	5E	C800	5E	U202	4B
C230	5E	C802	5E	U212	4B
C232	5E	C810	5E	U214	5A
C300	5E	C812	5E	U220	4A
C302	5E	C814	5E	U224	2E
C310	4E	C820	5E	U230B	1D
C312	4E	C822	5E	U310	4A
C314	5E	C824	5E	U312	3B
C320	5E			U314	3B
C322	5E	J52	1A	U322	3C
C324	5E	J52	1G	U330A	1D
C330	5E	J52	3G	U400	3F
C332	5E	J79	1A	U402	3E
C400	5E	J79	1A	U412	2B
C402	5E	J79	2G	U414	2B
C410	4E	J79	2G	U422	3C
C412	4E	J79	3G	U502	3E
C414	5E			U510	2A
C420	5E	P52	1A	U512	3B
C422	5E	P52	1G	U514	2C
C424	5E	P52	3G	U600	2F
C430	5E	P79	2G	U602	2E
C432	5E	P79	3G	U612	3A
C500	5E			U614	2B
C502	5E	R120	1D	U620	1C
C510	4E			U700	2F
C512	4E	TP2	4D	U702	2E
C514	5E	TP8	1E	U712	1B
C520	5E	TP9	4D	U714	1B
C522	5E	TP16	1E	U812	2A
C524	5E	TP17	1E		
C600	5E	TP27	1E		

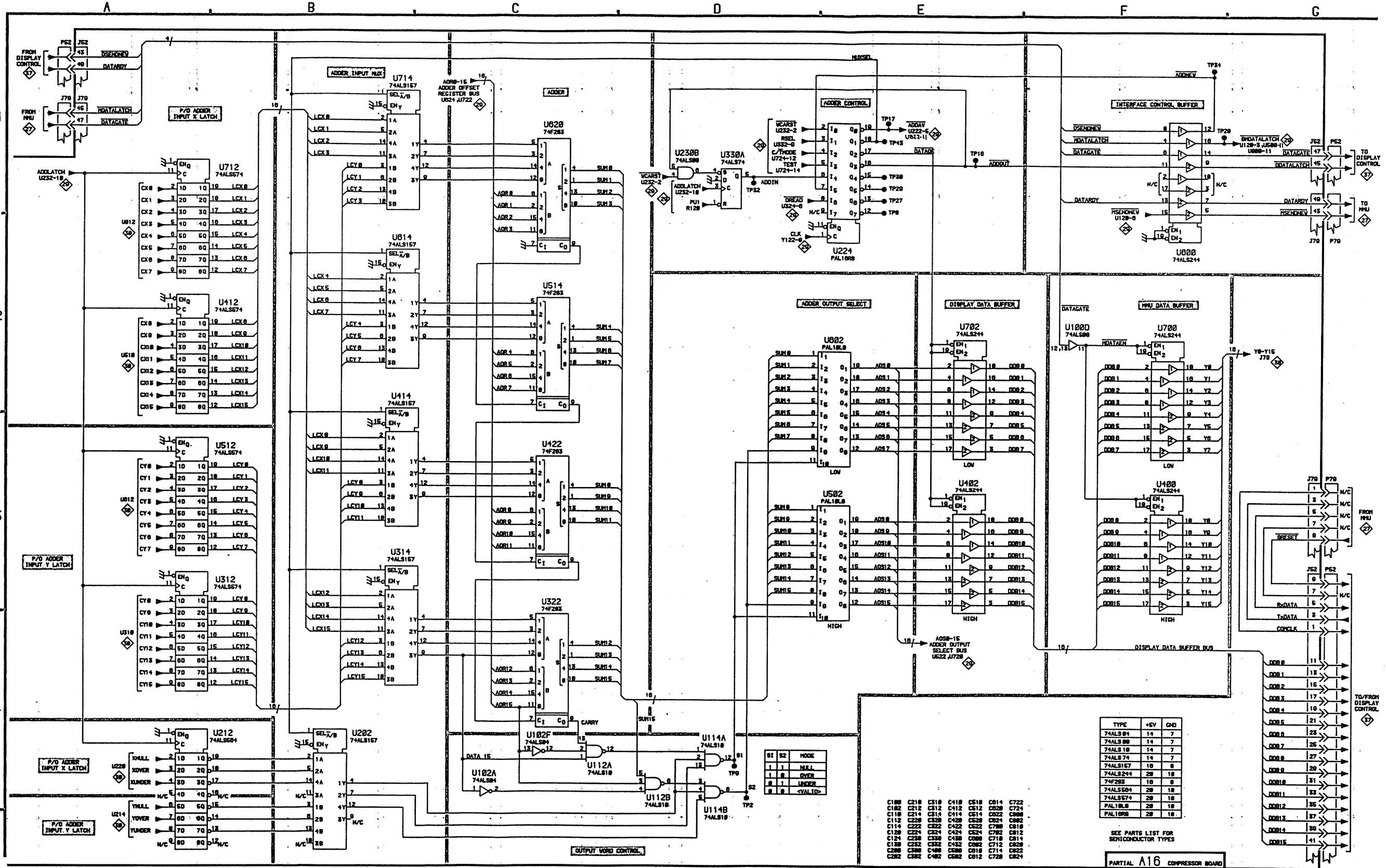
Partial A16 also shown on diagrams 29 and 30.

Static Sensitive Devices
 See Maintenance Section

COMPONENT NUMBER EXAMPLE



Chassis-mounted components have no Assembly Number prefix—see end of Replaceable Electrical Parts List.



Assembly A13

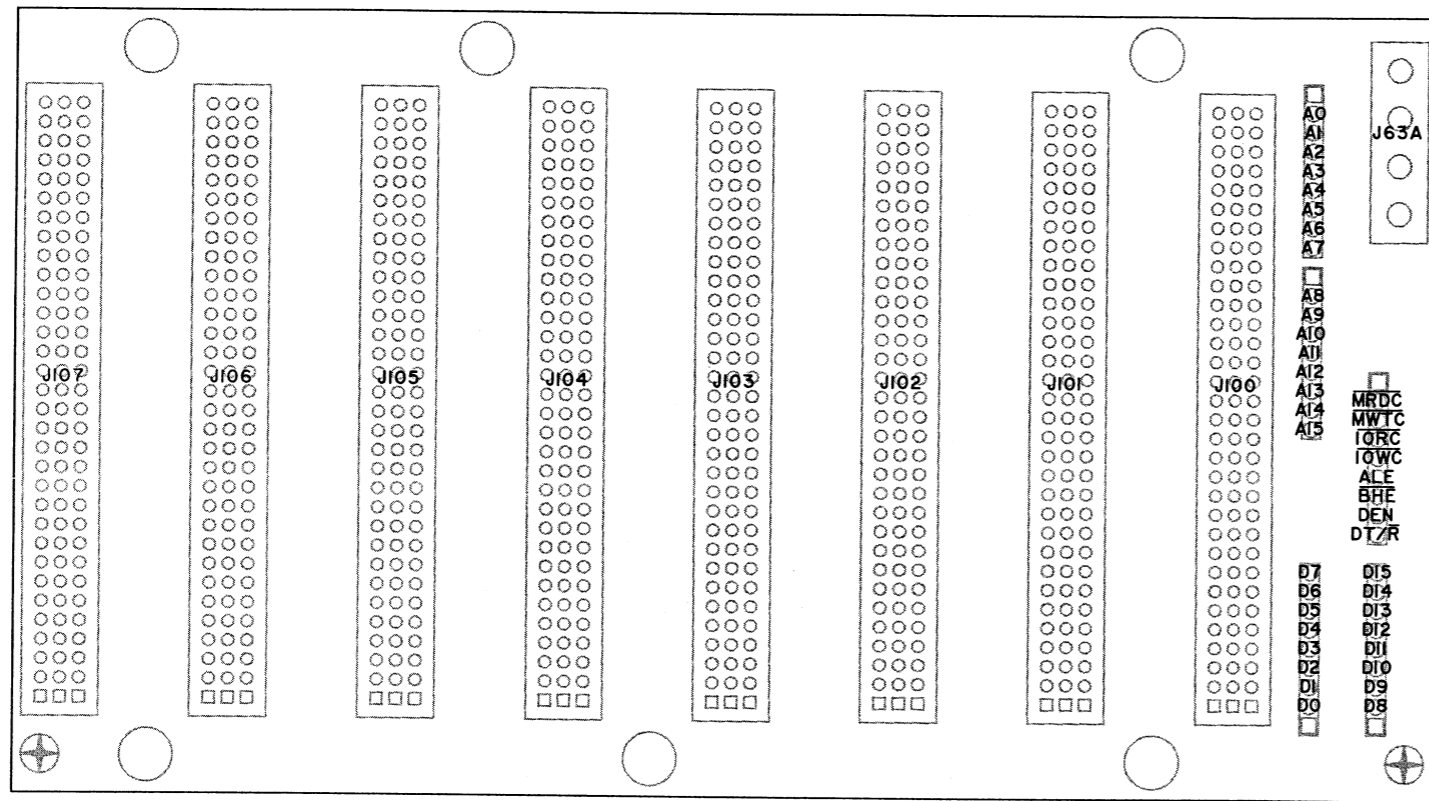
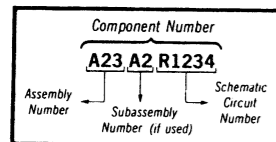


Figure 6-17. A13-Mother Circuit Board Assembly

7387-649

 Static Sensitive Devices
See Maintenance Section

COMPONENT NUMBER EXAMPLE



Chassis-mounted components have no Assembly Number prefix—see end of Replaceable Electrical Parts List

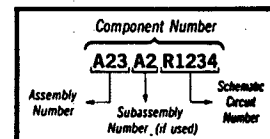
CARD CAGE INTERCONNECT DIAGRAM

32

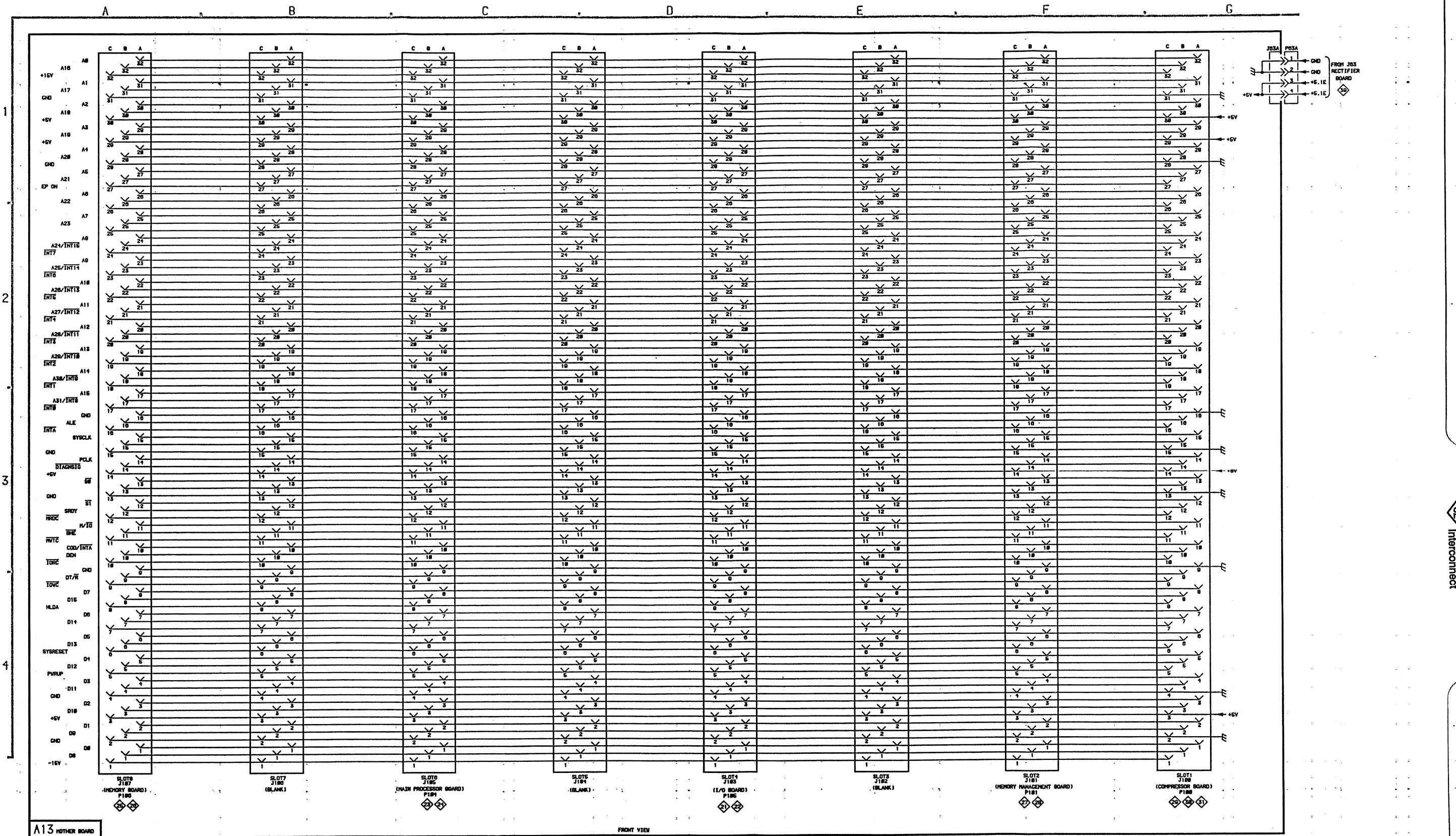
ASSEMBLY A13					
CIRCUIT NUMBER	SCHEM LOCATION	CIRCUIT NUMBER	SCHEM LOCATION	CIRCUIT NUMBER	SCHEM LOCATION
J63A	1G	J103	5D	J107	5A
J100	5G	J104	5C		
J101	5F	J105	5C	P63A	1G
J102	5E	J106	5B		

Static Sensitive Devices
 See Maintenance Section

COMPONENT NUMBER EXAMPLE



Chassis-mounted components have no Assembly Number prefix—see end of Replaceable Parts List.



A13 MOTHER BOARD

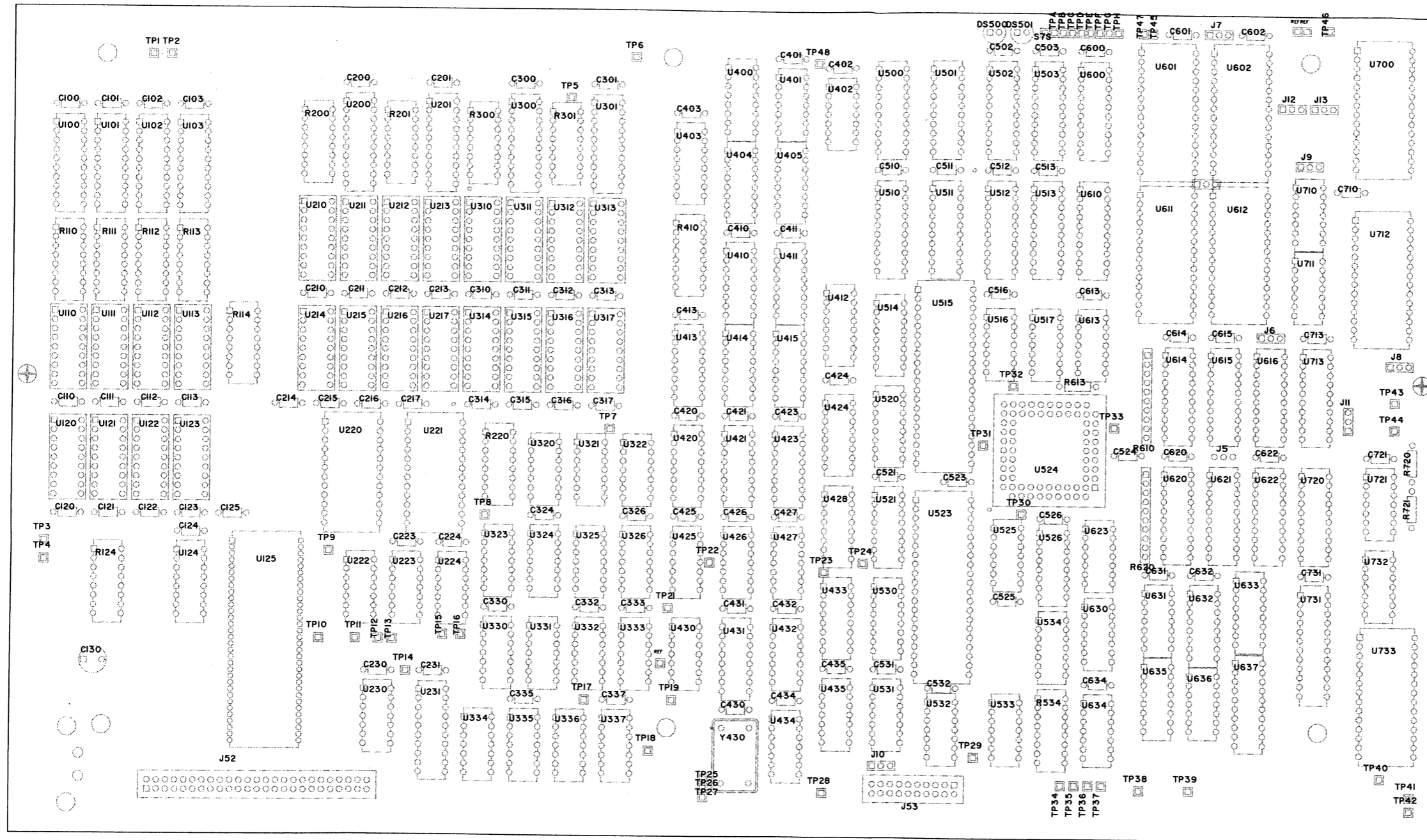
FRONT VIEW

11401/11402

CARD CAGE INTERCONNECT 32

Group 4 Display

- ◆ 33 *DSY MPU*
- ◆ 34 *DSY System Timing & Control*
- ◆ 35 *DSY Bit Map Planes*
- ◆ 36 *DSY Vertical Raster Scan*
- ◆ 37 *DSY Diagnostics & Waveform Processing*
- ◆ 38 *CRT Driver*



52	54	56	58	60	62	64	66	68
51	53	55	57	59	61	63	65	67
49	50							4
47	48							5
45	46							6
43	44							7
41	42							8
39	40							9
37	38							10
35	36	33	31	29	27	25	23	21
34	32	30	28	26	24	22	20	18

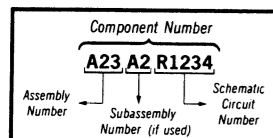
Pin Numbering of U524 (as Seen from Bottom of Circuit Board)

Figure 6-18. A7-Display Controller Circuit Board Assembly

7387-651

Static Sensitive Devices
See Maintenance Section

COMPONENT NUMBER EXAMPLE



Chassis-mounted components have no Assembly Number prefix—see end of Replaceable Electrical Parts List.

A7-Display Controller circuit board illustration to be used with diagrams 33 through 37

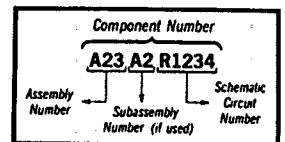
DSY MPU DIAGRAM

33

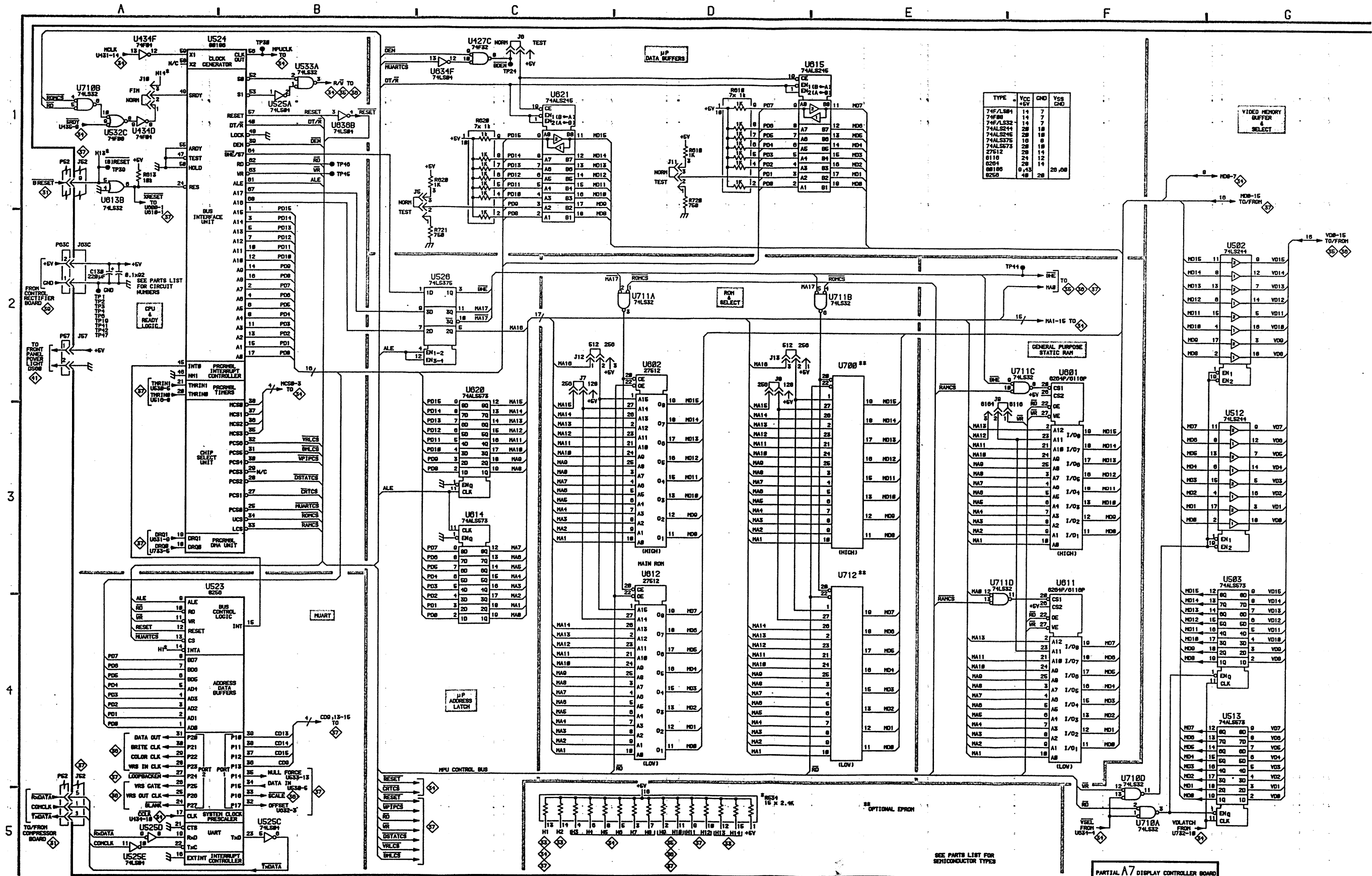
ASSEMBLY A7					
CIRCUIT NUMBER	SCHEM LOCATION	CIRCUIT NUMBER	SCHEM LOCATION	CIRCUIT NUMBER	SCHEM LOCATION
C130	2A	R620	1C	U525A	1B
DS60	2A	R720	1D	U525C	5B
		R721	2C	U525D	5A
J5	1C	TP2	2A	U525E	5A
J6	1C	TP3	2A	U526	2C
J7	2C	TP4	2A	U532C	1A
J8	2D	TP6	2A	U533A	1B
J9	2E	TP19	2A	U601	2F
J10	1A	TP24	1C	U602	2D
J11	1D	TP30	1B	U611	3F
J12	2C	TP39	1A	U612	3D
J13	2D	TP41	2A	U613B	1A
J52	1A	TP42	2A	U614	3C
J52	4A	TP44	2F	U615	1E
J57	2A	TP45	1B	U620	2C
J63C	2A	TP46	1B	U621	1C
		TP47	2A	U634F	1C
P52	1A			U636B	1B
P52	4A	U427C	1C	U700	2E
P57	2A	U434D	1A	U710A	5F
P63C	2A	U434F	1A	U710B	1A
		U502	2G	U710D	4F
R534	5D	U503	3G	U711A	2D
R610	1D	U512	3G	U711B	2E
R610	1D	U513	4G	U711C	2F
R613	1A	U523	3B	U711D	3E
R620	1C	U524	1B	U712	3E

Partial A7 also shown on diagrams 34, 35, 36 and 37.

Static Sensitive Devices
 See Maintenance Section.
COMPONENT NUMBER EXAMPLE



Chassis-mounted components have no Assembly Number prefix—see end of Replaceable Electrical Parts List.



11401/11402

DSY. MPU 33

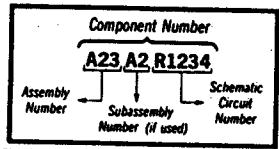
DSY SYSTEM TIMING & CONTROL DIAGRAM 34

ASSEMBLY A7					
CIRCUIT NUMBER	SCHEM LOCATION	CIRCUIT NUMBER	SCHEM LOCATION	CIRCUIT NUMBER	SCHEM LOCATION
TP00009	2B	U404	1F	U434B	1B
TP17	1B	U405	3F	U434C	1B
TP18	3A	U410	1F	U434E	1B
TP20	1E	U411	3F	U435A	1B
TP21	2E	U412	3E	U435B	3C
TP25	1B	U413	3G	U514	3D
TP26	1B	U414	2F	U515	4C
TP27	1B	U415	4F	U517D	4B
TP29	3C	U420	4G	U520	4D
TP31	4B	U421	2F	U521	4D
TP40	2C	U423	4F	U525E	4B
TP102	1B	U424	4E	U531A	3C
		U425A	1D	U531B	3C
U323D	2B	U425B	2A	U532D	1A
U325B	3F	U426A	3A	U533B	3A
U326	1D	U426B	3A	U534	4B
U332A	1D	U427A	1C	U630B	2A
U332B	1D	U427B	1B	U631A	4C
U332C	2B	U428	4E	U634B	2B
U332D	1A	U430A	2B	U634C	3B
U333A	1E	U430B	3B	U634D	3B
U333B	1E	U430C	3C	U634E	1F
U333C	1E	U430D	2B	U732C	2D
U333D	2E	U431	1B		
U337D	3B	U432A	2A	Y430	1A
U400	2G	U432	2B		
U403	1G	U434A	1C		

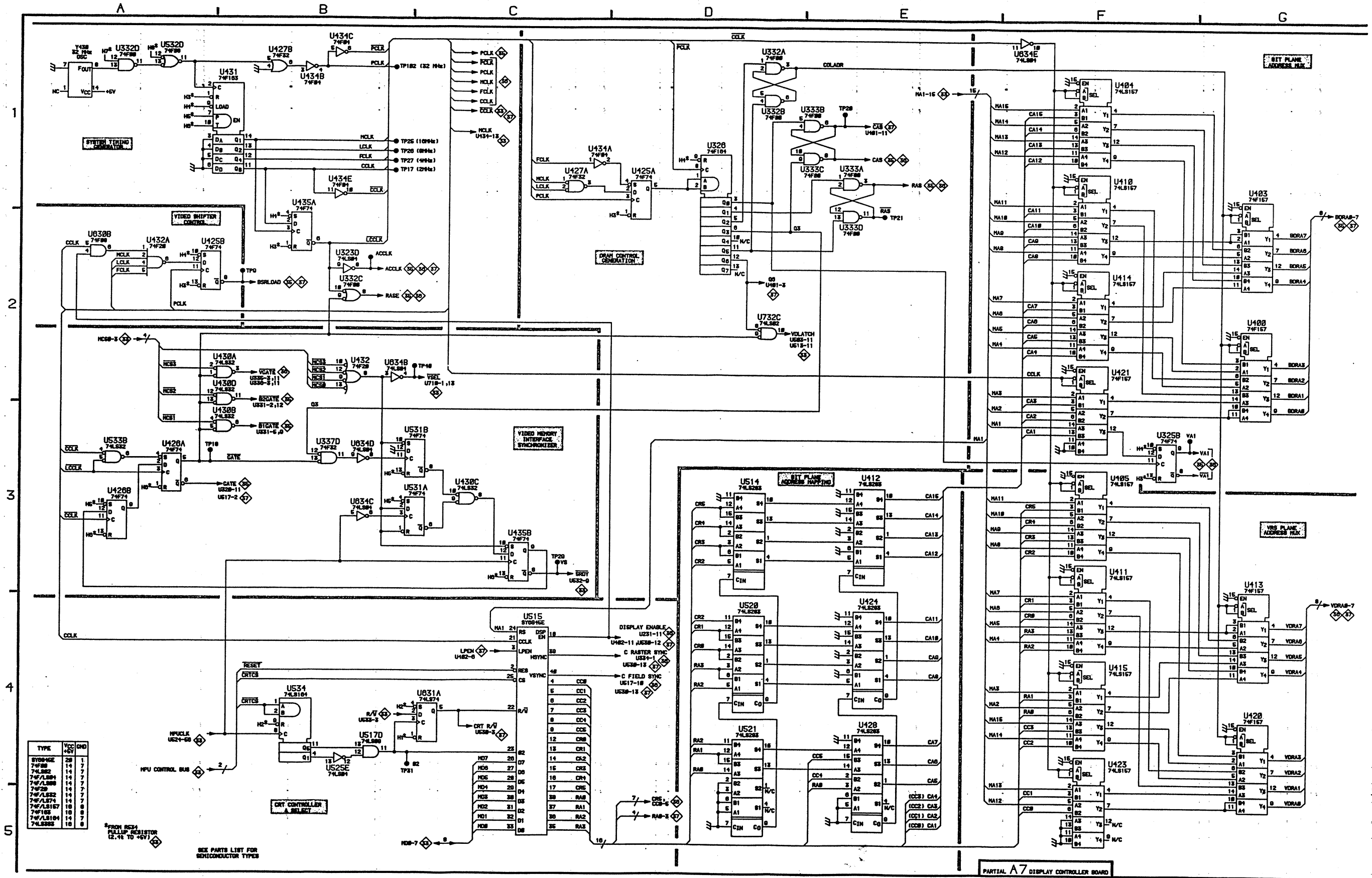
Partial A7 also shown on diagrams 33, 35, 36 and 37.

Static Sensitive Devices
See Maintenance Section

COMPONENT NUMBER EXAMPLE



Chassis-mounted components have no Assembly Number prefix—see end of Replaceable Electrical Parts List.



TYPE	NO	QND
BYDANCE	28	1
74F00	14	7
74LS02	14	7
74F04	14	7
74F08	14	7
74F10	14	7
74F13	14	7
74F15	14	7
74F16	14	7
74F17	14	7
74F18	14	7
74F19	14	7
74F20	14	7
74F21	14	7
74F22	14	7
74F23	14	7
74F24	14	7
74F25	14	7
74F26	14	7
74F27	14	7
74F28	14	7
74F29	14	7
74F30	14	7
74F31	14	7
74F32	14	7
74F33	14	7
74F34	14	7
74F35	14	7
74F36	14	7
74F37	14	7
74F38	14	7
74F39	14	7
74F40	14	7
74F41	14	7
74F42	14	7
74F43	14	7
74F44	14	7
74F45	14	7
74F46	14	7
74F47	14	7
74F48	14	7
74F49	14	7
74F50	14	7
74F51	14	7
74F52	14	7
74F53	14	7
74F54	14	7
74F55	14	7
74F56	14	7
74F57	14	7
74F58	14	7
74F59	14	7
74F60	14	7
74F61	14	7
74F62	14	7
74F63	14	7
74F64	14	7
74F65	14	7
74F66	14	7
74F67	14	7
74F68	14	7
74F69	14	7
74F70	14	7
74F71	14	7
74F72	14	7
74F73	14	7
74F74	14	7
74F75	14	7
74F76	14	7
74F77	14	7
74F78	14	7
74F79	14	7
74F80	14	7
74F81	14	7
74F82	14	7
74F83	14	7
74F84	14	7
74F85	14	7
74F86	14	7
74F87	14	7
74F88	14	7
74F89	14	7
74F90	14	7
74F91	14	7
74F92	14	7
74F93	14	7
74F94	14	7
74F95	14	7
74F96	14	7
74F97	14	7
74F98	14	7
74F99	14	7
74F100	14	7

SEE PARTS LIST FOR SEMICONDUCTOR TYPES

DSY BIT MAP PLANES DIAGRAM

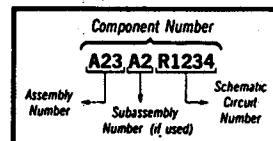


ASSEMBLY A7					
CIRCUIT NUMBER	SCHEM LOCATION	CIRCUIT NUMBER	SCHEM LOCATION	CIRCUIT NUMBER	SCHEM LOCATION
R124	3B	U210	4F	U320B	5B
R200	3E	U211	4E	U320C	3B
R200	3F	U212	4D	U321A	2B
R201	3C	U213	4C	U321B	3B
R201	3D	U214	3F	U321C	3B
R220	1B	U215	3E	U322A	1B
R220	2B	U216	3D	U322B	2B
R220	3B	U217	3C	U322C	1B
R220	4B	U220	3G	U323A	3B
R220	5B	U221	1G	U323B	4A
R300	1E	U222C	3B	U323C	4A
R300	1F	U222D	3B	U323E	1A
R301	1C	U300	2F	U323F	2A
R301	1D	U301	1F	U324A	2A
R410	1B	U310	1F	U324B	4A
		U311	1E	U324C	4A
TP8	3B	U312	1D	U324D	2A
TP12	3B	U313	1C	U331A	2A
TP13	3B	U314	2F	U331B	4A
TP15	4G	U315	2E	U331C	4A
TP16	2G	U316	2D	U331D	2A
		U317	2C		
U201	4F	U320A	5B		

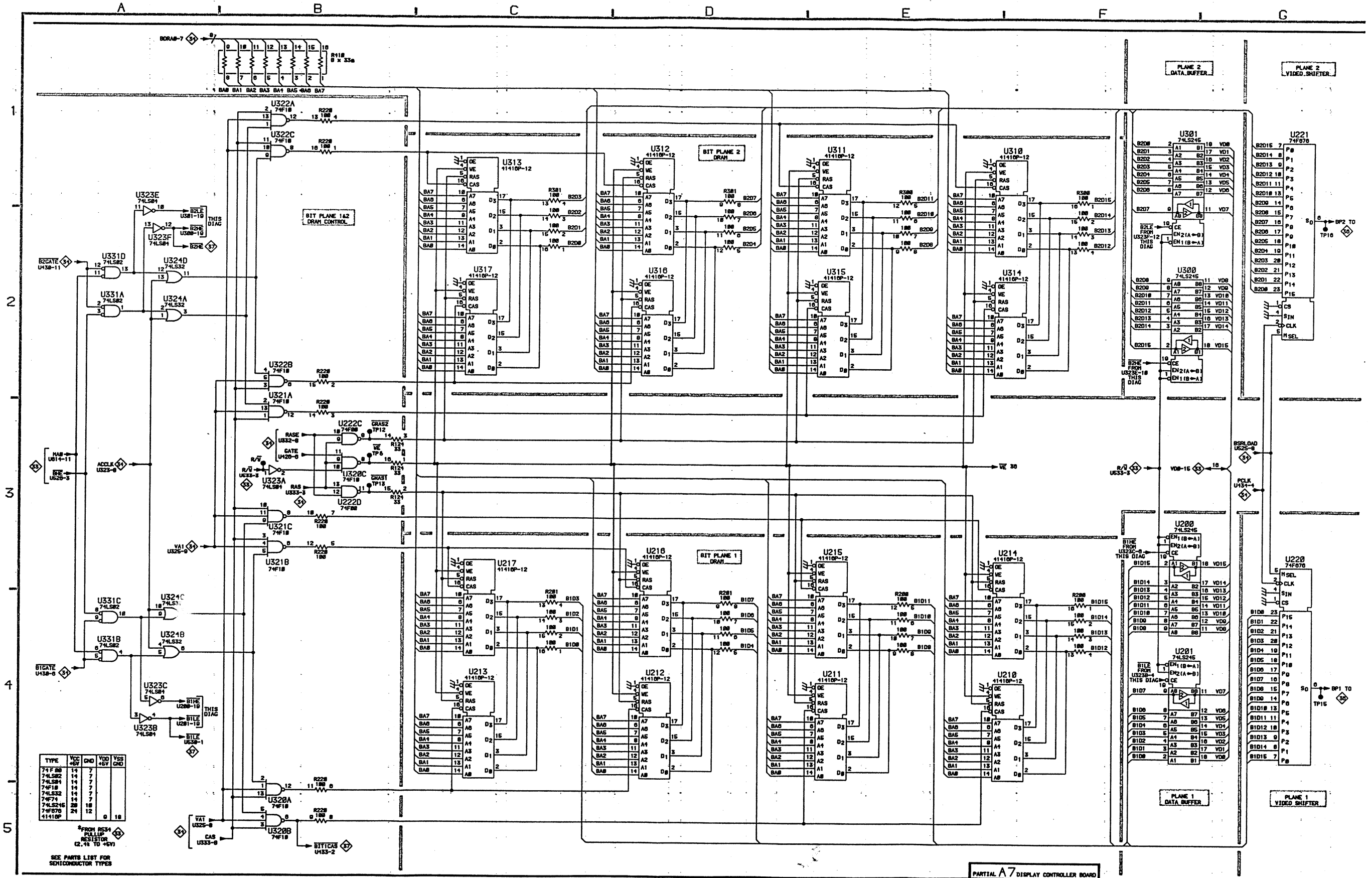
Partial A7 also shown on diagrams 33, 34, 36 and 37.

Static Sensitive Devices.
See Maintenance Section

COMPONENT NUMBER EXAMPLE



Chassis-mounted components have no Assembly Number prefix—see end of Replaceable Electrical Parts List.



TYPE	VCC	GND	VDD	VSS
74F00	14	7		
74LS02	14	7		
74LS04	14	7		
74F08	14	7		
74LS16	14	7		
74F14	14	7		
74LS245	24	18		0
74F070	24	12		0
4110P				

SEE PARTS LIST FOR SEMICONDUCTOR TYPES

PARTIAL A7 DISPLAY CONTROLLER BOARD

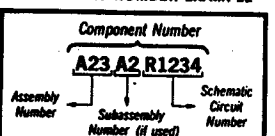
DSY VERTICAL RASTER SCAN DIAGRAM

36

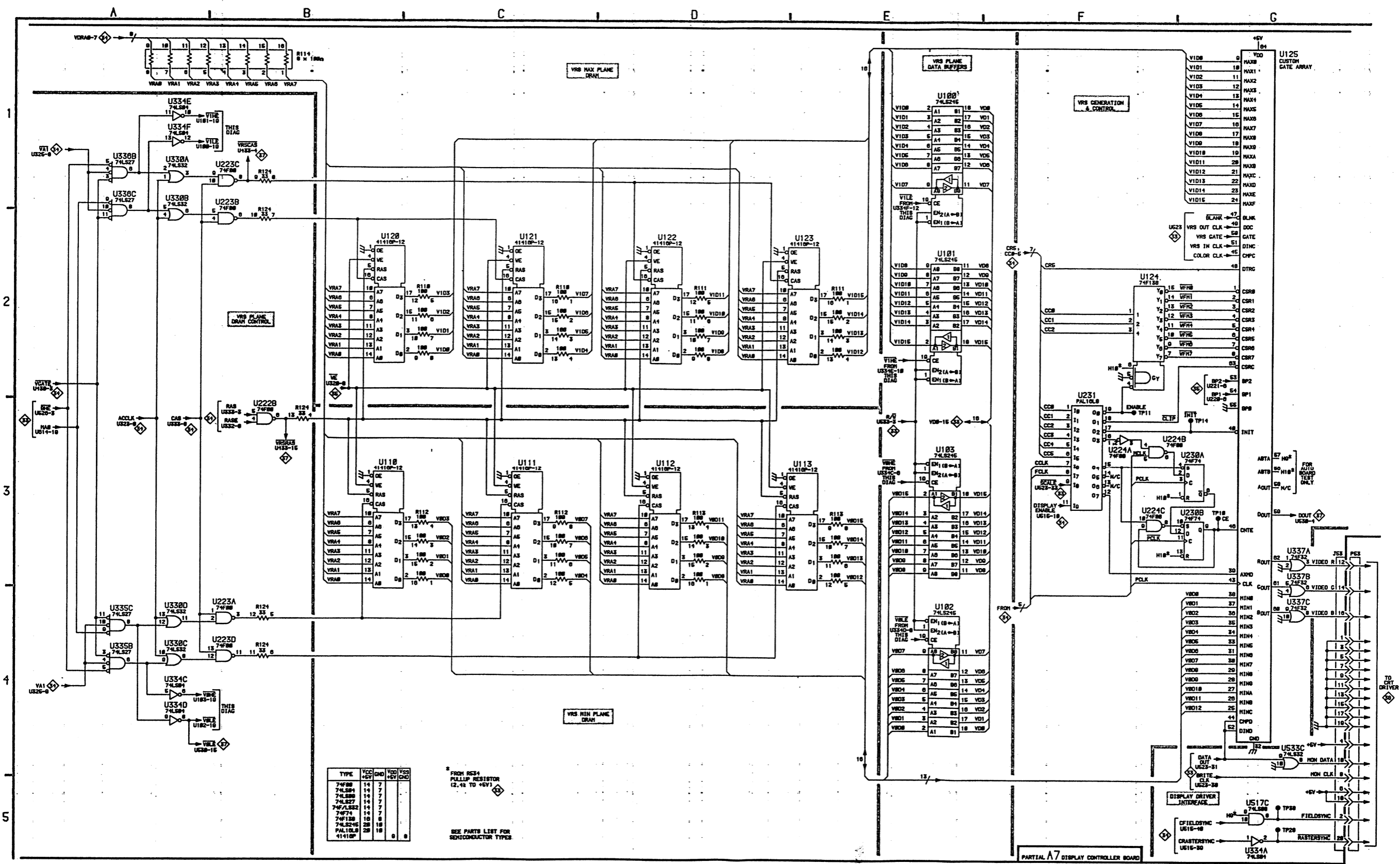
ASSEMBLY A7					
CIRCUIT NUMBER	SCHEM LOCATION	CIRCUIT NUMBER	SCHEM LOCATION	CIRCUIT NUMBER	SCHEM LOCATION
J53	3G	TP28	5G	U230A	3G
		TP38	5G	U230B	3G
P53	3G			U231	2F
		U102	4E	U330A	1A
R110	2C	U103	3E	U330B	1A
R110	2C	U110	3B	U330C	4A
R111	2D	U111	3C	U330D	4A
R111	2E	U112	3D	U334A	5G
R112	3C	U113	3E	U334C	4A
R112	3C	U120	2B	U334D	4A
R113	3D	U121	2C	U334E	1A
R113	3E	U122	2D	U334F	1A
R114	1B	U123	2E	U335B	4A
R124	1B	U124	2F	U335C	4A
R124	1B	U222B	3B	U336B	1A
R124	3B	U223A	4B	U336C	1A
R124	4B	U223B	1B	U337A	3G
R124	4B	U223C	1B	U337B	3G
		U223D	4B	U337C	4G
TP10	3G	U224A	3F	U517C	5G
TP11	3F	U224B	3G	U523	2F
TP14	3G	U224C	3F	U533C	4G

Partial A7 also shown on diagrams 33, 34, 35 and 37.

 Static Sensitive Devices
See Maintenance Section



Chassis-mounted components have no Assembly Number prefix—see end of Replaceable Electrical Parts List.



TYPE	VCC	GND	VDD	VSS
74F00	14	7		
74LS04	14	7		
74LS00	14	7		
74LS27	14	7		
74F74	14	7		
74F138	16	8		
74LS245	20	10		
4110P				

FROM RES4
PULLUP RESISTOR
(2.4K TO +5V)

SEE PARTS LIST FOR
SEMICONDUCTOR TYPES

DSY DIAGNOSTICS & WAVEFORM PROCESSING DIAGRAM

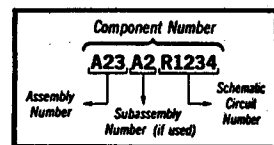
37

ASSEMBLY A7					
CIRCUIT NUMBER	SCHEM LOCATION	CIRCUIT NUMBER	SCHEM LOCATION	CIRCUIT NUMBER	SCHEM LOCATION
DS500	2B	U500	1D	U630A	3B
DS501	2B	U501	1E	U630C	3B
		U510	2D	U630D	2A
J52	2A	U511	2E	U631B	3D
		U515	2D	U632	3F
		U515	2E	U633	4F
P52	2A	U516A	1C	U634A	3A
		U516B	1C	U635	5F
TP33	2C	U517A	2C	U636A	3C
TP34	3A	U524	2A	U636B	3F
TP35	3A	U530	1B	U636D	3F
TP36	3A	U532A	3C	U636E	3F
TP37	2A	U532B	3C	U636F	2F
TP48	2D	U533D	3F	U637	3E
		U600	1A	U710C	3B
U400	1D	U610	2A	U713	4D
U401A	1D	U613A	3B	U720	3D
U401B	2C	U613C	2A	U721A	2F
U401C	2C	U613D	2A	U721B	2G
U401D	2D	U616	3G	U721D	3D
U402A	2D	U622	2G	U731	4C
U402B	2C	U623A	3B	U732A	3F
U403	1D	U623B	3A	U732B	3F
U420	1E	U623C	3B	U733	3C
U433	1B	U623D	3B		

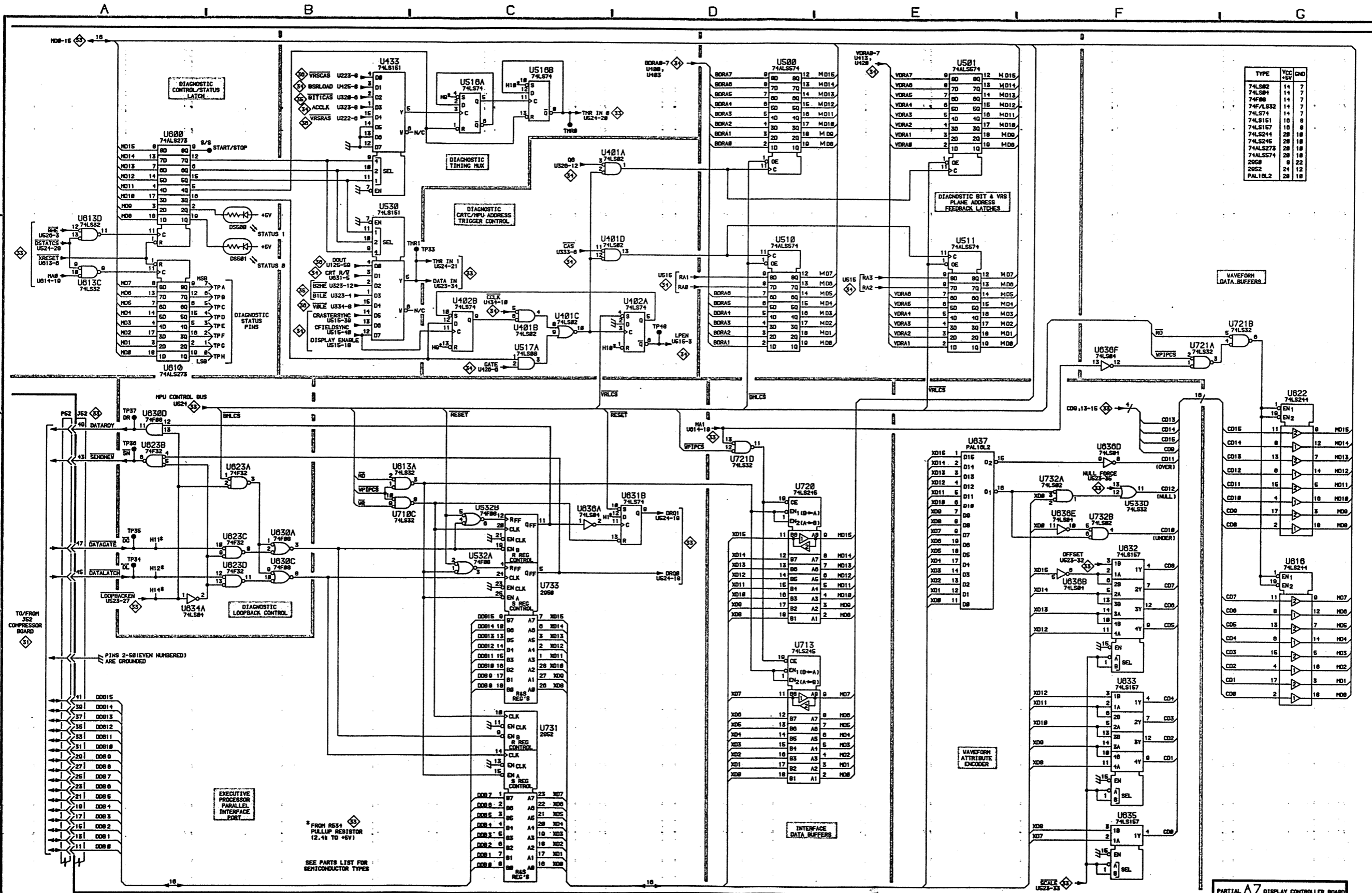
Partial A7 also shown on diagrams 33, 34, 35 and 36.

Static Sensitive Devices
 See Maintenance Section

COMPONENT NUMBER EXAMPLE



Chassis-mounted components have no Assembly Number prefix—see end of Replaceable Electrical Parts List.



TYPE	VCC	GND
74LS82	14	7
74LS84	14	7
74F88	14	7
74FALS32	14	7
74LS74	14	7
74LS151	16	8
74LS167	16	8
74LS244	28	18
74LS246	28	18
74LS273	28	18
74LS574	28	18
2058	9	22
2052	24	12
PAL10L2	28	18

PARTIAL A7 DISPLAY CONTROLLER BOARD
 DSPY DIAGNOSTICS & WAVEFORM PROCESSING

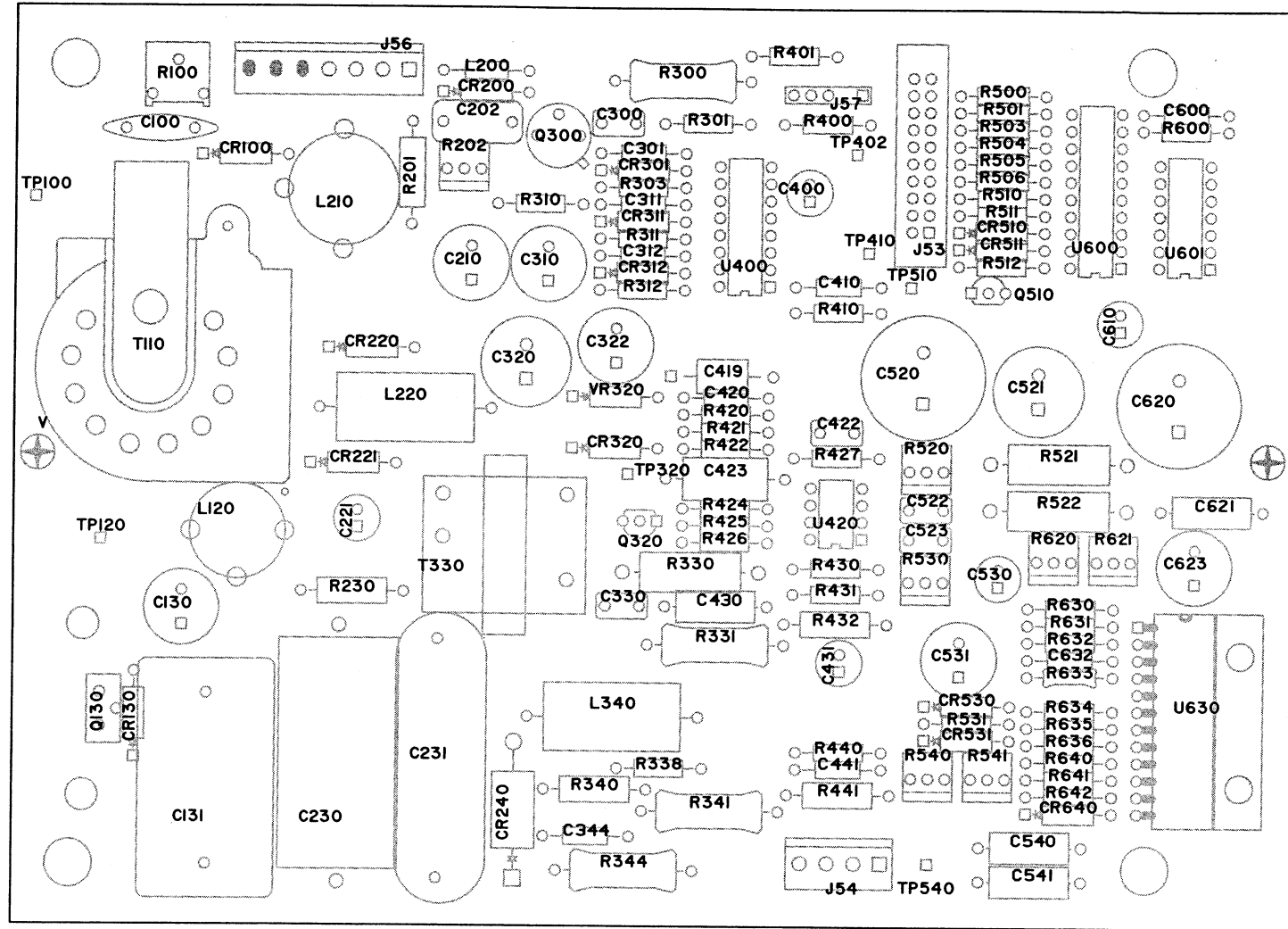
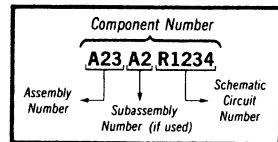


Figure 6-19. A8-CRT Driver Circuit Board Assembly

7387-657

Static Sensitive Devices
See Maintenance Section

COMPONENT NUMBER EXAMPLE



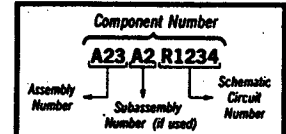
Chassis-mounted components have no Assembly Number prefix—see end of Replaceable Electrical Parts List.

CRT DRIVER DIAGRAM

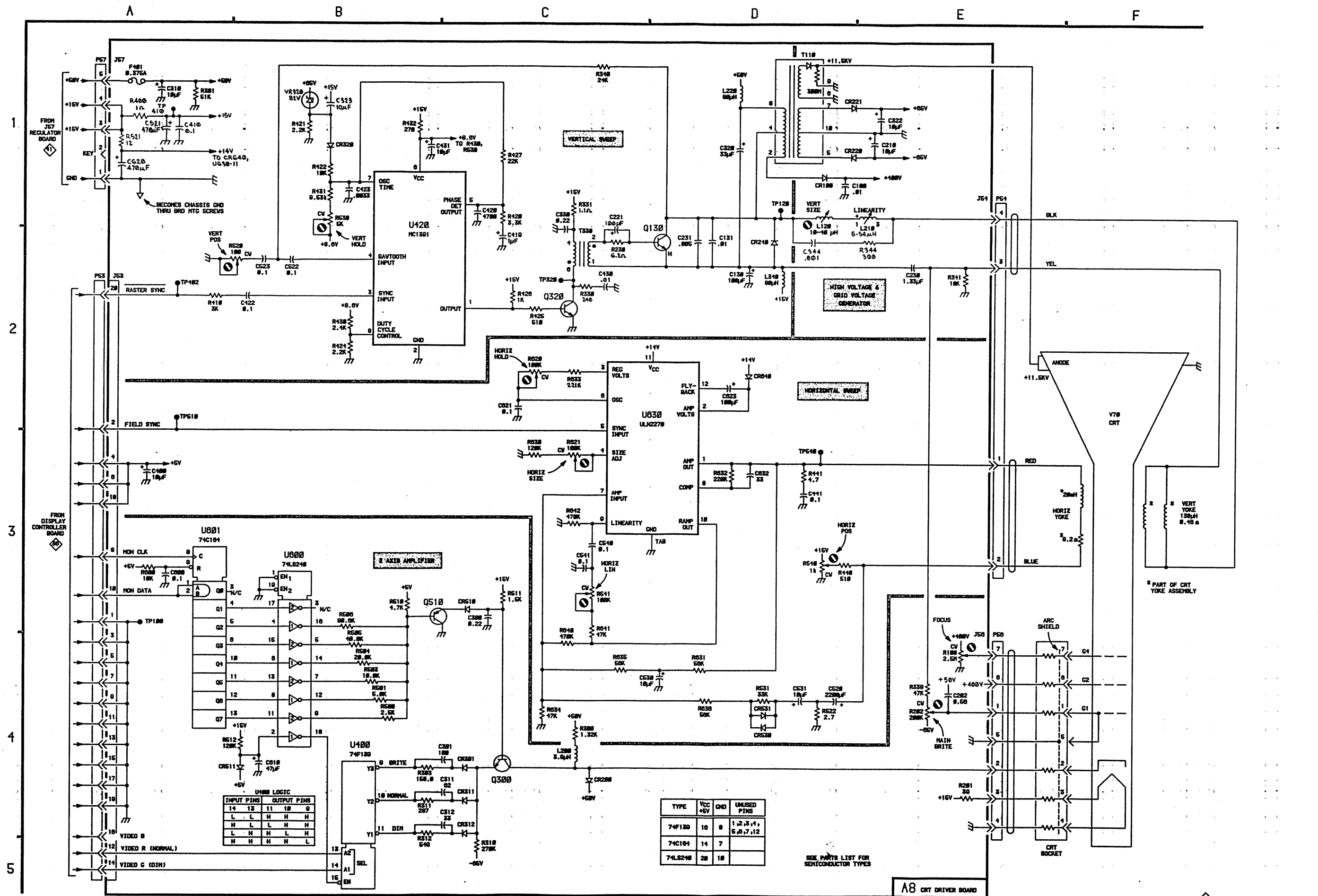
38

ASSEMBLY A8					
CIRCUIT NUMBER	SCHEM LOCATION	CIRCUIT NUMBER	SCHEM LOCATION	CIRCUIT NUMBER	SCHEM LOCATION
C100	1E	CR640	1B	R432	1B
C130	2D	CR640	2D	R440	3D
C131	2D			R441	3D
C202	4E	F401	1A	R500	4B
C210	1E			R501	4B
C221	1C	J53	2A	R503	4B
C230	2E	J54	1E	R504	4B
C231	2D	J56	3E	R505	3B
C300	3C	J57	1A	R506	3B
C301	4C			R510	3B
C310	1A			R511	3C
C311	4C	L120	1D	R512	4B
C312	4C	L200	4C	R520	2B
C320	1D	L210	1E	R521	1A
C322	1E	L220	1D	R522	4D
C323	1B	L340	2D	R530	1B
C330	1C			R530	1C
C344	2D	P53	2A	R531	4D
C400	3A	P54	1E	R540	3D
C410	1A	P56	3E	R541	3C
C419	2C	P57	1A	R600	3A
C420	1C			R620	2C
C422	2B	Q130	1D	R621	3C
C423	1B	Q300	4C	R630	3C
C430	2C	Q320	2C	R631	4D
C431	1C	Q510	3B	R632	3D
C441	3D			R633	2C
C520	4D	R100	4E	R634	4C
C521	1A	R201	4E	R635	4C
C522	2B	R202	4E	R636	4D
C523	2B	R230	2C	R640	3C
C530	4D	R300	4C	R641	3C
C531	4D	R301	1A	R642	3C
C540	3C	R303	4B		
C541	3C	R310	5C	T110	1D
C600	3A	R311	4B	T330	2C
C610	4B	R312	5B		
C620	1A	R330	2C	TP100	3A
C621	2C	R331	1C	TP120	1D
C623	2D	R338	4E	TP320	2C
C632	3D	R340	1C	TP402	2A
		R341	2E	TP410	1A
		R344	1E	TP510	2A
CR100	1D	R400	1A	TP540	3D
CR200	4C	R410	2A		
CR220	1D	R420	1C	U400	4B
CR221	1D	R421	1B	U400	4B
CR240	2D	R422	1B	U420	1B
CR301	4C	R424	2B	U600	3B
CR311	4C	R425	2C	U601	3A
CR312	4C	R426	2C	U630	2D
CR320	1B	R427	1C		
CR510	3C	R430	1C	VR320	1B
CR511	4A	R430	2B		
CR530	4D	R431	1B		
CR531	4D				
CHASSIS MOUNTED PARTS					
CIRCUIT NUMBER	SCHEM LOCATION	CIRCUIT NUMBER	SCHEM LOCATION	CIRCUIT NUMBER	SCHEM LOCATION
V70	2F				

Static Sensitive Devices
 See Maintenance Section
COMPONENT NUMBER EXAMPLE



Chassis-mounted components have no Assembly Number prefix—see end of Replaceable Electrical Parts List.



U400 LOGIC

INPUT PINS	OUTPUT PINS
14 L	11 H
13 L	10 H
12 H	9 H
11 L	8 H
10 H	7 H
9 L	6 H
8 H	5 H
7 L	4 H
6 H	3 H
5 L	2 H
4 H	1 H

TYPE	VCC	+5V	GND	UNUSED PINS
74F130	10	0	1,2,3,4,5,6,7,12	
74C104	14	7		
74LS248	28	18		

SEE PARTS LIST FOR SEMICONDUCTOR TYPES

A8 CRT DRIVER BOARD

Group 5 Power

- ◇ 39 *Line Inverter, Rectifiers & Control*
- ◇ 40 *Fault Detection*
- ◇ 41 *Regulators*
- ◇ 42 *Cabling Diagram*

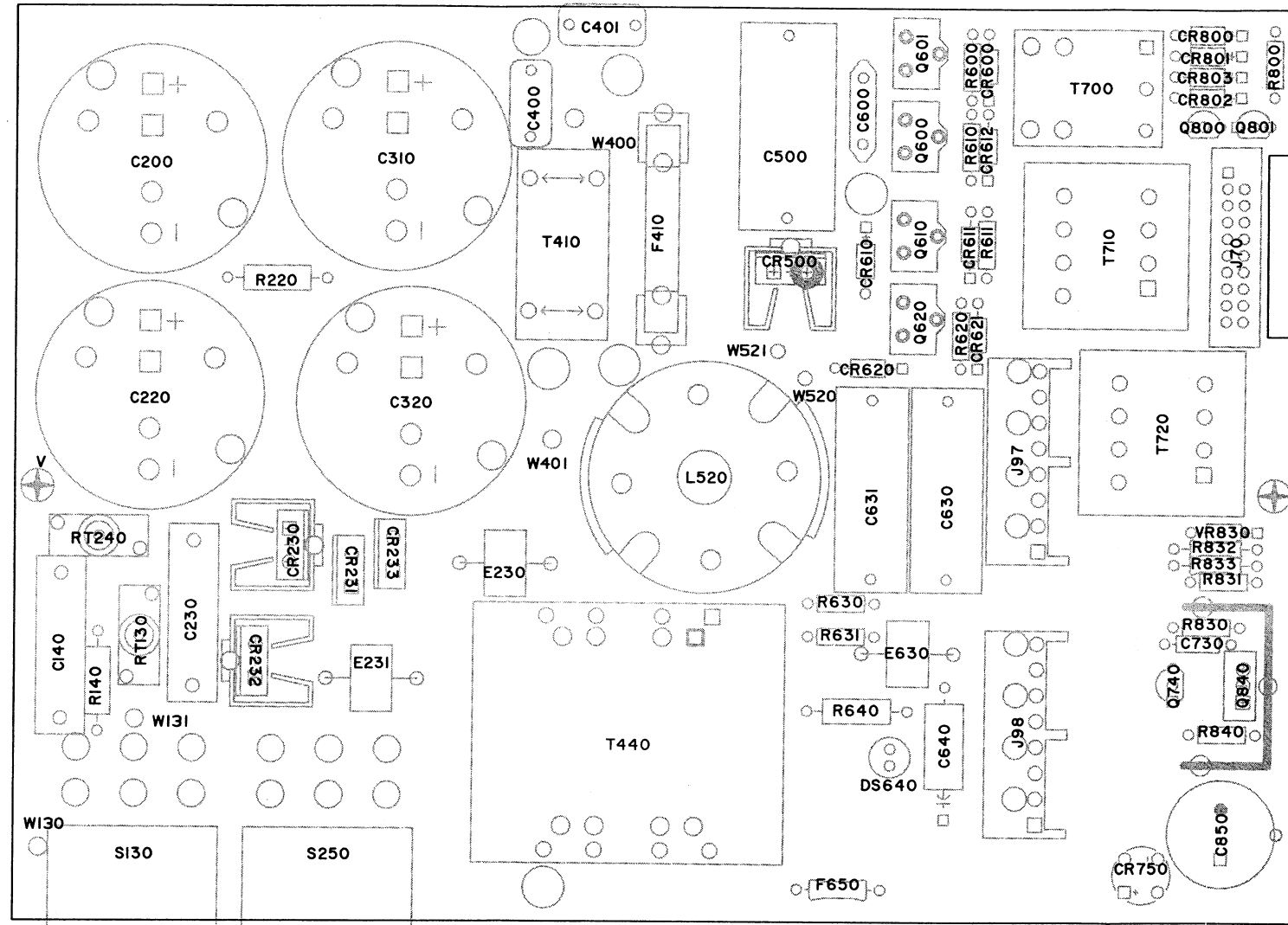
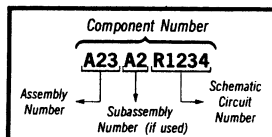


Figure 6-20. A2A1-Line Inverter Circuit Board Assembly

7387-659

⊗ Static Sensitive Devices
See Maintenance Section

COMPONENT NUMBER EXAMPLE



Chassis-mounted components have no Assembly Number prefix—see end of Replaceable Electrical Parts List.

LINE INVERTER, RECTIFIERS & CONTROL DIAGRAM

ASSEMBLY A2A1											
CIRCUIT NUMBER	SCHEM LOCATION	CIRCUIT NUMBER	SCHEM LOCATION	CIRCUIT NUMBER	SCHEM LOCATION	CIRCUIT NUMBER	SCHEM LOCATION	CIRCUIT NUMBER	SCHEM LOCATION		
C140	4A	CR231	3A	DS640	3B	Q601	2B	R640	3B	T700	4B
C200	3A	CR232	3A			Q610	2C	R800	4C	T710	3C
C220	3A	CR233	3A	E230	4A	Q620	2C	R830	4B	T720	3C
C230	3A	CR500	2C	E231	4A	Q740	4B	R831	4B		
C310	3A	CR600	3B	E630	2C	Q800	4C	R832	4B	VR830	4B
C320	3A	CR610	2C			Q801	4C	R833	4B		
C400	3B	CR611	3D	F410	3B	Q840	4B	R840	4B	W400	3B
C401	3B	CR612	3C	F650	4A					W401	3B
C500	3B	CR620	2C			R140	4A	RT130	4A	W520	2C
C630	2C	CR621	3C	J70	3D	R220	3A	RT240	4A	W521	2C
C631	2C	CR750	4B	J97	2D	R600	3B				
C640	3B	CR800	4C	J98	11D	R610	3C	S130	4A		
C730	4B	CR801	4C			R611	3C	S250	4A		
C850	4B	CR802	4C	L520	2C	R620	3C				
		CR803	4C			R630	2C	T410	3B		
CR230	3A			Q600	2C	R631	2C	T440	4A		

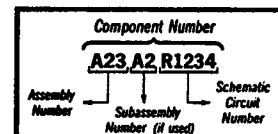
ASSEMBLY A2A2											
CIRCUIT NUMBER	SCHEM LOCATION	CIRCUIT NUMBER	SCHEM LOCATION	CIRCUIT NUMBER	SCHEM LOCATION	CIRCUIT NUMBER	SCHEM LOCATION	CIRCUIT NUMBER	SCHEM LOCATION		
C110	4E	C530	1E	CR340	2D	Q100	3F	R319	4G	T140	2D
C120	4D	C550	2E	CR350	2D	Q210	4F	R323	4G		
C121	5D	C639	3E	CR841	3G	Q213	4F	R324	4F	TP100	4G
C130	3E	C644	3E			Q250	2E	R331	1D	TP121	1D
C200	5F	C731	4G	DS100	3F	Q250	5G	R500	5G	TP201	4F
C210	3E	C743	3F			Q410	4F	R501	4G	TP202	5E
C211	4E	C744	1E	E240	2D	Q530	3E	R534	3E	TP210	3E
C212	3E	C745	1E	E241	2D	Q630	3E	R535	3E	TP211	3E
C213	3E	C746	1E					R537	2E	TP220	4E
C214	3D	C750	1E	J62	2G	R100	3F	R540	1E	TP221	3E
C215	3D	C757	2E	J63	2G	R101	3F	R636	3E	TP300	5F
C220	3G	C758	2E	J64	1G	R104	3F	R637	3E	TP301	5F
C221	3E	C841	1E	J65	3G	R110	4E	R639	3E	TP310	5G
C230	3E	C852	1E	J66	1G	R110	5D	R640	1E	TP311	4G
C241	2E			J70	3D	R112	5D	R643	3E	TP312	4E
C250	2D			J70	4G	R200	4E	R644	3E	TP500	3F
C251	2E	CR110	3E			R201	4E	R700	5F	TP600	5F
C300	5F	CR111	3D	L140	3E	R202	4E	R701	3G	TP701	3G
C301	4E	CR112	3D	L141	3E	R203	5F	R702	3G	TP731	5G
C302	3G	CR113	3E	L220	1E	R240	2E	R703	3G	TP732	5G
C303	4F	CR120	1D	L221	1E	R241	2D	R725	4G	TP830	4G
C304	3F	CR121	1D	L330	1E	R242	2D	R733	4G	TP831	4F
C304	3F	CR150	3D	L331	2E	R250	2E	R734	4G		
C305	5G	CR151	2D	L340	1E	R300	4E	R735	4G	U100	5E
C310	4F	CR152	3D	L341	2E	R301	4E	R737	1F	U200A	5E
C311	5F	CR153	3D	L440	2E	R302	5G	R738	4G	U200B	4E
C312	4E	CR200	4F			R304	5F	R739	4D	U300	3G
C322	1E	CR240	2D	P62	2G	R305	5F	R743	3D	U400B	5F
C330	1E	CR250	2D	P63	2G	R310	4F	R744	1E	U410C	5F
C331	1D	CR251	2D	P64	1G	R311	4F	R750	1E	U410D	4E
C411	4G	CR300	4E	P65	3G	R312	4F	R800	3G	U800	3G
C425	3G	CR310	4F	P66	1G	R313	4F	R841	4G	U810A	4D
C440	2E	CR311	4F	P70	3D	R316	4E	R842	4G	U810A	4D
C441	1E	CR313	4F	P70	3D	R317	4E				
C450	2E	CR330	1D			R318	5F				
C451	2E	CR331	1E					T130	1D	VR701	5F

Partial A2A2 also shown on diagram 40.

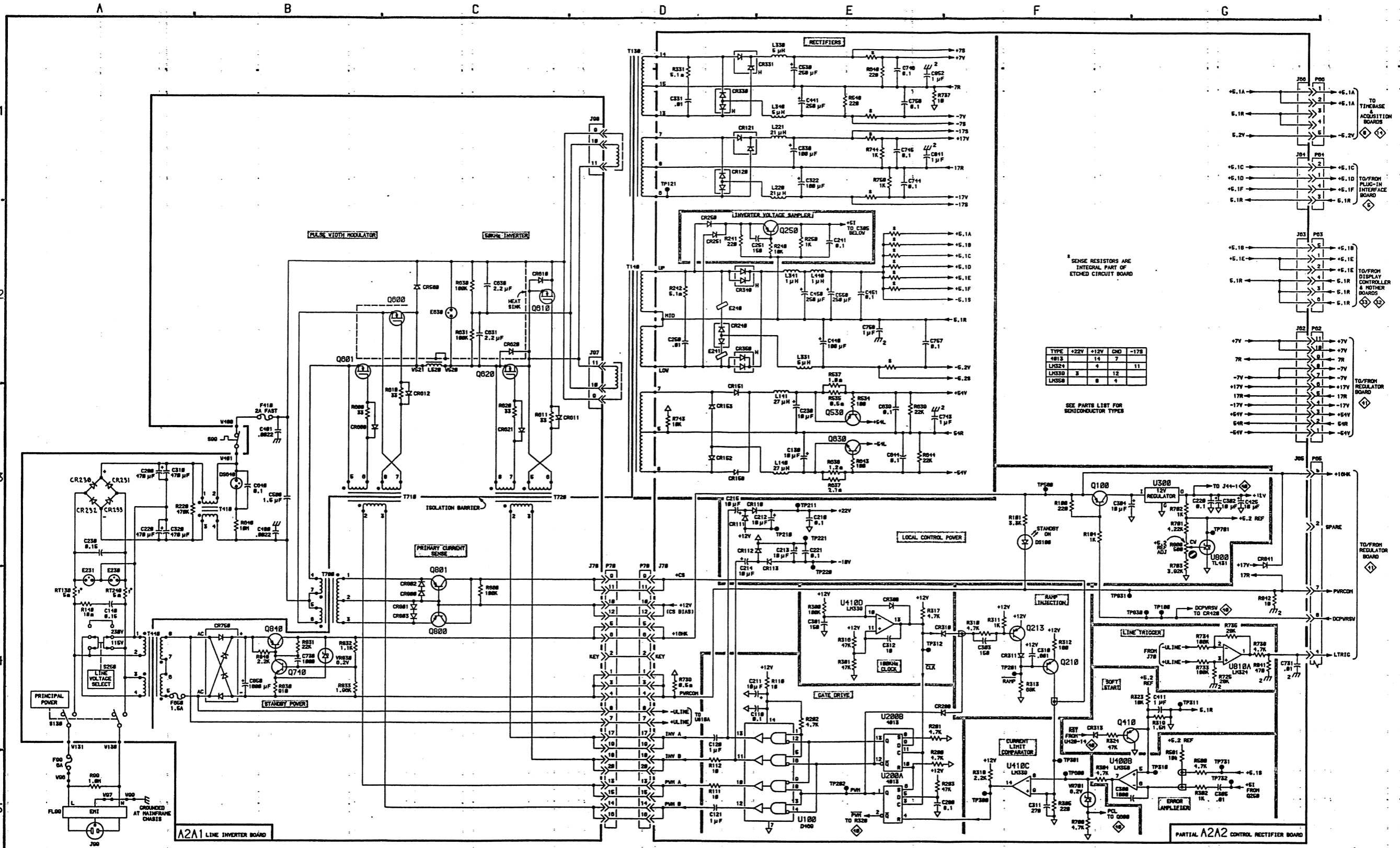
CHASSIS MOUNTED PARTS									
CIRCUIT NUMBER	SCHEM LOCATION	CIRCUIT NUMBER	SCHEM LOCATION	CIRCUIT NUMBER	SCHEM LOCATION	CIRCUIT NUMBER	SCHEM LOCATION	CIRCUIT NUMBER	SCHEM LOCATION
F99	5A	J99	5A	S99	3B	W57	5A	W131	4A
FL99	5A	R99	5A	W96	5A	W99	5A		
						W130	4A		

Static Sensitive Devices
See Maintenance Section

COMPONENT NUMBER EXAMPLE



Chassis-mounted components have no Assembly Number prefix—see end of Replaceable Electrical Parts List.



11401/11402

LINE INVERTER, RECTIFIERS & CONTROL

FAULT DETECTION DIAGRAM



ASSEMBLY A2A2									
CIRCUIT NUMBER	SCHEM LOCATION	CIRCUIT NUMBER	SCHEM LOCATION	CIRCUIT NUMBER	SCHEM LOCATION	CIRCUIT NUMBER	SCHEM LOCATION	CIRCUIT NUMBER	SCHEM LOCATION
C320	1F	CR514	1C	J44	3D	R503	2B	R629	3E
C321	1F	CR515	1C	J65	1G	R504	1B	R630	4C
C323	2F	CR516	1C	J81	3G	R505	2B	R631	4A
C324	1E	CR517	3C			R506	1B	R635	4C
C325	1F	CR520	1B	P65	1G	R507	2A	R704	1D
C400	3B	CR521	3B	P81	3G	R508	2A	R705	1D
C401	2A	CR522	3C			R509	2A	R706	1D
C410	3A	CR523	3C	Q430	2F	R510	2C	R707	3A
C500	2B	CR524	3C	Q431	4B	R511	2B	R710	1D
C501	2B	CR525	1B	Q432	4D	R512	3C	R711	1D
C502	2B	CR526	1B	Q600	2D	R513	1C	R712	3B
C503	1B	CR527	1B	Q640	3G	R514	1A	R713	2A
C504	1D	CR600	2C	Q700	1D	R515	1A	R714	3A
C510	1A	CR601	2C	Q701	1D	R516	2A	R715	3A
C520	1A	CR602	2C	Q702	2A	R517	2A	R716	3A
C521	3C	CR610	3A	Q720	1E	R518	4C	R717	2B
C526	4B	CR611	3B	Q721	2E	R519	1A	R721	3E
C532	4D	CR612	3A	Q740	1G	R520	1B	R722	2E
C620	4C	CR613	1C			R521	3B	R723	3F
C630	4A	CR614	2C	R314	1E	R522	3C	R724	3F
C706	1C	CR615	1C	R315	1F	R523	1B	R726	3F
C715	3A	CR616	4A	R320	1E	R524	4B	R727	3F
C721	1E	CR617	4B	R321	1E	R525	4B	R728	3F
C732	2E	CR620	4C	R322	1E	R526	4B	R731	3G
C821	3F	CR621	4C	R325	2F	R527	3B	R740	3G
C840	1G	CR622	4C	R326	1F	R530	4D		
		CR623	4B	R327	1F	R531	4C	TP320	1F
CR312	1F	CR702	2D	R328	1F	R532	4C	TP321	1E
CR315	1F	CR703	2D	R329	1F	R533	3A	TP400	4C
CR320	1F	CR704	1D	R330	1F	R536	3B	TP410	1E
CR321	1F	CR705	1D	R400	3B	R600	2C	TP420	3A
CR410	2B	CR716	2B	R410	3A	R601	2D	TP540	2A
CR411	2A	CR717	3F	R411	1A	R610	4A	TP541	3A
CR412	3C	CR718	2D	R412	2A	R611	4A	TP542	1A
CR413	3C	CR720	2E	R413	3A	R612	1C	TP543	2A
CR420	1F	CR721	2D	R414	2A	R613	3B	TP550	3B
CR421	1B	CR740	3G	R415	1A	R620	4B	TP551	4B
CR422	1B			R420	1F	R621	4C	TP630	4A
CR423	3A	DS530	4D	R421	2F	R622	1E	TP640	1B
CR424	3B	DS531	4B	R422	2G	R623	2E	TP641	3B
CR510	2B	DS533	1E	R423	1G	R624	2E	TP642	3B
CR511	2C	DS630	2E	R424	1A	R625	4B	TP643	2B
CR512	2C			R430	1G	R626	4C	TP644	1A
CR513	2C	F740	3G	R502	3A	R627	4C	TP645	3A

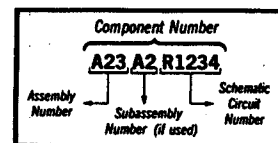
Partial A2A2 also shown on diagram 39.

CHASSIS MOUNTED PARTS

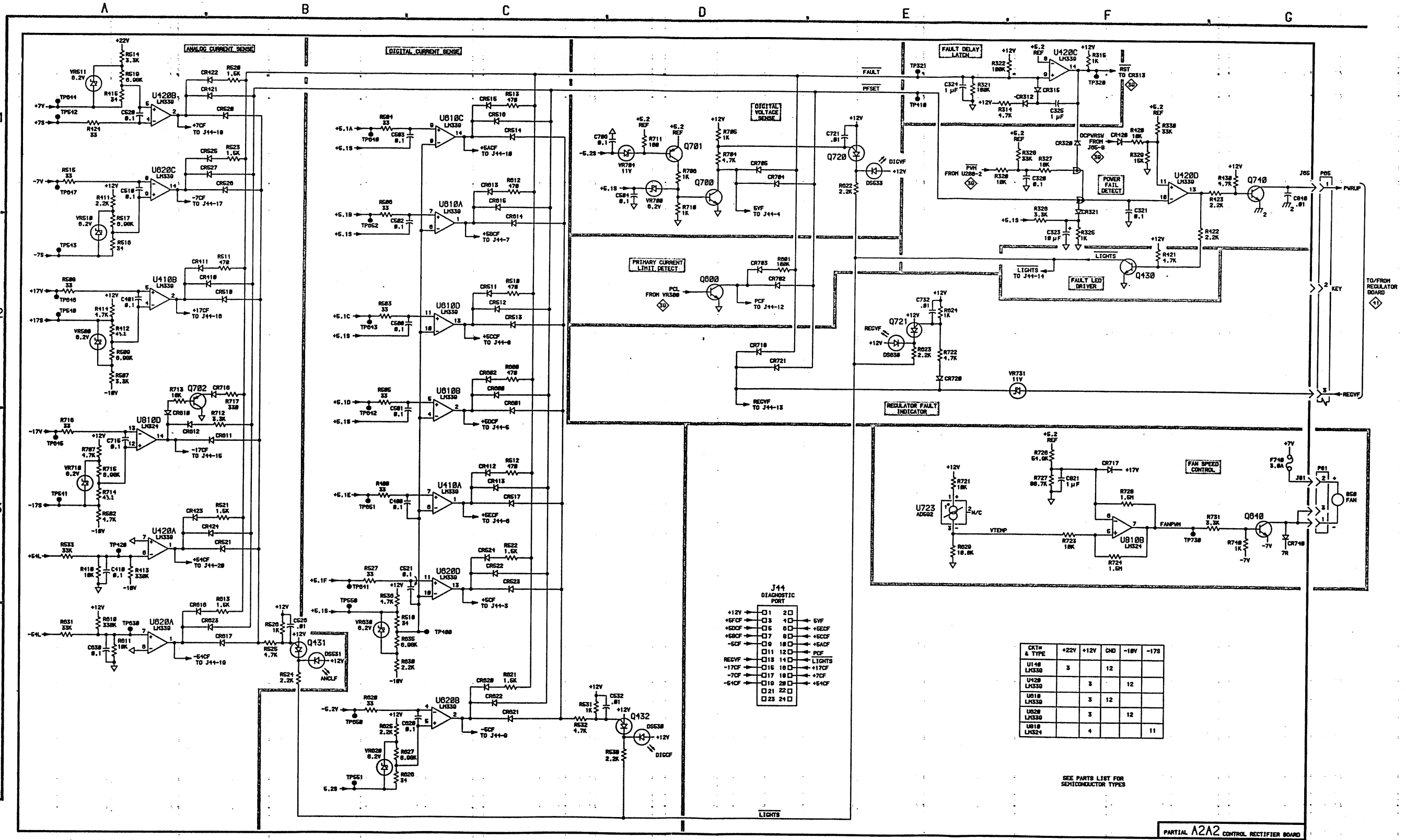
CIRCUIT NUMBER	SCHEM LOCATION	CIRCUIT NUMBER	SCHEM LOCATION	CIRCUIT NUMBER	SCHEM LOCATION	CIRCUIT NUMBER	SCHEM LOCATION	CIRCUIT NUMBER	SCHEM LOCATION
B50	3G								

Static Sensitive Devices
See Maintenance Section

COMPONENT NUMBER EXAMPLE



Chassis-mounted components have no Assembly Number prefix—see end of Replaceable Electrical Parts List.



11401/11402

PARTIAL A2A2 CONTROL RECTIFIER BOARD
FAULT DETECTION

CS-5

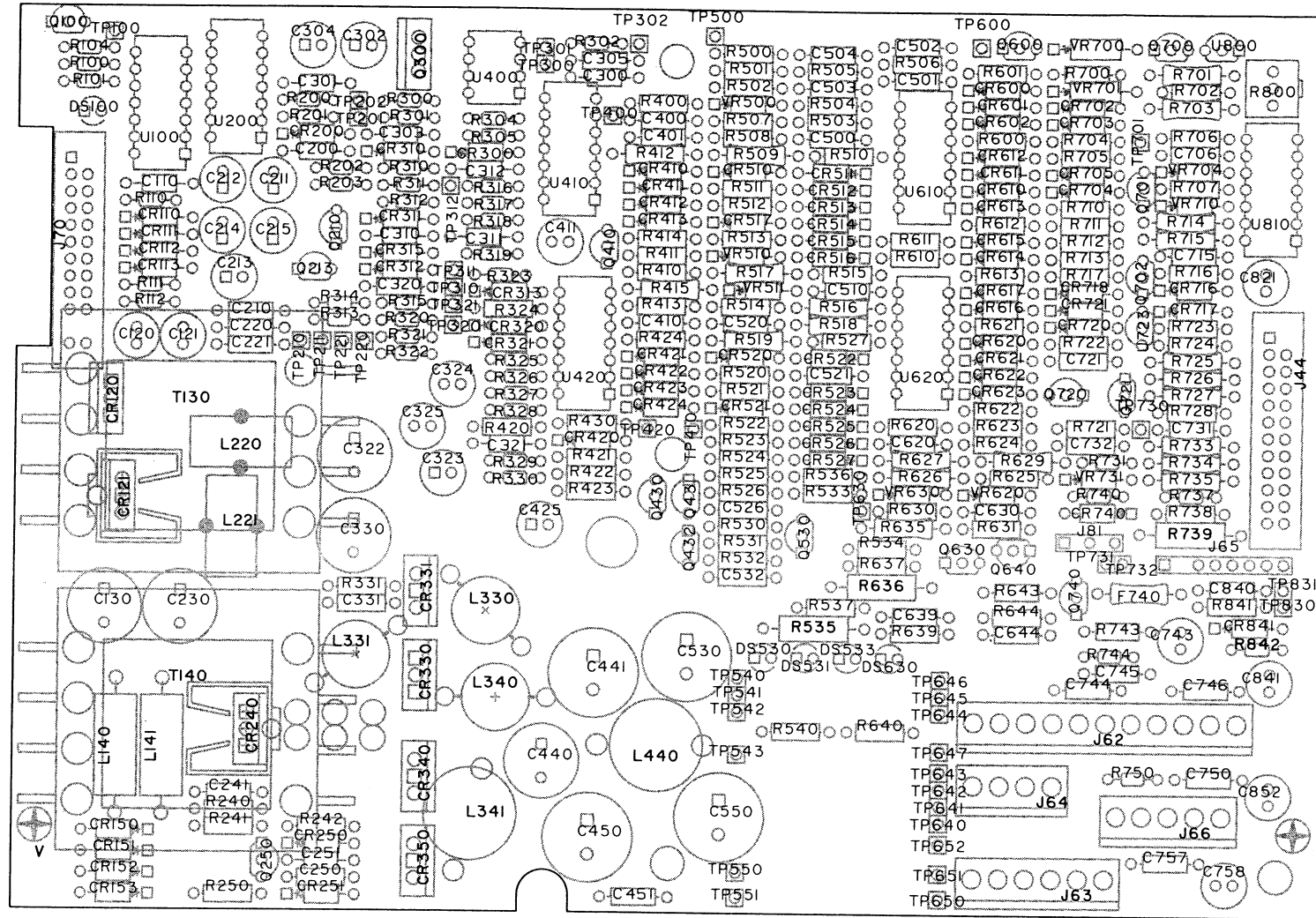
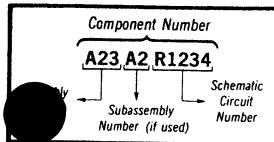


Figure 6-21. A2A2-Control Rectifier Circuit Board Assembly

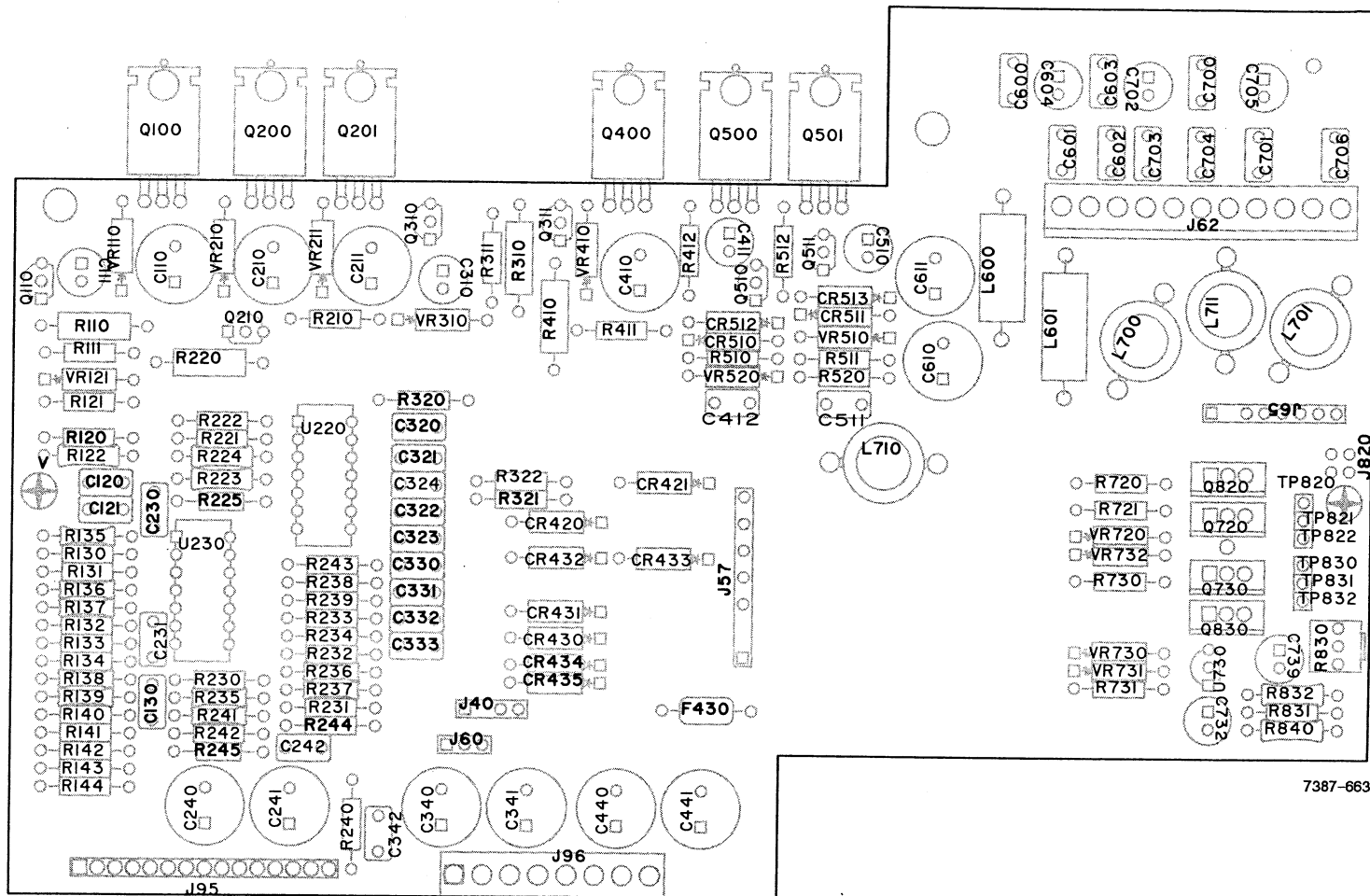
7387-661

Static Sensitive Devices
See Maintenance Section

COMPONENT NUMBER EXAMPLE



Chassis-mounted components have no Assembly Number prefix—see end of Replaceable Electrical Parts List

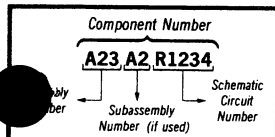


7387-663

Figure 6-22. A4-Regulator Circuit Board Assembly

Static Sensitive Devices
See Maintenance Section

COMPONENT NUMBER EXAMPLE



Chassis-mounted components have no Assembly Number prefix—see end of Replaceable Electrical Parts List.

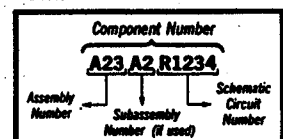
REGULATORS DIAGRAM 41

ASSEMBLY A4							
CIRCUIT NUMBER	SCHEM LOCATION	CIRCUIT NUMBER	SCHEM LOCATION	CIRCUIT NUMBER	SCHEM LOCATION	CIRCUIT NUMBER	SCHEM LOCATION
C110	2A	CR432	2E	Q511	1D	R320	2E
C111	4D	CR433	3E	Q720	1C	R321	1E
C120	4E	CR434	3A	Q730	1B	R322	1E
C121	4E	CR435	2A	Q820	2C	R410	2D
C130	4E	CR510	2D	Q830	2C	R411	1D
C210	2A	CR511	1D			R412	1D
C211	2A	CR512	2D	R110	4E	R510	2D
C230	3E	CR513	1D	R111	4E	R511	1D
C231	1C			R120	4E	R512	1D
C240	1E	F430	1F	R121	4D	R520	1D
C241	2E			R122	3E	R720	2C
C242	1E	J40	3A	R130	3E	R721	1C
C320	2E	J57	1G	R131	4E	R730	1B
C321	2E	J57	5A	R132	4E	R731	2B
C322	1E	J60	4A	R133	3E	R830	1B
C323	1C	J62	1A	R134	4E	R831	1B
C324	1E	J62	1A	R135	3E	R832	1B
C330	1C	J65	2A	R136	4E	R840	1B
C331	1C	J65	3A	R137	4E		
C332	1B	J95	2G	R138	4E	TP820	2C
C333	1E	J95	2G	R139	4E	TP821	3F
C340	4E	J96	3G	R140	3B	TP822	1C
C341	2E	J820	3B	R141	3B	TP830	1B
C342	3F			R142	3B	TP831	1C
C410	1A	L600	1A	R143	3B	TP832	2C
C411	2D	L601	1A	R144	3B		
C440	3E	L700	1A	R210	3D	U220A	2A
C441	3E	L701	2A	R220	4D	U220B	3B
C510	1D	L710	2A	R221	2E	U220C	1E
C511	1D	L711	2A	R222	3E	U220D	2E
C600	1A			R223	1E	U220	5C
C601	1A	P57	1G	R224	1E	U230A	4E
C602	1A	P57	4A	R225	3E	U230B	4E
C603	2A	P60	4A	R230	1E	U230C	1E
C604	1A	P62	1A	R231	1E	U230D	3E
C610	1A	P65	2A	R232	1E	U230	5C
C611	1A	P95	2G	R233	2E	U730	1C
C700	2A	P96	3G	R234	2E		
C701	2A	P820	3B	R235	1E	VR110	4D
C702	1A			R236	2E	VR121	4D
C703	2A	Q100	4D	R237	2E	VR210	4D
C704	1A	Q110	4E	R238	3B	VR211	3D
C705	2A	Q200	3D	R239	2B	VR310	3D
C706	2A	Q201	3D	R240	4F	VR410	2D
C732	1C	Q210	4D	R241	1E	VR510	1D
C739	1B	Q310	3D	R242	3B	VR520	1E
		Q311	2D	R243	3B	VR720	1C
CR420	2E	Q400	2D	R244	1E	VR730	1B
CR421	1E	Q500	2D	R245	4E	VR731	1B
CR430	4E	Q501	1D	R310	3E	VR732	1C
CR431	3E	Q510	1D	R311	3E		

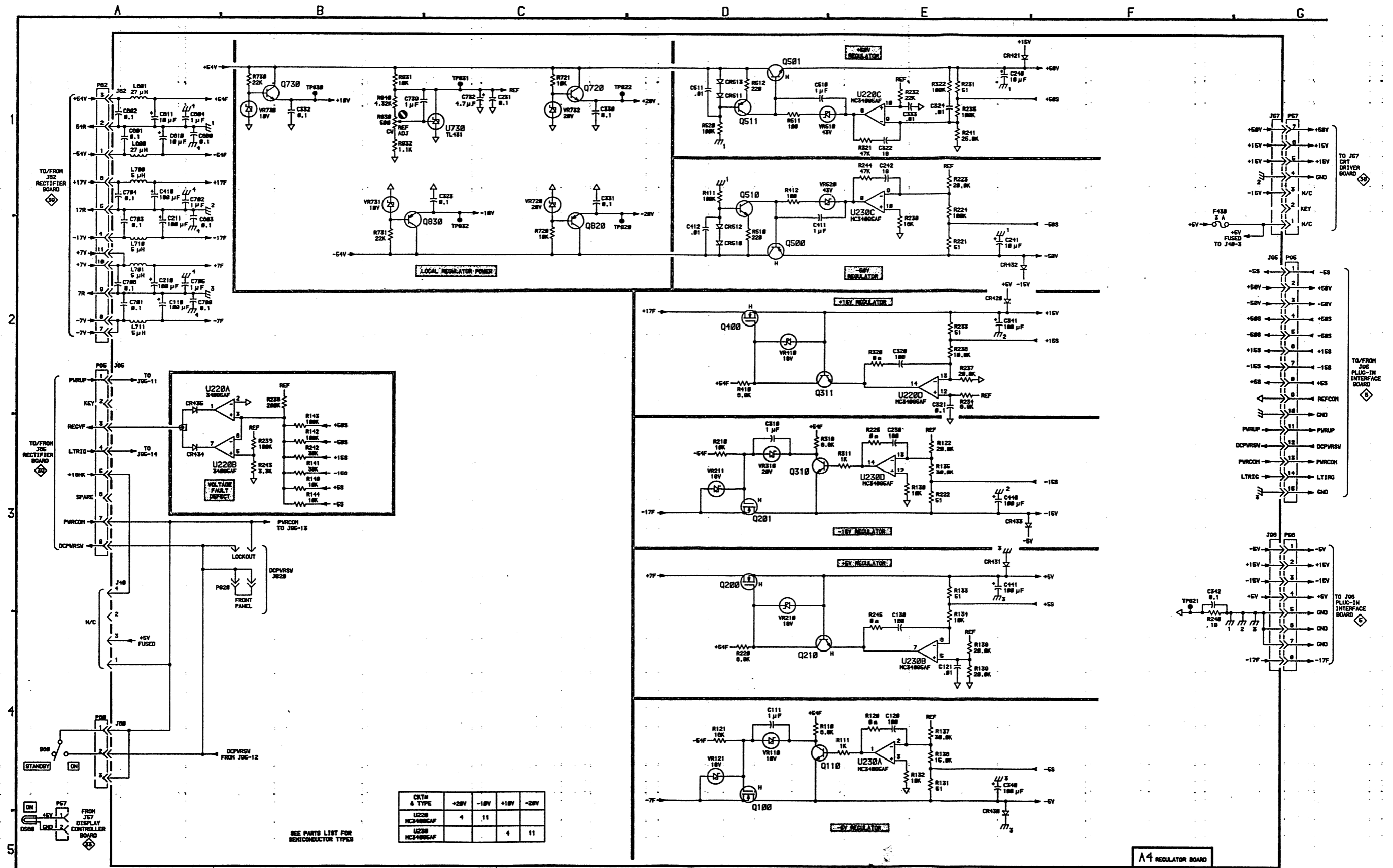
CHASSIS MOUNTED PARTS							
CIRCUIT NUMBER	SCHEM LOCATION	CIRCUIT NUMBER	SCHEM LOCATION	CIRCUIT NUMBER	SCHEM LOCATION	CIRCUIT NUMBER	SCHEM LOCATION
DS60	5A	S60	4A				

Static Sensitive Devices
 See Maintenance Section

COMPONENT NUMBER EXAMPLE



Chassis-mounted components have no Assembly Number prefix—see end of Replaceable Electrical Parts List.



11401/11402

A4 REGULATOR BOARD

REGULATORS

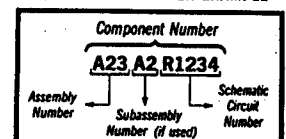
CABLING DIAGRAM

42

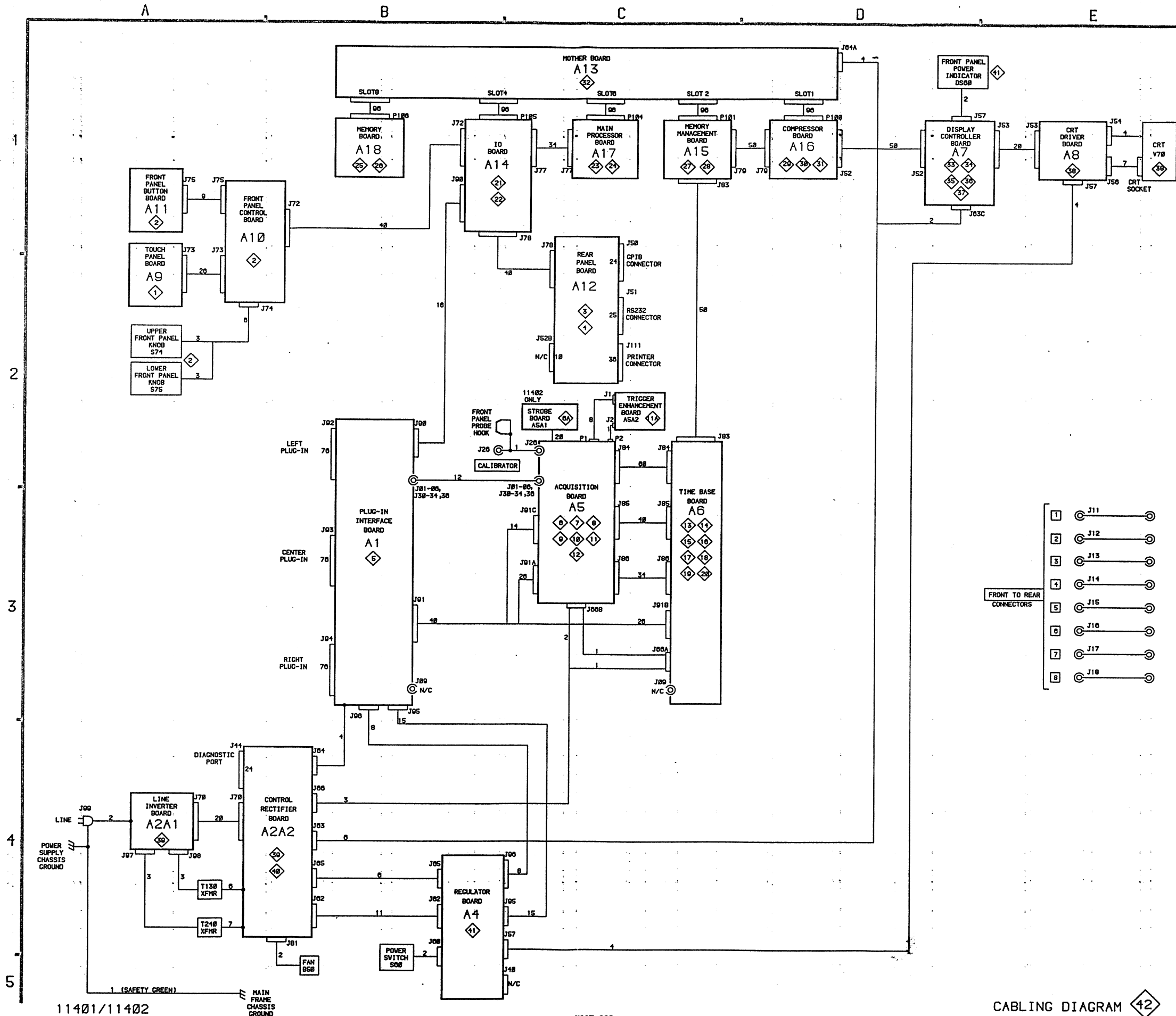
CHASSIS MOUNTED PARTS					
CIRCUIT NUMBER	SCHEM LOCATION	CIRCUIT NUMBER	SCHEM LOCATION	CIRCUIT NUMBER	SCHEM LOCATION
B50	5B	J62	4B	J90	1B
DS60	1D	J63C	1D	J90	2B
J1	2C	J63	4B	J91	3C
J2	2C	J64A	1D	J91B	3C
J9	3B	J64	4B	J91C	3C
J9	3C	J65	4B	J91	3B
J11	3E	J65	1B	J92	2B
J12	3E	J66A	3C	J93	3B
J13	3E	J66B	3C	J94	3B
J14	3E	J66	4B	J95	3B
J15	3E	J70	4A	J95	4C
J16	3E	J70	4A	J96	3B
J17	3E	J72	1B	J96	4C
J18	3E	J72	1B	J97	4A
J26	2B	J73	1A	J98	4A
J28	2C	J73	1A	J99	4A
J40	5C	J74	2B	J111	2C
J44	4A	J75	1A	P1	2C
J50	1C	J75	1A	P2	2C
J51	2C	J77	1C	P100	1D
J52B	2C	J77	1C	P101	1C
J52	1D	J78	1C	P104	1C
J52	1D	J78	1C	P105	1C
J53	1E	J79	1C	P108	1B
J53	1E	J79	1D	S60	5B
J54	1E	J81	4B	S74	2A
J56	1E	J83	1C	S75	2A
J57	1D	J83	2C	T130	4A
J57	1E	J84	2C	T240	4A
J57	4C	J84	2C	V70	1E
J60	4B	J85	3C		
J62	4B	J85	3C		
		J88	3C		
		J88	3C		

Static Sensitive Devices
 See Maintenance Section

COMPONENT NUMBER EXAMPLE



Chassis-mounted components have no Assembly Number prefix—see end of Replaceable Electrical Parts List.



- FRONT TO REAR CONNECTORS
- 1 J11
 - 2 J12
 - 3 J13
 - 4 J14
 - 5 J15
 - 6 J16
 - 7 J17
 - 8 J18

11401/11402

7387-665

CABLING DIAGRAM 42

42 11401/11402 Cabling Diagram

G5-8

REPLACEABLE MECHANICAL PARTS

PARTS ORDERING INFORMATION

Replacement parts are available from or through your local Tektronix, Inc. Field Office or representative.

Changes to Tektronix instruments are sometimes made to accommodate improved components as they become available, and to give you the benefit of the latest circuit improvements developed in our engineering department. It is therefore important, when ordering parts, to include the following information in your order: Part number, instrument type or number, serial number, and modification number if applicable.

If a part you have ordered has been replaced with a new or improved part, your local Tektronix, Inc. Field Office or representative will contact you concerning any change in part number.

Change information, if any, is located at the rear of this manual.

ITEM NAME

In the Parts List, an item Name is separated from the description by a colon(:). Because of space limitations, an Item Name may sometimes appear as incomplete. For further Item Name identification, the U.S. Federal Cataloging Handbook H6-1 can be utilized where possible.

FIGURE AND INDEX NUMBERS

Items in this section are referenced by figure and index numbers to the illustrations.

INDENTATION SYSTEM

This mechanical parts list is indented to indicate item relationships. Following is an example of the indentation system used in the description column.

1 2 3 4 5 *Name & Description*

Assembly and/or Component
Attaching parts for Assembly and/or Component

END ATTACHING PARTS

Detail Part of Assembly and/or Component
Attaching parts for Detail Part

END ATTACHING PARTS

Parts of Detail Part
Attaching parts for Parts of Detail Part

END ATTACHING PARTS

Attaching Parts always appear in the same indentation as the item it mounts, while the detail parts are indented to the right. Indented items are part of, and included with, the next higher indentation.

Attaching parts must be purchased separately, unless otherwise specified.

ABBREVIATIONS

Abbreviations conform to American National Standards Institute Y1.1

CROSS INDEX - MFR. CODE NUMBER TO MANUFACTURER

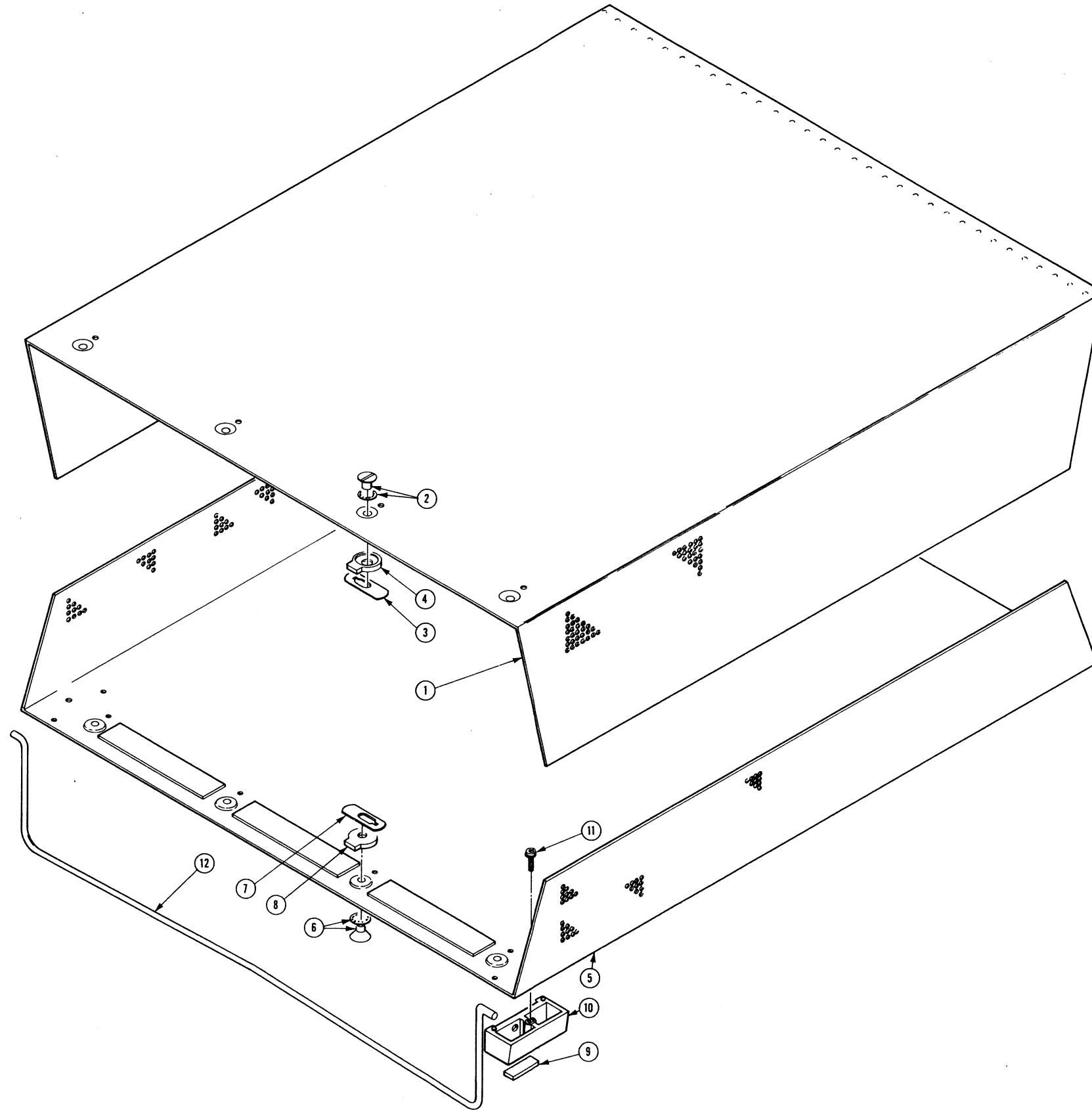
Mfr. Code	Manufacturer	Address	City, State, Zip Code
000BK	STAUFFER SUPPLY	105 SE TAYLOR	PORTLAND, OR 97214
00261	GENERAL ELECTRIC CO	14TH AND ARNOLD STS	CHICAGO HEIGHTS IL 60411
00779	FOOD SERVICE EQUIPMENT BUSINESS DEPT AMP INC	2800 FULLING MILL PO BOX 3608	HARRISBURG PA 17105
01536	TEXTRON INC CAMCAR DIV	1818 CHRISTINA ST	ROCKFORD IL 61108
04348	SEMS PRODUCTS UNIT LAWRENCE ENGINEERING AND SUPPLY INC	500 S FLOWER ST P O BOX 30	BURBANK CA 91503
05820	EG AND G WAKEFIELD ENGINEERING	60 AUDUBON RD	WAKEFIELD MA 01880-1203
06383	PANDUIT CORP	17301 RIDGELAND	TINLEY PARK IL 07094-2917
09772	WEST COAST LOCKWASHER CO INC	16730 E JOHNSON DRIVE P O BOX 3588	CITY OF INDUSTRY CA 91744
11897	PLASTIGLIDE MFG CORP	2701 W EL SEGUNDO BLVD	HAWTHORNE CA 90250-3318
12327	FREEWAY CORP	9301 ALLEN DR	CLEVELAND OH 44125-4632
13103	THERMALLOY CO INC	2021 W VALLEY VIEW LN PO BOX 810839	DALLAS TX 75381
16428	COOPER BELDEN ELECTRONIC WIRE AND CA SUB OF COOPER INDUSTRIES INC	NW N ST	RICHMOND IN 47374
18677	SCANBE MFG CO DIV OF ZERO CORP	3445 FLETCHER AVE	EL MONTE CA 91731
22526	DU PONT E I DE NEMOURS AND CO INC DU PONT CONNECTOR SYSTEMS DIV MILITARY PRODUCTS GROUP	515 FISHING CREEK RD	NEW CUMBERLAND PA 17070-3007
28520	HEYCO MOLDED PRODUCTS	750 BOULEVARD P O BOX 160	KENILWORTH NJ 07033-1721
30010	BICC-VERO ELECTRONICS INC	40 LINDEMAN DR	TRUMBULL CT 06611-4739
30161	AAVID ENGINEERING INC	ONE KOOL PATH PO BOX 400	LACONIA NH 03247
53387	MINNESOTA MINING AND MFG CO ELECTRONIC PRODUCTS DIV	3M CENTER	ST PAUL MN 55101-1428
55285	BERGQUIST CO INC THE	5300 EDINA INDUSTRIAL BLVD	MINNEAPOLIS MN 55435-3707
61058	MATSUSHITA ELECTRIC CORP OF AMERICA PANASONIC INDUSTRIAL CO DIV	ONE PANASONIC WAY PO BOX 1502	SECAUCUS NJ 07094-2917
70903	COOPER BELDEN ELECTRONICS WIRE AND C SUB OF COOPER INDUSTRIES INC	2000 S BATAVIA AVE	GENEVA IL 60134-3325
73743	FISCHER SPECIAL MFG CO	111 INDUSTRIAL RD	COLD SPRING KY 41076-9749
74445	HOLO-KROME CO	31 BROOK ST	ELMWOOD CT 06110-2350
75915	LITTELFUSE INC SUB TRACOR INC	800 E NORTHWEST HWY	DES PLAINES IL 60016-3049
77900	ILLINOIS TOOL WORKS SHAKEPROOF DIV	ST CHARLES RD	ELGIN IL 60120
78189	ILLINOIS TOOL WORKS INC SHAKEPROOF DIV	ST CHARLES ROAD	ELGIN IL 60120
80009	TEKTRONIX INC	14150 SW KARL BRAUN DR PO BOX 500	BEAVERTON OR 97707-0001
81041	HOWARD INDUSTRIES DIV OF MSL INDUSTRIES INC	1 NORTH DIXIE HWY PO BOX 287	MILFORD IL 60953
83486	ELCO INDUSTRIES INC	1101 SAMUELSON RD	ROCKFORD IL 61101
83553	ASSOCIATED SPRING BARNES GROUP INC	15001 S BROADWAY P O BOX 231	GARDENA CA 90248-1819
85480	BRADY W H CO CORP H Q	2221 W CAMDEN RD PO BOX 2131	MILWAUKEE WI 53209
93907	INDUSTRIAL PRODUCTS DIV TEXTRON INC CAMCAR DIV	600 18TH AVE	ROCKFORD IL 61108-5181
98335	WEATHERFORD ENGINEERING AND MFG. COM PANY		WEATHERFORD, TX 76086
98978	INTERNATIONAL ELECTRONIC RESEARCH CORP	135 W MAGNOLIA BLVD PO BOX 7704	BURBANK CA 91502
S3109	FELLER	ASA ADOLF AG STOTZWEID CH8810	HORGEN SWITZERLAND
S3629	SCHURTER AG H C/O PANEL COMPONENTS CORP	2015 SECOND STREET	BERKELEY CA 94170
TK0435	LEWIS SCREW CO	4300 S RACINE AVE	CHICAGO IL 60609-3320

CROSS INDEX - MFR. CODE NUMBER TO MANUFACTURER

Mfr. Code	Manufacturer	Address	City, State, Zip Code
TK0861	H SCHURTER AG DIST PANEL COMPONENTS	2015 SECOND STREET	BERKELEY CA 94170
TK1262	MURPHY ELECTRONICS INC (DIST)	14933 NE 40TH ST	REDMOND WA 98052-5326
TK1373	PATELEC-CEM (ITALY)	10156 TORINO	VAICENTALLO 62/45S ITALY
TK1543	CAMCAR/TEXTRON	600 18TH AVE	ROCKFORD IL 61108-5181
TK1546	DTM PRODUCTS INC	4725 NAUTILUS COURT S	BOULDER CO 80301
TK6020	DAINICHI-NIPPON CABLES	NEW KOKUSAI BLDG 4-1 MARUNOUCHI 3-CHOME CHIYODA-KU	TOKYO 100 JAPAN

Replaceable Mechanical Parts
11401 Extended Service Volume 2

Fig. & Index No.	Tektronix Part No.	Serial/Assembly No. Effective Dscnt	Qty	12345 Name & Description	Mfr. Code	Mfr. Part No.
1-1	200-3126-00		1	COVER,CABINET:LIFT OFF,UPPER	80009	200-3126-00
-2	214-0603-02		4	.PIN ASSY,SECRG:W/SPRING WASHER	80009	214-0603-02
-3	386-1151-00		4	.CLAMP,RIM CLENC:SPG STL CD PL	83553	ORDER BY DESCR
-4	386-0227-00		4	.STOP,CLP,RIM CL:	80009	386-0227-00
-5	200-3127-00		1	COVER,CABINET:LIFT OFF,LOWER	80009	200-3127-00
-6	214-0603-02		4	.PIN ASSY,SECRG:W/SPRING WASHER	80009	214-0603-02
-7	386-1151-00		4	.CLAMP,RIM CLENC:SPG STL CD PL	83553	ORDER BY DESCR
-8	386-0227-00		4	.STOP,CLP,RIM CL:	80009	386-0227-00
-9	348-0596-00		4	PAD,CAB.FOOT:0.69 X 0.255 X 0.06,PU	80009	348-0596-00
-10	348-0879-00		4	FOOT,CABINET:BOTTOM,BLUE,POLYCARBONATE (ATTACHING PARTS)	80009	348-0879-00
-11	211-0711-00		4	SCR,ASSEM WSHR:6-32 X 0.25,PNH,STL,TORX,T15 (END ATTACHING PARTS)	01536	ORDER BY DESCR
-12	348-0875-00		1	FLIPSTAND,CAB.:	80009	348-0875-00



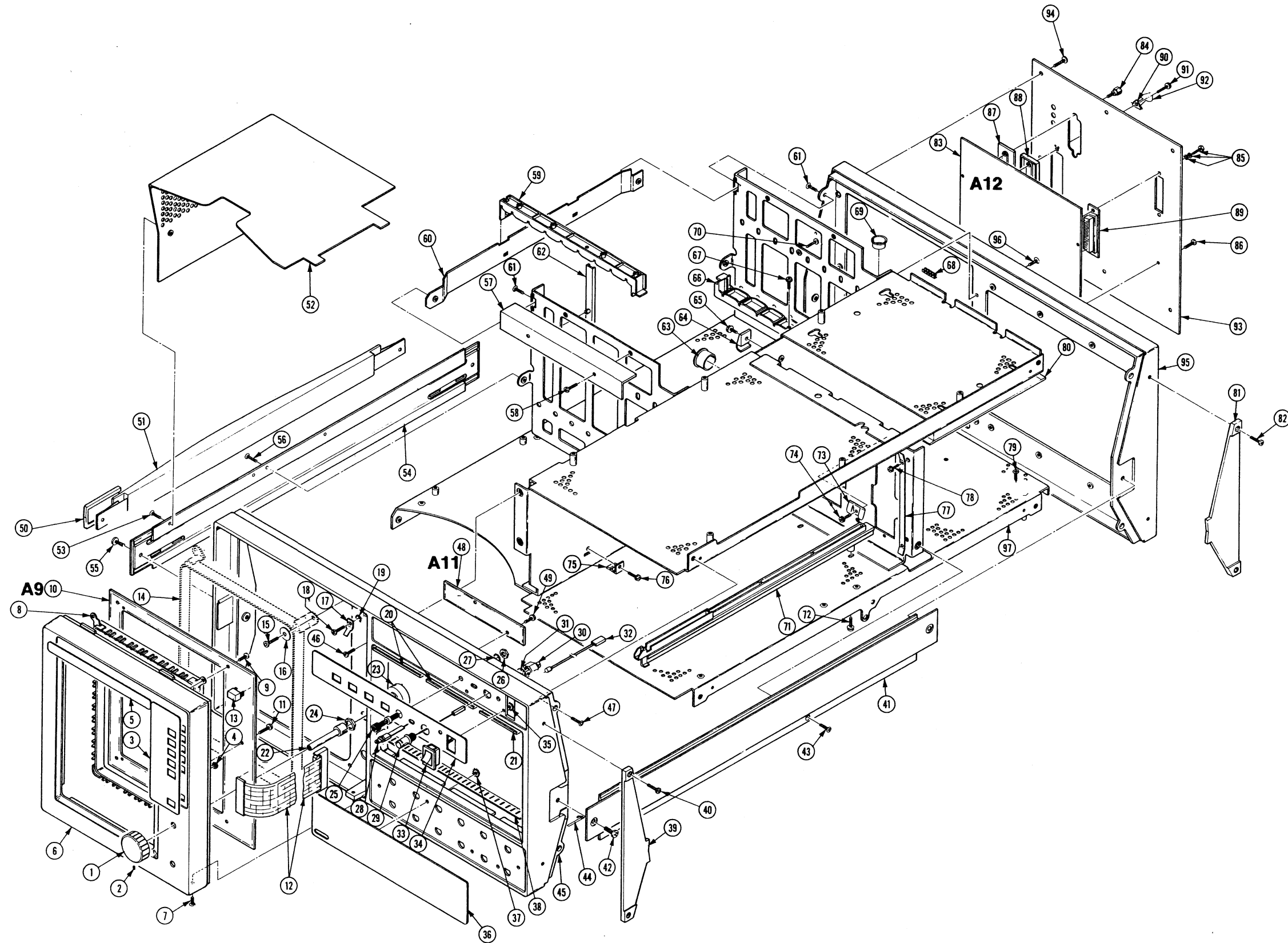


Fig. & Index No.	Tektronix Part No.	Serial/Assembly No.		Qty	12345 Name & Description	Mfr.	
		Effective	Dscort			Code	Mfr. Part No.
2-1	366-0582-00			2	KNOB:ENCODER (ATTACHING PARTS)	TK1546	ORDER BY DESCR
-2	213-0022-00			2	SETSCREW:4-40 X 0.188,STL (END ATTACHING PARTS)	74445	ORDER BY DESCR
-3	333-3214-00	B010100	B010818	1	PANEL,FRONT:LOWER,NON FEED THRU	80009	333-3214-00
	333-3214-01	B010819		1	PANEL,FRONT: (ATTACHING PARTS)	80009	333-3214-01
-4	210-0586-00	B010100	B010818	1	NUT,PL,ASSEM WA:4-40 X 0.25,STL CD PL	78189	211-041800-00
	210-0586-00	B010819		4	NUT,PL,ASSEM WA:4-40 X 0.25,STL CD PL (END ATTACHING PARTS)	78189	211-041800-00
-5	334-6507-00	B010100	B010818	1	MARKER,IDENT:MKD TEKTRONIX 11401	80009	334-6507-00
-6	200-3143-00	B010100	B010818	1	COVER,CRT SCALE:	80009	200-3143-00
	200-3143-01	B010819		1	COVER,CRT SCALE:BEZEL (ATTACHING PARTS)	80009	200-3143-01
-7	211-0392-00			2	SCREW,MACHINE:4-40 X 0.25,FLH,82 DEG,STL (END ATTACHING PARTS)	80009	211-0392-00
-8	386-5282-00	B010100	B010312	1	DIFFUSER,LIGHT:PLASTIC	80009	386-5282-00
	386-5282-01	B010313		1	DIFFUSER,LIGHT:PLASTIC (ATTACHING PARTS)	80009	386-5282-01
-9	211-0372-00			4	SCREW,MACHINE:4-40 X 0.312,PNH,STL (END ATTACHING PARTS)	TK1543	B80-00020-003
-10	-----			1	CIRCUIT BD ASSY:TOUCH PANEL (SEE A9 REPL) (ATTACHING PARTS)		
-11	211-0372-00	B010100	B010818	1	SCREW,MACHINE:4-40 X 0.312,PNH,STL	TK1543	B80-00020-003
	211-0378-00	B010819		1	SCR,ASSEM WSHR:4-40 X 0.375.PNH,STL,CD PL (END ATTACHING PARTS)	80009	211-0378-00
-12	-----			1	TOUCH PANEL BOARD ASSEMBLY INCLUDES: .CA ASSY,SP,ELEC: (SEE A9P73 REPL)		
	179-2965-00			1	.WIRING HARNESS:W/CONNECTORS (TOUCH PANEL TO CHASSIS GROUND)	80009	179-2965-00
-13	366-0600-00			10	PUSH BUTTON:0.269 X 0.409,ABS	80009	366-0600-00
-14	-----			1	ELECTRON TUBE:CRT W/DEFLECTION YOKE (PART OF CRT ASSEMBLY. SEE V70 REPL) (ATTACHING PARTS)		
-15	211-0721-00			4	SCREW,MACHINE:6-32 X 0.375,PHN,STL	83486	ORDER BY DESCR
-16	210-0949-00			4	WASHER,FLAT:0.141 ID X 0.5 OD X 0.062,BRS (END ATTACHING PARTS)	12327	ORDER BY DESCR
-17	131-1688-00			1	TERM,QIK DISC.:MALE,0.032 X 0.25 BL (ATTACHING PARTS)	00779	42577-4
-18	211-0721-00			1	SCREW,MACHINE:6-32 X 0.375,PHN,STL	83486	ORDER BY DESCR
-19	210-0006-00			1	WASHER,LOCK:#6 INTL,0.018 THK,STL (END ATTACHING PARTS)	77900	1206-00-00-0541C
-20	348-0876-00			2	SHLD GSKT,ELEK:SOLID TYPE,2.480 L	80009	348-0876-00
-21	348-0877-00			1	SHLD GSKT,ELEK:SOLID TYPE,1.860 L	80009	348-0877-00
-22	384-1682-00			2	EXTENSION SHAFT:2.375 L,POLYCARBONATE	80009	384-1682-00
-23	-----			2	ENCODER,DIGITAL: (SEE S74,S75 REPL) (ATTACHING PARTS)		
-24	220-0052-00			2	NUT,PLAIN,HEX:M9 X 0.75 (END ATTACHING PARTS)	73743	ORDER BY DESCR
-25	129-0103-00			1	POST,BDG,ELEC:ASSEMBLY (ATTACHING PARTS)	80009	129-0103-00
-26	210-0455-00			1	NUT,PLAIN,HEX:0.25-28 X 0.375,BRS NP	73743	3089-402
-27	210-0046-00			1	WASHER,LOCK:0.261 ID,INTL,0.018 THK,STL (END ATTACHING PARTS)	77900	1214-05-00-0541C
-28	131-3768-00			1	TERMINAL ASSY:CALIBRATOR	80009	131-3768-00
-29	131-3767-00			1	CONN ASSY,ELEC:CAL TERMINAL (ATTACHING PARTS)	80009	131-3767-00
-30	103-0268-00	B010100	B021086	1	ADAPTER,CONN:PELTOLA TO BNC	80009	103-0268-00
	103-0268-01	B021087		1	ADPTR COAX CONN:0.438 HEX,SST	80009	103-0268-01
-31	210-0012-00			1	WASHER,LOCK:0.384 ID,INTL,0.022 THK,STL (END ATTACHING PARTS)	09772	ORDER BY DESCR
-32	-----			1	LAMP,CARTRIDGE: (SEE DSG0 REPL)		
-33	260-2275-00			1	SWITCH,ROCKER:SPST,30MA,12V	TK1262	ME010-D
-34	333-3213-00			1	PANEL,FRONT:UPPER	80009	333-3213-00

Replaceable Mechanical Parts
11401 Extended Service Volume 2

Fig. & Index No.	Tektronix Part No.	Serial/Assembly No. Effective Dscont	Qty	12345 Name & Description	Mfr. Code	Mfr. Part No.
2-				(ATTACHING PARTS)		
-35	210-0586-00		4	NUT, PL, ASSEM WA:4-40 X 0.25, STL CD PL	78189	211-041800-00
	174-0178-00		1	(END ATTACHING PARTS) CABLE ASSY, RF:(4) 50 OHM COAX, 30.5 L, W/CONN (FROM FRONT BNC'S TO REAR BNC'S) (OPTION 1C ONLY)	80009	174-0178-00
	174-0252-00		1	CABLE ASSY, RF:(4), 50 OHM COAX, 30.5 L (FROM FRONT BNC'S TO REAR BNC'S) (OPTION 1C ONLY)	80009	174-0252-00
-36	333-3231-00		1	PANEL, FRONT: LOWER (STANDARD)	80009	333-3231-00
	333-3215-00		1	PANEL, FRONT: LOWER, (OPTION) (OPTION 1C ONLY)	80009	333-3215-00
-37	210-0586-00		4	(ATTACHING PARTS) NUT, PL, ASSEM WA:4-40 X 0.25, STL CD PL (END ATTACHING PARTS)	78189	211-041800-00
-38	348-0878-00		1	SHLD GSKT, ELEK: SOLID TYPE, 7.646 L	80009	348-0878-00
-39	101-0107-00		2	TRIM, DECORATIVE: RIGHT SIDE, FRONT CASTING (ATTACHING PARTS)	80009	101-0107-00
-40	211-0721-00		4	SCREW, MACHINE: 6-32 X 0.375, PNH, STL (END ATTACHING PARTS)	83486	ORDER BY DESC
-41	426-2099-00		1	FRAME SECT, CAB.: RIGHT SIDE (ATTACHING PARTS)	80009	426-2099-00
-42	212-0685-00		2	SCREW, MACHINE: 10-32 X 0.281, PNH, STL	93907	ORDER BY DESC
-43	211-0718-00		1	SCREW, MACHINE: 6-32 X 0.312, FLH, 100 DEG, STL (END ATTACHING PARTS)	83486	ORDER BY DESC
-44	348-0886-00		4	SHLD GSKT, ELEK: FINGER TYPE, 18.310 L	80009	348-0886-00
-45	386-5268-02		1	SUBPANEL, FRONT: PLATED (ATTACHING PARTS)	80009	386-5268-02
-46	211-0721-00		2	SCREW, MACHINE: 6-32 X 0.375, PNH, STL	83486	ORDER BY DESC
-47	211-0718-00		3	SCREW, MACHINE: 6-32 X 0.312, FLH, 100 DEG, STL (END ATTACHING PARTS)	83486	ORDER BY DESC
-48	-----		1	CIRCUIT BD ASSY: FRONT PANEL BUTTON (SEE A11 REPL) (ATTACHING PARTS)		
-49	211-0410-00		2	SCR, ASSEM WSHR: 4-40 X 0.437, PNH, STL (END ATTACHING PARTS)	93907	ORDER BY DESC
-50	200-2191-00		2	CAP, RETAINER: PLASTIC	80009	200-2191-00
-51	367-0248-01		1	HANDLE, CARRYING: 16.341 L, W/CLIP	80009	367-0248-01
-52	200-3142-00		1	COVER, CRT: GUARD (ATTACHING PARTS)	80009	200-3142-00
-53	211-0718-00		2	SCREW, MACHINE: 6-32 X 0.312, FLH, 100 DEG, STL (END ATTACHING PARTS)	83486	ORDER BY DESC
-54	426-2098-00		1	FRAME SECT, CAB.: LEFT SIDE (ATTACHING PARTS)	80009	426-2098-00
-55	212-0685-00		2	SCREW, MACHINE: 10-32 X 0.281, PNH, STL	93907	ORDER BY DESC
-56	211-0718-00		1	SCREW, MACHINE: 6-32 X 0.312, FLH, 100 DEG, STL (END ATTACHING PARTS)	83486	ORDER BY DESC
-57	343-1267-00		1	RTNR, CARD CAGE: 0.7 X 6.53, ALUMINUM (ATTACHING PARTS)	80009	343-1267-00
-58	211-0711-00		2	SCR, ASSEM WSHR: 6-32 X 0.25, PNH, STL, TORX, T15 (END ATTACHING PARTS)	01536	ORDER BY DESC
-59	351-0746-00		2	GUIDE, CKT BOARD: NYLON 6.803 L	80009	351-0746-00
-60	407-3438-00		1	BRACKET, CHASSIS: AL (ATTACHING PARTS)	80009	407-3438-00
-61	211-0718-00		5	SCREW, MACHINE: 6-32 X 0.312, FLH, 100 DEG, STL (END ATTACHING PARTS)	83486	ORDER BY DESC
-62	351-0765-00		16	GUIDE, CKT BOARD: NYLON	30010	29-0124D
-63	348-0532-00		1	GROMMET, PLASTIC: BLACK, ROUND, 0.625 ID	28520	SB-750-10
-64	343-0081-00		1	STRAP, RETAINING: 0.125 DIA, NYLON (ATTACHING PARTS)	85480	CPNY-172BK
-65	211-0711-00		1	SCR, ASSEM WSHR: 6-32 X 0.25, PNH, STL, TORX, T15 (END ATTACHING PARTS)	01536	ORDER BY DESC
-66	351-0746-00		1	GUIDE, CKT BOARD: NYLON 6.803 L (ATTACHING PARTS)	80009	351-0746-00
-67	211-0711-00		1	SCR, ASSEM WSHR: 6-32 X 0.25, PNH, STL, TORX, T15 (END ATTACHING PARTS)	01536	ORDER BY DESC
-68	255-0334-00		2	PLASTIC CHANNEL: 12.75 X 0.175 X 0.155, NYLON	11897	122-37-2500
-69	342-0313-00		1	GROMMET, PLASTIC: 0.437 ID X 0.562 OD, NYLON	28520	2066

Fig. & Index No.	Tektronix Part No.	Serial/Assembly No. Effective Dscnt	Qty	12345 Name & Description	Mfr. Code	Mfr. Part No.
2-70	211-0711-00		1	SCR,ASSEM WSHR:6-32 X 0.25,PNH,STL,TORX,T15 (ATTACHES GROUND WIRE)	01536	ORDER BY DESCR
-71	351-0744-00		3	GUIDE,PLUG-IN:POLYAMIDE (ATTACHING PARTS)	80009	351-0744-00
-72	211-0711-00		3	SCR,ASSEM WSHR:6-32 X 0.25,PNH,STL,TORX,T15 (END ATTACHING PARTS)	01536	ORDER BY DESCR
-73	131-0799-00		4	CONTACT,ELEC:PLUG-IN GND,BE NI CD PL (ATTACHING PARTS)	80009	131-0799-00
-74	211-0408-00		4	SCR,ASSEM WSHR:4-40 X 0.250,PNH,STL TORX (END ATTACHING PARTS)	93907	ORDER BY DESCR
-75	344-0133-00		2	CLIP,SPR TNSN:CKT BOARD MT,WHITE (ATTACHING PARTS)	80009	344-0133-00
-76	211-0408-00		2	SCR,ASSEM WSHR:4-40 X 0.250,PNH,STL TORX (END ATTACHING PARTS)	93907	ORDER BY DESCR
-77	131-0800-03		2	CONTACT,ELEC:PLUG-IN GND,BE NI HT TR (ATTACHING PARTS)	80009	131-0800-03
-78	211-0408-00		4	SCR,ASSEM WSHR:4-40 X 0.250,PNH,STL TORX (END ATTACHING PARTS)	93907	ORDER BY DESCR
-79	211-0722-00		1	SCREW,MACHINE:6-32 X 0.25,PNH,STL (ATTACHES PWR SPLY GROUND WIRE)	80009	211-0722-00
-80	386-5283-00		2	SUPPORT,CHASSIS:POWER SUPPLY,POLYCARBONATE	80009	386-5283-00
-81	101-0106-00		2	TRIM,DECORATIVE:LEFT SIDE,FRONT CASTING (ATTACHING PARTS)	80009	101-0106-00
-82	211-0721-00		4	SCREW,MACHINE:6-32 X 0.375,PHN,STL (END ATTACHING PARTS)	83486	ORDER BY DESCR
-83	-----		1	CIRCUIT BD ASSY:REAR PANEL (SEE A12 REPL) (ATTACHING PARTS)		
-84	129-0744-00		2	SPACER,POST:0.875 L,4-40 BOTH ENDS,AL	80009	129-0744-00
-85	214-3106-00		2	HARDWARE KIT:JACK SOCKET	53387	3341-1S
-86	211-0372-00		1	SCREW,MACHINE:4-40 X 0.312,PNH,STL (END ATTACHING PARTS)	TK1543	B80-00020-003
-87	-----		1	REAR PANEL BOARD ASSEMBLY INCLUDES: .CONN,RCPT,ELEC: . (SEE A12J50 REPL)		
-88	-----		1	.CONN,RCPT,ELEC: . (SEE A12J111 REPL)		
-89	-----		1	.CONN,RCPT,ELEC: . (SEE A12J51 REPL)		
-90	407-3446-00		2	BRKT,BAIL MTG:STEEL,0.35 X 0.289 (ATTACHING PARTS)	00779	552101-1
-91	211-0410-00		2	SCR,ASSEM WSHR:4-40 X 0.437,PNH,STL (END ATTACHING PARTS)	93907	ORDER BY DESCR
-92	344-0387-00		2	CLIP,BAIL:STAINLESS STEEL	80009	344-0387-00
-93	386-5369-00		1	PLATE,CONN:8.388 X 7.852,AL	80009	386-5369-00
	386-5336-00		1	PLATE,CONNECTOR:ALUMINUM (OPTION 1C ONLY)	80009	386-5336-00
	334-6776-00		1	MARKER,IDENT:MKD GPIB (ATTACHING PARTS)	80009	334-6776-00
-94	211-0721-00		8	SCREW,MACHINE:6-32 X 0.375,PHN,STL (END ATTACHING PARTS)	83486	ORDER BY DESCR
-95	386-5269-02		1	SUBPANEL,REAR:PLATED (ATTACHING PARTS)	80009	386-5269-02
-96	211-0718-00		2	SCREW,MACHINE:6-32 X 0.312,FLH,100 DEG,STL (END ATTACHING PARTS)	83486	ORDER BY DESCR
-97	610-0751-00		1	CHASSIS ASSY:	80009	610-0751-00

Replaceable Mechanical Parts
11401 Extended Service Volume 2

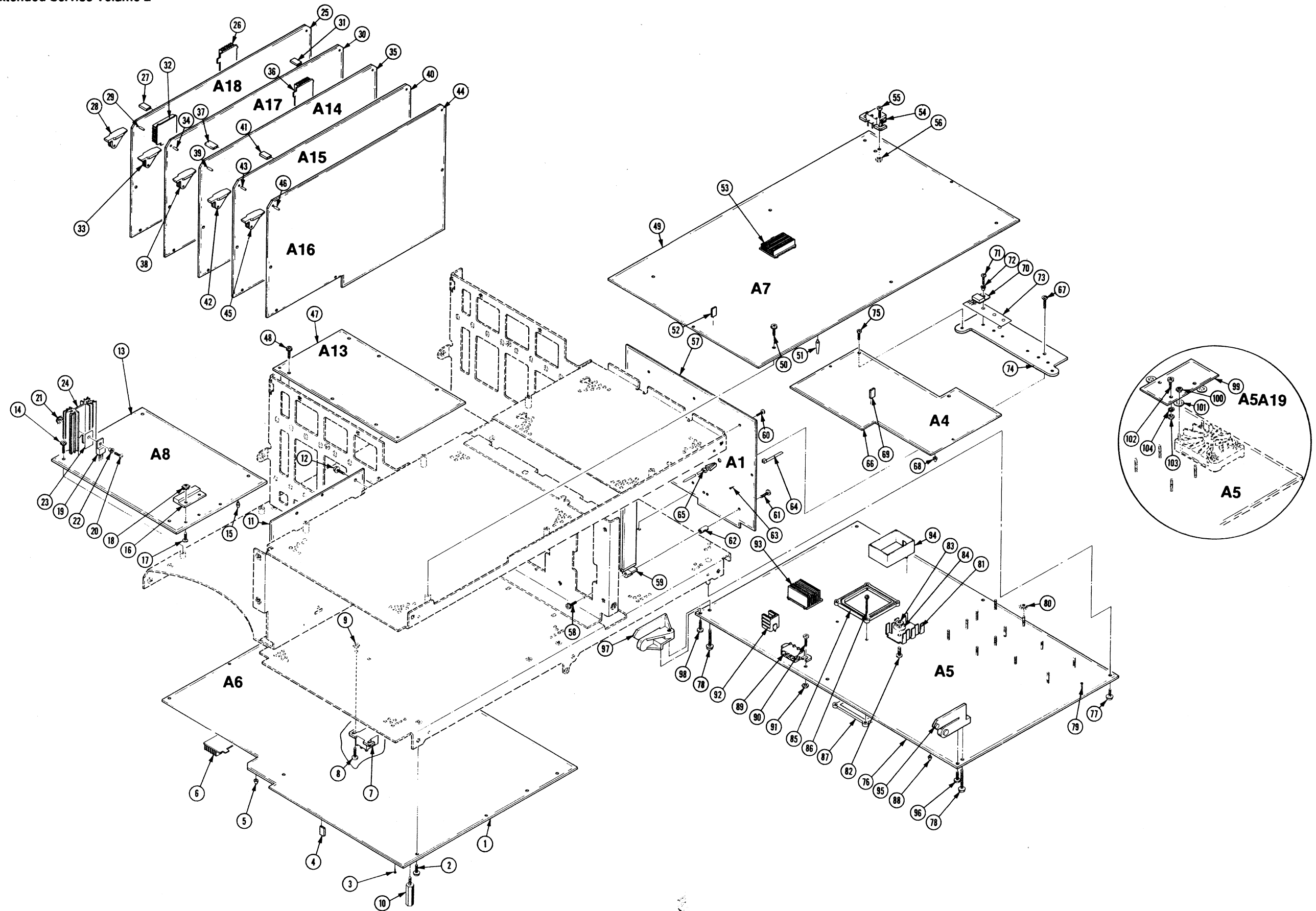
Fig. & Index No.	Tektronix Part No.	Serial/Assembly No. Effective	Discont	Qty	12345 Name & Description	Mfr. Code	Mfr. Part No.
3-1	-----			1	CIRCUIT BD ASSY:TIME BASE (SEE A6 REPL) (ATTACHING PARTS)		
-2	211-0711-00			5	SCR,ASSEM WSHR:6-32 X 0.25,PNH,STL,TORX,T15 (END ATTACHING PARTS) TIME BASE BOARD ASSEMBLY INCLUDES:	01536	ORDER BY DESCR
-3	136-0252-07	B010100	B010624	1	.SOCKET,PIN CONN:W/O DIMPLE	22526	75060-012
-4	131-0993-00			5	.BUS,CONDUCTOR:SHUNT ASSEMBLY,BLACK	22526	65474-005
-5	386-5289-00			4	.SUPPORT,CKT BD:POLYIMIDE,WHITE	80009	386-5289-00
-6	214-3637-00			1	.HEAT SINK,ELEC:CHIP CARRIER,ALUMINUM	05820	ORDER BY DESCR
-7	-----			1	.CONN,RCPT,ELEC: (SEE A6J66 REPL) (ATTACHING PARTS)		
-8	211-0721-00			2	.SCREW,MACHINE:6-32 X 0.375,PHN,STL	83486	ORDER BY DESCR
-9	210-0407-00			2	.NUT,PLAIN,HEX:6-32 X 0.25,BRS CD PL (END ATTACHING PARTS)	73743	3038-402
-10	129-0591-00			1	SPACER,POST:0.937 L,6-32 INT-EXT,STL	80009	129-0591-00
-11	-----			1	CIRCUIT BD ASSY:FRONT PANEL CONTROL (SEE A10 REPL) (ATTACHING PARTS)		
-12	211-0711-00			2	SCR,ASSEM WSHR:6-32 X 0.25,PNH,STL,TORX,T15 (END ATTACHING PARTS)	01536	ORDER BY DESCR
-13	-----			1	CIRCUIT BD ASSY:CRT DRIVER (SEE A8 REPL) (ATTACHING PARTS)		
-14	211-0711-00			4	SCR,ASSEM WSHR:6-32 X 0.25,PNH,STL,TORX,T15 (END ATTACHING PARTS) CRT DRIVER BOARD ASSEMBLY INCLUDES:	01536	ORDER BY DESCR
-15	386-5329-00			1	.SUPPORT,CKT BD:0.385 L,WHITE POLYAMIDE	80009	386-5329-00
-16	-----			1	.MICRCKT,LINEAR: (SEE A8U630 REPL) (ATTACHING PARTS)		
-17	211-0372-00			1	.SCREW,MACHINE:4-40 X 0.312,PNH,STL	TK1543	880-00020-003
-18	210-0586-00			1	.NUT,PL,ASSEM WA:4-40 X 0.25,STL CD PL (END ATTACHING PARTS)	78189	211-041800-00
-19	-----			1	.TRANSISTOR: (SEE A8Q130 REPL) (ATTACHING PARTS)		
-20	211-0372-00			1	.SCREW,MACHINE:4-40 X 0.312,PNH,STL	TK1543	880-00020-003
-21	210-0586-00			1	.NUT,PL,ASSEM WA:4-40 X 0.25,STL CD PL	78189	211-041800-00
-22	210-1178-00			1	.WASHER,SHLDR: (END ATTACHING PARTS)	13103	7721-7PPS
-23	342-0355-00			1	.INSULATOR,PLATE:TRANSISTOR,SILICONE RUBBER	55285	7403-09FR-51
-24	214-3429-00			1	.HEAT SINK,XSTR:TO-220 & TO-202,AL	13103	6100B
-25	-----			1	CIRCUIT BD ASSY:MEMORY (SEE A18 REPL)		
-26	214-3783-00			1	.HT SINK,ELEC:MICROCKT,FOR TEXTTOOL 268-5400, .68 PIN SOCKET,MODEL 2304B	05820	MODEL 664
-27	131-0993-07	B010100	B010640	2	.BUS,CONDUCTOR:SHUNT ASSEMBLY,VIOLET	00779	850100-7
	131-0993-00	B010641		2	.BUS,CONDUCTOR:SHUNT ASSEMBLY,BLACK	22526	65474-005
-28	105-0160-00			2	.EJECTOR,CKT BD:WHITE PLASTIC (ATTACHING PARTS)	80009	105-0160-00
-29	214-1337-00			2	.PIN,SPRING:0.25 L X 0.103 OD,STL CD PL (END ATTACHING PARTS)	000BK	ORDER BY DESCR
-30	-----			1	CIRCUIT BD ASSY:MAIN PROCESSOR (SEE A17 REPL)		
-31	131-0993-07	B010100	B010640	9	.BUS,CONDUCTOR:SHUNT ASSEMBLY,VIOLET	00779	850100-7
	131-0993-00	B010641		9	.BUS,CONDUCTOR:SHUNT ASSEMBLY,BLACK	22526	65474-005
-32	214-3783-00			1	.HT SINK,ELEC:MICROCKT,FOR TEXTTOOL 268-5400, .68 PIN SOCKET,MODEL 2304B	05820	MODEL 664
	214-3783-00			2	.HT SINK,ELEC:MICROCKT,FOR TEXTTOOL 268-5400, .68 PIN SOCKET,MODEL 2304B (OPTION 4D ONLY)	05820	MODEL 664
-33	105-0160-00			2	.EJECTOR,CKT BD:WHITE PLASTIC (ATTACHING PARTS)	80009	105-0160-00
-34	214-1337-00			2	.PIN,SPRING:0.25 L X 0.103 OD,STL CD PL (END ATTACHING PARTS)	000BK	ORDER BY DESCR
-35	-----			1	CIRCUIT BD ASSY:INPUT/OUTPUT		

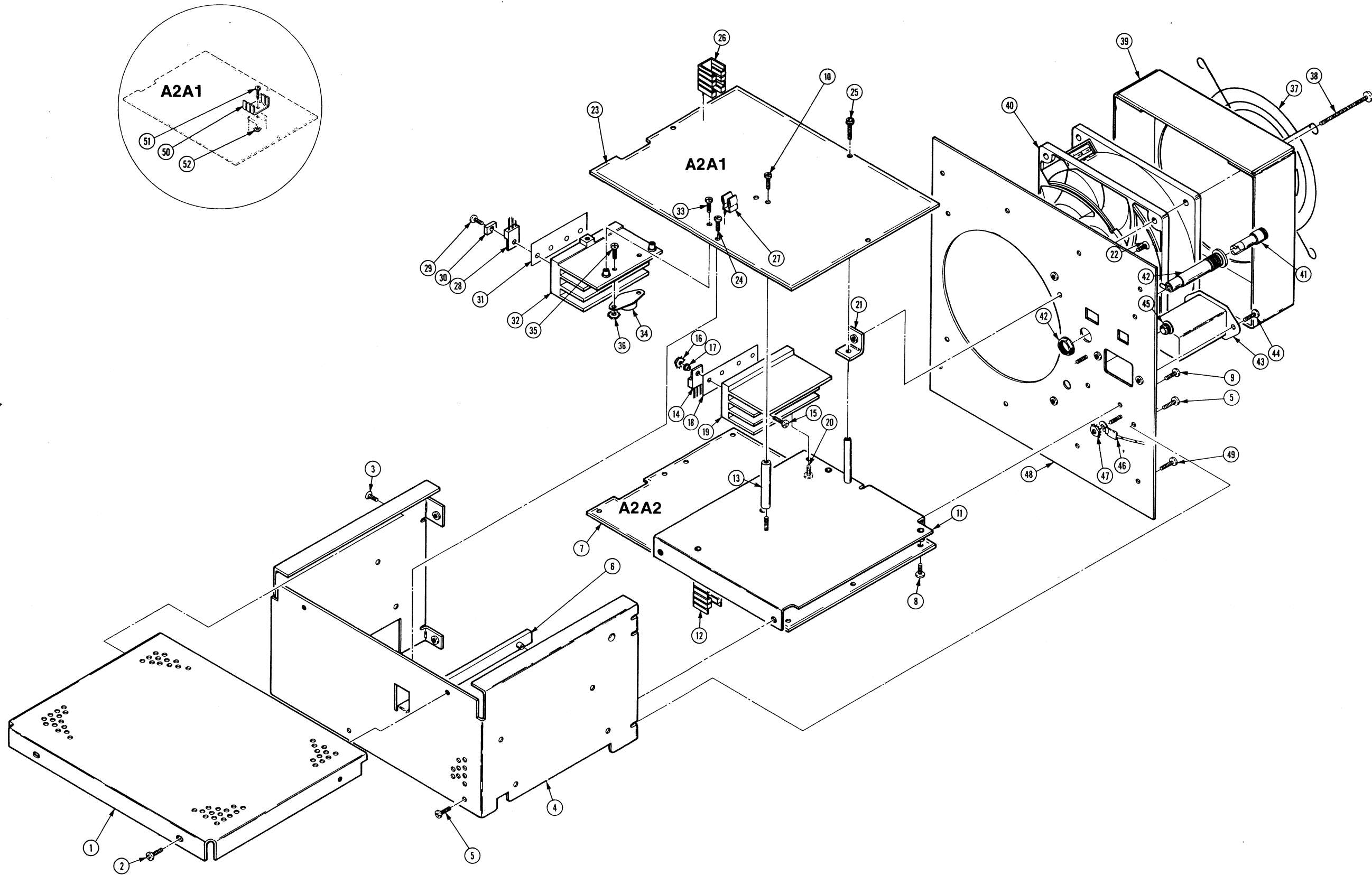
Fig. & Index No.	Tektronix Part No.	Serial/Assembly No.		Qty	12345 Name & Description	Mfr.	
		Effective	Discont			Code	Mfr. Part No.
3-					(SEE A14 REPL)		
-36	214-3783-00			1	.HT SINK,ELEC:MICROCKT, FOR TEXTTOOL 268-5400, .68 PIN SOCKET,MODEL 2304B	05820	MODEL 664
-37	131-0993-00			8	.BUS,CONDUCTOR:SHUNT ASSEMBLY, BLACK	22526	65474-005
-38	105-0160-00			2	.EJECTOR,CKT BD:WHITE PLASTIC (ATTACHING PARTS)	80009	105-0160-00
-39	214-1337-00			2	.PIN,SPRING:0.25 L X 0.103 OD,STL CD PL (END ATTACHING PARTS)	000BK	ORDER BY DESCR
-40	-----			1	CIRCUIT BD ASSY:MEMORY MGT UNIT (SEE A15 REPL)		
-41	131-0993-00			1	.BUS,CONDUCTOR:SHUNT ASSEMBLY, BLACK	22526	65474-005
-42	105-0160-00			2	.EJECTOR,CKT BD:WHITE PLASTIC (ATTACHING PARTS)	80009	105-0160-00
-43	214-1337-00			2	.PIN,SPRING:0.25 L X 0.103 OD,STL CD PL (END ATTACHING PARTS)	000BK	ORDER BY DESCR
-44	-----			1	CIRCUIT BD ASSY:COMPRESSOR (SEE A16 REPL)		
-45	105-0160-00			2	.EJECTOR,CKT BD:WHITE PLASTIC (ATTACHING PARTS)	80009	105-0160-00
-46	214-1337-00			2	.PIN,SPRING:0.25 L X 0.103 OD,STL CD PL (END ATTACHING PARTS)	000BK	ORDER BY DESCR
-47	-----			1	CIRCUIT BD ASSY:MOTHER (SEE A13 REPL) (ATTACHING PARTS)		
-48	211-0711-00			6	SCR,ASSEM WSHR:6-32 X 0.25,PNH,STL,TORX,T15 (END ATTACHING PARTS)	01536	ORDER BY DESCR
-49	-----			1	CIRCUIT BD ASSY:DISPLAY CONTROLLER (SEE A7 REPL) (ATTACHING PARTS)		
-50	211-0711-00			6	SCR,ASSEM WSHR:6-32 X 0.25,PNH,STL,TORX,T15 (END ATTACHING PARTS)	01536	ORDER BY DESCR
-51	386-5330-00			4	DISPLAY CONTROLLER BOARD ASSEMBLY INCLUDES: .SUPPORT,CKT BD:0.575 L,WHITE POLYAMIDE	80009	386-5330-00
-52	131-0993-00			9	.BUS,CONDUCTOR:SHUNT ASSEMBLY, BLACK	22526	65474-005
-53	214-3783-00			1	.HT SINK,ELEC:MICROCKT, FOR TEXTTOOL 268-5400, .68 PIN SOCKET,MODEL 2304B	05820	MODEL 664
-54	-----			1	.CONN,RCPT,ELEC: (SEE A7J63 REPL) (ATTACHING PARTS)		
-55	211-0721-00			2	.SCREW,MACHINE:6-32 X 0.375,PHN,STL	83486	ORDER BY DESCR
-56	210-0407-00			2	.NUT,PLAIN,HEX:6-32 X 0.25,BRS CD PL (END ATTACHING PARTS)	73743	3038-402
-57	-----			1	CIRCUIT BD ASSY:PL-IN INTERFACE (SEE A1 REPL) (ATTACHING PARTS)		
-58	211-0408-00			9	SCR,ASSEM WSHR:4-40 X 0.250,PNH,STL TORX (END ATTACHING PARTS)	93907	ORDER BY DESCR
-59	-----			3	PLUG-IN INTERFACE BOARD ASSEMBLY INCLUDES: .CONN,RCPT,ELEC: (SEE A1J92,J93,J94 REPL) (ATTACHING PARTS)		
-60	213-0984-00			3	.SCREW,TPG,TR:2-28 X 0.312 PNH,STL	80009	213-0984-00
-61	211-0396-00			3	.SCREW,MACHINE:4-40 X 0.312 PNH,TORX (END ATTACHING PARTS)	93907	829-06893
-62	129-0273-00			3	.SPACER,POST:0.625 L,4-40 EA END,AL,0.188 OD	80009	129-0273-00
-63	136-0252-07			13	.SOCKET,PIN CONN:W/O DIMPLE	22526	75060-012
-64	343-0549-00			3	.STRAP,TIEDOWN,E:0.091 W X 4.0 L,ZYTEL	06383	PLT1M
-65	346-0154-00			3	STRAP,TIEDOWN,E:6.125 L,PLASTIC,LATCH	06383	PLP1.5I INTERMED
-66	-----			1	CIRCUIT BD ASSY:REGULATOR (SEE A4 REPL) (ATTACHING PARTS)		
-67	211-0721-00			2	SCREW,MACHINE:6-32 X 0.375,PHN,STL (END ATTACHING PARTS)	83486	ORDER BY DESCR
-68	386-5289-00			2	REGULATOR BOARD ASSEMBLY INCLUDES: .SUPPORT,CKT BD:POLYIMIDE,WHITE	80009	386-5289-00
-69	131-0993-00			1	.BUS,CONDUCTOR:SHUNT ASSEMBLY, BLACK	22526	65474-005
-70	-----			6	.TRANSISTOR: (SEE A4Q100,Q200,Q201,Q400,Q500,Q501 REPL)		

Replaceable Mechanical Parts
11401 Extended Service Volume 2

Fig. & Index No.	Tektronix Part No.	Serial/Assembly No. Effective Dscnt	Qty	12345 Name & Description	Mfr. Code	Mfr. Part No.
3-				(ATTACHING PARTS)		
-71	211-0408-00		6	.SCR,ASSEM WSHR:4-40 X 0.250,PNH,STL TORX	93907	ORDER BY DESCR
-72	210-1171-00		6	.WASHER,SHLDR:0.12 ID X 0.143 OD X 0.07 D (END ATTACHING PARTS)	00261	A7148516P2
-73	342-0755-00		2	.INSULATOR,FILM:THERMAL CONDUCTIVE SILICONE .RUBBER LAMINATE	80009	342-0755-00
-74	386-5286-00		1	.SUPPORT,ECB:REGULATOR (ATTACHING PARTS)	80009	386-5286-00
-75	211-0408-00		2	.SCR,ASSEM WSHR:4-40 X 0.250,PNH,STL TORX (END ATTACHING PARTS)	93907	ORDER BY DESCR
-76	-----		1	CIRCUIT BD ASSY:AQUISITION (SEE A5 REPL) (ATTACHING PARTS)		
-77	211-0711-00		6	SCR,ASSEM WSHR:6-32 X 0.25,PNH,STL,TORX,T15	01536	ORDER BY DESCR
-78	211-0754-00		2	SCR,ASSEM WSHR:6-32 X 1.375,PNH,STL (END ATTACHING PARTS)	93907	ORDER BY DESCR
-79	136-0252-07		13	ACQUISITION BOARD ASSEMBLY INCLUDES: .SOCKET,PIN CONN:W/O DIMPLE	22526	75060-012
	334-4645-00		1	.MARKER,IDENT:MKD TEKTRONIX	80009	334-4645-00
-80	210-0586-00	B010100	12	.NUT,PL,ASSEM WA:4-40 X 0.25,STL CD PL	78189	211-041800-00
	210-0586-00	B021021	9	.NUT,PL,ASSEM WA:4-40 X 0.25,STL CD PL	78189	211-041800-00
-81	214-1914-00		1	.HEAT SINK,DIODE:(2)0.15 DIA HOLES,AL (ATTACHING PARTS)	98978	PB1-2CB
-82	211-0721-00		1	.SCREW,MACHINE:6-32 X 0.375,PHN,STL	83486	ORDER BY DESCR
-83	210-0457-00		1	.NUT,PL,ASSEM WA:6-32 X 0.312,STL CD PL	78189	511-061800-00
-84	210-0949-00		1	.WASHER,FLAT:0.141 ID X 0.5 OD X 0.062,BRS (END ATTACHING PARTS)	12327	ORDER BY DESCR
-85	426-1434-00		1	.FRAME,MICROCKT:	80009	426-1434-00
	131-2052-00		1	.CONTACT,ELEC:MICROCKT 1.4 X 1.4 HYPCON (ATTACHING PARTS)	80009	131-2052-00
-86	211-0385-00		4	.SCREW,MACHINE:2-56 X 0.500 L,PNH,TORX DR (END ATTACHING PARTS)	83486	ORDER BY DESCR
-87	386-5379-00		1	.STIF,MICROCKT:1.73 X 1.73 X 0.125,AL,ALY 50 .S2,H-32	80009	386-5379-00
-88	386-5289-00		4	.SUPPORT,CKT BD:POLYIMIDE,WHITE	80009	386-5289-00
-89	-----		1	.CONN,RCPT,ELEC: (SEE A5J66 REPL) (ATTACHING PARTS)		
-90	211-0721-00		2	.SCREW,MACHINE:6-32 X 0.375,PHN,STL	83486	ORDER BY DESCR
-91	210-0407-00		2	.NUT,PLAIN,HEX:6-32 X 0.25,BRS CD PL (END ATTACHING PARTS)	73743	3038-402
-92	214-3796-00		2	.HEAT SINK,XSTR:ALUMINUM,TO-220	30161	5968B
-93	214-3637-00		3	.HEAT SINK,ELEC:CHIP CARRIER,ALUMINUM	05820	ORDER BY DESCR
-94	337-3093-00		1	.SHIELD,ELEC:ALX SYN BD	80009	337-3093-00
-95	386-5428-00		1	SUPPORT,PIVOT:CKT,LEFT (ATTACHING PARTS)	80009	386-5428-00
-96	213-0992-00		1	SCREW,TPG,TF:4-24 X 0.375,PNH,STL (END ATTACHING PARTS)	93907	B80-70000-003
-97	386-5429-00		1	SUPPORT,PIVOT:CKT,RIGHT (ATTACHING PARTS)	80009	386-5429-00
-98	213-0992-00		1	SCREW,TPG,TF:4-24 X 0.375,PNH,STL (END ATTACHING PARTS)	93907	B80-70000-003
-99	-----		1	CIRCUIT BD ASSY:TRIGGER ENHANCEMENT (SEE A5A19 REPL) (ATTACHING PARTS)		
-100	210-0551-00		3	NUT,PLAIN,HEX:4-40 X 0.25,ST CD PL (END ATTACHING PARTS)	TK0435	ORDER BY DESCR
-101	210-0227-00	B021021	3	TRIGGER ENHANCEMENT BD ASSEMBLY INCLUDES: .TERMINAL,LUG:0.141 ID,LOCKING,BRZ TINNED (ATTACHING PARTS)	98335	GC7462M
-102	211-0180-00	B021021	3	.SCR,ASSEM WSHR:2-56 X 0.25,PNH,BRS,NP,POZ	TK0435	ORDER BY DESCR
-103	210-0405-00	B021021	3	.NUT,PLAIN,HEX:2-56 X 0.188,BRS CD PL	73743	12157-50
-104	210-0053-00	B021021	3	.WASHER,LOCK:#2 SPLIT,0.02 THK STL (END ATTACHING PARTS)	78189	ORDER BY DESCR
				WIRE ASSEMBLIES		
	175-9873-00		1	CA ASSY,SP,ELEC:2,14,2,16 AWG,18 L	80009	175-9873-00

Fig. & Index No.	Tektronix Part No.	Serial/Assembly No. Effective Dscont	Qty	12345 Name & Description	Mfr. Code	Mfr. Part No.
3-	175-9912-00		1	(FROM A3J63 TO A7J63, A13J63) CABLE ASSY, RF: 50 OHM COAX, 48.0 L, 6-2, 6-3 (FROM A1J32, J33 TO A5J32, J33)	80009	175-9912-00
	175-9913-00		1	CABLE ASSY, RF: 50 OHM COAX, 48.0 L, 6-4, 6-N (FROM A1J34, J36 TO A5J34, J36)	80009	175-9913-00
	175-9914-00		1	CABLE ASSY, RF: 50 OHM COAX, 48.0 L, 6-0, 6-1 (FROM A1J30, J31 TO A5J30, J31)	80009	175-9914-00





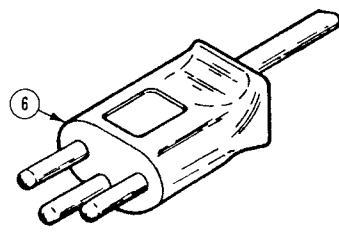
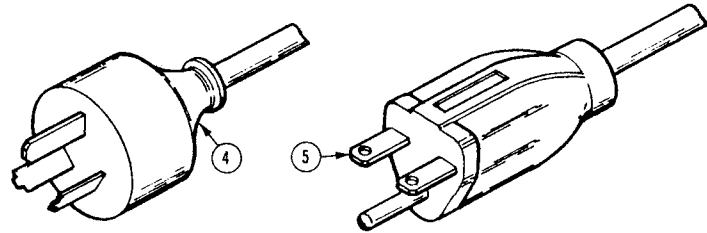
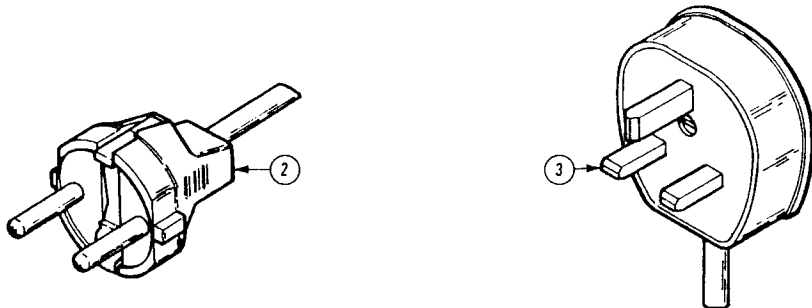
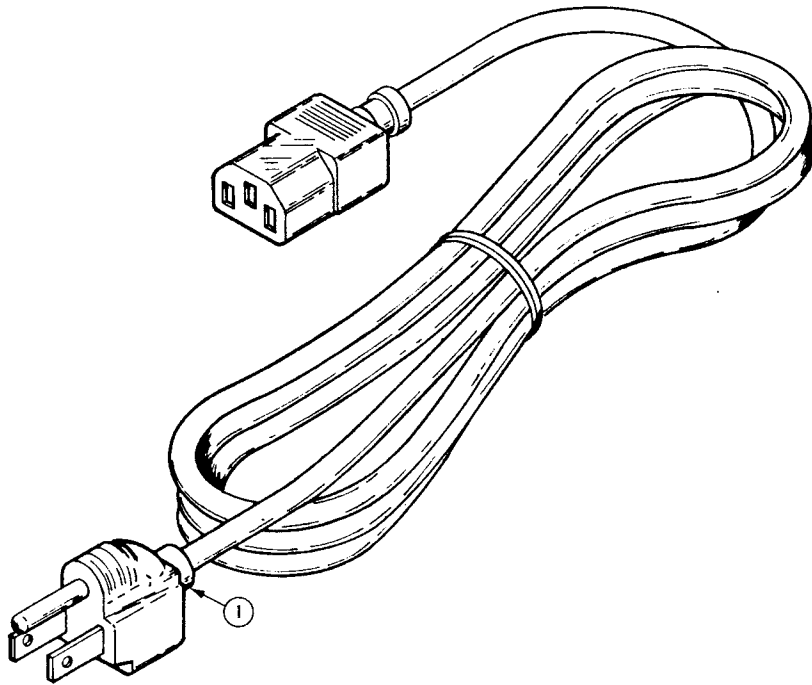
7(A)2-1

Fig. & Index No.	Tektronix Part No.	Serial/Assembly No. Effective Dscort	Qty	12345 Name & Description	Mfr. Code	Mfr. Part No.
4-1	200-3237-00		1	COVER,PWR SPLY:TOP,AL 5005-H34 (ATTACHING PARTS)	80009	200-3237-00
-2	211-0722-00		2	SCREW,MACHINE:6-32 X 0.25,PNH,STL	80009	211-0722-00
-3	211-0734-00		2	SCREW,MACHINE:6-32 X 0.25,FLH,100 DEG,STL (END ATTACHING PARTS)	83486	ORDER BY DESCR
-4	200-3236-00		1	COVER,PWR SPLY:ALUMINUM (ATTACHING PARTS)	80009	200-3236-00
-5	211-0722-00		4	SCREW,MACHINE:6-32 X 0.25,PNH,STL (END ATTACHING PARTS)	80009	211-0722-00
-6	351-0702-00		4	GUIDE,CKT BOARD:MOLDED NYLON,4.5 L	18677	11633-22
-7	-----		1	CIRCUIT BD ASSY:CONTROL RECTIFIER (SEE A2A2 REPL) (ATTACHING PARTS)		
-8	211-0408-00		4	SCR,ASSEM WSHR:4-40 X 0.250,PNH,STL TORX	93907	ORDER BY DESCR
-9	211-0722-00		2	SCREW,MACHINE:6-32 X 0.25,PNH,STL	80009	211-0722-00
-10	211-0408-00		1	SCR,ASSEM WSHR:4-40 X 0.250,PNH,STL TORX (END ATTACHING PARTS) CONTROL RECTIFIER BOARD ASSEMBLY INCLUDES:	93907	ORDER BY DESCR
-11	386-5285-00		1	.SUPPORT,CHASSIS:POWER SUPPLY,LEFT	80009	386-5285-00
-12	214-3796-00		2	.HEAT SINK,XSTR:ALUMINUM,TO-220	30161	59688
-13	129-1086-00		1	.SPACER,POST:1.505 L,W 4-40 THD BOTH ENDS, .NYLON,0.312	80009	129-1086-00
-14	-----		4	.SEMICON DVC,DI: (SEE A2A2CR330,CR331,CR340,CR350 REPL) (ATTACHING PARTS)		
-15	211-0411-00		4	.SCR,ASSEM WSHR:4-40 X 0.5,PNH,STL	93907	ORDER BY DESCR
-16	210-0586-00		4	.NUT,PL,ASSEM WA:4-40 X 0.25,STL CD PL	78189	211-041800-00
-17	210-1171-00		4	.WASHER,SHLDR:0.12 ID X 0.143 OD X 0.07 D (END ATTACHING PARTS)	00261	A7148516P2
-18	342-0755-00		1	.INSULATOR,FILM:THERMAL CONDUCTIVE SILICONE .RUBBER LAMINATE	80009	342-0755-00
-19	214-3827-00		1	.HEAT SINK,ELEC:POWER SUPPLY (ATTACHING PARTS)	80009	214-3827-00
-20	211-0722-00		2	.SCREW,MACHINE:6-32 X 0.25,PNH,STL (END ATTACHING PARTS)	80009	211-0722-00
-21	407-3492-00		1	BRACKET,ANGLE:ALUMINUM (ATTACHING PARTS)	80009	407-3492-00
-22	211-0734-00		1	SCREW,MACHINE:6-32 X 0.25,FLH,100 DEG,STL (END ATTACHING PARTS)	83486	ORDER BY DESCR
-23	-----		1	CIRCUIT BD ASSY:LINE INVERTER (SEE A2A1 REPL) (ATTACHING PARTS)		
-24	211-0408-00		1	SCR,ASSEM WSHR:4-40 X 0.250,PNH,STL TORX	93907	ORDER BY DESCR
-25	211-0409-00		1	SCR,ASSEM WSHR:4-40 X 0.312,PNH,STL (END ATTACHING PARTS) LINE INVERTER BOARD ASSEMBLY INCLUDES:	93907	ORDER BY DESCR
-26	214-3796-00		2	.HEAT SINK,XSTR:ALUMINUM,TO-220	30161	59688
-27	344-0326-00		2	.CLIP,ELECTRICAL:FUSE,BRASS	75915	102071
-28	-----		4	.TRANSISTOR: (SEE A2A1Q600,Q601,Q610,Q620 REPL) (ATTACHING PARTS)		
-29	211-0411-00		4	.SCR,ASSEM WSHR:4-40 X 0.5,PNH,STL	93907	ORDER BY DESCR
-30	342-0536-00		4	.INSULATOR,XSTR:TO-220,POLYENELENE (END ATTACHING PARTS)	80009	342-0536-00
-31	342-0755-00		1	.INSULATOR,FILM:THERMAL CONDUCTIVE SILICONE .RUBBER LAMINATE	80009	342-0755-00
-32	214-3784-00		1	.HT SK,PWR SPLY:ALUMINUM (ATTACHING PARTS)	80009	214-3784-00
-33	211-0408-00		2	.SCR,ASSEM WSHR:4-40 X 0.250,PNH,STL TORX (END ATTACHING PARTS)	93907	ORDER BY DESCR
-34	-----		1	.SWITCH,THRMSTC: (SEE A2A1S99 REPL) (ATTACHING PARTS)		
-35	211-0408-00		2	.SCR,ASSEM WSHR:4-40 X 0.250,PNH,STL TORX	93907	ORDER BY DESCR
-36	210-0586-00		2	.NUT,PL,ASSEM WA:4-40 X 0.25,STL CD PL (END ATTACHING PARTS)	78189	211-041800-00
-37	200-2222-00		1	GUARD,FAN: (ATTACHING PARTS)	81041	6-182-033

Replaceable Mechanical Parts
11401 Extended Service Volume 2

Fig. & Index No.	Tektronix Part No.	Serial/Assembly No. Effective Dscort	Qty	12345 Name & Description	Mfr. Code	Mfr. Part No.
4-38	211-0744-00		4	SCREW,MACHINE:6-32 X 2.0,PNH,TORX,STL,CD (END ATTACHING PARTS)	04348	ORDER BY DESCR
-39	407-3362-00		1	BRACKET,FAN:0.050 5005 H-34	80009	407-3362-00
-40	-----		1	FAN,TUBEAXIAL: (SEE A2B50 REPL)		
-41	200-2264-00		1	CAP,FUSEHOLDER:3AG FUSES	53629	FEK 031 1666
-42	204-0832-00		1	BODY,FUSEHOLDER:3AG & 5 X 20MM FUSES	TK0861	031 1673
-43	-----		1	FILTER,RFI: (SEE A2FL99 REPL) (ATTACHING PARTS)		
-44	211-0721-00		2	SCREW,MACHINE:6-32 X 0.375,PHN,STL (END ATTACHING PARTS)	83486	ORDER BY DESCR
-45	358-0216-00		1	GROMMET,PLASTIC:GRAY,ROUND,0.257 ID	80009	358-0216-00
-46	-----		2	LEAD,ELECTRICAL: (SEE A2W97,W99 REPL) (ATTACHING PARTS)		
-47	210-0457-00		2	NUT,PL,ASSEM WA:6-32 X 0.312,STL CD PL (END ATTACHING PARTS)	78189	511-061800-00
-48	386-5287-00		1	PLATE,REAR:AL (ATTACHING PARTS)	80009	386-5287-00
-49	211-0721-00		8	SCREW,MACHINE:6-32 X 0.375,PHN,STL (END ATTACHING PARTS)	83486	ORDER BY DESCR
-50	214-1967-00	B010958	1	HEAT SINK,DIODE:(2)0.15 DIA HOLES,AL (ATTACHING PARTS)	05820	289-AB
-51	211-0410-00	B010958	1	SCR,ASSEM WSHR:4-40 X 0.437,PNH,STL	93907	ORDER BY DESCR
-52	210-0586-00	B010958	1	NUT,PL,ASSEM WA:4-40 X 0.25,STL CD PL (END ATTACHING PARTS)	78189	211-041800-00

Fig. & Index No.	Tektronix Part No.	Serial/Assembly No. Effective Dscnt	Qty	12345	Name & Description	Mfr. Code	Mfr. Part No.
5-					STANDARD ACCESSORIES		
-1	161-0066-00		1		CABLE ASSY,PWR, :3,18AWG,115V,98.0 L	16428	CH8481, FH8481
-2	161-0066-09		1		CABLE ASSY,PWR, :3,0.75MM SQ,220V,99.0 L (OPTION A1 ONLY)	S3109	86511000
-3	161-0066-10		1		CABLE ASSY,PWR, :3,0.75MM SQ,240V,96.0 L (OPTION A2 ONLY)	TK1373	24230
-4	161-0066-11		1		CABLE ASSY,PWR, :3,0.75MM,240V,96.0 L (OPTION A3 ONLY)	S3109	ORDER BY DESCR
-5	161-0066-12		1		CABLE ASSY,PWR, :3,18 AWG,250V,99.0 L (OPTION A4 ONLY)	70903	CH-77893
-6	161-0154-00		1		CABLE ASSY,PWR, :3,0.75MM SQ,240V,6A,2.5M L (OPTION A5 ONLY)	S3109	86515000
	012-0208-00		8		CABLE,INTCON:10.0 L (OPTION 1C ONLY)	80009	012-0208-00
	070-5791-01		1		MANUAL,TECH:USERS,11401/11402	80009	070-5791-01
	070-6103-01		1		MANUAL,TECH:INTRODUCTION,11401/11402	80009	070-6103-01
	070-6255-00		1		MANUAL,TECH:OPERATORS,11401/11402	80009	070-6255-00
	070-6694-00		1		PROCEDURE:INCOMING INSPECTION,11401/2	80009	070-6694-00
	070-6274-00		1		MANUAL,TECH:INSTR,11401/11402 (OPTION 1R ONLY)	80009	070-6274-00
					OPTIONAL ACCESSORIES		
	012-0555-00		1		CABLE,INTCON:3 METERS	80009	012-0555-00
	012-0911-00		1		CABLE,INTCON:144.0 L, RS 232	TK6020	ESF-85249
	012-0991-00		1		CABLE,GPIB:LOW EMI,2 METER	00779	553577-3
	016-0829-00		1		PANEL,BLANK:PLUG-IN HOUSING,11K SERIES	80009	016-0829-00
	067-1264-00		1		FIXTURE,CAL:PWR SPLY EXT DIAGNOSTICS	80009	067-1264-00
	067-1267-00		1		FIXTURE,CAL:TROUBLE SHOOTING AID EXTENDER CARD W/EXTENDERS	80009	067-1267-00
	070-6779-02		1		MANUAL,TECH:SERVICE REF,11401/11402	80009	070-6779-02



REPLACEABLE MECHANICAL PARTS

PARTS ORDERING INFORMATION

Replacement parts are available from or through your local Tektronix, Inc. Field Office or representative.

Changes to Tektronix instruments are sometimes made to accommodate improved components as they become available, and to give you the benefit of the latest circuit improvements developed in our engineering department. It is therefore important, when ordering parts, to include the following information in your order: Part number, instrument type or number, serial number, and modification number if applicable.

If a part you have ordered has been replaced with a new or improved part, your local Tektronix, Inc. Field Office or representative will contact you concerning any change in part number.

Change information, if any, is located at the rear of this manual.

ITEM NAME

In the Parts List, an item Name is separated from the description by a colon(:). Because of space limitations, an Item Name may sometimes appear as incomplete. For further Item Name identification, the U.S. Federal Cataloging Handbook H6-1 can be utilized where possible.

FIGURE AND INDEX NUMBERS

Items in this section are referenced by figure and index numbers to the illustrations.

INDENTATION SYSTEM

This mechanical parts list is indented to indicate item relationships. Following is an example of the indentation system used in the description column.

1 2 3 4 5 *Name & Description*

Assembly and/or Component
Attaching parts for Assembly and/or Component

END ATTACHING PARTS

Detail Part of Assembly and/or Component
Attaching parts for Detail Part

END ATTACHING PARTS

Parts of Detail Part
Attaching parts for Parts of Detail Part

END ATTACHING PARTS

Attaching Parts always appear in the same indentation as the item it mounts, while the detail parts are indented to the right. Indented items are part of, and included with, the next higher indentation.

Attaching parts must be purchased separately, unless otherwise specified.

ABBREVIATIONS

Abbreviations conform to American National Standards Institute Y1.1

CROSS INDEX - MFR. CODE NUMBER TO MANUFACTURER

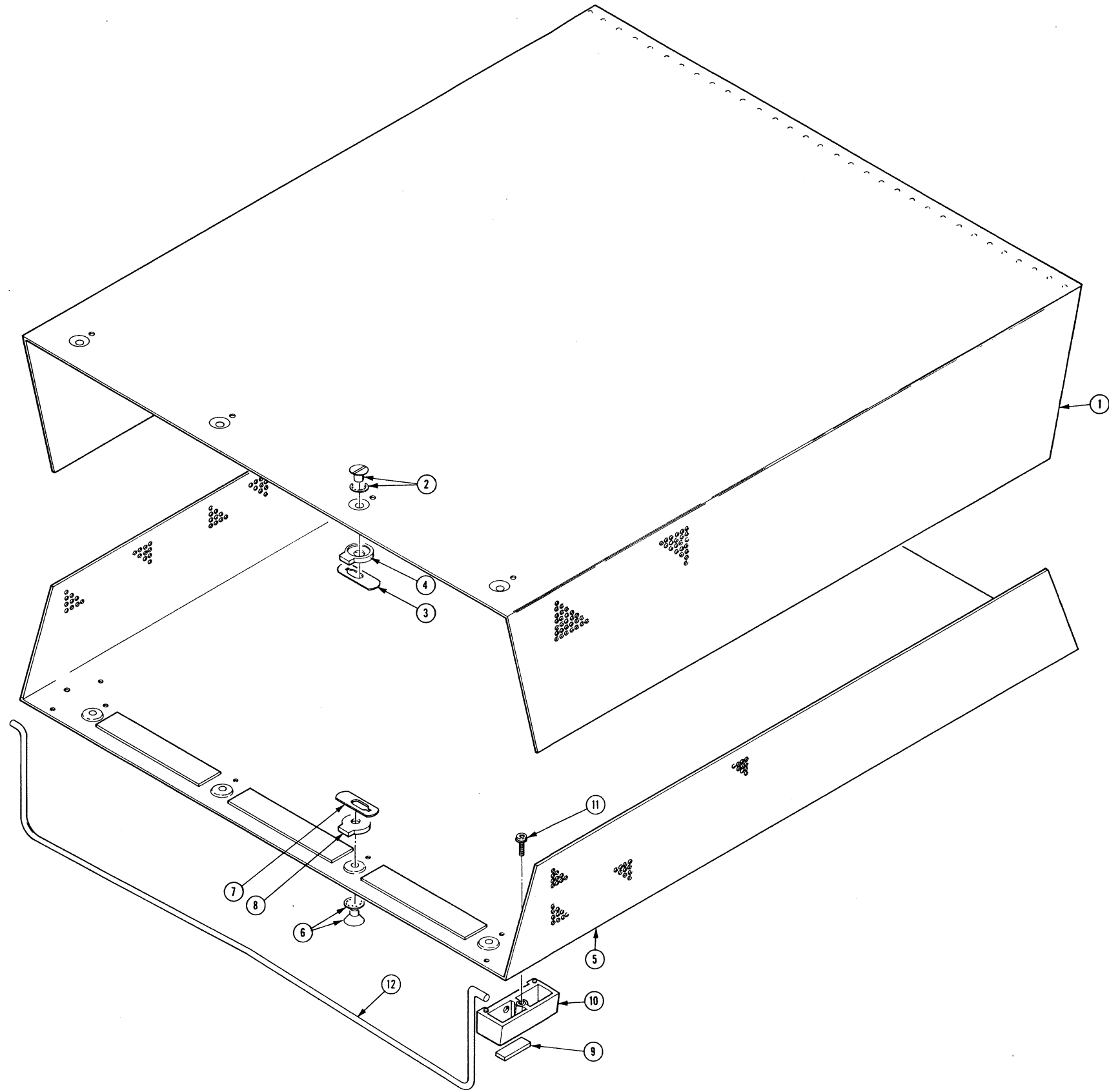
Mfr. Code	Manufacturer	Address	City, State, Zip Code
000BK	STAUFFER SUPPLY	105 SE TAYLOR	PORTLAND, OR 97214
00261	GENERAL ELECTRIC CO	14TH AND ARNOLD STS	CHICAGO HEIGHTS IL 60411
00779	FOOD SERVICE EQUIPMENT BUSINESS DEPT AMP INC	2800 FULLING MILL PO BOX 3608	HARRISBURG PA 17105
01536	TEXTRON INC CAMCAR DIV	1818 CHRISTINA ST	ROCKFORD IL 61108
04348	SEMS PRODUCTS UNIT LAWRENCE ENGINEERING AND SUPPLY INC	500 S FLOWER ST P O BOX 30	BURBANK CA 91503
05820	EG AND G WAKEFIELD ENGINEERING	60 AUDUBON RD	WAKEFIELD MA 01880-1203
06383	PANDUIT CORP	17301 RIDGELAND	TINLEY PARK IL 07094-2917
09772	WEST COAST LOCKWASHER CO INC	16730 E JOHNSON DRIVE P O BOX 3588	CITY OF INDUSTRY CA 91744
11897	PLASTIGLIDE MFG CORP	2701 W EL SEGUNDO BLVD	HAWTHORNE CA 90250-3318
12327	FREWAY CORP	9301 ALLEN DR	CLEVELAND OH 44125-4632
13103	THERMALLOY CO INC	2021 W VALLEY VIEW LN PO BOX 810839	DALLAS TX 75381
16428	COOPER BELDEN ELECTRONIC WIRE AND CA SUB OF COOPER INDUSTRIES INC	NW N ST	RICHMOND IN 47374
18677	SCANBE MFG CO DIV OF ZERO CORP	3445 FLETCHER AVE	EL MONTE CA 91731
22526	DU PONT E I DE NEMOURS AND CO INC DU PONT CONNECTOR SYSTEMS DIV MILITARY PRODUCTS GROUP	515 FISHING CREEK RD	NEW CUMBERLAND PA 17070-3007
28520	HEYCO MOLDED PRODUCTS	750 BOULEVARD P O BOX 160	KENILWORTH NJ 07033-1721
30010	BICC-VERO ELECTRONICS INC	40 LINDEMAN DR	TRUMBULL CT 06611-4739
30161	AAVID ENGINEERING INC	ONE KOOL PATH PO BOX 400	LACONIA NH 03247
53387	MINNESOTA MINING AND MFG CO ELECTRONIC PRODUCTS DIV	3M CENTER	ST PAUL MN 55101-1428
55285	BERGQUIST CO INC THE	5300 EDINA INDUSTRIAL BLVD	MINNEAPOLIS MN 55435-3707
55322	SAMTEC INC	810 PROGRESS BLVD PO BOX 1147	NEW ALBANY IN 47150-2257
70903	COOPER BELDEN ELECTRONICS WIRE AND C SUB OF COOPER INDUSTRIES INC	2000 S BATAVIA AVE	GENEVA IL 60134-3325
73743	FISCHER SPECIAL MFG CO	111 INDUSTRIAL RD	COLD SPRING KY 41076-9749
74445	HOLO-KROME CO	31 BROOK ST	ELMWOOD CT 06110-2350
75915	LITTELFUSE INC SUB TRACOR INC	800 E NORTHWEST HWY	DES PLAINES IL 60016-3049
77900	ILLINOIS TOOL WORKS SHAKEPROOF DIV	ST CHARLES RD	ELGIN IL 60120
78189	ILLINOIS TOOL WORKS INC SHAKEPROOF DIV	ST CHARLES ROAD	ELGIN IL 60120
80009	TEKTRONIX INC	14150 SW KARL BRAUN DR PO BOX 500	BEAVERTON OR 97707-0001
81041	HOWARD INDUSTRIES DIV OF MSL INDUSTRIES INC	1 NORTH DIXIE HWY PO BOX 287	MILFORD IL 60953
83486	ELCO INDUSTRIES INC	1101 SAMUELSON RD	ROCKFORD IL 61101
83553	ASSOCIATED SPRING BARNES GROUP INC	15001 S BROADWAY P O BOX 231	GARDENA CA 90248-1819
85480	BRADY W H CO CORP H Q INDUSTRIAL PRODUCTS DIV	2221 W CAMDEN RD PO BOX 2131	MILWAUKEE WI 53209
93907	TEXTRON INC CAMCAR DIV	600 18TH AVE	ROCKFORD IL 61108-5181
98335	WEATHERFORD ENGINEERING AND MFG. COM PANY		WEATHERFORD, TX 76086
98978	INTERNATIONAL ELECTRONIC RESEARCH CORP	135 W MAGNOLIA BLVD PO BOX 7704	BURBANK CA 91502
S3109	FELLER	ASA ADOLF AG STOTZWEID CH8810	HORGEN SWITZERLAND
S3629	SCHURTER AG H C/O PANEL COMPONENTS CORP	2015 SECOND STREET	BERKELEY CA 94170
TK0435	LEWIS SCREW CO	4300 S RACINE AVE	CHICAGO IL 60609-3320

CROSS INDEX - MFR. CODE NUMBER TO MANUFACTURER

Mfr. Code	Manufacturer	Address	City, State, Zip Code
TK0861	H SCHURTER AG DIST PANEL COMPONENTS	2015 SECOND STREET	BERKELEY CA 94170
TK1262	MURPHY ELECTRONICS INC (DIST)	14933 NE 40TH ST	REDMOND WA 98052-5326
TK1373	PATELEC-CEM (ITALY)	10156 TORINO	VAICENTALLO 62/45S ITALY
TK1543	CAMCAR/TEXTRON	600 18TH AVE	ROCKFORD IL 61108-5181
TK1546	DTM PRODUCTS INC	4725 NAUTILUS COURT S	BOULDER CO 80301
TK6020	DAINICHI-NIPPON CABLES	NEW KOKUSAI BLDG 4-1 MARUNOUCHI 3-CHOME CHIYODA-KU	TOKYO 100 JAPAN

Replaceable Mechanical Parts
11402 Extended Service Volume 2

Fig. & Index No.	Tektronix Part No.	Serial/Assembly No. Effective Discort	Qty	12345 Name & Description	Mfr. Code	Mfr. Part No.
1-1	200-3126-00		1	COVER,CABINET:LIFT OFF,UPPER	80009	200-3126-00
-2	214-0603-02		4	.PIN ASSY,SECRG:W/SPRING WASHER	80009	214-0603-02
-3	386-1151-00		4	.CLAMP,RIM CLENC:SPG STL CD PL	83553	ORDER BY DESCR
-4	386-0227-00		4	.STOP,CLP,RIM CL:	80009	386-0227-00
-5	200-3127-00		1	COVER,CABINET:LIFT OFF,LOWER	80009	200-3127-00
-6	214-0603-02		4	.PIN ASSY,SECRG:W/SPRING WASHER	80009	214-0603-02
-7	386-1151-00		4	.CLAMP,RIM CLENC:SPG STL CD PL	83553	ORDER BY DESCR
-8	386-0227-00		4	.STOP,CLP,RIM CL:	80009	386-0227-00
-9	348-0596-00		4	PAD,CAB.FOOT:0.69 X 0.255 X 0.06,PU	80009	348-0596-00
-10	348-0879-00		4	FOOT,CABINET:BOTTOM,BLUE,POLYCARBONATE. (ATTACHING PARTS)	80009	348-0879-00
-11	211-0711-00		4	SCR,ASSEM WSHR:6-32 X 0.25,PNH,STL,TORX,T15 (END ATTACHING PARTS)	01536	ORDER BY DESCR
-12	348-0875-00		1	FLIPSTAND,CAB.:	80009	348-0875-00



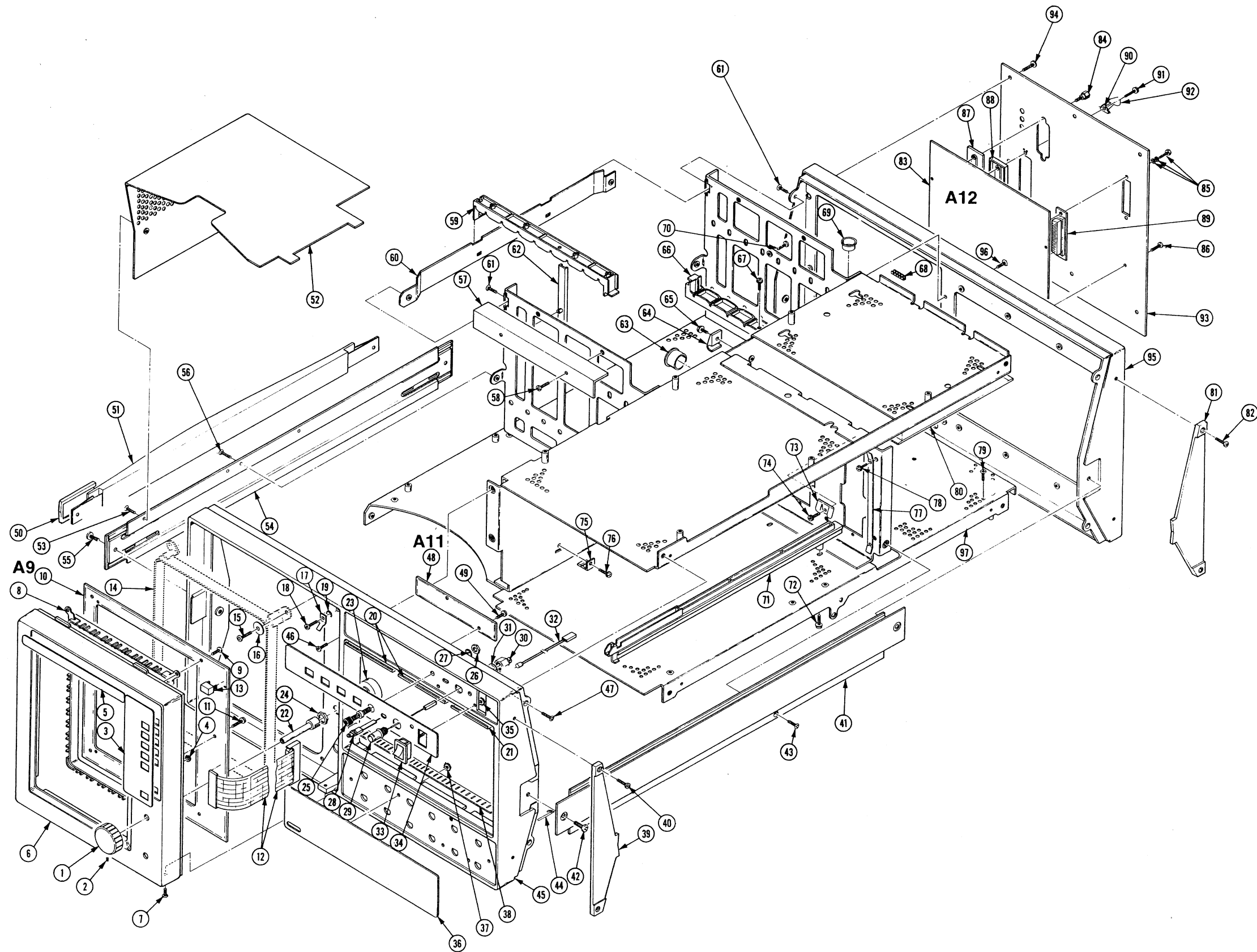


Fig. & Index No.	Tektronix Part No.	Serial/Assembly No.		Qty	12345 Name & Description	Mfr.	
		Effective	Dscont			Code	Mfr. Part No.
2-1	366-0582-00			2	KNOB:ENCODER (ATTACHING PARTS)	TK1546	ORDER BY DESCR
-2	213-0022-00			2	SETSCREW:4-40 X 0.188,STL (END ATTACHING PARTS)	74445	ORDER BY DESCR
-3	333-3214-00	B010100	B010920	1	PANEL,FRONT:LOWER,NON FEED THRU	80009	333-3214-00
	333-3214-02	B010921		1	PANEL,FRONT: (ATTACHING PARTS)	80009	333-3214-02
-4	210-0586-00	B010100	B010920	1	NUT,PL,ASSEM WA:4-40 X 0.25,STL CD PL	78189	211-041800-00
	210-0586-00	B010921		4	NUT,PL,ASSEM WA:4-40 X 0.25,STL CD PL (END ATTACHING PARTS)	78189	211-041800-00
-5	334-6790-00	B010100	B010920	1	MARKER,IDENT:MKD TEKTRONIX 11402 DIGITIZING OSCILLOSCOPE	80009	334-6790-00
-6	200-3143-00	B010100	B010920	1	COVER,CRT SCALE:	80009	200-3143-00
	200-3143-01	B010921		1	COVER,CRT SCALE:BEZEL (ATTACHING PARTS)	80009	200-3143-01
-7	211-0392-00			2	SCREW,MACHINE:4-40 X 0.25,FLH,82 DEG,STL (END ATTACHING PARTS)	80009	211-0392-00
-8	386-5282-00	B010100	B010198	1	DIFFUSER,LIGHT:PLASTIC	80009	386-5282-00
	386-5282-01	B010199		1	DIFFUSER,LIGHT:PLASTIC (ATTACHING PARTS)	80009	386-5282-01
-9	211-0372-00			4	SCREW,MACHINE:4-40 X 0.312,PNH,STL (END ATTACHING PARTS)	TK1543	B80-00020-003
-10	-----			1	CIRCUIT BD ASSY:TOUCH PANEL (SEE A9 REPL) (ATTACHING PARTS)		
-11	211-0372-00	B010100	B010920	1	SCREW,MACHINE:4-40 X 0.312,PNH,STL	TK1543	B80-00020-003
	211-0378-00	B010921		1	SCR,ASSEM WSHR:4-40 X 0.375.PNH,STL,CD PL (END ATTACHING PARTS)	80009	211-0378-00
-12	-----			1	TOUCH PANEL BOARD ASSEMBLY INCLUDES: .CA ASSY,SP,ELEC: (SEE A9P73 REPL)		
	179-2965-00			1	.WIRING HARNESS:W/CONNECTORS (TOUCH PANEL TO CHASSIS GROUND)	80009	179-2965-00
-13	366-0600-00			10	PUSH BUTTON:0.269 X 0.409,ABS	80009	366-0600-00
-14	-----			1	ELECTRON TUBE: (PART OF CRT ASSEMBLY. SEE V70 REPL) (ATTACHING PARTS)		
-15	211-0721-00			4	SCREW,MACHINE:6-32 X 0.375,PHN,STL	83486	ORDER BY DESCR
-16	210-0949-00			4	WASHER,FLAT:0.141 ID X 0.5 OD X 0.062,BRS (END ATTACHING PARTS)	12327	ORDER BY DESCR
-17	131-1688-00			1	TERM,QIK DISC.:MALE,0.032 X 0.25 BL (ATTACHING PARTS)	00779	42577-4
-18	211-0721-00			1	SCREW,MACHINE:6-32 X 0.375,PHN,STL	83486	ORDER BY DESCR
-19	210-0006-00			1	WASHER,LOCK:#6 INTL,0.018 THK,STL (END ATTACHING PARTS)	77900	1206-00-00-0541C
-20	348-0876-00			2	SHLD GSKT,ELEK:SOLID TYPE,2.480 L	80009	348-0876-00
-21	348-0877-00			1	SHLD GSKT,ELEK:SOLID TYPE,1.860 L	80009	348-0877-00
-22	384-1682-00			2	EXTENSION SHAFT:2.375 L,POLYCARBONATE	80009	384-1682-00
-23	-----			2	ENCODER,DIGITAL: (SEE S74,S75 REPL) (ATTACHING PARTS)		
-24	220-0052-00			2	NUT,PLAIN,HEX:M9 X 0.75 (END ATTACHING PARTS)	73743	ORDER BY DESCR
-25	129-0103-00			1	POST,BDG,ELEC:ASSEMBLY (ATTACHING PARTS)	80009	129-0103-00
-26	210-0455-00			1	NUT,PLAIN,HEX:0.25-28 X 0.375,BRS NP	73743	3089-402
-27	210-0046-00			1	WASHER,LOCK:0.261 ID,INTL,0.018 THK,STL (END ATTACHING PARTS)	77900	1214-05-00-0541C
-28	131-3768-00			1	TERMINAL ASSY:CALIBRATOR	80009	131-3768-00
-29	131-3767-00			1	CONN ASSY,ELEC:CAL TERMINAL (ATTACHING PARTS)	80009	131-3767-00
-30	103-0268-00	B010100	B021247	1	ADAPTER,CONN:PELTOLA TO BNC	80009	103-0268-00
	103-0268-01	B021248		1	ADPTR COAX CONN:0.438 HEX,SST	80009	103-0268-01
-31	210-0012-00			1	WASHER,LOCK:0.384 ID,INTL,0.022 THK,STL (END ATTACHING PARTS)	09772	ORDER BY DESCR
-32	-----			1	LAMP,CARTRIDGE: (SEE DS60 REPL)		
-33	260-2275-00			1	SWITCH,ROCKER:SPST,30MA,12V	TK1262	ME010-D

Replaceable Mechanical Parts
11402 Extended Service Volume 2

Fig. & Index No.	Tektronix Part No.	Serial/Assembly No. Effective Discnt	Qty	12345 Name & Description	Mfr. Code	Mfr. Part No.
2-34	333-3213-00		1	PANEL,FRONT:UPPER (ATTACHING PARTS)	80009	333-3213-00
-35	210-0586-00		4	NUT,PL,ASSEM WA:4-40 X 0.25,STL CD PL (END ATTACHING PARTS)	78189	211-041800-00
	174-0178-00		1	CABLE ASSY,RF:(4) 50 OHM COAX,30.5 L,W/CONN (FROM FRONT BNC'S TO REAR BNC'S) (OPTION 1C ONLY)	80009	174-0178-00
	174-0252-00		1	CABLE ASSY,RF:(4),50 OHM COAX,30.5 L (FROM FRONT BNC'S TO REAR BNC'S) (OPTION 1C ONLY)	80009	174-0252-00
-36	333-3231-00		1	PANEL,FRONT:LOWER(STANDARD)	80009	333-3231-00
	333-3215-00		1	PANEL,FRONT:LOWER,(OPTION) (OPTION 1C ONLY) (ATTACHING PARTS)	80009	333-3215-00
-37	210-0586-00		4	NUT,PL,ASSEM WA:4-40 X 0.25,STL CD PL (END ATTACHING PARTS)	78189	211-041800-00
-38	348-0878-00		1	SHLD GSKT,ELEK:SOLID TYPE,7.646 L	80009	348-0878-00
-39	101-0107-00		2	TRIM,DECORATIVE:RIGHT SIDE,FRONT CASTING (ATTACHING PARTS)	80009	101-0107-00
-40	211-0721-00		4	SCREW,MACHINE:6-32 X 0.375,PNH,STL (END ATTACHING PARTS)	83486	ORDER BY DESCR
-41	426-2099-00		1	FRAME SECT,CAB.:RIGHT SIDE (ATTACHING PARTS)	80009	426-2099-00
-42	212-0685-00		2	SCREW,MACHINE:10-32 X 0.281,PNH,STL	93907	ORDER BY DESCR
-43	211-0718-00		1	SCREW,MACHINE:6-32 X 0.312,FLH,100 DEG,STL (END ATTACHING PARTS)	83486	ORDER BY DESCR
-44	348-0886-00		4	SHLD GSKT,ELEK:FINGER TYPE,18.310 L	80009	348-0886-00
-45	386-5268-02		1	SUBPANEL,FRONT:PLATED (ATTACHING PARTS)	80009	386-5268-02
-46	211-0721-00		2	SCREW,MACHINE:6-32 X 0.375,PNH,STL	83486	ORDER BY DESCR
-47	211-0718-00		3	SCREW,MACHINE:6-32 X 0.312,FLH,100 DEG,STL (END ATTACHING PARTS)	83486	ORDER BY DESCR
-48	-----		1	CIRCUIT BD ASSY:FRONT PANEL BUTTON (SEE A11 REPL) (ATTACHING PARTS)		
-49	211-0410-00		2	SCR,ASSEM WSHR:4-40 X 0.437,PNH,STL (END ATTACHING PARTS)	93907	ORDER BY DESCR
-50	200-2191-00		2	CAP,RETAINER:PLASTIC	80009	200-2191-00
-51	367-0248-01		1	HANDLE,CARRYING:16.341 L,W/CLIP	80009	367-0248-01
-52	200-3142-00		1	COVER,CRT:GUARD (ATTACHING PARTS)	80009	200-3142-00
-53	211-0718-00		2	SCREW,MACHINE:6-32 X 0.312,FLH,100 DEG,STL (END ATTACHING PARTS)	83486	ORDER BY DESCR
-54	426-2098-00		1	FRAME SECT,CAB.:LEFT SIDE (ATTACHING PARTS)	80009	426-2098-00
-55	212-0685-00		2	SCREW,MACHINE:10-32 X 0.281,PNH,STL	93907	ORDER BY DESCR
-56	211-0718-00		1	SCREW,MACHINE:6-32 X 0.312,FLH,100 DEG,STL (END ATTACHING PARTS)	83486	ORDER BY DESCR
-57	343-1267-00		1	RTNR,CARD CAGE:0.7 X 6.53,ALUMINUM (ATTACHING PARTS)	80009	343-1267-00
-58	211-0711-00		2	SCR,ASSEM WSHR:6-32 X 0.25,PNH,STL,TORX,T15 (END ATTACHING PARTS)	01536	ORDER BY DESCR
-59	351-0746-00		2	GUIDE,CKT BOARD:NYLON 6.803 L	80009	351-0746-00
-60	407-3438-00		1	BRACKET,CHASSIS:AL (ATTACHING PARTS)	80009	407-3438-00
-61	211-0718-00		5	SCREW,MACHINE:6-32 X 0.312,FLH,100 DEG,STL (END ATTACHING PARTS)	83486	ORDER BY DESCR
-62	351-0765-00		16	GUIDE,CKT BOARD:NYLON	30010	29-0124D
-63	348-0532-00		1	GROMMET,PLASTIC:BLACK,ROUND,0.625 ID	28520	SB-750-10
-64	343-0081-00		1	STRAP,RETAINING:0.125 DIA,NYLON (ATTACHING PARTS)	85480	CPNY-172BK
-65	211-0711-00		1	SCR,ASSEM WSHR:6-32 X 0.25,PNH,STL,TORX,T15 (END ATTACHING PARTS)	01536	ORDER BY DESCR
-66	351-0746-00		1	GUIDE,CKT BOARD:NYLON 6.803 L (ATTACHING PARTS)	80009	351-0746-00
-67	211-0711-00		1	SCR,ASSEM WSHR:6-32 X 0.25,PNH,STL,TORX,T15 (END ATTACHING PARTS)	01536	ORDER BY DESCR
-68	255-0334-00		2	PLASTIC CHANNEL:12.75 X 0.175 X 0.155,NYLON	11897	122-37-2500

Fig. & Index No.	Tektronix Part No.	Serial/Assembly No.		Qty	12345 Name & Description	Mfr.	
		Effective	Dscont			Code	Mfr. Part No.
2-69	342-0313-00			1	GROMMET, PLASTIC: 0.437 ID X 0.562 OD, NYLON	28520	2066
-70	211-0711-00			1	SCR, ASSEM WSHR: 6-32 X 0.25, PNH, STL, TORX, T15 (ATTACHES GROUND WIRE)	01536	ORDER BY DESC
-71	351-0744-00			3	GUIDE, PLUG-IN: POLYAMIDE (ATTACHING PARTS)	80009	351-0744-00
-72	211-0711-00			3	SCR, ASSEM WSHR: 6-32 X 0.25, PNH, STL, TORX, T15 (END ATTACHING PARTS)	01536	ORDER BY DESC
-73	131-0799-00			4	CONTACT, ELEC: PLUG-IN GND, BE NI CD PL (ATTACHING PARTS)	80009	131-0799-00
-74	211-0408-00			4	SCR, ASSEM WSHR: 4-40 X 0.250, PNH, STL TORX (END ATTACHING PARTS)	93907	ORDER BY DESC
-75	344-0133-00			2	CLIP, SPR TNSN: CKT BOARD MT, WHITE (ATTACHING PARTS)	80009	344-0133-00
-76	211-0408-00			2	SCR, ASSEM WSHR: 4-40 X 0.250, PNH, STL TORX (END ATTACHING PARTS)	93907	ORDER BY DESC
-77	131-0800-03			2	CONTACT, ELEC: PLUG-IN GND, BE NI HT TR (ATTACHING PARTS)	80009	131-0800-03
-78	211-0408-00			4	SCR, ASSEM WSHR: 4-40 X 0.250, PNH, STL TORX (END ATTACHING PARTS)	93907	ORDER BY DESC
-79	211-0722-00			1	SCREW, MACHINE: 6-32 X 0.25, PNH, STL (ATTACHES PWR SPLY GROUND WIRE)	80009	211-0722-00
-80	386-5283-00			2	SUPPORT, CHASSIS: POWER SUPPLY, POLYCARBONATE	80009	386-5283-00
-81	101-0106-00			2	TRIM, DECORATIVE: LEFT SIDE, FRONT CASTING (ATTACHING PARTS)	80009	101-0106-00
-82	211-0721-00			4	SCREW, MACHINE: 6-32 X 0.375, PNH, STL (END ATTACHING PARTS)	83486	ORDER BY DESC
-83	-----			1	CIRCUIT BD ASSY: REAR PANEL (SEE A12 REPL) (ATTACHING PARTS)		
-84	129-0744-00			2	SPACER, POST: 0.875 L, 4-40 BOTH ENDS, AL	80009	129-0744-00
-85	214-3106-00			2	HARDWARE KIT: JACK SOCKET	53387	3341-1S
-86	211-0372-00			1	SCREW, MACHINE: 4-40 X 0.312, PNH, STL (END ATTACHING PARTS)	TK1543	880-00020-003
-87	-----			1	REAR PANEL BOARD ASSEMBLY INCLUDES: .CONN, RCPT, ELEC: . (SEE A12J50 REPL)		
-88	-----			1	.CONN, RCPT, ELEC: . (SEE A12J111 REPL)		
-89	-----			1	.CONN, RCPT, ELEC: . (SEE A12J51 REPL)		
-90	407-3446-00			2	BRKT, BAIL MTG: STEEL, 0.35 X 0.289 (ATTACHING PARTS)	00779	552101-1
-91	211-0410-00			2	SCR, ASSEM WSHR: 4-40 X 0.437, PNH, STL (END ATTACHING PARTS)	93907	ORDER BY DESC
-92	344-0387-00			2	CLIP, BAIL: STAINLESS STEEL	80009	344-0387-00
-93	386-5369-00			1	PLATE, CONN: 8.388 X 7.852, AL	80009	386-5369-00
	386-5336-00			1	PLATE, CONNECTOR: ALUMINUM (OPTION 1C ONLY)	80009	386-5336-00
	334-6776-00			1	MARKER, IDENT: MKD GPIB (ATTACHING PARTS)	80009	334-6776-00
-94	211-0721-00			8	SCREW, MACHINE: 6-32 X 0.375, PNH, STL (END ATTACHING PARTS)	83486	ORDER BY DESC
-95	386-5269-02			1	SUBPANEL, REAR: PLATED (ATTACHING PARTS)	80009	386-5269-02
-96	211-0718-00			2	SCREW, MACHINE: 6-32 X 0.312, FLH, 100 DEG, STL (END ATTACHING PARTS)	83486	ORDER BY DESC
-97	610-0751-00			1	CHASSIS ASSY:	80009	610-0751-00

Replaceable Mechanical Parts
11402 Extended Service Volume 2

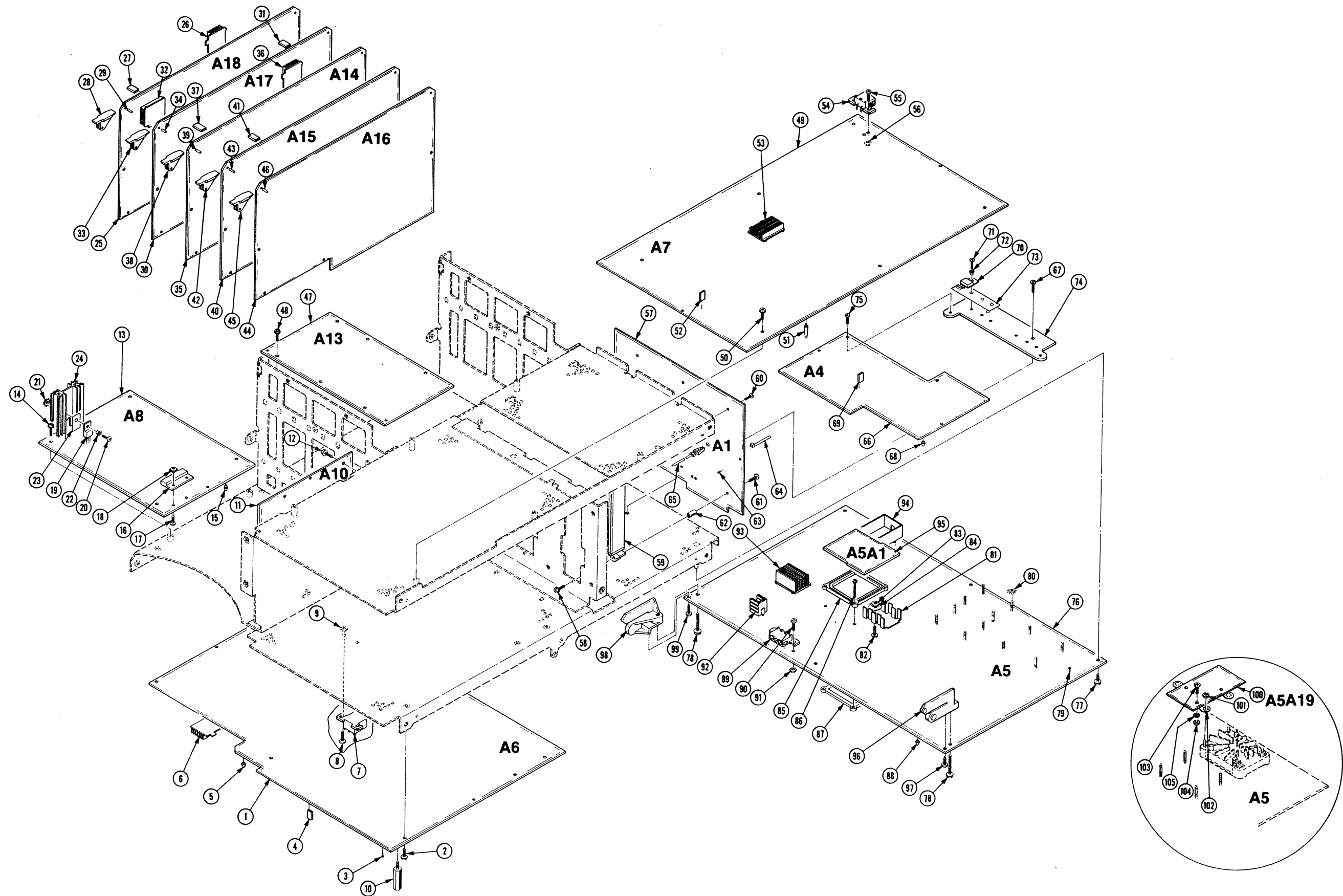
Fig. & Index No.	Tektronix Part No.	Serial/Assembly No. Effective Dscont		Qty	12345 Name & Description	Mfr. Code	Mfr. Part No.
3-1	-----			1	CIRCUIT BD ASSY:TIME BASE (SEE A6 REPL) (ATTACHING PARTS)		
-2	211-0711-00			5	SCR,ASSEM WSHR:6-32 X 0.25,PNH,STL,TORX,T15 (END ATTACHING PARTS) TIME BASE BOARD ASSEMBLY INCLUDES:	01536	ORDER BY DESCR
-3	136-0252-07	B010100	B010649	1	.SOCKET,PIN CONN:W/O DIMPLE	22526	75060-012
-4	131-0993-00			5	.BUS,CONDUCTOR:SHUNT ASSEMBLY,BLACK	22526	65474-005
-5	386-5289-00			4	.SUPPORT,CKT BD:POLYIMIDE,WHITE	80009	386-5289-00
-6	214-3637-00			1	.HEAT SINK,ELEC:CHIP CARRIER,ALUMINUM	05820	ORDER BY DESCR
-7	-----			1	.CONN,RCPT,ELEC: (SEE A6J66 REPL) (ATTACHING PARTS)		
-8	211-0721-00			2	.SCREW,MACHINE:6-32 X 0.375,PNH,STL	83486	ORDER BY DESCR
-9	210-0407-00			2	.NUT,PLAIN,HEX:6-32 X 0.25,BRS CD PL (END ATTACHING PARTS)	73743	3038-402
-10	129-0591-00			1	SPACER,POST:0.937 L,6-32 INT-EXT,STL	80009	129-0591-00
-11	-----			1	CIRCUIT BD ASSY:FRONT PANEL CONTROL (SEE A10 REPL) (ATTACHING PARTS)		
-12	211-0711-00			2	SCR,ASSEM WSHR:6-32 X 0.25,PNH,STL,TORX,T15 (END ATTACHING PARTS)	01536	ORDER BY DESCR
-13	-----			1	CIRCUIT BD ASSY:CRT DRIVER (SEE A8 REPL) (ATTACHING PARTS)		
-14	211-0711-00			4	SCR,ASSEM WSHR:6-32 X 0.25,PNH,STL,TORX,T15 (END ATTACHING PARTS) CRT DRIVER BOARD ASSEMBLY INCLUDES:	01536	ORDER BY DESCR
-15	386-5329-00			1	.SUPPORT,CKT BD:0.385 L,WHITE POLYAMIDE	80009	386-5329-00
-16	-----			1	.MICROCKT,LINER: (SEE ABU630 REPL) (ATTACHING PARTS)		
-17	211-0372-00			1	.SCREW,MACHINE:4-40 X 0.312,PNH,STL	TK1543	B80-00020-003
-18	210-0586-00			1	.NUT,PL,ASSEM WA:4-40 X 0.25,STL CD PL (END ATTACHING PARTS)	78189	211-041800-00
-19	-----			1	.TRANSISTOR: (SEE ABQ130 REPL) (ATTACHING PARTS)		
-20	211-0372-00			1	.SCREW,MACHINE:4-40 X 0.312,PNH,STL	TK1543	B80-00020-003
-21	210-0586-00			1	.NUT,PL,ASSEM WA:4-40 X 0.25,STL CD PL	78189	211-041800-00
-22	210-1178-00			1	.WASHER,SHLDR: (END ATTACHING PARTS)	13103	7721-7PPS
-23	342-0355-00			1	.INSULATOR,PLATE:TRANSISTOR,SILICONE RUBBER	55285	7403-09FR-51
-24	214-3429-00			1	.HEAT SINK,XSTR:TO-220 & TO-202,AL	13103	6100B
-25	-----			1	CIRCUIT BD ASSY:MEMORY (SEE A18 REPL)		
-26	214-3783-00			1	.HT SINK,ELEC:MICROCKT,FOR TEXTTOOL 268-5400, .68 PIN SOCKET,MODEL 2304B	05820	MODEL 664
-27	131-0993-07	B010100	B010655	2	.BUS,CONDUCTOR:SHUNT ASSEMBLY,VIOLET	00779	850100-7
	131-0993-00	B010656		2	.BUS,CONDUCTOR:SHUNT ASSEMBLY,BLACK	22526	65474-005
-28	105-0160-00			2	.EJECTOR,CKT BD:WHITE PLASTIC (ATTACHING PARTS)	80009	105-0160-00
-29	214-1337-00			2	.PIN,SPRING:0.25 L X 0.103 OD,STL CD PL (END ATTACHING PARTS)	000BK	ORDER BY DESCR
-30	-----			1	CIRCUIT BD ASSY:MAIN PROCESSOR (SEE A17 REPL)		
-31	131-0993-07	B010100	B010655	9	.BUS,CONDUCTOR:SHUNT ASSEMBLY,VIOLET	00779	850100-7
	131-0993-00	B010656		9	.BUS,CONDUCTOR:SHUNT ASSEMBLY,BLACK	22526	65474-005
-32	214-3783-00			1	.HT SINK,ELEC:MICROCKT,FOR TEXTTOOL 268-5400, .68 PIN SOCKET,MODEL 2304B	05820	MODEL 664
	214-3783-00			2	.HT SINK,ELEC:MICROCKT,FOR TEXTTOOL 268-5400, .68 PIN SOCKET,MODEL 2304B (OPTION 4D ONLY)	05820	MODEL 664
-33	105-0160-00			2	.EJECTOR,CKT BD:WHITE PLASTIC (ATTACHING PARTS)	80009	105-0160-00
-34	214-1337-00			2	.PIN,SPRING:0.25 L X 0.103 OD,STL CD PL (END ATTACHING PARTS)	000BK	ORDER BY DESCR
-35	-----			1	CIRCUIT BD ASSY:INPUT/OUTPUT		

Fig. & Index No.	Tektronix Part No.	Serial/Assembly No. Effective Dscort	Qty	12345 Name & Description	Mfr. Code	Mfr. Part No.
3-				(SEE A14 REPL)		
-36	214-3783-00		1	.HT SINK,ELEC:MICROCKT, FOR TEXTTOOL 268-5400, .68 PIN SOCKET,MODEL 2304B	05820	MODEL 664
-37	131-0993-00		8	.BUS, CONDUCTOR:SHUNT ASSEMBLY, BLACK	22526	65474-005
-38	105-0160-00		2	.EJECTOR,CKT BD:WHITE PLASTIC (ATTACHING PARTS)	80009	105-0160-00
-39	214-1337-00		2	.PIN, SPRING:0.25 L X 0.103 OD,STL CD PL (END ATTACHING PARTS)	000BK	ORDER BY DESCR
-40	-----		1	CIRCUIT BD ASSY:MEMORY MGT UNIT (SEE A15 REPL)		
-41	131-0993-00		1	.BUS, CONDUCTOR:SHUNT ASSEMBLY, BLACK	22526	65474-005
-42	105-0160-00		2	.EJECTOR,CKT BD:WHITE PLASTIC (ATTACHING PARTS)	80009	105-0160-00
-43	214-1337-00		2	.PIN, SPRING:0.25 L X 0.103 OD,STL CD PL (END ATTACHING PARTS)	000BK	ORDER BY DESCR
-44	-----		1	CIRCUIT BD ASSY:COMPRESSOR (SEE A16 REPL)		
-45	105-0160-00		2	.EJECTOR,CKT BD:WHITE PLASTIC (ATTACHING PARTS)	80009	105-0160-00
-46	214-1337-00		2	.PIN, SPRING:0.25 L X 0.103 OD,STL CD PL (END ATTACHING PARTS)	000BK	ORDER BY DESCR
-47	-----		1	CIRCUIT BD ASSY:MOTHER (SEE A13 REPL) (ATTACHING PARTS)		
-48	211-0711-00		6	SCR,ASSEM WSHR:6-32 X 0.25,PNH,STL,TORX,T15 (END ATTACHING PARTS)	01536	ORDER BY DESCR
-49	-----		1	CIRCUIT BD ASSY:DISPLAY CONTROLLER (SEE A7 REPL) (ATTACHING PARTS)		
-50	211-0711-00		6	SCR,ASSEM WSHR:6-32 X 0.25,PNH,STL,TORX,T15 (END ATTACHING PARTS)	01536	ORDER BY DESCR
-51	386-5330-00		4	DISPLAY CONTROLLER BOARD ASSEMBLY INCLUDES: .SUPPORT,CKT BD:0.575 L,WHITE POLYAMIDE	80009	386-5330-00
-52	131-0993-00		9	.BUS, CONDUCTOR:SHUNT ASSEMBLY, BLACK	22526	65474-005
-53	214-3783-00		1	.HT SINK,ELEC:MICROCKT, FOR TEXTTOOL 268-5400, .68 PIN SOCKET,MODEL 2304B	05820	MODEL 664
-54	-----		1	.CONN,RCPT,ELEC: (SEE A7J63 REPL) (ATTACHING PARTS)		
-55	211-0721-00		2	.SCREW,MACHINE:6-32 X 0.375,PHN,STL	83486	ORDER BY DESCR
-56	210-0407-00		2	.NUT,PLAIN,HEX:6-32 X 0.25,BRS CD PL (END ATTACHING PARTS)	73743	3038-402
-57	-----		1	CIRCUIT BD ASSY:PL-IN INTERFACE (SEE A1 REPL) (ATTACHING PARTS)		
-58	211-0408-00		9	SCR,ASSEM WSHR:4-40 X 0.250,PNH,STL TORX (END ATTACHING PARTS)	93907	ORDER BY DESCR
-59	-----		3	PLUG-IN INTERFACE BOARD ASSEMBLY INCLUDES: .CONN,RCPT,ELEC: (SEE A1J92,J93,J94 REPL) (ATTACHING PARTS)		
-60	213-0984-00		3	.SCREW,TPG,TR:2-28 X 0.312 PNH,STL	80009	213-0984-00
-61	211-0396-00		3	.SCREW,MACHINE:4-40 X 0.312 PNH,TORX (END ATTACHING PARTS)	93907	829-06893
-62	129-0273-00		3	.SPACER,POST:0.625 L,4-40 EA END,AL,0.188 OD	80009	129-0273-00
-63	136-0252-07		13	.SOCKET,PIN CONN:W/O DIMPLE	22526	75060-012
-64	343-0549-00		3	.STRAP,TIEDOWN,E:0.091 W X 4.0 L,ZYTEL	06383	PLT1M
-65	346-0154-00		3	STRAP,TIEDOWN,E:6.125 L,PLASTIC,LATCH	06383	PLP1.5I INTERMED
-66	-----		1	CIRCUIT BD ASSY:REGULATOR (SEE A4 REPL) (ATTACHING PARTS)		
-67	211-0721-00		2	SCREW,MACHINE:6-32 X 0.375,PHN,STL (END ATTACHING PARTS)	83486	ORDER BY DESCR
-68	386-5289-00		2	REGULATOR BOARD ASSEMBLY INCLUDES: .SUPPORT,CKT BD:POLYIMIDE,WHITE	80009	386-5289-00
-69	131-0993-00		1	.BUS, CONDUCTOR:SHUNT ASSEMBLY, BLACK	22526	65474-005
-70	-----		6	.TRANSISTOR: (SEE A4Q100,Q200,Q201,Q400,Q500,Q501 REPL)		

Replaceable Mechanical Parts
11402 Extended Service Volume 2

Fig. & Index No.	Tektronix Part No.	Serial/Assembly No. Effective	Discont	Qty	12345 Name & Description	Mfr. Code	Mfr. Part No.
3-					(ATTACHING PARTS)		
-71	211-0408-00			6	.SCR,ASSEM WSHR:4-40 X 0.250,PNH,STL TORX	93907	ORDER BY DESCR
-72	210-1171-00			6	.WASHER,SHLDR:0.12 ID X 0.143 OD X 0.07 D (END ATTACHING PARTS)	00261	A7148516P2
-73	342-0755-00			2	.INSULATOR,FILM:THERMAL CONDUCTIVE SILICONE .RUBBER LAMINATE	80009	342-0755-00
-74	386-5286-00			1	.SUPPORT,ECB:REGULATOR (ATTACHING PARTS)	80009	386-5286-00
-75	211-0408-00			2	.SCR,ASSEM WSHR:4-40 X 0.250,PNH,STL TORX (END ATTACHING PARTS)	93907	ORDER BY DESCR
-76	-----			1	CIRCUIT BD ASSY:ACQUISITION (SEE A5 REPL) (ATTACHING PARTS)		
-77	211-0711-00			6	SCR,ASSEM WSHR:6-32 X 0.25,PNH,STL,TORX,T15	01536	ORDER BY DESCR
-78	211-0754-00			2	SCR,ASSEM WSHR:6-32 X 1.375,PNH,STL (END ATTACHING PARTS)	93907	ORDER BY DESCR
-79	136-0252-07 334-4645-00			13 1	ACQUISITION BOARD ASSEMBLY INCLUDES: .SOCKET,PIN CONN:W/O DIMPLE .MARKER,IDENT:MKD TEKTRONIX	22526 80009	75060-012 334-4645-00
-80	210-0586-00	B010100	8021081	12	.NUT,PL,ASSEM WA:4-40 X 0.25,STL CD PL	78189	211-041800-00
	210-0586-00	B021082		9	.NUT,PL,ASSEM WA:4-40 X 0.25,STL CD PL	78189	211-041800-00
-81	214-1914-00			1	.HEAT SINK,DIODE:(2)0.15 DIA HOLES,AL (ATTACHING PARTS)	98978	PB1-2CB
-82	211-0721-00			1	.SCREW,MACHINE:6-32 X 0.375,PHN,STL	83486	ORDER BY DESCR
-83	210-0457-00			1	.NUT,PL,ASSEM WA:6-32 X 0.312,STL CD PL	78189	511-061800-00
-84	210-0949-00			1	.WASHER,FLAT:0.141 ID X 0.5 OD X 0.062,BRS (END ATTACHING PARTS)	12327	ORDER BY DESCR
-85	426-1434-00 131-2052-00			1 1	.FRAME,MICROCKT: .CONTACT,ELEC:MICROCKT 1.4 X 1.4 HYPCON (ATTACHING PARTS)	80009 80009	426-1434-00 131-2052-00
-86	211-0385-00			4	.SCREW,MACHINE:2-56 X 0.500 L,PNH,TORX DR (END ATTACHING PARTS)	83486	ORDER BY DESCR
-87	386-5379-00			1	.STIF,MICROCKT:1.73 X 1.73 X 0.125,AL,ALY 50 .52,H-32	80009	386-5379-00
-88	386-5289-00 131-3909-00			6 3	.SUPPORT,CKT BD:POLYIMIDE,WHITE .TERMINAL,PIN:0.585 L X 0.018 RND,BRASS GOLD . PLATED	80009 55322	386-5289-00 BBS-102-GB
	131-3910-00			14	.TERMINAL,PIN:0.585 L X 0.018 RND,BRASS GOLD . PLATED	55322	BBS-101-G-B
-89	-----			1	.CONN,RCPT,ELEC: (SEE A5J66 REPL) (ATTACHING PARTS)		
-90	211-0721-00			2	.SCREW,MACHINE:6-32 X 0.375,PHN,STL	83486	ORDER BY DESCR
-91	210-0407-00			2	.NUT,PLAIN,HEX:6-32 X 0.25,BRS CD PL (END ATTACHING PARTS)	73743	3038-402
-92	214-3796-00			2	.HEAT SINK,XSTR:ALUMINUM,TO-220	30161	5968B
-93	214-3637-00			3	.HEAT SINK,ELEC:CHIP CARRIER,ALUMINUM	05820	ORDER BY DESCR
-94	337-3093-00			1	.SHIELD,ELEC:AUX SYN BD	80009	337-3093-00
-95	-----			1	.CIRCUIT BD ASSY:STROBE (SEE A5A1 REPL)		
-96	386-5428-00			1	SUPPORT,PIVOT:CKT,LEFT (ATTACHING PARTS)	80009	386-5428-00
-97	213-0992-00			1	SCREW,TPG,TF:4-24 X 0.375,PNH,STL (END ATTACHING PARTS)	93907	B80-70000-003
-98	386-5429-00			1	SUPPORT,PIVOT:CKT,RIGHT (ATTACHING PARTS)	80009	386-5429-00
-99	213-0992-00			1	SCREW,TPG,TF:4-24 X 0.375,PNH,STL (END ATTACHING PARTS)	93907	B80-70000-003
-100	-----			1	CIRCUIT BD ASSY:TRIGGER ENHANCEMENT (SEE A5A19 REPL) (ATTACHING PARTS)		
-101	210-0551-00	B021082		3	NUT,PLAIN,HEX:4-40 X 0.25,ST CD PL (END ATTACHING PARTS)	TK0435	ORDER BY DESCR
-102	210-0227-00	B021082		3	TRIGGER ENHANCEMENT BD ASSEMBLY INCLUDES: .TERMINAL,LUG:0.141 ID,LOCKING,BRZ TINNED (ATTACHING PARTS)	98335	GC7462M
-103	211-0180-00	B021082		3	.SCR,ASSEM WSHR:2-56 X 0.25,PNH,BRS,NP,POZ	TK0435	ORDER BY DESCR
-104	210-0405-00	B021082		3	.NUT,PLAIN,HEX:2-56 X 0.188,BRS CD PL	73743	12157-50

Fig. & Index No.	Tektronix Part No.	Serial/Assembly No. Effective Dscnt	Qty	12345 Name & Description	Mfr. Code	Mfr. Part No.
3-105	210-0053-00	B021082	3	.WASHER, LOCK:#2 SPLIT, 0.02 THK STL (END ATTACHING PARTS)	78189	ORDER BY DESCR
WIRE ASSEMBLIES						
	175-9873-00		1	CA ASSY, SP, ELEC:2,14,2,16 AWG,18 L (FROM A3J63 TO A7J63, A13J63)	80009	175-9873-00
	175-9912-00		1	CABLE ASSY, RF:50 OHM COAX, 48.0 L, 6-2, 6-3 (FROM A1J32, J33 TO A5J32, J33)	80009	175-9912-00
	175-9913-00		1	CABLE ASSY, RF:50 OHM COAX, 48.0 L, 6-4, 6-N (FROM A1J34, J36 TO A5J34, J36)	80009	175-9913-00
	175-9914-00		1	CABLE ASSY, RF:50 OHM COAX, 48.0 L, 6-0, 6-1 (FROM A1J30, J31 TO A5J30, J31)	80009	175-9914-00



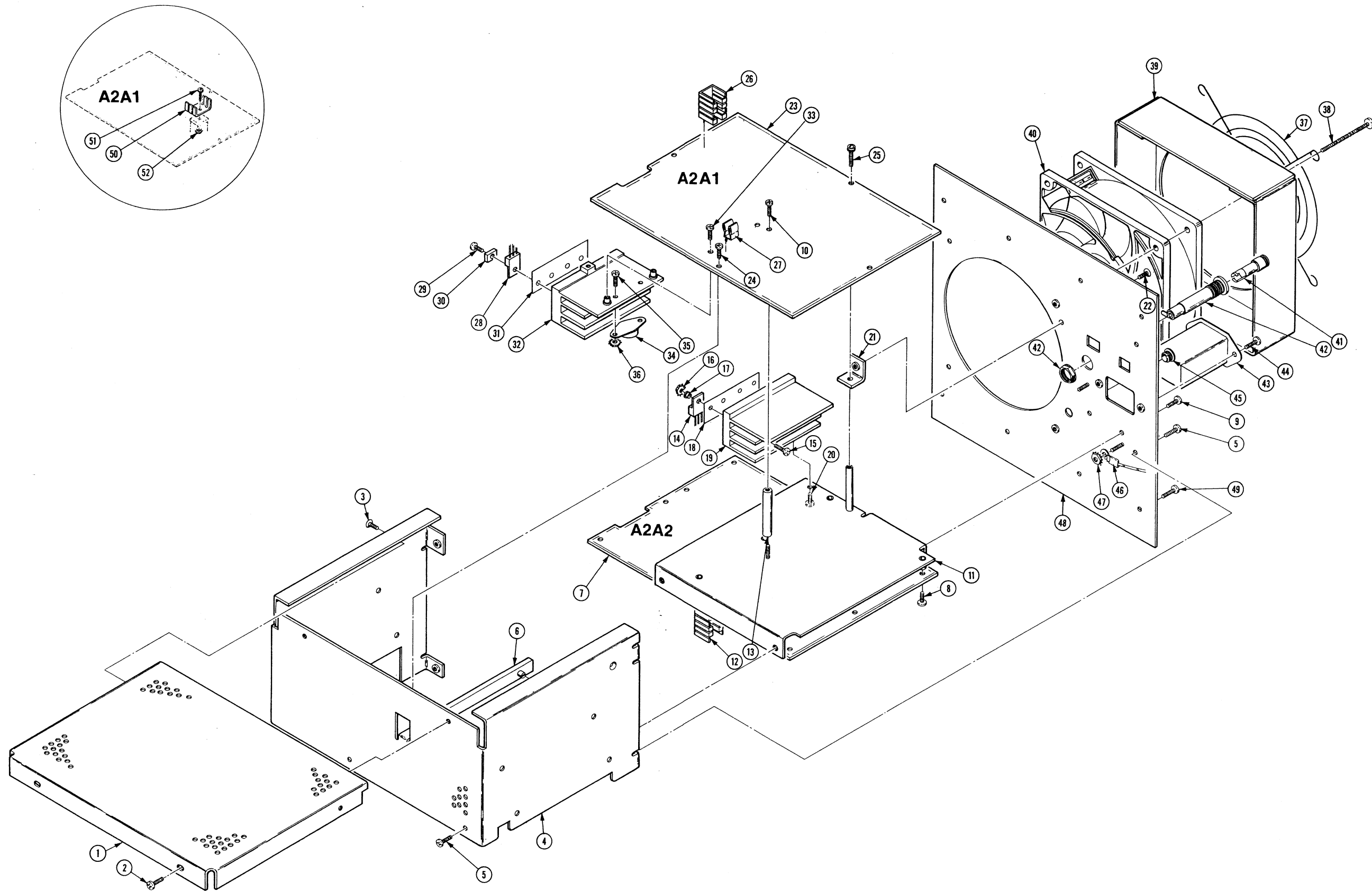
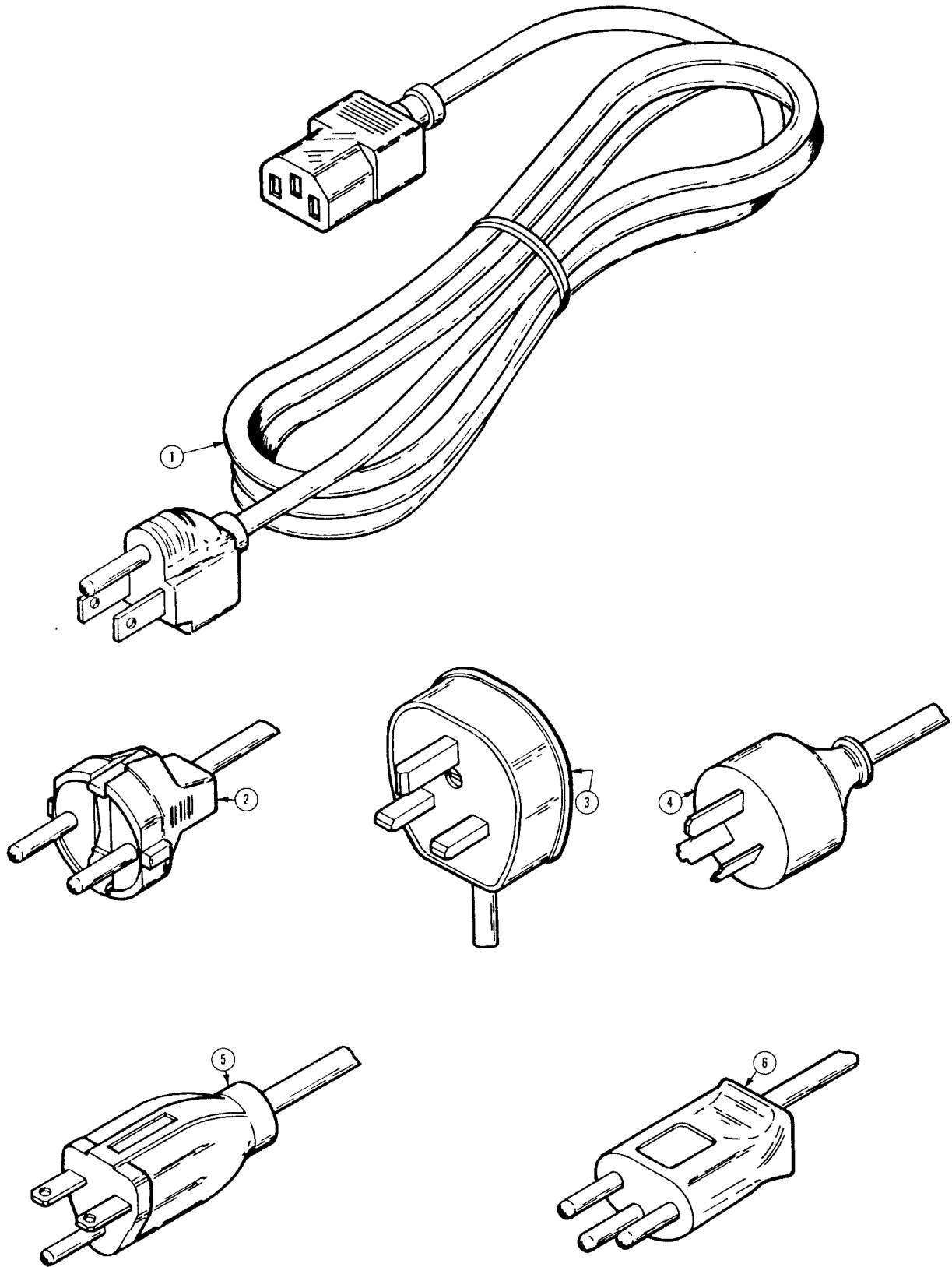


Fig. & Index No.	Tektronix Part No.	Serial/Assembly No.		Qty	12345 Name & Description	Mfr. Code	Mfr. Part No.
		Effective	Discnt				
4-1	200-3237-00			1	COVER,PWR SPLY:TOP,AL 5005-H34 (ATTACHING PARTS)	80009	200-3237-00
-2	211-0722-00			2	SCREW,MACHINE:6-32 X 0.25,PNH,STL	80009	211-0722-00
-3	211-0734-00			2	SCREW,MACHINE:6-32 X 0.25,FLH,100 DEG,STL (END ATTACHING PARTS)	83486	ORDER BY DESCR
-4	200-3236-00			1	COVER,PWR SPLY:ALUMINUM (ATTACHING PARTS)	80009	200-3236-00
-5	211-0722-00			4	SCREW,MACHINE:6-32 X 0.25,PNH,STL (END ATTACHING PARTS)	80009	211-0722-00
-6	351-0702-00			4	GUIDE,CKT BOARD:MOLDED NYLON,4.5 L	18677	11633-22
-7	-----			1	CIRCUIT BD ASSY:CONTROL RECTIFIER (SEE A2A2 REPL) (ATTACHING PARTS)		
-8	211-0408-00			4	SCR,ASSEM WSHR:4-40 X 0.250,PNH,STL TORX	93907	ORDER BY DESCR
-9	211-0722-00			2	SCREW,MACHINE:6-32 X 0.25,PNH,STL	80009	211-0722-00
-10	211-0408-00			1	SCR,ASSEM WSHR:4-40 X 0.250,PNH,STL TORX (END ATTACHING PARTS) CONTROL RECTIFIER BOARD ASSEMBLY INCLUDES:	93907	ORDER BY DESCR
-11	386-5285-00			1	.SUPPORT,CHASSIS:POWER SUPPLY,LEFT	80009	386-5285-00
-12	214-3796-00			2	.HEAT SINK,XSTR:ALUMINUM,TO-220	30161	59688
-13	129-1086-00			1	.SPACER,POST:1.505 L,W 4-40 THD BOTH ENDS, .NYLON,0.312	80009	129-1086-00
-14	-----			4	.SEMICON DVC,DI: (SEE A2A2CR330,CR331,CR340,CR350 REPL) (ATTACHING PARTS)		
-15	211-0411-00			4	.SCR,ASSEM WSHR:4-40 X 0.5,PNH,STL	93907	ORDER BY DESCR
-16	210-0586-00			4	.NUT,PL,ASSEM WA:4-40 X 0.25,STL CD PL	78189	211-041800-00
-17	210-1171-00			4	.WASHER,SHLDR:0.12 ID X 0.143 OD X 0.07 D (END ATTACHING PARTS)	00261	A7148516P2
-18	342-0755-00			1	.INSULATOR,FILM:THERMAL CONDUCTIVE SILICONE .RUBBER LAMINATE	80009	342-0755-00
-19	214-3827-00			1	.HEAT SINK,ELEC:POWER SUPPLY (ATTACHING PARTS)	80009	214-3827-00
-20	211-0722-00			2	.SCREW,MACHINE:6-32 X 0.25,PNH,STL (END ATTACHING PARTS)	80009	211-0722-00
-21	407-3492-00			1	BRACKET,ANGLE:ALUMINUM (ATTACHING PARTS)	80009	407-3492-00
-22	211-0734-00			1	SCREW,MACHINE:6-32 X 0.25,FLH,100 DEG,STL (END ATTACHING PARTS)	83486	ORDER BY DESCR
-23	-----			1	CIRCUIT BD ASSY:INVERTER (SEE A2A1 REPL) (ATTACHING PARTS)		
-24	211-0408-00			1	SCR,ASSEM WSHR:4-40 X 0.250,PNH,STL TORX	93907	ORDER BY DESCR
-25	211-0409-00			1	SCR,ASSEM WSHR:4-40 X 0.312,PNH,STL (END ATTACHING PARTS) LINE INVERTER BOARD ASSEMBLY INCLUDES:	93907	ORDER BY DESCR
-26	214-3796-00			2	.HEAT SINK,XSTR:ALUMINUM,TO-220	30161	59688
-27	344-0326-00			2	.CLIP,ELECTRICAL:FUSE,BRASS	75915	102071
-28	-----			4	.TRANSISTOR: (SEE A2A1Q600,Q601,Q610,Q620 REPL) (ATTACHING PARTS)		
-29	211-0411-00			4	.SCR,ASSEM WSHR:4-40 X 0.5,PNH,STL	93907	ORDER BY DESCR
-30	342-0536-00			4	.INSULATOR,XSTR:TO-220,POLYENELENE (END ATTACHING PARTS)	80009	342-0536-00
-31	342-0755-00			1	.INSULATOR,FILM:THERMAL CONDUCTIVE SILICONE .RUBBER LAMINATE	80009	342-0755-00
-32	214-3784-00			1	.HT SK,PWR SPLY:ALUMINUM (ATTACHING PARTS)	80009	214-3784-00
-33	211-0408-00			2	.SCR,ASSEM WSHR:4-40 X 0.250,PNH,STL TORX (END ATTACHING PARTS)	93907	ORDER BY DESCR
-34	-----			1	.SWITCH,THRMSTC: (SEE A2A1S99 REPL) (ATTACHING PARTS)		
-35	211-0408-00			2	.SCR,ASSEM WSHR:4-40 X 0.250,PNH,STL TORX	93907	ORDER BY DESCR
-36	210-0586-00			2	.NUT,PL,ASSEM WA:4-40 X 0.25,STL CD PL (END ATTACHING PARTS)	78189	211-041800-00
-37	200-2222-00			1	GUARD,FAN: (ATTACHING PARTS)	81041	6-182-033

Replaceable Mechanical Parts
11402 Extended Service Volume 2

Fig. & Index No.	Tektronix Part No.	Serial/Assembly No. Effective	Discort	Qty	12345 Name & Description	Mfr. Code	Mfr. Part No.
4-38	211-0744-00			4	SCREW, MACHINE: 6-32 X 2.0, PNH, TORX, STL, CD (END ATTACHING PARTS)	04348	ORDER BY DESCR
-39	407-3362-00			1	BRACKET, FAN: 0.050 5005 H-34	80009	407-3362-00
-40	-----			1	FAN, TUBEAXIAL: (SEE A2B50 REPL)		
-41	200-2264-00			1	CAP, FUSEHOLDER: 3AG FUSES	S3629	FEK 031 1666
-42	204-0832-00			1	BODY, FUSEHOLDER: 3AG & 5 X 20MM FUSES	TK0861	031 1673
-43	-----			1	FILTER, RFI: (SEE A2FL99 REPL) (ATTACHING PARTS)		
-44	211-0721-00			2	SCREW, MACHINE: 6-32 X 0.375, PNH, STL (END ATTACHING PARTS)	83486	ORDER BY DESCR
-45	358-0216-00			1	GROMMET, PLASTIC: GRAY, ROUND, 0.257 ID	80009	358-0216-00
-46	-----			2	LEAD, ELECTRICAL: (SEE A2W97, W99 REPL) (ATTACHING PARTS)		
-47	210-0457-00			2	NUT, PL, ASSEM WA: 6-32 X 0.312, STL CD PL (END ATTACHING PARTS)	78189	511-061800-00
-48	386-5287-00			1	PLATE, REAR: AL (ATTACHING PARTS)	80009	386-5287-00
-49	211-0721-00			8	SCREW, MACHINE: 6-32 X 0.375, PNH, STL (END ATTACHING PARTS)	83486	ORDER BY DESCR
-50	214-1967-00	B011025		1	HEAT SINK, DIODE: (2) 0.15 DIA HOLES, AL (ATTACHING PARTS)	05820	289-AB
-51	211-0410-00	B011025		1	SCR, ASSEM WSHR: 4-40 X 0.437, PNH, STL	93907	ORDER BY DESCR
-52	210-0586-00	B011025		1	NUT, PL, ASSEM WA: 4-40 X 0.25, STL CD PL (END ATTACHING PARTS)	78189	211-041800-00

Fig. & Index No.	Tektronix Part No.	Serial/Assembly No. Effective Dscort	Qty	12345 Name & Description	Mfr. Code	Mfr. Part No.
5-						
STANDARD ACCESSORIES						
-1	161-0066-00		1	CABLE ASSY, PWR, :3,18AWG,115V,98.0 L	16428	CH8481, FH8481
-2	161-0066-09		1	CABLE ASSY, PWR, :3,0.75MM SQ,220V,99.0 L (OPTION A1 ONLY)	S3109	86511000
-3	161-0066-10		1	CABLE ASSY, PWR, :3,0.75MM SQ,240V,96.0 L (OPTION A2 ONLY)	TK1373	24230
-4	161-0066-11		1	CABLE ASSY, PWR, :3,0.75MM,240V,96.0 L (OPTION A3 ONLY)	S3109	ORDER BY DESCR
-5	161-0066-12		1	CABLE ASSY, PWR, :3,18 AWG,250V,99.0 L (OPTION A4 ONLY)	70903	CH-77893
-6	161-0154-00		1	CABLE ASSY, PWR, :3,0.75MM SQ,240V,6A,2.5M L (OPTION A5 ONLY)	S3109	86515000
	012-0208-00		8	CABLE,INTCON:10.0 L (OPTION 1C ONLY)	80009	012-0208-00
	070-5791-01		1	MANUAL,TECH:USERS,11401/11402	80009	070-5791-01
	070-6103-01		1	MANUAL,TECH:INTRODUCTION,11401/11402	80009	070-6103-01
	070-6255-00		1	MANUAL,TECH:OPERATORS,11401/11402	80009	070-6255-00
	070-6694-00		1	PROCEDURE:INCOMING INSPECTION,11401/2	80009	070-6694-00
	070-6274-00		1	MANUAL,TECH:INSTR,11401/11402 (OPTION 1R ONLY)	80009	070-6274-00
OPTIONAL ACCESSORIES						
	012-0555-00		1	CABLE,INTCON:3 METERS	80009	012-0555-00
	012-0911-00		1	CABLE,INTCON:144.0 L, RS 232	TK6020	ESF-85249
	012-0991-00		1	CABLE,GPIB:LOW EMI,2 METER	00779	553577-3
	016-0829-00		1	PANEL,BLANK:PLUG-IN HOUSING,11K SERIES	80009	016-0829-00
	067-1264-00		1	FIXTURE,CAL:PWR SPLY EXT DIAGNOSTICS	80009	067-1264-00
	067-1267-00		1	FIXTURE,CAL:TROUBLE SHOOTING AID EXTENDER CARD W/EXTENDERS	80009	067-1267-00
	070-6779-02		1	MANUAL,TECH:SERVICE REF,11401/11402	80009	070-6779-02



MANUAL CHANGE INFORMATION

At Tektronix, we continually strive to keep up with latest electronic developments by adding circuit and component improvements to our instruments as soon as they are developed and tested.

Sometimes, due to printing and shipping requirements, we can't get these changes immediately into printed manuals. Hence, your manual may contain new change information on following pages.

A single change may affect several sections. Since the change information sheets are carried in the manual until all changes are permanently entered, some duplication may occur. If no such change pages appear following this page, your manual is correct as printed.