

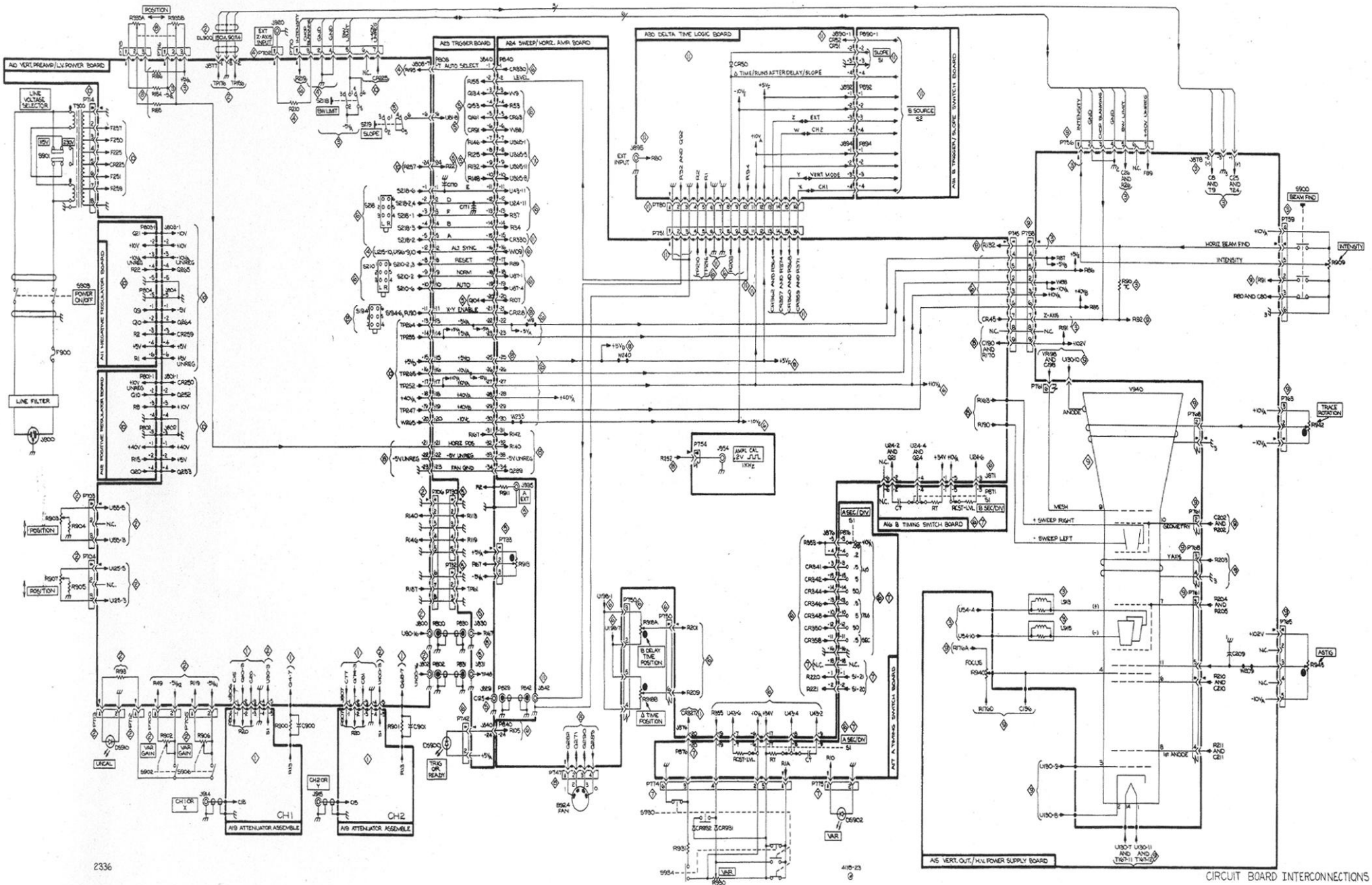
Static Sensitive Devices
See Maintenance Section

COMPONENT NUMBER EXAMPLE

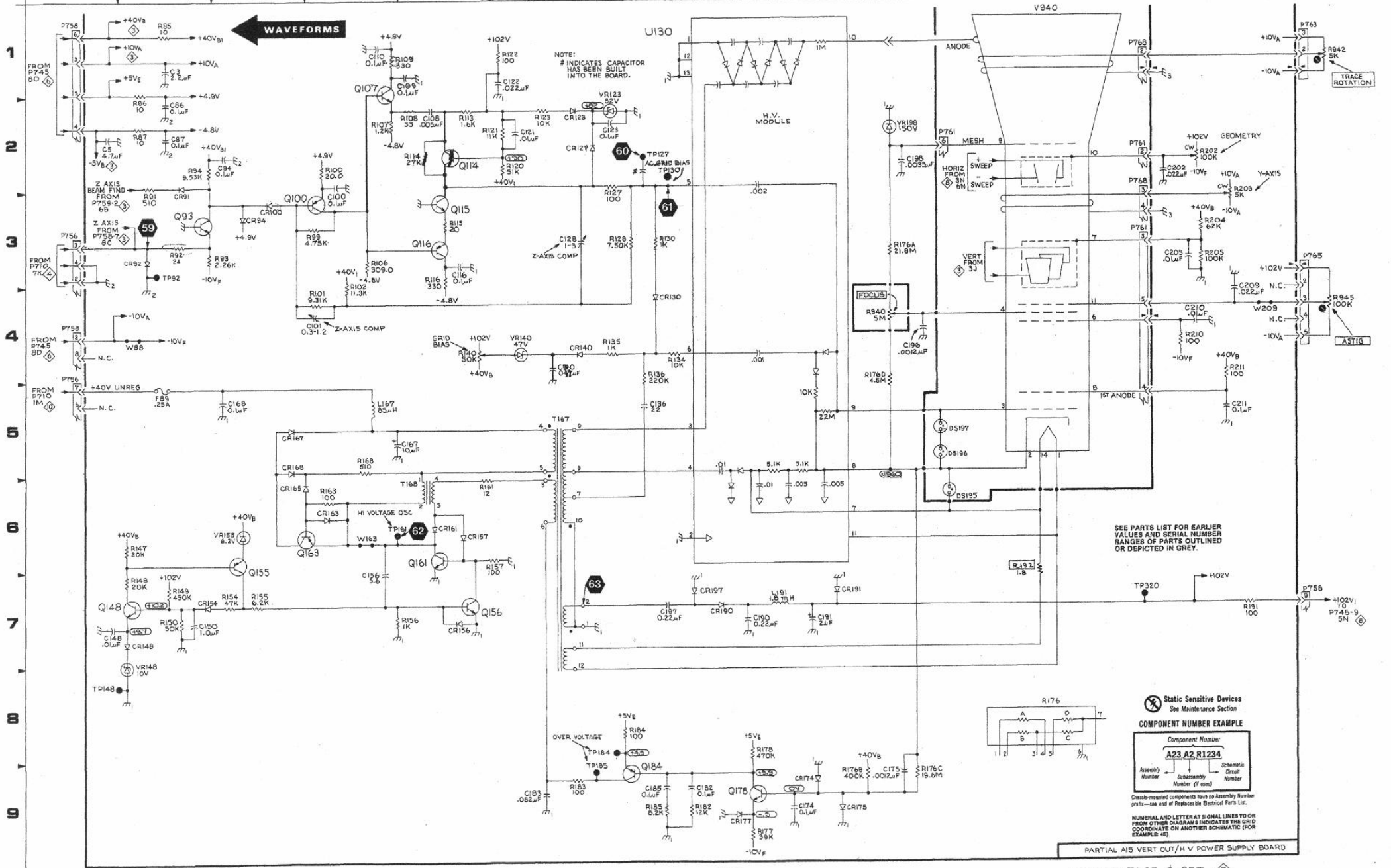
Component Number
A23 A2 R1234

Assembly Number Subassembly Number (if used) Schematic Circuit Number

Classic-mounted components have an Assembly Number prefix—see end of Replaceable Electrical Parts List.



A B C D E F G H I J K L M N



WAVEFORMS

NOTE: # INDICATES CAPACITOR HAS BEEN BUILT INTO THE BOARD.

SEE PARTS LIST FOR EARLIER VALUES AND SERIAL NUMBER RANGES OF PARTS OUTLINED OR DEPICTED IN GREY.

Static Sensitive Devices
See Maintenance Section

COMPONENT NUMBER EXAMPLE

Component Number		
A23	A2	R1234
Assembly Number	Subassembly Number (if used)	Schematic Circuit Number

Case-mounted components have no Assembly Number prefix—see end of Replaceable Electrical Parts List.

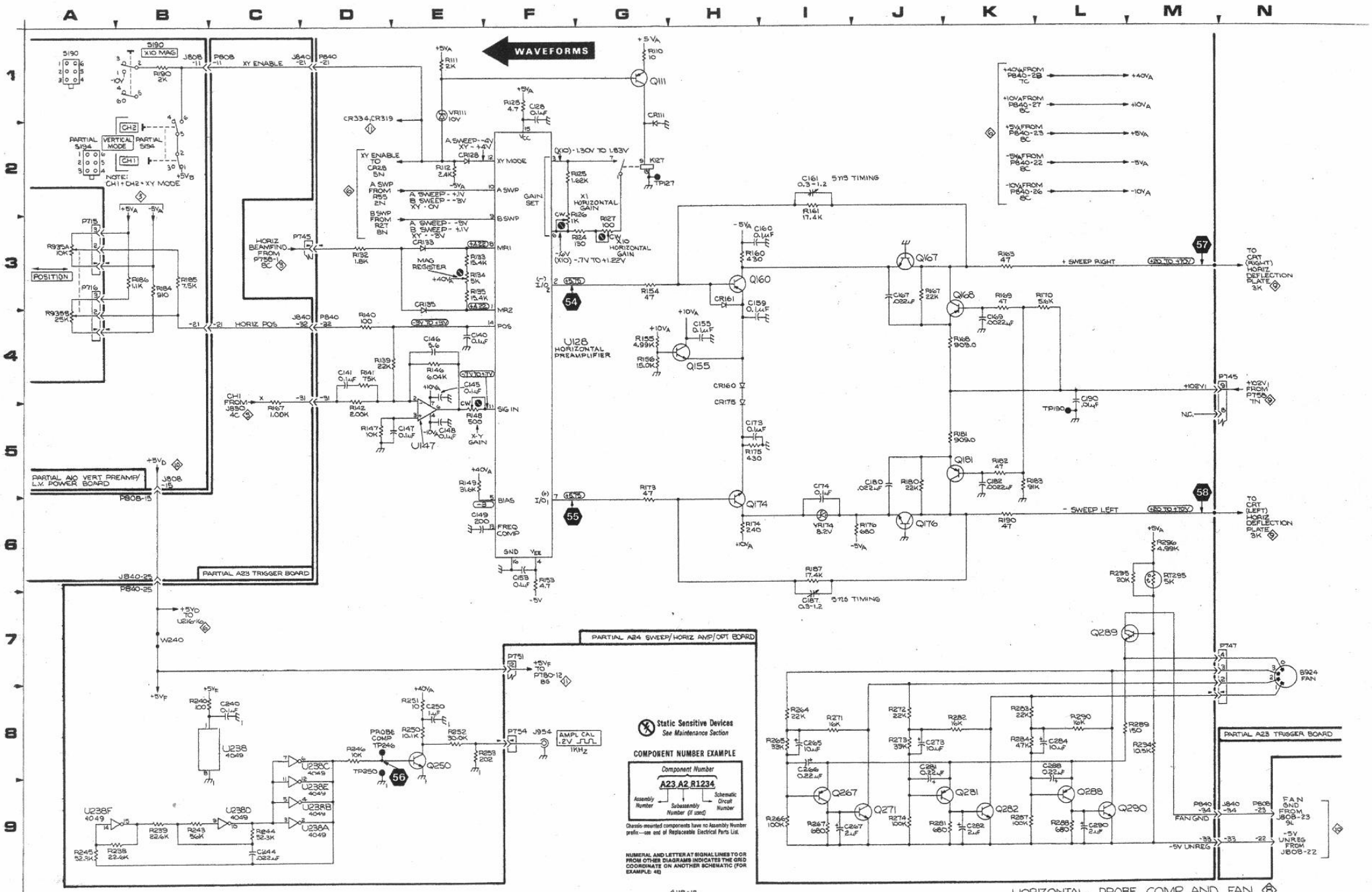
NUMERAL AND LETTER AT SIGNAL LINES TO OR FROM OTHER DIAGRAMS INDICATES THE GRID COORDINATE ON ANOTHER SCHEMATIC (FOR EXAMPLE: 4B)

PARTIAL A15 VERT OUT/H V POWER SUPPLY BOARD

4116-19
REV NO V 1963

HIGH VOLTAGE & CRT

2336



2336

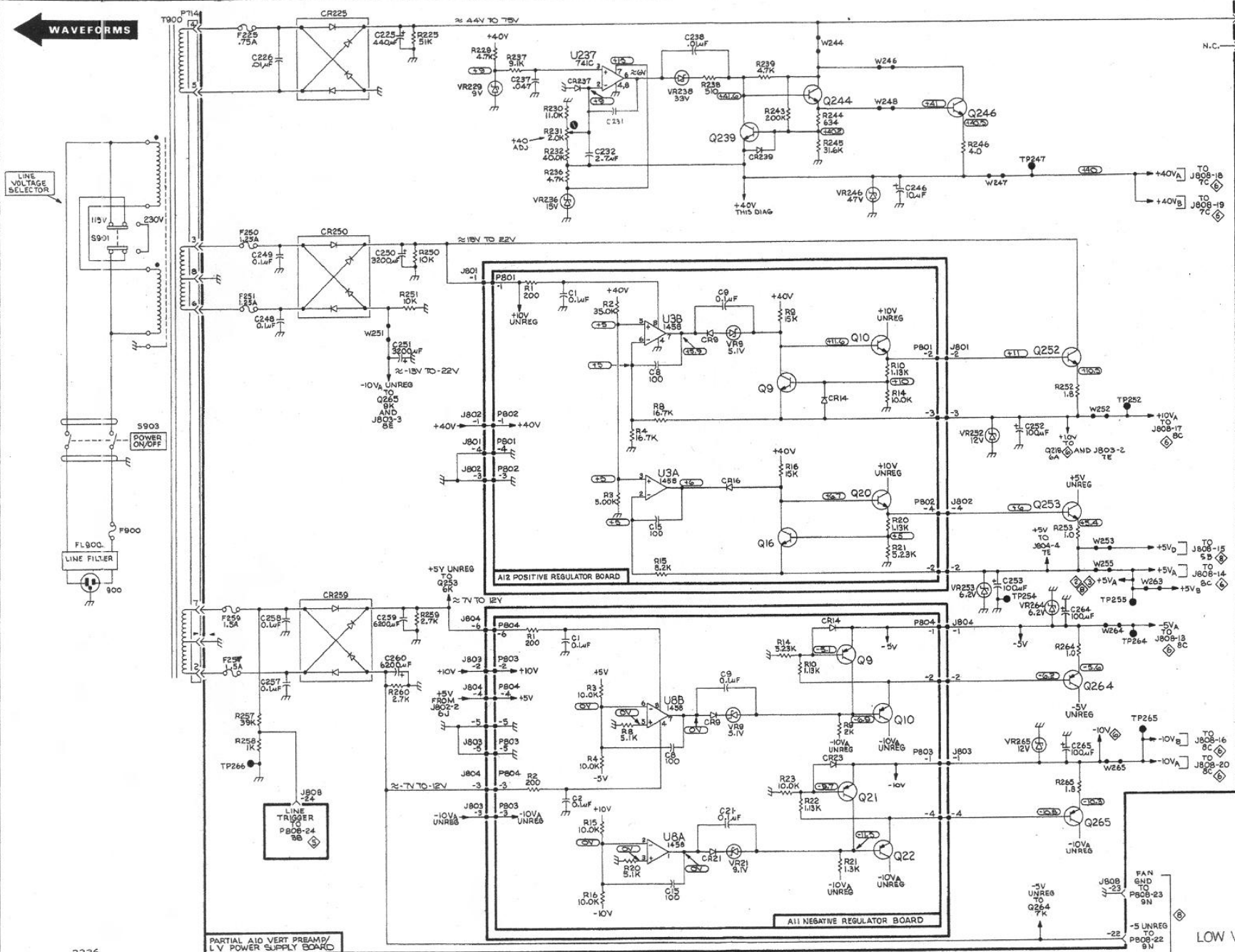
4118-1B

HORIZONTAL, PROBE COMP AND FAN

A B C D E F G H I J K L M N

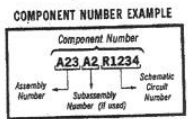
1
2
3
4
5
6
7
8
9

← WAVEFORMS



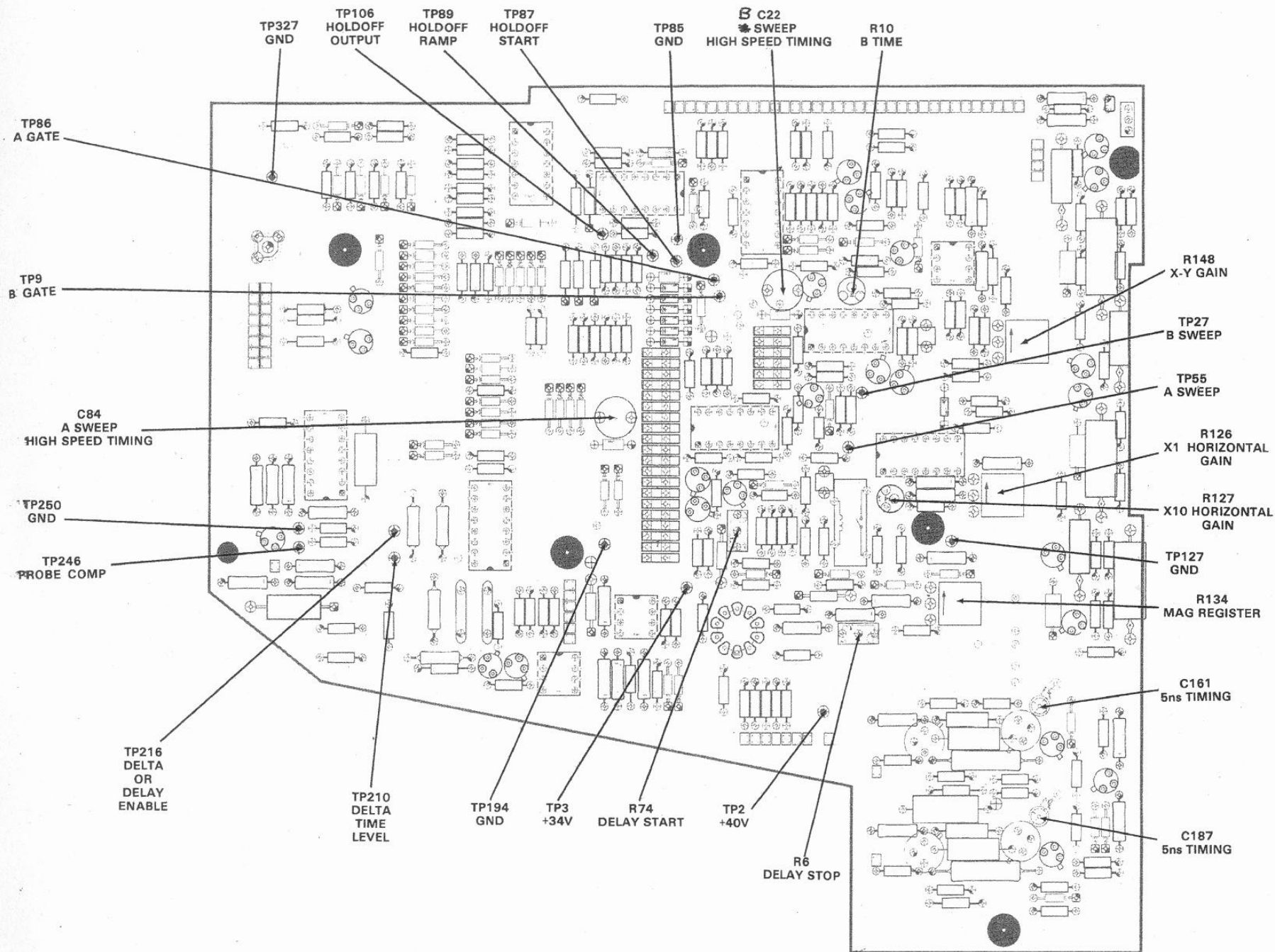
SEE PARTS LIST FOR EARLIER VALUES AND SERIAL NUMBER RANGES OF PARTS OUTLINED OR DEPICTED IN GREY.

⊗ Static Sensitive Devices See Maintenance Section



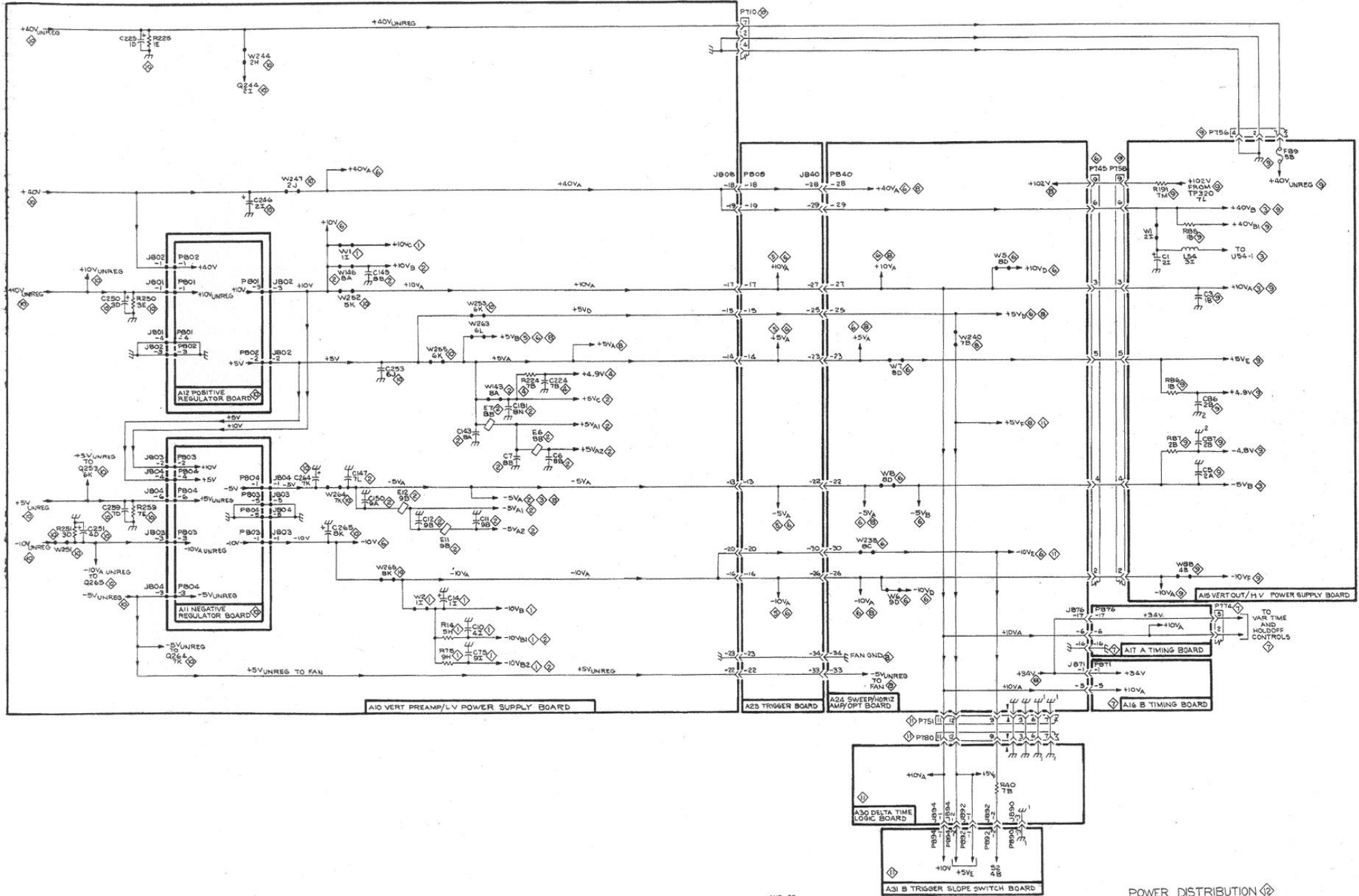
chassis-mounted components have no Assembly Number prefix—see end of Replaceable Electrical Parts List.

NUMERAL AND LETTER AT SIGNAL LINES TO OR FROM OTHER DIAGRAMS INDICATES THE GRID COORDINATE ON ANOTHER SCHEMATIC (FOR EXAMPLE: 4E)



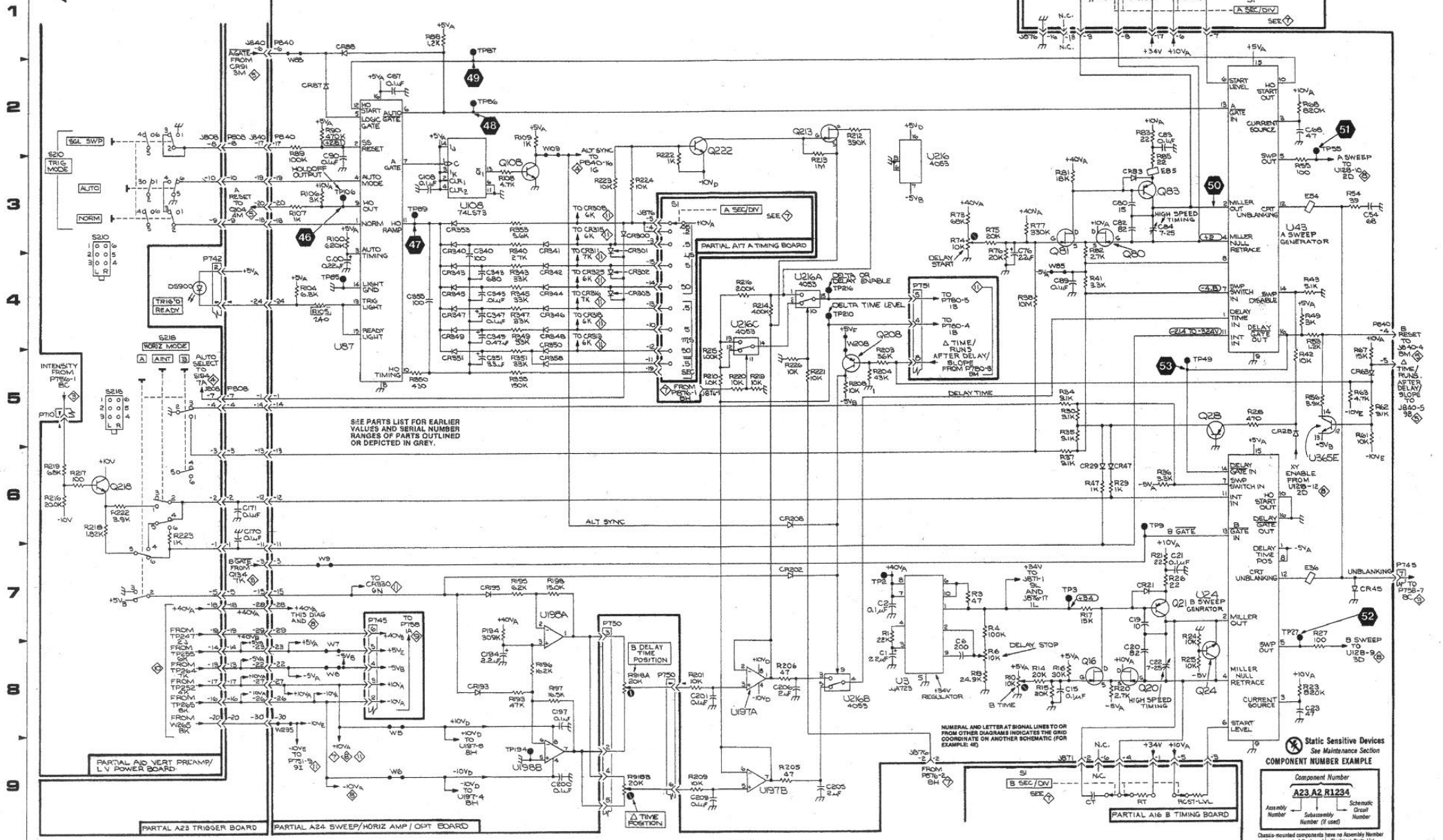
4118-52

A24—SWEEP/HORIZONTAL AMPLIFIER, ADJUSTMENT LOCATIONS



A B C D E F G H I J K L M N

← WAVEFORMS



SEE PARTS LIST FOR EARLIER VALUES AND SERIAL NUMBER RANGES OF PARTS OUTLINED OR DEPICTED IN GREY.

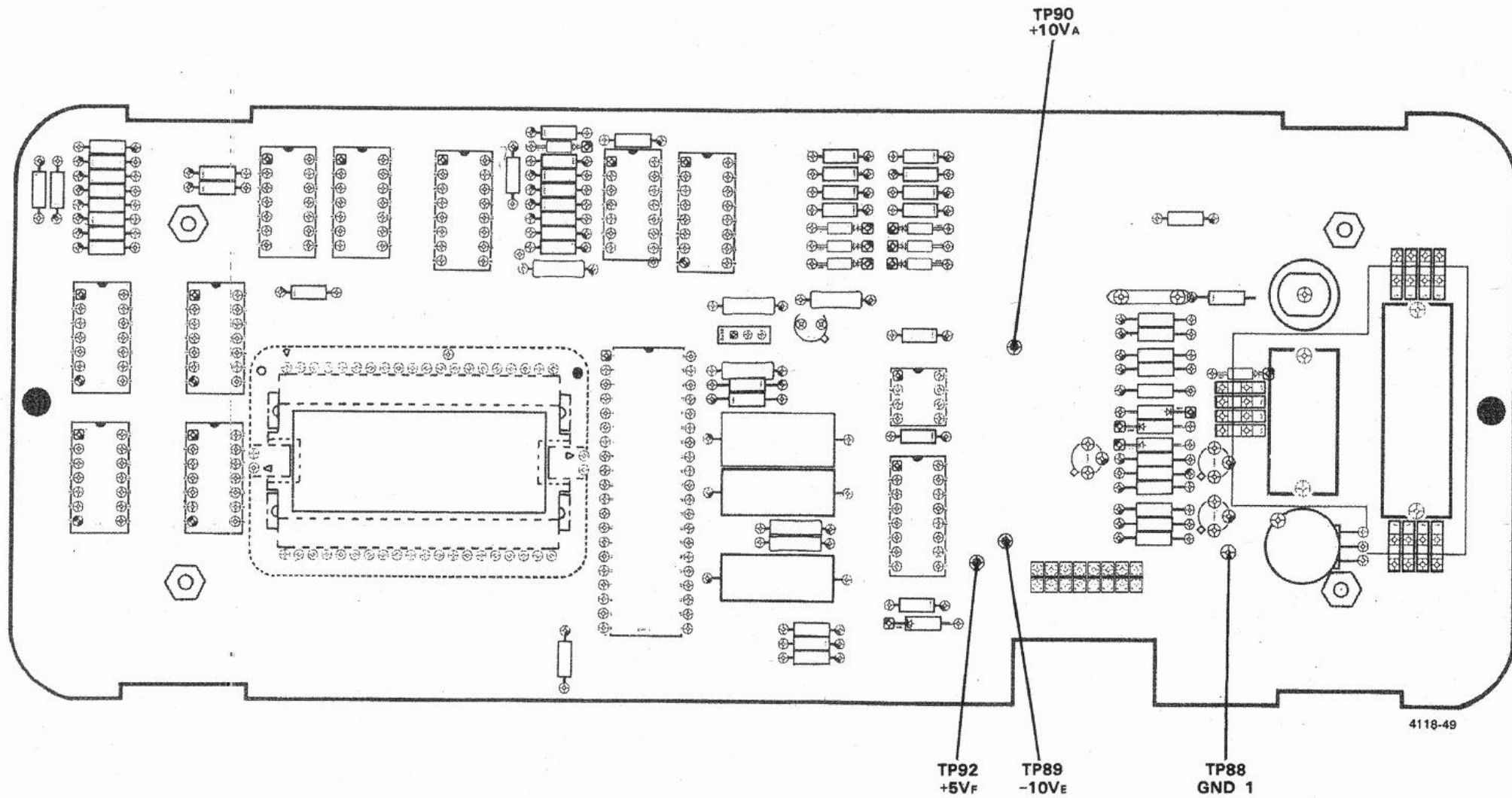
NUMERAL AND LETTER AT SIGNAL LINES TO BE FROM OTHER DIAGRAMS INDICATES THE GRID COORDINATE ON ANOTHER SCHEMATIC (FOR EXAMPLE: 45)

Static Sensitive Devices See Maintenance Section

COMPONENT NUMBER EXAMPLE

Component Number		
A23	A2	R1234
Assembly Number	Subassembly Number (if used)	Schematic Circuit Number

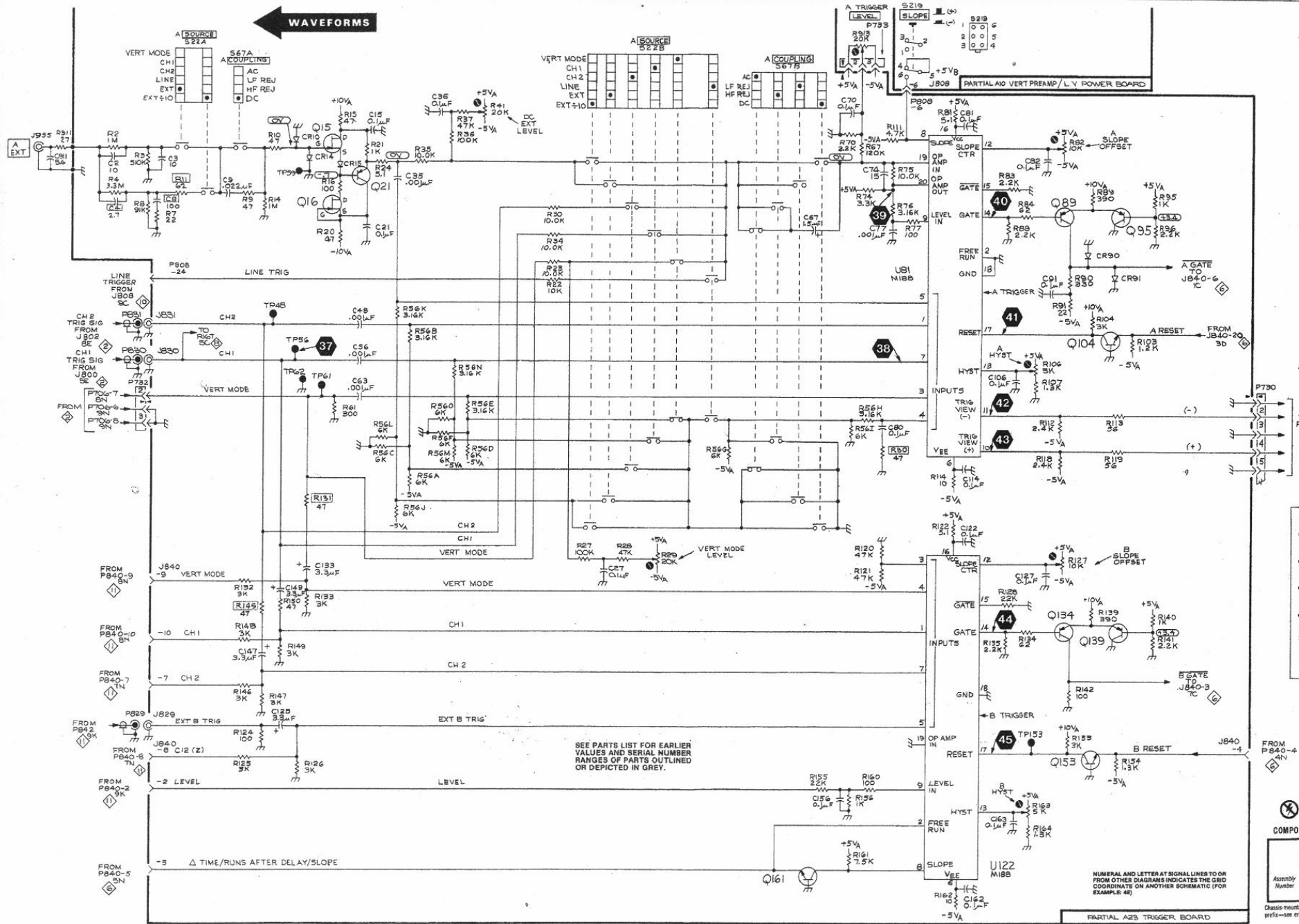
Quantities indicated in parentheses have no Assembly Number prefix—see end of Replaceable Parts List.



A30—DELTA TIME LOGIC, ADJUSTMENT LOCATIONS

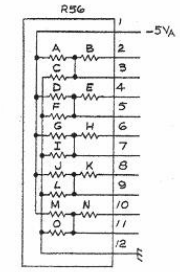
A B C D E F G H I J K L M N

1
2
3
4
5
6
7
8
9
0



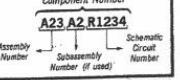
← WAVEFORMS

SEE PARTS LIST FOR EARLIER VALUES AND SERIAL NUMBER RANGES OF PARTS OUTLINED OR DEPICTED IN GREY.



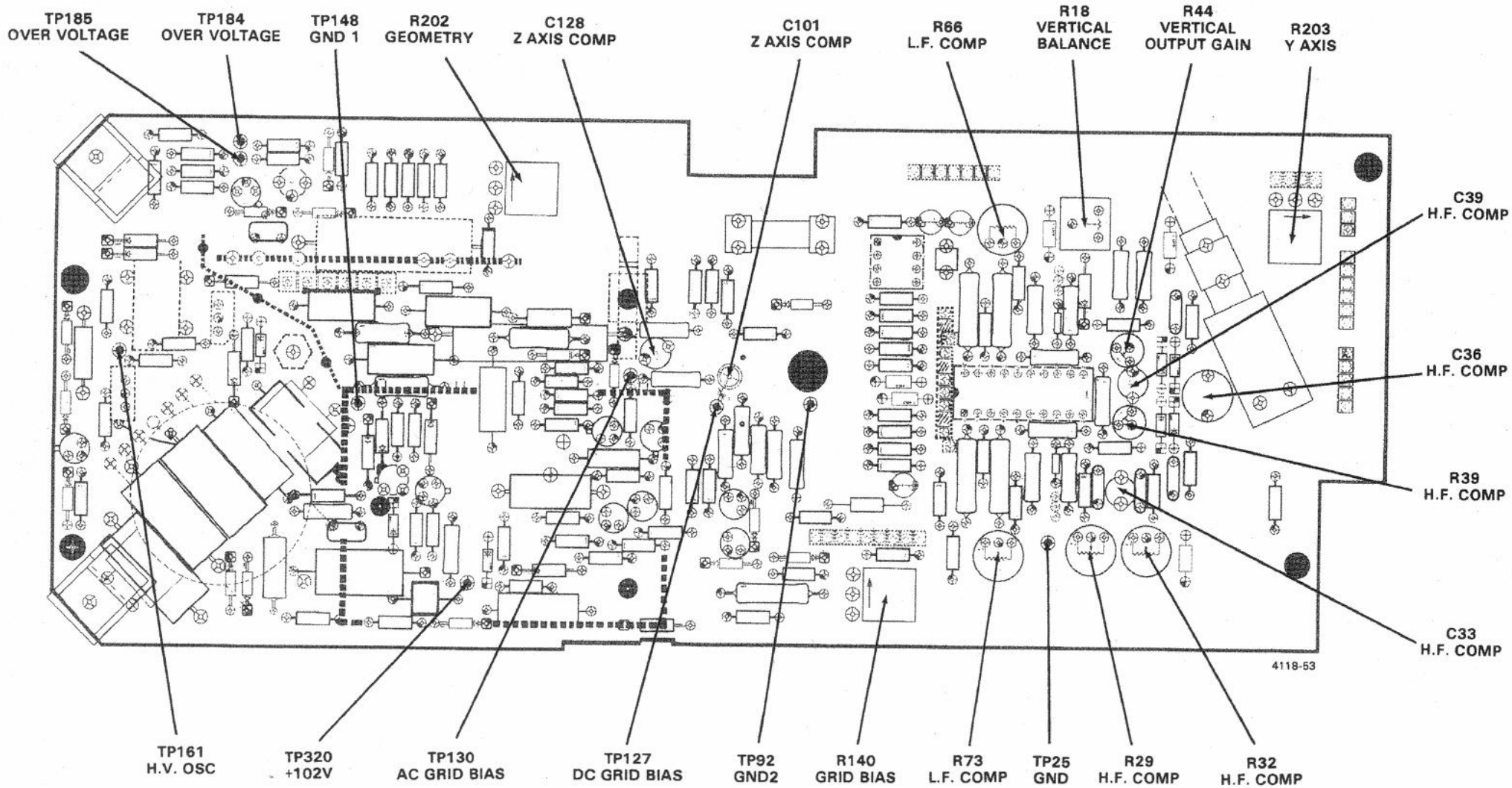
Static Sensitive Devices See Maintenance Section

COMPONENT NUMBER EXAMPLE



Discrete mounted components have an Assembly Number prefix—see end of Replaceable Electrical Parts List.

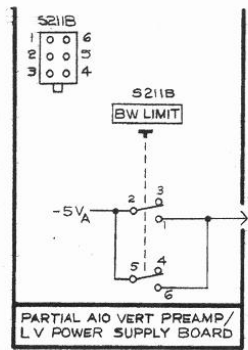
PARTIAL A23 TRIGGER BOARD



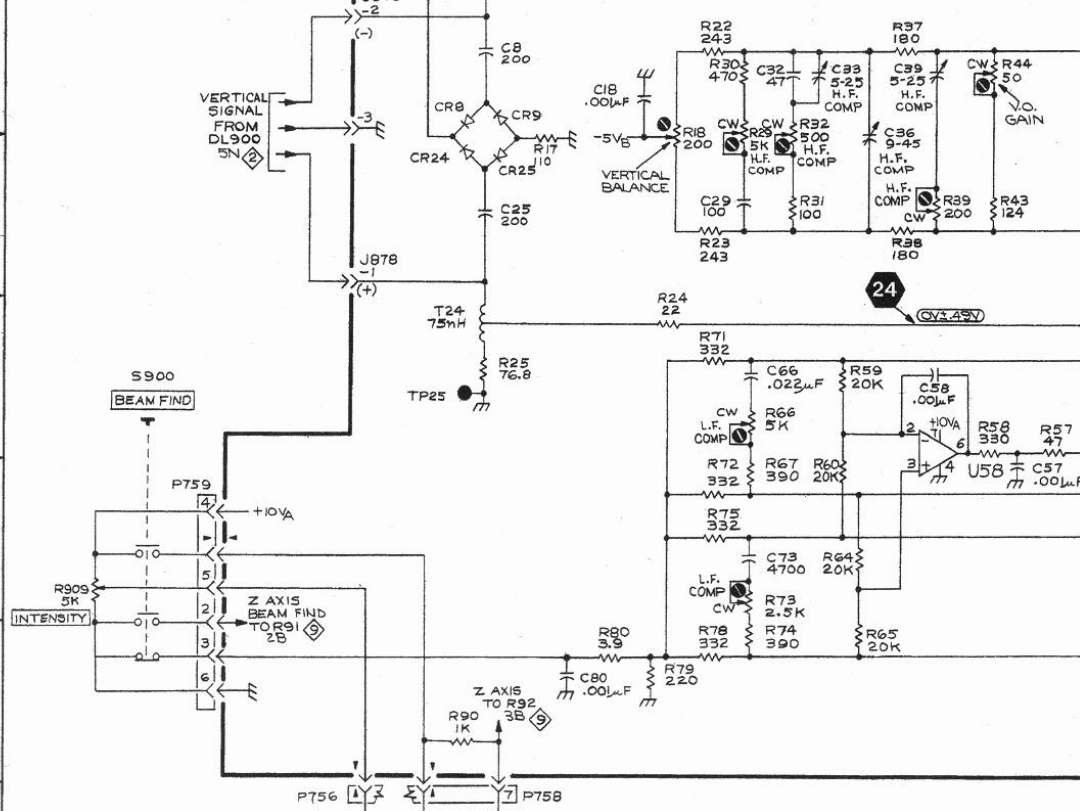
A15—VERTICAL OUTPUT/HIGH VOLTAGE POWER SUPPLY, ADJUSTMENT LOCATIONS

A B C D E F G H I J K

1
2
3
4
5
6
7
8

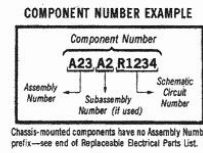


← WAVEFORMS

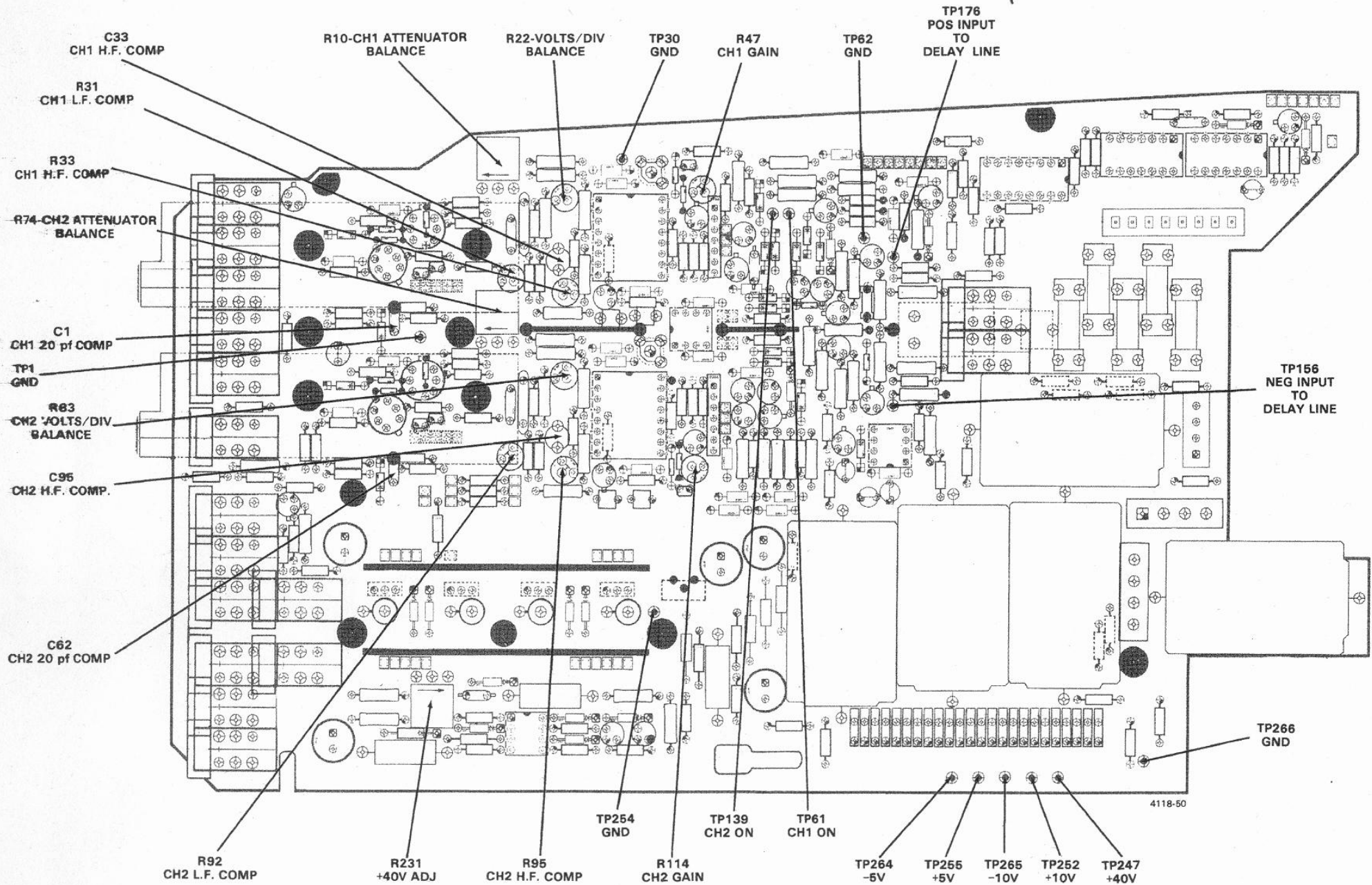


SEE PARTS LIST FOR EARLIER VALUES AND SERIAL NUMBER RANGES OF PARTS OUTLINED OR DEPICTED IN GREY.

⊗ Static Sensitive Devices
See Maintenance Section



NUMERAL AND LETTER AT SIGNAL LINES TO OR FROM OTHER DIAGRAMS INDICATES THE GRID COORDINATE ON ANOTHER SCHEMATIC (FOR EXAMPLE: 4E)



A10—VERTICAL PREAMP/LOW VOLTAGE POWER SUPPLY, ADJUSTMENT LOCATIONS

A B C D E F G H I J K L M N

← WAVEFORMS

