



WARNING

THE FOLLOWING SERVICING INSTRUCTIONS ARE FOR USE BY QUALIFIED PERSONNEL ONLY. TO AVOID PERSONAL INJURY, DO NOT PERFORM ANY SERVICING OTHER THAN THAT CONTAINED IN OPERATING INSTRUCTIONS UNLESS YOU ARE QUALIFIED TO DO SO.

PLEASE CHECK FOR CHANGE INFORMATION AT THE REAR OF THIS MANUAL.

468 DIGITAL STORAGE OSCILLOSCOPE SERVICE VOLUME II

INSTRUCTION MANUAL

Tektronix, Inc.
P.O. Box 500
Beaverton, Oregon 97077

070-3516-00
Product Group 40

Serial Number _____

First Printing AUG 1980
Revised NOV 1984

VOLUME II

TABLE OF CONTENTS

LIST OF ILLUSTRATIONS
 OPERATORS SAFETY SUMMARY
 SERVICING SAFETY SUMMARY

SECTION 7 REPLACEABLE ELECTRICAL PARTS

SECTION 8 DIAGRAMS

SECTION 9 REPLACEABLE MECHANICAL PARTS

ACCESSORIES

CHANGE INFORMATION

LIST OF ILLUSTRATIONS

Figure
 No.

- 8-1 Color codes for resistors and capacitors.
- 8-2 Semiconductor lead configurations.
- 8-3 Locating components on schematic diagrams and circuit board illustrations.
- 8-4 468 block diagram (conventional portion).
- 8-5 Vertical Mode Switch block diagram.
- 8-6 A/D Converter and Channel Switch block diagram.
- 8-7 Acquisition Memory block diagram.
- 8-8 Storage Display RAM and Z Axis block diagram.
- 8-9 Storage Display X and Y Axis block diagram.
- 8-10 Storage Display Control and LED Readout block diagram.
- 8-11 Microprocessor block diagram.
- 8-12 Time Base block diagram.
- 8-13 Option 02 GPIB block diagram.
- 8-14 A11 Vertical Preamplifier and A24 Attenuator boards.
- 8-15 A14 Vertical Mode Switch and A25 Probe Coding boards.
- 8-16 A23 Vertical Output board.
- 8-17 A12 Trigger board.
- 8-18 A15 Interface board.
- 8-19 A13 Timing board.
- 8-20 A21 Microprocessor board.
- 8-21 A18 Memory board.
- 8-22 A16 Storage Display and A20 Readout boards.
- 8-23 A19 Time Base/Power Supply and A22 Line Selector boards.
- 8-24 A17 GPIB board.
- 8-25 Option 05 A29 Sync Separator circuit board.
- 8-26 Option 05 468 Vertical Input changes.

OPERATORS SAFETY SUMMARY

The general safety information in this part of the summary is for both operating and servicing personnel. Specific warnings and cautions will be found throughout the manual where they apply and do not appear in this summary.

Terms in This Manual

CAUTION statements identify conditions or practices that could result in damage to the equipment or other property.

WARNING statements identify conditions or practices that could result in personal injury or loss of life.

Terms as Marked on Equipment

CAUTION indicates either a personal injury hazard not immediately accessible as one reads the marking or a hazard to property, including the equipment itself.

DANGER indicates a personal injury hazard immediately accessible as one reads the marking.

Symbols as Marked on Equipment



DANGER — High voltage.



Protective ground (earth) terminal.

Power Source

This product is intended to operate from a power source that does not apply more than 250 volts rms between the supply conductors or between either supply conductor and ground. A protective ground connection by way of the grounding conductor in the power cord is essential for safe operation.

Grounding the Product

This product is grounded through the grounding conductor of the power cord. To avoid electrical shock, plug the power cord into a properly wired receptacle before connecting to the product input or output terminals. A protective ground connection by way of the grounding conductor in the power cord is essential for safe operation.

Danger Arising From Loss of Ground

Upon loss of the protective-ground connection, all accessible conductive parts (including knobs and controls that may appear to be insulating) can render an electric shock.

Use the Proper Power Cord

Use only the power cord and connector specified for your product.

Use only a power cord that is in good condition.

For detailed information on power cords and connectors, see Figure 2-2.

Use the Proper Fuse

To avoid fire hazard, use only a fuse of the correct type, voltage rating, and current rating as specified in the parts list for your product.

Refer fuse replacement to qualified service personnel.

Do Not Operate in Explosive Atmospheres

To avoid explosion, do not operate this product in an explosive atmosphere.

Do Not Remove Covers or Panels

To avoid personal injury, do not remove the product covers or panels. Do not operate the product without the covers and panels properly installed.

SERVICING SAFETY SUMMARY

FOR QUALIFIED SERVICE PERSONNEL ONLY

Refer also to the preceding Operators Safety Summary.

Do Not Service Alone

Do not perform internal service or adjustment of this product unless another person capable of rendering first aid and resuscitation is present.

Use Care When Servicing With Power On

Dangerous voltages exist at several points in this product. To avoid personal injury, do not touch exposed connections or components while power is on.

Disconnect power before removing protective panels, soldering, or replacing components.

Power Source

This product is intended to operate from a power source that does not apply more than 250 volts rms between the supply conductors or between either supply conductor and ground. A protective ground connection by way of the grounding conductor in the power cord is essential for safe operation.

REPLACEABLE ELECTRICAL PARTS

PARTS ORDERING INFORMATION

Replacement parts are available from or through your local Tektronix, Inc. Field Office or representative.

Changes to Tektronix instruments are sometimes made to accommodate improved components as they become available, and to give you the benefit of the latest circuit improvements developed in our engineering department. It is therefore important, when ordering parts, to include the following information in your order: Part number, instrument type or number, serial number, and modification number if applicable.

If a part you have ordered has been replaced with a new or improved part, your local Tektronix, Inc. Field Office or representative will contact you concerning any change in part number.

Change information, if any, is located at the rear of this manual.

LIST OF ASSEMBLIES

A list of assemblies can be found at the beginning of the Electrical Parts List. The assemblies are listed in numerical order. When the complete component number of a part is known, this list will identify the assembly in which the part is located.

CROSS INDEX-MFR. CODE NUMBER TO MANUFACTURER

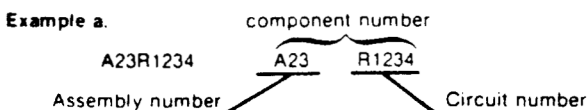
The Mfr. Code Number to Manufacturer index for the Electrical Parts List is located immediately after this page. The Cross Index provides codes, names and addresses of manufacturers of components listed in the Electrical Parts List.

ABBREVIATIONS

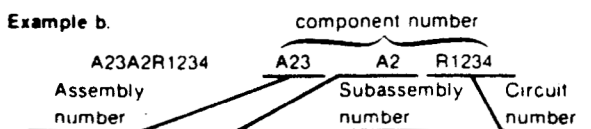
Abbreviations conform to American National Standard Y1.1.

COMPONENT NUMBER (column one of the Electrical Parts List)

A numbering method has been used to identify assemblies, subassemblies and parts. Examples of this numbering method and typical expansions are illustrated by the following:



Read: Resistor 1234 of Assembly 23



Read: Resistor 1234 of Subassembly 2 of Assembly 23

Only the circuit number will appear on the diagrams and circuit board illustrations. Each diagram and circuit board illustration is clearly marked with the assembly number. Assembly numbers are also marked on the mechanical exploded views located in the Mechanical Parts List. The component number is obtained by adding the assembly number prefix to the circuit number.

The Electrical Parts List is divided and arranged by assemblies in numerical sequence (e.g., assembly A1 with its subassemblies and parts, precedes assembly A2 with its subassemblies and parts).

Chassis-mounted parts have no assembly number prefix and are located at the end of the Electrical Parts List.

TEKTRONIX PART NO. (column two of the Electrical Parts List)

Indicates part number to be used when ordering replacement part from Tektronix.

SERIAL/MODEL NO. (columns three and four of the Electrical Parts List)

Column three (3) indicates the serial number at which the part was first used. Column four (4) indicates the serial number at which the part was removed. No serial number entered indicates part is good for all serial numbers.

NAME & DESCRIPTION (column five of the Electrical Parts List)

In the Parts List, an Item Name is separated from the description by a colon (:). Because of space limitations, an Item Name may sometimes appear as incomplete. For further Item Name identification, the U.S. Federal Cataloging Handbook H6-1 can be utilized where possible.

MFR. CODE (column six of the Electrical Parts List)

Indicates the code number of the actual manufacturer of the part. (Code to name and address cross reference can be found immediately after this page.)

MFR. PART NUMBER (column seven of the Electrical Parts List)

Indicates actual manufacturers part number.

CROSS INDEX—MFR. CODE NUMBER TO MANUFACTURER

Mfr. Code	Manufacturer	Address	City, State, Zip
000FJ	MARCOM SWITCHES INC.	67 ALBANY STREET	CAZENOVIA, N.Y. 13035
000HX	SAN-O INDUSTRIAL CORP.	170 WILBUR PLACE	BAHEMIA LONG ISLAND, NY 11716
000LH	ELECTRONIC COMPONENTS INTERNATIONAL	121 SHELDON STREET	EL SEGUNDO, CA 90245
00779	AMP, INC.	P.O. BOX 3608	HARRISBURG, PA 17105
00853	SANGAMO ELECTRIC CO., S. CAROLINA DIV.	P.O. BOX 128	PICKENS, SC 29671
01121	ALLEN-BRADLEY COMPANY	1201 2ND STREET SOUTH	MILWAUKEE, WI 53204
01281	TRW ELECTRONIC COMPONENTS, SEMICONDUCTOR OPERATIONS	14520 AVIATION BLVD.	LAWNDALE, CA 90260
01295	TEXAS INSTRUMENTS, INC.	P.O. BOX 5012	DALLAS, TX 75222
01537	SEMICONDUCTOR GROUP MOTOROLA COMMUNICATIONS AND ELECTRONICS INC.	2553 N. EDGINGTON ST.	FRANKLIN PARK, IL 60131
02111	SPECTROL ELECTRONICS CORPORATION	17070 EAST GALE AVENUE	CITY OF INDUSTRY, CA 91745
02735	RCA CORPORATION, SOLID STATE DIVISION	ROUTE 202	SOMERVILLE, NY 08876
02777	HOPKINS ENGINEERING COMPANY	12900 FOOTHILL BLVD.	SAN FERNANDO, CA 91342
03508	GENERAL ELECTRIC COMPANY, SEMI-CONDUCTOR PRODUCTS DEPARTMENT	ELECTRONICS PARK P O BOX 867	SYRACUSE, NY 13201 MYRTLE BEACH, SC 29577
04222	AVX CERAMICS, DIVISION OF AVX CORP.	5005 E MCDOWELL RD, PO BOX 20923	PHOENIX, AZ 85036
04713	MOTOROLA, INC., SEMICONDUCTOR PROD. DIV.		
05397	UNION CARBIDE CORPORATION, MATERIALS SYSTEMS DIVISION	11901 MADISON AVENUE	CLEVELAND, OH 44101
05828	GENERAL INSTRUMENT CORP ELECTRONIC SYSTEMS DIV.	600 W JOHN ST.	HICKSVILLE LI, NY 11802
07263	FAIRCHILD SEMICONDUCTOR, A DIV. OF FAIRCHILD CAMERA AND INSTRUMENT CORP.	464 ELLIS STREET	MOUNTAIN VIEW, CA 94042
07716	TRW ELECTRONIC COMPONENTS, IRC FIXED RESISTORS, BURLINGTON DIV.	2850 MT. PLEASANT	BURLINGTON, IA 52601
08806	GENERAL ELECTRIC CO., MINIATURE LAMP PRODUCTS DEPARTMENT	NELA PARK	CLEVELAND, OH 44112
09023	CORNELL-DUBILIER ELECTRONIC DIVISION FEDERAL PACIFIC ELECTRIC CO.	2652 DALRYMPLE ST. LOWER WASHINGTON STREET	SANFORD, NC 27330 DOVER, NH 03820
12697	CLAROSTAT MFG. CO., INC.	8700 E THOMAS RD, P O BOX 1390	SCOTTSDALE, AZ 85252
12954	SIEMENS CORPORATION, COMPONENTS GROUP	580 PLEASANT STREET	WATERTOWN, MA 02172
12969	UNITRODE CORPORATION	1601 OLYMPIC BLVD.	SANTA MONICA, CA 90404
14193	CAL-R, INC.		
14298	AMERICAN COMPONENTS, INC., AN INSILCO COMPANY	8TH AVE. AT HARRY STREET 3301 ELECTRONICS WAY P O BOX 3049	CONSHOHOCKEN, PA 19428 WEST PALM BEACH, FL 33402
14433	ITT SEMICONDUCTORS	2830 E FAIRVIEW ST. 1710 S. DEL MAR AVE.	SANTA ANA, CA 92704 SAN GABRIEL, CA 91776
14552	MICRO SEMICONDUCTOR CORP.		
14752	ELECTRO CUBE INC.		
15238	ITT SEMICONDUCTORS, A DIVISION OF INTERNATIONAL TELEPHONE AND TELEGRAPH CORP.	P.O. BOX 168, 500 BROADWAY 2905 BLUE STAR ST.	LAWRENCE, MA 01841 ANAHEIM, CA 92806
15454	RODAN INDUSTRIES, INC.	2201 LAURELWOOD DRIVE	SANTA CLARA, CA 95054
17856	SILICONIX, INC.	811 E. ARQUES	SUNNYVALE, CA 94086
18324	SIGNETICS CORP.	34-32 57TH ST P O BOX 760	WOODSIDE, NY 11377 MINERAL WELLS, TX 76067
18518	MSI ELECTRONICS INC.		
19701	ELECTRA-MIDLAND CORP., MEPCO ELECTRA INC.		
22229	SOLITRON DEVICES, INC., SEMICONDUCTOR GROUP	8808 BALBOA AVENUE YOUK EXPRESSWAY RT 1 INDUSTRIAL PK, P O BOX 280	SAN DIEGO OPERS, CA 92123 NEW CUMBERLAND, PA 17070 NORWOOD, MA 02062
22526	BERG ELECTRONICS, INC.	2900 SEMICONDUCTOR DR.	SANTA CLARA, CA 95051
24355	ANALOG DEVICES INC.	1501 PAGE MILL RD.	PALO ALTO, CA 94304
27014	NATIONAL SEMICONDUCTOR CORP.	8081 WALLACE ROAD 10900 N. TANTAU AVE.	EDEN PRAIRIE, MN 55343 CUPERTINO, CA 95014
28480	HEWLETT-PACKARD CO., CORPORATE HQ.	1200 COLUMBIA AVE.	RIVERSIDE, CA 92507
31918	IEE/SCHADOW INC.	152 E MAIN STREET	FAIRVIEW, PA 16415
32293	INTERSIL, INC.	901 THOMPSON PL.	SUNNYVALE, CA 94086
32997	BOURNS, INC., TRIMPOT PRODUCTS DIV.	3065 BOWERS AVE. P. O. BOX 787	SANTA CLARA, CA 95051 MUSKEGON, MI 49443
33095	SPECTRUM CONTROL, INC.	1981 PORT CITY BLVD.	PALO ALTO, CA 94304
34335	ADVANCED MICRO DEVICES	640 PAGE MILL ROAD	MCKEESPORT, PA 15132
34649	INTEL CORP.	3700 WALNUT STREET	STATE COLLEGE, PA 16801
50157	MIDWEST COMPONENTS INC.	2820 E COLLEGE AVENUE	
50434	HEWLETT-PACKARD COMPANY		
50437	RELIANCE STEEL PRODUCTS COMPANY		
51642	CENTRE ENGINEERING INC.		

CROSS INDEX—MFR. CODE NUMBER TO MANUFACTURER

Mfr. Code	Manufacturer	Address	City, State, Zip
51984	NEC AMERICA INC. RADIO AND TRANSMISSION DIV.	2990 TELESTAR CT. SUITE 212	FALLS CHURCH, VA 22042
52306	HIGH VOLTAGE DEVICES, INC.	7485 AVENUE 304	VISALIA, CA 93277
52763	STETTNER-TRUSH, INC.	67 ALBANY STREET	CAZENOVIA, NY 13035
52769	SPRAGUE GOODMAN ELEC., INC.	134 FULTON AVENUE	GARDEN CITY PARK, NY 11040
53184	XCITON CORPORATION	5 HEMLOCK STREET	LATHAM, NY 12110
55680	NICHICON/AMERICA/CORP.	6435 N PROESEL AVENUE	CHICAGO, IL 60645
56289	SPRAGUE ELECTRIC CO.	87 MARSHALL ST.	NORTH ADAMS, MA 01247
57668	R-OHM CORP.	16931 MILLIKEN AVE.	IRVINE, CA 92713
58361	GENERAL INSTRUMENT CORP OPTO ELECTRONICS DIV.	3400 HILLVIEW AVE	PALO ALTO, CA 94304
59660	TUSONIX INC.	2155 N FORBES BLVD	TUCSON, AZ 85705
59821	CENTRALAB INC SUB NORTH AMERICAN PHILIPS CORP	7158 MERCHANT AVE	EL PASO, TX 79915
71400	BUSSMAN MFG., DIVISION OF MCGRAW-EDISON CO.	2536 W. UNIVERSITY ST.	ST. LOUIS, MO 63107
71590	CENTRALAB ELECTRONICS, DIV. OF GLOBE-UNION, INC.	P O BOX 858	FORT DODGE, IA 50501
72619	DIALIGHT, DIV. AMPEREX ELECTRONIC	203 HARRISON PLACE	BROOKLYN, NY 11237
72982	ERIE TECHNOLOGICAL PRODUCTS, INC.	644 W. 12TH ST.	ERIE, PA 16512
73138	BECKMAN INSTRUMENTS, INC., HELIPOT DIV.	2500 HARBOR BLVD.	FULLERTON, CA 92634
73899	JFD ELECTRONICS COMPONENTS CORP.	PINETREE ROAD	OXFORD, NC 27565
74276	SIGNALITE DIV., GENERAL INSTRUMENT CORP.	1933 HECK AVE.	NEPTUNE, NJ 07753
74970	JOHNSON, E. F., CO.	299 10TH AVE. S. W.	WASECA, MN 56093
75042	TRW ELECTRONIC COMPONENTS, IRC FIXED RESISTORS, PHILADELPHIA DIVISION	401 N. BROAD ST.	PHILADELPHIA, PA 19108
76493	BELL INDUSTRIES, INC., MILLER, J. W., DIV.	19070 REYES AVE., P O BOX 5825	COMPTON, CA 90224
80009	TEKTRONIX, INC.	P O BOX 500	BEAVERTON, OR 97077
80031	ELECTRA-MIDLAND CORP., MEPCO DIV.	22 COLUMBIA ROAD	MORRISTOWN, NJ 07960
82389	SWITCHCRAFT, INC.	5555 N. ELSTON AVE.	CHICAGO, IL 60630
83003	VARO, INC.	P O BOX 411, 2203 WALNUT STREET	GARLAND, TX 75040
90201	MALLORY CAPACITOR CO., DIV. OF P. R. MALLORY AND CO., INC.	3029 E. WASHINGTON STREET P. O. BOX 372	INDIANAPOLIS, IN 46206
91637	DALE ELECTRONICS, INC.	P. O. BOX 609	COLUMBUS, NE 68601
93410	ESSEX INTERNATIONAL, INC., CONTROLS DIV. LEXINGTON PLANT	P. O. BOX 1007	MANSFIELD, OH 44903
95348	GORDOS CORPORATION	250 GLENWOOD AVENUE	BLOOMFIELD, NJ 07003
96733	SAN FERNANDO ELECTRIC MFG CO	1501 FIRST ST	SAN FERNANDO, CA 91341
T0058	NEC ELECTRON INC.	252 HUMBOLT COURT	SUNNYVALE, CA 94086
T0900	UNITED CHEMI-CON	9801 W. HIGGINS ROAD	ROSEMONT, IL 60018

**Replaceable Electrical Parts
468 Service Volume II**

Component No.	Tektronix Part No.	Serial/Model No. Eff	Discont	Name & Description	Mfr Code	Mfr Part Number
A11	670-6372-00	B010100	B039999	CKT BOARD ASSY:VERTICAL PREAMPLIFIER	80009	670-6372-00
A11	670-6372-01	B040000		CKT BOARD ASSY:VERTICAL PREAMPLIFIER	80009	670-6372-01
A11C111	281-0798-00			CAP.,FXD,CER DI:51PF,1%,100V	96733	R2928
A11C117	290-0517-00	B010100	B039999	CAP.,FXD,ELCTLT:6.8UF,20%,35V	56289	196D685X0035KA1
A11C117	281-0775-00	B040000		CAP.,FXD,CER DI:0.1UF,20%,50V	04222	MA205E104MAA
A11C119	281-0775-00			CAP.,FXD,CER DI:0.1UF,20%,50V	04222	MA205E104MAA
A11C124	281-0815-00	B010100	B039999	CAP.,FXD,CER DI:0.027UF,20%,50V	72982	8005D9AABW5R273M
A11C128	290-0517-00			CAP.,FXD,ELCTLT:6.8UF,20%,35V	56289	196D685X0035KA1
A11C135	281-0815-00			CAP.,FXD,CER DI:0.027UF,20%,50V	72982	8005D9AABW5R273M
A11C139	281-0775-00	B040000		CAP.,FXD,CER DI:0.1UF,20%,50V	04222	MA205E104MAA
A11C144	281-0819-00			CAP.,FXD,CER DI:33PF,5%,50V	72982	8035BC0G330
A11C156	281-0775-00			CAP.,FXD,CER DI:0.1UF,20%,50V	04222	MA205E104MAA
A11C160	281-0786-00			CAP.,FXD,CER DI:150PF,10%,100V	04222	MA106A569D
A11C161	283-0114-00			CAP.,FXD,CER DI:0.0015UF,5%,200V	59660	805534Y5DO152J
A11C163	281-0813-00			CAP.,FXD CER DI:0.047UF,20%,50V	04222	GC705-E-473M
A11C166	281-0773-00			CAP.,FXD,CER DI:0.1UF,20%,50V	04222	MA201C103KAA
A11C181	281-0205-00			CAP.,VAR,PLSTC:5.5-65PF,100V	80031	2810C5R565QJ02F0
A11C183	281-0773-00	B010100	B039999	CAP.,FXD,CER DI:0.1UF,20%,50V	04222	MA201C103KAA
A11C183	281-0775-00	B040000		CAP.,FXD,CER DI:0.1UF,20%,50V	04222	MA205E104MAA
A11C186	281-0815-00			CAP.,FXD,CER DI:0.027UF,20%,50V	72982	8005D9AABW5R273M
A11C220	281-0823-00			CAP.,FXD,CER DI:470PF,10%,50V	04222	MA105A471KAA
A11C221	281-0773-00			CAP.,FXD,CER DI:0.1UF,20%,50V	04222	MA201C103KAA
A11C229	290-0517-00			CAP.,FXD,ELCTLT:6.8UF,20%,35V	56289	196D685X0035KA1
A11C235	281-0823-00			CAP.,FXD,CER DI:470PF,10%,50V	04222	MA105A471KAA
A11C241	281-0757-00	B040000		CAP.,FXD,CER DI:10PF,20%,100V	04222	GC101A100M
A11C244	281-0204-00			CAP.,VAR,PLSTC:2-22PF,100V	80031	2807C00222MJ02
A11C252	281-0809-00			CAP.,FXD,CER DI:200PF,5%,100V	04222	GC101A201J
A11C253	281-0809-00			CAP.,FXD,CER DI:200PF,5%,100V	04222	GC101A201J
A11C254	290-0517-00			CAP.,FXD,ELCTLT:6.8UF,20%,35V	56289	196D685X0035KA1
A11C274	281-0815-00			CAP.,FXD,CER DI:0.027UF,20%,50V	72982	8005D9AABW5R273M
A11C277	281-0815-00			CAP.,FXD,CER DI:0.027UF,20%,50V	72982	8005D9AABW5R273M
A11C279	281-0815-00			CAP.,FXD,CER DI:0.027UF,20%,50V	72982	8005D9AABW5R273M
A11C285	290-0517-00			CAP.,FXD,ELCTLT:6.8UF,20%,35V	56289	196D685X0035KA1
A11C287	281-0547-00			CAP.,FXD,CER DI:2.7PF,10%,500V	04222	7001-COJ-2R7C
A11C304	281-0773-00			CAP.,FXD,CER DI:0.1UF,20%,50V	04222	MA201C103KAA
A11C306	281-0589-00			CAP.,FXD,CER DI:170PF,5%,500V	72982	301000Z5D0171J
A11C311	281-0775-00			CAP.,FXD,CER DI:0.1UF,20%,50V	04222	MA205E104MAA
A11C312	281-0773-00			CAP.,FXD,CER DI:0.1UF,20%,50V	04222	MA201C103KAA
A11C314	281-0814-00			CAP.,FXD,CER DI:100PF,10%,100V	04222	GC101A101K
A11C316	281-0579-00			CAP.,FXD,CER DI:21PF,5%,500V	04222	7001-NPO-210J
A11C320	281-0823-00			CAP.,FXD,CER DI:470PF,10%,50V	04222	MA105A471KAA
A11C322	290-0527-00			CAP.,FXD,ELCTLT:15UF,20%,20V	90201	TDC156M020FL
A11C335	281-0815-00			CAP.,FXD,CER DI:0.027UF,20%,50V	72982	8005D9AABW5R273M
A11C347	281-0775-00			CAP.,FXD,CER DI:0.1UF,20%,50V	04222	MA205E104MAA
A11C360	290-0517-00			CAP.,FXD,ELCTLT:6.8UF,20%,35V	56289	196D685X0035KA1
A11C363	290-0517-00			CAP.,FXD,ELCTLT:6.8UF,20%,35V	56289	196D685X0035KA1
A11C372	281-0773-00			CAP.,FXD,CER DI:0.1UF,20%,50V	04222	MA201C103KAA
A11C373	281-0813-00			CAP.,FXD CER DI:0.047UF,20%,50V	04222	GC705-E-473M
A11C381	281-0786-00			CAP.,FXD,CER DI:150PF,10%,100V	04222	MA106A569D
A11C382	283-0114-00			CAP.,FXD,CER DI:0.0015UF,5%,200V	59660	805534Y5DO152J

Component No.	Tektronix Part No.	Serial/Model No. Eff	Dscont	Name & Description	Mfr Code	Mfr Part Number
A11C384	281-0773-00	B010100	B039999	CAP.,FXD,CER DI:0.1UF,20%,50V	04222	MA201C103KAA
A11C384	281-0775-00	B040000		CAP.,FXD,CER DI:0.1UF,20%,50V	04222	MA205E104MAA
A11C386	281-0815-00			CAP.,FXD,CER DI:0.027UF,20%,50V	72982	8005D9AABW5R273M
A11C414	281-0814-00			CAP.,FXD,CER DI:100PF,10%,100V	04222	GC101A101K
A11C415	281-0814-00			CAP.,FXD,CER DI:100PF,10%,100V	04222	GC101A101K
A11C420	281-0814-00			CAP.,FXD,CER DI:100PF,10%,100V	04222	GC101A101K
A11C421	281-0814-00			CAP.,FXD,CER DI:100PF,10%,100V	04222	GC101A101K
A11C422	281-0814-00			CAP.,FXD,CER DI:100PF,10%,100V	04222	GC101A101K
A11C426	290-0527-00			CAP.,FXD,ELCTLT:15UF,20%,20V	90201	TDC156M020FL
A11C434	281-0815-00			CAP.,FXD,CER DI:0.027UF,20%,50V	72982	8005D9AABW5R273M
A11C436	281-0775-00	B040000		CAP.,FXD,CER DI:0.1UF,20%,50V	04222	MA205E104MAA
A11C444	281-0204-00			CAP.,VAR,PLSTC:2-22PF,100V	80031	2807C00222MJ02
A11C446	281-0757-00	B040000		CAP.,FXD,CER DI:10PF,20%,100V	04222	GC101A100M
A11C451	281-0809-00			CAP.,FXD,CER DI:200PF,5%,100V	04222	GC101A201J
A11C452	281-0809-00			CAP.,FXD,CER DI:200PF,5%,100V	04222	GC101A201J
A11C456	281-0775-00	B040000		CAP.,FXD,CER DI:0.1UF,20%,50V	04222	MA205E104MAA
A11C476	281-0815-00			CAP.,FXD,CER DI:0.027UF,20%,50V	72982	8005D9AABW5R273M
A11C480	281-0205-00			CAP.,VAR,PLSTC:5.5-65PF,100V	80031	2810C5R565QJ02F0
A11C504	281-0630-00			CAP.,FXD,CER DI:390PF,5%,500V	72982	630000Y5D391J
A11C509	281-0773-00			CAP.,FXD,CER DI:0.1UF,20%,50V	04222	MA201C103KAA
A11C511	290-0517-00			CAP.,FXD,ELCTLT:6.8UF,20%,35V	56289	196D685X0035KA1
A11C512	281-0809-00			CAP.,FXD,CER DI:200PF,5%,100V	04222	GC101A201J
A11C518	281-0763-00			CAP.,FXD,CER DI:47PF,10%,100V	04222	GA101A470KAA
A11C523	281-0798-00			CAP.,FXD,CER DI:51PF,1%,100V	96733	R2928
A11C524	281-0775-00	B040000		CAP.,FXD,CER DI:0.1UF,20%,50V	04222	MA205E104MAA
A11C525	290-0517-00			CAP.,FXD,ELCTLT:6.8UF,20%,35V	56289	196D685X0035KA1
A11C531	281-0815-00			CAP.,FXD,CER DI:0.027UF,20%,50V	72982	8005D9AABW5R273M
A11C539	281-0823-00			CAP.,FXD,CER DI:470PF,10%,50V	04222	MA105A471KAA
A11C543	290-0517-00			CAP.,FXD,ELCTLT:6.8UF,20%,35V	56289	196D685X0035KA1
A11C544	281-0759-00			CAP.,FXD,CER DI:22PF,10%,100V	96733	R2735
A11C574	281-0815-00			CAP.,FXD,CER DI:0.027UF,20%,50V	72982	8005D9AABW5R273M
A11C579	281-0815-00			CAP.,FXD,CER DI:0.027UF,20%,50V	72982	8005D9AABW5R273M
A11C587	290-0517-00			CAP.,FXD,ELCTLT:6.8UF,20%,35V	56289	196D685X0035KA1
A11C588	281-0547-00			CAP.,FXD,CER DI:2.7PF,10%,500V	04222	7001-COJ-2R7C
A11CR112	152-0141-02			SEMICON DVC,DI:SW,SI,30V,150MA,30V,DO-35	12969	NDP0263 (1N4152)
A11CR114	152-0141-02			SEMICON DVC,DI:SW,SI,30V,150MA,30V,DO-35	12969	NDP0263 (1N4152)
A11CR115	152-0141-02			SEMICON DVC,DI:SW,SI,30V,150MA,30V,DO-35	12969	NDP0263 (1N4152)
A11CR118	152-0141-02			SEMICON DVC,DI:SW,SI,30V,150MA,30V,DO-35	12969	NDP0263 (1N4152)
A11CR119	152-0141-02			SEMICON DVC,DI:SW,SI,30V,150MA,30V,DO-35	12969	NDP0263 (1N4152)
A11CR120	152-0141-02			SEMICON DVC,DI:SW,SI,30V,150MA,30V,DO-35	12969	NDP0263 (1N4152)
A11CR127	152-0141-02			SEMICON DVC,DI:SW,SI,30V,150MA,30V,DO-35	12969	NDP0263 (1N4152)
A11CR135	152-0141-02			SEMICON DVC,DI:SW,SI,30V,150MA,30V,DO-35	12969	NDP0263 (1N4152)
A11CR184	152-0153-00			SEMICON DVC,DI:SW,SI,10V,50MA,DO-7	07263	FD7003
A11CR215	152-0141-02			SEMICON DVC,DI:SW,SI,30V,150MA,30V,DO-35	12969	NDP0263 (1N4152)
A11CR223	152-0141-02			SEMICON DVC,DI:SW,SI,30V,150MA,30V,DO-35	12969	NDP0263 (1N4152)
A11CR258	152-0612-00			SEMICON DEVICE:V VAR CAP.,4V,17.5PF	18518	152-0612-00
A11CR259	152-0612-00			SEMICON DEVICE:V VAR CAP.,4V,17.5PF	18518	152-0612-00
A11CR288	152-0323-00			SEMICON DEVICE:SILICON,35V,0.1A	80009	152-0323-00
A11CR295	152-0141-02			SEMICON DVC,DI:SW,SI,30V,150MA,30V,DO-35	12969	NDP0263 (1N4152)
A11CR325	152-0322-00			SEMICON DEVICE:SILICON,15V,HOT CARRIER	50434	5082-2672
A11CR326	152-0322-00			SEMICON DEVICE:SILICON,15V,HOT CARRIER	50434	5082-2672
A11CR330	152-0322-00			SEMICON DEVICE:SILICON,15V,HOT CARRIER	50434	5082-2672
A11CR331	152-0322-00			SEMICON DEVICE:SILICON,15V,HOT CARRIER	50434	5082-2672
A11CR332	152-0322-00			SEMICON DEVICE:SILICON,15V,HOT CARRIER	50434	5082-2672

**Replaceable Electrical Parts
468 Service Volume II**

Component No.	Tektronix Part No.	Serial/Model No. Eff	Dscont	Name & Description	Mfr Code	Mfr Part Number
A11CR333	152-0322-00			SEMICONV DEVICE:SILICON,15V,HOT CARRIER	50434	5082-2672
A11CR334	152-0322-00			SEMICONV DEVICE:SILICON,15V,HOT CARRIER	50434	5082-2672
A11CR335	152-0322-00			SEMICONV DEVICE:SILICON,15V,HOT CARRIER	50434	5082-2672
A11CR336	152-0322-00			SEMICONV DEVICE:SILICON,15V,HOT CARRIER	50434	5082-2672
A11CR337	152-0322-00			SEMICONV DEVICE:SILICON,15V,HOT CARRIER	50434	5082-2672
A11CR338	152-0322-00			SEMICONV DEVICE:SILICON,15V,HOT CARRIER	50434	5082-2672
A11CR339	152-0322-00			SEMICONV DEVICE:SILICON,15V,HOT CARRIER	50434	5082-2672
A11CR383	152-0153-00			SEMICONV DVC,DI:SW,SI,10V,50MA,D0-7	07263	FD7003
A11CR438	152-0141-02			SEMICONV DVC,DI:SW,SI,30V,150MA,30V,DO-35	12969	NDP0263 (1N4152)
A11CR487	152-0323-00			SEMICONV DEVICE:SILICON,35V,0.1A	80009	152-0323-00
A11CR516	152-0141-02			SEMICONV DVC,DI:SW,SI,30V,150MA,30V,DO-35	12969	NDP0263 (1N4152)
A11CR529	152-0141-02			SEMICONV DVC,DI:SW,SI,30V,150MA,30V,DO-35	12969	NDP0263 (1N4152)
A11CR559	152-0612-00			SEMICONV DEVICE:V VAR CAP.,4V,17.5PF	18518	152-0612-00
A11CR561	152-0612-00			SEMICONV DEVICE:V VAR CAP.,4V,17.5PF	18518	152-0612-00
A11L213	108-0182-00			COIL,RF:FIXED,285NH	80009	108-0182-00
A11L243	108-0433-00			COIL,RF:0.09UH	80009	108-0433-00
A11L310	108-0182-00			COIL,RF:FIXED,285NH	80009	108-0182-00
A11L445	108-0433-00	B010100	B039999	COIL,RF:0.09UH	80009	108-0433-00
A11Q108	151-0190-00			TRANSISTOR:NPN,SI,TO-92	04713	SPS7969
A11Q114	151-0221-00			TRANSISTOR:SILICON,PNP	04713	SPS246
A11Q119	151-0221-00	B010100	B039999	TRANSISTOR:SILICON,PNP	04713	SPS246
A11Q119	151-0221-02	B040000		TRANSISTOR:SILICON,PNP	07263	S42530
A11Q121	151-0190-00			TRANSISTOR:NPN,SI,TO-92	04713	SPS7969
A11Q123	151-0220-00	B010100	B039999	TRANSISTOR:PNP,SI,TO-92	07263	S036228
A11Q123	151-0221-00	B040000		TRANSISTOR:SILICON,PNP	04713	SPS246
A11Q132	151-0221-00			TRANSISTOR:SILICON,PNP	04713	SPS246
A11Q137	151-0434-00			TRANSISTOR:SILICON,PNP	04713	SS7144
A11Q147	151-0434-00			TRANSISTOR:SILICON,PNP	04713	SS7144
A11Q148	151-0434-00			TRANSISTOR:SILICON,PNP	04713	SS7144
A11Q151	151-0190-00	B010100	B039999	TRANSISTOR:NPN,SI,TO-92	04713	SPS7969
A11Q151	151-0341-00	B040000		TRANSISTOR:NPN,SI,TO-106	04713	SPS6919
A11Q153	151-0341-00	B040000		TRANSISTOR:NPN,SI,TO-106	04713	SPS6919
A11Q154	151-0221-00	B010100	B039999	TRANSISTOR:SILICON,PNP	04713	SPS246
A11Q154	151-0333-00	B040000		TRANSISTOR:SILICON,NPN,SEL FROM MPS918	04713	SPS1752
A11Q155	151-0221-00	B010100	B039999	TRANSISTOR:SILICON,PNP	04713	SPS246
A11Q155	151-0333-00	B040000		TRANSISTOR:SILICON,NPN,SEL FROM MPS918	04713	SPS1752
A11Q167	151-0198-00			TRANSISTOR:SELECTED	04713	SPS8802-1
A11Q214	151-0198-00			TRANSISTOR:SELECTED	04713	SPS8802-1
A11Q222	151-0221-00			TRANSISTOR:SILICON,PNP	04713	SPS246
A11Q228	151-0221-00			TRANSISTOR:SILICON,PNP	04713	SPS246
A11Q231	151-0434-00			TRANSISTOR:SILICON,PNP	04713	SS7144
A11Q247	151-0221-00			TRANSISTOR:SILICON,PNP	04713	SPS246
A11Q248	151-0221-00			TRANSISTOR:SILICON,PNP	04713	SPS246
A11Q255	151-0434-00			TRANSISTOR:SILICON,PNP	04713	SS7144
A11Q256	151-0434-00			TRANSISTOR:SILICON,PNP	04713	SS7144
A11Q264	151-0341-00	B040000		TRANSISTOR:NPN,SI,TO-106	04713	SPS6919
A11Q266	151-0198-00			TRANSISTOR:SELECTED	04713	SPS8802-1
A11Q285	151-1090-00	B010100	B039999	TRANSISTOR:SILICON,DUAL,N CHANNEL,FET	32293	ITS30929
A11Q285	151-1032-00	B040000		TRANSISTOR:SILICON,FET,DUAL	17856	DN399
A11Q318	151-0188-00			TRANSISTOR:PNP,SI,TO-92	T0058	2N3906
A11Q323	151-0472-00			TRANSISTOR:SILICON,NPN	51984	NE41632B
A11Q324	151-0472-00			TRANSISTOR:SILICON,NPN	51984	NE41632B
A11Q348	151-0190-00	B010100	B039999	TRANSISTOR:NPN,SI,TO-92	04713	SPS7969
A11Q348	151-0341-00	B040000		TRANSISTOR:NPN,SI,TO-106	07263	S040065

Component No.	Tektronix Part No.	Serial/Model No. Eff	Dscont	Name & Description	Mfr Code	Mfr Part Number
A11Q350	151-0341-00	B040000		TRANSISTOR:NPN,SI,TO-106	04713	SPS6919
A11Q418	151-0188-00			TRANSISTOR:PNP,SI,TO-92	T0058	2N3906
A11Q419	151-0188-00			TRANSISTOR:PNP,SI,TO-92	T0058	2N3906
A11Q428	151-0367-00			TRANSISTOR:SILICON,NPN,SEL FROM 3571TP	04713	SPS 8811
A11Q447	151-0221-00			TRANSISTOR:SILICON,PNP	04713	SPS246
A11Q448	151-0221-00			TRANSISTOR:SILICON,PNP	04713	SPS246
A11Q455	151-0434-00			TRANSISTOR:SILICON,PNP	04713	SS7144
A11Q456	151-0434-00			TRANSISTOR:SILICON,PNP	04713	SS7144
A11Q463	151-0341-00	B040000		TRANSISTOR:NPN,SI,TO-106	04713	SPS6919
A11Q465	151-0198-00			TRANSISTOR:SELECTED	04713	SPS8802-1
A11Q485	151-1090-00	B010100	B039999	TRANSISTOR:SILICON,DUAL,N CHANNEL,FET	32293	ITS30929
A11Q485	151-1032-00	B040000		TRANSISTOR:SILICON,FET,DUAL	17856	DN399
A11Q512	151-0188-00			TRANSISTOR:PNP,SI,TO-92	T0058	2N3906
A11Q527	151-0221-00	B010100	B039999	TRANSISTOR:SILICON,PNP	04713	SPS246
A11Q527	151-0221-02	B040000		TRANSISTOR:SILICON,PNP	07263	S42530
A11Q532	151-0434-00			TRANSISTOR:SILICON,PNP	04713	SS7144
A11Q538	151-0434-00			TRANSISTOR:SILICON,PNP	04713	SS7144
A11Q542	151-0221-00			TRANSISTOR:SILICON,PNP	04713	SPS246
A11Q546	151-0434-00			TRANSISTOR:SILICON,PNP	04713	SS7144
A11Q547	151-0434-00			TRANSISTOR:SILICON,PNP	04713	SS7144
A11Q554	151-0221-00	B010100	B039999	TRANSISTOR:SILICON,PNP	04713	SPS246
A11Q554	151-0333-00	B040000		TRANSISTOR:SILICON,NPN,SEL FROM MPS918	04713	SPS1752
A11Q555	151-0221-00	B010100	B039999	TRANSISTOR:SILICON,PNP	04713	SPS246
A11Q555	151-0333-00	B040000		TRANSISTOR:SILICON,NPN,SEL FROM MPS918	04713	SPS1752
A11Q565	151-0198-00			TRANSISTOR:SELECTED	04713	SPS8802-1
A11R107	321-0126-00			RES.,FXD,FILM:200 OHM,1%,0.125W	91637	MFF1816G200R0F
A11R109	321-0206-00			RES.,FXD,FILM:1.37K OHM,1%,0.125W	91637	MFF1816G13700F
A11R110	321-0064-00			RES.,FXD,FILM:45.3 OHM,1%,0.125W	91637	MFF1816G45R30F
A11R111	321-0068-00			RES.,FXD,FILM:49.9 OHM,1%,0.125W	91637	MFF1816G49R90F
A11R113	315-0472-00			RES.,FXD,CMPSN:4.7K OHM,5%,0.25W	57668	NTR25J-E04K7
A11R116	321-0064-00			RES.,FXD,FILM:45.3 OHM,1%,0.125W	91637	MFF1816G45R30F
A11R117	315-0751-00	B010100	B039999	RES.,FXD,CMPSN:750 OHM,5%,0.25W	57668	NTR25J-E750E
A11R117	315-0331-00	B040000		RES.,FXD,CMPSN:330 OHM,5%,0.25W	57668	NTR25J-E330E
A11R118	301-0151-00	B010100	B039999	RES.,FXD,CMPSN:150 OHM,5%,0.5W	01121	EB1515
A11R118	301-0121-00	B040000		RES.,FXD,CMPSN:120 OHM,5%,0.5W	57668	R50J 120 OHM
A11R119	315-0511-00			RES.,FXD,CMPSN:510 OHM,5%,0.25W	01121	CB5115
A11R122	311-1564-00			RES.,VAR, NONWIR:TRMR,500 OHM,0.5W	32997	3352T-CK5-501
A11R124	321-0201-00	B010100	B039999	RES.,FXD,FILM:1.21K OHM,1%,0.125W	91637	MFF1816G12100F
A11R124	321-0188-00	B040000		RES.,FXD,FILM:887 OHM,1%,0.125W	91637	MFF1816G887R0F
A11R125	315-0430-00			RES.,FXD,CMPSN:43 OHM,5%,0.25W	01121	CB4305
A11R126	315-0331-00			RES.,FXD,CMPSN:330 OHM,5%,0.25W	57668	NTR25J-E330E
A11R127	315-0512-00			RES.,FXD,CMPSN:5.1K OHM,5%,0.25W	57668	NTR25J-E05K1
A11R128	321-0196-00	B010100	B039999	RES.,FXD,FILM:1.07K OHM,1%,0.125W	91637	MFF1816G10700F
A11R128	321-0169-00	B040000		RES.,FXD,FILM:562 OHM,1%,0.125W	91637	MFF1816G562R0F
A11R129	315-0101-00			RES.,FXD,CMPSN:100 OHM,5%,0.25W	57668	NTR25J-E 100E
A11R130	315-0301-00	B010100	B039999	RES.,FXD,CMPSN:300 OHM,5%,0.25W	57668	NTR25J-E300E
A11R131	321-0064-00	B010100	B039999	RES.,FXD,FILM:45.3 OHM,1%,0.125W	91637	MFF1816G45R30F
A11R132	315-0681-00	B010100	B039999	RES.,FXD,CMPSN:680 OHM,5%,0.25W	57668	NTR25J-E680E
A11R132	315-0122-00	B040000		RES.,FXD,CMPSN:1.2K OHM,5%,0.25W	57668	NTR25J-E01K2
A11R134	321-0201-00	B010100	B039999	RES.,FXD,FILM:1.21K OHM,1%,0.125W	91637	MFF1816G12100F
A11R134	321-0190-00	B040000		RES.,FXD,FILM:931 OHM,1%,0.125W	91637	MFF1816G931R0F
A11R134	315-0271-00	.700001		RES.,FXD,CMPSN:270 OHM,5%,0.25W	01121	CB2715
A11R136	315-0470-00			RES.,FXD,CMPSN:47 OHM,5%,0.25W	57668	NTR25J-E47E0
A11R137	321-0260-00	B040000		RES.,FXD,FILM:4.99K OHM,1%,0.125W	91637	MFF1816G49900F
A11R138	321-0196-00	B010100	B039999	RES.,FXD,FILM:1.07K OHM,1%,0.125W	91637	MFF1816G10700F
A11R138	321-0165-00	B040000		RES.,FXD,FILM:511 OHM,1%,0.125W	91637	MFF1816G511R0F

**Replaceable Electrical Parts
468 Service Volume II**

Component No.	Tektronix Part No.	Serial/Model No. Eff	Discont	Name & Description	Mfr Code	Mfr Part Number
A11R139	321-0280-00	B040000		RES.,FXD,FILM:8.06K OHM,1%,0.125W	91637	MFF1816G80600F
A11R140	315-0392-00			RES.,FXD,CMPSN:3.9K OHM,5%,0.25W	57668	NTR25J-E03K9
A11R141	315-0392-00			RES.,FXD,CMPSN:3.9K OHM,5%,0.25W	57668	NTR25J-E03K9
A11R142	321-0280-00	B040000		RES.,FXD,FILM:8.06K OHM,1%,0.125W	91637	MFF1816G80600F
A11R143	321-0260-00	B040000		RES.,FXD,FILM:4.99K OHM,1%,0.125W	91637	MFF1816G49900F
A11R144	321-0153-00	B040000		RES.,FXD,FILM:383 OHM,1%,0.125W	91637	MFF1816G383R0F
A11R145	311-2075-00	B010100	B039999	RES.,VAR, NONWIR:PNL,1/10K OHM,20%,0.25W	01121	21M172
A11R145	311-1311-00	B040000		RES.,VAR, NONWIR:1K OHM,20%,0.5W	01121	73M4G048L102M
A11R146	321-0126-00	B010100	B039999	RES.,FXD,FILM:200 OHM,1%,0.125W	91637	MFF1816G200R0F
A11R146	321-0097-00	B040000		RES.,FXD,FILM:100 OHM,1%,0.125W	91637	MFF1816G100R0F
A11R150	321-0192-00	B010100	B039999	RES.,FXD,FILM:976 OHM,1%,0.125W	91637	MFF1816G976R0F
A11R150	321-0193-00	B040000		RES.,FXD,FILM:1K OHM,1%,0.125W	01121	ORD BY DESCR
A11R151	315-0390-00			RES.,FXD,CMPSN:39 OHM,5%,0.25W	57668	NTR25J-E39E0
A11R152	315-0390-00			RES.,FXD,CMPSN:39 OHM,5%,0.25W	57668	NTR25J-E39E0
A11R153	315-0102-00	B040000		RES.,FXD,CMPSN:1K OHM,5%,0.25W	57668	NTR25JE01K0
A11R154	315-0121-00	B040000		RES.,FXD,CMPSN:120 OHM,5%,0.25W	01121	CB1215
A11R155	315-0101-00	B010100	B039999	RES.,FXD,CMPSN:100 OHM,5%,0.25W	57668	NTR25J-E 100E
A11R155	315-0471-00	B040000		RES.,FXD,CMPSN:470 OHM,5%,0.25W	57668	NTR25J-E470E
A11R156	315-0121-00	B040000		RES.,FXD,CMPSN:120 OHM,5%,0.25W	01121	CB1215
A11R157	315-0222-00			RES.,FXD,CMPSN:2.2K OHM,5%,0.25W	57668	NTR25J-E02K2
A11R158	315-0222-00			RES.,FXD,CMPSN:2.2K OHM,5%,0.25W	57668	NTR25J-E02K2
A11R159	321-0170-00			RES.,FXD,FILM:576 OHM,1%,0.125W	91637	MFF1816G576R0F
A11R160	315-0112-00			RES.,FXD,CMPSN:1.1K OHM,5%,0.25W	01121	CB1125
A11R161	315-0241-00			RES.,FXD,CMPSN:240 OHM,5%,0.25W	01121	CB2415
A11R163	321-0190-00	B010100	B039999	RES.,FXD,FILM:931 OHM,1%,0.125W	91637	MFF1816G931R0F
A11R163	321-0173-00	B040000		RES.,FXD,FILM:619 OHM,1%,0.125W	91637	MFF1816G619R0F
A11R165	311-1560-00			RES.,VAR, NONWIR:TRMR,5K OHM,0.5W	32997	3352T-1-502
A11R170	321-0218-00	B010100	B039999	RES.,FXD,FILM:1.82K OHM,1%,0.125W	91637	MFF1816G18200F
A11R170	321-0201-00	B040000		RES.,FXD,FILM:1.21K OHM,1%,0.125W	91637	MFF1816G12100F
A11R171	321-0239-00	B010100	B039999	RES.,FXD,FILM:3.01K OHM,1%,0.125W	91637	MFF1816G30100F
A11R171	321-0201-00	B040000		RES.,FXD,FILM:1.21K OHM,1%,0.125W	91637	MFF1816G12100F
A11R172	311-1560-00			RES.,VAR, NONWIR:TRMR,5K OHM,0.5W	32997	3352T-1-502
A11R174	315-0470-00			RES.,FXD,CMPSN:47 OHM,5%,0.25W	57668	NTR25J-E47E0
A11R176	311-1567-00			RES.,VAR, NONWIR:TRMR,100 OHM,0.50W	73138	91-89-0
A11R177	315-0470-00			RES.,FXD,CMPSN:47 OHM,5%,0.25W	57668	NTR25J-E47E0
A11R185	321-0030-00			RES.,FXD,FILM:20 OHM,1%,0.125W	91637	CMF55116G20R00F
A11R187	315-0241-00	.700001		RES.,FXD,CMPSN:240 OHM,5%,0.25W	01121	CB2415
A11R205	311-1564-00			RES.,VAR, NONWIR:TRMR,500 OHM,0.5W	32997	3352T-CK5-501
A11R206	321-0064-00			RES.,FXD,FILM:45.3 OHM,1%,0.125W	91637	MFF1816G45R30F
A11R207	321-0177-00			RES.,FXD,FILM:681 OHM,1%,0.125W	01121	ORD BY DESCR
A11R208	315-0271-00			RES.,FXD,CMPSN:270 OHM,5%,0.25W	01121	CB2715
A11R211	323-0156-00			RES.,FXD,FILM:412 OHM,1%,0.50W	75042	CECT0-4120F
A11R212	321-0049-00			RES.,FXD,FILM:31.6 OHM,1%,0.125W	91637	MFF1816G31R60F
A11R214	321-0065-00			RES.,FXD,FILM:46.4 OHM,1%,0.125W	91637	MFF1816G46R40F
A11R219	315-0750-00			RES.,FXD,CMPSN:75 OHM,5%,0.25W	57668	NTR25J-E75E0
A11R220	321-0126-00			RES.,FXD,FILM:200 OHM,1%,0.125W	91637	MFF1816G200R0F
A11R221	315-0430-00			RES.,FXD,CMPSN:43 OHM,5%,0.25W	01121	CB4305
A11R225	315-0821-00			RES.,FXD,CMPSN:820 OHM,5%,0.25W	57668	NTR25J-E 820E
A11R226	315-0821-00			RES.,FXD,CMPSN:820 OHM,5%,0.25W	57668	NTR25J-E 820E
A11R228	315-0302-00			RES.,FXD,CMPSN:3K OHM,5%,0.25W	57668	NTR25J-E03K0
A11R229	315-0302-00			RES.,FXD,CMPSN:3K OHM,5%,0.25W	57668	NTR25J-E03K0
A11R232	311-1564-00			RES.,VAR, NONWIR:TRMR,500 OHM,0.5W	32997	3352T-CK5-501
A11R236	315-0331-00	B010100	B039999	RES.,FXD,CMPSN:330 OHM,5%,0.25W	57668	NTR25J-E330E
A11R236	315-0241-00	B040000		RES.,FXD,CMPSN:240 OHM,5%,0.25W	01121	CB2415
A11R237	315-0470-00			RES.,FXD,CMPSN:47 OHM,5%,0.25W	01121	CB4705

Replaceable Electrical Parts
468 Service Volume II

Component No.	Tektronix Part No.	Serial/Model No. Eff	Dscont	Name & Description	Mfr Code	Mfr Part Number
A11R237	315-0271-00	.700001		RES.,FXD,CMPSN:270 OHM,5%,0.25W	01121	CB2715
A11R238	311-1558-00			RES.,VAR,NONWIR:TRMR,20K OHM,0.5W	32997	3352T-1-203
A11R240	311-1563-00	B010100	B039999	RES.,VAR,NONWIR:1K OHM,20%,0.50W	73138	91-85-0
A11R240	311-1565-00	B040000		RES.,VAR,NONWIR:250 OHM,20%,0.50W	73138	91-87-0
A11R241	315-0331-00	B010100	B039999	RES.,FXD,CMPSN:330 OHM,5%,0.25W	57668	NTR25J-E330E
A11R241	315-0241-00	B040000		RES.,FXD,CMPSN:240 OHM,5%,0.25W	01121	CB2415
A11R246	321-0192-00	B010100	B039999	RES.,FXD,FILM:976 OHM,1%,0.125W	91637	MFF1816G976R0F
A11R246	321-0193-00	B040000		RES.,FXD,FILM:1K OHM,1%,0.125W	01121	ORD BY DESCR
A11R247	315-0751-00			RES.,FXD,CMPSN:750 OHM,5%,0.25W	57668	NTR25J-E750E
A11R248	315-0511-00			RES.,FXD,CMPSN:510 OHM,5%,0.25W	01121	CB5115
A11R251	315-0241-00			RES.,FXD,CMPSN:240 OHM,5%,0.25W	01121	CB2415
A11R252	315-0241-00			RES.,FXD,CMPSN:240 OHM,5%,0.25W	01121	CB2415
A11R256	321-0170-00			RES.,FXD,FILM:576 OHM,1%,0.125W	91637	MFF1816G576R0F
A11R257	315-0100-00			RES.,FXD,CMPSN:10 OHM,5%,0.25W	57668	NTR25J-E 10E0
A11R258	321-0089-00			RES.,FXD,FILM:82.5 OHM,1%,0.125W	91637	MFF1816G82R50F
A11R259	315-0100-00			RES.,FXD,CMPSN:10 OHM,5%,0.25W	57668	NTR25J-E 10E0
A11R260	321-0126-00			RES.,FXD,FILM:200 OHM,1%,0.125W	91637	MFF1816G200R0F
A11R261	315-0183-00			RES.,FXD,CMPSN:18K OHM,5%,0.25W	01121	CB1835
A11R262	321-0126-00			RES.,FXD,FILM:200 OHM,1%,0.125W	91637	MFF1816G200R0F
A11R263	321-0181-00			RES.,FXD,FILM:750 OHM,1%,0.125W	91637	MFF1816G750R0F
A11R264	315-0301-00	B010100	B039999	RES.,FXD,CMPSN:300 OHM,5%,0.25W	57668	NTR25J-E300E
A11R264	315-0201-00	B040000		RES.,FXD,CMPSN:200 OHM,5%,0.25W	57668	NTR25J-E200E
A11R265	321-0181-00			RES.,FXD,FILM:750 OHM,1%,0.125W	91637	MFF1816G750R0F
A11R266	315-0301-00	B010100	B039999	RES.,FXD,CMPSN:300 OHM,5%,0.25W	57668	NTR25J-E300E
A11R266	315-0201-00	B040000		RES.,FXD,CMPSN:200 OHM,5%,0.25W	57668	NTR25J-E200E
A11R267	321-0192-00	B040000		RES.,FXD,FILM:976 OHM,1%,0.125W	91637	MFF1816G976R0F
A11R268	315-0270-00			RES.,FXD,CMPSN:27 OHM,5%,0.25W	01121	CB2705
A11R269	311-1561-00			RES.,VAR,NONWIR:2.5K OHM,20%,0.50W	73138	91-83-0
A11R270	311-1403-00			RES.,VAR,NONWIR:5K OHM,20%,0.50W	01121	18M651
A11R270	-----			(REPL AS A SET WITH CHASSIS S270)		
A11R271	315-0470-00			RES.,FXD,CMPSN:47 OHM,5%,0.25W	57668	NTR25J-E47E0
A11R272	315-0470-00			RES.,FXD,CMPSN:47 OHM,5%,0.25W	57668	NTR25J-E47E0
A11R273	311-1559-00			RES.,VAR,NONWIR:10K OHM,20%,0.50W	73138	91-81-0
A11R274	321-0166-00	B040000		RES.,FXD,FILM:523 OHM,1%,0.125W	91637	MFF1816G523R0F
A11R277	315-0101-00			RES.,FXD,CMPSN:100 OHM,5%,0.25W	57668	NTR25J-E 100E
A11R278	321-0307-00			RES.,FXD,FILM:15.4K OHM,1%,0.125W	91637	MFF1816G15401F
A11R279	315-0101-00			RES.,FXD,CMPSN:100 OHM,5%,0.25W	57668	NTR25J-E 100E
A11R282	315-0151-00			RES.,FXD,CMPSN:150 OHM,5%,0.25W	57668	NTR25J-E150E
A11R283	321-0030-00			RES.,FXD,FILM:20 OHM,1%,0.125W	91637	CMF55116G20R00F
A11R284	315-0103-00			RES.,FXD,CMPSN:10K OHM,5%,0.25W	57668	NTR25J-E10K0
A11R289	315-0511-00			RES.,FXD,CMPSN:510 OHM,5%,0.25W	01121	CB5115
A11R304	315-0331-00			RES.,FXD,CMPSN:330 OHM,5%,0.25W	57668	NTR25J-E330E
A11R310	323-0161-00			RES.,FXD,FILM:464 OHM,1%,0.50W	75042	CECT0-4640F
A11R311	321-0065-00			RES.,FXD,FILM:46.4 OHM,1%,0.125W	91637	MFF1816G46R40F
A11R319	321-0126-00			RES.,FXD,FILM:200 OHM,1%,0.125W	91637	MFF1816G200R0F
A11R321	315-0750-00			RES.,FXD,CMPSN:75 OHM,5%,0.25W	57668	NTR25J-E75E0
A11R325	323-0106-00			RES.,FXD,FILM:124 OHM,1%,0.50W	91637	MFF1226G124R0F
A11R328	321-0186-00			RES.,FXD,FILM:845 OHM,1%,0.125W	91637	MFF1816G845R0F
A11R330	321-0186-00			RES.,FXD,FILM:845 OHM,1%,0.125W	91637	MFF1816G845R0F
A11R331	321-0133-00			RES.,FXD,FILM:237 OHM,1%,0.125W	91637	MFF1816G237R0F
A11R332	321-0133-00			RES.,FXD,FILM:237 OHM,1%,0.125W	91637	MFF1816G237R0F
A11R343	321-0280-00	B040000		RES.,FXD,FILM:8.06K OHM,1%,0.125W	91637	MFF1816G80600F
A11R344	321-0260-00	B040000		RES.,FXD,FILM:4.99K OHM,1%,0.125W	91637	MFF1816G49900F
A11R345	311-2075-00	B010100	B039999	RES.,VAR,NONWIR:PNL,1/10K OHM,20%,0.25W	01121	21M172
A11R345	311-1311-00	B040000		RES.,VAR,NONWIR:1K OHM,20%,0.5W	01121	73M4G048L102M

**Replaceable Electrical Parts
468 Service Volume II**

Component No.	Tektronix Part No.	Serial/Model No. Eff	Dscont	Name & Description	Mfr Code	Mfr Part Number
A11R349	315-0102-00	B040000		RES.,FXD,CMPSN:1K OHM,5%,0.25W	57668	NTR25JE01K0
A11R352	321-0190-00	B010100	B039999	RES.,FXD,FILM:931 OHM,1%,0.125W	91637	MFF1816G931R0F
A11R352	321-0173-00	B040000		RES.,FXD,FILM:619 OHM,1%,0.125W	91637	MFF1816G619R0F
A11R371	311-1560-00			RES.,VAR,NONWIR:TRMR,5K OHM,0.5W	32997	3352T-1-502
A11R372	321-0239-00			RES.,FXD,FILM:3.01K OHM,1%,0.125W	91637	MFF1816G30100F
A11R373	311-1560-00			RES.,VAR,NONWIR:TRMR,5K OHM,0.5W	32997	3352T-1-502
A11R374	321-0239-00			RES.,FXD,FILM:3.01K OHM,1%,0.125W	91637	MFF1816G30100F
A11R375	321-0277-00			RES.,FXD,FILM:7.5K OHM,1%,0.125W	91637	MFF1816G75000F
A11R376	315-0112-00			RES.,FXD,CMPSN:1.1K OHM,5%,0.25W	01121	CB1125
A11R377	315-0470-00			RES.,FXD,CMPSN:47 OHM,5%,0.25W	57668	NTR25J-E47E0
A11R378	315-0241-00			RES.,FXD,CMPSN:240 OHM,5%,0.25W	01121	CB2415
A11R383	321-0239-00			RES.,FXD,FILM:3.01K OHM,1%,0.125W	91637	MFF1816G30100F
A11R388	315-0241-00	.700001		RES.,FXD,CMPSN:240 OHM,5%,0.25W	01121	CB2415
A11R414	315-0752-00			RES.,FXD,CMPSN:7.5K OHM,5%,0.25W	57668	NTR25J-E07K5
A11R415	315-0103-00			RES.,FXD,CMPSN:10K OHM,5%,0.25W	57668	NTR25J-E10K0
A11R416	315-0752-00			RES.,FXD,CMPSN:7.5K OHM,5%,0.25W	57668	NTR25J-E07K5
A11R417	315-0103-00			RES.,FXD,CMPSN:10K OHM,5%,0.25W	57668	NTR25J-E10K0
A11R418	315-0752-00			RES.,FXD,CMPSN:7.5K OHM,5%,0.25W	57668	NTR25J-E07K5
A11R419	315-0103-00			RES.,FXD,CMPSN:10K OHM,5%,0.25W	57668	NTR25J-E10K0
A11R420	321-0151-00			RES.,FXD,FILM:365 OHM,1%,0.125W	91637	MFF1816G365R0F
A11R421	321-0145-00			RES.,FXD,FILM:316 OHM,1%,0.125W	91637	MFF1816G316R0F
A11R422	321-0151-00			RES.,FXD,FILM:365 OHM,1%,0.125W	91637	MFF1816G365R0F
A11R423	321-0145-00			RES.,FXD,FILM:316 OHM,1%,0.125W	91637	MFF1816G316R0F
A11R424	321-0145-00			RES.,FXD,FILM:316 OHM,1%,0.125W	91637	MFF1816G316R0F
A11R425	321-0151-00			RES.,FXD,FILM:365 OHM,1%,0.125W	91637	MFF1816G365R0F
A11R429	321-0201-00	B010100	B039999	RES.,FXD,FILM:1.21K OHM,1%,0.125W	91637	MFF1816G12100F
A11R429	321-0188-00	B040000		RES.,FXD,FILM:887 OHM,1%,0.125W	91637	MFF1816G887R0F
A11R431	311-1564-00			RES.,VAR,NONWIR:TRMR,500 OHM,0.5W	32997	3352T-CK5-501
A11R432	321-0064-00			RES.,FXD,FILM:45.3 OHM,1%,0.125W	91637	MFF1816G45R30F
A11R433	321-0196-00	B010100	B039999	RES.,FXD,FILM:1.07K OHM,1%,0.125W	91637	MFF1816G10700F
A11R433	321-0165-00	B040000		RES.,FXD,FILM:511 OHM,1%,0.125W	91637	MFF1816G511R0F
A11R434	311-1558-00			RES.,VAR,NONWIR:TRMR,20K OHM,0.5W	32997	3352T-1-203
A11R435	315-0470-00			RES.,FXD,CMPSN:47 OHM,5%,0.25W	57668	NTR25J-E47E0
A11R435	315-0271-00	.700001		RES.,FXD,CMPSN:270 OHM,5%,0.25W	01121	CB2715
A11R436	311-1564-00			RES.,VAR,NONWIR:TRMR,500 OHM,0.5W	32997	3352T-CK5-501
A11R438	311-1563-00	B010100	B039999	RES.,VAR,NONWIR:1K OHM,20%,0.50W	73138	91-85-0
A11R438	311-1565-00	B040000		RES.,VAR,NONWIR:250 OHM,20%,0.50W	73138	91-87-0
A11R439	321-0201-00	B010100	B039999	RES.,FXD,FILM:1.21K OHM,1%,0.125W	91637	MFF1816G12100F
A11R439	321-0190-00	B040000		RES.,FXD,FILM:931 OHM,1%,0.125W	91637	MFF1816G931R0F
A11R440	315-0331-00	B010100	B039999	RES.,FXD,CMPSN:330 OHM,5%,0.25W	57668	NTR25J-E330E
A11R440	315-0241-00	B040000		RES.,FXD,CMPSN:240 OHM,5%,0.25W	01121	CB2415
A11R441	321-0280-00	B040000		RES.,FXD,FILM:8.06K OHM,1%,0.125W	91637	MFF1816G80600F
A11R442	321-0260-00	B040000		RES.,FXD,FILM:4.99K OHM,1%,0.125W	91637	MFF1816G49900F
A11R443	315-0392-00			RES.,FXD,CMPSN:3.9K OHM,5%,0.25W	57668	NTR25J-E03K9
A11R444	315-0392-00			RES.,FXD,CMPSN:3.9K OHM,5%,0.25W	57668	NTR25J-E03K9
A11R446	321-0153-00	B040000		RES.,FXD,FILM:383 OHM,1%,0.125W	91637	MFF1816G383R0F
A11R451	315-0511-00			RES.,FXD,CMPSN:510 OHM,5%,0.25W	01121	CB5115
A11R452	315-0241-00			RES.,FXD,CMPSN:240 OHM,5%,0.25W	01121	CB2415
A11R453	315-0751-00			RES.,FXD,CMPSN:750 OHM,5%,0.25W	57668	NTR25J-E750E
A11R454	315-0241-00			RES.,FXD,CMPSN:240 OHM,5%,0.25W	01121	CB2415
A11R455	315-0101-00	B010100	B039999	RES.,FXD,CMPSN:100 OHM,5%,0.25W	57668	NTR25J-E 100E
A11R455	315-0471-00	B040000		RES.,FXD,CMPSN:470 OHM,5%,0.25W	57668	NTR25J-E470E
A11R456	315-0121-00	B040000		RES.,FXD,CMPSN:120 OHM,5%,0.25W	01121	CB1215
A11R457	321-0089-00			RES.,FXD,FILM:82.5 OHM,1%,0.125W	91637	MFF1816G82R50F
A11R458	315-0100-00			RES.,FXD,CMPSN:10 OHM,5%,0.25W	57668	NTR25J-E 10E0
A11R459	321-0170-00			RES.,FXD,FILM:576 OHM,1%,0.125W	91637	MFF1816G576R0F

Component No.	Tektronix Part No.	Serial/Model No. Eff	Dscnt	Name & Description	Mfr Code	Mfr Part Number
A11R461	321-0126-00			RES.,FXD,FILM:200 OHM,1%,0.125W	91637	MFF1816G200R0F
A11R462	321-0126-00			RES.,FXD,FILM:200 OHM,1%,0.125W	91637	MFF1816G200R0F
A11R463	321-0166-00	B040000		RES.,FXD,FILM:523 OHM,1%,0.125W	91637	MFF1816G523R0F
A11R464	321-0192-00	B040000		RES.,FXD,FILM:976 OHM,1%,0.125W	91637	MFF1816G976R0F
A11R465	321-0181-00			RES.,FXD,FILM:750 OHM,1%,0.125W	91637	MFF1816G750R0F
A11R466	321-0181-00			RES.,FXD,FILM:750 OHM,1%,0.125W	91637	MFF1816G750R0F
A11R467	315-0301-00	B010100	B039999	RES.,FXD,CMPSN:300 OHM,5%,0.25W	57668	NTR25J-E300E
A11R467	315-0201-00	B040000		RES.,FXD,CMPSN:200 OHM,5%,0.25W	57668	NTR25J-E200E
A11R468	315-0270-00			RES.,FXD,CMPSN:27 OHM,5%,0.25W	01121	CB2705
A11R470	311-1403-00			RES.,VAR,NONWIR:5K OHM,20%,0.50W	01121	18M651
A11R470	-----			(REPL AS A SET WITH CHASSIS S470)		
A11R471	315-0470-00			RES.,FXD,CMPSN:47 OHM,5%,0.25W	57668	NTR25J-E47E0
A11R472	315-0100-00			RES.,FXD,CMPSN:10 OHM,5%,0.25W	57668	NTR25J-E 10E0
A11R477	311-1567-00			RES.,VAR,NONWIR:TRMR,100 OHM,0.50W	73138	91-89-0
A11R485	321-0030-00			RES.,FXD,FILM:20 OHM,1%,0.125W	91637	CMF55116G20R00F
A11R488	315-0511-00			RES.,FXD,CMPSN:510 OHM,5%,0.25W	01121	CB5115
A11R489	321-0030-00			RES.,FXD,FILM:20 OHM,1%,0.125W	91637	CMF55116G20R00F
A11R503	315-0112-00			RES.,FXD,CMPSN:1.1K OHM,5%,0.25W	01121	CB1125
A11R504	315-0221-00			RES.,FXD,CMPSN:220 OHM,5%,0.25W	57668	NTR25J-E220E
A11R512	315-0103-00			RES.,FXD,CMPSN:10K OHM,5%,0.25W	57668	NTR25J-E10K0
A11R513	315-0122-00			RES.,FXD,CMPSN:1.2K OHM,5%,0.25W	57668	NTR25J-E01K2
A11R514	315-0102-00			RES.,FXD,CMPSN:1K OHM,5%,0.25W	57668	NTR25JE01K0
A11R515	315-0471-00			RES.,FXD,CMPSN:470 OHM,5%,0.25W	57668	NTR25J-E470E
A11R519	315-0102-00			RES.,FXD,CMPSN:1K OHM,5%,0.25W	57668	NTR25JE01K0
A11R521	315-0122-00			RES.,FXD,CMPSN:1.2K OHM,5%,0.25W	57668	NTR25J-E01K2
A11R523	315-0102-00			RES.,FXD,CMPSN:1K OHM,5%,0.25W	57668	NTR25JE01K0
A11R524	321-0064-00			RES.,FXD,FILM:45.3 OHM,1%,0.125W	91637	MFF1816G45R30F
A11R525	301-0151-00	B010100	B039999	RES.,FXD,CMPSN:150 OHM,5%,0.5W	01121	EB1515
A11R525	301-0121-00	B040000		RES.,FXD,CMPSN:120 OHM,5%,0.5W	57668	R50J 120 OHM
A11R527	321-0196-00	B010100	B039999	RES.,FXD,FILM:1.07K OHM,1%,0.125W	91637	MFF1816G10700F
A11R527	321-0169-00	B040000		RES.,FXD,FILM:562 OHM,1%,0.125W	91637	MFF1816G562R0F
A11R532	315-0470-00			RES.,FXD,CMPSN:47 OHM,5%,0.25W	57668	NTR25J-E47E0
A11R532	315-0271-00	.700001		RES.,FXD,CMPSN:270 OHM,5%,0.25W	01121	CB2715
A11R536	315-0301-00	B010100	B039999	RES.,FXD,CMPSN:300 OHM,5%,0.25W	57668	NTR25J-E300E
A11R536	301-0121-00	B040000		RES.,FXD,CMPSN:120 OHM,5%,0.5W	57668	R50J 120 OHM
A11R538	321-0064-00	B040000		RES.,FXD,FILM:45.3 OHM,1%,0.125W	91637	MFF1816G45R30F
A11R539	315-0331-00	B010100	B039999	RES.,FXD,CMPSN:330 OHM,5%,0.25W	57668	NTR25J-E330E
A11R539	315-0241-00	B040000		RES.,FXD,CMPSN:240 OHM,5%,0.25W	01121	CB2415
A11R545	321-0126-00	B010100	B039999	RES.,FXD,FILM:200 OHM,1%,0.125W	91637	MFF1816G200R0F
A11R545	321-0097-00	B040000		RES.,FXD,FILM:100 OHM,1%,0.125W	91637	MFF1816G100R0F
A11R550	321-0192-00	B010100	B039999	RES.,FXD,FILM:976 OHM,1%,0.125W	91637	MFF1816G976R0F
A11R550	321-0193-00	B040000		RES.,FXD,FILM:1K OHM,1%,0.125W	01121	ORD BY DESCR
A11R551	321-0192-00	B010100	B039999	RES.,FXD,FILM:976 OHM,1%,0.125W	91637	MFF1816G976R0F
A11R551	321-0193-00	B040000		RES.,FXD,FILM:1K OHM,1%,0.125W	01121	ORD BY DESCR
A11R552	315-0222-00			RES.,FXD,CMPSN:2.2K OHM,5%,0.25W	57668	NTR25J-E02K2
A11R553	315-0390-00			RES.,FXD,CMPSN:39 OHM,5%,0.25W	57668	NTR25J-E39E0
A11R554	315-0390-00			RES.,FXD,CMPSN:39 OHM,5%,0.25W	57668	NTR25J-E39E0
A11R555	315-0222-00			RES.,FXD,CMPSN:2.2K OHM,5%,0.25W	57668	NTR25J-E02K2
A11R556	315-0121-00	B040000		RES.,FXD,CMPSN:120 OHM,5%,0.25W	01121	CB1215
A11R557	321-0170-00			RES.,FXD,FILM:576 OHM,1%,0.125W	91637	MFF1816G576R0F
A11R558	315-0100-00			RES.,FXD,CMPSN:10 OHM,5%,0.25W	57668	NTR25J-E 10E0
A11R562	315-0183-00			RES.,FXD,CMPSN:18K OHM,5%,0.25W	01121	CB1835
A11R563	315-0301-00	B010100	B039999	RES.,FXD,CMPSN:300 OHM,5%,0.25W	57668	NTR25J-E300E
A11R563	315-0201-00	B040000		RES.,FXD,CMPSN:200 OHM,5%,0.25W	57668	NTR25J-E200E
A11R566	311-1559-00			RES.,VAR,NONWIR:10K OHM,20%,0.50W	73138	91-81-0

**Replaceable Electrical Parts
468 Service Volume II**

Component No.	Tektronix Part No.	Serial/Model No. Eff	Dscont	Name & Description	Mfr Code	Mfr Part Number
A11R569	311-1561-00			RES.,VAR,NONWIR:2.5K OHM,20%,0.50W	73138	91-83-0
A11R570	321-0307-00			RES.,FXD,FILM:15.4K OHM,1%,0.125W	91637	MFF1816G15401F
A11R571	321-0307-00			RES.,FXD,FILM:15.4K OHM,1%,0.125W	91637	MFF1816G15401F
A11R572	315-0100-00			RES.,FXD,CMPSN:10 OHM,5%,0.25W	57668	NTR25J-E 10E0
A11R573	311-1559-00			RES.,VAR,NONWIR:10K OHM,20%,0.50W	73138	91-81-0
A11R574	315-0101-00			RES.,FXD,CMPSN:100 OHM,5%,0.25W	57668	NTR25J-E 100E
A11R575	315-0101-00			RES.,FXD,CMPSN:100 OHM,5%,0.25W	57668	NTR25J-E 100E
A11R576	321-0277-00			RES.,FXD,FILM:7.5K OHM,1%,0.125W	91637	MFF1816G75000F
A11R577	321-0277-00			RES.,FXD,FILM:7.5K OHM,1%,0.125W	91637	MFF1816G75000F
A11R578	321-0253-00	B010100	B039999	RES.,FXD,FILM:4.22K OHM,1%,0.125W	91637	MFF1816G42200F
A11R578	321-0260-00	B040000		RES.,FXD,FILM:4.99K OHM,1%,0.125W	91637	MFF1816G49900F
A11R579	321-0253-00	B010100	B039999	RES.,FXD,FILM:4.22K OHM,1%,0.125W	91637	MFF1816G42200F
A11R579	321-0260-00	B040000		RES.,FXD,FILM:4.99K OHM,1%,0.125W	91637	MFF1816G49900F
A11R581	315-0103-00			RES.,FXD,CMPSN:10K OHM,5%,0.25W	57668	NTR25J-E10K0
A11R582	315-0151-00			RES.,FXD,CMPSN:150 OHM,5%,0.25W	57668	NTR25J-E150E
A11R584	315-0103-00			RES.,FXD,CMPSN:10K OHM,5%,0.25W	57668	NTR25J-E10K0
A11RT362	307-0181-00			RES.,THERMAL:100K OHM,10%,4MW/DEG C	15454	1DE104-K-220EC
A11RT559	307-0181-00			RES.,THERMAL:100K OHM,10%,4MW/DEG C	15454	1DE104-K-220EC
A11S310	260-1486-00			SWITCH,PUSH:1 BUTTON,PB1,4P,PUSH-PUSH	59821	EKAB001000562
A11S586	260-1208-00			SWITCH,PUSH:DPDT,28VDC,PUSH-PUSH	31918	ORDER BY DESCR
A11U278	155-0078-10			MICROCIRCUIT,LI:ML,VERTICAL AMPLIFIER	80009	155-0078-10
A11U141	156-0158-03	B040000		MICROCIRCUIT,LI:DUAL OPNL AMPL,CHK	80009	156-0158-03
A11U341	156-0158-03	B040000		MICROCIRCUIT,LI:DUAL OPNL AMPL,CHK	80009	156-0158-03
A11U408	160-0204-01			MICROCIRCUIT,DI:256 X 4 ROM,SCRN	80009	160-0204-01
A11U409	156-0392-01			MICROCIRCUIT,DI:QUAD LATCH W/CLEAR	34335	AM25LS175
A11U479	155-0078-10			MICROCIRCUIT,LI:ML,VERTICAL AMPLIFIER	80009	155-0078-10
A11U508	156-0480-02			MICROCIRCUIT,DI:QUAD 2 INP & GATE	01295	SN74LS08NP3
A11U509	156-0382-02			MICROCIRCUIT,DI:QUAD 2-INP NAND GATE	01295	SN74LS00
A11VR120	152-0757-00	B040000		SEMICONV DEVICE:ZENER,SI,6.2V,5%,1W	04713	1N4735A
A11VR187	152-0166-00			SEMICONV DEVICE:ZENER,0.4W,6.2V,5%	04713	SZ11738RL
A11VR187	-----			(NOT USED HEERENVEEN INSTRUMENTS)		
A11VR189	152-0217-00	.700001		SEMICONV DVC,DI:ZEN,SI,8.2V,5%,0.4W	04713	SZG20
A11VR263	152-0166-00	B010100	B039999	SEMICONV DEVICE:ZENER,0.4W,6.2V,5%	04713	SZ11738RL
A11VR388	152-0166-00			SEMICONV DEVICE:ZENER,0.4W,6.2V,5%	04713	SZ11738RL
A11VR388	-----			(NOT USED HEERENVEEN INSTRUMENTS)		
A11VR389	152-0217-00	.700001		SEMICONV DVC,DI:ZEN,SI,8.2V,5%,0.4W	04713	SZG20
A11VR463	152-0166-00	B010100	B039999	SEMICONV DEVICE:ZENER,0.4W,6.2V,5%	04713	SZ11738RL
A11VR522	152-0306-00			SEMICONV DEVICE:ZENER,0.4W,9.1V,5%	15238	Z5409
A11VR530	152-0757-00	B040000		SEMICONV DEVICE:ZENER,SI,6.2V,5%,1W	04713	1N4735A
A11W322	131-0566-00			BUS CONDUCTOR:DUMMY RES,2.375,22 AWG	57668	JWW-0200E0
A11W426	131-0566-00			BUS CONDUCTOR:DUMMY RES,2.375,22 AWG	57668	JWW-0200E0
A11W445	131-0566-00			BUS CONDUCTOR:DUMMY RES,2.375,22 AWG	57668	JWW-0200E0

Component No.	Tektronix Part No.	Serial/Model No. Eff	Dscont	Name & Description	Mfr Code	Mfr Part Number
A12	670-6373-00	B010100	B010219	CKT BOARD ASSY:TRIGGER GEN & SWEEP LOGIC (STANDARD)	80009	670-6373-00
A12	-----					
A12	670-6373-02	B010220		CKT BOARD ASSY:TRIGGER GEN & SWEEP LOGIC (STANDARD)	80009	670-6373-02
A12	-----					
A12	670-6373-01	B010100	B010219	CKT BOARD ASSY:TRIGGER GEN & SWEEP LOGIC (OPTION 5)	80009	670-6373-01
A12	-----					
A12	670-6373-03	B010220		CKT BOARD ASSY:TRIGGER GEN & SWEEP LOGIC (OPTION 5)	80009	670-6373-03
A12	-----					
A12C110	281-0603-00			CAP.,FXD,CER DI:39PF,5%,500V	59660	0301080C0G0390
A12C111	281-0579-00			CAP.,FXD,CER DI:21PF,5%,500V	04222	7001-NPO-210J
A12C121	281-0815-00			CAP.,FXD,CER DI:0.027UF,20%,50V	72982	8005D9AABW5R273M
A12C129	281-0759-00			CAP.,FXD,CER DI:22PF,10%,100V	96733	R2735
A12C133	281-0773-00			CAP.,FXD,CER DI:0.1UF,20%,50V	04222	MA201C103KAA
A12C134	281-0773-00			CAP.,FXD,CER DI:0.1UF,20%,50V	04222	MA201C103KAA
A12C138	281-0773-00			CAP.,FXD,CER DI:0.1UF,20%,50V	04222	MA201C103KAA
A12C150	281-0775-00			CAP.,FXD,CER DI:0.1UF,20%,50V	04222	MA205E104MAA
A12C158	281-0775-00			CAP.,FXD,CER DI:0.1UF,20%,50V	04222	MA205E104MAA
A12C160	290-0183-00			CAP.,FXD,ELCTL:1UF,10%,35V	90201	TAC105K035P02
A12C189	281-0786-00	B010220		CAP.,FXD,CER DI:150PF,10%,100V	04222	MA106A569D
A12C211	281-0592-00			CAP.,FXD,CER DI:4.7PF,+/-0.5PF,500V (OPTION 05 ONLY)	59660	0301080COH0479 D
A12C211	-----					
A12C212	281-0813-00			CAP.,FXD CER DI:0.047UF,20%,50V	04222	GC705-E-473M
A12C222	281-0814-00			CAP.,FXD,CER DI:100PF,10%,100V	04222	GC101A101K
A12C230	290-0808-00			CAP.,FXD,ELCTL:2.7UF,10%,20V	05397	T3228275K020AS
A12C244	281-0775-00			CAP.,FXD,CER DI:0.1UF,20%,50V	04222	MA205E104MAA
A12C248	290-0804-00			CAP.,FXD,ELCTL:10UF,+50-10%,25V	55680	ULA1E100TEA
A12C250	281-0775-00			CAP.,FXD,CER DI:0.1UF,20%,50V	04222	MA205E104MAA
A12C270	290-0808-00			CAP.,FXD,ELCTL:2.7UF,10%,20V	05397	T3228275K020AS
A12C272	290-0808-00			CAP.,FXD,ELCTL:2.7UF,10%,20V	05397	T3228275K020AS
A12C284	281-0786-00			CAP.,FXD,CER DI:150PF,10%,100V	04222	MA106A569D
A12C291	281-0547-00			CAP.,FXD,CER DI:2.7PF,10%,500V	04222	7001-COJ-2R7C
A12C309	290-0808-00			CAP.,FXD,ELCTL:2.7UF,10%,20V	05397	T3228275K020AS
A12C315	281-0773-00			CAP.,FXD,CER DI:0.1UF,20%,50V	04222	MA201C103KAA
A12C327	281-0814-00			CAP.,FXD,CER DI:100PF,10%,100V	04222	GC101A101K
A12C330	281-0773-00			CAP.,FXD,CER DI:0.1UF,20%,50V	04222	MA201C103KAA
A12C332	281-0773-00			CAP.,FXD,CER DI:0.1UF,20%,50V	04222	MA201C103KAA
A12C333	281-0773-00			CAP.,FXD,CER DI:0.1UF,20%,50V	04222	MA201C103KAA
A12C347	281-0775-00			CAP.,FXD,CER DI:0.1UF,20%,50V	04222	MA205E104MAA
A12C351	281-0775-00			CAP.,FXD,CER DI:0.1UF,20%,50V	04222	MA205E104MAA
A12C352	281-0775-00			CAP.,FXD,CER DI:0.1UF,20%,50V	04222	MA205E104MAA
A12C360	290-0808-00			CAP.,FXD,ELCTL:2.7UF,10%,20V	05397	T3228275K020AS
A12C361	281-0775-00			CAP.,FXD,CER DI:0.1UF,20%,50V	04222	MA205E104MAA
A12C362	281-0797-00			CAP.,FXD,CER DI:15PF,10%,100V	04222	MA 106A 150KAA
A12C380	290-0183-00			CAP.,FXD,ELCTL:1UF,10%,35V	90201	TAC105K035P02
A12C381	281-0797-00			CAP.,FXD,CER DI:15PF,10%,100V	04222	MA 106A 150KAA
A12C413	281-0579-00			CAP.,FXD,CER DI:21PF,5%,500V	04222	7001-NPO-210J
A12C415	281-0814-00			CAP.,FXD,CER DI:100PF,10%,100V	04222	GC101A101K
A12C423	281-0815-00			CAP.,FXD,CER DI:0.027UF,20%,50V	72982	8005D9AABW5R273M
A12C423	281-0772-00			CAP.,FXD,CER DI:0.0047UF,10%,100V (OPTION 05 ONLY)	04222	GC701C472K
A12C423	-----					
A12C438	281-0158-00			CAP.,VAR,CER DI:7-45PF,25V	73899	DVJ-5006
A12C457	281-0773-00			CAP.,FXD,CER DI:0.1UF,20%,50V	04222	MA201C103KAA
A12C461	281-0814-00			CAP.,FXD,CER DI:100PF,10%,100V	04222	GC101A101K
A12C478	290-0301-00			CAP.,FXD,ELCTL:10UF,10%,20V	56289	150D106X9020B2

**Replaceable Electrical Parts
468 Service Volume II**

Component No.	Tektronix Part No.	Serial/Model No. Eff Dscont	Name & Description	Mfr Code	Mfr Part Number
A12C480	281-0814-00		CAP.,FXD,CER DI:100PF,10%,100V	04222	GC101A101K
A12C481	281-0786-00		CAP.,FXD,CER DI:150PF,10%,100V	04222	MA106A569D
A12C482	290-0808-00		CAP.,FXD,ELCTLT:2.7UF,10%,20V	05397	T3228275K020AS
A12C505	281-0592-00		CAP.,FXD,CER DI:4.7PF,+/-0.5PF,500V	59660	0301080COH0479 D
A12C505	-----		(OPTION 05 ONLY)		
A12C509	281-0207-00		CAP.,VAR,PLSTC:2-18PF,100V	52769	GXA 18000
A12C510	281-0217-00		CAP.,VAR,CER DI:0.5-3.5PF,400V	52763	311908141
A12C515	290-0808-00		CAP.,FXD,ELCTLT:2.7UF,10%,20V	05397	T3228275K020AS
A12C516	281-0811-00		CAP.,FXD,CER DI:10PF,10%,100V	96733	R2911
A12C519	281-0814-00		CAP.,FXD,CER DI:100PF,10%,100V	04222	GC101A101K
A12C519	-----		(OPTION 05 ONLY)		
A12C525	281-0759-00		CAP.,FXD,CER DI:22PF,10%,100V	96733	R2735
A12C527	281-0812-00		CAP.,FXD,CER DI:1000PF,10%,100V	04222	MA101C102KAA
A12C538	281-0122-00		CAP.,VAR,CER DI:2.5-9PF,100V	59660	518-000A2.5-9
A12C541	281-0775-00		CAP.,FXD,CER DI:0.1UF,20%,50V	04222	MA205E104MAA
A12C570	281-0775-00		CAP.,FXD,CER DI:0.1UF,20%,50V	04222	MA205E104MAA
A12C593	290-0183-00		CAP.,FXD,ELCTLT:1UF,10%,35V	90201	TAC105K035P02
A12C2002	281-0775-00		CAP.,FXD,CER DI:0.1UF,20%,50V	04222	MA205E104MAA
A12C2003	290-0527-00		CAP.,FXD,ELCTLT:15UF,20%,20V	90201	TDC156M020FL
A12C2004	290-0527-00		CAP.,FXD,ELCTLT:15UF,20%,20V	90201	TDC156M020FL
A12C2006	281-0775-00		CAP.,FXD,CER DI:0.1UF,20%,50V	04222	MA205E104MAA
A12C2007	281-0547-00		CAP.,FXD,CER DI:2.7PF,10%,500V	04222	7001-COJ-2R7C
A12C2008	290-0527-00		CAP.,FXD,ELCTLT:15UF,20%,20V	90201	TDC156M020FL
A12C2102	281-0775-00		CAP.,FXD,CER DI:0.1UF,20%,50V	04222	MA205E104MAA
A12CR180	152-0141-02		SEMICON DVC,DI:SW,SI,30V,150MA,30V,DO-35	12969	NDP0263 (1N4152)
A12CR181	152-0141-02		SEMICON DVC,DI:SW,SI,30V,150MA,30V,DO-35	12969	NDP0263 (1N4152)
A12CR189	152-0141-02		SEMICON DVC,DI:SW,SI,30V,150MA,30V,DO-35	12969	NDP0263 (1N4152)
A12CR228	152-0246-00		SEMICON DEVICE:SW,SI,40V,200MA	03508	DE140
A12CR262	152-0141-02		SEMICON DVC,DI:SW,SI,30V,150MA,30V,DO-35	12969	NDP0263 (1N4152)
A12CR295	152-0141-02		SEMICON DVC,DI:SW,SI,30V,150MA,30V,DO-35	12969	NDP0263 (1N4152)
A12CR296	152-0141-02		SEMICON DVC,DI:SW,SI,30V,150MA,30V,DO-35	12969	NDP0263 (1N4152)
A12CR330	152-0246-00		SEMICON DEVICE:SW,SI,40V,200MA	03508	DE140
A12CR380	152-0141-02		SEMICON DVC,DI:SW,SI,30V,150MA,30V,DO-35	12969	NDP0263 (1N4152)
A12CR385	152-0141-02		SEMICON DVC,DI:SW,SI,30V,150MA,30V,DO-35	12969	NDP0263 (1N4152)
A12CR390	152-0141-02		SEMICON DVC,DI:SW,SI,30V,150MA,30V,DO-35	12969	NDP0263 (1N4152)
A12CR391	152-0141-02		SEMICON DVC,DI:SW,SI,30V,150MA,30V,DO-35	12969	NDP0263 (1N4152)
A12CR392	152-0141-02		SEMICON DVC,DI:SW,SI,30V,150MA,30V,DO-35	12969	NDP0263 (1N4152)
A12CR463	152-0141-02		SEMICON DVC,DI:SW,SI,30V,150MA,30V,DO-35	12969	NDP0263 (1N4152)
A12CR470	152-0141-02		SEMICON DVC,DI:SW,SI,30V,150MA,30V,DO-35	12969	NDP0263 (1N4152)
A12CR471	152-0141-02		SEMICON DVC,DI:SW,SI,30V,150MA,30V,DO-35	12969	NDP0263 (1N4152)
A12CR474	152-0141-02		SEMICON DVC,DI:SW,SI,30V,150MA,30V,DO-35	12969	NDP0263 (1N4152)
A12CR475	152-0141-02		SEMICON DVC,DI:SW,SI,30V,150MA,30V,DO-35	12969	NDP0263 (1N4152)
A12CR478	152-0141-02		SEMICON DVC,DI:SW,SI,30V,150MA,30V,DO-35	12969	NDP0263 (1N4152)
A12CR480	152-0141-02		SEMICON DVC,DI:SW,SI,30V,150MA,30V,DO-35	12969	NDP0263 (1N4152)
A12CR488	152-0141-02		SEMICON DVC,DI:SW,SI,30V,150MA,30V,DO-35	12969	NDP0263 (1N4152)
A12CR493	152-0141-02		SEMICON DVC,DI:SW,SI,30V,150MA,30V,DO-35	12969	NDP0263 (1N4152)
A12CR494	152-0141-02		SEMICON DVC,DI:SW,SI,30V,150MA,30V,DO-35	12969	NDP0263 (1N4152)
A12CR495	152-0141-02		SEMICON DVC,DI:SW,SI,30V,150MA,30V,DO-35	12969	NDP0263 (1N4152)
A12CR496	152-0141-02		SEMICON DVC,DI:SW,SI,30V,150MA,30V,DO-35	12969	NDP0263 (1N4152)
A12CR497	152-0141-02		SEMICON DVC,DI:SW,SI,30V,150MA,30V,DO-35	12969	NDP0263 (1N4152)
A12CR519	152-0246-00		SEMICON DEVICE:SW,SI,40V,200MA	03508	DE140
A12CR519	-----		(OPTION 05 ONLY)		
A12CR530	152-0141-02		SEMICON DVC,DI:SW,SI,30V,150MA,30V,DO-35	12969	NDP0263 (1N4152)
A12CR541	152-0141-02		SEMICON DVC,DI:SW,SI,30V,150MA,30V,DO-35	01295	1N4152R

Component No.	Tektronix Part No.	Serial/Model No. Eff Dscont	Name & Description	Mfr Code	Mfr Part Number
A12CR1000	152-0141-02		SEMICON DVC,DI:SW,SI,30V,150MA,30V,DO-35	12969	NDP0263 (1N4152)
A12CR1001	152-0141-02		SEMICON DVC,DI:SW,SI,30V,150MA,30V,DO-35	12969	NDP0263 (1N4152)
A12CR1100	152-0141-02		SEMICON DVC,DI:SW,SI,30V,150MA,30V,DO-35	12969	NDP0263 (1N4152)
A12CR1101	152-0141-02		SEMICON DVC,DI:SW,SI,30V,150MA,30V,DO-35	12969	NDP0263 (1N4152)
A12CR1102	152-0141-02		SEMICON DVC,DI:SW,SI,30V,150MA,30V,DO-35	12969	NDP0263 (1N4152)
A12F3007	159-0059-00		FUSE,WIRE LEAD:5A,FAST-BLOW	000HX	SPI-5A
A12F4007	159-0059-00		FUSE,WIRE LEAD:5A,FAST-BLOW	000HX	SPI-5A
A12F4009	159-0059-00		FUSE,WIRE LEAD:5A,FAST-BLOW	000HX	SPI-5A
A12L389	108-0538-00		COIL,RF:FIXED,2.7UH	76493	JWM#B7059
A12L532	108-0655-00		COIL,RF:FIXED,75NH	80009	108-0655-00
A12Q160	151-0220-03		TRANSISTOR:SILICON,PNP,SEL	04713	SPS6915
A12Q161	151-0220-03		TRANSISTOR:SILICON,PNP,SEL	04713	SPS6915
A12Q177	151-0232-00		TRANSISTOR:SILICON,NPN,DUAL	07263	SP12141
A12Q180	151-0220-03		TRANSISTOR:SILICON,PNP,SEL	04713	SPS6915
A12Q181	151-0190-00		TRANSISTOR:NPN,SI,TO-92	04713	SPS7969
A12Q182	151-0220-03		TRANSISTOR:SILICON,PNP,SEL	04713	SPS6915
A12Q183	151-0190-00		TRANSISTOR:NPN,SI,TO-92	04713	SPS7969
A12Q195	151-0220-03		TRANSISTOR:SILICON,PNP,SEL	04713	SPS6915
A12Q266	151-0190-00		TRANSISTOR:NPN,SI,TO-92	04713	SPS7969
A12Q294	151-0190-00		TRANSISTOR:NPN,SI,TO-92	04713	SPS7969
A12Q295	151-0190-00		TRANSISTOR:NPN,SI,TO-92	04713	SPS7969
A12Q360	151-0220-03		TRANSISTOR:SILICON,PNP,SEL	04713	SPS6915
A12Q361	151-0220-03		TRANSISTOR:SILICON,PNP,SEL	04713	SPS6915
A12Q432	151-0441-00		TRANSISTOR:SILICON,NPN	04713	SRF501
A12Q433	151-0441-00		TRANSISTOR:SILICON,NPN	04713	SRF501
A12Q467	151-0190-00		TRANSISTOR:NPN,SI,TO-92	04713	SPS7969
A12Q477	151-0223-00		TRANSISTOR:NPN,SI,TO-92	04713	SPS8026
A12Q481	151-0190-00		TRANSISTOR:NPN,SI,TO-92	04713	SPS7969
A12Q482	151-0302-00		TRANSISTOR:SILICON,NPN	07263	S038487
A12Q483	151-0190-00		TRANSISTOR:NPN,SI,TO-92	04713	SPS7969
A12Q484	151-0188-00		TRANSISTOR:PNP,SI,TO-92	T0058	2N3906
A12Q520	151-1005-00		TRANSISTOR:SILICON,JFE,N-CHANNEL	27014	F55037
A12Q520	-----		(OPTION 05 ONLY)		
A12Q521	151-0220-03		TRANSISTOR:SILICON,PNP,SEL	04713	SPS6915
A12Q521	-----		(OPTION 05 ONLY)		
A12Q598	151-0188-00		TRANSISTOR:PNP,SI,TO-92	T0058	2N3906
A12Q1005	151-0220-03		TRANSISTOR:SILICON,PNP,SEL	04713	SPS6915
A12Q1006	151-0190-00		TRANSISTOR:NPN,SI,TO-92	04713	SPS7969
A12Q1007	151-0190-00		TRANSISTOR:NPN,SI,TO-92	04713	SPS7969
A12Q2008	151-0190-00		TRANSISTOR:NPN,SI,TO-92	04713	SPS7969
A12Q230	151-1042-00		SEMICON DVC SE:MATCHED PAIR FET	22229	S2089
A12Q430	151-1042-00		SEMICON DVC SE:MATCHED PAIR FET	22229	S2089
A12R112	315-0334-00		RES.,FXD,CMPSN:330K OHM,5%,0.25W	01121	CB3345
A12R120	315-0104-00		RES.,FXD,CMPSN:100K OHM,5%,0.25W	57668	NTR25J-E100K
A12R130	315-0101-00		RES.,FXD,CMPSN:100 OHM,5%,0.25W	57668	NTR25J-E 100E
A12R132	315-0101-00		RES.,FXD,CMPSN:100 OHM,5%,0.25W	57668	NTR25J-E 100E
A12R133	315-0101-00		RES.,FXD,CMPSN:100 OHM,5%,0.25W	57668	NTR25J-E 100E
A12R134	311-1558-00		RES.,VAR,NONWIR:TRMR,20K OHM,0.5W	32997	3352T-1-203
A12R135	315-0101-00		RES.,FXD,CMPSN:100 OHM,5%,0.25W	57668	NTR25J-E 100E
A12R139	315-0681-00		RES.,FXD,CMPSN:680 OHM,5%,0.25W	57668	NTR25J-E680E
A12R140	315-0104-00		RES.,FXD,CMPSN:100K OHM,5%,0.25W	57668	NTR25J-E100K
A12R141	315-0202-00		RES.,FXD,CMPSN:2K OHM,5%,0.25W	57668	NTR25J-E02K0
A12R142	315-0560-00		RES.,FXD,CMPSN:56 OHM,5%,0.25W	57668	NTR25J-E56E0
A12R143	315-0102-00		RES.,FXD,CMPSN:1K OHM,5%,0.25W	01121	CB1025

**Replaceable Electrical Parts
468 Service Volume II**

Component No.	Tektronix Part No.	Serial/Model No. Eff Dscnt	Name & Description	Mfr Code	Mfr Part Number
A12R144	315-0103-00		RES.,FXD,CMPSN:10K OHM,5%,0.25W	57668	NTR25J-E10K0
A12R145	315-0182-00		RES.,FXD,CMPSN:1.8K OHM,5%,0.25W	57668	NTR25J-E1K8
A12R148	311-1558-00		RES.,VAR,NONWIR:TRMR,20K OHM,0.5W	32997	3352T-1-203
A12R150	315-0100-00		RES.,FXD,CMPSN:10 OHM,5%,0.25W	57668	NTR25J-E 10E0
A12R152	315-0202-00		RES.,FXD,CMPSN:2K OHM,5%,0.25W	57668	NTR25J-E02K0
A12R153	315-0302-00		RES.,FXD,CMPSN:3K OHM,5%,0.25W	57668	NTR25J-E03K0
A12R154	311-1560-00		RES.,VAR,NONWIR:TRMR,5K OHM,0.5W	32997	3352T-1-502
A12R158	307-0113-00		RES.,FXD,CMPSN:5.1 OHM,5%,0.25W	01121	CB51G5
A12R161	315-0390-00		RES.,FXD,CMPSN:39 OHM,5%,0.25W	57668	NTR25J-E39E0
A12R162	322-0189-00		RES.,FXD,FILM:909 OHM,1%,0.25W	75042	CEBT0-9090F
A12R163	315-0270-00		RES.,FXD,CMPSN:27 OHM,5%,0.25W	01121	CB2705
A12R165	315-0102-00		RES.,FXD,CMPSN:1K OHM,5%,0.25W	57668	NTR25JE01K0
A12R166	315-0471-00		RES.,FXD,CMPSN:470 OHM,5%,0.25W	57668	NTR25J-E470E
A12R171	315-0101-00		RES.,FXD,CMPSN:100 OHM,5%,0.25W	57668	NTR25J-E 100E
A12R172	315-0681-00		RES.,FXD,CMPSN:680 OHM,5%,0.25W	57668	NTR25J-E680E
A12R173	315-0752-00		RES.,FXD,CMPSN:7.5K OHM,5%,0.25W	57668	NTR25J-E07K5
A12R174	315-0681-00		RES.,FXD,CMPSN:680 OHM,5%,0.25W	57668	NTR25J-E680E
A12R175	315-0101-00		RES.,FXD,CMPSN:100 OHM,5%,0.25W	57668	NTR25J-E 100E
A12R176	315-0562-00		RES.,FXD,CMPSN:5.6K OHM,5%,0.25W	57668	NTR25J-E05K6
A12R177	301-0822-00		RES.,FXD,CMPSN:8.2K OHM,5%,0.50W	57668	TR50J-E8K2
A12R178	315-0102-00		RES.,FXD,CMPSN:1K OHM,5%,0.25W	57668	NTR25JE01K0
A12R191	321-0155-00		RES.,FXD,FILM:402 OHM,1%,0.125W	91637	MFF1816G402R0F
A12R210	315-0754-00		RES.,FXD,CMPSN:750K OHM,5%,0.25W	01121	CB7545
A12R211	315-0101-00		RES.,FXD,CMPSN:100 OHM,5%,0.25W	57668	NTR25J-E 100E
A12R219	315-0563-00		RES.,FXD,CMPSN:56K OHM,5%,0.25W	01121	CB5635
A12R229	321-0481-00		RES.,FXD,FILM:1M OHM,1%,0.125W	91637	CMF55116G10003F
A12R232	315-0150-00		RES.,FXD,CMPSN:15 OHM,5%,0.25W	01121	CB1505
A12R233	315-0203-00		RES.,FXD,CMPSN:20K OHM,5%,0.25W	57668	NTR25J-E20K0
A12R234	315-0150-00		RES.,FXD,CMPSN:15 OHM,5%,0.25W	01121	CB1505
A12R240	315-0103-00		RES.,FXD,CMPSN:10K OHM,5%,0.25W	57668	NTR25J-E10K0
A12R250	315-0152-00		RES.,FXD,CMPSN:1.5K OHM,5%,0.25W	57668	NTR25J-E01K5
A12R260	315-0472-00		RES.,FXD,CMPSN:4.7K OHM,5%,0.25W	57668	NTR25J-E04K7
A12R261	315-0272-00		RES.,FXD,CMPSN:2.7K OHM,5%,0.25W	57668	NTR25J-E02K7
A12R264	315-0681-00		RES.,FXD,CMPSN:680 OHM,5%,0.25W	57668	NTR25J-E680E
A12R266	315-0681-00		RES.,FXD,CMPSN:680 OHM,5%,0.25W	57668	NTR25J-E680E
A12R267	315-0102-00		RES.,FXD,CMPSN:1K OHM,5%,0.25W	57668	NTR25JE01K0
A12R270	315-0242-00		RES.,FXD,CMPSN:2.4K OHM,5%,0.25W	57668	NTR25J-E02K4
A12R272	301-0562-00		RES.,FXD,CMPSN:5.6K OHM,5%,0.50W	57668	TR50J-E 5K6
A12R280	315-0752-00		RES.,FXD,CMPSN:7.5K OHM,5%,0.25W	57668	NTR25J-E07K5
A12R281	315-0102-00		RES.,FXD,CMPSN:1K OHM,5%,0.25W	57668	NTR25JE01K0
A12R290	321-0155-00		RES.,FXD,FILM:402 OHM,1%,0.125W	91637	MFF1816G402R0F
A12R291	321-0209-00		RES.,FXD,FILM:1.47K OHM,1%,0.125W	91637	MFF1816G14700F
A12R292	321-0171-00		RES.,FXD,FILM:590 OHM,1%,0.125W	91637	MFF1816G590R0F
A12R293	321-0192-00		RES.,FXD,FILM:976 OHM,1%,0.125W	91637	MFF1816G976R0F
A12R294	321-0227-00		RES.,FXD,FILM:2.26K OHM,1%,0.125W	91637	MFF1816G22600F
A12R295	315-0472-00		RES.,FXD,CMPSN:4.7K OHM,5%,0.25W	57668	NTR25J-E04K7
A12R296	315-0112-00		RES.,FXD,CMPSN:1.1K OHM,5%,0.25W	01121	CB1125
A12R310	321-0068-00		RES.,FXD,FILM:49.9 OHM,1%,0.125W	91637	MFF1816G49R90F
A12R320	321-0068-00		RES.,FXD,FILM:49.9 OHM,1%,0.125W	91637	MFF1816G49R90F
A12R328	321-0068-00		RES.,FXD,FILM:49.9 OHM,1%,0.125W	91637	MFF1816G49R90F
A12R330	311-1558-00		RES.,VAR,NONWIR:TRMR,20K OHM,0.5W	32997	3352T-1-203
A12R332	315-0202-00		RES.,FXD,CMPSN:2K OHM,5%,0.25W	57668	NTR25J-E02K0
A12R333	315-0681-00		RES.,FXD,CMPSN:680 OHM,5%,0.25W	57668	NTR25J-E680E
A12R334	315-0101-00		RES.,FXD,CMPSN:100 OHM,5%,0.25W	01121	CB1015

Component No.	Tektronix Part No.	Serial/Model No. Eff	Dscont	Name & Description	Mfr Code	Mfr Part Number
A12R335	315-0150-00			RES.,FXD,CMPSN:15 OHM,5%,0.25W	01121	CB1505
A12R340	315-0104-00			RES.,FXD,CMPSN:100K OHM,5%,0.25W	57668	NTR25J-E100K
A12R341	315-0560-00			RES.,FXD,CMPSN:56 OHM,5%,0.25W	57668	NTR25J-E56E0
A12R342	315-0182-00			RES.,FXD,CMPSN:1.8K OHM,5%,0.25W	57668	NTR25J-E1K8
A12R344	315-0103-00			RES.,FXD,CMPSN:10K OHM,5%,0.25W	57668	NTR25J-E10K0
A12R346	315-0102-00			RES.,FXD,CMPSN:1K OHM,5%,0.25W	57668	NTR25JE01K0
A12R347	315-0100-00			RES.,FXD,CMPSN:10 OHM,5%,0.25W	57668	NTR25J-E 10E0
A12R349	311-1558-00			RES.,VAR,NONWIR:TRMR,20K OHM,0.5W	32997	3352T-1-203
A12R350	315-0202-00			RES.,FXD,CMPSN:2K OHM,5%,0.25W	57668	NTR25J-E02K0
A12R351	311-1560-00			RES.,VAR,NONWIR:TRMR,5K OHM,0.5W	32997	3352T-1-502
A12R352	315-0302-00			RES.,FXD,CMPSN:3K OHM,5%,0.25W	57668	NTR25J-E03K0
A12R360	307-0113-00			RES.,FXD,CMPSN:5.1 OHM,5%,0.25W	01121	CB51G5
A12R361	322-0184-00			RES.,FXD,FILM:806 OHM,1%,0.25W	75042	CEBT0-8060F
A12R362	315-0390-00			RES.,FXD,CMPSN:39 OHM,5%,0.25W	57668	NTR25J-E39E0
A12R365	315-0102-00			RES.,FXD,CMPSN:1K OHM,5%,0.25W	57668	NTR25JE01K0
A12R366	321-0181-00			RES.,FXD,FILM:750 OHM,1%,0.125W	91637	MFF1816G750R0F
A12R370	315-0331-00			RES.,FXD,CMPSN:330 OHM,5%,0.25W	57668	NTR25J-E330E
A12R378	315-0331-00			RES.,FXD,CMPSN:330 OHM,5%,0.25W	57668	NTR25J-E330E
A12R379	315-0472-00			RES.,FXD,CMPSN:4.7K OHM,5%,0.25W	57668	NTR25J-E04K7
A12R380	315-0334-00			RES.,FXD,CMPSN:330K OHM,5%,0.25W	01121	CB3345
A12R381	315-0102-00			RES.,FXD,CMPSN:1K OHM,5%,0.25W	57668	NTR25JE01K0
A12R382	315-0241-00			RES.,FXD,CMPSN:240 OHM,5%,0.25W	01121	CB2415
A12R383	315-0472-00			RES.,FXD,CMPSN:4.7K OHM,5%,0.25W	57668	NTR25J-E04K7
A12R390	315-0112-00			RES.,FXD,CMPSN:1.1K OHM,5%,0.25W	01121	CB1125
A12R391	315-0162-00			RES.,FXD,CMPSN:1.6K OHM,5%,0.25W	01121	CB1625
A12R410	315-0510-00			RES.,FXD,CMPSN:51 OHM,5%,0.25W	57668	NTR25J-E51E0
A12R411	321-0790-00			RES.,FXD,FILM:990K OHM,1%,0.125W	14298	AME55D9903F
A12R412	315-0820-00			RES.,FXD,CMPSN:82 OHM,5%,0.25W	57668	NTR25J-E82E0
A12R413	321-0450-00			RES.,FXD,FILM:475K OHM,1%,0.125W	91637	CMF55116G47502F
A12R414	321-0381-00			RES.,FXD,FILM:90.9K OHM,1%,0.125W	91637	MFF1816G90901F
A12R416	315-0270-00			RES.,FXD,CMPSN:27 OHM,5%,0.25W	01121	CB2705
A12R417	315-0392-00			RES.,FXD,CMPSN:3.9K OHM,5%,0.25W	57668	NTR25J-E03K9
A12R418	315-0241-00	B010100	B03999	RES.,FXD,CMPSN:240 OHM,5%,0.25W	01121	CB2415
A12R418	-----	B040000		(TEST SELECTABLE)		
A12R420	315-0470-00			RES.,FXD,CMPSN:47 OHM,5%,0.25W	57668	NTR25J-E47E0
A12R420	-----			(OPTION 05 ONLY)		
A12R421	315-0153-00			RES.,FXD,CMPSN:15K OHM,5%,0.25W	01121	CB1535
A12R421	-----			(OPTION 05 ONLY)		
A12R422	321-0496-00			RES.,FXD,FILM:1.43M OHM,1%,0.125W	91637	HFF1813G14303F
A12R422	-----			(OPTION 05 ONLY)		
A12R423	315-0106-00			RES.,FXD,CMPSN:10M OHM,5%,0.25W	01121	CB1065
A12R423	-----			(OPTION 05 ONLY)		
A12R424	315-0563-00			RES.,FXD,CMPSN:56K OHM,5%,0.25W	01121	CB5635
A12R428	315-0101-00			RES.,FXD,CMPSN:100 OHM,5%,0.25W	57668	NTR25J-E 100E
A12R430	321-0481-00			RES.,FXD,FILM:1M OHM,1%,0.125W	91637	CMF55116G10003F
A12R430	315-0475-00			RES.,FXD,CMPSN:4.7M OHM,5%,0.25W	01121	CB4755
A12R430	-----			(OPTION 05 ONLY)		
A12R431	315-0101-00			RES.,FXD,CMPSN:100 OHM,5%,0.25W	57668	NTR25J-E 100E
A12R432	315-0150-00			RES.,FXD,CMPSN:15 OHM,5%,0.25W	01121	CB1505
A12R433	315-0101-00			RES.,FXD,CMPSN:100 OHM,5%,0.25W	57668	NTR25J-E 100E
A12R435	311-1260-00			RES.,VAR,NONWIR:250 OHM,10%,0.50W	32997	3329P-L58-251
A12R440	315-0101-00			RES.,FXD,CMPSN:100 OHM,5%,0.25W	57668	NTR25J-E 100E
A12R443	311-1567-00			RES.,VAR,NONWIR:TRMR,100 OHM,0.50W	73138	91-89-0
A12R444	315-0101-00			RES.,FXD,CMPSN:100 OHM,5%,0.25W	01121	CB1015

Replaceable Electrical Parts
468 Service Volume II

Component No.	Tektronix Part No.	Serial/Model No. Eff Dscnt	Name & Description	Mfr Code	Mfr Part Number
A12R445	315-0203-00		RES.,FXD,CMPSN:20K OHM,5%,0.25W	57668	NTR25J-E20K0
A12R446	315-0101-00		RES.,FXD,CMPSN:100 OHM,5%,0.25W	57668	NTR25J-E 100E
A12R460	315-0472-00		RES.,FXD,CMPSN:4.7K OHM,5%,0.25W	57668	NTR25J-E04K7
A12R463	315-0103-00		RES.,FXD,CMPSN:10K OHM,5%,0.25W	57668	NTR25J-E10K0
A12R466	315-0471-00		RES.,FXD,CMPSN:470 OHM,5%,0.25W	57668	NTR25J-E470E
A12R467	315-0102-00		RES.,FXD,CMPSN:1K OHM,5%,0.25W	57668	NTR25JE01K0
A12R470	315-0242-00		RES.,FXD,CMPSN:2.4K OHM,5%,0.25W	57668	NTR25J-E02K4
A12R471	315-0270-00		RES.,FXD,CMPSN:27 OHM,5%,0.25W	01121	CB2705
A12R472	321-0222-00		RES.,FXD,FILM:2K OHM,1%,0.125W	91637	MFF1816G20000F
A12R473	315-0103-00		RES.,FXD,CMPSN:10K OHM,5%,0.25W	57668	NTR25J-E10K0
A12R476	315-0822-00		RES.,FXD,CMPSN:8.2K OHM,5%,0.25W	01121	CB8225
A12R477	315-0102-00		RES.,FXD,CMPSN:1K OHM,5%,0.25W	57668	NTR25JE01K0
A12R479	315-0101-00		RES.,FXD,CMPSN:100 OHM,5%,0.25W	57668	NTR25J-E 100E
A12R480	315-0152-00		RES.,FXD,CMPSN:1.5K OHM,5%,0.25W	57668	NTR25J-E01K5
A12R481	315-0273-00		RES.,FXD,CMPSN:27K OHM,5%,0.25W	57668	NTR25J-E27K0
A12R482	315-0104-00		RES.,FXD,CMPSN:100K OHM,5%,0.25W	57668	NTR25J-E100K
A12R483	315-0472-00		RES.,FXD,CMPSN:4.7K OHM,5%,0.25W	57668	NTR25J-E04K7
A12R484	315-0202-00		RES.,FXD,CMPSN:2K OHM,5%,0.25W	57668	NTR25J-E02K0
A12R485	315-0471-00		RES.,FXD,CMPSN:470 OHM,5%,0.25W	57668	NTR25J-E470E
A12R486	315-0102-00		RES.,FXD,CMPSN:1K OHM,5%,0.25W	57668	NTR25JE01K0
A12R487	315-0203-00		RES.,FXD,CMPSN:20K OHM,5%,0.25W	57668	NTR25J-E20K0
A12R495	315-0471-00		RES.,FXD,CMPSN:470 OHM,5%,0.25W	57668	NTR25J-E470E
A12R496	315-0103-00		RES.,FXD,CMPSN:10K OHM,5%,0.25W	57668	NTR25J-E10K0
A12R497	315-0103-00		RES.,FXD,CMPSN:10K OHM,5%,0.25W	57668	NTR25J-E10K0
A12R504	315-0100-00		RES.,FXD,CMPSN:10 OHM,5%,0.25W	57668	NTR25J-E 10E0
A12R514	325-0245-00		RES.,FXD,FILM:3.32M OHM,1%,0.125W	91637	CMF55116G33203F
A12R523	315-0472-00		RES.,FXD,CMPSN:4.7K OHM,5%,0.25W	57668	NTR25J-E04K7
A12R523	-----		(OPTION 05 ONLY)		
A12R524	315-0104-00		RES.,FXD,CMPSN:100K OHM,5%,0.25W	57668	NTR25J-E100K
A12R526	321-0178-00		RES.,FXD,FILM:698 OHM,1%,0.125W	91637	MFF1816G698R0F
A12R531	322-0194-00		RES.,FXD,FILM:1.02K OHM,1%,0.25W	75042	CEBTO-1021F
A12R533	315-0124-00		RES.,FXD,CMPSN:120K OHM,5%,0.25W	01121	CB1245
A12R534	311-0622-00		RES.,VAR, NONWIR: 100 OHM,10%,0.50W	32997	3329H-G48-101
A12R538	315-0430-00		RES.,FXD,CMPSN:43 OHM,5%,0.25W	01121	CB4305
A12R540	322-0194-00		RES.,FXD,FILM:1.02K OHM,1%,0.25W	75042	CEBTO-1021F
A12R541	315-0430-00		RES.,FXD,CMPSN:43 OHM,5%,0.25W	01121	CB4305
A12R542	315-0152-00		RES.,FXD,CMPSN:1.5K OHM,5%,0.25W	57668	NTR25J-E01K5
A12R570	315-0274-00		RES.,FXD,CMPSN:270K OHM,5%,0.25W	57668	NTR25J-E270K
A12R591	315-0393-00		RES.,FXD,CMPSN:39K OHM,5%,0.25W	57668	NTR25J-E39K0
A12R592	315-0202-00		RES.,FXD,CMPSN:2K OHM,5%,0.25W	57668	NTR25J-E02K0
A12R593	315-0103-00		RES.,FXD,CMPSN:10K OHM,5%,0.25W	57668	NTR25J-E10K0
A12R599	315-0511-00		RES.,FXD,CMPSN:510 OHM,5%,0.25W	01121	CB5115
A12R1000	315-0911-00		RES.,FXD,CMPSN:910 OHM,5%,0.25W	57668	NTR25J-E910E
A12R1002	315-0221-00		RES.,FXD,CMPSN:220 OHM,5%,0.25W	57668	NTR25J-E220E
A12R1003	315-0221-00		RES.,FXD,CMPSN:220 OHM,5%,0.25W	57668	NTR25J-E220E
A12R1004	321-0155-00		RES.,FXD,FILM:402 OHM,1%,0.125W	91637	MFF1816G402R0F
A12R1005	321-0215-00		RES.,FXD,FILM:1.69K OHM,1%,0.125W	91637	MFF1816G16900F
A12R1100	315-0472-00		RES.,FXD,CMPSN:4.7K OHM,5%,0.25W	57668	NTR25J-E04K7
A12R1101	315-0911-00		RES.,FXD,CMPSN:910 OHM,5%,0.25W	57668	NTR25J-E910E
A12R2001	321-0171-00		RES.,FXD,FILM:590 OHM,1%,0.125W	91637	MFF1816G590R0F
A12R2002	315-0220-00		RES.,FXD,CMPSN:22 OHM,5%,0.25W	01121	CB2205
A12R2005	321-0264-00		RES.,FXD,FILM:5.49K OHM,1%,0.125W	91637	MFF1816G54900F
A12R2006	321-0192-00		RES.,FXD,FILM:976 OHM,1%,0.125W	91637	MFF1816G976R0F
A12R2008	315-0220-00		RES.,FXD,CMPSN:22 OHM,5%,0.25W	01121	CB2205

Component No.	Tektronix Part No.	Serial/Model No. Eff Dscont	Name & Description	Mfr Code	Mfr Part Number
A12R2009	321-0231-00		RES.,FXD,FILM:2.49K OHM,1%,0.125W	91637	MFF1816G24900F
A12R2100	315-0182-00		RES.,FXD,CMPSN:1.8K OHM,5%,0.25W	57668	NTR25J-E1K8
A12R2101	321-0155-00		RES.,FXD,FILM:402 OHM,1%,0.125W	91637	MFF1816G402R0F
A12R2102	315-0220-00		RES.,FXD,CMPSN:22 OHM,5%,0.25W	01121	CB2205
A12S120	263-0065-00		SW SL ACTR ASSY:B COUPLING,4 OF 5 POSITION	80009	263-0065-00
A12S220	263-0066-00		SW SL ACTR ASSY:B SOURCE,5 OF 6 POSITION	80009	263-0066-00
A12S220	263-0070-00		SW SL ACTR ASSY:A COUPLING,6 OF 6 POSITION	80009	263-0070-00
A12S220	-----		(OPTION 05 ONLY)		
A12S320	263-0068-00		SW SL ACTR ASSY:A SOURCE,6 OF 6 POSITION	80009	263-0068-00
A12S420	263-0067-00		SW SL ACTR ASSY:A COUPLING,4 OF 6 POSITION	80009	263-0067-00
A12S420	263-0070-00		SW SL ACTR ASSY:A COUPLING,6 OF 6 POSITION	80009	263-0070-00
A12S420	-----		(OPTION 05 ONLY)		
A12U240	155-0196-00		MICROCKT,INTFC:TRIGGER	80009	155-0196-00
A12U250	156-1150-00		MICROCIRCUIT,LI:VOLTAGE REGULATOR,NEGATIVE	04713	MC79L05ACP
A12U445	155-0196-00		MICROCKT,INTFC:TRIGGER	80009	155-0196-00
A12U480	155-0049-02		MICROCIRCUIT,DI:SWEEP CONTROL,W/LOCKOUT	80009	155-0049-02
A12VR366	152-0227-00		SEMICONV DEVICE:ZENER,0.4W,6.2V,5%	04713	SZ13903
A12VR383	152-0278-00		SEMICONV DEVICE:ZENER,0.4W,3V,5%	04713	SZG35009K20
A12VR526	152-0195-00		SEMICONV DEVICE:ZENER,0.4W,5.1V,5%	04713	SZ11755
A12W189	131-0566-00		BUS CONDUCTOR:DUMMY RES,2.375,22 AWG	57668	JWW-0200E0
A12W190	131-0566-00		BUS CONDUCTOR:DUMMY RES,2.375,22 AWG	57668	JWW-0200E0
A12W2003	131-0566-00		BUS CONDUCTOR:DUMMY RES,2.375,22 AWG	57668	JWW-0200E0
A12W2006	131-0566-00		BUS CONDUCTOR:DUMMY RES,2.375,22 AWG	57668	JWW-0200E0
A12W2007	131-0566-00		BUS CONDUCTOR:DUMMY RES,2.375,22 AWG	57668	JWW-0200E0

Replaceable Electrical Parts
468 Service Volume II

Component No.	Tektronix Part No.	Serial/Model No. Eff	Dscont	Name & Description	Mfr Code	Mfr Part Number
A13	670-6374-00	B010100	B010899	CKT BOARD ASSY:TIMING	80009	670-6374-00
A13	670-6374-01	B010900		CKT BOARD ASSY:TIMING	80009	670-6374-01
A13C112	281-0763-00			CAP.,FXD,CER DI:47PF,10%,100V	04222	GA101A470KAA
A13C120	281-0096-00			CAP.,VAR,AIR DI:5.5-18PF,350V	33095	53-717-029A5.5
A13C126	281-0089-00			CAP.,VAR,CER DI:2-8PF,350V	59660	538-006-A2-8
A13C126	281-0096-00	.700001		CAP.,VAR,AIR DI:5.5-18PF,350V	33095	53-717-029A5.5
A13C130	295-0175-00			CAP.,SET,MTCHD:0.1UF,9.95UF,985PF,0.2%	80009	295-0175-00
A13C152	281-0773-00			CAP.,FXD,CER DI:0.1UF,20%,50V	04222	MA201C103KAA
A13C159	281-0089-00			CAP.,VAR,CER DI:2-8PF,350V	59660	538-006-A2-8
A13C228	283-0331-00	B010100	B010899	CAP.,FXD,CER DI:43PF,2%,100V	59660	0805536C0G0-430G
A13C228	283-0784-00	B010900		CAP.,FXD,MICA D:40 PF,2%,500V	09023	CD15ED400G03
A13C228	283-0333-00	.700001		CAP.,FXD,CER DI:35PF,5%,1000V	72982	838-534 A 350>
A13C258	283-0331-00			CAP.,FXD,CER DI:43PF,2%,100V	59660	0805536C0G0-430G
A13C318	295-0175-00			CAP.,SET,MTCHD:0.1UF,9.95UF,985PF,0.2%	80009	295-0175-00
A13C345	295-0157-00			CAP.,SET,MTCHD:0.1UF,1UF,998PF	80009	295-0157-00
A13C418	295-0175-00			CAP.,SET,MTCHD:0.1UF,9.95UF,985PF,0.2%	80009	295-0175-00
A13C429	283-0645-00			CAP.,FXD,MICA D:790PF,1%,100V	00853	D153F791F0
A13C435	290-0245-00			CAP.,FXD,ELCTLT:1.5UF,10%,10V	56289	150D155X9010A2
A13C437	283-0239-00			CAP.,FXD,CER DI:0.022UF,10%,50V	72982	8121N083X7R0223K
A13C446	295-0157-00			CAP.,SET,MTCHD:0.1UF,1UF,998PF	80009	295-0157-00
A13C449	295-0157-00			CAP.,SET,MTCHD:0.1UF,1UF,998PF	80009	295-0157-00
A13CR374	152-0075-00			SEMICONV DEVICE:SW,GE,22V,40MA	14433	G866
A13CR423	152-0141-02			SEMICONV DVC,DI:SW,SI,30V,150MA,30V,DO-35	12969	NDP0263 (1N4152)
A13CR425	152-0141-02			SEMICONV DVC,DI:SW,SI,30V,150MA,30V,DO-35	12969	NDP0263 (1N4152)
A13CR430	152-0141-02			SEMICONV DVC,DI:SW,SI,30V,150MA,30V,DO-35	12969	NDP0263 (1N4152)
A13CR471	152-0075-00			SEMICONV DEVICE:SW,GE,22V,40MA	14433	G866
A13Q151	151-0190-00			TRANSISTOR:NPN,SI,TO-92	04713	SPS7969
A13Q158	151-0302-00			TRANSISTOR:SILICON,NPN	07263	S038487
A13Q161	151-0302-00			TRANSISTOR:SILICON,NPN	07263	S038487
A13Q432	151-0188-00			TRANSISTOR:PNP,SI,TO-92	T0058	2N3906
A13R113	315-0101-00			RES.,FXD,CMPSN:100 OHM,5%,0.25W	57668	NTR25J-E 100E
A13R114	323-0498-04			RES.,FXD,FILM:1.5M OHM,0.1%,0.50W	91637	HFF129D15003B
A13R115	323-0481-04			RES.,FXD,FILM:1M OHM,0.1%,0.50W	91637	MFF1226D10003B
A13R116	321-0648-04			RES.,FXD,FILM:500K OHM,0.1%,0.125W	91637	CMF110216D50002B
A13R120	321-0618-04			RES.,FXD,FILM:250K OHM,0.1%,0.125W	07716	OBD
A13R121	321-0414-04			RES.,FXD,FILM:200K OHM,0.1%,0.125W	91637	CMF55116D20002B
A13R122	321-0385-04			RES.,FXD,FILM:100K OHM,0.1%,0.125W	91637	MFF1816D10002B
A13R123	321-0756-04			RES.,FXD,FILM:50K OHM,0.1%,0.125W	91637	MFF1816D50001B
A13R124	311-1915-00			RES.,VAR,NONWIR:20K OHM,10%,0.50W	73138	72-196-0
A13R129	321-0169-00			RES.,FXD,FILM:562 OHM,1%,0.125W	91637	MFF1816G562R0F
A13R130	321-0986-07			RES.,FXD,FILM:25K OHM,0.1%,0.125W	91637	MFF1816C25001B
A13R131	321-0380-00			RES.,FXD,FILM:88.7K OHM,1%,0.125W	91637	MFF1816G88701F
A13R132	321-0156-00			RES.,FXD,FILM:412 OHM,1%,0.125W	91637	MFF1816G412R0F
A13R133	321-0463-00			RES.,FXD,FILM:649K OHM,1%,0.125W	91637	MFF1816G64902F
A13R135	307-0542-00			RES.,NTWK,FXD,FI:10K OHM,5%,0.125W	01121	106A103
A13R137	315-0305-00			RES.,FXD,CMPSN:3M OHM,5%,0.25W	01121	CB3055
A13R138	321-0296-00			RES.,FXD,FILM:11.8K OHM,1%,0.125W	91637	MFF1816G11801F
A13R143	323-0498-04			RES.,FXD,FILM:1.5M OHM,0.1%,0.50W	91637	HFF129D15003B
A13R144	323-0481-04			RES.,FXD,FILM:1M OHM,0.1%,0.50W	91637	MFF1226D10003B
A13R145	307-0595-00			RES NTWK,FXD FI:7.5.6K OHM,2%,1.0W	32997	4308R-101-562
A13R147	321-0648-04			RES.,FXD,FILM:500K OHM,0.1%,0.125W	91637	CMF110216D50002B
A13R148	321-0618-04			RES.,FXD,FILM:250K OHM,0.1%,0.125W	07716	OBD
A13R150	321-0414-04			RES.,FXD,FILM:200K OHM,0.1%,0.125W	91637	CMF55116D20002B
A13R153	321-0385-04			RES.,FXD,FILM:100K OHM,0.1%,0.125W	91637	MFF1816D10002B
A13R154	321-0756-04			RES.,FXD,FILM:50K OHM,0.1%,0.125W	91637	MFF1816D50001B
A13R156	321-0986-07			RES.,FXD,FILM:25K OHM,0.1%,0.125W	91637	MFF1816C25001B

Component No.	Tektronix Part No.	Serial/Model No. Eff Dscont	Name & Description	Mfr Code	Mfr Part Number
A13R157	321-0383-00		RES.,FXD,FILM:95.3K OHM,1%,0.125W	91637	MFF1816G95301F
A13R160	315-0473-00		RES.,FXD,CMPSN:47K OHM,5%,0.25W	57668	NTR25J-E47K0
A13R161	321-0262-00		RES.,FXD,FILM:5.23K OHM,1%,0.125W	91637	MFF1816G52300F
A13R162	315-0914-00		RES.,FXD,CMPSN:910K OHM,5%,0.25W	01121	CB9145
A13R163	321-0414-00		RES.,FXD,FILM:200K OHM,1%,0.125W	91637	MFF1816G20002F
A13R164	321-0451-00		RES.,FXD,FILM:487K OHM,1%,0.125W	91637	CMF55116G48702F
A13R169	311-1245-00		RES.,VAR,NONWIR:10K OHM,10%,0.50W	73138	72-28-0
A13R170	315-0472-00		RES.,FXD,CMPSN:4.7K OHM,5%,0.25W	57668	NTR25J-E04K7
A13R173	311-1245-00		RES.,VAR,NONWIR:10K OHM,10%,0.50W	73138	72-28-0
A13R178	315-0331-00		RES.,FXD,CMPSN:330 OHM,5%,0.25W	57668	NTR25J-E330E
A13R270	311-1238-00		RES.,VAR,NONWIR:5K OHM,10%,0.50W	73138	72-27-0
A13R272	311-1701-00		RES.,VAR,NONWIR:PNL,50K OHM,1W,W/SW	01121	18M655
A13R428	315-0682-00		RES.,FXD,CMPSN:6.8K OHM,5%,0.25W	57668	NTR25J-E06K8
A13R429	315-0302-00		RES.,FXD,CMPSN:3K OHM,5%,0.25W	57668	NTR25J-E03K0
A13R430	315-0561-00		RES.,FXD,CMPSN:560 OHM,5%,0.25W	01121	CB5615
A13R431	321-0338-00		RES.,FXD,FILM:32.4K OHM,1%,0.125W	91637	MFF1816G32401F
A13R432	321-0429-00		RES.,FXD,FILM:287K OHM,1%,0.125W	91637	MFF1816G28702F
A13R439	321-0463-00		RES.,FXD,FILM:649K OHM,1%,0.125W	91637	MFF1816G64902F
A13S249	263-1186-00		SW CAM ACTR AS:TIME/CM	80009	263-1186-00
A13S410	260-1422-00		SWITCH,PUSH:3 STA,INTERLOCK	59821	EKBC030000594
A13S469	260-1423-00		SWITCH,PUSH:4 STA,INTERLOCK,NON-SHORT	59821	2KBC040000593
A13VR173	152-0395-00		SEMICONV DEVICE:ZENER,0.4W,4.3V,5%	14552	TD332317
A13VR174	152-0166-00		SEMICONV DEVICE:ZENER,0.4W,6.2V,5%	04713	SZ11738RL

Replaceable Electrical Parts
468 Service Volume II

Component No.	Tektronix Part No.	Serial/Model No. Eff Dscont	Name & Description	Mfr Code	Mfr Part Number
A14	670-6375-00		CKT BOARD ASSY:VERTICAL MODE	80009	670-6375-00
A14C203	281-0775-00		CAP.,FXD,CER DI:0.1UF,20%,50V	04222	MA205E104MAA
A14C358	281-0775-00		CAP.,FXD,CER DI:0.1UF,20%,50V	04222	MA205E104MAA
A14C399	290-0135-00		CAP.,FXD,ELCTL:15UF,20%,20V	56289	150D156X0020B2
A14Q115	151-0190-00		TRANSISTOR:NPN,SI,TO-92	04713	SPS7969
A14Q208	151-0190-00		TRANSISTOR:NPN,SI,TO-92	04713	SPS7969
A14Q209	151-0188-00		TRANSISTOR:PNP,SI,TO-92	T0058	2N3906
A14Q366	151-0190-00		TRANSISTOR:NPN,SI,TO-92	04713	SPS7969
A14Q369	151-0190-00		TRANSISTOR:NPN,SI,TO-92	04713	SPS7969
A14Q1308	151-0188-00		TRANSISTOR:PNP,SI,TO-92	T0058	2N3906
A14Q1309	151-0188-00		TRANSISTOR:PNP,SI,TO-92	T0058	2N3906
A14R101	315-0103-00		RES.,FXD,CMPSN:10K OHM,5%,0.25W	57668	NTR25J-E10K0
A14R102	315-0153-00		RES.,FXD,CMPSN:15K OHM,5%,0.25W	01121	CB1535
A14R103	315-0202-00		RES.,FXD,CMPSN:2K OHM,5%,0.25W	57668	NTR25J-E02K0
A14R104	315-0242-00		RES.,FXD,CMPSN:2.4K OHM,5%,0.25W	57668	NTR25J-E02K4
A14R202	315-0103-00		RES.,FXD,CMPSN:10K OHM,5%,0.25W	57668	NTR25J-E10K0
A14R203	315-0103-00		RES.,FXD,CMPSN:10K OHM,5%,0.25W	57668	NTR25J-E10K0
A14R204	315-0103-00		RES.,FXD,CMPSN:10K OHM,5%,0.25W	57668	NTR25J-E10K0
A14R265	315-0103-00		RES.,FXD,CMPSN:10K OHM,5%,0.25W	57668	NTR25J-E10K0
A14R266	315-0153-00		RES.,FXD,CMPSN:15K OHM,5%,0.25W	01121	CB1535
A14R267	315-0153-00		RES.,FXD,CMPSN:15K OHM,5%,0.25W	01121	CB1535
A14R358	315-0103-00		RES.,FXD,CMPSN:10K OHM,5%,0.25W	57668	NTR25J-E10K0
A14R370	307-0446-00		RES,NTWK,FXD FI:10K OHM,20%,(9) RES	91637	MSP10A01-103M
A14R398	307-0446-00		RES,NTWK,FXD FI:10K OHM,20%,(9) RES	91637	MSP10A01-103M
A14R472	307-0542-00		RES,NTWK,FXD,FI:10K OHM,5%,0.125W	01121	106A103
A14R1106	315-0331-00		RES.,FXD,CMPSN:330 OHM,5%,0.25W	57668	NTR25J-E330E
A14R1107	315-0331-00		RES.,FXD,CMPSN:330 OHM,5%,0.25W	57668	NTR25J-E330E
A14R1112	315-0111-00		RES.,FXD,CMPSN:110 OHM,5%,0.25W	57668	NTR25J-E110E
A14R1311	315-0102-00		RES.,FXD,CMPSN:1K OHM,5%,0.25W	57668	NTR25JE01K0
A14R1312	315-0473-00		RES.,FXD,CMPSN:47K OHM,5%,0.25W	57668	NTR25J-E47K0
A14R1313	315-0103-00		RES.,FXD,CMPSN:10K OHM,5%,0.25W	57668	NTR25J-E10K0
A14R1314	315-0111-00		RES.,FXD,CMPSN:110 OHM,5%,0.25W	57668	NTR25J-E110E
A14R1315	315-0102-00		RES.,FXD,CMPSN:1K OHM,5%,0.25W	57668	NTR25JE01K0
A14R1316	315-0473-00		RES.,FXD,CMPSN:47K OHM,5%,0.25W	57668	NTR25J-E47K0
A14R1317	315-0103-00		RES.,FXD,CMPSN:10K OHM,5%,0.25W	57668	NTR25J-E10K0
A14S272	260-1944-00		SWITCH,PUSH:5 BTN,2 POLE,VERTICAL MODE	59821	2KBB0500001219
A14S295	263-1185-00		SW CAM ACTR AS:ATTENUATOR	80009	263-1185-00
A14S495	263-1185-00		SW CAM ACTR AS:ATTENUATOR	80009	263-1185-00
A14U310	156-0913-02		MICROCIRCUIT,DI:OCTAL D FF,BURN-IN	04713	SN74LS377NDS
A14U320	156-1277-00		MICROCIRCUIT,DI:3 STATE OCTAL BFR	27014	DM81LS95
A14U326	156-1277-00		MICROCIRCUIT,DI:3 STATE OCTAL BFR	27014	DM81LS95
A14U336	156-1277-00		MICROCIRCUIT,DI:3 STATE OCTAL BFR	27014	DM81LS95
A14U346	156-1277-00		MICROCIRCUIT,DI:3 STATE OCTAL BFR	27014	DM81LS95
A14U358	156-0469-02		MICROCIRCUIT,DI:3/8 LINE DC DR	01295	SN74LS138NP3
A14U458	156-0948-02		MICROCIRCUIT,DI:QUAD D F-F,BURN-IN	01295	SN74S175J4
A14U466	156-1277-00		MICROCIRCUIT,DI:3 STATE OCTAL BFR	27014	DM81LS95

Component No.	Tektronix Part No.	Serial/Model No. Eff	Dscont	Name & Description	Mfr Code	Mfr Part Number
A15	670-6376-00	B010100	B039999	CKT BOARD ASSY:INTERFACE	80009	670-6376-00
A15	670-6376-02	B040000		CKT BOARD ASSY:INTERFACE	80009	670-6376-02
A15	670-6376-01	B010100	B039999	CKT BOARD ASSY:INTERFACE	80009	670-6376-01
A15	-----			(OPTION 04 ONLY)		
A15	670-6376-03	B040000		CKT BOARD ASSY:INTERFACE	80009	670-6376-03
A15	-----			(OPTION 04 ONLY)		
A15C104	290-0536-00			CAP.,FXD,ELCTLT:10UF,20%,25V	90201	TDC106M025FL
A15C108	290-0316-00			CAP.,FXD,ELCTLT:47UF,20%,35V	56289	150D476X0035S2
A15C113	283-0203-00			CAP.,FXD,CER DI:0.47UF,20%,50V	04222	5R305SE474MAA
A15C141	283-0003-00			CAP.,FXD,CER DI:0.01UF,+80-20%,150V	59821	2DDH66J103Z
A15C142	283-0003-00			CAP.,FXD,CER DI:0.01UF,+80-20%,150V	59821	2DDH66J103Z
A15C143	281-0773-00			CAP.,FXD,CER DI:0.1UF,20%,50V	04222	MA201C103KAA
A15C146	281-0773-00			CAP.,FXD,CER DI:0.1UF,20%,50V	04222	MA201C103KAA
A15C162	290-0047-00	.700001		CAP.,FXD,ELCTLT:150UF,250V W/COVER & PLATE	80009	290-0047-00
A15C205	283-0002-00			CAP.,FXD,CER DI:0.01UF,+80-20%,500V	59821	SDDH69L103Z
A15C210	281-0622-00			CAP.,FXD,CER DI:47PF,1%,500V	59660	0301080C0G0470F
A15C218	285-0509-01			CAP.,FXD,PPR DI:0.0068UF,20%,5000V	56289	430P507
A15C220	285-0509-01			CAP.,FXD,PPR DI:0.0068UF,20%,5000V	56289	430P507
A15C225	285-0509-01			CAP.,FXD,PPR DI:0.0068UF,20%,5000V	56289	430P507
A15C239	285-1040-00			CAP.,FXD,PLSTC:0.0012UF,10%,4000V	56289	430P522
A15C303	290-0164-00			CAP.,FXD,ELCTLT:1UF,+50-10%,150V	56289	500D105F150BA7
A15C307	283-0178-00			CAP.,FXD,CER DI:0.1UF,+80-20%,100V	72982	8131N145651 104Z
A15C314	283-0002-00			CAP.,FXD,CER DI:0.01UF,+80-20%,500V	59821	SDDH69L103Z
A15C318	285-1040-00			CAP.,FXD,PLSTC:0.0012UF,10%,4000V	56289	430P522
A15C319	285-0507-01			CAP.,FXD,PPR DI:0.0047UF,20%,6000V	56289	430P472060
A15C353	283-0003-00			CAP.,FXD,CER DI:0.01UF,+80-20%,150V	59821	2DDH66J103Z
A15C391	281-0767-00			CAP.,FXD,CER DI:330PF,20%,100V	12969	CGB331MEN
A15C404	281-0775-00			CAP.,FXD,CER DI:0.1UF,20%,50V	04222	MA205E104MAA
A15C414	283-0057-00			CAP.,FXD,CER DI:0.1UF,+80-20%,200V	56289	2C20Z5U104Z200B
A15C416	283-0057-00			CAP.,FXD,CER DI:0.1UF,+80-20%,200V	56289	2C20Z5U104Z200B
A15C426	285-1040-00			CAP.,FXD,PLSTC:0.0012UF,10%,4000V	56289	430P522
A15C450	283-0328-00			CAP.,FXD,CER DI:0.03UF,+80-20%,200V	72982	8131N225Z5U0303Z
A15C453	281-0773-00			CAP.,FXD,CER DI:0.1UF,20%,50V	04222	MA201C103KAA
A15C460	281-0816-00			CAP.,FXD,CER DI:82PF,5%,100V	96733	R3247
A15C461	281-0772-00			CAP.,FXD,CER DI:0.0047UF,10%,100V	04222	GC701C472K
A15C467	281-0812-00			CAP.,FXD,CER DI:1000PF,10%,100V	04222	MA101C102KAA
A15C468	281-0812-00			CAP.,FXD,CER DI:1000PF,10%,100V	04222	MA101C102KAA
A15C485	281-0775-00			CAP.,FXD,CER DI:0.1UF,20%,50V	04222	MA205E104MAA
A15C486	285-0686-00			CAP.,FXD,PLSTC:0.068UF,10%,100V	56289	192P68392M465
A15C502	290-0535-00			CAP.,FXD,ELCTLT:33UF,20%,10V	56289	196D336X0010KA1
A15C513	283-0002-00			CAP.,FXD,CER DI:0.01UF,+80-20%,500V	59821	SDDH69L103Z
A15C518	281-0064-00			CAP.,VAR,PLSTC:0.25-1.5PF,600V	74970	273-0001-101
A15C519	281-0773-00			CAP.,FXD,CER DI:0.1UF,20%,50V	04222	MA201C103KAA
A15C525	281-0788-00			CAP.,FXD,CER DI:470PF,10%,100V	96733	R3015
A15C531	283-0198-00			CAP.,FXD,CER DI:0.22UF,20%,50V	56289	1C10Z5U223M050B
A15C548	281-0168-00			CAP.,VAR,AIR DI:1.3-5.4PF,250V	74970	187-0103-035
A15C549	281-0168-00			CAP.,VAR,AIR DI:1.3-5.4PF,250V	74970	187-0103-035
A15C555	283-0024-00			CAP.,FXD,CER DI:0.1UF,+80-20%,50V	72982	8121N083Z5U0104Z
A15C570	290-0534-00			CAP.,FXD,ELCTLT:1UF,20%,35V	56289	196D105X0035HA1
A15C582	283-0004-00			CAP.,FXD,CER DI:0.02UF,+80-20%,150V	59821	SDDH69J203Z
A15C589	283-0004-00			CAP.,FXD,CER DI:0.02UF,+80-20%,150V	59821	SDDH69J203Z
A15C594	290-0532-00			CAP.,FXD,ELCTLT:150UF,20%,6V	90201	TDC157M006WLC
A15C595	281-0762-00			CAP.,FXD,CER DI:27PF,20%,100V	04222	GC101A270M
A15C603	290-0305-00			CAP.,FXD,ELCTLT:3UF,20%,150V	56289	109D305X0150C2
A15C607	281-0814-00			CAP.,FXD,CER DI:100PF,10%,100V	04222	GC101A101K

Replaceable Electrical Parts
468 Service Volume II

Component No.	Tektronix Part No.	Serial/Model No. Eff Dscont	Name & Description	Mfr Code	Mfr Part Number
A15C609	281-0783-00		CAP.,FXD,CER DI:0.1UF,20%,100V	96733	ADVISE
A15C629	290-0149-00		CAP.,FXD,ELCTLT:5UF,+75-10%,150V	56289	30D505G150CCAS
A15C634	290-0529-00		CAP.,FXD,ELCTLT:47UF,20%,20V	05397	T362C476M020AS
A15C644	283-0328-00		CAP.,FXD,CER DI:0.03UF,+80-20%,200V	72982	8131N225Z5U0303Z
A15C650	283-0003-00		CAP.,FXD,CER DI:0.01UF,+80-20%,150V	59821	2DDH66J103Z
A15C652	281-0773-00		CAP.,FXD,CER DI:0.1UF,20%,50V	04222	MA201C103KAA
A15C657	281-0816-00		CAP.,FXD,CER DI:82PF,5%,100V	96733	R3247
A15C658	281-0775-00		CAP.,FXD,CER DI:0.1UF,20%,50V	04222	MA205E104MAA
A15C672	281-0775-00		CAP.,FXD,CER DI:0.1UF,20%,50V	04222	MA205E104MAA
A15C690	281-0775-00		CAP.,FXD,CER DI:0.1UF,20%,50V	04222	MA205E104MAA
A15C698	281-0773-00		CAP.,FXD,CER DI:0.1UF,20%,50V	04222	MA201C103KAA
A15C705	281-0774-00		CAP.,FXD,CER DI:0.022UF,20%,100V	12969	CGE223MEZ
A15C707	281-0775-00		CAP.,FXD,CER DI:0.1UF,20%,50V	04222	MA205E104MAA
A15C725	290-0535-00		CAP.,FXD,ELCTLT:33UF,20%,10V	56289	196D336X0010KA1
A15C756	290-0807-00		CAP.,FXD,ELCTLT:1000UF,+100-10%,10VDC	90201	TT102N010E1C3P
A15C770	281-0767-00		CAP.,FXD,CER DI:330PF,20%,100V	12969	CGB331MEN
A15C776	290-0527-00		CAP.,FXD,ELCTLT:15UF,20%,20V	90201	TDC156M020FL
A15C777	281-0756-00		CAP.,FXD,CER DI:2.2PF,0.5%,200V	12969	CGB2R2DFN
A15C803	283-0003-00		CAP.,FXD,CER DI:0.01UF,+80-20%,150V	59821	2DDH66J103Z
A15C803	----		(OPTION 04 ONLY)		
A15C804	283-0000-00		CAP.,FXD,CER DI:0.001UF,+100-0%,500V	59660	831610Y5U0102P
A15C804	----		(OPTION 04 ONLY)		
A15C805	283-0000-00		CAP.,FXD,CER DI:0.001UF,+100-0%,500V	59660	831610Y5U0102P
A15C805	----		(OPTION 04 ONLY)		
A15C820	290-0571-00		CAP.,FXD,ELCTLT:5000UF,+100-0%,25V	90201	PFP20-36043
A15C829	290-0638-00		CAP.,FXD,ELCTLT:1200UF,+75-10%,100V	56289	68D10529
A15C840	290-0670-00		CAP.,FXD,ELCTLT:550UF,+75-10%,100V	56289	68D10512
A15C848	290-0527-00		CAP.,FXD,ELCTLT:15UF,20%,20V	90201	TDC156M020FL
A15C849	281-0783-00		CAP.,FXD,CER DI:0.1UF,20%,100V	96733	ADVISE
A15C869	290-0512-00		CAP.,FXD,ELCTLT:22UF,20%,15V	56289	196D226X0015KA1
A15C870	281-0774-00		CAP.,FXD,CER DI:0.022UF,20%,100V	12969	CGE223MEZ
A15C874	290-0527-00		CAP.,FXD,ELCTLT:15UF,20%,20V	90201	TDC156M020FL
A15C876	281-0783-00		CAP.,FXD,CER DI:0.1UF,20%,100V	96733	ADVISE
A15C885	281-0788-00		CAP.,FXD,CER DI:470PF,10%,100V	96733	R3015
A15C894	281-0774-00		CAP.,FXD,CER DI:0.022UF,20%,100V	12969	CGE223MEZ
A15C913	283-0003-00		CAP.,FXD,CER DI:0.01UF,+80-20%,150V	59821	2DDH66J103Z
A15C913	----		(OPTION 04 ONLY)		
A15C917	283-0003-00		CAP.,FXD,CER DI:0.01UF,+80-20%,150V	59821	2DDH66J103Z
A15C917	----		(OPTION 04 ONLY)		
A15C926	290-0584-00		CAP.,FXD,ELCTLT:5500UF,+100-10%,30V	90201	PFP552GN4A3P2
A15C935	290-0571-00		CAP.,FXD,ELCTLT:5000UF,+100-0%,25V	90201	PFP20-36043
A15C938	281-0580-00		CAP.,FXD,CER DI:470PF,10%,500V	04222	7001-1374
A15C939	281-0775-00		CAP.,FXD,CER DI:0.1UF,20%,50V	04222	MA205E104MAA
A15C956	281-0760-00		CAP.,FXD,CER DI:22PF,10%,500V	72982	0314021 C0G0220K
A15C959	281-0785-00		CAP.,FXD,CER DI:68PF,10%,100V	04222	GC101A680K
A15C964	281-0762-00		CAP.,FXD,CER DI:27PF,20%,100V	04222	GC101A270M
A15C965	281-0787-00		CAP.,FXD,CER DI:15PF,5%,500V	72982	0314021COG0150J
A15C966	281-0774-00		CAP.,FXD,CER DI:0.022UF,20%,100V	12969	CGE223MEZ
A15C985	281-0759-00		CAP.,FXD,CER DI:22PF,10%,100V	96733	R2735
A15C988	281-0814-00		CAP.,FXD,CER DI:100PF,10%,100V	04222	GC101A101K
A15C989	281-0774-00		CAP.,FXD,CER DI:0.022UF,20%,100V	12969	CGE223MEZ
A15C992	281-0814-00		CAP.,FXD,CER DI:100PF,10%,100V	04222	GC101A101K
A15C996	281-0771-00		CAP.,FXD,CER DI:0.0022UF,20%,200V	56289	292C Z5U222M200B
A15C997	281-0760-00		CAP.,FXD,CER DI:22PF,10%,500V	72982	0314021 C0G0220K

Component No.	Tektronix Part No.	Serial/Model No. Eff Dscnt	Name & Description	Mfr Code	Mfr Part Number
A15CR101	152-0141-02		SEMICON DVC,DI:SW,SI,30V,150MA,30V,DO-35	12969	NDP0263 (1N4152)
A15CR104	152-0141-02		SEMICON DVC,DI:SW,SI,30V,150MA,30V,DO-35	12969	NDP0263 (1N4152)
A15CR105	152-0141-02		SEMICON DVC,DI:SW,SI,30V,150MA,30V,DO-35	12969	NDP0263 (1N4152)
A15CR110	152-0141-02		SEMICON DVC,DI:SW,SI,30V,150MA,30V,DO-35	12969	NDP0263 (1N4152)
A15CR209	152-0107-00		SEMICON DEVICE:SILICON,400V,400MA	12969	G727
A15CR220	152-0409-00		SEMICON DEVICE:SILICON,12,000V,5MA	83003	VG12X-1
A15CR304	152-0141-02		SEMICON DVC,DI:SW,SI,30V,150MA,30V,DO-35	12969	NDP0263 (1N4152)
A15CR305	152-0141-02		SEMICON DVC,DI:SW,SI,30V,150MA,30V,DO-35	12969	NDP0263 (1N4152)
A15CR313	152-0061-00		SEMICON DEVICE:SILICON,175V,100MA	07263	FDH2161
A15CR314	152-0061-00		SEMICON DEVICE:SILICON,175V,100MA	07263	FDH2161
A15CR323	152-0242-00		SEMICON DVC:SIG,SI,225V,0.2A,DO-7	07263	FDH5004
A15CR324	152-0242-00		SEMICON DVC:SIG,SI,225V,0.2A,DO-7	07263	FDH5004
A15CR347	152-0141-02		SEMICON DVC,DI:SW,SI,30V,150MA,30V,DO-35	12969	NDP0263 (1N4152)
A15CR414	152-0141-02		SEMICON DVC,DI:SW,SI,30V,150MA,30V,DO-35	12969	NDP0263 (1N4152)
A15CR453	152-0141-02		SEMICON DVC,DI:SW,SI,30V,150MA,30V,DO-35	12969	NDP0263 (1N4152)
A15CR486	152-0141-02		SEMICON DVC,DI:SW,SI,30V,150MA,30V,DO-35	12969	NDP0263 (1N4152)
A15CR494	152-0141-02		SEMICON DVC,DI:SW,SI,30V,150MA,30V,DO-35	12969	NDP0263 (1N4152)
A15CR508	152-0141-02		SEMICON DVC,DI:SW,SI,30V,150MA,30V,DO-35	12969	NDP0263 (1N4152)
A15CR513	152-0061-00		SEMICON DEVICE:SILICON,175V,100MA	07263	FDH2161
A15CR517	152-0141-02		SEMICON DVC,DI:SW,SI,30V,150MA,30V,DO-35	12969	NDP0263 (1N4152)
A15CR519	152-0061-00		SEMICON DEVICE:SILICON,175V,100MA	07263	FDH2161
A15CR553	152-0141-02		SEMICON DVC,DI:SW,SI,30V,150MA,30V,DO-35	12969	NDP0263 (1N4152)
A15CR556	152-0141-02		SEMICON DVC,DI:SW,SI,30V,150MA,30V,DO-35	12969	NDP0263 (1N4152)
A15CR560	152-0322-00		SEMICON DEVICE:SILICON,15V,HOT CARRIER	50434	5082-2672
A15CR561	152-0322-00		SEMICON DEVICE:SILICON,15V,HOT CARRIER	50434	5082-2672
A15CR587	152-0141-02		SEMICON DVC,DI:SW,SI,30V,150MA,30V,DO-35	12969	NDP0263 (1N4152)
A15CR600	152-0066-00		SEMICON DVC DI:RECT,SI,400V,1A,DO-41	05828	GP10G-020
A15CR605	152-0061-00		SEMICON DEVICE:SILICON,175V,100MA	07263	FDH2161
A15CR611	152-0141-02		SEMICON DVC,DI:SW,SI,30V,150MA,30V,DO-35	12969	NDP0263 (1N4152)
A15CR617	152-0141-02		SEMICON DVC,DI:SW,SI,30V,150MA,30V,DO-35	12969	NDP0263 (1N4152)
A15CR622	152-0141-02		SEMICON DVC,DI:SW,SI,30V,150MA,30V,DO-35	12969	NDP0263 (1N4152)
A15CR623	152-0141-02		SEMICON DVC,DI:SW,SI,30V,150MA,30V,DO-35	12969	NDP0263 (1N4152)
A15CR631	152-0333-00		SEMICON DVC DI:SW,SI,55V,200MA,DO-35	03508	DJ2011
A15CR645	152-0141-02		SEMICON DVC,DI:SW,SI,30V,150MA,30V,DO-35	12969	NDP0263 (1N4152)
A15CR679	152-0141-02		SEMICON DVC,DI:SW,SI,30V,150MA,30V,DO-35	12969	NDP0263 (1N4152)
A15CR696	152-0141-02		SEMICON DVC,DI:SW,SI,30V,150MA,30V,DO-35	12969	NDP0263 (1N4152)
A15CR706	152-0141-02		SEMICON DVC,DI:SW,SI,30V,150MA,30V,DO-35	12969	NDP0263 (1N4152)
A15CR727	152-0061-00		SEMICON DEVICE:SILICON,175V,100MA	07263	FDH2161
A15CR728	152-0066-00		SEMICON DVC DI:RECT,SI,400V,1A,DO-41	05828	GP10G-020
A15CR729	152-0066-00		SEMICON DVC DI:RECT,SI,400V,1A,DO-41	05828	GP10G-020
A15CR746	152-0153-00		SEMICON DVC,DI:SW,SI,10V,50MA,DO-7	07263	FD7003
A15CR749	152-0141-02		SEMICON DVC,DI:SW,SI,30V,150MA,30V,DO-35	12969	NDP0263 (1N4152)
A15CR761	152-0141-02		SEMICON DVC,DI:SW,SI,30V,150MA,30V,DO-35	12969	NDP0263 (1N4152)
A15CR763	152-0141-02		SEMICON DVC,DI:SW,SI,30V,150MA,30V,DO-35	12969	NDP0263 (1N4152)
A15CR765	152-0141-02		SEMICON DVC,DI:SW,SI,30V,150MA,30V,DO-35	12969	NDP0263 (1N4152)
A15CR767	152-0141-02		SEMICON DVC,DI:SW,SI,30V,150MA,30V,DO-35	12969	NDP0263 (1N4152)
A15CR768	152-0141-02		SEMICON DVC,DI:SW,SI,30V,150MA,30V,DO-35	12969	NDP0263 (1N4152)
A15CR804	152-0066-00		SEMICON DVC DI:RECT,SI,400V,1A,DO-41	05828	GP10G-020
A15CR813	152-0556-00		SEMICON DEVICE:BRIDGE,50V,2.5A	05828	KBL005-8
A15CR815	152-0066-00		SEMICON DVC DI:RECT,SI,400V,1A,DO-41	05828	GP10G-020
A15CR826	152-0107-00		SEMICON DEVICE:SILICON,400V,400MA	12969	G727
A15CR840	152-0107-00		SEMICON DEVICE:SILICON,400V,400MA	12969	G727
A15CR889	152-0141-02		SEMICON DVC,DI:SW,SI,30V,150MA,30V,DO-35	12969	NDP0263 (1N4152)
A15CR919	152-0556-00		SEMICON DEVICE:BRIDGE,50V,2.5A	05828	KBL005-8

**Replaceable Electrical Parts
468 Service Volume II**

Component No.	Tektronix Part No.	Serial/Model No. Eff Dscnt	Name & Description	Mfr Code	Mfr Part Number
A15CR930	152-0556-00		SEMICONV DEVICE:BRIDGE,50V,2.5A	05828	KBL005-8
A15CR942	152-0488-00		SEMICONV DEVICE:SILICON,200V,1500MA	04713	SDA317
A15CR947	152-0141-02		SEMICONV DVC,DI:SW,SI,30V,150MA,30V,DO-35	12969	NDP0263 (1N4152)
A15CR953	152-0141-02		SEMICONV DVC,DI:SW,SI,30V,150MA,30V,DO-35	12969	NDP0263 (1N4152)
A15CR954	152-0141-02		SEMICONV DVC,DI:SW,SI,30V,150MA,30V,DO-35	12969	NDP0263 (1N4152)
A15CR965	152-0141-02		SEMICONV DVC,DI:SW,SI,30V,150MA,30V,DO-35	12969	NDP0263 (1N4152)
A15CR975	152-0141-02		SEMICONV DVC,DI:SW,SI,30V,150MA,30V,DO-35	12969	NDP0263 (1N4152)
A15CR980	152-0141-02		SEMICONV DVC,DI:SW,SI,30V,150MA,30V,DO-35	12969	NDP0263 (1N4152)
A15CR984	152-0141-02		SEMICONV DVC,DI:SW,SI,30V,150MA,30V,DO-35	12969	NDP0263 (1N4152)
A15CR996	152-0141-02		SEMICONV DVC,DI:SW,SI,30V,150MA,30V,DO-35	12969	NDP0263 (1N4152)
A15DS323	150-0002-00		LAMP,GLOW:0.5 MA 60/125V	74276	NE-2T(T2)
A15DS324	150-0002-00		LAMP,GLOW:0.5 MA 60/125V	74276	NE-2T(T2)
A15F802	159-0059-00		FUSE,WIRE LEAD:5A,FAST-BLOW	000HX	SPI-5A
A15F809	159-0016-00		FUSE,CARTRIDGE:3AG,1.5A,250V,FAST-BLOW	71400	AGC 1 1/2
A15F909	159-0059-00		FUSE,WIRE LEAD:5A,FAST-BLOW	000HX	SPI-5A
A15L107	108-0422-00		COIL,RF:FIXED,82UH	80009	108-0422-00
A15L494	108-0245-00		COIL,RF:3.9UH	76493	B6310-1
A15L991	108-0328-00		COIL,RF:0.3UH	80009	108-0328-00
A15Q109	151-0136-00		TRANSISTOR:SILICON,NPN	02735	35495
A15Q201	151-0188-00		TRANSISTOR:PNP,SI,TO-92	T0058	2N3906
A15Q302	151-0190-00		TRANSISTOR:PNP,SI,TO-92	04713	SPS7969
A15Q380	151-0342-00		TRANSISTOR:SILICON,PNP	07263	S035928
A15Q396	151-0342-00		TRANSISTOR:SILICON,PNP	07263	S035928
A15Q402	151-0302-00		TRANSISTOR:SILICON,NPN	07263	S038487
A15Q406	151-0302-00		TRANSISTOR:SILICON,NPN	07263	S038487
A15Q416	151-0406-00		TRANSISTOR:SILICON,PNP	04713	OBD
A15Q446	151-0406-00		TRANSISTOR:SILICON,PNP	04713	OBD
A15Q449	151-0407-00		TRANSISTOR:SILICON,NPN	04713	SS2456
A15Q456	151-0302-00		TRANSISTOR:SILICON,NPN	07263	S038487
A15Q465	151-0190-00		TRANSISTOR:PNP,SI,TO-92	04713	SPS7969
A15Q503	151-0347-00		TRANSISTOR:SILICON,NPN	56289	T7916
A15Q516	151-0407-00		TRANSISTOR:SILICON,NPN	04713	SS2456
A15Q522	151-0188-00		TRANSISTOR:PNP,SI,TO-92	T0058	2N3906
A15Q523	151-0223-00		TRANSISTOR:PNP,SI,TO-92	04713	SPS8026
A15Q530	151-0126-00		TRANSISTOR:SILICON,NPN	04713	ST1046
A15Q533	151-0301-00		TRANSISTOR:SILICON,PNP	27014	2N2907A
A15Q555	151-0301-00		TRANSISTOR:SILICON,PNP	27014	2N2907A
A15Q559	151-0342-00		TRANSISTOR:SILICON,PNP	07263	S035928
A15Q560	151-0188-00		TRANSISTOR:PNP,SI,TO-92	T0058	2N3906
A15Q569	151-0188-00		TRANSISTOR:PNP,SI,TO-92	T0058	2N3906
A15Q570	151-0188-00		TRANSISTOR:PNP,SI,TO-92	T0058	2N3906
A15Q571	151-0188-00		TRANSISTOR:PNP,SI,TO-92	T0058	2N3906
A15Q582	151-0220-03		TRANSISTOR:SILICON,PNP,SEL	04713	SPS6915
A15Q583	151-0216-00		TRANSISTOR:SILICON,PNP	04713	SPS8803
A15Q595	151-0164-00		TRANSISTOR:PNP,SI,TO-92	04713	2N2907A
A15Q606	151-0347-00		TRANSISTOR:SILICON,NPN	56289	T7916
A15Q617	151-0302-00		TRANSISTOR:SILICON,NPN	07263	S038487
A15Q646	151-0406-00		TRANSISTOR:SILICON,PNP	04713	OBD
A15Q649	151-0407-00		TRANSISTOR:SILICON,NPN	04713	SS2456
A15Q703	151-0302-00		TRANSISTOR:SILICON,NPN	07263	S038487
A15Q704	151-0302-00		TRANSISTOR:SILICON,NPN	07263	S038487
A15Q740	151-0347-00		TRANSISTOR:SILICON,NPN	56289	T7916
A15Q760	151-0188-00		TRANSISTOR:PNP,SI,TO-92	T0058	2N3906
A15Q772	151-0188-00		TRANSISTOR:PNP,SI,TO-92	04713	SPS6868

Component No.	Tektronix Part No.	Serial/Model No. Eff Dscnt	Name & Description	Mfr Code	Mfr Part Number
A15Q781	151-0190-00		TRANSISTOR:NPN,SI,TO-92	04713	SPS7969
A15Q782	151-0190-00		TRANSISTOR:NPN,SI,TO-92	04713	SPS7969
A15Q790	151-0190-00		TRANSISTOR:NPN,SI,TO-92	04713	SPS7969
A15Q791	151-0190-00		TRANSISTOR:NPN,SI,TO-92	04713	SPS7969
A15Q828	151-0311-01		TRANSISTOR:SILICON,NPN	04713	SJE908
A15Q864	151-0283-00		TRANSISTOR:SILICON,NPN	07263	S032790
A15Q867	151-1025-00		TRANSISTOR:SILICON,JFE,N-CHANNEL	01295	SFB8129
A15Q890	151-0283-00		TRANSISTOR:SILICON,NPN	07263	S032790
A15Q891	151-1025-00		TRANSISTOR:SILICON,JFE,N-CHANNEL	01295	SFB8129
A15Q946	151-0188-00		TRANSISTOR:PNP,SI,TO-92	T0058	2N3906
A15Q952	151-0220-03		TRANSISTOR:SILICON,PNP,SEL	04713	SPS6915
A15Q956	151-0220-03		TRANSISTOR:SILICON,PNP,SEL	04713	SPS6915
A15Q958	151-0188-00		TRANSISTOR:PNP,SI,TO-92	T0058	2N3906
A15Q960	151-0188-00		TRANSISTOR:PNP,SI,TO-92	T0058	2N3906
A15Q967	151-0127-00		TRANSISTOR:SILICON,NPN	07263	S006075
A15Q981	151-0220-03		TRANSISTOR:SILICON,PNP,SEL	04713	SPS6915
A15Q986	151-0220-03		TRANSISTOR:SILICON,PNP,SEL	04713	SPS6915
A15Q987	151-0354-00		TRANSISTOR:SILICON,PNP,DUAL	32293	ITS1200A
A15Q998	151-0127-00		TRANSISTOR:SILICON,NPN	07263	S006075
A15R101	315-0103-00		RES.,FXD,CMPSN:10K OHM,5%,0.25W	57668	NTR25J-E10K0
A15R103	315-0472-00		RES.,FXD,CMPSN:4.7K OHM,5%,0.25W	57668	NTR25J-E04K7
A15R114	315-0104-00		RES.,FXD,CMPSN:100K OHM,5%,0.25W	57668	NTR25J-E100K
A15R144	315-0101-00		RES.,FXD,CMPSN:100 OHM,5%,0.25W	57668	NTR25J-E 100E
A15R145	315-0223-00		RES.,FXD,CMPSN:22K OHM,5%,0.25W	57668	NTR25J-E 22K
A15R148	315-0183-00		RES.,FXD,CMPSN:18K OHM,5%,0.25W	01121	CB1835
A15R203	321-0327-00		RES.,FXD,FILM:24.9K OHM,1%,0.125W	91637	MFF1816G24901F
A15R204	321-0329-00		RES.,FXD,FILM:26.1K OHM,1%,0.125W	91637	MFF1816G26101F
A15R206	315-0106-00		RES.,FXD,CMPSN:10M OHM,5%,0.25W	01121	CB1065
A15R209	315-0182-00		RES.,FXD,CMPSN:1.8K OHM,5%,0.25W	57668	NTR25J-E1K8
A15R252	311-1538-00		RES.,VAR,NONWIR:5K OHM X 2.5M OHM,10%	01121	18M683
A15R267	311-1555-00		RES.,VAR,NONWIR:TRMR,100K OHM,0.5W	32997	3352T-1-104
A15R270	311-1560-00		RES.,VAR,NONWIR:TRMR,5K OHM,0.5W	32997	3352T-1-502
A15R273	315-0302-00		RES.,FXD,CMPSN:3K OHM,5%,0.25W	57668	NTR25J-E03K0
A15R302	315-0392-00		RES.,FXD,CMPSN:3.9K OHM,5%,0.25W	57668	NTR25J-E03K9
A15R309	315-0103-00		RES.,FXD,CMPSN:10K OHM,5%,0.25W	57668	NTR25J-E10K0
A15R310	315-0471-00		RES.,FXD,CMPSN:470 OHM,5%,0.25W	57668	NTR25J-E470E
A15R312	315-0102-03		RES.,FXD,CMPSN:1K OHM,5%,0.25W	01121	CB1025
A15R313	315-0394-00		RES.,FXD,CMPSN:390K OHM,5%,0.25W	57668	NTR25J-E390K
A15R316	315-0102-03		RES.,FXD,CMPSN:1K OHM,5%,0.25W	01121	CB1025
A15R324	315-0103-03		RES.,FXD,CMPSN:10K OHM,5%,0.25W	01121	CB1035
A15R325	315-0226-00		RES.,FXD,CMPSN:22M OHM,5%,0.25W	01121	CB2265
A15R327	315-0103-03		RES.,FXD,CMPSN:10K OHM,5%,0.25W	01121	CB1035
A15R328	315-0103-03		RES.,FXD,CMPSN:10K OHM,5%,0.25W	01121	CB1035
A15R335	311-0075-00		RES.,VAR,NONWIR:5M OHM,20%	12697	381-CM16993
A15R346	315-0122-00		RES.,FXD,CMPSN:1.2K OHM,5%,0.25W	57668	NTR25J-E01K2
A15R348	321-0189-00		RES.,FXD,FILM:909 OHM,1%,0.125W	91637	MFF1816G909R0F
A15R349	301-0393-00		RES.,FXD,CMPSN:39K OHM,5%,0.5W	57668	TR50J-E 39K
A15R358	315-0681-00		RES.,FXD,CMPSN:680 OHM,5%,0.25W	57668	NTR25J-E680E
A15R368	321-0287-00		RES.,FXD,FILM:9.53K OHM,1%,0.125W	91637	MFF1816G95300F
A15R369	321-0138-00		RES.,FXD,FILM:267 OHM,1%,0.125W	91637	MFF1816G267R0F
A15R377	311-1372-00		RES.,VAR,NONWIR:100K OHM,20%,1W	01121	73M1G040L104M
A15R378	311-1313-00		RES.,VAR,NONWIR:2K OHM,20%,0.5W	01121	73M4G048L202M
A15R385	315-0822-00		RES.,FXD,CMPSN:8.2K OHM,5%,0.25W	01121	CB8225
A15R386	315-0912-00		RES.,FXD,CMPSN:9.1K OHM,5%,0.25W	01121	CB1925

Replaceable Electrical Parts
468 Service Volume II

Component No.	Tektronix Part No.	Serial/Model No. Eff Dscnt	Name & Description	Mfr Code	Mfr Part Number
A15R387	315-0473-00		RES.,FXD,CMPSN:47K OHM,5%,0.25W	57668	NTR25J-E47K0
A15R391	315-0513-00		RES.,FXD,CMPSN:51K OHM,5%,0.25W	57668	NTR25J-E51K0
A15R392	315-0302-00		RES.,FXD,CMPSN:3K OHM,5%,0.25W	57668	NTR25J-E03K0
A15R400	308-0459-00		RES.,FXD,WW:1.1 OHM,5%,3W	91637	CW2B-1R100J TR
A15R403	315-0471-00		RES.,FXD,CMPSN:470 OHM,5%,0.25W	57668	NTR25J-E470E
A15R404	315-0242-00		RES.,FXD,CMPSN:2.4K OHM,5%,0.25W	57668	NTR25J-E02K4
A15R405	321-0274-00		RES.,FXD,FILM:6.98K OHM,1%,0.125W	91637	CMF55116G69800F
A15R409	311-1557-00		RES.,VAR,NONWIR:25K OHM,20%,0.50W	73138	91-79-0
A15R414	315-0911-00		RES.,FXD,CMPSN:910 OHM,5%,0.25W	57668	NTR25J-E910E
A15R415	315-0332-00		RES.,FXD,CMPSN:3.3K OHM,5%,0.25W	57668	NTR25J-E03K3
A15R417	315-0221-03		RES.,FXD,CMPSN:220 OHM,5%,0.25W	01121	CB2215
A15R418	302-0393-00		RES.,FXD,CMPSN:39K OHM,10%,0.50W	01121	EB3931
A15R419	323-0322-00		RES.,FXD,FILM:22.1K OHM,1%,0.50W	75042	CECT0-2212F
A15R425	315-0470-00		RES.,FXD,CMPSN:47 OHM,5%,0.25W	57668	NTR25J-E47E0
A15R429	307-0290-04		RES.,FXD,FILM:	80009	307-0290-04
A15R432	315-0242-00		RES.,FXD,CMPSN:2.4K OHM,5%,0.25W	57668	NTR25J-E02K4
A15R435	315-0102-00		RES.,FXD,CMPSN:1K OHM,5%,0.25W	57668	NTR25JE01K0
A15R444	315-0470-00		RES.,FXD,CMPSN:47 OHM,5%,0.25W	57668	NTR25J-E47E0
A15R445	315-0101-00		RES.,FXD,CMPSN:100 OHM,5%,0.25W	57668	NTR25J-E 100E
A15R447	322-0289-00		RES.,FXD,FILM:10K OHM,1%,0.25W	75042	CEBT0-1002F
A15R450	322-0289-00		RES.,FXD,FILM:10K OHM,1%,0.25W	75042	CEBT0-1002F
A15R453	315-0470-00		RES.,FXD,CMPSN:47 OHM,5%,0.25W	57668	NTR25J-E47E0
A15R454	315-0223-00		RES.,FXD,CMPSN:22K OHM,5%,0.25W	57668	NTR25J-E 22K
A15R460	315-0182-00		RES.,FXD,CMPSN:1.8K OHM,5%,0.25W	57668	NTR25J-E1K8
A15R461	315-0330-00		RES.,FXD,CMPSN:33 OHM,5%,0.25W	01121	CB3305
A15R462	321-0142-00		RES.,FXD,FILM:294 OHM,1%,0.125W	91637	MFF1816G294R0F
A15R463	321-0126-00		RES.,FXD,FILM:200 OHM,1%,0.125W	91637	MFF1816G200R0F
A15R464	321-0245-00		RES.,FXD,FILM:3.48K OHM,1%,0.125W	91637	MFF1816G34800F
A15R465	315-0221-00		RES.,FXD,CMPSN:220 OHM,5%,0.25W	57668	NTR25J-E220E
A15R466	321-0206-00		RES.,FXD,FILM:1.37K OHM,1%,0.125W	91637	MFF1816G13700F
A15R467	321-0138-00		RES.,FXD,FILM:267 OHM,1%,0.125W	91637	MFF1816G267R0F
A15R468	315-0621-00		RES.,FXD,CMPSN:620 OHM,5%,0.25W	57668	NTR25J-E620E
A15R469	315-0621-00		RES.,FXD,CMPSN:620 OHM,5%,0.25W	57668	NTR25J-E620E
A15R472	323-0289-00		RES.,FXD,FILM:10K OHM,1%,0.50W	75042	CECT0-1002F
A15R480	321-0164-00		RES.,FXD,FILM:499 OHM,1%,0.125W	91637	MFF1816G499R0F
A15R481	321-0205-00		RES.,FXD,FILM:1.33K OHM,1%,0.125W	91637	MFF1816G13300F
A15R486	321-0174-00		RES.,FXD,FILM:634 OHM,1%,0.125W	91637	MFF1816G634R0F
A15R492	311-1393-00		RES.,VAR,NONWIR:PNL,5K X 5M OHM,0.5W	12697	CM39702
A15R493	315-0512-00		RES.,FXD,CMPSN:5.1K OHM,5%,0.25W	57668	NTR25J-E05K1
A15R505	321-0775-03		RES.,FXD,FILM:45K OHM,0.25%,0.125W	91637	MFF1816D45001C
A15R506	321-0774-03		RES.,FXD,FILM:4.5K OHM,0.25%,0.125W	91637	MFF1816D45000C
A15R507	315-0563-00		RES.,FXD,CMPSN:56K OHM,5%,0.25W	01121	CB5635
A15R508	315-0122-00		RES.,FXD,CMPSN:1.2K OHM,5%,0.25W	57668	NTR25J-E01K2
A15R512	315-0273-00		RES.,FXD,CMPSN:27K OHM,5%,0.25W	57668	NTR25J-E27K0
A15R517	315-0102-00		RES.,FXD,CMPSN:1K OHM,5%,0.25W	57668	NTR25JE01K0
A15R518	315-0391-00		RES.,FXD,CMPSN:390 OHM,5%,0.25W	57668	NTR25J-E390E
A15R521	321-0249-00		RES.,FXD,FILM:3.83K OHM,1%,0.125W	91637	MFF1816G38300F
A15R523	321-0168-00		RES.,FXD,FILM:549 OHM,1%,0.125W	91637	MFF1816G549R0F
A15R524	315-0201-00		RES.,FXD,CMPSN:200 OHM,5%,0.25W	57668	NTR25J-E200E
A15R526	315-0221-00		RES.,FXD,CMPSN:220 OHM,5%,0.25W	57668	NTR25J-E220E
A15R527	315-0103-00		RES.,FXD,CMPSN:10K OHM,5%,0.25W	57668	NTR25J-E10K0
A15R533	315-0273-00		RES.,FXD,CMPSN:27K OHM,5%,0.25W	57668	NTR25J-E27K0
A15R536	315-0683-00		RES.,FXD,CMPSN:68K OHM,5%,0.25W	57668	NTR25J-E68K0
A15R542	315-0101-00		RES.,FXD,CMPSN:100 OHM,5%,0.25W	01121	CB1015

Replaceable Electrical Parts
468 Service Volume II

Component No.	Tektronix Part No.	Serial/Model No. Eff	Dscont	Name & Description	Mfr Code	Mfr Part Number
A15R543	321-0414-00			RES.,FXD,FILM:200K OHM,1%,0.125W	91637	MFF1816G20002F
A15R544	321-0414-00			RES.,FXD,FILM:200K OHM,1%,0.125W	91637	MFF1816G20002F
A15R547	322-0289-00			RES.,FXD,FILM:10K OHM,1%,0.25W	75042	CEBT0-1002F
A15R550	322-0289-00			RES.,FXD,FILM:10K OHM,1%,0.25W	75042	CEBT0-1002F
A15R551	311-1556-00			RES.,VAR,NONWIR:50K OHM,20%,0.50W	73138	91-78-0
A15R553	315-0223-00			RES.,FXD,CMPSN:22K OHM,5%,0.25W	57668	NTR25J-E 22K
A15R554	301-0181-00			RES.,FXD,CMPSN:180 OHM,5%,0.5W	57668	TR50J-E180E
A15R557	321-0359-00			RES.,FXD,FILM:53.6K OHM,1%,0.125W	91637	MFF1816G53601F
A15R558	321-0126-00			RES.,FXD,FILM:200 OHM,1%,0.125W	91637	MFF1816G200R0F
A15R559	321-0142-00			RES.,FXD,FILM:294 OHM,1%,0.125W	91637	MFF1816G294R0F
A15R561	321-0300-00			RES.,FXD,FILM:13K OHM,1%,0.125W	91637	MFF1816G13001F
A15R562	321-0222-00			RES.,FXD,FILM:2K OHM,1%,0.125W	91637	MFF1816G20000F
A15R563	321-0173-00			RES.,FXD,FILM:619 OHM,1%,0.125W	91637	MFF1816G619R0F
A15R564	321-0184-00			RES.,FXD,FILM:806 OHM,1%,0.125W	91637	MFF1816G806R0F
A15R565	321-0184-00			RES.,FXD,FILM:806 OHM,1%,0.125W	91637	MFF1816G806R0F
A15R566	321-0173-00			RES.,FXD,FILM:619 OHM,1%,0.125W	91637	MFF1816G619R0F
A15R567	315-0470-00			RES.,FXD,CMPSN:47 OHM,5%,0.25W	57668	NTR25J-E47E0
A15R571	311-1567-00			RES.,VAR,NONWIR:TRMR,100 OHM,0.50W	73138	91-89-0
A15R572	311-1563-00			RES.,VAR,NONWIR:1K OHM,20%,0.50W	73138	91-85-0
A15R573	323-0289-00			RES.,FXD,FILM:10K OHM,1%,0.50W	75042	CECT0-1002F
A15R574	321-0210-00			RES.,FXD,FILM:1.5K OHM,1%,0.125W	91637	MFF1816G15000F
A15R577	321-0110-00			RES.,FXD,FILM:137 OHM,1%,0.125W	91637	MFF1816G137R0F
A15R578	311-1561-00			RES.,VAR,NONWIR:2.5K OHM,20%,0.50W	73138	91-83-0
A15R580	321-0253-00	B010100	B039999	RES.,FXD,FILM:4.22K OHM,1%,0.125W	91637	MFF1816G42200F
A15R580	321-0248-00	B040000		RES.,FXD,FILM:3.74K OHM,1%,0.125W	91637	MFF1816G37400F
A15R581	315-0333-00			RES.,FXD,CMPSN:33K OHM,5%,0.25W	57668	NTR25J-E33K0
A15R582	315-0472-00			RES.,FXD,CMPSN:4.7K OHM,5%,0.25W	57668	NTR25J-E04K7
A15R586	315-0471-00			RES.,FXD,CMPSN:470 OHM,5%,0.25W	57668	NTR25J-E470E
A15R587	315-0152-00			RES.,FXD,CMPSN:1.5K OHM,5%,0.25W	57668	NTR25J-E01K5
A15R588	315-0203-00			RES.,FXD,CMPSN:20K OHM,5%,0.25W	57668	NTR25J-E20K0
A15R589	315-0202-00			RES.,FXD,CMPSN:2K OHM,5%,0.25W	57668	NTR25J-E02K0
A15R595	321-0107-00			RES.,FXD,FILM:127 OHM,1%,0.125W	91637	MFF1816G127R0F
A15R596	321-0001-00			RES.,FXD,FILM:10 OHM,1%,0.125W	75042	CEAT0-10R00F
A15R599	311-1568-00			RES.,VAR,NONWIR:50 OHM,20%,0.50W	73138	91-90-0
A15R602	307-0052-00			RES.,FXD,CMPSN:3 OHM,5%,0.50W	01121	EB30G5
A15R608	315-0102-00			RES.,FXD,CMPSN:1K OHM,5%,0.25W	57668	NTR25JE01K0
A15R609	321-0366-00			RES.,FXD,FILM:63.4K OHM,1%,0.125W	91637	CMF55116G63401F
A15R610	321-0962-03			RES.,FXD,FILM:8K OHM,0.25%,0.125W	91637	MFF1816D80000C
A15R611	321-0967-03			RES.,FXD,FILM:55K OHM,0.25%,0.125W	91637	MFF1816D55001C
A15R612	315-0512-00	B010100	B039999	RES.,FXD,CMPSN:5.1K OHM,5%,0.25W	57668	NTR25J-E05K1
A15R612	315-0392-00	B040000		RES.,FXD,CMPSN:3.9K OHM,5%,0.25W	57668	NTR25J-E03K9
A15R613	315-0183-00			RES.,FXD,CMPSN:18K OHM,5%,0.25W	01121	CB1835
A15R614	311-1226-00			RES.,VAR,NONWIR:2.5K OHM,20%,0.50W	32997	3386F-T04-252
A15R617	315-0102-00			RES.,FXD,CMPSN:1K OHM,5%,0.25W	57668	NTR25JE01K0
A15R618	315-0101-00			RES.,FXD,CMPSN:100 OHM,5%,0.25W	57668	NTR25J-E 100E
A15R619	321-0201-00			RES.,FXD,FILM:1.21K OHM,1%,0.125W	91637	MFF1816G12100F
A15R621	321-0307-00			RES.,FXD,FILM:15.4K OHM,1%,0.125W	91637	MFF1816G15401F
A15R624	307-0093-00			RES.,FXD,CMPSN:1.2 OHM,5%,0.50W	01121	EB12G5
A15R625	321-0220-00			RES.,FXD,FILM:1.91K OHM,1%,0.125W	91637	MFF1816G19100F
A15R626	303-0223-00			RES.,FXD,CMPSN:22K OHM,5%,1W	01121	GB2235
A15R627	301-0243-00			RES.,FXD,CMPSN:24K OHM,5%,0.5W	57668	TR50J-E24K
A15R628	315-0242-00			RES.,FXD,CMPSN:2.4K OHM,5%,0.25W	57668	NTR25J-E02K4
A15R629	315-0153-00			RES.,FXD,CMPSN:15K OHM,5%,0.25W	01121	CB1535
A15R633	315-0224-00			RES.,FXD,CMPSN:220K OHM,5%,0.25W	01121	CB2245

**Replaceable Electrical Parts
468 Service Volume II**

Component No.	Tektronix Part No.	Serial/Model No. Eff Dscnt	Name & Description	Mfr Code	Mfr Part Number
A15R643	302-0273-00		RES.,FXD,CMPSN:27K OHM,10%,0.50W	01121	EB2731
A15R644	315-0470-00		RES.,FXD,CMPSN:47 OHM,5%,0.25W	57668	NTR25J-E47E0
A15R645	301-0393-00		RES.,FXD,CMPSN:39K OHM,5%,0.5W	57668	TR50J-E 39K
A15R646	321-0268-00		RES.,FXD,FILM:6.04K OHM,1%,0.125W	91637	MFF1816G60400F
A15R647	321-0189-00		RES.,FXD,FILM:909 OHM,1%,0.125W	91637	MFF1816G909R0F
A15R648	321-0034-00		RES.,FXD,FILM:22.1 OHM,1%,0.125W	91637	CMF55116G22R10F
A15R651	321-0222-00		RES.,FXD,FILM:2K OHM,1%,0.125W	91637	MFF1816G20000F
A15R652	315-0271-00		RES.,FXD,CMPSN:270 OHM,5%,0.25W	01121	CB2715
A15R655	321-0245-00		RES.,FXD,FILM:3.48K OHM,1%,0.125W	91637	MFF1816G34800F
A15R656	315-0121-00		RES.,FXD,CMPSN:120 OHM,5%,0.25W	01121	CB1215
A15R657	315-0122-00		RES.,FXD,CMPSN:1.2K OHM,5%,0.25W	57668	NTR25J-E01K2
A15R659	315-0391-00		RES.,FXD,CMPSN:390 OHM,5%,0.25W	57668	NTR25J-E390E
A15R664	323-0248-00		RES.,FXD,FILM:3.74K OHM,1%,0.50W	19701	5053RD3K740F
A15R665	323-0248-00		RES.,FXD,FILM:3.74K OHM,1%,0.50W	19701	5053RD3K740F
A15R671	315-0270-00		RES.,FXD,CMPSN:27 OHM,5%,0.25W	01121	CB2705
A15R673	323-0191-00		RES.,FXD,FILM:953 OHM,1%,0.50W	75042	CECT0-9530F
A15R676	315-0331-00		RES.,FXD,CMPSN:330 OHM,5%,0.25W	57668	NTR25J-E330E
A15R679	321-0116-00		RES.,FXD,FILM:158 OHM,1%,0.125W	91637	MFF1816G158R0F
A15R681	311-1567-00		RES.,VAR,NONWIR:TRMR,100 OHM,0.50W	73138	91-89-0
A15R682	321-0193-00		RES.,FXD,FILM:1K OHM,1%,0.125W	01121	ORD BY DESCR
A15R683	321-0147-00		RES.,FXD,FILM:332 OHM,1%,0.125W	91637	MFF1816G332R0F
A15R693	315-0122-00		RES.,FXD,CMPSN:1.2K OHM,5%,0.25W	57668	NTR25J-E01K2
A15R694	315-0821-00		RES.,FXD,CMPSN:820 OHM,5%,0.25W	57668	NTR25J-E 820E
A15R695	315-0122-00		RES.,FXD,CMPSN:1.2K OHM,5%,0.25W	57668	NTR25J-E01K2
A15R697	315-0102-00		RES.,FXD,CMPSN:1K OHM,5%,0.25W	57668	NTR25J-E01K0
A15R706	321-0296-00		RES.,FXD,FILM:11.8K OHM,1%,0.125W	91637	MFF1816G11801F
A15R708	321-0603-00		RES.,FXD,FILM:15K OHM,0.25%,0.125W	91637	MFF1816D15001C
A15R713	321-0292-00		RES.,FXD,FILM:10.7K OHM,1%,0.125W	91637	MFF1816G10701F
A15R714	321-0966-03		RES.,FXD,FILM:40K OHM,0.25%,0.125W	91637	MFF1816D40001C
A15R715	303-0472-00		RES.,FXD,CMPSN:4.7K OHM,5%,1W	01121	GB4725
A15R726	323-0269-00		RES.,FXD,FILM:6.19K OHM,1%,0.50W	75042	CECT0-6191F
A15R728	308-0644-00		RES.,FXD,WW:25 OHM,1%,5W	91637	RS5111-25R00F
A15R740	315-0101-00		RES.,FXD,CMPSN:100 OHM,5%,0.25W	57668	NTR25J-E 100E
A15R741	315-0200-02		RES.,FXD,CMPSN:20 OHM,5%,0.25W	01121	CB2005
A15R743	315-0302-00		RES.,FXD,CMPSN:3K OHM,5%,0.25W	57668	NTR25J-E03K0
A15R746	315-0470-00		RES.,FXD,CMPSN:47 OHM,5%,0.25W	57668	NTR25J-E47E0
A15R758	321-0229-00		RES.,FXD,FILM:2.37K OHM,1%,0.125W	91637	MFF1816G23700F
A15R759	321-0251-01		RES.,FXD,FILM:4.02K OHM,0.5%,0.125W	91637	MFF1816G40200D
A15R762	321-0401-00		RES.,FXD,FILM:147K OHM,1%,0.125W	91637	CMF55116G14702F
A15R764	315-0822-00		RES.,FXD,CMPSN:8.2K OHM,5%,0.25W	01121	CB8225
A15R766	321-0446-00		RES.,FXD,FILM:432K OHM,1%,0.125W	91637	MFF1816G43202F
A15R769	315-0822-00		RES.,FXD,CMPSN:8.2K OHM,5%,0.25W	01121	CB8225
A15R771	315-0221-00		RES.,FXD,CMPSN:220 OHM,5%,0.25W	57668	NTR25J-E220E
A15R774	321-0228-00		RES.,FXD,FILM:2.32K OHM,1%,0.125W	91637	MFF1816G23200F
A15R775	321-0251-01		RES.,FXD,FILM:4.02K OHM,0.5%,0.125W	91637	MFF1816G40200D
A15R776	315-0184-00		RES.,FXD,CMPSN:180K OHM,5%,0.25W	01121	CB1845
A15R778	315-0470-00		RES.,FXD,CMPSN:47 OHM,5%,0.25W	57668	NTR25J-E47E0
A15R785	315-0512-00		RES.,FXD,CMPSN:5.1K OHM,5%,0.25W	57668	NTR25J-E05K1
A15R786	315-0512-00		RES.,FXD,CMPSN:5.1K OHM,5%,0.25W	57668	NTR25J-E05K1
A15R787	315-0512-00		RES.,FXD,CMPSN:5.1K OHM,5%,0.25W	57668	NTR25J-E05K1
A15R788	315-0222-00		RES.,FXD,CMPSN:2.2K OHM,5%,0.25W	57668	NTR25J-E02K2
A15R790	315-0512-00		RES.,FXD,CMPSN:5.1K OHM,5%,0.25W	57668	NTR25J-E05K1
A15R793	315-0122-00		RES.,FXD,CMPSN:1.2K OHM,5%,0.25W	57668	NTR25J-E01K2
A15R794	315-0821-00		RES.,FXD,CMPSN:820 OHM,5%,0.25W	01121	CB8215

Component No.	Tektronix Part No.	Serial/Model No. Eff Dscnt	Name & Description	Mfr Code	Mfr Part Number
A15R795	315-0122-00		RES.,FXD,CMPSN:1.2K OHM,5%,0.25W	57668	NTR25J-E01K2
A15R796	315-0821-00		RES.,FXD,CMPSN:820 OHM,5%,0.25W	57668	NTR25J-E 820E
A15R797	315-0102-00		RES.,FXD,CMPSN:1K OHM,5%,0.25W	57668	NTR25JE01K0
A15R798	315-0102-00		RES.,FXD,CMPSN:1K OHM,5%,0.25W	57668	NTR25JE01K0
A15R800	308-0459-00		RES.,FXD,WW:1.1 OHM,5%,3W	91637	CW2B-1R100J TR
A15R803	315-0102-00		RES.,FXD,CMPSN:1K OHM,5%,0.25W	57668	NTR25JE01K0
A15R804	315-0153-00		RES.,FXD,CMPSN:15K OHM,5%,0.25W	01121	CB1535
A15R830	308-0363-00		RES.,FXD,WW:3K OHM,5%,8W	14193	SAV96-3001J
A15R834	303-0203-00		RES.,FXD,CMPSN:20K OHM,5%,1W	01121	GB2035
A15R849	301-0432-00		RES.,FXD,CMPSN:4.3K OHM,5%,0.5W	57668	TR50J-E 4K3
A15R850	315-0101-00		RES.,FXD,CMPSN:100 OHM,5%,0.25W	57668	NTR25J-E 100E
A15R854	308-0421-00		RES.,FXD,WW:3K OHM,5%,3W	91637	CW-2B B30000J
A15R858	321-0165-00		RES.,FXD,FILM:511 OHM,1%,0.125W	91637	MFF1816G511R0F
A15R860	321-0193-00		RES.,FXD,FILM:1K OHM,1%,0.125W	01121	ORD BY DESCR
A15R866	315-0101-00		RES.,FXD,CMPSN:100 OHM,5%,0.25W	57668	NTR25J-E 100E
A15R867	315-0101-00		RES.,FXD,CMPSN:100 OHM,5%,0.25W	57668	NTR25J-E 100E
A15R868	321-0193-00		RES.,FXD,FILM:1K OHM,1%,0.125W	01121	ORD BY DESCR
A15R871	315-0470-00		RES.,FXD,CMPSN:47 OHM,5%,0.25W	57668	NTR25J-E47E0
A15R873	321-0256-00		RES.,FXD,FILM:4.53K OHM,1%,0.125W	91637	MFF1816G45300F
A15R877	315-0101-00		RES.,FXD,CMPSN:100 OHM,5%,0.25W	57668	NTR25J-E 100E
A15R883	315-0512-00		RES.,FXD,CMPSN:5.1K OHM,5%,0.25W	57668	NTR25J-E05K1
A15R884	315-0222-00		RES.,FXD,CMPSN:2.2K OHM,5%,0.25W	57668	NTR25J-E02K2
A15R885	315-0512-00		RES.,FXD,CMPSN:5.1K OHM,5%,0.25W	57668	NTR25J-E05K1
A15R888	321-0165-00		RES.,FXD,FILM:511 OHM,1%,0.125W	91637	MFF1816G511R0F
A15R889	321-0193-00		RES.,FXD,FILM:1K OHM,1%,0.125W	01121	ORD BY DESCR
A15R891	315-0101-00		RES.,FXD,CMPSN:100 OHM,5%,0.25W	57668	NTR25J-E 100E
A15R893	315-0470-00		RES.,FXD,CMPSN:47 OHM,5%,0.25W	57668	NTR25J-E47E0
A15R894	321-0256-00		RES.,FXD,FILM:4.53K OHM,1%,0.125W	91637	MFF1816G45300F
A15R895	321-0193-00		RES.,FXD,FILM:1K OHM,1%,0.125W	01121	ORD BY DESCR
A15R896	315-0101-00		RES.,FXD,CMPSN:100 OHM,5%,0.25W	57668	NTR25J-E 100E
A15R932	315-0103-00		RES.,FXD,CMPSN:10K OHM,5%,0.25W	57668	NTR25J-E10K0
A15R938	315-0103-00		RES.,FXD,CMPSN:10K OHM,5%,0.25W	57668	NTR25J-E10K0
A15R947	321-0228-00		RES.,FXD,FILM:2.32K OHM,1%,0.125W	91637	MFF1816G23200F
A15R948	315-0103-00		RES.,FXD,CMPSN:10K OHM,5%,0.25W	57668	NTR25J-E10K0
A15R949	321-0193-00		RES.,FXD,FILM:1K OHM,1%,0.125W	01121	ORD BY DESCR
A15R953	315-0360-00		RES.,FXD,CMPSN:36 OHM,5%,0.25W	01121	CB3605
A15R954	321-0250-00		RES.,FXD,FILM:3.92K OHM,1%,0.125W	91637	MFF1816G39200F
A15R955	321-0195-00		RES.,FXD,FILM:1.05K OHM,1%,0.125W	91637	MFF1816G10500F
A15R957	315-0360-00		RES.,FXD,CMPSN:36 OHM,5%,0.25W	01121	CB3605
A15R960	315-0330-00		RES.,FXD,CMPSN:33 OHM,5%,0.25W	01121	CB3305
A15R964	315-0330-00		RES.,FXD,CMPSN:33 OHM,5%,0.25W	01121	CB3305
A15R968	315-0101-00		RES.,FXD,CMPSN:100 OHM,5%,0.25W	57668	NTR25J-E 100E
A15R970	311-1567-00		RES.,VAR,NONWIR:TRMR,100 OHM,0.50W	73138	91-89-0
A15R971	321-0154-00		RES.,FXD,FILM:392 OHM,1%,0.125W	91637	MFF1816G392R0F
A15R972	321-0231-00		RES.,FXD,FILM:2.49K OHM,1%,0.125W	91637	MFF1816G24900F
A15R974	303-0432-00		RES.,FXD,CMPSN:4.3K OHM,5%,1W	01121	GB4325
A15R976	315-0103-00		RES.,FXD,CMPSN:10K OHM,5%,0.25W	57668	NTR25J-E10K0
A15R977	321-0228-00		RES.,FXD,FILM:2.32K OHM,1%,0.125W	91637	MFF1816G23200F
A15R978	321-0193-00		RES.,FXD,FILM:1K OHM,1%,0.125W	01121	ORD BY DESCR
A15R982	308-0421-00		RES.,FXD,WW:3K OHM,5%,3W	91637	CW-2B B30000J
A15R983	321-0250-00		RES.,FXD,FILM:3.92K OHM,1%,0.125W	91637	MFF1816G39200F
A15R984	321-0195-00		RES.,FXD,FILM:1.05K OHM,1%,0.125W	91637	MFF1816G10500F
A15R985	315-0360-00		RES.,FXD,CMPSN:36 OHM,5%,0.25W	01121	CB3605
A15R988	315-0360-00		RES.,FXD,CMPSN:36 OHM,5%,0.25W	01121	CB3605

**Replaceable Electrical Parts
468 Service Volume II**

Component No.	Tektronix Part No.	Serial/Model No. Eff Dscnt	Name & Description	Mfr Code	Mfr Part Number
A15R990	315-0271-00		RES.,FXD,CMPSN:270 OHM,5%,0.25W	01121	CB2715
A15R995	315-0181-00		RES.,FXD,CMPSN:180 OHM,5%,0.25W	57668	NTR25J-E180E
A15R998	315-0101-00		RES.,FXD,CMPSN:100 OHM,5%,0.25W	57668	NTR25J-E 100E
A15RT672	307-0122-00		RES.,THERMAL:50 OHM,10%	50157	3D1515
A15S175	260-1310-01		SWITCH,PUSH:4PDT MOMENTARY,NON-SHORTING	59821	2KAA001000549
A15S678	260-1208-00		SWITCH,PUSH:DPDT,28VDC,PUSH-PUSH	31918	ORDER BY DESCR
A15T216	120-0800-01		XFMR,PWR,SDN&SU:MOLDED	80009	120-0800-01
A15U136	152-0552-00		SEMICONV DEVICE:V MULTR,5KV IN,15KV OUT	52306	CMX315
A15U506	156-0158-03		MICROCIRCUIT,LI:DUAL OPNL AMPL,CHK	80009	156-0158-03
A15U564	156-0048-03		MICROCIRCUIT,LI:5 XSTR ARRAY,SEL	04713	SC77161B
A15U690	156-0383-02		MICROCIRCUIT,DI:QUAD 2-INP NOR GATE	01295	SN74LS02
A15U712	156-0158-03		MICROCIRCUIT,LI:DUAL OPNL AMPL,CHK	80009	156-0158-03
A15U789	156-0388-03		MICROCIRCUIT,DI:DUAL D FLIP-FLOP	07263	74LS74A
A15VR207	152-0289-00		SEMICONV DEVICE:ZENER,0.4W,180V,5%	04713	SZ12484KRL
A15VR308	152-0286-00		SEMICONV DEVICE:ZENER,0.4W,75V,5%	80009	152-0286-00
A15VR392	152-0127-00		SEMICONV DEVICE:ZENER,0.4W,7.5V,5%	04713	SZG35009K2
A15VR512	152-0166-00		SEMICONV DEVICE:ZENER,0.4W,6.2V,5%	04713	SZ11738RL
A15VR604	152-0283-00		SEMICONV DEVICE:ZENER,0.4W,43V,5%	12954	DZ750903B1N976B
A15VR624	152-0304-00		SEMICONV DEVICE:ZENER,0.4W,20V,5%	15238	Z5411
A15VR643	152-0166-00		SEMICONV DEVICE:ZENER,0.4W,6.2V,5%	04713	SZ11738RL
A15VR695	152-0306-00		SEMICONV DEVICE:ZENER,0.4W,9.1V,5%	15238	Z5409
A15VR709	152-0281-00		SEMICONV DEVICE:ZENER,0.4W,22V,5%	12954	1N969B
A15VR725	152-0411-00		SEMICONV DEVICE:ZENER,0.25W,9V,5%	04713	SZ12483KRL
A15VR797	152-0306-00		SEMICONV DEVICE:ZENER,0.4W,9.1V,5%	15238	Z5409
A15VR798	152-0306-00		SEMICONV DEVICE:ZENER,0.4W,9.1V,5%	15238	Z5409
A15VR825	152-0268-00		SEMICONV DEVICE:ZENER,0.4W,56V,5%	80009	152-0268-00
A15VR896	152-0278-00		SEMICONV DEVICE:ZENER,0.4W,3V,5%	04713	SZG35009K20
A15W136	131-0566-00		BUS CONDUCTOR:DUMMY RES,2.375,22 AWG	57668	JWW-0200E0
A15W385	131-0566-00		BUS CONDUCTOR:DUMMY RES,2.375,22 AWG	57668	JWW-0200E0
A15W552	131-0566-00		BUS CONDUCTOR:DUMMY RES,2.375,22 AWG	57668	JWW-0200E0
A15W580	131-0566-00		BUS CONDUCTOR:DUMMY RES,2.375,22 AWG	57668	JWW-0200E0
A15W746	131-0566-00		BUS CONDUCTOR:DUMMY RES,2.375,22 AWG	57668	JWW-0200E0
A15W747	131-0566-00		BUS CONDUCTOR:DUMMY RES,2.375,22 AWG	57668	JWW-0200E0
A15W780	131-0566-00		BUS CONDUCTOR:DUMMY RES,2.375,22 AWG	57668	JWW-0200E0
A15W849	131-0566-00		BUS CONDUCTOR:DUMMY RES,2.375,22 AWG	57668	JWW-0200E0
A15W866	131-0566-00		BUS CONDUCTOR:DUMMY RES,2.375,22 AWG	57668	JWW-0200E0
A15W880	131-0566-00		BUS CONDUCTOR:DUMMY RES,2.375,22 AWG	57668	JWW-0200E0

Component No.	Tektronix Part No.	Serial/Model No. Eff	Dscnt	Name & Description	Mfr Code	Mfr Part Number
A16	672-0878-00	B010100	B029999	CKT BOARD ASSY:TOP	80009	672-0878-00
A16	672-0878-02	B030000	B039999	CKT BOARD ASSY:TOP	80009	672-0878-02
A16	672-0878-06	B040000		CKT BOARD ASSY:TOP	80009	672-0878-06
A16	----			(STANDARD)		
A16	672-0878-01	B010100	B029999	CKT BOARD ASSY:TOP	80009	672-0878-01
A16	----			(OPTION 02 ONLY)		
A16	672-0878-03	B030000	B039999	CKT BOARD ASSY:TOP	80009	672-0878-00
A16	----			(OPTION 02 ONLY)		
A16	672-0878-07	B040000		CKT BOARD ASSY:TOP	80009	672-0878-07
A16	----			(OPTION 02 ONLY)		
A16	672-0878-04	B030000	B039999	CKT BOARD ASSY:TOP	80009	672-0878-04
A16	----			(OPTION 11 ONLY)		
A16	672-0878-08	B040000		CKT BOARD ASSY:TOP	80009	672-0878-08
A16	----			(OPTION 11 ONLY)		
A16	672-0878-00	B010100	B029999	CKT BOARD ASSY:TOP	80009	672-0878-00
A16	----			(OPTION 12 ONLY)		
A16C145	281-0809-00			CAP.,FXD,CER DI:200PF,5%,100V	04222	GC101A201J
A16C151	290-0804-00			CAP.,FXD,ELCTLT:10UF,+50-10%,25V	55680	ULA1E100TEA
A16C155	281-0775-00			CAP.,FXD,CER DI:0.1UF,20%,50V	04222	MA205E104MAA
A16C163	281-0809-00			CAP.,FXD,CER DI:200PF,5%,100V	04222	GC101A201J
A16C182	281-0775-00			CAP.,FXD,CER DI:0.1UF,20%,50V	04222	MA205E104MAA
A16C248	281-0775-00			CAP.,FXD,CER DI:0.1UF,20%,50V	04222	MA205E104MAA
A16C266	281-0809-00			CAP.,FXD,CER DI:200PF,5%,100V	04222	GC101A201J
A16C268	281-0775-00			CAP.,FXD,CER DI:0.1UF,20%,50V	04222	MA205E104MAA
A16C269	281-0775-00			CAP.,FXD,CER DI:0.1UF,20%,50V	04222	MA205E104MAA
A16C279	290-0804-00			CAP.,FXD,ELCTLT:10UF,+50-10%,25V	55680	ULA1E100TEA
A16C282	281-0775-00			CAP.,FXD,CER DI:0.1UF,20%,50V	04222	MA205E104MAA
A16C285	281-0775-00			CAP.,FXD,CER DI:0.1UF,20%,50V	04222	MA205E104MAA
A16C321	290-0804-00			CAP.,FXD,ELCTLT:10UF,+50-10%,25V	55680	ULA1E100TEA
A16C348	281-0788-00			CAP.,FXD,CER DI:470PF,10%,100V	96733	R3015
A16C349	281-0775-00			CAP.,FXD,CER DI:0.1UF,20%,50V	04222	MA205E104MAA
A16C378	281-0775-00			CAP.,FXD,CER DI:0.1UF,20%,50V	04222	MA205E104MAA
A16C407	281-0775-00			CAP.,FXD,CER DI:0.1UF,20%,50V	04222	MA205E104MAA
A16C418	281-0775-00			CAP.,FXD,CER DI:0.1UF,20%,50V	04222	MA205E104MAA
A16C437	285-0808-00			CAP.,FXD,PLSTC:0.1UF,10%,50V	56289	LP66A1A104K004
A16C441	290-0246-00			CAP.,FXD,ELCTLT:3.3UF,10%,15V	56289	173D335X9015V
A16C442	281-0775-00			CAP.,FXD,CER DI:0.1UF,20%,50V	04222	MA205E104MAA
A16C444	281-0775-00			CAP.,FXD,CER DI:0.1UF,20%,50V	04222	MA205E104MAA
A16C447	281-0775-00			CAP.,FXD,CER DI:0.1UF,20%,50V	04222	MA205E104MAA
A16C448	281-0759-00			CAP.,FXD,CER DI:22PF,10%,100V	96733	R2735
A16C450	281-0865-00			CAP.,FXD,CER DI:1000PF,5%,100V	04222	MA201A102JAA
A16C451	281-0865-00			CAP.,FXD,CER DI:1000PF,5%,100V	04222	MA201A102JAA
A16C452	281-0863-00			CAP.,FXD,CER DI:240PF,5%,100V	04222	GC101A241J
A16C460	281-0775-00			CAP.,FXD,CER DI:0.1UF,20%,50V	04222	MA205E104MAA
A16C461	281-0864-00			CAP.,FXD,CER DI:430PF,5%,100V	12969	CGD431JEN
A16C465	281-0812-00			CAP.,FXD,CER DI:1000PF,10%,100V	04222	MA101C102KAA
A16C466	281-0814-00			CAP.,FXD,CER DI:100PF,10%,100V	04222	GC101A101K
A16C486	281-0775-00			CAP.,FXD,CER DI:0.1UF,20%,50V	04222	MA205E104MAA
A16C541	281-0775-00			CAP.,FXD,CER DI:0.1UF,20%,50V	04222	MA205E104MAA
A16C553	281-0863-00			CAP.,FXD,CER DI:240PF,5%,100V	04222	GC101A241J
A16C568	281-0775-00			CAP.,FXD,CER DI:0.1UF,20%,50V	04222	MA205E104MAA
A16C569	281-0775-00			CAP.,FXD,CER DI:0.1UF,20%,50V	04222	MA205E104MAA
A16C570	281-0811-00			CAP.,FXD,CER DI:10PF,10%,100V	96733	R2911
A16C571	281-0810-00			CAP.,FXD,CER DI:5.6PF,0.5%,100V	04222	GC10-1A5R6D
A16C572	281-0865-00			CAP.,FXD,CER DI:1000PF,5%,100V	04222	MA201A102JAA

**Replaceable Electrical Parts
468 Service Volume II**

Component No.	Tektronix Part No.	Serial/Model No. Eff Dscont	Name & Description	Mfr Code	Mfr Part Number
A16C653	281-0775-00		CAP.,FXD,CER DI:0.1UF,20%,50V	04222	MA205E104MAA
A16C670	281-0775-00		CAP.,FXD,CER DI:0.1UF,20%,50V	04222	MA205E104MAA
A16C671	281-0775-00		CAP.,FXD,CER DI:0.1UF,20%,50V	04222	MA205E104MAA
A16C676	281-0812-00		CAP.,FXD,CER DI:1000PF,10%,100V	04222	MA101C102KAA
A16C683	281-0775-00		CAP.,FXD,CER DI:0.1UF,20%,50V	04222	MA205E104MAA
A16C688	281-0812-00		CAP.,FXD,CER DI:1000PF,10%,100V	04222	MA101C102KAA
A16C717	281-0775-00		CAP.,FXD,CER DI:0.1UF,20%,50V	04222	MA205E104MAA
A16C768	281-0775-00		CAP.,FXD,CER DI:0.1UF,20%,50V	04222	MA205E104MAA
A16C770	281-0775-00		CAP.,FXD,CER DI:0.1UF,20%,50V	04222	MA205E104MAA
A16C771	281-0775-00		CAP.,FXD,CER DI:0.1UF,20%,50V	04222	MA205E104MAA
A16C786	281-0775-00		CAP.,FXD,CER DI:0.1UF,20%,50V	04222	MA205E104MAA
A16C888	281-0775-00		CAP.,FXD,CER DI:0.1UF,20%,50V	04222	MA205E104MAA
A16CR173	152-0141-02		SEMICON DVC,DI:SW,SI,30V,150MA,30V,DO-35	12969	NDP0263 (1N4152)
A16CR174	152-0141-02		SEMICON DVC,DI:SW,SI,30V,150MA,30V,DO-35	12969	NDP0263 (1N4152)
A16CR267	152-0322-00		SEMICON DEVICE:SILICON,15V,HOT CARRIER	50434	5082-2672
A16CR285	152-0322-00		SEMICON DEVICE:SILICON,15V,HOT CARRIER	50434	5082-2672
A16CR336	152-0141-02		SEMICON DVC,DI:SW,SI,30V,150MA,30V,DO-35	12969	NDP0263 (1N4152)
A16CR443	152-0322-00		SEMICON DEVICE:SILICON,15V,HOT CARRIER	50434	5082-2672
A16CR553	152-0322-00		SEMICON DEVICE:SILICON,15V,HOT CARRIER	50434	5082-2672
A16CR566	152-0322-00		SEMICON DEVICE:SILICON,15V,HOT CARRIER	50434	5082-2672
A16CR584	152-0141-02		SEMICON DVC,DI:SW,SI,30V,150MA,30V,DO-35	12969	NDP0263 (1N4152)
A16CR585	152-0141-02		SEMICON DVC,DI:SW,SI,30V,150MA,30V,DO-35	12969	NDP0263 (1N4152)
A16CR586	152-0141-02		SEMICON DVC,DI:SW,SI,30V,150MA,30V,DO-35	12969	NDP0263 (1N4152)
A16CR587	152-0141-02		SEMICON DVC,DI:SW,SI,30V,150MA,30V,DO-35	12969	NDP0263 (1N4152)
A16CR635	152-0141-02		SEMICON DVC,DI:SW,SI,30V,150MA,30V,DO-35	12969	NDP0263 (1N4152)
A16CR666	152-0141-02		SEMICON DVC,DI:SW,SI,30V,150MA,30V,DO-35	12969	NDP0263 (1N4152)
A16CR667	152-0141-02		SEMICON DVC,DI:SW,SI,30V,150MA,30V,DO-35	12969	NDP0263 (1N4152)
A16CR670	152-0322-00		SEMICON DEVICE:SILICON,15V,HOT CARRIER	50434	5082-2672
A16CR684	152-0141-02		SEMICON DVC,DI:SW,SI,30V,150MA,30V,DO-35	12969	NDP0263 (1N4152)
A16CR685	152-0141-02		SEMICON DVC,DI:SW,SI,30V,150MA,30V,DO-35	12969	NDP0263 (1N4152)
A16CR686	152-0141-02		SEMICON DVC,DI:SW,SI,30V,150MA,30V,DO-35	12969	NDP0263 (1N4152)
A16CR687	152-0141-02		SEMICON DVC,DI:SW,SI,30V,150MA,30V,DO-35	12969	NDP0263 (1N4152)
A16L155	108-0509-00		COIL,RF:2.45UH	80009	108-0509-00
A16Q174	151-0271-00		TRANSISTOR:SILICON,PNP	04713	SPS8236
A16Q184	151-0190-00		TRANSISTOR:NPN,SI,TO-92	04713	SPS7969
A16Q185	151-0188-00		TRANSISTOR:PNP,SI,TO-92	T0058	2N3906
A16Q187	151-0188-00		TRANSISTOR:PNP,SI,TO-92	T0058	2N3906
A16Q345	151-0190-00		TRANSISTOR:NPN,SI,TO-92	04713	SPS7969
A16Q441	151-0276-00		TRANSISTOR:SILICON,PNP	04713	2N5087
A16Q442	151-1121-00		TRANSISTOR:FE,N CHANNEL,SI,TO-92	T0768	N01003N3
A16Q570	151-1097-00		TRANSISTOR:SILICON,FE	04713	SPF713
A16Q578	151-0190-00		TRANSISTOR:NPN,SI,TO-92	04713	SPS7969
A16Q580	151-0190-00		TRANSISTOR:NPN,SI,TO-92	04713	SPS7969
A16Q680	151-0190-00		TRANSISTOR:NPN,SI,TO-92	04713	SPS7969
A16Q850	151-0188-00		TRANSISTOR:PNP,SI,TO-92	T0058	2N3906
A16R145	315-0750-00		RES.,FXD,CMPSN:75 OHM,5%,0.25W	57668	NTR25J-E75E0
A16R159	322-0193-00		RES.,FXD,FILM:1K OHM,1%,0.25W	75042	CEBT0-1001F
A16R160	322-0193-00		RES.,FXD,FILM:1K OHM,1%,0.25W	75042	CEBT0-1001F
A16R163	321-0069-00		RES.,FXD,FILM:51.1 OHM,1%,0.125W	91637	CMF55116G51R10F
A16R164	321-0033-00		RES.,FXD,FILM:21.5 OHM,1%,0.125W	91637	CMF55116G21R50F
A16R168	315-0240-00		RES.,FXD,CMPSN:24 OHM,5%,0.25W	57668	NTR25J-E24E0
A16R169	315-0240-00		RES.,FXD,CMPSN:24 OHM,5%,0.25W	57668	NTR25J-E24E0
A16R180	322-0154-00		RES.,FXD,FILM:392 OHM,1%,0.25W	91637	MFF1421G392R0F
A16R182	321-0155-00		RES.,FXD,FILM:402 OHM,1%,0.125W	91637	MFF1816G402R0F
A16R183	321-0216-00		RES.,FXD,FILM:1.74K OHM,1%,0.125W	91637	MFF1816G17400F

Component No.	Tektronix Part No.	Serial/Model No. Eff Dscont	Name & Description	Mfr Code	Mfr Part Number
A16R186	315-0472-00		RES.,FXD,CMPSN:4.7K OHM,5%,0.25W	57668	NTR25J-E04K7
A16R187	315-0472-00		RES.,FXD,CMPSN:4.7K OHM,5%,0.25W	57668	NTR25J-E04K7
A16R188	315-0182-00		RES.,FXD,CMPSN:1.8K OHM,5%,0.25W	57668	NTR25J-E1K8
A16R189	315-0200-00		RES.,FXD,CMPSN:20 OHM,5%,0.25W	01121	CB2005
A16R251	321-0318-00		RES.,FXD,FILM:20K OHM,1%,0.125W	91637	MFF1816G20001F
A16R252	321-0318-00		RES.,FXD,FILM:20K OHM,1%,0.125W	91637	MFF1816G20001F
A16R259	322-0193-00		RES.,FXD,FILM:1K OHM,1%,0.25W	75042	CEBT0-1001F
A16R260	322-0193-00		RES.,FXD,FILM:1K OHM,1%,0.25W	75042	CEBT0-1001F
A16R264	321-0069-00		RES.,FXD,FILM:51.1 OHM,1%,0.125W	91637	CMF55116G51R10F
A16R265	321-0033-00		RES.,FXD,FILM:21.5 OHM,1%,0.125W	91637	CMF55116G21R50F
A16R272	322-0193-00		RES.,FXD,FILM:1K OHM,1%,0.25W	75042	CEBT0-1001F
A16R274	315-0101-00		RES.,FXD,CMPSN:100 OHM,5%,0.25W	57668	NTR25J-E 100E
A16R282	315-0103-00		RES.,FXD,CMPSN:10K OHM,5%,0.25W	57668	NTR25J-E10K0
A16R283	315-0103-00		RES.,FXD,CMPSN:10K OHM,5%,0.25W	57668	NTR25J-E10K0
A16R284	315-0392-00		RES.,FXD,CMPSN:3.9K OHM,5%,0.25W	57668	NTR25J-E03K9
A16R285	315-0102-00		RES.,FXD,CMPSN:1K OHM,5%,0.25W	57668	NTR25JE01K0
A16R287	315-0471-00		RES.,FXD,CMPSN:470 OHM,5%,0.25W	57668	NTR25J-E470E
A16R330	315-0561-00		RES.,FXD,CMPSN:560 OHM,5%,0.25W	01121	CB5615
A16R332	315-0201-00		RES.,FXD,CMPSN:200 OHM,5%,0.25W	57668	NTR25J-E200E
A16R335	321-0242-00		RES.,FXD,FILM:3.24K OHM,1%,0.125W	91637	MFF1816G32400F
A16R336	321-0284-00		RES.,FXD,FILM:8.87K OHM,1%,0.125W	91637	MFF1816G88700F
A16R344	315-0103-00		RES.,FXD,CMPSN:10K OHM,5%,0.25W	57668	NTR25J-E10K0
A16R345	311-1228-00		RES.,VAR,NONWIR:10K OHM,20%,0.50W	32997	3386F-T04-103
A16R346	311-1223-00		RES.,VAR,NONWIR:TRMR,250 OHM,0.5W	73138	72-5-0
A16R347	315-0103-00		RES.,FXD,CMPSN:10K OHM,5%,0.25W	57668	NTR25J-E10K0
A16R348	321-0339-00		RES.,FXD,FILM:33.2K OHM,1%,0.125W	91637	MFF1816G33201F
A16R349	315-0471-00		RES.,FXD,CMPSN:470 OHM,5%,0.25W	57668	NTR25J-E470E
A16R350	321-0218-00		RES.,FXD,FILM:1.82K OHM,1%,0.125W	91637	MFF1816G18200F
A16R351	321-0170-00		RES.,FXD,FILM:576 OHM,1%,0.125W	91637	MFF1816G576R0F
A16R352	321-0185-00		RES.,FXD,FILM:825 OHM,1%,0.125W	91637	MFF1816G825R0F
A16R353	321-0185-00		RES.,FXD,FILM:825 OHM,1%,0.125W	91637	MFF1816G825R0F
A16R385	315-0124-00		RES.,FXD,CMPSN:120K OHM,5%,0.25W	01121	CB1245
A16R386	315-0473-00		RES.,FXD,CMPSN:47K OHM,5%,0.25W	57668	NTR25J-E47K0
A16R403	307-0542-00		RES.,NTWK,FXD,FI:10K OHM,5%,0.125W	01121	106A103
A16R437	315-0103-00		RES.,FXD,CMPSN:10K OHM,5%,0.25W	57668	NTR25J-E10K0
A16R438	315-0471-00		RES.,FXD,CMPSN:470 OHM,5%,0.25W	57668	NTR25J-E470E
A16R439	315-0100-00		RES.,FXD,CMPSN:10 OHM,5%,0.25W	57668	NTR25J-E 10E0
A16R440	321-0327-00		RES.,FXD,FILM:24.9K OHM,1%,0.125W	91637	MFF1816G24901F
A16R441	315-0333-00		RES.,FXD,CMPSN:33K OHM,5%,0.25W	57668	NTR25J-E33K0
A16R443	315-0270-00		RES.,FXD,CMPSN:27 OHM,5%,0.25W	01121	CB2705
A16R448	315-0270-00		RES.,FXD,CMPSN:27 OHM,5%,0.25W	01121	CB2705
A16R450	315-0103-00		RES.,FXD,CMPSN:10K OHM,5%,0.25W	57668	NTR25J-E10K0
A16R451	321-0225-00		RES.,FXD,FILM:2.15K OHM,1%,0.125W	91637	MFF1816G21500F
A16R452	321-0283-00		RES.,FXD,FILM:8.66K OHM,1%,0.125W	91637	CMF55116G86600F
A16R453	321-0225-00		RES.,FXD,FILM:2.15K OHM,1%,0.125W	91637	MFF1816G21500F
A16R454	321-0283-00		RES.,FXD,FILM:8.66K OHM,1%,0.125W	91637	CMF55116G86600F
A16R455	321-0341-00		RES.,FXD,FILM:34.8K OHM,1%,0.125W	91637	CMF55116G34801F
A16R456	321-0283-00		RES.,FXD,FILM:8.66K OHM,1%,0.125W	91637	CMF55116G86600F
A16R460	315-0124-00		RES.,FXD,CMPSN:120K OHM,5%,0.25W	01121	CB1245
A16R461	315-0473-00		RES.,FXD,CMPSN:47K OHM,5%,0.25W	57668	NTR25J-E47K0
A16R462	315-0471-00		RES.,FXD,CMPSN:470 OHM,5%,0.25W	57668	NTR25J-E470E
A16R463	315-0681-00		RES.,FXD,CMPSN:680 OHM,5%,0.25W	57668	NTR25J-E680E
A16R464	321-0271-00		RES.,FXD,FILM:6.49K OHM,1%,0.125W	91637	MFF1816G64900F
A16R465	321-0271-00		RES.,FXD,FILM:6.49K OHM,1%,0.125W	91637	MFF1816G64900F
A16R470	321-0319-00		RES.,FXD,FILM:20.5K OHM,1%,0.125W	91637	MFF1816G20501F
A16R471	321-0319-00		RES.,FXD,FILM:20.5K OHM,1%,0.125W	91637	MFF1816G20501F

**Replaceable Electrical Parts
468 Service Volume II**

Component No.	Tektronix Part No.	Serial/Model No. Eff	Discont	Name & Description	Mfr Code	Mfr Part Number
A16R472	321-0217-00			RES.,FXD,FILM:1.78K OHM,1%,0.125W	91637	MFF1816G17800F
A16R473	321-0217-00			RES.,FXD,FILM:1.78K OHM,1%,0.125W	91637	MFF1816G17800F
A16R474	321-0319-00			RES.,FXD,FILM:20.5K OHM,1%,0.125W	91637	MFF1816G20501F
A16R475	321-0319-00			RES.,FXD,FILM:20.5K OHM,1%,0.125W	91637	MFF1816G20501F
A16R476	321-0217-00			RES.,FXD,FILM:1.78K OHM,1%,0.125W	91637	MFF1816G17800F
A16R477	321-0217-00			RES.,FXD,FILM:1.78K OHM,1%,0.125W	91637	MFF1816G17800F
A16R478	315-0223-00			RES.,FXD,CMPSN:22K OHM,5%,0.25W	57668	NTR25J-E 22K
A16R479	315-0751-00			RES.,FXD,CMPSN:750 OHM,5%,0.25W	57668	NTR25J-E750E
A16R480	315-0682-00			RES.,FXD,CMPSN:6.8K OHM,5%,0.25W	57668	NTR25J-E06K8
A16R483	315-0470-00			RES.,FXD,CMPSN:47 OHM,5%,0.25W	57668	NTR25J-E47E0
A16R484	315-0302-00			RES.,FXD,CMPSN:3K OHM,5%,0.25W	57668	NTR25J-E03K0
A16R485	315-0272-00			RES.,FXD,CMPSN:2.7K OHM,5%,0.25W	57668	NTR25J-E02K7
A16R486	315-0912-00			RES.,FXD,CMPSN:9.1K OHM,5%,0.25W	57668	NTR25J-E09K1
A16R487	315-0432-00			RES.,FXD,CMPSN:4.3K OHM,5%,0.25W	57668	NTR25J-E04K3
A16R550	311-1225-00			RES.,VAR, NONWIR:1K OHM,20%,0.50W	32997	3386F-T04-102
A16R553	315-0682-00			RES.,FXD,CMPSN:6.8K OHM,5%,0.25W	57668	NTR25J-E06K8
A16R560	321-0289-00			RES.,FXD,FILM:10K OHM,1%,0.125W	91637	MFF1816G10001F
A16R561	321-0318-00			RES.,FXD,FILM:20K OHM,1%,0.125W	91637	MFF1816G20001F
A16R563	315-0681-00			RES.,FXD,CMPSN:680 OHM,5%,0.25W	57668	NTR25J-E680E
A16R564	321-0185-00			RES.,FXD,FILM:825 OHM,1%,0.125W	91637	MFF1816G825R0F
A16R565	321-0289-00	B010100	B039999	RES.,FXD,FILM:10K OHM,1%,0.125W	91637	MFF1816G10001F
A11R565	321-0306-00	B040000		RES.,FXD,FILM:15K OHM,1%,0.125W	91637	MFF1816G15001F
A16R566	315-0151-00			RES.,FXD,CMPSN:150 OHM,5%,0.25W	57668	NTR25J-E150E
A16R567	321-0289-00	B010100	B039999	RES.,FXD,FILM:10K OHM,1%,0.125W	91637	MFF1816G10001F
A16R567	321-0306-00	B040000		RES.,FXD,FILM:15K OHM,1%,0.125W	91637	MFF1816G15001F
A16R568	315-0101-00			RES.,FXD,CMPSN:100 OHM,5%,0.25W	57668	NTR25J-E 100E
A16R569	321-0318-00	B010100	B039999	RES.,FXD,FILM:20K OHM,1%,0.125W	91637	MFF1816G20001F
A16R569	321-0335-00	B040000		RES.,FXD,FILM:30.1K OHM,1%,0.125W	91637	CMF55116G30101F
A16R570	321-0185-00			RES.,FXD,FILM:825 OHM,1%,0.125W	91637	MFF1816G825R0F
A16R571	311-1466-00			RES.,VAR, NONWIR:TRMR,2K OHM,0.5W	02111	63M202T602
A16R572	315-0332-00			RES.,FXD,CMPSN:3.3K OHM,5%,0.25W	57668	NTR25J-E03K3
A16R577	315-0302-00			RES.,FXD,CMPSN:3K OHM,5%,0.25W	57668	NTR25J-E03K0
A16R578	315-0912-00			RES.,FXD,CMPSN:9.1K OHM,5%,0.25W	57668	NTR25J-E09K1
A16R579	321-0123-00			RES.,FXD,FILM:187 OHM,1%,0.125W	91637	MFF1816G187R0F
A16R580	321-0206-00			RES.,FXD,FILM:1.37K OHM,1%,0.125W	91637	MFF1816G13700F
A16R581	321-0127-00			RES.,FXD,FILM:205 OHM,1%,0.125W	91637	MFF1816G205R0F
A16R583	315-0103-00			RES.,FXD,CMPSN:10K OHM,5%,0.25W	57668	NTR25J-E10K0
A16R584	321-0177-00			RES.,FXD,FILM:681 OHM,1%,0.125W	01121	ORD BY DESCR
A16R585	321-0177-00			RES.,FXD,FILM:681 OHM,1%,0.125W	01121	ORD BY DESCR
A16R586	315-0132-00			RES.,FXD,CMPSN:1.3K OHM,5%,0.25W	57668	NTR25J-E01K3
A16R640	321-0239-00			RES.,FXD,FILM:3.01K OHM,1%,0.125W	91637	MFF1816G30100F
A16R660	315-0131-00			RES.,FXD,CMPSN:130 OHM,5%,0.25W	01121	CB1315
A16R661	315-0151-00			RES.,FXD,CMPSN:150 OHM,5%,0.25W	57668	NTR25J-E150E
A16R662	315-0151-00			RES.,FXD,CMPSN:150 OHM,5%,0.25W	57668	NTR25J-E150E
A16R663	315-0151-00			RES.,FXD,CMPSN:150 OHM,5%,0.25W	57668	NTR25J-E150E
A16R664	315-0151-00			RES.,FXD,CMPSN:150 OHM,5%,0.25W	57668	NTR25J-E150E
A16R665	315-0151-00			RES.,FXD,CMPSN:150 OHM,5%,0.25W	57668	NTR25J-E150E
A16R666	315-0151-00			RES.,FXD,CMPSN:150 OHM,5%,0.25W	57668	NTR25J-E150E
A16R667	315-0151-00			RES.,FXD,CMPSN:150 OHM,5%,0.25W	57668	NTR25J-E150E
A16R668	315-0621-00			RES.,FXD,CMPSN:620 OHM,5%,0.25W	57668	NTR25J-E620E
A16R669	315-0201-00			RES.,FXD,CMPSN:200 OHM,5%,0.25W	57668	NTR25J-E200E
A16R670	315-0470-00			RES.,FXD,CMPSN:47 OHM,5%,0.25W	57668	NTR25J-E47E0
A16R673	321-0197-00			RES.,FXD,FILM:1.1K OHM,1%,0.125W	91637	MFF1816G11000F
A16R674	321-0085-00			RES.,FXD,FILM:75 OHM,1%,0.125W	91637	MFF1816G75R00F
A16R675	321-0085-00			RES.,FXD,FILM:75 OHM,1%,0.125W	91637	MFF1816G75R00F

Component No.	Tektronix Part No.	Serial/Model No. Eff	Dscont	Name & Description	Mfr Code	Mfr Part Number
A16R676	315-0682-00			RES.,FXD,CMPSN:6.8K OHM,5%,0.25W	57668	NTR25J-E06K8
A16R677	315-0103-00			RES.,FXD,CMPSN:10K OHM,5%,0.25W	57668	NTR25J-E10K0
A16R678	315-0103-00			RES.,FXD,CMPSN:10K OHM,5%,0.25W	01121	CB1035
A16R709	307-0446-00			RES,NTWK,FXD FI:10K OHM,20%,(9) RES	91637	MSP10A01-103M
A16R717	315-0102-00			RES.,FXD,CMPSN:1K OHM,5%,0.25W	57668	NTR25JE01K0
A16R720	307-0446-00			RES,NTWK,FXD FI:10K OHM,20%,(9) RES	91637	MSP10A01-103M
A16R723	315-0102-00			RES.,FXD,CMPSN:1K OHM,5%,0.25W	57668	NTR25JE01K0
A16R740	307-0446-00			RES,NTWK,FXD FI:10K OHM,20%,(9) RES	91637	MSP10A01-103M
A16R753	315-0102-00			RES.,FXD,CMPSN:1K OHM,5%,0.25W	57668	NTR25JE01K0
A16R754	315-0102-00			RES.,FXD,CMPSN:1K OHM,5%,0.25W	57668	NTR25JE01K0
A16R773	315-0103-00			RES.,FXD,CMPSN:10K OHM,5%,0.25W	57668	NTR25J-E10K0
A16R785	321-0303-00			RES.,FXD,FILM:14K OHM,1%,0.125W	91637	MFF1816G14001F
A16R787	315-0104-00			RES.,FXD,CMPSN:100K OHM,5%,0.25W	57668	NTR25J-E100K
A16R788	315-0682-00			RES.,FXD,CMPSN:6.8K OHM,5%,0.25W	57668	NTR25J-E06K8
A16R839	315-0222-00			RES.,FXD,CMPSN:2.2K OHM,5%,0.25W	57668	NTR25J-E02K2
A16R840	315-0102-00			RES.,FXD,CMPSN:1K OHM,5%,0.25W	57668	NTR25JE01K0
A16R874	315-0103-00			RES.,FXD,CMPSN:10K OHM,5%,0.25W	57668	NTR25J-E10K0
A16R881	-----			(REPLACEABLE AS A UNIT WITH A16S881)		
A16R886	315-0512-00			RES.,FXD,CMPSN:5.1K OHM,5%,0.25W	57668	NTR25J-E05K1
A16R887	315-0104-00			RES.,FXD,CMPSN:100K OHM,5%,0.25W	57668	NTR25J-E100K
A16S512	260-1211-00			SWITCH,PUSH:1A,28VDC	31918	601348
A16S612	260-1994-00			SWITCH,PUSH:1 BUTTON,2 POLE,TRANSMIT	80009	260-1994-00
A16S612	-----			(OPTION 02 ONLY)		
A16S707	260-1721-00			SWITCH,ROCKER:8,SPST,125MA,30VDC	00779	435166-5
A16S813	260-1990-00	B010100	B029999	SWITCH,PUSH:5 BUTTON,2 POLE,CONTROL	71590	2KBM0500001300
A16S813	260-1991-00	B030000		SWITCH,PUSH:6 BUTTON,2 POLE,CONTROL	59821	2KBM0600001301
A16S831	260-1353-02			SWITCH,PUSH:2 BTN,2 POLE,STORAGE/DISPLA	59821	2KBB0200001332
A16S844	260-1353-02			SWITCH,PUSH:2 BTN,2 POLE,STORAGE/DISPLA	59821	2KBB0200001332
A16S881	263-0072-00			SW-VAR RES ASSY:	80009	263-0072-00
A16S881	-----			(REPLACEABLE AS A UNIT WITH A16R881)		
A16U158	156-0048-03			MICROCIRCUIT,LI:5 XSTR ARRAY,SEL	04713	SC77161B
A16U207	156-0913-02	B010100	B010949	MICROCIRCUIT,DI:OCTAL D FF,BURN-IN	04713	SN74LS377NDS
A16U207	156-0982-03	B010950		MICROCIRCUIT,DI:OCTAL-D-EDGE FF,SCRN	01295	SN74LS374 N3
A16U213	156-0469-02			MICROCIRCUIT,DI:3/8 LINE DCDR	01295	SN74LS138NP3
A16U218	156-0469-02			MICROCIRCUIT,DI:3/8 LINE DCDR	01295	SN74LS138NP3
A16U223	156-0913-02	B010100	B010949	MICROCIRCUIT,DI:OCTAL D FF,BURN-IN	04713	SN74LS377NDS
A16U223	156-0982-03	B010950		MICROCIRCUIT,DI:OCTAL-D-EDGE FF,SCRN	01295	SN74LS374 N3
A16U228	156-0913-02	B010100	B010949	MICROCIRCUIT,DI:OCTAL D FF,BURN-IN	04713	SN74LS377NDS
A16U228	156-0982-03	B010950		MICROCIRCUIT,DI:OCTAL-D-EDGE FF,SCRN	01295	SN74LS374 N3
A16U234	156-1278-00			MICROCIRCUIT,LI:1024 X 1 STATIC RAM	80009	156-1278-00
A16U238	156-0383-02			MICROCIRCUIT,DI:QUAD 2-INP NOR GATE	01295	SN74LS02
A16U245	156-0910-02			MICROCIRCUIT,DI:DUAL DECADE COUNTER	01295	SN74LS390
A16U328	156-1127-01			MICROCIRCUIT,DI:1024 X 4 STATIC RAM	80009	156-1127-01
A16U334	156-1127-01			MICROCIRCUIT,DI:1024 X 4 STATIC RAM	80009	156-1127-01
A16U352	156-1149-01			MICROCIRCUIT,LI:OPER AMPL,JFET,BURN-IN	27014	GLEA134/A+
A16U359	156-1366-00			MICROCIRCUIT,LI:8 BIT MULT D/A CONVERTER	24355	AD11/296
A16U365	156-0583-02			MICROCIRCUIT,DI:SUCCESSIVE APPROX RGTR,SEL	04713	MC14559
A16U373	156-1225-01			MICROCIRCUIT,LI:DUAL COMPARATOR,SCREENED	27014	LM393N/A+
A16U374	156-0495-02			MICROCIRCUIT,LI:QUAD OPNL AMPL,SELECTED	01295	LM324J4
A16U377	156-0583-02			MICROCIRCUIT,DI:SUCCESSIVE APPROX RGTR,SEL	04713	MC14559
A16U378	156-0197-01			MICROCIRCUIT,LI:5-TRANSISTOR ARRAY	80009	156-0197-01
A16U385	156-1366-00			MICROCIRCUIT,LI:8 BIT MULT D/A CONVERTER	24355	AD11/296
A16U407	156-0844-02			MICROCIRCUIT,DI:SYN 4 BIT CNTR,SCRN	01295	SN74LS161A
A16U413	156-0844-02			MICROCIRCUIT,DI:SYN 4 BIT CNTR,SCRN	01295	SN74LS161A
A16U418	156-0844-02			MICROCIRCUIT,DI:SYN 4 BIT CNTR,SCRN	01295	SN74LS161A
A16U435	156-0719-01			MICROCIRCUIT,LI:10 BIT MULTIPLYING D/A	27014	DAC1020LCD/A+

**Replaceable Electrical Parts
468 Service Volume II**

Component No.	Tektronix Part No.	Serial/Model No.		Name & Description	Mfr Code	Mfr Part Number
		Eff	Dscont			
A16U444	156-0067-12			MICROCIRCUIT,LI:OPERATIONAL AMPLIFIER	01295	UA741CJG
A16U466	156-0515-02			MICROCIRCUIT,DI:TRIPLE 3-CHAN MUX,SEL	80009	156-0515-02
A16U523	156-0480-02			MICROCIRCUIT,DI:QUAD 2 INP & GATE	01295	SN74LS08NP3
A16U528	156-0798-02			MICROCIRCUIT,DI:DUAL 14 TO 1 LINE SEL/MUX	01295	SN74LS153
A16U545	156-1149-01			MICROCIRCUIT,LI:OPER AMPL,JFET,BURN-IN	27014	GLEA134/A+
A16U553	156-0158-03			MICROCIRCUIT,LI:DUAL OPNL AMPL,CHK	80009	156-0158-03
A16U558	156-0742-02			MICROCIRCUIT,LI:OPERATIONAL AMPLIFIER,SEL	01295	LM318JG
A16U559	156-0158-03			MICROCIRCUIT,LI:DUAL OPNL AMPL,CHK	80009	156-0158-03
A16U571	156-1272-00			MICROCIRCUIT,LI:DUAL OPERATIONAL AMPLIFIER	18324	NE5532 FE-B
A16U618	156-0388-03			MICROCIRCUIT,DI:DUAL D FLIP-FLOP	07263	74LS74A
A16U623	156-0452-02			MICROCIRCUIT,DI:4-WIDE,2-INP AOI,SCREENED	07263	74LS54
A16U631	156-0478-02			MICROCIRCUIT,DI:DUAL 4 INP & GATE,BURN-IN	01295	SN74LS21NP3
A16U637	156-0985-01			MICROCIRCUIT,DI:DUAL 5 INPUT NOR GATE,SCRN	04713	SN74LS260
A16U643	156-0382-02			MICROCIRCUIT,DI:QUAD 2-INP NAND GATE	01295	SN74LS00
A16U648	156-0452-02			MICROCIRCUIT,DI:4-WIDE,2-INP AOI,SCREENED	07263	74LS54
A16U653	156-1367-00			MICROCIRCUIT,LI:8 BIT BUFF,MULT D/A CONV	24355	AD11/297
A16U659	156-1367-00			MICROCIRCUIT,LI:8 BIT BUFF,MULT D/A CONV	24355	AD11/297
A16U713	156-1277-00			MICROCIRCUIT,DI:3 STATE OCTAL BFR	27014	DM81LS95
A16U717	156-1277-00			MICROCIRCUIT,DI:3 STATE OCTAL BFR	27014	DM81LS95
A16U723	156-0913-02	B010100	B010949	MICROCIRCUIT,DI:OCTAL D FF,BURN-IN	04713	SN74LS377NDS
A16U723	156-0982-03	B010950		MICROCIRCUIT,DI:OCTAL-D-EDGE FF,SCRN	01295	SN74LS374 N3
A16U731	156-1111-02			MICROCIRCUIT,DI:OCTAL BUS TRANSCEIVERS	01295	SN74LS245 N3ORJ4
A16U737	156-0982-03			MICROCIRCUIT,DI:OCTAL-D-EDGE FF,SCRN	01295	SN74LS374 N3
A16U743	156-1277-00			MICROCIRCUIT,DI:3 STATE OCTAL BFR	27014	DM81LS95
A16U748	156-0913-02	B010100	B010949	MICROCIRCUIT,DI:OCTAL D FF,BURN-IN	04713	SN74LS377NDS
A16U748	156-0982-03	B010950		MICROCIRCUIT,DI:OCTAL-D-EDGE FF,SCRN	01295	SN74LS374 N3
A16U753	156-0888-02			MICROCIRCUIT,DI:HEX DIGIT DRIVER,SCREENED	80009	156-0888-02
A16U759	156-0795-01			MICROCIRCUIT,DI:BCD 7-SEG LCH DCDR	07263	4511BDCQR
A16U766	156-1367-00			MICROCIRCUIT,LI:8 BIT BUFF,MULT D/A CONV	24355	AD11/297
A16U770	156-1277-00			MICROCIRCUIT,DI:3 STATE OCTAL BFR	27014	DM81LS95
A16U776	156-0896-01			MICROCIRCUIT,DI:3-DIGIT BCD COUNTER,SCRN	80009	156-0896-01
A16U783	156-1173-00			MICROCIRCUIT,LI:VOLTAGE REFERENCE	04713	MC1403UDS
A16U788	156-1362-00			MICROCIRCUIT,LI:V-TO-FREQUENCY CONVERTER	80009	156-1362-00
A16VR664	152-0744-00			SEMICONV DEVICE:ZEN,SI,3.6V,5%,0.4W	04713	1N747A
A16VR665	152-0744-00			SEMICONV DEVICE:ZEN,SI,3.6V,5%,0.4W	04713	1N747A
A16W250	131-0566-00			BUS CONDUCTOR:DUMMY RES,2.375,22 AWG	57668	JWW-0200E0

Replaceable Electrical Parts
468 Service Volume II

Component No.	Tektronix Part No.	Serial/Model No. Eff Dscont	Name & Description	Mfr Code	Mfr Part Number
A17	670-6378-01		CKT BOARD ASSY: GPIB	80009	670-6378-01
A17	-----		(OPTION 02 ONLY)		
A17C121	281-0775-00		CAP.,FXD,CER DI:0.1UF,20%,50V	04222	MA205E104MAA
A17C168	281-0775-00		CAP.,FXD,CER DI:0.1UF,20%,50V	04222	MA205E104MAA
A17C330	281-0775-00		CAP.,FXD,CER DI:0.1UF,20%,50V	04222	MA205E104MAA
A17C350	281-0775-00		CAP.,FXD,CER DI:0.1UF,20%,50V	04222	MA205E104MAA
A17C361	290-0748-00		CAP.,FXD,ELCTLT:10UF,+50-10%,25V	T0900	SL25T10(T)TP
A17C410	281-0775-00		CAP.,FXD,CER DI:0.1UF,20%,50V	04222	MA205E104MAA
A17C430	281-0775-00		CAP.,FXD,CER DI:0.1UF,20%,50V	04222	MA205E104MAA
A17C440	281-0775-00		CAP.,FXD,CER DI:0.1UF,20%,50V	04222	MA205E104MAA
A17C450	281-0775-00		CAP.,FXD,CER DI:0.1UF,20%,50V	04222	MA205E104MAA
A17C460	281-0775-00		CAP.,FXD,CER DI:0.1UF,20%,50V	04222	MA205E104MAA
A17R310	307-0542-00		RES,NTWK,FXD,FI:10K OHM,5%,0.125W	01121	106A103
A17R330	307-0542-00		RES,NTWK,FXD,FI:10K OHM,5%,0.125W	01121	106A103
A17R442	315-0101-00		RES.,FXD,CMPSN:100 OHM,5%,0.25W	57668	NTR25J-E 100E
A17S210	260-1589-00		SWITCH,PUSH:(6)SPST,0.1A,5V	00779	435166-4
A17U110	156-1219-01		MICROCIRCUIT,DI:GPIB XCVR	80009	156-1219-01
A17U121	156-0600-01		MICROCIRCUIT,DI:QUAD BUS XSVR,CHK	80009	156-0600-01
A17U152	156-0600-01		MICROCIRCUIT,DI:QUAD BUS XSVR,CHK	80009	156-0600-01
A17U168	156-0600-01		MICROCIRCUIT,DI:QUAD BUS XSVR,CHK	80009	156-0600-01
A17U310	156-0385-02		MICROCIRCUIT,DI:HEX INVERTER	01295	SN74LS04
A17U320	156-0720-02		MICROCIRCUIT,DI:HEX DRVR,4 TO 2 LINE	01295	SN74LS368
A17U330	156-1277-00		MICROCIRCUIT,DI:3 STATE OCTAL BFR	27014	DM81LS95
A17U340	156-0865-02		MICROCIRCUIT,DI:OCTAL D-TYPE FF W/CLEAR	01295	SN74LS273NP3
A17U342	156-1277-00		MICROCIRCUIT,DI:3 STATE OCTAL BFR	27014	DM81LS95
A17U350	156-0865-02		MICROCIRCUIT,DI:OCTAL D-TYPE FF W/CLEAR	01295	SN74LS273NP3
A17U410	156-0388-03		MICROCIRCUIT,DI:DUAL D FLIP-FLOP	07263	74LS74A
A17U421	156-0481-02		MICROCIRCUIT,DI:TRIPLE 3 INP & GATE	27014	DM74LS11NA+
A17U430	156-0388-03		MICROCIRCUIT,DI:DUAL D FLIP-FLOP	07263	74LS74A
A17U434	156-0386-02		MICROCIRCUIT,DI:TRIPLE 3-INP NAND GATE	27014	DM74LS10N
A17U440	156-0388-03		MICROCIRCUIT,DI:DUAL D FLIP-FLOP	07263	74LS74A
A17U442	156-0383-02		MICROCIRCUIT,DI:QUAD 2-INP NOR GATE	01295	SN74LS02
A17U450	156-0391-02		MICROCIRCUIT,DI:HEX LATCH W/CLEAR	01295	SN74LS174
A17U460	156-0469-02		MICROCIRCUIT,DI:3/8 LINE DCDR	01295	SN74LS138NP3

Replaceable Electrical Parts
468 Service Volume II

Component No.	Tektronix Part No.	Serial/Model No. Eff	Dscont	Name & Description	Mfr Code	Mfr Part Number
A18	670-6379-00	B010100	B010639	CKT BOARD ASSY:MEMORY	80009	670-6379-00
A18	670-6379-01	B010640		CKT BOARD ASSY:MEMORY	80009	670-6379-01
A18C172	290-0748-00			CAP.,FXD,ELCLTL:10UF,+50-10%,25V	T0900	SL25T10(T)TP
A18C210	281-0775-00			CAP.,FXD,CER DI:0.1UF,20%,50V	04222	MA205E104MAA
A18C216	281-0775-00			CAP.,FXD,CER DI:0.1UF,20%,50V	04222	MA205E104MAA
A18C250	290-0748-00			CAP.,FXD,ELCLTL:10UF,+50-10%,25V	T0900	SL25T10(T)TP
A18C255	281-0775-00			CAP.,FXD,CER DI:0.1UF,20%,50V	04222	MA205E104MAA
A18C266	281-0775-00			CAP.,FXD,CER DI:0.1UF,20%,50V	04222	MA205E104MAA
A18C340	281-0775-00			CAP.,FXD,CER DI:0.1UF,20%,50V	04222	MA205E104MAA
A18C414	281-0775-00	B010100	B010639	CAP.,FXD,CER DI:0.1UF,20%,50V	04222	MA205E104MAA
A18C540	281-0775-00			CAP.,FXD,CER DI:0.1UF,20%,50V	04222	MA205E104MAA
A18C547	281-0775-00			CAP.,FXD,CER DI:0.1UF,20%,50V	04222	MA205E104MAA
A18C556	281-0775-00			CAP.,FXD,CER DI:0.1UF,20%,50V	04222	MA205E104MAA
A18C612	281-0775-00			CAP.,FXD,CER DI:0.1UF,20%,50V	04222	MA205E104MAA
A18CR174	152-0141-02			SEMICON DVC,DI:SW,SI,30V,150MA,30V,DO-35	12969	NDP0263 (1N4152)
A18Q260	151-0220-00			TRANSISTOR:PNP,SI,TO-92	07263	S036228
A18R104	315-0103-00			RES.,FXD,CMPSN:10K OHM,5%,0.25W	57668	NTR25J-E10K0
A18R106	315-0103-00			RES.,FXD,CMPSN:10K OHM,5%,0.25W	57668	NTR25J-E10K0
A18R118	315-0103-00			RES.,FXD,CMPSN:10K OHM,5%,0.25W	57668	NTR25J-E10K0
A18R252	307-0541-00			RES,NTWK,THK FI:(7)1K OHM,10%,1W	91637	MSP08A01-102G
A18R255	315-0102-00			RES.,FXD,CMPSN:1K OHM,5%,0.25W	57668	NTR25JE01K0
A18R265	321-0197-00			RES.,FXD,FILM:1.1K OHM,1%,0.125W	91637	MFF1816G11000F
A18R266	321-0222-00			RES.,FXD,FILM:2K OHM,1%,0.125W	91637	MFF1816G20000F
A18R267	321-0231-00			RES.,FXD,FILM:2.49K OHM,1%,0.125W	91637	MFF1816G24900F
A18R271	311-1936-00			RES.,VAR,NONWIR:CKT BD,50 OHM,20%,0.5W	73138	72XR50-232A
A18R332	307-0542-00			RES,NTWK,FXD,FI:10K OHM,5%,0.125W	01121	106A103
A18R440	307-0542-00			RES,NTWK,FXD,FI:10K OHM,5%,0.125W	01121	106A103
A18R502	307-0542-00			RES,NTWK,FXD,FI:10K OHM,5%,0.125W	01121	106A103
A18U108	156-1277-00			MICROCIRCUIT,DI:3 STATE OCTAL BFR	27014	DM81LS95
A18U112	156-0982-03			MICROCIRCUIT,DI:OCTAL-D-EDGE FF,SCRN	01295	SN74LS374 N3
A18U120	156-0388-03			MICROCIRCUIT,DI:DUAL D FLIP-FLOP	07263	74LS74A
A18U206	156-1198-01			MICROCIRCUIT,DI:SYNCHRONOUS 4 BIT CNTR	01295	SN74S163J4
A18U210	156-1198-01			MICROCIRCUIT,DI:SYNCHRONOUS 4 BIT CNTR	01295	SN74S163J4
A18U216	156-1064-02			MICROCIRCUIT,DI:QUAD 2/1 LINE TRUE DATA	01295	SN74S157JP4
A18U220	156-0382-02			MICROCIRCUIT,DI:QUAD 2-INP NAND GATE	01295	SN74LS00
A18U226	156-1277-00			MICROCIRCUIT,DI:3 STATE OCTAL BFR	27014	DM81LS95
A18U232	156-1277-00			MICROCIRCUIT,DI:3 STATE OCTAL BFR	27014	DM81LS95
A18U240	156-1277-00			MICROCIRCUIT,DI:3 STATE OCTAL BFR	27014	DM81LS95
A18U248	156-1046-02			MICROCIRCUIT,DI:OCTAL D TYPE EDGE TRIG FF	01295	SN74S374N3/J4
A18U264	156-0067-12			MICROCIRCUIT,LI:OPERATIONAL AMPLIFIER	01295	UA741CJG
A18U266	156-1277-00			MICROCIRCUIT,DI:3 STATE OCTAL BFR	27014	DM81LS95
A18U274	156-1173-00			MICROCIRCUIT,LI:VOLTAGE REFERENCE	04713	MC1403UDS
A18U306	156-1360-01			MICROCIRCUIT,DI:256 X 4 STATIC RAM	80009	156-1360-01
A18U312	156-1360-01			MICROCIRCUIT,DI:256 X 4 STATIC RAM	80009	156-1360-01
A18U320	156-1046-02			MICROCIRCUIT,DI:OCTAL D TYPE EDGE TRIG FF	01295	SN74S374N3/J4
A18U326	156-0331-03			MICROCIRCUIT,DI:DUAL D TYPE POS EDGE TRIG	80009	156-0331-03
A18U332	156-0331-03			MICROCIRCUIT,DI:DUAL D TYPE POS EDGE TRIG	80009	156-0331-03
A18U340	156-0459-02			MICROCIRCUIT,DI:QUAD 2 INPUT & GATE,BURN	01295	SN74S08
A18U426	156-0953-02			MICROCIRCUIT,DI:4 BIT MAGNITUDE CMPRTR	01295	SN74LS85
A18U432	156-0953-02			MICROCIRCUIT,DI:4 BIT MAGNITUDE CMPRTR	01295	SN74LS85
A18U440	156-0331-03			MICROCIRCUIT,DI:DUAL D TYPE POS EDGE TRIG	80009	156-0331-03
A18U448	156-1046-02			MICROCIRCUIT,DI:OCTAL D TYPE EDGE TRIG FF	01295	SN74S374N3/J4
A18U456	156-1345-00			MICROCIRCUIT,LI:A/D CONV ML VIDEO	01281	TDS5180/1007J1C5
A18U508	156-1360-01			MICROCIRCUIT,DI:256 X 4 STATIC RAM	80009	156-1360-01

Component No.	Tektronix Part No.	Serial/Model No. Eff Dscnt	Name & Description	Mfr Code	Mfr Part Number
A18U512	156-1360-01		MICROCIRCUIT,DI:256 X 4 STATIC RAM	80009	156-1360-01
A18U520	156-1046-02		MICROCIRCUIT,DI:OCTAL D TYPE EDGE TRIG FF	01295	SN74S374N3/J4
A18U526	156-0953-02		MICROCIRCUIT,DI:4 BIT MAGNITUDE CMPRTR	01295	SN74LS85
A18U532	156-0953-02		MICROCIRCUIT,DI:4 BIT MAGNITUDE CMPRTR	01295	SN74LS85
A18U540	156-0325-02		MICROCIRCUIT,DI:DUAL 4-1 LINE DATA,BURN-IN	01295	SN74S153JP3
A18U548	156-1046-02		MICROCIRCUIT,DI:OCTAL D TYPE EDGE TRIG FF	01295	SN74S374N3/J4

Replaceable Electrical Parts
468 Service Volume II

Component No.	Tektronix Part No.	Serial/Model No. Eff	Discont	Name & Description	Mfr Code	Mfr Part Number
A19	670-6380-02			CKT BOARD ASSY:TIME BASE/POWER SUPPLY	80009	670-6380-02
A19C108	281-0775-00			CAP.,FXD,CER DI:0.1UF,20%,50V	04222	MA205E104MAA
A19C119	281-0775-00			CAP.,FXD,CER DI:0.1UF,20%,50V	04222	MA205E104MAA
A19C130	281-0775-00			CAP.,FXD,CER DI:0.1UF,20%,50V	04222	MA205E104MAA
A19C148	281-0775-00			CAP.,FXD,CER DI:0.1UF,20%,50V	04222	MA205E104MAA
A19C162	290-0932-00			CAP.,FXD ELECT:390UF,+ 100-10%,15VDC	90201	VPR391N01E1A3J
A19C171	281-0815-00			CAP.,FXD,CER DI:0.027UF,20%,50V	72982	8005D9AABW5R273M
A19C175	290-0931-00			CAP.,FXD ELECT:540UF,+ 100-10%,25 VDC	90201	VPR541N025J1C3J
A19C188	281-0775-00	B010100	B010219	CAP.,FXD,CER DI:0.1UF,20%,50V	04222	MA205E104MAA
A19C188	-----			(OPTION 04 ONLY)		
A19C188	283-0212-00	B010220		CAP.,FXD,CER DI:2UF,20%,50V	51642	400-050-Z5U205M
A19C188	-----			(OPTION 04 ONLY)		
A19C190	290-0804-00			CAP.,FXD,ELCTLT:10UF,+ 50-10%,25V	55680	ULA1E100TEA
A19C197	281-0775-00	B010100	B010219	CAP.,FXD,CER DI:0.1UF,20%,50V	04222	MA205E104MAA
A19C197	-----			(OPTION 04 ONLY)		
A19C197	283-0212-00	B010220		CAP.,FXD,CER DI:2UF,20%,50V	51642	400-050-Z5U205M
A19C197	-----			(OPTION 04 ONLY)		
A19C212	281-0775-00			CAP.,FXD,CER DI:0.1UF,20%,50V	04222	MA205E104MAA
A19C238	281-0775-00			CAP.,FXD,CER DI:0.1UF,20%,50V	04222	MA205E104MAA
A19C256	281-0775-00			CAP.,FXD,CER DI:0.1UF,20%,50V	04222	MA205E104MAA
A19C279	281-0772-00			CAP.,FXD,CER DI:0.0047UF,10%,100V	04222	GC701C472K
A19C292	290-0636-00			CAP.,FXD,ELCTLT:7500UF,+ 100-10%,25V	56289	68D10501
A19C356	290-0760-00			CAP.,FXD,ELCTLT:2200UF,+ 50-10%,25V	56289	53D187
A19C438	281-0775-00			CAP.,FXD,CER DI:0.1UF,20%,50V	04222	MA205E104MAA
A19C456	290-0751-00			CAP.,FXD,ELCTLT:2200UF,+ 50-10%,16V	56289	D76245
A19C475	281-0775-00			CAP.,FXD,CER DI:0.1UF,20%,50V	04222	MA205E104MAA
A19C518	281-0775-00			CAP.,FXD,CER DI:0.1UF,20%,50V	04222	MA205E104MAA
A19C522	281-0775-00			CAP.,FXD,CER DI:0.1UF,20%,50V	04222	MA205E104MAA
A19C538	283-0594-00			CAP.,FXD,MICA D:0.001UF,1%,100V	00853	D151F102F0
A19C556	281-0775-00			CAP.,FXD,CER DI:0.1UF,20%,50V	04222	MA205E104MAA
A19C558	290-0804-00			CAP.,FXD,ELCTLT:10UF,+ 50-10%,25V	55680	ULA1E100TEA
A19C560	290-0804-00			CAP.,FXD,ELCTLT:10UF,+ 50-10%,25V	55680	ULA1E100TEA
A19C567	281-0775-00			CAP.,FXD,CER DI:0.1UF,20%,50V	04222	MA205E104MAA
A19C568	281-0775-00			CAP.,FXD,CER DI:0.1UF,20%,50V	04222	MA205E104MAA
A19C571	290-0804-00			CAP.,FXD,ELCTLT:10UF,+ 50-10%,25V	55680	ULA1E100TEA
A19C572	290-0804-00			CAP.,FXD,ELCTLT:10UF,+ 50-10%,25V	55680	ULA1E100TEA
A19C573	290-0804-00			CAP.,FXD,ELCTLT:10UF,+ 50-10%,25V	55680	ULA1E100TEA
A19C577	281-0775-00			CAP.,FXD,CER DI:0.1UF,20%,50V	04222	MA205E104MAA
A19C579	281-0773-00			CAP.,FXD,CER DI:0.1UF,20%,50V	04222	MA201C103KAA
A19CR169	152-0754-00			SEMICONV DEVICE:RECT,SI,SCHOTTKY,40V,8A	80009	152-0754-00
A19CR170	152-0333-00			SEMICONV DVC DI:SW,SI,55V,200MA,DO-35	03508	DJ2011
A19CR190	152-0668-00			SEMICONV DEVICE:RECT BRIDGE,SI,200V,6A	80009	152-0668-00
A19CR471	152-0406-00			SEMICONV DEVICE:SILICON,200V,3A	80009	152-0406-00
A19CR472	152-0141-02			SEMICONV DVC,DI:SW,SI,30V,150MA,30V,DO-35	12969	NDP0263 (1N4152)
A19CR473	152-0141-02			SEMICONV DVC,DI:SW,SI,30V,150MA,30V,DO-35	12969	NDP0263 (1N4152)
A19CR567	152-0066-00			SEMICONV DVC DI:RECT,SI,400V,1A,DO-41	05828	GP10G-020
A19L370	108-0337-00			COIL,RF:25UH	80009	108-0337-00
A19Q157	151-0506-00	B010100	B010859	SCR:SILICON	03508	C106B2X283
A19Q157	151-0521-01	B010860		TRANSISTOR:200V,8.0A	03508	C122B
A19Q259	151-0208-00			TRANSISTOR:SILICON,PNP	80009	151-0208-00
A19Q269	151-0625-00			TRANSISTOR:SILICON,PNP	03508	D45H11
A19Q280	151-0190-00			TRANSISTOR:NPN,SI,TO-92	04713	SPS7969
A19Q380	151-0190-00			TRANSISTOR:NPN,SI,TO-92	04713	SPS7969
A19Q544	151-1121-00			TRANSISTOR:FE,N CHANNEL,SI,VN 3	17856	V10206

Component No.	Tektronix Part No.	Serial/Model No. Eff Dscnt	Name & Description	Mfr Code	Mfr Part Number
A19Q546	151-0220-00		TRANSISTOR:PNP,SI,TO-92	07263	S036228
A19Q547	151-0220-00		TRANSISTOR:PNP,SI,TO-92	07263	S036228
A19Q552	151-0220-00		TRANSISTOR:PNP,SI,TO-92	07263	S036228
A19Q554	151-0220-00		TRANSISTOR:PNP,SI,TO-92	07263	S036228
A19Q577	151-0506-00		SCR:SILICON	03508	C106B2X283
A19R101	315-0471-00		RES.,FXD,CMPSN:470 OHM,5%,0.25W	57668	NTR25J-E470E
A19R103	315-0471-00		RES.,FXD,CMPSN:470 OHM,5%,0.25W	57668	NTR25J-E470E
A19R110	307-0542-00		RES,NTWK,FXD,FI:10K OHM,5%,0.125W	01121	106A103
A19R170	315-0111-00		RES.,FXD,CMPSN:110 OHM,5%,0.25W	57668	NTR25J-E110E
A19R188	307-0113-00	B010220	RES.,FXD,CMPSN:5.1 OHM,5%,0.25W	01121	CB51G5
A19R188	-----		(OPTION 04 ONLY)		
A19R197	307-0113-00	B010220	RES.,FXD,CMPSN:5.1 OHM,5%,0.25W	01121	CB51G5
A19R197	-----		(OPT 04 ONLY)		
A19R224	307-0446-00		RES,NTWK,FXD FI:10K OHM,20%(9) RES	91637	MSP10A01-103M
A19R248	307-0542-00		RES,NTWK,FXD,FI:10K OHM,5%,0.125W	01121	106A103
A19R250	315-0101-00		RES.,FXD,CMPSN:100 OHM,5%,0.25W	57668	NTR25J-E 100E
A19R252	315-0471-00		RES.,FXD,CMPSN:470 OHM,5%,0.25W	57668	NTR25J-E470E
A19R254	315-0271-00		RES.,FXD,CMPSN:270 OHM,5%,0.25W	01121	CB2715
A19R261	315-0820-00		RES.,FXD,CMPSN:82 OHM,5%,0.25W	57668	NTR25J-E82E0
A19R262	315-0201-00		RES.,FXD,CMPSN:200 OHM,5%,0.25W	57668	NTR25J-E200E
A19R278	315-0681-00		RES.,FXD,CMPSN:680 OHM,5%,0.25W	57668	NTR25J-E680E
A19R282	315-0391-00		RES.,FXD,CMPSN:390 OHM,5%,0.25W	57668	NTR25J-E390E
A19R469	321-0260-00		RES.,FXD,FILM:4.99K OHM,1%,0.125W	91637	MFF1816G49900F
A19R470	315-0121-00		RES.,FXD,CMPSN:120 OHM,5%,0.25W	01121	CB1215
A19R471	315-0100-00		RES.,FXD,CMPSN:10 OHM,5%,0.25W	57668	NTR25J-E 10E0
A19R515	307-0542-00		RES,NTWK,FXD,FI:10K OHM,5%,0.125W	01121	106A103
A19R538	307-0542-00		RES,NTWK,FXD,FI:10K OHM,5%,0.125W	01121	106A103
A19R544	315-0102-00		RES.,FXD,CMPSN:1K OHM,5%,0.25W	57668	NTR25JE01K0
A19R545	315-0470-00		RES.,FXD,CMPSN:47 OHM,5%,0.25W	57668	NTR25J-E47E0
A19R546	321-0193-00		RES.,FXD,FILM:1K OHM,1%,0.125W	01121	ORD BY DESCR
A19R547	321-0222-00		RES.,FXD,FILM:2K OHM,1%,0.125W	91637	MFF1816G20000F
A19R548	321-0239-00		RES.,FXD,FILM:3.01K OHM,1%,0.125W	91637	MFF1816G30100F
A19R550	321-0189-00		RES.,FXD,FILM:909 OHM,1%,0.125W	91637	MFF1816G909R0F
A19R552	321-0154-00		RES.,FXD,FILM:392 OHM,1%,0.125W	91637	MFF1816G392R0F
A19R554	321-0381-00		RES.,FXD,FILM:90.9K OHM,1%,0.125W	91637	MFF1816G90901F
A19R556	321-0214-00		RES.,FXD,FILM:1.65K OHM,1%,0.125W	91637	MFF1816G16500F
A19R558	321-0222-00		RES.,FXD,FILM:2K OHM,1%,0.125W	91637	MFF1816G20000F
A19R559	321-0318-00		RES.,FXD,FILM:20K OHM,1%,0.125W	91637	MFF1816G20001F
A19R560	321-0193-00		RES.,FXD,FILM:1K OHM,1%,0.125W	01121	ORD BY DESCR
A19R562	321-0293-00		RES.,FXD,FILM:11K OHM,1%,0.125W	91637	MFF1816G11001F
A19R564	321-0289-00		RES.,FXD,FILM:10K OHM,1%,0.125W	91637	MFF1816G10001F
A19R566	321-0289-00		RES.,FXD,FILM:10K OHM,1%,0.125W	91637	MFF1816G10001F
A19R570	321-0216-00		RES.,FXD,FILM:1.74K OHM,1%,0.125W	91637	MFF1816G17400F
A19R571	321-0268-00		RES.,FXD,FILM:6.04K OHM,1%,0.125W	91637	MFF1816G60400F
A19R572	321-0231-00		RES.,FXD,FILM:2.49K OHM,1%,0.125W	91637	MFF1816G24900F
A19R579	315-0101-00		RES.,FXD,CMPSN:100 OHM,5%,0.25W	57668	NTR25J-E 100E
A19T160	120-1301-00		TRANSFORMER,RF:POT CORE	80009	120-1301-00
A19U100	156-0413-02		MICROCIRCUIT,DI:QUAD 2-INP SCHMITT TRIG	80009	156-0413-02
A19U110	156-0331-03		MICROCIRCUIT,DI:DUAL D TYPE POS EDGE TRIG	80009	156-0331-03
A19U118	156-0325-02		MICROCIRCUIT,DI:DUAL 4-1 LINE DATA,BURN-IN	01295	SN74S153JP3
A19U120	156-0325-02		MICROCIRCUIT,DI:DUAL 4-1 LINE DATA,BURN-IN	01295	SN74S153JP3
A19U128	156-0118-03		MICROCIRCUIT,DI:1 DUAL J-K FF,BURN-IN	01295	SN74S112JP3
A19U140	156-0391-02		MICROCIRCUIT,DI:HEX LATCH W/CLEAR	01295	SN74LS174
A19U146	156-0469-02		MICROCIRCUIT,DI:3/8 LINE DCDR	01295	SN74LS138NP3

**Replaceable Electrical Parts
468 Service Volume II**

Component No.	Tektronix Part No.	Serial/Model No. Eff Dscont	Name & Description	Mfr Code	Mfr Part Number
A19U150	156-0331-03		MICROCIRCUIT,DI:DUAL D TYPE POS EDGE TRIG	80009	156-0331-03
A19U210	156-1198-01		MICROCIRCUIT,DI:SYNCHRONOUS 4 BIT CNTR	01295	SN74S163J4
A19U218	156-0180-04		MICROCIRCUIT,DI:QUAD 2-INPUT NAND GATE	01295	SN74S00NP3
A19U220	156-0331-03		MICROCIRCUIT,DI:DUAL D TYPE POS EDGE TRIG	80009	156-0331-03
A19U230	156-0118-03		MICROCIRCUIT,DI:1 DUAL J-K FF,BURN-IN	01295	SN74S112JP3
A19U236	156-0982-03		MICROCIRCUIT,DI:OCTAL-D-EDGE FF,SCRN	01295	SN74LS374 N3
A19U240	156-0852-02		MICROCIRCUIT,DI:HEX DRVR W/3 STATE INP	01295	SN74LS367NP3
A19U246	156-0629-01		MICROCIRCUIT,DI:30 MHZ PRESETTABLE BIN	01295	SN74LS197
A19U418	156-0788-01		MICROCIRCUIT,DI:SYN 4-BIT CNTR,W/SYN CLEAR	01295	SN74LS162
A19U424	156-0788-01		MICROCIRCUIT,DI:SYN 4-BIT CNTR,W/SYN CLEAR	01295	SN74LS162
A19U430	156-0788-01		MICROCIRCUIT,DI:SYN 4-BIT CNTR,W/SYN CLEAR	01295	SN74LS162
A19U434	156-0323-02		MICROCIRCUIT,DI:HEX INVERTER,BURN-IN	01295	SN74S04
A19U436	156-0982-03		MICROCIRCUIT,DI:OCTAL-D-EDGE FF,SCRN	01295	SN74LS374 N3
A19U440	156-1277-00		MICROCIRCUIT,DI:3 STATE OCTAL BFR	27014	DM81LS95
A19U446	156-1172-01		MICROCIRCUIT,DI:DUAL 4 BIT CNTR	01295	SN74LS393
A19U470	156-1173-00		MICROCIRCUIT,LI:VOLTAGE REFERENCE	04713	MC1403UDS
A19U510	156-0788-01		MICROCIRCUIT,DI:SYN 4-BIT CNTR,W/SYN CLEAR	01295	SN74LS162
A19U518	156-0788-01		MICROCIRCUIT,DI:SYN 4-BIT CNTR,W/SYN CLEAR	01295	SN74LS162
A19U524	156-1198-01		MICROCIRCUIT,DI:SYNCHRONOUS 4 BIT CNTR	01295	SN74S163J4
A19U530	156-0320-03		MICROCIRCUIT,DI:TRIPLE 3 INP NAND GATE	01295	SN74S11NP3
A19U536	156-1198-01		MICROCIRCUIT,DI:SYNCHRONOUS 4 BIT CNTR	01295	SN74S163J4
A19U540	156-1198-01		MICROCIRCUIT,DI:SYNCHRONOUS 4 BIT CNTR	01295	SN74S163J4
A19U546	156-1126-01		MICROCIRCUIT,LI:VOLTAGE COMPARATOR,SEL	01295	LM311JG4
A19U566	156-0158-03		MICROCIRCUIT,LI:DUAL OPNL AMPL,CHK	80009	156-0158-03
A19VR258	152-0175-00		SEMICONV DEVICE:ZENER,0.4W,5.6V,5%	04713	SZG35008
A19VR479	152-0760-00		SEMICONV DEVICE:ZEN,SI,6.2V,2%,400MW	04713	SZ630205
A19W158	131-0566-00		BUS CONDUCTOR:DUMMY RES,2.375,22 AWG	57668	JWW-0200E0
A19Y134	119-1186-00		OSCILLATOR,RF:50MHZ,CLOCK	01537	K1100A-50:MHZ

Component No.	Tektronix Part No.	Serial/Model No. Eff Dscnt	Name & Description	Mfr Code	Mfr Part Number
A20	670-6381-00		CKT BOARD ASSY:READOUT	80009	670-6381-00
A20DS120	150-1049-00		LT EMITTING DIO:RED/GREEN	000LH	QEC552CRG
A20DS122	150-1049-00		LT EMITTING DIO:RED/GREEN	000LH	QEC552CRG
A20DS124	150-1049-00		LT EMITTING DIO:RED/GREEN	000LH	QEC552CRG
A20U106	150-1011-01		LAMP,LED,RDOUT:RED SINGLE DIGIT	58361	FND-357
A20U110	150-1011-01		LAMP,LED,RDOUT:RED SINGLE DIGIT	58361	FND-357
A20U112	150-1011-01		LAMP,LED,RDOUT:RED SINGLE DIGIT	58361	FND-357
A20U114	150-1011-01		LAMP,LED,RDOUT:RED SINGLE DIGIT	58361	FND-357

**Replaceable Electrical Parts
468 Service Volume II**

Component No.	Tektronix Part No.	Serial/Model No. Eff	Dscont	Name & Description	Mfr Code	Mfr Part Number
A21	670-6382-00	B010100	B019999	CKT BOARD ASSY:PROCESSOR	80009	670-6382-00
A21	670-6382-01	B020000	B039999	CKT BOARD ASSY:PROCESSOR	80009	670-6382-01
A21	670-6382-02	B040000		CKT BOARD ASSY:PROCESSOR	80009	670-6382-02
A21C128	290-0748-00			CAP.,FXD,ELCTLT:10UF,+50-10%,25V	T0900	SL25T1Q(T)TP
A21C161	290-0748-00			CAP.,FXD,ELCTLT:10UF,+50-10%,25V	T0900	SL25T1Q(T)TP
A21C165	281-0775-00			CAP.,FXD,CER DI:0.1UF,20%,50V	04222	MA205E104MAA
A21C174	290-0748-00			CAP.,FXD,ELCTLT:10UF,+50-10%,25V	T0900	SL25T1Q(T)TP
A21C203	290-0246-00	B010100	B039999	CAP.,FXD,ELCTLT:3.3UF,10%,15V	56289	173D335X9015V
A21C204	281-0775-00			CAP.,FXD,CER DI:0.1UF,20%,50V	04222	MA205E104MAA
A21C205	281-0775-00			CAP.,FXD,CER DI:0.1UF,20%,50V	04222	MA205E104MAA
A21C206	281-0762-00			CAP.,FXD,CER DI:27PF,20%,100V	04222	GC101A270M
A21C215	281-0775-00			CAP.,FXD,CER DI:0.1UF,20%,50V	04222	MA205E104MAA
A21C235	281-0759-00			CAP.,FXD,CER DI:22PF,10%,100V	96733	R2735
A21C236	281-0775-00			CAP.,FXD,CER DI:0.1UF,20%,50V	04222	MA205E104MAA
A21C237	281-0775-00			CAP.,FXD,CER DI:0.1UF,20%,50V	04222	MA205E104MAA
A21C262	281-0775-00			CAP.,FXD,CER DI:0.1UF,20%,50V	04222	MA205E104MAA
A21C315	281-0813-00			CAP.,FXD,CER DI:0.047UF,20%,50V	04222	GC705-E-473M
A21C316	281-0775-00			CAP.,FXD,CER DI:0.1UF,20%,50V	04222	MA205E104MAA
A21C318	281-0775-00			CAP.,FXD,CER DI:0.1UF,20%,50V	04222	MA205E104MAA
A21C325	281-0759-00			CAP.,FXD,CER DI:22PF,10%,100V	96733	R2735
A21C346	281-0775-00			CAP.,FXD,CER DI:0.1UF,20%,50V	04222	MA205E104MAA
A21C352	281-0775-00			CAP.,FXD,CER DI:0.1UF,20%,50V	04222	MA205E104MAA
A21C371	281-0775-00			CAP.,FXD,CER DI:0.1UF,20%,50V	04222	MA205E104MAA
A21C372	281-0775-00			CAP.,FXD,CER DI:0.1UF,20%,50V	04222	MA205E104MAA
A21C378	281-0775-00			CAP.,FXD,CER DI:0.1UF,20%,50V	04222	MA205E104MAA
A21C424	281-0775-00			CAP.,FXD,CER DI:0.1UF,20%,50V	04222	MA205E104MAA
A21C426	281-0775-00			CAP.,FXD,CER DI:0.1UF,20%,50V	04222	MA205E104MAA
A21C428	281-0775-00			CAP.,FXD,CER DI:0.1UF,20%,50V	04222	MA205E104MAA
A21C440	281-0775-00			CAP.,FXD,CER DI:0.1UF,20%,50V	04222	MA205E104MAA
A21C521	281-0775-00			CAP.,FXD,CER DI:0.1UF,20%,50V	04222	MA205E104MAA
A21C525	281-0775-00			CAP.,FXD,CER DI:0.1UF,20%,50V	04222	MA205E104MAA
A21C540	281-0775-00			CAP.,FXD,CER DI:0.1UF,20%,50V	04222	MA205E104MAA
A21C550	281-0775-00			CAP.,FXD,CER DI:0.1UF,20%,50V	04222	MA205E104MAA
A21C558	281-0775-00			CAP.,FXD,CER DI:0.1UF,20%,50V	04222	MA205E104MAA
A21C578	281-0775-00			CAP.,FXD,CER DI:0.1UF,20%,50V	04222	MA205E104MAA
A21CR172	152-0141-02			SEMICON DVC,DI:SW,SI,30V,150MA,30V,DO-35	12969	NDP0263 (1N4152)
A21CR218	152-0153-00			SEMICON DVC,DI:SW,SI,10V,50MA,DO-7	07263	FD7003
A21CR219	152-0536-00			SEMICON DEVICE:SILICON,HOT CARRIER,4V	80009	152-0536-00
A21CR315	152-0457-00			SEMICON DEVICE:SILICON,25V	28480	5082-2068
A21CR425	152-0141-02			SEMICON DVC,DI:SW,SI,30V,150MA,30V,DO-35	12969	NDP0263 (1N4152)
A21CR434	152-0141-02			SEMICON DVC,DI:SW,SI,30V,150MA,30V,DO-35	12969	NDP0263 (1N4152)
A21L219	108-0333-00			COIL,RF:0.9UH	80009	108-0333-00
A21Q115	151-0134-00			TRANSISTOR:SILICON,PNP	80009	151-0134-00
A21Q210	151-0450-00			TRANSISTOR:SILICON,PNP,SEL FROM 2N5583	80009	151-0450-00
A21Q221	151-0271-00			TRANSISTOR:SILICON,PNP	04713	SPS8236
A21Q224	151-0271-00			TRANSISTOR:SILICON,PNP	04713	SPS8236
A21Q225	151-0271-00			TRANSISTOR:SILICON,PNP	04713	SPS8236
A21Q236	151-0220-00			TRANSISTOR:PNP,SI,TO-92	07263	S036228
A21Q324	151-0192-00			TRANSISTOR:SELECTED	04713	SPS8801
A21Q326	151-0192-00			TRANSISTOR:SELECTED	04713	SPS8801
A21Q327	151-0192-00			TRANSISTOR:SELECTED	04713	SPS8801
A21Q333	151-0192-00			TRANSISTOR:SELECTED	04713	SPS8801
A21Q336	151-0192-00			TRANSISTOR:SELECTED	04713	SPS8801
A21R107	323-0060-00			RES.,FXD,FILM:41.2 OHM,1%,0.50W	91637	CMF65116G41R20F

Component No.	Tektronix Part No.	Serial/Model No. Eff	Dscont	Name & Description	Mfr Code	Mfr Part Number
A21R126	311-1245-00			RES.,VAR,NONWIR:10K OHM,10%,0.50W	73138	72-28-0
A21R172	315-0102-00			RES.,FXD,CMPSN:1K OHM,5%,0.25W	57668	NTR25JE01K0
A21R173	315-0103-00			RES.,FXD,CMPSN:10K OHM,5%,0.25W	57668	NTR25J-E10K0
A21R205	315-0101-00			RES.,FXD,CMPSN:100 OHM,5%,0.25W	57668	NTR25J-E 100E
A21R208	315-0820-00			RES.,FXD,CMPSN:82 OHM,5%,0.25W	57668	NTR25J-E82E0
A21R215	315-0681-00			RES.,FXD,CMPSN:680 OHM,5%,0.25W	57668	NTR25J-E680E
A21R216	315-0511-00			RES.,FXD,CMPSN:510 OHM,5%,0.25W	01121	CB5115
A21R217	315-0101-00			RES.,FXD,CMPSN:100 OHM,5%,0.25W	57668	NTR25J-E 100E
A21R218	315-0101-00			RES.,FXD,CMPSN:100 OHM,5%,0.25W	57668	NTR25J-E 100E
A21R219	321-0132-00			RES.,FXD,FILM:232 OHM,1%,0.125W	91637	MFF1816G232R0F
A21R220	321-0132-00			RES.,FXD,FILM:232 OHM,1%,0.125W	91637	MFF1816G232R0F
A21R221	322-0127-00			RES.,FXD,FILM:	91637	CMF1842G205R0F
A21R222	315-0100-00			RES.,FXD,CMPSN:10 OHM,5%,0.25W	57668	NTR25J-E 10E0
A21R223	322-0136-00			RES.,FXD,FILM:	91637	CMF1842G255R0F
A21R225	315-0222-00			RES.,FXD,CMPSN:2.2K OHM,5%,0.25W	57668	NTR25J-E02K2
A21R230	315-0102-00			RES.,FXD,CMPSN:1K OHM,5%,0.25W	57668	NTR25JE01K0
A21R231	321-0085-00			RES.,FXD,FILM:75 OHM,1%,0.125W	91637	MFF1816G75R00F
A21R232	321-0116-00			RES.,FXD,FILM:158 OHM,1%,0.125W	91637	MFF1816G158R0F
A21R233	315-0121-00			RES.,FXD,CMPSN:120 OHM,5%,0.25W	01121	CB1215
A21R234	315-0750-00			RES.,FXD,CMPSN:75 OHM,5%,0.25W	57668	NTR25J-E75E0
A21R235	315-0750-00			RES.,FXD,CMPSN:75 OHM,5%,0.25W	57668	NTR25J-E75E0
A21R236	315-0302-00			RES.,FXD,CMPSN:3K OHM,5%,0.25W	57668	NTR25J-E03K0
A21R237	321-0206-00			RES.,FXD,FILM:1.37K OHM,1%,0.125W	91637	MFF1816G13700F
A21R238	315-0151-00			RES.,FXD,CMPSN:150 OHM,5%,0.25W	57668	NTR25J-E150E
A21R253	315-0102-00			RES.,FXD,CMPSN:1K OHM,5%,0.25W	57668	NTR25JE01K0
A21R262	315-0103-00			RES.,FXD,CMPSN:10K OHM,5%,0.25W	57668	NTR25J-E10K0
A21R263	315-0102-00			RES.,FXD,CMPSN:1K OHM,5%,0.25W	57668	NTR25JE01K0
A21R266	317-0511-00	B020000		RES.,FXD,CMPSN:510 OHM,5%,0.125W	01121	BB5115
A21R315	315-0203-00			RES.,FXD,CMPSN:20K OHM,5%,0.25W	57668	NTR25J-E20K0
A21R317	321-0222-00			RES.,FXD,FILM:2K OHM,1%,0.125W	91637	MFF1816G20000F
A21R319	321-0193-00			RES.,FXD,FILM:1K OHM,1%,0.125W	01121	ORD BY DESCR
A21R325	315-0750-00			RES.,FXD,CMPSN:75 OHM,5%,0.25W	57668	NTR25J-E75E0
A21R326	321-0069-00			RES.,FXD,FILM:51.1 OHM,1%,0.125W	91637	CMF55116G51R10F
A21R327	321-0069-00			RES.,FXD,FILM:51.1 OHM,1%,0.125W	91637	CMF55116G51R10F
A21R328	321-0080-00			RES.,FXD,FILM:66.5 OHM,1%,0.125W	91637	MFF1816G66R50F
A21R331	321-0069-00			RES.,FXD,FILM:51.1 OHM,1%,0.125W	91637	CMF55116G51R10F
A21R332	321-0069-00			RES.,FXD,FILM:51.1 OHM,1%,0.125W	91637	CMF55116G51R10F
A21R333	321-0080-00			RES.,FXD,FILM:66.5 OHM,1%,0.125W	91637	MFF1816G66R50F
A21R334	315-0151-00			RES.,FXD,CMPSN:150 OHM,5%,0.25W	57668	NTR25J-E150E
A21R335	311-1244-00			RES.,VAR,NONWIR:100 OHM,10%,0.50W	32997	3386X-T07-101
A21R336	321-0131-00	B010100	B039999	RES.,FXD,FILM:226 OHM,1%,0.125W	91637	MFF1816G226R0F
A21R336	321-0111-00	B040000		RES.,FXD,FILM:140 OHM,1%,0.125W	91637	MFF1816G140R0F
A21R338	321-0145-00			RES.,FXD,FILM:316 OHM,1%,0.125W	91637	MFF1816G316R0F
A21R368	315-0102-00			RES.,FXD,CMPSN:1K OHM,5%,0.25W	57668	NTR25JE01K0
A21R378	315-0102-00			RES.,FXD,CMPSN:1K OHM,5%,0.25W	57668	NTR25JE01K0
A21R412	315-0101-00			RES.,FXD,CMPSN:100 OHM,5%,0.25W	57668	NTR25J-E 100E
A21R413	321-0262-00	B010100	B039999	RES.,FXD,FILM:5.23K OHM,1%,0.125W	91637	MFF1816G52300F
A21R413	321-0247-00	B040000		RES.,FXD,FILM:3.65K OHM,1%,0.125W	91637	MFF1816G36500F
A21R420	311-1244-00			RES.,VAR,NONWIR:100 OHM,10%,0.50W	32997	3386X-T07-101
A21R421	315-0151-00			RES.,FXD,CMPSN:150 OHM,5%,0.25W	57668	NTR25J-E150E
A21R422	315-0151-00			RES.,FXD,CMPSN:150 OHM,5%,0.25W	57668	NTR25J-E150E
A21R423	321-0131-00	B010100	B039999	RES.,FXD,FILM:226 OHM,1%,0.125W	91637	MFF1816G226R0F
A21R423	321-0111-00	B040000		RES.,FXD,FILM:140 OHM,1%,0.125W	91637	MFF1816G140R0F
A21R424	321-0145-00			RES.,FXD,FILM:316 OHM,1%,0.125W	91637	MFF1816G316R0F

**Replaceable Electrical Parts
468 Service Volume II**

Component No.	Tektronix Part No.	Serial/Model No.		Name & Description	Mfr Code	Mfr Part Number
		Eff	Dscont			
A21R425	321-0258-00	B010100	B039999	RES.,FXD,FILM:4.75K OHM,1%,0.125W	91637	MFF1816G47500F
A21R425	321-0293-00	B040000		RES.,FXD,FILM:11K OHM,1%,0.125W	91637	MFF1816G11001F
A21R426	321-0243-00			RES.,FXD,FILM:3.32K OHM,1%,0.125W	91637	MFF1816G33200F
A21R429	321-0233-00			RES.,FXD,FILM:2.61K OHM,1%,0.125W	91637	MFF1816G26100F
A21R430	315-0101-00			RES.,FXD,CMPSN:100 OHM,5%,0.25W	57668	NTR25J-E 100E
A21R432	321-0233-00			RES.,FXD,FILM:2.61K OHM,1%,0.125W	91637	MFF1816G26100F
A21R433	321-0242-00			RES.,FXD,FILM:3.24K OHM,1%,0.125W	91637	MFF1816G32400F
A21R434	315-0101-00			RES.,FXD,CMPSN:100 OHM,5%,0.25W	57668	NTR25J-E 100E
A21R436	321-0243-00			RES.,FXD,FILM:3.32K OHM,1%,0.125W	91637	MFF1816G33200F
A21R437	321-0262-00	B010100	B039999	RES.,FXD,FILM:5.23K OHM,1%,0.125W	91637	MFF1816G52300F
A11R437	321-0247-00	B040000		RES.,FXD,FILM:3.65K OHM,1%,0.125W	91637	MFF1816G36500F
A21R438	321-0258-00	B010100	B039999	RES.,FXD,FILM:4.75K OHM,1%,0.125W	91637	MFF1816G47500F
A21R438	321-0293-00	B040000		RES.,FXD,FILM:11K OHM,1%,0.125W	91637	MFF1816G11001F
A21R441	321-0242-00			RES.,FXD,FILM:3.24K OHM,1%,0.125W	91637	MFF1816G32400F
A21R442	315-0101-00			RES.,FXD,CMPSN:100 OHM,5%,0.25W	57668	NTR25J-E 100E
A21R450	307-0445-00			RES NTWK,FXD,FI:4.7K OHM,20%,(9) RES	91637	MSP10A01-472M
A21U246	156-0386-02			MICROCIRCUIT,DI:TRIPLE 3-INP NAND GATE	27014	DM74LS10N
A21U255	156-0388-03			MICROCIRCUIT,DI:DUAL D FLIP-FLOP	07263	74LS74A
A21U272	156-0914-02			MICROCIRCUIT,DI:OCT ST BFR W/3 STATE OUT	01295	SN74LS240
A21U278	156-0383-02			MICROCIRCUIT,DI:QUAD 2-INP NOR GATE	01295	SN74LS02
A21U328	155-0022-00			MICROCIRCUIT,DI:ML,CHANNEL SWITCH	80009	155-0022-00
A21U364	156-1088-00			MICROCIRCUIT,DI:8 BIT MICROPROCESSOR	34649	D8085AH
A21U378	156-0541-02			MICROCIRCUIT,DI:DUAL 2 TO 4 LINE DCDR	01295	SN74LS139NP3
A21U440	156-0910-02			MICROCIRCUIT,DI:DUAL DECADE COUNTER	01295	SN74LS390
A21U446	156-0910-02			MICROCIRCUIT,DI:DUAL DECADE COUNTER	01295	SN74LS390
A21U452	156-1111-02			MICROCIRCUIT,DI:OCTAL BUS TRANSCEIVERS	01295	SN74LS245 N3ORJ4
A21U472	156-1277-00			MICROCIRCUIT,DI:3 STATE OCTAL BFR	27014	DM81LS95
A21U478	156-0469-02			MICROCIRCUIT,DI:3/8 LINE DCDR	01295	SN74LS138NP3
A21U525	156-1127-01			MICROCIRCUIT,DI:1024 X 4 STATIC RAM	80009	156-1127-01
A21U530	156-1127-01			MICROCIRCUIT,DI:1024 X 4 STATIC RAM	80009	156-1127-01
A21U540	156-1127-01			MICROCIRCUIT,DI:1024 X 4 STATIC RAM	80009	156-1127-01
A21U545	156-1127-01			MICROCIRCUIT,DI:1024 X 4 STATIC RAM	80009	156-1127-01
A21U550	156-1065-01			MICROCIRCUIT,DI:OCTAL D TYPE TRANS LATCHES	34335	AM74LS373
A21U558	156-1111-02			MICROCIRCUIT,DI:OCTAL BUS TRANSCEIVERS	01295	SN74LS245 N3ORJ4
A21U565	160-0459-00	B010100	B019999	MICROCIRCUIT,DI:8192 X 8 ROM,PRGM	80009	160-0459-00
A21U565	160-0459-01	B020000		MICROCIRCUIT,DI:8192 X 8 MROM,PRGM	80009	160-0459-01
A21U575	160-0759-00	B010100	B019999	MICROCIRCUIT,DI:8192 X 8 ROM CUSTOM MASK	80009	160-0759-00
A21U575	160-0759-01	B020000		MICROCIRCUIT,DI:8192 X 8 MROM,PRGM	80009	160-0759-01

Component No.	Tektronix Part No.	Serial/Model No. Eff Dscont	Name & Description	Mfr Code	Mfr Part Number
A22	670-6386-00		CKT BOARD ASSY:LINE SELECTOR SWITCH	80009	670-6386-00
A22J108	131-2427-00		TERM,QIK DISC:CKT BD,BRASS	00779	G2409-1
A22J110	131-2427-00		TERM,QIK DISC:CKT BD,BRASS	00779	G2409-1
A22J214	131-2427-00		TERM,QIK DISC:CKT BD,BRASS	00779	G2409-1
A22J224	131-2427-00		TERM,QIK DISC:CKT BD,BRASS	00779	G2409-1
A22S108	260-1849-00		SWITCH,PUSH:DPDT,4A,250VAC	31918	NE15/F2U103EE
A22S216	260-1980-00		SWITCH,SLIDE:DPDT,10A,125V,HI/LOW	82389	EPS2-PC1
A22S226	260-1980-01		SWITCH,SLIDE:DPDT,10A,125V,MKD 115V/230V	000FJ	4021.1913

Replaceable Electrical Parts
468 Service Volume II

Component No.	Tektronix Part No.	Serial/Model No.		Name & Description	Mfr Code	Mfr Part Number
		Eff	Dscont			
A23	670-6470-00	B010100	B039999	CKT BOARD ASSY:VERTICAL OUTPUT	80009	670-6470-00
A23	670-6470-01	B040000		CKT BOARD ASSY:VERTICAL OUTPUT	80009	670-6470-01
A23C116	281-0773-00			CAP.,FXD,CER DI:0.1UF,20%,50V	04222	MA201C103KAA
A23C125	281-0788-00			CAP.,FXD,CER DI:470PF,10%,100V	96733	R3015
A23C129	281-0775-00			CAP.,FXD,CER DI:0.1UF,20%,50V	04222	MA205E104MAA
A23C148	281-0775-00			CAP.,FXD,CER DI:0.1UF,20%,50V	04222	MA205E104MAA
A23C167	281-0783-00			CAP.,FXD,CER DI:0.1UF,20%,100V	96733	ADVISE
A23C213	281-0089-00			CAP.,VAR,CER DI:2-8PF,350V	59660	538-006-A2-8
A23C220	281-0775-00			CAP.,FXD,CER DI:0.1UF,20%,50V	04222	MA205E104MAA
A23C224	281-0797-00			CAP.,FXD,CER DI:15PF,10%,100V	04222	MA 106A 150KAA
A23C225	281-0812-00			CAP.,FXD,CER DI:1000PF,10%,100V	04222	MA101C102KAA
A23C226	281-0773-00			CAP.,FXD,CER DI:0.1UF,20%,50V	04222	MA201C103KAA
A23C234	281-0096-00			CAP.,VAR,AIR DI:5.5-18PF,350V	33095	53-717-029A5.5
A23C312	290-0246-00			CAP.,FXD,ELCTLT:3.3UF,10%,15V	56289	173D335X9015V
A23C315	281-0812-00			CAP.,FXD,CER DI:1000PF,10%,100V	04222	MA101C102KAA
A23C318	281-0788-00			CAP.,FXD,CER DI:470PF,10%,100V	96733	R3015
A23C326	281-0772-00			CAP.,FXD,CER DI:0.0047UF,10%,100V	04222	GC701C472K
A23C358	290-0246-00			CAP.,FXD,ELCTLT:3.3UF,10%,15V	56289	173D335X9015V
A23C359	281-0775-00			CAP.,FXD,CER DI:0.1UF,20%,50V	04222	MA205E104MAA
A23L245	108-0328-00			COIL,RF:0.3UH	80009	108-0328-00
A23L246	108-0328-00			COIL,RF:0.3UH	80009	108-0328-00
A23L267	108-0538-00			COIL,RF:FIXED,2.7UH	76493	JWM#B7059
A23L361	108-0538-00			COIL,RF:FIXED,2.7UH	76493	JWM#B7059
A23L362	108-0538-00			COIL,RF:FIXED,2.7UH	76493	JWM#B7059
A23Q108	151-0190-00			TRANSISTOR:NPN,SI,TO-92	04713	SPS7969
A23Q202	151-0190-00			TRANSISTOR:NPN,SI,TO-92	04713	SPS7969
A23Q205	151-0190-00			TRANSISTOR:NPN,SI,TO-92	04713	SPS7969
A23Q206	151-0190-00			TRANSISTOR:NPN,SI,TO-92	04713	SPS7969
A23R100	315-0472-00			RES.,FXD,CMPSN:4.7K OHM,5%,0.25W	57668	NTR25J-E04K7
A23R101	315-0392-00			RES.,FXD,CMPSN:3.9K OHM,5%,0.25W	57668	NTR25J-E03K9
A23R103	315-0750-00			RES.,FXD,CMPSN:75 OHM,5%,0.25W	57668	NTR25J-E75E0
A23R104	321-0289-00			RES.,FXD,FILM:10K OHM,1%,0.125W	91637	MFF1816G10001F
A23R105	321-0289-00			RES.,FXD,FILM:10K OHM,1%,0.125W	91637	MFF1816G10001F
A23R106	321-0251-00			RES.,FXD,FILM:4.02K OHM,1%,0.125W	91637	MFF1816G40200F
A23R107	321-0250-00			RES.,FXD,FILM:3.92K OHM,1%,0.125W	91637	MFF1816G39200F
A23R108	321-0193-00			RES.,FXD,FILM:1K OHM,1%,0.125W	01121	ORD BY DESCR
A23R109	321-0193-00			RES.,FXD,FILM:1K OHM,1%,0.125W	01121	ORD BY DESCR
A23R112	311-1236-00			RES.,VAR,NONWIR:250 OHM,10%,0.50W	73138	72-22-0
A23R113	321-0183-00			RES.,FXD,FILM:787 OHM,1%,0.125W	91637	MFF1816G787R0F
A23R114	321-0223-00			RES.,FXD,FILM:2.05K OHM,1%,0.125W	91637	MFF1816G20500F
A23R115	321-0198-00			RES.,FXD,FILM:1.13K OHM,1%,0.125W	91637	MFF1816G11300F
A23R117	311-1238-00			RES.,VAR,NONWIR:5K OHM,10%,0.50W	73138	72-27-0
A23R118	315-0270-00			RES.,FXD,CMPSN:27 OHM,5%,0.25W	01121	CB2705
A23R119	323-0140-00			RES.,FXD,FILM:280 OHM,1%,0.50W	75042	CECT0-2800F
A23R121	323-0140-00			RES.,FXD,FILM:280 OHM,1%,0.50W	75042	CECT0-2800F
A23R127	315-0561-00			RES.,FXD,CMPSN:560 OHM,5%,0.25W	01121	CB5615
A23R128	321-0061-00			RES.,FXD,FILM:42.2 OHM,1%,0.125W	91637	MFF1816G42R20F
A23R129	315-0133-00			RES.,FXD,CMPSN:13K OHM,5%,0.25W	01121	CB1335
A23R133	321-0080-00			RES.,FXD,FILM:66.5 OHM,1%,0.125W	91637	MFF1816G66R50F
A23R134	321-0175-00			RES.,FXD,FILM:649 OHM,1%,0.125W	91637	CMF55116G649R0F
A23R136	321-0052-00			RES.,FXD,FILM:34 OHM,1%,0.125W	91637	MFF1816G34R00F
A23R140	323-0127-00			RES.,FXD,FILM:205 OHM,1%,0.50W	91637	MFF1226G205R0F
A23R141	323-0155-00			RES.,FXD,FILM:402 OHM,1%,0.50W	75042	CECT0-4020F
A23R142	323-0155-00			RES.,FXD,FILM:402 OHM,1%,0.50W	75042	CECT0-4020F

Replaceable Electrical Parts
468 Service Volume II

Component No.	Tektronix Part No.	Serial/Model No. Eff	Dscont	Name & Description	Mfr Code	Mfr Part Number
A23R143	315-0101-00			RES.,FXD,CMPSN:100 OHM,5%,0.25W	57668	NTR25J-E 100E
A23R144	315-0100-00			RES.,FXD,CMPSN:10 OHM,5%,0.25W	57668	NTR25J-E 10E0
A23R145	315-0473-00			RES.,FXD,CMPSN:47K OHM,5%,0.25W	57668	NTR25J-E47K0
A23R146	323-0055-00			RES.,FXD,FILM:36.5 OHM,1%,0.5W	75042	CECT0-35R50F
A23R147	315-0473-00			RES.,FXD,CMPSN:47K OHM,5%,0.25W	57668	NTR25J-E47K0
A23R156	308-0758-00			RES.,FXD,WW:430 OHM,1%,7W	14193	SP1151S-430R0F
A23R201	321-0147-00			RES.,FXD,FILM:332 OHM,1%,0.125W	91637	MFF1816G332R0F
A23R202	321-0147-00			RES.,FXD,FILM:332 OHM,1%,0.125W	91637	MFF1816G332R0F
A23R203	321-0001-00			RES.,FXD,FILM:10 OHM,1%,0.125W	75042	CEAT0-10R00F
A23R205	321-0001-00			RES.,FXD,FILM:10 OHM,1%,0.125W	75042	CEAT0-10R00F
A23R210	321-0068-00			RES.,FXD,FILM:49.9 OHM,1%,0.125W	91637	MFF1816G49R90F
A23R211	321-0068-00			RES.,FXD,FILM:49.9 OHM,1%,0.125W	91637	MFF1816G49R90F
A23R214	315-0470-00			RES.,FXD,CMPSN:47 OHM,5%,0.25W	57668	NTR25J-E47E0
A23R215	315-0470-00			RES.,FXD,CMPSN:47 OHM,5%,0.25W	57668	NTR25J-E47E0
A23R216	321-0085-00			RES.,FXD,FILM:75 OHM,1%,0.125W	91637	MFF1816G75R00F
A23R218	311-1236-00			RES.,VAR,NONWIR:250 OHM,10%,0.50W	73138	72-22-0
A23R221	315-0561-00			RES.,FXD,CMPSN:560 OHM,5%,0.25W	01121	CB5615
A23R222	321-0061-00			RES.,FXD,FILM:42.2 OHM,1%,0.125W	91637	MFF1816G42R20F
A23R226	315-0270-00			RES.,FXD,CMPSN:27 OHM,5%,0.25W	01121	CB2705
A23R227	315-0270-00			RES.,FXD,CMPSN:27 OHM,5%,0.25W	01121	CB2705
A23R228	315-0470-00			RES.,FXD,CMPSN:47 OHM,5%,0.25W	57668	NTR25J-E47E0
A23R229	311-1236-00			RES.,VAR,NONWIR:250 OHM,10%,0.50W	73138	72-22-0
A23R230	321-0139-00			RES.,FXD,FILM:274 OHM,1%,0.125W	91637	MFF1816G274R0F
A23R234	315-0470-00			RES.,FXD,CMPSN:47 OHM,5%,0.25W	57668	NTR25J-E47E0
A23R236	321-0052-00			RES.,FXD,FILM:34 OHM,1%,0.125W	91637	MFF1816G34R00F
A23R240	323-0155-00			RES.,FXD,FILM:402 OHM,1%,0.50W	75042	CECT0-4020F
A23R241	323-0155-00			RES.,FXD,FILM:402 OHM,1%,0.50W	75042	CECT0-4020F
A23R244	315-0100-00			RES.,FXD,CMPSN:10 OHM,5%,0.25W	57668	NTR25J-E 10E0
A23R256	308-0758-00			RES.,FXD,WW:430 OHM,1%,7W	14193	SP1151S-430R0F
A23R313	315-0331-00			RES.,FXD,CMPSN:330 OHM,5%,0.25W	57668	NTR25J-E330E
A23R319	311-1564-00			RES.,VAR,NONWIR:TRMR,500 OHM,0.5W	32997	3352T-CK5-501
A23R321	311-1560-00			RES.,VAR,NONWIR:TRMR,5K OHM,0.5W	32997	3352T-1-502
A23R325	311-1559-00			RES.,VAR,NONWIR:10K OHM,20%,0.50W	73138	91-81-0
A23R329	311-1559-00			RES.,VAR,NONWIR:10K OHM,20%,0.50W	73138	91-81-0
A23R333	321-0178-00			RES.,FXD,FILM:698 OHM,1%,0.125W	91637	MFF1816G698R0F
A23R335	311-1556-00			RES.,VAR,NONWIR:50K OHM,20%,0.50W	73138	91-78-0
A23R339	321-0178-00			RES.,FXD,FILM:698 OHM,1%,0.125W	91637	MFF1816G698R0F
A23R344	315-0473-00			RES.,FXD,CMPSN:47K OHM,5%,0.25W	57668	NTR25J-E47K0
A23R345	315-0473-00			RES.,FXD,CMPSN:47K OHM,5%,0.25W	57668	NTR25J-E47K0
A23R348	315-0202-00			RES.,FXD,CMPSN:2K OHM,5%,0.25W	57668	NTR25J-E02K0
A23R349	315-0821-00			RES.,FXD,CMPSN:820 OHM,5%,0.25W	57668	NTR25J-E 820E
A23RT219	307-0125-00	B010100	B039999	RES.,THERMAL:500 OHM,10%,25 DEG C	50157	2D1595
A23RT219	307-0127-00	B040000		RES.,THERMAL:1K OHM,10%	50157	2D1596
A23U105	156-0067-12			MICROCIRCUIT,LI:OPERATIONAL AMPLIFIER	01295	UA741CJG
A23U218	155-0078-10			MICROCIRCUIT,LI:ML,VERTICAL AMPLIFIER	80009	155-0078-10
A23U239	155-0115-00			MICROCIRCUIT,LI:CRT VERT DEFLECTION DRIVER	80009	155-0115-00
A23U356	156-0067-12			MICROCIRCUIT,LI:OPERATIONAL AMPLIFIER	01295	UA741CJG
A23VR222	152-0195-00			SEMICOND DEVICE:ZENER,0.4W,5.1V,5%	04713	SZ11755
A23VR223	152-0195-00			SEMICOND DEVICE:ZENER,0.4W,5.1V,5%	04713	SZ11755
A23VR224	152-0278-00			SEMICOND DEVICE:ZENER,0.4W,3V,5%	04713	SZG35009K20

**Replaceable Electrical Parts
468 Service Volume II**

Component No.	Tektronix Part No.	Serial/Model No. Eff	Dscont	Name & Description	Mfr Code	Mfr Part Number
A24	670-6003-00	B010100	B039999	CKT BOARD ASSY:ATTENUATOR	80009	670-6003-00
A24	670-6003-03	B040000		CKT BOARD ASSY:ATTENUATOR	80009	670-6003-03
A24C30	307-1014-05			ATTENUATOR,FXD:100X	80009	307-1014-05
A24C31	307-1014-05			ATTENUATOR,FXD:100X	80009	307-1014-05
A24C32	307-1013-05			ATTENUATOR,FXD:10X	80009	307-1013-05
A24C33	307-1013-05			ATTENUATOR,FXD:10X	80009	307-1013-05
A24C34	307-1011-01			ATTENUATOR,FXD:4X	80009	307-1011-01
A24C35	307-1011-01			ATTENUATOR,FXD:4X	80009	307-1011-01
A24C36	307-1010-02			ATTENUATOR,FXD:2X	80009	307-1010-02
A24C37	307-1010-02			ATTENUATOR,FXD:2X	80009	307-1010-02
A24C3042	283-0156-00			CAP.,FXD,CER DI:1000PF, +100-0%,200V	96733	R2670
A24C15101	283-0000-00			CAP.,FXD,CER DI:0.001UF, +100-0%,500V	59660	831610Y5U0102P
A24C15103	283-0000-00			CAP.,FXD,CER DI:0.001UF, +100-0%,500V	59660	831610Y5U0102P
A24R3014	315-0105-00			RES.,FXD,CMPSN:1M OHM,5%,0.25W	01121	CB1055
A24R3015	315-0220-00			RES.,FXD,CMPSN:22 OHM,5%,0.25W	01121	CB2205
A24R3030	317-0100-00	B010100	B039999	RES.,FXD,CMPSN:10 OHM,5%,0.125W	01121	BB1005
A24R3030	317-0150-00	B040000		RES.,FXD,CMPSN:15 OHM,5%,0.125W	01121	BB1505
A24R3032	315-0360-00			RES.,FXD,CMPSN:36 OHM,5%,0.25W	01121	CB3605
A24R3033	317-0220-00	B010100	B039999	RES.,FXD,CMPSN:22 OHM,5%,0.125W	01121	BB2205
A24R3033	317-0100-00	B040000		RES.,FXD,CMPSN:10 OHM,5%,0.125W	01121	BB1005
A24R3036	317-0100-00			RES.,FXD,CMPSN:10 OHM,5%,0.125W	01121	BB1005
A24R3039	321-0481-00			RES.,FXD,FILM:1M OHM,1%,0.125W	91637	CMF55116G10003F
A24R3042	315-0300-00			RES.,FXD,CMPSN:30 OHM,5%,0.25W	01121	CB3005
A24R3045	317-0474-00			RES.,FXD,CMPSN:470K OHM,5%,0.125W	01121	BB4745
A24R15103	315-0103-03			RES.,FXD,CMPSN:10K OHM,5%,0.25W	01121	CB1035
A25	670-6004-00			CKT BOARD ASSY:PROBE CODING	80009	670-6004-00
A25DS9040	150-1063-00			LT EMITTING DIO:YELLOW,585 NM,40 MA	72619	550-0305-804
A25DS9060	150-1063-00			LT EMITTING DIO:YELLOW,585 NM,40 MA	72619	550-0305-804
A26	670-2279-00			CKT BOARD ASSY:CRT SCALE ILLUMINATION	80009	670-2279-00
A26DS14086	150-0129-00			LAMP,INCAND:6.3V,200MA	08806	2112D
A26DS14087	150-0129-00			LAMP,INCAND:6.3V,200MA	08806	2112D

Component No.	Tektronix Part No.	Serial/Model No. Eff Dscnt	Name & Description	Mfr Code	Mfr Part Number
A27	670-7551-00		CKT BOARD ASSY:ANALOG XY OUTPUT (OPTION 11 ONLY)	80009	670-7551-00
A27	-----				
A27C100	290-0748-00		CAP.,FXD,ELCTLT:10UF,+50-10%,25V	T0900	SL25T10(T)TP
A27C101	290-0748-00		CAP.,FXD,ELCTLT:10UF,+50-10%,25V	T0900	SL25T10(T)TP
A27C103	290-0748-00		CAP.,FXD,ELCTLT:10UF,+50-10%,25V	T0900	SL25T10(T)TP
A27C104	281-0775-00		CAP.,FXD,CER DI:0.1UF,20%,50V	04222	MA205E104MAA
A27C106	281-0775-00		CAP.,FXD,CER DI:0.1UF,20%,50V	04222	MA205E104MAA
A27C107	285-1075-00		CAP.,FXD,PLSTC:0.1UF,5%,100V	14752	230B1B104J
A27C108	281-0773-00		CAP.,FXD,CER DI:0.1UF,20%,50V	04222	MA201C103KAA
A27C109	281-0775-00		CAP.,FXD,CER DI:0.1UF,20%,50V	04222	MA205E104MAA
A27C111	281-0775-00		CAP.,FXD,CER DI:0.1UF,20%,50V	04222	MA205E104MAA
A27C112	281-0775-00		CAP.,FXD,CER DI:0.1UF,20%,50V	04222	MA205E104MAA
A27C113	281-0775-00		CAP.,FXD,CER DI:0.1UF,20%,50V	04222	MA205E104MAA
A27C114	281-0775-00		CAP.,FXD,CER DI:0.1UF,20%,50V	04222	MA205E104MAA
A27C121	281-0773-00		CAP.,FXD,CER DI:0.1UF,20%,50V	04222	MA201C103KAA
A27C124	281-0775-00		CAP.,FXD,CER DI:0.1UF,20%,50V	04222	MA205E104MAA
A27C127	281-0773-00		CAP.,FXD,CER DI:0.1UF,20%,50V	04222	MA201C103KAA
A27C128	281-0775-00		CAP.,FXD,CER DI:0.1UF,20%,50V	04222	MA205E104MAA
A27C134	281-0775-00		CAP.,FXD,CER DI:0.1UF,20%,50V	04222	MA205E104MAA
A27CR100	152-0141-02		SEMICON DVC,DI:SW,S1,30V,150MA,30V,DO-35	12969	NDP0263 (1N4152)
A27CR101	152-0141-02		SEMICON DVC,DI:SW,S1,30V,150MA,30V,DO-35	12969	NDP0263 (1N4152)
A27CR102	152-0141-02		SEMICON DVC,DI:SW,S1,30V,150MA,30V,DO-35	12969	NDP0263 (1N4152)
A27CR103	152-0141-02		SEMICON DVC,DI:SW,S1,30V,150MA,30V,DO-35	12969	NDP0263 (1N4152)
A27CR104	152-0141-02		SEMICON DVC,DI:SW,S1,30V,150MA,30V,DO-35	12969	NDP0263 (1N4152)
A27CR107	152-0141-02		SEMICON DVC,DI:SW,S1,30V,150MA,30V,DO-35	12969	NDP0263 (1N4152)
A27F100	159-0090-00		FUSE,CARTRIDGE:0.25A,125V,FAST-BLOW	71400	GFA 1/4
A27K100	148-0076-00		RELAY,REED:1 FORM A,5V,0.25A,100V	95348	F81-1447
A27R101	307-0488-00		RES,NTWK,FXD,FI:(5)100 OHM,20%,0.75W	01121	106A101 OR 706A1
A27R103	321-0030-00		RES.,FXD,FILM:20 OHM,1%,0.125W	91637	CMF55116G20R00F
A27R107	307-0542-00		RES,NTWK,FXD,FI:10K OHM,5%,0.125W	01121	106A103
A27R108	307-0542-00		RES,NTWK,FXD,FI:10K OHM,5%,0.125W	01121	106A103
A27R109	321-0385-00		RES.,FXD,FILM:100K OHM,1%,0.125W	91637	MFF1816G10002F
A27R111	321-0385-00		RES.,FXD,FILM:100K OHM,1%,0.125W	91637	MFF1816G10002F
A27R112	307-0542-00		RES,NTWK,FXD,FI:10K OHM,5%,0.125W	01121	106A103
A27R120	321-0816-07		RES.,FXD,FILM:5K OHM,0.1%,0.125W	91637	MFF1816C50000B
A27R121	321-0816-07		RES.,FXD,FILM:5K OHM,0.1%,0.125W	91637	MFF1816C50000B
A27R126	321-0816-07		RES.,FXD,FILM:5K OHM,0.1%,0.125W	91637	MFF1816C50000B
A27R127	321-0816-07		RES.,FXD,FILM:5K OHM,0.1%,0.125W	91637	MFF1816C50000B
A27R128	321-0223-07		RES.,FXD,FILM:2.05K OHM,0.1%,0.125W	91637	MFF1816C20500B
A27R129	315-0682-00		RES.,FXD,CMPSN:6.8K OHM,5%,0.25W	57668	NTR25J-E06K8
A27R131	315-0472-00		RES.,FXD,CMPSN:4.7K OHM,5%,0.25W	57668	NTR25J-E04K7
A27R132	315-0102-00		RES.,FXD,CMPSN:1K OHM,5%,0.25W	57668	NTR25JE01K0
A27R133	315-0102-00		RES.,FXD,CMPSN:1K OHM,5%,0.25W	57668	NTR25JE01K0
A27R134	321-0223-07		RES.,FXD,FILM:2.05K OHM,0.1%,0.125W	91637	MFF1816C20500B
A27R135	321-0223-07		RES.,FXD,FILM:2.05K OHM,0.1%,0.125W	91637	MFF1816C20500B
A27S100	260-1589-00		SWITCH,PUSH:(6)SPST,0.1A,5V	00779	435166-4
A27TP100	131-0608-00		TERMINAL,PIN:0.365 L X 0.025 PH BRZ GOLD	22526	48283-036
A27TP101	131-0608-00		TERMINAL,PIN:0.365 L X 0.025 PH BRZ GOLD	22526	48283-036
A27TP102	131-0608-00		TERMINAL,PIN:0.365 L X 0.025 PH BRZ GOLD	22526	48283-036
A27TP103	131-0608-00		TERMINAL,PIN:0.365 L X 0.025 PH BRZ GOLD	22526	48283-036
A27TP114	131-0608-00		TERMINAL,PIN:0.365 L X 0.025 PH BRZ GOLD	22526	48283-036
A27TP118	131-0608-00		TERMINAL,PIN:0.365 L X 0.025 PH BRZ GOLD	22526	48283-036
A27U100	156-0865-02		MICROCIRCUIT,DI:OCTAL D-TYPE FF W/CLEAR	01295	SN74LS273NP3
A27U101	156-1277-00		MICROCIRCUIT,DI:3 STATE OCTAL BFR	27014	DM81LS95

**Replaceable Electrical Parts
468 Service Volume II**

Component No.	Tektronix Part No.	Serial/Model No. Eff Dscnt	Name & Description	Mfr Code	Mfr Part Number
A27U102	156-0720-02		MICROCIRCUIT,DI:HEX DRVR,4 TO 2 LINE	01295	SN74LS368
A27U103	156-0481-02		MICROCIRCUIT,DI:TRIPLE 3 INP & GATE	27014	DM74LS11NA+
A27U104	156-0392-03		MICROCIRCUIT,DI:QUAD LATCH W/CLEAR	01295	SN74S175NP3
A27U107	156-0402-00		MICROCIRCUIT,LI:TIMER	27014	LM555CN
A27U108	156-0469-02		MICROCIRCUIT,DI:3/8 LINE DC DR	01295	SN74LS138NP3
A27U109	156-1172-01		MICROCIRCUIT,DI:DUAL 4 BIT CNTR	01295	SN74LS393
A27U111	156-0994-02		MICROCIRCUIT,DI:8 INPUT DATA SEL/MUX	01295	SN74LS151NP3
A27U112	156-0388-03		MICROCIRCUIT,DI:DUAL D FLIP-FLOP	07263	74LS74A
A27U113	156-0953-02		MICROCIRCUIT,DI:4 BIT MAGNITUDE CMPRTR	01295	SN74LS85
A27U114	156-0953-02		MICROCIRCUIT,DI:4 BIT MAGNITUDE CMPRTR	01295	SN74LS85
A27U117	156-0392-03		MICROCIRCUIT,DI:QUAD LATCH W/CLEAR	01295	SN74S175NP3
A27U118	156-0382-02		MICROCIRCUIT,DI:QUAD 2-INP NAND GATE	01295	SN74LS00
A27U119	156-0381-02		MICROCIRCUIT,DI:QUAD 2-INP EXCL OR GATE	01295	SN74LS86
A27U121	156-1638-00		MICROCIRCUIT,LI:10 BIT HS,MULT,D/A CONV	80009	156-1638-00
A27U122	156-0957-01		MICROCIRCUIT,DI:SYN 4 BIT UP/DOWN BINARY	27014	DM74LS169
A27U123	156-0957-01		MICROCIRCUIT,DI:SYN 4 BIT UP/DOWN BINARY	27014	DM74LS169
A27U124	156-0957-01		MICROCIRCUIT,DI:SYN 4 BIT UP/DOWN BINARY	27014	DM74LS169
A27U126	156-1638-00		MICROCIRCUIT,LI:10 BIT HS,MULT,D/A CONV	80009	156-1638-00
A27U127	156-1258-01		MICROCIRCUIT,DI:DUAL J-K NEG-EDGE TRIG FF	01295	SN74LS112
A27U128	156-0158-00		MICROCIRCUIT,LI:DUAL OPERATIONAL AMPLIFIER	18324	MC1458N
A27U129	156-0515-02		MICROCIRCUIT,DI:TRIPLE 3-CHAN MUX,SEL	80009	156-0515-02
A27U131	156-1173-00		MICROCIRCUIT,LI:VOLTAGE REFERENCE	04713	MC1403UDS
A28	670-6547-00		CKT BOARD ASSY:INTERCONNECT	80009	670-6547-00
A28	-----		(NO ELECTRICAL PARTS)		

Component No.	Tektronix Part No.	Serial/Model No. Eff Dscnt	Name & Description	Mfr Code	Mfr Part Number
A29	670-7045-00		CKT BOARD ASSY:TV SYNC SEPARATOR	80009	670-7045-00
A29	-----		(OPTION 05 ONLY)		
A29C201	290-0219-00		CAP.,FXD,ELCTLT:5UF,+75-10%,25V	56289	30D505G025BA9
A29C212	283-0177-00		CAP.,FXD,CER DI:1UF,+80-20%,25V	04222	SR302E105ZAA
A29C213	281-0773-00		CAP.,FXD,CER DI:0.1UF,20%,50V	04222	MA201C103KAA
A29C228	283-0698-00		CAP.,FXD,MICA D:390PF,1%,500V	09023	CD15FD391F03
A29C229	290-0283-00		CAP.,FXD,ELCTLT:0.47UF,10%,35V	56289	173D474X9035U
A29C301	290-0219-00		CAP.,FXD,ELCTLT:5UF,+75-10%,25V	56289	30D505G025BA9
A29C305	283-0177-00		CAP.,FXD,CER DI:1UF,+80-20%,25V	04222	SR302E105ZAA
A29C315	281-0811-00		CAP.,FXD,CER DI:10PF,10%,100V	96733	R2911
A29C316	281-0811-00		CAP.,FXD,CER DI:10PF,10%,100V	96733	R2911
A29C321	283-0177-00		CAP.,FXD,CER DI:1UF,+80-20%,25V	04222	SR302E105ZAA
A29C323	283-0177-00		CAP.,FXD,CER DI:1UF,+80-20%,25V	04222	SR302E105ZAA
A29C329	283-0339-00		CAP.,FXD,CER DI:0.22UF,10%,50V	72982	8131N075W5R224K
A29C334	281-0813-00		CAP.,FXD,CER DI:0.047UF,20%,50V	04222	GC705-E-473M
A29C401	281-0773-00		CAP.,FXD,CER DI:0.1UF,20%,50V	04222	MA201C103KAA
A29C403	283-0167-00		CAP.,FXD,CER DI:0.1UF,10%,100V	72982	8131N145X5R0104K
A29C404	281-0775-00		CAP.,FXD,CER DI:0.1UF,20%,50V	04222	MA205E104MAA
A29C405	281-0773-00		CAP.,FXD,CER DI:0.1UF,20%,50V	04222	MA201C103KAA
A29C425	281-0773-00		CAP.,FXD,CER DI:0.1UF,20%,50V	04222	MA201C103KAA
A29CR112	152-0141-02		SEMICON DVC,DI:SW,SI,30V,150MA,30V,DO-35	12969	NDP0263 (1N4152)
A29CR310	152-0141-02		SEMICON DVC,DI:SW,SI,30V,150MA,30V,DO-35	12969	NDP0263 (1N4152)
A29CR311	152-0141-02		SEMICON DVC,DI:SW,SI,30V,150MA,30V,DO-35	12969	NDP0263 (1N4152)
A29CR333	152-0141-02		SEMICON DVC,DI:SW,SI,30V,150MA,30V,DO-35	12969	NDP0263 (1N4152)
A29CR404	152-0141-02		SEMICON DVC,DI:SW,SI,30V,150MA,30V,DO-35	12969	NDP0263 (1N4152)
A29CR408	152-0141-02		SEMICON DVC,DI:SW,SI,30V,150MA,30V,DO-35	12969	NDP0263 (1N4152)
A29Q222	151-0190-00		TRANSISTOR:NPN,SI,TO-92	04713	SPS7969
A29Q321	151-0190-00		TRANSISTOR:NPN,SI,TO-92	04713	SPS7969
A29Q325	151-0220-00		TRANSISTOR:PNP,SI,TO-92	07263	S036228
A29Q328	151-0190-00		TRANSISTOR:NPN,SI,TO-92	04713	SPS7969
A29Q331	151-0190-00		TRANSISTOR:NPN,SI,TO-92	04713	SPS7969
A29R101	315-0102-00		RES.,FXD,CMPSN:1K OHM,5%,0.25W	57668	NTR25JE01K0
A29R102	315-0103-00		RES.,FXD,CMPSN:10K OHM,5%,0.25W	57668	NTR25J-E10K0
A29R110	315-0106-00		RES.,FXD,CMPSN:10M OHM,5%,0.25W	01121	CB1065
A29R113	315-0105-00		RES.,FXD,CMPSN:1M OHM,5%,0.25W	01121	CB1055
A29R115	315-0103-00		RES.,FXD,CMPSN:10K OHM,5%,0.25W	57668	NTR25J-E10K0
A29R124	315-0103-00		RES.,FXD,CMPSN:10K OHM,5%,0.25W	57668	NTR25J-E10K0
A29R204	315-0751-00		RES.,FXD,CMPSN:750 OHM,5%,0.25W	57668	NTR25J-E750E
A29R206	315-0100-00		RES.,FXD,CMPSN:10 OHM,5%,0.25W	57668	NTR25J-E 10E0
A29R207	315-0100-00		RES.,FXD,CMPSN:10 OHM,5%,0.25W	57668	NTR25J-E 10E0
A29R221	315-0222-00		RES.,FXD,CMPSN:2.2K OHM,5%,0.25W	57668	NTR25J-E02K2
A29R222	315-0103-00		RES.,FXD,CMPSN:10K OHM,5%,0.25W	57668	NTR25J-E10K0
A29R224	315-0103-00		RES.,FXD,CMPSN:10K OHM,5%,0.25W	57668	NTR25J-E10K0
A29R225	315-0123-00		RES.,FXD,CMPSN:12K OHM,5%,0.25W	57668	NTR25J-E12K0
A29R226	315-0122-00		RES.,FXD,CMPSN:1.2K OHM,5%,0.25W	57668	NTR25J-E01K2
A29R232	315-0242-00		RES.,FXD,CMPSN:2.4K OHM,5%,0.25W	57668	NTR25J-E02K4
A29R233	315-0203-00		RES.,FXD,CMPSN:20K OHM,5%,0.25W	57668	NTR25J-E20K0
A29R304	315-0302-00		RES.,FXD,CMPSN:3K OHM,5%,0.25W	57668	NTR25J-E03K0
A29R307	315-0123-00		RES.,FXD,CMPSN:12K OHM,5%,0.25W	57668	NTR25J-E12K0
A29R308	315-0123-00		RES.,FXD,CMPSN:12K OHM,5%,0.25W	57668	NTR25J-E12K0
A29R310	315-0124-00		RES.,FXD,CMPSN:120K OHM,5%,0.25W	01121	CB1245
A29R311	315-0123-00		RES.,FXD,CMPSN:12K OHM,5%,0.25W	57668	NTR25J-E12K0
A29R317	315-0433-00		RES.,FXD,CMPSN:43K OHM,5%,0.25W	57668	NTR25J-E043K
A29R318	315-0684-00		RES.,FXD,CMPSN:680K OHM,5%,0.25W	01121	CB6845

**Replaceable Electrical Parts
468 Service Volume II**

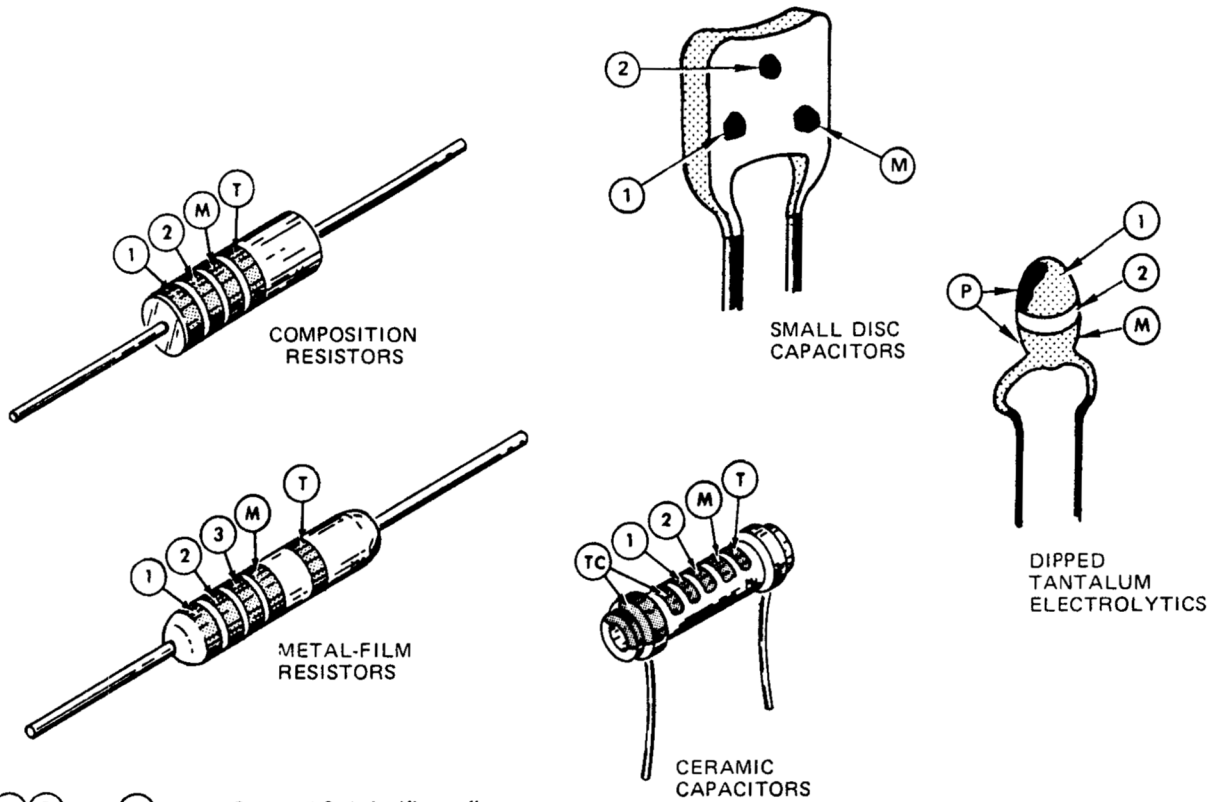
Component No.	Tektronix Part No.	Serial/Model No.		Name & Description	Mfr Code	Mfr Part Number
		Eff	Dscont			
A29R321	315-0243-00			RES.,FXD,CMPSN:24K OHM,5%,0.25W	57668	NTR25J-E24K0
A29R322	315-0682-00			RES.,FXD,CMPSN:6.8K OHM,5%,0.25W	57668	NTR25J-E06K8
A29R324	315-0242-00			RES.,FXD,CMPSN:2.4K OHM,5%,0.25W	57668	NTR25J-E02K4
A29R325	315-0302-00			RES.,FXD,CMPSN:3K OHM,5%,0.25W	57668	NTR25J-E03K0
A29R326	315-0123-00			RES.,FXD,CMPSN:12K OHM,5%,0.25W	57668	NTR25J-E12K0
A29R327	315-0222-00			RES.,FXD,CMPSN:2.2K OHM,5%,0.25W	57668	NTR25J-E02K2
A29R328	315-0433-00			RES.,FXD,CMPSN:43K OHM,5%,0.25W	57668	NTR25J-E043K
A29R331	315-0433-00			RES.,FXD,CMPSN:43K OHM,5%,0.25W	57668	NTR25J-E043K
A29R332	315-0243-00			RES.,FXD,CMPSN:24K OHM,5%,0.25W	57668	NTR25J-E24K0
A29R401	315-0104-00			RES.,FXD,CMPSN:100K OHM,5%,0.25W	57668	NTR25J-E100K
A29R402	315-0103-00			RES.,FXD,CMPSN:10K OHM,5%,0.25W	57668	NTR25J-E10K0
A29R403	315-0104-00			RES.,FXD,CMPSN:100K OHM,5%,0.25W	57668	NTR25J-E100K
A29R404	315-0103-00	B010100	B021364	RES.,FXD,CMPSN:10K OHM,5%,0.25W	57668	NTR25J-E10K0
A29R404	315-0153-00	B021365		RES.,FXD,CMPSN:15K OHM,5%,0.25W	01121	CB1535
A29R405	315-0473-00			RES.,FXD,CMPSN:47K OHM,5%,0.25W	57668	NTR25J-E47K0
A29R406	315-0152-00	B010100	B021364	RES.,FXD,CMPSN:1.5K OHM,5%,0.25W	57668	NTR25J-E01K5
A29R406	315-0561-00	B021365		RES.,FXD,CMPSN:560 OHM,5%,0.25W	01121	CB5615
A29R407	315-0103-00			RES.,FXD,CMPSN:10K OHM,5%,0.25W	57668	NTR25J-E10K0
A29R408	315-0202-00			RES.,FXD,CMPSN:2K OHM,5%,0.25W	57668	NTR25J-E02K0
A29R409	315-0202-00			RES.,FXD,CMPSN:2K OHM,5%,0.25W	57668	NTR25J-E02K0
A29R425	315-0125-00			RES.,FXD,CMPSN:1.2M OHM,5%,0.25W	01121	CB1255
A29TP333	214-0579-00			TERM,TEST POINT:BRS CD PL	80009	214-0579-00
A29U126	156-0366-02			MICROCIRCUIT,DI:DUAL D FLIP-FLOP,CHK	80009	156-0366-02
A29U129	156-0366-02			MICROCIRCUIT,DI:DUAL D FLIP-FLOP,CHK	80009	156-0366-02
A29U227	156-0704-00			MICROCIRCUIT,LI:PHASE LOCK LOOP	04713	MC14046CP
A29U315	156-0136-00			MICROCIRCUIT,LI:OPNL AMPL	02735	CA 3030
A29U438	156-1152-01			MICROCIRCUIT,DI:PRCN RETRIGGERABLE,BURN-IN	80009	156-1152-01
A29U453	156-0515-02			MICROCIRCUIT,DI:TRIPLE 3-CHAN MUX,SEL	80009	156-0515-02
A29VR211	152-0226-00			SEMICONV DEVICE:ZENER,0.4W,5.1V,5%	14552	TD3810980

Component No.	Tektronix Part No.	Serial/Model No. Eff	Discont	Name & Description	Mfr Code	Mfr Part Number
B10001	119-0830-05			CHASSIS PARTS		
C3042	283-0156-00			FAN,TUBEAXIAL:12VDC,2.4W,5250 RPM,47 CFM	80009	119-0830-05
C13009	281-0661-00			CAP.,FXD,CER DI:1000PF,+100-0%,200V	96733	R2670
C13009	-----			CAP.,FXD,CER DI:0.8PF,+/-0.1PF,500V	04222	7001-COK-OR8B
C13010	281-0064-00			(OPTION 05 ONLY)		
				CAP.,VAR,PLSTC:0.25-1.5PF,600V	74970	273-0001-101
C13012	285-0816-01			CAP.,FXD,PLSTC:0.019UF,10%,600V	80009	285-0816-01
C13012	285-1055-00			CAP.,FXD,PLSTC:0.2UF,10%,400V	80009	285-1055-00
C13012	-----			(OPTION 5 ONLY)		
C15101	283-0000-00			CAP.,FXD,CER DI:0.001UF,+100-0%,500V	59660	831610Y5U0102P
C15103	283-0000-00			CAP.,FXD,CER DI:0.001UF,+100-0%,500V	59660	831610Y5U0102P
CR14498	152-0333-00			SEMICON DVC DI:SW,S1,55V,200MA,D0-35	03508	DJ2011
DL208	119-0387-00			DELAY LINE,ELEC:120NS,100 OHM	80009	119-0387-00
DS11320	150-1049-00			LT EMITTING DIO:RED/GREEN	000LH	QEC552CRG
DS11320	-----			(OPTION 02 ONLY)		
DS15034	150-1001-02			LT EMITTING DIO:RED,660NM,50MA MAX	07263	FLV160/CLIP
DS15036	150-1001-02			LT EMITTING DIO:RED,660NM,50MA MAX	07263	FLV160/CLIP
DS15038	150-1001-02			LT EMITTING DIO:RED,660NM,50MA MAX	07263	FLV160/CLIP
DS16001	150-1001-02			LT EMITTING DIO:RED,660NM,50MA MAX	07263	FLV160/CLIP
DS16002	150-1001-02			LT EMITTING DIO:RED,660NM,50MA MAX	07263	FLV160/CLIP
DS17105	150-1017-00			LT EMITTING DIO:GREEN,550NM,55MA MAX	50437	LSM-16L-100
DS17127	150-1032-00			LT EMITTING DIO:YELLOW,580NM,40MA,MAX	53184	XC-5569-Y2
DS17206	150-1001-02			LT EMITTING DIO:RED,660NM,50MA MAX	07263	FLV160/CLIP
F14500	159-0160-00	B010100	B045049	FUSE,CARTRIDGE:3AG,1.5 A,250 V,18 SEC,UL	71400	MDX 1-1/2
F14500	159-0225-00	B045050		FUSE,CARTRIDGE:3AG,1.5A,250V,18SEC		
FL14500	119-0420-00			FILTER,RFI:6A,250VAC,400HZ	02777	F-11935-6
L14175	108-0714-00			COIL,TUBE DEFLE:Y AXIS ALIGNMENT	80009	108-0714-00
L14176	108-0713-00			COIL,TUBE DEFLE:TRACE ROTATION	80009	108-0713-00
Q390	151-0390-00			TRANSISTOR:SILICON,NPN	04713	SPS3414
Q401	151-0349-00			TRANSISTOR:SILICON,NPN,SEL FROM MJE280	04713	SJE924
Q501	151-0436-00			TRANSISTOR:SILICON,NPN	04713	SJE966
Q701	151-0349-00			TRANSISTOR:SILICON,NPN,SEL FROM MJE280	04713	SJE924
Q718	151-0390-00			TRANSISTOR:SILICON,NPN	04713	SPS3414
Q1108	151-0140-00			TRANSISTOR:SILICON,NPN	02735	36568
R3042	317-0474-00			RES.,FXD,CMPSN:470K OHM,5%,0.125W	01121	BB4745
R3045	315-0300-00			RES.,FXD,CMPSN:30 OHM,5%,0.25W	01121	CB3005
R13010	315-0750-00			RES.,FXD,CMPSN:75 OHM,5%,0.25W	57668	NTR25J-E75E0
R13012	307-0116-00			RES.,FXD,CMPSN:9.1 OHM,5%,0.25W	01121	CB91G5
R14288	311-2047-00			RES.,VAR, NONWIR:PNL,50K/5K OHM,20%,0.5W	12697	CM41749
R14398	311-1482-00			RES.,VAR, NONWIR:5K OHM,20%,0.50W	01121	W-8070
R14498	311-1410-00			RES.,VAR, NONWIR:25K OHM,20%,1W	01121	18M912
R14498	-----			(REPLACEABLE AS A SET W/S14498)		
R14499	311-0608-00			RES.,VAR, NONWIR:2K OHM,10%,0.75W	01121	W8156
R15102	315-0103-03			RES.,FXD,CMPSN:10K OHM,5%,0.25W	01121	CB1035
R16002	311-1464-00			RES.,VAR,WW:2K OHM,5%,2W	02111	534-264
R17010	311-1192-00			RES.,VAR, NONWIR:10K OHM,20%,1W,W/SW	71590	BA-232-001
R17010	-----			(REPL AS A SET WITH S17010)		
R17305	311-1192-00			RES.,VAR, NONWIR:10K OHM,20%,1W,W/SW	71590	BA-232-001
R17305	-----			(REPL AS A SET WITH S17305)		
S270	-----			(REPLACEABLE AS A UNIT WITH A11R270)		
S470	-----			(REPLACEABLE AS A UNIT WITH A11R470)		
S14520	260-0638-00			SW,THERMOSTATIC:10A,240V,OPEN 75 DEG C	93410	430-364
S14498	-----			(REPL AS A SET WITH R14498)		
S17010	-----			(REPL AS A SET WITH R17010)		

**Replaceable Electrical Parts
468 Service Volume II**

Component No.	Tektronix Part No.	Serial/Model No. Eff Dscont	Name & Description	Mfr Code	Mfr Part Number
S17305	-----		(REPL AS A SET WITH R17305)		
T14500	120-1302-00		TRANSFORMER,RF:HORIZ LINEARITY	80009	120-1302-00
U190	156-0285-01		MICROCIRCUIT,LI:VOLTAGE REGULATOR,CHK	04713	MC7812CTD
U560	156-0872-01		MICROCIRCUIT,LI:VOLTAGE REGULATOR	04713	MC7912CTD
U570	156-0655-01		MICROCIRCUIT,LI:VOLTAGE RGLTR,BURN-IN	04713	MC7905.2CTD
V1400	154-0731-00		ELECTRON TUBE:W/ANODE LEAD	80009	154-0731-00

COLOR CODE



① ② and ③ – 1st, 2nd, and 3rd significant figures

Ⓜ –multiplier Ⓣ –tolerance

ⓉⓈ –temperature coefficient

Ⓟ –polarity and voltage rating

Ⓣ and/or ⓉⓈ color code may not be present on some capacitors

COLOR	SIGNIFICANT FIGURES	RESISTORS		CAPACITORS			DIPPED TANTALUM VOLTAGE RATING
		MULTIPLIER	TOLERANCE	MULTIPLIER	TOLERANCE		
					over 10 pF	under 10 pF	
BLACK	0	1	---	1	±20%	±2 pF	4 VDC
BROWN	1	10	±1%	10	±1%	±0.1 pF	6 VDC
RED	2	10 ² or 100	±2%	10 ² or 100	±2%	---	10 VDC
ORANGE	3	10 ³ or 1 K	±3%	10 ³ or 1000	±3%	---	15 VDC
YELLOW	4	10 ⁴ or 10 K	±4%	10 ⁴ or 10,000	+100% -9%	---	20 VDC
GREEN	5	10 ⁵ or 100 K	±½%	10 ⁵ or 100,000	±5%	±0.5 pF	25 VDC
BLUE	6	10 ⁶ or 1 M	±¼%	10 ⁶ or 1,000,000	---	---	35 VDC
VIOLET	7	---	±1/10%	---	---	---	50 VDC
GRAY	8	---	---	10 ⁻² or 0.01	+80% -20%	±0.25 pF	---
WHITE	9	---	---	10 ⁻¹ or 0.1	±10%	±1 pF	3 VDC
GOLD	-	10 ⁻¹ or 0.1	±5%	---	---	---	---
SILVER	-	10 ⁻² or 0.01	±10%	---	---	---	---
NONE	-	---	±20%	---	±10%	±1 pF	---

1861-20 A

Figure 8-1. Color codes for resistors and capacitors.

DIAGRAMS AND CIRCUIT BOARD ILLUSTRATIONS

Symbols

Graphic symbols and class designation letters are based on ANSI Standard Y32.2-1975.

Logic symbology is based on ANSI Y32.14-1973 in terms of positive logic. Logic symbols depict the logic function performed and may differ from the manufacturer's data.

The overline on a signal name indicates that the signal performs its intended function when it is in the low state.

Abbreviations are based on ANSI Y1.1-1972.

Other ANSI standards that are used in the preparation of diagrams by Tektronix, Inc. are:

Y14.15, 1966 Drafting Practices.
Y14.2, 1973 Line Conventions and Lettering.
Y10.5, 1968 Letter Symbols for Quantities Used in Electrical Science and Electrical Engineering.

American National Standard Institute
1430 Broadway
New York, New York 10018

Component Values

Electrical components shown on the diagrams are in the following units unless noted otherwise:

Capacitors = Values one or greater are in picofarads (pF).

Values less than one are in microfarads (μ F).

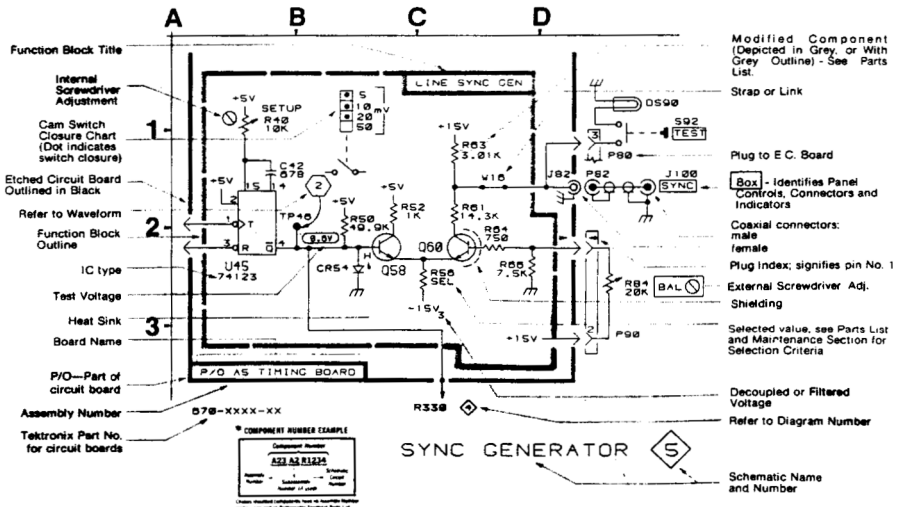
Resistors = Ohms (Ω).

— The information and special symbols below may appear in this manual. —

Assembly Numbers and Grid Coordinates

Each assembly in the instrument is assigned an assembly number (e.g., A20). The assembly number appears on the circuit board outline on the diagram, in the title for the circuit board component location illustration, and in the lookup table for the schematic diagram and corresponding component locator illustration. The Replaceable Electrical Parts list is arranged by assemblies in numerical sequence; the components are listed by component number *(see following illustration for constructing a component number).

The schematic diagram and circuit board component location illustration have grids. A lookup table with the grid coordinates is provided for ease of locating the component. Only the components illustrated on the facing diagram are listed in the lookup table. When more than one schematic diagram is used to illustrate the circuitry on a circuit board, the circuit board illustration may only appear opposite the first diagram on which it was illustrated; the lookup table will list the diagram number of other diagrams that the circuitry of the circuit board appears on.



NOTE
LEAD CONFIGURATIONS AND CASE STYLES ARE TYPICAL, BUT MAY VARY DUE TO VENDOR CHANGES OR INSTRUMENT MODIFICATIONS.

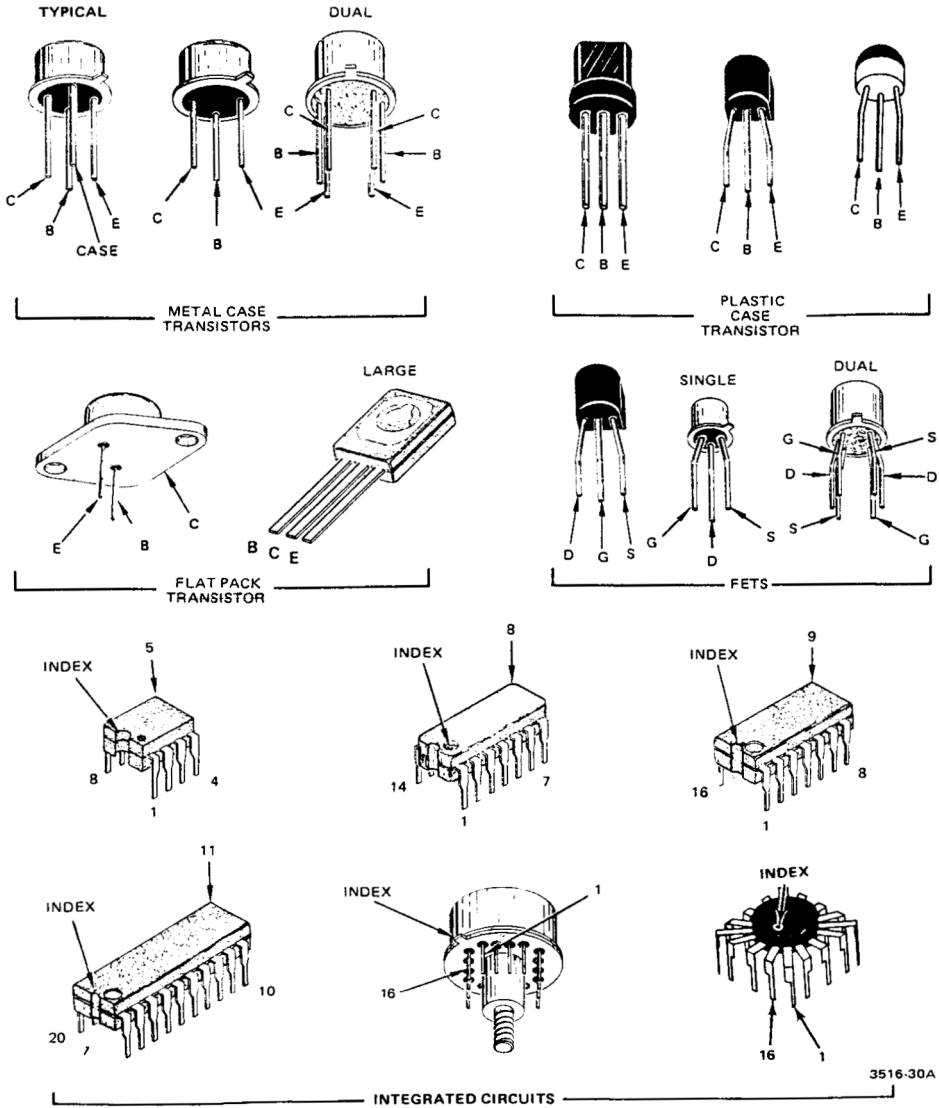


Figure 8-2. Semiconductor lead configurations.

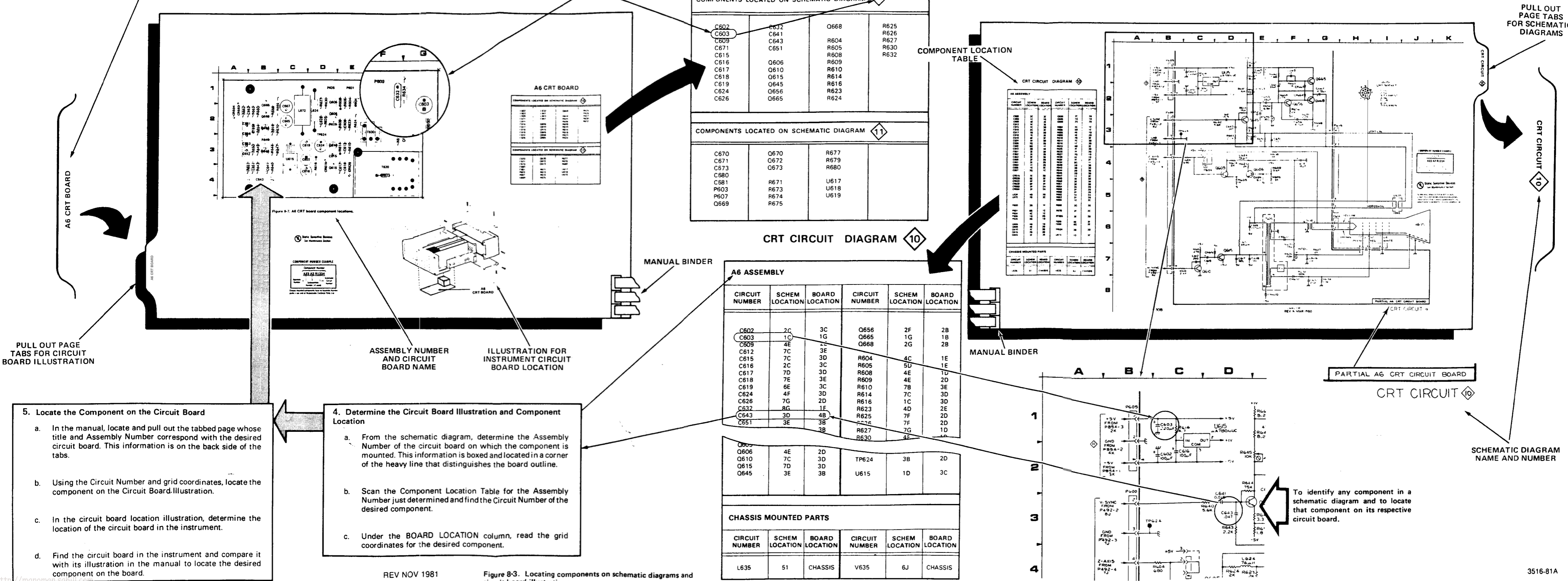
REV JUL 1981

To identify any component mounted on a circuit board and to locate that component in the appropriate schematic diagram

- 1. Locate the Circuit Board Illustration**
- In the instrument identify the Assembly Number of the circuit board in question. The Assembly Number is usually printed on the upper left corner of the circuit board on the component side.
 - In the manual locate and pull out tabbed page whose title corresponds with the Assembly Number of the circuit board. Circuit board assembly numbers and board nomenclature are printed on the back side of the tabs (facing the rear of the manual).

- 2. Determine the Circuit Number**
- Compare the circuit board with its illustration and locate the desired component by area and shape on the illustration.
 - Scan the table adjacent to the Circuit Board Illustration and find the Circuit Number of the desired component.
 - Determine the Schematic Diagram Number in which the component is located.

- 3. Locate the Component on the Schematic Diagram**
- Locate and pull out tabbed page whose number and title correspond with the Schematic Diagram Number just determined in the table. Schematic diagram nomenclature and numbers are printed on the front side of the tabs (facing the front of the manual).
 - Scan the Component Location Table adjacent to the schematic diagram and find the Circuit Number of the desired component.
 - Under the SCHEM LOCATION column, read the grid coordinates for the desired component.
 - Using the Circuit Number and grid coordinates, locate the component on the schematic diagram.



A6 CRT BOARD

COMPONENTS LOCATED ON SCHEMATIC DIAGRAM 10

C602	C632	Q668	R625
C603	C641	R626	R626
C609	C643	R604	R627
C671	C651	R605	R630
C615		R608	R632
C616	Q606	R609	
C617	Q610	R610	
C618	Q615	R614	
C619	Q645	R616	
C624	Q656	R623	
C626	Q665	R624	

COMPONENTS LOCATED ON SCHEMATIC DIAGRAM 11

C670	Q670	R677	
C671	Q672	R679	
C673	Q673	R680	
C680			
C681	R671	U617	
P603	R673	U618	
P607	R674	U619	
Q669	R675		

A6 ASSEMBLY

CIRCUIT NUMBER	SCHEM LOCATION	BOARD LOCATION	CIRCUIT NUMBER	SCHEM LOCATION	BOARD LOCATION
C602	2C	3C	Q656	2F	2B
C603	1C	1G	Q665	1G	1B
C609	4E	2E	Q668	2G	2B
C612	7C	3E			
C615	7C	3D	R604	4C	1E
C616	2C	3C	R605	5D	1E
C617	7D	3D	R608	4E	1D
C618	7E	3E	R609	4E	2D
C619	6E	3C	R610	7B	3E
C624	4F	3D	R614	7C	3D
C626	7G	2D	R616	1C	3D
C632	8G	1E	R623	4D	2E
C643	3D	4B	R625	7F	2D
C651	3E	3B	R627	7F	2D
			R627	7G	1D
			R630	4E	1E

CHASSIS MOUNTED PARTS

CIRCUIT NUMBER	SCHEM LOCATION	BOARD LOCATION	CIRCUIT NUMBER	SCHEM LOCATION	BOARD LOCATION
Q606	4E	2D	TP624	3B	2D
Q610	7C	3D	U615	1D	3C
Q615	7D	3D			
Q645	3E	3B			

CIRCUIT NUMBER	SCHEM LOCATION	BOARD LOCATION	CIRCUIT NUMBER	SCHEM LOCATION	BOARD LOCATION
L635	51	CHASSIS	V635	6J	CHASSIS

- 5. Locate the Component on the Circuit Board**
- In the manual, locate and pull out the tabbed page whose title and Assembly Number correspond with the desired circuit board. This information is on the back side of the tabs.
 - Using the Circuit Number and grid coordinates, locate the component on the Circuit Board Illustration.
 - In the circuit board location illustration, determine the location of the circuit board in the instrument.
 - Find the circuit board in the instrument and compare it with its illustration in the manual to locate the desired component on the board.

- 4. Determine the Circuit Board Illustration and Component Location**
- From the schematic diagram, determine the Assembly Number of the circuit board on which the component is mounted. This information is boxed and located in a corner of the heavy line that distinguishes the board outline.
 - Scan the Component Location Table for the Assembly Number just determined and find the Circuit Number of the desired component.
 - Under the BOARD LOCATION column, read the grid coordinates for the desired component.

REV NOV 1981

Figure 8-3. Locating components on schematic diagrams and circuit board illustrations.

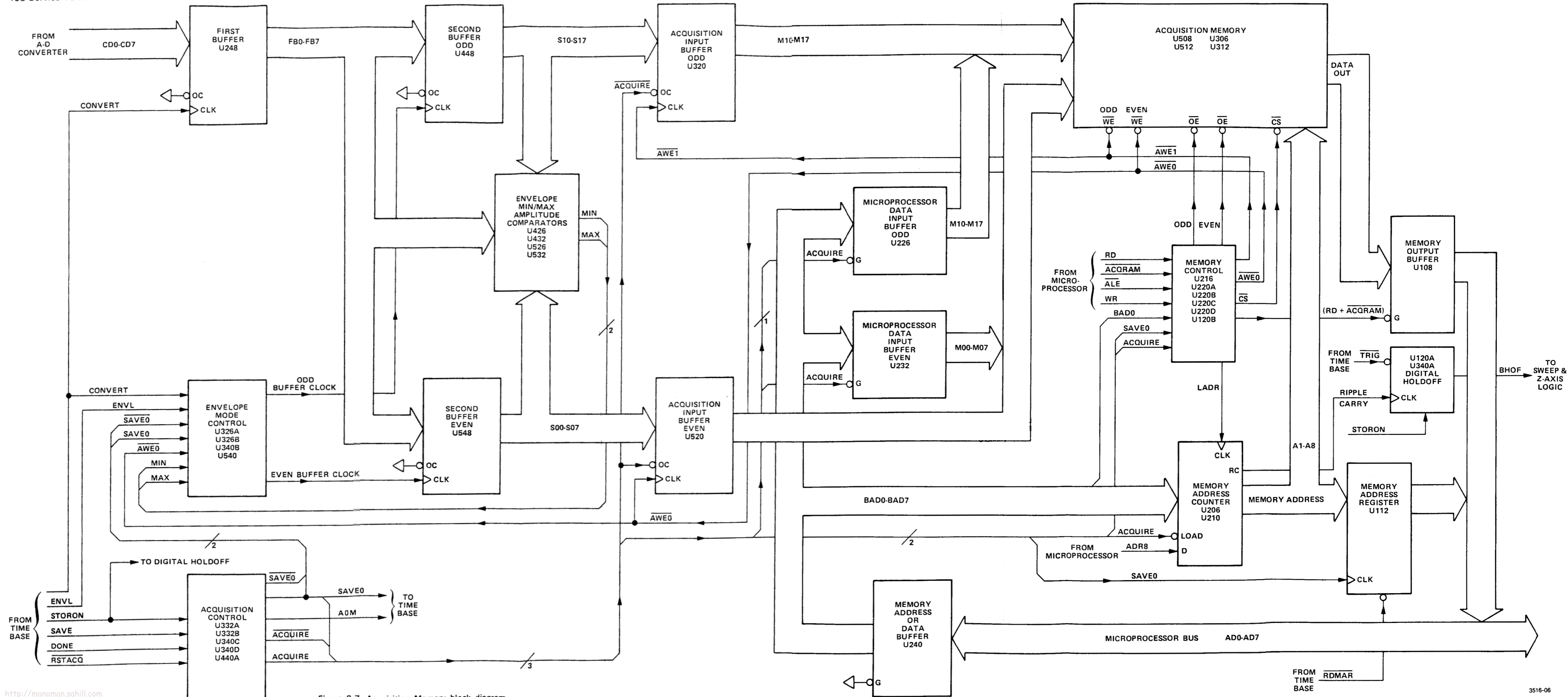


Figure 8-7. Acquisition Memory block diagram.

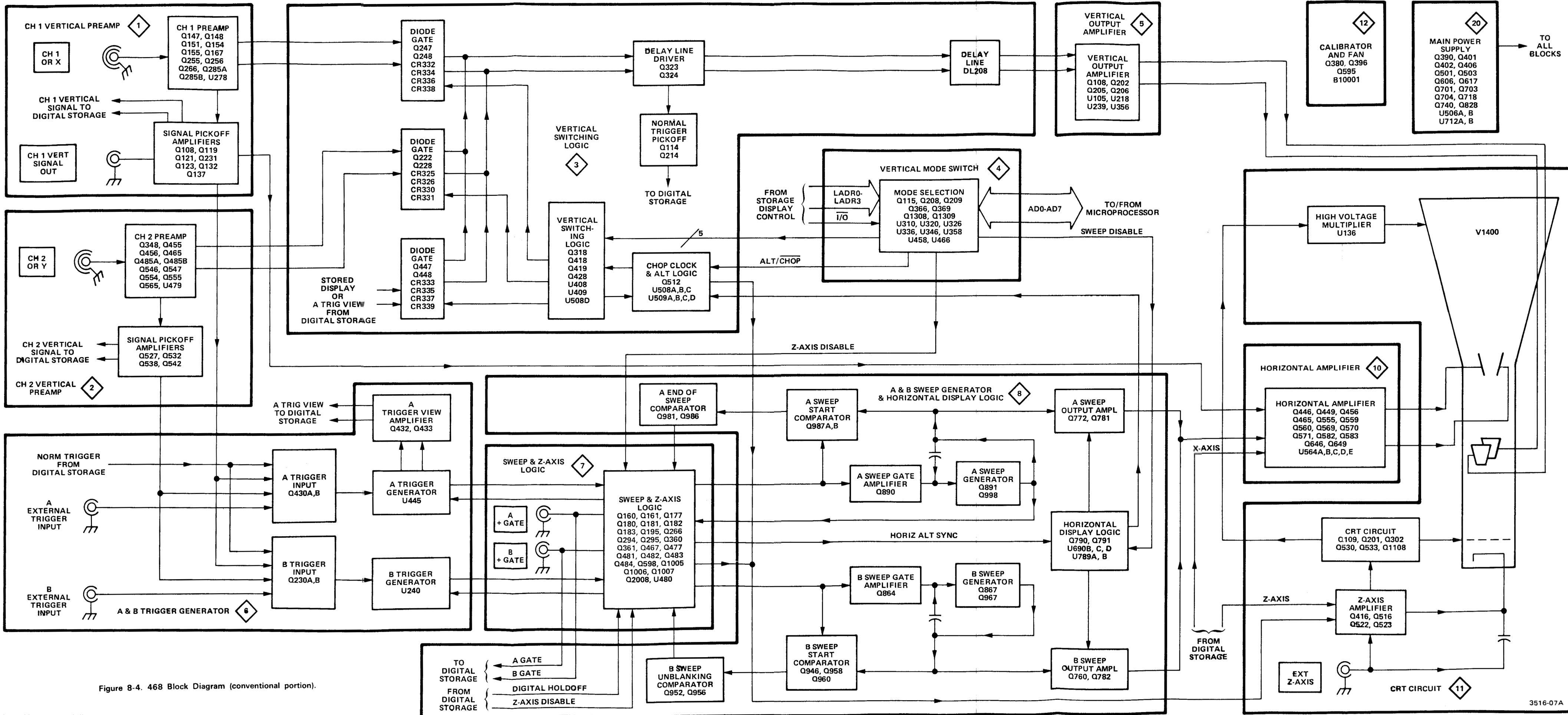


Figure 8-4. 468 Block Diagram (conventional portion).

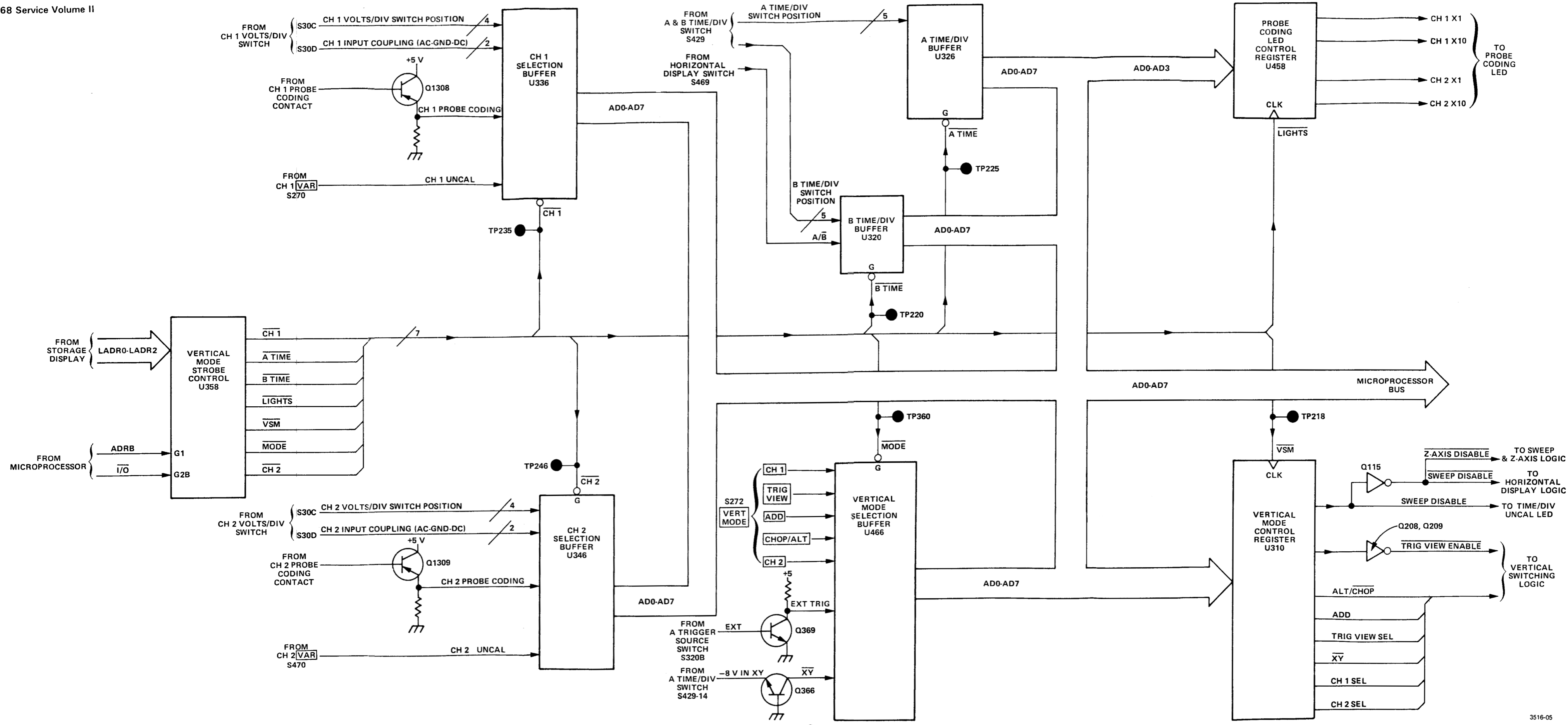


Figure 8-5. Vertical Mode Switch block diagram.

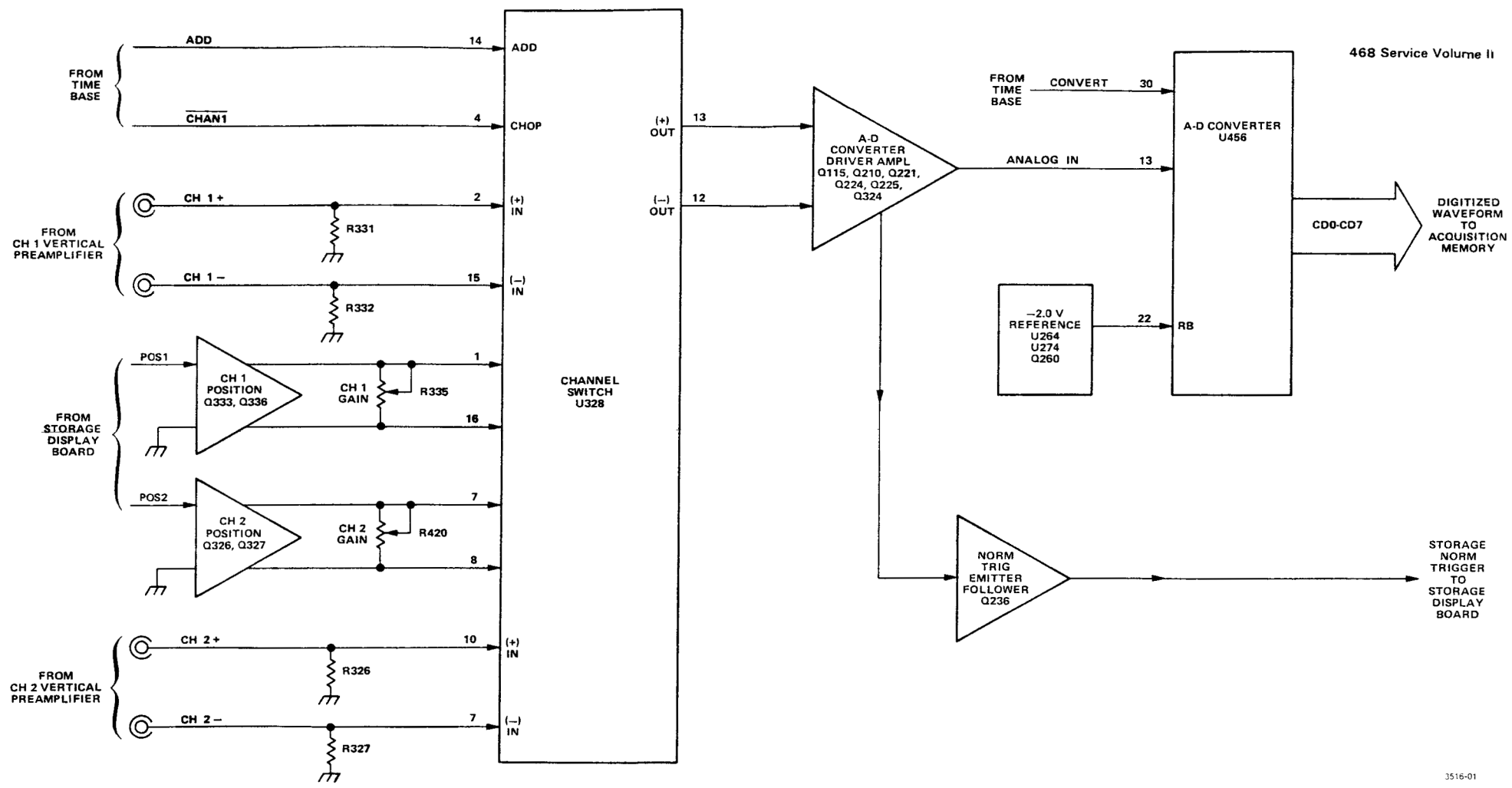


Figure 8-6. A/D Converter and Channel Switch block diagram.

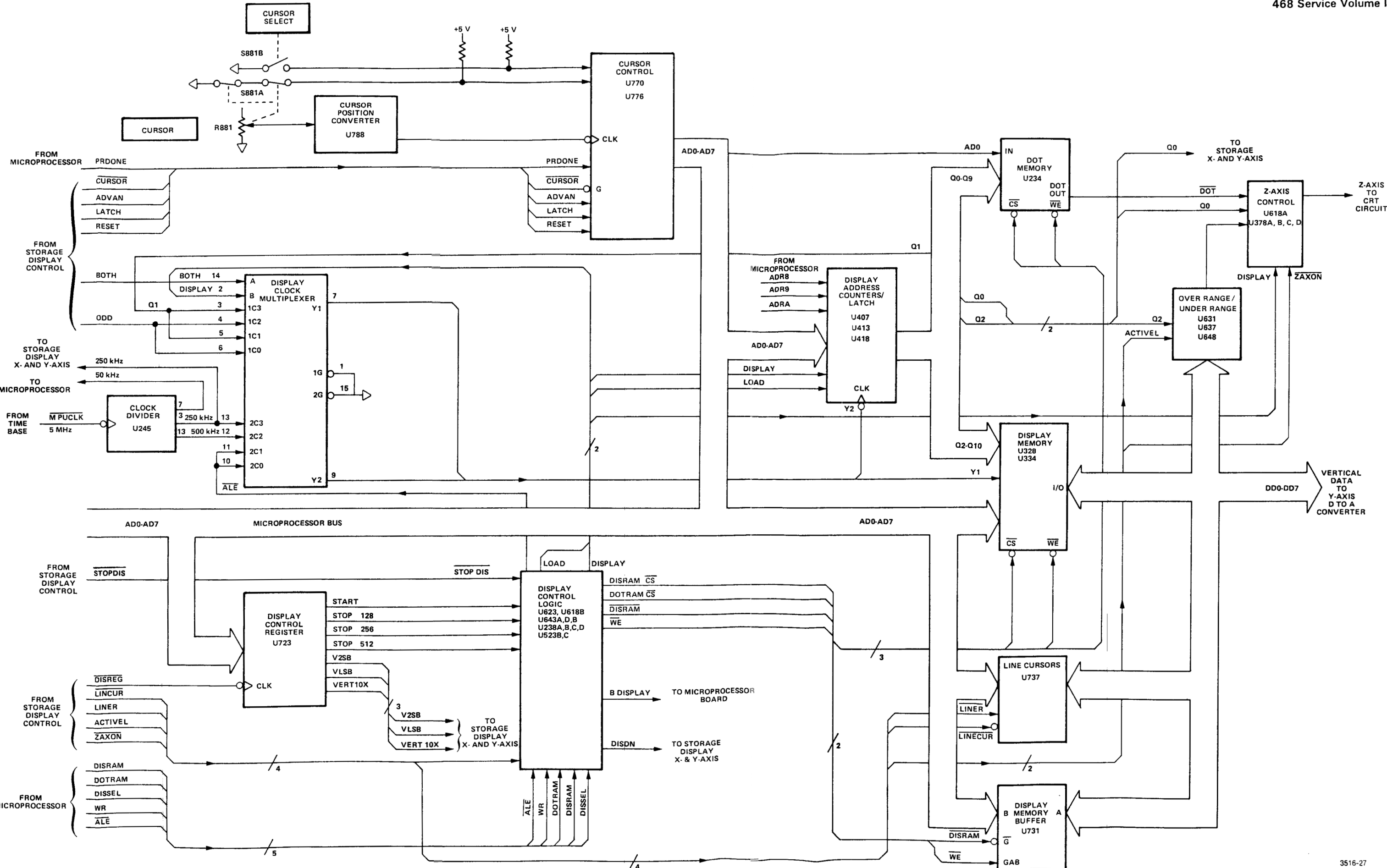


Figure 8-8. Storage Display Ram and Z Axis block diagram.

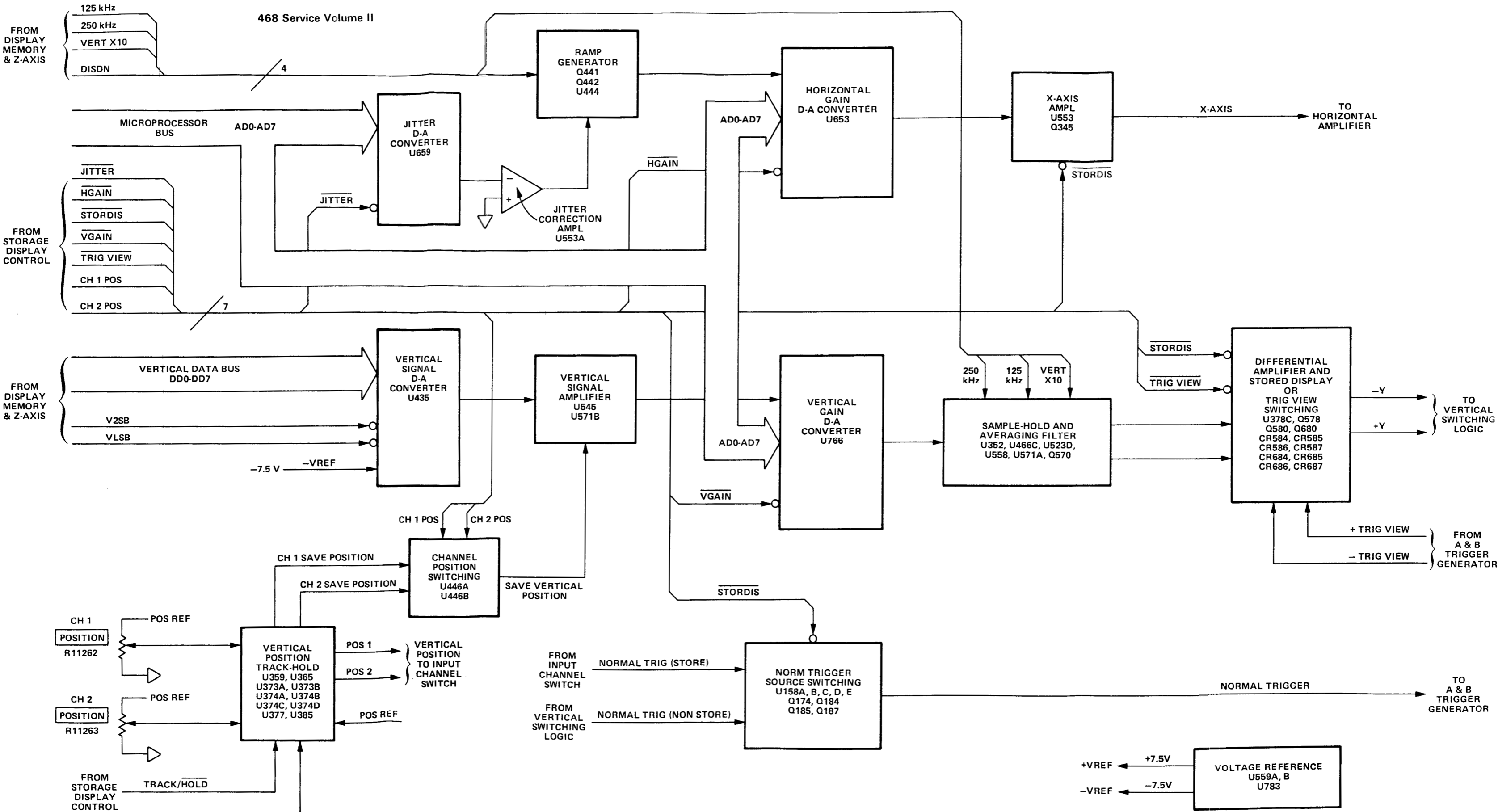


Figure 8-9. Storage Display X and Y Axis block diagram.

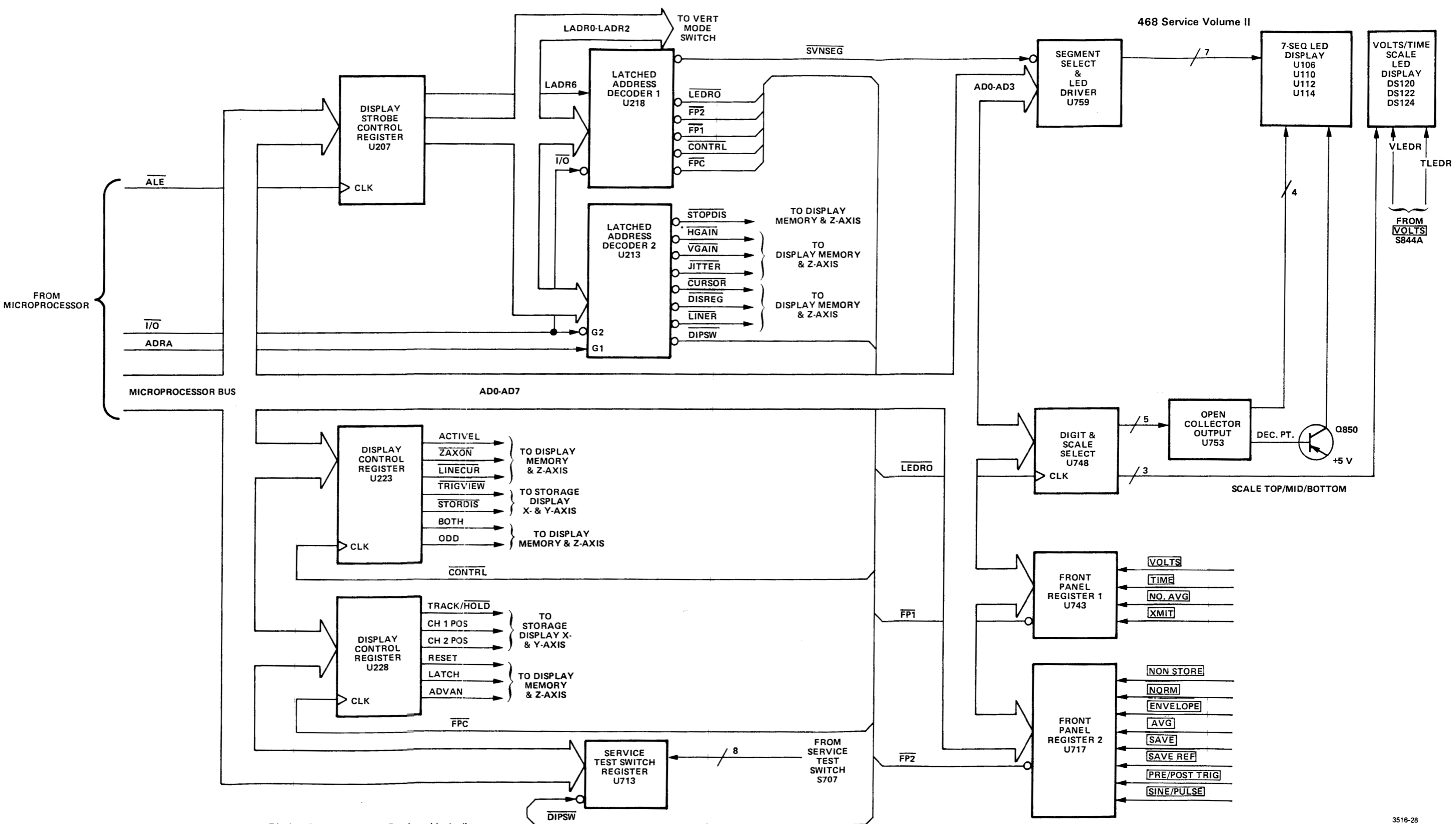


Figure 8-10. Storage Display Control and Led Readout block diagram.

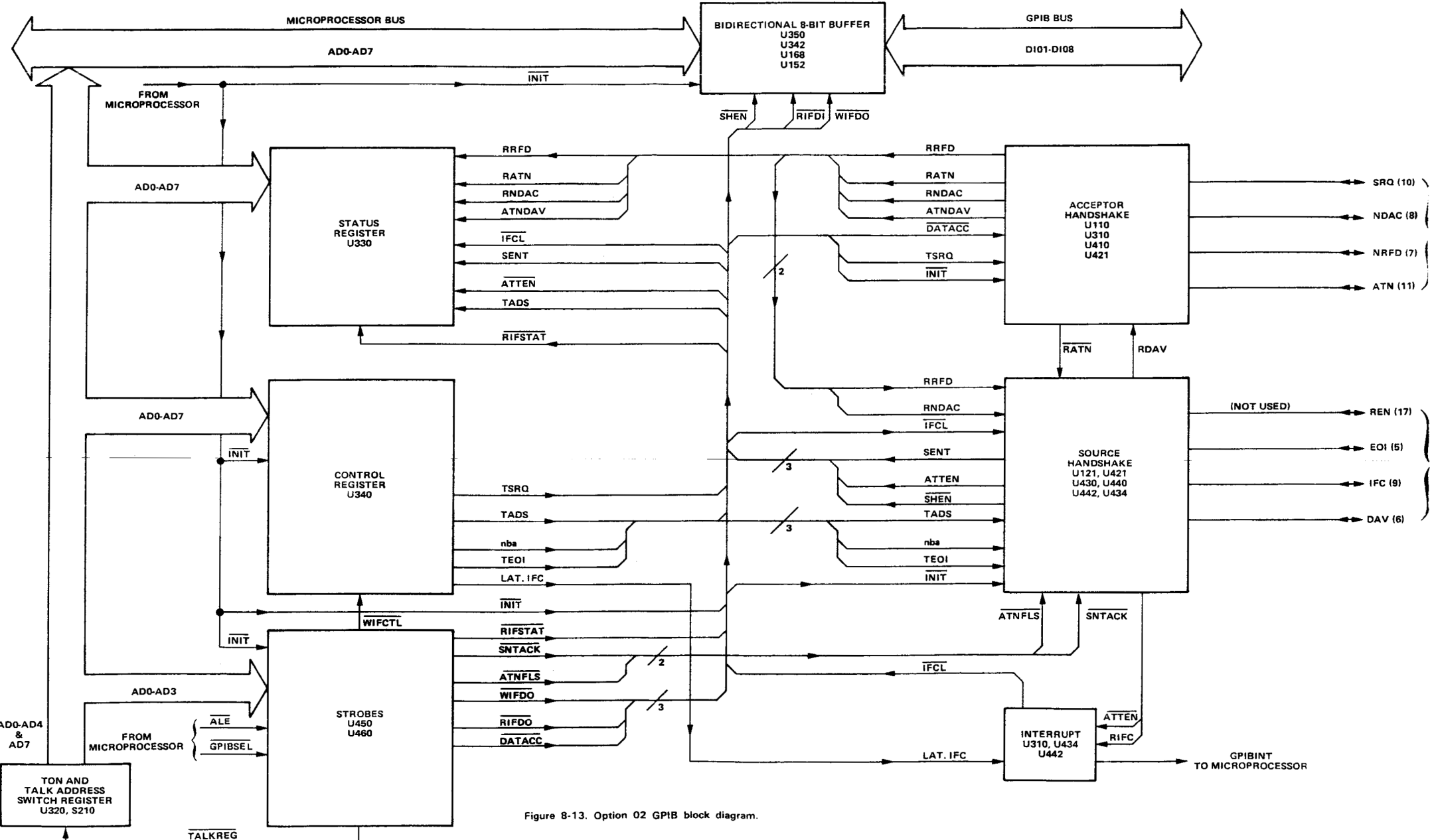


Figure 8-13. Option 02 GPIB block diagram.

CHASSIS MOUNTED PARTS

CIRCUIT NUMBER	SCHEM NUMBER	SCHEM LOCATION	CIRCUIT NUMBER	SCHEM NUMBER	SCHEM LOCATION	CIRCUIT NUMBER	SCHEM NUMBER	SCHEM LOCATION
C3042	1	2J	L14175	11	4L			
C3042	2	2J	L14176	11	2L	R3042	1	2J
C13010	1	2A				R3042	2	2J
C13010	2	2A	P103	1	8K	R3045	1	2J
C13012	1	2A	P104	1	7K	R3045	2	2J
C13012	2	2A	P107	1	7K	R13010	1	2A
C15101	4	2A	P110	13	2A	R14288A	10	6A
C15101	4	7A	P112	13	1I	R14288B	10	6A
C15103	4	2A	P118	13	6A	R14398	7	4A
C15103	4	7A	P120	13	4I	R14498	9	2H
			P133	1	3K	R14499	8	4J
CR14498	9	3H	P183	7	3M	R15102	4	2A
			P188	7	2M	R15102	4	7A
DL208	3	1M	P190	7	1M	R16002	7	8A
			P204	1	7K	R17010	6	3F
DS11320	17	5E	P523	2	7K	R17305	6	6F
DS15034	4	3A	P535	2	7K			
DS15036	4	7M	P536	2	3K	S270	4	3A
DS15038	4	8A	P1526	11	5A	S470	4	8A
DS16001	10	8C	P14500	20	2A	S14498	9	2H
DS16002	9	1E				S14498	7	5A
DS17105	20	3B	Q390	20	8D	S14498	8	1M
DS17127	7	6K	Q401	20	6G	S14520	20	1A
DS17206	7	5K	Q501	20	1G	S17010	6	3F
			Q701	20	4G	S17305	6	6F
F14500	20	1A	Q718	20	5G			
			Q1108	11	8F	T14500	20	1C
FL14500	20	2A						
J11526	11	5A				U190	2I	1F
J13010	2	2A				U560	2I	4G
J17106	6	2A				U570	2I	4E
J17506	6	6A						
						V1400	11	2L

AC WAVEFORMS

TEST OSCILLOSCOPE SETUP

The waveforms adjacent to the circuit diagrams of the conventional portion of the 468 were obtained using the recommended test equipment and setup given below, unless otherwise noted.

Changes to the setup for waveforms adjacent to the digital storage circuit diagrams are noted with each set of waveforms.

RECOMMENDED TEST EQUIPMENT

Item	Specifications	Example
Test Oscilloscope	Frequency Response: DC-100 MHz. Deflection factor: 5 mV/div to 5 V/div (to 50 V/div with 10X probe). Input impedance: 1 M Ω , 20 pF. Sweep rate: 5 ms to 0.5 μ s/div.	TEKTRONIX 465B or equivalent.
Probe	Fast-rise 10X probe compatible with the vertical amplifier of the test oscilloscope.	TEKTRONIX P6065 or equivalent

468 CONTROL SETTINGS

CRT Controls

INTENSITY	As desired
FOCUS	As desired
SCALE ILLUM	As desired

Vertical Controls (both A and B if applicable)

VOLTS/DIV	5 mV
VAR	Calibrated detent
POSITION	Midrange
AG-GND-DC	DC
VERT MODE	CH 1 and CHOP
INVERT	Off (button out)
20 MHz BW LIMIT	Full bandwidth (button out)

Sweep Controls

ITME/DIV (both)	1 ms
VAR	Calibrated detent
HORIZ DISPLAY	A
X10 MAG	Off (button out)
POSITION	Midrange
DELAY TIME POSITION	Fully counterclockwise

Trigger Controls (both A and B unless otherwise noted)

COUPLING	AC
SOURCE	NORM
TRIG MODE	AUTO
SLOPE	+
A TRIGGER LEVEL	As needed for a stable display (locked on positive transition of square-wave input).
A TRIGGER HOLDOFF	NORM

Digital Storage

NON STORE	On (button in)
-----------	----------------

Apply a 20 mV p-p, positive-going square-wave signal to the CH 1 or X input connector. Connect the 468 A + GATE (from the 468 rear panel) to the test oscilloscope external trigger input connector. Use no terminations.

468 Oscilloscope control settings required to obtain valid waveforms are given with each set of waveforms. Changes from the preliminary control settings for the other controls are not required.

Test Oscilloscope Control Settings

All controls as needed for the best display except as noted below:

Vert Mode	Ch 1
AC-Gnd-Dc	As required for the measurement to be made
Volts/Div	As needed for each waveform
Trigger Source	Ext (468 A + GATE)
Trigger Coupling	Ac
Trigger Mode	Auto
Time/Div	As needed for each waveform

Connect a 10X probe to the Channel 1 input of the test oscilloscope. Apply the probe tip to the test point or component lead as indicated on the schematic and the component board layout Figure associated with that schematic.

DC VOLTAGES

Typical voltage measurements were obtained with the instrument operating under the conditions noted in the control settings adjacent to each schematic diagram. Voltage measurements were taken with no signal applied to the vertical or trigger inputs. All voltages are measured with reference to chassis ground and are rounded to the nearest tenth of a volt.

RECOMMENDED TEST EQUIPMENT

Item	Specifications	Example
Digital Multimeter (for voltages up to 1 kV)	Range: 0 to 1 kV. Input Impedance: 10 M Ω .	TEKTRONIX DM 501 Digital Multimeter. TEKTRONIX Oscilloscope with DM 44 Option.
DC Voltmeter (for voltages above 1 kV)	Range: 0 to 3 kV. Input Impedance: 20 k Ω /V.	Triplett Model 630NA.

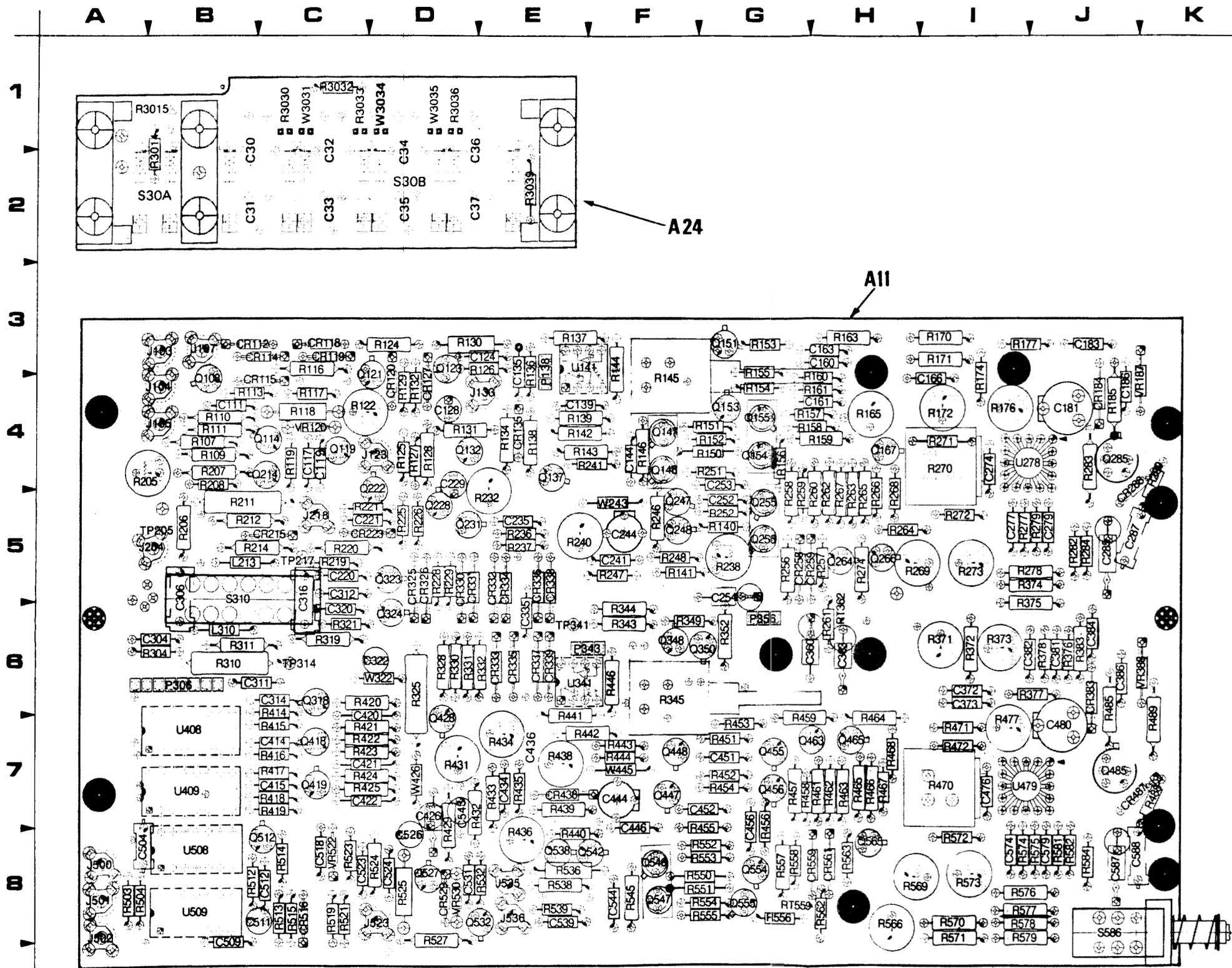


Figure 8-14A. A11 Vertical Preamp (SN B040000 & up) and A24 Attenuator boards.

A24 ATTENUATOR BOARD

COMPONENTS LOCATED ON SCHEMATIC DIAGRAM



C30	C34	R3014	R3033	S30A	W3034
C31	C35	R3015	R3036	S30B	W3035
C32	C36	R3030	R3039		
C33	C37	R3032		W3031	

A11 VERTICAL PREAMP BOARD

COMPONENTS LOCATED ON SCHEMATIC DIAGRAM

1

(SN B040000 & UP)

C111	C285	P138	R110	R144	R177	R268
C119	C287		R113	R145	R185	R269
C124	C335	Q108	R116	R146	R206	R270
C128		Q119	R117	R150	R232	R271
C135	CR112	Q121	R118	R151	R236	R272
C139	CR114	Q123	R122	R152	R237	R273
C144	CR115	Q132	R124	R153	R238	R274
C160	CR118	Q137	R126	R154	R241	R277
C161	CR119	Q147	R128	R155	R246	R278
C163	CR120	Q148	R129	R156	R251	R279
C166	CR127	Q151	R130	R157	R252	R282
C181	CR135	Q153	R131	R158	R256	R283
C183	CR184	Q154	R132	R159	R257	R284
C186	CR258	Q155	R134	R160	R258	R289
C229	CR259	Q167	R136	R161	R259	R374
C235	CR288	Q231	R137	R163	R260	R375
C252		Q255	R138	R165	R261	RT362
C253	J103	Q256	R139	R170	R262	U141A
C274	J104	Q264	R140	R171	R263	U141B
C277	J107	Q266	R141	R172	R264	U278
C279	J133	Q285A	R142	R174	R265	VR120
	J204	Q285B	R143	R176	R266	VR187

COMPONENTS LOCATED ON SCHEMATIC DIAGRAM

2

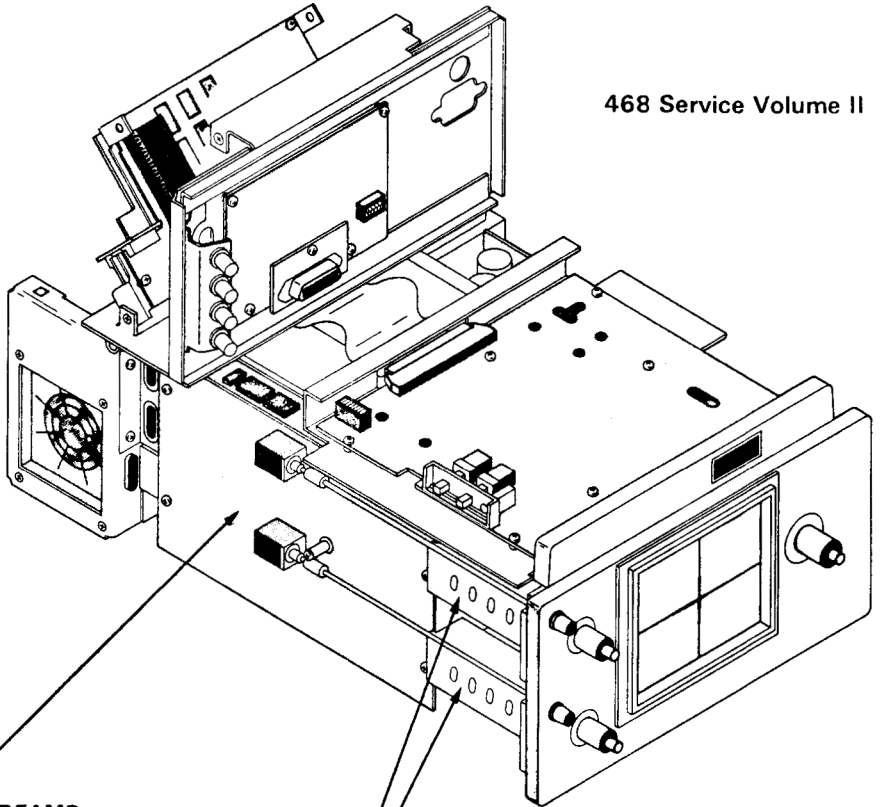
(SN B040000 & UP)

C372	C587	Q532	R432	R463	R550	R578
C373	C588	Q538	R433	R464	R551	R579
C381	CR383	Q542	R434	R465	R552	R581
C382	CR438	Q546	R435	R466	R553	R582
C384	CR487	Q547	R436	R467	R554	R584
C386	CR529	Q554	R439	R468	R555	
C434	CR559	Q555	R440	R470	R556	RT559
C436	CR561	Q565	R441	R471	R557	
C451	J523	R343	R442	R472	R558	S586
C452	J535	R344	R443	R477	R562	
C456	J536	R345	R444	R485	R563	U341A
C476	P343	R349	R446	R488	R566	U341B
C480	Q348	R352	R452	R489	R569	U479
C523	Q350	R371	R454	R524	R570	
C524	Q455	R372	R455	R525	R571	VR388
C531	Q456	R373	R456	R527	R572	VR530
C539	Q463	R376	R457	R532	R573	
C543	Q465	R377	R458	R536	R574	
C544	Q485A	R378	R459	R538	R575	
C574	Q485B	R383	R461	R539	R576	
C579	Q527	R429	R462	R545	R577	
		R431				

COMPONENTS LOCATED ON SCHEMATIC DIAGRAM

3

C117	C426	CR337	Q114	R212	R330	R519
C220	C444	CR338	Q214	R214	R331	R521
C221	C504	CR339	Q222	R219	R332	R523
C244	C509	CR516	Q228	R220	R414	
C254	C511		Q247	R221	R415	S310
C304	C512	J105	Q248	R225	R416	
C306	C518	J123	Q318	R226	R417	TP217
C311	C525	J218	Q323	R228	R418	TP314
C312		J500	Q324	R229	R419	
C314	CR215	J501	Q418	R240	R420	U408
C316	CR223	J502	Q419	R247	R421	U409
C320	CR325		Q428	R248	R422	U508A
C322	CR326	L213	Q447	R304	R423	U508B
C360	CR330	L243	Q448	R310	R424	U508C
C363	CR331	L310	Q512	R311	R425	U508D
C414	CR332			R319	R438	U509A
C415	CR333		R107	R321	R451	U509B
C420	CR334	P306	R109	R325	R453	U509C
C421	CR335	P306	R111	R328	R503	U509D
C422	CR336	P306	R119		R504	
		P306	R208		R512	VR522
		P356	R211		R513	
					R514	W322
					R515	W426
						W445



**A11 VERTICAL PREAMP
CIRCUIT BOARD**

**A24 ATTENUATOR
CIRCUIT BOARDS**

468 CONTROL SETTINGS FOR

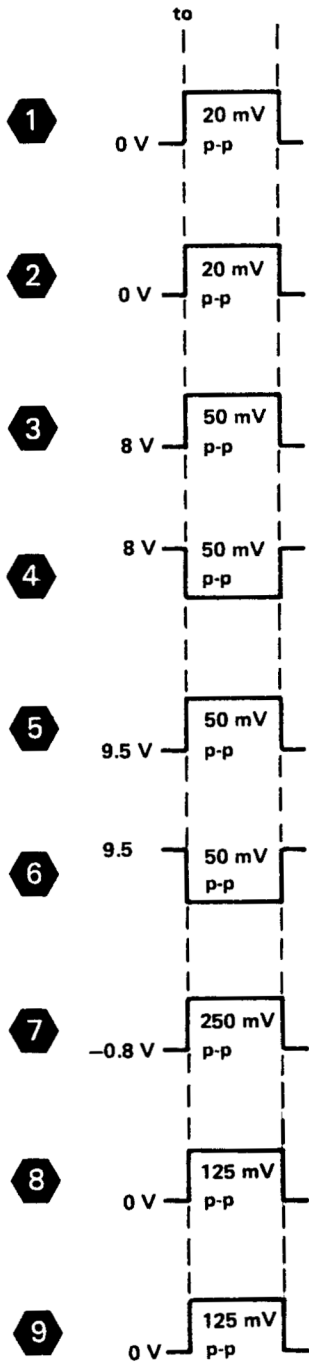


DC Voltages

VERT MODE	CH 1
AC-GND-DC (both)	GND

AC Waveforms

VERT MODE	CH 1
CH 1 AC-GND-DC	DC
VOLTS/DIV	5 mV
Input	20 mV positive-going square wave



CH 1 VERTICAL PREAMP DIAGRAM



(SN B040000 & UP)

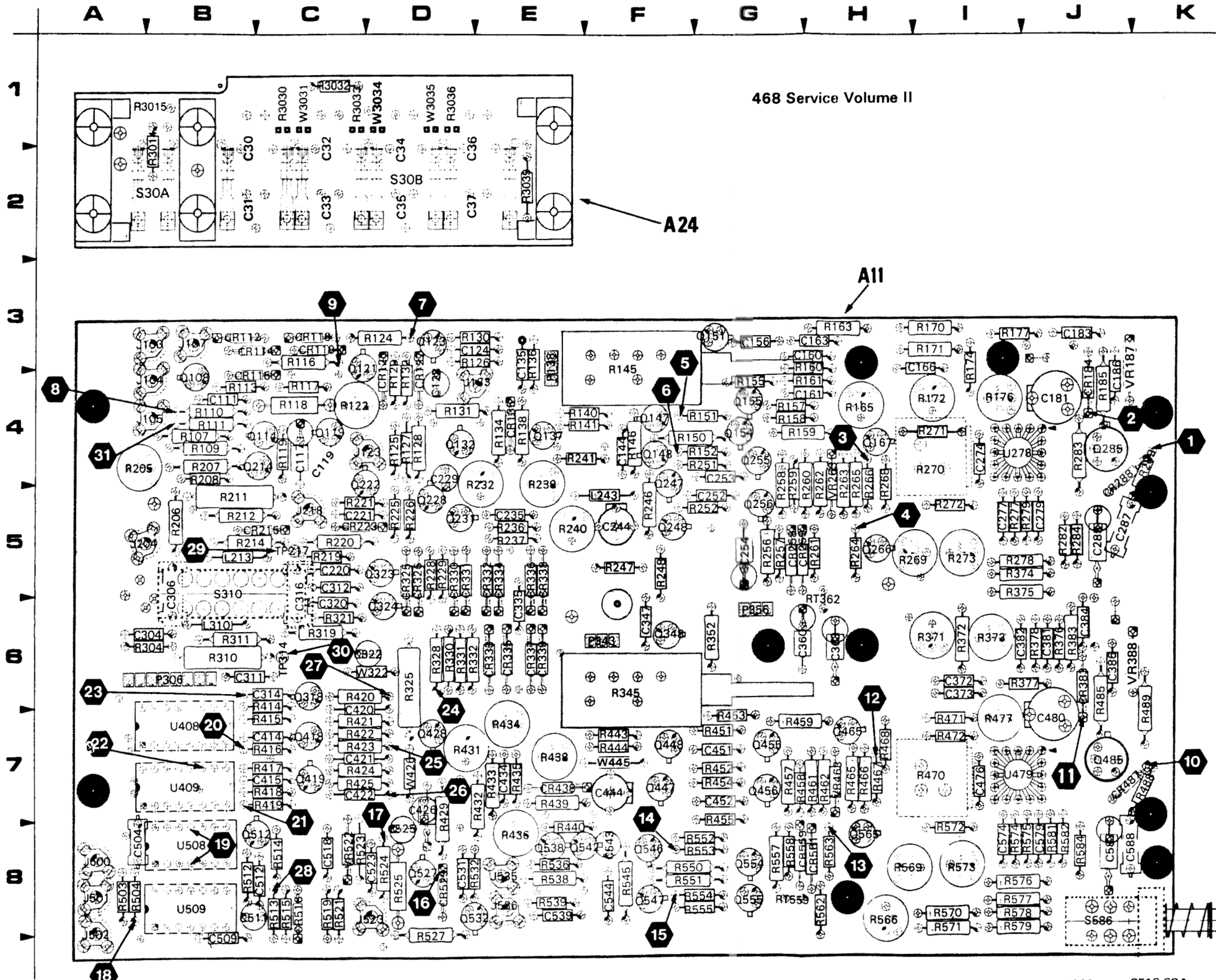
ASSEMBLY A11								
CIRCUIT NUMBER	SCHEM LOCATION	BOARD LOCATION	CIRCUIT NUMBER	SCHEM LOCATION	BOARD LOCATION	CIRCUIT NUMBER	SCHEM LOCATION	BOARD LOCATION
C111	7I	4B	Q151	5J	3G	R170	5A	3I
C119	7H	4C	Q153	5I	4G	R171	5A	3I
C124	8H	3E	Q154	6G	4G	R172	5A	4I
C128	9H	4D	Q155	4G	4G	R174	5B	3I
C135	3G	3E	Q167	4D	4H	R176	5B	4I
C139	5I	4E	Q231	7H	5D	R177	5B	3I
C144	5H	4F	Q255	4F	4G	R185	4A	4J
C160	5A	3H	Q256	6F	5G	R206	7I	5B
C161	5A	4H	Q264	5E	5H	R232	3H	4E
C163	5A	3H	Q266	6D	5H	R236	6H	5E
C166	5A	3I	Q285A	4A	4J	R237	7H	5E
C181	5B	4J	Q285B	4A	4J	R238	5K	5G
C183	5A	3J	R110	7I	4B	R241	4H	4E
C186	3A	4J	R113	7I	4B	R246	5H	5F
C229	5K	4D	R116	8J	3C	R251	4G	4G
C235	6H	5E	R117	8H	4C	R252	6G	5G
C252	6G	5G	R118	7H	4C	R256	5F	5G
C253	4G	4G	R122	9H	4C	R257	6F	5H
C274	3C	4I	R124	8H	3D	R258	5F	5G
C277	7C	5I	R126	8H	3E	R259	4F	5G
C279	7B	5J	R128	7H	4D	R260	6E	5H
C285	4A	5J	R129	8I	4D	R261	6F	5H
C287	4A	5J	R130	3H	3D	R262	4E	5H
C335	7G	6E	R131	3I	4D	R263	5D	5H
CR112	8I	3B	R132	8I	4D	R264	6E	5H
CR114	8I	3C	R134	3H	4E	R265	5D	4H
CR115	7I	4C	R136	4H	3E	R266	4D	4H
CR118	8I	3C	R137	4J	3E	R267	5E	5H
CR119	8I	3C	R138	3H	4E	R268	3C	4H
CR120	8H	4D	R139	5J	4E	R269	5D	5H
CR127	7H	4D	R140	4K	5G	R270	7A	4I
CR135	3H	4E	R141	6K	5F	R271	4D	4I
CR184	4B	4J	R142	5J	4E	R272	6D	5I
CR258	6F	5G	R143	5J	4E	R273	6A	5I
CR259	4F	5G	R144	5J	3F	R274	5E	5H
CR288	3A	4J	R145	6J	4F	R277	7C	5I
J103	8J	3B	R146	5H	4F	R278	7C	5J
J104	7J	4B	R150	5H	4G	R279	7C	5J
J107	7J	3B	R151	4G	4G	R282	6B	5J
J133	3J	4E	R152	6G	4G	R283	4A	4J
J204	7J	5A	R153	4I	3G	R284	6B	5J
P138	6J	3E	R154	4G	4G	R289	4A	4K
Q108	7J	4B	R155	5G	4G	R374	7C	5J
Q119	7H	4C	R156	6G	4G	R375	7B	5J
Q121	8I	3D	R157	4G	4G	RT362	4F	6H
Q123	8H	3D	R158	6G	4G	U141A	5I	3E
Q132	3H	4D	R159	5F	4H	U141B	5J	3E
Q137	4H	4E	R160	5B	4H	U278	3B	4I
Q147	4H	4F	R161	5A	4H	VR120	3H	4C
Q148	6H	4F	R163	5J	3H	VR187	3A	4J
			R165	5A	4H			

Partial A11 also shown on diagrams 2 and 3.

ASSEMBLY A24								
CIRCUIT NUMBER	SCHEM LOCATION	BOARD LOCATION	CIRCUIT NUMBER	SCHEM LOCATION	BOARD LOCATION	CIRCUIT NUMBER	SCHEM LOCATION	BOARD LOCATION
C30	2C	1B	R3014	1B	1B	S30A	1B	2B
C31	2C	2B	R3015	2B	1B	S30B	1F	2B
C32	2E	1C	R3030	2C	1C			
C33	2E	2C	R3032	2E	1C	W3031	2D	1C
C34	2G	1D	R3033	2E	1C	W3034	2F	1D
C35	2G	2D	R3036	2H	1D	W3035	2G	1D
C36	2H	1D	R3039	2I	2E			
C37	2I	2D						

A24 also shown on diagram 2.

CHASSIS MOUNTED PARTS								
CIRCUIT NUMBER	SCHEM LOCATION	BOARD LOCATION	CIRCUIT NUMBER	SCHEM LOCATION	BOARD LOCATION	CIRCUIT NUMBER	SCHEM LOCATION	BOARD LOCATION
C3042	2J	CHASSIS	P104	7K	CHASSIS	R3042	2J	CHASSIS
C13010	2A	CHASSIS	P107	7K	CHASSIS	R3045	2J	CHASSIS
C13012	2A	CHASSIS	P133	3K	CHASSIS	R13010	2A	CHASSIS
P103	8K	CHASSIS	P204	7K	CHASSIS			



468 Service Volume II

A24

A11

Figure 8-14B. A11 Vertical Preamp (SN B039999 & below) and A24 Attenuator boards.

A24 ATTENUATOR BOARD

COMPONENTS LOCATED ON SCHEMATIC DIAGRAM



C30
C31
C32
C33

C34
C35
C36
C37

R3014
R3015
R3030
R3032

R3033
R3036
R3039

S30A
S30B
W3031

W3034
W3035

A11 VERTICAL PREAMP BOARD

COMPONENTS LOCATED ON SCHEMATIC DIAGRAM 1 (SN B039999 & BELOW)

C111	C285	P138	R110	R146	R232	R269
C119	C287		R113	R150	R236	R270
C124	C335	Q108	R116	R151	R237	R271
C128		Q119	R117	R152	R238	R272
C135	CR112	Q121	R118	R155	R241	R273
C144	CR114	Q123	R122	R157	R246	R277
C156	CR115	Q132	R124	R158	R251	R278
C160	CR118	Q137	R126	R159	R252	R279
C161	CR119	Q147	R128	R160	R256	R282
C163	CR120	Q148	R129	R161	R257	R283
C166	CR127	Q151	R130	R163	R258	R284
C181	CR135	Q154	R131	R165	R259	R289
C183	CR184	Q155	R132	R170	R260	R374
C186	CR258	Q167	R134	R171	R261	R375
C229	CR259	Q231	R136	R177	R262	
C235	CR288	Q255	R138	R174	R263	RT362
C252		Q256	R140	R176	R264	
C253	J103	Q266	R141	R177	R265	U278
C274	J104	Q285A	R145A	R185	R266	
C277	J107	Q285B	R145B		R268	VR187
C279	J133			R206		
	J204					VR263

COMPONENTS LOCATED ON SCHEMATIC DIAGRAM 2 (SN B039999 & BELOW)

C347	CR383	Q538	R433	R471	R554	R575
C372	CR438	Q542	R434	R472	R555	R576
C373	CR487	Q546	R435	R477	R557	R577
C381	CR529	Q547	R436	R485	R558	R578
C382	CR559	Q554	R439	R488	R562	R579
C384	CR561	Q555	R440	R489	R563	R581
C386		Q565	R443	R524	R566	R582
C434	J523		R444	R525	R569	R584
C451	J535	R345A	R452	R527	R570	
C452	J536	R345B	R454	R532	R571	RT559
C476		R352	R455	R536	R572	
C480	P343	R371	R457	R538	R573	S586
C523		R372	R458	R539	R574	
C531	Q348	R373	R459	R545		U479
C539	Q455	R376	R461	R550		
C543	Q456	R377	R462	R551		VR388
C544	Q465	R378	R465	R552		
C574	Q485A	R383	R466	R553		VR463
C579	Q485B		R467			
C587	Q527	R429	R468			
C588	Q532	R431	R470			
		R432				

COMPONENTS LOCATED ON SCHEMATIC DIAGRAM 3

C117	C426	CR337	Q114	R212	R330	R519
C220	C444	CR338	Q214	R214	R331	R521
C221	C504	CR339	Q222	R219	R332	R523
C244	C509	CR516	Q228	R220	R414	
C254	C511		Q247	R221	R415	S310
C304	C512	J105	Q248	R225	R416	
C306	C518	J123	Q318	R226	R417	TP217
C311	C525	J218	Q323	R228	R418	TP314
C312		J500	Q324	R229	R419	
C314	CR215	J501	Q418	R240	R420	U408
C316	CR223	J502	Q419	R247	R421	U409
C320	CR325		Q428	R248	R422	U508A
C322	CR326	L213	Q447	R304	R423	U508B
C360	CR330	L243	Q448	R310	R424	U508C
C363	CR331	L310	Q512	R311	R425	U508D
C414	CR332			R319	R438	U509A
C415	CR333		R107	R321	R451	U509B
C420	CR334	P306	R109	R325	R453	U509C
C421	CR335	P306	R111	R328	R503	U509D
C422	CR336	P306	R119		R504	
		P306	R208		R512	VR522
		P356	R211		R513	
					R514	W322
					R515	W426
						W445

CH 1 VERTICAL PREAMP DIAGRAM



(SN B039999 & BELOW)

ASSEMBLY A11

CIRCUIT NUMBER	SCHEM LOCATION	BOARD LOCATION	CIRCUIT NUMBER	SCHEM LOCATION	BOARD LOCATION	CIRCUIT NUMBER	SCHEM LOCATION	BOARD LOCATION
C111	7I	4B	Q132	3H	4D	R172	5A	4I
C119	7H	4C	Q137	4H	4E	R174	5B	3I
C124	8H	3E	Q147	4H	4F	R176	5B	4I
C128	9H	4D	Q148	6H	4F	R177	5B	3I
C135	3G	3E	Q151	5J	3G	R185	4A	4J
C144	5H	4F	Q154	6G	4G			
C156	6J	3G	Q155	4G	4G	R206	7I	5B
C160	5A	3H	Q167	4D	4H	R232	3H	4E
C161	5A	4H	Q231	7H	5D	R236	6H	5E
C163	5A	3H	Q255	4F	4G	R237	7H	5E
C166	5A	3I	Q256	6F	5G	R238	5K	4E
C181	5B	4J	Q266	6D	5H	R241	4H	4F
C183	5A	3J	Q285A	4A	4J	R246	5H	5F
C186	3A	4J	Q285B	4A	4J	R251	4G	4G
C229	5K	4D				R252	6G	5G
C235	6H	5E	R110	7I	4B	R256	5F	5G
C252	6G	5G	R113	7I	4B	R257	6F	5G
C253	4G	4G	R116	8J	3C	R258	5F	5G
C274	3C	4I	R117	8H	4C	R259	4F	5H
C277	7C	5I	R118	7H	4C	R260	6E	5H
C279	7B	5J	R122	9H	4D	R261	6F	5H
C285	4A	5J	R124	8H	3D	R262	4E	5H
C287	4A	5J	R126	8H	3E	R263	5D	4H
C335	7G	6E	R128	7H	4D	R264	6E	5H
CR112	8I	3C	R129	8I	4D	R265	5D	4H
CR114	8I	3C	R130	3H	3E	R266	4D	5H
CR115	7I	4C	R131	3I	4D	R268	3C	5H
CR118	8I	3C	R132	8I	4D	R269	5D	5I
CR119	8I	3C	R134	3H	4E	R270	7A	4I
CR120	8H	4D	R136	4H	3E	R271	4D	4I
CR127	7H	4D	R138	3H	4E	R272	6D	5I
CR135	3H	4E	R140	4K	4F	R273	6A	5I
CR184	4B	4J	R141	6K	4F	R277	7C	5J
CR258	6F	5G	R145A	5I	4F	R278	7C	5J
CR259	4F	5M	R145B	6J	4F	R279	7C	5J
CR288	3A	4K	R146	5H	4F	R282	6B	5J
			R150	5H	4G	R283	4A	4J
J103	8J	3B	R151	4G	4G	R284	6B	5J
J104	7J	4B	R152	6G	4G	R289	4A	5K
J107	7J	3B	R155	5G	4G	R374	7C	5J
J133	3J	4E	R157	4G	4G	R375	7B	5J
J204	7J	5B	R158	6G	4G			
			R159	5F	4H	RT362	4F	6H
P138	6J	3E	R160	5B	4H			
			R161	5A	4H	U278	3B	4J
Q108	7J	4B	R163	5J	3H	VR167	3A	4K
Q119	7H	4C	R165	5A	4H			
Q121	8I	3D	R170	5A	3I	VR263	5E	4H
Q123	8H	3D	R171	5A	3I			

Partial A11 also shown on diagrams 2 and 3.

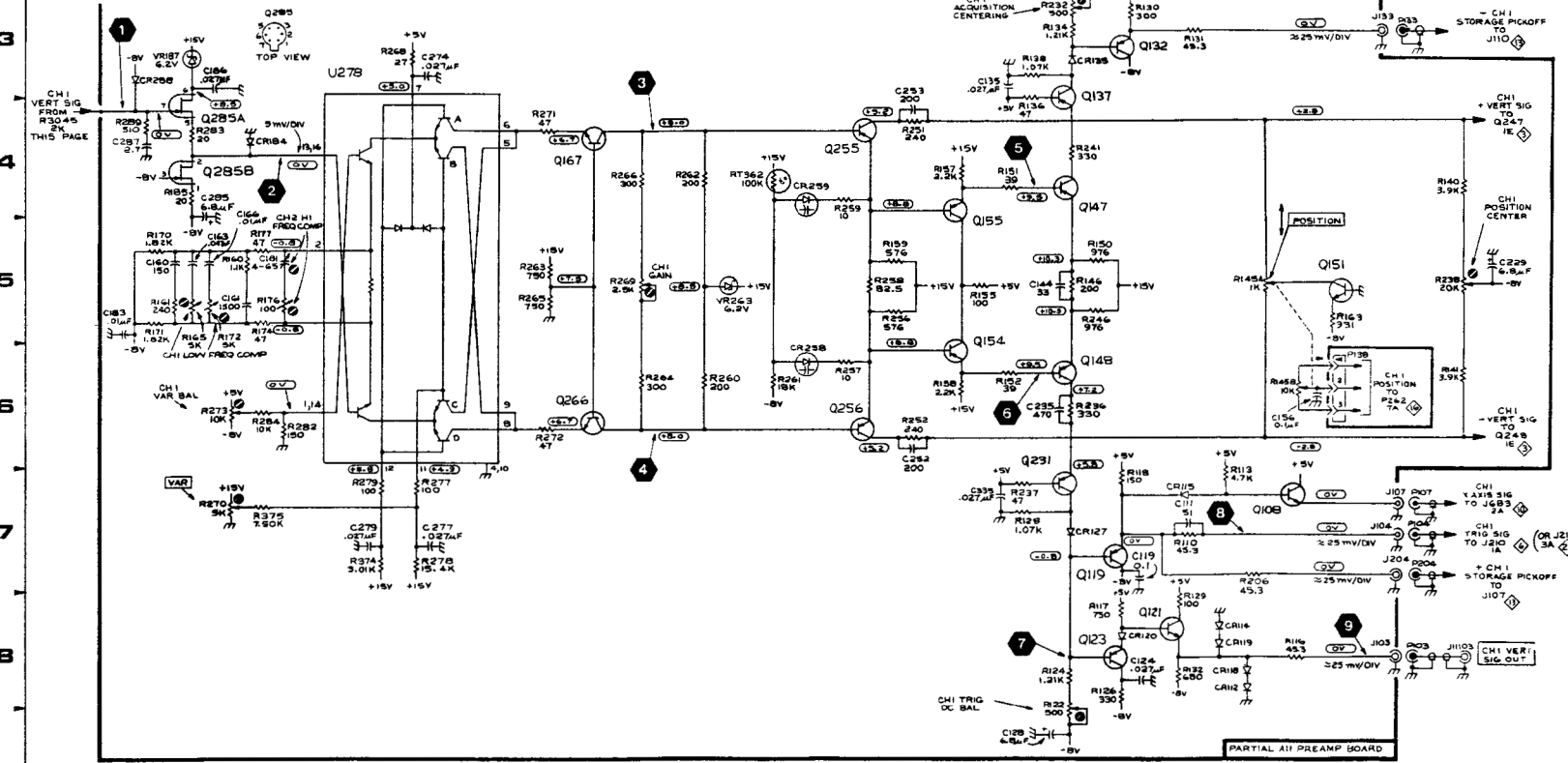
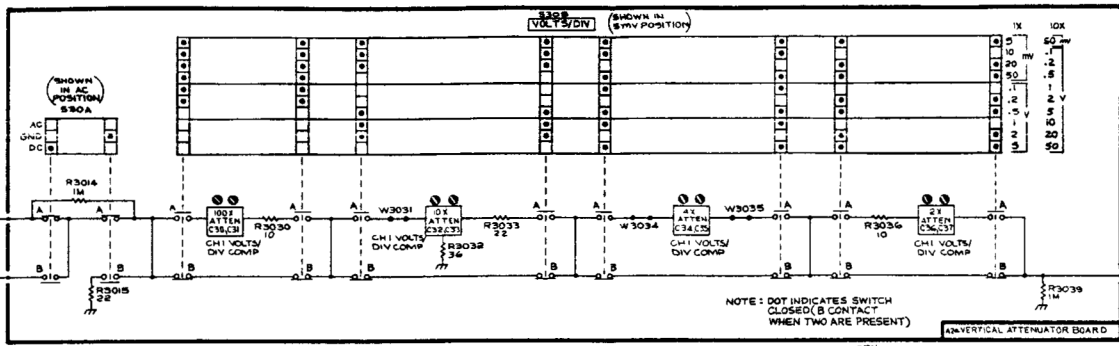
ASSEMBLY A24

CIRCUIT NUMBER	SCHEM LOCATION	BOARD LOCATION	CIRCUIT NUMBER	SCHEM LOCATION	BOARD LOCATION	CIRCUIT NUMBER	SCHEM LOCATION	BOARD LOCATION
C30	2C	1B	R3014	1B	1B	S30A	1B	2B
C31	2C	2B	R3015	2B	1B	S30B	1F	2B
C32	2E	1C	R3030	2C	1C			
C33	2E	2C	R3032	2E	1C	W3031	2D	1C
C34	2G	1D	R3033	2E	1C	W3034	2F	1D
C35	2G	2D	R3036	2H	1D	W3035	2G	1D
C36	2H	1D	R3039	2I	2E			
C37	2I	2D						

A24 also shown on diagram 2.

CHASSIS MOUNTED PARTS

CIRCUIT NUMBER	SCHEM LOCATION	BOARD LOCATION	CIRCUIT NUMBER	SCHEM LOCATION	BOARD LOCATION	CIRCUIT NUMBER	SCHEM LOCATION	BOARD LOCATION
C3042	2J	CHASSIS	P104	7K	CHASSIS	R3042	2J	CHASSIS
C13010	2A	CHASSIS	P107	7K	CHASSIS	R3045	2J	CHASSIS
C13012	2A	CHASSIS	P133	3K	CHASSIS	R13010	2A	CHASSIS
			P204	7K	CHASSIS			
P103	8K	CHASSIS						



468 CONTROL SETTINGS FOR

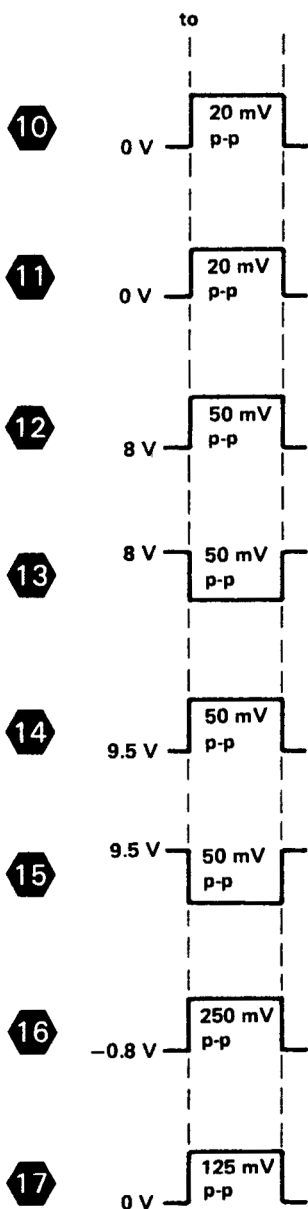
2

DC Voltages

VERT MODE	CH 2
AC-GND-DC (both)	GND

AC Waveforms

VERT MODE	CH 2
CH 2 AC-GND-DC	DC
VOLTS/DIV	5 mV
Input	20 mV positive-going square wave



3516-09

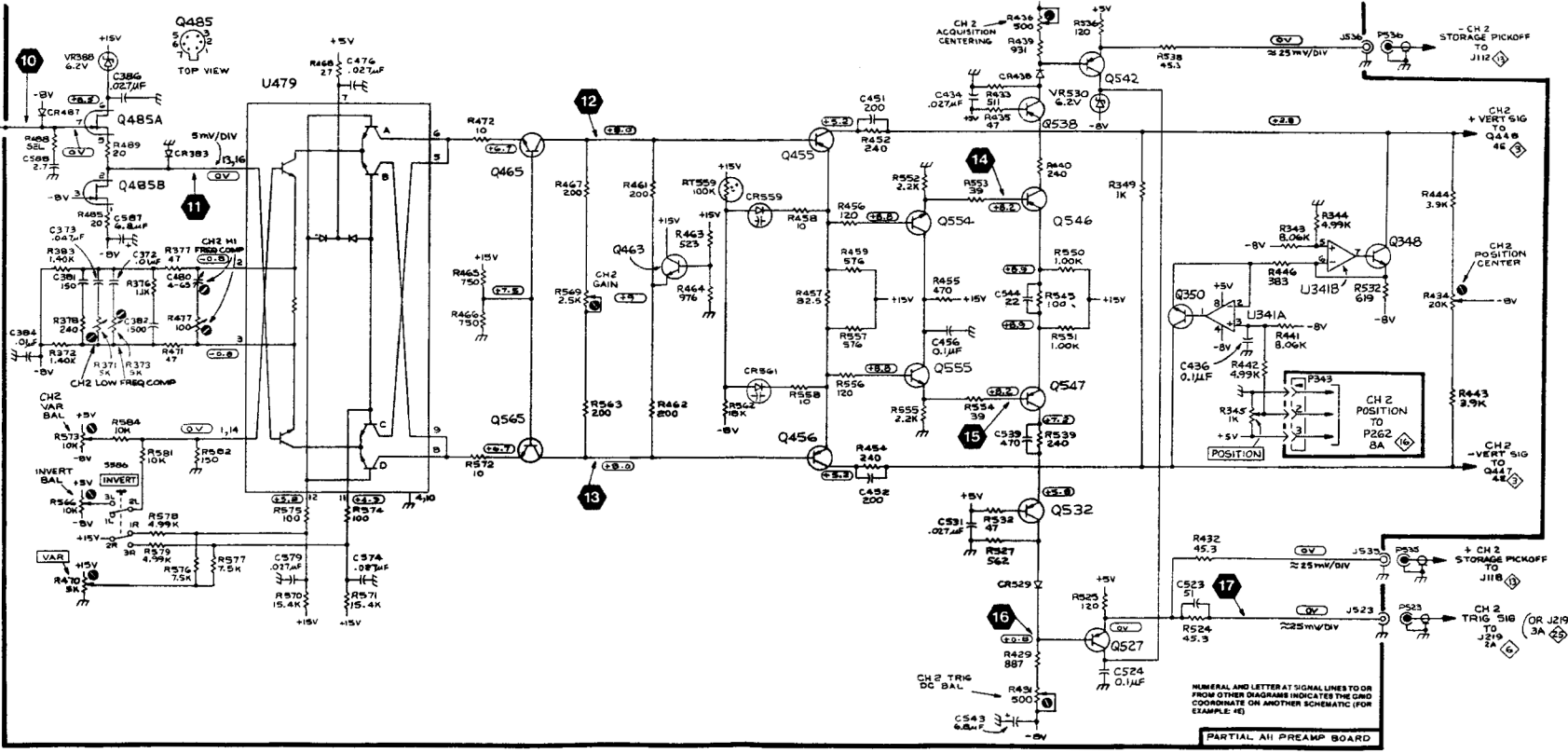
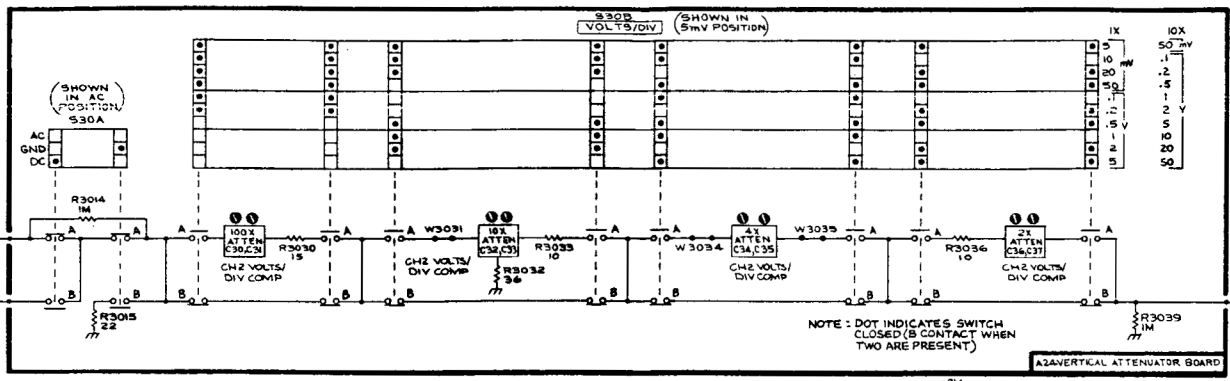
ASSEMBLY A11								
CIRCUIT NUMBER	SCHEM LOCATION	BOARD LOCATION	CIRCUIT NUMBER	SCHEM LOCATION	BOARD LOCATION	CIRCUIT NUMBER	SCHEM LOCATION	BOARD LOCATION
C372	5A	6I	Q554	4G	8G	R477	5B	7I
C373	5A	6I	Q555	6G	8G	R485	4A	6J
C381	5A	6J	Q565	6D	8H	R488	4A	7K
C382	5A	6J	R343	5J	6F	R489	4A	7K
C384	5A	6J	R344	4J	6F	R524	7I	8D
C386	3A	6J	R345	6J	6F	R525	7H	8D
C434	3G	7E	R349	4I	6F	R527	7H	8D
C436	5I	7E	R352	5J	6G	R532	7H	8E
C451	3G	7G	R371	5A	6I	R536	3H	8E
C452	6G	7G	R372	5A	6I	R538	3I	8D
C456	5G	8G	R373	5A	6I	R539	6H	8E
C476	3C	7I	R376	5A	6J	R545	5H	8F
C480	5B	7J	R377	5B	6J	R550	5H	8D
C523	7I	8C	R378	5A	6J	R551	5H	8G
C524	8H	8D	R383	5A	6J	R552	4G	8G
C531	7G	8D	R429	8H	8D	R553	4G	8G
C539	6H	8E	R431	8H	7D	R554	6H	8G
C543	8H	7D	R432	7I	7D	R555	6G	8G
C544	5H	8F	R433	3H	7D	R556	6G	8G
C574	7C	8I	R434	5K	7E	R557	5G	8G
C579	7B	8J	R435	4H	7E	R558	6F	8G
C587	4A	8J	R436	3H	8E	R562	6F	8H
C588	4A	8K	R439	3H	7E	R563	6E	8H
CR383	4B	6J	R440	4H	8E	R566	7A	8H
CR438	3H	7E	R441	5J	6E	R569	5E	8H
CR487	4A	7J	R442	5J	7E	R570	7B	8I
CR529	7H	8D	R443	6K	7F	R571	7C	8I
CR559	4F	8H	R444	4K	7F	R572	6D	8I
CR561	6F	8H	R446	5J	6F	R573	6A	8I
J523	7J	8D	R452	4G	7G	R574	7C	8I
J535	7J	8E	R454	6G	7G	R575	7B	8J
J536	3J	8E	R455	5G	7G	R576	7B	8I
P343	6J	6E	R456	4G	8G	R577	7B	8I
Q348	5J	6F	R457	5F	7G	R578	7A	8I
Q350	5I	6F	R458	4F	7G	R579	7A	8I
Q455	4F	7G	R459	5G	7G	R581	6A	8J
Q456	6F	7G	R461	4E	7G	R582	6B	8I
Q463	5E	7G	R462	6E	7H	R584	6A	8J
Q465	4D	7H	R463	4F	7H	RT559	4F	8G
Q485A	4A	7J	R464	5F	7H	S586	6A	8J
Q485B	4A	7J	R465	5D	7H			
Q527	8I	8D	R466	5D	7H	U341A	5I	6E
Q532	7H	8E	R467	4E	7H	U341B	5J	6E
Q538	4H	8E	R468	3C	7H	U479	3B	7I
Q542	3H	8F	R470	7A	7I			
Q546	4H	8F	R471	5B	7I	VR388	3A	6K
Q547	6H	8F	R472	4D	7I	VR530	3H	8D

Partial A11 also shown on diagrams 1 and 3.

ASSEMBLY A24								
CIRCUIT NUMBER	SCHEM LOCATION	BOARD LOCATION	CIRCUIT NUMBER	SCHEM LOCATION	BOARD LOCATION	CIRCUIT NUMBER	SCHEM LOCATION	BOARD LOCATION
C30	2C	1B	R3014	1B	1B	S30A	1B	2B
C31	2C	2B	R3015	2B	1B	S30B	1F	2B
C32	2E	1C	R3030	2C	1C			
C33	2E	2C	R3032	2E	1C	W3031	2E	1C
C34	2G	1D	R3033	2E	1C	W3034	2F	1D
C35	2G	2D	R3036	2H	1D	W3035	2G	1D
C36	2H	1D	R3039	2I	2E			
C37	2I	2D						

A24 also shown on diagram 1.

CHASSIS MOUNTED PARTS								
CIRCUIT NUMBER	SCHEM LOCATION	BOARD LOCATION	CIRCUIT NUMBER	SCHEM LOCATION	BOARD LOCATION	CIRCUIT NUMBER	SCHEM LOCATION	BOARD LOCATION
C3042	2J	CHASSIS	P523	7K	CHASSIS	R3045	2J	CHASSIS
C13010	2A	CHASSIS	P535	7K	CHASSIS	R13010	2A	CHASSIS
C13012	2A	CHASSIS	P536	3K	CHASSIS			
J13010	2A	CHASSIS	R3042	2J	CHASSIS			



(396-48) 3516-109
ADD JUN 1963

CH 2 VERTICAL PREAMP (SN B040000 & UP)

ASSEMBLY A11

CIRCUIT NUMBER	SCHEM LOCATION	BOARD LOCATION	CIRCUIT NUMBER	SCHEM LOCATION	BOARD LOCATION	CIRCUIT NUMBER	SCHEM LOCATION	BOARD LOCATION
C347	6I	6F	Q546	4H	8F	R489	4A	7K
C372	5A	6I	Q547	6H	8F	R524	7I	8D
C373	5A	6I	Q554	4G	8G	R525	7H	8D
C381	5A	6J	Q555	6G	8G	R527	7H	8D
C382	5A	6J	Q565	6D	8H	R532	7H	8E
C384	5A	6J				R536	3H	8E
C386	3A	6J	R345A	5I	6F	R538	3I	8E
C434	3G	7E	R345B	6I	6F	R539	6H	8E
C451	3G	7G	R352	5J	6G	R545	5H	8F
C452	6G	7G	R371	5A	6I	R550	5H	8G
C476	3C	7I	R372	5A	6I	R551	5H	8G
C480	5B	7J	R373	5A	6I	R552	4G	8G
C523	7I	8D	R376	5A	6J	R553	4G	8G
C531	7G	8D	R377	5B	6J	R554	6H	8G
C539	6H	8F	R378	5A	6J	R555	6G	8G
C543	8H	8F	R383	5A	6J	R557	5G	8G
C544	5H	8F				R558	6F	8G
C574	7C	8I	R429	8H	8D	R562	6F	8H
C579	7B	8J	R431	8H	7D	R563	6E	8H
C587	4A	8J	R432	7I	7E	R566	7A	8H
C588	4A	8K	R433	3H	7E	R569	5E	8I
			R434	5K	7E	R570	7B	8I
CR383	4B	6J	R435	4H	7E	R571	7C	8I
CR438	3H	7E	R436	3H	8E	R572	6D	8I
CR487	4A	7K	R439	3H	7E	R573	6A	8I
CR529	7H	8D	R440	4H	8E	R574	7C	8I
CR559	4F	8H	R443	6K	7F	R575	7B	8J
CR561	6F	8H	R444	4K	7F	R576	7B	8I
			R452	4G	7G	R577	7B	8I
J523	7J	8D	R454	6G	7G	R578	7A	8I
J535	7J	8E	R455	5G	7G	R579	7A	8I
J536	3J	8E	R457	5F	7G	R581	6A	8J
			R458	4F	7H	R582	6B	8I
P343	6J	6F	R459	5G	7H	R584	6A	8J
			R461	4E	7H			
Q348	5J	6F	R462	6E	7H	RT559	4F	8G
Q455	4F	7G	R465	5D	7H			
Q456	6F	7G	R466	5D	7H	S586	6A	8J
Q465	4D	7H	R467	4E	7H			
Q485A	4A	7J	R468	3C	7H	U479	3B	7J
Q485B	4A	7J	R470	7A	7I			
Q527	8I	8D	R471	5B	7I	VR388	3A	6K
Q532	7H	8E	R472	4D	7I			
Q538	4H	8E	R477	5B	7I	VR463	5E	7H
Q542	3H	8F	R485	4A	6J			
			R488	4A	7K			

Partial A11 also shown on diagrams 1 and 3.

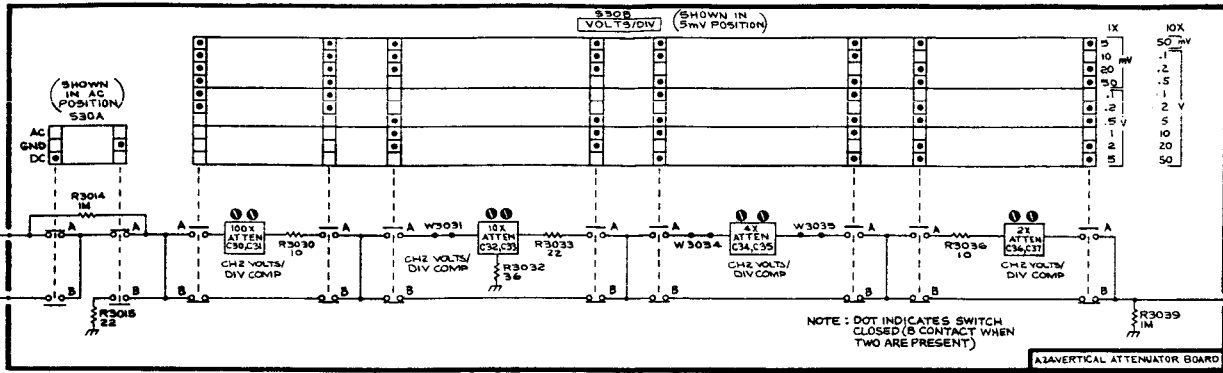
ASSEMBLY A24

CIRCUIT NUMBER	SCHEM LOCATION	BOARD LOCATION	CIRCUIT NUMBER	SCHEM LOCATION	BOARD LOCATION	CIRCUIT NUMBER	SCHEM LOCATION	BOARD LOCATION
C30	2C	1B	R3014	1B	1B	S30A	1B	2B
C31	2C	2B	R3015	2B	1B	S30B	1F	2B
C32	2E	1C	R3030	2C	1C			
C33	2E	2C	R3032	2E	1C	W3031	2E	1C
C34	2G	1D	R3033	2E	1C	W3034	2F	1D
C35	2G	2D	R3036	2H	1D	W3035	2G	1D
C36	2H	1D	R3039	2I	2E			
C37	2I	2D						

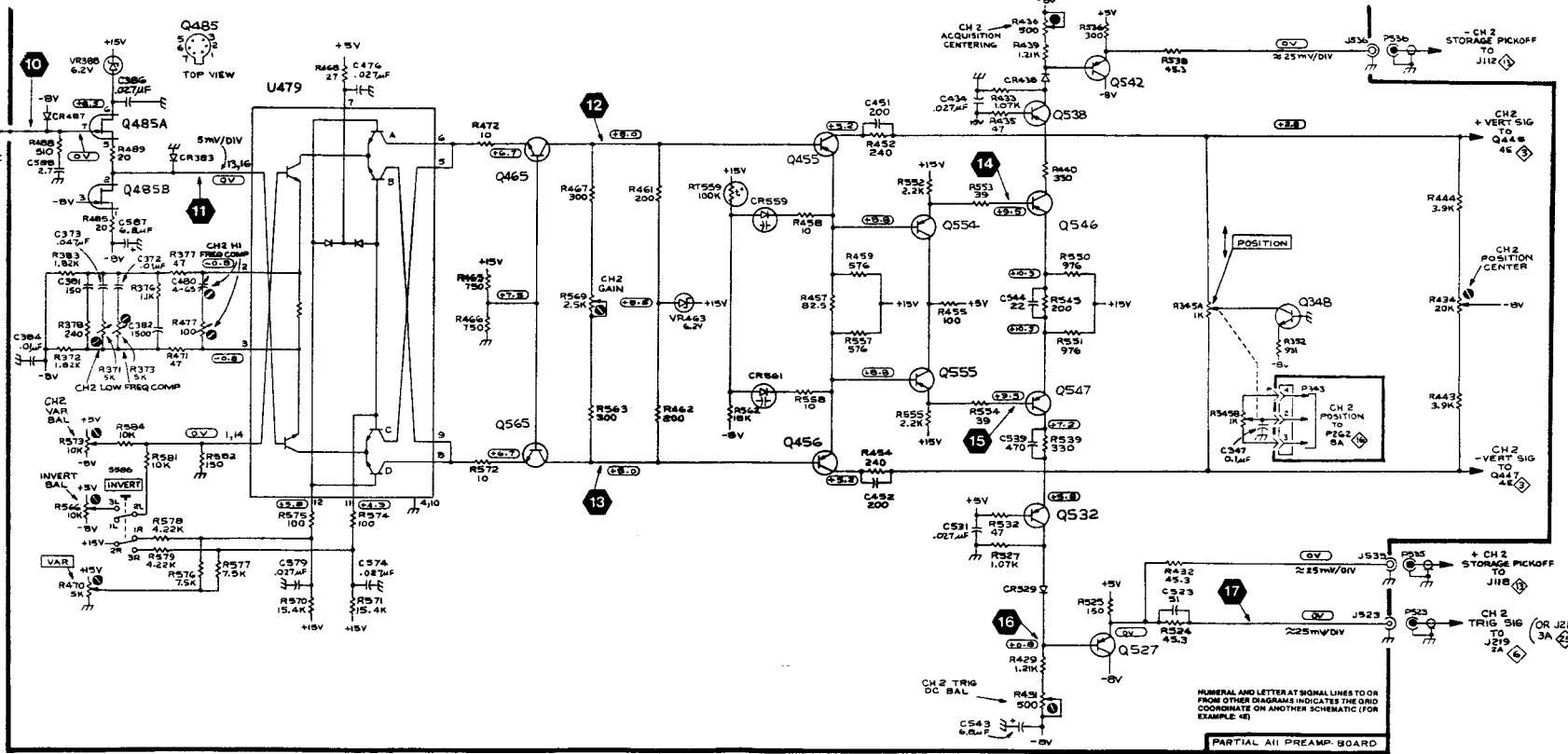
A24 also shown on diagram 1.

CHASSIS MOUNTED PARTS

CIRCUIT NUMBER	SCHEM LOCATION	BOARD LOCATION	CIRCUIT NUMBER	SCHEM LOCATION	BOARD LOCATION	CIRCUIT NUMBER	SCHEM LOCATION	BOARD LOCATION
C3042	2J	CHASSIS	P523	7K	CHASSIS	R3045	2J	CHASSIS
C13010	2A	CHASSIS	P535	7K	CHASSIS	R13010	2A	CHASSIS
C13012	2A	CHASSIS	P536	3K	CHASSIS			
J13010	2A	CHASSIS	R3042	2J	CHASSIS			



1
2
3
4
5
6
7
8
9



468 CONTROL SETTINGS FOR 3

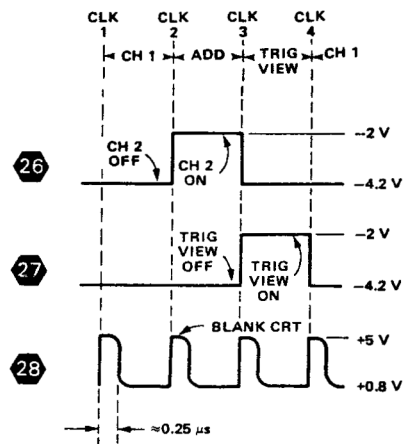
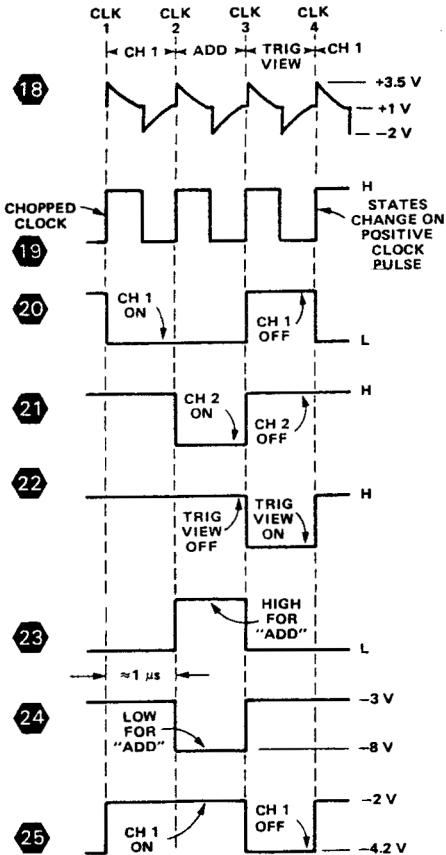
DC Voltages

A TRIG MODE	NORM (sweep not running)
VERT MODE	CH 1 and CHOP
AC-GND-DC (both)	GND
CH 1 POSITION	Midrange

AC Waveforms

VERT MODE	CH 1, ADD, A TRIG VIEW, and CHOP
A TRIG MODE	AUTO (no trigger signal)
A AND B TIME/DIV	1 ms
HORIZ DISPLAY	A
AC-GND-DC (both)	GND

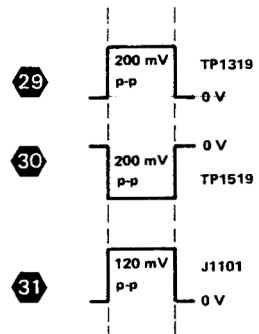
H = HI logic level >2 vdc
L = LO logic level <0.8 vdc



468 CONTROL SETTINGS FOR 3

AC Waveforms

VERT MODE	CH 1
VOLTS/DIV	5 mV
CH 1 AC-GND-DC	DC
Vertical POSITION	Midrange
Input	20 mV positive-going square wave



VERTICAL SWITCHING LOGIC DIAGRAM

3

ASSEMBLY A11								
CIRCUIT NUMBER	SCHEM LOCATION	BOARD LOCATION	CIRCUIT NUMBER	SCHEM LOCATION	BOARD LOCATION	CIRCUIT NUMBER	SCHEM LOCATION	BOARD LOCATION
C117	1L	4C	L213	1M	5B	R319	3J	6C
C220	1K	5C	L243	1D	5F	R321	3K	6C
C221	2D	5D	L310	3L	6B	R325	2K	6D
C244	1D	5F				R328	2J	6D
C254	6A	5G				R330	3J	6D
C304	4L	6A	P306	2B	6B	R331	2J	6D
C306	2L	5B	P306	4A	6B	R332	2J	6E
C311	7A	6C	P306	4M	6B	R414	6H	7C
C312	2D	5C	P306	8A	6B	R415	6I	7C
C314	6H	6C	P356	6A	6G	R416	5H	7C
C316	2L	5C				R417	5H	7C
C320	3K	6C	Q114	1L	4C	R418	5H	7C
C322	7B	6D	Q214	1K	4C	R419	5I	7C
C360	7A	6H	Q222	3E	4D	R420	6I	6D
C363	7A	6H	Q228	2E	5D	R421	6J	7D
C414	5H	7C	Q247	1E	4F	R422	5I	7D
C415	5H	7C	Q248	1E	5F	R423	5J	7D
C420	6J	7D	Q318	6I	6C	R424	5J	7D
C421	5J	7D	Q323	2K	5D	R425	5I	7D
C422	5J	7D	Q324	3K	6D	R438	4D	7E
C426	7B	7D	Q418	5I	7C	R451	4E	7G
C444	4D	7F	Q419	5I	7C	R453	3E	7G
C504	8E	8B	Q428	4I	7D	R503	7E	8A
C509	8C	8B	Q447	4E	7F	R504	7F	8A
C511	7I	8C	Q448	3E	7F	R512	8J	8B
C512	8H	8C	Q512	7I	8C	R513	8J	8C
C518	5H	8C				R514	8H	8C
C525	7B	8D	R107	1K	4B	R515	7H	8C
			R109	1K	4B	R519	4H	8C
CR215	1K	5C	R111	1L	4B	R521	4H	8C
CR223	2D	5D	R119	1L	4C	R523	4I	8D
CR325	2F	5D	R125	2D	4D			
CR326	3F	5D	R127	2E	4D	S310	1L	5B
CR330	3G	5D	R205	1K	4A			
CR331	2G	5D	R207	1K	4B	TP217	1K	5C
CR332	1G	5E	R208	1K	4B	TP314	3K	6C
CR333	4G	6E	R211	1K	5B			
CR334	1F	5E	R212	1K	5B	U408	5C	7B
CR335	4F	6E	R214	1L	5B	U409	5G	7B
CR336	1G	5E	R219	1K	5C	U508A	7F	8B
CR337	3G	6E	R220	1J	5C	U508B	7D	8B
CR338	1F	5E	R221	3D	5D	U508C	7F	8B
CR339	3F	6E	R225	2E	5D	U508D	4H	8B
CR516	8I	8C	R226	2D	5B	U509A	8D	8B
			R228	2F	5D	U509B	7E	8B
J105	1M	4B	R229	3F	5D	U509C	8G	8B
J123	1B	4D	R240	1D	5E	U509D	8D	8B
J218	3B	5C	R247	1E	5F			
J500	6M	8A	R248	1E	5F	VR522	4H	8C
J501	8A	8A	R304	4M	6B	W322	7A	6D
J502	7M	8A	R310	3K	6B	W426	7A	7D
			R311	3L	6B	W445	3D	7F

Partial A11 also shown on diagrams 1 and 2.

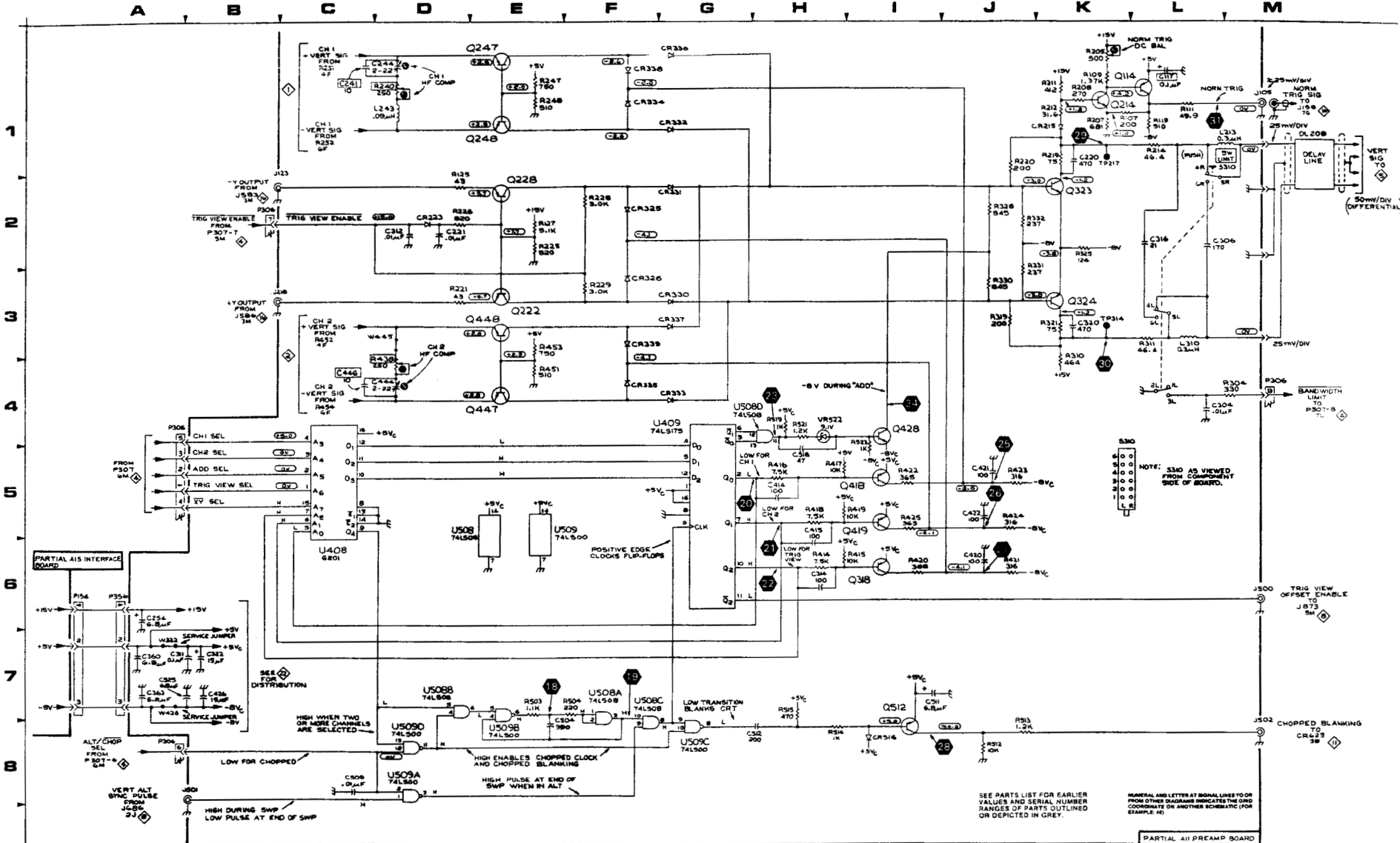
ASSEMBLY A15

CIRCUIT NUMBER	SCHEM LOCATION	BOARD LOCATION	CIRCUIT NUMBER	SCHEM LOCATION	BOARD LOCATION	CIRCUIT NUMBER	SCHEM LOCATION	BOARD LOCATION
P154	6A	2H						

Partial A15 also shown on diagrams 4, 5, 7, 8, 9, 10, 11, 12 and 20.

CHASSIS MOUNTED PARTS

CIRCUIT NUMBER	SCHEM LOCATION	BOARD LOCATION	CIRCUIT NUMBER	SCHEM LOCATION	BOARD LOCATION	CIRCUIT NUMBER	SCHEM LOCATION	BOARD LOCATION
DL208	1M	CHASSIS						



NOTE: 530 AS VIEWED FROM COMPONENT SIDE OF BOARD.

PARTIAL A11 PREAMP BOARD

SEE PARTS LIST FOR EARLIER VALUES AND SERIAL NUMBER RANGES OF PARTS OUTLINED OR DEPICTED IN GREY.

NUMERAL AND LETTER AT SIGNAL LINES OR FROM OTHER DIAGRAMS INDICATES THE GRID COORDINATE ON ANOTHER SCHEMATIC (FOR EXAMPLE #1)

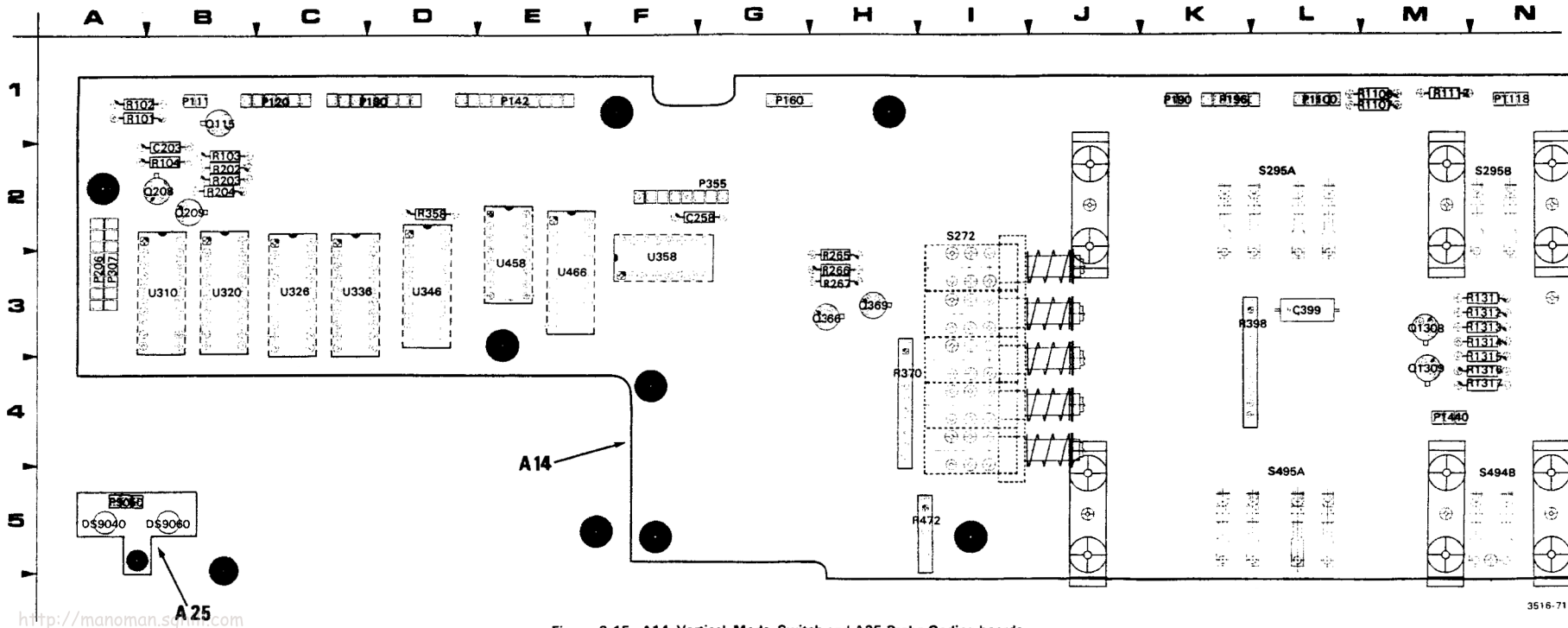


Figure 8-15. A14 Vertical Mode Switch and A25 Probe Coding boards.

A14 VERTICAL MODE SWITCH BOARD

COMPONENTS LOCATED ON SCHEMATIC DIAGRAM



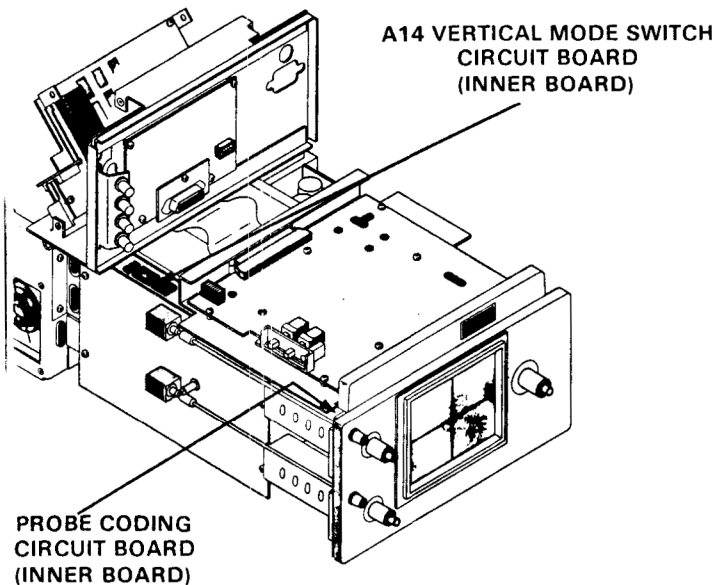
C203	P307	R101	R370F	R472E	S495A
C258	P307	R102	R370H	R1106	S495B
C399	P355	R103	R370I	R1107	
	P1100	R104	R398A	R1112	U310
P111	P1100	R202	R398B	R1311	U320
P120	P1118	R203	R398C	R1312	U326
P120	P1440	R204	R398D	R1313	U336
P130		R265	R398E	R1314	U346
P130	Q115	R266	R398F	R1315	U358
P142	Q208	R267	R398G	R1316	U458
P160	Q209	R358	R398H	R1317	
P190	Q366	R370A	R466		
P196	Q369	R370B	R472B	S272	
P196	Q1308	R370C	R472C	S295A	
P206	Q1309	R370D	R472D	S295B	

A25 PROBE CODING BOARD

COMPONENTS LOCATED ON SCHEMATIC DIAGRAM



DS9040	DS9060	P9050
--------	--------	-------



VERTICAL MODE SWITCH DIAGRAM



ASSEMBLY A12											
CIRCUIT NUMBER	SCHEM LOCATION	BOARD LOCATION	CIRCUIT NUMBER	SCHEM LOCATION	BOARD LOCATION	CIRCUIT NUMBER	SCHEM LOCATION	BOARD LOCATION	CIRCUIT NUMBER	SCHEM LOCATION	BOARD LOCATION
C212	7E	3B	S320B	7E	4C	P160	7E	1H			

Partial A12 also shown on diagrams 6, 7, 20 and 21.

ASSEMBLY A13											
CIRCUIT NUMBER	SCHEM LOCATION	BOARD LOCATION	CIRCUIT NUMBER	SCHEM LOCATION	BOARD LOCATION	CIRCUIT NUMBER	SCHEM LOCATION	BOARD LOCATION	CIRCUIT NUMBER	SCHEM LOCATION	BOARD LOCATION
P129	7F	1D	P146	2F	1F	R145	2F	1F	S469	2E	4I
P135	7F	1E	P146	3M	1F						

Partial A13 also shown on diagrams 7, 8, 9 and 10.

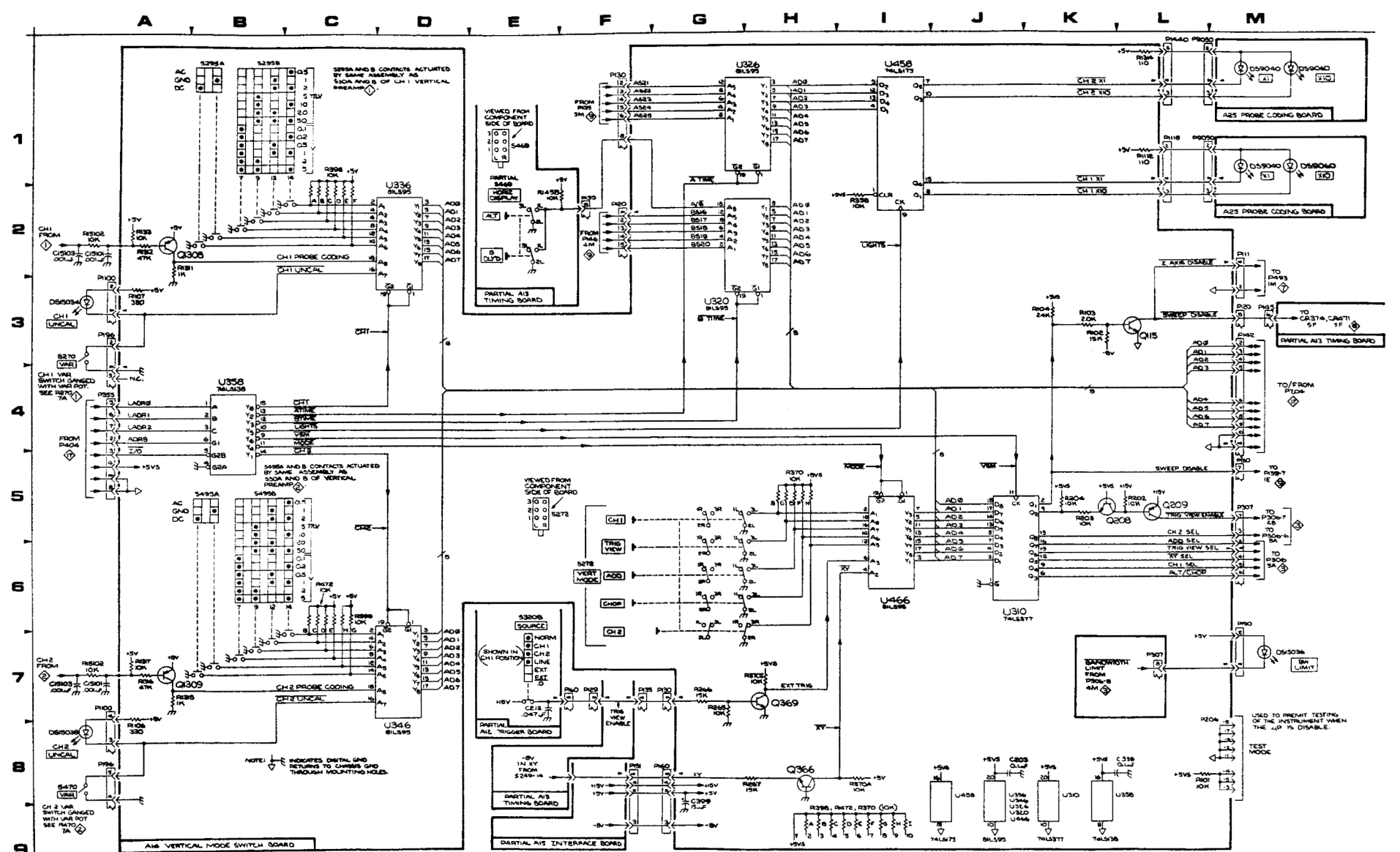
ASSEMBLY A14											
CIRCUIT NUMBER	SCHEM LOCATION	BOARD LOCATION	CIRCUIT NUMBER	SCHEM LOCATION	BOARD LOCATION	CIRCUIT NUMBER	SCHEM LOCATION	BOARD LOCATION	CIRCUIT NUMBER	SCHEM LOCATION	BOARD LOCATION
C203	8J	2B	Q115	3L	1B	R370D	5H	4H	R1313	2A	3N
C258	8L	2G	Q208	5K	2B	R370F	5H	4H	R1314	1L	3N
C399	8G	3L	Q209	5L	2B	R370H	5H	4H	R1315	7A	4N
			Q366	8H	3H	R370I	7H	4H	R1316	7A	4N
P111	2M	1B	Q369	7H	3H	R398A	2C	3L	R1317	7A	4N
P120	2F	1C	Q1308	2A	3M	R398B	2C	3L			
P120	3M	1C	Q1309	7A	4M	R398C	2C	3L	S272	6F	2I
P130	1F	1D				R398D	2C	3L	S295A	1B	2L
P130	7G	1D	R101	8L	1A	R398E	2C	3L	S295B	1B	2L
P142	3M	1E	R102	3K	1A	R398F	2C	3L	S495A	5B	5L
P160	8G	1G	R103	3K	2B	R398G	6C	3L	S495B	5B	5L
P190	6M	1K	R104	3K	2B	R398H	6C	3L			
P196	3A	1K	R202	5L	2B	R466	6I	3E	U310	6J	3B
P196	8A	1K	R203	5K	2B	R472B	6C	5I	U320	3G	3B
P206	8M	3A	R204	5K	2B	R472C	6C	5I	U326	1H	3C
P307	5M	3A	R265	7G	3H	R472D	6C	5I	U336	2D	3C
P307	7L	3A	R266	7G	3H	R472E	6C	5I	U346	7D	3D
P355	4A	2G	R267	8H	3H	R1106	8A	1M	U358	4B	3F
P1100	3A	1L	R358	2I	2D	R1107	3A	1M	U458	1I	3E
P1100	7A	1L	R370A	8I	4H	R1112	1L	1M			
P1118	1L	1N	R370B	5H	4H	R1311	2A	3N			
P1440	1L	4M	R370C	5H	4H	R1312	2A	3N			

ASSEMBLY A15											
CIRCUIT NUMBER	SCHEM LOCATION	BOARD LOCATION	CIRCUIT NUMBER	SCHEM LOCATION	BOARD LOCATION	CIRCUIT NUMBER	SCHEM LOCATION	BOARD LOCATION	CIRCUIT NUMBER	SCHEM LOCATION	BOARD LOCATION
P151	8F	2H									

Partial A15 also shown on diagrams 3, 5, 7, 8, 9, 10, 11, 12 and 20

ASSEMBLY A25											
CIRCUIT NUMBER	SCHEM LOCATION	BOARD LOCATION	CIRCUIT NUMBER	SCHEM LOCATION	BOARD LOCATION	CIRCUIT NUMBER	SCHEM LOCATION	BOARD LOCATION	CIRCUIT NUMBER	SCHEM LOCATION	BOARD LOCATION
DS9040	1M	5A	P9050	1M	5A	DS9060	1M	5B	DS9060	1M	5B
DS9040	1M	5A	P9050	1M	5A						

CHASSIS MOUNTED PARTS											
CIRCUIT NUMBER	SCHEM LOCATION	BOARD LOCATION	CIRCUIT NUMBER	SCHEM LOCATION	BOARD LOCATION	CIRCUIT NUMBER	SCHEM LOCATION	BOARD LOCATION	CIRCUIT NUMBER	SCHEM LOCATION	BOARD LOCATION
C15101	2A	CHASSIS	DS15034	3A	CHASSIS	R15102	2A	CHASSIS	S270	3A	CHASSIS
C15101	7A	CHASSIS	DS15036	7M	CHASSIS	R15102	7A	CHASSIS	S470	8A	CHASSIS
C15103	2A	CHASSIS	DS15038	8A	CHASSIS						
C15103	7A	CHASSIS									



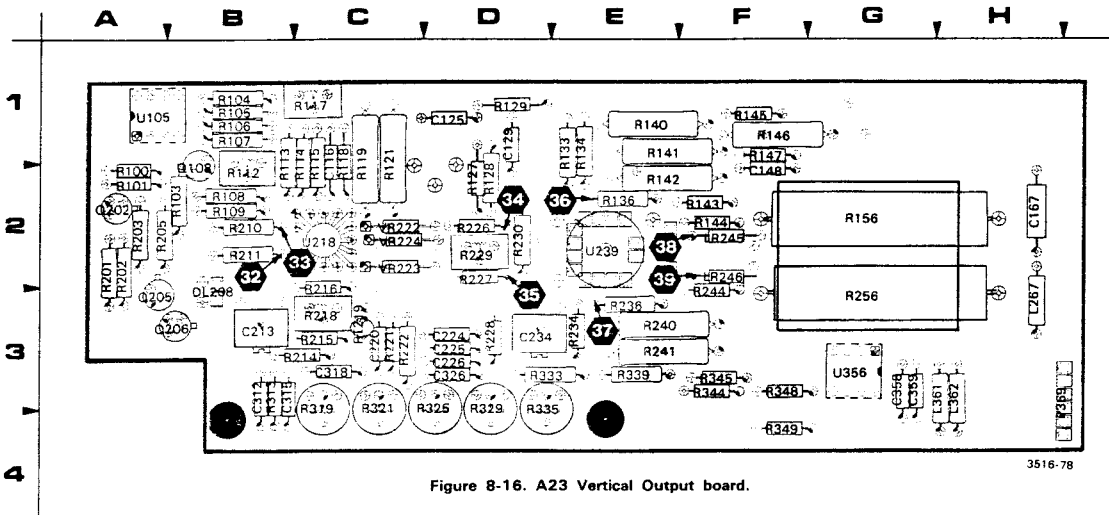


Figure 8-16. A23 Vertical Output board.

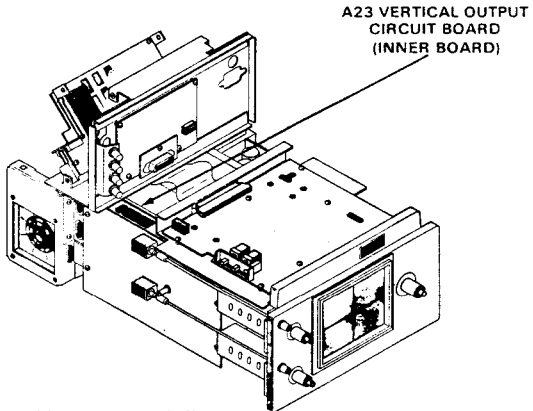
3516-78

A23 VERTICAL OUTPUT BOARD

COMPONENTS LOCATED ON SCHEMATIC DIAGRAM



C116	L362	R108	R144	R229	RT219
C125		R109	R145	R230	U105
C129	LR245	R112	R146	R234	U218
C148	LR246	R113	R147	R236	U239
C167		R114	R158	R240	U356
C213	P369	R115	R201	R241	
C220	P369	R117	R202	R244	
C224		R118	R203	R256	VR222
C225	Q108	R119	R205	R313	VR223
C226	Q202	R121	R210	R319	VR224
C234	Q205	R127	R211	R321	
C312	Q206	R128	R214	R325	
C315		R129	R215	R329	
C318		R133	R216	R333	
C326	R100	R101	R218	R335	
C358	R103	R136	R221	R339	
C359	R104	R140	R222	R344	
	R105	R141	R226	R345	
L267	R106	R142	R227	R348	
L361	R107	R143	R228	R349	



468 CONTROL SETTINGS FOR

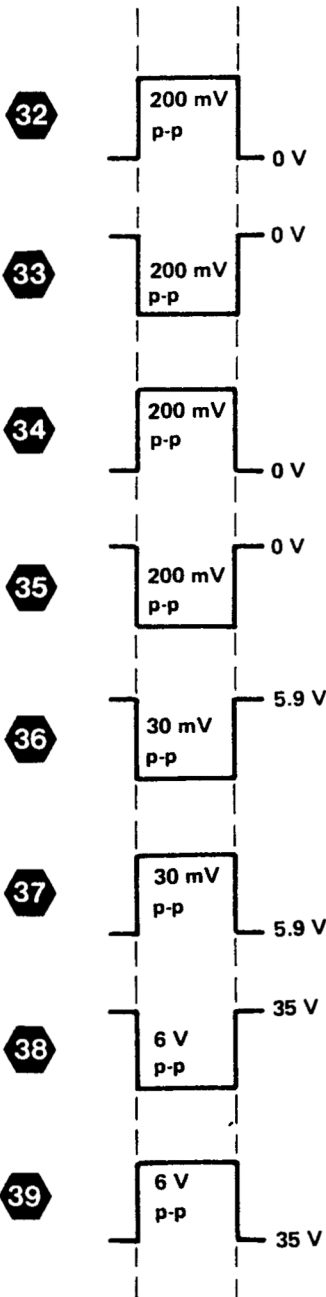


DC Voltages

VERT MODE	CH 1
Vertical POSITION	Midrange
AC-GND-DC (both)	GND

AC Waveforms

VERT MODE	CH 1
VOLTS/DIV	5 mV
CH 1 AC-GND-DC	DC
Input	20 mV positive-going square wave



VERTICAL OUTPUT AMPLIFIER DIAGRAM

5

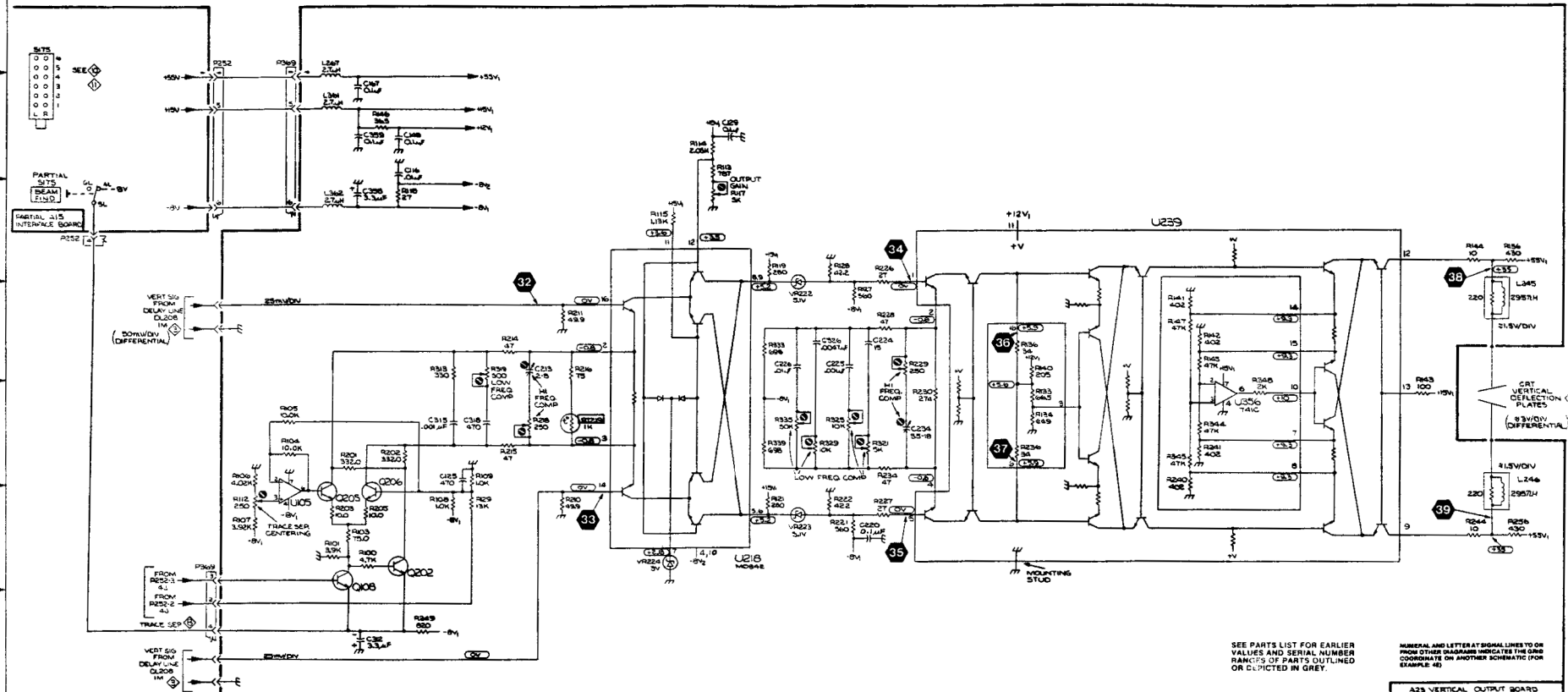
ASSEMBLY A15

CIRCUIT NUMBER	SCHEM LOCATION	BOARD LOCATION	CIRCUIT NUMBER	SCHEM LOCATION	BOARD LOCATION	CIRCUIT NUMBER	SCHEM LOCATION	BOARD LOCATION
P252	1B	2H	S175	2A	2K			
P252	3A	2H						

Partial A15 also shown on diagrams 3, 4, 7, 8, 9, 10, 11, 12 and 20.

ASSEMBLY A23

CIRCUIT NUMBER	SCHEM LOCATION	BOARD LOCATION	CIRCUIT NUMBER	SCHEM LOCATION	BOARD LOCATION	CIRCUIT NUMBER	SCHEM LOCATION	BOARD LOCATION
C116	2C	1C	R105	5B	1B	R218	5E	3C
C125	6D	1D	R106	5B	1B	R221	6H	3C
C129	2G	1D	R107	6B	1B	R222	6G	3C
C148	2C	2F	R108	6D	2B	R226	4H	2D
C167	2C	2H	R109	5D	2B	R227	6H	2D
C213	4E	3B	R112	6B	2B	R228	4H	3D
C220	6H	3C	R113	2F	1B	R229	4H	2D
C224	4H	3D	R114	2F	1C	R230	5H	2D
C225	4G	3D	R115	3F	1C	R234	5H	3E
C226	4G	3D	R117	3F	1C	R236	5I	3E
C234	5H	3D	R118	3C	1C	R240	6K	3E
C312	7C	3B	R119	3G	1C	R241	5K	3E
C315	5D	3B	R121	6G	1C	R244	6M	3F
C318	5D	3C	R127	4H	2D	R256	6M	3G
C326	4G	3D	R128	3G	2D	R313	4D	3B
C358	3C	3G	R129	6D	1D	R319	4D	3C
C359	2C	3G	R133	5I	1E	R321	5H	4C
			R134	5I	1E	R325	5H	4D
L267	1C	3H	R136	4I	2E	R329	5G	4D
L361	2C	3H	R140	4I	1E	R333	4G	3D
L362	3C	3H	R141	4K	1E	R335	5G	4D
			R142	4K	2E	R339	5G	3E
LR245	4M	2F	R143	5M	2F	R344	5K	3F
LR246	6M	2F	R144	3M	2F	R345	5K	3F
			R145	4K	1F	R348	5K	3F
P369	1B	3H	R146	2C	1F	R349	7D	4F
P369	6B	3H	R147	4K	1F			
			R156	3M	2G	RT219	5E	3C
Q108	6C	2B	R201	5C	2A			
Q202	6C	2A	R202	5C	2A	U105	6B	1A
Q205	6C	3A	R203	6C	2A	U218	6G	2C
Q206	6C	3B	R205	6C	2A	U239	3K	2E
			R210	6E	2B	U356	5K	3G
R100	6C	2A	R211	4E	2B			
R101	6C	2A	R214	4D	3C	VR222	4G	2C
R103	6C	2B	R215	5D	3C	VR223	6G	2C
R104	5B	1B	R216	4E	2C	VR224	6F	2C



SEE PARTS LIST FOR EARLIER VALUES AND SERIAL NUMBER RANGES OF PARTS OUTLINED OR DIPICTED IN GREY.

NUMERAL AND LETTER AT SIGNAL LINES TO OR FROM OTHER DIAGRAMS INDICATES THE GRID COORDINATE ON ANOTHER SCHEMATIC (FOR EXAMPLE 45).

A25 VERTICAL OUTPUT BOARD

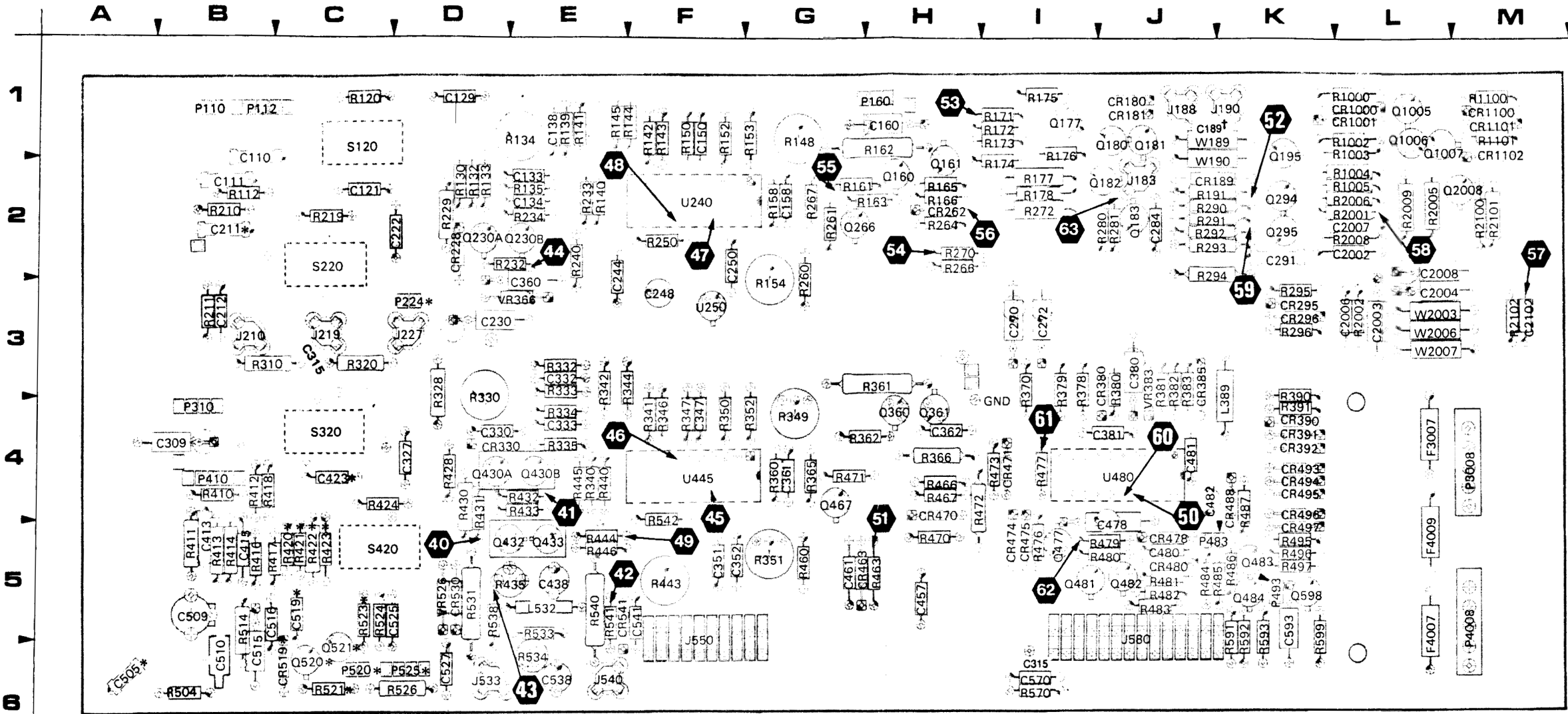


Figure 8-17. A12 Trigger board.

*See Option 05

A12 TRIGGER BOARD

COMPONENTS LOCATED ON SCHEMATIC DIAGRAM

4

C212	P160	S320B							
------	------	-------	--	--	--	--	--	--	--

COMPONENTS LOCATED ON SCHEMATIC DIAGRAM

6

C110	C332	C538	L532	R120	R152	R328	R351	R432	R540
C111	C333	C541		R130	R153	R330	R352	R433	R541
C121	C347	C570	P112	R132	R154	R332	R360	R435	R542
C129	C351		P112	R133	R158	R333	R410	R440	R570
C133	C352	CR228	P410	R134	R210	R334	R411	R443	
C134	C361	CR330	P410	R135	R219	R335	R412	R444	S120
C138	C413	CR530		R139	R229	R340	R413	R445	S220A
C150	C415	CR541	Q230A	R140	R232	R341	R414	R446	S220B
C158	C423		Q230B	R141	R233	R342	R416	R460	S320A
C222	C438	J210	Q430A	R142	R234	R344	R417	R514	S420
C244	C509	J219	Q430B	R143	R240	R346	R418	R524	
C248	C510	J227	Q432	R144	R250	R347	R424	R526	U240
C250	C516	J533	Q433	R145	R260	R349	R428	R531	U250
C315	C525	J540		R148	R310	R350	R430	R533	U445
C327	C527	J580	R112	R150	R320	R351	R431	R534	
C330								R538	VR526

COMPONENTS LOCATED ON SCHEMATIC DIAGRAM

7

C160	C2004	CR471	J550	Q177	Q1007	R267	R381	R485	R2005
C189†	C2006	CR474	J550	Q180	Q2008	R270	R382	R486	R2006
C230	C2007	CR475	J550	Q181		R272	R383	R487	R2008
C270	C2003	CR478	J550	Q182	R161	R280	R390	R495	R2009
C272	C2008	CR480	J550	Q183	R162	R281	R391	R496	R2100
C284	C2102	CR488	J580	Q195	R163	R290	R463	R497	R2101
C291		CR493	J580	Q266	R165	R291	R466	R504	R2102
C309	CR180	CR494	J580	Q294	R166	R292	R467	R591	
C360	CR181	CR495	J580	Q295	R171	R293	R470	R592	U480
C362	CR189	CR496	J580	Q360	R172	R294	R471	R593	
C380	CR262	CR497		Q361	R173	R295	R472	R599	VR366
C381	CR295	CR1000	L389	Q467	R174	R296	R473	R1000	VR383
C457	CR296	CR1001		Q477	R175	R361	R476	R1002	
C461	CR380	CR1100	P160	Q481	R176	R362	R477	R1003	W189
C478	CR385	CR1101	P310	Q482	R177	R365	R479	R1004	W190
C480	CR390	CR1102	P483	Q483	R178	R366	R480	R1005	W2003
C481	CR391		P493	Q484	R191	R370	R481	R1100	W2006
C482	CR392	J183		Q598	R261	R378	R482	R1101	W2007
C515	CR463	J188	Q160	Q1005	R264	R379	R483	R2001	
C593	CR470	J190	Q161	Q1006	R266	R380	R484	R2002	
C2002									

†Option 04 SN B010220-up

COMPONENTS LOCATED ON SCHEMATIC DIAGRAM

20

P110	R211								
------	------	--	--	--	--	--	--	--	--

COMPONENTS LOCATED ON SCHEMATIC DIAGRAM

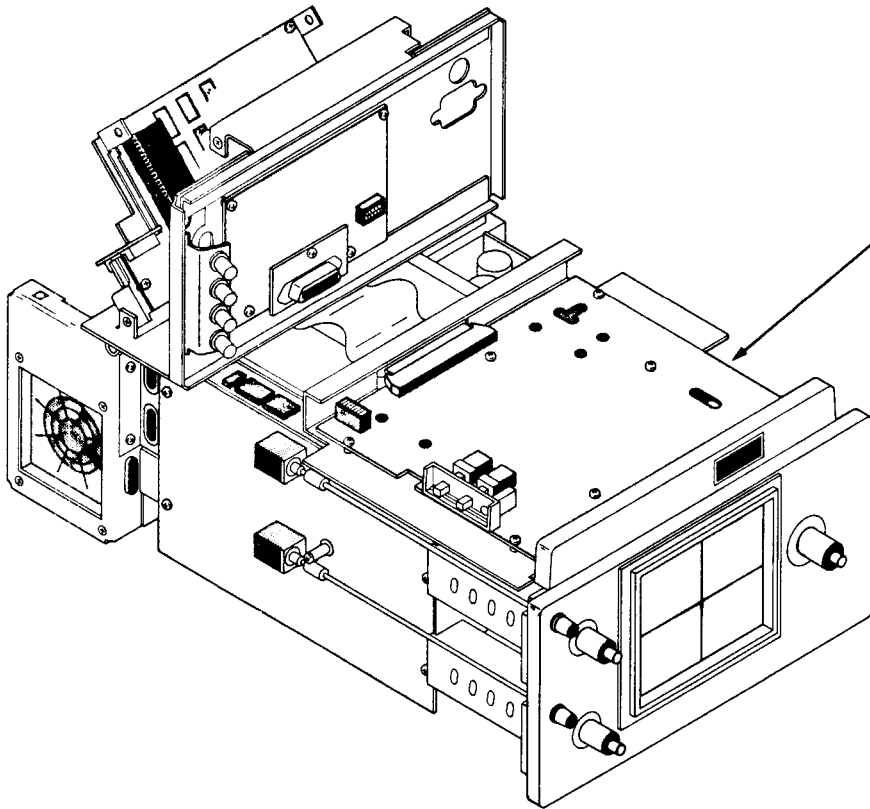
21

F3007	F4007	F4009	P3008	P4008					
-------	-------	-------	-------	-------	--	--	--	--	--

COMPONENTS LOCATED ON SCHEMATIC DIAGRAM

25

C110	C413	CR330	Q230A	R134	R410	R424	S120		
C111	C415	CR519	Q230B	R210	R411	R428	S220A		
C121	C423		Q430A	R219	R412	R430	S320A		
C129	C505	J210	Q430B	R229	R413	R431	S420		
C133	C509	J219	Q520	R232	R414	R432			
C134	C510	J227	Q521	R234	R416	R433			
C211	C516	J580		R310	R417	R514			
C222	C519		R112	R320	R418	R521			
C315	C525	P224	R120	R328	R420	R523			
C327	C570	P410	R130	R334	R421	R524			
C330		P520	R132	R335	R422	R570			
C333	CR228	P525	R133		R423				



A12 TRIGGER
CIRCUIT BOARD
(OUTER BOARD)

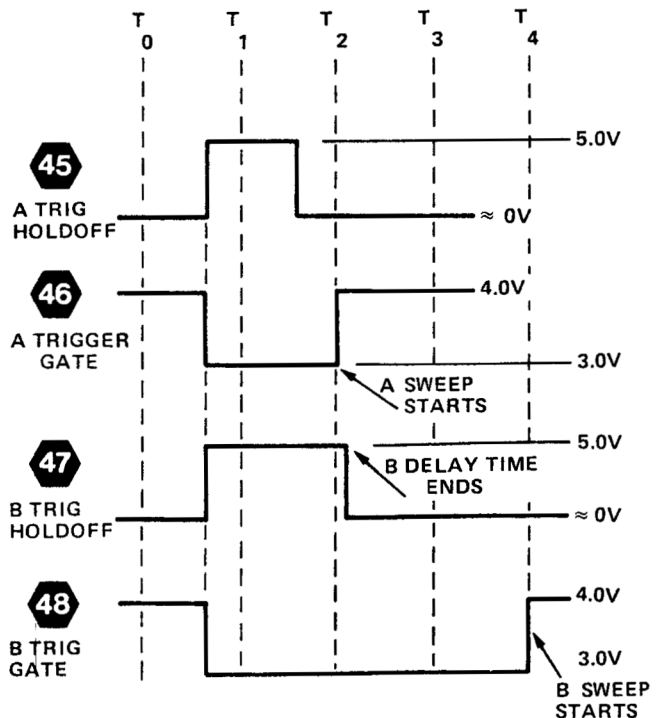
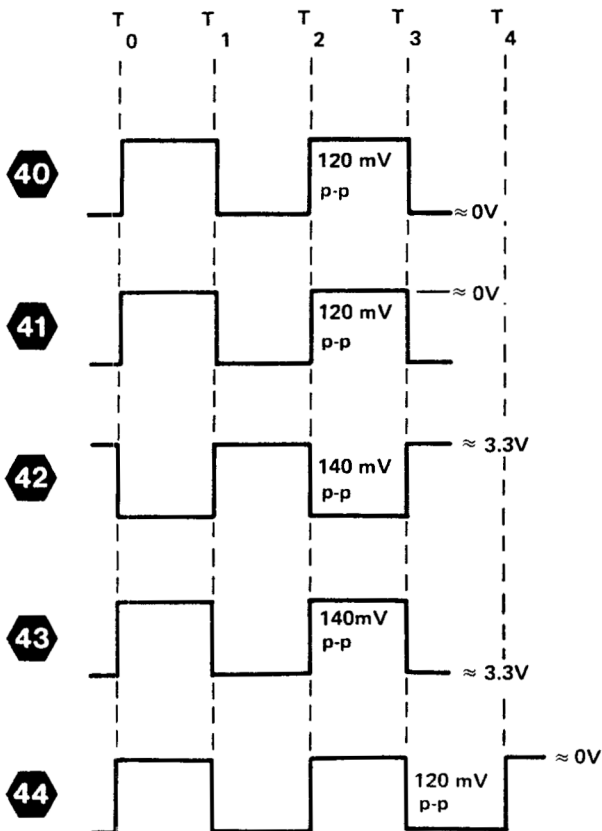


DC Voltages

A TRIG MODE	NORM (sweep not running)
TRIGGER SOURCE (both)	EXT
TRIGGER LEVEL (both)	Midrange
TRIGGER SLOPE (both)	+
TRIGGER COUPLING (both)	AC
VERT MODE	A TRIG VIEW and CHOP
AC-GND-DC (both)	GND

AC Waveforms

TIME/DIV	0.2 ms
TRIGGER SOURCE (both)	EXT
TRIGGER LEVEL (both)	Midrange
TRIGGER SLOPE (both)	+
TRIGGER COUPLING (both)	AC
VERT MODE	A TRIG VIEW and CHOP
HORIZ DISPLAY	A INTEN
DELAY TIME POSITION	Fully counterclockwise
Trigger Input (both)	0.5 V, 1 kHz square wave



A & B TRIGGER GENERATOR DIAGRAM

6

ASSEMBLY A12

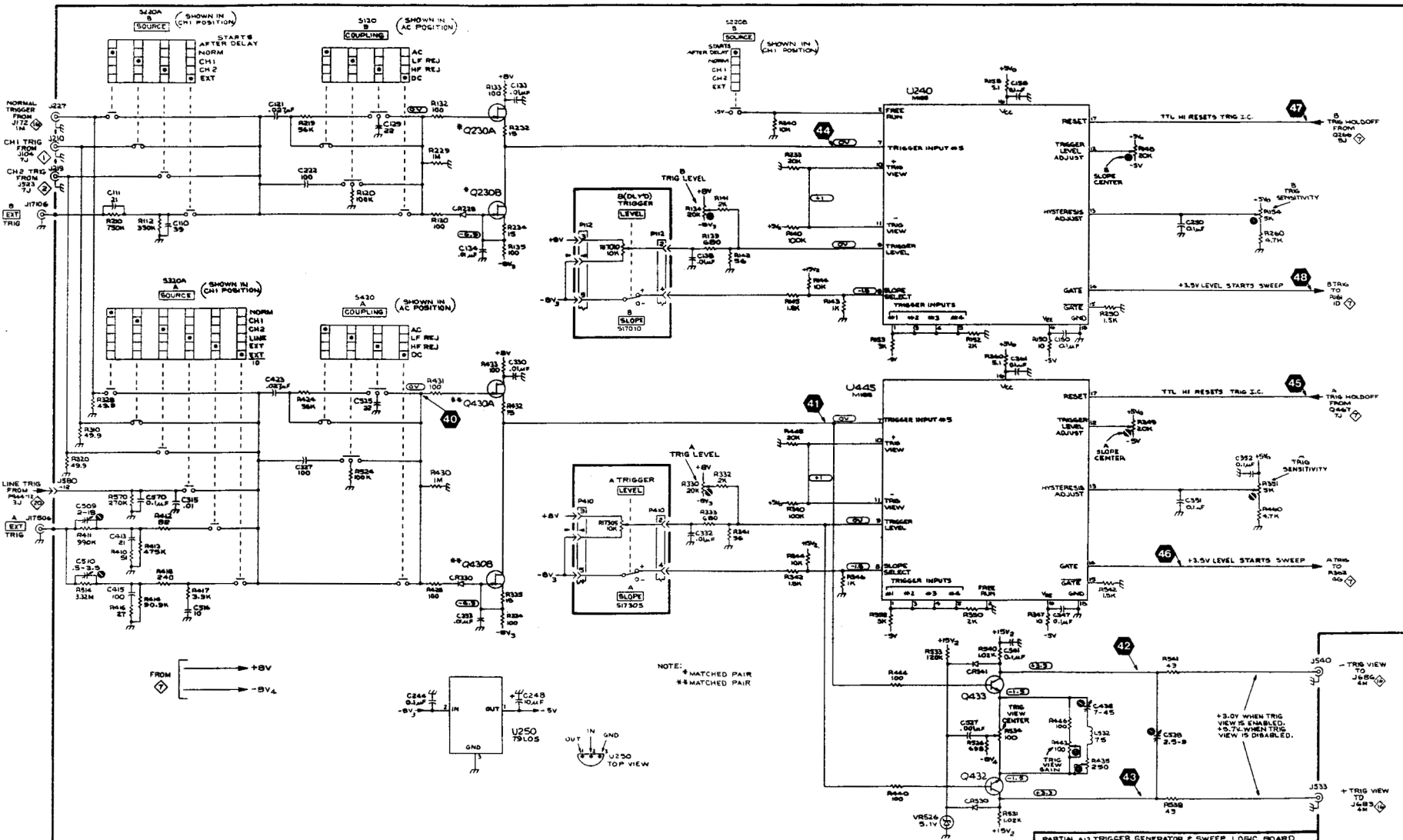
CIRCUIT NUMBER	SCHEM LOCATION	BOARD LOCATION	CIRCUIT NUMBER	SCHEM LOCATION	BOARD LOCATION	CIRCUIT NUMBER	SCHEM LOCATION	BOARD LOCATION
C110	2B	2B	P410	5G	4B	R347	6K	4F
C111	2A	2B				R349	4K	4G
C121	1C	2C	Q230A	1E	2D	R350	6J	4F
C129	1D	1D	Q230B	2E	2D	R351	5M	5G
C133	1E	2E	Q430A	4E	4D	R352	6I	4F
C134	3E	2E	Q430B	6E	4D	R360	4J	4G
C138	3G	1E	Q432	8J	5D	R410	6A	4B
C150	3K	1F	Q433	7J	5E	R411	6A	5B
C158	1J	2G				R412	6A	4B
C222	2C	2C	R112	2A	2B	R413	6A	5B
C244	8E	3E	R120	2C	1C	R414	6A	5B
C248	8E	3F	R130	2D	2D	R416	6A	5B
C250	2L	2F	R132	1D	2D	R417	6B	5B
C315	5B	3C	R133	1E	2D	R418	6B	4B
C327	5C	4D	R134	2G	1E	R424	4C	4C
C330	4E	4D	R135	3E	2D	R428	6D	4D
C332	6G	3E	R139	3G	1E	R430	5D	4D
C333	7E	4E	R140	2H	2E	R431	4D	5D
C347	6K	4F	R141	2G	1E	R432	4E	4E
C351	5L	5F	R142	3G	1F	R433	4E	4E
C352	5M	5F	R143	3H	1F	R435	8K	5D
C361	4J	3E	R144	3H	1E	R440	8I	4E
C413	6A	5B	R145	3H	1E	R443	8K	5F
C415	6A	5B	R148	1K	1G	R444	7I	5E
C423	4C	4C	R150	4K	1F	R445	5H	4E
C438	7K	5E	R152	3J	1F	R446	8K	5E
C509	5A	5B	R153	4I	1F	R460	5M	5G
C510	6A	6B	R154	2M	3G	R514	6A	5B
C516	6B	5B	R158	1J	2G	R524	5C	5C
C525	4D	5C	R210	2A	2B	R526	8J	6D
C527	8J	6D	R219	1C	2C	R531	9J	5D
C538	8L	6E	R229	2D	2D	R533	7J	6E
C541	7J	5F	R232	1E	2D	R534	8J	6E
C570	5A	6I	R233	2H	2E	R538	8L	5D
CR228	2E	2D	R234	2E	2E	R540	7J	5E
CR330	6E	4D	R240	1H	2E	R541	7L	5E
CR530	9J	5D	R250	3K	2F	R542	6K	5F
CR541	7J	5E	R260	2M	3G	R570	5A	6I
			R310	5A	3B			
J210	2A	3B	R320	5A	3C	S120	1D	1C
J219	2A	3C	R328	4A	3D	S220A	1A	2C
J227	1A	3D	R330	5G	4D	S220B	1G	2C
J533	8M	6D	R332	5G	3E	S320A	3B	4C
J540	7M	6E	R333	6G	4E	S420	3D	5C
J580	5A	6J	R334	7E	4E			
			R335	6E	4E	U240	1I	2F
L532	8K	5E	R340	5H	4E	U250	8E	3F
			R341	6G	4F	U445	4I	4F
P112	2F	1B	R342	6H	3E			
P112	2G	1B	R344	6H	3E	VR526	9I	5D
P410	5F	4B	R346	6H	4F			

Partial A12 also shown on diagrams 4, 7, 20 and 21.

CHASSIS MOUNTED PARTS

CIRCUIT NUMBER	SCHEM LOCATION	BOARD LOCATION	CIRCUIT NUMBER	SCHEM LOCATION	BOARD LOCATION	CIRCUIT NUMBER	SCHEM LOCATION	BOARD LOCATION
J17106	2A	CHASSIS	R17010	3F	CHASSIS	S17010	3F	CHASSIS
J17506	6A	CHASSIS	R17305	6F	CHASSIS	S17305	6F	CHASSIS

1
2
3
4
5
6
7
8
9



468 CONTROL SETTINGS FOR

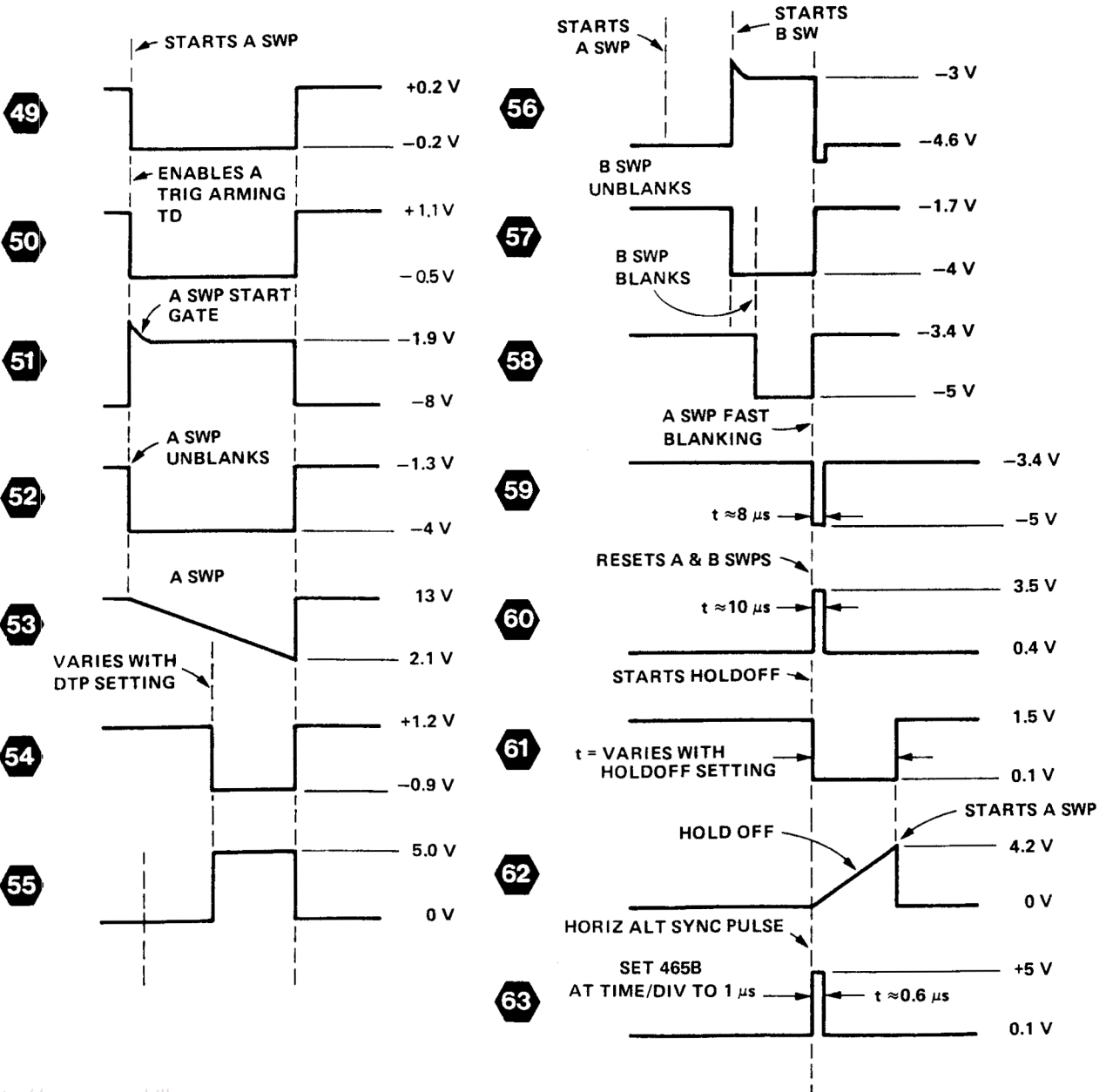


DC Voltages

A TRIG MODE NORM (sweep not running)
 AC-GND-DC (both) GND

AC Waveforms

A TRIG MODE AUTO (no trigger signal)
 B TRIGGER SOURCE STARTS AFTER DELAY
 DELAY TIME POSITION 5.00
 HORIZ DISPLAY A INTEN
 A TIME/DIV 1 ms
 B TIME/DIV 0.1 ms
 AC-GND-DC (both) GND



NON STORAGE SWEEP & Z-AXIS DIAGRAM

7

ASSEMBLY A13								
CIRCUIT NUMBER	SCHEM LOCATION	BOARD LOCATION	CIRCUIT NUMBER	SCHEM LOCATION	BOARD LOCATION	CIRCUIT NUMBER	SCHEM LOCATION	BOARD LOCATION
CR423	7B	5D	P524	6B	4D	R428	6B	5D
CR425	7B	5D	P555	1A	5H	S410	6A	4B
P117	8A	1C	R129	9A	1D	S469	1A	4I
P129	8B	1D	R132	8A	2E			
<i>Partial A13 also shown on diagrams 4, 8, 9 and 10</i>								
ASSEMBLY A15								
CIRCUIT NUMBER	SCHEM LOCATION	BOARD LOCATION	CIRCUIT NUMBER	SCHEM LOCATION	BOARD LOCATION	CIRCUIT NUMBER	SCHEM LOCATION	BOARD LOCATION
C698	4B	7N	P944	1B	10G	P970	7N	10J
J857	1A	9I	P944	7N	10G	P970	9N	10J
J885	6B	9L	P956	5A	10I	W849	9N	9G
P699	3A	7N	P970	4B	10J			
			P970	4M	10J			
			P970	6B	10J			
<i>Partial A15 also shown on diagrams 3, 4, 5, 8, 9, 10, 11, 12 and 20</i>								
CHASSIS MOUNTED PARTS								
CIRCUIT NUMBER	SCHEM LOCATION	BOARD LOCATION	CIRCUIT NUMBER	SCHEM LOCATION	BOARD LOCATION	CIRCUIT NUMBER	SCHEM LOCATION	BOARD LOCATION
DS17127	6K	CHASSIS	P188	2M	CHASSIS	R16002	8A	CHASSIS
DS17206	5K	CHASSIS	P190	1M	CHASSIS	S14498	5A	CHASSIS
P183	3M	CHASSIS	R14398	4A	CHASSIS			

NON STORAGE SWEEP & Z-AXIS DIAGRAM



ASSEMBLY A12								
CIRCUIT NUMBER	SCHEM LOCATION	BOARD LOCATION	CIRCUIT NUMBER	SCHEM LOCATION	BOARD LOCATION	CIRCUIT NUMBER	SCHEM LOCATION	BOARD LOCATION
C160	9C	1H	J580	1L	6J	R361	4H	3H
C189*	2L	1J	J580	2L	6J	R362	4G	4G
C230	6J	3D	J580	5C	6J	R365	7J	4G
C270	7I	3I	J580	7N	6J	R366	5G	4H
C272	6I	3I				R370	7I	4I
C284	3H	2J	L389	5H	4K	R378	6I	4I
C291	3F	2K				R379	6K	4I
C309	5J	4B	P160	8B	1H	R380	5I	4J
C360	7M	3E	P310	5K	4B	R381	5I	4J
C362	4H	4H	P483	5D	5J	R382	6H	4J
C380	6I	3J	P493	1L	5K	R383	6H	4J
C381	5I	4J				R390	1D	4K
C457	5H	5H	Q160	1E	2H	R391	1C	4K
C461	5I	5G	Q161	1E	2H	R463	5H	5H
C478	7G	5J	Q177	8D	1I	R466	4I	4H
C480	5D	5J	Q180	8D	1J	R467	4I	4H
C481	6K	4J	Q181	9E	1J	R470	7J	5H
C482	5H	4J	Q182	8D	2J	R471	7J	4G
C515	9M	6B	Q183	3H	2J	R472	5G	5H
C593	7E	6K	Q195	3F	2K	R473	7I	4I
C2002	8M	2L	Q266	8J	2G	R476	5E	5I
C2003	8M	3L	Q294	4E	2K	R477	7K	4I
C2004	8M	3L	Q295	4F	2K	R479	6L	5I
C2006	8M	3L	Q360	4H	4H	R480	6E	5I
C2007	2D	2L	Q361	4H	4H	R481	7F	5J
C2008	7M	3L	Q467	7J	4G	R482	7E	5J
C2102	8M	3N	Q477	7L	5I	R483	6F	5J
			Q481	7F	5I	R484	6D	5J
CR180	9D	1J	Q482	7F	5J	R485	7E	5J
CR181	9E	1J	Q483	7E	5K	R486	6E	5K
CR189	2F	2J	Q484	6E	5K	R487	5E	5K
CR262	1E	2H	Q598	1F	5K	R495	1F	5K
CR295	3F	3K	Q1005	1F	1L	R496	1G	5K
CR296	3F	3K	Q1006	2D	1L	R497	1F	5K
CR380	6I	4I	Q1007	2D	1L	R504	9M	6B
CR385	6L	4J	Q2008	3D	2N	R591	6D	6K
CR390	2C	4K				R592	7C	6K
CR391	2E	4K	R161	1D	2G	R593	6E	6K
CR392	2C	4K	R162	1E	2G	R599	5D	6K
CR463	4I	5G	R163	9J	2G	R1000	2F	1L
CR470	7J	5H	R165	1E	2H	R1002	1F	1L
CR471	7I	4I	R166	1E	2H	R1003	3F	2L
CR474	5E	5I	R171	8E	1I	R1004	2E	2L
CR475	5E	5I	R172	8C	1I	R1005	2D	2L
CR478	6D	5J	R173	7C	1I	R1100	1D	1N
CR480	6D	5J	R174	8E	2I	R1101	1F	1M
CR488	5E	5K	R175	8C	1I	R2001	2C	2L
CR493	1D	4K	R176	8D	2I	R2002	8M	3L
CR494	2E	4K	R177	7D	2I	R2005	3D	2L
CR495	3F	4K	R178	8D	2I	R2006	2C	2L
CR496	2F	5K	R191	4E	2J	R2008	8M	2L
CR497	2E	5K	R261	1D	2G	R2009	3D	2L
CR1000	2G	1L	R264	1E	2H	R2100	4D	2M
CR1001	2G	1L	R266	1E	3H	R2101	2E	2M
CR1100	1G	1N	R267	8J	2G	R2102	8M	3N
CR1101	1G	1N	R270	8I	2H			
CR1102	1E	2N	R272	7E	2I	U480	7H	4J
			R280	3H	2I			
J183	3L	2J	R281	3H	2J	VR366	7M	3E
J188	2L	1J	R290	4E	2J	VR383	8H	4J
J190	1L	1K	R291	4E	2J			
J550	4C	6F	R292	4F	2J	W189	1G	1J
J550	4L	6F	R293	4G	2J	W190	2I	2J
J550	6C	6F	R294	9E	3J	W2003	8M	3L
J550	7N	6F	R295	2E	3K	W2006	7M	3L
J550	9N	6F	R296	3F	3K	W2007	8M	3L
J580	1C	6J						

Partial A12 also shown on diagrams 4, 6, 20 and 21.

* Option 04 SN B010220-up

A15 INTERFACE BOARD

COMPONENTS LOCATED ON SCHEMATIC DIAGRAM

3

P154					
------	--	--	--	--	--

COMPONENTS LOCATED ON SCHEMATIC DIAGRAM

4

P151					
------	--	--	--	--	--

COMPONENTS LOCATED ON SCHEMATIC DIAGRAM

5

P252	P252	S175			
------	------	------	--	--	--

COMPONENTS LOCATED ON SCHEMATIC DIAGRAM

7

C698	P944	P970			
J857	P944	P970			
J885	P956				
	P970	W849			
	P970				
P699	P970				

COMPONENTS LOCATED ON SCHEMATIC DIAGRAM

8

C690	CR889	P970	R759	R873	R983
C770	CR947	P970	R762	R877	R984
C776	CR953		R764	R883	R985
C777	CR954	Q760	R766	R884	R988
C848	CR965	Q772	R769	R885	R990
C849	CR975	Q781	R771	R888	R995
C869	CR980	Q782	R774	R889	R998
C870	CR984	Q790	R775	R891	
C874	CR996	Q791	R776	R893	U690B
C876		Q864	R778	R894	U690C
C885	J686	Q867	R785	R895	U690D
C894	J687	Q890	R786	R896	U789A
C956	J857	Q891	R787	R947	U789B
C959	J857	Q946	R788	R948	
C964	J857	Q952	R790	R949	VR695
C965	J857	Q956	R793	R953	VR797
C966	J857	Q958	R794	R954	VR798
C985	J873	Q960	R795	R955	
C988	J885	Q967	R796	R957	W746
C989	J885	Q981	R797	R960	W747
C992	J885	Q986	R798	R964	W849
C996		Q987A	R849	R968	
C997	L991	Q987B	R850	R970	
		Q998	R854	R971	
CR696	P252		R858	R972	
CR761	P799	R693	R860	R974	
CR763	P944	R694	R866	R976	
CR765	P944	R695	R867	R977	
CR767	P944	R697	R868	R978	
CR768	P956	R758	R871	R982	

COMPONENTS LOCATED ON SCHEMATIC DIAGRAM

9

P799	W780	W880			
VR896	W849				
	W866				

468 CONTROL SETTINGS FOR

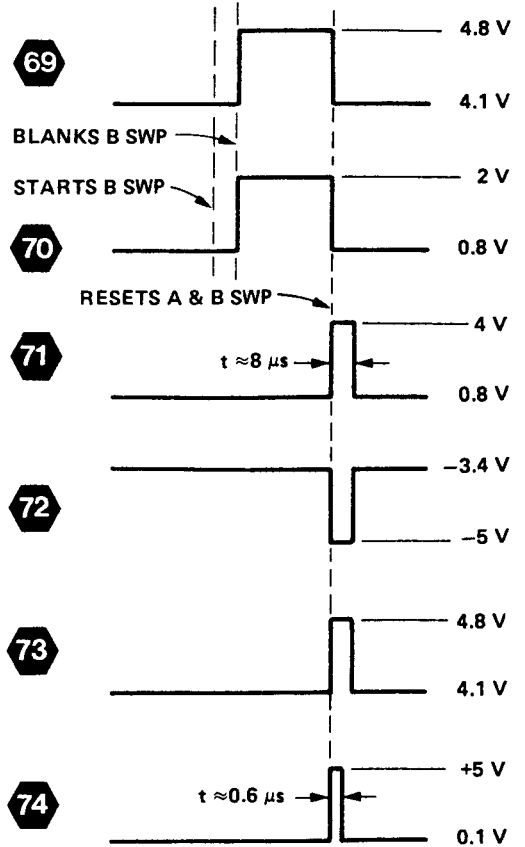
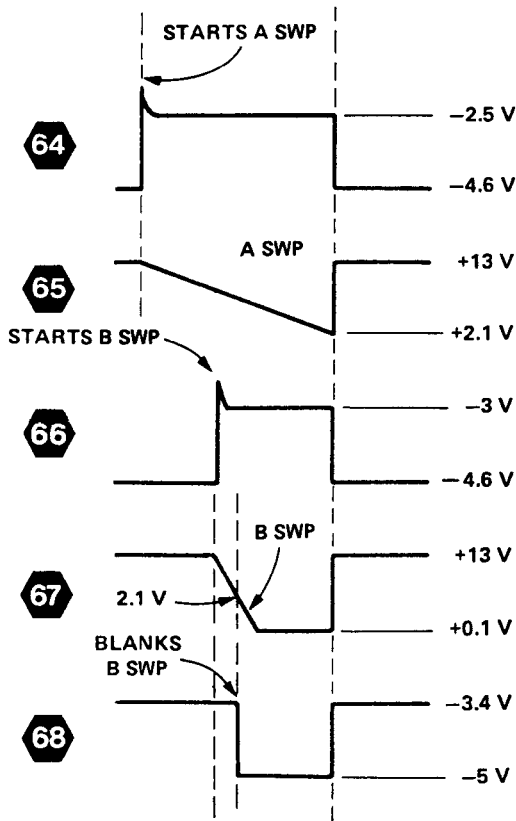


DC Voltages

A TRIG MODE	NORM (sweep not running)
AC-GND-DC (both)	GND

AC Waveforms

A TRIG MODE	AUTO (no trigger signal)
B TRIGGER SOURCE	STARTS AFTER DELAY
HORIZ DISPLAY	A INTEN
DELAY TIME POSITION	5.00
A TIME/DIV	1 ms
B TIME/DIV	0.1 ms
AC-GND-DC (both)	GND



HORIZ DISPLAY LOGIC & A & B SWEEP GENERATOR DIAGRAM

8

ASSEMBLY A13

CIRCUIT NUMBER	SCHEM LOCATION	BOARD LOCATION	CIRCUIT NUMBER	SCHEM LOCATION	BOARD LOCATION	CIRCUIT NUMBER	SCHEM LOCATION	BOARD LOCATION
CR00374	5F	4I	P555	4F	5H	S469	4F	4I
CR471	5F	5I						

Partial A13 also shown on diagrams 4, 7, 9 and 10.

ASSEMBLY A15

CIRCUIT NUMBER	SCHEM LOCATION	BOARD LOCATION	CIRCUIT NUMBER	SCHEM LOCATION	BOARD LOCATION	CIRCUIT NUMBER	SCHEM LOCATION	BOARD LOCATION
C690	4D	7N	P944	3A	10G	R858	3C	9I
C770	5L	8J	P944	5L	10G	R860	3E	9I
C776	7K	8K	P956	1M	10I	R866	2E	9J
C777	8J	8K	P970	6M	10J	R867	2E	9J
C848	4B	9G	P970	9A	10J	R868	3E	10J
C849	1C	9H				R871	2F	9J
C869	1A	9J	Q760	2L	8I	R873	3E	9K
C870	2F	9J	Q772	7L	8K	R877	6B	9K
C874	9C	9K	Q781	5K	8L	R883	4H	10L
C876	6B	9K	Q782	5K	8L	R884	5I	9L
C885	5J	9L	Q790	6J	8M	R885	5H	9L
C894	8F	9N	Q791	5J	8N	R888	9C	9N
C956	1E	10H	Q864	3D	9J	R889	9E	9M
C959	1B	10I	Q867	2E	9J	R891	8E	9M
C964	1E	10I	Q890	9D	10M	R893	8F	9N
C965	2G	10J	Q891	8E	9M	R894	9E	9N
C966	3E	10J	Q946	1B	10G	R895	8E	9N
C985	6D	10L	Q952	1D	10H	R896	8F	9N
C988	7B	10N	Q956	1E	10I	R947	1D	10G
C989	1A	10N	Q958	1B	10I	R948	1C	10G
C992	9A	10N	Q960	1C	10I	R949	1D	10G
C996	8D	10N	Q967	2G	10J	R953	1B	10H
C997	8G	10N	Q981	6D	10L	R954	1D	10H
			Q986	6E	10L	R955	1D	10H
CR696	3G	7N	Q987A	7B	10M	R957	1C	10I
CR761	4L	8I	Q987B	7C	10M	R960	1B	10I
CR763	4L	8J	Q998	8G	10N	R964	1G	10I
CR765	5L	8J				R968	3F	10J
CR767	5L	8J	R693	3I	7N	R970	1A	10J
CR768	5L	8J	R694	3H	7N	R971	1A	10K
CR889	9D	10M	R695	3G	7N	R972	1A	10K
CR947	1C	10G	R697	4H	7N	R974	6B	10K
CR953	1B	10H	R758	1K	8I	R976	6C	10K
CR954	1B	10H	R759	1I	8I	R977	6D	10K
CR965	2G	10J	R762	4M	8I	R978	6D	10K
CR975	6C	10K	R764	5L	8J	R982	7G	10L
CR980	6B	10L	R766	5M	8J	R983	6D	10L
CR984	6B	10L	R769	4L	8J	R984	6D	10L
CR996	8G	10N	R771	5M	8K	R985	6B	10L
			R774	7K	8K	R988	6C	10M
J686	2J	7M	R775	7J	8K	R990	7B	10M
J687	3G	7M	R776	7I	8K	R995	9A	10N
J857	2D	9I	R778	7K	8L	R998	8F	10N
J857	2E	9I	R785	4G	8L			
J857	4G	9I	R786	5G	8L	U690B	4G	7M
J857	4M	9I	R787	5G	8L	U690C	6H	7M
J857	5M	9I	R788	4I	8L	U690D	2H	7M
J873	4M	9K	R790	5G	8M	U789A	5H	8M
J885	3G	9L	R793	6J	8N	U789B	6I	8M
J885	7E	9L	R794	6J	8N			
J885	8D	9L	R795	5J	8N	VR695	3I	7N
			R796	5J	8N	VR797	5I	9N
L991	7F	9M	R797	5I	8N	VR798	6I	9N
			R798	6I	9N			
P252	3J	2H	R849	1B	10G	W746	4B	8G
P799	3J	8N	R850	1B	9H	W747	4B	8G
P944	1M	10G	R854	1G	10H	W849	5B	9G

Partial A15 also shown on diagrams 3, 4, 5, 7, 9, 10, 11, 12 and 20.

CHASSIS MOUNTED PARTS

CIRCUIT NUMBER	SCHEM LOCATION	BOARD LOCATION	CIRCUIT NUMBER	SCHEM LOCATION	BOARD LOCATION	CIRCUIT NUMBER	SCHEM LOCATION	BOARD LOCATION
R14499	4J	CHASSIS	S14498	1M	CHASSIS			

A15 INTERFACE BOARD

COMPONENTS LOCATED ON SCHEMATIC DIAGRAM



C353	C658	J885	Q649	R464	R557	R582	R665	U564E
C450	C672			R465	R558	R586	R671	
C453	C756	P699	R273	R466	R559	R587	R673	VR643
C460		P970	R348	R467	R561	R588	R676	
C461	CR453		R349	R468	R562	R589	R679	W552
C467	CR486	Q446	R358	R469	R563	R643	R681	W580
C468	CR553	Q449	R368	R472	R564	R644	R682	W746
C485	CR556	Q456	R369	R480	R565	R645	R683	W747
C548	CR560	Q465	R444	R481	R566	R646		W849
C549	CR561	Q555	R445	R486	R567	R647	RT672	
C555	CR587	Q559	R447	R542	R571	R648		
C570	CR645	Q560	R450	R543	R572	R651	S175	
C582	CR679	Q569	R453	R544	R573	R652	S678	
C589		Q570	R454	R547	R574	R655		
C644	J683	Q571	R460	R550	R577	R656	U564A	
C650	J773	Q582	R461	R551	R578	R657	U564B	
C652	J885	Q583	R462	R553	R580	R659	U564C	
C657	J885	Q646	R463	R554	R581	R664	U564D	

COMPONENTS LOCATED ON SCHEMATIC DIAGRAM



C104	C426	CR414	P137	R145	R335	R518	T216	
C108	C513	CR517	P137	R148	R346	R521		
C113	C518	CR519	P359	R203	R377	R523	TP112	
C141	C519	CR622	P473	R204	R378	R524	TP328	
C142	C525	CR623	P944	R206	R409	R526	TP418	
C143	C531	CR631		R209	R414	R527		
C146	C629	CR727	Q109	R252A	R415	R533	U136	
C205		CR746	Q201	R252B	R417	R536		
C210	CR101	CR749	Q302	R267	R418	R618	VR207	
C218	CR104		Q416	R270	R419	R619	VR308	
C220	CR105	DS323	Q516	R302	R425	R621	VR512	
C225	CR110	DS324	Q522	R309	R429A	R625		
C239	CR209		Q523	R310	R429B	R627	W136	
C303	CR220	F809	Q530	R312	R429C	R628		
C307	CR305		Q533	R313	R429D	R629		
C314	CR313	J526		R316	R432	R633		
C318	CR314	J750	R101	R324	R435	R743		
C319	CR323		R103	R325	R512	R746		
C414	CR324	L107	R114	R327	R513			
C416	CR347	P108	R144	R328	R517	S175		

COMPONENTS LOCATED ON SCHEMATIC DIAGRAM



C391	CR494	Q380	R385	R493	TP474			
C486		Q396	R386	R595	TP475			
C594	L494	Q595	R387	R596				
C595			R391	R599	W385			

COMPONENTS LOCATED ON SCHEMATIC DIAGRAM

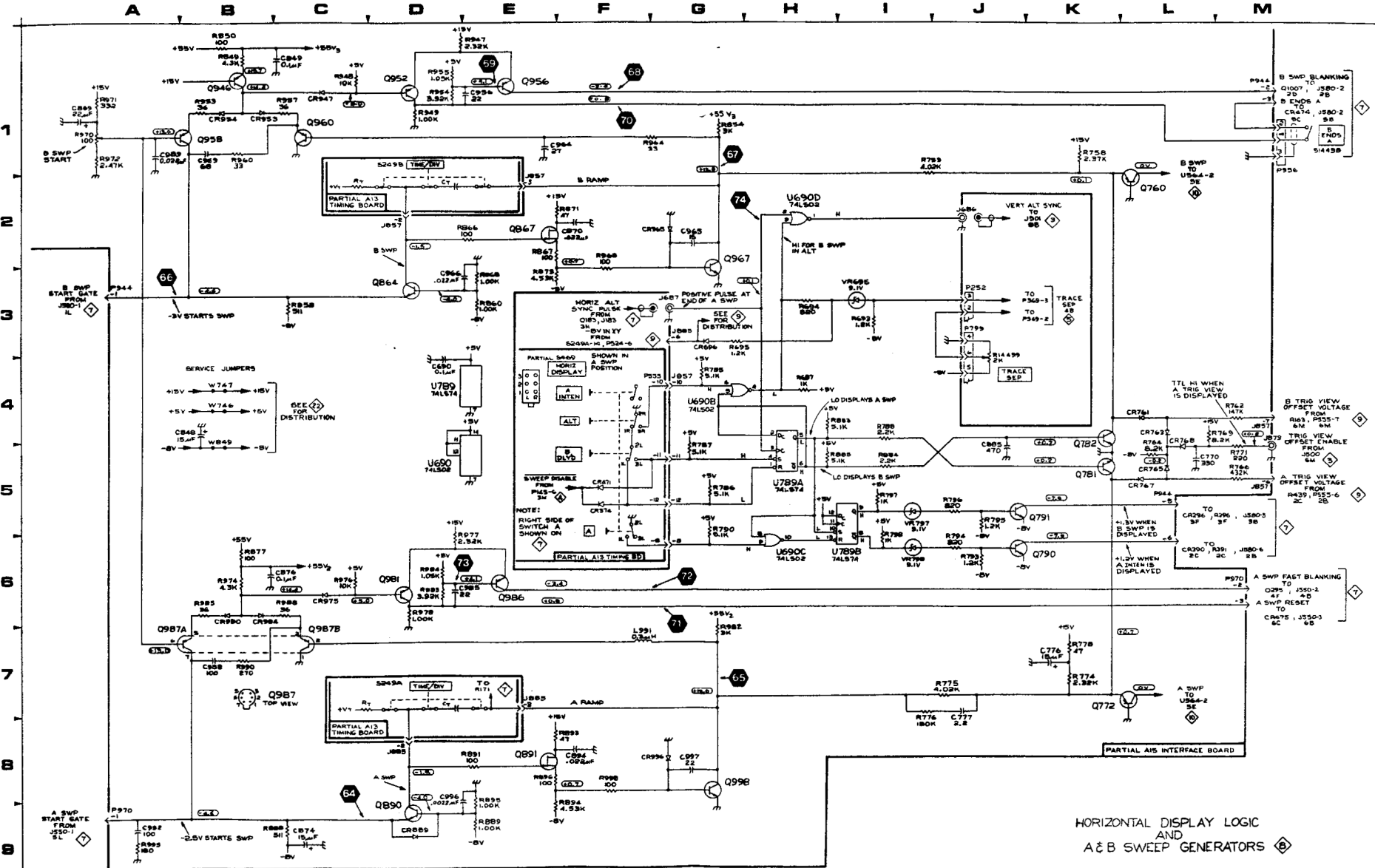


C404	C926	CR729	P288	Q704	R507	R706	R834	U712B
C502	C935	CR804	P944	Q718 ^a	R508	R708	R932	
C603	C938	CR813		Q740	R602	R713	R938	VR392
C607	C939	CR815	Q390 ^a	Q828	R608	R714		VR604
C609		CR826	Q401 ^a		R609	R715	TP637	VR624
C634	CR304	CR840	Q402	R392	R610	R726	TP638	VR709
C705	CR508	CR919	Q406	R400	R611	R728	TP639	VR725
C707	CR600	CR930	Q501 ^a	R403	R612	R740	TP642	VR825
C711	CR605	CR942	Q503	R404	R613	R741	TP740	
C725	CR611		Q606	R405	R614	R800		
C820	CR617	F802	Q617	R492	R617	R803	U506A	
C829	CR706	F809	Q701 ^a	R505	R624	R804	U506B	
C840	CR728	F909	Q703	R506	R626	R830	U712A	

OPTION 04 COMPONENTS (SEE OPTION SECTION IN VOLUME 1)

^a Chassis mounted

C803	C804	C805	C913	C917				
------	------	------	------	------	--	--	--	--



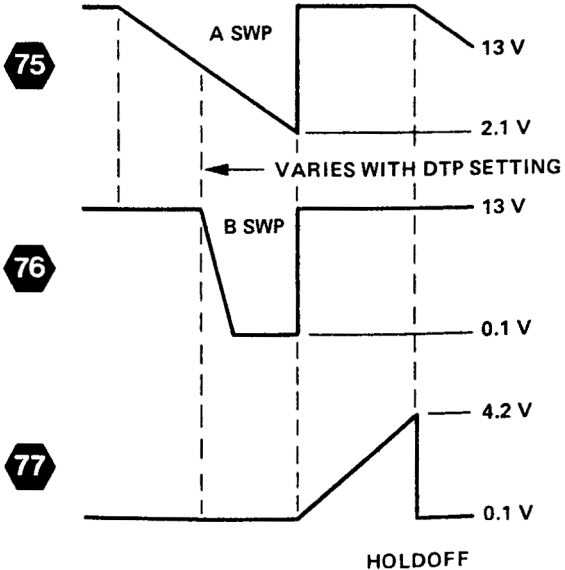
HORIZONTAL DISPLAY LOGIC AND A & B SWEEP GENERATORS

DC Voltages

A TIME/DIV	X-Y
AC-GND-DC (both)	GND

AC Waveforms

A TRIG MODE	AUTO (no trigger signal)
B TRIGGER SOURCE	STARTS AFTER DELAY
HORIZ DISPLAY	A INTEN
DELAY TIME POSITION	5.00
A TIME/DIV	1 ms
B TIME/DIV	0.1 ms
AC-GND-DC (both)	GND



A & B TIMING SWITCH DIAGRAM



ASSEMBLY A13

CIRCUIT NUMBER	SCHEM LOCATION	BOARD LOCATION	CIRCUIT NUMBER	SCHEM LOCATION	BOARD LOCATION	CIRCUIT NUMBER	SCHEM LOCATION	BOARD LOCATION
C112	5B	2B	P555	1B	5H	R147	2J	2F
C120	3C	1C	P555	1B	5H	R148	2J	2F
C126	5B	2D	P555	2B	5H	R150	2J	2F
C130	4B	1D	P555	2M	5H	R153	2J	2G
C152	2E	1G	P555	6M	5H	R154	3I	2G
C159	2L	2G				R156	3I	2G
C228	5B	2D	Q151	2E	1G	R157	3I	2G
C258	2L	2G	Q158	1F	1G	R160	1I	2H
C318	4B	4C	Q161	1I	1H	R161	6L	2H
C345	2L	4G	Q432	6B	5E	R162	6M	2H
C418	4C	4C				R163	6M	2H
C429	4F	4D	R113	5B	2B	R164	7M	2H
C435	5F	4E	R114	4D	2C	R169	1H	1H
C437	5F	4E	R115	4D	2C	R170	2H	2I
C446	2K	4G	R116	4D	2C	R173	1G	1I
C449	2L	5F	R120	5D	2C	R178	1F	2I
			R121	5D	2C	R270	5M	2I
CR430	3F	4D	R122	5D	2C	R272	2F	3I
			R123	6E	2D	R429	6B	5B
P111	1E	1B	R124	2D	1D	R430	6B	5B
P135	1E	1E	R130	6E	2D	R431	3F	4D
P135	4M	1E	R131	6E	4D	R432	3F	4E
P146	3M	1F	R133	3C	2E	R439	2C	4E
P524	1B	5D	R135	4H	1E			
P524	1B	5D	R137	2D	2E	S249A	8I	3C
P524	1B	5D	R138	2D	2E	S249B	8I	3C
P524	3A	5D	R143	2J	2F	S272	1F	3I
P524	3F	5D	R144	2I	2F			
P524	4G	5D	R145	3I	1F	VR173	1H	2I
P524	5A	5D	R145A	4H	1F	VR174	1H	2I

Partial A13 also shown on diagrams 4, 7, 8 and 10

ASSEMBLY A15

CIRCUIT NUMBER	SCHEM LOCATION	BOARD LOCATION	CIRCUIT NUMBER	SCHEM LOCATION	BOARD LOCATION	CIRCUIT NUMBER	SCHEM LOCATION	BOARD LOCATION
P799	2G	8N	W780	1A	8L	W880	1A	9L
VR896	2G	9N	W849	1A	9G			
			W866	1A	9J			

Partial A15 also shown on diagrams 3, 4, 5, 7, 8, 10, 11, 12 and 20

CHASSIS MOUNTED PARTS

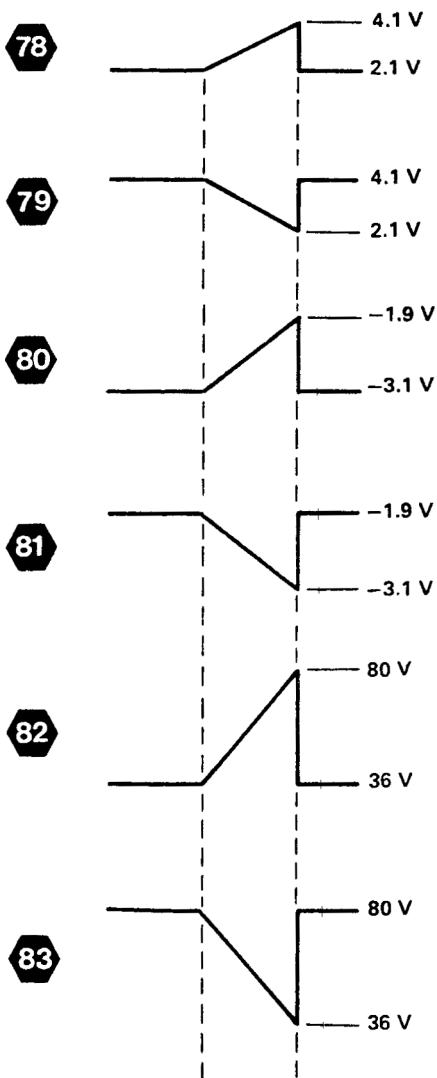
CIRCUIT NUMBER	SCHEM LOCATION	BOARD LOCATION	CIRCUIT NUMBER	SCHEM LOCATION	BOARD LOCATION	CIRCUIT NUMBER	SCHEM LOCATION	BOARD LOCATION
CR14498	3H	CHASSIS	R14498	2H	CHASSIS			
DS16002	1E	CHASSIS	S14498	2H	CHASSIS			

DC Voltages

A TIME/DIV	X-Y
CH 2 POSITION	Beam centered
Horizontal POSITION	Beam centered
AC-GND-DC (both)	GND

AC Waveforms

A TRIG MODE	AUTO (no trigger signal)
HORIZ DISPLAY	A
A TIME/DIV	1 ms
Horizontal POSITION	Trace centered
AC-GND-DC (both)	GND



HORIZONTAL AMPLIFIER DIAGRAM 10

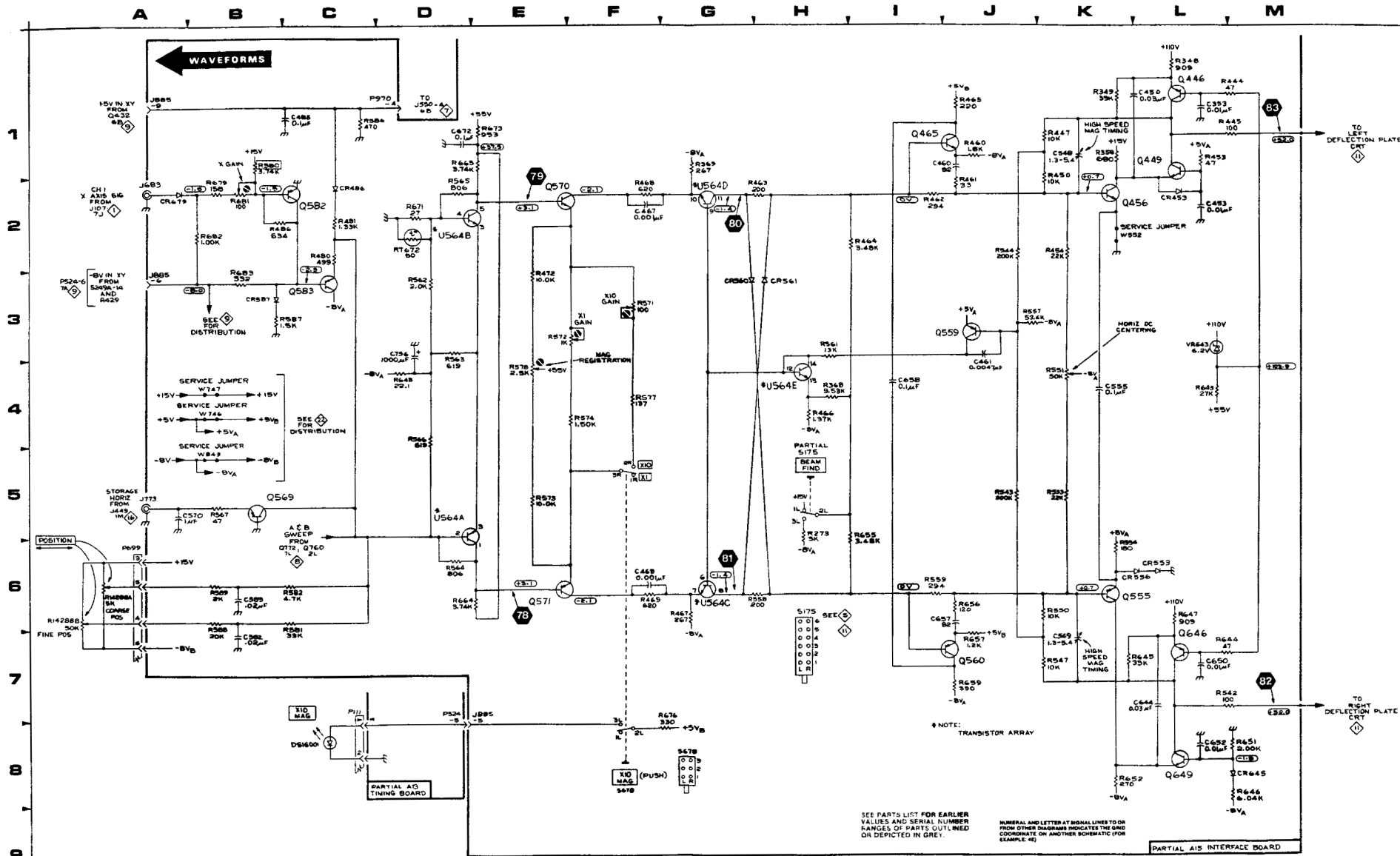
ASSEMBLY A13								
CIRCUIT NUMBER	SCHEM LOCATION	BOARD LOCATION	CIRCUIT NUMBER	SCHEM LOCATION	BOARD LOCATION	CIRCUIT NUMBER	SCHEM LOCATION	BOARD LOCATION
P111	7C	1B	P524	7D	5D			

Partial A13 also shown on diagrams 4, 7, 8 and 9.

ASSEMBLY A15								
CIRCUIT NUMBER	SCHEM LOCATION	BOARD LOCATION	CIRCUIT NUMBER	SCHEM LOCATION	BOARD LOCATION	CIRCUIT NUMBER	SCHEM LOCATION	BOARD LOCATION
C353	1L	4H	Q582	2C	6L	R573	5E	6K
Q450	1L	4H	Q583	3C	5L	R574	4F	6K
C453	2L	5H	Q646	7L	6G	R577	4F	6K
C460	1J	5I	Q649	8L	6G	R578	4E	5K
C461	4J	5I				R580	1B	5L
C467	2F	5J	R273	6H	2K	R581	7C	6L
C468	6F	5J	R348	1L	4G	R582	6C	6L
C485	1C	5L	R349	1K	4G	R586	1C	5M
C548	1K	5H	R358	1K	4I	R587	3B	6M
C549	7K	6H	R368	4H	4J	R588	7B	6M
C555	4K	5I	R369	1G	4J	R589	6B	6M
C570	5A	6J	R444	1M	4G	R643	4L	7G
C582	7B	6L	R445	1M	5G	R644	7L	7G
C589	6B	6M	R447	1K	5G	R645	7L	7G
C644	7L	7G	R450	2K	5H	R646	8M	7G
C650	7L	7H	R453	1L	4H	R647	7L	7G
C652	8L	7H	R454	2K	5H	R648	4D	7G
C657	7J	7I	R460	1J	4I	R651	8M	7H
C658	4I	7I	R461	2J	5I	R652	8K	6H
C672	1D	7K	R462	2I	5I	R655	6H	6I
C756	3D	8I	R463	2H	5I	R656	6J	7I
			R464	2I	4J	R657	7J	7I
CR453	2L	5H	R465	1J	4J	R659	7J	7I
CR486	2C	5L	R466	4H	5J	R664	6E	7J
CR553	6L	5H	R467	6G	4J	R665	1E	7J
CR556	8K	5I	R468	2F	5J	R671	2D	7K
CR560	3G	5I	R469	6F	5J	R673	1E	7K
CR561	3H	5I	R472	3E	5K	R676	8G	7K
CR587	3B	6M	R480	2C	5L	R679	2B	7L
CR645	8M	7G	R481	2C	5L	R681	2B	7L
CR679	2A	7L	R486	2B	5L	R682	2B	7L
			R542	8L	6G	R683	3B	7L
J683	2A	7L	R543	5J	6G			
J773	5A	8K	R544	2J	5G	RT672	2D	7K
J885	1A	9L	R547	7K	6G			
J885	3A	9L	R550	6K	6H	S175	5H	2K
J885	8E	9L	R551	4K	5H	S678	8F	6K
			R553	5K	6H			
P699	6A	7N	R554	6K	5I	U564A	5D	5J
P970	1D	10J	R557	3J	6I	U564B	2D	5J
			R558	6H	6I	U564C	6G	5J
Q446	1L	5G	R559	6I	6I	U564D	2G	5J
Q449	2L	5H	R561	4H	5I	U564E	4H	5J
Q456	2K	5H	R562	3D	6I			
Q465	1J	5J	R563	3D	6J	VR643	3L	6G
Q555	6K	6I	R564	6D	6J			
Q559	3J	6I	R565	2D	6J	W552	2K	5H
Q560	7J	6I	R566	4D	6J	W580	2C	6L
Q569	5B	6J	R567	5B	6J	W746	4B	8G
Q570	2E	5J	R571	3F	6K	W747	4B	8G
Q571	6E	6J	R572	3E	5K	W849	5B	9G

Partial A15 also shown on diagrams 3, 4, 5, 7, 8, 9, 11, 12 and 20.

CHASSIS MOUNTED PARTS								
CIRCUIT NUMBER	SCHEM LOCATION	BOARD LOCATION	CIRCUIT NUMBER	SCHEM LOCATION	BOARD LOCATION	CIRCUIT NUMBER	SCHEM LOCATION	BOARD LOCATION
DS16001	8C	CHASSIS	R14288A R14288B	6A 6A	CHASSIS CHASSIS			



468 CONTROL SETTINGS FOR 11

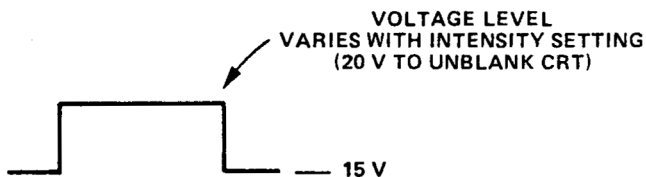
DC Voltages

A TRIG MODE	NORM (sweep not running)
AC-GND-DC (both)	GND

AC Waveforms

A TRIG MODE	AUTO (no trigger signal)
HORIZ DISPLAY	A
A TIME/DIV	1 ms
AC-GND-DC (both)	GND

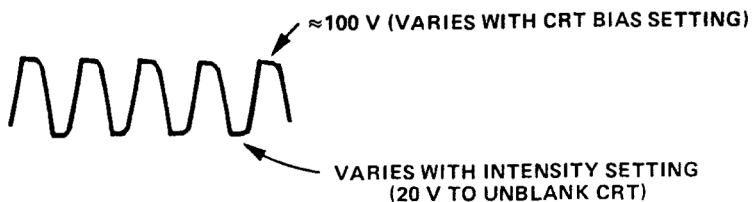
84



85



86



CRT CIRCUIT DIAGRAM 11

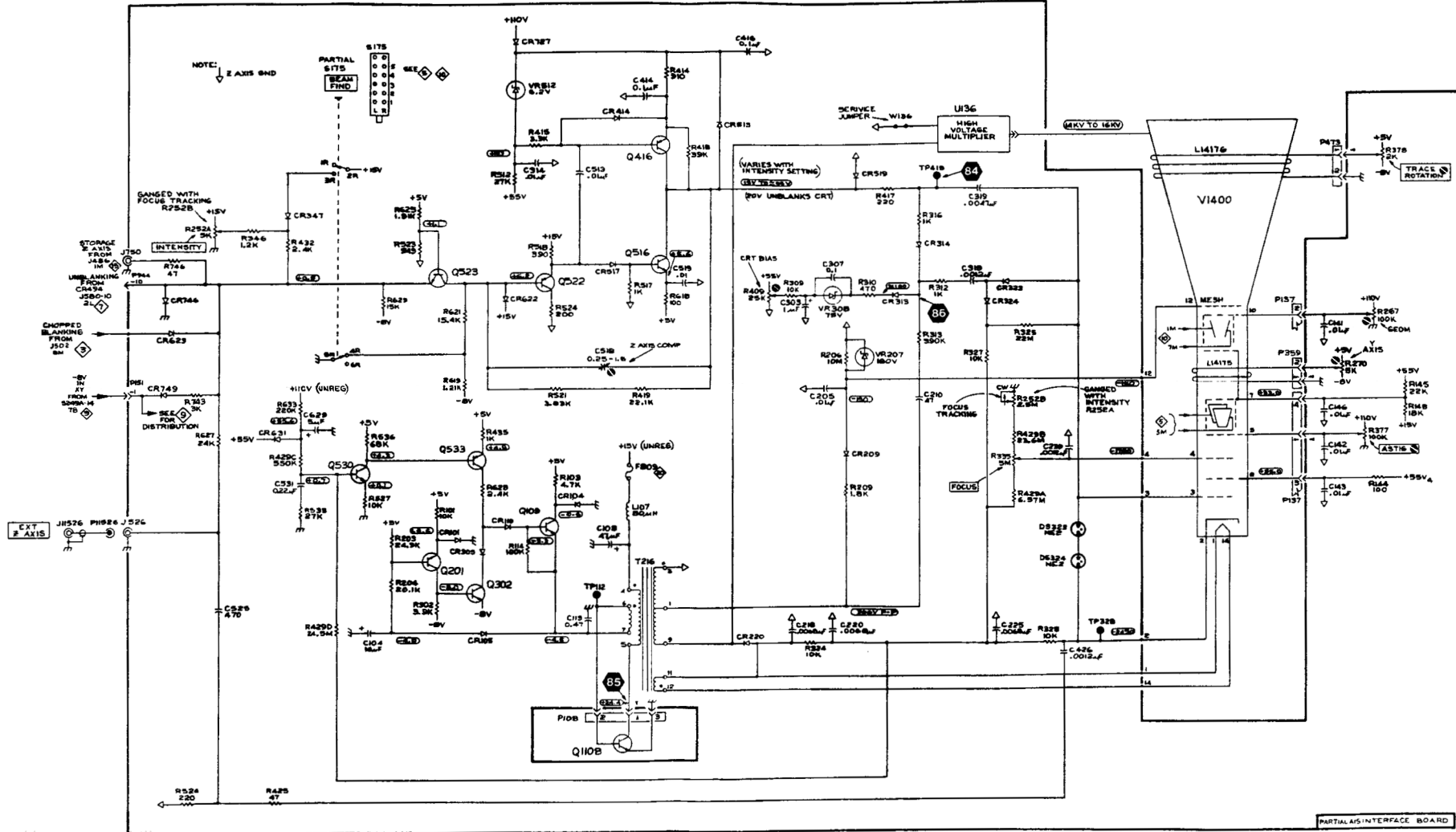
ASSEMBLY A15								
CIRCUIT NUMBER	SCHEM LOCATION	BOARD LOCATION	CIRCUIT NUMBER	SCHEM LOCATION	BOARD LOCATION	CIRCUIT NUMBER	SCHEM LOCATION	BOARD LOCATION
C104	7D	2A	F809	5F	10B	R409	3G	4B
C108	6F	2B				R414	1F	4C
C113	6F	2C	J526	5A	6E	R415	2E	5C
C141	3M	1F	J750	3A	8H	R417	2I	5D
C142	5M	2F				R418	2G	5D
C143	5M	1F	L107	5F	2B	R419	4F	5D
C146	4M	2G				R425	8C	5E
C205	4H	3B	P108	7F	2B	R429A	5J	5E
C210	4I	3B	P137	3M	1F	R429B	5J	5E
C218	6H	2D	P137	5M	1F	R429C	5C	5E
C220	6H	2D	P359	4M	3I	R429D	6C	5E
C225	6J	2E	P473	2M	5K	R432	3C	5E
C239	5J	2F	P944	3A	10G	R435	4E	5F
C303	3H	3A				R512	2E	6C
C307	3H	4B	Q109	5E	1B	R513	1G	6C
C314	2E	4C	Q201	6D	2A	R517	3F	6C
C318	3I	3C	Q302	6E	3A	R518	3E	6C
C319	2I	4D	Q416	2F	5C	R521	4E	6D
C414	1F	4C	Q516	3F	5C	R523	3D	6D
C416	1G	5C	Q522	3E	6D	R524	3E	6D
C426	7J	4E	Q523	3D	6D	R526	8B	6E
C513	2F	6C	Q530	5C	5E	R527	5C	6E
C518	4F	5D	Q533	5E	5E	R533	5C	6E
C519	3G	6C				R536	5C	6F
C525	6B	6E	R101	5D	2A	R618	3F	6C
C531	5C	6E	R103	5E	2A	R619	4D	7C
C629	4C	7E	R114	6E	2C	R621	3D	6D
			R144	5M	2G	R625	2D	6D
CR101	6D	2A	R145	4N	2G	R627	5B	7E
CR104	5F	2A	R148	4N	2G	R628	5E	7E
CR105	7E	2A	R203	6D	3A	R629	3D	7E
CR110	5E	2B	R204	6D	3A	R633	4C	6F
CR209	5H	3B	R206	4H	3B	R743	4B	8G
CR220	7G	2D	R209	5H	2B	R746	3B	8G
CR305	6E	3B	R252A	2B	3H			
CR313	3I	4C	R252B	4J	3H	S175	1C	2K
CR314	3I	4C	R267	3M	2J			
CR323	3J	3D	R270	4M	2J	T216	6F	3C
CR324	3J	3D	R302	6D	3A			
CR347	2C	3G	R309	3H	4B	TP112	6F	2B
CR414	1F	4E	R310	3H	4B	TP328	7K	4E
CR517	3F	6D	R312	3I	3C	TP418	2I	5C
CR519	2H	6C	R313	3I	3C			
CR622	3E	6D	R316	2I	4C	U136	1I	2E
CR623	3B	6D	R324	7H	3D			
CR631	5C	6E	R325	3J	3D	VR207	4H	3B
CR727	1E	7E	R327	4J	3E	VR308	3H	4B
CR746	3B	8G	R328	7J	3E	VR512	1E	6C
CR749	4B	8G	R335	5J	4F			
			R346	2B	3G	W136	1I	1F
DS323	6J	4D	R377	4M	3K			
DS324	6J	4D	R378	2M	4K			

Partial A15 also shown on diagrams 3, 4, 5, 7, 8, 9, 10, 12 and 20

CHASSIS MOUNTED PARTS

CIRCUIT NUMBER	SCHEM LOCATION	BOARD LOCATION	CIRCUIT NUMBER	SCHEM LOCATION	BOARD LOCATION	CIRCUIT NUMBER	SCHEM LOCATION	BOARD LOCATION
J11526	5A	CHASSIS	P1526	5A	CHASSIS	V1400	2L	CHASSIS
L14175	4L	CHASSIS	Q1108	8F	CHASSIS			
L14176	2L	CHASSIS						

1
2
3
4
5
6
7
8

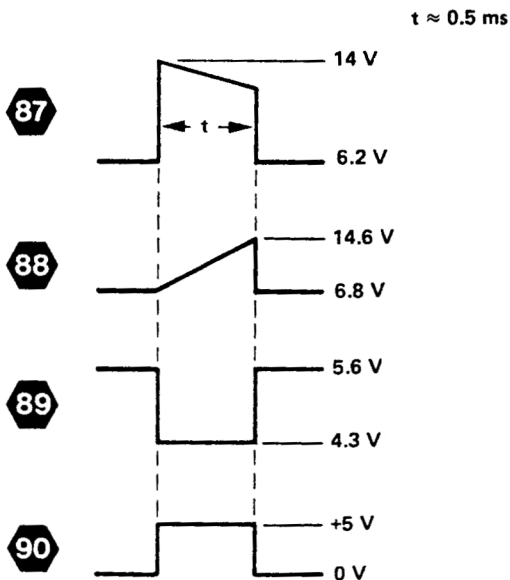


DC Voltages

Remove Q1496 to make dc measurements in the Calibrator circuit.

AC Waveforms

Fan circuit waveform taken at 25°C ambient temperature.

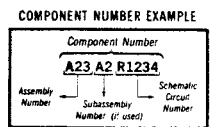
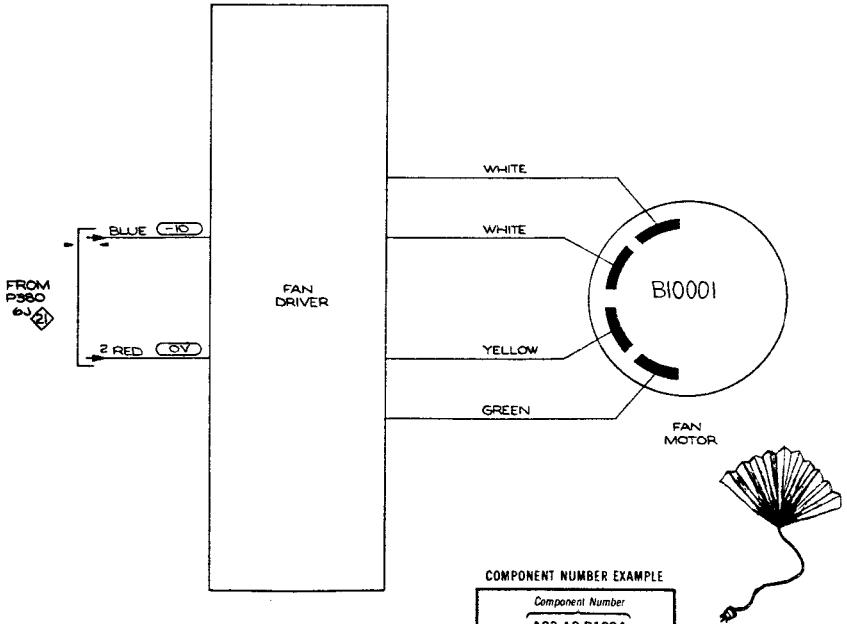
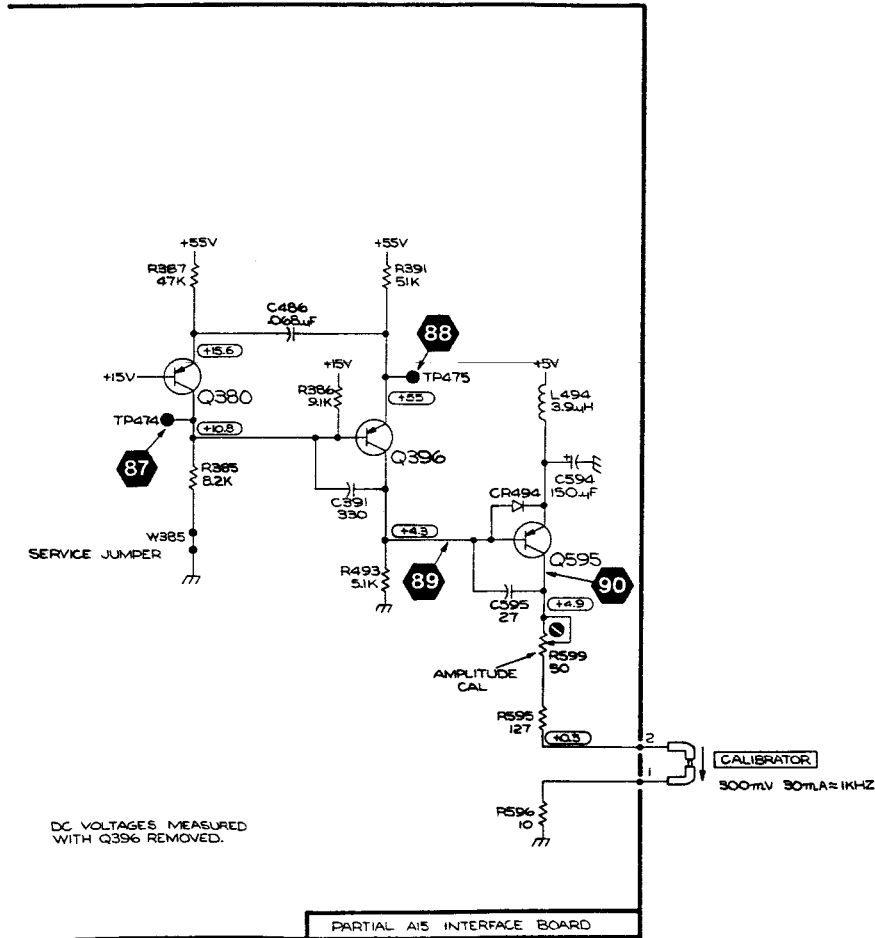


3516-21

ASSEMBLY A15		
CIRCUIT NUMBER	SCHEM LOCATION	BOARD LOCATION
C391	4B	4M
C486	3B	5L
C594	4D	6M
C595	5C	5M
CR494	4C	5M
L494	4D	5M
Q380	3B	4L
Q396	4C	4N
Q595	4D	6N
R385	4B	4L
R386	3B	4L
R387	3B	4L
R391	3C	4M
R493	5C	5M
R595	5D	6N
R596	6D	6N
R599	5D	5N
TP474	4A	5K
TP475	3C	5K
W385	4B	3L

Partial A15 also shown on diagrams 3, 4, 5, 7, 8, 9, 10, 11 and 20.

← WAVEFORMS



Chassis-mounted components have no Assembly Number prefix—see end of Replaceable Electrical Parts List.

⊗ Static Sensitive Devices
See Maintenance Section

NUMERAL AND LETTER AT SIGNAL LINES TO OR FROM OTHER DIAGRAMS INDICATES THE GRID COORDINATE ON ANOTHER SCHEMATIC (FOR EXAMPLE: 4E)

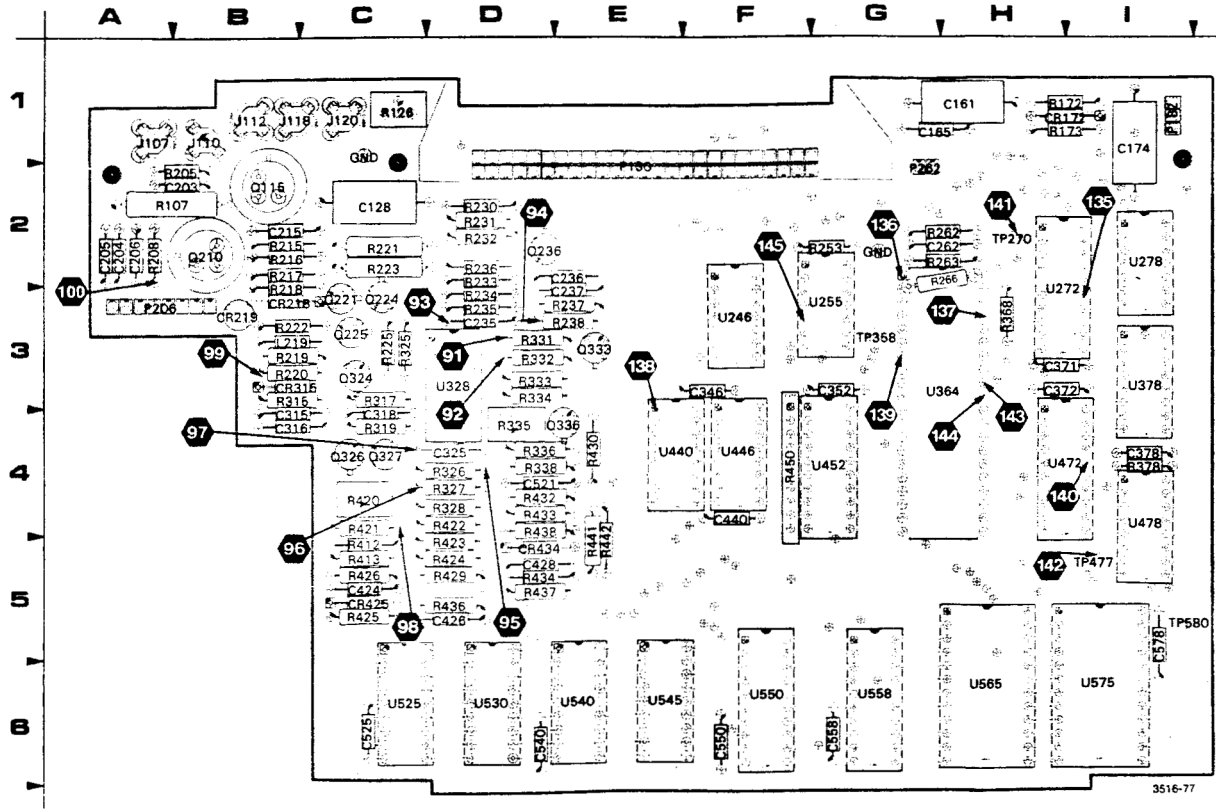


Figure 8-20. A21 Microprocessor board.

A21 MICROPROCESSOR BOARD

COMPONENTS LOCATED ON SCHEMATIC DIAGRAM

13

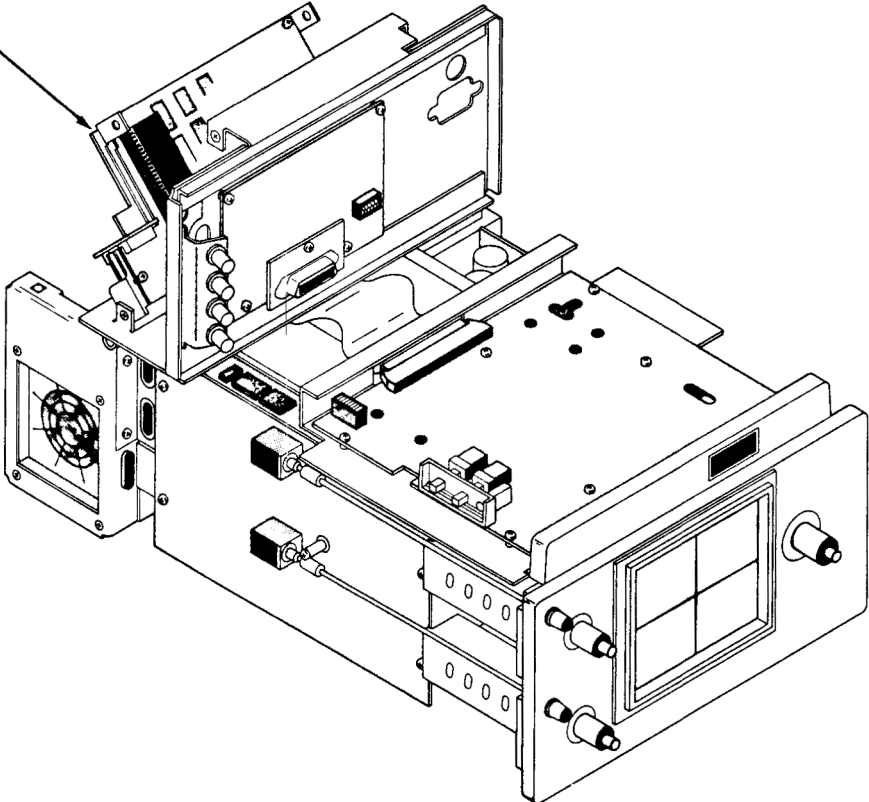
C128	CR425	Q326	R232	R412
C203	CR434	Q327	R233	R413
C204		Q333	R234	R420
C205	J107	Q336	R235	R421
C206	J110		R236	R422
C215	J112	R107	R237	R423
C235	J118	R126	R238	R424
C236	J120	R205	R315	R425
C237		R208	R317	R426
C315	L219	R215	R319	R429
C316		R216	R325	R430
C318	P130	R217	R326	R432
C325	P130	R218	R327	R433
C424		R219	R328	R434
C426	Q115	R220	R331	R436
C428	Q210	R221	R332	R437
C521	Q221	R222	R333	R438
	Q224	R223	R334	R441
	Q225	R225	R335	R442
CR218	Q236	R230	R336	
CR219	Q324	R231	R338	U328
CR315				

COMPONENTS LOCATED ON SCHEMATIC DIAGRAM

18

C161	P130	R450C	U272A	U452
C165	P130	R450D	U272A	U472B
C174	P130	R450E	U272B	U472C
C262	P130	R450F	U272C	U472D
C346	P130	R450G	U272D	U472E
C352	P182	R450H	U272E	U472F
C371	P262		U272F	U472G
C372		TP270	U272G	U472H
C378	R172	TP358	U272H	U478
C440	R173	TP477	U278A	U525
C525	R253	TP580	U278B	U530
C540	R262		U278C	U540
C550	R263	U246A	U278D	U545
C558	R266	U246B	U364	U550
C578	R368	U246C	U378	U558
	R378	U255A	U440	U565
CR172	R450A	U255B	U446	U575
	R450B			

A21 MICROPROCESSOR
CIRCUIT BOARD



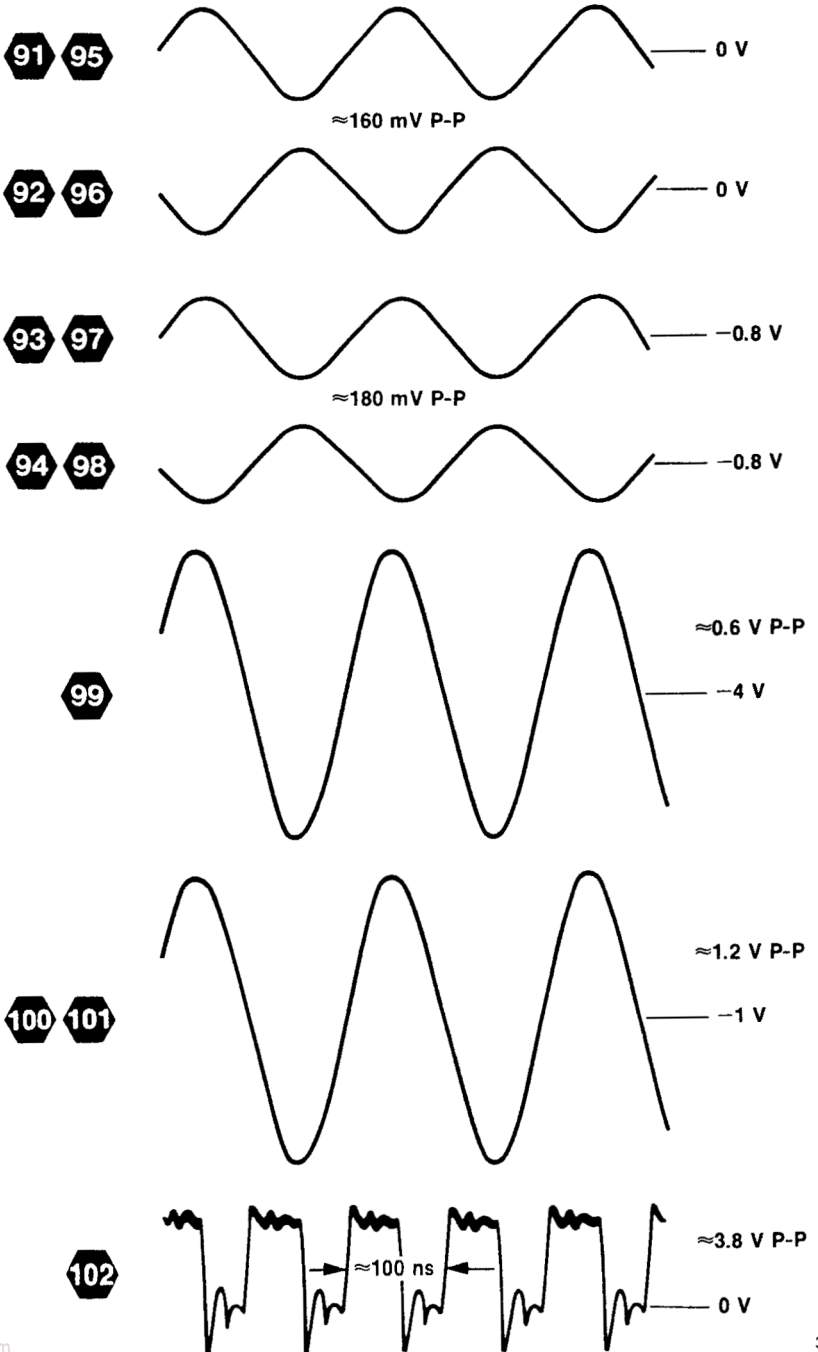
468 CONTROL SETTINGS FOR 13

DC Voltages

STORAGE MODE	NORM
TRIG MODE	AUTO

AC Waveforms

STORAGE MODE	NORM
A TRIG MODE	AUTO
A TRIGGER LEVEL	Fully clockwise
VERT MODE	CH 1
TIME/DIV	5 μ s
VOLTS/DIV	5 mV
AC-GND-DC (both)	DC
CH 1 & CH 2 input signal	6-division, 50-kHz reference sine wave



A/D CONVERTER & CHANNEL SWITCH DIAGRAM 13

ASSEMBLY A18								
CIRCUIT NUMBER	SCHEM LOCATION	BOARD LOCATION	CIRCUIT NUMBER	SCHEM LOCATION	BOARD LOCATION	CIRCUIT NUMBER	SCHEM LOCATION	BOARD LOCATION
C172	7K	2H	P276	6L	2I	R252G	1M	3F
C255	3M	2G	P278	1J	3I	R255	1M	2G
C266	2L	3H				R265	3K	2H
C556	7K	5H	Q260	3L	2G	R266	2K	2H
						R267	2K	2H
CR174	1K	2H	R252A	1M	3F	R271	1K	4H
			R252B	1M	3F			
P152	6M	1E	R252C	1M	3F	U264	3K	2H
P152	7J	1E	R252D	1M	3F	U274	2K	2I
P246	6M	2E	R252E	1M	3F	U356	5M	3G
P266	1J	2H	R252F	1M	3F	U456	1L	5G

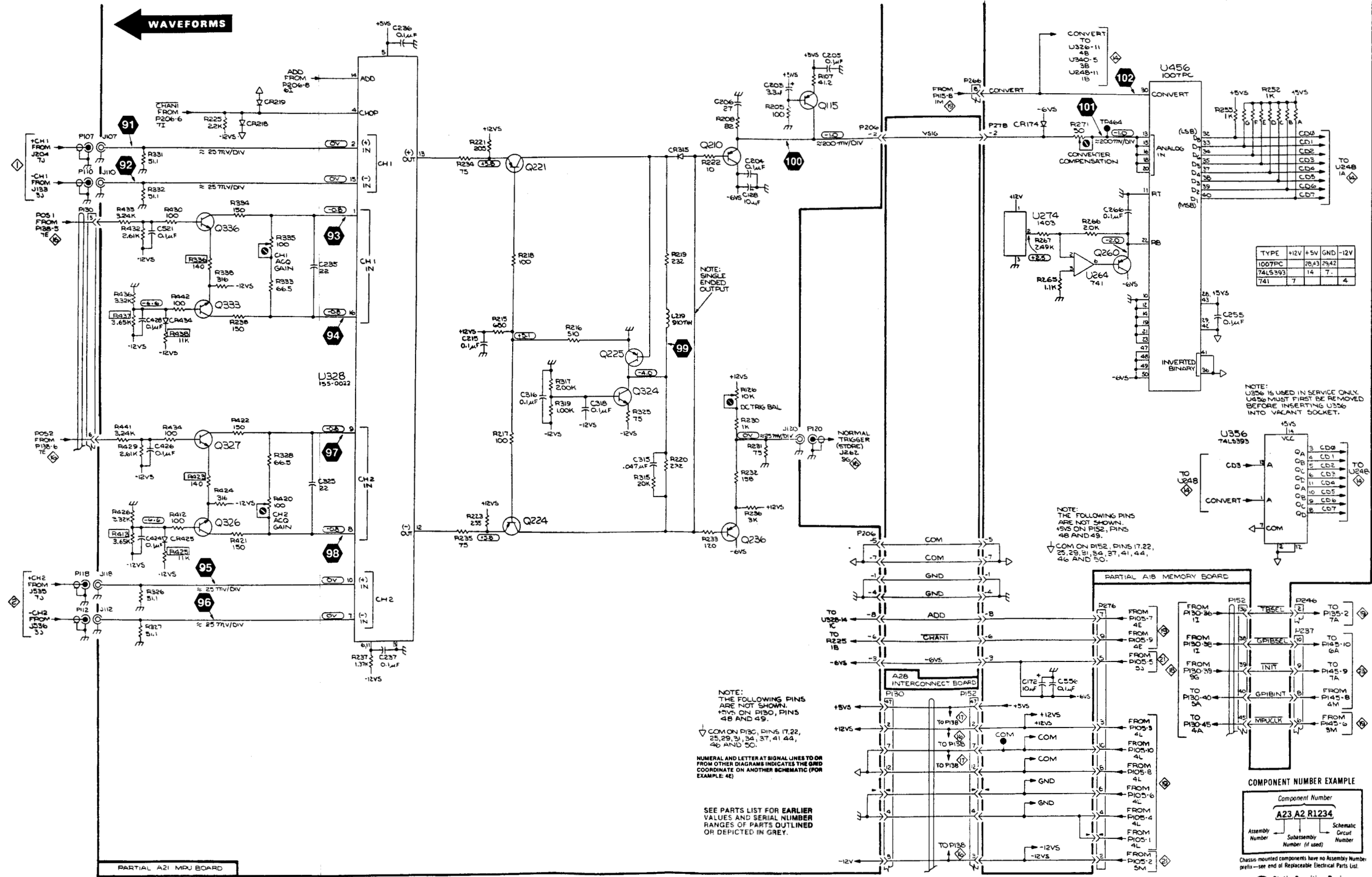
Partial A18 also shown on diagram 14.

ASSEMBLY A21								
CIRCUIT NUMBER	SCHEM LOCATION	BOARD LOCATION	CIRCUIT NUMBER	SCHEM LOCATION	BOARD LOCATION	CIRCUIT NUMBER	SCHEM LOCATION	BOARD LOCATION
C128	2H	2C	Q115	1I	2B	R315	5G	3B
C203	1H	2B	Q210	2H	2B	R317	4F	3C
C204	2H	2A	Q221	2E	3C	R319	4F	4C
C205	1I	2A	Q224	5E	3C	R325	4G	3G
C206	1H	2A	Q225	4G	3C	R326	6B	4D
C215	3E	2B	Q236	5H	2D	R327	6B	4D
C235	3C	3D	Q324	4G	3C	R328	5C	4D
C236	1D	2E	Q326	5B	4C	R331	2B	3D
C237	7D	3E	Q327	5B	4C	R332	2B	3D
C315	5G	4B	Q333	3B	3E	R333	3C	3D
C316	4F	4B	Q336	2B	4E	R334	2B	3D
C318	4F	4C				R335	2C	4D
C325	5C	4D	R107	1I	2A	R336	3B	4D
C424	6B	5C	R126	4H	1C	R338	3B	4D
C426	5B	5D	R205	1H	2B	R412	5B	5C
C428	3B	5D	R208	1H	2A	R413	5A	5C
C521	2B	4D	R215	3E	2B	R420	5C	4C
			R216	3F	2B	R421	6B	4C
CR218	1C	3B	R217	5E	2B	R422	4B	4D
CR219	1C	3B	R218	3E	3B	R423	5B	5D
CR315	2G	3B	R219	3G	3B	R424	5B	5D
CR425	6B	5C	R220	5G	3B	R425	6B	5C
CR434	3B	5D	R221	1E	2C	R426	5A	5C
			R222	2G	3B	R429	5A	5D
J107	1A	1A	R223	5E	2C	R430	2B	4E
J110	2A	1B	R225	1B	3C	R432	2A	4D
J112	6A	1B	R230	4H	2D	R433	2A	4D
J118	6A	1B	R231	5H	2D	R434	5B	5D
J120	5H	1C	R232	5H	2D	R436	3A	5D
			R233	5G	2D	R437	3A	5D
L219	3G	3B	R234	1E	3D	R438	3B	4D
			R235	6E	3D	R441	5A	5E
P130	2A	1E	R236	5H	2D	R442	3B	5E
P130	7I	1E	R237	7D	3E			
			R238	3B	3E	U328	4D	3D

Partial A21 also shown on diagram 18.

CHASSIS MOUNTED PARTS								
CIRCUIT NUMBER	SCHEM LOCATION	BOARD LOCATION	CIRCUIT NUMBER	SCHEM LOCATION	BOARD LOCATION	CIRCUIT NUMBER	SCHEM LOCATION	BOARD LOCATION
P107	1A	CHASSIS	P118	6A	CHASSIS	P206	1I	CHASSIS
P110	2A	CHASSIS	P120	4I	CHASSIS			
P112	1I	CHASSIS						

← WAVEFORMS



TYPE	+12V	+5V	GND	-12V
1007PC	78,43	29,42		
74LS393	14	7		
741	7			4

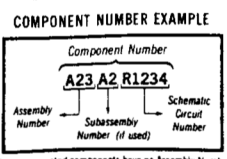
NOTE: U356 IS USED IN SERVICE ONLY. U356 MUST FIRST BE REMOVED BEFORE INSERTING U356 INTO VACANT SOCKET.

NOTE: THE FOLLOWING PINS ARE NOT SHOWN. +5V ON P152, PINS 48 AND 49. COM ON P152, PINS 17, 22, 25, 29, 31, 34, 37, 41, 44, 46 AND 50.

NOTE: THE FOLLOWING PINS ARE NOT SHOWN. +5V ON P130, PINS 48 AND 49. COM ON P130, PINS 17, 22, 25, 29, 31, 34, 37, 41, 44, 46 AND 50.

NUMERAL AND LETTER AT SIGNAL LINES TO OR FROM OTHER DIAGRAMS INDICATES THE GRID COORDINATE ON ANOTHER SCHEMATIC (FOR EXAMPLE: 4E)

SEE PARTS LIST FOR EARLIER VALUES AND SERIAL NUMBER RANGES OF PARTS OUTLINED OR DEPICTED IN GREY.



Chassis-mounted components have no Assembly Number prefix—see end of Replaceable Parts List.

Static Sensitive Devices See Maintenance Section

A18 MEMORY BOARD

COMPONENTS LOCATED ON SCHEMATIC DIAGRAM

13

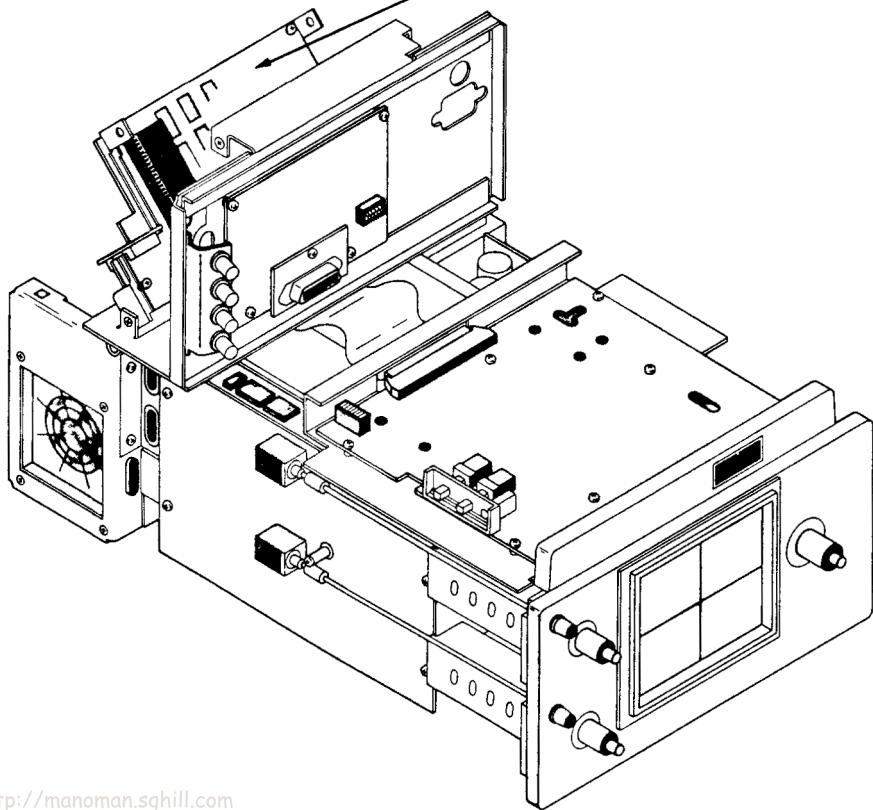
C172	P152	P278	R252B	R252G	R271
C255	P152		R252C	R255	
C266	P246	Q260	R252D	R265	U264
C556	P266		R252E	R266	U274
	P276	R252A	R252F	R267	U356
CR174					U456

COMPONENTS LOCATED ON SCHEMATIC DIAGRAM

14

C210	P246	R332B	TP252	U220D	U340C
C216	P257	R332C	TP446	U226	U340D
C250	P257	R332D		U232	U426
C255	P257	R332E		U240	U432
C340	P257	R440A	U108	U248	U440A
C540	P257	R440B	U112	U306	U448
C547	P266	R440C	U120A	U312	U508
C612	P266	R440D	U120B	U320	U512
	P266	R440E	U206	U326A	U520
P152		R502B	U210	U326B	U526
P152	R104	R502C	U216	U332A	U532
P160	R106	R502E	U220A	U332B	U540
P237	R118	R502F	U220B	U340A	U548
P246	R332A		U220C	U340B	

A18 MEMORY
CIRCUIT BOARD



468 CONTROL SETTINGS FOR 14

DC Voltages

STORAGE MODE

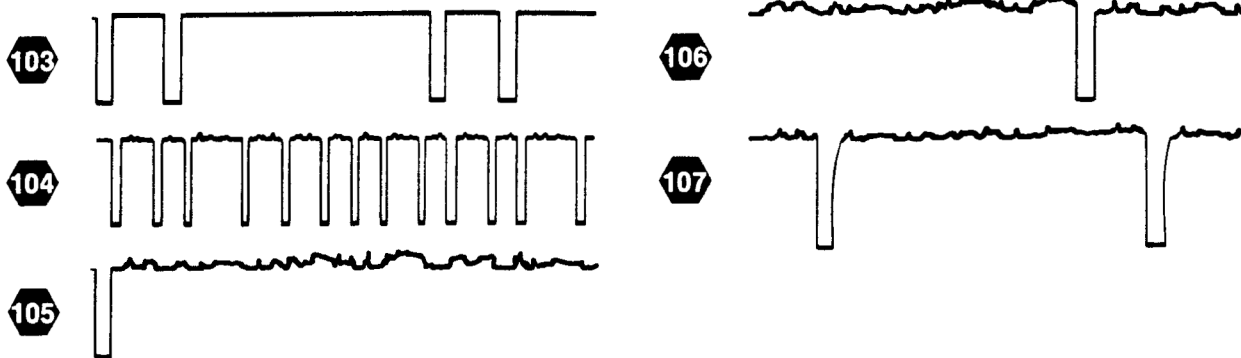
NORM

AC Waveforms

Setup in service mode. (See "Service Test" information in the Maintenance section of Volume I of this manual.)

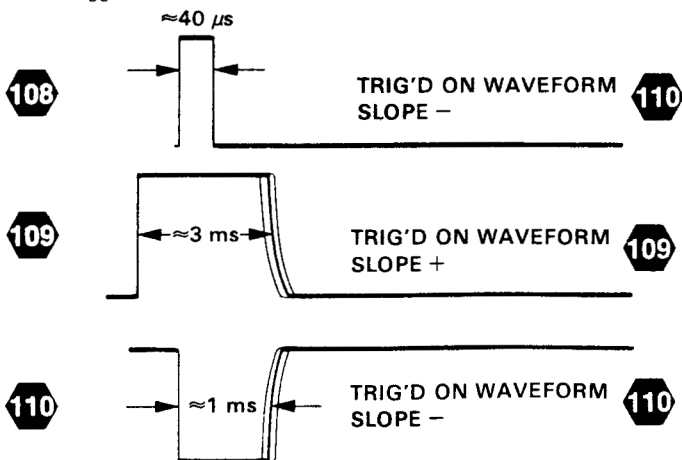
Waveform p-p amplitude is from 0 V to ≈ 3.8 V (TTL levels).

Run the Acquisition Write Test.

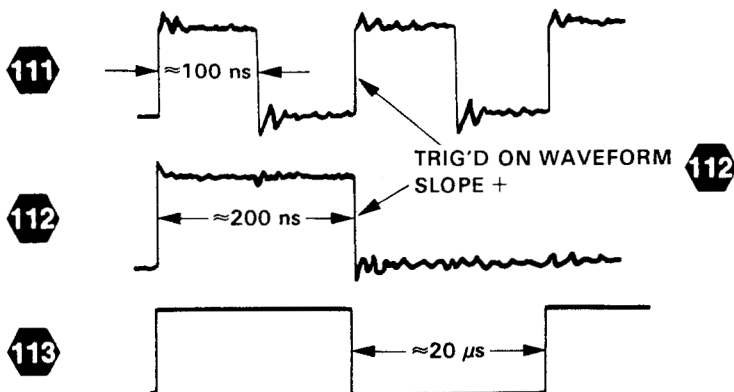


Replace the operating ROM and make the following 468 CONTROL SETTINGS:

STORAGE MODE	NORM
CH 1 INPUT SIGNAL	CALIBRATOR
TIME/DIV	1 ms
VERT MODE	CH 1
TRIG MODE	AUTO
Test Oscilloscope	
Trigger Source	Ext



SET: STORAGE MODE TO ENVELOPE

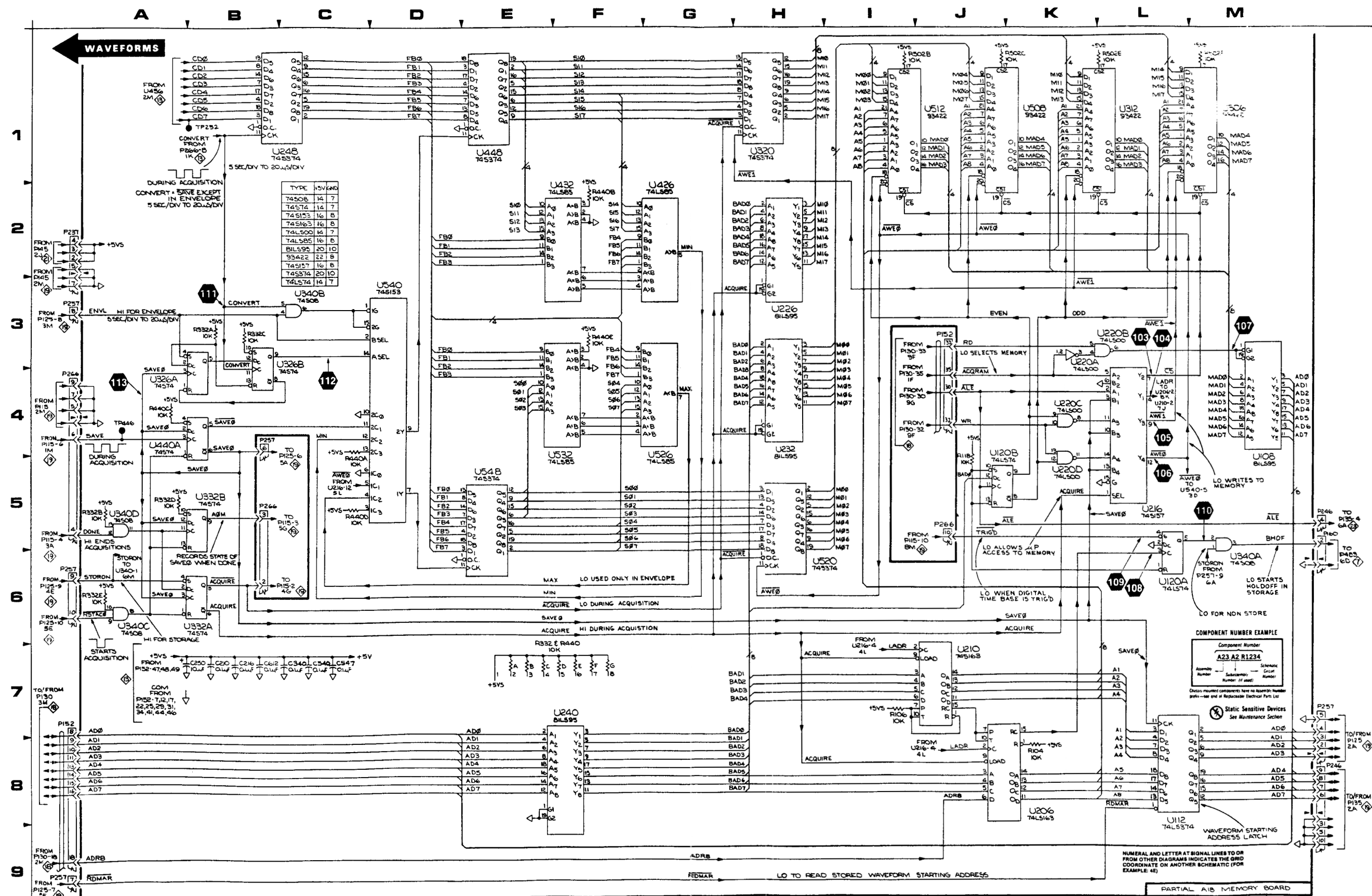


ACQUISITION & MEMORY DIAGRAM 14

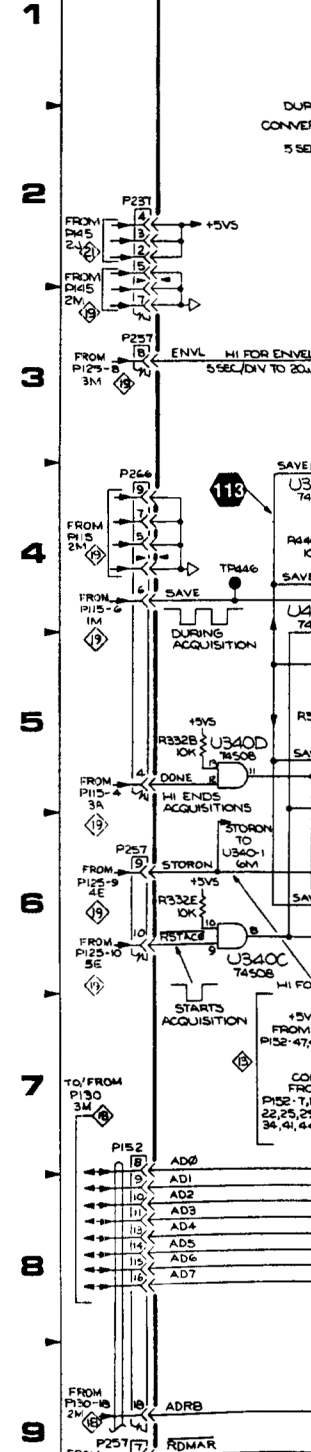
ASSEMBLY A18

CIRCUIT NUMBER	SCHEM LOCATION	BOARD LOCATION	CIRCUIT NUMBER	SCHEM LOCATION	BOARD LOCATION
C210	7B	3B	TP252	1B	2F
C216	7B	3B	TP446	4A	5F
C250	7B	2F			
C255	3M	2G			
C340	7C	4E	U108	4M	2B
C540	7C	6E	U112	7L	2B
C547	7C	6F	U120A	6L	2C
C612	7B	6B	U120B	4J	2C
			U206	8K	3A
P152	3J	1E	U210	7J	3B
P152	7A	1E	U216	5L	3C
P160	5M	1H	U220A	3K	3C
P237	2A	2D	U220B	3L	3C
P246	5M	2E	U220C	4K	3C
P246	8M	2E	U220D	5K	3C
P257	3A	2G	U226	3H	3D
P257	4B	2G	U232	4H	3E
P257	6A	2G	U240	7F	3E
P257	7M	2G	U248	1C	3F
P257	9A	2G	U306	1M	4A
P266	4A	2H	U312	1L	4B
P266	5B	2H	U320	1H	4C
P266	5J	2H	U326A	4A	4D
			U326B	3C	4D
R104	8K	2A	U332A	6B	4E
R106	7I	2A	U332B	6B	4E
R118	4J	2C	U340A	5M	4E
R332A	3B	4D	U340B	3C	4E
R332B	5A	4D	U340C	6A	4E
R332C	3B	4D	U340D	5A	4E
R332D	5A	4D	U426	2G	5D
R332E	6A	4D	U432	2F	5E
R440A	4C	5E	U440A	4A	5E
R440B	2F	5E	U448	1E	4F
R440C	4A	5E	U508	1K	6B
R440D	5C	5E	U512	1J	6B
R440E	3F	5E	U520	6I	4E
R502B	1I	6A	U526	4G	6D
R502C	1J	6A	U532	4F	6E
R502E	1L	6A	U540	3D	6E
R502F	1M	6A	U548	5E	6E

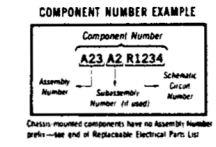
Partial A18 also shown on diagram 13.



WAVEFORMS



TYPE	+5V GND
7450B	14 7
74574	14 7
745153	16 8
745163	16 8
74LS00	14 7
74LS85	16 8
BIL595	20 10
745157	16 8
745374	20 10
74LS74	14 7



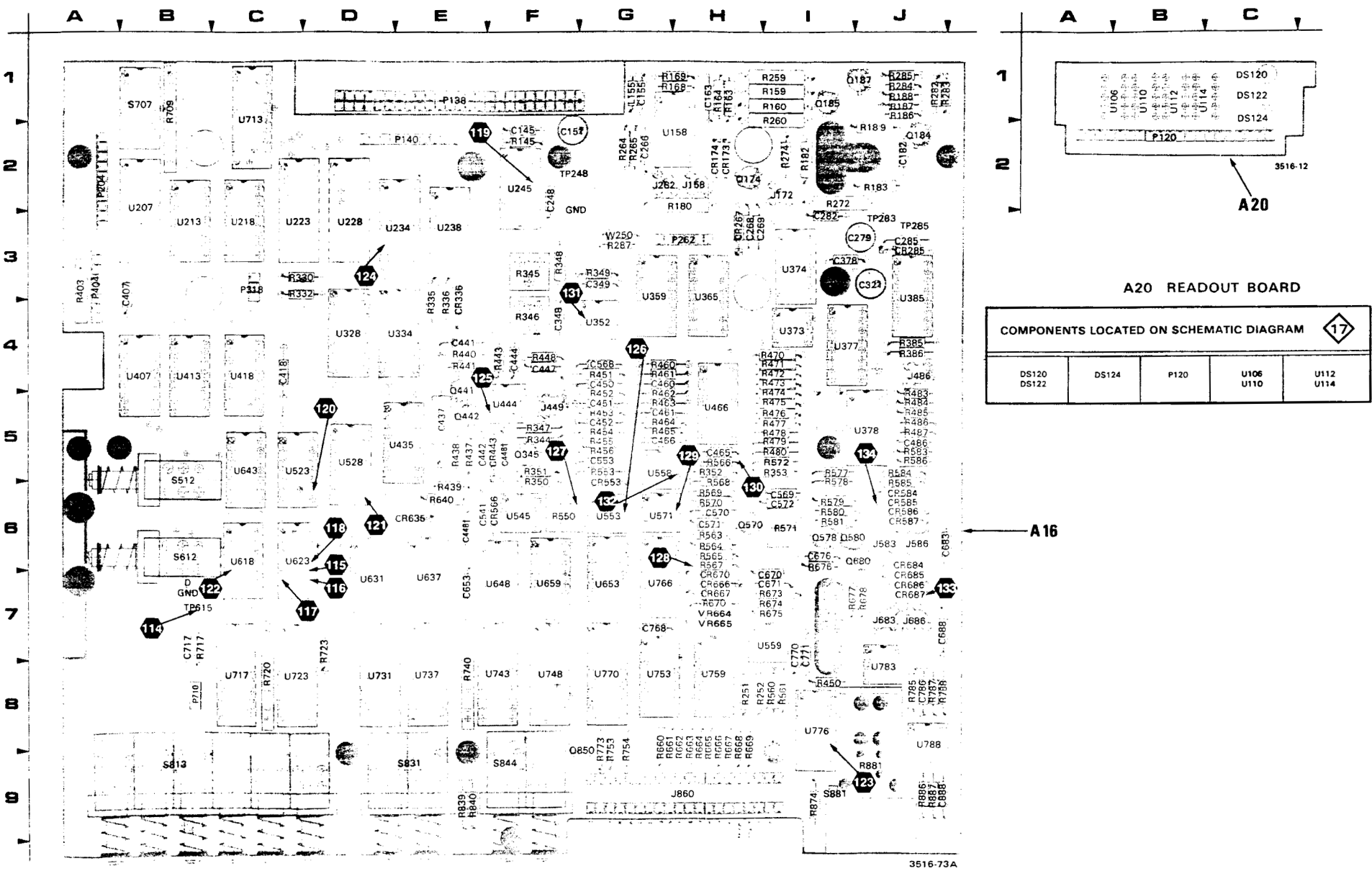
Obtain required components from the Assembly Number and Assembly Number at the end of the Resistor Electrical Parts List.

Static Sensitive Devices See Maintenance Section

NUMERAL AND LETTER AT SIGNAL LINES TO OR FROM OTHER DIAGRAMS INDICATE THE GRID COORDINATE ON ANOTHER SCHEMATIC (FOR EXAMPLE: 4E)

PARTIAL A18 MEMORY BOARD

ACQUISITION MEMORY 14



A20 READOUT BOARD

COMMENTS LOCATED ON SCHEMATIC DIAGRAM 17

DS120 DS122	DS124	P120	U106 U110	U112 U114
----------------	-------	------	--------------	--------------

Figure 8-22. A16 Storage Display and A20 Readout boards.

A16 STORAGE DISPLAY BOARD

COMPONENTS LOCATED ON SCHEMATIC DIAGRAM

15

C145	R145	R487	R874	U238A	U378E	U631B	U770
C486	R403A	R577	R881	U238B	U407	U637A	U776
C688	R403B	R578	R886	U238C	U413	U637B	U788
C786	R403C	R583	R887	U238D	U418	U643A	
C888	R478	R586		U245	U523	U643B	
	R479	R720A	S881A	U328	U523B	U643D	
J486	R483	R773	S881B	U334	U528	U648	
	R484	R785		U378A	U618B	U723	
P138	R485	R787	TP615	U378B	U623	U731	
P138	R486	R788		U378D	U631A	U737	
			U234				

COMPONENTS LOCATED ON SCHEMATIC DIAGRAM

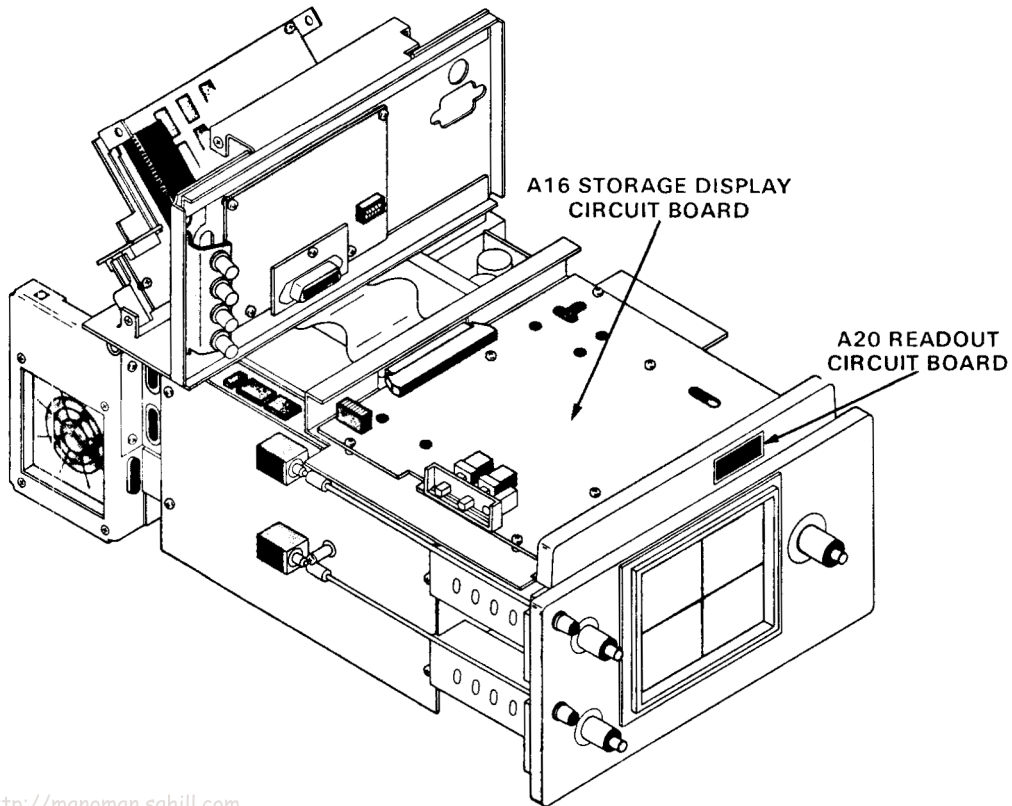
16

C155	C553	CR670	Q578	R335	R462	R584	U377
C163	C568	CR684	Q580	R336	R463	R585	U378C
C182	C569	CR685	Q680	R344	R464	R640	U385
C266	C570	CR686		R345	R465	R670	U435
C268	C571	CR687	R159	R346	R470	R673	U444
C269	C572		R160	R347	R471	R674	U466A
C279	C670	J158	R163	R348	R472	R675	U466B
C282	C671	J172	R164	R349	R473	R676	U466C
C285	C676	J262	R168	R350	R474	R677	U523D
C321	C683	J449	R169	R351	R475	R678	U545
C348	C770	J583	R180	R352	R476	R717	U553A
C349	C771	J586	R182	R353	R477	R723	U553B
C378		J683	R183	R385	R480		U558
C437	CR173	J686	R186	R386	R550	TP283	U559A
C441	CR174		R187	R437	R553	TP285	U559B
C442	CR267	L155	R188	R438	R560		U571A
C444	CR285		R189	R439	R561	U158A	U571B
C447	CR336	P138	R251	R440	R563	U158B	U653
C448	CR443	P138	R252	R441	R564	U158C	U659
C450	CR553	P262	R259	R443	R565	U158D	U766
C451	CR566	P262	R260	R448	R566	U158E	U783
C452	CR584		R264	R450	R567	U352	
C460	CR585	Q174	R265	R451	R568	U359	VR664
C461	CR586	Q184	R272	R452	R569	U365	VR665
C465	CR587	Q185	R274	R453	R570	U373A	
C466	CR635	Q187	R282	R454	R571	U373B	W250
C541	CR666	Q345	R283	R455	R572	U374A	
	CR667	Q441	R284	R456	R579	U374B	
		Q442	R285	R460	R580	U374C	
		Q570	R287	R461	R581	U374D	

COMPONENTS LOCATED ON SCHEMATIC DIAGRAM

17

C151	P138	R660	R709B	R720F	R640	S831A	U228
C248	P140	R661	R709C	R720G		S831B	U713
C407	P204	R662	R709D	R720H	S512	S844A	U717
C418	P318	R663	R709E	R720I	S612	S844B	U743
C653	P404	R664	R709F	R740A	S707		U748
C717	P404	R665	R709G	R740B	S813A	TP248	U753
C768	P710	R666	R709H	R740C	S813B		U759
	Q850	R667	R720B	R740E	S813C	U207	
J860		R668	R720C	R753	S813D	U213	
J860	R330	R669	R720D	R754	S813E	U218	
	R332	R709A	R720E	R839	S813F	U223	



DC Voltages

STORAGE MODE

NORM

AC Waveforms

STORAGE MODE

NORM

VERT MODE

CH 1

HORIZ DISPLAY

A

TIME/DIV

5 μ s

VOLTS/DIV

5 mV

CH 1 INPUT

6-division, 50-kHz reference sine wave

A TRIG MODE

AUTO

A TRIGGER SOURCE

NORM

A TRIGGER LEVEL

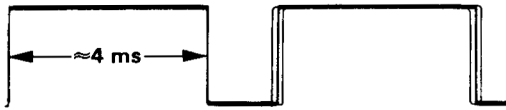
Stable, triggered display

CURSOR FUNCTION

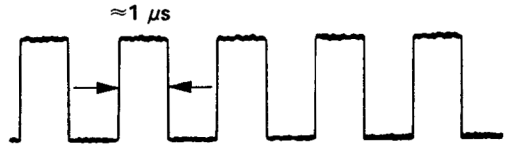
Both off (push buttons out)

Obtain a NORM Storage Display of the CH 1 input signal, then press in the SAVE Storage Mode push button.

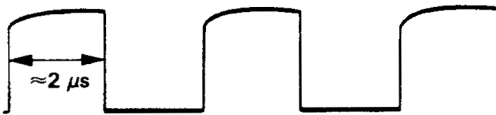
114



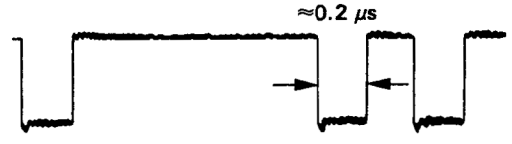
119



115



120



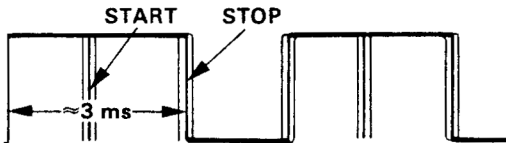
116



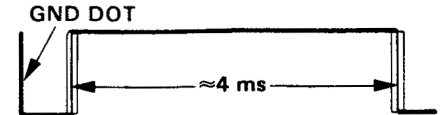
121



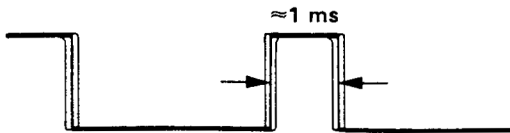
117



122



118



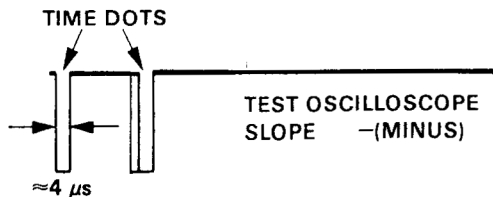
123



SET:

CURSOR FUNCTION TIME
POSITION TIME DOTS 0.2 DIVISION APART ON CRT

124



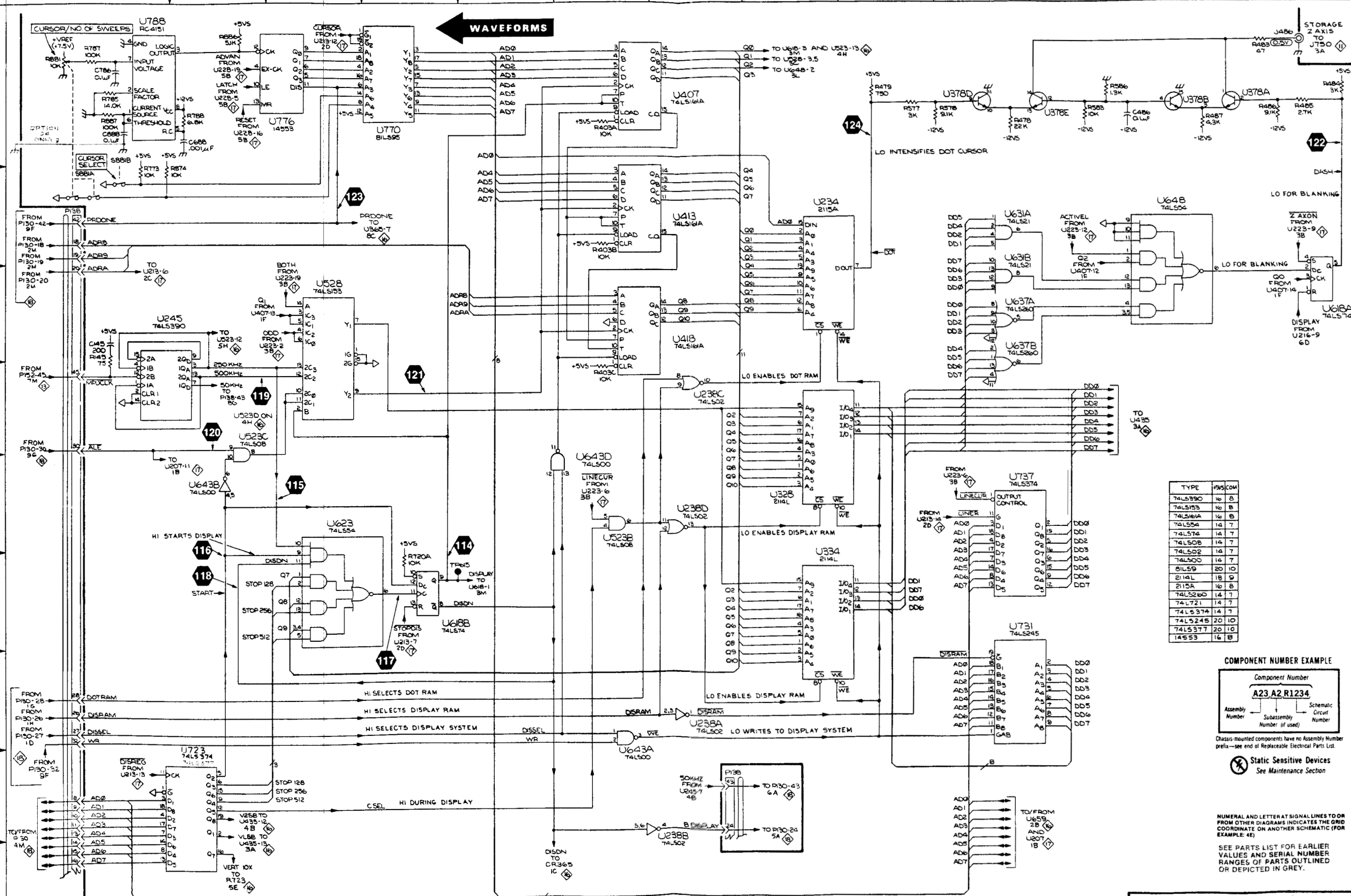
STORAGE DISPLAY RAM & Z AXIS DIAGRAM

15

ASSEMBLY A16					
CIRCUIT NUMBER	SCHEM LOCATION	BOARD LOCATION	CIRCUIT NUMBER	SCHEM LOCATION	BOARD LOCATION
C145	3A	2F	TP615	6D	7B
C486	1L	5J			
C688	1B	7J	U234	2H	3E
C786	1A	8J	U238A	7G	3E
C888	1A	9J	U238B	8G	3E
			U238C	4G	3E
J486	1M	4J	U238D	5G	3E
			U245	3A	2F
P138	2A	1E	U328	5H	3D
P138	8G	1E	U334	6H	4E
			U378A	1M	5J
R145	3A	2F	U378B	1L	5J
R403A	1F	3A	U378D	1J	5J
R403B	2F	3A	U378E	1K	5J
R403C	4F	3A	U407	1G	4B
R478	1J	5I	U413	2G	4B
R479	1I	5I	U418	3G	4C
R483	1M	4J	U523	4B	5D
R484	1M	5J	U523B	5F	5D
R485	1M	5J	U528	3C	5D
R486	1M	5J	U618B	6D	6C
R487	1L	5J	U623	5C	8C
R577	1I	5I	U631A	2J	7D
R578	1J	5I	U631B	2J	7D
R583	1K	5J	U637A	3J	7E
R586	1K	5J	U637B	3J	7E
R720A	6D	8C	U643A	8F	5C
R773	2A	8G	U643B	5B	5C
R785	1A	8J	U643D	5F	5C
R787	1A	8J	U648	2L	7F
R788	1B	8J	U723	8B	8C
R874	2B	9I	U731	6J	8D
R881	1A	9J	U737	5J	8E
R886	1B	9J	U770	1D	8G
R887	1A	9J	U776	1C	8I
			U788	1A	8J
S881A	2A	9I			
S881B	2A	9I			

Partial A16 also shown on diagrams 16 and 17.

← WAVEFORMS



TYPE	HW/COM
74LS990	16 B
74LS991	16 B
74LS992	16 B
74LS993	16 B
74LS994	16 B
74LS995	16 B
74LS996	16 B
74LS997	16 B
74LS998	16 B
74LS999	16 B
74LS1000	16 B

COMPONENT NUMBER EXAMPLE

Component Number
A23 A2 R1234

Assembly Number Subassembly Number (if used) Schematic Circuit Number

Chassis-mounted components have no Assembly Number prefix—see end of Replaceable Electrical Parts List

⊗ Static Sensitive Devices
 See Maintenance Section

NUMERAL AND LETTER AT SIGNAL LINES TO OR FROM OTHER DIAGRAMS INDICATES THE GRID COORDINATE ON ANOTHER SCHEMATIC (FOR EXAMPLE: 4E)

SEE PARTS LIST FOR EARLIER VALUES AND SERIAL NUMBER RANGES OF PARTS OUTLINED OR DEPICTED IN GREY.

DC Voltages

STORAGE MODE

NORM

AC Waveforms

STORAGE MODE

NORM

VERT MODE

CH 1

HORIZ DISPLAY

A

TIME/DIV

5 μ s

VOLTS/DIV

5 mV

CH 1 INPUT

6-division, 50-kHz reference sine wave

A TRIG MODE

AUTO

A TRIGGER SOURCE

NORM

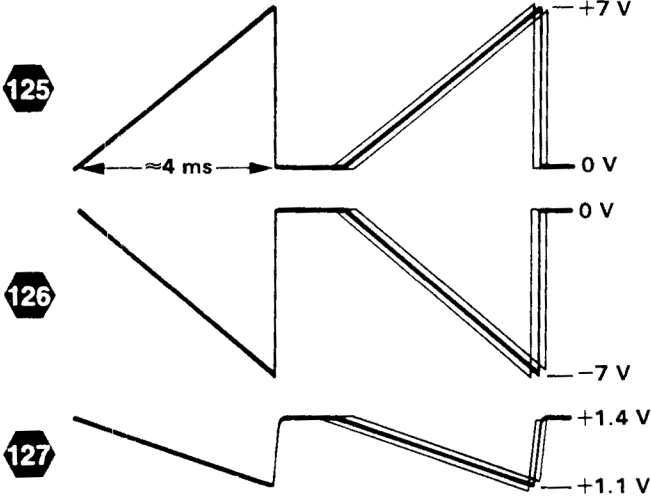
A TRIGGER LEVEL

Stable, triggered display

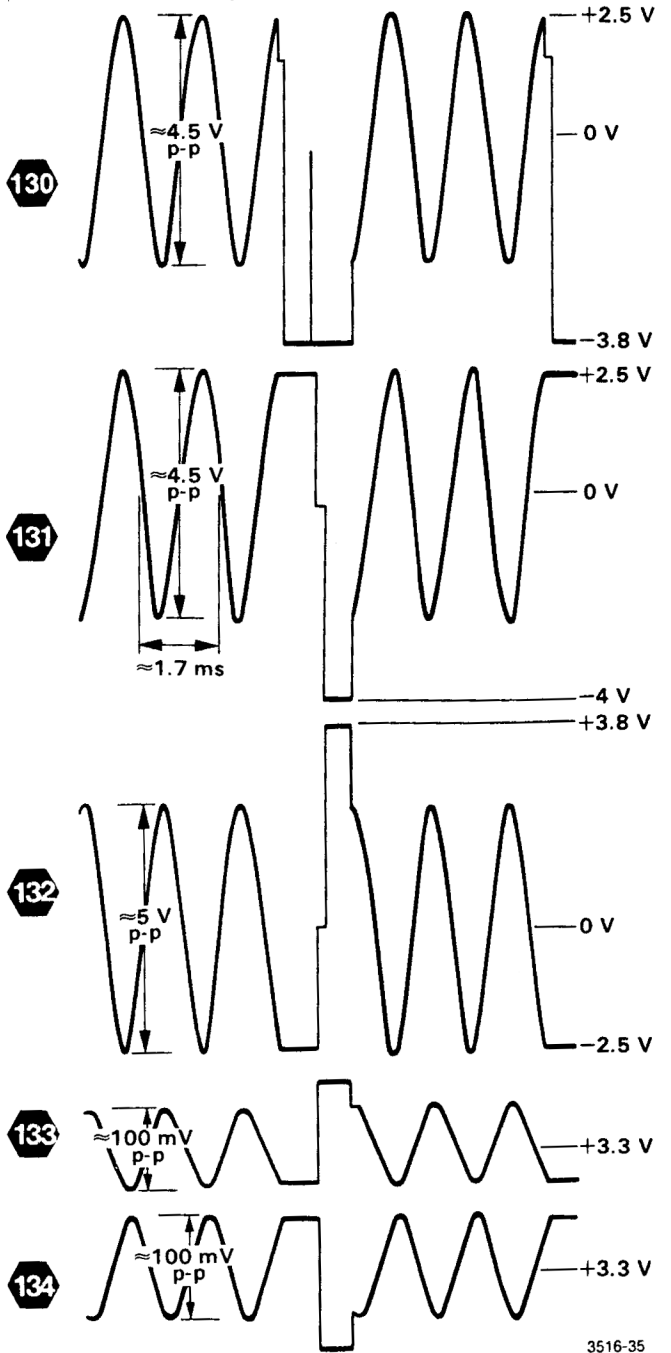
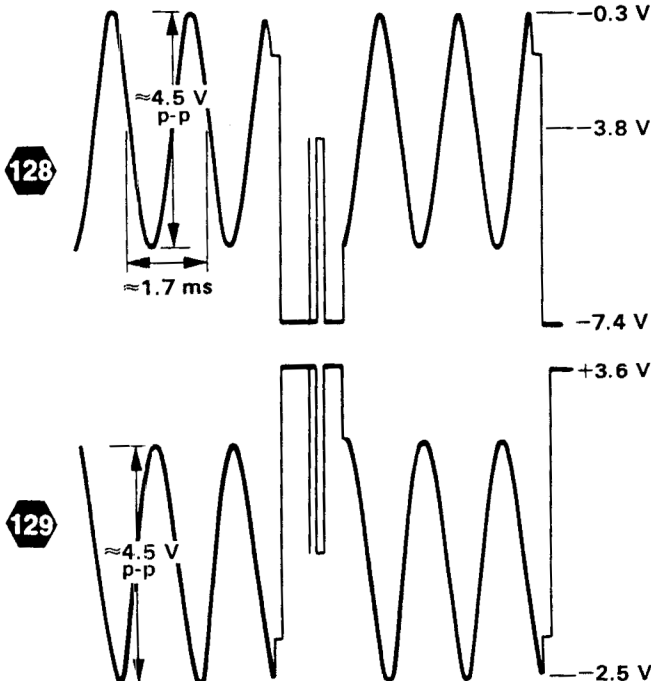
CURSOR FUNCTION

Both off (push buttons out)

Trigger the test oscilloscope on the waveform at TP615.



NOTE: THE EXACT SINE-WAVE PHASE OF THE FOLLOWING WAVEFORMS DEPENDS ON THE TRIGGERING DURING ACQUISITION OF THE DISPLAY.



STORAGE DISPLAY X & Y AXIS DIAGRAM

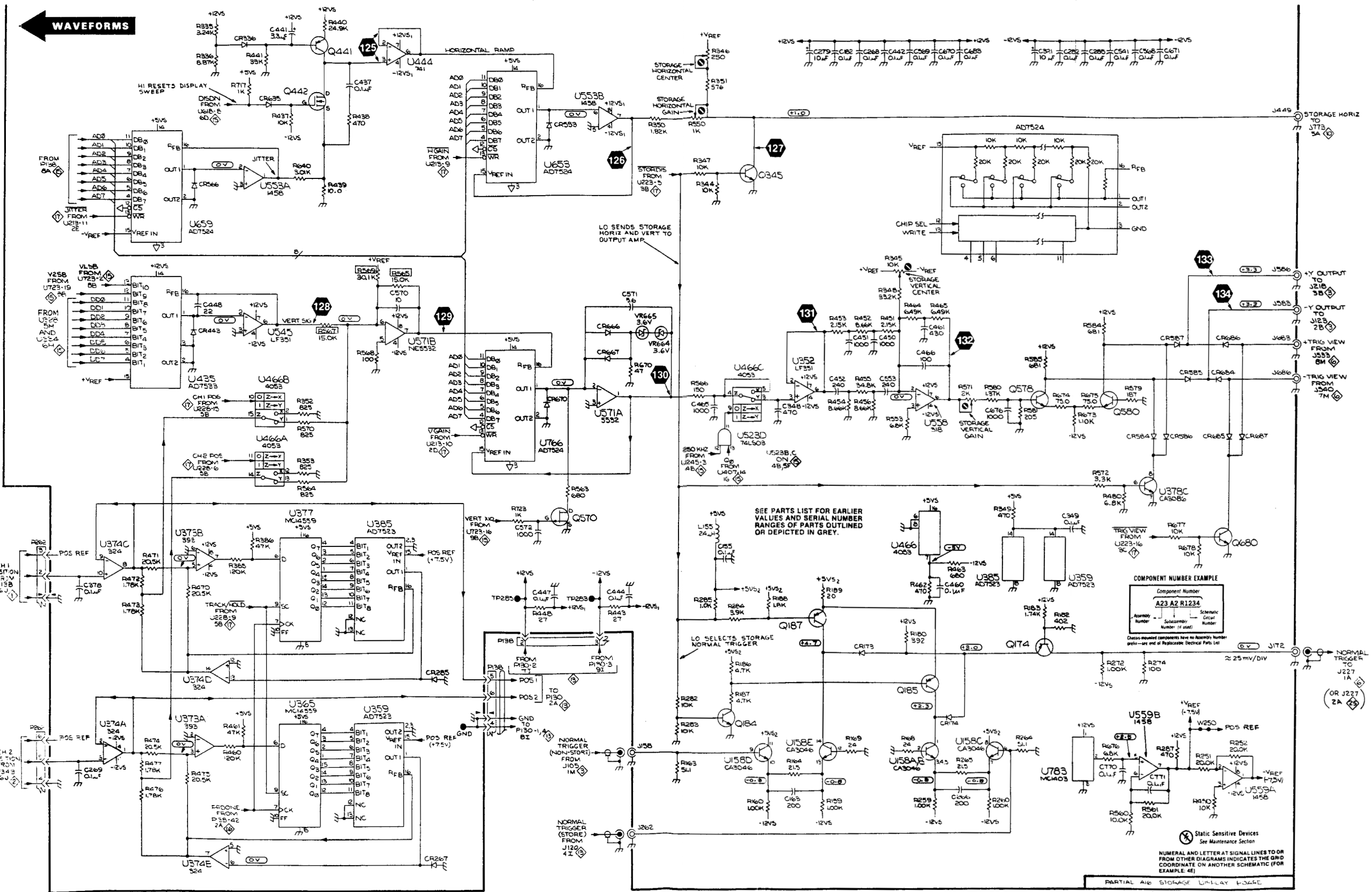
ASSEMBLY A16								
CIRCUIT NUMBER	SCHEM LOCATION	BOARD LOCATION	CIRCUIT NUMBER	SCHEM LOCATION	BOARD LOCATION	CIRCUIT NUMBER	SCHEM LOCATION	BOARD LOCATION
C155	6H	1G	P262	8A	3G	R473	6A	4I
C163	8H	1H				R474	8A	4I
C182	1I	2J	Q174	7K	2H	R475	8B	5I
C266	8J	2G	Q184	7H	2J	R476	8A	5I
C268	1I	3H	Q185	7J	1I	R477	8A	5I
C269	8A	3H	Q187	6I	1J	R480	5L	5I
C279	1I	3J	Q345	2H	5F	R550	1G	6F
C282	1K	3I	Q441	1C	4E	R553	4J	5G
C285	1L	3J	Q442	1C	5E	R560	8L	8I
C321	1K	3J	Q570	5F	6H	R561	8L	8I
C348	4H	4F	Q578	4K	6I	R563	5F	6H
C349	5K	3G	Q580	4L	6I	R564	5C	6H
C378	6A	3I	Q680	6M	6J	R565	3D	6H
C437	1D	5E				R566	4G	5H
C441	1C	4E	R159	8I	1I	R567	3C	6H
C442	1I	5E	R160	8H	1I	R568	4D	5H
C444	6G	4F	R163	8G	1H	R569	3D	7H
C447	6F	4F	R164	8H	1H	R570	4C	6H
C448	3B	6E†	R168	8J	1G	R571	4J	6I
C448	3B	5F†	R169	8I	1G	R572	5L	5I
C450	3I	4G	R180	7J	2H	R579	4L	6I
C451	3I	5G	R182	6K	2I	R580	4K	6I
C452	4I	5G	R183	6K	2J	R581	4K	6I
C460	6J	4G	R186	7H	1J	R584	3L	5J
C461	3J	5G	R187	7H	1J	R585	4K	5J
C465	4H	5H	R188	6H	1J	R640	2C	6E
C466	4J	5G	R189	6I	2J	R670	4G	7H
C541	1L	6E	R251	8M	8H	R673	4K	7I
C553	4I	5G	R252	8M	8H	R674	4K	7I
C568	1L	4G	R259	8J	1I	R675	4L	7I
C569	1J	6H	R260	8K	1I	R676	8L	6I
C570	3D	6H	R264	8K	2G	R677	6L	7J
C571	3G	6H	R265	8J	2G	R678	6M	7J
C572	5F	6I	R272	7L	2I	R717	1C	7B
C670	1J	7I	R274	7L	2I	R723	5E	7D
C671	1L	7I	R282	7G	1J			
C676	4K	6I	R283	7G	1J	TP283	6F	3J
C683	1J	6J	R284	6H	1J	TP285	6E	3J
C770	8L	7I	R285	6H	1J			
C771	8L	7I	R287	8L	3G	U158A	8J	2G
			R335	1B	3E	U158B	8J	2G
CR173	7I	2H	R336	1B	3E	U158C	8J	2G
CR174	7J	2H	R344	2G	5F	U158D	8H	2G
CR267	9E	3H	R345	3J	3F	U158E	8I	2G
CR285	7E	3J	R346	1G	4F	U352	4H	4G
CR336	1B	3E	R347	2G	5F	U359	7D	3G
CR443	3B	5F	R348	3J	3F	U365	7C	3H
CR553	1F	5G	R349	5K	3G	U373A	7B	4I
CR566	2B	6F	R350	1G	5F	U373B	6B	4I
CR584	4L	6J	R351	1G	5F	U374A	8A	3I
CR585	4M	6J	R352	4C	5H	U374B	9B	3I
CR586	4L	6J	R353	5C	5I	U374C	6A	3I
CR587	3L	6J	R385	6B	4J	U374D	7B	3I
CR635	1C	6E	R386	6C	4J	U377	5C	4I
CR666	3F	7H	R437	1C	5E	U378C	5L	5J
CR667	4F	7H	R438	1D	5E	U385	5D	3J
CR670	4F	7H	R439	2C	5E	U435	4B	5E
CR684	4M	6J	R440	1C	4E	U444	1D	5F
CR685	4M	6J	R441	1C	4E	U466A	5C	5H
CR686	3M	7J	R443	6F	4F	U466B	4C	5H
CR687	4M	7J	R448	6F	4F	U466C	4H	5H
			R450	8M	8I	U523D	4H	5D
J158	8G	2H	R451	3I	4G	U545	3C	6F
J172	7M	2I	R452	3I	4G	U553A	2C	6G
J262	9G	2G	R453	3I	5G	U553B	1F	6G
J449	1M	5F	R454	4I	5G	U558	4J	5G
J583	3M	6J	R455	4I	5G	U559A	8M	7I
J586	3M	6J	R456	4I	5G	U559B	8L	7I
J683	3M	7J	R460	8B	4G	U571A	4F	6G
J686	4M	7J	R461	8B	4G	U571B	3D	6G
			R462	6J	4G	U653	2F	7G
L155	5H	1G	R463	6J	5G	U659	2B	6F
			R464	3J	5G	U766	5F	7G
P138	6E	1E	R465	3J	5G	U783	8K	7J
P138	6F	1E	R470	6B	4I	VR664	3G	7H
P262	6A	3G	R471	6A	4I	VR665	3G	7H
			R472	6A	4I	W250	8M	3G

Partial A16 also shown on diagrams 15 and 17.

†Alternate location

← WAVEFORMS

1
2
3
4
5
6
7
8
9



COMPONENT NUMBER EXAMPLE

Component Number			
A23	A1234		
Assembly Number	Subassembly Number (if used)	Schematic Catalog Number	

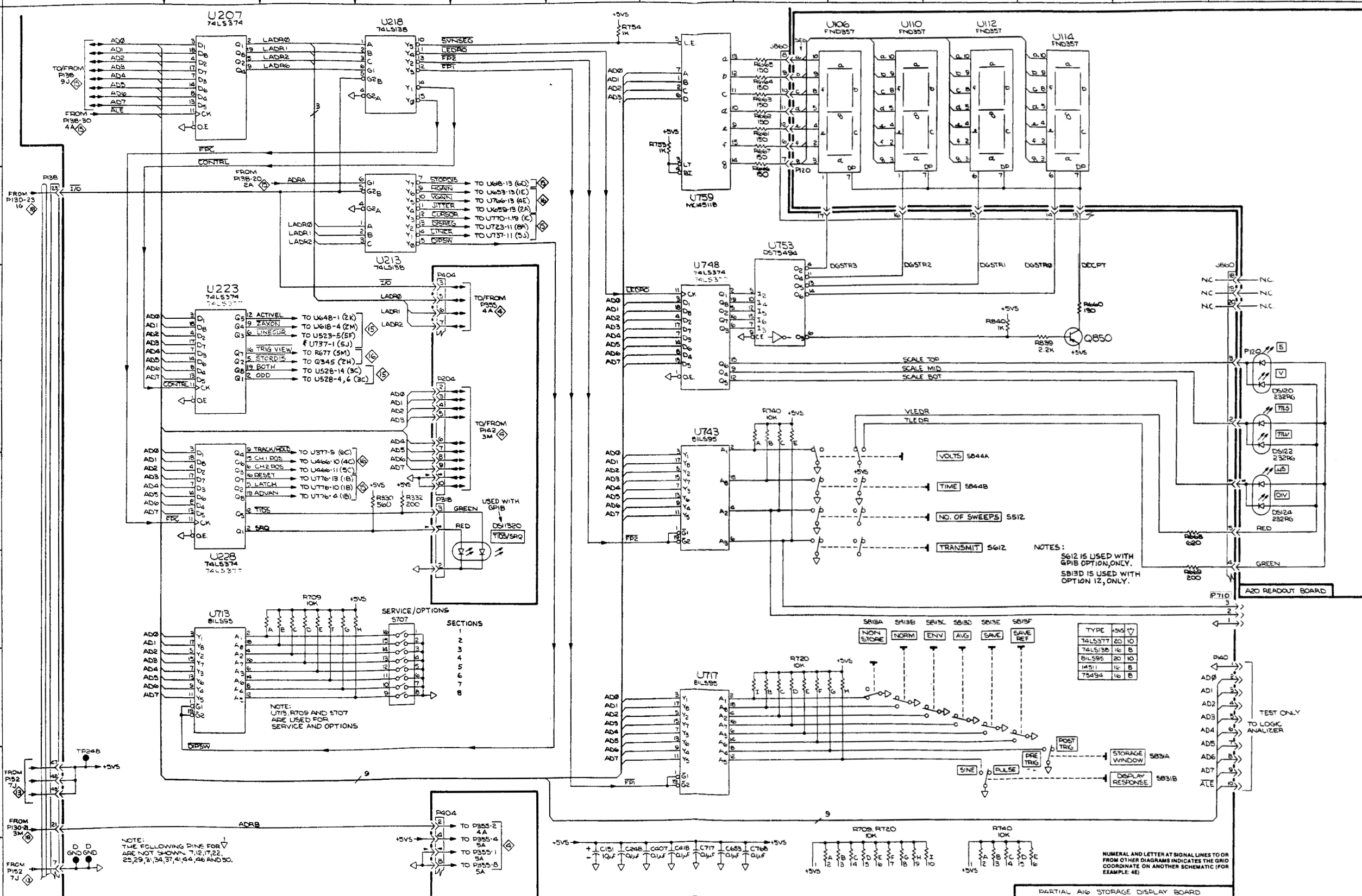
Class-mounted components have no Assembly Number prefix—see end of Replaceable Electrical Parts List

Static Sensitive Devices See Maintenance Section

NUMERAL AND LETTER AT SIGNAL LINES TO OR FROM OTHER DIAGRAMS INDICATES THE GRID COORDINATE ON ANOTHER SCHEMATIC (FOR EXAMPLE: 4E)

PARTIAL A16 STORAGE DISPLAY LAYOUT BOARD STORAGE DISPLAY X & Y AXIS

ASSEMBLY A16					
CIRCUIT NUMBER	SCHEM LOCATION	BOARD LOCATION	CIRCUIT NUMBER	SCHEM LOCATION	BOARD LOCATION
C151	9F	2F	R720D	7H	8C
C248	9F	2F	R720E	7H	8C
C407	9G	3B	R720F	7H	8C
C418	9G	4C	R720G	7H	8C
C653	9G	7E	R720H	7H	8C
C717	9G	7B	R720I	7H	8C
C768	9H	7G	R740A	4H	8E
			R740B	4H	8E
J860	1H	9G	R740C	4H	8E
J860	3M	9G	R740E	4H	8E
			R753	1G	8G
P138	2A	1E	R754	1F	8G
P140	7M	1D	R839	3K	9E
P204	4D	2A	R840	3J	9E
P318	5D	3C			
P404	3D	3A	S512	5J	5B
P404	8D	3A	S612	5J	6B
P710	6M	8B	S707	6D	1B
Q850	3K	8G	S813A	6I	9B
			S813B	6I	9B
R330	5D	3C	S813C	6J	9B
R332	5D	3C	S813D	6J	9B
R660	3K	8G	S813E	6J	9B
R661	1H	8H	S813F	6K	9B
R662	1H	8H	S831A	8L	9E
R663	1H	8H	S831B	8L	9E
R664	1H	8H	S844A	5J	9F
R665	1H	8H	S844B	5J	9F
R666	1H	8H			
R667	1H	7J	TP248	8A	2F
R668	5L	8H			
R669	6L	8H	U207	1B	2B
R709A	6C	1B	U213	2D	3B
R709B	6C	1B	U218	1D	3C
R709C	6C	1B	U223	3B	3C
R709D	6C	1B	U228	6B	3D
R709E	6C	1B	U713	6B	1C
R709F	6C	1B	U717	7G	8C
R709G	6C	1B	U743	4G	8F
R709H	6C	1B	U748	3G	8F
R720B	7H	8C	U753	2H	8G
R720C	7H	8C	U759	2G	8H
<i>Partial A16 also shown on diagrams 15 and 16.</i>					
ASSEMBLY A20					
CIRCUIT NUMBER	SCHEM LOCATION	BOARD LOCATION	CIRCUIT NUMBER	SCHEM LOCATION	BOARD LOCATION
DS120	4M	1C	U106	1I	1B
DS122	4M	1C	U110	1I	1B
DS124	5M	1C	U112	1J	1B
			U114	1K	1B
P120	4M	2B			
CHASSIS MOUNTED PARTS					
CIRCUIT NUMBER	SCHEM LOCATION	BOARD LOCATION	CIRCUIT NUMBER	SCHEM LOCATION	BOARD LOCATION
DS11320	5E	CHASSIS			



NOTE: THE FOLLOWING PINS FOR ∇ ARE NOT SHOWN: 7, 12, 122, 22, 29, 31, 34, 37, 41, 44, 46 AND 50.

NOTE: U713, R709 AND S707 ARE USED FOR SERVICE AND OPTIONS

NOTES:
S612 IS USED WITH GPIB OPTION, ONLY.
SBI3D IS USED WITH OPTION 12, ONLY.

TYPE	+	-
74LS374	20	10
74LS138	16	8
74LS156	20	10
74LS151	16	8
74LS154	16	8

NUMERAL AND LETTER AT SIGNAL LINES TO OR FROM OTHER DIAGRAMS INDICATES THE GRID COORDINATE ON ANOTHER SCHEMATIC (FOR EXAMPLE 4E)

468 CONTROL SETTINGS FOR



DC Voltages

STORAGE MODE

NORM

AC Waveforms

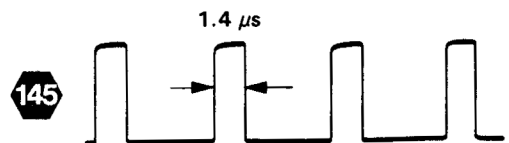
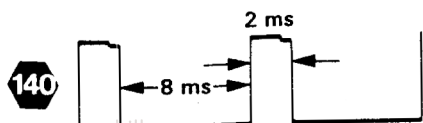
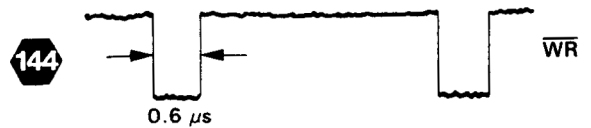
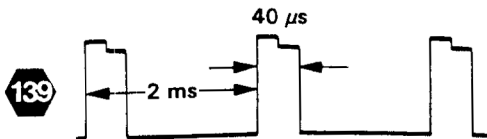
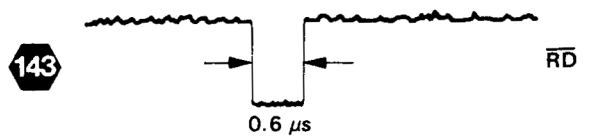
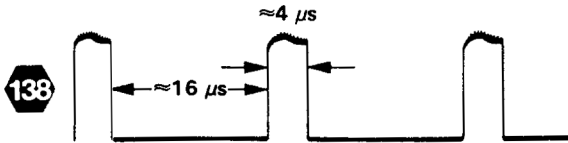
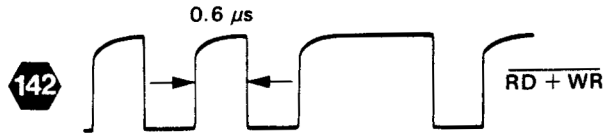
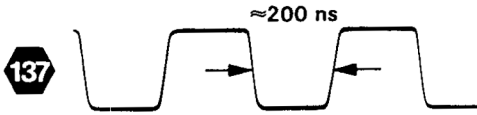
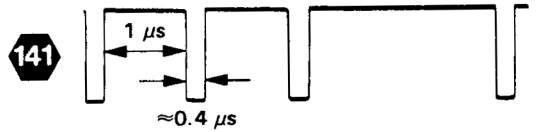
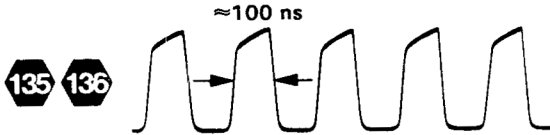
SET UP IN SERVICE MODE (see "Service Test" information in the Maintenance Section of Volume I of this manual). Do not install the Service Test ROM.

Waveform's p-p amplitude is from ≈ 0 V to ≈ 4 V (TTL levels).

SET UP THE KERNAL TEST:

1. With POWER switch OFF, remove U452 and U558 (located on the Microprocessor Circuit Board). Pull the IC evenly on both ends to avoid bending the pins, and observe the "Static Sensitive" precautions. (located in the Maintenance Section of Volume I of this manual).
2. Set POWER switch on.
3. Move P182 (Power-on Restart) momentarily to the RESET position, then return it to the RUN position.

AFTER VERIFYING WAVEFORMS, SECURE POWER AND REPLACE U452 and U558.



MICROPROCESSOR DIAGRAM

18

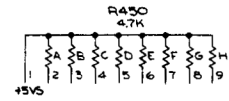
ASSEMBLY A21

CIRCUIT NUMBER	SCHEM LOCATION	BOARD LOCATION	CIRCUIT NUMBER	SCHEM LOCATION	BOARD LOCATION
C161	8L	1H	TP358	6D	3G
C165	8L	1G	TP477	7G	5I
C174	3C	1I	TP580	1F	4I
C262	8K	2H			
C346	8M	3F	U246A	7M	3F
C352	8K	3G	U246B	7L	3F
C371	8M	3I	U246C	1E	3F
C372	8M	3I	U255A	6G	3G
C378	8M	4I	U255B	8C	3G
C440	8L	4F	U272A	3F	3H
C525	8K	6C	U272A	5B	3H
C540	8L	6D	U272B	1E	3H
C550	8M	6F	U272C	7F	3H
C558	8K	6G	U272D	4B	3H
C578	8L	5I	U272E	7F	3H
			U272F	1G	3H
CR172	3C	1I	U272G	8F	3H
			U272H	6F	3H
P130	1D	1E	U278A	1E	2I
P130	2M	1E	U278B	7F	2I
P130	3M	1E	U278C	1H	2I
P130	4A	1E	U278D	1G	2I
P130	9F	1E	U364	1D	3H
P182	3B	1I	U378	1H	3I
P262	3B	2G	U440	6A	4F
			U446	7B	4F
R172	3B	1I	U452	3F	4G
R173	3C	1I	U472B	2F	4I
R253	6G	2G	U472C	2F	4I
R262	3C	2G	U472D	2F	4I
R263	4C	2H	U472E	2F	4I
R266	6C	2H†	U472F	5B	4I
R368	1C	3H	U472G	8F	4I
R378	1E	4I	U472H	6F	4I
R450A	3E	4F	U478	1F	4I
R450B	3E	4F	U525	6J	6C
R450C	3E	4F	U530	6I	6D
R450D	3E	4F	U540	9J	6E
R450E	3E	4F	U545	8H	6E
R450F	3E	4F	U550	4E	6F
R450G	3E	4F	U558	6M	6G
R450H	3E	4F	U565	1K	6H
TP270	6G	2H	U575	1L	6I

Partial A21 also shown on diagram 13.

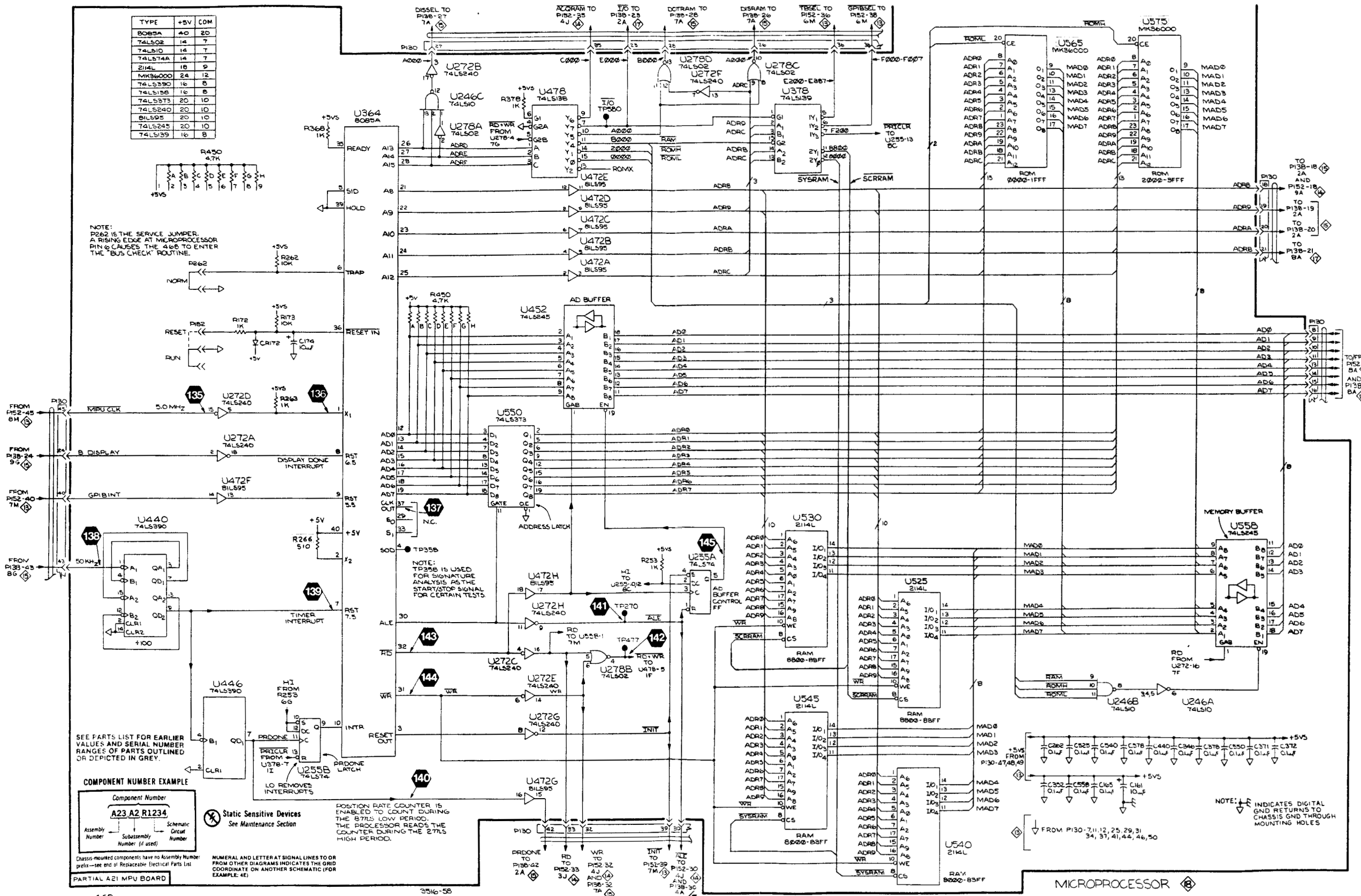
†Located on back of board.

TYPE	+5V	COM
8085A	40	20
74LS02	14	7
74LS10	14	7
74LS14	14	7
214L	18	9
MK36000	24	12
74LS390	16	8
74LS158	16	8
74LS240	20	10
74LS245	20	10
74LS245	20	10
74LS139	16	8



NOTE: R262 IS THE SERVICE JUMPER. A RISING EDGE AT MICROPROCESSOR PIN 6 CAUSES THE 408 TO ENTER THE "BUS CHECK" ROUTINE.

1
2
3
4
5
6
7
8
9



NOTE: TP358 IS USED FOR SIGNATURE ANALYSIS AS THE START/STOP SIGNAL FOR CERTAIN TESTS.

SEE PARTS LIST FOR EARLIER VALUES AND SERIAL NUMBER RANGES OF PARTS OUTLINED OR DEPICTED IN GREY.

COMPONENT NUMBER EXAMPLE

Component Number: **A23 A2 R1234**

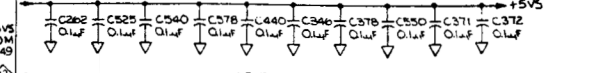
Assembly Number: [] Subassembly Number: [] Schematic Circuit Number: []

Chassis-mounted components have no Assembly Number prefix—see end of Replaceable Electrical Parts List.

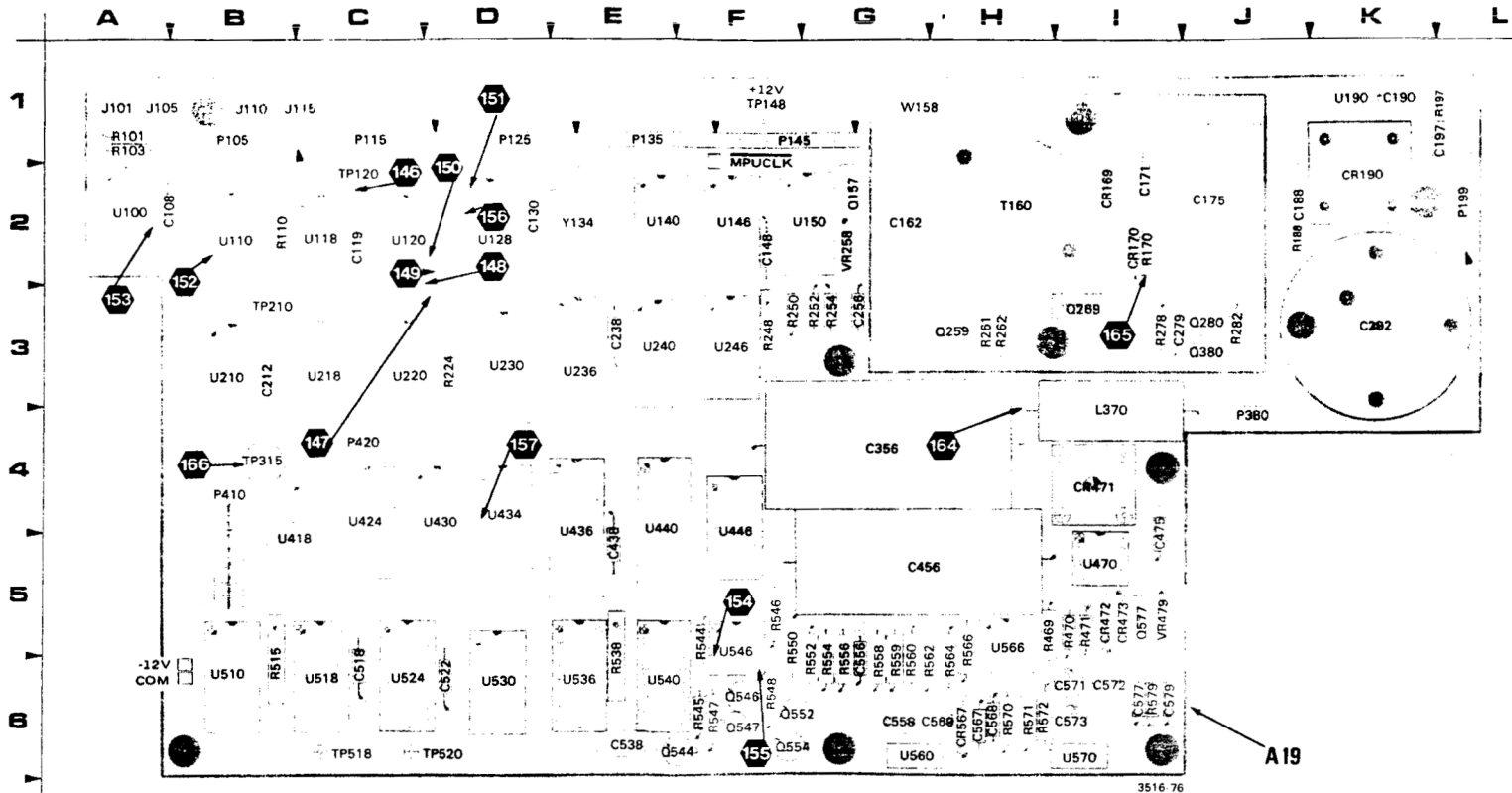
Static Sensitive Devices See Maintenance Section

POSITION RATE COUNTER IS ENABLED TO COUNT DURING THE 877LS LOW PERIOD. THE PROCESSOR READS THE COUNTER DURING THE 277LS HIGH PERIOD.

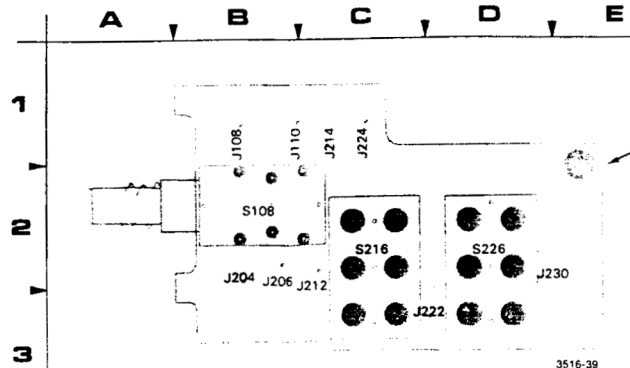
NUMERAL AND LETTER AT SIGNAL LINES TO OR FROM OTHER DIAGRAMS INDICATES THE GRID COORDINATE ON ANOTHER SCHEMATIC (FOR EXAMPLE: 4E)



NOTE: ∇ INDICATES DIGITAL GND RETURNS TO CHASSIS GND THROUGH MOUNTING HOLES



3516-76



3516-39

Figure 8-23. A19 Time Base/Power Supply and A22 Line Selector board.

A19 TIME BASE/POWER SUPPLY BOARD

COMPONENTS LOCATED ON SCHEMATIC DIAGRAM

19

C108	P115	R224B	R544	U110B	U424
C119	P125	R224D	R545	U118	U430
C130	P125	R224E	R546	U120	U434A
C148	P125	R224F	R547	U128A	U434B
C212	P125	R224G	R548	U128B	U434E
C238	P125	R224H	R550	U140	U434F
C438	P135	R224I	R552	U146	U436
C518	P135	R248A	R554	U150A	U440
C522	P145	R248B	R556	U150B	U446
C538	P420	R248C	R558	U210	U510
C556		R248D	R559	U218A	U518
	Q544	R248E	R560	U218B	U524
J101	Q546	R250	R562	U218C	U530A
J105	Q547	R252		U218D	U530B
J110	Q552	R515A	TP120	U220A	U530C
J115	Q554	R515B	TP210	U220B	U536
		R515D		U230A	U540
P105	R101	R515E	U100A	U230B	U546
P105	R103	R538A	U100B	U236	
P115	R110A	R538B	U100C	U240	Y134
P115	R110B	R538C	U100D	U246	
P115	R224A	R538C	U110A	U418	

COMPONENTS LOCATED ON SCHEMATIC DIAGRAM

21

C162	C560	CR472	Q259	R469	TP518
C171	C567	CR473	Q269	R470	TP520
C175	C568	CR567	Q280	R471	
C188	C571		Q380	R564	U190
C190	C572	L370	Q577	R566	U470
C197	C573			R570	U560
C256	C577	P105	R170	R571	U566A
C279	C579	P105	R188	R572	U566B
C292		P145	R197	R579	U570
C356	CR169	P199	R254		
C456	CR170	P380	R261	T160	VR258
C475	CR190		R262		VR479
C558	CR471	Q157	R278	TP148	
			R282	TP315	W158

COMPONENTS LOCATED ON SCHEMATIC DIAGRAM

23

P135	P145	P410			
------	------	------	--	--	--

A22 LINE SELECTOR BOARD

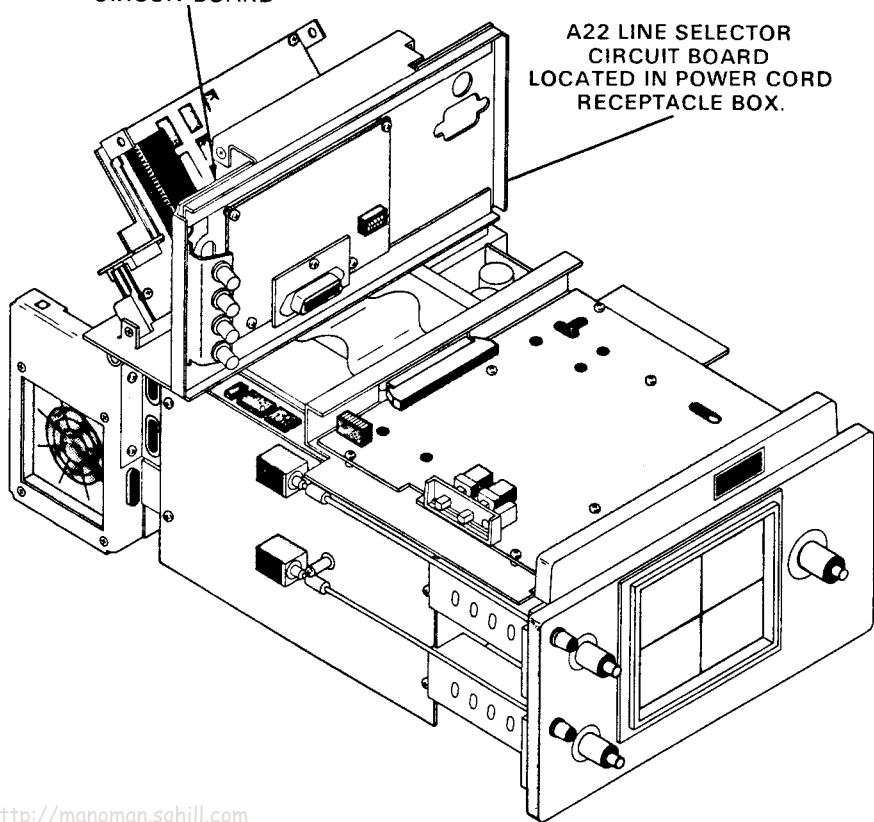
COMPONENTS LOCATED ON SCHEMATIC DIAGRAM

20

J108 J110	J204 J206	J212 J214	J222 J224	J230	S108 S216	S226
--------------	--------------	--------------	--------------	------	--------------	------

**A19 TIME BASE POWER SUPPLY
CIRCUIT BOARD**

**A22 LINE SELECTOR
CIRCUIT BOARD
LOCATED IN POWER CORD
RECEPTACLE BOX.**



DC Voltages

STORAGE MODE

NORM

AC Waveforms

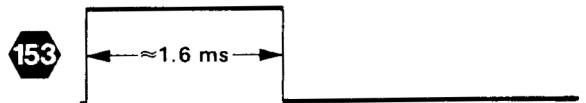
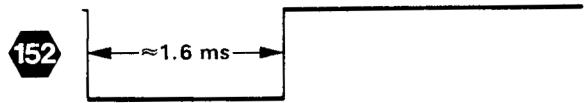
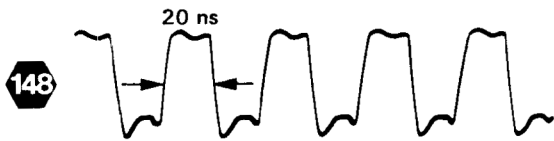
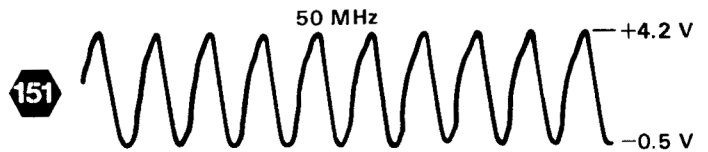
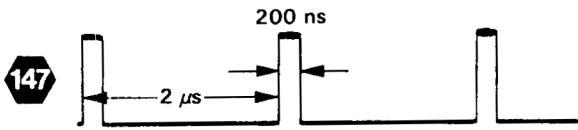
STORAGE MODE

NORM

TIME/DIV

1 ms

Waveform without voltage levels designated have p-p amplitudes from ≈ 0 V to ≈ 4 V (TTL levels).



Change 468 Control Settings

TIME/DIV

0.5 μ s

CH1 INPUT SIGNAL

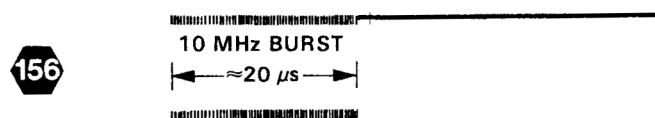
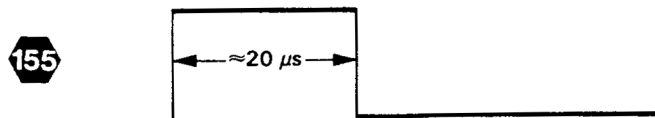
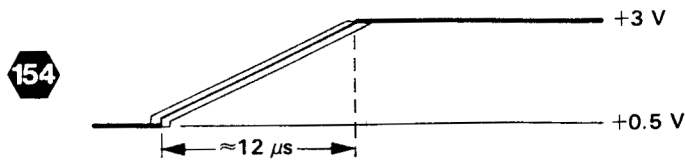
6-division, 50-kHz reference sine wave

A TRIG MODE

NORM

A TRIGGER LEVEL

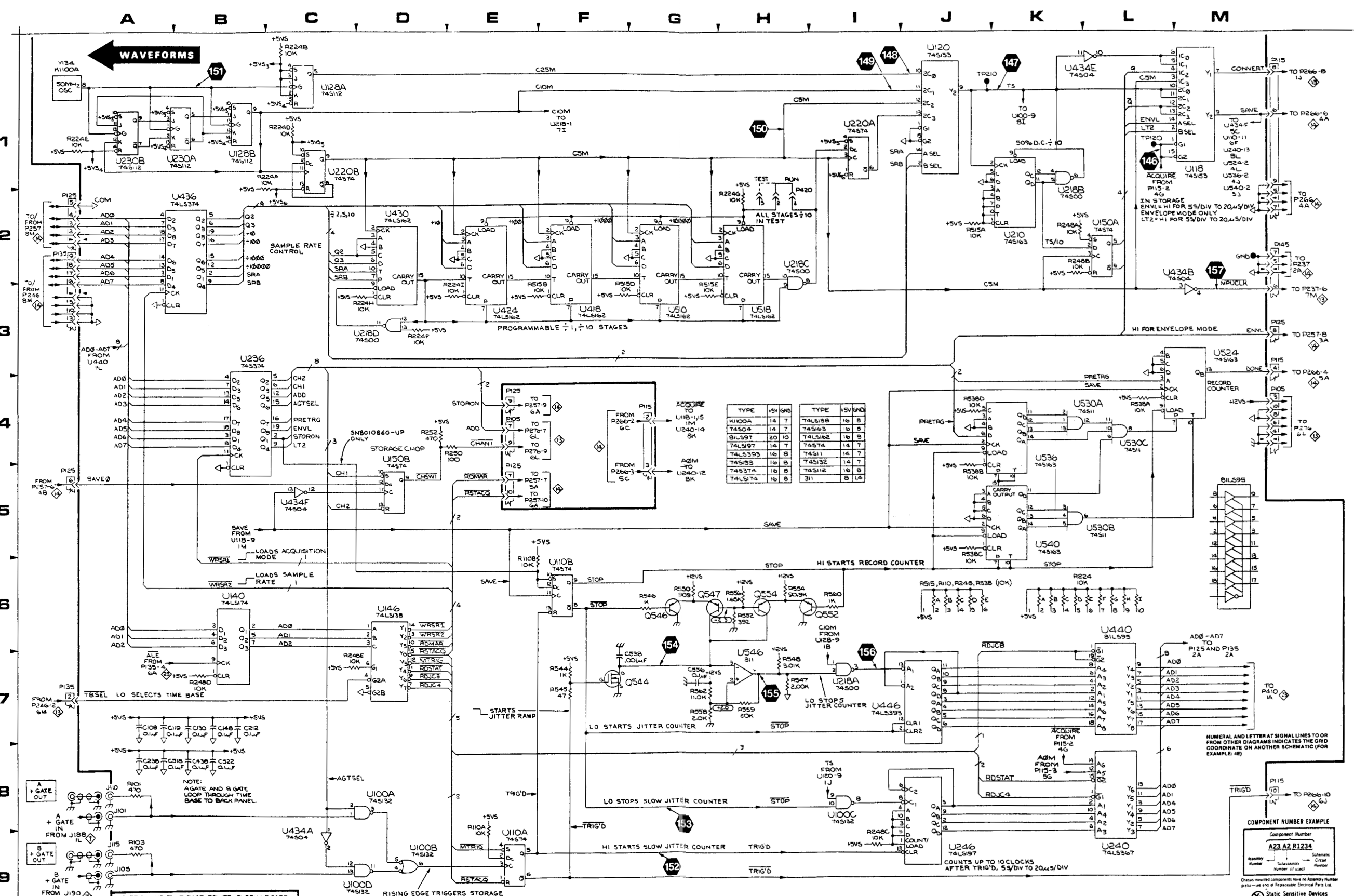
Stable, triggered display



TIME BASE DIAGRAM 19

ASSEMBLY A19					
CIRCUIT NUMBER	SCHEM LOCATION	BOARD LOCATION	CIRCUIT NUMBER	SCHEM LOCATION	BOARD LOCATION
C108	7A	2B	R538D	4J	6E
C119	7A	2C	R544	7F	5F
C130	7B	2D	R545	7F	6F
C148	7B	2F	R546	6G	5F
C212	7B	3B	R547	7H	6F
C238	8A	3E	R548	7H	6F
C438	8B	5E	R550	6G	5G
C518	8A	6C	R552	6H	6G
C522	8B	6D	R554	6H	6G
C538	7G	6E	R556	6H	6G
C556	7G	6G	R558	7G	6G
			R559	7H	6G
J101	8A	1A	R560	6I	6G
J105	9A	1A	R562	7G	6H
J110	8A	1B			
J115	9A	1C	TP120	1L	2C
			TP210	1J	3B
P105	4E	1B			
P105	4M	1B	U100A	8D	2A
P115	1M	1C	U100B	9D	2A
P115	3M	1C	U100C	8I	2A
P115	4G	1C	U100D	9C	2A
P115	8M	1C	U110A	9E	2B
P125	2A	1D	U110B	6F	2B
P125	3M	1D	U118	1M	2C
P125	4E	1D	U120	1J	2C
P125	5A	1D	U128A	1C	2D
P125	5E	1D	U128B	1B	2D
P135	2A	1E	U140	6B	2E
P135	7A	1E	U146	6D	2F
P145	2M	1F	U150A	2L	2G
P420	8H	4C	U150B	5D	2G
			U210	2K	3B
Q544	7F	6F	U218A	7I	3C
Q546	6G	6F	U218B	2K	3C
Q547	6G	6F	U218C	3H	3C
Q552	6I	6F	U218D	3D	3C
Q554	6H	6F	U220A	1I	3C
			U220B	1C	3C
R101	8A	1A	U230A	1B	3D
R103	9A	1A	U230B	1A	3D
R110A	9E	2B	U236	4B	3E
R110B	6E	2B	U240	8L	3E
R224A	1C	3D	U246	9J	3F
R224B	1C	3D	U418	3F	5C
R224D	1C	3D	U424	3E	4C
R224E	1A	3D	U430	2D	4D
R224F	3D	3D	U434A	9C	4D
R224G	2H	3D	U434B	3M	4D
R224H	3D	3D	U434E	1L	4D
R224I	3E	3D	U434F	5C	4D
R248A	2K	3F	U436	2B	4E
R248B	2K	3F	U440	7L	4E
R248C	9I	3F	U446	7J	5F
R248D	7B	3F	U510	3G	6B
R248E	7C	3F	U518	3H	6C
R250	4E	3F	U524	3M	6C
R252	4D	3G	U530A	4K	6D
R515A	2J	6B	U530B	5K	6D
R515B	3E	6B	U530C	4L	6D
R515D	3F	6B	U536	4K	6E
R515E	3G	6B	U540	5K	6E
R538A	4L	6E	U546	7H	5F
R538B	5J	6E			
R538C	5J	6E	Y134	1A	2E

Partial A19 also shown on diagrams 21 and 23.



468 CONTROL SETTINGS FOR

20

DC Voltages

LINE VOLTAGE

115 VAC

AC Waveform

LINE VOLTAGE

115 VAC

158



f = 120 Hz

159



160



161



162

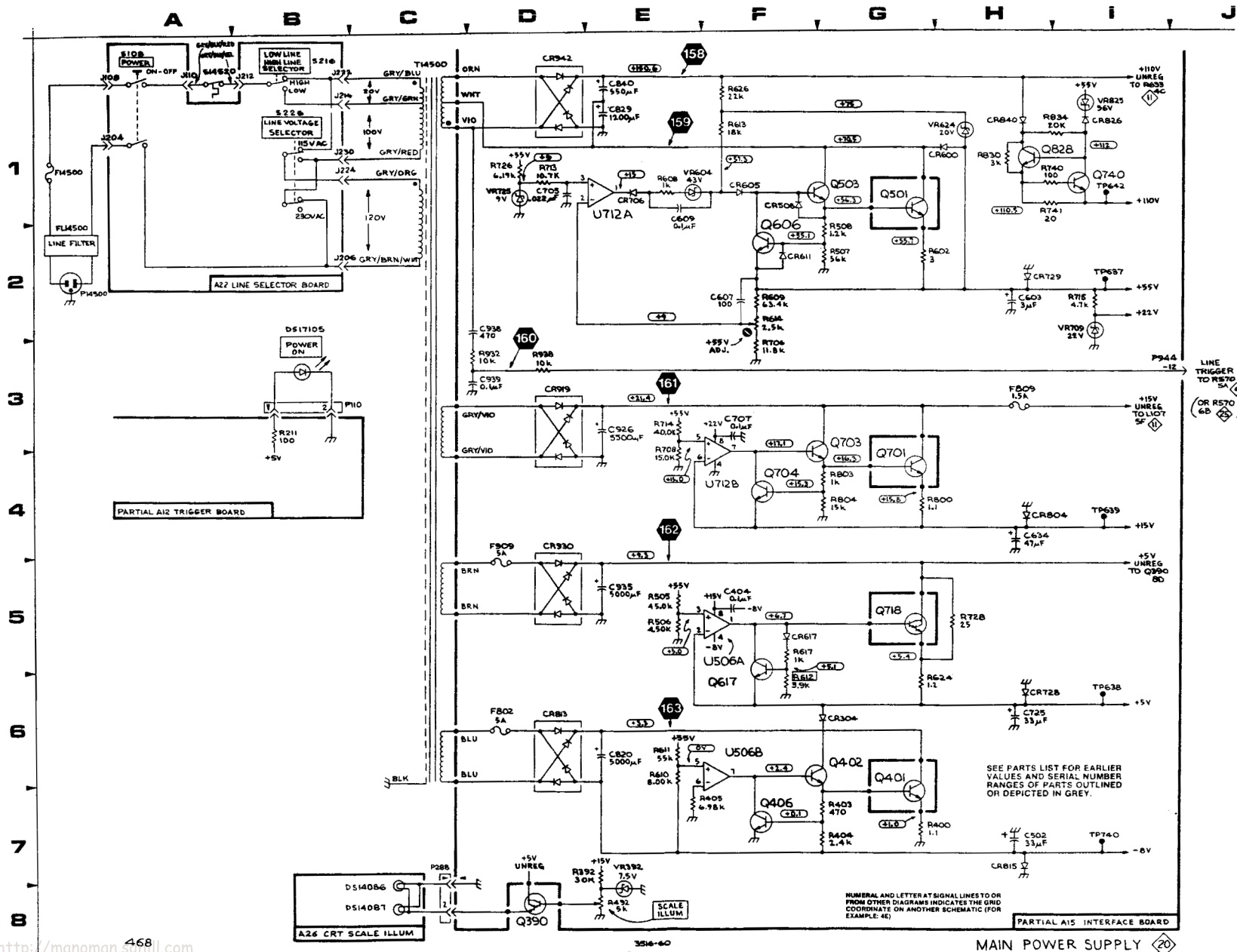


163



MAIN POWER SUPPLY DIAGRAM 20

ASSEMBLY A12								
CIRCUIT NUMBER	SCHEM LOCATION	BOARD LOCATION	CIRCUIT NUMBER	SCHEM LOCATION	BOARD LOCATION	CIRCUIT NUMBER	SCHEM LOCATION	BOARD LOCATION
P110	3B	1B	R211	3B	3B			
<i>Partial A12 also shown on diagrams 4, 6, 7 and 21</i>								
ASSEMBLY A15								
CIRCUIT NUMBER	SCHEM LOCATION	BOARD LOCATION	CIRCUIT NUMBER	SCHEM LOCATION	BOARD LOCATION	CIRCUIT NUMBER	SCHEM LOCATION	BOARD LOCATION
C404	5F	5B	F909	4D	10B	R617	5F	7C
C502	7H	5A				R624	6G	7D
C603	2H	7B	P288	7C	2M	R626	1F	7D
C607	2F	7B	P944	3J	10G	R706	3F	8B
C609	1E	7B				R708	3E	8B
C634	4H	7F	Q390	8D	3M†	R713	1D	8C
C705	1D	8B	Q401	6G	4A†	R714	3E	8C
C707	3F	8B	Q402	6G	4A	R715	2I	8C
C711	3E	8B	Q406	7F	4B	R726	1D	8D
C725	6H	8D	Q501	1G	4A†	R728	5H	8D
C820	6E	9D	Q503	1G	6B	R740	1H	8F
C829	1E	9E	Q606	2F	6B	R741	1H	8G
C840	1E	9F	Q617	5F	7C	R800	4G	9A
C926	3E	10E	Q701	4G	8A†	R803	4G	9B
C935	5E	10F	Q703	3G	8A	R804	4G	9B
C938	2D	10F	Q704	4F	8B	R830	1H	9E
C939	3D	10F	Q718	5G	8C†	R834	1I	9F
			Q740	1I	8F	R932	3D	10E
			Q828	1H	9E	R938	3D	10F
CR304	6G	4B						
CR508	1F	6B						
CR600	1H	7A	R392	7E	4M	TP637	2I	7F
CR605	1F	7B	R400	7G	5A	TP638	6I	7F
CR611	2F	7C	R403	7G	5B	TP639	4I	7F
CR617	5F	7C	R404	7G	5B	TP642	1I	7G
CR706	1E	8B	R405	7E	5B	TP740	7I	8F
CR728	6H	8E	R492	8E	5M			
CR729	2H	8E	R505	5E	6B	U506A	5F	5B
CR804	4H	9B	R506	5E	6B	U506B	6F	5B
CR813	6D	9C	R507	2G	6B	U712A	1E	8C
CR815	7H	9C	R508	2G	6B	U712B	4F	8C
CR826	1I	9E	R602	2G	7A			
CR840	1H	9F	R608	1E	7B	VR392	7E	4M
CR919	3D	10C	R609	2F	7B	VR604	1E	7B
CR930	4D	10E	R610	6E	6C	VR624	1H	7D
CR942	1D	10F	R611	6E	7C	VR709	2I	8B
			R612	6F	7C	VR725	1D	8D
F802	6D	9A	R613	1F	7C	VR825	1I	9D
F809	3H	10B	R614	2F	7C			
						†Chassis mounted		
<i>Partial A15 also shown on diagrams 3, 4, 5, 7, 8, 9, 10, 11 and 12.</i>								
ASSEMBLY A22								
CIRCUIT NUMBER	SCHEM LOCATION	BOARD LOCATION	CIRCUIT NUMBER	SCHEM LOCATION	BOARD LOCATION	CIRCUIT NUMBER	SCHEM LOCATION	BOARD LOCATION
J108	1A	1B	J214	1B	1C	S108	1A	2B
J110	1A	1B	J222	1B	3D	S216	1B	2C
J204	1A	2B	J224	1B	1C	S226	1B	2D
J206	2B	2B	J230	1B	2D			
J212	1B	2C						
CHASSIS MOUNTED PARTS								
CIRCUIT NUMBER	SCHEM LOCATION	BOARD LOCATION	CIRCUIT NUMBER	SCHEM LOCATION	BOARD LOCATION	CIRCUIT NUMBER	SCHEM LOCATION	BOARD LOCATION
DS17105	3B	CHASSIS	F14500	1A	CHASSIS	S14520	1A	CHASSIS
			P14500	1A	CHASSIS	T14500	1C	CHASSIS
ASSEMBLY A26			DS14086	8C		DS14087	8C	



468 CONTROL SETTINGS FOR

21

DC Voltages

LINE VOLTAGE

115 VAC

AC Waveforms

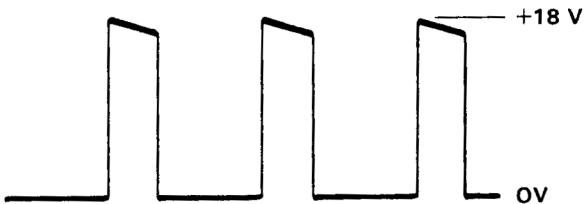
LINE VOLTAGE

115 VAC

164



165



166

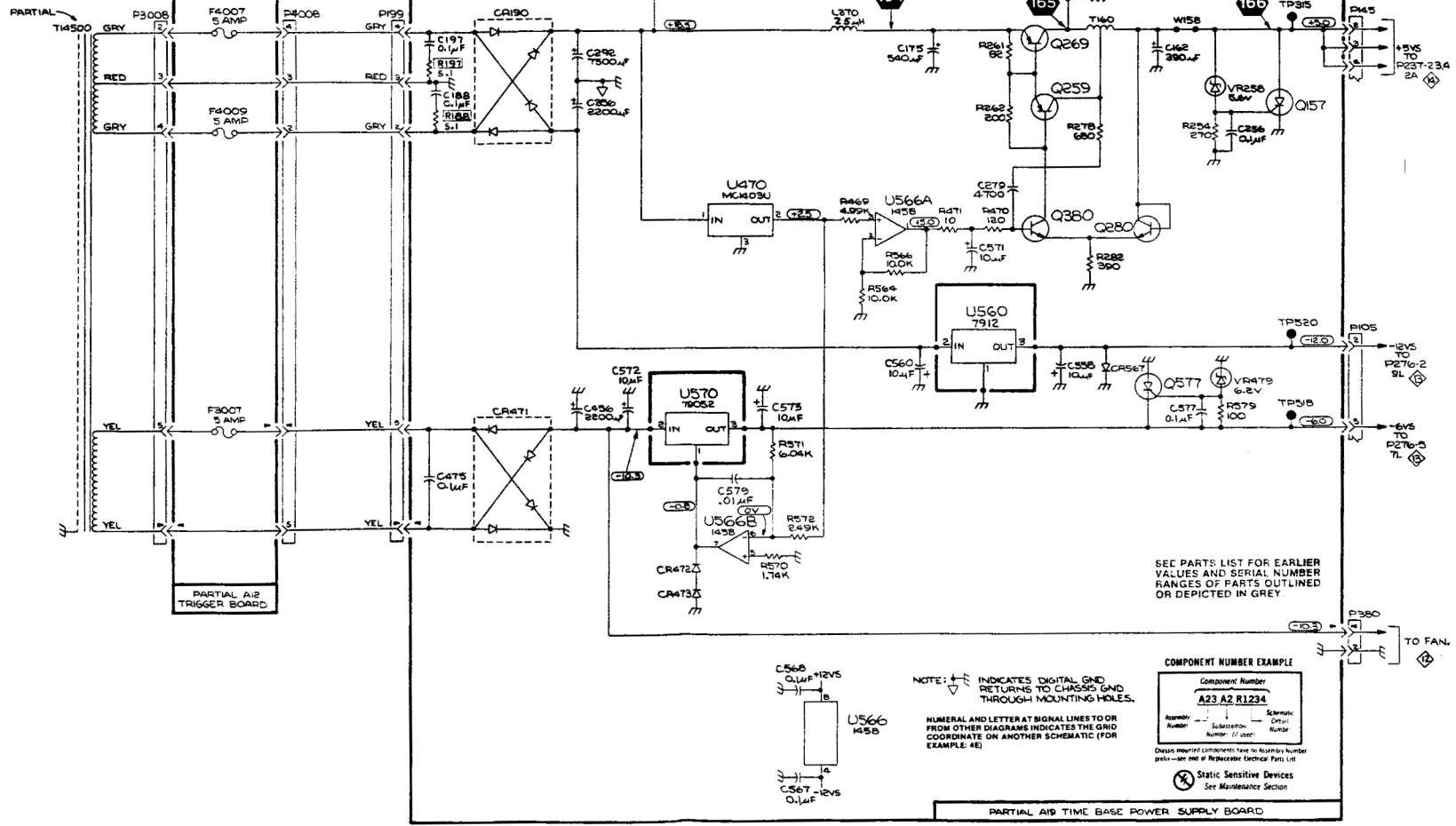


STORAGE POWER SUPPLY DIAGRAM 21

ASSEMBLY A12					
CIRCUIT NUMBER	SCHEM LOCATION	BOARD LOCATION	CIRCUIT NUMBER	SCHEM LOCATION	BOARD LOCATION
F3007	4B	4L	P3008	2B	4M
F4007	2B	6L	P4008	2B	5M
F4009	2B	5L			
<i>Partial A12 also shown on diagrams 4, 6, 7, and 20.</i>					
ASSEMBLY A19					
CIRCUIT NUMBER	SCHEM LOCATION	BOARD LOCATION	CIRCUIT NUMBER	SCHEM LOCATION	BOARD LOCATION
C162	2H	2G	Q269	2H	3I
C171	1H	2I	Q280	3H	3J
C175	2G	2J	Q380	3H	3J
C188	2C	2J	Q577	4H	5I
C190	1F	1K			
C197	2C	1K	R170	1H	2I
C256	2I	3G	R188†	2C	2J
C279	3G	3I	R197†	2C	1L
C292	2D	3K	R254	2I	3G
C356	2D	4G	R261	2G	3H
C456	4D	5G	R262	2G	3H
C475	5C	4I	R278	2H	3I
C558	4H	6G	R282	3H	3J
C560	4G	6H	R469	3F	5H
C567	7F	6H	R470	3G	5I
C568	6F	6H	R471	3G	5I
C571	3G	6I	R564	4F	5H
C572	4E	6I	R566	3G	5H
C573	4F	6I	R570	5F	6H
C577	4I	6I	R571	5F	6H
C579	5E	6I	R572	5F	6H
			R579	4I	6I
CR169	1H	2I			
CR170	1H	2I	T160	2H	2H
CR190	2D	2K			
CR471	5D	4I	TP148	1I	1F
CR472	6E	5I	TP315	2I	4B
CR473	6E	5I	TP518	4I	6C
CR567	4H	6H	TP520	4I	6C
L370	2F	3I	U190	1F	1K
			U470	3F	5I
P105	1J	1B	U560	4G	6H
P105	4J	1B	U566A	3G	5H
P145	2J	1F	U566B	5E	5H
P199	2C	2L	U570	4E	6I
P380	6J	4J			
			VR258	2I	2G
Q157	2I	2G	VR479	4I	5I
Q259	2H	3H			
			W158	2I	1G
<i>Partial A19 also shown on diagrams 19 and 23</i>					
†See Parts List for serial number ranges.					
CHASSIS MOUNTED PARTS					
CIRCUIT NUMBER	SCHEM LOCATION	LOCATION	CIRCUIT NUMBER	SCHEM LOCATION	LOCATION
T14500	2A	CHASSIS			
U190	1F	CHASSIS			
U560	4G	CHASSIS			
U570	4E	CHASSIS			

← WAVEFORMS

NOTE:
PRIMARY WIRINGS AND
THE OTHER HALF OF
T14500 ARE SHOWN ON
THE MAIN POWER
SUPPLY.



SEE PARTS LIST FOR EARLIER
VALUES AND SERIAL NUMBER
RANGES OF PARTS OUTLINED
OR DEPICTED IN GREY.

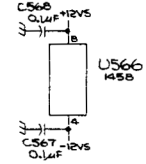
COMPONENT NUMBER EXAMPLE

Component Number			
A23 A2 R1234			
Assembly	Substitution	Schematic	Detail
Number	Number	Number	Number
			(If used)

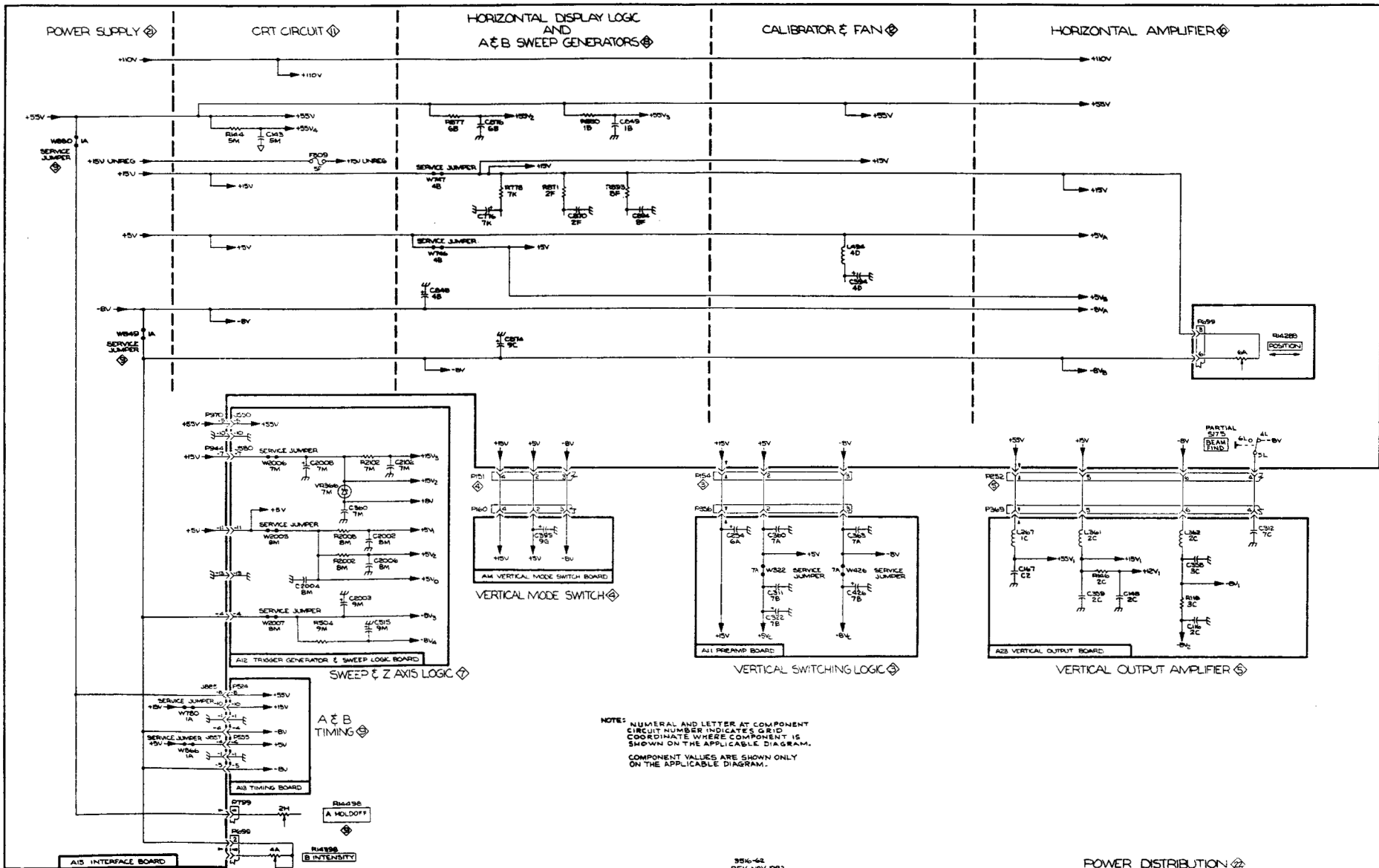
Details mounted components have no Assembly Number
prefix—see end of Representative Electrical Parts List

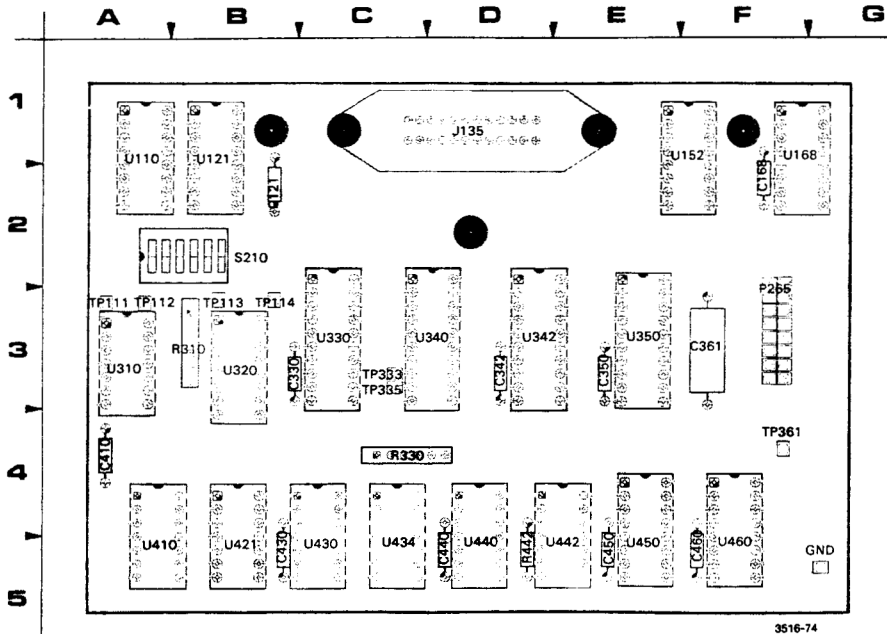
Static Sensitive Devices
See Maintenance Section

NOTE: ⏏ INDICATES DIGITAL GND
RETURNS TO CHASSIS GND
THROUGH MOUNTING HOLES.
NUMERAL AND LETTERAL SIGNAL LINES TO OR
FROM OTHER DIAGRAMS INDICATES THE GRID
COORDINATE ON ANOTHER SCHEMATIC (FOR
EXAMPLE: 4E)



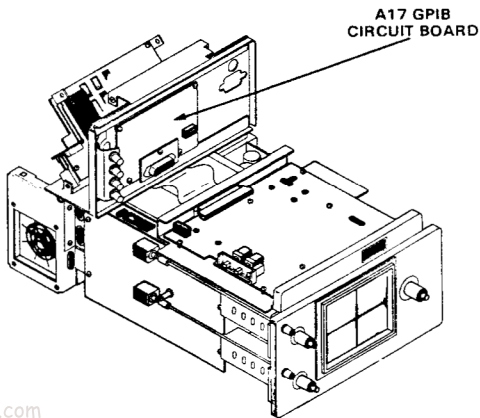
PARTIAL AIR TIME BASE POWER SUPPLY BOARD





3516-74

Figure 8-24. A17 GPIB board.



A17 GPIB BOARD

COMPONENTS LOCATED ON SCHEMATIC DIAGRAM



C121	P265	S210	U310D	U434B
C168	P265		U310E	U434C
C330	P265	TP111	U310F	U440A
C342		TP112	U320	U442A
C350	R310A	TP113	U330	U442B
C361	R310B	TP114	U340	U442C
C410	R310C	TP333	U342	U442D
C430	R310D	TP335	U350	U450
C440	R310E	TP361	U410A	U460
C450	R330A		U410B	
C460	R330B	U110	U421A	
	R330C	U121	U421C	
J135	R330D	U152	U430A	
J135	R330E	U168	U430B	
J135	R442C	U310A	U434A	

GPIB DIAGRAM



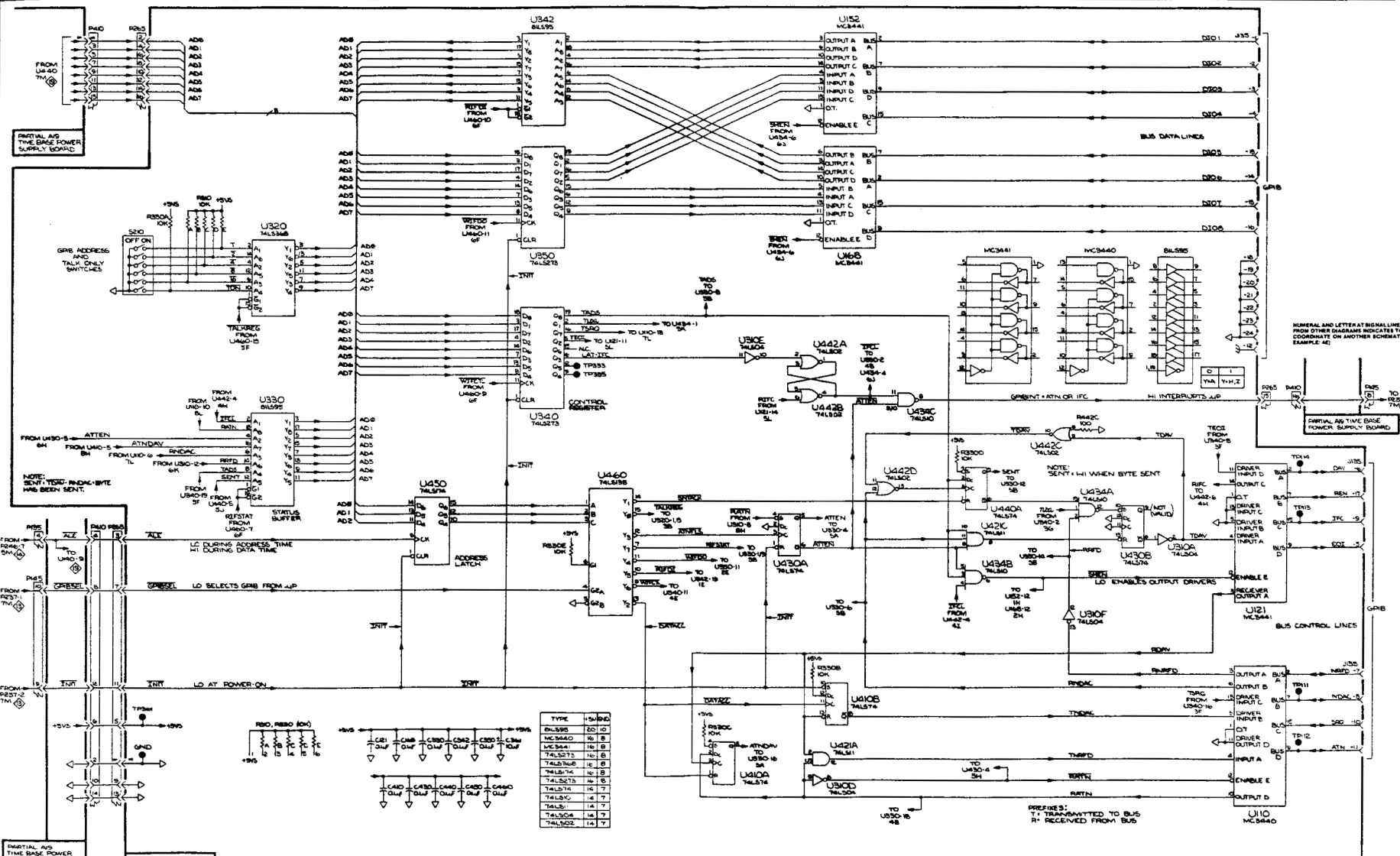
ASSEMBLY A17

CIRCUIT NUMBER	SCHEM LOCATION	BOARD LOCATION	CIRCUIT NUMBER	SCHEM LOCATION	BOARD LOCATION
C121	8D	2B	TP113	5M	3B
C168	8D	2F	TP114	5M	3B
C330	8D	3C	TP333	4F	3C
C342	8D	3D	TP335	4F	3C
C350	8E	3E	TP361	8A	4F
C361	8E	3F			
C410	8D	4A	U110	8M	1A
C430	8D	5B	U121	6M	1B
C440	8D	5D	U152	1I	1F
C450	8E	5E	U168	2I	1F
C460	8E	5F	U310A	6L	3A
			U310D	8H	3A
J135	1M	1D	U310E	4H	3A
J135	5M	1D	U310F	6K	3A
J135	7M	1D	U320	3C	3B
			U330	5C	3C
P265	1A	3F	U340	4E	3D
P265	4M	3F	U342	1E	3D
P265	6A	3F	U350	2E	3E
			U410A	8G	5A
R310A	2B	3B	U410B	7I	5A
R310B	2B	3B	U421A	8H	5B
R310C	2B	3B	U421C	6J	5B
R310D	2B	3B	U430A	6H	5C
R310E	2B	3B	U430B	6K	5C
R330A	2B	4C	U434A	5K	5C
R330B	7H	4C	U434B	6J	5C
R330C	8G	4C	U434C	4I	5C
R330D	5J	4C	U440A	5J	5D
R330E	6F	4C	U442A	4H	5E
R442C	4K	5D	U442B	4H	5E
			U442C	5K	5E
S210	2A	2B	U442D	5I	5E
			U450	5D	5E
TP111	7M	3A	U460	5F	5F
TP112	8M	3A			

ASSEMBLY A19

CIRCUIT NUMBER	SCHEM LOCATION	BOARD LOCATION	CIRCUIT NUMBER	SCHEM LOCATION	BOARD LOCATION
P135	6A	1E	P410	1A	4B
P145	4M	4B	P410	4M	4B
P145	6A	4B	P410	6A	4B

Partial A19 also shown on diagrams 19 and 21.



TYPE	U-NO
DL390	20 10
MC3440	16 8
MC3441	16 8
74LS273	16 8
74LS278	16 8
74LS14	14 7
74LS13	14 7
74LS15	14 7
74LS16	14 7
74LS17	14 7
74LS18	14 7
74LS19	14 7
74LS20	14 7

NUMERAL AND LETTER AT SIGNAL LINES TO OR FROM OTHER DIAGRAMS INDICATES THE GRID COORDINATE ON ANOTHER SCHEMATIC (FOR EXAMPLE: 4E)

DIGITAL AND TIME BASE POWER SUPPLY BOARD

BUS CONTROL LINES

PREPARED: T1 TRANSMITTED TO BUS R1 RECEIVED FROM BUS

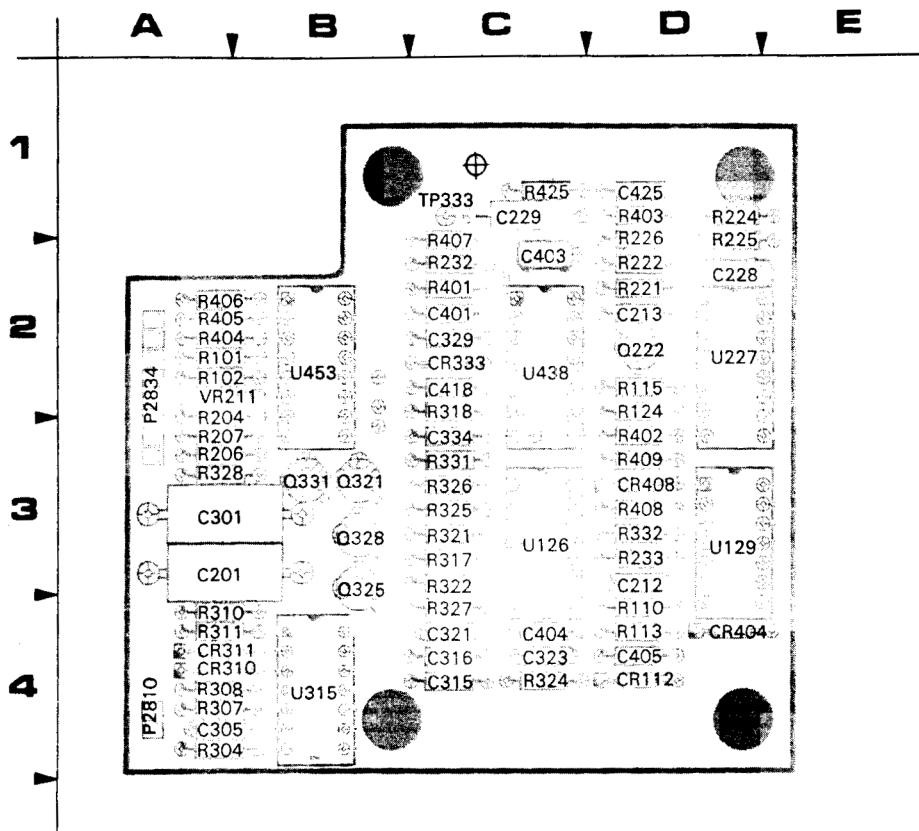


Figure 8-25 Option 05 A29 TV SYNC Separator Circuit board.

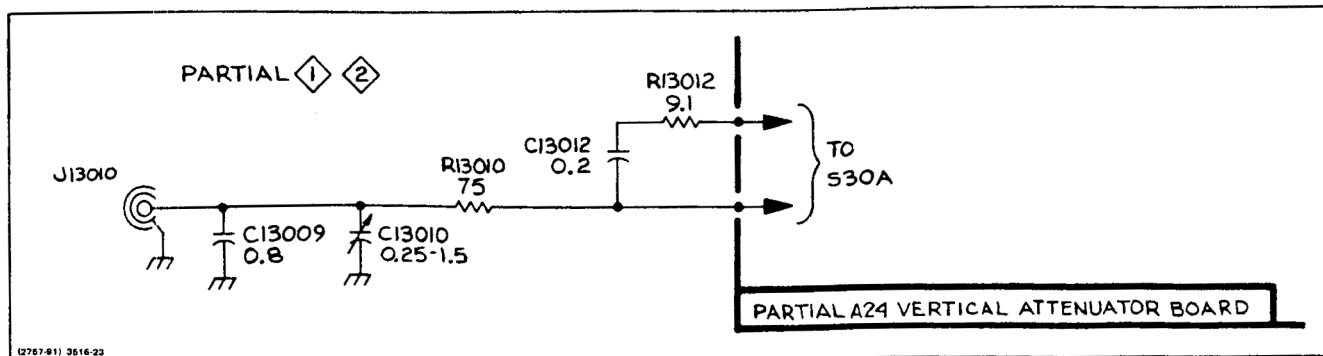


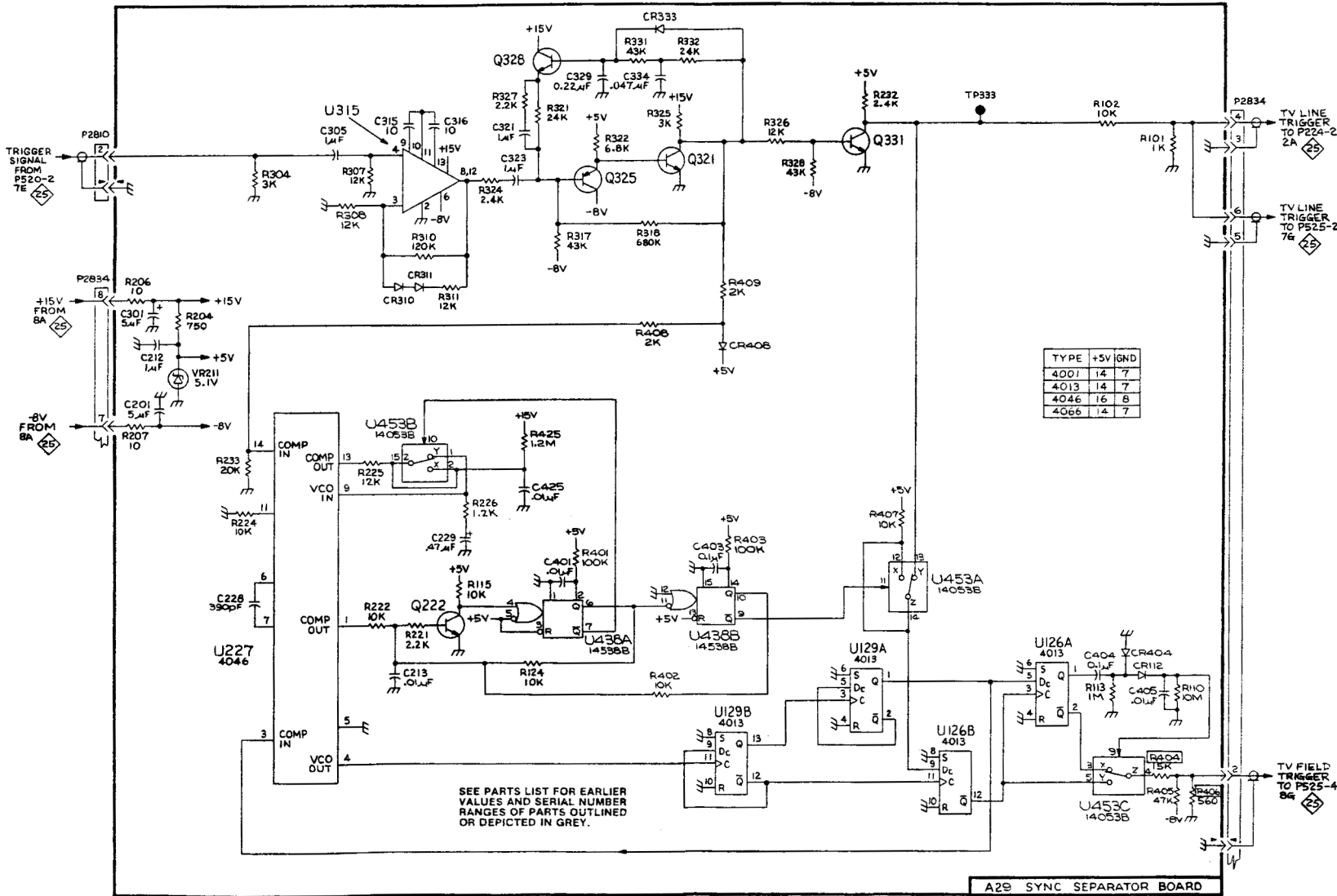
Figure 8-26 Option 05 468 Vertical Input Changes.

OPTION 05 TV SYNC SEPARATOR DIAGRAM

24

ASSEMBLY A29

CIRCUIT NUMBER	SCHEM LOCATION	BOARD LOCATION	CIRCUIT NUMBER	SCHEM LOCATION	BOARD LOCATION	CIRCUIT NUMBER	SCHEM LOCATION	BOARD LOCATION
C201	4B	3A	Q325	2E	3B	R327	1E	4C
C212	3B	3D	Q328	1E	3B	R328	2G	3A
C213	6D	2D	Q331	2G	3B	R331	1F	3C
C228	6B	2D				R332	1F	3D
C229	5D	1C	R101	2J	2A	R401	5E	2C
C301	3B	3A	R102	2I	2A	R402	6F	3D
C305	2C	4A	R110	6J	4D	R403	5F	1D
C315	2D	4C	R113	6I	4D	R404	7J	2A
C316	2D	4C	R115	5D	2D	R405	7J	2A
C321	2E	4C	R124	6E	2D	R406	7J	2A
C323	2E	4C	R204	3B	3A	R407	5H	2C
C329	1E	2C	R206	3A	3A	R408	3F	3D
C334	1F	3C	R207	4A	3A	R409	3F	3D
C401	5E	2C	R221	6D	2D	R425	4E	1C
C403	5F	2C	R222	6C	2D			
C404	6I	4C	R224	5B	1D	TP333	2H	1C
C405	6J	4D	R225	4C	2D			
C425	5E	1D	R226	5D	2D	U126A	6I	3C
			R232	1H	2C	U126B	7H	3C
CR112	6J	4D	R233	4B	3D	U129A	6G	3D
CR310	3D	4A	R304	1B	4A	U129B	7F	3D
CR311	3D	4A	R307	1C	4A	U227	6B	2D
CR333	1F	2C	R308	1C	4A	U315	2D	4B
CR404	6J	4D	R310	3D	4A	U438A	6E	2C
CR408	4F	3D	R311	3D	4A	U438B	6F	2C
			R317	3E	3C	U453A	5H	2B
P2810	2A	4A	R318	2F	2C	U453B	4D	2B
P2834	1K	2A	R321	1E	3C	U453C	7J	2B
P2834	3A	2A	R322	2E	3C			
P2834	7K	2A	R324	1D	4C	VR211	4B	2A
Q222	6D	2D	R325	2F	3C			
Q321	2F	3B	R326	2G	3C			



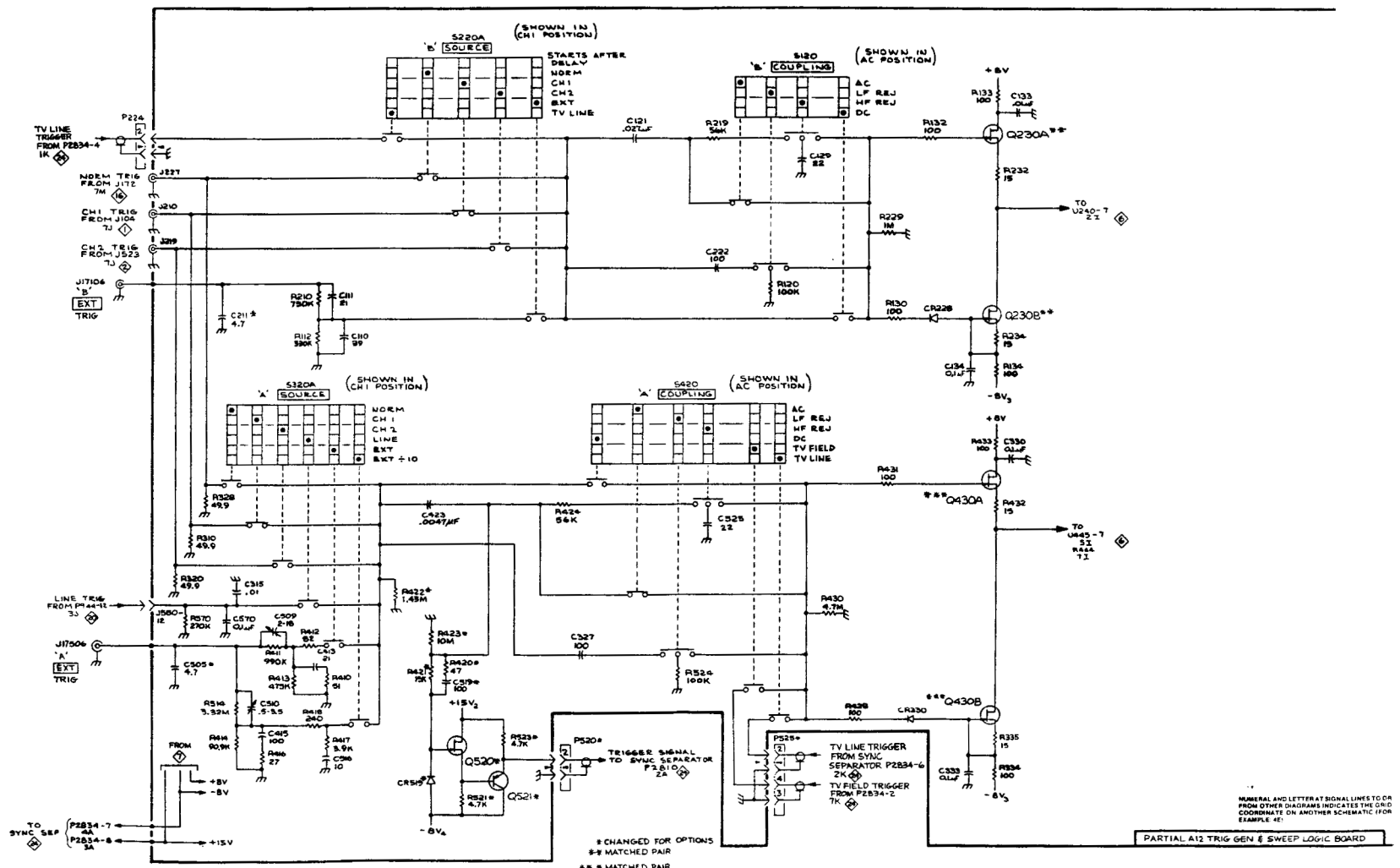
TYPE	+5V	IGND
4001	14	7
4013	14	7
4046	16	8
4066	4	7

SEE PARTS LIST FOR EARLIER VALUES AND SERIAL NUMBER RANGES OF PARTS OUTLINED OR DEPICTED IN GREY.

A29 SYNC SEPARATOR BOARD

3516-64
REV NOV 1983

ASSEMBLY A12								
CIRCUIT NUMBER	SCHEM LOCATION	BOARD LOCATION	CIRCUIT NUMBER	SCHEM LOCATION	BOARD LOCATION	CIRCUIT NUMBER	SCHEM LOCATION	BOARD LOCATION
C110	4C	2B	P224	2A	3D	R411	6B	5B
C111	3C	2B	P410	7J	4B	R412	6C	4B
C121	2F	2C	P520	7E	6C	R413	7C	5B
C129	2G	1D	P525	7G	6D	R414	7B	5B
C133	2I	2E				R416	7B	5B
C134	4H	2E	Q230A	2I	2D	R417	7C	5B
C211	3B	2B	Q230B	3I	2D	R418	7C	4B
C222	3F	2C	Q430A	5I	4D	R420	7D	5B
C315	6B	3C	Q430B	7I	4D	R421	7D	5C
C327	6E	4D	Q520	7D	6C	R422	6C	5C
C330	5I	4D	Q521	8D	6C	R423	6D	5C
C333	8H	4E				R424	5E	4C
C413	7C	5B	R112	4C	2B	R428	7G	4D
C415	7B	5B	R120	3G	1C	R430	6G	4D
C423	5D	4C	R130	3H	2D	R431	5H	5D
C505	7B	6A	R132	2H	2D	R432	5I	4E
C509	6B	5B	R133	1I	2D	R433	5I	4E
C510	7B	6B	R134	4I	1E	R514	7B	5B
C516	7C	5B	R210	3C	2B	R521	8D	6C
C519	7D	5B	R219	2F	2C	R523	7D	5C
C525	5F	5C	R229	3H	2D	R524	7F	5C
C570	6B	6I	R232	2I	2D	R570	6B	6I
			R234	4I	2E			
CR228	3H	2D	R310	6B	3B	S120	1G	1C
CR330	7H	4D	R320	6B	3C	S220A	1D	2C
CR519	8D	6B	R328	5B	3D	S320A	4C	4C
			R334	8I	4E	S420	4F	5C
			R335	7I	4E			
J210	2A	3B	R410	7C	4B			
J219	3A	3C						
J227	2A	3D						
J580	6A	6J						
CHASSIS MOUNTED PARTS								
CIRCUIT NUMBER	SCHEM LOCATION	LOCATION	CIRCUIT NUMBER	SCHEM LOCATION	LOCATION	CIRCUIT NUMBER	SCHEM LOCATION	LOCATION
J17106	3A	CHASSIS	S17305	7I	CHASSIS			
J17506	6A	CHASSIS						

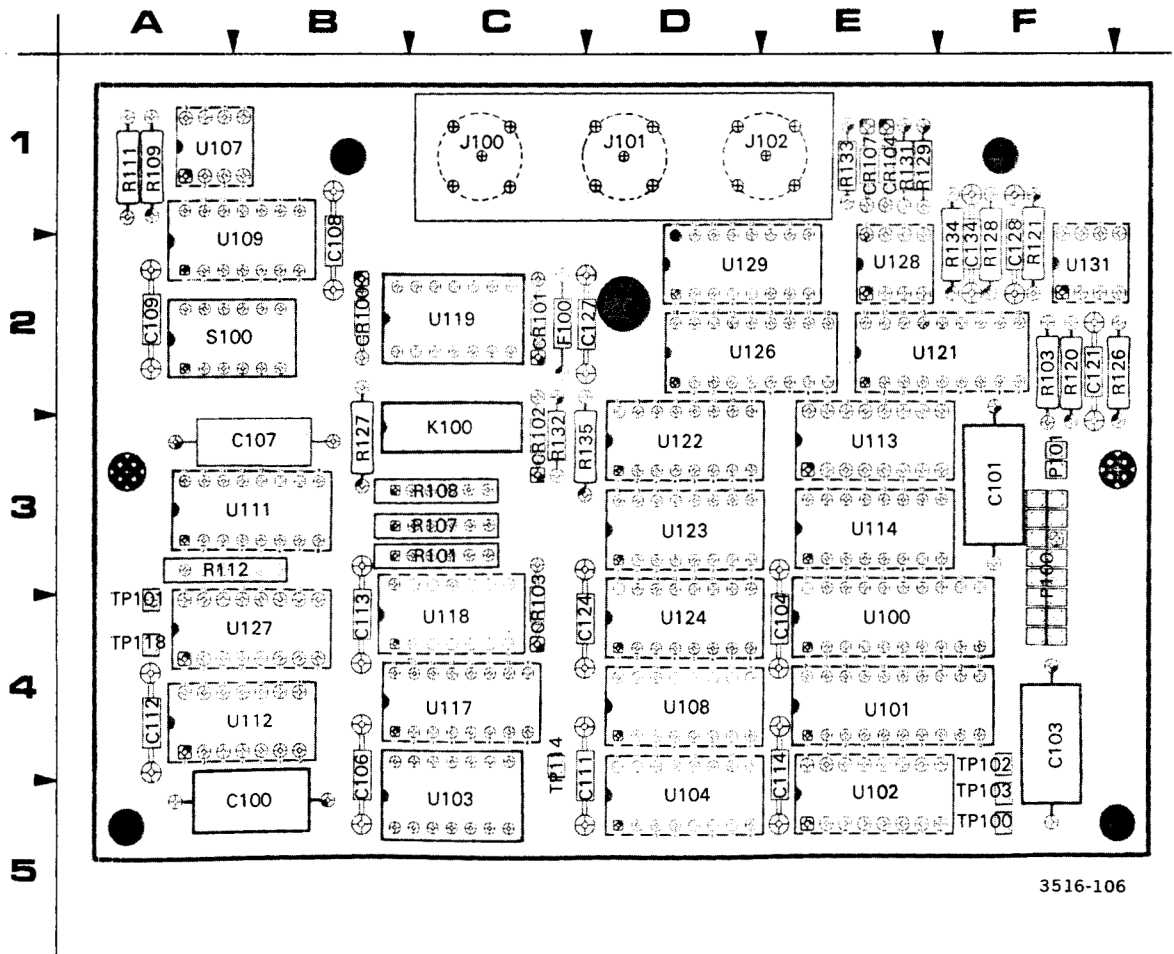


* NUMERAL AND LETTER AT SIGNAL LINES TO COORDINATE WITH OTHER DIAGRAMS INDICATES THE GRID COORDINATE ON ANOTHER SCHEMATIC (FOR EXAMPLE #2)

PARTIAL A12 TRIG GEN & SWEEP LOGIC BOARD

A27 ANALOG X-Y OUTPUT BOARD (OPTION 11)

COMPONENTS LOCATED ON SCHEMATIC DIAGRAM			
C100	F100	R126	U102
C101		R127	U103
C103		R128	U104
C104	J100	R129	U107
C106	J101	R131	U108
C107	J102	R132	U109
C108		R133	U111
C109		R134	U112
C111	K100	R135	U113
C112			U114
C113			U117
C114	P100	S100	U118
C121	P101		U119
C124			U121
C127		TP100	U122
C128	R101	TP101	U123
C134	R103	TP102	U124
	R107	TP103	U126
	R108	TP114	U127
	R109	TP118	U128
CR100			U129
CR101	R111		U131
CR102	R112		
CR103	R120	U100	
CR104	R121	U101	
CR107			



3516-106

Figure 8-27. A27—Analog X-Y Output Option board.

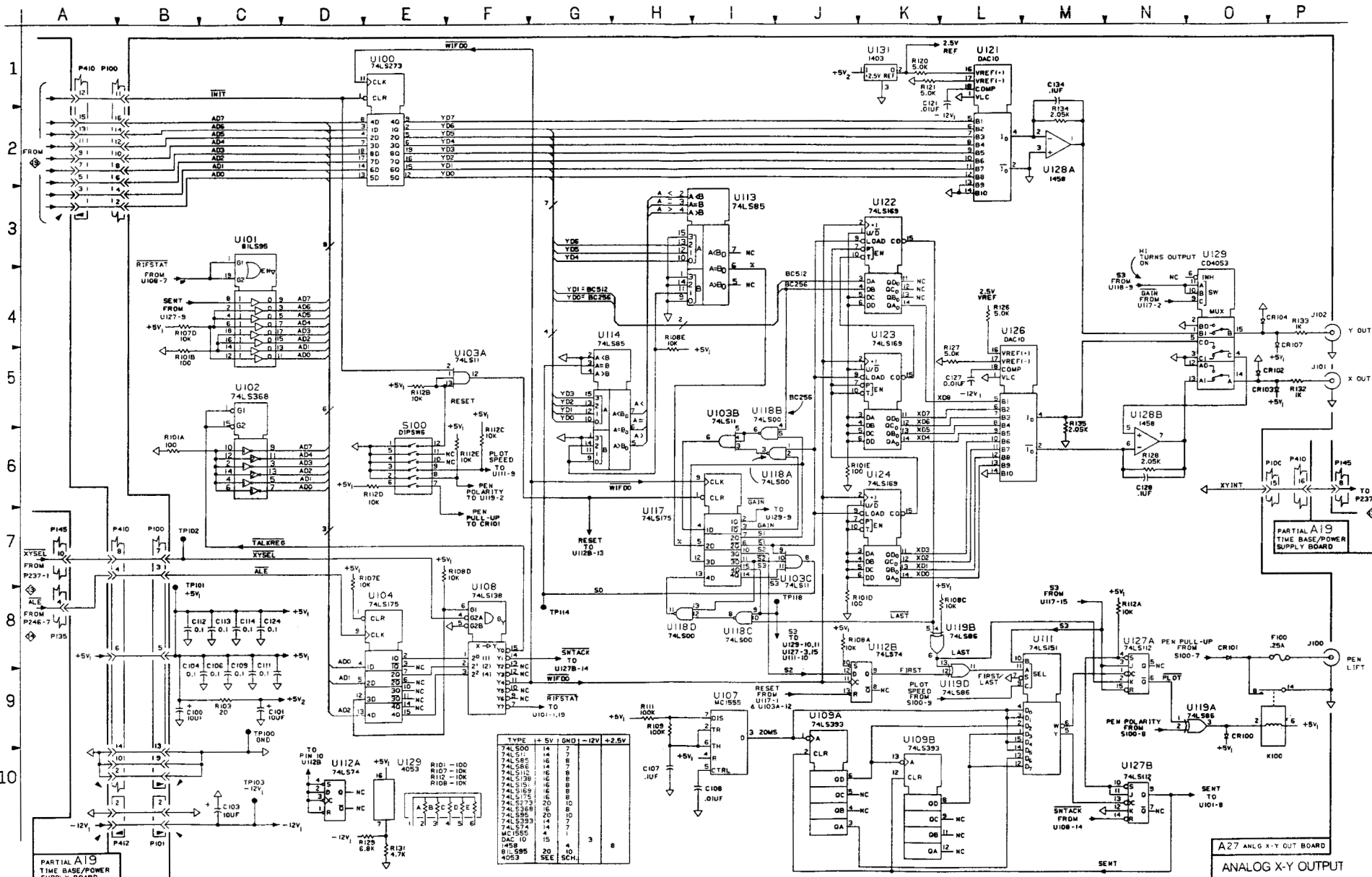
X-Y PLOTTER DIAGRAM

26

ASSEMBLY A19								
CIRCUIT NUMBER	SCHEM LOCATION	BOARD LOCATION	CIRCUIT NUMBER	SCHEM LOCATION	BOARD LOCATION	CIRCUIT NUMBER	SCHEM LOCATION	BOARD LOCATION
P410	1A	4B	P410	7B	4B	P412	10B	5A
P410	6P	4B						

Partial A19 also shown on diagrams 19, 21 and 23.

ASSEMBLY A27								
CIRCUIT NUMBER	SCHEM LOCATION	BOARD LOCATION	CIRCUIT NUMBER	SCHEM LOCATION	BOARD LOCATION	CIRCUIT NUMBER	SCHEM LOCATION	BOARD LOCATION
C100	9B	5B	R101A	6B	3C	TP118	8J	4A
C101	9C	3F	R101B	5B	3C			
C103	10C	4F	R101D	8J	3C	U100	1E	4E
C104	9C	4E	R101E	6J	3C	U101	3C	4E
C106	9C	4B	R103	9C	2F	U102	5C	5E
C107	10H	3B	R107D	4B	3C	U103A	5F	5C
C108	10I	2B	R107E	7E	3C	U103B	5I	5C
C109	9C	2A	R108A	8J	3C	U103C	7J	5C
C111	9C	4C	R108C	8L	3C	U104	8E	5D
C112	8B	4A	R108D	7F	3C	U107	9I	1A
C113	8C	4B	R108E	4H	3C	U108	8F	4D
C114	8C	4E	R109	9H	1A	U109A	9J	2B
C121	2L	2F	R111	9H	1A	U109B	9K	2B
C124	8C	4C	R112A	8N	3A	U111	8M	3B
C127	5L	2C	R112B	5E	3A	U112B	8K	4B
C128	6N	2F	R112C	6F	3A	U113	3I	3E
C134	1M	2F	R112D	6E	3A	U114	5G	3E
			R112E	6F	3A	U117	7H	4C
CR100	9O	2B	R120	1K	2F	U118A	6J	4C
CR101	8O	2C	R121	1K	2F	U118B	5I	4C
CR102	5O	3C	R126	4L	2G	U118C	8I	4C
CR103	5P	4C	R127	5L	3B	U118D	8H	4C
CR104	4O	1E	R128	6N	2F	U119A	9O	2C
CR107	5P	1E	R129	10E	1E	U119B	8L	2C
			R131	10E	1E	U121	1L	2E
F100	8P	2C	R132	5P	3C	U122	3K	3D
			R133	4P	1E	U123	4K	3D
J100	8P	1C	R134	2M	2F	U124	6K	4D
J101	5P	1D	R135	6M	3C	U126	4L	2D
J102	4P	1E				U127A	8N	4B
			S100	6E	2B	U127B	10N	4B
K100	10P	3C				U128A	2M	2E
			TP100	9C	5F	U128B	5N	2E
P100	1A	3F	TP101	8B	4A	U129	3O	2D
P100	6P	3F	TP102	7B	4F	U131	1K	2F
P100	7B	3F	TP103	10C	5F			
P101	10B	3F	TP114	8G	4C			



REPLACEABLE MECHANICAL PARTS

PARTS ORDERING INFORMATION

Replacement parts are available from or through your local Tektronix, Inc. Field Office or representative.

Changes to Tektronix instruments are sometimes made to accommodate improved components as they become available, and to give you the benefit of the latest circuit improvements developed in our engineering department. It is therefore important, when ordering parts, to include the following information in your order: Part number, instrument type or number, serial number, and modification number if applicable.

If a part you have ordered has been replaced with a new or improved part, your local Tektronix, Inc. Field Office or representative will contact you concerning any change in part number.

Change information, if any, is located at the rear of this manual.

SPECIAL NOTES AND SYMBOLS

X000 Part first added at this serial number
00X Part removed after this serial number

FIGURE AND INDEX NUMBERS

Items in this section are referenced by figure and index numbers to the illustrations.

INDENTATION SYSTEM

This mechanical parts list is indented to indicate item relationships. Following is an example of the indentation system used in the description column.

```

1 2 3 4 5           Name & Description
Assembly and/or Component
Attaching parts for Assembly and/or Component
    - - - * - - -
Detail Part of Assembly and/or Component
Attaching parts for Detail Part
    - - - * - - -
Parts of Detail Part
Attaching parts for Parts of Detail Part
    - - - * - - -

```

Attaching Parts always appear in the same indentation as the item it mounts, while the detail parts are indented to the right. Indented items are part of, and included with, the next higher indentation. The separation symbol - - - * - - - indicates the end of attaching parts.

Attaching parts must be purchased separately, unless otherwise specified.

ITEM NAME

In the Parts List, an Item Name is separated from the description by a colon (:). Because of space limitations, an Item Name may sometimes appear as incomplete. For further Item Name identification, the U.S. Federal Cataloging Handbook H6-1 can be utilized where possible.

ABBREVIATIONS

INCH	ELECTRN	ELECTRON	IN	INCH	SE	SINGLE END
NUMBER SIZE	ELEC	ELECTRICAL	INCAND	INCANDESCENT	SECT	SECTION
ACTR	ELCTLT	ELECTROLYTIC	INSUL	INSULATOR	SEMICOND	SEMICONDUCTOR
ADPTR	ELEM	ELEMENT	INTL	INTERNAL	SHLD	SHIELD
ALIGN	EPL	ELECTRICAL PARTS LIST	LPHLDR	LAMPHOLDER	SHLDR	SHOULDERED
AL	EOPT	EQUIPMENT	MACH	MACHINE	SKT	SOCKET
ASSEM	EXT	EXTERNAL	MECH	MECHANICAL	SL	SLIDE
ASSY	FIL	FILLISTER HEAD	MTG	MOUNTING	SLFLKG	SELF-LOCKING
ATTEN	FLEX	FLEXIBLE	NIP	NIPPLE	SLVG	SLEEVEING
AWG	FLH	FLAT HEAD	NON WIRE	NOT WIRE WOUND	SPR	SPRING
BD	FLTR	FILTER	OB	ORDER BY DESCRIPTION	SQ	SQUARE
BRKT	FR	FRAME or FRONT	OD	OUTSIDE DIAMETER	SST	STAINLESS STEEL
BRS	FSTNR	FASTENER	OVH	OVAL HEAD	STL	STEEL
BRZ	FT	FOOT	PH BRZ	PHOSPHOR BRONZE	SW	SWITCH
BSHG	FXD	FIXED	PL	PLAIN or PLATE	T	TUBE
CAB	GSKT	GASKET	PLSTC	PLASTIC	TERM	TERMINAL
CAP	HDL	HANDLE	PN	PART NUMBER	THD	THREAD
CER	HEX	HEXAGON	PNH	PAN HEAD	THK	THICK
CHAS	HEX HD	HEXAGONAL HEAD	PWR	POWER	TNSN	TENSION
CKT	HEX SOC	HEXAGONAL SOCKET	RCPT	RECEPTACLE	TPG	TAPPING
COMP	HLCPS	HELICAL COMPRESSION	RES	RESISTOR	TRH	TRUSS HEAD
CONN	HLEXT	HELICAL EXTENSION	RGD	RIGID	V	VOLTAGE
COV	HV	HIGH VOLTAGE	RLF	RELIEF	VAR	VARIABLE
CPLG	IC	INTEGRATED CIRCUIT	RTNR	RETAINER	W/	WITH
CRT	ID	INSIDE DIAMETER	SCH	SOCKET HEAD	WSHR	WASHER
DEG	IDNT	IDENTIFICATION	SCOPE	OSCILLOSCOPE	XFMR	TRANSFORMER
DWR	IMPLR	IMPELLER	SCR	SCREW	XSTR	TRANSISTOR

**Replaceable Mechanical Parts
468 Service Volume II**

CROSS INDEX—MFR. CODE NUMBER TO MANUFACTURER

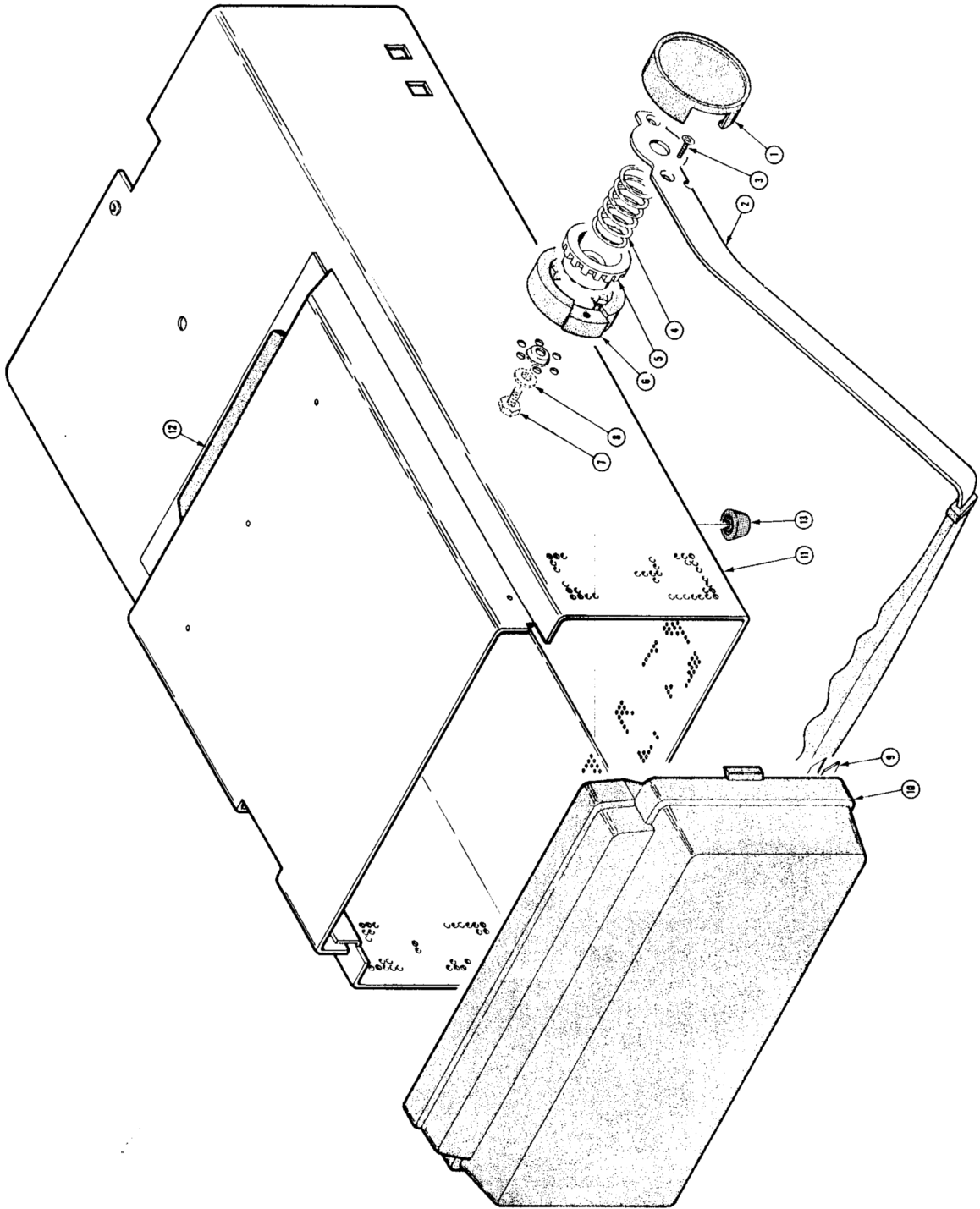
Mfr. Code	Manufacturer	Address	City, State, Zip
000BK	STAUFFER SUPPLY	105 SE TAYLOR	PORTLAND, OR 97214
000CY	NORTHWEST FASTENER SALES, INC.	7923 SW CIRRUS DRIVE	BEAVERTON, OR 97005
000EX	O'HARA METAL PRODUCT COMPANY	542 BRANNAN STREET	SAN FRANCISCO, CA 94107
000HA	BAHRS DIE & STAMPING CO., INC.	4375 ROSS PLAIN RD.	CINCINNATI, OH 45236
00779	AMP, INC.	P.O. BOX 3608	HARRISBURG, PA 17105
01295	TEXAS INSTRUMENTS, INC. SEMICONDUCTOR GROUP	P.O. BOX 5012	DALLAS, TX 75222
01536	CAMCAR DIV OF TEXTRON INC. SEMS PRODUCTS UNIT	1818 CHRISTINA ST.	ROCKFORD, IL 61108
02768	ILLINOIS TOOL WORKS, INC., FASTEX DIV.	195 ALGONQUIN ROAD	DES PLAINES, IL 60016
05006	TWENTIETH CENTURY PLASTICS, INC.	415 E WASHINGTON BLVD.	LOS ANGELES, CA 90015
05129	KILO ENGINEERING COMPANY	2015 D	LA VERNE, CA 91750
06540	AMATOM ELECTRONIC HARDWARE, DIV. OF MITE CORP.	446 BLAKE ST.	NEW HAVEN, CT 06515
06776	ROBINSON NUGENT INC.	800 E. 8TH ST., BOX 470	NEW ALBANY, IN 47150
07700	TECHNICAL WIRE AND PRODUCTS, INC.	129 DERMODY ST.	CRANFORD, NJ 07016
09922	BURNDY CORPORATION	RICHARDS AVENUE	NORWALK, CT 06852
11897	PLASTIGLIDE MFG. CORPORATION	P O BOX 867, 1757 STANFORD ST.	SANTA MONICA, CA 90406
12327	FREEWAY CORPORATION	9301 ALLEN DRIVE	CLEVELAND, OH 44125
12360	ALBANY PRODUCTS CO., DIV. OF PNEUMO DYNAMICS CORPORATION	145 WOODWARD AVENUE	SOUTH NORWALK, CT 06586
12697	CLAROSTAT MFG. CO., INC.	LOWER WASHINGTON STREET	DOVER, NH 03820
12881	METEX CORPORATION	970 NEW DURHAM ROAD	EDISON, NJ 08817
13103	THERMALLOY COMPANY, INC.	2021 W VALLEY VIEW LANE P O BOX 34829	DALLAS, TX 75234
13511	AMPHENOL CARDRE DIV., BUNKER RAMO CORP.		LOS GATOS, CA 95030
22526	BERG ELECTRONICS, INC.	YOUK EXPRESSWAY	NEW CUMBERLAND, PA 17070
23050	PRODUCT COMPONENTS CORP	30 LORRAINE AVE.	MT VERNON, NY 10553
24011	ELECTRONIZED CHEMICALS CORPORATION	S BEDFORD STREET	BURLINGTON, MA 01803
24931	SPECIALITY CONNECTOR CO., INC.	2620 ENDRESS PLACE	GREENWOOD, IN 46142
26233	USM CORP NYLOC FASTENER DIV.	1501 W SEPULVEDA BLVD. P.O. BOX 3158	TORRANCE, CA 90510
27143	ATLAS SPRING AND MFG. CO.	1805 N. SPAULDING AVE.	CHICAGO, IL 60647
27264	MOLEX, INC.	2222 WELLINGTON COURT	LISLE, IL 60532
28520	HEYMAN MFG. CO.	147 N. MICHIGAN AVE.	KENILWORTH, NJ 07033
28817	CAL-METEX CORP., SUBSIDIARY OF METEX CORP.	509 HINDRY AVE.	INGLEWOOD, CA 90301
52905	SIMPLEX MFG. COMPANY	5224 NE 42ND AVENUE	PORTLAND, OREGON 97218
70278	ALLIED STEEL AND CONVEYORS, DIV. OF SPARTON CORP.	17333 HEALY	DETROIT, MI 48212
70485	ATLANTIC INDIA RUBBER WORKS, INC.	571 W. POLK ST.	CHICAGO, IL 60607
71159	BRISTOL SOCKET SCREW, DIV. OF AMERICAN CHAIN AND CABLE CO., INC.	P O BOX 2244, 40 BRISTOL ST.	WATERBURY, CT 06720
71400	BUSSMAN MFG., DIVISION OF MCGRAW- EDISON CO.	2536 W. UNIVERSITY ST.	ST. LOUIS, MO 63107
71590	CENTRALAB ELECTRONICS, DIV. OF GLOBE-UNION, INC.	P O BOX 858	FORT DODGE, IA 50501
71785	TRW, CINCH CONNECTORS	1501 MORSE AVENUE	ELK GROVE VILLAGE, IL 60007
73743	FISCHER SPECIAL MFG. CO.	446 MORGAN ST.	CINCINNATI, OH 45206
73803	TEXAS INSTRUMENTS, INC., METALLURGICAL MATERIALS DIV.	34 FOREST STREET	ATTLEBORO, MA 02703
74445	HOLO-KROME CO.	31 BROOK ST. WEST	HARTFORD, CT 06110
75497	LAMSON AND SESSIONS CO.	5000 TIEDEMAN ROAD	CLEVELAND, OH 44144
77250	PHEOLL MANUFACTURING CO., DIVISION OF ALLIED PRODUCTS CORP.	5700 W. ROOSEVELT RD.	CHICAGO, IL 60650
78189	ILLINOIS TOOL WORKS, INC. SHAKEPROOF DIVISION	ST. CHARLES ROAD	ELGIN, IL 60120
79136	WALDES, KOHINOOR, INC.	47-16 AUSTEL PLACE	LONG ISLAND CITY, NY 11101
79807	WROUGHT WASHER MFG. CO.	2100 S. O BAY ST.	MILWAUKEE, WI 53207
80009	TEKTRONIX, INC.	P O BOX 500	BEAVERTON, OR 97077
80033	PRESTOLE EVERLOCK, INC.	P. O. BOX 278, 1345 MIAMI ST.	TOLEDO, OH 43605
83294	ARRCW FASTENER CO., INC.	271 MAYHILL ST.	SADDLE BROOK, NJ 07662
83385	CENTRAL SCREW CO.	2530 CRESCENT DR.	BROADVIEW, IL 60153
85471	BOYD, A. B., CO.	2527 GRANT AVENUE	SAN LEANDRO, CA 94579
86445	PENN FIBRE AND SPECIALTY CO., INC.	2032 E. WESTMORELAND ST.	PHILADELPHIA, PA 19134
86928	SEASTROM MFG. COMPANY, INC.	701 SONORA AVENUE	GLENDALE, CA 91201
87308	N. L. INDUSTRIES, INC., SOUTHERN SCREW DIV.	P. O. BOX 1360	STATESVILLE, NC 28677

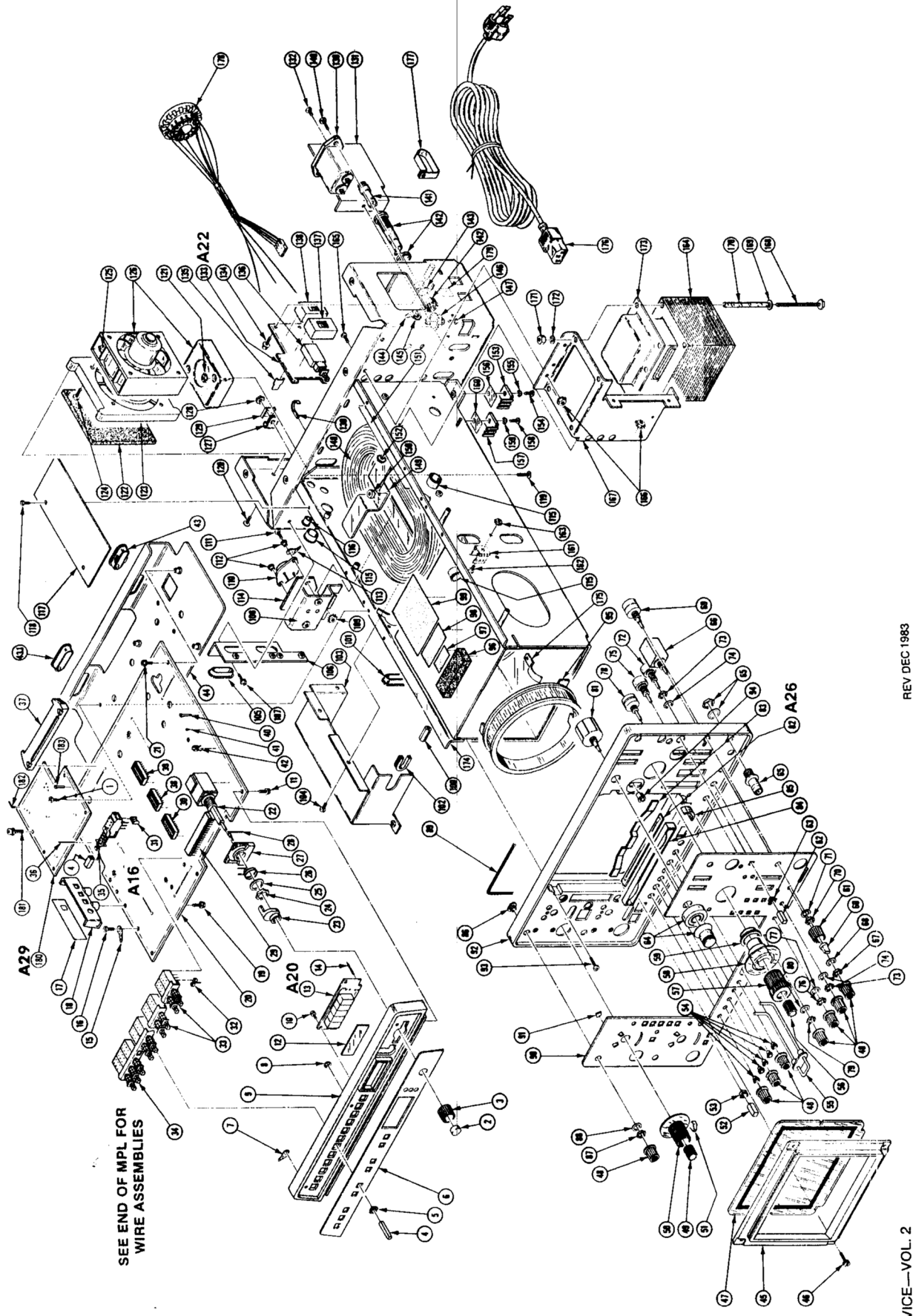
CROSS INDEX—MFR. CODE NUMBER TO MANUFACTURER

Mfr. Code	Manufacturer	Address	City, State, Zip
89663	REESE, J. RAMSEY, INC.	71 MURRAY STREET	NEW YORK, NY 10007
91260	CONNOR SPRING AND MFG. CO.	1729 JUNCTION AVE.	SAN JOSE, CA 95112
93907	TEXTRON INC. CAMCAR DIV	600 18TH AVE	ROCKFORD, IL 61101
95987	WECKESSER CO., INC.	4444 WEST IRVING PARK RD.	CHICAGO, IL 60641
97464	INDUSTRIAL RETAINING RING CO.	57 CORDIER ST.	IRVINGTON, NJ 07111
S3109	C/O PANEL COMPONENTS CORP.	P.O. BOX 6626	SANTA ROSA, CA 95406
S3629	PANEL COMPONENTS CORP.	2015 SECOND ST.	BERKELEY, CA 94170
T1105	J PHILLIP INDUSTRIES INC	5713 NORTHWEST HIGHWAY	CHICAGO, IL 60646

**Replaceable Mechanical Parts
468 Service Volume II**

Fig. & Index No.	Tektronix Part No.	Serial/Model No. Eff Dscont		Qty	1 2 3 4 5	Name & Description	Mfr Code	Mfr Part Number
1-	367-0172-04			1		HANDLE CARRYING:PLASTIC	80009	367-0172-04
-1	200-0602-00			2		.COVER,HDL LATCH:2.12 DIA X 0.7,ACETAL	80009	200-0602-00
-2	367-0172-00			1		.HANDLE,CARRYING:12.722 L,BLACK VINYL(ATTACHING PARTS).....	80009	367-0172-00
-3	213-0227-00			4		.SCR,TPG,THD FOR:6-32 X 0.50 DEG,FLH ST(END ATTACHING PARTS).....	83385	ORD BY DESCR
-4	214-0516-00			2		.SPRING,HLCPS:0.959 DIA X 1.250 INCH LONG	80009	214-0516-00
-5	214-0515-02			2		.HUB,HDL INDEX:1.42 DIA X 0.565 THK,AL CD	80009	214-0515-02
-6	214-1987-00			2		.INDEX,HDL RING:(ATTACHING PARTS).....	80009	214-1987-00
-7	213-0139-01			2		.SCREW,SLFLKG:10-24 X 0.375,HEX HD,STL	26233	P38AS 1024 6C
-8	210-1182-00	B010100	B010499	2		.WSHR,SPR TNSN:0.218 ID X 0.69 INCH OD	80009	210-1182-00
	210-0805-00	B010500		2		.WASHER,FLAT:0.204 ID X 0.438 INCH OD,ST(END ATTACHING PARTS).....	12327	ORD BY DESCR
-9	334-3723-00			1		.MARKER,IDENT:	80009	334-3723-00
-10	200-1723-00			1		COVER,SCOPE:FRONT	80009	200-1723-00
-11	437-0267-01			1		CABINET,SCOPE:W/TOP	80009	437-0267-01
-12	352-0263-00	B010100	B010684	1		.HLDR,POUCH ASSY:TEK BLUE POLYCARBONATE	80009	352-0263-00
	352-0263-01	B010685		1		.HLDR,POUCH ASSY:TEK BLUE POLYCARBONATE	80009	352-0263-01
-13	348-0080-01			4		.FOOT,CABINET:BOTTOM	80009	348-0080-01





SEE END OF MPL FOR
WIRE ASSEMBLIES

FIG. 2 FRONT & REAR

REV DEC 1983

468 SERVICE—VOL. 2

Fig. & Index No.	Tektronix Part No.	Serial/Model No. Eff Dscnt		Qty	1 2 3 4 5	Name & Description	Mfr Code	Mfr Part Number
2-	672-0878-00			1		CKT BOARD ASSY:TOP *****ATTACHING PARTS)*****	80009	672-0878-00
-1	213-0146-00			4		SCR,TPG,THD FOR:6-20 X 0.313 INCH,PNH STL *****END ATTACHING PARTS)*****	83385	ORD BY DESCR
	-----			-		CKT BOARD ASSY INCLUDES:		
-2	366-1820-00			1		.PUSH BUTTON:GRAY,0.227 OD X 0.3 H	80009	366-1820-00
-3	366-1821-00			1		.KNOB:GY,W/WHITE DOT,0.252 ID X 0	80009	366-1821-00
	213-0153-00			1		..SETSCREW:5-40 X 0.125,STL BK OXD,HEX	000CY	ORD BY DESCR
-4	366-1559-00	B010100	B029999	11		.PUSH BUTTON:SIL GY,0.18 SQ X 0.43	80009	366-1559-00
	366-1559-00	B030000	B044276	12		.PUSH BUTTON:SIL GY,0.18 SQ X 0.43	80009	366-1559-00
	366-1559-00	B044277		7		.PUSH BUTTON:SIL GY,0.18 SQ X 0.43	80009	366-1559-00
	366-1512-00	B044277		5		.PUSH BUTTON:GRAY,0.18 SQ X 0.83 INCH LG	80009	366-1512-00
-5	426-1072-00	B010100	B029999	10		.FRAME,PUSH BTN:PLASTIC	80009	426-1072-00
	426-1072-00	B030000		11		.FRAME,PUSH BTN:PLASTIC	80009	426-1072-00
-6	333-2624-00	B010100	B029999	1		.PANEL,FRONT:	80009	333-2624-00
	333-2606-00	B030000		1		.PANEL,FRONT: *****ATTACHING PARTS)*****	80009	333-2606-00
-7	210-0201-00			1		.TERMINAL,LUG:0.12 ID,LOCKING,BRZ TIN PL	86928	ORD BY DESCR
-8	354-0195-00			3		.RING,RETAINING: *****END ATTACHING PARTS)*****	97464	6100-12-ST-PA
-9	426-1176-00			1		.FRAME SECT,CAB.:FRONT *****ATTACHING PARTS)*****	80009	426-1176-00
-10	211-0180-00			2		.SCR,ASSEM WSHR:2-56 X 0.25 INCH,PNH BRS	83385	ORD BY DESCR
-11	211-0244-00			3		.SCR,ASSEM WSHR:4-40 X 0.312 INCH,PNH STL *****END ATTACHING PARTS)*****	78189	ORD BY DESCR
-12	331-0397-00			1		.WINDOW,READOUT:0.55 X 1.495 X 0.06,ACRILI	80009	331-0397-00
-13	-----			1		.CKT BOARD ASSY:READOUT(SEE A20 REPL)		
-14	131-0589-00			20		.TERMINAL,PIN:0.46 L X 0.025 SQ	22526	48283-029
-15	210-0207-00			1		.TERMINAL,LUG:0.375 INCH DIAMETER *****ATTACHING PARTS)*****	12697	01136902
-16	211-0244-00			1		.SCR,ASSEM WSHR:4-40 X 0.312 INCH,PNH STL *****END ATTACHING PARTS)*****	78189	ORD BY DESCR
-17	386-4307-00			1		.PANEL,SIDE:	80009	386-4307-00
-18	386-4299-00			1		.SUBPANEL,SIDE: *****ATTACHING PARTS)*****	80009	386-4299-00
-19	211-0244-00			2		.SCR,ASSEM WSHR:4-40 X 0.312 INCH,PNH STL *****END ATTACHING PARTS)*****	78189	ORD BY DESCR
	348-0666-00	B010220		1		.SHLD,GSKT,ELEK:SOLID,9.0 L	80009	348-0666-00
-20	-----			1		.CKT BOARD ASSY:TOP(SEE A16 REPL) *****ATTACHING PARTS)*****		
-21	211-0244-00			7		.SCR,ASSEM WSHR:4-40 X 0.312 INCH,PNH STL *****END ATTACHING PARTS)*****	78189	ORD BY DESCR
	-----			-		.CKT BOARD ASSY INCLUDES:		
-22	-----			1		..SW-VAR RES ASSY:(SEE A16R881/A16S881 REP		
-23	105-0847-00			1		...ACTUATOR,SPRING:PLASTIC	80009	105-0847-00
-24	220-0495-00			1		...NUT,PLAIN,HEX.:0.375-32 X 0.438 INCH BR	73743	ORD BY DESCR
-25	210-1131-00			1		...WASHER,FLAT:0.375 ID X 0.562 INCH OD,NY	80009	210-1131-00
-26	214-3013-00			1		...SPR,HLCL,TRSN:0.5 DIA ID X 0.526 DIA OD	80009	214-3013-00
-27	352-0581-00			1		...HOLDER,SPR RTN:	80009	352-0581-00
-28	131-0595-00			2		...CONTACT,ELEC:1.37 INCH LONG	22526	47355
-29	131-1632-00			1		..CONNECTOR,RCPT.:CKT CD MTG,20 CONTACT,FE	22526	65001-025
-30	136-0634-00	B010100	B033329	11		..SOCKET,PLUG-IN:20 LEAD DIP,CKT BD MTG	73803	CS9002-20
-31	361-0383-00			4		..SPACER,PB SW:CHARCOAL,0.33 INCH LONG	80009	361-0383-00
-32	361-0608-00			8		..SPACER,PUSH SW:PLASTIC	80009	361-0608-00
-33	-----			2		..SWITCH,PUSH:(SEE A16S831,A16S844 REPL)		
-34	-----			1		..SWITCH,PUSH:(SEE A16S813 REPL)		
-35	-----			1		..SWITCH,PUSH:(SEE A16S512 REPL)		
-36	131-0608-00			37		..TERMINAL,PIN:0.365 L X 0.025 PH BRZ GOLD	22526	47357
-37	131-1780-00			1		..CONNECTOR,RECP.:RT-ANGLE HDR,2/25 MALE	22526	65483-005
-38	136-0260-02	B010100	B033329	11		..SKT,PL-IN ELEK:MICROCIRCUIT,16 DIP,LOW C	09922	DILB16P-108T
-39	136-0670-00	B010100	B033329	2		..SKT,PL-IN ELEK:MICROCKT,18 PIN,LOW PROFI	73803	CS9002-18
-40	214-0579-00			7		..TERM,TEST POINT:BRS CD PL	80009	214-0579-00
-41	136-0252-07			45		..SOCKET,PIN CONN:W/O DIMPLE	22526	75060-012
-42	131-1003-00			9		..CONN,RCPT,ELEC:CKT BD MT,3 PRONG	80009	131-1003-00
-43	348-0253-00			1		.GROMMET,PLASTIC:BLACK,OBLONG,3.OXO.925	80009	348-0253-00
-43.1	348-0688-00			1		.GROMMET,PLASTIC:BLACK,OVAL,1.235 OVAL	80009	348-0688-00

**Replaceable Mechanical Parts
468 Service Volume II**

Fig. & Index No.	Tektronix Part No.	Serial/Model No.		Qty	1 2 3 4 5	Name & Description	Mfr Code	Mfr Part Number
		Eff	Dscont					
2-44	386-4289-00			1		.PLATE,MOUNTING:CIRCUIT BOARD	80009	386-4289-00
	348-0507-00	B010220		1		..SHLD GSKT,ELEK:MESH TYPE,0.25 X 0.14	12881	01-604-1756
-45	200-1411-00			1		RTNR,IMPLOSION:5.422 X 4.743 X 0.441,GRAY	80009	200-1411-00
-46	213-0313-00			4		.THUMBSCREW:4-40 X 0.45 INCH,KNURLED	80009	213-0313-00
-47	337-1674-00			1		SHLD,ELCTRN TUB:CRT	80009	337-1674-00
-48	366-0494-00			8		KNOB:GRAY WITH SETSCREW	80009	366-0494-00
	213-0246-00			8		.SETSCREW:5-40 X 0.093 ITL BK OXD,HEX	71159	ORD BY DESCR
-49	366-1031-02			2		KNOB:RED,VAR,0.127 ID X 0.392 OD	80009	366-1031-02
	213-0246-00			2		.SETSCREW:5-40 X 0.093 ITL BK OXD,HEX	71159	ORD BY DESCR
-50	366-1426-01			2		KNOB:GRAY,VOLT/DIV,0.191 ID X 1.	80009	366-1426-01
	213-0153-00			2		.SETSCREW:5-40 X 0.125,STL BK OXD,HEX	000CY	ORD BY DESCR
-51	366-0215-02			2		KNOB:LEVER SWITCH	80009	366-0215-02
-52	366-1559-00			16		PUSH BUTTON:SIL GY,0.18 SQ X 0.43	80009	366-1559-00
-53	426-1072-00			16		FRAME,PUSH BTN:PLASTIC	80009	426-1072-00
-54	358-0599-00			5		BUSHING,SLEEVE:0.125 ID X 0.234 THK,PLSTC	28520	B-187-125
-55	195-0276-01			1		LEAD,ELECTRICAL:0.062 DIA,BRS,W/MLD COLLAR	80009	195-0276-01
-56	366-1346-02			1		KNOB:RED	80009	366-1346-00
	213-0153-00			1		.SETSCREW:5-40 X 0.125,STL BK OXD,HEX	000CY	ORD BY DESCR
-57	366-1219-01	B010100	B010599	1		KNOB:GRAY--DLYD SWP	80009	366-1219-01
	213-0890-00			2		.SETSCREW:6-32 X 0.25 L,STL BLK OXD	83294	ORD BY DESCR
-58	354-0442-01			1		RING,KNOB SKIRT:CLEAR,1.45 OD	80009	354-0442-01
	213-0005-00	B010100	B010599	2		.SETSCREW:8-32 X 1.25 INCH,HEX SOC ST	74445	ORD BY DESCR
-59	401-0080-01			1		BRG,KNOB SKIRT:0.789 ID X 8.66"OD PLASTIC	80009	401-0080-01
-60	366-1278-00			2		KNOB:GRAY	80009	366-1278-00
	213-0153-00			2		.SETSCREW:5-40 X 0.125,STL BK OXD,HEX	000CY	ORD BY DESCR
-61	366-1280-00			2		KNOB:GRAY	80009	366-1278-00
	213-0153-00			2		.SETSCREW:5-40 X 0.125,STL BK OXD,HEX	000CY	ORD BY DESCR
-62	366-1559-07			1		PUSH BUTTON:SIL GY,OFF	80009	366-1559-07
-63	426-1072-00			1		FRAME,PUSH BTN:PLASTIC	80009	426-1072-00
-64	331-0328-00			1		DIAL,CONTROL:10 TURN FOR 0.25 DIA SHAFT	05129	461-S-70
-65	131-0955-00			2		CONN,RCPT,ELEC:BNC,FEMALE	13511	31-279
-66	----			1		RESISTOR,VAR:(SEE R14498 REPL) *****ATTACHING PARTS*****		
-67	210-0583-00			1		NUT,PLAIN,HEX:0.25-32 X 0.312 INCH,BRS	73743	2X20317-402
-68	210-0940-00			1		WASHER,FLAT:0.25 ID X 0.375 INCH OD,STL *****END ATTACHING PARTS*****	79807	ORD BY DESCR
-69	----			2		RESISTOR,VAR:(SEE R17305,R17010 REPL) *****ATTACHING PARTS*****		
-70	210-0583-00			1		NUT,PLAIN,HEX:0.25-32 X 0.312 INCH,BRS	73743	2X20317-402
-71	210-0940-00			1		WASHER,FLAT:0.25 ID X 0.375 INCH OD,STL *****END ATTACHING PARTS*****	79807	ORD BY DESCR
-72	----			1		RESISTOR,VAR:(SEE R14499 REPL) *****ATTACHING PARTS*****		
-73	210-0583-00			2		NUT,PLAIN,HEX:0.25-32 X 0.312 INCH,BRS	73743	2X20317-402
-74	210-0940-00			2		WASHER,FLAT:0.25 ID X 0.375 INCH OD,STL *****END ATTACHING PARTS*****	79807	ORD BY DESCR
-75	----			1		RESISTOR,VAR:(SEE R14398 REPL) *****ATTACHING PARTS*****		
-76	210-0583-00			1		NUT,PLAIN,HEX:0.25-32 X 0.312 INCH,BRS	73743	2X20317-402
-77	210-0940-00			1		WASHER,FLAT:0.25 ID X 0.375 INCH OD,STL *****END ATTACHING PARTS*****	79807	ORD BY DESCR
-78	----			1		RESISTOR,VAR:(SEE R14288 REPL) *****ATTACHING PARTS*****		
-79	210-0583-00			1		NUT,PLAIN,HEX:0.25-32 X 0.312 INCH,BRS	73743	2X20317-402
-80	210-0940-00			1		WASHER,FLAT:0.25 ID X 0.375 INCH OD,STL *****END ATTACHING PARTS*****	79807	ORD BY DESCR
-81	----			1		RESISTOR,VAR:(SEE R16002 REPL)		
-82	----			1		CKT BOARD ASSY:CRT SCALE ILLUM(SEE A26 REP)		
-83	378-0728-00			1		.REFLECTOR,LIGHT:SCALE ILLUMINATION	80009	378-0728-00
-84	352-0329-00			1		.LAMPHOLDER:SCALE ILLUMINATION	80009	352-0329-00
-85	386-2340-00			4		SUPPORT,CRT:FRONT	80009	386-2340-00
-86	358-0540-00			2		BSHG,MACH.THD:0.25-32 X 0.128 ID X 0.24" *****ATTACHING PARTS*****	80009	358-0540-00
-87	210-0583-00			2		NUT,PLAIN,HEX:0.25-32 X 0.312 INCH,BRS	73743	2X20317-402
-88	210-0940-00			2		WASHER,FLAT:0.25 ID X 0.375 INCH OD,STL *****END ATTACHING PARTS*****	79807	ORD BY DESCR

Fig. & Index No.	Tektronix Part No.	Serial/Model No.		Qty	1 2 3 4 5					Name & Description	Mfr Code	Mfr Part Number
		Eff	Dscont									
2-89	348-0276-00			1	FT					SHLD,GSKT,ELEK:0.026 OD NPRN W/WIRE NET CO	28817	01-0404-3719
-90	333-2604-00			1						PANEL,FRONT:	80009	333-2604-00
	333-2629-00			1						PANEL,FRONT:	80009	333-2629-00
	-----			-						(OPTION 05 ONLY)		
-91	378-0635-00			4						LENS,LIGHT:WHITE	80009	378-0635-00
	334-1418-00			2						PLATE,INDENT:BLANK	80009	334-1418-00
-92	426-1607-00			1						FRAME,CABINET:FRONT	80009	426-1607-00
										*****ATTACHING PARTS*****		
-93	213-0183-00			4						SCR,TPG,THD FOR:6-20 X 0.5 TYPE B,PNH,STL	83385	ORD BY DESCR
										*****END ATTACHING PARTS*****		
	210-0201-00	B010220		1						TERMINAL,LUG:0.12 ID,LOCKING,BRZ TIN PL	86928	ORD BY DESCR
-94	352-0477-00			8						HOLDER,LED:	80009	352-0477-00
-95	-----			1						COIL,TUBE DEFL:(SEE L14175 REPL)		
-96	348-0090-00			1						PAD,CUSHIONING:2.03 X 0.69 X 0.312	85471	OBD
-97	334-3448-00			1						MARKER,IDENT:MARKED NOTICE	80009	334-3448-00
-98	334-1379-00			1						LABEL:CRT,ADHESIVE BACK	80009	334-1379-00
-99	334-1951-00			1						MARKER,IDENT:CRT WARNING	80009	334-1951-00
-100	129-0828-00			4						SPACER,POST:0.632 L,W/4-40 THD ONE END	80009	129-0828-00
-101	348-0688-00			1						GROMMET,PLASTIC:BLACK,OVAL,1.235 OVAL	80009	348-0688-00
-102	348-0115-00			1						GROMMET,PLASTIC:U-SHP,0.548 X 0.462 INCH	80009	348-0115-00
-103	337-1688-03			1						SHIELD,ELEC:HIGH VOLTAGE	80009	337-1688-03
										*****ATTACHING PARTS*****		
-104	211-0661-00			5						SCREW,MACHINE:4-40 X 0.25 INCH,PNH,STL	78189	ORD BY DESCR
										*****END ATTACHING PARTS*****		
-105	348-0253-00			2						GROMMET,PLASTIC:BLACK,OBLONG,3.OXO.925	80009	348-0253-00
-106	407-2582-00			1						BRACKET,CKT BD:PREAMPL	80009	407-2582-00
										*****ATTACHING PARTS*****		
-107	211-0244-00			5						SCR,ASSEM WSHR:4-40 X 0.312 INCH,PNH STL	78189	ORD BY DESCR
										*****END ATTACHING PARTS*****		
-108	407-1153-00			1						BRACKET,XSTR:ALUMINUM	80009	407-1153-00
										*****ATTACHING PARTS*****		
-109	210-0586-00			2						NUT,PL,ASSEM WA:4-40 X 0.25,STL,CD PL	78189	211-041800-00
										*****END ATTACHING PARTS*****		
110	-----			1						TRANSISTOR:(SEE Q1108 REPL)		
										*****ATTACHING PARTS*****		
-111	211-0012-00			2						SCREW,MACHINE:4-40 X 0.375,PNH STL CD PL	83385	ORD BY DESCR
-112	358-0214-00			2						INSULATOR,BSHG:0.25 DIA X 0.188 INCH L	24011	ORD BY DESCR
-113	210-0205-00			1						TERMINAL,LUG:SE #8	86928	5442-7
										*****END ATTACHING PARTS*****		
-114	214-1610-00			1						HEAT SINK,ELEC:TRANSISTOR	80009	214-1610-00
-115	348-0064-00			4						GROMMET,PLASTIC:0.625 INCH DIA	80009	348-0064-00
-116	348-0056-00			2						GROMMET,PLASTIC:0.375 INCH DIA	80009	348-0056-00
-117	337-2848-00			1						SHIELD,ELEC:VERTICAL OUTPUT AMPL	80009	337-2848-00
										*****ATTACHING PARTS*****		
-118	213-0088-00			2						SCR,TPG,THD CTG:4-24 X 0.25 INCH,PNH STL	83385	ORD BY DESCR
										*****END ATTACHING PARTS*****		
	119-0830-04			1						FAN,TUBEAXIAL:12VDC,2.4 W,5250 RPM	80009	119-0830-04
										*****ATTACHING PARTS*****		
-119	211-0086-00			2						SCREW,MACHINE:4-40 X 0.75 100 DEG,FLH ST	83385	ORD BY DESCR
-120	211-0038-00			4						SCREW,MACHINE:4-40 X 0.312,FLH,100 DEG	83385	ORD BY DESCR
-121	210-0586-00			2						NUT,PL,ASSEM WA:4-40 X 0.25,STL,CD PL	78189	211-041800-00
										*****END ATTACHING PARTS*****		
-122	378-2042-00	B010100	B044999	1						.FILTER,AIR:2.9 SQ X 0.25 THK	80009	378-2042-00
	378-2042-02	B045000		1						.FILTER ELEM,AIR:2.9 SQ X 0.25 THK	80009	378-2042-02
-123	426-1698-00			1						.MOUNT,FAN MOTOR:	80009	426-1698-00
										*****ATTACHING PARTS*****		
-124	211-0507-00			2						.SCREW,MACHINE:6-32 X 0.312 INCH,PNH STL	83385	ORD BY DESCR
-125	210-0457-00			2						.NUT,PL,ASSEM WA:6-32 X 0.312,STL CD PL	83385	ORD BY DESCR
										*****END ATTACHING PARTS*****		
-126	-----			1						.FAN,TUBE AXIAL:(SEE B1001 REPL)		
-127	343-0136-00			1						CLAMP,LOOP:0.234 INCH MOUNTING HOLE	80009	343-0136-00
										*****ATTACHING PARTS*****		
-128	210-0586-00			1						NUT,PL,ASSEM WA:4-40 X 0.25,STL,CD PL	78189	211-041800-00
-129	210-0863-00			1						WSHR,LOOP CLAMP:0.187 ID U/W 0.5 W CLP,STL	95987	C191
										*****END ATTACHING PARTS*****		

**Replaceable Mechanical Parts
468 Service Volume II**

Fig. & Index No.	Tektronix Part No.	Serial/Model No.		Qty	1 2 3 4 5	Name & Description	Mfr Code	Mfr Part Number
		Eff	Dscont					
2-130	343-0089-00			2		CLAMP,LOOP:LARGE	80009	343-0089-00
	343-0006-00			2		CLAMP,LOOP:0.750 INCH DIA,PLASTIC	95987	3-4-6B
-131	337-2717-00			1		SHIELD,ELEC:CIRCUIT BOARD AND WIRING ***** (ATTACHING PARTS)*****	80009	337-2717-00
-132	211-0008-00			1		SCREW,MACHINE:4-40 X 0.250,PNH,STL,POZ ***** (END ATTACHING PARTS)*****	83385	ORD BY DESCR
-133	----			1		CKT BOARD ASSY:LINE SEL SW(SEE A22 REPL) ***** (ATTACHING PARTS)*****		
-134	211-0244-00			4		SCR,ASSEM WSHR:4-40 X 0.312 INCH,PNH STL	78189	ORD BY DESCR
-135	131-2427-00			9		.TERM,QIK DISC:CKT BD,BRASS	00779	G2409-1
-136	----			1		.SWITCH,PUSH:(SEE A22S108 REPL)		
-137	----			1		.SWITCH,SLIDE:(SEE A22S216 REPL)		
-138	----			1		.SWITCH,SLIDE:(SEE A22S226 REPL) ***** (END ATTACHING PARTS)*****		
-139	----			1		FILTER,RFI:(SEE FL14500 REPL) ***** (ATTACHING PARTS)*****		
-140	211-0507-00			2		SCREW,MACHINE:6-32 X 0.312 INCH,PNH STL ***** (END ATTACHING PARTS)*****	83385	ORD BY DESCR
-141	200-2264-00			1		CAP.,FUSEHOLDER:3AG FUSES	S3629	FEK 031 1666
-142	204-0832-00			1		BODY,FUSEHOLDER:3AG,5 X 20MM FUSES	S3629	031.1673(MDLFEU)
	361-0322-00			1		SPACER,SLEEVE:0.505 ID X 0.10 INCH LONG	80009	361-0322-00
-143	210-1039-00			1		WASHER,LOCK:INT,0.521 ID X 0.625 INCH O	24931	ORD BY DESCR
-144	210-0202-00			2		TERMINAL,LUG:0.146 ID,LOCKING,BRZ,TIN PL ***** (ATTACHING PARTS)*****	78189	2104-06-00-2520N
-145	210-0457-00			2		NUT,PL,ASSEM WA:6-32 X 0.312,STL CD PL ***** (END ATTACHING PARTS)*****	83385	ORD BY DESCR
-146	----			1		SWITCH,THRMSTC:(SEE S14520 REPL) ***** (ATTACHING PARTS)*****		
-147	211-0504-00			2		SCREW,MACHINE:6-32 X 0.25 INCH,PNH STL ***** (END ATTACHING PARTS)*****	83385	ORD BY DESCR
-148	----			1		DELAY LINE,ELEC:(SEE DL208 REPL)		
-149	407-1138-00			1		BRKT,DELAY LINE:ALUMINUM ***** (ATTACHING PARTS)*****	80009	407-1138-00
-150	210-0457-00			1		NUT,PL,ASSEM WA:6-32 X 0.312,STL CD PL ***** (END ATTACHING PARTS)*****	83385	ORD BY DESCR
-151	337-1763-01			1		SHIELD,ELEC:TRANSFORMER ***** (ATTACHING PARTS)*****	80009	337-1763-01
-152	210-0457-00			1		NUT,PL,ASSEM WA:6-32 X 0.312,STL CD PL ***** (END ATTACHING PARTS)*****	83385	ORD BY DESCR
-153	----			2		TRANSISTOR:(SEE Q401,Q701 REPL) ***** (ATTACHING PARTS)*****		
-154	211-0012-00			2		SCREW,MACHINE:4-40 X 0.375,PNH STL CD PL	83385	ORD BY DESCR
-155	210-0071-00			2		WASHER,SPR TNSN:0.146 ID X 0.323" OD,STL ***** (END ATTACHING PARTS)*****	78189	4706-05-01-0531
-156	342-0163-00			2		INSULR,PLATE:XSTR,0.675 X 0.625 X 0.001"	80009	342-0163-00
-157	----			1		TRANSISTOR:(SEE Q501 REPL) ***** (ATTACHING PARTS)*****		
-158	211-0012-00			1		SCREW,MACHINE:4-40 X 0.375,PNH STL CD PL	83385	ORD BY DESCR
-159	210-0071-00			1		WASHER,SPR TNSN:0.146 ID X 0.323" OD,STL ***** (END ATTACHING PARTS)*****	78189	4706-05-01-0531
-160	342-0163-00			1		INSULR,PLATE:XSTR,0.675 X 0.625 X 0.001"	80009	342-0163-00
-161	344-0250-00			1		CLIP,ELECTRICAL:COMPONENT MOUNTING ***** (ATTACHING PARTS)*****	80033	E50005-007
-162	211-0008-00			1		SCREW,MACHINE:4-40 X 0.250,PNH,STL,POZ	83385	ORD BY DESCR
-163	210-0586-00			1		NUT,PL,ASSEM WA:4-40 X 0.25,STL,CD PL ***** (END ATTACHING PARTS)*****	78189	211-041800-00
-164	----			1		TRANSFORMER:(SEE T14500 REPL) ***** (ATTACHING PARTS)*****		
-165	211-0507-00			2		SCREW,MACHINE:6-32 X 0.312 INCH,PNH STL	83385	ORD BY DESCR
-166	210-0457-00			3		NUT,PL,ASSEM WA:6-32 X 0.312,STL CD PL ***** (END ATTACHING PARTS)*****	83385	ORD BY DESCR
	----			-		TRANSFORMER ASSY INCLUDES:		

Fig. & Index No.	Tektronix Part No.	Serial/Model No.		Qty	1 2 3 4 5	Name & Description	Mfr Code	Mfr Part Number
		Eff	Dscont					
2-167	407-1066-00			1		.BRACKET,XFMR:ALUMINUM *****ATTACHING PARTS*****	80009	407-1066-00
-168	212-0523-00			4		.SCREW,MACHINE:10-32 X 2.750,HEX HD STL	83385	ORD BY DESCR
-169	210-0812-00			4		.WASHER,NONMETAL:#10,FIBER	86445	ORD BY DESCR
-170	166-0457-00			4		.INSUL SLVG,ELEC:0.19 ID X 1.875"LONG MYLA	80009	166-0457-00
-171	220-0561-00			4		.NUT,PLAIN,HEX.:10-32 X 0.25 INCH,BRS	80009	220-0561-00
-172	210-0056-00			4		.WASHER,LOCK:SPLIT,0.195 ID X 0.32" OD,P *****END ATTACHING PARTS*****	83385	ORD BY DESCR
	200-1544-00			1		.COVER,ELEC XFMR:3.0 X 2.5 X 0.65,STEEL	000HA	C-100
-174	441-1520-00			1		CHASSIS,SCOPE:MAIN	80009	441-1520-00
-175	214-0291-00			1		.CONTACT,SPRING:1.188 X 0.375 X 0.25 INCH	80009	214-0291-00
-176	161-0104-00			1		CABLE ASSY,PWR,:3 WIRE,98.0 L,W/RTANG CONN	S3109	ORD BY DESCR
	161-0104-08			1		CABLE ASSY,PWR:3,18 AWG,240V,98.0 L (A4 NORTH AMERICAN OPTION)	T1105	ORD BY DESCR
	161-0104-05			1		CABLE ASSY,PWR:3,18 AWG,240V,98.0 L (A3 AUSTRALIAN OPTION)	S3109	ORD BY DESCR
	161-0104-06			1		CABLE ASSY,PWR:3 X 0.75MM SQ,220V,98.0L (A1 EUROPEAN OPTION)	S3109	ORD BY DESCR
	161-0104-07			1		CABLE ASSY,PWR:3 X 0.75MM SQ,240V,98.0 L (A2 UNITED KINGDOM OPTION)	S3109	ORD BY DESCR
-177	343-0702-00			1		CLAMP,LOOP:STAINLESS STEEL	80009	343-0702-00
-178	136-0750-00			1		SKT,PL-IN ELEK:CRT W/WIRING HARNESS	80009	136-0750-00
-179	334-3379-00			1		MARKER,IDENT:MARKED GROUND SYMBOL	80009	334-3379-00
-180				1		CKT BOARD ASSY:TV SYNC SEPARATOR (OPT. 5 ONLY - SEE A29 REPL) *****ATTACHING PARTS*****		
-181	211-0116-00			4		SCR,ASSEM WSHR:4-40 X 0.312 INCH,PNH BRS *****END ATTACHING PARTS*****	83385	ORD BY DESCR
-182	131-0589-00			10		.TERMINAL,PIN:0.46 L X 0.025 SQ	22526	48283-029
-183	214-0579-00			1		.TERM,TEST POINT:BRS CD PL	80009	214-0579-00

**Replaceable Mechanical Parts
468 Service Volume II**

Fig. & Index No.	Tektronix Part No.	Serial/Model No.		Qty	1 2 3 4 5	Name & Description	Mfr	
		Eff	Dscont				Code	Mfr Part Number
3-1	384-1408-00			2		EXTENSION SHAFT:3.8 L,MOLDED PLASTIC	80009	384-1408-00
-2	384-0457-00			1		EXTENSION SHAFT:6.7 L X 0.123 OD EPOXY-GL	80009	384-0457-00
-3	384-1187-00	B010100	B044999	2		EXTENSION SHAFT:3.40 INCH LONG	80009	384-1187-00
	384-1187-01	B045000		2		EXTENSION SHAFT:3.32 L X 0.125 OD ALUMINUM	80009	384-1187-01
-4	384-1179-00			1		EXTENSION SHAFT:9.312 INCH LONG	80009	384-1179-00
-5	384-1174-00			1		EXTENSION SHAFT:1.80 INCH LONG	80009	384-1174-00
-6	376-0029-00	B010100	B044999	5		CPLG,SHAFT,RGD:0.128 ID X 0.312 OD X 0.5"L	80009	376-0029-00
	376-0053-00	B045000		5		CPLG,SHAFT,RGD:0.128 ID X 0.312 OD	80009	376-0053-00
-7	131-1428-00			1		CONTACT,ELEC:GROUNDING CLIP *****ATTACHING PARTS*****	80009	131-1428-00
-8	211-0097-00			1		SCREW,MACHINE:4-40 X 0.312 INCH,PNH STL *****END ATTACHING PARTS*****	83385	ORD BY DESCR
-9	337-1711-03			1		SHIELD,ELEC:HIGH VOLTAGE *****ATTACHING PARTS*****	80009	337-1711-03
-10	211-0008-00			3		SCREW,MACHINE:4-40 X 0.250,PNH,STL,POZ *****END ATTACHING PARTS*****	83385	ORD BY DESCR
-11	342-0175-00			1		INSULATOR,FILM:3.65 X 4.70 INCH	80009	342-0175-00
-12	---			2		TRANSISTOR:(SEE Q390,Q718 REPL) *****ATTACHING PARTS*****		
-13	211-0062-00			2		SCREW,MACHINE:2-56 X 0.312,PNH,STL	83385	ORD BY DESCR
-14	210-0938-00			2		WASHER,FLAT:0.109 ID X 0.25 INCH OD,STL	75497	AN960-3
-15	210-1156-00			2		WASHER,SHLDR:0.09 ID X 0.085 D,NYL,0.2 O *****END ATTACHING PARTS*****	80009	210-1156-00
-16	342-0166-00			2		INSULATOR,PLATE:TRANSISTOR	80009	342-0166-00
-17	---			1		CKT BOARD ASSY:INTERFACE(SEE A15 REPL) *****ATTACHING PARTS*****		
-18	211-0244-00			7		SCR,ASSEM WSHR:4-40 X 0.312 INCH,PNH STL	78189	ORD BY DESCR
-19	129-0413-01			4		SPACER,POST:0.538 L,W/4-40 TAP 1 END	80009	129-0413-01
-20	210-0994-00			4		WASHER,FLAT:0.125 ID X 0.25" OD,STL *****END ATTACHING PARTS*****	86928	5702-201-20
	---			-		CKT BOARD ASSY INCLUDES:		
-21	131-0608-00			41		.TERMINAL,PIN:0.365 L X 0.025 PH BRZ GOLD	22526	47357
-22	214-0579-00			17		.TERM,TEST POINT:BRS CD PL	80009	214-0579-00
-23	136-0514-00	B010100	B033329	2		.SKT,PL-IN ELEC:MICROCIRCUIT,8 DIP	09922	DILB8P-108
-24	136-0252-07			173		.SOCKET,PIN CONN:W/O DIMPLE	22526	75060-012
-25	124-0092-00			2		.TERMINAL BOARD:3 NOTCH,CERAMIC,CLIP MTD	80009	124-0092-00
-26	124-0118-00			1		.TERMINAL BOARD:1 NOTCH,CERAMIC,CLIP MTD	80009	124-0118-00
-27	361-0007-00			3		.SPACER,SLEEVE:0.250 INCH DIA,PLASTIC	80009	361-0007-00
-28	136-0499-12			1		.CONNECTOR,RCPT,:12 CONTACT	00779	4-380949-2
-29	131-1261-00	B010100	B044709	24		.CONTACT,ELEC:F-SHAPED	00779	1-380953-0
	131-0787-00	B044710		24		.CONTACT,ELEC:0.64 INCH LONG	22526	47359
-30	136-0269-02	B010100	B033329	3		.SKT,PL-IN ELEK:MICROCIRCUIT,14 DIP,LOW CL	09922	DILB149P-108
-31	136-0499-14			1		.CONNECTOR,RCPT,:14 CONTACT	00779	4-380949-4
-32	344-0154-00			4		.CLIP,ELECTRICAL:FUSE,CKT BD MT	80009	344-0154-00
-33	131-1003-00			7		.CONN,RCPT,ELEC:CKT BD MT,3 PRONG	80009	131-1003-00
-34	337-1759-00			1		.SHLD,ELECTRICAL:SWEEP	80009	337-1759-00
-35	---			1		.RESISTOR VAR:(SEE A15R335 REPL) *****ATTACHING PARTS*****		
-36	210-0583-00			1		.NUT,PLAIN,HEX:0.25-32 X 0.312 INCH,BRS	73743	2X20317-402
-37	210-0046-00			1		.WASHER,LOCK:0.261 ID,INTL,0.018 THK,BRS	78189	1214-05-00-0541C
-38	210-0940-00			1		.WASHER,FLAT:0.25 ID X 0.375 INCH OD,STL *****END ATTACHING PARTS*****	79807	ORD BY DESCR
-39	386-2433-00			1		.SUPPORT,VAR RES:CIRCUIT BOARD MOUNTING	80009	386-2433-00
-40	---			1		.SWITCH,PUSH:(SEE A15S678 REPL)		
-41	361-0382-00			4		.SPACER,PB SW:BROWN,0.275 INCH LONG	80009	361-0382-00
-42	---			1		.RESISTOR,VAR:(SEE A14R492 REPL)		
-43	361-0607-00			3		.SPACER,SWITCH:PLASTIC	80009	361-0607-00
-44	---			1		.RESISTOR,VAR:(SEE A15R378 REPL)		
-45	---			1		.RESISTOR,VAR:(SEE A15R377 REPL)		
-46	---			1		.RESISTOR,VAR:(SEE A15R252 REPL)		
-47	---			1		.SWITCH,PUSH:(SEE A15S175 REPL)		
-48	---			1		.MULTPLIER:(SEE U136 REPL) *****ATTACHING PARTS*****		
-49	220-0736-00			2		.NUT,PL,EXT WSHR:8-32 X 0.344 HEX,NYLON *****END ATTACHING PARTS*****	23050	ORD BY DESCR

Fig. & Index No.	Tektronix Part No.	Serial/Model No. Eff	Dscont	Qty	1 2 3 4 5	Name & Description	Mfr Code	Mfr Part Number
3-50	342-0159-00			1		INSULATOR,FILM:5.10 X 12.4 INCH	80009	342-0159-00
-51	384-1236-03			1		EXTENSION SHAFT:14.354 L,PLSTC,BLK,1.5 OFS	80009	384-1236-03
-52	407-2477-00			1		BRACKET,SUPPORT:SWITCH SHAFT,ALUMINUM *****ATTACHING PARTS*****	80009	407-2477-00
-53	211-0244-00	B010100	B044698	1		SCR,ASSEM WSHR:4-40 X 0.312 INCH,PNH STL	78189	ORD BY DESCR
	211-0008-00	B044699		1		SCREW,MACHINE:4-40 X 0.250,PNH,STL,POZ	83385	ORD BY DESCR
-54	210-0586-00			1		NUT,PL,ASSEM WA:4-40 X 0.25,STL,CD PL	78189	211-041800-00
-55	210-0551-00			1		NUT,PLAIN,HEX.:4-40 X 0.25 INCH,STL *****END ATTACHING PARTS*****	000BK	ORD BY DESCR
-56	426-0785-00			1		FR,PUSH BUTTON:GRAY PLASTIC	80009	426-0785-00
-57	129-0413-01	B010100	B010599	1		SPACER,POST:0.538 L,W/4-40 TAP 1 END	80009	129-0413-01
-58	386-2660-00			1		SUPPORT,CKT BD:ACETAL	80009	386-2660-00
-59	211-0244-00			1		SCR,ASSEM WSHR:4-40 X 0.312 INCH,PNH STL	78189	ORD BY DESCR
-60	210-0994-00	B010100	B010599	1		WASHER,FLAT:0.125 ID X 0.25" OD,STL	86928	5702-201-20
-61	-----			1		CKT BOARD ASSY:TRIG GEN & SW LOG(SEE A12 R *****ATTACHING PARTS*****		
-62	211-0244-00			4		SCR,ASSEM WSHR:4-40 X 0.312 INCH,PNH STL *****END ATTACHING PARTS*****	78189	ORD BY DESCR
-63	386-2376-00			1		CKT BOARD ASSY INCLUDES: .PLATE,LEVER MTG:SLIDE SWITCH *****ATTACHING PARTS*****	80009	386-2376-00
-64	210-0657-01			2		.EYELET,METALLIC:0.089 OD X 0.218 IN LONG *****END ATTACHING PARTS*****	80009	210-0657-01
-65	131-0608-00			23		.TERMINAL,PIN:0.365 L X 0.025 PH BRZ GOLD	22526	47357
-66	200-0945-01			3		.COVER,HALF XSTR:DUAL TO-18,W/2-56 THD *****ATTACHING PARTS*****	80009	200-0945-01
-67	211-0062-00			3		.SCREW,MACHINE:2-56 X 0.312,PNH,STL *****END ATTACHING PARTS*****	83385	ORD BY DESCR
-68	200-0945-00			3		.COVER,HALF XSTR:DUAL TO-18,ALUMINUM	80009	200-0945-00
-69	136-0499-10			1		.CONNECTOR,RCPT,:10 CONTACT	00779	4-380949-0
-70	136-0499-14			1		.CONNECTOR,RCPT,:14 CONTACT	00779	4-380949-4
-71	136-0634-00	B010100	B033329	3		.SOCKET,PLUG-IN:20 LEAD DIP,CKT BD MTG	73803	CS9002-20
-72	214-0579-00			4		.TERM,TEST POINT:BRS CD PL	80009	214-0579-00
-73	136-0252-07			106		.SOCKET,PIN CONN:W/O DIMPLE	22526	75060-012
-74	131-1003-00			8		.CONN,RCPT,ELEC:CKT BD MT,3 PRONG	80009	131-1003-00
-75	131-0590-00			10		.CONTACT,ELEC:0.71 INCH LONG	22526	47351
-76	355-0175-00			1		.STUD,SELF-LKG:4-40 X 0.35 INCH LONG	80009	355-0175-00
	-----			-		.SWITCH,SL ACTR ASSY:(SEE S320 REPL)		
	351-0355-01			1		..GUIDE,SLIDE SW:W/SPRINGS AND ROLLERS	80009	351-0355-01
-77	351-0355-00			1		...GUIDE,SLIDE SW:	80009	351-0355-00
-78	214-1126-01			2		...SPRING,FLAT:0.7 X 0.125,CU BE GRN CLR	80009	214-1126-01
-79	214-1127-00			2		...ROLLER,DETENT:0.125 DIA X 0.125,SST	80009	214-1127-00
-80	105-0806-00			1		..ACTUATOR,SL SW:6 OF 6 POSITIONS	80009	105-0806-00
-81	131-2235-02			2		..CONTACT,ELEC:	80009	131-2235-02
	-----			1		.SWITCH,SL ACTR ASSY:(SEE S420 REPL)		
	351-0355-01			1		..GUIDE,SLIDE SW:W/SPRINGS AND ROLLERS	80009	351-0355-01
-82	351-0355-00			1	GUIDE,SLIDE SW:	80009	351-0355-00
-83	214-1126-01			2	SPRING,FLAT:0.7 X 0.125,CU BE GRN CLR	80009	214-1126-01
-84	214-1127-00			2	ROLLER,DETENT:0.125 DIA X 0.125,SST	80009	214-1127-00
-85	105-0805-00			1		..ACTUATOR,SL SW:4 OF 6 POSITIONS	80009	105-0805-00
-86	131-2235-02			2		..CONTACT,ELEC:	80009	131-2235-02
	-----			1		.SWITCH,SL ACTR ASSY:(SEE S120 REPL)		
	351-0355-01			1		..GUIDE,SLIDE SW:W/SPRINGS AND ROLLERS	80009	351-0355-01
-87	351-0355-00			1		...GUIDE,SLIDE SW:	80009	351-0355-00
-88	214-1126-01			2	SPRING,FLAT:0.7 X 0.125,CU BE GRN CLR	80009	214-1126-01
-89	214-1127-00			2	ROLLER,DETENT:0.125 DIA X 0.125,SST	80009	214-1127-00
-90	105-0804-00			1		..ACTUATOR,SL SW:4 OF 5 POSITIONS	80009	105-0804-00
-91	131-2235-02			2		..CONTACT,ELEC:	80009	131-2235-02
	-----			-		.SWITCH,SL ACTR ASSY:(SEE S220 REPL)		
	351-0355-01			1		..GUIDE,SLIDE SW:W/SPRINGS AND ROLLERS	80009	351-0355-01
92	351-0355-00			1	GUIDE,SLIDE SW:	80009	351-0355-00
-93	214-1126-01			2	SPRING,FLAT:0.7 X 0.125,CU BE GRN CLR	80009	214-1126-01
-94	214-1127-00			2	ROLLER,DETENT:0.125 DIA X 0.125,SST	80009	214-1127-00

**Replaceable Mechanical Parts
468 Service Volume II**

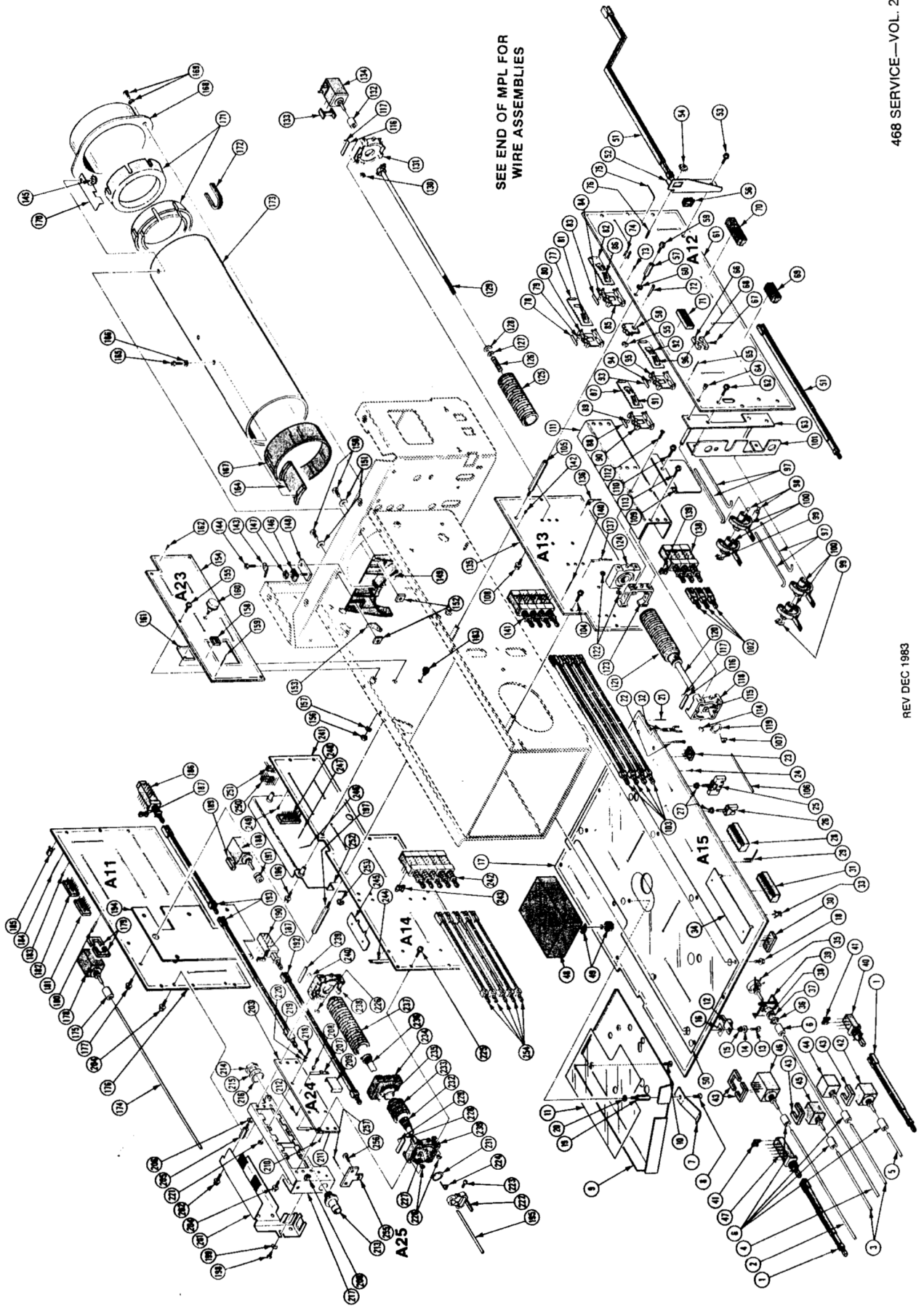
Fig. & Index No.	Tektronix Part No.	Serial/Model No. Eff	Dscont	Qty	1 2 3 4 5	Name & Description	Mfr Code	Mfr Part Number
3-95	105-0807-00			1		..ACTUATOR,SL SW:5 OF 6 POSITIONS	80009	105-0807-00
-96	131-2235-02			2		..CONTACT,ELEC:	80009	131-2235-02
-97	384-1160-00			4		..EXTENSION SHAFT:LEVER SWITCH	91260	ORD BY DESCR
-98	376-0142-00			4		..ADPT,SHAFT,CPLG:SLIDE TO SHAFT(ATTACHING PARTS).....	80009	376-0142-00
-99	354-0165-00			4		..RING,RETAINING:0.114 FREE ID X 0.025 INCH(END ATTACHING PARTS).....	97464	1000-15
-100	214-1770-00			4		..LEVER,SLIDE SW:	80009	214-1770-00
-101	407-1157-00			1		BRACKET,ELEC SW:ALUMINUM	80009	407-1157-00
-102	384-1136-00			3		EXTENSION SHAFT:0.95 INCH LONG	80009	384-1136-00
-103	384-1059-00			4		EXTENSION SHAFT:6.58 INCH LONG	80009	384-1059-00
	672-0866-00			1		CKT BOARD ASSY:TIMING(ATTACHING PARTS).....	80009	672-0866-00
-104	211-0244-00			1		SCR,ASSEM WSHR:4-40 X 0.312 INCH,PNH STL	78189	ORD BY DESCR
-105	129-0386-00			1		POST,ELEC-MECH:HEX,1.593 INCH LONG(END ATTACHING PARTS).....	80009	129-0386-00
	-----			-		..CKT BOARD ASSY INCLUDES:		
-106	384-1568-00			1		..EXTENSION SHAFT:8.39 L X 0.081 OD	80009	384-1568-00
-107	131-0963-00			1		..CONTACT,ELEC:GROUNDING	000EX	ORD BY DESCR
	-----			1		..SWITCH,CAM ACTR AS:(SEE S249 REPL)(ATTACHING PARTS).....		
-108	211-0678-00			7		..SCR,ASSEM WSHR:4-40 X 0.281 L,PNH STEEL(END ATTACHING PARTS).....	01536	ORD BY DESCR
	-----			-		..CAM SWITCH ASSY INCLUDES:		
-109	337-2621-00			1		..SHIELD,ELEC:SWITCH(ATTACHING PARTS).....	80009	337-2621-00
-110	211-0678-00			1		..SCR,ASSEM WSHR:4-40 X 0.281 L,PNH STEEL(END ATTACHING PARTS).....	01536	ORD BY DESCR
-111	200-2442-00			1		..COVER,CAM SW:45 ELEMENT(ATTACHING PARTS).....	80009	200-2442-00
-112	211-0101-00			1		..SCREW,MACHINE:4-40 X 0.25,FLH,100 DEG,ST	83385	ORD BY DESCR
-113	211-0678-00			6		..SCR,ASSEM WSHR:4-40 X 0.281 L,PNH STEEL(END ATTACHING PARTS).....	01536	ORD BY DESCR
-114	210-0406-00			2		..NUT,PLAIN,HEX:4-40 X 0.188,BRS,CD PL	73743	12161-50
-115	131-0963-00			1		..CONTACT,ELEC:GROUNDING	000EX	ORD BY DESCR
-116	214-1139-02	B010100	B010804	2		..SPRING,FLAT:GREEN COLORED	80009	214-1139-02
	214-1139-02	B010805		1		..SPRING,FLAT:GREEN COLORED	80009	214-1139-02
	214-1139-03	B010100	B010804	2		..SPRING,FLAT:RED COLORED	80009	214-1139-03
	214-1139-03	B010805		3		..SPRING,FLAT:RED COLORED	80009	214-1139-03
-117	214-1752-00			4		..ROLLER,DETENT:	80009	214-1752-00
-118	401-0180-00			1		..BEARING,CAM SW:FRONT & REAR(ATTACHING PARTS).....	80009	401-0180-00
-119	354-0390-00			1		..RING,RETAINING:0.338 ID X 0.025" THK,STL(END ATTACHING PARTS).....	79136	5100-37MD
-120	384-0878-22			1		..SHAFT,CAM SW:1.754 L X 0.248 OD	80009	384-0878-22
-121	105-0844-01			1		..ACTUATOR,CAM SW:TIME/DIV,FRONT	80009	105-0844-01
-122	210-0406-00			8		..NUT,PLAIN,HEX:4-40 X 0.188,BRS,CD PL	73743	12161-50
-123	407-1199-00			1		..BRACKET,COVER:ABS	80009	407-1199-00
-124	401-0178-01			1		..BEARING,CAM SW:CENTER/REAR	80009	401-0178-01
-125	105-0845-01			1		..ACTUATOR,CAM SW:TIME/DIV,REAR	80009	105-0845-01
-126	214-1416-00			1		..SPRING,HLCPS:0.176 OD X 0.835 INCH LONG	27143	OBD
-127	210-1160-00			1		..WASHER,FLAT:0.129 ID X 0.031 THK,TEFLON	86928	5612-32-31
-128	354-0392-00			1		..RING,RETAINING:	79136	5555-12MD
-129	384-0882-08			1		..SHAFT,CAM SW:7.535 L X 0.125 OD	80009	384-0882-08
-130	210-0406-00			4		..NUT,PLAIN,HEX:4-40 X 0.188,BRS,CD PL	73743	12161-50
-131	401-0180-00			1		..BEARING,CAM SW:FRONT & REAR	80009	401-0180-00
-132	376-0039-00			1		..ADPT,SHAFT,CPLG:0.128 AND 0.082" DIA SHAFT	80009	376-0039-00
-133	361-0515-00			1		..SPACER,SWITCH:PLASTIC	80009	361-0515-00
-134	-----			1		..RESISTOR,VAR:(SEE R272 REPL)		
-135	-----			1		..CKT BOARD ASSY:TIMING(SEE A13 REPL)		
-136	131-1261-00	B010100	B044709	26		..CONTACT,ELEC:F-SHAPED	00779	1-380953-0
	131-0787-00	B044710		26		..CONTACT,ELEC:0.64 INCH LONG	22526	47359
-137	131-0604-00			44		..CONTACT,ELEC:CKT BD SW,SPR,CU BE	80009	131-0604-00
-138	-----			1		..SWITCH,PUSH:(SEE S410 REPL)		

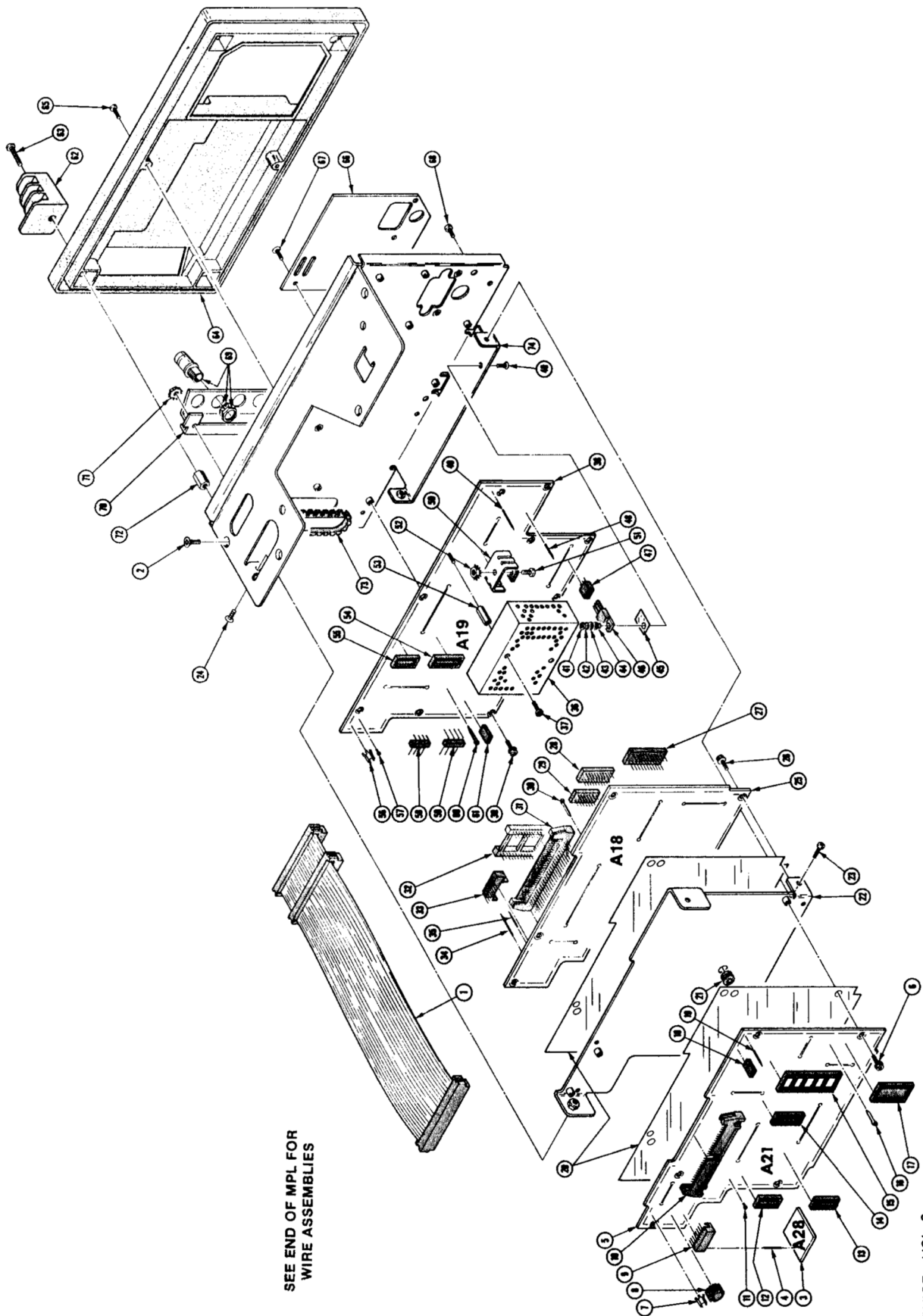
Fig. & Index No.	Tektronix Part No.	Serial/Model No. Eff	Dscont	Qty	1 2 3 4 5	Name & Description	Mfr Code	Mfr Part Number
3-139	361-0542-00			8		..SPACER,SWITCH:PLASTIC	71590	J-64281
-140	131-0608-00			24		..TERMINAL,PIN:0.365 L X 0.025 PH BRZ GOLD	22526	47357
-141	-----			1		..SWITCH,PUSH:(SEE S469 REPL)		
-142	136-0252-07			12		..SOCKET,PIN CONN:W/O DIMPLE	22526	75060-012
-143	210-0202-00			1		TERMINAL,LUG:0.146 ID,LOCKING,BRZ,TIN PL ***** (ATTACHING PARTS)*****	78189	2104-06-00-2520N
-144	211-0507-00			1		SCREW,MACHINE:6-32 X 0.312 INCH,PNH STL	83385	ORD BY DESCR
-145	210-0457-00			1		NUT,PL,ASSEM WA:6-32 X 0.312,STL CD PL ***** (END ATTACHING PARTS)*****	83385	ORD BY DESCR
-146	343-0144-00			1		CLAMP,LOOP:0.125 INCH ID,BLK NYLON ***** (ATTACHING PARTS)*****	95987	1-8-2
-147	210-0457-00			1		NUT,PL,ASSEM WA:6-32 X 0.312,STL CD PL ***** (END ATTACHING PARTS)*****	83385	ORD BY DESCR
-148	386-4225-00			1		SUPPORT,CLAMP:ALUMINUM	80009	386-4225-00
-149	407-1128-00			1		BRKT,CRT SHIELD:REAR,NYLON ***** (ATTACHING PARTS)*****	80009	407-1128-00
-150	211-0507-00			2		SCREW,MACHINE:6-32 X 0.312 INCH,PNH STL	83385	ORD BY DESCR
-151	210-0804-00			2		WASHER,FLAT:0.17 ID X 0.375 INCH OD,STL	12327	ORD BY DESCR
-152	220-0419-00			2		NUT,PLAIN,SQ:6-32 X 0.312 INCH,STL	83385	ORD BY DESCR
-153	210-0202-00			1		TERMINAL,LUG:0.146 ID,LOCKING,BRZ,TIN PL ***** (END ATTACHING PARTS)*****	78189	2104-06-00-2520N
-154	-----			1		CKT BOARD ASSY:VERTICAL OUTPUT(SEE A23 REP ***** (ATTACHING PARTS)*****		
-155	211-0244-00			2		SCR,ASSEM WSHR:4-40 X 0.312 INCH,PNH STL	78189	ORD BY DESCR
-156	220-0456-00			1		NUT,PLAIN,HEX.:6-32 X 0.25 INCH,STL	73743	9038
-157	210-0055-00			1		WASHER,LOCK:SPLIT,0.145 ID X 0.253 OD,S ***** (END ATTACHING PARTS)*****	83385	ORD BY DESCR
-158	136-0514-00	B010100	B033329	-		CKT BOARD ASSY INCLUDES:		
-159	131-0608-00			2		.SKT,PL-IN ELEC:MICROCIRCUIT,8 DIP	09922	DILB8P-108
-160	-----			6		.TERMINAL,PIN:0.365 L X 0.025 PH BRZ GOLD	22526	47357
-161	407-1149-00			1		.MICROCIRCUIT,LI:(SEE U239 REPL)		
-162	136-0252-07			1		.BRACKET,GND:MICROCIRCUIT,BRASS	80009	407-1149-00
-163	361-0008-00			47		.SOCKET,PIN CONN:W/O DIMPLE	22526	75060-012
-164	343-0217-00			4		SPACER,SLEEVE:0.11 ID X 0.25 OD X 0.28"H	80009	361-0008-00
-165	211-0147-00			1		CLAMP,COIL:Y-AXIS ***** (ATTACHING PARTS)*****	80009	343-0217-00
-166	210-0994-00			2		SCREW,MACHINE:4-40 X 0.25 INCH,PNH STL	83385	ORD BY DESCR
-167	-----			2		WASHER,FLAT:0.125 ID X 0.25" OD,STL ***** (END ATTACHING PARTS)*****	86928	5702-201-20
-168	200-1459-00			1		COIL,TUBE,DEFL:(SEE L14176 REPL)		
-169	211-0244-00			1		COVER,CRT:REAR ***** (ATTACHING PARTS)*****	80009	200-1459-00
-170	343-0945-00			2		SCR,ASSEM WSHR:4-40 X 0.312 INCH,PNH STL ***** (END ATTACHING PARTS)*****	78189	ORD BY DESCR
-171	386-2246-00			1		RETAINER,SPRT:CRT	80009	343-0945-00
-172	348-0145-00			2		SUPPORT,CRT:REAR	80009	386-2246-00
-173	337-1644-00			1		GROMMET,PLASTIC:U-SHP,1.0 X 0.42 INCH	80009	348-0145-00
-174	384-1007-01			1		SHLD,ELECTRICAL:CRT NECK	80009	337-1644-00
-175	376-0029-00			2		EXTENSION SHAFT:8.428 L X 0.124 OD PLSTC	80009	384-1007-01
-176	-----			2		CPLG,SHAFT,RGD:0.128 ID X 0.312 OD X 0.5"L	80009	376-0029-00
-177	211-0244-00			1		CKT BOARD ASSY:VERTICAL PREAMP(SEE A11 REP ***** (ATTACHING PARTS)*****		
-178	-----			-		CKT BOARD ASSY INCLUDES:		
-179	361-0607-00			2		.RESISTOR,VAR:(SEE R145,345 REPL)		
-180	214-0579-02			4		.SPACER,SWITCH:PLASTIC	80009	361-0607-00
-181	136-0269-02	B010100	B039999	5		.TERM,TEST POINT:BRASS	80009	214-0579-02
-182	136-0260-02	B010100	B039999	2		.SKT,PL-IN ELEC:MICROCIRCUIT,14 DIP,LOW CL	09922	DILB149P-108
-183	136-0252-07	B010100	B039999	2		.SKT,PL-IN ELEC:MICROCIRCUIT,16 DIP,LOW CL	09922	DILB16P-108T
-184	131-0608-00			90		.SOCKET,PIN CONN:W/O DIMPLE	22526	75060-012
-185	131-1003-00			17		.TERMINAL,PIN:0.365 L X 0.025 PH BRZ GOLD	22526	47357
-186	-----			14		.CONN,RCPT,ELEC:CKT BD MT,3 PRONG	80009	131-1003-00
-187	-----			1		.SWITCH,PUSH:(SEE S310 REPL)		

**Replaceable Mechanical Parts
468 Service Volume II**

Fig. & Index No.	Tektronix Part No.	Serial/Model No. Eff	Dscont	Qty	1 2 3 4 5	Name & Description	Mfr Code	Mfr Part Number
3-187	361-0411-00			4		.SPACER,PUSH SW:0.13 W X 0.375 INCH L,PLST	71590	J64285-00
-188	----			2		.RESISTOR,VAR:(SEE R270,470 REPL)		
-189	361-1035-00			2		.SPACER,VAR RES:0.262 L,NYLON	80009	361-1035-00
-190	----			1		.SWITCH,PUSH:(SEE S586 REPL)		
	200-0945-00	B040000		6		.COVER,HALF XSTR:DUAL TO-18,ALUMINUM	80009	200-0945-00
	200-0945-01	B040000		6		.COVER,HALF XSTR:DUAL TO-18,W/2-56 THD	80009	200-0945-01
	211-0001-00	B040000		6		.SCREW,MACHINE:2-56 X 0.25 INCH,PNH STL	87308	ORD BY DESCR
-191	376-0051-01			2		CPLG,SHAFT,FLEX:0.127 ID X 0.375 OD	80009	376-0051-01
-192	384-1560-00			1		EXTENSION SHAFT:4.834 L GL FILLED NYLON	80009	384-1560-00
-193	384-1542-00			1		EXTENSION SHAFT:11.682 L X 0.187 SQ,PLSTC	80009	384-1542-00
-194	337-2793-00			1		SHIELD,ELEC:PREAMP CKT BOARD	80009	337-2793-00
-195	384-1149-00			2		EXTENSION SHAFT:7.0 INCH LONG	80009	384-1149-00
	672-0867-00			1		CKT BOARD ASSY:VERTICAL MODE *****ATTACHING PARTS*****	80009	672-0867-00
-196	211-0244-00			3		SCR,ASSEM WSHR:4-40 X 0.312 INCH,PNH STL	78189	ORD BY DESCR
-197	129-0457-00			2		SPACER,POST:1.07L,W/4-40 TAP 1 END	80009	129-0457-00
-198	213-0055-00			2		SCR,TPG,THD FOR:2-32 X 0.188 INCH,PNH STL	93907	ORD BY DESCR
-199	210-0938-00			2		WASHER,FLAT:0.109 ID X 0.25 INCH OD,STL	75497	AN960-3
-200	210-0586-00			4		NUT,PL,ASSEM WA:4-40 X 0.25,STL,CD PL *****END ATTACHING PARTS*****	78189	211-041800-00
	----			-		CKT BOARD ASSY INCLUDES:		
-201	200-1439-00			2		.COVER,CHASSIS:ATTENUATOR *****ATTACHING PARTS*****	80009	200-1439-00
-202	211-0244-00			8		.SCR,ASSEM WSHR:4-40 X 0.312 INCH,PNH STL *****END ATTACHING PARTS*****	78189	ORD BY DESCR
-203	----			2		.CKT BOARD ASSY:ATTENUATOR(SEE A24 REPL) *****ATTACHING PARTS*****		
-204	211-0244-00			4		.SCR,ASSEM WSHR:4-40 X 0.312 INCH,PNH STL	78189	ORD BY DESCR
-205	129-0299-00			8		.POST,ELEC-MECH:HEX,0.333 INCH LONG	80009	129-0299-00
-206	210-1307-00			8		.WASHER,LOCK:0.115 ID,SPLIT,0.025 THK *****END ATTACHING PARTS*****	86928	A384-25N
	----			-		CKT BOARD ASSY INCLUDES:		
-207	131-1030-00	B010100	B044999	20		..CONT ASSY,ELEC:CAM SWITCH,BOTTOM	80009	131-1030-00
	131-1030-00	B045000		18		..CONT ASSY,ELEC:CAM SWITCH,BOTTOM	80009	131-1030-00
	131-1030-04	B045000		2		..CONT ASSY,ELEC:CAM SWITCH,BOTTOM *****ATTACHING PARTS*****	80009	131-1030-04
-208	210-3082-00			20		..EYELET,METALLIC:0.047 OD X 0.133 L,BRASS *****END ATTACHING PARTS*****	80009	210-3082-00
-209	337-1406-00			1		..SHLD,ELECTRICAL:CAM CONTACTS	80009	337-1406-00
-210	136-0252-07			48		..SOCKET,PIN CONN:W/O DIMPLE	22526	75060-012
-211	131-1031-00			20		..CONTACT ASSY,EL:CAM SWITCH,TOP	80009	131-1031-00
-212	136-0333-00			4		..SOCKET,PIN TERM:U/W 0.03 DIA PINS	00779	1-331677-4
-213	131-0679-02			2		..CONNECTOR,RCPT.:BNC,MALE,3 CONTACT *****ATTACHING PARTS*****	24931	28JR270-1
-214	220-0695-00			2		..NUT,PLAIN,DODEC:0.500-28 X 0.90 INCH,BRS	73743	ORD BY DESCR
-215	210-1039-00			2		..WASHER,LOCK:INT,0.521 ID X 0.625 INCH O	24931	ORD BY DESCR
-216	210-0845-00			2		..WASHER,FLAT:0.500 ID X 0.625 INCH OD,ST *****END ATTACHING PARTS*****	89663	634-R
-217	441-1058-02			2		..CHASSIS,SCOPE:ATTENUATOR *****ATTACHING PARTS*****	80009	441-1058-02
-218	211-0001-00			4		..SCREW,MACHINE:2-56 X 0.25 INCH,PNH STL	87308	ORD BY DESCR
-219	210-0053-00			4		..WASHER,LOCK:INTL,0.092 ID X 0.175"OD	83385	ORD BY DESCR
-220	210-1008-00			4		..WASHER,FLAT:0.09 ID X 0.188" OD,BRS	12360	ORD BY DESCR
-221	210-0405-00			4		..NUT,PLAIN,HEX:2-56 X 0.188,BRS,CD PL *****END ATTACHING PARTS*****	73743	12157-50
-222	105-0243-00			2		..ACTUATOR,SWITCH:AC,DC	80009	105-0243-00
-223	213-0214-00			2		..SCREW,CAP SCH:2-56 X 0.375"HEX HD STL	70278	ORD BY DESCR
-224	131-0963-00			2		..CONTACT,ELEC:GROUNDING	000EX	ORD BY DESCR
	----			2		..SW CAM ACTR AS:(SEE S295,495 REPL) *****ATTACHING PARTS*****		
-225	211-0244-00			8		.SCR,ASSEM WSHR:4-40 X 0.312 INCH,PNH STL *****END ATTACHING PARTS*****	78189	ORD BY DESCR
	----			-		CAM SW ASSY INCLUDES:		
-226	210-0406-00			20		..NUT,PLAIN,HEX:4-40 X 0.188,BRS,CD PL	73743	12161-50
-227	131-0963-00			2		..CONTACT,ELEC:GROUNDING	000EX	ORD BY DESCR
-228	214-1139-02			2		..SPRING,FLAT:GREEN COLORED	80009	214-1139-02

Fig. & Index No.	Tektronix Part No.	Serial/Model No.		Qty	1 2 3 4 5	Name & Description	Mfr	
		Eff	Dscont				Code	Mfr Part Number
3-229	214-1752-00			4		..ROLLER,DETENT:	80009	214-1752-00
-203	401-0180-00			2		..BEARING,CAM SW:FRONT & REAR(ATTACHING PARTS).....	80009	401-0180-00
-231	354-0390-00			2		..RING,RETAINING:0.338 ID X 0.025" THK,STL(END ATTACHING PARTS).....	79136	5100-37MD
-232	384-0878-02			2		..SHAFT,CAM SW:	80009	384-0878-02
-233	105-0282-01			2		..ACTUATOR,CAM SW:DC,GND,AC	80009	105-0282-01
-234	401-0178-00			2		..BEARING,CAM SW:CENTER(ATTACHING PARTS).....	80009	401-0178-00
-235	354-0443-00			2		..RING,RETAINING:0.328 FREE ID X 0.448 OD(END ATTACHING PARTS).....	97464	200-37
-236	384-0880-00			2		..SHAFT,CAM SW:REAR	80009	384-0880-00
-237	105-0846-01			2		..ACTUATOR,CAM SW:TIME/CM,DRUM TYPE	80009	105-0846-01
-238	401-0180-00			2		..BEARING,CAM SW:FRONT & REAR	80009	401-0180-00
-239	214-1139-03			6		..SPRING,FLAT:RED COLORED	80009	214-1139-03
-240	214-1752-00			4		..ROLLER,DETENT:	80009	214-1752-00
-241	-----			1		..CKT BOARD ASSY:VERTICAL MODE(SEE A14 REPL		
-242	-----			1		..SWITCH,PUSH:(SEE S272 REPL)		
-243	361-0411-00			4		..SPACER,PUSH SW:0.13 W X 0.375 INCH L,PLS	71590	J64285-00
-244	131-1031-00			12		..CONTACT ASSY,EL:CAM SWITCH, TOP	80009	131-1031-00
-245	337-0896-00			2		..PLATE,ELEC SHLD:CKT BOARD MOUNT,BRS	80009	337-0896-00
-246	131-0589-00			8		..TERMINAL,PIN:0.46 L X 0.025 SQ	22526	48283-029
-247	131-0608-00			47		..TERMINAL,PIN:0.365 L X 0.025 PH BRZ GOLD	22526	47357
-248	136-0634-00	B010100	B033329	6		..SOCKET,PLUG-IN:20 LEAD DIP,CKT BD MTG	73803	CS9002-20
-249	136-0252-07			21		..SOCKET,PIN CONN:W/O DIMPLE	22526	75060-012
-250	131-1426-00			1		..TERM SET,PIN:(36) 0.025 SQ RTANG,0.25L	22526	65524-136
-251	131-1425-00			1		..TERM SET,PIN:(36) 0.025 SQ RTANG,0.150L	22526	65521-136
-252	337-2825-00			1		SHIELD,ELEC:MODE SWITCH CKT BOARD(ATTACHING PARTS).....	80009	337-2825-00
-253	210-0586-00			2		NUT,PL,ASSEM WA:4-40 X 0.25,STL,CD PL(END ATTACHING PARTS).....	78189	211-041800-00
-254	384-1370-00	B010100	B044276	5		EXTENSION SHAFT:4.68" L,MOLDED PLSTC	80009	384-1370-00
	384-1061-00	B044277		5		EXTENSION SHAFT:4.357L INCH LONG	80009	384-1061-00
-255	-----			2		CKT BOARD ASSY:PROBE CODING(SEE A25 REPL)(ATTACHING PARTS).....		
-256	211-0065-00			4		SCREW,MACHINE:4-40 X 0.188 INCH,PNH STL(END ATTACHING PARTS).....	77250	ORD BY DESCR
	-----			-		CKT BOARD ASSY INCLUDES:		
-257	131-0608-00			3		..TERMINAL,PIN:0.365 L X 0.025 PH BRZ GOLD	22526	47357





SEE END OF MPL FOR
WIRE ASSEMBLIES

REV DEC 1983

488 SERVICE—VOL. 2

Fig. & Index No.	Tektronix Part No.	Serial/Model No.		Qty	1 2 3 4 5	Name & Description	Mfr Code	Mfr Part Number
		Eff	Dscont					
4-1	175-3274-00			1		CA ASSY,SP,ELEC:50,28 AWG,8.75 L,RIBBON	22526	OBD
-2	212-0040-00			4		SCREW,MACHINE:8-32 X 0.375 100 DEG,FLH ST	83385	ORD BY DESCR
-3	-----			1		CKT BOARD ASSY:INTERCONNECT(SEE A28 REPL)		
-4	131-0589-00			16		.TERMINAL,PIN:0.46 L X 0.025 SQ	22526	48283-029
-5	-----			1		CKT BOARD ASSY:PROCESSOR(SEE A21 REPL) *****ATTACHING PARTS*****		
-6	211-0244-00			4		SCR,ASSEM WSHR:4-40 X 0.312 INCH,PNH STL *****END ATTACHING PARTS*****	78189	ORD BY DESCR
	-----			-		CKT BOARD ASSY INCLUDES:		
-7	131-1003-00			5		.CONN,RCPT,ELEC:CKT BD MT,3 PRONG	80009	131-1003-00
-8	214-2593-00			2		.HEAT SINK,XSTR:(1) TO-5 ALUMINUM	13103	2257B
-9	131-2529-00			1		.CONN,RCPT,ELEC:CKT BOARD,8 CONTACT,FEM	27264	22-16-2081
-10	131-1780-00			1		.CONNECTOR,RECP:RT-ANGLE HDR,2/25 MALE	22526	65483-005
-11	136-0252-07			38		.SOCKET,PIN CONN:W/O DIMPLE	22526	75060-012
-12	136-0260-02	B010100	B033329	1		.SKT,PL-IN ELEK:MICROCIRCUIT,16 DIP,LOW CL	09922	DILB16P-108T
-13	136-0670-00	B010100	B033329	4		.SKT,PL-IN ELEK:MICROCKT,18 PIN,LOW PROFIL	73803	CS9002-18
-14	136-0634-00	B010100	B033329	5		.SOCKET,PLUG-IN:20 LEAD DIP,CKT BD MTG	73803	CS9002-20
-15	136-0623-00	B010100	B033329	1		.SOCKET,PLUG-IN:40 DIP,LOW PROFILE	09922	DILB40P-108
-16	214-0579-00			6		.TERM,TEST POINT:BRSD PL	80009	214-0579-00
-17	136-0578-00	B010100	B033329	2		.SKT,PL-IN ELEK:MICROCIRCUIT,24 PIN,LOW PRFL	09922	DILB24P-108
-18	131-0993-00			2		.BUS,CONDUCTOR:2 WIRE BLACK	00779	850100-01
-19	131-0608-00			5		.TERMINAL,PIN:0.365 L X 0.025 PH BRZ GOLD	22526	47357
	136-0751-00	B033333		2		SKT,PL-IN ELEK:MICROCKT,24 PIN	09922	DILB24P108
	136-0752-00	B033333		2		SKT,PL-IN ELEK:MICROCIRCUIT,20 DIP	09922	DILB20P-108
-20	342-0506-00			2		INSULATOR,FILM:DIGITAL CIRCUIT BOARD	80009	342-0506-00
-21	348-0020-00			1		GROMMET,RUBBER:0.25 INCH	70485	374
-22	386-4287-00			1		PLATE,MOUNTING:CIRCUIT BOARD *****ATTACHING PARTS*****	80009	386-4287-00
-23	211-0008-00			2		SCREW,MACHINE:4-40 X 0.250,PNH,STL,POZ	83385	ORD BY DESCR
-24	211-0559-00			2		SCREW,MACHINE:6-32 X 0.375"100 DEG,FLH ST *****END ATTACHING PARTS*****	83385	ORD BY DESCR
-25	-----			1		CKT BOARD ASSY:MEMORY(SEE A18 REPL) *****ATTACHING PARTS*****		
-26	211-0244-00			5		SCR,ASSEM WSHR:4-40 X 0.312 INCH,PNH STL *****END ATTACHING PARTS*****	78189	ORD BY DESCR
	-----			-		CKT BOARD ASSY INCLUDES:		
-27	136-0621-00	B010100	B010639	4		.SOCKET,PLUG-IN:22 CONTACT	09922	DILB22P-108
	136-0621-00	B010640	B033329	5		.SOCKET,PLUG-IN:22 CONTACT	09922	DILB22P-108
	136-0621-00	B033333		1		.SOCKET,PLUG-IN:22 CONTACT	09922	DILB22P-108
-28	136-0634-00	B010100	B033329	9		.SOCKET,PLUG-IN:20 LEAD DIP,CKT BD MTG	73803	CS9002-20
-29	136-0269-02	B010100	B033329	1		.SKT,PL-IN ELEK:MICROCIRCUIT,14 DIP,LOW CL	09922	DILB149P-108
-30	214-0579-00			5		.TERM,TEST POINT:BRSD PL	80009	214-0579-00
-31	131-1780-00			1		.CONNECTOR,RECP:RT-ANGLE HDR,2/25 MALE	22526	65483-005
-32	136-0716-00			1		.SKT,PL-IN ELEK:MICROCKT,64 CONT	06776	ICN649-S5-G30
-33	131-2529-00			1		.CONN,RCPT,ELEC:CKT BOARD,8 CONTACT,FEM	27264	22-16-2081
-34	131-0589-00			2		.TERMINAL,PIN:0.46 L X 0.025 SQ	22526	48283-029
-35	131-0608-00			50		.TERMINAL,PIN:0.365 L X 0.025 PH BRZ GOLD	22526	47357
	136-0728-00	B033333		1		SKT,PL-IN ELEK:MICROCKT,14 CONTACT	09922	DILB14P-108
-36	337-2724-00	B010100	B021364	1		SHIELD,ELEC:PRIMARY CIRCUIT *****ATTACHING PARTS*****	80009	337-2724-00
-37	211-0008-00	B010100	B021364	2		SCREW,MACHINE:4-40 X 0.250,PNH,STL,POZ *****END ATTACHING PARTS*****	83385	ORD BY DESCR
-38	-----			1		CKT BD ASSY:TIME BASE/PWR SPLY(SEE A19 REP) *****ATTACHING PARTS*****		
-39	211-0244-00			10		SCR,ASSEM WSHR:4-40 X 0.312 INCH,PNH STL	78189	ORD BY DESCR
-40	211-0038-00			3		SCREW,MACHINE:4-40 X 0.312,FLH,100 DEG	83385	ORD BY DESCR
-41	210-0406-00			3		NUT,PLAIN,HEX:4-40 X 0.188,BRS,CD PL	73743	12161-50
-42	210-0004-00			3		WASHER,LOCK:#4 INTL,0.015 THK,STL CD PL	000BK	ORD BY DESCR
-43	210-0994-00			3		WASHER,FLAT:0.125 ID X 0.25" OD,STL	86928	5702-201-20
-44	210-1171-00			3		WSHR,SHOULDERED:0.116 ID X 0.138 INCH OD	52905	A7148516P2
-45	342-0202-00			3		INSULATOR,PLATE:TRANSISTOR *****END ATTACHING PARTS*****	01295	10-21-023-106
	-----			-		CKT BOARD ASSY INCLUDES:		
-46	-----			3		.MICROCIRCUIT:(SEE A19U190,U560,U570 REPL)		

**Replaceable Mechanical Parts
468 Service Volume II**

Fig. & Index No.	Tektronix Part No.	Serial/Model No. Eff	Dscont	Qty	1 2 3 4 5	Name & Description	Mfr Code	Mfr Part Number
4-47	136-0760-00	B010100	B010158	3		.SKT,PL-IN ELEK:TRANSISTOR,3 CONTACT		
-48	131-0608-00			55		.TERMINAL,PIN:0.365 L X 0.025 PH BRZ GOLD	22526	47357
-49	131-0589-00			5		.TERMINAL,PIN:0.46 L X 0.025 SQ	22526	48283-029
-50	214-1967-00			1		.HEAT SINK,DIODE:FINGER TYPE *****ATTACHING PARTS*****	13103	6107B-14
-51	211-0504-00			1		.SCREW,MACHINE:6-32 X 0.25 INCH,PNH STL	83385	ORD BY DESCR
-52	210-0457-00			1		.NUT,PL,ASSEM WA:6-32 X 0.312,STL CD PL *****END ATTACHING PARTS*****	83385	ORD BY DESCR
-53	129-0674-00	B010100	B021364	2		.SPACER,POST:0.814,4-40 BOTH ENDS,BRASS	80009	129-0674-00
-54	136-0634-00	B010100	B033329	3		.SOCKET,PLUG-IN:20 LEAD DIP,CKT BD MTG	73803	CS9002-20
-55	136-0260-02	B010100	B033329	3		.SKT,PL-IN ELEK:MICROCIRCUIT,16 DIP,LOW CL	09922	DILB16P-108T
-56	131-1003-00			4		.CONN,RCPT,ELEC:CKT BD MT,3 PRONG	80009	131-1003-00
-57	136-0252-07			28		.SOCKET,PIN CONN:W/O DIMPLE	22526	75060-012
-58	131-1425-00			1		.TERM SET,PIN:(36) 0.025 SQ RTANG,0.150L	22526	65521-136
-59	131-1426-00			1		.TERM SET,PIN:(36) 0.025 SQ RTANG,0.25L	22526	65524-136
-60	214-0579-00			7		.TERM,TEST POINT:BRS CD PL	80009	214-0579-00
-61	131-0993-00			1		.BUS,CONDUCTOR:2 WIRE BLACK	00779	850100-01
-62	348-0023-00	B010100	B021364	1		.PLUG,HOLE:	02768	207090201000101
-62	348-0339-00			4		FOOT,CABINET:W/CORD WRAP *****ATTACHING PARTS*****	80009	348-0339-00
-63	212-0020-00			4		SCREW,MACHINE:8-32 X 1.0 INCH,PNH STL *****END ATTACHING PARTS*****	93907	ORD BY DESCR
-64	200-2448-04			1		COVER,REAR: *****ATTACHING PARTS*****	80009	200-2448-04
-65	211-0516-00	B010100	B010599	2		SCREW,MACHINE:6-32 X 0.875 INCH,PNH STL	83385	ORD BY DESCR
	211-0514-00	B010600		2		SCREW,MACHINE:6-32 X 0.750 INCH,PNH STL *****END ATTACHING PARTS*****	83385	ORD BY DESCR
-66	348-0349-00			FT		SHLD GSKT,ELEC:0.187 INCH DIA,2.75 FT L	07700	2143951
	333-2614-00			1		PANEL,REAR: *****ATTACHING PARTS*****	80009	333-2614-00
-67	211-0502-00			2		SCREW,MACHINE:6-32 X 0.188",FLH STL	83385	ORD BY DESCR
-68	212-0023-00			2		SCREW,MACHINE:8-32 X 0.375,PNH,STL CD PL *****END ATTACHING PARTS*****	83385	ORD BY DESCR
-69	131-1315-01			4		CONN,RCPT,ELEC:BNC,FEMALE	24931	28JR 306-1
-70	407-2463-00			1		BRACKET,CONN:BNC *****ATTACHING PARTS*****	80009	407-2463-00
-71	210-0458-00			2		NUT,PL,ASSEM WA:8-32 X 0.344 INCH,STL *****END ATTACHING PARTS*****	83385	ORD BY DESCR
-72	129-0842-00			4		SPACER,POST:0.42 L,W/8-32 INT THD THRU	80009	129-0842-00
-73	255-0334-00			FT		PLASTIC CHANNEL:12.75 X 0.175 X 0.155,NYL	11897	122-37-2500
-74	386-4290-01			1		SUBPANEL,REAR:W/BRACKETS CABLE LISTINGS	80009	386-4290-01
	175-2552-00			1		CA ASSY,SP,ELEC:8.26 AWG,15.0 L,RIBBON	80009	175-2552-00
	-----			-		(FROM A13P135 TO A14P130)		
	352-0166-00			2		.HLDR,TERM CONN:8WIRE,BLACK 0.1 SPACING	80009	352-0166-00
	175-2691-00			1		CA ASSY,SP,ELEC:8.26 AWG,5.0 L,RIBBON	80009	175-2691-00
	-----			-		(FROM A11P306 TO A14P307)		
	352-0166-00			2		.HLDR,TERM CONN:8WIRE,BLACK 0.1 SPACING	80009	352-0166-00
	175-2905-00			1		CA ASSY,SP,ELEC:3.26 AWG,11.0 L,RIBBON	80009	175-2905-00
	-----			-		(FROM A11P356 TO A15P154)		
	352-0161-00			2		.HLDR,TERM CONN:3 WIRE,BLACK	80009	352-0161-00
	175-2910-00			1		CA ASSY,SP,ELEC:2.26 AWG,8.0 L,8-N	80009	175-2910-00
	-----			-		(FROM R14498 TO A15P956)		
	352-0161-00			1		.HLDR,TERM CONN:3 WIRE,BLACK	80009	352-0161-00
	175-2911-00			2		CA ASSY,SP,ELEC:2.26 AWG,3.5 L,RIBBON	80009	175-2911-00
	-----			-		(FROM A14P1118 TO AP1440)		
	352-0161-00			4		.HLDR,TERM CONN:3 WIRE,BLACK	80009	352-0161-00
	175-2915-00			1		CA ASSY,SP,ELEC:2.26 AWG,3.5 L,RIBBON	80009	175-2915-00
	-----			-		(FROM DS17105 TO A12P110)		
	-----			1		.LT EMITTING DIO:(SEE DS17105 REPL)		
	352-0169-00			2		.HLDR,TERM CONN:2 WIRE BLACK	80009	352-0169-00
	175-2916-00			1		CA ASSY,SP,ELEC:4.26 AWG,4.0 L,RIBBON	80009	175-2916-00
	-----			-		(FROM DS16001,DS16003 TO A13P111)		
	-----			2		.LT EMITTING DIO:(SEE DS16001,DS16002 REPL)		

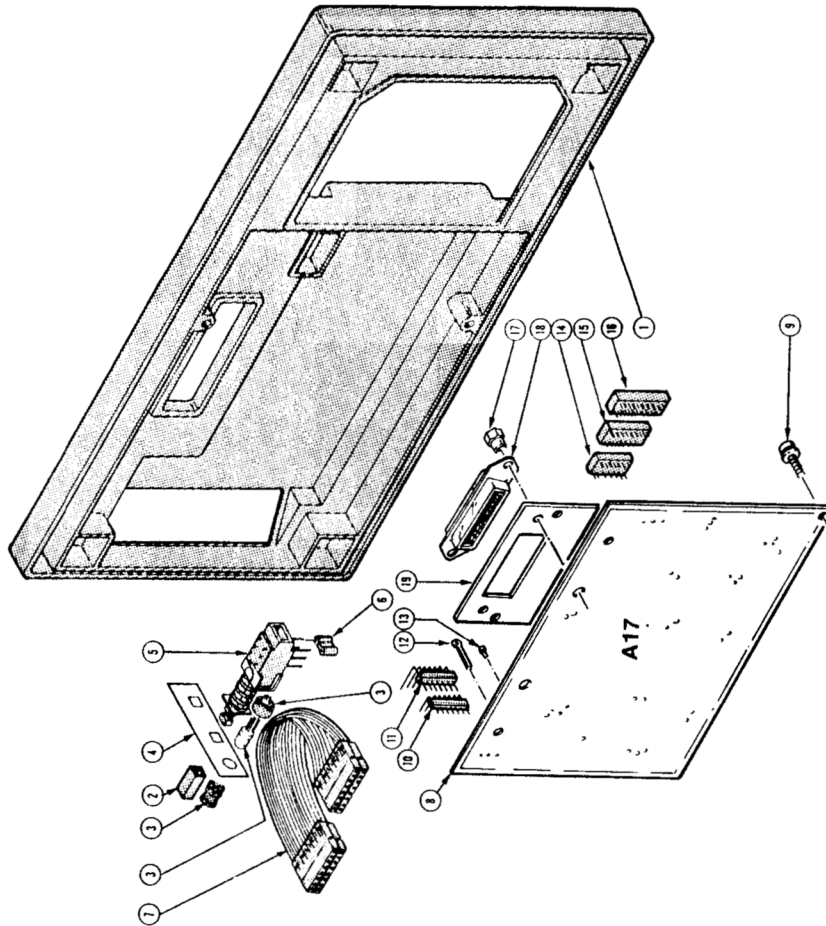
Replaceable Mechanical Parts
468 Service Volume II

Fig. & Index No.	Tektronix Part No.	Serial/Model No.		Qty	1 2 3 4 5	Name & Description	Mfr Code	Mfr Part Number
		Eff	Dscont					
	352-0162-00			1		.HLDR,TERM CONN:4 WIRE BLACK	80009	352-0162-00
	352-0163-00			1		.CONN BODY,PL,EL:5 WIRE BLACK	80009	352-0163-00
	175-2917-00			1		CA ASSY,SP,ELEC:4,26 AWG,4.0 L,RIBBON	80009	175-2917-00
	----			-		(FROM DS17206,DS17127 TO A12P310)		
	----			1		.LT EMITTING DIO:(SEE DS17206 REPL)		
	----			1		.LT EMITTING DIO:(SEE DS17127 REPL)		
	352-0162-00			1		.HLDR,TERM CONN:4 WIRE BLACK	80009	352-0162-00
	352-0163-00			1		.CONN BODY,PL,EL:5 WIRE BLACK	80009	352-0163-00
	175-2918-00			1		CA ASSY,SP,ELEC:4,26 AWG,8.0 L,RIBBON	80009	175-2918-00
	----			-		(FROM DS15034,DS15038 TO A14P1100)		
	----			2		.LT EMITTING DIO:(SEE DS15034,DS15038 REPI		
	352-0162-00			1		.HLDR,TERM CONN:4 WIRE BLACK	80009	352-0162-00
	352-0169-00			2		.HLDR,TERM CONN:2 WIRE BLACK	80009	352-0169-00
	175-2919-00			1		CA ASSY,SP,ELEC:2,26 AWG,8.0 L,RIBBON	80009	175-2919-00
	----			-		(FROM DS15036 TO A14P190)		
	----			1		.LT EMITTING DIO:(SEE DS15036 REPL)		
	352-0169-00			2		.HLDR,TERM CONN:2 WIRE BLACK	80009	352-0169-00
	198-4399-00			2		WIRE SET,ELEC	80009	198-4399-00
	----			-		(FROM R14288A,B & R14398 TO A15P699)		
	----			-		(FROM R14499,R14498 TO A15P799)		
	352-0164-00			2		.CONN BODY,PL,EL:6 WIRE BLACK	80009	352-0164-00
	175-2922-00			1		LEAD ASSY,ELEC:3,22 AWG,3.5 L,RIBBON	80009	175-2922-00
	----			-		(FROM Q1108 TO A15P108)		
	352-0161-00			1		.HLDR,TERM CONN:3 WIRE,BLACK	80009	352-0161-00
	198-4400-00			1		WIRE SET,ELEC:	80009	198-4400-00
	----			-		(FROM R17002 TO A13P117)		
	352-0161-00			1		.HLDR,TERM CONN:3 WIRE,BLACK	80009	352-0161-00
	175-2927-00			2		CA ASSY,SP,ELEC:5,26 AWG,3.5 L,RIBBON	80009	175-2927-00
	----			-		(FROM R17305/S17305 TO A12P410)		
	----			-		(FROM R17010/S17010 TO A12P112)		
	352-0163-00			2		.CONN BODY,PL,EL:5 WIRE BLACK	80009	352-0163-00
	175-3104-00			1		CA ASSY,SP,ELEC:10,26 AWG,9.0 L,RIBBON	80009	175-3104-00
	----			-		(FROM A15P252 TO A23P369)		
	----			-		(FROM A14P160 TO A15P151)		
	352-0162-00			2		.HLDR,TERM CONN:4 WIRE BLACK	80009	352-0162-00
	352-0164-00			2		.CONN BODY,PL,EL:6 WIRE BLACK	80009	352-0164-00
	175-3147-00			1		CA ASSY,SP,ELEC:4,26 AWG,9.0 L,RIBBON	80009	175-3147-00
	----			-		(FROM A11R270,R470 TO A14P196)		
	352-0163-00			1		.CONN BODY,PL,EL:5 WIRE BLACK	80009	352-0163-00
	175-3400-00			1		CABLE ASSY,RF:2,50 OHM COAX,9.0 L,9-01/02	80009	175-3400-00
	----			-		(FROM A12 TO A16)		
	175-3422-00			1		CA ASSY,SP,ELEC:6,26 AWG,16.0 L,RIBBON	80009	175-3422-00
	----			-		(FROM A13P145 TO A14P120)		
	352-0164-00			2		.CONN BODY,PL,EL:6 WIRE BLACK	80009	352-0164-00
	175-3427-00			1		CA ASSY,SP,ELEC:5,22 AWG,14.0 L,RIBBON	80009	175-3427-00
	----			-		(FROM A12P4008 TO A19P199)		
	352-0201-00			2		.CONN BODY,PL,EL:5 WIRE BLACK	80009	352-0201-00
	179-2744-00			1		WIRING HARNESS:MAIN	80009	179-2744-00
	352-0161-00			2		.HLDR,TERM CONN:3 WIRE,BLACK	80009	352-0161-00
	352-0169-09			4		.CONN BODY,PL,EL:2 WIRE WHITE	80009	352-0169-09
	179-2745-00			1		WIRING HARNESS:STORAGE PICKOFF	80009	179-2745-00
	----			-		(FROM A11 TO REAR ASSY BNC'S)		
	175-2920-00			1		CA ASSY,SP,ELEC:8,26 AWG,8.0 L,RIBBON	80009	175-2920-00
	----			-		(FROM A14P355 TO A16P404)SUBPART OF 672-08		
	352-0166-00			2		.HLDR,TERM CONN:8WIRE,BLACK 0.1 SPACING	80009	352-0166-00
	175-2924-00			1		CA ASSY,SP,ELEC:10,26 AWG,6.0 L,RIBBON	80009	175-2924-00
	----			-		(FROM A14P142 TO A16P204)SUBPART OF 672-08		
	352-0168-00			2		.CONN BODY,PL,EL:10 WIRE BLACK	80009	352-0168-00
	175-3148-00			1		CA ASSY,SP,ELEC:8,26 AWG,9.0 L,RIBBON	80009	175-3148-00
	----			-		(FROM A14P138,P343 TO A16P262)		
	----			-		(SUBPART OF 672-0878-00)		
	352-0161-00			2		.HLDR,TERM CONN:3 WIRE,BLACK	80009	352-0161-00
	352-0164-00			1		.CONN BODY,PL,EL:6 WIRE BLACK	80009	352-0164-00

**Replaceable Mechanical Parts
468 Service Volume II**

Fig. & Index No.	Tektronix Part No.	Serial/Model No. Eff Dscont	Qty	1 2 3 4 5	Name & Description	Mfr Code	Mfr Part Number
	175-5135-00		5		CA ASSY,SP,ELEC:10,26 AWG,3,0 L,RIBBON	80009	175-5135-00
	----		-		(FROM A18P237 TO A19P145)SUBPART OF 672-08		
	----		-		(FROM A18P246 TO A19P135)SUBPART OF 672-08		
	----		-		(FROM A18P257 TO A19P125)SUBPART OF 672-08		
	----		-		(FROM A18P266 TO A19P115)SUBPART OF 672-08		
	----		-		(FROM A18P276 TO A19P105)SUBPART OF 672-08		
	352-0168-00		10		.CONN BODY,PL,EL:10 WIRE BLACK	80009	352-0168-00
	175-2925-00		1		CA ASSY,RF:50 OHM COAX,6,0 L,9-05	80009	175-2925-00
	----		-		(FROM A18 TO A19)SUBPART OF 672-0879-00		
	175-2926-00		1		CABLE ASSY,RF:50 OHM COAX,6,0 L,9-04	80009	175-2926-00
	----		-		(FROM A18 TO A19)SUBPART OF 672-0879-00		
	198-2850-00		1		WIRE SET,ELEC:	80009	198-2850-00
	----		-		(SUBPART OF A15)		
	198-2862-00		1		WIRE SET,ELEC:	80009	198-2862-00
	----		-		(FROM A26 TO A15P288)SUBPART OF A26		
	352-0169-02		1		.CONN BODY,PL,EL:2 WIRE RED	80009	352-0169-00
	195-0373-00		1		LEAD,ELECTRICAL:18 AWG,3,0 L (FL14500 TO GND)	80009	195-0373-00
	195-0598-00		1		LEAD,ELECTRICAL:26 AWG,2,0 L,9-1	80009	195-0598-00
	----		-		(FROM A23 TO V1400)		
	195-0599-00		1		LEAD,ELECTRICAL:26 AWG,3,0 L,9-2	80009	195-0599-00
	----		-		(FROM A15 TO V1400)		
	195-0600-00		1		LEAD,ELECTRICAL:26 AWG,3,0 L,9-5	80009	195-0600-00
	----		-		(FROM A15 TO V1400)		
	195-0601-00		1		LEAD,ELECTRICAL:26 AWG,2,0 L,9-6	80009	195-0601-00
	----		-		(FROM A23 TO V1400)		
	195-0602-00		1		LEAD,ELECTRICAL:22 AWG,4,5 L,8-01	80009	195-0602-00
	----		-		(FROM A22J108 TO FUSEHOLDER)		
	195-0604-00		1		LEAD,ELECTRICAL:22 AWG,2,0 L,8-0	80009	195-0604-00
	----		-		(FROM FL14500 TO F14500)		
	195-0606-00		1		LEAD,ELECTRICAL:18 AWG,4,5 L,8-02	80009	195-0606-00
	----		-		(FROM A22J110 TO S14520)		
	195-0607-00		1		LEAD,ELECTRICAL:18 AWG,4,5 L,8-04	80009	195-0607-00
	----		-		(FROM A22J212 TO S14520)		
	195-0609-00		1		LEAD,ELECTRICAL:22 AWG,1,5 L,9-1	80009	195-0609-00
	----		-		(CONNECTS TO R14498)		
	195-0717-00		1		WIRE,ELECTRICAL:22 AWG,4,0 L,9-8	80009	195-0717-00
	----		-		(FROM FL14500 TO A22J204)		
	198-4401-00		1		WIRE SET,ELEC:	80009	198-4401-00
	----		-		(FROM A17P265 TO A19P410. OPTION 2 ONLY)		
	352-0484-00		2		.HLDR,TERM CONN:16 WIRE,DBL ROW,BLACK	22526	65043-124
	179-2791-00		1		WIRING HARNESS:TV SYNC	80009	179-2791-00
	----		-		(OPTION 05 ONLY)		

Fig. & Index No.	Tektronix Part No.	Serial/Model No.		Qty	1 2 3 4 5	Name & Description	Mfr	
		Eff	Dscont				Code	Mfr Part Number
5-1	200-2448-05			1		COVER,REAR:PLASTIC	80009	200-2448-05
-2	366-1559-00			1		PUSH BUTTON:SIL GY,0.18 SQ X 0.43	80009	366-1559-00
-3	-----			1		LT EMITTING DIODE:(SEE DS11320 CHASSIS REP		
-4	386-4308-00			1		PANEL,SIDE:W/GPIB	80009	386-4308-00
-5	-----			1		SWITCH PUSH:(SEE A16S612 REPL)		
-6	361-0383-00			2		SPACER,PB SW:CHARCOAL,0.33 INCH LONG	80009	361-0383-00
-7	198-4401-00			1		WIRE SET,ELEC:	80009	198-4401-00
	-----			-		(FROM P265 TO P410)		
	175-3358-00			1		CA ASSY,SP,ELEC:3,26 AWG,5.0 L,RIBBON	80009	175-3358-00
	-----			-		(FROM P318 TO DS11320)		
-8	-----			1		CKT BOARD ASSY:GPIB(SEE A17 REPL)		
						*****ATTACHING PARTS*****		
-9	211-0244-00			5		SCR,ASSEM WSHR:4-40 X 0.312 INCH,PNH STL	78189	ORD BY DESCR
	-----			-		*****END ATTACHING PARTS*****		
						EACH CIRCUIT BOARD CONTAINS:		
-10	131-1426-00			1		.TERM SET,PIN:(36) 0.025 SQ RTANG,0.25L	22526	65524-136
-11	131-1425-00			1		.TERM SET,PIN:(36) 0.025 SQ RTANG,0.150L	22526	65521-136
	131-0589-00			2		.TERMINAL,PIN:0.46 L X 0.025 SQ	22526	48283-029
-12	214-0579-00			8		.TERM,TEST POINT:BRS CD PL	80009	214-0579-00
-13	136-0252-07			64		.SOCKET,PIN CONN:W/O DIMPLE	22526	75060-012
-14	136-0269-02			1		.SKT,PL-IN ELEK:MICROCIRCUIT,14 DIP,LOW CL	09922	DILB149P-108
-15	136-0260-02	B010100	B033329	2		.SKT,PL-IN ELEK:MICROCIRCUIT,16 DIP,LOW CL	09922	DILB16P-108T
-16	136-0634-00	B010100	B033329	4		.SOCKET,PLUG-IN:20 LEAD DIP,CKT BD MTG	73803	CS9002-20
	386-4288-00			1		.PLATE,CONN MTG:W/CONNECTOR	80009	386-4288-00
-17	129-0572-00			2		..SPACER,POST:0.29 LONG X 0.25 HEX	80009	129-0572-00
-18	131-2203-01			1		..CONN,RCPT,ELEC:CKT BD,24 CONT,FEMALE	71785	57-20240-11
-19	386-4288-01			1		..PLATE,CONN MTG:ALUMINUM	80009	386-4288-01



REV DEC 1983

468 SERVICE—VOL. 2

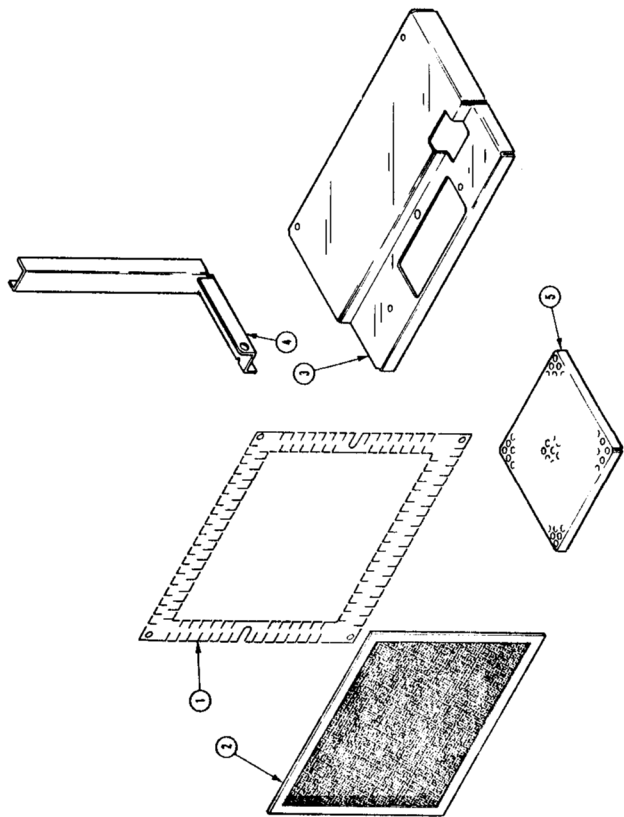
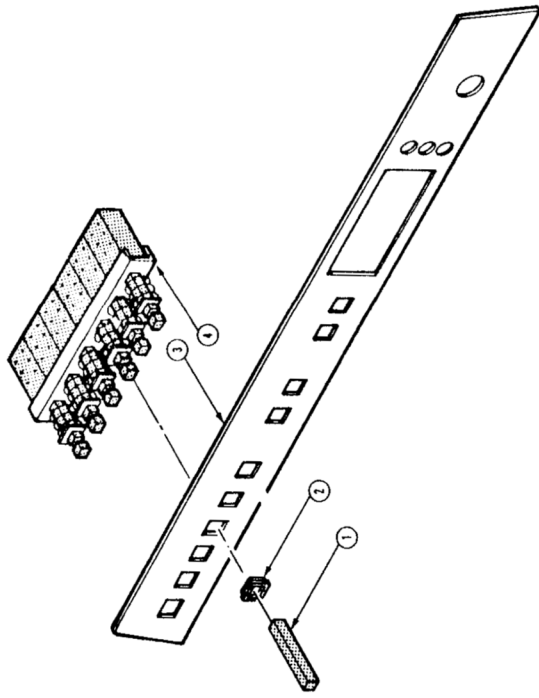
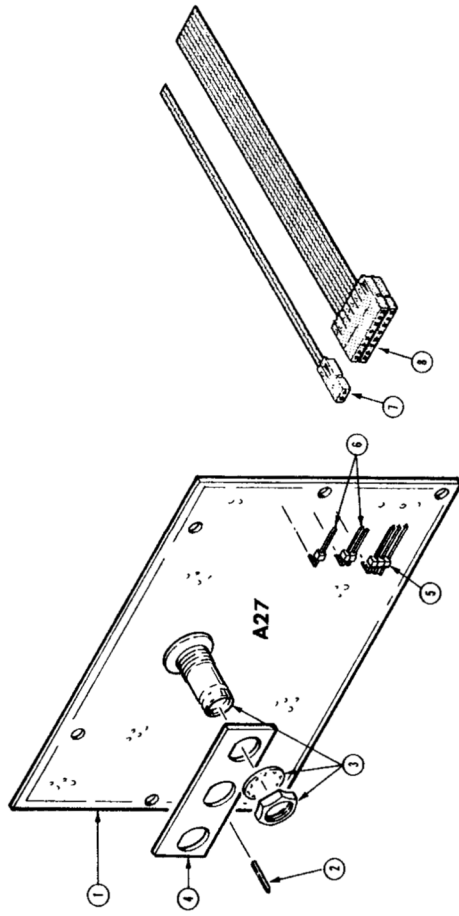


Fig. & Index No.	Tektronix Part No.	Serial/Model No.		Qty						Name & Description	Mfr Code	Mfr Part Number
		Eff	Dscont		1	2	3	4	5			
6-1	131-1310-00			1						CONTACT,ELEC:MESH FILTER GROUND	80009	131-1310-00
-2	378-0726-00			1						FILTER,MESH:EMI	80009	378-0726-00
-3	337-2792-00			1						SHIELD,ELEC:GPIB CKT BOARD	80009	337-2792-00
	211-0007-00			4						SCREW,MACHINE:4-40 X 0.188,PNH STL,CD PL ***** (ATTACHING PARTS) ***** ***** (END ATTACHING PARTS) *****	83385	ORD BY DESCR
	129-0236-00			2						SPACER,POST:0.188 HEX X 0.375 INCH LONG	06540	9726-A-0440
	129-0260-00			2						POST,ELEC-MECH:0.255 HEX X 0.500 INCH L	80009	129-0260-00
.4	337-2794-00			1						SHIELD,ELEC:MAIN CKT BOARD	80009	337-2794-00
	211-0244-00			4						SCR,ASSEM WSHR:4-40 X 0.312 INCH,PNH STL ***** (ATTACHING PARTS) ***** ***** (END ATTACHING PARTS) *****	78189	ORD BY DESCR
-5	337-2791-00	B010100	B044716	1						SHIELD,ELEC:FAN MOTOR	80009	337-2791-00
	337-1921-00	B044717		1						SHIELD,ELEC:FAN MOTOR	80009	337-1921-00
	337-1922-00	B044717		1						SHIELD,ELEC:FAN MOTOR	80009	337-1921-00

**Replaceable Mechanical Parts
468 Service Volume II**

Fig. & Index No.	Tektronix Part No.	Serial/Model No.		Qty	1	2	3	4	5	Name & Description	Mfr Code	Mfr Part Number
		Eff	Dscont									
7-1	366-1559-00			1						PUSH BUTTON:SIL GY,0.18 SQ X 0.43	80009	366-1559-00
-2	426-1072-00			1						FRAME,PUSH BTN:PLASTIC	80009	426-1072-00
-3	333-2606-00			1						PANEL,FRONT:	80009	333-2606-00
-4	----			1						SWITCH,PUSH:(SEE A16S813 OPTION 12 ONLY RE		
	----			-						(OPTION 12 BECAME PART OF THE STANDARD		
	----			-						.INSTRUMENT AT SERIAL NUMBER B030000. ALL		
	----			-						.INDIVIDUAL SUBPARTS HAVE BEEN NOTED.		





REV DEC 1983

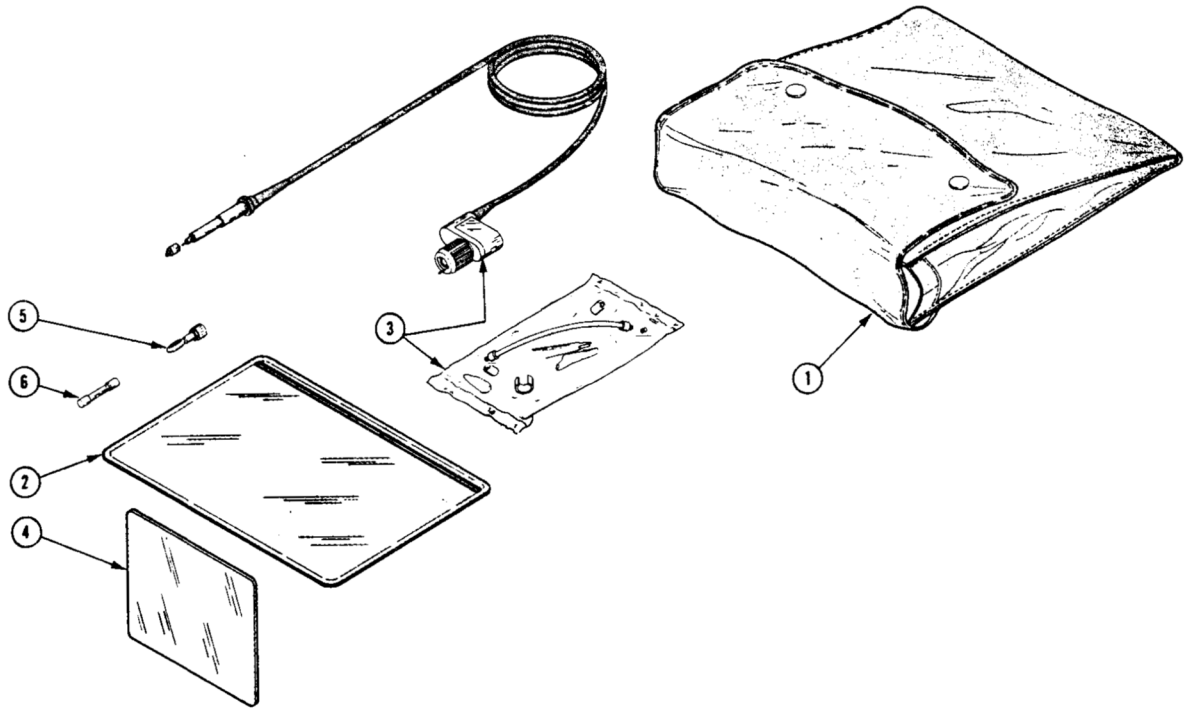
468 SERVICE—VOL. 2

FIG. 8. OPTION 0D, 11

Fig. & Index No.	Tektronix Part No.	Serial/Model No.		Qty	1 2 3 4 5	Name & Description	Mfr	
		Eff	Dscont				Code	Mfr Part Number
8-1	-----			1		CKT BOARD ASSY:ANALOG X-Y OUTPUT (SEE A27 REPL)		
-2	-----			6		TERMINAL,PIN:0.365 L X 0.025 PH BRZ GOLD (SEE A27TP100,101,102,103,114,118 REPL)		
-3	131-1097-00			3		CONNECTOR,RCPT,:BNC,FEMALE,CKT BOARD MT	24931	28JR220-2
-4	333-2916-00			1		PANEL,REAR:	80009	333-2916-00
-5	131-1426-00			1		TERM SET,PIN:(36) 0.025 SQ RTANG,0.25L (8 USED AT LOCATION P100)	22526	65524-136
-6	131-1425-00			1		TERM SET,PIN:(36) 0.025 SQ RTANG,0.150L (8 USED AT LOCATION P100.2 AT P101)	22526	65521-136
-7	175-5426-00			1		CA ASSY,SP,ELEC:2,26 AWG,4.0 L,RIBBON	80009	175-5426-00
-8	198-4401-00			1		WIRE SET,ELEC:	80009	198-4401-00

**Replaceable Mechanical Parts
468 Service Volume II**

Fig. & Index No.	Tektronix Part No.	Serial/Model No. Eff Dscont	Qty	1 2 3 4 5	Name & Description	Mfr Code	Mfr Part Number
					STANDARD ACCESSORIES		
9-1	016-0594-00		1		POUCH,ACCESSORY:W/HARDWARE(W/DM)	80009	016-0594-00
-2	016-0537-00		1		POUCH,ACCESSORY:VINYL,W/ZIPPER	05006	ZIP-6X91D
-3	010-6105-03		2		PROBE,VOLTAGE:P6105,2 METER,10X,W/ACCESS	80009	010-6105-03
-4	337-1674-01		1		SHLD,IMPLOSION:CLEAR	80009	337-1674-01
-5	134-0016-01		1		PLUG,TIP:W/BINDING POST	80009	134-0016-01
-6	159-0160-00		2		FUSE,CARTRIDGE:3AG,1.5 A,250 V,18 SEC,UL	71400	MDX 1-1/2
	----		-		(FOR 115V OPERATION)		
	159-0040-00		1		FUSE,CARTRIDGE:3AG,0.7A,SLOW-BLOW	71400	MDL 7/10
	----		-		(FOR 230V OPERATION)		
	070-3515-00		1		MANUAL,TECH:SERVICE VOL. 01	80009	070-3515-00
	070-3516-00		1		MANUAL,TECH:SERVICE VOL. 02	80009	070-3516-00
	070-2906-00		1		MANUAL,TECH:OPERATORS	80009	070-2906-00



MANUAL CHANGE INFORMATION

At Tektronix, we continually strive to keep up with latest electronic developments by adding circuit and component improvements to our instruments as soon as they are developed and tested.

Sometimes, due to printing and shipping requirements, we can't get these changes immediately into printed manuals. Hence, your manual may contain new change information on following pages.

A single change may affect several sections. Since the change information sheets are carried in the manual until all changes are permanently entered, some duplication may occur. If no such change pages appear following this page, your manual is correct as printed.

DESCRIPTION

EFF SN 700001 & up (TEKTRONIX HOLLAND N.V. ORIGIN)

NOTE

The following changes do not affect U.S. manufactured instruments.
REPLACEABLE ELECTRICAL PARTS CHANGES

CHANGE TO:

A11R136	315-0271-00	RES., FXD, CMPSN:270 OHM, 5%, 0.25W
A11R237	315-0271-00	RES., FXD, CMPSN:270 OHM, 5%, 0.25W
A11R435	315-0271-00	RES., FXD, CMPSN:270 OHM, 5%, 0.25W
A11R532	315-0271-00	RES., FXD, CMPSN:270 OHM, 5%, 0.25W
A13C126	281-0096-00	CAP., VAR, AIR DI:5.5 - 18PF, 350V
A13C228	283-0333-00	CAP., FXD, CER DI:35PF, 5%, 1000V

REMOVE:

A11VR187	152-0166-00	SEMICONV DEVICE:ZENER, 0.4W, 6.2V, 5%
A11VR388	152-0166-00	SEMICONV DEVICE:ZENER, 0.4W, 6.2V, 5%

ADD:

A11R187	315-0241-00	RES., FXD, CMPSN:240 OHM, 5%, 0.25W
A11R388	315-0241-00	RES., FXD, CMPSN:240 OHM, 5%, 0.25W
A11VR189	152-0217-00	SEMICONV DEVICE:ZENER, 0.4W, 8.2V, 5%, 1N756A
A11VR389	152-0217-00	SEMICONV DEVICE:ZENER, 0.4W, 8.2V, 5%, 1N756A
A15C162	290-0047-00	CAP., FXD, ELCTLT:150UF, 250V

DIAGRAMS SECTION CHANGES

Figure 8-4. All VERTICAL PREAMPLIFIER board

ADD:

VR189 between C186 and VR187 at location 3J (add to lookup table for components located on schematic Diagram 1).

VR389 between C386 and VR388 at location 6J (add to lookup table for components located on schematic Diagram 2).

REPLACE:

VR187 with R187 at location 3K, (add to lookup table for components located on schematic Diagram 1).

VR388 with R388 at location 6K, (add to lookup table for components located on schematic Diagram 2).

DESCRIPTION

DIAGRAM 1 CHANGES (All board)

CHANGE:

R136 (location 4H) value to 270 Ω .
R237 (location 7H) value to 270 Ω .

REPLACE:

VR187 with R187 (240 Ω) at location 3A.

ADD:

VR189 (8.2V ZENER DIODE) in parallel with C186 (location 3A), cathode to pin 6 of Q285A.

DIAGRAM 2 CHANGES (All board)

CHANGE:

R435 (location 4H) value to 270 Ω .
R532 (location 7H) value to 270 Ω .

REPLACE:

VR388 with R388 (240 Ω) at location 3A.

ADD:

VR389 (8.2V ZENER DIODE) in parallel with C386 (location 3A) cathode to pin 6 of Q485A.

Figure 8-18 A15 INTERFACE board

ADD: At location 2I, C162 at left of S175 (add to lookup table for Diagram 20, also affects Diagram 22)

DIAGRAM 9 A & B TIMING SWITCH (A13 board)

CHANGE:

C126 (location 5B) value to 5.5 - 18PF.
C228 (location 5B) value to 35 PF.

DIAGRAM 11 CRT CIRCUIT (A15 board)

ADD:

C162 (location 2C) 150 UF, positive lead to S175
BEAM FIND switch terminal 2R and negative lead to ground.

DIAGRAM 22 POWER DISTRIBUTION (15 board)

ADD:

In power distribution for CRT CIRCUIT $\diamond 11$, C162 (positive lead to +15 V supply and negative lead to ground).

DESCRIPTION

MECHANICAL PARTS LIST

To improve the reliability of the instrument, most of the transistor and IC sockets have been removed. Therefore, you may notice a difference between the number of sockets mentioned in the list of "Replaceable Mechanical Parts" and the actual usage of these parts.

ELECTRICAL PARTS LIST CORRECTION

Change to:

H4397	Q285	Transistor Dual Fet	151-1032-00
	Q485	Transistor Dual Fet	151-1032-00
	R289	Resistor 470 ohm	315-0471-00
	R488	Resistor 470 ohm	315-0471-00
	R160	Resistor 2K ohm	315-0202-00
	R376	Resistor 2K ohm	315-0202-00
H4419	R990	Resistor 100 ohm 5%	315-0101-00
H4445	A19 C188	Capacitor 2uF 50V	283-0212-00
	A19 C197	Capacitor 2uF 50V	283-0212-00
H449	A12 R418	Resistor 180 ohm 5% 1/4W	315-0181-00 468 option 5

Add:

H4445	A19 R188	Resistor 5,1 ohm 1/4W 5%	307-0113-00
	A19 R197	Resistor 5,1 ohm 1/4W 5%	307.0113.00

(Location is on Storage Time Base circuit boards assembly 670-6380-01)

Change to:

H4335	R136	Resistor 270 ohm	315-0271-00
	R237	Resistor 270 ohm	315-0271-00
	R435	Resistor 270 ohm	315-0271-00
	R532	Resistor 270 ohm	315-0271-00
	C126	Capacitor Var.	281-0096-00
	C228	Capacitor 36pF	283-0636-00

Add:

H4335	C116	Capacitor 51pF	281-0798-00
-------	------	----------------	-------------

(Location is on Vert. Preamp. circuit board 670-6381-00!)

Change to:

H4343	VR187	Z-diode 8,2V 0,4W	152-0217-00
	VR388	Z-diode 8,2V 0,4W	152-0217-00

Oct. 1980/81

Date: Febr. 1983

Change Reference:

H4335/4420
H4424/4487/4492

Product: 468

4-12-1982

Manual Part No.: 070-3516-00

DESCRIPTION

Add:

H4343	R187	Resistor 240 ohm 5%	315-0241-00
	R388	Resistor 240 ohm 5%	315-0241-00
	C159	Capacitor elec. 100uF 125V	290-0215-01

Change to:

H4363	Q157	8 A SCR	151-0521-01
-------	------	---------	-------------

(Location: Storage Power Supply circuit board, Ass.no. 670-6380-00)

Add:

H4363	R364	Resistor 510 ohm	315-0511-00
-------	------	------------------	-------------

Change to:

H4487	A11 R271	Resistor 10 ohm $\frac{1}{4}$ W 5%	315-0100-00
	A11 R272	Resistor 10 ohm $\frac{1}{4}$ W 5%	315-0100-00

Change to:

H4492	A11 C144	Cap. fxd Cer. DI. Selectable 33pF - 39pF	
		33pF	281-0819-00
		35pF	281-0625-00
		39pF	281-0603-00

Product: 468

Date: August 1981

Change Reference: H 4367

Manual Part No.: _____

DESCRIPTION

Electrical Parts List Correction

Change to:

R165	Res. Var. 5K	311-1227-00
R172	Res. Var. 5K	311-1227-00
R371	Res. Var. 5K	311-1227-00
R373	Res. Var. 5K	311-1227-00
R176	Res. Var. 100 Ω	311-1222-00
R477	Res. Var. 100 Ω	311-1222-00
R205	Res. Var. 500 Ω	311-1224-00
R232	Res. Var. 500 Ω	311-1224-00
R436	Res. Var. 500 Ω	311-1224-00
R240	Res. Var. 1K	311-1225-00
R438	Res. Var. 1K	311-1225-00
R269	Res. Var. 2,5K	311-1226-00
R569	Res. Var. 2,5K	311-1226-00
R273	Res. Var. 10K	311-1228-00
R566	Res. Var. 10K	311-1228-00
R573	Res. Var. 10K	311-1228-00
R134	Res. Var. 20K	311-1230-00
R148	Res. Var. 20K	311-1230-00
R330	Res. Var. 20K	311-1230-00
R349	Res. Var. 20K	311-1230-00
R154	Res. Var. 5K	311-1227-00
R351	Res. Var. 5K	311-1227-00
R443	Res. Var. 100 Ω	311-1222-00
R267	Res. Var. 100 Ω	311-1235-00
R270	Res. Var. 5K	311-1227-00
R409	Res. Var. 25K	311-1231-00
R551	Res. Var. 50K	311-1232-00
R571	Res. Var. 100 Ω	311-1222-00
R681	Res. Var. 100 Ω	311-1222-00
R970	Res. Var. 100 Ω	311-1222-00
R572	Res. Var. 1K	311-1225-00
R578	Res. Var. 25K	311-1226-00
R599	Res. Var. 50 Ω	311-1221-00
R319	Res. Var. 500 Ω	311-1224-00
R321	Res. Var. 5K	311-1227-00
R325	Res. Var. 10K	311-1228-00
R329	Res. Var. 10K	311-1228-00
R335	Res. Var. 50K	311-1232-00

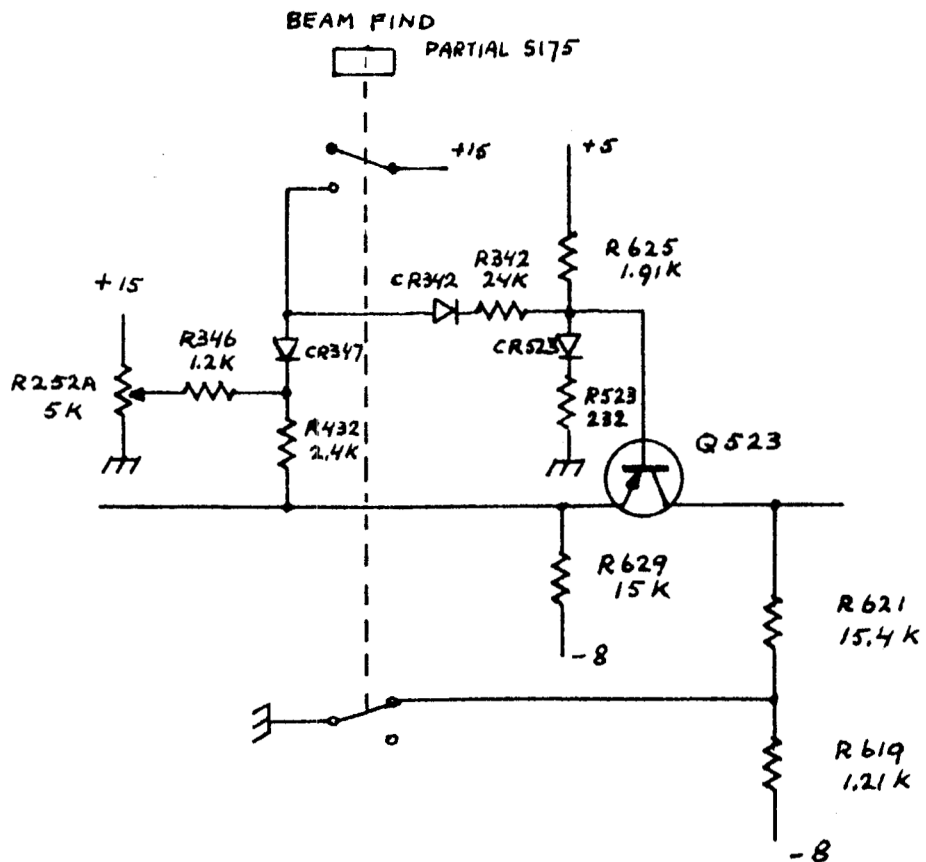
DESCRIPTION

CHANGE TO:

A15 R523	321-0132-00	RES FIXD	232 OHM 1% .125W
----------	-------------	----------	---------------------

ADD:

A15 CR342	152-0327-00	SEM. COND. DEV. SILICON	
A15 CR523	152-0327-00	30V , 150MA	



PARTIAL CRT CIRCUIT A15