

# 494/494P

## SPECTRUM ANALYZER

OPTIONS INCLUDED  
VOLUME 2

### WARNING

THE FOLLOWING SERVICING INSTRUCTIONS ARE FOR USE BY QUALIFIED PERSONNEL ONLY. TO AVOID PERSONAL INJURY, DO NOT PERFORM ANY SERVICING OTHER THAN THAT CONTAINED IN OPERATING INSTRUCTIONS UNLESS YOU ARE QUALIFIED TO DO SO. REFER TO OPERATORS SAFETY SUMMARY AND SERVICE SAFETY SUMMARY PRIOR TO PERFORMING ANY SERVICE.

*Please Check for  
CHANGE INFORMATION  
at the Rear of This Manual*



# TABLE OF CONTENTS

This manual is divided into two volumes as follows.

## VOLUME 1

	<b>SAFETY SUMMARY</b>
Section 1	<b>GENERAL INFORMATION</b>
Section 2	<b>SPECIFICATION</b>
Section 3	<b>INSTALLATION, PREPARATION FOR USE, REPACKAGING, AND STORAGE</b>
Section 4	<b>PERFORMANCE CHECK</b>
Section 5	<b>ADJUSTMENT PROCEDURE</b>
Section 6	<b>MAINTENANCE</b>
Section 7	<b>THEORY OF OPERATION</b>
Section 8	<b>OPTIONS</b>
Appendix A	<b>GLOSSARY</b>

## VOLUME 2

	<b>SAFETY SUMMARY</b>
Section 9	<b>REPLACEABLE ELECTRICAL PARTS</b>
Section 10	<b>DIAGRAMS</b>
Section 11	<b>REPLACEABLE MECHANICAL PARTS</b>

<http://www.ebaman.com>

# LIST OF ILLUSTRATIONS

The following figures are located near their associated diagrams in Section 10.

10-1	A16A1—1st LO Interface circuit board.	10-27	A61—Digital Storage, Vertical circuit board.
10-2	A18A1—2072 MHz 2nd Converter circuit board.	10-28	A60—Digital Storage, Horizontal circuit board.
10-3	A22A1—16-20 Phase Lock circuit board.	10-29	A64—Deflection Amplifiers circuit board.
10-4	A22A2A1—2182 MHz Microstrip Oscillator circuit board.	10-30	A70—Z-Axis & RF Interface circuit board.
10-5	A22A2A2—2200 MHz Reference circuit board.	10-31	A74—High Voltage circuit board.
10-6	A22A2A3—2200 MHz Reference Mixer circuit board.	10-32	A66—CRT Readout circuit board.
10-7	A23A2—25 MHz Phase Lock circuit board.	10-33	A72—Sweep circuit board.
10-8	A23A3—Harmonic Mixer circuit board.	10-34	A48—Span Attenuator circuit board.
10-9	A23A4—829 MHz Diplexer circuit board.	10-35	A44—1st LO Driver circuit board
10-10	A23A5—829 MHz Amplifier circuit board.	10-36	A42—Preselector Driver circuit board.
10-11	A23A6—110 MHz IF Select circuit board.	10-37	A46—Center Frequency circuit board.
10-12	A23A7—829 MHz 2nd Converter circuit board.	10-38	A26—Auxiliary Synthesizer circuit board.
10-13	A32A1—110 MHz IF Amplifier circuit board.	10-39	A51—Counter circuit board.
10-14	A34A1—100 MHz Osc & 3rd Mixer circuit board.	10-40	A50A1—Synthesizer circuit board.
10-15	A36A1—Reference Lock circuit board.	10-41	A50A4—Error Amplifier circuit board.
10-16	A69A1—VR#1 Mother board.	10-42	A50A2—Strobe Driver circuit board.
10-17	A69A2—VR Input circuit board.	10-43	A50A3—Offset Mixer circuit board.
10-18	A69A3—1st Filter Select circuit board.	10-44	A50A5—Controller Oscillator circuit board.
10-19	A69A4—10 dB Gain Steps circuit board.	10-45	A58—Processor circuit board.
10-20	A69A5—20 dB Gain Steps circuit board.	10-46	A54—Memory circuit board.
10-21	A68A1—VR#2 Mother board.	10-47	A38—Front Panel circuit board.
10-22	A68A3—Band Leveling circuit board.	10-48	A56—GPIB circuit board.
10-23	A68A2—2nd Filter Select circuit board.	10-49	A56—GPIB circuit board.
10-24	A68A4—Post VR Amplifier circuit board.	10-50	A30A76—Accessories Interface circuit board.
10-25	A62—Log & Video Amplifier circuit board.	10-51	A30A1—Main Power Supply circuit board.
10-26	A40—Video Processor & Marker Interface circuit board.	10-52	A30A2—Fan Drive circuit board.

# SERVICING SAFETY SUMMARY

## FOR QUALIFIED SERVICE PERSONNEL ONLY

### Do Not Service Alone

Do not perform internal service or adjustment of this product unless another person capable of rendering first aid and resuscitation is present.

### Do Not Wear Jewelry

Remove jewelry prior to servicing. Rings, necklaces, and other metallic objects could come into contact with dangerous voltages and currents.

### Use Care When Servicing With Power On

Dangerous voltages exist at several points in this product. To avoid personal injury, do not touch exposed connections and components while power is on.

Disconnect power before removing protective panels, soldering, or replacing components.

### Power Source

This product is intended to operate from a power source that will not apply more than 250 volts rms between the supply conductors or between either supply conductor and ground. A protective ground connection by way of the grounding conductor in the power cord is essential for safe operation.

### X-Radiation

X-ray emission generated within this instrument has been sufficiently shielded. Do not modify or otherwise alter the high voltage circuitry or the CRT enclosure.

## TERMS

### In This Manual

CAUTION statements identify conditions or practices that could result in damage to the equipment or other property.

WARNING statements identify conditions or practices that could result in personal injury or loss of life.

### As Marked on Equipment

CAUTION indicates a personal injury hazard not immediately accessible as one reads the marking, or a hazard to property including the equipment itself.

DANGER indicates a personal injury hazard immediately accessible as one reads the marking.

## SYMBOLS

### In This Manual



This symbol indicates where applicable cautionary or other information is to be found.

### As Marked On Equipment



DANGER—High Voltage.



Protective ground (earth) terminal.



ATTENTION—Refer to manual.



Refer to manual.

### **Grounding the Product**

This product is grounded through the grounding conductor of the power cord. To avoid electrical shock, plug the power cord into a properly wired receptacle before connecting to the product input or output terminals. A protective ground connection by way of the grounding conductor in the power cord is essential for safe operation.

### **Danger Arising From Loss of Ground**

Upon loss of the protective-ground connection, all accessible conductive parts (including knobs and controls that may appear to be insulating) can render an electric shock.

### **Use the Proper Power Cord**

Use only the power cord and connector specified for your product.

Use only a power cord that is in good condition.

For detailed information on power cords and connectors, see the General Information and Specifications section in Volume 1 of the 494/494P Service manual.

Refer cord and connector changes to qualified service personnel.

<http://www.ebaman.com>



4418-00

494/494P Programmable Spectrum Analyzer.



# REPLACEABLE ELECTRICAL PARTS

## PARTS ORDERING INFORMATION

Replacement parts are available from or through your local Tektronix, Inc. Field Office or representative.

Changes to Tektronix instruments are sometimes made to accommodate improved components as they become available, and to give you the benefit of the latest circuit improvements developed in our engineering department. It is therefore important, when ordering parts, to include the following information in your order: Part number, instrument type or number, serial number, and modification number if applicable.

If a part you have ordered has been replaced with a new or improved part, your local Tektronix, Inc. Field Office or representative will contact you concerning any change in part number.

Change information, if any, is located at the rear of this manual.

### LIST OF ASSEMBLIES

A list of assemblies can be found at the beginning of the Electrical Parts List. The assemblies are listed in numerical order. When the complete component number of a part is known, this list will identify the assembly in which the part is located.

### CROSS INDEX-MFR. CODE NUMBER TO MANUFACTURER

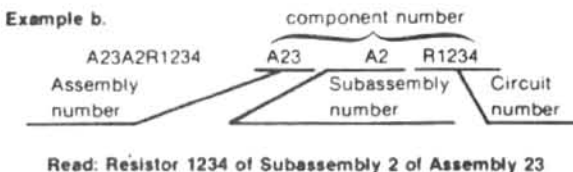
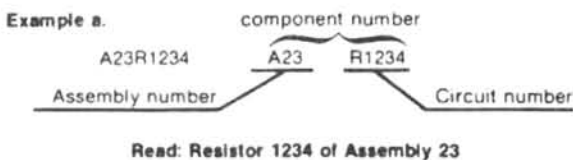
The Mfr. Code Number to Manufacturer index for the Electrical Parts List is located immediately after this page. The Cross Index provides codes, names and addresses of manufacturers of components listed in the Electrical Parts List.

### ABBREVIATIONS

Abbreviations conform to American National Standard Y1.1.

### COMPONENT NUMBER (column one of the Electrical Parts List)

A numbering method has been used to identify assemblies, subassemblies and parts. Examples of this numbering method and typical expansions are illustrated by the following:



Only the circuit number will appear on the diagrams and circuit board illustrations. Each diagram and circuit board illustration is clearly marked with the assembly number. Assembly numbers are also marked on the mechanical exploded views located in the Mechanical Parts List. The component number is obtained by adding the assembly number prefix to the circuit number.

The Electrical Parts List is divided and arranged by assemblies in numerical sequence (e.g., assembly A1 with its subassemblies and parts, precedes assembly A2 with its subassemblies and parts).

Chassis-mounted parts have no assembly number prefix and are located at the end of the Electrical Parts List.

### TEKTRONIX PART NO. (column two of the Electrical Parts List)

Indicates part number to be used when ordering replacement part from Tektronix.

### SERIAL/MODEL NO. (columns three and four of the Electrical Parts List)

Column three (3) indicates the serial number at which the part was first used. Column four (4) indicates the serial number at which the part was removed. No serial number entered indicates part is good for all serial numbers.

### NAME & DESCRIPTION (column five of the Electrical Parts List)

In the Parts List, an Item Name is separated from the description by a colon (:). Because of space limitations, an Item Name may sometimes appear as incomplete. For further Item Name identification, the U.S. Federal Cataloging Handbook H6-1 can be utilized where possible.

### MFR. CODE (column six of the Electrical Parts List)

Indicates the code number of the actual manufacturer of the part. (Code to name and address cross reference can be found immediately after this page.)

### MFR. PART NUMBER (column seven of the Electrical Parts List)

Indicates actual manufacturer's part number.

CROSS INDEX—MFR. CODE NUMBER TO MANUFACTURER

Mfr. Code	Manufacturer	Address	City, State, Zip
000AX	BUEHLER PRODUCTS INC.	PO BOX A,HIGHWAY 70 EAST	KINGSTON, NC 28501
000FB	CALIFORNIA EASTERN LABORATORIES	3005 DEMOCRACY WAY	SANTA CLARA, CA 95050
000FJ	MARCOM SWITCHES INC.	67 ALBANY STREET	CAZENOVIA, N.Y. 13035
000LH	ELECTRONIC COMPONENTS INTERNATIONAL	121 SHELDON STREET	EL SEGUNDO, CA 90245
000LI	TOPTRON CORP		TOKYO, JAPAN
000LR	TOSHIBA AMERICA INC.	SUITE 190 2151 MICHELSON DR.	IRVINE, CA 92715
00779	AMP. INC.	P.O. BOX 3608	HARRISBURG, PA 17105
00779	AMP. INC.	P.O. BOX 3608	HARRISBURG, PA 17105
00853	SANGAMO ELECTRIC CO., S. CAROLINA DIV.	P.O. BOX 128	PICKENS, SC 29671
01121	ALLEN-BRADLEY COMPANY	1201 2ND STREET SOUTH	MILWAUKEE, WI 53204
01281	TRW ELECTRONIC COMPONENTS, SEMICONDUCTOR OPERATIONS	14520 AVIATION BLVD.	LAWNDALE, CA 90260
01295	TEXAS INSTRUMENTS, INC. SEMICONDUCTOR GROUP	P.O. BOX 5012	DALLAS, TX 75222
02111	SPECTROL ELECTRONICS CORPORATION	17070 EAST GALE AVENUE	CITY OF INDUSTRY, CA 91745
02735	RCA CORPORATION, SOLID STATE DIVISION	ROUTE 202	SOMERVILLE, NY 08876
03508	GENERAL ELECTRIC COMPANY, SEMI-CONDUCTOR PRODUCTS DEPARTMENT	ELECTRONICS PARK	SYRACUSE, NY 13201
04222	AVX CERAMICS, DIVISION OF AVX CORP.	P O BOX 867	MYRTLE BEACH, SC 29577
04713	MOTOROLA INC., SEMICONDUCTOR PROD. DIV.	5005 E MCDOWELL RD.PO BOX 20923	PHOENIX, AZ 85036
05397	UNION CARBIDE CORPORATION, MATERIALS SYSTEMS DIVISION	11901 MADISON AVENUE	CLEVELAND, OH 44101
05828	GENERAL INSTRUMENT CORP ELECTRONIC SYSTEMS DIV	600 W JOHN ST.	HICKSVILLE LI, NY 11802
06090	RAYCHEM CORPORATION	300 CONSTITUTION DRIVE	MENLO PARK, CA 94025
06665	PRECISION MONOLITHICS INC.	1500 SPACE PARK DR.	SANTA CLARA, CA 95050
07088	KELVIN ELECTRIC COMPANY	5907 NOBLE AVENUE	VAN NUYS, CA 91411
07263	FAIRCHILD SEMICONDUCTOR, A DIV. OF FAIRCHILD CAMERA AND INSTRUMENT CORP.	464 ELLIS STREET	MOUNTAIN VIEW, CA 94042
07716	TRW ELECTRONIC COMPONENTS, IRC FIXED RESISTORS, BURLINGTON DIV.	2855 MT. PLEASANT	BURLINGTON, IA 52601
08261	SPECTRA-STRIP CORP.	7300 LAMPSON AVE.	GARDEN GROVE, CA 92642
08806	GENERAL ELECTRIC CO., MINIATURE LAMP PRODUCTS DEPARTMENT	NELA PARK	CLEVELAND, OH 44112
09023	CORNELL-DUBILIER ELECTRONIC DIVISION FEDERAL PACIFIC ELECTRIC CO.	2652 DALRYMPLE ST.	SANFORD, NC 27330
12954	SIEMENS CORPORATION, COMPONENTS GROUP	8700 E THOMAS RD, P O BOX 1390	SCOTTSDALE, AZ 85252
12969	UNITRODE CORPORATION	580 PLEASANT STREET	WATERTOWN, MA 02172
14552	MICRO SEMICONDUCTOR CORP.	2830 E FAIRVIEW ST.	SANTA ANA, CA 92704
14752	ELECTRO CUBE INC.	1710 S. DEL MAR AVE.	SAN GABRIEL, CA 91776
14936	GENERAL INSTRUMENT CORP., SEMICONDUCTOR PRODUCTS GROUP	P.O. BOX 600.600 W. JOHN ST.	HICKSVILLE, NY 11802
15238	ITT SEMICONDUCTORS, A DIVISION OF INTER NATIONAL TELEPHONE AND TELEGRAPH CORP.	P.O. BOX 168, 500 BROADWAY	LAWRENCE, MA 01841
15454	RODAN INDUSTRIES, INC.	2905 BLUE STAR ST.	ANAHEIM, CA 92806
15801	FENWAL ELECTRONICS, DIV. OF KIDDE WALTER AND CO., INC.	63 FOUNTAIN ST.	FRAMINGHAM, MA 01701
17540	ALPHA INDUSTRIES, INC.	20 SYLVAN RD.	WOBURN, MA 01801
17856	SILICONIX, INC.	2201 LAURELWOOD DRIVE	SANTA CLARA, CA 95054
18203	ENGELMANN MICROWAVE CO.	SKYLINE DR.	MONTVILLE, NJ 07045
18324	SIGNETICS CORP.	811 E. ARQUES	SUNNYVALE, CA 94086
18612	VISHAY RESISTOR PRODUCTS DIV.		
19396	VISHAY INTERTECHNOLOGY INC.	68 LINCOLN HWY	MALVERN, PA 19355
22229	ILLINOIS TOOL WORKS, INC. PAKTRON DIV.	900 FOLLIN LANE, SE	VIENNA, VA 22180
22526	SOLITRON DEVICES, INC., SEMICONDUCTOR GROUP	8808 BALBOA AVENUE	SAN DIEGO OPERS, CA 92123
24355	BERG ELECTRONICS, INC	YOUK EXPRESSWAY	NEW CUMBERLAND, PA 17070
24546	ANALOG DEVICES INC.	RT 1 INDUSTRIAL PK.P O BOX 280	NORWOOD, MA 02062
24931	CORNING GLASS WORKS, ELECTRONIC COMPONENTS DIVISION	550 HIGH STREET	BRADFORD, PA 16701
25403	SPECIALITY CONNECTOR CO., INC.	2620 ENDRESS PLACE	GREENWOOD, IN 46142
26769	AMPEREX ELECTRONIC CORP., SEMICONDUCTOR AND MICROCIRCUITS DIV.	PROVIDENCE PIKE	SLATERSVILLE, RI 02876
26805	NCI INC.	5900 AUSTRALIAN AVENUE	WEST PALM BEACH, FL 33407
27012	OMNI SPECTRA INC., MICROWAVE CONNECTOR DIV.	140 FOURTH AVE	WALTHAM, MA 02154
	MICRO DEVICES, CORPORATION	1881 SOUTHLAND BLVD.	DAYTON, OHIO 45439

http://www.tbemart.com



## CROSS INDEX—MFR. CODE NUMBER TO MANUFACTURER

Mfr. Code	Manufacturer	Address	City, State, Zip
27014	NATIONAL SEMICONDUCTOR CORP.	2900 SEMICONDUCTOR DR.	SANTA CLARA, CA 95051
27264	MOLEX, INC.	2222 WELLINGTON COURT	LISLE, IL 60532
29587	BUNKER-RAMO CORP., AMPHENOL INDUSTRIAL DIV.	1830 S. 54TH AVE. 20 RAILSIDE RD.	CHICAGO, IL 60650 DON MILLS, ONT, CANADA M3A 1
31781	EDAC INC.	10900 N. TANTAU AVE.	CUPERTINO, CA 95014
32293	INTERSIL, INC.	1200 COLUMBIA AVE.	RIVERSIDE, CA 92507
32997	BOURNS, INC., TRIMPOT PRODUCTS DIV.	152 E MAIN STREET	FAIRVIEW, PA 16415
33095	SPECTRUM CONTROL, INC.	2303 W 8TH STREET	LOVELAND, CO 80537
33096	COLORADO CRYSTAL CORPORATION	2303 W 8TH STREET	LOVELAND, CO 80537
34335	ADVANCED MICRO DEVICES	901 THOMPSON PL.	SUNNYVALE, CA 94086
34371	HARRIS SEMICONDUCTOR, DIV. OF HARRIS CORPORATION	P. O. BOX 883	MELBOURNE, FL 32901
34630	TYCO FILTERS DIV., INC.	3940 W. MONTECITO	PHOENIX, AZ 85019
34649	INTEL CORP.	3065 BOWERS AVE.	SANTA CLARA, CA 95051
50140	K AND L MICROWAVE INC	640 PAGE MILL ROAD	PALO ALTO, CA 94304
50434	HEWLETT-PACKARD COMPANY	11000 WOLFE RD.	CUPERTINO, CA 95074
50438	HEWLETT-PACKARD CO., DATA SYSTEMS DIV.	526 INDUSTRIAL WAY WEST	EATONTOWN, NJ 07724
50558	ELECTRONIC CONCEPTS, INC.	9522 WEST JEFFERSON BLVD.	CULVER CITY, CA 90230
50667	DYNATECH/U/Z INC.	707 NORTH ST.	ENDICOTT, NY 13760
51181	KEYTRONICS INC.	2820 E COLLEGE AVENUE	STATE COLLEGE, PA 16801
51642	CENTRE ENGINEERING INC.	2990 TELESTAR CT. SUITE 212	FALLS CHURCH, VA 22042
51984	NEC AMERICA INC. RADIO AND TRANSMISSION DIV.	134 FULTON AVENUE	GARDEN CITY PARK, NY 11040
52769	SPRAGUE GOODMAN ELEC., INC.	5 HEMLOCK STREET	LATHAM, NY 12110
53184	XCITON CORPORATION	1 PANASONIC WAY	SECAUCUS, NJ 07094
54473	MATSUSHITA ELECTRIC, CORP. OF AMERICA	6435 N PROESEL AVENUE	CHICAGO, IL 60645
55680	NICHICON/AMERICA/CORP.	87 MARSHALL ST.	NORTH ADAMS, MA 01247
56289	SPRAGUE ELECTRIC CO.	16931 MILLIKEN AVE.	IRVINE, CA 92713
57668	R-OHM CORP.	2159 N FORBES BLVD	TUCSON, AZ 85705
59660	TUSONIX INC.	2958 MERCHANT AVE	EL PASO, TX 79915
59821	CENTRALAB INC		
71400	SUB NORTH AMERICAN PHILIPS CORP BUSSMAN MFG., DIVISION OF MCGRAW-EDISON CO.	2536 W. UNIVERSITY ST.	ST. LOUIS, MO 63107
71468	ITT CANNON ELECTRIC	666 E. DYER RD.	SANTA ANA, CA 92702
72982	ERIE TECHNOLOGICAL PRODUCTS, INC.	644 W. 12TH ST.	ERIE, PA 16512
73138	BECKMAN INSTRUMENTS, INC., HELIPOT DIV.	2500 HARBOR BLVD.	FULLERTON, CA 92634
73899	JFD ELECTRONICS COMPONENTS CORP.	PINETREE ROAD	OXFORD, NC 27565
74276	SIGNALITE DIV., GENERAL INSTRUMENT CORP.	1933 HECK AVE.	NEPTUNE, NJ 07753
74970	JOHNSON, E. F., CO.	299 10TH AVE. S. W.	WASECA, MN 56093
75042	TRW ELECTRONIC COMPONENTS, IRC FIXED RESISTORS, PHILADELPHIA DIVISION	401 N. BROAD ST.	PHILADELPHIA, PA 19108
75376	CTS KNIGHTS, INC.	400 REIMANN AVE.	SANDWICH, IL 60548
75915	LITTELFUSE, INC.	800 E. NORTHWEST HWY	DES PLAINES, IL 60016
76493	BELL INDUSTRIES, INC., MILLER, J. W., DIV.	19070 REYES AVE., P O BOX 5825	COMPTON, CA 90224
78488	STACKPOLE CARBON CO.		ST. MARYS, PA 15857
80009	TEKTRONIX, INC.	P O BOX 500	BEAVERTON, OR 97077
83891	PIEZO MFG. CORP.	P. O. BOX 5644	FORT LAUDERDALE, FL 33309
84411	TRW ELECTRONIC COMPONENTS, TRW CAPACITORS	112 W. FIRST ST.	OGALLALA, NE 69153
90201	MALLORY CAPACITOR CO., DIV. OF P. R. MALLORY AND CO., INC.	3029 E. WASHINGTON STREET P. O. BOX 372	INDIANAPOLIS, IN 46206
91293	JOHANSON MFG. COMPANY	P O BOX 329	BOONTON, NJ 07005
91506	AUGAT, INC.	33 PERRY AVE.	ATTLEBORO, MA 02703
91637	DALE ELECTRONICS, INC.	P. O. BOX 609	COLUMBUS, NE 68601
93958	REPUBLIC ELECTRONICS CORPORATION	176 E 7TH STREET	PATERSON, NJ 07524
95348	GORDOS CORPORATION	250 GLENWOOD AVENUE	BLOOMFIELD, NJ 07003
96733	SAN FERNANDO ELECTRIC MFG CO	1501 FIRST ST	SAN FERNANDO, CA 91341
98291	SEAELECTRO CORP	225 HOYT	MAMARONECK, NY 10544
10020	UNITED CHEMI-CON INC.	1128 LEXINGTON AVE.	ROCHESTER, NY 14506
T0058	NEC ELECTRON INC	252 HUMBOLT COURT	SUNNYVALE, CA 94086
T0510	PANASONIC COMPANY DIVISION OF MATSUSHITA ELECTRIC CORP OF AMERICA	ONE PANASONIC WAY	SECAUCUS, NJ 07094
T0891	MICONICS	1 FAIRCHILD AVE.	PLAINVIEW, NY 11803
T0900	UNITED CHEMI-CON	9801 W. HIGGINS ROAD	ROSEMONT, IL 60018
T1364	SYNETIX INDUSTRIES INC.	15050 NE 95TH STREET	REDMOND, WA 98052



Replaceable Electrical Parts—494/494P Service Vol. 2

Component No.	Tektronix Part No.	Serial/Model No. Eff	Dscont	Name & Description	Mfr Code	Mfr Part Number
AT10	119-1007-07			ATTENUATOR,VAR:0-60DB IN 10DB STEPS	80009	119-1007-07
AT11	015-1053-00			ATTENUATOR,FXD:3DB	26805	2082-4182-03
A10	119-1061-00			LIMITER ASSY:2GHZ	80009	119-1061-00
A11	119-1164-00			BIAS RETURN:	80009	119-1164-00
A12	119-1017-00			FIRST CONV ASSY:	80009	119-1017-00
A13	119-1019-00			POWER DIV ASSY:	80009	119-1019-00
A14	119-1645-00			DIPLEXER ASSY:	80009	119-1645-00
A16	119-0752-01	B010100	B010206	OSCILLATOR,RF:2.0 TO 6.1 GHZ,W/CAN & CKT	80009	119-0752-01
A16	119-0752-02	B010207		OSCILLATOR,RF:2.0 TO 6.1 GHZ,W/CAN & CKT	80009	119-0752-02
A16A1	670-5540-00			CKT BOARD ASSY:1ST L O INTERFACE	80009	670-5540-00
A18	119-1096-02			SEC CONV ASSY:	80009	119-1096-02
A18A1	-----			CKT BOARD ASSY:2ND CONVERTER		
A18A1	-----			(PART OF A18)		
A19	119-1845-00			110 MHZ IF ASSY:	80009	119-1845-00
A19A1	-----			(PART OF A19 OPTION 42 ONLY)		
A22	650-0736-00			PH LOCK 2ND LO:	80009	650-0266-00
A22A1	670-7914-00			CKT BOARD ASSY:16-20MHZ PHASELOCK	80009	670-7914-00
A22A2	119-1587-00			PH LOCK LO CONT:	80009	119-1587-00
A22A2A1	670-7395-01			CKT BOARD ASSY:2182MHZ MICRO STRIP OSC	80009	670-7395-01
A22A2A2	670-7076-00	B010100	B010149	CKT BOARD ASSY:220MHZ REFERENCE	80009	670-7076-00
A22A2A2	670-7076-01	B010150		CKT BOARD ASSY:220MHZ REFERENCE	80009	670-7076-01
A22A2A3	670-7079-00			CKT BOARD ASSY:2200MHZ REFERENCE MIXER	80009	670-7079-00
A23	119-1131-03	B010100	B010340	SEC CONV ASSY:829MHZ	80009	119-1131-03
A23	119-1131-04	B010341		SEC CON ASSY:829MHZ	80009	119-1131-04
A23A1	670-5936-00			CKT BOARD ASSY:19MHZ SECOND LO	80009	670-5936-00
A23A2	670-5937-03			CKT BOARD ASSY:25MHZ PHASE LOCK	80009	670-5937-03
A23A3	670-6016-00			CKT BOARD ASSY:829MHZ HARMONIC MIXER	80009	670-6016-00
A23A4	670-6256-01	B010100	B010340	CKT BOARD ASSY:829MHZ DIPLEXER	80009	670-6256-01
A23A4	670-6256-02	B010341		CKT BOARD ASSY:829MHZ DIPLEXER	80009	670-6256-02
A23A5	670-6255-01			CKT BOARD ASSY:829MHZ AMPLIFIER	80009	670-6255-01
A23A6	670-6015-01			CKT BOARD ASSY:110MHZ IF SELECT	80009	670-6015-01
A23A7	670-6224-00			CKT BOARD ASSY:829MHZ SECOND CONVERTER	80009	670-6224-00
A24	119-1010-00	B010100	B010224	HYBRID CKT ASSY:PHASE GATE DETECTOR	80009	119-1010-00
A24	119-1010-02	B010225		HYBRID CKT ASSY:PHASE GATE DETECTOR	80009	119-1010-02
A24A1	670-5957-00	B010100	B010224	CKT BOARD ASSY:PHASE GATE INPUT	80009	670-5957-00
A24A1	670-5957-01	B010225		CKT BOARD ASSY:PHASE GATE INPUT	80009	670-5957-01
A25	119-1640-00			HARMONIC MIXER:	80009	119-1640-00
A25A3	670-4376-00			CKT BOARD ASSY:HARMONIC MIXER INPUT	80009	670-4376-00
A26	670-7898-00			CKT BOARD ASSY:AUX SYNTHESIZER	80009	670-7898-00
A28	670-7920-00			CKT BOARD ASSY:MAIN	80009	670-7920-00
A28	-----			(NO ELECTRICAL PARTS)		
A30	621-0499-00			POWER SUPPLY:	80009	621-0499-00
A30	-----			(494 ONLY)		
A30	621-0500-00			POWER SUPPLY:	80009	621-0500-00
A30	-----			(494P ONLY)		
A30	621-0006-00			POWER SUPPLY:	80009	621-0006-00
A30	-----			(494 OPTION 42 ONLY)		
A30	621-0007-00			POWER SUPPLY:	80009	621-0007-00
A30	-----			(494P OPTION 42 ONLY)		
A30A1	670-8036-00	B010100	B010153	CKT BOARD ASSY:POWER SUPPLY	80009	670-8036-00
A30A1	670-8036-01	B010154		CKT BOARD ASSY:POWER SUPPLY	80009	670-8036-01
A30A2	670-7226-00			CKT BOARD ASSY:FAN DRIVE	80009	670-7226-00

Component No.	Tektronix Part No.	Serial/Model No. Eff	Dscont	Name & Description	Mfr Code	Mfr Part Number
A30A57	670-7913-00			CKT BOARD ASSY: GPIB INTERFACE	80009	670-7913-00
A30A57	-----			(494P ONLY)		
A30A76	670-5558-02			CKT BOARD ASSY: RELAY DRIVER	80009	670-5558-02
A32	119-1015-00			FILTER, AMPL: 110MHZ	80009	119-1015-00
A32A1	670-5525-01			CKT BOARD ASSY: 110 IF AMPLIFIER	80009	670-5525-01
A34	119-1579-00			OSC/MIXER ASSY: 3RD CONVERTER	80009	119-1579-00
A34A1	670-7901-00			CKT BOARD ASSY: 3RD CONVERTER	80009	670-7901-00
A34A2	670-7905-00			CKT BOARD ASSY: 100MHZ OSC REGULATOR	80009	670-7905-00
A36	119-1588-01			PH LOCK 3RD LO:	80009	119-1588-01
A36A1	670-7900-01			CKT BOARD ASSY: REFERENCE LOCK	80009	670-7900-01
A36A2	670-7917-00			CKT BOARD ASSY: REFERENCE LOCK REGULATOR	80009	670-7917-01
A37	119-1576-01			OSCILLATOR, RF: 10.000 MHZ CRYSTAL	80009	119-1576-01
A38	670-7947-01			CKT BOARD ASSY: FRONT PANEL	80009	670-7947-01
A40	670-8389-00	B010100	B010149	CKT BOARD ASSY: VIDEO PROCESSOR	80009	670-8389-00
A40	670-8389-01	B010150		CKT BOARD ASSY: VIDEO PROCESSOR	80009	670-8389-01
A42	670-5552-03			CKT BOARD ASSY: PRESELECTOR DRIVER	80009	670-5552-03
A44	670-5551-05			CKT BOARD ASSY: 1ST L O DRIVER	80009	670-5551-05
A46	670-5547-03			CKT BOARD ASSY: CENTER FREQ CONTROL	80009	670-5547-03
A46A1	670-7939-01			CKT BOARD ASSY: INTERFACE	80009	670-7939-01
A46A3	670-7939-01			CKT BOARD ASSY: INTERFACE	80009	670-7939-01
A48	670-5550-01			CKT BOARD ASSY: SPAN ATTENUATOR	80009	670-5550-01
A50	119-1580-01	B010100	B010320	PHASE LOCK ASSY: SYNTHESIZER	80009	119-1580-01
A50	119-1580-02	B010321		PHASE LOCK ASSY: SYNTHESIZER	80009	119-1580-02
A50A1	670-5519-00			CKT BOARD ASSY: SYNTHESIZER	80009	670-5519-00
A50A2	670-5520-01			CKT BOARD ASSY: STROBE DRIVER	80009	670-5520-01
A50A3	670-5522-01			CKT BOARD ASSY: OFFSET MIXER	80009	670-5522-01
A50A4	670-7921-00	B010100	B010320	CKT BOARD ASSY: ERROR AMP	80009	670-7921-00
A50A4	670-7921-01	B010321		CKT BOARD ASSY: ERROR AMP	80009	670-7921-01
A50A5	670-5524-01	B010100	B010224	CKT BOARD ASSY: CONTROLLED OSC	80009	670-5524-01
A50A5	670-5524-02	B010225		CKT BOARD ASSY: CONTROLLED OSC	80009	670-5524-02
A51	670-7899-00	B010100	B010200	CKT BOARD ASSY: COUNTER	80009	670-7899-00
A51	670-7899-01	B010201		CKT BOARD ASSY: COUNTER	80009	670-7899-01
A54	670-7009-00	B010100	B010139	CKT BOARD ASSY: MEMORY	80009	670-7009-00
A54	670-7009-01	B010140	B010237	CKT BOARD ASSY: MEMORY	80009	670-7009-01
A54	670-7009-02	B010238		CKT BOARD ASSY: MEMORY	80009	670-7009-02
A54	670-8768-00	B010221		CKT BOARD ASSY: MEMORY	80009	670-8768-00
A54	-----			(OPTION 08/41 ONLY)		
A54	670-8614-00			CKT BOARD ASSY: MEMORY	80009	670-8614-00
A54	-----			(OPTION 12 ONLY)		
A54	670-8615-00			CKT BOARD ASSY: MEMORY	80009	670-8615-00
A54	-----			(OPTION 13 ONLY)		
A54	670-8616-00			CKT BOARD ASSY: MEMORY	80009	670-8616-00
A54	-----			(OPTION 14 ONLY)		
A56	670-7896-00	B010100	B010049	CKT BOARD ASSY: GPIB	80009	670-7896-00
A56	670-8431-00	B010050	B010139	CKT BOARD ASSY: GPIB	80009	670-8431-00
A56	670-8431-01	B010140	B010237	CKT BOARD ASSY: GPIB	80009	670-8431-01
A56	670-8431-02	B010238		CKT BOARD ASSY: GPIB	80009	670-8431-02
A56	670-8769-00	B010221		CKT BOARD ASSY: GPIB	80009	670-8769-00
A56	-----			(OPTION 08/41 ONLY)		
A56	670-8617-00			CKT BOARD ASSY: GPIB	80009	670-8617-00
A56	-----			(OPTION 12 ONLY)		
A56	670-8618-00			CKT BOARD ASSY: GPIB	80009	670-8618-00
A56	-----			(OPTION 13 ONLY)		

Replaceable Electrical Parts—494/494P Service Vol. 2

Component No.	Tektronix Part No.	Serial/Model No.		Name & Description	Mfr Code	Mfr Part Number
		Eff	Dscont			
A56	670-8619-00			CKT BOARD ASSY: GPIB	80009	670-8619-00
A56	-----			(OPTION 14 ONLY)		
A56A1	670-7916-00	B010100	B010033	CKT BOARD ASSY: GPIB EXTENDER	80009	670-7916-00
A56A1	670-7916-01	B010034		CKT BOARD ASSY: GPIB EXTENDER	80009	670-7916-01
A58	670-7895-00			CKT BOARD ASSY: PROCESSOR	80009	670-7895-00
A60	670-5555-03	B010100	B010152	CKT BOARD ASSY: DIGITAL STORAGE INTFC	80009	670-5555-03
A60	670-5555-04	B010153		CKT BOARD ASSY: DIGITAL STORAGE INTFC	80009	670-5555-04
A61	670-5554-03			CKT BOARD ASSY: DIGITAL STORAGE	80009	670-5554-03
A62	670-8008-01			CKT BOARD ASSY: LOG AMP	80009	670-8008-01
A64	670-8083-00			CKT BOARD ASSY: DEFLECTION AMP	80009	670-8083-00
A66	670-7902-00			CKT BOARD ASSY: CRT READOUT	80009	670-7902-00
A68	644-0368-01			VAR RESOLN MDL:	80009	644-0368-01
A68A1	670-5536-03			CKT BOARD ASSY: #2 VR MOTHER	80009	670-5536-03
A68A2	670-2118-00			CKT BOARD ASSY: 2ND FILTER SELECT	80009	670-2118-00
A68A3	670-5533-03			CKT BOARD ASSY: BAND LEVELING	80009	670-5533-03
A68A4	670-7897-00			CKT BOARD ASSY: POST VR AMP	80009	670-7897-00
A69	644-0368-01			VAR RESOLN MDL:	80009	644-0368-01
A69A1	670-5528-02			CKT BOARD ASSY: #1 VR MOTHER	80009	670-5528-02
A69A2	670-5529-01			CKT BOARD ASSY: VR INPUT	80009	670-5529-01
A69A3	670-8063-00			CKT BOARD ASSY: 1ST FILTER SELECT	80009	670-8063-00
A69A4	670-8321-00			CKT BOARD ASSY: 10DB GAIN STEPS	80009	670-8321-00
A69A5	670-5532-03			CKT BOARD ASSY: 20DB GAIN STEPS	80009	670-5532-03
A70	670-7919-00	B010100	B010149	CKT BOARD ASSY: Z AXIS	80009	670-7919-00
A70	670-7919-01	B010150	B010199	CKT BOARD ASSY: Z AXIS	80009	670-7919-01
A70	670-7919-02	B010200		CKT BOARD ASSY: Z AXIS	80009	670-7919-02
A72	670-7915-01	B010100	B010199	CKT BOARD ASSY: SWEEP	80009	670-7915-01
A72	670-7915-02	B010200		CKT BOARD ASSY: SWEEP	80009	670-7915-02
A74	670-5559-03			CKT BOARD ASSY: HIGH VOLTAGE	80009	670-5559-03
A74A1	119-1159-01			CKT BOARD ASSY: HIGH VOLTAGE	80009	119-1159-01
A74A1	-----			(REPLACEABLE AS A UNIT ONLY)		
A77	670-5746-01			CKT BOARD ASSY: CRT GRATICULE LIGHT	80009	670-5746-01
A16	119-0752-01	B010100	B010206	OSCILLATOR, RF: 2.0 TO 6.1 GHZ, W/CAN & CKT	80009	119-0752-01
A16	119-0752-02	B010207		OSCILLATOR, RF: 2.0 TO 6.1 GHZ, W/CAN & CKT	80009	119-0752-02
A16C1013	290-0778-00			CAP., FXD, ELCLT: 1UF, + 50-10%, 50V	54473	ECE-A50N1



Component No.	Tektronix Part No.	Serial/Model No. Eff Dscont	Name & Description	Mfr Code	Mfr Part Number
A16A1	670-5540-00		CKT BOARD ASSY:1ST L O INTERFACE	80009	670-5540-00
A16A1C1012	290-0326-02		CAP.,FXD,ELCTLT:820UF,10%,6V	56289	109D827X9006F2
A16A1C1014	290-0326-02		CAP.,FXD,ELCTLT:820UF,10%,6V	56289	109D827X9006F2
A16A1C1016	290-0529-00		CAP.,FXD,ELCTLT:47UF,20%,20V	05397	T362C476M020AS
A16A1J1013	131-0608-00		TERMINAL,PIN:0.365 L X 0.025 PH BRZ GOLD	22526	48283-036
A16A1J1017	131-0608-00		TERMINAL,PIN:0.365 L X 0.025 PH BRZ GOLD	22526	48283-036
A16A1K1015	148-0076-00		RELAY,REED:1 FORM A,5V,0.25A,100V	95348	F81-1447
A16A1L1011	108-0205-00		COIL,RF:1MH	76493	8209
A16A1VR1010	152-0590-00		SEMICONV DEVICE:ZENER,18V,5% AT 7MA	04713	SZG35014K2
A16A1VR1018	152-0304-00		SEMICONV DEVICE:ZENER,0.4W,20V,5%	15238	Z5411
A16A1VR1019	152-0304-00		SEMICONV DEVICE:ZENER,0.4W,20V,5%	15238	Z5411
A18	119-1096-02		SEC CONV ASSY:	80009	119-1096-02
A18C181	281-0697-00		CAP.,FXD,CER DI:5000PF,+100-0%,100V	80009	281-0697-00
A18C182	281-0697-00		CAP.,FXD,CER DI:5000PF,+100-0%,100V	80009	281-0697-00
A18C183	281-0697-00		CAP.,FXD,CER DI:5000PF,+100-0%,100V	80009	281-0697-00
A18W140	175-2199-00		CABLE ASSY,RF:50 OHM COAX,13.04 INCH LONG	80009	175-2199-00
A18W222	175-3849-01		CABLE ASSY,RF:50 OHM COAX,4.85 L	80009	175-3849-01
A18A1	----		CKT BOARD ASSY:2ND CONVERTER		
A18A1	----		(PART OF A18)		
A18A1C1011	290-0574-00		CAP.,FXD,ELCTLT:47UF,10%,20V	90201	TDC476K020CL
A18A1C1019	290-0574-00		CAP.,FXD,ELCTLT:47UF,10%,20V	90201	TDC476K020CL
A18A1C1021	283-0356-00		CAP.,FXD,CER DI:220PF,20%,50V	04222	ULA155A221M2T50
A18A1C1022	283-0356-00		CAP.,FXD,CER DI:220PF,20%,50V	04222	ULA155A221M2T50
A18A1C1023	283-0313-00		CAP.,FXD,CER DI:15PF,10%,100V	72982	A02AL4A4LC1G0150
A18A1C1024	283-0201-00		CAP.,FXD,CER DI:27PF,10%,200V	51642	W150-200 X7R270K
A18A1CR1014	152-0141-02		SEMICONV DVC,DI:SW,SI,30V,150MA,30V,DO-35	12969	NDP0263 (1N4152)
A18A1CR1018	152-0141-02		SEMICONV DVC,DI:SW,SI,30V,150MA,30V,DO-35	12969	NDP0263 (1N4152)
A18A1CR1021	152-0525-00		SEMICONV DEVICE:SILICON,10V,50MA,MTCHD	000FB	ND4121M-3G
A18A1CR1021	----		(MATCHED SET WITH A18A1CR1022)		
A18A1CR1022	152-0525-00		SEMICONV DEVICE:SILICON,10V,50MA,MTCHD	000FB	ND4121M-3G
A18A1CR1022	----		(MATCHED SET WITH A18A1CR1021)		
A18A1L1021	108-0509-00		COIL,RF:2.45UH	80009	108-0509-00
A18A1L1022	108-0509-00		COIL,RF:2.45UH	80009	108-0509-00
A18A1L1023	108-0733-00		COIL,RF:FIXED,113NH	80009	108-0733-00
A18A1L1024	108-0733-00		COIL,RF:FIXED,113NH	80009	108-0733-00
A18A1R1010	315-0470-00		RES.,FXD,CMPSN:47 OHM,5%,0.25W	57668	NTR25J-E47E0
A18A1R1011	315-0682-00		RES.,FXD,CMPSN:6.8K OHM,5%,0.25W	57668	NTR25J-E06K8
A18A1R1012	315-0153-00		RES.,FXD,CMPSN:15K OHM,5%,0.25W	01121	CB1535
A18A1R1013	315-0153-00		RES.,FXD,CMPSN:15K OHM,5%,0.25W	01121	CB1535
A18A1R1014	315-0152-00		RES.,FXD,CMPSN:1.5K OHM,5%,0.25W	57668	NTR25J-E01K5
A18A1R1015	315-0302-00		RES.,FXD,CMPSN:3K OHM,5%,0.25W	57668	NTR25J-E03K0
A18A1R1016	315-0911-00		RES.,FXD,CMPSN:910 OHM,5%,0.25W	57668	NTR25J-E910E
A18A1R1017	315-0152-00		RES.,FXD,CMPSN:1.5K OHM,5%,0.25W	57668	NTR25J-E01K5
A18A1R1018	315-0911-00		RES.,FXD,CMPSN:910 OHM,5%,0.25W	57668	NTR25J-E910E
A18A1R1019	315-0470-00		RES.,FXD,CMPSN:47 OHM,5%,0.25W	57668	NTR25J-E47E0
A18A1R1021	311-1268-00		RES.,VAR,NONWIR:10K OHM,10%,0.50W	32997	3329P-L58-103
A18A1R1022	311-1268-00		RES.,VAR,NONWIR:10K OHM,10%,0.50W	32997	3329P-L58-103
A18A1U1014	156-0158-04		MICROCIRCUIT,LI:DUAL OPERATIONAL AMPLIFIER	01295	N99320JG

Replaceable Electrical Parts—494/494P Service Vol. 2

Component No.	Tektronix Part No.	Serial/Model No. Eff Dscont	Name & Description	Mfr Code	Mfr Part Number
A19	119-1845-00		110 MHZ IF ASSY:	80009	119-1845-00
	-----		(OPTION 42 ONLY)		
A19C190	281-0825-00		CAP.,FXD,CER DI:0.005UF,+100-0%,100V	33095	51-726-008
A19A1	-----		(PART OF A19 OPTION 42 ONLY)		
A22	650-0736-00		PH LOCK 2ND LO:	80009	650-0736-00
A22C220	281-0720-00		CAP.,FXD,CER DI:1750PF,+80-20%,250V	72982	1214-001
A22C221	281-0720-00		CAP.,FXD,CER DI:1750PF,+80-20%,250V	72982	1214-001
A22C222	281-0720-00		CAP.,FXD,CER DI:1750PF,+80-20%,250V	72982	1214-001
A22C223	281-0720-00		CAP.,FXD,CER DI:1750PF,+80-20%,250V	72982	1214-001
A22C224	281-0720-00		CAP.,FXD,CER DI:1750PF,+80-20%,250V	72982	1214-001
A22C226	281-0720-00		CAP.,FXD,CER DI:1750PF,+80-20%,250V	72982	1214-001
A22C227	281-0720-00		CAP.,FXD,CER DI:1750PF,+80-20%,250V	72982	1214-001
A22R224	321-0189-00		RES.,FXD,FILM:909 OHM,1%,0.125W	91637	MFF1816G909R0F
A22W1048	175-8791-00		CA ASSY,SP,ELEC:8.26 AWG,7.5 L,RIBBON		
A22A1	670-7914-00		CKT BOARD ASSY:16-20MHZ PHASELOCK	80009	670-7914-00
A22A1C1012	290-0517-00		CAP.,FXD,ELCTLT:6.8UF,20%,35V	56289	196D685X0035KA1
A22A1C1017	283-0201-00		CAP.,FXD,CER DI:27PF,10%,200V	51642	W150-200 X7R270K
A22A1C1019	290-0517-00		CAP.,FXD,ELCTLT:6.8UF,20%,35V	56289	196D685X0035KA1
A22A1C1026	283-0051-00		CAP.,FXD,CER DI:0.0033UF,5%,100V	56289	1C20C0G332J100B
A22A1C1027	290-0517-00		CAP.,FXD,ELCTLT:6.8UF,20%,35V	56289	196D685X0035KA1
A22A1C1028	283-0108-00		CAP.,FXD,CER DI:220PF,10%,200V	56289	1C10C0G221K200B
A22A1C1029	283-0051-00		CAP.,FXD,CER DI:0.0033UF,5%,100V	56289	1C20C0G332J100B
A22A1C1031	283-0108-00		CAP.,FXD,CER DI:220PF,10%,200V	56289	1C10C0G221K200B
A22A1C1033	290-0517-00		CAP.,FXD,ELCTLT:6.8UF,20%,35V	56289	196D685X0035KA1
A22A1C1034	290-0517-00		CAP.,FXD,ELCTLT:6.8UF,20%,35V	56289	196D685X0035KA1
A22A1C1038	283-0339-00		CAP.,FXD,CER DI:0.22UF,10%,50V	72982	8131N075W5R224K
A22A1C1044	283-0339-00		CAP.,FXD,CER DI:0.22UF,10%,50V	72982	8131N075W5R224K
A22A1C1046	283-0108-00		CAP.,FXD,CER DI:220PF,10%,200V	56289	1C10C0G221K200B
A22A1C1047	283-0339-00		CAP.,FXD,CER DI:0.22UF,10%,50V	72982	8131N075W5R224K
A22A1C1073	290-0517-00		CAP.,FXD,ELCTLT:6.8UF,20%,35V	56289	196D685X0035KA1
A22A1C1079	290-0517-00		CAP.,FXD,ELCTLT:6.8UF,20%,35V	56289	196D685X0035KA1
A22A1C1086	283-0339-00		CAP.,FXD,CER DI:0.22UF,10%,50V	72982	8131N075W5R224K
A22A1C1087	283-0339-00		CAP.,FXD,CER DI:0.22UF,10%,50V	72982	8131N075W5R224K
A22A1C1088	283-0339-00		CAP.,FXD,CER DI:0.22UF,10%,50V	72982	8131N075W5R224K
A22A1C2011	290-0517-00		CAP.,FXD,ELCTLT:6.8UF,20%,35V	56289	196D685X0035KA1
A22A1C2012	283-0339-00		CAP.,FXD,CER DI:0.22UF,10%,50V	72982	8131N075W5R224K
A22A1C2015	290-0512-00		CAP.,FXD,ELCTLT:22UF,20%,15V	56289	196D226X0015KA1
A22A1C2016	283-0326-00		CAP.,FXD,CER DI:0.082UF,10%,50V	72982	8121N075X7R0823K
A22A1C2019	290-0517-00		CAP.,FXD,ELCTLT:6.8UF,20%,35V	56289	196D685X0035KA1
A22A1C2026	283-0239-00		CAP.,FXD,CER DI:0.022UF,10%,50V	72982	8121N083X7R0223K
A22A1C2030	283-0204-00		CAP.,FXD,CER DI:0.01UF,20%,50V	96733	R2676
A22A1C2040	283-0330-00		CAP.,FXD,CER DI:100PF,5%,50V	51642	200-050-NP0-101J
A22A1C2041	283-0239-00		CAP.,FXD,CER DI:0.022UF,10%,50V	72982	8121N083X7R0223K
A22A1C2043	283-0330-00		CAP.,FXD,CER DI:100PF,5%,50V	51642	200-050-NP0-101J
A22A1C2046	283-0024-00		CAP.,FXD,CER DI:0.1UF,+80-20%,50V	72982	8121N083Z5U0104Z
A22A1C2077	290-0517-00		CAP.,FXD,ELCTLT:6.8UF,20%,35V	56289	196D685X0035KA1
A22A1C2081	290-0517-00		CAP.,FXD,ELCTLT:6.8UF,20%,35V	56289	196D685X0035KA1
A22A1C2085	283-0107-00		CAP.,FXD,CER DI:51PF,5%,200V	96733	R3017

Component No.	Tektronix Part No.	Serial/Model No. Eff Dscont	Name & Description	Mfr Code	Mfr Part Number
A22A1C2090	283-0175-00		CAP.,FXD,CER DI:10PF,5%,200V	96733	TDR43BY100DP
A22A1C2091	283-0197-00		CAP.,FXD,CER DI:470PF,5%,100V	72982	8121N075C0G0471J
A22A1C2092	283-0339-00		CAP.,FXD,CER DI:0.22UF,10%,50V	72982	8131N075W5R224K
A22A1CR1019	152-0141-02		SEMICON DVC,DI:SW,SI,30V,150MA,30V,DO-35	12969	NDP0263 (1N4152)
A22A1CR1086	152-0141-02		SEMICON DVC,DI:SW,SI,30V,150MA,30V,DO-35	12969	NDP0263 (1N4152)
A22A1CR1087	152-0141-02		SEMICON DVC,DI:SW,SI,30V,150MA,30V,DO-35	12969	NDP0263 (1N4152)
A22A1CR1088	152-0141-02		SEMICON DVC,DI:SW,SI,30V,150MA,30V,DO-35	12969	NDP0263 (1N4152)
A22A1CR1089	152-0719-00		SEMICON DVC,DI:SW,SI,30V,150MA,30V,DO-35	80009	152-0719-00
A22A1CR2012	152-0141-02		SEMICON DVC,DI:SW,SI,30V,150MA,30V,DO-35	12969	NDP0263 (1N4152)
A22A1CR2014	152-0141-02		SEMICON DVC,DI:SW,SI,30V,150MA,30V,DO-35	12969	NDP0263 (1N4152)
A22A1CR2015	152-0141-02		SEMICON DVC,DI:SW,SI,30V,150MA,30V,DO-35	12969	NDP0263 (1N4152)
A22A1CR2019	152-0141-02		SEMICON DVC,DI:SW,SI,30V,150MA,30V,DO-35	12969	NDP0263 (1N4152)
A22A1CR2048	152-0141-02		SEMICON DVC,DI:SW,SI,30V,150MA,30V,DO-35	12969	NDP0263 (1N4152)
A22A1CR2084	152-0141-02		SEMICON DVC,DI:SW,SI,30V,150MA,30V,DO-35	12969	NDP0263 (1N4152)
A22A1L1012	120-0407-00		XFMR,TOROID:5 TURNS SINGLE	80009	120-0407-00
A22A1L1022	108-0440-00		COIL,RF:8UH,TOROIDAL INDUCTOR	80009	108-0440-00
A22A1L1097	108-0440-00		COIL,RF:8UH,TOROIDAL INDUCTOR	80009	108-0440-00
A22A1L2027	120-0407-00		XFMR,TOROID:5 TURNS SINGLE	80009	120-0407-00
A22A1L2038	120-0407-00		XFMR,TOROID:5 TURNS SINGLE	80009	120-0407-00
A22A1Q1012	151-0103-00		TRANSISTOR:SILICON,NPN	80009	151-0103-00
A22A1Q1023	151-0103-00		TRANSISTOR:SILICON,NPN	80009	151-0103-00
A22A1Q1041	151-0441-00		TRANSISTOR:SILICON,NPN	04713	SRF501
A22A1Q1042	151-0441-00		TRANSISTOR:SILICON,NPN	04713	SRF501
A22A1Q1043	151-0441-00		TRANSISTOR:SILICON,NPN	04713	SRF501
A22A1Q1047	151-0301-00		TRANSISTOR:SILICON,NPN	27014	2N2907A
A22A1Q2024	151-0301-00		TRANSISTOR:SILICON,NPN	27014	2N2907A
A22A1Q2076	151-0301-00		TRANSISTOR:SILICON,NPN	27014	2N2907A
A22A1Q2084	151-1022-00		TRANSISTOR:FET,N-CHAN,SI,F1782,T0-18	17856	FN1234
A22A1Q2087	151-0441-00		TRANSISTOR:SILICON,NPN	04713	SRF501
A22A1Q2096	151-0441-00		TRANSISTOR:SILICON,NPN	04713	SRF501
A22A1R1010	315-0750-00		RES.,FXD,CMPSN:75 OHM,5%,0.25W	57668	NTR25J-E75E0
A22A1R1011	315-0471-00		RES.,FXD,CMPSN:470 OHM,5%,0.25W	57668	NTR25J-E470E
A22A1R1013	315-0101-00		RES.,FXD,CMPSN:100 OHM,5%,0.25W	57668	NTR25J-E 100E
A22A1R1014	315-0100-00		RES.,FXD,CMPSN:10 OHM,5%,0.25W	57668	NTR25J-E 10E0
A22A1R1015	321-0297-00		RES.,FXD,FILM:12.1K OHM,1%,0.125W	91637	MFF1816G12101F
A22A1R1016	321-0262-00		RES.,FXD,FILM:5.23K OHM,1%,0.125W	91637	MFF1816G52300F
A22A1R1018	315-0101-00		RES.,FXD,CMPSN:100 OHM,5%,0.25W	57668	NTR25J-E 100E
A22A1R1019	315-0470-00		RES.,FXD,CMPSN:47 OHM,5%,0.25W	57668	NTR25J-E47E0
A22A1R1023	315-0200-00		RES.,FXD,CMPSN:20 OHM,5%,0.25W	01121	CB2005
A22A1R1024	315-0390-00		RES.,FXD,CMPSN:39 OHM,5%,0.25W	57668	NTR25J-E39E0
A22A1R1025	315-0101-00		RES.,FXD,CMPSN:100 OHM,5%,0.25W	57668	NTR25J-E 100E
A22A1R1026	315-0302-00		RES.,FXD,CMPSN:3K OHM,5%,0.25W	57668	NTR25J-E03K0
A22A1R1027	315-0302-00		RES.,FXD,CMPSN:3K OHM,5%,0.25W	57668	NTR25J-E03K0
A22A1R1028	315-0102-00		RES.,FXD,CMPSN:1K OHM,5%,0.25W	57668	NTR25JE01K0
A22A1R1029	315-0101-00		RES.,FXD,CMPSN:100 OHM,5%,0.25W	57668	NTR25J-E 100E
A22A1R1031	315-0102-00		RES.,FXD,CMPSN:1K OHM,5%,0.25W	57668	NTR25JE01K0
A22A1R1033	321-0821-00		RES.,FXD,FILM:2.12K OHM,1%,0.125W	91637	MFF1816G21200F
A22A1R1034	321-0217-00		RES.,FXD,FILM:1.78K OHM,1%,0.125W	91637	MFF1816G17800F
A22A1R1035	315-0101-00		RES.,FXD,CMPSN:100 OHM,5%,0.25W	57668	NTR25J-E 100E
A22A1R1037	317-0200-00		RES.,FXD,CMPSN:20 OHM,5%,0.125W	01121	BB2005
A22A1R1038	317-0161-00		RES.,FXD,CMPSN:160 OHM,5%,0.125W	01121	BB1615
A22A1R1039	317-0161-00		RES.,FXD,CMPSN:160 OHM,5%,0.125W	01121	BB1615
A22A1R1040	317-0511-00		RES.,FXD,CMPSN:510 OHM,5%,0.125W	01121	BB5115
A22A1R1042	317-0391-00		RES.,FXD,CMPSN:390 OHM,5%,0.125W	01121	BB3915



Replaceable Electrical Parts—494/494P Service Vol. 2

Component No.	Tektronix Part No.	Serial/Model No. Eff Dscnt	Name & Description	Mfr Code	Mfr Part Number
A22A1R1043	317-0111-00		RES.,FXD,CMPSN:110 OHM,5%,0.125W	01121	BB1115
A22A1R1046	317-0820-00		RES.,FXD,CMPSN:82 OHM,5%,0.125W	01121	BB8205
A22A1R1048	317-0680-00		RES.,FXD,CMPSN:68 OHM,5%,0.125W	01121	BB6805
A22A1R1051	321-0294-00		RES.,FXD,FILM:11.3K OHM,1%,0.125W	91637	CMF55116G11301F
A22A1R1052	321-0319-00		RES.,FXD,FILM:20.5K OHM,1%,0.125W	91637	MFF1816G20501F
A22A1R1053	321-0340-00		RES.,FXD,FILM:34K OHM,1%,0.125W	91637	CMF55116G34001F
A22A1R1054	321-0361-00		RES.,FXD,FILM:56.2K OHM,1%,0.125W	91637	MFF1816G56201F
A22A1R1055	321-0387-00		RES.,FXD,FILM:105K OHM,1%,0.125W	91637	MFF1816G10502F
A22A1R1056	321-0437-00		RES.,FXD,FILM:348K OHM,1%,0.125W	91637	CMF55116G34802F
A22A1R1060	321-0437-00		RES.,FXD,FILM:348K OHM,1%,0.125W	91637	CMF55116G34802F
A22A1R1061	321-0391-00		RES.,FXD,FILM:115K OHM,1%,0.125K	91637	MFF1816G11502F
A22A1R1062	321-0368-00		RES.,FXD,FILM:66.5K OHM,1%,0.125W	91637	MFF1816G66501F
A22A1R1063	321-0353-00		RES.,FXD,FILM:46.4K OHM,1%,0.125W	91637	MFF1816G46401F
A22A1R1064	321-0341-00		RES.,FXD,FILM:34.8K OHM,1%,0.125W	91637	CMF55116G34801F
A22A1R1065	321-0331-00		RES.,FXD,FILM:27.4K OHM,1%,0.125W	91637	MFF1816G27401F
A22A1R1070	321-0268-00		RES.,FXD,FILM:6.04K OHM,1%,0.125W	91637	MFF1816G60400F
A22A1R1072	321-0222-00		RES.,FXD,FILM:2K OHM,1%,0.125W	91637	MFF1816G20000F
A22A1R1073	315-0470-00		RES.,FXD,CMPSN:47 OHM,5%,0.25W	57668	NTR25J-E47E0
A22A1R1074	321-0201-00		RES.,FXD,FILM:1.21K OHM,1%,0.125W	91637	MFF1816G12100F
A22A1R1076	321-0302-00		RES.,FXD,FILM:13.7K OHM,1%,0.125W	91637	MFF1816G13701F
A22A1R1079	321-0289-00		RES.,FXD,FILM:10K OHM,1%,0.125W	91637	MFF1816G10001F
A22A1R1080	315-0471-00		RES.,FXD,CMPSN:470 OHM,5%,0.25W	57668	NTR25J-E47DE
A22A1R1081	315-0470-00		RES.,FXD,CMPSN:47 OHM,5%,0.25W	57668	NTR25J-E47E0
A22A1R1082	321-0335-00		RES.,FXD,FILM:30.1K OHM,1%,0.125W	91637	CMF55116G30101F
A22A1R1083	315-0432-00		RES.,FXD,CMPSN:43K OHM,5%,0.25W	57668	NTR25J-E04K3
A22A1R1086	315-0471-00		RES.,FXD,CMPSN:470 OHM,5%,0.25W	57668	NTR25J-E47DE
A22A1R1097	315-0390-00		RES.,FXD,CMPSN:39 OHM,5%,0.25W	57668	NTR25J-E39E0
A22A1R2010	321-1296-07		RES.,FXD,FILM:12K OHM,0.1%,0.125W	91637	MFF1816C12001B
A22A1R2011	321-1296-07		RES.,FXD,FILM:12K OHM,0.1%,0.125W	91637	MFF1816C12001B
A22A1R2012	315-0470-00		RES.,FXD,CMPSN:47 OHM,5%,0.25W	57668	NTR25J-E47E0
A22A1R2013	315-0103-00		RES.,FXD,CMPSN:10K OHM,5%,0.25W	57668	NTR25J-E10K0
A22A1R2014	315-0332-00		RES.,FXD,CMPSN:3.3K OHM,5%,0.25W	57668	NTR25J-E03K3
A22A1R2015	315-0102-00		RES.,FXD,CMPSN:1K OHM,5%,0.25W	57668	NTR25JE01K0
A22A1R2016	321-0264-07		RES.,FXD,FILM:5.49K OHM,0.1%,0.125W	91637	MFF1816C54900B
A22A1R2017	321-1617-06		RES.,FXD,FILM:5.85K OHM,0.25%,0.125W	91637	MFF1816C58500C
A22A1R2018	315-0302-00		RES.,FXD,CMPSN:3K OHM,5%,0.25W	57668	NTR25J-E03K0
A22A1R2019	315-0751-00		RES.,FXD,CMPSN:750 OHM,5%,0.25W	57668	NTR25J-E750E
A22A1R2020	315-0152-00		RES.,FXD,CMPSN:1.5K OHM,5%,0.25W	57668	NTR25J-E01K5
A22A1R2025	315-0240-00		RES.,FXD,CMPSN:24 OHM,5%,0.25W	57668	NTR25J-E24E0
A22A1R2026	315-0270-00		RES.,FXD,CMPSN:27 OHM,5%,0.25W	01121	CB2705
A22A1R2027	315-0102-00		RES.,FXD,CMPSN:1K OHM,5%,0.25W	57668	NTR25JE01K0
A22A1R2028	315-0152-00		RES.,FXD,CMPSN:1.5K OHM,5%,0.25W	57668	NTR25J-E01K5
A22A1R2030	315-0102-00		RES.,FXD,CMPSN:1K OHM,5%,0.25W	57668	NTR25JE01K0
A22A1R2031	315-0152-00		RES.,FXD,CMPSN:1.5K OHM,5%,0.25W	57668	NTR25J-E01K5
A22A1R2032	315-0131-00		RES.,FXD,CMPSN:130 OHM,5%,0.25W	01121	CB1315
A22A1R2033	315-0102-00		RES.,FXD,CMPSN:1K OHM,5%,0.25W	57668	NTR25JE01K0
A22A1R2034	315-0911-00		RES.,FXD,CMPSN:910 OHM,5%,0.25W	57668	NTR25J-E910E
A22A1R2035	315-0152-00		RES.,FXD,CMPSN:1.5K OHM,5%,0.25W	57668	NTR25J-E01K5
A22A1R2037	315-0152-00		RES.,FXD,CMPSN:1.5K OHM,5%,0.25W	57668	NTR25J-E01K5
A22A1R2039	315-0270-00		RES.,FXD,CMPSN:27 OHM,5%,0.25W	01121	CB2705
A22A1R2041	315-0161-00		RES.,FXD,CMPSN:160 OHM,5%,0.25W	57668	NTR25J-E 160E
A22A1R2042	315-0391-00		RES.,FXD,CMPSN:390 OHM,5%,0.25W	57668	NTR25J-E390E
A22A1R2044	315-0161-00		RES.,FXD,CMPSN:160 OHM,5%,0.25W	57668	NTR25J-E 160E
A22A1R2045	315-0102-00		RES.,FXD,CMPSN:1K OHM,5%,0.25W	57668	NTR25JE01K0

Component No.	Tektronix Part No.	Serial/Model No. Eff Dscnt	Name & Description	Mfr Code	Mfr Part Number
A22A1R2046	321-0205-00		RES.,FXD,FILM:1.33K OHM,1%,0.125W	91637	MFF1816G13300F
A22A1R2049	321-0268-00		RES.,FXD,FILM:6.04K OHM,1%,0.125W	91637	MFF1816G60400F
A22A1R2051	321-0329-00		RES.,FXD,FILM:26.1K OHM,1%,0.125W	91637	MFF1816G26101F
A22A1R2052	321-0326-00		RES.,FXD,FILM:24.3K OHM,1%,0.125W	91637	CMF55116G24301F
A22A1R2053	321-0323-00		RES.,FXD,FILM:22.6K OHM,1%,0.125W	91637	MFF1816G22601F
A22A1R2054	321-0319-00		RES.,FXD,FILM:20.5K OHM,1%,0.125W	91637	MFF1816G20501F
A22A1R2055	321-0316-00		RES.,FXD,FILM:19.1K OHM,1%,0.125W	91637	MFF1816G19101F
A22A1R2056	321-0313-00		RES.,FXD,FILM:17.8K OHM,1%,0.125W	91637	MFF1816G17801F
A22A1R2060	321-0309-00		RES.,FXD,FILM:16.2K OHM,1%,0.125W,TC=TO	91637	CMF55116G16201F
A22A1R2061	321-0306-00		RES.,FXD,FILM:15K OHM,1%,0.125W	91637	MFF1816G15001F
A22A1R2062	321-0303-00		RES.,FXD,FILM:14K OHM,1%,0.125W	91637	MFF1816G14001F
A22A1R2063	321-0299-00		RES.,FXD,FILM:12.7K OHM,1%,0.125W	91637	MFF1816G12701F
A22A1R2064	321-0296-00		RES.,FXD,FILM:11.8K OHM,1%,0.125W	91637	MFF1816G11801F
A22A1R2065	321-0293-00		RES.,FXD,FILM:11K OHM,1%,0.125W	91637	MFF1816G11001F
A22A1R2066	321-0289-00		RES.,FXD,FILM:10K OHM,1%,0.125W	91637	MFF1816G10001F
A22A1R2067	321-0289-00		RES.,FXD,FILM:10K OHM,1%,0.125W	91637	MFF1816G10001F
A22A1R2068	321-0285-09		RES.,FXD,FILM:9.09K OHM,1%,0.125W	24546	NE55E9091F
A22A1R2070	321-0268-00		RES.,FXD,FILM:6.04K OHM,1%,0.125W	91637	MFF1816G60400F
A22A1R2071	321-0268-00		RES.,FXD,FILM:6.04K OHM,1%,0.125W	91637	MFF1816G60400F
A22A1R2072	321-0249-00		RES.,FXD,FILM:3.83K OHM,1%,0.125W	91637	MFF1816G38300F
A22A1R2073	315-0101-00		RES.,FXD,CMPSN:100 OHM,5%,0.25W	57668	NTR25J-E 100E
A22A1R2074	315-0562-00		RES.,FXD,CMPSN:5.6K OHM,5%,0.25W	57668	NTR25J-E05K6
A22A1R2075	315-0103-00		RES.,FXD,CMPSN:10K OHM,5%,0.25W	57668	NTR25J-E10K0
A22A1R2077	321-0286-00		RES.,FXD,FILM:9.31K OHM,1%,0.125W	91637	MFF1816G93100F
A22A1R2080	315-0101-00		RES.,FXD,CMPSN:100 OHM,5%,0.25W	57668	NTR25J-E 100E
A22A1R2082	321-0229-00		RES.,FXD,FILM:2.37K OHM,1%,0.125W	91637	MFF1816G23700F
A22A1R2083	321-0321-00		RES.,FXD,FILM:21.5K OHM,1%,0.125W	91637	MFF1816G21501F
A22A1R2084	315-0202-00		RES.,FXD,CMPSN:2K OHM,5%,0.25W	57668	NTR25J-E02K0
A22A1R2085	315-0105-00		RES.,FXD,CMPSN:1M OHM,5%,0.25W	01121	CB1055
A22A1R2086	315-0473-00		RES.,FXD,CMPSN:47K OHM,5%,0.25W	57668	NTR25J-E47K0
A22A1R2087	315-0102-00		RES.,FXD,CMPSN:1K OHM,5%,0.25W	57668	NTR25JE01K0
A22A1R2088	315-0102-00		RES.,FXD,CMPSN:1K OHM,5%,0.25W	57668	NTR25JE01K0
A22A1R2089	315-0102-00		RES.,FXD,CMPSN:1K OHM,5%,0.25W	57668	NTR25JE01K0
A22A1R2090	321-0272-00		RES.,FXD,FILM:6.65K OHM,1%,0.125W	91637	MFF1816G66500F
A22A1R2092	315-0101-00		RES.,FXD,CMPSN:100 OHM,5%,0.25W	57668	NTR25J-E 100E
A22A1R2093	321-0272-00		RES.,FXD,FILM:6.65K OHM,1%,0.125W	91637	MFF1816G66500F
A22A1R2097	321-0114-00		RES.,FXD,FILM:150 OHM,1%,0.125W	91637	MFF1816G150R0F
A22A1T1091	120-1386-00		TRANSFORMER,RF:TOROID,3 WINDINGS	80009	120-1386-00
A22A1T2092	120-1392-00		TRANSFORMER,RF:TOROID,2 WINDINGS	80009	120-1392-00
A22A1TP1019	214-0579-00		TERM,TEST POINT:BRS CD PL	80009	214-0579-00
A22A1TP1083	214-0579-00		TERM,TEST POINT:BRS CD PL	80009	214-0579-00
A22A1TP2035	214-0579-00		TERM,TEST POINT:BRS CD PL	80009	214-0579-00
A22A1TP2037	214-0579-00		TERM,TEST POINT:BRS CD PL	80009	214-0579-00
A22A1U1017	156-0105-04		MICROCIRCUIT,LI:OPNL AMPL,SCREENED	80009	156-0105-04
A22A1U1031	156-1338-02		MICROCIRCUIT,LI:OPNL AMPL,SCREENED	80009	156-1338-02
A22A1U1059	156-1545-00		MICROCIRCUIT,LI:DIODE ARRAY,7 ISOL DIODES	07263	FS12720M
A22A1U1073	156-1272-00		MICROCIRCUIT,LI:DUAL OPERATIONAL AMPLIFIER	18324	NE5532 FE-B
A22A1U2016	156-1272-00		MICROCIRCUIT,LI:DUAL OPERATIONAL AMPLIFIER	18324	NE5532 FE-B
A22A1U2031	156-0230-02		MICROCIRCUIT,DI:DUAL D-TYPE M/S:FF,SCRN	04713	MC10131LD
A22A1U2041	156-0860-02		MICROCIRCUIT,DI:TRIPLE LINE RECEIVER,SCRN	04713	MC10116PD/LD
A22A1U2059	156-1545-00		MICROCIRCUIT,LI:DIODE ARRAY,7 ISOL DIODES	07263	FS12720M
A22A1U2072	156-1272-00		MICROCIRCUIT,LI:DUAL OPERATIONAL AMPLIFIER	18324	NE5532 FE-B
A22A1VR2021	152-0486-00		SEMICONV DEVICE:ZENER,0.25W 6.2V,5%	80009	152-0486-00
A22A1W2069	131-0566-00		BUS CONDUCTOR:DUMMY RES,2.375,22 AWG	57668	JWW-0200E0
A22A1W2081	131-0566-00		BUS CONDUCTOR:DUMMY RES,2.375,22 AWG	57668	JWW-0200E0



Replaceable Electrical Parts—494/494P Service Vol. 2

Component No.	Tektronix Part No.	Serial/Model No. Eff Dscont	Name & Description	Mfr Code	Mfr Part Number
A22A2	119-1587-00		PH LOCK LO CONT:	80009	119-1587-00
A22A2C2200	281-0825-00		CAP.,FXD,CER DI:0.005UF,+ 100-0%,100V	33095	51-726-008
A22A2C2201	281-0825-00		CAP.,FXD,CER DI:0.005UF,+ 100-0%,100V	33095	51-726-008
A22A2C2202	281-0825-00		CAP.,FXD,CER DI:0.005UF,+ 100-0%,100V	33095	51-726-008
A22A2C2203	281-0875-00		CAP.,FXD,CER DI:100PF,20%,200V	33095	54-713-001-101M
A22A2C2204	281-0875-00		CAP.,FXD,CER DI:100PF,20%,200V	33095	54-713-001-101M
A22A2P220	131-2017-00		CONN,RCPT,ELEC:SMA FEMALE,FLANGE MOUNT	24931	39JR152-1
A22A2P221	131-1170-00		CONN,RCPT,ELEC:SNAP-ON,MALE	98291	51-045-0249
A22A2P222	131-2017-00		CONN,RCPT,ELEC:SMA FEMALE,FLANGE MOUNT	24931	39JR152-1
A22A2A1	670-7395-01		CKT BOARD ASSY:2182MHZ MICRO STRIP OSC	80009	670-7395-01
A22A2A1C1011	283-0181-00		CAP.,FXD,CER DI:1.8PF,10%,100V	59660	8101B121COKO189B
A22A2A1C1013	283-0220-00		CAP.,FXD,CER DI:0.01UF,20%,50V	72982	8121N075X7R0103M
A22A2AAC1014	283-0181-00		CAP.,FXD,CER DI:1.8PF,10%,100V	59660	8101B121COKO189B
A22A2A1C1033	283-0181-00		CAP.,FXD,CER DI:1.8PF,10%,100V	59660	8101B121COKO189B
A22A2A1C2011	283-0220-00		CAP.,FXD,CER DI:0.01UF,20%,50V	72982	8121N075X7R0103M
A22A2A1C2012	283-0181-00		CAP.,FXD,CER DI:1.8PF,10%,100V	59660	8101B121COKO189B
A22A2A1C2013	283-0181-00		CAP.,FXD,CER DI:1.8PF,10%,100V	59660	8101B121COKO189B
A22A2A1C2023	283-0181-00		CAP.,FXD,CER DI:1.8PF,10%,100V	59660	8101B121COKO189B
A22A2A1C2024	290-0517-00		CAP.,FXD,ELCTLT:6.8UF,20%,35V	56289	196D685X0035KA1
A22A2A1C2025	283-0181-00		CAP.,FXD,CER DI:1.8PF,10%,100V	59660	8101B121COKO189B
A22A2A1C2031	283-0181-00		CAP.,FXD,CER DI:1.8PF,10%,100V	59660	8101B121COKO189B
A22A2A1C2032	283-0220-00		CAP.,FXD,CER DI:0.01UF,20%,50V	72982	8121N075X7R0103M
A22A2A1C2033	283-0220-00		CAP.,FXD,CER DI:0.01UF,20%,50V	72982	8121N075X7R0103M
A22A2A1CR1028	152-0722-00		SEMICOND DEVICE:SILICON,1.5PF,45V	17540	DVH-6934-98
A22A2A1CR2013	152-0141-02		SEMICOND DVC,DI:SW,S1,30V,150MA,30V,DO-35	12969	NDP0263 (1N4152)
A22A2A1CR2021	152-0141-02		SEMICOND DVC,DI:SW,S1,30V,150MA,30V,DO-35	12969	NDP0263 (1N4152)
A22A2A1CR2031	152-0141-02		SEMICOND DVC,DI:SW,S1,30V,150MA,30V,DO-35	12969	NDP0263 (1N4152)
A22A2A1L1011	108-0682-00		COIL,RF:66NH	80009	108-0682-00
A22A2A1L1014	108-0682-00		COIL,RF:66NH	80009	108-0682-00
A22A2A1L2011	108-0682-00		COIL,RF:66NH	80009	108-0682-00
A22A2A1L2013	108-0682-00		COIL,RF:66NH	80009	108-0682-00
A22A2A1L2023	108-0682-00		COIL,RF:66NH	80009	108-0682-00
A22A2A1L2025	108-0682-00		COIL,RF:66NH	80009	108-0682-00
A22A2A1L2031	108-0682-00		COIL,RF:66NH	80009	108-0682-00
A22A2A1L2032	108-0682-00		COIL,RF:66NH	80009	108-0682-00
A22A2A1L2033	108-0682-00		COIL,RF:66NH	80009	108-0682-00
A22A2A1Q1011	151-0689-00		TRANSISTOR:SILICON,NPN	80009	151-0689-00
A22A2A1Q1021	151-0630-00		TRANSISTOR:SILICON,NPN	80009	151-0630-00
A22A2A1Q1031	151-0689-00		TRANSISTOR:SILICON,NPN	80009	151-0689-00
A22A2A1Q2021	151-0301-00		TRANSISTOR:SILICON,PNP	27014	2N2907A
A22A2A1R1011	317-0101-00		RES.,FXD,CMPSN:100 OHM,5%,0.125W	01121	BB1015
A22A2A1R1012	321-0134-00		RES.,FXD,FILM:243 OHM,1%,0.125W	91637	MFF1816G243R0F
A22A2A1R1013	321-0216-00		RES.,FXD,FILM:1.74K OHM,1%,0.125W	91637	MFF1816G17400F
A22A2A1R1015	317-0104-00		RES.,FXD,CMPSN:100K OHM,5%,0.125W	01121	BB1045
A22A2A1R1021	317-0101-00		RES.,FXD,CMPSN:100 OHM,5%,0.125W	01121	BB1015
A22A2A1R1022	317-0101-00		RES.,FXD,CMPSN:100 OHM,5%,0.125W	01121	BB1015
A22A2A1R1023	317-0240-00		RES.,FXD,CMPSN:24 OHM,5%,0.125W	01121	BB2405
A22A2A1R1026	317-0240-00		RES.,FXD,CMPSN:24 OHM,5%,0.125W	01121	BB2405
A22A2A1R1027	317-0101-00		RES.,FXD,CMPSN:100 OHM,5%,0.125W	01121	BB1015
A22A2A1R1028	317-0101-00		RES.,FXD,CMPSN:100 OHM,5%,0.125W	01121	BB1015
A22A2A1R1029	317-0240-00		RES.,FXD,CMPSN:24 OHM,5%,0.125W	01121	BB2405
A22A2A1R1032	317-0101-00		RES.,FXD,CMPSN:100 OHM,5%,0.125W	01121	BB1015

Component No.	Tektronix Part No.	Serial/Model No. Eff Dscont	Name & Description	Mfr Code	Mfr Part Number
A22A2A1R1033	317-0101-00		RES.,FXD,CMPSN:100 OHM,5%,0.125W	01121	BB1015
A22A2A1R2013	321-0250-00		RES.,FXD,FILM:3.92K OHM,1%,0.125W	91637	MFF1816G39200F
A22A2A1R2014	317-0243-00		RES.,FXD,CMPSN:24K OHM,5%,0.125W	01121	BB2435
A22A2A1R2015	317-0472-00		RES.,FXD,CMPSN:4.7K OHM,5%,0.125W	01121	BB4725
A22A2A1R2016	317-0622-00		RES.,FXD,CMPSN:6.2K OHM,5%,0.125W	01121	BB6225
A22A2A1R2017	317-0390-00		RES.,FXD,CMPSN:39 OHM,5%,0.125W	01121	BB3905
A22A2A1R2021	317-0103-00		RES.,FXD,CMPSN:10K OHM,5%,0.125W	01121	BB1035
A22A2A1R2022	317-0102-00		RES.,FXD,CMPSN:1K OHM,5%,0.125W	01121	BB1025
A22A2A1R2023	317-0390-00		RES.,FXD,CMPSN:39 OHM,5%,0.125W	01121	BB3905
A22A2A1R2024	317-0151-00		RES.,FXD,CMPSN:150 OHM,5%,0.125W	01121	BB1515
A22A2A1R2025	317-0101-00		RES.,FXD,CMPSN:100 OHM,5%,0.125W	01121	BB1015
A22A2A1R2030	317-0101-00		RES.,FXD,CMPSN:100 OHM,5%,0.125W	01121	BB1015
A22A2A1R2031	321-0265-00		RES.,FXD,FILM:5.62K OHM,1%,0.125W	91637	MFF1816G56200F
A22A2A1R2032	321-0932-00		RES.,FXD,FILM:2.5K OHM,1%,0.125W	24546	NA55D2501F
A22A2A1R2033	321-0149-00		RES.,FXD,FILM:348 OHM,1%,0.125W	91637	MFF1816G348R0F
A22A2A1TP1015	214-0579-00		TERM,TEST POINT:BRS CD PL	80009	214-0579-00

<http://www.ebaman.com>

Replaceable Electrical Parts—494/494P Service Vol. 2

Component No.	Tektronix Part No.	Serial/Model No. Eff	Dscont	Name & Description	Mfr Code	Mfr Part Number
A22A2A2	670-7076-00	B010100	B010149	CKT BOARD ASSY:220MHZ REFERENCE	80009	670-7076-00
A22A2A2	670-7076-01	B010150		CKT BOARD ASSY:220MHZ REFERENCE	80009	670-7076-01
A22A2A2C1025	283-0157-00			CAP.,FXD,CER DI:7PF,5%,500V	59660	8111B065COHO709D
A22A2A2C1029	283-0070-00			CAP.,FXD,CER DI:30PF,10%,50V	72982	8121-060C0G0300K
A22A2A2C1036	283-0154-00			CAP.,FXD,CER DI:22PF,5%,50V	59660	8111B065C0G0220J
A22A2A2C1038	283-0156-00			CAP.,FXD,CER DI:1000PF,+100-0%,200V	96733	R2670
A22A2A2C2015	283-0185-00			CAP.,FXD,CER DI:2.5PF,5%,50V	59660	8101B057C0K0259B
A22A2A2C2021	283-0220-00			CAP.,FXD,CER DI:0.01UF,20%,50V	72982	8121N075X7R0103M
A22A2A2C2023	283-0326-00			CAP.,FXD,CER DI:0.082UF,10%,50V	72982	8121N075X7R0823K
A22A2A2C2026	283-0108-00			CAP.,FXD,CER DI:220PF,10%,200V	56289	1C10C0G221K200B
A22A2A2C3015	283-0158-00			CAP.,FXD,CER DI:1PF,10%,50V	51642	100-050-NP0-109B
A22A2A2C3024	290-0517-00			CAP.,FXD,ELCTLT:6.8UF,20%,35V	56289	196D685X0035KA1
A22A2A2CR2014	152-0153-04			SEMICONV DEVICE:SW,SI,10V,10MAMA	01295	PG7032
A22A2A2E2014	276-0543-00	B010150		SHLD BEAD,ELEK:FERRITE	80009	276-0543-00
A22A2A2E2015	276-0543-00	B010150		SHLD BEAD,ELEK:FERRITE	80009	276-0543-00
A22A2A2L1025	108-0436-00			COIL,RF,FXD,240NH	80009	108-0436-00
A22A2A2L1034	108-0733-00			COIL,RF,FXD,113NH	80009	108-0733-00
A22A2A2Q1024	151-0441-00			TRANSISTOR:SILICON,NPN	04713	SRF501
A22A2A2Q2024	151-0441-00			TRANSISTOR:SILICON,NPN	04713	SRF501
A22A2A2R2018	317-0330-00			RES.,FXD,CMPSN:33 OHM,5%,0.125W	01121	BB3305
A22A2A2R2019	317-0431-00			RES.,FXD,CMPSN:430 OHM,5%,0.125W	01121	BB4315
A22A2A2R2021	315-0122-00			RES.,FXD,CMPSN:1.2K OHM,5%,0.25W	57668	NTR25J-E01K2
A22A2A2R2023	315-0821-00			RES.,FXD,CMPSN:820 OHM,5%,0.25W	57668	NTR25J-E 820E
A22A2A2R2032	315-0331-00			RES.,FXD,CMPSN:330 OHM,5%,0.25W	57668	NTR25J-E330E
A22A2A2R2033	315-0331-00			RES.,FXD,CMPSN:330 OHM,5%,0.25W	57668	NTR25J-E330E
A22A2A2R3014	317-0301-00			RES.,FXD,CMPSN:300 OHM,5%,0.125W	01121	BB3015
A22A2A2R3015	317-0360-00			RES.,FXD,CMPSN:36 OHM,5%,0.125W	01121	BB3605
A22A2A2R3016	317-0360-00			RES.,FXD,CMPSN:36 OHM,5%,0.125W	01121	BB3605
A22A2A2R3021	317-0301-00			RES.,FXD,CMPSN:300 OHM,5%,0.125W	01121	BB3015
A22A2A2R3025	315-0470-00			RES.,FXD,CMPSN:47 OHM,5%,0.25W	57668	NTR25J-E47E0
A22A2A2T2015	120-1393-00			TRANSFORMER,RF:BALUN	80009	120-1393-00

Component No.	Tektronix Part No.	Serial/Model No. Eff	Dscont	Name & Description	Mfr Code	Mfr Part Number
A22A2A3	670-7079-00			CKT BOARD ASSY:2200MHZ REFERENCE MIXER	80009	670-7079-00
A22A2A3C1013	283-0107-00			CAP.,FXD,CER DI:51PF,5%,200V	96733	R3017
A22A2A3C1014	283-0108-00			CAP.,FXD,CER DI:220PF,10%,200V	56289	1C10C0G221K200B
A22A2A3C1015	283-0108-00			CAP.,FXD,CER DI:220PF,10%,200V	56289	1C10C0G221K200B
A22A2A3C1016	283-0139-00			CAP.,FXD,CER DI:150PF,20%,50V	51642	W100-050-X5F151M
A22A2A3CR1011	152-0322-00			SEMICONV DEVICE:SILICON,15V,HOT CARRIER	50434	5082-2672
A22A2A3CR1012	152-0322-00			SEMICONV DEVICE:SILICON,15V,HOT CARRIER	50434	5082-2672
A22A2A3L1013	108-0182-00			COIL,RF:FIXED,285NH	80009	108-0182-00
A22A2A3L1014	108-0182-00			COIL,RF:FIXED,285NH	80009	108-0182-00
A22A2A3L1015	108-0182-00			COIL,RF:FIXED,285NH	80009	108-0182-00

<http://www.ebaman.com>

Replaceable Electrical Parts—494/494P Service Vol. 2

Component No.	Tektronix Part No.	Serial/Model No.		Name & Description	Mfr Code	Mfr Part Number
		Eff	Dscont			
A23	119-1131-03	B010100	B010340	SEC CONV ASSY:829MHZ	80009	119-1131-03
A23	119-1131-04	B010341		SEC CON ASSY:829MHZ	80009	119-1131-04
A23C230	281-0825-00			CAP.,FXD,CER DI:0.005UF,+100-0%,100V	33095	51-726-008
A23C231	281-0697-00			CAP.,FXD,CER DI:5000PF,+100-0%,100V	80009	281-0697-00
A23C232	281-0825-00			CAP.,FXD,CER DI:0.005UF,+100-0%,100V	33095	51-726-008
A23C233	281-0697-00			CAP.,FXD,CER DI:5000PF,+100-0%,100V	80009	281-0697-00
A23C234	281-0825-00			CAP.,FXD,CER DI:0.005UF,+100-0%,100V	33095	51-726-008
A23C235	281-0697-00			CAP.,FXD,CER DI:5000PF,+100-0%,100V	80009	281-0697-00
A23C236	281-0825-00			CAP.,FXD,CER DI:0.005UF,+100-0%,100V	33095	51-726-008
A23C237	281-0697-00			CAP.,FXD,CER DI:5000PF,+100-0%,100V	80009	281-0697-00
A23C239	281-0697-00			CAP.,FXD,CER DI:5000PF,+100-0%,100V	80009	281-0697-00
A23P231	131-2017-00			CONN,RCPT,ELEC:SMA FEMALE,FLANGE MOUNT	24931	39JR152-1
A23P232	131-1170-00			CONN,RCPT,ELEC:SNAP-ON,MALE	98291	51-045-0249
A23P233	131-1170-00			CONN,RCPT,ELEC:SNAP-ON,MALE	98291	51-045-0249
A23P235	131-1170-00			CONN,RCPT,ELEC:SNAP-ON,MALE	98291	51-045-0249
A23P236	131-2017-00			CONN,RCPT,ELEC:SMA FEMALE,FLANGE MOUNT	24931	39JR152-1
A23P237	131-2017-00			CONN,RCPT,ELEC:SMA FEMALE,FLANGE MOUNT	24931	39JR152-1
A23U1013	156-0285-00			MICROCIRCUIT,LI:VOLTAGE REGULATOR	27014	LM340T-12
A23U2026	156-0872-00			MICROCIRCUIT,LI:VOLTAGE REGULATOR	04713	MC7912C
A23U3024	156-0277-00			MICROCIRCUIT,LI:VOLTAGE REGULATOR	07263	MICROA7805UC

<http://www.ebaman.com>



Component No.	Tektronix Part No.	Serial/Model No. Eff Dscont	Name & Description	Mfr Code	Mfr Part Number
A23A1	670-5936-00		CKT BOARD ASSY:719MHZ SECOND LO	80009	670-5936-00
A23A1C1011	283-0326-00		CAP.,FXD,CER DI:0.082UF,10%,50V	72982	8121N075X7R0823K
A23A1C1012	283-0330-00		CAP.,FXD,CER DI:100PF,5%,50V	51642	200-050-NP0-101J
A23A1C1013	283-0140-00		CAP.,FXD,CER DI:4.7PF,5%,50V	72982	8101E003A479C
A23A1C1021	283-0159-00		CAP.,FXD,CER DI:18PF,5%,50V	51642	T150-050NP0180J
A23A1C1022	283-0140-00		CAP.,FXD,CER DI:4.7PF,5%,50V	72982	8101E003A479C
A23A1C1023	283-0140-00		CAP.,FXD,CER DI:4.7PF,5%,50V	72982	8101E003A479C
A23A1C1024	283-0176-00		CAP.,FXD,CER D1:0.0022UF,20%,50V	56289	272C5
A23A1C1025	283-0176-00		CAP.,FXD,CER D1:0.0022UF,20%,50V	56289	272C5
A23A1C2011	283-0326-00		CAP.,FXD,CER DI:0.082UF,10%,50V	72982	8121N075X7R0823K
A23A1C2012	283-0160-00		CAP.,FXD,CER DI:1.5PF,10%,50V	93958	1C15RB
A23A1C2013	283-0158-00		CAP.,FXD,CER DI:1PF,10%,50V	51642	100-050-NP0-109B
A23A1C2014	283-0176-00		CAP.,FXD,CER D1:0.0022UF,20%,50V	56289	272C5
A23A1C2015	283-0176-00		CAP.,FXD,CER D1:0.0022UF,20%,50V	56289	272C5
A23A1C2021	283-0159-00		CAP.,FXD,CER DI:18PF,5%,50V	51642	T150-050NP0180J
A23A1C2022	283-0140-00		CAP.,FXD,CER DI:4.7PF,5%,50V	72982	8101E003A479C
A23A1C2023	283-0140-00		CAP.,FXD,CER DI:4.7PF,5%,50V	72982	8101E003A479C
A23A1C2024	283-0176-00		CAP.,FXD,CER D1:0.0022UF,20%,50V	56289	272C5
A23A1CR1011	152-0738-00		SEMICON DEVICE:VVC.30V,1.2PF AT 4V	80009	152-0738-00
A23A1J2026	131-1003-00		CONN,RCPT,ELEC:CKT BD MT,3 PRONG	80009	131-1003-00
A23A1L1011	108-0733-00		COIL,RF:FIXED,113NH	80009	108-0733-00
A23A1L1021	108-0733-00		COIL,RF:FIXED,113NH	80009	108-0733-00
A23A1L2010	108-0733-00		COIL,RF:FIXED,113NH	80009	108-0733-00
A23A1L2021	108-0733-00		COIL,RF:FIXED,113NH	80009	108-0733-00
A23A1Q1021	151-0630-00		TRANSISTOR,SILICON,NPN	80009	151-0630-00
A23A1Q2014	151-0447-00		TRANSISTOR,SILICON,NPN	04713	SRF502-1
A23A1Q2021	151-0630-00		TRANSISTOR,SILICON,NPN	80009	151-0630-00
A23A1R1011	317-0101-00		RES.,FXD,CMPSN:100 OHM,5%,0.125W	01121	BB1015
A23A1R1020	317-0220-00		RES.,FXD,CMPSN:22 OHM,5%,0.125W	01121	BB2205
A23A1R1021	317-0750-00		RES.,FXD,CMPSN:75 OHM,5%,0.125W	01121	BB7505
A23A1R1022	317-0330-00		RES.,FXD,CMPSN:33 OHM,5%,0.125W	01121	BB3305
A23A1R1023	317-0272-00		RES.,FXD,CMPSN:2.7K OHM,5%,0.125W	01121	BB2725
A23A1R1024	315-0271-00		RES.,FXD,CMPSN:270 OHM,5%,0.25W	57668	NTR25J-E270E
A23A1R1025	317-0471-00		RES.,FXD,CMPSN:470 OHM,5%,0.125W	01121	BB4715
A23A1R2010	317-0510-00		RES.,FXD,CMPSN:51 OHM,5%,0.125W	01121	BB5105
A23A1R2011	317-0470-00		RES.,FXD,CMPSN:47 OHM,5%,0.125W	01121	BB4705
A23A1R2012	317-0102-00		RES.,FXD,CMPSN:1K OHM,5%,0.125W	01121	BB1025
A23A1R2013	317-0241-00		RES.,FXD,CMPSN:240 OHM,5%,0.125W	01121	BB2415
A23A1R2014	317-0202-00		RES.,FXD,CMPSN:2K OHM,5%,0.125W	01121	BB2025
A23A1R2016	315-0271-00		RES.,FXD,CMPSN:270 OHM,5%,0.25W	57668	NTR25J-E270E
A23A1R2021	317-0510-00		RES.,FXD,CMPSN:51 OHM,5%,0.125W	01121	BB5105
A23A1R2023	317-0272-00		RES.,FXD,CMPSN:2.7K OHM,5%,0.125W	01121	BB2725
A23A1R2024	317-0471-00		RES.,FXD,CMPSN:470 OHM,5%,0.125W	01121	BB4715
A23A1R2025	317-0241-00		RES.,FXD,CMPSN:240 OHM,5%,0.125W	01121	BB2415
A23A1R2026	317-0510-00		RES.,FXD,CMPSN:51 OHM,5%,0.125W	01121	BB5105
A23A1R2027	317-0360-00		RES.,FXD,CMPSN:36 OHM,5%,0.125W	01121	BB3605
A23A1R2028	317-0360-00		RES.,FXD,CMPSN:36 OHM,5%,0.125W	01121	BB3605
A23A1R2029	317-0301-00		RES.,FXD,CMPSN:300 OHM,5%,0.125W	01121	BB3015
A23A1TP1011	214-0579-00		TERM,TEST POINT:BRS CD PL	80009	214-0579-00

Replaceable Electrical Parts—494/494P Service Vol. 2

Component No.	Tektronix Part No.	Serial/Model No Eff Dscnt	Name & Description	Mfr Code	Mfr Part Number
A23A2	670-5937-03		CKT BOARD ASSY:25MHZ PHASE LOCK	80009	670-5937-03
A23A2C1011	283-0176-00		CAP.,FXD,CER D1:0.0022UF,20%,50V	56289	272C5
A23A2C1024	283-0176-00		CAP.,FXD,CER D1:0.0022UF,20%,50V	56289	272C5
A23A2C1031	283-0204-00		CAP.,FXD,CER DI:0.01UF,20%,50V	96733	R2676
A23A2C1037	283-0204-00		CAP.,FXD,CER DI:0.01UF,20%,50V	96733	R2676
A23A2C1045	283-0204-00		CAP.,FXD,CER DI:0.01UF,20%,50V	96733	R2676
A23A2C1046	283-0176-00		CAP.,FXD,CER D1:0.0022UF,20%,50V	56289	272C5
A23A2C1049	283-0176-00		CAP.,FXD,CER D1:0.0022UF,20%,50V	56289	272C5
A23A2C1052	290-0876-00		CAP.,FXD,ELCTLT:15UF,20%,25V	26769	41PS156Y025M1C
A23A2C1057	283-0176-00		CAP.,FXD,CER D1:0.0022UF,20%,50V	56289	272C5
A23A2C2011	283-0326-00		CAP.,FXD,CER DI:0.082UF,10%,50V	72982	8121N075X7R0823K
A23A2C2012	283-0326-00		CAP.,FXD,CER DI:0.082UF,10%,50V	72982	8121N075X7R0823K
A23A2C2021	290-0876-00		CAP.,FXD,ELCTLT:15UF,20%,25V	26769	41PS156Y025M1C
A23A2C2023	283-0326-00		CAP.,FXD,CER DI:0.082UF,10%,50V	72982	8121N075X7R0823K
A23A2C2024	290-0876-00		CAP.,FXD,ELCTLT:15UF,20%,25V	26769	41PS156Y025M1C
A23A2C2025	283-0326-00		CAP.,FXD,CER DI:0.082UF,10%,50V	72982	8121N075X7R0823K
A23A2C2032	283-0326-00		CAP.,FXD,CER DI:0.082UF,10%,50V	72982	8121N075X7R0823K
A23A2C2041	283-0176-00		CAP.,FXD,CER D1:0.0022UF,20%,50V	56289	272C5
A23A2C2042	283-0204-00		CAP.,FXD,CER DI:0.01UF,20%,50V	96733	R2676
A23A2C2051	283-0326-00		CAP.,FXD,CER DI:0.082UF,10%,50V	72982	8121N075X7R0823K
A23A2C2052	290-0876-00		CAP.,FXD,ELCTLT:15UF,20%,25V	26769	41PS156Y025M1C
A23A2C2053	283-0326-00		CAP.,FXD,CER DI:0.082UF,10%,50V	72982	8121N075X7R0823K
A23A2C2054	283-0326-00		CAP.,FXD,CER DI:0.082UF,10%,50V	72982	8121N075X7R0823K
A23A2C2055	283-0197-00		CAP.,FXD,CER DI:470PF,5%,100V	72982	8121N075C0G0471J
A23A2C2056	290-0876-00		CAP.,FXD,ELCTLT:15UF,20%,25V	26769	41PS156Y025M1C
A23A2C2057	290-0876-00		CAP.,FXD,ELCTLT:15UF,20%,25V	26769	41PS156Y025M1C
A23A2C3021	283-0326-00		CAP.,FXD,CER DI:0.082UF,10%,50V	72982	8121N075X7R0823K
A23A2C3022	283-0326-00		CAP.,FXD,CER DI:0.082UF,10%,50V	72982	8121N075X7R0823K
A23A2C3023	290-0876-00		CAP.,FXD,ELCTLT:15UF,20%,25V	26769	41PS156Y025M1C
A23A2C3031	283-0326-00		CAP.,FXD,CER DI:0.082UF,10%,50V	72982	8121N075X7R0823K
A23A2C3035	283-0326-00		CAP.,FXD,CER DI:0.082UF,10%,50V	72982	8121N075X7R0823K
A23A2C3038	290-0876-00		CAP.,FXD,ELCTLT:15UF,20%,25V	26769	41PS156Y025M1C
A23A2C3042	283-0197-00		CAP.,FXD,CER DI:470PF,5%,100V	72982	8121N075C0G0471J
A23A2C3043	283-0326-00		CAP.,FXD,CER DI:0.082UF,10%,50V	72982	8121N075X7R0823K
A23A2C3044	283-0326-00		CAP.,FXD,CER DI:0.082UF,10%,50V	72982	8121N075X7R0823K
A23A2C3055	283-0186-00		CAP.,FXD,CER DI:27PF,5%,50V	59660	811A058C0G0270J
A23A2C3056	283-0326-00		CAP.,FXD,CER DI:0.082UF,10%,50V	72982	8121N075X7R0823K
A23A2CR2015	152-0141-02		SEMICON DVC,DI:SW,S1,30V,150MA,30V,DO-35	12969	NDP0263 (1N4152)
A23A2CR3025	152-0066-00		SEMICON DVC DI:RECT,S1,400V,1A,DO-41	05828	GP10G-020
A23A2L2013	108-1140-00		COIL,RF:FIXED,1MH	80009	108-1140-00
A23A2L2018	108-1140-00		COIL,RF:FIXED,1MH	80009	108-1140-00
A23A2L2031	108-0733-00		COIL,RF:FIXED,113NH	80009	108-0733-00
A23A2L2033	108-0733-00		COIL,RF:FIXED,113NH	80009	108-0733-00
A23A2L3011	108-1140-00		COIL,RF:FIXED,1MH	80009	108-1140-00
A23A2L3034	108-0733-00		COIL,RF:FIXED,113NH	80009	108-0733-00
A23A2Q2016	151-0301-00		TRANSISTOR:SILICON,PNP	27014	2N2907A
A23A2Q2017	151-0302-00		TRANSISTOR:SILICON,NPN	07263	S038487
A23A2Q3015	151-0302-00		TRANSISTOR:SILICON,NPN	07263	S038487
A23A2R1021	317-0510-00		RES.,FXD,CMPSN:51 OHM,5%,0.125W	01121	BB5105
A23A2R1023	317-0510-00		RES.,FXD,CMPSN:51 OHM,5%,0.125W	01121	BB5105
A23A2R1026	317-0471-00		RES.,FXD,CMPSN:470 OHM,5%,0.125W	01121	BB4715
A23A2R1027	317-0471-00		RES.,FXD,CMPSN:470 OHM,5%,0.125W	01121	BB4715
A23A2R1029	317-0471-00		RES.,FXD,CMPSN:470 OHM,5%,0.125W	01121	BB4715
A23A2R1032	317-0047-00		RES.,FXD,CMPSN:4.7 OHM,5%,0.125W	01121	BB47G5

Component No.	Tektronix Part No.	Serial/Model No. Eff Dscont	Name & Description	Mfr Code	Mfr Part Number
A23A2R1033	317-0471-00		RES.,FXD,CMPSN:470 OHM,5%,0.125W	01121	BB4715
A23A2R1034	317-0047-00		RES.,FXD,CMPSN:4.7 OHM,5%,0.125W	01121	BB47G5
A23A2R1035	317-0471-00		RES.,FXD,CMPSN:470 OHM,5%,0.125W	01121	BB4715
A23A2R1038	317-0471-00		RES.,FXD,CMPSN:470 OHM,5%,0.125W	01121	BB4715
A23A2R1041	317-0047-00		RES.,FXD,CMPSN:4.7 OHM,5%,0.125W	01121	BB47G5
A23A2R1043	317-0471-00		RES.,FXD,CMPSN:470 OHM,5%,0.125W	01121	BB4715
A23A2R1051	317-0100-00		RES.,FXD,CMPSN:10 OHM,5%,0.125W	01121	BB1005
A23A2R1058	317-0510-00		RES.,FXD,CMPSN:51 OHM,5%,0.125W	01121	BB5105
A23A2R2014	317-0393-00		RES.,FXD,CMPSN:39K OHM,5%,0.125W	01121	BB3935
A23A2R2015	317-0203-00		RES.,FXD,CMPSN:20K OHM,5%,0.125W	01121	BB2035
A23A2R2034	317-0047-00		RES.,FXD,CMPSN:4.7 OHM,5%,0.125W	01121	BB47G5
A23A2R2040	317-0471-00		RES.,FXD,CMPSN:470 OHM,5%,0.125W	01121	BB4715
A23A2R2041	317-0102-00		RES.,FXD,CMPSN:1K OHM,5%,0.125W	01121	BB1025
A23A2R2043	317-0471-00		RES.,FXD,CMPSN:470 OHM,5%,0.125W	01121	BB4715
A23A2R2044	317-0102-00		RES.,FXD,CMPSN:1K OHM,5%,0.125W	01121	BB1025
A23A2R2045	317-0102-00		RES.,FXD,CMPSN:1K OHM,5%,0.125W	01121	BB1025
A23A2R2046	317-0471-00		RES.,FXD,CMPSN:470 OHM,5%,0.125W	01121	BB4715
A23A2R2047	317-0471-00		RES.,FXD,CMPSN:470 OHM,5%,0.125W	01121	BB4715
A23A2R2048	317-0361-00		RES.,FXD,CMPSN:360 OHM,5%,0.125W	01121	BB3615
A23A2R2049	317-0471-00		RES.,FXD,CMPSN:470 OHM,5%,0.125W	01121	BB4715
A23A2R2051	317-0470-00		RES.,FXD,CMPSN:47 OHM,5%,0.125W	01121	BB4705
A23A2R2052	317-0510-00		RES.,FXD,CMPSN:51 OHM,5%,0.125W	01121	BB5105
A23A2R2053	317-0101-00		RES.,FXD,CMPSN:100 OHM,5%,0.125W	01121	BB1015
A23A2R2054	317-0101-00		RES.,FXD,CMPSN:100 OHM,5%,0.125W	01121	BB1015
A23A2R2055	317-0101-00		RES.,FXD,CMPSN:100 OHM,5%,0.125W	01121	BB1015
A23A2R2056	317-0361-00		RES.,FXD,CMPSN:360 OHM,5%,0.125W	01121	BB3615
A23A2R3012	317-0303-00		RES.,FXD,CMPSN:30K OHM,5%,0.125W	01121	BB3035
A23A2R3013	317-0203-00		RES.,FXD,CMPSN:20K OHM,5%,0.125W	01121	BB2035
A23A2R3014	317-0752-00		RES.,FXD,CMPSN:7.5K OHM,5%,0.125W	01121	BB7525
A23A2R3016	317-0752-00		RES.,FXD,CMPSN:7.5K OHM,5%,0.125W	01121	BB7525
A23A2R3037	317-0101-00		RES.,FXD,CMPSN:100 OHM,5%,0.125W	01121	BB1015
A23A2R3041	317-0361-00		RES.,FXD,CMPSN:360 OHM,5%,0.125W	01121	BB3615
A23A2R3045	317-0361-00		RES.,FXD,CMPSN:360 OHM,5%,0.125W	01121	BB3615
A23A2R3046	317-0471-00		RES.,FXD,CMPSN:470 OHM,5%,0.125W	01121	BB4715
A23A2R3051	317-0332-00		RES.,FXD,CMPSN:3.3K OHM,5%,0.125W	01121	BB3325
A23A2R3052	317-0752-00		RES.,FXD,CMPSN:7.5K OHM,5%,0.125W	01121	BB7525
A23A2R3054	317-0100-00		RES.,FXD,CMPSN:10 OHM,5%,0.125W	01121	BB1005
A23A2TP3037	214-0579-00		TERM,TEST POINT:BRS CD PL	80009	214-0579-00
A23A2TP3047	214-0579-00		TERM,TEST POINT:BRS CD PL	80009	214-0579-00
A23A2U1022	156-0860-02		MICROCIRCUIT,DI:TRIPLE LINE RECEIVER,SCRN	04713	MC10116PD/LD
A23A2U1036	156-0230-02		MICROCIRCUIT,DI:DUAL D-TYPE M/S,FF,SCRN	04713	MC10131LD
A23A2U1044	156-0860-02		MICROCIRCUIT,DI:TRIPLE LINE RECEIVER,SCRN	04713	MC10116PD/LD
A23A2U1053	156-0074-00		MICROCIRCUIT,LI:VIDEO AMPL,DIFF INP-OUT	80009	156-0074-00
A23A2U2047	156-0230-02		MICROCIRCUIT,DI:DUAL D-TYPE M/S,FF,SCRN	04713	MC10131LD
A23A2U3053	156-0742-02		MICROCIRCUIT,LI:OPERATIONAL AMPLIFIER,SEL	01295	LM318JG
A23A2VR1048	152-0647-00		SEMICONV DEVICE:ZENER,0.4W,6.8V,5%	04713	SZG35014K3RL



Replaceable Electrical Parts—494/494P Service Vol. 2

Component No.	Tektronix Part No.	Serial/Model No. Eff Dscont	Name & Description	Mfr Code	Mfr Part Number
A23A3	670-6016-00		CKT BOARD ASSY:829MHZ HARMONIC MIXER	80009	670-6016-00
A23A3C1021	283-0140-00		CAP.,FXD,CER DI:4.7PF,5%,50V	72982	8101E003A479C
A23A3C1022	283-0140-00		CAP.,FXD,CER DI:4.7PF,5%,50V	72982	8101E003A479C
A23A3C1023	283-0140-00		CAP.,FXD,CER DI:4.7PF,5%,50V	72982	8101E003A479C
A23A3C2021	283-0159-00		CAP.,FXD,CER DI:18PF,5%,50V	51642	T150-050NP0180J
A23A3C2023	283-0140-00		CAP.,FXD,CER DI:4.7PF,5%,50V	72982	8101E003A479C
A23A3C2024	283-0140-00		CAP.,FXD,CER DI:4.7PF,5%,50V	72982	8101E003A479C
A23A3C3011	283-0326-00		CAP.,FXD,CER DI:0.082UF,10%,50V	72982	8121N075X7R0823K
A23A3C3013	283-0176-00		CAP.,FXD,CER DI:0.0022UF,20%,50V	56289	272C5
A23A3C3014	283-0159-00		CAP.,FXD,CER DI:18PF,5%,50V	51642	T150-050NP0180J
A23A3C3020	283-0176-00		CAP.,FXD,CER DI:0.0022UF,20%,50V	56289	272C5
A23A3C3021	283-0176-00		CAP.,FXD,CER DI:0.0022UF,20%,50V	56289	272C5
A23A3C3022	283-0140-00		CAP.,FXD,CER DI:4.7PF,5%,50V	72982	8101E003A479C
A23A3C3023	283-0140-00		CAP.,FXD,CER DI:4.7PF,5%,50V	72982	8101E003A479C
A23A3C3024	283-0159-00		CAP.,FXD,CER DI:18PF,5%,50V	51642	T150-050NP0180J
A23A3C3025	283-0140-00		CAP.,FXD,CER DI:4.7PF,5%,50V	72982	8101E003A479C
A23A3CR2021	152-0322-00		SEMICONV DEVICE:SILICON,15V,HOT CARRIER	50434	5082-2672
A23A3CR3011	152-0322-00		SEMICONV DEVICE:SILICON,15V,HOT CARRIER	50434	5082-2672
A23A3L2014	108-0643-00		COIL,RF:FIXED,54NH	80009	108-0643-00
A23A3L3011	108-0733-00		COIL,RF:FIXED,113NH	80009	108-0733-00
A23A3L3012	108-0215-00		COIL,RF:1.1UH	80009	108-0215-00
A23A3L3014	108-0733-00		COIL,RF:FIXED,113NH	80009	108-0733-00
A23A3L3021	108-0733-00		COIL,RF:FIXED,113NH	80009	108-0733-00
A23A3Q3021	151-0630-00		TRANSISTOR:SILICON,NPN	80009	151-0630-00
A23A3R1021	317-0820-00		RES.,FXD,CMPSN:82 OHM,5%,0.125W	01121	BB8205
A23A3R1022	317-0820-00		RES.,FXD,CMPSN:82 OHM,5%,0.125W	01121	BB8205
A23A3R1023	317-0430-00		RES.,FXD,CMPSN:43 OHM,5%,0.125W	01121	BB4305
A23A3R2021	317-0301-00		RES.,FXD,CMPSN:300 OHM,5%,0.125W	01121	BB3015
A23A3R2022	317-0160-00		RES.,FXD,CMPSN:16 OHM,5%,0.125W	01121	BB1605
A23A3R2023	317-0680-00		RES.,FXD,CMPSN:68 OHM,5%,0.125W	01121	BB6805
A23A3R2024	317-0430-00		RES.,FXD,CMPSN:43 OHM,5%,0.125W	01121	BB4305
A23A3R2025	317-0820-00		RES.,FXD,CMPSN:82 OHM,5%,0.125W	01121	BB8205
A23A3R2026	317-0820-00		RES.,FXD,CMPSN:82 OHM,5%,0.125W	01121	BB8205
A23A3R2027	317-0680-00		RES.,FXD,CMPSN:68 OHM,5%,0.125W	01121	BB6805
A23A3R2028	317-0160-00		RES.,FXD,CMPSN:16 OHM,5%,0.125W	01121	BB1605
A23A3R3010	317-0222-00		RES.,FXD,CMPSN:2.2K OHM,5%,0.125W	01121	BB2225
A23A3R3011	315-0271-00		RES.,FXD,CMPSN:270 OHM,5%,0.25W	57668	NTR25J-E270E
A23A3R3012	317-0101-00		RES.,FXD,CMPSN:100 OHM,5%,0.125W	01121	BB1015
A23A3R3021	317-0360-00		RES.,FXD,CMPSN:36 OHM,5%,0.125W	01121	BB3605
A23A3R3022	317-0360-00		RES.,FXD,CMPSN:36 OHM,5%,0.125W	01121	BB3605
A23A3R3023	317-0301-00		RES.,FXD,CMPSN:300 OHM,5%,0.125W	01121	BB3015
A23A3R3024	317-0471-00		RES.,FXD,CMPSN:470 OHM,5%,0.125W	01121	BB4715
A23A3R3025	317-0272-00		RES.,FXD,CMPSN:2.7K OHM,5%,0.125W	01121	BB2725
A23A3R3027	317-0750-00		RES.,FXD,CMPSN:75 OHM,5%,0.125W	01121	BB7505
A23A3R3028	317-0510-00		RES.,FXD,CMPSN:51 OHM,5%,0.125W	01121	BB5105
A23A3R3029	317-0750-00		RES.,FXD,CMPSN:75 OHM,5%,0.125W	01121	BB7505

Component No.	Tektronix Part No.	Serial/Model No.		Name & Description	Mfr Code	Mfr Part Number
		Eff	Dscont			
A23A4	670-6256-01	B010100	B010340	CKT BOARD ASSY:829MHZ DIPLEXER	80009	670-6256-01
A23A4	670-6256-02	B010341		CKT BOARD ASSY:829MHZ DIPLEXER	80009	670-6256-02
A23A4C1010	283-0158-00			CAP.,FXD,CER DI:1PF,10%,50V	51642	100-050-NP0-109B
A23A4C1011	283-0158-00			CAP.,FXD,CER DI:1PF,10%,50V	51642	100-050-NP0-109B
A23A4C1012	283-0203-00			CAP.,FXD,CER DI:0.47UF,20%,50V	04222	5R305SE474MAA
A23A4C1013	283-0158-00			CAP.,FXD,CER DI:1PF,10%,50V	51642	100-050-NP0-109B
A23A4C1014	283-0181-00	B010100	B010340	CAP.,FXD,CER DI:1.8PF,10%,100V	59660	8101B121COKO189B
A23A4C1014	283-0158-00	B010341		CAP.,FXD,CER DI:1PF,10%,50V	51642	100-050-NP0-109B
A23A4C1015	283-0181-00	B010100	B010340	CAP.,FXD,CER DI:1.8PF,10%,100V	59660	8101B121COKO189B
A23A4C1015	283-0160-00	B010341		CAP.,FXD,CER DI:1.5PF,10%,50V	93958	1C15RB
A23A4C1016	283-0326-00			CAP.,FXD,CER DI:0.082UF,10%,50V	72982	8121N075X7R0823K
A23A4C1017	283-0326-00			CAP.,FXD,CER DI:0.082UF,10%,50V	72982	8121N075X7R0823K
A23A4C1018	283-0326-00			CAP.,FXD,CER DI:0.082UF,10%,50V	72982	8121N075X7R0823K
A23A4C1019	283-0326-00			CAP.,FXD,CER DI:0.082UF,10%,50V	72982	8121N075X7R0823K
A23A4C1021	283-0158-00			CAP.,FXD,CER DI:1PF,10%,50V	51642	100-050-NP0-109B
A23A4L1010	108-1043-00			COIL,RF:FIXED,2MH	80009	108-1043-00
A23A4L1011	108-0598-00			COIL,RF:200UH	80009	108-0598-00
A23A4L1012	108-0642-00			COIL,RF:	80009	108-0642-00
A23A4L1015	108-0642-00			COIL,RF:	80009	108-0642-00
A23A4R1011	317-0101-00			RES.,FXD,CMPSN:100 OHM,5%,0.125W	01121	BB1015
A23A4R1012	317-0101-00			RES.,FXD,CMPSN:100 OHM,5%,0.125W	01121	BB1015
A23A4R1013	317-0200-00			RES.,FXD,CMPSN:20 OHM,5%,0.125W	01121	BB2005
A23A4R1014	317-0101-00			RES.,FXD,CMPSN:100 OHM,5%,0.125W	01121	BB1015
A23A4R1015	317-0101-00			RES.,FXD,CMPSN:100 OHM,5%,0.125W	01121	BB1015

<http://www.ebaman.com>

Replaceable Electrical Parts—494/494P Service Vol. 2

Component No.	Tektronix Part No.	Serial/Model No. Eff Dscont	Name & Description	Mfr Code	Mfr Part Number
A23A5	670-6255-01		CKT BOARD ASSY:829MHZ AMPLIFIER	80009	670-6255-01
A23A5C1011	283-0326-00		CAP.,FXD,CER DI:0.082UF,10%,50V	72982	8121N075X7R0823K
A23A5C1012	283-0326-00		CAP.,FXD,CER DI:0.082UF,10%,50V	72982	8121N075X7R0823K
A23A5C1013	283-0326-00		CAP.,FXD,CER DI:0.082UF,10%,50V	72982	8121N075X7R0823K
A23A5C1014	283-0197-00		CAP.,FXD,CER DI:470PF,5%,100V	72982	8121N075C0G0471J
A23A5C1015	283-0160-00		CAP.,FXD,CER DI:1.5PF,10%,50V	93958	1C15RB
A23A5C1016	283-0197-00		CAP.,FXD,CER DI:470PF,5%,100V	72982	8121N075C0G0471J
A23A5C1017	283-0160-00		CAP.,FXD,CER DI:1.5PF,10%,50V	93958	1C15RB
A23A5C1018	283-0140-00		CAP.,FXD,CER DI:4.7PF,5%,50V	72982	8101E003A479C
A23A5C1021	283-0160-00		CAP.,FXD,CER DI:1.5PF,10%,50V	93958	1C15RB
A23A5C1022	283-0160-00		CAP.,FXD,CER DI:1.5PF,10%,50V	93958	1C15RB
A23A5C1023	283-0197-00		CAP.,FXD,CER DI:470PF,5%,100V	72982	8121N075C0G0471J
A23A5C1024	283-0326-00		CAP.,FXD,CER DI:0.082UF,10%,50V	72982	8121N075X7R0823K
A23A5C1025	283-0326-00		CAP.,FXD,CER DI:0.082UF,10%,50V	72982	8121N075X7R0823K
A23A5C1026	283-0140-00		CAP.,FXD,CER DI:4.7PF,5%,50V	72982	8101E003A479C
A23A5C1027	283-0326-00		CAP.,FXD,CER DI:0.082UF,10%,50V	72982	8121N075X7R0823K
A23A5C1029	283-0326-00		CAP.,FXD,CER DI:0.082UF,10%,50V	72982	8121N075X7R0823K
A23A5CR1013	152-0141-02		SEMICON DVC,DI:SW,SI,30V,150MA,30V,DO-35	12969	NDP0263 (1N4152)
A23A5CR1022	152-0141-02		SEMICON DVC,DI:SW,SI,30V,150MA,30V,DO-35	12969	NDP0263 (1N4152)
A23A5J1029	131-1003-00		CONN,RCPT,ELEC:CKT BD MT,3 PRONG	80009	131-1003-00
A23A5L1011	108-0733-00		COIL,RF:FIXED,113NH	80009	108-0733-00
A23A5L1012	108-0733-00		COIL,RF:FIXED,113NH	80009	108-0733-00
A23A5L1014	108-0733-00		COIL,RF:FIXED,113NH	80009	108-0733-00
A23A5L1021	108-0733-00		COIL,RF:FIXED,113NH	80009	108-0733-00
A23A5L1024	108-0733-00		COIL,RF:FIXED,113NH	80009	108-0733-00
A23A5L1025	108-0733-00		COIL,RF:FIXED,113NH	80009	108-0733-00
A23A5L1029	108-0733-00		COIL,RF:FIXED,113NH	80009	108-0733-00
A23A5Q1017	151-0630-00		TRANSISTOR:SILICON,NPN	80009	151-0630-00
A23A5Q1025	151-0630-00		TRANSISTOR:SILICON,NPN	80009	151-0630-00
A23A5R1011	321-0234-00		RES.,FXD,FILM:2.67K OHM,1%,0.125W	91637	MFF1816G26700F
A23A5R1012	321-0202-00		RES.,FXD,FILM:1.24K OHM,1%,0.125W	91637	MFF1816G12400F
A23A5R1013	317-0511-00		RES.,FXD,CMPSN:510 OHM,5%,0.125W	01121	BB5115
A23A5R1014	317-0511-00		RES.,FXD,CMPSN:510 OHM,5%,0.125W	01121	BB5115
A23A5R1015	317-0151-00		RES.,FXD,CMPSN:150 OHM,5%,0.125W	01121	BB1515
A23A5R1016	317-0201-00		RES.,FXD,CMPSN:200 OHM,5%,0.125W	01121	BB2015
A23A5R1020	317-0201-00		RES.,FXD,CMPSN:200 OHM,5%,0.125W	01121	BB2015
A23A5R1021	321-0202-00		RES.,FXD,FILM:1.24K OHM,1%,0.125W	91637	MFF1816G12400F
A23A5R1022	321-0234-00		RES.,FXD,FILM:2.67K OHM,1%,0.125W	91637	MFF1816G26700F
A23A5R1023	317-0151-00		RES.,FXD,CMPSN:150 OHM,5%,0.125W	01121	BB1515
A23A5R1024	317-0331-00		RES.,FXD,CMPSN:330 OHM,5%,0.125W	01121	BB3315
A23A5R1025	317-0331-00		RES.,FXD,CMPSN:330 OHM,5%,0.125W	01121	BB3315
A23A5R1026	317-0360-00		RES.,FXD,CMPSN:36 OHM,5%,0.125W	01121	BB3605
A23A5R1027	317-0360-00		RES.,FXD,CMPSN:36 OHM,5%,0.125W	01121	BB3605
A23A5R1028	317-0301-00		RES.,FXD,CMPSN:300 OHM,5%,0.125W	01121	BB3015
A23A5R1029	317-0301-00		RES.,FXD,CMPSN:300 OHM,5%,0.125W	01121	BB3015



Component No.	Tektronix Part No.	Serial/Model No. Eff Dscnt	Name & Description	Mfr Code	Mfr Part Number
A23A6	670-6015-01		CKT BOARD ASSY:110MHZ IF SELECT	80009	670-6015-01
A23A6C1011	283-0197-00		CAP.,FXD,CER DI:470PF,5%,100V	72982	8121N075C0G0471J
A23A6C1012	283-0197-00		CAP.,FXD,CER DI:470PF,5%,100V	72982	8121N075C0G0471J
A23A6C1013	283-0326-00		CAP.,FXD,CER DI:0.082UF,10%,50V	72982	8121N075X7R0823K
A23A6C1014	283-0220-00		CAP.,FXD,CER DI:0.01UF,20%,50V	72982	8121N075X7R0103M
A23A6C1015	283-0220-00		CAP.,FXD,CER DI:0.01UF,20%,50V	72982	8121N075X7R0103M
A23A6C1016	283-0326-00		CAP.,FXD,CER DI:0.082UF,10%,50V	72982	8121N075X7R0823K
A23A6C1017	283-0326-00		CAP.,FXD,CER DI:0.082UF,10%,50V	72982	8121N075X7R0823K
A23A6C1018	283-0326-00		CAP.,FXD,CER DI:0.082UF,10%,50V	72982	8121N075X7R0823K
A23A6C2011	283-0220-00		CAP.,FXD,CER DI:0.01UF,20%,50V	72982	8121N075X7R0103M
A23A6C2012	283-0159-00		CAP.,FXD,CER DI:18PF,5%,50V	51642	T150-050NP0180J
A23A6C2013	283-0197-00		CAP.,FXD,CER DI:470PF,5%,100V	72982	8121N075C0G0471J
A23A6C2014	283-0197-00		CAP.,FXD,CER DI:470PF,5%,100V	72982	8121N075C0G0471J
A23A6C2015	283-0220-00		CAP.,FXD,CER DI:0.01UF,20%,50V	72982	8121N075X7R0103M
A23A6C2016	283-0220-00		CAP.,FXD,CER DI:0.01UF,20%,50V	72982	8121N075X7R0103M
A23A6C2017	283-0154-00		CAP.,FXD,CER DI:22PF,5%,50V	59660	8111B065C0G0220J
A23A6CR1011	152-0141-02		SEMICON DVC,DI:SW,SI,30V,150MA,30V,DO-35	12969	NDP0263 (1N4152)
A23A6CR1015	152-0141-02		SEMICON DVC,DI:SW,SI,30V,150MA,30V,DO-35	12969	NDP0263 (1N4152)
A23A6CR2011	152-0141-02		SEMICON DVC,DI:SW,SI,30V,150MA,30V,DO-35	12969	NDP0263 (1N4152)
A23A6CR2012	152-0141-02		SEMICON DVC,DI:SW,SI,30V,150MA,30V,DO-35	12969	NDP0263 (1N4152)
A23A6CR2013	152-0141-02		SEMICON DVC,DI:SW,SI,30V,150MA,30V,DO-35	12969	NDP0263 (1N4152)
A23A6CR2015	152-0141-02		SEMICON DVC,DI:SW,SI,30V,150MA,30V,DO-35	12969	NDP0263 (1N4152)
A23A6L1014	108-0341-00		COIL,RF FIXED,1.4UH	80009	108-0341-00
A23A6L1015	108-0733-00		COIL,RF FIXED,113NH	80009	108-0733-00
A23A6L1018	108-0733-00		COIL,RF FIXED,113NH	80009	108-0733-00
A23A6L1019	108-0733-00		COIL,RF FIXED,113NH	80009	108-0733-00
A23A6L2011	108-0733-00		COIL,RF FIXED,113NH	80009	108-0733-00
A23A6L2013	108-0733-00		COIL,RF FIXED,113NH	80009	108-0733-00
A23A6L2014	108-0311-00		COIL,RF FIXED,153NH	80009	108-0311-00
A23A6L2015	108-0341-00		COIL,RF FIXED,1.4UH	80009	108-0341-00
A23A6Q1011	151-0630-00		TRANSISTOR:SILICON,NPN	80009	151-0630-00
A23A6Q1012	151-0301-00		TRANSISTOR:SILICON,PNP	27014	2N2907A
A23A6Q2015	151-0301-00		TRANSISTOR:SILICON,PNP	27014	2N2907A
A23A6R1010	317-0472-00		RES.,FXD,CMPSN:4.7K OHM,5%,0.125W	01121	BB4725
A23A6R1011	317-0056-00		RES.,FXD,CMPSN:5.6 OHM,5%,0.125W	01121	BB56G5
A23A6R1012	317-0911-00		RES.,FXD,CMPSN:910 OHM,5%,0.125W	01121	BB9115
A23A6R1013	317-0910-00		RES.,FXD,CMPSN:91 OHM,5%,0.125W	01121	BB9105
A23A6R1014	317-0822-00		RES.,FXD,CMPSN:8.2K OHM,5%,0.125W	01121	BB8225
A23A6R1015	317-0153-00		RES.,FXD,CMPSN:15K OHM,5%,0.125W	01121	BB1535
A23A6R1016	317-0752-00		RES.,FXD,CMPSN:7.5K OHM,5%,0.125W	01121	BB7525
A23A6R1017	317-0201-00		RES.,FXD,CMPSN:200 OHM,5%,0.125W	01121	BB2015
A23A6R1018	317-0331-00		RES.,FXD,CMPSN:330 OHM,5%,0.125W	01121	BB3315
A23A6R1019	317-0203-00		RES.,FXD,CMPSN:20K OHM,5%,0.125W	01121	BB2035
A23A6R2015	317-0181-00		RES.,FXD,CMPSN:180 OHM,5%,0.125W	01121	BB1815

Replaceable Electrical Parts—494/494P Service Vol. 2

Component No.	Tektronix Part No.	Serial/Model No. Eff	Dscont	Name & Description	Mfr Code	Mfr Part Number
A23A7	670-6224-00			CKT BOARD ASSY:829MHZ SECOND CONVERTER	80009	670-6224-00
A23A7C1011	283-0140-00			CAP.,FXD,CER DI:4.7PF,5%,50V	72982	8101E003A479C
A23A7C1012	283-0140-00			CAP.,FXD,CER DI:4.7PF,5%,50V	72982	8101E003A479C
A23A7C1013	283-0069-00			CAP.,FXD,CER DI:15PF,20%,50V	51642	A150050NPU150M
A23A7C1014	283-0069-00			CAP.,FXD,CER DI:15PF,20%,50V	51642	A150050NPU150M
A23A7CR1011	152-0322-00			SEMICONV DEVICE:SILICON,15V,HOT CARRIER	50434	5082-2672
A23A7CR1012	152-0322-00			SEMICONV DEVICE:SILICON,15V,HOT CARRIER	50434	5082-2672
A23A7L1011	108-0606-00			COIL,RF:37NH	80009	108-0606-00
A23A7L1012	108-0606-00			COIL,RF:37NH	80009	108-0606-00
A23A7L1013	108-0606-00			COIL,RF:37NH	80009	108-0606-00
A23A7L1014	108-0606-00			COIL,RF:37NH	80009	108-0606-00
A23A7R1012	317-0301-00			RES.,FXD,CMPSN:300 OHM,5%,0.125W	01121	BB3015
A23A7R1013	317-0360-00			RES.,FXD,CMPSN:36 OHM,5%,0.125W	01121	BB3605
A23A7R1014	317-0360-00			RES.,FXD,CMPSN:36 OHM,5%,0.125W	01121	BB3605
A23A7R1015	317-0301-00			RES.,FXD,CMPSN:300 OHM,5%,0.125W	01121	BB3015
A23A7T1011	120-1251-00			TRANSFORMER,RF:BALUN	80009	120-1251-00

<http://www.ebaman.com>

Component No.	Tektronix Part No.	Serial/Model No.		Name & Description	Mfr Code	Mfr Part Number
		Eff	Dscont			
A24	119-1010-00	B010100	B010224	HYBRID CKT ASSY:PHASE GATE DETECTOR	80009	119-1010-00
A24	119-1010-02	B010225		HYBRID CKT ASSY:PHASE GATE DETECTOR	80009	119-1010-02
A24A1	670-5957-00	B010100	B010224	CKT BOARD ASSY:PHASE GATE INPUT	80009	670-5957-00
A24A1	670-5957-01	B010225		CKT BOARD ASSY:PHASE GATE INPUT	80009	670-5957-01
A24A1C243	290-0309-00	B010100	B010224	CAP.,FXD,ELCTLT:100UF,20%,.25V	56289	109D107X0025F2
A24A1C243	290-0747-00	B010225		CAP.,FXD,ELCTLT:100UF,+50-10%,.25V	56289	500D148
A24A1C244	290-0309-00	B100100	B010224	CAP.,FXD,ELCTLT:100UF,20%,.25V	56289	109D107X0025F2
A24A1C244	290-0747-00	B010225		CAP.,FXD,ELCTLT:100UF,+50-10%,.25V	56289	500D148
A24A1CR243	152-0664-00	B010100	B010224	SEMICONV DEVICE:SWITCHING,SI,70V	50434	5082-2800
A24A1CR244	152-0664-00	B010100	B010224	SEMICONV DEVICE:SWITCHING,SI,70V	50434	5082-2800
A24A1R243	315-0200-00	B010225		RES.,FXD,CMPSN:20 OHM,5%,0.25W	01121	CB2005
A24A1R244	315-0200-00	B010225		RES.,FXD,CMPSN:20 OHM,5%,0.25W	01121	CB2005
A25	119-1640-00			HARMONIC MIXER:	80009	119-1640-00
A25W252	175-8739-00			CA ASSY,SP,ELEC:3,25 AWG,3.0 L,RIBBON	T1364	ORD BY DESCR
A25A3	670-4376-00			CKT BOARD ASSY:HARMONIC MIXER INPUT	80009	670-4376-00
A25A3C243	290-0747-00			CAP.,FXD,ELCTLT:100UF,+50-10%,.25V	56289	500D148
A25A3C244	290-0747-00			CAP.,FXD,ELCTLT:100UF,+50-10%,.25V	56289	500D148
A25A3P255	131-1426-00			TERM SET,PIN:(36) 0.025 SQ RTANG,0.25L	22526	65524-136
A25A3R244	315-0100-00			RES.,FXD,CMPSN:10 OHM,5%,0.25W	57668	NTR25J-E 10E0
A25A3R255	315-0100-00			RES.,FXD,CMPSN:10 OHM,5%,0.25W	57668	NTR25J-E 10E0

<http://www.ebaman.com>

Replaceable Electrical Parts—494/494P Service Vol. 2

Component No.	Tektronix Part No.	Serial/Model No. Eff Dscont	Name & Description	Mfr Code	Mfr Part Number
A26	670-7898-00		CKT BOARD ASSY:AUX SYNTHESIZER	80009	670-7898-00
A26C1016	283-0220-00		CAP.,FXD,CER DI:0.01UF,20%,50V	72982	8121N075X7R0103M
A26C1020	283-0781-00		CAP.,FXD,MICA D:27PF,5%,500V	09023	CD15ED270J03
A26C1021	283-0220-00		CAP.,FXD,CER DI:0.01UF,20%,50V	72982	8121N075X7R0103M
A26C1023	283-0220-00		CAP.,FXD,CER DI:0.01UF,20%,50V	72982	8121N075X7R0103M
A26C1024	283-0615-00		CAP.,FXD,MICA D:33PF,5%,500V	00853	D155E330J0
A26C1046	283-0024-00		CAP.,FXD,CER DI:0.1UF,+80-20%,50V	72982	8121N083Z5U0104Z
A26C1055	283-0024-00		CAP.,FXD,CER DI:0.1UF,+80-20%,50V	72982	8121N083Z5U0104Z
A26C1057	283-0024-00		CAP.,FXD,CER DI:0.1UF,+80-20%,50V	72982	8121N083Z5U0104Z
A26C1066	283-0156-00		CAP.,FXD,CER DI:1000PF,+100-0%,200V	96733	R2670
A26C1070	281-0165-00		CAP.,VAR,AIR DI:0.8-10PF,250V	73899	MVM-010W
A26C2012	283-0024-00		CAP.,FXD,CER DI:0.1UF,+80-20%,50V	72982	8121N083Z5U0104Z
A26C2013	283-0220-00		CAP.,FXD,CER DI:0.01UF,20%,50V	72982	8121N075X7R0103M
A26C2019	283-0330-00		CAP.,FXD,CER DI:100PF,5%,50V	51642	200-050-NP0-101J
A26C2021	283-0220-00		CAP.,FXD,CER DI:0.01UF,20%,50V	72982	8121N075X7R0103M
A26C2022	283-0220-00		CAP.,FXD,CER DI:0.01UF,20%,50V	72982	8121N075X7R0103M
A26C2024	283-0156-00		CAP.,FXD,CER DI:1000PF,+100-0%,200V	96733	R2670
A26C2040	283-0024-00		CAP.,FXD,CER DI:0.1UF,+80-20%,50V	72982	8121N083Z5U0104Z
A26C2046	283-0024-00		CAP.,FXD,CER DI:0.1UF,+80-20%,50V	72982	8121N083Z5U0104Z
A26C2047	283-0220-00		CAP.,FXD,CER DI:0.01UF,20%,50V	72982	8121N075X7R0103M
A26C2052	283-0156-00		CAP.,FXD,CER DI:1000PF,+100-0%,200V	96733	R2670
A26C2053	283-0024-00		CAP.,FXD,CER DI:0.1UF,+80-20%,50V	72982	8121N083Z5U0104Z
A26C2054	283-0156-00		CAP.,FXD,CER DI:1000PF,+100-0%,200V	96733	R2670
A26C2055	283-0024-00		CAP.,FXD,CER DI:0.1UF,+80-20%,50V	72982	8121N083Z5U0104Z
A26C2056	283-0220-00		CAP.,FXD,CER DI:0.01UF,20%,50V	72982	8121N075X7R0103M
A26C2059	283-0156-00		CAP.,FXD,CER DI:1000PF,+100-0%,200V	96733	R2670
A26C2061	283-0156-00		CAP.,FXD,CER DI:1000PF,+100-0%,200V	96733	R2670
A26C2065	283-0201-00		CAP.,FXD,CER DI:27PF,10%,200V	51642	W150-200 X7R270K
A26C2066	283-0156-00		CAP.,FXD,CER DI:1000PF,+100-0%,200V	96733	R2670
A26C2067	283-0220-00		CAP.,FXD,CER DI:0.01UF,20%,50V	72982	8121N075X7R0103M
A26C2068	283-0140-00		CAP.,FXD,CER DI:4.7PF,5%,50V	72982	8101E003A479C
A26C2069	283-0108-00		CAP.,FXD,CER DI:220PF,10%,200V	56289	1C10C0G221K200B
A26C2071	283-0201-00		CAP.,FXD,CER DI:27PF,10%,200V	51642	W150-200 X7R270K
A26C2072	283-0140-00		CAP.,FXD,CER DI:4.7PF,5%,50V	72982	8101E003A479C
A26C2073	283-0220-00		CAP.,FXD,CER DI:0.01UF,20%,50V	72982	8121N075X7R0103M
A26C2075	283-0220-00		CAP.,FXD,CER DI:0.01UF,20%,50V	72982	8121N075X7R0103M
A26C3012	283-0647-00		CAP.,FXD,MICA D:70PF,1%,100V	00853	D155E700F0
A26C3016	283-0630-00		CAP.,FXD,MICA D:110PF,1%,100V	00853	D155F111F0
A26C3018	283-0630-00		CAP.,FXD,MICA D:110PF,1%,100V	00853	D155F111F0
A26C3022	283-0647-00		CAP.,FXD,MICA D:70PF,1%,100V	00853	D155E700F0
A26C3032	285-0598-00		CAP.,FXD,PLSTC:0.01UF,5%,100V	19396	DJ490B103J
A26C3035	285-0598-00		CAP.,FXD,PLSTC:0.01UF,5%,100V	19396	DJ490B103J
A26C3046	283-0330-00		CAP.,FXD,CER DI:100PF,5%,50V	51642	200-050-NP0-101J
A26C3047	283-0330-00		CAP.,FXD,CER DI:100PF,5%,50V	51642	200-050-NP0-101J
A26C3050	283-0220-00		CAP.,FXD,CER DI:0.01UF,20%,50V	72982	8121N075X7R0103M
A26C3051	283-0156-00		CAP.,FXD,CER DI:1000PF,+100-0%,200V	96733	R2670
A26C3052	283-0024-00		CAP.,FXD,CER DI:0.1UF,+80-20%,50V	72982	8121N083Z5U0104Z
A26C3058	283-0024-00		CAP.,FXD,CER DI:0.1UF,+80-20%,50V	72982	8121N083Z5U0104Z
A26C3066	283-0024-00		CAP.,FXD,CER DI:0.1UF,+80-20%,50V	72982	8121N083Z5U0104Z
A26C3067	290-0804-00		CAP.,FXD,ELCTL:10UF,+50-10%,25V	55680	ULA1E100TEA
A26C3071	283-0220-00		CAP.,FXD,CER DI:0.01UF,20%,50V	72982	8121N075X7R0103M
A26C3074	283-0024-00		CAP.,FXD,CER DI:0.1UF,+80-20%,50V	72982	8121N083Z5U0104Z
A26C4014	283-0024-00		CAP.,FXD,CER DI:0.1UF,+80-20%,50V	72982	8121N083Z5U0104Z
A26C4017	283-0220-00		CAP.,FXD,CER DI:0.01UF,20%,50V	72982	8121N075X7R0103M



Component No.	Tektronix Part No.	Serial/Model No. Eff Dscnt	Name & Description	Mfr Code	Mfr Part Number
A26C4021	283-0024-00		CAP.,FXD,CER DI:0.1UF,+80-20%,50V	72982	8121N083Z5U0104Z
A26C4026	283-0220-00		CAP.,FXD,CER DI:0.01UF,20%,50V	72982	8121N075X7R0103M
A26C4027	283-0220-00		CAP.,FXD,CER DI:0.01UF,20%,50V	72982	8121N075X7R0103M
A26C4032	285-0598-00		CAP.,FXD,PLSTC:0.01UF,5%,100V	19396	DU490B103J
A26C4035	285-0598-00		CAP.,FXD,PLSTC:0.01UF,5%,100V	19396	DU490B103J
A26C4037	283-0024-00		CAP.,FXD,CER DI:0.1UF,+80-20%,50V	72982	8121N083Z5U0104Z
A26C4053	283-0220-00		CAP.,FXD,CER DI:0.01UF,20%,50V	72982	8121N075X7R0103M
A26C5015	283-0024-00		CAP.,FXD,CER DI:0.1UF,+80-20%,50V	72982	8121N083Z5U0104Z
A26C5016	283-0220-00		CAP.,FXD,CER DI:0.01UF,20%,50V	72982	8121N075X7R0103M
A26C5017	283-0220-00		CAP.,FXD,CER DI:0.01UF,20%,50V	72982	8121N075X7R0103M
A26C5027	283-0220-00		CAP.,FXD,CER DI:0.01UF,20%,50V	72982	8121N075X7R0103M
A26C5052	290-0804-00		CAP.,FXD,ELCTLT:10UF,+50-10%,25V	55680	ULA1E100TEA
A26C5056	283-0024-00		CAP.,FXD,CER DI:0.1UF,+80-20%,50V	72982	8121N083Z5U0104Z
A26C5066	283-0024-00		CAP.,FXD,CER DI:0.1UF,+80-20%,50V	72982	8121N083Z5U0104Z
A26C5067	283-0024-00		CAP.,FXD,CER DI:0.1UF,+80-20%,50V	72982	8121N083Z5U0104Z
A26C5068	290-0804-00		CAP.,FXD,ELCTLT:10UF,+50-10%,25V	55680	ULA1E100TEA
A26C5072	290-0804-00		CAP.,FXD,ELCTLT:10UF,+50-10%,25V	55680	ULA1E100TEA
A26CR1065	152-0141-02		SEMICON DVC,DI:SW,SI,30V,150MA,30V,DO-35	12969	NDP0263 (1N4152)
A26CR2068	152-0650-00		SEMICON DEVICE:VVC,11.5PF NOM -3V,30 PIV	04713	BB105B
A26CR4070	152-0322-00		SEMICON DEVICE:SILICON,15V,HOT CARRIER	50434	5082-2672
A26CR4077	152-0141-02		SEMICON DVC,DI:SW,SI,30V,150MA,30V,DO-35	12969	NDP0263 (1N4152)
A26L1020	108-0733-00		COIL,RF:FIXED,113NH	80009	108-0733-00
A26L1074	108-1198-00		COIL,RF:FXD,14NH		
A26L3014	108-0733-00		COIL,RF:FIXED,113NH	80009	108-0733-00
A26L3016	108-0733-00		COIL,RF:FIXED,113NH	80009	108-0733-00
A26L3020	108-0733-00		COIL,RF:FIXED,113NH	80009	108-0733-00
A26L5059	108-1199-00		COIL,RF:FXD,28MH,11%	80009	108-1199-00
A26P1028	131-0265-00		CONN,RCPT,ELEC:MINTR,CKT BD MTD,FEM,RTNG	98291	51-053-0000
A26P1039	131-0265-00		CONN,RCPT,ELEC:MINTR,CKT BD MTD,FEM,RTNG	98291	51-053-0000
A26P1060	131-0265-00		CONN,RCPT,ELEC:MINTR,CKT BD MTD,FEM,RTNG	98291	51-053-0000
A26Q1015	151-0282-00		TRANSISTOR:SILICON,NPN	80009	151-0282-00
A26Q2049	151-0630-00		TRANSISTOR:SILICON,NPN	80009	151-0630-00
A26Q2051	151-0301-00		TRANSISTOR:SILICON,PNP	27014	2N2907A
A26Q2055	151-0301-00		TRANSISTOR:SILICON,PNP	27014	2N2907A
A26Q2058	151-0658-00		TRANSISTOR:SILICON,NPN	80009	151-0658-00
A26Q2071	151-0719-00		TRANSISTOR:SILICON,PNP	04713	SPS8228(MPSH81)
A26Q2076	151-0302-00		TRANSISTOR:SILICON,NPN	07263	S038487
A26Q4014	151-0302-00		TRANSISTOR:SILICON,NPN	07263	S038487
A26Q4016	151-0302-00		TRANSISTOR:SILICON,NPN	07263	S038487
A26Q5027	151-0302-00		TRANSISTOR:SILICON,NPN	07263	S038487
A26R1012	315-0621-00		RES.,FXD,CMPSN:620 OHM,5%,0.25W	57668	NTR25J-E620E
A26R1017	315-0100-00		RES.,FXD,CMPSN:10 OHM,5%,0.25W	57668	NTR25J-E 10E0
A26R1018	315-0221-00		RES.,FXD,CMPSN:220 OHM,5%,0.25W	57668	NTR25J-E220E
A26R1021	315-0221-00		RES.,FXD,CMPSN:220 OHM,5%,0.25W	57668	NTR25J-E220E
A26R1022	315-0101-00		RES.,FXD,CMPSN:100 OHM,5%,0.25W	57668	NTR25J-E 100E
A26R1045	315-0560-00		RES.,FXD,CMPSN:56 OHM,5%,0.25W	57668	NTR25J-E56E0
A26R1047	315-0562-00		RES.,FXD,CMPSN:5.6K OHM,5%,0.25W	57668	NTR25J-E05K6
A26R1049	315-0202-00		RES.,FXD,CMPSN:2K OHM,5%,0.25W	57668	NTR25J-E02K0
A26R1051	315-0201-00		RES.,FXD,CMPSN:200 OHM,5%,0.25W	57668	NTR25J-E200E
A26R1053	315-0562-00		RES.,FXD,CMPSN:5.6K OHM,5%,0.25W	57668	NTR25J-E05K6
A26R1054	315-0132-00		RES.,FXD,CMPSN:1.3K OHM,5%,0.25W	57668	NTR25J-E01K3
A26R1056	315-0680-00		RES.,FXD,CMPSN:68 OHM,5%,0.25W	57668	NTR25J-E68E0
A26R1057	315-0300-00		RES.,FXD,CMPSN:30 OHM,5%,0.25W	01121	CB3005
A26R1066	317-0101-00		RES.,FXD,CMPSN:100 OHM,5%,0.125W	01121	BB1015



Replaceable Electrical Parts—494/494P Service Vol. 2

Component No.	Tektronix Part No.	Serial/Model No. Eff Dscont	Name & Description	Mfr Code	Mfr Part Number
A26R1068	317-0101-00		RES.,FXD,CMPSN:100 OHM,5%,0.125W	01121	BB1015
A26R2013	315-0152-00		RES.,FXD,CMPSN:1.5K OHM,5%,0.25W	57668	NTR25J-E01K5
A26R2016	317-0512-00		RES.,FXD,CMPSN:5.1K OHM,5%,0.125	01121	BB5125
A26R2017	317-0180-00		RES.,FXD,CMPSN:18 OHM,5%,0.125W	01121	BB1805
A26R2022	317-0180-00		RES.,FXD,CMPSN:18 OHM,5%,0.125W	01121	BB1805
A26R2023	317-0180-00		RES.,FXD,CMPSN:18 OHM,5%,0.125W	01121	BB1805
A26R2024	315-0510-00		RES.,FXD,CMPSN:51 OHM,5%,0.25W	57668	NTR25J-E51E0
A26R2025	315-0104-00		RES.,FXD,CMPSN:100K OHM,5%,0.25W	57668	NTR25J-E100K
A26R2031	321-0184-00		RES.,FXD,FILM:806 OHM,1%,0.125W	91637	MFF1816G806R0F
A26R2032	321-0184-00		RES.,FXD,FILM:806 OHM,1%,0.125W	91637	MFF1816G806R0F
A26R2044	315-0101-00		RES.,FXD,CMPSN:100 OHM,5%,0.25W	57668	NTR25J-E 100E
A26R2047	317-0332-00		RES.,FXD,CMPSN:3.3K OHM,5%,0.125W	01121	BB3325
A26R2049	317-0100-00		RES.,FXD,CMPSN:10 OHM,5%,0.125W	01121	BB1005
A26R2050	317-0201-00		RES.,FXD,CMPSN:200 OHM,5%,0.125W	01121	BB2015
A26R2051	317-0101-00		RES.,FXD,CMPSN:100 OHM,5%,0.125W	01121	BB1015
A26R2056	317-0332-00		RES.,FXD,CMPSN:3.3K OHM,5%,0.125W	01121	BB3325
A26R2057	317-0047-00		RES.,FXD,CMPSN:4.7 OHM,5%,0.125W	01121	BB47G5
A26R2058	317-0511-00		RES.,FXD,CMPSN:510 OHM,5%,0.125W	01121	BB5115
A26R2060	317-0101-00		RES.,FXD,CMPSN:100 OHM,5%,0.125W	01121	BB1015
A26R2065	317-0330-00		RES.,FXD,CMPSN:33 OHM,5%,0.125W	01121	BB3305
A26R2068	317-0332-00		RES.,FXD,CMPSN:3.3K OHM,5%,0.125W	01121	BB3325
A26R2071	317-0102-00		RES.,FXD,CMPSN:1K OHM,5%,0.125W	01121	BB1025
A26R2072	317-0911-00		RES.,FXD,CMPSN:910 OHM,5%,0.125W	01121	BB9115
A26R2074	317-0332-00		RES.,FXD,CMPSN:3.3K OHM,5%,0.125W	01121	BB3325
A26R2075	317-0472-00		RES.,FXD,CMPSN:4.7K OHM,5%,0.125W	01121	BB4725
A26R2076	317-0102-00		RES.,FXD,CMPSN:1K OHM,5%,0.125W	01121	BB1025
A26R3022	315-0471-00		RES.,FXD,CMPSN:470 OHM,5%,0.25W	57668	NTR25J-E470E
A26R3037	315-0100-00		RES.,FXD,CMPSN:10 OHM,5%,0.25W	57668	NTR25J-E 10E0
A26R3038	315-0154-00		RES.,FXD,CMPSN:150K OHM,5%,0.25W	57668	NTR25J-E150K
A26R3041	321-0298-00		RES.,FXD,FILM:12.4K OHM,1%,0.125W	91637	MFF1816G12401F
A26R3042	321-0298-00		RES.,FXD,FILM:12.4K OHM,1%,0.125W	91637	MFF1816G12401F
A26R3043	321-0315-00		RES.,FXD,FILM:18.7K OHM,1%,0.125W	91637	CMF55-116G18701F
A26R3044	321-0315-00		RES.,FXD,FILM:18.7K OHM,1%,0.125W	91637	CMF55-116G18701F
A26R3045	321-0298-00		RES.,FXD,FILM:12.4K OHM,1%,0.125W	91637	MFF1816G12401F
A26R3046	321-0298-00		RES.,FXD,FILM:12.4K OHM,1%,0.125W	91637	MFF1816G12401F
A26R3050	315-0510-00		RES.,FXD,CMPSN:51 OHM,5%,0.25W	57668	NTR25J-E51E0
A26R3055	317-0470-00		RES.,FXD,CMPSN:47 OHM,5%,0.125W	01121	BB4705
A26R3057	317-0470-00		RES.,FXD,CMPSN:47 OHM,5%,0.125W	01121	BB4705
A26R3058	317-0470-00		RES.,FXD,CMPSN:47 OHM,5%,0.125W	01121	BB4705
A26R3065	317-0331-00		RES.,FXD,CMPSN:330 OHM,5%,0.125W	01121	BB3315
A26R3070	315-0202-00		RES.,FXD,CMPSN:2K OHM,5%,0.25W	57668	NTR25J-E02K0
A26R3071	317-0101-00		RES.,FXD,CMPSN:100 OHM,5%,0.125W	01121	BB1015
A26R3076	317-0472-00		RES.,FXD,CMPSN:4.7K OHM,5%,0.125W	01121	BB4725
A26R4015	315-0470-00		RES.,FXD,CMPSN:47 OHM,5%,0.25W	57668	NTR25J-E47E0
A26R4016	315-0132-00		RES.,FXD,CMPSN:1.3K OHM,5%,0.25W	57668	NTR25J-E01K3
A26R4023	315-0271-00		RES.,FXD,CMPSN:270 OHM,5%,0.25W	57668	NTR25J-E270E
A26R4024	315-0103-00		RES.,FXD,CMPSN:10K OHM,5%,0.25W	57668	NTR25J-E10K0
A26R4027	315-0103-00		RES.,FXD,CMPSN:10K OHM,5%,0.25W	57668	NTR25J-E10K0
A26R4038	315-0154-00		RES.,FXD,CMPSN:150K OHM,5%,0.25W	57668	NTR25J-E150K
A26R4040	315-0154-00		RES.,FXD,CMPSN:150K OHM,5%,0.25W	57668	NTR25J-E150K
A26R4047	315-0154-00		RES.,FXD,CMPSN:150K OHM,5%,0.25W	57668	NTR25J-E150K
A26R4049	315-0154-00		RES.,FXD,CMPSN:150K OHM,5%,0.25W	57668	NTR25J-E150K
A26R4052	315-0243-00		RES.,FXD,CMPSN:24K OHM,5%,0.25W	57668	NTR25J-E24K0
A26R4073	315-0332-00		RES.,FXD,CMPSN:3.3K OHM,5%,0.25W	57668	NTR25J-E03K3

Component No.	Tektronix Part No.	Serial/Model No. Eff Dscont	Name & Description	Mfr Code	Mfr Part Number
A26R5015	317-0160-00		RES.,FXD,CMPSN:16 OHM,5%,0.125W	01121	BB1605
A26R5017	317-0160-00		RES.,FXD,CMPSN:16 OHM,5%,0.125W	01121	BB1605
A26R5020	315-0510-00		RES.,FXD,CMPSN:51 OHM,5%,0.25W	57668	NTR25J-E51E0
A26R5021	315-0104-00		RES.,FXD,CMPSN:100K OHM,5%,0.25W	57668	NTR25J-E100K
A26R5023	315-0103-00		RES.,FXD,CMPSN:10K OHM,5%,0.25W	57668	NTR25J-E10K0
A26R5024	315-0103-00		RES.,FXD,CMPSN:10K OHM,5%,0.25W	57668	NTR25J-E10K0
A26R5025	315-0223-00		RES.,FXD,CMPSN:22K OHM,5%,0.25W	57668	NTR25J-E 22K
A26R5038	315-0154-00		RES.,FXD,CMPSN:150K OHM,5%,0.25W	57668	NTR25J-E150K
A26R5039	315-0154-00		RES.,FXD,CMPSN:150K OHM,5%,0.25W	57668	NTR25J-E150K
A26R5072	307-0108-00		RES.,FXD,CMPSN:6.8 OHM,5%,0.25W	01121	CB68G5
A26T4014	120-1509-00		TRANSFORMER,RF:TOROID.257NH	80009	120-1509-00
A26T5022	120-1510-00		TRANSFORMER,RF:TOROID.35.5NH,30%	80009	120-1510-00
A26TP1066	214-0579-00		TERM,TEST POINT:BRS CD PL	80009	214-0579-00
A26TP1074	214-0579-00		TERM,TEST POINT:BRS CD PL	80009	214-0579-00
A26TP4045	214-0579-00		TERM,TEST POINT:BRS CD PL	80009	214-0579-00
A26U2017	156-1248-00		MICROCIRCUIT,DI:PRESCALER/DIVIDE BY 100	80009	156-1248-00
A26U2040	156-1272-00		MICROCIRCUIT,LI:DUAL OPERATIONAL AMPLIFIER	18324	NE5532 FE-B
A26U3051	156-1862-00		MICROCIRCUIT,DI:VAR MODULUS DIVIDER		
A26U3059	156-0469-02		MICROCIRCUIT,DI:3/8 LINE DCDR	01295	SN74LS138NP3
A26U4021	156-1709-00		MICROCIRCUIT,LI:IF AMPLIFIER	04713	MC1350P
A26U4041	156-1742-00		MICROCIRCUIT,LI:PLL FREQUENCY SYNTHESIZER	04713	MC145146L
A26U4066	156-0058-02		MICROCIRCUIT,DI:HEX INVRTR,SCREENED	01295	SN7404
A26U4074	156-0388-03		MICROCIRCUIT,DI:DUAL D FLIP-FLOP	07263	74LS74A
A26U5015	156-1248-00		MICROCIRCUIT,DI:PRESCALER/DIVIDE BY 100	80009	156-1248-00
A26U5073	156-0277-01		MICROCIRCUIT,LI:POSITIVE VOLTAGE REG	04713	MC7805CTD

<http://www.ebaman.com>

Replaceable Electrical Parts—494/494P Service Vol. 2

Component No.	Tektronix Part No.	Serial/Model No. Eff Dscont	Name & Description	Mfr Code	Mfr Part Number
A28	670-7920-00		CKT BOARD ASSY:MAIN	80009	670-7920-00
A28	-----		(NO ELECTRICAL PARTS)		
A30	621-0499-00		POWER SUPPLY:	80009	621-0499-00
A30	-----		(494 ONLY)		
A30	621-0500-00		POWER SUPPLY:	80009	621-0500-00
A30	-----		(494P ONLY)		
A30	621-0006-00		POWER SUPPLY:	80009	621-0006-00
A30	-----		(494 OPTION 42 ONLY)		
A30	621-0007-00		POWER SUPPLY:	80009	621-0007-00
A30	-----		(494P OPTION 42 ONLY)		
A30B100	119-0830-01		FAN,TUBEAXIAL:12VDC,2.4W,5250 RPM,47CFM	000AX	MODEL 69.11.53
A30CR01	152-0141-02		SEMICON DVC,DI:SW,SI,30V,150MA,30V,DO-35	12969	NDP0263 (1N4152)
A30CR01	-----		(OPTION 42 ONLY)		
A30F301	159-0017-00		FUSE,CARTRIDGE:3AG,4A,250V,FAST BLOW	71400	MTH4
A30FL301	119-1306-00		FILTER,RFI:6A,250V,50-400HZ	56289	6JX5431A
A30FL302	119-1390-00		FILTER,RFI:POT CORE SET	80009	119-1390-00
A30R01	315-0471-00		RES.,FXD,CMPSN:470 OHM,5%,0.25W	57668	NTR25J-E470E
A30R01	-----		(OPTION 42 ONLY)		
A30R301	301-0514-01		RES,FXD,CMPSN:510K OHM,5%,0.5W	01121	EB5145
A30S300	260-1931-00		SWITCH,PRCN:SPST,NO,10(4)A,250V	000FJ	1005.0925
A30S301	260-1931-00		SWITCH,PRCN:SPST,NO,10(4)A,250V	000FJ	1005.0925
A30S302	260-1967-00		SWITCH,SLIDE:DPDT,5A/250V	000FJ	4021.0512
A30U301	119-1168-00		CAPACITOR-RES:0.1UF,20% & 22 OHM,10%,250V	14752	RG1782-1
A30W192	175-9621-00		CABLE ASSY,RF:50 OHM,COAX,23.5 L	80009	175-9621-00
A30W192	-----		(OPTION 42 ONLY)		
A30W301	175-7603-00		CABLE ASSY,RF:50 OHM COAX,6.10L		
A30W560	175-3405-00		CA ASSY,SP,ELEC:28,26 AWG,18.0 INCH LONG	80009	175-3405-00
A30W560	-----		(494P ONLY)		
A30W620	175-3619-01		CABLE ASSY,RF:50 OHM COAX,16.0 L SEMI-RGD	80009	175-3619-01
A30W1011	175-2480-00		CA ASSY,SP,ELEC:11.0 INCH LONG,RIBBON	80009	175-2480-00
A30W1011	-----		(494P ONLY)		
A30W1021	175-9618-00		CABLE ASSY,RF:50 OHM COAX,11.0 L,9-5	80009	175-9618-00
A30W1021	-----		(OPTION 42 ONLY)		
A30W3045	175-3557-00		CA ASSY,SP,ELEC:5,26 AWG,18.0 L,RIBBON	80009	175-3557-00



Component No.	Tektronix Part No.	Serial/Model No. Eff Dscnt	Name & Description	Mfr Code	Mfr Part Number
A30A1	670-8036-01		CKT BOARD ASSY:POWER SUPPLY	80009	670-8036-01
A30A1C1055	290-0758-00		CAP.,FXD,ELCTLT:2.2UF,+50-10%,160V	56289	502D227
A30A1C1063	285-1089-00		CAP.,FXD,PLSTC:0.04UF,5%,900V	50558	PA6-0787J
A30A1C1095	285-1196-00		CAP.,FXD,PAPER:0.01UF,20%,250V	80009	285-1196-00
A30A1C2024	283-0330-00		CAP.,FXD,CER DI:100PF,5%,50V	51642	200-050-NP0-101J
A30A1C2030	283-0238-00		CAP.,FXD,CER DI:0.01UF,10%,50V	72982	8121N075X7R0103K
A30A1C2032	283-0330-00		CAP.,FXD,CER DI:100PF,5%,50V	51642	200-050-NP0-101J
A30A1C2033	283-0486-00		CAP.,FXD,CER DI:1.0UF,10%,50V	04222	SR405105K
A30A1C2034	283-0330-00		CAP.,FXD,CER DI:100PF,5%,50V	51642	200-050-NP0-101J
A30A1C2035	283-0156-00		CAP.,FXD,CER DI:1000PF,+100-0%,200V	96733	R2670
A30A1C2041	290-0758-00		CAP.,FXD,ELCTLT:2.2UF,+50-10%,160V	56289	502D227
A30A1C2043	290-1034-00		CAP.,FXD,ELCTLT:330UF,25V,20%		
A30A1C2045	290-0758-00		CAP.,FXD,ELCTLT:2.2UF,+50-10%,160V	56289	502D227
A30A1C2053	290-0758-00		CAP.,FXD,ELCTLT:2.2UF,+50-10%,160V	56289	502D227
A30A1C2057	290-0758-00		CAP.,FXD,ELCTLT:2.2UF,+50-10%,160V	56289	502D227
A30A1C2096	285-1196-00		CAP.,FXD,PAPER:0.01UF,20%,250V	80009	285-1196-00
A30A1C3031	283-0330-00		CAP.,FXD,CER DI:100PF,5%,50V	51642	200-050-NP0-101J
A30A1C3033	283-0486-00		CAP.,FXD,CER DI:1.0UF,10%,50V	04222	SR405105K
A30A1C3034	283-0330-00		CAP.,FXD,CER DI:100PF,5%,50V	51642	200-050-NP0-101J
A30A1C3035	283-0330-00		CAP.,FXD,CER DI:100PF,5%,50V	51642	200-050-NP0-101J
A30A1C3036	283-0486-00		CAP.,FXD,CER DI:1.0UF,10%,50V	04222	SR405105K
A30A1C3037	283-0486-00		CAP.,FXD,CER DI:1.0UF,10%,50V	04222	SR405105K
A30A1C3041	290-0770-00		CAP.,FXD,ELCTLT:100UF,+50-10%,25V	56289	502D230
A30A1C3051	290-0771-00		CAP.,FXD,ELCTLT:220UF,+50-10%,10VDC	56289	502D231
A30A1C3057	290-0852-00		CAP.,FXD,ELCTLT:1UF,+75-10%,350V	54473	ECE-A2350V1
A30A1C3064	285-1196-00		CAP.,FXD,PAPER:0.01UF,20%,250V	80009	285-1196-00
A30A1C3071	285-0981-00		CAP.,FXD,PLSTC:2.0UF,10%,400V	14752	C-2585
A30A1C3074	285-1040-00		CAP.,FXD,PLSTC:0.0012UF,10%,4000V	56289	430P522
A30A1C4012	290-0745-00		CAP.,FXD,ELCTLT:22UF,+50-10%,25V	54473	ECE-A25V22L
A30A1C4014	283-0111-00		CAP.,FXD,CER DI:0.1UF,20%,50V	96733	R2632
A30A1C4015	283-0211-00		CAP.,FXD,CER DI:0.1UF,10%,200V	04222	SR406C104KAA
A30A1C4016	283-0111-00		CAP.,FXD,CER DI:0.1UF,20%,50V	96733	R2632
A30A1C4022	290-0745-00		CAP.,FXD,ELCTLT:22UF,+50-10%,25V	54473	ECE-A25V22L
A30A1C4023	290-0942-00		CAP.,FXD,ELCTLT:100UF,+100-10%,25V	56289	672D107H025CG2C
A30A1C4024	283-0111-00		CAP.,FXD,CER DI:0.1UF,20%,50V	96733	R2632
A30A1C4032	283-0111-00		CAP.,FXD,CER DI:0.1UF,20%,50V	96733	R2632
A30A1C4033	290-0770-00		CAP.,FXD,ELCTLT:100UF,+50-10%,25V	56289	502D230
A30A1C4035	290-0745-00		CAP.,FXD,ELCTLT:22UF,+50-10%,25V	54473	ECE-A25V22L
A30A1C4036	283-0111-00		CAP.,FXD,CER DI:0.1UF,20%,50V	96733	R2632
A30A1C4044	290-1034-00		CAP.,FXD,ELCTLT:330UF,25V,20%		
A30A1C4046	290-1034-00		CAP.,FXD,ELCTLT:330UF,25V,20%		
A30A1C4051	290-1034-00		CAP.,FXD,ELCTLT:330UF,25V,20%		
A30A1C4055	290-1034-00		CAP.,FXD,ELCTLT:330UF,25V,20%		
A30A1C4082	283-0263-00		CAP.,FXD,CER DI:0.0022UF,20%,3000V	59660	828556Y5R0222M
A30A1C5010	283-0008-00		CAP.,FXD,CER DI:0.1UF,20%,500V	56289	3C37X7R104M500B
A30A1C5012	290-0758-00		CAP.,FXD,ELCTLT:2.2UF,+50-10%,160V	56289	502D227
A30A1C5017	283-0486-00		CAP.,FXD,CER DI:1.0UF,10%,50V	04222	SR405105K
A30A1C5018	290-1034-00		CAP.,FXD,ELCTLT:330UF,25V,20%		
A30A1C5021	283-0111-00		CAP.,FXD,CER DI:0.1UF,20%,50V	96733	R2632
A30A1C5022	290-0745-00		CAP.,FXD,ELCTLT:22UF,+50-10%,25V	54473	ECE-A25V22L
A30A1C5038	285-0699-00		CAP.,FXD,PLSTC:0.0047UF,10%,100V	56289	192P4/292R440
A30A1C5051	290-1034-00		CAP.,FXD,ELCTLT:330UF,25V,20%		
A30A1C5054	290-1034-00		CAP.,FXD,ELCTLT:330UF,25V,20%		
A30A1C5071	283-0111-00		CAP.,FXD,CER DI:0.1UF,20%,50V	96733	R2632

Replaceable Electrical Parts—494/494P Service Vol. 2

Component No.	Tektronix Part No.	Serial/Model No. Eff Dscnt	Name & Description	Mfr Code	Mfr Part Number
A30A1C5072	290-0804-00		CAP.,FXD,ELCTLT:10UF,-50-10%,25V	55680	ULA1E100TEA
A30A1C5082	283-0263-00		CAP.,FXD,CER DI:0.0022UF,20%,3000V	59660	828556Y5R0222M
A30A1C5084	290-0114-00		CAP.,FXD,ELCTLT:47UF,20%,6V	56289	150D476X0006B2
A30A1C5085	290-0114-00		CAP.,FXD,ELCTLT:47UF,20%,6V	56289	150D476X0006B2
A30A1C5113	283-0211-00		CAP.,FXD,CER DI:0.1UF,10%,200V	04222	SR406C104KAA
A30A1C6010	283-0111-00		CAP.,FXD,CER DI:0.1UF,20%,50V	96733	R2632
A30A1C6019	283-0486-00		CAP.,FXD,CER DI:1.0UF,10%,50V	04222	SR405105K
A30A1C6025	290-0523-00		CAP.,FXD,ELCTLT:2.2UF,20%,20V	56289	196D225X0020HA1
A30A1C6033	283-0486-00		CAP.,FXD,CER DI:1.0UF,10%,50V	04222	SR405105K
A30A1C6039	283-0204-00		CAP.,FXD,CER DI:0.01UF,20%,50V	96733	R2676
A30A1C6048	285-1301-00		CAP.,FXD,PLASTIC:0.47UF,10%,50V		
A30A1C6053	285-1301-00		CAP.,FXD,PLASTIC:0.47UF,10%,50V		
A30A1C6055	283-0620-00		CAP.,FXD,MICA D:470PF,1%,300V	T0891	RDM15FD471F03
A30A1C6058	283-0620-00		CAP.,FXD,MICA D:470PF,1%,300V	T0891	RDM15FD471F03
A30A1C6059	283-0111-00		CAP.,FXD,CER DI:0.1UF,20%,50V	96733	R2632
A30A1C6062	285-1301-00		CAP.,FXD,PLASTIC:0.47UF,10%,50V		
A30A1C6068	285-1301-00		CAP.,FXD,PLASTIC:0.47UF,10%,50V		
A30A1C6069	283-0204-00		CAP.,FXD,CER DI:0.01UF,20%,50V	96733	R2676
A30A1C6071	283-0067-00		CAP.,FXD,CER DI:0.001UF,10%,200V	59660	835-515-Z5D0102K
A30A1C6072	283-0067-00		CAP.,FXD,CER DI:0.001UF,10%,200V	59660	835-515-Z5D0102K
A30A1C6101	290-0829-00		CAP.,FXD,ELCTLT:750UF,+100-10%,200V	90201	PPF751SR2J3P2
A30A1C6111	290-0829-00		CAP.,FXD,ELCTLT:750UF,+100-10%,200V	90201	PPF751SR2J3P2
A30A1CR1022	152-0400-00		SEMICONV DEVICE:SILICON,400V,1A	80009	152-0400-00
A30A1CR1034	152-0400-00		SEMICONV DEVICE:SILICON,400V,1A	80009	152-0400-00
A30A1CR1042	152-0400-00		SEMICONV DEVICE:SILICON,400V,1A	80009	152-0400-00
A30A1CR2027	152-0141-02		SEMICONV DVC,DI:SW,SI,30V,150MA,30V,DO-35	12969	NDP0263 (1N4152)
A30A1CR2028	152-0141-02		SEMICONV DVC,DI:SW,SI,30V,150MA,30V,DO-35	12969	NDP0263 (1N4152)
A30A1CR2035	152-0141-02		SEMICONV DVC,DI:SW,SI,30V,150MA,30V,DO-35	12969	NDP0263 (1N4152)
A30A1CR2061	152-0661-00		SEMICONV DEVICE:RECT,SI,600V,3A,FAST	04713	MR856
A30A1CR2063	152-0661-00		SEMICONV DEVICE:RECT,SI,600V,3A,FAST	04713	MR856
A30A1CR2065	152-0661-00		SEMICONV DEVICE:RECT,SI,600V,3A,FAST	04713	MR856
A30A1CR2079	152-0661-00		SEMICONV DEVICE:RECT,SI,600V,3A,FAST	04713	MR856
A30A1CR3027	152-0141-02		SEMICONV DVC,DI:SW,SI,30V,150MA,30V,DO-35	12969	NDP0263 (1N4152)
A30A1CR3028	152-0141-02		SEMICONV DVC,DI:SW,SI,30V,150MA,30V,DO-35	12969	NDP0263 (1N4152)
A30A1CR3035	152-0141-02		SEMICONV DVC,DI:SW,SI,30V,150MA,30V,DO-35	12969	NDP0263 (1N4152)
A30A1CR3052	152-0400-00		SEMICONV DEVICE:SILICON,400V,1A	80009	152-0400-00
A30A1CR3053	152-0400-00		SEMICONV DEVICE:SILICON,400V,1A	80009	152-0400-00
A30A1CR3054	152-0400-00		SEMICONV DEVICE:SILICON,400V,1A	80009	152-0400-00
A30A1CR3055	152-0400-00		SEMICONV DEVICE:SILICON,400V,1A	80009	152-0400-00
A30A1CR3056	152-0400-00		SEMICONV DEVICE:SILICON,400V,1A	80009	152-0400-00
A30A1CR3096	152-0661-00		SEMICONV DEVICE:RECT,SI,600V,3A,FAST	04713	MR856
A30A1CR3098	152-0661-00		SEMICONV DEVICE:RECT,SI,600V,3A,FAST	04713	MR856
A30A1CR4021	152-0066-00		SEMICONV DVC DI:RECT,SI,400V,1A,DO-41	05828	GP10G-020
A30A1CR4034	152-0066-00		SEMICONV DVC DI:RECT,SI,400V,1A,DO-41	05828	GP10G-020
A30A1CR4037	152-0066-00		SEMICONV DVC DI:RECT,SI,400V,1A,DO-41	05828	GP10G-020
A30A1CR4053	152-0640-00		SEMICONV DEVICE:SILICON,35V,30A,DO-4	01281	SD-4101
A30A1CR4057	152-0640-00		SEMICONV DEVICE:SILICON,35V,30A,DO-4	01281	SD-4101
A30A1CR4061	152-0720-00		SEMICONV DEVICE:SILICON,100V,7A	25403	BYW29-100
A30A1CR4062	152-0720-00		SEMICONV DEVICE:SILICON,100V,7A	25403	BYW29-100
A30A1CR4063	152-0720-00		SEMICONV DEVICE:SILICON,100V,7A	25403	BYW29-100
A30A1CR4065	152-0720-00		SEMICONV DEVICE:SILICON,100V,7A	25403	BYW29-100
A30A1CR4094	152-0661-00		SEMICONV DEVICE:RECT,SI,600V,3A,FAST	04713	MR856
A30A1CR4095	152-0661-00		SEMICONV DEVICE:RECT,SI,600V,3A,FAST	04713	MR856
A30A1CR5031	152-0141-02		SEMICONV DVC,DI:SW,SI,30V,150MA,30V,DO-35	12969	NDP0263 (1N4152)



Component No.	Tektronix Part No.	Serial/Model No. Eff Dscnt	Name & Description	Mfr Code	Mfr Part Number
A30A1CR5052	152-0721-00		SEMICONV DEVICE:RECT.SI,100V,12A,FAST REC	25403	BYW30-100U
A30A1CR5055	152-0742-00		SEMICONV DEVICE:RECT.SI,100V,12A	80009	152-0742-00
A30A1CR5062	152-0721-00		SEMICONV DEVICE:RECT.SI,100V,12A,FAST REC	25403	BYW30-100U
A30A1CR5065	152-0742-00		SEMICONV DEVICE:RECT.SI,100V,12A	80009	152-0742-00
A30A1CR6014	152-0141-02		SEMICONV DVC,DI:SW,SI,30V,150MA,30V,DO-35	12969	NDP0263 (1N4152)
A30A1CR6015	152-0141-02		SEMICONV DVC,DI:SW,SI,30V,150MA,30V,DO-35	12969	NDP0263 (1N4152)
A30A1CR6016	152-0065-00		SEMICONV DVC DI:RECT.SI,400V,1A,DO-41	05828	GP10G-020
A30A1CR6018	152-0141-02		SEMICONV DVC,DI:SW,SI,30V,150MA,30V,DO-35	12969	NDP0263 (1N4152)
A30A1CR6047	152-0141-02		SEMICONV DVC,DI:SW,SI,30V,150MA,30V,DO-35	12969	NDP0263 (1N4152)
A30A1CR6049	152-0141-02		SEMICONV DVC,DI:SW,SI,30V,150MA,30V,DO-35	12969	NDP0263 (1N4152)
A30A1CR6052	152-0141-02		SEMICONV DVC,DI:SW,SI,30V,150MA,30V,DO-35	12969	NDP0263 (1N4152)
A30A1CR6053	152-0141-02		SEMICONV DVC,DI:SW,SI,30V,150MA,30V,DO-35	12969	NDP0263 (1N4152)
A30A1CR6055	152-0141-02		SEMICONV DVC,DI:SW,SI,30V,150MA,30V,DO-35	12969	NDP0263 (1N4152)
A30A1CR6061	152-0141-02		SEMICONV DVC,DI:SW,SI,30V,150MA,30V,DO-35	12969	NDP0263 (1N4152)
A30A1CR6071	152-0400-00		SEMICONV DEVICE:SILICON,400V,1A	80009	152-0400-00
A30A1CR6072	152-0141-02		SEMICONV DVC,DI:SW,SI,30V,150MA,30V,DO-35	12969	NDP0263 (1N4152)
A30A1CR6073	152-0400-00		SEMICONV DEVICE:SILICON,400V,1A	80009	152-0400-00
A30A1CR6074	152-0141-02		SEMICONV DVC,DI:SW,SI,30V,150MA,30V,DO-35	12969	NDP0263 (1N4152)
A30A1DS5112	150-0035-00		LAMP,GLOW:90V,0.3MA,AID-T,WIRE LD	000LI	JH005/3011JA
A30A1E1094	119-0181-00		ARSR,ELEC SURGE:230V,GAS FILLED	74276	CG230L
A30A1E2095	119-0181-00		ARSR,ELEC SURGE:230V,GAS FILLED	74276	CG230L
A30A1F1013	159-0025-00		FUSE,CARTRIDGE:3AG,0.5A,250V,FAST-BLOW	71400	AGC 1/2
A30A1F1017	159-0021-00		FUSE,CARTRIDGE:3AG,2A,250V,FAST-BLOW	71400	AGC 2
A30A1F1033	159-0213-00		FUSE,CARTRIDGE:0.062A,250V,FAST BLO	71400	1/16A
A30A1F1035	159-0028-00		FUSE,CARTRIDGE:3AG,0.25A,250V,FAST-BLOW	71400	AGC 1/4
A30A1F2013	159-0021-00		FUSE,CARTRIDGE:3AG,2A,250V,FAST-BLOW	71400	AGC 2
A30A1F3038	159-0128-00		FUSE,CARTRIDGE:2A,125V,5 SEC	75915	273002
A30A1J5041	131-2324-00		CONN,RCPT,ELEC:CKT BD,20/40 CONT,FEMALE	31781	307-040-526-300
A30A1L1051	108-0960-00		COIL,RF:FIXED,3.9MH TOROIDAL	80009	108-0960-00
A30A1L1081	108-1052-00		COIL,RF:FIXED,580UH	80009	108-1052-00
A30A1L2048	108-0959-00		COIL,RF:FIXED,150MH	80009	108-0959-00
A30A1L3012	108-0795-00		COIL,RF:FIXED,2NH	80009	108-0795-00
A30A1L3043	108-0959-00		COIL,RF:FIXED,150MH	80009	108-0959-00
A30A1L3047	108-0958-00		COIL,RF:FIXED,50UH	80009	108-0958-00
A30A1L3088	108-0961-00		COIL,RF:FIXED,140NH,TOROIDAL	80009	108-0961-00
A30A1L4042	108-0958-00		COIL,RF:FIXED,50UH	80009	108-0958-00
A30A1P1091	131-2250-00		CONN,RCPT,ELEC:CKT BD,5 MALE	27264	09-61-1053
A30A1P3045	131-0608-00		TERMINAL,PIN:0.365 L X 0.025 PH BRZ GOLD	22526	48283-036
A30A1P5033	131-0608-00		TERMINAL,PIN:0.365 L X 0.025 PH BRZ GOLD	22526	48283-036
A30A1P5042	131-0608-00		TERMINAL,PIN:0.365 L X 0.025 PH BRZ GOLD	22526	48283-036
A30A1Q2021	151-0625-00		TRANSISTOR:SILICON,PNP	03508	D45H11
A30A1Q2023	151-0710-00		TRANSISTOR:SILICON,NPN	27014	2N6715/92 PU01A
A30A1Q2024	151-0625-00		TRANSISTOR:SILICON,PNP	03508	D45H11
A30A1Q2031	151-0302-00		TRANSISTOR:SILICON,NPN	07263	S038487
A30A1Q2061	151-0703-00		TRANSISTOR:SILICON,NPN	80009	151-0703-00
A30A1Q2071	151-0703-00		TRANSISTOR:SILICON,NPN	80009	151-0703-00
A30A1Q3022	151-0625-00		TRANSISTOR:SILICON,PNP	03508	D45H11
A30A1Q3023	151-0301-00		TRANSISTOR:SILICON,PNP	27014	2N2907A
A30A1Q5013	151-0622-00		TRANSISTOR:SILICON,PNP		
A30A1Q5023	151-0302-00		TRANSISTOR:SILICON,NPN	07263	S038487
A30A1Q5032	151-0301-00		TRANSISTOR:SILICON,PNP	27014	2N2907A
A30A1Q6034	151-0302-00		TRANSISTOR:SILICON,NPN	07263	S038487
A30A1Q6077	151-0444-00		TRANSISTOR:SILICON,NPN	04713	SPS797
A30A1Q6078	151-0444-00		TRANSISTOR:SILICON,NPN	04713	SPS797



Replaceable Electrical Parts—494/494P Service Vol. 2

Component No.	Tektronix Part No.	Serial/Model No. Eff Dscont	Name & Description	Mfr Code	Mfr Part Number
A30A1R2015	308-0643-00		RES.,FXD,WW:0.1 OHM,3%,3W	91637	RS2B-ER1000H TR
A30A1R2017	308-0680-00		RES.,FXD,WW:0.045 OHM,10%,3W	91637	LVR-3R0450K
A30A1R2022	315-0562-00		RES.,FXD,CMPSN:5.6K OHM,5%,0.25W	57668	NTR25J-E05K6
A30A1R2025	315-0122-00		RES.,FXD,CMPSN:1.2K OHM,5%,0.25W	57668	NTR25J-E01K2
A30A1R2026	321-0399-00		RES.,FXD,FILM:140K OHM,1%,0.125W	91637	MFF1816G14002F
A30A1R2030	315-0242-00		RES.,FXD,CMPSN:2.4K OHM,5%,0.25W	57668	NTR25J-E02K4
A30A1R2031	307-0106-00		RES.,FXD,CMPSN:4.7 OHM,5%,0.25W	01121	CB47G5
A30A1R2032	321-0193-00		RES.,FXD,FILM:1K OHM,1%,0.125W	01121	ORD BY DESCR
A30A1R2034	315-0102-00		RES.,FXD,CMPSN:1K OHM,5%,0.25W	57668	NTR25JE01K0
A30A1R2035	315-0621-00		RES.,FXD,CMPSN:620 OHM,5%,0.25W	57668	NTR25J-E620E
A30A1R2036	321-0289-07		RES.,FXD,FILM:10K OHM,0.1%,0.125W	91637	CMF55116C10001B
A30A1R2037	321-0318-07		RES.,FXD,FILM:20K OHM,0.1%,0.125W	24546	NE55E2002B
A30A1R2038	321-0381-00		RES.,FXD,FILM:90.9K OHM,1%,0.125W	91637	MFF1816G90901F
A30A1R2039	321-0347-00		RES.,FXD,FILM:40.2K OHM,1%,0.125W	91637	MFF1816G40201F
A30A1R2057	315-0105-00		RES.,FXD,CMPSN:1M OHM,5%,0.25W	01121	CB1055
A30A1R2073	315-0105-00		RES.,FXD,CMPSN:1M OHM,5%,0.25W	01121	CB1055
A30A1R3019	308-0463-00		RES.,FXD,WW:0.3 OHM,1%,3W	91637	RS2B-R3000F T,R
A30A1R3021	315-0102-00		RES.,FXD,CMPSN:1K OHM,5%,0.25W	57668	NTR25JE01K0
A30A1R3022	307-0106-00		RES.,FXD,CMPSN:4.7 OHM,5%,0.25W	01121	CB47G5
A30A1R3023	315-0102-00		RES.,FXD,CMPSN:1K OHM,5%,0.25W	57668	NTR25JE01K0
A30A1R3024	301-0102-00		RES.,FXD,CMPSN:1K OHM,5%,0.50W	01121	EB1025
A30A1R3025	315-0102-00		RES.,FXD,CMPSN:1K OHM,5%,0.25W	57668	NTR25JE01K0
A30A1R3026	315-0271-00		RES.,FXD,CMPSN:270 OHM,5%,0.25W	57668	NTR25J-E270E
A30A1R3029	307-0106-00		RES.,FXD,CMPSN:4.7 OHM,5%,0.25W	01121	CB47G5
A30A1R3031	321-0377-00		RES.,FXD,FILM:82.5K OHM,1%,0.125W	91637	MFF1816G82501F
A30A1R3032	321-0193-00		RES.,FXD,FILM:1K OHM,1%,0.125W	01121	ORD BY DESCR
A30A1R3033	307-0106-00		RES.,FXD,CMPSN:4.7 OHM,5%,0.25W	01121	CB47G5
A30A1R3034	321-0378-00		RES.,FXD,FILM:84.5K OHM,1%,0.125W	91637	MFF1816G84501F
A30A1R3036	321-0193-00		RES.,FXD,FILM:1K OHM,1%,0.125W	01121	ORD BY DESCR
A30A1R3037	321-0604-00		RES.,FXD,FILM:30K OHM,0.25%,0.125W	91637	MFF1816D30001C
A30A1R3038	321-0344-00		RES.,FXD,FILM:37.4K OHM,1%,0.125W	91637	MFF1816G37401F
A30A1R3039	321-0289-03		RES.,FXD,FILM:10K OHM,0.25%,0.125W	91637	MFF1816D10001C
A30A1R3084	303-0271-00		RES.,FXD,CMPSN:270 OHM,5%,1W	01121	GB2715
A30A1R3088	301-0823-00		RES.,FXD,CMPSN:82K OHM,5%,0.50W	57668	TR50J-E82K
A30A1R4017	301-0823-00		RES.,FXD,CMPSN:82K OHM,5%,0.50W	57668	TR50J-E82K
A30A1R4018	301-0165-00		RES.,FXD,CMPSN:1.6M OHM,5%,0.5W	01121	EB1655
A30A1R4031	315-0102-00		RES.,FXD,CMPSN:1K OHM,5%,0.25W	57668	NTR25JE01K0
A30A1R4083	315-0471-00		RES.,FXD,CMPSN:470 OHM,5%,0.25W	57668	NTR25J-E470E
A30A1R4092	308-0054-00		RES.,FXD,WW:10K OHM,5%,5W	91637	CW5-10001J
A30A1R5014	321-0193-00		RES.,FXD,FILM:1K OHM,1%,0.125W	01121	ORD BY DESCR
A30A1R5015	321-0385-00		RES.,FXD,FILM:100K OHM,1%,0.125W	91637	MFF1816G10002F
A30A1R5016	307-0103-00		RES.,FXD,CMPSN:2.7 OHM,5%,0.25W	01121	CB27G5
A30A1R5019	315-0362-00		RES.,FXD,CMPSN:3.6K OHM,5%,0.25W	01121	CB3625
A30A1R5033	315-0182-00		RES.,FXD,CMPSN:1.8K OHM,5%,0.25W	57668	NTR25J-E1K8
A30A1R5034	315-0222-00		RES.,FXD,CMPSN:2.2K OHM,5%,0.25W	57668	NTR25J-E02K2
A30A1R5035	315-0622-00		RES.,FXD,CMPSN:6.2K OHM,5%,0.25W	01121	CB6225
A30A1R5036	321-0381-00		RES.,FXD,FILM:90.9K OHM,1%,0.125W	91637	MFF1816G90901F
A30A1R5039	301-0102-00		RES.,FXD,CMPSN:1K OHM,5%,0.50W	01121	EB1025
A30A1R5042	315-0512-00		RES.,FXD,CMPSN:5.1K OHM,5%,0.25W	57668	NTR25J-E05K1
A30A1R5042	315-0332-00		RES.,FXD,CMPSN:3.3K OHM,5%,0.25W	57668	NTR25J-E03K3
A30A1R5043	315-0103-00		RES.,FXD,CMPSN:10K OHM,5%,0.25W	57668	NTR25J-E10K0
A30A1R5047	321-0373-00		RES.,FXD,FILM:75K OHM,1%,0.125W	91637	MFF1816G75001F
A30A1R5083	307-0023-00		RES.,FXD,CMPSN:4.7 OHM,10%,0.50W	01121	EB47G1
A30A1R5086	307-0023-00		RES.,FXD,CMPSN:4.7 OHM,10%,0.50W	01121	EB47G1

Component No.	Tektronix Part No.	Serial/Model No. Eff Dscnt	Name & Description	Mfr Code	Mfr Part Number
A30A1R5087	308-0154-00		RES.,FXD,WW:25K OHM,5%,10W	91637	H11205Z725001J
A30A1R5111	301-0565-00		RES.,FXD,CMPSN:5.6M OHM,5%,0.50W	01121	EB5655
A30A1R6011	321-0289-00		RES.,FXD,FILM:10K OHM,1%,0.125W	91637	MFF1816G10001F
A30A1R6013	307-0106-00		RES.,FXD,CMPSN:4.7 OHM,5%,0.25W	01121	CB47G5
A30A1R6017	307-0106-00		RES.,FXD,CMPSN:4.7 OHM,5%,0.25W	01121	CB47G5
A30A1R6019	321-0289-03		RES.,FXD,FILM:10K OHM,0.25%,0.125W	91637	MFF1816D10001C
A30A1R6020	321-0183-00		RES.,FXD,FILM:787 OHM,1%,0.125W	91637	MFF1816G787R0F
A30A1R6021	315-0361-00		RES.,FXD,CMPSN:360 OHM,5%,0.25W	01121	CB3615
A30A1R6022	315-0103-00		RES.,FXD,CMPSN:10K OHM,5%,0.25W	57668	NTR25J-E10K0
A30A1R6023	321-0227-00		RES.,FXD,FILM:2.26K OHM,1%,0.125W	91637	MFF1816G22600F
A30A1R6024	321-0289-03		RES.,FXD,FILM:10K OHM,0.25%,0.125W	91637	MFF1816D10001C
A30A1R6028	311-1489-00		RES.,VAR, NONWIR:500 OHM,10%,0.75W	73138	89-136-1
A30A1R6029	321-0114-00		RES.,FXD,FILM:150 OHM,1%,0.125W	91637	MFF1816G150R0F
A30A1R6032	321-0317-00		RES.,FXD,FILM:19.6K OHM,1%,0.125W	91637	MFF1816G19601F
A30A1R6033	315-0103-00		RES.,FXD,CMPSN:10K OHM,5%,0.25W	57668	NTR25J-E10K0
A30A1R6035	315-0105-00		RES.,FXD,CMPSN:1M OHM,5%,0.25W	01121	CB1055
A30A1R6037	321-0816-00		RES.,FXD,FILM:5K OHM,1%,0.125W	24546	NA55D5001F
A30A1R6038	321-0299-00		RES.,FXD,FILM:12.7K OHM,1%,0.125W	91637	MFF1816G12701F
A30A1R6040	315-0302-00		RES.,FXD,CMPSN:3K OHM,5%,0.25W	57668	NTR25J-E03K0
A30A1R6041	315-0512-00		RES.,FXD,CMPSN:5.1K OHM,5%,0.25W	57668	NTR25J-E05K1
A30A1R6045	315-0103-00		RES.,FXD,CMPSN:10K OHM,5%,0.25W	57668	NTR25J-E10K0
A30A1R6046	315-0820-00		RES.,FXD,CMPSN:82 OHM,5%,0.25W	57668	NTR25J-E82E0
A30A1R6048	321-0337-00		RES.,FXD,FILM:31.6K OHM,1%,0.125W	91637	MFF1816G31601F
A30A1R6052	321-0250-00		RES.,FXD,FILM:3.92K OHM,1%,0.125W	91637	MFF1816G39200F
A30A1R6056	321-0337-00		RES.,FXD,FILM:31.6K OHM,1%,0.125W	91637	MFF1816G31601F
A30A1R6057	321-0321-00		RES.,FXD,FILM:21.5K OHM,1%,0.125W	91637	MFF1816G21501F
A30A1R6058	321-0230-00		RES.,FXD,FILM:2.43K OHM,1%,0.125W	91637	MFF1816G24300F
A30A1R6061	311-0644-00		RES.,VAR, NONWIR:20K OHM,10%,0.50W	73138	82-34-1
A30A1R6063	315-0205-00		RES.,FXD,CMPSN:2M OHM,5%,0.25W	01121	CB2055
A30A1R6073	315-0122-00		RES.,FXD,CMPSN:1.2K OHM,5%,0.25W	57668	NTR25J-E01K2
A30A1R6074	315-0103-00		RES.,FXD,CMPSN:10K OHM,5%,0.25W	57668	NTR25J-E10K0
A30A1R6075	315-0122-00		RES.,FXD,CMPSN:1.2K OHM,5%,0.25W	57668	NTR25J-E01K2
A30A1R6076	315-0103-00		RES.,FXD,CMPSN:10K OHM,5%,0.25W	57668	NTR25J-E10K0
A30A1R6091	308-0054-00		RES.,FXD,WW:10K OHM,5%,5W	91637	CW5-10001J
A30A1RT2093	307-0353-00		RES.,FXD,FILM:5 OHM,10%,DISC	15454	5DA5RO-K-270SS
A30A1RT2097	307-0353-00		RES.,FXD,FILM:5 OHM,10%,DISC	15454	5DA5RO-K-270SS
A30A1S2103	159-0169-00		FUSE,THERMAL:15A,1200V,104 DEG C	27012	4218A1
A30A1T2080	120-1287-00		TRANSFORMER,RF:TOROID,2 WINDS	80009	120-1287-00
A30A1T4071	120-1239-00		XFMR,PWR,SDN&SU:HF	80009	120-1239-00
A30A1T4084	120-0640-00		XFMR,TOROID:18 TURNS,BIFILAR	80009	120-0640-00
A30A1T6044	120-1350-00		TRANSFORMER,RF:TOROID,2 WINDS	80009	120-1350-00
A30A1T6081	120-1234-00		TRANSFORMER:BASE DRIVE	80009	120-1234-00
A30A1TP6027	214-0579-00		TERM,TEST POINT:BRS CD PL	80009	214-0579-00
A30A1TP6053	214-0579-00		TERM,TEST POINT:BRS CD PL	80009	214-0579-00
A30A1TP6065	214-0579-00		TERM,TEST POINT:BRS CD PL	80009	214-0579-00
A30A1U2037	156-0495-02		MICROCIRCUIT,LI:QUAD OPNL AMPL,SELECTED	01295	LM324J4
A30A1U3036	156-0853-00		MICROCIRCUIT,LI:OPERATIONAL AMPLIFIER,DUAL	27014	LM358N
A30A1U3093	119-1168-00		CAPACITOR-RES:0.1UF,20% & 22 OHM,10%,.250V	14752	RG1782-1
A30A1U3103	119-1168-00		CAPACITOR-RES:0.1UF,20% & 22 OHM,10%,.250V	14752	RG1782-1
A30A1U5043	156-1689-00		CPLR, OPTOELECTR:LED & PHOTOTRANSISTOR	03508	H11AV2
A30A1U6016	156-0853-00		MICROCIRCUIT,LI:OPERATIONAL AMPLIFIER,DUAL	27014	LM358N
A30A1U6036	156-1126-01		MICROCIRCUIT,LI:VOLTAGE COMPARATOR,SEL	01295	LM311JG4
A30A1U6043	156-1162-00		CPLR,OPTOELECTR:LED,2500V,8 DIP	50438	6N136
A30A1U6045	156-1225-00		MICROCIRCUIT,LI:DUAL COMPARATOR,8 DIP	27014	LM393N

Replaceable Electrical Parts—494/494P Service Vol. 2

Component No.	Tektronix Part No.	Serial/Model No. Eff	Dscont	Name & Description	Mfr Code	Mfr Part Number
A30A1U6053	156-1408-00			MICROCIRCUIT,LI:TIMER,LOW POWER	32293	ITS9217
A30A1U6059	156-1408-00			MICROCIRCUIT,LI:TIMER,LOW POWER	32293	ITS9217
A30A1U6063	156-0366-02			MICROCIRCUIT,DI:DUAL D FLIP-FLOP,CHK	80009	156-0366-02
A30A1U6069	156-0793-02			MICROCIRCUIT,DI:DUAL 4 INPUT NAND GATE	80009	156-0793-02
A30A1VR3089	152-0405-00			SEMICONV DEVICE:ZENER,1W,15V,5%	80009	152-0405-00
A30A1VR5073	152-0149-00			SEMICONV DEVICE:ZENER,0.4W,10V,5%	04713	SZG35009K3
A30A1VR6026	152-0486-00			SEMICONV DEVICE:ZENER,0.25W,6.2V,5%	80009	152-0486-00

<http://www.ebaman.com>



Component No.	Tektronix Part No.	Serial/Model No. Eff Dscnt	Name & Description	Mfr Code	Mfr Part Number
A30A2	670-7226-00		CKT BOARD ASSY:FAN DRIVE	80009	670-7226-00
A30A2C1017	283-0024-00		CAP.,FXD,CER DI:0.1UF,+80-20%,50V	72982	8121N083Z5U0104Z
A30A2C1018	283-0198-00		CAP.,FXD,CER DI:0.22UF,20%,50V	56289	1C10Z5U223M050B
A30A2C1019	283-0198-00		CAP.,FXD,CER DI:0.22UF,20%,50V	56289	1C10Z5U223M050B
A30A2C1026	290-0523-00		CAP.,FXD,ELCTLT:2.2UF,20%,20V	56289	196D225X0020HA1
A30A2C1028	290-0523-00		CAP.,FXD,ELCTLT:2.2UF,20%,20V	56289	196D225X0020HA1
A30A2C1032	290-0804-00		CAP.,FXD,ELCTLT:10UF,+50-10%,25V	55680	ULA1E100TEA
A30A2C1033	290-0804-00		CAP.,FXD,ELCTLT:10UF,+50-10%,25V	55680	ULA1E100TEA
A30A2C2012	290-0804-00		CAP.,FXD,ELCTLT:10UF,+50-10%,25V	55680	ULA1E100TEA
A30A2C2018	283-0198-00		CAP.,FXD,CER DI:0.22UF,20%,50V	56289	1C10Z5U223M050B
A30A2C2028	290-0523-00		CAP.,FXD,ELCTLT:2.2UF,20%,20V	56289	196D225X0020HA1
A30A2CR1039	152-0066-00		SEMICON DVC DI:RECT,SI,400V,1A,D0-41	05828	GP10G-020
A30A2CR2040	152-0066-00		SEMICON DVC DI:RECT,SI,400V,1A,D0-41	05828	GP10G-020
A30A2P1037	131-0608-00		TERMINAL,PIN:0.365 L X 0.025 PH BRZ GOLD	22526	48283-036
A30A2P2020	131-0608-00		TERMINAL,PIN:0.365 L X 0.025 PH BRZ GOLD	22526	48283-036
A30A2P2040	131-0608-00		TERMINAL,PIN:0.365 L X 0.025 PH BRZ GOLD	22526	48283-036
A30A2P2043	131-0608-00		TERMINAL,PIN:0.365 L X 0.025 PH BRZ GOLD	22526	48283-036
A30A2Q1010	151-0521-00		SCR:SI,MU-27	03508	C122B
A30A2Q1018	151-0188-00		TRANSISTOR:P.NP,SI,TO-92	T0058	2N3906
A30A2Q1020	151-0188-00		TRANSISTOR:P.NP,SI,TO-92	T0058	2N3906
A30A2Q1025	151-0302-00		TRANSISTOR:SILICON,NPN	07263	S038487
A30A2Q1038	151-0302-00		TRANSISTOR:SILICON,NPN	07263	S038487
A30A2Q1044	151-0302-00		TRANSISTOR:SILICON,NPN	07263	S038487
A30A2Q2020	151-0188-00		TRANSISTOR:P.NP,SI,TO-92	T0058	2N3906
A30A2Q2025	151-0334-00		TRANSISTOR:SILICON,NPN	04713	SJE914
A30A2Q2030	151-0302-00		TRANSISTOR:SILICON,NPN	07263	S038487
A30A2R1015	315-0270-00		RES.,FXD,CMPSN:27 OHM,5%,0.25W	01121	CB2705
A30A2R1017	315-0101-00		RES.,FXD,CMPSN:100 OHM,5%,0.25W	57668	NTR25J-E 100E
A30A2R1024	315-0681-00		RES.,FXD,CMPSN:680 OHM,5%,0.25W	57668	NTR25J-E680E
A30A2R1026	315-0681-00		RES.,FXD,CMPSN:680 OHM,5%,0.25W	57668	NTR25J-E680E
A30A2R1027	315-0104-00		RES.,FXD,CMPSN:100K OHM,5%,0.25W	57668	NTR25J-E100K
A30A2R1028	315-0163-00		RES.,FXD,CMPSN:16K OHM,5%,0.25W	57668	NTR25J-E16K0
A30A2R1029	315-0223-00		RES.,FXD,CMPSN:22K OHM,5%,0.25W	57668	NTR25J-E 22K
A30A2R1031	315-0473-00		RES.,FXD,CMPSN:47K OHM,5%,0.25W	57668	NTR25J-E47K0
A30A2R1032	315-0163-00		RES.,FXD,CMPSN:16K OHM,5%,0.25W	57668	NTR25J-E16K0
A30A2R1033	315-0393-00		RES.,FXD,CMPSN:39K OHM,5%,0.25W	57668	NTR25J-E39K0
A30A2R1036	315-0223-00		RES.,FXD,CMPSN:22K OHM,5%,0.25W	57668	NTR25J-E 22K
A30A2R2014	315-0333-00		RES.,FXD,CMPSN:33K OHM,5%,0.25W	57668	NTR25J-E33K0
A30A2R2016	315-0104-00		RES.,FXD,CMPSN:100K OHM,5%,0.25W	57668	NTR25J-E100K
A30A2R2019	315-0104-00		RES.,FXD,CMPSN:100K OHM,5%,0.25W	57668	NTR25J-E100K
A30A2R2034	315-0163-00		RES.,FXD,CMPSN:16K OHM,5%,0.25W	57668	NTR25J-E16K0
A30A2R2035	315-0681-00		RES.,FXD,CMPSN:680 OHM,5%,0.25W	57668	NTR25J-E680E
A30A2R2036	315-0223-00		RES.,FXD,CMPSN:22K OHM,5%,0.25W	57668	NTR25J-E 22K
A30A2R2037	315-0104-00		RES.,FXD,CMPSN:100K OHM,5%,0.25W	57668	NTR25J-E100K
A30A2R2039	315-0361-00		RES.,FXD,CMPSN:360 OHM,5%,0.25W	01121	CB3615
A30A2R2042	315-0623-00		RES.,FXD,CMPSN:62K OHM,5%,0.25W	01121	CB6235
A30A2RT2045	307-0472-00		RES.,THERMAL:100K OHM,5% DISC	15801	JP51J5
A30A2VR1015	152-0175-00		SEMICON DVC:ZENER,0.4W,5.6V,5%	04713	SZG35008
A30A2VR2038	152-0166-00		SEMICON DVC:ZENER,0.4W,6.2V,5%	04713	SZ11738RL

Replaceable Electrical Parts—494/494P Service Vol. 2

Component No.	Tektronix Part No.	Serial/Model No. Eff	Dscont	Name & Description	Mfr Code	Mfr Part Number
A30A57	670-7913-00			CKT BOARD ASSY: GPIB INTERFACE	80009	670-7913-00
A30A57	-----			(494P ONLY)		
A30A57C1011	290-0524-00			CAP.,FXD,ELCTLT:4.7UF,20%,10V	90201	TDC475M010EL
A30A57C1012	283-0111-00			CAP.,FXD,CER DI:0.1UF 20%,50V	96733	R2632
A30A57C1013	283-0111-00			CAP.,FXD,CER DI:0.1UF 20%,50V	96733	R2632
A30A57L1011	108-0836-00			COIL,RF:14 UH TOROIDAL INDUCTOR	80009	108-0836-00
A30A57P1011	131-0608-00			TERMINAL,PIN:0.365 L X 0.025 PH BRZ GOLD	22526	48283-036
A30A57P1012	131-2203-02			CONN,RCPT,ELEC:CKT BD,24 CONT,FEMALE	29587	57-20240-11(398)
A30A57P1013	131-2581-00			CONN,RCPT,ELEC:CKT BD,4 X 7 CONT,FEMALE	91506	528-AG29D
A30A57R1011	317-0103-00			RES.,FXD,CMPSN:10K OHM,5%,0.125W	01121	BB1035
A30A57S1011	260-1721-00			SWITCH,ROCKER:8,SPST,125MA,30VDC	00779	435166-5
A30A57U1011	156-1415-01			MICROCIRCUIT,DI: OCTAL GPIB XCVR-MANAGEMENT	27014	DS75161A
A30A57U1012	156-1414-02			MICROCIRCUIT,DI: OCTAL GPIB BUS XCVR	27014	DS75160A

<http://www.ebaman.com>

Component No.	Tektronix	Serial/Model No.		Name & Description	Mfr Code	Mfr Part Number
	Part No.	Eff	Dscont			
A30A76	670-5558-02			CKT BOARD ASSY:RELAY DRIVER	80009	670-5558-02
A30A76C2012	283-0111-00			CAP.,FXD,CER DI:0.1UF,20%,50V	96733	R2632
A30A76C2024	283-0111-00			CAP.,FXD,CER DI:0.1UF,20%,50V	96733	R2632
A30A76C2036	283-0111-00			CAP.,FXD,CER DI:0.1UF,20%,50V	96733	R2632
A30A76C2038	283-0111-00			CAP.,FXD,CER DI:0.1UF,20%,50V	96733	R2632
A30A76CR1013	152-0322-00			SEMICONV DEVICE.SILICON,15V,HOT CARRIER	50434	5082-2672
A30A76J1017	131-1437-00			CONN.RCPT,ELEC:25 FEMALE CONTACT	71468	DB25S-F179
A30A76J1034	131-2323-00			CONN.RCPT,ELEC:CKT BD,12/24 CONT,FEMALE	31781	307-0204-526-300
A30A76P1021	131-0608-00			TERMINAL,PIN:0.365 L X 0.025 PH BRZ GOLD	22526	48283-036
A30A76P2012	131-0608-00			TERMINAL,PIN:0.365 L X 0.025 PH BRZ GOLD	22526	48283-036
A30A76R1013	315-0202-00			RES.,FXD,CMPSN:2K OHM,5%,0.25W	57668	NTR25J-E02K0
A30A76R2019	315-0103-00			RES.,FXD,CMPSN:10K OHM,5%,0.25W	57668	NTR25J-E10K0
A30A76R2038	315-0472-00			RES.,FXD,CMPSN:4.7K OHM,5%,0.25W	57668	NTR25J-E04K7
A30A76U2015	156-1111-02			MICROCIRCUIT,DI:OCTAL BUS TRANSCEIVERS	01295	SN74LS245 N3ORJ4
A30A76U2025	156-1111-02			MICROCIRCUIT,DI:OCTAL BUS TRANSCEIVERS	01295	SN74LS245 N3ORJ4
A30A76U2033	156-1111-02			MICROCIRCUIT,DI:OCTAL BUS TRANSCEIVERS	01295	SN74LS245 N3ORJ4
A30A76U2038	156-0381-02			MICROCIRCUIT,DI:QUAD 2-INP EXCL OR GATE	01295	SN74LS86

<http://www.ebaman.com>



Replaceable Electrical Parts—494/494P Service Vol. 2

Component No.	Tektronix Part No.	Serial/Model No. Eff Dscont	Name & Description	Mfr Code	Mfr Part Number
A32	119-1015-00		FILTER,AMPL:110MHZ	80009	119-1015-00
A32C321	281-0825-00		CAP.,FXD,CER DI:0.005UF,+100-0%,100V	33095	51-726-008
A32C323	281-0825-00		CAP.,FXD,CER DI:0.005UF,+100-0%,100V	33095	51-726-008
A32C1054	281-0165-00		CAP.,VAR,AIR DI:0.8-10PF,250V	73899	MVM-010W
A32P320	131-0938-00		CONNECTOR,RCPT,;50 OHM MALE SNAP-ON	98291	051-043-0349
A32P321	131-0938-00		CONNECTOR,RCPT,;50 OHM MALE SNAP-ON	98291	051-043-0349
A32Q3018	151-0650-00		TRANSISTOR:SILICON,NPN	80009	151-0650-00
A32A1	670-5525-01		CKT BOARD ASSY:110 IF AMPLIFIER	80009	670-5525-01
A32A1C1012	283-0204-00		CAP.,FXD,CER DI:0.01UF,20%,50V	96733	R2676
A32A1C1022	283-0204-00		CAP.,FXD,CER DI:0.01UF,20%,50V	96733	R2676
A32A1C2010	283-0204-00		CAP.,FXD,CER DI:0.01UF,20%,50V	96733	R2676
A32A1C2012	283-0204-00		CAP.,FXD,CER DI:0.01UF,20%,50V	96733	R2676
A32A1C2029	283-0204-00		CAP.,FXD,CER DI:0.01UF,20%,50V	96733	R2676
A32A1C2035	283-0111-00		CAP.,FXD,CER DI:0.1UF,20%,50V	96733	R2632
A32A1C2036	290-0574-00		CAP.,FXD,ELCTLT:47UF,10%,20V	90201	TDC476K020CL
A32A1C2037	283-0204-00		CAP.,FXD,CER DI:0.01UF,20%,50V	96733	R2676
A32A1C2047	281-0164-00		CAP.,VAR AIR DI:0.6-6PF,250V	73899	MVM-006W
A32A1C2051	283-0204-00		CAP.,FXD,CER DI:0.01UF,20%,50V	96733	R2676
A32A1C3032	283-0111-00		CAP.,FXD,CER DI:0.1UF,20%,50V	96733	R2632
A32A1C3036	283-0204-00		CAP.,FXD,CER DI:0.01UF,20%,50V	96733	R2676
A32A1C3043	283-0204-00		CAP.,FXD,CER DI:0.01UF,20%,50V	96733	R2676
A32A1C3044	283-0204-00		CAP.,FXD,CER DI:0.01UF,20%,50V	96733	R2676
A32A1C3045	283-0204-00		CAP.,FXD,CER DI:0.01UF,20%,50V	96733	R2676
A32A1C4020	283-0204-00		CAP.,FXD,CER DI:0.01UF,20%,50V	96733	R2676
A32A1C4026	283-0204-00		CAP.,FXD,CER DI:0.01UF,20%,50V	96733	R2676
A32A1C4035	283-0204-00		CAP.,FXD,CER DI:0.01UF,20%,50V	96733	R2676
A32A1C4036	283-0204-00		CAP.,FXD,CER DI:0.01UF,20%,50V	96733	R2676
A32A1C4045	283-0156-00		CAP.,FXD,CER DI:1000PF,+100-0%,200V	96733	R2670
A32A1CR1029	152-0579-00		SEMICONV DEVICE:SILICON,100V,2.5A	12969	UM6601B
A32A1CR3030	152-0579-00		SEMICONV DEVICE:SILICON,100V,2.5A	12969	UM6601B
A32A1E3036	276-0507-00		SHIELDING BEAD,;FERRITE	78488	57-3443
A32A1E4046	276-0507-00		SHIELDING BEAD,;FERRITE	78488	57-3443
A32A1L1039	108-0395-00		COIL,RF:64UH	80009	108-0395-00
A32A1L2044	108-0956-00		COIL,RF:FIXED,AIR COIL	80009	108-0956-00
A32A1Q4037	151-0650-00		TRANSISTOR:SILICON,NPN	80009	151-0650-00
A32A1Q4053	151-0650-00		TRANSISTOR:SILICON,NPN	80009	151-0650-00
A32A1R1012	301-0330-00		RES.,FXD,CMPSN:33 OHM,5%,0.5W	01121	EB3305
A32A1R1015	311-1281-00		RES.,VAR,NONWIR:2.5K OHM,10%,0.5W	32997	3329W-L58-252
A32A1R2014	315-0102-00		RES.,FXD,CMPSN:1K OHM,5%,0.25W	57668	NTR25JE01K0
A32A1R2019	315-0511-00		RES.,FXD,CMPSN:510 OHM,5%,0.25W	01121	CB5115
A32A1R2028	321-0210-00		RES.,FXD,FILM:1.5K OHM,1%,0.125W	91637	MFF1816G15000F
A32A1R2029	321-0289-00		RES.,FXD,FILM:10K OHM,1%,0.125W	91637	MFF1816G10001F
A32A1R2030	315-0101-00		RES.,FXD,CMPSN:100 OHM,5%,0.25W	57668	NTR25J-E 100E
A32A1R2032	317-0510-00		RES.,FXD,CMPSN:51 OHM,5%,0.125W	01121	BB5105
A32A1R2038	317-0180-00		RES.,FXD,CMPSN:18 OHM,5%,0.125W	01121	BB1805
A32A1R2039	317-0301-00		RES.,FXD,CMPSN:300 OHM,5%,0.125W	01121	BB3015
A32A1R2043	317-0301-00		RES.,FXD,CMPSN:300 OHM,5%,0.125W	01121	BB3015
A32A1R3014	315-0202-00		RES.,FXD,CMPSN:2K OHM,5%,0.25W	57668	NTR25J-E02K0
A32A1R3029	317-0510-00		RES.,FXD,CMPSN:51 OHM,5%,0.125W	01121	BB5105
A32A1R3035	321-0239-00		RES.,FXD,FILM:3.01K OHM,1%,0.125W	91637	MFF1816G30100F
A32A1R3042	315-0271-00		RES.,FXD,CMPSN:270 OHM,5%,0.25W	57668	NTR25J-E270E
A32A1R4012	301-0330-00		RES.,FXD,CMPSN:33 OHM,5%,0.5W	01121	EB3305

Component No.	Tektronix	Serial/Model No.		Name & Description	Mfr Code	Mfr Part Number
	Part No.	Eff	Dscont			
A32A1R4018	315-0681-00			RES.,FXD,CMPSN:680 OHM,5%,0.25W	57668	NTR25J-E680E
A32A1R4029	307-0113-00			RES.,FXD,CMPSN:5.1 OHM,5%,0.25W	01121	CB51G5
A32A1R4030	315-0222-00			RES.,FXD,CMPSN:2.2K OHM,5%,0.25W	57668	NTR25J-E02K2
A32A1R4032	315-0681-00			RES.,FXD,CMPSN:680 OHM,5%,0.25W	57668	NTR25J-E680E
A32A1R4038	315-0101-00			RES.,FXD,CMPSN:100 OHM,5%,0.25W	57668	NTR25J-E 100E
A32A1R4039	315-0222-00			RES.,FXD,CMPSN:2.2K OHM,5%,0.25W	57668	NTR25J-E02K2
A32A1R4043	315-0221-00			RES.,FXD,CMPSN:220 OHM,5%,0.25W	57668	NTR25J-E220E
A32A1R4047	315-0681-00			RES.,FXD,CMPSN:680 OHM,5%,0.25W	57668	NTR25J-E680E
A32A1R4058	315-0241-00			RES.,FXD,CMPSN:240 OHM,5%,0.25W	01121	CB2415
A32A1T2020	120-0902-00			XFMR,TOROID:5 TURNS,BIFILAR	80009	120-0902-00
A32A1T3041	120-1235-00			TRANSFORMER,RF:BALUN,TD-367	80009	120-1235-00
A32A1T3054	120-1235-00			TRANSFORMER,RF:BALUN,TD-367	80009	120-1235-00

<http://www.ebaman.com>

Replaceable Electrical Parts—494/494P Service Vol. 2

Component No.	Tektronix Part No.	Serial/Model No. Eff Dscont	Name & Description	Mfr Code	Mfr Part Number
A34	119-1579-00		OSC/MIXER ASSY:3RD CONVERTER	80009	119-1579-00
A34C341	281-0697-00		CAP.,FXD,CER DI:5000PF,+100-0%,100V	80009	281-0697-00
A34C342	281-0697-00		CAP.,FXD,CER DI:5000PF,+100-0%,100V	80009	281-0697-00
A34C343	281-0697-00		CAP.,FXD,CER DI:5000PF,+100-0%,100V	80009	281-0697-00
A34C344	281-0697-00		CAP.,FXD,CER DI:5000PF,+100-0%,100V	80009	281-0697-00
A34P340	131-0951-01		CONN,RCPT,ELEC:SNAP-ON,MALE	98291	051-051-0329-220
A34P341	131-0951-01		CONN,RCPT,ELEC:SNAP-ON,MALE	98291	051-051-0329-220
A34P342	131-0951-01		CONN,RCPT,ELEC:SNAP-ON,MALE	98291	051-051-0329-220
A34P344	131-0951-01		CONN,RCPT,ELEC:SNAP-ON,MALE	98291	051-051-0329-220
A34P346	131-0951-01		CONN,RCPT,ELEC:SNAP-ON,MALE	98291	051-051-0329-220
A34P347	131-0951-01		CONN,RCPT,ELEC:SNAP-ON,MALE	98291	051-051-0329-220
A34U1017	156-0872-02		MICROCIRCUIT,LI:VOLTAGE REGULATOR,SCRN	80009	156-0872-02
A34U1025	156-0285-01		MICROCIRCUIT,LI:VOLTAGE REGULATOR,CHK	04713	MC7812CTD
A34A1	670-7901-00		CKT BOARD ASSY:3RD CONVERTER	80009	670-7901-00
A34A1C1026	283-0347-00		CAP.,FXD,CER DI:68PF,5%,100V	72982	8121A108P3K680J
A34A1C1038	281-0165-00		CAP.,VAR,AIR DI:0.8-10PF,250V	73899	MVM-010W
A34A1C1044	283-0191-00		CAP.,FXD,CER DI:0.022UF,20%,50V	72982	8121N075Z5U0223M
A34A1C1049	283-0191-00		CAP.,FXD,CER DI:0.022UF,20%,50V	72982	8121N075Z5U0223M
A34A1C2011	283-0223-00		CAP.,FXD,CER DI:3PF,+/-18PF,50V	59660	835XXC0J0309D
A34A1C2021	283-0347-00		CAP.,FXD,CER DI:68PF,5%,100V	72982	8121A108P3K680J
A34A1C2022	283-0223-00		CAP.,FXD,CER DI:3PF,+/-18PF,50V	59660	835XXC0J0309D
A34A1C2023	283-0223-00		CAP.,FXD,CER DI:3PF,+/-18PF,50V	59660	835XXC0J0309D
A34A1C2033	283-0191-00		CAP.,FXD,CER DI:0.022UF,20%,50V	72982	8121N075Z5U0223M
A34A1C2039	283-0107-00		CAP.,FXD,CER DI:51PF,5%,200V	96733	R3017
A34A1C2041	283-0168-00		CAP.,FXD,CER DI:12PF,5%,100V	72982	8101B121C0G0120J
A34A1C2042	283-0140-00		CAP.,FXD,CER DI:4.7PF,5%,50V	72982	8101E003A479C
A34A1C2044	283-0191-00		CAP.,FXD,CER DI:0.022UF,20%,50V	72982	8121N075Z5U0223M
A34A1C2046	283-0191-00		CAP.,FXD,CER DI:0.022UF,20%,50V	72982	8121N075Z5U0223M
A34A1C3022	290-0804-00		CAP.,FXD,ELCTLT:10UF,+50-10%,25V	55680	ULA1E100TEA
A34A1C3036	283-0203-00		CAP.,FXD,CER DI:0.47UF,20%,50V	04222	5R305SE474MAA
A34A1C3041	283-0203-00		CAP.,FXD,CER DI:0.47UF,20%,50V	04222	5R305SE474MAA
A34A1C3046	283-0191-00		CAP.,FXD,CER DI:0.022UF,20%,50V	72982	8121N075Z5U0223M
A34A1C3055	290-0804-00		CAP.,FXD,ELCTLT:10UF,+50-10%,25V	55680	ULA1E100TEA
A34A1CR3039	152-0650-00		SEMICONV DEVICE:VVC,11.5PF NOM -3V,30 PIV	04713	BB105B
A34A1L1041	108-1129-00		COIL,RF:FIXED,100MH	80009	108-1129-00
A34A1L2022	108-0606-00		COIL,RF:37NH	80009	108-0606-00
A34A1L2023	108-0606-00		COIL,RF:37NH	80009	108-0606-00
A34A1L2052	108-0436-00		COIL,RF:FIXED,240NH	80009	108-0436-00
A34A1L3041	108-1161-00		COIL,RF:FXD,175NH	80009	108-1161-00
A34A1P2042	131-0608-00		TERMINAL,PIN:0.365 L X 0.025 PH BRZ GOLD	22526	48283-036
A34A1Q2038	151-0282-00		TRANSISTOR:SILICON,NPN	80009	151-0282-00
A34A1Q2041	151-0282-00		TRANSISTOR:SILICON,NPN	80009	151-0282-00
A34A1Q2042	151-0282-00		TRANSISTOR:SILICON,NPN	80009	151-0282-00
A34A1R1011	321-1068-07		RES.,FXD,FILM:50.5 OHM,0.1%,0.125W	91637	MFF1816C50R50B
A34A1R1021	321-0306-00		RES.,FXD,FILM:15K OHM,1%,0.125W	91637	MFF1816G15001F
A34A1R1022	321-0243-00		RES.,FXD,FILM:3.32K OHM,1%,0.125W	91637	MFF1816G33200F
A34A1R1024	317-0302-00		RES.,FXD,CMPSN:3K OHM,5%,0.125W	01121	BB3025
A34A1R1041	311-1261-00		RES.,VAR,NONWIR:500 OHM,10%,0.50W	32997	3329P-L58-501
A34A1R1042	321-0960-07		RES.,FXD,FILM:513 OHM,0.1%,0.125W	24546	NE55E5130B
A34A1R1043	321-0239-03		RES.,FXD,FILM:3.01K OHM,0.25%,0.125W	91637	MFF1816D30100C
A34A1R1044	317-0100-00		RES.,FXD,CMPSN:10 OHM,5%,0.125W	01121	BB1005
A34A1R1045	317-0201-00		RES.,FXD,CMPSN:200 OHM,5%,0.125W	01121	BB2015



Component No.	Tektronix Part No.	Serial/Model No. Eff Dscont	Name & Description	Mfr Code	Mfr Part Number
A34A1R1048	317-0201-00		RES.,FXD,CMPSN:200 OHM,5%,0.125W	01121	BB2015
A34A1R1051	315-0132-00		RES.,FXD,CMPSN:1.3K OHM,5%,0.25W	57668	NTR25J-E01K3
A34A1R2011	321-0193-07		RES.,FXD,FILM:1K OHM,0.1%,0.125W	91637	MFF1816C10000B
A34A1R2038	317-0680-00		RES.,FXD,CMPSN:68 OHM,5%,0.125W	01121	BB6805
A34A1R2042	317-0750-00		RES.,FXD,CMPSN:75 OHM,5%,0.125W	01121	BB7505
A34A1R2044	315-0911-00		RES.,FXD,CMPSN:910 OHM,5%,0.25W	57668	NTR25J-E910E
A34A1R2045	317-0201-00		RES.,FXD,CMPSN:200 OHM,5%,0.125W	01121	BB2015
A34A1R2046	317-0201-00		RES.,FXD,CMPSN:200 OHM,5%,0.125W	01121	BB2015
A34A1R2047	317-0750-00		RES.,FXD,CMPSN:75 OHM,5%,0.125W	01121	BB7505
A34A1R3031	317-0201-00		RES.,FXD,CMPSN:200 OHM,5%,0.125W	01121	BB2015
A34A1R3032	317-0242-00		RES.,FXD,CMPSN:2.4K OHM,5%,0.125W	01121	BB2425
A34A1R3034	317-0103-00		RES.,FXD,CMPSN:10K OHM,5%,0.125W	01121	BB1035
A34A1R3035	317-0103-00		RES.,FXD,CMPSN:10K OHM,5%,0.125W	01121	BB1035
A34A1R3041	317-0103-00		RES.,FXD,CMPSN:10K OHM,5%,0.125W	01121	BB1035
A34A1R3042	317-0103-00		RES.,FXD,CMPSN:10K OHM,5%,0.125W	01121	BB1035
A34A1R3044	315-0911-00		RES.,FXD,CMPSN:910 OHM,5%,0.25W	57668	NTR25J-E910E
A34A1R3046	317-0220-00		RES.,FXD,CMPSN:22 OHM,5%,0.125W	01121	BB2205
A34A1TP1011	214-0579-00		TERM,TEST POINT:BRS CD PL	80009	214-0579-00
A34A1TP3011	214-0579-00		TERM,TEST POINT:BRS CD PL	80009	214-0579-00
A34A1TP3042	214-0579-00		TERM,TEST POINT:BRS CD PL	80009	214-0579-00
A34A1U2022	155-0285-00		MICROCIRCUIT,DI:CALIBRATOR	80009	155-0285-00
A34A1U3031	155-0287-00		MICROCIRCUIT,DI:MIXER	80009	155-0287-00
A34A1U3051	155-0286-00		MICROCIRCUIT,DI:DISTRIBUTION AMPLIFIER	80009	155-0286-00
A34A1VR1051	152-0456-00		SEMICONV DEVICE:ZENER,0.4W,6.2V,5%	04713	SZG25002K1
A34A1Y3038	158-0258-00		XTAL UNIT,QTZ:100MHZ,5PPM,-15 TO +75	00809	HC-35/U
A34A2	670-7905-00		CKT BOARD ASSY:100MHZ OSC REGULATOR	80009	670-7905-00
A34A2C1015	290-0973-00		CAP.,FXD,ELCTLT:100UF,20%,25VDC	T0020	SM25VB100M
A34A2C1021	290-0973-00		CAP.,FXD,ELCTLT:100UF,20%,25VDC	T0020	SM25VB100M
A34A2L1015	108-1112-00		COIL,RF:FIXED,170UH	80009	108-1112-00
A34A2L1025	108-1112-00		COIL,RF:FIXED,170UH	80009	108-1112-00
A34A2R1015	315-0103-00		RES.,FXD,CMPSN:10K OHM,5%,0.25W	57668	NTR25J-E10K0
A34A2R1021	315-0103-00		RES.,FXD,CMPSN:10K OHM,5%,0.25W	57668	NTR25J-E10K0
A34A2W1017	175-8737-00		CA ASSY,SP,ELEC:5,26 AWG,4.0L RIBBON		

Replaceable Electrical Parts—494/494P Service Vol. 2

Component No.	Tektronix Part No.	Serial/Model No. Eff Dscont	Name & Description	Mfr Code	Mfr Part Number
A36	119-1588-01		PH LOCK 3RD LO:	80009	119-1588-01
A36C261	281-0825-00		CAP.,FXD,CER DI:0.005UF,+100-0%,100V	33095	51-726-008
A36C263	281-0825-00		CAP.,FXD,CER DI:0.005UF,+100-0%,100V	33095	51-726-008
A36C265	281-0825-00		CAP.,FXD,CER DI:0.005UF,+100-0%,100V	33095	51-726-008
A36C267	281-0825-00		CAP.,FXD,CER DI:0.005UF,+100-0%,100V	33095	51-726-008
A36U1010	156-0277-01		MICROCIRCUIT,LI:POSITIVE VOLTAGE REG	04713	MC7805CTD
A36A1	670-7900-01		CKT BOARD ASSY:REFERENCE LOCK	80009	670-7900-01
A36A1C1012	283-0220-00		CAP.,FXD,CER DI:0.01UF,20%,50V	72982	8121N075X7R0103M
A36A1C1013	290-0782-00		CAP.,FXD,ELCTLT:4.7UF,+75-10%,35V	55680	ULA1V4R7TEA
A36A1C1019	283-0167-00		CAP.,FXD,CER DI:0.1UF,10%,100V	72982	8131N145X5R0104K
A36A1C1021	283-0220-00		CAP.,FXD,CER DI:0.01UF,20%,50V	72982	8121N075X7R0103M
A36A1C1023	283-0220-00		CAP.,FXD,CER DI:0.01UF,20%,50V	72982	8121N075X7R0103M
A36A1C1026	283-0167-00		CAP.,FXD,CER DI:0.1UF,10%,100V	72982	8131N145X5R0104K
A36A1C1030	283-0220-00		CAP.,FXD,CER DI:0.01UF,20%,50V	72982	8121N075X7R0103M
A36A1C1031	283-0486-00		CAP.,FXD,CER DI:1.0UF,10%,50V	04222	SR405105K
A36A1C1032	283-0167-00		CAP.,FXD,CER DI:0.1UF,10%,100V	72982	8131N145X5R0104K
A36A1C1033	283-0486-00		CAP.,FXD,CER DI:1.0UF,10%,50V	04222	SR405105K
A36A1C1036	283-0167-00		CAP.,FXD,CER DI:0.1UF,10%,100V	72982	8131N145X5R0104K
A36A1C1037	283-0220-00		CAP.,FXD,CER DI:0.01UF,20%,50V	72982	8121N075X7R0103M
A36A1C1038	281-0812-00		CAP.,FXD,CER DI:1000PF,10%,100V	04222	MA101C102KAA
A36A1C1040	283-0220-00		CAP.,FXD,CER DI:0.01UF,20%,50V	72982	8121N075X7R0103M
A36A1C1046	290-0746-00		CAP.,FXD,ELCTLT:4.7UF,+50-10%,16V	55680	ULA1C470TEA
A36A1C2017	290-0782-00		CAP.,FXD,ELCTLT:4.7UF,+75-10%,35V	55680	ULA1V4R7TEA
A36A1C2018	290-0782-00		CAP.,FXD,ELCTLT:4.7UF,+75-10%,35V	55680	ULA1V4R7TEA
A36A1C2019	283-0220-00		CAP.,FXD,CER DI:0.01UF,20%,50V	72982	8121N075X7R0103M
A36A1C2020	290-0782-00		CAP.,FXD,ELCTLT:4.7UF,+75-10%,35V	55680	ULA1V4R7TEA
A36A1C2024	283-0220-00		CAP.,FXD,CER DI:0.01UF,20%,50V	72982	8121N075X7R0103M
A36A1C2029	283-0167-00		CAP.,FXD,CER DI:0.1UF,10%,100V	72982	8131N145X5R0104K
A36A1C2038	283-0785-00		CAP.,FXD,MICA D:250PF,1%,500V	09023	CD15FD251F03
A36A1C2039	283-0167-00		CAP.,FXD,CER DI:0.1UF,10%,100V	72982	8131N145X5R0104K
A36A1C2042	283-0220-00		CAP.,FXD,CER DI:0.01UF,20%,50V	72982	8121N075X7R0103M
A36A1CR1020	152-0141-02		SEMICON DVC,DI:SW,SI,30V,150MA,30V,DO-35	12969	NDP0263 (1N4152)
A36A1CR2021	152-0141-02		SEMICON DVC,DI:SW,SI,30V,150MA,30V,DO-35	12969	NDP0263 (1N4152)
A36A1CR2022	152-0141-02		SEMICON DVC,DI:SW,SI,30V,150MA,30V,DO-35	12969	NDP0263 (1N4152)
A36A1CR2036	152-0141-02		SEMICON DVC,DI:SW,SI,30V,150MA,30V,DO-35	12969	NDP0263 (1N4152)
A36A1L2013	108-1202-00		COIL,RF:FXD,TOROIDAL,4.5UH		
A36A1P1017	131-0608-00		TERMINAL,PIN:0.365 L X 0.025 PH BRZ GOLD	22526	48283-036
A36A1P1021	131-0608-00		TERMINAL,PIN:0.365 L X 0.025 PH BRZ GOLD	22526	48283-036
A36A1P1026	131-0608-00		TERMINAL,PIN:0.365 L X 0.025 PH BRZ GOLD	22526	48283-036
A36A1Q1031	151-0190-00		TRANSISTOR:NPN,SI,TO-92	04713	SPS7969
A36A1Q1033	151-0190-00		TRANSISTOR:NPN,SI,TO-92	04713	SPS7969
A36A1Q2014	151-0424-00		TRANSISTOR:SILICON,NPN	04713	SPS8246
A36A1R1011	321-0251-00		RES.,FXD,FILM:4.02K OHM,1%,0.125W	91637	MFF1816G40200F
A36A1R1012	321-0314-00		RES.,FXD,FILM:18.2K OHM,1%,0.125W	91637	MFF1816G18201F
A36A1R1013	321-0638-00		RES.,FXD,FILM:7.96K OHM,1%,0.125W	24546	NA55D7961F
A36A1R1014	321-0417-00		RES.,FXD,FILM:215K OHM,1%,0.125W	24546	NA55D2153F
A36A1R1015	317-0103-00		RES.,FXD,CMPSN:10K OHM,5%,0.125W	01121	BB1035
A36A1R1016	321-0460-00		RES.,FXD,FILM:604K OHM,1%,0.125W	91637	MFF1816G60402F
A36A1R1017	317-0100-00		RES.,FXD,CMPSN:10 OHM,5%,0.125W	01121	BB1005
A36A1R1018	317-0512-00		RES.,FXD,CMPSN:5.1K OHM,5%,0.125	01121	BB5125
A36A1R1019	317-0102-00		RES.,FXD,CMPSN:1K OHM,5%,0.125W	01121	BB1025
A36A1R1021	317-0510-00		RES.,FXD,CMPSN:51 OHM,5%,0.125W	01121	BB5105

Component No.	Tektronix	Serial/Model No.		Name & Description	Mfr Code	Mfr Part Number
	Part No.	Eff	Dscont			
A36A1R1022	317-0104-00			RES.,FXD,CMPSN:100K OHM,5%,0.125W	01121	BB1045
A36A1R1023	317-0472-00			RES.,FXD,CMPSN:4.7K OHM,5%,0.125W	01121	BB4725
A36A1R1028	321-0356-00			RES.,FXD,FILM:49.9K OHM,1%,0.125W	91637	MFF1816G49901F
A36A1R1029	317-0205-00			RES.,FXD,CMPSN:2M OHM,5%,0.125W	01121	BB2055
A36A1R1033	317-0100-00			RES.,FXD,CMPSN:10 OHM,5%,0.125W	01121	BB1005
A36A1R1034	317-0154-00			RES.,FXD,CMPSN:150K OHM,5%,0.125	01121	BB1545
A36A1R1035	317-0154-00			RES.,FXD,CMPSN:150K OHM,5%,0.125	01121	BB1545
A36A1R1036	317-0100-00			RES.,FXD,CMPSN:10 OHM,5%,0.125W	01121	BB1005
A36A1R1037	317-0124-00			RES.,FXD,CMPSN:120K OHM,5%,0.125W	01121	BB1245
A36A1R1038	317-0154-00			RES.,FXD,CMPSN:150K OHM,5%,0.125	01121	BB1545
A36A1R1039	321-0289-00			RES.,FXD,FILM:10K OHM,1%,0.125W	91637	MFF1816G10001F
A36A1R1040	317-0154-00			RES.,FXD,CMPSN:150K OHM,5%,0.125	01121	BB1545
A36A1R1041	317-0103-00			RES.,FXD,CMPSN:10K OHM,5%,0.125W	01121	BB1035
A36A1R1042	317-0103-00			RES.,FXD,CMPSN:10K OHM,5%,0.125W	01121	BB1035
A36A1R1044	317-0102-00			RES.,FXD,CMPSN:1K OHM,5%,0.125W	01121	BB1025
A36A1R1047	317-0102-00			RES.,FXD,CMPSN:1K OHM,5%,0.125W	01121	BB1025
A36A1R1048	317-0102-00			RES.,FXD,CMPSN:1K OHM,5%,0.125W	01121	BB1025
A36A1R2015	317-0100-00			RES.,FXD,CMPSN:10 OHM,5%,0.125W	01121	BB1005
A36A1R2016	317-0681-00			RES.,FXD,CMPSN:680 OHM,5%,0.125W	01121	BB6815
A36A1R2019	317-0103-00			RES.,FXD,CMPSN:10K OHM,5%,0.125W	01121	BB1035
A36A1R2021	317-0103-00			RES.,FXD,CMPSN:10K OHM,5%,0.125W	01121	BB1035
A36A1R2024	317-0511-00			RES.,FXD,CMPSN:510 OHM,5%,0.125W	01121	BB5115
A36A1R2030	317-0622-00			RES.,FXD,CMPSN:6.2K OHM,5%,0.125W	01121	BB6225
A36A1R2031	317-0512-00			RES.,FXD,CMPSN:5.1K OHM,5%,0.125	01121	BB5125
A36A1R2032	317-0222-00			RES.,FXD,CMPSN:2.2K OHM,5%,0.125W	01121	BB2225
A36A1R2033	317-0512-00			RES.,FXD,CMPSN:5.1K OHM,5%,0.125	01121	BB5125
A36A1R2035	317-0163-00			RES.,FXD,CMPSN:16K OHM,5%,0.125W	01121	BB1635
A36A1R2039	321-0272-00			RES.,FXD,FILM:6.65K OHM,1%,0.125W	91637	MFF1816G66500F
A36A1R2042	311-0609-00			RES.,VAR, NONWIR:2K OHM,10%,0.50W	73138	82-26-1
A36A1R2043	317-0203-00			RES.,FXD,CMPSN:20K OHM,5%,0.125W	01121	BB2035
A36A1R2045	321-0289-00			RES.,FXD,FILM:10K OHM,1%,0.125W	91637	MFF1816G10001F
A36A1TP1044	214-0579-00			TERM,TEST POINT:BRS CD PL	80009	214-0579-00
A36A1TP2026	214-0579-00			TERM,TEST POINT:BRS CD PL	80009	214-0579-00
A36A1TP2046	214-0579-00			TERM,TEST POINT:BRS CD PL	80009	214-0579-00
A36A1U1012	156-1225-01			MICROCIRCUIT,LI:DUAL COMPARATOR,SCREENED	27014	LM393N/A+
A36A1U1034	156-1156-00			MICROCIRCUIT,LI:OPERATIONAL AMPLIFIER	27014	LF356N
A36A1U1044	156-0388-03			MICROCIRCUIT,DI:DUAL D FLIP-FLOP	07263	74LS74A
A36A1U2020	156-1248-00			MICROCIRCUIT,DI:PRESCALER/DIVIDE BY 100	80009	156-1248-00
A36A1U2032	156-0721-02			MICROCIRCUIT,DI:QUAD 2-IN NAND SCHMITT TRI	04713	SN74LS132NDS
A36A1U2046	156-1335-00			MICROCIRCUIT,DI:DUAL RETRIG RESET MONO MV	07263	96LS02
A36A2	670-7917-00			CKT BOARD ASSY:REFERENCE LOCK REGULATOR	80009	670-7917-00
A36A2C1010	283-0167-00			CAP.,FXD,CER DI:0.1UF,10%,100V	72982	8131N145X5R0104K



Replaceable Electrical Parts—494/494P Service Vol. 2

Component No.	Tektronix Part No.	Serial/Model No. Eff Dscont	Name & Description	Mfr Code	Mfr Part Number
A37 A37W1026	119-1576-01 175-8735-00		OSCILLATOR,RF:10.000 MHZ CRYSTAL CA ASSY,SP,ELEC:4,26 AWG,4.0 L,RIBBON	80009	119-1576-01
A38	670-7947-01		CKT BOARD ASSY:FRONT PANEL	80009	670-7947-01
A38C1016 A38C1047 A38C2046 A38C3030 A38C4028 A38C6021	283-0239-00 283-0204-00 283-0776-00 283-0154-00 283-0204-00 283-0204-00		CAP.,FXD,CER DI:0.022UF,10%,50V CAP.,FXD,CER DI:0.01UF,20%,50V CAP.,FXD,MICA D:2130PF,1%,500V CAP.,FXD,CER DI:22PF,5%,50V CAP.,FXD,CER DI:0.01UF,20%,50V CAP.,FXD,CER DI:0.01UF,20%,50V	72982 96733 00853 59660 96733 96733	8121N083X7R0223K R2676 D19-5F2131F0 8111B065C0G0220J R2676 R2676
A38C6091 A38CR1017 A38CR2018 A38CR2043 A38CR3012 A38CR3013	283-0204-00 152-0141-02 152-0141-02 152-0141-02 152-0322-00 152-0322-00		CAP.,FXD,CER DI:0.01UF,20%,50V SEMICON DVC,DI:SW,SI,30V,150MA,30V,DO-35 SEMICON DVC,DI:SW,SI,30V,150MA,30V,DO-35 SEMICON DVC,DI:SW,SI,30V,150MA,30V,DO-35 SEMICON DEVICE:SILICON,15V,HOT CARRIER SEMICON DEVICE:SILICON,15V,HOT CARRIER	96733 12969 12969 12969 50434 50434	R2676 NDP0263 (1N4152) NDP0263 (1N4152) NDP0263 (1N4152) NDP0263 (1N4152) 5082-2672 5082-2672
A38CR4017 A38CR4027 A38CR6035 A38CR6090 A38DS1048 A38DS1054	152-0141-02 152-0141-02 152-0141-02 152-0141-02 150-1068-00 150-1068-00		SEMICON DVC,DI:SW,SI,30V,150MA,30V,DO-35 SEMICON DVC,DI:SW,SI,30V,150MA,30V,DO-35 SEMICON DVC,DI:SW,SI,30V,150MA,30V,DO-35 SEMICON DVC,DI:SW,SI,30V,150MA,30V,DO-35 LT EMITTING DIO:RED LT EMITTING DIO:RED	12969 12969 12969 12969 50434 50434	NDP0263 (1N4152) NDP0263 (1N4152) NDP0263 (1N4152) NDP0263 (1N4152) HLMP-6320 HLMP-6320
A38DS1121 A38DS2014 A38DS2016 A38DS2048 A38DS2049 A38DS2056	150-1068-00 150-1068-00 150-1031-00 150-1068-00 150-1068-00 150-1068-00		LT EMITTING DIO:RED LT EMITTING DIO:RED LT EMITTING DIO:RED,650NM,40MA MAX LT EMITTING DIO:RED LT EMITTING DIO:RED LT EMITTING DIO:RED	50434 50434 53184 50434 50434 50434	HLMP-6320 HLMP-6320 XC209R HLMP-6320 HLMP-6320 HLMP-6320
A38DS2058 A38DS2122 A38DS2123 A38DS3035 A38DS3036 A38DS3037	150-1068-00 150-1068-00 150-1068-00 150-1068-00 150-1068-00 150-1068-00		LT EMITTING DIO:RED LT EMITTING DIO:RED LT EMITTING DIO:RED LT EMITTING DIO:RED LT EMITTING DIO:RED LT EMITTING DIO:RED	50434 50434 50434 50434 50434 50434	HLMP-6320 HLMP-6320 HLMP-6320 HLMP-6320 HLMP-6320 HLMP-6320
A38DS3038 A38DS3043 A38DS3044 A38DS3045 A38DS3046 A38DS3047	150-1068-00 150-1068-00 150-1068-00 150-1068-00 150-1068-00 150-1068-00		LT EMITTING DIO:RED LT EMITTING DIO:RED LT EMITTING DIO:RED LT EMITTING DIO:RED LT EMITTING DIO:RED LT EMITTING DIO:RED	50434 50434 50434 50434 50434 50434	HLMP-6320 HLMP-6320 HLMP-6320 HLMP-6320 HLMP-6320 HLMP-6320
A38DS3048 A38DS3052 A38DS3053 A38DS3055 A38DS3122 A38DS3123	150-1068-00 150-1068-00 150-1068-00 150-1068-00 150-1068-00 150-1068-00		LT EMITTING DIO:RED LT EMITTING DIO:RED LT EMITTING DIO:RED LT EMITTING DIO:RED LT EMITTING DIO:RED LT EMITTING DIO:RED	50434 50434 50434 50434 50434 50434	HLMP-6320 HLMP-6320 HLMP-6320 HLMP-6320 HLMP-6320 HLMP-6320
A38DS4046 A38DS4052 A38DS4122 A38DS4123 A38DS5015 A38DS5050	150-1068-00 150-1068-00 150-1068-00 150-1068-00 150-1029-00 150-1068-00		LT EMITTING DIO:RED LT EMITTING DIO:RED LT EMITTING DIO:RED LT EMITTING DIO:RED LT EMITTING DIO:GREEN,565NM,35MA LT EMITTING DIO:RED	50434 50434 50434 50434 53184 50434	HLMP-6320 HLMP-6320 HLMP-6320 HLMP-6320 XC209G HLMP-6320

Component No.	Tektronix Part No.	Serial/Model No. Eff Dscont	Name & Description	Mfr Code	Mfr Part Number
A38DS5120	150-1068-00		LT EMITTING DIO:RED	50434	HLMP-6320
A38DS5124	150-1031-00		LT EMITTING DIO:RED,650NM,40MA MAX	53184	XC209R
A38DS6046	150-1033-00		LT EMITTING DIO:AMBER,585NM,40MA MAX	50434	HLMP 1401
A38DS6052	150-1068-00		LT EMITTING DIO:RED	50434	HLMP-6320
A38DS6062	150-1068-00		LT EMITTING DIO:RED	50434	HLMP-6320
A38L1045	108-0742-00		COIL,RF:83UH,TOROIDAL	80009	108-0742-00
A38P5090	131-0589-00		TERMINAL,PIN:0.46 L X 0.025 SQ	22526	48283-029
A38R1015	315-0334-00		RES.,FXD,CMPSN:330K OHM,5%,0.25W	01121	CB3345
A38R1019	315-0221-00		RES.,FXD,CMPSN:220 OHM,5%,0.25W	57668	NTR25J-E220E
A38R1026	315-0102-00		RES.,FXD,CMPSN:1K OHM,5%,0.25W	57668	NTR25JE01K0
A38R1028	315-0102-00		RES.,FXD,CMPSN:1K OHM,5%,0.25W	57668	NTR25JE01K0
A38R1030	315-0563-00		RES.,FXD,CMPSN:56K OHM,5%,0.25W	01121	CB5635
A38R1031	315-0563-00		RES.,FXD,CMPSN:56K OHM,5%,0.25W	01121	CB5635
A38R1039	307-0594-00		RES NTWK,FXD FI:7,220 OHM,2%,1.0W	91637	CSC08A01101221G
A38R1053	315-0221-00		RES.,FXD,CMPSN:220 OHM,5%,0.25W	57668	NTR25J-E220E
A38R1055	315-0221-00		RES.,FXD,CMPSN:220 OHM,5%,0.25W	57668	NTR25J-E220E
A38R1056	315-0221-00		RES.,FXD,CMPSN:220 OHM,5%,0.25W	57668	NTR25J-E220E
A38R1121	311-2051-00		RES.,VAR,NONWIR:10K OHM,20%,0.5W	01121	WRA1A048S102M
A38R2019	315-0103-00		RES.,FXD,CMPSN:10K OHM,5%,0.25W	57668	NTR25J-E10K0
A38R2021	315-0221-00		RES.,FXD,CMPSN:220 OHM,5%,0.25W	57668	NTR25J-E220E
A38R2031	315-0103-00		RES.,FXD,CMPSN:10K OHM,5%,0.25W	57668	NTR25J-E10K0
A38R2041	307-0696-00		RES NTWK,FXD FI:7,10K OHM,2%,0.15W	01121	20BA103
A38R2044	315-0103-00		RES.,FXD,CMPSN:10K OHM,5%,0.25W	57668	NTR25J-E10K0
A38R2045	315-0221-00		RES.,FXD,CMPSN:220 OHM,5%,0.25W	57668	NTR25J-E220E
A38R3119	307-0592-00		RES,NTWK,FXD FI:9,220 OHM,2%,2W	91637	MSP10A01-221G
A38R4043	311-2051-00		RES.,VAR,NONWIR:10K OHM,20%,0.5W	01121	WRA1A048S102M
A38R4054	307-0594-00		RES NTWK,FXD FI:7,220 OHM,2%,1.0W	91637	CSC08A01101221G
A38R4059	307-0594-00		RES NTWK,FXD FI:7,220 OHM,2%,1.0W	91637	CSC08A01101221G
A38R4121	311-2051-00		RES.,VAR,NONWIR:10K OHM,20%,0.5W	01121	WRA1A048S102M
A38R5011	315-0202-00		RES.,FXD,CMPSN:2K OHM,5%,0.25W	57668	NTR25J-E02K0
A38R5012	315-0221-00		RES.,FXD,CMPSN:220 OHM,5%,0.25W	57668	NTR25J-E220E
A38R6049	311-2049-00		RES.,VAR,NONWIR:5K OHM,20%,0.5W	01121	WRA1A028S502M
A38R6051	311-2050-00		RES.,VAR,NONWIR:1K OHM,20%,0.5W	01121	WRA1A028S102M
A38R6059	321-0187-00		RES.,FXD,FILM:866 OHM,1%,0.125W	91637	MFF1816G866R0F
A38R6060	315-0221-00		RES.,FXD,CMPSN:220 OHM,5%,0.25W	57668	NTR25J-E220E
A38R6062	311-2054-00		RES.,VAR,NONWIR:20K OHM,20%,0.5W	01121	WRA1A048S203M
A38R6101	321-0250-00		RES.,FXD,FILM:3.92K OHM,1%,0.125W	91637	MFF1816G39200F
A38R6102	321-0198-00		RES.,FXD,FILM:1.13K OHM,1%,0.125W	91637	MFF1816G11300F
A38R6104	311-2052-00		RES.,VAR,NONWIR:20K OHM,20%,0.5W	01121	WRA1A028S203M
A38R6106	311-2052-00		RES.,VAR,NONWIR:20K OHM,20%,0.5W	01121	WRA1A028S203M
A38S1023	263-0020-02		SWITCH,PB ASSY:MOMENTARY	80009	263-0020-02
A38S1048	263-0020-01		SWITCH,PB ASSY:MOMENTARY	80009	263-0020-01
A38S1054	263-0020-01		SWITCH,PB ASSY:MOMENTARY	80009	263-0020-01
A38S1121	263-0020-01		SWITCH,PB ASSY:MOMENTARY	80009	263-0020-01
A38S2014	263-0020-01		SWITCH,PB ASSY:MOMENTARY	80009	263-0020-01
A38S2020	263-0020-02		SWITCH,PB ASSY:MOMENTARY	80009	263-0020-02
A38S2035	263-0054-01		SWITCH,ROTARY:OPTICAL	80009	263-0054-01
A38S2048	263-0020-01		SWITCH,PB ASSY:MOMENTARY	80009	263-0020-01
A38S2049	263-0020-01		SWITCH,PB ASSY:MOMENTARY	80009	263-0020-01
A38S2056	263-0020-01		SWITCH,PB ASSY:MOMENTARY	80009	263-0020-01
A38S2058	263-0020-01		SWITCH,PB ASSY:MOMENTARY	80009	263-0020-01
A38S2122	263-0020-01		SWITCH,PB ASSY:MOMENTARY	80009	263-0020-01
A38S2123	263-0020-01		SWITCH,PB ASSY:MOMENTARY	80009	263-0020-01
A38S3035	263-0020-01		SWITCH,PB ASSY:MOMENTARY	80009	263-0020-01

Replaceable Electrical Parts—494/494P Service Vol. 2

Component No.	Tektronix Part No.	Serial/Model No. Eff Dscont	Name & Description	Mfr Code	Mfr Part Number
A38S3036	263-0020-01		SWITCH,PB ASSY:MOMENTARY	80009	263-0020-01
A38S3037	263-0020-01		SWITCH,PB ASSY:MOMENTARY	80009	263-0020-01
A38S3038	263-0020-01		SWITCH,PB ASSY:MOMENTARY	80009	263-0020-01
A38S3043	263-0020-01		SWITCH,PB ASSY:MOMENTARY	80009	263-0020-01
A38S3044	263-0020-01		SWITCH,PB ASSY:MOMENTARY	80009	263-0020-01
A38S3045	263-0020-01		SWITCH,PB ASSY:MOMENTARY	80009	263-0020-01
A38S3046	263-0020-01		SWITCH,PB ASSY:MOMENTARY	80009	263-0020-01
A38S3047	263-0020-01		SWITCH,PB ASSY:MOMENTARY	80009	263-0020-01
A38S3048	263-0020-01		SWITCH,PB ASSY:MOMENTARY	80009	263-0020-01
A38S3052	263-0020-01		SWITCH,PB ASSY:MOMENTARY	80009	263-0020-01
A38S3053	263-0020-01		SWITCH,PB ASSY:MOMENTARY	80009	263-0020-01
A38S3055	263-0020-01		SWITCH,PB ASSY:MOMENTARY	80009	263-0020-01
A38S3122	263-0020-01		SWITCH,PB ASSY:MOMENTARY	80009	263-0020-01
A38S3123	263-0020-01		SWITCH,PB ASSY:MOMENTARY	80009	263-0020-01
A38S4046	263-0020-01		SWITCH,PB ASSY:MOMENTARY	80009	263-0020-01
A38S4052	263-0020-01		SWITCH,PB ASSY:MOMENTARY	80009	263-0020-01
A38S4122	263-0020-01		SWITCH,PB ASSY:MOMENTARY	80009	263-0020-01
A38S4123	263-0020-01		SWITCH,PB ASSY:MOMENTARY	80009	263-0020-01
A38S5050	263-0020-01		SWITCH,PB ASSY:MOMENTARY	80009	263-0020-01
A38S5120	263-0020-01		SWITCH,PB ASSY:MOMENTARY	80009	263-0020-01
A38S6052	263-0020-01		SWITCH,PB ASSY:MOMENTARY	80009	263-0020-01
A38S6062	263-0020-01		SWITCH,PB ASSY:MOMENTARY	80009	263-0020-01
A38U1024	156-0876-00		MICROCIRCUIT,DI:HEX SCHMITT TRIGGER	80009	156-0876-00
A38U1049	156-0651-02		MICROCIRCUIT,DI:8 BIT PRL-OUT SER SHF RGTR	01295	SN74LS164(NP3 OR
A38U2013	156-0388-03		MICROCIRCUIT,DI:DUAL D FLIP-FLOP	07263	74LS74A
A38U2020	156-0385-02		MICROCIRCUIT,DI:HEX INVERTER	01295	SN74LS04
A38U3013	156-0388-03		MICROCIRCUIT,DI:DUAL D FLIP-FLOP	07263	74LS74A
A38U3039	160-2357-00		MICROCIRCUIT,DI:8-BIT MICROCOMPUTER	80009	160-2357-00
A38U4014	156-0722-02		MICROCIRCUIT,DI:TPL 3-INPUT POS NAND GATE	04713	SN74LS12NDS
A38U4021	156-1432-00		MICROCIRCUIT,DI:DUAL 2/4 LINE DECODER/DEMUX	01295	SN74LS156
A38U4030	156-0956-02		MICROCIRCUIT,DI:OCTAL BFR W/3 STATE OUT	01295	SN74LS244NP3
A38U5021	156-1432-00		MICROCIRCUIT,DI:DUAL 2/4 LINE DECODER/DEMUX	01295	SN74LS156
A38U5045	156-0651-02		MICROCIRCUIT,DI:8 BIT PRL-OUT SER SHF RGTR	01295	SN74LS164(NP3 OR
A38U6024	156-0469-02		MICROCIRCUIT,DI:3/8 LINE DCDR	01295	SN74LS138NP3
A38U6028	156-0651-02		MICROCIRCUIT,DI:8 BIT PRL-OUT SER SHF RGTR	01295	SN74LS164(NP3 OR
A38U6045	156-0651-02		MICROCIRCUIT,DI:8 BIT PRL-OUT SER SHF RGTR	01295	SN74LS164(NP3 OR
A38U6081	156-0651-02		MICROCIRCUIT,DI:8 BIT PRL-OUT SER SHF RGTR	01295	SN74LS164(NP3 OR
A38U6090	156-1161-00		MICROCIRCUIT,LI:VOLTAGE REGULATOR	27014	LM317T
A38Y3030	158-0185-00		XTAL UNIT,QTZ:6 MHZ,0.015%,PAR	34630	150-6150



Component No.	Tektronix Part No.	Serial/Model No. Eff	Dscont	Name & Description	Mfr Code	Mfr Part Number
A40	670-8389-00	B010100	B010149	CKT BOARD ASSY:VIDEO PROCESSOR	80009	670-8389-00
A40	670-8389-01	B010150		CKT BOARD ASSY:VIDEO PROCESSOR	80009	670-8389-01
A40C2016	285-1056-00			CAP.,FXD,PLSTC:1UF,2%,50V	14752	650B1A105G
A40C2051	283-0024-00			CAP.,FXD,CER DI:0.1UF,+80-20%,50V	72982	8121N083Z5U0104Z
A40C2057	283-0024-00			CAP.,FXD,CER DI:0.1UF,+80-20%,50V	72982	8121N083Z5U0104Z
A40C2061	283-0024-00			CAP.,FXD,CER DI:0.1UF,+80-20%,50V	72982	8121N083Z5U0104Z
A40C2066	283-0024-00			CAP.,FXD,CER DI:0.1UF,+80-20%,50V	72982	8121N083Z5U0104Z
A40C2068	283-0024-00			CAP.,FXD,CER DI:0.1UF,+80-20%,50V	72982	8121N083Z5U0104Z
A40C3011	283-0024-00			CAP.,FXD,CER DI:0.1UF,+80-20%,50V	72982	8121N083Z5U0104Z
A40C3015	283-0024-00			CAP.,FXD,CER DI:0.1UF,+80-20%,50V	72982	8121N083Z5U0104Z
A40C3026	285-0597-00			CAP.,FXD,PLSTC:0.001UF,1%,100V	14752	410B1B102F
A40C3034	283-0024-00			CAP.,FXD,CER DI:0.1UF,+80-20%,50V	72982	8121N083Z5U0104Z
A40C3035	283-0024-00			CAP.,FXD,CER DI:0.1UF,+80-20%,50V	72982	8121N083Z5U0104Z
A40C3037	283-0024-00			CAP.,FXD,CER DI:0.1UF,+80-20%,50V	72982	8121N083Z5U0104Z
A40C3042	290-0755-00			CAP.,FXD,ELCTLT:100UF,+50-10%,10V	55680	ULA1A01TEA
A40C3045	283-0024-00			CAP.,FXD,CER DI:0.1UF,+80-20%,50V	72982	8121N083Z5U0104Z
A40C3048	290-0745-00			CAP.,FXD,ELCTLT:22UF,+50-10%,25V	54473	ECE-A25V22L
A40C3052	290-0745-00			CAP.,FXD,ELCTLT:22UF,+50-10%,25V	54473	ECE-A25V22L
A40C3056	283-0024-00			CAP.,FXD,CER DI:0.1UF,+80-20%,50V	72982	8121N083Z5U0104Z
A40C3058	283-0024-00			CAP.,FXD,CER DI:0.1UF,+80-20%,50V	72982	8121N083Z5U0104Z
A40C3059	283-0024-00			CAP.,FXD,CER DI:0.1UF,+80-20%,50V	72982	8121N083Z5U0104Z
A40C3062	283-0024-00			CAP.,FXD,CER DI:0.1UF,+80-20%,50V	72982	8121N083Z5U0104Z
A40C4011	283-0024-00			CAP.,FXD,CER DI:0.1UF,+80-20%,50V	72982	8121N083Z5U0104Z
A40C4014	283-0024-00			CAP.,FXD,CER DI:0.1UF,+80-20%,50V	72982	8121N083Z5U0104Z
A40CR2051	152-0141-02			SEMICON DVC,BN SW,SI,30V,150MA,30V,DO-35	12969	NDP0263 (1N4152)
A40CR3028	152-0141-02	B010100	B010149	SEMICON DVC,DI SW,SI,30V,150MA,30V,DO-35	12969	NDP0263 (1N4152)
A40CR3045	152-0141-02			SEMICON DVC,DI SW,SI,30V,150MA,30V,DO-35	12969	NDP0263 (1N4152)
A40CR4016	152-0141-02	B010150		SEMICON DVC,DI SW,SI,30V,150MA,30V,DO-35	12969	NDP0263 (1N4152)
A40CR4060	152-0141-02			SEMICON DVC,DI SW,SI,30V,150MA,30V,DO-35	12969	NDP0263 (1N4152)
A40L4042	108-0881-00			COIL,RF:FIXED,40.1UH	80009	108-0881-00
A40L4052	108-0881-00			COIL,RF:FIXED,40.1UH	80009	108-0881-00
A40L4053	108-0881-00			COIL,RF:FIXED,40.1UH	80009	108-0881-00
A40P2060	131-0608-00			TERMINAL,PIN:0.365 L X 0.025 PH BRZ GOLD	22526	48283-036
A40P3035	131-0608-00			TERMINAL,PIN:0.365 L X 0.025 PH BRZ GOLD	22526	48283-036
A40Q3038	151-0261-00			TRANSISTOR:SILICON,PNP,DUAL	04713	SD441
A40Q4025	151-0224-00			TRANSISTOR:SILICON,NPN	07263	SA24850
A40Q4060	151-0302-00			TRANSISTOR:SILICON,NPN	07263	S038487
A40R1012	311-1338-00			RES.,VAR,NONWIR:20K OHM,10%,0.50W	73138	89-130-1
A40R1013	311-1319-00			RES.,VAR,NONWIR:10K OHM,10%,0.75W	73138	89-126-1
A40R1015	311-1319-00			RES.,VAR,NONWIR:10K OHM,10%,0.75W	73138	89-126-1
A40R1019	311-1319-00			RES.,VAR,NONWIR:10K OHM,10%,0.75W	73138	89-126-1
A40R1022	311-1319-00			RES.,VAR,NONWIR:10K OHM,10%,0.75W	73138	89-126-1
A40R1024	311-1319-00			RES.,VAR,NONWIR:10K OHM,10%,0.75W	73138	89-126-1
A40R1026	311-1319-00			RES.,VAR,NONWIR:10K OHM,10%,0.75W	73138	89-126-1
A40R1028	311-1319-00			RES.,VAR,NONWIR:10K OHM,10%,0.75W	73138	89-126-1
A40R1032	311-1319-00			RES.,VAR,NONWIR:10K OHM,10%,0.75W	73138	89-126-1
A40R1034	311-1319-00			RES.,VAR,NONWIR:10K OHM,10%,0.75W	73138	89-126-1
A40R1036	311-1319-00			RES.,VAR,NONWIR:10K OHM,10%,0.75W	73138	89-126-1
A40R1038	311-1319-00			RES.,VAR,NONWIR:10K OHM,10%,0.75W	73138	89-126-1
A40R1043	311-1319-00			RES.,VAR,NONWIR:10K OHM,10%,0.75W	73138	89-126-1
A40R1045	311-1319-00			RES.,VAR,NONWIR:10K OHM,10%,0.75W	73138	89-126-1
A40R1047	311-1319-00			RES.,VAR,NONWIR:10K OHM,10%,0.75W	73138	89-126-1
A40R1051	311-1319-00			RES.,VAR,NONWIR:10K OHM,10%,0.75W	73138	89-126-1
A40R1053	311-1319-00			RES.,VAR,NONWIR:10K OHM,10%,0.75W	73138	89-126-1

Replaceable Electrical Parts—494/494P Service Vol. 2

Component No.	Tektronix Part No.	Serial/Model No. Eff	Dscont	Name & Description	Mfr Code	Mfr Part Number
A40R1057	311-1319-00			RES.,VAR, NONWIR:10K OHM,10%,0.75W	73138	89-126-1
A40R1059	311-1319-00			RES.,VAR, NONWIR:10K OHM,10%,0.75W	73138	89-126-1
A40R1061	311-1319-00			RES.,VAR, NONWIR:10K OHM,10%,0.75W	73138	89-126-1
A40R1063	321-0171-00			RES.,FXD,FILM:590 OHM,1%,0.125W	91637	MFF1816G590R0F
A40R1065	311-1339-00	B010100	B010149	RES.,VAR, NONWIR:5K OHM,10%,0.50W	73138	89-131-1
A40R1067	321-0360-00			RES.,FXD,FILM:54.9K OHM,1%,0.125W	91637	MFF1816G54901F
A40R1069	311-1319-00			RES.,VAR, NONWIR:10K OHM,10%,0.75W	73138	89-126-1
A40R1070	311-1319-00	B010150		RES.,VAR, NONWIR:10K OHM,10%,0.75W	73138	89-126-1
A40R2021	321-0265-00			RES.,FXD,FILM:5.62K OHM,1%,0.125W	91637	MFF1816G56200F
A40R2022	321-0361-00			RES.,FXD,FILM:56.2K OHM,1%,0.125W	91637	MFF1816G56201F
A40R2023	321-0452-00			RES.,FXD,FILM:499K OHM,1%,0.125W	91637	CMF55116G49902F
A40R2051	321-0231-00			RES.,FXD,FILM:2.49K OHM,1%,0.125W	91637	MFF1816G24900F
A40R2053	321-0097-00			RES.,FXD,FILM:100 OHM,1%,0.125W	91637	MFF1816G100R0F
A40R2054	321-0318-00			RES.,FXD,FILM:20K OHM,1%,0.125W	91637	MFF1816G20001F
A40R2055	321-0289-00			RES.,FXD,FILM:10K OHM,1%,0.125W	91637	MFF1816G10001F
A40R2056	321-0277-00			RES.,FXD,FILM:7.5K OHM,1%,0.125W	91637	MFF1816G75000F
A40R2057	321-0329-00			RES.,FXD,FILM:26.1K OHM,1%,0.125W	91637	MFF1816G26101F
A40R2058	321-0260-00			RES.,FXD,FILM:4.99K OHM,1%,0.125W	91637	MFF1816G49900F
A40R2064	315-0101-00			RES.,FXD,CMPSN:100 OHM,5%,0.25W	57668	NTR25J-E 100E
A40R2066	321-0327-00			RES.,FXD,FILM:24.9K OHM,1%,0.125W	91637	MFF1816G24901F
A40R3011	321-0304-00	B010100	B010149	RES.,FXD,FILM:14.3K OHM,1%,0.125W	91637	MFF1816G14301F
A40R3011	321-0294-00	B010150		RES.,FXD,FILM:11.3K OHM,1%,0.125W	91637	CMF55116G11301F
A40R3012	321-0308-00			RES.,FXD,FILM:15.8K OHM,1%,0.125W	91637	MFF1816G15801F
A40R3020	321-0239-00	B010150		RES.,FXD,FILM:3.01K OHM,1%,0.125W	91637	MFF1816G30100F
A40R3023	315-0122-00			RES.,FXD,CMPSN:1.2K OHM,5%,0.25W	57668	NTR25J-E01K2
A40R3024	315-0512-00			RES.,FXD,CMPSN:5.1K OHM,5%,0.25W	57668	NTR25J-E05K1
A40R3025	315-0512-00			RES.,FXD,CMPSN:5.1K OHM,5%,0.25W	57668	NTR25J-E05K1
A40R3028	321-0298-00			RES.,FXD,FILM:12.4K OHM,1%,0.125W	91637	MFF1816G12401F
A40R3030	311-1917-00	B010150		RES.,VAR, NONWIR:TRMR,5K OHM,10%,0.5W	73138	72-198-0
A40R3046	321-0318-00			RES.,FXD,FILM:20K OHM,1%,0.125W	91637	MFF1816G20001F
A40R3053	315-0101-00			RES.,FXD,CMPSN:100 OHM,5%,0.25W	57668	NTR25J-E 100E
A40R3058	315-0101-00			RES.,FXD,CMPSN:100 OHM,5%,0.25W	57668	NTR25J-E 100E
A40R3059	315-0101-00			RES.,FXD,CMPSN:100 OHM,5%,0.25W	57668	NTR25J-E 100E
A40R3064	315-0152-00			RES.,FXD,CMPSN:1.5K OHM,5%,0.25W	57668	NTR25J-E01K5
A40R3065	315-0303-00			RES.,FXD,CMPSN:30K OHM,5%,0.25W	01121	CB3035
A40R4010	321-0306-00			RES.,FXD,FILM:15K OHM,1%,0.125W	91637	MFF1816G15001F
A40R4011	321-0289-00			RES.,FXD,FILM:10K OHM,1%,0.125W	91637	MFF1816G10001F
A40R4012	321-0289-00			RES.,FXD,FILM:10K OHM,1%,0.125W	91637	MFF1816G10001F
A40R4013	321-0335-00			RES.,FXD,FILM:30.1K OHM,1%,0.125W	91637	CMF55116G30101F
A40R4014	321-0335-00			RES.,FXD,FILM:30.1K OHM,1%,0.125W	91637	CMF55116G30101F
A40R4015	321-0328-00			RES.,FXD,FILM:25.5K OHM,1%,0.125W	91637	MFF1816G25501F
A40R4017	321-0308-00			RES.,FXD,FILM:15.8K OHM,1%,0.125W	91637	MFF1816G15801F
A40R4018	321-0304-00			RES.,FXD,FILM:14.3K OHM,1%,0.125W	91637	MFF1816G14301F
A40R4022	315-0162-00			RES.,FXD,CMPSN:1.6K OHM,5%,0.25W	01121	CB1625
A40R4023	321-0289-00			RES.,FXD,FILM:10K OHM,1%,0.125W	91637	MFF1816G10001F
A40R4024	321-0304-00	B010150		RES.,FXD,FILM:14.3K OHM,1%,0.125W	91637	MFF1816G14301F
A40R4025	315-0104-00			RES.,FXD,CMPSN:100K OHM,5%,0.25W	57668	NTR25J-E100K
A40R4027	321-0260-00	B010150		RES.,FXD,FILM:4.99K OHM,1%,0.125W	91637	MFF1816G49900F
A40R4028	321-0243-00	B010150		RES.,FXD,FILM:3.32K OHM,1%,0.125W	91637	MFF1816G33200F
A40R4029	321-0289-00	B010150		RES.,FXD,FILM:10K OHM,1%,0.125W	91637	MFF1816G10001F
A40R4046	321-0289-00			RES.,FXD,FILM:10K OHM,1%,0.125W	91637	MFF1816G10001F
A40R4060	315-0471-00			RES.,FXD,CMPSN:470 OHM,5%,0.25W	57668	NTR25J-E470E
A40R4065	315-0104-00			RES.,FXD,CMPSN:100K OHM,5%,0.25W	57668	NTR25J-E100K
A40R4066	315-0104-00			RES.,FXD,CMPSN:100K OHM,5%,0.25W	57668	NTR25J-E100K

Component No	Tektronix Part No.	Serial/Model No. Eff	Dscont	Name & Description	Mfr Code	Mfr Part Number
A40R4067	315-0104-00			RES.,FXD,CMPSN:100K OHM,5%,0.25W	57668	NTR25J-E100K
A40R4068	315-0241-00			RES.,FXD,CMPSN:240 OHM,5%,0.25W	01121	CB2415
A40TP2052	214-0579-00			TERM,TEST POINT:BRS CD PL	80009	214-0579-00
A40TP2063	214-0579-00			TERM,TEST POINT:BRS CD PL	80009	214-0579-00
A40TP3011	214-0579-00			TERM,TEST POINT:BRS CD PL	80009	214-0579-00
A40TP3053	214-0579-00			TERM,TEST POINT:BRS CD PL	80009	214-0579-00
A40TP3067	214-0579-00			TERM,TEST POINT:BRS CD PL	80009	214-0579-00
A40TP3069	214-0579-00			TERM,TEST POINT:BRS CD PL	80009	214-0579-00
A40TP4018	214-0579-00			TERM,TEST POINT:BRS CD PL	80009	214-0579-00
A40TP4021	214-0579-00			TERM,TEST POINT:BRS CD PL	80009	214-0579-00
A40TP4055	214-0579-00			TERM,TEST POINT:BRS CD PL	80009	214-0579-00
A40TP4065	214-0579-00			TERM,TEST POINT:BRS CD PL	80009	214-0579-00
A40TP4067	214-0579-00			TERM,TEST POINT:BRS CD PL	80009	214-0579-00
A40U2015	156-1211-00			MICROCKT,INTFC:QUAD SPST SWITCH,2NC,2NO	80009	156-1211-00
A40U2039	155-0106-00			MICROCIRCUIT,DI:NORMAL CKT ML	80009	155-0106-00
A40U2055	156-0158-04			MICROCIRCUIT,LI:DUAL OPERATIONAL AMPLIFIER	01295	N99320JG
A40U2066	156-0770-00			MICROCIRCUIT,LI:OPERATIONAL AMPLIFIER	27014	LF356H
A40U3015	156-0570-00			MICROCIRCUIT,LI:DUAL HIGH SPEED COMPARATOR	27014	LM319H
A40U3025	156-1211-00			MICROCKT,INTFC:QUAD SPST SWITCH,2NC,2NO	80009	156-1211-00
A40U3035	156-0913-02			MICROCIRCUIT,DI:OCTAL D FF,BURN-IN	04713	SN74LS377NDS
A40U3040	156-0469-02			MICROCIRCUIT,DI:3/8 LINE DCDR	01295	SN74LS138NP3
A40U3045	156-0158-04			MICROCIRCUIT,LI:DUAL OPERATIONAL AMPLIFIER	01295	N99320JG
A40U3062	156-0770-00			MICROCIRCUIT,LI:OPERATIONAL AMPLIFIER	27014	LF356H
A40U3063	156-1211-00			MICROCKT,INTFC:QUAD SPST SWITCH,2NC,2NO	80009	156-1211-00
A40VR3011	152-0662-00			SEMICONV DEVICE:ZENER,0.4W,5V,1%	04713	SZG195
A40VR4011	152-0662-00			SEMICONV DEVICE:ZENER,0.4W,5V,1%	04713	SZG195
A40VR4028	152-0195-00	B010150		SEMICONV DEVICE:ZENER,0.4W,5.1V,5%	04713	SZ11755
A40W3026	131-0566-00			BUS CONDUCTOR:DUMMY RES,2.375,22 AWG	57668	JWW-0200E0

<http://www.ebay.com>



Replaceable Electrical Parts—494/494P Service Vol. 2

Component No.	Tektronix Part No.	Serial/Model No. Eff Dscont	Name & Description	Mfr Code	Mfr Part Number
A42	670-5552-03		CKT BOARD ASSY:PRESELECTOR DRIVER	80009	670-5552-03
A42C2026	283-0070-00		CAP.,FXD,CER DI:30PF,10%,50V	72982	8121-060C0G0300K
A42C2045	283-0070-00		CAP.,FXD,CER DI:30PF,10%,50V	72982	8121-060C0G0300K
A42C2065	283-0330-00		CAP.,FXD,CER DI:100PF,5%,50V	51642	200-050-NP0-101J
A42C3021	283-0190-00		CAP.,FXD,CER DI:0.47UF,5%,50V	72982	8141N077X7R0474J
A42C3028	283-0111-00		CAP.,FXD,CER DI:0.1UF,20%,50V	96733	R2632
A42C3043	283-0004-00		CAP.,FXD,CER DI:0.02UF,+80-20%,150V	59821	SDDH69J203Z
A42C3048	283-0051-00		CAP.,FXD,CER DI:0.0033UF,5%,100V	56289	1C20C0G332J100B
A42C3052	283-0070-00		CAP.,FXD,CER DI:30PF,10%,50V	72982	8121-060C0G0300K
A42C3061	283-0111-00		CAP.,FXD,CER DI:0.1UF,20%,50V	96733	R2632
A42C4038	283-0111-00		CAP.,FXD,CER DI:0.1UF,20%,50V	96733	R2632
A42C4041	290-0718-00		CAP.,FXD,ELCTLT:22UF,20%,35V	56289	196D226X0035PE4
A42C4044	290-0718-00		CAP.,FXD,ELCTLT:22UF,20%,35V	56289	196D226X0035PE4
A42C4061	290-0158-00		CAP.,FXD,ELCTLT:50UF,+75-15%,25V	56289	109D506C7025F2
A42C4071	290-0513-00		CAP.,FXD,ELCTLT:510UF,+75-10%,25V	56289	109D575
A42C5026	283-0111-00		CAP.,FXD,CER DI:0.1UF,20%,50V	96733	R2632
A42C5041	290-0718-00		CAP.,FXD,ELCTLT:22UF,20%,35V	56289	196D226X0035PE4
A42C5046	290-0718-00		CAP.,FXD,ELCTLT:22UF,20%,35V	56289	196D226X0035PE4
A42C5051	290-0755-00		CAP.,FXD,ELCTLT:100UF,+50-10%,10V	55680	ULA1A01TEA
A42C5061	283-0111-00		CAP.,FXD,CER DI:0.1UF,20%,50V	96733	R2632
A42CR1020	152-0141-02		SEMICON DVC,DI:SW,SI,30V,150MA,30V,DO-35	12969	NDP0263 (1N4152)
A42CR1021	152-0141-02		SEMICON DVC,DI:SW,SI,30V,150MA,30V,DO-35	12969	NDP0263 (1N4152)
A42CR2065	152-0322-00		SEMICON DEVICE:SILICON,15V,HOT CARRIER	50434	5082-2672
A42CR2077	152-0322-00		SEMICON DEVICE:SILICON,15V,HOT CARRIER	50434	5082-2672
A42CR2078	152-0322-00		SEMICON DEVICE:SILICON,15V,HOT CARRIER	50434	5082-2672
A42CR3061	152-0322-00		SEMICON DEVICE:SILICON,15V,HOT CARRIER	50434	5082-2672
A42CR3073	152-0353-00		SEMICON DEVICE:SILICON,RECT,800V,1W	05828	GP10K-014
A42CR4012	152-0141-02		SEMICON DVC,DI:SW,SI,30V,150MA,30V,DO-35	12969	NDP0263 (1N4152)
A42CR4013	152-0141-02		SEMICON DVC,DI:SW,SI,30V,150MA,30V,DO-35	12969	NDP0263 (1N4152)
A42CR4032	152-0322-00		SEMICON DEVICE:SILICON,15V,HOT CARRIER	50434	5082-2672
A42CR4061	152-0333-00		SEMICON DVC DI:SW,SI,55V,200MA,DO-35	03508	DJ2011
A42L4056	108-0881-00		COIL,RF:FIXED,40,1UH	80009	108-0881-00
A42L5051	108-0881-00		COIL,RF:FIXED,40,1UH	80009	108-0881-00
A42P2011	131-0608-00		TERMINAL,PIN:0.365 L X 0.025 PH BRZ GOLD	22526	48283-036
A42P3055	131-0608-00		TERMINAL,PIN:0.365 L X 0.025 PH BRZ GOLD	22526	48283-036
A42P3069	131-0608-00		TERMINAL,PIN:0.365 L X 0.025 PH BRZ GOLD	22526	48283-036
A42P5062	131-0608-00		TERMINAL,PIN:0.365 L X 0.025 PH BRZ GOLD	22526	48283-036
A42P5065	131-0608-00		TERMINAL,PIN:0.365 L X 0.025 PH BRZ GOLD	22526	48283-036
A42Q1011	151-0301-00		TRANSISTOR:SILICON,PNP	27014	2N2907A
A42Q1022	151-1022-00		TRANSISTOR:FET,N-CHAN,SI,F1782,T0-18	17856	FN1234
A42Q2024	151-1022-00		TRANSISTOR:FET,N-CHAN,SI,F1782,T0-18	17856	FN1234
A42Q2034	151-1022-00		TRANSISTOR:FET,N-CHAN,SI,F1782,T0-18	17856	FN1234
A42Q2036	151-1022-00		TRANSISTOR:FET,N-CHAN,SI,F1782,T0-18	17856	FN1234
A42Q2074	151-1022-00		TRANSISTOR:FET,N-CHAN,SI,F1782,T0-18	17856	FN1234
A42Q3025	151-0290-00		TRANSISTOR:SILICON,NPN	07263	S032790
A42Q3061	151-1045-00		TRANSISTOR:SILICON,JFE,P-CHANNEL	04713	SPS628
A42Q3077	151-1066-00		TRANSISTOR:SILICON,FE,P-CHANNEL	27014	SF88025
A42Q4025	151-0134-00		TRANSISTOR:SILICON,PNP	80009	151-0134-00
A42Q4037	151-0301-00		TRANSISTOR:SILICON,PNP	27014	2N2907A
A42Q5052	151-0429-00		TRANSISTOR:SILICON,PNP	04713	SJE957
A42R1013	315-0273-00		RES.,FXD,CMPSN:27K OHM,5%,0.25W	57668	NTR25J-E27K0
A42R1017	321-0363-00		RES.,FXD,FILM:59K OHM,1%,0.125W	91637	MFF1816G59001F
A42R1018	321-0376-00		RES.,FXD,FILM:80.6K OHM,1%,0.125W	91637	MFF1816G80601F
A42R1019	315-0105-00		RES.,FXD,CMPSN:1M OHM,5%,0.25W	01121	CB1055

Component No.	Tektronix Part No.	Serial/Model No. Eff Dscont	Name & Description	Mfr Code	Mfr Part Number
A42R1021	321-1654-07		RES.,FXD,FILM:651K OHM,0.1%,0.125W	91637	HMF188C65102B
A42R1022	325-0322-00		RES.,FXD,FILM:26.35K OHM,0.1%,1PPM	07088	K747 26.35K OHM
A42R1023	325-0321-00		RES.,FXD,FILM:50.87K OHM,0.05%,1PPM	07088	K747 50.87K OHM
A42R1024	325-0320-00		RES.,FXD,FILM:7.532K OHM,0.05%,1PPM	07088	K747 7.532K OHM
A42R1025	321-0450-01		RES.,FXD,FILM:475K OHM,0.5%,0.125W	24546	NA55D4753D
A42R1026	325-0317-00		RES.,FXD,FILM:84.9K OHM,0.1%,1PPM	07088	K747 84.9K OHM
A42R1027	315-0105-00		RES.,FXD,CMPSN:1M OHM,5%,0.25W	01121	CB1055
A42R1031	311-1319-00		RES.,VAR,NONWIR:10K OHM,10%,0.75W	73138	89-126-1
A42R1032	325-0319-00		RES.,FXD,FILM:100K OHM,0.1%,1PPM	07088	K747 100.0K OHM
A42R1033	321-0414-00		RES.,FXD,FILM:200K OHM,1%,0.125W	91637	MFF1816G20002F
A42R1034	315-0105-00		RES.,FXD,CMPSN:1M OHM,5%,0.25W	01121	CB1055
A42R1035	321-0510-00		RES.,FXD,FILM:2M OHM,1%,0.125W	91637	HFF188G20003F
A42R1036	321-1653-04		RES.,FXD,FILM:2.25M OHM,0.1%,0.125W	91637	HMF188D22503B
A42R1037	321-0405-00		RES.,FXD,FILM:162K OHM,1%,0.125W	91637	MFF1816G16202F
A42R1045	311-1319-00		RES.,VAR,NONWIR:10K OHM,10%,0.75W	73138	89-126-1
A42R1049	311-1319-00		RES.,VAR,NONWIR:10K OHM,10%,0.75W	73138	89-126-1
A42R1052	311-1337-00		RES.,VAR,NONWIR:25K OHM,10%,0.50W	73138	89-129-1
A42R1054	311-1337-00		RES.,VAR,NONWIR:25K OHM,10%,0.50W	73138	89-129-1
A42R1056	311-1337-00		RES.,VAR,NONWIR:25K OHM,10%,0.50W	73138	89-129-1
A42R1061	311-1319-00		RES.,VAR,NONWIR:10K OHM,10%,0.75W	73138	89-126-1
A42R1063	311-1337-00		RES.,VAR,NONWIR:25K OHM,10%,0.50W	73138	89-129-1
A42R1064	311-1337-00		RES.,VAR,NONWIR:25K OHM,10%,0.50W	73138	89-129-1
A42R1065	311-1337-00		RES.,VAR,NONWIR:25K OHM,10%,0.50W	73138	89-129-1
A42R1073	325-0318-00		RES.,FXD,FILM:95.7K OHM,0.5%,1PPM	07088	K747 95.7K OHM
A42R1074	321-1652-04		RES.,FXD,FILM:375K OHM,0.1%,0.125W	91637	MFF1816D37502B
A42R1075	325-0325-00		RES.,FXD,FILM:35.97K OHM,0.1%,1 PPM	07088	K747 35.97K OHM
A42R1076	325-0328-00		RES.,FXD,FILM:141K OHM,1%,0.50W	18612	A104D 141K OHM
A42R2012	315-0473-00		RES.,FXD,CMPSN:47K OHM,5%,0.25W	57668	NTR25J-E47K0
A42R2013	315-0473-00		RES.,FXD,CMPSN:47K OHM,5%,0.25W	57668	NTR25J-E47K0
A42R2014	321-0289-00		RES.,FXD,FILM:10K OHM,1%,0.125W	91637	MFF1816G10001F
A42R2015	321-0771-01		RES.,FXD,FILM:50 OHM,0.5%,0.125W	91637	CMF5511G50R00D
A42R2021	325-0324-00		RES.,FXD,FILM:50K OHM,0.1%,1PPM	07088	K747 50.0K OHM
A42R2022	315-0105-00		RES.,FXD,CMPSN:1M OHM,5%,0.25W	01121	CB1055
A42R2027	321-0319-00		RES.,FXD,FILM:20.5K OHM,1%,0.125W	91637	MFF1816G20501F
A42R2036	321-0347-00		RES.,FXD,FILM:40.2K OHM,1%,0.125W	91637	MFF1816G40201F
A42R2062	321-0753-06		RES.,FXD,FILM:9K OHM,0.25%,0.125W	91637	MFF1816C90000C
A42R2063	321-0753-06		RES.,FXD,FILM:9K OHM,0.25%,0.125W	91637	MFF1816C90000C
A42R2064	315-0105-00		RES.,FXD,CMPSN:1M OHM,5%,0.25W	01121	CB1055
A42R2066	311-1264-00		RES.,VAR,NONWIR:1.5K OHM,10%,0.50W	32997	3329P-L58-152
A42R2069	321-0441-00		RES.,FXD,FILM:383K OHM,1%,0.125W	91637	CMF55116G38302F
A42R2072	321-0449-00		RES.,FXD,FILM:464K OHM,1%,0.125W	91637	CMF55116G46402F
A42R2073	321-0891-00		RES.,FXD,FILM:800K OHM,1%,0.125W	91637	MFF1816G80002F
A42R2074	321-0415-00		RES.,FXD,FILM:205K OHM,1%,0.125W	91637	MFF1816G20502F
A42R2075	321-0995-00		RES.,FXD,FILM:549K OHM,1%,0.125W	24546	NA55D5493F
A42R2077	321-0432-00		RES.,FXD,FILM:309K OHM,1%,0.125W	91637	MFF1816G30902F
A42R2078	321-0441-00		RES.,FXD,FILM:383K OHM,1%,0.125W	91637	CMF55116G38302F
A42R3011	315-0103-00		RES.,FXD,CMPSN:10K OHM,5%,0.25W	57668	NTR25J-E10K0
A42R3012	315-0102-00		RES.,FXD,CMPSN:1K OHM,5%,0.25W	57668	NTR25JE01K0
A42R3013	315-0102-00		RES.,FXD,CMPSN:1K OHM,5%,0.25W	57668	NTR25JE01K0
A42R3014	321-0460-00		RES.,FXD,FILM:604K OHM,1%,0.125W	91637	MFF1816G60402F
A42R3021	321-0356-00		RES.,FXD,FILM:49.9K OHM,1%,0.125W	91637	MFF1816G49901F
A42R3028	315-0101-00		RES.,FXD,CMPSN:100 OHM,5%,0.25W	57668	NTR25J-E 100E
A42R3041	325-0316-00		RES.,FXD,FILM:57.55K OHM,0.1%,1PPM	07088	K747 57.55K OHM
A42R3042	315-0102-00		RES.,FXD,CMPSN:1K OHM,5%,0.25W	57668	NTR25JE01K0

http://www.1000books.com



Replaceable Electrical Parts—494/494P Service Vol. 2

Component No.	Tektronix Part No.	Serial/Model No. Eff Dscont	Name & Description	Mfr Code	Mfr Part Number
A42R3043	315-0202-00		RES.,FXD,CMPSN:2K OHM,5%,0.25W	57668	NTR25J-E02K0
A42R3044	321-0434-00		RES.,FXD,FILM:324K OHM,1%,0.125W	91637	MFF1816G32402F
A42R3045	321-0891-00		RES.,FXD,FILM:800K OHM,1%,0.125W	91637	MFF1816G80002F
A42R3046	325-0319-00		RES.,FXD,FILM:100K OHM,0.1%,1PPM	07088	K747 100.0K OHM
A42R3047	315-0102-00		RES.,FXD,CMPSN:1K OHM,5%,0.25W	57668	NTR25JE01K0
A42R3052	325-0315-00		RES.,FXD,FILM:20K OHM,0.05%,1PPM	07088	K747 20.0K OHM
A42R3053	325-0315-00		RES.,FXD,FILM:20K OHM 0.05%,1PPM	07088	K747 20.0K OHM
A42R3054	321-0320-00		RES.,FXD,FILM:21K OHM,1%,0.125W	91637	MFF1816G21001F
A42R3055	321-0284-00		RES.,FXD,FILM:8.87K OHM,1%,0.125W	91637	MFF1816G88700F
A42R3056	321-0357-03		RES.,FXD,FILM:51.1K OHM,0.25%,0.125W	91637	MFF1816D51101C
A42R3061	321-0451-00		RES.,FXD,FILM:487K OHM,1%,0.125W	91637	CMF55116G48702F
A42R3072	315-0222-00		RES.,FXD,CMPSN:2.2K OHM,5%,0.25W	57668	NTR25J-E02K2
A42R4011	315-0103-00		RES.,FXD,CMPSN:10K OHM,5%,0.25W	57668	NTR25J-E10K0
A42R4013	321-0440-00		RES.,FXD,FILM:374K OHM,1%,0.125W	91637	MFF1816G37402F
A42R4014	321-0642-00		RES.,FXD,FILM:20.3K OHM,0.25%,0.125W	91637	MFF1816C20301C
A42R4016	315-0113-00		RES.,FXD,CMPSN:11K OHM,5%,0.25W	01121	CB1135
A42R4030	315-0202-00		RES.,FXD,CMPSN:2K OHM,5%,0.25W	57668	NTR25J-E02K0
A42R4031	315-0104-00		RES.,FXD,CMPSN:100K OHM,5%,0.25W	57668	NTR25J-E100K
A42R4032	315-0273-00		RES.,FXD,CMPSN:27K OHM,5%,0.25W	57668	NTR25J-E27K0
A42R4040	315-0473-00		RES.,FXD,CMPSN:47K OHM,5%,0.25W	57668	NTR25J-E47K0
A42R4041	315-0470-00		RES.,FXD,CMPSN:47 OHM,5%,0.25W	57668	NTR25J-E47E0
A42R4042	315-0470-00		RES.,FXD,CMPSN:47 OHM,5%,0.25W	57668	NTR25J-E47E0
A42R4043	315-0470-00		RES.,FXD,CMPSN:47 OHM,5%,0.25W	57668	NTR25J-E47E0
A42R4044	315-0470-00		RES.,FXD,CMPSN:47 OHM,5%,0.25W	57668	NTR25J-E47E0
A42R4048	315-0105-00		RES.,FXD,CMPSN:1M OHM,5%,0.25W	01121	CB1055
A42R4049	310-0705-00		RES.,FXD,WW,2 OHM,0.25%,2W	80009	310-0705-00
A42R4051	321-0238-00		RES.,FXD,FILM:2.94K OHM,1%,0.125W	91637	MFF1816G29400F
A42R4052	321-0258-00		RES.,FXD,FILM:4.75K OHM,1%,0.125W	91637	MFF1816G47500F
A42R4054	315-0102-00		RES.,FXD,CMPSN:1K OHM,5%,0.25W	57668	NTR25JE01K0
A42R4063	315-0512-00		RES.,FXD,CMPSN:5.1K OHM,5%,0.25W	57668	NTR25J-E05K1
A42R4064	315-0101-00		RES.,FXD,CMPSN:100 OHM,5%,0.25W	57668	NTR25J-E 100E
A42R5015	315-0242-00		RES.,FXD,CMPSN:2.4K OHM,5%,0.25W	57668	NTR25J-E02K4
A42R5064	315-0103-00		RES.,FXD,CMPSN:10K OHM,5%,0.25W	57668	NTR25J-E10K0
A42R5065	315-0755-00		RES.,FXD,CMPSN:7.5M OHM,5%,0.25W	01121	CB7555
A42R5066	315-0475-00		RES.,FXD,CMPSN:4.7M OHM,5%,0.25W	01121	CB4755
A42TP1069	214-0579-00		TERM,TEST POINT:BRS CD PL	80009	214-0579-00
A42TP1072	214-0579-00		TERM,TEST POINT:BRS CD PL	80009	214-0579-00
A42TP3038	214-0579-00		TERM,TEST POINT:BRS CD PL	80009	214-0579-00
A42TP3048	214-0579-00		TERM,TEST POINT:BRS CD PL	80009	214-0579-00
A42TP4054	214-0579-00		TERM,TEST POINT:BRS CD PL	80009	214-0579-00
A42U1011	156-0158-04		MICROCIRCUIT,LI:DUAL OPERATIONAL AMPLIFIER	01295	N99320JG
A42U1067	156-0937-00		MICROCIRCUIT,LI:VOLTAGE REFERENCE	24355	AD580LH
A42U2028	156-0512-03		MICROCIRCUIT,LI:OPERATIONAL AMPLIFIER	04713	LM308J-8
A42U2045	156-0512-03		MICROCIRCUIT,LI:OPERATIONAL AMPLIFIER	04713	LM308J-8
A42U2047	156-0512-03		MICROCIRCUIT,LI:OPERATIONAL AMPLIFIER	04713	LM308J-8
A42U2054	156-0420-00		MICROCIRCUIT,LI:PREAMPLIFIER	27014	LM321H
A42U3054	156-0512-03		MICROCIRCUIT,LI:OPERATIONAL AMPLIFIER	04713	LM308J-8
A42U4061	156-0385-02		MICROCIRCUIT,DI:HEX INVERTER	01295	SN74LS04
A42U5022	156-0411-00		MICROCIRCUIT,LI:QUAD-COMP,SGL SUPPLY	27014	LM339N
A42U5031	156-0913-02		MICROCIRCUIT,DI:OCTAL D FF,BURN-IN	04713	SN74LS377NDS
A42U5036	156-0469-02		MICROCIRCUIT,DI:3/8 LINE DCDR	01295	SN74LS13BNP3
A42VR3011	152-0265-00		SEMICONV DEVICE:ZENER,0.4W,24V,5%	04713	SZG35009K8
A42VR3012	152-0281-00		SEMICONV DEVICE:ZENER,0.4W,22V,5%	12954	1N969B
A42VR3061	152-0514-00		SEMICONV DEVICE:ZENER,0.4W,10V,1%	80009	152-0514-00
A42VR3074	152-0120-00		SEMICONV DEVICE:ZENER,1W,10V,5%	04713	SZ1619
A42W3048	131-0556-00		BUS CONDUCTOR:CKT CD,12 FEM,PH BRZ	80009	131-0556-00



Component No.	Tektronix Part No.	Serial/Model No. Eff Dscnt	Name & Description	Mfr Code	Mfr Part Number
A44	670-5551-05		CKT BOARD ASSY:1ST L O DRIVER	80009	670-5551-05
A44C1011	283-0203-00		CAP.,FXD,CER DI:0.47UF,20%,50V	04222	5R305SE474MAA
A44C1018	283-0203-00		CAP.,FXD,CER DI:0.47UF,20%,50V	04222	5R305SE474MAA
A44C1020	283-0326-00		CAP.,FXD,CER DI:0.082UF,10%,50V	72982	8121N075X7R0823K
A44C1029	283-0326-00		CAP.,FXD,CER DI:0.082UF,10%,50V	72982	8121N075X7R0823K
A44C2011	290-0804-00		CAP.,FXD,ELCTLT:10UF,+50-10%,25V	55680	ULA1E100TEA
A44C2017	283-0326-00		CAP.,FXD,CER DI:0.082UF,10%,50V	72982	8121N075X7R0823K
A44C2018	283-0330-00		CAP.,FXD,CER DI:100PF,5%,50V	51642	200-050-NP0-101J
A44C2019	290-0804-00		CAP.,FXD,ELCTLT:10UF,+50-10%,25V	55680	ULA1E100TEA
A44C2021	283-0176-00		CAP.,FXD,CER DI:0.0022UF,20%,50V	56289	272C5
A44C2022	283-0326-00		CAP.,FXD,CER DI:0.082UF,10%,50V	72982	8121N075X7R0823K
A44C2025	290-0301-00		CAP.,FXD,ELCTLT:10UF,10%,20V	56289	150D106X9020B2
A44C2026	283-0326-00		CAP.,FXD,CER DI:0.082UF,10%,50V	72982	8121N075X7R0823K
A44C2032	283-0060-00		CAP.,FXD,CER DI:100PF,5%,200V	59660	855-535U2J101J
A44C2042	283-0065-00		CAP.,FXD,CER DI:0.001UF,5%,100V	59660	0835-591Y5EO102J
A44C2043	283-0213-00		CAP.,FXD,CER DI:300PF,5%,100V	72982	8121N130C0G0301J
A44C2044	283-0198-00		CAP.,FXD,CER DI:0.22UF,20%,50V	56289	1C10Z5U223M050B
A44C2045	283-0005-00		CAP.,FXD,CER DI:0.01UF,+100-0%,250V	72982	8131N300Z5U0103P
A44C2046	283-0060-00		CAP.,FXD,CER DI:100PF,5%,200V	59660	855-535U2J101J
A44C2048	283-0212-00		CAP.,FXD,CER DI:2UF,20%,50V	51642	400-050-Z5U205M
A44C2050	283-0195-00		CAP.,FXD,CER DI:680PF,5%,50V	72982	8121N075C0G0681J
A44C2051	283-0005-00		CAP.,FXD,CER DI:0.01UF,+100-0%,250V	72982	8131N300Z5U0103P
A44C2054	283-0060-00		CAP.,FXD,CER DI:100PF,5%,200V	59660	855-535U2J101J
A44C2056	290-0302-00		CAP.,FXD,ELCTLT:100UF,10%,20V	12954	ST613C107K010M
A44C3013	283-0326-00		CAP.,FXD,CER DI:0.082UF,10%,50V	72982	8121N075X7R0823K
A44C3019	283-0111-00		CAP.,FXD,CER DI:0.1UF,20%,50V	96733	R2632
A44C3020	283-0175-00		CAP.,FXD,CER DI:10PF,5%,200V	96733	TDR43BY100DP
A44C3027	283-0326-00		CAP.,FXD,CER DI:0.082UF,10%,50V	72982	8121N075X7R0823K
A44C3033	283-0326-00		CAP.,FXD,CER DI:0.082UF,10%,50V	72982	8121N075X7R0823K
A44C3034	283-0111-00		CAP.,FXD,CER DI:0.1UF,20%,50V	96733	R2632
A44C3038	290-0982-00		CAP.,FXD,ELCTLT:47UF,10%,35V	05397	T110D476K035AS
A44C3039	290-0574-00		CAP.,FXD,ELCTLT:47UF,10%,20V	90201	TDC476K020CL
A44C3045	283-0177-00		CAP.,FXD,CER DI:1UF,+80-20%,25V	04222	SR302E105ZAA
A44C3046	290-0158-00		CAP.,FXD,ELCTLT:50UF,+75-15%,25V	56289	109D506C7025F2
A44C3047	290-0776-00		CAP.,FXD,ELCTLT:22UF,+50-10%,10V	55680	ULA1A220TEA
A44C3048	283-0191-00		CAP.,FXD,CER DI:0.022UF,20%,50V	72982	8121N075Z5U0223M
A44C3055	290-0302-00		CAP.,FXD,ELCTLT:100UF,10%,20V	12954	ST613C107K010M
A44C4014	283-0111-00		CAP.,FXD,CER DI:0.1UF,20%,50V	96733	R2632
A44C4016	290-0778-00		CAP.,FXD,ELCTLT:1UF,+50-10%,50V	54473	ECE-A50N1
A44C4046	290-0574-00		CAP.,FXD,ELCTLT:47UF,10%,20V	90201	TDC476K020CL
A44C4055	283-0077-00		CAP.,FXD,CER DI:330PF,5%,500V	59660	831-500B331J
A44CR1052	152-0141-02		SEMICONV DVC,DI:SW,SI,30V,150MA,30V,DO-35	12969	NDP0263 (1N4152)
A44CR1053	152-0141-02		SEMICONV DVC,DI:SW,SI,30V,150MA,30V,DO-35	12969	NDP0263 (1N4152)
A44CR1054	152-0141-02		SEMICONV DVC,DI:SW,SI,30V,150MA,30V,DO-35	12969	NDP0263 (1N4152)
A44CR2024	152-0141-02		SEMICONV DVC,DI:SW,SI,30V,150MA,30V,DO-35	12969	NDP0263 (1N4152)
A44CR3014	152-0141-02		SEMICONV DVC,DI:SW,SI,30V,150MA,30V,DO-35	12969	NDP0263 (1N4152)
A44CR3031	152-0141-02		SEMICONV DVC,DI:SW,SI,30V,150MA,30V,DO-35	12969	NDP0263 (1N4152)
A44CR3044	152-0323-00		SEMICONV DEVICE:SILICON,35V,0.1A	80009	152-0323-00
A44CR3047	152-0333-00		SEMICONV DVC DI:SW,SI,55V,200MA,DO-35	03508	DJ2011
A44K3034	148-0064-00		RELAY,REED,SPST	95348	F81-1441
A44L4038	108-0881-00		COIL,RF:FIXED,40.1UH	80009	108-0881-00
A44L4041	108-0881-00		COIL,RF:FIXED,40.1UH	80009	108-0881-00
A44P3043	131-0608-00		TERMINAL,PIN 0.365 L X 0.025 PH BRZ GOLD	22526	48283-036
A44Q1028	151-0190-00		TRANSISTOR:NPN,SI,TO-92	04713	SPS7969

Replaceable Electrical Parts—494/494P Service Vol. 2

Component No.	Tektronix Part No.	Serial/Model No. Eff Dscont	Name & Description	Mfr Code	Mfr Part Number
A44Q2025	151-0188-00		TRANSISTOR:PNP,SI,T0-92	T0058	2N3906
A44Q2026	151-1022-00		TRANSISTOR:FET,N-CHAN,SI,F1782,T0-18	17856	FN1234
A44Q2029	151-0302-00		TRANSISTOR:SILICON,NPN	07263	S038487
A44Q2033	151-1022-00		TRANSISTOR:FET,N-CHAN,SI,F1782,T0-18	17856	FN1234
A44Q2035	151-0301-00		TRANSISTOR:SILICON,PNP	27014	2N2907A
A44Q2039	151-0302-00		TRANSISTOR:SILICON,NPN	07263	S038487
A44Q2040	151-1022-00		TRANSISTOR:FET,N-CHAN,SI,F1782,T0-18	17856	FN1234
A44Q2045	151-0619-00		TRANSISTOR:SILICON,NPN,DUAL	27014	SL41341
A44Q2051	151-0301-00		TRANSISTOR:SILICON,PNP	27014	2N2907A
A44Q2052	151-0619-00		TRANSISTOR:SILICON,NPN,DUAL	27014	SL41341
A44Q3019	151-1097-00		TRANSISTOR:SILICON,FE	04713	SPF713
A44Q3028	151-0302-00		TRANSISTOR:SILICON,NPN	07263	S038487
A44Q3042	151-1022-00		TRANSISTOR:FET,N-CHAN,SI,F1782,T0-18	17856	FN1234
A44Q3047	151-1022-00		TRANSISTOR:FET,N-CHAN,SI,F1782,T0-18	17856	FN1234
A44Q3049	151-0301-00		TRANSISTOR:SILICON,PNP	27014	2N2907A
A44R1011	315-0101-00		RES.,FXD,CMPSN:100 OHM,5%,0.25W	57668	NTR25J-E 100E
A44R1013	311-1240-00		RES.,VAR,NONWIR:25K OHM,10%,0.50W	73138	72-30-0
A44R1014	321-0363-00		RES.,FXD,FILM:59K OHM,1%,0.125W	91637	MFF1816G59001F
A44R1015	321-0363-00		RES.,FXD,FILM:59K OHM,1%,0.125W	91637	MFF1816G59001F
A44R1018	315-0101-00		RES.,FXD,CMPSN:100 OHM,5%,0.25W	57668	NTR25J-E 100E
A44R1019	321-0363-00		RES.,FXD,FILM:59K OHM,1%,0.125W	91637	MFF1816G59001F
A44R1020	321-0001-00		RES.,FXD,FILM:10 OHM,1%,0.125W	75042	CEAT0-10R00F
A44R1021	321-0222-00		RES.,FXD,FILM:2K OHM,1%,0.125W	91637	MFF1816G20000F
A44R1022	311-1240-00		RES.,VAR,NONWIR:25K OHM,10%,0.50W	73138	72-30-0
A44R1023	315-0102-00		RES.,FXD,CMPSN:1K OHM,5%,0.25W	57668	NTR25JE01K0
A44R1024	321-0162-00		RES.,FXD,FILM:475 OHM,1%,0.125W	91637	MFF1816G475R0F
A44R1025	321-0162-00		RES.,FXD,FILM:475 OHM,1%,0.125W	91637	MFF1816G475R0F
A44R1026	311-1240-00		RES.,VAR,NONWIR:25K OHM,10%,0.50W	73138	72-30-0
A44R1027	321-0286-00		RES.,FXD,FILM:9.31K OHM,1%,0.125W	91637	MFF1816G93100F
A44R1028	321-0326-00		RES.,FXD,FILM:24.3K OHM,1%,0.125W	91637	CMF55116G24301F
A44R1029	321-0001-00		RES.,FXD,FILM:10 OHM,1%,0.125W	75042	CEAT0-10R00F
A44R1030	317-0102-00		RES.,FXD,CMPSN:1K OHM,5%,0.125W	01121	BB1025
A44R1031	311-2168-00		RES.,VAR,NONWIR:TRMR,10K OHM,10%,0.5W	18612	1280 10K OHM 10%
A44R1032	311-2168-00		RES.,VAR,NONWIR:TRMR,10K OHM,10%,0.5W	18612	1280 10K OHM 10%
A44R1034	311-2168-00		RES.,VAR,NONWIR:TRMR,10K OHM,10%,0.5W	18612	1280 10K OHM 10%
A44R1035	315-0102-00		RES.,FXD,CMPSN:1K OHM,5%,0.25W	57668	NTR25JE01K0
A44R1036	315-0102-00		RES.,FXD,CMPSN:1K OHM,5%,0.25W	57668	NTR25JE01K0
A44R1037	321-0373-00		RES.,FXD,FILM:75K OHM,1%,0.125W	91637	MFF1816G75001F
A44R1038	321-0289-07		RES.,FXD,FILM:10K OHM,0.1%,0.125W	91637	CMF55116C10001B
A44R1039	321-0273-00		RES.,FXD,FILM:6.81K OHM,1%,0.125W	91637	MFF1816G68100F
A44R1040	310-0706-01		RES.,FXD,WW:25 OHM,1.0%,6W	80009	310-0706-01
A44R1041	315-0102-00		RES.,FXD,CMPSN:1K OHM,5%,0.25W	57668	NTR25JE01K0
A44R1042	321-0322-00		RES.,FXD,FILM:22.1K OHM,1%,0.125W	91637	MFF1816G22101F
A44R1043	321-0322-00		RES.,FXD,FILM:22.1K OHM,1%,0.125W	91637	MFF1816G22101F
A44R1044	321-0090-00		RES.,FXD,FILM:84.5 OHM,1%,0.125W	91637	MFF1816G84R50F
A44R1045	321-0207-00		RES.,FXD,FILM:1.4K OHM,1%,0.125W	91637	MFF1816G14000F
A44R1046	321-0373-00		RES.,FXD,FILM:75K OHM,1%,0.125W	91637	MFF1816G75001F
A44R1047	315-0472-00		RES.,FXD,CMPSN:4.7K OHM,5%,0.25W	57668	NTR25J-E04K7
A44R1048	315-0302-00		RES.,FXD,CMPSN:3K OHM,5%,0.25W	57668	NTR25J-E03K0
A44R1049	321-0306-00		RES.,FXD,FILM:15K OHM,1%,0.125W	91637	MFF1816G15001F
A44R1050	321-0306-00		RES.,FXD,FILM:15K OHM,1%,0.125W	91637	MFF1816G15001F
A44R1051	321-0306-00		RES.,FXD,FILM:15K OHM,1%,0.125W	91637	MFF1816G15001F
A44R1052	321-0373-00		RES.,FXD,FILM:75K OHM,1%,0.125W	91637	MFF1816G75001F
A44R1053	315-0102-00		RES.,FXD,CMPSN:1K OHM,5%,0.25W	57668	NTR25JE01K0



Component No	Tektronix Part No.	Serial/Model No. Eff Dscnt	Name & Description	Mfr Code	Mfr Part Number
A44R1054	315-0200-00		RES.,FXD,CMPSN:20 OHM,5%,0.25W	01121	CB2005
A44R1055	321-0163-00		RES.,FXD,FILM:487 OHM,1%,0.125W	91637	MFF1816G487R0F
A44R2012	307-0542-00		RES.NTWK,FXD,Fl:10K OHM,5%,0.125W	01121	105A103
A44R2014	321-0383-00		RES.,FXD,FILM:95.3K OHM,1%,0.125W	91637	MFF1816G95301F
A44R2015	321-0337-00		RES.,FXD,FILM:31.6K OHM,1%,0.125W	91637	MFF1816G31601F
A44R2016	321-0222-00		RES.,FXD,FILM:2K OHM,1%,0.125W	91637	MFF1816G20000F
A44R2017	321-0001-00		RES.,FXD,FILM:10 OHM,1%,0.125W	75042	CEAT0-10R00F
A44R2021	315-0512-00		RES.,FXD,CMPSN:5.1K OHM,5%,0.25W	57668	NTR25J-E05K1
A44R2022	321-0265-00		RES.,FXD,FILM:5.62K OHM,1%,0.125W	91637	MFF1816G56200F
A44R2023	315-0391-00		RES.,FXD,CMPSN:390 OHM,5%,0.25W	57668	NTR25J-E390E
A44R2024	321-0193-00		RES.,FXD,FILM:1K OHM,1%,0.125W	01121	ORD BY DESCR
A44R2025	321-0001-00		RES.,FXD,FILM:10 OHM,1%,0.125W	75042	CEAT0-10R00F
A44R2026	315-0472-00		RES.,FXD,CMPSN:4.7K OHM,5%,0.25W	57668	NTR25J-E04K7
A44R2027	321-0896-03		RES.,FXD,FILM:9.8K OHM,0.25%,0.125W	91637	MFF1816D98000C
A44R2028	315-0474-00		RES.,FXD,CMPSN:470K OHM,5%,0.25W	57668	NTR25J-E470K
A44R2029	315-0510-00		RES.,FXD,CMPSN:51 OHM,5%,0.25W	57668	NTR25J-E51E0
A44R2030	321-0352-00		RES.,FXD,FILM:45.3K OHM,1%,0.125W	91637	MFF1816G45301F
A44R2031	321-1299-09		RES.,FXD,FILM:12.9K OHM,1%,0.125W	91637	MFF1816C12901F
A44R2036	325-0269-00		RES.,FXD,FILM:22K OHM,1%,0.3W	07088	K747 22 K OHM 1%
A44R2037	325-0258-00		RES.,FXD,FILM:5.62K OHM,0.25%,0.3W	07088	K747 5.62 K OHM
A44R2041	325-0323-00		RES.,FXD,FILM:10.88K OHM,0.5%,1PPM	07088	K747 10.88K OHM
A44R2042	325-0326-00		RES.,FXD,FILM:2.67K OHM,0.5%,1PPM	07088	K747 2.67K OHM
A44R2043	325-0271-00		RES.,FXD,FILM:51.1K OHM,0.25%,0.3W	07088	K747 51.1 K OHM
A44R2044	315-0274-00		RES.,FXD,CMPSN:270K OHM,5%,0.25W	57668	NTR25J-E270K
A44R2051	325-0326-00		RES.,FXD,FILM:2.67K OHM,0.5%,1PPM	07088	K747 2.67K OHM
A44R2052	325-0327-00		RES.,FXD,FILM:4.72K OHM,0.5%,1PPM	07088	K747 4.72K OHM
A44R2053	321-0263-00		RES.,FXD,FILM:5.36K OHM,1%,0.125W	91637	MFF1816G53600F
A44R2054	315-0102-00		RES.,FXD,CMPSN:1K OHM,5%,0.25W	57668	NTR25JE01K0
A44R3011	315-0274-00		RES.,FXD,CMPSN:270K OHM,5%,0.25W	57668	NTR25J-E270K
A44R3012	315-0203-00		RES.,FXD,CMPSN:20K OHM,5%,0.25W	57668	NTR25J-E20K0
A44R3013	321-0001-00		RES.,FXD,FILM:10 OHM,1%,0.125W	75042	CEAT0-10R00F
A44R3014	321-0306-00		RES.,FXD,FILM:15K OHM,1%,0.125W	91637	MFF1816G15001F
A44R3015	321-0289-00		RES.,FXD,FILM:10K OHM,1%,0.125W	91637	MFF1816G10001F
A44R3026	321-0001-00		RES.,FXD,FILM:10 OHM,1%,0.125W	75042	CEAT0-10R00F
A44R3027	315-0100-00		RES.,FXD,CMPSN:10 OHM,5%,0.25W	57668	NTR25J-E 10E0
A44R3028	315-0912-00		RES.,FXD,CMPSN:9.1K OHM,5%,0.25W	57668	NTR25J-E09K1
A44R3031	315-0562-00		RES.,FXD,CMPSN:5.6K OHM,5%,0.25W	57668	NTR25J-E05K6
A44R3032	315-0100-00		RES.,FXD,CMPSN:10 OHM,5%,0.25W	57668	NTR25J-E 10E0
A44R3040	315-0154-00		RES.,FXD,CMPSN:150K OHM,5%,0.25W	57668	NTR25J-E150K
A44R3041	315-0274-00		RES.,FXD,CMPSN:270K OHM,5%,0.25W	57668	NTR25J-E270K
A44R3042	315-0104-00		RES.,FXD,CMPSN:100K OHM,5%,0.25W	57668	NTR25J-E100K
A44R3046	315-0222-00		RES.,FXD,CMPSN:2.2K OHM,5%,0.25W	57668	NTR25J-E02K2
A44R3048	315-0102-00		RES.,FXD,CMPSN:1K OHM,5%,0.25W	57668	NTR25JE01K0
A44R3049	315-0123-00		RES.,FXD,CMPSN:12K OHM,5%,0.25W	57668	NTR25J-E12K0
A44R3050	315-0103-00		RES.,FXD,CMPSN:10K OHM,5%,0.25W	57668	NTR25J-E10K0
A44R4012	315-0473-00		RES.,FXD,CMPSN:47K OHM,5%,0.25W	57668	NTR25J-E47K0
A44R4014	315-0101-00		RES.,FXD,CMPSN:100 OHM,5%,0.25W	57668	NTR25J-E 100E
A44R4015	315-0101-00		RES.,FXD,CMPSN:100 OHM,5%,0.25W	57668	NTR25J-E 100E
A44R4016	315-0102-00		RES.,FXD,CMPSN:1K OHM,5%,0.25W	57668	NTR25JE01K0
A44R4037	315-0470-00		RES.,FXD,CMPSN:47 OHM,5%,0.25W	57668	NTR25J-E47E0
A44R4038	307-0103-00		RES.,FXD,CMPSN:2.7 OHM,5%,0.25W	01121	CB27G5
A44R4043	307-0103-00		RES.,FXD,CMPSN:2.7 OHM,5%,0.25W	01121	CB27G5
A44R4044	315-0470-00		RES.,FXD,CMPSN:47 OHM,5%,0.25W	57668	NTR25J-E47E0
A44R4051	315-0103-00		RES.,FXD,CMPSN:10K OHM,5%,0.25W	57668	NTR25J-E10K0



## Replaceable Electrical Parts—494/494P Service Vol. 2

Component No.	Tektronix Part No.	Serial/Model No. Eff Dscnt	Name & Description	Mfr Code	Mfr Part Number
A44R4052	321-0233-00		RES.,FXD,FILM:2.61K OHM,1%,0.125W	91637	MFF1816G26100F
A44R4053	321-0233-00		RES.,FXD,FILM:2.61K OHM,1%,0.125W	91637	MFF1816G26100F
A44R4054	315-0100-00		RES.,FXD,CMPSN:10 OHM,5%,0.25W	57668	NTR25J-E 10E0
A44TP1011	214-0579-00		TERM,TEST POINT:BRS CD PL	80009	214-0579-00
A44TP1058	214-0579-00		TERM,TEST POINT:BRS CD PL	80009	214-0579-00
A44TP1059	214-0579-00		TERM,TEST POINT:BRS CD PL	80009	214-0579-00
A44U1013	156-1160-00		MICROCIRCUIT,LI,VOLTAGE REGULATOR	04713	MC78L12ACG
A44U1016	156-1256-00		MICROCIRCUIT,LI-MONOLITHIC QUAD ANALOG	80009	156-1256-00
A44U1018	156-1207-00		MICROCIRCUIT,LI,VOLTAGE REGULATOR,-12V	04713	MC79L12ACG
A44U1025	156-0158-04		MICROCIRCUIT,LI:DUAL OPERATIONAL AMPLIFIER	01295	N99320JG
A44U2018	156-0512-03		MICROCIRCUIT,LI:OPERATIONAL AMPLIFIER	04713	LM308J-8
A44U2032	156-0512-03		MICROCIRCUIT,LI:OPERATIONAL AMPLIFIER	04713	LM308J-8
A44U2043	156-0512-03		MICROCIRCUIT,LI:OPERATIONAL AMPLIFIER	04713	LM308J-8
A44U2052	156-0512-03		MICROCIRCUIT,LI:OPERATIONAL AMPLIFIER	04713	LM308J-8
A44U3014	156-0411-02		MICROCIRCUIT,LI:QUAD COMPARATOR,SEL	04713	LM339JDS
A44U3022	156-0967-00		MICROCIRCUIT,DI:D/A CONVERTER	80009	156-0967-00
A44U4017	156-0913-02		MICROCIRCUIT,DI:OCTAL D FF,BURN-IN	04713	SN74LS377NDS
A44U4022	156-0913-02		MICROCIRCUIT,DI:OCTAL D FF,BURN-IN	04713	SN74LS377NDS
A44U4024	156-0913-02		MICROCIRCUIT,DI:OCTAL D FF,BURN-IN	04713	SN74LS377NDS
A44U4034	156-0469-02		MICROCIRCUIT,DI:3/8 LINE DCDR	01295	SN74LS138NP3
A44U4055	156-0105-02		MICROCIRCUIT,LI:OPERATIONAL AMPLIFIER SEL	01295	LM301AJG4
A44VR1055	152-0526-00		SEMICONV DEVICE:ZENER,6.35V,1%,7.5MA	80009	152-0526-00
A44VR3048	152-0280-00		SEMICONV DEVICE:ZENER,0.4W,6.2V,5%	80009	152-0280-00
A44W2034	131-0566-00		BUS CONDUCTOR:DUMMY RES,2.375,22 AWG	57668	JWW-0200E0
A44W2045	131-0566-00		BUS CONDUCTOR:DUMMY RES,2.375,22 AWG	57668	JWW-0200E0

<http://www.ebaman.com>

Component No.	Tektronix Part No.	Serial/Model No. Eff Dscont	Name & Description	Mfr Code	Mfr Part Number
A46	670-5547-03		CKT BOARD ASSY: CENTER FREQ CONTROL	80009	670-5547-03
A46C1024	283-0256-00		CAP.,FXD,CER DI:130PF,5%,100V	51642	200-100N1500131J
A46C1044	283-0204-00		CAP.,FXD,CER DI:0.01UF,20%,50V	96733	R2676
A46C2031	290-0536-00		CAP.,FXD,ELCTLT:10UF,20%,25V	90201	TDC106M025FL
A46C2032	290-0536-00		CAP.,FXD,ELCTLT:10UF,20%,25V	90201	TDC106M025FL
A46C2033	290-0536-00		CAP.,FXD,ELCTLT:10UF,20%,25V	90201	TDC106M025FL
A46C2034	290-0536-00		CAP.,FXD,ELCTLT:10UF,20%,25V	90201	TDC106M025FL
A46C2035	290-0536-00		CAP.,FXD,ELCTLT:10UF,20%,25V	90201	TDC106M025FL
A46C2036	290-0536-00		CAP.,FXD,ELCTLT:10UF,20%,25V	90201	TDC106M025FL
A46C2040	290-0536-00		CAP.,FXD,ELCTLT:10UF,20%,25V	90201	TDC106M025FL
A46C2044	283-0204-00		CAP.,FXD,CER DI:0.01UF,20%,50V	96733	R2676
A46C2046	285-0894-00		CAP.,FXD,PLSTC:5UF,5%,50V	56289	LP66A1A505J002
A46C3024	283-0256-00		CAP.,FXD,CER DI:130PF,5%,100V	51642	200-100N1500131J
A46C3037	283-0204-00		CAP.,FXD,CER DI:0.01UF,20%,50V	96733	R2676
A46C3043	283-0204-00		CAP.,FXD,CER DI:0.01UF,20%,50V	96733	R2676
A46C3045	285-0894-00		CAP.,FXD,PLSTC:5UF,5%,50V	56289	LP66A1A505J002
A46CR1045	152-0323-00		SEMICONV DEVICE: SILICON,35V,0.1A	80009	152-0323-00
A46CR1046	152-0323-00		SEMICONV DEVICE: SILICON,35V,0.1A	80009	152-0323-00
A46CR2042	152-0141-02		SEMICONV DVC,DI:SW,SI,30V,150MA,30V,DO-35	12969	NDP0263 (1N4152)
A46CR2044	152-0141-02		SEMICONV DVC,DI:SW,SI,30V,150MA,30V,DO-35	12969	NDP0263 (1N4152)
A46CR2045	152-0141-02		SEMICONV DVC,DI:SW,SI,30V,150MA,30V,DO-35	12969	NDP0263 (1N4152)
A46CR3042	152-0141-02		SEMICONV DVC,DI:SW,SI,30V,150MA,30V,DO-35	12969	NDP0263 (1N4152)
A46CR4041	152-0323-00		SEMICONV DEVICE: SILICON,35V,0.1A	80009	152-0323-00
A46CR4042	152-0323-00		SEMICONV DEVICE: SILICON,35V,0.1A	80009	152-0323-00
A46CR4044	152-0141-02		SEMICONV DVC,DI:SW,SI,30V,150MA,30V,DO-35	12969	NDP0263 (1N4152)
A46CR4045	152-0141-02		SEMICONV DVC,DI:SW,SI,30V,150MA,30V,DO-35	12969	NDP0263 (1N4152)
A46P1041	131-0608-00		TERMINAL PIN:0.365 L X 0.025 PH BRZ GOLD	22526	48283-036
A46P4041	131-0608-00		TERMINAL PIN:0.365 L X 0.025 PH BRZ GOLD	22526	48283-036
A46Q1039	151-0302-00		TRANSISTOR: SILICON,NPN	07263	S038487
A46Q2042	151-0301-00		TRANSISTOR: SILICON,PNP	27014	2N2907A
A46Q2043	151-0302-00		TRANSISTOR: SILICON,NPN	07263	S038487
A46Q2044	151-0301-00		TRANSISTOR: SILICON,PNP	27014	2N2907A
A46Q2046	151-1012-00		TRANSISTOR: SILICON,FE,N-CHANNEL	22229	F1585
A46Q4046	151-1012-00		TRANSISTOR: SILICON,FE,N-CHANNEL	22229	F1585
A46R1031	315-0102-00		RES.,FXD,CMPSN:1K OHM,5%,0.25W	57668	NTR25JE01K0
A46R1032	311-1336-00		RES.,VAR, NONWIR: 100K OHM,0.50W	02111	43P104T672
A46R1038	321-0385-00		RES.,FXD,FILM:100K OHM,1%,0.125W	91637	MFF1816G10002F
A44R1041	321-0193-00		RES.,FXD,FILM:1K OHM,1%,0.125W	01121	ORD BY DESCR
A46R1042	311-1238-00		RES.,VAR, NONWIR: 5K OHM,10%,0.50W	73138	72-27-0
A44R1043	315-0101-00		RES.,FXD,CMPSN:100 OHM,5%,0.25W	57668	NTR25J-E 100E
A46R1044	321-0385-00		RES.,FXD,FILM:100K OHM,1%,0.125W	91637	MFF1816G10002F
A46R1045	321-0260-00		RES.,FXD,FILM:4.99K OHM,1%,0.125W	91637	MFF1816G49900F
A46R1046	321-0001-00		RES.,FXD,FILM:10 OHM,1%,0.125W	75042	CEAT0-10R00F
A46R1047	315-0512-00		RES.,FXD,CMPSN:5.1K OHM,5%,0.25W	57668	NTR25J-E05K1
A46R1048	321-0362-00		RES.,FXD,FILM:57.6K OHM,1%,0.125W	91637	CMF55116G57601F
A46R2036	315-0101-00		RES.,FXD,CMPSN:100 OHM,5%,0.25W	57668	NTR25J-E 100E
A46R2037	315-0101-00		RES.,FXD,CMPSN:100 OHM,5%,0.25W	57668	NTR25J-E 100E
A46R2039	315-0470-00		RES.,FXD,CMPSN:47 OHM,5%,0.25W	57668	NTR25J-E47E0
A46R2040	315-0512-00		RES.,FXD,CMPSN:5.1K OHM,5%,0.25W	57668	NTR25J-E05K1
A46R2041	315-0512-00		RES.,FXD,CMPSN:5.1K OHM,5%,0.25W	57668	NTR25J-E05K1
A46R2042	315-0512-00		RES.,FXD,CMPSN:5.1K OHM,5%,0.25W	57668	NTR25J-E05K1
A46R2043	321-0385-00		RES.,FXD,FILM:100K OHM,1%,0.125W	91637	MFF1816G10002F
A46R2044	315-0102-00		RES.,FXD,CMPSN:1K OHM,5%,0.25W	57668	NTR25JE01K0
A46R2045	315-0750-00		RES.,FXD,CMPSN:75 OHM,5%,0.25W	57668	NTR25J-E75E0

Replaceable Electrical Parts—494/494P Service Vol. 2

Component No.	Tektronix Part No.	Serial/Model No. Eff Dscont	Name & Description	Mfr Code	Mfr Part Number
A46R2046	315-0102-00		RES.,FXD,CMPSN:1K OHM,5%,0.25W	57668	NTR25JE01K0
A46R2047	315-0102-00		RES.,FXD,CMPSN:1K OHM,5%,0.25W	57668	NTR25JE01K0
A46R3031	315-0470-00		RES.,FXD,CMPSN:47 OHM,5%,0.25W	57668	NTR25J-E47E0
A46R3032	315-0470-00		RES.,FXD,CMPSN:47 OHM,5%,0.25W	57668	NTR25J-E47E0
A46R3033	307-0106-00		RES.,FXD,CMPSN:4.7 OHM,5%,0.25W	01121	CB47G5
A46R3034	307-0106-00		RES.,FXD,CMPSN:4.7 OHM,5%,0.25W	01121	CB47G5
A46R3035	307-0106-00		RES.,FXD,CMPSN:4.7 OHM,5%,0.25W	01121	CB47G5
A46R3036	315-0470-00		RES.,FXD,CMPSN:47 OHM,5%,0.25W	57668	NTR25J-E47E0
A46R3038	315-0512-00		RES.,FXD,CMPSN:5.1K OHM,5%,0.25W	57668	NTR25J-E05K1
A46R3040	311-1238-00		RES.,VAR,NONWIR:5K OHM,10%,0.50W	73138	72-27-0
A46R3041	315-0682-00		RES.,FXD,CMPSN:5.8K OHM,5%,0.25W	57668	NTR25J-E06K8
A46R3042	315-0682-00		RES.,FXD,CMPSN:5.8K OHM,5%,0.25W	57668	NTR25J-E06K8
A46R3043	315-0475-00		RES.,FXD,CMPSN:4.7M OHM,5%,0.25W	01121	CB4755
A46R3045	315-0101-00		RES.,FXD,CMPSN:100 OHM,5%,0.25W	57668	NTR25J-E 100E
A46R3046	315-0750-00		RES.,FXD,CMPSN:75 OHM,5%,0.25W	57668	NTR25J-E75E0
A46R3047	315-0512-00		RES.,FXD,CMPSN:5.1K OHM,5%,0.25W	57668	NTR25J-E05K1
A46R4037	321-0193-00		RES.,FXD,FILM:1K OHM,1%,0.125W	01121	ORD BY DESCR
A46R4038	321-0346-00		RES.,FXD,FILM:39.2K OHM,1%,0.125W	91637	CMF55116G32201F
A46R4039	321-0362-00		RES.,FXD,FILM:57.6K OHM,1%,0.125W	91637	CMF55116G57601F
A46R4040	311-1241-00		RES.,VAR,NONWIR:100K OHM,10%,0.5W	32997	3386X-T07-104
A46R4041	321-0001-00		RES.,FXD,FILM:10 OHM,1%,0.125W	75042	CEAT0-10R00F
A46R4042	315-0101-00		RES.,FXD,CMPSN:100 OHM,5%,0.25W	57668	NTR25J-E 100E
A46R4043	321-0385-00		RES.,FXD,FILM:100K OHM,1%,0.125W	91637	MFF1816G10002F
A46R4044	321-0260-00		RES.,FXD,FILM:4.99K OHM,1%,0.125W	91637	MFF1816G49900F
A46R4045	321-0385-00		RES.,FXD,FILM:100K OHM,1%,0.125W	91637	MFF1816G10002F
A46R4046	315-0475-00		RES.,FXD,CMPSN:4.7M OHM,5%,0.25W	01121	CB4755
A46R4047	315-0101-00		RES.,FXD,CMPSN:100 OHM,5%,0.25W	57668	NTR25J-E 100E
A46R4048	315-0103-00		RES.,FXD,CMPSN:10K OHM,5%,0.25W	57668	NTR25J-E10K0
A46R4049	315-0102-00		RES.,FXD,CMPSN:1K OHM,5%,0.25W	57668	NTR25JE01K0
A46TP1048	214-0579-00		TERM,TEST POINT:BRS CD PL	80009	214-0579-00
A46TP3044	214-0579-00		TERM,TEST POINT:BRS CD PL	80009	214-0579-00
A46TP4038	214-0579-00		TERM,TEST POINT:BRS CD PL	80009	214-0579-00
A46TP4044	214-0579-00		TERM,TEST POINT:BRS CD PL	80009	214-0579-00
A46TP4046	214-0579-00		TERM,TEST POINT:BRS CD PL	80009	214-0579-00
A46U1014	156-0913-02		MICROCIRCUIT,DI:OCTAL D FF,BURN-IN	04713	SN74LS377NDS
A46U1016	156-0913-02		MICROCIRCUIT,DI:OCTAL D FF,BURN-IN	04713	SN74LS377NDS
A46U1022	156-0913-02		MICROCIRCUIT,DI:OCTAL D FF,BURN-IN	04713	SN74LS377NDS
A46U1042	156-1272-00		MICROCIRCUIT,LI:DUAL OPERATIONAL AMPLIFIER	18324	NE5532 FE-B
A46U1044	156-1851-00		MICROCIRCUIT,LI:OPERATIONAL AMPL,SCREENED	80009	156-1851-00
A46U2014	156-0469-02		MICROCIRCUIT,DI:3/8 LINE DCDR	01295	SN74LS138NP3
A46U2016	156-0916-02		MICROCIRCUIT,DI:8-2 INP 3-STATE BFR,BURN	27014	DM81LS97A
A46U2022	156-0913-02		MICROCIRCUIT,DI:OCTAL D FF,BURN-IN	04713	SN74LS377NDS
A46U2024	156-0383-02		MICROCIRCUIT,DI:QUAD 2-INP NOR GATE	01295	SN74LS02
A46U2026	156-0383-02		MICROCIRCUIT,DI:QUAD 2-INP NOR GATE	01295	SN74LS02
A46U2044	156-1126-01		MICROCIRCUIT,LI:VOLTAGE COMPARATOR,SEL	01295	LM311JG4
A46U2046	156-1582-00		MICROCIRCUIT,LI:OPERATIONAL AMPL,SCREENED	06665	OP07203Z
A46U3014	156-0913-02		MICROCIRCUIT,DI:OCTAL D FF,BURN-IN	04713	SN74LS377NDS
A46U3016	156-0913-02		MICROCIRCUIT,DI:OCTAL D FF,BURN-IN	04713	SN74LS377NDS
A46U3022	156-0913-02		MICROCIRCUIT,DI:OCTAL D FF,BURN-IN	04713	SN74LS377NDS
A46U3041	156-1272-00		MICROCIRCUIT,LI:DUAL OPERATIONAL AMPLIFIER	18324	NE5532 FE-B
A46U3042	156-1851-00		MICROCIRCUIT,LI:OPERATIONAL AMPL,SCREENED	80009	156-1851-00
A46U3045	156-1126-01		MICROCIRCUIT,LI:VOLTAGE COMPARATOR,SEL	01295	LM311JG4
A46U3046	156-1582-00		MICROCIRCUIT,LI:OPERATIONAL AMPL,SCREENED	06665	OP07203Z



Component No.	Tektronix Part No.	Serial/Model No. Eff Dscnt	Name & Description	Mfr Code	Mfr Part Number
A46A1	670-7939-01		CKT BOARD ASSY:INTERFACE	80009	670-7939-01
A46A1C1011	283-0330-00		CAP.,FXD.CER DI:100PF,5%,50V	51642	200-050-NP0-101J
A46A1C1014	290-0135-00		CAP.,FXD.ELCTLT:15UF,20%,20V	56289	150D156X0020B2
A46A1CR1016	152-0141-02		SEMICON DVC,DI:SW,SI,30V,150MA,30V,DO-35	12969	NDP0263 (1N4152)
A46A1CR1017	152-0141-02		SEMICON DVC,DI:SW,SI,30V,150MA,30V,DO-35	12969	NDP0263 (1N4152)
A46A1CR1018	152-0141-02		SEMICON DVC,DI:SW,SI,30V,150MA,30V,DO-35	12969	NDP0263 (1N4152)
A46A1Q1018	151-0736-00		TRANSISTOR:SILICON,NPN	04713	SPS8317
A46A1R1012	321-0193-00		RES.,FXD.FILM:1K OHM,1%,0.125W	01121	ORD BY DESCR
A46A1R1014	321-0260-00		RES.,FXD.FILM:4.99K OHM,1%,0.125W	91637	MFF1816G49900F
A46A1R1016	321-0260-00		RES.,FXD.FILM:4.99K OHM,1%,0.125W	91637	MFF1816G49900F
A46A1R1018	315-0200-00		RES.,FXD.CMPSN:20 OHM,5%,0.25W	01121	CB2005
A46A1R1026	317-0027-00		RES.,FXD.CMPSN:2.7 OHM,5%,0.125W	01121	BB2R705
A46A1U1012	156-0854-00		MICROCIRCUIT,LI:OPERATIONAL AMPLIFIER	27014	LM308AN
A46A1U1020	156-1184-01		MICROCIRCUIT,LI:12 BIT D/A CONVERTER	27014	DAC1200HCD
A46A1U1026	156-1184-02		MICROCIRCUIT,LI:12 BIT D/A CONVERTER,SELEC	27014	ORD BY DESCR
A46A3	670-7939-01		CKT BOARD ASSY:INTERFACE	80009	670-7939-01
A46A3C3011	283-0330-00		CAP.,FXD.CER DI:100PF,5%,50V	51642	200-050-NP0-101J
A46A3C3014	290-0135-00		CAP.,FXD.ELCTLT:15UF,20%,20V	56289	150D156X0020B2
A46A3CR3016	152-0141-02		SEMICON DVC,DI:SW,SI,30V,150MA,30V,DO-35	12969	NDP0263 (1N4152)
A46A3CR3017	152-0141-02		SEMICON DVC,DI:SW,SI,30V,150MA,30V,DO-35	12969	NDP0263 (1N4152)
A46A3CR3018	152-0141-02		SEMICON DVC,DI:SW,SI,30V,150MA,30V,DO-35	12969	NDP0263 (1N4152)
A46A3Q3018	151-0736-00		TRANSISTOR:SILICON,NPN	04713	SPS8317
A46A3R3012	321-0193-00		RES.,FXD.FILM:1K OHM,1%,0.125W	01121	ORD BY DESCR
A46A3R3014	321-0260-00		RES.,FXD.FILM:4.99K OHM,1%,0.125W	91637	MFF1816G49900F
A46A3R3016	321-0260-00		RES.,FXD.FILM:4.99K OHM,1%,0.125W	91637	MFF1816G49900F
A46A3R3018	315-0200-00		RES.,FXD.CMPSN:20 OHM,5%,0.25W	01121	CB2005
A46A3R3026	317-0027-00		RES.,FXD.CMPSN:2.7 OHM,5%,0.125W	01121	BB2R705
A46A3U3012	156-0854-00		MICROCIRCUIT,LI:OPERATIONAL AMPLIFIER	27014	LM308AN
A46A3U3020	156-1184-01		MICROCIRCUIT,LI:12 BIT D/A CONVERTER	27014	DAC1200HCD
A46A3U3026	156-1184-02		MICROCIRCUIT,LI:12 BIT D/A CONVERTER,SELEC	27014	ORD BY DESCR

http://www.tek.com

Replaceable Electrical Parts—494/494P Service Vol. 2

Component No.	Tektronix Part No.	Serial/Model No Eff Dscont	Name & Description	Mfr Code	Mfr Part Number
A48	670-5550-01		CKT BOARD ASSY:SPAN ATTENUATOR	80009	670-5550-01
A48C1013	283-0111-00		CAP.,FXD,CER DI:0.1UF,20%,50V	96733	R2632
A48C1014	283-0111-00		CAP.,FXD,CER DI:0.1UF,20%,50V	96733	R2632
A48C1019	283-0111-00		CAP.,FXD,CER DI:0.1UF,20%,50V	96733	R2632
A48C1023	283-0111-00		CAP.,FXD,CER DI:0.1UF,20%,50V	96733	R2632
A48C1024	283-0111-00		CAP.,FXD,CER DI:0.1UF,20%,50V	96733	R2632
A48C1027	283-0111-00		CAP.,FXD,CER DI:0.1UF,20%,50V	96733	R2632
A48C1029	283-0111-00		CAP.,FXD,CER DI:0.1UF,20%,50V	96733	R2632
A48C1032	283-0111-00		CAP.,FXD,CER DI:0.1UF,20%,50V	96733	R2632
A48C1034	283-0111-00		CAP.,FXD,CER DI:0.1UF,20%,50V	96733	R2632
A48C1036	290-0535-00		CAP.,FXD,ELCTL:33UF,20%,10V	56289	196D336X0010KA1
A48C1058	283-0111-00		CAP.,FXD,CER DI:0.1UF,20%,50V	96733	R2632
A48C2024	283-0359-00		CAP.,FXD,CER DI:1000PF,10%,200V	72982	8131N203C0G0102K
A48C2026	283-0111-00		CAP.,FXD,CER DI:0.1UF,20%,50V	96733	R2632
A48C2035	283-0111-00		CAP.,FXD,CER DI:0.1UF,20%,50V	96733	R2632
A48C2036	283-0111-00		CAP.,FXD,CER DI:0.1UF,20%,50V	96733	R2632
A48C2037	283-0672-00		CAP.,FXD,MICA D:200PF,1%,500V	00853	D155F2010F0
A48C2042	281-0525-00		CAP.,FXD,CER DI:470PF,+/-94PF,500V	59660	301000X5U471M
A48C2044	281-0523-00		CAP.,FXD,CER DI:100PF,+/-20PF,500V	59660	301-000U2M0101M
A48C2050	283-0330-00		CAP.,FXD,CER DI:100PF,5%,50V	51642	200-050-NP0-101J
A48C2052	283-0111-00		CAP.,FXD,CER DI:0.1UF,20%,50V	96733	R2632
A48C3031	283-0111-00		CAP.,FXD,CER DI:0.1UF,20%,50V	96733	R2632
A48C3032	283-0111-00		CAP.,FXD,CER DI:0.1UF,20%,50V	96733	R2632
A48C4035	283-0111-00		CAP.,FXD,CER DI:0.1UF,20%,50V	96733	R2632
A48C4038	290-0158-00		CAP.,FXD,ELCTL:50UF,+75-15%,25V	56289	109D506C7025F2
A48C4056	290-0574-00		CAP.,FXD,ELCTL:47UF,10%,20V	90201	TDC476K020CL
A48C5018	283-0111-00		CAP.,FXD,CER DI:0.1UF,20%,50V	96733	R2632
A48C5038	290-0158-00		CAP.,FXD,ELCTL:50UF,+75-15%,25V	56289	109D506C7025F2
A48C5048	290-0574-00		CAP.,FXD,ELCTL:47UF,10%,20V	90201	TDC476K020CL
A48C5055	290-0722-00		CAP.,FXD,ELCTL:100UF,20%,10V	56289	196D107X0010PE3
A48CR1049	152-0141-02		SEMICON DVC,DI:SW,SI,30V,150MA,30V,DO-35	12969	NDP0263 (1N4152)
A48CR1051	152-0141-02		SEMICON DVC,DI:SW,SI,30V,150MA,30V,DO-35	12969	NDP0263 (1N4152)
A48CR1056	152-0141-02		SEMICON DVC,DI:SW,SI,30V,150MA,30V,DO-35	12969	NDP0263 (1N4152)
A48CR1061	152-0141-02		SEMICON DVC,DI:SW,SI,30V,150MA,30V,DO-35	12969	NDP0263 (1N4152)
A48CR2051	152-0141-02		SEMICON DVC,DI:SW,SI,30V,150MA,30V,DO-35	12969	NDP0263 (1N4152)
A48CR2053	152-0141-02		SEMICON DVC,DI:SW,SI,30V,150MA,30V,DO-35	12969	NDP0263 (1N4152)
A48CR3056	152-0141-02		SEMICON DVC,DI:SW,SI,30V,150MA,30V,DO-35	12969	NDP0263 (1N4152)
A48CR4056	152-0141-02		SEMICON DVC,DI:SW,SI,30V,150MA,30V,DO-35	12969	NDP0263 (1N4152)
A48CR4062	152-0141-02		SEMICON DVC,DI:SW,SI,30V,150MA,30V,DO-35	12969	NDP0263 (1N4152)
A48CR4068	152-0141-02		SEMICON DVC,DI:SW,SI,30V,150MA,30V,DO-35	12969	NDP0263 (1N4152)
A48CR4069	152-0141-02		SEMICON DVC,DI:SW,SI,30V,150MA,30V,DO-35	12969	NDP0263 (1N4152)
A48K3065	148-0079-00		RELAY,REED:200 OHM,5V	95348	F811050-5
A48K3075	148-0079-00		RELAY,REED:200 OHM,5V	95348	F811050-5
A48K4055	148-0064-00		RELAY,REED:SPST	95348	F81-1441
A48K4062	148-0064-00		RELAY,REED:SPST	95348	F81-1441
A48K4072	148-0079-00		RELAY,REED:200 OHM,5V	95348	F811050-5
A48L4048	108-0881-00		COIL,RF:FIXED,40.1UH	80009	108-0881-00
A48L4053	108-0417-01		COIL,RF:FIXED,110UH	80009	108-0417-01
A48L4055	108-0881-00		COIL,RF:FIXED,40.1UH	80009	108-0881-00
A48P2016	131-0608-00		TERMINAL,PIN:0.365 L X 0.025 PH BRZ GOLD	22526	48283-036
A48Q2023	151-0301-00		TRANSISTOR:SILICON,PNP	27014	2N2907A
A48Q2025	151-1022-00		TRANSISTOR:FET,N-CHAN,SI,F1782,T0-18	17856	FN1234
A48Q2028	151-1022-00		TRANSISTOR:FET,N-CHAN,SI,F1782,T0-18	17856	FN1234
A48Q2062	151-0390-00		TRANSISTOR:SILICON,NPN	04713	SPS3414

Component No.	Tektronix Part No.	Serial/Model No. Eff Dscnt	Name & Description	Mfr Code	Mfr Part Number
A48Q3056	151-0391-00		TRANSISTOR,SILICON,PNP	80009	151-0391-00
A48R1013	315-0103-00		RES.,FXD,CMPSN:10K OHM,5%,0.25W	57668	NTR25J-E10K0
A48R1014	315-0103-00		RES.,FXD,CMPSN:10K OHM,5%,0.25W	57668	NTR25J-E10K0
A48R1019	315-0103-00		RES.,FXD,CMPSN:10K OHM,5%,0.25W	57668	NTR25J-E10K0
A48R1023	315-0103-00		RES.,FXD,CMPSN:10K OHM,5%,0.25W	57668	NTR25J-E10K0
A48R1024	315-0103-00		RES.,FXD,CMPSN:10K OHM,5%,0.25W	57668	NTR25J-E10K0
A48R1027	315-0103-00		RES.,FXD,CMPSN:10K OHM,5%,0.25W	57668	NTR25J-E10K0
A48R1032	315-0103-00		RES.,FXD,CMPSN:10K OHM,5%,0.25W	57668	NTR25J-E10K0
A48R1033	315-0472-00		RES.,FXD,CMPSN:4.7K OHM,5%,0.25W	57668	NTR25J-E04K7
A48R1034	315-0103-00		RES.,FXD,CMPSN:10K OHM,5%,0.25W	57668	NTR25J-E10K0
A48R1046	315-0106-00		RES.,FXD,CMPSN:10M OHM,5%,0.25W	01121	CB1065
A48R1052	315-0431-00		RES.,FXD,CMPSN:430 OHM,5%,0.25W	01121	CB4315
A48R1054	315-0102-00		RES.,FXD,CMPSN:1K OHM,5%,0.25W	57668	NTR25JE01K0
A48R1056	321-0222-00		RES.,FXD,FILM:2K OHM,1%,0.125W	91637	MFF1816G20000F
A48R1058	315-0300-00		RES.,FXD,CMPSN:30 OHM,5%,0.25W	01121	CB3005
A48R1059	315-0300-00		RES.,FXD,CMPSN:30 OHM,5%,0.25W	01121	CB3005
A48R1063	311-1336-00		RES.,VAR,NONWIR:100K OHM,0.50W	02111	43P104T672
A48R1065	311-1339-00		RES.,VAR,NONWIR:5K OHM,10%,0.50W	73138	89-131-1
A48R1067	311-1339-00		RES.,VAR,NONWIR:5K OHM,10%,0.50W	73138	89-131-1
A48R1071	311-1339-00		RES.,VAR,NONWIR:5K OHM,10%,0.50W	73138	89-131-1
A48R1077	321-0001-00		RES.,FXD,FILM:10 OHM,1%,0.125W	75042	CEAT0-10R00F
A48R2019	315-0103-00		RES.,FXD,CMPSN:10K OHM,5%,0.25W	57668	NTR25J-E10K0
A48R2022	315-0103-00		RES.,FXD,CMPSN:10K OHM,5%,0.25W	57668	NTR25J-E10K0
A48R2035	315-0103-00		RES.,FXD,CMPSN:10K OHM,5%,0.25W	57668	NTR25J-E10K0
A48R2036	315-0103-00		RES.,FXD,CMPSN:10K OHM,5%,0.25W	57668	NTR25J-E10K0
A48R2038	321-0306-00		RES.,FXD,FILM:15K OHM,1%,0.125W	91637	MFF1816G15001F
A48R2044	321-0299-00		RES.,FXD,FILM:12.7K OHM,1%,0.125W	91637	MFF1816G12701F
A48R2046	315-0512-00		RES.,FXD,CMPSN:5.1K OHM,5%,0.25W	57668	NTR25J-E05K1
A48R2048	315-0203-00		RES.,FXD,CMPSN:20K OHM,5%,0.25W	57668	NTR25J-E20K0
A48R2049	315-0431-00		RES.,FXD,CMPSN:430 OHM,5%,0.25W	01121	CB4315
A48R2050	315-0431-00		RES.,FXD,CMPSN:430 OHM,5%,0.25W	01121	CB4315
A48R2051	315-0102-00		RES.,FXD,CMPSN:1K OHM,5%,0.25W	57668	NTR25JE01K0
A48R2053	315-0203-00		RES.,FXD,CMPSN:20K OHM,5%,0.25W	57668	NTR25J-E20K0
A48R2056	308-0756-00		RES.,FXD,WW:100 OHM,1%,3W	91637	RS2B-B100R0F
A48R2068	321-0754-07		RES.,FXD,FILM:900 OHM,0.1%,0.125W	91637	MFF1816C900R0B
A48R2072	321-0895-07		RES.,FXD,FILM:90 OHM,0.1%,0.125W	01121	ORD BY DESCR
A48R2074	321-0895-07		RES.,FXD,FILM:90 OHM,0.1%,0.125W	01121	ORD BY DESCR
A48R2076	321-0001-00		RES.,FXD,FILM:10 OHM,1%,0.125W	75042	CEAT0-10R00F
A48R3022	315-0475-00		RES.,FXD,CMPSN:4.7M OHM,5%,0.25W	01121	CB4755
A48R3024	315-0105-00		RES.,FXD,CMPSN:1M OHM,5%,0.25W	01121	CB1055
A48R3026	315-0104-00		RES.,FXD,CMPSN:100K OHM,5%,0.25W	57668	NTR25J-E100K
A48R3028	321-0306-00		RES.,FXD,FILM:15K OHM,1%,0.125W	91637	MFF1816G15001F
A48R3029	315-0153-00		RES.,FXD,CMPSN:15K OHM,5%,0.25W	01121	CB1535
A48R3036	321-0289-00		RES.,FXD,FILM:10K OHM,1%,0.125W	91637	MFF1816G10001F
A48R3038	321-0289-00		RES.,FXD,FILM:10K OHM,1%,0.125W	91637	MFF1816G10001F
A48R3042	321-0299-00		RES.,FXD,FILM:12.7K OHM,1%,0.125W	91637	MFF1816G12701F
A48R3044	321-0289-00		RES.,FXD,FILM:10K OHM,1%,0.125W	91637	MFF1816G10001F
A48R3046	321-0299-00		RES.,FXD,FILM:12.7K OHM,1%,0.125W	91637	MFF1816G12701F
A48R3047	315-0103-00		RES.,FXD,CMPSN:10K OHM,5%,0.25W	57668	NTR25J-E10K0
A48R3048	321-0289-00		RES.,FXD,FILM:10K OHM,1%,0.125W	91637	MFF1816G10001F
A48R4032	315-0102-00		RES.,FXD,CMPSN:1K OHM,5%,0.25W	57668	NTR25JE01K0
A48R4034	315-0102-00		RES.,FXD,CMPSN:1K OHM,5%,0.25W	57668	NTR25JE01K0
A48R4035	315-0102-00		RES.,FXD,CMPSN:1K OHM,5%,0.25W	57668	NTR25JE01K0
A48R4036	315-0103-00		RES.,FXD,CMPSN:10K OHM,5%,0.25W	57668	NTR25J-E10K0



Replaceable Electrical Parts—494/494P Service Vol. 2

Component No.	Tektronix Part No.	Serial/Model No. Eff Dscont	Name & Description	Mfr Code	Mfr Part Number
A48R4037	315-0103-00		RES.,FXD,CMPSN:10K OHM,5%,0.25W	57668	NTR25J-E10K0
A48R4038	315-0103-00		RES.,FXD,CMPSN:10K OHM,5%,0.25W	57668	NTR25J-E10K0
A48R4056	315-0470-00		RES.,FXD,CMPSN:47 OHM,5%,0.25W	57668	NTR25J-E47E0
A48R4064	321-0001-00		RES.,FXD,FILM:10 OHM,1%,0.125W	75042	CEAT0-10R00F
A48R4065	321-0754-07		RES.,FXD,FILM:900 OHM,0.1%,0.125W	91637	MFF1816C900R0B
A48R4066	321-0895-07		RES.,FXD,FILM:90 OHM,0.1%,0.125W	01121	ORD BY DESCR
A48R5052	315-0470-00		RES.,FXD,CMPSN:47 OHM,5%,0.25W	57668	NTR25J-E47E0
A48R5058	322-0043-00		RES.,FXD,FILM:27.4 OHM,1%,0.25W	91637	MFF1421G27R40F
A48R5068	321-0097-00		RES.,FXD,FILM:100 OHM,1%,0.125W	91637	MFF1816G100R0F
A48TP1035	214-0579-00		TERM,TEST POINT:BRS CD PL	80009	214-0579-00
A48TP1073	214-0579-00		TERM,TEST POINT:BRS CD PL	80009	214-0579-00
A48U1025	156-0913-02		MICROCIRCUIT,DI:OCTAL D FF,BURN-IN	04713	SN74LS377NDS
A48U1042	156-0719-00		MICROCIRCUIT,LI:10 BIT MULTIPLYING DAC	24355	AD7533LN
A48U2015	156-0913-02		MICROCIRCUIT,DI:OCTAL D FF,BURN-IN	04713	SN74LS377NDS
A48U2042	156-0512-03		MICROCIRCUIT,LI:OPERATIONAL AMPLIFIER	04713	LM308J-8
A48U3025	156-1256-00		MICROCIRCUIT,LI:MONOLITHIC QUAD ANALOG	80009	156-1256-00
A48U3032	156-0512-03		MICROCIRCUIT,LI:OPERATIONAL AMPLIFIER	04713	LM308J-8
A48U3036	156-0512-03		MICROCIRCUIT,LI:OPERATIONAL AMPLIFIER	04713	LM308J-8
A48U4015	156-0956-02		MICROCIRCUIT,DI:OCTAL BFR W/3 STATE OUT	01295	SN74LS244NP3
A48U4025	156-0541-02		MICROCIRCUIT,DI:DUAL 2 TO 4 LINE DCDR	01295	SN74LS139NP3
A48U4042	156-0140-02		MICROCIRCUIT,DI:HEX BUFFERS W/OC HV OUT	01295	SN7417 (NP3)
A48U5025	156-0469-02		MICROCIRCUIT,DI:3/8 LINE DCDR	01295	SN74LS138NP3
A48VR1044	152-0514-00		SEMICONV DEVICE:ZENER,0.4W,10V,1%	80009	152-0514-00

<http://www.ebaman.com>

Component No.	Tektronix Part No.	Serial/Model No. Eff	Dscont	Name & Description	Mfr Code	Mfr Part Number
A50	119-1580-01	B010100	B010320	PHASE LOCK ASSY:SYNTHESIZER	80009	119-1580-01
A50	119-1580-02	B010321		PHASE LOCK ASSY:SYNTHESIZER	80009	119-1580-02
A50A1	670-5519-00			CKT BOARD ASSY:SYNTHESIZER	80009	670-5519-00
A50A1C1010	283-0203-00			CAP.,FXD,CER DI:0.47UF,20%,50V	04222	5R305SE474MAA
A50A1C1030	283-0032-00			CAP.,FXD,CER DI:470PF,5%,500V	59660	0831085Z5E00471J
A50A1C1040	283-0177-00			CAP.,FXD,CER DI:1UF,+ 80-20%,25V	04222	SR302E105ZAA
A50A1C2010	283-0032-00			CAP.,FXD,CER DI:470PF,5%,500V	59660	0831085Z5E00471J
A50A1C2020	283-0032-00			CAP.,FXD,CER DI:470PF,5%,500V	59660	0831085Z5E00471J
A50A1C2021	283-0177-00			CAP.,FXD,CER DI:1UF,+ 80-20%,25V	04222	SR302E105ZAA
A50A1C2040	283-0032-00			CAP.,FXD,CER DI:470PF,5%,500V	59660	0831085Z5E00471J
A50A1C2050	283-0177-00			CAP.,FXD,CER DI:1UF,+ 80-20%,25V	04222	SR302E105ZAA
A50A1C2051	290-0513-00			CAP.,FXD,ELCTLT:510UF,+ 75-10%,25V	56289	109D575
A50A1C3029	283-0156-00			CAP.,FXD,CER DI:1000PF,+ 100-0%,200V	96733	R2670
A50A1C3030	283-0010-00			CAP.,FXD,CER DI:0.05UF,+ 100-20%,50V	56289	1C10Z5U503Z050B
A50A1C3031	283-0032-00			CAP.,FXD,CER DI:470PF,5%,500V	59660	0831085Z5E00471J
A50A1L3029	108-0311-00			COIL,RF:FIXED,153NH	80009	108-0311-00
A50A1Q3040	151-0188-00			TRANSISTOR:PNP,SI,TO-92	T0058	2N3906
A50A1Q3041	151-0188-00			TRANSISTOR:PNP,SI,TO-92	T0058	2N3906
A50A1R1040	315-0103-00			RES.,FXD,CMPSN:10K OHM,5%,0.25W	57668	NTR25J-E10K0
A50A1R2040	315-0102-00			RES.,FXD,CMPSN:1K OHM,5%,0.25W	57668	NTR25JE01K0
A50A1R2041	315-0102-00			RES.,FXD,CMPSN:1K OHM,5%,0.25W	57668	NTR25JE01K0
A50A1R2042	315-0102-00			RES.,FXD,CMPSN:1K OHM,5%,0.25W	57668	NTR25JE01K0
A50A1R2043	315-0100-00			RES.,FXD,CMPSN:10 OHM,5%,0.25W	57668	NTR25J-E 10E0
A50A1R2044	315-0300-00			RES.,FXD,CMPSN:30 OHM,5%,0.25W	01121	CB3005
A50A1R3020	315-0391-00			RES.,FXD,CMPSN:390 OHM,5%,0.25W	57668	NTR25J-E390E
A50A1R3021	315-0101-00			RES.,FXD,CMPSN:100 OHM,5%,0.25W	57668	NTR25J-E 100E
A50A1R3022	315-0101-00			RES.,FXD,CMPSN:100 OHM,5%,0.25W	57668	NTR25J-E 100E
A50A1R3023	315-0241-00			RES.,FXD,CMPSN:240 OHM,5%,0.25W	01121	CB2415
A50A1R3040	315-0101-00			RES.,FXD,CMPSN:100 OHM,5%,0.25W	57668	NTR25J-E 100E
A50A1R3041	315-0471-00			RES.,FXD,CMPSN:470 OHM,5%,0.25W	57668	NTR25J-E470E
A50A1R3042	315-0471-00			RES.,FXD,CMPSN:470 OHM,5%,0.25W	57668	NTR25J-E470E
A50A1R3043	315-0101-00			RES.,FXD,CMPSN:100 OHM,5%,0.25W	57668	NTR25J-E 100E
A50A1R3050	315-0201-00			RES.,FXD,CMPSN:200 OHM,5%,0.25W	57668	NTR25J-E200E
A50A1R3051	315-0201-00			RES.,FXD,CMPSN:200 OHM,5%,0.25W	57668	NTR25J-E200E
A50A1TP1040	214-0579-00			TERM,TEST POINT:BRS CD PL	80009	214-0579-00
A50A1TP2033	214-0579-00			TERM,TEST POINT:BRS CD PL	80009	214-0579-00
A50A1TP2040	214-0579-00			TERM,TEST POINT:BRS CD PL	80009	214-0579-00
A50A1U1010	156-0277-00			MICROCIRCUIT,LI:VOLTAGE REGULATOR	07263	MICROA7805UC
A50A1U1020	156-0844-02			MICROCIRCUIT,DI:SYN 4 BIT CNTR,SCRN	01295	SN74LS161A
A50A1U1030	156-0844-02			MICROCIRCUIT,DI:SYN 4 BIT CNTR,SCRN	01295	SN74LS161A
A50A1U1040	156-0331-03			MICROCIRCUIT,DI:DUAL D TYPE POS EDGE TRIG	80009	156-0331-03
A50A1U2010	156-0844-02			MICROCIRCUIT,DI:SYN 4 BIT CNTR,SCRN	01295	SN74LS161A
A50A1U2020	156-0796-01			MICROCIRCUIT,DI:8 STG SHF & STORE BUS RGTR	80009	156-0796-01
A50A1U2030	156-0796-01			MICROCIRCUIT,DI:8 STG SHF & STORE BUS RGTR	80009	156-0796-01
A50A1U3030	156-0230-02			MICROCIRCUIT,DI:DUAL D-TYPE M/S,FF,SCRN	04713	MC10131LD

Replaceable Electrical Parts—494/494P Service Vol. 2

Component No.	Tektronix Part No.	Serial/Model No. Eff Dscnt	Name & Description	Mfr Code	Mfr Part Number
A50A2	670-5520-01		CKT BOARD ASSY:STROBE DRIVER	80009	670-5520-01
A50A2C1018	290-0527-00		CAP.,FXD,ELCTL:15UF,20%,20V	90201	TDC156M020FL
A50A2C1019	281-0812-00		CAP.,FXD,CER DI:1000PF,10%,100V	04222	MA101C102KAA
A50A2C1031	283-0203-00		CAP.,FXD,CER DI:0.47UF,20%,50V	04222	5R305SE474MAA
A50A2C1032	281-0509-00		CAP.,FXD,CER DI:15PF,+/-1.5PF,500V	59660	301-080-C0G0150K
A50A2C1032	-----		(NOMINAL VALUE, SELECTED)		
A50A2C2011	283-0111-00		CAP.,FXD,CER DI:0.1UF,20%,50V	96733	R2632
A50A2C2030	283-0331-00		CAP.,FXD,CER DI:43PF,2%,100V	59660	0805536C0G0-430G
A50A2C2033	283-0154-00		CAP.,FXD,CER DI:22PF,5%,50V	59660	8111B065C0G0220J
A50A2C2092	283-0107-00		CAP.,FXD,CER DI:51PF,5%,200V	96733	R3017
A50A2C2101	283-0203-00		CAP.,FXD,CER DI:0.47UF,20%,50V	04222	5R305SE474MAA
A50A2C2102	283-0203-00		CAP.,FXD,CER DI:0.47UF,20%,50V	04222	5R305SE474MAA
A50A2C2103	283-0059-00		CAP.,FXD,CER DI:1UF,+80-20%,50V	51642	400050Z5U105Z
A50A2C2105	281-0509-00		CAP.,FXD,CER DI:15PF,+/-1.5PF,500V	59660	301-080-C0G0150K
A50A2C2105	-----		(NOMINAL VALUE, SELECTED)		
A50A2FL2064	119-1029-00		FILTER,BANDPASS:5.00674 TO 5.0188MHZ	83891	5521
A50A2L1031	108-0249-00		COIL,RF:12UH	76493	B-4992
A50A2L2089	108-0249-00		COIL,RF:12UH	76493	B-4992
A50A2Q2091	151-1022-00		TRANSISTOR:FET,N-CHAN,SI,F1782.T0-18	17856	FN1234
A50A2R2024	315-0471-00		RES.,FXD,CMPSN:470 OHM,5%,0.25W	57668	NTR25J-E470E
A50A2R2032	315-0430-00		RES.,FXD,CMPSN:43 OHM,5%,0.25W	01121	CB4305
A50A2R2033	315-0201-00		RES.,FXD,CMPSN:200 OHM,5%,0.25W	57668	NTR25J-E200E
A50A2R2086	321-0281-00		RES.,FXD,FILM:8.25K OHM,1%,0.125W	91637	MFF1816G82500F
A50A2R2091	315-0151-00		RES.,FXD,CMPSN:150 OHM,5%,0.25W	57668	NTR25J-E150E
A50A2R2102	315-0510-00		RES.,FXD,CMPSN:51 OHM,5%,0.25W	57668	NTR25J-E51E0
A50A2R2103	315-0470-00		RES.,FXD,CMPSN:47 OHM,5%,0.25W	57668	NTR25J-E47E0
A50A2R2105	315-0470-00		RES.,FXD,CMPSN:47 OHM,5%,0.25W	57668	NTR25J-E47E0
A50A2TP2015	214-0579-00		TERM,TEST POINT:BRS CD PL	80009	214-0579-00
A50A2TP2087	214-0579-00		TERM,TEST POINT:BRS CD PL	80009	214-0579-00
A50A2U1015	156-0991-00		MICROCIRCUIT,LI:VOLTAGE REGULATOR	04713	MC78L05ACP
A50A2U1022	156-0765-04		MICROCIRCUIT,DI:SYN UP/DN BINARY COUNTER	01295	SN74S169N3
A50A2U1091	156-0459-02		MICROCIRCUIT,DI:QUAD 2 INPUT & GATE,BURN	01295	SN74S08



Component No.	Tektronix Part No.	Serial/Model No. Eff Dscont	Name & Description	Mfr Code	Mfr Part Number
A50A3	670-5522-01		CKT BOARD ASSY:OFFSET MIXER	80009	670-5522-01
A50A3C1021	283-0203-00		CAP.,FXD,CER DI:0.47UF,20%,50V	04222	5R305SE474MAA
A50A3C1030	290-0527-00		CAP.,FXD,ELCTLT:15UF,20%,20V	90201	TDC156M020FL
A50A3C1031	283-0010-00		CAP.,FXD,CER DI:0.05UF, +100-20%,50V	56289	1C10Z5U503Z050B
A50A3C1040	283-0203-00		CAP.,FXD,CER DI:0.47UF,20%,50V	04222	5R305SE474MAA
A50A3C1050	283-0010-00		CAP.,FXD,CER DI:0.05UF, +100-20%,50V	56289	1C10Z5U503Z050B
A50A3C2012	283-0010-00		CAP.,FXD,CER DI:0.05UF, +100-20%,50V	56289	1C10Z5U503Z050B
A50A3C2020	283-0010-00		CAP.,FXD,CER DI:0.05UF, +100-20%,50V	56289	1C10Z5U503Z050B
A50A3C2041	283-0010-00		CAP.,FXD,CER DI:0.05UF, +100-20%,50V	56289	1C10Z5U503Z050B
A50A3C2050	290-0513-00		CAP.,FXD,ELCTLT:510UF, +75-10%,25V	56289	109D575
A50A3CR1010	152-0322-00		SEMICONV DEVICE:SILICON,15V,HOT CARRIER	50434	5082-2672
A50A3CR1011	152-0322-00		SEMICONV DEVICE:SILICON,15V,HOT CARRIER	50434	5082-2672
A50A3CR2010	152-0322-00		SEMICONV DEVICE:SILICON,15V,HOT CARRIER	50434	5082-2672
A50A3CR2021	152-0322-00		SEMICONV DEVICE:SILICON,15V,HOT CARRIER	50434	5082-2672
A50A3L2020	108-0226-00		COIL,RF:100UH	76493	DWG B4257
A50A3Q1020	151-0301-00		TRANSISTOR:SILICON,PNP	27014	2N2907A
A50A3Q1030	151-0301-00		TRANSISTOR:SILICON,PNP	27014	2N2907A
A50A3Q1040	151-0302-00		TRANSISTOR:SILICON,NPN	07263	S038487
A50A3Q2021	151-0434-00		TRANSISTOR:SILICON,PNP	04713	SS7144
A50A3R1010	321-0068-00		RES.,FXD,FILM:49.9 OHM,1%,0.125W	91637	MFF1816G49R90F
A50A3R1011	321-0068-00		RES.,FXD,FILM:49.9 OHM,1%,0.125W	91637	MFF1816G49R90F
A50A3R1020	315-0202-00		RES.,FXD,CMPSN:2K OHM,5%,0.25W	57668	NTR25J-E02K0
A50A3R1022	315-0510-00		RES.,FXD,CMPSN:51 OHM,5%,0.25W	57668	NTR25J-E51E0
A50A3R1023	315-0101-00		RES.,FXD,CMPSN:100 OHM,5%,0.25W	57668	NTR25J-E 100E
A50A3R1030	315-0202-00		RES.,FXD,CMPSN:2K OHM,5%,0.25W	57668	NTR25J-E02K0
A50A3R1031	315-0432-00		RES.,FXD,CMPSN:4.3K OHM,5%,0.25W	57668	NTR25J-E04K3
A50A3R1040	315-0511-00		RES.,FXD,CMPSN:510 OHM,5%,0.25W	01121	CB5115
A50A3R1041	315-0100-00		RES.,FXD,CMPSN:10 OHM,5%,0.25W	57668	NTR25J-E 10E0
A50A3R1042	315-0102-00		RES.,FXD,CMPSN:1K OHM,5%,0.25W	57668	NTR25JE01K0
A50A3R1050	315-0102-00		RES.,FXD,CMPSN:1K OHM,5%,0.25W	57668	NTR25JE01K0
A50A3R2010	321-0068-00		RES.,FXD,FILM:49.9 OHM,1%,0.125W	91637	MFF1816G49R90F
A50A3R2021	321-0068-00		RES.,FXD,FILM:49.9 OHM,1%,0.125W	91637	MFF1816G49R90F
A50A3R2025	315-0471-00		RES.,FXD,CMPSN:470 OHM,5%,0.25W	57668	NTR25J-E470E
A50A3R2026	315-0102-00		RES.,FXD,CMPSN:1K OHM,5%,0.25W	57668	NTR25JE01K0
A50A3R2030	315-0510-00		RES.,FXD,CMPSN:51 OHM,5%,0.25W	57668	NTR25J-E51E0
A50A3R2031	315-0103-00		RES.,FXD,CMPSN:10K OHM,5%,0.25W	57668	NTR25J-E10K0
A50A3R2032	315-0510-00		RES.,FXD,CMPSN:51 OHM,5%,0.25W	57668	NTR25J-E51E0
A50A3R2040	315-0102-00		RES.,FXD,CMPSN:1K OHM,5%,0.25W	57668	NTR25JE01K0
A50A3T1010	120-1011-00		XFMR,RF:TOROID,3 WINDINGS,TRIFILAR	80009	120-1011-00
A50A3T2010	120-1011-00		XFMR,RF:TOROID,3 WINDINGS,TRIFILAR	80009	120-1011-00
A50A3T2030	120-0459-00		XFMR,TOROID:10 TURNS,BIFILAR	80009	120-0459-00
A50A3TP1058	214-0579-00		TERM,TEST POINT:BRS CD PL	80009	214-0579-00
A50A3TP2012	214-0579-00		TERM,TEST POINT:BRS CD PL	80009	214-0579-00
A50A3U1030	156-0991-00		MICROCIRCUIT,LI:VOLTAGE REGULATOR	04713	MC78L05ACP
A50A3U1050	156-0388-03		MICROCIRCUIT,DI:DUAL D FLIP-FLOP	07263	74LS74A
A50A3U2040	156-0991-00		MICROCIRCUIT,LI:VOLTAGE REGULATOR	04713	MC78L05ACP
A50A3U2050	156-0386-02		MICROCIRCUIT,DI:TRIPLE 3-INP NAND GATE	27014	DM74LS10N

Replaceable Electrical Parts—494/494P Service Vol. 2

Component No.	Tektronix Part No.	Serial/Model No. Eff	Dscont	Name & Description	Mfr Code	Mfr Part Number
A50A4	670-7921-00	B010100	B010320	CKT BOARD ASSY:ERROR AMP	80009	670-7921-00
A50A4	670-7921-01	B010321		CKT BOARD ASSY:ERROR AMP	80009	670-7921-01
A50A4C1011	283-0204-00			CAP.,FXD,CER DI:0.01UF,20%,50V	96733	R2676
A50A4C1012	283-0204-00			CAP.,FXD,CER DI:0.01UF,20%,50V	96733	R2676
A50A4C1031	283-0177-00			CAP.,FXD,CER DI:1UF, + 80-20%,25V	04222	SR302E105ZAA
A50A4C1032	283-0204-00			CAP.,FXD,CER DI:0.01UF,20%,50V	96733	R2676
A50A4C1037	283-0177-00			CAP.,FXD,CER DI:1UF, + 80-20%,25V	04222	SR302E105ZAA
A50A4C1038	283-0339-00			CAP.,FXD,CER DI:0.22UF,10%,50V	72982	8131N075W5R224K
A50A4C1068	283-0177-00			CAP.,FXD,CER DI:1UF, + 80-20%,25V	04222	SR302E105ZAA
A50A4C1078	290-0782-00			CAP.,FXD,ELCTLT:4.7UF, + 75-10%,35V	55680	ULA1V4R7TEA
A50A4C1079	283-0032-00			CAP.,FXD,CER DI:470PF,5%,500V	59660	0831085Z5E00471J
A50A4C2013	283-0204-00			CAP.,FXD,CER DI:0.01UF,20%,50V	96733	R2676
A50A4C2015	283-0204-00			CAP.,FXD,CER DI:0.01UF,20%,50V	96733	R2676
A50A4C2019	283-0204-00			CAP.,FXD,CER DI:0.01UF,20%,50V	96733	R2676
A50A4C2021	283-0032-00			CAP.,FXD,CER DI:470PF,5%,500V	59660	0831085Z5E00471J
A50A4C2034	283-0177-00			CAP.,FXD,CER DI:1UF, + 80-20%,25V	04222	SR302E105ZAA
A50A4C2035	283-0204-00			CAP.,FXD,CER DI:0.01UF,20%,50V	96733	R2676
A50A4C2048	283-0204-00			CAP.,FXD,CER DI:0.01UF,20%,50V	96733	R2676
A50A4C2049	283-0070-00			CAP.,FXD,CER DI:30PF,10%,50V	72982	8121-060C0G0300K
A50A4C2059	283-0687-00			CAP.,FXD,MICA D:560PF,2%,300V	00853	D153F561G0
A50A4C2060	283-0177-00			CAP.,FXD,CER DI:1UF, + 80-20%,25V	04222	SR302E105ZAA
A50A4C2061	283-0100-00			CAP.,FXD,CER DI:0.0047UF,10%,200V	56289	2C20C0G472K200B
A50A4C2062	283-0198-00			CAP.,FXD,CER DI:0.22UF,20%,50V	56289	1C10Z5U223M050B
A50A4C2065	283-0028-00			CAP.,FXD,CER DI:0.0022UF,20%,50V	59660	0805585Y5SO222M
A50A4C2067	283-0177-00			CAP.,FXD,CER DI:1UF, + 80-20%,25V	04222	SR302E105ZAA
A50A4C2069	283-0203-00			CAP.,FXD,CER DI:0.47UF,20%,50V	04222	5R305SE474MAA
A50A4C2071	283-0204-00			CAP.,FXD,CER DI:0.01UF,20%,50V	96733	R2676
A50A4C2072	283-0204-00			CAP.,FXD,CER DI:0.01UF,20%,50V	96733	R2676
A50A4C2077	283-0198-00			CAP.,FXD,CER DI:0.22UF,20%,50V	56289	1C10Z5U223M050B
A50A4C2078	283-0100-00			CAP.,FXD,CER DI:0.0047UF,10%,200V	56289	2C20C0G472K200B
A50A4C2082	290-0942-00			CAP.,FXD,ELCTLT:100UF, + 100-10%,25V	56289	672D107H025CG2C
A50A4C3010	283-0203-00			CAP.,FXD,CER DI:0.47UF,20%,50V	04222	5R305SE474MAA
A50A4C3011	283-0204-00			CAP.,FXD,CER DI:0.01UF,20%,50V	96733	R2676
A50A4C3044	283-0239-00			CAP.,FXD,CER DI:0.022UF,10%,50V	72982	8121N083X7R0223K
A50A4C3050	290-0804-00	B010321		CAP.,FXD,ELCTLT:10UF, + 50-10%,25V	55680	ULA1E100TEA
A50A4C3051	283-0032-00			CAP.,FXD,CER DI:470PF,5%,500V	59660	0831085Z5E00471J
A50A4C3060	283-0177-00	B010321		CAP.,FXD,CER DI:1UF, + 80-20%,25V	04222	SR302E105ZAA
A50A4C3065	283-0115-00			CAP.,FXD,CER DI:47PF,5%,200V	59660	805-519-C0G0470J
A50A4CR3069	152-0141-02			SEMICON DVC,DI:SW,Si,30V,150MA,30V,DO-35	12969	NDP0263 (1N4152)
A50A4L3010	108-1112-00			COIL,RF:FIXED,170UH	80009	108-1112-00
A50A4L3060	108-1112-00			COIL,RF:FIXED,170UH	80009	108-1112-00
A50A4L3070	120-0382-00	B010321		XFMR,TOROID:202UH,14 TURNS,SINGLE	80009	120-0382-00
A50A4P2035	131-0608-00			TERMINAL,PIN:0.365 L X 0.025 PH BRZ GOLD	22526	48283-036
A50A4P3057	131-0608-00			TERMINAL,PIN:0.365 L X 0.025 PH BRZ GOLD	22526	48283-036
A50A4Q2030	151-0301-00			TRANSISTOR:SILICON,PNP	27014	2N2907A
A50A4R1011	321-0001-00			RES.,FXD,FILM:10 OHM,1%,0.125W	75042	CEAT0-10R00F
A50A4R1021	315-0102-00			RES.,FXD,CMPSN:1K OHM,5%,0.25W	57668	NTR25JE01K0
A50A4R1022	315-0102-00			RES.,FXD,CMPSN:1K OHM,5%,0.25W	57668	NTR25JE01K0
A50A4R1023	315-0102-00			RES.,FXD,CMPSN:1K OHM,5%,0.25W	57668	NTR25JE01K0
A50A4R1024	315-0103-00			RES.,FXD,CMPSN:10K OHM,5%,0.25W	57668	NTR25J-E10K0
A50A4R1031	315-0512-00			RES.,FXD,CMPSN:5.1K OHM,5%,0.25W	57668	NTR25J-E05K1
A50A4R1032	315-0101-00			RES.,FXD,CMPSN:100 OHM,5%,0.25W	57668	NTR25J-E 100E
A50A4R1034	321-0143-00			RES.,FXD,FILM:301 OHM,1%,0.125W	91637	MFF1816G301R0F
A50A4R1035	315-0101-00			RES.,FXD,CMPSN:100 OHM,5%,0.25W	57668	NTR25J-E 100E



Component No.	Tektronix Part No.	Serial/Model No. Eff Dscont	Name & Description	Mfr Code	Mfr Part Number
A50A4R1037	315-0510-00		RES.,FXD,CMPSN:51 OHM,5%,0.25W	57668	NTR25J-E51E0
A50A4R1038	315-0102-00		RES.,FXD,CMPSN:1K OHM,5%,0.25W	57668	NTR25JE01K0
A50A4R1043	315-0103-00		RES.,FXD,CMPSN:10K OHM,5%,0.25W	57668	NTR25J-E10K0
A50A4R1054	315-0510-00		RES.,FXD,CMPSN:51 OHM,5%,0.25W	57668	NTR25J-E51E0
A50A4R1061	311-1263-00		RES.,VAR,NONWIR:1K OHM,10%,0.50W	32997	3329P-L58-102
A50A4R1072	315-0161-00		RES.,FXD,CMPSN:160 OHM,5%,0.25W	57668	NTR25J-E 160E
A50A4R1075	307-0114-00		RES.,FXD,CMPSN:6.2 OHM,5%,0.25W	01121	CB62G5
A50A4R2013	315-0510-00		RES.,FXD,CMPSN:51 OHM,5%,0.25W	57668	NTR25J-E51E0
A50A4R2014	321-0001-00		RES.,FXD,FILM:10 OHM,1%,0.125W	75042	CEAT0-10R00F
A50A4R2015	321-0243-00		RES.,FXD,FILM:3.32K OHM,1%,0.125W	91637	MFF1816G33200F
A50A4R2016	321-0001-00		RES.,FXD,FILM:10 OHM,1%,0.125W	75042	CEAT0-10R00F
A50A4R2017	315-0202-00		RES.,FXD,CMPSN:2K OHM,5%,0.25W	57668	NTR25J-E02K0
A50A4R2018	321-0243-00		RES.,FXD,FILM:3.32K OHM,1%,0.125W	91637	MFF1816G33200F
A50A4R2028	315-0103-00		RES.,FXD,CMPSN:10K OHM,5%,0.25W	57668	NTR25J-E10K0
A50A4R2029	315-0102-00		RES.,FXD,CMPSN:1K OHM,5%,0.25W	57668	NTR25JE01K0
A50A4R2031	315-0510-00		RES.,FXD,CMPSN:51 OHM,5%,0.25W	57668	NTR25J-E51E0
A50A4R2038	315-0102-00		RES.,FXD,CMPSN:1K OHM,5%,0.25W	57668	NTR25JE01K0
A50A4R2042	321-0186-00		RES.,FXD,FILM:845 OHM,1%,0.125W	91637	MFF1816G845R0F
A50A4R2043	315-0204-00		RES.,FXD,CMPSN:200K OHM,5%,0.25W	01121	CB2045
A50A4R2048	315-0510-00		RES.,FXD,CMPSN:51 OHM,5%,0.25W	57668	NTR25J-E51E0
A50A4R2049	315-0123-00		RES.,FXD,CMPSN:12K OHM,5%,0.25W	57668	NTR25J-E12K0
A50A4R2051	321-0356-00		RES.,FXD,FILM:49.9K OHM,1%,0.125W	91637	MFF1816G49901F
A50A4R2052	321-0261-00		RES.,FXD,FILM:5.11K OHM,1%,0.125W	91637	MFF1816G51100F
A50A4R2051	315-0102-00		RES.,FXD,CMPSN:1K OHM,5%,0.25W	57668	NTR25JE01K0
A50A4R2062	315-0202-00		RES.,FXD,CMPSN:2K OHM,5%,0.25W	57668	NTR25J-E02K0
A50A4R2066	315-0102-00		RES.,FXD,CMPSN:1K OHM,5%,0.25W	57668	NTR25JE01K0
A50A4R2067	315-0682-00		RES.,FXD,CMPSN:6.8K OHM,5%,0.25W	57668	NTR25J-E06K8
A50A4R2083	321-0155-00		RES.,FXD,FILM:402 OHM,1%,0.125W	91637	MFF1816G402R0F
A50A4R3010	315-0620-00		RES.,FXD,CMPSN:62 OHM,5%,0.25W	01121	CB6205
A50A4R3011	307-0105-00		RES.,FXD,CMPSN:3.9 OHM,5%,0.25W	01121	CB39G5
A50A4R3046	315-0300-00		RES.,FXD,CMPSN:30 OHM,5%,0.25W	01121	CB3005
A50A4R3051	321-0179-00		RES.,FXD,FILM:715 OHM,1%,0.125W	91637	MFF1816G715R0F
A50A4R3052	321-0269-00		RES.,FXD,FILM:6.19K OHM,1%,0.125W	91637	MFF1816G61900F
A50A4R3054	321-0180-00		RES.,FXD,FILM:732 OHM,1%,0.125W	91637	MFF1816G732R0F
A50A4R3060	315-0620-00	B010100 B010320	RES.,FXD,CMPSN:62 OHM,5%,0.25W	01121	CB6205
A50A4R3068	315-0682-00		RES.,FXD,CMPSN:6.8K OHM,5%,0.25W	57668	NTR25J-E06K8
A50A4R3077	315-0202-00		RES.,FXD,CMPSN:2K OHM,5%,0.25W	57668	NTR25J-E02K0
A50A4R3078	315-0102-00		RES.,FXD,CMPSN:1K OHM,5%,0.25W	57668	NTR25JE01K0
A50A4R3082	311-1281-00		RES.,VAR,NONWIR:2.5K OHM,10%,0.5W	32997	3329W-L58-252
A50A4R3083	321-0155-00		RES.,FXD,FILM:402 OHM,1%,0.125W	91637	MFF1816G402R0F
A50A4TP1031	214-0579-00		TERM,TEST POINT:BRS CD PL	80009	214-0579-00
A50A4TP2038	214-0579-00		TERM,TEST POINT:BRS CD PL	80009	214-0579-00
A50A4TP3081	214-0579-00		TERM,TEST POINT:BRS CD PL	80009	214-0579-00
A50A4U1015	156-0570-00		MICROCIRCUIT,LI:DUAL HIGH SPEED COMPARATOR	27014	LM319H
A50A4U1035	156-1126-01		MICROCIRCUIT,LI VOLTAGE COMPARATOR,SEL	01295	LM311JG4
A50A4U1042	156-0991-00		MICROCIRCUIT,LI:VOLTAGE REGULATOR	04713	MC78L05ACP
A50A4U2025	156-0796-01		MICROCIRCUIT,DI:8 STG SHF & STORE BUS RGTR	80009	156-0796-01
A50A4U2037	156-1211-00		MICROCKT,INTFC:QUAD SPST SWITCH,2NC,2NO	80009	156-1211-00
A50A4U2048	156-0105-02		MICROCIRCUIT,LI:OPERATIONAL AMPLIFIER,SEL	01295	LM301AJG4
A50A4U2065	156-0742-02		MICROCIRCUIT,LI:OPERATIONAL AMPLIFIER,SEL	01295	LM318JG
A50A4U2075	156-0277-01		MICROCIRCUIT,LI:POSITIVE VOLTAGE REG	04713	MC7805CTD



Replaceable Electrical Parts—494/494P Service Vol. 2

Component No.	Tektronix Part No.	Serial/Model No. Eff	Dscont	Name & Description	Mfr Code	Mfr Part Number
A50A4U3017	156-1160-00			MICROCIRCUIT,LI:VOLTAGE REGULATOR	04713	MC78L12ACG
A50A4U3075	156-0132-00			MICROCIRCUIT,LI:OPERATIONAL AMPLIFIER	34371	HA2-911-5
A50A4VR2065	152-0175-01			SEMICONV DEVICE:ZENER,0.4W,5.6V,5%	04713	SZG5021RL
A50A4VR3047	152-0647-00			SEMICONV DEVICE:ZENER,0.4W,6.8V,5%	04713	SZG35014K3RL
A50A4VR3048	152-0647-00			SEMICONV DEVICE:ZENER,0.4W,6.8V,5%	04713	SZG35014K3RL
A50A4W1050	131-0566-00			BUS CONDUCTOR:DUMMY RES,2.375,22 AWG	57668	JWW-0200E0
A50A4W2084	131-0566-00			BUS CONDUCTOR:DUMMY RES,2.375,22 AWG	57668	JWW-0200E0

<http://www.ebaman.com>

Component No.	Tektronix Part No.	Serial/Model No. Eff	Dscont	Name & Description	Mfr Code	Mfr Part Number
A50A5	670-5524-01	B010100	B010224	CKT BOARD ASSY:CONTROLLED OSC	80009	670-5524-01
A50A5	670-5524-02	B010225		CKT BOARD ASSY:CONTROLLED OSC	80009	670-5524-02
A50A5C1011	281-0810-00			CAP.,FXD,CER DI:5.6PF,0.5%,100V	04222	GC10-1A5R6D
A50A5C1012	283-0260-00			CAP.,FXD,CER DI:5.6PF,5%,200V	51642	150 200NP0569C
A50A5C1013	281-0161-00			CAP.,VAR,CER DI:5-15PF,350V	59660	518-000A5-15
A50A5C1024	283-0204-00			CAP.,FXD,CER DI:0.01UF,20%,50V	96733	R2676
A50A5C1025	283-0204-00			CAP.,FXD,CER DI:0.01UF,20%,50V	96733	R2676
A50A5C1031	283-0204-00			CAP.,FXD,CER DI:0.01UF,20%,50V	96733	R2676
A50A5C1038	281-0622-00			CAP.,FXD,CER DI:47PF,1%,500V	59660	0301080C0G0470F
A50A5C1041	281-0165-00			CAP.,VAR,AIR DI:0.8-10PF,250V	73899	MVM-010W
A50A5C1042	281-0165-00			CAP.,VAR,AIR DI:0.8-10PF,250V	73899	MVM-010W
A50A5C1048	281-0622-00			CAP.,FXD,CER DI:47PF,1%,500V	59660	0301080C0G0470F
A50A5C2011	281-0168-00			CAP.,VAR,AIR DI:1.3-5.4PF,250V	74970	187-0103-035
A50A5C2021	283-0346-00			CAP.,FXD,CER DI:0.47UF,+ 80-20%,100V	72982	8131-M100F474Z
A50A5C2022	290-0527-00			CAP.,FXD,ELCTLT:15UF,20%,20V	90201	TDC156M020FL
A50A5C2023	283-0204-00			CAP.,FXD,CER DI:0.01UF,20%,50V	96733	R2676
A50A5C2034	283-0204-00			CAP.,FXD,CER DI:0.01UF,20%,50V	96733	R2676
A50A5C2041	283-0204-00			CAP.,FXD,CER DI:0.01UF,20%,50V	96733	R2676
A50A5C2042	283-0195-00			CAP.,FXD,CER DI:680PF,5%,50V	72982	8121N075C0G0681J
A50A5C2043	283-0195-00			CAP.,FXD,CER DI:680PF,5%,50V	72982	8121N075C0G0681J
A50A5CR1011	152-0719-00			SEMICONV DEVICE:SILICON,100PF,5%,30V	80009	152-0719-00
A50A5CR1012	152-0719-00			SEMICONV DEVICE:SILICON,100PF,5%,30V	80009	152-0719-00
A50A5L1011	108-0105-00			COIL,RF:FIXED,1.59UH	80009	108-0105-00
A50A5L1025	108-0991-00			COIL,RF:FIXED,800NH	80009	108-0991-00
A50A5L1035	108-0990-00			COIL,RF:750NH	80009	108-0990-00
A50A5L2034	108-0395-00			COIL,RF:64UH	80009	108-0395-00
A50A5L2043	108-0962-00			COIL,RF:FIXED,750NH,TOROIDAL INDUCT	80009	108-0962-00
A50A5P1025	131-0608-00			TERMINAL,PIN:0.365 L X 0.025 PH BRZ GOLD	22526	48283-036
A50A5P1033	131-0608-00			TERMINAL,PIN:0.365 L X 0.025 PH BRZ GOLD	22526	48283-036
A50A5Q1028	151-0188-00			TRANSISTOR:PNP,SI,TO-92	T0058	2N3906
A50A5Q2025	151-0438-01	B010100	B010224	TRANSISTOR:SILICON,PNP,SELECTED	80009	151-0438-01
A50A5Q2025	151-0712-01	B010225		TRANSISTOR:SELECTED	04713	SPS8223-1
A50A5Q2026	151-0438-01	B010100	B010224	TRANSISTOR:SILICON,PNP,SELECTED	80009	151-0438-01
A50A5Q2026	151-0712-01	B010225		TRANSISTOR:SELECTED	04713	SPS8223-1
A50A5Q2033	151-0438-01	B010100	B010224	TRANSISTOR:SILICON,PNP,SELECTED	80009	151-0438-01
A50A5Q2033	151-0712-01	B010225		TRANSISTOR:SELECTED	04713	SPS8223-1
A50A5Q2041	151-0438-01	B010100	B010224	TRANSISTOR:SILICON,PNP,SELECTED	80009	151-0438-01
A50A5Q2041	151-0712-01	B010225		TRANSISTOR:SELECTED	04713	SPS8223-1
A50A5R1024	315-0201-00			RES.,FXD,CMPSN:200 OHM,5%,0.25W	57668	NTR25J-E200E
A50A5R1026	315-0471-00			RES.,FXD,CMPSN:470 OHM,5%,0.25W	57668	NTR25J-E470E
A50A5R1030	315-0100-00			RES.,FXD,CMPSN:10 OHM,5%,0.25W	57668	NTR25J-E 10E0
A50A5R1031	315-0103-00			RES.,FXD,CMPSN:10K OHM,5%,0.25W	57668	NTR25J-E10K0
A50A5R1032	315-0390-00			RES.,FXD,CMPSN:39 OHM,5%,0.25W	57668	NTR25J-E39E0
A50A5R1033	315-0103-00			RES.,FXD,CMPSN:10K OHM,5%,0.25W	57668	NTR25J-E10K0
A50A5R2020	315-0100-00			RES.,FXD,CMPSN:10 OHM,5%,0.25W	57668	NTR25J-E 10E0
A50A5R2021	315-0101-00			RES.,FXD,CMPSN:100 OHM,5%,0.25W	57668	NTR25J-E 100E
A50A5R2022	315-0202-00			RES.,FXD,CMPSN:2K OHM,5%,0.25W	57668	NTR25J-E02K0
A50A5R2025	315-0103-00	B010100	B010224	RES.,FXD,CMPSN:10K OHM,5%,0.25W	57668	NTR25J-E10K0
A50A5R2025	315-0182-00	B010225		RES.,FXD,CMPSN:1.8K OHM,5%,0.25W	57668	NTR25J-E1K8
A50A5R2026	321-0103-00	B010100	B010224	RES.,FXD,FILM:115 OHM,1%,0.125W	91637	MFF1816G115R0F
A50A5R2026	321-0182-00	B010225		RES.,FXD,FILM:768 OHM,1%,0.125W	91637	MFF1816G768R0F
A50A5R2027	315-0101-00			RES.,FXD,CMPSN:100 OHM,5%,0.25W	57668	NTR25J-E 100E
A50A5R2031	315-0202-00			RES.,FXD,CMPSN:2K OHM,5%,0.25W	57668	NTR25J-E02K0
A50A5R2032	315-0220-00			RES.,FXD,CMPSN:22 OHM,5%,0.25W	01121	CB2205

Replaceable Electrical Parts—494/494P Service Vol. 2

Component No.	Tektronix Part No.	Serial/Model No. Eff	Dscont	Name & Description	Mfr Code	Mfr Part Number
A50A5R2033	315-0471-00			RES.,FXD,CMPSN:470 OHM,5%,0.25W	57668	NTR25J-E470E
A50A5R2034	315-0101-00			RES.,FXD,CMPSN:100 OHM,5%,0.25W	57668	NTR25J-E 100E
A50A5R2038	315-0182-00			RES.,FXD,CMPSN:1.8K OHM,5%,0.25W	57668	NTR25J-E1K8
A50A5R2041	315-0103-00			RES.,FXD,CMPSN:10K OHM,5%,0.25W	57668	NTR25J-E10K0
A50A5R2042	315-0151-00			RES.,FXD,CMPSN:150 OHM,5%,0.25W	57668	NTR25J-E150E
A50A5R2043	315-0201-00			RES.,FXD,CMPSN:200 OHM,5%,0.25W	57668	NTR25J-E200E
A50A5TP1027	214-0579-00			TERM,TEST POINT:BRS CD PL	80009	214-0579-00
A50A5TP2011	214-0579-00			TERM,TEST POINT:BRS CD PL	80009	214-0579-00
A50A5U2021	156-1160-00			MICROCIRCUIT,LI:VOLTAGE REGULATOR	04713	MC78L12ACG
A50A5Y2012	158-0172-00			XTAL UNIT,QTZ:25.064MHZ,0.001%,SERIES	33096	ORD BY DESCR

<http://www.ebaman.com>



Component No.	Tektronix Part No.	Serial/Model No. Eff Dscont	Name & Description	Mfr Code	Mfr Part Number
A51	670-7899-01		CKT BOARD ASSY: COUNTER	80009	670-7899-01
A51C1014	283-0156-00		CAP.,FXD,CER DI: 1000PF, + 100-0%,200V	96733	R2670
A51C1016	283-0024-00		CAP.,FXD,CER DI: 0.1UF, + 80-20%,50V	72982	8121N083Z5U0104Z
A51C1038	283-0024-00		CAP.,FXD,CER DI: 0.1UF, + 80-20%,50V	72982	8121N083Z5U0104Z
A51C2010	283-0195-00		CAP.,FXD,CER DI: 680PF,5%,50V	72982	8121N075C0G0681J
A51C2034	283-0156-00		CAP.,FXD,CER DI: 1000PF, + 100-0%,200V	96733	R2670
A51C2044	283-0024-00		CAP.,FXD,CER DI: 0.1UF, + 80-20%,50V	72982	8121N083Z5U0104Z
A51C2046	283-0175-00		CAP.,FXD,CER DI: 10PF,5%,200V	96733	TDR43BY100DP
A51C2050	283-0156-00		CAP.,FXD,CER DI: 1000PF, + 100-0%,200V	96733	R2670
A51C2052	283-0204-00		CAP.,FXD,CER DI: 0.01UF,20%,50V	96733	R2676
A51C2054	283-0204-00		CAP.,FXD,CER DI: 0.01UF,20%,50V	96733	R2676
A51C2056	283-0114-00		CAP.,FXD,CER DI: 0.0015UF,5%,200V	59660	805534Y5DO152J
A51C2058	283-0204-00		CAP.,FXD,CER DI: 0.01UF,20%,50V	96733	R2676
A51C2059	283-0204-00		CAP.,FXD,CER DI: 0.01UF,20%,50V	96733	R2676
A51C3010	283-0024-00		CAP.,FXD,CER DI: 0.1UF, + 80-20%,50V	72982	8121N083Z5U0104Z
A51C3020	283-0204-00		CAP.,FXD,CER DI: 0.01UF,20%,50V	96733	R2676
A51C3050	283-0204-00		CAP.,FXD,CER DI: 0.01UF,20%,50V	96733	R2676
A51C3052	283-0204-00		CAP.,FXD,CER DI: 0.01UF,20%,50V	96733	R2676
A51C3054	283-0204-00		CAP.,FXD,CER DI: 0.01UF,20%,50V	96733	R2676
A51C3058	283-0024-00		CAP.,FXD,CER DI: 0.1UF, + 80-20%,50V	72982	8121N083Z5U0104Z
A51C4042	290-0748-00		CAP.,FXD,ELCTLT: 10UF, + 50-10%,25V	T0900	SL25T10(T)TP
A51CR1012	152-0322-00		SEMICONV DEVICE: SILICON,15V,HOT CARRIER	50434	5082-2672
A51CR1030	152-0141-02		SEMICONV DVC,DI: SW,SI,30V,150MA,30V,DO-35	12969	NDP0263 (1N4152)
A51CR1040	152-0322-00		SEMICONV DEVICE: SILICON,15V,HOT CARRIER	50434	5082-2672
A51CR1042	152-0141-02		SEMICONV DVC,DI: SW,SI,30V,150MA,30V,DO-35	12969	NDP0263 (1N4152)
A51CR1044	152-0141-02		SEMICONV DVC,DI: SW,SI,30V,150MA,30V,DO-35	12969	NDP0263 (1N4152)
A51CR2040	152-0141-02		SEMICONV DVC,DI: SW,SI,30V,150MA,30V,DO-35	12969	NDP0263 (1N4152)
A51CR2048	152-0322-00		SEMICONV DEVICE: SILICON,15V,HOT CARRIER	50434	5082-2672
A51CR3056	152-0322-00		SEMICONV DEVICE: SILICON,15V,HOT CARRIER	50434	5082-2672
A51CR3058	152-0322-00		SEMICONV DEVICE: SILICON,15V,HOT CARRIER	50434	5082-2672
A51CR4040	152-0141-02		SEMICONV DVC,DI: SW,SI,30V,150MA,30V,DO-35	12969	NDP0263 (1N4152)
A51L2056	108-0734-00		COIL,RF: FIXED,160NH	80009	108-0734-00
A51L4016	108-0828-00		COIL,RF: 65UH,TOROIDAL	80009	108-0828-00
A51P1036	131-0265-00		CONN,RCPT,ELEC: MINTR,CKT BD MTD,FEM,RTNG	98291	51-053-0000
A51P1056	131-0265-00		CONN,RCPT,ELEC: MINTR,CKT BD MTD,FEM,RTNG	98291	51-053-0000
A51P2046	131-0608-00		TERMINAL,PIN: 0.365 L X 0.025 PH BRZ GOLD	22526	48283-036
A51P2047	131-0608-00		TERMINAL,PIN: 0.365 L X 0.025 PH BRZ GOLD	22526	48283-036
A51P3046	131-0608-00		TERMINAL,PIN: 0.365 L X 0.025 PH BRZ GOLD	22526	48283-036
A51Q1018	151-0367-00		TRANSISTOR: SILICON,NPN,SEL FROM 3571TP	04713	SPS 8811
A51Q1034	151-0369-00		TRANSISTOR: SILICON,PNP	01295	SKA6664
A51Q1044	151-0369-00		TRANSISTOR: SILICON,PNP	01295	SKA6664
A51Q4034	151-0302-00		TRANSISTOR: SILICON,NPN	07263	S038487
A51Q4052	151-0302-00		TRANSISTOR: SILICON,NPN	07263	S038487
A51R1012	315-0472-00		RES.,FXD,CMPSN: 4.7K OHM,5%,0.25W	57668	NTR25J-E04K7
A51R1014	315-0201-00		RES.,FXD,CMPSN: 200 OHM,5%,0.25W	57668	NTR25J-E200E
A51R1016	315-0102-00		RES.,FXD,CMPSN: 1K OHM,5%,0.25W	57668	NTR25JE01K0
A51R1020	317-0103-00		RES.,FXD,CMPSN: 10K OHM,5%,0.125W	01121	BB1035
A51R1021	317-0103-00		RES.,FXD,CMPSN: 10K OHM,5%,0.125W	01121	BB1035
A51R1030	315-0271-00		RES.,FXD,CMPSN: 270 OHM,5%,0.25W	57668	NTR25J-E270E
A51R1032	315-0512-00		RES.,FXD,CMPSN: 5.1K OHM,5%,0.25W	57668	NTR25J-E05K1
A51R1034	315-0102-00		RES.,FXD,CMPSN: 1K OHM,5%,0.25W	57668	NTR25JE01K0
A51R1042	315-0271-00		RES.,FXD,CMPSN: 270 OHM,5%,0.25W	57668	NTR25J-E270E
A51R1044	315-0751-00		RES.,FXD,CMPSN: 750 OHM,5%,0.25W	57668	NTR25J-E750E
A51R1046	315-0103-00		RES.,FXD,CMPSN: 10K OHM,5%,0.25W	57668	NTR25J-E10K0

Replaceable Electrical Parts—494/494P Service Vol. 2

Component No.	Tektronix Part No.	Serial/Model No. Eff Dscnt	Name & Description	Mfr Code	Mfr Part Number
A51R1056	315-0101-00		RES.,FXD,CMPSN:100 OHM,5%,0.25W	57668	NTR25J-E 100E
A51R2022	315-0561-00		RES.,FXD,CMPSN:560 OHM,5%,0.25W	01121	CB5615
A51R2030	315-0512-00		RES.,FXD,CMPSN:5.1K OHM,5%,0.25W	57668	NTR25J-E05K1
A51R2032	315-0681-00		RES.,FXD,CMPSN:680 OHM,5%,0.25W	57668	NTR25J-E680E
A51R2034	315-0122-00		RES.,FXD,CMPSN:1.2K OHM,5%,0.25W	57668	NTR25J-E01K2
A51R2036	315-0301-00		RES.,FXD,CMPSN:300 OHM,5%,0.25W	57668	NTR25J-E300E
A51R2038	315-0101-00		RES.,FXD,CMPSN:100 OHM,5%,0.25W	57668	NTR25J-E 100E
A51R2042	315-0681-00		RES.,FXD,CMPSN:680 OHM,5%,0.25W	57668	NTR25J-E680E
A51R2044	315-0122-00		RES.,FXD,CMPSN:1.2K OHM,5%,0.25W	57668	NTR25J-E01K2
A51R3010	315-0102-00		RES.,FXD,CMPSN:1K OHM,5%,0.25W	57668	NTR25J-E01K0
A51R3012	315-0361-00		RES.,FXD,CMPSN:360 OHM,5%,0.25W	01121	CB3615
A51R3030	315-0512-00		RES.,FXD,CMPSN:5.1K OHM,5%,0.25W	57668	NTR25J-E05K1
A51R3034	315-0512-00		RES.,FXD,CMPSN:5.1K OHM,5%,0.25W	57668	NTR25J-E05K1
A51R3044	315-0512-00		RES.,FXD,CMPSN:5.1K OHM,5%,0.25W	57668	NTR25J-E05K1
A51R3048	315-0153-00		RES.,FXD,CMPSN:15K OHM,5%,0.25W	01121	CB1535
A51R3052	315-0821-00		RES.,FXD,CMPSN:820 OHM,5%,0.25W	57668	NTR25J-E 820E
A51R3054	315-0101-00		RES.,FXD,CMPSN:100 OHM,5%,0.25W	57668	NTR25J-E 100E
A51R3056	315-0242-00		RES.,FXD,CMPSN:2.4K OHM,5%,0.25W	57668	NTR25J-E02K4
A51R3058	315-0202-00		RES.,FXD,CMPSN:2K OHM,5%,0.25W	57668	NTR25J-E02K0
A51R4010	315-0561-00		RES.,FXD,CMPSN:560 OHM,5%,0.25W	01121	CB5615
A51R4018	315-0472-00		RES.,FXD,CMPSN:4.7K OHM,5%,0.25W	57668	NTR25J-E04K7
A51R4020	315-0472-00		RES.,FXD,CMPSN:4.7K OHM,5%,0.25W	57668	NTR25J-E04K7
A51R4028	307-0696-00		RES NTWK,FXD,FI:7.10K OHM,2%,0.15W	01121	208A103
A51R4036	315-0472-00		RES.,FXD,CMPSN:4.7K OHM,5%,0.25W	57668	NTR25J-E04K7
A51R4038	315-0103-00		RES.,FXD,CMPSN:10K OHM,5%,0.25W	57668	NTR25J-E10K0
A51R4050	315-0103-00		RES.,FXD,CMPSN:10K OHM,5%,0.25W	57668	NTR25J-E10K0
A51R4052	315-0103-00		RES.,FXD,CMPSN:10K OHM,5%,0.25W	57668	NTR25J-E10K0
A51TP1056	214-0579-00		TERM,TEST POINT:BRS CD PL	80009	214-0579-00
A51TP1057	214-0579-00		TERM,TEST POINT:BRS CD PL	80009	214-0579-00
A51TP1058	214-0579-00		TERM,TEST POINT:BRS CD PL	80009	214-0579-00
A51TP2043	214-0579-00		TERM,TEST POINT:BRS CD PL	80009	214-0579-00
A51TP2044	214-0579-00		TERM,TEST POINT:BRS CD PL	80009	214-0579-00
A51TP2045	214-0579-00		TERM,TEST POINT:BRS CD PL	80009	214-0579-00
A51TP3036	214-0579-00		TERM,TEST POINT:BRS CD PL	80009	214-0579-00
A51TP4048	214-0579-00		TERM,TEST POINT:BRS CD PL	80009	214-0579-00
A51U1018	156-0994-02		MICROCIRCUIT,DI:8 INPUT DATA SEL/MUX	01295	SN74LS151NP3
A51U1022	156-0796-01		MICROCIRCUIT,DI:8 STG SHF & STORE BUS RGTR	80009	156-0796-01
A51U1028	156-1172-01		MICROCIRCUIT,DI:DUAL 4 BIT CNTR	01295	SN74LS393
A51U1038	156-0230-02		MICROCIRCUIT,DI:DUAL D-TYPE M/S,FF,SCRN	04713	MC10131LD
A51U1046	156-0994-02		MICROCIRCUIT,DI:8 INPUT DATA SEL/MUX	01295	SN74LS151NP3
A51U1050	156-1172-01		MICROCIRCUIT,DI:DUAL 4 BIT CNTR	01295	SN74LS393
A51U2010	156-1172-01		MICROCIRCUIT,DI:DUAL 4 BIT CNTR	01295	SN74LS393
A51U2018	156-1183-00		MICROCIRCUIT,DI:PRESET BINARY LATCH/CNTR	80009	156-1183-00
A51U2026	156-0914-02		MICROCIRCUIT,DI:OCT ST BFR W/3 STATE OUT	01295	SN74LS240
A51U2030	156-0729-01		MICROCIRCUIT,DI:3 STATE INVERTING HEX BFR	27014	DM80L98N
A51U2034	156-1172-01		MICROCIRCUIT,DI:DUAL 4 BIT CNTR	01295	SN74LS393
A51U2040	156-0469-02		MICROCIRCUIT,DI:3/8 LINE DCDR	01295	SN74LS138NP3
A51U2046	156-0331-03		MICROCIRCUIT,DI:DUAL D TYPE POS EDGE TRIG	80009	156-0331-03
A51U2050	156-1172-01		MICROCIRCUIT,DI:DUAL 4 BIT CNTR	01295	SN74LS393
A51U2056	156-0902-00		MICROCIRCUIT,DI:FM IF AMPL	80009	156-0902-00
A51U3010	156-0383-02		MICROCIRCUIT,DI:QUAD 2-INP NOR GATE	01295	SN74LS02
A51U3018	156-0799-01		MICROCIRCUIT,DI:DECADE CNTR/DIVIDER,SCRN	04713	MC14017BCLD
A51U3024	156-0914-02		MICROCIRCUIT,DI:OCT ST BFR W/3 STATE OUT	01295	SN74LS240
A51U3030	156-0914-02		MICROCIRCUIT,DI:OCT ST BFR W/3 STATE OUT	01295	SN74LS240

Component No.	Tektronix Part No.	Serial/Model No.		Name & Description	Mfr Code	Mfr Part Number
		Eff	Dscont			
A51U3034	156-0914-02			MICROCIRCUIT,DI:OCT ST BFR W/3 STATE OUT	01295	SN74LS240
A51U3040	156-0798-02			MICROCIRCUIT,DI:DUAL 14 TO 1 LINE SEL/MUX	01295	SN74LS153
A51U3046	156-0385-02			MICROCIRCUIT,DI:HEX INVERTER	01295	SN74LS04
A51U3048	156-0366-02			MICROCIRCUIT,DI:DUAL D FLIP-FLOP,CHK	80009	156-0366-02
A51U4056	156-1172-01			MICROCIRCUIT,DI:DUAL 4 BIT CNTR	01295	SN74LS393

<http://www.ebaman.com>



Replaceable Electrical Parts—494/494P Service Vol. 2

Component No.	Tektronix Part No.	Serial/Model No. Eff	Dscont	Name & Description	Mfr Code	Mfr Part Number
A54	670-7009-00	B010100	B010139	CKT BOARD ASSY:MEMORY	80009	670-7009-00
A54	670-7009-01	B010140	B010237	CKT BOARD ASSY:MEMORY	80009	670-7009-01
A54	670-7009-02	B010238		CKT BOARD ASSY:MEMORY	80009	670-7009-02
A54	670-8614-00			CKT BOARD ASSY:MEMORY	80009	670-8614-00
A54	-----			(OPTION 12 ONLY)		
A54	670-8615-00			CKT BOARD ASSY:MEMORY	80009	670-8615-00
A54	-----			(OPTION 13 ONLY)		
A54	670-8616-00			CKT BOARD ASSY:MEMORY	80009	670-8616-00
A54	-----			(OPTION 14 ONLY)		
A54	670-8768-00	B010221		CKT BOARD ASSY:MEMORY	80009	670-8768-00
A54	-----			(OPTION 08/41 COMBO ONLY)		
A54C1015	283-0111-00			CAP.,FXD,CER DI:0.1UF,20%.50V	96733	R2632
A54C1017	283-0111-00			CAP.,FXD,CER DI:0.1UF,20%.50V	96733	R2632
A54C1028	290-0847-00			CAP.,FXD,ELCTLT:47UF,+50-10%,10 V	54473	ECE-B1AV470S
A54C1033	283-0111-00			CAP.,FXD,CER DI:0.1UF,20%.50V	96733	R2632
A54C1041	283-0111-00			CAP.,FXD,CER DI:0.1UF,20%.50V	96733	R2632
A54C1045	290-0967-00			CAP.,FXD,ELCTLT: 22UF,+50-10%,25V	T0510	ECEB1EV220S
A54C1046	283-0111-00			CAP.,FXD,CER DI:0.1UF,20%.50V	96733	R2632
A54C1049	283-0111-00			CAP.,FXD,CER DI:0.1UF,20%.50V	96733	R2632
A54C2020	283-0111-00			CAP.,FXD,CER DI:0.1UF,20%.50V	96733	R2632
A54C2027	283-0111-00			CAP.,FXD,CER DI:0.1UF,20%.50V	96733	R2632
A54C2039	283-0111-00			CAP.,FXD,CER DI:0.1UF,20%.50V	96733	R2632
A54CR1043	152-0141-02			SEMICON DVC,DI:SW,SI,30V,150MA,30V,DO-35	12969	NDP0263 (1N4152)
A54CR1044	152-0141-02			SEMICON DVC,DI:SW,SI,30V,150MA,30V,DO-35	12969	NDP0263 (1N4152)
A54CR2041	152-0141-02			SEMICON DVC,DI:SW,SI,30V,150MA,30V,DO-35	12969	NDP0263 (1N4152)
A54CR2046	152-0322-00			SEMICON DEVICE:SILICON,15V,HOT CARRIER	50434	5082-2672
A54CR2048	152-0322-00			SEMICON DEVICE:SILICON,15V,HOT CARRIER	50434	5082-2672
A54DS1043	150-1068-00			LT EMITTING DIO:RED	50434	HLMP-6320
A54DS1044	150-1068-00			LT EMITTING DIO:RED	50434	HLMP-6320
A54DS1045	150-1068-00			LT EMITTING DIO:RED	50434	HLMP-6320
A54DS1046	150-1068-00			LT EMITTING DIO:RED	50434	HLMP-6320
A54DS1047	150-1068-00			LT EMITTING DIO:RED	50434	HLMP-6320
A54DS1048	150-1068-00			LT EMITTING DIO:RED	50434	HLMP-6320
A54DS1049	150-1068-00			LT EMITTING DIO:RED	50434	HLMP-6320
A54L1030	108-0836-00			COIL,RF:14 UH TOROIDAL INDUCTOR	80009	108-0836-00
A54Q1041	151-0301-02			TRANSISTOR:SILICON.PNP	04713	2N2907A
A54Q1042	151-0190-00			TRANSISTOR:NPN,SI,TO-92	04713	SPS7969
A54Q1043	151-0190-00			TRANSISTOR:NPN,SI,TO-92	04713	SPS7969
A54Q1044	151-0190-00			TRANSISTOR:NPN,SI,TO-92	04713	SPS7969
A54R1038	307-0446-00			RES,NTWK,FXD FI:10K OHM,20%,(9) RES	91637	MSP10A01-103M
A54R1039	317-0103-00			RES.,FXD,CMPSN:10K OHM,5%,0.125W	01121	BB1035
A54R1041	317-0102-00			RES.,FXD,CMPSN:1K OHM,5%,0.125W	01121	BB1025
A54R1042	317-0102-00			RES.,FXD,CMPSN:1K OHM,5%,0.125W	01121	BB1025
A54R1045	317-0101-00			RES.,FXD,CMPSN:100 OHM,5%,0.125W	01121	BB1015
A54R1046	317-0513-00			RES.,FXD,CMPSN:51K OHM,5%,0.125W	01121	BB5135
A54R1049	317-0221-00			RES.,FXD,CMPSN:220 OHM,5%,0.125W	01121	BB2215
A54R2042	317-0103-00			RES.,FXD,CMPSN:10K OHM,5%,0.125W	01121	BB1035
A54R2043	317-0104-00			RES.,FXD,CMPSN:100K OHM,5%,0.125W	01121	BB1045
A54R2044	317-0512-00			RES.,FXD,CMPSN:5.1K OHM,5%,0.125	01121	BB5125
A54R2045	317-0101-00			RES.,FXD,CMPSN:100 OHM,5%,0.125W	01121	BB1015
A54R2047	317-0101-00			RES.,FXD,CMPSN:100 OHM,5%,0.125W	01121	BB1015
A54R2049	317-0101-00			RES.,FXD,CMPSN:100 OHM,5%,0.125W	01121	BB1015
A54S1038	260-1721-00			SWITCH,ROCKER:8.SPST,125MA,30VDC	00779	435166-5
A54TP1049	214-0579-00			TERM,TEST POINT:BRS CD PL	80009	214-0579-00

Component No.	Tektronix Part No.	Serial/Model No.		Name & Description	Mfr Code	Mfr Part Number
		Eff	Dscont			
A54U1014	160-2367-00	B010100	B010139	MICROCIRCUIT,DI:16384 X 8 EPROM	80009	160-2367-00
A54U1014	160-2367-01	B010140	B010237	MICROCIRCUIT,DI:16384 X 8 EPROM	80009	160-2367-01
A54U1014	160-2367-02	B010237		MICROCIRCUIT,DI:16384 X 8 EPROM	80009	160-2367-02
A54U1014	160-2786-00			MICROCIRCUIT,DI:16384 X 8 EPROM	80009	160-2786-00
A54U1014	-----			(OPTION 12 ONLY)		
A54U1014	160-2796-00			MICROCIRCUIT,DI:16384 X 8 EPROM	80009	160-2796-00
A54U1014	-----			(OPTION 13 ONLY)		
A54U1014	160-2806-00			MICROCIRCUIT,DI:16384 X 8 EPROM	80009	160-2806-00
A54U1014	-----			(OPTION 14 ONLY)		
A54U1014	160-2367-03	B010221		MICROCIRCUIT,DI:16384 X 8 EPROM	80009	160-2367-03
A54U1014	-----			(OPTION 08/41 COMBO ONLY)		
A54U1021	160-2366-00	B010100	B010139	MICROCIRCUIT,DI:16384 X 8 EPROM	80009	160-2366-00
A54U1021	160-2366-01	B010140	B010237	MICROCIRCUIT,DI:16384 X 8 EPROM	80009	160-2366-01
A54U1021	160-2366-02	B010238		MICROCIRCUIT,DI:16384 X 8 EPROM	80009	160-2366-02
A54U1021	160-2785-00			MICROCIRCUIT,DI:16384 X 8 EPROM	80009	160-2785-00
A54U1021	-----			(OPTION 12 ONLY)		
A54U1021	160-2795-00			MICROCIRCUIT,DI:16384 X 8 EPROM	80009	160-2795-00
A54U1021	-----			(OPTION 13 ONLY)		
A54U1021	160-2805-00			MICROCIRCUIT,DI:16384 X 8 EPROM	80009	160-2805-00
A54U1021	-----			(OPTION 14 ONLY)		
A54U1021	160-2366-03	B010221		MICROCIRCUIT,DI:16384 X 8 EPROM	80009	160-2366-03
A54U1021	-----			(OPTION 08/41 COMBO ONLY)		
A54U1026	156-1706-00			MICROCIRCUIT,DI: CMOS,2K X 8 SRAM	000LR	TC5516APL
A54U1031	156-1706-00			MICROCIRCUIT,DI: CMOS,2K X 8 SRAM	000LR	TC5516APL
A54U1036	156-0956-02			MICROCIRCUIT,DI: OCTAL BFR W/3 STATE OUT	01295	SN74LS244NP3
A54U1041	156-0469-02			MICROCIRCUIT,DI: 3/8 LINE DCDR	01295	SN74LS138NP3
A54U1044	156-0541-02			MICROCIRCUIT,DI: DUAL 2 TO 4 LINE DCDR	01295	SN74LS139NP3
A54U1046	156-0469-02			MICROCIRCUIT,DI: 3/8 LINE DCDR	01295	SN74LS138NP3
A54U2015	160-2358-00	B010100	B010139	MICROCIRCUIT,DI:16384 X 8 EPROM	80009	160-2358-00
A54U2015	160-2358-01	B010140	B010237	MICROCIRCUIT,DI:16384 X 8 EPROM	80009	160-2358-01
A54U2015	160-2359-01	B010238		MICROCIRCUIT,DI:16384 X 8 EPROM	80009	160-2359-01
A54U2015	160-2777-00			MICROCIRCUIT,DI:16384 X 8 EPROM	80009	160-2777-00
A54U2015	-----			(OPTION 12 ONLY)		
A54U2015	160-2787-00			MICROCIRCUIT,DI:16384 X 8 EPROM	80009	160-2787-00
A54U2015	-----			(OPTION 13 ONLY)		
A54U2015	160-2797-00			MICROCIRCUIT,DI:16384 X 8 EPROM	80009	160-2797-00
A54U2015	-----			(OPTION 14 ONLY)		
A54U2015	160-2358-03	B010221		MICROCIRCUIT,DI:16384 X 8 EPROM	80009	160-2358-03
A54U2015	-----			(OPTION 08/41 COMBO ONLY)		
A54U2021	156-1706-00			MICROCIRCUIT,DI: CMOS,2K X 8 SRAM	000LR	TC5516APL
A54U2026	156-1706-00			MICROCIRCUIT,DI: CMOS,2K X 8 SRAM	000LR	TC5516APL
A54U2032	156-1706-00			MICROCIRCUIT,DI: CMOS,2K X 8 SRAM	000LR	TC5516APL
A54U2037	156-1706-00			MICROCIRCUIT,DI: CMOS,2K X 8 SRAM	000LR	TC5516APL
A54U2044	156-1706-00			MICROCIRCUIT,DI: CMOS,2K X 8 SRAM	000LR	TC5516APL
A54U2048	156-0469-02			MICROCIRCUIT,DI: 3/8 LINE DCDR	01295	SN74LS138NP3
A54U2049	156-0388-03			MICROCIRCUIT,DI: DUAL D FLIP-FLOP	07263	74LS74A
A54W1025	131-0566-00			BUS CONDUCTOR,DUMMY RES,2.375,22 AWG	57668	JWW-0200E0
A54W1027	131-0566-00			BUS CONDUCTOR,DUMMY RES,2.375,22 AWG	57668	JWW-0200E0
A54W1029	131-0566-00			BUS CONDUCTOR,DUMMY RES,2.375,22 AWG	57668	JWW-0200E0
A54W1036	131-0566-00			BUS CONDUCTOR,DUMMY RES,2.375,22 AWG	57668	JWW-0200E0
A54W2018	131-0566-00			BUS CONDUCTOR,DUMMY RES,2.375,22 AWG	57668	JWW-0200E0

Replaceable Electrical Parts—494/494P Service Vol. 2

Component No.	Tektronix Part No.	Serial/Model No. Eff	Dscont	Name & Description	Mfr Code	Mfr Part Number
A56	670-7896-00	B010100	B010039	CKT BOARD ASSY:GPIB	80009	670-7896-00
A56	670-8431-01	B010040	B010237	CKT BOARD ASSY:GPIB	80009	670-8431-01
A56	670-8431-02	B010238		CKT BOARD ASSY:GPIB	80009	670-8431-02
A56	670-8617-00			CKT BOARD ASSY:GPIB	80009	670-8617-00
A56	-----			(OPTION 12 ONLY)		
A56	670-8618-00			CKT BOARD ASSY:GPIB	80009	670-8618-00
A56	-----			(OPTION 13 ONLY)		
A56	670-8619-00			CKT BOARD ASSY:GPIB	80009	670-8619-00
A56	-----			(OPTION 14 ONLY)		
A56	670-8769-00	B010221		CKT BOARD ASSY:GPIB	80009	670-8769-00
A56	-----			(OPTION 08/41 COMBO ONLY)		
A56BT1022	146-0044-00			BATTERY, DRY:3V,0.17AH	34091	OBD
A56C1014	283-0111-00			CAP.,FXD,CER DI:0.1UF,20%,50V	96733	R2632
A56C1015	283-0111-00			CAP.,FXD,CER DI:0.1UF,20%,50V	96733	R2632
A56C1021	283-0111-00			CAP.,FXD,CER DI:0.1UF,20%,50V	96733	R2632
A56C1022	290-0748-00			CAP.,FXD,ELCTLT:10UF,+50-10%,25V	T0900	SL25T10(T)TP
A56C1025	283-0111-00			CAP.,FXD,CER DI:0.1UF,20%,50V	96733	R2632
A56C1036	283-0111-00			CAP.,FXD,CER DI:0.1UF,20%,50V	96733	R2632
A56C2023	290-0847-00			CAP.,FXD,ELCTLT:47UF,+50-10%,10 V	54473	ECE-B1AV470S
A56C2025	283-0111-00			CAP.,FXD,CER DI:0.1UF,20%,50V	96733	R2632
A56C2027	283-0111-00			CAP.,FXD,CER DI:0.1UF,20%,50V	96733	R2632
A56C2032	283-0111-00			CAP.,FXD,CER DI:0.1UF,20%,50V	96733	R2632
A56C2033	283-0111-00			CAP.,FXD,CER DI:0.1UF,20%,50V	96733	R2632
A56C2034	283-0111-00			CAP.,FXD,CER DI:0.1UF,20%,50V	96733	R2632
A56C2036	283-0111-00			CAP.,FXD,CER DI:0.1UF,20%,50V	96733	R2632
A56C2037	283-0111-00			CAP.,FXD,CER DI:0.1UF,20%,50V	96733	R2632
A56C2038	283-0111-00			CAP.,FXD,CER DI:0.1UF,20%,50V	96733	R2632
A56C2039	283-0111-00			CAP.,FXD,CER DI:0.1UF,20%,50V	96733	R2632
A56CR1025	152-0664-00			SEMICOND DEVICE:SWITCHING,SI,70V	50434	5082-2800
A56L1024	108-0836-00			COIL,WF:14 UH TOROIDAL INDUCTOR	80009	108-0836-00
A56R1018	315-0511-00	B010050		RES.,FXD,CMPSN:510 OHM,5%,0.25W	01121	CB5115
A56R1025	315-0511-00	B010050		RES.,FXD,CMPSN:510 OHM,5%,0.25W	01121	CB5115
A56R1035	315-0103-00			RES.,FXD,CMPSN:10K OHM,5%,0.25W	57668	NTR25J-E10K0
A56R2027	307-0446-00			RES,NTWK,FXD FI:10K OHM,20%,(9) RES	91637	MSP10A01-103M
A56R2031	315-0431-00			RES.,FXD,CMPSN:430 OHM,5%,0.25W	01121	CB4315
A56R2032	315-0431-00			RES.,FXD,CMPSN:430 OHM,5%,0.25W	01121	CB4315
A56R2033	315-0431-00			RES.,FXD,CMPSN:430 OHM,5%,0.25W	01121	CB4315
A56R2034	315-0431-00			RES.,FXD,CMPSN:430 OHM,5%,0.25W	01121	CB4315
A56R2036	315-0431-00			RES.,FXD,CMPSN:430 OHM,5%,0.25W	01121	CB4315
A56R2037	315-0431-00			RES.,FXD,CMPSN:430 OHM,5%,0.25W	01121	CB4315
A56R2038	315-0431-00			RES.,FXD,CMPSN:430 OHM,5%,0.25W	01121	CB4315
A56R2039	315-0431-00			RES.,FXD,CMPSN:430 OHM,5%,0.25W	01121	CB4315
A56TP1036	214-0579-00			TERM,TEST POINT:BRS CD PL	80009	214-0579-00
A56U1012	160-2359-00	B010100	B010139	MICROCIRCUIT,DI:16384 X 8 EPROM	80009	160-2359-00
A56U1012	160-2359-01	B010140	B010237	MICROCIRCUIT,DI:16384 X 8 EPROM	80009	160-2359-01
A56U1012	160-2359-02	B010238		MICROCIRCUIT,DI:16384 X 8 EPROM	80009	160-2359-02
A56U1012	160-2778-00			MICROCIRCUIT,DI:16384 X 8 EPROM	80009	160-2778-00
A56U1012	-----			(OPTION 12 ONLY)		
A56U1012	160-2788-00			MICROCIRCUIT,DI:16384 X 8 EPROM	80009	160-2788-00
A56U1012	-----			(OPTION 13 ONLY)		
A56U1012	160-2798-00			MICROCIRCUIT,DI:16384 X 8 EPROM	80009	160-2798-00
A56U1012	-----			(OPTION 14 ONLY)		
A56U1012	160-2359-03	B010221		MICROCIRCUIT,DI:16384 X 8 EPROM	80009	160-2359-03
A56U1012	-----			(OPTION 08/41 COMBO ONLY)		



Component No.	Tektronix Part No.	Serial/Model No. Eff	Dscont	Name & Description	Mfr Code	Mfr Part Number
A56U1018	160-2360-00	B010100	B010139	MICROCIRCUIT,DI:16384 X 8 EPROM	80009	160-2360-00
A56U1018	160-2360-01	B010140	B010237	MICROCIRCUIT,DI:16384 X 8 EPROM	80009	160-2360-01
A56U1018	160-2360-02	B010238		MICROCIRCUIT,DI:16384 X 8 EPROM	80009	160-2360-02
A56U1018	160-2779-00			MICROCIRCUIT,DI:16384 X 8 EPROM	80009	160-2779-00
A56U1018	-----			(OPTION 12 ONLY)		
A56U1018	160-2789-00			MICROCIRCUIT,DI:16384 X 8 EPROM	80009	1602789-00
A56U1018	-----			(OPTION 13 ONLY)		
A56U1018	160-2799-00			MICROCIRCUIT,DI:16384 X 8 EPROM	80009	160-2799-00
A56U1018	-----			(OPTION 14 ONLY)		
A56U1018	160-2360-03	B010221		MICROCIRCUIT,DI:16384 X 8 EPROM	80009	160-2360-03
A56U1018	-----			(OPTION 08/41 COMBO ONLY)		
A56U1022	160-2361-00	B010100	B010139	MICROCIRCUIT,DI:16384 X 8 EPROM	80009	160-2361-00
A56U1022	160-2361-01	B010140	B010237	MICROCIRCUIT,DI:16384 X 8 EPROM	80009	160-2361-01
A56U1022	160-2361-02	B010238		MICROCIRCUIT,DI:16384 X 8 EPROM	80009	160-2361-02
A56U1022	160-2780-00			MICROCIRCUIT,DI:16384 X 8 EPROM	80009	160-2780-00
A56U1022	-----			(OPTION 12 ONLY)		
A56U1022	160-2790-00			MICROCIRCUIT,DI:16384 X 8 EPROM	80009	160-2790-00
A56U1022	-----			(OPTION 13 ONLY)		
A56U1022	160-2800-00			MICROCIRCUIT,DI:16384 X 8 EPROM	80009	160-2800-00
A56U1022	-----			(OPTION 14 ONLY)		
A56U1022	160-2361-01	B010221		MICROCIRCUIT,DI:16384 X 8 EPROM	80009	160-2361-01
A56U1022	-----			(OPTION 08/41 COMBO ONLY)		
A56U1024	160-2362-00	B010100	B010139	MICROCIRCUIT,DI:16384 X 8 EPROM	80009	160-2362-00
A56U1024	160-2362-01	B010140	B010237	MICROCIRCUIT,DI:16384 X 8 EPROM	80009	160-2362-01
A56U1024	160-2362-02	B010238		MICROCIRCUIT,DI:16384 X 8 EPROM	80009	160-2362-02
A56U1024	160-2781-00			MICROCIRCUIT,DI:16384 X 8 EPROM	80009	160-2781-00
A56U1024	-----			(OPTION 12 ONLY)		
A56U1024	160-2791-00			MICROCIRCUIT,DI:16384 X 8 EPROM	80009	160-2791-00
A56U1024	-----			(OPTION 13 ONLY)		
A56U1024	160-2801-00			MICROCIRCUIT,DI:16384 X 8 EPROM	80009	160-2801-00
A56U1024	-----			(OPTION 14 ONLY)		
A56U1024	160-2362-03	B010221		MICROCIRCUIT,DI:16384 X 8 EPROM	80009	160-2362-03
A56U1024	-----			(OPTION 08/41 COMBO ONLY)		
A56U1029	156-0469-02			MICROCIRCUIT,DI:3/8 LINE DCDR	01295	SN74LS138NP3
A56U1033	156-0865-02			MICROCIRCUIT,DI:OCTAL D-TYPE FF W/CLEAR	01295	SN74LS273NP3
A56U1035	156-0469-02			MICROCIRCUIT,DI:3/8 LINE DCDR	01295	SN74LS138NP3
A56U2013	160-2363-00	B010100	B010139	MICROCIRCUIT,DI:16384 X 8 EPROM	80009	160-2363-00
A56U2013	160-2363-01	B010140	B010237	MICROCIRCUIT,DI:16384 X 8 EPROM	80009	160-2363-01
A56U2013	160-2363-02	B010238		MICROCIRCUIT,DI:16384 X 8 EPROM	80009	160-2363-02
A56U2013	160-2782-00			MICROCIRCUIT,DI:16384 X 8 EPROM	80009	160-2782-00
A56U2013	-----			(OPTION 12 ONLY)		
A56U2013	160-2792-00			MICROCIRCUIT,DI:16384 X 8 EPROM	80009	160-2792-00
A56U2013	-----			(OPTION 13 ONLY)		
A56U2013	160-2802-00			MICROCIRCUIT,DI:16384 X 8 EPROM	80009	160-2802-00
A56U2013	-----			(OPTION 14 ONLY)		
A56U2013	160-2363-03	B010221		MICROCIRCUIT,DI:16384 X 8 EPROM	80009	160-2363-03
A56U2013	-----			(OPTION 08/41 COMBO ONLY)		
A56U2018	160-2364-00	B010100	B010139	MICROCIRCUIT,DI:16384 X 8 EPROM	80009	160-2364-00
A56U2018	160-2364-01	B010140	B010237	MICROCIRCUIT,DI:16384 X 8 EPROM	80009	160-2364-01
A56U2018	160-2364-02	B010238		MICROCIRCUIT,DI:16384 X 8 EPROM	80009	160-2364-02
A56U2018	160-2783-00			MICROCIRCUIT,DI:16384 X 8 EPROM	80009	160-2783-00
A56U2018	-----			(OPTION 12 ONLY)		
A56U2018	160-2793-00			MICROCIRCUIT,DI:16384 X 8 EPROM	80009	160-2793-00
A56U2018	-----			(OPTION 13 ONLY)		

Replaceable Electrical Parts—494/494P Service Vol. 2

Component No.	Tektronix Part No.	Serial/Model No. Eff	Dscont	Name & Description	Mfr Code	Mfr Part Number
A56U2018	160-2803-00			MICROCIRCUIT,DI:16384 X 8 EPROM	80009	160-2803-00
A56U2018	-----			(OPTION 14 ONLY)		
A56U2018	160-2364-03	B010221		MICROCIRCUIT,DI:16384 X 8 EPROM	80009	160-2364-03
A56U2018	-----			(OPTION 08/41 COMBO ONLY)		
A56U2022	160-2365-00	B010238		MICROCIRCUIT,DI:16384 X 8 EPROM	80009	160-2365-00
A56U2022	160-2784-00			MICROCIRCUIT,DI:16384 X 8 EPROM	80009	160-2784-00
A56U2022	-----			(OPTION 12 ONLY)		
A56U2022	160-2794-00			MICROCIRCUIT,DI:16384 X 8 EPROM	80009	160-2794-00
A56U2022	-----			(OPTION 13 ONLY)		
A56U2022	160-2804-00			MICROCIRCUIT,DI:16384 X 8 EPROM	80009	160-2804-00
A56U2022	-----			(OPTION 14 ONLY)		
A56U2022	160-2365-01	B010221		MICROCIRCUIT,DI:16384 X 8 EPROM	80009	160-2365-01
A56U2022	-----			(OPTION 08/41 COMBO ONLY)		
A56U2027	156-0914-02			MICROCIRCUIT,DI:OCT ST BFR W/3 STATE OUT	01295	SN74LS240
A56U2036	156-1444-01			MICROCIRCUIT,DI:NMOS,GPIB ADAPTER	01295	TMS9914NL

<http://www.ebaman.com>

Component No.	Tektronix	Serial/Model No.		Name & Description	Mfr Code	Mfr Part Number
	Part No.	Eff	Dscont			
A56A1	670-7916-00	B010100	B010033	CKT BOARD ASSY: GPIB EXTENDER	80009	670-7916-00
A56A1	670-7916-01	B010034		CKT BOARD ASSY: GPIB EXTENDER	80009	670-7916-01
A56A1P566	131-1609-00			CONN, RCPT, ELEC: EDGE CARD		
A56A1P560	131-2581-00			CONN, RCPT, ELEC: CKT BD, 4 X 7 CONT, FEMALE	91506	528-AG29D
A58	670-7895-00			CKT BOARD ASSY: PROCESSOR	80009	670-7895-00
A58C1010	283-0111-00			CAP., FXD, CER DI: 0.1UF, 20%, 50V	96733	R2632
A58C1012	283-0111-00			CAP., FXD, CER DI: 0.1UF, 20%, 50V	96733	R2632
A58C1022	290-0847-00			CAP., FXD, ELCTLT: 47UF, + 50-10%, 10 V	54473	ECE-B1AV470S
A58C1023	283-0334-00			CAP., FXD, CER DI: 130PF, + 1-2%, 500V	04222	SR207A131GAA
A58C1025	283-0334-00			CAP., FXD, CER DI: 130PF, + 1-2%, 500V	04222	SR207A131GAA
A58C1028	283-0111-00			CAP., FXD, CER DI: 0.1UF, 20%, 50V	96733	R2632
A58C1029	283-0204-00			CAP., FXD, CER DI: 0.01UF, 20%, 50V	96733	R2676
A58C1034	283-0111-00			CAP., FXD, CER DI: 0.1UF, 20%, 50V	96733	R2632
A58C1036	283-0111-00			CAP., FXD, CER DI: 0.1UF, 20%, 50V	96733	R2632
A58C1038	283-0213-00			CAP., FXD, CER DI: 300PF, 5%, 100V	72982	8121N130C0G0301J
A58C2018	283-0111-00			CAP., FXD, CER DI: 0.1UF, 20%, 50V	96733	R2632
A58C2020	283-0111-00			CAP., FXD, CER DI: 0.1UF, 20%, 50V	96733	R2632
A58C2026	283-0111-00			CAP., FXD, CER DI: 0.1UF, 20%, 50V	96733	R2632
A58C2028	290-0847-00			CAP., FXD, ELCTLT: 47UF, + 50-10%, 10 V	54473	ECE-B1AV470S
A58C2034	290-0748-00			CAP., FXD, ELCTLT: 10UF, + 50-10%, 25V	T0900	SL25T10(T)TP
A58C2036	283-0213-00			CAP., FXD, CER DI: 300PF, 5%, 100V	72982	8121N130C0G0301J
A58C2038	283-0156-00			CAP., FXD, CER DI: 1000PF, + 100-0%, 200V	96733	R2670
A58CR1024	152-0141-02			SEMICON DVC, DI: SW, SI, 30V, 150MA, 30V, DO-35	12969	NDP0263 (1N4152)
A58CR1026	152-0141-02			SEMICON DVC, DI: SW, SI, 30V, 150MA, 30V, DO-35	12969	NDP0263 (1N4152)
A58CR1028	152-0141-02			SEMICON DVC, DI: SW, SI, 30V, 150MA, 30V, DO-35	12969	NDP0263 (1N4152)
A58L2028	108-0836-00			COIL, RF, 10UH TOROIDAL INDUCTOR	80009	108-0836-00
A58P1024	131-0608-00			TERMINAL, PIN: 0.365 L X 0.025 PH BRZ GOLD	22526	48283-036
A58P1026	131-0608-00			TERMINAL, PIN: 0.365 L X 0.025 PH BRZ GOLD	22526	48283-036
A58Q1036	151-0190-00			TRANSISTOR: NPN, SI, TO-92	04713	SPS7969
A58Q2028	151-0302-00			TRANSISTOR: SILICON, NPN	07263	S038487
A58Q2038	151-0190-00			TRANSISTOR: NPN, SI, TO-92	04713	SPS7969
A58R1014	315-0332-00			RES., FXD, CMPSN: 3.3K OHM, 5%, 0.25W	57668	NTR25J-E03K3
A58R1016	315-0332-00			RES., FXD, CMPSN: 3.3K OHM, 5%, 0.25W	57668	NTR25J-E03K3
A58R1022	315-0272-00			RES., FXD, CMPSN: 2.7K OHM, 5%, 0.25W	57668	NTR25J-E02K7
A58R1023	307-0446-00			RES, NTWK, FXD FI: 10K OHM, 20%, (9) RES	91637	MSP10A01-103M
A58R1024	315-0102-00			RES., FXD, CMPSN: 1K OHM, 5%, 0.25W	57668	NTR25JE01K0
A58R1025	315-0183-00			RES., FXD, CMPSN: 18K OHM, 5%, 0.25W	01121	CB1835
A58R1026	315-0512-00			RES., FXD, CMPSN: 5.1K OHM, 5%, 0.25W	57668	NTR25J-E05K1
A58R1027	315-0202-00			RES., FXD, CMPSN: 2K OHM, 5%, 0.25W	57668	NTR25J-E02K0
A58R1028	315-0272-00			RES., FXD, CMPSN: 2.7K OHM, 5%, 0.25W	57668	NTR25J-E02K7
A58R1029	307-0446-00			RES, NTWK, FXD FI: 10K OHM, 20%, (9) RES	91637	MSP10A01-103M
A58R1034	315-0273-00			RES., FXD, CMPSN: 27K OHM, 5%, 0.25W	57668	NTR25J-E27K0
A58R1036	315-0243-00			RES., FXD, CMPSN: 24K OHM, 5%, 0.25W	57668	NTR25J-E24K0
A58R1038	315-0101-00			RES., FXD, CMPSN: 100 OHM, 5%, 0.25W	57668	NTR25J-E 100E
A58R2018	307-0446-00			RES, NTWK, FXD FI: 10K OHM, 20%, (9) RES	91637	MSP10A01-103M
A58R2020	315-0102-00			RES., FXD, CMPSN: 1K OHM, 5%, 0.25W	57668	NTR25JE01K0
A58R2022	315-0681-00			RES., FXD, CMPSN: 680 OHM, 5%, 0.25W	57668	NTR25J-E680E
A58R2026	307-0103-00			RES., FXD, CMPSN: 2.7 OHM, 5%, 0.25W	01121	CB27G5
A58R2032	315-0202-00			RES., FXD, CMPSN: 2K OHM, 5%, 0.25W	57668	NTR25J-E02K0
A58R2034	315-0202-00			RES., FXD, CMPSN: 2K OHM, 5%, 0.25W	57668	NTR25J-E02K0
A58R2036	315-0102-00			RES., FXD, CMPSN: 1K OHM, 5%, 0.25W	57668	NTR25JE01K0
A58R2038	315-0473-00			RES., FXD, CMPSN: 47K OHM, 5%, 0.25W	57668	NTR25J-E47K0



Replaceable Electrical Parts—494/494P Service Vol. 2

Component No	Tektronix Part No.	Serial/Model No. Eff Dscont	Name & Description	Mfr Code	Mfr Part Number
A58R2039	315-0471-00		RES.,FXD,CMPNS:470 OHM,5%,0.25W	57668	NTR25J-E470E
A58TP1036	214-0579-00		TERM,TEST POINT:BRS CD PL	80009	214-0579-00
A58U1014	156-0956-02		MICROCIRCUIT,DI:OCTAL BFR W/3 STATE OUT	01295	SN74LS244NP3
A58U1016	156-1426-00		MICROCIRCUIT,DI:PROGRAMMABLE TIMER MODULE	04713	MC68B40P
A58U1018	156-0481-02		MICROCIRCUIT,DI:TRIPLE 3 INP & GATE	27014	DM74LS11NA+
A58U1020	156-0469-02		MICROCIRCUIT,DI:3/8 LINE DCDR	01295	SN74LS138NP3
A58U1026	156-1111-02		MICROCIRCUIT,DI:OCTAL BUS TRANSCEIVERS	01295	SN74LS245 N3ORJ4
A58U1034	156-1342-00		MICROCIRCUIT,DI:8 BIT W/CLOCK & RAM	07263	F68A08
A58U2010	156-0427-03		MICROCIRCUIT,DI:PERIPHERAL INTERFACE	80009	156-0427-03
A58U2012	156-0956-02		MICROCIRCUIT,DI:OCTAL BFR W/3 STATE OUT	01295	SN74LS244NP3
A58U2018	156-1111-02		MICROCIRCUIT,DI:OCTAL BUS TRANSCEIVERS	01295	SN74LS245 N3ORJ4
A58U2020	156-0724-02		MICROCIRCUIT,DI:HEX INV W/OC OUT,BURN-IN	01295	SN74LS05
A58U2024	156-0956-02		MICROCIRCUIT,DI:OCTAL BFR W/3 STATE OUT	01295	SN74LS244NP3
A58U2026	307-0103-00		RES.,FXD,CMPNS:2.7 OHM,5%,0.25W	01121	CB27G5
A58U2028	156-0956-02		MICROCIRCUIT,DI:OCTAL BFR W/3 STATE OUT	01295	SN74LS244NP3
A58U2032	156-0956-02		MICROCIRCUIT,DI:OCTAL BFR W/3 STATE OUT	01295	SN74LS244NP3
A58W1025	131-0566-00		BUS CONDUCTOR:DUMMY RES.2.375.22 AWG	57668	JWW-0200E0
A58W1036	131-0566-00		BUS CONDUCTOR:DUMMY RES.2.375.22 AWG	57668	JWW-0200E0
A58Y1036	158-0257-00		XTAL UNIT,QTZ:3.4133MHZ,0.01%	33096	OBD

<http://www.ebaman.com>

Component No	Tektronix Part No.	Serial/Model No. Eff	Dscont	Name & Description	Mfr Code	Mfr Part Number
A60	670-5555-03	B010100	B010152	CKT BOARD ASSY:DIGITAL STORAGE INTFC	80009	670-5555-03
A60	670-5555-04	B010153		CKT BOARD ASSY:DIGITAL STORAGE INTFC	80009	670-5555-04
A60C1041	283-0359-01			CAP.,FXD,CER DI:1000PF,5%,200V	05397	C330C102J2G5CA
A60C1048	283-0346-00			CAP.,FXD,CER DI:0.47UF,+80-20%,100V	72982	8131-M100F474Z
A60C2022	283-0330-00			CAP.,FXD,CER DI:100PF,5%,50V	51642	200-050-NP0-101J
A60C2041	283-0346-00			CAP.,FXD,CER DI:0.47UF,+80-20%,100V	72982	8131-M100F474Z
A60C2042	283-0065-00			CAP.,FXD,CER DI:0.001UF,5%,100V	59660	0835-591Y5EO102J
A60C2043	290-0527-00			CAP.,FXD,ELCTLT:15UF,20%,20V	90201	TDC156M020FL
A60C2044	283-0065-00			CAP.,FXD,CER DI:0.001UF,5%,100V	59660	0835-591Y5EO102J
A60C2045	290-0527-00			CAP.,FXD,ELCTLT:15UF,20%,20V	90201	TDC156M020FL
A60C2046	290-0527-00			CAP.,FXD,ELCTLT:15UF,20%,20V	90201	TDC156M020FL
A60C2047	290-0527-00			CAP.,FXD,ELCTLT:15UF,20%,20V	90201	TDC156M020FL
A60L2039	108-0598-00			COIL,RF:200UH	80009	108-0598-00
A60L2041	108-0598-00			COIL,RF:200UH	80009	108-0598-00
A60L2043	108-0598-00			COIL,RF:200UH	80009	108-0598-00
A60L2046	108-0598-00			COIL,RF:200UH	80009	108-0598-00
A60P1044	131-0608-00			TERMINAL,PIN:0.365 L X 0.025 PH BRZ GOLD	22526	48283-036
A60P2044	131-0608-00			TERMINAL,PIN:0.365 L X 0.025 PH BRZ GOLD	22526	48283-036
A60R1024	317-0103-00			RES.,FXD,CMPSN:10K OHM,5%,0.125W	01121	BB1035
A60R1026	317-0103-00			RES.,FXD,CMPSN:10K OHM,5%,0.125W	01121	BB1035
A60R1034	317-0153-00	B010153		RES.,FXD,CMPSN:15K OHM,5%,0.125W	01121	BB1535
A60R1039	311-1915-00			RES.,VAR,NONWIR:20K OHM,10%,0.50W	73138	72-196-0
A60R1040	315-0273-00			RES.,FXD,CMPSN:27K OHM,5%,0.25W	57668	NTR25J-E27K0
A60R1041	311-1921-00			RES.,VAR,NONWIR:250 OHM,10%,0.50W	73138	72-191-0
A60R1042	321-0188-00			RES.,FXD,FILM:887 OHM,1%,0.125W	91637	MFF1816G887R0F
A60R1043	321-0188-00			RES.,FXD,FILM:887 OHM,1%,0.125W	91637	MFF1816G887R0F
A60R1044	321-0402-00			RES.,FXD,FILM:150K OHM,1%,0.125W	24546	NA55D1503F
A60R1045	315-0102-00			RES.,FXD,CMPSN:1K OHM,5%,0.25W	57668	NTR25JE01K0
A60R1046	311-1915-00			RES.,VAR,NONWIR:20K OHM,10%,0.50W	73138	72-196-0
A60R1047	315-0152-00			RES.,FXD,CMPSN:1.5K OHM,5%,0.25W	57668	NTR25J-E01K5
A60R1048	311-1921-00			RES.,VAR,NONWIR:250 OHM,10%,0.50W	73138	72-191-0
A60R1049	315-0102-00			RES.,FXD,CMPSN:1K OHM,5%,0.25W	57668	NTR25JE01K0
A60R2015	307-0446-00			RES,NTWK,FXD FI:10K OHM,20%,(9) RES	91637	MSP10A01-103M
A60R2022	317-0102-00			RES.,FXD,CMPSN:1K OHM,5%,0.125W	01121	BB1025
A60R2023	317-0103-00			RES.,FXD,CMPSN:10K OHM,5%,0.125W	01121	BB1035
A60R2025	315-0152-00			RES.,FXD,CMPSN:1.5K OHM,5%,0.25W	57668	NTR25J-E01K5
A60R2027	315-0203-00			RES.,FXD,CMPSN:20K OHM,5%,0.25W	57668	NTR25J-E20K0
A60R2033	307-0446-00			RES,NTWK,FXD FI:10K OHM,20%,(9) RES	91637	MSP10A01-103M
A60R2035	315-0272-00			RES.,FXD,CMPSN:2.7K OHM,5%,0.25W	57668	NTR25J-E02K7
A60R2040	321-0199-00			RES.,FXD,FILM:1.15K OHM,1%,0.125W	91637	MFF1816G11500F
A60R2041	321-0277-00			RES.,FXD,FILM:7.5K OHM,1%,0.125W	91637	MFF1816G75000F
A60R2042	321-0412-00			RES.,FXD,FILM:191K OHM,1%,0.125W	91637	MFF1816G19102F
A60R2043	321-0277-00			RES.,FXD,FILM:7.5K OHM,1%,0.125W	91637	MFF1816G75000F
A60R2044	321-0277-00			RES.,FXD,FILM:7.5K OHM,1%,0.125W	91637	MFF1816G75000F
A60R2045	321-0232-00			RES.,FXD,FILM:2.55K OHM,1%,0.125W	91637	MFF1816G25500F
A60R2046	321-0232-00			RES.,FXD,FILM:2.55K OHM,1%,0.125W	91637	MFF1816G25500F
A60R2047	315-0102-00			RES.,FXD,CMPSN:1K OHM,5%,0.25W	57668	NTR25JE01K0
A60R2048	315-0103-00			RES.,FXD,CMPSN:10K OHM,5%,0.25W	57668	NTR25J-E10K0
A60R2049	321-0412-00			RES.,FXD,FILM:191K OHM,1%,0.125W	91637	MFF1816G19102F
A60U1014	156-0388-03			MICROCIRCUIT,DI:DUAL D FLIP-FLOP	07263	74LS74A
A60U1015	156-0480-02			MICROCIRCUIT,DI:QUAD 2 INP & GATE	01295	SN74LS08NP3
A60U1016	156-0852-02			MICROCIRCUIT,DI:HEX DRVR W/3 STATE INP	01295	SN74LS367NP3
A60U1022	156-0391-02			MICROCIRCUIT,DI:HEX LATCH W/CLEAR	01295	SN74LS174
A60U1023	156-0852-02			MICROCIRCUIT,DI:HEX DRVR W/3 STATE INP	01295	SN74LS367NP3

## Replaceable Electrical Parts—494/494P Service Vol. 2

Component No.	Tektronix Part No.	Serial/Model No. Eff	Dscont	Name & Description	Mfr Code	Mfr Part Number
A60U1024	156-0388-03			MICROCIRCUIT,DI:DUAL D FLIP-FLOP	07263	74LS74A
A60U1026	156-0987-00			MICROCIRCUIT,DI:4096 X 1 STATIC R/W RAM	34335	AM9140BDC
A60U1027	156-0391-02			MICROCIRCUIT,DI:HEX LATCH W/CLEAR	01295	SN74LS174
A60U1033	156-0172-02			MICROCIRCUIT,DI:DUAL RETRIG MONOSTABLE MV	01295	SN74123
A60U1035	156-0465-02			MICROCIRCUIT,DI:8 INP NAND GATE	01295	SN74LS30NP3
A60U1041	156-1320-00			MICROCIRCUIT,DI:8 INP OR NOR GATE	04713	MC14078BCLDS
A60U1042	156-0927-02			MICROCIRCUIT,LI DIGITAL/ANALOG CONVERTER	04713	MC3410CLD
A60U1045	156-1226-00			MICROCIRCUIT,LI DUAL COMPARATOR,14 DIP	34335	AM319D
A60U2014	156-0844-02			MICROCIRCUIT,DI:SYN 4 BIT CNTR,SCRN	01295	SN74LS161A
A60U2015	156-0385-02			MICROCIRCUIT,DI:HEX INVERTER	01295	SN74LS04
A60U2016	156-0844-02			MICROCIRCUIT,DI:SYN 4 BIT CNTR,SCRN	01295	SN74LS161A
A60U2017	156-0480-02			MICROCIRCUIT,DI:QUAD 2 INP & GATE	01295	SN74LS08NP3
A60U2023	156-0844-02			MICROCIRCUIT,DI:SYN 4 BIT CNTR,SCRN	01295	SN74LS161A
A60U2024	156-0844-02			MICROCIRCUIT,DI:SYN 4 BIT CNTR,SCRN	01295	SN74LS161A
A60U2025	156-0384-02			MICROCIRCUIT,DI:QUAD 2-INP NAND GATE	01295	SN74LS03
A60U2026	156-0987-00			MICROCIRCUIT,DI:4096 X 1 STATIC R/W RAM	34335	AM9140BDC
A60U2027	156-1220-01			MICROCIRCUIT,DI:HEX BUS DRIVER,SCREENED	01295	TL074CN
A60U2035	155-0158-00			MICROCIRCUIT,DI:DIGITAL STORAGE HORIZONTAL	80009	155-0158-00
A60U2042	156-0927-02			MICROCIRCUIT,LI DIGITAL/ANALOG CONVERTER	04713	MC3410CLD
A60U2046	156-1126-01			MICROCIRCUIT,LI VOLTAGE COMPARATOR,SEL	01295	LM311JG4
A60U2047	156-1272-00			MICROCIRCUIT,LI DUAL OPERATIONAL AMPLIFIER	18324	NE5532 FE-B

<http://www.ebaman.com>



Component No	Tektronix Part No.	Serial/Model No. Eff Dscnt	Name & Description	Mfr Code	Mfr Part Number
A61	670-5554-03		CKT BOARD ASSY DIGITAL STORAGE	80009	670-5554-01
A61C1031	285-1062-00		CAP.,FXD,PLSTC:0.005UF,0.1%,200V	19396	502F02PP460
A61C1032	283-0204-00		CAP.,FXD,CER DI:0.01UF,20%,50V	96733	R2676
A61C1037	283-0622-00		CAP.,FXD,MICA D:450PF,1%,300V	00853	D155F451F0
A61C1038	283-0622-00		CAP.,FXD,MICA D:450PF,1%,300V	00853	D155F451F0
A61C1039	283-0221-00		CAP.,FXD,CER DI:0.47UF,20%,50V	72982	8131N087X7R0474M
A61C2020	283-0139-00		CAP.,FXD,CER DI:150PF,20%,50V	51642	W100-050-X5F151M
A61C2031	283-0346-00		CAP.,FXD,CER DI:0.47UF, + 80-20%,100V	72982	8131-M100F474Z
A61C2032	290-0527-00		CAP.,FXD,ELCTLT:15UF,20%,20V	90201	TDC156M020FL
A61C2033	283-0204-00		CAP.,FXD,CER DI:0.01UF,20%,50V	96733	R2676
A61C2034	290-0527-00		CAP.,FXD,ELCTLT:15UF,20%,20V	90201	TDC156M020FL
A61C2035	290-0527-00		CAP.,FXD,ELCTLT:15UF,20%,20V	90201	TDC156M020FL
A61C2036	290-0527-00		CAP.,FXD,ELCTLT:15UF,20%,20V	90201	TDC156M020FL
A61C2037	283-0346-00		CAP.,FXD,CER DI:0.47UF, + 80-20%,100V	72982	8131-M100F474Z
A61L2032	108-0537-00		COIL,RF:200UH	80009	108-0537-00
A61L2033	108-0537-00		COIL,RF:200UH	80009	108-0537-00
A61L2034	108-0537-00		COIL,RF:200UH	80009	108-0537-00
A61L2035	108-0537-00		COIL,RF:200UH	80009	108-0537-00
A61P1024	131-0608-00		TERMINAL,PIN:0.365 L X 0.025 PH BRZ GOLD	22526	48283-036
A61P2024	131-0608-00		TERMINAL,PIN:0.365 L X 0.025 PH BRZ GOLD	22526	48283-036
A61Q2035	151-0302-00		TRANSISTOR-SILICON,NPN	07263	S038487
A61R1011	315-0102-00		RES.,FXD,CMPSN:1K OHM,5%,0.25W	57668	NTR25JE01K0
A61R1015	307-0446-00		RES,NTWK,FXD FI:10K OHM,20%,(9) RES	91637	MSP10A01-103M
A61R1024	311-1236-00		RES.,VAR,NONWIR:250 OHM,10%,0.50W	73138	72-22-0
A61R1026	321-0395-00		RES.,FXD,FILM:125K OHM,1%,0.125W	91637	MFF1816G12702F
A61R1029	315-0105-00		RES.,FXD,CMPSN:1M OHM,5%,0.25W	01121	CB1055
A61R1030	311-1198-00		RES.,VAR,NONWIR:20K OHM,20%,0.5W	73138	72-29-0
A61R1031	321-0188-00		RES.,FXD,FILM:887 OHM,1%,0.125W	91637	MFF1816G887R0F
A61R1032	321-0218-00		RES.,FXD,FILM:1.82K OHM,1%,0.125W	91637	MFF1816G18200F
A61R1033	321-0360-00		RES.,FXD,FILM:54.9K OHM,1%,0.125W	91637	MFF1816G54901F
A61R1034	311-1236-00		RES.,VAR,NONWIR:250 OHM,10%,0.50W	73138	72-22-0
A61R1035	321-0267-00		RES.,FXD,FILM:5.9K OHM,1%,0.125W	91637	MFF1816G59000F
A61R1036	311-1198-00		RES.,VAR,NONWIR:20K OHM,20%,0.5W	73138	72-29-0
A61R1037	315-0102-00		RES.,FXD,CMPSN:1K OHM,5%,0.25W	57668	NTR25JE01K0
A61R1038	315-0102-00		RES.,FXD,CMPSN:1K OHM,5%,0.25W	57668	NTR25JE01K0
A61R1039	321-0395-00		RES.,FXD,FILM:127K OHM,1%,0.125W	91637	MFF1816G12702F
A61R2016	307-0446-00		RES,NTWK,FXD FI:10K OHM,20%,(9) RES	91637	MSP10A01-103M
A61R2020	321-0260-00		RES.,FXD,FILM:4.99K OHM,1%,0.125W	91637	MFF1816G49900F
A61R2025	317-0153-00		RES.,FXD,CMPSN:15K OHM,5%,0.125W	01121	BB1535
A61R2031	321-0188-00		RES.,FXD,FILM:887 OHM,1%,0.125W	91637	MFF1816G887R0F
A61R2032	321-0201-00		RES.,FXD,FILM:1.21K OHM,1%,0.125W	91637	MFF1816G12100F
A61R2033	321-0364-00		RES.,FXD,FILM:60.4K OHM,1%,0.125W	91637	CMF55116G60401F
A61R2034	321-0222-00		RES.,FXD,FILM:2K OHM,1%,0.125W	91637	MFF1816G20000F
A61R2035	315-0103-00		RES.,FXD,CMPSN:10K OHM,5%,0.25W	57668	NTR25J-E10K0
A61R2036	321-0402-00		RES.,FXD,FILM:150K OHM,1%,0.125W	24546	NA55D1503F
A61R2037	321-0327-00		RES.,FXD,FILM:24.9K OHM,1%,0.125W	91637	MFF1816G24901F
A61R2038	315-0103-00		RES.,FXD,CMPSN:10K OHM,5%,0.25W	57668	NTR25J-E10K0
A61R2039	321-0385-00		RES.,FXD,FILM:100K OHM,1%,0.125W	91637	MFF1816G10002F
A61S1014	260-1721-00		SWITCH,ROCKER:8.SPST,125MA,30VDC	00779	435166-5
A61U1011	156-0388-03		MICROCIRCUIT,DI:DUAL D FLIP-FLOP	07263	74LS74A
A61U1012	156-0382-02		MICROCIRCUIT,DI:QUAD 2-INP NAND GATE	01295	SN74LS00
A61U1013	156-0383-02		MICROCIRCUIT,DI:QUAD 2-INP NOR GATE	01295	SN74LS02
A61U1015	156-0994-02		MICROCIRCUIT,DI:8 INPUT DATA SEL/MUX	01295	SN74LS151NP3
A61U1016	156-0392-03		MICROCIRCUIT,DI:QUAD LATCH W/CLEAR	01295	SN74S175NP3

Replaceable Electrical Parts—494/494P Service Vol. 2

Component No.	Tektronix Part No.	Serial/Model No. Eff Dscont	Name & Description	Mfr Code	Mfr Part Number
A61U1017	156-0388-03		MICROCIRCUIT,DI:DUAL D FLIP-FLOP	07263	74LS74A
A61U1020	156-0330-02		MICROCIRCUIT,DI:HEX BUFFER	04713	MC14050BCLD
A61U1021	156-0865-02		MICROCIRCUIT,DI:OCTAL D-TYPE FF W/CLEAR	01295	SN74LS273NP3
A61U1022	156-0865-02		MICROCIRCUIT,DI:OCTAL D-TYPE FF W/CLEAR	01295	SN74LS273NP3
A61U1023	155-0157-00		MICROCIRCUIT,DI:DIGITAL STORAGE VERTICAL	80009	155-0157-00
A61U1024	156-1255-00		MICROCIRCUIT,LI:D/A CONVERTER	04713	DAC-08HQ
A61U1025	156-0382-02		MICROCIRCUIT,DI:QUAD 2-INP NAND GATE	01295	SN74LS00
A61U1031	156-1226-00		MICROCIRCUIT,LI:DUAL COMPARATOR,14 DIP	34335	AM319D
A61U1032	156-0742-02		MICROCIRCUIT,LI:OPERATIONAL AMPLIFIER,SEL	01295	LM318JG
A61U1033	156-1211-00		MICROCKT,INTFC:QUAD SPST SWITCH,2NC,2NO	80009	156-1211-00
A61U1034	156-0742-02		MICROCIRCUIT,LI:OPERATIONAL AMPLIFIER,SEL	01295	LM318JG
A61U2011	156-0480-02		MICROCIRCUIT,DI:QUAD 2 INP & GATE	01295	SN74LS08NP3
A61U2012	156-0718-03		MICROCIRCUIT,DI:TRIPLE 3-INP NOR GATE	01295	SN74LS27
A61U2013	156-0385-02		MICROCIRCUIT,DI:HEX INVERTER	01295	SN74LS04
A61U2014	156-0388-03		MICROCIRCUIT,DI:DUAL D FLIP-FLOP	07263	74LS74A
A61U2015	156-0382-02		MICROCIRCUIT,DI:QUAD 2-INP NAND GATE	01295	SN74LS00
A61U2016	156-0994-02		MICROCIRCUIT,DI:8 INPUT DATA SEL/MUX	01295	SN74LS151NP3
A61U2020	156-0172-02		MICROCIRCUIT,DI:DUAL RETRIG MONOSTABLE MV	01295	SN74123
A61U2021	156-0975-02		MICROCIRCUIT,DI:UNIV SHIFT/STORAGE RGTR	01295	SN74LS299N3/J4
A61U2022	156-0469-02		MICROCIRCUIT,DI:3/8 LINE DCDR	01295	SN74LS138NP3
A61U2023	156-0385-02		MICROCIRCUIT,DI:HEX INVERTER	01295	SN74LS04
A61U2024	156-1255-00		MICROCIRCUIT,LI:D/A CONVERTER	04713	DAC-08HQ
A61U2032	156-0742-02		MICROCIRCUIT,LI:OPERATIONAL AMPLIFIER,SEL	01295	LM318JG
A61U2033	156-0742-02		MICROCIRCUIT,LI:OPERATIONAL AMPLIFIER,SEL	01295	LM318JG
A61U2034	156-0067-12		MICROCIRCUIT,LI:OPERATIONAL AMPLIFIER	01295	UA741CJG

<http://www.ebaman.com>

Component No.	Tektronix Part No.	Serial/Model No. Eff Dscont	Name & Description	Mfr Code	Mfr Part Number
A62	670-8008-01		CKT BOARD ASSY:LOG AMP	80009	670-8008-01
A62C1018	283-0191-00		CAP.,FXD,CER DI:0.022UF,20%,50V	72982	8121N075Z5U0223M
A62C1019	283-0191-00		CAP.,FXD,CER DI:0.022UF,20%,50V	72982	8121N075Z5U0223M
A62C1031	283-0191-00		CAP.,FXD,CER DI:0.022UF,20%,50V	72982	8121N075Z5U0223M
A62C1033	283-0191-00		CAP.,FXD,CER DI:0.022UF,20%,50V	72982	8121N075Z5U0223M
A62C1041	283-0191-00		CAP.,FXD,CER DI:0.022UF,20%,50V	72982	8121N075Z5U0223M
A62C1043	283-0191-00		CAP.,FXD,CER DI:0.022UF,20%,50V	72982	8121N075Z5U0223M
A62C1049	283-0191-00		CAP.,FXD,CER DI:0.022UF,20%,50V	72982	8121N075Z5U0223M
A62C1051	283-0111-00		CAP.,FXD,CER DI:0.1UF,20%,50V	96733	R2632
A62C1061	283-0191-00		CAP.,FXD,CER DI:0.022UF,20%,50V	72982	8121N075Z5U0223M
A62C1062	283-0191-00		CAP.,FXD,CER DI:0.022UF,20%,50V	72982	8121N075Z5U0223M
A62C1063	283-0191-00		CAP.,FXD,CER DI:0.022UF,20%,50V	72982	8121N075Z5U0223M
A62C1069	283-0111-00		CAP.,FXD,CER DI:0.1UF,20%,50V	96733	R2632
A62C1071	283-0191-00		CAP.,FXD,CER DI:0.022UF,20%,50V	72982	8121N075Z5U0223M
A62C1072	283-0191-00		CAP.,FXD,CER DI:0.022UF,20%,50V	72982	8121N075Z5U0223M
A62C1073	283-0191-00		CAP.,FXD,CER DI:0.022UF,20%,50V	72982	8121N075Z5U0223M
A62C1089	283-0191-00		CAP.,FXD,CER DI:0.022UF,20%,50V	72982	8121N075Z5U0223M
A62C1099	283-0191-00		CAP.,FXD,CER DI:0.022UF,20%,50V	72982	8121N075Z5U0223M
A62C1108	283-0191-00		CAP.,FXD,CER DI:0.022UF,20%,50V	72982	8121N075Z5U0223M
A62C2031	283-0191-00		CAP.,FXD,CER DI:0.022UF,20%,50V	72982	8121N075Z5U0223M
A62C2033	283-0191-00		CAP.,FXD,CER DI:0.022UF,20%,50V	72982	8121N075Z5U0223M
A62C2043	283-0191-00		CAP.,FXD,CER DI:0.022UF,20%,50V	72982	8121N075Z5U0223M
A62C2052	283-0111-00		CAP.,FXD,CER DI:0.1UF,20%,50V	96733	R2632
A62C2054	283-0191-00		CAP.,FXD,CER DI:0.022UF,20%,50V	72982	8121N075Z5U0223M
A62C2062	283-0111-00		CAP.,FXD,CER DI:0.1UF,20%,50V	96733	R2632
A62C2085	283-0191-00		CAP.,FXD,CER DI:0.022UF,20%,50V	72982	8121N075Z5U0223M
A62C2088	283-0191-00		CAP.,FXD,CER DI:0.022UF,20%,50V	72982	8121N075Z5U0223M
A62C2090	283-0191-00		CAP.,FXD,CER DI:0.022UF,20%,50V	72982	8121N075Z5U0223M
A62C2098	283-0191-00		CAP.,FXD,CER DI:0.022UF,20%,50V	72982	8121N075Z5U0223M
A62C2105	283-0191-00		CAP.,FXD,CER DI:0.022UF,20%,50V	72982	8121N075Z5U0223M
A62C3011	283-0111-00		CAP.,FXD,CER DI:0.1UF,20%,50V	96733	R2632
A62C3025	283-0191-00		CAP.,FXD,CER DI:0.022UF,20%,50V	72982	8121N075Z5U0223M
A62C3035	283-0191-00		CAP.,FXD,CER DI:0.022UF,20%,50V	72982	8121N075Z5U0223M
A62C3041	283-0111-00		CAP.,FXD,CER DI:0.1UF,20%,50V	96733	R2632
A62C3049	283-0111-00		CAP.,FXD,CER DI:0.1UF,20%,50V	96733	R2632
A62C3069	283-0191-00		CAP.,FXD,CER DI:0.022UF,20%,50V	72982	8121N075Z5U0223M
A62C3071	283-0111-00		CAP.,FXD,CER DI:0.1UF,20%,50V	96733	R2632
A62C3082	283-0191-00		CAP.,FXD,CER DI:0.022UF,20%,50V	72982	8121N075Z5U0223M
A62C3098	283-0191-00		CAP.,FXD,CER DI:0.022UF,20%,50V	72982	8121N075Z5U0223M
A62C3099	283-0191-00		CAP.,FXD,CER DI:0.022UF,20%,50V	72982	8121N075Z5U0223M
A62C3100	283-0191-00		CAP.,FXD,CER DI:0.022UF,20%,50V	72982	8121N075Z5U0223M
A62C3102	283-0191-00		CAP.,FXD,CER DI:0.022UF,20%,50V	72982	8121N075Z5U0223M
A62C3105	283-0191-00		CAP.,FXD,CER DI:0.022UF,20%,50V	72982	8121N075Z5U0223M
A62C3111	283-0191-00		CAP.,FXD,CER DI:0.022UF,20%,50V	72982	8121N075Z5U0223M
A62C4011	283-0191-00		CAP.,FXD,CER DI:0.022UF,20%,50V	72982	8121N075Z5U0223M
A62C4016	283-0191-00		CAP.,FXD,CER DI:0.022UF,20%,50V	72982	8121N075Z5U0223M
A62C4027	283-0201-00		CAP.,FXD,CER DI:27PF,10%,200V	51642	W150-200 X7R270K
A62C4029	283-0177-00		CAP.,FXD,CER DI:1UF,+80-20%,25V	04222	SR302E105ZAA
A62C4039	283-0191-00		CAP.,FXD,CER DI:0.022UF,20%,50V	72982	8121N075Z5U0223M
A62C4041	283-0191-00		CAP.,FXD,CER DI:0.022UF,20%,50V	72982	8121N075Z5U0223M
A62C4044	283-0191-00		CAP.,FXD,CER DI:0.022UF,20%,50V	72982	8121N075Z5U0223M
A62C4045	283-0177-00		CAP.,FXD,CER DI:1UF,+80-20%,25V	04222	SR302E105ZAA
A62C4097	283-0181-00		CAP.,FXD,CER DI:1.8PF,10%,100V	59660	8101B121COKO189B
A62C5014	283-0191-00		CAP.,FXD,CER DI:0.022UF,20%,50V	72982	8121N075Z5U0223M



Replaceable Electrical Parts—494/494P Service Vol. 2

Component No.	Tektronix Part No.	Serial/Model No. Eff Dscont	Name & Description	Mfr Code	Mfr Part Number
A62C5024	283-0111-00		CAP.,FXD,CER DI:0.1UF,20%,50V	96733	R2632
A62C5029	283-0177-00		CAP.,FXD,CER DI:1UF,+80-20%,25V	04222	SR302E105ZAA
A62C5035	283-0000-00		CAP.,FXD,CER DI:0.001UF,+100-0%,500V	59660	831610Y5U0102P
A62C5039	283-0000-00		CAP.,FXD,CER DI:0.001UF,+100-0%,500V	59660	831610Y5U0102P
A62C5082	283-0140-00		CAP.,FXD,CER DI:4.7PF,5%,50V	72982	8101E003A479C
A62C5085	283-0160-00		CAP.,FXD,CER DI:1.5PF,10%,50V	93958	1C15RB
A62C5103	283-0339-00		CAP.,FXD,CER DI:0.22UF,10%,50V	72982	8131N075W5R224K
A62C6021	283-0648-00		CAP.,FXD,MICA D:10PF,5%,100V	00853	D151C100D0
A62C6023	283-0204-00		CAP.,FXD,CER DI:0.01UF,20%,50V	96733	R2676
A62C6029	283-0156-00		CAP.,FXD,CER DI:1000PF,+100-0%,200V	96733	R2670
A62C6033	290-0574-00		CAP.,FXD,ELCTL:47UF,10%,20V	90201	TDC476K020CL
A62C7011	283-0639-00		CAP.,FXD,MICA D:56PF,1%,100V	00853	D151E560F0
A62C7014	283-0641-00		CAP.,FXD,MICA D:180PF,1%,100V	00853	DD155F181F0
A62C7021	283-0599-00		CAP.,FXD,MICA D:98PF,5%,500V	00853	D105F980J0
A62C7024	283-0728-00		CAP.,FXD,MICA D:120PF,1%,500V	00853	D155F121F0
A62C7032	290-0574-00		CAP.,FXD,ELCTL:47UF,10%,20V	90201	TDC476K020CL
A62C7033	290-0574-00		CAP.,FXD,ELCTL:47UF,10%,20V	90201	TDC476K020CL
A62C7073	283-0203-00		CAP.,FXD,CER DI:0.47UF,20%,50V	04222	5R305SE474MAA
A62C7082	290-0574-00		CAP.,FXD,ELCTL:47UF,10%,20V	90201	TDC476K020CL
A62C7093	283-0111-00		CAP.,FXD,CER DI:0.1UF,20%,50V	96733	R2632
A62C7107	283-0157-00		CAP.,FXD,CER DI:7PF,5%,500V	59660	8111B065COHO709D
A62C8104	283-0114-00		CAP.,FXD,CER DI:0.0015UF,5%,200V	59660	805534Y5DO152J
A62CR1061	152-0322-00		SEMICONV DEVICE:SILICON,15V,HOT CARRIER	50434	5082-2672
A62CR2014	152-0322-00		SEMICONV DEVICE:SILICON,15V,HOT CARRIER	50434	5082-2672
A62CR2015	152-0322-00		SEMICONV DEVICE:SILICON,15V,HOT CARRIER	50434	5082-2672
A62CR2031	152-0322-00		SEMICONV DEVICE:SILICON,15V,HOT CARRIER	50434	5082-2672
A62CR2032	152-0322-00		SEMICONV DEVICE:SILICON,15V,HOT CARRIER	50434	5082-2672
A62CR2044	152-0322-00		SEMICONV DEVICE:SILICON,15V,HOT CARRIER	50434	5082-2672
A62CR2045	152-0322-00		SEMICONV DEVICE:SILICON,15V,HOT CARRIER	50434	5082-2672
A62CR2062	152-0322-00		SEMICONV DEVICE:SILICON,15V,HOT CARRIER	50434	5082-2672
A62CR2065	152-0322-00		SEMICONV DEVICE:SILICON,15V,HOT CARRIER	50434	5082-2672
A62CR2066	152-0322-00		SEMICONV DEVICE:SILICON,15V,HOT CARRIER	50434	5082-2672
A62CR2074	152-0322-00		SEMICONV DEVICE:SILICON,15V,HOT CARRIER	50434	5082-2672
A62CR2075	152-0322-00		SEMICONV DEVICE:SILICON,15V,HOT CARRIER	50434	5082-2672
A62CR2076	152-0322-00		SEMICONV DEVICE:SILICON,15V,HOT CARRIER	50434	5082-2672
A62CR2077	152-0322-00		SEMICONV DEVICE:SILICON,15V,HOT CARRIER	50434	5082-2672
A62CR2087	152-0322-00		SEMICONV DEVICE:SILICON,15V,HOT CARRIER	50434	5082-2672
A62CR2088	152-0322-00		SEMICONV DEVICE:SILICON,15V,HOT CARRIER	50434	5082-2672
A62CR2089	152-0322-00		SEMICONV DEVICE:SILICON,15V,HOT CARRIER	50434	5082-2672
A62CR3089	152-0322-00		SEMICONV DEVICE:SILICON,15V,HOT CARRIER	50434	5082-2672
A62CR4012	152-0322-00		SEMICONV DEVICE:SILICON,15V,HOT CARRIER	50434	5082-2672
A62CR4015	152-0322-00		SEMICONV DEVICE:SILICON,15V,HOT CARRIER	50434	5082-2672
A62CR4097	152-0322-00		SEMICONV DEVICE:SILICON,15V,HOT CARRIER	50434	5082-2672
A62CR4103	152-0141-02		SEMICONV DVC,DI:SW,SI,30V,150MA,30V,DO-35	12969	NDP0263 (1N4152)
A62CR5027	152-0322-00		SEMICONV DEVICE:SILICON,15V,HOT CARRIER	50434	5082-2672
A62CR5033	152-0322-00		SEMICONV DEVICE:SILICON,15V,HOT CARRIER	50434	5082-2672
A62CR5081	152-0141-02		SEMICONV DVC,DI:SW,SI,30V,150MA,30V,DO-35	12969	NDP0263 (1N4152)
A62CR7103	152-0141-02		SEMICONV DVC,DI:SW,SI,30V,150MA,30V,DO-35	12969	NDP0263 (1N4152)
A62CR8107	152-0141-02		SEMICONV DVC,DI:SW,SI,30V,150MA,30V,DO-35	12969	NDP0263 (1N4152)
A62L1051	108-0395-00		COIL,RF:64UH	80009	108-0395-00
A62L2011	108-0395-00		COIL,RF:64UH	80009	108-0395-00
A62L2015	108-0443-00		COIL,RF:25UH	80009	108-0443-00
A62L2025	108-0443-00		COIL,RF:25UH	80009	108-0443-00
A62L2041	108-0443-00		COIL,RF:25UH	80009	108-0443-00

Component No.	Tektronix Part No.	Serial/Model No. Eff Dscont	Name & Description	Mfr Code	Mfr Part Number
A62L2052	108-0395-00		COIL,RF:64UH	80009	108-0395-00
A62L2055	108-0443-00		COIL,RF:25UH	80009	108-0443-00
A62L2071	108-0443-00		COIL,RF:25UH	80009	108-0443-00
A62L2085	108-0443-00		COIL,RF:25UH	80009	108-0443-00
A62L3041	108-0395-00		COIL,RF:64UH	80009	108-0395-00
A62L3061	108-0395-00		COIL,RF:64UH	80009	108-0395-00
A62L6011	108-0702-00		COIL,RF:36UH	80009	108-0702-00
A62L8021	108-0443-00		COIL,RF:25UH	80009	108-0443-00
A62P1105	131-0608-00		TERMINAL,PIN:0.365 L X 0.025 PH BRZ GOLD	22526	48283-036
A62P2015	131-0608-00		TERMINAL,PIN:0.365 L X 0.025 PH BRZ GOLD	22526	48283-036
A62P6030	131-0608-00		TERMINAL,PIN:0.365 L X 0.025 PH BRZ GOLD	22526	48283-036
A62Q1025	151-0192-00		TRANSISTOR:SELECTED	04713	SPS8801
A62Q1035	151-0192-00		TRANSISTOR:SELECTED	04713	SPS8801
A62Q1050	151-0192-00		TRANSISTOR:SELECTED	04713	SPS8801
A62Q1070	151-0192-00		TRANSISTOR:SELECTED	04713	SPS8801
A62Q1080	151-0192-00		TRANSISTOR:SELECTED	04713	SPS8801
A62Q1095	151-0192-00		TRANSISTOR:SELECTED	04713	SPS8801
A62Q2105	151-0192-00		TRANSISTOR:SELECTED	04713	SPS8801
A62Q3015	151-0192-00		TRANSISTOR:SELECTED	04713	SPS8801
A62Q3030	151-0192-00		TRANSISTOR:SELECTED	04713	SPS8801
A62Q3045	151-0192-00		TRANSISTOR:SELECTED	04713	SPS8801
A62Q3055	151-0192-00		TRANSISTOR:SELECTED	04713	SPS8801
A62Q3075	151-0192-00		TRANSISTOR:SELECTED	04713	SPS8801
A62Q3090	151-0192-00		TRANSISTOR:SELECTED	04713	SPS8801
A62Q3100	151-0192-00		TRANSISTOR:SELECTED	04713	SPS8801
A62Q3105	151-0192-00		TRANSISTOR:SELECTED	04713	SPS8801
A62Q4025	151-0333-00		TRANSISTOR:SILICON,NPN,SEL FROM MPS918	04713	SPS1752
A62Q4030	151-0221-00		TRANSISTOR:SILICON,PNP	04713	SPS246
A62Q4035	151-0221-00		TRANSISTOR:SILICON,PNP	04713	SPS246
A62Q4070	151-1059-00		TRANSISTOR:SILICON,FE,N-CHANNEL	04713	ORDER BY DESCR
A62Q4075	151-1059-00		TRANSISTOR:SILICON,FE,N-CHANNEL	04713	ORDER BY DESCR
A62Q4100	151-0192-00		TRANSISTOR:SELECTED	04713	SPS8801
A62Q5070	151-1059-00		TRANSISTOR:SILICON,FE,N-CHANNEL	04713	ORDER BY DESCR
A62Q5075	151-1059-00		TRANSISTOR:SILICON,FE,N-CHANNEL	04713	ORDER BY DESCR
A62Q5090	151-1059-00		TRANSISTOR:SILICON,FE,N-CHANNEL	04713	ORDER BY DESCR
A62Q5095	151-1059-00		TRANSISTOR:SILICON,FE,N-CHANNEL	04713	ORDER BY DESCR
A62Q6010	151-0192-00		TRANSISTOR:SELECTED	04713	SPS8801
A62Q6090	151-0221-00		TRANSISTOR:SILICON,PNP	04713	SPS246
A62Q6095	151-0221-00		TRANSISTOR:SILICON,PNP	04713	SPS246
A62Q6110	151-0221-00		TRANSISTOR:SILICON,PNP	04713	SPS246
A62Q6115	151-0221-00		TRANSISTOR:SILICON,PNP	04713	SPS246
A62Q7110	151-1059-00		TRANSISTOR:SILICON,FE,N-CHANNEL	04713	ORDER BY DESCR
A62R1024	321-0155-00		RES.,FXD,FILM:402 OHM,1%,0.125W	91637	MFF1816G402R0F
A62R1035	321-0111-00		RES.,FXD,FILM:140 OHM,1%,0.125W	91637	MFF1816G140R0F
A62R1045	321-0111-00		RES.,FXD,FILM:140 OHM,1%,0.125W	91637	MFF1816G140R0F
A62R1056	321-0079-00		RES.,FXD,FILM:64.9 OHM,1%,0.125W	91637	MFF1816G64R90F
A62R1070	321-0325-00		RES.,FXD,FILM:23.7K OHM,1%,0.125W	91637	MFF1816G23701F
A62R1076	321-0065-00		RES.,FXD,FILM:46.4 OHM,1%,0.125W	91637	MFF1816G46R40F
A62R1083	321-0325-00		RES.,FXD,FILM:23.7K OHM,1%,0.125W	91637	MFF1816G23701F
A62R1084	321-0325-00		RES.,FXD,FILM:23.7K OHM,1%,0.125W	91637	MFF1816G23701F
A62R1085	311-1277-00		RES.,VAR,NONWIR:100 OHM,10%,0.5W	32997	3329W-L58-101
A62R1086	321-0126-00		RES.,FXD,FILM:200 OHM,1%,0.125W	91637	MFF1816G200R0F
A62R1097	321-0325-00		RES.,FXD,FILM:23.7K OHM,1%,0.125W	91637	MFF1816G23701F
A62R1101	315-0470-00		RES.,FXD,CMPSN:47 OHM,5%,0.25W	57668	NTR25J-E47E0



Replaceable Electrical Parts—494/494P Service Vol. 2

Component No.	Tektronix Part No.	Serial/Model No. Eff Dscont	Name & Description	Mfr Code	Mfr Part Number
A62R1111	321-0068-00		RES.,FXD,FILM:49.9 OHM,1%,0.125W	91637	MFF1816G49R90F
A62R1112	315-0680-00		RES.,FXD,CMPSN:68 OHM,5%,0.25W	57668	NTR25J-E68E0
A62R2023	321-0111-00		RES.,FXD,FILM:140 OHM,1%,0.125W	91637	MFF1816G140R0F
A62R2065	321-0276-00		RES.,FXD,FILM:7.32K OHM,1%,0.125W	91637	MFF1816G73200F
A62R2066	321-0234-00		RES.,FXD,FILM:2.67K OHM,1%,0.125W	91637	MFF1816G26700F
A62R2076	321-0253-00		RES.,FXD,FILM:4.22K OHM,1%,0.125W	91637	MFF1816G42200F
A62R2078	321-0291-00		RES.,FXD,FILM:10.5K OHM,1%,0.125W	91637	MFF1816G10501F
A62R2100	321-0187-00		RES.,FXD,FILM:866 OHM,1%,0.125W	91637	MFF1816G866R0F
A62R2101	321-0271-00		RES.,FXD,FILM:6.49K OHM,1%,0.125W	91637	MFF1816G64900F
A62R3020	307-0610-00		RES NTWK,FXD FI:LOG AMP RES PACK	80009	307-0610-00
A62R3035	307-0610-00		RES NTWK,FXD FI:LOG AMP RES PACK	80009	307-0610-00
A62R3050	307-0610-00		RES NTWK,FXD FI:LOG AMP RES PACK	80009	307-0610-00
A62R3065	307-0610-00		RES NTWK,FXD FI:LOG AMP RES PACK	80009	307-0610-00
A62R3080	307-0610-00		RES NTWK,FXD FI:LOG AMP RES PACK	80009	307-0610-00
A62R3082	321-0294-00		RES.,FXD,FILM:11.3K OHM,1%,0.125W	91637	CMF55116G11301F
A62R3092	315-0302-00		RES.,FXD,CMPSN:3K OHM,5%,0.25W	57668	NTR25J-E03K0
A62R3095	307-0610-00		RES NTWK,FXD FI:LOG AMP RES PACK	80009	307-0610-00
A62R3099	315-0471-00		RES.,FXD,CMPSN:470 OHM,5%,0.25W	57668	NTR25J-E470E
A62R3101	321-0187-00		RES.,FXD,FILM:866 OHM,1%,0.125W	91637	MFF1816G866R0F
A62R3102	321-0106-00		RES.,FXD,FILM:124 OHM,1%,0.125W	91637	MFF1816G124R0F
A62R3105	321-0089-00		RES.,FXD,FILM:82.5 OHM,1%,0.125W	91637	MFF1816G82R50F
A62R3109	315-0241-00		RES.,FXD,CMPSN:240 OHM,5%,0.25W	01121	CB2415
A62R3110	315-0470-00		RES.,FXD,CMPSN:47 OHM,5%,0.25W	57668	NTR25J-E47E0
A62R3111	315-0101-00		RES.,FXD,CMPSN:100 OHM,5%,0.25W	57668	NTR25J-E 100E
A62R4010	307-0610-00		RES NTWK,FXD FI:LOG AMP RES PACK	80009	307-0610-00
A62R4015	321-0111-00		RES.,FXD,FILM:140 OHM,1%,0.125W	91637	MFF1816G140R0F
A62R4020	311-1279-00		RES.,VAR,NONWIR:500 OHM,10%,0.50W	32997	3329W-L58-501
A62R4025	315-0302-00		RES.,FXD,CMPSN:3K OHM,5%,0.25W	57668	NTR25J-E03K0
A62R4026	315-0302-00		RES.,FXD,CMPSN:3K OHM,5%,0.25W	57668	NTR25J-E03K0
A62R4027	315-0560-00		RES.,FXD,CMPSN:56 OHM,5%,0.25W	57668	NTR25J-E56E0
A62R4031	315-0751-00		RES.,FXD,CMPSN:750 OHM,5%,0.25W	57668	NTR25J-E750E
A62R4032	315-0910-00		RES.,FXD,CMPSN:91 OHM,5%,0.25W	01121	CB9105
A62R4034	315-0300-00		RES.,FXD,CMPSN:30 OHM,5%,0.25W	01121	CB3005
A62R4036	315-0300-00		RES.,FXD,CMPSN:30 OHM,5%,0.25W	01121	CB3005
A62R4038	321-0235-00		RES.,FXD,FILM:2.74K OHM,1%,0.125W	91637	MFF1816G27400F
A62R4039	321-0223-00		RES.,FXD,FILM:2.05K OHM,1%,0.125W	91637	MFF1816G20500F
A62R4045	323-0126-00		RES.,FXD,FILM:200 OHM,1%,0.50W	75042	CECT0-2000F
A62R4046	301-0102-00		RES.,FXD,CMPSN:1K OHM,5%,0.50W	01121	EB1025
A62R4050	321-0041-00		RES.,FXD,FILM:26.1 OHM,1%,0.125W	91637	MFF1816G26R10F
A62R4051	315-0101-00		RES.,FXD,CMPSN:100 OHM,5%,0.25W	57668	NTR25J-E 100E
A62R4052	311-1245-00		RES.,VAR,NONWIR:10K OHM,10%,0.50W	73138	72-28-0
A62R4061	315-0512-00		RES.,FXD,CMPSN:5.1K OHM,5%,0.25W	57668	NTR25J-E05K1
A62R4062	315-0512-00		RES.,FXD,CMPSN:5.1K OHM,5%,0.25W	57668	NTR25J-E05K1
A62R4064	315-0103-00		RES.,FXD,CMPSN:10K OHM,5%,0.25W	57668	NTR25J-E10K0
A62R4071	311-1245-00		RES.,VAR,NONWIR:10K OHM,10%,0.50W	73138	72-28-0
A62R4072	321-0452-00		RES.,FXD,FILM:499K OHM,1%,0.125W	91637	CMF55116G49902F
A62R4074	315-0103-00		RES.,FXD,CMPSN:10K OHM,5%,0.25W	57668	NTR25J-E10K0
A62R4081	311-1245-00		RES.,VAR,NONWIR:10K OHM,10%,0.50W	73138	72-28-0
A62R4082	321-0330-00		RES.,FXD,FILM:26.7K OHM,1%,0.125W	91637	MFF1816G26701F
A62R4083	321-0424-00		RES.,FXD,FILM:255K OHM,1%,0.125W	91637	MFF1816G25502F
A62R4084	321-0431-00		RES.,FXD,FILM:301K OHM,1%,0.125W	91637	MFF1816G30102F
A62R4085	315-0102-00		RES.,FXD,CMPSN:1K OHM,5%,0.25W	57668	NTR25JE01K0
A62R4091	315-0103-00		RES.,FXD,CMPSN:10K OHM,5%,0.25W	57668	NTR25J-E10K0
A62R4092	321-0431-00		RES.,FXD,FILM:301K OHM,1%,0.125W	91637	MFF1816G30102F



Component No.	Tektronix Part No.	Serial/Model No. Eff Dscnt	Name & Description	Mfr Code	Mfr Part Number
A62R4093	321-0324-00		RES.,FXD,FILM:23.2K OHM,1%,0.125W	91637	MFF1816G23201F
A62R4094	321-0243-00		RES.,FXD,FILM:3.32K OHM,1%,0.125W	91637	MFF1816G33200F
A62R4095	315-0103-00		RES.,FXD,CMPSN:10K OHM,5%,0.25W	57668	NTR25J-E10K0
A62R4096	321-0385-00		RES.,FXD,FILM:100K OHM,1%,0.125W	91637	MFF1816G10002F
A62R4097	321-0349-00		RES.,FXD,FILM:42.2K OHM,1%,0.125W	91637	MFF1816G42201F
A62R4098	315-0202-00		RES.,FXD,CMPSN:2K OHM,5%,0.25W	57668	NTR25J-E02K0
A62R4103	315-0362-00		RES.,FXD,CMPSN:3.6K OHM,5%,0.25W	01121	CB3625
A62R4105	321-0172-00		RES.,FXD,FILM:604 OHM,1%,0.125W	91637	MFF1816G604R0F
A62R4107	321-0171-00		RES.,FXD,FILM:590 OHM,1%,0.125W	91637	MFF1816G590R0F
A62R4109	321-0170-00		RES.,FXD,FILM:576 OHM,1%,0.125W	91637	MFF1816G576R0F
A62R5015	321-0139-00		RES.,FXD,FILM:274 OHM,1%,0.125W	91637	MFF1816G274R0F
A62R5020	321-0193-00		RES.,FXD,FILM:1K OHM,1%,0.125W	01121	ORD BY DESCR
A62R5021	321-0389-00		RES.,FXD,FILM:110K OHM,1%,0.125W	91637	MFF1816G11002F
A62R5022	321-0423-00		RES.,FXD,FILM:249K OHM,1%,0.125W	91637	CMF55116G24902F
A62R5024	315-0510-00		RES.,FXD,CMPSN:51 OHM,5%,0.25W	57668	NTR25J-E51E0
A62R5025	315-0751-00		RES.,FXD,CMPSN:750 OHM,5%,0.25W	57668	NTR25J-E750E
A62R5027	321-0126-00		RES.,FXD,FILM:200 OHM,1%,0.125W	91637	MFF1816G200R0F
A62R5028	321-0164-00		RES.,FXD,FILM:499 OHM,1%,0.125W	91637	MFF1816G499R0F
A62R5029	321-0268-00		RES.,FXD,FILM:6.04K OHM,1%,0.125W	91637	MFF1816G60400F
A62R5031	315-0181-00		RES.,FXD,CMPSN:180 OHM,5%,0.25W	57668	NTR25J-E180E
A62R5032	321-0289-00		RES.,FXD,FILM:10K OHM,1%,0.125W	91637	MFF1816G10001F
A62R5033	321-0126-00		RES.,FXD,FILM:200 OHM,1%,0.125W	91637	MFF1816G200R0F
A62R5034	321-0193-00		RES.,FXD,FILM:1K OHM,1%,0.125W	01121	ORD BY DESCR
A62R5082	321-0290-00		RES.,FXD,FILM:10.2K OHM,1%,0.125W	91637	CMF55116G10201F
A62R5084	321-0239-00		RES.,FXD,FILM:3.01K OHM,1%,0.125W	91637	MFF1816G30100F
A62R5085	315-0103-00		RES.,FXD,CMPSN:10K OHM,5%,0.25W	57668	NTR25J-E10K0
A62R5086	315-0102-00		RES.,FXD,CMPSN:1K OHM,5%,0.25W	57668	NTR25JE01K0
A62R5088	321-0309-00		RES.,FXD,FILM:16.2K OHM,1%,0.125W,TC=TO	91637	CMF55116G16201F
A62R5089	315-0473-00		RES.,FXD,CMPSN:47K OHM,5%,0.25W	57668	NTR25J-E47K0
A62R5103	321-0348-00		RES.,FXD,FILM:41.2K OHM,1%,0.125W	91637	CMF55116G41201F
A62R5105	321-0299-00		RES.,FXD,FILM:12.7K OHM,1%,0.125W	91637	MFF1816G12701F
A62R5107	321-0236-00		RES.,FXD,FILM:2.8K OHM,1%,0.125W	91637	MFF1816G28000F
A62R5109	315-0473-00		RES.,FXD,CMPSN:47K OHM,5%,0.25W	57668	NTR25J-E47K0
A62R5111	321-0150-00		RES.,FXD,FILM:357 OHM,1%,0.125W	91637	MFF1816G357R0F
A62R6023	315-0273-00		RES.,FXD,CMPSN:27K OHM,5%,0.25W	57668	NTR25J-E27K0
A62R6024	307-0106-00		RES.,FXD,CMPSN:4.7 OHM,5%,0.25W	01121	CB47G5
A62R6029	315-0510-00		RES.,FXD,CMPSN:51 OHM,5%,0.25W	57668	NTR25J-E51E0
A62R6072	315-0100-00		RES.,FXD,CMPSN:10 OHM,5%,0.25W	57668	NTR25J-E 10E0
A62R6073	321-0318-00		RES.,FXD,FILM:20K OHM,1%,0.125W	91637	MFF1816G20001F
A62R6074	321-0347-00		RES.,FXD,FILM:40.2K OHM,1%,0.125W	91637	MFF1816G40201F
A62R6079	315-0103-00		RES.,FXD,CMPSN:10K OHM,5%,0.25W	57668	NTR25J-E10K0
A62R6080	321-0376-00		RES.,FXD,FILM:80.6K OHM,1%,0.125W	91637	MFF1816G80601F
A62R6081	321-0164-00		RES.,FXD,FILM:499 OHM,1%,0.125W	91637	MFF1816G499R0F
A62R6082	321-0289-00		RES.,FXD,FILM:10K OHM,1%,0.125W	91637	MFF1816G10001F
A62R6087	315-0103-00		RES.,FXD,CMPSN:10K OHM,5%,0.25W	57668	NTR25J-E10K0
A62R6091	321-0389-00		RES.,FXD,FILM:110K OHM,1%,0.125W	91637	MFF1816G11002F
A62R6107	315-0102-00		RES.,FXD,CMPSN:1K OHM 5%,0.25W	57668	NTR25JE01K0
A62R6108	321-0289-00		RES.,FXD,FILM:10K OHM,1%,0.125W	91637	MFF1816G10001F
A62R6111	321-0300-00		RES.,FXD,FILM:13K OHM,1%,0.125W	91637	MFF1816G13001F
A62R6113	315-0272-00		RES.,FXD,CMPSN:2.7K OHM,5%,0.25W	57668	NTR25J-E02K7
A62R7074	315-0103-00		RES.,FXD,CMPSN:10K OHM,5%,0.25W	57668	NTR25J-E10K0
A62R7075	315-0103-00		RES.,FXD,CMPSN:10K OHM,5%,0.25W	57668	NTR25J-E10K0
A62R7083	307-0106-00		RES.,FXD,CMPSN:4.7 OHM,5%,0.25W	01121	CB47G5
A62R7085	321-0242-00		RES.,FXD,FILM:3.24K OHM,1%,0.125W	91637	MFF1816G32400F

Replaceable Electrical Parts—494/494P Service Vol. 2

Component No.	Tektronix Part No.	Serial/Model No. Eff Dscont	Name & Description	Mfr Code	Mfr Part Number
A62R7086	315-0470-00		RES.,FXD,CMPSN:47 OHM,5%,0.25W	57668	NTR25J-E47E0
A62R7087	315-0101-00		RES.,FXD,CMPSN:100 OHM,5%,0.25W	57668	NTR25J-E 100E
A62R7090	315-0102-00		RES.,FXD,CMPSN:1K OHM,5%,0.25W	57668	NTR25JE01K0
A62R7092	315-0103-00		RES.,FXD,CMPSN:10K OHM,5%,0.25W	57668	NTR25J-E10K0
A62R7094	321-0321-00		RES.,FXD,FILM:21 5K OHM,1%,0.125W	91637	MFF1816G21501F
A62R7095	315-0470-00		RES.,FXD,CMPSN:47 OHM,5%,0.25W	57668	NTR25J-E47E0
A62R7096	321-0387-00		RES.,FXD,FILM:105K OHM,1%,0.125W	91637	MFF1816G10502F
A62R7097	321-0423-00		RES.,FXD,FILM:249K OHM,1%,0.125W	91637	CMF55116G24902F
A62R7099	321-0406-00		RES.,FXD,FILM:165K OHM,1%,0.125W	91637	MFF1816G16502F
A62R7105	315-0753-00		RES.,FXD,CMPSN:75K OHM,5%,0.25W	57668	NTR25J-E75K0
A62R7107	315-0102-00		RES.,FXD,CMPSN:1K OHM,5%,0.25W	57668	NTR25JE01K0
A62R7111	315-0103-00		RES.,FXD,CMPSN:10K OHM,5%,0.25W	57668	NTR25J-E10K0
A62R8020	321-0296-00		RES.,FXD,FILM:11 8K OHM,1%,0.125W	91637	MFF1816G11801F
A62R8021	321-0296-00		RES.,FXD,FILM:11 8K OHM,1%,0.125W	91637	MFF1816G11801F
A62R8031	307-0106-00		RES.,FXD,CMPSN:4 7 OHM,5%,0.25W	01121	CB47G5
A62R8034	307-0106-00		RES.,FXD,CMPSN:4 7 OHM,5%,0.25W	01121	CB47G5
A62R8103	315-0105-00		RES.,FXD,CMPSN:1M OHM,5%,0.25W	01121	CB1055
A62R8106	315-0754-00		RES.,FXD,CMPSN:750K OHM,5%,0.25W	01121	CB7545
A62TP1110	214-0579-00		TERM,TEST POINT:BRS CD PL	80009	214-0579-00
A62TP7091	214-0579-00		TERM,TEST POINT:BRS CD PL	80009	214-0579-00
A62U4090	155-0116-00		MICROCIRCUIT,LI,QUAD OPNL AMPL	80009	155-0116-00
A62U5041	156-0509-03		MICROCIRCUIT,DI:8-BIT BIN,MULT CUR,SCRN	04713	MC1408LBDS
A62U5060	156-0411-02		MICROCIRCUIT,LI,QUAD COMPARATOR,SEL	04713	LM339JDS
A62U5070	156-0385-02		MICROCIRCUIT,DI:HEX INVERTER	01295	SN74LS04
A62U6040	156-0913-02		MICROCIRCUIT,DI:OCTAL D FF,BURN-IN	04713	SN74LS377NDS
A62U6050	156-0913-02		MICROCIRCUIT,DI:OCTAL D FF,BURN-IN	04713	SN74LS377NDS
A62U6060	156-0411-02		MICROCIRCUIT,LI,QUAD COMPARATOR,SEL	04713	LM339JDS
A62U6070	156-0469-02		MICROCIRCUIT,DI:3/8 LINE DCDR	01295	SN74LS138NP3
A62W1023	131-0566-00		BUS CONDUCTOR:DUMMY RES,2.375,22 AWG	57668	JWW-0200E0
A62W2013	131-0566-00		BUS CONDUCTOR:DUMMY RES,2.375,22 AWG	57668	JWW-0200E0

<http://www.sealedair.com>

Component No.	Tektronix Part No.	Serial/Model No. Eff Dscont	Name & Description	Mfr Code	Mfr Part Number
A64	670-8083-00		CKT BOARD ASSY DEFLECTION AMP	80009	670-8083-00
A64C1018	283-0006-00		CAP.,FXD,CER DI:0.02UF,+80-20%,500V	59660	0841545Z5V00203Z
A64C1023	283-0203-00		CAP.,FXD,CER DI:0.47UF,20%,50V	04222	5R305SE474MAA
A64C1049	283-0203-00		CAP.,FXD,CER DI:0.47UF,20%,50V	04222	5R305SE474MAA
A64C2022	283-0006-00		CAP.,FXD,CER DI:0.02UF,+80-20%,500V	59660	0841545Z5V00203Z
A64C2037	283-0010-00		CAP.,FXD,CER DI:0.05UF,+100-20%,50V	56289	1C10Z5U503Z050B
A64C2047	283-0317-00		CAP.,FXD,CER DI:1PF,+/-0.1PF,500V	72982	861-518-C0K0109B
A64C2055	283-0140-00		CAP.,FXD,CER DI:4.7PF,5%,50V	72982	8101E003A479C
A64C2066	283-0140-00		CAP.,FXD,CER DI:4.7PF,5%,50V	72982	8101E003A479C
A64C2073	283-0010-00		CAP.,FXD,CER DI:0.05UF,+100-20%,50V	56289	1C10Z5U503Z050B
A64C2078	283-0317-00		CAP.,FXD,CER DI:1PF,+/-0.1PF,500V	72982	861-518-C0K0109B
A64C2083	283-0006-00		CAP.,FXD,CER DI:0.02UF,+80-20%,500V	59660	0841545Z5V00203Z
A64C2087	283-0006-00		CAP.,FXD,CER DI:0.02UF,+80-20%,500V	59660	0841545Z5V00203Z
A64C2101	283-0006-00		CAP.,FXD,CER DI:0.02UF,+80-20%,500V	59660	0841545Z5V00203Z
A64C2103	283-0006-00		CAP.,FXD,CER DI:0.02UF,+80-20%,500V	59660	0841545Z5V00203Z
A64C2106	283-0317-00		CAP.,FXD,CER DI:1PF,+/-0.1PF,500V	72982	861-518-C0K0109B
A64C3021	283-0317-00		CAP.,FXD,CER DI:1PF,+/-0.1PF,500V	72982	861-518-C0K0109B
A64C3039	283-0006-00		CAP.,FXD,CER DI:0.02UF,+80-20%,500V	59660	0841545Z5V00203Z
A64C3051	283-0006-00		CAP.,FXD,CER DI:0.02UF,+80-20%,500V	59660	0841545Z5V00203Z
A64C4057	281-0226-00		CAP.,VAR,PLSTC:5.5-65PF,100V	52769	GXD38000
A64C4061	281-0226-00		CAP.,VAR,PLSTC:5.5-65PF,100V	52769	GXD38000
A64C5021	281-0226-00		CAP.,VAR,PLSTC:5.5-65PF,100V	52769	GXD38000
A64C5033	283-0111-00		CAP.,FXD,CER DI:0.1UF,20%,50V	96733	R2632
A64C5058	283-0111-00		CAP.,FXD,CER DI:0.1UF,20%,50V	96733	R2632
A64C5089	283-0111-00		CAP.,FXD,CER DI:0.1UF,20%,50V	96733	R2632
A64C5104	281-0226-00		CAP.,VAR,PLSTC:5.5-65PF,100V	52769	GXD38000
A64C6033	283-0189-00		CAP.,FXD,CER DI:0.1UF,20%,400V	56289	5C40X5R104M400B
A64C6037	283-0189-00		CAP.,FXD,CER DI:0.1UF,20%,400V	56289	5C40X5R104M400B
A64C6073	283-0181-00		CAP.,FXD,CER DI:1.8PF,10%,100V	59660	8101B121COKO189B
A64C6081	281-0811-00		CAP.,FXD,CER DI:10PF,10%,100V	96733	R2911
A64C7015	283-0065-00		CAP.,FXD,CER DI:0.001UF,5%,100V	59660	0835-591Y5EO102J
A64C7061	283-0177-00		CAP.,FXD,CER DI:1UF,+80-20%,25V	04222	SR302E105ZAA
A64C7071	283-0177-00		CAP.,FXD,CER DI:1UF,+80-20%,25V	04222	SR302E105ZAA
A64C7073	283-0177-00		CAP.,FXD,CER DI:1UF,+80-20%,25V	04222	SR302E105ZAA
A64C7074	283-0177-00		CAP.,FXD,CER DI:1UF,+80-20%,25V	04222	SR302E105ZAA
A64C7088	283-0177-00		CAP.,FXD,CER DI:1UF,+80-20%,25V	04222	SR302E105ZAA
A64C7093	283-0177-00		CAP.,FXD,CER DI:1UF,+80-20%,25V	04222	SR302E105ZAA
A64CR4051	152-0141-02		SEMICON DVC,DI:SW,SI,30V,150MA,30V,DO-35	12969	NDP0263 (1N4152)
A64CR4052	152-0141-02		SEMICON DVC,DI:SW,SI,30V,150MA,30V,DO-35	12969	NDP0263 (1N4152)
A64CR4056	152-0141-02		SEMICON DVC,DI:SW,SI,30V,150MA,30V,DO-35	12969	NDP0263 (1N4152)
A64CR4058	152-0141-02		SEMICON DVC,DI:SW,SI,30V,150MA,30V,DO-35	12969	NDP0263 (1N4152)
A64CR4063	152-0141-02		SEMICON DVC,DI:SW,SI,30V,150MA,30V,DO-35	12969	NDP0263 (1N4152)
A64CR4064	152-0141-02		SEMICON DVC,DI:SW,SI,30V,150MA,30V,DO-35	12969	NDP0263 (1N4152)
A64CR5054	152-0141-02		SEMICON DVC,DI:SW,SI,30V,150MA,30V,DO-35	12969	NDP0263 (1N4152)
A64CR5055	152-0141-02		SEMICON DVC,DI:SW,SI,30V,150MA,30V,DO-35	12969	NDP0263 (1N4152)
A64L7061	108-0395-00		COIL,RF:64UH	80009	108-0395-00
A64L7069	108-0395-00		COIL,RF:64UH	80009	108-0395-00
A64L7081	108-0395-00		COIL,RF:64UH	80009	108-0395-00
A64L7088	108-0395-00		COIL,RF:64UH	80009	108-0395-00
A64P1016	131-0608-00		TERMINAL,PIN:0.365 L X 0.025 PH BRZ GOLD	22526	48283-036
A64P1035	131-0608-00		TERMINAL,PIN:0.365 L X 0.025 PH BRZ GOLD	22526	48283-036
A64P2100	131-0608-00		TERMINAL,PIN:0.365 L X 0.025 PH BRZ GOLD	22526	48283-036
A64P3033	131-0608-00		TERMINAL,PIN:0.365 L X 0.025 PH BRZ GOLD	22526	48283-036
A64P3078	131-0608-00		TERMINAL,PIN:0.365 L X 0.025 PH BRZ GOLD	22526	48283-036



Replaceable Electrical Parts—494/494P Service Vol. 2

Component No.	Tektronix Part No.	Serial/Model No. Eff Dscnt	Name & Description	Mfr Code	Mfr Part Number
A64P4092	131-0608-00		TERMINAL,PIN:0.365 L X 0.025 PH BRZ GOLD	22526	48283-036
A64Q1024	151-0694-01		TRANSISTOR:SILICON,NPN	80009	151-0694-01
A64Q1031	151-0693-01		TRANSISTOR:SILICON,NPN	80009	151-0693-01
A64Q1043	151-0693-01		TRANSISTOR:SILICON,NPN	80009	151-0693-01
A64Q1049	151-0694-01		TRANSISTOR:SILICON,NPN	80009	151-0694-01
A64Q1072	151-0694-01		TRANSISTOR:SILICON,NPN	80009	151-0694-01
A64Q1095	151-0694-01		TRANSISTOR:SILICON,NPN	80009	151-0694-01
A64Q2078	151-0693-01		TRANSISTOR:SILICON,NPN	80009	151-0693-01
A64Q2096	151-0693-01		TRANSISTOR:SILICON,NPN	80009	151-0693-01
A64Q4017	151-0220-00		TRANSISTOR:PNP,SI,TO-92	07263	S036228
A64Q4022	151-0220-00		TRANSISTOR:PNP,SI,TO-92	07263	S036228
A64Q4025	151-0261-00		TRANSISTOR:SILICON,PNP,DUAL	04713	SD441
A64Q4026	151-0302-00		TRANSISTOR:SILICON,NPN	07263	S038487
A64Q4035	151-0302-00		TRANSISTOR:SILICON,NPN	07263	S038487
A64Q4038	151-0261-00		TRANSISTOR:SILICON,PNP,DUAL	04713	SD441
A64Q4042	151-0220-00		TRANSISTOR:PNP,SI,TO-92	07263	S036228
A64Q4047	151-0220-00		TRANSISTOR:PNP,SI,TO-92	07263	S036228
A64Q4077	151-0220-00		TRANSISTOR:PNP,SI,TO-92	07263	S036228
A64Q4078	151-0220-00		TRANSISTOR:PNP,SI,TO-92	07263	S036228
A64Q4083	151-0261-00		TRANSISTOR:SILICON,PNP,DUAL	04713	SD441
A64Q4084	151-0220-00		TRANSISTOR:PNP,SI,TO-92	07263	S036228
A64Q4088	151-0302-00		TRANSISTOR:SILICON,NPN	07263	S038487
A64Q4098	151-0302-00		TRANSISTOR:SILICON,NPN	07263	S038487
A64Q4101	151-0261-00		TRANSISTOR:SILICON,PNP,DUAL	04713	SD441
A64Q4102	151-0220-00		TRANSISTOR:PNP,SI,TO-92	07263	S036228
A64Q4108	151-0220-00		TRANSISTOR:PNP,SI,TO-92	07263	S036228
A64R1022	315-0470-00		RES.,FXD,CMPSN:47 OHM,5%,0.25W	57668	NTR25J-E47E0
A64R1023	315-0392-00		RES.,FXD,CMPSN:3.9K OHM,5%,0.25W	57668	NTR25J-E03K9
A64R1024	315-0912-00		RES.,FXD,CMPSN:9.1K OHM,5%,0.25W	57668	NTR25J-E09K1
A64R1031	315-0102-00		RES.,FXD,CMPSN:1K OHM,5%,0.25W	57668	NTR25JE01K0
A64R1034	315-0470-00		RES.,FXD,CMPSN:47 OHM,5%,0.25W	57668	NTR25J-E47E0
A64R1044	315-0102-00		RES.,FXD,CMPSN:1K OHM,5%,0.25W	57668	NTR25JE01K0
A64R1045	315-0470-00		RES.,FXD,CMPSN:47 OHM,5%,0.25W	57668	NTR25J-E47E0
A64R1049	315-0392-00		RES.,FXD,CMPSN:3.9K OHM,5%,0.25W	57668	NTR25J-E03K9
A64R1052	315-0912-00		RES.,FXD,CMPSN:9.1K OHM,5%,0.25W	57668	NTR25J-E09K1
A64R1055	311-1245-00		RES.,VAR,NONWIR:10K OHM,10%,0.50W	73138	72-28-0
A64R1066	311-1245-00		RES.,VAR,NONWIR:10K OHM,10%,0.50W	73138	72-28-0
A64R1081	315-0102-00		RES.,FXD,CMPSN:1K OHM,5%,0.25W	57668	NTR25JE01K0
A64R1082	315-0470-00		RES.,FXD,CMPSN:47 OHM,5%,0.25W	57668	NTR25J-E47E0
A64R1084	315-0751-00		RES.,FXD,CMPSN:750 OHM,5%,0.25W	57668	NTR25J-E750E
A64R1085	315-0472-00		RES.,FXD,CMPSN:4.7K OHM,5%,0.25W	57668	NTR25J-E04K7
A64R1087	315-0751-00		RES.,FXD,CMPSN:750 OHM,5%,0.25W	57668	NTR25J-E750E
A64R1102	315-0472-00		RES.,FXD,CMPSN:4.7K OHM,5%,0.25W	57668	NTR25J-E04K7
A64R1103	315-0102-00		RES.,FXD,CMPSN:1K OHM,5%,0.25W	57668	NTR25JE01K0
A64R1104	315-0470-00		RES.,FXD,CMPSN:47 OHM,5%,0.25W	57668	NTR25J-E47E0
A64R2025	321-0229-00		RES.,FXD,FILM:2.37K OHM,1%,0.125W	91637	MFF1816G23700F
A64R2057	321-0372-00		RES.,FXD,FILM:73.2K OHM,1%,0.125W	91637	MFF1816G73201F
A64R2059	321-0415-00		RES.,FXD,FILM:205K OHM,1%,0.125W	91637	MFF1816G20502F
A64R2062	321-0425-00		RES.,FXD,FILM:261K OHM,1%,0.125W	91637	MFF1816G26102F
A64R2066	321-0380-00		RES.,FXD,FILM:88.7K OHM,1%,0.125W	91637	MFF1816G88701F
A64R2076	315-0470-00		RES.,FXD,CMPSN:47 OHM,5%,0.25W	57668	NTR25J-E47E0
A64R2109	323-0620-00		RES.,FXD,FILM:800K OHM,1%,0.5W	91637	MFF1226G80002F
A64R3023	321-0229-00		RES.,FXD,FILM:2.37K OHM,1%,0.125W	91637	MFF1816G23700F
A64R3027	301-0624-00		RES.,FXD,CMPSN:620K OHM,5%,0.50W	01121	EB6245

Component No.	Tektronix Part No.	Serial/Model No. Eff Dscnt	Name & Description	Mfr Code	Mfr Part Number
A64R3031	301-0624-00		RES.,FXD,CMPSN:620K OHM,5%,0.50W	01121	EB6245
A64R3035	321-0229-00		RES.,FXD,FILM:2.37K OHM,1%,0.125W	91637	MFF1816G23700F
A64R3037	321-0229-00		RES.,FXD,FILM:2.37K OHM,1%,0.125W	91637	MFF1816G23700F
A64R3045	323-0620-00		RES.,FXD,FILM:800K OHM,1%,0.5W	91637	MFF1226G80002F
A64R3069	315-0242-00		RES.,FXD,CMPSN:2.4K OHM,5%,0.25W	57668	NTR25J-E02K4
A64R3084	321-0229-00		RES.,FXD,FILM:2.37K OHM,1%,0.125W	91637	MFF1816G23700F
A64R3086	321-0229-00		RES.,FXD,FILM:2.37K OHM,1%,0.125W	91637	MFF1816G23700F
A64R3088	323-0620-00		RES.,FXD,FILM:800K OHM,1%,0.5W	91637	MFF1226G80002F
A64R3089	303-0304-00		RES.,FXD,CMPSN:300K OHM,5%,1W	01121	GB3045
A64R3091	321-0378-00		RES.,FXD,FILM:84.5K OHM,1%,0.125W	91637	MFF1816G84501F
A64R3098	303-0304-00		RES.,FXD,CMPSN:300K OHM,5%,1W	01121	GB3045
A64R3107	321-0378-00		RES.,FXD,FILM:84.5K OHM,1%,0.125W	91637	MFF1816G84501F
A64R3117	315-0302-00		RES.,FXD,CMPSN:3K OHM,5%,0.25W	57668	NTR25J-E03K0
A64R4016	323-0620-00		RES.,FXD,FILM:800K OHM,1%,0.5W	91637	MFF1226G80002F
A64R4019	321-0378-00		RES.,FXD,FILM:84.5K OHM,1%,0.125W	91637	MFF1816G84501F
A64R4021	315-0302-00		RES.,FXD,CMPSN:3K OHM,5%,0.25W	57668	NTR25J-E03K0
A64R4033	321-0378-00		RES.,FXD,FILM:84.5K OHM,1%,0.125W	91637	MFF1816G84501F
A64R4048	315-0242-00		RES.,FXD,CMPSN:2.4K OHM,5%,0.25W	57668	NTR25J-E02K4
A64R4049	321-0347-00		RES.,FXD,FILM:40.2K OHM,1%,0.125W	91637	MFF1816G40201F
A64R4051	321-0286-00		RES.,FXD,FILM:9.31K OHM,1%,0.125W	91637	MFF1816G93100F
A64R4052	321-0318-00		RES.,FXD,FILM:20K OHM,1%,0.125W	91637	MFF1816G20001F
A64R4059	321-0379-00		RES.,FXD,FILM:86.6K OHM,1%,0.125W	91637	MFF1816G86601F
A64R4061	321-0280-00		RES.,FXD,FILM:8.06K OHM,1%,0.125W	91637	MFF1816G80600F
A64R4062	321-0286-00		RES.,FXD,FILM:9.31K OHM,1%,0.125W	91637	MFF1816G93100F
A64R4064	321-0318-00		RES.,FXD,FILM:20K OHM,1%,0.125W	91637	MFF1816G20001F
A64R4065	321-0416-00		RES.,FXD,FILM:210K OHM,1%,0.125W	91637	MFF1816G21002F
A64R4067	321-0282-00		RES.,FXD,FILM:8.45K OHM,1%,0.125W	91637	MFF1816G84500F
A64R4069	321-0416-00		RES.,FXD,FILM:210K OHM,1%,0.125W	91637	MFF1816G21002F
A64R4071	321-0347-00		RES.,FXD,FILM:40.2K OHM,1%,0.125W	91637	MFF1816G40201F
A64R4072	321-0290-00		RES.,FXD,FILM:10.2K OHM,1%,0.125W	91637	CMF55116G10201F
A64R4078	315-0102-00		RES.,FXD,CMPSN:1K OHM,5%,0.25W	57668	NTR25JE01K0
A64R4101	321-0229-00		RES.,FXD,FILM:2.37K OHM,1%,0.125W	91637	MFF1816G23700F
A64R4103	321-0229-00		RES.,FXD,FILM:2.37K OHM,1%,0.125W	91637	MFF1816G23700F
A64R5023	315-0102-00		RES.,FXD,CMPSN:1K OHM,5%,0.25W	57668	NTR25JE01K0
A64R5025	315-0103-00		RES.,FXD,CMPSN:10K OHM,5%,0.25W	57668	NTR25J-E10K0
A64R5027	315-0203-00		RES.,FXD,CMPSN:20K OHM,5%,0.25W	57668	NTR25J-E20K0
A64R5029	315-0102-00		RES.,FXD,CMPSN:1K OHM,5%,0.25W	57668	NTR25JE01K0
A64R5035	315-0101-00		RES.,FXD,CMPSN:100 OHM,5%,0.25W	57668	NTR25J-E 100E
A64R5037	315-0102-00		RES.,FXD,CMPSN:1K OHM,5%,0.25W	57668	NTR25JE01K0
A64R5039	315-0103-00		RES.,FXD,CMPSN:10K OHM,5%,0.25W	57668	NTR25J-E10K0
A64R5041	315-0203-00		RES.,FXD,CMPSN:20K OHM,5%,0.25W	57668	NTR25J-E20K0
A64R5042	315-0102-00		RES.,FXD,CMPSN:1K OHM,5%,0.25W	57668	NTR25JE01K0
A64R5049	321-0420-00		RES.,FXD,FILM:232K OHM,1%,0.125W	91637	MFF1816G23202F
A64R5053	321-0335-00		RES.,FXD,FILM:30.1K OHM,1%,0.125W	91637	CMF55116G30101F
A64R5057	321-0412-00		RES.,FXD,FILM:191K OHM,1%,0.125W	91637	MFF1816G19102F
A64R5058	321-0215-00		RES.,FXD,FILM:1.69K OHM,1%,0.125W	91637	MFF1816G16900F
A64R5059	321-0412-00		RES.,FXD,FILM:191K OHM,1%,0.125W	91637	MFF1816G19102F
A64R5062	321-0379-00		RES.,FXD,FILM:86.6K OHM,1%,0.125W	91637	MFF1816G86601F
A64R5081	315-0103-00		RES.,FXD,CMPSN:10K OHM,5%,0.25W	57668	NTR25J-E10K0
A64R5082	315-0103-00		RES.,FXD,CMPSN:10K OHM,5%,0.25W	57668	NTR25J-E10K0
A64R5083	321-0398-00		RES.,FXD,FILM:137K OHM,1%,0.125W	91637	MFF1816G13702F
A64R5084	315-0102-00		RES.,FXD,CMPSN:1K OHM,5%,0.25W	57668	NTR25JE01K0
A64R5086	315-0101-00		RES.,FXD,CMPSN:100 OHM,5%,0.25W	57668	NTR25J-E 100E
A64R5096	315-0102-00		RES.,FXD,CMPSN:1K OHM,5%,0.25W	57668	NTR25JE01K0

Replaceable Electrical Parts—494/494P Service Vol. 2

Component No.	Tektronix Part No.	Serial/Model No. Eff Dscnt	Name & Description	Mfr Code	Mfr Part Number
A64R5097	315-0103-00		RES.,FXD,CMPSN:10K OHM,5%,0.25W	57668	NTR25J-E10K0
A64R5099	315-0103-00		RES.,FXD,CMPSN:10K OHM,5%,0.25W	57668	NTR25J-E10K0
A64R5102	315-0102-00		RES.,FXD,CMPSN:1K OHM,5%,0.25W	57668	NTR25JE01K0
A64R6017	321-0378-00		RES.,FXD,FILM:84.5K OHM,1%,0.125W	91637	MFF1816G84501F
A64R6032	321-0424-00		RES.,FXD,FILM:255K OHM,1%,0.125W	91637	MFF1816G25502F
A64R6034	315-0101-00		RES.,FXD,CMPSN:100 OHM,5%,0.25W	57668	NTR25J-E 100E
A64R6071	321-0335-00		RES.,FXD,FILM:30.1K OHM,1%,0.125W	91637	CMF55116G30101F
A64R6072	321-0335-00		RES.,FXD,FILM:30.1K OHM,1%,0.125W	91637	CMF55116G30101F
A64R6073	321-0335-00		RES.,FXD,FILM:30.1K OHM,1%,0.125W	91637	CMF55116G30101F
A64R6081	321-0335-00		RES.,FXD,FILM:30.1K OHM,1%,0.125W	91637	CMF55116G30101F
A64R6082	315-0102-00		RES.,FXD,CMPSN:1K OHM,5%,0.25W	57668	NTR25JE01K0
A64R6084	315-0102-00		RES.,FXD,CMPSN:1K OHM,5%,0.25W	57668	NTR25JE01K0
A64R6086	321-0424-00		RES.,FXD,FILM:255K OHM,1%,0.125W	91637	MFF1816G25502F
A64R6109	321-0378-00		RES.,FXD,FILM:84.5K OHM,1%,0.125W	91637	MFF1816G84501F
A64R7021	315-0512-00		RES.,FXD,CMPSN:5.1K OHM,5%,0.25W	57668	NTR25J-E05K1
A64R7022	315-0512-00		RES.,FXD,CMPSN:5.1K OHM,5%,0.25W	57668	NTR25J-E05K1
A64R7023	315-0512-00		RES.,FXD,CMPSN:5.1K OHM,5%,0.25W	57668	NTR25J-E05K1
A64R7031	315-0101-00		RES.,FXD,CMPSN:100 OHM,5%,0.25W	57668	NTR25J-E 100E
A64R7032	321-0439-00		RES.,FXD,FILM:365K OHM,1%,0.125W	91637	MFF1816G36502F
A64R7034	321-0338-00		RES.,FXD,FILM:32.4K OHM,1%,0.125W	91637	MFF1816G32401F
A64R7051	321-0335-00		RES.,FXD,FILM:30.1K OHM,1%,0.125W	91637	CMF55116G30101F
A64R7078	315-0100-00		RES.,FXD,CMPSN:10 OHM,5%,0.25W	57668	NTR25J-E 10E0
A64R7079	315-0100-00		RES.,FXD,CMPSN:10 OHM,5%,0.25W	57668	NTR25J-E 10E0
A64R7081	321-0335-00		RES.,FXD,FILM:30.1K OHM,1%,0.125W	91637	CMF55116G30101F
A64R8071	315-0104-00		RES.,FXD,CMPSN:100K OHM,5%,0.25W	57668	NTR25J-E100K
A64TP1016	214-0579-00		TERM,TEST POINT:BRS CD PL	80009	214-0579-00
A64U2060	156-0742-02		MICROCIRCUIT,LI:OPERATIONAL AMPLIFIER,SEL	01295	LM318JG
A64U2062	156-0742-02		MICROCIRCUIT,LI:OPERATIONAL AMPLIFIER,SEL	01295	LM318JG
A64U6024	156-1226-01		MICROCIRCUIT,LI:DUAL COMPTR,14 DIP,SCRN	27014	LM319J/A +
A64U6055	156-1211-00		MICROCKT,INTFC:QUAD SPST SWITCH,2NC,2NO	80009	156-1211-00
A64U6065	156-0742-02		MICROCIRCUIT,LI:OPERATIONAL AMPLIFIER,SEL	01295	LM318JG
A64U6073	156-0742-02		MICROCIRCUIT,LI:OPERATIONAL AMPLIFIER,SEL	01295	LM318JG
A64U7055	156-1211-00		MICROCKT,INTFC:QUAD SPST SWITCH,2NC,2NO	80009	156-1211-00
A64U7065	156-0742-02		MICROCIRCUIT,LI:OPERATIONAL AMPLIFIER,SEL	01295	LM318JG
A64U7073	156-0158-04		MICROCIRCUIT,LI:DUAL OPERATIONAL AMPLIFIER	01295	N99320JG
A64VR1035	152-0279-00		SEMICONV DEVICE:ZENER,0.4W,5.1V,5%	04713	SZG35010RL
A64VR3074	152-0279-00		SEMICONV DEVICE:ZENER,0.4W,5.1V,5%	04713	SZG35010RL



Component No	Tektronix Part No.	Serial/Model No. Eff Dscnt	Name & Description	Mfr Code	Mfr Part Number
A66	670-7902-00		CKT BOARD ASSY:CRT READOUT	80009	670-7902-00
A66C1011	283-0047-00		CAP.,FXD,CER DI:270PF,5%,500V	59821	2DDH73L271J
A66C1014	283-0197-00		CAP.,FXD,CER DI:470PF,5%,100V	72982	8121N075C0G0471J
A66C1015	283-0197-00		CAP.,FXD,CER DI:470PF,5%,100V	72982	8121N075C0G0471J
A66C1018	283-0024-00		CAP.,FXD,CER DI:0.1UF,+80-20%,50V	72982	8121N083Z5U0104Z
A66C1023	283-0024-00		CAP.,FXD,CER DI:0.1UF,+80-20%,50V	72982	8121N083Z5U0104Z
A66C1031	283-0024-00		CAP.,FXD,CER DI:0.1UF,+80-20%,50V	72982	8121N083Z5U0104Z
A66C1043	283-0024-00		CAP.,FXD,CER DI:0.1UF,+80-20%,50V	72982	8121N083Z5U0104Z
A66C1057	283-0051-00		CAP.,FXD,CER DI:0.0033UF,5%,100V	56289	1C20C0G332J100B
A66C1058	283-0024-00		CAP.,FXD,CER DI:0.1UF,+80-20%,50V	72982	8121N083Z5U0104Z
A66C2012	283-0204-00		CAP.,FXD,CER DI:0.01UF,20%,50V	96733	R2676
A66C2013	283-0024-00		CAP.,FXD,CER DI:0.1UF,+80-20%,50V	72982	8121N083Z5U0104Z
A66C2015	283-0024-00		CAP.,FXD,CER DI:0.1UF,+80-20%,50V	72982	8121N083Z5U0104Z
A66C2016	283-0024-00		CAP.,FXD,CER DI:0.1UF,+80-20%,50V	72982	8121N083Z5U0104Z
A66C2018	283-0024-00		CAP.,FXD,CER DI:0.1UF,+80-20%,50V	72982	8121N083Z5U0104Z
A66C2020	283-0024-00		CAP.,FXD,CER DI:0.1UF,+80-20%,50V	72982	8121N083Z5U0104Z
A66C2022	283-0024-00		CAP.,FXD,CER DI:0.1UF,+80-20%,50V	72982	8121N083Z5U0104Z
A66C2026	283-0024-00		CAP.,FXD,CER DI:0.1UF,+80-20%,50V	72982	8121N083Z5U0104Z
A66C2031	283-0024-00		CAP.,FXD,CER DI:0.1UF,+80-20%,50V	72982	8121N083Z5U0104Z
A66C2038	283-0024-00		CAP.,FXD,CER DI:0.1UF,+80-20%,50V	72982	8121N083Z5U0104Z
A66C2042	283-0024-00		CAP.,FXD,CER DI:0.1UF,+80-20%,50V	72982	8121N083Z5U0104Z
A66C2056	283-0024-00		CAP.,FXD,CER DI:0.1UF,+80-20%,50V	72982	8121N083Z5U0104Z
A66C3025	283-0024-00		CAP.,FXD,CER DI:0.1UF,+80-20%,50V	72982	8121N083Z5U0104Z
A66C3026	283-0024-00		CAP.,FXD,CER DI:0.1UF,+80-20%,50V	72982	8121N083Z5U0104Z
A66C3027	283-0204-00		CAP.,FXD,CER DI:0.01UF,20%,50V	96733	R2676
A66C3028	283-0024-00		CAP.,FXD,CER DI:0.1UF,+80-20%,50V	72982	8121N083Z5U0104Z
A66C3049	283-0024-00		CAP.,FXD,CER DI:0.1UF,+80-20%,50V	72982	8121N083Z5U0104Z
A66C3056	283-0024-00		CAP.,FXD,CER DI:0.1UF,+80-20%,50V	72982	8121N083Z5U0104Z
A66C3057	283-0024-00		CAP.,FXD,CER DI:0.1UF,+80-20%,50V	72982	8121N083Z5U0104Z
A66CR1012	152-0322-00		SEMICONV DEVICE:SILICON,15V,HOT CARRIER	50434	5082-2672
A66CR1013	152-0322-00		SEMICONV DEVICE:SILICON,15V,HOT CARRIER	50434	5082-2672
A66L3055	108-0836-00		COIL,RF:14 UH TOROIDAL INDUCTOR	80009	108-0836-00
A66L3056	108-0537-00		COIL,RF:200UH	80009	108-0537-00
A66L3059	108-0537-00		COIL,RF:200UH	80009	108-0537-00
A66Q2024	151-0190-00		TRANSISTOR:NPN,SI,TO-92	04713	SPS7969
A66Q3018	151-0190-00		TRANSISTOR:NPN,SI,TO-92	04713	SPS7969
A66R1014	315-0102-00		RES.,FXD,CMPSN:1K OHM,5%,0.25W	57668	NTR25JE01K0
A66R1015	315-0103-00		RES.,FXD,CMPSN:10K OHM,5%,0.25W	57668	NTR25J-E10K0
A66R1016	321-0307-00		RES.,FXD,FILM:15.4K OHM,1%,0.125W	91637	MFF1816G15401F
A66R1017	321-1313-08		RES.,FXD,FILM:18K OHM,1%,0.125W,TC=T2	07716	CEAC18001F
A66R1026	315-0472-00		RES.,FXD,CMPSN:4.7K OHM,5%,0.25W	57668	NTR25J-E04K7
A66R1033	315-0472-00		RES.,FXD,CMPSN:4.7K OHM,5%,0.25W	57668	NTR25J-E04K7
A66R1040	315-0103-00		RES.,FXD,CMPSN:10K OHM,5%,0.25W	57668	NTR25J-E10K0
A66R1042	315-0103-00		RES.,FXD,CMPSN:10K OHM,5%,0.25W	57668	NTR25J-E10K0
A66R1056	315-0102-00		RES.,FXD,CMPSN:1K OHM,5%,0.25W	57668	NTR25JE01K0
A66R1057	321-0366-00		RES.,FXD,FILM:63.4K OHM,1%,0.125W	91637	CMF55116G63401F
A66R1058	315-0102-00		RES.,FXD,CMPSN:1K OHM,5%,0.25W	57668	NTR25JE01K0
A66R2012	321-0277-03		RES.,FXD,FILM:7.5K OHM,0.25%,0.125W	24546	NC55C7501C
A66R2013	321-0277-03		RES.,FXD,FILM:7.5K OHM,0.25%,0.125W	24546	NC55C7501C
A66R2016	321-0260-03		RES.,FXD,FILM:4.99K OHM,0.25%,0.125W	24546	NC55C4991C
A66R2017	321-0281-07		RES.,FXD,FILM:8.25K OHM,0.10%,0.125W	91637	MFF1816C82500B
A66R2018	321-0328-00		RES.,FXD,FILM:25.5K OHM,1%,0.125W	91637	MFF1816G25501F
A66R2019	315-0472-00		RES.,FXD,CMPSN:4.7K OHM,5%,0.25W	57668	NTR25J-E04K7
A66R2021	315-0153-00		RES.,FXD,CMPSN:15K OHM,5%,0.25W	01121	CB1535

Replaceable Electrical Parts—494/494P Service Vol. 2

Component No.	Tektronix Part No.	Serial/Model No. Eff Dscont	Name & Description	Mfr Code	Mfr Part Number
A66R2027	321-0242-00		RES.,FXD,FILM:3.24K OHM,1%,0.125W	91637	MFF1816G32400F
A66R2028	321-0296-00		RES.,FXD,FILM:11.8K OHM,1%,0.125W	91637	MFF1816G11801F
A66R3014	321-0219-00		RES.,FXD,FILM:1.87K OHM,1%,0.125W	91637	MFF1816G18700F
A66R3015	321-0301-00		RES.,FXD,FILM:13.3K OHM,1%,0.125W	91637	MFF1816G13301F
A66R3025	321-0307-00		RES.,FXD,FILM:15.4K OHM,1%,0.125W	91637	MFF1816G15401F
A66R3026	321-0603-00		RES.,FXD,FILM:15K OHM,0.25%,0.125W	91637	MFF1816D15001C
A66R3027	321-0303-00		RES.,FXD,FILM:14K OHM,1%,0.125W	91637	MFF1816G14001F
A66R3028	321-1723-07		RES.,FXD,FILM:3.15K OHM,0.1%,0.125W	24546	NE55.3151,B
A66TP1036	214-0579-00		TERM,TEST POINT:BRS CD PL	80009	214-0579-00
A66TP1038	214-0579-00		TERM,TEST POINT:BRS CD PL	80009	214-0579-00
A66TP1056	214-0579-00		TERM,TEST POINT:BRS CD PL	80009	214-0579-00
A66U1016	156-0733-02		MICROCIRCUIT,DI:DUAL MONOSTABLE MV,SCRN	01295	SN74LS221N3
A66U1020	156-0391-02		MICROCIRCUIT,DI:HEX LATCH W/CLEAR	01295	SN74LS174
A66U1025	156-0480-02		MICROCIRCUIT,DI:QUAD 2 INP & GATE	01295	SN74LS08NP3
A66U1028	156-0385-02		MICROCIRCUIT,DI:HEX INVERTER	01295	SN74LS04
A66U1033	156-0718-03		MICROCIRCUIT,DI:TRIPLE 3-INP NOR GATE	01295	SN74LS27
A66U1037	156-0386-02		MICROCIRCUIT,DI:TRIPLE 3-INP NAND GATE	27014	DM74LS10N
A66U1041	156-1059-01		MICROCIRCUIT,DI:DUAL J-K EDGE TRIGGERED	01295	SN74LS109A
A66U1046	156-0530-02		MICROCIRCUIT,DI:QUAD 2-INP MUX,SCRN	01295	SN74LS157P3
A66U1050	156-0798-02		MICROCIRCUIT,DI:DUAL 14 TO 1 LINE SEL/MUX	01295	SN74LS153
A66U1055	156-0733-02		MICROCIRCUIT,DI:DUAL MONOSTABLE MV,SCRN	01295	SN74LS221N3
A66U2014	156-0844-02		MICROCIRCUIT,DI:SYN 4 BIT CNTR,SCRN	01295	SN74LS161A
A66U2018	156-0844-02		MICROCIRCUIT,DI:SYN 4 BIT CNTR,SCRN	01295	SN74LS161A
A66U2022	156-0844-02		MICROCIRCUIT,DI:SYN 4 BIT CNTR,SCRN	01295	SN74LS161A
A66U2026	156-0844-02		MICROCIRCUIT,DI:SYN 4 BIT CNTR,SCRN	01295	SN74LS161A
A66U2031	156-0469-02		MICROCIRCUIT,DI:3/8 LINE DCDR	01295	SN74LS138NP3
A66U2035	156-0385-02		MICROCIRCUIT,DI:HEX INVERTER	01295	SN74LS04
A66U2039	156-0386-02		MICROCIRCUIT,DI:TRIPLE 3-INP NAND GATE	27014	DM74LS10N
A66U2044	156-0479-02		MICROCIRCUIT,DI:QUAD 2-INP OR GATE	01295	SN74LS32NP3
A66U2048	156-1170-00		MICROCIRCUIT,DI:ROM,CHAR GEN	27014	DM8678CAB/N
A66U2052	156-1614-00		MICROCIRCUIT,DI:SRAM,1024 X 4,W/3 STATE	34649	D2114AL-3
A66U2057	156-1614-00		MICROCIRCUIT,DI:SRAM,1024 X 4,W/3 STATE	34649	D2114AL-3
A66U3015	156-1255-00		MICROCIRCUIT,LI:D/A CONVERTER	04713	DAC-08HQ
A66U3021	156-1211-00		MICROCKT,INTFC:QUAD SPST SWITCH,2NC,2NO	80009	156-1211-00
A66U3029	156-1589-00		MICROCIRCUIT,LI:DA CONVERTER,12 BIT,HI SPD	34335	AM6012PC
A66U3034	156-0913-02		MICROCIRCUIT,DI:OCTAL D FF,BURN-IN	04713	SN74LS377NDS
A66U3038	156-0982-03		MICROCIRCUIT,DI:OCTAL-D-EDGE FF,SCRN	01295	SN74LS374 N3
A66U3042	156-0956-02		MICROCIRCUIT,DI:OCTAL BFR W/3 STATE OUT	01295	SN74LS244NP3
A66U3047	156-0956-02		MICROCIRCUIT,DI:OCTAL BFR W/3 STATE OUT	01295	SN74LS244NP3
A66U3051	156-0469-02		MICROCIRCUIT,DI:3/8 LINE DCDR	01295	SN74LS138NP3
A66VR1025	152-0326-00		SEMICONV DEVICE:ZENER,0.4W,7.5V,5%	80009	152-0326-00
A66VR1029	152-0326-00		SEMICONV DEVICE:ZENER,0.4W,7.5V,5%	80009	152-0326-00

Component No.	Tektronix Part No.	Serial/Model No. Eff	Discont	Name & Description	Mfr Code	Mfr Part Number
A68	644-0368-01			VAR RESOLN MDL:	80009	644-0368-01
A68FL6015	119-1768-00			CRYSTAL FILTER:MATCHED	80009	119-1768-00
A68FL6015	-----			(MATCHED SET W/A69FL690)		
A68U3041	156-0277-01			MICROCIRCUIT,LI:POSITIVE VOLTAGE REG	04713	MC7805CTD
A68W694	175-2417-00			CABLE ASSY,RF:50 OHM COAX,27.0 L	80009	175-2417-00
A68Y5040	119-0969-00			FILTER,BP:XTAL,4 POLE ML,10MHZ CRT FR	75378	965-0160
A68Y5040	-----			(MATCHED SET W/A69Y2043)		
A68Y6050	119-0968-00			FILTER,BP:XTAL,6 POLE ML,10MHZ CTR FR	75378	965-0159
A68Y6050	-----			(MATCHED SET W/A69Y2036 & A69Y3046)		
A68A1	670-5536-03			CKT BOARD ASSY:#2 VR MOTHER	80009	670-5536-03
A68A1C2011	283-0111-00			CAP.,FXD,CER DI:0.1UF,20%,50V	96733	R2632
A68A1C2015	283-0111-00			CAP.,FXD,CER DI:0.1UF,20%,50V	96733	R2632
A68A1C2018	283-0111-00			CAP.,FXD,CER DI:0.1UF,20%,50V	96733	R2632
A68A1C2023	283-0204-00			CAP.,FXD,CER DI:0.01UF,20%,50V	96733	R2676
A68A1C2033	283-0204-00			CAP.,FXD,CER DI:0.01UF,20%,50V	96733	R2676
A68A1C3019	283-0111-00			CAP.,FXD,CER DI:0.1UF,20%,50V	96733	R2632
A68A1C3027	283-0111-00			CAP.,FXD,CER DI:0.1UF,20%,50V	96733	R2632
A68A1C3041	290-0340-00			CAP.,FXD,ELCTLT:10UF,10%,50V	56289	109D106X9050C2
A68A1C3042	283-0111-00			CAP.,FXD,CER DI:0.1UF,20%,50V	96733	R2632
A68A1C4027	283-0111-00			CAP.,FXD,CER DI:0.1UF,20%,50V	96733	R2632
A68A1C4035	283-0204-00			CAP.,FXD,CER DI:0.01UF,20%,50V	96733	R2676
A68A1C4037	283-0204-00			CAP.,FXD,CER DI:0.01UF,20%,50V	96733	R2676
A68A1C4038	283-0204-00			CAP.,FXD,CER DI:0.01UF,20%,50V	96733	R2676
A68A1C4039	283-0111-00			CAP.,FXD,CER DI:0.1UF,20%,50V	96733	R2632
A68A1CR3020	152-0141-02			SEMICON D V,C,DI:SW,SI,30V,150MA,30V,DO-35	12969	NDP0263 (1N4152)
A68A1CR3021	152-0141-02			SEMICON D V,C,DI:SW,SI,30V,150MA,30V,DO-35	12969	NDP0263 (1N4152)
A68A1CR3022	152-0141-02			SEMICON D V,C,DI:SW,SI,30V,150MA,30V,DO-35	12969	NDP0263 (1N4152)
A68A1CR3023	152-0141-02			SEMICON D V,C,DI:SW,SI,30V,150MA,30V,DO-35	12969	NDP0263 (1N4152)
A68A1CR3024	152-0141-02			SEMICON D V,C,DI:SW,SI,30V,150MA,30V,DO-35	12969	NDP0263 (1N4152)
A68A1CR3025	152-0141-02			SEMICON D V,C,DI:SW,SI,30V,150MA,30V,DO-35	12969	NDP0263 (1N4152)
A68A1CR3026	152-0141-02			SEMICON D V,C,DI:SW,SI,30V,150MA,30V,DO-35	12969	NDP0263 (1N4152)
A68A1CR3027	152-0141-02			SEMICON D V,C,DI:SW,SI,30V,150MA,30V,DO-35	12969	NDP0263 (1N4152)
A68A1CR3031	152-0141-02			SEMICON D V,C,DI:SW,SI,30V,150MA,30V,DO-35	12969	NDP0263 (1N4152)
A68A1CR3033	152-0141-02			SEMICON D V,C,DI:SW,SI,30V,150MA,30V,DO-35	12969	NDP0263 (1N4152)
A68A1CR3034	152-0141-02			SEMICON D V,C,DI:SW,SI,30V,150MA,30V,DO-35	12969	NDP0263 (1N4152)
A68A1CR4029	152-0141-02			SEMICON D V,C,DI:SW,SI,30V,150MA,30V,DO-35	12969	NDP0263 (1N4152)
A68A1L4025	108-0395-00			COIL,RF:64UH	80009	108-0395-00
A68A1L4031	108-0395-00			COIL,RF:64UH	80009	108-0395-00
A68A1Q3035	151-0302-00			TRANSISTOR:SILICON,NPN	07263	S038487
A68A1Q3036	151-0136-00			TRANSISTOR:SILICON,NPN	02735	35495
A68A1Q4035	151-0302-00			TRANSISTOR:SILICON,NPN	07263	S038487
A68A1Q4037	151-0302-00			TRANSISTOR:SILICON,NPN	07263	S038487
A68A1R2014	315-0102-00			RES.,FXD,CMPSN:1K OHM,5%,0.25W	57668	NTR25JE01K0
A68A1R2026	315-0470-00			RES.,FXD,CMPSN:47 OHM,5%,0.25W	57668	NTR25J-E47E0
A68A1R2031	311-0978-00			RES.,VAR,NONWIR:250 OHM,10%,0.50W	73138	82-4-2
A68A1R2033	321-0756-00			RES.,FXD,FILM:50K OHM,1%,0.125W	24546	NA55D5002F
A68A1R2035	321-0289-00			RES.,FXD,FILM:10K OHM,1%,0.125W	91637	MFF1816G10001F
A68A1R2038	321-0289-00			RES.,FXD,FILM:10K OHM,1%,0.125W	91637	MFF1816G10001F
A68A1R3014	315-0102-00			RES.,FXD,CMPSN:1K OHM,5%,0.25W	57668	NTR25JE01K0
A68A1R3015	315-0102-00			RES.,FXD,CMPSN:1K OHM,5%,0.25W	57668	NTR25JE01K0
A68A1R3019	311-0978-00			RES.,VAR,NONWIR:250 OHM,10%,0.50W	73138	82-4-2
A68A1R3020	321-0298-00			RES.,FXD,FILM:12.4K OHM,1%,0.125W	91637	MFF1816G12401F



Replaceable Electrical Parts—494/494P Service Vol. 2

Component No.	Tektronix Part No.	Serial/Model No. Eff Dscnt	Name & Description	Mfr Code	Mfr Part Number
A68A1R3021	321-0298-00		RES.,FXD,FILM:12.4K OHM,1%,0.125W	91637	MFF1816G12401F
A68A1R3022	311-0978-00		RES.,VAR, NONWIR:250 OHM,10%,0.50W	73138	82-4-2
A68A1R3023	321-0298-00		RES.,FXD,FILM:12.4K OHM,1%,0.125W	91637	MFF1816G12401F
A68A1R3024	311-0978-00		RES.,VAR, NONWIR:250 OHM,10%,0.50W	73138	82-4-2
A68A1R3025	321-0298-00		RES.,FXD,FILM:12.4K OHM,1%,0.125W	91637	MFF1816G12401F
A68A1R3026	311-0978-00		RES.,VAR, NONWIR:250 OHM,10%,0.50W	73138	82-4-2
A68A1R3027	321-0298-00		RES.,FXD,FILM:12.4K OHM,1%,0.125W	91637	MFF1816G12401F
A68A1R3028	311-0978-00		RES.,VAR, NONWIR:250 OHM,10%,0.50W	73138	82-4-2
A68A1R3029	311-0978-00		RES.,VAR, NONWIR:250 OHM,10%,0.50W	73138	82-4-2
A68A1R3030	311-0978-00		RES.,VAR, NONWIR:250 OHM,10%,0.50W	73138	82-4-2
A68A1R3031	321-0298-00		RES.,FXD,FILM:12.4K OHM,1%,0.125W	91637	MFF1816G12401F
A68A1R3032	311-0978-00		RES.,VAR, NONWIR:250 OHM,10%,0.50W	73138	82-4-2
A68A1R3033	321-0298-00		RES.,FXD,FILM:12.4K OHM,1%,0.125W	91637	MFF1816G12401F
A68A1R3034	311-0978-00		RES.,VAR, NONWIR:250 OHM,10%,0.50W	73138	82-4-2
A68A1R3035	315-0103-00		RES.,FXD,CMPSN:10K OHM,5%,0.25W	57668	NTR25J-E10K0
A68A1R3036	321-0298-00		RES.,FXD,FILM:12.4K OHM,1%,0.125W	91637	MFF1816G12401F
A68A1R3037	315-0222-00		RES.,FXD,CMPSN:2.2K OHM,5%,0.25W	57668	NTR25J-E02K2
A68A1R3038	321-0239-00		RES.,FXD,FILM:3.01K OHM,1%,0.125W	91637	MFF1816G30100F
A68A1R3039	321-0260-00		RES.,FXD,FILM:4.99K OHM,1%,0.125W	91637	MFF1816G49900F
A68A1R3041	321-0289-00		RES.,FXD,FILM:10K OHM,1%,0.125W	91637	MFF1816G10001F
A68A1R3042	321-0289-00		RES.,FXD,FILM:10K OHM,1%,0.125W	91637	MFF1816G10001F
A68A1R3043	315-0103-00		RES.,FXD,CMPSN:10K OHM,5%,0.25W	57668	NTR25J-E10K0
A68A1R3044	315-0103-00		RES.,FXD,CMPSN:10K OHM,5%,0.25W	57668	NTR25J-E10K0
A68A1R3045	315-0222-00		RES.,FXD,CMPSN:2.2K OHM,5%,0.25W	57668	NTR25J-E02K2
A68A1R4026	321-0298-00		RES.,FXD,FILM:12.4K OHM,1%,0.125W	91637	MFF1816G12401F
A68A1R4029	315-0222-00		RES.,FXD,CMPSN:2.2K OHM,5%,0.25W	57668	NTR25J-E02K2
A68A1R4031	315-0103-00		RES.,FXD,CMPSN:10K OHM,5%,0.25W	57668	NTR25J-E10K0
A68A1R4039	315-0100-00		RES.,FXD,CMPSN:10 OHM,5%,0.25W	57668	NTR25J-E 10E0
A68A1U3010	156-0913-02		MICROCIRCUIT,DI:OCTAL D FF,BURN-IN	04713	SN74LS377NDS
A68A1U3017	156-0913-02		MICROCIRCUIT,DI:OCTAL D FF,BURN-IN	04713	SN74LS377NDS
A68A1U3023	156-1235-00		MICROCIRCUIT,DI:BCD TO DECIMAL DECODER/DR	80009	156-1235-00
A68A1U3038	156-0158-04		MICROCIRCUIT,LI: DUAL OPERATIONAL AMPLIFIER	01295	N99320JG
A68A1U4022	156-0469-02		MICROCIRCUIT,DI:3/8 LINE DCOR	01295	SN74LS138NP3

Component No.	Tektronix Part No.	Serial/Model No. Eff Dscont	Name & Description	Mfr Code	Mfr Part Number
A68A2	670-2118-00		CKT BOARD ASSY:2ND FILTER SELECT	80009	670-2118-00
A68A2C1015	283-0204-00		CAP.,FXD,CER DI:0.01UF,20%,50V	96733	R2676
A68A2C1027	283-0204-00		CAP.,FXD,CER DI:0.01UF,20%,50V	96733	R2676
A68A2C1035	283-0204-00		CAP.,FXD,CER DI:0.01UF,20%,50V	96733	R2676
A68A2C1041	283-0204-00		CAP.,FXD,CER DI:0.01UF,20%,50V	96733	R2676
A68A2C1047	283-0204-00		CAP.,FXD,CER DI:0.01UF,20%,50V	96733	R2676
A68A2C1060	283-0204-00		CAP.,FXD,CER DI:0.01UF,20%,50V	96733	R2676
A68A2C1061	283-0204-00		CAP.,FXD,CER DI:0.01UF,20%,50V	96733	R2676
A68A2C2016	283-0204-00		CAP.,FXD,CER DI:0.01UF,20%,50V	96733	R2676
A68A2C2018	283-0204-00		CAP.,FXD,CER DI:0.01UF,20%,50V	96733	R2676
A68A2C2019	283-0204-00		CAP.,FXD,CER DI:0.01UF,20%,50V	96733	R2676
A68A2C2028	283-0204-00		CAP.,FXD,CER DI:0.01UF,20%,50V	96733	R2676
A68A2C2030	283-0204-00		CAP.,FXD,CER DI:0.01UF,20%,50V	96733	R2676
A68A2C2033	283-0204-00		CAP.,FXD,CER DI:0.01UF,20%,50V	96733	R2676
A68A2C2041	283-0204-00		CAP.,FXD,CER DI:0.01UF,20%,50V	96733	R2676
A68A2C2048	281-0620-00		CAP.,FXD,CER DI:21PF,1%,500V	59660	301-000C0G0210F
A68A2C2050	281-0245-00		CAP.,VAR,CER DI:7.5-50PF,400V	91293	9694
A68A2C2054	283-0204-00		CAP.,FXD,CER DI:0.01UF,20%,50V	96733	R2676
A68A2C2065	283-0204-00		CAP.,FXD,CER DI:0.01UF,20%,50V	96733	R2676
A68A2C2066	283-0204-00		CAP.,FXD,CER DI:0.01UF,20%,50V	96733	R2676
A68A2C2070	283-0111-00		CAP.,FXD,CER DI:0.1UF,20%,50V	96733	R2632
A68A2C3013	283-0111-00		CAP.,FXD,CER DI:0.1UF,20%,50V	96733	R2632
A68A2C3031	283-0204-00		CAP.,FXD,CER DI:0.01UF,20%,50V	96733	R2676
A68A2C3050	283-0899-00		CAP.,FXD,CER DI:160PF,5%,50V	51642	300-050-NPO-161J
A68A2C3066	283-0204-00		CAP.,FXD,CER DI:0.01UF,20%,50V	96733	R2676
A68A2C3067	283-0204-00		CAP.,FXD,CER DI:0.01UF,20%,50V	96733	R2676
A68A2C3068	283-0111-00		CAP.,FXD,CER DI:0.1UF,20%,50V	96733	R2632
A68A2C4014	283-0111-00		CAP.,FXD,CER DI:0.1UF,20%,50V	96733	R2632
A68A2C4015	283-0111-00		CAP.,FXD,CER DI:0.1UF,20%,50V	96733	R2632
A68A2C4056	281-0619-00		CAP.,FXD,CER DI:1.2PF,+/-0.1PF,200V	59660	374 018 C0K0129B
A68A2C4068	283-0111-00		CAP.,FXD,CER DI:0.1UF,20%,50V	96733	R2632
A68A2C5054	283-0899-00		CAP.,FXD,CER DI:160PF,5%,50V	51642	300-050-NPO-161J
A68A2C5059	281-0245-00		CAP.,VAR,CER DI:7.5-50PF,400V	91293	9694
A68A2C5064	283-0204-00		CAP.,FXD,CER DI:0.01UF,20%,50V	96733	R2676
A68A2C5065	283-0204-00		CAP.,FXD,CER DI:0.01UF,20%,50V	96733	R2676
A68A2C6039	283-0111-00		CAP.,FXD,CER DI:0.1UF,20%,50V	96733	R2632
A68A2C6052	281-0620-00		CAP.,FXD,CER DI:21PF,1%,500V	59660	301-000C0G0210F
A68A2C6072	283-0204-00		CAP.,FXD,CER DI:0.01UF,20%,50V	96733	R2676
A68A2C6073	283-0204-00		CAP.,FXD,CER DI:0.01UF,20%,50V	96733	R2676
A68A2C7056	283-0204-00		CAP.,FXD,CER DI:0.01UF,20%,50V	96733	R2676
A68A2C7061	283-0204-00		CAP.,FXD,CER DI:0.01UF,20%,50V	96733	R2676
A68A2C8013	283-0111-00		CAP.,FXD,CER DI:0.1UF,20%,50V	96733	R2632
A68A2C8024	283-0204-00		CAP.,FXD,CER DI:0.01UF,20%,50V	96733	R2676
A68A2C8025	283-0204-00		CAP.,FXD,CER DI:0.01UF,20%,50V	96733	R2676
A68A2C8029	283-0204-00		CAP.,FXD,CER DI:0.01UF,20%,50V	96733	R2676
A68A2C8040	283-0204-00		CAP.,FXD,CER DI:0.01UF,20%,50V	96733	R2676
A68A2C8045	283-0204-00		CAP.,FXD,CER DI:0.01UF,20%,50V	96733	R2676
A68A2C8046	283-0204-00		CAP.,FXD,CER DI:0.01UF,20%,50V	96733	R2676
A68A2C8057	283-0204-00		CAP.,FXD,CER DI:0.01UF,20%,50V	96733	R2676
A68A2C8061	283-0204-00		CAP.,FXD,CER DI:0.01UF,20%,50V	96733	R2676
A68A2C8075	283-0204-00		CAP.,FXD,CER DI:0.01UF,20%,50V	96733	R2676
A68A2CR1017	152-0107-00		SEMICONV DEVICE:SILICON,400V,400MA	12969	G727
A68A2CR1019	152-0107-00		SEMICONV DEVICE:SILICON,400V,400MA	12969	G727
A68A2CR1020	152-0107-00		SEMICONV DEVICE:SILICON,400V,400MA	12969	G727

Replaceable Electrical Parts—494/494P Service Vol. 2

Component No.	Tektronix Part No.	Serial/Model No. Eff Dscnt	Name & Description	Mfr Code	Mfr Part Number
A68A2CR1022	152-0107-00		SEMICONV DEVICE:SILICON,400V,400MA	12969	G727
A68A2CR1025	152-0107-00		SEMICONV DEVICE:SILICON,400V,400MA	12969	G727
A68A2CR1029	152-0107-00		SEMICONV DEVICE:SILICON,400V,400MA	12969	G727
A68A2CR1038	152-0107-00		SEMICONV DEVICE:SILICON,400V,400MA	12969	G727
A68A2CR1040	152-0107-00		SEMICONV DEVICE:SILICON,400V,400MA	12969	G727
A68A2CR1050	152-0107-00		SEMICONV DEVICE:SILICON,400V,400MA	12969	G727
A68A2CR1052	152-0107-00		SEMICONV DEVICE:SILICON,400V,400MA	12969	G727
A68A2CR3066	152-0141-02		SEMICONV DVC,DI:SW,SI,30V,150MA,30V,DO-35	12969	NDP0263 (1N4152)
A68A2CR7065	152-0107-00		SEMICONV DEVICE:SILICON,400V,400MA	12969	G727
A68A2CR7067	152-0107-00		SEMICONV DEVICE:SILICON,400V,400MA	12969	G727
A68A2CR7070	152-0107-00		SEMICONV DEVICE:SILICON,400V,400MA	12969	G727
A68A2CR7071	152-0107-00		SEMICONV DEVICE:SILICON,400V,400MA	12969	G727
A68A2CR8015	152-0107-00		SEMICONV DEVICE:SILICON,400V,400MA	12969	G727
A68A2CR8016	152-0107-00		SEMICONV DEVICE:SILICON,400V,400MA	12969	G727
A68A2CR8035	152-0107-00		SEMICONV DEVICE:SILICON,400V,400MA	12969	G727
A68A2CR8036	152-0107-00		SEMICONV DEVICE:SILICON,400V,400MA	12969	G727
A68A2CR8059	152-0107-00		SEMICONV DEVICE:SILICON,400V,400MA	12969	G727
A68A2CR8060	152-0107-00		SEMICONV DEVICE:SILICON,400V,400MA	12969	G727
A68A2L1019	108-0395-00		COIL,RF:64UH	80009	108-0395-00
A68A2L1025	108-0395-00		COIL,RF:64UH	80009	108-0395-00
A68A2L1032	108-0395-00		COIL,RF:64UH	80009	108-0395-00
A68A2L1045	108-0395-00		COIL,RF:64UH	80009	108-0395-00
A68A2L1055	108-0395-00		COIL,RF:64UH	80009	108-0395-00
A68A2L2013	108-0395-00		COIL,RF:64UH	80009	108-0395-00
A68A2L2075	108-0395-00		COIL,RF:64UH	80009	108-0395-00
A68A2L3058	108-0964-00		COIL,RF:FIXED,1.15UH,TORIDAL INDUCT	80009	108-0964-00
A68A2L4060	108-0964-00		COIL,RF:FIXED,1.15UH,TORIDAL INDUCT	80009	108-0964-00
A68A2L6056	108-0395-00		COIL,RF:64UH	80009	108-0395-00
A68A2L7075	108-0395-00		COIL,RF:64UH	80009	108-0395-00
A68A2L8020	108-0395-00		COIL,RF:64UH	80009	108-0395-00
A68A2L8040	108-0395-00		COIL,RF:64UH	80009	108-0395-00
A68A2L8061	108-0395-00		COIL,RF:64UH	80009	108-0395-00
A68A2L8070	108-0395-00		COIL,RF:64UH	80009	108-0395-00
A68A2Q2020	151-0301-00		TRANSISTOR:SILICON,PNP	27014	2N2907A
A68A2Q2025	151-0301-00		TRANSISTOR:SILICON,PNP	27014	2N2907A
A68A2Q2035	151-0301-00		TRANSISTOR:SILICON,PNP	27014	2N2907A
A68A2Q2040	151-0301-00		TRANSISTOR:SILICON,PNP	27014	2N2907A
A68A2Q2055	151-0301-00		TRANSISTOR:SILICON,PNP	27014	2N2907A
A68A2Q3013	151-0301-00		TRANSISTOR:SILICON,PNP	27014	2N2907A
A68A2Q6065	151-0301-00		TRANSISTOR:SILICON,PNP	27014	2N2907A
A68A2Q6075	151-0301-00		TRANSISTOR:SILICON,PNP	27014	2N2907A
A68A2Q7060	151-0301-00		TRANSISTOR:SILICON,PNP	27014	2N2907A
A68A2Q8035	151-0301-00		TRANSISTOR:SILICON,PNP	27014	2N2907A
A68A2Q8050	151-0301-00		TRANSISTOR:SILICON,PNP	27014	2N2907A
A68A2R1033	315-0121-00		RES.,FXD,CMPSN:120 OHM,5%,0.25W	01121	CB1215
A68A2R1035	315-0332-00		RES.,FXD,CMPSN:3.3K OHM,5%,0.25W	57668	NTR25J-E03K3
A68A2R1050	315-0332-00		RES.,FXD,CMPSN:3.3K OHM,5%,0.25W	57668	NTR25J-E03K3
A68A2R1055	315-0121-00		RES.,FXD,CMPSN:120 OHM,5%,0.25W	01121	CB1215
A68A2R1062	315-0103-00		RES.,FXD,CMPSN:10K OHM,5%,0.25W	57668	NTR25J-E10K0
A68A2R1065	311-0622-00		RES.,VAR,NONWIR:100 OHM,10%,0.50W	32997	3329H-G48-101
A68A2R1069	321-0713-00		RES.,FXD,FILM:30 OHM,1%,0.125W	91637	MFF1816G30R00F
A68A2R2014	315-0331-00		RES.,FXD,CMPSN:330 OHM,5%,0.25W	57668	NTR25J-E330E
A68A2R2015	315-0331-00		RES.,FXD,CMPSN:330 OHM,5%,0.25W	57668	NTR25J-E330E
A68A2R2016	315-0121-00		RES.,FXD,CMPSN:120 OHM,5%,0.25W	01121	CB1215



Component No.	Tektronix Part No.	Serial/Model No. Eff Dscont	Name & Description	Mfr Code	Mfr Part Number
A68A2R2020	315-0332-00		RES.,FXD,CMPSN:3.3K OHM,5%,0.25W	57668	NTR25J-E03K3
A68A2R2025	315-0121-00		RES.,FXD,CMPSN:120 OHM,5%,0.25W	01121	CB1215
A68A2R2026	315-0332-00		RES.,FXD,CMPSN:3.3K OHM,5%,0.25W	57668	NTR25J-E03K3
A68A2R2030	315-0103-00		RES.,FXD,CMPSN:10K OHM,5%,0.25W	57668	NTR25J-E10K0
A68A2R2034	315-0103-00		RES.,FXD,CMPSN:10K OHM,5%,0.25W	57668	NTR25J-E10K0
A68A2R2037	315-0103-00		RES.,FXD,CMPSN:10K OHM,5%,0.25W	57668	NTR25J-E10K0
A68A2R2040	315-0332-00		RES.,FXD,CMPSN:3.3K OHM,5%,0.25W	57668	NTR25J-E03K3
A68A2R2043	315-0121-00		RES.,FXD,CMPSN:120 OHM,5%,0.25W	01121	CB1215
A68A2R2044	315-0103-00		RES.,FXD,CMPSN:10K OHM,5%,0.25W	57668	NTR25J-E10K0
A68A2R2045	315-0103-00		RES.,FXD,CMPSN:10K OHM,5%,0.25W	57668	NTR25J-E10K0
A68A2R2047	321-0037-00		RES.,FXD,FILM:23.7 OHM,1%,0.125W	91637	MFF1816G23R70F
A68A2R2048	321-0130-00		RES.,FXD,FILM:221 OHM,1%,0.125W	91637	MFF1816G221R0F
A68A2R2049	321-0130-00		RES.,FXD,FILM:221 OHM,1%,0.125W	91637	MFF1816G221R0F
A68A2R2059	315-0103-00		RES.,FXD,CMPSN:10K OHM,5%,0.25W	57668	NTR25J-E10K0
A68A2R2060	321-0114-00		RES.,FXD,FILM:150 OHM,1%,0.125W	91637	MFF1816G150R0F
A68A2R2065	321-0032-00		RES.,FXD,FILM:21 OHM,1%,0.125W	91637	MFF1816G21R00F
A68A2R3013	315-0102-00		RES.,FXD,CMPSN:1K OHM,5%,0.25W	57668	NTR25JE01K0
A68A2R3014	321-0097-00		RES.,FXD,FILM:100 OHM,1%,0.125W	91637	MFF1816G100R0F
A68A2R3015	311-0622-00		RES.,VAR,NONWIR:100 OHM,10%,0.50W	32997	3329H-G48-101
A68A2R3016	315-0222-00		RES.,FXD,CMPSN:2.2K OHM,5%,0.25W	57668	NTR25J-E02K2
A68A2R3019	321-0032-00		RES.,FXD,FILM:21 OHM,1%,0.125W	91637	MFF1816G21R00F
A68A2R3022	315-0103-00		RES.,FXD,CMPSN:10K OHM,5%,0.25W	57668	NTR25J-E10K0
A68A2R3024	315-0103-00		RES.,FXD,CMPSN:10K OHM,5%,0.25W	57668	NTR25J-E10K0
A68A2R3025	311-0622-00		RES.,VAR,NONWIR:100 OHM,10%,0.50W	32997	3329H-G48-101
A68A2R3028	315-0103-00		RES.,FXD,CMPSN:10K OHM,5%,0.25W	57668	NTR25J-E10K0
A68A2R3029	321-0713-00		RES.,FXD,FILM:30 OHM,1%,0.125W	91637	MFF1816G30R00F
A68A2R3037	321-0713-00		RES.,FXD,FILM:30 OHM,1%,0.125W	91637	MFF1816G30R00F
A68A2R3039	311-0622-00		RES.,VAR,NONWIR:100 OHM,10%,0.50W	32997	3329H-G48-101
A68A2R3045	321-0114-00		RES.,FXD,FILM:150 OHM,1%,0.125W	91637	MFF1816G150R0F
A68A2R3046	321-0032-00		RES.,FXD,FILM:21 OHM,1%,0.125W	91637	MFF1816G21R00F
A68A2R4013	315-0472-00		RES.,FXD,CMPSN:4.7K OHM,5%,0.25W	57668	NTR25J-E04K7
A68A2R4014	315-0471-00		RES.,FXD,CMPSN:470 OHM,5%,0.25W	57668	NTR25J-E470E
A68A2R4015	315-0222-00		RES.,FXD,CMPSN:2.2K OHM,5%,0.25W	57668	NTR25J-E02K2
A68A2R4019	321-0114-00		RES.,FXD,FILM:150 OHM,1%,0.125W	91637	MFF1816G150R0F
A68A2R4025	311-0833-00		RES.,VAR,NONWIR:5K OHM,10%,0.50W	73138	82-30-1
A68A2R4026	321-0001-00		RES.,FXD,FILM:10 OHM,1%,0.125W	75042	CEAT0-10R00F
A68A2R4029	321-0285-00		RES.,FXD,FILM:9.09K OHM,1%,0.125W	91637	MFF1816G90900F
A68A2R4031	321-0032-00		RES.,FXD,FILM:21 OHM,1%,0.125W	91637	MFF1816G21R00F
A68A2R4032	321-0114-00		RES.,FXD,FILM:150 OHM,1%,0.125W	91637	MFF1816G150R0F
A68A2R5039	321-0097-00		RES.,FXD,FILM:100 OHM,1%,0.125W	91637	MFF1816G100R0F
A68A2R5074	315-0103-00		RES.,FXD,CMPSN:10K OHM,5%,0.25W	57668	NTR25J-E10K0
A68A2R5075	315-0103-00		RES.,FXD,CMPSN:10K OHM,5%,0.25W	57668	NTR25J-E10K0
A68A2R6060	315-0332-00		RES.,FXD,CMPSN:3.3K OHM,5%,0.25W	57668	NTR25J-E03K3
A68A2R6061	315-0121-00		RES.,FXD,CMPSN:120 OHM,5%,0.25W	01121	CB1215
A68A2R6065	315-0103-00		RES.,FXD,CMPSN:10K OHM,5%,0.25W	57668	NTR25J-E10K0
A68A2R6066	315-0103-00		RES.,FXD,CMPSN:10K OHM,5%,0.25W	57668	NTR25J-E10K0
A68A2R6070	315-0332-00		RES.,FXD,CMPSN:3.3K OHM,5%,0.25W	57668	NTR25J-E03K3
A68A2R6075	315-0121-00		RES.,FXD,CMPSN:120 OHM,5%,0.25W	01121	CB1215
A68A2R7060	315-0332-00		RES.,FXD,CMPSN:3.3K OHM,5%,0.25W	57668	NTR25J-E03K3
A68A2R7061	315-0103-00		RES.,FXD,CMPSN:10K OHM,5%,0.25W	57668	NTR25J-E10K0
A68A2R7062	315-0121-00		RES.,FXD,CMPSN:120 OHM,5%,0.25W	01121	CB1215
A68A2R7063	315-0103-00		RES.,FXD,CMPSN:10K OHM,5%,0.25W	57668	NTR25J-E10K0
A68A2R8026	315-0332-00		RES.,FXD,CMPSN:3.3K OHM,5%,0.25W	57668	NTR25J-E03K3
A68A2R8027	315-0121-00		RES.,FXD,CMPSN:120 OHM,5%,0.25W	01121	CB1215

Replaceable Electrical Parts—494/494P Service Vol. 2

Component No.	Tektronix Part No.	Serial/Model No. Eff Dscont	Name & Description	Mfr Code	Mfr Part Number
A68A2R8030	315-0103-00		RES.,FXD,CMPSN:10K OHM,5%,0.25W	57668	NTR25J-E10K0
A68A2R8035	315-0103-00		RES.,FXD,CMPSN:10K OHM,5%,0.25W	57668	NTR25J-E10K0
A68A2R8047	315-0121-00		RES.,FXD,CMPSN:120 OHM,5%,0.25W	01121	CB1215
A68A2R8048	315-0332-00		RES.,FXD,CMPSN:3.3K OHM,5%,0.25W	57668	NTR25J-E03K3
A68A2R8050	315-0103-00		RES.,FXD,CMPSN:10K OHM,5%,0.25W	57668	NTR25J-E10K0
A68A2R8055	315-0103-00		RES.,FXD,CMPSN:10K OHM,5%,0.25W	57668	NTR25J-E10K0
A68A2R8070	304-0681-00		RES.,FXD,CMPSN:680 OHM,10%,1W	01121	GB6811
A68A2T4044	120-1237-00		TRANSFORMER,RF;TOROID,2 WINDINGS	80009	120-1237-00
A68A2T5047	120-1338-00		TRANSFORMER,RF;TOROID,2 WINDINGS	80009	120-1338-00
A68A2T7043	120-1237-00		TRANSFORMER,RF;TOROID,2 WINDINGS	80009	120-1237-00
A68A2T7050	120-1338-00		TRANSFORMER,RF;TOROID,2 WINDINGS	80009	120-1338-00
A68A2U3070	156-1235-00		MICROCIRCUIT,DI BCD TO DECIMAL DECODER,DR	80009	156-1235-00

<http://www.ebaman.com>

Component No.	Tektronix Part No.	Serial/Model No. Eff Dscont	Name & Description	Mfr Code	Mfr Part Number
A68A3	670-5533-03		CKT BOARD ASSY:BAND LEVELING	80009	670-5533-03
A68A4C1015	283-0111-00		CAP.,FXD,CER DI:0.1UF,20%,50V	96733	R2632
A68A3C1017	283-0111-00		CAP.,FXD,CER DI:0.1UF,20%,50V	96733	R2632
A68A3C1021	283-0107-00		CAP.,FXD,CER DI:51PF,5%,200V	96733	R3017
A68A3C1025	283-0111-00		CAP.,FXD,CER DI:0.1UF,20%,50V	96733	R2632
A68A3C1032	283-0111-00		CAP.,FXD,CER DI:0.1UF,20%,50V	96733	R2632
A68A3C1035	283-0111-00		CAP.,FXD,CER DI:0.1UF,20%,50V	96733	R2632
A68A3C1039	283-0107-00		CAP.,FXD,CER DI:51PF,5%,200V	96733	R3017
A68A3C1044	283-0111-00		CAP.,FXD,CER DI:0.1UF,20%,50V	96733	R2632
A68A3C2015	283-0111-00		CAP.,FXD,CER DI:0.1UF,20%,50V	96733	R2632
A68A3C2018	283-0111-00		CAP.,FXD,CER DI:0.1UF,20%,50V	96733	R2632
A68A3C2023	283-0111-00		CAP.,FXD,CER DI:0.1UF,20%,50V	96733	R2632
A68A3C2028	283-0204-00		CAP.,FXD,CER DI:0.01UF,20%,50V	96733	R2676
A68A3C2029	283-0111-00		CAP.,FXD,CER DI:0.1UF,20%,50V	96733	R2632
A68A3C2033	283-0111-00		CAP.,FXD,CER DI:0.1UF,20%,50V	96733	R2632
A68A3C2034	283-0111-00		CAP.,FXD,CER DI:0.1UF,20%,50V	96733	R2632
A68A3C2042	283-0111-00		CAP.,FXD,CER DI:0.1UF,20%,50V	96733	R2632
A68A3C2043	283-0204-00		CAP.,FXD,CER DI:0.01UF,20%,50V	96733	R2676
A68A3C2046	283-0111-00		CAP.,FXD,CER DI:0.1UF,20%,50V	96733	R2632
A68A3CR2021	152-0524-00		SEMICONDUCTOR: SILICON,100V,100MA	80009	152-0524-00
A68A3Q1025	151-0282-00		TRANSISTOR: SILICON,NPN	80009	151-0282-00
A68A3Q1031	151-0282-00		TRANSISTOR: SILICON,NPN	80009	151-0282-00
A68A3Q1033	151-0282-00		TRANSISTOR: SILICON,NPN	80009	151-0282-00
A68A3Q1041	151-0650-00		TRANSISTOR: SILICON,NPN	80009	151-0650-00
A68A3Q2015	151-0282-00		TRANSISTOR: SILICON,NPN	80009	151-0282-00
A68A3Q2019	151-0282-00		TRANSISTOR: SILICON,NPN	80009	151-0282-00
A68A3Q2046	151-0301-00		TRANSISTOR: SILICON,PNP	27014	2N2907A
A68A3R1013	321-0130-00		RES.,FXD,FILM:221 OHM,1%,0.125W	91637	MFF1816G221R0F
A68A3R1014	317-0390-00		RES.,FXD,CMPSN:39 OHM,5%,0.125W	01121	BB3905
A68A3R1015	315-0681-00		RES.,FXD,CMPSN:680 OHM,5%,0.25W	57668	NTR25J-E680E
A68A3R1016	317-0101-00		RES.,FXD,CMPSN:100 OHM,5%,0.125W	01121	BB1015
A68A3R1017	315-0390-00		RES.,FXD,CMPSN:39 OHM,5%,0.25W	57668	NTR25J-E39E0
A68A3R1019	315-0390-00		RES.,FXD,CMPSN:39 OHM,5%,0.25W	57668	NTR25J-E39E0
A68A3R1024	315-0681-00		RES.,FXD,CMPSN:680 OHM,5%,0.25W	57668	NTR25J-E680E
A68A3R1025	321-0164-00		RES.,FXD,FILM:499 OHM,1%,0.125W	91637	MFF1816G499R0F
A68A3R1026	321-0194-00		RES.,FXD,FILM:1.02K OHM,1%,0.125W	91637	MFF1816G10200F
A68A3R1027	321-0065-00		RES.,FXD,FILM:46.4 OHM,1%,0.125W	91637	MFF1816G46R40F
A68A3R1028	315-0471-00		RES.,FXD,CMPSN:470 OHM,5%,0.25W	57668	NTR25J-E470E
A68A3R1029	317-0390-00		RES.,FXD,CMPSN:39 OHM,5%,0.125W	01121	BB3905
A68A3R1031	321-0130-00		RES.,FXD,FILM:221 OHM,1%,0.125W	91637	MFF1816G221R0F
A68A3R1033	315-0681-00		RES.,FXD,CMPSN:680 OHM,5%,0.25W	57668	NTR25J-E680E
A68A3R1035	315-0681-00		RES.,FXD,CMPSN:680 OHM,5%,0.25W	57668	NTR25J-E680E
A68A3R1036	315-0220-00		RES.,FXD,CMPSN:22 OHM,5%,0.25W	01121	CB2205
A68A3R1037	315-0220-00		RES.,FXD,CMPSN:22 OHM,5%,0.25W	01121	CB2205
A68A3R1038	317-0101-00		RES.,FXD,CMPSN:100 OHM,5%,0.125W	01121	BB1015
A68A3R1044	315-0101-00		RES.,FXD,CMPSN:100 OHM,5%,0.25W	57668	NTR25J-E 100E
A68A3R1046	321-0065-00		RES.,FXD,FILM:46.4 OHM,1%,0.125W	91637	MFF1816G46R40F
A68A3R1047	315-0101-00		RES.,FXD,CMPSN:100 OHM,5%,0.25W	57668	NTR25J-E 100E
A68A3R1048	321-0164-00		RES.,FXD,FILM:499 OHM,1%,0.125W	91637	MFF1816G499R0F
A68A3R2017	315-0152-00		RES.,FXD,CMPSN:1.5K OHM,5%,0.25W	57668	NTR25J-E01K5
A68A3R2018	315-0152-00		RES.,FXD,CMPSN:1.5K OHM,5%,0.25W	57668	NTR25J-E01K5
A68A3R2021	315-0470-00		RES.,FXD,CMPSN:47 OHM,5%,0.25W	57668	NTR25J-E47E0
A68A3R2024	321-0041-00		RES.,FXD,FILM:26.1 OHM,1%,0.125W	91637	MFF1816G26R10F
A68A3R2025	321-0234-00		RES.,FXD,FILM:2.67K OHM,1%,0.125W	91637	MFF1816G26700F



Replaceable Electrical Parts—494/494P Service Vol. 2

Component No.	Tektronix	Serial/Model No.		Name & Description	Mfr Code	Mfr Part Number
	Part No.	Eff	Dscont			
A68A3R2026	317-0470-00			RES.,FXD,CMPSN:47 OHM,5%,0.125W	01121	BB4705
A68A3R2028	317-0470-00			RES.,FXD,CMPSN:47 OHM,5%,0.125W	01121	BB4705
A68A3R2031	315-0470-00			RES.,FXD,CMPSN:47 OHM,5%,0.25W	57668	NTR25J-E47E0
A68A3R2033	315-0152-00			RES.,FXD,CMPSN:1.5K OHM,5%,0.25W	57668	NTR25J-E01K5
A68A3R2034	315-0152-00			RES.,FXD,CMPSN:1.5K OHM,5%,0.25W	57668	NTR25J-E01K5
A68A3R2036	321-0151-00			RES.,FXD,FILM:365 OHM,1%,0.125W	91637	MFF1816G365R0F
A68A3R2037	315-0102-00			RES.,FXD,CMPSN:1K OHM,5%,0.25W	57668	NTR25JE01K0
A68A3R2038	315-0821-00			RES.,FXD,CMPSN:820 OHM,5%,0.25W	57668	NTR25J-E 820E
A68A3R2041	315-0104-00			RES.,FXD,CMPSN:100K OHM,5%,0.25W	57668	NTR25J-E100K
A68A3R2042	321-0051-00			RES.,FXD,FILM:33.2 OHM,1%,0.125W	91637	MFF1816G33R20F
A68A3R2043	315-0471-00			RES.,FXD,CMPSN:470 OHM,5%,0.25W	57668	NTR25J-E470E
A68A3R2045	315-0471-00			RES.,FXD,CMPSN:470 OHM,5%,0.25W	57668	NTR25J-E470E
A68A3R2046	317-0103-00			RES.,FXD,CMPSN:10K OHM,5%,0.125W	01121	BB1035
A68A3T2013	120-0902-00			XFMR,TOROID:5 TURNS,BIFILAR	80009	120-0902-00

<http://www.ebaman.com>

Component No.	Tektronix Part No.	Serial/Model No. Eff Dscont	Name & Description	Mfr Code	Mfr Part Number
A68A4	670-7897-00		CKT BOARD ASSY:POST VR AMP	80009	670-7897-00
A68A4C1022	281-0167-00		CAP.,VAR,CER DI:9-45PF,200V	59660	538-011D9-45
A68A4C1023	283-0642-00		CAP.,FXD,MICA D:33PF, +/-0.5PF,300V	00853	D10-5E330G
A68A4C1029	283-0111-00		CAP.,FXD,CER DI:0.1UF,20%,50V	96733	R2632
A68A4C1033	283-0204-00		CAP.,FXD,CER DI:0.01UF,20%,50V	96733	R2676
A68A4C1044	283-0111-00		CAP.,FXD,CER DI:0.1UF,20%,50V	96733	R2632
A68A4C1052	283-0204-00		CAP.,FXD,CER DI:0.01UF,20%,50V	96733	R2676
A68A4C2018	283-0628-00		CAP.,FXD,MICA D:410PF,1%.500V	00853	D155F411F0
A68A4C2023	283-0691-00		CAP.,FXD,MICA D:650PF,1%.300V	00853	D153F651F0
A68A4C2025	283-0642-00		CAP.,FXD,MICA D:33PF, +/-0.5PF,300V	00853	D10-5E330G
A68A4C2026	281-0167-00		CAP.,VAR,CER DI:9-45PF,200V	59660	538-011D9-45
A68A4C2033	283-0628-00		CAP.,FXD,MICA D:410PF,1%.500V	00853	D155F411F0
A68A4C2038	283-0204-00		CAP.,FXD,CER DI:0.01UF,20%,50V	96733	R2676
A68A4C2052	283-0204-00		CAP.,FXD,CER DI:0.01UF,20%,50V	96733	R2676
A68A4C2053	283-0204-00		CAP.,FXD,CER DI:0.01UF,20%,50V	96733	R2676
A68A4L2021	108-1042-00		COIL,RF:FIXED,4.7UH	80009	108-1042-00
A68A4L2031	108-1042-00		COIL,RF:FIXED,4.7UH	80009	108-1042-00
A68A4Q1048	151-0446-00		TRANSISTOR:SILICON,NPN	80009	151-0446-00
A68A4Q2056	151-0411-00		TRANSISTOR:SILICON,NPN	04713	SRF709
A68A4R1029	315-0470-00		RES.,FXD,CMPSN:47 OHM,5%,0.25W	57668	NTR25J-E47E0
A68A4R1039	315-0221-00		RES.,FXD,CMPSN:220 OHM,5%,0.25W	57668	NTR25J-E220E
A68A4R1052	315-0561-00		RES.,FXD,CMPSN:560 OHM,5%,0.25W	01121	CB5615
A68A4R1058	315-0361-00		RES.,FXD,CMPSN:360 OHM,5%,0.25W	01121	CB3615
A68A4R2036	321-0114-00		RES.,FXD,FILM:150 OHM,1%,0.125W	91637	MFF1816G150R0F
A68A4R2038	311-0622-00		RES.,VAR,NONWIR:100 OHM,10%,0.50W	32997	3329H-G48-101
A68A4R2041	315-0361-00		RES.,FXD,CMPSN:360 OHM,5%,0.25W	01121	CB3615
A68A4R2042	315-0220-00		RES.,FXD,CMPSN:22 OHM,5%,0.25W	01121	CB2205
A68A4R2043	321-0001-00		RES.,FXD,FILM:10 OHM,1%,0.125W	75042	CEAT0-10R00F
A68A4R2044	301-0561-00		RES.,FXD,CMPSN:560 OHM,5%,0.50W	01121	EB5615
A68A4R2045	301-0561-00		RES.,FXD,CMPSN:560 OHM,5%,0.50W	01121	EB5615
A68A4R2052	315-0331-00		RES.,FXD,CMPSN:330 OHM,5%,0.25W	57668	NTR25J-E330E
A68A4R2062	321-0130-00		RES.,FXD,FILM:221 OHM,1%,0.125W	91637	MFF1816G221R0F
A68A4T1038	120-0459-00		XFMR,TOROID:10 TURNS,BIFILAR	80009	120-0459-00
A68A4T1059	120-1237-00		TRANSFORMER,RF:TOROID,2 WINDINGS	80009	120-1237-00
A68A4T2063	120-0902-00		XFMR,TOROID:5 TURNS,BIFILAR	80009	120-0902-00

Replaceable Electrical Parts—494/494P Service Vol. 2

Component No.	Tektronix Part No.	Serial/Model No. Eff Dscont	Name & Description	Mfr Code	Mfr Part Number
A69	644-0368-01		VAR RESOLN MDL	80009	644-0368-01
A69FL690	119-1768-00		CRYSTAL FILTER:MATCHED	80009	119-1768-00
A69FL690	-----		(MATCHED SET W/A68FL6015)		
A69Y2036	119-0968-00		FILTER,BP:XTAL,6 POLE ML,10MHZ CTR FR	75378	965-0159
A69Y2036	-----		(MATCHED SET W/A68Y6050 & A69Y3046)		
A69Y2043	119-0969-00		FILTER,BP:XTAL,4 POLE ML,10MHZ CRT FR	75378	965-0160
A69Y2043	-----		(MATCHED SET W/A68Y5040)		
A69Y3046	119-0968-00		FILTER,BP:XTAL,6 POLE ML,10MHZ CTR FR	75378	965-0159
A69Y3046	-----		(MATCHED SET W/A68Y6050 & A69Y2036)		
A69A1	670-5528-02		CKT BOARD ASSY:#1 VR MOTHER	80009	670-5528-02
A69A1C1066	283-0111-00		CAP.,FXD,CER DI:0.1UF,20%,50V	96733	R2632
A69A1C1067	283-0111-00		CAP.,FXD,CER DI:0.1UF,20%,50V	96733	R2632
A69A1C1068	283-0111-00		CAP.,FXD,CER DI:0.1UF,20%,50V	96733	R2632
A69A1C1069	283-0111-00		CAP.,FXD,CER DI:0.1UF,20%,50V	96733	R2632
A69A1C1075	283-0111-00		CAP.,FXD,CER DI:0.1UF,20%,50V	96733	R2632
A69A1C1082	283-0111-00		CAP.,FXD,CER DI:0.1UF,20%,50V	96733	R2632
A69A1C1083	283-0111-00		CAP.,FXD,CER DI:0.1UF,20%,50V	96733	R2632
A69A1C1084	283-0111-00		CAP.,FXD,CER DI:0.1UF,20%,50V	96733	R2632
A69A1C1085	283-0111-00		CAP.,FXD,CER DI:0.1UF,20%,50V	96733	R2632
A69A1C2076	283-0111-00		CAP.,FXD,CER DI:0.1UF,20%,50V	96733	R2632
A69A1C2086	283-0111-00		CAP.,FXD,CER DI:0.1UF,20%,50V	96733	R2632
A69A1C2088	283-0111-00		CAP.,FXD,CER DI:0.1UF,20%,50V	96733	R2632
A69A1C3019	283-0111-00		CAP.,FXD,CER DI:0.1UF,20%,50V	96733	R2632
A69A1C3026	283-0111-00		CAP.,FXD,CER DI:0.1UF,20%,50V	96733	R2632
A69A1C3028	283-0111-00		CAP.,FXD,CER DI:0.1UF,20%,50V	96733	R2632
A69A1C3029	283-0111-00		CAP.,FXD,CER DI:0.1UF,20%,50V	96733	R2632
A69A1C3035	283-0111-00		CAP.,FXD,CER DI:0.1UF,20%,50V	96733	R2632
A69A1C3043	283-0111-00		CAP.,FXD,CER DI:0.1UF,20%,50V	96733	R2632
A69A1C3048	283-0111-00		CAP.,FXD,CER DI:0.1UF,20%,50V	96733	R2632
A69A1C3049	283-0111-00		CAP.,FXD,CER DI:0.1UF,20%,50V	96733	R2632
A69A1C3062	283-0204-00		CAP.,FXD,CER DI:0.01UF,20%,50V	96733	R2676
A69A1C3066	283-0204-00		CAP.,FXD,CER DI:0.01UF,20%,50V	96733	R2676
A69A1C3077	283-0204-00		CAP.,FXD,CER DI:0.01UF,20%,50V	96733	R2676
A69A1L3065	108-0395-00		COIL,RF:64UH	80009	108-0395-00
A69A1L3066	108-0395-00		COIL,RF:64UH	80009	108-0395-00
A69A1P3072	131-2167-00		CONN,RCPT,ELEC. CKT BD,FEMALE,12/24	22526	65002-009
A69A1R1065	315-0100-00		RES.,FXD,CMPSN:10 OHM,5%,0.25W	57668	NTR25J-E 10E0
A69A1R1066	315-0100-00		RES.,FXD,CMPSN:10 OHM,5%,0.25W	57668	NTR25J-E 10E0
A69A1R1067	315-0100-00		RES.,FXD,CMPSN:10 OHM,5%,0.25W	57668	NTR25J-E 10E0
A69A1R1068	315-0100-00		RES.,FXD,CMPSN:10 OHM,5%,0.25W	57668	NTR25J-E 10E0
A69A1R1075	315-0100-00		RES.,FXD,CMPSN:10 OHM,5%,0.25W	57668	NTR25J-E 10E0
A69A1R1082	315-0100-00		RES.,FXD,CMPSN:10 OHM,5%,0.25W	57668	NTR25J-E 10E0
A69A1R1083	315-0100-00		RES.,FXD,CMPSN:10 OHM,5%,0.25W	57668	NTR25J-E 10E0
A69A1R1084	315-0100-00		RES.,FXD,CMPSN:10 OHM,5%,0.25W	57668	NTR25J-E 10E0
A69A1R1085	315-0100-00		RES.,FXD,CMPSN:10 OHM,5%,0.25W	57668	NTR25J-E 10E0
A69A1R2076	315-0100-00		RES.,FXD,CMPSN:10 OHM,5%,0.25W	57668	NTR25J-E 10E0
A69A1R2086	315-0100-00		RES.,FXD,CMPSN:10 OHM,5%,0.25W	57668	NTR25J-E 10E0
A69A1R2088	315-0100-00		RES.,FXD,CMPSN:10 OHM,5%,0.25W	57668	NTR25J-E 10E0
A69A1R3019	315-0270-00		RES.,FXD,CMPSN:27 OHM,5%,0.25W	01121	CB2705
A69A1R3026	315-0100-00		RES.,FXD,CMPSN:10 OHM,5%,0.25W	57668	NTR25J-E 10E0
A69A1R3028	315-0100-00		RES.,FXD,CMPSN:10 OHM,5%,0.25W	57668	NTR25J-E 10E0
A69A1R3029	315-0100-00		RES.,FXD,CMPSN:10 OHM,5%,0.25W	57668	NTR25J-E 10E0



Component No.	Tektronix Part No	Serial/Model No.		Name & Description	Mfr Code	Mfr Part Number
		Eff	Dscont			
A69A1R3035	315-0100-00			RES.,FXD,CMPSN:10 OHM,5%,0.25W	57668	NTR25J-E 10E0
A69A1R3043	315-0100-00			RES.,FXD,CMPSN:10 OHM,5%,0.25W	57668	NTR25J-E 10E0
A69A1R3048	307-0106-00			RES.,FXD,CMPSN:4.7 OHM,5%,0.25W	01121	CB47G5
A69A1R3049	315-0100-00			RES.,FXD,CMPSN:10 OHM,5%,0.25W	57668	NTR25J-E 10E0
A69A1R3081	315-0101-00			RES.,FXD,CMPSN:100 OHM,5%,0.25W	57668	NTR25J-E 100E

<http://www.ebaman.com>

Replaceable Electrical Parts—494/494P Service Vol. 2

Component No.	Tektronix Part No.	Serial/Model No. Eff Dscont	Name & Description	Mfr Code	Mfr Part Number
A69A2	670-5529-01		CKT BOARD ASSY:VR INPUT	80009	670-5529-01
A69A2C1016	283-0111-00		CAP.,FXD,CER DI:0.1UF,20%,50V	96733	R2632
A69A2C1019	283-0111-00		CAP.,FXD,CER DI:0.1UF,20%,50V	96733	R2632
A69A2C1022	283-0111-00		CAP.,FXD,CER DI:0.1UF,20%,50V	96733	R2632
A69A2C1025	283-0111-00		CAP.,FXD,CER DI:0.1UF,20%,50V	96733	R2632
A69A2C1026	281-0167-00		CAP.,VAR,CER DI:9-45PF,200V	59660	538-011D9-45
A69A2C1031	283-0647-00		CAP.,FXD,MICA D:70PF,1%,100V	00853	D155E700F0
A69A2C1032	283-0634-00		CAP.,FXD,MICA D:65PF,1%,100V	00853	D155E650F0
A69A2C1033	281-0167-00		CAP.,VAR,CER DI:9-45PF,200V	59660	538-011D9-45
A69A2C1035	281-0577-00		CAP.,FXD,CER DI:14PF,5%,500V	04222	7001-COG-140J
A69A2C1036	283-0634-00		CAP.,FXD,MICA D:65PF,1%,100V	00853	D155E650F0
A69A2C1037	283-0647-00		CAP.,FXD,MICA D:70PF,1%,100V	00853	D155E700F0
A69A2L1018	108-0395-00		COIL,RF:64UH	80009	108-0395-00
A69A2L1027	108-0701-00		COIL,RF:1.3UH	80009	108-0701-00
A69A2L1033	108-0701-00		COIL,RF:1.3UH	80009	108-0701-00
A69A2Q1023	151-0650-00		TRANSISTOR:SILICON,NPN	80009	151-0650-00
A69A2R1014	321-0114-00		RES.,FXD,FILM:150 OHM,1%,0.125W	91637	MFF1816G150R0F
A69A2R1015	321-0114-00		RES.,FXD,FILM:150 OHM,1%,0.125W	91637	MFF1816G150R0F
A69A2R1016	321-0054-00		RES.,FXD,FILM:35.7 OHM,5%,0.125W	91637	MFF1816G35R70F
A69A2R1022	315-0270-00		RES.,FXD,CMPSN:27 OHM,5%,0.25W	01121	CB2705
A69A2R1023	307-0113-00		RES.,FXD,CMPSN:5.1 OHM,5%,0.25W	01121	CB51G5
A69A2R1024	315-0911-00		RES.,FXD,CMPSN:910 OHM,5%,0.25W	57668	NTR25J-E910E
A69A2R1025	315-0102-00		RES.,FXD,CMPSN:1K OHM,5%,0.25W	57668	NTR25JE01K0
A69A2R1026	315-0511-00		RES.,FXD,CMPSN:510 OHM,5%,0.25W	01121	CB5115
A69A2T1019	120-0459-00		XFMR,TOROID:10 TURNS,BIFILAR	80009	120-0459-00
A69A2TP1014	214-0579-00		TERM,TEST POINT:BRS CD PL	80009	214-0579-00
A69A3	670-8063-00		CKT BOARD ASSY:1ST FILTER SELECT	80009	670-8063-00
A69A3C1011	283-0204-00		CAP.,FXD,CER DI:0.01UF,20%,50V	96733	R2676
A69A3C1014	283-0204-00		CAP.,FXD,CER DI:0.01UF,20%,50V	96733	R2676
A69A3C1015	283-0204-00		CAP.,FXD,CER DI:0.01UF,20%,50V	96733	R2676
A69A3C1016	283-0204-00		CAP.,FXD,CER DI:0.01UF,20%,50V	96733	R2676
A69A3C1017	283-0204-00		CAP.,FXD,CER DI:0.01UF,20%,50V	96733	R2676
A69A3C1055	283-0204-00		CAP.,FXD,CER DI:0.01UF,20%,50V	96733	R2676
A69A3C1056	283-0204-00		CAP.,FXD,CER DI:0.01UF,20%,50V	96733	R2676
A69A3C1060	283-0204-00		CAP.,FXD,CER DI:0.01UF,20%,50V	96733	R2676
A69A3C2012	283-0204-00		CAP.,FXD,CER DI:0.01UF,20%,50V	96733	R2676
A69A3C2013	283-0204-00		CAP.,FXD,CER DI:0.01UF,20%,50V	96733	R2676
A69A3C2015	283-0204-00		CAP.,FXD,CER DI:0.01UF,20%,50V	96733	R2676
A69A3C2016	283-0204-00		CAP.,FXD,CER DI:0.01UF,20%,50V	96733	R2676
A69A3C2017	283-0204-00		CAP.,FXD,CER DI:0.01UF,20%,50V	96733	R2676
A69A3C2019	283-0204-00		CAP.,FXD,CER DI:0.01UF,20%,50V	96733	R2676
A69A3C2020	283-0204-00		CAP.,FXD,CER DI:0.01UF,20%,50V	96733	R2676
A69A3C2037	281-0221-00		CAP.,VAR,CER DI:2-10PF,100V	59660	513-013A 2 0-10
A69A3C2051	283-0204-00		CAP.,FXD,CER DI:0.01UF,20%,50V	96733	R2676
A69A3C2054	283-0204-00		CAP.,FXD,CER DI:0.01UF,20%,50V	96733	R2676
A69A3C2057	283-0204-00		CAP.,FXD,CER DI:0.01UF,20%,50V	96733	R2676
A69A3C2058	283-0204-00		CAP.,FXD,CER DI:0.01UF,20%,50V	96733	R2676
A69A3C2060	283-0204-00		CAP.,FXD,CER DI:0.01UF,20%,50V	96733	R2676
A69A3C3011	283-0204-00		CAP.,FXD,CER DI:0.01UF,20%,50V	96733	R2676
A69A3C3014	283-0204-00		CAP.,FXD,CER DI:0.01UF,20%,50V	96733	R2676
A69A3C3016	283-0204-00		CAP.,FXD,CER DI:0.01UF,20%,50V	96733	R2676
A69A3C3017	283-0204-00		CAP.,FXD,CER DI:0.01UF,20%,50V	96733	R2676

Component No.	Tektronix Part No.	Serial/Model No. Eff	Dscont	Name & Description	Mfr Code	Mfr Part Number
A69A3C3018	283-0204-00			CAP.,FXD,CER DI:0.01UF,20%,50V	96733	R2676
A69A3C3020	281-0620-00			CAP.,FXD,CER DI:21PF,1%,500V	59660	301-000C0G0210F
A69A3C3023	281-0245-00			CAP.,VAR,CER DI:7.5-50PF,400V	91293	9694
A69A3C3024	283-0899-00			CAP.,FXD,CER DI:160PF,5%,50V	51642	300-050-NPO-161J
A69A3C3030	281-0619-00			CAP.,FXD,CER DI:1.2PF,+/-0.1PF,200V	59660	374 018 C0K0129B
A69A3C3035	281-0245-00			CAP.,VAR,CER DI:7.5-50PF,400V	91293	9694
A69A3C3038	283-0899-00			CAP.,FXD,CER DI:160PF,5%,50V	51642	300-050-NPO-161J
A69A3C3048	281-0620-00			CAP.,FXD,CER DI:21PF,1%,500V	59660	301-000C0G0210F
A69A3C3056	283-0204-00			CAP.,FXD,CER DI:0.01UF,20%,50V	96733	R2676
A69A3C3058	283-0204-00			CAP.,FXD,CER DI:0.01UF,20%,50V	96733	R2676
A69A3C3059	283-0204-00			CAP.,FXD,CER DI:0.01UF,20%,50V	96733	R2676
A69A3C4015	283-0204-00			CAP.,FXD,CER DI:0.01UF,20%,50V	96733	R2676
A69A3C4022	283-0204-00			CAP.,FXD,CER DI:0.01UF,20%,50V	96733	R2676
A69A3C4029	283-0204-00			CAP.,FXD,CER DI:0.01UF,20%,50V	96733	R2676
A69A3C4031	283-0204-00			CAP.,FXD,CER DI:0.01UF,20%,50V	96733	R2676
A69A3C4032	283-0204-00			CAP.,FXD,CER DI:0.01UF,20%,50V	96733	R2676
A69A3C4038	283-0204-00			CAP.,FXD,CER DI:0.01UF,20%,50V	96733	R2676
A69A3C4039	283-0204-00			CAP.,FXD,CER DI:0.01UF,20%,50V	96733	R2676
A69A3C4040	283-0111-00			CAP.,FXD,CER DI:0.1UF,20%,50V	96733	R2632
A69A3C4054	283-0204-00			CAP.,FXD,CER DI:0.01UF,20%,50V	96733	R2676
A69A3C4056	283-0204-00			CAP.,FXD,CER DI:0.01UF,20%,50V	96733	R2676
A69A3C4057	283-0204-00			CAP.,FXD,CER DI:0.01UF,20%,50V	96733	R2676
A69A3C4059	283-0204-00			CAP.,FXD,CER DI:0.01UF,20%,50V	96733	R2676
A69A3C4060	283-0204-00			CAP.,FXD,CER DI:0.01UF,20%,50V	96733	R2676
A69A3C4069	283-0204-00			CAP.,FXD,CER DI:0.01UF,20%,50V	96733	R2676
A69A3CR1010	152-0107-04			SEMICONV DEVICE:SILICON,400V,400MA,SEL	14936	GPD-011
A69A3CR1011	152-0107-04			SEMICONV DEVICE:SILICON,400V,400MA,SEL	14936	GPD-011
A69A3CR1017	152-0153-00			SEMICONV DVC,DI:SW,SI,10V,50MA,DO-7	07263	FD7003
A69A3CR1018	152-0153-00			SEMICONV DVC,DI:SW,SI,10V,50MA,DO-7	07263	FD7003
A69A3CR1021	152-0153-00			SEMICONV DVC,DI:SW,SI,10V,50MA,DO-7	07263	FD7003
A69A3CR1022	152-0153-00			SEMICONV DVC,DI:SW,SI,10V,50MA,DO-7	07263	FD7003
A69A3CR1024	152-0141-02			SEMICONV DVC,DI:SW,SI,30V,150MA,30V,DO-35	12969	NDP0263 (1N4152)
A69A3CR1025	152-0141-02			SEMICONV DVC,DI:SW,SI,30V,150MA,30V,DO-35	12969	NDP0263 (1N4152)
A69A3CR1026	152-0141-02			SEMICONV DVC,DI:SW,SI,30V,150MA,30V,DO-35	12969	NDP0263 (1N4152)
A69A3CR2010	152-0107-04			SEMICONV DEVICE:SILICON,400V,400MA,SEL	14936	GPD-011
A69A3CR2011	152-0107-04			SEMICONV DEVICE:SILICON,400V,400MA,SEL	14936	GPD-011
A69A3CR2012	152-0107-04			SEMICONV DEVICE:SILICON,400V,400MA,SEL	14936	GPD-011
A69A3CR2013	152-0107-04			SEMICONV DEVICE:SILICON,400V,400MA,SEL	14936	GPD-011
A69A3CR2055	152-0107-04			SEMICONV DEVICE:SILICON,400V,400MA,SEL	14936	GPD-011
A69A3CR2059	152-0107-04			SEMICONV DEVICE:SILICON,400V,400MA,SEL	14936	GPD-011
A69A3CR2062	152-0107-04			SEMICONV DEVICE:SILICON,400V,400MA,SEL	14936	GPD-011
A69A3CR2066	152-0107-04			SEMICONV DEVICE:SILICON,400V,400MA,SEL	14936	GPD-011
A69A3CR3010	152-0107-04			SEMICONV DEVICE:SILICON,400V,400MA,SEL	14936	GPD-011
A69A3CR3011	152-0107-04			SEMICONV DEVICE:SILICON,400V,400MA,SEL	14936	GPD-011
A69A3CR3012	152-0107-04			SEMICONV DEVICE:SILICON,400V,400MA,SEL	14936	GPD-011
A69A3CR3014	152-0107-04			SEMICONV DEVICE:SILICON,400V,400MA,SEL	14936	GPD-011
A69A3CR3052	152-0141-02			SEMICONV DVC,DI:SW,SI,30V,150MA,30V,DO-35	12969	NDP0263 (1N4152)
A69A3CR3060	152-0107-04			SEMICONV DEVICE:SILICON,400V,400MA,SEL	14936	GPD-011
A69A3CR3061	152-0107-04			SEMICONV DEVICE:SILICON,400V,400MA,SEL	14936	GPD-011
A69A3CR3062	152-0107-04			SEMICONV DEVICE:SILICON,400V,400MA,SEL	14936	GPD-011
A69A3CR4026	152-0141-02			SEMICONV DVC,DI:SW,SI,30V,150MA,30V,DO-35	12969	NDP0263 (1N4152)
A69A3CR4027	152-0141-02			SEMICONV DVC,DI:SW,SI,30V,150MA,30V,DO-35	12969	NDP0263 (1N4152)
A69A3CR4064	152-0107-04			SEMICONV DEVICE:SILICON,400V,400MA,SEL	14936	GPD-011
A69A3CR4065	152-0107-04			SEMICONV DEVICE:SILICON,400V,400MA,SEL	14936	GPD-011



Replaceable Electrical Parts—494/494P Service Vol. 2

Component No.	Tektronix Part No.	Serial/Model No. Eff Dscont	Name & Description	Mfr Code	Mfr Part Number
A69A3CR4068	152-0107-04		SEMICONV DEVICE: SILICON,400V,400MA,SEL	14936	GPD-011
A69A3L1011	108-0395-00		COIL,RF:64UH	80009	108-0395-00
A69A3L1012	108-0395-00		COIL,RF:64UH	80009	108-0395-00
A69A3L1059	108-0395-00		COIL,RF:64UH	80009	108-0395-00
A69A3L1067	108-0395-00		COIL,RF:64UH	80009	108-0395-00
A69A3L2011	108-0395-00		COIL,RF:64UH	80009	108-0395-00
A69A3L2012	108-0395-00		COIL,RF:64UH	80009	108-0395-00
A69A3L2060	108-0395-00		COIL,RF:64UH	80009	108-0395-00
A69A3L2062	108-0395-00		COIL,RF:64UH	80009	108-0395-00
A69A3L3012	108-0395-00		COIL,RF:64UH	80009	108-0395-00
A69A3L3013	108-0395-00		COIL,RF:64UH	80009	108-0395-00
A69A3L3014	108-0395-00		COIL,RF:64UH	80009	108-0395-00
A69A3L3029	108-0964-00		COIL,RF:FIXED,1.15UH,TORIDAL INDUCT	80009	108-0964-00
A69A3L3040	108-0964-00		COIL,RF:FIXED,1.15UH,TORIDAL INDUCT	80009	108-0964-00
A69A3L3059	108-0395-00		COIL,RF:64UH	80009	108-0395-00
A69A3L4018	108-0395-00		COIL,RF:64UH	80009	108-0395-00
A69A3L4043	108-0395-00		COIL,RF:64UH	80009	108-0395-00
A69A3L4049	108-0395-00		COIL,RF:64UH	80009	108-0395-00
A69A3L4058	108-0395-00		COIL,RF:64UH	80009	108-0395-00
A69A3L4065	108-0395-00		COIL,RF:64UH	80009	108-0395-00
A69A3L4069	108-0395-00		COIL,RF:64UH	80009	108-0395-00
A69A3Q1019	151-0301-00		TRANSISTOR:SILICON,PNP	27014	2N2907A
A69A3Q1020	151-0301-00		TRANSISTOR:SILICON,PNP	27014	2N2907A
A69A3Q1055	151-0301-00		TRANSISTOR:SILICON,PNP	27014	2N2907A
A69A3Q2019	151-0301-00		TRANSISTOR:SILICON,PNP	27014	2N2907A
A69A3Q2020	151-0301-00		TRANSISTOR:SILICON,PNP	27014	2N2907A
A69A3Q2050	151-0301-00		TRANSISTOR:SILICON,PNP	27014	2N2907A
A69A3Q3019	151-0301-00		TRANSISTOR:SILICON,PNP	27014	2N2907A
A69A3Q3055	151-0301-00		TRANSISTOR:SILICON,PNP	27014	2N2907A
A69A3Q3060	151-0301-00		TRANSISTOR:SILICON,PNP	27014	2N2907A
A69A3Q4019	151-0301-00		TRANSISTOR:SILICON,PNP	27014	2N2907A
A69A3Q4050	151-0301-00		TRANSISTOR:SILICON,PNP	27014	2N2907A
A69A3Q4055	151-0301-00		TRANSISTOR:SILICON,PNP	27014	2N2907A
A69A3R1015	315-0332-00		RES.,FXD,CMPSN:3.3K OHM,5%,0.25W	57668	NTR25J-E03K3
A69A3R1016	315-0121-00		RES.,FXD,CMPSN:120 OHM,5%,0.25W	01121	CB1215
A69A3R1017	315-0332-00		RES.,FXD,CMPSN:3.3K OHM,5%,0.25W	57668	NTR25J-E03K3
A69A3R1018	315-0103-00		RES.,FXD,CMPSN:10K OHM,5%,0.25W	57668	NTR25J-E10K0
A69A3R1019	315-0103-00		RES.,FXD,CMPSN:10K OHM,5%,0.25W	57668	NTR25J-E10K0
A69A3R1020	315-0103-00		RES.,FXD,CMPSN:10K OHM,5%,0.25W	57668	NTR25J-E10K0
A69A3R1022	315-0103-00		RES.,FXD,CMPSN:10K OHM,5%,0.25W	57668	NTR25J-E10K0
A69A3R1054	315-0332-00		RES.,FXD,CMPSN:3.3K OHM,5%,0.25W	57668	NTR25J-E03K3
A69A3R1055	315-0121-00		RES.,FXD,CMPSN:120 OHM,5%,0.25W	01121	CB1215
A69A3R1057	315-0103-00		RES.,FXD,CMPSN:10K OHM,5%,0.25W	57668	NTR25J-E10K0
A69A3R1058	315-0103-00		RES.,FXD,CMPSN:10K OHM,5%,0.25W	57668	NTR25J-E10K0
A69A3R1067	304-0681-00		RES.,FXD,CMPSN:680 OHM,10%,1W	01121	GB6811
A69A3R2013	315-0332-00		RES.,FXD,CMPSN:3.3K OHM,5%,0.25W	57668	NTR25J-E03K3
A69A3R2014	315-0121-00		RES.,FXD,CMPSN:120 OHM,5%,0.25W	01121	CB1215
A69A3R2015	315-0121-00		RES.,FXD,CMPSN:120 OHM,5%,0.25W	01121	CB1215
A69A3R2016	315-0332-00		RES.,FXD,CMPSN:3.3K OHM,5%,0.25W	57668	NTR25J-E03K3
A69A3R2017	315-0103-00		RES.,FXD,CMPSN:10K OHM,5%,0.25W	57668	NTR25J-E10K0
A69A3R2018	315-0103-00		RES.,FXD,CMPSN:10K OHM,5%,0.25W	57668	NTR25J-E10K0
A69A3R2019	315-0103-00		RES.,FXD,CMPSN:10K OHM,5%,0.25W	57668	NTR25J-E10K0
A69A3R2020	315-0103-00		RES.,FXD,CMPSN:10K OHM,5%,0.25W	57668	NTR25J-E10K0
A69A3R2023	321-0008-00		RES.,FXD,FILM:11.8 OHM,1%,0.125W	91637	CMF55116G11R80F

Component No.	Tektronix Part No.	Serial/Model No. Eff Dscont	Name & Description	Mfr Code	Mfr Part Number
A69A3R2024	321-0159-00		RES.,FXD,FILM:442 OHM,1%,0.125W	91637	MFF1816G442R0F
A69A3R2025	321-0159-00		RES.,FXD,FILM:442 OHM,1%,0.125W	91637	MFF1816G442R0F
A69A3R2026	321-0026-00		RES.,FXD,FILM:18.2 OHM,1%,0.125W	91637	CMF55116G18R20F
A69A3R2027	321-0143-00		RES.,FXD,FILM:301 OHM,1%,0.125W	91637	MFF1816G301R0F
A69A3R2028	321-0143-00		RES.,FXD,FILM:301 OHM,1%,0.125W	91637	MFF1816G301R0F
A69A3R2049	315-0103-00		RES.,FXD,CMPSN:10K OHM,5%,0.25W	57668	NTR25J-E10K0
A69A3R2050	315-0103-00		RES.,FXD,CMPSN:10K OHM,5%,0.25W	57668	NTR25J-E10K0
A69A3R2055	315-0332-00		RES.,FXD,CMPSN:3.3K OHM,5%,0.25W	57668	NTR25J-E03K3
A69A3R2056	315-0121-00		RES.,FXD,CMPSN:120 OHM,5%,0.25W	01121	CB1215
A69A3R3014	315-0121-00		RES.,FXD,CMPSN:120 OHM,5%,0.25W	01121	CB1215
A69A3R3015	315-0121-00		RES.,FXD,CMPSN:120 OHM,5%,0.25W	01121	CB1215
A69A3R3015	315-0332-00		RES.,FXD,CMPSN:3.3K OHM,5%,0.25W	57668	NTR25J-E03K3
A69A3R3017	315-0103-00		RES.,FXD,CMPSN:10K OHM,5%,0.25W	57668	NTR25J-E10K0
A69A3R3018	315-0103-00		RES.,FXD,CMPSN:10K OHM,5%,0.25W	57668	NTR25J-E10K0
A69A3R3019	315-0121-00		RES.,FXD,CMPSN:120 OHM,5%,0.25W	01121	CB1215
A69A3R3020	315-0332-00		RES.,FXD,CMPSN:3.3K OHM,5%,0.25W	57668	NTR25J-E03K3
A69A3R3050	315-0103-00		RES.,FXD,CMPSN:10K OHM,5%,0.25W	57668	NTR25J-E10K0
A69A3R3053	315-0103-00		RES.,FXD,CMPSN:10K OHM,5%,0.25W	57668	NTR25J-E10K0
A69A3R3056	315-0332-00		RES.,FXD,CMPSN:3.3K OHM,5%,0.25W	57668	NTR25J-E03K3
A69A3R3057	315-0121-00		RES.,FXD,CMPSN:120 OHM,5%,0.25W	01121	CB1215
A69A3R3059	315-0103-00		RES.,FXD,CMPSN:10K OHM,5%,0.25W	57668	NTR25J-E10K0
A69A3R3060	315-0121-00		RES.,FXD,CMPSN:120 OHM,5%,0.25W	01121	CB1215
A69A3R3061	315-0332-00		RES.,FXD,CMPSN:3.3K OHM,5%,0.25W	57668	NTR25J-E03K3
A69A3R3063	315-0103-00		RES.,FXD,CMPSN:10K OHM,5%,0.25W	57668	NTR25J-E10K0
A69A3R4012	304-0681-00		RES.,FXD,CMPSN:580 OHM,10%,1W	01121	GB6811
A69A3R4015	321-0114-00		RES.,FXD,FILM:150 OHM,1%,0.125W	91637	MFF1816G150R0F
A69A3R4016	321-0114-00		RES.,FXD,FILM:150 OHM,1%,0.125W	91637	MFF1816G150R0F
A69A3R4017	321-0054-00		RES.,FXD,FILM:35.7 OHM,5%,0.125W	91637	MFF1816G35R70F
A69A3R4019	315-0332-00		RES.,FXD,CMPSN:3.3K OHM,5%,0.25W	57668	NTR25J-E03K3
A69A3R4020	315-0103-00		RES.,FXD,CMPSN:10K OHM,5%,0.25W	57668	NTR25J-E10K0
A69A3R4021	315-0103-00		RES.,FXD,CMPSN:10K OHM,5%,0.25W	57668	NTR25J-E10K0
A69A3R4048	315-0103-00		RES.,FXD,CMPSN:10K OHM,5%,0.25W	57668	NTR25J-E10K0
A69A3R4049	315-0103-00		RES.,FXD,CMPSN:10K OHM,5%,0.25W	57668	NTR25J-E10K0
A69A3R4050	315-0103-00		RES.,FXD,CMPSN:10K OHM,5%,0.25W	57668	NTR25J-E10K0
A69A3R4053	315-0103-00		RES.,FXD,CMPSN:10K OHM,5%,0.25W	57668	NTR25J-E10K0
A69A3R4054	315-0332-00		RES.,FXD,CMPSN:3.3K OHM,5%,0.25W	57668	NTR25J-E03K3
A69A3R4055	315-0121-00		RES.,FXD,CMPSN:120 OHM,5%,0.25W	01121	CB1215
A69A3R4056	315-0121-00		RES.,FXD,CMPSN:120 OHM,5%,0.25W	01121	CB1215
A69A3R4057	315-0332-00		RES.,FXD,CMPSN:3.3K OHM,5%,0.25W	57668	NTR25J-E03K3
A69A3T2035	120-1237-00		TRANSFORMER,RF-TOROID,2 WINDINGS	80009	120-1237-00
A69A3T2055	120-1237-00		TRANSFORMER,RF-TOROID,2 WINDINGS	80009	120-1237-00
A69A3T3026	120-1339-00		TRANSFORMER,RF-TOROID,2 WINDINGS	80009	120-1339-00
A69A3T3055	120-1339-00		TRANSFORMER,RF-TOROID,2 WINDINGS	80009	120-1339-00
A69A3TP1058	214-0579-00		TERM,TEST POINT:BRS CD PL	80009	214-0579-00
A69A3TP4026	214-0579-00		TERM,TEST POINT:BRS CD PL	80009	214-0579-00
A69A3U4035	156-1235-00		MICROCIRCUIT,DI:BCD TO DECIMAL DECODER/DR	80009	156-1235-00

Replaceable Electrical Parts—494/494P Service Vol. 2

Component No.	Tektronix Part No.	Serial/Model No. Eff Dscont	Name & Description	Mfr Code	Mfr Part Number
A69A4	670-8321-00		CKT BOARD ASSY:10DB GAIN STEPS	80009	670-8321-00
A69A4C1017	283-0111-00		CAP.,FXD,CER DI:0.1UF,20%,50V	96733	R2632
A69A4C1024	283-0111-00		CAP.,FXD,CER DI:0.1UF,20%,50V	96733	R2632
A69A4C1028	283-0107-00		CAP.,FXD,CER DI:51PF,5%,200V	96733	R3017
A69A4C1039	283-0111-00		CAP.,FXD,CER DI:0.1UF,20%,50V	96733	R2632
A69A4C1047	283-0111-00		CAP.,FXD,CER DI:0.1UF,20%,50V	96733	R2632
A69A4C1057	283-0204-00		CAP.,FXD,CER DI:0.01UF,20%,50V	96733	R2676
A69A4C1066	283-0111-00		CAP.,FXD,CER DI:0.1UF,20%,50V	96733	R2632
A69A4C2013	283-0111-00		CAP.,FXD,CER DI:0.1UF,20%,50V	96733	R2632
A69A4C2018	283-0111-00		CAP.,FXD,CER DI:0.1UF,20%,50V	96733	R2632
A69A4C2020	283-0204-00		CAP.,FXD,CER DI:0.01UF,20%,50V	96733	R2676
A69A4C2032	283-0204-00		CAP.,FXD,CER DI:0.01UF,20%,50V	96733	R2676
A69A4C2046	283-0204-00		CAP.,FXD,CER DI:0.01UF,20%,50V	96733	R2676
A69A4C2052	283-0204-00		CAP.,FXD,CER DI:0.01UF,20%,50V	96733	R2676
A69A4C2055	283-0111-00		CAP.,FXD,CER DI:0.1UF,20%,50V	96733	R2632
A69A4C2059	283-0107-00		CAP.,FXD,CER DI:51PF,5%,200V	96733	R3017
A69A4C3042	283-0111-00		CAP.,FXD,CER DI:0.1UF,20%,50V	96733	R2632
A69A4C3045	283-0204-00		CAP.,FXD,CER DI:0.01UF,20%,50V	96733	R2676
A69A4C3046	283-0111-00		CAP.,FXD,CER DI:0.1UF,20%,50V	96733	R2632
A69A4C4024	283-0111-00		CAP.,FXD,CER DI:0.1UF,20%,50V	96733	R2632
A69A4C4028	283-0111-00		CAP.,FXD,CER DI:0.1UF,20%,50V	96733	R2632
A69A4C4046	283-0111-00		CAP.,FXD,CER DI:0.1UF,20%,50V	96733	R2632
A69A4C4054	283-0111-00		CAP.,FXD,CER DI:0.1UF,20%,50V	96733	R2632
A69A4C4059	283-0111-00		CAP.,FXD,CER DI:0.1UF,20%,50V	96733	R2632
A69A4C4064	283-0111-00		CAP.,FXD,CER DI:0.1UF,20%,50V	96733	R2632
A69A4CR1053	152-0524-00		SEMICONV DEVICE:SILICON,100V,100MA	80009	152-0524-00
A69A4Q1036	151-0282-00		TRANSISTOR:SILICON,NPN	80009	151-0282-00
A69A4Q2015	151-0301-00		TRANSISTOR:SILICON,PNP	27014	2N2907A
A69A4Q2027	151-0282-00		TRANSISTOR:SILICON,NPN	80009	151-0282-00
A69A4Q2043	151-0282-00		TRANSISTOR:SILICON,NPN	80009	151-0282-00
A69A4Q2056	151-0282-00		TRANSISTOR:SILICON,NPN	80009	151-0282-00
A69A4Q3016	151-0282-00		TRANSISTOR:SILICON,NPN	80009	151-0282-00
A69A4Q3055	151-0282-00		TRANSISTOR:SILICON,NPN	80009	151-0282-00
A69A4Q3064	151-0650-00		TRANSISTOR:SILICON,NPN	80009	151-0650-00
A69A4Q4039	151-0301-00		TRANSISTOR:SILICON,PNP	27014	2N2907A
A69A4R1016	315-0221-00		RES.,FXD,CMPSN:220 OHM,5%,0.25W	57668	NTR25J-E220E
A69A4R1022	315-0151-00		RES.,FXD,CMPSN:150 OHM,5%,0.25W	57668	NTR25J-E150E
A69A4R1026	315-0681-00		RES.,FXD,CMPSN:680 OHM,5%,0.25W	57668	NTR25J-E680E
A69A4R1031	315-0101-00		RES.,FXD,CMPSN:100 OHM,5%,0.25W	57668	NTR25J-E100E
A69A4R1032	315-0390-00		RES.,FXD,CMPSN:39 OHM,5%,0.25W	57668	NTR25J-E39E0
A69A4R1041	315-0681-00		RES.,FXD,CMPSN:680 OHM,5%,0.25W	57668	NTR25J-E680E
A69A4R1046	315-0470-00		RES.,FXD,CMPSN:47 OHM,5%,0.25W	57668	NTR25J-E47E0
A69A4R1050	315-0470-00		RES.,FXD,CMPSN:47 OHM,5%,0.25W	57668	NTR25J-E47E0
A69A4R1052	321-0239-00		RES.,FXD,FILM:3.01K OHM,1%,0.125W	91637	MFF1816G30100F
A69A4R1056	321-0058-00		RES.,FXD,FILM:39.2 OHM,1%,0.125W	91637	MFF1816G39R20F
A69A4R1060	321-0194-00		RES.,FXD,FILM:1.02K OHM,1%,0.125W	91637	MFF1816G10200F
A69A4R1062	321-0164-00		RES.,FXD,FILM:499 OHM,1%,0.125W	91637	MFF1816G499R0F
A69A4R1064	321-0065-00		RES.,FXD,FILM:46.4 OHM,1%,0.125W	91637	MFF1816G46R40F
A69A4R2011	315-0472-00		RES.,FXD,CMPSN:4.7K OHM,5%,0.25W	57668	NTR25J-E04K7
A69A4R2012	315-0472-00		RES.,FXD,CMPSN:4.7K OHM,5%,0.25W	57668	NTR25J-E04K7
A69A4R2018	315-0104-00		RES.,FXD,CMPSN:100K OHM,5%,0.25W	57668	NTR25J-E100K
A69A4R2023	315-0681-00		RES.,FXD,CMPSN:680 OHM,5%,0.25W	57668	NTR25J-E680E
A69A4R2025	311-0635-00		RES.,VAR,NONWW:TRMR,1K OHM,10%,0.5%,0.5W	02111	65Y102T010
A69A4R2031	321-0194-00		RES.,FXD,FILM:1.02K OHM,1%,0.125W	91637	MFF1816G10200F



Component No.	Tektronix Part No.	Serial/Model No. Eff Dscont	Name & Description	Mfr Code	Mfr Part Number
A69A4R2034	321-0164-00		RES.,FXD,FILM:499 OHM,1%,0.125W	91637	MFF1816G499R0F
A69A4R2035	321-0065-00		RES.,FXD,FILM:46.4 OHM,1%,0.125W	91637	MFF1816G46R40F
A69A4R2039	321-0130-00		RES.,FXD,FILM:221 OHM,1%,0.125W	91637	MFF1816G221R0F
A69A4R2042	315-0390-00		RES.,FXD,CMPSN:39 OHM,5%,0.25W	57668	NTR25J-E39E0
A69A4R2048	321-0097-00		RES.,FXD,FILM:100 OHM,1%,0.125W	91637	MFF1816G100R0F
A69A4R2051	315-0152-00		RES.,FXD,CMPSN:1.5K OHM,5%,0.25W	57668	NTR25J-E01K5
A69A4R2053	315-0152-00		RES.,FXD,CMPSN:1.5K OHM,5%,0.25W	57668	NTR25J-E01K5
A69A4R2057	315-0681-00		RES.,FXD,CMPSN:680 OHM,5%,0.25W	57668	NTR25J-E680E
A69A4R2063	315-0101-00		RES.,FXD,CMPSN:100 OHM,5%,0.25W	57668	NTR25J-E 100E
A69A4R2069	301-0201-00		RES.,FXD,CMPSN:200 OHM,5%,0.5W	57668	TR50J-E200E
A69A4R3014	315-0472-00		RES.,FXD,CMPSN:4.7K OHM,5%,0.25W	57668	NTR25J-E04K7
A69A4R3015	315-0390-00		RES.,FXD,CMPSN:39 OHM,5%,0.25W	57668	NTR25J-E39E0
A69A4R3022	315-0222-00		RES.,FXD,CMPSN:2.2K OHM,5%,0.25W	57668	NTR25J-E02K2
A69A4R3026	315-0222-00		RES.,FXD,CMPSN:2.2K OHM,5%,0.25W	57668	NTR25J-E02K2
A69A4R3029	321-0032-00		RES.,FXD,FILM:21 OHM,1%,0.125W	91637	MFF1816G21R00F
A69A4R3035	311-0622-00		RES.,VAR, NONWIR: 100 OHM, 10%, 0.50W	32997	3329H-G48-101
A69A4R3038	321-0026-00		RES.,FXD,FILM:18.2 OHM,1%,0.125W	91637	CMF55116G18R20F
A69A4R3039	315-0104-00		RES.,FXD,CMPSN:100K OHM,5%,0.25W	57668	NTR25J-E100K
A69A4R3044	315-0101-00		RES.,FXD,CMPSN:100 OHM,5%,0.25W	57668	NTR25J-E 100E
A69A4R3048	315-0222-00		RES.,FXD,CMPSN:2.2K OHM,5%,0.25W	57668	NTR25J-E02K2
A69A4R3050	321-0143-00		RES.,FXD,FILM:301 OHM,1%,0.125W	91637	MFF1816G301R0F
A69A4R3052	315-0390-00		RES.,FXD,CMPSN:39 OHM,5%,0.25W	57668	NTR25J-E39E0
A69A4R3059	315-0681-00		RES.,FXD,CMPSN:680 OHM,5%,0.25W	57668	NTR25J-E680E
A69A4R4013	321-0160-00		RES.,FXD,FILM:453 OHM,1%,0.125W	91637	MFF1816G453R0F
A69A4R4026	315-0151-00		RES.,FXD,CMPSN:150 OHM,5%,0.25W	57668	NTR25J-E150E
A69A4R4030	315-0102-00		RES.,FXD,CMPSN:1K OHM,5%,0.25W	57668	NTR25JE01K0
A69A4R4033	315-0102-00		RES.,FXD,CMPSN:1K OHM,5%,0.25W	57668	NTR25JE01K0
A69A4R4035	315-0222-00		RES.,FXD,CMPSN:2.2K OHM,5%,0.25W	57668	NTR25J-E02K2
A69A4R4045	321-0111-00		RES.,FXD,FILM:140 OHM,1%,0.125W	91637	MFF1816G140R0F
A69A4R4049	315-0221-00		RES.,FXD,CMPSN:220 OHM,5%,0.25W	57668	NTR25J-E220E
A69A4R4052	315-0181-00		RES.,FXD,CMPSN:180 OHM,5%,0.25W	57668	NTR25J-E180E
A69A4R4061	315-0220-00		RES.,FXD,CMPSN:22 OHM,5%,0.25W	01121	CB2205
A69A4R4066	315-0220-00		RES.,FXD,CMPSN:22 OHM,5%,0.25W	01121	CB2205
A69A4T4019	120-1431-00		XFMR,RF:TOROID 2 WINDINGS	80009	120-1431-00
A69A4TP1020	214-0579-00		TERM,TEST POINT:BRS CD PL	80009	214-0579-00
A69A4TP4055	214-0579-00		TERM,TEST POINT:BRS CD PL	80009	214-0579-00

http://www.tek.com

Replaceable Electrical Parts—494/494P Service Vol. 2

Component No.	Tektronix Part No.	Serial/Model No. Eff	Dscont	Name & Description	Mfr Code	Mfr Part Number
A69A5	670-5532-03			CKT BOARD ASSY:20DB GAIN STEPS	80009	670-5532-03
A69A5C1018	283-0204-00			CAP.,FXD,CER DI:0.01UF,20%,.50V	96733	R2676
A69A5C1019	283-0204-00			CAP.,FXD,CER DI:0.01UF,20%,.50V	96733	R2676
A69A5C1022	283-0204-00			CAP.,FXD,CER DI:0.01UF,20%,.50V	96733	R2676
A69A5C1026	283-0204-00			CAP.,FXD,CER DI:0.01UF,20%,.50V	96733	R2676
A69A5C1031	283-0204-00			CAP.,FXD,CER DI:0.01UF,20%,.50V	96733	R2676
A69A5C1041	283-0111-00			CAP.,FXD,CER DI:0.1UF,20%,.50V	96733	R2632
A69A5C1042	283-0204-00			CAP.,FXD,CER DI:0.01UF,20%,.50V	96733	R2676
A69A5C1045	283-0111-00			CAP.,FXD,CER DI:0.1UF,20%,.50V	96733	R2632
A69A5C2023	283-0204-00			CAP.,FXD,CER DI:0.01UF,20%,.50V	96733	R2676
A69A5C2032	283-0204-00			CAP.,FXD,CER DI:0.01UF,20%,.50V	96733	R2676
A69A5C2042	283-0204-00			CAP.,FXD,CER DI:0.01UF,20%,.50V	96733	R2676
A69A5C2051	283-0204-00			CAP.,FXD,CER DI:0.01UF,20%,.50V	96733	R2676
A69A5C2053	283-0204-00			CAP.,FXD,CER DI:0.01UF,20%,.50V	96733	R2676
A69A5C2059	283-0204-00			CAP.,FXD,CER DI:0.01UF,20%,.50V	96733	R2676
A69A5C2061	283-0204-00			CAP.,FXD,CER DI:0.01UF,20%,.50V	96733	R2676
A69A5C2069	283-0204-00			CAP.,FXD,CER DI:0.01UF,20%,.50V	96733	R2676
A69A5Q1025	151-0302-00			TRANSISTOR:SILICON,NPN	07263	S038487
A69A5Q1035	151-0302-00			TRANSISTOR:SILICON,NPN	07263	S038487
A69A5Q1043	151-0302-00			TRANSISTOR:SILICON,NPN	07263	S038487
A69A5Q1062	151-0301-00			TRANSISTOR:SILICON,PNP	27014	2N2907A
A69A5Q2018	151-0301-00			TRANSISTOR:SILICON,PNP	27014	2N2907A
A69A5Q2042	151-0301-00			TRANSISTOR:SILICON,PNP	27014	2N2907A
A69A5R1015	321-0175-00			RES.,FXD,FILM:649 OHM,1%,0.125W	91637	CMF55116G649R0F
A69A5R1019	317-0101-00			RES.,FXD,CMPSN:100 OHM,5%,0.125W	01121	BB1015
A69A5R1024	321-0130-00			RES.,FXD,FILM:221 OHM,1%,0.125W	91637	MFF1816G221R0F
A69A5R1025	317-0331-00			RES.,FXD,CMPSN:330 OHM,5%,0.125W	01121	BB3315
A69A5R1026	321-0114-00			RES.,FXD,FILM:150 OHM,1%,0.125W	91637	MFF1816G150R0F
A69A5R1032	321-0026-00			RES.,FXD,FILM:18.2 OHM,1%,0.125W	91637	CMF55116G18R20F
A69A5R1037	321-0143-00			RES.,FXD,FILM:301 OHM,1%,0.125W	91637	MFF1816G301R0F
A69A5R1038	317-0222-00			RES.,FXD,CMPSN:2.2K OHM,5%,0.125W	01121	BB2225
A69A5R1041	317-0331-00			RES.,FXD,CMPSN:330 OHM,5%,0.125W	01121	BB3315
A69A5R1042	321-0130-00			RES.,FXD,FILM:221 OHM,1%,0.125W	91637	MFF1816G221R0F
A69A5R1045	317-0331-00			RES.,FXD,CMPSN:330 OHM,5%,0.125W	01121	BB3315
A69A5R1049	315-0101-00			RES.,FXD,CMPSN:100 OHM,5%,0.25W	57668	NTR25J-E 100E
A69A5R1056	317-0104-00			RES.,FXD,CMPSN:100K OHM,5%,0.125W	01121	BB1045
A69A5R1064	315-0101-00			RES.,FXD,CMPSN:100 OHM,5%,0.25W	57668	NTR25J-E 100E
A69A5R1065	317-0222-00			RES.,FXD,CMPSN:2.2K OHM,5%,0.125W	01121	BB2225
A69A5R2014	315-0122-00			RES.,FXD,CMPSN:1.2K OHM,5%,0.25W	57668	NTR25J-E01K2
A69A5R2019	317-0222-00			RES.,FXD,CMPSN:2.2K OHM,5%,0.125W	01121	BB2225
A69A5R2021	317-0104-00			RES.,FXD,CMPSN:100K OHM,5%,0.125W	01121	BB1045
A69A5R2022	317-0222-00			RES.,FXD,CMPSN:2.2K OHM,5%,0.125W	01121	BB2225
A69A5R2023	311-0622-00			RES.,VAR, NONWIR:100 OHM,10%,0.50W	32997	3329H-G48-101
A69A5R2026	315-0101-00			RES.,FXD,CMPSN:100 OHM,5%,0.25W	57668	NTR25J-E 100E
A69A5R2031	315-0101-00			RES.,FXD,CMPSN:100 OHM,5%,0.25W	57668	NTR25J-E 100E
A69A5R2039	317-0222-00			RES.,FXD,CMPSN:2.2K OHM,5%,0.125W	01121	BB2225
A69A5R2044	321-0114-00			RES.,FXD,FILM:150 OHM,1%,0.125W	91637	MFF1816G150R0F
A69A5R2045	321-0085-00			RES.,FXD,FILM:75 OHM,1%,0.125W	91637	MFF1816G75R00F
A69A5R2046	317-0104-00			RES.,FXD,CMPSN:100K OHM,5%,0.125W	01121	BB1045
A69A5R2051	315-0102-00			RES.,FXD,CMPSN:1K OHM,5%,0.25W	57668	NTR25JE01K0
A69A5R2052	315-0102-00			RES.,FXD,CMPSN:1K OHM,5%,0.25W	57668	NTR25JE01K0
A69A5R2060	311-0622-00			RES.,VAR, NONWIR:100 OHM,10%,0.50W	32997	3329H-G48-101
A69A5R2061	321-0097-00			RES.,FXD,FILM:100 OHM,1%,0.125W	91637	MFF1816G100R0F
A69A5R2062	321-0026-00			RES.,FXD,FILM:18.2 OHM,1%,0.125W	91637	CMF55116G18R20F
A69A5R2063	317-0222-00			RES.,FXD,CMPSN:2.2K OHM,5%,0.125W	01121	BB2225
A69A5TP2031	214-0579-00			TERM,TEST POINT:BRS CD PL	80009	214-0579-00

Component No.	Tektronix Part No.	Serial/Model No. Eff	Dscont	Name & Description	Mfr Code	Mfr Part Number
A70	670-7919-01	B010100	B010199	CKT BOARD ASSY:Z AXIS	80009	670-7919-01
A70	670-7919-02	B010200		CKT BOARD ASSY:Z AXIS	80009	670-7919-01
A70C1026	283-0068-00			CAP.,FXD,CER DI:0.01UF, + 100-0%,500V	59660	871-533E103P
A70C1063	283-0068-00			CAP.,FXD,CER DI:0.01UF, + 100-0%,500V	59660	871-533E103P
A70C1064	283-0068-00			CAP.,FXD,CER DI:0.01UF, + 100-0%,500V	59660	871-533E103P
A70C2024	285-0862-00			CAP.,FXD,PLSTC:0.001,10%,100V	56289	192P10292
A70C2031	283-0167-00			CAP.,FXD,CER DI:0.1UF,10%,100V	72982	8131N145X5R0104K
A70C2035	283-0167-00			CAP.,FXD,CER DI:0.1UF,10%,100V	72982	8131N145X5R0104K
A70C2038	285-1056-00			CAP.,FXD,PLSTC:1UF,2%,50V	14752	650B1A105G
A70C2041	283-0167-00			CAP.,FXD,CER DI:0.1UF,10%,100V	72982	8131N145X5R0104K
A70C2045	283-0167-00			CAP.,FXD,CER DI:0.1UF,10%,100V	72982	8131N145X5R0104K
A70C2051	283-0167-00			CAP.,FXD,CER DI:0.1UF,10%,100V	72982	8131N145X5R0104K
A70C2052	283-0167-00			CAP.,FXD,CER DI:0.1UF,10%,100V	72982	8131N145X5R0104K
A70C2053	283-0167-00			CAP.,FXD,CER DI:0.1UF,10%,100V	72982	8131N145X5R0104K
A70C2054	283-0220-00			CAP.,FXD,CER DI:0.01UF,20%,50V	72982	8121N075X7R0103M
A70C2055	283-0167-00			CAP.,FXD,CER DI:0.1UF,10%,100V	72982	8131N145X5R0104K
A70C2058	283-0220-00			CAP.,FXD,CER DI:0.01UF,20%,50V	72982	8121N075X7R0103M
A70C3026	283-0167-00			CAP.,FXD,CER DI:0.1UF,10%,100V	72982	8131N145X5R0104K
A70C3029	283-0167-00			CAP.,FXD,CER DI:0.1UF,10%,100V	72982	8131N145X5R0104K
A70C3031	283-0167-00			CAP.,FXD,CER DI:0.1UF,10%,100V	72982	8131N145X5R0104K
A70C3038	283-0167-00			CAP.,FXD,CER DI:0.1UF,10%,100V	72982	8131N145X5R0104K
A70C3039	283-0167-00			CAP.,FXD,CER DI:0.1UF,10%,100V	72982	8131N145X5R0104K
A70C3041	283-0167-00			CAP.,FXD,CER DI:0.1UF,10%,100V	72982	8131N145X5R0104K
A70C3051	283-0167-00			CAP.,FXD,CER DI:0.1UF,10%,100V	72982	8131N145X5R0104K
A70C3053	281-0619-00			CAP.,FXD,CER DI:0.2PF, +/-0.1PF,200V	59660	374 018 C0K0129B
A70C4015	283-0156-00			CAP.,FXD,CER DI:1000PF, + 100-0%,200V	96733	R2670
A70C4016	283-0167-00	B010100	B010199	CAP.,FXD,CER DI:0.1UF,10%,100V	72982	8131N145X5R0104K
A70C4016	283-0238-00	B010200		CAP.,FXD,CER DI:0.01UF,10%,50V	72982	8121N075X7R0103K
A70C4026	283-0177-00			CAP.,FXD,CER DI:1UF, + 80-20%,25V	04222	SR302E105ZAA
A70C4046	283-0167-00			CAP.,FXD,CER DI:0.1UF,10%,100V	72982	8131N145X5R0104K
A70C4052	283-0167-00			CAP.,FXD,CER DI:0.1UF,10%,100V	72982	8131N145X5R0104K
A70C4057	283-0167-00			CAP.,FXD,CER DI:0.1UF,10%,100V	72982	8131N145X5R0104K
A70CR1043	152-0141-02			SEMICON DVC,DI:SW,SI,30V,150MA,30V,DO-35	12969	NDP0263 (1N4152)
A70CR1045	152-0141-02			SEMICON DVC,DI:SW,SI,30V,150MA,30V,DO-35	12969	NDP0263 (1N4152)
A70CR2013	152-0141-02			SEMICON DVC,DI:SW,SI,30V,150MA,30V,DO-35	12969	NDP0263 (1N4152)
A70CR2029	152-0141-02			SEMICON DVC,DI:SW,SI,30V,150MA,30V,DO-35	12969	NDP0263 (1N4152)
A70CR2058	152-0141-02			SEMICON DVC,DI:SW,SI,30V,150MA,30V,DO-35	12969	NDP0263 (1N4152)
A70CR2059	152-0141-02			SEMICON DVC,DI:SW,SI,30V,150MA,30V,DO-35	12969	NDP0263 (1N4152)
A70CR3016	152-0107-00			SEMICON DEVICE:SILICON,400V,400MA	12969	G727
A70CR3017	152-0141-02			SEMICON DVC,DI:SW,SI,30V,150MA,30V,DO-35	12969	NDP0263 (1N4152)
A70CR3018	152-0141-02			SEMICON DVC,DI:SW,SI,30V,150MA,30V,DO-35	12969	NDP0263 (1N4152)
A70CR3022	152-0141-02			SEMICON DVC,DI:SW,SI,30V,150MA,30V,DO-35	12969	NDP0263 (1N4152)
A70CR3023	152-0141-02			SEMICON DVC,DI:SW,SI,30V,150MA,30V,DO-35	12969	NDP0263 (1N4152)
A70CR3024	152-0141-02			SEMICON DVC,DI:SW,SI,30V,150MA,30V,DO-35	12969	NDP0263 (1N4152)
A70CR3051	152-0141-02			SEMICON DVC,DI:SW,SI,30V,150MA,30V,DO-35	12969	NDP0263 (1N4152)
A70CR3059	152-0107-03			SEMICON DEVICE:SILICON,375V,400MA,SEL	01295	G727
A70CR3060	152-0141-02			SEMICON DVC,DI:SW,SI,30V,150MA,30V,DO-35	12969	NDP0263 (1N4152)
A70CR3066	152-0107-03			SEMICON DEVICE:SILICON,375V,400MA,SEL	01295	G727
A70CR4012	152-0141-02			SEMICON DVC,DI:SW,SI,30V,150MA,30V,DO-35	12969	NDP0263 (1N4152)
A70CR4013	152-0141-02			SEMICON DVC,DI:SW,SI,30V,150MA,30V,DO-35	12969	NDP0263 (1N4152)
A70DS1062	150-1049-00			LT EMITTING DIO:RED/GREEN	000LH	QEC552CRG
A70M1019	149-0046-01			METER,T TOTAL:500 HRS,55-700 VDC	80009	149-0046-01
A70P1011	131-0589-00			TERMINAL,PIN:0.46 L X 0.025 SQ	22526	48283-029
A70P1015	131-0608-00			TERMINAL,PIN:0.365 L X 0.025 PH BRZ GOLD	22526	48283-036



Replaceable Electrical Parts—494/494P Service Vol. 2

Component No.	Tektronix Part No.	Serial/Model No. Eff Dscont	Name & Description	Mfr Code	Mfr Part Number
A70P1040	131-0608-00		TERMINAL,PIN:0.365 L X 0.025 PH BRZ GOLD	22526	48283-036
A70P1056	131-0608-00		TERMINAL,PIN:0.365 L X 0.025 PH BRZ GOLD	22526	48283-036
A70Q1015	151-0301-00		TRANSISTOR:SILICON,PNP	27014	2N2907A
A70Q1017	151-0302-00		TRANSISTOR:SILICON,NPN	07263	S038487
A70Q1028	151-0301-00		TRANSISTOR:SILICON,PNP	27014	2N2907A
A70Q2011	151-0190-00		TRANSISTOR:NPN,SI,TO-92	04713	SPS7969
A70Q2022	151-0192-00		TRANSISTOR:SELECTED	04713	SPS8801
A70Q2025	151-0302-00		TRANSISTOR:SILICON,NPN	07263	S038487
A70Q2042	151-0302-00		TRANSISTOR:SILICON,NPN	07263	S038487
A70Q2044	151-0302-00		TRANSISTOR:SILICON,NPN	07263	S038487
A70Q2059	151-0190-00		TRANSISTOR:NPN,SI,TO-92	04713	SPS7969
A70Q2067	151-0188-00		TRANSISTOR:PNP,SI,TO-92	T0058	2N3906
A70Q3011	151-0190-00		TRANSISTOR:NPN,SI,TO-92	04713	SPS7969
A70Q3024	151-0290-00		TRANSISTOR:SILICON,NPN	07263	S032790
A70Q3025	151-0134-00		TRANSISTOR:SILICON,PNP	80009	151-0134-00
A70Q3028	151-0391-00		TRANSISTOR:SILICON,PNP	80009	151-0391-00
A70Q3047	151-0302-00		TRANSISTOR:SILICON,NPN	07263	S038487
A70Q4058	151-0615-00		TRANSISTOR:SILICON,NPN	04713	SDS358K
A70Q4059	151-0612-00		TRANSISTOR:SILICON,PNP	80009	151-0612-00
A70R1015	321-0481-00		RES.,FXD,FILM:1M OHM,1%,0.125W	91637	CMF55116G10003F
A70R1020	315-0103-00		RES.,FXD,CMPSN:10K OHM,5%,0.25W	57668	NTR25J-E10K0
A70R1021	311-1198-00		RES.,VAR, NONWIR:20K OHM,20%,0.5W	73138	72-29-0
A70R1022	317-0244-00		RES.,FXD,CMPSN:240K OHM,5%,0.125W	01121	BB2445
A70R1023	315-0472-00		RES.,FXD,CMPSN:4.7K OHM,5%,0.25W	57668	NTR25J-E04K7
A70R1024	315-0472-00		RES.,FXD,CMPSN:4.7K OHM,5%,0.25W	57668	NTR25J-E04K7
A70R1025	315-0682-00		RES.,FXD,CMPSN:6.8K OHM,5%,0.25W	57668	NTR25J-E06K8
A70R1026	315-0682-00		RES.,FXD,CMPSN:6.8K OHM,5%,0.25W	57668	NTR25J-E06K8
A70R1027	311-1245-00		RES.,VAR, NONWIR:10K OHM,10%,0.50W	73138	72-28-0
A70R1028	317-0103-00		RES.,FXD,CMPSN:10K OHM,5%,0.125W	01121	BB1035
A70R1030	311-1248-00		RES.,VAR, NONWIR:500 OHM,10%,0.50W	73138	72-23-0
A70R1044	321-0382-00		RES.,FXD,FILM:93.1K OHM,1%,0.125W	91637	MFF1816G93101F
A70R1045	315-0222-00		RES.,FXD,CMPSN:2.2K OHM,5%,0.25W	57668	NTR25J-E02K2
A70R1046	315-0222-00		RES.,FXD,CMPSN:2.2K OHM,5%,0.25W	57668	NTR25J-E02K2
A70R1050	315-0221-00		RES.,FXD,CMPSN:220 OHM,5%,0.25W	57668	NTR25J-E220E
A70R1051	311-1247-00		RES.,VAR, NONWIR:1M OHM,10%,0.50W	73138	72-35-0
A70R1052	301-0473-00		RES.,FXD,CMPSN:47K OHM,5%,0.50W	57668	TR50J-E-47 KOHM
A70R1054	315-0221-00		RES.,FXD,CMPSN:220 OHM,5%,0.25W	57668	NTR25J-E220E
A70R1055	315-0102-00		RES.,FXD,CMPSN:1K OHM,5%,0.25W	57668	NTR25J-E01K0
A70R1056	321-0193-00		RES.,FXD,FILM:1K OHM,1%,0.125W	01121	ORD BY DESCR
A70R1058	311-1241-00		RES.,VAR, NONWIR:100K OHM,10%,0.5W	32997	3386X-T07-104
A70R1064	301-0104-00		RES.,FXD,CMPSN:100K OHM,5%,0.5W	01121	EB1045
A70R1065	311-1198-00		RES.,VAR, NONWIR:20K OHM,20%,0.5W	73138	72-29-0
A70R1066	301-0473-00		RES.,FXD,CMPSN:47K OHM,5%,0.50W	57668	TR50J-E-47 KOHM
A70R1067	315-0101-00		RES.,FXD,CMPSN:100 OHM,5%,0.25W	57668	NTR25J-E 100E
A70R1068	315-0100-00		RES.,FXD,CMPSN:10 OHM,5%,0.25W	57668	NTR25J-E 10E0
A70R2022	315-0472-00		RES.,FXD,CMPSN:4.7K OHM,5%,0.25W	57668	NTR25J-E04K7
A70R2024	321-0279-00		RES.,FXD,FILM:7.87K OHM,1%,0.125W	91637	MFF1816G78700F
A70R2025	315-0103-00		RES.,FXD,CMPSN:10K OHM,5%,0.25W	57668	NTR25J-E10K0
A70R2026	315-0682-00		RES.,FXD,CMPSN:6.8K OHM,5%,0.25W	57668	NTR25J-E06K8
A70R2027	315-0103-00		RES.,FXD,CMPSN:10K OHM,5%,0.25W	57668	NTR25J-E10K0
A70R2028	317-0103-00		RES.,FXD,CMPSN:10K OHM,5%,0.125W	01121	BB1035
A70R2050	321-0251-00		RES.,FXD,FILM:4.02K OHM,1%,0.125W	91637	MFF1816G40200F
A70R2051	317-0242-00		RES.,FXD,CMPSN:2.4K OHM,5%,0.125W	01121	BB2425
A70R2052	315-0512-00		RES.,FXD,CMPSN:5.1K OHM,5%,0.25W	57668	NTR25J-E05K1

Component No.	Tektronix Part No.	Serial/Model No. Eff Dscont	Name & Description	Mfr Code	Mfr Part Number
A70R2053	315-0162-00		RES.,FXD,CMPSN:1.6K OHM,5%,0.25W	01121	CB1625
A70R2054	317-0183-00		RES.,FXD,CMPSN:18K OHM,5%,0.125W	01121	BB1835
A70R2055	321-0660-00		RES.,FXD,FILM:417 OHM,1%,0.125W	91637	MFF1816G417R0F
A70R2056	317-0912-00		RES.,FXD,CMPSN:9.1K OHM,5%,0.125W	01121	BB9125
A70R2057	301-0753-00		RES.,FXD,CMPSN:75K OHM,5%,0.50W	01121	EB7535
A70R2058	317-0101-00		RES.,FXD,CMPSN:100 OHM,5%,0.125W	01121	BB1015
A70R2059	321-0318-00		RES.,FXD,FILM:20K OHM,1%,0.125W	91637	MFF1816G20001F
A70R2060	317-0622-00		RES.,FXD,CMPSN:6.2K OHM,5%,0.125W	01121	BB6225
A70R2063	315-0272-00		RES.,FXD,CMPSN:2.7K OHM,5%,0.25W	57668	NTR25J-E02K7
A70R2064	315-0471-00		RES.,FXD,CMPSN:470 OHM,5%,0.25W	57668	NTR25J-E470E
A70R2065	317-0201-00		RES.,FXD,CMPSN:200 OHM,5%,0.125W	01121	BB2015
A70R2066	315-0563-00		RES.,FXD,CMPSN:56K OHM,5%,0.25W	01121	CB5635
A70R3010	315-0103-00		RES.,FXD,CMPSN:10K OHM,5%,0.25W	57668	NTR25J-E10K0
A70R3011	315-0102-00		RES.,FXD,CMPSN:1K OHM,5%,0.25W	57668	NTR25JE01K0
A70R3012	315-0102-00		RES.,FXD,CMPSN:1K OHM,5%,0.25W	57668	NTR25JE01K0
A70R3013	315-0102-00		RES.,FXD,CMPSN:1K OHM,5%,0.25W	57668	NTR25JE01K0
A70R3016	315-0202-00		RES.,FXD,CMPSN:2K OHM,5%,0.25W	57668	NTR25J-E02K0
A70R3041	315-0103-00		RES.,FXD,CMPSN:10K OHM,5%,0.25W	57668	NTR25J-E10K0
A70R3045	315-0100-00		RES.,FXD,CMPSN:10 OHM,5%,0.25W	57668	NTR25J-E 10E0
A70R3050	315-0272-00		RES.,FXD,CMPSN:2.7K OHM,5%,0.25W	57668	NTR25J-E02K7
A70R3051	307-1254-00		RES NTWK,FXD,FI:P/S BALANCE DETECTOR	80009	307-1254-00
A70R3056	321-0431-00		RES.,FXD,FILM:301K OHM,1%,0.125W	91637	MFF1816G30102F
A70R3059	321-0431-00		RES.,FXD,FILM:301K OHM,1%,0.125W	91637	MFF1816G30102F
A70R3060	321-0318-00		RES.,FXD,FILM:20K OHM,1%,0.125W	91637	MFF1816G20001F
A70R4010	315-0102-00		RES.,FXD,CMPSN:1K OHM,5%,0.25W	57668	NTR25JE01K0
A70R4012	315-0103-00		RES.,FXD,CMPSN:10K OHM,5%,0.25W	57668	NTR25J-E10K0
A70R4013	315-0274-00		RES.,FXD,CMPSN:270K OHM,5%,0.25W	57668	NTR25J-E270K
A70R4014	315-0101-00		RES.,FXD,CMPSN:100 OHM,5%,0.25W	57668	NTR25J-E 100E
A70R4016	315-0103-00		RES.,FXD,CMPSN:10K OHM,5%,0.25W	57668	NTR25J-E10K0
A70R4024	315-0473-00		RES.,FXD,CMPSN:47K OHM,5%,0.25W	57668	NTR25J-E47K0
A70R4058	315-0100-00		RES.,FXD,CMPSN:10 OHM,5%,0.25W	57668	NTR25J-E 10E0
A70TP1011	136-0544-00		JACK,TIP:HORIZ CKT CD MT,WHITE	74970	105-1101-001
A70TP1034	136-0544-00		JACK,TIP:HORIZ CKT CD MT,WHITE	74970	105-1101-001
A70TP1035	136-0544-00		JACK,TIP:HORIZ CKT CD MT,WHITE	74970	105-1101-001
A70TP1036	136-0544-00		JACK,TIP:HORIZ CKT CD MT,WHITE	74970	105-1101-001
A70TP1037	136-0544-00		JACK,TIP:HORIZ CKT CD MT,WHITE	74970	105-1101-001
A70TP1044	136-0544-00		JACK,TIP:HORIZ CKT CD MT,WHITE	74970	105-1101-001
A70TP1046	136-0544-00		JACK,TIP:HORIZ CKT CD MT,WHITE	74970	105-1101-001
A70TP1047	136-0544-00		JACK,TIP:HORIZ CKT CD MT,WHITE	74970	105-1101-001
A70TP1048	136-0544-00		JACK,TIP:HORIZ CKT CD MT,WHITE	74970	105-1101-001
A70TP1052	136-0544-00		JACK,TIP:HORIZ CKT CD MT,WHITE	74970	105-1101-001
A70TP1068	214-0579-00		TERM,TEST POINT:BRS CD PL	80009	214-0579-00
A70TP1069	214-0579-00		TERM,TEST POINT:BRS CD PL	80009	214-0579-00
A70U2034	156-1335-00		MICROCIRCUIT,DI:DUAL RETRIG RESET MONO MV	07263	96LS02
A70U2036	156-0385-02		MICROCIRCUIT,DI:HEX INVERTER	01295	SN74LS04
A70U2038	156-0467-02		MICROCIRCUIT,DI:QUAD 2-INP NAND BFR,SCRN	01295	SN74LS38
A70U2039	156-0452-02		MICROCIRCUIT,DI:4-WIDE,2-INP AOI,SCREENED	07263	74LS54
A70U2045	156-0469-02		MICROCIRCUIT,DI:3/8 LINE DCDR	01295	SN74LS138NP3
A70U2051	156-1225-01		MICROCIRCUIT,LI:DUAL COMPARATOR,SCREENED	27014	LM393N/A+
A70U3029	156-0206-02		MICROCIRCUIT,DI:CORE DRIVER,SCREENED	01295	SN75325(NP3 OR J
A70U3034	156-0206-02		MICROCIRCUIT,DI:CORE DRIVER,SCREENED	01295	SN75325(NP3 OR J
A70U3038	156-0206-02		MICROCIRCUIT,DI:CORE DRIVER,SCREENED	01295	SN75325(NP3 OR J
A70U3045	156-0913-02		MICROCIRCUIT,DI:OCTAL D FF,BURN-IN	04713	SN74LS377NDS
A70U3051	156-1225-01		MICROCIRCUIT,LI:DUAL COMPARATOR,SCREENED	27014	LM393N/A+

Replaceable Electrical Parts—494/494P Service Vol. 2

Component No.	Tektronix Part No.	Serial/Model No.		Name & Description	Mfr Code	Mfr Part Number
		Eff	Dscont			
A70U3052	156-0720-02			MICROCIRCUIT,DI:HEX DRVR,4 TO 2 LINE	01295	SN74LS368
A70U4023	156-0067-12			MICROCIRCUIT,LI:OPERATIONAL AMPLIFIER	01295	UA741CJG
A70VR1052	152-0288-00			SEMICONV DEVICE:ZENER,0.4W,140V,5%	12954	DZ720717C
A70VR2014	152-0265-00			SEMICONV DEVICE:ZENER,0.4W,24V,5%	04713	SZG35009K8
A70VR2053	152-0662-00			SEMICONV DEVICE:ZENER,0.4W,5V,1%	04713	SZG195
A70VR2062	152-0087-00			SEMICONV DEVICE:ZENER,1W,100V,5%	04713	SZ1627RL
A70VR3015	152-0281-00			SEMICONV DEVICE:ZENER,0.4W,22V,5%	12954	1N969B

<http://www.ebaman.com>



Component No.	Tektronix	Serial/Model No.		Name & Description	Mfr Code	Mfr Part Number
	Part No.	Eff	Dscont			
A72	670-7915-01	B010100	B010199	CKT BOARD ASSY:SWEEP	80009	670-7915-01
A72	670-7915-02	B010200		CKT BOARD ASSY:SWEEP	80009	670-7915-02
A72C1018	283-0003-00			CAP.,FXD,CER DI:0.01UF,+80-20%,150V	59821	2DDH66J103Z
A72C1022	283-0111-00			CAP.,FXD,CER DI:0.1UF,20%,50V	96733	R2632
A72C1025	283-0111-00			CAP.,FXD,CER DI:0.1UF,20%,50V	96733	R2632
A72C1032	283-0111-00			CAP.,FXD,CER DI:0.1UF,20%,50V	96733	R2632
A72C1037	283-0111-00			CAP.,FXD,CER DI:0.1UF,20%,50V	96733	R2632
A72C1038	283-0111-00			CAP.,FXD,CER DI:0.1UF,20%,50V	96733	R2632
A72C1039	283-0167-00	B010100	B010199	CAP.,FXD,CER DI:0.1UF,10%,100V	72982	8131N145X5R0104K
A72C1039	283-0238-00	B010200		CAP.,FXD,CER DI:0.01UF,10%,50V	72982	8121N075X7R0103K
A72C1046	283-0212-00			CAP.,FXD,CER DI:2UF,20%,50V	51642	400-050-Z5U205M
A72C1047	283-0212-00			CAP.,FXD,CER DI:2UF,20%,50V	51642	400-050-Z5U205M
A72C1048	283-0108-00			CAP.,FXD,CER DI:220PF,10%,200V	56289	1C10C0G221K200B
A72C1049	283-0108-00			CAP.,FXD,CER DI:220PF,10%,200V	56289	1C10C0G221K200B
A72C1052	283-0111-00			CAP.,FXD,CER DI:0.1UF,20%,50V	96733	R2632
A72C1061	295-0171-00			CAP.,SET,MTCHD:510PF,0.05UF,5UF	84411	TEK-140-000-51
A72C1062	295-0171-00			CAP.,SET,MTCHD:510PF,0.05UF,5UF	84411	TEK-140-000-51
A72C1065	295-0171-00			CAP.,SET,MTCHD:510PF,0.05UF,5UF	84411	TEK-140-000-51
A72C2021	283-0111-00			CAP.,FXD,CER DI:0.1UF,20%,50V	96733	R2632
A72C2022	283-0212-00			CAP.,FXD,CER DI:2UF,20%,50V	51642	400-050-Z5U205M
A72C2023	290-0974-00			CAP.,FXD,ELCTLT:10UF,20%,50VDC	55680	ULB1H100MEA
A72C2034	283-0111-00			CAP.,FXD,CER DI:0.1UF,20%,50V	96733	R2632
A72C2039	283-0111-00			CAP.,FXD,CER DI:0.1UF,20%,50V	96733	R2632
A72C2051	290-0943-00			CAP.,FXD,ELCTLT:47UF,+50-10%,25V	55680	ULB1E470TECANA
A72C2052	283-0204-00			CAP.,FXD,CER DI:0.01UF,20%,50V	96733	R2676
A72C2053	283-0004-00			CAP.,FXD,CER DI:0.02UF,+80-20%,150V	59821	SDDH69J203Z
A72C2054	283-0111-00			CAP.,FXD,CER DI:0.1UF,20%,50V	96733	R2632
A72C2055	290-0768-00			CAP.,FXD,ELCTLT:10UF,+50-10%,100V	54473	ECE-A100V10L
A72C2056	290-0943-00			CAP.,FXD,ELCTLT:47UF,+50-10%,25V	55680	ULB1E470TECANA
A72C2062	283-0111-00			CAP.,FXD,CER DI:0.1UF,20%,50V	96733	R2632
A72C2064	290-0973-00			CAP.,FXD,ELCTLT:100UF,20%,25VDC	T0020	SM25VB100M
A72C3039	283-0168-00			CAP.,FXD,CER DI:12PF,5%,100V	72982	8101B121C0G0120J
A72C3041	283-0111-00			CAP.,FXD,CER DI:0.1UF,20%,50V	96733	R2632
A72C3042	283-0111-00			CAP.,FXD,CER DI:0.1UF,20%,50V	96733	R2632
A72C3044	283-0198-00			CAP.,FXD,CER DI:0.22UF,20%,50V	56289	1C10Z5U223M050B
A72C3051	283-0330-00			CAP.,FXD,CER DI:100PF,5%,50V	51642	200-050-NP0-101J
A72C3058	283-0111-00			CAP.,FXD,CER DI:0.1UF,20%,50V	96733	R2632
A72C3059	283-0111-00			CAP.,FXD,CER DI:0.1UF,20%,50V	96733	R2632
A72CR1031	152-0141-02			SEMICON DVC,DI-SW,SI,30V,150MA,30V,DO-35	12969	NDP0263 (1N4152)
A72CR1033	152-0141-02			SEMICON DVC,DI-SW,SI,30V,150MA,30V,DO-35	12969	NDP0263 (1N4152)
A72CR1044	152-0141-02			SEMICON DVC,DI-SW,SI,30V,150MA,30V,DO-35	12969	NDP0263 (1N4152)
A72CR1046	152-0141-02			SEMICON DVC,DI-SW,SI,30V,150MA,30V,DO-35	12969	NDP0263 (1N4152)
A72CR1047	152-0141-02			SEMICON DVC,DI-SW,SI,30V,150MA,30V,DO-35	12969	NDP0263 (1N4152)
A72CR1048	152-0141-02			SEMICON DVC,DI-SW,SI,30V,150MA,30V,DO-35	12969	NDP0263 (1N4152)
A72CR1061	152-0246-00			SEMICON DEVICE:SW,SI,40V,200MA	03508	DE140
A72CR1062	152-0246-00			SEMICON DEVICE:SW,SI,40V,200MA	03508	DE140
A72CR2021	152-0141-02			SEMICON DVC,DI-SW,SI,30V,150MA,30V,DO-35	12969	NDP0263 (1N4152)
A72CR2024	152-0141-02			SEMICON DVC,DI-SW,SI,30V,150MA,30V,DO-35	12969	NDP0263 (1N4152)
A72L1042	108-0417-01			COIL,RF:FIXED,110UH	80009	108-0417-01
A72P1018	131-0608-00			TERMINAL,PIN:0.365 L X 0.025 PH BRZ GOLD	22526	48283-036
A72P1068	131-0608-00			TERMINAL,PIN:0.365 L X 0.025 PH BRZ GOLD	22526	48283-036
A72P2012	131-0608-00			TERMINAL,PIN:0.365 L X 0.025 PH BRZ GOLD	22526	48283-036
A72Q1051	151-0302-00			TRANSISTOR:SILICON,NPN	07263	S038487
A72Q1052	151-0232-00			TRANSISTOR:SILICON,NPN,DUAL	07263	SP12141

Replaceable Electrical Parts—494/494P Service Vol. 2

Component No.	Tektronix Part No.	Serial/Model No. Eff Dscont	Name & Description	Mfr Code	Mfr Part Number
A72Q1053	151-0232-00		TRANSISTOR,SILICON,NPN,DUAL	07263	SP12141
A72Q1058	151-1022-00		TRANSISTOR,FET,N-CHAN,SI,F1782,T0-18	17856	FN1234
A72Q1061	151-1022-00		TRANSISTOR,FET,N-CHAN,SI,F1782,T0-18	17856	FN1234
A72Q1062	151-1022-00		TRANSISTOR,FET,N-CHAN,SI,F1782,T0-18	17856	FN1234
A72Q1064	151-1022-00		TRANSISTOR,FET,N-CHAN,SI,F1782,T0-18	17856	FN1234
A72Q2018	151-0302-00		TRANSISTOR,SILICON,NPN	07263	S038487
A72Q2034	151-0302-00		TRANSISTOR,SILICON,NPN	07263	S038487
A72Q2036	151-0302-00		TRANSISTOR,SILICON,NPN	07263	S038487
A72Q2038	151-0302-00		TRANSISTOR,SILICON,NPN	07263	S038487
A72R1010	315-0103-00		RES.,FXD,CMPSN:10K OHM,5%,0.25W	57668	NTR25J-E10K0
A72R1011	315-0153-00		RES.,FXD,CMPSN:15K OHM,5%,0.25W	01121	CB1535
A72R1012	315-0106-00		RES.,FXD,CMPSN:10M OHM,5%,0.25W	01121	CB1065
A72R1013	315-0475-00		RES.,FXD,CMPSN:4.7M OHM,5%,0.25W	01121	CB4755
A72R1014	315-0153-00		RES.,FXD,CMPSN:15K OHM,5%,0.25W	01121	CB1535
A72R1015	315-0105-00		RES.,FXD,CMPSN:1M OHM,5%,0.25W	01121	CB1055
A72R1016	321-0163-00		RES.,FXD,FILM:487 OHM,1%,0.125W	91637	MFF1816G487R0F
A72R1017	321-0256-00		RES.,FXD,FILM:4.53K OHM,1%,0.125W	91637	MFF1816G45300F
A72R1018	315-0103-00		RES.,FXD,CMPSN:10K OHM,5%,0.25W	57668	NTR25J-E10K0
A72R1019	315-0105-00		RES.,FXD,CMPSN:1M OHM,5%,0.25W	01121	CB1055
A72R1020	315-0104-00		RES.,FXD,CMPSN:100K OHM,5%,0.25W	57668	NTR25J-E100K
A72R1022	315-0101-00		RES.,FXD,CMPSN:100 OHM,5%,0.25W	57668	NTR25J-E 100E
A72R1023	315-0101-00		RES.,FXD,CMPSN:100 OHM,5%,0.25W	57668	NTR25J-E 100E
A72R1024	315-0153-00		RES.,FXD,CMPSN:15K OHM,5%,0.25W	01121	CB1535
A72R1025	315-0103-00		RES.,FXD,CMPSN:10K OHM,5%,0.25W	57668	NTR25J-E10K0
A72R1026	315-0103-00		RES.,FXD,CMPSN:10K OHM,5%,0.25W	57668	NTR25J-E10K0
A72R1027	315-0103-00		RES.,FXD,CMPSN:10K OHM,5%,0.25W	57668	NTR25J-E10K0
A72R1028	315-0153-00		RES.,FXD,CMPSN:15K OHM,5%,0.25W	01121	CB1535
A72R1030	315-0103-00		RES.,FXD,CMPSN:10K OHM,5%,0.25W	57668	NTR25J-E10K0
A72R1031	315-0103-00		RES.,FXD,CMPSN:10K OHM,5%,0.25W	57668	NTR25J-E10K0
A72R1032	315-0102-00		RES.,FXD,CMPSN:1K OHM,5%,0.25W	57668	NTR25JE01K0
A72R1040	315-0102-00		RES.,FXD,CMPSN:1K OHM,5%,0.25W	57668	NTR25JE01K0
A72R1041	315-0103-00		RES.,FXD,CMPSN:10K OHM,5%,0.25W	57668	NTR25J-E10K0
A72R1042	321-0259-00		RES.,FXD,FILM:4.87K OHM,1%,0.125W	91637	MFF1816G48700F
A72R1044	315-0103-00		RES.,FXD,CMPSN:10K OHM,5%,0.25W	57668	NTR25J-E10K0
A72R1045	315-0103-00		RES.,FXD,CMPSN:10K OHM,5%,0.25W	57668	NTR25J-E10K0
A72R1046	315-0103-00		RES.,FXD,CMPSN:10K OHM,5%,0.25W	57668	NTR25J-E10K0
A72R1047	315-0302-00		RES.,FXD,CMPSN:3K OHM,5%,0.25W	57668	NTR25J-E03K0
A72R1048	315-0302-00		RES.,FXD,CMPSN:3K OHM,5%,0.25W	57668	NTR25J-E03K0
A72R1050	315-0272-00		RES.,FXD,CMPSN:2.7K OHM,5%,0.25W	57668	NTR25J-E02K7
A72R1051	315-0101-00		RES.,FXD,CMPSN:100 OHM,5%,0.25W	57668	NTR25J-E 100E
A72R1052	315-0272-00		RES.,FXD,CMPSN:2.7K OHM,5%,0.25W	57668	NTR25J-E02K7
A72R1053	315-0103-00		RES.,FXD,CMPSN:10K OHM,5%,0.25W	57668	NTR25J-E10K0
A72R1054	315-0302-00		RES.,FXD,CMPSN:3K OHM,5%,0.25W	57668	NTR25J-E03K0
A72R1055	315-0302-00		RES.,FXD,CMPSN:3K OHM,5%,0.25W	57668	NTR25J-E03K0
A72R1056	315-0103-00		RES.,FXD,CMPSN:10K OHM,5%,0.25W	57668	NTR25J-E10K0
A72R1057	315-0100-00		RES.,FXD,CMPSN:10 OHM,5%,0.25W	57668	NTR25J-E 10E0
A72R1058	315-0104-00		RES.,FXD,CMPSN:100K OHM,5%,0.25W	57668	NTR25J-E100K
A72R1059	315-0104-00		RES.,FXD,CMPSN:100K OHM,5%,0.25W	57668	NTR25J-E100K
A72R1062	315-0821-00		RES.,FXD,CMPSN:820 OHM,5%,0.25W	57668	NTR25J-E B20E
A72R1063	315-0472-00		RES.,FXD,CMPSN:4.7K OHM,5%,0.25W	57668	NTR25J-E04K7
A72R1064	321-0384-00		RES.,FXD,FILM:97.6K OHM,1%,0.125W	91637	MFF1816G97601F
A72R1065	321-0431-00		RES.,FXD,FILM:301K OHM,1%,0.125W	91637	MFF1816G30102F
A72R1067	315-0511-00		RES.,FXD,CMPSN:510 OHM,5%,0.25W	01121	CB5115
A72R1068	311-1240-00		RES.,VAR, NONWIR:25K OHM,10%,0.50W	73138	72-30-0



Component No.	Tektronix Part No.	Serial/Model No. Eff Dscnt	Name & Description	Mfr Code	Mfr Part Number
A72R1069	315-0104-00		RES.,FXD,CMPSN:100K OHM,5%,0.25W	57668	NTR25J-E100K
A72R1070	321-0393-00		RES.,FXD,FILM:121K OHM,1%,0.125W	91637	CMF55116G12102F
A72R2014	315-0272-00		RES.,FXD,CMPSN:2.7K OHM,5%,0.25W	57668	NTR25J-E02K7
A72R2016	315-0182-00		RES.,FXD,CMPSN:1.8K OHM,5%,0.25W	57668	NTR25J-E1K8
A72R2018	315-0103-00		RES.,FXD,CMPSN:10K OHM,5%,0.25W	57668	NTR25J-E10K0
A72R2019	315-0391-00		RES.,FXD,CMPSN:390 OHM,5%,0.25W	57668	NTR25J-E390E
A72R2034	315-0103-00		RES.,FXD,CMPSN:10K OHM,5%,0.25W	57668	NTR25J-E10K0
A72R2035	315-0272-00		RES.,FXD,CMPSN:2.7K OHM,5%,0.25W	57668	NTR25J-E02K7
A72R2036	315-0272-00		RES.,FXD,CMPSN:2.7K OHM,5%,0.25W	57668	NTR25J-E02K7
A72R2037	315-0182-00		RES.,FXD,CMPSN:1.8K OHM,5%,0.25W	57668	NTR25J-E1K8
A72R2038	315-0182-00		RES.,FXD,CMPSN:1.8K OHM,5%,0.25W	57668	NTR25J-E1K8
A72R2040	315-0182-00		RES.,FXD,CMPSN:1.8K OHM,5%,0.25W	57668	NTR25J-E1K8
A72R2041	315-0272-00		RES.,FXD,CMPSN:2.7K OHM,5%,0.25W	57668	NTR25J-E02K7
A72R2049	315-0103-00		RES.,FXD,CMPSN:10K OHM,5%,0.25W	57668	NTR25J-E10K0
A72R2050	315-0621-00		RES.,FXD,CMPSN:620 OHM,5%,0.25W	57668	NTR25J-E620E
A72R2051	315-0200-00		RES.,FXD,CMPSN:20 OHM,5%,0.25W	01121	CB2005
A72R2052	315-0183-00		RES.,FXD,CMPSN:18K OHM,5%,0.25W	01121	CB1835
A72R2053	315-0562-00		RES.,FXD,CMPSN:5.6K OHM,5%,0.25W	57668	NTR25J-E05K6
A72R2054	315-0103-00		RES.,FXD,CMPSN:10K OHM,5%,0.25W	57668	NTR25J-E10K0
A72R2055	315-0101-00		RES.,FXD,CMPSN:100 OHM,5%,0.25W	57668	NTR25J-E 100E
A72R2059	315-0470-00		RES.,FXD,CMPSN:47 OHM,5%,0.25W	57668	NTR25J-E47E0
A72R2060	321-0289-00		RES.,FXD,FILM:10K OHM,1%,0.125W	91637	MFF1816G10001F
A72R2061	321-0318-00		RES.,FXD,FILM:20K OHM,1%,0.125W	91637	MFF1816G20001F
A72R2062	321-0280-00		RES.,FXD,FILM:8.06K OHM,1%,0.125W	91637	MFF1816G80600F
A72R2063	321-0318-00		RES.,FXD,FILM:20K OHM,1%,0.125W	91637	MFF1816G20001F
A72R2064	321-0307-00		RES.,FXD,FILM:15.4K OHM,1%,0.125W	91637	MFF1816G15401F
A72R2065	321-0816-07		RES.,FXD,FILM:15K OHM,0.1%,0.125W	91637	MFF1816C50000B
A72R2066	321-1388-01		RES.,FXD,FILM:109K OHM,0.5%,0.125W	24546	NA55D1093D
A72R2067	315-0122-00		RES.,FXD,CMPSN:1.2K OHM,5%,0.25W	57668	NTR25J-E01K2
A72R2068	321-0995-00		RES.,FXD,FILM:549K OHM,1%,0.125W	24546	NA55D5493F
A72R2069	321-0427-00		RES.,FXD,FILM:274K OHM,1%,0.125W	24546	NA55D2743F
A72R3038	315-0470-00		RES.,FXD,CMPSN:47 OHM,5%,0.25W	57668	NTR25J-E47E0
A72R3039	321-0310-00		RES.,FXD,FILM:16.5K OHM,1%,0.125W	91637	MFF1816G16501F
A72R3044	315-0752-00		RES.,FXD,CMPSN:7.5K OHM,5%,0.25W	57668	NTR25J-E07K5
A72R3046	315-0470-00		RES.,FXD,CMPSN:47 OHM,5%,0.25W	57668	NTR25J-E47E0
A72R3050	321-0301-00		RES.,FXD,FILM:13.3K OHM,1%,0.125W	91637	MFF1816G13301F
A72R3051	321-0258-00		RES.,FXD,FILM:4.75K OHM,1%,0.125W	91637	MFF1816G47500F
A72R3052	321-0258-00		RES.,FXD,FILM:4.75K OHM,1%,0.125W	91637	MFF1816G47500F
A72R3053	315-0101-00		RES.,FXD,CMPSN:100 OHM,5%,0.25W	57668	NTR25J-E 100E
A72R3054	315-0822-00		RES.,FXD,CMPSN:8.2K OHM,5%,0.25W	01121	CB8225
A72R3060	321-0352-00		RES.,FXD,FILM:45.3K OHM,1%,0.125W	91637	MFF1816G45301F
A72R3061	321-1484-03		RES.,FXD,FILM:1.09M OHM,0.25%,0.125W	91637	HFF188D10903C
A72R3062	321-0367-00		RES.,FXD,FILM:64.9K OHM,1%,0.125W	91637	MFF1816G64901F
A72R3063	321-0510-07		RES.,FXD,FILM:2.00 MEG OHM,0.125W	91637	HFF1813C20003B
A72R3064	321-0350-00		RES.,FXD,FILM:43.2K OHM,1%,0.125W	91637	CMF55116G43201F
A72R3065	321-1627-06		RES.,FXD,FILM:731.3K OHM,0.25%,0.125W	91637	MFF1816C73132C
A72R3066	321-0350-00		RES.,FXD,FILM:43.2K OHM,1%,0.125W	91637	CMF55116G43201F
A72R3067	321-0983-00		RES.,FXD,FILM:4.5M OHM,1%,0.125W	91637	CM110216G45003F
A72R3068	321-0321-00		RES.,FXD,FILM:21.5K OHM,1%,0.125W	91637	MFF1816G21501F
A72R3069	321-0807-00		RES.,FXD,FILM:900K OHM,1%,0.125W	91637	CMF55116G90000F
A72TP1012	214-0579-00		TERM,TEST POINT:BRS CD PL	80009	214-0579-00
A72TP1041	214-0579-00		TERM,TEST POINT:BRS CD PL	80009	214-0579-00
A72U1015	156-0411-02		MICROCIRCUIT,LI QUAD COMPARATOR,SEL	04713	LM339JDS
A72U1022	156-0388-03		MICROCIRCUIT,DI:DUAL D FLIP-FLOP	07263	74LS74A



Replaceable Electrical Parts—494/494P Service Vol. 2

Component No.	Tektronix Part No.	Serial/Model No Eff	Dscont	Name & Description	Mfr Code	Mfr Part Number
A72U1026	156-0388-03			MICROCIRCUIT,DI:DUAL D FLIP-FLOP	07263	74LS74A
A72U1032	156-0865-02			MICROCIRCUIT,DI:OCTAL D-TYPE FF W/CLEAR	01295	SN74LS273NP3
A72U1037	156-0645-02			MICROCIRCUIT,DI:HEX INV ST NAND GATES,SCRN	01295	SN74LS14
A72U1038	156-0382-02			MICROCIRCUIT,DI:QUAD 2-INP NAND GATE	01295	SN74LS00
A72U1042	156-0720-02			MICROCIRCUIT,DI:HEX DRVR,4 TO 2 LINE	01295	SN74LS368
A72U1048	156-0652-02			MICROCIRCUIT,DI:QUAD 2-INPUT EXCL NOR GATE	01295	SN74LS266
A72U2015	156-0383-02			MICROCIRCUIT,DI:QUAD 2-INP NOR GATE	01295	SN74LS02
A72U2021	156-0153-02			MICROCIRCUIT,DI:HEX INVERTER BUFFER	27014	DM8006
A72U2026	156-0798-02			MICROCIRCUIT,DI:DUAL 14 TO 1 LINE SEL/MUX	01295	SN74LS153
A72U2032	156-0865-02			MICROCIRCUIT,DI:OCTAL D-TYPE FF W/CLEAR	01295	SN74LS273NP3
A72U2043	156-0388-03			MICROCIRCUIT,DI:DUAL D FLIP-FLOP	07263	74LS74A
A72U2048	156-0388-03			MICROCIRCUIT,DI:DUAL D FLIP-FLOP	07263	74LS74A
A72U2061	156-1249-00			MICROCIRCUIT,LI:VOLTAGE REFERENCE	24355	AD40227
A72U2062	156-1582-00			MICROCIRCUIT,LI:OPERATIONAL AMPL,SCREENED	06665	OP07203Z
A72U3015	156-0382-02			MICROCIRCUIT,DI:QUAD 2-INP NAND GATE	01295	SN74LS00
A72U3021	156-0388-03			MICROCIRCUIT,DI:DUAL D FLIP-FLOP	07263	74LS74A
A72U3026	156-0956-02			MICROCIRCUIT,DI:OCTAL BFR W/3 STATE OUT	01295	SN74LS244NP3
A72U3032	156-0469-02			MICROCIRCUIT,DI:3/8 LINE DCDR	01295	SN74LS138NP3
A72U3038	156-0382-02			MICROCIRCUIT,DI:QUAD 2-INP NAND GATE	01295	SN74LS00
A72U3042	156-0742-02			MICROCIRCUIT,LI:OPERATIONAL AMPLIFIER,SEL	01295	LM318JG
A72U3048	156-0512-03			MICROCIRCUIT,LI:OPERATIONAL AMPLIFIER	04713	LM308J-8
A72U3054	156-0411-02			MICROCIRCUIT,LI:QUAD COMPARATOR,SEL	04713	LM339JDS
A72U3059	156-0158-04			MICROCIRCUIT,LI:DUAL OPERATIONAL AMPLIFIER	01295	N99320JG
A72U3064	156-1270-00			MICROCIRCUIT,LI:8 CHAN ANALOG MULTIPLEXER	27014	LF11508D
A72VR1064	152-0611-00			SEMICOND DEVICE:ZENER,0.4W,9V,2%	80009	152-0611-00
A72VR1067	152-0437-00			SEMICOND DEVICE:ZENER,SI,8.2V,2%,0.4W	14552	TD332679
A72VR1068	152-0437-00			SEMICOND DEVICE:ZENER,SI,8.2V,2%,0.4W	14552	TD332679
A72VR2058	152-0127-00			SEMICOND DEVICE:ZENER,0.4W,7.5V,5%	04713	SZG35009K2

<http://www.esb.com>

Component No.	Tektronix Part No.	Serial/Model No Eff Dscnt	Name & Description	Mfr Code	Mfr Part Number
A74	670-5559-03		CKT BOARD ASSY:HIGH VOLTAGE	80009	670-5559-03
A74C1038	283-0177-00		CAP.,FXD,CER DI:1UF,+80-20%,25V	04222	SR302E105ZAA
A74C1043	283-0208-00		CAP.,FXD,CER DI:0.22UF,10%,200V	04222	SR506C224KAA
A74C1058	283-0728-00		CAP.,FXD,MICA D:120PF,1%,500V	00853	D155F121F0
A74C2084	290-0414-00		CAP.,FXD,ELCTLT:8UF,+50-10%,200V	90201	TT8R0T200C1C3P
A74C3073	283-0197-00		CAP.,FXD,CER DI:470PF,5%,100V	72982	8121N075C0G0471J
A74C3076	283-0220-00		CAP.,FXD,CER DI:0.01UF,20%,50V	72982	8121N075X7R0103M
A74C3086	283-0198-00		CAP.,FXD,CER DI:0.22UF,20%,50V	56289	1C10Z5U223M050B
A74C3088	283-0198-00		CAP.,FXD,CER DI:0.22UF,20%,50V	56289	1C10Z5U223M050B
A74C4072	283-0210-00		CAP.,FXD,CER DI:0.0056UF,20%,50V	56289	273C9
A74CR1044	152-0107-03		SEMICONV DEVICE:SILICON,375V,400MA,SEL	01295	G727
A74CR1046	152-0242-00		SEMICONV DVC:SIG.SI,225V,0.2A,D0-7	07263	FDH5004
A74CR1047	152-0141-02		SEMICONV DVC,DI:SW,SI,30V,150MA,30V,DO-35	12969	NDP0263 (1N4152)
A74CR1048	152-0141-02		SEMICONV DVC,DI:SW,SI,30V,150MA,30V,DO-35	12969	NDP0263 (1N4152)
A74CR1056	152-0242-00		SEMICONV DVC:SIG.SI,225V,0.2A,D0-7	07263	FDH5004
A74CR1079	152-0107-03		SEMICONV DEVICE:SILICON,375V,400MA,SEL	01295	G727
A74CR1086	152-0400-00		SEMICONV DEVICE:SILICON,400V,1A	80009	152-0400-00
A74CR2044	152-0242-00		SEMICONV DVC:SIG.SI,225V,0.2A,D0-7	07263	FDH5004
A74CR2046	152-0242-00		SEMICONV DVC:SIG.SI,225V,0.2A,D0-7	07263	FDH5004
A74CR3077	152-0141-02		SEMICONV DVC,DI:SW,SI,30V,150MA,30V,DO-35	12969	NDP0263 (1N4152)
A74CR4071	152-0141-02		SEMICONV DVC,DI:SW,SI,30V,150MA,30V,DO-35	12969	NDP0263 (1N4152)
A74CR4077	152-0141-02		SEMICONV DVC,DI:SW,SI,30V,150MA,30V,DO-35	12969	NDP0263 (1N4152)
A74CR4078	152-0141-02		SEMICONV DVC,DI:SW,SI,30V,150MA,30V,DO-35	12969	NDP0263 (1N4152)
A74J2084	131-2196-00		CONN,RCPT,ELEC:CKT BD,6/12,FEMALE	22526	650002-076
A74P4036	131-0608-00		TERMINAL,PIN,0.365 L X 0.025 PH BRZ GOLD	22526	48283-036
A74Q1073	151-0423-00		TRANSISTOR,SILICON,NPN	51984	NTC2333L
A74Q2048	151-0443-00		TRANSISTOR,SILICON,PNP	04713	SPS7950
A74R1042	315-0102-00		RES.,FXD,CMPSN:1K OHM,5%,0.25W	57668	NTR25JE01K0
A74R1043	301-0472-00		RES.,FXD,CMPSN:4.7K OHM,5%,0.5W	57668	TR50J-E 4K7
A74R1048	315-0224-00		RES.,FXD,CMPSN:220K OHM,5%,0.25W	57668	NTR25J-E220K
A74R0151	315-0334-00		RES.,FXD,CMPSN:330K OHM,5%,0.25W	01121	CB3345
A74R2012	308-0685-00		RES.,FXD,WW:1.5 OHM,5%,1W	75042	BW20-1R500J
A74R2040	311-1287-00		RES.,VAR,NONWIR:100K OHM,0.5W 0.50W	32997	3329W-L58-104
A74R2050	315-0104-00		RES.,FXD,CMPSN:100K OHM,5%,0.25W	57668	NTR25J-E100K
A74R3033	311-1968-00		RES.,VAR,NONWIR:PNL,5M OHM,20%,0.50W	01121	72M4N048S505M
A74R3071	315-0431-00		RES.,FXD,CMPSN:430 OHM,5%,0.25W	01121	CB4315
A74R3072	315-0512-00		RES.,FXD,CMPSN:5.1K OHM,5%,0.25W	57668	NTR25J-E05K1
A74R3074	315-0105-00		RES.,FXD,CMPSN:1M OHM,5%,0.25W	01121	CB1055
A74R3075	315-0222-00		RES.,FXD,CMPSN:2.2K OHM,5%,0.25W	57668	NTR25J-E02K2
A74R3078	315-0133-00		RES.,FXD,CMPSN:13K OHM,5%,0.25W	01121	CB1335
A74R3079	315-0184-00		RES.,FXD,CMPSN:180K OHM,5%,0.25W	01121	CB1845
A74R4038	315-0102-00		RES.,FXD,CMPSN:1K OHM,5%,0.25W	57668	NTR25JE01K0
A74R4074	315-0473-00		RES.,FXD,CMPSN:47K OHM,5%,0.25W	57668	NTR25J-E47K0
A74R4075	315-0102-00		RES.,FXD,CMPSN:1K OHM,5%,0.25W	57668	NTR25JE01K0
A74T2065	120-1233-00		XFMR,PWR,SDN&SU:HIGH VOLTAGE	80009	120-1233-00
A74TP4028	214-0579-00		TERM,TEST POINT:BRS CD PL	80009	214-0579-00
A74U4083	156-0067-12		MICROCIRCUIT,LI:OPERATIONAL AMPLIFIER	01295	UA741CJG
A74VR1041	152-0283-00		SEMICONV DEVICE:ZENER,0.4W,43V,5%	12954	DZ750903B1N976B
A74A1	119-1159-01		CKT BOARD ASSY:HIGH VOLTAGE	80009	119-1159-01
A77	670-5746-01		CKT BOARD ASSY:CRT GRATICULE LIGHT	80009	670-5746-01
A77DS1011	150-0029-00		LAMP,INCAND:6.3V,0.20A	08806	349
A77DS1013	150-0029-00		LAMP,INCAND:6.3V,0.20A	08806	349
A77P770	131-0592-00		CONTACT,ELEC:0.885 INCH LONG	22526	47353

Replaceable Electrical Parts—494/494P Service Vol. 2

Component No.	Tektronix Part No.	Serial/Model No. Eff Dscnt	Name & Description	Mfr Code	Mfr Part Number
CHASSIS PARTS					
B200	119-1364-01		FAN,TUBEAXIAL:12VDC,2.4W,5250 RPM,47CFM	51181	66-02035-003
B200	-----		(OPTION 30,31,32 ONLY)		
F301	159-0017-00		FUSE,CARTRIDGE:3AG,4A,250V,FAST BLOW	71400	MTH4
F301	-----		(STANDARD ONLY)		
F301	159-0023-00		FUSE,CARTRIDGE:3AG,2A,250V,5 SEC	71400	MDX2
F301	-----		(OPTIONS A1,A2,A3,A4,A5 ONLY)		
FL10	119-0294-01		FILTER,LOW PASS:DC TO 1.8GHZ	50140	11L250-X1800-0
FL11	015-1027-00		FILTER,LOW PASS:4.5 GHZ	80009	015-1027-00
FL11	119-1752-00		FLTR CA ASSY,RF:50 OHM COAX,7.12 L,SEMI-RGD	80009	119-1752-00
FL11	-----		(OPTION 42 ONLY)		
FL12	119-1140-00		YIG TUNED FLTR:	80009	119-1140-00
FL15	015-1027-00		FILTER,LOW PASS:4.5 GHZ	80009	015-1027-00
FL15	119-1753-00		FLTR C ASSY,RF:50 OHM COAX,7.12 L,SEMI-RGD	80009	119-1753-00
FL15	-----		(OPTION 42 ONLY)		
FL16	119-1018-00		DIR FILTER ASSY:	80009	119-1018-00
FL36	119-1025-00		FILTER,BANDPASS:110MHZ	80009	119-1025-00
P110	015-1025-01		TERM.,COAX:3MM MALE,50 OHM,W/CH	18203	T186C5
P110	-----		(OPTION 31 ONLY)		
P112	015-1025-01		TERM.,COAX:3MM MALE,50 OHM,W/CH	18203	T186C5
P112	-----		(OPTION 31 ONLY)		
P133	015-1022-00		TERM. COAXIAL:50 OHM,0.5W,SMA	18203	T198CS
P144	015-1022-00		TERM. COAXIAL:50 OHM,0.5W,SMA	18203	T198CS
P145	015-1022-00		TERM. COAXIAL:50 OHM,0.5W,SMA	18203	T198CS
P164	015-1022-00		TERM. COAXIAL:50 OHM,0.5W,SMA	18203	T198CS
P620	131-0372-00		CONNECTOR,RCPT.:COAXIAL	98291	51-043-4300
P621	131-0372-00		CONNECTOR,RCPT.:COAXIAL	98291	51-043-4300
P222	131-0938-00		CONNECTOR,RCPT.:50 OHM MALE SNAP-ON	98291	051-043-0349
P800	015-1025-01		TERM.,COAX:3MM MALE,50 OHM,W/CH	18203	T186C5
P900	015-1025-01		TERM.,COAX:3MM MALE,50 OHM,W/CH	18203	T186C5
Q352	151-0415-00		TRANSISTOR:SILICON,NPN	04713	SJE419
Q565	151-0426-00		TRANSISTOR:SILICON,NPN	03508	X44H242
S11	119-1161-01		SW,RF XMSN LINE:DC TO 21GHZ,60 DB ISLN	50667	D3-412C3
S12	119-1161-01		SW,RF XMSN LINE:DC TO 21GHZ,60 DB ISLN	50667	D3-412C3
S13	119-1161-01		SW,RF XMSN LINE DC TO 21GHZ,60 DB ISLN	50667	D3-412C3
V100	154-0809-00		ELECTRON TUBE:CRT,P-GREEN D,INTERNAL	80009	154-0809-00
W100	175-7400-00		CABLE ASSY,RF:50 OHM COAX,MW SW TO ATTEN	80009	175-7400-00
W101	175-7401-00		CABLE ASSY,RF:50 OHM COAX	80009	175-7401-00
W102	175-2534-00		CABLE ASSY,RF:50 OHM COAX,2.59 INCH LONG	80009	175-2534-00
W104	175-2535-00		CABLE ASSY,RF:50 OHM COAX,7.01 INCH LONG	80009	175-2535-00
W106	175-2533-00		CABLE ASSY,RF:50 OHM COAX,2.1 INCH LONG	80009	175-2533-00
W110	175-2349-00		CABLE ASSY,RF:50 OHM COAX,2.34 INCH LONG	80009	175-2349-00
W112	175-7403-00		CABLE ASSY,RF:50 OHM COAX,1.948 L	80009	175-7403-00
W114	175-2530-00		CABLE ASSY,RF:50 OHM COAX,6.34 INCH LONG	80009	175-2530-00
W116	175-2532-00		CABLE ASSY,RF:50 OHM COAX,4.09 INCH LONG	80009	175-2532-00
W118	175-2761-00		CABLE ASSY,RF:50 OHM COAX,3.63 INCH LONG	80009	175-2761-00



Component No.	Tektronix Part No.	Serial/Model No. Eff Dscont	Name & Description	Mfr Code	Mfr Part Number
W124	175-2542-00		CABLE ASSY,RF:50 OHM COAX,2.62 INCH LONG	80009	175-2542-00
W126	175-7402-00		CABLE ASSY,RF:50 OHM COAX,1.737 L	80009	175-7402-00
W130	175-2345-00		CABLE ASSY,RF:50 OHM COAX,10.29 INCH LONG	80009	175-2345-00
W132	175-2762-00		CABLE ASSY,RF:50 OHM COAX,17.56 INCH LONG	80009	175-2762-00
W137	175-9196-00		CABLE ASSY,RF:50 OHM COAX W/O JKT,SEMI-RI	80009	175-9196-00
W138	175-2541-00		CABLE ASSY,RF:50 OHM COAX,5.1	80009	175-2541-00
W142	175-2338-00		CABLE ASSY,RF:50 OHM COAX,7.12 INCH LONG	80009	175-2338-00
W150	175-2339-00		CABLE ASSY,RF:50 OHM COAX,5.33 INCH LONG	80009	175-2339-00
W160	175-2340-00		CABLE ASSY,RF:50 OHM COAX,1.8 INCH LONG	80009	175-2340-00
W162	175-2337-00		CABLE ASSY,RF:50 OHM COAX,2.76 INCH LONG	80009	175-2337-00
W164	175-7399-00		CABLE ASSY,RF:50 OHM COAX,DIR FLTR TO DIPL	80009	175-7399-00
W166	175-2763-00		CABLE ASSY,RF:50 OHM COAX,3.13 INCH LONG	80009	175-2763-00
W182	175-2406-00		CABLE ASSY,RF:50 OHM COAX,3.0 INCH LONG	80009	175-2406-00
W190	175-2415-00		CABLE ASSY,RF:50 OHM COAX,7.0 INCH LONG	80009	175-2415-00
W190	-----		(OPTION 42 ONLY)		
W191	175-2415-00		CABLE ASSY,RF:50 OHM COAX,7.0 INCH LONG	80009	175-2415-00
W191	-----		(OPTION 42 ONLY)		
W220	175-4542-00		CABLE ASSY,RF:50 OHM COAX,8.9 L,SEMIRIGID	80009	175-4542-00
W224	175-7601-00		CABLE ASSY,RF:50 OHM COAX,20.35 L	80009	175-7601-00
W232	175-2407-00		CABLE ASSY,RF:50 OHM COAX,5.0 INCH LONG	80009	175-2407-00
W236	175-9195-00		CABLE ASSY,RF:50 OHM COAX,SEMI-RIGID	80009	175-9195-00
W240	175-7397-00		CABLE ASSY,RF:50 OHM COAX,HARMONIC MIXER	80009	175-7397-00
W250	175-7398-00		CABLE ASSY,RF:50 OHM COAX,HARMONIC MIXER		
W252	175-7602-00		CABLE ASSY,RF:50 OHM COAX,18.35 L	T1364	OBD
W260	175-7600-00		CABLE ASSY,RF:50 OHM COAX,20.35 L	T1364	OBD
W320	175-2406-00		CABLE ASSY,RF:50 OHM COAX,3.0 INCH LONG	80009	175-2406-00
W340	175-9254-00		CABLE ASSY,RF:50 OHM COAX,17.52 L	06090	ORD BY DESCR
W342	175-2413-00		CABLE ASSY,RF:50 OHM COAX,13.0 INCH LONG	80009	175-2413-00
W344	175-2411-00		CABLE ASSY,RF:50 OHM COAX,17.0 INCH LONG	80009	175-2411-00
W346	175-2409-00		CABLE ASSY,RF:50 OHM COAX,8.0 INCH LONG	80009	175-2409-00
W347	175-7597-00		CABLE ASSY,RF:50 OHM COAX,18.25 L		
W348	175-2410-00		CABLE ASSY,RF:50 OHM COAX,10.0 INCH LONG	80009	175-2410-00
W360	175-2409-00		CABLE ASSY,RF:50 OHM COAX,8.0 INCH LONG	80009	175-2409-00
W361	175-7594-00		CABLE ASSY,RF:50 OHM COAX,3.25 L	T1364	OBD
W400	175-3635-00		CABLE ASSY,RF:50 OHM COAX,3.394 L	80009	175-3635-00
W400	-----		(OPTION 31 ONLY)		
W401	175-3748-00		CABLE ASSY,RF:50 OHM COAX,4.245 L	80009	175-3748-00
W401	-----		(OPTION 31 ONLY)		
W402	175-3631-00		CABLE ASSY,RF:50 OHM COAX,3.394 L	80009	175-3631-00
W402	-----		(OPTION 31 ONLY)		
W403	175-3751-00		CABLE ASSY,RF:50 OHM COAX,4.596 L	80009	175-3751-00
W403	-----		(OPTION 31 ONLY)		
W404	175-3633-00		CABLE ASSY,RF:50 OHM COAX,3.394 L	80009	175-3633-00
W404	-----		(OPTION 31 ONLY)		
W405	175-3749-00		CABLE ASSY,RF:50 OHM COAX,3.856 L	80009	175-3749-00
W405	-----		(OPTION 31 ONLY)		
W406	175-3634-00		CABLE ASSY,RF:50 OHM COAX,3.394 L	80009	175-3634-00
W406	-----		(OPTION 31 ONLY)		
W407	175-3750-00		CABLE ASSY,RF:50 OHM COAX,4.051 L	80009	175-3750-00
W407	-----		(OPTION 31 ONLY)		
W408	175-3632-00		CABLE ASSY,RF:50 OHM COAX,3.394 L	80009	175-3632-00
W408	-----		(OPTION 31 ONLY)		
W409	175-3747-00		CABLE ASSY,RF:50 OHM COAX,4.599 L	80009	175-3747-00
W409	-----		(OPTION 31 ONLY)		

Replaceable Electrical Parts—494/494P Service Vol. 2

Component No.	Tektronix	Serial/Model No.		Name & Description	Mfr	Mfr Part Number
	Part No.	Eff	Dscont		Code	
W502	175-2402-00			CABLE ASSY,RF:50 OHM COAX,12.0 INCH LONG	80009	175-2402-00
W622	175-7788-00			CABLE ASSY,RF:50 OHM COAX,8.25 L	T1364	OBD
W682	175-2418-00			CABLE ASSY,RF:50 OHM COAX,2.5 INCH LONG	80009	175-2418-00
W684	175-2415-00			CABLE ASSY,RF:50 OHM COAX,7.0 INCH LONG	80009	175-2415-00
W696	175-2416-00			CABLE ASSY,RF:50 OHM COAX,8.335 INCH LONG	80009	175-2416-00
W1025	175-2372-00			CA ASSY,SP,ELEC:2.26 AWG,5.0 INCH LONG	80009	175-2372-00
W1037	198-4424-00			WIRE SET,ELEC:	80009	198-4424-00
W1038	175-0863-00			WIRE,ELECTRICAL:2 WIRE RIBBON	08261	SS-0222-7(1061)
W1044	175-7789-00			CABLE ASSY,RF:50 OHM COAX,15.25 L	T1364	OBD
W1060	175-7598-00			CABLE ASSY,RF:50 OHM COAX,13.25 L	T1364	OBD

<http://www.ebaman.com>

# DIAGRAMS AND CIRCUIT BOARD ILLUSTRATIONS

## Symbols

Graphic symbols and class designation letters are based on ANSI Standard Y32.2-1975.

Logic symbology is based on ANSI Y32.14-1973 in terms of positive logic. Logic symbols depict the logic function performed and may differ from the manufacturer's data.

The overline on a signal name indicates that the signal performs its intended function when it is in the low state.

Abbreviations are based on ANSI Y1.1-1972.

Other ANSI standards that are used in the preparation of diagrams by Tektronix, Inc. are:

- Y14.15, 1966 Drafting Practices.
- Y14.2, 1973 Line Conventions and Lettering.
- Y10.5, 1968 Letter Symbols for Quantities Used in Electrical Science and Electrical Engineering.

American National Standard Institute  
1430 Broadway  
New York, New York 10018

## Component Values

Electrical components shown on the diagrams are in the following units unless noted otherwise.

Capacitors = Values one or greater are in picofarads (pF).  
Values less than one are in microfarads ( $\mu$ F).

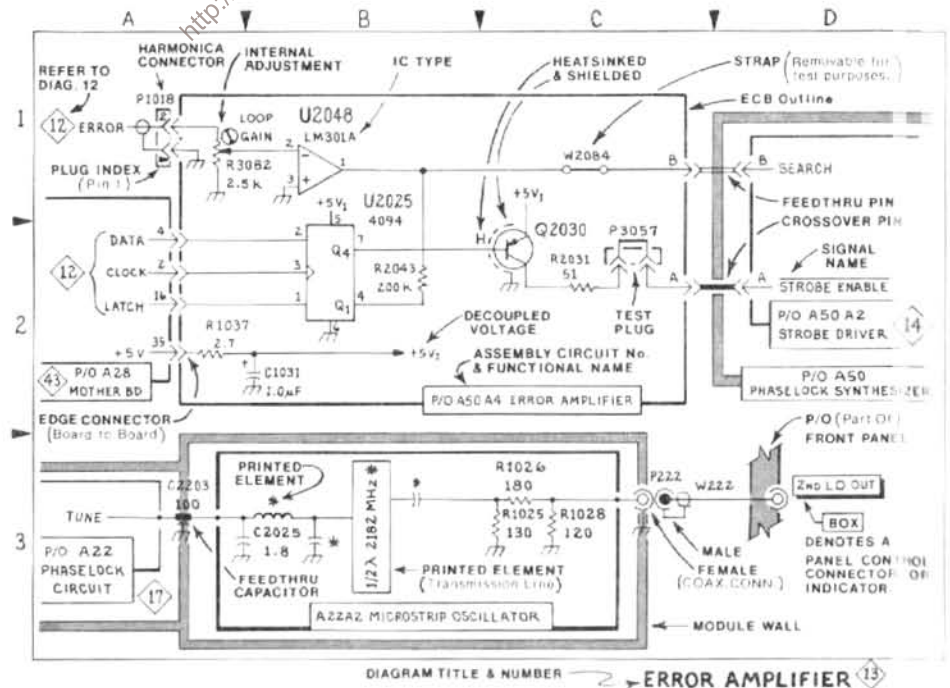
Resistors = Ohms ( $\Omega$ ).

— The information and special symbols below may appear in this manual. —

## Assembly Numbers and Grid Coordinates

Each assembly in the instrument is assigned an assembly number (e.g., A20). The assembly number appears on the circuit board outline on the diagram, in the title for the circuit board component location illustration, and in the lookup table for the schematic diagram and corresponding component locator illustration. The Replaceable Electrical Parts list is arranged by assemblies in numerical sequence; the components are listed by component number \*(see following illustration for constructing a component number).

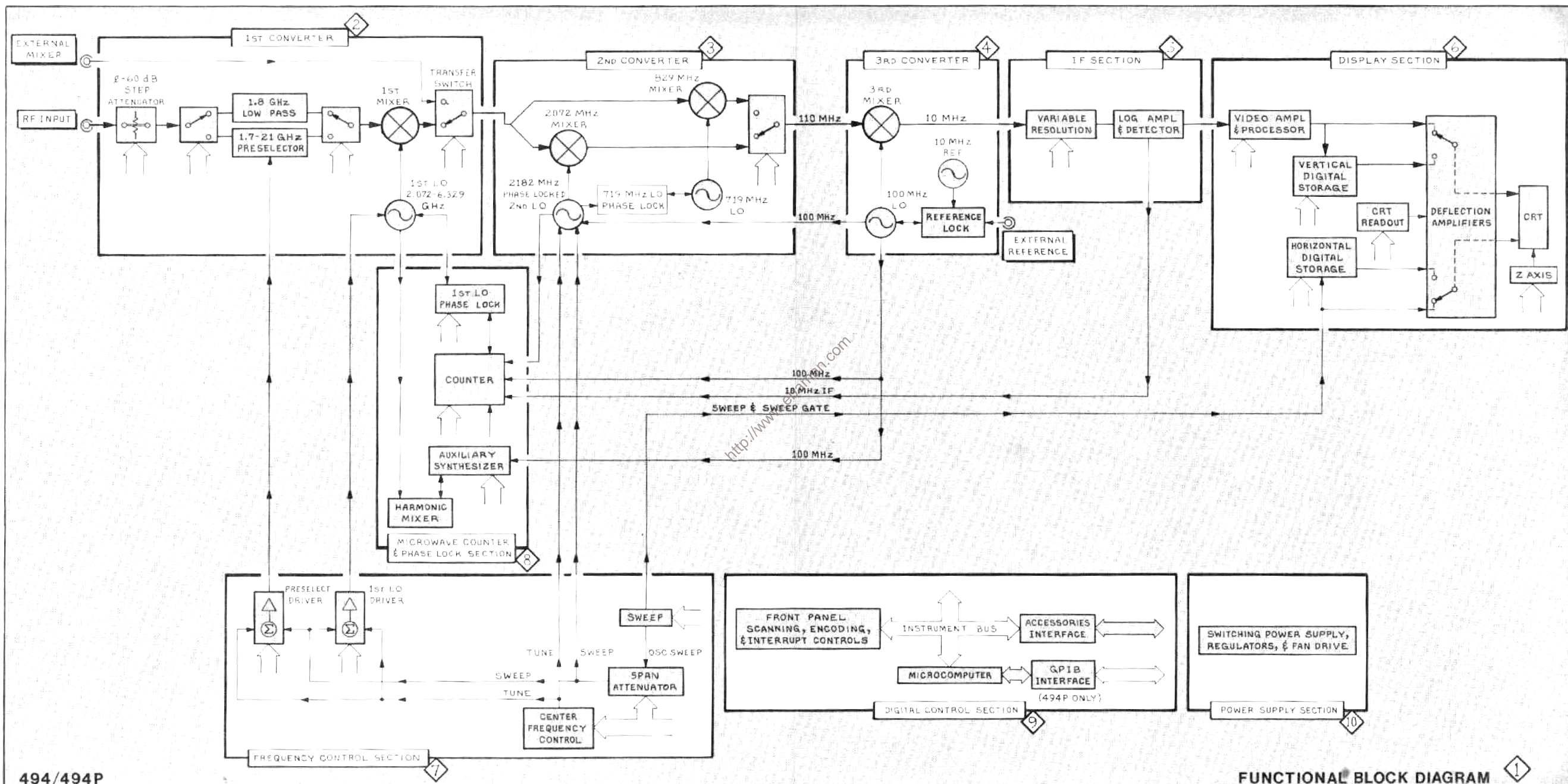
The schematic diagram and circuit board location illustration have grids. A lookup table with the grid coordinates is provided for ease of locating the component. Only the components illustrated on the facing diagram are listed in the lookup table. When more than one schematic diagram is used to illustrate the circuitry on a circuit board, the circuit board illustration may only appear opposite the first diagram on which it was illustrated; the lookup table will list the diagram number of other diagrams that the circuitry of the circuit board appears on.



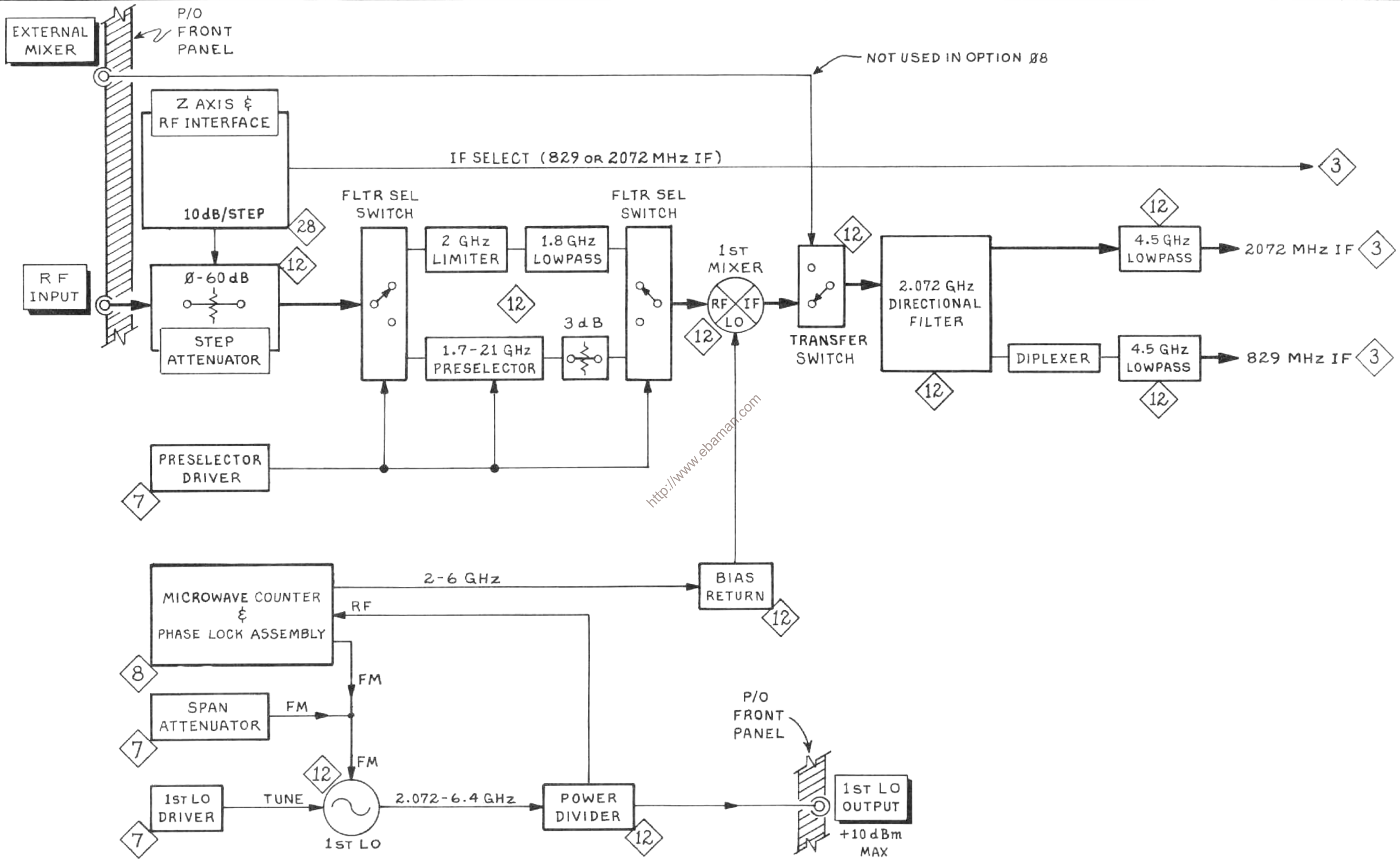


INDEX

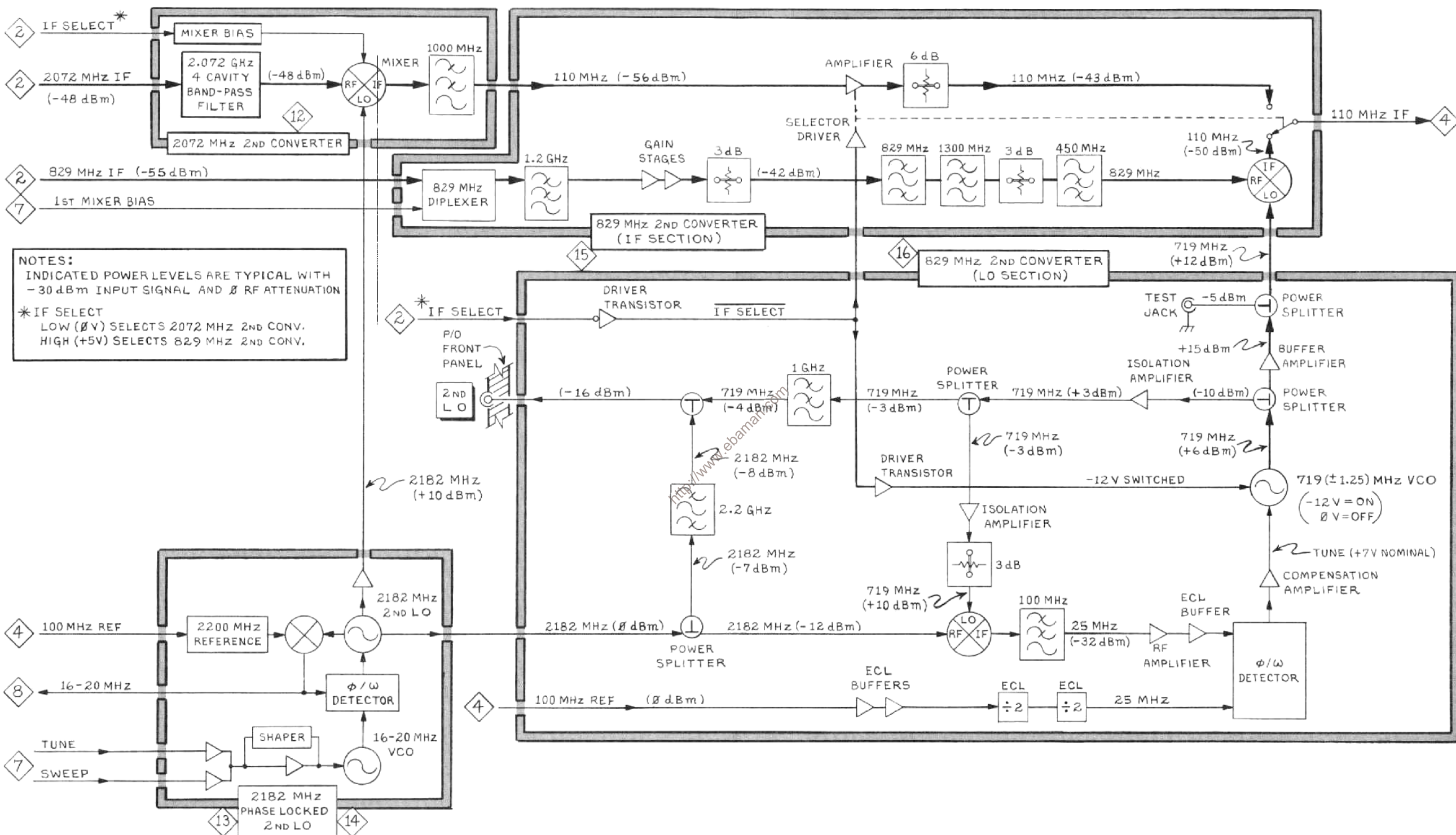
		Assembly No.	Diagram Title & No.
Block Diagrams (2nd Level)	Functional	1	
	1st Converter	2	
	2nd Converter	3	
	3rd Converter	4	
	IF Section	5	
	Display Section	6	
	Frequency Control	7	
	Phase Lock System	8	
	Digital Control Section	9	
	Power Supply	10	
Schematic Diagrams	RF Interconnect	11	
	1st Converter and 2072 MHz	12	A10, A11, A12, A13, A14, A16, A16A1, A18A1, A22A1
	2182 MHz Phase Lock 2nd LO	13	
	2182 MHz Phase Lock 2nd LO	14	A22A2A1, A22A2A2, A22A2A3, A23A1
	829 MHz 2nd Converter (LO)	15	A23A2, A23A3, A23A4, A23A5, A23A6, A23A7
	829 MHz 2nd Converter (IF)	16	
	110 MHz IF & 3rd Converter	17	A24, A25, A26, A28, A30A1, A30A2, A30A57
	Reference Lock	18	A30A76, A32A1, A34A1, A34A2, A36A1, A37, A38, A40
	VR No. 1	19	
	VR No. 2	20	
	VR No. 2	21	
	Log & Video Ampl.	22	
	Log & Video Ampl.	23	
	Video Processor	24	
	Digital Storage, Vert.	25	
	Digital Storage, Horiz.	26	
	Deflection Amplifier	27	
	Z-Axis & RF Interface	28	
	High Voltage Supply	29	
	CRT Readout	30	
	Sweep	31	
	Span Attenuator	32	
	1st LO Driver	33	
	Preselector Driver	34	
	Center Frequency Driver	35	
	Phase Gate & Harmonic Mixer	36	
	Auxiliary Synthesizer	37	
	Counter	38	
	Phase Lock Synthesizer	39	
	Phase Lock Synthesizer	40	
Processor	41		
Memory	42		
Front Panel	43		
GPIB & GPIB Interface	44		
Accessories Interface	45		
Main Power Supply	46		
Main Power Supply	47		
Mother Board (Front)	48		
Mother Board (Rear)	49		

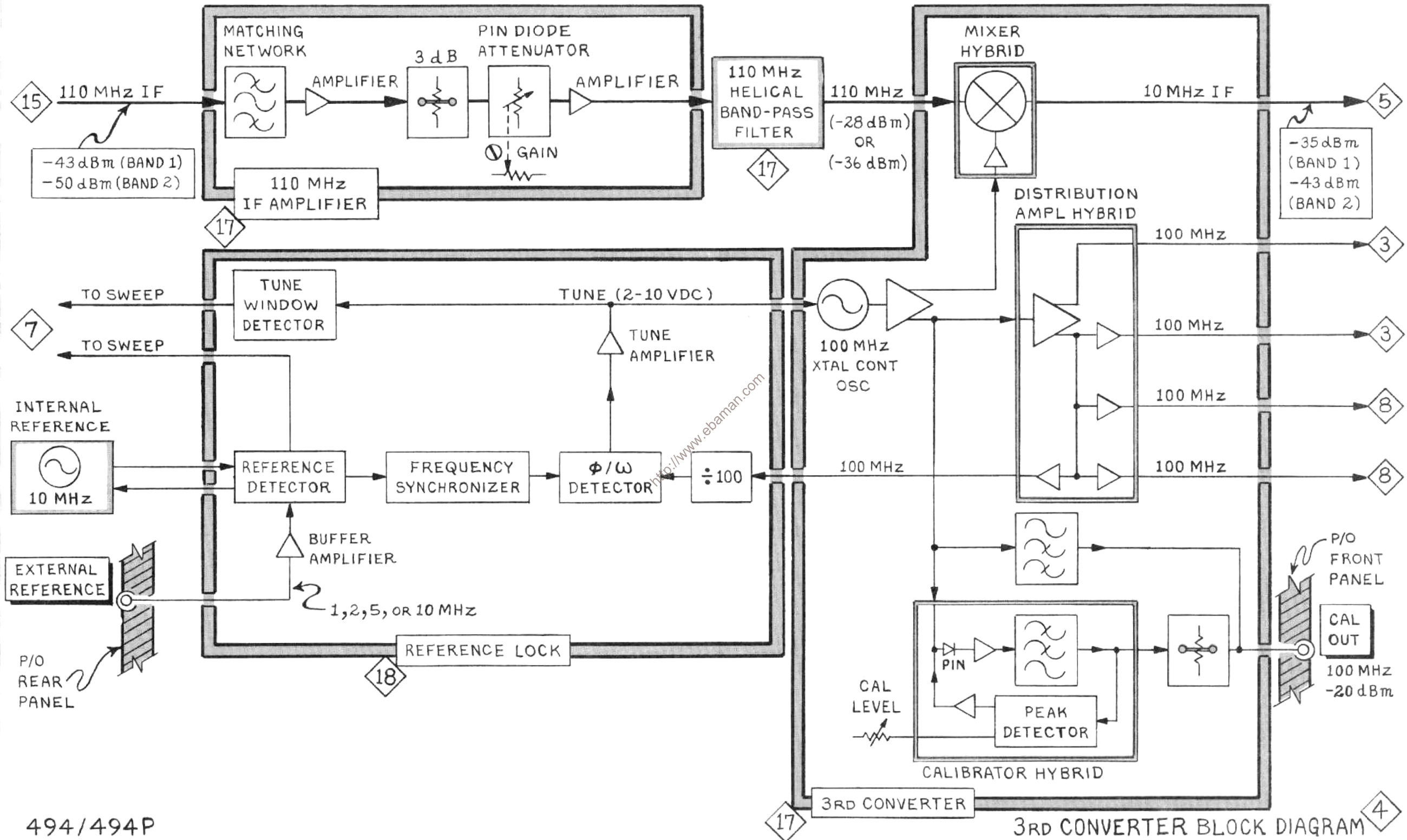








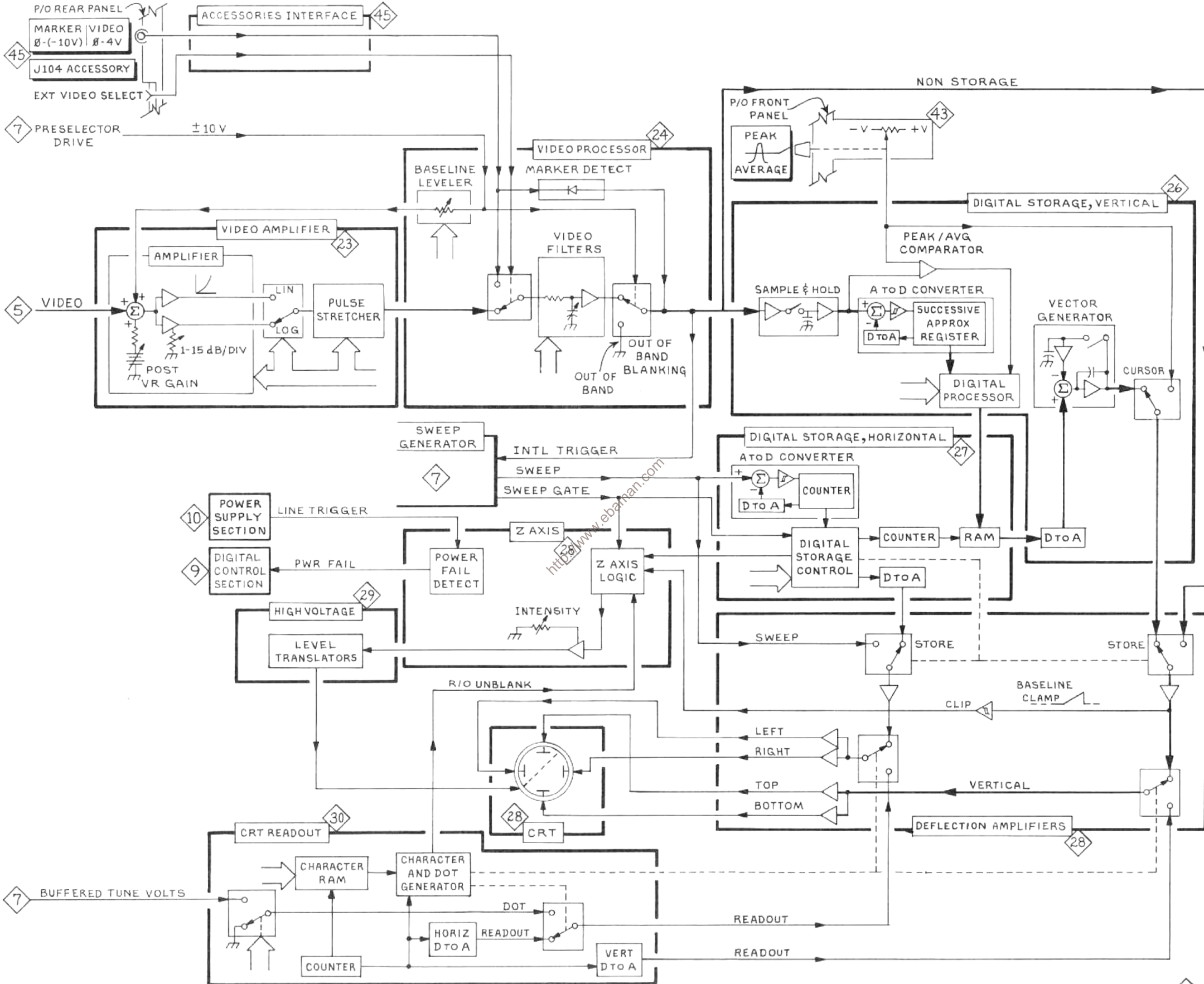




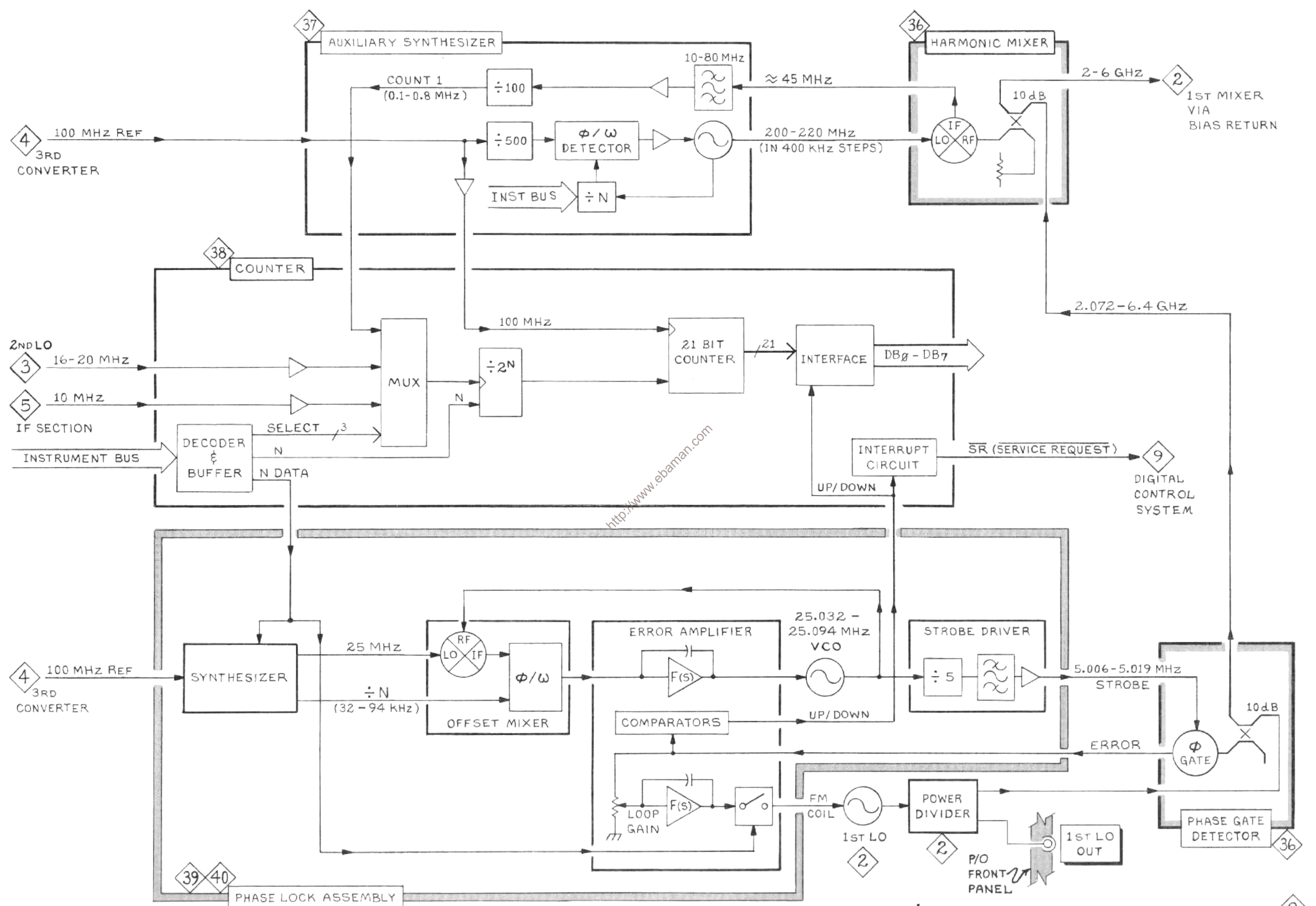
494/494P







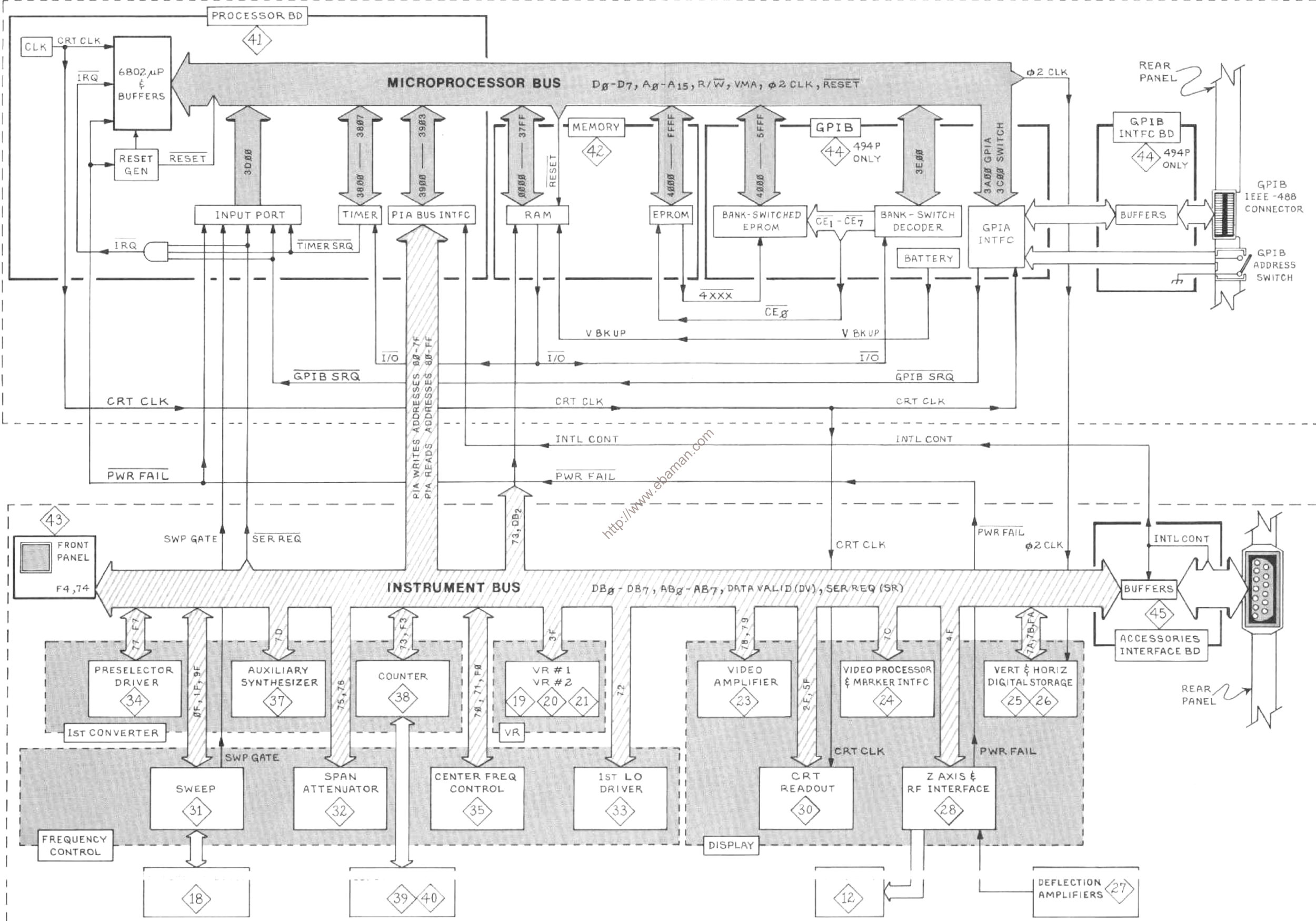


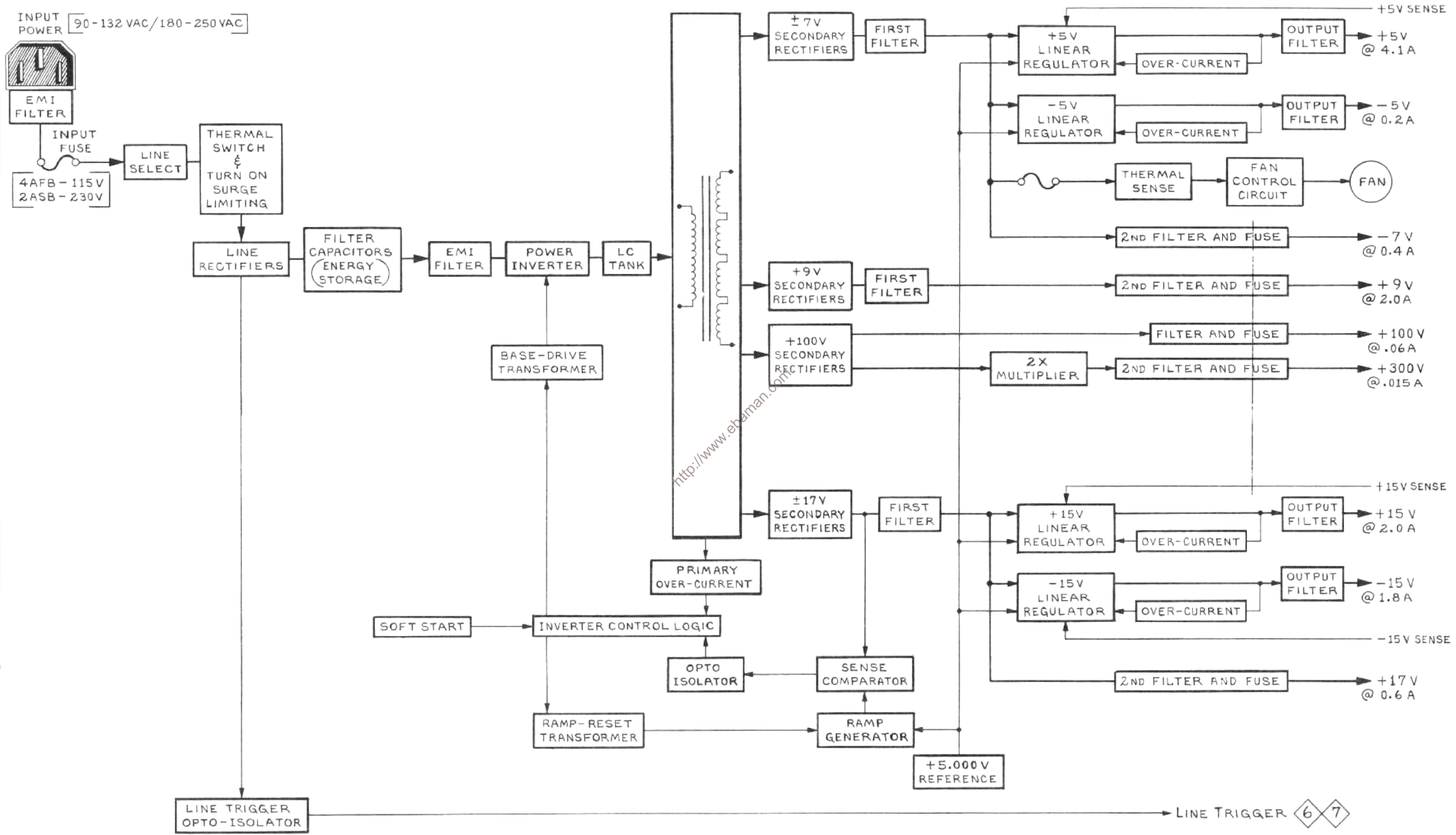


494/494P

COUNTER & PHASE LOCK SECTION BLOCK DIAGRAM 8











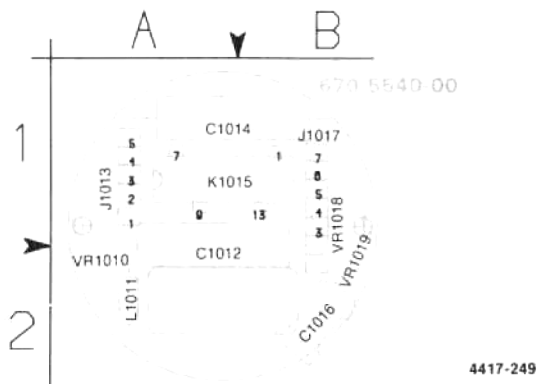


Fig. 10-1. A16A1—1st LO Interface circuit board

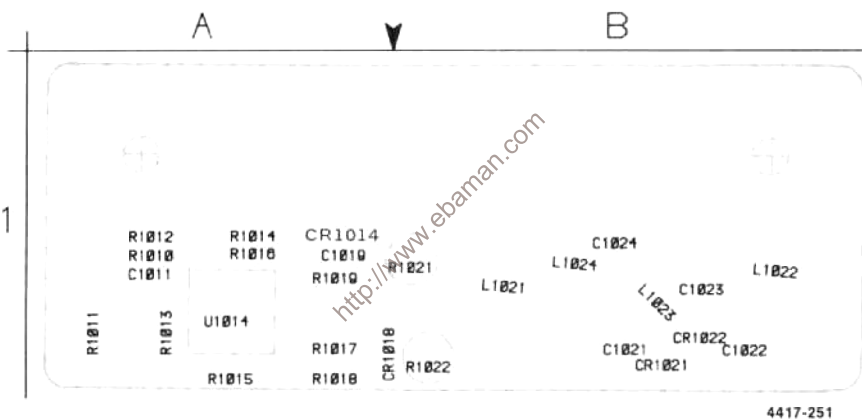
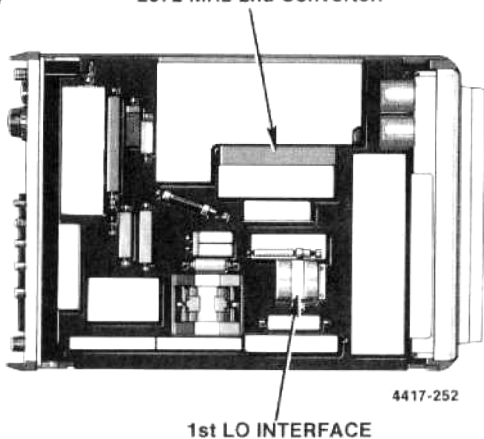


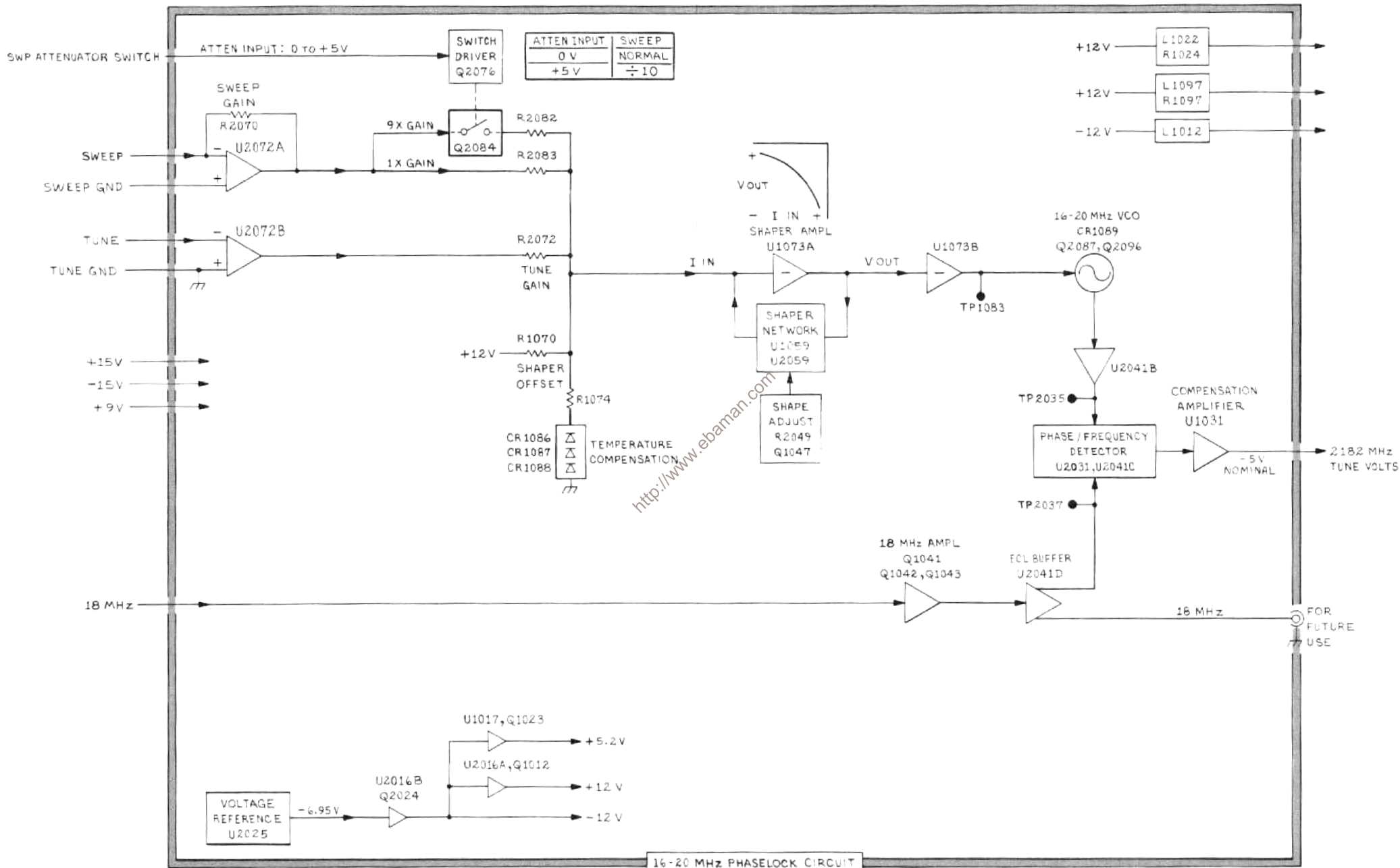
Fig. 10-2. A18A1—2072 MHz 2nd Converter Circuit Board

REV FEB 1984

2072 MHz 2nd Converter.







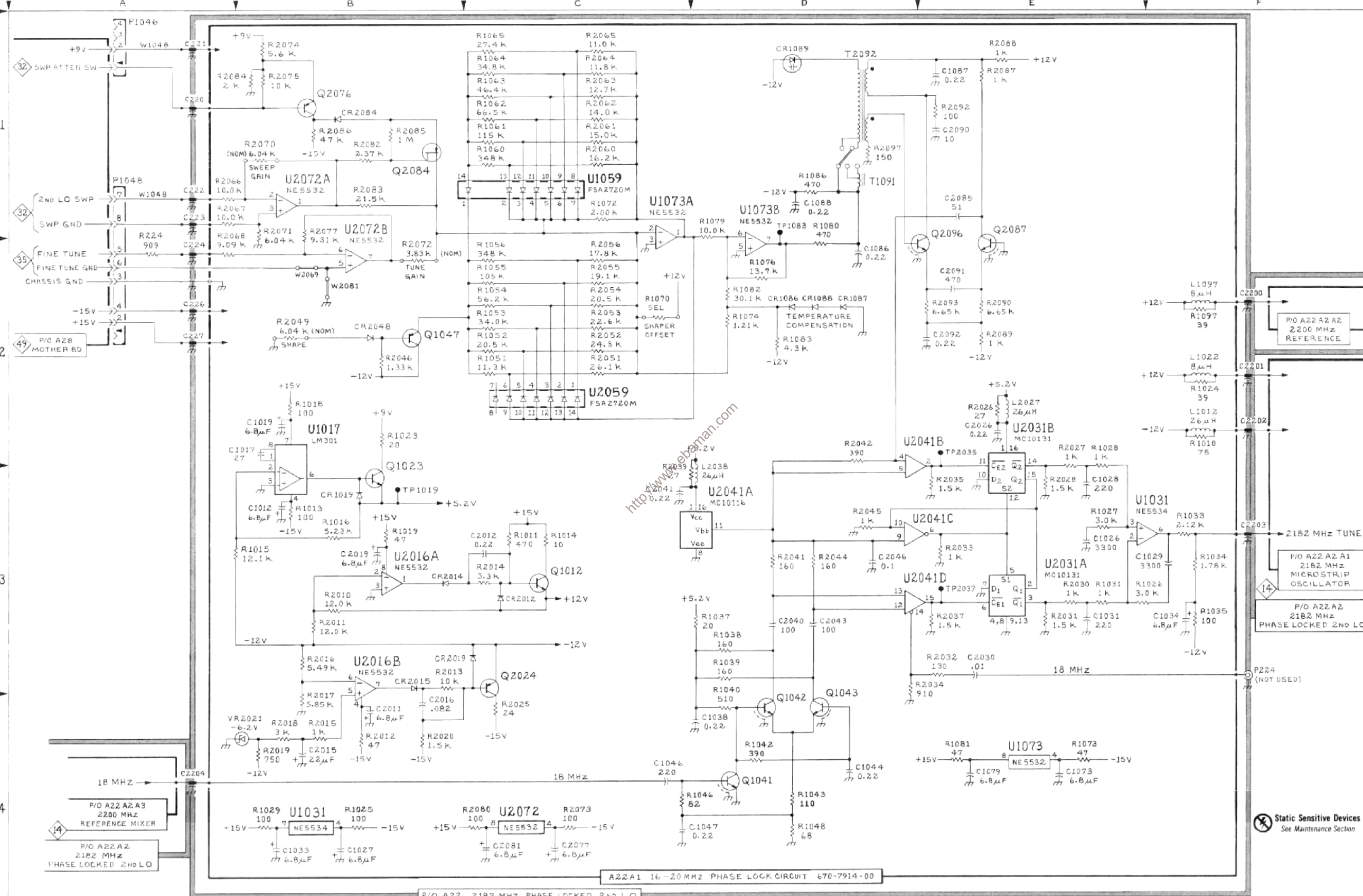
<http://www.ebaman.com>

16-20 MHz PHASELOCK CIRCUIT









P/O A22 A2 A3  
2200 MHz  
REFERENCE MIXER

P/O A22 A2  
2182 MHz  
PHASE LOCKED 2nd LO

R1029 U1031 R1025  
100 NE5534 100  
+15V -15V  
C1033 C1027  
6.8µF 6.8µF

R2080 U2072 R2073  
100 NE5532 100  
+15V -15V  
C2081 C2077  
6.8µF 6.8µF

A22 A1 16-20 MHz PHASE LOCK CIRCUIT 670-7914-00

P/O A22 2182 MHz PHASE LOCKED 2ND LO

Static Sensitive Devices  
See Maintenance Section

P/O A22 A2  
2182 MHz  
PHASE LOCKED 2nd LO

P/O A22 A2 A1  
2182 MHz  
MICROSTRIP  
OSCILLATOR

2182 MHz TUNE

P/O A22 A2 A2  
2200 MHz  
REFERENCE



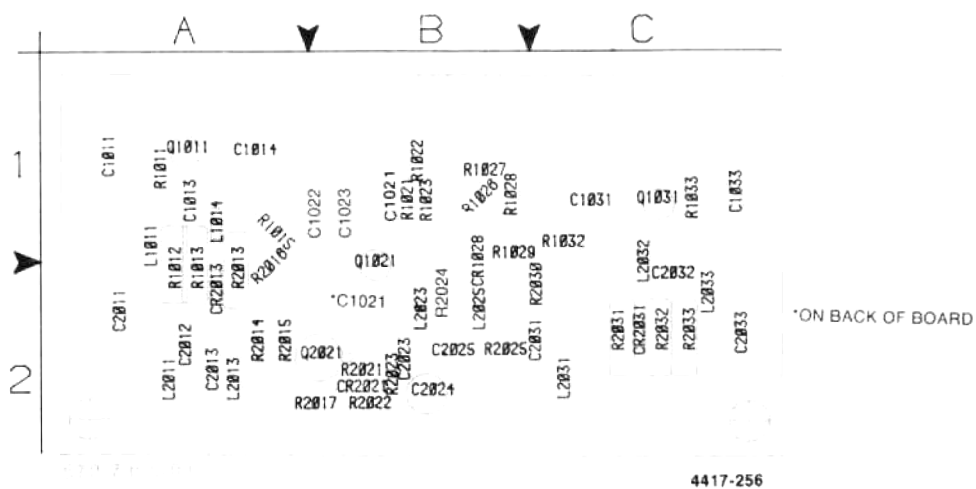


Fig. 10-4. A22A2A1—2182 MHz Microstrip Oscillator circuit board.

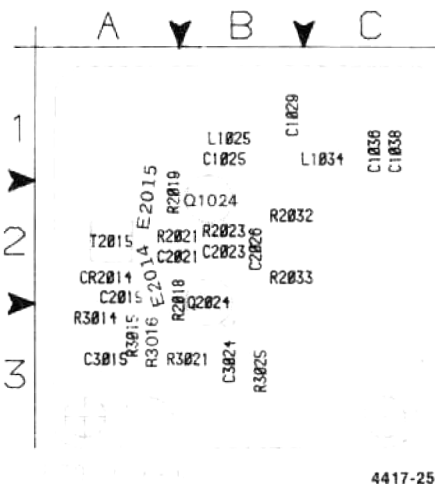


Fig. 10-5. A22A2A2—2200 MHz Reference circuit board.

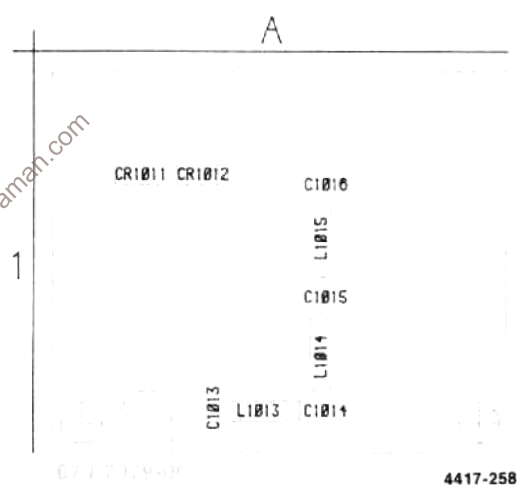
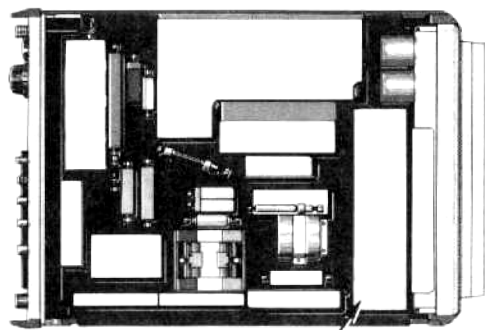


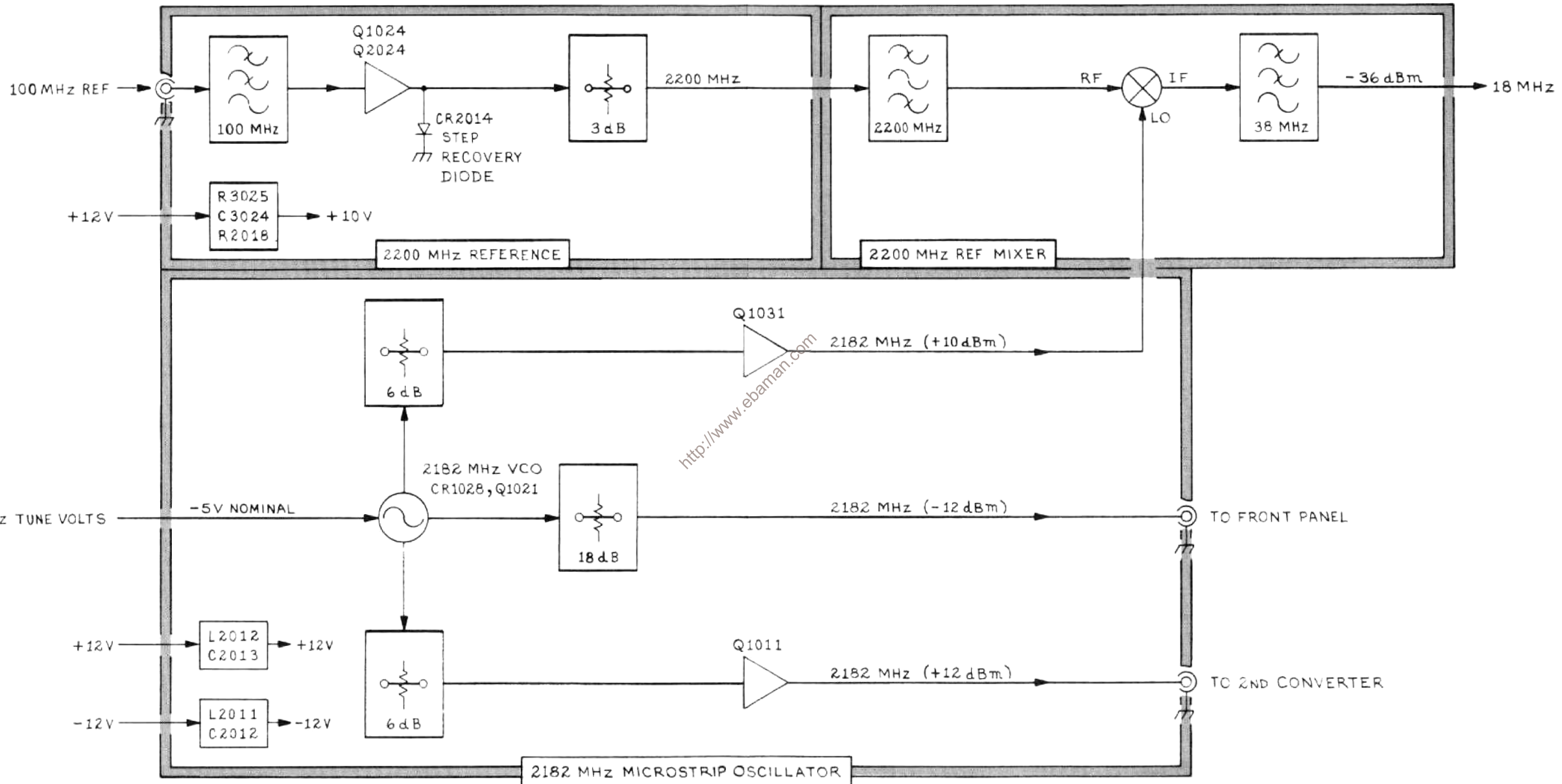
Fig. 10-6. A22A2A3—2200 MHz Reference Mixer circuit board.



REV FEB 1984

4417-259

PHASE LOCKED 2nd LO.



## ASSEMBLY A22A2A1

CIRCUIT NUMBER	SCHEM LOCATION	BOARD LOCATION	CIRCUIT NUMBER	SCHEM LOCATION	BOARD LOCATION	CIRCUIT NUMBER	SCHEM LOCATION	BOARD LOCATION
C1011	E1	A1	L1011	E1	A1	R1027	D2	B1
C1013	E1	A1	L1014	D1	A1	R1028	D2	B1
C1014	C1	A1	L2011	A3	A2	R1029	C2	B1
C1021	C2	B2	L2013	A3	A2	R1032	C2	C1
C1022	C3	B1	L2023	B1	B2	R1033	E2	C1
C1023	C3	B1	L2025	B1	B2	R2013	D1	A2
C1031	C2	C1	L2031	A1	C1	R2014	B2	A2
C1033	E2	C1	L2032	D2	C2	R2015	C3	A2
C2011	E1	A2	L2033	E2	C1	R2016	C3	A2
C2012	B3	A2	Q1011	D1	A1	R2017	B1	A2
C2013	B3	A2	Q1021	D3	B2	R2021	B2	B2
C2023	B2	B2	Q1031	D2	C1	R2022	B2	B2
C2024	B1	B2	Q2021	B2	A2	R2023	B1	B2
C2025	B1	B2	R1011	E1	A1	R2024	B2	B2
C2031	A1	C2	R1012	D1	A2	R2025	B1	B2
C2032	E3	C2	R1013	D1	A2	R2030	C2	C2
C2033	E3	C1	R1015	D3	A1	R2031	D3	C1
CR1028	C1	B1	R1016	D3	A1	R2032	D2	C1
CR2013	D1	A2	R1021	C1	B1	R2033	D2	C1
CR2021	B2	B2	R1022	C1	B1	TP1015	D3	A1
CR2031	D3	C1	R1023	C1	B1			
			R1026	C2	B1			

\*ON BACK OF BOARD

## ASSEMBLY A22A2A2

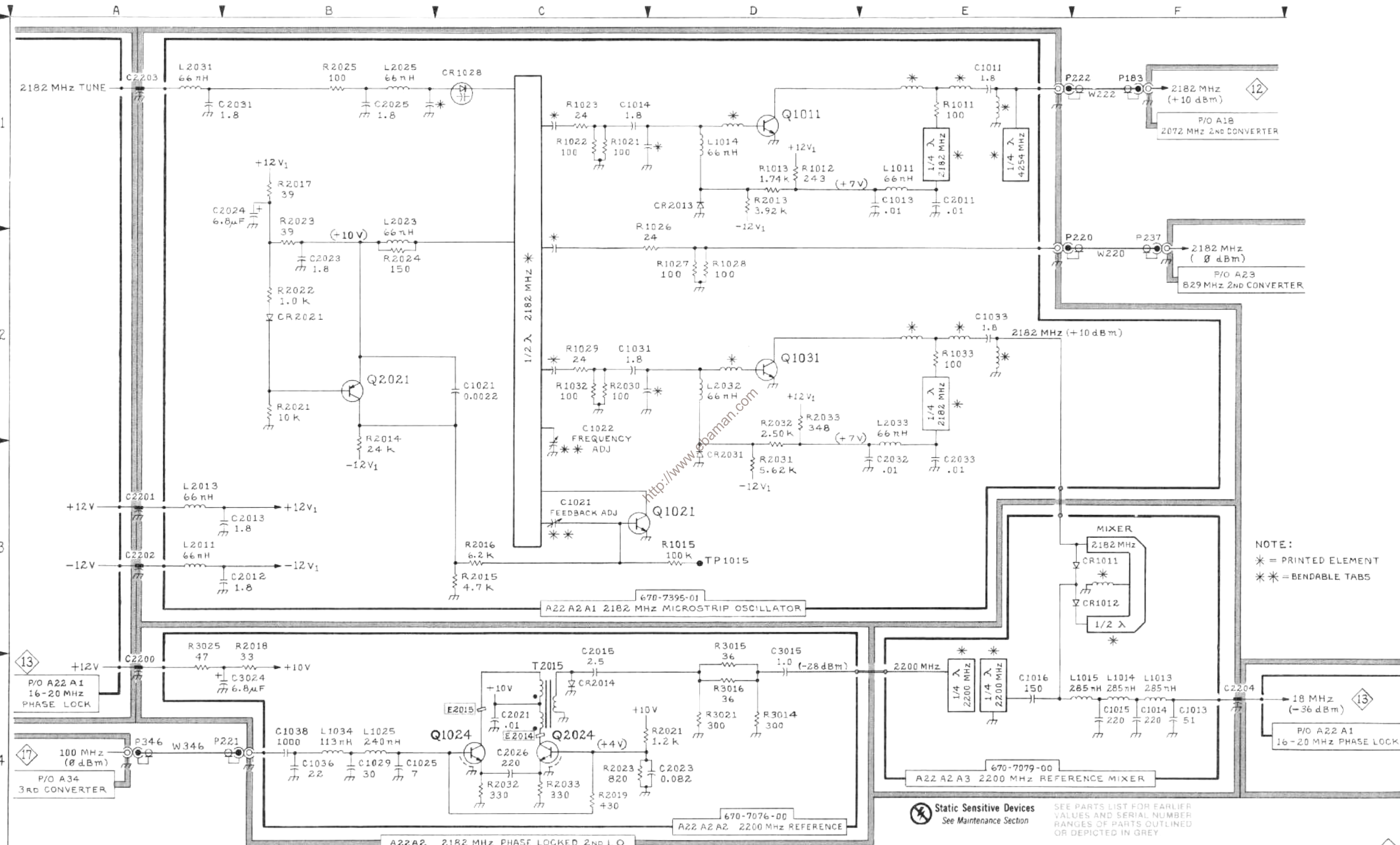
CIRCUIT NUMBER	SCHEM LOCATION	BOARD LOCATION	CIRCUIT NUMBER	SCHEM LOCATION	BOARD LOCATION	CIRCUIT NUMBER	SCHEM LOCATION	BOARD LOCATION
C1025	B4	B1	CR2014	C4	A2	R2023	C4	B2
C1029	B4	B1	L1025	B4	B1	R2032	C4	B2
C1036	B4	C1	L1034	B4	C1	R2033	C4	B2
C1038	B4	C1	Q1024	C4	B2	R3014	D4	A3
C2015	C4	A2	Q2024	C4	B2	R3015	D4	A3
C2021	C4	B2	R2016	B4	B2	R3016	D4	A3
C2023	C4	B2	R2019	C4	A2	R3021	D4	B3
C2026	C4	B2	R2021	C4	B2	R3025	A4	B3
C3015	D4	A3				T2015	C4	A2
C3024	B4	B3				* E2014	C4	A2
						* E2015	C4	A2

## ASSEMBLY A22A2A3

CIRCUIT NUMBER	SCHEM LOCATION	BOARD LOCATION	CIRCUIT NUMBER	SCHEM LOCATION	BOARD LOCATION	CIRCUIT NUMBER	SCHEM LOCATION	BOARD LOCATION
C1013	F4	A1	CR1011	F3	A1	L1014	F4	A1
C1014	F4	A1	CR1012	F3	A1	L1015	F4	A1
C1015	F4	A1						
C1016	E4	A1	L1013	F4	A1			

\*See Parts List for serial number ranges.





1

2

3

4

13

17

12

13

14

494/494 P

4417-212 REV FEB 1984

PHASE LOCKED 2ND LO (LO @ 2200 MHz REF/CONV)

NOTE:  
 \* = PRINTED ELEMENT  
 \*\* = BENDABLE TABS

Static Sensitive Devices  
 See Maintenance Section

SEE PARTS LIST FOR EARLIER  
 VALUES AND SERIAL NUMBER  
 RANGES OF PARTS OUTLINED  
 OR DEPICTED IN GREY

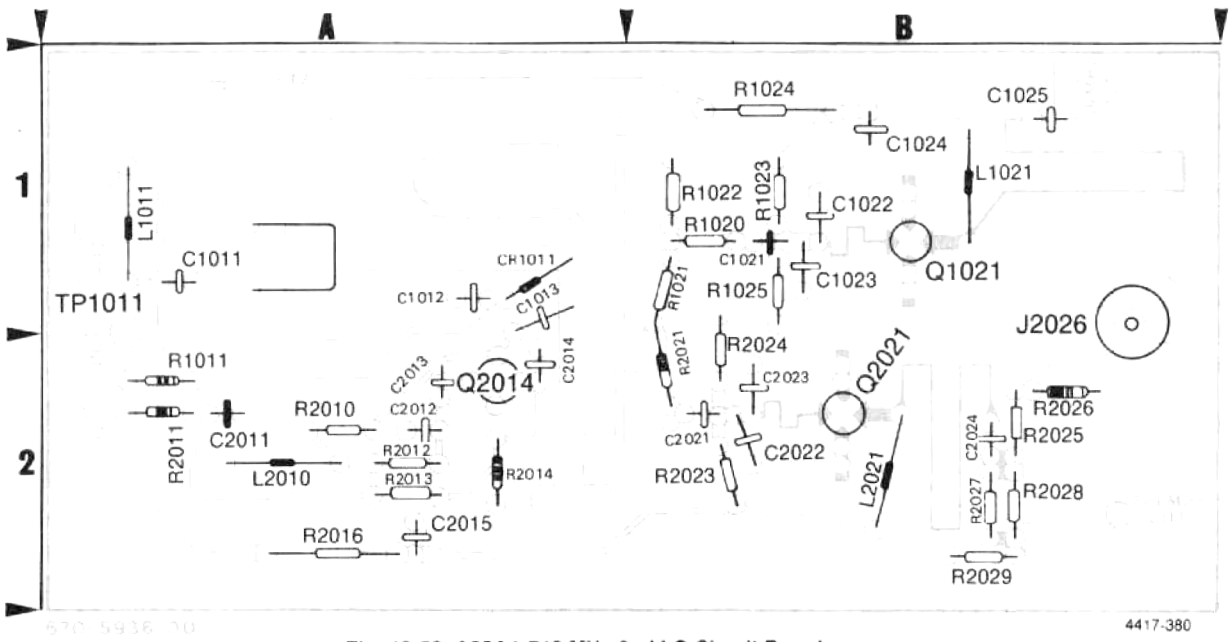


Fig. 10-53. A23A1-719 MHz 2nd LO Circuit Board

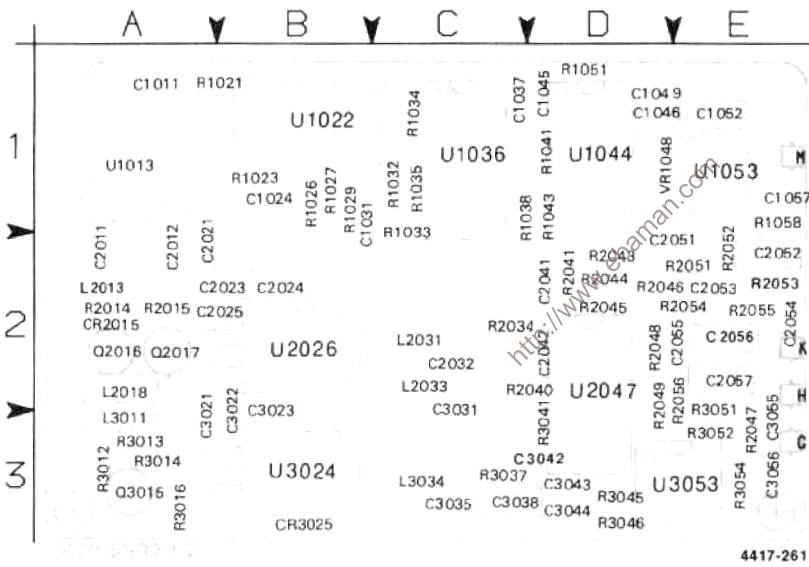


Fig. 10-7. A23A2-25 MHz Phase Lock circuit board.

Static Sensitive Devices  
See Maintenance Section

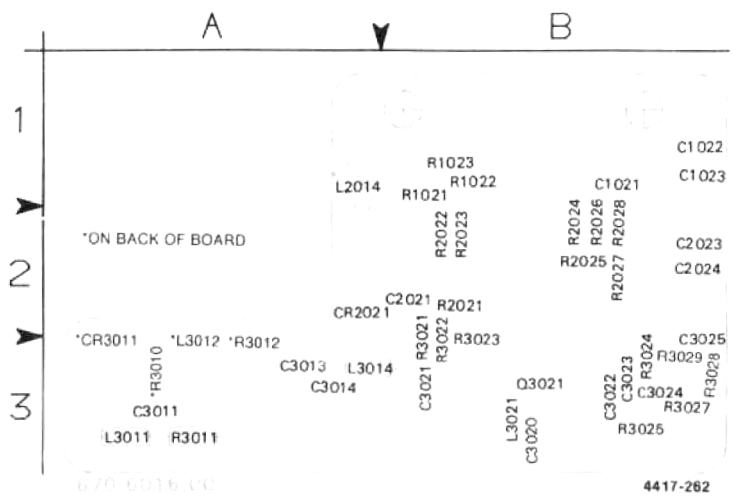
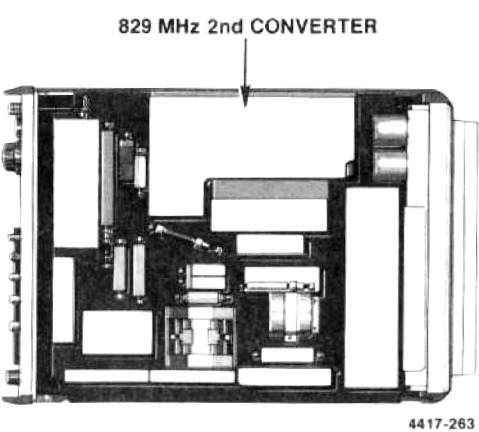
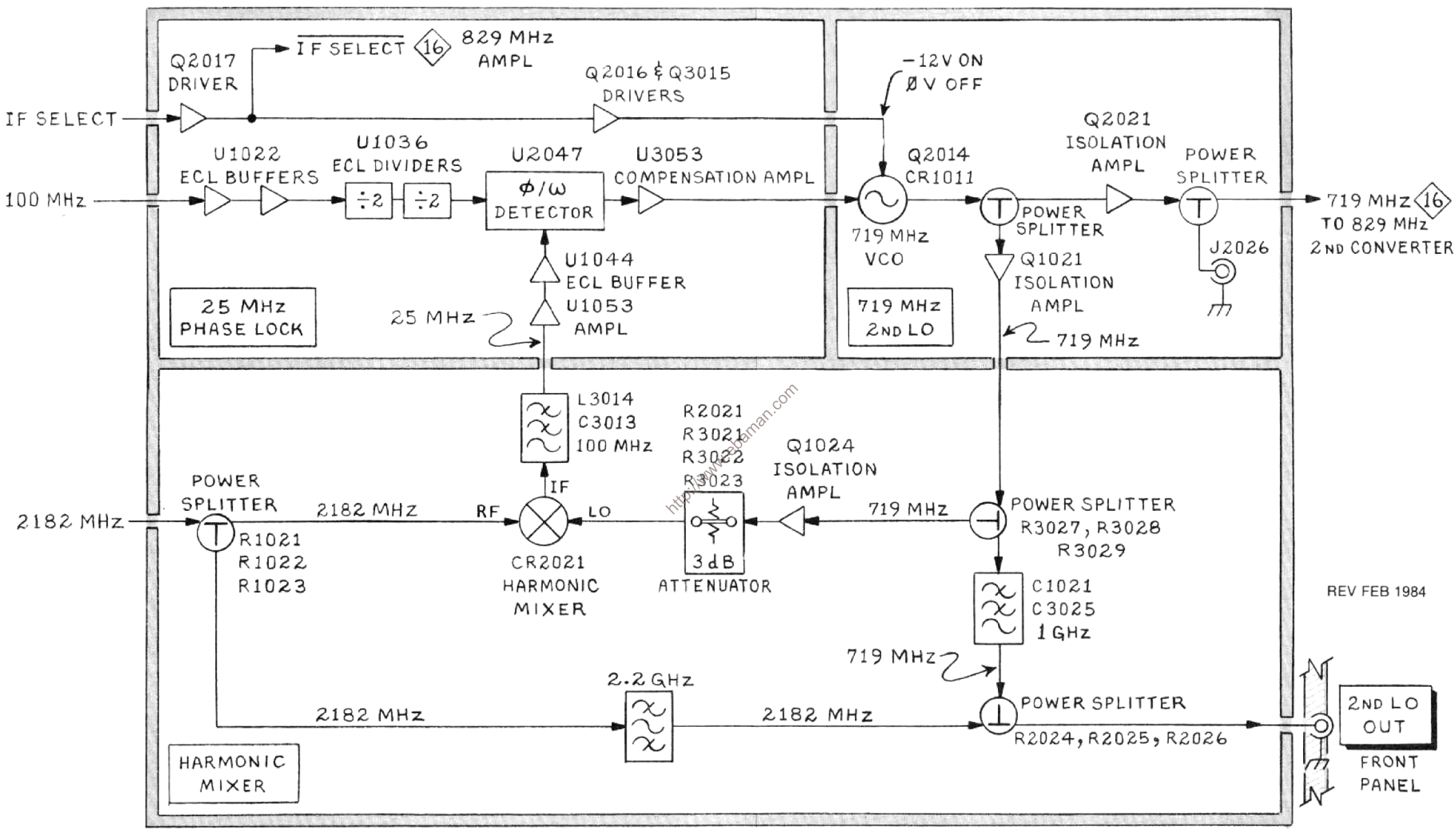


Fig. 10-8. A23A3-Harmonic Mixer circuit board.



829 MHz 2ND CONVERTER (LO SECTION)

REV FEB 1984

2ND LO OUT  
FRONT PANEL



## ASSEMBLY A23A1

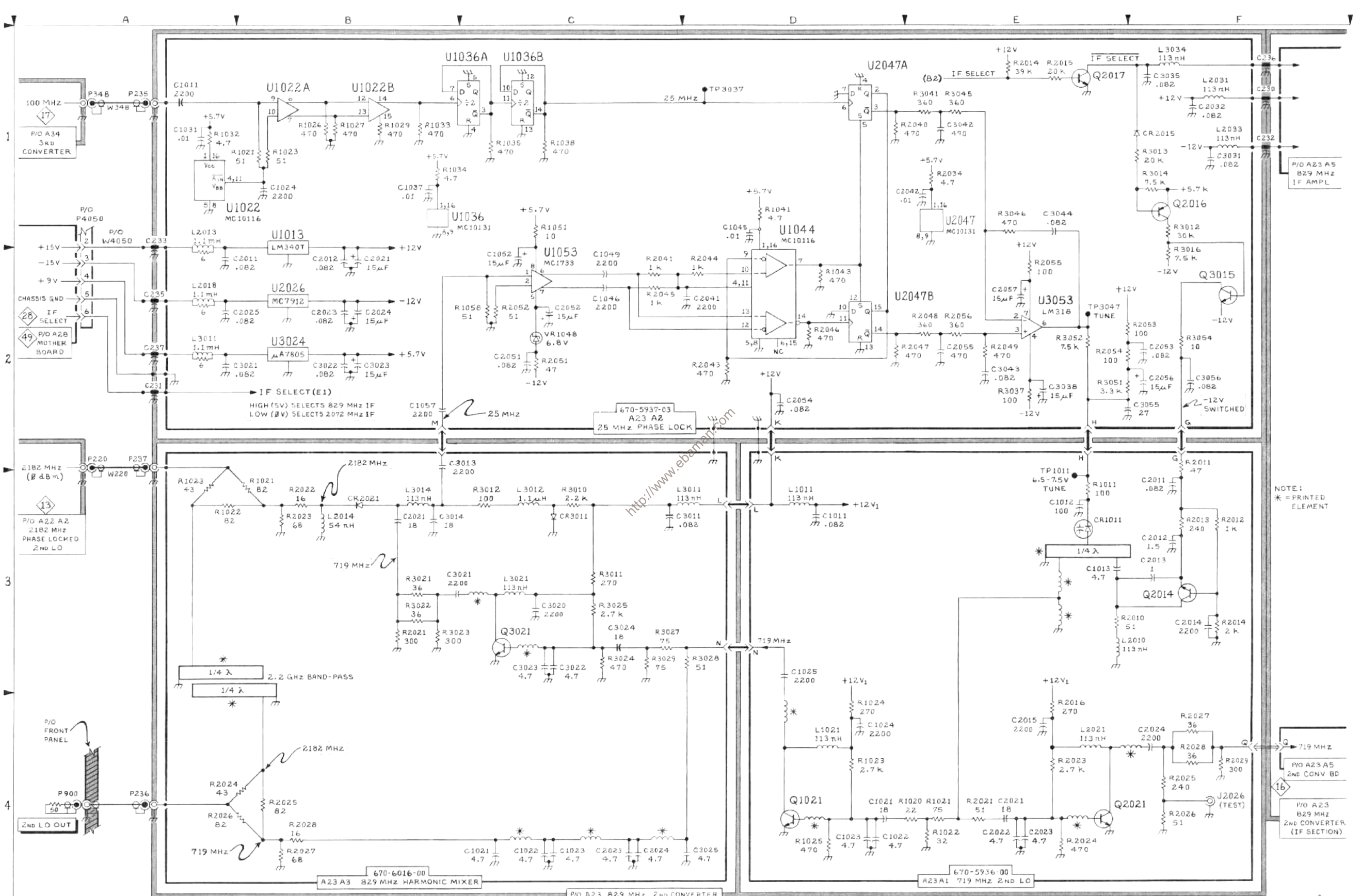
CIRCUIT NUMBER	SCHEM LOCATION	BOARD LOCATION	CIRCUIT NUMBER	SCHEM LOCATION	BOARD LOCATION	CIRCUIT NUMBER	SCHEM LOCATION	BOARD LOCATION
C1011	D3	A1	CR1011	E3	A1	R1025	D4	B1
C1012	E3	A1				R2010	F3	A2
C1013	E3	A1	J2026	F4	B1	R2011	F2	A2
C1021	D4	B1				R2012	F3	A2
C1022	D4	B1	L1011	D3	A1	R2013	F3	A2
C1023	D4	B1	L1021	D4	B1	R2014	F3	A2
C1024	D4	B1	L2010	F3	A2	R2016	E4	A2
C1025	D3	B1	L2021	E4	B2	R2021	E4	B2
C2011	F3	A2				R2023	E4	B2
C2012	F3	A2	Q1021	D4	B1	R2024	E4	B2
C2013	F3	A2	Q2014	F3	A2	R2025	F4	B2
C2014	F3	A2	Q2021	E4	B2	R2026	F4	B2
C2015	E4	A2				R2027	F4	B2
C2021	E4	B2	R1011	E3	A1	R2028	F4	B2
C2022	E4	B2	R1020	E4	B1	R2029	F4	B2
C2023	E4	B2	R1021	E4	B1			
C2024	F4	B2	R1022	E4	B1	TP1011	E2	A1
			R1023	D4	B1			
			R1024	D4	B1			

## ASSEMBLY A23A2

CIRCUIT NUMBER	SCHEM LOCATION	BOARD LOCATION	CIRCUIT NUMBER	SCHEM LOCATION	BOARD LOCATION	CIRCUIT NUMBER	SCHEM LOCATION	BOARD LOCATION
C1011	A1	A1	CR2015	F1	A2	R2048	E2	D2
C1024	B1	B1	CR3025	A3	B3	R2049	E2	D2
C1031	A1	B1	L2013	A1	A2	R2051	C2	E2
C1037	B1	C1	L2018	A2	A2	R2052	C2	E2
C1045	D1	D1	L2031	F1	C1	R2053	F2	E2
C1046	C2	D1	L2033	F1	C1	R2054	F2	E2
C1049	C2	D1	L3011	A2	A3	R2055	E2	E2
C1052	C2	E1	L3034	F1	C3	R2056	E2	E2
C1057	B2	E1				R3012	F1	A3
C2011	A2	A2	Q2016	F1	B2	R3013	F1	A3
C2012	B2	A2	Q2017	E1	A2	R3014	F1	A3
C2021	B2	A2	Q3015	F2	A3	R3016	F2	A3
C2023	B2	A2				R3037	E2	C3
C2024	B2	B2	R1021	B1	A1	R3041	E1	C3
C2025	A2	A2	R1023	B1	B1	R3045	E1	D3
C2032	F1	C1	R1026	B1	B1	R3046	E1	D3
C2041	D2	D2	R1027	B1	B1	R3051	F2	E3
C2042	E1	D2	R1029	B1	B1	R3052	E2	E3
C2051	C2	E2	R1032	A1	C1	R3054	F2	E3
C2052	F2	E2	R1033	B1	C1			
C2053	F2	E2	R1034	B1	C1	U1013	B1	A1
C2054	D2	E2	R1035	C1	C1	U1022	A1	B1
C2055	E2	E2	R1038	C1	C1	U1022A	B1	B1
C2056	F2	E2	R1041	D1	D1	U1022B	B1	B1
C2057	E2	E2	R1043	D2	D1	U1036	B1	C1
C3021	A2	A3	R1051	C1	D1	U1036A	C1	C1
C3022	B2	A3	R1058	C2	E1	U1036B	C1	C1
C3023	B2	B3	R2014	E1	A2	U2047	E1	D2
C3031	F1	C3	R2015	E1	A2	U2047A	D1	D2
C3035	F1	C3	R2034	E1	C1	U2047B	D2	D2
C3038	E2	C3	R2040	D1	D2	U1044	D2	D1
C3042	E1	D3	R2041	C2	D2	U1053	C2	E1
C3043	E2	D3	R2043	D2	D2	U2026	B2	B2
C3044	E1	D3	R2044	D2	D2	U3024	B2	B3
C3055	F2	E3	R2045	C2	D2	U3053	E2	E3
C3056	F2	E3	R2046	D2	D2			
			R2047	D2	E3	VR1048	C2	D1

## ASSEMBLY A23A3

CIRCUIT NUMBER	SCHEM LOCATION	BOARD LOCATION	CIRCUIT NUMBER	SCHEM LOCATION	BOARD LOCATION	CIRCUIT NUMBER	SCHEM LOCATION	BOARD LOCATION
C1021	C4	B1	CR2021	B3	A2	R2024	B4	B2
C1022	C4	B1	CR3011	C3	A3	R2025	B4	B2
C1023	C4	B1				R2026	B4	B2
C2021	B3	B2	L2014	B3	A2	R2027	B4	B2
C2023	C4	B2	L3011	D3	A3	R2028	B4	B2
C2024	C4	B2	L3012	C3	A3	R3010	C3	A3
C3011	C3	A3	L3014	B3	A3	R3011	C3	A3
C3013	B2	A3	L3021	C3	B3	R3012	C3	A3
C3014	B3	A3				R3021	B3	B3
C3020	C3	B3	Q3021	C3	B3	R3022	B3	B3
C3021	B3	B3				R3023	B3	B3
C3022	C3	B3	R1021	B3	B1	R3024	C3	B3
C3023	C3	B3	R1022	A3	B1	R3025	C3	B3
C3024	C3	B3	R1023	A3	B1	R3027	C3	B3
C3025	D4	B3	R2021	B3	B2	R3028	D3	B3
			R2022	B3	B2	R3029	C3	B3
			R2023	B3	B2			



NOTE:  
\* = PRINTED ELEMENT

P/O A34  
3RD  
CONVERTER

P/O P4050  
W4050  
C233  
+15V  
-15V  
+9V  
CHASSIS GND  
IF SELECT  
P/O A28  
MOTHER BOARD

2182 MHz  
(B 4B m)  
P/O A22 A2  
2182 MHz  
PHASE LOCKED  
2ND LO

P/O FRONT PANEL  
P900  
50  
2ND LO OUT  
P236

P/O A23 A5  
829 MHz  
IF AMPL

P/O A23 A5  
829 MHz  
2ND CONV BD

P/O A23  
829 MHz  
2ND CONVERTER  
(IF SECTION)

IF SELECT (E1)  
HIGH (5V) SELECTS 829 MHz IF  
LOW (0V) SELECTS 2072 MHz IF

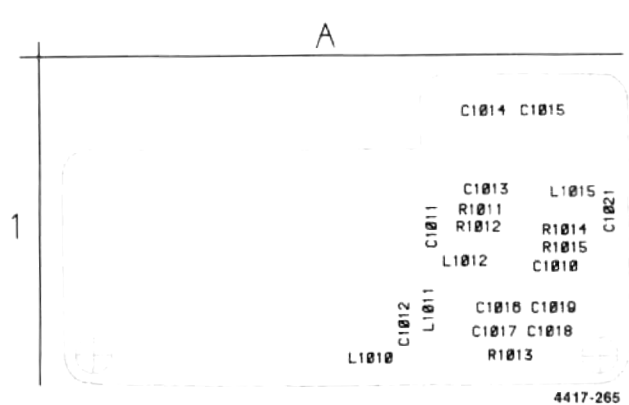
670-5937-03  
A23 A2  
25 MHz PHASE LOCK

2.2 GHz BAND-PASS

670-6016-00  
A23 A3  
829 MHz HARMONIC MIXER

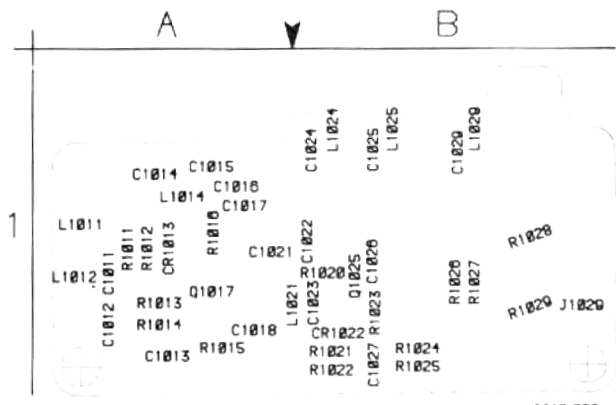
P/O A23 829 MHz 2ND CONVERTER

670-5936-00  
A23A1  
719 MHz 2ND LO



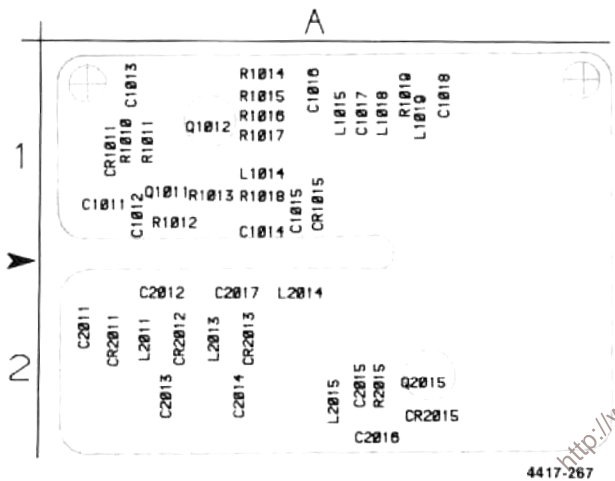
4417-265

Fig. 10-9. A23A4—829 MHz Diplexer circuit board.



4417-266

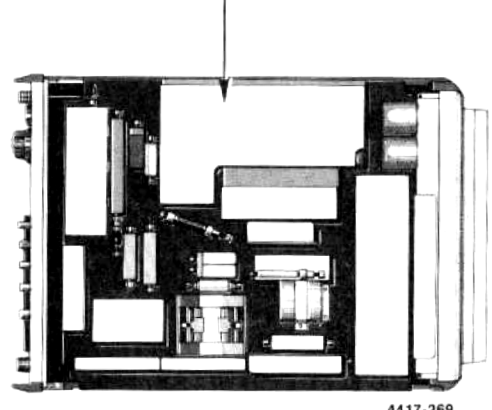
Fig. 10-10. A23A5—829 MHz Amplifier circuit board.



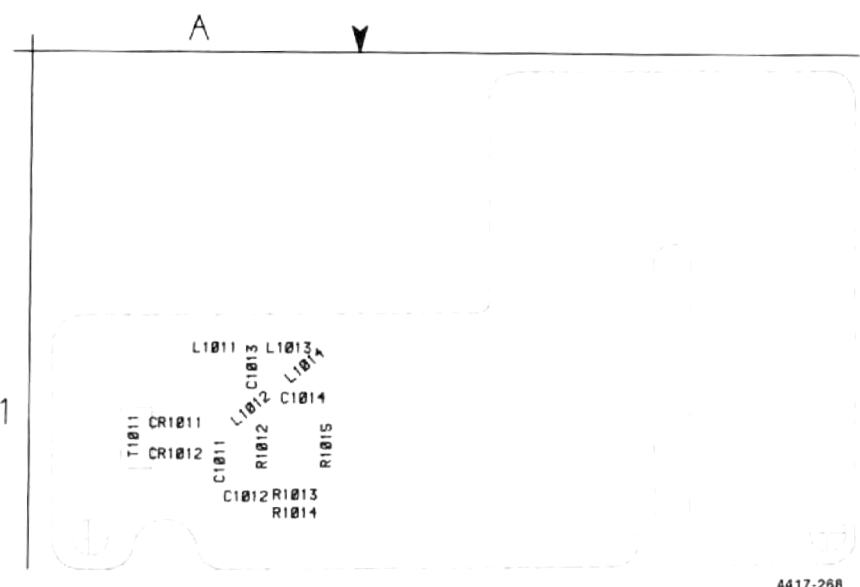
4417-267

Fig. 10-11. A23A6—110 MHz IF Select circuit board.

829 MHz 2nd CONVERTER.



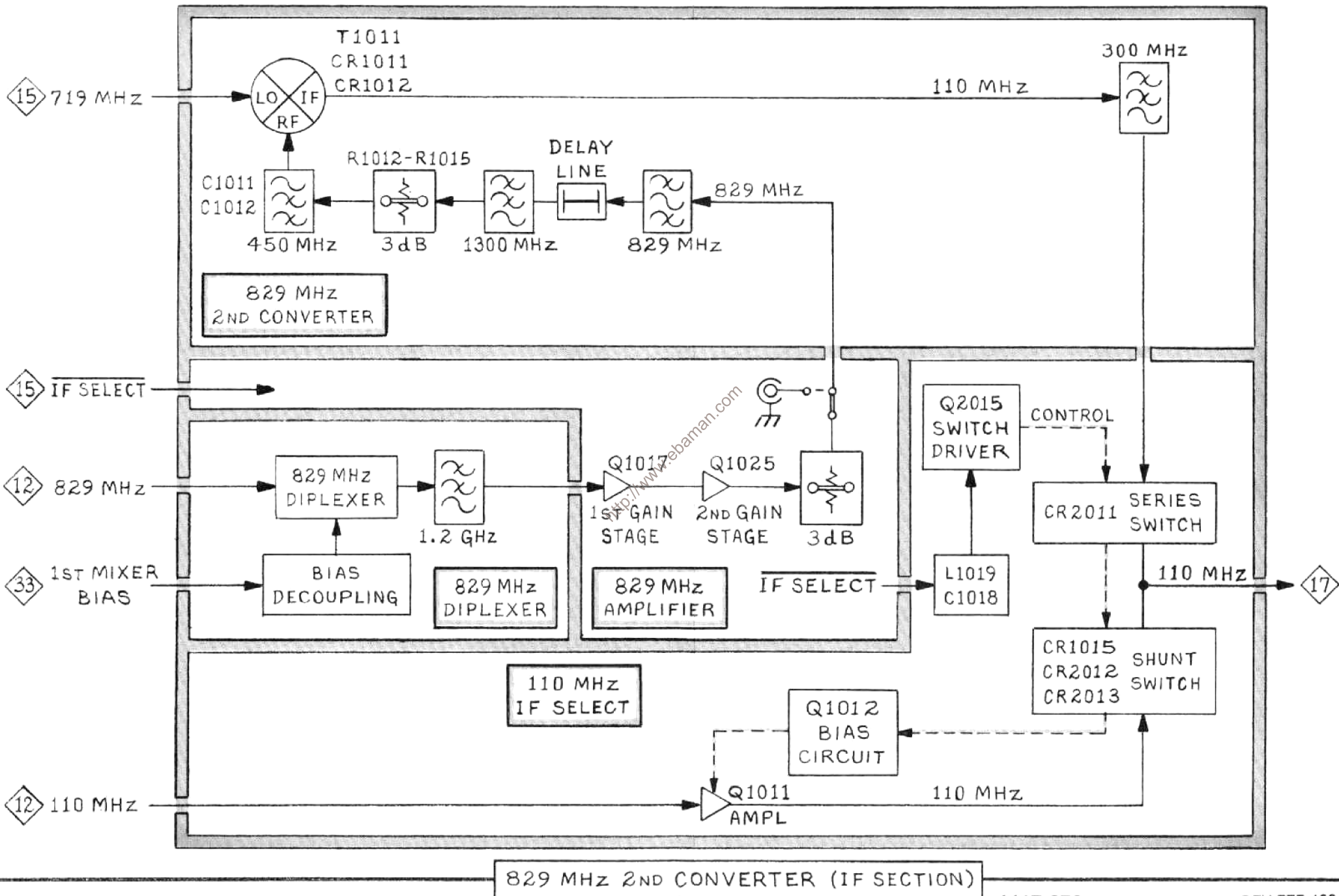
4417-269



4417-268

Fig. 10-12. A23A7—829 MHz 2nd Converter circuit board





829 MHz 2ND CONVERTER (IF SECTION)

## ASSEMBLY A23A4

CIRCUIT NUMBER	SCHEM LOCATION	BOARD LOCATION	CIRCUIT NUMBER	SCHEM LOCATION	BOARD LOCATION	CIRCUIT NUMBER	SCHEM LOCATION	BOARD LOCATION
C1010	A2	A1	C1018	B3	A1	R1011	B2	A1
C1011	B3	A1	C1019	B3	A1	R1012	B3	A1
C1012	A3	A1	C1021	A3	A1	R1013	A3	A1
C1013	B2	A1				R1014	A3	A1
C1014	A3	A1	L1010	A3	A1	R1015	A2	A1
C1015	B3	A1	L1011	A3	A1			
C1016	A3	A1	L1012	B3	A1			
C1017	B3	A1	L1015	A3	A1			

## ASSEMBLY A23A5

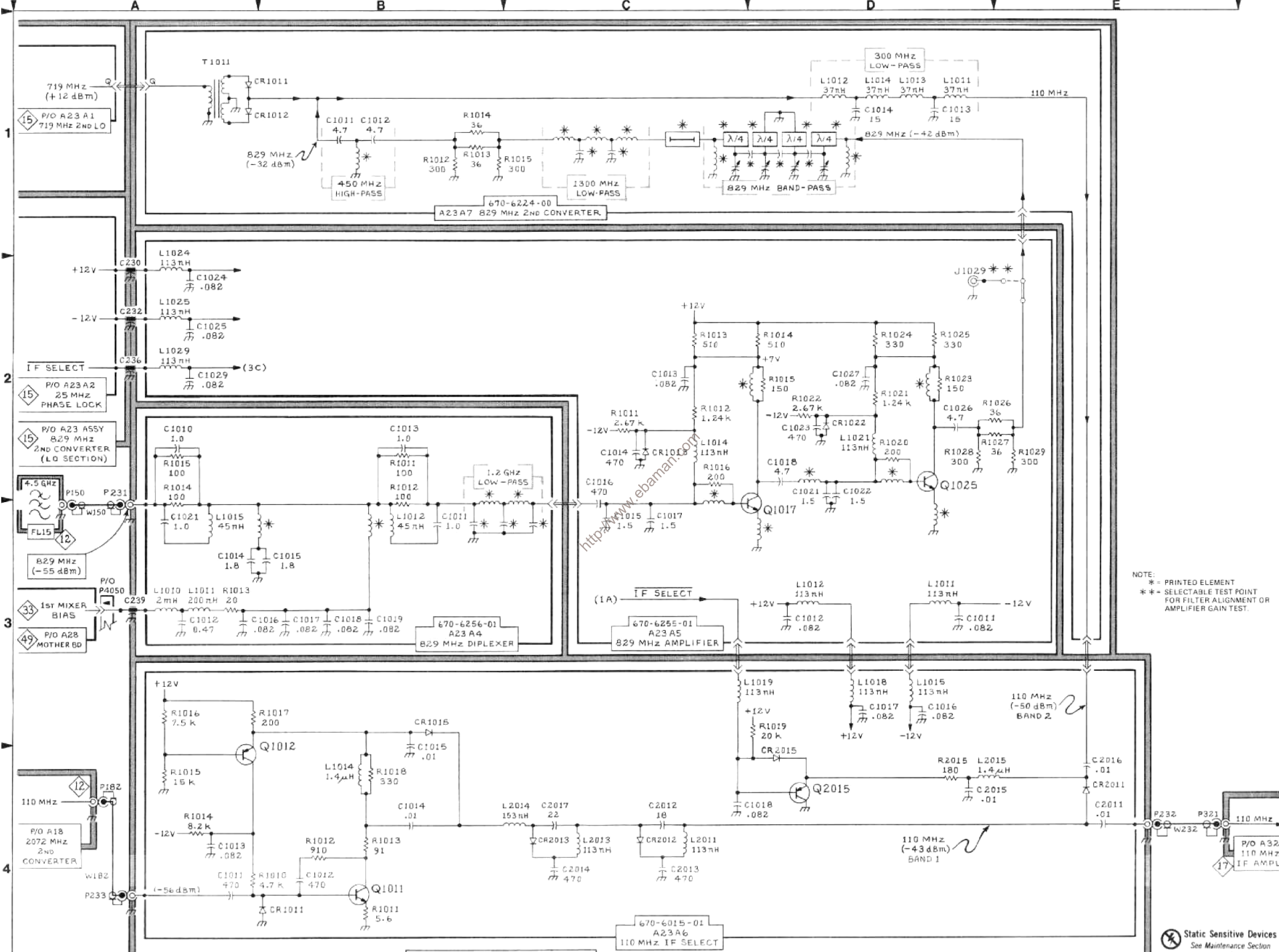
CIRCUIT NUMBER	SCHEM LOCATION	BOARD LOCATION	CIRCUIT NUMBER	SCHEM LOCATION	BOARD LOCATION	CIRCUIT NUMBER	SCHEM LOCATION	BOARD LOCATION
C1011	D3	A1	CR1013	C2	A1	R1011	C2	A1
C1012	D3	A1	CR1022	D2	B1	R1012	C2	A1
C1013	C2	A1				R1013	C2	A1
C1014	C2	A1	J1029	D2	B1	R1014	D2	A1
C1015	C3	A1				R1015	D2	A1
C1016	C3	A1	L1011	D3	A1	R1016	C2	A1
C1017	C3	A1	L1012	D3	A1	R1020	D2	B1
C1018	D2	A1	L1014	C2	A1	R1021	D2	B1
C1021	D2	A1	L1021	D2	B1	R1022	D2	B1
C1022	D2	B1	L1024	A2	B1	R1023	D2	B1
C1023	D2	B1	L1025	A2	B1	R1024	D2	B1
C1024	A2	B1	L1029	A2	B1	R1025	D2	B1
C1025	A2	B1				R1026	E2	B1
C1026	D2	B1	Q1017	D3	A1	R1027	E2	B1
C1027	D2	B1	Q1025	D2	B1	R1028	D2	B1
C1029	A2	B1				R1029	E2	B1

## ASSEMBLY A23A6

CIRCUIT NUMBER	SCHEM LOCATION	BOARD LOCATION	CIRCUIT NUMBER	SCHEM LOCATION	BOARD LOCATION	CIRCUIT NUMBER	SCHEM LOCATION	BOARD LOCATION
C1011	A4	A1	CR1011	B4	A1	Q1011	B4	A1
C1012	B4	A1	CR1015	B3	A1	Q1012	A4	A1
C1013	A4	A1	CR2011	E4	A2	Q2015	D4	A2
C1014	B4	A1	CR2012	C4	A2			
C1015	B4	A1	CR2013	C4	A2	R1010	A4	A1
C1016	D3	A1	CR2015	D4	A2	R1011	B4	A1
C1017	D3	A1				R1012	B4	A1
C1018	D4	A1	L1014	B4	A1	R1013	B4	A1
C2011	E4	A2	L1015	D3	A1	R1014	A4	A1
C2012	C4	A2	L1018	D3	A1	R1015	A4	A1
C2013	C4	A2	L1019	C3	A1	R1016	A3	A1
C2014	C4	A2	L2011	C4	A2	R1017	A3	A1
C2015	D4	A2	L2013	C4	A2	R1018	B4	A1
C2016	E4	A2	L2014	C4	A2	R1019	D3	A1
C2017	C4	A2	L2015	C4	A2	R2015	D4	A2

## ASSEMBLY A23A7

CIRCUIT NUMBER	SCHEM LOCATION	BOARD LOCATION	CIRCUIT NUMBER	SCHEM LOCATION	BOARD LOCATION	CIRCUIT NUMBER	SCHEM LOCATION	BOARD LOCATION
C1011	B1	A1	L1011	D1	A1	R1012	B1	A1
C1012	B1	A1	L1012	D1	A1	R1013	B1	A1
C1013	D1	A1	L1013	D1	A1	R1014	B1	A1
C1014	D1	A1	L1014	D1	A1	R1015	B1	A1
CR1011	A1	A1				T1011	A1	A1
CR1012	A1	A1						



NOTE:  
 \* = PRINTED ELEMENT  
 \*\* = SELECTABLE TEST POINT FOR FILTER ALIGNMENT OR AMPLIFIER GAIN TEST.

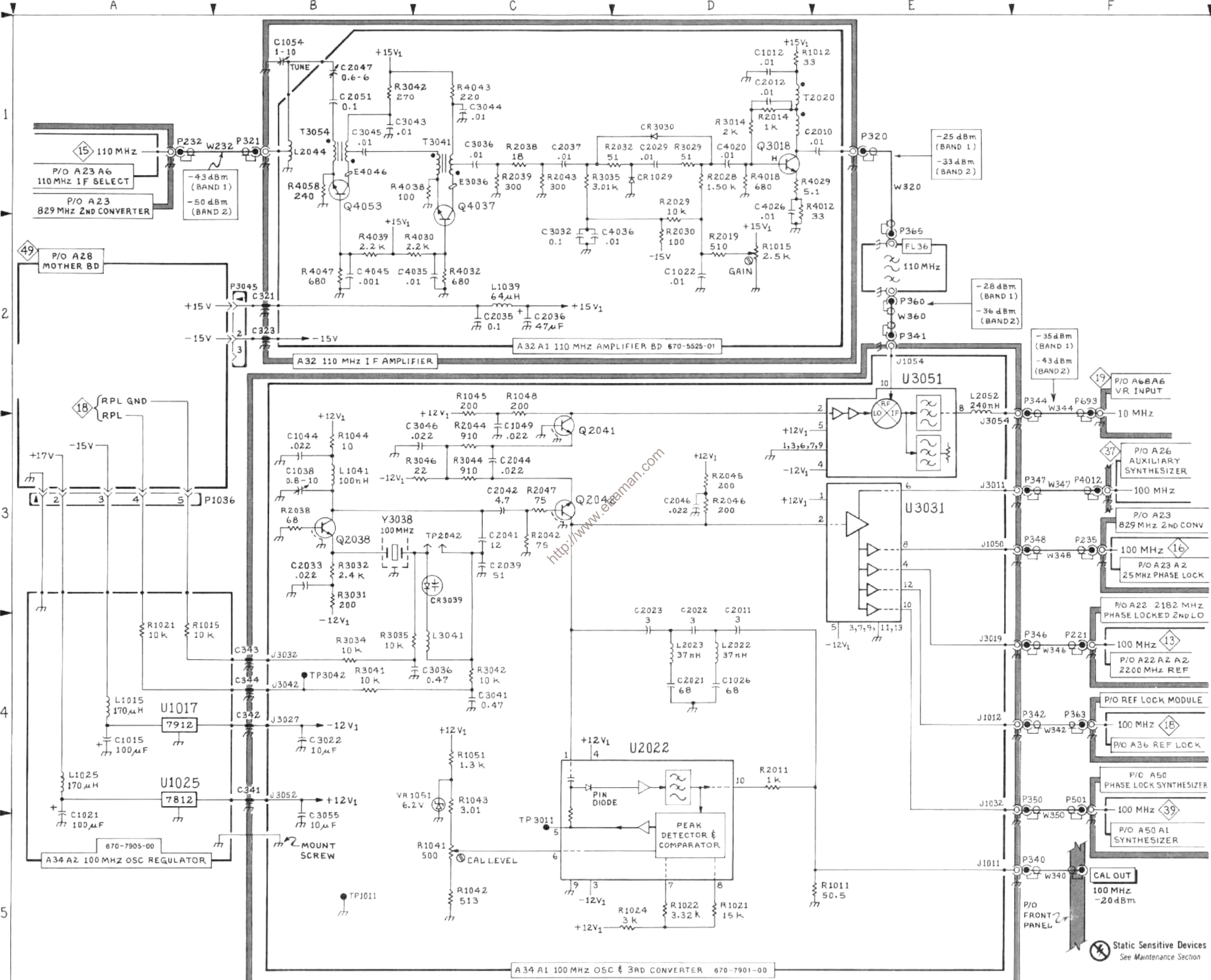


## ASSEMBLY A32A1

CIRCUIT NUMBER	SCHEM LOCATION	BOARD LOCATION	CIRCUIT NUMBER	SCHEM LOCATION	BOARD LOCATION	CIRCUIT NUMBER	SCHEM LOCATION	BOARD LOCATION
C1012	D1	A1	CR1029	D1	C1	R2039	C1	D2
C1022	D2	B2	CR3030	D1	C3	R2043	C1	D2
C2010	E1	A2	E3036	C1	NA	R3014	D1	A3
C2012	D1	A2	E4046	B1	NA	R3029	D1	B3
C2020	D1	B2				R3035	C1	C2
C2029	D1	B2	L1039	C2	D1	R3042	B1	D3
C2035	C2	C2	L2044	B1	E2	R4012	D1	A4
C2036	C2	D1				R4018	D1	B4
C2037	C1	D2	Q3018	D1	B3	R4029	D1	B4
C2047	B1	D2	Q4037	C1	D4	R4030	B2	C4
C2051	B1	E2	Q4053	B1	E4	R4032	C2	C4
C3032	C2	C3				R4038	C1	D4
C3036	C1	D2	R1012	D1	B1	R4039	B2	D4
C3043	B1	D3	R1015	D2	A1	R4043	C1	D3
C3044	C1	D3	R2014	D1	A2	R4047	B2	E4
C3045	B1	D3	R2019	D2	B2	R4058	B1	E4
C4020	D1	B4	R2028	D1	B3			
C4026	D1	B4	R2029	D1	B2	T2020	D1	B2
C4045	B2	D4	R2030	D2	C2	T3041	C1	D3
C4035	C2	C4	R2032	C1	C2	T3054	B1	E3
C4036	C2	C4	R2038	C1	D2			

## ASSEMBLY A34A1

CIRCUIT NUMBER	SCHEM LOCATION	BOARD LOCATION	CIRCUIT NUMBER	SCHEM LOCATION	BOARD LOCATION	CIRCUIT NUMBER	SCHEM LOCATION	BOARD LOCATION
C1026	D4	B1	J3029	B4	B3	R2011	D4	A2
C1038	B3	C1	J3032	B4	C3	R2038	B3	C3
C1044	B3	D1	J3042	B4	D3	R2042	C3	D2
C1049	C3	D1	J3052	B4	E3	R2044	C3	D3
C2011	D4	A2	J3054	E3	E2	R2045	D3	D2
C2021	D4	A2				R2046	D3	D2
C2022	D4	B2	L1041	B3	D1	R2047	C3	D2
C2023	D4	B2	L2022	D4	B2	R3031	B3	C3
C2033	B3	C3	L2023	D4	B2	R3032	B3	C3
C2039	C3	C2	L2052	E2	E2	R3034	B4	C3
C2041	C3	C2	L3041	C4	D2	R3035	B4	C3
C2042	C3	D2				R3041	B4	D3
C2044	B4	C3	P2042	C3	D2	R3042	C4	D3
C3022	D3	D2				R3044	C3	D3
C3036	B4	B3	Q2038	B3	C2	R3046	B3	D3
C3041	C4	C3	Q2041	C3	D2			
C3046	C4	D3	Q2042	C3	D2	TP1011	B5	A1
C3055	B4	E3				TP3011	C5	A3
CR3039	C3	D3	R1011	E5	A1	TP3042	B4	D3
J1011	E5	A1	R1021	D5	B1			
J1012	E4	A1	R1022	D5	B1	U2022	D4	A2
J1032	E4	C1	R1024	D5	B1	U3031	E3	C2
J1050	E3	E1	R1041	C5	D1	U3051	E2	E2
J1054	E2	E1	R1042	C5	D1			
J3011	E3	A3	R1043	C4	D1	VR1051	C4	E1
J3019	E4	A3	R1044	B3	D1			
			R1045	C2	D1	Y3038	B3	C3
			R1048	C2	D1			
			R1051	C4	E1			



Static Sensitive Devices  
See Maintenance Section

A

B

C

D

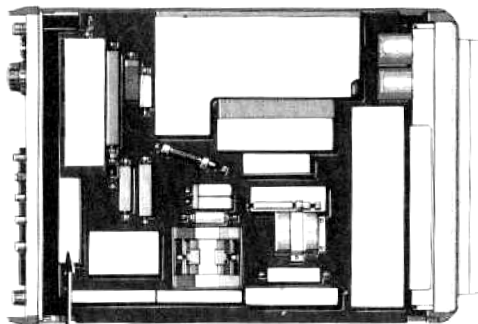


670-7900-00

4417-277

REV FEB 1984

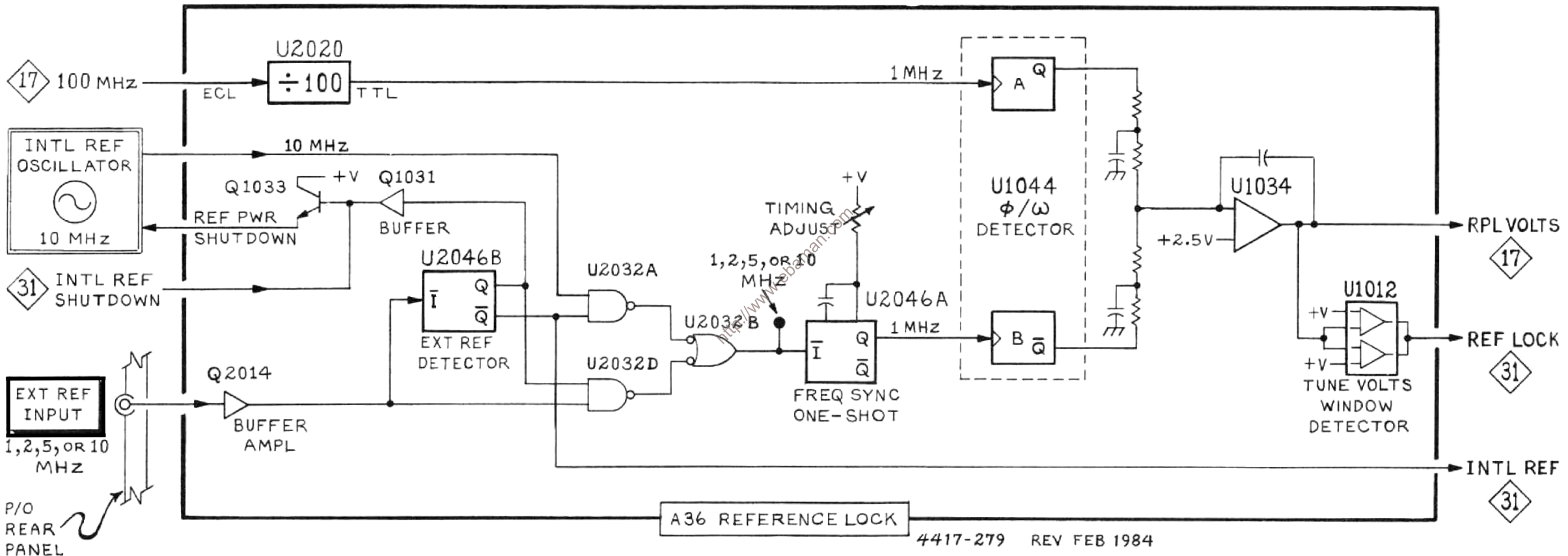
Fig. 10-15. A36A1—Reference Lock circuit board



4417-278

REFERENCE LOCK





## ASSEMBLY A36A1

CIRCUIT NUMBER	SCHEM LOCATION	BOARD LOCATION	CIRCUIT NUMBER	SCHEM LOCATION	BOARD LOCATION	CIRCUIT NUMBER	SCHEM LOCATION	BOARD LOCATION
C1012	A4	A1	P1025	A1	B1	R1048	E2	D1
C1013	A4	A1	P1026	A2	B1	R2015	A4	A2
C1019	A1	A1	P2025	A1	B2	R2016	A3	A2
C1021	A1	B1	P2026	B1	B2	R2019	A3	A2
C1023	A1	B1	Q1031	B2	C1	R2021	A3	A2
C1026	A2	B1	Q1033	A2	C1	R2024	A3	B2
C1030	A2	C1	Q2014	B3	D2	R2030	B2	C2
C1031	E1	C1	R1011	E3	A1	R2031	B2	C2
C1032	F4	C1	R1012	E3	A1	R2032	B2	C2
C1033	F2	C1	R1013	E3	A1	R2033	C2	C2
C1036	F4	C1	R1014	E3	A1	R2035	B3	C2
C1037	E2	C1	R1015	F2	A1	R2039	D2	D2
C1038	E2	C1	R1016	E2	A1	R2042	D2	D2
C1040	E1	C1	R1017	A4	A1	R2043	B2	D2
C1046	E2	D1	R1018	E2	A1	R2045	E2	D2
C2017	B4	A2	R1019	F2	A1	TP1044	C3	D1
C2018	A4	A2	R1021	A1	B1	TP2026	B3	B2
C2019	B3	A2	R1022	A1	B1	TP2046	D2	D2
C2020	A4	A2	R1023	B2	B1	U1012	F3	A1
C2024	A3	B2	R1028	F1	B1	U1034	F2	C1
C2029	E4	B2	R1029	E2	B1	U1034	F4	C1
C2038	D2	D2	R1033	F4	C1	U1044A	E1	D1
C2039	C2	D2	R1034	E2	C1	U1044B	E3	D1
C2042	B2	D2	R1035	E2	C1	U1044	E4	D1
CR1020	F2	B1	R1036	F4	C1	U2020	B1	A2
CR2021	A3	B2	R1037	E2	C1	U2032A	C2	C2
CR2022	A3	B2	R1038	E1	C1	U2032B	C3	C2
CR2036	B3	C2	R1039	E2	C1	U2032C	D2	C2
L2013	A4	A2	R1040	E1	C1	U2032D	C3	C2
P1017	F2	A1	R1041	D2	D1	U2032	E4	C2
P1021	A2	B1	R1042	D1	D1	U2046A	D2	D2
P1021	F3	B1	R1044	E1	D1	U2046B	B2	D2
			R1047	E3	D1			

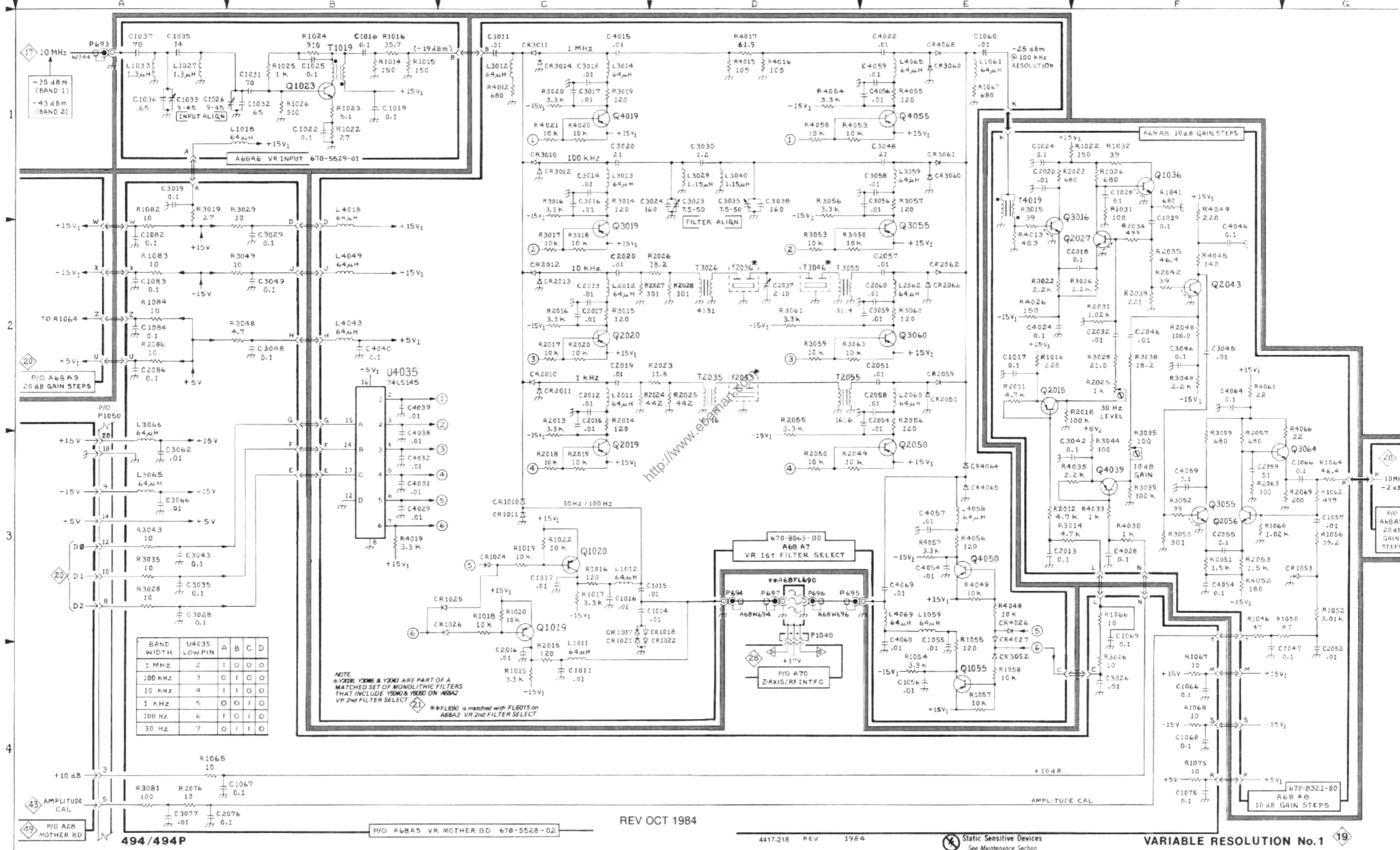




## ASSEMBLY A36A1

CIRCUIT NUMBER	SCHEM LOCATION	BOARD LOCATION	CIRCUIT NUMBER	SCHEM LOCATION	BOARD LOCATION	CIRCUIT NUMBER	SCHEM LOCATION	BOARD LOCATION
C1012	A4	A1	P1025	A1	B1	R1048	E2	D1
C1013	A4	A1	P1026	A2	B1	R2015	A4	A2
C1019	A1	A1	P2025	A1	B2	R2016	A3	A2
C1021	A1	B1	P2026	B1	B2	R2019	A3	A2
C1023	A1	B1				R2021	A3	A2
C1026	A2	B1	Q1031	B2	C1	R2024	A3	B2
C1030	A2	C1	Q1033	A2	C1	R2030	B2	C2
C1031	E1	C1	Q2014	B3	A1	R2031	B2	C2
C1032	F4	C1				R2032	B2	C2
C1033	F2	C1	R1011	E3	A1	R2033	C2	C2
C1036	F4	C1	R1012	E3	A1	R2035	B3	C2
C1037	E2	C1	R1013	E3	A1	R2039	D2	D2
C1038	E2	C1	R1014	E3	A1	R2042	D2	D2
C1040	E1	C1	R1015	F2	A1	R2043	B2	D2
C1046	E2	D1	R1016	E2	A1	R2045	E2	D2
C2017	B4	A2	R1017	A4	A1			
C2018	A4	A2	R1018	E2	A1	TP1044	C3	D1
C2019	B3	A2	R1019	F2	A1	TP2026	B3	B2
C2020	A4	A2	R1021	A1	B1	TP2046	D2	D2
C2024	A3	B2	R1022	A1	B1			
C2029	E4	B2	R1023	B2	B1	U1012	F3	A1
C2038	D2	D2	R1028	F1	B1	U1034	F2	C1
C2039	C2	D2	R1029	E2	B1	U1034	F4	C1
C2042	B2	D2	R1033	F4	C1	U1044A	E1	D1
			R1034	E2	C1	U1044B	E3	D1
CR1020	F2	B1	R1035	E2	C1	U1044	E4	D1
CR2021	A3	B2	R1036	F4	C1	U2020	B1	A2
CR2022	A3	B2	R1037	E2	C1	U2032A	C2	C2
CR2036	B3	C2	R1038	E1	C1	U2032B	C3	C2
			R1039	E2	C1	U2032C	D2	C2
L2013	A4	A2	R1040	E1	C1	U2032D	C3	C2
			R1041	D2	D1	U2032	E4	C2
P1017	F2	A1	R1042	D1	D1	U2046A	D2	D2
P1021	A2	B1	R1044	E1	D1	U2046B	B2	D2
P1021	F3	B1	R1047	E3	D1			





BAND WIDTH	U4035 LOWPASS	A	B	C	D
1 MHz	2	I	O	O	O
100 KHz	3	O	I	O	O
10 KHz	4	I	I	O	O
1 KHz	5	O	O	I	O
100 Hz	6	I	O	I	O
30 Hz	7	O	I	I	O

NOTE  
 \*Y206, Y206B & Y206C ARE PART OF A MATCHED SET OF MONOLITHIC FILTERS THAT INCLUDE Y500 & Y500B ON A68A2 VR 2nd FILTER SELECT

\*\*FL80 is matched with FL8015 on A68A2 VR 2nd FILTER SELECT

REV OCT 1984

494/494P

P/O A68A5 VR MOTHER BD 670-5528-02

4417-218 REV 1984

Static Sensitive Devices  
 See Maintenance Section

VARIABLE RESOLUTION No. 1





10 MHz  
(FROM VR 10 dB)  
(GAIN STEPS BD)

(-2 dBm)

20 dB  
GAIN

10 dB  
GAIN

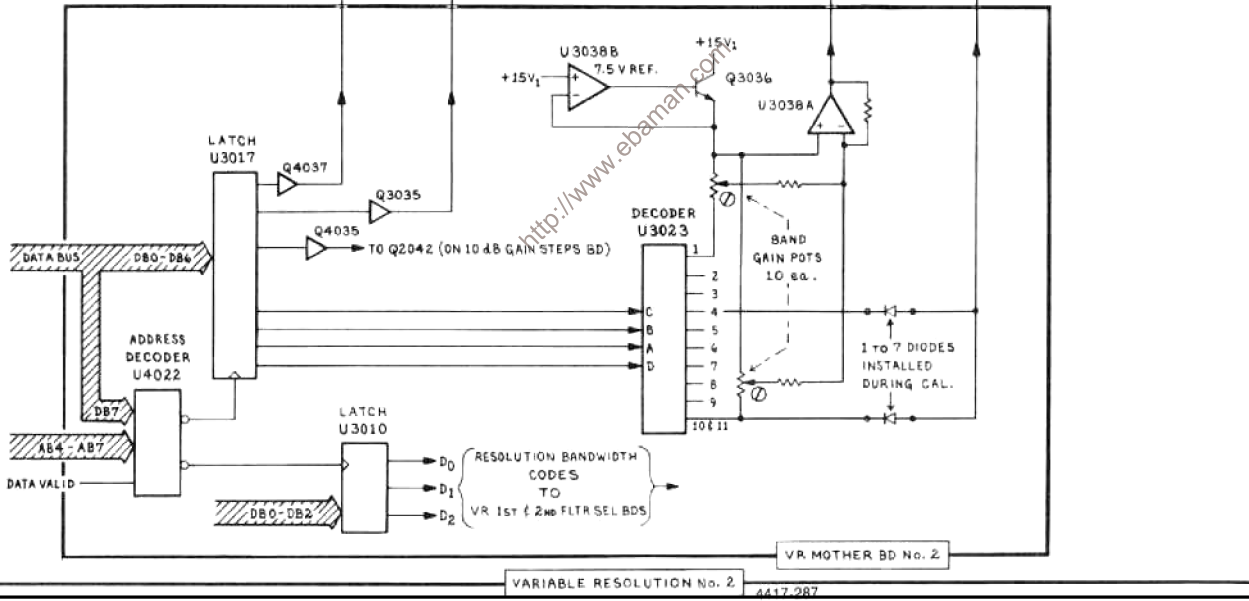
(-11 dBm)

10 MHz  
(-3 dBm)

TO VR 2<sup>ND</sup> FILTER  
SELECT BOARD

VR 20 dB GAIN STEPS BD

VR BAND  
LEVELING

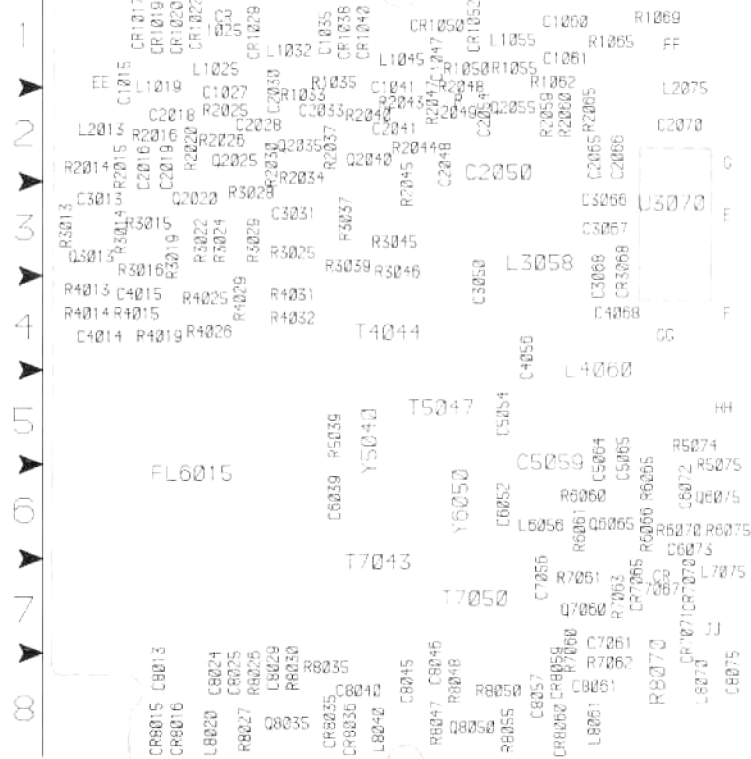








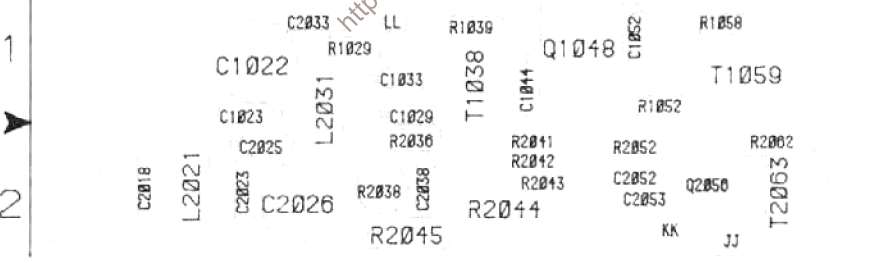
A ▼ B ▼ C ▼ D ▼ E ▼ F ▼ G



4417-289

Fig. 10-23. A68A2—2nd Filter Select circuit board.

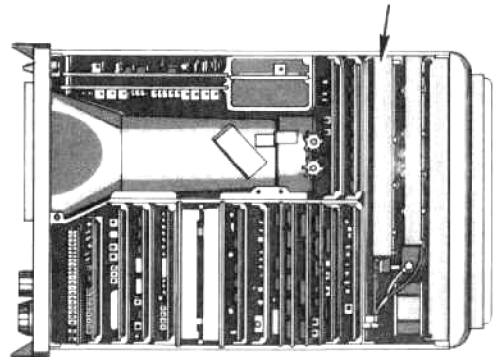
A ▼ B ▼ C ▼ D ▼ E ▼ F



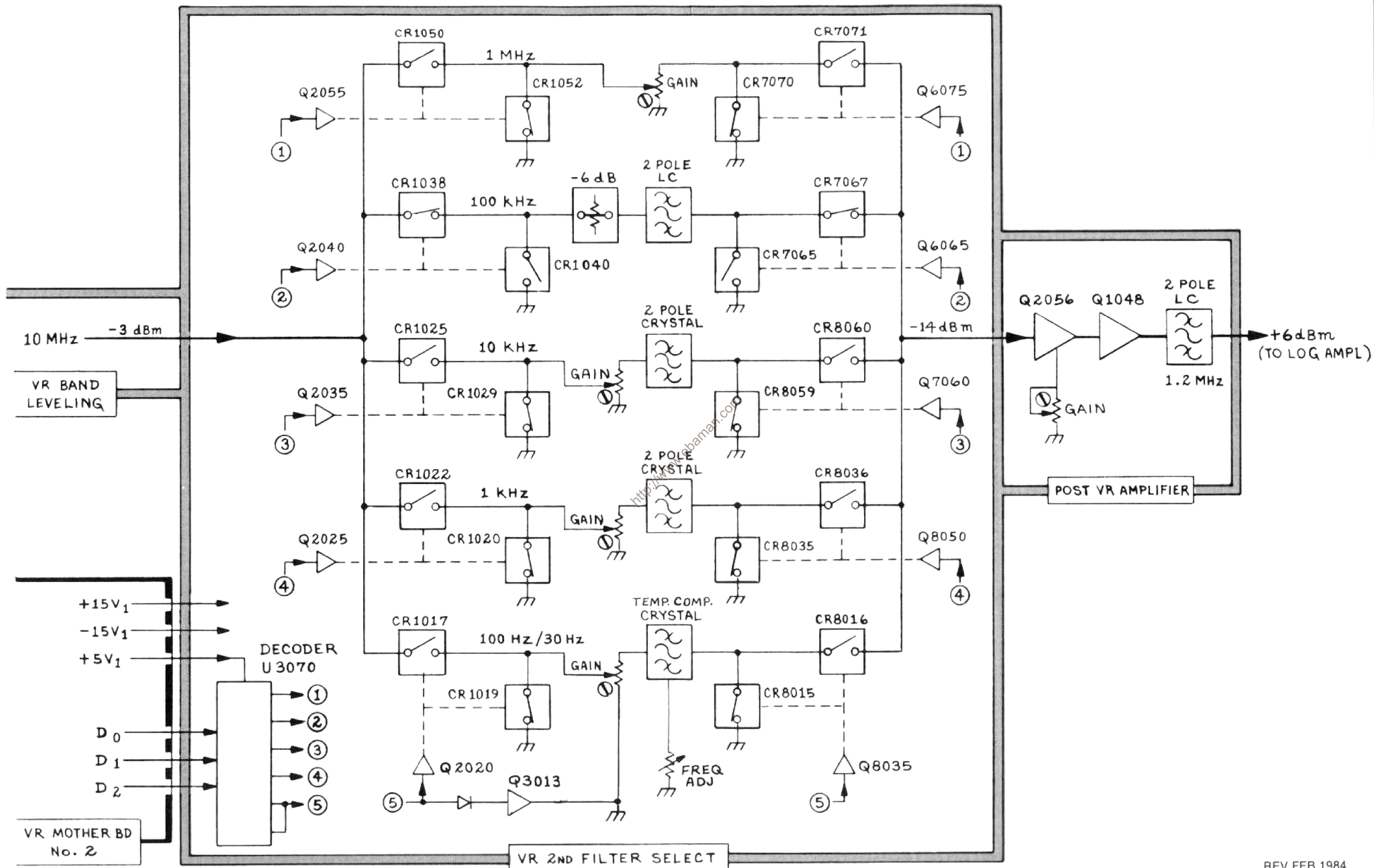
4417-290

Fig. 10-24. A68A4—Post VR Amplifier circuit board.

VR #2



4417-293





ASSEMBLY A68A2

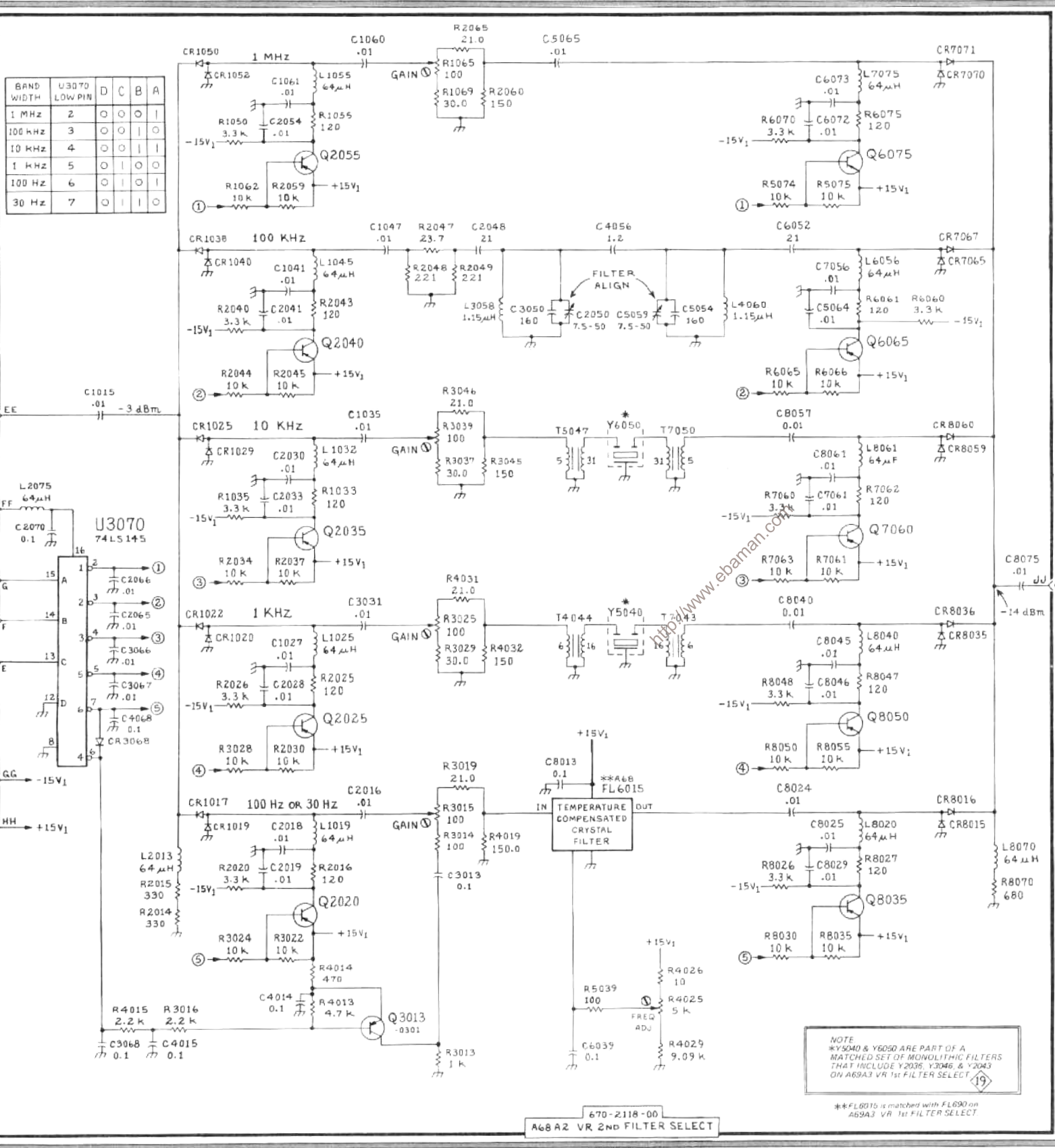
CIRCUIT NUMBER	SCHEM LOCATION	BOARD LOCATION	CIRCUIT NUMBER	SCHEM LOCATION	BOARD LOCATION	CIRCUIT NUMBER	SCHEM LOCATION	BOARD LOCATION	CIRCUIT NUMBER	SCHEM LOCATION	BOARD LOCATION
C1015	A2	A1	C8057	D2	E8	Q2055	B1	E2	R3046	C2	D3
C1027	B3	B2	C8061	D2	F8	Q3013	B4	A3	R4013	B4	A4
C1035	B2	C1	C8075	D2	G8	Q6065	D2	F6	R4014	B4	A4
C1041	B1	D2				Q6075	D1	G6	R4015	A4	A4
C1047	B1	D1	CR1017	B3	A1	Q7060	D2	F7	R4019	C3	A4
C1060	B1	F1	CR1019	B3	A1	Q8035	D4	C8	R4025	C4	B4
C1061	B1	F1	CR1020	B3	B1	Q8050	D3	E8	R4026	C4	B4
C2016	B3	A2	CR1022	B3	B1				R4029	C4	B4
C2018	B3	B2	CR1025	B2	B1	R1033	B2	C2	R4031	C3	C4
C2019	B3	B2	CR1029	B2	B1	R1035	B2	C1	R4032	C3	C4
C2028	B3	B2	CR1038	B1	C1	R1050	B1	E1	R5039	C4	C5
C2030	B2	C2	CR1040	B1	D1	R1055	B1	E1	R5074	D1	G5
C2033	B2	C2	CR1050	B1	D1	R1062	B1	F1	R5075	D1	G6
C2041	B2	D2	CR1052	B1	E1	R1065	B1	F1	R6060	D2	F6
C2048	C1	D2	CR3068	A3	F2	R1069	B1	G1	R6061	D2	F6
C2050	C2	E2	CR7065	D1	F7	R2014	B4	A2	R6065	D2	G6
C2054	B1	E2	CR7067	D1	G7	R2015	B4	A2	R6066	D2	G6
C2065	A3	F2	CR7070	D1	G7	R2016	B3	A2	R6070	D1	G6
C2066	A2	F2	CR7071	D1	G7	R2020	B4	B2	R6075	D1	G6
C2070	A2	G2	CR8015	D3	A8	R2025	B3	B2	R7060	D2	F7
C3013	B3	A3	CR8016	D3	B8	R2026	B3	B2	R7061	D2	F7
C3031	B3	C3	CR8035	D3	C8	R2030	B3	C2	R7062	D2	F8
C3050	C2	E4	CR8036	D3	C8	R2034	B2	C2	R7063	D2	F7
			CR8059	D2	E8	R2037	B2	C2	R8026	D3	B8
C3066	A3	F3	CR8060	D2	E8	R2046	B2	D2	R8027	D3	B8
C3067	A3	F3				R2043	B2	D2	R8030	D4	C8
C3068	A4	F2	FL6015	C3	B6	R2044	B2	D2	R8035	D4	C8
C4014	B4	A4				R2045	B2	D3	R8047	D3	D8
C4015	B4	A4	L1019	B3	A2	R2047	B1	D2	R8048	D3	D8
C4056	C1	E4	L1025	B3	B1	R2048	B1	E2	R8050	D3	E8
C4068	A3	F4	L1032	B2	C1	R2049	C1	E2	R8055	D3	E8
C5054	C2	E5	L1045	B1	E1	R2059	B1	E2	R8070	D3	G8
C5059	C2	E6	L1055	B1	E1	R2060	C1	F2			
C5064	D2	F5	L2013	B3	A2	R2065	C1	F2	T4044	C3	D4
C5065	C1	F5	L2075	A2	G2	R3013	B4	A3	T5047	C2	D5
C6039	C4	C6	L3058	C2	E3	R3014	B3	A3	T7043	C3	D7
C6052	D1	E6	L4060	C2	F4	R3015	B3	A3	T7050	C2	E7
C6072	D1	G6	L6056	D1	E6	R3016	B4	A3			
C6073	D1	G6	L7075	D1	G7	R3019	C3	B3	U3070	A2	G3
C7056	D1	E7	L8020	D3	B8	R3022	B4	B3			
C7061	D2	F7	L8040	D3	D8	R3024	B4	B3	Y5040	C3	D5
C8013	C3	A8	L8061	D2	F8	R3025	B3	C3	Y6050	C2	E6
C8024	D3	B8	L8070	D3	G8	R3028	B3	B3			
C8025	D3	B8				R3029	B3	B3			
C8029	D3	C8	Q2020	B4	B3	R3037	B2	C3			
C8040	D3	C8	Q2025	B3	B2	R3039	B2	C3			
C8045	D3	D8	Q2035	B2	C2	R3045	C2	D3			
C8046	D3	D8	Q2040	B2	D2						

http://www.cbam.com

ASSEMBLY A68A4

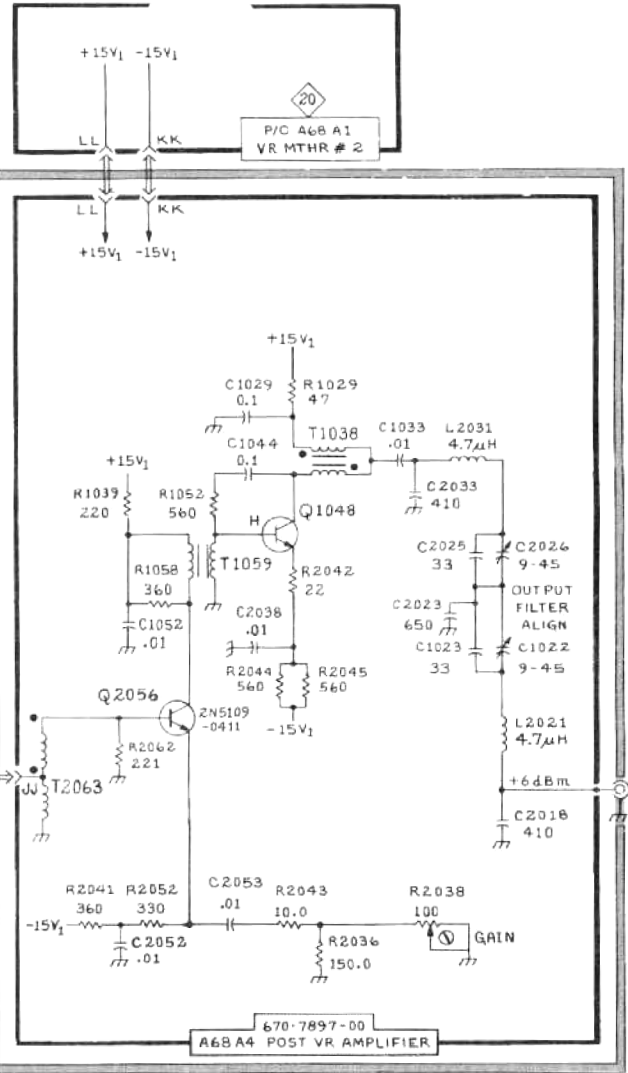
CIRCUIT NUMBER	SCHEM LOCATION	BOARD LOCATION	CIRCUIT NUMBER	SCHEM LOCATION	BOARD LOCATION	CIRCUIT NUMBER	SCHEM LOCATION	BOARD LOCATION	CIRCUIT NUMBER	SCHEM LOCATION	BOARD LOCATION
C1022	F2	B1	C2033	F2	B1	R1029	E2	B1	R2044	E2	D2
C1023	F2	B1	C2038	E2	C2	R1039	E2	C1	R2045	E2	C2
C1029	E2	C1	C2052	E3	D2	R1052	E2	E1	R2052	E3	D2
C1033	F2	C1	C2053	E3	D2	R1058	E2	E1	R2062	E2	F2
C1044	E2	C2				R2036	E3	C2			
C1052	E2	E1	L2021	F2	A2	R2038	F3	C2	T1038	E2	C1
C2018	F3	A2	L2031	F2	B2	R2041	E3	D2	T1059	E2	E1
C2023	F2	B2				R2042	E2	D2	T2063	E3	F2
C2025	F2	B2	Q1048	E2	D2	R2043	E3	D2			
C2026	F2	B2	Q2056	E2	E2						

BAND WIDTH	U3070 LOW PIN	D	C	B	A
1 MHz	2	0	0	0	1
100 kHz	3	0	0	1	0
10 kHz	4	0	0	1	1
1 kHz	5	0	1	0	0
100 Hz	6	0	1	0	1
30 Hz	7	0	1	1	0



NOTE  
 KY5040 & Y6050 ARE PART OF A  
 MATCHED SET OF MONOLITHIC FILTERS  
 THAT INCLUDE Y2035, Y3046, & Y2043  
 ON A68A3 VR 1st FILTER SELECT

670-2118-00  
 A68A2 VR 2ND FILTER SELECT

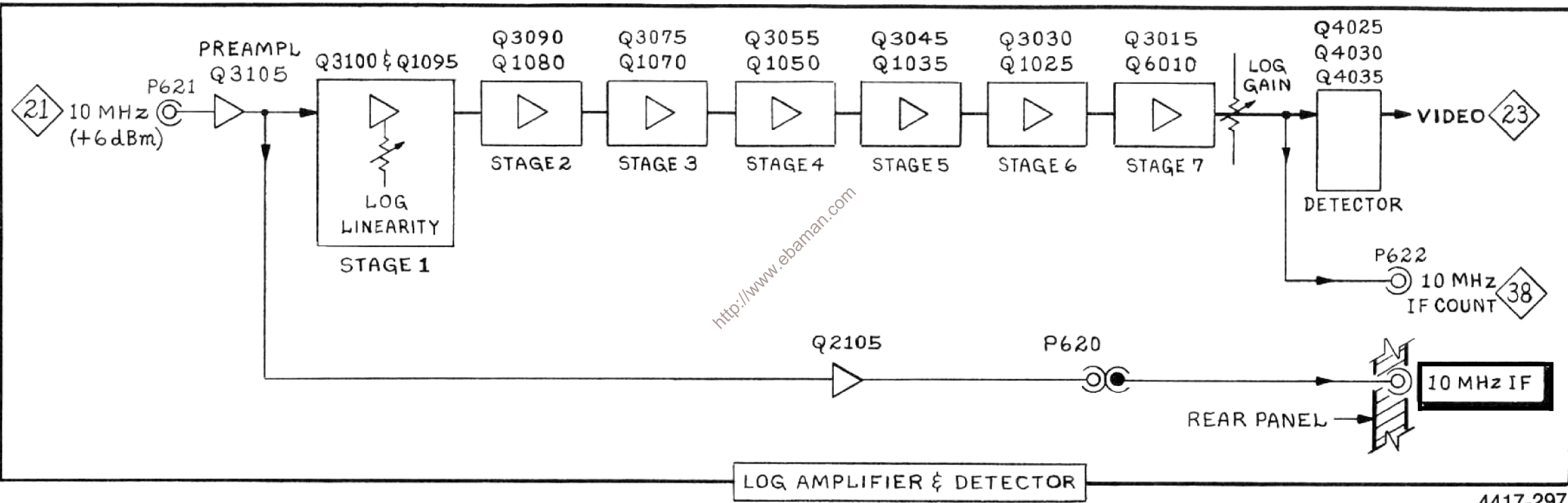


670-7897-00  
 A68A4 POST VR AMPLIFIER

Static Sensitive Devices  
 See Maintenance Section







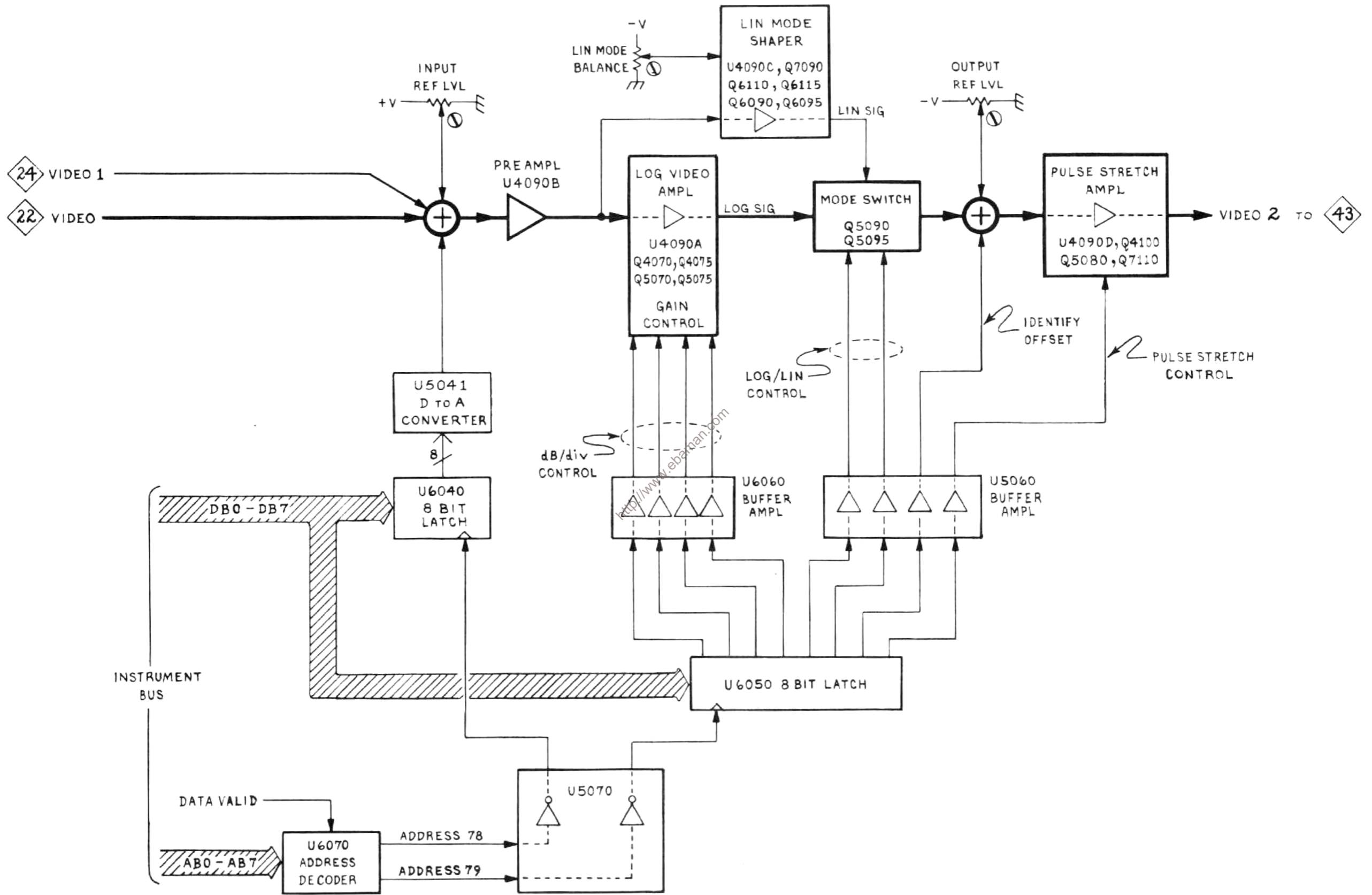
<http://www.ebaman.com>

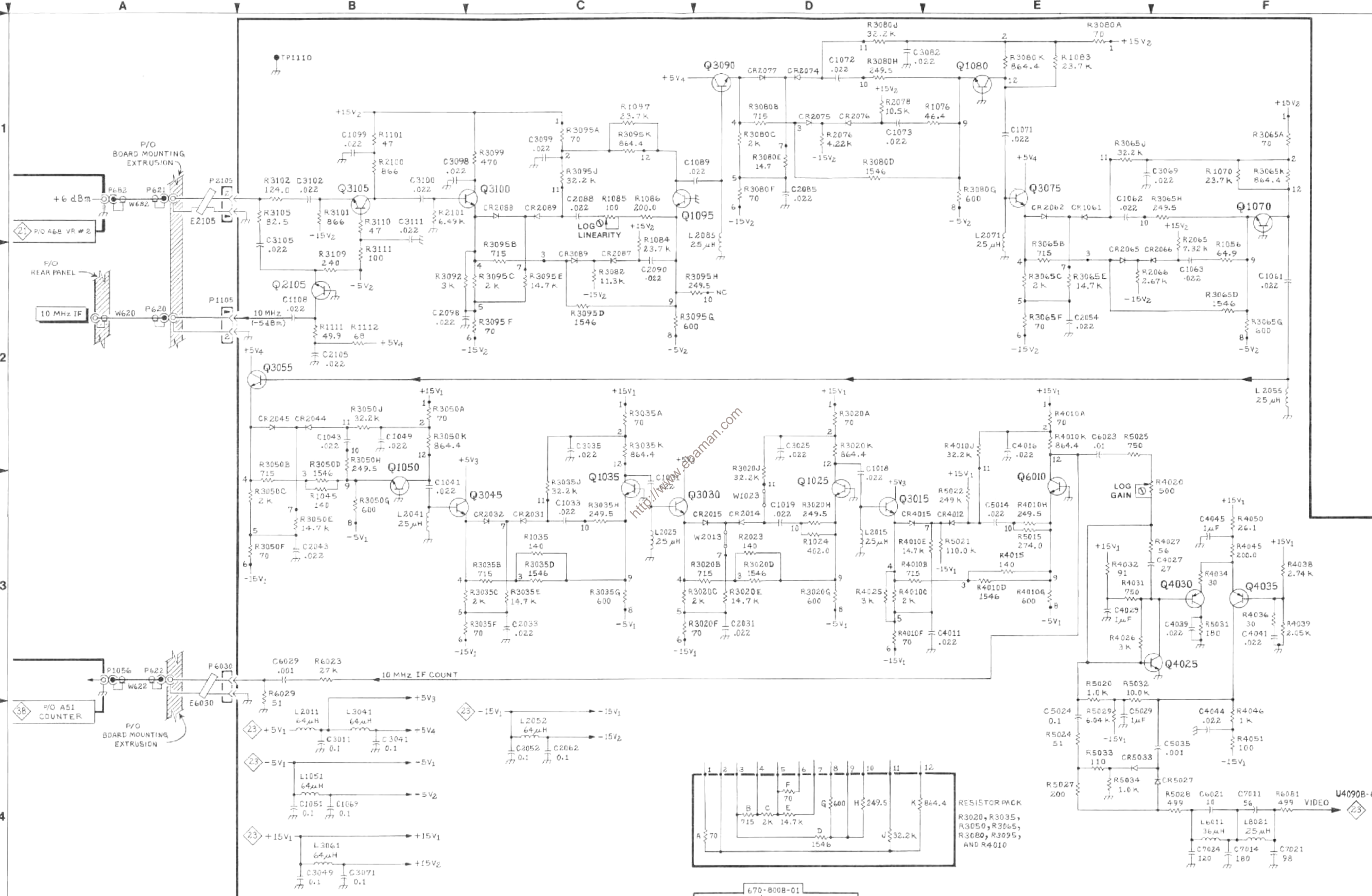
## ASSEMBLY A62

CIRCUIT NUMBER	SCHEM LOCATION	BOARD LOCATION	CIRCUIT NUMBER	SCHEM LOCATION	BOARD LOCATION	CIRCUIT NUMBER	SCHEM LOCATION	BOARD LOCATION	CIRCUIT NUMBER	SCHEM LOCATION	BOARD LOCATION
C1018	D2	A1	C7024	F4	B7	R1024	D3	B2	R3095A	C1	J2
C1019	D3	A1				R1035	C3	C1	R3095B	C2	J2
C1031	C3	C1	CR1061	E1	F1	R1045	B3	D1	R3095C	C2	J2
C1033	C3	C1	CR2014	D3	A2	R1056	F2	E1	R3095D	C2	J2
C1041	B3	D1	CR2015	D3	A2	R1070	F1	G1	R3095E	C2	J2
C1043	B2	D1	CR2031	C3	C2	R1076	E1	G1	R3095F	C2	J2
C1049	B2	D1	CR2032	C3	C2	R1083	E1	H1	R3095G	C2	J2
C1051	B4	E1	CR2044	B2	D2	R1084	C1	H2	R3095H	C2	J2
C1061	F2	F1	CR2045	B2	D2	R1085	C1	J1	R3095J	C1	J2
C1062	E1	F1	CR2062	E1	F2	R1086	C1	J1	R3095K	C1	J2
C1063	F2	F1	CR2065	E2	F2	R1097	C1	J1	R3099	C1	J3
C1069	B4	F2	CR2066	F2	F2	R1101	B1	J2	R3101	B1	K3
C1071	E1	G1	CR2075	D1	G2	R1111	B2	K1	R3102	B1	K3
C1072	D1	G1	CR2074	D1	G2	R1112	B2	L1	R3105	B1	K3
C1073	D1	G1	CR2076	D1	G2	R1203	D3	B2	R3109	B2	K3
C1089	C1	J1	CR2077	D1	G2	R2065	F1	F2	R3110	B1	L3
C1099	B1	J1	CR2087	C2	J2	R2066	E2	F2	R3111	B2	L2
C1108	B2	K1	CR2088	C1	J2	R2076	D1	G2	R4010A	E2	A5
C2031	D3	C2	CR2089	C1	J2	R2078	D1	G3	R4010B	D3	A5
C2033	C3	C2	CR3089	C2	J3	R2100	B1	J2	R4010C	D3	A5
C2043	B3	D2	CR4012	E3	A4	R2101	B1	K2	R4010D	E3	A5
C2052	C4	E2	CR4015	D3	A4	R3020A	D2	B2	R4010E	E3	A5
C2054	E2	E2	CR5027	F4	C5	R3020B	D3	B2	R4010F	D3	A5
C2062	C4	F2	CR5033	E4	C5	R3020C	C3	B2	R4010G	E3	A5
C2085	D1	H2				R3020D	D3	B2	R4010H	E3	A5
C2088	C1	J2	L1051	B4	E1	R3020E	D3	B2	R4010J	E2	A5
C2090	C2	J2	L2011	B4	A2	R3020F	C3	B2	R4010K	E2	A5
C2098	C2	J4	L2015	D3	A2	R3020G	D3	B2	R4015	E3	A4
C2105	B2	K2	L2025	C3	B2	R3020H	D3	B2	R4020	F3	B4
C3011	B4	A3	L2041	B3	B3	R3020J	D2	B2	R4025	D3	B4
C3025	D2	B3	L2052	C4	E2	R3020K	D2	B2	R4026	E3	B4
C3035	C2	C3	L2055	F2	E2	R3035	C3	C2	R4027	F3	B4
C3041	B4	D3	L2071	E1	G2	R3050A	B2	D2	R4031	E3	C4
C3049	B4	D3	L2085	D1	H2	R3050B	B3	D2	R4032	E3	C4
C3069	E1	F3	L3041	B4	D3	R3050C	B3	D2	R4034	F3	C4
C3071	B4	E3	L3061	B4	F3	R3050D	B3	D2	R4036	F3	C4
C3062	D1	H3	L6011	F4	B6	R3050E	B3	D2	R4038	F3	C4
C3098	B1	J3	L8021	F4	B8	R3050F	B3	D2	R4039	F3	D4
C3099	C1	J3				R3050G	B3	D2	R4045	F3	D4
C3100	B1	K3	P1105	B2	K1	R3050H	B2	D2	R4046	F4	D4
C3102	B1	K3	P2015	B1	K2	R3050J	B2	D2	R4050	F3	E4
C3105	B1	K3	P6030	B3	C6	R3050K	B2	D2	R4051	F4	E4
C3111	B1	L2				R3065A	F1	F2	R4109	E3	K4
C4011	E3	D4	Q1025	D3	B1	R3065B	E2	F2	R5015	E3	A5
C4016	E2	A4	Q1035	C3	C1	R3065C	E2	F2	R5020	E4	B5
C4027	F3	B4	Q1050	B3	E1	R3065D	F2	F2	R5021	E3	B5
C4029	E3	B4	Q1070	F1	G1	R3065E	E2	F2	R5022	E3	B5
C4039	F3	C4	Q1080	E1	H1	R3065F	E2	F2	R5024	E4	B5
C4041	F3	D4	Q1095	C1	J1	R3065G	F2	F2	R5025	E2	B6
C4044	F4	D4	Q2105	B2	K2	R3065H	F1	F2	R5027	E4	B5
C4045	F3	D4	Q3015	D3	A3	R3065J	E1	F2	R5028	F4	B5
C4097	E4	J4	Q3030	C3	B3	R3065K	F1	F2	R5029	E4	B5
C5014	E3	A5	Q3045	B3	D3	R3080A	E1	H2	R5031	F3	C5
C5024	E4	B5	Q3055	B2	E3	R3080B	D1	H2	R5032	E4	C5
C5029	E4	B5	Q3075	E1	G3	R3080C	D1	H2	R5033	E4	C5
C5035	F4	C5	Q3090	D1	H3	R3080D	D1	H2	R5034	E4	C5
C6021	F4	A6	Q3100	C1	K3	R3080E	D1	H2	R6023	B3	B6
C6023	E2	B6	Q3105	B1	K3	R3080F	D1	H2	R6029	B3	C6
C6029	B3	B6	Q4025	F3	B4	R3080G	E1	H2	R6081	F4	H6
C7011	F4	B7	Q4030	F3	C4	R3080H	D1	H2	W1023	D3	B1
C7014	F4	A7	Q4035	F3	C4	R3080J	D1	H2	W2013	D3	A2
C7021	F4	B7	Q6010	E3	A6	R3080K	E1	H2	TP1110	B1	L1
						R3082	C2	H3			
						R3092	C2	J3			







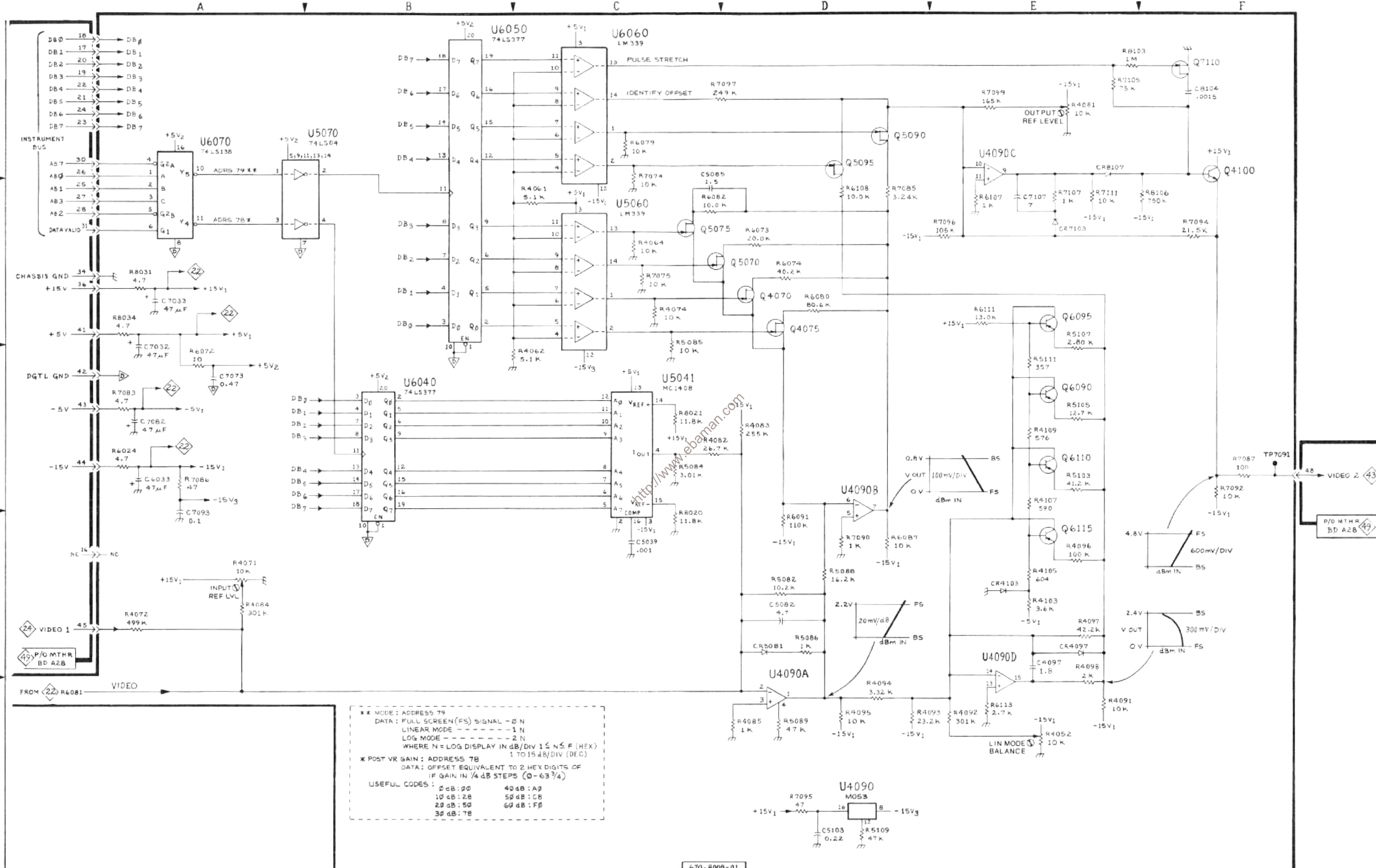


## ASSEMBLY A62

CIRCUIT NUMBER	SCHEM LOCATION	BOARD LOCATION	CIRCUIT NUMBER	SCHEM LOCATION	BOARD LOCATION	CIRCUIT NUMBER	SCHEM LOCATION	BOARD LOCATION
C5039	C4	C5	R4072	A4	G4	RE113	E5	K6
C5082	D4	H5	R4074	C2	G4	R7074	C2	G7
C5085	C2	H6	R4081	E1	H4	R7075	C2	G7
C5103	D5	K5	R4082	C3	H4	R7083	A3	H7
C6033	A3	C6	R4083	D3	H4	R7085	D2	H7
C7032	A3	C6	R4084	A4	H4	R7086	A3	H7
C7033	A2	C6	R4085	D4	H4	R7087	F3	H7
C7073	A3	G7	R4091	E1	J4	R7090	D4	H7
C7082	A3	H7	R4092	E5	J4	R7092	F3	H7
C7093	A4	J7	R4093	D5	J4	R7094	F2	J4
C7107	E2	K7	R4094	D5	J4	R7095	E4	J4
C8104	F1	J8	R4095	D4	J4	R7096	E3	J4
			R4096	E2	J4	R7097	E4	J4
CR4097	E4	J4	R4097	E4	J4	R7099	C1	J4
CR4103	E4	K4	R4098	E5	J4	R7105	E1	K7
CR5081	D4	H5	R4103	E4	L4	R7107	E2	K7
CR7103	E2	K7	R4105	E4	L4	R7111	E2	L7
CR8107	E2	K8	R4107	E3	K4	R8020	C4	B8
			R5082	D4	H5	R8021	C3	B8
Q4070	D2	G4	R5084	C3	H5	R8031	A2	B8
Q4075	D2	G5	R5085	E2	H5	R8034	A2	B8
Q4100	F2	J8	R5086	F2	H5	R8103	E1	K8
Q5070	C2	G5	R5088	D4	H5	R8106	F2	K8
Q5075	C2	G6	R5089	D5	H5	TP7091	F3	J8
Q5090	D1	J4	R5103	E5	K5			
Q5095	D1	K6	R5105	E5	K5	U4090A	D5	J5
Q6090	E3	K5	R5107	E2	K5	U4090B	D3	J5
Q6095	E2	K5	R5109	D5	K4	U4090C	E1	J5
Q6110	E3	K4	R5111	E3	L5	U4090D	E4	J5
Q6115	E4	K4	R6024	A3	B6	U4090	D5	J5
Q7110	F1	K8	R6072	A3	G6	U5041	C3	D5
			R6073	D2	G6	U5060	C2	F5
R4052	E5	E4	R6074	D2	H6	U5070	B1	F5
R4061	C2	F4	R6079	C1	G6	U6040	B3	D6
R4062	C3	F4	R6080	D2	G6	U6050	B1	D6
R4064	C2	F4	R6082	C2	H6	U6060	C1	F7
R4071	A4	G4	R6107	D5	K6	U6070	A1	G7
			R6108	D2	K6			
			R6111	D5	L6			

Partial A62 also shown on diagram 22.





\*\* MODE : ADDRESS 79  
 DATA : FULL SCREEN (FS) SIGNAL - 0 N  
 LINEAR MODE - - - - - 1 N  
 LOG MODE - - - - - 2 N  
 WHERE N = LOG DISPLAY IN dB/DIV 1 ≤ N ≤ F (HEX)  
 1 TO 15 dB/DIV (DEC)

\* POST VR GAIN : ADDRESS 7B  
 DATA : OFFSET EQUIVALENT TO 2 HEX DIGITS OF  
 IF GAIN IN 1/4 dB STEPS (0-63 3/4)

USEFUL CODES : 0 dB : 00      40 dB : A0  
 10 dB : 28      50 dB : C8  
 20 dB : 50      60 dB : F0  
 30 dB : 78

670-8008-01  
 P/O A62 LOG C VIDEO AMPL

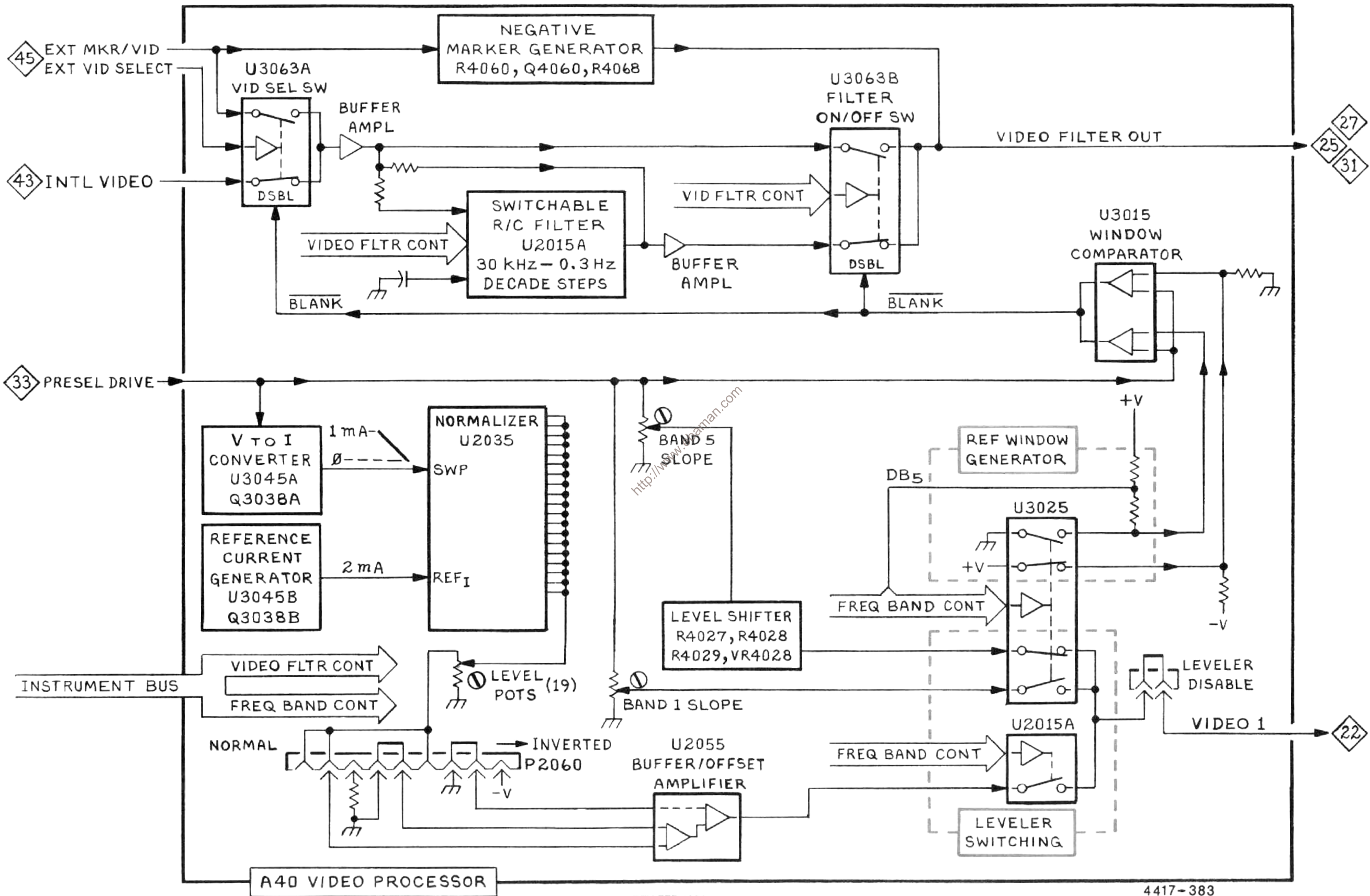
4417-222 REV FEB 1984

Static Sensitive Devices  
 See Maintenance Section

VIDEO AMPLIFIER

23

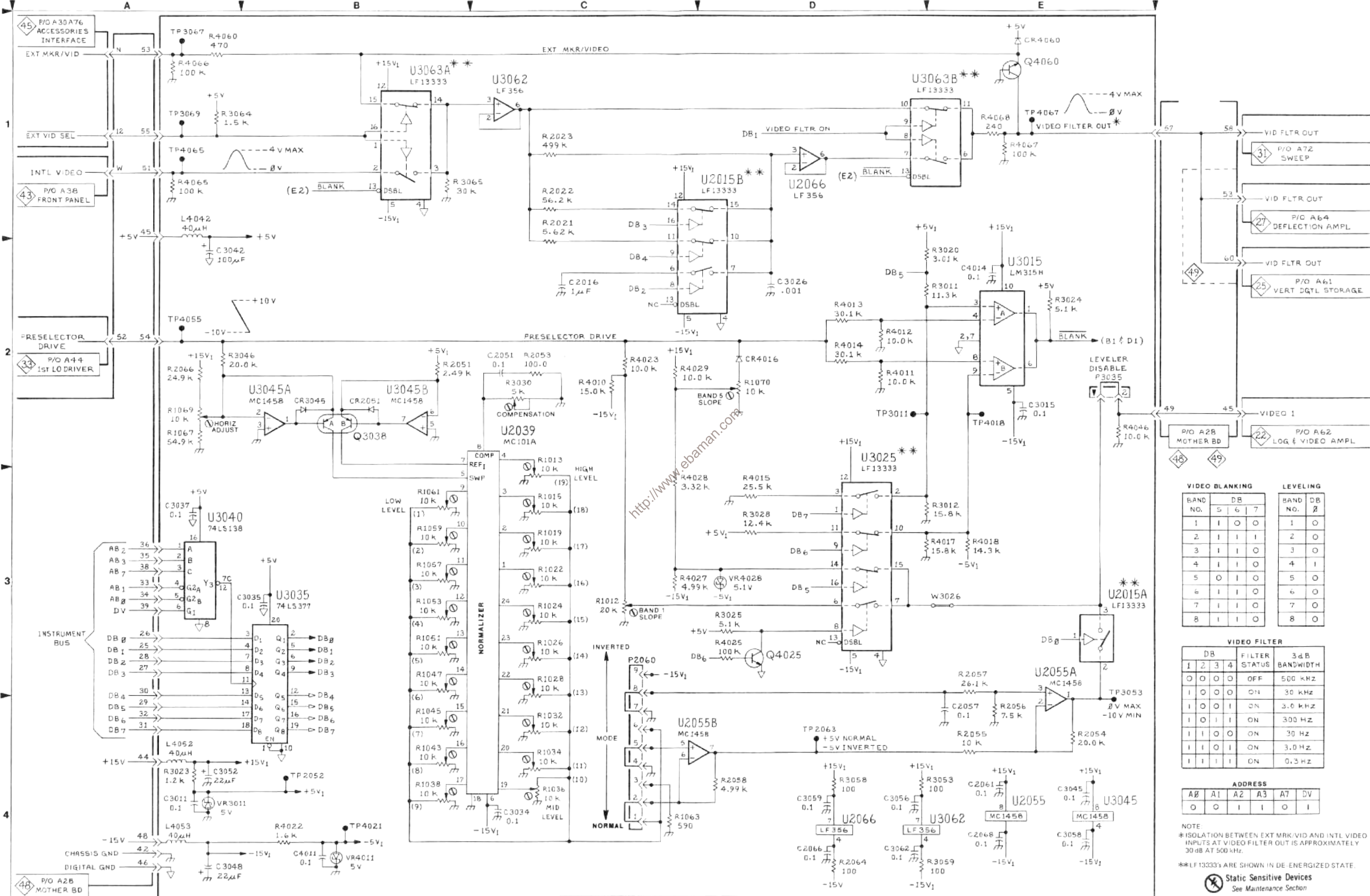






## ASSEMBLY A40

CIRCUIT NUMBER	SCHEM LOCATION	BOARD LOCATION	CIRCUIT NUMBER	SCHEM LOCATION	BOARD LOCATION	CIRCUIT NUMBER	SCHEM LOCATION	BOARD LOCATION
C2016	C2	A2	R1038	B4	D1	R4027	C3	B4
C2051	C2	D2	R1043	B4	D1	R4028	C3	B4
C2057	E4	E2	R1045	B4	D1	R4029	C2	B4
C2061	E4	F2	R1047	B3	E1	R4046	E2	D3
C2066	D4	E3	R1051	B3	E1	R4060	A1	F4
C2068	E4	F2	R1053	B3	E1	R4065	A1	E3
C3011	A4	A3	R1057	B3	E1	R4066	A1	F4
C3015	E2	A3	R1059	B3	F1	R4067	E1	F4
C3026	D2	B2	R1061	B3	F1	R4068	E1	F4
C3034	C4	D2	R1063	C4	E2			
C3035	B3	C3	R1067	A2	F2	TP2052	B4	D2
C3037	A3	D3	R1069	A2	F1	TP2063	D4	F2
C3042	A2	D3	R1070	D2	F2	TP3011	D2	B3
C3045	E4	D2	R2021	C1	B2	TP3053	E4	E2
C3048	A4	E3	R2022	C1	B2	TP3067	A1	F4
C3052	A4	E3	R2023	C1	B2	TP3069	A1	F4
C3056	D4	E2	R2051	B2	C3	TP4018	E2	A4
C3058	E4	E3	R2053	C2	E2	TP4021	B4	B4
C3059	D4	F3	R2054	E4	E2	TP4055	A2	E4
C3062	D4	F2	R2055	E4	E2	TP4065	A1	F3
C4011	B4	A4	R2056	E4	E2	TP4067	E1	F4
C4014	E2	A4	R2057	E3	E2			
			R2058	D4	F2	U2015A	E3	A2
CR2051	B2	C2	R2064	D4	E3	U2015B	D1	A2
CR3045	B2	D3	R2066	A2	F2	U2039	C2	D2
CR4016	D2	A4	R3001	E2	B3	U2055	E4	F2
CR4060	E1	F4	R3002	E3	A3	U2055A	E3	F2
			R3020	E2	A3	U2055B	D4	F2
L4042	A1	D4	R3023	A4	B3	U2066	D4	E3
L4052	A4	E4	R3024	E2	B2	U2066	D1	E3
L4053	A4	E4	R3025	D3	B3	U3015	E2	A3
			R3028	D3	B3	U3025	D3	B3
P2060	C4	E1	R3030	C2	C2	U3035	B3	C3
P3035	E2	C3	R3046	A2	E3	U3040	A3	C3
			R3053	D4	E2	U3045	E4	D2
Q3038	B2	D2	R3058	D4	F3	U3045A	B2	D2
Q4025	D3	B4	R3059	D4	F2	U3045B	B2	D2
Q4060	E1	F3	R3064	A1	F4	U3062	E4	F2
			R3065	B1	F2	U3062	C1	F2
R1012	C3	A1	R4010	C2	A4	U3036A	B1	F3
R1013	C3	A1	R4011	D2	A4	U3036B	E1	F3
R1015	C3	A1	R4012	D2	A4			
R1019	C3	B1	R4013	D2	A4	VR3011	A4	A3
R1022	C3	B1	R4014	D2	A4	VR4011	B4	B4
R1024	C3	B1	R4015	D3	A3	VR4028	D3	B4
R1026	C3	B1	R4017	D3	A3			
R1028	C3	C1	R4018	E3	B4			
R1032	C4	C1	R4022	B4	A4			
R1034	C4	C1	R4023	C2	A4	W3026	E3	B3
R1036	C4	C1	R4025	D3	B4			



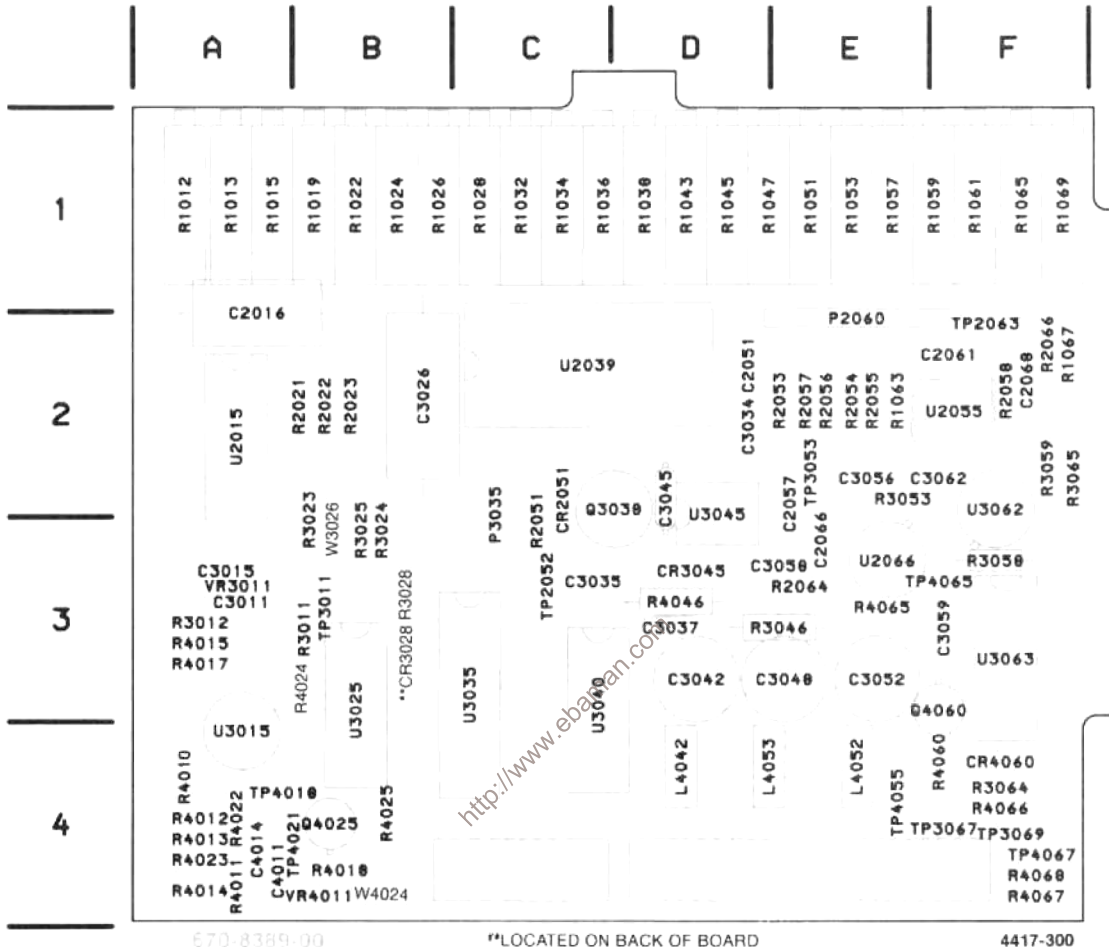
VIDEO BLANKING				LEVELING	
BAND NO.	5	6	7	BAND	DB
1	I	O	O	1	O
2	I	I	I	2	O
3	I	I	O	3	O
4	I	I	O	4	I
5	O	I	O	5	O
6	I	I	O	6	O
7	I	I	O	7	O
8	I	I	O	8	O

VIDEO FILTER					3dB BANDWIDTH
I	2	3	4	STATUS	500 KHZ
1	O	O	O	OFF	30 KHZ
1	O	O	I	ON	3.0 KHZ
1	O	I	I	ON	300 HZ
1	I	O	O	ON	30 HZ
1	I	O	I	ON	3.0 HZ
1	I	I	I	ON	0.3 HZ

ADDRESS					
AB	A1	A2	A3	A7	DV
O	O	I	I	O	I

NOTE  
 \* ISOLATION BETWEEN EXT MKR/VID AND INTL VIDEO INPUTS AT VIDEO FILTER OUT IS APPROXIMATELY 30 DB AT 500 KHZ.  
 \*\* LF13333'S ARE SHOWN IN DE-ENERGIZED STATE.

Static Sensitive Devices  
 See Maintenance Section

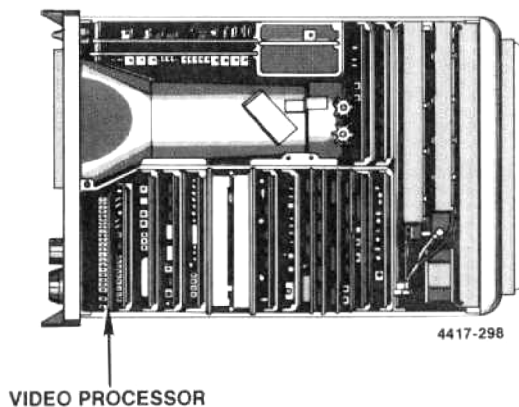


E70-8389-00

\*LOCATED ON BACK OF BOARD

4417-300

Fig. 10-26. A40—Video Processor & Marker Interface circuit board.



4417-298

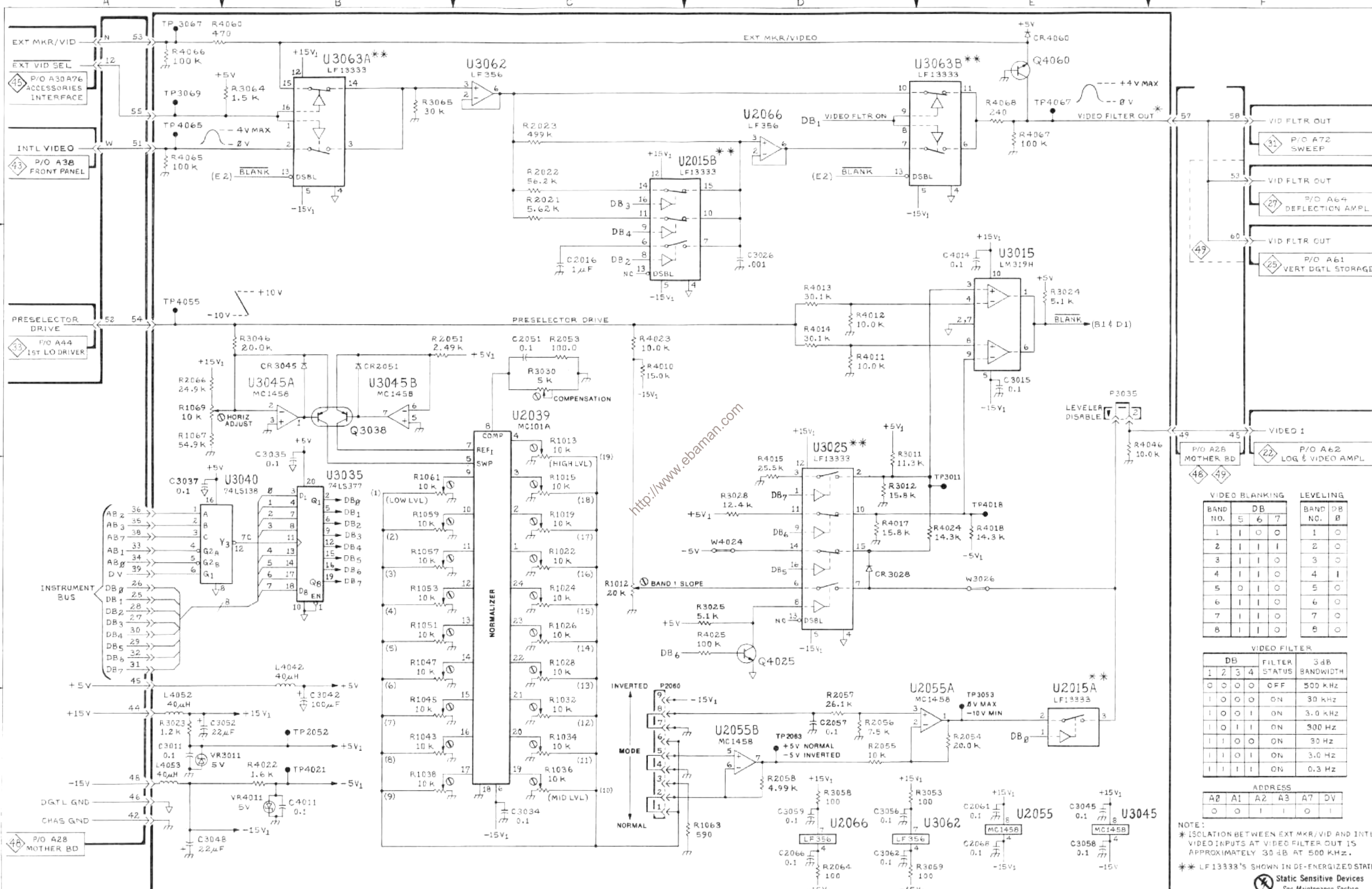
VIDEO PROCESSOR



## ASSEMBLY A40

CIRCUIT NUMBER	SCHEM LOCATION	BOARD LOCATION	CIRCUIT NUMBER	SCHEM LOCATION	BOARD LOCATION	CIRCUIT NUMBER	SCHEM LOCATION	BOARD LOCATION
C2016	C2	A2	R1036	C4	C1	R4022	B4	A4
C2051	C2	D2	R1038	B4	D1	R4023	C3	A4
C2057	D4	E2	R1043	B4	D1	R4024	E3	B3
C2061	E4	F2	R1045	B4	D1	R4025	D3	B4
C2066	D4	E3	R1047	B3	E1	R4046	E2	D3
C2068	E4	F2	R1051	B3	E1	R4060	A1	F4
C3011	A4	A3	R1053	B3	E1	R4065	A1	E3
C3015	E2	A3	R1057	B3	E1	R4066	A1	F4
C3026	D2	B2	R1059	B3	F1	R4067	E1	F4
C3034	C4	D2	R1061	B3	F1	R4068	E1	F4
C3035	B3	C3	R1063	D4	E2			
C3037	A3	D3	R1065	C2	F1	TP2052	B4	D2
C3042	B4	D3	R1067	A2	F2	TP2063	D4	F2
C3045	E4	D2	R1069	A2	F1	TP3011	E2	B3
C3048	B4	E3	R2021	C1	B2	TP3053	E4	E2
C3052	A4	E3	R2022	C1	B2	TP3067	A1	F4
C3056	D4	E2	R2023	C1	B2	TP3069	A1	F4
C3058	E4	E3	R2051	B2	C3	TP4018	E2	A4
C3059	D4	F3	R2053	C2	E2	TP4021	B4	B4
C3062	D4	F2	R2054	E4	E2	TP4055	A2	E4
C4011	B4	A4	R2055	D4	E2	TP4065	A1	F3
C4014	E2	A4	R2056	D4	E2	TP4067	E1	F4
			R2057	D4	E2			
CR2051	B2	C2	R2058	B4	F2	U2015A	E4	A2
**CR3028	D3	B3	R2064	D4	E3	U2015B	D1	A2
CR3045	B2	D3	R2066	A2	F2	U2039	C2	D2
CR4060	E1	F4	R3011	D3	B3	U2055A	E4	F2
			R3018	D3	A3	U2055B	D4	F2
L4042	B3	D4	R3023	A4	B3	U2055	E4	F2
L4052	A4	E4	R3024	E2	B2	U2066	D1	E3
L4053	B4	E4	R3025	D3	B3	U2066	D4	E3
			R3028	D3	B3	U3015	E2	A3
P2060	C4	E1	R3046	B2	E3	U3025	D3	B3
P3035	E2	C3	R3053	E4	E2	U3035	B3	C3
			R3058	D4	F3	U3040	B3	C3
Q3038	B2	D2	R3059	D4	F2	U3045A	B2	D2
Q4025	D3	B4	R3064	B1	F4	U3045B	B2	D2
Q4060	E1	F3	R3065	B1	F2	U3045	E4	D2
			R4010	C2	A4	U3062	C1	F2
R1012	C3	A1	R4011	D2	A4	U3062	E4	F2
R1013	C2	A1	R4012	D2	A4	U3063A	B1	F3
R1015	C3	A1	R4013	D2	A4	U3063B	E1	F3
R1019	C3	B1	R4014	D2	A4			
R1022	C3	B1	R4015	D3	A3	VR3011	A4	A3
R1024	C3	B1	R4017	D3	A3	VR4011	B4	B4
R1026	C3	B1	R4018	D3	B4			
R1028	C3	C1				W3026	E3	B3
R1032	C4	C1				W4024	D3	B4
R1034	C4	C1						

\*\*LOCATED ON BACK OF BOARD



VIDEO BLANKING				LEVELING	
BAND NO.	5	6	7	BAND NO.	B
1	I	O	O	1	O
2	I	I	I	2	O
3	I	I	O	3	O
4	I	I	O	4	I
5	O	I	O	5	O
6	I	I	O	6	O
7	I	I	O	7	O
8	I	I	O	8	O

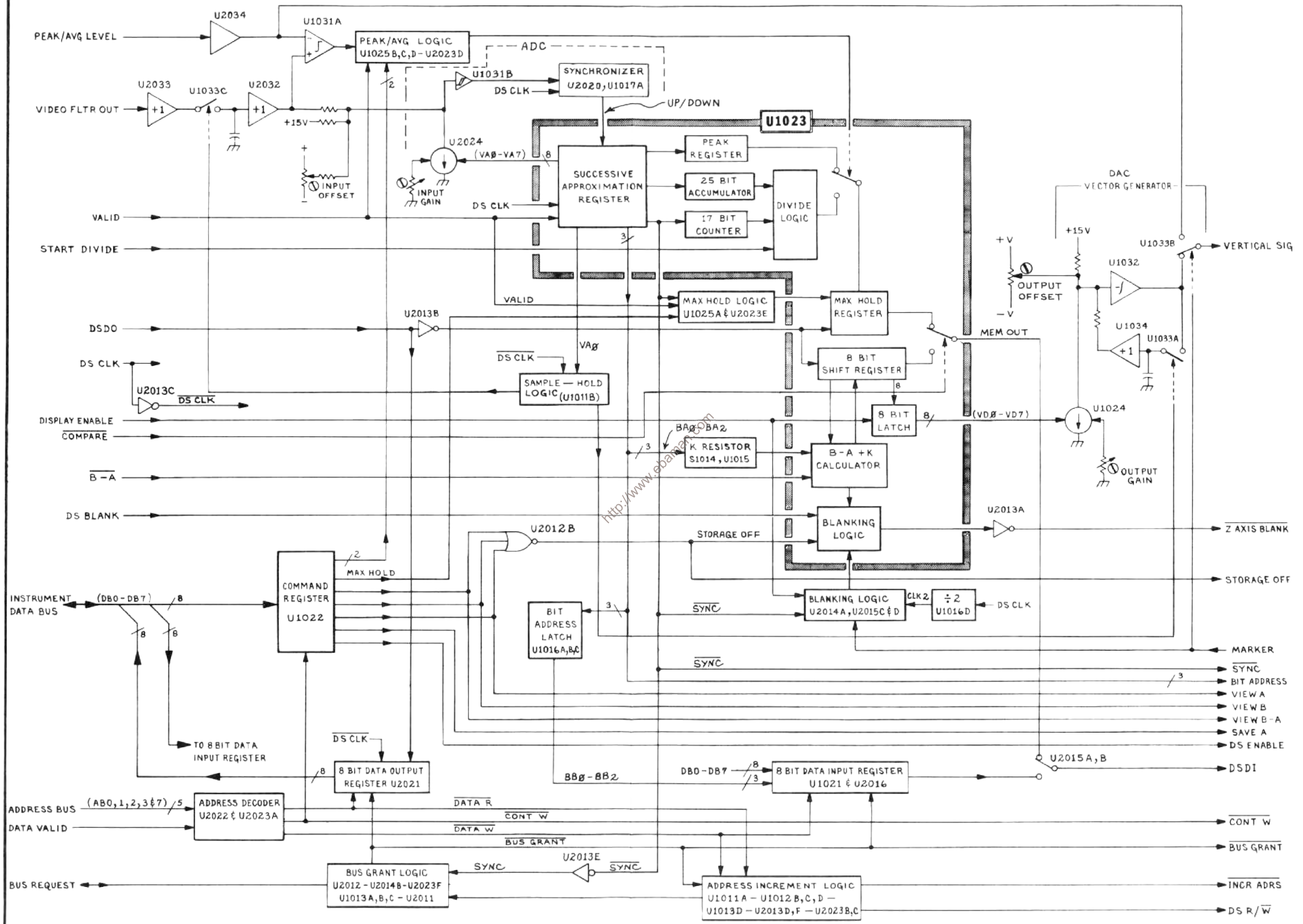
VIDEO FILTER					
DB	1	2	3	4	3 dB BANDWIDTH
O	O	O	O	OFF	500 kHz
I	O	O	O	ON	30 kHz
I	O	I	I	ON	3.0 kHz
I	I	O	O	ON	30 Hz
I	I	I	O	ON	3.0 Hz
I	I	I	I	ON	0.3 Hz

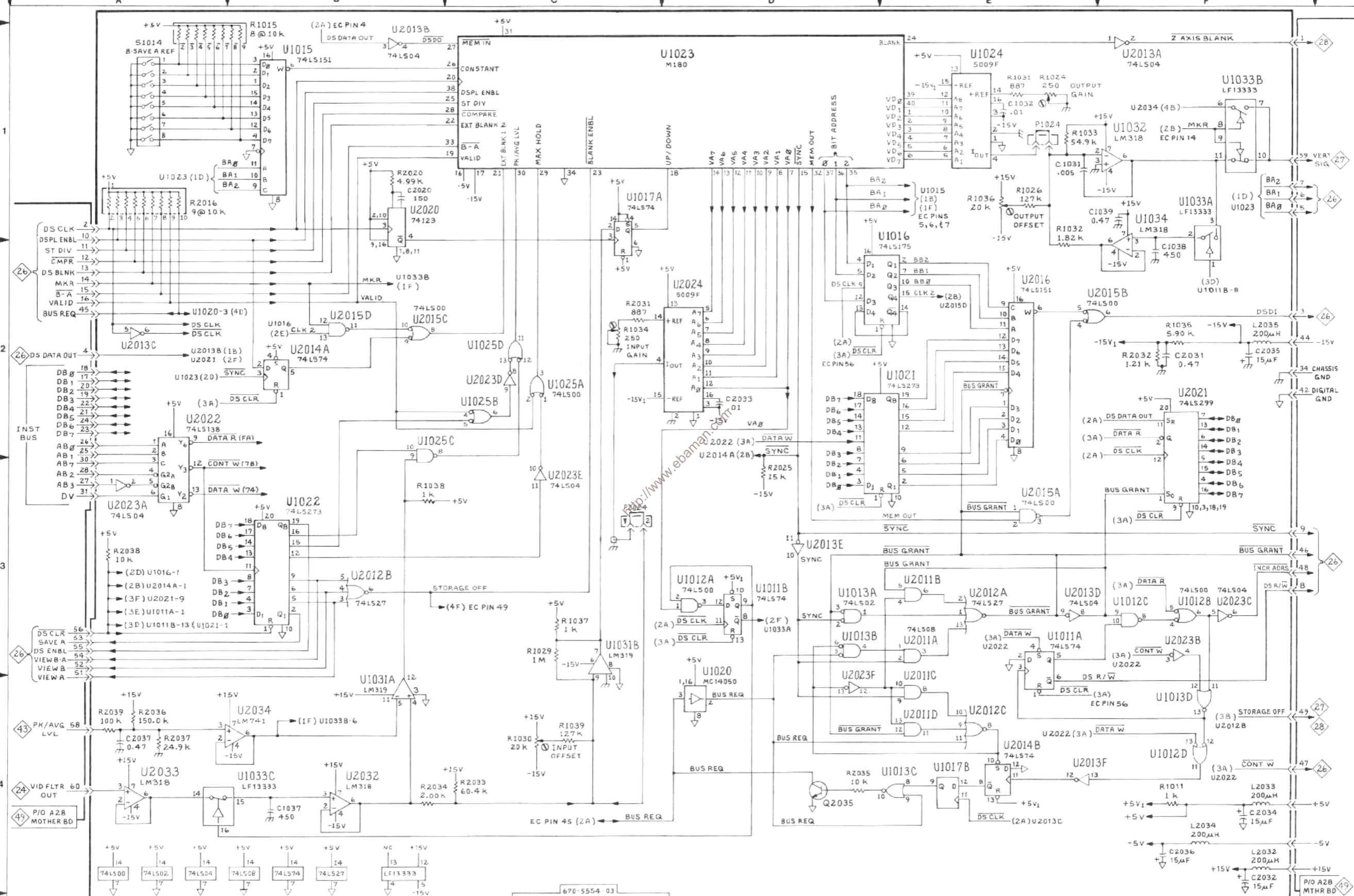
ADDRESS					
A8	A1	A2	A3	A7	DV
O	O	I	I	O	I

NOTE:  
 \* ISOLATION BETWEEN EXT MKR/VID AND INTL VIDEO INPUTS AT VIDEO FILTER OUT IS APPROXIMATELY 30 dB AT 500 kHz.  
 \*\* LF 13333'S SHOWN IN DE-ENERGIZED STATE









## ASSEMBLY A61

CIRCUIT NUMBER	SCHEM LOCATION	BOARD LOCATION	CIRCUIT NUMBER	SCHEM LOCATION	BOARD LOCATION	CIRCUIT NUMBER	SCHEM LOCATION	BOARD LOCATION
C1031	F1	C1	R2025	D3	C2	U1032	F1	C1
C1032	E1	C1	R2031	C2	C1	U1033A	F1	C1
C1037	B4	C1	R2032	F2	C1	U1033B	F1	C1
C1038	F2	C1	R2033	C4	C1	U1033C	B4	C1
C1039	F1	C1	R2034	C4	C2	U1034	F1	C1
C2020	B1	B2	R2035	D4	B2	U2011A	D4	A2
C2031	A3	B2	R2036	A4	C2	U2011B	D4	A2
C2032	A4	B2	R2037	A4	C2	U2011C	D4	A2
C2033	C2	C2	R2038	A4	C1	U2011D	D4	A2
C2034	A3	C2	R2039	A4	C2	U2012A	D2	A2
C2035	A3	C2				U2012B	E4	A2
C2036	A3	C2				U2012C	E4	A2
C2037	A4	C2				U2013C	A2	A2
			S1014	A1	A1	U2013D	E4	A2
L2032	A4	C2				U2013E	E1	A2
L2033	A3	C2	U1011A	E4	A1	U2013F	F4	A2
L2034	A4	C2	U1011B	B3	A1	U2013	B1	A2
L2035	A3	C2	U1012A	B3	A1	U2013	F2	A2
			U1012B	F4	A1	U2014A	B2	A2
P1024	F1	C1	U1012C	E4	A1	U2014B	F4	A2
P2024	C3	B1	U1012D	F4	A1	U2015A	F2	A2
			U1013A	D4	A1	U2015B	F3	A2
Q2035	D4	C2	U1013B	D4	A1	U2015C	B2	A2
			U1013C	E4	A1	U2015D	B3	A2
R1011	F4	A1	U1013D	F4	A1	U2016	F3	A2
R1015	A1	A1	U1015	B1	A1	U2020	B1	B2
R1024	F1	B1	U1016	D2	A1	U2021	E2	B2
R1026	F1	C1	U1017B	E4	A1	U2022	A2	B2
R1029	C3	C2	U1017	B1	A1	U2023A	A3	B2
R1030	C4	C1	U1020	D4	B1	U2023B	F4	B2
R1031	F1	C1	U1021	E3	B1	U2023C	F4	B2
R1032	F1	C1	U1022	C2	B1	U2023D	C3	B2
R1033	F1	C1	U1023	D1	B1	U2023E	D3	B2
R1034	C2	C1	U1024	E1	C2	U2023F	D4	B2
R1035	A3	B1	U1025A	C3	B1	U2024	D2	C2
R1036	E1	C1	U1025B	D3	B1	U2032	B4	C1
R1037	C3	C1	U1025C	C3	B1	U2033	B4	C2
R1038	C4	B1	U1025D	C3	B1	U2034	A4	C2
R1039	C4	C1	U1031A	C4	C1			
R2016	B2	A2	U1031B	C3	C1			
R2020	B1	C2						

\*Moved to back of board

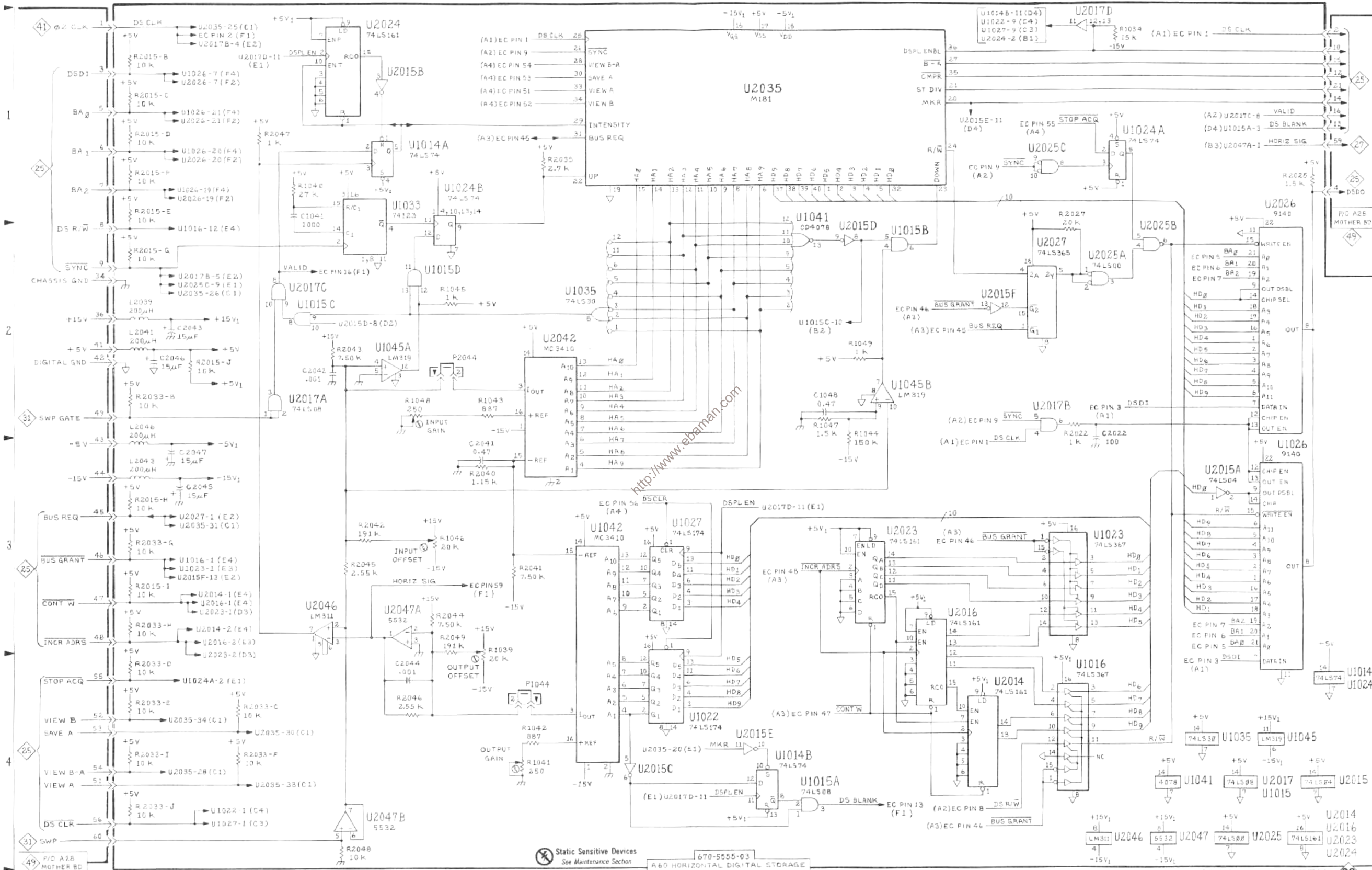


## ASSEMBLY A60

CIRCUIT NUMBER	SCHEM LOCATION	BOARD LOCATION	CIRCUIT NUMBER	SCHEM LOCATION	BOARD LOCATION	CIRCUIT NUMBER	SCHEM LOCATION	BOARD LOCATION
C1041	A1	C1	R2033B	A2	C3	U1042	C3	C2
C1048	D2	D1	R2033C	A4	C3	U1045	F4	D2
C2022	E3	B3	R2033D	A4	C3	U1045A	B2	D2
C2041	B3	C3	R2033E	A4	C3	U1045B	D2	D2
C2042	B2	D3	R2033F	A4	C3	U2014	F4	A2
C2043	A2	D3	R2033G	A3	C3	U2014	E4	A2
C2044	B4	D2	R2033H	A3	C3	U2015	F4	A3
C2045	A3	D3	R2033I	A4	C3	U2015A	F3	A3
C2046	A2	D3	R2033J	A4	C3	U2015B	B1	A3
C2047	A3	D3	R2035	C1	C3	U2015C	C4	A3
			R2040	B3	C3	U2015D	D2	A3
L2039	A2	C3	R2041	B3	C3	U2015E	D4	A3
L2041	A2	C3	R2042	B3	D2	U2015F	E2	A3
L2043	A3	D3	R2043	B2	D2	U2016	F4	A2
L2046	A3	D3	R2044	B3	D2	U2016	D3	A2
			R2045	B3	D2	U2017	F4	A3
P1044	C4	D2	R2046	B4	D2	U2017A	A2	A3
P2044	B2	D2	R2047	A1	D2	U2017B	E2	A3
† * R1034	E1	C1	R2048	B4	D3	U2017C	A2	A3
R1039	B3	C1	R2049	B3	D3	U2017D	E1	A3
R1040	A1	C1				U2023	F4	B2
R1041	C4	D1	U1014	F4	A1	U2023	D3	B2
R1042	C4	D1	U1014A	B1	A1	U2024	F4	B3
R1043	B2	D1	U1014B	D4	A1	U2024	B1	B3
R1044	D2	D1	U1015	F4	A1	U2025	F4	B2
R1045	B2	D1	U1015A	D4	A1	U2025A	E2	B2
R1046	B3	D1	U1015B	D2	A1	U2025B	E2	B2
R1047	D2	D1	U1015C	B2	A1	U2025C	E1	B2
R1048	B2	D1	U1015D	B2	A1	U2026	F2	B2
R1049	D2	D2	U1016	E4	A1	U2027	E2	B3
R2015B	A1	A3	U1022	C4	B1	U2035	D1	C2
R2015C	A1	A3	U1023	E3	B1	U2042	C2	C2
R2015D	A1	A3	U1024	F4	B1	U2046	F3	D2
R2015E	A1	A3	U1024A	E1	B1	U2046	B3	D2
R2015F	A1	A3	U1024B	B1	B1	U2047	F4	D2
R2015G	A2	A3	U1026	F3	B1	U2047A	B3	D2
R2015H	A3	A3	U1027	C3	B1	U2047B	B4	D2
R2015I	A3	A3	U1033	B1	C1			
R2015J	A2	A3	U1035	F4	C1			
R2022	E2	B3	U1035	C2	C1			
R2025	F1	B3	U1041	F4	D1			
R2027	E2	B3	U1041	D2	D1			

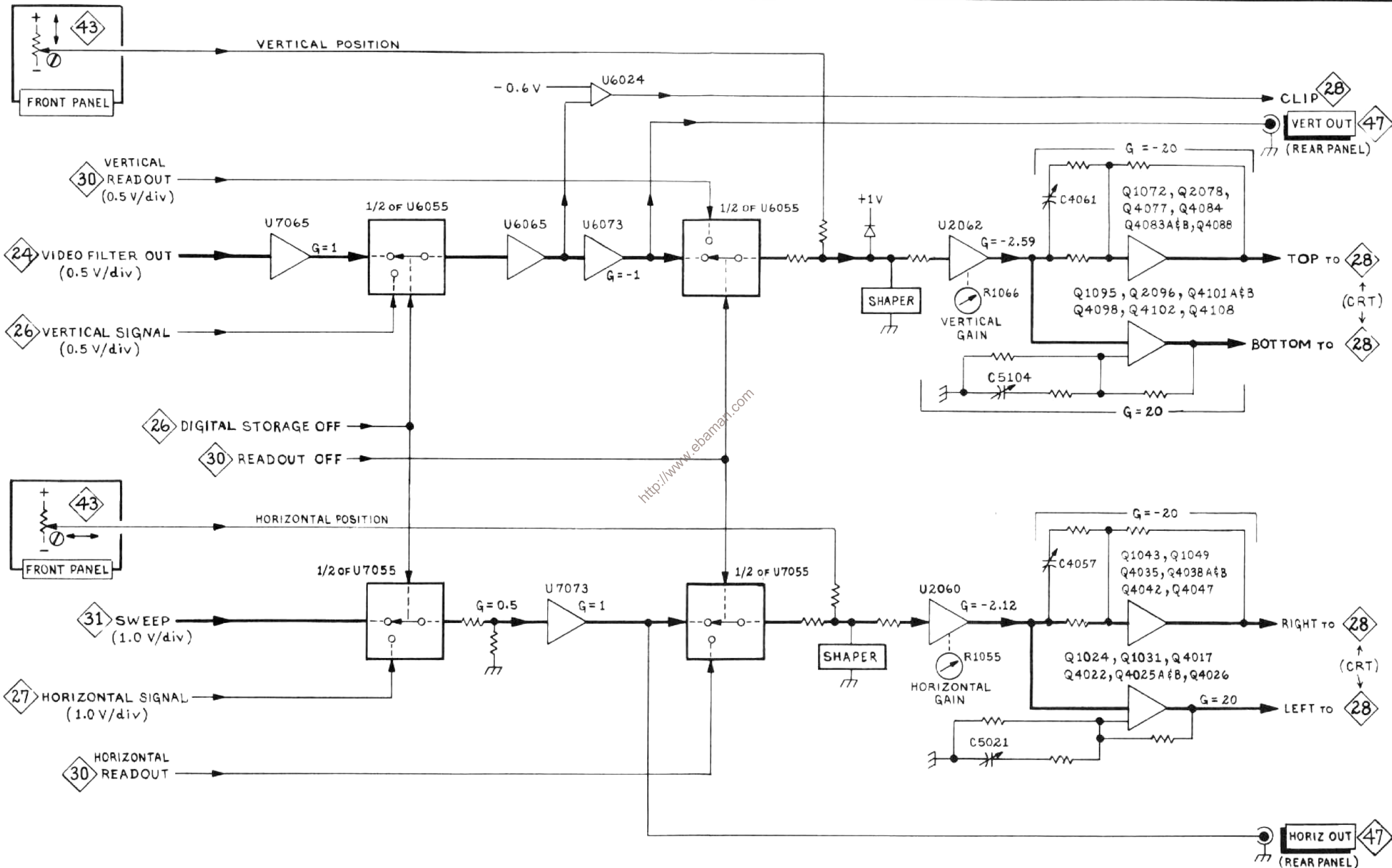
\*See Parts List for  
serial number ranges.

† Mounted on  
back of board





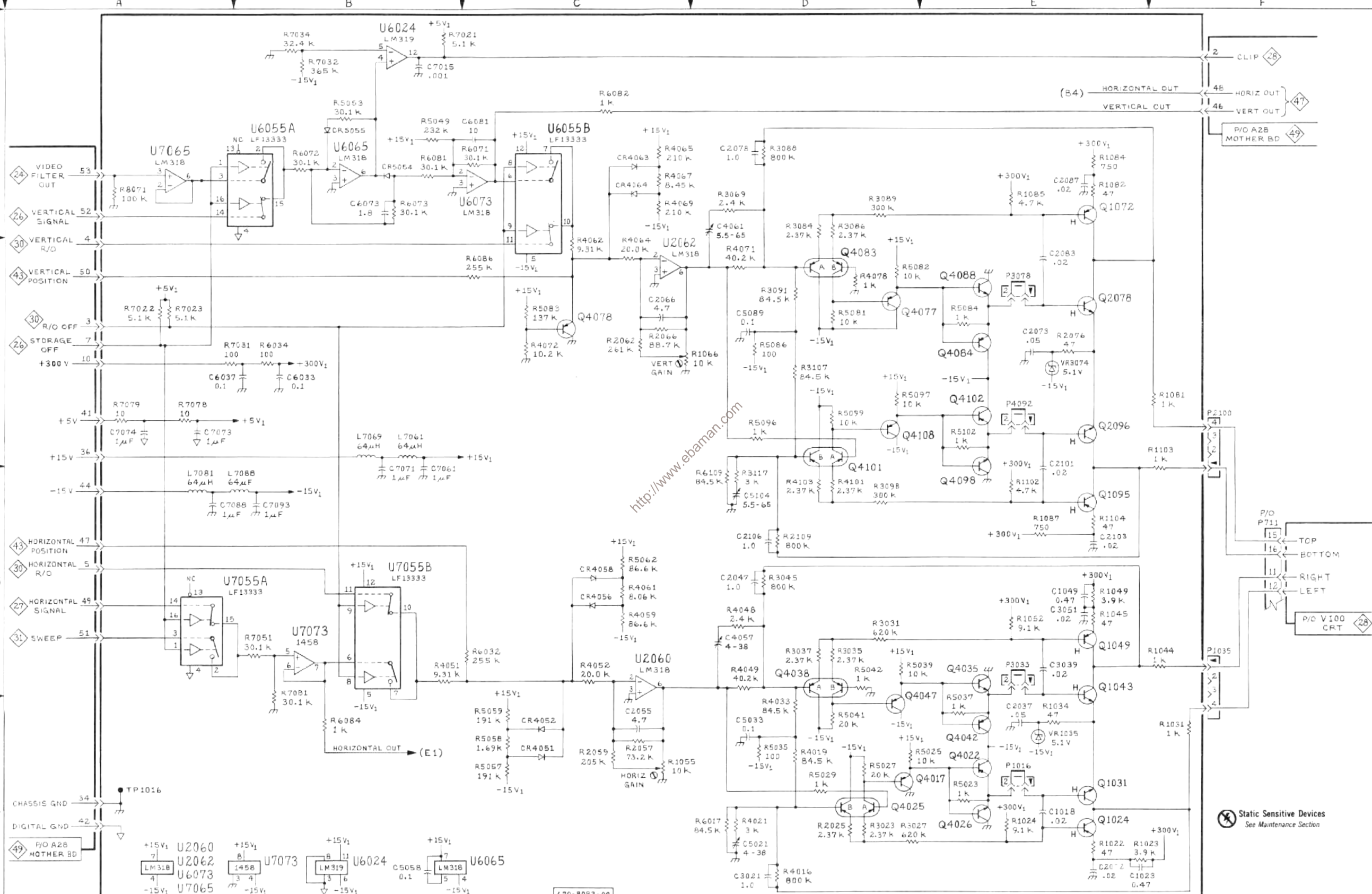




DEFLECTION AMPLIFIER BD 4417-311

## ASSEMBLY A64

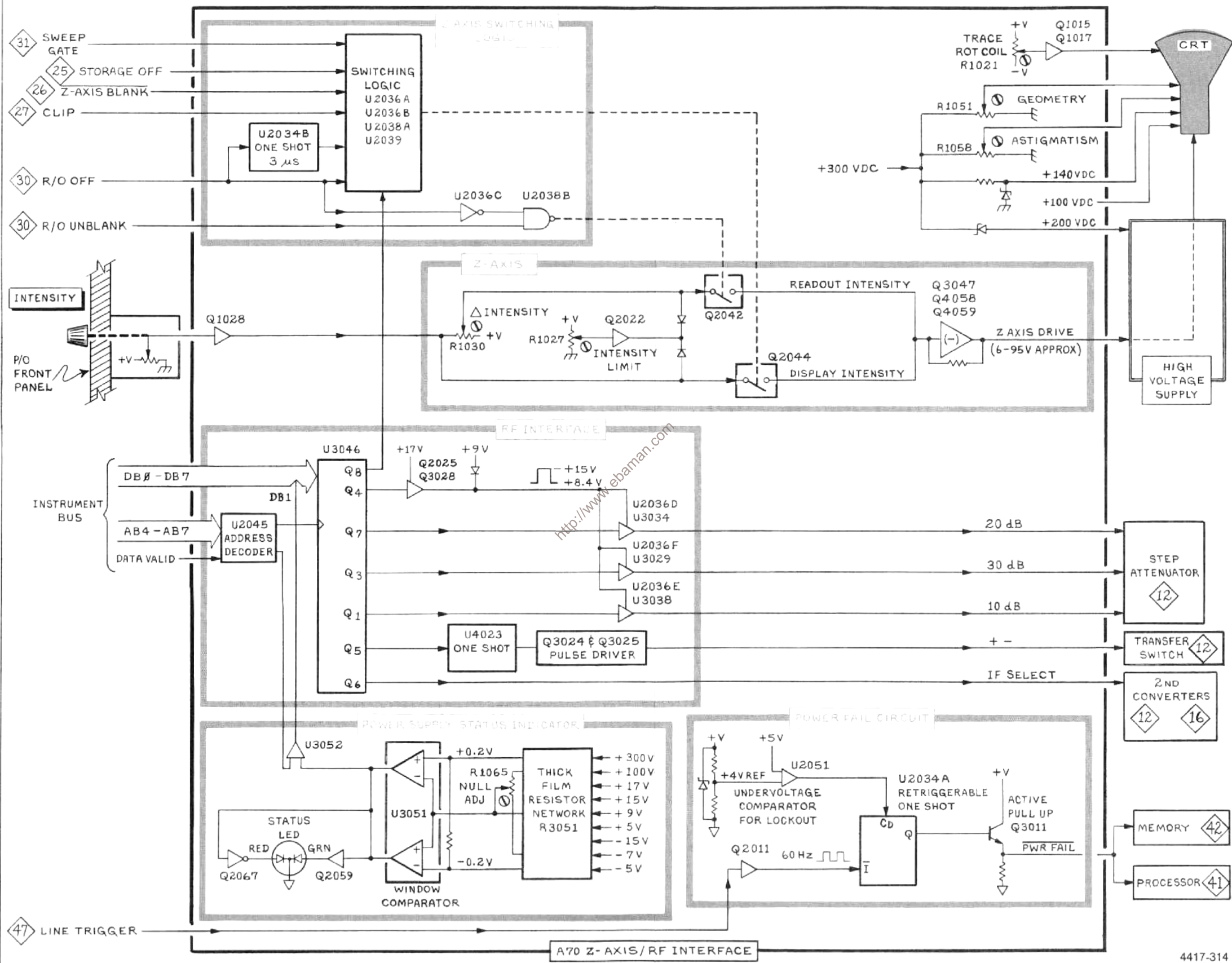
CIRCUIT NUMBER	SCHEM LOCATION	BOARD LOCATION	CIRCUIT NUMBER	SCHEM LOCATION	BOARD LOCATION	CIRCUIT NUMBER	SCHEM LOCATION	BOARD LOCATION	CIRCUIT NUMBER	SCHEM LOCATION	BOARD LOCATION
C1018	E4	A2	P4092	E2	I3	R2109	D3	J2	R5084	E2	H5
C1023	E4	B1				R3023	D4	B3	R5086	D2	H5
C1049	E3	D1	P3033	E3	C2	R3027	D4	B3	R5096	D2	I5
C2022	E4	B3				R3031	D3	C3	R5097	D2	I5
C2037	E4	C2	Q1024	E4	B1	R3035	D3	C3	R5099	D2	I5
C2047	D3	D2	Q1031	E4	B1	R3037	D3	C3	R5102	E2	J5
C2055	C4	E2	Q1043	E3	D1	R3045	D3	D3	R6017	D4	A6
C2066	C2	F2	Q1049	E3	D1	R3069	D1	F3	R6032	C3	C6
C2073	E2	G2	Q1072	E1	G1	R3084	D1	H3	R6034	B2	C7
C2078	D1	G2	Q1095	E3	I1	R3086	D1	H3	R6071	C1	G6
C2083	E2	G2	Q2078	E2	G2	R3088	D1	H3	R6072	B1	G6
C2087	E1	H2	Q2096	E2	I2	R3089	D1	H3	R6073	B1	G6
C2101	E2	I2	Q4017	D4	A5	R3091	D2	J4	R6081	B1	H6
C2103	E3	J2	Q4022	E4	B4	R3098	D3	I3	R6082	C1	H6
C2106	D3	J2	Q4025	D4	B3	R3107	D2	J3	R6084	B4	H7
C3021	D4	B3	Q4026	E4	B4	R3117	D3	J3	R6086	H6	C2
C3039	E3	C3	Q4035	E3	C4	R4016	D4	A4	R6109	D3	K6
C3051	E3	D3	Q4038	D3	C4	R4019	D4	A4	R7021	B1	B7
C4057	D3	D3	Q4042	E4	D4				R7022	A2	B7
C4061	D1	E3	Q4047	D4	D4	Q4021	D4	B4	R7023	A2	B7
C5021	D4	A2	Q4077	D2	G4	R4033	D4	C4	R7031	B2	C7
C5033	D4	C5	Q4078	C2	G5	R4048	D3	D4	R7032	B1	B7
C5058	B4	E5	Q4083	D2	G3	R4049	D3	D4	R7034	B1	B7
C5089	D2	I5	Q4084	E2	H4	R4051	B3	E4	R7051	B3	F7
C5104	D3	J3	Q4088	E2	H4	R4052	C3	E4	R7078	A2	H7
C6033	B2	C6	Q4098	E3	I4	R4059	C3	E4	R7079	A2	H7
C6037	A2	C6	Q4101	J5	D2	R4061	C3	E4	R7081	B4	G6
C6073	B1	G6	Q4102	E2	I6	R4062	C2	F4	R8071	A1	G8
C6081	C1	H6	Q4108	D2	J6	R4064	C2	F4			
C7015	B1	A7				R4065	C1	F4			
C7061	B3	F7	R1022	E4	B1	R4067	C1	F4			
C7071	B3	G7	R1023	E4	B1	R4069	C1	F4			
C7073	A2	G7	R1024	E4	B1	R4071	D2	G4	TP1016	A4	A2
C7074	A2	G7	R1031	F4	C1	R4072	C2	G4			
C7088	A3	H7	R1034	E4	C2	R4078	D2	H4	U2060	A4	E2
C7093	B3	I7	R1044	F3	D1	R4101	D3	J4	U2060	C3	E2
			R1045	E3	D1	R4103	D3	J4	U2062	A4	F2
CR4051	C4	E4	R1049	E3	D1	R5023	E4	B5	U2062	C2	F2
CR4052	C4	E4	R1052	E3	D1	R5025	D4	B5	U6024	B1	B6
CR4056	C3	E4	R1055	C4	E1	R5027	D4	B5	U6024	B4	B6
CR4058	C3	E4	R1066	C2	F1	R5029	D4	C5	U6055A	B1	E6
CR4063	C1	F4	R1081	F2	H2	R5035	D4	C5	U6055B	C1	E6
CR4064	C1	F4	R1082	E1	G2	R5037	E4	C5	U6065	B1	F5
CR5054	B1	E5	R1084	E1	H2	R5039	D3	C5	U6065	B4	F5
CR5055	B1	E5	R1085	E1	H2	R5041	D4	D5	U6073	A4	G5
			R1087	E3	H2	R5042	D3	D5	U6073	C1	G5
L7061	B2	E7	R1102	E3	J1	R5049	B1	D5	U7055A	A3	E7
L7069	B2	F7	R1103	F2	J1	R5053	B1	E5	U7055B	B3	E7
L7081	A3	H7	R1104	E3	K2	R5057	C4	E5	U7065	A1	F6
L7088	B3	I7	R2025	D4	B5	R5058	C4	E5	U7065	A4	F6
			R2057	C4	E2	R5059	C4	E5	U7073	B3	G6
P1016	E4	A1	R2059	C4	E2	R5062	C3	F5	U7073	B4	G6
P1035	F3	C1	R2062	C2	F2	R5081	D2	H5			
P2100	F2	K2	R2066	C2	F2	R5082	D2	H5	VR1035	E4	C2
P3078	E2	G3	R2076	E2	G3	R5083	C2	H5	VR3074	E2	G3



Static Sensitive Devices  
See Maintenance Section







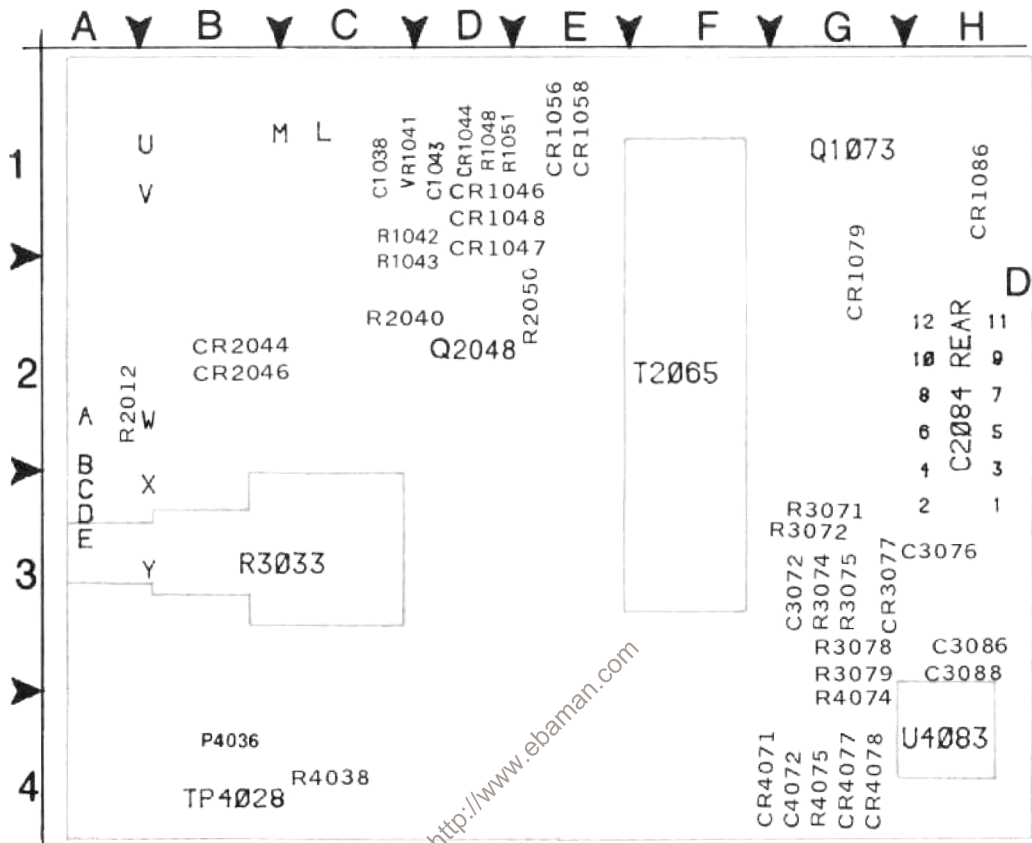
## ASSEMBLY A70

CIRCUIT NUMBER	SCHEM LOCATION	BOARD LOCATION	CIRCUIT NUMBER	SCHEM LOCATION	BOARD LOCATION	CIRCUIT NUMBER	SCHEM LOCATION	BOARD LOCATION	CIRCUIT NUMBER	SCHEM LOCATION	BOARD LOCATION
C1026	B2	B1	CR4013	D3	A4	R1054	D1	E1	R4024	C2	B4
C1063	D1	F1				R1055	D2	E1	R4045	D2	E3
C1064	D1	F1	DS1062	B4	F1	R1056	D4	E1	R4058	D2	E4
C2024	A1	B2				R1058	E1	E1			
C2031	B1	C2	M1019	E1	A2				TP1011	C1	A1
C2035	B1	C2				R1064	E1	F1	TP1034	C1	C1
C2038	E4	C1	P1011	F1	A1	R1065	C4	F1	TP1035	C1	C1
C2041	C1	D2	P1015	E1	A1	R1066	E1	F1	TP1036	C1	C1
C2045	A3	D3	P1040	E4	D1	R1067	D1	F1	TP1037	C1	C1
C2051	E4	E2	P1056	E1	E1	R1068	D1	F1	TP1044	D1	D1
C2052	C4	E2				R2022	B3	B2	TP1046	D1	D1
C2053	D1	F2	Q1015	E1	A1	R2024	A1	B2	TP1047	D1	D1
C2055	D4	E2	Q1017	E1	A1	R2025	A1	B2	TP1048	D1	D1
C3026	E2	B3	Q1028	B2	B1	R2026	B3	B2	TP1052	D1	E1
C3029	E3	B3	Q2011	D4	A2	R2027	C3	B2	TP1068	C3	F1
C3031	D4	C3	Q2022	C2	B1	R2028	C3	B2	TP1069	C4	F1
C3038	D3	C3	Q2025	B3	B2	R2050	D4	E2			
C3039	D3	C3	Q2042	C1	D2	R2051	B3	E2	U2034A	E4	C1
C3041	C4	D2	Q2044	C2	D1	R2052	E4	E2	U2034B	B1	C1
C3051	B3	E2	Q2069	B4	F2	R2053	D4	E2	U2036A	A1	C2
C3051	C4	E2	Q2067	A4	F2	R2054	B4	E2	U2036B	B1	C2
C3053	C2	F2	Q3011	E4	A1	R2055	C4	E2	U2036C	B1	C2
C4015	C2	A4	Q3024	E2	B3	R2056	B4	E2	U2036D	C3	C2
C4016	A4	A4	Q3025	E2	B3	R2057	D1	F1	U2036E	C3	C2
C4026	B2	B4	Q3028	C3	B2	R2058	B4	E2	U2036F	C3	C2
C4046	B2	D4	Q3047	D1	E2	R2059	C3	E2	U2036	E4	C2
C4052	B3	E4	Q4058	D2	F3	R2060	A3	F2	U2038	C1	D1
C4057	D2	E4	Q4059	D1	F3	R2063	D1	F1	U2039	B1	D2
						R2064	D1	F2	U2045	A3	D2
CR1043	C2	D1	R1015	E1	A1	R2065	B4	F2	U2051	E4	D2
CR1045	C1	D1	R1020	D4	B1	R2066	D2	F2	U2051	E4	D2
CR2013	D4	A2	R1021	E1	B1	R3010	D2	A3	U3029	E3	B3
CR2029	D3	B2	R1022	B2	B1	R3011	E4	A2	U3034	D3	C3
CR2058	B4	E2	R1023	C1	B1	R3012	D2	A3	U3038	D3	D3
CR2059	C3	E2	R1024	B2	B1	R3013	D2	A3	U3046	B2	D3
CR3016	C3	A3	R1025	B1	B1	R3016	B2	A3	U3051	C4	E2
CR3017	E2	A3	R1026	C2	B1	R3041	A1	D3	U3052	B3	E3
CR3018	E2	A3	R1027	C2	B1	R3050	B3	E2	U4023	C2	B3
CR3022	D3	B3	R1028	B2	B1	R3051	C3	E2			
CR3023	E3	B3	R1030	B1	B1	R3056	C4	E2	VR1052	E2	E1
CR3024	E3	B3	R1044	D4	D1	R3059	C4	E2	VR2014	D2	A3
CR3032	D3	B2	R1045	C1	D1	R3060	B4	F3	VR2053	D4	E2
CR3051	B3	E3	R1046	C1	D1	R4010	A4	A4	VR2062	E2	F2
CR3059	D2	F2	R1050	C1	E1	R4012	D2	A4	VR3015	D2	A3
CR3060	B4	F3	R1051	E1	E1	R4013	C2	A4			
CR3066	D1	F3	R1052	E1	E1	R4014	E2	A4	* C2054	C4	F2
CR4012	D3	A4				R4016	A4	A4	* C2058	C4	E2

\*See Parts List for  
serial number ranges.





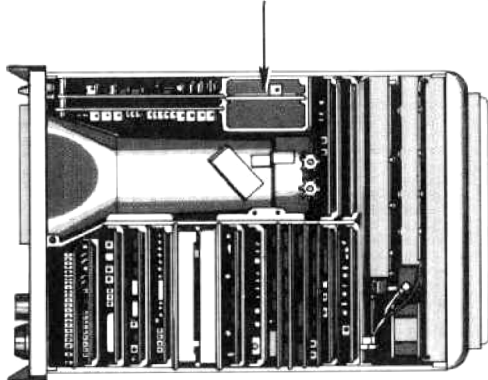


670-5559-01

4417-315

Fig. 10-31. A74—High Voltage circuit board.

HIGH VOLTAGE SUPPLY  
ENCAPSULATED MODULE (Sealed Unit)



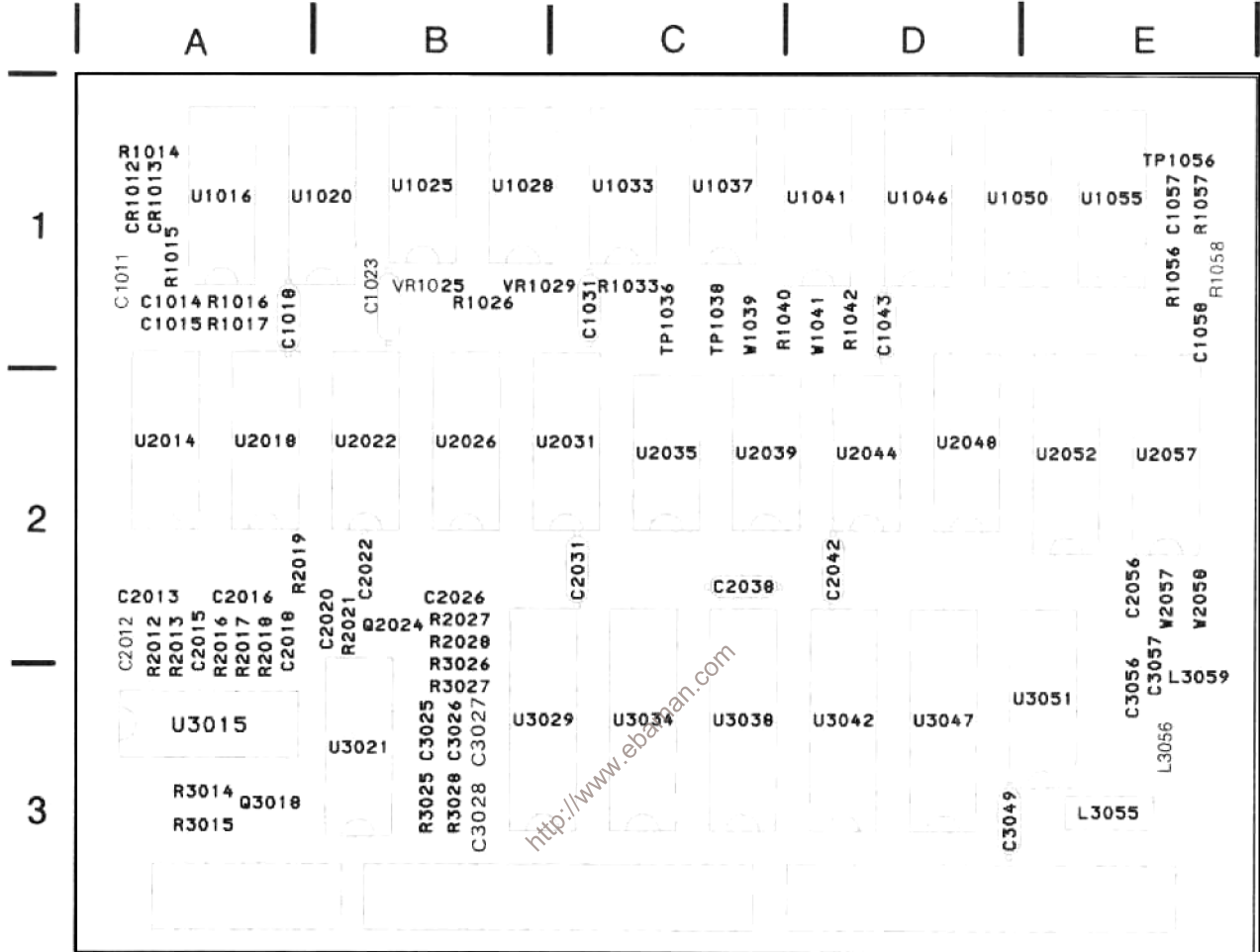
4417-316

## ASSEMBLY A74

CIRCUIT NUMBER	SCHEM LOCATION	BOARD LOCATION	CIRCUIT NUMBER	SCHEM LOCATION	BOARD LOCATION
C1038	D2	C1	R1042	D2	C1
C1043	C5	D2	R1043	D4	C2
C1058	B4	E2	R1048	C4	D2
C2084	A1	H2	R1051	C4	D2
C3073	B2	G3	R2012	B1	A2
C3076	A1	G3	R2046	D5	C2
C3086	A5	H3	R2050	D5	E2
C3088	A5	H3	R3033	D3	B3
C4072	C2	G4	R3071	A2	G3
CR1044	A3	D2	R3072	B2	G3
CR1046	C4	D2	R3074	B2	G3
CR1047	C5	D2	R3075	B2	G3
CR1048	C5	D2	R3078	C2	G3
CR1056	C4	E2	R3079	D2	G3
CR1079	A3	G2	R4038	D1	C4
CR1086	A1	H1	R4074	D2	G4
CR2044	E5	B2	R4075	C2	G4
CR2046	E5	B2	T2065	B1	F2
CR3077	B2	G3	TP4028	E1	B4
CR4071	D2	F4	U4083	A5	H4
CR4077	C2	G4	U4083	C2	H4
CR4078	C2	G4	VR1041	D5	C1
P4036	D1	B4			
Q1073	A1	G1			
Q2048	D5	D2			



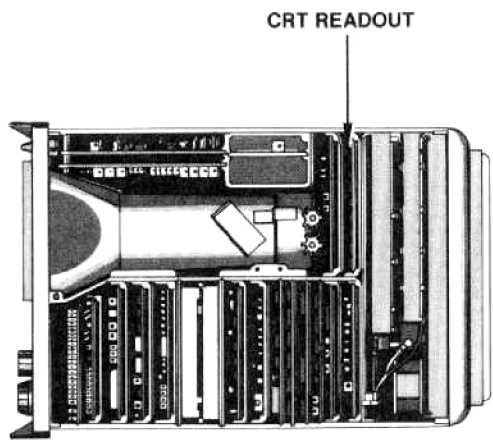




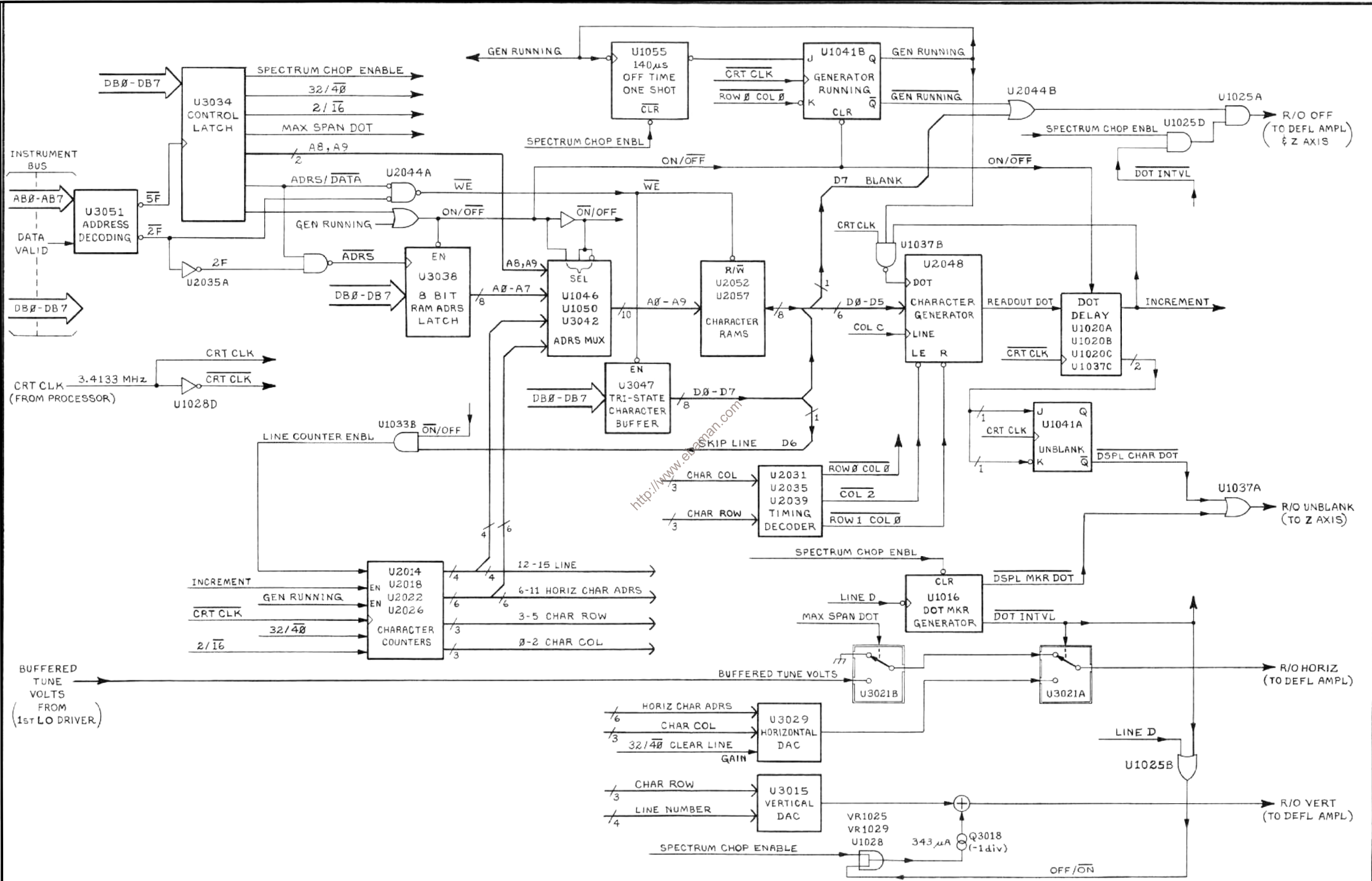
670-7902-00

Fig. 10-32. A66—CRT Readout circuit board.

4417-317



4417-318





## ASSEMBLY A66

CIRCUIT NUMBER	SCHEM LOCATION	BOARD LOCATION	CIRCUIT NUMBER	SCHEM LOCATION	BOARD LOCATION	CIRCUIT NUMBER	SCHEM LOCATION	BOARD LOCATION
C1011	F3	A1	R1057	C1	E1	U1046	C2	D1
C1014	F2	A1	R1058	B2	E1	U1050	C1	D1
C1015	F3	A1	R2012	F4	A2	U1055	C1	E1
C1018	A2	A1	R2013	F3	A2	U2014	A3	A2
C1023	A2	B1	R2016	E4	A2	U2014	C4	A2
C1031	A2	C1	R2017	E4	A2	U2018	A3	A2
C1043	A2	D1	R2018	F4	A2	U2018	B3	A2
C1057	C1	E1	R2019	D4	A2	U2022	A3	B2
C1058	A2	E1	R2021	D4	B2	U2022	B3	B2
C2012	F4	A2	R2027	D4	B2	U2026	A3	B2
C2013	F4	A2	R2028	D4	B2	U2026	B4	B2
C2015	E3	A2	R3014	F4	A3	U2031	E2	C2
C2016	E4	A2	R3015	F4	A3	U2035A	A1	C2
C2018	E4	A2	R3025	F3	B3	U2035B	E3	C2
C2020	E3	B2	R3026	E3	B3	U2035C	C1	C2
C2022	A2	B2	R3027	D4	B3	U2035D	C4	C2
C2026	E3	C2	R3028	F3	B3	U2035E	E3	C2
C2031	A2	C2				U2035F	A4	C2
C2038	A2	C2	TP1036	E2	C1	U2035	A4	C2
C2042	A2	D2	TP1038	D1	C1	U2039A	B2	C2
C2056	A2	E2	TP1061	A2	E1	U2039B	E3	C2
C3025	F3	B3				U2039C	C4	C2
C3026	E4	B3	U1016A	F2	A1	U2039	C3	C2
C3027	E4	B3	U1016B	F2	A1	U2044A	B1	D2
C3028	E3	B3	U1020A	F2	B1	U2044B	E1	D2
C3049	A2	D3	U1020B	F2	B1	U2044C	B4	D2
C3056	A2	E3	U1020C	F2	B1	U2044D	B1	D2
C3057	A2	E3	U1025A	F1	B1	U2044	C3	D2
			U1025B	F3	B1	U2048	E1	D2
CR1012	F3	A1	U1025C	F2	B1	U2052	D2	E2
CR1013	F2	A1	U1025D	F1	B1	U2057	D1	E2
			U1025	A4	B1	U3015	F4	A3
L3055	A2	E3	U1028A	B4	B1	U3021A	F3	B3
L3056	A2	E3	U1028B	C4	B1	U3021B	E3	B3
L3059	A2	E3	U1028C	F1	B1	U3029	E3	C3
			U1028D	A2	B1	U3034	B1	C3
Q2024	D4	B2	U1028E	E4	B1	U3038	B1	C3
O3018	F4	A3	U1028	A4	B1	U3042	D1	D3
			U1033A	C4	C1	U3047	D3	D3
R1014	A3	A1	U1033B	C3	C1	U3051	A1	E3
R1015	F2	A1	U1033C	F1	C1			
R1016	F2	A1	U1033	C3	C1	VR1025	F4	B1
R1017	F3	A1	U1037B	E1	C1	VR1029	F4	B1
R1026	F4	B1	U1037C	F1	C1			
R1033	E4	C1	U1037	C3	C1	W1039	C2	C1
R1040	C2	D1	U1037	F1	C1	W1041	B1	D1
R1042	B1	D1	U1041A	F1	D1	W2057	B2	E2
R1056	C1	E1	U1041B	D1	D1	W2058	D3	E2



A

B

C

D

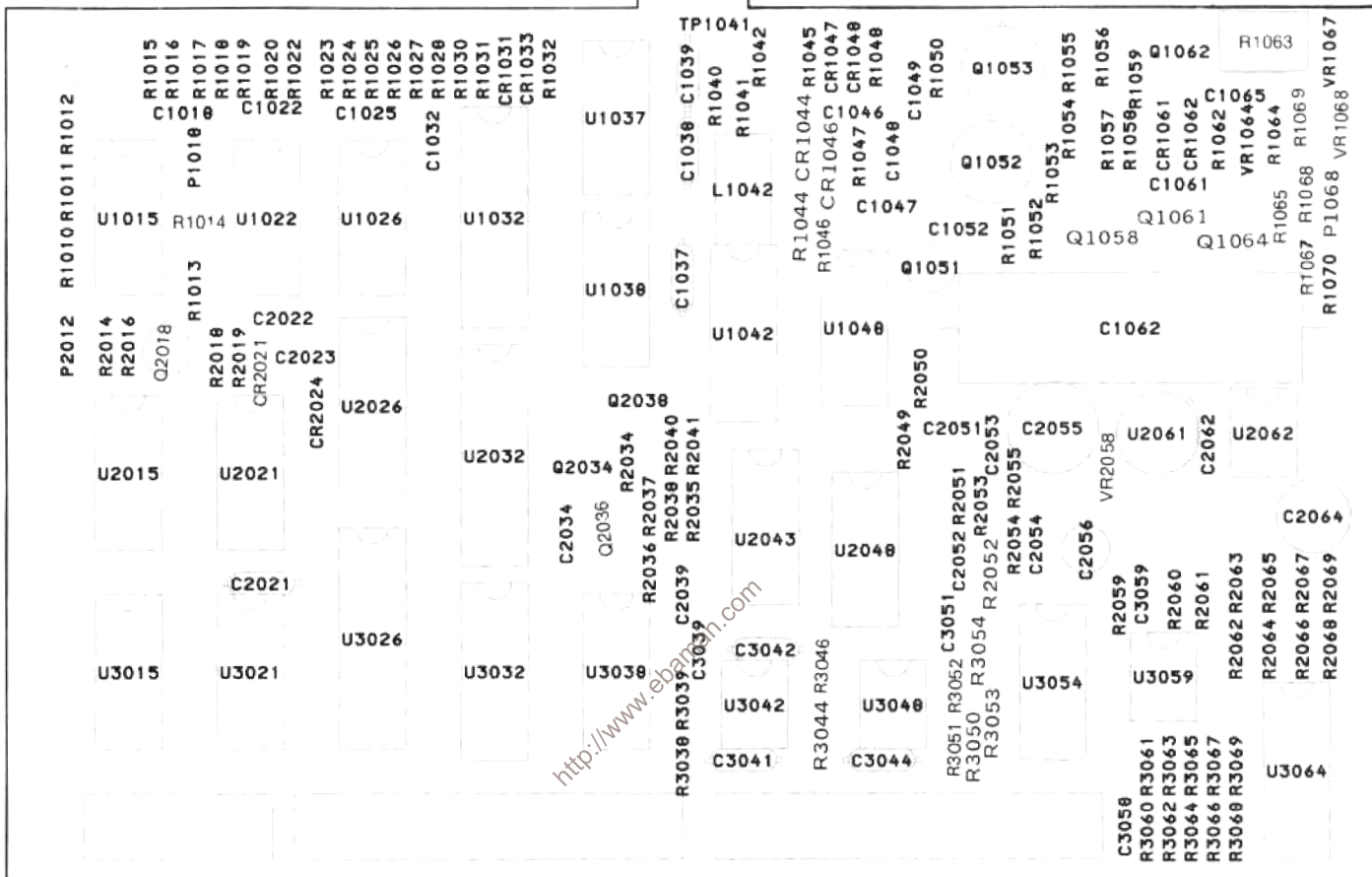
E

F

1

2

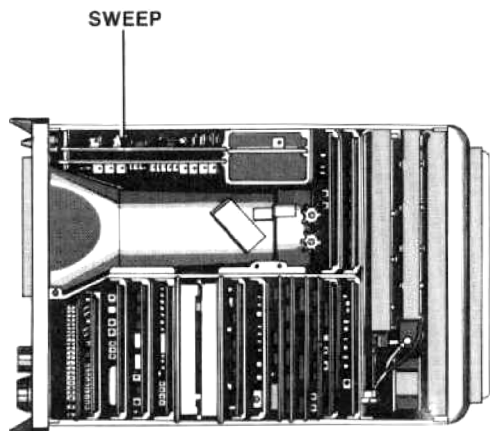
3



670-7915-01

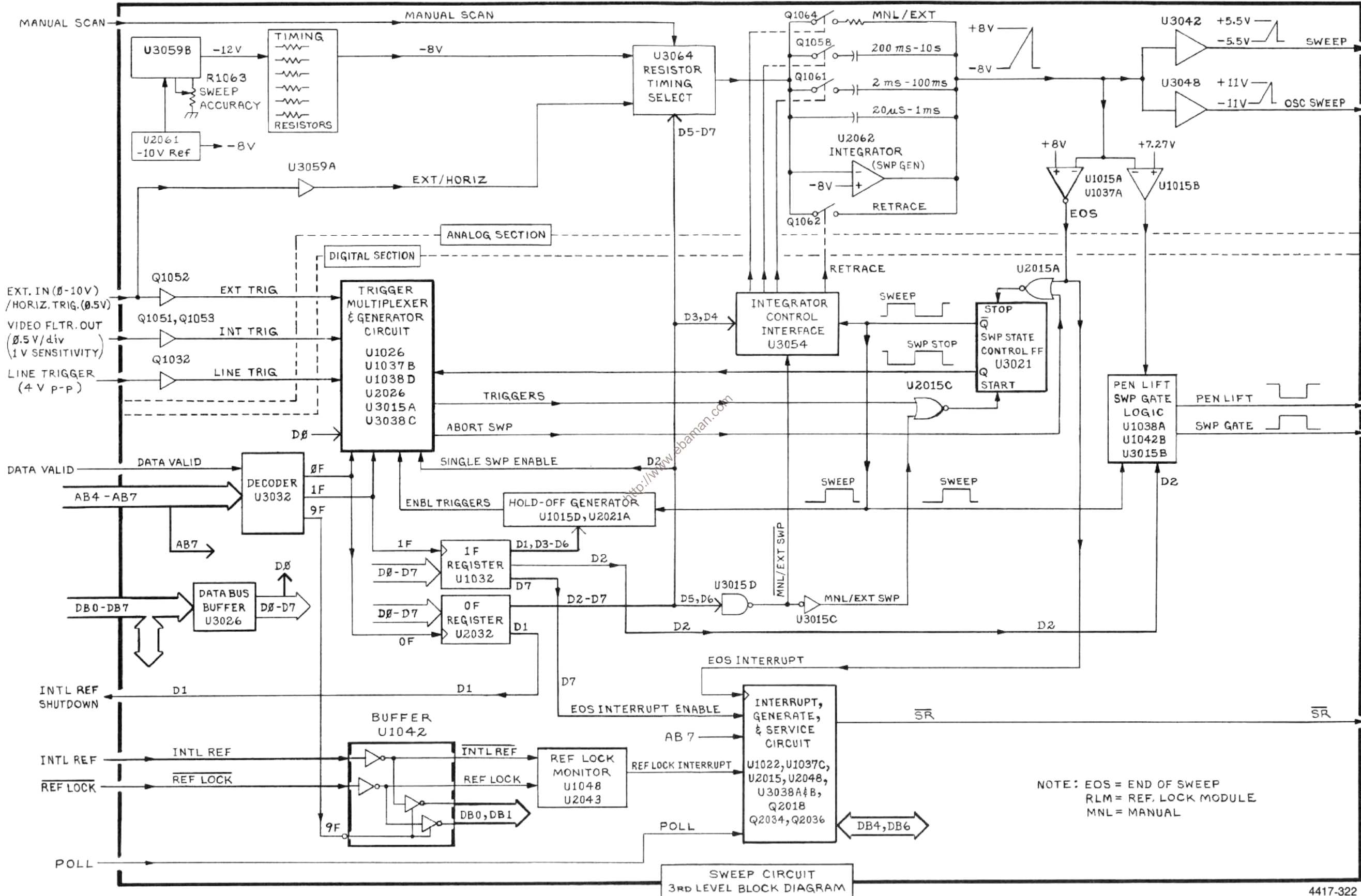
Fig. 10-33. A72—Sweep circuit board.

4417-320



4417-321

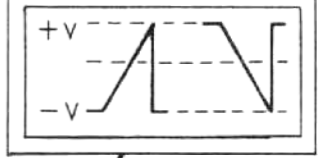
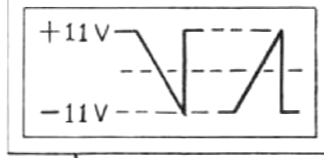
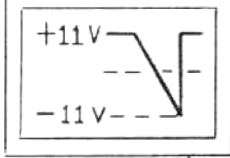
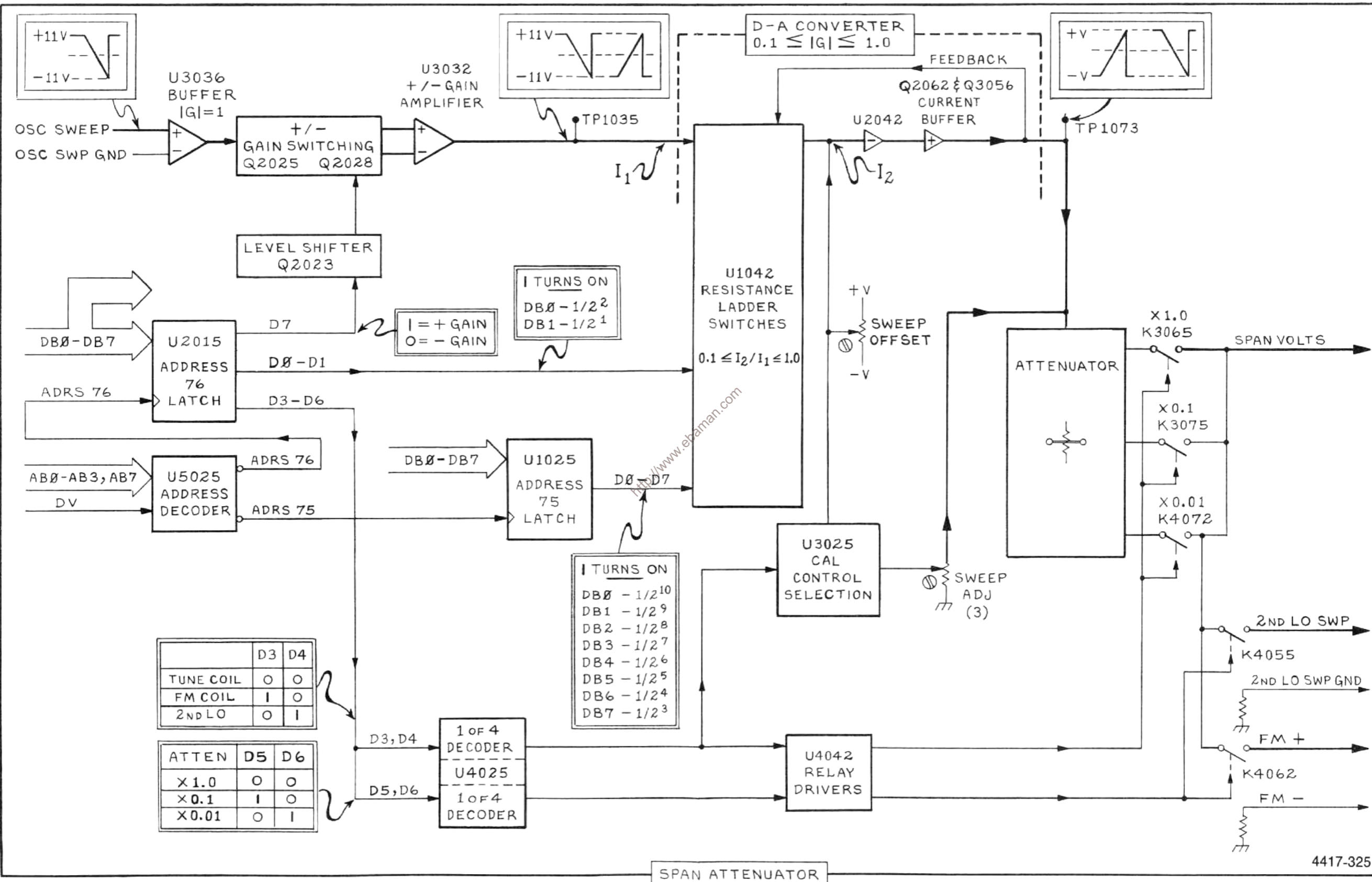




NOTE: EOS = END OF SWEEP  
 RLM = REF. LOCK MODULE  
 MNL = MANUAL

## ASSEMBLY A72

CIRCUIT NUMBER	SCHEM LOCATION	BOARD LOCATION	CIRCUIT NUMBER	SCHEM LOCATION	BOARD LOCATION	CIRCUIT NUMBER	SCHEM LOCATION	BOARD LOCATION	CIRCUIT NUMBER	SCHEM LOCATION	BOARD LOCATION
C1018	D4	A1	Q1062	C2	F1	R2036	F4	C1	U1037A	E1	C1
C1022	E1	B1	Q1064	C1	F1	R2037	F4	C1	U1037C	E4	C1
C1025	A1	B1	Q2018	F3	A2	R2038	F4	C1	U1037B	B3	C1
C1032	B3	B1	Q2034	F3	C1	R2040	A2	C1	U1037	D4	C1
C1037	A1	C1	Q2036	F4	C1	R2041	B2	C1	U1038A	E2	C1
C1038	A1	C1	Q2038	A2	C1	R2049	F3	D2	U1038B	F4	C1
C1039	A4	C1				R2050	B4	D2	U1038C	D2	C1
C1046	A3	D1	R1010	F1	A1	R2051	F1	E2	U1038D	D3	C1
C1047	A3	D1	R1011	F2	A1	R2052	C1	E2	U1038	C4	C1
C1048	A3	D1	R1012	F2	A1	R2053	F1	E2	U1042A	F2	D2
C1049	A3	D1	R1013	D4	A1	R2054	A2	E2	U1042B	F2	D2
C1052	A3	E1	R1015	E2	A1	R2055	A2	E2	U1042C	B4	D2
C1061	D1	F1	R1016	E2	A1	R2059	E2	E3	U1042D	F3	D2
C1062	D1	E2	R1017	E2	A1	R2060	A2	F3	U1048	A4	D2
C1065	D1	F1	R1018	F3	A1	R2061	A2	F3	U1048	E3	D2
C2021	A1	B2	R1019	B4	B1	R2062	A1	F3	U2015A	E2	A2
C2022	C4	B2	R1020	D3	B1	R2063	C2	F3	U2015B	F4	A2
C2023	C4	B2	R1022	E1	B1	R2064	B2	F3	U2015C	E2	A2
C2034	A4	C2	R1023	E1	B1	R2065	C2	F3	U2015D	E4	A2
			R1024	D4	B1	R2066	B1	F3	U2021A	C4	B2
C2039	F2	C1	R1025	D4	B1	R2067	C2	F3	U2021B	E3	B2
C2051	A1	E2	R1026	A4	B1	R2068	B1	F3	U2026	E3	B2
C2052	E1	E2	R1027	D3	B1	R2069	B1	F3	U2032	A2	C1
C2053	A2	E2	R1028	E1	B1	R3038	F2	C3	U2043	B4	D2
C2054	F2	E2	R1030	E1	C1	R3039	E1	C3	U2043	E3	D2
C2055	E2	E2	R1031	D3	C1	R3044	E1	D3	U2048A	F3	D2
C2056	E2	E2	R1032	A4		R3046	F2	D3	U2048B	F4	D2
C2062	F2	F2	R1040	F1	D1	R3050	F1	E3	U2048	D4	D2
C2064	C2	F2	R1041	A3	D1	R3051	F1	E3	U2061	C2	F2
			R1041	D3	D1	R3052	E1	E3	U2062	C4	F2
C3039	E1	D3	R1042	F2	D1	R3053	F1	E3	U2062	D2	F2
C3041	F2	D3	R1044	A3	D1	R3054	C2	E3	U3015A	C3	A3
C3042	F1	D3	R1045	A3	D1	R3060	A1	F3	U3015B	F2	A3
C3044	F1	D3	R1046	E3	D1	R3061	B1	F3	U3015C	C2	A3
C3051	F1	E3	R1047	A3	D1	R3062	B2	F3	U3015D	B2	A3
C3058	A1	E3	R1048	A3	D1	R3063	B1	F3	U3015	C4	A3
C3059	E2	E3	R1050	B3	E1	R3064	A1	F3	U3021	B4	B3
			R1051	A3	E1	R3065	B1	F3	U3021	D4	B3
CR1031	A4	C1	R1052	A3	E1	R3066	A1	F3	U3021	E2	B3
CR1033	A4	C1	R1053	A3	E1	R3067	B1	F3	U3026	F3	B3
CR1044	A3	D1	R1054	A3	E1	R3068	A1	F3	U3032	B4	C3
CR1046	A3	D1	R1055	A3	E1	R3069	B1	F3	U3038A	E4	C3
CR1047	A3	D1	R1056	B3	E1				U3038B	E4	C3
CR1048	A3	D1	R1057	F2	E1	TP1012	A1	A1	U3038C	C3	C3
CR1061	C1	F1	R1058	C1	E1	TP1041	F1	D1	U3042	F1	D3
CR1062	C1	F1	R1059	C1	E1				U3048	F1	D3
CR2021	C4	B2	R1062	C1	F1	U1015A	E1	A1	U3048	C4	D3
CR2024	C4	B2	R1063	A1	F1	U1015B	E1	A1	U3054A	C1	E3
			R1064	D1	F1	U1015C	E1	A1	U3054B	C2	E3
L1042	A1	D1	R1065	C1	F1	U1015D	B4	A1	U3054C	C1	E3
			R1067	D2	F1	U1015E	D4	A1	U3054D	C1	E3
P1018	E4	A1	R1068	D1	F1	U1022A	D4	B1	U3059B	A1	F3
P1068	D1	F1	R1069	D2	F1	U1022B	E4	B1	U3059A	A2	F3
P2012	D3	A2	R1070	A1	F1	U1022	D4	B1	U3064	B1	F3
			R2014	F4	A2	U1026A	C3	B1			
Q1051	A3	E1	R2016	F4	A2	U1026B	D3	B1	VR1064	D1	F1
Q1052	A3	E1	R2018	D4	B1	U1026	D4	B1	VR1067	D1	F1
Q1053	B3	E1	R2019	D4	B2	U1032	C4	C1	VR1068	D1	F1
Q1058	C1	E1	R2034	D4	C1				VR2058	A2	E2
Q1061	C1	F1	R2035	F4	C1						



U3032  
+/- GAIN  
AMPLIFIER

U3036  
BUFFER  
|G|=1

+/-  
GAIN SWITCHING  
Q2025 Q2028

LEVEL SHIFTER  
Q2023

U2015  
ADDRESS  
76  
LATCH

U5025  
ADDRESS  
DECODER

I TURNS ON  
DB0 - 1/2<sup>2</sup>  
DB1 - 1/2<sup>1</sup>

I = + GAIN  
O = - GAIN

U1042  
RESISTANCE  
LADDER  
SWITCHES  
0.1 ≤ I<sub>2</sub>/I<sub>1</sub> ≤ 1.0

U3025  
CAL  
CONTROL  
SELECTION

ATTENUATOR

I TURNS ON  
DB0 - 1/2<sup>10</sup>  
DB1 - 1/2<sup>9</sup>  
DB2 - 1/2<sup>8</sup>  
DB3 - 1/2<sup>7</sup>  
DB4 - 1/2<sup>6</sup>  
DB5 - 1/2<sup>5</sup>  
DB6 - 1/2<sup>4</sup>  
DB7 - 1/2<sup>3</sup>

	D3	D4
TUNE COIL	0	0
FM COIL	1	0
2ND LO	0	1

ATTEN	D5	D6
X1.0	0	0
X0.1	1	0
X0.01	0	1

1 of 4  
DECODER  
U4025  
1 of 4  
DECODER

U4042  
RELAY  
DRIVERS

X1.0  
K3065  
SPAN VOLTS

X0.1  
K3075

X0.01  
K4072

2ND LO SWP  
K4055

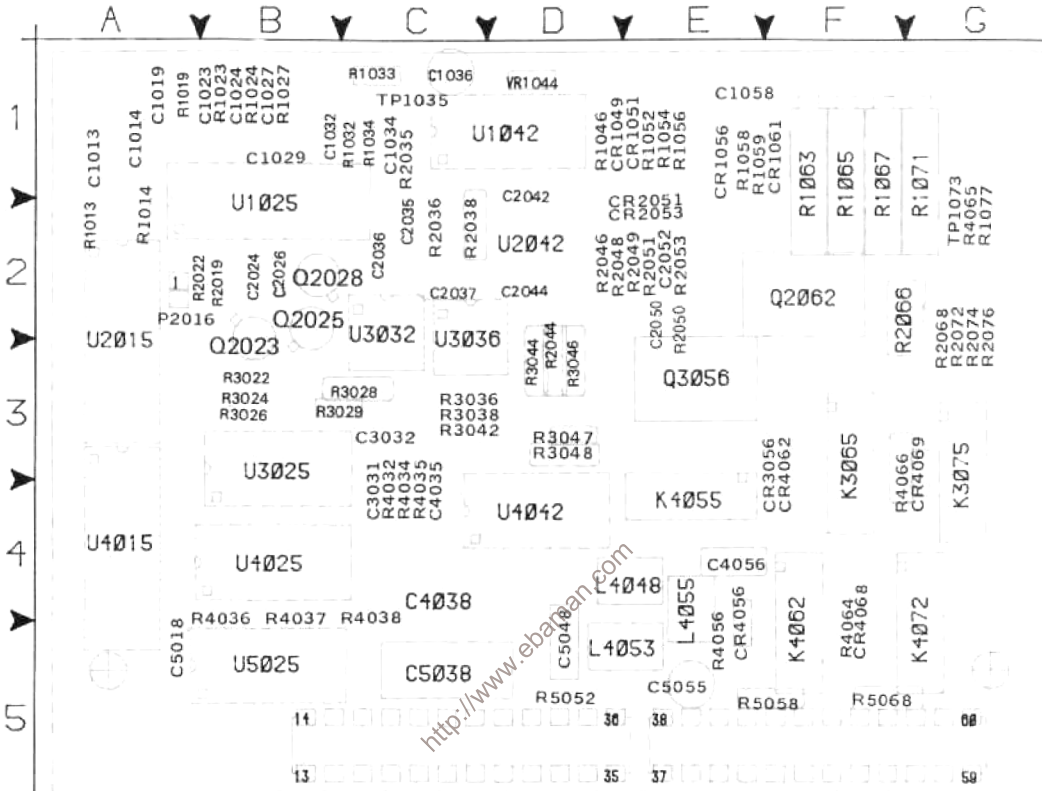
2ND LO SWP GND

FM +  
K4062

FM -

SPAN ATTENUATOR

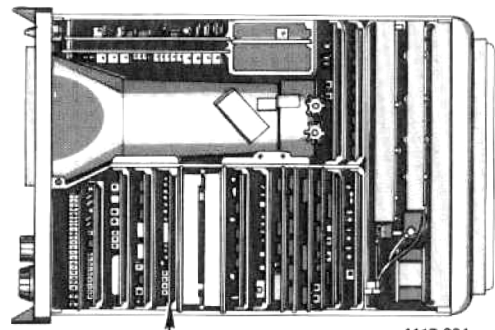




670-5550-01

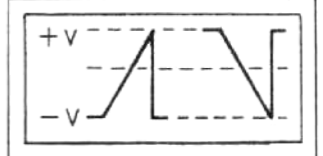
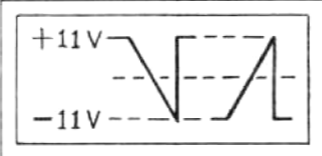
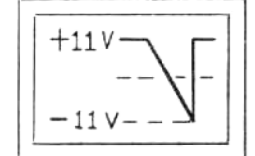
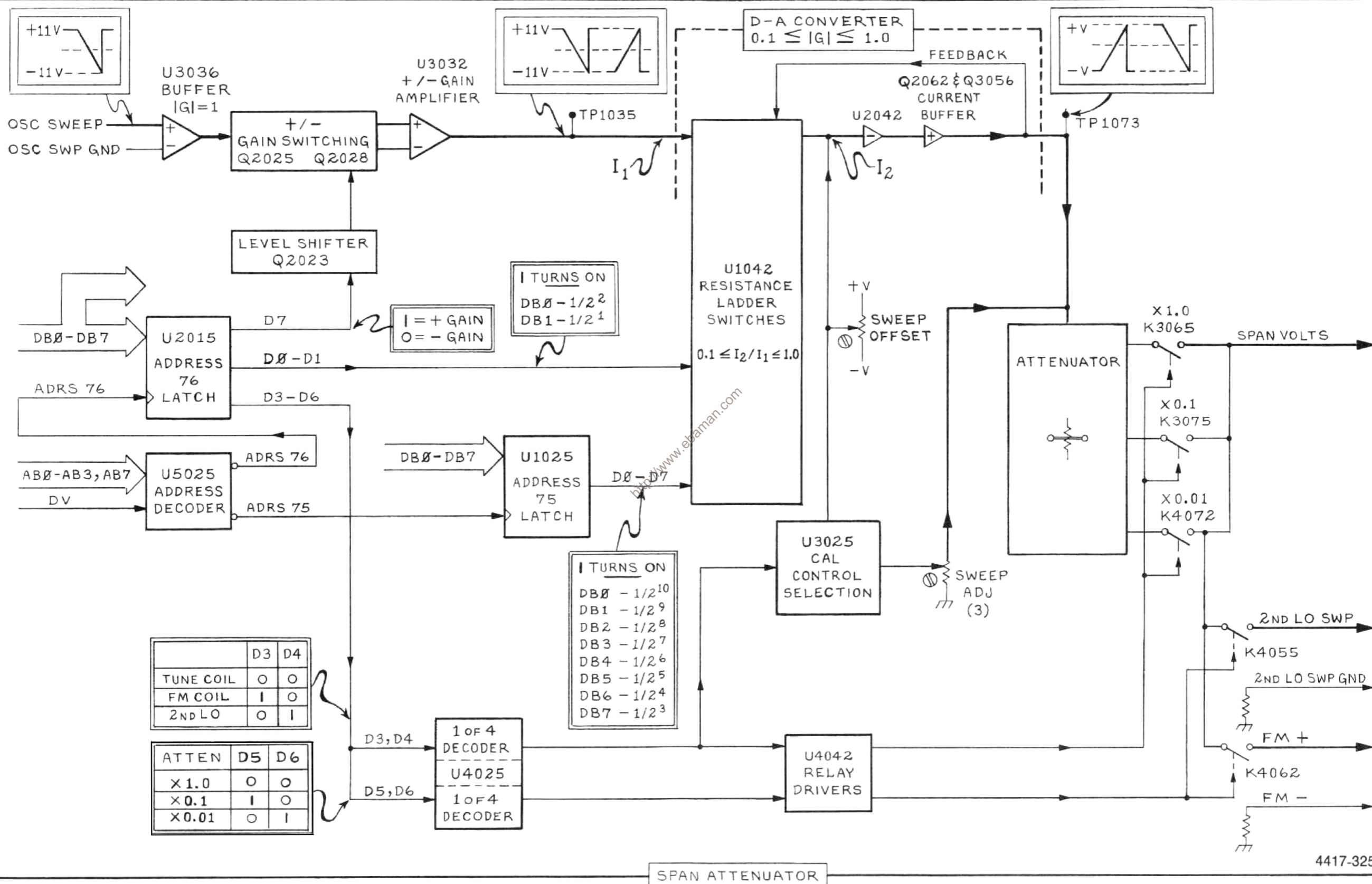
4417-323

Fig. 10-34. A48—Span Attenuator circuit board.



4417-324

SPAN ATTENUATOR



OSC SWEEP  
OSC SWP GND

U3036  
BUFFER  
|G|=1

+/-  
GAIN SWITCHING  
Q2025 Q2028

U3032  
+/- GAIN  
AMPLIFIER

$I_1$

$I_2$

LEVEL SHIFTER  
Q2023

I TURNS ON  
DB0 - 1/2<sup>2</sup>  
DB1 - 1/2<sup>1</sup>

I = + GAIN  
O = - GAIN

U1042  
RESISTANCE  
LADDER  
SWITCHES  
 $0.1 \leq I_2/I_1 \leq 1.0$

+V  
SWEEP  
OFFSET  
-V

ATTENUATOR

X1.0  
K3065

SPAN VOLTS

X0.1  
K3075

X0.01  
K4072

DB0-DB7

U2015  
ADDRESS  
76  
LATCH

D7

D0-D1

D3-D6

AB0-AB3, AB7  
DV

U5025  
ADDRESS  
DECODER

ADRS 76

ADRS 75

U1025  
ADDRESS  
75  
LATCH

D0-D7

I TURNS ON  
DB0 - 1/2<sup>10</sup>  
DB1 - 1/2<sup>9</sup>  
DB2 - 1/2<sup>8</sup>  
DB3 - 1/2<sup>7</sup>  
DB4 - 1/2<sup>6</sup>  
DB5 - 1/2<sup>5</sup>  
DB6 - 1/2<sup>4</sup>  
DB7 - 1/2<sup>3</sup>

U3025  
CAL  
CONTROL  
SELECTION

SWEEP  
ADJ  
(3)

	D3	D4
TUNE COIL	O	O
FM COIL	I	O
2ND LO	O	I

ATTEN	D5	D6
X1.0	O	O
X0.1	I	O
X0.01	O	I

D3, D4

D5, D6

1 of 4  
DECODER  
U4025  
1 of 4  
DECODER

U4042  
RELAY  
DRIVERS

2ND LO SWP  
K4055

2ND LO SWP GND

FM +  
K4062

FM -

SPAN ATTENUATOR

## SPAN ATTENUATOR

## DIAGRAM



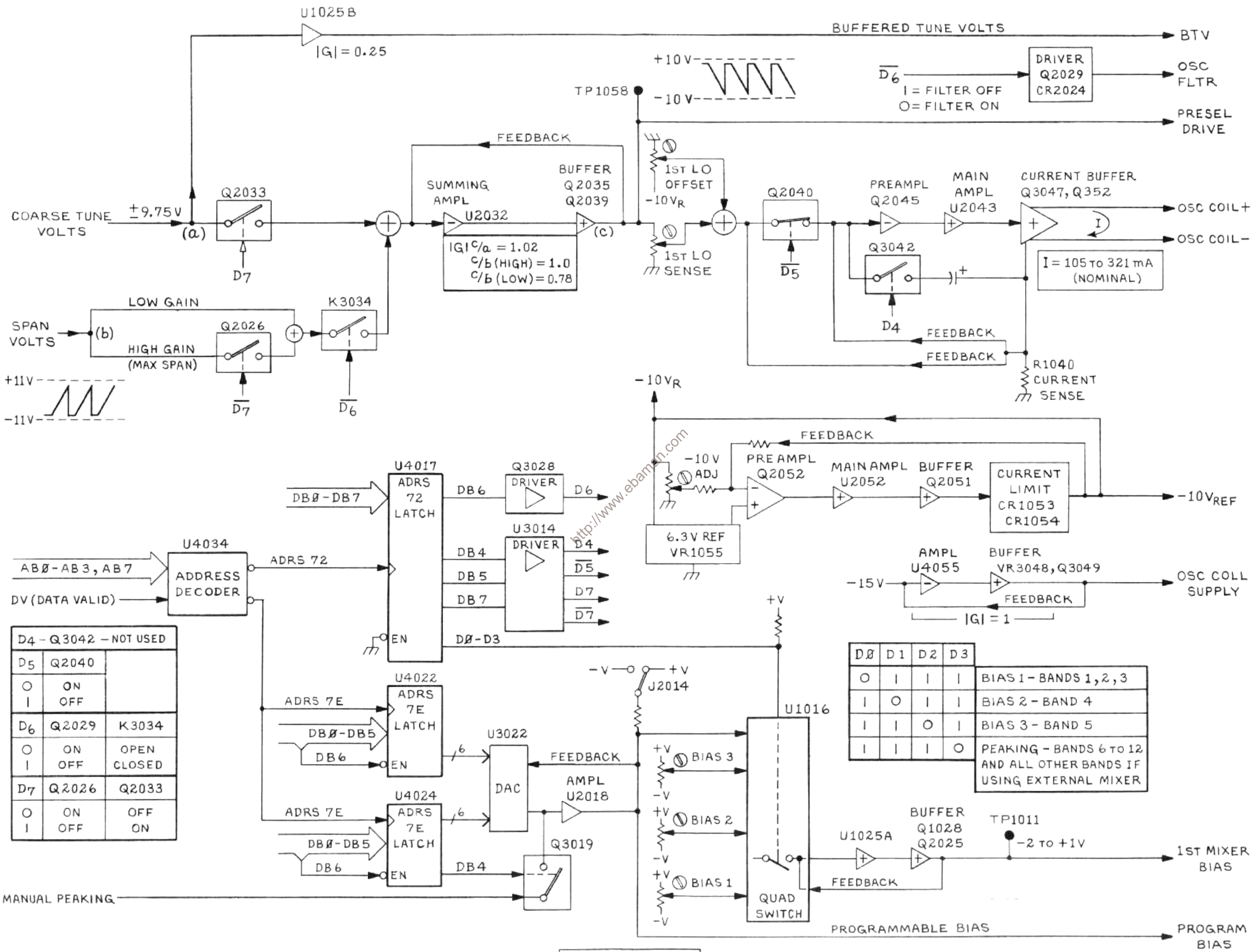
## ASSEMBLY A48

CIRCUIT NUMBER	SCHEM LOCATION	BOARD LOCATION	CIRCUIT NUMBER	SCHEM LOCATION	BOARD LOCATION	CIRCUIT NUMBER	SCHEM LOCATION	BOARD LOCATION
C1013	C2	A1	L4048	A3	E4	R2076	E2	G3
C1014	C3	A1	L4053	A4	E5	R3022	C2	B3
C1019	C2	A1	L4055	A4	E4	R3024	B1	B3
C1023	C2	B1				R3026	B1	B3
C1024	C2	B1	P2016	B1	A2	R3028	C1	B3
C1027	C2	B1				R3029	B1	B3
C1029	C1	B1	Q2023	B1	B2	R3036	B1	C3
C1032	C1	B1	Q2025	C1	B2	R3038	A1	C3
C1034	C2	C1	Q2028	B1	B2	R3042	D3	C3
C1036	D1	C1	Q2062	E1	F2	R3044	A1	D3
C1058	D1	E1	Q3056	E2	E3	R3046	D3	D3
C2024	B2	B2				R3047	F3	D3
C2026	A1	B2	R1013	C2	A2	R3048	A1	D3
C2036	C2	C2	R1014	C3	A2	R4032	C3	C4
C2036	C2	C2	R1019	C2	A1	R4034	C3	C4
C2037	C1	C2	R1023	C2	B1	R4035	C3	C4
C2042	D1	D1	R1024	C2	B1	R4036	C3	B4
C2044	E4	D2	R1027		B1	R4037	C2	B4
C2050	E1	E2	R1032	C1	C1	R4038	C2	B4
C2062	D2	E2	R1033	D1	C1	R4056	B4	E5
C3031	C3	C3	R1034	C2	C1	R4064	E2	F5
C3032	C3	C3	R1040	D2	D1	R4065	E2	G2
C4035	C3	C4	R1052	D1	E1	R4066	E2	G3
C4038	B4	C4	R1054	D1	E1	R5052	A3	D5
C4056	B4	E4	R1056	D1	E1	R5058	F4	E5
C5018	A2	A5	R1058	E1	E1	R5068	F3	F5
C5038	B3	C5	R1059	E1	E1			
C5048	B3	D5	R1063	D2	F1	TP1035	C1	C1
C5055	A4	E5	R1065	E3	F1	TP1073	E1	G2
			R1067	E3	F1			
CR1049	D1	E1	R1071	E3	G1	U1025	B2	B2
CR1051	D1	E1	R1077	E2	G2	U1025	C1	B2
CR1056	E1	E1	R2019	B1	B2	U1042	D1	C1
CR1061	E1	F1	R2022	B1	A2	U2015	A1	A2
CR2051	D1	E2	R2035	C2	C1	U2015	B2	A2
CR2053	D1	E2	R2036	C2	C2	U2042	D1	D2
CR3056	F3	F4	R2038	C1	C2	U2042	E4	D2
CR4056	E3	E4	R2044	D3	D3	U3025	D3	B3
CR4062	E3	F4	R2046	D1	D2	U3032	C1	C2
CR4068	E3	F5	R2048	D2	D2	U3032	E4	C2
CR4069	E3	G3	R2049	D1	D2	U3036	A1	C2
			R2050	E1	E2	U3036	E4	C2
			R2051	D2	E2	U4015	B2	A4
K3065	F2	F4	R2053	D1	E2	U4025	B3	B4
K3075	F2	G3	R2066	E2	G3	U4042	E3	D4
K4055	F3	E4	R2068	E2	G3	U5025	A2	B5
K4062	E4	F5	R2072	E2	G3			
K4072	F2	G5	R2074	E2	G3	VR1044	D1	D1









COARSE TUNE VOLTS  $\pm 9.75V$

SPAN VOLTS  
 LOW GAIN  
 HIGH GAIN (MAX SPAN)  
 $+11V$   
 $-11V$

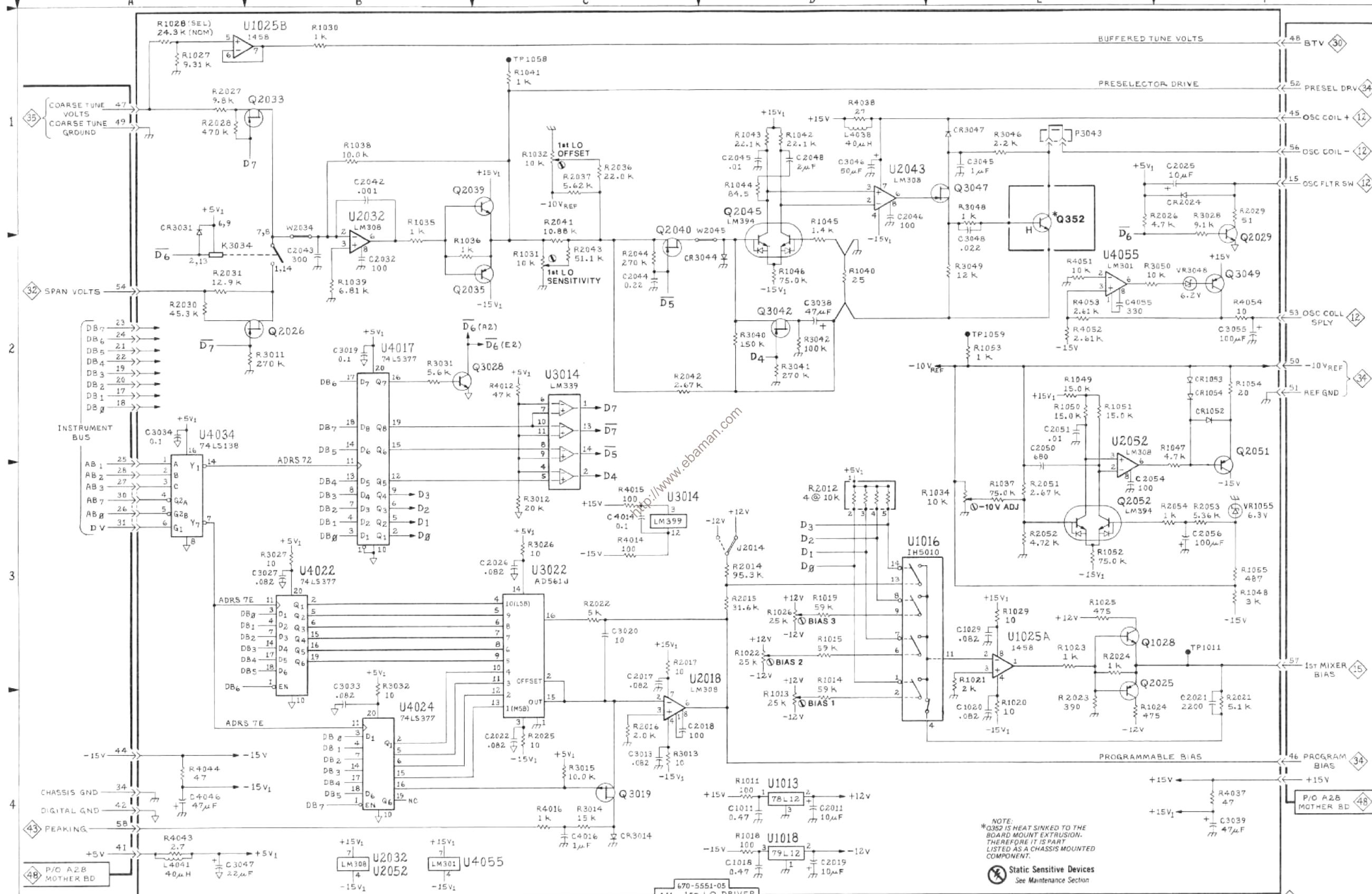
D4 - Q3042 - NOT USED		
D5	Q2040	
0	ON	
1	OFF	
D6	Q2029	K3034
0	ON	OPEN
1	OFF	CLOSED
D7	Q2026	Q2033
0	ON	OFF
1	OFF	ON

D0	D1	D2	D3	
0	1	1	1	BIAS 1 - BANDS 1,2,3
1	0	1	1	BIAS 2 - BAND 4
1	1	0	1	BIAS 3 - BAND 5
1	1	1	0	PEAKING - BANDS 6 TO 12 AND ALL OTHER BANDS IF USING EXTERNAL MIXER



## ASSEMBLY A44

CIRCUIT NUMBER	SCHEM LOCATION	BOARD LOCATION	CIRCUIT NUMBER	SCHEM LOCATION	BOARD LOCATION	CIRCUIT NUMBER	SCHEM LOCATION	BOARD LOCATION	CIRCUIT NUMBER	SCHEM LOCATION	BOARD LOCATION
C1011	D4	A1	K3034	A2	C3	R1044	D1	D1	R3050	F2	E4
C1018	D4	A1				R1045	D1	D1	R4012	C2	A4
C1020	E4	B1	L4038	D1	C4	R1046	D2	D1	R4014	C3	A4
C1029	E3	B1	L4041	A4	D4	R1047	F2	D1	R4015	C3	A4
C2011	D4	A2				R1048	F3	D1			
C2017	C3	A2	P3043	E1	D3	R1049	E2	D1	R4016	C4	A4
C2018	C4	A2				R1050	E2	E1	R4037	F4	C4
C2019	D4	A2	Q1028	E3	B1	R1051	E2	E1	R4038	D1	C4
C2021	F4	A2	Q2025	E3	B2	R1052	E3	E1	R4043	A4	D4
C2022	C4	B2	Q2026	B2	B2	R1053	E2	E1	R4044	A4	D4
C2025	F1	B2	Q2029	F1	B2	R1054	F2	E1	R4051	E2	E4
C2026	C3	B2	Q2033	B1	C2	R1055	F3	E1	R4052	E2	E4
C2032	B2	C2	Q2035	C2	C2	R2012	D3	A2	R4053	E2	E4
C2042	B1	C2	Q2039	C1	C2	R2014	D3	A2	R4054	F2	E4
C2043	B2	C3	Q2040	C2	C2	R2015	D3	A2			
C2044	C2	D2	Q2045	D1	D2	R2016	C4	A2			
C2045	D1	D2	Q2051	F2	E2	R2017	C3	A2			
C2046	D1	D2	Q2052	E3	E2	R2021	F4	A2	TP1011	F3	A1
C2048	D1	D2	Q3019	C4	A3	R2022	C3	B2	TP1058	C1	E1
C2050	E2	E2	Q3028	C2	B3	R2023	E4	B2	TP1059	E2	E1
C2051	E2	E3	Q3042	D2	D3	R2024	E3	B2			
C2054	E3	E2	Q3047	E1	D3	R2025	C4	B2	U1013	D4	A1
C2056	F3	E2	Q3049	F2	D2	R2026	F1	B2	U1016	D3	A2
C3013	C4	A3	Q352	E1	E3	R2027	A1	B2	U1018	D4	A1
C3019	B2	A3				R2028	A1	B3	U1025A	E3	B1
C3020	C3	B3	R1011	D4	A2	R2029	F1	B2	U1025B	B1	B1
C3027	B3	B3	R1013	D4	A1	R2030	A2	C2	U2018	C3	A2
C3033	B4	C4	R1014	D3	A1	R2031	A2	C2	U2032	B1	C2
C3034	A2	C3	R1015	D3	A1	R2036	C1	C2	U2032	B4	C2
C3038	D2	C3	R1018	D4	A1	R2037	C1	C2	U2043	D1	D2
C3039	F4	D3	R1019	D3	D1	R2041	C1	C2	U2052	B4	E2
C3045	E1	D3	R1020	E4	B1	R2042	C2	C2	U2052	E3	E2
C3046	D1	D3	R1021	E3	B1	R2043	C2	D2	U3014	C2	A3
C3047	A4	D4	R1022	D3	B1	R2044	C2	D2	U3014	C3	A3
C3048	E1	D3	R1023	E3	B1	R2051	E3	E2	U3022	C3	B3
C3055	F2	E3	R1024	E4	B1	R2052	E3	E2	U4017	B2	A4
C4014	C3	A4	R1025	E3	B1	R2053	F3	E2	U4022	B3	B4
C4016	C4	A4	R1026	D3	B1	R2054	F3	E2	U4024	B4	B4
C4046	A4	D4	R1027	A1	B1	R3011	B2	A3	U4034	A2	C4
C4055	E2	E4	R1028	A1	B1	R3012	C3	A3	U4055	B4	E4
			R1029	E3	B1	R3013	C4	A3	U4055	E2	E4
			R1030	B1	B1	R3014	C4	A3			
			R1031	C2	C1	R3015	C4	A3	VR1055	F3	E1
CR1052	F2	E1	R1032	C1	C1	R3026	C3	B3	VR3048	F2	D3
CR1053	F2	E1	R1034	E3	C1	R3027	B3	B3			
CR1054	F2	E1	R1035	B1	C1	R3028	F1	B3			
CR2024	F1	B2	R1036	B2	C1	R3031	B2	C3	W2034	B1	C2
CR3014	C4	A3	R1037	E3	C1	R3032	B4	C3	W2045	D1	D2
CR3031	A1	C3	R1038	B1	C1	R3040	D2	D3			
CR3044	D2	D3	R1039	B2	C1	R3041	D2	D3			
CR3047	E1	D3	R1040	D2	D1	R3042	D2	D3			
			R1041	C1	D1	R3046	E1	D3			
J2014	D3	A2	R1042	D1	D1	R3048	E1	D3			
			R1043	D1	D1						

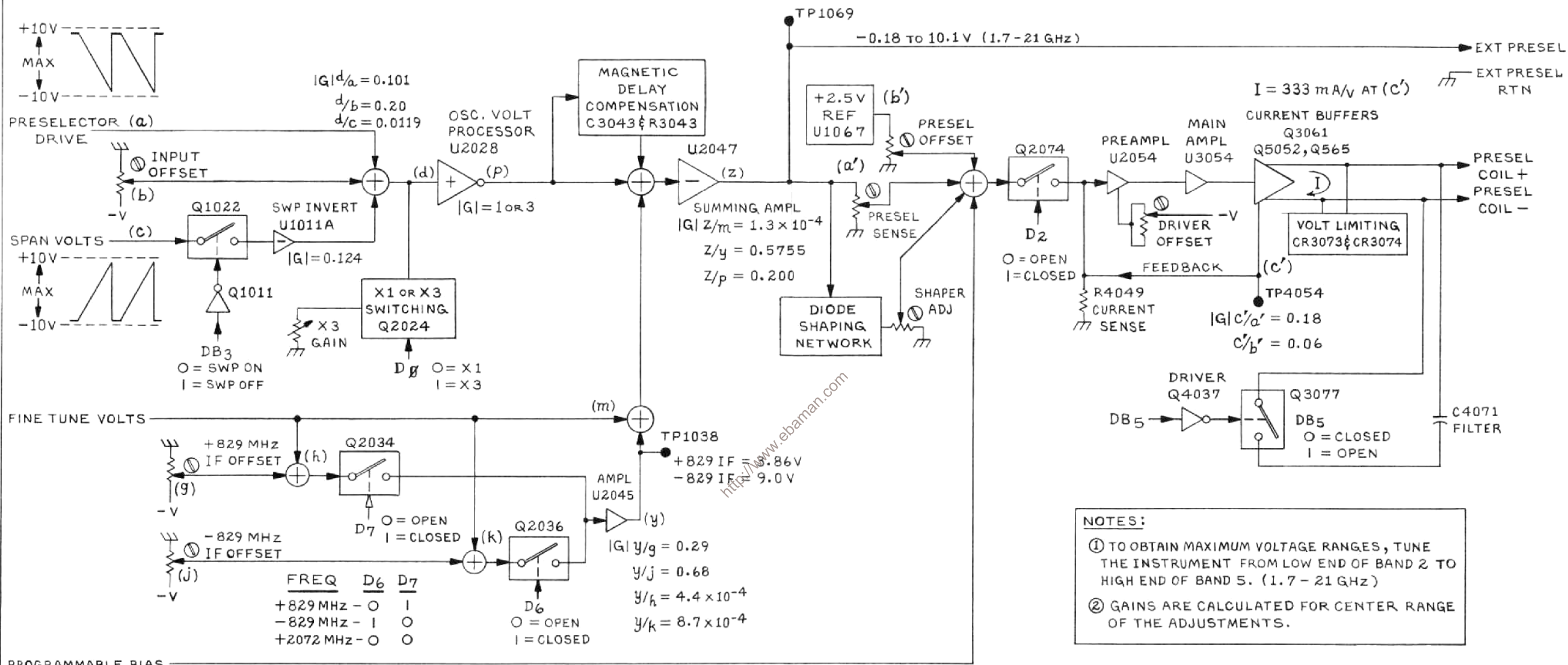


NOTE:  
\*Q352 IS HEAT SINKED TO THE BOARD MOUNT EXTRUSION. THEREFORE IT IS PART LISTED AS A CHASSIS MOUNTED COMPONENT.

Static Sensitive Devices  
See Maintenance Section





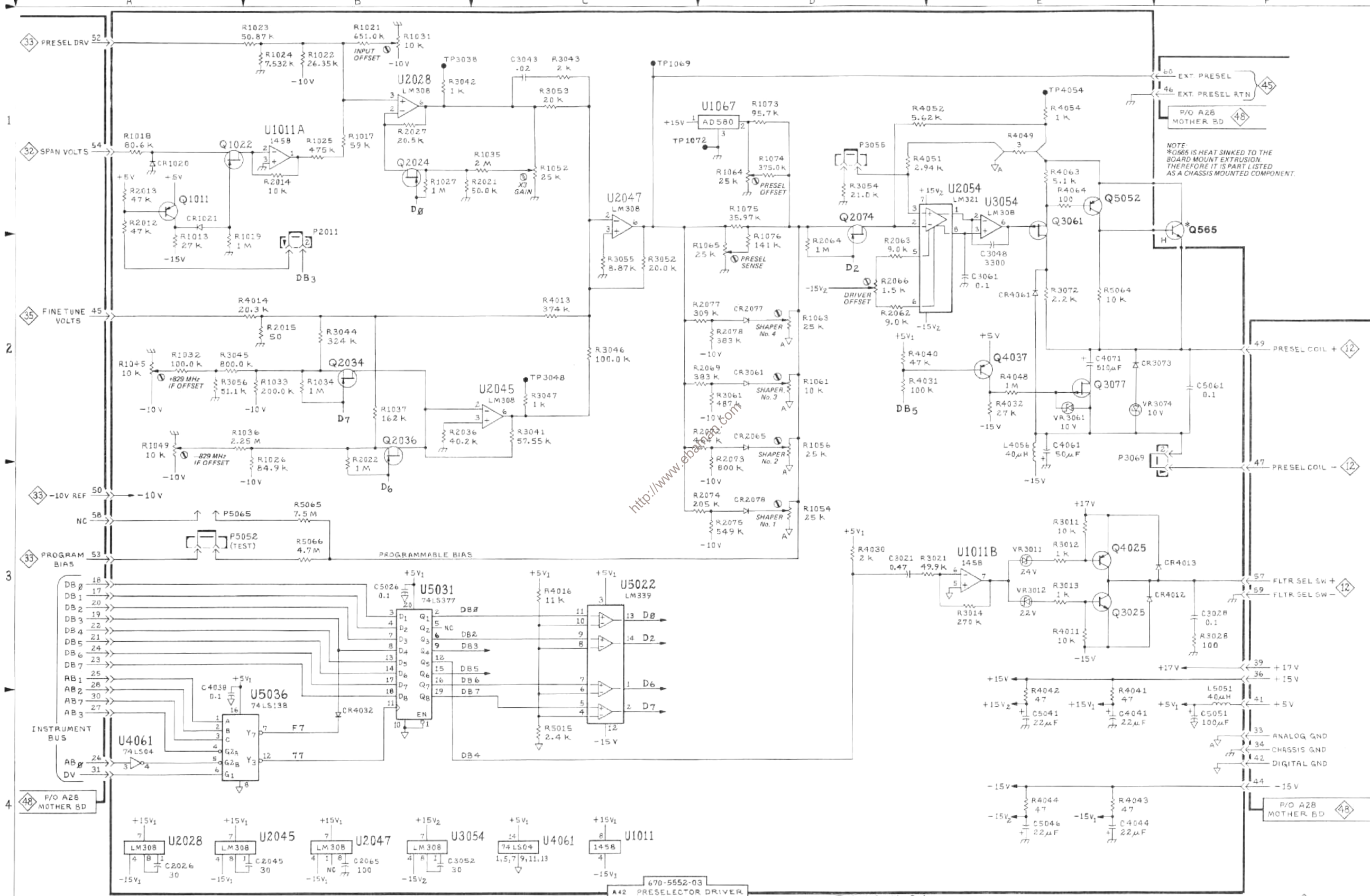


**NOTES:**

- TO OBTAIN MAXIMUM VOLTAGE RANGES, TUNE THE INSTRUMENT FROM LOW END OF BAND 2 TO HIGH END OF BAND 5. (1.7 - 21 GHz)
- GAINS ARE CALCULATED FOR CENTER RANGE OF THE ADJUSTMENTS.

## ASSEMBLY A42

CIRCUIT NUMBER	SCHEM LOCATION	BOARD LOCATION	CIRCUIT NUMBER	SCHEM LOCATION	BOARD LOCATION	CIRCUIT NUMBER	SCHEM LOCATION	BOARD LOCATION
C2026	A4	C2	R1022	B1	C1	R3056	A2	E3
C2045	B4	D2	R1023	B1	B1	R3061	D2	F3
C2065	B4	F3	R1024	B1	C1	R3072	E2	G3
C3021	D3	B2	R1025	B1	B1	R4011	E3	A3
C3028	F3	C4	R1026	B2	B1	R4013	C2	A5
C3043	C1	D3	R1027	B1	B1	R4014	B2	A5
C3048	E2	E3	R1031	B1	C1	R4016	C3	A5
C3052	B4	E3	R1032	A2	D1	R4030	D3	C4
C3061	E2	E3	R1033	B2	D1	R4031	D2	C4
C4038	A4	C4	R1034	B2	D1	R4032	E2	C3
C4041	E4	D4	R1035	C1	D1			
C4044	E4	D4	R1036	A2	C1	R4040	D2	D4
C4061	E2	F4	R1037	B2	D1	R4041	E4	D4
C4071	E2	G4	R1045	A2	D1	R4042	E4	D4
C5026	B3	B5	R1049	A2	D1	R4043	C1	C3
C5041	E4	D5	R1052	C1	E1	R4044	E4	D4
C5046	E4	D5	R1054	D3	E1	R4048	E2	D4
C5051	F4	E5	R1056	D2	E1	R4049	E1	D4
C5061	F2	E4	R1061	D2	F1	R4051	D1	E4
			R1063	D2	F1	R4052	D1	E4
CR1020	A1	A1	R1064	D1	F1	R4054	E1	E4
CR1021	A1	B1	R1065	D2	F1	R4063	E1	F4
CR2065	D2	F2	R1073	D1	G1	R4064	E1	F4
CR2077	D2	G2	R1074	D1	G1	R5064	E2	F5
CR2078	D3	G2	R1075	D1	G1	R5065	B3	G2
CR3061	D2	F3	R1076	D2	F3	R5066	B3	F3
CR3073	E2	G3	R2012	A1	A1			
CR4012	E3	A3	R2013	A1	B1			
CR4013	F3	A3	R2014	B1	A2			
CR4032	B4	C4	R2015	B2	A1			
CR4061	E2	F3	R2021	B1	B1			
			R2022	B2	B2	TP1069	C1	G1
			R2027	B1	B2	TP1072	D1	G1
L4056	E2	E4	R2036	B2	D2	TP3038	B1	C3
L5051	F4	E5	R2062	D2	F2	TP3048	C2	C3
			R2063	D2	F3	TP4054	E1	E4
P2011	B2	A2	R2064	D2	F2			
P3055	D1	E3	R2066	D2	F2	U1011A	B1	A2
P3069	E2	G4	R2069	D2	F2	U1011B	E3	A2
P5052	A3	E5	R2072	D2	G2	U1011	C4	A2
P5065	F5	A3	R2074	D3	G3	U1067	D1	G2
			R2075	D3	F3	U2028	A4	C2
Q565	F1	F4	R2077	D2	F2	U2028	B1	C2
Q1011	A1	B1	R2078	D2	F2	U2045	B4	D2
Q1022	A1	A1	R3011	E3	A3	U2045	C2	D2
Q2024	B1	B2	R3012	E3	A3	U2047	B4	E2
Q2034	B2	C2	R3013	E3	A3	U2047	C1	E2
Q2036	B2	C2	R3014	E3	A2	U2054	E1	E2
Q2074	D2	F2	R3021	E3	B2	U3054	B4	E3
Q3025	E3	A3	R3028	F3	C3	U3054	E1	E3
Q3061	E1	F3	R3041	C2	D2	U4061	A4	A4
Q3077	B2	G3	R3042	B1	D3	U4061	C4	A4
Q4025	E3	B3	R3043	C1	D3	U5022	C3	B5
Q4037	E2	C4	R3044	B2	D3	U5031	B3	C5
Q5052	E1	E5	R3045	A2	D3	U5036	B4	C5
			R3046	C2	D2			
R1013	A2	B1	R3047	C2	D3	VR3011	E3	A2
R1017	B1	B1	R3052	C2	E2	VR3012	E3	A3
R1018	A1	A1	R3053	C1	E3	VR3061	E2	F3
R1019	A2	A1	R3054	D1	D3	VR3074	E2	F3
R1021	B1	C1	R3055	C2	E3			



NOTE  
\*Q565 IS HEAT SINKED TO THE BOARD MOUNT EXTRUSION. THEREFORE IT IS PART LISTED AS A CHASSIS MOUNTED COMPONENT.

http://www.electro.com

670-5552-03  
A42 PRESELECTOR DRIVER



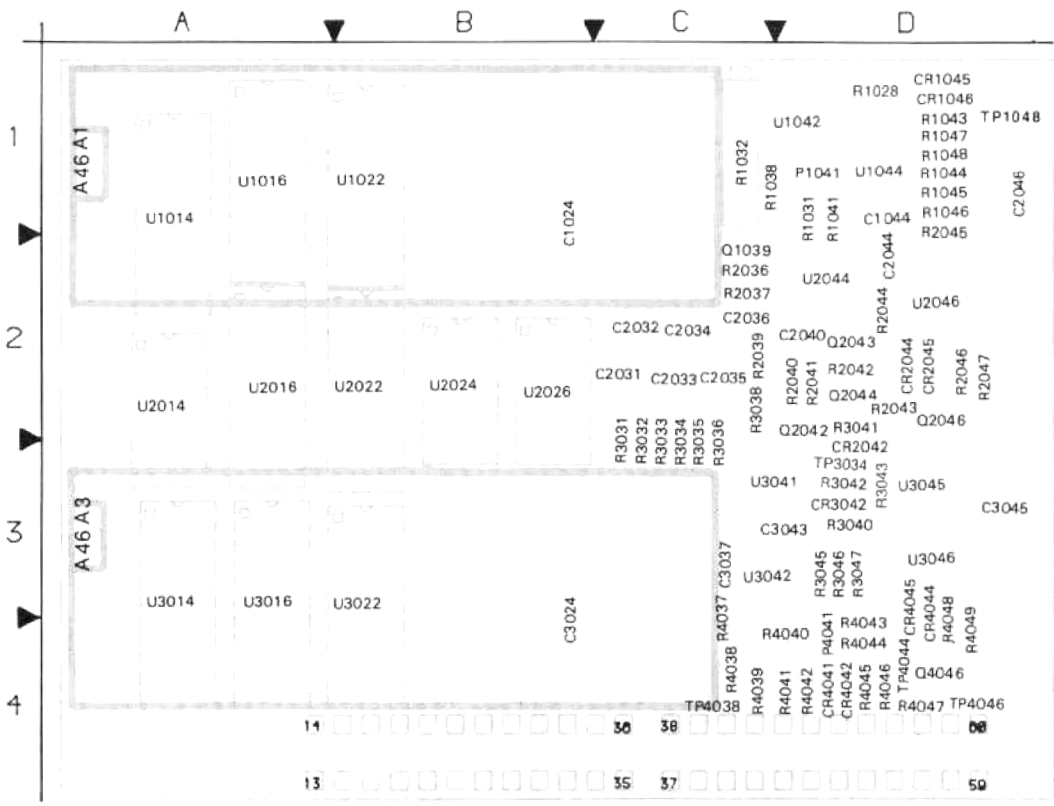
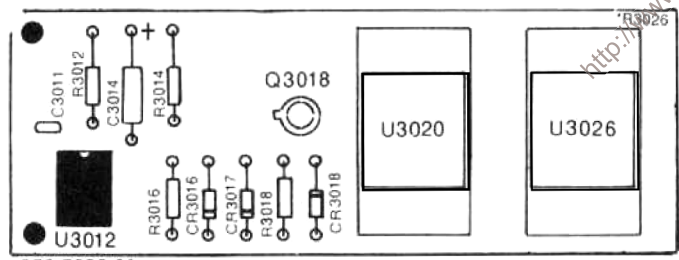
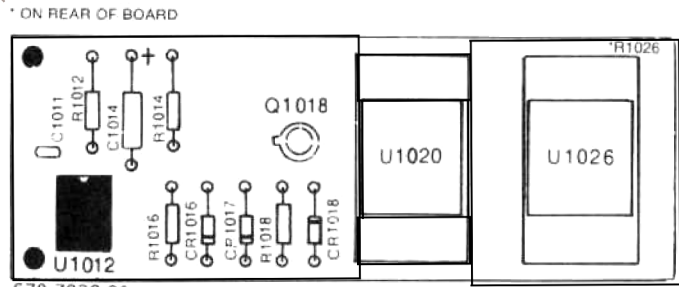


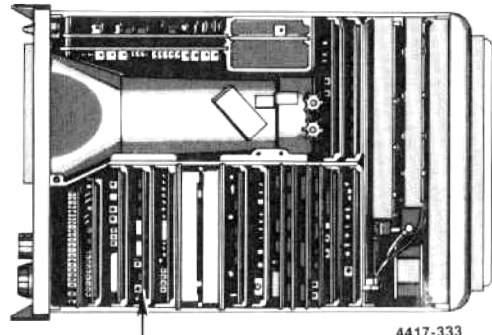
Fig. 10-37. A46—Center Frequency control board.



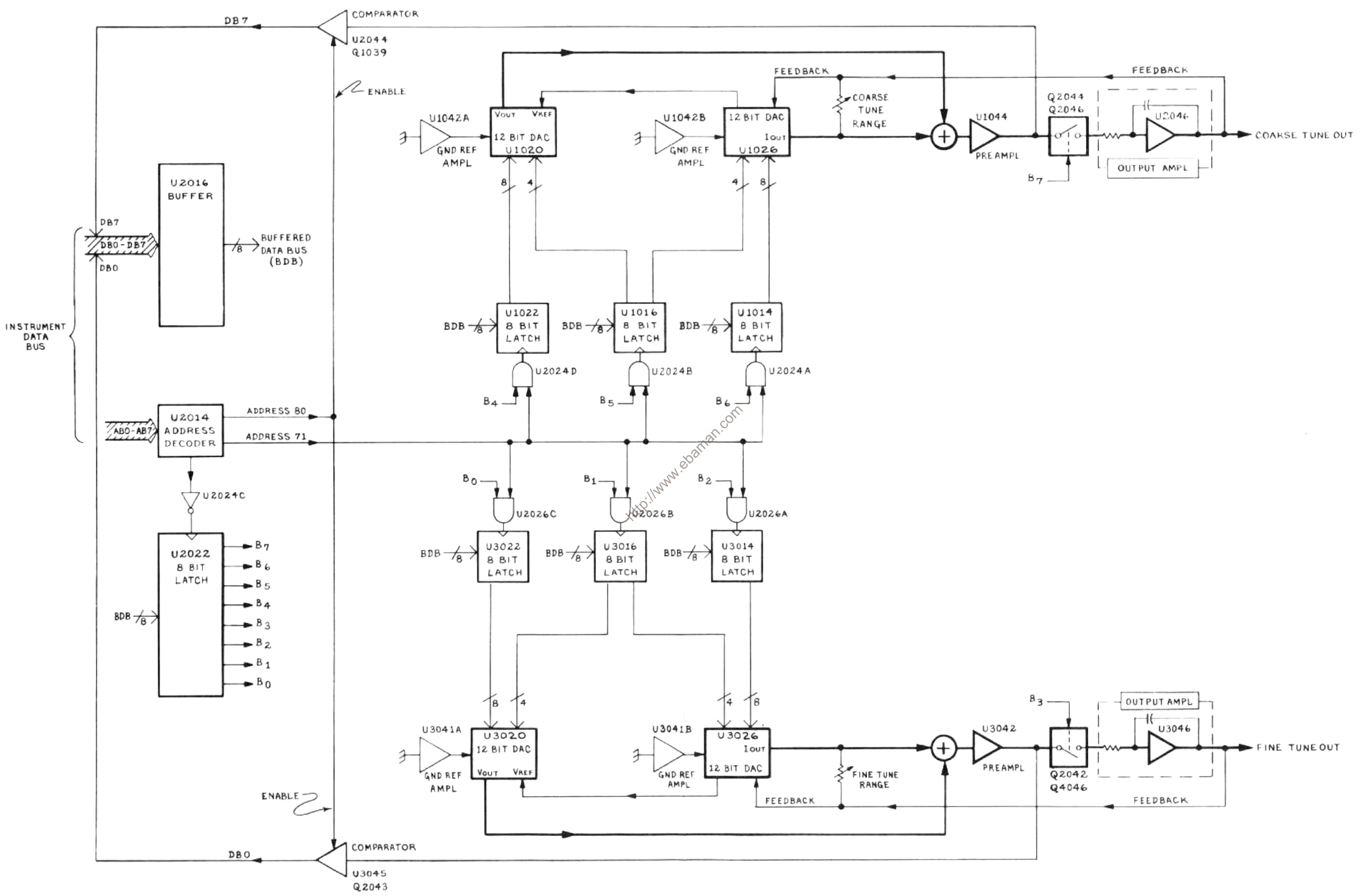
A46A3—DAC 1200 Interface (fine tune frequency)



A46A1—DAC 1200 Interface (coarse tune frequency) 4417-332



CENTER FREQUENCY CONTROL



CENTER FREQUENCY CONTROL

ASSEMBLY A46A1

CIRCUIT NUMBER	SCHEM LOCATION	BOARD LOCATION	CIRCUIT NUMBER	SCHEM LOCATION	BOARD LOCATION	CIRCUIT NUMBER	SCHEM LOCATION	BOARD LOCATION
C1011	D2	A1	Q1018	D2	B2	U1012	D2	A1
C1014	D2	A1	R1012	D2	A1	U1012	E2	A1
CR1016	D2	A2	R1014	D2	A1	U1020	C2	B1
CR1017	D2	A2	R1016	D2	A2	U1026	D2	C1
CR1018	C2	B2	R1018	C2	B2			
			*R1026	E2	D5			

\* ON REAR OF BOARD

ASSEMBLY A46A3

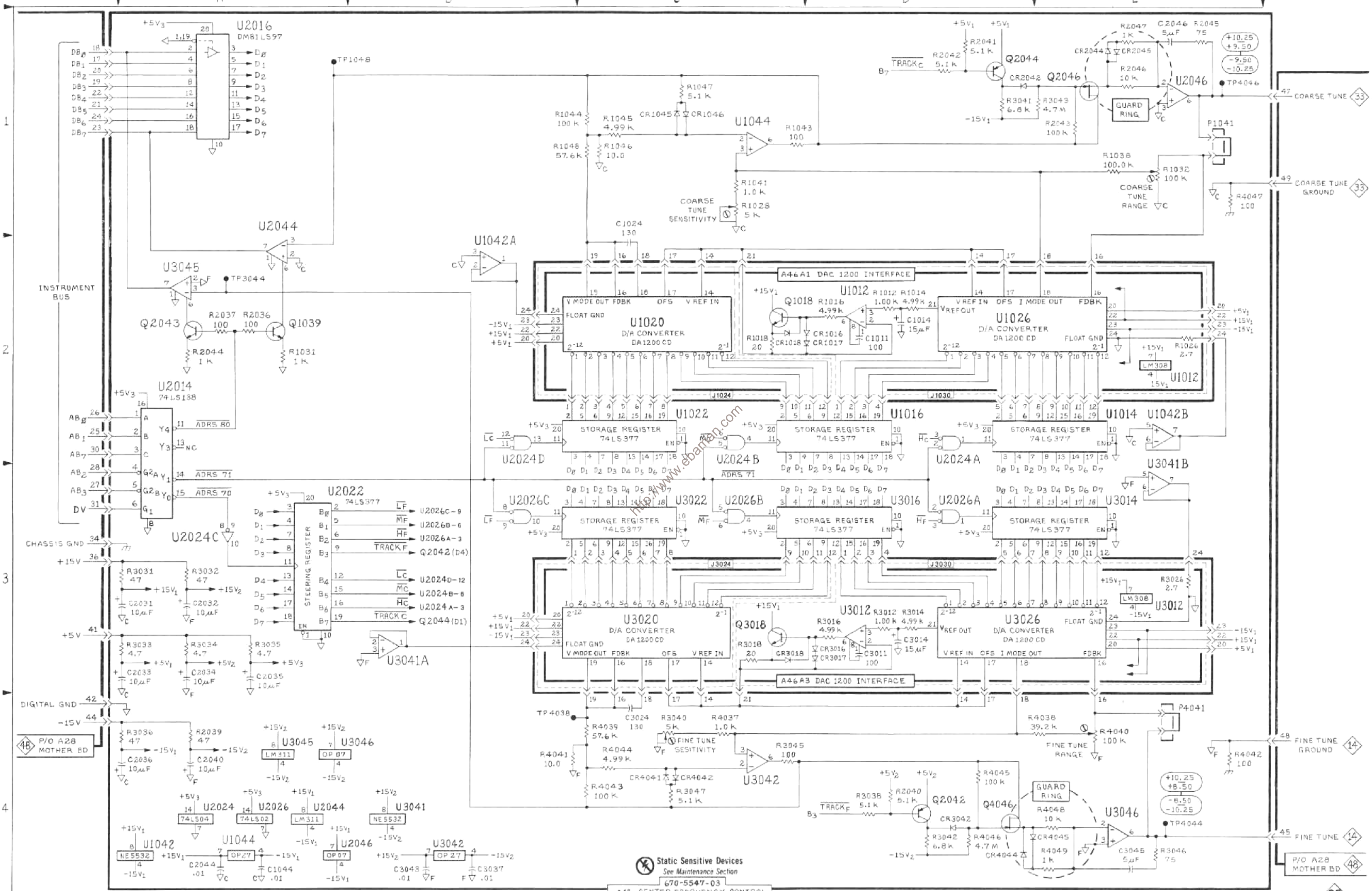
CIRCUIT NUMBER	SCHEM LOCATION	BOARD LOCATION	CIRCUIT NUMBER	SCHEM LOCATION	BOARD LOCATION	CIRCUIT NUMBER	SCHEM LOCATION	BOARD LOCATION
C3011	D3	A3	Q3018	C3	B3	U3012	E3	A4
C3014	D3	A3	R3012	D3	A3	U3016	D3	A4
CR3016	D3	A4	R3014	D3	A3	U3020	C3	B4
CR3017	D3	A4	R3016	D3	A4	U3026	D3	B4
CR3018	C3	A4	R3018	C3	A4			
			* R3026	E3	B5			

\* ON REAR OF BOARD

ASSEMBLY A46

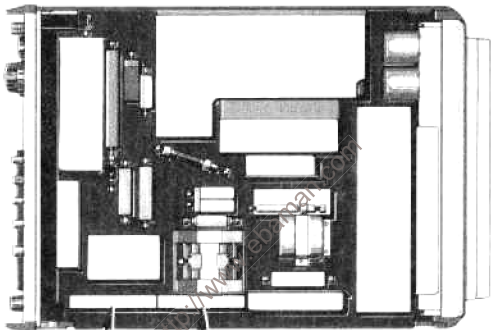
CIRCUIT NUMBER	SCHEM LOCATION	BOARD LOCATION	CIRCUIT NUMBER	SCHEM LOCATION	BOARD LOCATION	CIRCUIT NUMBER	SCHEM LOCATION	BOARD LOCATION
C1024	C1	B1	R1044	C1	D1	TP1048	A1	D1
C1044	A4	D1	R1045	C1	D1	TP3034	A2	D3
C2031	A3	C2	R1046	C1	D1	TP4038	C4	C4
C2032	A3	C2	R1047	C1	D1	TP4044	E4	D3
C2033	A3	C2	R1048	C1	D1	TP4046	E1	D4
C2034	A3	C2	R2036	A2	C2	TP4048	A1	D1
C2035	A3	C2	R2037	A2	C2			
C2036	A4	C2	R2039	A4	C2			
C2040	A4	D2	R2040	D3	D2	U1014	E2	A1
C2044	A4	D2	R2041	D1	D2	U1016	D2	A1
C2046	E1	D2	R2042	D1	D2	U1022	C2	B1
C3024	C4	B4	R2043	E1	D2	U1042A	B2	D1
C3037	B4	C3	R2044	A2	D2	U1042B	E2	D1
C3043	B4	D3	R2045	E1	D1	U1042	A4	D1
C3045	E4	D3	R2046	E1	D2	U1044	A4	D1
CR1045	C1	D1	R2047	E1	D2	U1044	C1	D1
CR1046	C1	D1	R3031	A3	C3	U2014	A2	A2
CR2042	D1	D3	R3032	A3	C3	U2016	A1	A2
CR2044	E1	D2	R3033	A3	C3	U2022	B3	B2
CR2045	E1	D2	R3034	A3	C3	U2024B	C2	B2
CR3042	D3	D3	R3035	A3	C3	U2024C	A3	B2
CR4041	C4	D4	R3036	A4	C3	U2024D	B2	B2
CR4042	C4	D4	R3038	D3	C2	U2024	A4	B2
CR4044	D3	D4	R3040	C4	D3	U2024	D3	B2
CR4045	E4	D4	R3041	D1	D2	U2026A	D3	B2
CR2042	D1	D3	R3042	D3	D3	U2026B	C3	B2
P1041	E1	D1	R3043	E1	D3	U2026C	B3	B2
P4041	E4	D4	R3045	C4	D3	U2026	A4	B2
Q1039	A2	C2	R3046	E4	D3	U2044	A1	D2
Q2042	D3	D2	R3047	C4	D3	U2044	A4	D2
Q2043	A2	D2	R4037	C4	C4	U2046	E1	D2
Q2044	D1	D2	R4038	E4	C4	U3014	E3	A3
Q2046	E1	D2	R4039	C4	C4	U3016	D3	A3
Q4046	D3	D4	R4040	E4	D4	U3022	C3	B3
			R4041	C4	D4	U3041A	B3	C3
			R4042	E4	D4	U3041B	E3	C3
			R4043	C4	D4	U3041	B4	C3
			R4044	C4	D4	U3042	B4	C3
R1028	C1	D1	R4045	D3	D4	U3042	C4	C3
R1031	A2	D1	R4046	D3	D4	U3045	A2	D3
R1032	E1	C1	R4047	E1	D4	U3045	A4	D3
R1038	E1	C1	R4048	E4	D4	U3046	B4	D3
R1041	C1	D1	R4049	E4	D4	U3046	E4	D3
R1043	C1	D1						





Static Sensitive Devices  
See Maintenance Section  
670-5547-03

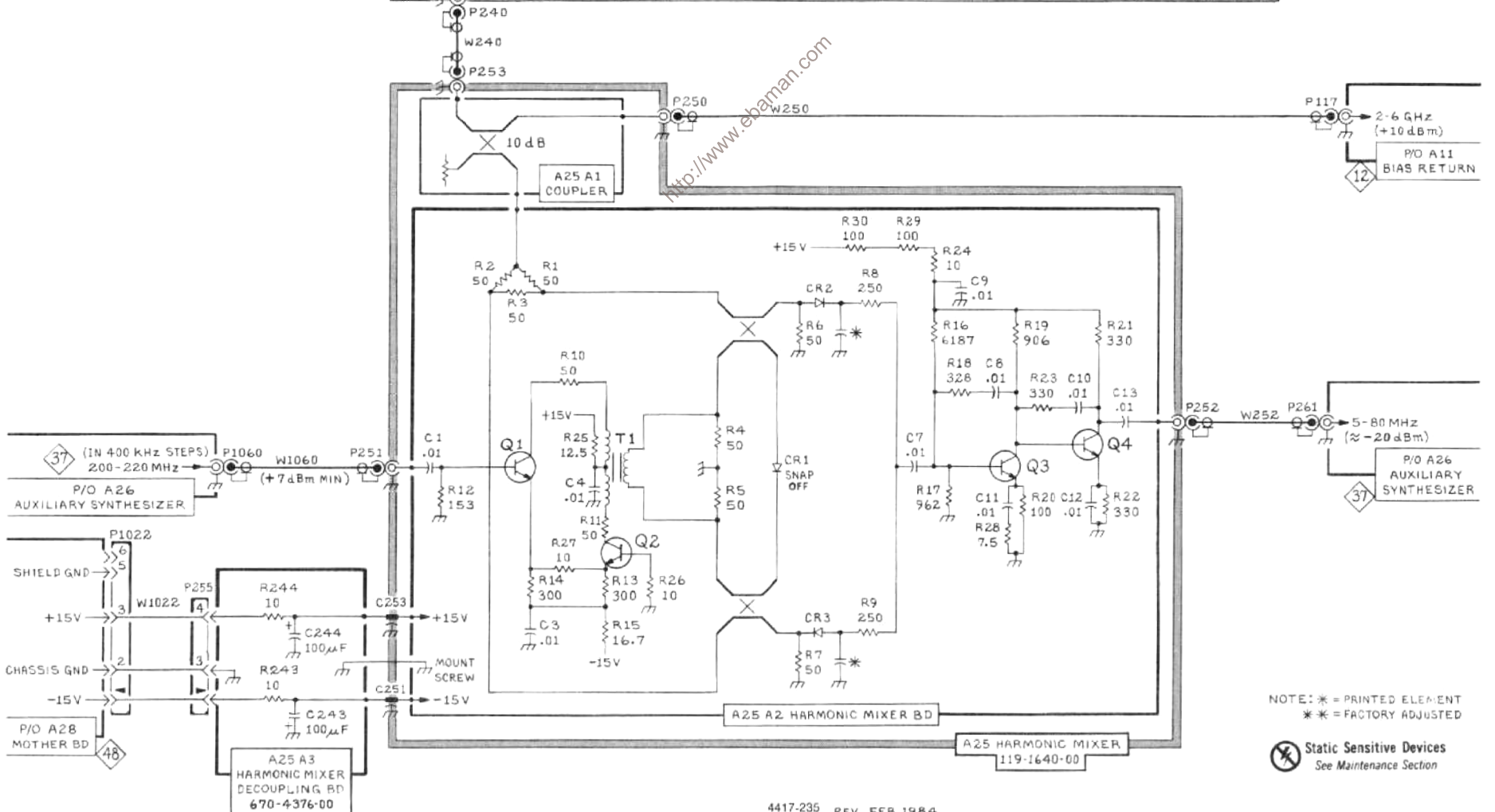
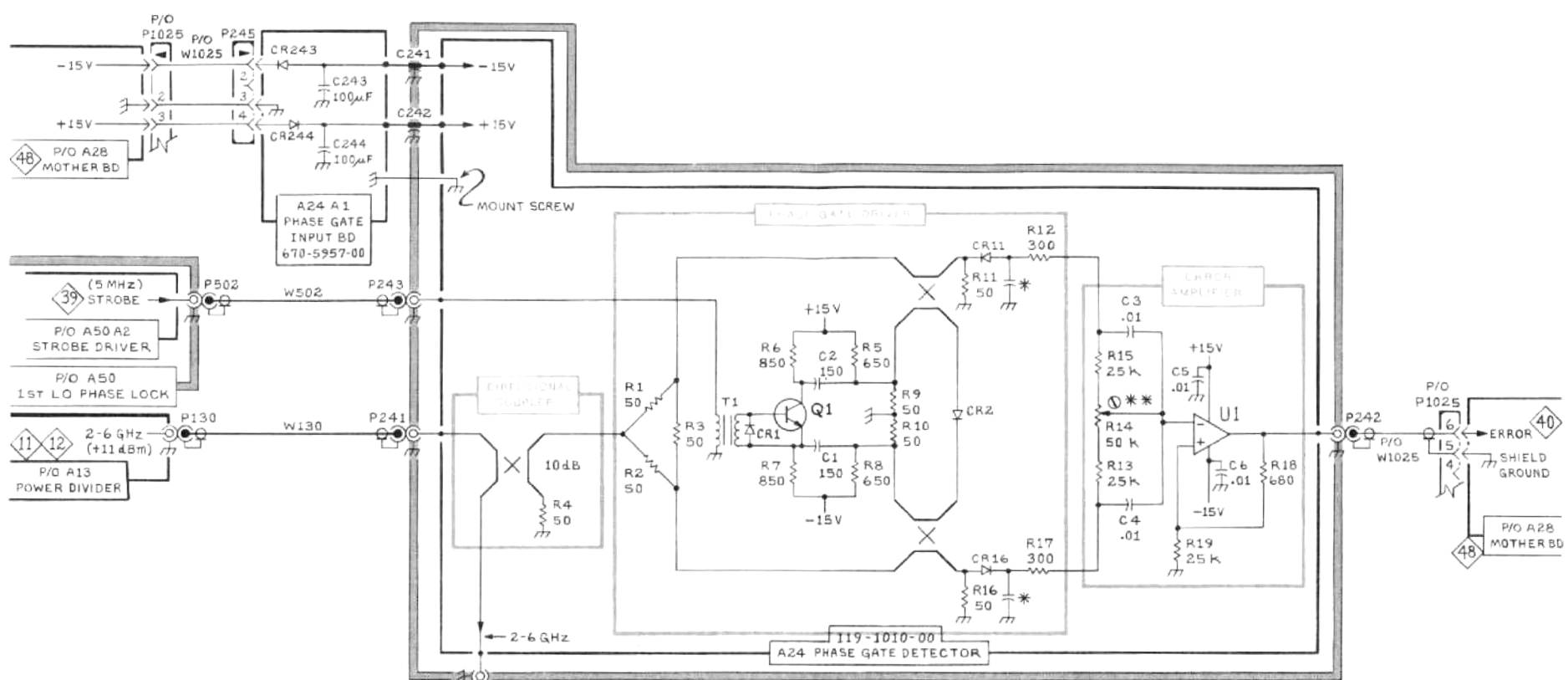
A48 CENTER FREQUENCY CONTROL  
4417-234



4417-335

PHASE GATE

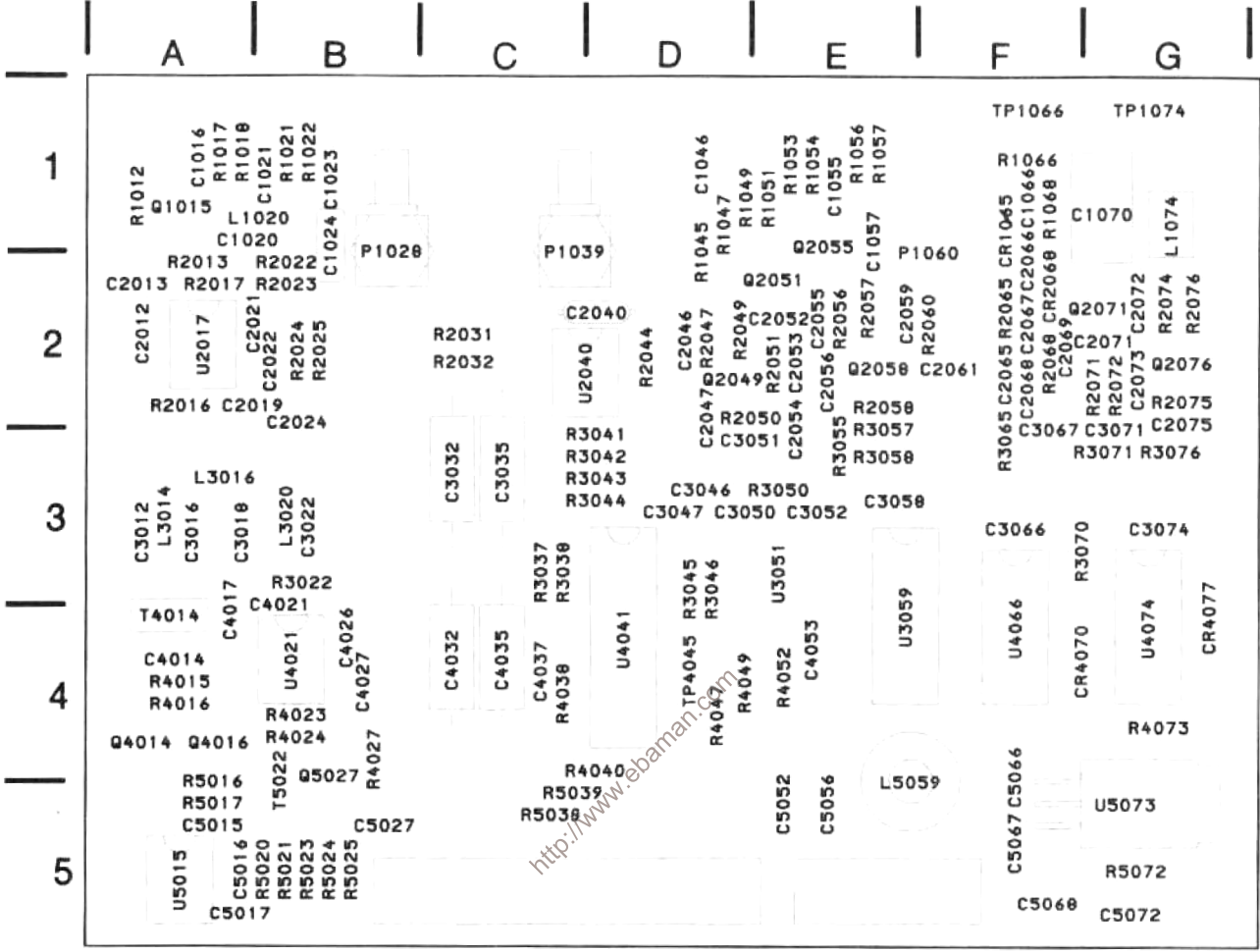
HARMONIC MIXER



NOTE: \* = PRINTED ELEMENT  
\*\* = FACTORY ADJUSTED

⊗ Static Sensitive Devices  
See Maintenance Section

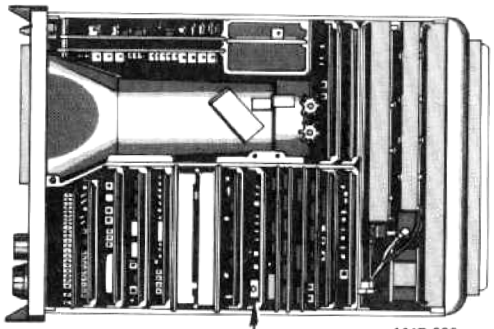




670-7398-00

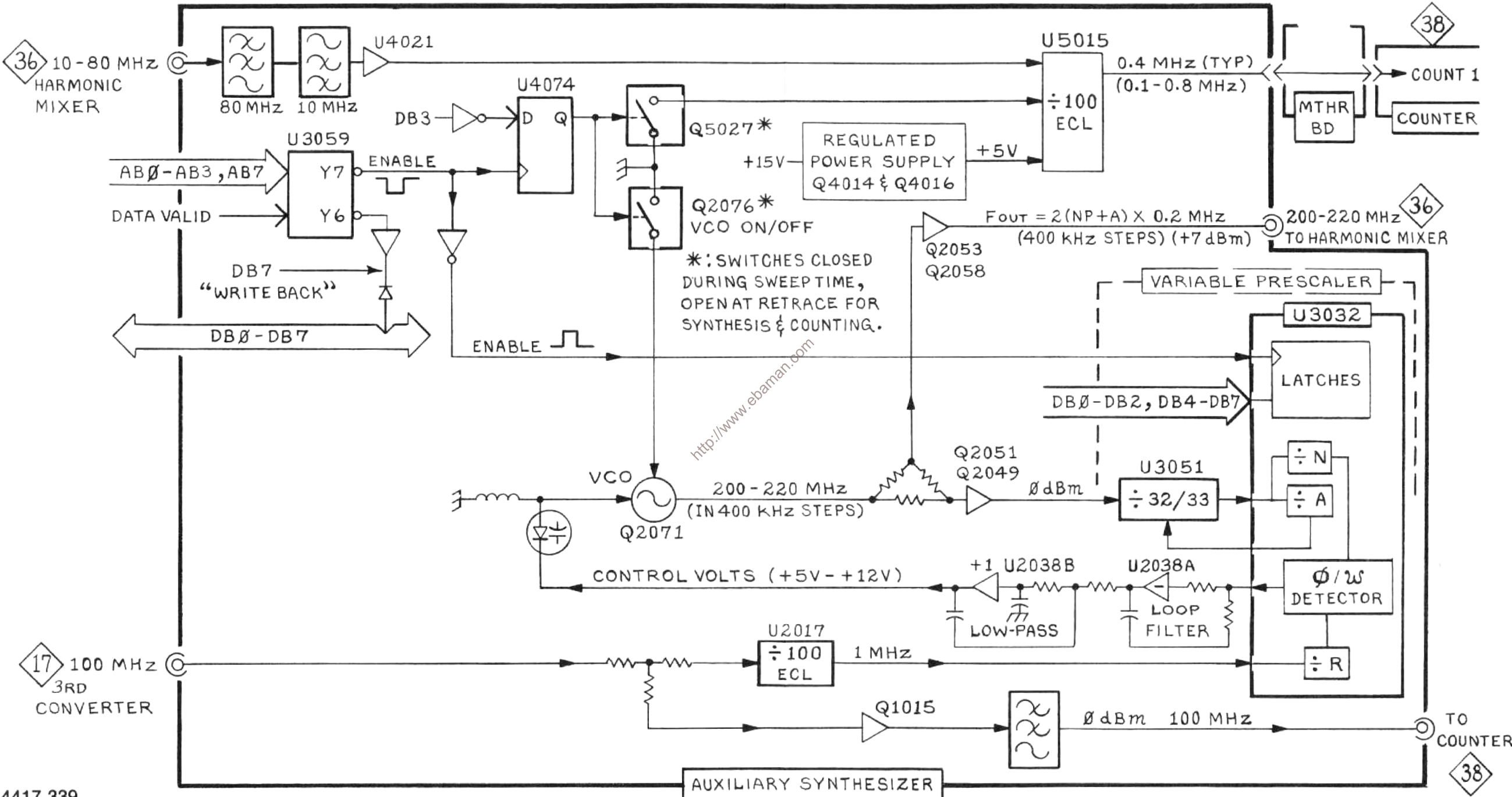
Fig. 10-38. A26—Auxiliary Synthesizer circuit board.

4417-337



4417-338

AUXILIARY SYNTHESIZER



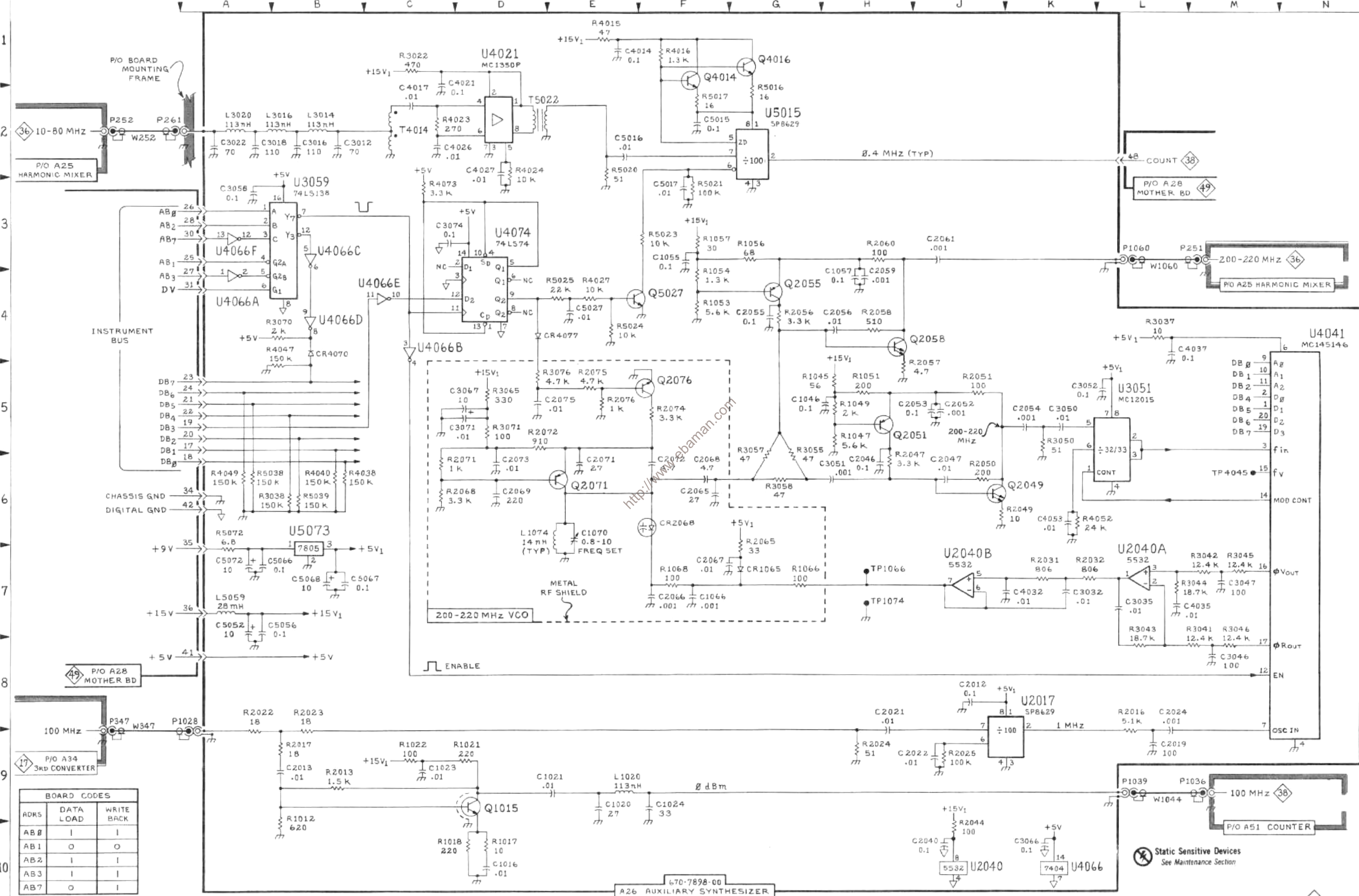
\*: SWITCHES CLOSED DURING SWEEP TIME, OPEN AT RETRACE FOR SYNTHESIS & COUNTING.

<http://www.ebaman.com>

## ASSEMBLY A26

CIRCUIT NUMBER	SCHEM LOCATION	BOARD LOCATION	CIRCUIT NUMBER	SCHEM LOCATION	BOARD LOCATION	CIRCUIT NUMBER	SCHEM LOCATION	BOARD LOCATION	CIRCUIT NUMBER	SCHEM LOCATION	BOARD LOCATION
C1016	D10	A1	C4014	E1	A4	R1021	D9	B1	R3070	B4	G3
C1020	E9	A1	C4017	C2	A3	R1022	C9	B1	R3071	D5	G3
C1021	E9	B1	C4021	D1	B3	R1045	H5	D1	R3076	E5	G3
C1023	C9	B1	C4026	C2	B4	R1047	H5	D1	R4015	E1	A4
C1024	F9	B1	C4027	D2	B4	R1049	H5	D1	R4016	F1	A4
C1046	G5	D1	C4032	K7	C4	R1051	H5	E1	R4023	C2	B4
C1055	F3	E1	C4035	M7	C4	R1053	F4	E1	R4024	D2	B4
C1057	H3	E2	C4037	L4	C4	R1054	F3	E1	R4027	E4	B4
C1066	F7	F1	C4053	K6	E4	R1056	G3	E1	R4038	B6	C4
C1070	E6	G1	C5015	F2	A5	R1057	F3	E1	R4040	B6	D4
C2012	J8	A2	C5016	E2	B5	R1066	G7	F1	R4047	B4	D4
C2013	B9	A2	C5017	F3	A5	R1068	F7	F1	R4049	A6	E4
C2019	L8	A2	C5027	E4	B5	R2013	B9	A2	R4052	L6	E4
C2021	H8	B2	C5052	A7	E5	R2016	L8	A2	R4073	C3	G4
C2022	J9	B2	C5056	A7	E5	R2017	B9	A2	R5016	G2	A4
C2024	L8	B2	C5066	A7	F5	R2022	A8	B2	R5017	F2	A5
C2040	J10	D2	C5067	B7	F5	R2023	B8	B2	R5020	E2	B5
C2046	H6	D2	C5068	B7	F5	R2024	H9	B2	R5021	F3	B5
C2047	J6	D2	C5072	A7	G5	R2025	J9	B2	R5023	F3	B5
C2052	J5	E2				R2031	K7	C2	R5024	E4	B5
C2053	J5	E2	CR1065	G7	F1	R2032	L7	C2	R5025	E4	B5
C2054	K5	E3	CR2068	F6	F2	R2044	J10	D2	R5038	A6	C5
C2055	G4	E2	CR4070	B4	A4	R2047	D2	H6	R5039	B6	C5
C2056	H4	E2	CR4077	E4	G4	R2049	K6	D2	R5072	A6	G5
C2059	H3	E2				R2050	J6	E2			
C2061	J3	F2	L1020	E9	A1	R2051	J5	E2			
C2065	F6	F2	L1074	E6	G1	R2056	G4	E2	T4014	C2	A4
C2066	F7	F2	L3014	B2	A3	R2057	J4	E2	T5022	D2	B4
C2067	F7	F2	L3016	B2	A3	R2058	H4	E2			
C2068	F6	F2	L3020	A2	B3	R2060	H3	F2	TP1066	H7	F1
C2069	D6	F2	L5059	A7	E5	R2065	G6	F2	TP1074	H7	G1
C2071	E6	G2				R2068	D6	F2	TP4045	M6	D4
C2072	F6	G2				R2071	D6	G2			
C2073	D6	G2	P1028	A9	B1	R2072	E5	G2	U2017	K8	A2
C2075	E5	G3	P1039	L9	C2	R2074	F5	G2	U2040A	L7	D2
C3012	B2	A3	P1060	L3	E2	R2075	E5	G2	U2040B	J7	D2
C3016	B2	A3				R2076	E5	G2	U3051	L5	E3
C3018	A2	A3	Q1015	D9	A1	R3022	C1	B3	U3059	B3	E4
C3022	A2	B3	Q2049	K6	D2	R3037	L4	C3	U4021	D1	B4
C3032	K7	C3	Q2051	J5	E2	R3038	B6	C3	U4041	N4	D4
C3035	L7	C3	Q2055	G4	E2	R3041	M7	D2	U4066A	A4	F4
C3046	M8	D2	Q2058	J4	E2	R3042	M7	D2	U4066B	C4	F4
C3047	M7	D2	Q2071	E6	G2	R3043	L7	D2	U4066C	B3	F4
C3050	K5	E3	Q2076	F5	G2	R3044	M7	D2	U4066D	B4	F4
C3051	H6	E3	Q4014	F1	A4	R3045	M7	D2	U4066E	C4	F4
C3052	L5	E3	Q4016	G1	A4	R3046	M7	D2	U4066F	A3	F4
C3058	A3	E3	Q5027	F4	B4	R3050	K5	E3	U4074	D3	G4
C3066	K10	F3				R3055	G5	E3	U5015	G2	A5
C3067	D5	F3	R1012	B10	A1	R3057	G5	E3	U5073	B6	G5
C3071	D5	G3	R1017	D10	A1	R3058	G6	E3			
C3074	C3	G3	R1018	D10	A1	R3085	D5	F3			





P/O A25 HARMONIC MIXER

P/O A28 MOTHER BD

P/O A25 HARMONIC MIXER

P/O A34 3RD CONVERTER

P/O A51 COUNTER

BOARD CODES		
ADRS	DATA LOAD	WRITE BACK
AB8	I	I
AB1	O	O
AB2	I	I
AB3	I	I
AB7	O	I

494/494P

670-7898-00  
A26 AUXILIARY SYNTHESIZER  
4417-238 REV OCT 1984

AUXILIARY SYNTHESIZER

Static Sensitive Devices  
See Maintenance Section

37

A

B

C

D

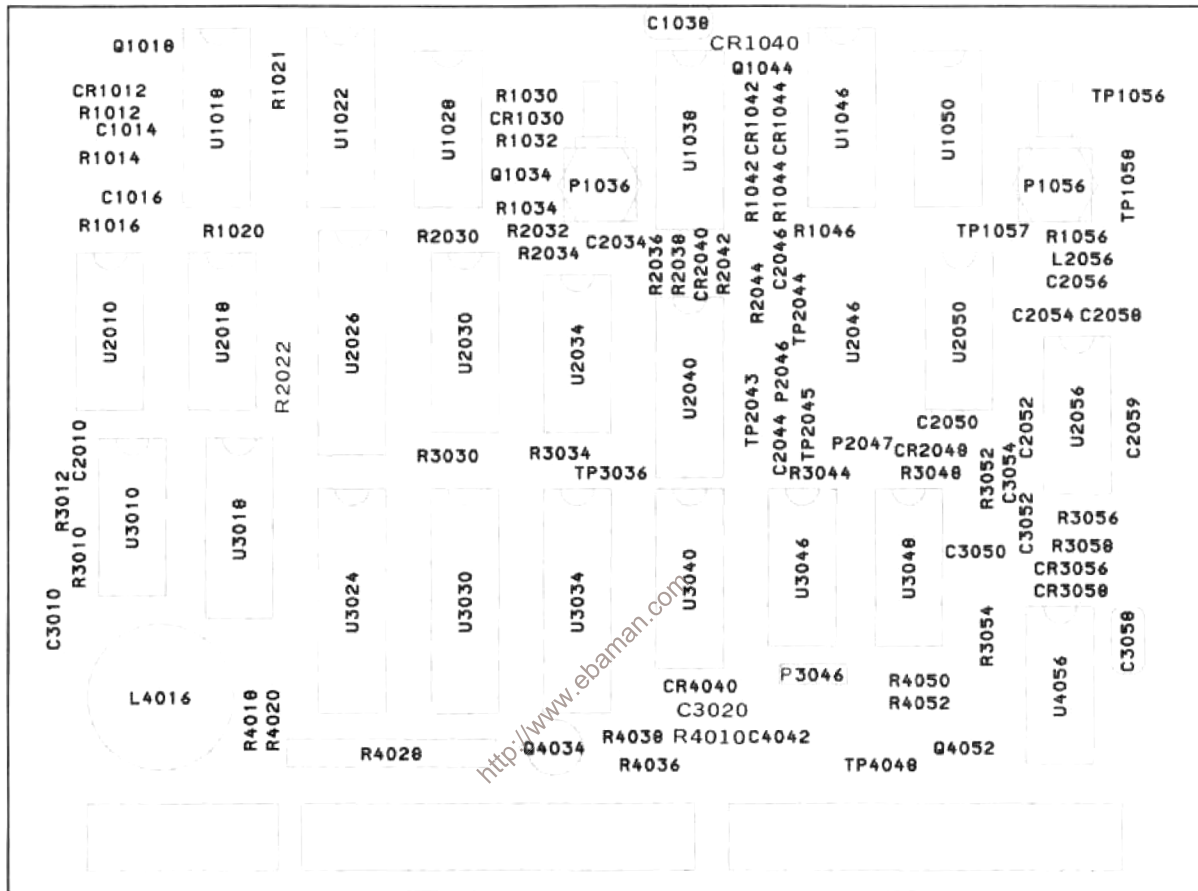
E

1

2

3

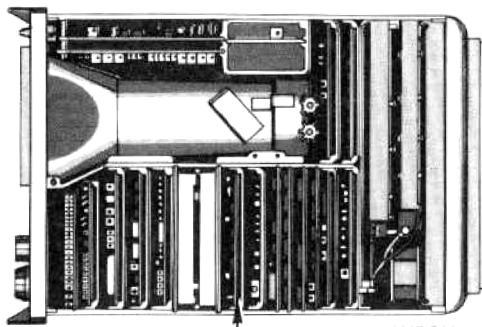
4



670-7899-00

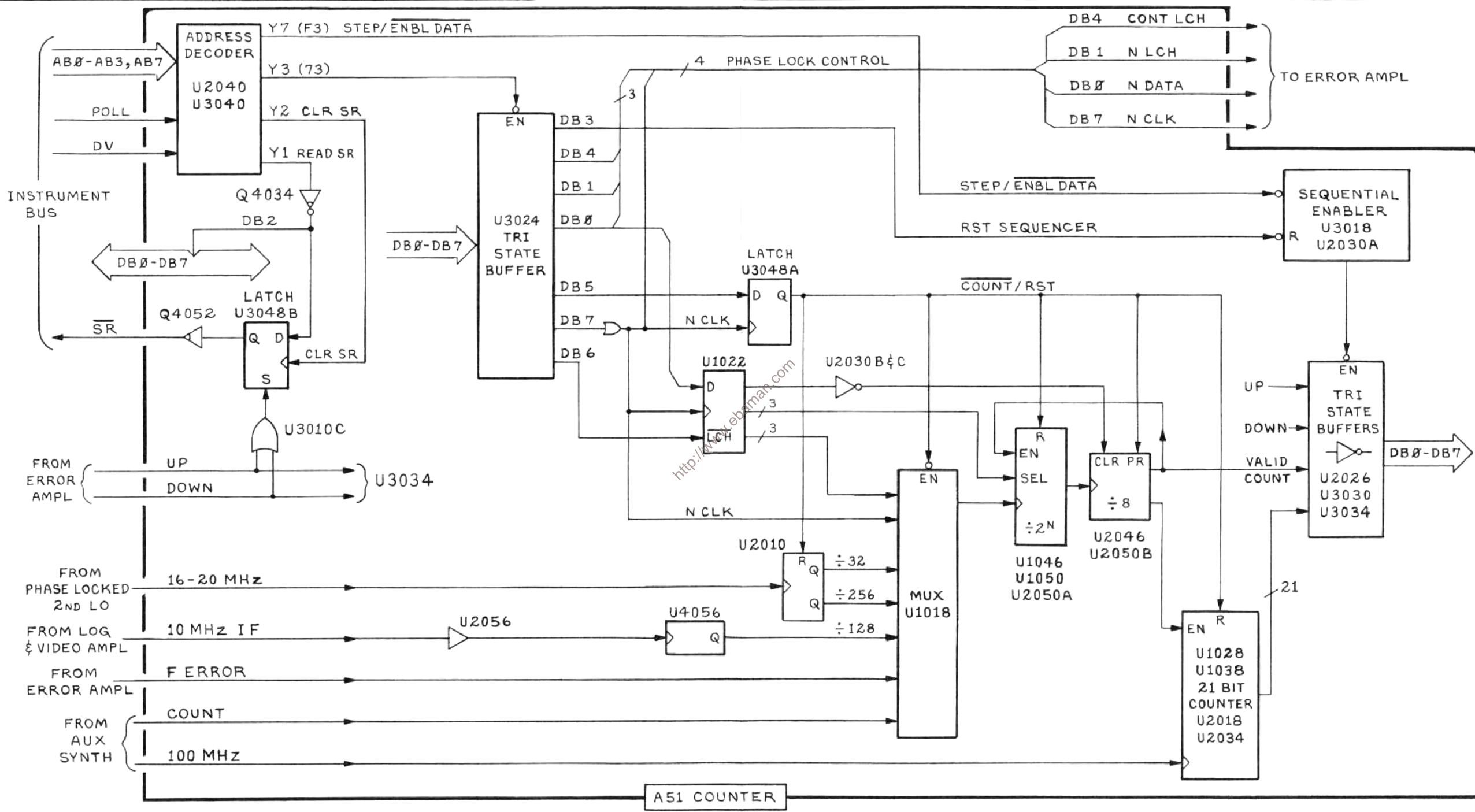
Fig. 10-39. A51—Counter circuit board.

4417-340



4417-341

COUNTER





## ASSEMBLY A51

CIRCUIT NUMBER	SCHEM LOCATION	BOARD LOCATION	CIRCUIT NUMBER	SCHEM LOCATION	BOARD LOCATION	CIRCUIT NUMBER	SCHEM LOCATION	BOARD LOCATION
C1014	A4	A1	* R2022	E4	B2	TP4048	A2	D4
C1016	A3	A1	R1012	A3	A1			
C1038	B4	C1	R1014	A4	A1	U1018	C3	A1
C2010	C1	A2	R1016	B3	A1	U1022	C1	B1
C2034	C4	C2	R1020	C1	A1	U1028A	F3	B1
C2044	B4	D3	R1021	C2	B1	U1028B	F3	B1
C2046	E3	D2	R1030	D4	C1	U1038	D4	C1
C2050	B3	D2	R1032	E4	C1	U1046	E2	D1
C2052	B3	E2	R1034	E4	D1	U1050A	D2	D1
C2054	B3	E2	R1040	E4	D1	U1050B	D2	D1
C2056	B3	E2	R1042	D4	D1	U2010A	C3	A2
C2058	B3	E2	R1044	E4	D1	U2010B	C3	A2
C2059	B3	E2	R1046	E2	D1	U2018	E3	A2
C3010	B4	A3	R1056	A3	E1	U2026	F3	B2
C3050	B4	E3	R2030	F1	B2	U2030A	F1	B2
C3062	B3	E3	R2032	D3	C1	U2030B	E2	B2
C3054	B3	E3	R2034	D4	C2	U2030C	E2	B2
C3058	B4	E3	R2036	C4	C2	U2034A	F2	C2
C4042	B4	D4	R2038	C4	C2	U2034B	F2	C2
* C3020	E4	C4	R2042	D3	C2	U2040	A1	C2
CR1012	B4	A1	R2044	E3	D2	U2046A	E2	D2
CR1030	D4	C1	R3010	B1	A3	U2046B	E3	D2
CR1042	D4	D1	R3012	B1	A3	U2050A	D3	D2
CR1044	E4	D1	R3030	F1	B3	U2050B	E2	D2
CR2040	E4	C2	R3034	F1	C3	U2056	B3	E2
CR2048	B3	D2	R3044	B3	D3	U3010A	C1	A3
CR3056	B3	E3	R3048	B3	D3	U3010B	B1	A3
CR3058	B3	E3	R3052	B3	E3	U3010C	A3	A3
CR4040	B2	C4	R3054	B4	E3	U3010D	E3	A3
* CR1040	E4	D1	R3056	B3	E3	U3018	E1	A3
L2056	B3	E2	R3058	B3	E3	U3024	A1	B3
L4016	A4	A4	R4018	A2	A4	U3030	F3	B3
			R4020	A2	B4	U3034	A2	C3
P1036	A4	C1	R4028	B1	B4	U3034	F2	C3
P1056	A3	E1	R4036	B2	C4	U3040	B2	C3
P2046	E3	D2	R4038	B2	C4	U3046A	E3	D3
P2047	B3	D2	R4050	B2	D4	U3046B	D1	D3
P3046	E1	C1	R4052	A2	D4	U3046C	A3	D3
			* R4010	E4	C4	U3046E	E1	D3
Q1018	B4	A1	TP1056	A4	E1	U3046F	E3	D3
Q1034	E4	C1	TP1057	D3	E1	U3048A	D1	D3
Q1044	E3	D1	TP1058	A4	E1	U3048B	B2	D3
Q4034	B2	C4	TP2043	D2	E2	U4056A	C3	E4
Q4052	A2	E4	TP2044	E3	D2	U4056B	C3	E4
			TP2045	B3	D2			
			TP3036	F2	C3			

\*See Parts List for serial number ranges.



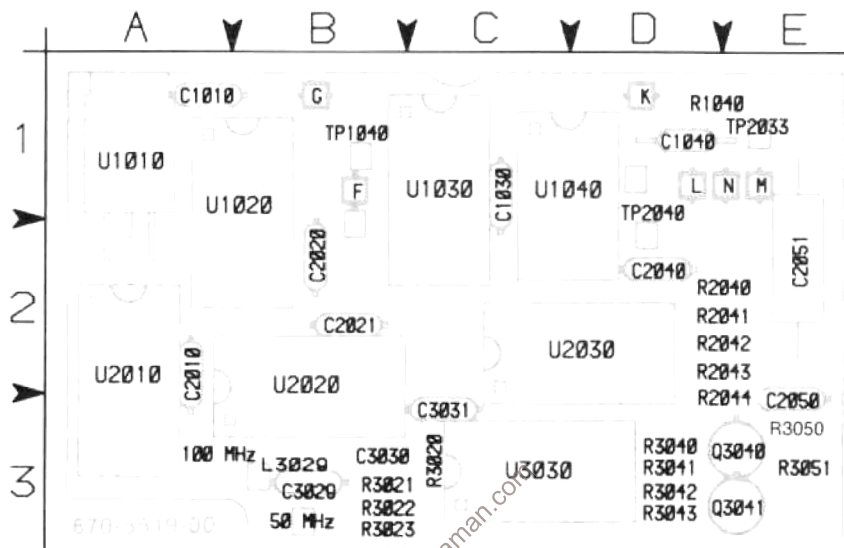
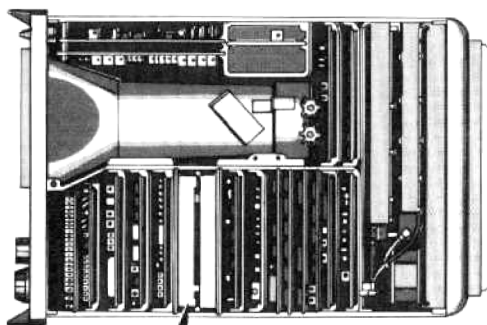


Fig. 10-40. A50A1—Synthesizer circuit board.

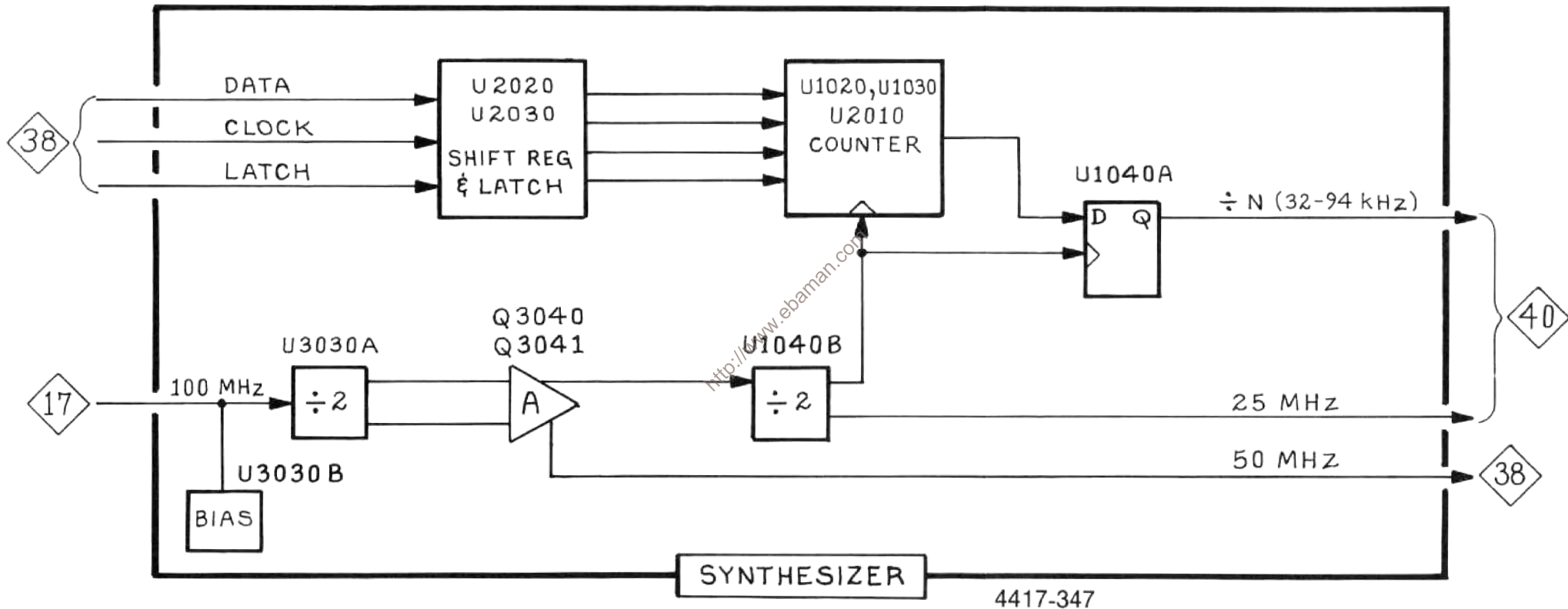
4417-343



4417-345

SYNTHESIZER





## ASSEMBLY A50A1

CIRCUIT NUMBER	SCHEM LOCATION	BOARD LOCATION	CIRCUIT NUMBER	SCHEM LOCATION	BOARD LOCATION
C1010	A1	A1	R3022	B3	B3
C1030	A2	C1	R3023	A3	B3
C1040	D2	D1	R3040	B3	D3
C2010	A1	A2	R3041	B3	D3
C2020	A2	B1	R3042	B3	D3
C2021	B1	B2	R3043	B3	D3
C2040	A2	D2	R3050	B3	E3
C2050	B3	E3	R3051	B3	E3
C2051	B1	E2			
C3029	A3	B3	TP1040	D2	B1
C3030	A3	B3	TP2033	C3	E1
C3031	B3	C2	TP2040	D2	D1
L3029	A3	B3	U1010	B1	A1
Q3040	B3	E3	U1020	B2	B1
Q3041	B3	E3	U1030	B2	C1
R1040	C2	E1	U1040A	D2	D1
R2040	B3	E2	U1040B	C3	D1
R2041	A1	E2	U1040	B2	D1
R2042	A1	E2	U2010	B2	A2
R2043	B2	E2	U2010	C1	A2
R2044	B3	E2	U2020	C1	B2
R3020	B3	C3	U2030	C2	D2
R3021	B3	B3	U3030A	B3	D3
			U3030B	B3	D3

A

B

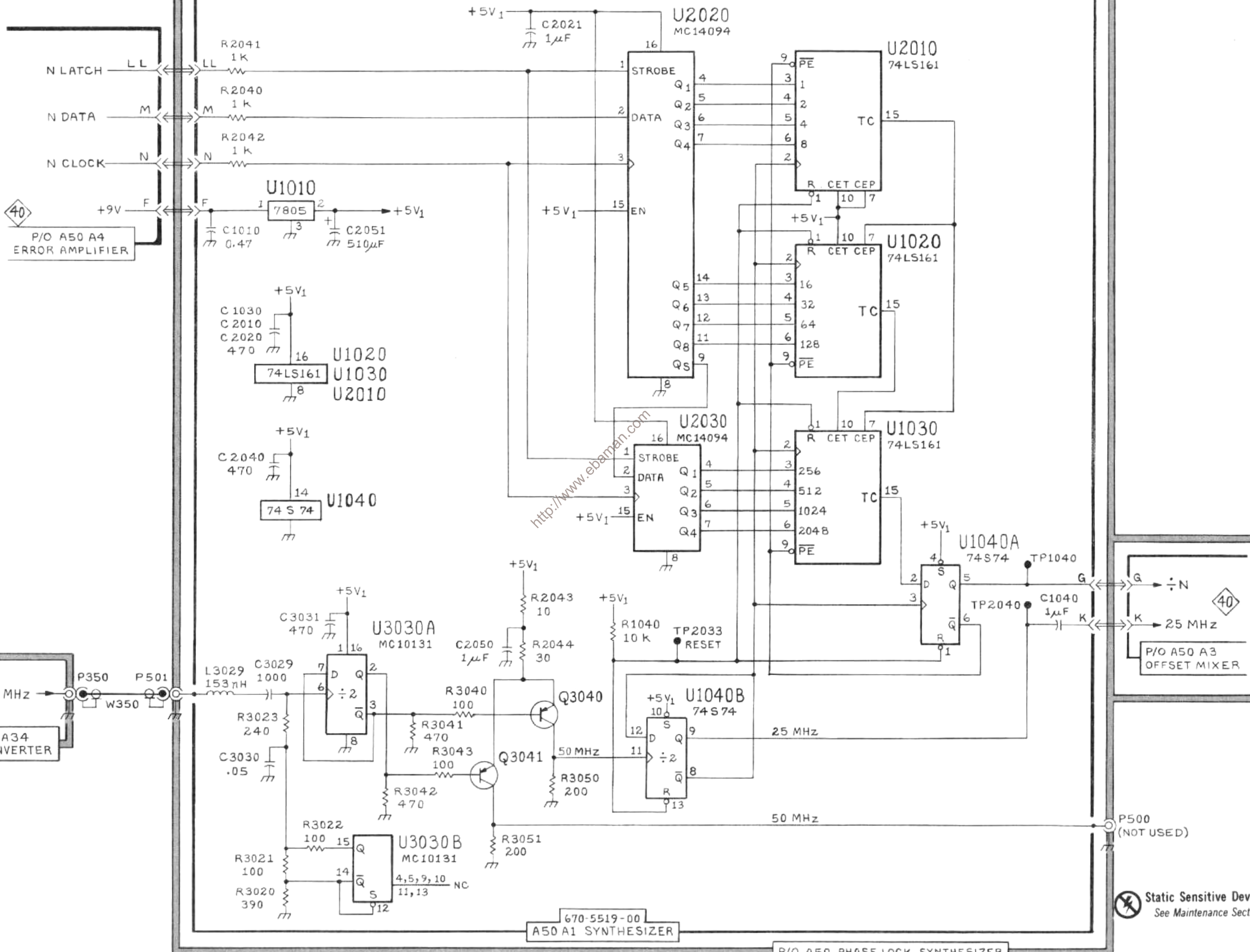
C

D

1

2

3



Static Sensitive Devices See Maintenance Section

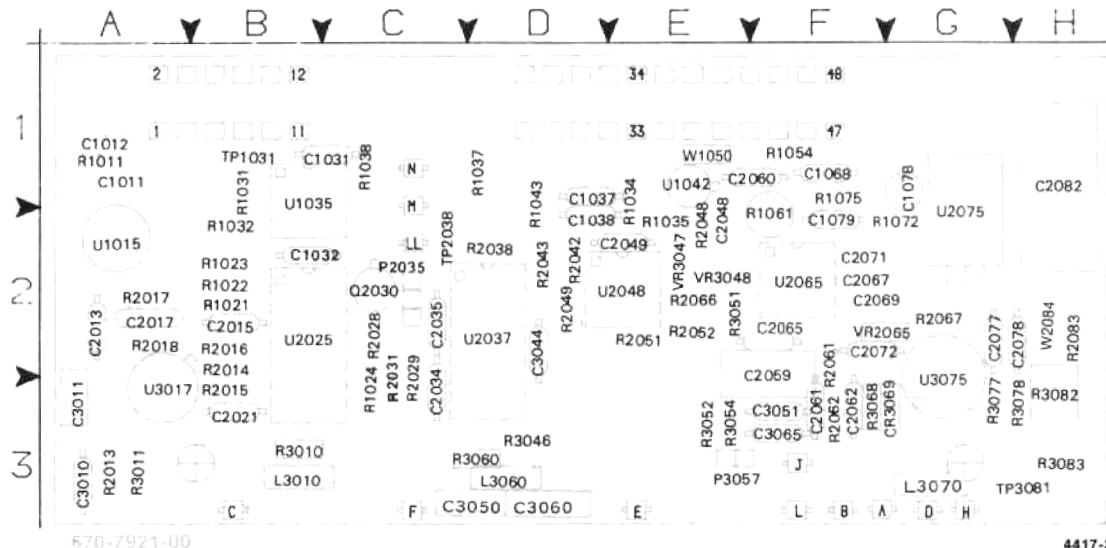


Fig. 10-41. A50A4—Error Amplifier circuit board.

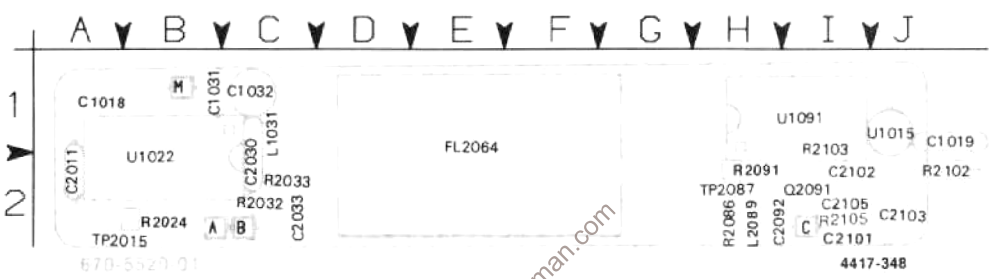


Fig. 10-42. A50A2—Strobe Driver circuit board.

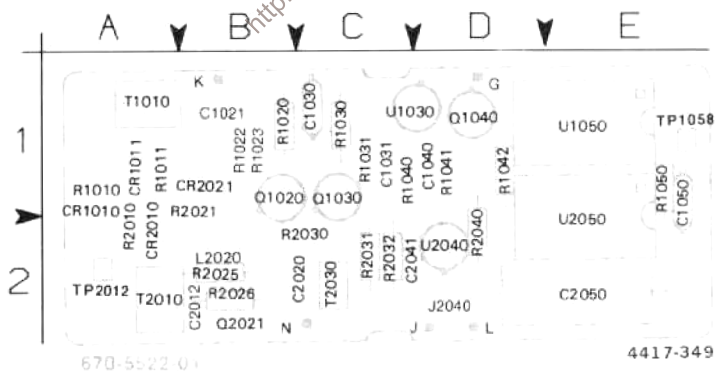


Fig. 10-43. A50A3—Offset Mixer circuit board.

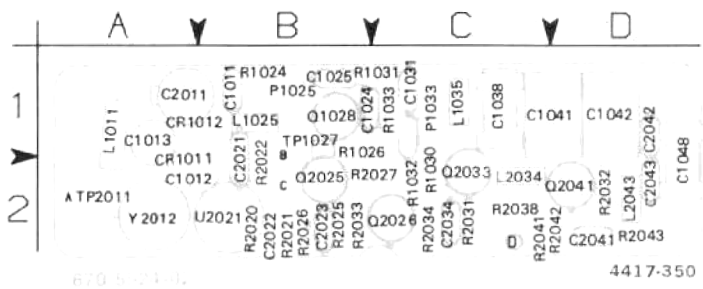
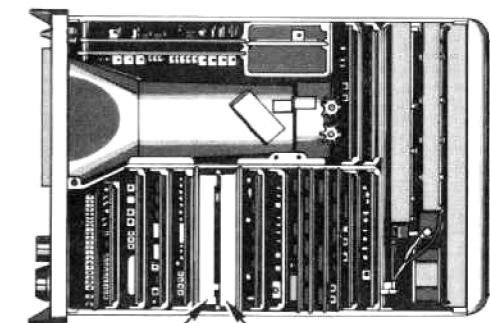


Fig. 10-44. A50A5—Controlled Oscillator circuit board.



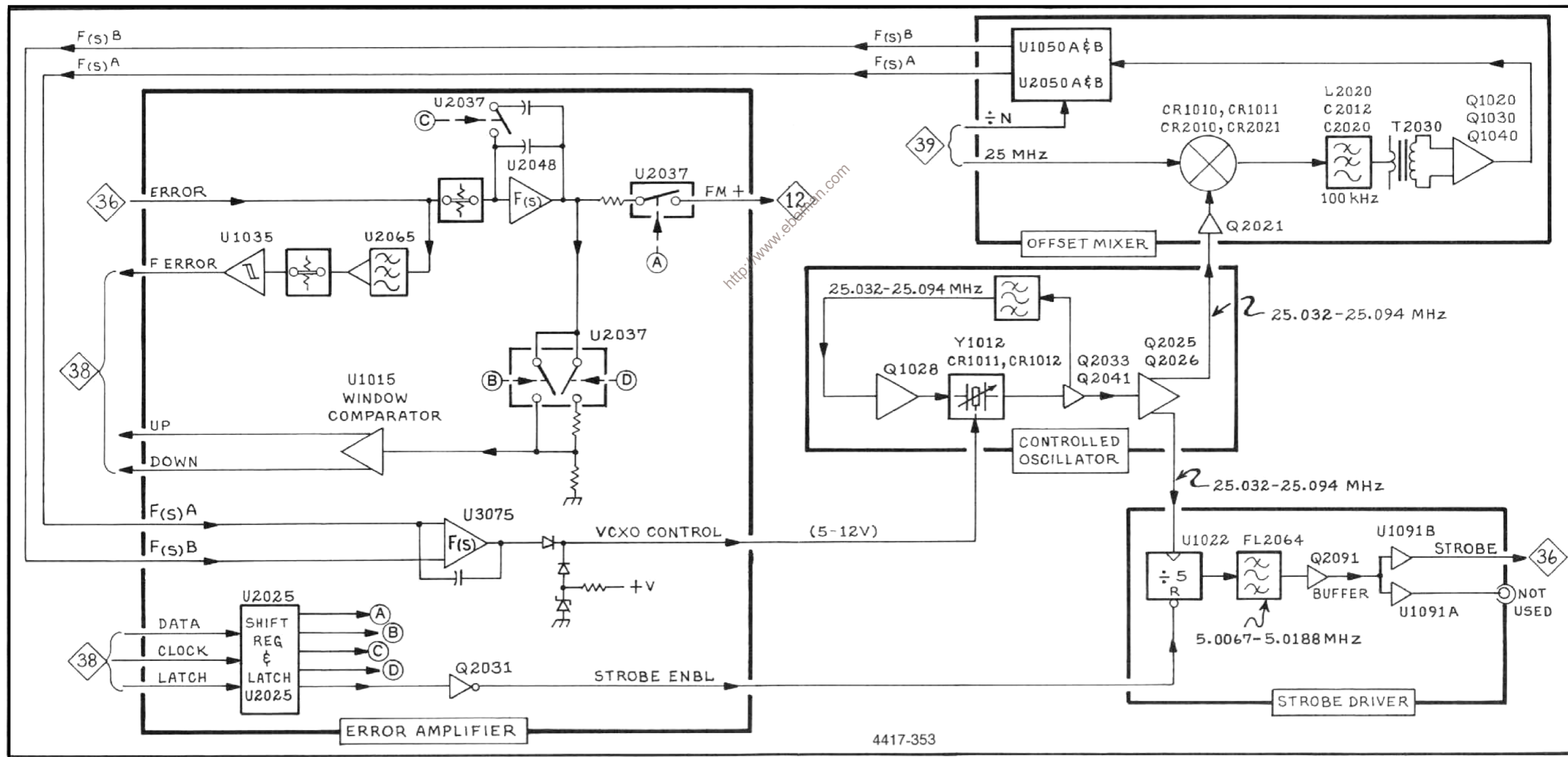
ASSEMBLY A50A5

CIRCUIT NUMBER	SCHEM LOCATION	BOARD LOCATION	CIRCUIT NUMBER	SCHEM LOCATION	BOARD LOCATION	CIRCUIT NUMBER	SCHEM LOCATION	BOARD LOCATION	CIRCUIT NUMBER	SCHEM LOCATION	BOARD LOCATION
C1011	D2	B1	CR1011	D2	B2	R1022	D2	B1	R2041	D1	C2
C1012	D2	B2	CR1012	D2	A1	R1024	D2	B1	R2042	D1	D2
C1013	D2	A1				R1026	D1	B1	R2043	C1	D2
C1024	E1	B1	L1011	D2	A1	R1030	D1	C2			
C1025	D2	B1	L1025	D2	B1	R1031	D2	C1	TP1027	D2	B1
C1031	D1	C1	L1035	C1	C1	R1032	D1	C2	TP2011	E2	A2
C1038	C1	C1	L2034	D1	C2	R1033	D2	C1			
C1041	C1	C1	L2043	C1	D2	R2020	D2	B2	U2021	C2	B2
C1042	C1	D1				R2021	E1	B2			
C1048	C1	D2	P1025	E2	B1	R2022	D2	B2	Y2012	D2	A2
C2011	D2	A1	P1033	D1	C1	R2025	E1	B2			
C2021	C2	B2				R2026	E1	B2			
C2022	D2	B1	Q1028	D2	B1	R2027	D1	C2			
C2023	E1	B2	Q2025	E1	B2	R2031	D1	B2			
C2034	E1	C2	Q2026	C1	C2	R2032	D1	D2			
C2041	D1	D2	Q2033	D1	C2	R2033	D1	B2			
C2042	D1	D1	Q2041	D1	D2	R2034	E1	C2			
C2043	D1	D2				R2038	D1	C2			



4417-351

STROBE DRIVER & ERROR AMPLIFIER  
 OFFSET MIXER & CONTROLLED OSC



# CONTROLLED OSCILLATOR, OFFSET MIXER, STROBE DRIVER, & ERROR AMPLIFIER

DIAGRAM 40

## ASSEMBLY A50A2

CIRCUIT NUMBER	SCHEM LOCATION	BOARD LOCATION	CIRCUIT NUMBER	SCHEM LOCATION	BOARD LOCATION	CIRCUIT NUMBER	SCHEM LOCATION	BOARD LOCATION	CIRCUIT NUMBER	SCHEM LOCATION	BOARD LOCATION
C1018	E3	A1	C2107	E4	I2	Q2091	F3	I2	TP2015	E3	A2
C1019	F3	J1	C2102	E4	I1	R2024	E3	H2	TP2087	F3	H2
C1031	E3	B1	C2103	E3	I2	R2032	E3	C2			
C1032	E3	C1	C2105	F3	I2	R2033	E3	C2			
C2011	E4	A2				R2086	E4	H2	U1015	E4	J1
C2030	E3	C2	FL2064	E3	E1	R2091	F3	H2	U1022	E3	B2
C2033	E4	C2				R2102	F3	J2	U1091A	F3	H1
C2092	E4	H2	L1031	E4	C1	R2103	E3	I1	U1091B	F3	I1
			L2089	E4	H2	R2105	E4	J2	U1091	F4	H1

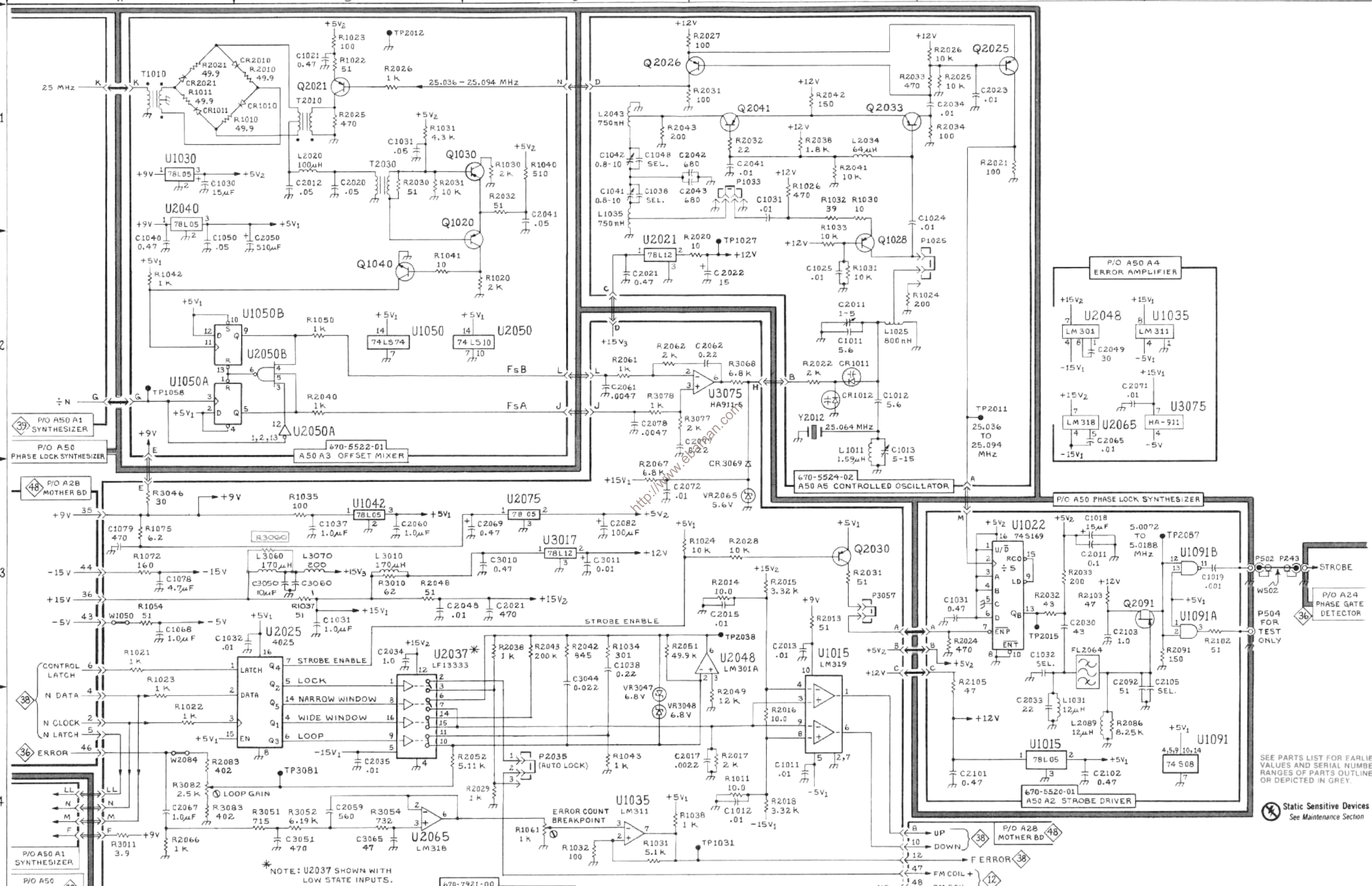
## ASSEMBLY A50A3

CIRCUIT NUMBER	SCHEM LOCATION	BOARD LOCATION	CIRCUIT NUMBER	SCHEM LOCATION	BOARD LOCATION	CIRCUIT NUMBER	SCHEM LOCATION	BOARD LOCATION	CIRCUIT NUMBER	SCHEM LOCATION	BOARD LOCATION
C1021	B1	B1	L2020	B1	B2	R1031	B1	C1	T1010	A1	A1
C1030	A1	C1				R1040	C1	C1	T2010	B1	A2
C1031	B1	C1	Q1020	C2	B1	R1041	B2	D1	T2030	B1	C2
C1040	A2	D1	Q1030	C1	C1	R1042	A2	D1	TP1058	A2	E1
C1050	A2	E1	Q1040	B2	D1	R1050	B2	E1	TP2012	B1	A2
C2012	B1	B2	Q2021	B1	B2	R2010	B1	A2	U1030	A1	C1
C2020	B1	B2				R2021	A1	B1	U1050A	A2	E1
C2041	C1	C2	R1010	A1	A1	R2025	B1	B2	U1050B	B2	E1
C2050	B2	E2	R1011	A1	A1	R2026	B1	B2	U1050	B2	E1
CR1010	B1	A1	R1020	C2	B1	R2030	B1	B2	U2040	A1	D2
CR1011	A1	A1	R1022	B1	B2	R2031	B1	C2	U2050A	B2	E2
CR2010	B1	A2	R1023	B1	B2	R2032	C1	C2	U2050B	B2	E2
CR2021	A1	B1	R1030	C1	C1	R2040	B2	D2	U2050	C2	E2

## ASSEMBLY A50A4

CIRCUIT NUMBER	SCHEM LOCATION	BOARD LOCATION	CIRCUIT NUMBER	SCHEM LOCATION	BOARD LOCATION	CIRCUIT NUMBER	SCHEM LOCATION	BOARD LOCATION	CIRCUIT NUMBER	SCHEM LOCATION	BOARD LOCATION
C1011	D4	A1	C3051	B4	F3	R2014	D3	B2	R3078	C2	G2
C1012	D4	A1	C3060*	B3	B3	R2015	D3	B2	R3082	A4	H2
C1031	B3	C1	C3065	B4	F3	R2016	D4	B2	R3083	A4	H3
C1032	B3	B2				R2017	D4	A2			
C1037	B3	D1	CR3069	D3	F3	R2018	D4	A2	TP1031	D4	B1
C1038	C3	D2				R2028	D3	C2	TP2038	D3	C2
C1068	A3	F1	L3010	B3	B3	R2029	C4	C2	TP3081	B4	H3
C1078	A3	G1	L3060	B3	D2	R2031	D3	C2			
C1079	A3	F1	L3070*	B3	D3	R2038	C3	D2	U1015	D3	A2
C2013	D3	A2	P3057	D3	E3	R2042	C3	D2	U1035	C4	B1
C2015	D3	B2	P2035	C4	C2	R2043	C3	D2	U1035	F2	B1
C2017	D4	A2	Q2030	D3	C2	R2048	B3	E1	U1042	B3	E1
C2021	C3	B3				R2049	D4	D2	U2025	B3	B2
C2034	B3	C2	R1011	D4	A1	R2051	C3	E2	U2037	B3	D2
C2035	B4	C2	R1021	A3	B2	R2052	B4	E2	U2048	D3	E2
C2048	B3	E1	R1022	A4	B2	R2061	C2	F1	U2048	E2	E2
C2049	E2	E2	R1023	A4	B2	R2062	C2	F3	U2065	B4	F2
C2059	B4	F1	R1024	C3	C2	R2066	A4	E2	U2065	E2	F1
C2060	B3	F1	R1031	C4	B1	R2067	C3	G2	U2075	C3	G1
C2061	C2	F3	R1032	C4	B1	R2083	A4	H2	U3017	C3	A3
C2062	D2	F3	R1034	C3	E1	R3010	B3	B3	U3075	D2	G2
C2065	E3	F2	R1035	B3	E1	R3011	A4	A3	U3075	F2	G2
C2067	A4	F1	R1037	B3	D1	R3046	A3	D2			
C2069	C3	F1	R1038	C4	C1	R3051	B4	F1	VR2065	D3	F1
C2071	E2	F1	R1043	C4	D1	R3052	B4	E3	VR3047	C4	E2
C2072	C3	F1	R1054	A3	F1	R3054	B4	E3	VR3048	C4	E2
C2077	C2	G2	R1061	C4	F1	R3060	B3	D2			
C2078	C2	G2	R1072	A3	G1	R3068	D2	F3			
C2082	C3	H1	R1075	A3	F1	R3077	C2	G2	W1050	A3	E1
C3010	C3	A3	R2013	D3	A3				W2084	A4	H2
C3011	C3	A3									
C3044	C3	D2									
C3050*	B3	B3									

\*See Parts List for serial number ranges.

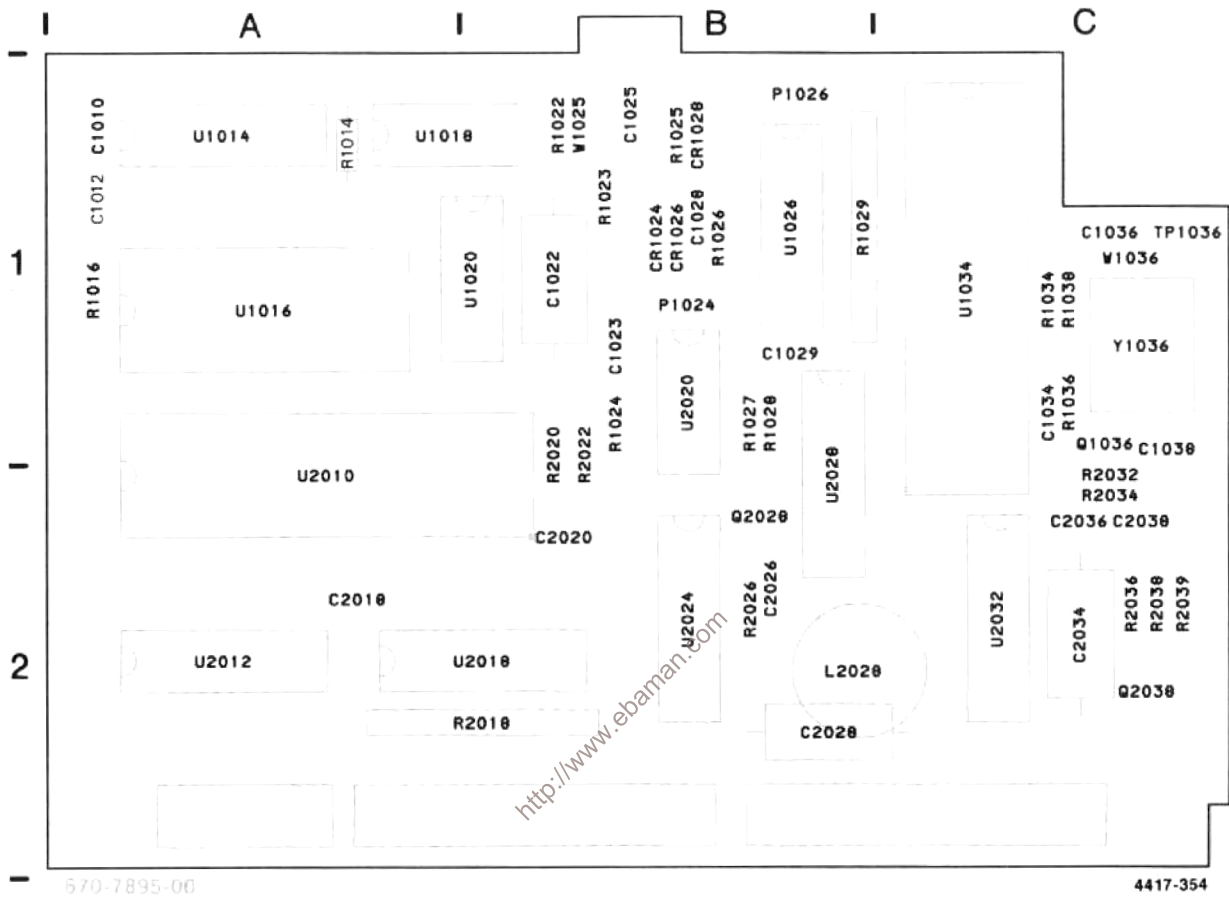


39 P/O A50 A1 SYNTHESIZER  
 48 P/O A50 PHASE LOCK SYNTHESIZER  
 48 P/O A28 MOTHER BD  
 38 CONTROL LATCH  
 N DATA  
 N CLOCK  
 N LATCH  
 36 ERROR  
 LL  
 N  
 M  
 F  
 P/O A50 A1 SYNTHESIZER  
 P/O A50 PHASE LOCK SYNTHESIZER  
 48 P/O A28 MOTHER BD  
 38 UP  
 10 DOWN  
 12 F ERROR  
 47 FM COIL +  
 48 FM COIL -  
 40

SEE PARTS LIST FOR EARLIER VALUES AND SERIAL NUMBER RANGES OF PARTS OUTLINED OR DEPICTED IN GREY.  
 Static Sensitive Devices See Maintenance Section

\*NOTE: U2037 SHOWN WITH LOW STATE INPUTS.

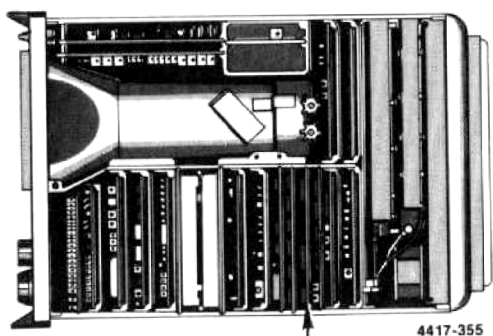




670-7895-00

4417-354

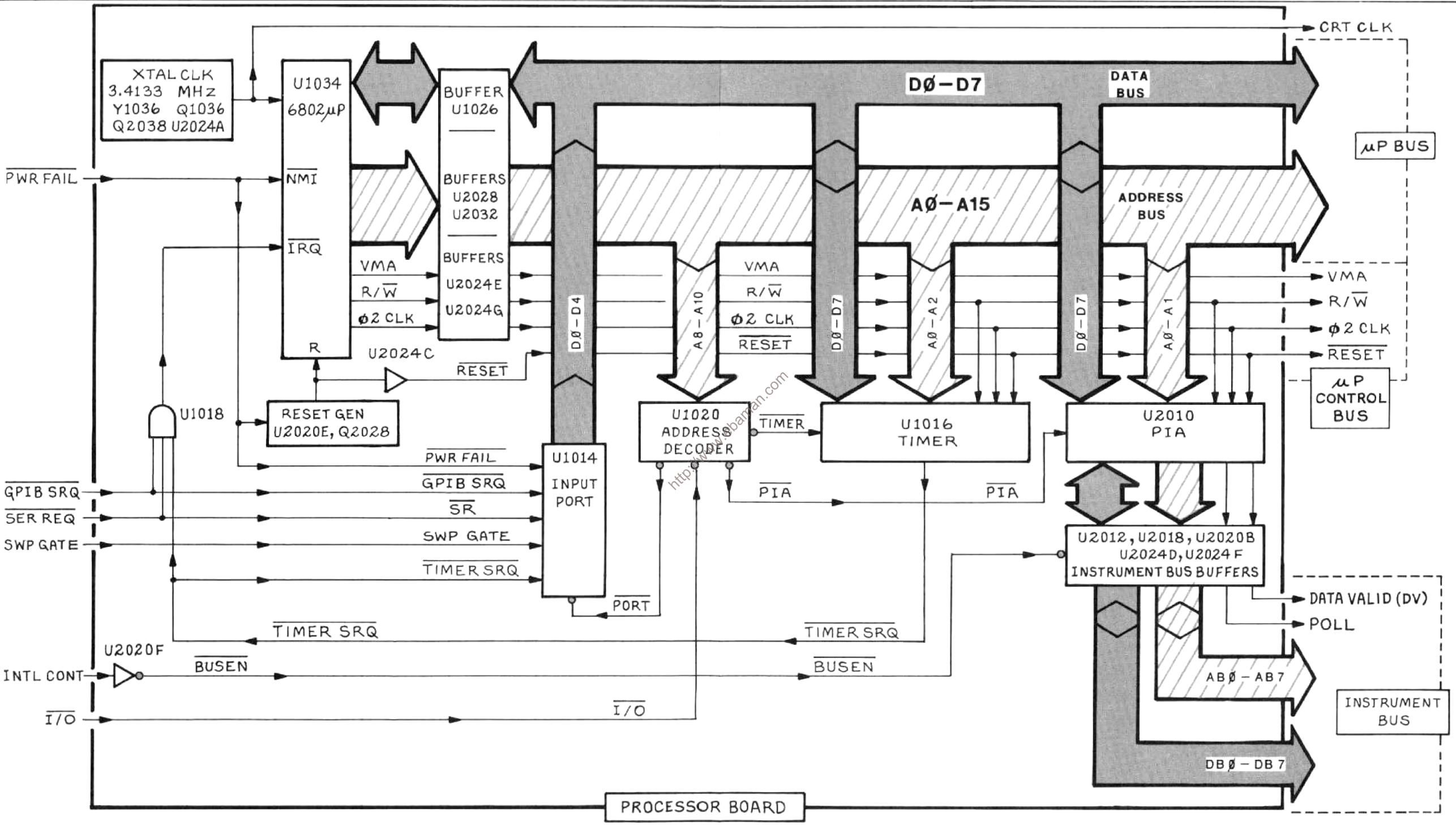
Fig. 10-45. A58—Processor circuit board.



4417-355

PROCESSOR





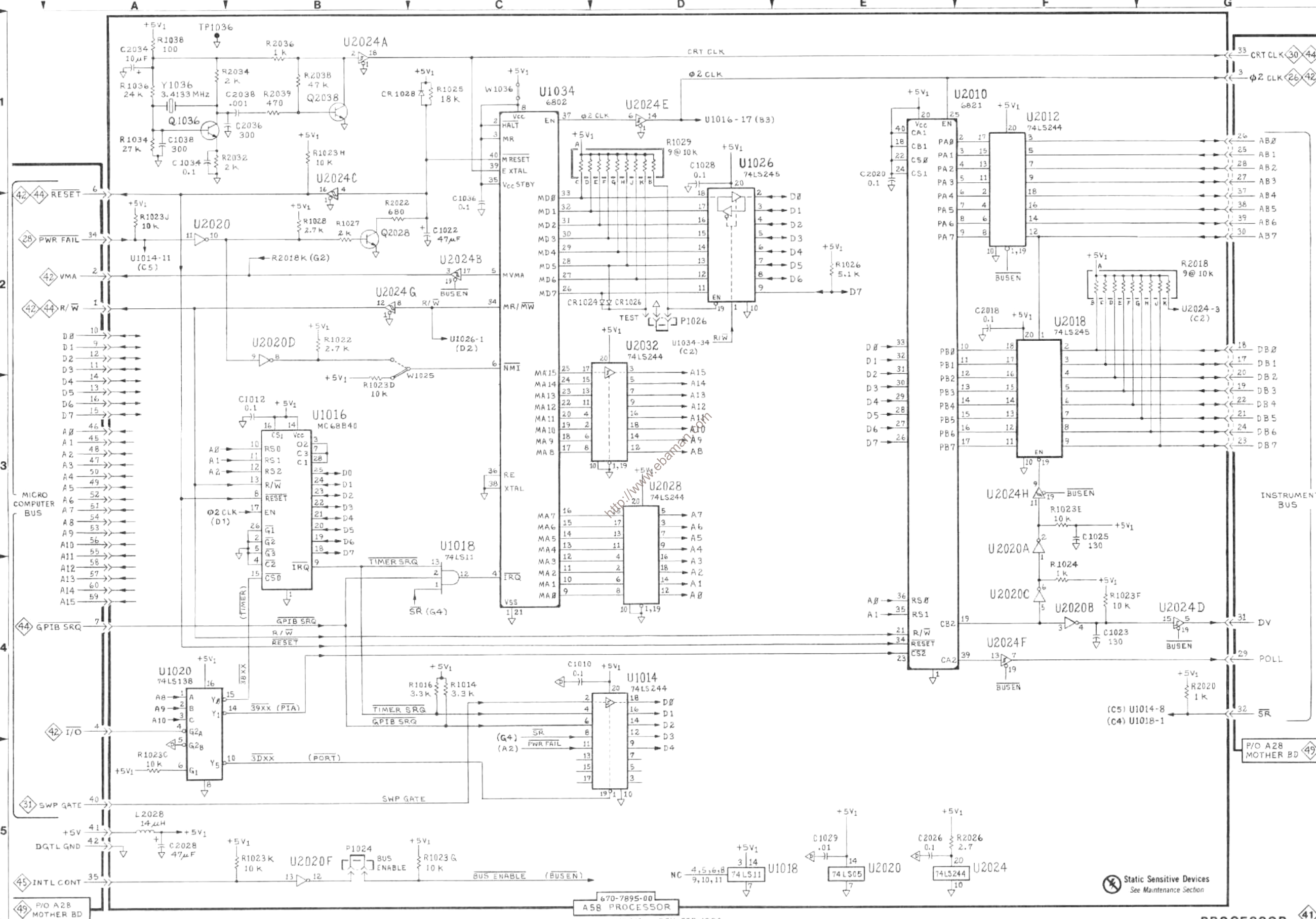
## PROCESSOR

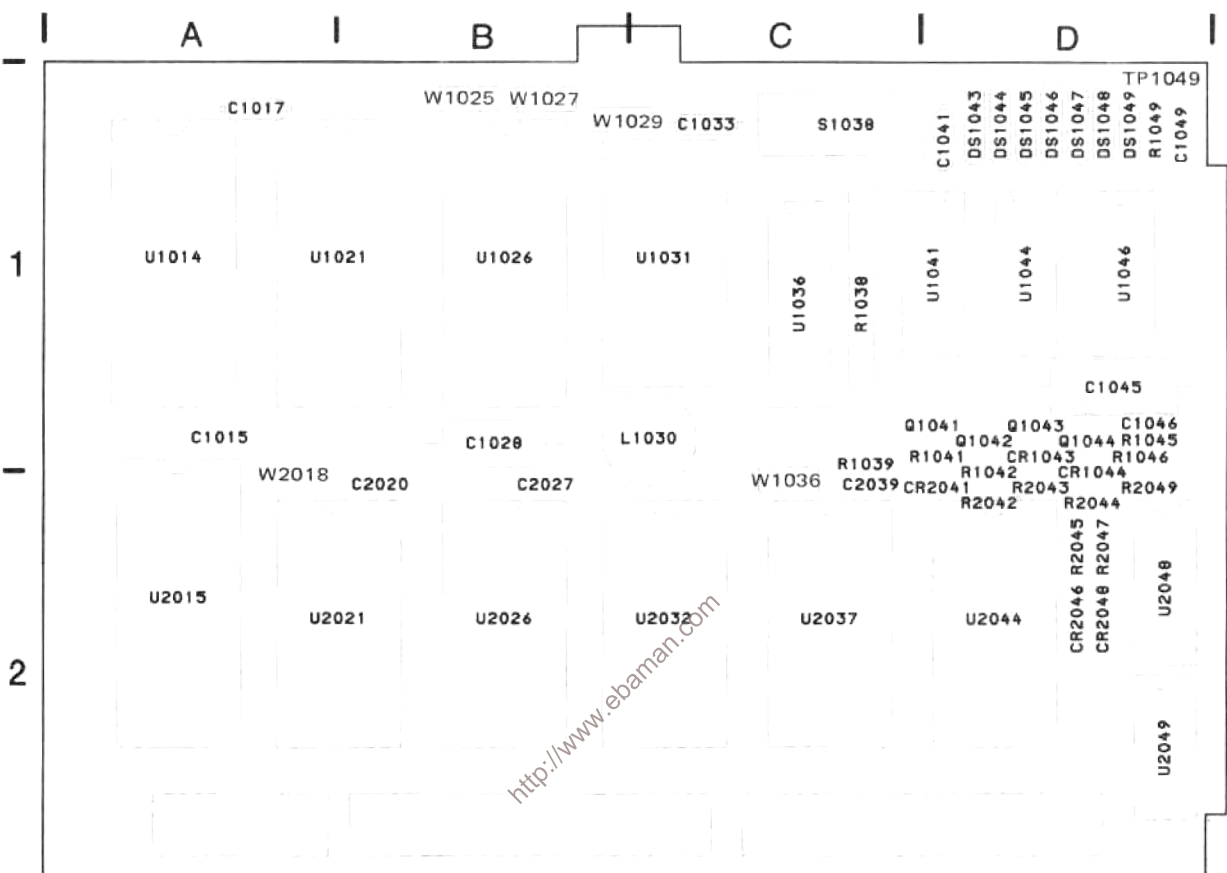
## DIAGRAM

41

## ASSEMBLY A58

CIRCUIT NUMBER	SCHEM LOCATION	BOARD LOCATION	CIRCUIT NUMBER	SCHEM LOCATION	BOARD LOCATION	CIRCUIT NUMBER	SCHEM LOCATION	BOARD LOCATION	CIRCUIT NUMBER	SCHEM LOCATION	BOARD LOCATION
C1010	C4	A1	Q1036	A1	C1	R2020	G4	B2	U2020B	F4	B1
C1012	B3	A1	Q2028	B2	B2	R2022	B2	B2	U2020C	F4	B1
C1022	C2	B1	Q2038	B1	C2	R2026	E5	B2	U2020D	B2	B1
C1023	F4	B1				R2032	A1	C2	U2020E	A2	B1
C1025	F3	B1	R1014	C4	A1	R2034	A1	C2	U2020F	B5	B1
C1028	D1	B1	R1016	C4	A1	R2036	B1	C2	U2020	E5	B1
C1029	E5	B1	R1022	B2	B1	R2038	B1	C2	U2024A	B1	B2
C1034	A1	C1	R1023C	A5	B1	R2039	B1	C2	U2024B	C2	B2
C1036	C2	C1	R1023D	B3	B1				U2024C	B2	B2
C1038	A1	C1	R1023E	F3	B1				U2024D	G4	B2
C2018	F2	A2	R1023F	F4	B1				U2024E	D1	B2
C2020	E1	B2	R1023G	C5	B1	TP1036	A1	C1	U2024F	F4	B2
C2026	E5	B2	R1023H	B1	B1				U2024G	B2	B2
C2028	A5	B2	R1023J	A2	B1	U1014	D4	A1	U2024H	F3	B2
C2034	A1	C2	R1023K	B5	B1	U1016	B3	A1	U2024	E5	B2
C2036	B1	C2	R1024	F4	B1	U1018	C4	A1	U2028	D3	B2
C2038	B1	C2	R1025	C1	B1	U1018	D5	A1	U2032	D3	C2
			R1026	E2	B1	U1020	A4	B1			
CR1024	D2	B1	R1027	B2	B1	U1026A	C2	B1	W1025	C2	B1
CR1026	D2	B1	R1028	B2	B1	U1026	D2	B1	W1036	C1	C1
CR1028	C1	B1	R1029	D1	B1	U1034	C1	C1			
			R1034	A1	C1	U2010	E1	A2	Y1036	A1	C1
L2028	A5	B2	R1036	A1	C1	U2012	F1	A2			
			R1038	A1	C1	U2018	F2	B2			
P1024	B5	B1	R2018	G2	B2	U2020A	F3	B1			
P1026	D2	B1	R2018K	B2	B2						

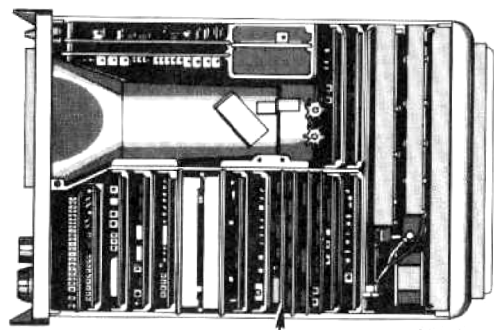




579 709-001

4417-358

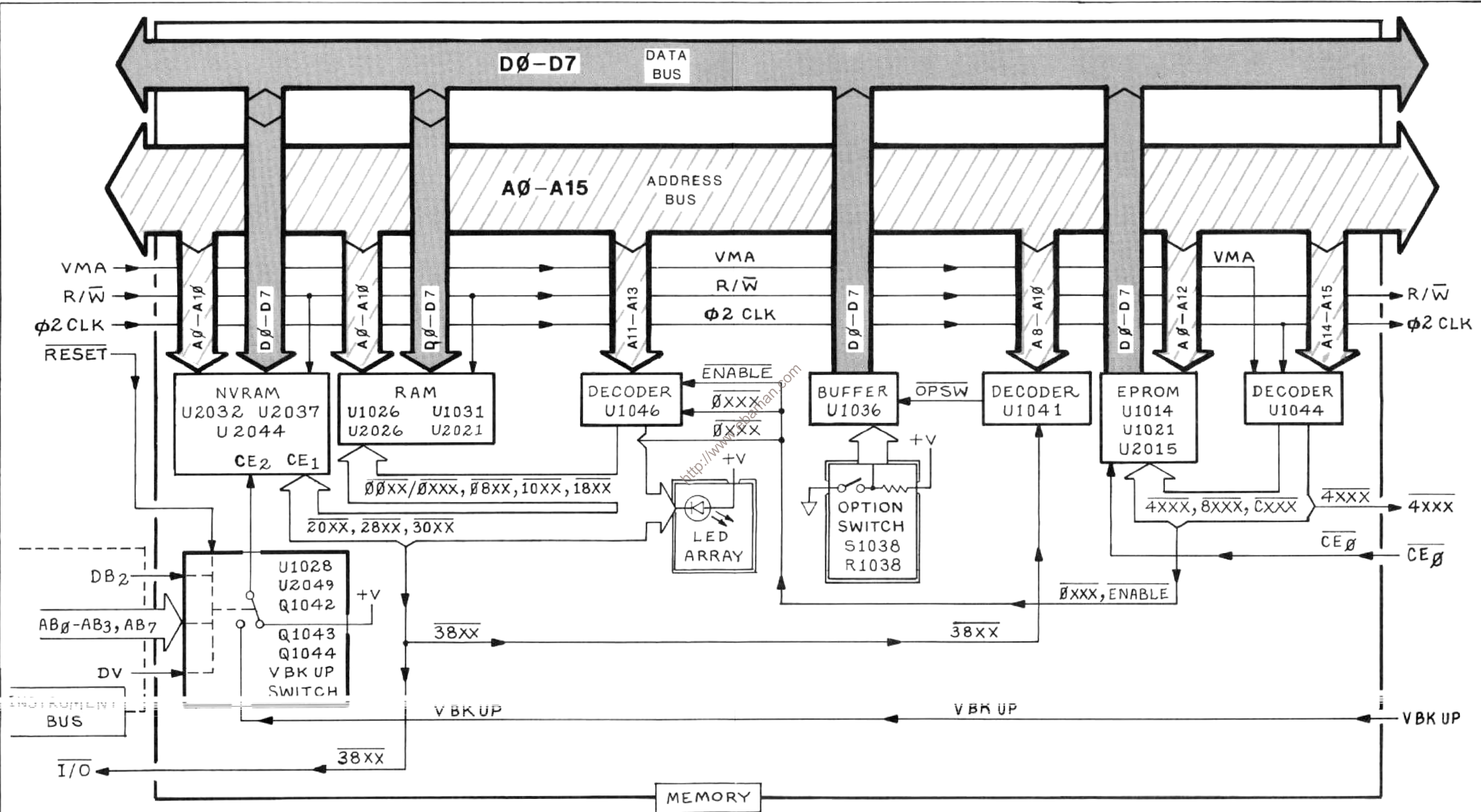
Fig. 10-46. A54—Memory circuit board.



4417-357

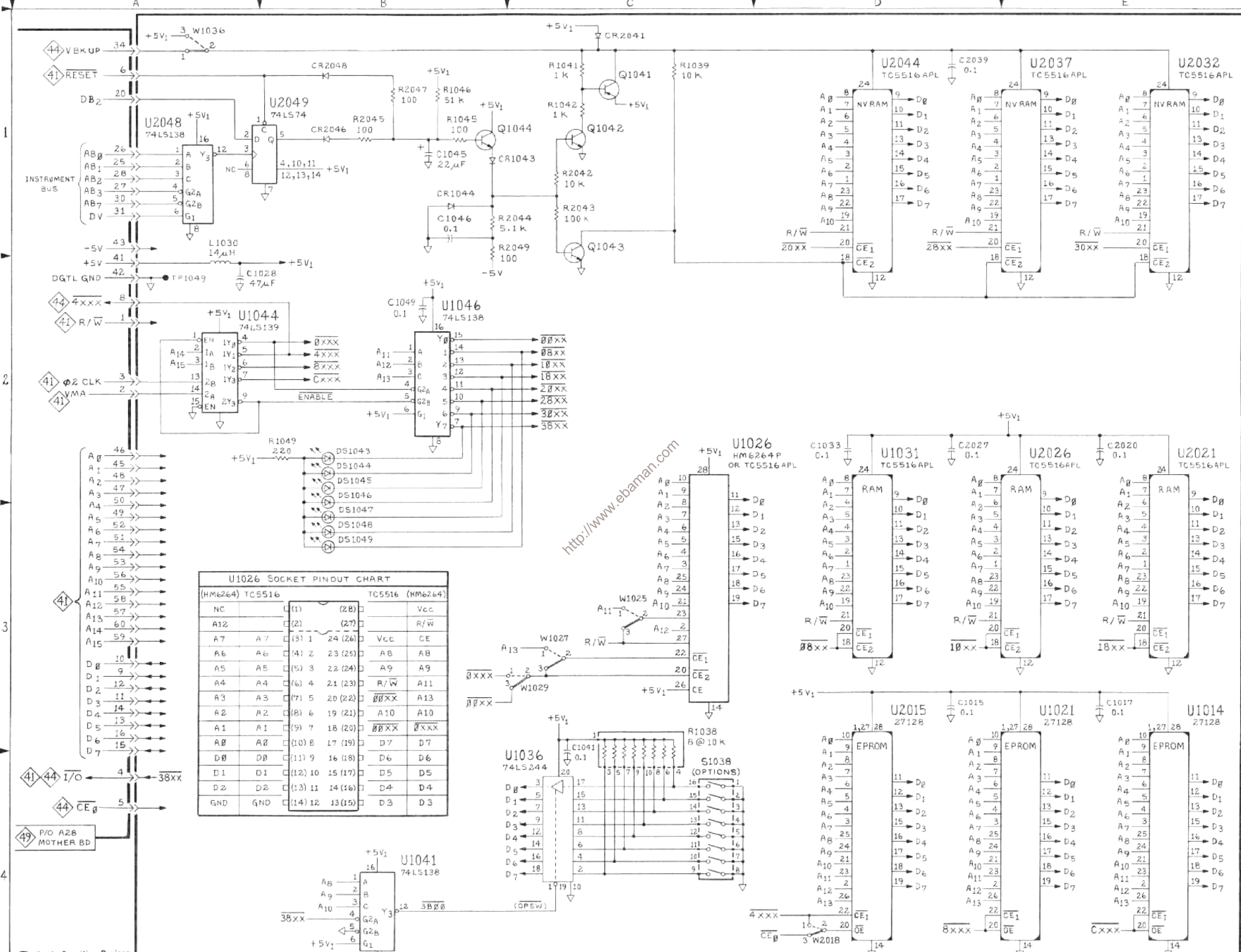
MEMORY





## ASSEMBLY A64

CIRCUIT NUMBER	SCHEM LOCATION	BOARD LOCATION	CIRCUIT NUMBER	SCHEM LOCATION	BOARD LOCATION	CIRCUIT NUMBER	SCHEM LOCATION	BOARD LOCATION
C1015	D3	A1	L1030	A1	C1	U1021	E3	A1
C1017	E3	A1				U1026	B3	B1
C1028	A2	B1	Q1041	C1	C1	U1026	C2	B1
C1033	D2	C1	Q1042	C1	D1	U1031	D2	C1
C1041	C4	D1	Q1043	C1	D1	U1036	C4	C1
C1045	B1	D1	Q1044	B1	D1	U1041	B4	D1
C1046	B1	D1				U1044	A2	D1
C1049	B2	D1	R1038	C3	C1	U1046	B2	D1
C2020	E2	B2	R1039	C1	C1	U2015	D3	A2
C2027	D2	B2	R1041	C1	D1	U2021	E2	A2
C2039	D1	C2	R1042	C1	D2	U2026	E2	B2
			R1045	B1	D1	U2032	E1	C2
CR1043	B1	D1	R1046	B1	D1	U2037	E1	C2
CR1044	B1	D2	R1049	B2	D1	U2044	D1	D2
CR2041	C1	D2	R2042	C1	D2	U2048	A1	D3
CR2046	B1	D2	R2043	C1	D2	U2049	B1	D2
CR2048	B1	D2	R2044	B1	D2			
			R2045	B1	D2	W1025	C3	B1
DS1043	B2	D1	R2047	B1	D2	W1027	C3	B1
DS1044	B2	D1	R2049	B1	D2	W1029	C3	B1
DS1045	B2	D1				W1036	A1	C2
DS1046	B3	D1	S1038	C4	C1	W1036	A1	C2
DS1047	B4	D1				W2018	D4	A2
DS1048	B4	D1	TP1049	D1	A2			
DS1049	B4	D1				W 1029	C3	B1
			U1014	E3	A1			



**U1026 SOCKET PINOUT CHART**

(HM6264) TC5516		TC5516 (HM6264)	
NC	(1)	(28)	Vcc
A12	(2)	(27)	R/W
A7	A7 (3) 1	24 (26)	Vcc
A6	A6 (4) 2	23 (25)	AB
A5	A5 (5) 3	22 (24)	A9
A4	A4 (6) 4	21 (23)	R/W
A3	A3 (7) 5	20 (22)	00XX
A2	A2 (8) 6	19 (21)	A10
A1	A1 (9) 7	18 (20)	00XX
AB	AB (10) 8	17 (19)	D7
D0	D0 (11) 9	16 (18)	D6
D1	D1 (12) 10	15 (17)	D5
D2	D2 (13) 11	14 (16)	D4
D3	D3 (14) 12	13 (15)	D3
GND	GND		

Static Sensitive Devices  
See Maintenance Section

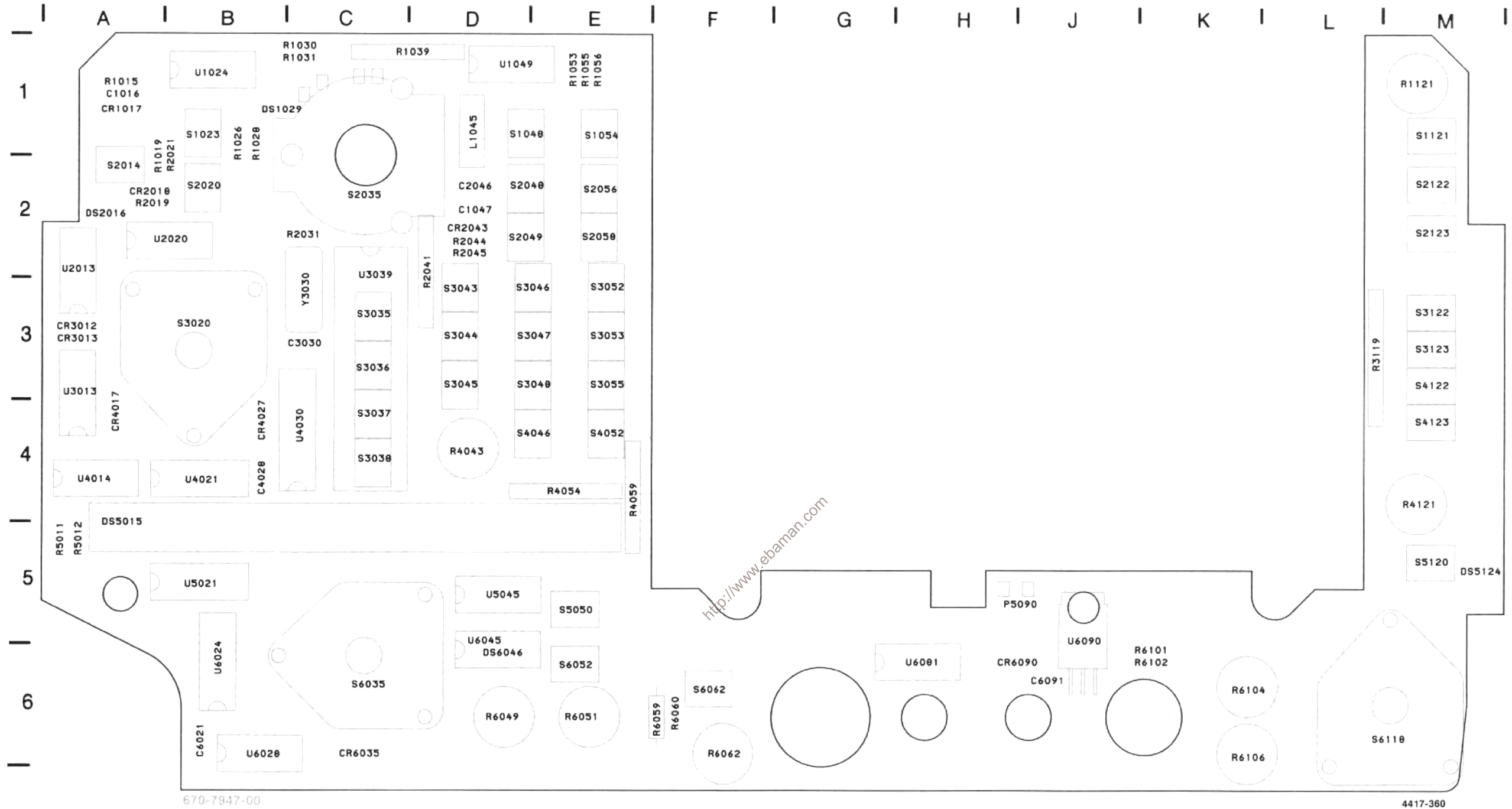
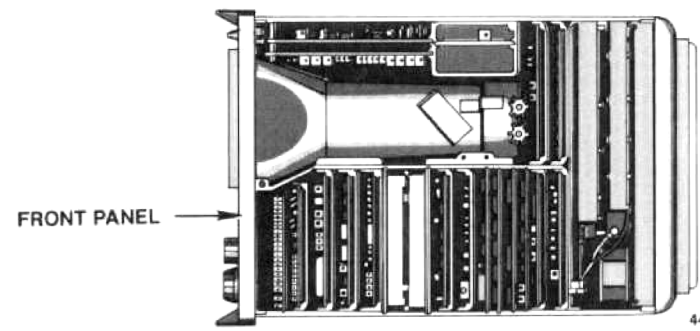
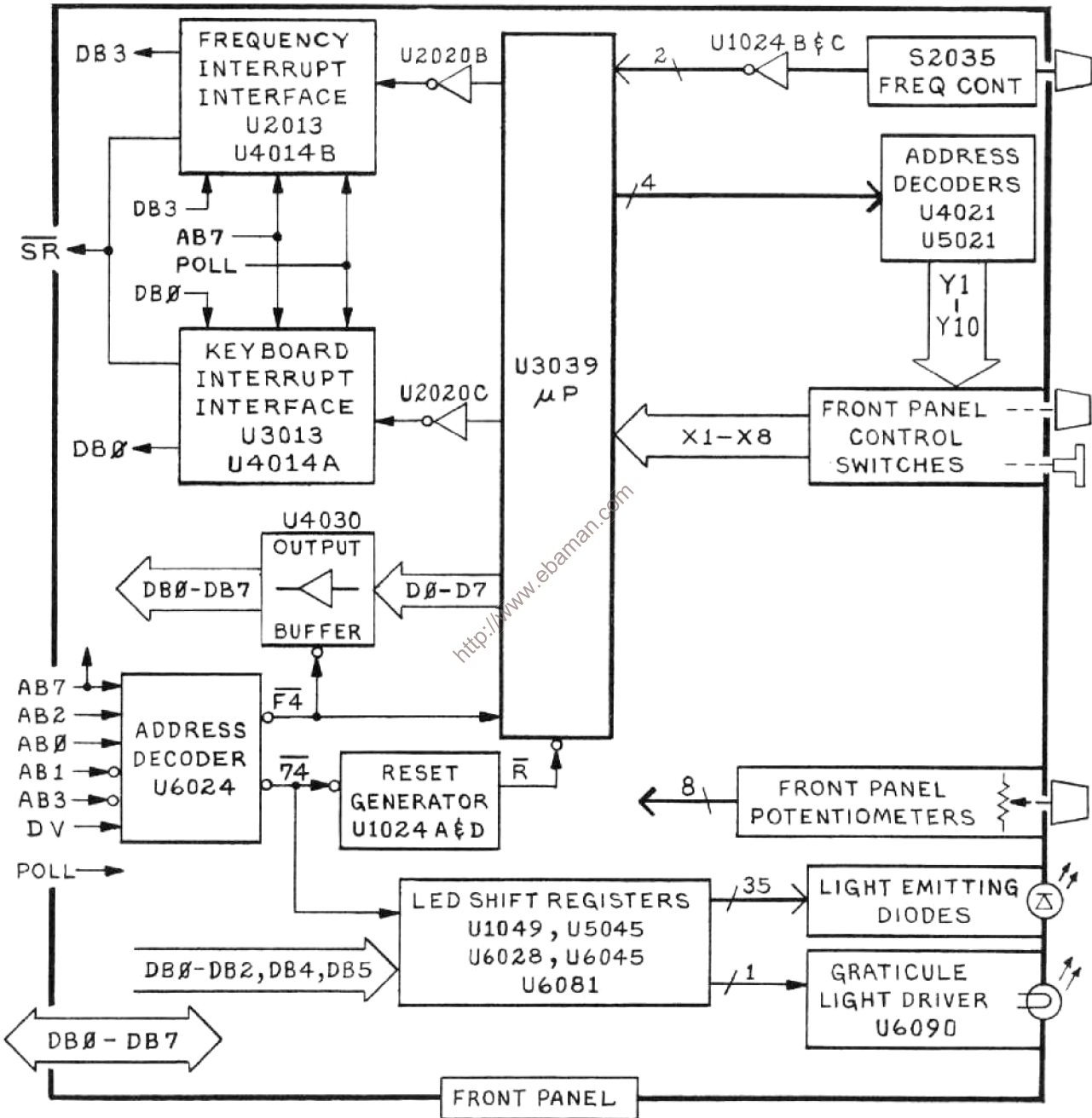


Fig. 10-47. A38—Front Panel circuit board.



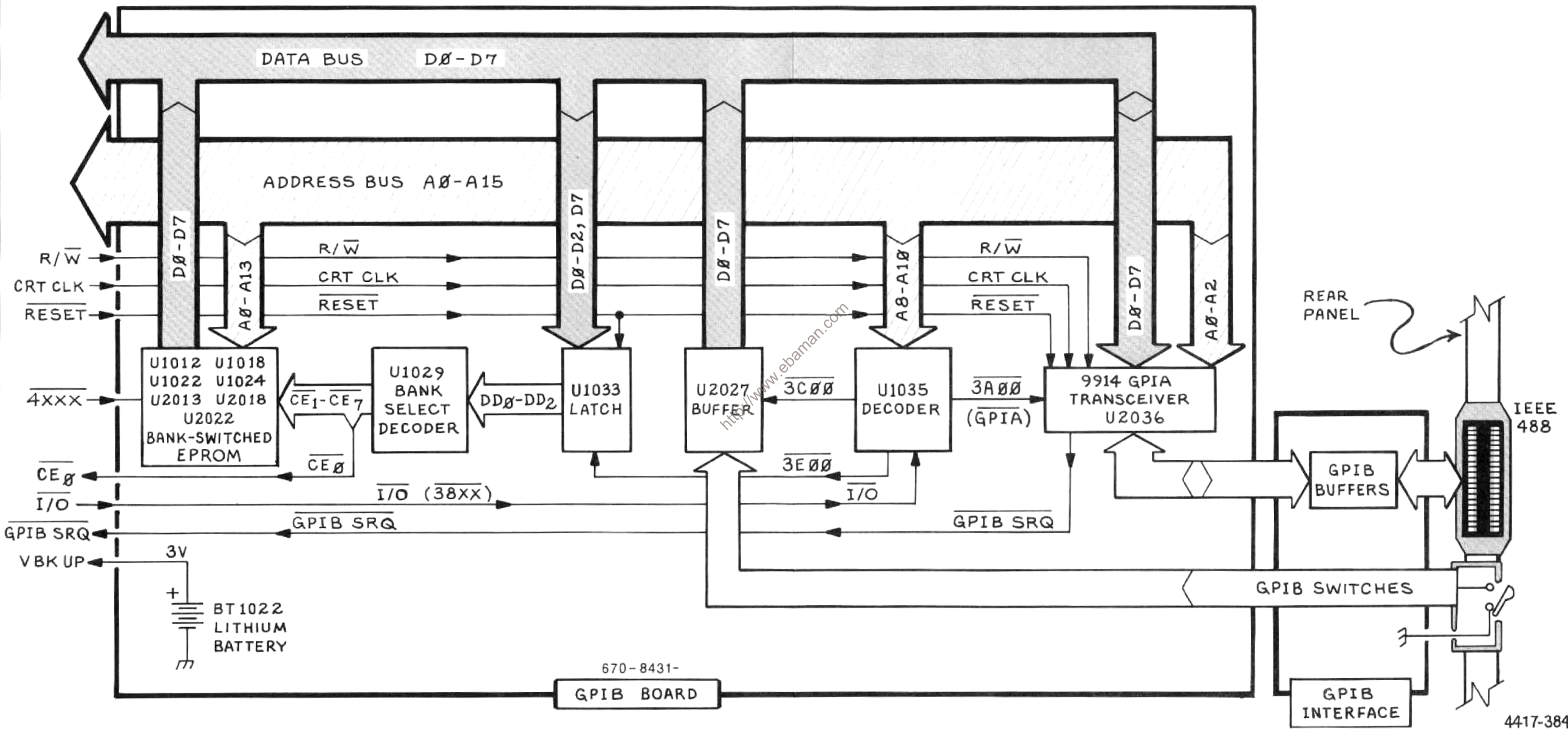




## ASSEMBLY A38

CIRCUIT NUMBER	SCHEM LOCATION	BOARD LOCATION	CIRCUIT NUMBER	SCHEM LOCATION	BOARD LOCATION	CIRCUIT NUMBER	SCHEM LOCATION	BOARD LOCATION	CIRCUIT NUMBER	SCHEM LOCATION	BOARD LOCATION
C1016	B4	A1	DS5050	D5	E5	R4059C	D3	B4	S3123	D1	M3
C1047	F2	D2	DS5120	D4	L5	R4059D	D5	B4	S4046	E1	D4
C2046	G2	D2	DS5124	H1	M5	R4059E	D4	B4	S4052	E2	B4
C3030	B3	C3	DS6046	H2	D6	R4059F	D4	B4	S4112	E6	M3
C4028	C1	B4	DS6052	D3	E6	R4059G	D2	B4	S4123	D3	M4
C6021	A3	B6	DS6062	F3	F6	R4059H	F2	B4	S5050	D5	E5
C6091	F1	J6				R4121	H2	M4	S5120	D4	M5
CR1017	B4	A1	L1045	G2	D1	R5011	F5	A5	S6035A	E3	C6
CR2018	F6	A2	P5090	H1	J6	R5012	G1	A5	S6035B	E7	C6
CR2043	F4	D2				R6049	H4	D6	S6052	D3	E6
CR3012	G6	A3	R1015	B3	A1	R6051	H4	E6	S6062	E3	F6
CR3013	G5	A3	R1019	E7	A2	R6060	G1	F6	S6118	D6	M6
CR4017	F5	A4	R1026	B2	B1	R6062	H3	F6			
CR4027	F5	B4	R1028	B2	B1	R6101	G1	K6	U1024A	B3	B1
CR6035	F3	C6	R1030	A2	C1	R6102	G1	K6	U1024B	B2	B1
CR6090	G1	J6	R1031	B2	C1	R6104	H3	L6	U1024C	B2	B1
			R1031	B2	C1	R6106	H3	L6	U1024D	B3	B1
			R1039B	F4	D1				U1024	G6	B1
			R1039C	F3	D1	R3119C	D3	L3	U1049	C6	D1
DS1029	A2	B1	R1039D	F2	D1	R4054E	D1	E4	U2013A	G6	A2
DS1048	F3	D1	R1039D	F4	D1	R6059	H4	F6	U2013B	G6	A2
DS1054	F2	E1	R1039E	D5					U2013	G7	A2
DS1121	F1	L1	R1039F	D2	D1	S1023	D3	B1	U2020A	F7	B2
DS2014	E6	A2	R1039G	D3	D1	S1048	E3	D1	U2020B	F6	B2
DS2016	E7	A2	R1039H	F3	D1	S1054	E2	E1	U2020C	F4	B2
DS2048	F4	D2	R1053	F4	E1	S1121	E1	M1	U2020D	C3	B2
DS2049	F4	D2	R1055	F2	E1	S2014	E6	A2	U2020E	F1	B2
DS2056	D5	E2	R1056	D5	E1	S2020	D5	B2	U2020	H6	B2
DS2058	F4	E2	R1121	H2	M1	S2035	A2	C2	U3013A	G5	A3
DS2122	F1	L2	R2019	F1	A2	S2048	E4	D2	U3013B	G5	A3
DS2123	F2	L3	R2021	E7	B2	S2049	E4	D2	U3013	G7	A3
DS3035	F3	C3	R2031	B3	C2	S2056	D5	E2	U3039	C1	C2
DS3036	D3	C3	R2041	B1	D2	S2058	E4	E2	U4014A	H5	A4
DS3037	D5	C4	R2044	A1	D2	S2122	E1	M2	U4014B	F7	A4
DS3038	D2	C4	R2045	F2	D2	S2123	E2	M2	U4014C	H6	A4
DS3043	F2	D3	R3119D	G1	L3	S3020	E5	B3	U4014	H7	A4
DS3044	D2	D3	R3119E	F6	L3	S3035	E3	C3	U4021	C1	B4
DS3045	D4	D3	R3119F	D1	L3	S3036	D3	C3	U4030	C4	C4
DS3046	D2	D3	R3119G	D1	L3	S3037	D5	C4	U5021	C2	B5
DS3047	D1	D3	R3119H	F1	L3	S3038	D2	C4	U5045	A6	D5
DS3048	D4	D3	R3119I	F1	L3	S3043	E2	D3	U6024	A3	B6
DS3052	D4	D3	R3119J	F2	L3	S3044	D2	D3	U6028	B6	B6
DS3053	D4	E3	R3199B	D4	L3	S3045	D4	D3	U6045	B7	D5
DS3055	D2	E3	R4043	H2	D4	S3046	D2	D3	U6081	A7	H6
DS3122	D1	L3	R4054B	D2	B4	S3047	D1	D3	U6090	G1	J5
DS3123	D1	L3	R4054C	D4	B4	S3048	D4	D3			
DS4046	F1	D4	R4054D	D4	B4	S3052	D4	E3	Y3030	B3	C3
DS4052	F2	E4	R4054E	F1	B4	S3053	D4	E3			
DS4122	F6	L3	R4054F	D2	B4	S3055	D2	E3			
DS4123	D3	L4	R4054G	D2	B4	S3122	D1	M3			
DS4123	D3	L4	R4054H	D4	B4						
DS6015	H1	A5	R4059B	F3	B4						





670-8431-  
GPIB BOARD



ASSEMBLY A56

CIRCUIT NUMBER	SCHEM LOCATION	BOARD LOCATION	CIRCUIT NUMBER	SCHEM LOCATION	BOARD LOCATION
BT 1022	B4	B1	R1025	B4	B1
C1014	B1	A1	R1035	A3	C1
C1015	A1	A1	R2027	D3	B2
C1022	A4	B1	R2031	E3	C2
C1028	B1	B1	R2032	E3	C2
C1030	B1	C1	R2033	E3	C2
C1036	B2	C1	R2034	E3	C2
C2023	D1	B2	R2036	E3	C2
C2024	C3	B2	R2037	E3	C2
C2031	C4	C2	R2038	E3	C2
C2032	C4	C2	R2039	E3	C2
C2033	D4	C2	TP1036	A3	C1
C2034	D4	C2	U1012	B1	A1
C2036	D4	C2	U1018	B1	A1
C2037	D4	C2	U1022	C1	B1
C2038	D4	C2	U1032	C3	C1
C2039	D4	C2	U1033	B2	C1
CR1025	A4	B1	U1035	B1	C1
L1027	A3	B1	U2013	C1	A2
P1025	B1	B1	U2018	D1	A2
			U2022	D1	B2
			U2027	C3	B2
			U2036	D2	C2

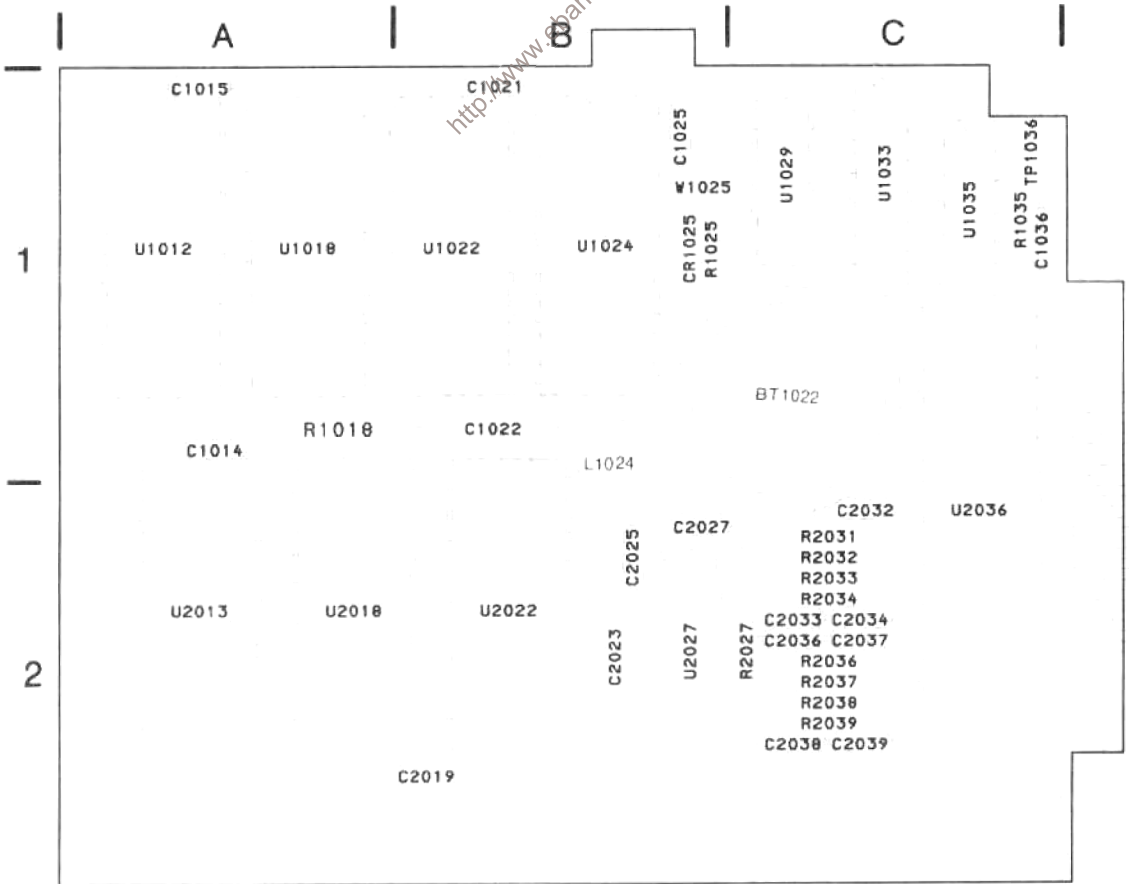
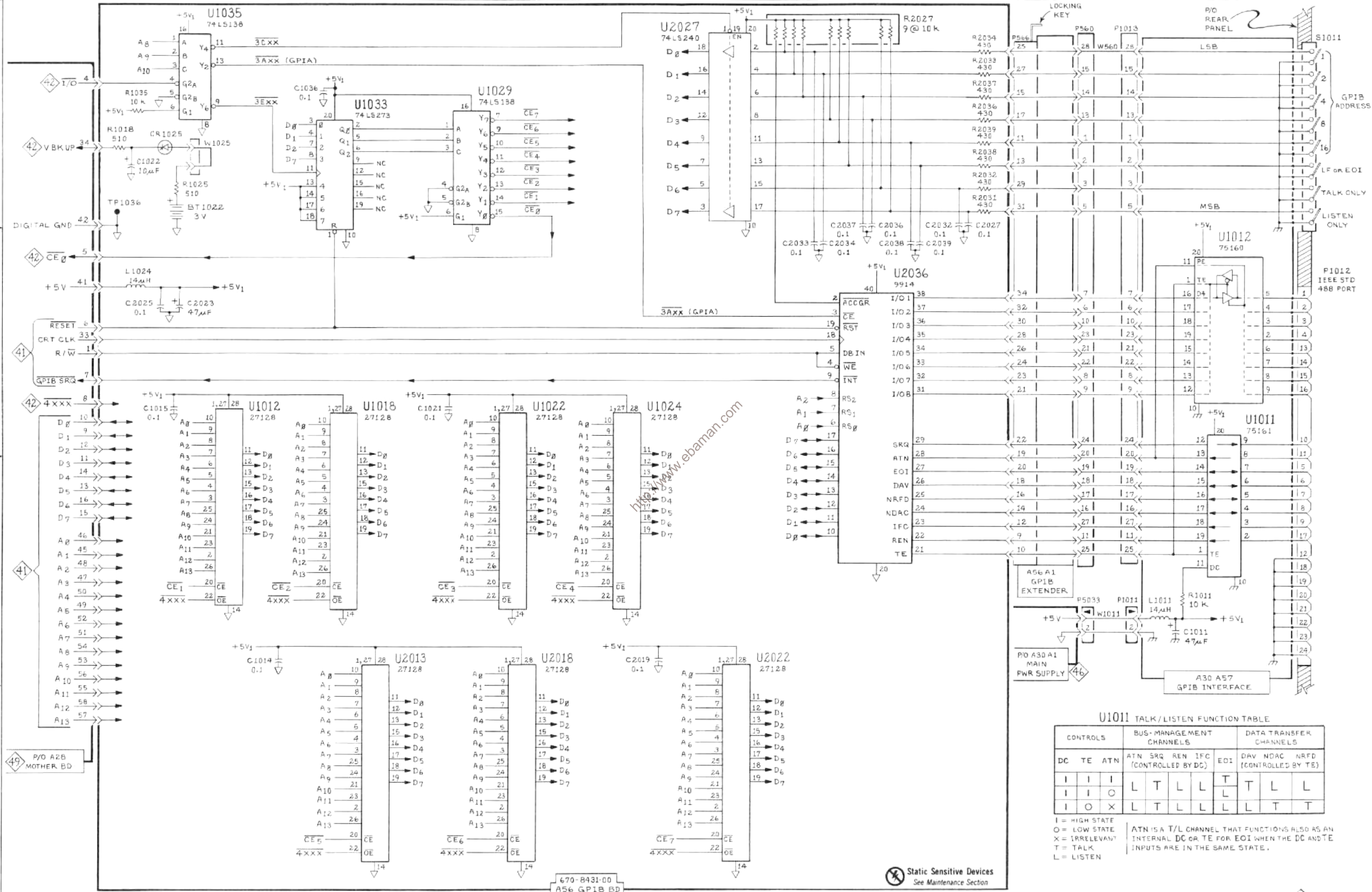


Fig. 10-49. A56—GPIB circuit board.



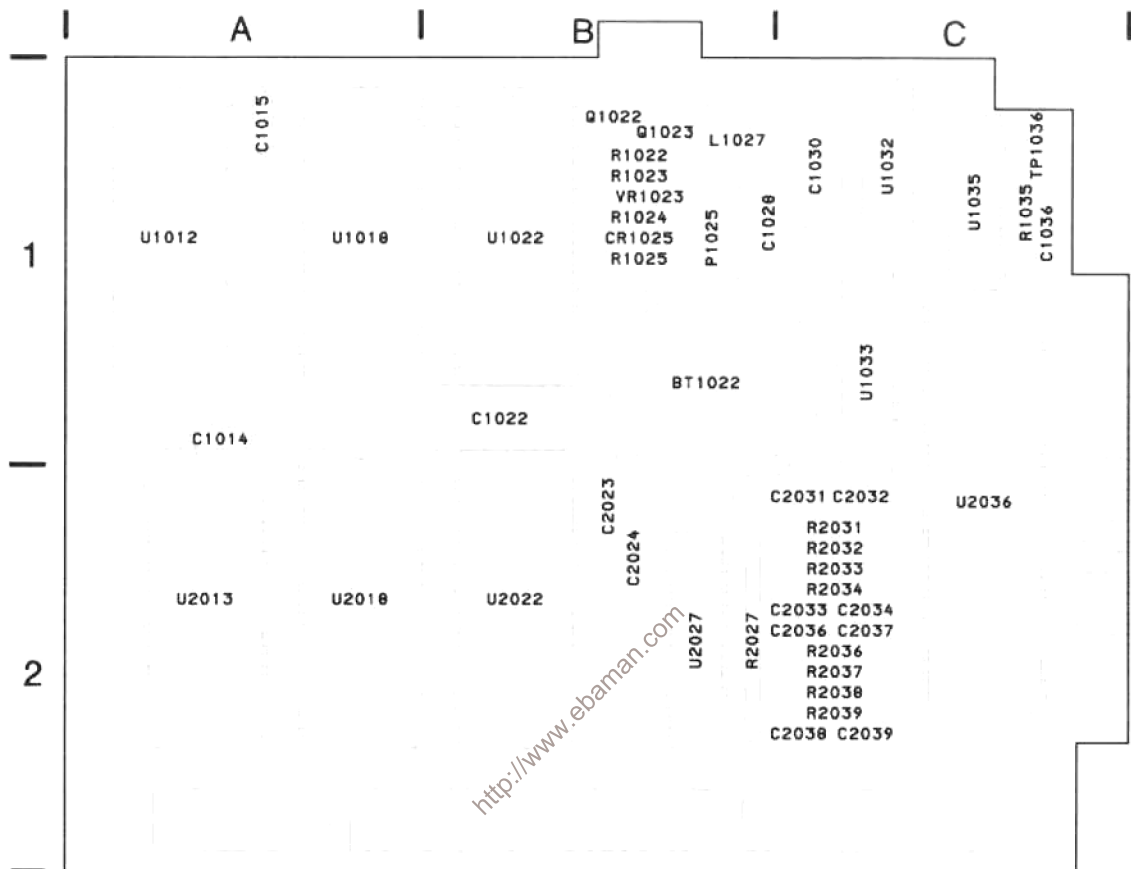
**U1011 TALK/LISTEN FUNCTION TABLE**

CONTROLS	BUS-MANAGEMENT CHANNELS				DATA TRANSFER CHANNELS			
	DC	TE	ATN	ATN SRQ REN IFC (CONTROLLED BY DC)	EOI	DAV	NRFD	NRFD (CONTROLLED BY TE)
I	I	I	L	T	T	T	L	L
I	I	O	L	T	L	L	L	T
I	O	X	L	T	L	L	L	T

I = HIGH STATE  
 O = LOW STATE  
 X = IRRELEVANT  
 T = TALK  
 L = LISTEN

ATN IS A T/L CHANNEL THAT FUNCTIONS ALSO AS AN INTERNAL DC OR TE FOR EOI WHEN THE DC AND TE INPUTS ARE IN THE SAME STATE.

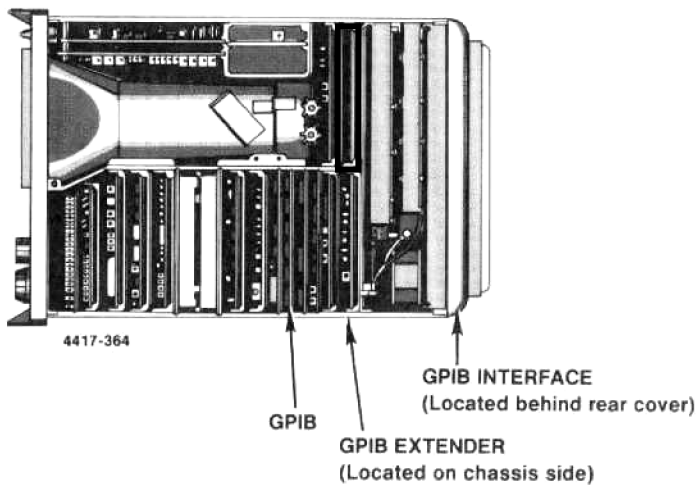
Static Sensitive Devices  
 See Maintenance Section



4417-364

4417-363

Fig. 10-48. A56—GPIB circuit board.



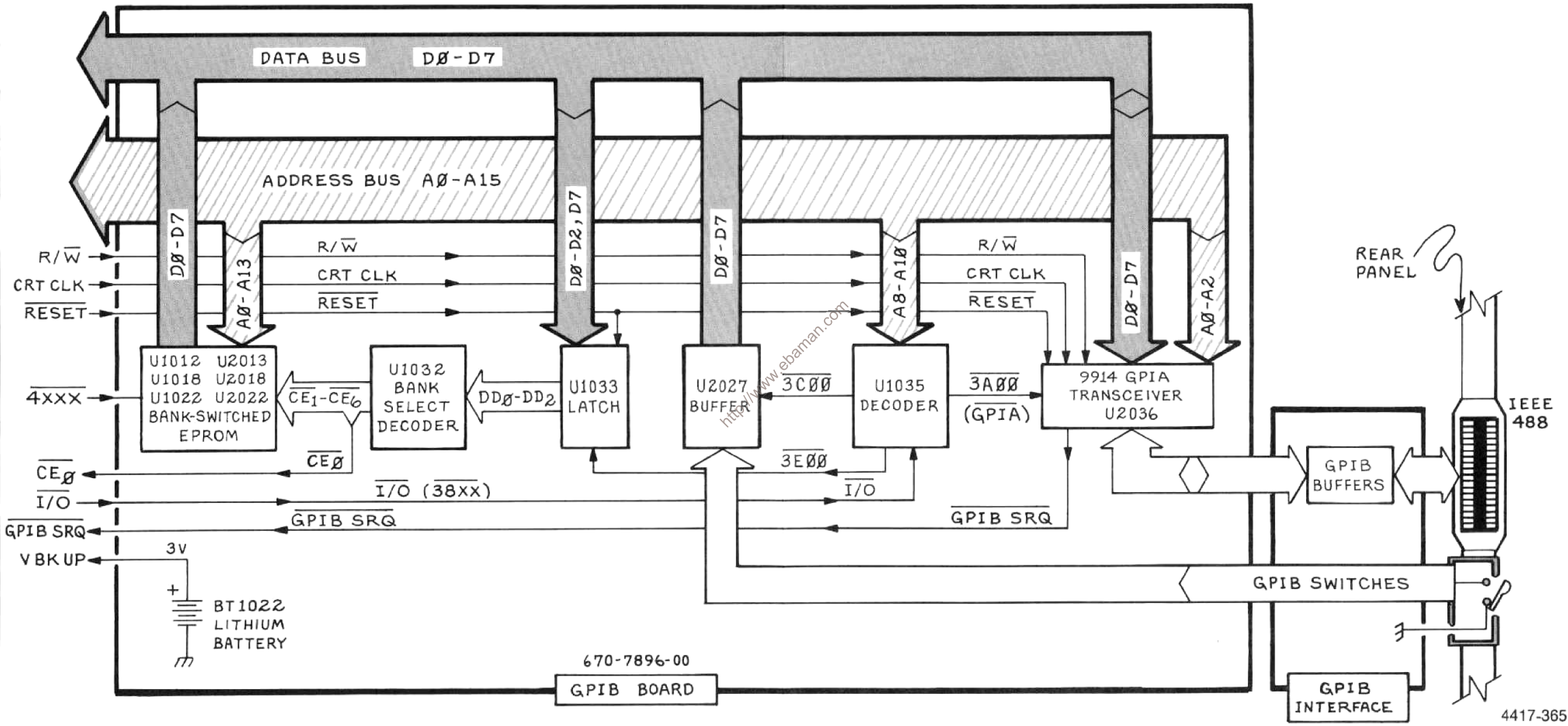
4417-364

GPIB

GPIB EXTENDER

(Located on chassis side)

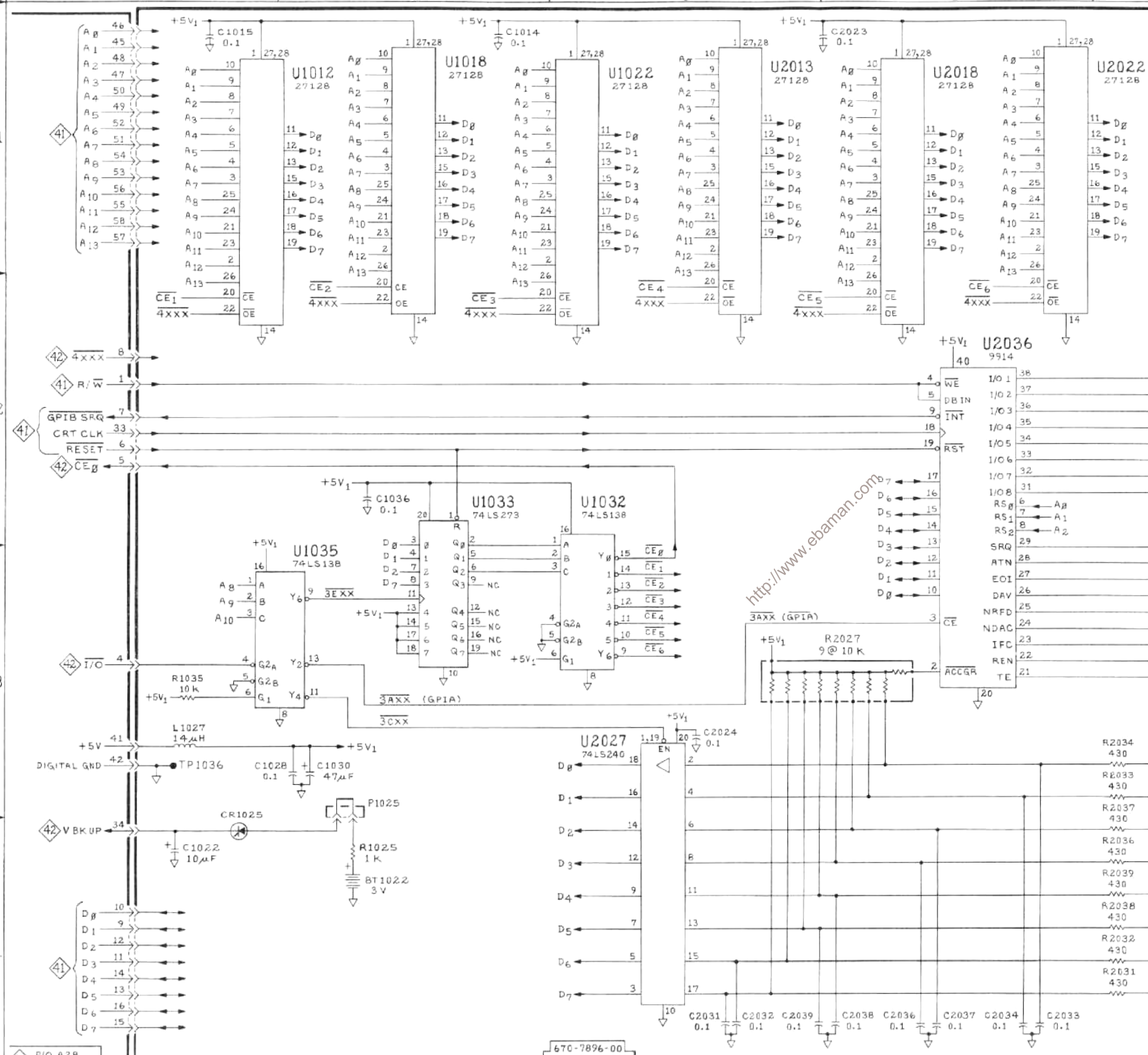
GPIB INTERFACE  
(Located behind rear cover)





ASSEMBLY A56

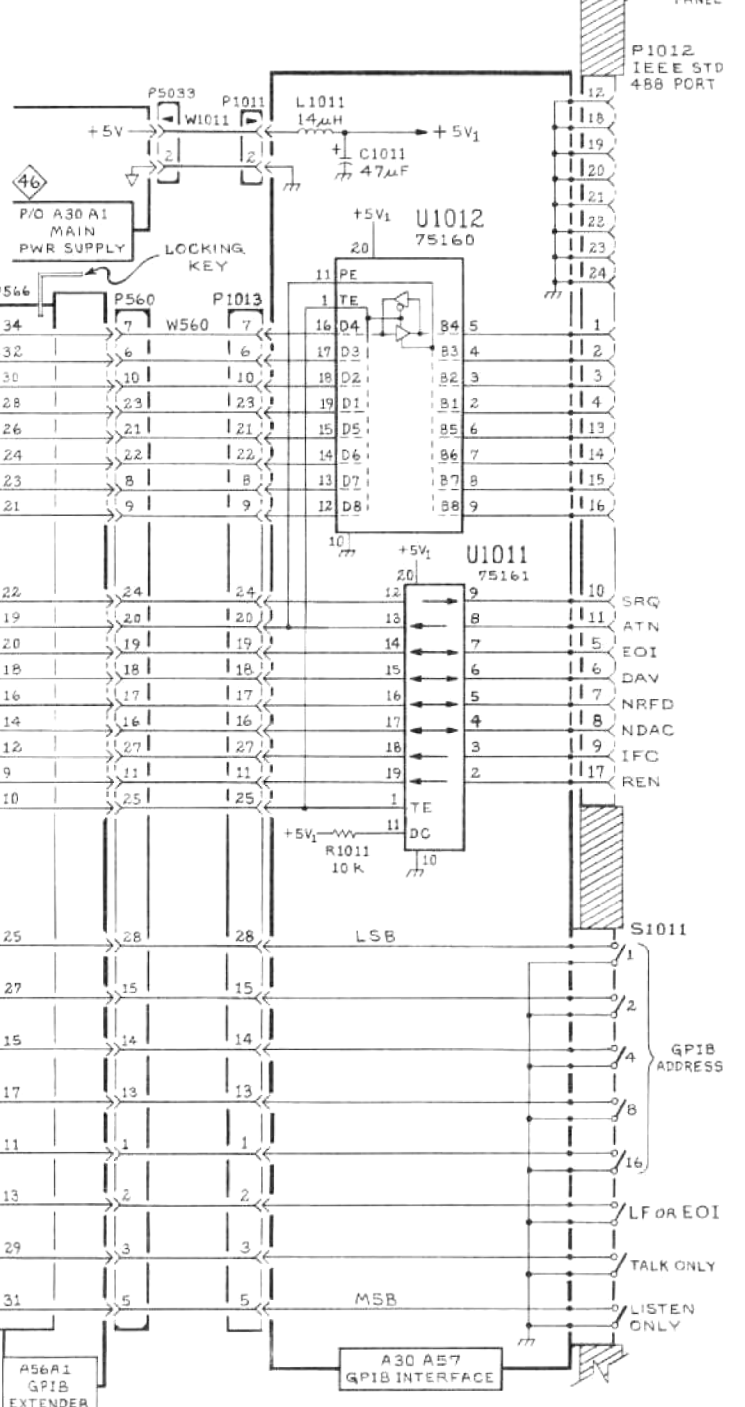
CIRCUIT NUMBER	SCHEM LOCATION	BOARD LOCATION	CIRCUIT NUMBER	SCHEM LOCATION	BOARD LOCATION
BT1022	A1	C1	R2027	D1	C2
			R2031	E1	C2
C1014	B3	A1	C2032	E1	C2
C1015	A2	A1	R2033	E1	C2
C1021	B2	B1	R2034	E1	C2
C1022	A1	B1	R2036	E1	C2
C1036	B1	C1	R2037	E1	C2
C2019	C3	B2	R2038	E1	C2
C2023	A2	B2	R2039	E1	C2
C2025	A2	B2			
C2027	E1	B2	TP1036	A1	C1
C2032	E1	C2			
C2033	D2	C2	U1012	B2	A1
C2034	D2	C2	U1018	B2	A1
C2036	D1	C2	U1022	C2	B1
C2037	D1	C2	U1024	C2	B1
C2038	D2	C2	U1029	C1	C1
C2039	E2	C2	U1033	B1	C1
			U1035	A1	C1
CR1025	A1	B1	U2013	B3	A2
			U2018	C3	A2
L1024	A2	B1	U2022	D3	B2
			U2027	D1	B2
R1018	A1	A1	U2036	D2	C2
R1025	A1	B1			
R1035	A1	C1	W1025	A1	B1



CONTROLS			BUS-MANAGEMENT CHANNELS				DATA TRANSFER CHANNELS						
DC	TE	ATN	ATN	SRQ	REN	IFC	EOI	DAV	NDAC	NRFD	IFC	REN	TE
			(CONTROLLED BY DC)				(CONTROLLED BY TE)						
I	I	I	L	T	L	L	T	T	L	L	L	T	T
I	I	O	L	T	L	L	L	L	L	L	L	T	T
I	O	X	L	T	L	L	L	L	L	L	T	T	T

I = HIGH STATE  
 O = LOW STATE  
 X = IRRELEVANT  
 T = TALK  
 L = LISTEN

**U1011 TALK/LISTEN FUNCTION TABLE.**  
 NOTE: ATN IS A T/L CHANNEL THAT FUNCTIONS ALSO AS AN INTERNAL DC OR TE FOR EOI WHEN THE DC AND TE INPUTS ARE IN THE SAME STATE.



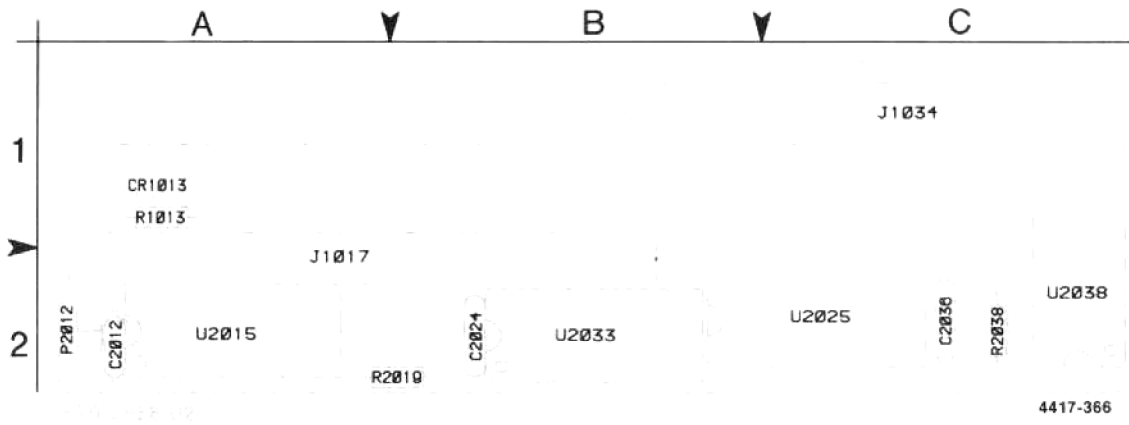
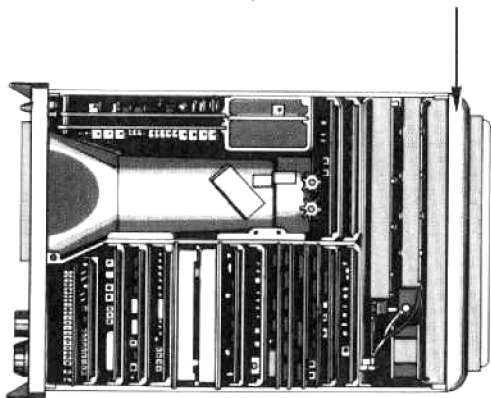


Fig. 10-50. A30A76—Accessories Interface circuit board.

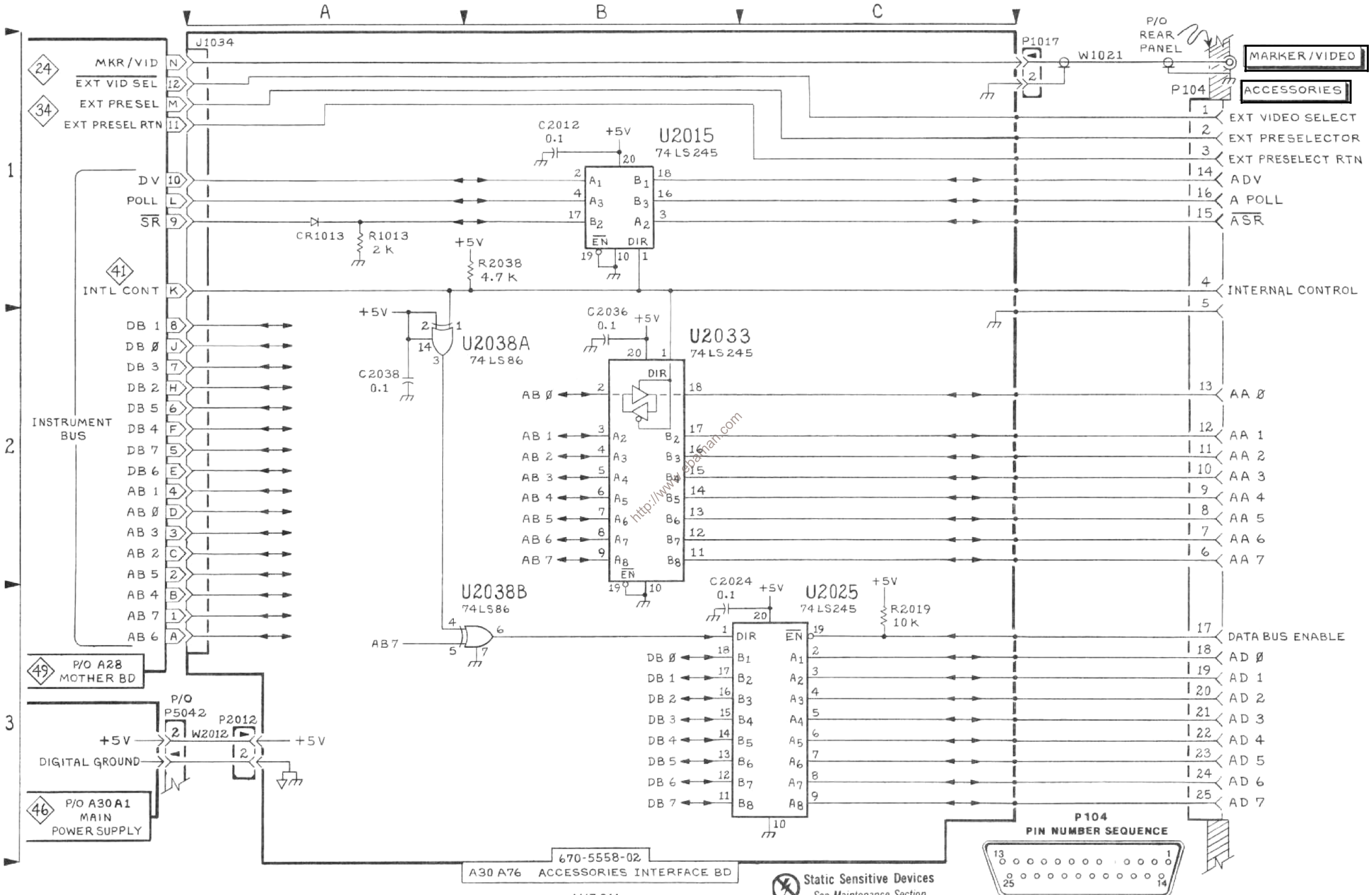
**ACCESSORIES INTERFACE (Located behind rear cover)**



## ASSEMBLY A30A76

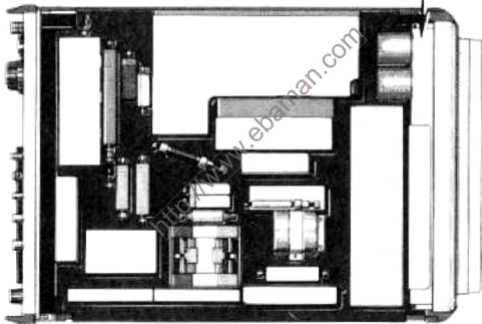
CIRCUIT NUMBER	SCHEM LOCATION	BOARD LOCATION	CIRCUIT NUMBER	SCHEM LOCATION	BOARD LOCATION
C2012	B1	A2	P2012	A3	A2
C2024	B3	B2			
C2036	B2	C2	R1013	A1	A1
C2038	A2	A2	R2019	C3	B2
			R2038	B1	C2
CR1013	A1	A1	U2015	B1	A2
J1017	C1	A2	U2025	C3	C2
J1034	A1	C1	U2033	B2	B2
			U2038A	A2	C2
			U2038B	B3	C2







**MAIN POWER SUPPLY**

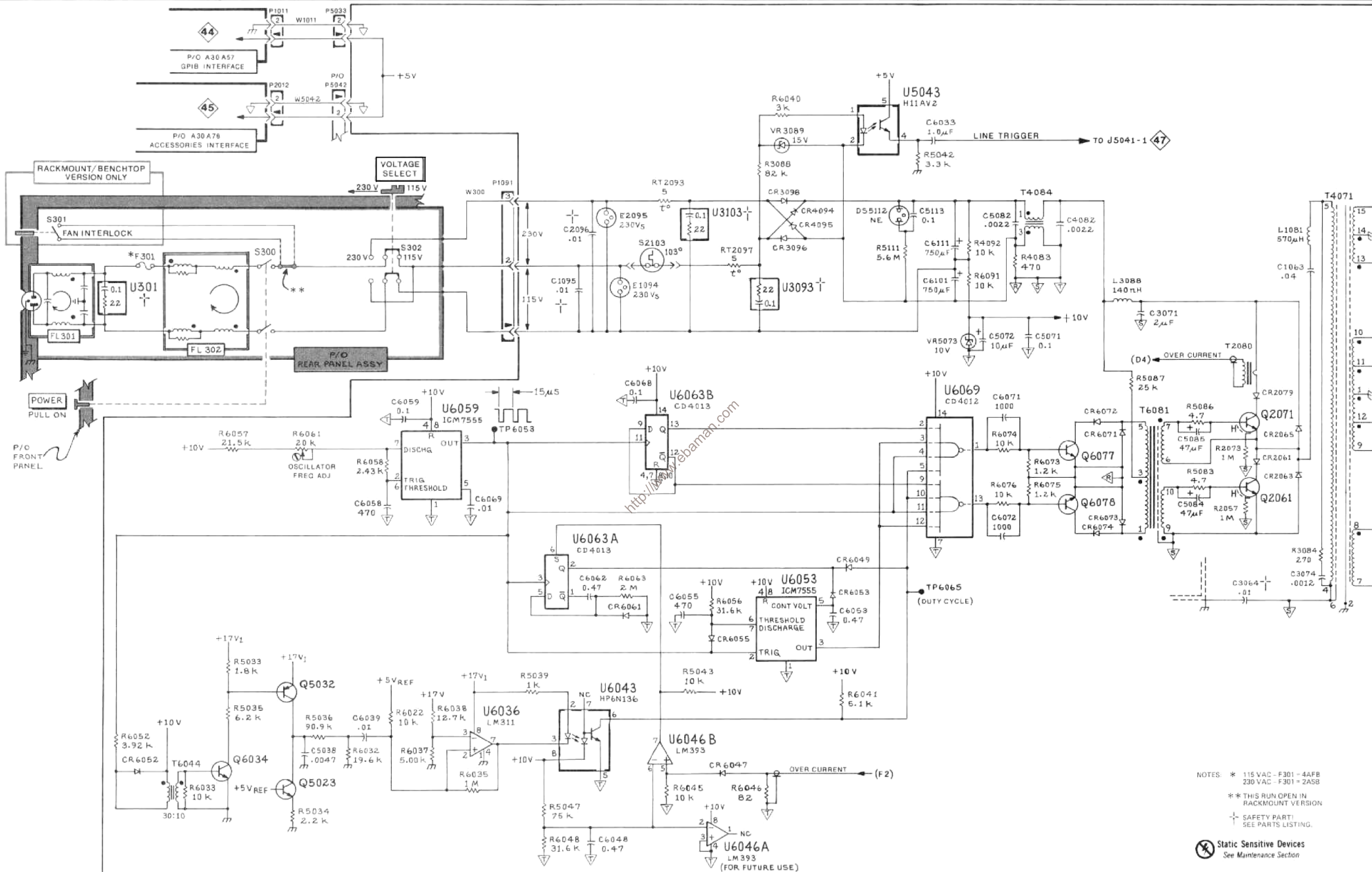


**4417-370**

## ASSEMBLY A30A1

CIRCUIT NUMBER	SCHEM LOCATION	BOARD LOCATION	CIRCUIT NUMBER	SCHEM LOCATION	BOARD LOCATION	CIRCUIT NUMBER	SCHEM LOCATION	BOARD LOCATION
C1063	F2	E1	DS5112	D1	L5	R6040	D1	C6
C1095	E2	J1				R6041	D3	D6
C2096	C1	J2	E1094	E2	H1	R6045	C4	D6
C3064	F3	E3	E2095	C1	H2	R6046	D4	D6
C3071	E2	F3				R6048	C4	D6
C3074	F3	F3	J5041	E1	B4	R6052	A4	D6
C4082	E1	G4				R6056	D3	D6
C5038	B4	B6	L1081	F2	H1	R6057	B2	E6
C5071	E2	G5	L3088	E2	G4	R6058	B2	E6
C5072	E2	F5				R6061	B2	E6
C5082	E1	H5	P1091	C1	H1	R6063	C3	E6
C5084	F3	G5	P5033	B1	B5			
C5085	F2	G5	P5042	B1	C5	R6073	E2	F5
C5113	D1	L5				R6074	E2	F5
C6033	E1	C5	Q2061	F3	E2	R6075	E3	F6
C6039	B4	C6	Q2071	F2	F2	R6076	E3	F6
C6048	C4	D6	Q5023	B4	B5	R6091	E2	H6
C6063	D3	D6	Q5032	B3	B5			
C6055	C3	D6	Q6034	B4	C6	RT2093	C1	H2
C6058	B3	E6	Q6077	E2	F6	RT2097	D2	H2
C6059	B2	E6	Q6078	E3	F6			
C6062	C3	E6				S2103	E2	J2
C6068	E2	F6	R2029	H2	B2			
C6069	C3	E6	R2067	F3	E2	T2080	F2	G2
C6071	E2	F5	R2073	F2	G2	T4071	F1	F4
C6072	E3	F6				T4084	E1	G4
C6101	E2	J6	R3084	F3	G3	T6044	A4	C6
C6111	E2	L6	R3088	D1	H3	T6081	F2	G6
			R4083	E2	G4			
CR2061	F2	E2	R4092	E2	H4	TP6053	E2	F6
CR2063	F3	F2	R5033	B3	C5	TP6065	E3	F6
CR2065	F2	F2	R5034	B4	B5			
CR2079	F2	G2	R5035	B4	C5	U3093	D2	J3
CR3096	D1	J3	R5036	B4	B5	U3103	D1	J4
CR3098	D1	J3	R5039	C3	C5	U5043	D1	C5
CR4094	D1	J4	R5042	E1	D5	U6036	C4	B6
CR4095	D1	J4	R5043	D3	D6	U6043	C4	C6
			R5047	C4	D5	U6046A	D4	C6
CR6047	D4	D6	R5083	F3	G5	U6046B	C4	C6
CR6049	D3	D6	R5086	F2	H5	U6053	D3	D6
CR6052	A4	D6	R5087	E2	H6	U6059	B2	E6
CR6053	D3	D6	R5111	D2	L5	U6063A	C3	E6
CR6055	D3	D6	R6022	B4	B6	U6063B	E2	E6
CR6061	C3	E6	R6032	B4	B6	U6069	E2	F6
CR6071	E2	G6	R6033	A4	C5			
CR6072	E2	G6	R6035	C4	B6	VR3089	D1	H3
CR6073	E3	G6	R6037	B4	B6	VR5073	E2	G6
CR6074	E3	G6	R6038	B4	C6			





NOTES: \* 115 VAC - F301 = 4AFB  
 230 VAC - F301 = 2AS8  
 \*\* THIS RUN OPEN IN  
 RACKMOUNT VERSION  
 † SAFETY PART!  
 SEE PARTS LISTING.  
 ⚡ Static Sensitive Devices  
 See Maintenance Section

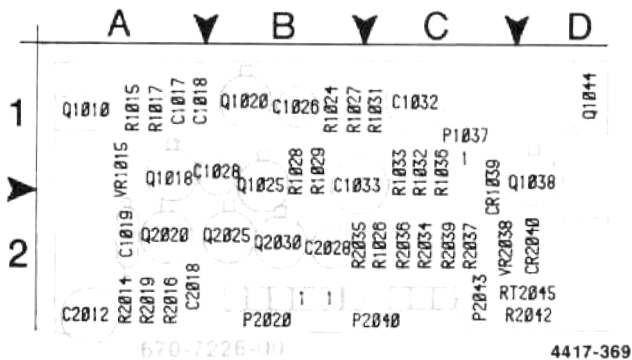
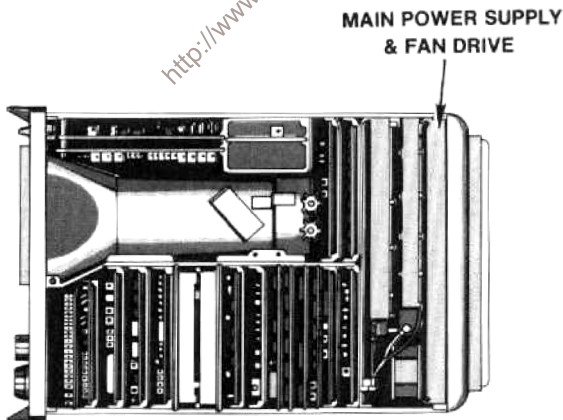


Fig. 10--52 A30A2 Fan Drive circuit board.



# MAIN POWER SUPPLY (SECONDARY SECTION) & FAN DRIVE

## DIAGRAM 47

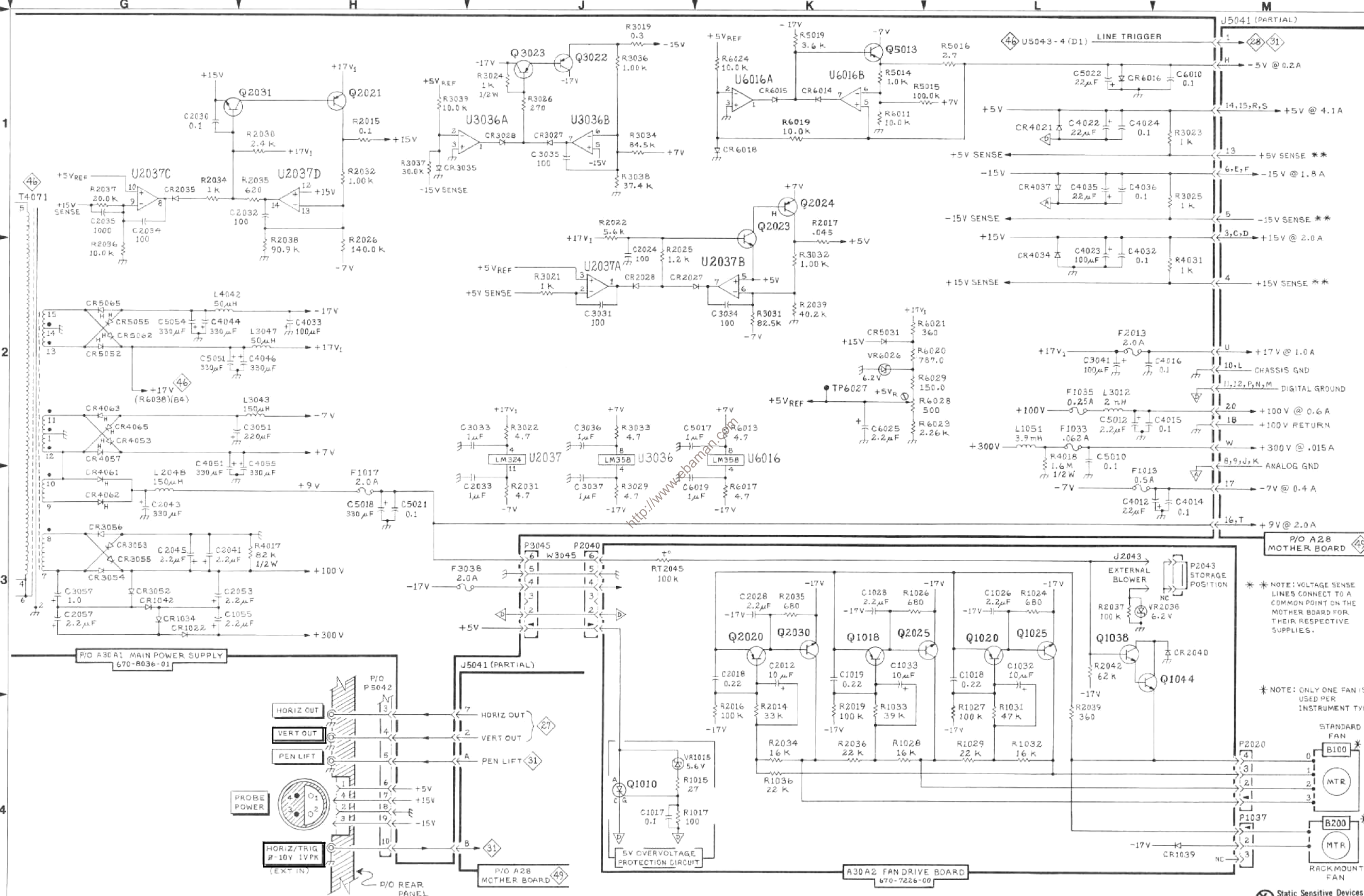
### ASSEMBLY A30A1

CIRCUIT NUMBER	SCHEM LOCATION	BOARD LOCATION	CIRCUIT NUMBER	SCHEM LOCATION	BOARD LOCATION	CIRCUIT NUMBER	SCHEM LOCATION	BOARD LOCATION	CIRCUIT NUMBER	SCHEM LOCATION	BOARD LOCATION
C1055	G3	D1	C5022	L1	A4	F2013	L2	A2	R3032	K2	C2
C2024	J2	B2	C5051	G2	D5	F3038	J3	C3	R3033	J2	B3
C2030	G1	B2	C5054	G2	D5				R3034	J1	C3
C2032	H1	B2	C6010	M1	A6	L1051	L2	D1	R3036	J1	B3
C2033	H3	C2	C6019	J3	A6	L2048	G3	D2	R3037	H1	C3
			C6025	K2	B6	L3012	L2	A3	R3038	J1	C3
C2034	G1	C2				L3043	H2	D3	R3039	H1	C3
C2035	G1	C2	CR1022	G3	B1	L3047	H2	D3	R4017	H3	A4
C2041	G3	C2	CR1034	G3	C1	L4042	G2	C4	R4018	L2	A4
C2043	G3	C2	CR1042	G3	C1				R4031	M2	B4
C2045	G3	D2	CR2027	J2	B2				R5014	K1	A4
C2053	G3	D2	CR2028	J2	B2	P3045	J3	C3	R5015	L1	A4
C2057	G3	D2	CR2035	G1	C2	Q2021	H1	B2	R5016	L1	A4
C3031	J2	B3	CR3027	J1	B3	Q2023	K2	B2	R5019	K1	A6
C3033	H2	C3	CR3028	J1	B3	Q2024	K1	B2	R6011	K1	A6
C3034	K2	C3	CR3035	H1	C3	Q2031	G1	B2	R6013	K2	A6
C3035	J1	C3	CR3052	G3	D2	Q3022	J1	B3	R6017	K3	A6
C3036	J2	B3	CR3053	G3	D2	Q3023	J1	B3	R6019	K1	A6
C3037	J3	C3	CR3054	G3	E3	Q5013	K1	A4	R6020	K2	B6
C3041	L2	C3	CR3055	G3	E3				R6021	K2	B6
C3051	G2	D3	CR3056	G3	E3	R2015	H1	A2	R6023	K2	B6
C3057	G3	E3	CR4021	L1	B4	R2017	K2	A2	R6024	K1	A6
C4012	L3	A4	CR4034	L2	C4	R2022	J2	B2	R6028	K2	B6
C4014	M3	A4	CR4037	L1	B4	R2025	J2	B2	R6029	K2	B6
C4015	L2	A4	CR4053	G2	E4	R2030	H1	B2			
C4016	L2	A4	CR4057	G2	E4	R2031	J3	B2	TP6027	K2	B6
C4022	L1	B4	CR4061	G3	E3	R2032	H1	C2			
C4023	L2	B4	CR4062	G3	E4	R2034	G1	C2	U2037A	J2	B2
C4024	L1	B4	CR4063	G2	F4	R2035	H1	B2	U2037B	K2	B2
C4032	L2	B4	CR4065	G2	E4	R2036	G2	C2	U2037C	G1	B2
C4033	H2	C4	CR5031	K2	B5				U2037D	H1	B2
C4035	L1	C4	CR5052	G2	E5	R2037	G1	C2	U2037	J2	B2
C4036	L1	B4	CR5055	G2	B5	R2038	H2	C2	U3036A	H1	B3
C4044	G2	C4	CR5062	G2	E5	R2039	K2	C2	U3036B	J1	B3
C4046	H2	D4	CR5065	G2	E5	R3019	J1	A3	U3036	J2	B3
C4051	G2	D4	CR6014	K1	A6	R3021	J2	B3	U6016A	K1	A6
			CR6015	K1	A6	R3022	J2	B3	U6016B	K1	A6
C4055	H2	D4	CR6016	L1	A6	R3023	M1	A3	U6016	K2	A6
C5010	L2	A5	CR6018	K1	A6	R3024	J1	B3			
C5012	L2	A4				R3025	M1	B3	VR6026	K2	B6
C5017	J2	A4	F1013	L3	A1	R3026	J1	B3			
C5018	H3	A4	F1017	H3	A1	R3029	J3	B3			
C5021	H3	B5	F1033	L2	C1	R3031	K2	B3			
			F1035	L2	C1						

Partial A30A1 also shown on diagram 46.

### ASSEMBLY A30A2

CIRCUIT NUMBER	SCHEM LOCATION	BOARD LOCATION	CIRCUIT NUMBER	SCHEM LOCATION	BOARD LOCATION	CIRCUIT NUMBER	SCHEM LOCATION	BOARD LOCATION	CIRCUIT NUMBER	SCHEM LOCATION	BOARD LOCATION
C1017	J4	A1	P1037	M4	C1	Q2030	K3	B2	R2014	K4	A2
C1018	L3	A1	P2020	M4	B2				R2016	K4	A2
C1019	K3	A2	P2040	J3	B2	R1015	J4	A1	R2019	K4	A2
C1026	L3	B1	P2043	M3	C2	R1017	J4	A1	R2034	K4	C2
C1028	K3	B1				R1024	L3	B1	R2035	K3	C2
C1032	L3	C1	Q1010	J4	A1	R1026	K3	C2	R2036	K4	C2
C1033	K3	B1	Q1018	K3	A1	R1027	L4	B1	R2037	L3	C2
C2012	K3	A2	Q1020	L3	B1	R1028	K4	B1	R2039	L4	C2
C2018	K3	A2	Q1025	L3	B1	R1029	L4	B1	R2042	L3	C2
C2028	K3	B2	Q1038	L3	D1	R1031	L4	C1			
			Q1044	L3	D1	R1032	L4	C1	RT2045	J3	C2
CR1039	M4	C1	Q2020	K3	A2	R1033	K4	C1			
CR2040	M3	D2	Q2025	L3	B2	R1036	K4	C1	VR1015	J4	A1
									VR2038	L3	C2

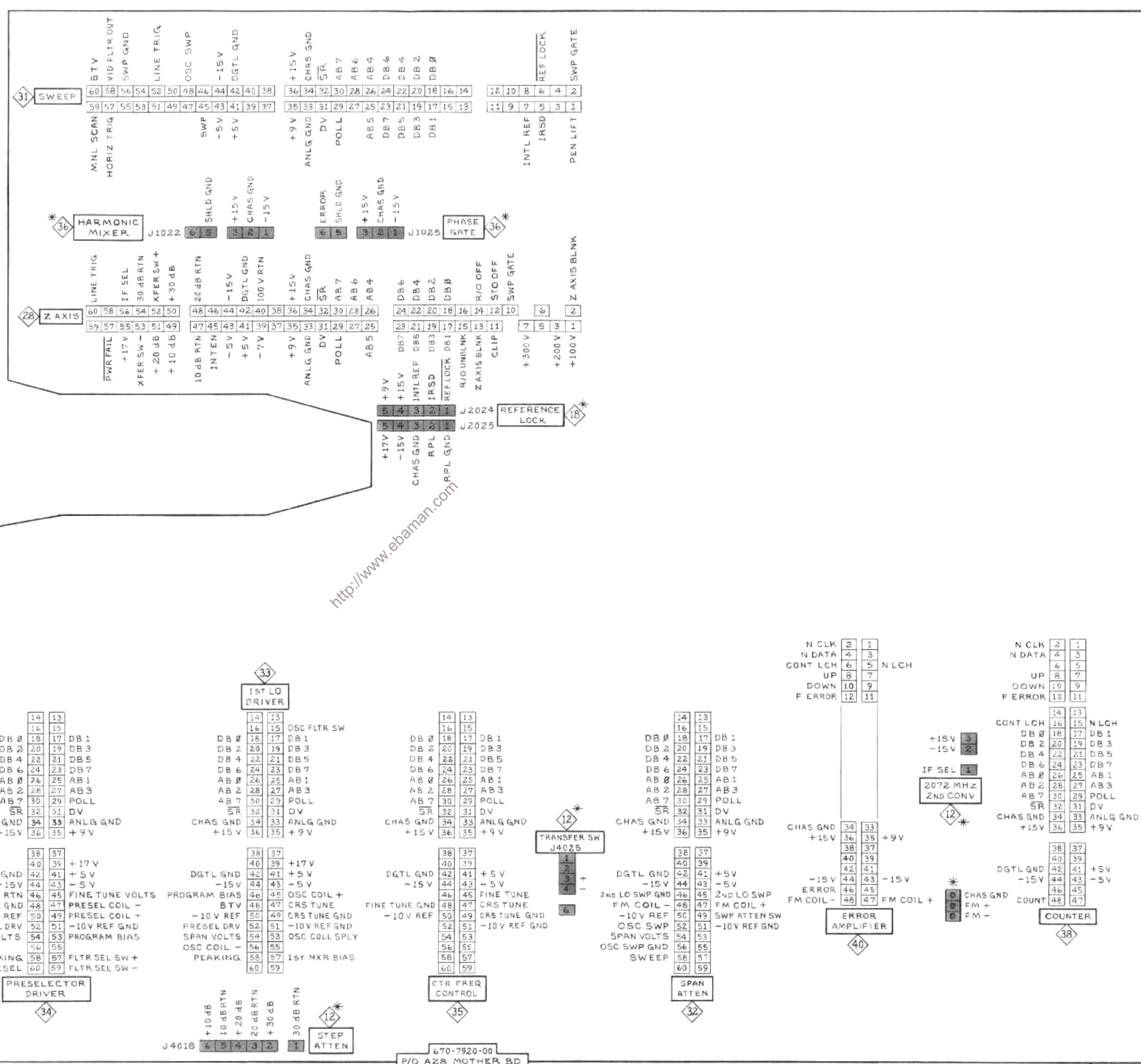


Static Sensitive Devices  
See Maintenance Section

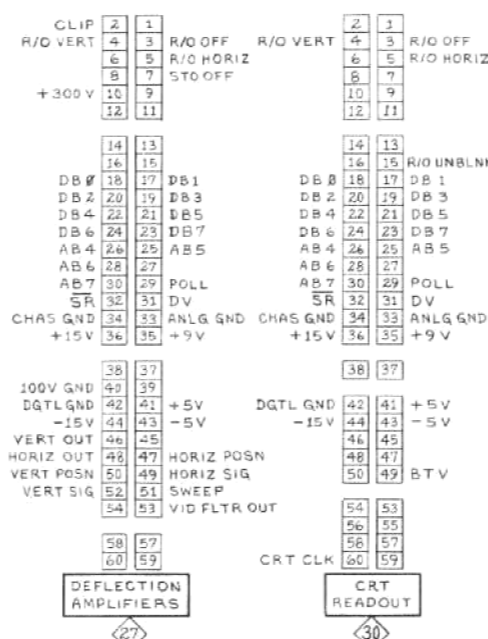
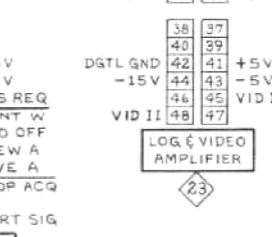
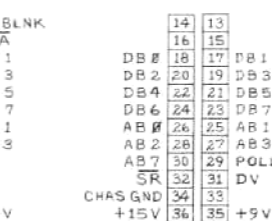
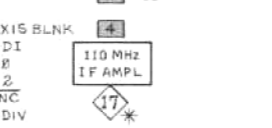
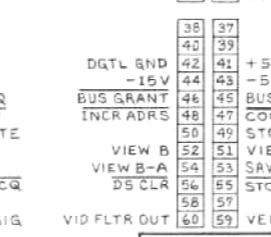
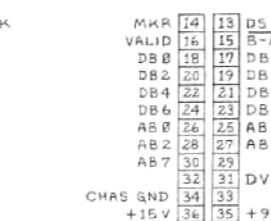
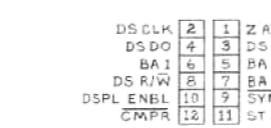
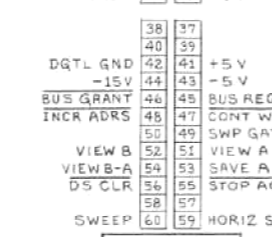
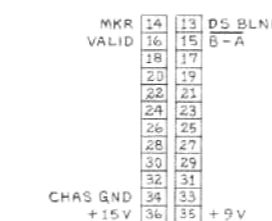
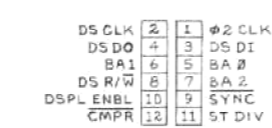
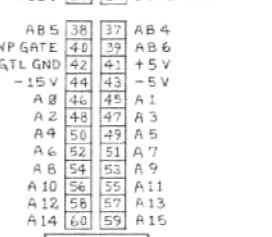
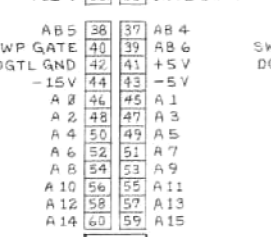
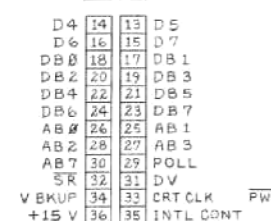
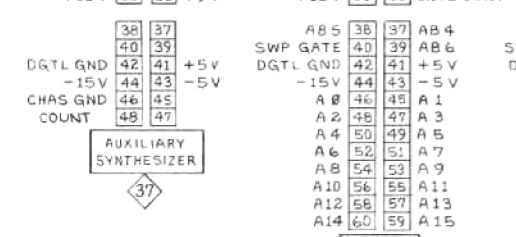
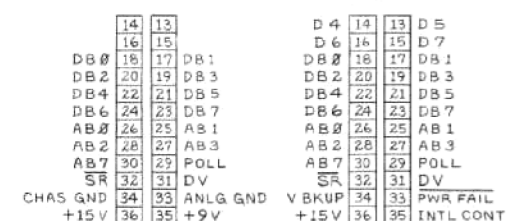
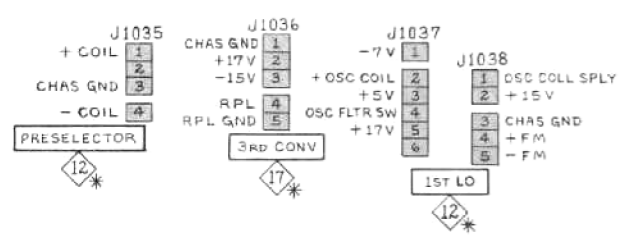
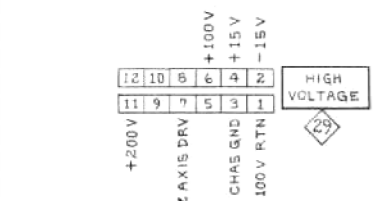


**NOTES:**

1. \* RF DECK CONNECTOR.
  2. \* \* = 2 LAYER CONNECTOR;  
TOP LAYER - NUMBERED PINS.  
BOTTOM LAYER - ALPHA PINS.
  3. UNLABELED PINS HAVE NO CONNECTION.
  4. EXCEPT AS NOTED, ABBREVIATIONS ARE  
BASED ON ANSI V.11-1972 AND  
IEEE STANDARD 488-1975.
- (EXCEPTIONS)
- A. IRSD = INTERNAL REFERENCE SHUT DOWN.
  - B. BTV = BUFFERED TUNE VOLTS.
  - C. PRESEL = PRESELECTOR.
  - D. BLNK = BLANK.
  - E. PROGRAM BIAS = PROGRAMMABLE BIAS.
  - F. DRV = DRIVE.
  - G. R/O = READOUT.
  - H. XFER = TRANSFER.
  - I. STO = STORAGE.
  - J. V BKUP = VOLTAGE BACKUP.
  - K. DS = DIGITAL STORAGE.
  - L. VR = VARIABLE RESOLUTION.



http://www.ebaman.com







CROSS INDEX—MFR. CODE NUMBER TO MANUFACTURER

Mfr. Code	Manufacturer	Address	City, State, Zip
000AH	STANDARD PRESSED STEEL CO., UNBRAKO DIV.	8535 DICE ROAD	SANTA FE SPRINGS, CA 90670
000BB	BERQUIST COMPANY	4350 WEST 78TH	MINNEAPOLIS, MN 55435
000BK	STAUFFER SUPPLY	105 SE TAYLOR	PORTLAND, OR 97214
000CY	NORTHWEST FASTENER SALES, INC.	7923 SW CIRRIUS DRIVE	BEAVERTON, OR 97005
000HC	PANEL COMPONENT CORP.	335 TESCONI CIRCLE	SANTA ROSA, CA 95401
00779	AMP, INC.	P.O. BOX 3608	HARRISBURG, PA 17105
05617	BELL INDUSTRIES, ELECTRONIC DISTR. DIV.	1900 132ND, NE	BELLEVUE, WA 98005
05820	WAKEFIELD ENGINEERING, INC.	AUDUBON ROAD	WAKEFIELD, MA 01880
06090	RAYCHEM CORPORATION	300 CONSTITUTION DRIVE	MENLO PARK, CA 94025
06383	PANDUIT CORPORATION	17301 RIDGELAND	TINLEY PARK, IL 60477
06540	AMATOM ELECTRONIC HARDWARE, DIV. OF MITE CORP.	446 BLAKE ST.	NEW HAVEN, CT 06515
06666	GENERAL DEVICES CO., INC.	525 S. WEBSTER AVE.	INDIANAPOLIS, IN 46219
09422	PLASTIC STAMPING CORPORATION	2216 W. ARMITAGE AVE.	CHICAGO, IL 60647
09922	BURNDY CORPORATION	RICHARDS AVENUE	NORWALK, CT 06852
11897	PLASTIGLIDE MFG. CORPORATION	P O BOX 867, 1757 STANFORD ST.	SANTA MONICA, CA 90406
12327	FREEWAY CORPORATION	9301 ALLEN DRIVE	CLEVELAND, OH 44125
12360	ALBANY PRODUCTS CO., DIV. OF PNEUMO DYNAMICS CORPORATION	145 WOODWARD AVENUE	SOUTH NORWALK, CT 06586
13103	THERMALLOY COMPANY, INC.	2021 W VALLEY VIEW LANE P O BOX 34829	DALLAS, TX 75234
13257	AMERACE, LTD.	10 ESNA PARK DRIVE	MARKHAM, ONTARIO, CANADA
16179	OMNI SPECTRA, INC.	24600 HALLWOOD CT.	FARMINGTON, MI 48024
19505	APPLIED ENGINEERING PRODUCTS	PO BOX 6071	HAMDEN, CT 06517
22526	BERG ELECTRONICS, INC.	YOUK EXPRESSWAY	NEW CUMBERLAND, PA 17070
22599	ESNA, DIV. OF AMERACE CORPORATION	16150 STAGG STREET	VAN NUYS, CA 91409
23050	PRODUCT COMPONENTS CORP	30 LORRAINE AVE.	MT VERNON, NY 10553
24931	SPECIALITY CONNECTOR CO., INC.	2620 ENDRESS PLACE	GREENWOOD, IN 46142
26233	USM CORP NYLOC FASTENER DIV.	1501 W SEROLVEDA BLVD. P.O. BOX 3158	TORRANCE, CA 90510
26365	GRIES REPRODUCER CO., DIV. OF COATS AND CLARK, INC.	125 BEECHWOOD AVE.	NEW ROCHELLE, NY 10802
28817	CAL-METEX CORP., SUBSIDIARY OF METEX CORP.	509 HINDRY AVE.	INGLEWOOD, CA 90301
31781	EDAC INC.	20 RAILSIDE RD.	DON MILLS, ONT, CANADA M3A 1
49671	RCA CORPORATION	30 ROCKEFELLER PLAZA	NEW YORK, NY 10020
52905	SIMPLEX MFG COMPANY	5224 NE 42ND AVENUE	PORTLAND, OREGON 97218
52961	PRODUCTS SERVICES CO.	86365 COLLEGE VIEW RD.	EUGENE, OR 97405
54152	OMEGA PRECISION HAND TOOL CO INC	145 DENTON AVE	NEW HYDE PARK NY 11040
55322	SAMTEC INC	P.O. BOX 1147	NEW ALBANY IN 47150
56878	STANDARD PRESSED STEEL COMPANY	BENSON EAST	JENKINTOWN, PA 19046
61864	TRW INC., UNITED-CARR DIV.	31 BURLINGTON MALL RD.	BURLINGTON, MA 01803
70276	ALLEN MFG CO.	P. O. DRAWER 570	HARTFORD, CT 06101
70485	ATLANTIC INDIA RUBBER WORKS, INC.	571 W. POLK ST.	CHICAGO, IL 60607
71279	CAMBRIDGE THERMIONIC CORP.	445 CONCORD AVE.	CAMBRIDGE, MA 02138
71279	CAMBRIDGE THERMIONIC CORP.	445 CONCORD AVE.	CAMBRIDGE, MA 02138
71400	BUSSMAN MFG., DIVISION OF MCGRAW-EDISON CO.	2536 W. UNIVERSITY ST.	ST LOUIS, MO 63107
71468	ITT CANNON ELECTRIC	666 E. DYER RD.	SANTA ANA, CA 92702
73743	FISCHER SPECIAL MFG. CO.	446 MORGAN ST	CINCINNATI, OH 45206
74445	HOLO-KROME CO.	31 BROOK ST. WEST	HARTFORD, CT 06110
74868	BUNKER-RAMO CORP., THE AMPHENOL RF DIV	33 E. FRANKLIN ST.	DANBURY, CT 06810
75497	LAMSON AND SESSIONS CO.	5000 TIEDEMAN ROAD	CLEVELAND, OH 44144
75915	LITTELFUSE, INC.	800 E. NORTHWEST HWY	DES PLAINES, IL 60016
77132	DOT FASTENER CO., A UNITED-CARR DIV. OF TRW INC.	ROUND HOUSE INDL PK. PO BOX 710	WATERBURY, CT 06720
77250	PHEOLL MANUFACTURING CO., DIVISION OF ALLIED PRODUCTS CORP.	5700 W. ROOSEVELT RD.	CHICAGO, IL 60650
77820	BENDIX CORP., THE, ELECTRICAL COMPONENTS DIVISION	SHERMAN AVE.	SIDNEY, NY 13838
78189	ILLINOIS TOOL WORKS, INC. SHAKEPROOF DIVISION	ST. CHARLES ROAD	ELGIN, IL 60120
79136	WALDES, KOHINOOR, INC.	47-16 AUSTEL PLACE	LONG ISLAND CITY, NY 11101
79807	WROUGHT WASHER MFG. CO.	2100 S. O BAY ST.	MILWAUKEE, WI 53207
80009	TEKTRONIX, INC.	P O BOX 500	BEAVERTON, OR 97077
81041	HOWARD INDUSTRIES, DIVISION OF MSL INDUSTRIES, INC.	P O BOX 287	MILFORD, IL 60953

http://www.ebman.com



CROSS INDEX—MFR. CODE NUMBER TO MANUFACTURER

Mfr. Code	Manufacturer	Address	City, State, Zip
81312	WINCHESTER ELECTRONICS DIVISION		
	LITTON INDUSTRIES, INC.	MAIN ST. AND HILLSIDE AVE.	OAKVILLE, CT 06779
83385	CENTRAL SCREW CO.	2530 CRESCENT DR.	BROADVIEW, IL 60153
83486	ELCO INDUSTRIES, INC.	1103 SAMUELSON ROAD	ROCKFORD, IL 61101
83553	ASSOCIATED SPRING CORP., SEABOARD DIV.	15001 S BROADWAY, P O BOX 231	GARDENA, CA 90248
85471	BOYD, A. B., CO.	2527 GRANT AVENUE	SAN LEANDRO, CA 94579
86928	SEASTROM MFG. COMPANY, INC	701 SONORA AVENUE	GLENDALE, CA 91201
87308	N. L. INDUSTRIES, INC., SOUTHERN SCREW DIV.	P. O. BOX 1360	STATESVILLE, NC 28677
91836	KINGS ELECTRONICS CO., INC.	40 MARBLEDALE ROAD	TUCKAHOE, NY 10707
93907	TEXTRON INC. CAMCAR DIV	600 18TH AVE	ROCKFORD, IL 61101
94222	SOUTHCO, INC.		LESTER, PA 19113
95238	CONTINENTAL CONNECTOR CORP.	34-63 56TH ST.	WOODSIDE, NY 11377
95987	WECKESSER CO., INC.	4444 WEST IRVING PARK RD.	CHICAGO, IL 60641
98159	RUBBER TECK, INC.	19115 HAMILTON AVE., P O BOX 389	GARDENA, CA 90247
98291	SEAELECTRO CORP.	225 HOYT	MAMARONECK, NY 10544
S3109	C/O PANEL COMPONENTS CORP.	P.O. BOX 6626	SANTA ROSA, CA 95406
S3629	PANEL COMPONENTS CORP	2015 SECOND ST.	BERKELEY, CA 94170
S3629	PANEL COMPONENTS CORP	2015 SECOND ST.	BERKELEY, CA 94170
T0433	PORTLAND SCREW CO	6520 N BASIN	PORTLAND, OREG 97217
T0855	ARO FASTENERS INC	2112 AMERICAN AVE	HAYWARD, CA 94545
T0858	STAUFFER SUPPLY CO	105 SE TAYLOR	PORTLAND, OR 97214
T0858	STAUFFER SUPPLY CO	105 SE TAYLOR	PORTLAND, OR 97214
T1292	ND INDUSTRIES	16727 S PARKSIDE AVE	CERITOS, CA 97071
T1364	SYNETIX INDUSTRIES INC.	15050 NE 95TH STREET	REDMOND, WA 98052

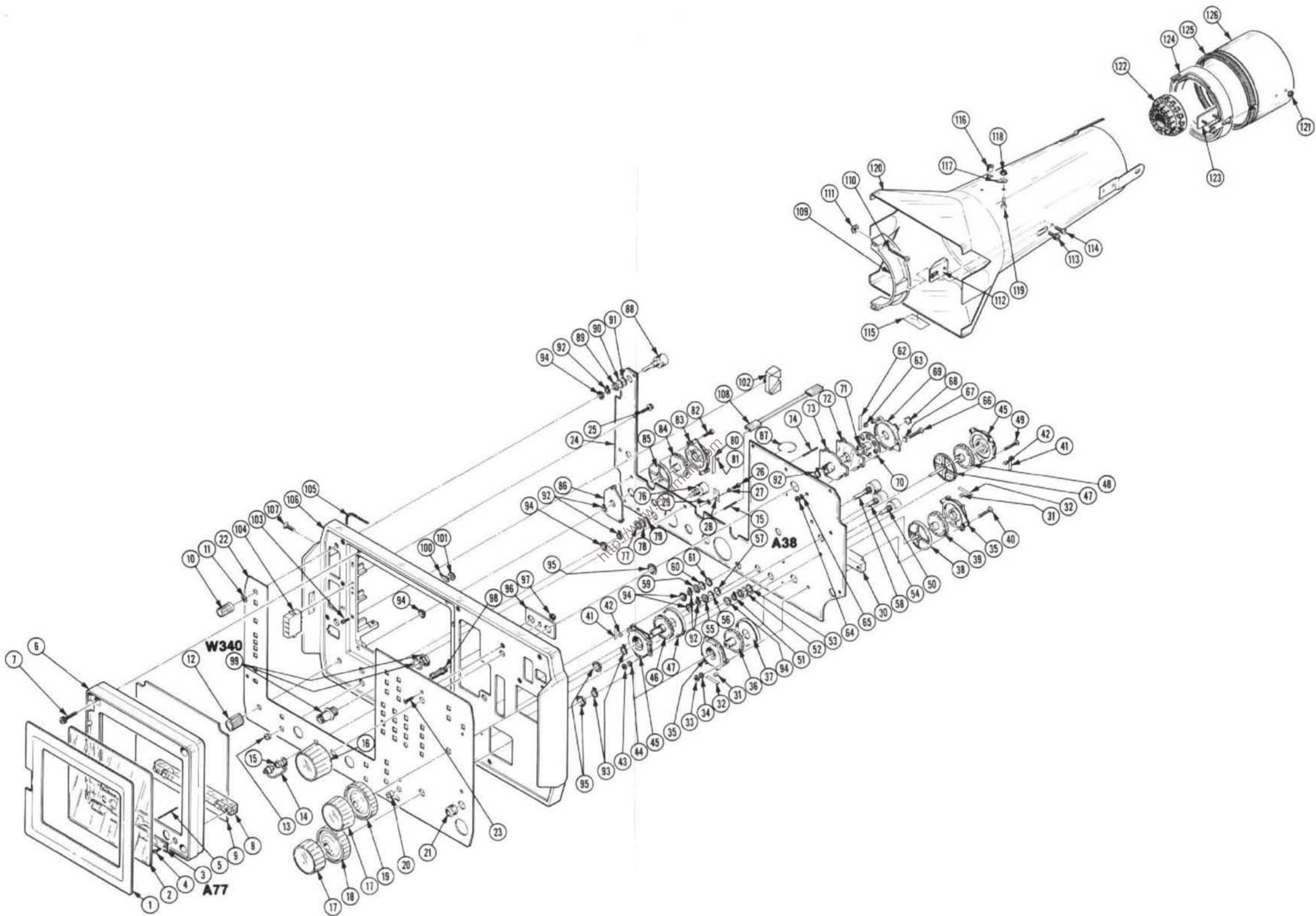
<http://www.ebaman.com>

Replaceable Mechanical Parts—494/494P Service Vol.2

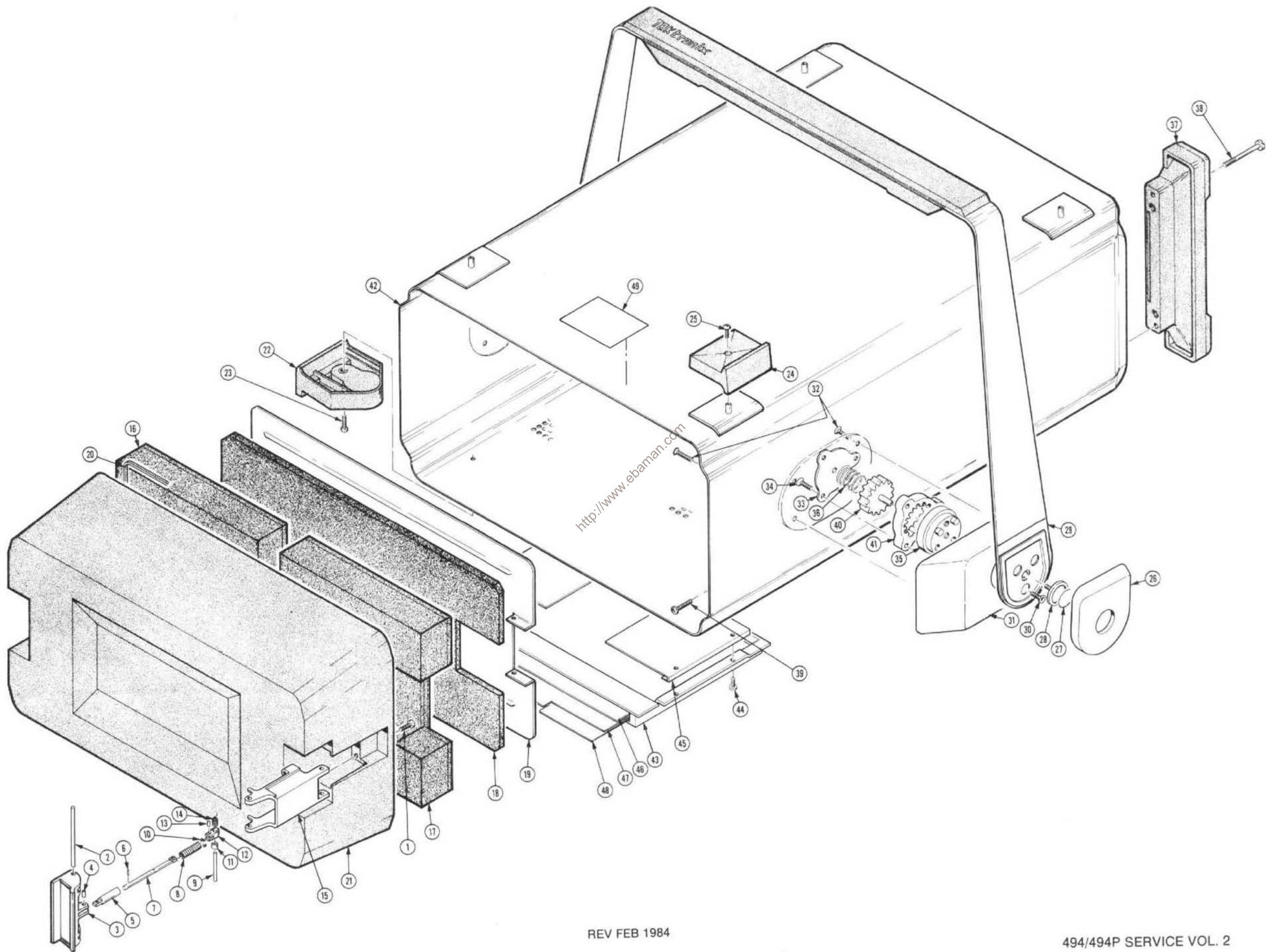
Fig. & Index No.	Tektronix Part No.	Serial/Model No. Eff	Dscont	Qty	1	2	3	4	5	Name & Description	Mfr Code	Mfr Part Number
1-	650-0568-00			1						FRONT COVER AS.	80009	650-0568-00
	105-0684-01			1						LATCH ASSEMBLY:	80009	105-0684-01
										***** (ATTACHING PARTS) *****		
-1	211-0507-00			4						SCREW,MACHINE:6-32 X 0.312,PNH STL,CD PL	83385	ORD BY DESCR
										***** (END ATTACHING PARTS) *****		
	-----			-						LATCH ASSY INCLUDES:		
-2	214-2350-00			1						..PIN,STR,HDL:0.125 DIA X 2.0 INCH LONG	000BK	ORD BY DESCR
-3	367-0212-01			1						..HANDLE,LATCH:MOLDING	80009	367-0212-01
-4	214-2357-00			1						..PIN,SPRING:0.375" L X 0.125 OD,STL	22599	52-028-125-0375
-5	351-0463-01			1						..GUIDE,SHAFT:STEEL	80009	351-0463-01
-6	214-1721-00			1						..PIN,SPRING:0.375 X 0.069	22599	52-012-062-0375
-7	384-1385-00			1						..EXTENSION SHAFT:2.274" L X 0.188 OD,STL	80009	384-1385-00
-8	214-2352-00			1						..SPRING,HLCPS:1.0" L X 0.24" OD,MUSIC WR	83553	C0240-042-100M
-9	214-2349-00			1						..PIN,STR,HDL:0.125 DIA X 1.0 INCH LONG,	000BK	ORD BY DESCR
-10	354-0324-00			1						..RING,RETAINING:E SHAPE,0.102 ID X 0.270	79136	5133-14-MD
-11	361-0762-00			1						..SPACER,SLEEVE:0.128 ID X 0.15" L,BRASS	80009	361-0762-00
-12	105-0686-00			1						..LATCH,COVER:	80009	105-0686-00
-13	214-2351-00			1						..PIN,SPRING:0.375" L X 0.101" OD,STL	22599	52-022-094-0375
-14	214-2345-00			1						..SPR,HLC,TRSN:0.665 INCH L X 0.245 OD,ST	80009	214-2345-00
-15	426-1271-02			2						..FRAME,LATCH:	80009	426-1271-02
-16	377-0506-00			1						INSERT,COVER:ASSY,LATCH SIDE,FOAM	80009	377-0506-00
-17	377-0507-00			1						INSERT,COVER:ASSY,HINGE SIDE,FOAM	80009	377-0507-00
-18	348-0628-00			1						PAD,CUSHIONING:1.125 X 6.0 X 0.25,FOAM	80009	348-0628-00
-19	200-2228-00			1						DOOR,ACCESS:FRONT COVER	80009	200-2228-00
-20	348-0524-00			1						GASKET:FRONT PANEL,SILICONE,W/PSA	85471	ORD BY DESCR
-21	200-2218-01			1						COVER,FRONT:PLASTIC,PAINTED	80009	200-2218-01
	437-0253-01			1						CABINET ASSY	80009	437-0253-01
-22	348-0585-00			4						FOOT,CABINET:BLUE PLASTIC	80009	348-0585-00
										***** (ATTACHING PARTS) *****		
23	211-0674-00			4						SCREW,MACHINE:6-32 X 0.32 INCH,THRUS HD	83486	ORD BY DESCR
										***** (END ATTACHING PARTS) *****		
-24	348-0587-00			4						FOOT,CABINET:BLUE PLASTIC	80009	348-0587-00
										***** (ATTACHING PARTS) *****		
-25	211-0674-00			4						SCREW,MACHINE:6-32 X 0.32 INCH,THRUS HD	83486	ORD BY DESCR
										***** (END ATTACHING PARTS) *****		
-26	200-2622-00			2						CAP,HANDLE:ALUMINUM	80009	200-2622-00
-27	334-4661-00			2						MARKER,IDENT:MKD PUSH	80009	334-4661-00
-28	214-3199-00			2						BUTTON,RELEASE:ALUMINUM	80009	214-3199-00
-29	367-0306-01			1						HANDLE,CARRYING:MOLDED W/PLASTIC	80009	367-0306-01
										***** (ATTACHING PARTS) *****		
-30	212-0560-00			6						SCREW,MACHINE:10-32 X 0.312 INCH,FLH STL	75497	ORD BY DESCR
										***** (END ATTACHING PARTS) *****		
	-----			-						HANDLE ASSY INCLUDES:		
-31	380-0668-00			2						HOUSING,INDEX:POLYAMIDE	80009	380-0668-00
										***** (ATTACHING PARTS) *****		
-32	213-0858-00			8						SCREW,TPG,TF:6-32 X 0.5 INCH,100 DEG	93907	ORD BY DESCR
										***** (END ATTACHING PARTS) *****		
-33	200-2694-00			2						COVER,INDEX:ALUMINUM	80009	200-2694-00
										***** (ATTACHING PARTS) *****		
-34	213-0918-00			6						SCREW,TPG,TR:8-32 X 0.625,FLH,82 DEG,P0Z	93907	ORD BY DESCR
										***** (END ATTACHING PARTS) *****		
-35	214-3198-00			2						INDEX,HANDLE:ALUMINUM	80009	214-3198-00
-36	214-3200-00			2						SPRING,HLCPS:0.798 OD X 1.1 L,CLOSED END	80009	214-3200-00
-37	348-0589-00			2						FOOT,CABINET:BLUE PLASTIC	80009	348-0589-00
										***** (ATTACHING PARTS) *****		
-38	212-0630-01			4						SCREW,SPCL MACH:10-24 X 1.55 L,FLH 45 DEG	80009	212-0630-01
-39	211-0513-00			4						SCREW,MACHINE:6-32 X 0.625 INCH,PNH STL	83385	ORD BY DESCR
										***** (END ATTACHING PARTS) *****		
-40	105-0893-00			2						INDEX RLSE,HDL:ALUMINUM	80009	105-0893-00
-41	105-0894-00			2						INDEX STOP,HDL:POLYAMIDE	80009	105-0894-00
-42	437-0232-03			1						CABINET,SA.		

Fig & Index No	Tektronix Part No.	Serial/Model No.		Qty	1	2	3	4	5	Name & Description	Mfr	
		Eff	Dscont								Code	Mfr Part Number
1-43	380-0719-00			1						.HOUSING,CKT BD. ***** (ATTACHING PARTS) *****		
-44	211-0298-00			4						SCREW,MACHINE:2-56 X 0.125 L. PAN HEAD ***** (END ATTACHING PARTS) *****		
-45	367-0338-00			2						GRIP,EXTRUSION,AL,TEX BLUE		
-46	062-6964-00			1						CARD,INSTR:TOP	80009	062-7514-00
	062-7514-00			1						CARD,INSTR:TOP (OPTION 12 ONLY)		
	062-7517-00			1						CARD,INSTR:TOP (OPTION 13 ONLY)	80009	062-7517-00
	062-7511-00			1						CARD,INSTR:TOP (OPTION 14 ONLY)	80009	062-7511-00
-47	062-6965-00			1						CARD,INSTR:MIDDLE		
	062-7515-00			1						CARD,INSTR:MIDDLE (OPTION 12 ONLY)	80009	062-7515-00
	062-7518-00			1						CARD,INSTR:MIDDLE (OPTION 13 ONLY)	80009	062-7518-00
	062-7512-00			1						CARD,INSTR:MIDDLE (OPTION 14 ONLY)	80009	062-7512-00
-48	062-6966-00			1						CARD,INSTR:BOTTOM		
	062-7516-00			1						CARD,INSTR:BOTTOM (OPTION 12 ONLY)	80009	062-7516-00
	062-7519-00			1						CARD,INSTR:BOTTOM (OPTION 13 ONLY)	80009	062-7519-00
	062-7513-00			1						CARD,INSTR:BOTTOM (OPTION 14 ONLY)	80009	062-7513-00
-49	334-5221-00			1						MARKER,IDENT:MKD CAUTION		

<http://www.ebaman.com>







REV FEB 1984

494/494P SERVICE VOL. 2

Fig. & Index No.	Tektronix Part No.	Serial/Model No.		Qty	1 2 3 4 5	Name & Description	Mfr Code	Mfr Part Number
		Eff	Dscont					
2-1	426-1523-05			1		FRAME,MASK:5.0 CRT,SILVER GRAY,PLASTIC	80009	426-1523-05
-2	378-0115-00			1		FILTER,LT,CRT:BLUE,4.176 X 3.418,PLSTC	80009	378-0115-00
-3	-----			1		CKT BOARD ASSY:CRT GRATICULE LIGHT		
	-----			-		(SEE A77 REPL)		
						***** (ATTACHING PARTS) *****		
-4	213-0772-00			2		SCREW,TPG,TF:2-56 X 0.5,PLASTITE.PNH,STL	93907	ORD BY DESCR
	-----			-		***** (END ATTACHING PARTS) *****		
						CKT BOARD ASSY INCLUDES:		
-5	-----			2		.CONTACT,ELEC:0.885 INCH LONG		
	-----			-		(SEE A77P770 REPL)		
-6	200-2216-01			1		RTNR,CRT SCALE:5.0 CRT	80009	200-2216-01
						***** (ATTACHING PARTS) *****		
-7	212-0128-00			4		SCREW,CAP,SCH:8-32 X 0.50 INCH STL	70276	ORD BY DESCR
	-----			-		***** (END ATTACHING PARTS) *****		
-8	378-0877-00			1		REFLECTOR,LIGHT:PLASTIC	80009	378-0877-00
-9	337-2577-00			1		SHLD,IMPLOSION:CLEAR,4.0 CRT,PLASTIC	80009	337-2577-00
-10	366-1786-01			4		SHELL,KNOB:0.375 OD X 0.55 H,ABS	80009	366-1786-01
	213-0193-00			4		.SETSCREW:4-40X0.099 INCH,HEX	80009	213-0193-00
-11	210-1160-00			2		WASHER,FLAT:0.129 ID X 0.031 THK,TEFLON	86928	5612-32-31
-12	366-1781-00			1		SHELL,KNOB:0.587 OD X 0.625 H,PLASTIC	80009	366-1781-00
	213-0193-00			2		.SETSCREW:4-40X0.099 INCH,HEX	80009	213-0193-00
-13	358-0301-01			2		BUSHING,SLEEVE:GRAY,MOLDED	80009	358-0301-01
-14	-----			2		TERMN,COAXIAL:(SEE P800,P900 REPL)		
						***** (ATTACHING PARTS) *****		
-15	220-0531-02			2		NUT,PLAIN,HEX:0.25-36 X 0.312 INCH,STL	80009	220-0531-02
						***** (END ATTACHING PARTS) *****		
-16	366-1782-01			1		SHELL,KNOB:SIL GRAY,1.125 OD X 0.65	80009	366-1782-01
	213-0917-00			2		.SETSCREW:8-32 X 0.25,STL CD PL,HEX	T0433	ORD BY DESCR
-17	366-1780-01			2		SHELL,KNOB:SIL GRAY,0.375 OD X 0.375H	80009	366-1780-01
	213-0243-00			4		.SETSCREW:5-40 X 0.25 INCH,HEX SOC ST	70276	ORD BY DESCR
-18	366-1779-01			1		SHELL,KNOB:1.100 X 0.5 H,PLASTIC	80009	366-1779-01
	213-0153-00			2		SETSCREW:5-40 X 0.125,STL BK OXD,HEX	000CY	ORD BY DESCR
-19	366-1779-00			1		SHELL,KNOB:1.1 OD X 0.5 H,PLASTIC	80009	366-1779-00
	213-0153-00			2		.SETSCREW:5-40 X 0.125,STL BK OXD,HEX	000CY	ORD BY DESCR
-20	358-0301-02			2		BUSHING,SLEEVE:GRAY PLASTIC	80009	358-0301-02
-21	358-0216-00			1		BUSHING,PLASTIC:0.257 ID X 0.412 INCH OD	80009	358-0216-00
-22	333-3005-00			1		PANEL,FRONT:(494)	80009	333-3005-00
	333-3004-00			1		PANEL,FRONT:(494P)	80009	333-3004-00
						***** (ATTACHING PARTS) *****		
-23	211-0087-01			1		SCREW,MACHINE:2-56 X 0.188,FLH 82 DEG,STL	83385	ORD BY DESCR
	-----			-		***** (END ATTACHING PARTS) *****		
-24	-----			1		CKT BOARD ASSY:FRONT PANEL(SEE A38 REPL)		
						***** (ATTACHING PARTS) *****		
-25	211-0121-00			11		SCR,ASSEM WSHR:4-40 X 0.438 INCH,PNH BRS	83385	ORD BY DESCR
-26	211-0008-01			1		SCREW,MACHINE:4-40 X 0.25,PNH	26233	ORD BY DESCR
-27	210-1178-00			1		WASHER,SHLDR:U/W T0-220 TRANSISTOR	49671	DF 137A
-28	342-0163-00			1		INSULR,PLATE:XSTR,0.675 X 0.625 X 0.001"	80009	342-0163-00
-29	210-0851-00			1		WASHER,FLAT:0.119 ID X 0.375 INCH OD,ST	12327	ORD BY DESCR
	-----			-		***** (END ATTACHING PARTS) *****		
						CKT BOARD ASSY INCLUDES:		
-30	131-1229-00			1		.CONNECTOR,RCPT:22/44 CONTACT	95238	600-120-5Y25A
-31	214-1127-00			4		.ROLLER,DETENT:0.125 DIA X 0.125,SST	80009	214-1127-00
-32	214-1126-01			4		.SPRING,FLAT:0.7 X 0.125,CU BE GRN CLR	80009	214-1126-01
-33	210-0405-00			3		NUT,PLAIN,HEX:2-56 X 0.188,BRS,CD PL	73743	12157-50
-34	210-0053-00			3		WASHER,LOCK:INTL,0.092 ID X 0.175 OD	83385	ORD BY DESCR
-35	401-0340-01			2		.BEARING,RTRY SW:FRONT,0.375 DIA	80009	401-0340-01
-36	384-1462-07			1		.SHAFT,ROTARY SW:0.81 L X 0.248 OD,W/DENT	80009	384-1462-07
-37	352-0457-25			1		HOLDER,CONTACT:1 CONTACT,GRAY PLASTIC	80009	352-0457-25
-38	352-0457-21			1		HOLDER,CONTACT:PANCAKE SW,4 CONTACT	80009	352-0457-21
-39	384-1462-07			1		.SHAFT,ROTARY SW:0.81 L X 0.248 OD,W/DENT	80009	384-1462-07
-40	211-0034-00			3		SCREW,MACHINE:2-56 X 0.50 INCH,PNH	83385	ORD BY DESCR
-41	214-1126-01			4		.SPRING,FLAT:0.7 X 0.125,CU BE GRN CLR	80009	214-1126-01
-42	214-1127-00			4		.ROLLER,DETENT:0.125 DIA X 0.125,SST	80009	214-1127-00



Replaceable Mechanical Parts—494/494P Service Vol.2

Fig & Index No	Tektronix Part No.	Serial/Model No.		Qty	Name & Description					Mfr Code	Mfr Part Number
		Eff	Dscont		1	2	3	4	5		
2-43	210-0405-00			3	NUT,PLAIN,HEX:2-56 X 0.188,BRS,CD PL					73743	12157-50
-44	210-0053-00			3	WASHER,LOCK:INTL,0.092 ID X 0.175"OD					83385	ORD BY DESCR
-45	401-0340-01			2	BEARING,RTRY SW:FRONT,0.375 DIA					80009	401-0340-01
-46	384-1462-06			1	SHAFT,ROTARY SW:W/DENT,24 POSN,15 DEG					80009	384-1462-06
-47	352-0457-21			2	HOLDER,CONTACT:PANCAKE SW,4 CONTACT					80009	352-0457-21
-48	384-1463-04			1	SHAFT,ROTARY SW:16/11 POS,1.535 L					80009	384-1463-04
-49	211-0034-00			3	SCREW,MACHINE:2-56 X 0.50 INCH,PNH					83385	ORD BY DESCR
50	-----			1	RESISTOR,VAR:(SEE A38R6049 REPL) ***** (ATTACHING PARTS) *****						
-51	210-0583-00			1	NUT,PLAIN,HEX:0.25-32 X 0.312 INCH,BRS					73743	2X20317-402
-52	210-0046-00			1	WASHER,LOCK:0.261 ID,INTL,0.018 THK,BRS					78189	1214-05-00-0541C
-53	210-0940-00			1	WASHER,FLAT:0.25 ID X 0.375 INCH OD,STL ***** (END ATTACHING PARTS) *****					79807	ORD BY DESCR
-54	-----			1	RESISTOR,VAR:(SEE A38R6051 REPL) ***** (ATTACHING PARTS) *****						
-55	210-0583-00			1	NUT,PLAIN,HEX:0.25-32 X 0.312 INCH,BRS					73743	2X20317-402
-56	210-0046-00			1	WASHER,LOCK:0.261 ID,INTL,0.018 THK,BRS					78189	1214-05-00-0541C
-57	210-0940-00			1	WASHER,FLAT:0.25 ID X 0.375 INCH OD,STL ***** (END ATTACHING PARTS) *****					79807	ORD BY DESCR
-58	-----			1	RESISTOR,VAR:(SEE A38R6062 REPL) ***** (ATTACHING PARTS) *****						
-59	210-0583-00			1	NUT,PLAIN,HEX:0.25-32 X 0.312 INCH,BRS					73743	2X20317-402
-60	210-0046-00			1	WASHER,LOCK:0.261 ID,INTL,0.018 THK,BRS					78189	1214-05-00-0541C
-61	210-0940-00			1	WASHER,FLAT:0.25 ID X 0.375 INCH OD,STL ***** (END ATTACHING PARTS) *****					79807	ORD BY DESCR
-62	214-1126-01			1	SWITCH,ROTARY:(SEE A38S2035 REPL) ..SPRING,FLAT:0.7 X 0.125,CU BE GRN CLR					80009	214-1126-01
-63	214-3197-00			1	..BUTTON,FRICITION:ACETAL NATURAL					80009	214-3197-00
-64	210-0406-00			3	..NUT,PLAIN,HEX:4-40 X 0.188,BRS,CD PL					73743	12161-50
-65	210-1002-00			3	..WASHER,FLAT:0.125 ID X 0.25 INCH OD,BRS					12327	ORD BY DESCR
-66	211-0016-00			3	..SCREW,MACHINE:4-40 X 0.625 INCH,PNH STL					83385	ORD BY DESCR
-67	210-0004-00			3	..WASHER,LOCK:4 INTL,0.015 THK,STL CD PL					000BK	ORD BY DESCR
-68	343-0703-00			1	..RETAINER SPRING					80009	343-0703-00
-69	380-0504-00			1	..HOUSING,SWITCH:POLYCARBONATE					80009	380-0504-00
-70	384-1522-01			1	..SHAFT,ROTARY:0.248 OD X 1.374 L,W/DETENT					80009	384-1522-01
-71	210-0992-00			1	..WASHER,FLAT:0.265 ID X 0.01 THK,TEFLON					80009	210-0992-00
-72	351-0528-00			1	..GUIDE,LIGHT					80009	351-0528-00
-73	401-0418-00			1	..BEARING,RTRY,SW:FRONT,0.254 ID					80009	401-0418-00
-74	131-0590-00			4	CONTACT,ELEC:0.71 INCH LONG					22526	47351
-75	-----			2	..TERMINAL,PIN:0.46 L X 0.025 SQ (SEE A38P5090 REPL)						
-76	-----			2	RESISTOR,VAR:(SEE A38R6104, A38R6106 REPL) ***** (ATTACHING PARTS) *****						
-77	210-0583-00			2	NUT,PLAIN,HEX:0.25-32 X 0.312 INCH,BRS					73743	2X20317-402
-78	210-0046-00			2	WASHER,LOCK:0.261 ID,INTL,0.018 THK,BRS					78189	1214-05-00-0541C
-79	210-0940-00			2	WASHER,FLAT:0.25 ID X 0.375 INCH OD,STL ***** (END ATTACHING PARTS) *****					79807	ORD BY DESCR
-80	214-1126-01			1	..SPRING,FLAT:0.7 X 0.125,CU BE GRN CLR					80009	214-1126-01
-81	214-1127-00			1	..ROLLER,DETENT:0.125 DIA X 0.125,SST					80009	214-1127-00
-82	213-0759-00			3	..SCR,TPG,THD FOR:2-28 X 0.437 INCH,PNH,STL					93907	ORD BY DESCR
-83	401-0340-01			1	BEARING,RTRY SW:FRONT,0.375 DIA					80009	401-0340-01
-84	384-1462-06			1	SHAFT,ROTARY SW:W/DENT,24 POSN,15 DEG					80009	384-1462-06
-85	352-0457-22			1	HOLDER,CONTACT:PANCAKE SW,2 CONTACT					80009	352-0457-22
-86	401-0341-01			1	BEARING,RTRY SW:REAR,0.252 ID					80009	401-0341-01
-87	346-0032-00			1	..STRAP,RTNING:0.075 DIA X 4.0 L,MLD RBR					98159	2859-75-4
-88	-----			3	RESISTOR:(SEE A38R1121,A38R4043, A38R4121 REPL) ***** (ATTACHING PARTS) *****						
-89	210-0583-00			3	NUT,PLAIN,HEX:0.25-32 X 0.312 INCH,BRS					73743	2X20317-402
-90	210-0046-00			3	WASHER,LOCK:0.261 ID,INTL,0.018 THK,BRS					78189	1214-05-00-0541C
-91	210-0940-00			3	WASHER,FLAT:0.25 ID X 0.375 INCH OD,STL ***** (END ATTACHING PARTS) *****					79807	ORD BY DESCR

Fig & Index No	Tektronix Part No.	Serial/Model No.		Qty	1 2 3 4 5	Name & Description	Mfr Code	Mfr Part Number
		Eff	Dscont					
2-92	354-0392-00			9		RING,RETAINING:	79136	5555-122D
-93	354-0177-00			3		RING,RETAINING:FOR 0.250 INCH DIA SHAFT	79136	5100-25MF
-94	214-2616-00			9		CONTACT,ELEC:GROUNDING CU BE	80009	214-2616-00
-95	214-2617-00			3		SPRING,GROUND:0.248 ID,COPPER BERYLLIUM	80009	214-2617-00
-96	386-3969-00			1		PLATE,CONN MTG:ANTI ROTATION ***** (ATTACHING PARTS) *****	80009	386-3969-00
-97	210-0589-00			1		NUT,SELF LKG HE:4-40 X 0.250 INCH ***** (END ATTACHING PARTS) *****	13257	22 NM-40
-98	131-2343-00			2		CONN,RCPT,ELEC:SMA,DOUBLE FEMALE	16179	2084-3202-02
-99	-----			1		CABLE ASSY,RF:50 OHM COAX,17.52 L ----- (SEE W340 REPL)	06090	ORD BY DESCR
	131-0818-00			1		.CONNECTOR,RCPT.:BNC,FEMALE	91836	KC-19-153
-100	210-0201-00			1		TERMINAL,LUG:0.12 ID,LOCKING,BRZ TIN PL ***** (ATTACHING PARTS) *****	86928	ORD BY DESCR
-101	210-0586-00			1		NUT,PL,ASSEM WA:4-40 X 0.25,STL,CD PL ***** (END ATTACHING PARTS) *****	78189	211-041800-00
-102	343-0760-00			4		CLAMP,CRT:PLASTIC ***** (ATTACHING PARTS) *****	80009	343-0760-00
-103	211-0576-00			4		SCREW,CAP:6-32 X 0.875,SCH,STL,CD PL ***** (END ATTACHING PARTS) *****	56878	ORD BY DESCR
-104	204-0820-00			1		BODY,TERMINAL:5.0 L,CRT,PLASTIC	80009	204-0820-00
-105	337-0925-04			1		SHLD GSKT,ELEK:37.0 INCH LONG	80009	337-0925-04
-106	386-3845-08			1		SUBPANEL:FRONT ***** (ATTACHING PARTS) *****	80009	386-3845-00
-107	212-0650-00			4		SCREW,MACHINE:10-32 X 0.437" 100 DEG,FLH ***** (END ATTACHING PARTS) *****	83385	ORD BY DESCR
-108	175-4641-00	B010100	B010136	1		CA ASSY,SP,ELEC:2.26 AWG,3.0 L,RIBBON	80009	175-4641-00
	175-4641-01	B010100	B010136	1		CA ASSY,SP,ELEC:2.26 AWG,3.0 L,RIBBON	80009	175-4641-01
-109	343-0811-02			2		CLAMP,CRT:ABS ***** (ATTACHING PARTS) *****	80009	343-0811-02
-110	211-0020-00			2		SCREW,MACHINE:4-40 X 1.125 INCH,PNH STL	83385	ORD BY DESCR
-111	210-0586-00			2		NUT,PL,ASSEM WA:4-40 X 0.25,STL,CD PL ***** (END ATTACHING PARTS) *****	78189	211-041800-00
-112	361-0920-00			2		SPACER,CRT SHLD: ***** (ATTACHING PARTS) *****	80009	361-0920-00
-113	211-0116-00			2		SCR,ASSEM WSHR:4-40 X 0.312 INCH,PNH BRS	83385	ORD BY DESCR
-114	213-0034-00			2		SCR,TPG,THD CTG:4-40 X 0.188 INCH,PNH STL ***** (END ATTACHING PARTS) *****	T0858	ORD BY DESCR
-115	334-3689-00			1		MARKER,IDENT:J770	80009	334-3689-00
-116	348-0003-00			1		GROMMET,RUBBER:0.312 INCH DIAMETER	70485	1411B6040
-117	210-0201-00			1		TERMINAL,LUG:0.12 ID,LOCKING,BRZ TIN PL ***** (ATTACHING PARTS) *****	86928	ORD BY DESCR
-118	210-0586-00			1		NUT,PL,ASSEM WA:4-40 X 0.25,STL,CD PL	78189	211-041800-00
-119	211-0008-00			1		SCREW,MACHINE:4-40 X 0.250,PNH,STL,POZ ***** (END ATTACHING PARTS) *****	83385	ORD BY DESCR
-120	337-2623-00			1		SHIELD,CRT:FRONT ***** (ATTACHING PARTS) *****	80009	337-2623-00
-121	210-0586-00			6		NUT,PL,ASSEM WA:4-40 X 0.25,STL,CD PL ***** (END ATTACHING PARTS) *****	78189	211-041800-00
-122	136-0717-00			1		SKT,PL-IN ELEC: ELECTRON TUBE,W/LEADS	80009	136-0717-00
-123	386-4165-00			3		PLATE,MOUNTING:CRT	80009	386-4165-00
-124	361-0921-00			1		SPACER,CRT SHLD:	80009	361-0921-00
-125	252-0571-00			A/R		NEOPRENE EXTR:CHAN,0.234 X 0.156	85471	DIE#1353
-126	337-2622-00			1		SHIELD,CRT:REAR	80009	337-2622-00



Replaceable Mechanical Parts—494/494P Service Vol.2

Fig. & Index No.	Tektronix Part No.	Serial/Model No. Eff	Discont	Qty	1	2	3	4	5	Name & Description	Mfr Code	Mfr Part Number
3-1	200-2221-00			1						COVER,ACCESS:REAR PANEL CONN.BOTTOM ***** (ATTACHING PARTS) *****	80009	200-2221-00
-2	211-0105-00			2						SCREW,MACHINE:4-40 X 0.188,100 DEG,FLH ST ***** (END ATTACHING PARTS) *****	83385	ORD BY DESCR
	-----			1						POWER SUPPLY:(SEE A30 REPL) ***** (ATTACHING PARTS) *****		
-3	212-0650-00			4						SCREW,MACHINE:10-32 X 0.437 100 DEG,FLH ***** (END ATTACHING PARTS) *****	83385	ORD BY DESCR
	-----			-						POWER SUPPLY INCLUDES		
-4	337-2553-04			1						SHIELD,ELEC:POWER SUPPLY ***** (ATTACHING PARTS) *****		
-5	211-0101-00			6						SCREW,MACHINE:4-40 X 0.25,FLH,100 DEG,STL ***** (END ATTACHING PARTS) *****	83385	ORD BY DESCR
-6	-----			1						FAN,TUBEAXIAL:(SEE A30B100 REPL) ***** (ATTACHING PARTS) *****		
-7	426-1920-00			4						MOUNT,RESILIENT:FAN ***** (END ATTACHING PARTS) *****		
-8	407-2927-00			2						BRACKET,STIF: ***** (ATTACHING PARTS) *****	80009	407-2927-00
-9	210-0406-00			4						NUT,PLAIN,HEX:4-40 X 0.188,BRS,CD PL	73743	12161-50
-10	210-0054-00			4						WASHER,LOCK:#4 SPLIT,0.025 THK STL CD P ***** (END ATTACHING PARTS) *****	83385	ORD BY DESCR
-11	-----			1						CKT BOARD ASSY:FAN DRIVE(SEE A30A2 REPL) ***** (ATTACHING PARTS) *****		
-12	211-0198-00			1						SCREW,MACHINE:4-40 X 0.438 PNH,STL,POZ	77250	ORD BY DESCR
-13	210-1133-00			1						WASHER,FLAT:0.142 ID X 0.058 THK,FBR	80009	210-1133-00
-14	342-0354-00			1						INSULATOR,PLATE:TRANSISTOR,SILICON RUBBER	T0295	7403-09FR-52
-15	211-0012-01			1						SCREW,MACHINE:4-40 X 0.375,PNH,STL CD PL	T1292	ORD BY DESCR
-16	361-0994-00			1						SPACER,SLEEVE:0.116 ID X 0.195 INCH LONG	80009	361-0994-00
-17	342-0354-00			1						INSULATOR,PLATE:TRANSISTOR,SILICON RUBBER ***** (END ATTACHING PARTS) *****	T0295	7403-09FR-52
	-----			-						CKT BOARD ASSY INCLUDES:		
-18	131-0993-00			1						BUS,CONDUCTOR:2 WIRE BLACK	00779	850100-01
-19	-----			16						TERMINAL,PIN:0.365 L X 0.025 PH BRZ GOLD (SEE A30P1037,A30P2020,A30P2040, A30P4043 REPL)		
-20	255-0334-00			1						PLASTIC CHANNEL:12.75 X 0.175 X 0.155,NYL	11897	122-37-2500
-21	-----			1						CA ASSY,SP,ELEC:5.26 AWG,18.0 L,RIBBON (SEE A30W3045 REPL)	80009	175-3557-00
	352-0164-03			1						HLDR,TERM CONN:6 WIRE,ORANGE	80009	352-0164-03
	352-0164-06			1						HLDR,TERM CONN:6 WIRE,BLUE	80009	352-0164-06
-22	175-3159-00			1						CA ASSY,SP,ELEC:6.0 INCH LONG,RIBBON	80009	175-3159-00
	352-0164-04			1						HLDR,TERM CONN:6 WIRE,YELLOW	80009	352-0164-04
-23	343-0144-00			3						CLAMP,LOOP:0.125ID,NYLON ***** (ATTACHING PARTS) *****	95987	1-8-2
-24	211-0008-01			1						SCREW,MACHINE:4-40 X 0.25,PNH	26233	ORD BY DESCR
-25	210-0586-00			2						NUT,PL,ASSEM WA:4-40 X 0.25,STL,CD PL ***** (END ATTACHING PARTS) *****	78189	211-041800-00
-26	348-0171-00			1						GROMMET,PLASTIC:U-SHAPED	80009	348-0171-00
-27	200-2512-00	B010100	B010159	1						COVER,ACCESS:LINE VOLTAGE	80009	200-2512-00
	200-2995-00	B010160		1						COVER,ACCESSORY:LINE VOLTAGE ***** (ATTACHING PARTS) *****	80009	200-2995-00
-28	211-0105-01			2						SCREW,MACHINE:4-40 X 0.188,FLH,100 DEG ***** (END ATTACHING PARTS) *****	71292	ORD BY DESCR
-29	407-3036-00			1						BRACKET,ANGLE: ***** (ATTACHING PARTS) *****		
-30	211-0008-01			2						SCREW,MACHINE:4-40 X 0.25,PNH ***** (END ATTACHING PARTS) *****	26233	ORD BY DESCR
-31	-----			1						CABLE ASSY,RF:50 OHM COAX,5.10L (SEE A30W301 REPL)		
-32	342-0466-01			1						INSULATOR,FILM:SHIELD,POLYESTER	85471	ORD BY DESCR

Fig. & Index No.	Tektronix Part No.	Serial/Model No. Eff Dscont	Qty	1 2 3 4 5	Name & Description	Mfr Code	Mfr Part Number
3-33	-----		1		..CKT BOARD ASSY:POWER SUPPLY ..(SEE A30A1 REPL) ..***** (ATTACHING PARTS) *****		
-34	211-0510-00		3		..SCREW,MACHINE:6-32 X 0.375,PNH,STL,CD PL	83385	ORD BY DESCR
-35	211-0014-00		2		..SCREW,MACHINE:4-40 X 0.50 INCH,PNH STL	83385	ORD BY DESCR
-36	211-0514-00		2		..SCREW,MACHINE:6-32 X 0.750 INCH,PNH STL	83385	ORD BY DESCR
-37	211-0012-01		2		..SCREW,MACHINE:4-40 X 0.375,PNH,STL CD PL	T1292	ORD BY DESCR
-38	211-0097-01		6		..SCREW,MACHINE:4-40 X 0.312,PNH STL CD PL	T1292	ORD BY DESCR
-39	361-0917-00		2		..SPACER,SLEEVE:0.141 ID X 0.25 INCH LONG ..***** (END ATTACHING PARTS) *****	80009	361-0917-00
-40	-----		-		..CKT BOARD ASSY INCLUDES: ..TERM,TEST POINT:BRS CD PL ..(SEE A30A1TP6027,A30A1TP6053, ..A30A1TP6665)		
-41	-----		6		..DIODES:(SEE A30A1CR4053,A30A1CR4057, ..A30A1CR5052,A30A1CR5055,A30A1CR5062, ..A30A1CR5065 REPL) ..***** (ATTACHING PARTS) *****		
-42	361-0933-00		3		..SPACER,DIODE:0.188 X 0.375 X 0.95	80009	361-0933-00
-43	214-2770-00		3		..HEAT SINK,DIODE (2) DO-4,AL ..***** (END ATTACHING PARTS) *****	80009	214-2770-00
-44	136-0388-00		2		..SOCKET,PIN TERM:U/W 0.04 DIA PIN	71279	450-3704-01-0300
-45	131-2324-00		1		..CONN,RCPT,ELEC:CKT BD,20/40 CONT,FEMALE	31781	307-040-526-300
-46	-----		17		..TERMINAL,PIN:0.365 L X 0.025 PH BRZ GOLD ..(SEE A30A1P3045,A30A1P5033, ..A30A1P5042 REPL)		
-47	344-0326-00		10		..CLIP,ELECTRICAL:FUSE,BRASS	75915	102071
-48	-----		3		..TRANSISTOR:(SEE A30A1Q2021,A30A1Q2024, ..A30A1Q3022 REPL) ..***** (ATTACHING PARTS) *****		
-49	211-0007-00		3		..SCREW,MACHINE:4-40 X 0.188,PNH STL,CD PL	83385	ORD BY DESCR
-50	210-1171-00		3		..WSHR,SHOULDERED:0.116 ID X 0.138 INCH OD	52905	A7148516P2
-51	342-0354-00		3		..INSULATOR,PLATE:TRANSISTOR,SILICON RUBBE ..***** (END ATTACHING PARTS) *****	T0295	7403-09FR-52
-52	214-3433-00		1		..HEAT SINK,XSTR:T0-220 ..***** (ATTACHING PARTS) *****		
-53	211-0014-00		2		..SCREW,MACHINE:4-40 X 0.50 INCH,PNH STL ..***** (END ATTACHING PARTS) *****	83385	ORD BY DESCR
-54	361-0345-00		2		..SPACER,SLEEVE:0.17 L X 0.125 ID,ALUMINUM	80009	361-0345-00
-55	-----		2		..TRANSISTOR:(SEE A30A1Q2061, ..A30A1Q2071 REPL) ..***** (ATTACHING PARTS) *****		
-56	210-0455-00		2		..NUT,PLAIN,HEX.:0.25-28 X 0.375 INCH,BRAS	73743	3089-402
-57	210-0011-00		2		..WASHER,LOCK:0.25 ID,INTL,0.025 THK STL	000BK	ORD BY DESCR
-58	210-1355-00		2		..WASHER,SHLDR:0.255 ID X 0.6 OD X 0.19 TH	80009	210-1355-00
-59	342-0517-00		2		..INSULATOR,WSHR:0.26 ID X 1.0 OD,MICA	13103	56-02-28
-60	210-0348-00		2		..TERMINAL,LUG:0.265 ID,PLAIN ..***** (END ATTACHING PARTS) *****	86928	5407-2
-61	214-2972-02		1		..HEAT SINK,XSTR:T0-61 ..***** (ATTACHING PARTS) *****	80009	214-2972-02
-62	211-0507-00		2		..SCREW,MACHINE:6-32 X 0.312,PNH STL,CD PL ..***** (END ATTACHING PARTS) *****	83385	ORD BY DESCR
-63	129-0575-00		2		..SPACER,POST:0.312 L,W/6-32 THD,BRS,0.31 ..***** (ATTACHING PARTS) *****	80009	129-0575-00
-64	210-0407-00		1		..NUT,PLAIN,HEX.:6-32 X 0.25 INCH,BRS ..***** (END ATTACHING PARTS) *****	73743	3038-0228-402
-65	385-0100-00		1		..SPACER,POST:0.5 L W/6-32 THD THRU,NYLON	80009	385-0100-00
-66	346-0032-00		1		..STRAP,RTNING:0.075 DIA X 4.0 L,MLD RBR	98159	2859-75-4
-67	-----		4		..DIODES:(SEE A30A1CR4061,A30A1CR4062, ..A30A1CR4063,A30A1CR4065 REPL) ..***** (ATTACHING PARTS) *****		
-68	211-0314-00		1		..SCREW,MACHINE:4-40 X 1.0 L,PNH,NYLON	T1281	010440P100
-69	129-0214-00		3		..INSULATOR,STDF:DELFIN	80009	129-0214-00
-70	220-0665-00		1		..NUT,PLAIN,HEX.:SFLKG,4-40 X 0.25",PLSTC ..***** (END ATTACHING PARTS) *****	23050	ORD BY DESCR

Replaceable Mechanical Parts—494/494P Service Vol.2

Fig & Index No	Tektronix Part No.	Serial/Model No. Eff Dscnt	Qty	1	2	3	4	5	Name & Description	Mfr Code	Mfr Part Number
3-71	-----		1						.CONN,RCPT,ELEC:CKT BD,5 MALE ..SEE A30A1P1091 REPL)		
-71	136-0352-00		2						.CONTACT,ELEC:FOR 0.02 INCH DIAMETER PIN	00779	50462-7
-72	175-3405-00		1						CA ASSY,SP,ELEC:28,26 AWG,18.0 INCH LONG	80009	175-3405-00
-73	342-0566-00		1						INSULATOR,PLATE:HEAT SINK,SILICON RUBBER	80009	342-0566-00
-74	214-3269-00		1						HEAT SINK,DIODE: *****[ATTACHING PARTS]*****	80009	214-3269-00
-75	211-0012-01		2						SCREW,MACHINE:4-40 X 0.375,PNH,STL CD PL *****[END ATTACHING PARTS]*****	T1292	ORD BY DESCR
-76	343-0144-00		2						CLAMP,LOOP:0.125ID,NYLON *****[ATTACHING PARTS]*****	95987	1-8-2
-77	210-0586-00		2						NUT,PL,ASSEM WA:4-40 X 0.25,STL,CD PL *****[END ATTACHING PARTS]*****	78189	211-041800-00
-78	-----		2						SWITCH POWER:(SEE A30S300,A30S301 REPL) *****[ATTACHING PARTS]*****		
-79	210-0586-00		2						NUT,PL,ASSEM WA:4-40 X 0.25,STL,CD PL	78189	211-041800-00
-80	211-0016-00		1						.SCREW,MACHINE:4-40 X 0.625 INCH,PNH STL	83385	ORD BY DESCR
-81	343-0144-00		1						.CLAMP,LOOP:0.125ID,NYLON *****[END ATTACHING PARTS]*****	95987	1-8-2
-82	342-0460-01		1						INSULATOR,PLATE:POWER SWITCH		
-83	386-5102-00		1						.PLATE,MOUNTING:POWER SWITCH *****[ATTACHING PARTS]*****		
-84	210-0586-00		2						NUT,PL,ASSEM WA:4-40 X 0.25,STL,CD PL *****[END ATTACHING PARTS]*****	78189	211-041800-00
-85	200-0237-04		1						COVER,FUSE HLD:PLASTIC,SAFETY CONTROLLED	80009	200-0237-04
-86	-----		1						FILTER,RF:(SEE A30FL302 REPL) *****[ATTACHING PARTS]*****		
-87	210-0586-00		2						NUT,PL,ASSEM WA:4-40 X 0.25,STL,CD PL	78189	211-041800-00
-88	210-0004-00		2						WASHER,LOCK:#4 INT:0.015 THK,STL CD PL *****[END ATTACHING PARTS]*****	000BK	ORD BY DESCR
-89	342-0570-00		1						INSULATOR,FILM:TOROID ASSY	80009	342-0570-00
-90	342-0439-00		2						INSULATOR,PLATE:CIRCUIT BOARD	80009	342-0439-00
-91	210-0202-00		1						TERMINAL LCG:0.146 ID LOCKING,BRZ,TIN PL *****[ATTACHING PARTS]*****	78189	2104-06-00-2520N
-92	210-0457-00		1						NUT,PL,ASSEM WA:6-32 X 0.312,STL CD PL *****[END ATTACHING PARTS]*****	83385	ORD BY DESCR
-93	334-3379-00		1						MARKER,IDENT MARKED GROUND SYMBOL	80009	334-3379-00
-94	343-0002-00		4						CLAMP,LOOP:0.188 INCH DIA *****[ATTACHING PARTS]*****	95987	3-16-6B
-95	210-0586-00		4						NUT,PL,ASSEM WA:4-40 X 0.25,STL,CD PL	78189	211-041800-00
-96	210-0863-00		4						WSHR,LOOP CLAMP:0.187 ID U/W 0.5 W CLP,ST	95987	C191
-97	211-0198-00		2						SCREW,MACHINE:4-40 X 0.438 PNH,STL,POZ *****[END ATTACHING PARTS]*****	77250	ORD BY DESCR
-98	343-0549-00		2						STRAP,TIEDOWN:0.091 W X 4.0 L,ZYTEL	06383	PLT1M
-99	175-4131-00		1						CA ASSY,SP,ELEC:13.0 INCH LONG RIBBON	80009	175-4131-00
	352-0168-00		1						.HLDR,TERM CONN:10 WIRE,BLACK	80009	352-0168-00
	352-0169-00		1						.HLDR,TERM CONN:2 WIRE,BLACK	80009	352-0169-00
-100	129-0823-00		2						SPACER,POST:0.885 L X 0.5 HEX,BRASS	80009	129-0823-00
101	-----		1						CABLE ASSY,RF:(SEE A30W620 REPL)		
-102	337-0925-05		1						SHLD,GSKT,ELEC:30.75 INCH LONG	80009	337-0925-05
-103	378-0112-00		1						GRILLE,PLASTIC: *****[ATTACHING PARTS]*****	80009	378-0112-00
-104	211-0602-00		2						SCR,ASSEM WSHR 6-32 X 0.438 INCH,PNH BRS *****[END ATTACHING PARTS]*****	80009	211-0602-00
-105	131-0106-02		4						CONNECTOR,RCPT,:BNC	24931	2BJR178-1
-106	131-0126-00		1						CONNECTOR,RCPT,:BNC,FEMALE	77820	9663-1 NT-34
-107	131-0771-00		1						CONN,RCPT,ELEC:4 CONT,QUICK DISCONNECT	91836	1904-2M58
-108	333-3002-00		1						PANEL,REAR:	80009	333-3002-00
-109	333-2647-03		1						PANEL,REAR: *****[ATTACHING PARTS]*****	80009	333-2647-03
-110	211-0038-00		2						SCREW,MACHINE:4-40 X 0.312,FLH,100 DEG	83385	ORD BY DESCR
111	211-0086-00		2						SCREW,MACHINE:4-40 X 0.75 100° DEG,FLH ST *****[END ATTACHING PARTS]*****	83385	ORD BY DESCR



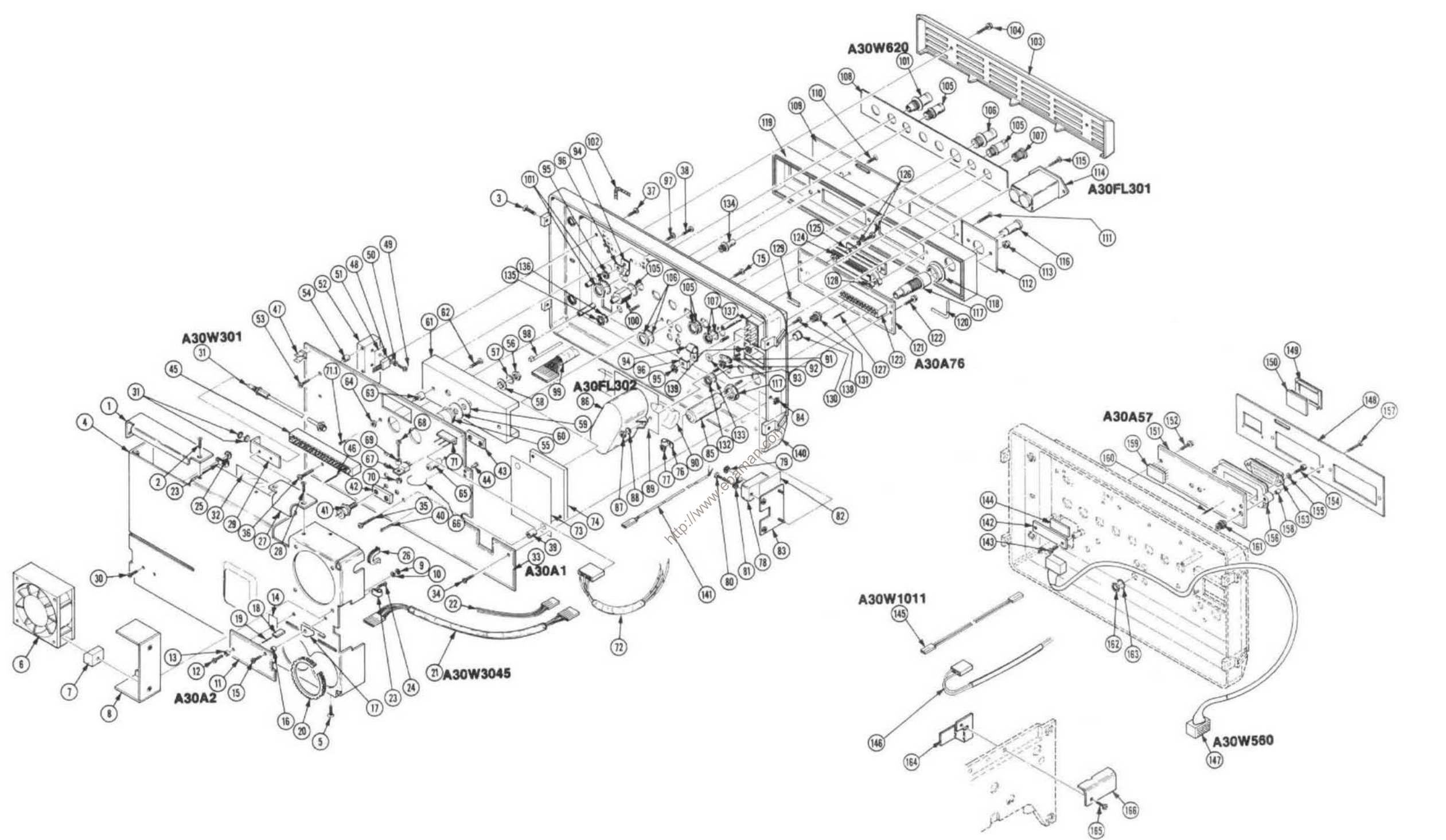
Fig. & Index No	Tektronix Part No.	Serial/Model No.		Qty	1 2 3 4 5	Name & Description	Mfr Code	Mfr Part Number
		Eff	Dscont					
3-112	386-3948-03			1		PANEL,V SEL. ***** (ATTACHING PARTS) *****		
-113	220-0601-00			2		NUT,PLAIN,CAP:4-40 X 0.25 INCH HEX,BRS ***** (END ATTACHING PARTS) *****	73743	93261-03
-114	-----			1		FILTER,RF:(SEE A30FL301 REPL) ***** (ATTACHING PARTS) *****		
-115	211-0097-01			2		SCREW,MACHINE:4-40 X 0.312.PNH STL CD PL ***** (END ATTACHING PARTS) *****	T1292	ORD BY DESCR
-116	200-2264-00			1		CAP ,FUSEHOLDER:3AG FUSES	S3629	FEK 031 1666
-117	204-0833-00			1		BODY,FUSEHOLDER:3AG & 5 X 20MM FUSES	S3629	031.1653(MDLFEU)
-118	348-0655-00			1		GASKET,FUSE:	80009	348-0655-00
-119	380-0629-01			1		HOUSING,REAR:CIRCUIT BOARD	80009	380-0629-01
-120	354-0607-00			1		PACKING,PREFMD:7.315 ID X 0.062 OD	80009	354-0607-00
-121	-----			1		CKT BOARD ASSY RELAY DRIVER (SEE A30A76 REPL) ***** (ATTACHING PARTS) *****		
-122	211-0116-00			2		SCR,ASSEM WSHR:4-40 X 0.312 INCH,PNH BRS ***** (END ATTACHING PARTS) *****	83385	ORD BY DESCR
-123	-----			-		CKT BOARD ASSY INCLUDES: ..CONN,RCPT,ELEC CKT BD,12/24 CONT,FEMALE ..(SEE A30A76J1034 REPL)		
-124	348-0599-00			1		..SEAL,CONNECTOR:ACCESSORY BUS,VINYL	80009	348-0599-00
-125	-----			1		..CONN,RCPT,ELEC 25 FEMALE CONTACT ..(SEE A30A76J1017 REPL) ***** (ATTACHING PARTS) *****		
-126	131-0890-00			2		..LOCK,CONNECTOR:4-40 X 0.312 L HEX HD,STL ***** (END ATTACHING PARTS) *****	71468	D 20418-2
-127	-----			4		..TERMINAL,PIN:0.365 L X 0.025 PH BRZ GOLD ..(SEE A30A76P1021,A30A76P2012 REPL)		
128	361-1044-00			2		..SPACER,SLEEVE:0.25 ID X 0.232 INCH LONG	80009	361-1044-00
-129	252-0714-00			1		RUBBER ROD:0.062 X 0.094,SILICON		
-130	348-0056-00			2		GROMMET,PLASTIC 0.375 INCH DIA	80009	348-0056-00
-131	129-0815-01			2		SPACER,POST:0.24 LONG X 0.375 DIA ***** (ATTACHING PARTS) *****	80009	129-0815-01
-132	210-0583-00			2		NUT,PLAIN,HEX:0.25-32 X 0.312 INCH,BRS	73743	2X20317-402
-133	210-0046-00			2		WASHER,LOCK:0.261 ID,INTL,0.018 THK,BRS ***** (END ATTACHING PARTS) *****	78189	1214-05-00-0541C
-134	129-0815-00			2		SPACER,POST:0.23 LONG X 0.375 DIA ***** (ATTACHING PARTS) *****	80009	129-0815-00
-135	210-0583-00			2		NUT,PLAIN,HEX:0.25-32 X 0.312 INCH,BRS	73743	2X20317-402
-136	210-0046-00			2		WASHER,LOCK:0.261 ID,INTL,0.018 THK,BRS ***** (END ATTACHING PARTS) *****	78189	1214-05-00-0541C
-137	-----			1		SWITCH,LEVER:1 POLE,3 POSN (SEE A30S302 REPL) ***** (ATTACHING PARTS) *****		
-138	211-0097-01			2		SCREW,MACHINE:4-40 X 0.312.PNH STL CD PL	T1292	ORD BY DESCR
-139	210-0586-00			2		NUT,PL,ASSEM WA:4-40 X 0.25,STL,CD PL ***** (END ATTACHING PARTS) *****	78189	211-041800-00
-140	426-1466-05			1		FRAME SECT,SA:REAR	80009	426-1466-05
-141	175-4189-01			1		CABLE ASSY,RF:50 OHM COAX,7.0 L,9-5	80009	175-4189-01
-142	386-4439-00			1		POWER SUPPLY:494P(SEE A30 REPL) PLATE,CLAMPING: ***** (ATTACHING PARTS) *****	80009	386-4439-00
-143	211-0097-01			2		SCREW,MACHINE:4-40 X 0.312.PNH STL CD PL ***** (END ATTACHING PARTS) *****	T1292	ORD BY DESCR
-144	348-0656-00			1		PAD,CUSHIONING:1.0 X 0.5 X 0.062,RUBBER	80009	348-0656-00
-145	-----			1		CA ASSY,SP,ELEC:11.0 INCH LONG,RIBBON (SEE A30W1011 REPL)		
-146	352-0169-00			2		..HLDR,TERM CONN:2 WIRE,BLACK	80009	352-0169-00
-146	175-9130-00			1		CA ASSY,SP,ELEC:3.18 AWG,4-5 L,0-8		
-147	352-0168-00			1		..HLDR,TERM CONN:10 WIRE,BLACK	80009	352-0168-00
-147	-----			1		CA ASSY,SP,ELEC:28.26 AWG,18.0 INCH LONG (SEE A30W560 REPL)		

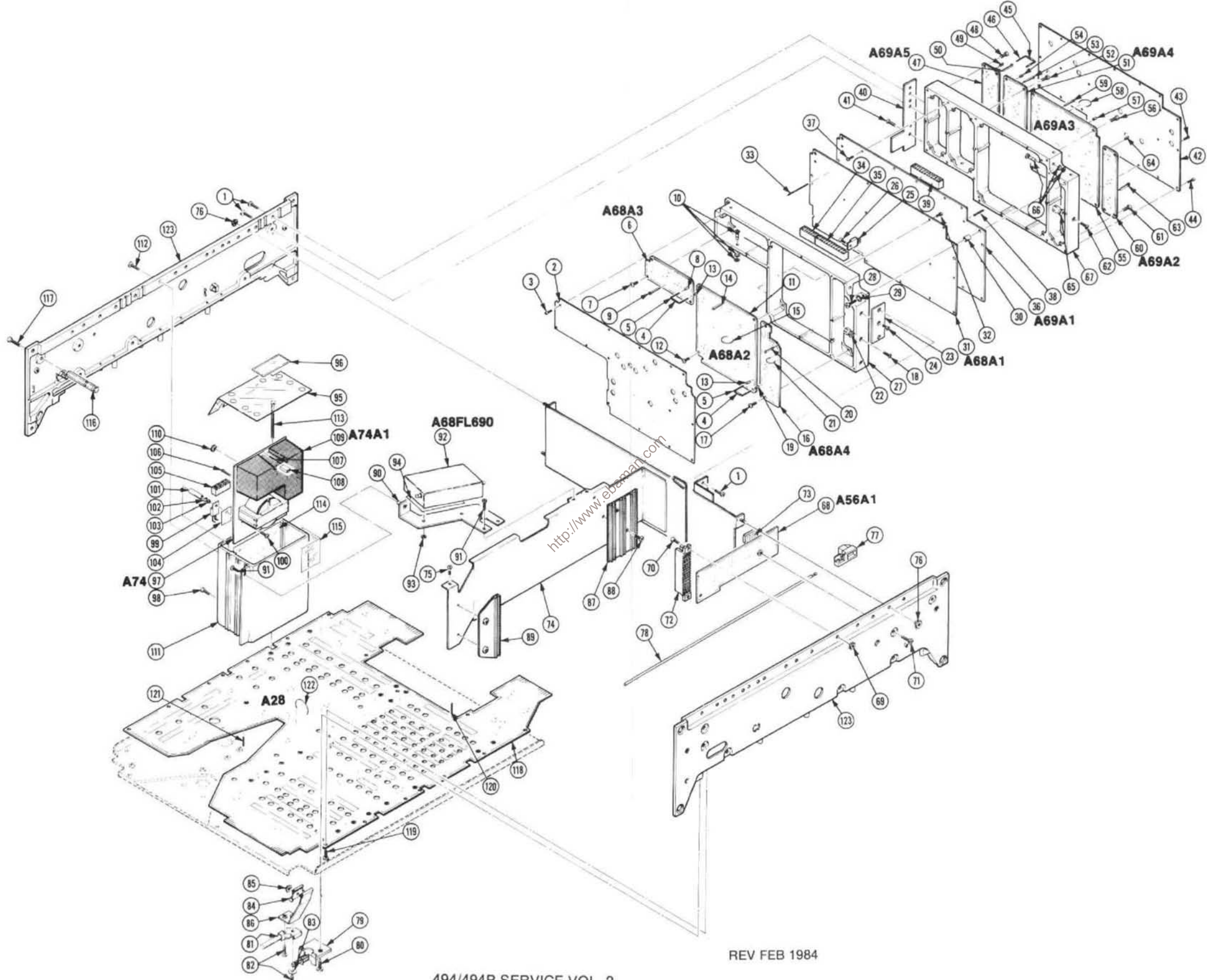


Replaceable Mechanical Parts—494/494P Service Vol.2

Fig. & Index No.	Tektronix Part No.	Serial/Model No. Eff	Dscont	Qty	1	2	3	4	5	Name & Description	Mfr Code	Mfr Part Number
3-148	333-2647-02			1						PANEL,REAR:	80009	333-2647-02
-149	426-1733-00			1						FRAME,DOOR:	80009	426-1733-00
-150	200-2499-00			1						DOOR ACCESS SWITCH	80009	200-2499-00
-151	-----			1						CKT BOARD ASSY: GPIB INTERFACE		
	-----			-						(SEE A30A57 REPL)		
										***** (ATTACHING PARTS) *****		
-152	211-0116-00			2						SCR,ASSEM WSHR: 4-40 X 0.312 INCH,PNH BRS	83385	ORD BY DESCR
	-----			-						***** (END ATTACHING PARTS) *****		
										CKT BOARD ASSY INCLUDES:		
-153	-----			1						CONN,RCPT,ELEC:CKT BD,24 CONT,FEMALE		
	-----			-						(SEE A30A57P1012 REPL)		
										***** (ATTACHING PARTS) *****		
-154	214-2871-00			2						HARDWARE KIT: STANDOFF, W/NUT & LOCK WSHR	00779	552633-1
-155	210-0804-00			2						WASHER,FLAT: 0.17 ID X 0.375 INCH OD,STL	12327	ORD BY DESCR
										***** (END ATTACHING PARTS) *****		
-156	348-0598-00			1						SEAL,CONNECTOR: GPIB BUS,VINYL	80009	348-0598-00
										***** (ATTACHING PARTS) *****		
-157	211-0086-00			2						SCREW,MACHINE: 4-40 X 0.75 100 DEG,FLH S	83385	ORD BY DESCR
										***** (END ATTACHING PARTS) *****		
-158	361-1044-00			2						SPACER,SLEEVE: 0.125 ID X 0.232 INCH LONG	80009	361-1044-00
-159	-----			1						CONN,RCPT,ELEC:CKT BD,4 X 7 CONT,FEMALE		
	-----			-						(SEE A30A57P1013 REPL)		
-160	-----			2						TERMINAL,PIN: 0.365 L X 0.025 PH BRZ GOLD		
	-----			-						(SEE A30A57P1011 REPL)		
-161	129-0815-01			2						SPACER,POST: 0.24 LONG X 0.375 DIA	80009	129-0815-01
										***** (ATTACHING PARTS) *****		
-162	210-0583-00			2						NUT,PLAIN,HEX: 0.25-32 X 0.312 INCH,BRS	73743	2X20317-402
-163	210-0046-00			2						WASHER,LOCK: 0.261 ID,INTL,0.018 THK,BRS	78189	1214-05-00-0541C
										***** (END ATTACHING PARTS) *****		
-164	407-2728-00			1						BRACKET,CONN:	80009	407-2728-00
										***** (ATTACHING PARTS) *****		
-165	211-0510-00			1						SCREW,MACHINE: 5-32 X 0.375,PNH,STL,CD PL	83385	ORD BY DESCR
										***** (END ATTACHING PARTS) *****		
-166	343-0995-01			1						RETAINER CABLE:	80009	343-0995-01

http://www.peak.com





REV FEB 1984



Fig. & Index No.	Tektronix Part No.	Serial/Model No. Eff Dscont	Qty	1	2	3	4	5	Name & Description	Mfr Code	Mfr Part Number
4.	----		1						VAR RESOLN MDL:(SEE A68,A69 REPL) ***** (ATTACHING PARTS) *****		
-1	211-0510-00		3						SCREW,MACHINE:6-32 X 0.375,PNH,STL,CD PL ***** (END ATTACHING PARTS) *****	83385	ORD BY DESCR
-2	200-2831-00		1						VAR RESOLN MODULE INCLUDES: COVER,ELEC SHLD:VR2 ***** (ATTACHING PARTS) *****	80009	200-2831-00
-3	211-0162-01		14						SCREW CAP:2-56 X 0.188,SCH SST,HEX ***** (END ATTACHING PARTS) *****	T1292	ORD BY DESCR
-4	342-0478-00		2						INSULATOR,TERM:0.5 INCH LONG,PLASTIC	80009	342-0478-00
-5	131-2364-00		2						TERM,FEED THRU:U-SHAPE,0.462 X 0.525	80009	131-2364-00
-6	----		1						CKT BOARD ASSY:BAND LEVELING (SEE A68A3 REPL) ***** (ATTACHING PARTS) *****		
-7	211-0007-00		4						SCREW,MACHINE:4-40 X 0.188,PNH STL,CD PL ***** (END ATTACHING PARTS) *****	83385	ORD BY DESCR
-8	136-0263-04		5						CKT BOARD ASSY INCLUDES: SOCKET,PIN TERM:FOR 0.025 INCH SQ PIN	22526	75377-001
-9	214-0579-00		2						TERM,TEST POINT:BRS CD PL	80009	214-0579-00
-10	131-0372-00		2						CONNECTOR,RCPT,COAXIAL	98291	51-043-4300
-11	----		1						CKT BOARD ASSY:2ND FILTER SELECT (SEE A68A2 REPL) ***** (ATTACHING PARTS) *****		
-12	211-0007-00		4						SCREW,MACHINE:4-40 X 0.188,PNH STL,CD PL ***** (END ATTACHING PARTS) *****	83385	ORD BY DESCR
-13	136-0263-04		8						CIRCUIT BOARD ASSY INCLUDES: SOCKET,PIN TERM:FOR 0.025 INCH SQ PIN	22526	75377-001
-14	214-0579-00		2						TERM,TEST POINT:BRS CD PL	80009	214-0579-00
-15	346-0032-00		2						STRAP,RTNING:0.075 DIA X 4.0 L,MLD RBR	98159	2859-75-4
-16	----		1						CKT BOARD ASSY:ROST VR AMP (SEE A68A4 REPL) ***** (ATTACHING PARTS) *****		
-17	211-0007-00		2						SCREW,MACHINE:4-40 X 0.188,PNH STL,CD PL	83385	ORD BY DESCR
-18	211-0101-01		1						SCREW,MACHINE:4-40 X 0.25,FLH,100 DEG,STL ***** (END ATTACHING PARTS) *****	T1292	ORD BY DESCR
-19	136-0263-04		3						CIRCUIT BOARD ASSY INCLUDES: SOCKET,PIN TERM:FOR 0.025 INCH SQ PIN	22526	75377-001
-20	214-0579-00		2						TERM,TEST POINT:BRS CD PL	80009	214-0579-00
-21	346-0032-00		1						STRAP,RTNING:0.075 DIA X 4.0 L,MLD RBR	98159	2859-75-4
-22	214-2569-00		1						HEAT SINK,XSTR:(1) TO-5 BE-CU	80009	214-2569-00
-23	407-2137-00		1						BRACKET,HOUSING:RIGHT ***** (ATTACHING PARTS) *****	80009	407-2137-00
-24	211-0541-00		1						SCREW,MACHINE:6-32 X 0.25,100 DEG,FLH STL ***** (END ATTACHING PARTS) *****	83385	ORD BY DESCR
-25	----		-						MICROCIRCUIT,LI:(SEE A68U3041 REPL) ***** (ATTACHING PARTS) *****		
-26	211-0503-00		1						SCREW,MACHINE:6-32 X 0.188 INCH,PNH STL ***** (END ATTACHING PARTS) *****	83385	ORD BY DESCR
-27	380-0546-01		1						HOUSING,CKT BD:VR2,AL ***** (ATTACHING PARTS) *****	80009	380-0546-01
-28	211-0514-00		3						SCREW,MACHINE:6-32 X 0.750 INCH,PNH STL	83385	ORD BY DESCR
-29	210-0006-00		3						WASHER,LOCK:#6 INTL,0.018 THK,STL CD PL	78189	1206-00-00-0541C
-30	361-0917-00		3						SPACER,SLEEVE:0.141 ID X 0.25 INCH LONG ***** (END ATTACHING PARTS) *****	80009	361-0917-00
-31	----		1						CKT BOARD ASSY:#2 MOTHER (SEE A68A1 REPL) ***** (ATTACHING PARTS) *****		
-32	211-0341-00		12						SCREW,MACHINE:6-32 X 0.375,FLH,100 DEG,ST ***** (END ATTACHING PARTS) *****		
-33	131-0787-00		12						CKT BOARD ASSY INCLUDES: TERMINAL,PIN:0.64L X 0.025 SQ	22526	47359-000
-34	131-2196-00		1						CONN,RCPT,ELEC CKT BD:6/12,FEMALE	22526	650002-076
-35	131-2167-00		1						CONN,RCPT,ELEC CKT BD:FEMALE,12/24	22526	65002-009



Replaceable Mechanical Parts—494/494P Service Vol.2

Fig & Index No.	Tektronix Part No.	Serial/Model No. Eff Dscnt	Qty	1 2 3 4 5	Name & Description	Mfr Code	Mfr Part Number
4-36	-----		1		CKT BOARD ASSY: #1 VR MOTHER (SEE A69A1 REPL) *****ATTACHING PARTS)*****		
-37	211-0180-00		18		SCR,ASSEM WSHR: 2-56 X 0.25 INCH,PNH BRS *****END ATTACHING PARTS)*****	83385	ORD BY DESCR
-38	131-0787-00		21		CKT BOARD ASSY INCLUDES: TERMINAL PIN: 0.64L X 0.025 SQ	22526	47359-000
-39	-----		1		CONN,RCPT,ELEC:CKT BD,FEMALE,12/24 (SEE A69A1P3072 REPL)		
-40	407-2138-00		1		BRACKET,HOUSING: LEFT *****ATTACHING PARTS)*****	80009	407-2138-00
-41	211-0541-00		2		SCREW,MACHINE: 6-32 X 0.25"100 DEG,FLH STL *****END ATTACHING PARTS)*****	83385	ORD BY DESCR
-42	200-2206-01		1		COVER,ELEC SHLD,VR1 CIRCUIT BOARD *****ATTACHING PARTS)*****	80009	200-2206-01
-43	211-0162-01		17		SCREW CAP:2-56 X 0.188,SCH SST,HEX	T1292	ORD BY DESCR
-44	211-0030-00		2		SCREW,MACHINE: 2-56 X 0.25,FLH,82DEG,STL *****END ATTACHING PARTS)*****	83385	ORD BY DESCR
-45	131-2364-00		3		TERM.FEED THRU:U-SHAPE,0.462 X 0.525	80009	131-2364-00
-46	342-0478-00		3		INSULATOR,TERM:0.5 INCH LONG,PLASTIC	80009	342-0478-00
-47	-----		1		CKT BOARD ASSY:Z AXIS (SEE A69A5 REPL) *****ATTACHING PARTS)*****		
-48	211-0007-00		4		SCREW,MACHINE: 4-40 X 0.188,PNH STL,CD PL *****END ATTACHING PARTS)*****	83385	ORD BY DESCR
-49	136-0263-04		7		CKT BOARD ASSY INCLUDES: SOCKET,PIN TERM:FOR 0.025 INCH SQ PIN	22526	75377-001
-50	-----		1		TERM,TEST POINT,BRS CD PL (SEE A69A5TP2031 REPL)		
-51	-----		1		CKT BOARD ASSY: 100B GAIN STEPS (SEE A69A4 REPL) *****ATTACHING PARTS)*****		
-52	211-0007-00		4		SCREW,MACHINE: 4-40 X 0.188,PNH STL,CD PL *****END ATTACHING PARTS)*****	83385	ORD BY DESCR
-53	-----		2		CKT BOARD ASSY INCLUDES: TERM,TEST POINT,BRS CD PL (A69A4TP1020,A69A4TP4055 REPL)		
-54	136-0263-04		8		SOCKET,PIN TERM:FOR 0.025 INCH SQ PIN	22526	75377-001
-55	-----		1		CKT BOARD ASSY: 1ST FILTER SELECT (SEE A69A3 REPL) *****ATTACHING PARTS)*****		
-56	211-0007-00		4		SCREW,MACHINE: 4-40 X 0.188,PNH STL,CD PL *****END ATTACHING PARTS)*****	83385	ORD BY DESCR
-57	136-0263-04		10		CKT BOARD ASSY INCLUDES: SOCKET,PIN TERM:FOR 0.025 INCH SQ PIN	22526	75377-001
-58	346-0032-00		2		STRAP,RTNING:0.075 DIA X 4.0 L,MLD RBR	98159	2859-75-4
-59	-----		2		TERM,TEST POINT,BRS CD PL (SEE A69A3TP1058,A69A3TP4026 REPL)		
-60	-----		1		CKT BOARD ASSY: VR INPUT (SEE A69A2 REPL) *****ATTACHING PARTS)*****		
-61	211-0007-00		4		SCREW,MACHINE: 4-40 X 0.188,PNH STL,CD PL	83385	ORD BY DESCR
-62	211-0101-00		1		SCREW,MACHINE: 4-40 X 0.25,FLH,100 DEG,STL *****END ATTACHING PARTS)*****	83385	ORD BY DESCR
-63	-----		3		CKT BOARD ASSY INCLUDES: TERM,TEST POINT,BRS CD PL (SEE A69A2TP1014 REPL)		
-65	214-2569-00		1		HEAT SINK,XSTR:(1) TO-5,BE-CU	80009	214-2569-00
-66	131-0372-00		4		CONNECTOR,RCPT, COAXIAL	98291	51-043-4300
-67	380-0547-01		1		HOUSING,CKT BD,VR1 AL	80009	380-0547-01
	175-8852-00		1		CA ASSY SP ELEC: 2.26 AWG, 10.0 L,RIBBON	T1364	ORD BY DESCR

Fig. & Index No.	Tektronix Part No.	Serial/Model No.		Qty	Name & Description					Mfr Code	Mfr Part Number
		Eff	Dscont		1	2	3	4	5		
4-68	-----			1	CKT BOARD ASSY:EXTENDER (SEE A56A1 REPL) *****ATTACHING PARTS)*****						
-69	210-0586-00			2	NUT,PL,ASSEM WA:4-40 X 0.25,STL,CD PL					78189	211-041800-00
-70	211-0097-01			2	SCREW,MACHINE:4-40 X 0.312,PNH STL CD PL					T1292	ORD BY DESCR
-71	211-0559-00			1	SCREW,MACHINE:6-32 X 0.375 100 DEG,FLH ST *****END ATTACHING PARTS)*****					83385	ORD BY DESCR
-72	-----			1	CKT BOARD ASSY INCLUDES: .CONN,RCPT,ELEC:EDGE CARD 2 X 8,0.1 SP (SEE A56A1P566 REPL)						
-73	-----			1	.CONN,RCPT,ELEC:CKT BD,4 X 7 CONT,FEMALE (SEE A56A1P560 REPL)						
-74	426-1531-00			1	CHAS ASSY,INNER:SPECTRUM ANALYZER *****ATTACHING PARTS)*****					80009	426-1531-00
-75	211-0507-02			1	SCREW,MACHINE:6-32 X 0.312 L,PNH					26233	ORD BY DESCR
-76	210-0457-00			2	NUT,PL,ASSEM WA:6-32 X 0.312,STL CD PL *****END ATTACHING PARTS)*****					83385	ORD BY DESCR
-77	214-2772-03			1	ACTUATOR,SWITCH:POWER						
-78	384-1248-00			1	SHAFT,SWITCH:14.4 OL X 0.125 OD					80009	384-1248-00
-79	214-1801-00			1	ACTUATOR,LATCH: PUSH/PUSH *****ATTACHING PARTS)*****						
-80	211-0510-00			1	SCREW,MACHINE:6-32 X 0.375,PNH,STL,CD PL *****END ATTACHING PARTS)*****					83385	ORD BY DESCR
-81	366-2067-00			1	PUSH BUTTON,MED.GRAY,1.400 X 0.235 *****ATTACHING PARTS)*****						
-82	211-0097-01			1	SCREW,MACHINE:4-40 X 0.312,PNH STL CD PL					T1292	ORD BY DESCR
-83	210-1001-00			1	WASHER,FLAT:0.119 ID X 0.375 OD,BRS *****END ATTACHING PARTS)*****					12360	ORD BY DESCR
-84	343-1127-00			1	CLAMP,RIM CLENC:ACTUATOR *****ATTACHING PARTS)*****						
-85	210-0586-00			1	NUT,PL,ASSEM WA:4-40 X 0.25,STL,CD PL *****END ATTACHING PARTS)*****					78189	211-041800-00
-86	344-0359-00			1	CLIP,RETAINING:ACTUATOR,AL						
-87	351-0577-00			1	GUIDE,CKT BD:2.9 INCH LONG,AL *****ATTACHING PARTS)*****					80009	351-0577-00
-88	211-0504-00			2	SCREW,MACHINE:6-32 X 0.250,PNH STL,CD PL *****END ATTACHING PARTS)*****					83385	ORD BY DESCR
-89	351-0561-00			1	GUIDE,CKT BD:PLASTIC					80009	351-0561-00
-90	407-2759-01			1	BRACKET,FILTER:ALUMINUM *****ATTACHING PARTS)*****					80009	407-2759-01
-91	211-0510-00			3	SCREW,MACHINE:6-32 X 0.375,PNH,STL,CD PL *****END ATTACHING PARTS)*****					83385	ORD BY DESCR
-92	-----			1	FILTER,CRYSTAL:(SEE A68FL690 REPL) *****ATTACHING PARTS)*****						
-93	210-0405-00			2	NUT,PLAIN,HEX:2-56 X 0.188,BRS,CD PL *****END ATTACHING PARTS)*****					73743	12157-50
-94	342-0604-00			1	INSULATOR,PLATE:FILTER					85471	ORD BY DESCR
-95	200-2220-00			1	GUARD,CKT BD:					80009	200-2220-00
-96	334-2257-01			1	MARKER,IDENT:CAUTION					80009	334-2257-01
-97	-----			1	CKT BOARD ASSY:HIGH VOLTAGE(SEE A74 REPL) *****ATTACHING PARTS)*****						
-98	211-0097-01			1	SCREW,MACHINE:4-40 X 0.312,PNH STL CD PL *****END ATTACHING PARTS)*****					T1292	ORD BY DESCR
-99	-----			1	CKT BOARD ASSY INCLUDES: TRANSISTOR:(SEE A74Q1073 REPL) *****ATTACHING PARTS)*****						
-100	211-0507-00			1	SCREW,MACHINE:6-32 X 0.312,PNH STL,CD PL					83385	ORD BY DESCR
-102	210-0054-00			1	WASHER,LOCK:#4 SPLIT,0.025 THK STL CD P					83385	ORD BY DESCR
-103	210-1171-00			1	WSHR,SHOULDERED:0.116 ID X 0.138 INCH OD *****END ATTACHING PARTS)*****					52905	A7148516P2
-104	342-0354-00			1	INSULATOR,PLATE:TRANSISTOR,SILICON RUBBER					T0295	7403-09FR-52
-105	-----			1	CONN,RCPT,ELEC:CKT BD,6/12,FEMALE (SEE A74J2984 REPL)						

Replaceable Mechanical Parts—494/494P Service Vol.2

Fig. & Index No.	Tektronix Part No.	Serial/Model No. Eff	Dscont	Qty	1	2	3	4	5	Name & Description	Mfr Code	Mfr Part Number
4-106	-----			1						.TERM.TEST POINT-BRS CD PL (SEE A74TP4028 REPL)		
-107	-----			7						.TERMINAL,PIN:0.365 L X 0.025 PH BRZ GOLD (SEE A74P4036 REPL)		
-108	131-0993-00			1						.BUS,CONDUCTOR:2 WIRE BLACK	00779	850100-01
-109	-----			1						.CKT BOARD ASSY:HIGH VOLTAGE (SEE A74A1 REPL)		
				-						***** (ATTACHING PARTS) *****		
-110	210-0406-00			2						NUT,PLAIN,HEX:4-40 X 0.188,BRS,CD PL ***** (END ATTACHING PARTS) *****	73743	12161-50
-111	337-2556-01			1						SHIELD,ELEC:HIGH VOLTAGE ***** (ATTACHING PARTS) *****	80009	337-2556-01
-112	211-0507-00			1						SCREW,MACHINE:6-32 X 0.312,PNH STL,CD PL	83385	ORD BY DESCR
-113	211-0666-00			2						SCREW,MACHINE:6-32 X 4.25 INCH,PNH STL ***** (END ATTACHING PARTS) *****	80009	211-0666-00
				-						SHIELD INCLUDES:		
-114	342-0507-00			1						.INSULATOR,PLATE:HIGH VOLTAGE	80009	342-0507-00
-115	342-0094-00			1						.INSULATOR,PLATE:1.25 X 2.25 INCH L,PLSTC	80009	342-0094-00
-116	351-0559-00			1						GUIDE,CKT BD:ALUMINUM ***** (ATTACHING PARTS) *****	80009	351-0559-00
-117	211-0507-00			1						SCREW,MACHINE:6-32 X 0.312,PNH STL,CD PL ***** (END ATTACHING PARTS) *****	83385	ORD BY DESCR
-118	-----			1						CKT BOARD ASSY:MAIN (SEE A28 REPL) ***** (ATTACHING PARTS) *****		
-119	211-0601-00			14						SCR,ASSEM WSHR:6-32 X 0.312,DOUBLE SEMS ***** (END ATTACHING PARTS) *****	83385	ORD BY DESCR
				-						CKT BOARD ASSY INCLUDES:		
-120	131-0608-00			80						.TERMINAL,PIN:0.365 L X 0.025 PH BRZ GOLD	22526	48283-036
-121	131-0589-00			994						.TERMINAL,PIN:0.46 L X 0.025 SQ	22526	48283-029
-122	346-0032-00			1						.STRAP,RTNING:0.075 DIA X 4.0 L,MLD RBR	98159	2859-75-4
-123	426-1467-01			2						FRAME SECT,SA:SIDE	80009	426-1467-01

<http://www.ebain.com>

Fig. & Index No.	Tektronix Part No.	Serial/Model No. Eff	Dscont	Qty	1	2	3	4	5	Name & Description	Mfr Code	Mfr Part Number
5-1	407-3051-00			1						BRACKET,ANGLE,CIRCUIT BOARD ***** (ATTACHING PARTS) *****		
-2	211-0008-00			2						SCREW,MACHINE:4-40 X 0.250,PNH,STL,POZ	83385	ORD BY DESCR
-3	211-0507-00			2						SCREW,MACHINE:6-32 X 0.312,PNH STL,CD PL ***** (END ATTACHING PARTS) *****	83385	ORD BY DESCR
-4	407-3050-00			1						BRACKET,CMPNT:CABLE CLAMP		
-5	343-0013-00			1						CLAMP,LOOP:0.375 ID PLASTIC ***** (ATTACHING PARTS) *****	95987	3-8-6B
6	210-0586-00			1						NUT,PL,ASSEM WA:4-40 X 0.25,STL,CD PL	78189	211-041800-00
-7	210-0853-00			1						WSHR,LOOP CLAMP:0.187 ID U/W 0.5 W CLP,STL ***** (END ATTACHING PARTS) *****	95987	C191
-8	-----			1						CKT BOARD ASSY:SWEEP(SEE A72 REPL)		
-9	131-2167-00			2						CONN,RCPT,ELEC:CKT BD,FEMALE,12/24	22526	65002-009
-10	131-2196-00			1						CONN,RCPT,ELEC:CKT BD,6/12,FEMALE	22526	650002-076
-11	-----			2						TERM,TEST POINT BRS CD PL (SEE A72TP1012,A72TP1041 REPL)		
-12	131-0993-00			3						BUS,CONDUCTOR:2 WIRE BLACK	00779	850100-01
-13	-----			6						TERMINAL,PIN:0.365 L X 0.025 PH BRZ GOLD (SEE A72P1018,A72P1068,A72P2012 REPL)		
-14	-----			1						CKT BOARD ASSY:Z AXIS(SEE A70 REPL)		
-15	-----			11						TERMINAL,PIN:0.365 L X 0.025 PH BRZ GOLD (SEE A70P1015,A70P1040,A70P1056 REPL)		
-16	131-0589-00			3						TERMINAL,PIN:0.46 L X 0.025 SQ	22526	48283-029
-17	210-0586-00			1						TRANSISTOR:(SEE A70Q3028 REPL) ***** (ATTACHING PARTS) *****		
-18	210-1133-00			1						NUT,PL,ASSEM WA:4-40 X 0.25,STL,CD PL	78189	211-041800-00
-19	211-0097-01			1						WASHER,FLAT:0.142 ID X 0.058 THK,FBR	80009	210-1133-00
-20	386-1130-00			2						SCREW,MACHINE:4-40 X 0.312,PNH STL CD PL ***** (END ATTACHING PARTS) *****	T1292	ORD BY DESCR
-21	131-2196-00			1						INSULATOR DISC:TRANSISTOR,NYLON	13103	7717-15N
-22	131-2167-00			2						CONN,RCPT,ELEC:CKT BD,FEMALE,12/24	22526	650002-076
-23	-----			1						TRANSISTOR:(SEE A70Q4058 REPL) ***** (ATTACHING PARTS) *****	22526	65002-009
-24	210-0586-00			1						NUT,PL,ASSEM WA:4-40 X 0.25,STL,CD PL	78189	211-041800-00
-25	361-0020-00			1						INSULATOR,WSHR:0.156 ID X 0.078 THK TFLN	80009	361-0020-00
-26	211-0097-01			1						SCREW,MACHINE:4-40 X 0.312,PNH STL CD PL ***** (END ATTACHING PARTS) *****	T1292	ORD BY DESCR
-27	-----			1						TRANSISTOR:(SEE A70Q4059 REPL) ***** (ATTACHING PARTS) *****		
-28	210-0586-00			1						NUT,PL,ASSEM WA:4-40 X 0.25,STL,CD PL	78189	211-041800-00
-29	361-0020-00			1						INSULATOR,WSHR:0.156 ID X 0.078 THK TFLN	80009	361-0020-00
-30	211-0097-01			1						SCREW,MACHINE:4-40 X 0.312,PNH STL CD PL ***** (END ATTACHING PARTS) *****	T1292	ORD BY DESCR
-31	-----			10						JACK,TIP:HORIZ CKT CD MT,WHITE (SEE A70TP1011,A70TP1034,A70TP1035, A70TP1036,A70TP1037,A70TP1044,A70TP1046, A70TP1047,A70TP1048,A70TP1052 REPL)		
-32	-----			2						TERM,TEST POINT:BRS CD PL (SEE A70TP1069,A70TP1068 REPL)		
-33	-----			1						CKT BOARD ASSY:VIDEO PROCESSOR (SEE A40 REPL)		
-34	131-0993-09			1						BUS,COND:SHUNT ASSY WHITE	00779	850100-1
-35	131-2053-00			1						LINK,TERM. CONN:3.26 AWG,1.5" L	80009	131-2053-00
-36	352-0166-00			1						HLDR,TERM CONN:8 WIRE,BLACK	80009	352-0166-00
-37	131-2167-00			1						CONN,RCPT,ELEC:CKT BD,FEMALE,12/24	22526	65002-009
-38	131-2196-00			1						CONN,RCPT,ELEC:CKT BD,6/12,FEMALE	22526	650002-076
-39	214-0579-00			11						TERM,TEST POINT:BRS CD PL	80009	214-0579-00
-40	131-0608-00			11						TERMINAL,PIN:0.365 L X 0.025 PH BRZ GOLD	22526	48283-036
-40	346-0032-00			3						STRAP,RTNING:0.075 DIA X 4.0 L,MLD RBR	98159	2859-75-4



Replaceable Mechanical Parts—494/494P Service Vol.2

Fig. & Index No.	Tektronix Part No.	Serial/Model No. Eff	Dscont	Qty	1	2	3	4	5	Name & Description	Mfr Code	Mfr Part Number
5-	672-0815-01			1						CKT BOARD ASSY.PRESELECTOR DRIVER ***** (ATTACHING PARTS) *****	80009	672-0815-01
-41	211-0666-00			2						SCREW.MACHINE:6-32 X 4.25 INCH,PNH STL	80009	211-0666-00
-42	211-0507-00			1						SCREW.MACHINE:6-32 X 0.312,PNH STL,CD PL ***** (END ATTACHING PARTS) *****	83385	ORD BY DESCR
-43	-----			-						CKT BOARD ASSY INCLUDES: CKT BOARD ASSY:PRESELECTOR DRIVE (SEE A42 REPL) ***** (ATTACHING PARTS) *****		
-44	211-0116-00			4						SCR,ASSEM WSHR:4-40 X 0.312 INCH,PNH BRS ***** (END ATTACHING PARTS) *****	83385	ORD BY DESCR
-45	-----			5						CKT BOARD ASSY INCLUDES: TERM,TEST POINT:BRS CD PL (SEE A42TP1072,A42TP1069,A42TP3038, A42TP3048,A42TP4054 REPL)		
-46	131-0993-00			4						BUS.CONDUCTOR:2 WIRE BLACK	00779	850100-01
-47	-----			10						TERMINAL,PIN:0.365 L X 0.025 PH BRZ GOLD (SEE A42P2011,A42P3055,A42P3069, A42P5062,A42P5065 REPL)		
-48	131-2167-00			2						CONN,RCPT,ELEC:CKT BD,FEMALE,12/24	22526	65002-009
-49	-----			1						TRANSISTOR:(SEE Q565 REPL) ***** (ATTACHING PARTS) *****		
-50	211-0008-01			1						SCREW.MACHINE:4-40 X 0.25,PNH	26233	ORD BY DESCR
-51	210-1178-00			1						WASHER,SHLDR:U/W T0-220 TRANSISTOR ***** (END ATTACHING PARTS) *****	49671	DF 137A
-52	342-0354-00			1						INSULATOR,PLATE:TRANSISTOR,SILICON RUBBER	T0295	7403-09FR-52
-53	352-0513-00			1						HOLDER,CKT BD:5.2 INCH LONG,AL	80009	352-0513-00
	672-0812-02			1						CKT BOARD ASSY:1ST LO DRIVER ***** (ATTACHING PARTS) *****	80009	672-0812-02
-54	211-0666-00			2						SCREW.MACHINE:6-32 X 4.25 INCH,PNH STL	80009	211-0666-00
-55	211-0507-00			1						SCREW.MACHINE:6-32 X 0.312,PNH STL,CD PL ***** (END ATTACHING PARTS) *****	83385	ORD BY DESCR
-56	-----			-						CKT BOARD ASSY INCLUDES: CKT BOARD ASSY:1ST LO DRIVE (SEE A42 REPL) ***** (ATTACHING PARTS) *****		
-57	211-0116-00			4						SCR,ASSEM WSHR:4-40 X 0.312 INCH,PNH BRS ***** (END ATTACHING PARTS) *****	83385	ORD BY DESCR
-58	131-0993-00			1						CKT BOARD ASSY INCLUDES: BUS.CONDUCTOR:2 WIRE BLACK	00779	850100-01
-59	-----			2						TERMINAL,PIN:0.365 L X 0.025 PH BRZ GOLD (SEE A44P3043 REPL)		
-60	131-2167-00			2						CONN,RCPT,ELEC:CKT BD,FEMALE,12/24	22526	65002-009
-61	-----			3						TERM,TEST POINT:BRS CD PL (SEE A44TP1011,A44TP1058,A44TP1059 REPL)		
-62	-----			1						TRANSISTOR:(SEE Q352) ***** (ATTACHING PARTS) *****		
-63	211-0008-01			1						SCREW.MACHINE:4-40 X 0.25,PNH	26233	ORD BY DESCR
-64	210-1178-00			1						WASHER,SHLDR:U/W T0-220 TRANSISTOR ***** (END ATTACHING PARTS) *****	49671	DF 137A
-65	342-0355-00			1						INSULATOR,PLATE:TRANSISTOR,SILICONE RUBBER	000BB	7403-09FR-51
-66	352-0512-00			1						HOLDER,CKT BD:5.7 L,ALUMINUM	80009	352-0512-00
67	407-2784-00			1						BRACKET,RTNG:CIRCUIT BOARD	80009	407-2784-00
	672-0809-03			1						CKT BOARD ASSY:CENTER FREQ CONTROL ***** (ATTACHING PARTS) *****	80009	672-0809-03
-68	211-0666-00			2						SCREW.MACHINE:6-32 X 4.25 INCH,PNH STL	80009	211-0666-00
-69	211-0507-02			1						SCREW.MACHINE:6-32 X 0.312 L,PNH ***** (END ATTACHING PARTS) *****	26233	ORD BY DESCR
	-----			-						CKT BOARD ASSY INCLUDES:		

Fig. & Index No.	Tektronix Part No.	Serial/Model No. Eff	Dscont	Qty	1	2	3	4	5	Name & Description	Mfr Code	Mfr Part Number
5-70	-----			1						CKT BOARD ASSY INTERFACE(SEE A46A1 REPL)		
	-----			1						CKT BOARD ASSY INTERFACE(SEE A46A3 REPL)		
										*****ATTACHING PARTS*****		
-71	211-0116-00			4						SCR,ASSEM WSHR:4-40 X 0.312 INCH,PNH BRS	83385	ORD BY DESCR
	-----			-						*****END ATTACHING PARTS*****		
				-						CKT BOARD ASSY INCLUDES:		
-72	124-0418-00			8						TERMINAL,STRIP:20 CNT	55322	TS-112-G-A
-73	-----			1						CKT BOARD ASSY:CENTER FREQ CONTROL		
	-----			-						(SEE A46 REPL)		
										*****ATTACHING PARTS*****		
-74	129-0299-00			2						POST,ELEC-MECH:HEX.0.333 INCH LONG	80009	129-0299-00
-75	211-0116-00			2						SCR,ASSEM WSHR:4-40 X 0.312 INCH,PNH BRS	83385	ORD BY DESCR
	-----			-						*****END ATTACHING PARTS*****		
				-						CKT BOARD ASSY INCLUDES:		
-76	136-0578-00			4						SKT,PL-IN ELEK:MICROCKT,24 PIN,LOW PRFL	09922	DILB24P-108
-77	131-2167-00			2						CONN,RCPT,ELEC:CKT BD,FEMALE,12/24	22526	65002-009
-78	131-0993-00			2						BUS,CONDUCTOR:2 WIRE BLACK	00779	850100-01
-79	-----			4						TERMINAL,PIN:0.365 L X 0.025 PH BRZ GOLD		
	-----			-						(SEE A46P1041,A46P4041 REPL)		
-80	-----			5						TERM,TEST POINT:BRS CD PL		
	-----			-						(SEE A44TP1048,A44TP3044,A44TP4036,		
	-----			-						A44TP4044,A44TP4046 REPL)		
-81	352-0512-00			1						HOLDER,CKT BD:5.7 L,ALUMINUM	80009	352-0512-00
	672-0811-00			1						CKT BOARD ASSY:SPAN ATTENUATOR	80009	672-0811-00
										*****ATTACHING PARTS*****		
-82	211-0566-00			2						SCREW,MACHINE:6-32 X 4.25 INCH,PNH STL	80009	211-0566-00
-83	211-0507-00			1						SCREW,MACHINE:6-32 X 0.312,PNH STL,CD PL	83385	ORD BY DESCR
	-----			-						*****END ATTACHING PARTS*****		
				-						CKT BOARD ASSY INCLUDES:		
-84	-----			1						CKT BOARD ASSY:SPAN ATTENUATOR		
	-----			-						(SEE A48 REPL)		
										*****ATTACHING PARTS*****		
-85	211-0116-00			4						SCR,ASSEM WSHR:4-40 X 0.312 INCH,PNH BRS	83385	ORD BY DESCR
	-----			-						*****END ATTACHING PARTS*****		
				-						CKT BOARD ASSY INCLUDES:		
-86	131-0993-00			1						BUS,CONDUCTOR:2 WIRE BLACK	00779	850100-01
-87	-----			2						TERMINAL,PIN:0.365 L X 0.025 PH BRZ GOLD		
	-----			-						(SEE A48P2016 REPL)		
-88	-----			2						TERM,TEST POINT:BRS CD PL		
	-----			-						(SEE A48TP1035,A48TP1073 REPL)		
-89	131-2167-00			2						CONN,RCPT,ELEC:CKT BD,FEMALE,12/24	22526	65002-009
-90	-----			2						TRANSISTOR (SEE A48Q2062,		
	-----			-						A48Q3056 REPL)		
										*****ATTACHING PARTS*****		
-91	210-0586-00			2						NUT,PL,ASSEM WA:4-40 X 0.25,STL,CD PL	78189	211-041800-00
-92	211-0008-00			2						SCREW,MACHINE:4-40 X 0.250,PNH,STL,POZ	83385	ORD BY DESCR
-93	214-1845-01			2						HEAT SINK,XSTR:0.125 DIA HOLE,AL	80009	214-1845-01
										*****END ATTACHING PARTS*****		
-94	352-0512-00			1						HOLDER,CKT BD:5.7 L,ALUMINUM	80009	352-0512-00
	-----			1						PHASE LOCK ASSY:SYNTHESIZER(SEE A50 REPL)		
										*****ATTACHING PARTS*****		
-95	211-0507-00			4						SCREW,MACHINE:6-32 X 0.312,PNH STL,CD PL	83385	ORD BY DESCR
	-----			-						*****END ATTACHING PARTS*****		
				-						PHASE LOCK ASSY INCLUDES:		
-96	200-2242-00			1						COV,PH LOCK SYN:FRONT	80009	200-2242-00
										*****ATTACHING PARTS*****		
-97	211-0087-01			12						SCREW,MACHINE:2-56 X 0.188,FLH 82 DEG,STL	83385	ORD BY DESCR
										*****END ATTACHING PARTS*****		
-98	-----			1						CKT BOARD ASSY:CONTROLLED OSCILLATOR		
	-----			-						(SEE A50A5 REPL)		
										*****ATTACHING PARTS*****		
-99	211-0007-01			4						SCREW,MACHINE:4-40 X 0.188,PNH	26233	ORD BY DESCR
	-----			-						*****END ATTACHING PARTS*****		
				-						CKT BOARD ASSY INCLUDES:		

Replaceable Mechanical Parts—494/494P Service Vol.2

Fig & Index No.	Tektronix Part No.	Serial/Model No.		Qty						Name & Description	Mfr Code	Mfr Part Number
		Eff	Dscont		1	2	3	4	5			
5-100	136-0263-04			4						..SOCKET,PIN TERM:FOR 0.025 INCH SQ PIN	22526	75377-001
-101	-----			2						..TERM,TEST POINT:BRS CD PL		
	-----			-						..(SEE A50A5TP1027,A50A5TP2011 REPL)		
-102	131-0993-00			2						..BUS,CONDUCTOR:2 WIRE BLACK	00779	850100-01
-103	-----			7						..TERMINAL,PIN:0.365 L X 0.025 PH BRZ GOLD		
	-----			-						..(SEE A50A5P1025,A50A5P1033 REPL)		
-104	131-1612-03			3						TERM.FEEDTHRU:U-SHP,0.3 L X 0.35 L X 0.25	80009	131-1612-03
	131-1612-06			3						TERM.FEEDTHRU:U-SHP,0.55 L X 0.35W	80009	131-1612-06
-105	-----			1						CKT BOARD ASSY:OFFSET MIXER		
	-----			-						(SEE A50A3 REPL)		
										***** (ATTACHING PARTS) *****		
-106	211-0007-01			4						SCREW,MACHINE:4-40 X 0.188,PNH	26233	ORD BY DESCR
	-----			-						***** (END ATTACHING PARTS) *****		
										CKT BOARD ASSY INCLUDES:		
-107	-----			2						..TERM,TEST POINT:BRS CD PL		
	-----			-						..(SEE A50A3TP1059,A50A3TP2012 REPL)		
-108	136-0263-04			6						..SOCKET,PIN TERM:FOR 0.025 INCH SQ PIN	22526	75377-001
-109	-----			1						..CKT BOARD ASSY:SYNTHESIZER		
	-----			-						(SEE A50A1 REPL)		
										***** (ATTACHING PARTS) *****		
-110	211-0007-01			3						SCREW,MACHINE:4-40 X 0.188,PNH	26233	ORD BY DESCR
	-----			-						***** (END ATTACHING PARTS) *****		
										CKT BOARD ASSY INCLUDES:		
-111	-----			3						..TERM,TEST POINT:BRS CD PL		
	-----			-						..(SEE A50A1TP1040,A50A1TP2033,		
	-----			-						..A50A1TP2040 REPL)		
-112	136-0263-04			6						..SOCKET,PIN TERM:FOR 0.025 INCH SQ PIN	22526	75377-001
-113	131-0156-00			2						CONNECTOR,RCPT.:COAXIAL	98291	051-043-0669
-114	334-3654-00			1						PLATE,IDENT:MARKED O LOCK SYNTH.FRONT	80009	334-3654-00
-115	342-0474-00			20						INSUL HALF FEED:DELTRIN	80009	342-0474-00
-116	131-0593-00			10						CONTACT,ELEC:1.75 INCH LONG	22526	47354
-117	407-2312-00			2						BRACKET,SYNTHZR:PHASE LOCK	80009	407-2312-00
										***** (ATTACHING PARTS) *****		
-118	211-0007-01			4						SCREW,MACHINE:4-40 X 0.188,PNH	26233	ORD BY DESCR
	-----			-						***** (END ATTACHING PARTS) *****		
-119	200-2243-00			1						COVER,PH LOCK SYN:REAR	80009	200-2243-00
	-----			-						***** (ATTACHING PARTS) *****		
-120	211-0087-01			8						SCREW,MACHINE:2-56 X 0.188,FLH 82 DEG.STL	83385	ORD BY DESCR
	-----			-						***** (END ATTACHING PARTS) *****		
-121	-----			1						CKT BOARD ASSY:STROBE DRIVER		
	-----			-						(SEE A50A2 REPL)		
										***** (ATTACHING PARTS) *****		
-122	211-0007-01			4						SCREW,MACHINE:4-40 X 0.188,PNH	26233	ORD BY DESCR
	-----			-						***** (END ATTACHING PARTS) *****		
										CKT BOARD ASSY INCLUDES:		
-123	214-0579-00			2						..TERM,TEST POINT:BRS CD PL	80009	214-0579-00
	-----			-						..(SEE A50A2TP2015,A50A2TP2087 REPL)		
-124	348-0737-00			A/R						..SHLD,GSKT,ELEK:TAPE MESH,0.375 W	28817	ORD BY DESCR
-125	-----			1						..FILTER,BANDPASS:(SEE A50A2FL2064 REPL)		
										***** (ATTACHING PARTS) *****		
-126	211-0007-01			2						SCREW,MACHINE:4-40 X 0.188,PNH	26233	ORD BY DESCR
	-----			-						***** (END ATTACHING PARTS) *****		
-127	136-0263-04			4						..SOCKET,PIN TERM:FOR 0.025 INCH SQ PIN	22526	75377-001
-128	131-0156-00			2						CONNECTOR,RCPT.:COAXIAL	98291	051-043-0669
-129	334-3652-00			1						PLATE,IDENT:MARKED O LOCK SYNTH,REAR	80009	334-3652-00
-130	337-2680-00			1						SHIELD,CRT:PHASE LOCK SYNTHESIZER,REAR	80009	337-2680-00
										***** (ATTACHING PARTS) *****		
-131	211-0196-00			2						SCREW,MACHINE:4-40 X 0.188,SCH,HEX,STL	000AH	ORD BY DESCR
	-----			-						***** (END ATTACHING PARTS) *****		
-132	337-2566-01			1						..SHIELD,ELEC:PH LOCK SYNTHESIZER,FRONT	80009	337-2566-01



Fig. & Index No.	Tektronix Part No.	Serial/Model No		Qty	1	2	3	4	5	Name & Description	Mfr Code	Mfr Part Number
		Eff	Dscont									
5-133	-----			1						CKT BOARD ASSY:ERROR AMP(SEE A50A4 REPL) *****ATTACHING PARTS)*****		
-134	211-0007-01			3						SCREW,MACHINE:4-40 X 0.188,PNH *****END ATTACHING PARTS)*****	26233	ORD BY DESCR
-135	-----			1						CKT BOARD ASSY INCLUDES: MICROCIRCUIT,LI:(SEE A50A4U2075 REPL) *****ATTACHING PARTS)*****		
-136	211-0008-01			1						SCREW,MACHINE:4-40 X 0.25 PNH *****END ATTACHING PARTS)*****	26233	ORD BY DESCR
-137	131-2167-00			1						CONN,RCPT,ELEC CKT BD,FEMALE,12/24	22526	65002-009
-138	131-2196-00			1						CONN,RCPT,ELEC CKT BD,6/12,FEMALE	22526	650002-076
-139	-----			3						TERM,TEST POINT:BRS CD PL (SEE A50A4TP1031,A50A4TP2038, A50A4TP3081 REPL)		
-140	131-0993-00			2						BUS,CONDUCTOR:2 WIRE BLACK	00779	850100-01
-141	-----			5						TERMINAL,PIN:0.365 L X 0.025 PH BRZ GOLD (SEE A50A4P2035,A50A4P3057 REPL)		
-142	136-0263-04			12						SOCKET,PIN TERM:FOR 0.025 INCH SQ PIN	22526	75377-001
-143	386-4508-00			1						PLATE,ELEC GND:0.63 X 0.5 X 2.1	80009	386-4508-00
	672-1097-00	B010100	B019999	1						CKT BOARD ASSY:COUNTER	80009	672-1097-00
	672-1097-01	B020000		1						CKT BOARD ASSY:COUNTER *****ATTACHING PARTS)*****	80009	672-1097-01
-144	211-0666-00			2						SCREW,MACHINE:6-32 X 4.25 INCH,PNH STL	80009	211-0666-00
-145	211-0507-00			1						SCREW,MACHINE:6-32 X 0.312,PNH STL,CD PL *****END ATTACHING PARTS)*****	83385	ORD BY DESCR
-146	-----			1						CKT BOARD ASSY INCLUDES: CKT BOARD ASSY:COUNTER(SEE A51 REPL) *****ATTACHING PARTS)*****		
-147	211-0116-00			4						SCR,ASSEM WSHR:4-40 X 0.312 INCH,PNH BRS *****END ATTACHING PARTS)*****	83385	ORD BY DESCR
-148	131-2167-00			2						CONN,RCPT,ELEC CKT BD,FEMALE,12/24	22526	65002-009
-149	131-2196-00			1						CONN,RCPT,ELEC CKT BD,6/12,FEMALE	22526	650002-076
-150	131-0993-00			2						BUS,CONDUCTOR:2 WIRE BLACK	00779	850100-01
-151	-----			9						TERMINAL,PIN:0.365 L X 0.025 PH BRZ GOLD (SEE A51P2046,A51P2047,A51P3046 REPL)		
-152	-----			2						CONN,RCPT,ELEC:MINTR,CKT BD MTD,FEM,RTNG (A51P1036,A51P1056 REPL)		
-153	-----			8						TERM,TEST POINT:BRS CD PL (SEE A51TP1056,A50TP1057,A50TP1058, A50TP2043,A50TP2044,A50TP2045, A50TP3036,A50TP4048 REPL)		
-154	346-0032-00			1						STRAP,RTNG:0.075 DIA X 4.0 L,MLD RBR	98159	2859-75-4
-155	131-0938-00			2						CONNECTOR,RCPT,:50 OHM MALE SNAP-ON	98291	051-043-0349
-156	352-0512-03			1						HOLDER,CKT BD:5.7 L	80009	352-0512-03
	672-1098-00			1						CKT BOARD ASSY:AUX SYNTHESIZER *****ATTACHING PARTS)*****	80009	672-1098-00
-157	211-0666-00			2						SCREW,MACHINE:6-32 X 4.25 INCH,PNH STL	80009	211-0666-00
-158	211-0507-00			1						SCREW,MACHINE:6-32 X 0.312,PNH STL,CD PL *****END ATTACHING PARTS)*****	83385	ORD BY DESCR
-159	-----			1						CKT BOARD ASSY INCLUDES: CKT BOARD ASSY:AUX SYNTHESIZER (SEE A26 REPL) *****ATTACHING PARTS)*****		
-160	211-0116-00			3						SCR,ASSEM WSHR:4-40 X 0.312 INCH,PNH BRS *****END ATTACHING PARTS)*****	83385	ORD BY DESCR
-161	-----			3						CKT BOARD ASSY INCLUDES: TERM,TEST POINT:BRS CD PL (SEE A26TP1066,A26TP1074, A26TP4045 REPL)		
-162	131-2196-00			1						CONN,RCPT,ELEC CKT BD,6/12,FEMALE	22526	650002-076
-163	131-2167-00			1						CONN,RCPT,ELEC CKT BD,FEMALE,12/24	22526	65002-009



Replaceable Mechanical Parts—494/494P Service Vol.2

Fig & Index No	Tektronix Part No.	Serial Model No.		Qty	1 2 3 4 5					Name & Description	Mfr Code	Mfr Part Number
		Eff	Dscont									
5-164	-----			3						CONN,RCPT,ELEC:MINTR CKT BD MTD,FEM.RTNG (A26P1028,A26P1039,A26P1060)		
-165	337-3093-00			1						SHIELD,ELEC AUX SYN BD		
-166	346-0032-00			1						STRAP,RTNING:0.075 DIA X 4.0 L,MLD RBR	98159	2859-75-4
-167	-----			1						MICROCIRCUIT DI:(SEE A26U5073 REPL) *****ATTACHING PARTS)*****		
-168	211-0008-01			1						SCREW,MACHINE:4-40 X 0.25 PNH *****END ATTACHING PARTS)*****	26233	ORD BY DESCR
-169	131-0372-00			1						CONNECTOR,RCPT.:COAXIAL	98291	51-043-4300
-170	210-0206-00			1						TERMINAL,LUG-SE #10	86928	A373-147-1
-171	352-0512-03			1						HOLDER,CKT BD:5.7 L	80009	352-0512-03
-172	-----			1						CKT BOARD ASSY:MEMORY(SEE A54 REPL)		
-173	131-2196-00			1						CONN,RCPT,ELEC:CKT BD,6/12,FEMALE	22526	650002-076
-174	131-2167-00			2						CONN,RCPT,ELEC:CKT BD,FEMALE,12/24	22526	65002-009
-175	-----			1						TERM.TEST POINT:BRS CD PL (SEE A54TP1049 REPL)		
-176	346-0032-00			1						STRAP,RTNING:0.075 DIA X 4.0 L,MLD RBR	98159	2859-75-4
-177	-----			1						CKT BOARD ASSY:GPIB(SEE A56 REPL)		
-178	131-2196-00			1						CONN,RCPT,ELEC:CKT BD,6/12,FEMALE	22526	650002-076
-179	131-3091-00			1						CONN,RCPT,ELEC:CKT BD,FEM	00779	85927-4
-180	131-2167-00			1						CONN,RCPT,ELEC:CKT BD,FEMALE,12/24	22526	65002-009
-181	-----			1						TERM.TEST POINT:BRS CD PL (SEE A56TP1036 REPL)		
-182	346-0032-00			1						STRAP,RTNING:0.075 DIA X 4.0 L,MLD RBR	98159	2859-75-4
-183	-----			1						CKT GOARD ASSY:PROCESSOR(SEE A58 REPL)		
-184	214-0579-00			1						TERM.TEST POINT:BRS CD PL (SEE A58TP1036 REPL)	80009	214-0579-00
185	346-0032-00			2						STRAP,RTNING:0.075 DIA X 4.0 L,MLD RBR	98159	2859-75-4
-186	131-0993-00			2						BUS.CONDUCTOR:2 WIRE BLACK	00779	850100-01
-187	-----			5						TERMINAL,PIN:0.365 L X 0.025 PH BRZ GOLD (SEE A58P1024,A58P1026 REPL)		
-188	131-2196-00			1						CONN,RCPT,ELEC:CKT BD,6/12,FEMALE	22526	650002-076
-189	131-2167-00			2						CONN,RCPT,ELEC:CKT BD,FEMALE,12/24	22526	65002-009
-190	-----			1						CKT BOARD ASSY:DIGITAL STORAGE INTFC (SEE A59 REPL)		
-191	131-2167-00			2						CONN,RCPT,ELEC:CKT BD,FEMALE,12/24	22526	65002-009
-192	131-2196-00			1						CONN,RCPT,ELEC:CKT BD,6/12,FEMALE	22526	650002-076
-193	131-0993-00			2						BUS.CONDUCTOR:2 WIRE BLACK	00779	850100-01
-194	-----			4						TERMINAL,PIN:0.365 L X 0.025 PH BRZ GOLD (SEE A60P1044,A60P2044 REPL)		
195	351-0580-00			3						GUIDE,CKT BD:BLACK,POLYPROPYLENE	80009	351-0580-00
	672-0816-02			1						CKT BOARD ASSY:DIGITAL STORAGE VERT *****ATTACHING PARTS)*****	80009	672-0816-02
-196	211-0666-00			2						SCREW,MACHINE:6-32 X 4.25 INCH,PNH STL	80009	211-0666-00
-197	211-0507-00			1						SCREW,MACHINE:6-32 X 0.312,PNH STL CD PL *****END ATTACHING PARTS)*****	83385	ORD BY DESCR
	-----			-						CKT BOARD ASSY INCLUDES:		
198	-----			1						CKT BOARD ASSY:DIGITAL STORAGE (SEE A61 REPL)		
	-----			-						*****ATTACHING PARTS)*****		
-199	211-0116-00			4						SCR,ASSEM WSHR:4-40 X 0.312 INCH,PNH BRS *****END ATTACHING PARTS)*****	83385	ORD BY DESCR
	-----			-						CKT BOARD ASSY INCLUDES:		
-200	131-2167-00			2						CONN,RCPT,ELEC:CKT BD,FEMALE,12/24	22526	65002-009
-201	131-2196-00			1						CONN,RCPT,ELEC:CKT BD,6/12,FEMALE	22526	650002-076
-202	131-0993-00			2						BUS.CONDUCTOR:2 WIRE BLACK	00779	850100-01
-203	131-0608-00			4						TERMINAL,PIN:0.365 L X 0.025 PH BRZ GOLD (SEE A61P1024,A61P2024 REPL)	22526	48283-036
-204	352-0512-00			1						HOLDER,CKT BD:5.7 L,ALUMINUM	80009	352-0512-00
-205	407-0517-00			1						BRACKET,CKT BD:		
206	337-2803-00			1						SHIELD,ELEC CIRCUIT BOARD *****ATTACHING PARTS)*****	80009	337-2803-00
-207	211-0105-01			6						SCREW,MACHINE:4-40 X 0.188,FLH,100 DEG	71292	ORD BY DESCR
-208	211-0003-00			3						SCREW,MACHINE:2-56 X 0.875 INCH,PNH,STL *****END ATTACHING PARTS)*****	83385	ORD BY DESCR

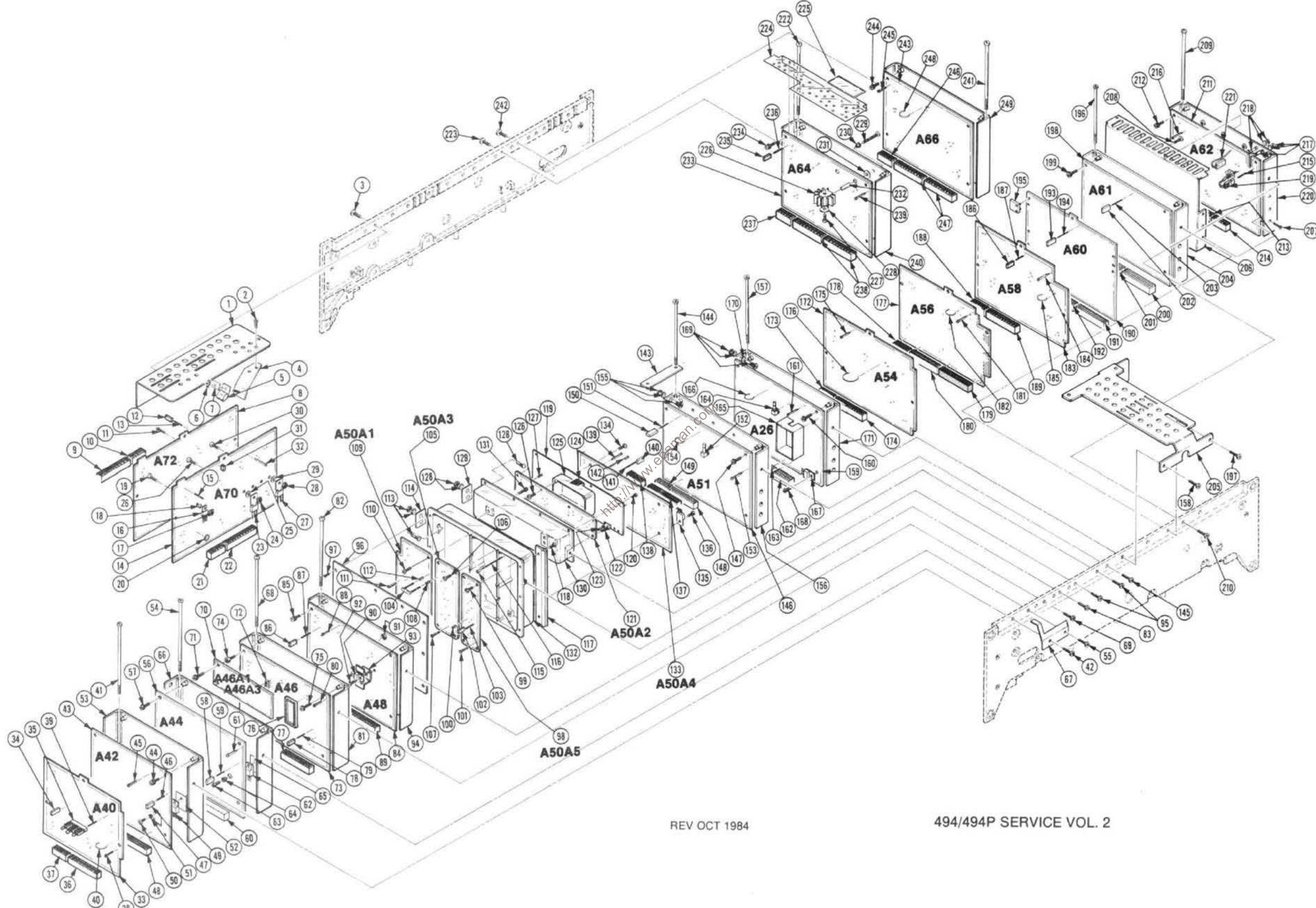
Fig & Index No.	Tektronix Part No.	Serial/Model No.		Qty	1	2	3	4	5	Name & Description	Mfr Code	Mfr Part Number
		Eff	Dscont									
5	672-1120-00			1						CKT BOARD ASSY:LOG AMP ***** (ATTACHING PARTS) *****	80009	672-1120-00
-209	211-0666-00			2						SCREW,MACHINE:6-32 X 4.25 INCH,PNH STL	80009	211-0666-00
-210	211-0507-00			1						SCREW,MACHINE:6-32 X 0.312,PNH STL,CD PL ***** (END ATTACHING PARTS) *****	83385	ORD BY DESCR
-211	-----			-						CKT BOARD ASSY INCLUDES: CKT BOARD ASSY:LOG AMPLIFIER (SEE A62 REPL) ***** (ATTACHING PARTS) *****		
-212	211-0116-00			4						SCR,ASSEM WSHR:4-40 X 0.312 INCH,PNH BRS ***** (END ATTACHING PARTS) *****	83385	ORD BY DESCR
-213	131-2167-00			1						CONN,RCPT,ELEC:CKT BD,FEMALE,12/24	22526	65002-009
-214	131-2196-00			1						CONN,RCPT,ELEC:CKT BD,6:12 FEMALE	22526	650002-076
-215	-----			6						TERMINAL,PIN:0.365 L X 0.025 PH BRZ GOLD (SEE A62P1105,A62P2015,A62P6030 REPL)		
-216	-----			2						TERM,TEST POINT:BRS CD PL (SEE A62TP1110,A62TP7091 REPL)		
-217	-----			2						CONNECTOR,RCPT,COAXIAL (SEE P600,P621 REPL)		
-218	-----			1						CONNECTOR,RCPT,50 OHM MALE SNAP-ON (SEE P622 REPL)	98291	051-043-0349
-219	276-0554-00			2						CORE,TOROID:0.187 ID X 0.375 OD	80009	276-0554-00
-220	352-0512-03			1						HOLDER,CKT BD:5.7 L	80009	352-0512-03
-221	175-2623-00			1						CA ASSY,SP,ELEC:2.26 AWG,3.0 L	80009	175-2623-00
	352-0169-00			1						HLDR,TERM CONN 2 WIRE,BLACK	80009	352-0169-00
	175-4090-00			1						CA ASSY,SP,ELEC:2.26 AWG,11.0 L,RIBBON	80009	175-4090-00
	352-0169-00			1						HLDR,TERM CONN 2 WIRE,BLACK	80009	352-0169-00
	175-8736-00			1						CA ASSY,SP,ELEC:2.26 AWG,6.0 L,RIBBON	T1364	ORD BY DESCR
	672-1133-00			1						CKT BOARD ASSY:DEFLECTION AMP ***** (ATTACHING PARTS) *****	80009	672-113300
-222	211-0666-00			2						SCREW,MACHINE:6-32 X 4.25 INCH,PNH STL	80009	211-0666-00
-223	211-0507-00			1						SCREW,MACHINE:6-32 X 0.312,PNH STL,CD PL ***** (END ATTACHING PARTS) *****	83385	ORD BY DESCR
-224	200-2238-01			1						COVER,CKT BOARD:DEFLECTION AMP		
-225	334-2257-01			1						MARKER,IDENT:CAUTION	80009	334-2257-01
-226	214-2867-02			2						HEAT SINK,XSTR:(2) T0-202,AL ***** (ATTACHING PARTS) *****		
-227	211-0001-00			4						SCREW,MACHINE:2-56 X 0.25 INCH,PNH STL	87308	ORD BY DESCR
-228	210-0850-00			4						WASHER,FLAT:0.093 ID X 0.281 INCH OD	12327	ORD BY DESCR
-229	211-0019-00			2						SCREW,MACHINE:4-40 X 1.0 INCH,PNH STL	83385	ORD BY DESCR
-230	210-1171-00			2						WSHR,SHOULDERED:0.116 ID X 0.138 INCH OD	52905	A7148516P2
-231	210-0921-00			2						WASHER,MICA:0.50 X 0.141 X 0.005 INCH TH	80009	210-0921-00
-232	361-0582-00			2						SPACER,SLEEVE:0.7 X 0.134 ID,AL ***** (END ATTACHING PARTS) *****		
-233	-----			1						CKT BOARD ASSY:DEFLECTION AMP (SEE A64 REPL) ***** (ATTACHING PARTS) *****		
-234	211-0116-00			4						SCR,ASSEM WSHR:4-40 X 0.312 INCH,PNH BRS ***** (END ATTACHING PARTS) *****	83385	ORD BY DESCR
-235	131-0993-00			4						BUS,CONDUCTOR:2 WIRE BLACK	00779	850100-01
-236	-----			14						TERMINAL,PIN:0.365 L X 0.025 PH BRZ GOLD (SEE A64P1016,A64P1035,A64P2100, A64P3033,A64P3078,A64P4092 REPL)		
-237	131-2196-00			1						CONN,RCPT,ELEC:CKT BD,6:12,FEMALE	22526	650002-076
-238	131-2167-00			2						CONN,RCPT,ELEC:CKT BD,FEMALE,12/24	22526	65002-009
-239	-----			1						TERM,TEST POINT:BRS CD PL (SEE A64TP1016 REPL)		
-240	352-0512-02			1						HOLDER,CKT BOAR:5.7L,ALUMINUM		

Replaceable Mechanical Parts—494/494P Service Vol.2

Fig. & Index No.	Tektronix Part No.	Serial/Model No.		Qty	1	2	3	4	5	Name & Description	Mfr Code	Mfr Part Number
		Eff	Dscont									
5-	672-1096-00			1						CKT BOARD ASSY:CRT READOUT .....(ATTACHING PARTS).....	80009	672-1096-00
-241	211-0666-00			2						SCREW,MACHINE:6-32 X 4.25 INCH,PNH STL	80009	211-0666-00
-242	211-0507-00			1						SCREW,MACHINE:6-32 X 0.312,PNH STL,CD PL .....(END ATTACHING PARTS).....	83385	ORD BY DESCR
	-----			-						CKT BOARD ASSY INCLUDES:		
-243	-----			1						CKT BOARD ASSY:CRT READOUT(SEE A66REPL) .....(ATTACHING PARTS).....		
-244	211-0116-00			4						SCR,ASSEM WSHR:4-40 X 0.312 INCH,PNH BRS .....(END ATTACHING PARTS).....	83385	ORD BY DESCR
	-----			-						CKT BOARD ASSY INCLUDES:		
-245	-----			3						..TERM,TEST POINT:BRS CD PL		
	-----			-						..(SEE A66TP1036,A66TP1038,A66TP1056 REPL)		
-246	131-2196-00			1						..CONN,RCPT,ELEC:CKT BD,6/12,FEMALE	22526	650002-075
-247	131-2167-00			2						..CONN,RCPT,ELEC:CKT BD,FEMALE,12/24	22526	65002-009
-248	346-0032-00			1						..STRAP,RTNING:0.075 DIA X 4 0 L,MLD RBR	98159	2859-75-4
-249	352-0512-00			1						..HOLDER,CKT BD:5.7 L,ALUMINUM	80009	352-0512-00

<http://www.ebaman.com>

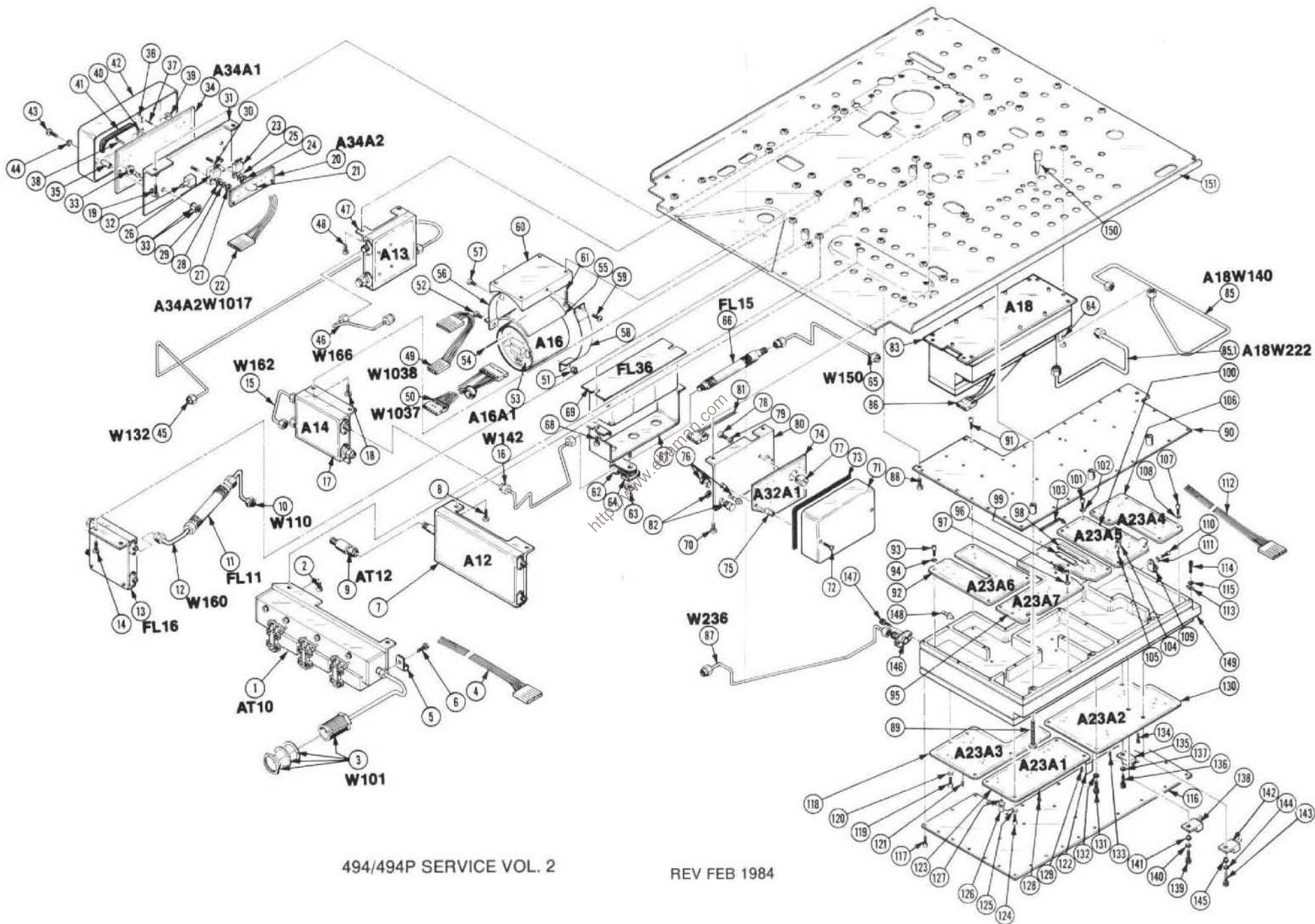




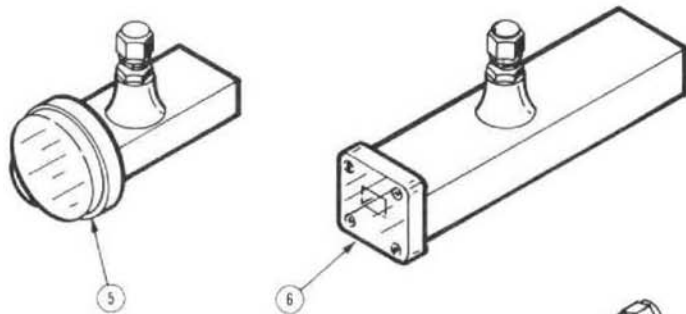
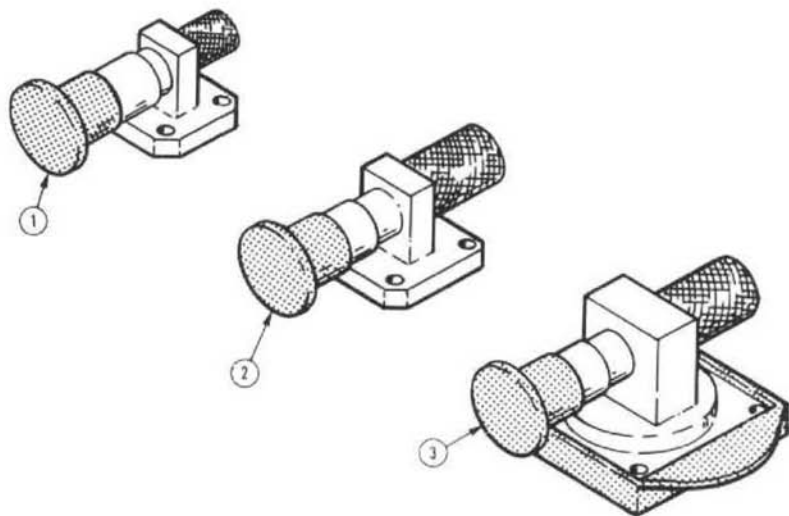
REV OCT 1984

494/494P SERVICE VOL. 2



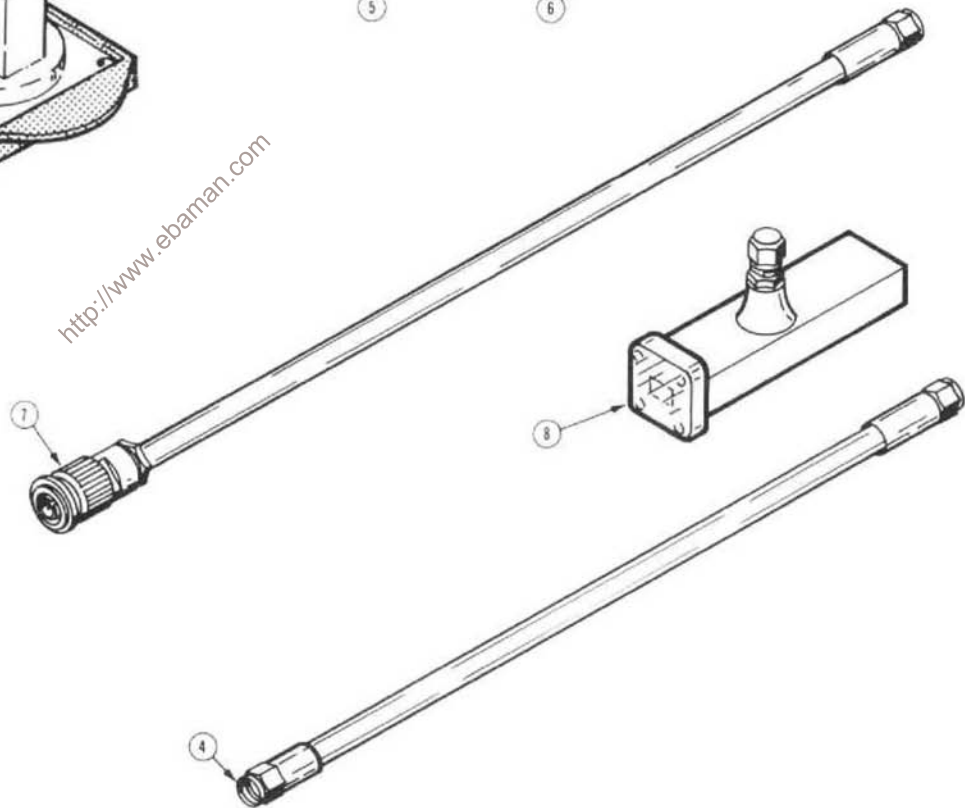






494/494P SERVICE VOL. 2

REV FEB 1984



<http://www.ebaman.com>



Fig. & Index No.	Tektronix Part No	Serial/Model No.		Qty	1	2	3	4	5	Name & Description	Mfr Code	Mfr Part Number
		Eff	Dscont									
6-1	-----			1						ATTENUATOR,VAR (SEE AT10 REPL) ***** (ATTACHING PARTS)*****		
-2	211-0008-01			2						SCREW,MACHINE,4-40 X 0.25,PNH ***** (END ATTACHING PARTS)*****	26233	ORD BY DESCR
	-----			-						ATTENUATOR INCLUDES:		
-3	175-2371-00			1						.CA ASSY,SP,ELEC:8.5 INCH LONG,RIBBON	80009	175-2371-00
-4	-----			1						CABLE ASSY,RF:(SEE W101 REPL)		
-5	343-0013-00			1						CLAMP,LOOP:0.375 ID,PLASTIC ***** (ATTACHING PARTS)*****	95987	3-8-6B
-6	211-0116-00			1						SCR,ASSEM WSHR:4-40 X 0.312 INCH,PNH BRS ***** (END ATTACHING PARTS)*****	83385	ORD BY DESCR
-7	-----			1						FIRST CONV ASSY:(SEE A12 REPL) ***** (ATTACHING PARTS)*****		
-8	211-0008-01			2						SCREW,MACHINE:4-40 X 0.25,PNH ***** (END ATTACHING PARTS)*****	26233	ORD BY DESCR
-9	-----			1						ATTENUATOR,FXD (SEE AT12 REPL)		
-10	-----			1						CABLE ASSY,RF:(SEE W110 REPL)		
-11	-----			2						FILTER,LOW PASS:(SEE FL11 REP)		
-12	-----			1						CABLE ASSY,RF:(SEE W160 REPL)		
-13	-----			1						DIR FILTER ASSY:(SEE FL16 REPL) ***** (ATTACHING PARTS)*****		
-14	211-0008-01			2						SCREW,MACHINE:4-40 X 0.25,PNH ***** (END ATTACHING PARTS)*****	26233	ORD BY DESCR
-15	-----			1						CABLE ASSY RF:(SEE W162 REPL)		
-16	-----			1						CABLE ASSY RF:(SEE W142 REPL)		
-17	-----			1						DIPLEXER ASSY:(SEE A14 REPL) ***** (ATTACHING PARTS)*****		
-18	211-0008-01			2						SCREW,MACHINE:4-40 X 0.25,PNH ***** (END ATTACHING PARTS)*****	26233	ORD BY DESCR
	-----			1						OSC/MIXER ASSY (SEE A34 REPL) ***** (ATTACHING PARTS)*****		
-19	211-0008-01			2						SCREW,MACHINE:4-40 X 0.25,PNH ***** (END ATTACHING PARTS)*****	26233	ORD BY DESCR
	-----			-						OSC/MIXER ASSY INCLUDES:		
-20	-----			1						.CKT BOARD ASSY:100MHZ OSC REGULATOR (SEE A34A2 REPL)		
-21	346-0032-00			2						.STRAP,RTNING:0.075 DIA X 4.0 L,MLD RBR	98159	2859-75-4
-22	-----			1						.CA ASSY,SP,ELEC:5.26 AWG,4.0L RIBBON (SEE A34A2W1017 REPL)		
-23	-----			1						MICROCIRCUIT,LI:(SEE A34U1025 REPL) ***** (ATTACHING PARTS)*****		
-24	210-0586-00			1						NUT,PL,ASSEM WA:4-40 X 0.25,STL,CD PL	78189	211-041800-00
-25	210-1002-00			1						WASHER,FLAT:0.125 ID X 0.25 INCH OD,BRS ***** (END ATTACHING PARTS)*****	12327	ORD BY DESCR
-26	-----			1						MICROCIRCUIT,LI (SEE A34U1017 REPL) ***** (ATTACHING PARTS)*****		
-27	210-0586-00			1						NUT,PL,ASSEM WA:4-40 X 0.25,STL,CD PL	78189	211-041800-00
-28	210-1178-00			1						WASHER,SHLDR:U/W T0-220 TRANSISTOR	49671	DF 137A
-29	210-1002-00			1						WASHER,FLAT:0.125 ID X 0.25 INCH OD,BRS	12327	ORD BY DESCR
-30	342-0355-00			1						INSULATOR,PLATE:TRANSISTOR,SILICONE RUBBE ***** (END ATTACHING PARTS)*****	000BB	7403-09FR-51
-31	407-3033-00			1						BRACKET,ANGLE:SCOPE & 3RD MIXER	80009	407-3033-00
-32	131-1972-00			2						.CONN,RCPT,ELEC:SNAP CATCH,RIGHT ANGLE	98291	51-047-0239
-33	-----			6						CONN,RCPT,ELEC:SNAP-ON,MALE (SEE A34P340,A34P341,A34P342,A34P344, A34P346,A34P347 REPL)		
-34	-----			1						.CKT BOARD ASSY:3RD CONVERTER (SEE A34A1 REPL) ***** (ATTACHING PARTS)*****		
-35	129-1002-00			2						SPACER,POST:0.485L ***** (END ATTACHING PARTS)*****		
	-----			-						.CKT BOARD ASSY INCLUDES		
-36	131-0993-00			1						.BUS,CONDUCTOR:2 WIRE BLACK	00779	850100-01



Replaceable Mechanical Parts—494/494P Service Vol.2

Fig & Index No.	Tektronix Part No.	Serial/Model No		Qty	1	2	3	4	5	Name & Description	Mfr Code	Mfr Part Number
		Eff	Dscont									
6-37	-----			2						.. TERMINAL,PIN 0.365 L X 0.025 PH BRZ GOLD		
	-----			-						..(SEE A34A1P2042 REPL)		
-38	-----			3						.. TERM.TEST POINT:BRS CD PL		
	-----			-						..(SEE A34A1TP1011,A34A1TP3011,		
	-----			-						..A34A1TP3042 REPL)		
-39	214-1919-00			2						HEAT SK.HYB CKT:1.7 L		
-40	214-1920-00			1						HEAT SK.HYB CKT:1.5 L		
-41	255-0678-00			FT						PLASTIC,EXTR.GROMMET,BLACK	80009	255-0678-00
-42	337-2574-03			1						..SHIELD,ELEC:100MHZ & THIRD MIXER	80009	337-2574-03
										..*****{ATTACHING PARTS}*****		
-43	211-0012-00			2						..SCREW,MACHINE:4-40 X 0.375,PNH STL CD PL	83385	ORD BY DESCR
-44	210-0004-00			2						WASHER,LOCK #4 INTL,0.015 THK STL CD PL	000BK	ORD BY DESCR
										..*****{END ATTACHING PARTS}*****		
-45	-----			1						CABLE ASSY,RF:(SEE W132 REPL)		
-46	-----			1						CABLE ASSY,RF:(SEE W166 REPL)		
-47	-----			1						POWER DIV ASSY:(SEE A13 REPL)		
										..*****{ATTACHING PARTS}*****		
-48	211-0008-01			2						SCREW,MACHINE:4-40 X 0.25,PNH	26233	ORD BY DESCR
										..*****{END ATTACHING PARTS}*****		
-49	-----			1						WIRE,ELECTRICAL:2 WIRE RIBBON		
										(SEE W1038 REPL)		
-50	-----			1						WIRE SET,ELEC:(SEE W1037 REPL)		
				1						OSCILLATOR,RF:(SEE A16 REPL)		
										..*****{ATTACHING PARTS}*****		
-51	210-0589-00			1						NUT,SELF LKG HE:4-40 X 0.250 INCH	13257	22 NM-40
-52	211-0014-00			1						SCREW,MACHINE:4-40 X 0.50 INCH,PNH STL	83385	ORD BY DESCR
										..*****{END ATTACHING PARTS}*****		
										OSCILLATOR,RF INCLUDES:		
-53	-----			1						CKT BOARD ASSY:152L O INTERFACE		
										(SEE A16A1 REPL)		
-54	-----			11						.. TERMINAL,PIN 0.365 L X 0.025 PH BRZ GOLD		
										..(SEE A16A1J1003,A16A1J1017 REPL)		
55	361-0935-00			1						SPACER,OSC ALUMINUM	80009	361-0935-00
-56	346-0161-01			1						STRAP,RETAINING:1.54 L X 0.5 W,SST,W:BRKT	80009	346-0161-01
										..*****{ATTACHING PARTS}*****		
-57	211-0007-01			1						SCREW,MACHINE:4-40 X 0.188,PNH	26233	ORD BY DESCR
										..*****{END ATTACHING PARTS}*****		
-58	346-0162-01			1						STRAP,RETAINING:3.21 L X 0.5 W,SST,W:BRKT	80009	346-0162-01
										..*****{ATTACHING PARTS}*****		
59	211-0007-01			1						SCREW,MACHINE:4-40 X 0.188,PNH	26233	ORD BY DESCR
										..*****{END ATTACHING PARTS}*****		
-60	214-2769-00			1						HEAT SINK,OSC	80009	214-2769-00
										..*****{ATTACHING PARTS}*****		
-61	211-0097-01			4						SCREW,MACHINE:4-40 X 0.312,PNH STL CD PL	T1292	ORD BY DESCR
										..*****{END ATTACHING PARTS}*****		
-62	343-0013-00			1						CLAMP,LOOP:0.375 ID,PLASTIC	95987	3-8-6B
										..*****{ATTACHING PARTS}*****		
63	210-0458-00			1						NUT,PL,ASSEM WA:8-32 X 0.344,STL,CD PL	78189	511-081800-00
64	210-0863-00			1						WSHR,LOOP CLAMP:0.187 ID U/W 0.5 W CLP STL	95987	C191
										..*****{END ATTACHING PARTS}*****		
65	-----			1						CABLE ASSY,RF:(SEE W150 REPL)		
-66	-----			1						FILTER,LOW PASS:(SEE FL15 REPL)		
-67	407-2353-00			1						BRACKET,ANGLE:LOW PASS FILTER	80009	407-2353-00
										..*****{ATTACHING PARTS}*****		
-68	211-0008-01			2						SCREW,MACHINE:4-40 X 0.25,PNH	26233	ORD BY DESCR
										..*****{END ATTACHING PARTS}*****		
-69	-----			1						FILTER,BANDPASS:110MHZ(SEE FL36 REPL)		
				1						FILTER,AMPL(SEE A32 REPL)		
										..*****{ATTACHING PARTS}*****		
-70	211-0008-01			2						SCREW,MACHINE:4-40 X 0.25,PNH	26233	ORD BY DESCR
										..*****{END ATTACHING PARTS}*****		
										AMP FILTER ASSY INCLUDES:		
-71	337-2575-01			1						..SHIELD,ELEC CIRCUIT BOARD	80009	337-2575-01
										..*****{ATTACHING PARTS}*****		
-72	211-0012-01			2						SCREW,MACHINE:4-40 X 0.375,PNH,STL CD PL	T1292	ORD BY DESCR
										..*****{END ATTACHING PARTS}*****		

Fig & Index No.	Tektronix Part No.	Serial/Model No.		Qty	1 2 3 4 5	Name & Description	Mfr Code	Mfr Part Number
		Eff	Dscont					
6-73	255-0678-00			FT		PLASTIC,EXTR GROMMET, BLACK	80009	255-0678-00
-74	-----			1		CKT BOARD ASSY:110 I.F. AMPLIFIER (SEE A32A1 REPL)		
	-----			-		***** (ATTACHING PARTS) *****		
-75	129-0236-00			2		SPACER,POST:0.188 HEX X 0.375 INCH LONG ***** (END ATTACHING PARTS) *****	06540	9726-A-0440
-76	-----			2		CONNECTOR,RCPT.:50 OHM MALE SNAP-ON (SEE A32P320,A32P321 REPL)		
-77	214-1611-00			1		HEAT SINK,ELEC:0.280 ID,W/ 4-40 THREADS ***** (ATTACHING PARTS) *****	05820	260-4T5E-C4631
-78	211-0007-01			1		SCREW,MACHINE:4-40 X 0.188,PNH	26233	ORD BY DESCR
-79	210-1122-00			1		WASHER,LOCK:0.12 ID,DISHED,0.025 THK ***** (END ATTACHING PARTS) *****	86928	ORD BY DESCR
-80	407-2148-00			1		BRACKET,ANGLE,IF AMPLIFIER,ALUMINUM	80009	407-2148-00
-81	175-2369-00			1		CA ASSY,SP,ELEC:5.0 INCH LONG,RIBBON	80009	175-2369-00
-82	-----			4		TERM,COAXIAL:(SEE P133,P144,P145, P164 REPL)		
-83	-----			1		SEC CONV ASSY:(SEE A18 REPL) ***** (ATTACHING PARTS) *****		
-84	211-0008-01			4		SCREW,MACHINE:4-40 X 0.25,PNH ***** (END ATTACHING PARTS) *****	26233	ORD BY DESCR
	-----			-		SEC CONV ASSY INCLUDES:		
-85	-----			1		CABLE ASSY,RF:(SEE A18W140 REPL)		
-85 1	-----			1		CABLE ASSY,RF:(SEE A18W222 REPL)		
-86	175-2370-00			1		CA ASSY,SP,ELEC:5.5 INCH LONG	80009	175-2370-00
-87	-----			1		CABLE ASSY,RF (SEE W236 REPL)		
	-----			1		SEC CON ASSY:829MHZ(SEE A23 REPL) ***** (ATTACHING PARTS) *****		
-88	211-0008-01			3		SCREW,MACHINE:4-40 X 0.25,PNH	26233	ORD BY DESCR
-89	211-0128-00			3		SCREW,MACHINE:2-56 X 1.375 INCH,PNH STL ***** (END ATTACHING PARTS) *****	77250	ORD BY DESCR
	-----			-		SEC CON ASSY INCLUDES:		
-90	200-2333-01			1		COVER,CONVERTER 829MHZ,BOTTOM ***** (ATTACHING PARTS) *****	80009	200-2333-01
-91	211-0162-01			33		SCREW,CAP:2-56 X 0.188,SCH SST,HEX ***** (END ATTACHING PARTS) *****	T1292	ORD BY DESCR
-92	-----			1		CKT BOARD ASSY:110MHZ IF SELECT (SEE A23A6 REPL)		
	-----			-		***** (ATTACHING PARTS) *****		
-93	211-0162-01			5		SCREW,CAP:2-56 X 0.188,SCH SST,HEX	T1292	ORD BY DESCR
-94	210-1008-00			5		WASHER,FLAT:0.09 ID X 0.188 OD,BRS ***** (END ATTACHING PARTS) *****	12360	ORD BY DESCR
-95	-----			1		CKT BOARD ASSY:829MHZ SECOND CONVETER (SEE A23A7 REPL)		
	-----			-		***** (ATTACHING PARTS) *****		
-96	211-0162-01			7		SCREW,CAP:2-56 X 0.188,SCH SST,HEX	T1292	ORD BY DESCR
-97	210-1008-00			7		WASHER,FLAT:0.09 ID X 0.188 OD,BRS ***** (END ATTACHING PARTS) *****	12360	ORD BY DESCR
	-----			-		CKT BOARD ASSY INCLUDES:		
-98	175-2462-00			2		CABLE ASSY,RF:50 OHM COAX,2.3 INCH LONG	80009	175-2462-00
-99	175-2463-00			2		CABLE ASSY,RF:50 OHM COAX,1.97 INCH LONG	80009	175-2463-00
-100	-----			1		CKT BOARD ASSY:829MHZ AMPLIFIER (SEE A23A5 REPL)		
	-----			-		***** (ATTACHING PARTS) *****		
-101	211-0162-01			4		SCREW,CAP:2-56 X 0.188,SCH SST,HEX	T1292	ORD BY DESCR
-102	210-1008-00			4		WASHER,FLAT:0.09 ID X 0.188 OD,BRS ***** (END ATTACHING PARTS) *****	12360	ORD BY DESCR
	-----			-		CKT BOARD ASSY INCLUDES:		
-103	175-9059-00			1		CA ASSY,SP,ELEC:3.26 AWG 6.5 L,RIBBON		
-104	131-1003-00			1		CONN,RCPT,ELEC:CKT BD MT,3 PRONG (SEE A23A5J1029 REPL)	80009	131-1003-00
	-----			-				
-105	136-0252-00			1		SOCKET,PIN TERM:0.145 INCH LONG	00779	2-330808-7

Replaceable Mechanical Parts—494/494P Service Vol.2

Fig. & Index No.	Tektronix Part No	Serial/Model No.		Qty	Name & Description					Mfr Code	Mfr Part Number
		Eff	Dscont		1	2	3	4	5		
6-106	-----			1	CKT BOARD ASSY:829MHZ DIPLEXER (A23A4 REPL)						
	-----			-	*****ATTACHING PARTS*****						
-107	211-0162-01			5	SCREW,CAP:2-56 X 0.188,SCH SST,HEX					T1292	ORD BY DESCR
-108	210-1008-00			5	WASHER,FLAT:0.09 ID X 0.188" OD,BRS					12360	ORD BY DESCR
	-----			-	*****END ATTACHING PARTS*****						
-109	343-0144-00			1	CLAMP,LOOP:0.125ID,NYLON					95987	1-8-2
	-----			-	*****ATTACHING PARTS*****						
-110	211-0200-01			1	SCREW,CAP:4-40 X 0.25,SCH,SST,HEX					T1292	ORD BY DESCR
-111	210-0054-00			1	WASHER,LOCK:#4 SPLIT,0.025 THK STL CD P					83385	ORD BY DESCR
	-----			-	*****END ATTACHING PARTS*****						
-112	175-2900-00			1	CA ASSY,SP,ELEC:5.26 AWG,7 0 L,RIBBON					80009	175-2900-00
-113	210-0261-00			1	TERMINAL,LUG:0.14 ID,PLAIN,BRASS					80009	210-0261-00
	-----			-	*****ATTACHING PARTS*****						
-114	211-0200-01			1	SCREW,CAP:4-40 X 0.25,SCH,SST,HEX					T1292	ORD BY DESCR
-115	210-0054-00			1	WASHER,LOCK:#4 SPLIT,0.025 THK STL CD P					83385	ORD BY DESCR
	-----			-	*****END ATTACHING PARTS*****						
-116	200-2334-01			1	COVER,CONVERTER:829MHZ, TOP					80009	200-2334-01
	-----			-	*****ATTACHING PARTS*****						
-117	211-0162-01			39	SCREW,CAP:2-56 X 0.188,SCH SST,HEX					T1292	ORD BY DESCR
	-----			-	*****END ATTACHING PARTS*****						
-118	-----			1	CKT BOARD ASSY:829MHZ HARMONIC MIXER (SEE A23A3 REPL)						
	-----			-	*****ATTACHING PARTS*****						
-119	211-0162-01			5	SCREW,CAP:2-56 X 0.188,SCH SST,HEX					T1292	ORD BY DESCR
-120	210-1008-00			5	WASHER,FLAT:0.09 ID X 0.188" OD,BRS					12360	ORD BY DESCR
	-----			-	*****END ATTACHING PARTS*****						
	-----			-	CKT BOARD ASSY INCLUDES:						
-121	136-0263-06			2	SOCKET,PIN TERM:U/W 0.025 SQ PIN					22526	75302-001
-122	131-1612-03			5	TERM,FEEDTHRU:L,SHP,0.3 L X 0.35 L X 0.25					80009	131-1612-03
-123	-----			1	CKT BOARD ASSY:719MHZ SECOND LO (SEE A23A1 REPL)						
	-----			-	*****ATTACHING PARTS*****						
-124	211-0162-01			4	SCREW,CAP:2-56 X 0.188,SCH SST,HEX					T1292	ORD BY DESCR
-125	210-1008-00			4	WASHER,FLAT:0.09 ID X 0.188" OD,BRS					12360	ORD BY DESCR
	-----			-	*****END ATTACHING PARTS*****						
	-----			-	CKT BOARD ASSY INCLUDES:						
-126	-----			1	CONN,RCPT,ELEC:CKT BD MT,3 PRONG						
	-----			-	.(SEE A23A1J2026 REPL)						
-127	136-0252-07			1	SOCKET,PIN CONN:W/O DIMPLE					22526	75060-012
-128	-----			1	TERM,TEST POINT:BRS CD PL						
	-----			-	.(SEE A23A1TP1011 REPL)						
-129	136-0263-06			4	SOCKET,PIN TERM:U/W 0.025 SQ PIN					22526	75302-001
-130	-----			1	CKT BOARD ASSY:25MHZ PHASE LOCK (SEE A23A2 REPL)						
	-----			-	*****ATTACHING PARTS*****						
-131	211-0200-01			2	SCREW,CAP:4-40 X 0.25,SCH,SST,HEX					T1292	ORD BY DESCR
-132	210-1002-00			2	WASHER,FLAT:0.125 ID X 0.25 INCH OD,BRS					12327	ORD BY DESCR
	-----			-	*****END ATTACHING PARTS*****						
	-----			-	CKT BOARD ASSY INCLUDES:						
-133	136-0263-04			4	SOCKET,PIN TERM:FOR 0.025 INCH SQ PIN					22526	75377-001
-134	214-0579-00			2	TERM,TEST POINT:BRS CD PL					80009	214-0579-00
	-----			-	.(SEE A23A2TP3037,A23A2TP3047 REPL)						
-135	-----			1	MICROCIRCUIT:(SEE A23U1013 REPL)						
	-----			-	*****ATTACHING PARTS*****						
-136	211-0162-01			1	SCREW,CAP:2-56 X 0.188,SCH SST,HEX					T1292	ORD BY DESCR
-137	210-1002-00			1	WASHER,FLAT:0.125 ID X 0.25 INCH OD,BRS					12327	ORD BY DESCR
	-----			-	*****END ATTACHING PARTS*****						
-138	-----			1	MICROCIRCUIT:(SEE A23U2026 REPL)						
	-----			-	*****ATTACHING PARTS*****						
-139	211-0162-01			1	SCREW,CAP:2-56 X 0.188,SCH SST,HEX					T1292	ORD BY DESCR
-140	210-1002-00			1	WASHER,FLAT:0.125 ID X 0.25 INCH OD,BRS					12327	ORD BY DESCR
-141	210-1178-00			1	WASHER,SHLDR:U/W T0-220 TRANSISTOR					49571	DF 137A
	-----			-	*****END ATTACHING PARTS*****						

Fig. & Index No.	Tektronix Part No.	Serial/Model No.		Qty	1	2	3	4	5	Name & Description	Mfr	
		Eff	Dscont								Code	Mfr Part Number
5-142	-----			1						.MICROCIRCUIT:(SEE A23U3024 REPL) *****ATTACHING PARTS)*****		
-143	211-0162-01			1						SCREW CAP:2-56 X 0.188,SCH SST,HEX	T1292	ORD BY DESCR
-144	210-1002-00			1						WASHER,FLAT:0.125 ID X 0.25 INCH OD,BRS	12327	ORD BY DESCR
-145	210-1178-00			1						WASHER,SHLDR:U/W T0-220 TRANSISTOR *****END ATTACHING PARTS)*****	49671	DF 137A
-146	131-2017-00			3						CONN,RCPT,ELEC:SMA FEMALE,FLANGE MOUNT *****ATTACHING PARTS)*****	24931	39JR152-1
-147	211-0162-01			6						SCREW CAP:2-56 X 0.188,SCH SST,HEX *****END ATTACHING PARTS)*****	T1292	ORD BY DESCR
-148	131-1170-00			3						CONN,RCPT,ELEC:SNAP-ON,MALE	98291	51-045-0249
-149	380-0567-01			1						HOUSING,CONN:SECOND	54152	ORD BY DESCR
-150	348-0089-00			7						BUMPER,PLASTIC:BLACK VINYL	80009	348-0089-00
-151	441-1443-02			1						CHASSIS,SA:RADIO FREQUENCY DECK	80009	441-1443-02

<http://www.ebaman.com>



Replaceable Mechanical Parts—494/494P Service Vol.2

Fig & Index No	Tektronix Part No.	Serial/Model No.		Qty	Name & Description					Mfr Code	Mfr Part Number			
		Eff	Dscont		1	2	3	4	5					
7-	-----			1								PH LOCK 3RD LO:(SEE A36 REPL) *****ATTACHING PARTS)*****		
-1	210-0589-00			2						13257	22 NM-40	NUT,SELF LKG HE 4-40 X 0.250 INCH *****END ATTACHING PARTS)*****		
-2	337-2980-00			1								PH LOCK 3RD LO ASSY INCLUDES: SHIELD,ELEC.REF LOCK *****ATTACHING PARTS)*****		
-3	211-0097-00			2						83385	ORD BY DESCR	SCREW,MACHINE 4-40 X 0.312 INCH.PNH STL *****END ATTACHING PARTS)*****		
-4	-----			1								CKT BOARD ASSY:REFERENCE LOCK (SEE A36A1 REPL) *****ATTACHING PARTS)*****		
-5	129-1002-00			2								SPACER,POST 0.485L *****END ATTACHING PARTS)*****		
-6	-----			3								CKT BOARD ASSY INCLUDES: TERM,TEST POINT:BRS CD PL - (SEE A36A1TP1044,A36A1TP2026, - A36A1TP2046 REPL)		
-7	-----			9								TERMINAL,PIN:0.365 L X 0.025 PH BRZ GOLD - (SEE A36A1P1017,A36A1P1021, - A36A1P1026 REPL)		
-8	131-0951-01			3						98291	051-051-0329-220	CONN,RCPT,ELEC:SNAP-ON,MALE		
-9	-----			1								CKT BOARD ASSY:REFERENCE LOCK REGULATOR *****ATTACHING PARTS)*****		
-10	211-0005-00			1						83385	ORD BY DESCR	SCREW,MACHINE 4-40 X 0.125 INCH.PNH STL		
-11	210-0406-00			1						73743	12161-50	NUT,PLAIN,HEX 4-40 X 0.188,BRS.CD PL		
-12	210-1307-00			2						86928	A384-25N	WASHER,LOCK 0.115 ID,SPLIT,0.025 THK		
-13	361-0981-00			1						80009	361-0981-00	SPACER,SLEEVE 0.180 L X 0.126 ID *****END ATTACHING PARTS)*****		
-14	432-0142-00			1								BASE,REF LOCK		
-15	407-3032-00			1						80009	407-3032-00	BRACKET,ANGLE,REF LOCK,ALUMINUM		
-16	175-8741-00			1						T1364	ORD BY DESCR	CA ASSY,SP,ELEC:5.26 AWG,7 0 L,RIBBON		
-17	198-5213-00			1						T1364	ORD BY DESCR	WIRE SET,ELEC:		
-18	-----			1								OSCILLATOR,RF (SEE A37 REPL) *****ATTACHING PARTS)*****		
-19	211-0097-01			4						T1292	ORD BY DESCR	SCREW,MACHINE:4-40 X 0.312.PNH STL CD PL *****END ATTACHING PARTS)*****		
-20	-----			1								OSCILLATOR ASSY INCLUDES: CA ASSY,SP,ELEC:4.26 AWG,4 0 L,RIBBON (A37W1026 REPL)		
-21	407-3031-00			1								BRACKET,SCOPE: *****ATTACHING PARTS)*****		
-22	211-0008-01			2						26233	ORD BY DESCR	SCREW,MACHINE 4-40 X 0.25.PNH		
-23	211-0105-00			2						83385	ORD BY DESCR	SCREW,MACHINE:4-40 X 0.188,100 DEG.FLH ST *****END ATTACHING PARTS)*****		
-24	-----			1								CABLE ASSY,RF 50 OHM COAX,HARMONIC MIXER (SEE W250 REPL)		
-25	-----			1								CABLE ASSY,RF 50 OHM COAX,HARMONIC MIXER (SEE W240 REPL)		
-26	-----			1								HARMONIC MIXER:(SEE A25 REPL) *****ATTACHING PARTS)*****		
-27	211-0008-01			1						26233	ORD BY DESCR	SCREW,MACHINE:4-40 X 0.25.PNH *****END ATTACHING PARTS)*****		
-28	-----			3								HARMONIC MIXER INCLUDES CKT BOARD ASSY:HARMONIC MIXER INPUT (SEE A25A3 REPL) *****ATTACHING PARTS)*****		
-29	211-0162-00			6						000AH	ORD BY DESCR	SCREW,MACHINE 2-56 X 0.188 INCH,SCH,SST		
-30	210-1301-00			6						86928	A367243	WASHER,GND:0.285 OD X 0.17 ID X 0.0063 *****END ATTACHING PARTS)*****		
-31	131-1426-00			1						22526	65524-136	CKT BOARD ASSY INCLUDES TERM SET,PIN (36) 0.025 SQ RTANG,0.25L (SEE A25A3P255 REPL)		

Fig & Index No	Tektronix Part No	Serial/Model No.		Qty	Name & Description					Mfr Code	Mfr Part Number	
		Eff	Dscont		1	2	3	4	5			
7-32	-----			1								CA ASSY,SP,ELEC:5.26 AWG.3.0 L.RIBBON (SEE A25W252 REPL)
-33	-----			-								CABLE ASSY,RF:50 OHM COAX,10.29 INCH LONG (SEE W130 REPL)
-34	-----			1								HYBRID CKT ASSY:(SEE A24 REPL) ***** (ATTACHING PARTS) *****
-35	211-0008-01			2						26233		SCREW,MACHINE:4-40 X 0.25,PNH ***** (END ATTACHING PARTS) *****
-36	-----			1								CA ASSY,SP,ELEC:2.26 AWG.5.0 INCH LONG (SEE W1025 REPL)
-37	-----			1								CKT BOARD ASSY,PHASE GATE INPUT (SEE A24A1 REPL) ***** (ATTACHING PARTS) *****
-38	211-0278-00			2						T0855		SCREW,CAP:2-56 X 0.5 L,SKT HD,SST ***** (END ATTACHING PARTS) *****
-39	131-1425-00			1						22526		CTERM SET,PIN (36) 0.025 SQ RTANG,0.150L
-40	-----			1								CABLE ASSY,RF:50 OHM COAX,6.1 (SEE W124 REPL)
-41	-----			1								CABLE ASSY,RF:50 OHM COAX,6.1 (SEE W138 REPL)
-42	-----			1								CABLE ASSY,RF:50 OHM COAX W/O JKT,SEMI-RI (SEE W137 REPL)
-43	-----			1								SW,RF XMSN LINE (SEE S13 REPL) ***** (ATTACHING PARTS) *****
-44	210-0405-00			2						73743	12157-50	NUT,PLAIN,HEX 2-56 X 0.188,BRS,CD PL
-45	210-0259-00			1						80009	210-0259-00	TERMINAL,LUG:0.099 ID,LOCKING,BRS,CD PL
-46	210-0001-00			1						78189	1202-00-00-0541C	WASHER,LOCK:#2 INTL,0.013 X 0.18 OD,STL
-46	211-0128-00			2						77250		SCREW,MACHINE:2-56 X 1.375 INCH,PNH STL ***** (END ATTACHING PARTS) *****
-47	407-2390-00			1						80009		BRACKET,ELEC SW: ***** (ATTACHING PARTS) *****
-48	211-0008-01			2						26233		SCREW,MACHINE:4-40 X 0.25,PNH ***** (END ATTACHING PARTS) *****
-49	343-0549-00			1						06383		STRAP,DOWN:0.091 W X 4.0 L,ZYTEL
-50	175-3159-00			1						80009		CA ASSY,SP,ELEC:6.0 INCH LONG,RIBBON
-51	-----			1								BIAS RETURN:(SEE A11 REPL)
-52	-----			1								CABLE ASSY,RF:50 OHM COAX,3.63 INCH LONG (SEE W118 REPL)
-53	-----			1								CABLE ASSY,RF:50 OHM COAX,6.34 INCH LONG (SEE W114 REPL)
-54	-----			1								CABLE ASSY,RF:(SEE W100 REPL)
-55	-----			1								CABLE ASSY,RF:(SEE W102 REPL)
-56	-----			1								CABLE ASSY,RF:(SEE W104 REPL)
-57	-----			1								CABLE ASSY,RF:(SEE W112 REPL)
-58	-----			1								CABLE ASSY,RF:(SEE W116 REPL)
-59	-----			1								ATTENUATOR:(SEE AT11 REPL)
-60	-----			1								CABLE ASSY,RF:50 OHM COAX,2.59 INCH LONG (SEE W126 REPL)
-61	-----			1								FILTER,LOW PASS:(SEE FL10 REPL)
-62	-----			1								CABLE ASSY,RF:(SEE W106 REPL)
-63	-----			1								LIMITER ASSY:(SEE A10 REPL)
-64	343-0006-00			1						95987	1-2-6B	CLAMP,LOOP:0.50 INCH DIAMETER,PLSTC ***** (ATTACHING PARTS) *****
-65	210-0458-00			1						78189	511-081800-00	NUT,PL,ASSEM WA:8-32 X 0.344 STL,CD PL
-66	210-0863-00			1						95987	C191	WSHR,LOOP CLAMP:0.187 ID U/W 0.5 W CLP,STL ***** (END ATTACHING PARTS) *****
-67	407-2381-00			1						80009		BRACKET,ELEC SW:ALUMINUM ***** (ATTACHING PARTS) *****
-68	211-0008-00			2						83385		SCREW,MACHINE:4-40 X 0.250,PNH,STL,POZ
-69	210-0405-00			2						73743	12157-50	NUT,PLAIN,HEX:2-56 X 0.188,BRS,CD PL
-70	210-0001-00			2						78189	1202-00-00-0541C	WASHER,LOCK:#2 INTL,0.013 X 0.18 OD,STL
-71	210-0863-00			2						95987	C191	WSHR,LOOP CLAMP:0.187 ID U/W 0.5 W CLP,STL ***** (END ATTACHING PARTS) *****

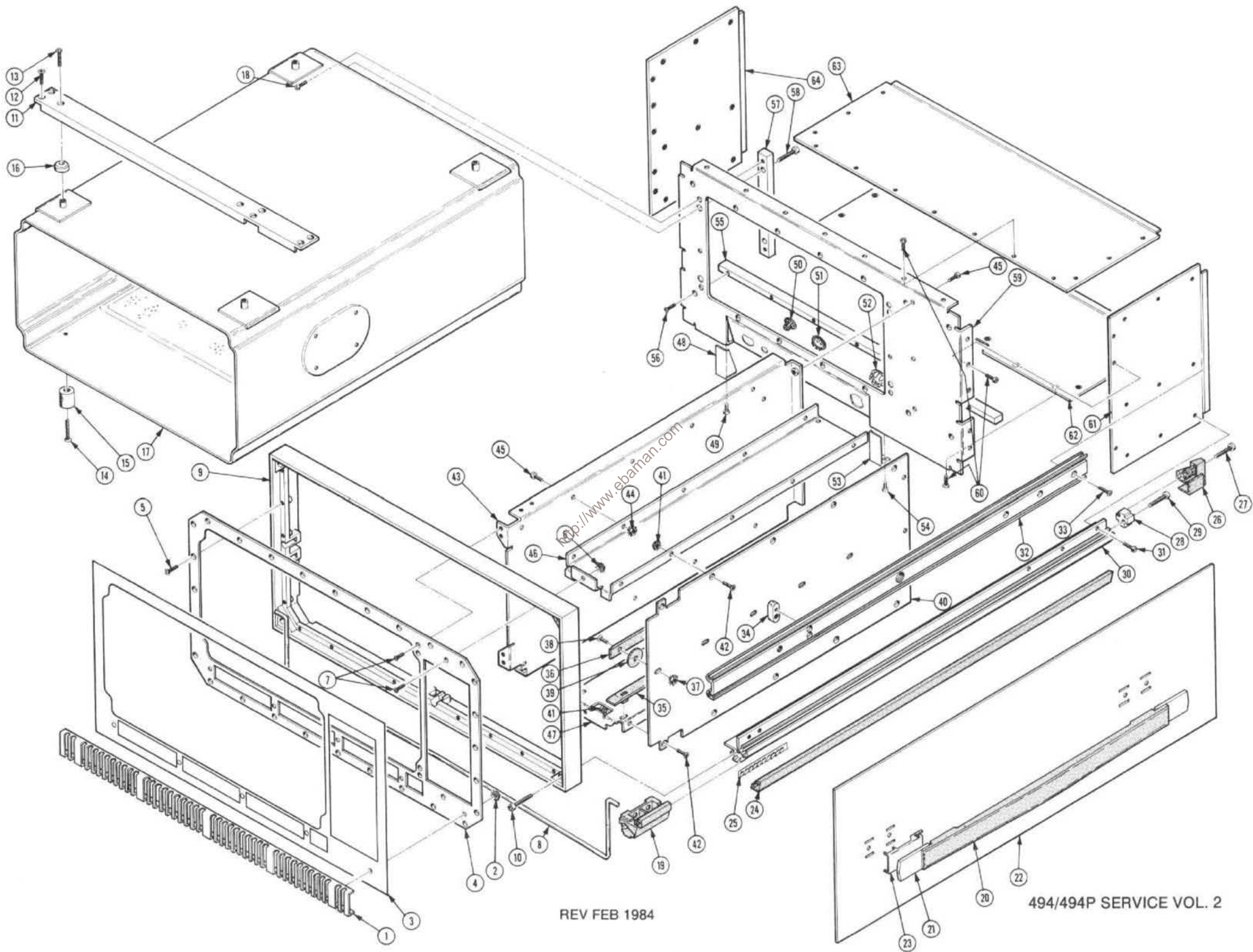
Replaceable Mechanical Parts—494/494P Service Vol.2

Fig & Index No	Tektronix Part No	Serial/Model No. Eff	Dscont	Qty	1	2	3	4	5	Name & Description	Mfr Code	Mfr Part Number
7-72	386-4242-00			1						PLATE,SW MTG.ALUMINUM ***** (ATTACHING PARTS) *****	80009	386-4242-00
-73	211-0008-01			2						SCREW,MACHINE:4-40 X 0.25,PNH ***** (END ATTACHING PARTS) *****	26233	ORD BY DESCR
-74	-----			2						SW,RF XMSN LINE.(SEE S11,S12 REPL)		
-75	198-3048-00			1						WIRE SET,ELEC	80009	198-3048-00
	352-0169-00			1						HLDR,TERM CONN:2 WIRE,BLACK	80009	352-0169-00
-76	-----			1						YIG TUNED FLTR.(SEE FL12 REPL) ***** (ATTACHING PARTS) *****		
-77	211-0008-00			2						SCREW,MACHINE:4-40 X 0.250,PNH,STL,POZ ***** (END ATTACHING PARTS) *****	83385	ORD BY DESCR
	-----			-						YIG TUNED FLTR INCLUDES:		
-78	175-2373-00			1						CA ASSY,SP,ELEC:3.0 INCH LONG,RIBBON	80009	175-2373-00
-79	407-2151-00			1						BRACKET,ANGLE:MIXER/FILTER.ALUMINUM ***** (ATTACHING PARTS) *****	80009	407-2151-00
-80	211-0008-00			2						SCREW,MACHINE:4-40 X 0.250,PNH,STL,POZ ***** (END ATTACHING PARTS) *****	83385	ORD BY DESCR
-81	-----			1						CABLE ASSY,RF:50 OHM COAX,8.9 L,SEMIRIGID (SEE W220 REPL)		
	-----			-						PH LOCK 2ND LO:(SEE A22 REPL) ***** (ATTACHING PARTS) *****		
-82	211-0012-01			4						SCREW,MACHINE:4-40 X 0.375,PNH,STL CD PL	T1292	ORD BY DESCR
-83	211-0628-00			1						SCREW,MACHINE:6-32 X 1.125 INCH,PNH,STL ***** (END ATTACHING PARTS) *****	83385	ORD BY DESCR
	-----			-						PHASE LOCK 2ND LO ASSY INCLUDES:		
-84	200-2611-00			1						COVER,2ND LO:PHASE LOCKED CONTROL ***** (ATTACHING PARTS) *****	80009	200-2611-00
-85	211-0005-00			14						SCREW,MACHINE:4-40 X 0.125 INCH,PNH STL ***** (END ATTACHING PARTS) *****	83385	ORD BY DESCR
-86	-----			1						CKT BOARD ASSY:16-20MHZ PHASELOCK (SEE A22A1 REPL) ***** (ATTACHING PARTS) *****		
-87	211-0196-00			8						SCREW,MACHINE:4-40 X 0.188,SCH,HEX,STL	000AH	ORD BY DESCR
-88	210-1002-00			8						WASHER,FLAT:0.125 ID X 0.25 INCH OD,BRS ***** (END ATTACHING PARTS) *****	12327	ORD BY DESCR
	-----			-						CKT BOARD ASSY INCLUDES:		
-89	-----			12						TRM,TEST POINT:BRS CD PL (SEE A22A1TP1019,A22A1TP1083, A22A1TP2035,A22A1TP2037 REPL)		
-90	-----			1						TRANSFORMER,RF:(SEE A22A1T2092 REPL) ***** (ATTACHING PARTS) *****		
-91	210-0586-00			1						NUT,PL,ASSEM WA:4-40 X 0.25,STL,CD PL	78189	211-041800-00
-92	210-0894-00			1						WASHER,FLAT:0.19 ID X 0.031 THK	09422	ORD BY DESCR
-93	210-1171-00			1						WSHR,SHOULDERED:0.116 ID X 0.138 INCH OD	52905	A7148516P2
-94	211-0036-00			1						SCREW,MACHINE:4-40 X 0.500,BDGH,NYL,SLOT ***** (END ATTACHING PARTS) *****	26365	921-4120-0014
-95	131-0372-00			1						CONNECTOR,RCPT.:COAXIAL	98291	51-043-4300
-96	210-0261-00			1						TERMINAL,LUG:0.14 ID,PLAIN,BRASS ***** (ATTACHING PARTS) *****	80009	210-0261-00
-97	211-0005-00			1						SCREW,MACHINE:4-40 X 0.125 INCH,PNH STL ***** (END ATTACHING PARTS) *****	83385	ORD BY DESCR
-98	-----			1						CA ASSY,SP,ELEC:8 26 AWG,7.5 L,RIBBON (SEE A22W1048 REPL)		
99	343-0002-00			1						CLAMP,LOOP:0.188 INCH DIA ***** (ATTACHING PARTS) *****	95987	3-16-6B
-100	211-0097-01			1						SCREW,MACHINE:4-40 X 0.312,PNH STL CD PL	T1292	ORD BY DESCR
-101	210-1002-00			1						WASHER,FLAT:0.125 ID X 0.25 INCH OD,BRS	12327	ORD BY DESCR
-102	210-0863-00			1						WSHR,LOOP CLAMP:0.187 ID U/W 0.5 W CLP,ST ***** (END ATTACHING PARTS) *****	95987	C191
-103	129-0889-00			8						SPACER,POST:0.4 L W/4-40 INT & EXT THD	80009	129-0889-00
-104	380-0664-00			1						HOUSING 2ND LO:PHASE LOCKED CONTROL	80009	380-0664-00
	-----			1						PH LOCK LO CONT:(SEE A22A2 REPL)		

Fig. & Index No	Tektronix Part No.	Serial/Model No.		Qty	1	2	3	4	5	Name & Description	Mfr Code	Mfr Part Number
		Eff	Dscont									
7-105	200-2610-00			1						..COVER,2ND LO:PHASELOCKED,AL .....(ATTACHING PARTS).....	80009	200-2610-00
-106	211-0256-00			26						..SCREW,CAP:2-56 X 0.25,HEX,SCH,SST .....(END ATTACHING PARTS).....	000CY	ORD BY DESCR
-107	-----			2						..CONN,RCPT,ELEC:SMA FEMALE,FLANGE MOUNT ..(SEE A22A2P220,A22A2P222 REPL) .....(ATTACHING PARTS).....		
-108	211-0261-01			4						..SCREW,CAP:2-56 X 0.125,HEX,SCH,SST .....(END ATTACHING PARTS).....	T1292	ORD BY DESCR
-109	-----			1						..CONN,RCPT,ELEC:SNAP-ON,MALE ..(SEE A22A2P221 REPL)		
-110	-----			1						..CKT BOARD ASSY:2182MHZ MICRO STRIP OSC ..(SEE A22A2A1 REPL) .....(ATTACHING PARTS).....		
-111	211-0162-01			6						..SCREW CAP:2-56 X 0.188,SCH,SST,HEX	T1292	ORD BY DESCR
-112	210-1008-00			6						..WASHER,FLAT:0.09 ID X 0.188 OD,BRS .....(END ATTACHING PARTS).....	12360	ORD BY DESCR
-113	-----			1						..CKT BOARD ASSY:2200MHZ REFERENCE MIXER ..(SEE A22A2A3 REPL) .....(ATTACHING PARTS).....		
-114	211-0162-01			4						..SCREW CAP:2-56 X 0.188,SCH,SST,HEX	T1292	ORD BY DESCR
-115	210-1008-00			4						..WASHER,FLAT:0.09 ID X 0.188 OD,BRS .....(END ATTACHING PARTS).....	12360	ORD BY DESCR
-116	-----			1						..CKT BOARD ASSY:2200MHZ REFERENCE ..(SEE A22A2A2 REPL) .....(ATTACHING PARTS).....		
-117	211-0162-01			4						..SCREW CAP:2-56 X 0.188,SCH,SST,HEX	T1292	ORD BY DESCR
-118	210-1008-00			4						..WASHER,FLAT:0.09 ID X 0.188 OD,BRS .....(END ATTACHING PARTS).....	12360	ORD BY DESCR
-119	380-0665-00			1						..HOUSING,2ND LO:PHASE LOCKED	80009	380-0665-00
-120	348-0750-01			2						..GASKET,PHASE LOCKED 2ND LO	80009	348-0750-01

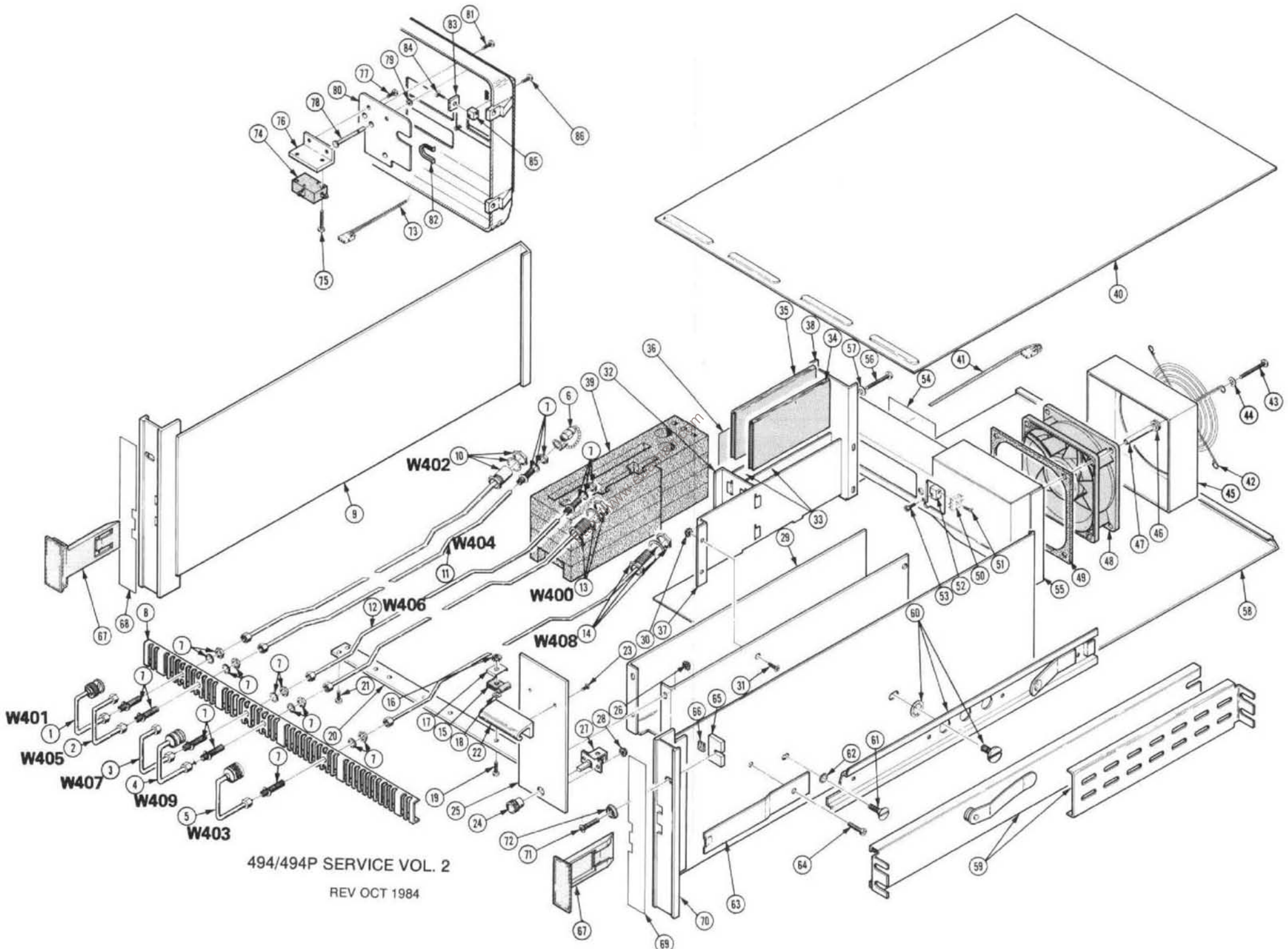
<http://www.ebans.com>





REV FEB 1984

494/494P SERVICE VOL. 2



494/494P SERVICE VOL. 2

REV OCT 1984

Fig. & Index No	Tektronix Part No.	Serial/Model No.		Qty						Name & Description	Mfr Code	Mfr Part Number
		Eff	Dscont		1	2	3	4	5			
OPTION 20												
8-1	119-0099-01			1						MIXER,XTAL.WG:26.5-40.0 GHZ	80009	119-0099-01
-2	119-0098-01			1						MIXER,XTAL.WG:18.0-26.5 GHZ	80009	119-0098-01
-3	119-0097-01			1						MIXER,XTAL.WG:12.4-18.0 GHZ	80009	119-0097-01
-4	012-0748-00			1						CABLE,INTCON:28.5 L	19505	80-9901-202
	062-3552-00			1						DATA SHEET:	80009	062-3552-00
OPTION 21												
	WM490-2			1						WG MIXER SET:HI PERFORMANCE,18-40GHZ	80009	WM490-2
-5	WM490K			1						WAVEGUIDE MIXER:18 TO 26.5GHZ	80009	WM490K
	-----			-						(SEE 070-3731-XX MANUAL FOR PARTS BKDN)		
-6	WM490A			1						WAVEGUIDE MIXER:26.5 TO 40GHZ	80009	WM490A
	-----			-						(SEE 070-3731-XX MANUAL FOR PARTS BKDN)		
-7	012-0649-00			1						CABLE ASSY,RF:50 OHM COAX,28.5 INCH LONG	80009	012-0649-00
	016-0465-01			1						CASE,ACCESSORY:HIGH PERFORMANCE	80009	016-0465-01
	070-3731-01			1						MANUAL,INST:HIGH PREF W.G. MXRS	80009	070-3731-01
OPTION 22												
	WM490-3			1						WG MIXER SET:HI PERFORMANCE,18-60GHZ	80009	WM490-3
	WM490K			1						WAVEGUIDE MIXER:18 TO 26.5GHZ	80009	WM490K
	-----			-						(SEE 070-3731-XX MANUAL FOR PARTS BKDN)		
	WM490A			1						WAVEGUIDE MIXER:26.5 TO 40GHZ	80009	WM490A
	-----			-						(SEE 070-3731-XX MANUAL FOR PARTS BKDN)		
-8	WM490U			1						WAVEGUIDE MIXER:40 TO 60GHZ	80009	WM490U
	012-0649-00			1						CABLE ASSY,RF:50 OHM COAX,28.5 INCH LONG	80009	012-0649-00
	016-0465-01			1						CASE,ACCESSORY:HIGH PERFORMANCE	80009	016-0465-01
	070-3731-01			1						MANUAL,INST:HIGH PREF W.G. MXRS	80009	070-3731-01

http://www.seamless.com

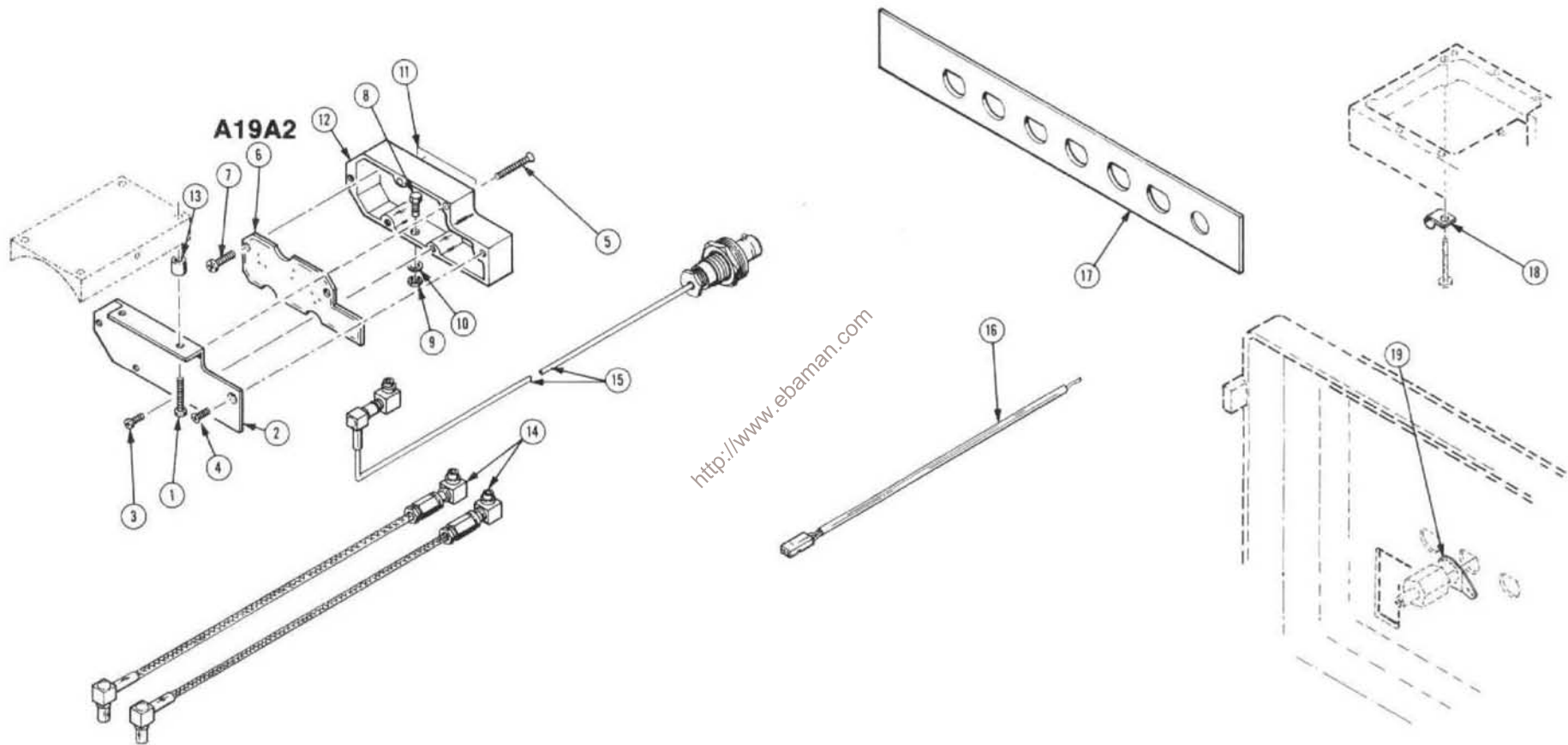


Replaceable Mechanical Parts—494/494P Service Vol.2

Fig. & Index No.	Tektronix Part No.	Serial/Model No.		Qty	Name & Description					Mfr Code	Mfr Part Number
		Eff	Dscont		1	2	3	4	5		
9-1	378-0188-00 -----			1						80009	378-0188-00
				-	GRILLE,METAL:16.56 X 1.032,AL (OPTIONS 30 & 32 ONLY) *****[ATTACHING PARTS]*****						
-2	210-0586-00			5						78189	211-041800-00
				-	NUT,PL,ASSEM WA:4-40 X 0.25,STL,CD PL *****[END ATTACHING PARTS]*****						
-3	333-2711-00			1						80009	333-2711-00
-4	386-4542-00			1						80009	386-4542-00
				-	SUBPANEL,FRONT: *****[ATTACHING PARTS]*****						
-5	213-0229-00			28						93907	ORD BY DESCR
-6	210-0586-00			1						78189	211-041800-00
-7	211-0038-00			6						83385	ORD BY DESCR
				-	SCR,TPG,THD FOR:6-20 X0.375"100 DEG,FLH ST *****[END ATTACHING PARTS]*****						
-8	348-0748-00 -----			1						80009	348-0748-00
				-	FLIPSTAND,CAB :FULL RACK,SST (OPTION 32 ONLY)						
-9	426-1792-00 -----			1						80009	426-1792-00
				-	FRAME,CABINET:FRONT (OPTION 32 ONLY) *****[ATTACHING PARTS]*****						
-10	213-0760-00			8						93907	ORD BY DESCR
				-	SCREW,TPG,TF:8-32 X 0.875,SPCL TAPTITE *****[END ATTACHING PARTS]*****						
-11	381-0427-00			2						80009	381-0427-00
				-	BAR,SUPPORT:CAN,ALUMINUM *****[ATTACHING PARTS]*****						
-12	211-0559-00			12						83385	ORD BY DESCR
-13	211-0512-00			2						83385	ORD BY DESCR
-14	211-0630-00			2						83385	ORD BY DESCR
				-	SCREW,MACHINE:6-32 X 0.375"100 DEG,FLH ST *****[END ATTACHING PARTS]*****						
-15	361-1134-00			2						80009	361-1134-00
-16	361-1135-00			2						80009	361-1135-00
-17	437-0232-03			1							
				-	SPACER,SLEEVE:0.872 L X 0.125 ID,AL CABINET,SA: *****[ATTACHING PARTS]*****						
-18	211-0507-02			4						26233	ORD BY DESCR
				-	SCREW,MACHINE:6-32 X 0.312 L,PNH *****[END ATTACHING PARTS]*****						
-19	348-0617-00 -----			4						80009	348-0617-00
				-	FOOT,CABINET,BOT,TEK BLUE,POLYCARBONATE (OPTION 32 ONLY)						
-20	367-0248-01 -----			2						80009	367-0248-01
				-	HANDLE,CARRYING:16.341 L,W/CLIP (OPTION 32 ONLY)						
-21	200-2191-00 -----			4						80009	200-2191-00
				-	CAP,RETAINER:PLASTIC (OPTION 32 ONLY)						
-22	390-0844-01 -----			2						80009	390-0844-01
				-	CABINET,SIDE:RIGHT (OPTION 32 ONLY)						
-23	343-0752-00 -----			4						80009	343-0752-00
				-	RETAINER,HANDLE:STAINLESS STEEL (OPTION 32 ONLY)						
-24	124-0366-00 -----			2						80009	124-0366-00
				-	STRIP,TRIM:CORNER,BOT,BLUE,18.085 L (OPTION 32 ONLY)						
	124-0367-00 -----			2						80009	124-0367-00
				-	STRIP,TRIM:CORNER,TOP,BLUE,21.585 L (OPTION 32 ONLY)						
-25	348-0633-00			4						52961	ORD BY DESCR
	348-0632-00			4						52961	ORD BY DESCR
-26	348-0544-00			4						80009	348-0544-00
				-	FOOT,CABINET:REAR,TEK BLUE,POLYCARBONATE *****[ATTACHING PARTS]*****						
-27	213-0782-00			4						93907	ORD BY DESCR
				-	SCREW,TPG,TF:8-32 X 0.625 FILH,STEEL CD *****[END ATTACHING PARTS]*****						
-28	361-1066-00			4						80009	361-1066-00
				-	SPACER,PLATE:0.115 THK,AL *****[ATTACHING PARTS]*****						
-29	213-0760-00			4						93907	ORD BY DESCR
				-	SCREW,TPG,TF:8-32 X 0.875,SPCL TAPTITE *****[END ATTACHING PARTS]*****						
-30	426-1793-00			4						80009	426-1793-00
				-	FRAME SECT,CAB : *****[ATTACHING PARTS]*****						
-31	211-0007-00			24						83385	ORD BY DESCR
				-	SCREW,MACHINE:4-40 X 0.188,PNH STL,CD PL *****[END ATTACHING PARTS]*****						
-32	386-4572-00			2						80009	386-4572-00
				-	SPRT,CHAS TRACK:20.406 L,ALUMINUM *****[ATTACHING PARTS]*****						
-33	211-0559-00			6						83385	ORD BY DESCR
				-	SCREW,MACHINE:6-32 X 0.375"100 DEG,FLH ST *****[END ATTACHING PARTS]*****						



Fig. & Index No	Tektronix Part No	Serial/Model No.		Qty	1	2	3	4	5	Name & Description	Mfr Code	Mfr Part Number
		Eff	Dscont									
9-34	220-0906-00			2						NUT BLOCK:0.772 X 0.375 X 0.25,AL	80009	220-0906-00
-35	351-0052-00			2						SLIDE,GUIDE:12.092 X 0.375,NYLON	80009	351-0052-00
-36	351-0683-00			2						GUIDE,SLIDE: ***** (ATTACHING PARTS)*****	80009	351-0683-00
-37	210-0586-00			10						NUT,PL,ASSEM WA:4-40 X 0.25,STL,CD PL	78189	211-041800-00
-38	211-0038-00			10						SCREW,MACHINE:4-40 X 0.312,FLH,100 DEG ***** (END ATTACHING PARTS)*****	83385	ORD BY DESCR
-39	210-1017-00			10						WASHER,NONMETAL:0.281 ID X 0.875 INCH ID	80009	210-1017-00
-40	386-4532-00			1						PLATE,SIDE:DRAWER,AL ***** (ATTACHING PARTS)*****	80009	386-4532-00
-41	210-0586-00			10						NUT,PL,ASSEM WA:4-40 X 0.25,STL,CD PL	78189	211-041800-00
-42	211-0038-00			10						SCREW,MACHINE:4-40 X 0.312,FLH,100 DEG ***** (END ATTACHING PARTS)*****	83385	ORD BY DESCR
-43	386-4541-00			1						PLATE,DRAWER:RH VERT,AL ***** (ATTACHING PARTS)*****	80009	386-4541-00
-44	210-0586-00			10						NUT,PL,ASSEM WA:4-40 X 0.25,STL,CD PL	78189	211-041800-00
-45	211-0097-01			13						SCREW,MACHINE:4-40 X 0.312,PNH STL CD PL ***** (END ATTACHING PARTS)*****	T1292	ORD BY DESCR
-46	386-4533-00			1						PLATE,DRAWER:ACCESSORY, TOP,AL	80009	386-4533-00
-47	386-4531-00			1						PLATE,DRAWER:ACCESSORY, BOTTOM,AL	80009	386-4531-00
-48	200-2713-00			1						COVER,HOLE:RIGHT ***** (ATTACHING PARTS)*****	80009	200-2713-00
-49	211-0008-01			1						SCREW,MACHINE:4-40 X 0.25,PNH ***** (END ATTACHING PARTS)*****	26233	ORD BY DESCR
-50	134-0166-00			2						PLUG,BUTTON:0.25 HOLE,STL (OPTIONS 30 & 32 ONLY)	61864	ORD BY DESCR
-51	134-0156-00			2						BUTTON,PLUG:0.5 HOLE (OPTIONS 30 & 32 ONLY)	77132	SS48152-K1110
-52	134-0138-00			1						BUTTON,PLUG:SNAP-IN (OPTION 30 ONLY)	77132	SS48172
-53	200-2712-00			1						COVER,HOLE:LEFT ***** (ATTACHING PARTS)*****	80009	200-2712-00
-54	211-0008-01			1						SCREW,MACHINE:4-40 X 0.25,PNH ***** (END ATTACHING PARTS)*****	26233	ORD BY DESCR
-55	386-4660-00			2						SUPPORT,PLATE:ALUMINUM ***** (ATTACHING PARTS)*****	80009	386-4660-00
-56	211-0025-00			14						SCREW,MACHINE:4-40 X 0.375 100 DEG,FLH ST ***** (END ATTACHING PARTS)*****	83385	ORD BY DESCR
-57	386-4661-00			2						PLATE,SUPPORT:FRAME,AL	80009	386-4661-00
-58	212-0655-00			4						SCREW,CAP:10-24 X 0.625,HEX SOCH,STL	000CY	ORD BY DESCR
-59	333-2712-00			1						PANEL,REAR: ***** (ATTACHING PARTS)*****	80009	333-2712-00
-60	211-0007-01			25						SCREW,MACHINE:4-40 X 0.188,PNH ***** (END ATTACHING PARTS)*****	26233	ORD BY DESCR
-61	390-0804-00			1						CABINET SIDE:INSIDE,RIGHT REAR	80009	390-0804-00
-62	390-0845-00			1						CABINET BOTTOM:INSIDE	80009	390-0845-00
-63	390-0806-00			1						CABINET TOP/BOT:REAR	80009	390-0806-00
-64	390-0805-00			1						CABINET SIDE:INSIDE,LEFT REAR	80009	390-0805-00



494/494P SERVICE VOL. 2

REV OCT 1984

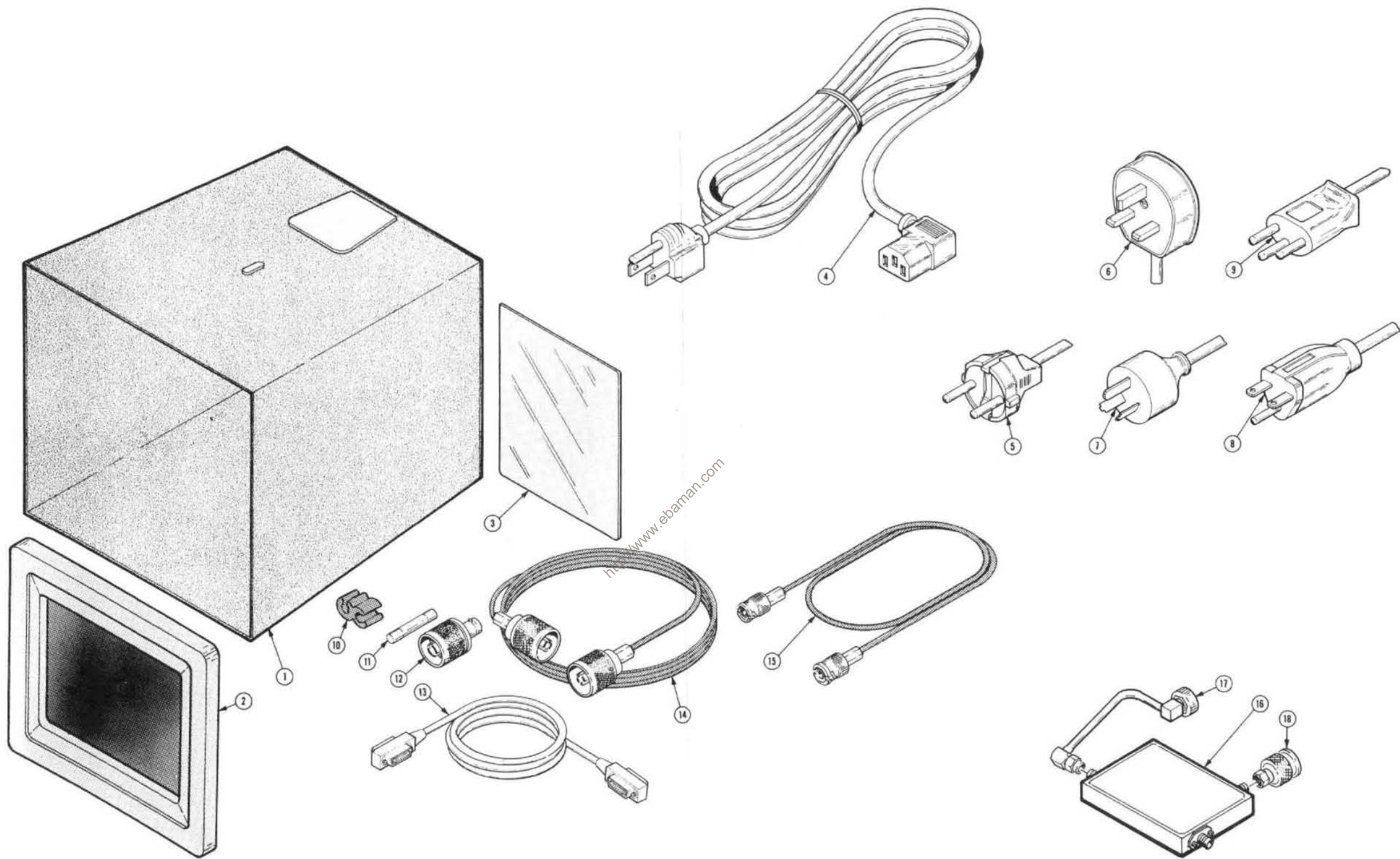




Fig & Index No.	Tektronix Part No.	Serial/Model No.		Qty	1	2	3	4	5	Name & Description	Mfr Code	Mfr Part Number
		Eff	Dscont									
10-1	-----			1						CABLE ASSY RF:(SEE W401 REPL) (OPTION 31 ONLY)		
-2	-----			1						CABLE ASSY RF:(SEE W405 REPL) (OPTION 31 ONLY)		
-3	-----			1						CABLE ASSY RF:(SEE W407 REPL) (OPTION 31 ONLY)		
-4	-----			1						CABLE ASSY RF:(SEE W409 REPL) (OPTION 31 ONLY)		
-5	-----			1						CABLE ASSY RF:(SEE W403 REPL) (OPTION 31 ONLY)		
-6	-----			2						TERMN.COAXIAL:(SEE P110,P112 REPL)		
-7	131-2343-00			7						CONN,RCPT,ELEC:SMA,DOUBLE FEMALE (OPTION 31 ONLY)	16179	2084-3202-02
-8	378-0889-00			1						GRILLE,METAL:16.0 X 1.032,AL (OPTION 31 ONLY)	80009	378-0889-00
-9	390-0814-00			1						CABINET SIDE:LEFT (OPTION 30 & 31 ONLY)	80009	390-0814-00
-10	-----			1						CABLE ASSY RF:(SEE W402 REPL) (OPTION 31 ONLY)		
-11	-----			1						CABLE ASSY RF:(SEE W404 REPL) (OPTION 31 ONLY)		
-12	-----			1						CABLE ASSY RF:(SEE W406 REPL) (OPTION 31 ONLY)		
-13	-----			1						CABLE ASSY RF:(SEE W400 REPL) (OPTION 31 ONLY)		
-14	-----			1						CABLE ASSY RF:(SEE W408 REPL) (OPTION 31 ONLY)		
-15	343-0001-00			5						CLAMP,LOOP:0.15 INCH DIA,PLASTIC (OPTION 31 ONLY) ***** (ATTACHING PARTS)*****	95987	1-8-6B
-16	210-0586-00			5						NUT,PL,ASSEM WA:4-40 X 0.25,STL,CD PL (OPTION 31 ONLY)	78189	211-041800-00
-17	210-0863-00			5						WSHR,LOOR CLAMP:0.187 ID U/W 0.5 W CLP,STL (OPTION 31 ONLY)	95987	C191
-18	210-1092-00			5						WASHER,FLAT:0.147 ID X 0.312" OD,BRS (OPTION 31 ONLY)	12327	ORD BY DESCR
-19	211-0014-00			5						SCREW,MACHINE:4-40 X 0.50 INCH,PNH STL (OPTION 31 ONLY) ***** (END ATTACHING PARTS)*****	83385	ORD BY DESCR
-20	436-0160-00 386-4747-00			1 1						DRAWER,ACCESS SUPPORT,CABLE:12.607 X 0.75,AL (OPTION 31 ONLY) ***** (ATTACHING PARTS)*****	80009 80009	436-0160-00 386-4747-00
21	211-0097-01			4						SCREW,MACHINE:4-40 X 0.312,PNH STL CD PL ***** (END ATTACHING PARTS)*****	T1292	ORD BY DESCR
-22	367-0304-00			1						HDL,ACCESS,DWR:ALUMINUM ***** (ATTACHING PARTS)*****	80009	3670304-00
-23	211-0101-01			2						SCREW MACHINE:4-40 X 0.25,FLH,100 DEG,STL ***** (END ATTACHING PARTS)*****	T1292	ORD BY DESCR
-24	366-0488-00			1						KNOB:AL,0.251 ID X 0.5 OD X 0.62	80009	366-0488-00
-25	213-0005-00 386-4545-00			1 1						SETSCREW:8-32 X 1.25 INCH,HEX SOC ST SUBPANEL,FRONT: ***** (ATTACHING PARTS)*****	74445 80009	ORD BY DESCR 386-4545-00
-26	210-0586-00			4						NUT,PL,ASSEM WA:4-40 X 0.25,STL,CD PL ***** (END ATTACHING PARTS)*****	78189	211-041800-00
-27	214-3305-00			1						FASTENER,PAWL:RIGHT ADJUSTABLE ***** (ATTACHING PARTS)*****	94222	43-99-124-41
-28	210-0586-00			2						NUT,PL,ASSEM WA:4-40 X 0.25,STL,CD PL ***** (END ATTACHING PARTS)*****	78189	211-041800-00
-29	380-1602-00			1						HOUSING,DRAWER,ACCESSORY,AL ***** (ATTACHING PARTS)*****	80009	380-1602-00
-30	210-0586-00			8						NUT,PL,ASSEM WA:4-40 X 0.25,STL,CD PL	78189	211-041800-00
-31	211-0101-01			8						SCREW MACHINE:4-40 X 0.25,FLH,100 DEG,STL ***** (END ATTACHING PARTS)*****	T1292	ORD BY DESCR



Replaceable Mechanical Parts—494/494P Service Vol.2

Fig & Index No.	Tektronix Part No.	Serial/Model No Eff	Dscont	Qty	1	2	3	4	5	Name & Description	Mfr Code	Mfr Part Number
10-32	386-4604-00			1						DIVIDER,ACCESS:2.296 X 3.175,AL	80009	386-4604-00
-33	386-4605-00			2						DIVIDER,ACCESS:5.392 X 3.625,AL	80009	386-4605-00
-34	348-0709-00			1						PAD,CUSHIONING:5.281 X 3.125,VOLARA	80009	348-0709-00
-35	348-0708-00			1						PAD,CUSHIONING:5.28 X 6.25,VOLARA	80009	348-0708-00
-36	342-0556-00			1						INSULATOR,PLATE:FILTER,POLYESTER	80009	342-0556-00
-37	386-4606-00			1						DIVIDER,ACCESS:8.668 X 3.17,AL	80009	386-4606-00
-38	333-2717-00			1						PANEL REAR:ACCESS,DRAWER,AL	80009	333-2717-00
-39	377-0520-00			1						INSERT,DRAWER:ACCESS,POLYURETHANE	80009	377-0520-00
-40	390-0752-00			1						CABINET, TOP:TEK BLUE	80009	390-0752-00
-41	175-4465-00			1						CA ASSY, SP,ELEC:2.22 AWG,5.0 L,RIBBON	80009	175-4465-00
	352-0161-00			1						HLDR,TERM CONN:3 WIRE,BLACK,0.1 SPACING	80009	352-0161-00
-42	200-2222-00			1						GUARD,FAN: *****ATTACHING PARTS*****	81041	6-182-033
-43	211-0623-00			4						SCREW,MACHINE:6-32 X 2.25 INCHES,PNH,STL	83385	ORD BY DESCR
-44	210-0858-00			4						WASHER,FLAT:0.500 OD X 0.171 ID X 0.063 *****END ATTACHING PARTS*****	80009	210-0858-00
-45	337-2823-00			1						SHIELD,FAN:ALUMINUM	80009	337-2823-00
-46	348-0003-00			4						GROMMET,RUBBER:0.312 INCH DIAMETER	70485	1411B6040
-47	361-1161-00			4						SPACER,SLEEVE:1.75 L X 0.144 ID,AL	80009	361-1161-00
-48	-----			1						FAN,VENTILATING(SEE A30B200 REPL)		
-49	348-0728-00			1						GASKET:FAN HOUSING	80009	348-0728-00
-50	131-1547-00			1						CONN,RCPT,ELEC:MALE,0.04 DIA CONT *****ATTACHING PARTS*****	81312	JFZP
-51	211-0030-00			1						SCREW,MACHINE:2-56 X 0.25,FLH,82DEG,STL *****END ATTACHING PARTS*****	83385	ORD BY DESCR
-52	220-0918-00			1						NUT BLOCK:0.306 X 0.25 SQ (OPTIONS 30 & 31 ONLY) *****ATTACHING PARTS*****	80009	220-0918-00
-53	211-0001-00			1						SCREW,MACHINE:2-56 X 0.25 INCH,PNH STL *****END ATTACHING PARTS*****	87308	ORD BY DESCR
-54	334-4447-00			1						MARKER,IDENT:MKD CAUTION	80009	334-4447-00
-55	378-0172-00			1						DUCT,AIR:W/TAP HOUSING,AL *****ATTACHING PARTS*****	80009	378-0172-00
-56	211-0552-00			2						SCREW,MACHINE:6-32 X 2 INCH,PNH STL	83385	ORD BY DESCR
-57	210-0858-00			2						WASHER,FLAT:0.500 OD X 0.171 ID X 0.063 *****END ATTACHING PARTS*****	80009	210-0858-00
-58	390-0749-00			1						CABINET BOTTOM:TEK BLUE	80009	390-0749-00
-59	351-0623-00			PR						SLIDE,DWR,EXT:22.0 L X 1.54,STEEL (OPTION 30 & 31 ONLY)	80009	351-0623-00
-60	351-0104-00			PR						SLIDE SECT,DWR:12.625 X 2.25 (OPTION 30 & 31 ONLY) *****ATTACHING PARTS*****	06666	C-1353
-61	212-0591-00			2						SCREW,MACHINE:10-32 X 0.750,OVH STL,NI PL (OPTION 30 & 31 ONLY)	83385	ORD BY DESCR
-62	210-0020-00			2						WASHER,LOCK:#12 INTL,0.025 THK,STL CD (OPTION 30 & 31 ONLY)	80009	210-0020-00
	210-0445-00			2						NUT,PLAIN,HEX.:10-32 X 0.375 INCH,STL *****END ATTACHING PARTS*****	83385	ORD BY DESCR
-63	105-0787-00			2						LATCH,RETAINING:RACKMOUNT,SST (OPTION 30 & 31 ONLY) *****ATTACHING PARTS*****	80009	105-0787-00
-64	212-0023-00			2						SCREW,MACHINE:8-32 X 0.375,PNH,STL,CD PL (OPTION 30 & 31 ONLY) *****END ATTACHING PARTS*****	83385	ORD BY DESCR
-65	361-1007-00			2						SPACER,HANDLE:0.156 THK,1.25 W,0.65 (OPTION 30 & 31 ONLY)	80009	361-1007-00
-66	348-0631-00			2						PAD,CUSHIONING:0.375 X 0.5 X 0.062 (OPTION 30 & 31 ONLY)	85471	OBD
-67	105-0786-01			2						RELEASE,LATCH:W/COVER,PLASTIC (OPTION 30 & 31 ONLY)	80009	105-0786-01
-68	124-0387-00			1						STRIP,TRIM:RACKMOUNT HANDLE,LEFT,VINYL (OPTION 30 & 31 ONLY)	80009	124-0387-00
-69	124-0392-00			1						STRIP,TRIM:RACKMOUNT HANDLE,RIGHT VINYL (OPTIO 30 & 31 ONLY)	80009	124-0392-00

Fig. & Index No.	Tektronix Part No.	Serial/Model No.		Qty	1	2	3	4	5	Name & Description	Mfr Code	Mfr Part Number
		Eff	Dscont									
10-70	390-0813-00			1						CABINET SIDE:RIGHT (OPTION 30 & 31 ONLY)	80009	390-0813-00
-71	212-0591-00			2						SCREW,MACHINE:10-32 X 0.750,OVH STL,NI PL (OPTION 30 & 31 ONLY)	83385	ORD BY DESCR
-72	210-1298-00			2						WSHR,SHLDR&RECD:0.195 ID X 0.195 THK (OPTION 30 & 31 ONLY)	80009	210-1298-00
-73	175-4465-00			1						CA ASSY,SP,ELEC:2.22 AWG,5.0 L,RIBBON	80009	175-4465-00
-74	352-0161-00			1						HLDR,TERM CONN:3 WIRE,BLACK,0.1 SPACING SWITCH.SLIDE:(SEE A30S301 REPL) *****ATTACHING PARTS*****	80009	352-0161-00
-75	211-0016-00			2						SCREW,MACHINE:4-40 X 0.625 INCH,PNH STL *****END ATTACHING PARTS*****	83385	ORD BY DESCR
-76	407-2711-00			1						BRACKET ANGLE:SWITCH MOUNTING,AL *****ATTACHING PARTS*****	80009	407-2711-00
-77	211-0008-00			2						SCREW,MACHINE:4-40 X 0.250,PNH,STL,POZ *****END ATTACHING PARTS*****	83385	ORD BY DESCR
-78	214-3203-00			1						ACTUATOR,SWITCH: *****ATTACHING PARTS*****	80009	214-3203-00
-79	354-0163-00			1						RING,RETAINING:TRUARC,CAD PLATE *****END ATTACHING PARTS*****	79136	5133-12MD
-80	378-0180-00			1						BAFFLE,AIR: *****ATTACHING PARTS*****	80009	378-0180-00
-81	211-0008-01			2						SCREW,MACHINE:4-40 X 0.25,PNH *****END ATTACHING PARTS*****	26233	ORD BY DESCR
-82	348-0171-00			1						GROMMET,PLASTIC:U-SHAPED	80009	348-0171-00
-83	131-1548-00			1						CONN,RCPT,ELEC:FEMALE,0.04 DIA CONT *****ATTACHING PARTS*****	81312	JF2S
-84	211-0030-00			1						SCREW,MACHINE:2-56 X 0.25,FLH,82DEG,STL *****END ATTACHING PARTS*****	83385	ORD BY DESCR
-85	220-0899-00			1						NUT BLOCK:0.375 X 0.25 SQ *****ATTACHING PARTS*****	80009	220-0899-00
-86	211-0211-00			1						SCR,CAP,SOC:10-4-40 X 0.188 INCH,STL *****END ATTACHING PARTS*****	000AH	ORD BY DESCR

<http://www.electronics.com>

Replaceable Mechanical Parts—494/494P Service Vol.2

Fig. & Index No	Tektronix Part No.	Serial/Model No.		Qty	Name & Description					Mfr Code	Mfr Part Number
		Eff	Dscont		1	2	3	4	5		
11-	-----			1	...MHZ IF ASSY:(SEE A19 REPL) *****{ATTACHING PARTS}*****						
-1	211-0016-00			2	SCREW,MACHINE-4-40 X 0.625 INCH,PNH STL *****{END ATTACHING PARTS}*****					83385	ORD BY DESCR
-2	200-3041-00			1	...MHZ IF ASSY INCLUDES: COVER,HOUSING CKT BOARD,MACHINED SHEET *****{ATTACHING PARTS}*****					80009	200-3041-00
-3	211-0001-00			3	SCREW,MACHINE-2-56 X 0.25 INCH,PNH STL					87308	ORD BY DESCR
-4	211-0030-00			1	SCREW,MACHINE-2-56 X 0.25,FLH,82DEG,STL					83385	ORD BY DESCR
-5	213-0202-00			2	SCREW,MACHINE-2-56 X 0.625 INCH,FLH STL *****{END ATTACHING PARTS}*****					83385	ORD BY DESCR
-6	-----			1	CKT BOARD ASSY:110MHZ IF OUT (SEE A19A1 REPL) *****{ATTACHING PARTS}*****						
-7	211-0168-00			2	SCREW,MACHINE-4-40 X 0.25 INCH,PNH STL *****{END ATTACHING PARTS}*****					12360	ORD BY DESCR
-8	-----			1	.CAP,FXD,CER DI:(SEE A19C190 REPL) *****{ATTACHING PARTS}*****						
-9	210-0407-00			1	NUT,PLAIN,HEX.:6-32 X 0.25 INCH,BRS					73743	3038-0228-402
-10	210-0055-00			1	WASHER,LOCK:SPLIT,0.145 ID X 0.253 OD,S *****{END ATTACHING PARTS}*****					83385	ORD BY DESCR
-11	380-0737-00			1	HOUSING,CKT BD MACHINED ALUMINUM CAVITY						
-12	361-0917-00			2	SPACER,SLEEVE:0.141 ID X 0.25 INCH LONG					80009	361-0917-00
-13	-----			2	CABLE ASSY,RF:50 OHM COAX,7.0L (SEE W190,W191 REPL)						
-14	-----			1	CABLE ASSY,RF:50 OHM COAX,16.0L,SEMI-RGD (SEE A30W192 REPL)						
-15	-----			1	CABLE ASSY,RF:50OHM COAX,11.0 L,9-5 (SEE W1021 REPL)						
-16	333-3141-00			1	REAR PANEL:					80009	333-3141-00
-17	210-0255-00			1	TERMINAL,LUG:0.401 ID,LOCKING,BRS CD PL					80009	210-0255-00
-18	343-0144-00			1	CLAMP,LOOP:0.25ID,NYLON					95987	1-8-2

<http://www.ebay.com>

Fig. & Index No.	Tektronix Part No.	Serial/Model No.		Qty						Name & Description	Mfr Code	Mfr Part Number
		Eff	Dscnt		1	2	3	4	5			
ACCESSORIES												
12-1	016-0653-00			1						VISOR,CRT:FOLDING	80009	016-0653-00
-2	378-0227-00			1						FILTER,MESH:	80009	378-0227-00
-3	378-0115-01			1						FILTER,LT,CRT:AMBER,4.176 X 3.418,PLASTIC	80009	378-0115-01
	378-0115-02			1						FILTER,LT,CRT:GRAY,4.176 X 3.418,PLASTIC	80009	378-0115-02
-4	161-0104-00			1						CABLE ASSY,PWR,:3 WIRE,98.0 L,W/RTANG CONN	S3109	ORD BY DESCR
-5	161-0132-00			1						CABLE ASSY,PWR:220V,3.05M LONG	S3109	ORD BY DESCR
	-----			-						(OPTION A1 ONLY)		
-6	161-0133-00			1						CABLE ASSY,PWR:240V,3.05M LONG	000HC	ORD BY DESCR
	-----			-						(OPTION A2 ONLY)		
-7	161-0135-00			1						CABLE ASSY,PWR:240V,3.05M LONG	S3109	ORD BY DESCR
	-----			-						(OPTION A3 ONLY)		
-8	161-0134-00			1						CABLE ASSY,PWR:240V,3.05M LONG	000HC	ORD BY DESCR
	-----			-						(OPTION A4 ONLY)		
-9	161-0167-00			1						CABLE ASSY,PWR:3.0 X 0.75,6A,240V,2.5M	S3109	ORD BY DESCR
	-----			-						(OPTION A5 ONLY)		
-10	343-0170-00			1						RTNR,CA TO CA:U/W 0.25 OD CABLES	80009	343-0170-00
-11	159-0017-00			2						FUSE,CARTRIDGE 3AG,4A,250V,FAST BLOW	71400	MTH4
-12	103-0045-00			1						ADAPTER,CONN:BNC FEMALE TO N MALE	91836	KN99-35
-13	012-0630-03			1						CABLE,INTCON:2 METERS L	74868	AC30147-102
	-----			-						(494P ONLY)		
-14	012-0114-00			1						CABLE ASSY,RF:50 OHM COAX,72.0 L	91836	K-3802
-15	012-0076-00			1						CABLE ASSY,RF:50 OHM COAX,20.0 L	80009	012-0076-00
-16	015-0385-00			1						WG MIXER DIPLXR:	80009	015-0385-00
-17	015-1055-00			1						CABLE ASSY,RF:50 OHM COAX,3.382 INCH LONG	80009	015-1055-00
-18	015-0388-00			1						ADAPTER,CONN:TNC MALE TO SMA MALE	05617	901168
	070-4415-00			1						MANUAL,TECH:PROGRAMMERS,494P	80009	070-4415-00
	070-4416-00			1						MANUAL,TECH:SERVICE VOL 1,494/494P	80009	070-4416-00
	070-4417-01			1						MANUAL,TECH:SERVICE VOL 2	80009	070-4417-01
	070-4418-00			1						MANUAL,TECH:OPERATORS,494/494P	80009	070-4418-00
	070-4419-00			1						MANUAL,TECH:OPERATORS HANDBOOK,494/494P	80009	070-4419-00
	070-5071-00			1						MANUAL,TECH:REFERENCE GUIDE,490P SERIES	80009	070-5071-00

<http://www.tek.com>



## **MANUAL CHANGE INFORMATION**

At Tektronix, we continually strive to keep up with latest electronic developments by adding circuit and component improvements to our instruments as soon as they are developed and tested.

Sometimes, due to printing and shipping requirements, we can't get these changes immediately into printed manuals. Hence, your manual may contain new change information on following pages.

A single change may affect several sections. Since the change information sheets are carried in the manual until all changes are permanently entered, some duplication may occur. If no such change pages appear following this page, your manual is correct as printed.

<http://www.ebaman.com>

TEKTRONIX MANUAL CHANGE NOTICE

Date: 9-14-84  
 Product: 494/494P Ser. 2 Manual Part No.: 070-4417-01  
 Change Ref: M54124 Product Group: 26

DESCRIPTION

EFF SN B010350

ELECTRICAL PARTS LIST AND SCHEMATIC CHANGES

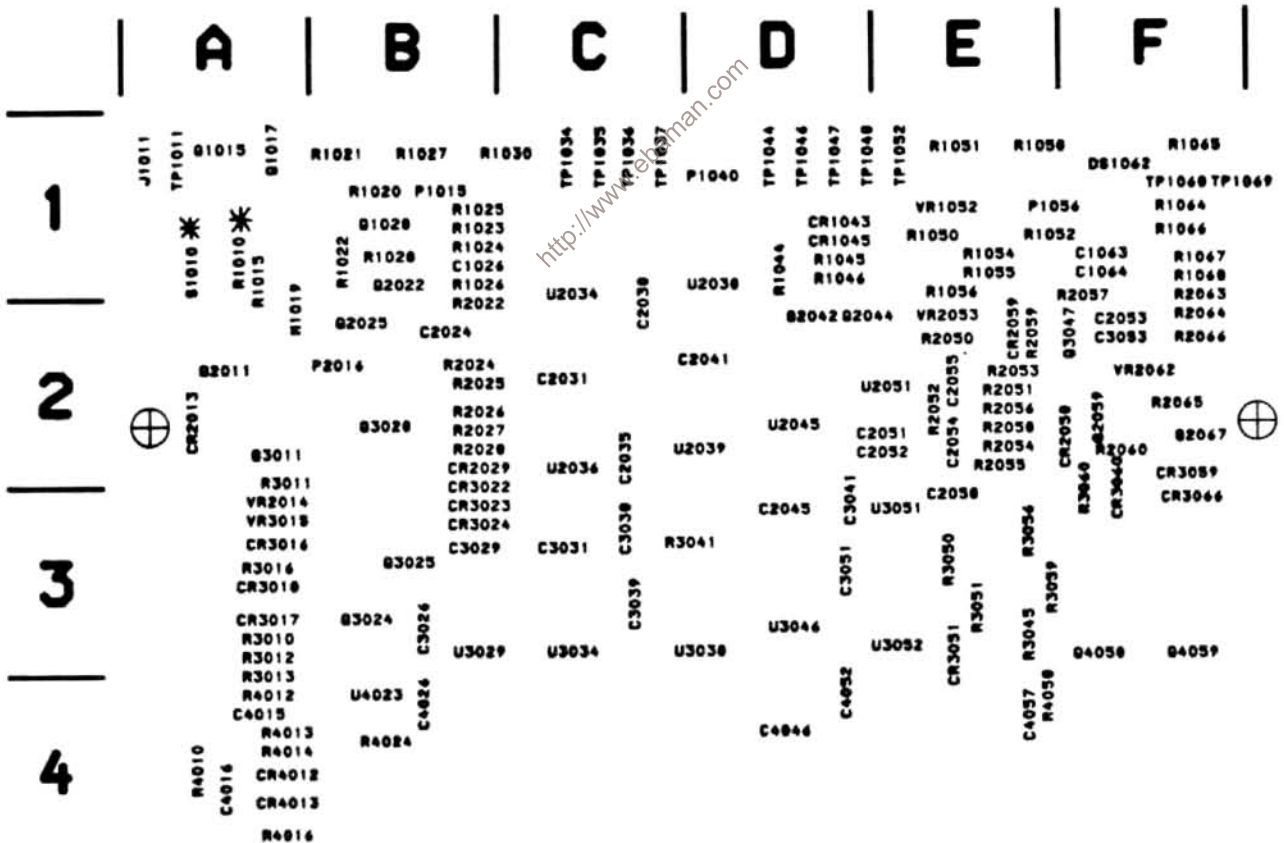
CHANGE TO:

A70 670-7919-03 CKT BOARD ASSY: Z AXIS  
 A70U3052 156-0914-02 MICROCKT, DGTL, OCT STATE BFR, 74LS240

ADD:

A70R1010 307-0496-00 RES NTWK, FXD, 7, 10 K OHM, 2%, 0.15 W EAC  
 A70S1010 260-2031-00 SWITCH, ROCKER, (7) SPST, 30 VDC, 125 MA

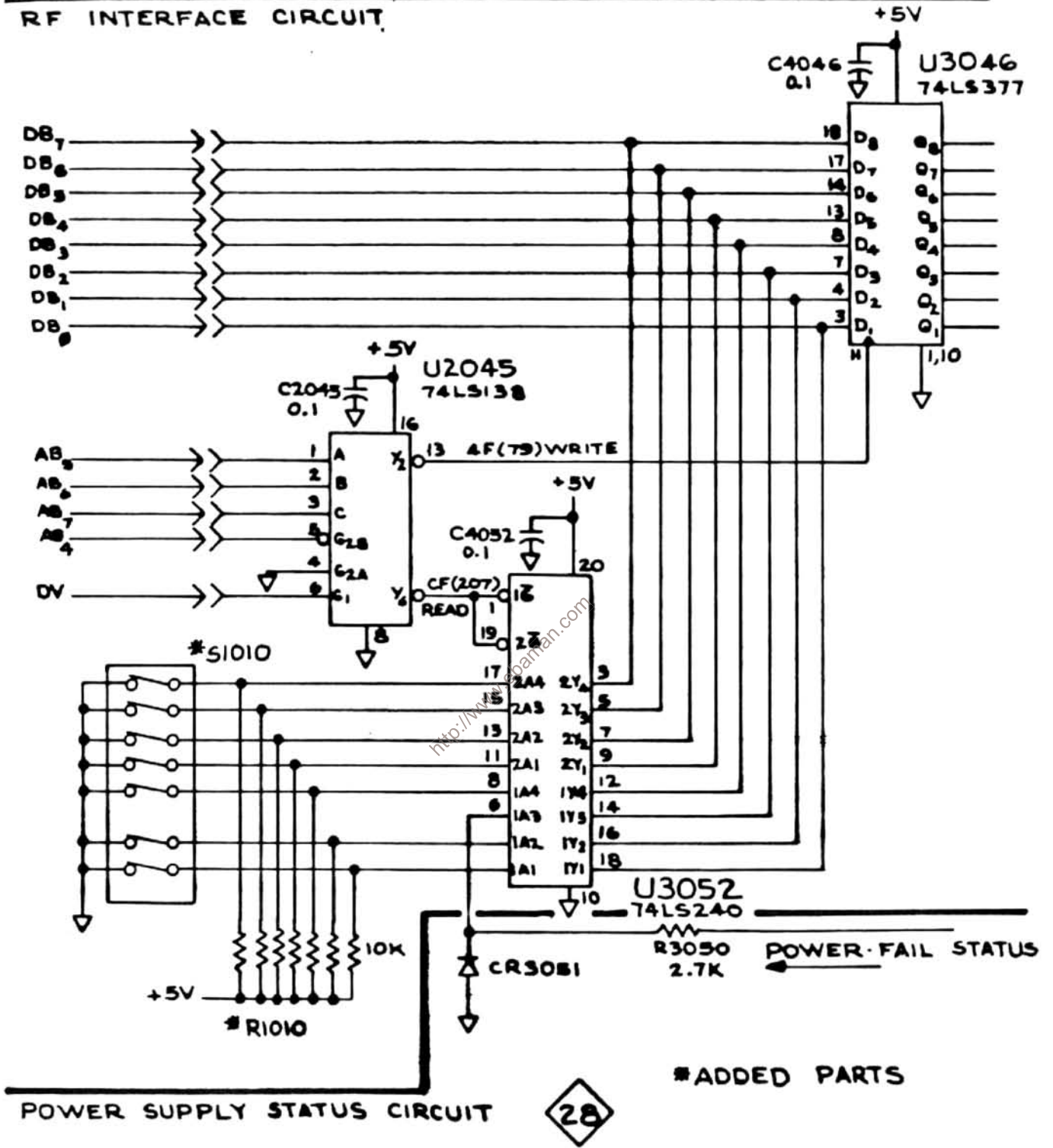
The above parts are located on Fig. 10-30 A70-2 Axis 8 RF Interface board, (see below) and shown on diagram POWER SUPPLY STATUS CIRCUIT 2B, partial on following page.



\* Denotes added parts

Z-AXIS CIRCUIT

RF INTERFACE CIRCUIT



TEKTRONIX MANUAL CHANGE NOTICE

Date: 11-9-84  
Product: 494/494P Ser. 2      Manual Part No. : 070-4417-01  
Change Ref: M54196      Product Group: 26

---

DESCRIPTION

---

EFF SN B010240

ELECTRICAL PARTS LIST AND SCHEMATIC CHANGES

CHANGE TO:

A26	670-7898-01	CKT BOARD ASSY: AUX SYNTHESIZER
A26R4052	321-0756-00	RES. , FXD, FILM: 50K OHM, 1%, 0. 125W

The above part is located on the A26 AUXILIARY SYNTHESIZER board and shown on diagram AUXILIARY SYNTHESIZER



<http://www.ebaman.com>



TEKTRONIX MANUAL CHANGE NOTICE

Date: 9-10-84  
 Product: 494/494P Ser. 2. Manual Part No.: 070-4417-01  
 Change Ref: M54777 Product Group: 26

---

DESCRIPTION

---

EFF SN B010284

ELECTRICAL PARTS LIST AND SCHEMATIC CHANGES

CHANGE TO:

A68A2	670-2118-01	CKT BOARD ASSY: 2ND FILTER SELECT
A68A2R3014	321-0054-00	RES. , FXD, FILM: 35.7 OHM, 0.5%, 0.125W
A69A3	670-8063-01	CKT BOARD ASSY: 1ST FILTER SELECT
A69A3R2026	321-0054-00	RES. , FXD, FILM: 35.7 OHM, 0.5%, 0.125W
A69A3R2027	321-0114-00	RES. , FXD, FILM: 150 OHM, 1%, 0.125W
A69A3R2028	321-0114-00	RES. , FXD, FILM: 150 OHM, 1%, 0.125W

<http://www.ebaman.com>

TEKTRONIX MANUAL CHANGE NOTICE

Date: 11-9-84  
Product: see below      Manual Part No.: see below  
Change Ref: M55605      Product Group: 26

---

DESCRIPTION

---

492/492P Service 2      070-3784-01      EFF SN B054837  
494/494P Service 2      070-4417-01      B010365



ELECTRICAL PARTS LIST AND SCHEMATIC CHANGES

CHANGE TO:

A44      670-5551-06      CKT BOARD ASSY: 1ST LO DRIVER  
A44R102B      321-0328-00      RES. , FXD, FILM: 25. 5K OHM, 1%, O. 125W

<http://www.ebaman.com>

TEKTRONIX MANUAL CHANGE NOTICE

Date: B-8-84  
Product: see below  
Change Ref: M55214  
Manual Part No.: see below  
Product Group: 26

---

DESCRIPTION

---

492/492P Ser. 2 070-3784-01 EFF SN B054652  
494/494P Ser 2 070-4417-01 EFF SN B010341

ELECTRICAL PARTS LIST CHANGES

CHANGE TO:

A23	119-1131-04	SEC CONV ASSY: 829MHZ
A23A4	670-6256-02	CKT BOARD ASSY: 829MHZ DIPLEXER
A23A4C1014	283-0158-00	CAP, FXD, CER DI: 1 PF, 10%, 50V
A23A4C1015	283-0160-00	CAP, FXD, CER DI: 1.5 PF, 10%, 50V

<http://www.ebaman.com>

TEKTRONIX MANUAL CHANGE NOTICE

Date: 10-9-84  
 Product: 494/494P Serv. 2 Manual Part No.: 070-4417-01  
 Change Ref: M55822 Revision #1 Product Group: 26

DESCRIPTION

EFF SN B010395

Revised 11-5-84

ELECTRICAL PARTS LIST AND SCHEMATIC CHANGES

CHANGE TO:

A54	670-7009-03	CKT BOARD ASSY:MEMORY
A54U1014	160-2367-04	MICROCIRCUIT, DI: 16384 X 8 EPROM
A54U1021	160-2366-04	MICROCIRCUIT, DI: 16384 X 8 EPROM
A54U2015	160-2358-04	MICROCIRCUIT, DI: 16384 X 8 EPROM
A54	670-8614-01	CKT BOARD ASSY:MEMORY (OPTION 12 ONLY)
A54U1014	160-2786-01	MICROCIRCUIT, DI: 16384X8 EPROM (OPTION 12 ONLY)
A54U1021	160-2785-01	MICROCIRCUIT, DI: 16384X8 EPROM (OPTION 12 ONLY)
A54U2015	160-2777-01	MICROCIRCUIT, DI: 16384X8 EPROM (OPTION 12 ONLY)
A54	670-8615-01	CKT BOARD ASSY:MEMORY (OPTION 13 ONLY)
A54U1014	160-2796-01	MICROCIRCUIT, DI: 16348X8 EPROM (OPTION 13 ONLY)
A54U1021	160-2795-01	MICROCIRCUIT, DI: 16384X8 EPROM (OPTION 13 ONLY)
A54U2015	160-2787-01	MICROCIRCUIT, DI: 16384X8 EPROM (OPTION 13 ONLY)
A54	670-8616-01	CKT BOARD ASSY:MEMORY (OPTION 14 ONLY)
A54U1014	160-2806-01	MICROCIRCUIT, DI: 16384X8 EPROM (OPTION 14 ONLY)
A54U1021	160-2805-01	MICROCIRCUIT, DI: 16384X8 EPROM (OPTION 14 ONLY)
A54U2015	160-2797-01	MICROCIRCUIT, DI: 16384X8 EPROM (OPTION 14 ONLY)
A56	670-8431-03	CKT BOARD ASSY:GPIB
A56U1012	160-2359-04	MICROCIRCUIT, DI: 16384 X 8 EPROM
A56U1018	160-2360-04	MICROCIRCUIT, DI: 16384 X 8 EPROM
A56U1022	160-2361-04	MICROCIRCUIT, DI: 16384 X 8 EPROM
A56U1024	160-2362-04	MICROCIRCUIT, DI: 16384 X 8 EPROM
A56U2013	160-2363-04	MICROCIRCUIT, DI: 16384 X 8 EPROM
A56U2018	160-2364-04	MICROCIRCUIT, DI: 16384 X 8 EPROM
A56U2022	160-2365-02	MICROCIRCUIT, DI: 16384 X 8 EPROM
A56	670-8617-01	CKT BOARD ASSY:GPIB (OPTION 12 ONLY)
A56U1012	160-2778-01	MICROCIRCUIT, DI: 16384X8 EPROM (OPTION 12 ONLY)
A56U1018	160-2779-01	MICROCIRCUIT, DI: 16384X8 EPROM (OPTION 12 ONLY)
A56U1022	160-2780-01	MICROCIRCUIT, DI: 16384X8 EPROM (OPTION 12 ONLY)
A56U1024	160-2781-01	MICROCIRCUIT, DI: 16384X8 EPROM (OPTION 12 ONLY)
A56U2013	160-2782-01	MICROCIRCUIT, DI: 16384X8 EPROM (OPTION 12 ONLY)
A56U2018	160-2783-01	MICROCIRCUIT, DI: 16384X8 EPROM (OPTION 12 ONLY)
A56U2022	160-2784-01	MICROCIRCUIT, DI: 16384X8 EPROM (OPTION 12 ONLY)
A56	670-8618-01	CKT BOARD ASSY:GPIB (OPTION 13 ONLY)
A56U1012	160-2788-01	MICROCIRCUIT, DI: 16384X8 EPROM (OPTION 13 ONLY)
A56U1018	160-2789-01	MICROCIRCUIT, DI: 16384X8 EPROM (OPTION 13 ONLY)
A56U1022	160-2790-01	MICROCIRCUIT, DI: 16384X8 EPROM (OPTION 13 ONLY)
A56U1024	160-2791-01	MICROCIRCUIT, DI: 16384X8 EPROM (OPTION 13 ONLY)
A56U2013	160-2792-01	MICROCIRCUIT, DI: 16384X8 EPROM (OPTION 13 ONLY)
A56U2018	160-2793-01	MICROCIRCUIT, DI: 16384X8 EPROM (OPTION 13 ONLY)
A56U2022	160-2794-01	MICROCIRCUIT, DI: 16384X8 EPROM (OPTION 13 ONLY)



TEKTRONIX MANUAL CHANGE NOTICE

Date: 11-20-84  
Product: 494/494P Ser. 2 Manual Part No.: 070-4417-01  
Change Ref: M55929 Product Group: 26

---

DESCRIPTION

---

EFF SN B010410

ELECTRICAL PARTS LIST AND SCHEMATIC CHANGES

CHANGE TO:

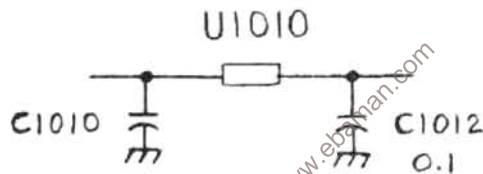
A36 119-1588-02 PH LOCK 3RD LD:  
A36A2 670-7917-01 CKT BOARD ASSY: REFERENCE LOCK REGULATOR

ADD:

A36A2C1012 283-0167-00 CAP., FXD, CER DI: 0.1UF, 10%, 100V

The above added part is located on the A36 A2 REFERENCE LOCK  
REGULATOR BD. and shown on REFERENCE LOCK Partial

18



=====  
A56 670-8619-01 CKT BOARD ASSY: GPIB (OPTION 14 ONLY)  
A56U1012 160-2798-01 MICRODCIRCUIT, DI: 16384X8 EPROM (OPTION 14 ONLY)  
A56U1018 160-2799-01 MICRODCIRCUIT, DI: 16384X8 EPROM (OPTION 14 ONLY)  
A56U1022 160-2800-01 MICRODCIRCUIT, DI: 16384X8 EPROM (OPTION 14 ONLY)  
A56U1024 160-2801-01 MICRODCIRCUIT, DI: 16384X8 EPROM (OPTION 14 ONLY)  
A56U2013 160-2802-01 MICRODCIRCUIT, DI: 16384X8 EPROM (OPTION 14 ONLY)  
A56U2018 160-2803-01 MICRODCIRCUIT, DI: 16384X8 EPROM (OPTION 14 ONLY)  
A56U2022 160-2804-01 MICRODCIRCUIT, DI: 16384X8 EPROM (OPTION 14 ONLY)

## REMOVE:

A54 670-8768-00 CKT BOARD ASSY: MEMORY  
(08/41 OPT COMBO ONLY)  
A54U1014 160-2367-03 MICRODCIRCUIT, DI: 16384 X 8 EPROM  
(08/41 OPT COMBO ONLY)  
A54U1021 160-2366-03 MICRODCIRCUIT, DI: 16384 X 8 EPROM  
(08/41 OPT COMBO ONLY)  
A54U2015 160-2358-03 MICRODCIRCUIT, DI: 16384 X 8 EPROM  
(08/41 OPT COMBO ONLY)  
  
A56 670-8769-00 CKT BOARD ASSY: GPIB  
(08/41 OPT COMBO ONLY)  
A56U1012 160-2359-03 MICRODCIRCUIT, DI: 16384 X 8 EPROM  
(08/41 OPT COMBO ONLY)  
A56U1018 160-2360-03 MICRODCIRCUIT, DI: 16384 X 8 EPROM  
(08/41 OPT COMBO ONLY)  
A56U1022 160-2361-03 MICRODCIRCUIT, DI: 16384 X 8 EPROM  
(08/41 OPT COMBO ONLY)  
A56U1024 160-2362-03 MICRODCIRCUIT, DI: 16384 X 8 EPROM  
(08/41 OPT COMBO ONLY)  
A56U2013 160-2363-03 MICRODCIRCUIT, DI: 16384 X 8 EPROM  
(08/41 OPT COMBO ONLY)  
A56U2018 160-2364-03 MICRODCIRCUIT, DI: 16384 X 8 EPROM  
(08/41 OPT COMBO ONLY)  
A56U2022 160-2365-01 MICRODCIRCUIT, DI: 16384 X 8 EPROM  
(08/41 OPT COMBO ONLY)

TEKTRONIX MANUAL CHANGE NOTICE

Date: 4-2-85  
Product: see below  
Change Ref: M56460  
Manual Part No.: see below  
Product Group: 26

-----  
DESCRIPTION  
=====

Instrument	Part No.	Eff. S/N
492/492P	070-3784-01	B055403
494/494P	070-4417-01	B010618
496/496P	070-3482-00	B020906
492/6 & 492P/6	070-4233-00	B620906

ELECTRICAL PARTS LIST AND SCHEMATIC CHANGES

CHANGE TO:

A30A1T6081      120-1234-01      TRANSFORMER:BASE DRIVE

<http://www.ebaman.com>

TEKTRONIX MANUAL CHANGE NOTICE

Date: 5-20-85  
Product: 494/494P Ser. 2 Manual Part No.: 070-4417-01  
Change Ref: M57582 Product Group: 26

-----  
DESCRIPTION  
=====

EFF SN B010646

ELECTRICAL PARTS LIST AND SCHEMATIC CHANGES

CHANGE TO:

A26	670-7898-02	CKT BOARD ASSY:AUX SYNTHESIZER
A26C1020	283-0109-00	CAP.,FXD,CER DI:27PF,5%,1000V
A26C1024	283-0333-00	CAP.,FXD,CER DI:35PF,5%,1000V
A26C3012	283-0869-00	CAP.,FXD,CER DI:68PF,NPO,100V,1%
A26C3016	283-0472-00	CAP.,FXD,CER DI:102PF,1%,50V
A26C3018	283-0472-00	CAP.,FXD,CER DI:102PF,1%,50V
A26C3022	283-0869-00	CAP.,FXD,CER DI:68PF,NPO,100V,1%
A26Q2058	151-0752-00	TRANSISTOR:SILICON,NPN

The above parts are located on the A26 AUXILIARY SYNTHESIZER board and shown on diagram 37 AUXILIARY SYNTHESIZER

<http://www.ebaman.com>



TEKTRONIX MANUAL CHANGE NOTICE

Date: 3-29-85  
 Product: see below  
 Change Ref: M54660  
 Manual Part No.: see below  
 Product Group: 26

DESCRIPTION

Instr.	Part No.	Eff. S/N
492/492P	070-3784-01	B054981
494/494P	070-4417-01	B010417
496/496P	070-3482-00	B021084
492/6 & 492P/6	070-4233-00	B621084

ELECTRICAL PARTS LIST CHANGES

CHANGE TO:

A38	670-7050-04	CKT BOARD ASSY:FRONT PANEL (492/492P ONLY)
A38	670-7947-02	CKT BOARD ASSY:FRONT PANEL (494/494P ONLY)
A38	670-7141-04	CKT BOARD ASSY:FRONT PANEL (496/496P & 492/6 492P/6 ONLY)
A38	670-8867-01	CKT BOARD ASSY:FRONT PANEL (496/496P OPTION 07 ONLY)

<http://www.ebaman.com>

TEKTRONIX MANUAL CHANGE NOTICE

Date: 2-26-85  
 Product: 494/494P Manual Part No.: 070-4417-01  
 Change Ref: M56346 Revised Product Group: 26

DESCRIPTION

EFF SN B010475

Revised 4-29-85

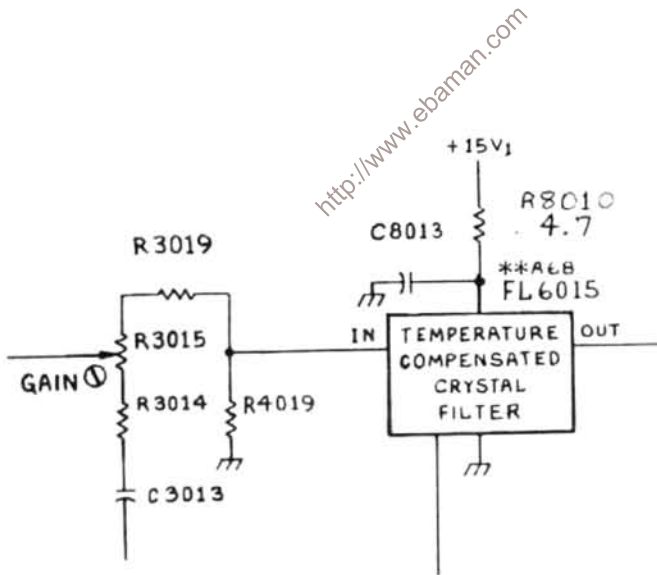
ELECTRICAL PARTS LIST AND SCHEMATIC CHANGES

CHANGE TO:  
 A68A2 670-2118-02 CKT BOARD ASSY:2ND FILTER SELECT  
 A68A2R4029 321-0178-00 RES,698 OHM,1%,0.125W

REMOVE:  
 A68FL6015 119-1768-00 CRYSTAL, FILTER:MATCHED  
 MICROCIRCUIT,LI:POSITIVE VOLTAGE REG

ADD:  
 FL690 119-1677-01 FILTER, BANDPASS  
 (CHASSIS MOUNTED)  
 A68FL6015 119-1676-00 FILTER, BANDPASS  
 A68A2R8010 307-0106-00 RES 4.7 OHM,5%,0.25W

The above added part is located on the A68A2 VR 2nd FILTER SELECT board and shown on schematic VR No.2 (2nd Filter Select POST VAR AMPLIFIER) - 21 Partial included



TEKTRONIX MANUAL CHANGE NOTICE

Date: 1-29-85  
 Product: see below Manual Part No.: see below  
 Change Ref: M53615 Product Group: 26

-----  
 DESCRIPTION  
 =====

492 Ser.	2	070-3784-01	Eff. S/N	BO54640
494 Ser.	2	070-4417-00	" "	BO10290
496 Ser.	2	070-3482-00	" "	BO20945
496/6 Ser.	2	070-4233-00	" "	B620945

ELECTRICAL PARTS LIST CHANGES

CHANGE TO:

A38	670-7050-03	CKT BOARD ASSY:FRONT PANEL (492/492P ONLY)
A38	670-7947-01	CKT BOARD ASSY:FRONT PANEL (494/494P ONLY)
A38	670-7141-03	CKT BOARD ASSY:FRONT PANEL (496 & 492/6 ONLY)

<http://www.ebaman.com>

TEKTRONIX MANUAL CHANGE NOTICE

Date: 3-5-85  
Product: 494/494P Ser.2      Manual Part No.: 070-4417-01  
Change Ref: C102/385      Product Group: 26

---

DESCRIPTION

---

ELECTRICAL PARTS LIST CHANGES

ADD:

A12A1                    155-0189-02      MICROCIRCUIT, LI :DUAL DIODE

<http://www.ebaman.com>



TEKTRONIX MANUAL CHANGE NOTICE

Date: 2-28-85  
 Product: see below  
 Change Ref: M54815  
 Manual Part No.: see below  
 Product Group: 26

-----  
 DESCRIPTION  
 =====

492/492P	070-3784-01	B055211	28	
494/494P	070-4417-01	B010525		31
496/496P	070-3482-00	B021107	31	
492/6	070-4233-00	B621107		31

ELECTRICAL PARTS LIST AND SCHEMATIC CHANGES

CHANGE TO:

A74	670-5559-04	CKT BOARD ASSY:HIGH VOLTAGE
A74R2012	308-0581-00	RES, 4.75 OHM, 0.5%, 0.5W

<http://www.ebaman.com>