



**7104  
OSCILLOSCOPE  
WITH OPTIONS**

**INSTRUCTION MANUAL**

**Tektronix, Inc.  
P.O. Box 500  
Beaverton, Oregon 97077**

Serial Number \_\_\_\_\_



## WARRANTY

**This Tektronix product is warranted against defective materials and workmanship, under normal use, for a period of one year from date of initial shipment. Tektronix will repair or replace, at its option, those products determined to be defective within the warranty period and returned, freight prepaid, to a Tektronix Service Center. There is no implied warranty for fitness of purpose.**

**Please direct all requests for service or replacement parts to the nearest Tektronix Service Center or Field Office; include the type or part number of the product and its serial number.**

**Copyright © 1978 by Tektronix, Inc. All rights reserved. Contents of this publication may not be reproduced in any form without the permission of Tektronix, Inc.**

**Products of Tektronix, Inc. and its subsidiaries are covered by U.S. and foreign patents and/or pending patents.**

**TEKTRONIX, TEK, SCOPE-MOBILE, TELEEQUIPMENT, and  are registered trademarks of Tektronix, Inc.**

**Printed in U.S.A. Specification and price change privileges are reserved.**

# TABLE OF CONTENTS

	PAGE		PAGE
LIST OF ILLUSTRATIONS .....	iv	VERTICAL TRACE SEPARATION .....	2-13
LIST OF TABLES .....	vi	TRIGGER SOURCE .....	2-13
OPERATORS SAFETY SUMMARY .....	vii	CALIBRATOR OUTPUT .....	2-13
SERVICING SAFETY SUMMARY .....	ix	SIGNAL OUTPUTS .....	2-14
<b>SECTION 1 GENERAL INFORMATION</b>		DISPLAY PHOTOGRAPHY .....	2-14
INTRODUCTION .....	1-1	INTENSITY MODULATION .....	2-15
OPERATORS MANUAL .....	1-1	REMOTE INPUT SIGNALS .....	2-15
INSTRUCTION MANUAL .....	1-1	APPLICATIONS .....	2-15
INSTALLATION .....	1-1	VERTICAL AMPLIFIER PLUG-IN UNITS .....	2-15
INITIAL INSPECTION .....	1-1	TIME-BASE PLUG-IN UNITS .....	2-16
OPERATING-POWER INFORMATION .....	1-1	SAMPLING DISPLAYS .....	2-16
OPERATING VOLTAGE .....	1-2	SPECIAL PURPOSE PLUG-IN UNITS .....	2-16
OPERATING TEMPERATURE .....	1-2	X-Y OPERATION .....	2-17
OPERATING POSITION .....	1-2	RASTER DISPLAYS .....	2-17
PACKAGING FOR SHIPMENT .....	1-3		
SPECIFICATION .....	1-3		
SYSTEM ELECTRICAL SPECIFICATION .....	1-11		
STANDARD ACCESSORIES .....	1-14		
<b>SECTION 2 OPERATING INSTRUCTIONS</b>			
PRELIMINARY OPERATION .....	2-1		
REDUCTION OF DISPLAY GAIN WITH OUTPUT CHARGE .....	2-1		
PLUG-IN UNITS .....	2-1		
INSTALLATION OF PLUG-IN UNITS .....	2-2		
CONTROLS AND CONNECTORS .....	2-2		
FRONT-PANEL COLOR CODING .....	2-2		
OPERATORS CHECKOUT PROCEDURE .....	2-2		
TEST EQUIPMENT REQUIRED .....	2-2		
PRELIMINARY SETUP .....	2-2		
DISPLAY FOCUS .....	2-3		
TRACE ALIGNMENT .....	2-3		
GRATICULE ILLUMINATION .....	2-3		
CONTROL ILLUMINATION .....	2-3		
VERTICAL DEFLECTION SYSTEM .....	2-3		
HORIZONTAL DEFLECTION SYSTEM .....	2-3		
TRIGGERING .....	2-7		
READOUT .....	2-7		
BEAMFINDER .....	2-8		
CALIBRATOR .....	2-8		
Z-AXIS INPUT .....	2-8		
INTENSITY LIMITING .....	2-8		
DETAILED OPERATING INFORMATION .....	2-8		
GRATICULE .....	2-8		
GRATICULE ILLUMINATION .....	2-8		
LIGHT FILTER .....	2-9		
CONTROL ILLUMINATION .....	2-9		
INTENSITY CONTROLS .....	2-9		
DISPLAY FOCUS .....	2-9		
ASTIGMATISM-FOCUS ADJUSTMENTS .....	2-9		
BEAMFINDER .....	2-10		
TRACE ALIGNMENT .....	2-10		
READOUT DISPLAY .....	2-10		
CARE OF CRT SCREEN .....	2-11		
VERTICAL AND HORIZONTAL MODE COMBINATIONS .....	2-11		
		<b>WARNING</b>	
		<b>THE REMAINING PORTION OF THIS TABLE OF CONTENTS LISTS THE SERVICING INSTRUCTIONS. THESE SERVICING INSTRUCTIONS ARE FOR USE BY QUALIFIED PERSONNEL ONLY. TO AVOID ELECTRICAL SHOCK, DO NOT PERFORM ANY SERVICING OTHER THAN THAT CALLED OUT IN THE OPERATING INSTRUCTIONS UNLESS QUALIFIED TO DO SO.</b>	
		<b>SECTION 3 THEORY OF OPERATION</b>	
		BLOCK DIAGRAM .....	3-1
		DESCRIPTION .....	3-1
		DETAILED CIRCUIT OPERATION .....	3-4
		LOGIC FUNDAMENTALS .....	3-4
		SYMBOLS .....	3-4
		LOGIC POLARITY .....	3-4
		INPUT/OUTPUT TABLES .....	3-8
		NON-DIGITAL DEVICES .....	3-8
		CABLE DISTRIBUTION .....	3-8
		MODE SWITCH AND CALIBRATOR .....	3-8
		CALIBRATOR .....	3-8
		MODE SWITCHING .....	3-8
		MAIN INTERFACE .....	3-8
		LOGIC .....	3-8
		HORIZONTAL LOGIC .....	3-10
		Z-AXIS LOGIC .....	3-12
		HORIZONTAL BINARY .....	3-13
		VERTICAL BINARY .....	3-15
		PLUG-IN BINARY .....	3-16
		VERTICAL CHOPPED BLANKING .....	3-17
		CHOP COUNTER .....	3-18
		VERTICAL MODE LOGIC .....	3-21
		TRACE SEPARATION .....	3-21
		MCP (MICROCHANNEL PLATE) INTENSITY TRACKING .....	3-22
		TIME-BASE CONTROLLED Z-AXIS FOR X-Y DISPLAYS .....	3-22
		TRIGGER SELECTOR .....	3-24
		A AND B TRIGGER CHANNEL SWITCHES .....	3-24
		A AND B TRIGGER AMPLIFIER .....	3-24
		VERTICAL SIGNAL OUTPUT AMPLIFIER .....	3-25

# TABLE OF CONTENTS (CONT.)

	PAGE		PAGE
READOUT SYSTEM .....	3-25	CONTROL RECTIFIER.....	3-53
DISPLAY FORMAT .....	3-25	INVERTER START NETWORK .....	3-53
DEVELOPING THE DISPLAY .....	3-27	INVERTER .....	3-54
TIMER.....	3-28	OVER-VOLTAGE STOP .....	3-54
TIME-SLOT COUNTER.....	3-31	INVERTER CONTROL.....	3-54
WORD TRIGGER.....	3-31	POWER ON LOGIC .....	3-56
CHANNEL COUNTER .....	3-32	LV REGULATOR .....	3-56
SINGLE-SHOT LOCKOUT .....	3-32	OPERATIONAL AMPLIFIER POWER	
ENCODING THE DATA .....	3-32	SUPPLIES .....	3-56
COLUMN AND ROW DATA SWITCHES .....	3-34	+50 VOLT SUPPLY .....	3-57
DISPLAY-SKIP GENERATOR .....	3-35	-15 VOLT SUPPLY .....	3-57
COLUMN AND ROW DECODERS .....	3-35	+5 VOLT SUPPLY .....	3-57
ZEROS LOGIC AND MEMORY .....	3-35	+15 VOLT SUPPLY .....	3-57
CHARACTER GENERATOR.....	3-37	-50 VOLT SUPPLY .....	3-58
DECIMAL POINT LOGIC AND CHARACTER		FAN CIRCUIT .....	3-58
POSITION COUNTER .....	3-37	GRATICULE-LIGHT SUPPLY.....	3-58
FORMAT GENERATOR .....	3-38	DELAY COMP (OPTION 2).....	3-58
Y-OUTPUT.....	3-38	TIME-BASE OPERATION .....	3-58
X-OUTPUT.....	3-38	X-Y OPERATION .....	3-58
DISPLAY SEQUENCE .....	3-38		
SIGNALS OUT.....	3-38	<b>SECTION 4 MAINTENANCE</b>	
+SAWTOOTH AMPLIFIER.....	3-40	PREVENTATIVE MAINTENANCE .....	4-1
+GATE AMPLIFIER .....	3-40	CABINET PANEL REMOVAL .....	4-1
GRATICULE ILLUMINATION .....	3-40	CLEANING.....	4-1
VERTICAL CHANNEL SWITCH .....	3-40	EXTERIOR .....	4-1
CHANNEL SWITCH.....	3-40	CRT .....	4-1
VERTICAL CHANNEL SELECTOR .....	3-40	INTERIOR.....	4-2
RIGHT AND LEFT CHANNEL FEEDBESIDE.....	3-41	VISUAL INSPECTION.....	4-2
VERTICAL AMPLIFIER .....	3-41	SEMICONDUCTOR CHECKS .....	4-2
DELAY-LINE COMPENSATION .....	3-41	PERIODIC ELECTRICAL ADJUSTMENT .....	4-2
OUTPUT AMPLIFIER .....	3-42	TROUBLESHOOTING .....	4-2
FEEDBESIDE.....	3-42	TROUBLESHOOTING AIDS .....	4-2
AUXILIARY AMPLIFIER .....	3-42	DIAGRAMS.....	4-2
OUTPUT AMPLIFIER .....	3-42	CIRCUIT BOARD ILLUSTRATIONS.....	4-2
POWER SUPPLY SHUTDOWN .....	3-43	TROUBLESHOOTING CHART .....	4-3
HORIZONTAL CHANNEL SWITCH .....	3-43	ADJUSTMENT AND TEST POINT	
CHANNEL SWITCH.....	3-43	LOCATIONS .....	4-3
HORIZONTAL CHANNEL SELECTOR.....	3-43	COMPONENT COLOR CODING .....	4-3
A AND B CHANNEL FEEDBESIDE .....	3-43	SEMICONDUCTOR LEAD CONFIGURATIONS .....	4-3
HORIZONTAL AMPLIFIER.....	3-44	MULTI-PIN CONNECTORS .....	4-3
READOUT POSITIONING .....	3-44	TROUBLESHOOTING EQUIPMENT .....	4-3
OUTPUT AMPLIFIER .....	3-44	TROUBLESHOOTING TECHNIQUES .....	4-6
INPUT CLAMP .....	3-44	1. CHECK CONTROL SETTINGS .....	4-6
INTENSITY LIMITER AND Z-AXIS .....	3-45	2. CHECK ASSOCIATED EQUIPMENT .....	4-6
INTENSITY LIMITER .....	3-45	3. VISUAL CHECK .....	4-6
Z-AXIS AMPLIFIER.....	3-46	4. CHECK INSTRUMENT ADJUSTMENT .....	4-6
AUTO FOCUS .....	3-47	5. ISOLATE TROUBLE TO A CIRCUIT .....	4-6
CRT CIRCUIT .....	3-47	6. CHECK VOLTAGES AND WAVEFORMS .....	4-7
CONTROL GRID DC RESTORER .....	3-47	7. CHECK INDIVIDUAL COMPONENTS .....	4-7
FOCUS GRID DC RESTORER .....	3-50	8. REPAIR AND ADJUST THE CIRCUIT.....	4-7
HIGH-VOLTAGE TRANSFORMER.....	3-50	TROUBLESHOOTING THE HIGH-EFFICIENCY	
ANODE VOLTAGE MULTIPLIER.....	3-50	POWER-SUPPLY UNIT.....	4-7
GRID BIAS SUPPLY .....	3-50	GENERAL .....	4-7
MICROCHANNEL PLATE SUPPLY .....	3-50	PRELIMINARY PROCEDURE .....	4-8
GRID BIAS .....	3-51	TROUBLESHOOTING PROCEDURE .....	4-8
-2400 VOLT SUPPLY.....	3-51		
GRID CROW BAR.....	3-52		
CRT .....	3-52		

# TABLE OF CONTENTS (CONT.)

	PAGE		PAGE
TRUBLESHOOTING THE CRT AND ASSOCIATED		PART I—PERFORMANCE CHECK .....	5-15
CIRCUITRY .....	4-12	INDEX TO PERFORMANCE CHECK	
CRT DISPLAY SYMPTOM CHECKOUT		PROCEDURE.....	5-15
PROCEDURE.....	4-13	PERFORMANCE CHECK POWER-UP	
CRT CIRCUIT TROUBLESHOOTING		SEQUENCE .....	5-15
PROCEDURE.....	4-13	A. Z-AXIS AND DISPLAY .....	5-16
CORRECTIVE MAINTENANCE .....	4-22	B. CALIBRATOR AND OUTPUT SIGNALS.....	5-18
OBTAINING REPLACEMENT PARTS .....	4-22	C. TRIGGER SYSTEM .....	5-22
SOLDERING TECHNIQUES.....	4-22	D. HORIZONTAL SYSTEM .....	5-24
COMPONENT REMOVAL AND REPLACEMENT .....	4-23	E. VERTICAL SYSTEM.....	5-27
DISPLAY UNIT KICKSTAND.....	4-23	F. READOUT SYSTEM.....	5-31
POWER-SUPPLY UNIT REMOVAL.....	4-23	G. PHOTOGRAPHIC WRITING RATE .....	5-33
CATHODE-RAY TUBE REMOVAL.....	4-24	PART II—ADJUSTMENT AND PERFORMANCE	
CATHODE-RAY TUBE REPLACEMENT .....	4-25	CHECK .....	5-35
CIRCUIT BOARDS.....	4-25	INDEX TO ADJUSTMENT AND PERFORMANCE	
PLUG-IN INTERFACE CONNECTORS .....	4-30	CHECK .....	5-35
DELAY LINE REMOVAL .....	4-30	ADJUSTMENT AND PERFORMANCE CHECK	
SEMICONDUCTORS .....	4-30	POWER-UP SEQUENCE .....	5-35
INTERCONNECTING PINS.....	4-34	A. POWER SUPPLY .....	5-36
PUSHBUTTON SWITCHES .....	4-35	B. Z-AXIS AND DISPLAY .....	5-38
GRATICULE LIGHT BULBS .....	4-35	C. CALIBRATOR AND OUTPUT SIGNALS..	5-46
POWER TRANSFORMER .....	4-35	D. TRIGGER SYSTEM .....	5-50
LINE FUSE .....	4-37	E. HORIZONTAL SYSTEM .....	5-54
ADJUSTMENT AFTER REPAIR .....	4-37	F. VERTICAL SYSTEM.....	5-61
		G. READOUT SYSTEM .....	5-68
		H. PHOTOGRAPHIC WRITING RATE.....	5-71
		<b>SECTION 6 INSTRUMENT OPTIONS</b>	
		<b>SECTION 7 REPLACEABLE ELECTRICAL PARTS</b>	
<b>SECTION 5 CALIBRATION</b>		<b>SECTION 8 DIAGRAMS AND CIRCUIT BOARD</b>	
USING THESE PROCEDURES .....	5-2	<b>ILLUSTRATIONS</b>	
PERFORMANCE CHECK SUMMARY.....	5-2		
ADJUSTMENT INTERVAL.....	5-2	<b>SECTION 9 REPLACEABLE MECHANICAL PARTS</b>	
TEKTRONIX FIELD SERVICE .....	5-2		
TEST EQUIPMENT REQUIRED .....	5-12		
SPECIAL FIXTURES .....	5-12		
TEST EQUIPMENT ALTERNATIVES.....	5-12	<b>CHANGE INFORMATION</b>	

# LIST OF ILLUSTRATIONS

FIGURE NO.	PAGE	FIGURE NO.	PAGE
Frontis- piece	7104 Features .....		x
1-1	7104 dimensional drawing .....		1-12
2-1	Front-panel controls, connectors and indicators .....		2-4
2-2	Rear-panel controls and connectors .....		2-6
2-3	Definition of graticule measurement lines .....		2-8
2-4	Location of readout on the crt identifying the originating plug-in and channel .....		2-10
3-1	Basic block diagram of the 7104 Oscilloscope .....		3-2
3-2	Breakdown of separate stages within Horizontal Logic IC (4428) .....		3-10
3-3	(A) Diagram of clock generator stage; (B) Idealized waveform for clock generator stage .....		3-18
3-4	Idealized waveforms for the Vertical Chopped Blanking IC (U4320) .....		3-19
3-5	(A) Input and output pins for Chop Counter IC, U4340; (B) Idealized waveforms for Chop Counter stage .....		3-20
3-6	Logic diagram of Vertical Mode Logic stage .....		3-22
3-7	(A) Logic diagram of Trace Separation stage; (B) Table of input/output combinations .....		3-23
3-8	Location of readout display on the crt identifying the originating plug-in and channel .....		3-25
3-9	Character selection matrix for 7104 Readout System .....		3-26
3-10	Typical readout display where only channel 2 of the Right Vertical and B Horizontal units is displayed .....		3-27
3-11	Output waveforms of the Timer stage .....		3-29
3-12	Detail of output at pins 12, 13, 14 and 16 of U2126 .....		3-29
3-13	Timer stage operation when display-skip condition occurs .....		3-30
3-14	Timer relationship of the time-slot (TS) pulses produced by Q2159 .....		3-31
3-15	Typical encoding scheme for voltage-sensing plug-in unit. Coding shown for deflection factor of 100 microvolts .....		3-33
3-16	Idealized current waveforms of (A) Row analog data and (B) Column analog data .....		3-34
3-17	Typical output waveforms for Zeros Logic and Memory stage operation (at pin 7 of U2232) .....		3-36
3-18	Readout word relating 10 possible character locations to the decimal point instructions that can be encoded; and the resultant crt display .....		3-38
3-19	Flow chart for character generation by the Readout System .....		3-39
3-20	Theoretical timing diagrams for the Intensity Limiting stage .....		3-48
3-21	(A) Representation of Inverter stage. Idealized waveforms of (B) total inverter current, $I_i$ , (C) voltage of CR1234 and CR1241, and (D) voltage across primary .....		3-55
4-1	Color code for resistors and capacitors .....		4-4
4-2	Semiconductor lead configurations .....		4-5
4-3	Orientation of multi-pin connectors .....		4-6
4-4	Current sensing waveform at R1284 showing: A. Power supplies not in current limit operation B. Power supplies in current limit operation .....		4-10
4-5	Location of line shortage capacitor screws used for manually discharging C1216 and C1217 .....		4-10
4-6	Typical waveforms on C1216 and C1217 with the line voltage set to about 20 volts .....		4-11
4-7	Current waveforms of T1230 showing burst operation at line voltage of about 60 volts .....		4-12
4-8	Current waveform at T1230 for normal inverter operation at line voltage of 115 volts .....		4-12
4-9	Waveform at TP1234 on the power-supply Inverter board with the line voltage at about 20 volts .....		4-12
4-10	Typical waveform at junction of R1811 and CR1747 on the High Voltage circuit board .....		4-17
4-11	Typical waveform at junction of R1814 and CR1816 on the High Voltage circuit board .....		4-18
4-12	Power supply unit securing screws .....		4-23
4-13	Location of securing screws for the A6-Main Interface board .....		4-27
4-14	Correct placement of power transistor and mounting hardware on rear heat sink .....		4-29
4-15	HYPCON assembly removal and replacement .....		4-32
4-16	Coaxial end-lead connector assembly .....		4-34
4-17	Exploded view of circuit-board pin and ferrule .....		4-35
4-18	Removal procedure for push-button switches .....		4-36
5-1	Typical 7104 Photographic Writing Rate .....		5-34
5-2	Readout display with Q2225 removed .....		5-69
5-3	Typical 7104 Photographic Writing Rate .....		5-72

# LIST OF ILLUSTRATIONS (CONT.)

## FIGURE NO.

The illustrations in section 8 are located near their associated diagrams on the foldout page.

8-1	Location of circuit boards in the 7104.
8-2	Semiconductor lead configurations.
8-3	A1-Front Panel circuit board assembly.
8-4	A5-Mode Switch circuit board assembly.
8-5	A6-Main Interface circuit board assembly.
8-6	A13-Logic circuit board assembly.
8-7	A14-Trigger Selector circuit board assembly.
8-8	A15-Readout System circuit board assembly.
8-9	A27-Protection Circuit circuit board assembly.
8-10	A1-Front Panel circuit board assembly.
8-11	A16-Vertical Channel Switch circuit board assembly.
8-12A	A17-Vertical Amplifier circuit board assembly.
8-12B	A18-Termination circuit board assembly.
8-13	A19-Horizontal Amplifier circuit board assembly.
8-14	A19-Horizontal Amplifier circuit board assembly.

## FIGURE NO.

8-15	A1-Front Panel circuit board assembly.
8-16	A21-Z-Axis circuit board assembly.
8-17	A22-High Voltage circuit board assembly.
8-18	A2-Display Control circuit board assembly.
8-19	A23-Inverter circuit board assembly.
8-20	A24-Rectifier circuit board assembly.
8-21	A25-Low-Voltage Regulator circuit board assembly.
8-22	A26-Fan Motor circuit board assembly.
8-23	A28-X-Y Delay Compensation circuit board assembly.
8-24	7104 Troubleshooting Chart.
8-25	Test Point and Adjustment Locations A.
8-26	Test Point and Adjustment Locations B.
8-27	Test Point and Adjustment Locations C.
8-28	Test Point and Adjustment Locations D.
8-29	Test Point and Adjustment Locations E.
8-30	Test Point and Adjustment Locations F.
8-31	Test Point and Adjustment Locations G.
8-32	Test Point and Adjustment Locations H.

# LIST OF TABLES

TABLE NO.	PAGE	TABLE NO.	PAGE
1-1	Power-Cord Conductor Identification.....	1-2	
1-2	Power-Cord Plug Configuration .....	1-2	
1-3	Shipping Carton Test Strength .....	1-3	
1-4	Electrical Characteristics .....	1-3	
1-5	Environmental Characteristics .....	1-10	
1-6	Physical Characteristics .....	1-11	
1-7	7104 Oscilloscope Vertical System Specification.....	1-13	
1-8	7104 Oscilloscope System Horizontal Specification.....	1-14	
1-9	Special Purpose Plug-In Units.....	1-14	
2-1	Display Combinations .....	2-11	
3-1	Basic Logic Reference .....	3-5	
3-2	Mode Switching Inputs/Outputs .....	3-9	
3-3	Input/Output Combinations for A Lockout (U4428 pin 14) .....	3-11	
3-4	Input/Output Combinations for B Lockout (U4428 pin 15) .....	3-11	
3-5	Input/Output Combinations for Alternate Pulse (U4428 pin 8).....	3-12	
3-6	Input/Output Combinations for Z-Axis Logic stage .....	3-14	
3-7	Input/Output Combinations of the Horizontal Binary stage .....	3-14	
3-8	Input/Output Combinations for the Vertical Binary stage .....	3-16	
3-9	Input/Output Combinations for the Plug-In Binary stage .....	3-17	
3-10	Input/Output Combinations for the Vertical Chopped Blanking stage .....	3-19	
3-11	Standard Readout Format.....	3-27	
3-12	Channel Address Code .....	3-32	
4-1	Recommended Power Supply Troubleshooting Sequence .....	4-8	
4-2	Typical Power-Supply Resistance .....	4-9	
4-3	Burst Voltage Test Points .....	4-10	
4-4	Recommended CRT Circuitry Troubleshooting Sequence .....	4-14	
5-1	Calibration Procedure Electives .....	5-1	
5-2	Performance Check Summary .....	5-3	
5-3	Test Equipment .....	5-13	
5-4	Power Supply Tolerance .....	5-37	
5-5	Vertical Compensation Adjustments .....	5-63	
5-6A	Low-Frequency Compensation .....	5-64	
5-6B	Low-Frequency Compensation .....	5-64	
6-1	Option Information Locator .....	6-1	



# OPERATORS SAFETY SUMMARY

The following general safety information applies to all operators and service personnel. Specific warnings and cautions will be found throughout the manual where they apply and should be followed in each instance.

## TERMS

### In This Manual

**CAUTION** statements identify conditions or practices that could result in damage to the equipment or other property.

**WARNING** statements identify conditions or practices that could result in personal injury or loss of life.

### As Marked on Equipment

**CAUTION** indicates a personal injury hazard not immediately accessible as one reads the marking, or a hazard to property including the equipment itself.

**DANGER** indicates a personal injury hazard immediately accessible as one reads the marking.

## SYMBOLS

### In This Manual



This symbol indicates where applicable cautionary or other information is to be found.

### As Marked on Equipment



**DANGER**—High voltage.



Protective ground (earth) terminal.



**ATTENTION**—Refer to manual.

## WARNINGS

### Power Source

This product is intended to operate from a power source that will not apply more than 250 volts rms between the supply conductors or between either supply conductors and ground. A protective ground connection, by way of the grounding conductor in the power cord, is essential for safe operation.

### Grounding the Instrument

This instrument is grounded through the grounding conductor of the power cord. To avoid electrical shock, plug the power cord into a properly wired receptacle before connecting to the input or output terminals of the instrument. A protective ground connection, by way of the grounding conductor in the power cord, is essential for safe operation.

### Use the Proper Power Cord

Use only the power cord and connector specified for your instrument. Use only a power cord that is in good condition. For detailed information on power cords and connectors, see page 1-2 of this manual.

Refer cord and connector changes to qualified service personnel.

## **7104 Instruction**

### **Use the Proper Fuse**

To avoid fire hazard, use only the fuse specified in the parts list for this instrument, and which is identical in type, voltage rating, and current rating.

Refer fuse replacement to qualified service personnel.

### **Do Not Operate in Explosive Atmosphere**

To avoid explosion, do not operate this instrument in an atmosphere of explosive gasses until it has been specifically certified for such operation.

### **Do Not Remove Panels or Covers**

To avoid personal injury, do not remove the protective cabinet panels or covers. Do not operate this instrument without the panels or covers properly installed.

### **Do Not Remove CRT Implosion Shield**

Do not remove the clear plastic implosion shield covering the crt faceplate. This shield provides protection to the operator from crt implosion.

# SERVICING SAFETY SUMMARY

## FOR QUALIFIED SERVICE PERSONNEL ONLY

*Refer also to the preceding Operators Safety Summary*

### **Do Not Service Alone**

Do not perform internal service or adjustment of this product unless another person capable of rendering first aid and resuscitation is present.

### **Use Care When Servicing With Power On**

Dangerous voltages exist at several points in this product. To avoid personal injury, do not touch exposed connections and components while power is on.

Disconnect power before removing protective panels, soldering, or replacing components.

### **Power Source**

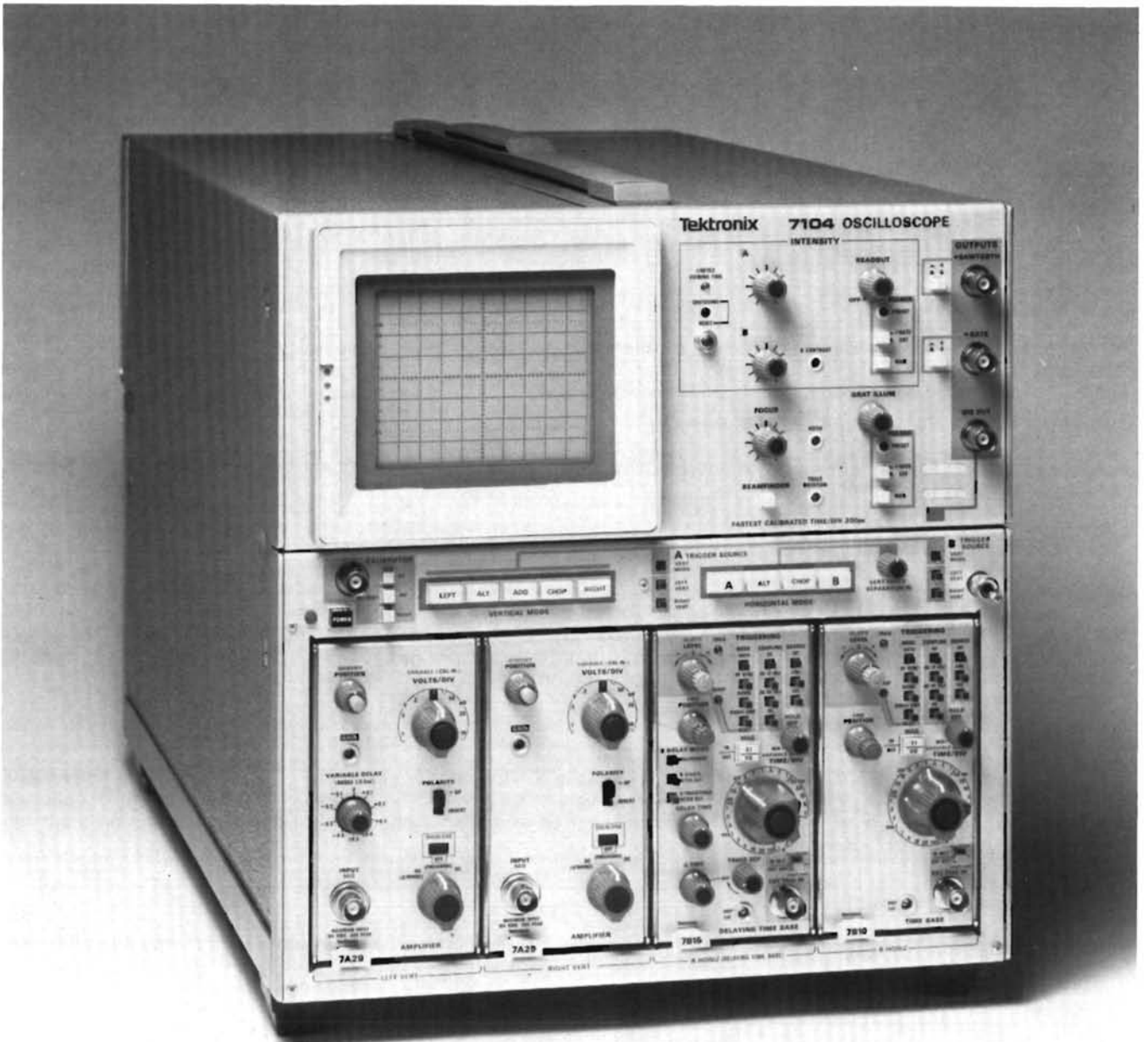
This product is intended to operate from a power source that will not apply more than 250 volts rms between the supply conductors or between either supply conductor and ground. A protective ground connection by way of the grounding conductor in the power cord is essential for safe operation.

### **Crt Handling**

Use care when handling a crt. Breakage of the crt causes a high-velocity scattering of glass fragments (implosion). Protective clothing and safety glasses should be worn. Avoid striking the crt on any object which might cause it to crack or implode. When storing a crt, place it in a protective carton or set it face down in a protected location on a smooth surface with a soft mat under the faceplate.

### **Silicone Grease Handling**

Handle silicone grease with care. Avoid getting the silicone grease in your eyes. Wash hands thoroughly after use.



### 7104 Features

The TEKTRONIX 7104 Oscilloscope is a solid-state, wide-bandwidth instrument designed for general-purpose applications. The 7104 can also be used to observe or photograph very fast repetitive or single shot waveforms.

The 7104 accepts Tektronix 7000-series plug-in units; the flexibility of the plug-in feature and variety of plug-in units available allows the system to be used for many measurement applications. The left pair of plug-in compartments are for vertical deflection and the right pair are for horizontal deflection. Electronic switching between each pair will produce multitrace vertical and/or horizontal displays.

# GENERAL INFORMATION

## INTRODUCTION

### OPERATORS MANUAL

The Operators Manual is divided into the following three sections:

Section 1—General Information contains instrument description, electrical specifications, environmental characteristics, standard and recommended accessories, installation, and packaging for shipment instructions.

Section 2—Operating Instructions contain information relative to operating and checking the instrument operation.

Section 3—Instrument Options contains a description of available options and gives the location of the incorporated information for those options.

Section 6—Instrument Options contains a description of available options and locations of incorporated information for those options.

Section 7—Replaceable Electrical Parts contains information necessary to order replaceable parts and assemblies related to the electrical functions of the instrument.

Section 8—Diagrams and Circuit Board Illustrations includes detailed circuit schematics, locations of assembled boards within the instrument, voltage and waveform information, circuit board component locators, and locations of adjustments to aid in the performing of the Adjustment and Performance Check portion of the Calibration procedure.

Section 9—Replaceable Mechanical Parts includes information necessary to order replaceable mechanical parts and shows exploded drawings which identify assemblies.

### INSTRUCTION MANUAL

The first two sections of the Instruction Manual contain operating instructions which are identical to the first two sections of the Operators Manual.

#### WARNING

*THE REMAINING PORTIONS OF THE INSTRUCTION MANUAL CONTAIN SERVICING INSTRUCTIONS. THESE SERVICING INSTRUCTIONS ARE FOR USE BY QUALIFIED SERVICE PERSONNEL ONLY. TO AVOID ELECTRIC SHOCK OR OTHER PERSONAL INJURY, DO NOT PERFORM ANY SERVICING OTHER THAN THAT DESCRIBED IN THE OPERATING INSTRUCTIONS UNLESS YOU ARE QUALIFIED TO DO SO.*

Section 3—Theory of Operation contains basic and general circuit analysis that may be useful for servicing or operating the instrument.

Section 4—Maintenance describes routine and corrective maintenance procedures with detailed instructions for replacing assemblies, subassemblies, and individual components.

Section 5—Calibration contains procedures to check the operational performance and electrical characteristics of the instrument. Procedures also include methods for adjustment of the instrument to meet specifications.

## INSTALLATION

### INITIAL INSPECTION

This instrument was inspected both mechanically and electrically before shipment. It should be free of marks or scratches and should meet or exceed all electrical specifications. To confirm this, inspect the instrument for physical damage incurred in transit and test the electrical performance by following the Operators Checkout Procedure in Section 2, Operating Instructions. Verify Performance Requirements by referring a qualified service person to the servicing sections of the Instruction Manual. If there is damage or deficiency, contact your local Tektronix Field Office or representative.

### OPERATING-POWER INFORMATION

This instrument can be operated from either a 115-volt or 230-volt nominal supply source, 48 to 440 hertz. The line fuse remains the same for both 115-volt and 230-volt operation.

#### CAUTION

*To prevent damage to the instrument, always check the LINE VOLTAGE SELECTOR switch located on the rear of the instrument before connecting the instrument to the supply circuit.*

**WARNING**

**AC POWER SOURCE AND CONNECTION.** This instrument operates from a single-phase power source. It has a three-wire power cord and two-pole, three-terminal grounding-type plug. The voltage to ground (earth) from either pole of the power source must not exceed the maximum rated operating voltage, 250 volts.

Before making connection to the power source, determine that the instrument is adjusted to match the voltage of the power source, and has a suitable two-pole, three-terminal grounding-type plug. Refer any changes to qualified service personnel.

**GROUNDING.** This instrument is safety class I equipment (IEC designation). All accessible conductive parts are directly connected through the grounding conductor of the power cord to the grounding contact of the power plug.

The power input plug must only be inserted in a mating receptacle with a grounding contact. Do not defeat the grounding connection. Any interruption of the grounding connection can create an electric shock hazard.

For electric shock protection, the grounding connection must be made before making connection to the instrument's input or output terminals.

**TABLE 1-1**  
Power-Cord Conductor Identification

Conductor	Color	Alternate Color
Ungrounded (Line)	Brown	Black
Grounded (Neutral)	Blue	White
Grounded (Earthing)	Green-Yellow	Green-Yellow

The power-cord plug required depends upon the ac input voltage and the country in which the instrument is to be used. Should you require a power-cord plug other than that supplied with your instrument, refer to the standards listed in Table 1-2.

**TABLE 1-2**  
Power-Cord Plug Configuration

Nominal Line Voltage	Reference Standards
115 V AC	<sup>1</sup> ANSI C73.11
	<sup>2</sup> NEMA 5-15-P
	<sup>3</sup> IEC 83
230 V AC	<sup>1</sup> ANSI C73.20
	<sup>2</sup> NEMA 6-15-P
	<sup>3</sup> IEC 83
	<sup>4</sup> BS 1363
	<sup>5</sup> CEE 7, sheets IV, VI, & VII
	<sup>6</sup> AS C112

- <sup>1</sup> ANSI—American National Standards Institute
- <sup>2</sup> NEMA—National Electrical Manufacturer's Association
- <sup>3</sup> IEC—International Electrotechnical Commission
- <sup>4</sup> BS—British Standards Institution
- <sup>5</sup> CEE—International Commission on Rules for the Approval of Electrical Equipment
- <sup>6</sup> AS—Standards Association of Australia

**OPERATING VOLTAGE**

The LINE VOLTAGE SELECTOR switch (located on the rear panel) allows selection of 115-volt or 230-volt nominal line voltage operation. To convert from 115-volt to 230-volt operation, change the power cord and plug to match the power-source receptacle, then use a small screwdriver to move the LINE VOLTAGE SELECTOR switch to the desired range. The line fuse remains the same for both 115-volt and 230-volt operation.

**OPERATING TEMPERATURE**

The 7104 can be operated where the ambient air temperature is between 0° and +50° C and can be stored in ambient temperatures from -55° to +75° C. After storage at temperatures outside the operating limits, allow the chassis temperature to reach a safe operating limit before applying power.

The 7104 is cooled by air drawn in through holes in the top, side, and bottom panels and blown out through the fan exhaust. To ensure proper cooling of the instrument, maintain the clearance provided by the feet on the bottom and allow at least 2 inches clearance (more if possible) at the top, sides, and rear of the instrument.

**OPERATING POSITION**

A bail-type stand, mounted on the bottom of the instrument, permits the instrument to be tilted up about 10° for more convenient crt viewing.

## PACKAGING FOR SHIPMENT

If this instrument is to be shipped for long distances by commercial transportation, it is recommended that the instrument be packaged in the original manner. The carton and packaging material in which your instrument was shipped should be saved and used for this purpose.

Also, if this instrument is to be shipped to a Tektronix Service Center for service or repair, attach a tag to the instrument showing the following: Owner of the instrument (with address), the name of a person at your firm who can be contacted, complete instrument type and serial number, and a description of the service required.

If the original packaging is unfit for use or not available, package the instrument as follows:

1. Obtain a corrugated cardboard shipping carton having inside dimensions at least six inches greater than the instrument dimensions; refer to Table 1-3 for carton test strength requirements.
2. Enclose the instrument with polyethylene sheeting or equivalent to protect the finish of the instrument.

3. Cushion the instrument on all sides by tightly packing dunnage or urethane foam between the carton and the instrument, allowing three inches on each side.

4. Seal the carton with shipping tape or with an industrial stapler.

5. Mark the address of the Tektronix Service Center and your return address on the carton in one or more prominent locations.

**TABLE 1-3**  
Shipping Carton Test Strength

Gross Weight (lb)	Carton Test Strength (lb)
0-10	200
10-30	275
30-120	375
120-140	500

## SPECIFICATION

The electrical characteristics listed in Table 1-4 apply when the following conditions are met: (1) Calibration of the instrument must have taken place at an ambient temperature between +20° and +30° C, (2) the instrument must be allowed a 20-minute warm-up period, (3) all specifications are valid at an ambient temperature of 0° to +50° C, unless otherwise stated, (4) the instrument must be in an environment that meets the limits described in Table 1-5.

Any applicable conditions not listed above are expressly stated as part of that characteristic. Environmental characteristics are listed in Table 1-5 and Physical characteristics are listed in Table 1-6.

**TABLE 1-4**  
Electrical Characteristics

Characteristic	Performance Requirement
----------------	-------------------------

### VERTICAL SYSTEM

Deflection Factor	Compatible with all 7000-series plug-in units.
Difference Between Vertical Compartments	1% or less.
Low-Frequency Linearity	0.1 div or less compression or expansion of a center-screen 2-div display positioned anywhere vertically within the graticule area.
Frequency Response	Varies with plug-in unit selected. See 7104 Oscilloscope Vertical Systems Specification, Table 1-7.
With 7A29 Amplifier Unit	1 GHz at 3 dB down; temperature range from 0° to 35° C.
Step Response	
Risetime (10 to 90%), with 7A29 Amplifier Unit	350 ps or less (calculated from bandwidth).

**TABLE 1-4 (CONT.)  
Electrical Characteristics**

Characteristic	Performance Requirement
Isolation Between Vertical Compartments (8 division signal)  LEFT, RIGHT, ALT Modes	At least 160:1 from dc to 100 MHz and at least 80:1 from 100 MHz to 1 GHz.
Delay Line	Permits viewing leading edge of triggering signal.  <p style="text-align: center;"><b>NOTE</b></p> <p style="text-align: center;"><i>7B50-series time-base units will not display leading edge of the trigger signal in 7104.</i></p>
Difference in Signal Delay Between Vertical Compartments	50 ps or less.
Vertical Display Modes	Selected by front-panel VERTICAL MODE switch.
LEFT	Left vertical-unit displayed.
ALT	Display chops between left and right vertical units asynchronously to horizontal plug-in unit(s).
ADD	Display is algebraic sum of left and right vertical units.
CHOP	Display chops between Left and Right vertical units asynchronously to horizontal plug-in unit(s).
Repetition Rate	1 MHz within 20%.
RIGHT	Right vertical unit displayed.
"Slaved ALT"	Slaved operation occurs if: (1) VERT MODE switch set to ALT, (2) HORIZ MODE switch set to ALT or CHOP, (3) time-base unit is installed in each horizontal compartment and (4) time-base unit installed in A HORIZ compartment operates in Independent mode.  When in slaved operation the display alternates between: (1) trace produced by LEFT VERT unit displayed at sweep rate of B time-base unit and (2) trace produced by RIGHT VERT unit displayed at sweep rate of A time-base unit.  <p style="text-align: center;"><b>NOTE</b></p> <p style="text-align: center;"><i>VERT TRACE SEPARATION (B) control is inoperative in "Slaved ALT" Mode.</i></p>
VERT TRACE SEPARATION (B)	Positions "B" trace at least 4 div above and below "A" trace, when 7104 operates in ALT or CHOP horizontal modes. See note concerning "Slaved ALT" vertical mode.



**TABLE 1-4 (CONT.)**  
**Electrical Characteristics**

Characteristic	Performance Requirement						
<b>TRIGGERING</b>							
A and B TRIGGER SOURCE	Selected by front-panel switches. Lights behind pushbuttons are illuminated to indicate trigger source.						
VERT MODE	The trigger source is controlled by vertical display mode selection. Source (sources) is (are) shown by the illumination of the LEFT and RIGHT trigger source buttons. Source follows (is same as) the vertical display with the following two exceptions:						
	<table border="1"> <thead> <tr> <th align="center">VERT MODE</th> <th align="center">Trigger Source</th> </tr> </thead> <tbody> <tr> <td align="center">CHOP</td> <td align="center">LEFT</td> </tr> <tr> <td align="center">"Slaved ALT"</td> <td align="center">RIGHT for A TRIGGER LEFT for B TRIGGER</td> </tr> </tbody> </table>	VERT MODE	Trigger Source	CHOP	LEFT	"Slaved ALT"	RIGHT for A TRIGGER LEFT for B TRIGGER
VERT MODE	Trigger Source						
CHOP	LEFT						
"Slaved ALT"	RIGHT for A TRIGGER LEFT for B TRIGGER						
	See Vertical Display Modes for slaved operation.						
LEFT	Trigger source: LEFT vertical unit. LEFT trigger source button illuminated.						
RIGHT	Trigger source: RIGHT vertical unit. RIGHT trigger source button illuminated.						
<b>HORIZONTAL SYSTEM</b>							
Deflection Factor	Compatible with all 7000-series plug-in units.						
Gain Difference Between Horizontal Compartments	1% or less.						
DC Linearity	0.05 division or less error at each graticule line after adjusting for no error at second and tenth graticule lines.						
Fastest Calibrated Sweep Rate	200 ps/div.						
Horizontal Display Modes	Selected by front-panel HORIZONTAL MODE switch.						
A	A horizontal unit displayed.						
ALT	Display alternates between A and B horizontal units.						
CHOP	Display chops between A and B horizontal units.						
B	B horizontal unit displayed.						
Chopped Mode Repetition Rate	200 kHz within 20%.						
Phase Shift Between Vertical and Horizontal Deflection Systems	2° or less from dc to at least 50 kHz.						
Option 2 (B HORIZ compartment only) with 7A19s or 7A29s, at least one of which has the variable delay option	2° or less from dc to 50 MHz after adjusting variable delay for balance at 25 MHz. Phase balance can be obtained at any frequency up to 250 MHz.						
Bandwidth	350 MHz						

**TABLE 1-4 (CONT.)  
Electrical Characteristics**

Characteristic	Performance Requirement
X-Y Displays	X-Y displays can only be obtained in conjunction with a time-base unit. With an amplifier unit installed in the A(B) horizontal compartment the Z-axis can only be controlled by the time-base unit in the B(A) horizontal compartment. This is independent of the horizontal mode switch selection.

**CALIBRATOR**

Waveshape	Square wave.
Polarity	Positive going, with baseline near 0 volt.
Output Resistance	450 Ω.
Output Voltage	(Selected by front-panel CALIBRATOR switch.)
Into 100 kΩ or greater	40 mV, 0.4 V, 4 V.
Into 50 Ω	4 mV, 40 mV, 0.4 V.
Output Current	40 mA available through CALIBRATOR output with optional bnc-to-Current Loop adapter. CALIBRATOR must be set to 4 V for calibrated output.
Amplitude Accuracy (P-P Voltage)	Within 1%.
Repetition Rate	1 kHz within 0.25%.
Duty Factor	49.8% to 50.2%.
Rise Time and Fall Time	500 ns or less into 100 pF or less.

**SIGNAL OUTPUTS**

+SAWTOOTH OUT	
Source	Selected by front-panel switch. A: A HORIZ time-base unit. B: B HORIZ time-base unit.
Polarity	Positive-going with baseline at 0 V within 1 V into 1 MΩ.
Output Voltage	
Rate of Rise	
Into 50 Ω	50 mV/unit of time selected by time-base unit time/div switch, within 15%, 100 ns/div maximum sweep rate.
Into 1 MΩ	1 V/unit of time selected by the time-base unit time/div switch, within 10%; 1 μs/div maximum sweep rate.
Output Resistance	Approximately 950 Ω.
+GATE	
Source	Selected by front-panel switch. A: A Gate, derived from A HORIZ time-base unit main gate. B: B Gate, derived from B HORIZ time-base unit main gate.

**TABLE 1-4 (CONT.)**  
**Electrical Characteristics**

Characteristic	Performance Requirement
<b>+GATE (continued)</b>	
Polarity	Positive-going with baseline at 0 V within 1.0 V into 1 M $\Omega$ .
Output Voltage	
Into 50 $\Omega$	0.5 V within 10%.
Into 1 M $\Omega$	10 V within 10% (up to 1 $\mu$ s/div sweep rate).
Rise Time Into 50 $\Omega$	5 ns or less.
Fall Time Into 50 $\Omega$	15 ns or less.
Output Resistance	Approximately 950 $\Omega$ .
<b>SIG OUT</b>	
Source	Selected by B TRIGGER SOURCE switch.
Output Voltage	
Into 50 $\Omega$	25 mV/div of vertical deflection within 25%.
Into 1 M $\Omega$	For a maximum output of $\pm 2$ V: 0.5 V/div of vertical deflection within 25%.
Bandwidth Into 50 $\Omega$	Varies with vertical plug-in selected; see 7104-series Oscilloscope Systems Specification.
DC Centering	0 V within 1 V into 1 M $\Omega$ .
Aberrations	15% or less p-p within 50 ns of step.
Output Resistance	Approximately 950 $\Omega$ .

### READOUT DISPLAY

<b>Readout Modes</b>	
Free-Run (Not Labeled)	Continuously displayed.
<b>PULSED</b>	
Pulse Source	<p>Selected by front-panel switches.</p> <p>+GATE: Triggered by the trailing edge of the +GATE selected by the front-panel switch.</p> <p>EXT: Controlled through rear-panel remote control connector.</p> <p>MAN: Manual trigger, independent of other pulse sources.</p>

**TABLE 1-4 (CONT.)  
Electrical Characteristics**

Characteristic	Performance Requirement
<b>DISPLAY</b>	
Graticule	
Type	Internal, illuminated with variable edge lighting.
Lighting	
Normal	Continuously lighted.
PULSED	Single-shot operation. Lights are pulsed on for approximately 0.5 seconds.
Pulse Source	Selected by front-panel switches.  +GATE: Triggered by trailing edge of +GATE selected by front-panel switch.  EXT: Controlled through rear-panel remote control connector.  MAN: Manual trigger, independent of other pulse sources.
Area	8 × 10 div 0.85 cm/div.
Phosphor	P31.
Vertical and Horizontal Resolution	17 lines/div.
High Voltage	
Screen Voltage	Approximately 12.5 kV.
Limited Viewing Time Indicator	
Steady Yellow	Crt display time is limited to 20 minutes or less.
Flashing Yellow	Crt display time is limited to 2 minutes or less and intensity is being limited.
Geometry	Within 0.1 div of vertical and horizontal graticule lines.
BEAMFINDER	When actuated, limits display to within graticule area and defocuses display.
Photographic Writing Speed	20 cm/nsec (without blue filter).  Phosphor: Standard P31.  Camera: TEKTRONIX C53; f/1.9 1:0.85 lens.  Film: Polaroid Type 107; 3000 ASA.

**REMOTE CONNECTORS AND SWITCHES**

Control Illumination	HIGH, MEDIUM and OFF. Three position switch located on rear panel of power supply.
Camera Power	Three-contact connector compatible with TEKTRONIX C-50 Series Cameras.
Bottom Pin	Ground
Center Pin	Single sweep reset.
Top Pin	+15 V.

**TABLE 1-4 (CONT)**  
**Electrical Characteristics**

Characteristic	Performance Requirement
REMOTE RESET INPUT	Input to reset single-sweep function of time-base units installed in A and B HORIZ compartments.
Signal Required	Closure to ground or switching from the high level (+50 to +10 V; sink less than 40 $\mu$ A) to low level (+0.5 V to -5 V; sink less than 12 mA) in less than 1 msec, resets the sweep. Compatible to 15 V open collector TTL source.
Minimum Pulse Width	10 $\mu$ s at 50% amplitude points.
Maximum Safe Input Voltage	+50 V to -5 V (dc + peak ac).
A SINGLE SWEEP READY	Connector (bnc) on rear panel. Remote ready indicator for A HORIZ time-base unit.
Output Signal	Open when not ready. +5 V at 47 $\Omega$ source impedance when ready. Output will light a No. 49 bulb.
B SINGLE SWEEP READY	Connector (bnc) on rear panel. Remote ready indicator for B HORIZ time-base unit.
Output Signal	Open when not ready. +5 V at 47 $\Omega$ source impedance when ready. Output will light a No. 49 bulb.
GRATICULE/READOUT SINGLE SHOT	Connector (bnc) on rear panel. Switching to the low level (+1 V to -5 V; sink less than 2 mA) from the high level (+10 V to +15 V; sink less than 0.3 mA), in less than 1 $\mu$ sec, triggers the readout to display one complete readout frame and the GRAT ILLUM to be illuminated for approximately 0.5 sec.  Compatible to 15 V open collector TTL source.
Maximum Open Circuit Voltage	+15 V.
Maximum Safe Input Voltage	+15 V to -5 V (dc plus peak ac).
Probe Power	Two probe power connectors on rear panel.
Pin 1	+5 V.
Pin 2	Chassis ground.
Pin 3	-15 V.
Pin 4	+15 V.
Z-AXIS INPUT (External)	Connector (bnc) on rear panel.
Polarity and Sensitivity	Positive 2 V provides complete blanking from maximum intensity condition. Negative 2 V provides complete unblanking from minimum intensity condition.
Low Frequency Limit	Dc.
Input Resistance	Approximately 500 $\Omega$ .
Input Capacitance	Less than 50 pF.
Open Circuit Voltage	0 V.
Maximum Safe Input Voltage	15 V, dc plus peak ac.
Maximum Repetition Rate	1 MHz.

**TABLE 1-4 (CONT.)  
Electrical Characteristics**

Characteristic	Performance Requirement
<b>POWER SOURCE</b>	
Voltage Range (AC, RMS)	Selected by rear-panel LINE VOLTAGE SELECTOR switch.
115 V Rated	From 90 V to 132 V.
230 V Rated	From 180 V to 250 V.
Line Frequency	From 48 Hz to 440 Hz.
Maximum Power Consumption	215 W.
Maximum Current	3.3 A at 60 Hz, 90 V Line.
	1.7 A at 60 Hz, 180 V Line.
Fuse Data Line (P1200)	4 A fast blow. (For both LINE VOLTAGE SELECTOR ranges.)

**TABLE 1-5  
Environmental Characteristics**

Characteristic	Information
<b>NOTE</b>	
<i>This instrument will meet the electrical characteristics given in the Performance Requirement column of Table 1-4 over the following environmental limits.</i>	
Temperature	
Operating	0° to +50° C.
Storage	-55° to +75° C.
Altitude	
Operating	5 km (15,000 feet).
Storage	15 km (50,000 feet).
EMC (Electromagnetic Compatibility Option 3 Only)	<p style="text-align: center;"><b>NOTE</b></p> <p><i>Any unused plug-in compartments must be covered with a blank plug-in panel (EMI shielded) in order to meet EMC specifications. See Instrument Options section for additional information.</i></p> <p>Meets requirements of MIL-STD-461 A, when tested in accordance with the following test methods of MIL-STD-462: CE-01, CE-03, CS-01, CS-02, CS-06, RE-02, (Limited to 1 GHz), (T) RE-04, RS-01, and RS-03 (Limited to 1 GHz).</p>

**TABLE 1-6  
Physical Characteristics**

Characteristic	Information
Ventilation	Safe operating temperature maintained by dc fan. Automatic resetting thermal cutout protects instrument from overheating.
Finish	Anodized front- and rear-panel with blue-vinyl painted aluminum cabinet.
Overall Dimensions (measured at maximum points)	See Figure 1-1.
Height	13.6 inches. 34.5 cm.
Width	12.0 inches. 30.5 cm.
Length	23.5 inches. 59.2 cm.
Net Weight (Instrument without Plug-Ins)	43.6 lb. 19.8 kg.

### SYSTEM ELECTRICAL SPECIFICATION

Your TEKTRONIX 7104 Oscilloscope system provides exceptional flexibility in operation with a wide choice of general- and special-purpose plug-in units. The type number of a particular plug-in unit identifies its usage as follows:

The first digit (7) denotes the oscilloscope system for which the plug-in is designed (7000-series).

The second letter describes the purpose of the plug-in unit:

- A—Amplifier unit
- B—"Real time" time-base unit
- C—Curve tracer
- D—Digital unit
- L—Spectrum analyzer
- M—Miscellaneous
- S—Sampling unit
- T—Sampling time-base unit

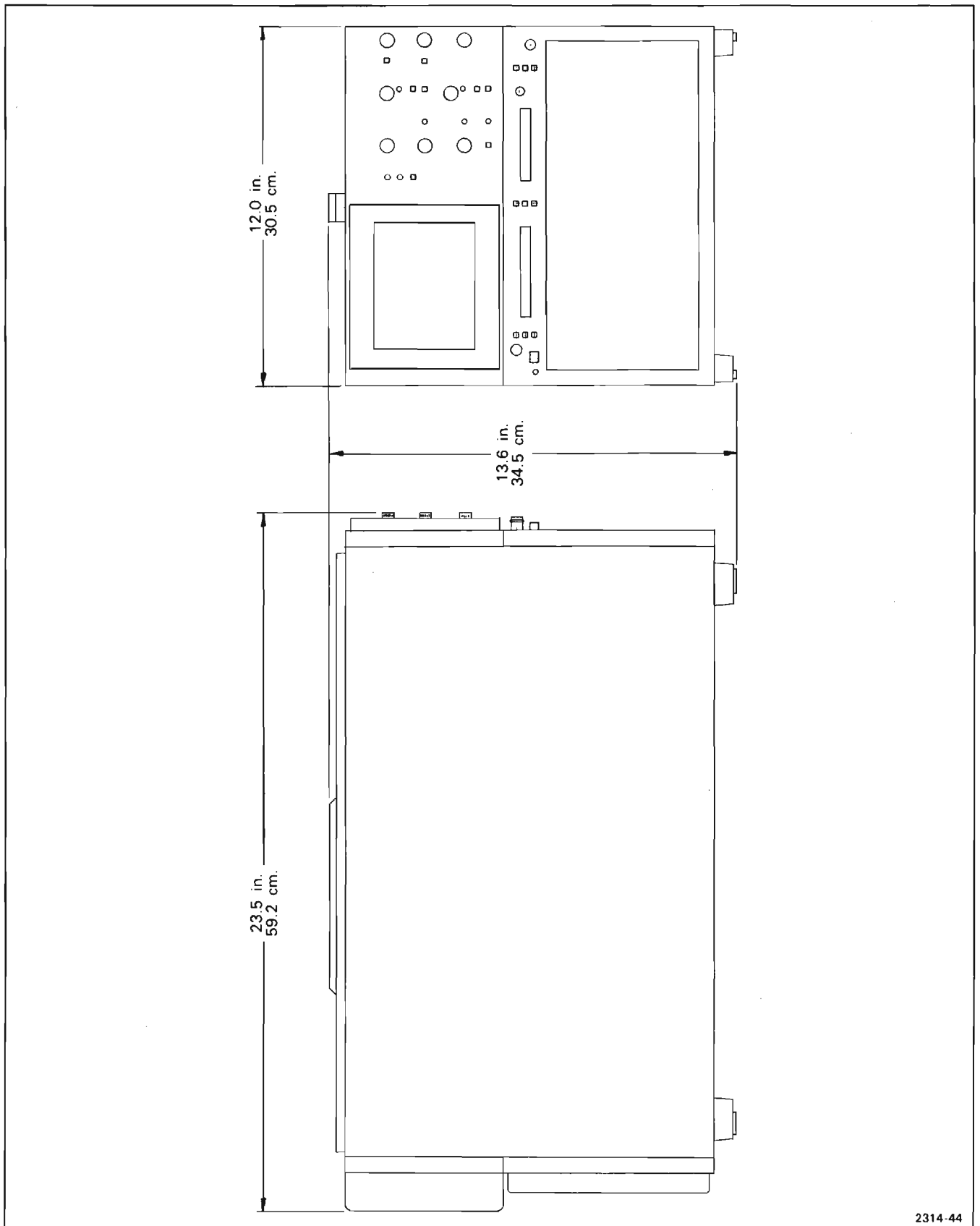
The third and fourth digits of the plug-in type number do not carry any special connotation.

A "N" suffix letter added to the normal four-digit type number identifies a unit not equipped with the circuitry necessary to encode data for the 7000-series readout system.

Table 1-7 lists the vertical specifications which are system dependent. For more complete specifications on plug-in units for the 7000-series oscilloscope system, refer to the Tektronix Products catalog.

Table 1-8 lists the horizontal specifications which are system dependent. For more complete specifications on plug-in units for the 7000-series oscilloscope system, refer to the Tektronix Products catalog.

Table 1-9 lists some special purpose plug-in units available for use with the 7104 Oscilloscope.



2314-44

Figure 1-1. 7104 dimensional drawing.



**TABLE 1-7**  
**7104 Oscilloscope Vertical System Specification**

Amplifier Plug-In Unit	Probe	Bandwidth (MHz)	Rise Time (ns)	Accuracy (%) <sup>1</sup>		VERT SIG OUT	
				0° to +50° C EXT CAL	0° to +50° C INT CAL	BW (MHz)	Tr (ns)
7A11	Integral	250	1.4	2	3	150 MHz	2.4 ns
7A12	None	105	3.4	2	3	110 MHz	3.2 ns
	P6053B			3	4		
7A13	None	100	3.5	1.5	2.5	100 MHz	3.5 ns
	P6053B					100 MHz	3.5 ns
	P6055	65	5.4			65 MHz	5.4 ns
7A14	P6021	55	6.4	2	3	50 MHz	7.0 ns
	P6022	110	3.2			100 MHz	3.5 ns
7A15A/N	None	80	4.4	2	3	70 MHz	5.0 ns
	P6053A			3	4		
7A16A	None	225	1.6	2	3	150 MHz	2.4 ns
	P6053B			3	4		
7A17	None	150	2.4			15 MHz	24 ns
7A18	None	75	4.7	2	3	70 MHz	5.0 ns
	P6053B			3	4		
7A19	None	600	0.6	3	4	600 MHz	0.6 ns
	P6056			4	5		
	P6057						
	P6201			500	0.7		
7A22	None or Any	1 MHz (within 10%)	350 (within 9%)	2	3	1.0 MHz ±10%	350 ns ±9%
7A24	None	400	0.9	3	4	200 MHz	1.75 ns
	P6056, P6057	400	0.9	4	5		
	P6201	350	1.0	4	5		
7A26	None	200 <sup>2</sup>	1.75 <sup>2</sup>	2	3	150 MHz	2.4 ns
	P6053B			3	4		
7A29	None	1000 <sup>3</sup>	0.35 <sup>3</sup>	3	4	750 MHz	0.47 ns
	P6056	1000 <sup>3</sup>	0.35 <sup>3</sup>	4	5	700 MHz	0.50 ns
	P6057	800	0.45			600 MHz	0.60 ns
	P6201	600	0.60	4	5	500 MHz	0.70 ns

<sup>1</sup> Deflection Factor accuracy is checked as follows:

EXT CAL 0° to +50° C: Plug-in gain set at a temperature within 10° C of operating temperature, using an external calibrator with accuracy within 0.25%.

INT CAL 0° to +50° C: Plug-in gain set using the oscilloscope calibrator (within 10° C of the operating temperature) in a temperature range between 0° and +50° C.

<sup>2</sup> System temperature range from 0° to +35° C; derate 10% from +35° to +50° C.

<sup>3</sup> System temperature range from 0° to +35° C.

**TABLE 1-8**  
7104 Oscilloscope System Horizontal Specification

Time-Base Unit	Performance Feature	Maximum Calibrated Sweep Rate	Triggering Frequency Range
7B10	Delayed Sweep	200 psec/div	Dc to 1000 MHz
7B15	Delaying Sweep	200 psec/div	Dc to 1000 MHz
7B92A	Display Switching	500 psec/div	Dc to 500 MHz
7B80	Delayed Sweep	1 ns/div	Dc to 400 MHz
7B85	Delaying Sweep	1 ns/div	Dc to 400 MHz

**TABLE 1-9**  
Special Purpose Plug-In Units

Plug-In	Performance Feature
7CT1N	Low-Power Semiconductor Curve Tracer
7D10	Digital Events Delay
7D11	Digital Delay
7D12	A/D Converter; plug-in modules provide flexible measurement capability
7D13	Measures Temperature, Voltage, Current and Resistance
7D14	Directly Gated Counter to 525 MHz
7K11	CATV Preamplifier
7L12	100 kHz to 1.8 GHz Spectrum Analyzer
7L13	1 kHz to 1.8 GHz Spectrum Analyzer
7M11	Dual Delay Line
7M13	Readout Access Unit
7S11	Accepts Plug-In Sampling Heads
7S12	Time Domain Reflectometer and Sampling Applications
7S14	Dual Trace Delayed Sweep Sampler
7T11	Random or Sequential; equivalent or Real-Time Sampling

## STANDARD ACCESSORIES

- 1 ea ..... Operators Manual
- 1 ea ..... Instruction Manual
- 1 ea ..... Gray Faceplate Filter (installed)
- 1 ea ..... Power Cord

# OPERATING INSTRUCTIONS

## PRELIMINARY OPERATION

To operate this instrument effectively, the user must become familiar with the operation and capabilities of the instrument. This section describes the use of front- and rear-panel controls and connectors.

### WARNING

*To avoid electric-shock hazard, see Installation in the General Information section of this manual before operating this instrument.*

## REDUCTION OF DISPLAY GAIN WITH DISPLAY OUTPUT CHARGE

It is a characteristic of the 7104 crt to have permanently diminished display gain in the locations of sustained trace operation. This gain reduction manifests itself as reduced writing speed. The gain is diminished in proportion to the logarithm of the charge output (current-time product) from a given display area of the microchannel plate image amplifier.

The limited viewing time system with its two panel indicators, LIMITED VIEWING TIME and SHUTDOWN, and its RESET pushbutton is included to enable long-term use of the crt display by discouraging (1) high continuous trace current operation and (2) long-term, unattended trace-on operation:

For average display currents below  $0.2 \mu\text{A}$  the yellow LIMITED VIEWING TIME indicator remains off, and display shutdown does not occur. When the average display current is  $0.2 \mu\text{A}$ , the indicator comes on and shutdown occurs in 20 minutes. This time drops to two minutes for an average display current of  $2 \mu\text{A}$ . The average display current is limited by feedback to the  $2 \mu\text{A}$  value. (Single-shot display current is not limited by this system.)

With this limited viewing time system, the user need not be overly cautious about the intensity that is used for the waveform display. However, the user will want to consider the following:

1. If the display INTENSITY is operated below the LIMITED VIEWING TIME threshold ( $0.2 \mu\text{A}$  current), the gain loss per unit operating time will be small, but the display will not be shut down when left for extended unattended or unused times.

2. If the display INTENSITY is operated continuously above the LIMITED VIEWING TIME threshold of  $0.2 \mu\text{A}$ , the RESET pushbutton will have to be pressed periodically. When however the display is used such that the display current is reduced momentarily below the  $0.2 \mu\text{A}$  threshold before the SHUTDOWN time is reached, the RESET function occurs automatically.

The user can minimize gain loss by taking precautions in three areas: (1) Readout intensity, (2) Trace baselines, and (3) X-Y Displays.

### 1. Readout intensity

The fixed location, small area, and often fixed pattern of the readout tends to aggravate the gain loss in this area so it is advised that the readout display intensity be kept low.

### 2. Trace baselines

There will, in time, be distinguishable gain loss in the region of the trace baseline(s). Less severe gain loss will result by using different baseline locations rather than repeatedly using fixed locations for these, such as the 0% line. Operating the timebase in NORMAL trigger mode rather than AUTO trigger mode (bright baseline) will reduce the trace baseline gain loss by removing the trace in the absence of a triggering signal.

### 3. X-Y displays

Operating in an X-Y mode often means more concentrated display current and hence more concentrated associated gain loss. The user will want to take care that stationary spots or small area displays are not allowed to be operated for extended time periods.

## PLUG-IN UNITS

The 7104 accepts up to four Tektronix 7000-series plug-in units, allowing selection of bandwidth, sensitivity, display mode, etc., and provides for future expansion of the system.

The overall capabilities of the system are mainly determined by the characteristics of the selected plug-ins. Some typical combinations are given under Applications, in this section, along with simplified set up instructions. For information on other plug-in units, refer to the current Tektronix Products catalog.

## INSTALLATION OF PLUG-IN UNITS



*To prevent instrument damage plug-in units should not be installed or removed without first turning the instrument power off.*

To install a plug-in unit into a compartment, align the slots in the top and bottom of the plug-in unit with the associated guide rails in the plug-in compartment. Insert the plug-in unit into the compartment until it locks into place. To remove a plug-in unit, pull out on the release latch to disengage the plug-in. To meet the EMC (electromagnetic compatibility) specifications, cover all unused plug-in compartments with an EMC shielded blank plug-in panel, Tektronix Part 016-0155-00.

The gain of the 7104 vertical and horizontal systems have been normalized to allow plug-in units to be interchanged among plug-in compartments without adjustment of the system. The basic calibration of the plug-in units should be checked when installed to verify their accuracy (refer to the operating instructions in the plug-in manual).

## CONTROLS AND CONNECTORS

The 7104 front and rear panels are shown in Figure 2-1 and Figure 2-2. A brief, functional description of each control and connector is included in the illustration. Refer to Detailed Operating Information for additional information.

### FRONT-PANEL COLOR CODING

The 7104 front panel is color coded to define areas by function. Blue identifies the display mode controls; green identifies triggering controls.

Other colors such as gray, orange and yellow, have no functional assignment, but indicate the relationship among controls and/or connectors.

## OPERATORS CHECKOUT PROCEDURE

The Operators Checkout Procedure may be used to verify proper operation of the front-panel controls and for familiarization with the instrument. Only instrument functions (not measurement quantities or specifications) are checked in the procedure; therefore, a minimum amount of test equipment is required. If performing the Operators Checkout Procedure reveals improper performance or instrument malfunction, check the operation of associated equipment; then refer to qualified service personnel for repair or adjustment of the instrument.

## TEST EQUIPMENT REQUIRED

The following test equipment was used in preparing the Operators Checkout Procedure. Other test equipment which meets these requirements may be substituted. When other equipment is substituted, the control settings or setup may need to be altered.

### 1. Function Generator

**Description:** Frequency range, 250 kilohertz to 1 megahertz; output amplitude, two volts peak-to-peak into 50 ohms; waveform, sine wave.

**Type Used:** TEKTRONIX SG 503 (used with TM 500 power module).

### 2. Cables (2 Required)

**Description:** Length, 42 inches; connectors, bnc.

**Type Used:** Type RG-58/U, 50-ohm coaxial, Tektronix Part 012-0057-01.

### 3. T Connector

**Description:** Connectors, bnc-to-bnc.

**Type Used:** Bnc-to-bnc connector, Tektronix Part 103-0030-00.

### 4. Adapter

**Description:** Connectors, bnc female-to-bnc female.

**Type Used:** Bnc female-to-bnc female, Tektronix Part 103-0028-00.

## PRELIMINARY SETUP

### 1. Set the front-panel controls as follows:

A INTENSITY .....	counterclockwise
FOCUS .....	midrange
B INTENSITY .....	counterclockwise
READOUT .....	OFF
GRAT ILLUM .....	counterclockwise
POWER .....	OFF
CALIBRATOR .....	4 V
VERTICAL MODE .....	LEFT
A TRIGGER SOURCE .....	VERT MODE
HORIZONTAL MODE .....	A
VERT TRACE SEPARATION (B) .....	midrange
B TRIGGER SOURCE .....	VERT MODE

2. Connect the 7104 to a power source that meets the voltage and frequency requirements of this instrument. If the available line voltage is outside the limits of the LINE VOLTAGE SELECTOR switch setting (on rear panel), see Operating Power Information under Installation (General Information section).

3. Install Tektronix 7A-series amplifier units in the LEFT VERT and RIGHT VERT compartments. Install Tektronix 7B-series time-base units in the A HORIZ and B HORIZ compartments.

4. Press the POWER switch to the on (locked in) position.

5. Set both time-base units to 1 millisecond/division and triggering to auto mode with ac coupling from the internal source.

6. Rotate the A INTENSITY control until the trace is at a desirable viewing level (near midrange).

7. Connect the CALIBRATOR output to the input of the left amplifier unit with a 42-inch bnc cable.

8. Set the left amplifier deflection factor to display a signal amplitude of 2 divisions on the crt.

9. Set the A horizontal time-base triggering for a stable display.

### DISPLAY FOCUS

10. Rotate the FOCUS and ASTIG controls and observe the square-wave display. Notice that the thickness of the trace varies. Set the FOCUS and ASTIG controls for a well-defined trace.

### TRACE ALIGNMENT

11. Disconnect the input signal. Using the left amplifier position control align the trace with the center horizontal graticule line. If necessary use the TRACE ROTATION control to align the trace with the center graticule line.

### GRATICULE ILLUMINATION

12. Rotate the GRAT ILLUM control throughout its range and notice that the graticule lines are illuminated as the control is turned clockwise.

### CONTROL ILLUMINATION

13. Set the rear-panel CONTROL ILLUMINATION switch to HIGH. Notice that the A INTENSITY indicator and the lighted pushbutton switches are all illuminated. Sequentially press all of the HORIZONTAL MODE switch positions and notice the A and B INTENSITY lights; these lights indicate which intensity control is active. Set the CONTROL ILLUMINATION switch to the MEDIUM position. Observe that the selected intensity indicator and the lighted pushbutton switches on the plug-in units are dimmed.

14. Set the rear-panel CONTROL ILLUMINATION switch to the HIGH position. Return the HORIZONTAL MODE switch to A.

### VERTICAL DEFLECTION SYSTEM

15. Connect the 4 V CALIBRATOR output to the input connectors of both amplifier units with two 42-inch bnc cables and a bnc T connector. Set the deflection factor of the left amplifier unit to display about 2 divisions of signal on the crt.

16. Notice that the position control of only the left amplifier unit affects the vertical position of the displayed trace. Position the trace to the upper half of the graticule.

17. Set the VERTICAL MODE switch to RIGHT. Set the deflection factor of the right amplifier unit to display about 2 divisions of signal on the crt.

18. Notice that the position control of only the right amplifier unit affects the vertical position of the displayed trace. Position the trace to the lower half of the graticule.

19. Set the VERTICAL MODE switch to ALT. Two traces should be displayed on the crt. The top trace is produced by the left amplifier unit and the bottom trace is produced by the right amplifier unit; the sweep for both traces is produced by the A time-base unit. Set the sweep rate of the A time-base unit to 50 milliseconds/division; notice the display alternates between the left and right amplifier plug-in units after each sweep. Turn the A time-base sweep rate switch through its range; notice that the display alternates between amplifier units at all sweep rates.

20. Set the VERTICAL MODE switch to CHOP. Turn the A time-base unit sweep rate switch throughout its range. A dual-trace display will be presented at all sweep rates, and both amplifier units are displayed by the A time-base unit on a time-sharing basis. Set the A time-base unit sweep rate switch to 0.5 millisecond/division.

21. Set the VERTICAL MODE switch to ADD. The display should be four divisions in amplitude. Notice that the position control of either amplifier unit moves the display. Set the VERTICAL MODE switch to LEFT.

### HORIZONTAL DEFLECTION SYSTEM

22. Position the start of the trace to the left graticule line with the A time-base unit position control. Notice that the position control of only the A time-base unit affects the horizontal position of the displayed trace (not the position of the B time-base unit).

23. Set the HORIZONTAL MODE switch to B.

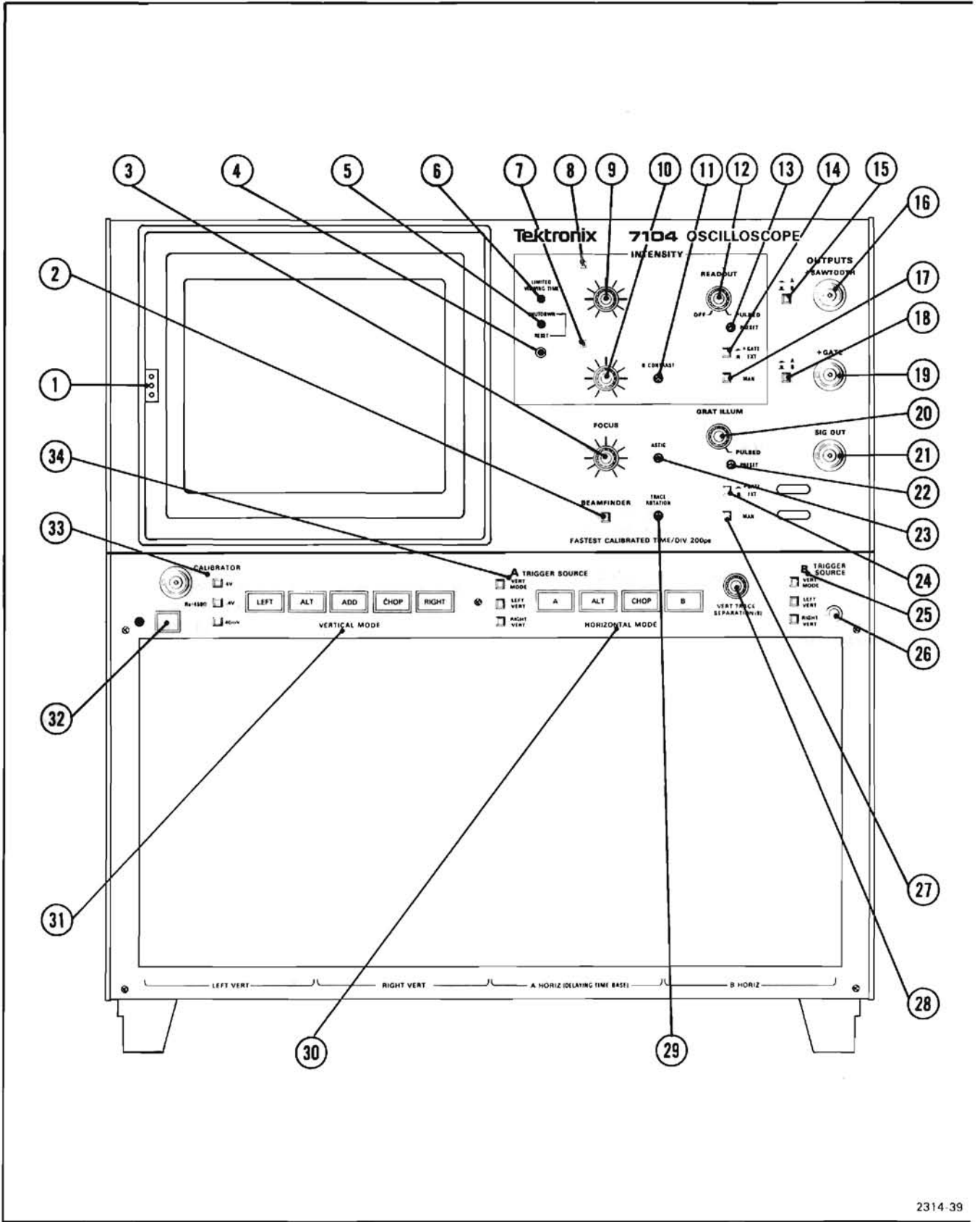
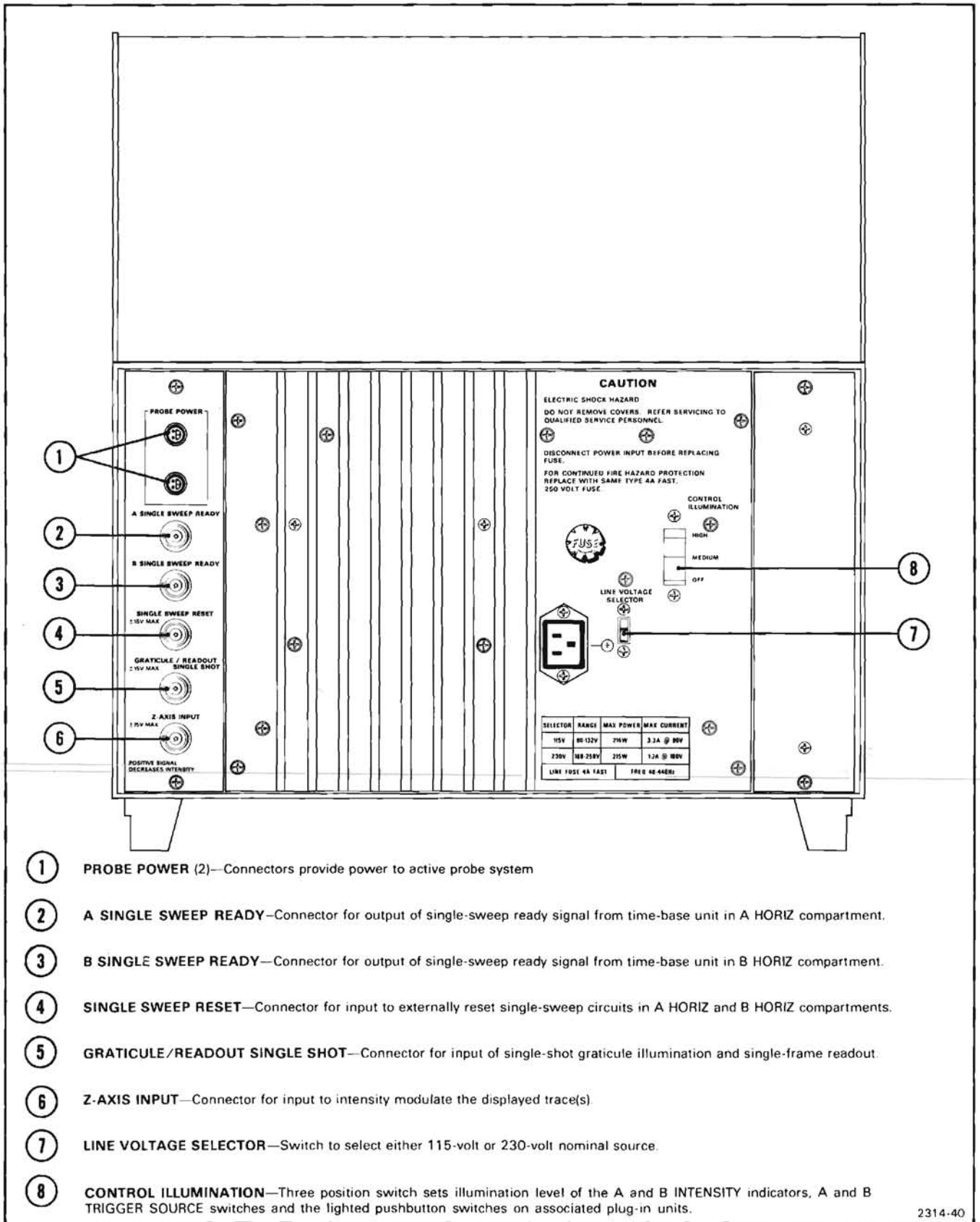


Figure 2-1. Front-panel controls, connectors and indicators.

- ① **Camera Power Connector (not labeled)**—Three-pin connector provides power for camera operation and receives single sweep-reset signal.
- ② **BEAMFINDER**—Switch when pressed compresses and defocuses display within graticule area.
- ③ **FOCUS**—Control optimizes crt trace definition.
- ④ **RESET**—Switch when pressed initiates another cycle of viewing time.
- ⑤ **SHUTDOWN**—Indicator to signal that crt display is off.
- ⑥ **LIMITED VIEWING TIME**—Indicator to signal that crt display shutdown will occur.
- ⑦ **B INTENSITY**—Indicator illuminates when selected by the HORIZONTAL MODE switch.
- ⑧ **A INTENSITY**—Indicator illuminates when selected by the HORIZONTAL MODE switch.
- ⑨ **A INTENSITY**—Control to determine brightness of trace produced by the plug-in unit installed in the A HORIZ compartment.
- ⑩ **B INTENSITY**—Control to determine brightness of trace produced by the plug-in unit installed in the B HORIZ compartment.
- ⑪ **B CONTRAST**—Control varies brightness of intensified portion of display.
- ⑫ **READOUT INTENSITY**—Control to determine brightness of readout display. Disables Readout System in counterclockwise detent position. Activates PULSE in clockwise detent position.
- ⑬ **READOUT PRESET**—Adjustment (PULSED operation only) sets PULSED readout intensity.
- ⑭ **READOUT +GATE OR EXT**—Switch to select either +GATE or EXT actuation of the PULSED readout mode.
- ⑮ **A OR B +SAWTOOTH**—Switch to select A or B time-base unit as source for +SAWTOOTH OUTPUT signal.
- ⑯ **+SAWTOOTH**—Connector to output signal derived from the A or B time-base unit.
- ⑰ **READOUT MAN**—Switch when pressed actuates one frame of readout display.
- ⑱ **A OR B +GATE**—Switch to select either A or B time-base unit as source of +GATE output.
- ⑲ **+GATE**—Connector to output positive-going gate signal from the time-base unit in the A or B horizontal compartment.
- ⑳ **GRAT ILLUM**—Control varies level of graticule illumination or activates PULSED GRAT ILLUM functions.
- ㉑ **SIG OUT**—Connector to output signal derived from vertical signal as selected by B TRIGGER SOURCE switch.
- ㉒ **GRAT ILLUM PRESET**—Screwdriver adjustment to vary level of graticule illumination in GRAT ILLUM PULSED mode.
- ㉓ **ASTIG**—Screwdriver adjustment used in conjunction with FOCUS control to obtain a well defined display.
- ㉔ **GRAT ILLUM +GATE OR EXT**—Switch to select between +GATE or EXT actuation of graticule illumination.
- ㉕ **B TRIGGER SOURCE**—Switches select internal trigger source for B HORIZ plug-in unit.
- ㉖ **Ground (not labeled)**—Binding post to establish common ground between associated equipment.
- ㉗ **GRAT ILLUM MAN**—Switch when pressed actuates one graticule illumination.
- ㉘ **VERT TRACE SEPARATION (B)**—Control vertically positions the B HORIZ trace with respect to the A HORIZ trace (dual-sweep only).
- ㉙ **TRACE ROTATION**—Screwdriver adjustment to align trace(s) with graticule lines.
- ㉚ **HORIZONTAL MODE**—Switches select input source for horizontal deflection.
- ㉛ **VERTICAL MODE**—Switches select source of input for vertical deflection.
- ㉜ **POWER (Switch and Indicator)**—Switch controls power to instrument; indicator illuminates when power is on.
- ㉝ **CALIBRATOR**—Switches select 4 V, 0.4 V, and 40 mV calibrated square-wave voltages at 1 kHz repetition rate at connector output.
- ㉞ **A TRIGGER SOURCE**—Switches select internal trigger source for A HORIZ plug-in unit.

2314-39

Figure 2-1. Front-panel controls, connectors and indicators (continued).



2314-40

Figure 2-2. Rear-panel controls and connectors.



24. Notice that the position control of only the B time-base unit affects the horizontal position of the displayed trace. Position the start of the trace to the left graticule line with the B time-base unit position control.

25. Set the HORIZONTAL MODE switch to ALT. Two traces should be presented on the crt. If the traces overlap, adjust the VERT TRACE SEPARATION (B) control to position one trace to the bottom of the graticule area. Turn the sweep rate switches of both time-base units throughout their range. Observe that each time-base unit controls one of the traces independently of the other time-base unit. Also notice that when one of the time-base units is set to a slow sweep rate (below about 50 milliseconds/division), sweep alternation is evident (only 1 of the traces is presented on the crt at a time). Set the sweep rates of both time-base units to 0.5 milliseconds/division. Rotate the A INTENSITY control; notice that the intensity of the trace produced by the A time-base unit changes. Likewise, the B INTENSITY control changes the intensity of the trace produced by the B time-base unit only. Return both intensity controls to desirable levels.

26. Set the HORIZONTAL MODE switch to CHOP. Two traces should be displayed on the crt in a manner similar to that of the ALT display. Turn the sweep rate switches of both time-base units throughout their ranges.

27. Set the CALIBRATOR switch to 0.4 V. Set the VERTICAL MODE switch to CHOP. Four traces should be displayed on the crt. If not, adjust the position controls of the amplifier units and the VERT TRACE SEPARATION (B) control to position the four traces into view. Set the position controls of the plug-in units to identify which trace is produced from each plug-in unit (if amplifier units have the identify feature, it can be used to identify the traces). Set the A time-base unit for a sweep rate of 1 millisecond/division. The left amplifier unit should be displayed at the sweep rate of both time-base units.

28. Set the HORIZONTAL MODE switch to ALT. Observe that the display is very similar to that obtained in the previous sweep. The main difference in this display is that the traces are now displayed alternately (noticeable only at slow sweep rates).

29. Set the VERTICAL MODE switch to ALT. Set the CALIBRATOR switch to 4 V. The trace produced by the left amplifier unit should be displayed at the sweep rate of the B time-base unit and the trace produced by the right amplifier unit should be displayed at the A time-base unit sweep rate. This feature is called independent-pairs operation and is obtained only when the VERTICAL MODE switch is in the ALT position, the HORIZONTAL MODE switch is in either the ALT or the CHOP position, and the time-base units are in the independent mode.

## TRIGGERING

30. Set the VERTICAL MODE switch to LEFT and the HORIZONTAL MODE switch to A. Center the display on

the crt with the left amplifier unit position control. Disconnect the input signal from the right amplifier unit input connector. Sequentially select all of the VERTICAL MODE switch positions. Notice that a stable display is obtained for all positions of the VERTICAL MODE switch (straight line in RIGHT switch position).

31. Set the A TRIGGER SOURCE switch to LEFT VERT. Again, sequentially select all of the VERTICAL MODE switch positions; notice that the display is again stable in all positions, as in the previous step, and that the LEFT VERT pushbutton is illuminated.

32. Set the A TRIGGER SOURCE switch to RIGHT VERT. Sequentially select all of the VERTICAL MODE switch positions and notice that a stable display cannot be obtained in any position (this is because there is no input signal connected to the right vertical unit) and that the RIGHT VERT pushbutton is illuminated. Return the A TRIGGER SOURCE switch to VERT MODE and notice that it is illuminated.

33. The B TRIGGER SOURCE switch operates in a manner similar to the A TRIGGER SOURCE switch when the B time-base unit is selected to provide the display. Set the B TRIGGER SOURCE switch to VERT MODE and the VERTICAL MODE switch to ALT.

34. Set the HORIZONTAL MODE switch to ALT or CHOP. Notice that this is the same display obtained in step 29 (independent-pairs operation).

## READOUT

35. Turn the READOUT control clockwise until an alphanumeric display is visible within the top or bottom division of the crt. Change the deflection factor of the amplifier unit that is selected for display. The appropriate readout display should change as the deflection factor is changed. Likewise, change the sweep rate of the time-base unit which is selected for display; the readout display for the time-base unit should change as the sweep rate is changed.

36. Set the time-base unit for X10 magnification. Notice that the readout display will change to indicate the correct magnified sweep rate. If a readout-coded 10X probe is available for use with the amplifier unit, install it on the input connector of the right amplifier plug-in unit. Notice that the deflection factor indicated by the readout is increased by 10 times when probe is added. Return the time-base unit to normal sweep operation and disconnect the probe.

37. Sequentially select all of the VERTICAL MODE and HORIZONTAL MODE switch positions. Notice that the readout from a particular plug-in occupies a specific location on the display area. If either of the vertical plug-in units is a dual-trace unit, the readout for channel 2 is displayed within the lower division of the crt. Return the VERTICAL MODE switch to LEFT and the HORIZONTAL MODE switch to A. Set the READOUT control to OFF.

### BEAMFINDER

38. Set the deflection factor of the left amplifier unit to 10 millivolts/division and the calibrator for a 4 V output. Notice that the square-wave display is not visible, since the deflection exceeds the scan area of the crt.

39. Press the BEAMFINDER pushbutton switch; notice that the display is returned to the viewing area in compressed form. Release the BEAMFINDER switch and notice that the display again disappears from the viewing area.

40. With the BEAMFINDER switch pushed in, increase the amplifier-unit deflection factor until the display is reduced to about 2 divisions vertically. Adjust the position control of the displayed amplifier unit to position the compressed display near the center of the graticule. Release the BEAMFINDER switch and observe that the display remains within the viewing area.

### CALIBRATOR

41. Connect the CALIBRATOR output to both the left and right vertical units with two bnc cables and a bnc T connector. The display amplitude should be approximately 2 divisions. If not, adjust the deflection factor accordingly.

42. Select different CALIBRATOR pushbuttons (labeled 4 V, 0.4 V, and 40 mV) and notice that the displayed signal changes accordingly. (CALIBRATOR output must be terminated into more than a 100-kilohm load for stated output.) When the CALIBRATOR output is terminated into 50 ohms, the output is 0.1 times the stated output.

### Z-AXIS INPUT

43. If an external signal is available (+2 volts peak-to-peak minimum), the function of the Z-AXIS INPUT can be demonstrated. Connect the external signal to both the input connector of the displayed amplifier unit and the Z-AXIS INPUT connector. Set the sweep rate of the displayed time-base unit to display about 5 cycles of signal. Set the amplitude of the signal generator until intensity modulation is visible on the display (change the amplifier unit deflection factor as necessary to produce an on-screen display). The positive peaks of the waveform should be blanked out and the negative peaks intensified. Notice that the setting of the intensity control determines the amount of intensity modulation that is visible. Disconnect the cables.

### INTENSITY LIMITING

44. Connect a sinewave signal to the input of the displayed amplifier unit. Set the amplifier deflection factor to display 8 divisions of signal. Set the displayed time-base unit to display at least 20 cycles. Rotate the A or B INTENSITY control clockwise and observe that the yellow LIMITED VIEWING TIME light turns on and then flashes on and off as the intensity control is rotated further clockwise. With the LIMITED VIEWING TIME light flashing, the intensity is limited. Rotating the intensity control clockwise does not increase the displayed

brightness. Notice that after about two minutes the red SHUTDOWN light starts flashing and then after about 10 seconds turns on steady; at the same time the crt display is turned off. Press the RESET button and the display should return.

## DETAILED OPERATING INFORMATION

### GRATICULE

The graticule is marked on the inside of the crt faceplate, providing accurate, parallax-free measurements. The graticule is divided into eight vertical and ten horizontal divisions. Each division is a 0.85 centimeter square divided into five minor divisions along each axis. The vertical gain and horizontal timing of the plug-in units are calibrated to the graticule so that accurate measurements can be made from the crt. The illumination of the graticule lines can be varied with the GRAT ILLUM control.

Figure 2-3 shows the graticule and defines the various measurement lines. The terminology defined here will be used in all discussions involving measurements from the graticule. The markings: 0%, 10%, 90%, and 100% on the left side of the graticule are for accurate rise-time measurements.

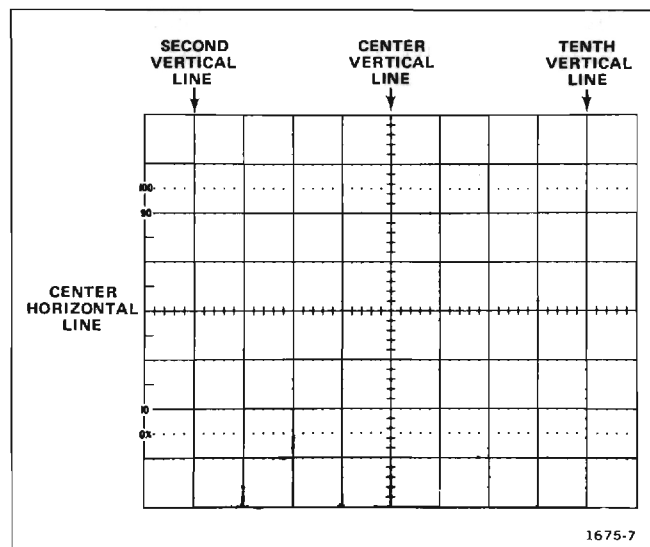


Figure 2-3. Definition of graticule measurement lines.

### GRATICULE ILLUMINATION

The GRAT ILLUM control varies the illumination of the graticule lines. The GRAT ILLUM can also be operated in the PULSED mode. With the GRAT ILLUM control set to the PULSED detent position, and the + GATE/EXT switch set to + GATE, the graticule will be illuminated momentarily after the + GATE occurs. The + GATE

switch selects whether A gate or B gate triggers the graticule illumination. With the GRAT ILLUM + GATE/EXT switch set to EXT the momentary graticule illumination can be actuated by applying a remote signal to the rear panel GRATICULE/READOUT SINGLE SHOT connector (see Table 1-4 for specifications). When operating in the PULSED mode, the level of illumination is controlled by the GRAT ILLUM PRESET screwdriver adjustment.

### LIGHT FILTER

The tinted face-plate filter minimizes light reflections from the face of the crt to improve contrast when viewing the display under high-ambient-light conditions. This filter may be removed for waveform photographs or for viewing high-writing-rate displays. To remove the filter, pull outward on the bottom of the plastic crt mask and remove it from the crt bezel. Remove the tinted filter; leave the clear plastic face-protector (implosion shield) installed and replace the mask. The face-plate protector should be left in place at all times to protect the crt face from scratches and the operator from crt implosion.

### WARNING

*Do not remove the clear plastic implosion shield covering the crt face plate; the implosion shield provides protection to the operator from crt implosion.*

An optional mesh filter is available from Tektronix (included with Option 3). This filter provides shielding against radiated EMI (electromagnetic interference) from the face of the crt. It also serves as a light filter to make the trace more visible under high-ambient conditions. The mesh filter fits in place of the plastic tinted filter. Order the filter by Tektronix Part 378-0603-00.

### CONTROL ILLUMINATION

The CONTROL ILLUMINATION switch, located on the rear panel, sets the illumination level of the A and B INTENSITY indicators, the A and B TRIGGER SOURCE switches, and of the lighted pushbutton switches on the plug-in units. The positions available are OFF, MEDIUM, and HIGH. The CONTROL ILLUMINATION switch does not affect the function-indicator lights (such as triggered or single sweep ready lights).

### INTENSITY CONTROLS

The A INTENSITY control determines the brightness of the display produced by the plug-in unit installed in the A HORIZ compartment. The B INTENSITY control determines the brightness of the display produced by the plug-in unit installed in the B HORIZ compartment. The READOUT intensity control affects the brightness of only the readout portion of the crt display.

### CAUTION

*Care should be taken when operating the intensity controls. See: Reduction of Display Gain with Display Output Charge in section 2.*

### DISPLAY FOCUS

This instrument contains an automatic-focusing circuit which maintains optimum focus for all intensity settings after a correct setting of the FOCUS control is established. The easiest way to obtain the correct setting of the FOCUS control is to set the READOUT INTENSITY control so that the readout portion of the display is clearly visible. Adjust the FOCUS control for the best definition of the readout display.

### ASTIGMATISM-FOCUS ADJUSTMENTS

If a well-defined display cannot be obtained with the FOCUS control, set the ASTIG adjustment as follows:

#### NOTE

*To check for proper setting of the ASTIG adjustment, slowly turn the FOCUS control through the optimum setting. If the ASTIG adjustment is correctly set, the vertical and horizontal portions of the display will focus at the same position of the FOCUS control. This setting of the ASTIG adjustment should be correct for any display.*

1. Install an amplifier unit in the LEFT VERT compartment and a time-base unit in the A HORIZ compartment.
2. Set the VERTICAL MODE switch to LEFT and the HORIZONTAL MODE switch to A.
3. Connect the output of a sine-wave generator to the input of the amplifier unit. Set the sine-wave generator repetition rate to 1 kilohertz and the vertical amplifier deflection factor for a 2-division display.
4. Set the time-base unit sweep rate for 0.2 millisecond/division and the triggering for a stable display. Set the A INTENSITY control so the display is at a usable intensity level (about midrange).
5. Turn the FOCUS control fully counterclockwise and set the ASTIG adjustment to midrange.
6. Set the FOCUS control so the thickness of the sine-wave trace is as thin as possible.
7. Adjust the ASTIG adjustment so the width of the sine-wave trace is as thin as possible.
8. Repeat steps 6 and 7 for the best overall focus.

### BEAMFINDER

The BEAMFINDER helps to locate a display that overscans the crt viewing area vertically and/or horizontally. When the BEAMFINDER button is pressed, the display is compressed and defocused within the graticule area. To locate and reposition an overscanned display, use the following procedure:

1. Press the BEAMFINDER pushbutton. While the display is compressed adjust the vertical and horizontal position controls to center the display. Change the vertical and horizontal deflection factors until the vertical deflection is about four divisions high and the horizontal deflection is about six divisions wide (the horizontal deflection needs to be reduced only when operating in an X-Y mode).
2. Release the BEAMFINDER pushbutton; the display should remain within the graticule area.

### TRACE ALIGNMENT

The TRACE ROTATION control allows the trace to be aligned with the horizontal graticule lines. To set the control, position the trace to the center horizontal line and adjust the TRACE ROTATION control so that the trace is parallel with the center horizontal graticule line.

### READOUT DISPLAY

The Readout System provides an alphanumeric display of information on the crt along with the analog waveform display. The information displayed by the Readout System is obtained from the plug-in units installed in the plug-in compartments.

The readout information from each channel of a plug-in unit is called a word. Up to eight words of readout information can be displayed on the crt (two channels from each of the four plug-in compartments). The location of each readout word is fixed and is directly related to the plug-in unit and channel from which it originated. Figure 2-4 shows the area of the graticule where the readout from each plug-in unit and/or channel is displayed. Notice that the readout from channel 1 of each plug-in unit is displayed in the top division of the graticule and the readout from channel 2 is displayed directly below in the bottom division of the graticule. Usually, the readout information for plug in units and/or channels, which are selected by the mode switches, appear in the readout display. (Some special purpose plug-in units may over-ride the mode switches to display readout even though the compartment is not selected for display.)

### Readout Identify

An "Identify" feature is provided by the Readout System to correlate the readout word with the originating plug-in unit and channel (amplifier units only). When the "identify" button of an amplifier unit is pressed, the word IDENTIFY appears in the readout location allocated to that plug-in and channel. Other readout words in the display remain unchanged. When the "identify" button is

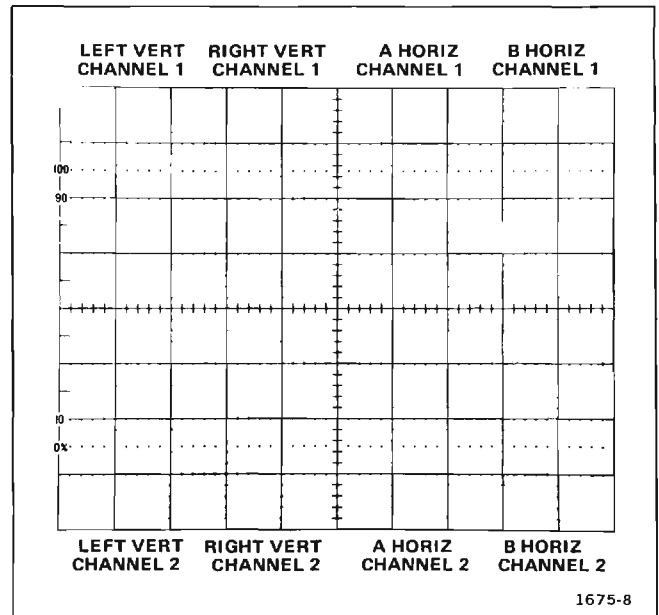


Figure 2-4. Location of readout on the crt identifying the originating plug-in and channel.

released, the readout display from this plug-in channel is again displayed. Circuitry may also be provided in the amplifier unit to produce a noticeable change in the analog waveform display to identify the associated trace when the "identify" button is pressed (see the plug-in unit instruction manual for details).

### Readout Intensity

The READOUT control determines the intensity of only the readout portion of the display, independently of the other traces. The Readout System is inoperative when the READOUT control is in the fully counterclockwise OFF position. This may be desirable when the top and bottom divisions of the graticule are to be used for waveform display or when the trace interruptions necessary to display characters interfere with the waveform display.

### Readout Modes

The READOUT control determines the operating mode of the Readout System. With the READOUT control set to free run (out of OFF or PULSED detent positions) the Readout System operates continuously, interrupting the crt display at random (for about 20 microseconds) in order to write each character on the crt. With the READOUT control set to the PULSED position, the Readout System operates in a triggered mode; one complete frame (up to eight words) of readout is displayed. The + GATE or EXT switch determines whether readout is displayed at the end of the + GATE or when an external signal is applied to the rear-panel GRATICULE/READOUT SINGLE SHOT input. The + GATE switch selects whether A gate or B gate triggers the readout.

One frame of readout information is also displayed each time the READOUT MAN (manual) pushbutton is pressed. The brightness of the readout display, when operating in the PULSED mode, is set by the READOUT PRESET control.

**CARE OF CRT SCREEN**

The following precautions will prolong the useful life of the crt screen used in this instrument.

1. Use minimum beam intensity to produce a clear, well-defined display.
2. Avoid repeated use of the same area of the screen. If a particular waveform is to be displayed for a long period of time, change the vertical position occasionally to use other portions of the display area.
3. Use minimum READOUT INTENSITY to display the readout. For more information see Reduction of Display Gain with Display Output Charge in section 2.

**VERTICAL AND HORIZONTAL MODE COMBINATIONS**

There are 20 possible combinations of VERTICAL MODE and HORIZONTAL MODE switch settings. The total possible number of display combinations is further multiplied by the variety of plug-in units available for use with this instrument, the interchangeability of plug-ins (i.e., either an amplifier or a time-base unit can be installed in any compartment), and by the capabilities of the plug-in units which are used in the instrument (e.g., a dual-trace amplifier unit can be used in either of the two single-channel modes, in the dual-trace mode or algebraically-added mode; a delaying time base may be used either for a sweep or for delayed sweep). Therefore, it is difficult to list all of the display combinations which can occur during use of the 7104 and available plug-in units. Table 2-1 lists the combination of VERTICAL MODE and HORIZONTAL MODE switch positions available and the type of display obtained with each combination.

**Vertical Modes**

When the LEFT or RIGHT button of the VERTICAL MODE switch is pressed, only the signal from the plug-in unit in the selected compartment is displayed.

**Alternate Mode.** The ALT position of the VERTICAL MODE switch produces a display which alternates between the LEFT VERT and RIGHT VERT compartments with each sweep of the crt. Although the ALT mode can be used at all sweep rates, the CHOP mode provides a more satisfactory display at sweep rates below 20 milliseconds/division. At these slower sweep rates, alternate-mode switching becomes perceptible.

Alternate Mode displays have three types of triggering available. When the A and B TRIGGER SOURCE switches

**TABLE 2-1**  
**Display Combinations<sup>1</sup>**

Vertical Mode	Horizontal Mode	Comments
LEFT	A or B	One trace. Vertical deflection from single unit; horizontal deflection from single unit.
	ALT or CHOP	Two traces. Vertical deflection from single unit; horizontal deflection from both units.
ALT	A or B	Two traces. Vertical deflection from both units; horizontal deflection from single unit.
	ALT or CHOP	Two traces. Vertical deflection from both units; horizontal deflection from both units.
ADD	A or B	One trace. Vertical deflection shows algebraic summation of signals from both units; horizontal deflection from single unit.
	ALT or CHOP	Two traces. Vertical deflection shows algebraic summation of signals from both units; horizontal deflection from both horizontal compartments.
CHOP	A or B	Two traces. Vertical deflection shows signals from both units; horizontal deflection from single unit.
	ALT or CHOP	Four traces. Vertical deflection shows signals from both units; horizontal deflection from both units.
RIGHT	A or B	One trace. Vertical deflection shows signal from single unit; horizontal deflection from single unit.
	ALT or CHOP	Two traces. Vertical deflection shows signal from single unit; horizontal deflection from both units.

<sup>1</sup>Combinations given for single-channel vertical and horizontal units only.

are set to the VERT MODE positions, each sweep is triggered by the signal being displayed on the crt. This provides a stable display of two unrelated signals, but does not indicate the time relationship between the signals. In either the LEFT VERT or RIGHT VERT positions of the TRIGGER SOURCE switches, the two signals are displayed showing true time relationship. However, if the signals are not time related, the display from the plug-in that is not providing a trigger signal will be unstable on the crt. The TRIGGER SOURCE switches are illuminated indicating the source of the trigger signal.

When the ALT VERTICAL MODE position is selected and either the ALT or CHOP button of the HORIZONTAL MODE switch is selected, the instrument operates in the independent-pairs mode. Under this condition, the signal from the LEFT VERT unit is always displayed at the sweep rate of the B HORIZ time-base unit, and the signal from the RIGHT VERT unit is displayed at the sweep rate of the A HORIZ time-base unit (non-delayed sweep only). This results in two displays that are completely independent as to vertical deflection and sweep rate. This display is equivalent to the display obtainable with a dual-beam oscilloscope for most repetitive-display combinations.

In independent-pairs mode with the A and B TRIGGER SOURCE switches set to VERT MODE the A time base receives a trigger from the right vertical, and the B time base receives a trigger from the left vertical. This is indicated by the illuminated trigger pushbuttons.

If a delayed-sweep operation is used with this mode, a different sequence is displayed. First, the LEFT VERT unit signal is displayed at the sweep rate of the A HORIZ time-base unit (delaying sweep) and then at the sweep rate of the B HORIZ time-base unit (delayed sweep). The vertical display then shifts to the RIGHT VERT unit and its signal is displayed consecutively at the delaying and delayed sweep rates.

**Chopped Mode.** The CHOP position of the VERTICAL MODE switch produces a display which is electronically switched between channels at about a one-megahertz rate. In general, the CHOP mode provides the best display at sweep rates slower than about 20 milliseconds/division or whenever dual-trace, single-shot phenomena are to be displayed. At faster sweep rates the chopped switching becomes apparent and may interfere with the display.

When the A or B TRIGGER SOURCE switches are set to VERT MODE, the time-base units are triggered from the left vertical plug-in trigger signal. The LEFT VERT or RIGHT VERT trigger-source positions provide trigger signals to the time-base units from the selected vertical unit only. The trigger source is indicated by the illuminated TRIGGER SOURCE pushbuttons. This allows two time-related signals to be displayed showing true-time relationship. (If the signals are not time-related, the display from the channel that is not providing the trigger signal will appear unstable.)

The CHOP mode can be used to compare two single-shot, transient, or random signals that occur within the time interval determined by the time-base unit (ten times selected sweep rate). To provide correct triggering, the displayed signal which provides the trigger signal must precede the second display in time. Since the signals show true-time relationship, time-difference measurements can be made from the display.

**Algebraic Addition.** The ADD position of the VERTICAL MODE switch can be used (1) to display the sum or difference of two signals, (2) for common-mode rejection to remove an undesired signal, or (3) for dc offset (applying a dc voltage to one channel to offset the dc component of a signal on the other channel). The common-mode rejection ratio between the vertical plug-in compartments is at least 160:1 from dc to 100 megahertz. The rejection ratio decreases to 80:1 from 100 megahertz to 1 gigahertz. The overall deflection on the crt in the ADD mode is the algebraic sum of the signals from the vertical plug-in units. It is difficult to determine the voltage amplitude of the resultant display unless the amplitude of the signal applied to one of the plug-ins is known. This is particularly true when the vertical units are set to different deflection factors, since it is not obvious which portion of the display results from the signal applied to a given plug-in unit. The polarity and repetition rate of the applied signals will also affect the ADD display.

The following precautions should be observed when using the ADD mode.

1. Do not exceed the input-voltage ratings of the plug-in units.
2. Do not apply large signals to the plug-in inputs. A good rule is not to apply a signal of more than about eight times the vertical deflection factor. Larger voltages may result in a distorted display.
3. To ensure the greatest dynamic range in the ADD mode, set the position controls of the plug-in units to a setting which would result in a mid-screen display if viewed in the LEFT or RIGHT positions of the VERTICAL MODE switch.
4. For familiar response from each channel, use identical plug-ins and set the plug-in units for the same type of input coupling mode.

### Horizontal Modes

When either the A or B button of the HORIZONTAL MODE switch is pressed, the signal is displayed at the sweep rate of the selected time-base unit. Set the applicable INTENSITY control and TRIGGER SOURCE switch for the desired display.

**Alternate Mode.** The ALT position of the HORIZONTAL MODE switch provides crt sweeps derived alternately

from the two time-base units. Although the ALT horizontal mode can be used at all sweep rates, the CHOP mode provides a more satisfactory display at sweep rates below about 20 milliseconds/division. At slower sweep rates, the switching between the alternate-mode traces becomes apparent and may interfere with correct analysis of the display.

#### NOTE

*This instrument will not operate in the ALT position of the HORIZONTAL MODE switch if either horizontal plug-in compartment is left vacant.*

The A and B INTENSITY controls allow individual adjustment of the traces produced by the time-base units in the A HORIZ and B HORIZ compartments. Correct triggering of both time-base units is essential in obtaining the correct display in the ALT horizontal mode. If either of the time-base units does not receive a correct trigger, and therefore does not produce a sweep, the other unit cannot produce a sweep either. This means that one time-base unit cannot begin its sweep until the previous unit has completed its entire display. This can be avoided if the time-base units are set for auto-mode triggering (sweep free runs if not correctly triggered). See Trigger Source for operation of the A and B TRIGGER SOURCE switches. Also, see Vertical Trace Separation for information on positioning the B HORIZ display when in the ALT dual-sweep mode.

**Chopped Mode.** When the CHOP button of the HORIZONTAL MODE switch is pressed, the display is electronically switched between the two time-base units at about a 200-kilohertz rate. In general, the CHOP horizontal mode provides the best display when either of the time-base units is set to a sweep rate lower than about 20 milliseconds/division. It also provides the best display when the two time-base units are set to widely differing sweep rates. In the CHOP horizontal mode, equal time segments are displayed from each of the time-base units. This provides a display which does not change greatly, in intensity, as the sweep rate of either time-base unit is reduced (in contrast to ALT horizontal mode operation where the slowest trace tends to be the brightest).

The A and B INTENSITY controls allow individual adjustment of the intensity of the traces produced by the time-base units in the A HORIZ and B HORIZ compartments. Triggering is not as critical in the CHOP horizontal mode as in ALT; if one of the units is not triggered properly, only the trace from the untriggered time-base unit is missing from the display. The other trace is presented in the normal manner. See Trigger Source and Vertical Trace Separation for information on positioning the trace produced by the B HORIZ unit in relation to the trace from the A HORIZ unit.

#### VERTICAL TRACE SEPARATION

When one of the dual-sweep horizontal modes is selected, the VERT TRACE SEPARATION (B) control

allows the trace produced by the B HORIZ sweep to be positioned above or below the trace produced by the A HORIZ sweep. To use the control, first position the trace produced by the A HORIZ plug-in unit. Then adjust the VERT TRACE SEPARATION (B) control to move the trace produced by the B HORIZ plug-in unit away from the A HORIZ display. If both waveforms are larger than four divisions in amplitude, the displays can only be positioned so they do not directly overlap since each waveform cannot be positioned to a unique area of the crt.

#### TRIGGER SOURCE

The A and B TRIGGER SOURCE switches select the internal trigger signals for the A HORIZ and B HORIZ time-base units. For most applications, these switches can be left in the VERT MODE position. This position is the most convenient since the internal trigger signal is automatically switched as the VERTICAL MODE switch is changed or as the display is electronically switched between the LEFT VERT and RIGHT VERT plug-ins, in the ALT position of the VERTICAL MODE switch. It also provides a usable trigger signal in the ADD position of the VERTICAL MODE switch, since the internal trigger signal in these modes is the algebraic sum of the signals applied to the vertical plug-in units. In the CHOP position the left vertical plug-in is the trigger source. Therefore, the VERT MODE position ensures that the time-base units receive a trigger signal regardless of the VERTICAL MODE switch setting without the need to change the trigger source selection. The A and B TRIGGER SOURCE switches are illuminated and indicate the source of the trigger.

If correct triggering for the desired display is not obtained in the VERT MODE position, the trigger source for either the A HORIZ or B HORIZ time-base unit can be changed to obtain the trigger signal from either the LEFT VERT or RIGHT VERT plug-in. The internal trigger signal is obtained from the selected vertical compartment whether the plug-in in that compartment is selected for display on the crt or not. If the internal trigger signal is obtained from one of the vertical units but the other vertical unit is selected for display, the internal signal must be time-related to the display signal in order to obtain a triggered (stable) display.

#### CALIBRATOR OUTPUT

The CALIBRATOR provides a convenient signal for checking basic vertical gain and sweep timing. The CALIBRATOR signal is also very useful for adjusting probe compensation as described in probe instruction manuals. In addition, the CALIBRATOR can be used as a convenient signal source for application to external equipment.

#### Voltage

The CALIBRATOR provides accurate output voltages of 40 millivolts, 0.4 volt, and 4 volts into high impedance loads. In addition, it provides 4 millivolts, 40 millivolts, and 0.4 volt into 50-ohm loads.

### Current

The optional current loop accessory provides a 40-milliampere output current (the CALIBRATOR must be set for a 4 volt output), which can be used to check and calibrate current-measuring probe systems. The current signal is obtained by clipping the probe around the current loop.

### Repetition Rate

The repetition rate of the CALIBRATOR is 1 kilohertz. The calibrator circuit uses frequency-stable components to maintain accurate frequency and a constant duty factor. Thus, the CALIBRATOR can be used for checking the basic sweep timing of time-base units (1-kilohertz rate only).

### Wave Shape

The square-wave output signal of the CALIBRATOR can be used as a reference wave shape when checking or adjusting the compensation of passive, high-resistance probes. The square-wave output from the CALIBRATOR has a flat top; any distortion in the displayed waveform is due to the probe compensation.

## SIGNAL OUTPUTS

### + Sawtooth Out

The + SAWTOOTH OUT connector provides a positive-going sawtooth signal derived from the time-base unit installed in the A HORIZ compartment or from the time-base unit installed in the B HORIZ compartment.

The front-panel A or B + SAWTOOTH switch determines whether the A HORIZ or the B HORIZ compartment is the source of the + SAWTOOTH output signal. The unit of time for the sawtooth output is determined by the setting of the time-base-unit Time/Division switch. Refer to Table 1-4, in the General Information section, for signal parameters.

### + Gate Out

The + GATE OUT connector provides a positive-going rectangular pulse which is derived from a time-base unit installed in either horizontal plug-in compartment. The A or B + GATE switch selects the source of the + GATE signal from the time-base unit installed in the A HORIZ compartment or the B HORIZ compartment. The duration of the + GATE signal is the same as the duration of the respective unmagnified sweep. The amplitude of the + GATE OUT signal is about 0.5 volt into 50 ohms or about 10 volts into 1 megohm.

### Signal Out

The SIG OUT connector provides a sample of the vertical deflection signal. The source of the output signal is determined by the B TRIGGER SOURCE switch. In the VERT MODE position of the B TRIGGER SOURCE switch, the output signal is determined by the setting of the VERTICAL MODE switch. The output signal in the LEFT and RIGHT positions of the VERTICAL MODE switch is obtained only from the selected vertical unit. In the ALT

position of the VERTICAL MODE switch, the output signal at the SIG OUT connector switches between signals from the two vertical units, along with the crt display. However, the vertical output signal in the ADD position is a composite signal. In the CHOP position the signal out is derived from the LEFT vertical plug-in. The LEFT VERT and RIGHT VERT positions of the B TRIGGER SOURCE switch are independent of the selection of the VERTICAL MODE switch and provide the vertical output signal only from the selected vertical unit even when it is not selected for display by the VERTICAL MODE switch.

### Probe Power

The two PROBE POWER connectors on the rear panel of this instrument provide operating power for active probe systems. It is not recommended that these connectors be used as a power source for applications other than the compatible probes or other accessories which are specifically designed for use with this system.

## DISPLAY PHOTOGRAPHY

A permanent record of the crt display can be obtained with an oscilloscope camera system. The instruction manual for the Tektronix oscilloscope cameras include complete instructions for obtaining waveform photographs.

The crt bezel provides integral mounting for Tektronix oscilloscope cameras. The three pins located on the left side of the crt bezel connect power to compatible camera systems. Control signals are also received from Tektronix automatic cameras to allow camera-controlled single-shot photography (see camera manual for further information).

If the readout portion of the display is to be included on waveform photographs, the following suggestions will aid in obtaining good photographs.

1. Focus the crt display. Focus the camera on the readout portion of the crt display. The auto-focus feature of this instrument will maintain the traces at optimum focus.
2. Set the READOUT INTENSITY control for the minimum setting that allows the characters to be written. This normally occurs at a slightly lower intensity level than is necessary for complete writing of the waveform display. Some experimentation may be necessary to establish the correct level. Too high a setting of the READOUT INTENSITY control will result in a broad, poorly defined photograph of the readout display.
3. If single-shot photography is used, set the READOUT and GRAT ILLUM controls to the PULSED position (see Readout Display and Graticule Illumination for complete operating information). Then, the readout display and graticule illumination occurs in a single-shot manner after the trace is complete (be sure the camera shutter remains open at least 0.5 second after the sweep is completed to photograph the entire readout and graticule).



## INTENSITY MODULATION

Intensity (Z-axis) modulation can be used to relate a third item of electrical phenomena to the vertical (Y-axis) and the horizontal (X-axis) coordinates without affecting the waveshape of the displayed signal. This is accomplished by changing the intensity of the displayed waveform to provide a "gray scale" display.

The voltage amplitude required for visible trace modulation depends on the setting of the A and B INTENSITY controls. A two-volt peak-to-peak signal will completely blank the display even at maximum intensity levels; lower amplitude signals can be used to change only the relative trace brightness. Negative-going signals increase the display intensity and positive-going signals decrease the display intensity. Refer to Table 1-4 in the General Information section for specifications on Z-axis signal requirements.

Time markers applied to the Z-AXIS INPUT connector provide a direct time reference on the display. With uncalibrated horizontal sweep or X-Y mode operation, the time markers provide a means of reading time directly from the display. If the markers are not time-related to the display waveform, use a singlesweep display.

## REMOTE INPUT SIGNALS

The signal source requirements to operate the remote input functions on the rear panel can be either active (pulse generator, logic circuit, etc.) or passive (switch or relay). Refer to Table 1-4, in the General Information section for specific parameters on each input.

### Remote Single Sweep Reset

An external single-sweep-reset signal can be applied to time-base units installed in the horizontal plug-in compartments through the rear-panel SINGLE SWEEP RESET input connector. This remote reset function is a duplication of the manually-operated single-sweep reset function (pushbutton) located on the front panel of the 7B-series time-base units. The signal source for the external single-sweep reset function can be either active (pulse generator, logic circuit, etc.) or passive (switch or relay).

A and B SINGLE SWEEP READY outputs are provided for external indicators. The indicators signify that the time-base unit has been reset, and is ready to present a single sweep when the next trigger pulse arrives. Refer to Table 1-4, in the General Information section of this manual, for signal parameters.

### Remote Graticule and Readout Single Shot

The GRATICULE/READOUT SINGLE SHOT bnc connector (located on the rear panel) allows an external signal to actuate one frame of readout information and one momentary illumination of the graticule when the READOUT INTENSITY and GRAT ILLUM controls are set to PULSED, and the + GATE/EXT pushbuttons for

READOUT and GRAT ILLUM are set to EXT. The signal source can be either active (pulse generator, logic circuit, etc.) or passive (switch or relay). Refer to Table 1-4, in the General Information section of this manual, for input requirements.

## APPLICATIONS

The 7104 Oscilloscope and associated plug-in units provide a flexible measurement system. The capabilities of the overall system depend mainly upon the plug-in units selected for use with this instrument. Specific applications for the individual plug-in units are described in the plug-in unit instruction manual. The overall system can also be used for many applications which are not described in detail, either in this manual or in the manuals for the individual plug-in units. Contact your Tektronix Field Office or representative for assistance in making specific measurements with this instrument.

The following books describe oscilloscope measurement techniques which can be adapted for use with this instrument.

John D. Lenk, *Handbook of Oscilloscopes, Theory and Application*, Prentice-Hall Inc., Englewood Cliffs, New Jersey, 1968.

J. Czech, *Oscilloscope Measuring Techniques*, Springer-Verlag, New York, 1965.

J. F. Golding, *Measuring Oscilloscopes*, Transatlantic Arts, Inc., 1971.

Charles H. Roth, Jr., *Use of the Oscilloscope*, programmed text, Prentice-Hall, Inc., Englewood Cliffs, New Jersey, 1970.

## VERTICAL AMPLIFIER PLUG-IN UNITS

All 7A-series plug-in units (except the 7A21N unit) can be used with the 7104. Bandwidth and sensitivity ranges should be taken into consideration when selecting amplifier plug-in units.

### Single-Trace

Any single-channel amplifier will display a signal, with the sweep provided by any 7B-series time-base plug-in. This combination leaves two unused compartments available for other special purpose units. Blank plug-in panels are available to cover any unfilled plug-in compartments.

### Dual-Trace

A dual-channel amplifier in either vertical compartment can display two separate signals with the other vertical compartment free for other uses.

### Three-Trace

A dual-channel amplifier can be used with any single-channel amplifier to display three separate signals. If two time-base plug-in units are used in the horizontal compartments, two signals can be displayed at one sweep rate while the other signal is displayed at the other sweep rate.

### Four-Trace

Two dual-channel amplifiers can display four separate signals. If one time-base unit is used, all four signals will be displayed at the same sweep rate.

### TIME-BASE PLUG-IN UNITS

The 7104 is compatible with time-base units of the 7B10, 7B15, 7B70, 7B80 and 7B90 series. Sweep rates and triggering ranges should be taken into consideration when selecting time-base plug-in units.

To obtain a delayed sweep display, a delaying time-base unit must be installed in the A HORIZ compartment and a delayed time-base unit installed in the B HORIZ compartment. A delayed-sweep display can also be obtained with one horizontal compartment if a dual time-base unit is used. This leaves the other horizontal compartment available for other plug-in units as suggested later in this section.

#### NOTE

*The 7B50-series time-base units are not recommended for use with this instrument, because they require a longer delay line than is used in the 7104. Therefore, the triggering event may not appear on the display.*

### SAMPLING DISPLAYS

Sampling-system plug-in units for the 7000-series oscilloscopes provide displays of fast-changing signals that cannot be examined using any other method. For example, sampling systems available for the 7104 can resolve repetitive signals having less than 10 millivolts of peak amplitude and occurring in less than 1 nanosecond.

The technique used for sampling is very similar in principle to the use of stroboscopic light to study fast motion. Samples of successive waveforms are taken, amplified by a relatively low-bandwidth amplifier, and then displayed on the crt as a replica of the sampled waveforms.

Three sampling systems are available at this time for the 7104: (1) the 7S12, which provides time-domain-reflectometry displays and general-purpose sampling measurements, (2) the 7S11/7T11 system and (3) the 7S14, a dual-channel vertical sampling system, including main and delayed sweep functions. See the Tektronix Products catalog to determine the characteristics of individual units mentioned and of additional units made available after this manual is published.

### Single-Trace Sampling

A single-trace sampling display requires either a double-width 7S12 (which includes a time-base), or the 7S11 sampling unit and the 7T11 sampling sweep unit. Direct interconnections between the 7S11 and the 7T11 require these units to be adjacent, with the 7S11 in the RIGHT VERT compartment and the 7T11 in the A HORIZ compartment. If either the 7S12 or the 7S14 is used, it must be located in the middle two compartments to make proper connections with the 7104.

### Dual-Trace Sampling

Two 7S11's can be used with a single sampling time-base unit for time-related displays of two signals. Direct interconnections from the LEFT VERT 7S11 pass through the RIGHT VERT 7S11 to reach the A HORIZ time-base unit.

The 7S14 is a dual-channel sampling unit with delaying sweep capability. It must be used in the middle two plug-in compartments.

Dual-trace sampling displays can also be made by a 7S12 in the middle two compartments and a 7S11 in the LEFT VERT compartment. In this application, the 7S12 supplies the time-base for both traces.

### X-Y Sampling

One 7S11 inserted in the RIGHT VERT compartment and one in the adjacent A HORIZ compartment automatically share a 50 kilohertz free-running strobe condition specified for X-Y displays. The 7S14 has an X-Y operation incorporated as one of its normal mode functions.

### SPECIAL PURPOSE PLUG-IN UNITS

The variety of special-purpose plug-in units available allows the 7104 Oscilloscope to be used for many specialized applications. The following is a brief discussion of some of the available special-purpose plug-in units.

#### Digital Counters and Multimeter Plug-In Units

The digital-multimeter plug-in units measure current, voltage, temperature and resistance; digital-frequency counter plug-in units measure frequency, from dc to above 500 megahertz. These units make use of the readout system to display the measured information on the crt and can function in any compartment, in combination with each other or with any other plug-in units available for use with the 7104 Oscilloscope system.

The ability of digital readout plug-in units to operate with other plug-in units makes it possible to process and monitor signals at the same time the digital measurement is being made. For example, by locating a frequency counter in one of the vertical compartments and an amplifier unit in the other vertical compartment, the crt can display the trigger waveform, superimposed on the displayed signal, to indicate the actual triggering

point. Or, if the counter is placed in a horizontal compartment, a low amplitude signal can be applied to a vertical amplifier and amplified before it is internally routed by the TRIGGER SOURCE switches to the counter trigger circuit. This allows the unit to be used on signals too small to trigger other counters.

### Readout Access Plug-In Unit

The 7M13 READOUT plug-in unit provides front-panel keyboard operation for convenient access to the crt readout characters. This allows information, such as dates and identifying nomenclature, to be displayed on the crt with the normal crt display. This capability is particularly useful when making photographs.

### Transistor Curve-Tracer Plug-In Units

The 7000-series transistor curve-tracer plug-in checks small signal transistors and diodes by producing a display showing the basic characteristic curves for the device being tested. Stepped sweep signals from an internal power supply are applied to the device under test. The resulting output signals are, in turn, applied to the horizontal and vertical deflection systems of the oscilloscope to plot a family of characteristic curves. This plot can be used to check for damaged transistors and diodes, or to select for special or matched characteristics and to calculate gain, leakage, breakdown voltage, etc.

### Spectrum Analyzer Plug-In Units

The 7000-series spectrum analyzer plug-in units display signal amplitudes dispersed over portions of the rf spectrum. Absolute signal energy is plotted on the vertical axis against frequency on the horizontal axis. Applications include waveform and distortion analysis, EMC and random noise measurements, filter design, spectrum surveillance, etc.

## X-Y OPERATION

In some applications, it is desirable to display one signal versus another (X-Y) rather than against time (interval sweep). The flexibility of the amplifier plug-in units available for use with the 7104 provide the means of applying external signals to the horizontal-deflection system.

Installation of a 7A-series amplifier plug-in unit in one of the horizontal and one of the vertical compartments provides X-Y operation. Using the 7104 in the X-Y mode can only be accomplished in conjunction with a horizontal time-base unit. When an amplifier is installed in a horizontal plug-in compartment, the control of the Z-axis is switched to the one remaining horizontal compartment as is indicated by the A or B intensity control indicator lights. This is independent of the HORIZONTAL MODE switch setting. The time base will control the Z-axis and should be internally triggered on the Y portion of the X-Y display. By varying the time/division switch, the Z-axis is duty cycled and a window can be selected during which the Z-axis is

turned on. By operating the instrument in a horizontal alternating mode (X-Y display, Y-T display) the optimum sweep speed is easily selected. For typical X-Y displays the spot velocity is unpredictable. For such displays a dc driven Z-axis produces displays with very nonuniform brightness levels. A display may consist of a very dim transition between two bright spots. In fact in some cases the transition may not be seen at all since there may be enough screen current in the bright spots to activate the intensity limiter. If the time base turns on the Z-axis only during the transition a uniform brightness display can be obtained. The high horizontal bandwidth in conjunction with Z-axis control by a time base allows observation of very fast transitions in X-Y displays. With Option 2, a horizontal delay line is added to the instrument permitting signal phase correction between the vertical and horizontal deflection systems. Some vertical plug-in units have a variable delay function that permits precise phase correction. For further information, refer to the horizontal specifications in this manual and to the individual instruction manuals for the amplifier units.

Some of the 7B-series time-base units can be operated as amplifiers in addition to their normal uses as time-base generators. This feature allows an external signal to provide the horizontal deflection to the crt. For most of the time-base units with the amplifier function, the X (horizontal) deflection signal can be connected either to an external input connector on the time-base unit, or it can be routed to the time-base unit through the internal triggering system (see time-base instruction manual for details). If the latter method is used the A and B TRIGGER SOURCE switches must be set so that the X (horizontal) deflection signal is obtained from one of the vertical amplifier units and Y (vertical) deflection signal is obtained from the other vertical unit. The attenuator switch on the amplifier unit can provide the horizontal with a preconditioned signal, compatible with the horizontal deflection factor. Also, plug-in units need not be moved from one compartment to another to change from X-Y operation to other modes of operation.

## RASTER DISPLAYS

A raster-type display can be used effectively to increase the apparent sweep length. For this type of display, the trace is deflected both vertically and horizontally by sawtooth signals. This is accomplished in the 7104 by installing a 7B-series time-base unit in one of the vertical plug-in compartments. Normally, the time-base unit in the vertical compartment should be set at a slower sweep rate than the time-base unit in the horizontal compartment; the number of horizontal traces in the raster depends upon the ratio between the two rates.

Information can be displayed on the raster using several different methods. In the ADD position of the VERTICAL MODE switch, the signal from an amplifier unit can be algebraically added to the vertical waveform. With this method, the vertical signal amplitude on the crt should not exceed the distance between the horizontal lines of

## Operating Instructions—7104

the raster. Another method of displaying information on the raster is to use the Z-AXIS INPUT to provide intensity modulation for the display. This type of raster display could be used to provide a television-type display. Complete information on operation using the Z-axis feature is given under Intensity Modulation.

To provide a stable raster display, both time-base units must be correctly triggered. Internal triggering is not provided for the time-base units when they are in the vertical compartments; external triggering must be used. Also, blanking is not provided from the time-base units when they are installed in a vertical compartment.

# THEORY OF OPERATION

This section describes the circuitry used in the 7104 Oscilloscope. The description begins with a discussion of the instrument, using the block diagram shown in Figure 3-1, and continues in detail, showing the relationships between the stages in each major circuit. Schematics of all major circuits are given in Section 8, Diagrams and Circuit Board Illustrations. Stages are outlined on the schematics with wide shaded lines. Stage names are in shaded boxes. Refer to these schematics throughout the following circuit description for specific electrical values and relationships.

## BLOCK DIAGRAM

The following discussion is provided to assist in understanding the overall concept of the 7104 Oscilloscope mainframe before the individual circuits are discussed in detail. A basic block diagram of the 7104 is shown in Figure 3-1. Only the basic interconnections between the individual blocks are shown on this diagram. Each major circuit within the instrument is given a block. The number of each block refers to the complete circuit diagram located at the rear of this manual.

### DESCRIPTION

Vertical signals to be displayed on the crt are applied to the Vertical Channel Switch circuit from both vertical plug-in compartments. The VERTICAL MODE switch is connected to the logic circuit and determines whether the signal from the LEFT VERT or RIGHT VERT compartment is displayed on the crt. The Vertical Channel Switch receives an X-Y inhibit signal from the Readout System to provide the time sharing between the vertical and readout signals.

The selected vertical signal passes through the Delay Line and is amplified by the Vertical Amplifier circuit to drive the vertical deflection plates of the crt (cathode-ray tube). The Vertical Amplifier circuit includes an input from the Readout System to produce the vertical portion of the alpha-numeric readout display.

Horizontal signals for display on the crt are connected to the Horizontal Channel Switch from both horizontal plug-in compartments. The signal from B HORIZ plug-in compartment may pass through the optional X-Y delay compensation network (Option 2 instruments only). The HORIZONTAL MODE switch determines whether the signal from the A HORIZ or B HORIZ compartment is displayed by the crt. The Horizontal Channel Switch receives an X-Y inhibit signal from the Readout System to provide the time sharing between the vertical and readout signals.

The selected horizontal signal is amplified by the Horizontal Amplifier circuit to provide horizontal deflection of the crt. The Horizontal Amplifier circuit accepts an input signal from the Readout System to produce the horizontal portion of the alpha-numeric readout display.

The Readout System provides an alpha-numeric display of information encoded by the plug-in unit(s). The readout display is written on the crt on a time-shared basis with the analog waveform display. The VERTICAL and HORIZONTAL MODE switch circuits determine which plug-in unit(s) displays readout information. The Readout System sends inhibit commands to the Vertical Channel Switch, Horizontal Channel Switch and Z-Axis logic circuits. The Readout System provides signals to produce the alpha-numeric display to the Vertical, Horizontal and Z-Axis Amplifier circuits.

The Logic circuit develops control signals for use in other circuits within the instrument and the plug-in units. These control signals automatically determine the correct instrument operation in relation to the plug-in units, plug-in unit control settings, and 7104 front-panel control settings. The Logic circuit performs three functions:

- (1) Receives
  - a. The external Z-Axis Input signal.
  - b. The Single Sweep Reset Input from the rear panel.
  - c. The Z-Axis Inhibit Command from the Readout System.
- (2) Sends the A and B SINGLE SWEEP READY signals to the rear panel.
- (3) Develops the Z-Axis signal for use by the Z-Axis Amplifier.

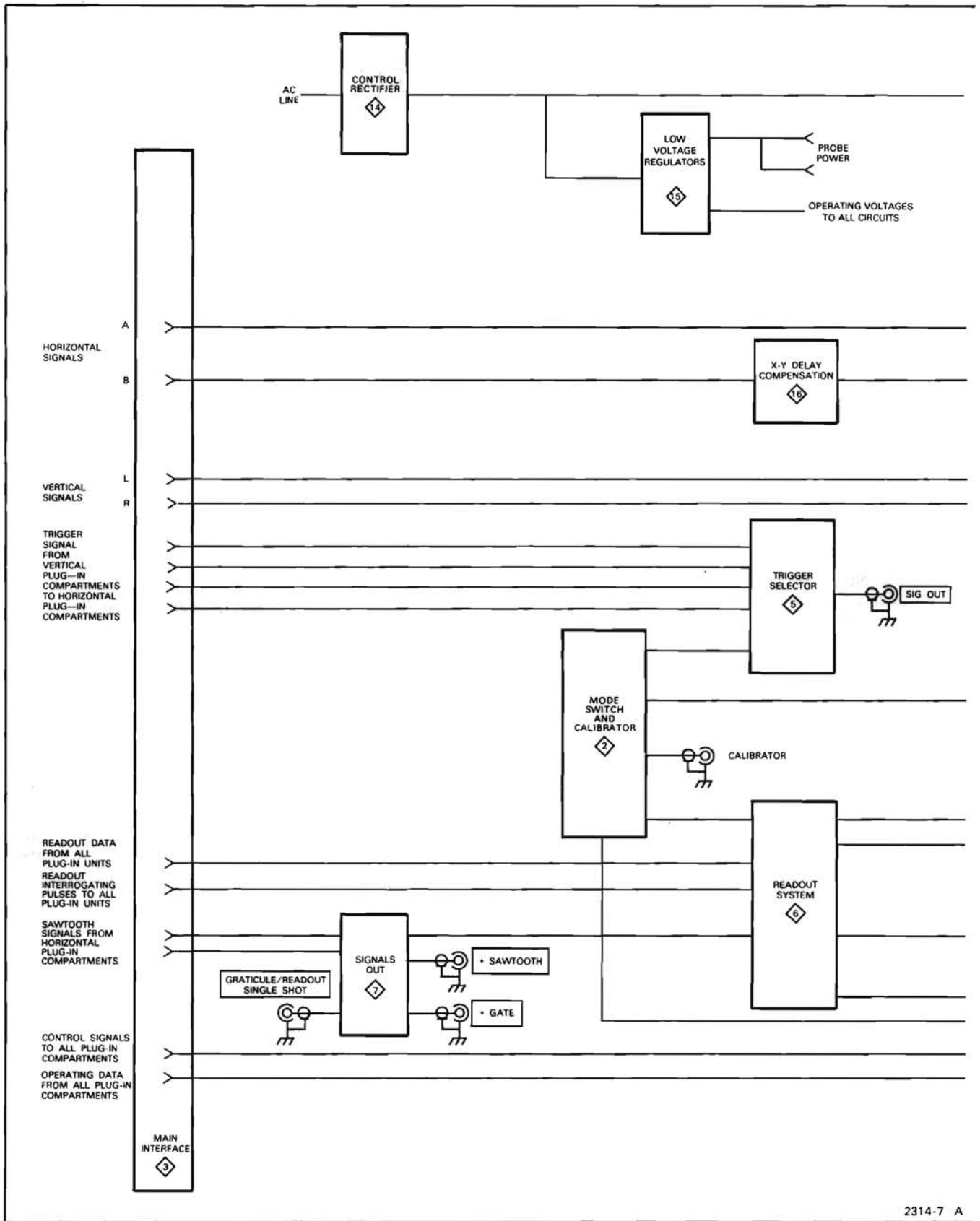


Figure 3-1. Basic block diagram of the 7104 Oscilloscope.

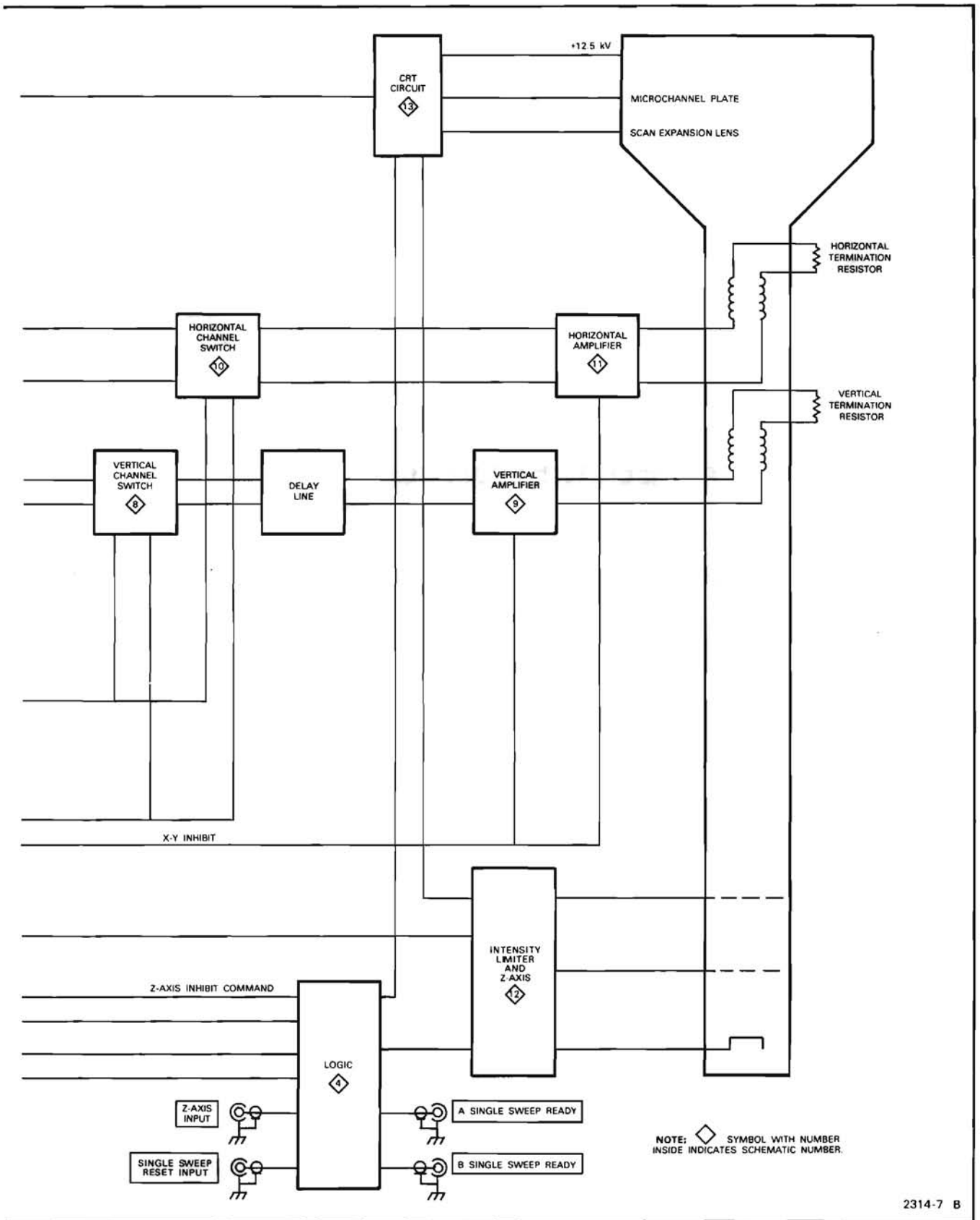


Figure 3-1. Basic block diagram of the 7104 Oscilloscope (continued).

## Theory of Operation—7104

In addition to control circuitry, the CRT Circuit supplies voltages necessary for operation of the crt by:

(1) Developing the operating voltages for the crt Microchannel Plate and the Scan Expansion Lens.

(2) Providing a signal proportional to the average screen current to the input of the intensity limiter level.

(3) Receiving a signal proportional to the intensity level setting from the logic circuit to be used by the Microchannel Plate supply for biasing. The Z-Axis Amplifier provides the drive signal to control the intensity level of the crt display.

The Calibrator circuit produces a one kilohertz square-wave signal which can be used to check the calibration of this instrument and the compensation of probes. The calibrator signal is available as a voltage at the

CALIBRATOR connector or as a current through a 40 milliamperere optional current loop accessory.

The internal trigger signals from the vertical plug-in units are connected to the Trigger Selector circuit. The Trigger Selector circuit determines whether the trigger signal from the left or right vertical unit is connected to the A or B horizontal unit. The B Trigger Channel Switch also produces the drive signal for the SIG OUT circuit to provide an output that is a sample of the vertical signal.

The Signals Out circuit processes signals from the plug-in units for the front-panel +GATE and +SAWTOOTH outputs.

The Control/Rectifier and Low-Voltage Regulator circuits provide the power necessary to operate the instrument. These voltages are connected to all circuits within the instrument.

# DETAILED CIRCUIT OPERATION

A detailed description of the electrical operation and relationship of the circuits in the 7104 Oscilloscope mainframe is provided in this section. The theory of operation for circuits unique to this instrument is described in detail in the discussion. Circuits commonly used in the electronics industry are not described in detail. If more information is desired on these commonly used circuits, refer to the following textbooks:

Gordon V. Deboo, *Integrated circuits and Semiconductor Devices*, McGraw-Hill, New York, 1971.

Albert Paul Malvino, *Transistor Circuit Approximations*, McGraw-Hill, New York, 1973.

Joseph Milman and Herbert Taub, *Pulse, Digital and Switching Waveforms*, McGraw-Hill, New York, 1965.

## LOGIC FUNDAMENTALS

Digital logic techniques are used to perform many functions within the instrument. The function and operation of the logic circuits are described using logic symbology and terminology, aiding in the understanding of these symbols and logic concepts, not a comprehensive discussion of the subject. For further information on binary number systems and the associated Boolean algebra concepts, the derivation of logic functions, or a more detailed analysis of digital logic, refer to the following textbooks:

Robert C. Baron and Albert T. Piccirilli, *Digital Logic and Computer Operation*, McGraw-Hill, New York, 1967.

Thomas C. Bartee, *Digital Computer Fundamentals*, McGraw-Hill, New York, 1966.

Yaohan Chu, *Digital Computer Design Fundamentals*, McGraw-Hill, New York, 1962.

Joseph Milman and Herbert Taub, *Pulse, Digital and Switching Waveforms*, McGraw-Hill, New York, Chapters 9-11, 1965.

## SYMBOLS

The operation of circuits in this instrument which use digital techniques is described using the graphic symbols set forth in military standard MIL-STD-806B. Table 3-1 provides a basic logic reference for the logic devices used within this instrument. Any deviations from the standard symbology, or devices not defined by the standard are described in the circuit description for the applicable device.

### NOTE

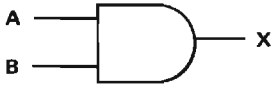
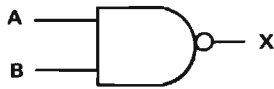


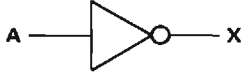
*Logic Symbols used on the diagrams depict the logic function as used in this instrument and may differ from the manufacturer's data.*

## LOGIC POLARITY

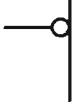
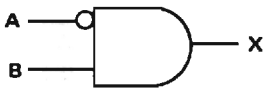
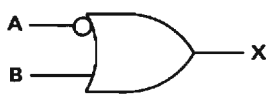

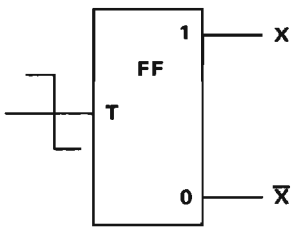
All logic functions are described using the positive logic convention. Positive logic is a system of notation where the more positive of two levels (HI) is called the true or 1-state; the more negative level (LO) is called the false or 0-state. The HI-LO method of notation is used in this logic description. The specific voltages that constitute a HI or LO state vary between individual devices. Whenever possible, the input and output lines are named to indicate the function that they perform when at the HI (true) state.



**TABLE 3-1**  
**Basic Logic Reference**

Device	Symbol	Description	Input/Output Table																		
AND gate		A device with two or more inputs and one output. The output of the AND gate is HI if and only if all of the inputs are at the HI state.	<table border="1"> <thead> <tr> <th colspan="2">Input</th> <th>Output</th> </tr> <tr> <th>A</th> <th>B</th> <th>X</th> </tr> </thead> <tbody> <tr> <td>LO</td> <td>LO</td> <td>LO</td> </tr> <tr> <td>LO</td> <td>HI</td> <td>LO</td> </tr> <tr> <td>HI</td> <td>LO</td> <td>LO</td> </tr> <tr> <td>HI</td> <td>HI</td> <td>HI</td> </tr> </tbody> </table>	Input		Output	A	B	X	LO	LO	LO	LO	HI	LO	HI	LO	LO	HI	HI	HI
Input		Output																			
A	B	X																			
LO	LO	LO																			
LO	HI	LO																			
HI	LO	LO																			
HI	HI	HI																			
NAND gate		A device with two or more inputs and one output. The output of the NAND gate is LO if and only if all of the inputs are at the HI state.	<table border="1"> <thead> <tr> <th colspan="2">Input</th> <th>Output</th> </tr> <tr> <th>A</th> <th>B</th> <th>X</th> </tr> </thead> <tbody> <tr> <td>LO</td> <td>LO</td> <td>HI</td> </tr> <tr> <td>LO</td> <td>HI</td> <td>HI</td> </tr> <tr> <td>HI</td> <td>LO</td> <td>HI</td> </tr> <tr> <td>HI</td> <td>HI</td> <td>LO</td> </tr> </tbody> </table>	Input		Output	A	B	X	LO	LO	HI	LO	HI	HI	HI	LO	HI	HI	HI	LO
Input		Output																			
A	B	X																			
LO	LO	HI																			
LO	HI	HI																			
HI	LO	HI																			
HI	HI	LO																			
OR gate		A device with two or more inputs and one output. The output of the OR gate is HI if one or more of the inputs are at the HI state.	<table border="1"> <thead> <tr> <th colspan="2">Input</th> <th>Output</th> </tr> <tr> <th>A</th> <th>B</th> <th>X</th> </tr> </thead> <tbody> <tr> <td>LO</td> <td>LO</td> <td>LO</td> </tr> <tr> <td>LO</td> <td>HI</td> <td>HI</td> </tr> <tr> <td>HI</td> <td>LO</td> <td>HI</td> </tr> <tr> <td>HI</td> <td>HI</td> <td>HI</td> </tr> </tbody> </table>	Input		Output	A	B	X	LO	LO	LO	LO	HI	HI	HI	LO	HI	HI	HI	HI
Input		Output																			
A	B	X																			
LO	LO	LO																			
LO	HI	HI																			
HI	LO	HI																			
HI	HI	HI																			
NOR gate		A device with two or more inputs and one output. The output of the NOR gate is LO if one or more of the inputs are at the HI state.	<table border="1"> <thead> <tr> <th colspan="2">Input</th> <th>Output</th> </tr> <tr> <th>A</th> <th>B</th> <th>X</th> </tr> </thead> <tbody> <tr> <td>LO</td> <td>LO</td> <td>HI</td> </tr> <tr> <td>LO</td> <td>HI</td> <td>LO</td> </tr> <tr> <td>HI</td> <td>LO</td> <td>LO</td> </tr> <tr> <td>HI</td> <td>HI</td> <td>LO</td> </tr> </tbody> </table>	Input		Output	A	B	X	LO	LO	HI	LO	HI	LO	HI	LO	LO	HI	HI	LO
Input		Output																			
A	B	X																			
LO	LO	HI																			
LO	HI	LO																			
HI	LO	LO																			
HI	HI	LO																			
Inverter		A device with one input and one output. The output state is always opposite to the input state.	<table border="1"> <thead> <tr> <th>Input</th> <th>Output</th> </tr> <tr> <th>A</th> <th>X</th> </tr> </thead> <tbody> <tr> <td>LO</td> <td>HI</td> </tr> <tr> <td>HI</td> <td>LO</td> </tr> </tbody> </table>	Input	Output	A	X	LO	HI	HI	LO										
Input	Output																				
A	X																				
LO	HI																				
HI	LO																				

**TABLE 3-1 (CONT.)**  
Basic Logic Reference

Device	Symbol	Description	Input/Output Table																																				
<p>LO-state indicator</p>	    	<p>A small circle at the input or output of a symbol indicates that the LO state is the significant state. Absence of the circle indicates that the HI state is the significant state. Two examples follow:</p> <p>AND gate with LO-state indicator at the A input.</p> <p>The output of this gate is HI if and only if the A input is LO and the B input is HI.</p> <p>OR gate with LO-state indicator at the A input:</p> <p>The output of this gate is HI if either the A input is LO or the B input is HI.</p>	<table border="1" data-bbox="1170 360 1463 600"> <thead> <tr> <th colspan="2">Input</th> <th>Output</th> </tr> <tr> <th>A</th> <th>B</th> <th>X</th> </tr> </thead> <tbody> <tr> <td>LO</td> <td>LO</td> <td>LO</td> </tr> <tr> <td>LO</td> <td>HI</td> <td>HI</td> </tr> <tr> <td>HI</td> <td>LO</td> <td>LO</td> </tr> <tr> <td>HI</td> <td>HI</td> <td>LO</td> </tr> </tbody> </table>  <table border="1" data-bbox="1170 775 1463 1015"> <thead> <tr> <th colspan="2">Input</th> <th>Output</th> </tr> <tr> <th>A</th> <th>B</th> <th>X</th> </tr> </thead> <tbody> <tr> <td>LO</td> <td>LO</td> <td>HI</td> </tr> <tr> <td>LO</td> <td>HI</td> <td>HI</td> </tr> <tr> <td>HI</td> <td>LO</td> <td>LO</td> </tr> <tr> <td>HI</td> <td>HI</td> <td>HI</td> </tr> </tbody> </table>	Input		Output	A	B	X	LO	LO	LO	LO	HI	HI	HI	LO	LO	HI	HI	LO	Input		Output	A	B	X	LO	LO	HI	LO	HI	HI	HI	LO	LO	HI	HI	HI
Input		Output																																					
A	B	X																																					
LO	LO	LO																																					
LO	HI	HI																																					
HI	LO	LO																																					
HI	HI	LO																																					
Input		Output																																					
A	B	X																																					
LO	LO	HI																																					
LO	HI	HI																																					
HI	LO	LO																																					
HI	HI	HI																																					
<p>Edge symbol</p>		<p>Normally superimposed on an input line to a logic symbol. Indicates that this input (usually the trigger input of a flip-flop) responds to the indicated transition of the applied signal.</p>																																					
<p>Triggered (toggle) Flip-Flop</p>		<p>A bistable device with one input and two outputs (either or both outputs may be used). When triggered, the outputs change from one stable state to the other stable state with each trigger. The outputs are complementary (i.e., when one output is HI the other is LO). The edge symbol on the trigger (T) input may be of either polarity depending on the device.</p>	<table border="1" data-bbox="1170 1474 1463 1736"> <thead> <tr> <th colspan="2">Input</th> <th colspan="2">Output</th> </tr> <tr> <th>Condition before trigger pulse</th> <th>Condition after trigger pulse</th> <th>X</th> <th>X-bar</th> </tr> </thead> <tbody> <tr> <td>X</td> <td>X-bar</td> <td>X</td> <td>X-bar</td> </tr> <tr> <td>LO</td> <td>HI</td> <td>HI</td> <td>LO</td> </tr> <tr> <td>HI</td> <td>LO</td> <td>LO</td> <td>HI</td> </tr> </tbody> </table>	Input		Output		Condition before trigger pulse	Condition after trigger pulse	X	X-bar	X	X-bar	X	X-bar	LO	HI	HI	LO	HI	LO	LO	HI																
Input		Output																																					
Condition before trigger pulse	Condition after trigger pulse	X	X-bar																																				
X	X-bar	X	X-bar																																				
LO	HI	HI	LO																																				
HI	LO	LO	HI																																				

**TABLE 3-1 (CONT.)**  
Basic Logic Reference

Device	Symbol	Description	Input/Output Table																																				
Set-Clear (J-K) Flip-Flop		A bistable device with two inputs and two outputs (either or both outputs may be used). The outputs change state in response to the states at the inputs. The outputs are complementary (i.e., when one output is HI the other is LO).	<table border="1"> <thead> <tr> <th colspan="2">Input</th> <th colspan="2">Output</th> </tr> <tr> <th>A</th> <th>B</th> <th>X</th> <th><math>\bar{X}</math></th> </tr> </thead> <tbody> <tr> <td>LO</td> <td>LO</td> <td colspan="2">No change</td> </tr> <tr> <td>LO</td> <td>HI</td> <td>LO</td> <td>HI</td> </tr> <tr> <td>HI</td> <td>LO</td> <td>HI</td> <td>LO</td> </tr> <tr> <td>HI</td> <td>HI</td> <td colspan="2">Changes state</td> </tr> </tbody> </table>	Input		Output		A	B	X	$\bar{X}$	LO	LO	No change		LO	HI	LO	HI	HI	LO	HI	LO	HI	HI	Changes state													
Input		Output																																					
A	B	X	$\bar{X}$																																				
LO	LO	No change																																					
LO	HI	LO	HI																																				
HI	LO	HI	LO																																				
HI	HI	Changes state																																					
D (data) Type Flip-Flop		A bistable device with two inputs and two outputs (either or both outputs may be used). When triggered the state of the "1" output changes to the state at the data (D) input prior to the trigger. The outputs are complementary (i.e., when one output is HI the other is LO). The edge symbol on the trigger (T) input may be of either polarity, depending on the device.	<table border="1"> <thead> <tr> <th>Input</th> <th colspan="2">Output</th> </tr> <tr> <th>A</th> <th>X</th> <th><math>\bar{X}</math></th> </tr> </thead> <tbody> <tr> <td>LO</td> <td>LO</td> <td>HI</td> </tr> <tr> <td>HI</td> <td>HI</td> <td>LO</td> </tr> </tbody> </table> <p>Output conditions shown after trigger pulse</p>	Input	Output		A	X	$\bar{X}$	LO	LO	HI	HI	HI	LO																								
Input	Output																																						
A	X	$\bar{X}$																																					
LO	LO	HI																																					
HI	HI	LO																																					
Triggered Set-Clear (J-K) Flip-Flop		A bistable device with three or more inputs and two outputs (either or both outputs may be used). When triggered, the outputs change state in response to the states at the inputs prior to the trigger. The outputs are complementary (i.e., when one output is HI the other is LO). The edge symbol on the trigger (T) input may be of either polarity depending on the device.	<table border="1"> <thead> <tr> <th colspan="2">Input</th> <th colspan="2">Output</th> </tr> <tr> <th>A</th> <th>B</th> <th>X</th> <th><math>\bar{X}</math></th> </tr> </thead> <tbody> <tr> <td>LO</td> <td>LO</td> <td colspan="2">No change</td> </tr> <tr> <td>LO</td> <td>HI</td> <td>LO</td> <td>HI</td> </tr> <tr> <td>HI</td> <td>LO</td> <td>HI</td> <td>LO</td> </tr> <tr> <td>HI</td> <td>HI</td> <td colspan="2">Changes state</td> </tr> </tbody> </table> <p>Output conditions shown after trigger pulse</p>	Input		Output		A	B	X	$\bar{X}$	LO	LO	No change		LO	HI	LO	HI	HI	LO	HI	LO	HI	HI	Changes state													
Input		Output																																					
A	B	X	$\bar{X}$																																				
LO	LO	No change																																					
LO	HI	LO	HI																																				
HI	LO	HI	LO																																				
HI	HI	Changes state																																					
Flip-Flop with Direct Inputs (may be applied to all triggered flip-flops)		For devices with direct-set ( $S_D$ ) or direct-clear ( $C_D$ ) inputs, the indicated state at either of these inputs over-rides all other inputs (including trigger) to set the outputs to the states shown in the input/output table.	<table border="1"> <thead> <tr> <th colspan="4">Input</th> <th colspan="2">Output</th> </tr> <tr> <th>A</th> <th>B</th> <th>C</th> <th>D</th> <th>X</th> <th><math>\bar{X}</math></th> </tr> </thead> <tbody> <tr> <td>1</td> <td>1</td> <td>LO</td> <td>LO</td> <td colspan="2">No change<sup>1</sup></td> </tr> <tr> <td><math>\Phi</math></td> <td><math>\Phi</math></td> <td>LO</td> <td>HI</td> <td>LO</td> <td>HI</td> </tr> <tr> <td><math>\Phi</math></td> <td><math>\Phi</math></td> <td>HI</td> <td>LO</td> <td>HI</td> <td>LO</td> </tr> <tr> <td><math>\Phi</math></td> <td><math>\Phi</math></td> <td>HI</td> <td>HI</td> <td colspan="2">Undefined</td> </tr> </tbody> </table> <p><math>\Phi</math> = Has no effect in this case  <sup>1</sup>Output state determined by conditions at triggered inputs</p>	Input				Output		A	B	C	D	X	$\bar{X}$	1	1	LO	LO	No change <sup>1</sup>		$\Phi$	$\Phi$	LO	HI	LO	HI	$\Phi$	$\Phi$	HI	LO	HI	LO	$\Phi$	$\Phi$	HI	HI	Undefined	
Input				Output																																			
A	B	C	D	X	$\bar{X}$																																		
1	1	LO	LO	No change <sup>1</sup>																																			
$\Phi$	$\Phi$	LO	HI	LO	HI																																		
$\Phi$	$\Phi$	HI	LO	HI	LO																																		
$\Phi$	$\Phi$	HI	HI	Undefined																																			

## INPUT/OUTPUT TABLES

Input/Output (truth) tables show the input combinations important to a particular function, along with the resultant output conditions. This table may be given either for an individual device or for a complete logic stage. Examples of input/output tables for individual devices can be seen in Table 3-1.

## NON-DIGITAL DEVICES

Not all of the integrated circuit devices in this instrument are digital logic devices. The function of non-digital devices is described individually, using operating waveforms or other techniques to illustrate their function.



### CABLE DISTRIBUTION

Diagram 1, shows the cable inter-connections between circuit boards within the 7104.



### MODE SWITCH AND CALIBRATOR

A schematic diagram of the Mode Switch and Calibrator circuits is given on diagram 2, in section 8 of this manual (Diagrams and Circuit Board Illustrations). The schematic is divided by gray shaded lines separating the circuitry into major stages. These stages aid in locating components mentioned here. Sub-headings use the stage names to further identify portions of the circuitry on diagram 2.

#### CALIBRATOR

The Calibrator circuit provides voltage outputs of 40 millivolts, 0.4 volt and 4 volts at the CALIBRATOR output connector. A current output of 40 milliamperes is available from the Calibrator circuit with an optional current loop adapter. When using the current loop adapter the Calibrator must be operated only in the 4 V switch position, for stated output.

Transistors Q376 and Q382 form a 1 kilohertz, square-wave oscillator. Oscillation occurs as follows: Initially assume that Q376 is conducting and Q382 is not conducting. The voltage at the emitter of Q382 becomes more negative as C376 discharges through R381. Capacitor C376 discharges until the emitter-base junction of Q382 becomes forward biased. As Q382 begins conducting the oscillator changes states. Regeneration starts when Q382 conducts and C376 stops discharging; this reduces the collector current of Q376. Thus, the collector voltage of Q376 rises positive

which causes the base and emitter of Q382 to rise positive. The positive going voltage is coupled by C376 to the emitter of Q376, turning it off.

At this time, Q382 is conducting and Q376 is not conducting. The voltage at the emitter of Q376 goes negative as C376 charges through R376. When the emitter-base junction of Q376 becomes forward biased the oscillator will again change states to complete the cycle.

The square-wave signal produced at the collector of Q382 switches Q384 on and off. When Q384 is on, the current from R383 and R384 flows to ground. When Q384 is off, this current flows through CR386 and R386 into the voltage divider network of R387, R392, R393, R394, R395, R396, and R397 to produce the 4 volt, 0.4 volt and 40 millivolt Calibrator output voltages. The accuracy of the Calibrator is set by the 0.4 Volts DC adjustment, R385. Both the 4V and 0.4V calibrator switches must be engaged when adjusting R385. The Calibrator frequency is set by the 1 kHz adjustment, R375.

#### MODE SWITCHING

The Mode Switching circuit includes front-panel switching and provides the logic for selection of the vertical and horizontal compartments to provide deflection for the crt. The Mode Switching circuit operates in conjunction with the Logic circuit (diagram 4) to develop control signals for use in other circuits within this instrument and plug-in units installed in the plug-in compartments. Table 3-2 shows the outputs produced with all combinations of the front-panel switch positions.



### MAIN INTERFACE

Diagram 3 shows the plug-in interface and the inter-connections between the plug-in compartments, circuit boards, etc. of this instrument. The signal and voltage connections of each interface connector are also identified in diagram 3.



### LOGIC

A schematic diagram of the Logic circuit is given on diagram 4, in section 8 of this manual (Diagrams and Circuit Board Illustrations). The schematic is divided by gray shaded lines separating the circuitry into major stages. These stages aid in locating components mentioned here. Sub-headings in the following discussion use these stage names to further identify portions of the circuitry on diagram 4.

TABLE 3-2  
Mode Switching Inputs/Outputs

FRONT-PANEL SWITCH POSITIONS (INPUTS)																	MODE SWITCHING OUTPUTS				
A TRIGGER SOURCE SWITCH			B TRIGGER SOURCE SWITCH				VERTICAL MODE SWITCH					HORIZONTAL MODE SWITCH			A TIME-BASE UNIT DELAY MODE	VERT MODE SIG	HORIZ SLAVE ENABLE	RIGHT	ADD	A AND B TRIGGER SWITCH LIGHTS	
VERT MODE	LEFT VERT	RIGHT VERT	VERT MODE	LEFT VERT	RIGHT VERT	LEFT	ADD	CHOP	RIGHT	A	ALT	CHOP	B	MODE	VERT MODE					LEFT VERT	RIGHT VERT
	●			●													LO	HI		ON	
		●			●												HI	HI			ON
●			●			●										HI	LO	HI	ON	ON	
●			●				●									HI	LO	LO	ON	ON	ON
●			●					●								CHOP	LO	LO	HI	ON	ON
●			●						●							LO	LO	HI	HI	ON	ON
●			●							●						ALT	LO	ALT	HI	ON	ON
●			●													ALT	LO	ALT	HI	ON	ON
●			●													ALT	HI	HI	HI	ON	ON
●			●										●			ALT	HI	HI	HI	ON	ON
			●													ALT	HI	LO	HI	ON	ON
			●										●			ALT	HI	LO	HI	ON	ON
			●													ALT	LO	ALT	HI	ON	ON

## Theory of Operation—7104

The Logic circuit develops control signals for use in other circuits within this instrument and any plug-in units installed in the vertical and horizontal compartments. These control signals automatically determine the correct instrument operation in relation to the plug-in units installed or selected, plug-in control settings, and 7104 control settings.

### HORIZONTAL LOGIC

The Horizontal Logic stage performs three separate logic functions: A Sweep Lockout, B Sweep Lockout, and Alternate Pulse Generation. The majority of the Logic for these functions are contained within the Horizontal Logic IC, U4428. Figure 3-2 identifies the three individual stages of U4428 and the input and output terminals associated with each. Note that some of the input levels are connected internally to more than one of the individual stages.

#### A Sweep Lockout

The A Sweep Lockout portion of the Horizontal Logic IC (U4428) produces an output level at the collector of Q4462 (A Sweep Inhibit) that determines when the A HORIZ time-base unit can produce a sweep. If this output is HI, the A HORIZ unit is locked out (disabled) not

producing a sweep. If the level is LO, the A HORIZ unit is enabled and produces a sweep when triggered.

Only two combinations of input conditions to U4428 will produce a HI A Sweep Inhibit level, as shown by Table 3-3. If non-delayed operation is being used, the first combination disables the A sweep while the B sweep is being displayed in the ALT horizontal mode (both units must be in time-base mode). The second combination disables the A sweep during delayed-sweep operation enabling the B sweep to complete its holdoff before the next A sweep begins.

#### B Sweep Lockout

The B Sweep Lockout stage produces an output level at the collector of Q4468 determining whether the B HORIZ time-base unit can produce a sweep. A HI output level locks out (inhibits) the B HORIZ unit and a LO level enables the B HORIZ unit to produce a sweep.

The output of this stage is HI only under one set of input conditions to U4428, as shown by Table 3-4. (This set of conditions disables the B sweep while the A sweep is being displayed in the ALT, HORIZONTAL MODE switch position, if both time-base units are in a sweep mode and

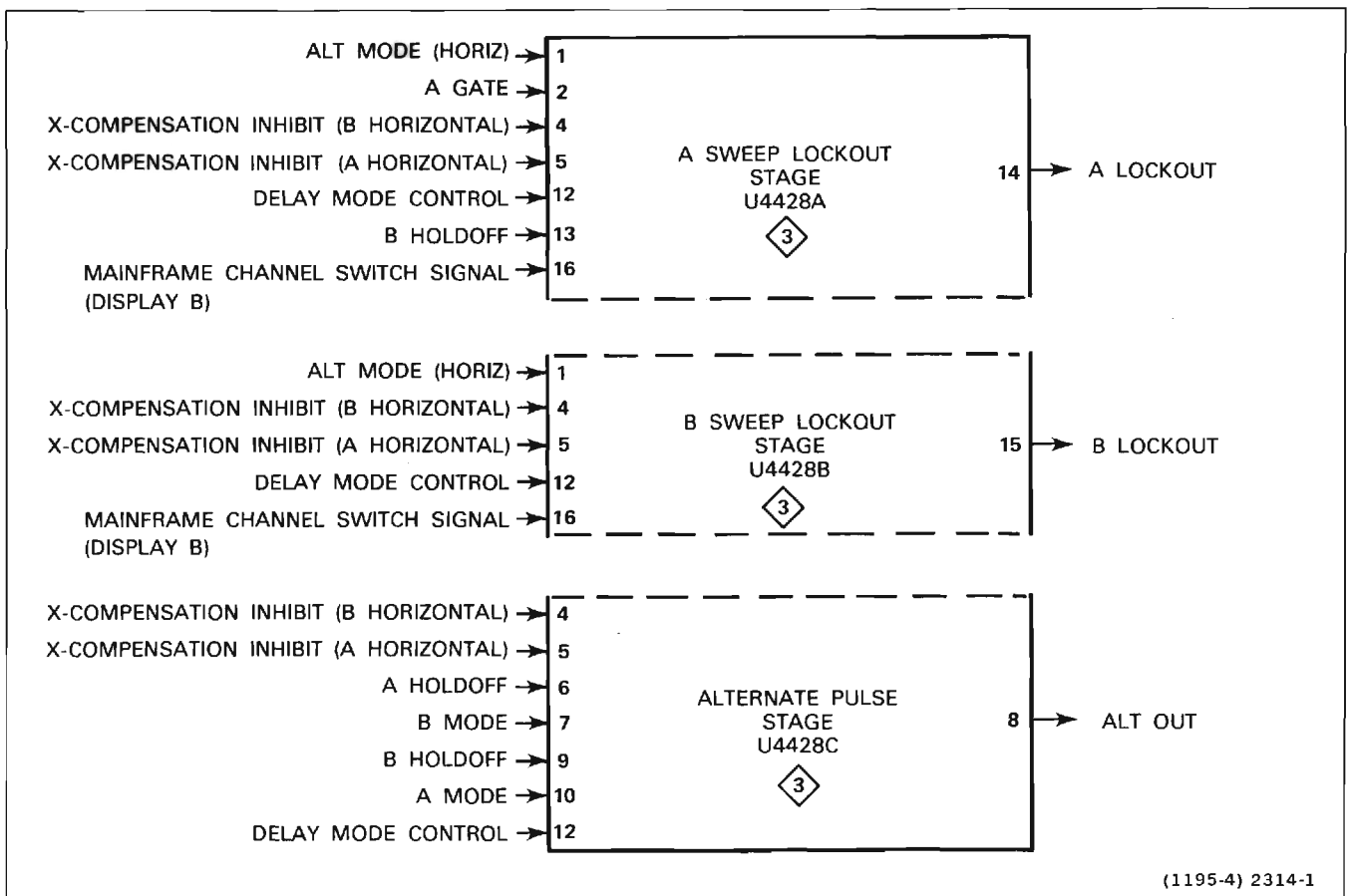


Figure 3-2. Breakdown of separate stages within Horizontal Logic IC (4428).

**TABLE 3-3**  
Input/Output Combinations for A Lockout (U4428 Pin 14)

INPUT							OUTPUT
ALT MODE (HORIZ)	A GATE	X-COMPENSATION INHIBIT (B HORIZONTAL)	X-COMPENSATION INHIBIT (A HORIZONTAL)	DELAY MODE CONTROL	B HOLDOFF	DISPLAY B COMMAND	A LOCKOUT
1	2	4	5	12	13	16	14
HI	φ	HI	HI	LO	φ	HI	HI
φ	LO	φ	φ	HI	HI	φ	HI
ALL OTHER COMBINATION							LO

φ = HAS NO EFFECT IN THIS CASE

**TABLE 3-4**  
Input/Output Combinations for B Lockout (U4428 Pin 15)

INPUT					OUTPUT
ALT MODE (HORIZ)	X-COMPENSATION INHIBIT (B HORIZONTAL)	X-COMPENSATION INHIBIT (A HORIZONTAL)	DELAY MODE CONTROL	DISPLAY B COMMAND	B LOCKOUT
1	4	5	12	16	15
HI	HI	HI	LO	LO	HI
ALL OTHER COMBINATIONS					LO

non-delayed sweep is used.) For any other combination of input conditions, the B Sweep Lockout level is determined by the Delay Gate (from A time-base unit); see Main Interface, diagram 3.

**Alternate Pulse Generator**

The third function performed by the Horizontal Logic stage is the production of an Alternate Pulse signal for use by the Plug-In Binary and Vertical Binary stages. The holdoff gate produced at the end of the sweep by the respective time-base unit is differentiated by either C4335 or C4423, providing a positive-going pulse to pin 6 or 9 of U4428. The differentiated A or B holdoff gate may produce the alternate pulse depending upon the operating conditions as shown in Table 3-5.

(1) A (Only) Mode

An Alternate Pulse is produced at the end of each A sweep when the HORIZONTAL MODE switch is set to the A position.

(2) B (Only) Mode

In the B position of the HORIZONTAL MODE switch, an Alternate Pulse is produced at the end of each B sweep. (The A time-base must be in independent, non-delayed mode.)

**TABLE 3-5**  
**Input/Output Combinations for Alternate Pulse (U4428 Pin 8)**

INPUT							OUTPUT	
X-COMPENSATION INHIBIT (B HORIZONTAL)	X-COMPENSATION INHIBIT (A HORIZONTAL)	A HOLDOFF	B MODE	B HOLDOFF	A MODE	DELAY MODE CONTROL	TIME-BASE WHICH IS SOURCE OF ALTERNATE PULSE	HORIZONTAL CONDITIONS
4	5	6	7	9	10	12	8 <sup>2</sup>	
HI	Φ	HI <sup>1</sup>	LO	Φ	HI	Φ	A	A ONLY
Φ	HI	Φ	HI	HI <sup>1</sup>	LO	LO	B	B ONLY
HI	HI	HI <sup>1</sup>	LO	HI <sup>1</sup>	LO	LO	A AND B	ALT OR CHOP
HI	HI	HI <sup>1</sup>	Φ	Φ	Φ	HI	A	A DELAYS B
HI	LO	HI <sup>1</sup>	LO	LO	Φ	Φ	A	A WITH VERTICAL UNIT IN B COMPARTMENT.
LO	HI	LO	Φ	HI <sup>1</sup>	LO	LO	B	B WITH VERTICAL UNIT IN A COMPARTMENT.
ALL OTHER COMBINATIONS							NO OUTPUT PULSE (LO AT OUTPUT)	

Φ = Has no effect in this case.

<sup>1</sup>Positive-going pulse. Where both A and B Holdoff are required to be HI, a HI at either input produces an alternate pulse.

<sup>2</sup>Negative-going pulse.

**(3) Alt or Chop Mode**

When the HORIZONTAL MODE switch is set to ALT or CHOP (the A time-base unit must be in independent, non-delayed mode), an Alternate Pulse is produced at the end of each sweep. For example, an Alternate Pulse is produced at the end of the A sweep, then at the end of the B sweep, again at the end of the A sweep, etc. Although Alternate Pulses are produced in the CHOP horizontal mode, they are not used in this instrument.

**(4) Delayed Sweep (A Delays B)**

When the A time-base unit is set for delayed operation, the operation of the Alternate Pulse Generator is changed producing an Alternate Pulse only at the end of the A sweep, even when the HORIZONTAL MODE switch is set to B. This is necessary since the A time-base establishes the amount of delay time for the B time-base unit whenever it is displayed.

**(5) Amplifier Unit in Horizontal Compartment**

When an amplifier unit is installed in either of the horizontal plug-in compartments, the Alternate Pulse can be produced only from the remaining time-base unit. If amplifier units are installed in both horizontal compartments, an Alternate Pulse is not produced since there are no time-base units to produce a holdoff pulse.

**Z-AXIS LOGIC**

The Z-Axis Logic stage produces an output current signal at pin 8 of U4485 which sets the intensity of the crt display except for the readout display which is controlled by the Readout System. The output current at pin 8 is determined by the setting of the A or B INTENSITY controls, and the Auxiliary Z-Axis input. The Auxiliary Z-Axis input is produced by either the External Z-Axis input or by an input from any of the plug-in units; see Main Interface, diagram 3. The input current from the A and B INTENSITY controls is switched matching the output current to the horizontal display. The Vertical Chopped Blanking, Horizontal Chopped Blanking, and readout blanking signals are applied to this stage to block the output current and blank the crt display for vertical chopping, horizontal chopping, or during a readout display.

The inputs to the Z-Axis Logic stage (U4485) pins 1, 2, 9, and 16 are current-driven and are variable from zero to four milliamperes.

The Vertical Chopped Blanking signal, the Horizontal Chopped Blanking and the Z-Axis Inhibit signal enables or disables this stage to control all output current. Quiescently, the level at pins 6 and 7 is HI so that the intensity current from pins 1, 2, 9, and 16 can pass to the output. However, both pins 6 and 7 go LO during Vertical Chopped Blanking, during Horizontal Chopped Blanking or during a readout display. This blocks the output



current and the crt is blanked. The Vertical Chopped Blanking signal is connected to pins 6 and 7 of U4485 directly from pin 4 of U4320. The Horizontal Chopped Blanking Inhibit signal is connected to U4485 from pin 4 of U4340 through LR4338, Q4336 and CR4471. Notice that this signal is connected to the collector of Q4336. This transistor is normally operating in the saturated condition, and the HI Horizontal Chopped Blanking Inhibit level from U4340 is the collector source voltage. When the Horizontal Chopped Blanking Inhibit level goes LO, the current through Q4336 drops producing a corresponding LO level at its emitter. This level is connected to pins 6 and 7 of U4485 through CR4471.

Transistor Q4336 also controls the levels at pins 6 and 7 for readout displays. The Z-Axis Inhibit from the Readout System is connected to the base of Q4336 through VR4334 and R4335. This level is normally HI, so Q4336 operates as controlled by the Horizontal Chopped Blanking Inhibit level at its collector. When a readout display is to be presented, the Z-Axis Inhibit level drops LO and is coupled to the base of Q4336 through VR4334. Transistor Q4336 is then reverse biased producing a LO level at its emitter. This level is coupled to pins 6 and 7 of U4485 through CR4471 to block the Z-Axis Logic output current during the readout display. (The intensity of the readout display is determined by a separate Readout intensity level connected directly to the Z-Axis Amplifier; see CRT Circuit description.) Diode CR4472 clamps the emitter of Q4336 at about -0.6 volt when the transistor is off.

The A INTENSITY control sets the output current level when the A Gate at pin 14 is HI and the Display B Command connected to pin 15 through Q4488 and Q4492 is LO. The A Intensity current is blocked whenever the A Gate level goes LO indicating that the A sweep is complete or the Display B Command goes HI indicating that the B sweep is being displayed. The current from the A INTENSITY control is connected to pin 16 through R4482.

In the delayed mode, current is added to the A INTENSITY current during the A-sweep time to intensify a portion of the trace. This intensified portion is coincident with the B-sweep time providing an indication of which portion of the A sweep is displayed in the delayed mode. The A Intensified current is supplied to pin 2 of U4485 from the A INTENSITY control through R4481. With this configuration, the intensified current increases as the A INTENSITY control setting is advanced to provide a proportional intensity increase in the intensified zone as the overall A-sweep intensity increases. Therefore, the intensified zone is more readily visible at high intensity levels. A front-panel screwdriver adjustment (B CONTRAST, R2015) allows for optimum contrast between the intensified portion and the overall sweep. The intensified current is added to the A INTENSITY current to produce an intensified zone on the A sweep under the following conditions: HI A Gate level at pin 14, LO Display B Command at pin 15, HI B Gate level at pin 4, and HI Delay Mode Control Out level at pin 5.

The B INTENSITY control determines the output current when the B Gate level at pin 4 and the Display B Command at pin 15 are both HI. The current from the B INTENSITY control is connected to the Z-Axis Logic stage through R4483.

The current level established by the intensity controls can be altered by the Auxiliary Z-Axis current level at pin 9. The current at this pin can come from the Z-AXIS INPUT connector on the rear panel (see diagram 3) or from any of the plug-in compartments. This current either increases or decreases (depending on polarity) the output current to modulate the intensity of the display. Input from the Z-AXIS INPUT connector allows the trace to be modulated by external signals. The Auxiliary Z-Axis inputs from the plug-in compartments allow special-purpose plug-in units to modulate the display intensity. Diodes CR4473 and CR4474 limit the maximum voltage change at pin 9 to about + and -0.6 volt to protect the Z-Axis Logic stage if an excessive voltage is applied to the Z-AXIS INPUT connector. Table 3-6 shows Input/Output combinations of the Z-Axis Logic stage.

## HORIZONTAL BINARY

The Horizontal Binary stage develops the Display B Command to determine which horizontal plug-in unit provides the sweep displayed on the crt. When the level is HI, the B horizontal unit is displayed; when it is LO, the A horizontal unit is displayed.

The Display B Command is used in the following stages within the Logic circuit: Horizontal Logic (A and B Sweep Inhibit), Z-Axis Logic, Vertical Binary, and Trace Separation. In addition, it is connected to the following circuits elsewhere in the instrument to indicate which horizontal unit is to be displayed: Main Interface (A and B HORIZ plug-in compartments), Horizontal Interface (for horizontal channel selection).

The levels on pins 3, 4, 7, and 10 of U4358 are determined by the HORIZONTAL MODE switch (see diagram 2) which indicates which horizontal mode has been selected by providing a HI output level on only one of four output lines. The remaining lines are LO.

The Horizontal Binary stage operates as follows for each 4 positions of the HORIZONTAL MODE switch (refer to Table 3-7 for input/output conditions):

- 1. A MODE.** By setting the HORIZONTAL MODE switch to A, the Display B Command is LO indicating to all circuits that the A horizontal unit is to be displayed.
- 2. B MODE.** Selecting the B horizontal mode provides a HI Display B Command to all circuits.
- 3. CHOP MODE.** In the CHOP position of the HORIZONTAL MODE switch, the Display B Command switches between the HI and LO levels to produce a display that switches between the A and B horizontal

**TABLE 3-6**  
Input/Output Combinations for the Z-Axis Logic Stage

A INTENSITY	B INTENSITY	INTENSIFIED	A GATE	B GATE	DELAY MODE CONTROL	DISPLAY B COMMAND	Z-AXIS SIGNAL	SOURCE OF Z-AXIS SIGNAL
16	1	2	14	4	5	15	8	
VAR	Φ	Φ	HI	Φ	LO	LO	VAR	A INTENSITY
VAR	Φ	Φ	HI	LO	HI	LO	VAR	A INTENSITY
VAR	Φ	VAR	HI	HI	HI	LO	VAR	A INTENSITY PLUS INTENSIFIED
Φ	VAR	Φ	Φ	HI	Φ	HI	VAR	B INTENSITY
OTHER COMBINATIONS							LO	NO OUTPUT

HI = MAX VOLTAGE OR CURRENT                      Φ = HAS NO EFFECT  
 LO = MIN VOLTAGE OR CURRENT  
 VAR = VARIABLE CURRENT, 0 to 4 mA

**TABLE 3-7**  
Input/Output Combinations of the Horizontal Binary Stage

INPUT							OUTPUT
HORIZONTAL CHOPPED BLANKING	A MODE	B MODE	B MODE	ALTERNATE PULSE	CHOP MODE (HORIZ)	DISPLAY B COMMAND	
1	3	4	7	8	10	6	HORIZONTAL DISPLAY
Φ	HI	LO	LO	Φ	LO	LO	A HORIZONTAL UNIT
Φ	LO	HI	HI	Φ	LO	HI	B HORIZONTAL UNIT
LO <sup>1</sup>	LO	LO	LO	Φ	HI	n+1 <sup>2</sup>	CHOP BETWEEN A AND B
Φ	LO	LO	LO	LO <sup>1</sup>	LO	n+1 <sup>3</sup>	ALTERNATE BETWEEN A AND B

Φ = Has no effect in this case.  
 n+1 = If output is LO prior to LO<sup>1</sup>, it goes HI, and vice versa.  
<sup>1</sup>Actuated by negative-going edge.  
<sup>2</sup>Repetition rate one-half horizontal chopped blanking rate.  
<sup>3</sup>Repetition rate one-half alternate pulse rate.

units at a 0.2-megahertz rate. The repetition rate of the Display B Command in this mode is determined by the Horizontal Chopped Blanking pulse (see Chop Counter description). Each time the Horizontal Chopped Blanking pulse at pin 1 drops LO, the output at pin 6 switches to the opposite state.

**4. ALT MODE.** For ALT horizontal operation, the Display B Command switches to the opposite state each time the negative portion of the Alternate Pulse is received from the Horizontal Logic stage. Repetition rate of the Display B Command in this mode is one-half the repetition rate of the Alternate Pulse applied to pin 8.

## VERTICAL BINARY

The Vertical Binary stage produces the Vertical Alternate Command, at pin 6 to determine which vertical unit is to be displayed when the VERTICAL MODE switch is set for ALT. When this output level is HI, the RIGHT VERT unit is displayed; when it is LO, the LEFT VERT unit is displayed. In the ALT or CHOP positions of the HORIZONTAL MODE switch (non-delayed operation only), the output of this stage is slaved to the output of the Horizontal Binary stage so that the Vertical Alternate Command is always HI when the Display B Command is LO, and vice versa. This action allows independent-pairs operation (sweep-slaving) in the ALT position of the VERTICAL MODE switch and the ALT or CHOP positions of the HORIZONTAL MODE switch, whereby the LEFT VERT unit is always displayed at the sweep rate of the B time-base and the RIGHT VERT unit is displayed at the sweep rate of the A time-base. Thus, independent-pairs operation can simulate dual-beam operation for repetitive sweeps.

When the A time-base unit is set to the delaying mode, the repetition rate of the Vertical Alternate command is one-half the repetition rate of the Display B Command. This results in each vertical unit being displayed first against the A time-base unit (delaying), then the B time-base unit (delayed), before the display is switched to the other vertical unit.

The Vertical Alternate Command is used in the Plug-In Binary and Vertical Mode Logic stages. The Vertical Binary stage (U4368) uses the same type of IC as the Horizontal Binary stage. Notice the display B Command level at pin 7. This input is the inverse of the Display B Command level at pin 8 (Q4364 generates the display B Command level). Also, notice the line connected to pin 4 of the Vertical Binary IC U4368. The level at pin 4 Horiz Slave Enable is generated by Q4424 and is HI only when the HORIZONTAL MODE switch is set for ALT or CHOP and the time-base units are in nondelayed operation. The Vertical Binary IC uses the information at pin 4 for correct slaving of the Vertical Alternate Command to the Display B Command (necessary for independent-pairs operation). Horizontal Slave Enable is also used by the trigger select logic.

The operation of the Vertical Binary stage in relation to the modes of operation that can occur is described in the following:

**1. A OR B MODE.** When the HORIZONTAL MODE switch is set to either A or B the Vertical Alternate Command switches to the opposite state each time an Alternate Pulse is received from the Horizontal Logic stage. Repetition rate of the Vertical Alternate Command in this mode is one-half the repetition rate of the Alternate Pulse. The input conditions for these modes are:

Pin 1 LO-Alternate Pulse generated by Horizontal Logic stage goes negative.

Pin 4 Horizontal Slave Enable LO-HORIZONTAL MODE switch in any position except ALT or CHOP, or the A time-base unit is set for delayed sweep.

Pin 10 HI-HORIZONTAL MODE switch set to A or B.

**2. ALT OR CHOP MODE (HORIZ): NONDELAYED.** In the ALT or CHOP positions of the HORIZONTAL MODE switch, the output level at pin 6 is the same as the Display B Command level at pin 7. The Display B Command level is produced by inverting the Display B Command from the Horizontal Binary stage. Therefore, the repetition rate of the output signal is the same as the Display B Command. With the VERTICAL MODE switch set to ALT and the A time-base unit set for nondelayed operation, the result is that the RIGHT VERT unit is always displayed at the sweep rate of the A time-base unit, and the LEFT VERT unit is always displayed at the sweep rate of the B time-base unit (independent-pairs operation or sweep slaving). The input conditions to provide a HI output level so that the RIGHT VERT unit can be displayed at the A sweep rate are:

Pin 4 Horizontal Slave Enable HI-HORIZONTAL MODE switch set to ALT or CHOP with nondelayed sweep.

Pin 7 HI-The A sweep is to be displayed (Display B Command LO).

Pin 10 LO-HORIZONTAL MODE switch set to any position except A or B.

The input conditions to provide a LO output level so that the LEFT VERT unit can be displayed at the B-sweep rate are:

Pin 4 Horizontal Slave Enable HI-HORIZONTAL MODE switch set to ALT or CHOP with nondelayed sweep.

Pin 7 LO-The B sweep is to be displayed (Display B Command HI).

Pin 10 LO-HORIZONTAL MODE switch set to any position except A or B.

**3. ALT OR CHOP MODE (HORIZ): DELAYED.** If the A time-base unit is set to the delayed mode when the HORIZONTAL MODE switch is set to either ALT or CHOP, the operation of the stage is changed from that discussed above. Now, the Vertical Alternate Command switches between the HI and LO states at a rate that is one-half the repetition rate of the Display B Command. The resultant crt display in the ALT position of the VERTICAL MODE switch allows the RIGHT VERT unit to be displayed first against the A sweep (delaying) and then against the B sweep (delayed). Then the display switches to the LEFT VERT unit and is displayed consecutively against the A and B sweeps in the same manner. The input conditions for this mode of operation are:

**Theory of Operation—7104**

Pin 4 Horizontal Slave Enable LO-The A time-base unit set for delayed operation.

Pin 8 HI or LO-Vertical Alternate Command changes state at HI to LO transition of Display B Command.

Pin 10 LO-HORIZONTAL MODE switch set to any position except A or B.

resultant crt presentation, when the dual-trace unit is set for alternate operation, displays the Channel 1 trace at the sweep rate of the B time-base unit and the Channel 2 trace at the sweep rate of the A time-base unit.

The Plug-In Alternate Command switches from HI to LO as the Display B Command from the Horizontal Binary stage switches from LO to HI, and vice versa.

Table 3-8 shows the input/output combinations for the Vertical Binary stage.

**PLUG-IN BINARY**

The Plug-In Binary stage produces the Plug-in Alternate Command to alternate dual-trace units. The Plug-In Binary stage, U4412 uses the same type of integrated circuit as the Horizontal Binary and Vertical Binary stages.

When the Plug-In Alternate Command level is HI and the plug-in unit is set for alternate operation, Channel 2 of the dual-trace unit is displayed. When it is LO, Channel 1 is displayed. The repetition rate of the Plug-In Alternate Command is determined by the setting of the VERTICAL MODE switch. For all positions of the VERTICAL MODE switch except ALT, the Plug-In Alternate Command is the same as the Vertical Alternate Command at pin 6 of U4368 (Vertical Binary stage). Since Vertical Alternate Command is derived directly from the Display B Command, this allows the two channels of a dual-trace vertical unit to be slaved to the time-base units (non-delayed, dual-sweep horizontal modes only) in the same manner as previously described for independent-pairs operation between the vertical and time-base units. The

When the VERTICAL MODE switch is set to ALT, pin 6 of the Vertical Binary stage switches the vertical display between the two vertical units. However, if either of the vertical plug-in units are dual-trace units, they can be operated in the alternate mode also. To provide a switching command to these units, the Plug-In Binary stage produces an output signal with a repetition rate that is one-half the repetition rate of the signal at pin 6 of U4368. The sequence of operation, when two dual-trace vertical units are installed in the vertical plug-in compartments and they are both set for alternate operation, is as follows (VERTICAL MODE and HORIZONTAL MODE switches set to ALT): 1. Channel 1 of LEFT VERT unit at sweep rate of B time-base unit; 2. Channel 1 of RIGHT VERT unit at sweep rate of A time-base unit; 3. Channel 2 of LEFT VERT unit at sweep rate of B time-base unit; 4. Channel 2 of RIGHT VERT unit at sweep rate of A time-base unit. Notice that under these conditions, both channels of the LEFT VERT unit are displayed at the B-sweep rate and that both channels of the RIGHT VERT unit are displayed at the A-sweep rate. Input conditions when the VERTICAL MODE switch is set at ALT are:

Pin 4 LO-VERTICAL MODE switch set to ALT.

**TABLE 3-8**  
Input/Output Combinations for the Vertical Binary Stage

INPUT						OUTPUT	
ALTERNATE PULSE	HORIZ SLAVE ENABLE	DISPLAY B COMMAND	DISPLAY B COMMAND	A OR B MODE	VERTICAL ALTERNATE COMMAND	HORIZONTAL MODE SWITCH	
1	4	7	8	10	6		
LO <sup>1</sup>	LO	Φ	Φ	HI	n+1 <sup>2</sup>	A OR B	
Φ	HI	HI	LO	LO	HI	DISPLAY RIGHT	} ALT OR CHOP, NON-DELATED MODE (SWEEP-SLAVING)
Φ	HI	LO	HI	LO	LO	DISPLAY LEFT	
Φ	LO	Φ	LO <sup>1</sup>	LO	n+1 <sup>3</sup>	ALT OR CHOP, DELAYED MODE	

Φ = Has no effect in this case.

n+1 = If output is LO prior to LO<sup>1</sup> it goes HI, and vice versa.

<sup>1</sup>Actuated by negative-going edge.

<sup>2</sup>Repetition rate one-half alternate pulse rate.

<sup>3</sup>Repetition rate one-half display B rate.

Pin 8 HI or LO-Plug-In Alternate Command signal changes state at HI to LO transition of the Vertical Alternate Command signal.

Table 3-9 gives the input/output combinations for the Plug-In Binary stage.

**VERTICAL CHOPPED BLANKING**

Part of integrated circuit U4320 along with the external components shown in Figure 3-3 make up the clock generator stage. Component parts R1, Q1, Q2, and Q3 represent an equivalent circuit within U4320. This circuit along with discrete components C4314-R4312-R4313-R4314 compose a two-megahertz free-running oscillator to provide a timing (clock) signal used to synchronize the vertical, horizontal, and plug-in chopping modes.

This stage operates as follows: Assume that Q2 is conducting and Q1 is off. The collector current of Q2 produces a voltage drop across R1 to turn off Q1. This negative level at the collector of Q2 is also connected to pin 14 through Q3 (see waveforms in Fig. 3-3B at time  $T_0$ ). Since there is no current through Q1, C4314 begins to charge towards -15 volts through R4312-R4313. The emitter of Q1 goes negative as C4314 charges, until it reaches a level about 0.6 volts more negative than the level at its base. Then Q1 is forward biased and its emitter rapidly rises positive (see Time  $T_1$  on waveforms). Since C4314 cannot change its charge instantaneously, the sudden change in voltage at the emitter of Q1 pulls the emitter of Q2 positive. With Q2 reverse biased, its collector rises positive to produce a positive output level at pin 14.

Now, conditions are reversed. Since Q2 is reverse biased, there is no current through it. Therefore, C4314 can begin to discharge through R4314. The emitter level of Q2 follows the discharge of C4314, until it reaches a level of about 0.6 volt more negative than its base. Then Q2 is forward biased and its collector drops negative to reverse-bias Q1. The level at pin 14 drops negative also, to complete the cycle. Once again, C4314 begins to charge through R4312-R4313 to start the second cycle. Two outputs are provided from this oscillator. The Delay Ramp signal from the junction of R4312-R4313 is connected to the Vertical Chopped Blanking stage. This signal has the same waveshape as shown by the waveform at pin 13; its slope is determined by the divider ratio between R4312-R4313. A wide pulse train output is provided at pin 14. The frequency of this pulse train is determined by the overall RC relationship between C4314-R4312-R4313-R4314 and its duty cycle is determined by the ratio of R4312 and R4313 to R4314.

The pulse train at pin 14 is connected to pin 16 through C4315. Capacitor C4315, along with the internal resistance of U4320, differentiates the pulse train at pin 14 to produce a narrow negative-going pulse coincident with the falling edge of the pulse train (positive-going pulse coincident with rising edge has no effect on circuit operation). This negative-going pulse is connected to pin 15 through an inverter-shaper circuit that is also part of U4320. The output at pin 15 is a positive-going clock pulse with a repetition rate of about two megahertz.

The Vertical Chopped Blanking stage is made up of the remainder of U4320. This stage determines if Vertical Chopped Blanking pulses are required, based upon the

**TABLE 3-9**  
Input/Output Combinations for the Plug-In Binary Stage

INPUT				OUTPUT	COMMENTS
4	7	8	6		
LO	$\Phi$	LO <sup>1</sup>	n+1 <sup>2</sup>	ALT VERTICAL MODE	} ALL VERTICAL MODES EXCEPT ALT PROVIDE SWEEP-SLAVING FOR NON-DELAYED DUAL-SWEEP OPERATION.
HI	LO	$\Phi$	LO	CHANNEL 1 DISPLAYED	
HI	HI	$\Phi$	HI	CHANNEL 2 DISPLAYED	

$\Phi$  = Has no effect in this case.  
 n+1 = If output is LO prior to LO<sup>1</sup> it goes HI, and vice versa.  
<sup>1</sup>Actuated by negative-going edge.  
<sup>2</sup>Repetition rate one-half Vertical Alternate Command rate.

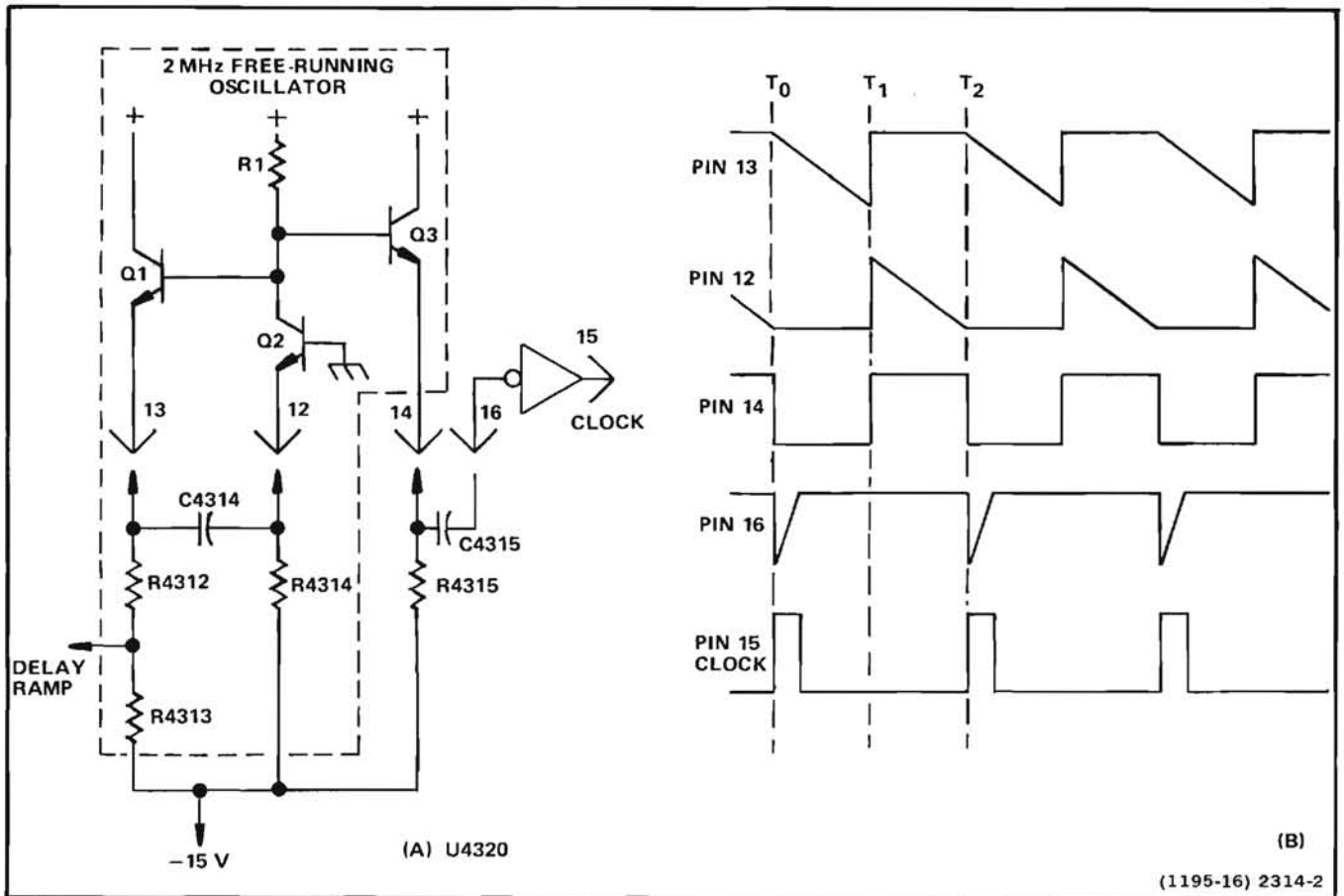


Figure 3-3. (A) Diagram of clock generator stage; (B) Idealized waveforms for clock generator stage.

operating mode of the vertical system or the plug-in units (dual-trace units only). Vertical Chopped Blanking pulses are produced if: 1. VERTICAL MODE switch is set to CHOP; 2. Dual-trace vertical unit is operating in the chopped mode and that unit is being displayed. The repetition rate of the negative-going Vertical Chopped Blanking pulse output at pin 4 is two megahertz for all of the above conditions as determined by the clock generator stage. Table 3-10 shows the input/output combinations for the Vertical Chopped Blanking stage.

The delay ramp signal from the clock generator stage determines the repetition rate and pulse width of the Vertical Chopped Blanking pulses. The delay ramp from pin 13 (U4320) applied to pin 10 starts to go negative from a level of about +1.1 volts coincident with the leading edge of the clock pulse (see waveforms in Fig. 3-4). This results in a HI quiescent condition for the Vertical Chopped Blanking pulse. The slope of the negative-going delay ramp is determined by the clock generator stage. As it reaches a level slightly negative from ground, the Vertical Chopped Blanking pulse output level changes to the LO state and remains LO until the delay ramp goes HI again.

Notice the delay between the leading edge of the clock pulse generated by U4320, and the leading edge of the Vertical Chopped Blanking pulses. The amount of delay between the leading edges of these pulses is determined by the delay ramp applied to pin 10. This delay is necessary due to the delay line in the vertical deflection system. Otherwise, the trace blanking resulting from the Vertical Chopped Blanking pulse would not coincide with the switching between the displayed traces. The duty cycle of the wide pulse train produced in the clock generator stage determines the pulse width of the Vertical Chopped Blanking pulses.

### CHOP COUNTER

The Chop Counter stage U4340 produces the Vertical Chopped signal, the Plug-In Chop Command, and the Horizontal Chopped Blanking signal. The clock pulse produced by the clock generator stage provides the timing signal for this stage. The functions of the input and output pins for the Chop Counter IC, U4340, are identified in Figure 3-5A. Idealized waveforms showing the timing relationship between the input and output signals for this stage are shown in Figure 3-5B.

**TABLE 3-10**  
**Input/Output Combinations for the Vertical Chopped Blanking Stage**

INPUT						OUTPUT	
CHOP MODE (VERT)	LEFT PLUG-IN MODE (CHOP INHIBIT)	DISPLAY RIGHT COMMAND	ADD MODE (VERT)	RIGHT PLUG-IN MODE (CHOP INHIBIT)	DELAY RAMP	VERTICAL CHOPPED BLANKING	CONDITIONS
3	5	6	7	8	10 <sup>1</sup>	4 <sup>2</sup>	
HI	Φ	Φ	LO	Φ	LO	LO	CHOP MODE (VERT)
LO	LO	LO	LO	Φ	LO	LO	LEFT PLUG-IN CHOPPED
LO	Φ	HI	LO	LO	LO	LO	RIGHT PLUG-IN CHOPPED
LO	LO <sup>3</sup>	LO	HI	LO <sup>3</sup>	LO	LO	ADD MODE, LEFT OR RIGHT PLUG-IN CHOPPED
ALL OTHER COMBINATIONS						HI	NO VERTICAL CHOPPED BLANKING PULSES AT OUTPUT

Φ = Has no effect in this case.

<sup>1</sup>Ramp signal; considered LO when more negative than about zero volts.

<sup>2</sup>Negative-going pulse at two megahertz rate.

<sup>3</sup>Pin 5 can be HI and not affect operation if pin 8 is LO, and vice versa.

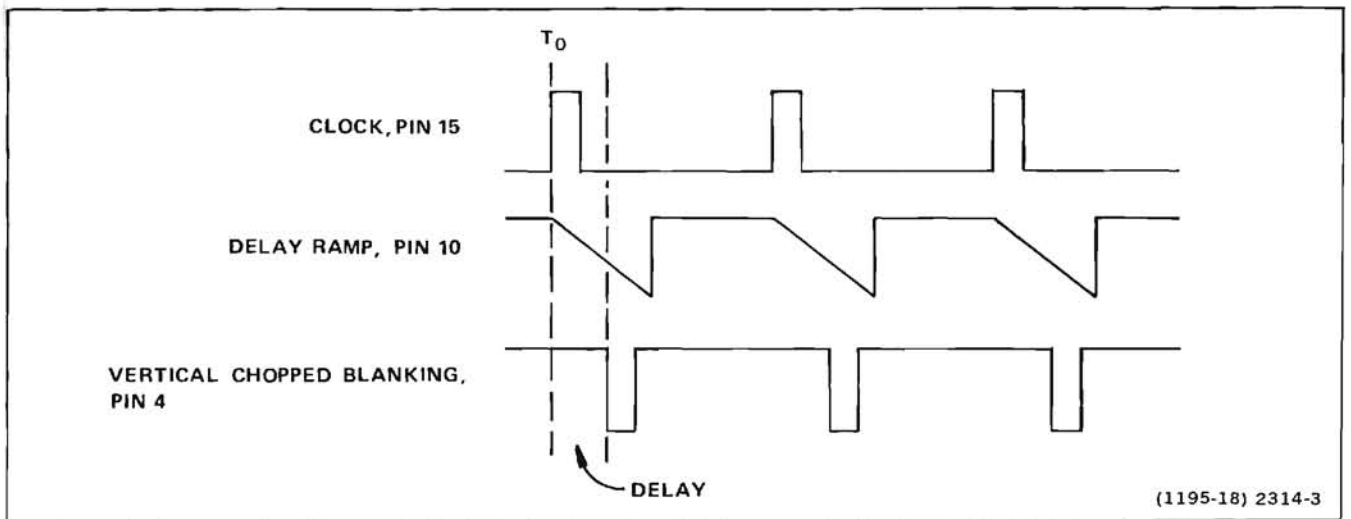


Figure 3-4. Idealized waveforms for the Vertical Chopped Blanking IC (U4320).

The repetition rate of the output signals from this stage is determined by the setting of the HORIZONTAL MODE switch. When the HORIZONTAL MODE switch is set to any position except CHOP, the repetition rate of the Vertical Chopping Signal output at pin 1 is one megahertz (one-half clock rate). This determines the switching between the LEFT and RIGHT VERT units when the VERTICAL MODE switch is set to CHOP. At the same

time, the repetition rate of the Plug-In Chop Command at pin 8 is 0.5 megahertz (one-fourth clock rate). This provides a chopping signal to dual-trace vertical units to provide switching between the two channels. The relationship between these output signals and the clock input is shown by the waveforms in Figure 3-5B in the area between  $T_0$  and  $T_1$ . During this time, the Horizontal Chopped Blanking at pin 4 remains HI.

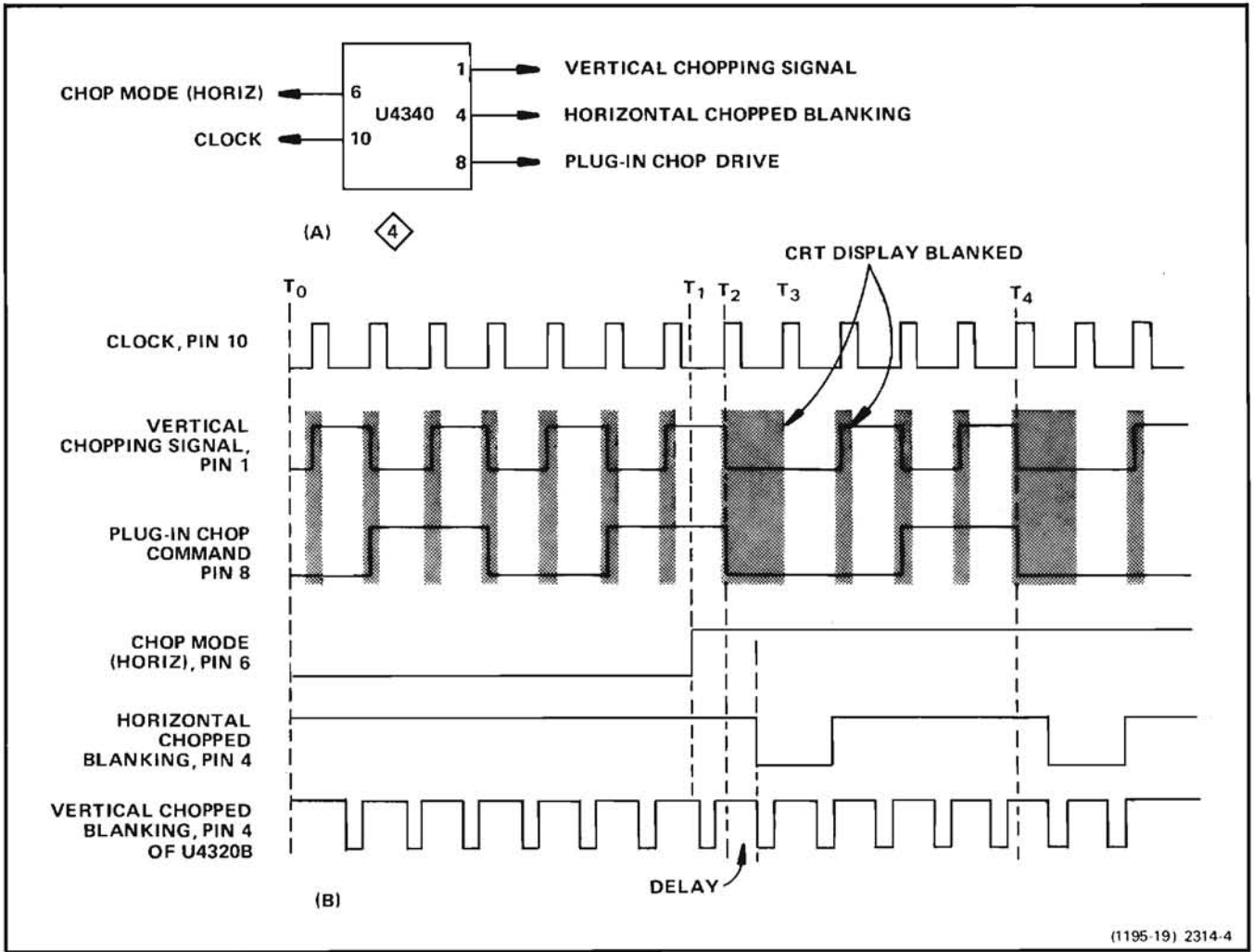


Figure 3-5. (A) Input and output pins for Chop Counter IC, U4340; (B) Idealized waveforms for Chop Counter stage.

When the HORIZONTAL MODE switch is set to CHOP, the basic repetition rate of the Vertical Chopping Signal and the Plug-In Chop Command is altered. For example, if the HORIZONTAL MODE switch is changed to the CHOP position at time  $T_1$  (see Fig. 3-5B), a HI level is applied to pin 6. This stage continues to produce outputs at pins 1 and 8 in the normal manner until both outputs are at their HI level. (See time  $T_2$ ; this condition only occurs once every fifth clock pulse and only when the HORIZONTAL MODE switch is set to CHOP.) When both of these outputs are at their HI level, the next clock pulse switches both outputs LO, and at the same time switches the Horizontal Chopped Blanking to the LO level.

This change at time  $T_2$  does not appear at pin 4 immediately, due to a delay network in the circuit. The delay is necessary to make the Horizontal Chopped Blanking coincide with the Vertical Chopped Blanking produced by U4320 and the switching between the displayed signals. (Compare bottom two waveforms of Fig. 3-5B; also see Vertical Chopped Blanking for further information.) After the delay time, the output level at pin

4 goes LO where it remains for about 0.5 microsecond which is equal to the period of the clock pulse (two-megahertz repetition rate).

The Horizontal Chopped Blanking time must be longer than the Vertical Chopped Blanking time, since it takes more time for the display to switch between horizontal units than between vertical units. During the time that the level at pin 4 is LO, the crt is blanked and the Vertical Chopping Signal and the Plug-In Chop Command cannot change levels. The clock pulse at  $T_3$  changes only the Horizontal Chopped Blanking output at pin 4. The level on this pin goes HI after the delay time to unblank the crt.

For the next three clock pulses, the Vertical Chopping Signal output and Plug-In Chop Command operate in the normal manner. However, just prior to the fourth clock pulse (time  $T_4$ ), both outputs are again at their HI level. The fourth clock pulse at  $T_4$  switches the output at pin 1, pin 8, and pin 4 (after delay) to the LO level to start the next cycle. Notice that a Horizontal Chopped Blanking



pulse is produced at pin 4 with every fifth clock pulse. Also notice that with the HORIZONTAL MODE switch set to CHOP, two complete cycles of the Vertical Chopping Signal are produced with each five clock pulses (repetition rate two-fifths clock rate) and one complete cycle of the Plug-In Chop Command for every five clock pulses (one-fifth clock rate). Notice that the large shaded area produced by the Horizontal Chopped Blanking pulse (see Fig. 3-5) is not part of the display time (crt display blanked). However, about the same time segment is displayed from the vertical signal source with or without Horizontal Chopped Blanking, due to the change in repetition rate when in the CHOP horizontal mode.

The Vertical Chopping Signal at pin 1 of U4340 is connected to the Vertical Mode Logic stage (see following description) through LR4342. This signal is HI when the RIGHT VERT unit is to be displayed and it is LO when the LEFT VERT unit is to be displayed. The Plug-In Chop Command at pin 8 is connected to the plug-in units in the vertical compartments through LR4344, via the Main Interface board. When this signal is HI, Channel 2 of the plug-in units can be displayed; when this level is LO, Channel 1 can be displayed. The Horizontal Chopped Blanking signal at pin 4 is connected through LR4338 to the Horizontal Binary stage U4358, and to the Z-Axis Logic stage U4485 by way of Q4336. When this signal is HI, the crt is unblanked to display the selected signal. When it is LO, the crt is blanked to allow switching between the horizontal units.

## VERTICAL MODE LOGIC

The Vertical Mode Logic stage is made up of discrete components CR4323-CR4322, CR4369-CR4368 and buffer Q4382-Q4392. These components develop the Display Right Command, which is connected to the Main Interface, Vertical Interface, and Trigger Selector circuits to indicate which vertical unit is to be displayed. When this output level is HI, the RIGHT VERT unit is displayed; when it is LO, the LEFT VERT unit is displayed.

The VERTICAL MODE switch shown on diagram 2 provides control levels to this stage. This switch provides a HI level on only one of five output lines to indicate the selected vertical mode; the remaining lines are LO. Notice that only four of the lines from the VERTICAL MODE switch are connected to the Logic circuit. Operation of this stage is as follows: When the VERTICAL MODE switch is set to RIGHT, a HI level is connected to the base of Q4382 through R4321. This forward biases Q4382, and the positive-going level at its emitter is connected to the emitter of Q4392. The collector of Q4392 goes HI to indicate that the RIGHT VERT unit is to be displayed. For the CHOP position of the VERTICAL MODE switch, a HI level is applied to the anodes of CR4323-CR4322 through R4322. Both diodes are forward biased so that the Vertical Chopping Signal from pin 1 of U4340 can pass to the base of Q4382. This signal switches between the HI and LO levels at a one-megahertz rate and produces a corresponding Display Right Command output at the collector of Q4392. When the Display Right Command is HI, the RIGHT VERT unit is displayed and when it switches to LO, the LEFT VERT unit is displayed.

In the ALT position of the VERTICAL MODE switch, a HI level is applied to the anodes of CR4369-CR4368 through R4369. These diodes are forward biased so the Vertical Alternate Command from pin 6 of the Vertical Binary stage can pass to the base of Q4382 to determine the Vertical Mode Command level. The Vertical Alternate Command switches between its HI and LO levels at a rate determined by the Vertical Binary stage.

The control levels in the LEFT and ADD positions of the VERTICAL MODE switch are not connected to this stage. However, since only the line corresponding to the selected vertical mode can be HI, the RIGHT, CHOP, and ALT lines must remain at their LO level when either LEFT or ADD is selected. Therefore, the base of Q4382 remains LO to produce a LO Display Right Command signal output level at the collector of Q4392.

A logic diagram of the Vertical Mode Logic stage is shown in Figure 3-6. The discrete components that make up each logic function are identified.

## TRACE SEPARATION

The Trace Separation stage is made up of discrete components Q4438, Q4442, Q4448, and Q4456. This stage produces the Trace Separation output to the AUX Y-Axis Input of the Vertical Amplifier circuit to offset the B-sweep display when operated in a dual-sweep mode (horizontal). The level of this output current is determined by the setting of the VERT TRACE SEPARATION (B) control. The current from the VERT TRACE SEPARATION (B) control is switched so that the Trace Separation output is provided only when the B sweep is being displayed in the ALT or CHOP horizontal modes and not when the B sweep only is being displayed, nor for independent-pairs operation (sweep-slaving).

The VERT TRACE SEPARATION (B) control provides current to the Trace Separation output through R4456 and Q4456 when Q4456 is forward biased. When the B sweep is being displayed (for ALT or CHOP horizontal operation), the Display B Command at the base of Q4442 is HI. This forward biases Q4442 causing its collector to go negative to forward bias Q4448. This causes Q4448 to saturate and its collector goes positive to forward bias Q4456. During the time the A sweep is being displayed, the Display B Command is LO. This reverse biases Q4442 and Q4448; Q4456 is reverse biased and the VERT TRACE SEPARATION (B) control is disconnected while the A-sweep is being displayed.

When the HORIZONTAL MODE switch is set to B (only), a HI level is connected to the emitter of Q4442 through R4431. This reverse biases Q4442 even though the Display B Command at its base is HI for this mode. Therefore, the VERT TRACE SEPARATION (B) control has no effect. When the VERTICAL MODE switch is set to ALT and the Delay Mode Control level from the A time-base unit is LO (indicating nondelayed sweep operation), a HI level is applied to the emitter of Q4442 through R4438 and CR4434. This HI level reverse biases Q4442 even though the Display B Command is HI. This action disconnects the VERT TRACE SEPARATION (B) control

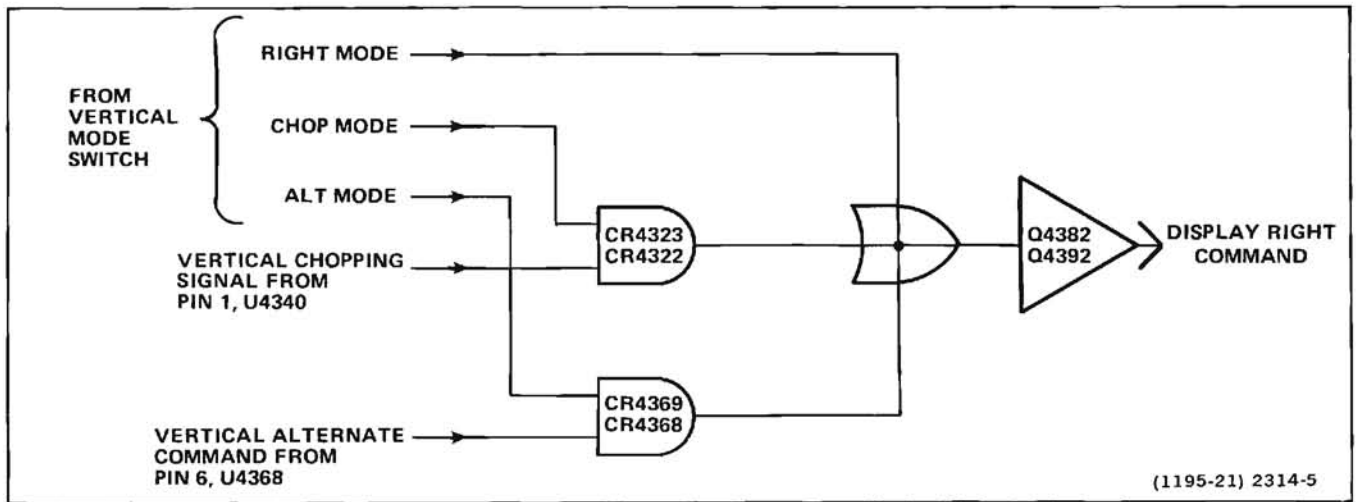


Figure 3-6. Logic diagram of Vertical Mode Logic stage.

for independent-pairs operation so that the vertical position of the B-sweep display is determined by the slaved LEFT VERT plug-in unit only. If delayed-sweep operation is selected, the Delay Mode Control Out level is HI to forward bias Q4438 and Q4443. This allows the VERT TRACE SEPARATION (B) control to position the B-sweep display, since independent-pairs operation is not possible when operating in a delayed-sweep mode.

A logic diagram of the Trace Separation stage is shown in Figure 3-7A. The discrete components which make up each logic function are identified. An input/output table for this stage is given in Figure 3-7B.

### MCP (MICROCHANNEL PLATE) INTENSITY TRACKING

The MCP output voltage increases as the A or B INTENSITY controls are rotated past midrange. Tracking is provided by circuitry within U4508. The signal at the collector of Q4494 determines whether A or B INTENSITY control is tracked, if this signal is HI (Q4494 off) the voltage on the bases of transistors A and D of U4508 is -4.3 volts. This voltage is more positive than the voltage on the bases of B and C. Transistors A and D of U4508 are turned on, while transistors C and B of U4508 are turned off. The voltage at pins AS and AR varies from 0 to -10 volts, depending on the setting of the A and B INTENSITY controls. At maximum intensity the voltage is -10 volts. At midrange (-5 volts on pins AS and AR) emitter current starts flowing in transistors D and A of U4508. Current derived from the B INTENSITY control is diverted to ground by transistor A, and current derived from the A INTENSITY control flows through transistor D into the intensity sense line.

With A INTENSITY control set to midrange, current begins to flow in the Intensity Sense line. The current

increases to 50 microamperes when the A INTENSITY control is at maximum. On the High Voltage board (diagram 3) the Intensity Sense line is connected to a current summing node (pin 2 of U1714A) where the MCP output voltage increases in proportion to the Intensity Sense current; this causes a maximum voltage increase of 375 volts.

If the signal at the collector of Q4494 is LO the voltage at the bases of transistors B and C (U4508) is -4.3 volt. This voltage is more positive than the base voltage of transistors D and A of U4508. Now, transistors B and C of U4508 are turned on and the Intensity Sense current is derived from the B INTENSITY control.

The signal at the collector of Q4494 is LO when the HORIZONTAL MODE switch is in ALT, CHOP, or B. Therefore, B INTENSITY control provides the MCP output voltage tracking when the HORIZONTAL MODE switch is in ALT, CHOP, or B. The A INTENSITY control provides the tracking voltage when the HORIZONTAL MODE switch is set to A.

### TIME-BASE CONTROLLED Z-AXIS FOR X-Y DISPLAYS

X-Y displays can only be obtained in conjunction with a time-base unit. When an amplifier unit is installed in the A (B) HORIZ compartment, the Z-Axis is controlled by the time-base unit in the B (A) HORIZ compartment, independent of the setting of the HORIZONTAL MODE switch. The B (A) indicator lamp automatically turns on; the selection of the horizontal mode by the HORIZONTAL MODE switch is not affected. X-Y displays often consist of a display where a fast switching transient occurs between two stable states. The switching may be such that the display is predominantly in these two stable states. If the Z-Axis was not duty cycled, but turned on permanently this would result in a display with two bright spots and a barely or not at all visible transient,

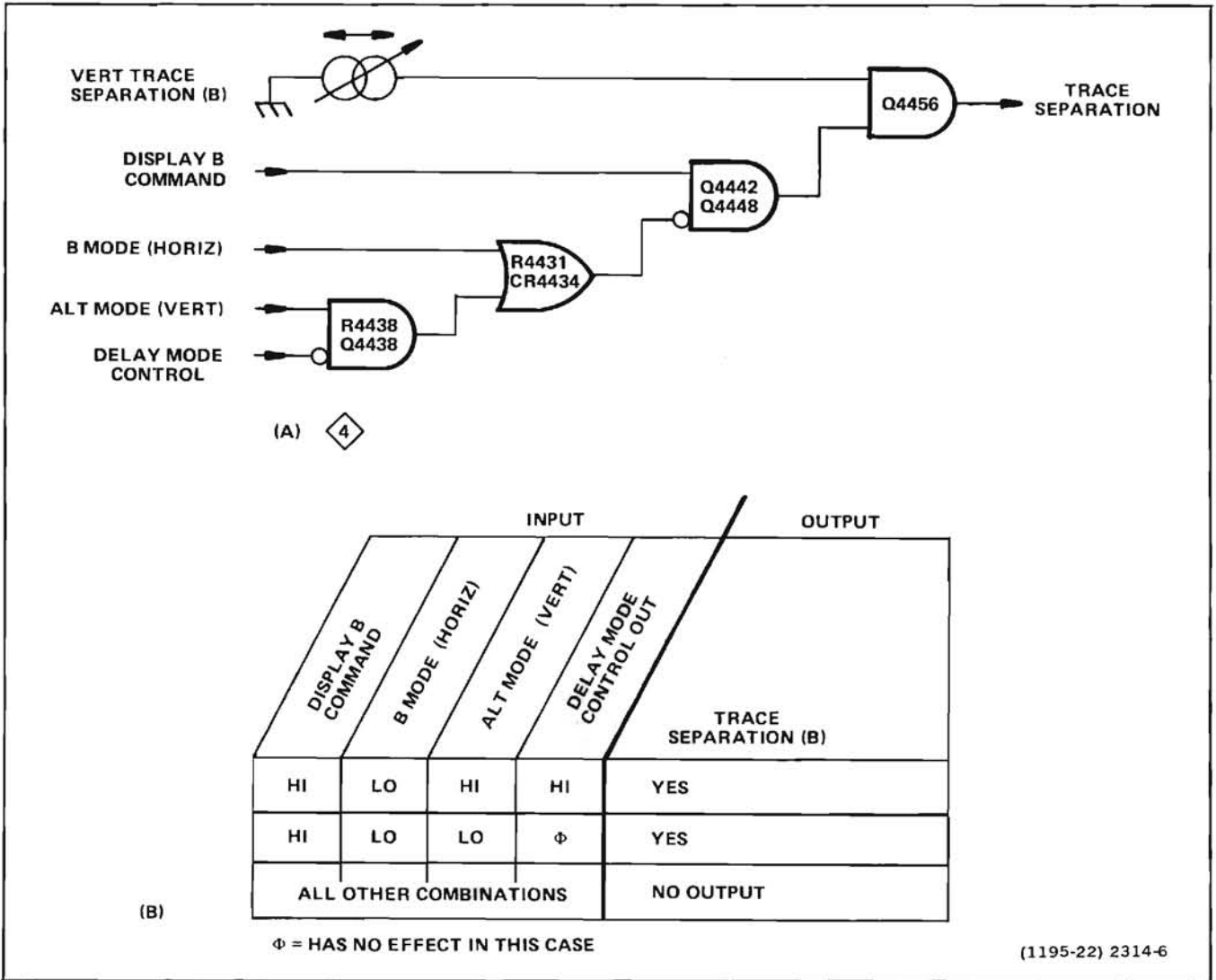


Figure 3-7. (A) Logic diagram of Trace Separation stage; (B) Table of input/output combinations.

since the average screen current associated with these bright spots can be large enough to enable the intensity limiter.

By triggering the time-base unit with the Y-Axis signal, the duty cycle of the Z-Axis can be controlled with the time-base unit time/division control. With the HORIZONTAL MODE switch set to ALT an X-Y display alternating with a Y-T display is obtained. The Z-Axis for both displays is on only during the time that is displayed in the Y-T display. This is a visible aid for optimum control of the Z-Axis duty cycle of X-Y displays. For certain applications of X-Y display, it may be desirable that control of the Z-Axis is determined by the selection of the HORIZONTAL MODE switch. A slide switch located on the Logic board selects how the Z-Axis is controlled during X-Y displays. Normally the switch should be in the IN position such that for X-Y displays the Z-Axis is controlled by a time-base unit.

Without a vertical plug-in unit in a horizontal compartment, diodes CR4487 and CR4495 do not conduct. Q4488 acts as an emitter follower. Resistors R4486 and R4487 perform a dc level shift approximately equal to the emitter-base drop of Q4488. Q4492 is turned off, so the voltage at the collector of Q4492 is a duplicate of the Display B Command. If diode CR4487 is connected to ground by an amplifier unit in the B HORIZ compartment the Display B Command is not applied to the base of Q4488 and the signal at the collector of Q4492 is LO. In this condition the Z-Axis logic IC selects the A INTENSITY input only, independent of other control inputs. If diode CR4495 is connected to ground by an amplifier unit installed in the A HORIZ compartment, Q4492 is saturated. The emitter of Q4488 is held at a HI level, so even when the Display B Command is HI, Q4488 does not conduct. The Z-Axis logic IC selects the B Intensity input when the signal at the collector of Q4492 is HI, regardless of other control inputs.

## Theory of Operation—7104

Transistors Q4494 and Q4498 drive the A and B INTENSITY indicator lights. With an amplifier unit installed in either A or B HORIZ compartments diode CR4496 or CR4493 conducts. This prevents Q4494 and Q4498 from turning on when the HORIZONTAL MODE switch is set to ALT or CHOP.

With an amplifier unit installed in the A HORIZ compartment the signal at the collector of Q4492 is HI, to turn on Q4494 and the B INTENSITY indicator lamp. This indicates that the Z-Axis is controlled by the time-base unit installed in the B HORIZ compartment. The signal at the collector of Q4492A is LO when an amplifier is installed in the B HORIZ compartment. Now, Q4498 is saturated. Base current flows from the +5 V lamp supply, through the B indicator lamp and the resistor R4493 to the base of Q4498. This base current is not sufficient to light the B INTENSITY indicator lamp, so the A INTENSITY indicator lamp is turned on. This indicates that the Z-Axis is controlled by the time-base unit in the A HORIZ compartment.

When time-base units are installed in both A and B horizontal compartments, Q4494 and Q4498 are saturated (with the HORIZONTAL MODE switch in ALT or CHOP). Base current is provided from the +5 V supply on the Mode Switch board, through either the ALT or CHOP switch contacts, and through resistors R4493 and R4496 to the bases of Q4494 and Q4498. Both A and B INTENSITY indicator lights are on.

When the HORIZONTAL MODE switch is set to A or B, the voltage at the collector of Q4492 (which is derived from the Display B Command signal) controls the A and B INTENSITY lights as was previously described.



## TRIGGER SELECTOR

The Trigger Selector circuit determines the source of the internal triggering signals connected to the A and B horizontal compartments. A schematic diagram of the Trigger Selector is given on diagram 5, in section 8 of this manual (Diagrams and Circuit Board Illustrations). The schematic is divided by gray shaded lines separating the circuitry into major stages. These stages aid in locating components mentioned here. Sub-headings in the following discussion use these stage names to further identify portions of the circuitry on diagram 5.

### A AND B TRIGGER CHANNEL SWITCHES

The operation of the A and B Trigger Channel Switch stages is similar. Therefore, only a discussion of the A Trigger Channel Switch is given.

Amplifier units installed in the vertical compartments provide a differential trigger signal to the mainframe. These signals are terminated into 50 ohm power dividers. The 50-ohm strip transmission lines carry half of the

input signal from the power dividers to the A and B Trigger Selector circuits. The inputs of the channel switches, U232 and U432, have a 50 ohm input impedance and terminate the transmission lines.

### A Trigger Channel Switch

Channel switch U232 has two differential inputs and one differential output. Control voltages at pins 1, 2, 11 and 12 determine whether the input signals are terminated within the channel switch or are coupled through to the output. Active components U252A and Q254 keep the output dc common-mode voltage on pin 3 and pin 13 at +3.2 volts for all modes of the channel switch, U232. The dc common-mode voltage is sensed by resistors R237 and R247 and is compared with a +3.2 volt reference set by divider R251 and R252. If resistors R237 and R247 sense a voltage higher than +3.2 volts, the output of U252A goes negative lowering the base voltage on Q254. This reduces the current into pin 13A which causes the dc common-mode voltage at pin 3 and 13 to decrease. The voltage at pin 13A depends on the channel switch mode. When the VERTICAL MODE switch is set to LEFT, RIGHT or ALT the voltage on pin 13A is +3.8 volts. When the VERTICAL MODE switch is set to ADD the voltage on pin 13A is +4.6 volts.

Each channel within U232 has an independent pair of control pins for channel selection. If the "On" pin is more positive than the "Off" pin, that channel is selected. All of the "On" pins are held at +2.0 volts, the "Off" pins are either at +2.5 volts or at a T<sup>2</sup>L LO level. The A Trigger Channel Switch has four operating modes: Left, Right, Alt, and Add; in the Left and Right modes the Add logic level is HI (on pin CF) and the Right logic level (on pin CG) is LO for Left and is HI for Right. In the ALT mode, Add is HI and Right alternates between LO and HI. In the ADD mode both Add and Right are LO. (See the discussion on Mode Switching, diagram 2 in this section of the manual).

Zener diodes VR237 and VR247 shift the dc level downward by 9 volts, to set the output of U274 near ground. Diodes VR237 and VR247 are matched for voltage to within 100 mV.

### A and B TRIGGER AMPLIFIER

The operation of the A and B Trigger Amplifiers is similar. Therefore, only a discussion of the A Trigger Amplifier is given. Integrated circuit U274 provides final amplification of the trigger signal. Components R261 and R272 are bias resistors for U274. Zener diodes VR237 and VR247 have a 5% voltage tolerance, therefore the dc voltage level at pins 7 and 9 of U274 is -5.8 volts within 0.45 volt. The dc common-mode voltage, with its 0.45 volt uncertainty, is picked off at pin 5 and pin 12 of U274 and applied to the noninverting input of U252B. The output of U252B is 1.2 volts more positive than the input and is used for internal biasing at pin 15 of U274. Resistor R274 determines the gain of U274. The overall voltage gain of the A trigger selector (from the input connectors J202, J203 and J402, J403 to the output J270, J271 into a load of 50 ohm per side) is one. The dc

output level of U274 is zero volts, R235 sets the dc Centering and R279 adjust the DC Common Mode voltage.

Thermal compensation for U232 and U274 is provided by four time constants R240 and C240, C237, R250 and C250, R270, and C270.

The operation of the B trigger selector is similar, except for the signal pickoff of pin 2 and pin 4 of U474 which is used to generate the Vertical Signal Out.

**VERTICAL SIGNAL OUTPUT AMPLIFIER**

A differential signal is picked off at pin 2 and pin 4 of U474 and is amplified by U492. Before the signal reaches the input of U492 it passes through a compensation circuit consisting of C483, R483, R486, L486, R496, C492 and R493. The characteristic impedance of this circuit is 100 ohms differentially and terminates the 50-ohm strip transmission lines running from the pickoff points, at pin 2 and pin 4 of U474. At pin 2 and pin 4 there is an uncertainty in the dc common-mode level due to the 5% voltage tolerance of zener diodes VR437 and VR447. Integrated circuit U452B passes on this uncertainty for biasing U492. The output signal at J496 is centered at 0 volt by R485. The Vertical Signal Out amplitude is 25 millivolts/division of vertical deflection into a load of 50 ohms, and 0.5 volt/division of vertical deflection into a 1 megohm load. Two time constants R480 and L480, R490 and C490 provide for thermal compensation.



**READOUT SYSTEM**

A schematic diagram of the Readout System is given on diagram 6, in section 8 of this manual (Diagrams and Circuit Board Illustrations). This schematic is divided by gray shaded lines separating the circuitry into major stages. These stages aid in locating components mentioned here. Stage name headings in the following discussion are used to further identify portions of the circuitry on diagram 6.

The Readout System provides an alpha-numeric display of information encoded by the plug-in units. This display is presented on the crt and is written by the crt beam on a time-shared basis with the analog waveform display.

The following terms are used to describe the Readout System:

**Character**—A single number, letter or symbol displayed on the crt, either alone or in combination with other characters.

**Word**—A group of related characters. In the Readout System, a word can consist of up to 10 characters.

**Frame**—A display of all words for a given operating mode and plug-in combination. Up to 8 words can be displayed in one frame. Figure 3-8 shows the position of each word in a complete frame.

**Column**—One of the vertical lines in the Character Selection Matrix (see Fig. 3-9). Columns C-0 (column zero) through C-10 (column 10) can be addressed by the system.

**Row**—One of the horizontal lines in the Character Selection matrix. Rows R-1 (row 1) through R-10 (row 10) and R-14 (row 14) can be addressed by the system.

**Time-Slot**—A location in a pulse train. In the Readout System, the pulse train consists of 10 negative-going pulses. Each time-slot pulse is assigned a number between 1 and 10. For example, the first time-slot is TS-1.

**Time-Multiplexing**—Transmission of data from two or more sources over a common path by using different time intervals for different signals.

**DISPLAY FORMAT**

Up to 8 words of readout information can be displayed on the crt. The position of each word is fixed and is directly related to the plug-in unit from which it originated. Figure 3-8 shows the area of the graticule where the readout from each plug-in unit is displayed. Notice that Channel 1 of each plug-in unit is displayed within the top division of the crt and Channel 2 is displayed directly

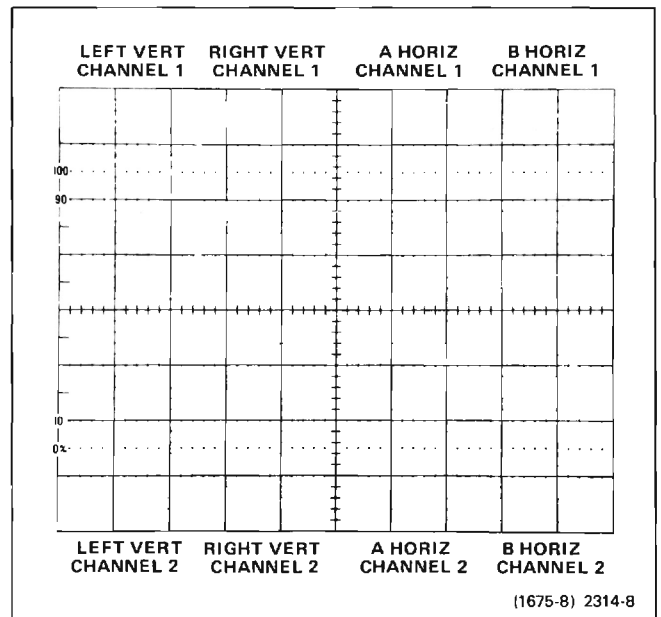


Figure 3-8. Location of readout display on the crt identifying the originating plug-in and channel.

COLUMN NUMBER		C-0	C-1	C-2	C-3	C-4	C-5	C-6	C-7	C-8	C-9	C-10
ROW NUMBER	CURRENT (MILLI-AMPERES)	0	0.1	0.2	0.3	0.4	0.5	0.6	0.7	0.8	0.9	≥ 1.0
	R-1		0	1	2	3	4	5	6	7	8	9
	R-2		f	<	I	/	+	-	+	C	Δ	>
	R-3		ADD <sup>a</sup> ONE ZERO	ADD <sup>a</sup> TWO ZEROS	SHIFT <sup>a</sup> PREFIX ←	SHIFT <sup>a</sup> PREFIX ← AND ADD ONE ZERO	X	K	M	G	T	IDENTIFY <sup>a</sup>
	R-4		m	μ	n	p	H	d	B	c	Ω	R
	R-5		S	V	A	W	Y	P	F	J	Q	E
	R-6		U	N	L	Z	DECIMAL <sup>a</sup> POINT LOCATION NO. 3	DECIMAL <sup>a</sup> POINT LOCATION NO. 4	DECIMAL <sup>a</sup> POINT LOCATION NO. 5	DECIMAL <sup>a</sup> POINT LOCATION NO. 6	DECIMAL <sup>a</sup> POINT LOCATION NO. 7	D
	R-7		SKIP <sup>a</sup>									
	R-8											DECIMAL <sup>b</sup> POINT
	R-9											
	R-10		ADD SPACE IN DISPLAY <sup>a</sup>									

UNUSED LOCATIONS. AVAILABLE FOR FUTURE EXPANSION OF READOUT SYSTEM

<sup>a</sup> OPERATIONAL ADDRESS.

<sup>b</sup> DECIMAL POINT CHARACTER. SEE DECIMAL POINT CHARACTER DESCRIPTION IN TEXT.

Figure 3-9. Character selection matrix for 7104 Readout System.

below within the bottom division. Figure 3-10 shows a typical display where only Channel 2 of the Right Vertical and B Horizontal units is selected for display.

Each word in the readout display can contain up to 10 characters, although the typical display will contain between 2 and 7 characters per word. The characters are selected from the Character Selection Matrix shown in Figure 3-9. In addition, 12 operational addresses are provided for special instructions to the Readout System. The unused locations in the Matrix (shaded area) are available for future expansion of the Readout System. The method of addressing the locations in the Character Selection Matrix is described in the following discussion.

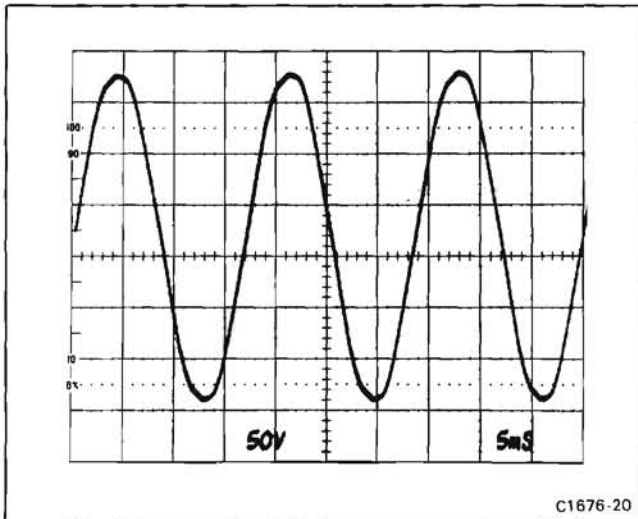


Figure 3-10. Typical readout display where only channel 2 of the Right Vertical and B Horizontal units is displayed.

### DEVELOPING THE DISPLAY

This description is intended to relate the basic function of each stage to the operation of the overall Readout System. Detailed information on circuit operation is given later.

The key block in the Readout System is the Timer Stage (see schematic 6). This stage produces the basic signals that establish the timing sequences within the Readout System. The period of the timing signal is about 250 microseconds (drops to about 210 microseconds when Display-Skip is received; see detailed description of Timer stage for further information). This stage also produces control signals for other stages within this circuit and interrupt signals to the Vertical Amplifier, Horizontal Amplifier, and Logic circuits, which allow a readout display to be presented. The Time-Slot Counter stage receives a trapezoidal voltage signal from the Timer stage and directs it to one of ten output lines. These output lines are labeled TS-1 through TS-10 (time-slots 1 through 10) and are connected to the vertical and horizontal plug-in compartments as well as to various stages within the Readout System. The output lines are

energized sequentially, so there is a pulse on only one of the 10 lines during any 250 microsecond timing period. After the Time-Slot Counter stage has counted time-slot 10, it produces an End-of-Word pulse which advances the system to the next channel.

Two output lines (row and column) are connected from each channel of the plug-in unit back to the Readout System. Data is typically encoded on these output lines by connecting resistors between them and the time-slot input lines. The resultant output is a sequence of 10 analog current levels that range from 0 to 1 milliamperes (100 microamperes/step) on the row and column output lines. This row and column correspond to the row and column of the Character Selection Matrix in Figure 3-9. The standard format for encoding information onto the output lines is given in Table 3-11. (Special-purpose plug-in units may have their own format for readout; these special formats will be defined in the manuals for these units.)

The encoded column and row data from the plug-in units is selected by the Column Data Switch and Row Data Switch stages respectively. These stages take the analog current from the 8 data lines (2 channels from each of the 4 plug-in compartments) and produce a time-multiplexed analog voltage output containing all of the column and row information from the plug-ins. The Column Data Switch and Row Data Switch are

TABLE 3-11  
Standard Readout Format

Time-Slot Number	Description
TS-1	Determines Decimal Magnitude (number of zeros displayed or prefix change information) or the IDENTIFY function (no display during this time-slot).
TS-2	Indicates normal or inverted input (no display for normal).
TS-3	Indicates calibrated or uncalibrated condition of plug-in variable control (no display for calibrated condition).
TS-4	Scaling.
TS-5 TS-6 TS-7	Not encoded by plug-in unit. Left blank to allow addition of zeros by Readout System.
TS-8	Defines the prefix which modifies the units of measurement.
TS-9 TS-10	Defines the units of measurement of the plug-in unit. May be standard unit of measurement (V, A, S, etc.) or special units selected from the Character Selection Matrix.

sequenced by the binary Channel Address Code from the Channel Counter.

The time-multiplexed output of the Column Data Switch is monitored by the Display-Skip Generator to determine if it represents valid information that should be displayed. Whenever information is not encoded in a time-slot, the Display-Skip Generator produces an output level to prevent the Timer stage from producing the control signals that normally interrupt the crt display and present a character.

The analog outputs of the Column Data Switch and Row Data Switch are connected to the Column Decoder and Row Decoder stages respectively. These stages sense the magnitude of the analog voltage input and produce an output current on one of ten lines. The outputs of the Column Decoder stage are identified as C-1 through C-10 (column 1 through 10) corresponding to the encoded column information. Likewise, the outputs of the Row Decoder stage are identified as R-1 through R-10 (row 1 through 10) corresponding to the encoded row information. The primary function of the row and column outputs is to select a character from the Character Selection Matrix to be produced by the Character Generator stage. These outputs are also used at other points within the system to indicate when certain information has been encoded. One such stage is the Zeros Logic and Memory. During time-slot 1 (TS-1), this stage checks if zero-adding or prefix-shifting information has been encoded by the plug-in unit, and stores it in the memory until time-slots 5, 6, or 8. After storing this information, it triggers the Display-Skip Generator stage so that there is no display during time-slot 1 (as defined by Standard Readout Format; see Table 3-11). When time-slots 5, 6, and 8 occur, the memory is addressed and any information stored there during time-slot 1 is transferred to the input of the Column Decoder stage to modify the analog data during the applicable time-slot.

Also, the Zeros Logic and Memory stage produces the IDENTIFY function. When time-slot 1 is encoded for IDENTIFY (column 10, row 3), this stage produces an output level, which connects the Column Data Switch and Row Data Switch to a coding network within the Readout System. Then, during time-slots 2 through 9, an analog current output is produced from the Column Data Switch and Row Data Switch, which addresses the correct points in the Character Selection Matrix to display the word "IDENTIFY" on the crt. The Zeros Logic and Memory stage is reset after each word by the Word Trigger pulse.

The Character Generator stages produce the characters which are displayed on the crt. Any of the 50 characters shown on the Character Selection Matrix of Figure 3-9 can be addressed by proper selection of the column and row currents. Only one character is addressable in any one time-slot; a space can be added into the displayed word by the Decimal-Point Logic and Character Position Counter stage when encoded by the plug-in. The latter stage counts the number of characters generated and produces an output current to step the display one character position to the right for each character. In

addition, the character position is advanced once during each of time-slots 1, 2, and 3, whether a character is generated during these time-slots or not. This action fixes the starting point of the standard-format display such that the first digit of the scaling factor always starts at the same point within each word regardless of the information encoded in time-slot 1, 2, or 3 preceding this digit. Also, by encoding row 10 and column 0 during any time-slot, a blank space can be added to the display. Decimal points can be added to the display at any time by addressing the appropriate row and column. (See Character Selection Matrix for location of decimal points.) The Decimal-Point Logic and Character Position Counter stage is reset after each word by the Word Trigger pulse.

The Format Generator stage provides the output signals to the vertical and horizontal deflection systems of the instrument to produce the character display. The binary Channel Address Code from the Channel Counter stage is connected to this stage, so that the display from each channel is positioned to the area of the crt associated with the plug-in and channel originating the word (see Fig. 3-8). The positioning current or decimal point location current generated by the Decimal Point Logic and Character Position Counter stage is added to the Horizontal (X) signal at the input to the Format Generator stage to provide horizontal positioning of the characters within each word. The X- and Y-Readout signals are connected to the Horizontal Amplifier and Vertical Amplifier through the X- and Y-Buffer stages.

The Word Trigger stage produces a trigger from the End-of-Word pulse generated by the Time-Slot Counter stage after the tenth time-slot. This Word Trigger pulse advances the Channel Counter to display the information from the next channel or plug-in. It also provides a reset pulse to the Zeros Logic and Memory stage and the Decimal Point Logic and Character Position Counter stage. This Word Trigger stage can also be advanced to jump a complete word or a portion of a word when a Jump Command is received from the Row Data Switch stage.

### TIMER

The Timer stage establishes the timing sequence for all circuits within the Readout System. This stage produces 7 time-related output waveforms (see Fig. 3-11). The triangle waveform produced at pin 6 forms the basis for the remaining signals. The basic period of this triangle waveform is about 250 microseconds as controlled by RC network R2135 and C2135. The triangle waveform is clipped and amplified by U2126 to form the trapezoidal output signal at pin 10. The amplitude of this output signal is exactly 15 volts as determined by U2126 (exact amplitude is necessary to accurately encode data in plug-in units; see Encoding the Data). The trigger output at pin 5 provides the switching signal for the Time-Slot Counter and Word Trigger stages.

The signals at pins 12, 13, 14, and 16 are produced only when the triangle waveform is on its negative slope and the trapezoidal waveform has reached the lower level. The timing sequence of these waveforms is important to



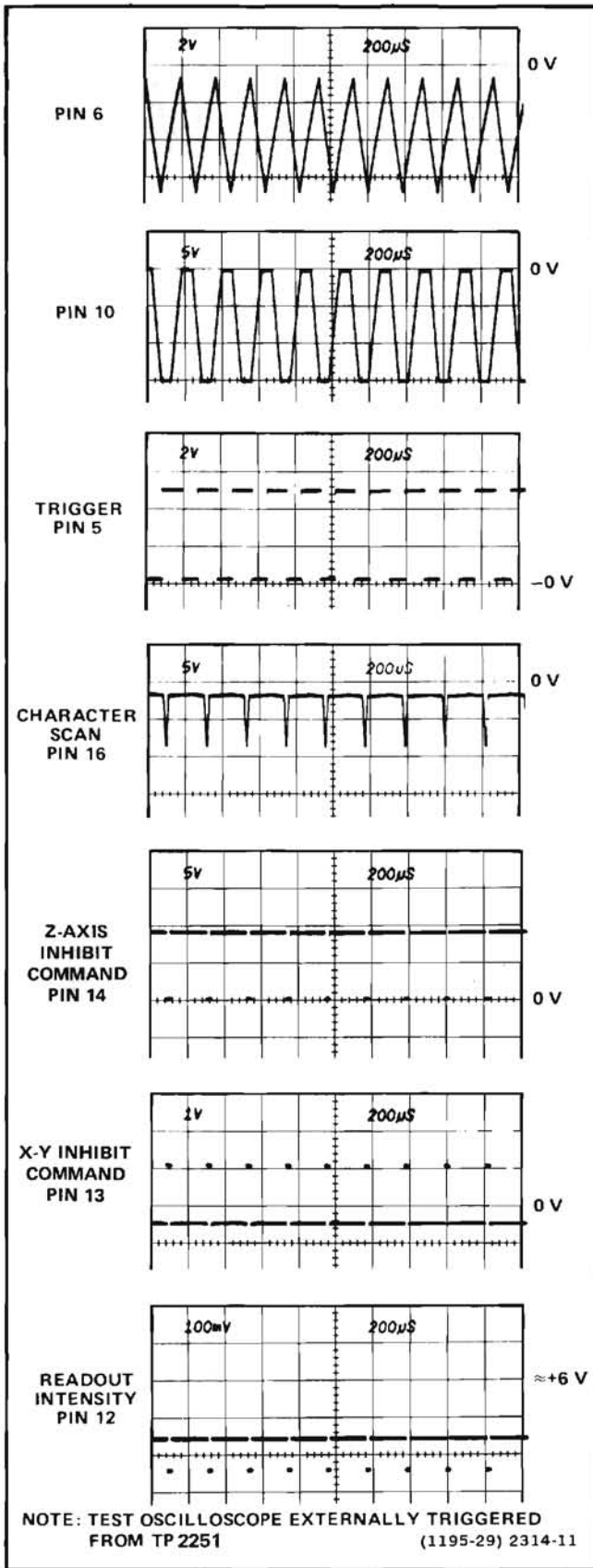


Figure 3-11. Output waveforms of the Timer stage.

the operation of the Readout System (see expanded waveforms in Fig. 3-12). The Z-Axis Inhibit command at pin 14 is produced first. This negative-going signal provides a blanking pulse to the Z-Axis Logic stage (see diagram 4) to blank the crt before the display is switched to the Readout System. It also produces the strobe pulse through Q2138 and CR2142 to signal other stages within the Readout System to begin the sequence necessary to produce a character. The collector level of Q2138 is also connected to Symbol Character Generator U2272 by way of CR2140. This activates U2272 during the quiescent period of the strobe pulse (collector of Q2138 negative) and diverts the output current of Row Decoder U2185 to row 2. The purpose of this configuration is to prevent the Zeros Logic and Memory stage U2232 from storing incorrect data during the quiescent period of the strobe pulse. When the strobe pulse goes positive, CR2140 is reverse biased to disconnect Q2138 from U2272 and allow the Row Decoder to operate in the normal manner.

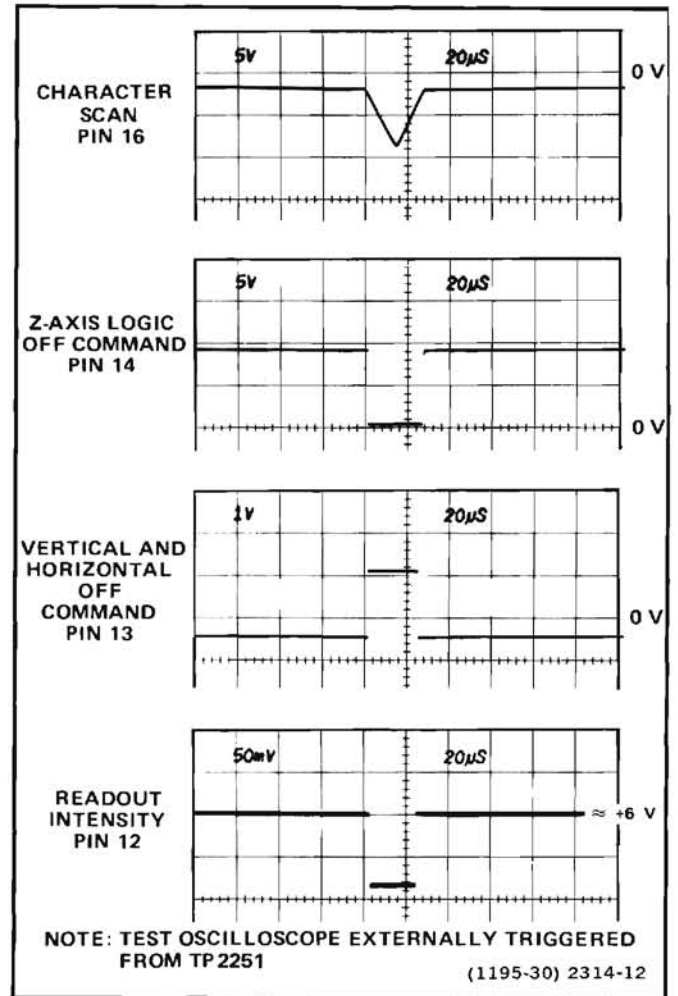


Figure 3-12. Detail of output at pins 12, 13, 14 and 16 of U2126.

## Theory of Operation—7104

The next signal to be produced is the X-Y Inhibit Command at pin 13. This positive-going signal disconnects the plug-in signals from the vertical and horizontal deflection systems. The Ready signal derived from this output is connected to the Decimal Point Logic and Character Position Counter stage and the Format Generator stage.

The Z Readout output at pin 12 is produced next. This current is connected to the crt circuit to unblank the crt to the intensity level determined by the voltage on the Gate Readout Intensity line. The Character Scan ramp at pin 16 started to go negative as this timing sequence began. However, character generation does not start until the readout intensity level has been established. The triangular Character Scan ramp runs from about -2 volts to about -8.5 volts, then returns back to the original level. This waveform provides the scanning signal for the Character Generator stages. Character Scan adjustment, R2128, sets the dc level of the Character Scan for complete characters on the display.

The Timer stage operates in one of two modes as controlled by the Display-Skip level at pin 4. The basic mode just described is a condition that does not occur unless all ten characters of each word (80 characters total) are displayed on the crt. Under typical conditions, only a few characters are displayed in each word. The Display-Skip level at pin 4 determines the period of the Timer output signal. When a character is to be generated, pin 4 is LO and the circuit operates as just described. However, when a character is not to be displayed, a HI level is applied to pin 4 of U2126 through CR2125 from the Display-Skip Generator stage. This signal causes the Timer to shorten its period of operation to about 210 microseconds. The waveforms in Figure 3-13 show the operation of the Timer stage when the Display-Skip condition occurs for all positions in a word. Notice that there is no output at pins 12, 13, 14, and 16 under this condition. This means that the crt display is not interrupted to display characters. Also notice that the triangle waveform at pin 6 does not go as far negative, and that the negative portion of the trapezoidal waveform at pin 10 is shorter. Complete details on operation of the Display-Skip Generator are given later.

The Timer operation is also controlled by the Single-Shot Lockout level at pin 2. If this level is LO, the Timer operates as just described. However, if the Single-Shot Lockout stage sets a HI level at this pin, the Timer stage is locked out and can not produce any output signals (see Single-Shot Lockout description for further information).

A negative voltage on the Readout Intensity line sets the intensity of the readout display independently of the A or B INTENSITY controls. The Readout Intensity line also provides a means of turning the Readout System off when a readout display is not desired. When the Readout Intensity line is left open, the current from pin 11 of U2126 is interrupted, and at the same time, a positive voltage is applied to pin 4 through CR2124. The positive voltage switches the stage to the same conditions as were present under the Display-Skip condition.

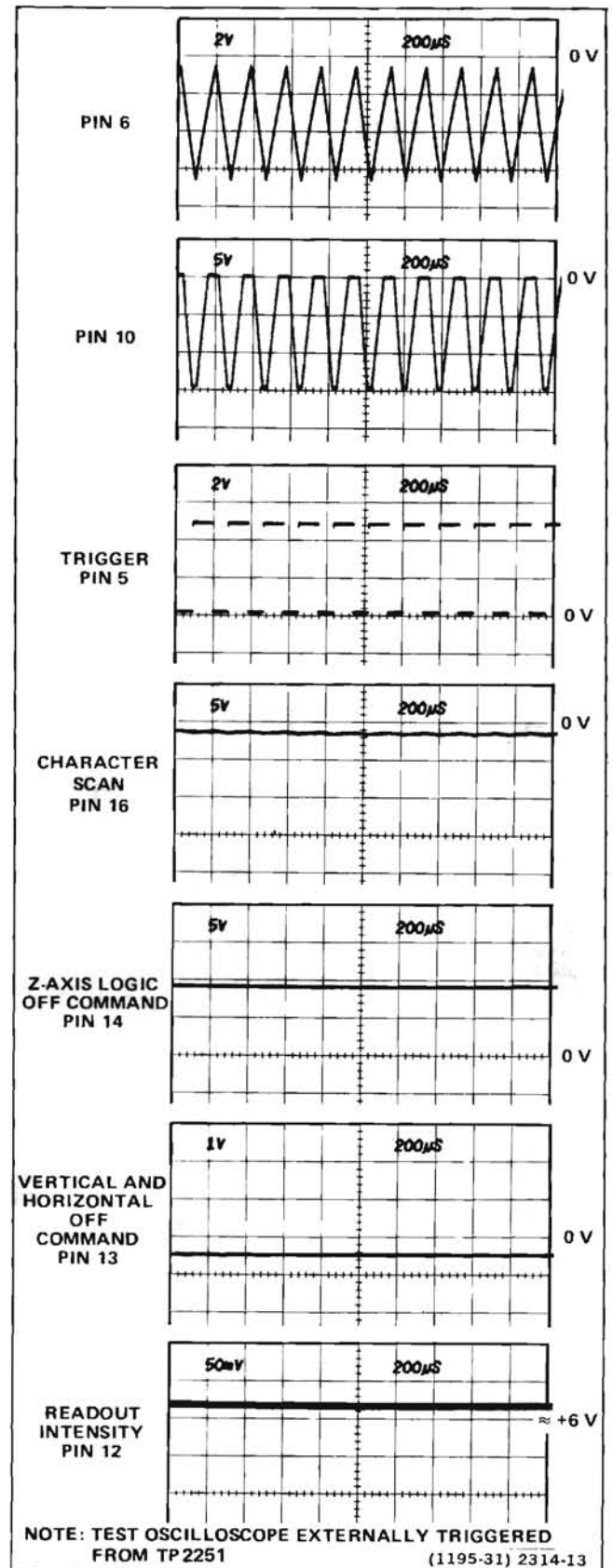


Figure 3-13. Timer stage operation when display-skip condition occurs.

Therefore, the crt display is not interrupted to present characters. However, time-slot pulses continue to be generated.

### TIME-SLOT COUNTER

Time-Slot Counter U2159 is a sequential switch which directs the trapezoidal-waveform input at pin 8 to one of its 10 output lines. These time-slot pulses are used to interrogate the plug-in units to obtain data for the Readout System. The trigger pulse at pin 15 switches the Time-Slot Counter to the next output line; the output signal is sequenced consecutively from time-slot 1 through time-slot 10. Figure 3-14 shows the time relationship of the time-slot pulses. Notice that only one line carries a time-slot pulse at any given time. When time-slot 10 is completed, a negative-going end-of-word pulse is produced at pin 2. The End-of Word pulse provides a drive pulse for the Word Trigger stage and also provides an enabling level to the Display-Skip Generator during time-slot 1 only.

Pin 16 is a reset input for the Time-Slot Counter. When this pin is held LO, the Time-Slot Counter resets to time-slot 1. The Time-Slot Counter can be reset in this manner only when a Jump Command is received by U2155C and D (see following discussion).

### WORD TRIGGER

The Word Trigger stage is made up of U2155A and B. Quiescently, pin 3 of U2155A is LO as established by the operating conditions of U2155D and C. Therefore, the LO End-of-Word pulse produced by the Time-Slot Counter results in a HI level at pin 1 of U2155A. This level is inverted by U2155A to provide a negative-going Word Trigger pulse to the Channel Counter.

Also, a Word Trigger pulse is produced by U2155B when a Jump Command is received at pin 9 of U2155C. This condition can occur during any time-slot (see Row Decoder for further information on origin of the Jump Command). Integrated circuit U2155D and C are connected as a bistable flip-flop. The positive-going Jump Command at pin 9 of U2155C produces a LO at pin 10. This LO is inverted by U2155D to produce a HI at pin 13, which allows pin 9 to be pulled HI through CR2156. The flip-flop has now been set and remains in this condition until reset, even though the Jump Command at pin 8 returns to its LO level. The HI output level at pin 13 turns on Q2159 to pull pin 16 of the Time-Slot Counter LO. This resets the Time-Slot Counter to time-slot 1 and holds it there until the Word Trigger is reset. At the same time, a HI level is applied to pin 4 of the Timer through CR2157 and CR2125. This HI level causes the Timer to operate in the Display-Skip mode, so a character is not generated.

The next Trigger pulse is not recognized by the Time-Slot Counter, since U2159 is locked in time-slot 1 by U2155. However, this Trigger pulse resets the Word Trigger stage through C2155. Pin 1 of U2155D goes LO to enable the Time-Slot Counter and Timer stages for the next time-slot pulse. Simultaneously, when U2155D switches output states, the resulting negative-going edge

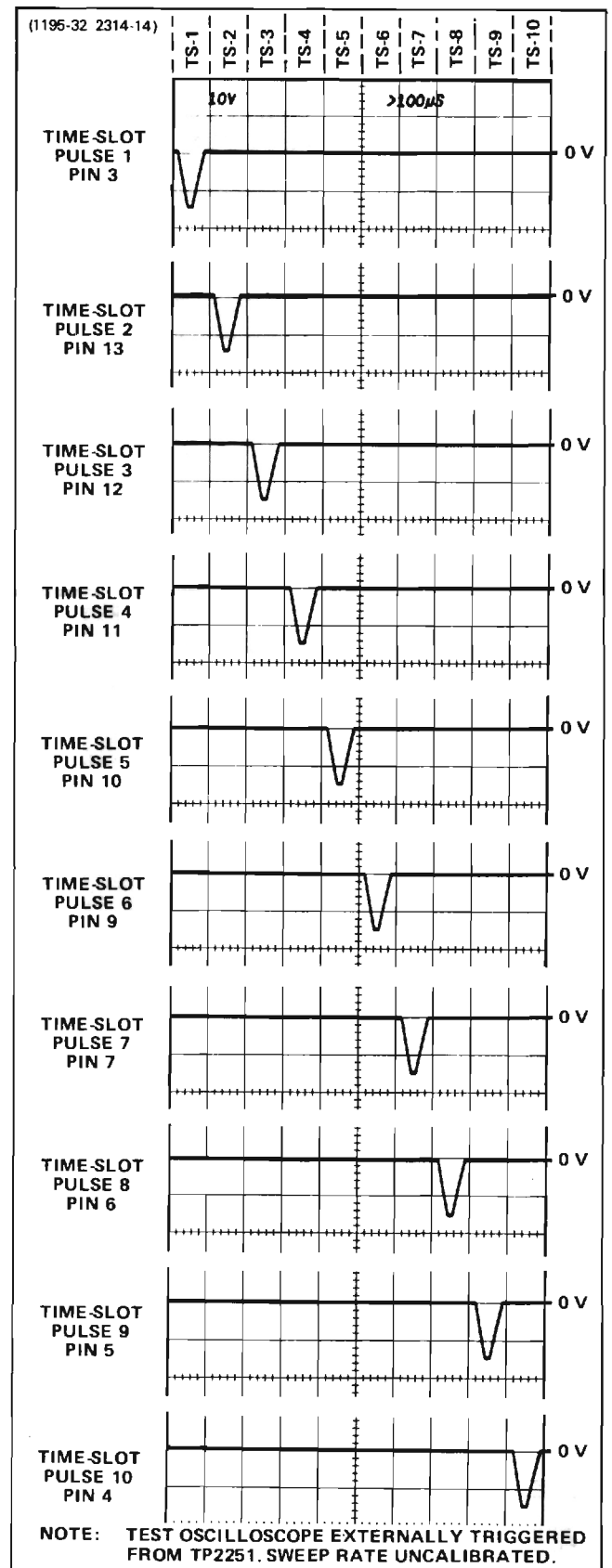


Figure 3-14. Timer relationship of the time-slot (TS) pulses produced by Q2159.

is connected to pin 3 of U2155A. This results in a negative-going Word Trigger output at pin 4 of U2155B to advance the Channel Counter to the next word. When the next Trigger pulse is received at pin 15 of U2159 the Time-Slot Counter returns to the normal sequence of operation and produces an output on the time-slot 1 line.

### CHANNEL COUNTER

Channel Counter U2250 is a binary counter that produces the Channel Address Code for the Column and Row Decoder stages and the Format Generator stage. This code instructs these stages to sequentially select and display the 8 channels of data from the plug-ins. Table 3-12 gives the 8 combinations of the Channel Address Code and the resultant channel selected with each combination.

**TABLE 3-12**  
Channel Address Code

Pin 11 U2250	Pin 8 U2250	Pin 9 U2250	Channel Displayed
LO	LO	LO	Channel 2 Left Vertical
LO	LO	HI	Channel 1 Left Vertical
LO	HI	LO	Channel 2 Right Vertical
LO	HI	HI	Channel 1 Right Vertical
HI	LO	LO	Channel 2 A Horizontal
HI	LO	HI	Channel 1 A Horizontal
HI	HI	LO	Channel 2 B Horizontal
HI	HI	HI	Channel 1 B Horizontal

### SINGLE-SHOT LOCKOUT

The Single-Shot Lockout stage allows a single readout frame (8 complete words) to be displayed on the crt, after which the Readout System is locked out, so further readout displays are not presented until the circuit is reset. Integrated circuit U2120C and U2120B are connected to form a bistable flip-flop. For free-run operation, pin 8 of U2120C is held HI. This activates U2120C and results in a LO output level at pin 10, enabling the Timer stage to operate in a free-running manner.

The output of the Single-Shot Lockout stage remains LO to allow U2126 to operate in the free-running mode until a LO is received at pin 8 of U2120C. When this occurs, the output level at pin 10 of U2120C does not change immediately. However, the Readout System is now enabled as far as the single-shot lockout function is concerned. If the Channel Counter has not completed word 8, the Readout System continues to operate in the normal manner. However, when word 8 is completed, the negative-going end-of-frame pulse is produced at pin 11 of U2250 as the Channel Counter shifts to the code necessary to display word one. This pulse is coupled to pin 3 of U2120A. The momentary HI at pin 3 activates U2120B and its output stage goes LO to disable U2120C (pin 8 is already LO). The output of U2120C goes HI to disable the Timer stage, so it operates in the Display-Skip mode. The HI at pin 10 of U2120C also holds U2120B enabled, so it maintains control of the flip-flop.

The Single-Shot Lockout stage remains in this condition until a positive-going trigger pulse is applied to pin 8 of U2120C. This trigger pulse produces a LO at pin 10 of U2120C to enable U2126 and disable U2120B. Now, the Timer stage can operate in the normal manner for another complete frame. When word 8 is completed, the Channel Counter produces another end-of-frame pulse to again lock out the Timer stage.

### ENCODING THE DATA

Data is conveyed from the plug-in units to the Readout System in the form of an analog (current level) code. The characters that can be selected by the encoded data are shown on the Character Selection Matrix (see Fig. 3-9). Each character requires two currents to define it; these currents are identified as the column current and the row current, corresponding to the column and row of the matrix. The column and row data is encoded by the programming of the plug-in units. Figure 3-15 shows a typical encoding scheme using resistors for a voltage-sensing amplifier plug-in unit. Notice that the 10 TS (time slot) pulses produced by the Time-Slot Counter stage are connected to the plug-in unit. However, time-slots 5, 6, and 10 are not used by the plug-in unit to encode data when using the Standard Readout Format. (See Table 3-11 for Standard Readout Format.) The amplitude of the time-slot pulse is exactly -15 volts as determined by the Timer stage. Therefore, the resultant output current from the plug-in units can be accurately controlled by the programming resistors in the plug-in units.

For example, in Figure 3-15 resistors R10 through R90 control the row-analog data, which is connected back to the Readout System. Figure 3-16 shows an idealized output current waveform of row-analog data, which results from the time-slot pulses. Each of the row levels of current shown in these waveforms correspond to 100 microamperes of current. The row numbers on the left-hand side of the waveform correspond to the rows in the Character Selection Matrix (see Fig. 3-9). The row-analog data is connected back to the Readout System via terminal B37 of the plug-in interface.

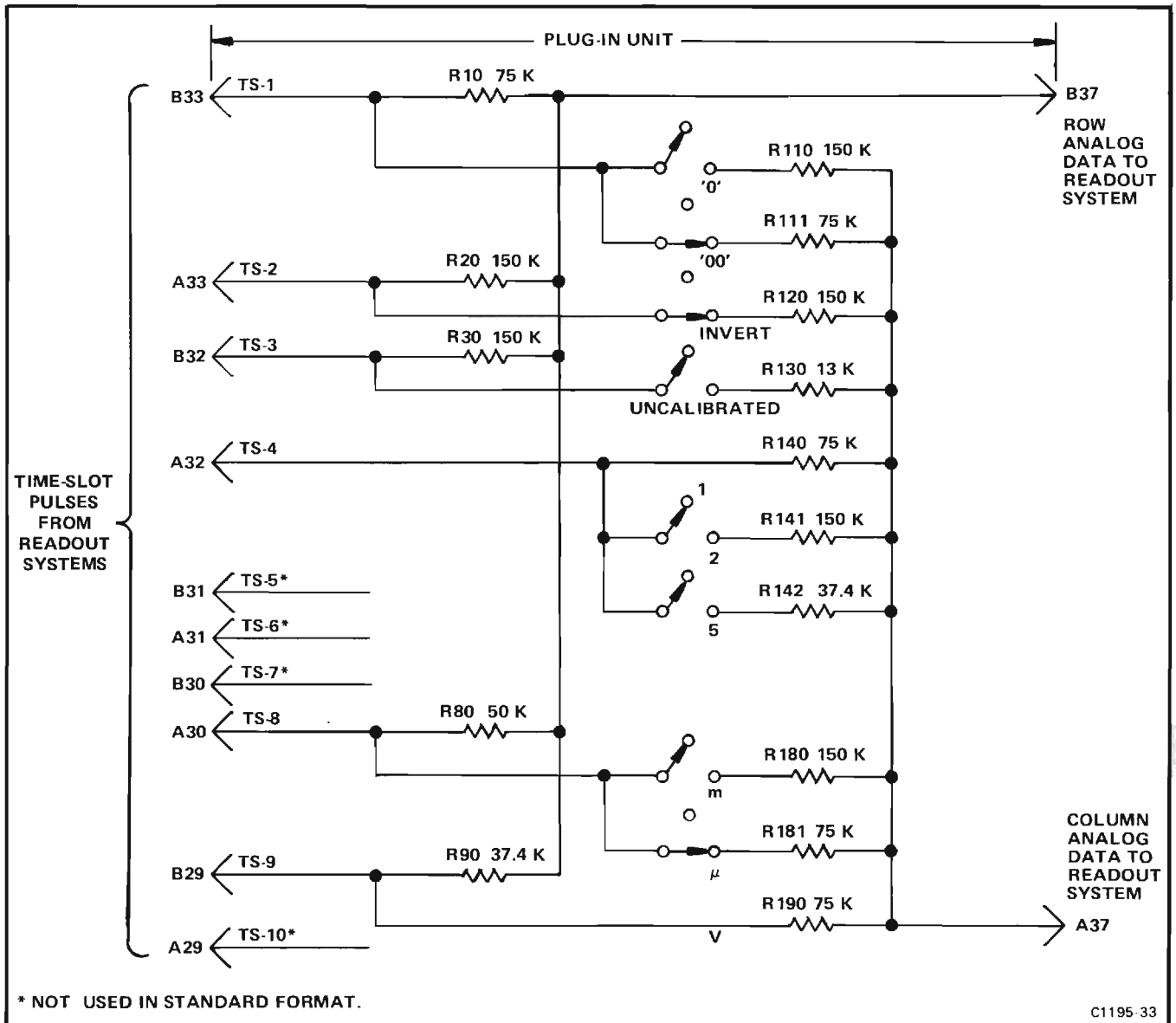


Figure 3-15. Typical encoding scheme for voltage-sensing plug-in unit. Coding shown for deflection factor of 100 microvolts.

The column-analog data is defined by resistors R110 through R190. The program resistors are connected to the time-slot lines by switch closures to encode the desired data. The data, as encoded by the circuit shown in Figure 3-15, indicates a 100 microvolt sensitivity with the crt display inverted and calibrated deflection factors. This results in the idealized output current waveforms shown in Figure 3-16 at the column-analog data output, terminal A37 of the plug-in interface.

Resistor R111, connected between time-slot 1 and the column-analog data output, encodes two units of current during time-slot 1. Referring to the Character Selection Matrix, two units of column current, along with the two units of row current encoded by resistor R10 (row 3), indicates that two zeros should be added to the display.

Resistor R120 adds one unit of column current during time-slot 2 and, along with the one unit of current from the row output, the Readout System is instructed to add an invert arrow to the display. Resistor R130 is not connected to the time-slot 3 line, since the deflection factor is calibrated. Therefore, there is no display on the crt. (See Display-Skip Generator for further information.)

During time-slot 4, two units of column current are encoded by R140. There is no row current encoded during this time-slot; this results in the numeral 1 being displayed on the crt. Neither row-n or column-analog data is encoded during time-slots 5, 6, and 7 as defined by the Standard Readout Format. During time-slot 8, two units of column current and three units of row current are encoded by resistors R181 and R80, respectively. This

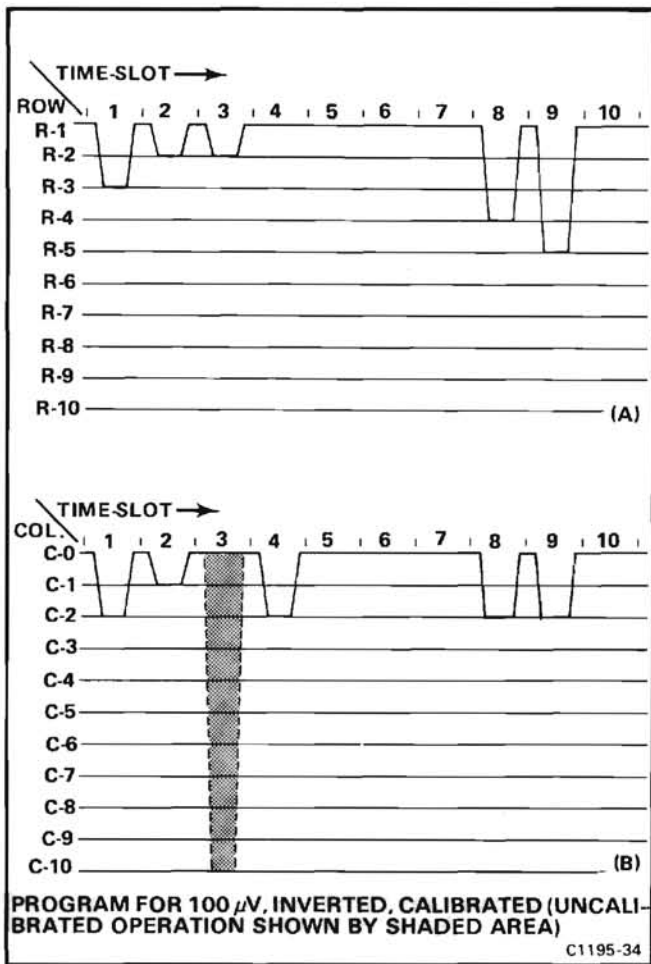


Figure 3-16. Idealized current waveforms of (A) Row analog data and (B) Column analog data.

addresses the  $\mu$  prefix in the Character Selection Matrix. The final data output is provided from time-slot 9 by R190 connected to the column output and R90 to the row output. These resistors encode two units of column current and four units of row current to cause a V (volts) symbol to be displayed. Time-slot 10 is not encoded, in accordance with the Standard Readout Format. The resultant crt readout will be  $\downarrow 100 \mu$ V.

In the above example, the row-analog data was programmed to defined which row of the Character Selection Matrix was addressed to obtain information in each time-slot. The column data changes to encode the applicable readout data as the operating conditions change. For example, if the variable control of the plug-in unit was activated, R130 would be connected between time-slot 3 and the column-analog data output line. This encodes 10 units of column current (see shaded area in time-slot 3 of the waveform shown in Fig. 3-16). Since one unit of row current is also encoded during this time-slot by R30, a > (greater than) symbol is added to the display. The crt readout will now show > 100  $\mu$ V. In a similar manner, the other switches can change the

encoded data for the column output and thereby change the readout display. See the descriptions which follow for decoding this information.

The column analog data encoded by most plug-in units can be modified by attenuator probes connected to the input connectors of amplifier plug-in units. A special coding ring around the input connector of the plug-in unit senses the attenuation ratio of the probe (with readout-encoded probes only). The probe contains a circuit that provides additional column current. For example, if a 10X attenuator probe is connected to a plug-in unit encoded for 100 microvolts as shown in Figure 3-15, an additional unit of current is added to the column-analog data during time-slot 1. Since two units of current were encoded by R111, this additional current results in a total of three units of column-analog current during this time-slot. Referring to the Character Selection Matrix, three units of column current, along with the two units of row current encoded by R10, indicates that the prefix should be shifted one column to the left. Since this instruction occurs in the same time-slot that previously indicated that two zeros should be added to the display and only one instruction can be encoded during a time-slot, the zeros do not appear in the display. The crt readout will now be changed to 1 mV (readout program produced by plug-in same as for previous example).

Three other lines of information are connected from the plug-in compartments to the Readout System. The column- and row-analog data from channel 2 of a dual-channel plug-in are connected to the Readout System through terminals A38 and B38 of the plug-in interface, respectively. Force-readout information is encoded on terminal A35; the function of this input is described under Column and Row Data Switches. The preceding information gave a typical example of encoding data from an amplifier plug-in unit. Specific encoding data and circuitry is shown in the individual plug-in unit manuals.

### COLUMN AND ROW DATA SWITCHES

The encoding data from the plug-in units is connected to the Column and Row Data Switch stages. A column-data line and a row-data line convey analog data from each of the 8 data sources (2 channels from each of the 4 plug-in compartments).

The Column Data Switch U2190 and the Row Data Switch U2180 receive the Channel Address Code from the Channel Counter (refer to diagram 6 at the rear of this manual). This binary code directs the Column Data Switch and the Row Data Switch as to which channel should be the source of the encoding data. Table 3-12 gives the eight combinations of the Channel Address Code and the resultant channel selected with each combination. These stages have nine inputs and provide a time-multiplexed output at pin 7, which includes the information from all of the input channels. Eight of the nine inputs to each stage originate in the plug-in units; the ninth input comes from a special data-encoding network composed of resistors R2191 through R2199 and R2201 through R2209. (See Zeros Logic and Memory description for further information on ninth channel.)

In addition to the encoding data inputs from the plug-in units, inputs are provided to the Column Data Switch from the VERTICAL MODE and HORIZONTAL MODE switches to inhibit the readout for any plug-in unit(s) not selected for display. When a unit is not selected, the line corresponding to the opposite channel is HI to forward bias the associated diodes: CR2162 and CR2163, CR2166 and CR2167, CR2170 and CR2171, or CR2174 and CR2175. The forward-biased diodes cause the channel switches to bypass the encoded data from the inhibited channel. However, since it may be desired to display information from special-purpose plug-in units (even though they do not produce a normal waveform display on the crt), a feature is provided to override the channel inhibit. This is done by applying a LO to the associated Force Readout input. The LO level diverts the HI channel-inhibit current and allows the data from this plug-in unit to reach the Column Data Switch, even though it has not been selected for display by the mode switch.

Row Match adjustment, R2183, sets the gain of the Row Data Switch to match the gain of the Row Decoder for correct output. Column Match adjustment, R2214, performs the same function for the Column Data Switch stage.

### DISPLAY-SKIP GENERATOR

The Display-Skip Generator is made up of Q2215, Q2223, Q2229, and Q2225. This stage monitors the time-multiplexed column data at the output of the Column Data Switch during each time-slot to determine if the information is valid data that should result in a crt display. Quiescently, there is about 100 microamperes of current flowing through R2213 from Q2240 and the Zeros Logic and Memory stage. (The purpose of this quiescent current will be discussed in connection with the Zeros Logic and Memory stage.) This current biases Q2215A so that its base is about 0.2 volt more positive than the base of Q2215B in the absence of column data. Therefore, since Q2215A and Q2215B are connected as a comparator, Q2215A will remain on unless its base is pulled more negative than the base of Q2215B.

The analog data output from the Column Data Switch produces a 0.5 volt (approximately) change for each unit of column current that has been encoded by the plug-in unit. Whenever any information appears at the output of the Column Data Switch, the base of Q2215A is pulled more negative than the base of Q2215B, resulting in a negative (LO) Display-Skip output to the Timer stage through Q2225. Recall that a LO was necessary at the skip input of the Timer so it could perform the complete sequence necessary to display a character.

Transistors Q2223 and Q2229 also provide Display-Skip action. The End-of-Word level connected to their emitters is LO only during time-slot 1. This means they are enabled only during this time-slot. These transistors allow the Zeros Logic and Memory stage to generate a Display-Skip signal during time-slot 1 when information that is not to be displayed on the crt has been stored in memory (further information is given under Zeros Logic and Memory).

### COLUMN AND ROW DECODERS

The Column Decoder U2244 and Row Decoder U2185 sense the magnitude of the analog voltages at their inputs (pin 10) and produce a binary output on one of ten lines corresponding to the column or row data encoded by the plug-in unit. These outputs provide the Column Digital Data and Row Digital Data, which is used by the Character Generator stages to select the desired character for display on the crt. The column and row data is also used throughout the Readout System to perform other functions.

The input current at pin 9 of the Column Decoder stage is steered to only one of the ten Column Digital Data outputs. When a Display-Skip signal is present (collector of Q2225 HI), pin 9 is pulled HI through CR2226. This ensures that no current is connected to the Character Generator stage under this condition. Notice the corresponding input on the Row Decoder. This input is connected to ground and causes only one of the ten row outputs to saturate to ground.

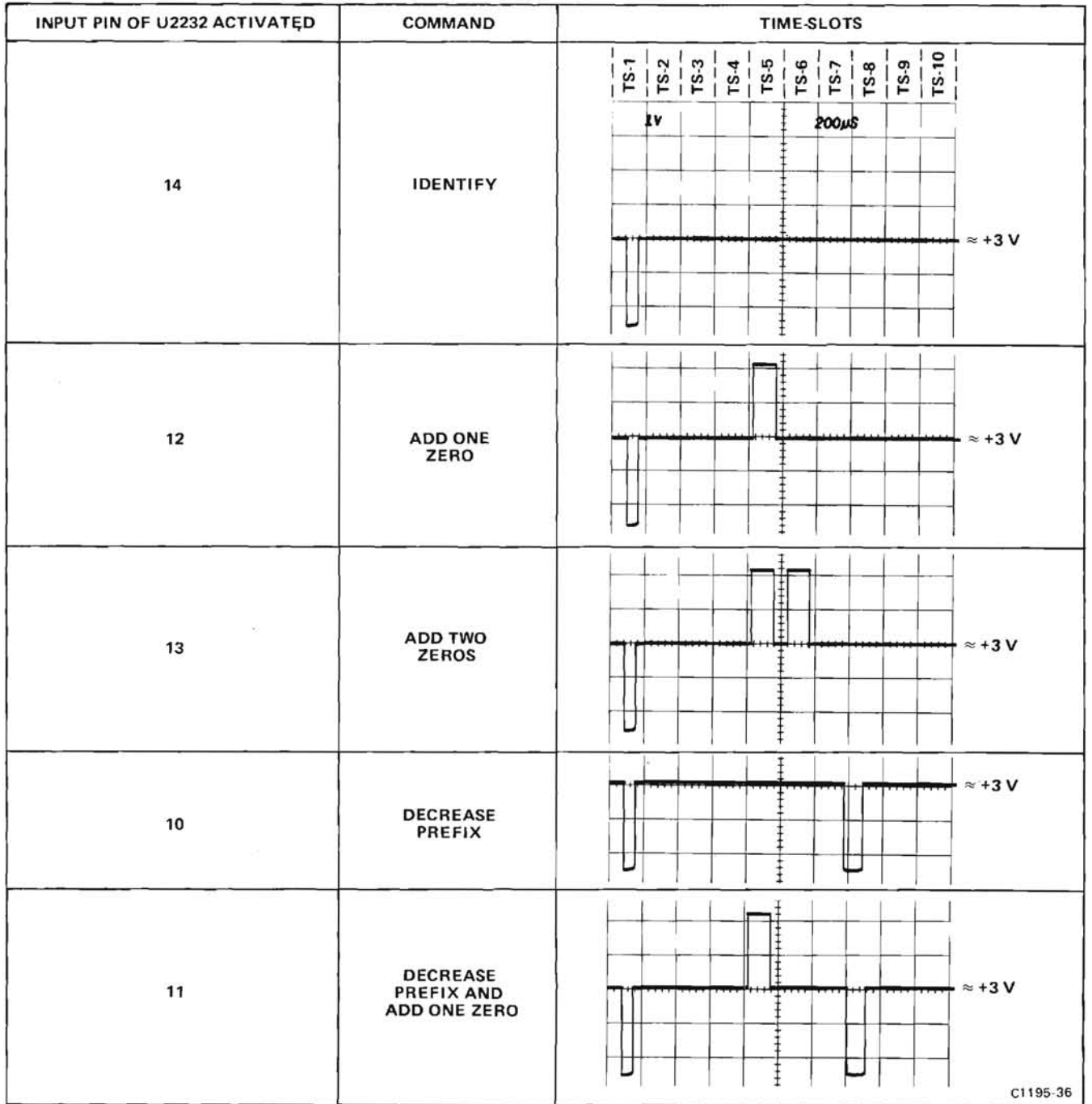
The network at the input of the Row Decoder, made up of Q2153 and its associated components, is a row-14 detector that produces the Jump Command. This row current is encoded by special-purpose plug-ins to cause all or part of a word to be jumped. Whenever row 14 (13 units of row current, or 1.3 milliamperes) is encoded, the base of Q2153 is pulled negative enough so that this transistor is reverse biased to produce a HI Jump Command output at its collector. The Jump Command is connected to the Word Trigger stage to advance the Channel Counter to the next word and to reset the Time-Slot Counter to time-slot 1.

### ZEROS LOGIC AND MEMORY

The Zeros Logic and Memory stage, U2232, stores data encoded by the plug-in units to provide zeros-adding and prefix-shifting logic for the Readout System. The Strobe pulse at pin 15 goes positive when the data has stabilized and can be inspected. This activates the Zeros Logic and Memory stage so that it can store the encoded data.

Typical output waveforms of the five possible input conditions that can occur are shown in Figure 3-17. When time-slot 1 occurs, a store command is given to all of the memories. If the plug-in units encoded data for column 1, 2, 3, 4, or 10 during time-slot 1, the appropriate memory (or memories) is set. Notice that row 3 information from the Row Decoder must also be present at pin 16 for data to be stored in the memory of U2232.

If data was encoded during time-slot 1, a negative-going output is produced at pin 7 while the memories are being set. This negative-going pulse is connected to the base of Q2229 in the Display-Skip Generator to produce a Display-Skip output. Since the information encoded during time-slot 1 was only provided to set the memories and not intended to be displayed on the crt at this time, the Display-Skip output prevents a readout display during this time-slot.



C1195-36

Figure 3-17. Typical output waveforms for Zeros Logic and Memory stage operation (at pin 7 of U2232).

During time-slot 5, a memory within U2232 is interrogated. If information was stored in this memory, a positive-going output is produced at pin 7. This pulse is connected to pin 10 of the Column Decoder through Q2240 to add one unit of current at the input of the Column Decoder. This produces a zero after the character displayed during time-slot 4. During time-slot 6, another memory within U2232 is interrogated to see if another zero should be added. If another zero is necessary, a second positive output is produced at pin 7, which again

results in a column 1 output from the Column Decoder and a second 0 in the crt display.

Finally, another memory within U2232 is interrogated during time-slot 8 to obtain information on whether the prefix should be changed, or left at the value that was encoded. If data has been encoded that calls for a shift in prefix, a negative-going output level is produced at pin 7. This negative level subtracts one unit of column current



from the data at the input to the Column Decoder. Notice, on the Character Selection Matrix of Figure 3-9, that when row 4 is programmed, a reduction of one column results in a one-column shift of the prefix. For example, with the 100  $\mu$ V program shown in Figure 3-15, if the data received from the plug-in called for a shift in prefix, the crt readout would be changed to 1 mV (zeros deleted by program; see Encoding the Data).

The 100 microamperes of quiescent current through R2213 provided by Q2240 (see Display-Skip Generator) allows the prefix to be shifted from m (100 microamperes of column current, column 1) to no prefix (0 column current, column 0) so only the unit of measurement encoded during time-slot 9 is displayed. Notice that reducing the prefix program from column 1 to column 0 programs the Readout System to not display a character at this readout location.

A further feature of the Zeros Logic and Memory is the Identify function. If 10 units of column current are encoded by the plug-in unit along with row 3 during time-slot 1, the Zeros Logic and Memory produces a negative-going output pulse at pin 1 to switch the Column Data Switch and Row Data Switch to the ninth channel. Then, time-slot pulses 2 through 9 encode an output current through resistors R2201 and R2199 for column data and R2201 and R2209 for row data. This provides the current necessary to display the word IDENTIFY in the word position allotted to the channel that originated the Identify command. After completion of this word, the Column Data Switch and Row Data Switch continue with the next word in the sequence.

The Word Trigger signal from the Word Trigger stage is connected to pin 9 of U2232 through C2242. At the end of each word of readout information, this pulse goes LO. This erases the four memories in the Zeros Logic and Memory in preparation for the data to be received from the next channel.

## CHARACTER GENERATOR

The Character Generator stage consists of five similar integrated circuits (U2270, U2272, U2274, U2276, U2278), which generate the X (horizontal) and Y (vertical) outputs at pins 16 and 1, respectively, to produce the character display on the crt. Each integrated circuit can produce 10 individual characters; U2270 (designated "Numerals") can produce the numerals 0 through 9 shown in row 1 of the Character Selection Matrix (Fig. 3-9). Integrated circuit U2272 can produce the symbols shown in row 2 of the Character Selection Matrix and U2274 produces the prefixes and some letters, used as prefixes, shown in row 4. Integrated circuits U2276 and U2278 produce the remaining letters shown in rows 5 and 6 of the Character Selection Matrix.

All of the Character Generator stages receive the Column Digital Data from the Column Decoder U2244 in parallel. However, only one of the Character Generators receives row data at a particular time and only the stage receiving this row data is activated. For example, if column 2 is

encoded, the five Character Generators are enabled so that either a 1, >,  $\mu$ , V, or an n can be produced. If row 4 has been encoded at the same time, only the Prefix Character Generator U2274 will produce an output to result in a  $\mu$  being displayed. The activated Character Generator provides current output for the Format Generator to produce the selected character on the crt. In a similar manner, any of the characters shown in the Character Selection Matrix can be displayed by correct addressing of the row and column.

## DECIMAL POINT LOGIC AND CHARACTER POSITION COUNTER

Decimal Point Logic and Character Position Counter U2260 performs two functions. The first function is to add a staircase current to the X (horizontal) signal to space the characters horizontally on the crt. After each character is generated, the negative-going edge of the Ready signal at pin 5 advances the Character Position Counter. This produces a current-step output at pin 3 which, when added to the X signal, causes the next character to be displayed one character space to the right. This stage can also be advanced when a Space instruction is encoded so a space is left between the displayed characters on the crt. Row 10 information from the Row Decoder is connected to pin 4 of U2260. When row 10 and column 0 are encoded, the output of this stage advances one step to move the next character another space to the right. However, under this condition, no display is produced on the crt during this time-slot, since the Character Generators are not activated.

Time-slot pulses 1, 2, and 3 are also connected to pin 4 of U2260 through VR2262, VR2263, and VR2264 respectively and R2262 and R2265. This configuration adds a space to the displayed word during time-slots 1, 2, and 3 even if information is not encoded for display during these time-slots. With this feature, the information displayed during time-slot 4 (scaling data) always starts in the fourth character position whether data has been displayed in the previous time-slots or not. Therefore, the resultant crt display does not shift position as normal-invert or cal-uncal information is encoded. The Word Trigger pulse connected to pin 8 resets the Character Position Counter to the first character position at the end of each word.

The Decimal Point Logic portion of this stage allows decimal points to be added to the crt display. With the Standard Readout Format, row 7, encoded coincident with columns 3 through 7, addresses a decimal at one of the five locations identified in row 7 of the Character Selection Matrix (Fig. 3-9). This instruction refers to the decimal-point location in relation to the total number of characters possible in one word (see Fig. 3-18). For example, column 3 encoded with row 7 during time-slot 1 places a decimal point in location number 3. As shown in Figure 3-18, this displays a decimal point after the third character that can be displayed on the crt. (The first three time-slots produce a space whether data is encoded or not; see previous paragraph.)

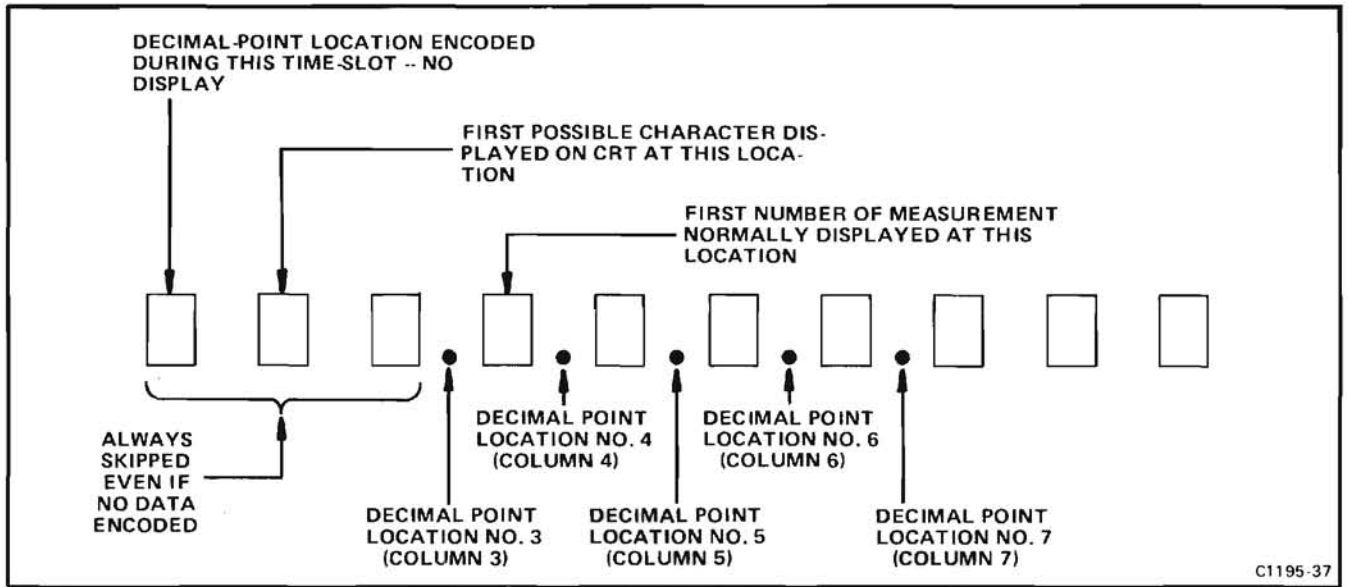


Figure 3-18. Readout word relating 10 possible character locations to the decimal point instructions that can be encoded; and the resultant crt display.

When decimal-point data is encoded, the crt is unblanked so a readout display is presented. Since row 7 does not activate any of the five Character Generators, the crt beam is deflected vertically by the application of row-7 data to the Y input of the Format Generator through R2278 and R2280. This places the decimal point between the characters along the bottom line of the readout word. After the decimal point is produced in the addressed location, the crt beam returns to the location indicated by the Character Position Counter to produce the remainder of the display.

### FORMAT GENERATOR

The X- and Y-deflection signals produced by the Character Generator stage are connected to pins 2 and 7, respectively, of the Format Generator. The Channel Address Code from the Channel Counter is also connected to pins 1, 8, and 15 of this stage. The Channel Address Code directs the Format Generator to add current to the X and Y signals to deflect the crt beam to the area of the crt associated with the plug-in channel that originated the information (see Fig. 3-8). The Channel Address Code and the resultant word positions are shown in Table 3-12. The Ready signal at pin 13 (coincident with the X/Y Inhibit Command output) activates this stage when a character is to be displayed on the crt. Variable resistor R2273 determines the horizontal and vertical size of the displayed characters. The character-position current from the Decimal Point Logic and Character-Position Counter stage is added to the X (horizontal) input signal to space the characters horizontally on the crt (see previous discussion).

### Y-OUTPUT

The Y-output signal at pin 6 of Format Generator U2284 is connected to the Y-Output amplifier Q2287 and

Q2299. This stage provides a low impedance load for the Format Generator while providing isolation between the Readout System and the driven circuits. Vertical Separation adjustment R2291 changes the gain of this stage to control the vertical separation between the readout words displayed at the top and bottom of the graticule area.

### X-OUTPUT

The X-Output amplifier Q2286 and Q2296 operates like the Y-Output amplifier, to provide the horizontal deflection from the readout signal available at pin 4 of U2284. The gain of this stage is fixed by the values of the resistors in the circuit.

### DISPLAY SEQUENCE

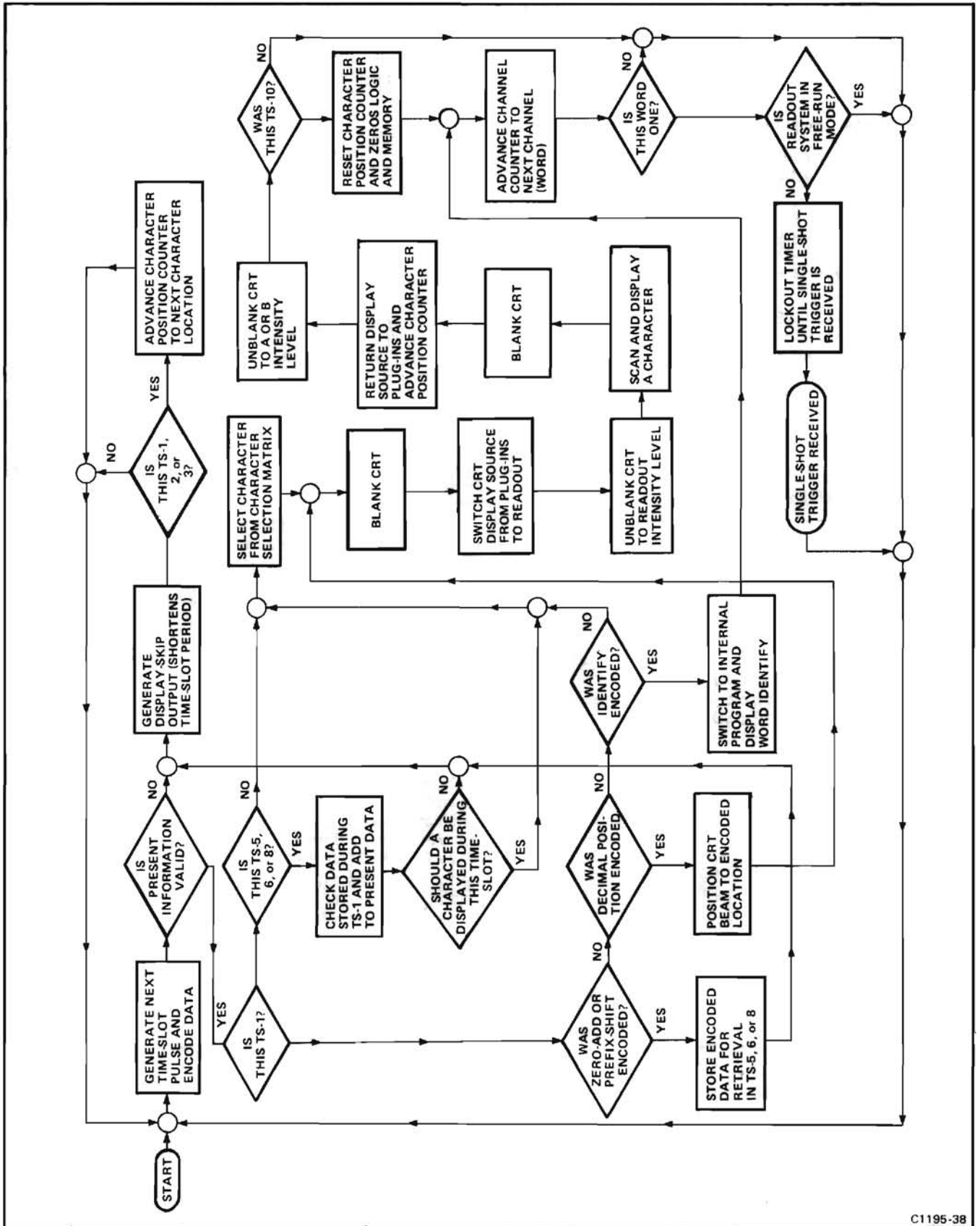
Figure 3-19 shows a flow chart for the Readout System. This chart illustrates the sequence of events that occurs in the Readout System each time a character is generated and displayed on the crt.



### SIGNALS OUT

The Signals Out circuit provides the + SAWTOOTH and + GATE signals to the front panel. These output signals are samples of signals from the associated time-base units.

A schematic diagram of the signals Out circuit is given on diagram 7, in Section 8 of this manual (Diagrams and Circuit Board Illustrations). The schematic is divided by gray shaded lines separating the circuitry into major



C1195-38

Figure 3-19. Flow chart for character generation by the Readout System.

## Theory of Operation—7104

stages. These stages aid in locating components mentioned here. Sub-headings in the following discussion use the stage names to further identify portions of the circuitry on diagram 7.

### + SAWTOOTH AMPLIFIER

The sawtooth signals from the A and B time-base units are connected to the Sawtooth Amplifier stage through series resistors R93 and R95 respectively (see diagram 3). The front-panel selector switch, S1930, determines whether the A-sweep or the B-sweep sawtooth signal provides the + SAWTOOTH signal. The unused sawtooth signal is terminated by R1941.

Transistors Q1943-Q1942-Q1946 form an inverting feedback amplifier. Gain of the stage is about 2, as determined by the ratio of feedback resistor R1944 to the input resistance (made up of R1940 and on diagram 3, either R93 or R95 depending on which sawtooth source is selected).

### + GATE AMPLIFIER

The front-panel + GATE switch (S1940) selects the gate signal from either A or B time-base unit. The unused + gate is terminated in R1931. Before a gate occurs, Q1934 is biased off and Q1938 is conducting; its collector potential is low enough to cut off Q1928. When a gate occurs, it is coupled to the base of Q1934, causing it to conduct thereby cutting off Q1938. The current through R1911 now flows through Q1928 to produce the + GATE signal. The signal at the collector of Q1934 is picked off to drive the Graticule Illumination stage and/or the readout system in PULSED mode.

## GRATICULE ILLUMINATION

Variable resistor R1900 (GRAT ILLUM) determines the brightness of the graticule lights (except when in the PULSED position) by controlling the output of the graticule light supply (see LV Regulators, diagram 15). Variable resistor R1902 (GRAT ILLUM PRESET) determines the brightness of the graticule lights when the GRAT ILLUM control is set to PULSED. In the PULSED mode, the graticule lights are gated on for approximately 0.5 second. Programmable unijunction transistor Q1908, in conjunction with Q1910, generates the pulse to turn the graticule lights on. A negative signal (from the MAN pushbutton, the + Gate or from an external input) will cause Q1908 to conduct and start discharging C1908. At this time, Q1910 turns off, which allows R1902 to control the output of the graticule light supply. Capacitor C1908 discharges until Q1908 cannot maintain conduction. As Q1908 turns off C1908 begins to charge positive until the zener voltage of CR1910 is reached which turns on Q1910; its collector then goes negative to turn the graticule light supply off. When in the PULSED mode and operating from the + GATE source, the graticule lights will turn on momentarily at the trailing edge of the + GATE (end of each sweep).



## VERTICAL CHANNEL SWITCH

The Vertical Channel Switch circuit selects the vertical deflection signal from the output of the LEFT and/or RIGHT VERT plug-in compartment(s) for display on the crt.

A schematic diagram of the Vertical Channel Switch is given on diagram 8, in Section 8 of this manual (Diagrams and Circuit Board Illustrations). The schematic is divided by gray shaded lines separating the circuitry into major stages. These stages aid in locating components mentioned here. Sub-headings in the following discussion use the stage names to further identify portions of the circuitry on diagram 8.

### CHANNEL SWITCH

The vertical deflection signal from the left and right vertical plug-in units is either terminated within the stage or coupled through the stage as determined by the Vertical Channel Selector stage. The Channel Switch stage is made up primarily of integrated circuit U668. Inputs 7 and 9 provide a differential input for the signal from the right vertical plug-in unit. Input pins 17 and 19 provide a differential input for the signal from the left vertical plug-in unit. The differential output signal at pins 3 and 13 is connected to J694 and J592 respectively.

Components U682, Q682, Q676, and Q672 supply standing current to U668 and maintain the output common-mode dc level at +8.5 volts for all Channel Switch modes. The common-mode level at pins 3 and 13 of U668 is sensed by R559-R659, and compared with a reference level determined by divider R680-R681. Assume, for example, that pin 2 of U682 is lower than pin 3, indicating an output level below +8.5 volts. The output of U682 at pin 6 will be driven positive and current will flow in R683. This current must be supplied from the +15 V supply via R682, thereby lowering the base voltage of Q682. This increases the collector current in Q682. Transistor Q676 operates as a common-base amplifier and passes along the increased collector current to pin 3a of U668. This increases the output common-mode level, thus bringing U682 into balance. The voltage at pin 3a of U668 depends on the Channel Switch mode: in LEFT, RIGHT, ALT, or CHOP pin 3a is at +10.5 V; in ADD it is +12.5 V; when X-Y Inhibit is HI, pin 3a is +8.5 volts. In all modes, the current supplied by Q676 is 160 milliamperes plus or minus small variations required to keep the output level at +8.5 volts.

### VERTICAL CHANNEL SELECTOR

The Vertical Channel Selector interfaces the Channel Switch, U668, to the logic signals arriving from the Main Interface. The Channel Switch stage requires two pairs of complementing control voltages; one pair for each channel. The HI control voltage is +4.0 V, the

complementing LO voltage is +3.5 V. To select a channel, the HI level must be applied to the On input of U668 (pin 2 for LEFT, and pin 12 for RIGHT VERTICAL MODE switch positions) and the LO level must appear at the OFF input (pin 1 for LEFT, and pin 11 for RIGHT VERTICAL MODE switch positions). To inhibit a channel the control voltages should be reversed.

When the VERTICAL MODE switch is set to LEFT the Display Right line, entering on P680 pin 6, is set LO (-0.6 V), the Add line (P680 pin 5) is LO (0 V) and, normally, X-Y Inhibit is LO (-0.6 V). Transistors Q652, Q658 and Q558 are turned on; Q656 and Q556 are off. The result is pins 1 and 12 of U668 are pulled down to +3.5 V but pins 2 and 11 are only pulled down to +4.0 V. Consequently, the LEFT VERT channel is turned on while the RIGHT VERT channel is turned off. Signals appearing at J602 and J603 are amplified and fed to the outputs at J592 and J694. Similarly, if Display Right is HI (+1 V), the RIGHT VERT channel is turned on and LEFT VERT channel off. RIGHT VERT channel signals are amplified and fed to the outputs. LEFT VERT channel signals are terminated within U668.

When the VERTICAL MODE switch is set to either ALT or CHOP, the Display Right signal line switches between the LO and HI levels at a rate determined by either the Chop Counter or Vertical Binary stages (see Logic description diagram 4). This action displays the signal from the left vertical unit when the Display Right signal line is LO and displays the signal from the right vertical unit when the signal line is HI.

When ADD vertical mode operation is selected, the Add signal line is HI, and the Display Right signal is LO. This allows both the right and left vertical signals to pass to the output of U668. The signals from both vertical units are algebraically added and the resultant signal determines the vertical deflection. The X-Y Inhibit command has absolute control over the output of the Channel Switch stage. Quiescently, this signal is LO; however when the Readout System is ready to display information on the crt, this level goes HI, to block the signals from both vertical units.

When X-Y Inhibit is HI (+1 V) Q652 is turned off. Current in R653 now flows through CR552 and CR654 lowering the base voltage of Q556 by one diode drop, and that of Q658 by two diode drops. This ensures that Q558 and Q656 are turned on regardless of the state of Display Right or Add.

## RIGHT AND LEFT CHANNEL FEEDBESIDE

The operation of the Left and Right Channel Feedbeside stages are identical. Therefore, only a discussion of the Right Channel Feedbeside is given.

The function of the Feedbeside stage is to compensate for low-frequency imperfections in the frequency response of the Channel Switch stage, U668. Self heating of the transistor base-emitter junction, in some transistors within U668, causes the low-frequency gain

to appear larger than the midband gain. To correct this, a portion of the input signal is picked off through R502 and R504 and applied to U508. This differential signal is converted to a single-ended signal and distributed into four RC (resistive-capacitive) networks, each having a different time constant. Variable components R512, R515, R520, R525, R530, and C538 are adjusted to provide an accumulated waveform. This waveform is converted to a paraphase signal by U538, Q542 and Q548, and is then injected into U668 through pins 6 and 4, where it is subtracted from the signal entering U668 at pins 7 and 9. Proper adjustment results in flat-frequency response and optimum-transient response at the output pins 3 and 13.



## VERTICAL AMPLIFIER

A schematic diagram of the Vertical Amplifier is given on diagram 9, in section 8 of this manual (Diagrams and Circuit Board Illustrations). The schematic is divided by gray shaded lines separating the circuitry into major stages. These stages aid in locating components mentioned here. Sub-headings in the following discussion use the stage names to further identify portions of the circuitry on diagram 9.

The Vertical Amplifier circuit provides final amplification for the vertical signal received from delay-line DL694 before it is applied to the crt vertical deflector. In addition, low-frequency signals to provide the VERT TRACE SEPARATION (B) function and crt scale factor readout are accepted at the Aux Y-Axis and Y Readout inputs, respectively. The vertical portion of the BEAMFINDER function is also handled in the Vertical Amplifier.

## DELAY-LINE COMPENSATION

Delay-line DL694 delays the vertical signal approximately 51 nanoseconds to allow the horizontal circuits time to initiate a sweep before the vertical signal reaches the crt vertical deflector. This allows the instrument to display the triggering event when using internal triggering. The delay-line is composed of a matched pair of 50 ohm coaxial cables. The signal from the delay lines is coupled on to the 50  $\Omega$  microstrip via J702 and J704. Transient response front-corner adjustment is provided by RLC network R705, C705 and parasitic inductance of C705.

Hybrid circuit U762 and its associated circuitry provides frequency compensation to offset delay line losses due to "skin-effect" in the cable. This compensation is achieved by attenuating the signal at low-frequencies approximately 4.8 dB. At high frequencies (above 1.5 gigahertz) the signal passes with little attenuation. Hybrid circuit U762 also terminates the delay line in its characteristic impedance (50 ohms) for frequencies greater than about 50 MHz. At dc, U762 presents an impedance of 41  $\Omega$  to each cable; reverse termination of U668. Vertical Channel Switch, prevents standing waves below 50 MHz.

### OUTPUT AMPLIFIER

The Output Amplifier consists of 2 thin-film, hybrid wideband amplifiers, U842 and U862, and their associated bias circuitry. These amplifiers provide a voltage gain of approximately 4.5 each, resulting in an overall voltage gain from J702 and J704 to the crt vertical deflector of about 11. All signal path interconnections between and within hybrids are made with 50 ohm strip transmission lines via the HYPCON system.

Integrated circuit U842 receives the delayed and compensated signal from U762 at input pins 7 and 9. Variable resistor R855 provides Vertical Amplifier gain adjustment by shunting the differential signal. Trimmer R836 is a transient response adjustment effective in the first 10 nanoseconds of the step response. The output of U842 is fed through level shifters VR852 and VR862 to U862. Bias current for U842 is supplied by Q892 and R893 through U862. Active devices Q892, U876B and associated circuitry operate as a power supply with (negative) output impedance of 25 ohms. This supply acts to maintain a constant common-mode dc level at the input to U862 regardless of current demand from U842.

Bias levels for U862 are provided by U876A. Diode CR875 temperature compensates the +23.9 V supply to maintain constant standing current in U862.

### FEEDBESIDE

The function of the Feedbeside stage is to compensate for low-frequency imperfections in the frequency response of the Output Amplifier stage, U842 and U862. Self heating of the transistor base-emitter junction, in some transistors within U842 and U862, cause the low-frequency gain to appear larger than the midband gain. To correct this, a portion of the input signal is picked off via the Delay Line Compensation stage and applied to U782. The paraphase signal is converted to a single-ended signal by U782 and distributed into six RC (resistive-capacitive) networks, each having a different time constant. Resistors R785, R787, R791, R795, R801, R806, and Capacitor C808 are adjusted to provide an accumulated waveform. This waveform is converted to a paraphase signal by U808, Q824, and Q814, and is then injected into U842 through pins 1 and 5, where it is subtracted from the signal entering U842 at pins 7 and 9. Proper adjustment of the seven RC components results in a flat-frequency response and optimum-transient response at the output of U862 (pins 17 and 19).

Diodes CR767 and CR777 improve the vertical amplifier overdrive recovery by limiting the amplitude of the feedbeside-correction signals that exceed the dynamic range of the Output Amplifier. Thermistor RT813 adjusts the gain of the feedbeside amplifier to provide increased correction at high ambient temperature where transistor self-heating is aggravated.

### AUXILIARY AMPLIFIER

The Auxiliary Amplifier is used to inject low-frequency ( $\leq 2$  MHz) signals associated with crt scale-factor readout and alternate sweep switching into the vertical deflection system. Normally, the X-Y Inhibit signal entering on pin 8 of P789 is LO (-0.6 V), Q722 and Q712 are off, and Q732 is on. The Aux Y-Axis signal (trace separation) on pin 1 of P790 is coupled through Q732 to the input of paraphase amplifier Q742 and Q752. Transistors Q748 and Q758 form a shunt-feedback amplifier with sufficient gain to drive the inputs of U762 (pins 5 and 11).

When the Readout System initiates a character display, it sets the X-Y Inhibit logic level HI (+1 V). Emitter follower Q718 turns Q722 on. The voltage on the collector of Q772 drops to zero which turns Q732 off and turns Q712 on. The Aux Y-Axis signal is then blocked by Q732. Y Readout signals are inverted by U705. Readout centering is added to the composite readout signal and then applied to the input of the paraphase amplifier via Q712. At the end of the character display period X-Y Inhibit returns to -0.6 V.

### OUTPUT AMPLIFIER

The BEAMFINDER switch when depressed changes the current source for U862 to provide the BEAMFINDER function. Normally, the current source for U862 is supplied from the +15 V supply through Q862 and R862. However, when the BEAMFINDER switch is actuated, Q862 is turned off so the only current source for U862 is through R862. This limits the dynamic range of the stage by limiting its available current, so the display is compressed vertically within the crt graticule area.

Components Q878, VR878, and R878 clamp the output dc common-mode level to less than 44 V when the BEAMFINDER switch is depressed.

The signal at the output of U862 (pins 17 and 19) is connected via a flexible coplanar transmission line to the crt vertical deflector neck pins. A distributed deflector is used in the crt for maximum bandwidth. The signal travels along the deflector at a velocity essentially the same as the velocity of the electron beam passing through the vertical deflector. This synchronism of the deflection signal and the electron beam reduces the loss in high-frequency sensitivity due to electron-transit time through the deflector. After propagating along the deflector, the signal exits the crt via a second flexible coplanar transmission line and terminates in U883. A double-terminated transmission-line system, with a characteristic impedance of 200 ohms side-to-side, is formed by the output of U862, the two flexible lines, the crt vertical deflector, U883, and the crt vertical termination. Standing current for U862 is supplied from +50 V supply via U883 and the crt deflector transmission-line system.

## POWER SUPPLY SHUTDOWN

The 23.9 V supply is monitored by the Power Supply Shutdown stage. When this voltage drops significantly, indicating an overload condition, Q864 will turn on, pulling the gate of Q873 positive to cause Q873 to turn on. This action overloads the +50 V power supply which in turn causes the high-efficiency power supply to shutdown.

A drop in the +23.9 V supply may indicate either an open connection or a short to ground in the crt deflector transmission line system (or supply). The latter case is particularly serious and may damage U862, even with the Power Supply Shutdown stage operating. For this reason, care should be taken not to short or open the crt deflector connections when the instrument power is on.

The Power Supply Shutdown circuit also accepts an input from the Horizontal Amplifier circuit (diagram 11) via a thermal cutout, from pin 10 of P782. This input is normally about +14.8 V but will decrease if a fault occurs in the Horizontal Amplifier or if the thermal cutout opens. The latter case indicates excessive temperature in the Horizontal and Vertical Amplifier circuits which will significantly reduce amplifier operating life. The thermal cutout will open at about +55° C ambient if the fan is operating properly or at +35° C ambient if the fan is disabled or totally blocked.



## HORIZONTAL CHANNEL SWITCH

A schematic diagram of the Horizontal Channel Switch is given on diagram 10, in Section 8 of this manual (Diagrams and Circuit Board Illustrations). The schematic is divided by a gray shaded line separating the circuitry into major stages. These stages aid in locating components mentioned here. Sub-headings in the following discussion use the stage names to further identify portions of the circuitry on diagram 10.

The Horizontal Channel Switch circuit determines whether the signal from the output of the A horizontal or B horizontal plug-in unit provides the horizontal deflection signal. This circuit also accepts an input from the Readout System (diagram 6) which blocks the horizontal signal while the readout display is presented on the crt.

### CHANNEL SWITCH

The Channel Switch stage consists primarily of U962. The differential horizontal signal from the A HORIZ plug-in compartment is applied to pins 17 and 19. The differential horizontal signal from the B HORIZ plug-in compartment is applied to pins 7 and 9. The Display B control signal determines whether the A or B horizontal signal is coupled to the output pins 3 and 13.

Integrated circuit U962 has a standing current of approximately 37 milliamperes for each channel. The standing current in channel A is the quiescent current drawn by current sinks Q992 and Q994, and by R998 and R999. The standing current in channel B is the quiescent current drawn by current sinks Q962 and Q964, and by R968 and R969. The standing current in both channels is summed together in U962 and flows out of pins 3 and 13. This current is also the standing current for U1018 (see diagram 11), the Input Clamp. It is important to notice that the current sinks described above control the standing currents in both channels of the Channel Switch and the Input Clamp. This current comes from the +15 V supply primarily through R1047, R1043, R1067, and R1063 at the Channel Switch stage output. Thus the current sinks described above affect dc levels from the Channel Switch stage to the input of U1082.

## HORIZONTAL CHANNEL SELECTOR

The Horizontal Channel Selector stage interfaces the Channel Switch stage, U962, to the logic signals arriving from the Main Interface (diagram 3). The Channel Switch stage requires two pairs of complementary control voltages, one pair for each channel. A HI control signal is +3.3 volts (emitter voltage of Q914). The complementary LO control signal is about +1.9 volts. To select a channel, the HI voltage is applied to the On input of U962 (pin 2 for Ch A, pin 12 for Ch B), and the LO voltage to the Off input (pin 1 for Ch A, pin 11 for Ch B).

When the HORIZONTAL MODE switch is set to B, the Display B line is HI (+1.1 V). This voltage is applied to one input, Q924C, of the differential pair (Q924C and Q924D) controlling the channel A input. Transistor Q924C is turned on and Q924D is turned off thereby inhibiting channel A. The LO level at the collector of Q924C turns Q924E off, and Q924B on, turning on channel B. When channel A is selected the Display B line is LO (-0.6 V), the opposite transistor in the two differential pairs above are on, and channel A is turned on, with channel B inhibited.

When the HORIZONTAL MODE switch is set to ALT or CHOP, the Display B signal switches between the HI and LO levels, at a rate determined by the Horizontal Binary stage in the Logic circuit (diagram 4). The X-Y Inhibit signal from the Readout System, diagram 6, applied to pin 7 of P882 has absolute control over the Horizontal Channel Selector stage. Quiescently, this signal is LO to allow the signal from the selected horizontal unit to pass to the output. However, when the Readout System displays information on the crt, this signal goes HI to block the signals from both horizontal compartments.

## A AND B CHANNEL FEEDBESIDE

The operation of the A and B Channel Feedbeside stages are identical. Therefore, only a discussion of the A Channel Feedbeside is given.

The function of the A Channel Feedbeside stage is to compensate for low-frequency imperfections in the

frequency response of the Channel Switch stage, U962. Self heating of the transistor base-emitter junction, in some transistors within U962, causes the low-frequency gain to appear larger than the midband gain. To correct this, a portion of the input signal is picked off through R942 and R941 and applied to U944. The differential signal is converted to a single-ended signal and distributed into four RC (resistive-capacitive) networks, each having a different time constant. Resistors R945, R950, R952, R955, and R958 are adjusted to provide an accumulated waveform. This waveform is converted to a paraphase signal by Q962 and Q964, and is then injected into U962 through pins 6 and 4, where it is subtracted from the signal entering U962 at pins 7 and 9. Proper adjustment results in a flat-frequency response and optimum-transient response at the output, pins 3 and 13.



### HORIZONTAL AMPLIFIER

The Horizontal Amplifier circuit amplifies the push-pull horizontal deflection signal from the plug-in unit installed in either horizontal compartment and connects it to the horizontal deflection plates of the crt.

A schematic diagram of the Horizontal Amplifier is given on diagram 11, in Section 8 of this manual (Diagrams and Circuit Board Illustrations). The schematic is divided by a gray shaded line separating the circuitry into major stages. These stages aid in locating components mentioned here. Sub-headings in the following discussion use the stage names to further identify portions of the circuitry on diagram 11.

#### READOUT POSITIONING

When readout is displayed, the X Readout signal is applied to the Horizontal Amplifier through P882. At the same time, the X-Y Inhibit signal (HI) causes Q1022 to conduct, turning Q1024 off. This action enables the horizontal readout center (R.O. CTR) adjustment R1025. Ungrounding the center tap allows R1025 to horizontally position the readout display on the crt.

#### OUTPUT AMPLIFIER

The Output Amplifier stage is a parallel path amplifier, having a fast path and a slow path. The fast path is a non-feedback amplifier, with 50  $\Omega$  impedance throughout, except at the output. The slow path is a feedback amplifier, used to correct thermal gain errors in the fast path, and also to inject the readout signal.

##### Fast Path

The fast path consists primarily of U1082 (the driver) and U1094 (the output amplifier).

The differential signal is applied to pins 7 and 9 of U1082. The input is 50  $\Omega$  push-pull (100  $\Omega$  differential). The gain of U1082 is set by the HF Gain adjustment

R1082 providing a nominal current gain of about 3. The output of U1082 is applied to the input of U1094, the output stage. This stage has a 50  $\Omega$  push-pull input. Accordingly, the voltage gain through the driver will be about 3, since it has equal input and output resistances.

The output stage, U1094, has a current gain of about 3.3, and has a differential load impedance of 365  $\Omega$ . The voltage gain of the stage is then 12 (the current gain times the resistance gain).

The crt has a distributed horizontal deflection structure with a differential impedance of about 365  $\Omega$ . The crt horizontal deflection structure is connected to the amplifier output and to the horizontal terminator resistor via the 365  $\Omega$  flexible transmission lines. The termination board (A20) is adjustable to match the crt impedance.

##### Slow Path

The slow path is a feedback amplifier, and is used for correction of thermal errors inherent in the fast path. The slow path can be considered to be an operational amplifier, and will be described as such.

The input for the slow path is from R1044 and R1064 which picks off a fraction of the output signal from the Input Clamp stage. The input signal is amplified by Q1046 and Q1066 and injected into the operational amplifier summing nodes (base of Q1052 and Q1072). The output signal at the crt is picked off by a pair of 20 kilohm resistors within U1094. This signal is applied through R1034 and R1037 to the summing nodes. Any error signal at the summing nodes is amplified by the differential transistor pair Q1052 and Q1072 and further amplified by the differential transistor pair Q1058 and Q1078. The amplified signal is then injected into the fast path via pins 1 and 5 of U1082, to correct the signal applied to the crt.

The gain of the slow path is set with the LF Gain adjustment, R1062, independent of the fast path gain. The step response of the slow path is adjusted using the Delay adjustment (C1036) and S.P. Damp (R1073), the slow path damping adjustment.

Since the slow path is a feedback circuit, it can cause difficulties in locating problems in the Output Amplifier circuit. The feedback path can be disabled by removing Q1052 and Q1072, and then shorting the emitter run to collector run on the circuit board for each transistor. This can be done by inserting a U-shaped wire, the same diameter as the transistor leads, in the emitter and collector sockets. With the feedback path open, the amplifier will operate as before, with two exceptions. First, thermal errors will not be corrected; and secondly, readout is disabled since it is injected into the slow path. All dc voltages will remain essentially unchanged. This will simplify troubleshooting the Horizontal Amplifier.

#### INPUT CLAMP

The Input Clamp prevents the Output Amplifier stage from being overdriven. Signal limiting occurs in the Input



Clamp stage when the + and - horizontal signal, applied to pins 5 and 6 of U1018, approaches a level which will overdrive the transistors within U1094. The Input Clamp requires about 75 milliamperes from pin 16 to pin 5 and from pin 13 to pin 8 for proper operation. This current is supplied by the Channel Switch stage on diagram 10. Pins 13 and 16 are normally about +7.0 volts, and pins 5 and 8 about +6.2 volts.

The voltage at pin 6 of U1018 is set with the Clamp Adj adjustment R1005 at about 0.3 volts more positive than pins 5 and 8. Now, assume a differential signal is applied to pins 5 and 8 of the Input Clamp stage, with pin 5 going negative, and pin 8 going positive; clamping occurs when pin 5 goes negative enough to turn on the transistor inside U1018 with its emitter tied to pin 5. The signal from pin 5 flows through the transistor to pin 13, effectively shunting the excess signal to the other side of the differential line. In a like manner, the other transistor causes clamping when pin 5 is positive-going and pin 8 is negative-going. Note that both transistors are never on at the same time.

The Input Clamp stage output common-mode voltage is sensed at pin 15 of U1018 and applied to U1006. This causes the voltage at pin 6 to track the common-mode voltage in the Input Clamp stage, so that the clamping point does not change as the common-mode voltage changes.

The BEAMFINDER input goes from 15 volts to ground when the BEAMFINDER button is depressed. This raises the voltage at pin 6 of U1018 to cause the horizontal signal to be confined to the crt screen.



## INTENSITY LIMITER AND Z-AXIS

A schematic diagram of the Intensity Limiter and Z-Axis is given on diagram 12, in Section 8 of this manual (Diagrams and Circuit Board Illustrations). The schematic is divided by gray shaded lines separating the circuitry into major stages. These stages aid in locating components mentioned here. Sub-headings in the following discussion use the stage names to further identify portions of the circuitry on diagram 12.

### INTENSITY LIMITER

The gain of the microchannel plate is reduced in proportion to the logarithm of the charge output. In the area of sustained trace operation this gain reduction manifests itself as reduced writing speed. The Intensity Limiter stage limits the crt screen current and prevents long-term on-screen trace operation. Even with the Intensity Limiter stage, it is possible to incur distinguishable display gain loss, depending on the use of the instrument. For more information on proper usage see the Operating Instructions in this manual under: Reduction of Display Gain With Display Output Charge.

The Screen I Sense output of the Anode Multiplier stage, U1700 (diagram 13) carries a current which equals the average screen current. Operational amplifier U1952 with the 1 megohm feedback resistor R1951 converts this current to a voltage at the rate of 1 volt per microampere of average screen current. A divider string formed by R1952, R1959 and R1960 biases the inverting input of the operational amplifier U1958B at 0.2 volt. When the average screen current is larger than 0.2 microampere the noninverting input of the operational amplifier U1958B is greater than +0.2 volt and its output, TP1962, goes positive. This turns on the yellow LED, DS1970, through R1975 to indicate limited viewing time. Also, Q1974 is turned off, allowing C1971 to charge. In addition to this, the 3 hertz oscillator is started. Timer U1968 and its associated external components is set up such that it oscillates at a frequency of 3 hertz. When the output of operational amplifier U1958 goes positive, pin 4 of U1968 goes positive starting the oscillator.

Operational amplifier, U1970, with C1971 form an integrator, integrating the current through R1958. This resistor is connected to the output of operational amplifier U1952 so the current through R1958 is proportional to the screen current. The output of U1970 ramps down from ground. When the amplitude reaches -10 volts, the timer U1986 starts. How fast the output reaches -10 volts depends on the average screen current. As will be seen later, the average screen current cannot exceed 2 microamperes. At this level the output of the integrator reaches the -10 volt output level in about 2 minutes. Below average screen currents of 0.2 microamperes, Q1974 is on to prevent the integrator from operating. At an average screen current of 0.2 microamperes, the integrator reaches the -10 volt level in about 20 minutes. If the output of the integrator has not reached the -10 volt level and the average screen current drops below 0.2 microamperes, Q1974 turns on through R1974 to discharge C1971 giving the integrator a fresh start when the screen current again goes over the 0.2 microampere threshold.

When the output of the integrator reaches -10 volt and pin 2 of timer U1986 reaches about +2 volts the timing starts. The output, pin 3 of U1986, goes high but drops low again after 10 seconds when the timer has timed out. Capacitor C1985 determines the period of the timer.

When the timer starts (pin 3 goes high), the following occurs: With pin 3 of U1986 low, diode CR1991 clamps the drive of the red LED (DS1944) to ground. When pin 3 goes high, the red LED receives its current through R1969 and CR1993, and blinks at a 3 hertz rate to indicate that shutdown will occur in about 10 seconds.

Integrator capacitor C1971 is discharged, through divider R1988 and R1989 and the base of Q1980 is held at +2.4 volts. If pin 3 of U1986 is LO, Q1982 conducts and the collector voltage of Q1982 is too positive for transistor Q1978 to conduct. When pin 3 of U1986 goes high, Q1982 ceases to conduct and Q1978 turns on to discharge capacitor C1971, which allows the integrator a

## Theory of Operation—7104

fresh start. The waveform at pin 3 of U1986 is differentiated by C1993 and inverted by Q1997. Flip-flop U1992 is triggered on a positive going pulse, so, at the end of the 10 second timing interval U1992 is triggered and the output at pin 8 goes HI.

This output goes high to cause the following to occur:

- (1) The Z-Axis turns off.
- (2) The red LED is turned on steady, to indicate the shutdown of the Z-Axis system. Transistor Q1994 turns off when the Z-Axis Off signal goes HI and the red LED DS1944 is turned on steady from the +15 volt supply through R1994. Pin 2 of U1986 goes HI to inhibit the 10 second timer.

The Intensity Limiter stage can be reset several ways:

- (1) By either pressing the RESET button S1988 before shutdown occurs, or by reducing the display intensity so that the average screen current is less than 0.2 microamperes.

If the RESET button is pressed before shutdown occurs, the base of Q1980 is shorted to ground, Q1981 turns off, and Q1978 conducts to discharge timing capacitor C1971.

If the screen current is below 0.2 microamperes, the output of the operational amplifier U1958B goes LO and Q1974 conducts, thereby discharging timing capacitor C1971 through R1974.

- (2) By either pressing the RESET button S1988 during the 10 second delay before shutdown (when the red LED is flashing), or by reducing the intensity so that the average screen current is below 0.2 microamperes.

If the RESET button is pressed during the 10 second delay before shutdown occurs, the base of Q1980 is shorted to ground, Q1981 turns off, and Q1978 conducts to discharge timing capacitor C1971.

If the screen current goes below 0.2 microamperes during the 10 second delay before shutdown occurs, the output of operational amplifier U1958B goes LO, the base of Q1998 is pulled LO, Q1998 conducts and Q1999 is saturated. The saturation of Q1999 has the same effect as pressing the RESET button.

- (3) By pressing the RESET button S1988 after shutdown occurs. During shutdown, Q1974 and Q1978 conduct discharging timing capacitor C1971 through R1974, and the 10 second timer is reset. Also, flip-flop U1992 is reset and the Z-Axis Off signal goes LO turning the Z-Axis back on.

If the average screen current exceeds 2 microamperes the output of operational amplifier U1952 exceeds +2

volts. Since the noninverting input of U1958A is biased at +2 volts, the output of this operational amplifier goes positive and diode CR1963 conducts. The current through Q1956 will increase and the voltage level of the intensity reference at TP1956 will increase from -10 volts to a more positive value. The intensity reference is connected to the A and B INTENSITY control network (see Mode Switch and Calibrator, diagram 2). If this reference goes more positive the input drive to the Z-Axis logic is reduced. Therefore, the beam current of the crt is reduced which results in a lower average screen current. If this feedback loop reaches equilibrium, then the voltage level of the intensity reference is such that the average screen current equals 2 microamperes. Single-shot screen currents are not limited to 2 microamperes since the feedback loop has a long time constant.

When the intensity limiter is limiting the average screen current to 2 microamperes the output of U1958A is high, with the result that Q1970 is driven into saturation. This causes the yellow LED to flash (indicates that the intensity is limited).

Figure 3-20 illustrates two operating conditions of the Intensity Limiter. The maximum viewing time period (approximately 20 minutes) is shown in Figure 3-20A; this condition occurs with the minimum average screen current of 0.2 microampere required to actuate the limited viewing time circuitry. The minimum viewing time (approximately 2 minutes) is shown in Figure 3-20B; this condition occurs when the intensity is limited to an average screen current of 2 microamperes.

Diodes are connected to the A and B INTENSITY controls to prevent interaction between the intensity controls when the HORIZONTAL MODE switch is set for ALT or CHOP operation (see Mode Switch and Calibrator, diagram 2). This interaction may occur when the display is alternating between time-base units. If either diode CR2019 or CR2009 is shorted, the following will occur: If the A INTENSITY control is advanced to the point where the Intensity Limiter stage limits the average screen current to 2 microamperes, the voltage level of the intensity reference becomes more positive than -10 volts. Also, the B intensity level is reduced. In the extreme case the reduction of the B intensity could be such that the B trace is not visible. Present limiting of the B intensity will only occur if diode CR2019 conducts. Diode CR2019 will conduct if the B intensity level is set high enough that the cathode of CR2019 is more negative than the intensity reference voltage level at the anode of CR2019.

### Z-AXIS AMPLIFIER

The Z-Axis Amplifier stage controls the crt display intensity by varying the crt grid drive. The Logic circuit and the Readout System provide input signals to the Z-Axis Amplifier at J1606 and J1632 respectively.

The Z-Axis Amplifier consists of three stages; an impedance matching stage, a preamplifier, and output driver. The impedance matching stage consists of Q1618 and Q1608. This stage provides isolation between the



## CRT CIRCUIT

Readout and Logic inputs in addition to providing termination of the input coax cables. The collector current out of this stage is fed to the Auto Focus amplifier through R1606, developing a voltage signal to drive the Z-Axis preamplifier. Transistor Q1626 limits the voltage drive to the preamplifier by clamping the output of Q1608 at a level determined by Clamp Level adjustment R1226.

The Z-Axis preamplifier, a transconductance amplifier, consists of Q1632, Q1648, and Q1652, which provides a current drive for the output stage. Z-Axis Gain adjustment, R1637, sets the gain of this stage and is used to set the gain for the entire Z-Axis system. Adjustments R1635, C1635, and R1651 provide current peaking to the output stage for optimum transient response. The Z-Axis Level adjustment R1645 is used to adjust the Z-Axis baseline to the proper level. The preamplifier is disabled by a shutdown signal from the Intensity Limiter circuit, which saturates Q1644.

The output driver is a shunt feedback stage with gain set by R1660. Q1658, Q1668, Q1666 and Q1676 form a direct coupled amplifier with a high open loop gain; thus the input at the base of Q1658 is a virtual ground. These transistors are capable of providing high speed transitions in the negative going direction only. Fast positive transitions are achieved by peaking the base of Q1676 via Q1664 and T1664. Capacitor C1663 adjusts the drive to Q1676 for optimum response. Transistor Q1672 establishes the collector voltage supply for Q1676. VR1671, R1677, CR1675, and CR1678 provide protection from high transient voltages.

### AUTO FOCUS

The Auto Focus stage maintains optimum focus of the crt display over a range of sweep speeds. The crt needs focus correction only at high Z-Axis drive conditions. Consequently, the output of the Auto Focus amplifier is ac coupled to the focus grid. The collector current of Z-Axis impedance matching stage, which consists of Q1618 and Q1608, is fed to the input of the Auto Focus amplifier, Q1603. The emitter voltage of emitter follower Q1607 is held steady at -8.6 volts. At zero volts, drive of the Z-Axis the collector current of Q1603 is maximum (8 milliamperes) which causes clamping diode CR1609 to conduct. At midrange Z-Axis drive, the collector current of Q1603 drops to 6 milliamperes and the voltage at the anode of CR1609 is -8.0 volts which causes the clamping diode CR1609 to barely conduct. For a Z-Axis drive over midrange, diode CR1609 becomes reverse biased and a negative going signal appears at the base of Q1617. The amplifier, consisting of Q1617 and Q1620, is noninverting and has a voltage gain of approximately four. The negative going signal at the collector of Q1620 is connected to emitter follower Q1629 and then ac coupled through C1628 to the focus grid.

A schematic diagram of the CRT Circuit is given on diagram 13, in Section 8 of this manual (Diagrams and Circuit Board Illustrations). The schematic is divided by gray shaded lines separating the circuitry into major stages. These stages aid in locating components mentioned here. Sub-headings in the following discussion use the stage names to further identify portions of the circuitry on diagram 13.

### CONTROL GRID DC RESTORER

The purpose of the Control Grid DC Restorer stage is to elevate the two low voltage grid control signals to a large negative potential. These inputs are the output signal from the Z-Axis amplifier, coupled through R1680 to the first input of the Control Grid DC Restorer stage and the crt grid bias (with its associated crt grid cut off warmup compensation circuit) coupled through R1748 to the second input of the Control Grid DC Restorer stage.

The Control Grid DC Restorer stage is current driven from the square wave at the high voltage winding through R1788, R1789, R1812, and R1811. When the voltage at terminal 9 of transformer T1770 goes positive diode CR1749 conducts at the voltage determined by the first input, the Z-Axis amplifier output level. This clamping action establishes the positive swing of the dc restorer drive. On the negative swing of T1770 diode CR1747 conducts at the voltage determined by the second input; the crt grid bias voltage. This clamping action establishes the negative swing of the dc restorer drive. The ac swing of the dc restorer is coupled from the low voltage section to the high voltage section by capacitor C1793. On the negative swing of the dc restorer drive, the high voltage end of C1793 is clamped to the -2400 volt supply by CR1794. On the positive swing of the dc restorer drive, CR1792 changes the high voltage end of C1792 to a voltage more positive than the -2400 volt supply by an amount equal to the sum of the absolute value of the voltages of the two inputs; the Z-Axis amplifier output voltage level and the grid bias voltage level.

The crt cathode voltage is 135 volts more positive than the -2400 volt supply, as determined by the Grid Bias Supply stage. Therefore, the grid is negative with respect to the cathode by 135 volts (minus the sum of the absolute values of the voltages of the Z-Axis amplifier output voltage level and the crt grid bias voltage level). The CRT Grid Bias adjustment R1746 is set with the Z-Axis amplifier output at the low level for the proper crt cutoff voltage. The CRT Grid Bias adjustment has a range of 50 volts.

The Grid Bias Supply stage not only helps to protect the crt during turn-on of the instrument (see description of the Grid Crow Bar circuit) but also when a malfunction of the Control Grid DC Restorer stage occurs. In the case of

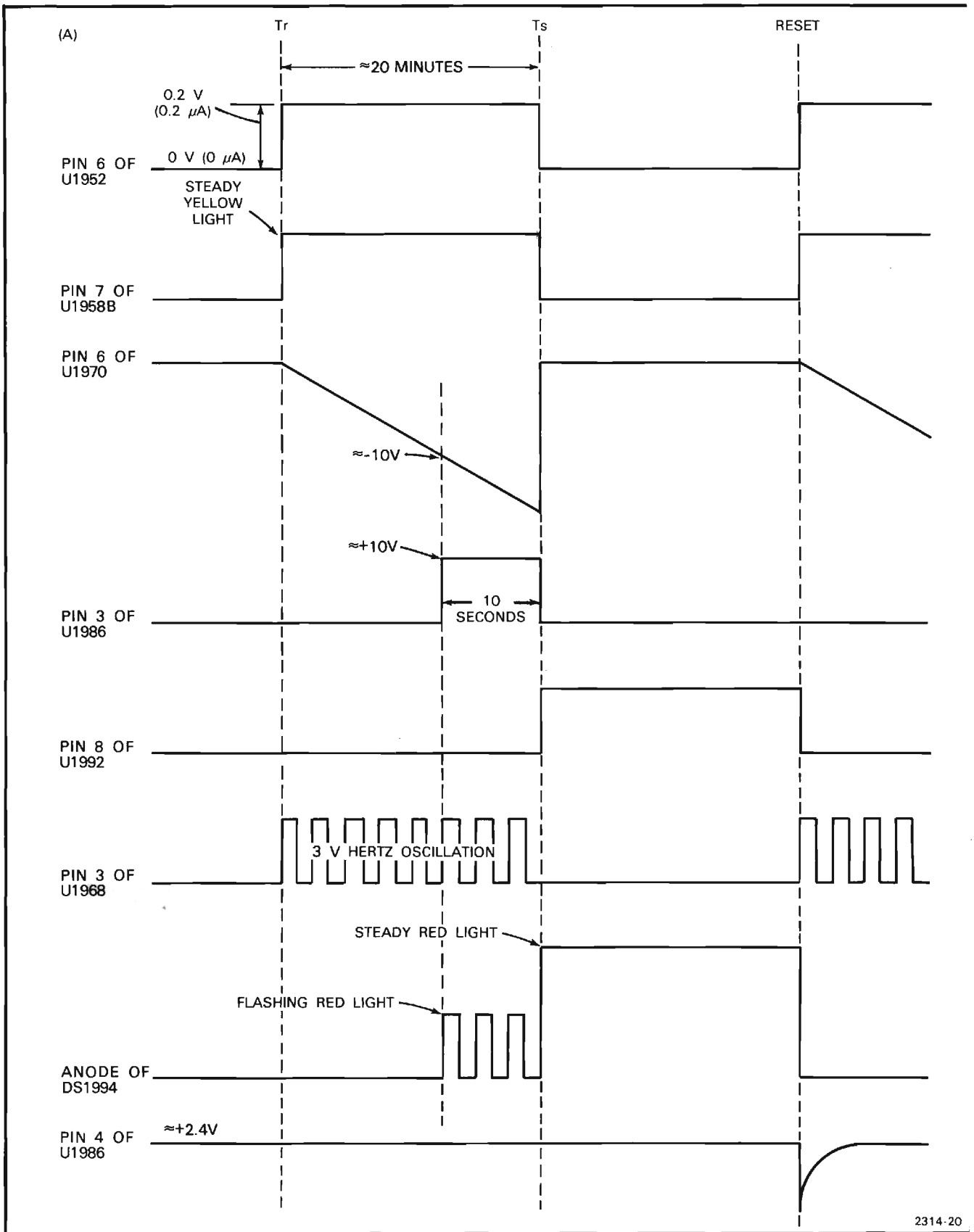
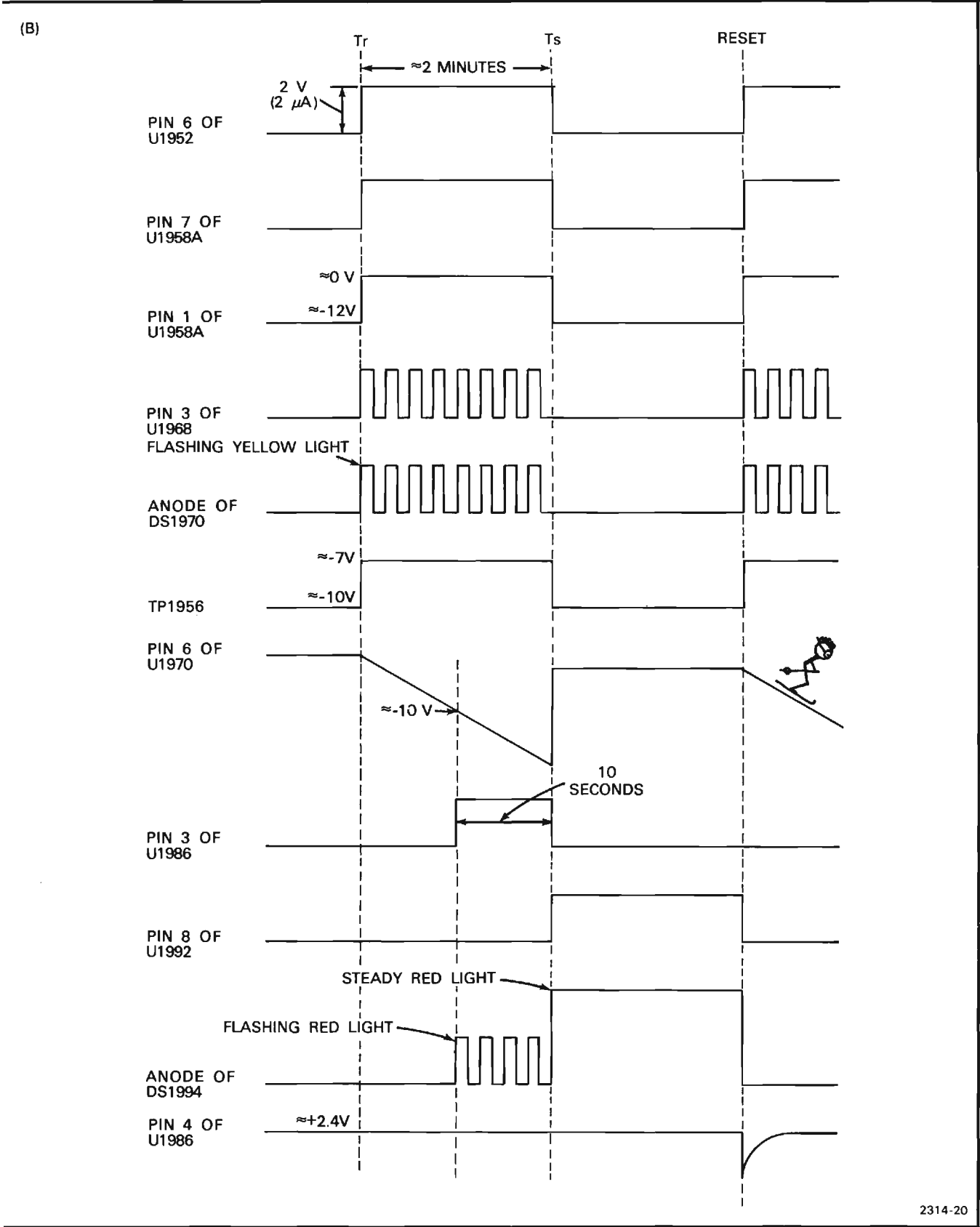


Figure 3-20. Theoretical timing diagrams for the Intensity Limiting stage.



2314-20

Figure 3-20. Theoretical timing diagrams for the Intensity Limiting stage (continued).

## Theory of Operation—7104

a malfunction, the grid will become more negative than the cathode, thereby turning the crt off.

Neons DS1792 and DS1794 as well as the various resistors in series with the diodes provide protection (voltage and current limiting) to the components of the Control Grid DC Restorer stage during turn-on and turn-off of the instrument, as well as protection from short circuits. Capacitor C1681 provides fast ac coupling between the Z-Axis Amplifier stage and the crt grid. The slower ac path is by way of R1680 and C1792.

### FOCUS GRID DC RESTORER

The purpose of the Focus Grid DC Restorer stage is to elevate the low voltage focus control to a high negative potential.

The Focus Grid DC Restorer stage is current driven from the square wave at the high voltage winding through R1788, R1789, R1813 and R1814. When the voltage at terminal 9 of T1770 goes positive, CR1820 conducts at the voltage determined by the setting of FOCUS control R2005. This clamping action establishes the positive swing of the Focus Grid DC Restorer drive. On the negative swing of T1770, CR1816 conducts at ground. This clamping action establishes the negative swing of the Focus Grid DC Restorer drive. The ac swing of the Focus Grid DC Restorer is coupled from the low voltage section to the high voltage section by C1819. On the positive swing of the Focus Grid DC Restorer drive signal, the high voltage end of C1819 is clamped to the Focus Preset adjustment voltage by CR1819. During the negative swing of the Focus Grid DC Restorer drive, CR1818 charges C1818 to a voltage more negative than the Focus Preset voltage by an amount equal to the voltage set by the FOCUS control.

Neons DS1818, DS1819, and DS1820 and the resistors in series with the various diodes provide protection (voltage and current limiting) to the components of the Focus Grid DC Restorer stage during turn-on and turn-off of the instrument as well as short circuit protection.

The voltage from the FOCUS control passes through the BEAMFINDER switch. When this switch is depressed the input to the Focus Grid DC Restorer stage is grounded, thereby defocusing the display.

### HIGH-VOLTAGE TRANSFORMER

High-Voltage Transformer T1770 provides pre-regulated voltages for the +2400 volt and -2400 volt high-voltage supplies, and 6.3 volts rms for the crt heater. The crt heater is elevated to the cathode potential through R1848. The high-voltage winding of T1770 also provides the drive to the Anode Voltage Multiplier, Focus-Grid DC Restorer and the Control-Grid DC Restorer stage.

### ANODE VOLTAGE MULTIPLIER

Positive accelerating potential for the crt anode is supplied by the five-times voltage multiplier contained within U2012. The applied voltage to the input of U1700

from the high voltage secondary of T1770 is about 2500 volts peak-to-peak. This results in an output voltage of about 12.5 kilovolts at the crt anode. The output resistance of this supply is about 100 megohms and may be subject to meter loading when measured.

### GRID BIAS SUPPLY

The Grid Bias Supply is a 135 volt power supply connected between the crt cathode and the -2400 Volt Supply. The polarity is such that the cathode is at a more positive potential (-2365 volts). The purpose of the cathode supply is explained in the Grid Crowbar circuit description.

The -2400 Volt Supply holds the current in the thick film high-voltage resistor R1802 constant at approximately 100 microamperes. The voltage developed across R1802C is 100 volts and is used as the voltage reference for the cathode supply. The comparator consisting of Q1835 and Q1838 requires both bases to be at the same potential. This condition is satisfied if there is 135 volts across the voltage divider of R1839 and R1840. If the voltage across the voltage divider R1839-R1840 is higher than 135 volts, the base voltage of Q1830 exceeds the base voltage of Q1835. Q1838 turns on harder; this in turn increases the current in the series regulator Q1842. This reduces the current through the voltage divider R1839 and R1840 lowering the voltage until it is 135 volts. The cathode supply furnishes current to the cathode, to the focus string, and to the resistor string which supplies the negative voltages to the scan expansion lens. Protection neons DS1842, DS1844 and DS1846 limit the maximum voltage across the supply.

### MICROCHANNEL PLATE SUPPLY

The MCP (Microchannel Plate) Supply receives a 25 kilohertz square-wave signal of about 54 volts peak from the Control Rectifier circuit (diagram 14). If pin 1 of the transformer T1708 was grounded, the transformer would step this voltage up to 625 volts peak. Components C1711, CR1710, CR1711 and C1710 form a voltage doubler to develop 1250 volts dc at TP1175.

Assume that by some means the collector of Q1708 would be held at a +20 volt level. The 25 kilohertz square-wave signal is clipped by diode CR1708 to a maximum of +20.6 volts and clipped by diode CR1707 to a minimum of -0.6 volt at the cathode of diode CR1707. With the circuit in equilibrium the average current in capacitor C1707 must be zero. This is reached when C1707 is charged up to 10 volts. This means that a 25 kilohertz square-wave signal of 10.6 volts peak is on pin 1 of transformer T1708. This voltage is subtracted from the 54 volt peak drive at pin 2 of T1708, so the primary of the transformer is driven by a voltage of 43.4 volts peak. The dc output voltage is then reduced to about 1000 volts.

Components U1714A and Q1708 regulate the dc output voltage of T1175. Pin 2 of U1714A is at ground potential and is the current summing point for the regulator. If

there is zero current in R1722 and R1719, pin 2 of U1714A can only be at ground potential; when the dc output voltage at TP1171 is +562.5 volts. If pin 2 is above ground, the output of operational amplifier U1714A will go negative, turning off Q1708, this will charge C1708 more positive and reduce the primary drive of the transformer. This will result in a reduced dc output voltage at TP1175 until the voltage on pin 2 of U1714A returns to ground. Resistor R1722 carries the Intensity Sense current developed by the MCP Intensity Tracking stage on the Logic Schematic, diagram 4.

The Intensity Sense current varies between 0 and 50 microamperes depending on the setting of the INTENSITY control and gives the MCP Supply voltage a maximum increase of 375 volts. The higher the voltage across the MCP the greater the gain of the MCP (electrons out for electrons in) which results in a brighter crt display (this is needed at faster sweep speeds to obtain writing rate). MCP Gain adjustment R1720 sets the output voltage at TP1775; its range is 300 volts.

MCP Gain adjustment R1720 controls the writing speed of the instrument. At the factory this adjustment is set so that a single shot, 1 megahertz sine wave with an amplitude of 7.5 divisions is visible when photographed using type 107 3000 ASA polaroid film (camera setting is f 1.9 at a reduction ratio of 1:0.85). If the MCP output voltage is set higher both the visual as well as the photographic writing rate increase, however a background scintillation of the MCP may appear on photographs. This effect randomly covers the photographs with small bright spots.

Depending on instrument use, increased MCP output voltage may reduce the display gain. Refer to: Reduction of Display Gain With Display Output Charge in the Operating Instructions section of this manual.

When the INTENSITY control is advanced, the MCP output voltage increases to produce a brighter crt display. This also causes the Readout display to be brighter which is undesirable. The purpose of U1714B is to prevent this. When the Intensity Sense current increases from 0 to 50 microamperes, the voltage at pin 5 of U1714B increases from 0 to 1 volt. The voltage at the emitter of Q1724 follows this voltage at pin 5 of U1714B. Therefore, the collector current of Q1724 (Aux RO Intensity current) increases from 0 to approximately 0.25 milliampere. Aux RO intensity current is subtracted from the Readout Intensity current to reduce the readout intensity current while the MCP output voltage increases. This results in a constant intensity of the readout display.

## GRID BIAS

The Grid Bias stage provides a dc reference voltage to the Control Grid DC Restorer stage. This reference level is adjustable by means of the CRT Grid Bias adjustment R1746, which sets the grid cutoff voltage of the crt. The grid cutoff voltage drifts during warmup of the instrument; the purpose of U1736 and Q1742 is to compensate for this. Initially, at instrument turn on, capacitor C1736 is discharged, both inputs of the

operational amplifier U1736 are at +7.0 volts, and a small current flows through R1733 which begins to charge capacitor C1736. The output of the operational amplifier U1736 is initially at +7.3 volts but gradually, after about 10 minutes, increases to +12.5 volts. Transistor Q1742 conducts until the voltage level at the output of the operational amplifier U1736 has increased to +12.5 volts. The current from Q1742 develops a voltage drop across R1747. Emitter follower Q1748 provides a voltage source reference for R1747. During warmup of the instrument the dc reference voltage to the Control Grid DC Restorer gradually becomes more negative and compensates for the grid cutoff voltage drift of the crt. When the instrument is turned off capacitor C1736 discharges with the same time constant (diode CR1736 prevents a fast discharge). If, after a few minutes the instrument is turned on again, less warmup compensation is required. This is accomplished by not allowing capacitor C1736 to discharge fast.

## -2400 VOLT SUPPLY

Components C1750, CR1762, CR1763, and C1764 form a voltage doubler. A 1250 volt peak square wave is applied to the input of this doubler. The dc voltage at TP1844 is about -2500 volts if the voltage at the collector of Q1784 (TP2784) is near ground. Components U1802 and Q1784 form the regulator for the -2400 Volt Supply. Under nominal conditions the voltage at TP1784 is 100 volts. Diodes CR1776 and CR1778 alternately clip the waveform at pin 7 of the secondary winding of T1770 between the 100 volt level and ground level. The voltage across the secondary of T1770 is 1250 volts peak. With the waveform at pin 7, the voltage at pin 9 switches between 1250 and -1150 volts. This charges C1750 to 1250 volts and C1764 (at TP1844) to -2400 volts. To maintain equilibrium, the average current through C1788 must be zero. During one half of the cycle CR1778 conducts and draws current through C1778; during the other half CR1776 conducts, and CR1778 is turned off. The collector current from Q1784 that flows through C1778 is such that the total average current in C1778 equals zero. The voltage at TP1784 can only be pulled down by Q1784. The zener diode VR1784 limits the voltage at this test point to a maximum of 200 volts. This would happen if transistor Q1784 is removed.

Pin 3 of the operational amplifier U1802 is at ground potential and is the current summing point. If the current in R1804 and in R1806 is zero, pin 3 can only be at ground potential if the current in the thick film high voltage resistor R1802A, R1802B and R1803C is 100 microamperes. This produces a voltage of -2400 volts at TP1844. If the voltage at TP1844 is slightly more positive than -2400 volts, pin 3 of U1802 is above ground, the output (pin 6) goes more positive, Q1784 turns on harder pulling more current through C1778 to charge capacitor C1778 less positive. The voltage at TP1784 drops and, as a result, the -2400 Volt Supply is pulled back down toward -2400 volts dc. Regulation by means of this path is slow (several cycles of the 25 kilohertz square wave are required to make a correction), and C1786 provides for faster regulation. When Q1784 is turned on hard, current flows through C1784 and pulls down the -2400 Volt Supply.

## Theory of Operation—7104

The -2265 Adjust, R1805, sets the dc high voltage. Divider network R1800, R1803, R1804 and thermistor RT1804 vary the -2400 Volt Supply with changes in temperature. This means that the velocity of the electron beam through the vertical and horizontal crt deflectors changes, which in turn changes the vertical and horizontal deflection sensitivity. The change in deflection sensitivity compensates for gain change with temperature in the vertical and horizontal amplifiers.

A regulated +2400 volt supply (TP1754) is generated for use by the scan expansion lens. The -2400 Volt Supply regulator also regulates the +2400 volt supply, but for slow changes only, as was seen in the circuit description of the -2400 Volt Supply. Under nominal conditions for the -2400 Volt Supply regulator the collector of Q1784 is at 100 volts and the voltage at pin 9 of the high voltage transformer (T1770) switches at a 25 kilohertz rate, between +1250 volts and -1150 volts resulting in -2400 volts dc at the output of the -2400 Volt Supply. The voltage at the cathode of CR1762 switches between 0 volt and -2400 volts and is the input to the +2400 volt supply voltage doubler consisting of C1752, CR1752, CR1753 and C1754) causing the output at TP1754 to be +2400 volts dc. The scan expansion lens requires a lower voltage than +2400 volts. Since the lens draws zero current, a resistive divider can be used to bring the voltage down. Capacitors C1756 and C1800 filter the scan expansion lens voltage.

A semi-regulated +105 volts is generated for use by the Z-Axis amplifier. The input signal to transformer T1770 is connected to a voltage doubler formed by C1770, CR1772, CR1771 and C1774 to generate +105 volts dc at R1771.

The +105 volt supply develops a negative voltage across R1774, if overloaded. When the +2400 volt supply or the -2400 volt supply is overloaded a negative voltage is developed across R1776. The I Sense line is connected through P1785, pin 8, to the voltage Balance Sense line of the inverter control IC, in the power supply. This is a high impedance point, and when pin 2 is pulled 100 millivolts negative or positive the inverter control IC shuts down the power supply. Under overload conditions of the above mentioned supplies, either diode CR1774 or CR1775 will turn on and shut down the power supply.

### GRID CROW BAR

The Grid Crow Bar stage prevents the crt grid from becoming more positive than the cathode during turn-on of the instrument. This action is needed to protect the crt cathode during the time that the cathode and grid voltages are settling. The grid voltage is forced more negative than the cathode by connecting the -2400 Volt Supply voltage to the crt grid through VR1688, Q1688, CR1687 and R1688 (during the period of time that Q1688 is on, which is primarily determined by C1687 and R1687). Initially, C1687 has no charge. When the instrument power is turned on C1687 receives charging current from the -2400 Volt Supply through the emitter-base junction of Q1688 and R1685. Transistor Q1688 remains on as long as the charging current through R1685 is large enough to cause VR1688 to conduct.

## CRT

The 7104 crt is a high resolution, high frequency, micro-channel plate crt. Transformer T1770 has a secondary winding that supplies 6.3 volts to the crt heater. The crt heater is held at the cathode potential through R1848 and DS1848. The conventional oxide structured cathode is held at -2265 volts. The Z-Axis amplifier provides a maximum of 55 volts unblanking to the grid.

Incorporated into the first anode is an ion trap. Gas ions which might normally damage the cathode are drawn out of the anode and deposited on a gas absorbing surface. The demagnification lens (which works in conjunction with the primary focus lens) is operated at the cathode potential.

Stigmator adjustment R1894 is connected to the stigmator lens and is used to adjust the axis of astigmatism for optimum spot symmetry. The primary focus lens is connected to the output of the Focus Grid DC Restorer stage which contains the Focus Preset adjustment R1825. At high voltage Z-Axis drive a focus correction is required. Capacitor C1628 couples the focus grid voltage drive to the output of the Auto Focus amplifier. The front-panel screwdriver adjustment ASTIG (R2005) applies a voltage to the astigmatism lens. The front panel ASTIG and FOCUS controls are used in conjunction with each other to obtain best overall focus.

The vertical and horizontal deflectors are traveling wave deflectors. They are helical transmission line deflectors where the velocity of the input signal along the helical conductors is equal to the speed of light. The phase velocity along the length of the helix is matched to the crt electron beam velocity as it propagates along the helix. The impedance of the vertical deflector is 200 ohms, the deflection factor is 1 volt per division and the bandwidth is about 3 gigahertz. To minimize skin effect losses, the deflector is silver plated. The impedance of the horizontal deflector is 365 ohms, the deflection factor is 2 volts per division and the bandwidth is about 1.5 gigahertz. The connections to the vertical and horizontal deflectors are made through carefully spaced neck pins. The vertical deflector also employs stripline lead-ins between the deflector and the neck pins. Both deflectors use external termination resistors.

The 7104 crt utilizes a scan expansion lens. Without this lens, to obtain the desired scan size and deflector sensitivities, the crt would have to be over seven feet in length. In operation this lens is a strong positive lens in the vertical axis and causes the beam to cross over or invert the vertical deflection to cause vertical scan expansion of 4.5 times. In the horizontal axis the lens is a negative lens, which enhances the deflection of the beam. The horizontal scan is expanded 4 times. Seven potentials are required to operate the lens. The voltages are adjustable, differentially as well as the dc level. The adjustments on diagram 13 are labeled for their primary function, however, secondary effects are present:

Vertical Linearity adjustments R1854 and R1855 align the overall vertical linearity of the crt display. The



differential Vertical Linearity adjustment R1853 and R1856 align the keystone geometry effect of the crt. The Geometry adjustments R1864 and R1865 align crt vertical geometry. The differential geometry adjustments R1863 and R1866 align the top and bottom linearity of the crt display. Horizontal Sensitivity adjustments R1874 and R1875 sets the horizontal deflection factor. The differential Horizontal Sensitivity R1873 and R1876 aligns the center vertical line bowing.

The input of the microchannel plate (MCP) is held at ground potential and the output is connected to a variable positive supply thus providing the bias for the MCP. The higher the bias across the MCP the higher the gain or electron multiplication. Due to the MCP the instrument achieves its extremely high writing rate.

The MCP bias is adjusted with the INTENSITY controls. The bias across the MCP is held constant at INTENSITY control settings below about midrange, but it increases linearly from midrange to the fully clockwise position. Adjustment R1720 on the High Voltage board also adjusts the MCP output voltage. At the factory, this adjustment is set to achieve a photographic writing speed of 20 cm/nanosecond using a standard camera (f 1.9 lens) and standard film (Polaroid Type 107; 3000 ASA).

If the MCP output voltage adjustment is set high, both the visual as well as the photographic writing speed increase; however, on photographs a background scintillation may appear. At a high MCP bias setting the channels being excited by stray electrons can have an electron multiplication factor high enough to become visible on photographs. Depending on instrument use, increased MCP output voltage may reduce the display gain. Refer to Reduction of Display Gain With Display Output Charge in the Operating Instructions section of this manual. The MCP is located about 0.3 cm from an aluminized screen (with standard P31 phosphor crts). About 11.5 kilovolts is applied across this gap to accelerate the electrons exciting the MCP.

The orthogonality coil, wound on the crt neck at the exit of the vertical deflector, allows for correction of rotational alignment errors between the deflection axis and scan expansion lens. In addition to the orthogonality coil, a trace rotation coil is wound on the envelope of the glass ceramic interface.



## CONTROL RECTIFIER

The Control Rectifier circuit provides the operating power for this instrument from an ac line-voltage source. A schematic diagram of the Control Rectifier is given on diagram 14, in Section 8 of this manual (Diagrams and Circuit Board Illustrations). The schematic is divided by gray shaded lines separating the circuitry into major stages. These stages aid in locating components mentioned here. Sub-headings in the following discussion use the stage names to further identify portions of the circuitry on diagram 14.

## LINE INPUT

Power is applied through line filter FL1200, line fuse F1200, and POWER switch S1200. The line filter is designed to keep power-line interference from entering the instrument and to keep the approximate 25-kilohertz Inverter signal from entering the power line. Components R1205, C1205, and C1206 suppress reverse-recovery transients of CR1215.

The LINE VOLTAGE SELECTOR switch S1212 allows the instrument to operate from either a 115 volt nominal or a 230 volt nominal line voltage source. In the 115 volt position, rectifier CR1215 operates as a full-wave doubler with energy-storage capacitors C1215 and C1217, so the voltage across the two capacitors in series will be the approximate peak-to-peak value of the line voltage. For 230 volt operation, CR1215 is connected as a bridge rectifier and the voltage across C1216 and C1217 will be the approximate peak value of the line voltage. Thus, the dc voltage applied to the Inverter stage is about the same for either 115 volt or 230 volt operation.

Thermistors RT1209 and RT1213 limit the surge current when the power supply is first turned on. After the instrument is in operation, the resistance of the thermistors decreases so that they have little effect on the circuit. When the instrument is turned off, the Inverter Control stage turns off the Inverter which prevents it from discharging C1216 and C1217; C1216 and C1217 discharge slowly through R1221 to allow for thermistor thermal-recovery time. This ensures sufficient thermistor resistance to limit the turn-on surge current to a safe level. Since C1216 and C1217 discharge slowly, dangerous potentials exist within the power supply for several minutes after the POWER switch is turned off. The presence of voltage in the circuit is indicated by relaxation oscillator R1219, C1219, and DS1219. Neon bulb DS1219 will blink until the potential across C1216 and C1217 drops to about 80 volts.

Spark gap electrodes E1208 and E1213 are surge-voltage protectors. When the LINE VOLTAGE SELECTOR switch is in the 115 volt position, only E1208 is connected across the line input. If a peak voltage greater than 230 volts is present on the line, E1208 will conduct and quickly open line fuse F1200 to interrupt the input power before the instrument can be damaged. In the 230 volt position, E1208 and E1213 are connected in series across the line input to provide protection for peak voltages greater than 460 volts.

Transformer T1208 provides a sample of the line voltage to the plug-in connectors for triggering at line frequencies. This line frequency signal is also connected to the Inverter Control stage to sense when line voltage is present.

## INVERTER START NETWORK

Network R1210, R1238, and C1235 is connected between the input line (ac) and the negative side of C1217 (through T1225). Capacitor C1235 charges on each cycle of the input line voltage. When the charge on C1235 reaches about 33 volts, zener diode VR1238 turns

## Theory of Operation—7104

on and programmable unijunction transistor Q1238 starts conducting to provide base drive to turn on Q1241 through C1239. When Q1241 turns on, it shock-excites series-resonant network L1237 and C1237 to generate a damped oscillation. This damped oscillation provides the drive necessary to start the Inverter switching action. After the Inverter is operating, the recurrent waveform at the collector of Q1241 keeps C1235 discharged through CR1249, thus disabling the Inverter Start Network while the instrument is on.

### INVERTER

The Inverter stage converts the dc voltage across C1216 and C1217 to a sine-wave current to drive power transformer T1310. Once the Inverter has been started by the Inverter Start Network, transformer T1230 provides feedback to the bases of Q1234 and Q1241 to sustain oscillation. These transistors operate at a forced beta of 4 due to the turns ratio of T1230. Also, T1230 provides a 60:1 turn center-tapped winding for pre-regulation and fault protection shut-down. The Inverter Control stage short circuits one-half of this winding to either delay the turn-on of Q1234 and Q1241 or to completely stop their switching action.

The switching action of Q1234 and Q1241 generates a square-wave voltage with an amplitude approximately equal to the dc voltage at the input to this stage. The square-wave voltage at the emitter of Q1234 supplies the drive necessary to maintain a sine-wave current in the series-resonant network of L1237 and C1237. Diodes CR1234 and CR1241 provide paths for series-resonant current when Q1234 and Q1241 are held off for pre-regulation.

To aid in understanding circuit operation, Figure 3-21A shows a representation of the Inverter stage as a switch. The three possible states of the Inverter are depicted by the three possible switch positions: Q1234 is on in position (a); Q1241 is on in position (c); or both transistors are held off for pre-regulation in position (b). In the composite current waveform of Figure 3-21B, the relative phase and amplitude of each component of  $I_1$  is shown for periods  $T_a$ ,  $T_b$ , and  $T_c$  corresponding to the three switch positions. Figure 3-21C and Figure 3-21D show the relationship of the Inverter voltage and primary winding voltages with respect to the current waveform.

The normal sequence of operation is as follows: Assume that  $I_1$  is passing through zero and is increasing in the direction which forward biases CR1241 to conduct  $I_1$  as shown in Figure 3-21B. When the Inverter current crosses through zero the Inverter Control stage holds off Q1234 and Q1241. At a time determined by the Inverter Control stage, Q1234 is allowed to conduct  $I_2$  which reverse bias CR1241. Transistor Q1234 conducts as  $I_2$  goes through its peak and back to zero. At zero crossing the Inverter Control stage again holds off Q1234 and Q1241. During this hold-off time, CR1234 conducts  $I_3$ . Next, Q1241 is turned on to conduct  $I_4$  which reverse biases CR1234. Transistor Q1241 conducts as  $I_4$  goes through its peak and back to zero. The cycle then repeats itself.

During conduction of Q1234 power is delivered to the series resonant circuit L1237-C1237, and to T1310. Part of this power, stored in the resonant circuit, is returned to the supply when diode CR1234 conducts. Pre-regulation is achieved by varying the holdoff of the inverter transistors,  $T_b$  in Figure 3-21B, thereby determining the net power delivered to T1310.

### OVER-VOLTAGE STOP

Whenever the voltage across the primary of T1310 exceeds a safe level, the Over-Voltage Stop stage shuts down the Inverter to protect the Inverter components from damage. For example, this stage activates whenever the normal voltage regulating path through Q1252 and T1230 is inoperative.

Capacitor C1243 charges through CR1244 to the peak voltage across the primary of T1310. If this voltage exceeds a safe level, Q1245 conducts to cause Q1243 and Q1246 to turn on. When Q1246 turns on, the base-drive winding of T1230 is short-circuited, which stops the Inverter switching action. Since Q1243 is turned on, C1235 in the Inverter Start Network is prevented from charging to the breakdown voltage of CR1238, thus preventing the Inverter from starting. Transistors Q1245 and Q1243 continue to conduct until the discharge current of C1243 through R1243 drops below the holding current of Q1245. After Q1243 turns off, CR1249 continues to inhibit the Inverter Start Network while C1243 charges through R1244 and CR1244. When the voltage on C1243 is sufficient to turn on CR1238, the Inverter will start.

### INVERTER CONTROL

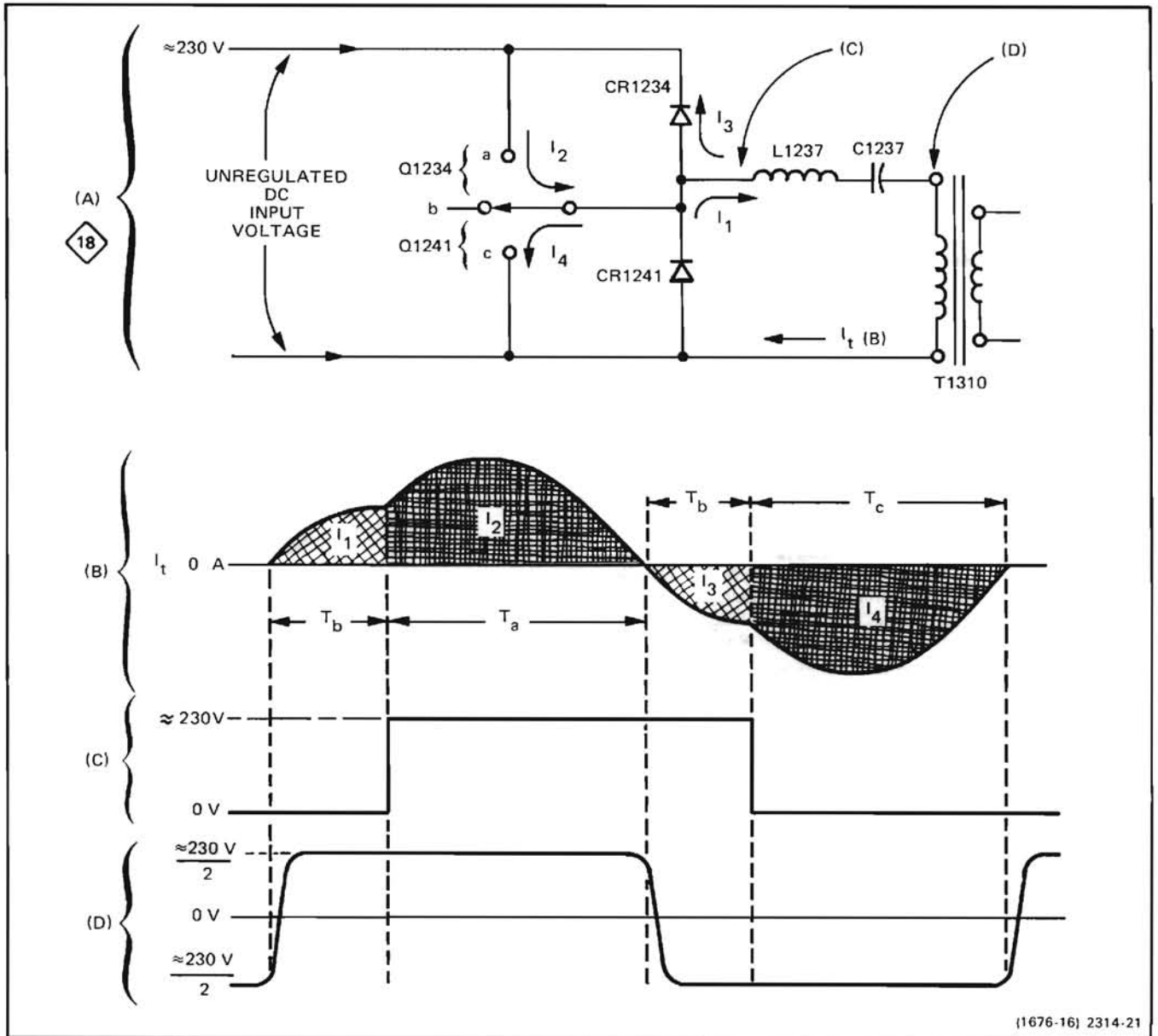
The Inverter Control stage, made up of primarily U1275, provides pre-regulation and fault protection functions. For pre-regulation purposes, U1275 varies the hold-off time  $T_b$ , in Figure 3-21B of the Inverter switching transistors.

Under normal operating conditions, only the E Sense input at pin 15 controls the hold-off time. However, various fault conditions can affect hold-off time or stop Inverter operation altogether. The operation of each individual function of the Inverter Control stage is described in the following discussion.

### Pre-Regulator

The Pre-Regulator operation of U1275, maintains constant voltage at the outputs of the low-voltage rectifiers. It also provides constant peak-to-peak voltage to the high-voltage supply.

Transformer T1235 provides Inverter phase information and power to U1275. The phase information is connected to pins 10 and 11 through C1277 and C1278. Bridge rectifier CR1272, CR1274, CR1276, and CR1275, provides positive and negative operating voltages to U1275. A shunt regulator in U1275 maintains the +7.5 volts at pin 6. The -2 volt (nominal) supply connected to pin 7 is unregulated. Zener diode VR1272 is for protection against open circuit conduction (U1275 removed) and is normally not conducting.



(1676-16) 2314-21

Figure 3-21. (A) Representation of Inverter stage. Idealized waveforms of (B) total inverter current,  $I_t$ , (C) voltage of CR1234 and CR1241, and (D) voltage across primary.

Pin 15 is the voltage sensing (E Sense) point of the Pre-Regulator circuit. Zero volts at pin 15 indicates proper regulation. Zener diode VR1272 provides a stable reference voltage for the sensing-divider resistors R1292, R1293, R1295, R1286 and R1287. Resistor R1295 in this divider adjusts the ratio of the divider to adjust the output of the +108 volt supply. Outputs of the other supplies are then set by the turns ratio of T1310.

Integrated circuit U1275 regulates the Inverter by varying the hold-off time of the switching transistors, Q1234 and Q1241. A variable pulse-width monostable multivibrator in U1275 is triggered at pins 10 and 11 whenever the Inverter current changes direction. The pulse width holds

off the Inverter by turning on transistor Q1252 through pin 9 of U1275, thus shorting out the base drive to Q1234 and Q1241. The pulse width, and therefore hold-off, is controlled by a ramp at pin 12. If the voltage at the E Sense input, pin 15, is too low, the ramp is not allowed to rise very high and the pulse width and hold-off are short. As the E Sense voltage rises, the ramp is allowed to rise to a higher voltage level, increasing the hold-off time.

### Fault Protection

The fault-protection portions of U1275 provide protection for the power-supply components from damage due to

## Theory of Operation—7104

short circuits, turn-on surge currents, and other malfunctions. When a fault is detected at the Fault Sense input (pin 2) or I Sense input (pin 13), a current from the Fault Holdoff Time output (pin 1) charges C1264. If the detected fault lasts longer than about 10 milliseconds, C1264 will charge positive enough to initiate a positive output at pin 8. This output turns on Q1254 and Q1252 which turns off the Inverter. The Inverter will remain off while C1254 discharges through R1254 which keeps Q1254 and Q1252 turned on. The Inverter restarts in roughly 500 milliseconds when the current through R1254 is insufficient to keep Q1254 and Q1252 turned on. When the inverter restarts, C1254 is recharged through CR1259 and R1259. This cycle repeats until the fault is corrected, with the Inverter on for about 10 milliseconds, and off for about 500 milliseconds.

### Inverter Current Limiter

The Inverter Current Limiter provides protection for the Inverter components from damage due to excessive current turn-on or short circuits. Operation of this stage is similar to the Pre-Regulator (voltage regulation). The Inverter Current Limiter takes control of the Inverter hold-off time whenever pin 13 starts to go negative. T1235 is a current step-down transformer. The current is rectified and flows through R1284, the current-sensing resistor. The voltage across R1284 is negative and proportional to the Inverter current. The I Sense input at pin 13 is normally held positive through divider R1281 and R1283. The Inverter Current Limiter takes control of regulation when pin 13 approaches zero volts. Peak Inverter current is limited to about 5 amperes. If the voltage at pin 13 remains near zero for more than about 10 milliseconds, pin 8 will go positive to turn off the Inverter.

### Fault Sense

The Fault Sense portion of U1275 provides overload protection for those supplies on the LV Regulator schematic, diagram 15, and other supplies generated throughout the instrument. Resistive networks from supplies are connected to the Fault Sense input at pin 2 of U1275. During normal operation, the voltage at the Fault Sense input remains near zero. If one of the inputs changes sufficiently to cause this voltage level to vary 200 millivolts (positive or negative) for more than 10 milliseconds, a positive output is produced at pin 8 of U1275 to stop the Inverter.

### Line Stop

The Line Stop portion of U1275 stops the Inverter when the POWER switch is turned off. The Line Stop stage will also stop the Inverter if the ac line voltage falls below a minimum value.

The line-frequency signal from transformer T1208 is connected to pin 4, the Line Stop Sense input of U1275. During normal operation, the line-frequency signal causes the Line Stop Timer terminal (pin 3) to periodically discharge to ground. When the line-frequency signal is interrupted or falls below a minimum value, C1267 will

charge to approximately +0.7 volt causing the Line Stop stage to produce a positive output at pin 8 of U1275 to stop the Inverter.

## POWER ON LOGIC

When the instrument is first turned on, the Power On Logic circuit produces a LO output on Pin 6 of U1374B for about 2 seconds, after which time, a HI is produced, indicating that power is on. Pin 6 of U1374B goes HI after C1371 charges sufficiently to reduce the voltage on pin 13 of U1374 to the LO state.

When the instrument is turned off this circuit produces a LO output before the regulated power supply voltages begin to drop. The Inverter Stop signal, pin 8 of U1275, goes HI allowing Q1362 to produce a LO at pin 6 of U1374B. The Power On Logic circuit is not used by the 7104.



## LV REGULATOR

A schematic diagram of the Low-Voltage Regulators is given on diagram 15, in Section 8 of this manual (Diagrams and Circuit Board Illustrations). The schematic is divided by gray shaded lines separating the circuitry into major stages. Sub-headings in the following discussion use the stage names to further identify portions of the circuitry on diagram 15.

The Low-Voltage Regulators convert semi-regulated voltages from the Control Rectifier circuit to stabilized low-ripple output voltages. The regulators are series type, using the +50 volt supply as a reference.

## OPERATIONAL AMPLIFIER POWER SUPPLIES

The operational amplifiers, used to regulate the +50, +15, +5, -50, and -15 volt supplies, require that four special voltages be generated for their operation:

- (1) The +22 volt supply is generated from the semi-regulated +54 volts by reference zener diode VR1432 and emitter follower Q1434.
- (2) The -22 volt supply is generated from the semi-regulated -54 volts by reference zener diode VR1435 and emitter follower Q1438.
- (3) The +5.6 volt supply is generated from the semi-regulated +17 volts by zener diode VR1552.
- (4) The -5.6 volt supply is generated from the semi-regulated -17 volts by zener diode VR1556.

## +50 VOLT SUPPLY

Semi-regulated +54 volts from the Control Rectifier circuit provides the unregulated voltage source for this supply. Operational amplifier U1415 is connected as a differential amplifier to compare the feedback voltage at pin 2 against the reference voltage at pin 3. The error output at pin 6 of U1415 reflects a difference between these two inputs. Zener diode VR1412 sets a reference level of about +9 volts at pin 3 of U1415. A sample of the output voltage from the +50 Volt Supply is connected to pin 2 of U1415 through divider network R1416, R1415, and R1414. Resistor R1415 in this divider is adjustable to set the output level of this supply. Notice that the feedback voltage of this divider is obtained from a line labeled +50 V Sense. If the feedback voltages were obtained at the supply, the voltage at the load would not stay constant, due to the inherent resistance of the interconnecting cable between the supply and its load. The Sense configuration overcomes this problem by sensing the voltage at the load. Since the current in the Sense line is small and constant, the load voltage is held constant regardless of the load current.

Regulation of voltage occurs as follows: If the output level of this supply decreases (becomes less negative) due to an increase in load or a decreased input voltage (as a result of line-voltage change or ripple) the voltage across divider R1416, R1415, and R1414 decreases also. This results in a less positive level at pin 2 of U1415 than that established by zener diode VR1412 at pin 3 of U1415. This decreases the current through CR1415 and VR1417, causing a successive increase in current through the base-emitter junction of Q1428. This results in increased conduction of Q1428, the +50 volt series regulator. The load current increases and therefore the voltage across the load also increases (becomes more positive) sufficiently to balance the input into differential amplifier U1415. The +50 Volt adjustment, R1415, sets the output level of this supply.

Current limiting is provided for the +50 Volt Supply if excessive current is demanded from the supply. Since the load is connected to this supply through R1428, all current from the +50 Volt Supply must flow through this resistor. Under normal operation there is insufficient voltage drop across R1428 to turn Q1422 off. However, when excessive current is demanded from the +50 volt series regulator (Q1428) due to a short circuit or similar malfunction at the output of this supply, the voltage drop across R1428 increases until it is sufficient to reverse bias Q1422. The reduced collector current of Q1422 results in a reduction of current through Q1428. This current limiting protects Q1428 from damage due to excessive power dissipation.

Several protection diodes are also included in this circuit. Diode CR1428 prevents the output of this supply from going more negative than about -0.6 volt if it is shorted to a negative supply. Zener diode VR1410 and diode CR1410 supply a turn-on voltage for U1415 to start the +50 Volt Supply when the instrument is first turned on. As soon as the +50 Volt Supply turns on, CR1410 stops conducting.

## -15 VOLT SUPPLY

Basic operation of all stages in the -15 Volt Supply is the same as for the +50 Volt Supply. The reference level for this supply is established to ground through R1482 at pin 5 of U1484B. The divider ratio of R1480 and R1481 sets a level of zero volts at pin 6 of U1484B. The level on the +50 V Sense line is held stable by the +50 Volt Supply. Any change at the output of the -15 Volt Supply appears at pin 5 of U1484B as an error signal. The output voltage is regulated in the same manner as described for the +50 Volt Supply. Diode CR1496 limits the output of this supply from going more positive than about +0.6 volt if it is shorted to one of the more positive supplies. Operational amplifier U1484A provides short circuit protection for Q1494 by monitoring the voltage drop across R1495. When too much current is demanded from the supply the increased voltage drop across R1495 allows U1484A to turn Q1488 off, in turn reducing the current through Q1494.

## +5 VOLT SUPPLY

The operation of the +5 Volt Supply is basically the same as described for previous supplies. Error voltage to pin 2 of U1514A is provided through R1531 to pin 2 of U1514A; pin 3 is referenced to the +50 V Sense line. The divider ratio of R1513 and R1514 is 10:1, so pin 3 of U1514A is at +5 volts when the supply is operating normally. The level on the +50 V Sense line is held stable by the +50 Volt Supply. Therefore, any change at the output of the +5 Volt Supply appears at pin 2 of U1514A as an error signal. The output voltage is regulated in the manner described previously for the +50 Volt Supply. Diode CR1532 limits the output of this supply to about -0.6 volt if it is shorted to one of the negative supplies.

The +5 volt current limiting is accomplished by U1514B, which protects this supply from excessive output current damage. With normal supply current through R1533 and R1534, the voltage drop is such that the base of Q1518 is biased on. If the current through R1533 and R1534 increases above a safe level, pin 7 of U1514B reduces the forward bias current to Q1518. Now, the base current of Q1522 is reduced which decreases the voltage on the base of Q1526. This limits the conduction of Q1526 to a safe current level.

## +15 VOLT SUPPLY

The +15 Volt Supply regulates in the same manner as the +50 Volt Supply; current limiting operates in the manner described for the +5 Volt Supply. Error feedback voltage to pin 2 of U1464A is provided through R1469. Pin 3 of U1464A is referenced to the +50 V Sense line. The divider ratio of R1461 and R1462 sets pin 3 of U1514 at +15 volts. Any change in the output level of the +15 Volt Supply appears at pin 2 of U1464A as an error signal. This results in an opposite change at the output (pin 1 of U1464A) which is conveyed to the +15 volt series regulator (Q1474 through CR1464 and Q1468) to correct the error in the output voltage of the supply. Diode CR1476 limits the output of this supply to about -0.6 volt if it is shorted to one of the negative supplies.

### -50 VOLT SUPPLY

Operation of the -50 Volt Supply is basically the same as described for the +50 Volt Supply; current limiting operates in a similar manner as described for the +50 Volt Supply. Error voltage to pin 2 of U1445 is provided by divider R1445-R1446, and is referenced to the -50 V Sense line, from the +50 V Sense line. The divider ratio of R1445 and R1446 sets the level at pin 2 of U1445 at zero volts when the output of this supply is correct. Protection diode CR1458 limits the output voltage of this supply to +0.6 volt should the supply be shorted to a positive supply.

### FAN CIRCUIT

The fan motor used in this instrument is a brushless dc motor, using Hall Effect devices. The 2 Hall Effect devices sequentially drive the 4 transistors (U1690 A, B, C, and D) which, in turn, control the current flow through the 4 field windings. The fan motor speed is regulated by limiting the current flow through Q1698. Diodes CR1691, CR1692, CR1694, and CR1696 rectify the back emf produced by the 4 field windings. This voltage is applied to the base of Q1698 through resistive divider network R1697, R1695, RT1696 and R1698; the voltage developed by this circuit is proportional to the motor speed. If the motor speed starts to increase, the current drive to the base of Q1698 will decrease, reducing the current to the motor, thus maintaining a constant motor speed. As the temperature increases the value of thermistor R1696 decreases reducing the base voltage of Q1698; Q1698 then conducts more current and the speed of the motor is increased.

### GRATICULE-LIGHT SUPPLY

The Graticule-Light Supply provides power to illuminate the graticule lights. The front-panel GRAT ILLUM controls the output of this supply to set the brightness of the graticule lights. Transistors Q1544, Q1548, and diode CR1548 form a pseudo-differential amplifier. The output voltage at the collector of Q1548 follows the voltage set at the base of Q1544 by the divider made up of R1542, R1541, R1543 and the GRAT ILLUM control R1900 (see diagram 7). Resistor R1548 limits the output current from this supply to protect Q1548 from damage due to a short circuit.



### DELAY COMP (OPTION 2)

A schematic diagram of the Delay Compensation circuit is given at the rear of Section 8 in this manual (Diagrams and Circuit Board Illustrations). The X-Y Delay Compensation network (Option 2 only) provides a delay

for the horizontal (X) signal from the B HORIZ plug-in compartment to match the delay of the vertical (Y) signal due to the Delay Line (see diagram 8). The Horizontal (X) signal from the A HORIZ plug-in compartment is coupled directly to the horizontal channel switch, diagram 9, without a delay compensation network.

### TIME-BASE OPERATION

When the plug-in unit installed in the B HORIZ compartment is operated as a standard time-base unit to produce a horizontal sweep for deflection of the crt beam, the Delay Compensation network is effectively disabled. The X Compensation Inhibit (B) line is open (through pin 5 of P984); relays K1112-K1162 are not actuated. Therefore, the relay contacts remain in the normally-closed position so the horizontal signal passes directly through this network to the Horizontal Channel Switch.

### X-Y OPERATION

If the time-base unit installed in the B HORIZ compartment is operated as an amplifier, or if an amplifier unit is installed in the B HORIZ compartment, the X-Compensation Inhibit (B) line, through pin 5 of P984 is held at ground. This actuates relays K1112-K1162 to connect the delay compensation network into the circuit. The B horizontal signal then passes through the X-Y Delay Compensation circuit and through the Delay Line. The horizontal signal is delayed to match the vertical signal, and the losses in the Delay Line are compensated for on the X-Y Delay Compensation circuit board.

As the B horizontal signal passes through the X-Y Delay Compensation stage, U1140 provides gain and frequency compensation. Gain of the stage is determined by R1120. Components R1110, R1112, R1113, R1114 and C1114 are adjusted for optimum step response. Centering adjustment R1105 balances the dc level of the signal. The front corner of the step response is adjusted with R1157. Standing current for U1140 is provided by the +15 Volt Supply through R1152, R1150, and R1161. The current is returned through emitter long tail resistor R1103 and R1104. Operational amplifier U1166A is a +3 volt supply for the output bases of U1140. Operational amplifier U1166B and transistor Q1166 form a regulator which holds the common-mode output voltage of the amplifier at zero volts.

The X-Y Delay Compensation network is an optional feature. For instruments which are not equipped with this feature, the B horizontal signal from the B HORIZ plug-in compartment is connected directly to the Horizontal Channel Switch through the Horizontal Interconnect board.

# MAINTENANCE

This section of the manual contains information for performing preventive maintenance, troubleshooting, and corrective maintenance for the 7104 Oscilloscope mainframe.

## PREVENTIVE MAINTENANCE

Preventive maintenance, when performed on a regular basis, can prevent instrument breakdown and may improve the reliability of the instrument. The severity of the environment to which the instrument is subjected will determine the frequency of maintenance. A convenient time to perform preventive maintenance is preceding electrical adjustment of the instrument.

### CABINET PANEL REMOVAL

#### WARNING

*Dangerous potentials exist at several points throughout this instrument. When the instrument is operated with the covers removed, do not touch exposed connections or components. Some transistors have voltages present on their cases. Disconnect power before cleaning the instrument or replacing parts.*

The side, top, and bottom cabinet panels provide protection to personnel from operating potentials present within the instrument. In addition, they reduce radiation of electromagnetic interference from the instrument. The cabinet panels are held in place by slotted fasteners. To remove the panels, turn each fastener counterclockwise a quarter turn with a large screwdriver. Lift the panels away. Operate the instrument with the panels in place to protect the interior from dust.

### CLEANING

The 7104 should be cleaned as often as operating conditions require. Accumulation of dirt in the instrument can cause overheating and component breakdown. Dirt on components acts as an insulating blanket and prevents efficient heat dissipation. It also provides an electrical conduction path which may result in instrument failure. The side panels reduce the amount of dust reaching the interior of the instrument. Operation without the panels in place necessitates more frequent cleaning.

#### CAUTION

*Avoid the use of chemical cleaning agents which might damage the plastics used in this instrument. Exercise care when cleaning Hypcon connectors; see cleaning instructions under Hypcon Connectors in this section. Use a nonresidue type of cleaner, preferably isopropyl alcohol, totally denatured ethyl alcohol, or a Freon TF cleaner such as Spray-On #2002. Before using any other type of cleaner, consult your Tektronix Service Center or representative.*

### EXTERIOR

Loose dust accumulated on the outside of the instrument can be removed with a soft cloth or small brush. The brush is particularly useful for dislodging dirt on and around the front-panel controls. Dirt which remains can be removed with a soft cloth dampened in a mild detergent and water solution. Abrasive cleaners should not be used.

### CRT

Clean the plastic light filter, implosion shield, and the crt faceplate with a soft, lint-free cloth dampened with denatured alcohol.

The crt mesh filter (furnished with Option 3 only) can be cleaned as follows:

- I. Hold the mesh filter in a vertical position and brush lightly with a soft, No. 7 water color brush to remove light coatings of dust or lint.

## Maintenance—7104

2. Greasy residues, or dried-on dirt, can be removed with a solution of warm water and a neutral-pH liquid detergent. Use the brush to lightly scrub the filter.
3. Rinse the filter thoroughly in clean water and allow to air dry.
4. If any lint or dirt remains, use clean low-pressure air to remove it. Do not use tweezers or other hard cleaning tools on the filter, as the special finish may be damaged.
5. When not in use, store the mesh filter in a lint-free dust-proof container, such as a plastic bag.

### INTERIOR

Cleaning the interior of the instrument should only be occasionally necessary. The best way to clean the interior is to blow off the accumulated dust with dry, low-velocity air (approximately 5 lb/in<sup>2</sup>). Remove any dirt which remains with a soft brush or a cloth dampened with a mild detergent and water solution. A cotton-tipped applicator is useful for cleaning in narrow spaces, or for cleaning more delicate circuit components.



*Circuit boards and components must be dry before applying power to prevent damage from electrical arcing.*

The high-voltage circuits should receive special attention. Excessive dirt in this area may cause high-voltage arcing and result in improper instrument operation.

## VISUAL INSPECTION

The 7104 should be inspected occasionally for such defects as broken connections, improperly seated semiconductors, damaged or improperly installed circuit boards, and heat-damaged parts. The corrective procedure for most visible defects is obvious; however, particular care must be taken if heat-damaged parts are found. Overheating usually indicates other trouble in the instrument; therefore, correcting the cause of overheating is important to prevent recurrence of the damage.

## SEMICONDUCTOR CHECKS

Periodic checks of semiconductors are not recommended. The best check of semiconductor performance is actual operation in the instrument. More details on semiconductors are given under Troubleshooting later in this section.

## PERIODIC ELECTRICAL ADJUSTMENT

To ensure accurate measurements, check the electrical adjustment of this instrument after each 1000 hours of operation, or every six months if used infrequently. In addition, replacement of components may necessitate adjustment of the affected circuits. Complete adjustment instructions are given in Section 5, Calibration. This procedure can be helpful in localizing certain troubles in the instrument, and in some cases, may correct them.

# TROUBLESHOOTING

The following information is provided to facilitate troubleshooting of the 7104 Oscilloscope mainframe. Information contained in other sections of this manual should be used in conjunction with the following data to aid in locating a defective component. An understanding of the circuit operation is helpful in locating troubles. See Section 3, Theory of Operation, for this information.

## TROUBLESHOOTING AIDS

### DIAGRAMS

Complete schematic diagrams are given on the pullout pages in Section 8, Diagrams and Circuit Board Illustrations. The component number and electrical value of each component in this instrument are shown on these diagrams. (See the first page of the Diagrams and Circuit Board Illustrations section for definitions of the reference designators and symbols used to identify components in this instrument.) Important voltages and numbered waveform test points are also shown on the diagrams. Important waveforms, and the numbered test

points where they were obtained, are located adjacent to each diagram. The portions of circuits mounted on circuit boards are enclosed with heavy solid-black lines.

### CIRCUIT BOARD ILLUSTRATIONS

To aid in locating circuit boards, a circuit board location illustration appears on the back of the pullout page facing the schematic diagram. In addition, an illustration of the circuit board(s) is included here, with the physical location of the components and waveform test points that appear on the schematic diagram identified. Each circuit board illustration is arranged in a grid locator with an



index to facilitate rapid location of components contained in the schematic diagrams.

## TROUBLESHOOTING CHART

A troubleshooting chart is given in Section 8, Diagrams and Circuit Board Illustrations to aid in locating a defective circuit. The shaded blocks on the Troubleshooting Chart indicate circuit(s) that may cause the indicated malfunction. The circuits listed are discussed in detail in Section 3, Theory of Operation.

## ADJUSTMENT AND TEST POINT LOCATIONS

To aid in locating test points and adjustable components called out in the various portions of the Calibration procedure, the Adjustment and Test Point Locations pullout pages are provided in Section 8, Diagrams and Circuit Board Illustrations.

## COMPONENT COLOR CODING

The instrument contains brown composition resistors, some metal-film resistors, and some wire-wound resistors. The resistance values of wire-wound resistors are usually printed on the component body. The resistance values of composition resistors and metal-film resistors are color coded on the components using the EIA color code (some metal-film resistors may have the value printed on the body). The color code is read starting with the stripe nearest the end of the resistor. Composition resistors have four stripes, which consist of two significant figures, a multiplier, and a tolerance value (see Fig. 4-1). Metal-film resistors have five stripes consisting of three significant figures, a multiplier, and a tolerance value.

The values of common disc capacitors and small electrolytics are marked on the side of the component body. The white ceramic and epoxy-coated tantalum capacitors used in the instrument are color coded using a modified EIA code (see Fig. 4-1).

The cathode end of glass-encased diodes is indicated by a stripe, a series of stripes, or a dot. The cathode and anode ends of metal-encased diodes can be identified by the diode symbol marked on the body.

## SEMICONDUCTOR LEAD CONFIGURATIONS

Lead configurations for semiconductor devices used in the 7104 Oscilloscope are shown in Figure 4-2.

## MULTI-PIN CONNECTORS

Pin 1 on multi-pin connectors is designated with a triangle. A triangle, dot or square printed on circuit boards denotes pin 1. When a connection is made to a circuit board, the orientation of the triangle on the multi-pin holder is determined by the index (triangle, dot or square) printed on the circuit board (see Fig. 4-3). Some multi-pin connectors are keyed with a plastic pin that protrudes through a hole on the circuit board. Proper mating with the multi-pin connector and the pin(s) on the circuit board cannot be accomplished unless this pin is aligned with the hole on the circuit board.

Some multi-pin connectors are equipped with a locking mechanism to more readily secure the connector to the circuit board. To remove these connectors, grasp the connector body and pull perpendicular to the circuit board. They should not be removed by pulling on the wire leads; this causes the locking mechanism to clamp onto the circuit board pins.

## TROUBLESHOOTING EQUIPMENT

The following equipment is useful for troubleshooting the 7104 Oscilloscope mainframe:

### 1. Transistor Tester

**Description:** Dynamic-type tester.

**Purpose:** Test semiconductors.

**Recommended type:** TEKTRONIX 577/177 Curve Tracer, TEKTRONIX 576 Curve Tracer, 7CT1N Curve Tracer plug-in unit and a 7000-series oscilloscope system, or a 5CT1N Curve Tracer plug-in unit and a 5000-series oscilloscope system.

### 2. Digital Multimeter

**Description:** 10 megohm input impedance and 0 to 1 kilovolt range, ac and dc; ohmmeter, accuracy, within 0.1%. Test probes must be insulated to prevent accidental shorting.

**Purpose:** Check voltages and resistances.

**Recommended type:** TEKTRONIX DM 501 Digital Multimeter.

### 3. Test Oscilloscope

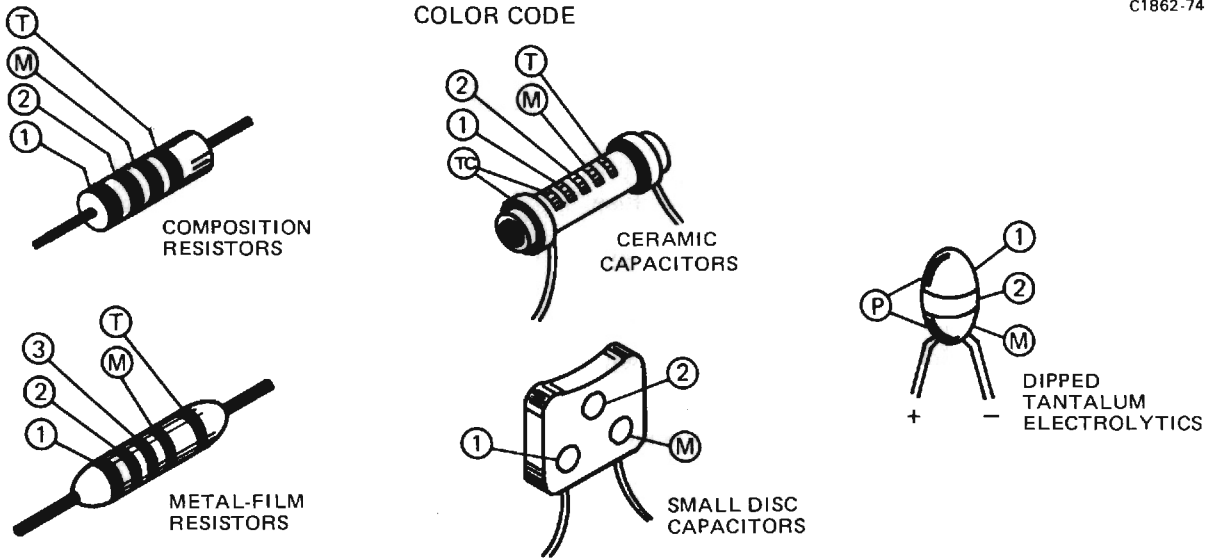
**Description:** Frequency response, dc to 100 megahertz minimum; deflection factor, 5 millivolts to 5 volts/division and 1 milliampere to 1 ampere/division. A 10X, 10-megohm voltage probe should be used to reduce circuit loading for voltage measurements. For current waveforms, use a TEKTRONIX P6021 Current Probe with passive termination, or the equivalent.

**Purpose:** Check operating waveforms.

**Recommended type:** Refer to the Tektronix Products catalog for applicable oscilloscope system.

### 4. Variable Autotransformer

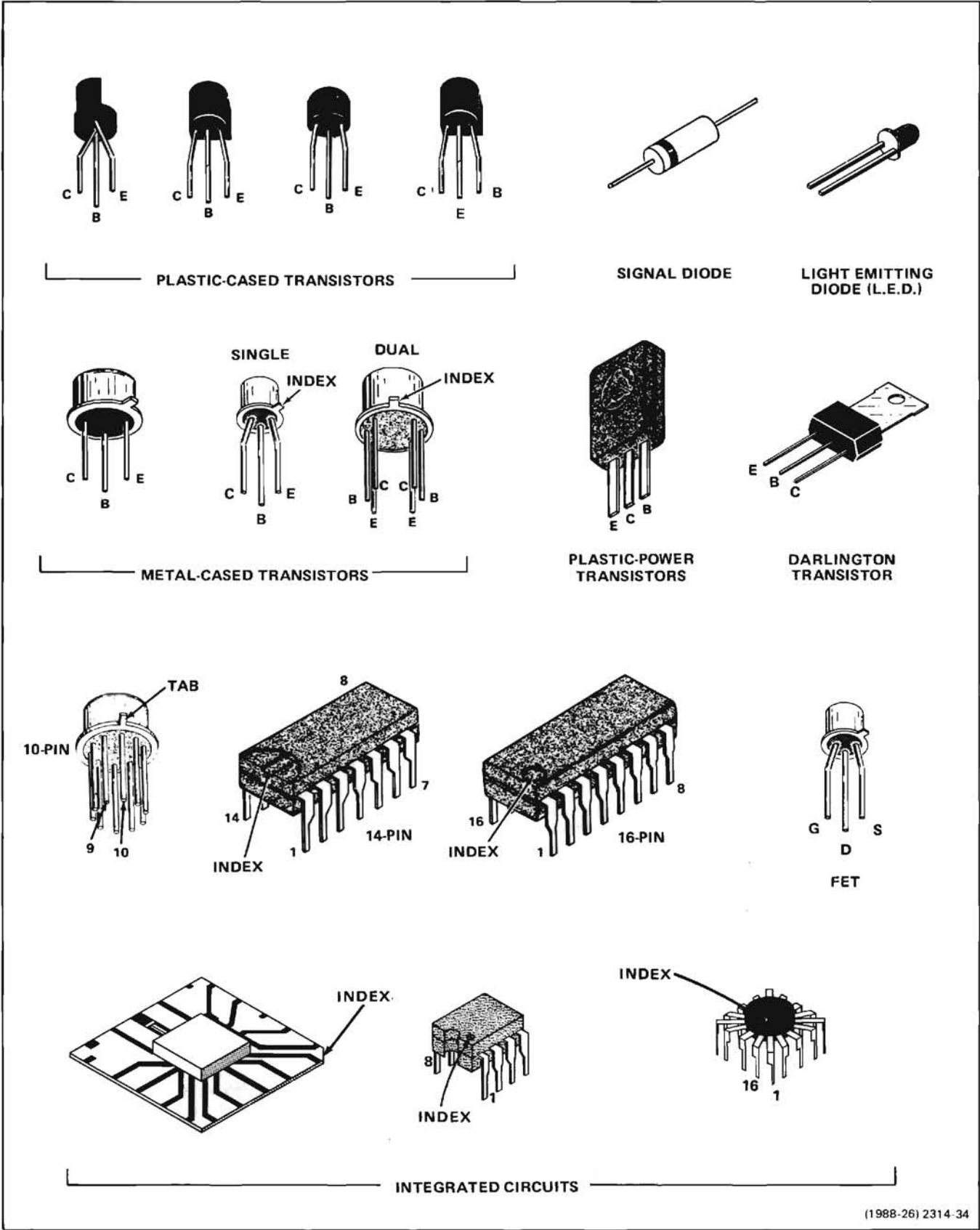
**Description:** Output variable from 0 to 140 volts, 10 amperes minimum rating. Must have three-wire power cord, plug, and receptacle.



① ② and ③ - 1ST, 2ND, AND 3RD SIGNIFICANT FIGS.    (T) AND/OR (TC) COLOR CODE MAY NOT BE PRESENT ON SOME CAPACITORS;  
 (M) - MULTIPLIER    (T) - TOLERANCE;  
 (TC) - TEMPERATURE COEFFICIENT.    (P) - POLARITY AND VOLTAGE RATING

COLOR	SIGNIFICANT FIGURES	RESISTORS		CAPACITORS			DIPPED TANTALUM VOLTAGE RATING
		MULTIPLIER (OHMS)	TOLERANCE	MULTIPLIER (pF)	TOLERANCE		
					OVER 10pF	UNDER 10pF	
BLACK	0	1	---	1	±20%	± 2pF	4VDC
BROWN	1	10	±1%	10	±1%	±0.1pF	6VDC
RED	2	10 <sup>2</sup> or 100	±2%	10 <sup>2</sup> or 100	±2%	---	10VDC
ORANGE	3	10 <sup>3</sup> or 1 K	±3%	10 <sup>3</sup> or 1000	±3%	---	15VDC
YELLOW	4	10 <sup>4</sup> or 10K	±4%	10 <sup>4</sup> or 10,000	+100% -0%	---	20VDC
GREEN	5	10 <sup>5</sup> or 100 K	±1/2%	10 <sup>5</sup> or 100,000	±5%	±0.5pF	25VDC
BLUE	6	10 <sup>6</sup> or 1 M	±1/4%	10 <sup>6</sup> or 1,000,000	---	---	35VDC
VIOLET	7	---	±1/10%	10 <sup>7</sup> or 10,000,000	---	---	50VDC
GRAY	8	---	---	10 <sup>-2</sup> or 0.01	+80% -20%	±0.25pF	---
WHITE	9	---	---	10 <sup>-1</sup> or 0.1	±10%	±1pF	3VDC
GOLD	---	10 <sup>-1</sup> or 0.1	±5%	---	---	---	---
SILVER	---	10 <sup>-2</sup> or 0.01	±10%	---	---	---	---
NONE	---	---	±20%	---	±10%	±1pF	---

Figure 4-1. Color code for resistors and capacitors.



(1988-26) 2314-34

Figure 4-2. Semiconductor lead configurations.

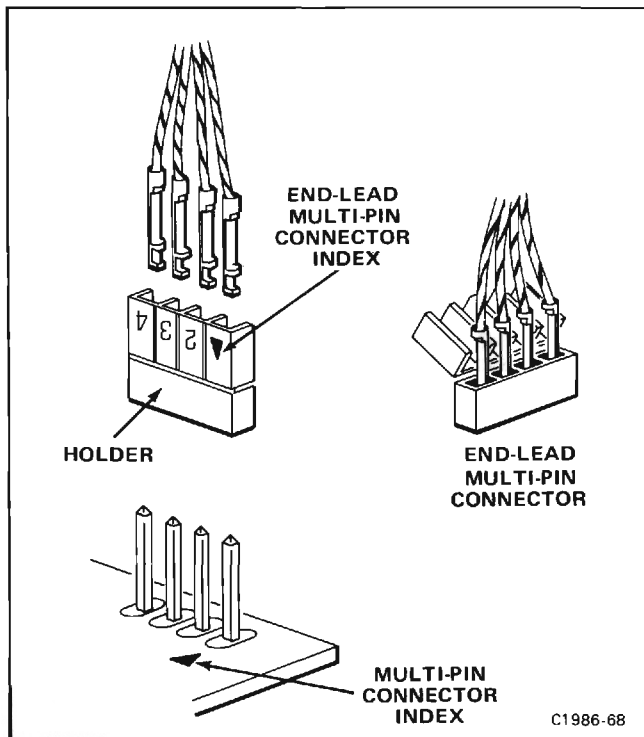


Figure 4-3. Orientation of multi-pin connectors.

**Purpose:** Vary input line voltage when troubleshooting in the power-supply unit.

**Recommended type:** General Radio W10MT3W Variac Autotransformer.

5. Isolation Transformer

**Description:** 1:1 turns ratio, 500 volt-amperes minimum rating, 50-60 cycle. Must have three-wire power cord, plug, and receptacle with ground connection carried through from input to output.

**Purpose:** To isolate 7104 from line potential when troubleshooting power supply.

**Recommended type:** Stancor #P6298 (for 115-volt line only) modified to include three-wire power cord, plug, and receptacle.

**TROUBLESHOOTING TECHNIQUES**

This troubleshooting procedure is arranged to check the simple trouble possibilities before proceeding with extensive troubleshooting. The first few checks ensure proper connection, operation, and adjustment. If the trouble is not located by these checks, the remaining steps aid in locating the defective component. When the defective component is located, replace it following the replacement procedures given under Corrective Maintenance.

**1. CHECK CONTROL SETTINGS**

Incorrect control settings can indicate a trouble that does not exist. If there is any question about the correct function or operation of any control on the 7104, refer to Section 2, Operating Instructions.

**2. CHECK ASSOCIATED EQUIPMENT**

Before proceeding with troubleshooting, check that the equipment used with this instrument is operating correctly. Also, check that the input signals are properly connected and that the interconnecting cables are not defective. Check the line-voltage source.

**3. VISUAL CHECK**

Visually check that portion of the instrument in which the trouble is located. Many troubles can be found by visible indications, such as unsoldered connections, loose cable connections, broken wires, damaged circuit boards, and damaged components.

**4. CHECK INSTRUMENT ADJUSTMENT**

Check the electrical adjustment of this instrument, or of the affected circuit if the trouble appears in one circuit. The apparent trouble may only be a result of misadjustment. Complete adjustment instructions are given in Section 5, Calibration.

**5. ISOLATE TROUBLE TO A CIRCUIT**

To isolate trouble to a particular circuit, note the trouble symptom. The symptom often identifies the circuit in which the trouble is located. When trouble symptoms appear in more than one circuit, check the affected circuits by taking voltage and waveform measurements. Also check for the correct output signals at the front- and rear-panel output connectors with a test oscilloscope. If the signal is correct, the circuit is working correctly up to that point. For example, correct sawtooth output indicates that the time-base unit and sawtooth output portion of the Output Signals circuit is operating correctly. If a malfunction in the Readout System is suspected of causing trouble to appear in the Z-Axis Amplifier, Vertical Amplifier, or Horizontal Amplifier circuits, the trouble can be localized by removing the Readout System circuit board. This board can be removed without significantly affecting the operation of other circuits in the instrument.

Incorrect operation of all circuits often indicates trouble in the power supply. Check first for correct voltage of the individual supplies. However, a defective component elsewhere in the instrument can appear as a power-supply trouble and may also affect the operation of other circuits. If incorrect operation of the power supplies is suspected, refer to Troubleshooting the High-Efficiency Power-Supply Unit given later in this section.

The 7104 Troubleshooting Chart in the Diagrams and Circuit Board Illustrations, Section 8, provides a guide for locating defective circuits. Start at the top of the chart and perform the checks given on the left side of the page until a step is found that does not produce the indicated

results. Further checks, or the circuit in which the trouble is probably located, are listed to the right of the step. This chart does not include checks for all possible defects; use steps 6 and 7 in such cases.

After the defective circuit has been located, proceed with steps 6 and 7 to locate the defective component(s).

## 6. CHECK VOLTAGES AND WAVEFORMS

Often the defective component can be located by checking for the correct voltages or waveforms in the circuit. Typical voltages and waveforms are given in Section 8, Diagrams and Circuit Board Illustrations.

### NOTE

*Voltages and waveforms given in Section 8, Diagrams and Circuit Board Illustrations, are not absolute and may vary slightly between 7104 Oscilloscope mainframes. To obtain operating conditions similar to those used to take these readings, see the appropriate schematic.*

## 7. CHECK INDIVIDUAL COMPONENTS

The following procedures describe methods of checking individual components in the 7104. Components which are soldered in place are best checked by first disconnecting one end. This isolates the measurement from the effects of surrounding circuitry.

### WARNING

*To avoid electric-shock hazard, always disconnect the 7104 from the power source before removing or replacing components.*

### Fuses

Check for open fuses by checking continuity with an ohmmeter.

### Transistors

A good check of transistor operation is actual performance under operating conditions. A transistor can most effectively be checked by substituting a new component for it (or one which has been previously checked). However, be sure that circuit conditions are not such that a replacement transistor might also be damaged. If substitute transistors are not available, use a dynamic tester. Static-type testers are not recommended, since they do not check operation under simulated operating conditions.

### Integrated Circuits

Integrated circuits can be checked with a voltmeter, test oscilloscope, or by direct substitution. A good understanding of the circuit operation is essential to troubleshooting circuits using integrated circuits. In addition, operating waveforms, logic levels, and other

operating information for the integrated circuits are given in Section 3, Theory of Operation and Section 8, Diagrams and Circuit Board Illustrations. Use care when checking voltages and waveforms around the integrated circuits so that adjacent leads are not shorted together. A convenient means of clipping a test probe to the in-line, multi-pin integrated circuits is with an integrated-circuit test clip. This device also doubles as an integrated-circuit extraction tool.

### Diodes

A diode can be checked for an open or shorted condition by measuring the resistance between terminals with an ohmmeter on a scale having a low internal source current, such as the R X 1k scale. The resistance should be very high in one direction and very low when the meter leads are reversed.

### CAUTION

*When checking diodes, do not use an ohmmeter scale that has a high internal current, since high currents may damage the diodes under test.*

### Resistors

Check the resistors with an ohmmeter. Resistor tolerances are given in Section 7, Replaceable Electrical Parts. Normally, resistors do not need to be replaced unless the measured value varies widely from the specified value.

### Capacitors

A leaky or shorted capacitor can best be detected by checking resistance with an ohmmeter on the highest scale. Do not exceed the voltage rating of the capacitor. The resistance reading should be high after initial charge of the capacitor. An open capacitor can best be detected with a capacitance meter or by checking if the capacitor passes ac signals.

## 8. REPAIR AND ADJUST THE CIRCUIT

If any defective parts are located, follow the replacement procedures given under Component Replacement in this section. Check the performance of any circuit that has been repaired or that has had any electrical components replaced. Adjustment of the circuit may be necessary.

## TROUBLESHOOTING THE HIGH-EFFICIENCY POWER-SUPPLY UNIT

### GENERAL

The following information is provided to facilitate troubleshooting the high-efficiency power-supply unit. Information contained in other sections of this manual should be used in conjunction with this procedure to aid in locating a defective component. An understanding of the circuit operation is valuable in locating troubles. See

**Maintenance—7104**

Section 3, Theory of Operation, for this information. Specifications for the troubleshooting equipment referred to in this procedure are given earlier in this section under Troubleshooting Equipment.

**WARNING**

*Extreme caution must be used when troubleshooting in the power-supply unit due to the line voltage and the high-voltage/high-current potentials present in the unit.*

When a fault condition occurs which is not of sufficient magnitude to open the line fuse, power-supply protection circuitry will cause the inverter to operate in a pulse mode. In this mode the inverter will turn on for a short period of time, and then turn off for a longer period of time. This cycle repeats until the malfunction is corrected. This pulse mode causes either a "ticking" or a "chirping" sound. Whenever either of these sounds is heard, turn off the 7104 and proceed with the Preliminary Procedure given below.

**PRELIMINARY PROCEDURE**

**WARNING**

*To avoid electric shock, always disconnect the instrument from the power source before removing or replacing components or plug-in units.*

1. Remove all plug-in units from the mainframe.
2. Set the CONTROL ILLUMINATION switch on the rear panel to the OFF position, and the GRAT ILLUM switch on the front panel to the fully clockwise position.
3. Remove the power-supply unit from the mainframe following the procedure given later in this section under Component Removal and Replacement.
4. Connect the power-cord plug of the 7104 to the output of a variable autotransformer which is set for 115 volts. Connect the autotransformer to an isolation transformer and plug the isolation transformer into a 115-volt power source.
5. Push the 7104 POWER button in (to turn the instrument on) and note the trouble symptoms.
6. Turn the 7104 off and proceed to the appropriate step in the Troubleshooting Procedure as indicated by the Trouble Symptoms column in Table 4-1.

**TROUBLESHOOTING PROCEDURE**

**Step A: Check Line Fuse**

To check the line fuse, perform the following procedure:

1. Check the line fuse (F1200), located on the rear panel of the power-supply unit, for continuity and proper rating as given in Section 7, Replaceable Electrical Parts.

**TABLE 4-1**  
**Recommended Power Supply Troubleshooting Sequence**

Trouble Symptom	Procedure	Proceed to Troubleshooting Step:
7104 inoperative; no pulse mode.	1. Check line fuse.	A
7104 inoperative; no pulse mode; line fuse open.	1. Check line input circuit.	D
	2. Check LV rectifier circuit.	H
	3. Check inverter circuit.	G
7104 inoperative; no pulse mode; line fuse normal.	1. Check inverter circuit.	G
7104 operating in the pulse mode.	1. Isolate malfunction from the mainframe circuitry.	B
	2. Check pre-regulated power supplies.	C
	3. Check crt and high-voltage circuits.	E
	4. Check inverter control circuit.	F
	5. Check inverter circuit.	G

2. If the line fuse is open, replace with a new one of proper rating.

### Step B: Isolate Malfunction from the Mainframe Circuitry

To isolate the malfunction perform the following procedure:

#### WARNING

*Use extreme caution when troubleshooting in the power-supply unit, to avoid electric shock. Stored dc potentials on the A23-Inverter circuit board remain long after the instrument is disconnected from the power source. Verify that the power-cord plug is disconnected and that the line storage capacitors (C1216 and C1217) are completely discharged before attempting any repairs or ohmic measurements. (A warning-indicator neon bulb, located on the A23-Inverter board, flashes when this stored voltage exceeds about 80 volts. However, simply because the neon bulb is not flashing does not mean that the capacitors are fully discharged.)*

1. Remove the 7104 power-cord plug from the power source.
2. Remove the protective cover from the power-supply unit following the procedure under Access to Components in the Power-Supply Unit.
3. Manually discharge the line-storage capacitors using the procedure given, later in this section, under Access to Components in the Power-Supply Unit.
4. Check the resistance of the power supplies at the test points given in Table 4-2.

#### NOTE

*Place the common lead of the ohmmeter to ground when measuring power-supply resistance.*

5. If any of the resistance readings are significantly lower than that listed, remove the electrical connections between the mainframe and the power-supply unit. Disconnect P1417, P1482, P1483 on the A25-Low-Voltage Regulator board. This isolates the circuitry in the mainframe from the power-supply unit. Recheck the resistance. If the readings remain low, the malfunction is located within the mainframe circuits. If the readings increase to normal or above, the malfunction is in the power supplies.
6. Replace all electrical connections which were disconnected in part 5.

**TABLE 4-2**  
Typical Power-Supply Resistance

Power Supply	Test Point	Ohmmeter Scale	Typical Resistance Reading
+50 V	TP891	2k	≥ 1.05 kΩ
+15 V	TP893	2k	≈ 0.115 kΩ
+5 V	TP895	2k	≈ 0.005 kΩ
-15 V	TP897	2k	≈ 0.19 kΩ
-50 V	TP899	2k	≥ 0.59 kΩ

### Step C: Check the Pre-Regulated Power Supplies

To check the pre-regulated power supplies, perform the following procedure:

1. Connect a 10X voltage probe from the test oscilloscope to resistor R1284 on the A24-Rectifier board. Set the test oscilloscope vertical deflection factor as necessary for an on-screen display; set the horizontal sweep rate for 2 milliseconds/division.
2. Set the variable autotransformer for 115 volts. Connect the 7104 power-cord plug to the variable autotransformer; turn on the 7104.
3. Compare the waveform on the test oscilloscope to those shown in Figure 4-4. If the waveform resembles that of Figure 4-4A, proceed to Step E of this procedure. If it resembles that of Figure 4-4B, proceed with part 4 of this step.
4. Remove the 10X voltage probe from R1284. Set the test oscilloscope vertical coupling to dc and the horizontal sweep rate to 10 milliseconds/division.
5. Connect the 10X probe to each power supply at the test points given in Table 4-3. Note the polarity, amplitude, and shape of the waveform present at each test point. (Adjust the vertical deflection factor of the test oscilloscope as necessary to maintain an on-screen display.)

#### NOTE

*Look for a power supply where the burst voltage is very low in relation to the specified supply voltage.*

6. When a low supply voltage is found, disconnect the 7104 from the power source and discharge the line-storage capacitors following the procedure given under Access to Components in the Power-Supply Unit. Check for shorted components in the suspected power supply; also check the filter capacitors for leakage.

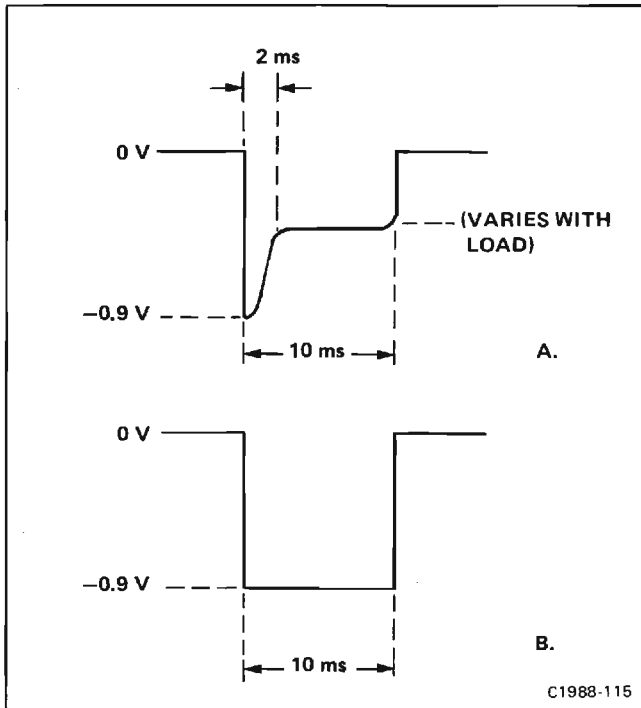


Figure 4-4. Current sensing waveform at R1284 showing:  
 A. Power supplies not in current limit operation.  
 B. Power supplies in current limit operation.

TABLE 4-3  
 Burst Voltage Test Points

Pre-Regulated Power Supply	Test Point Located on Rectifier Board
+108 V	TP1326
+54 V	Pin 4 of P1452
+17 V	Pin 6 of P1452
-17 V	Pin 2 of P1452
+8 V	Pin 7 of P1450
-54 V	Pin 3 of P1452
+5 V Lights	Pin 6 of P1450

**Step D: Check Line Input Circuit**

To check the input circuit, perform the following procedure:

1. Disconnect the 7104 from the variable auto-transformer and discharge the line-storage capacitors following the procedure given under Access to Components in the Power-Supply Unit.

2. Replace the line fuse.

3. Check diode bridge CR1215 on the A23-Inverter board and the associated line input circuit for a shorted component. If the circuit appears normal, connect the power-cord to the variable autotransformer.

4. Attach a 10X voltage probe from the test oscilloscope to one of the screws used to discharge C1216 and C1217 (see Fig. 4-5). Set the variable autotransformer for 20 volts and turn the 7104 on. Set the test oscilloscope for line triggering.

5. Check for an ac waveform on the test oscilloscope (see Fig. 4-6). Note the amount of dc the waveform is offset. Move the probe tip to the other capacitor screw. Check for an ac waveform which is both offset an equal amount of dc, and is opposite in polarity, from the previous waveform. (This checks the condition of the line-storage capacitors.)

**Step E: Check Crt and High-Voltage Circuit**

To check the crt circuitry, perform the following procedure:

1. Disconnect the 7104 from the power source and discharge the line-storage capacitors following the procedure given under Access to Components in the Power-Supply Unit.

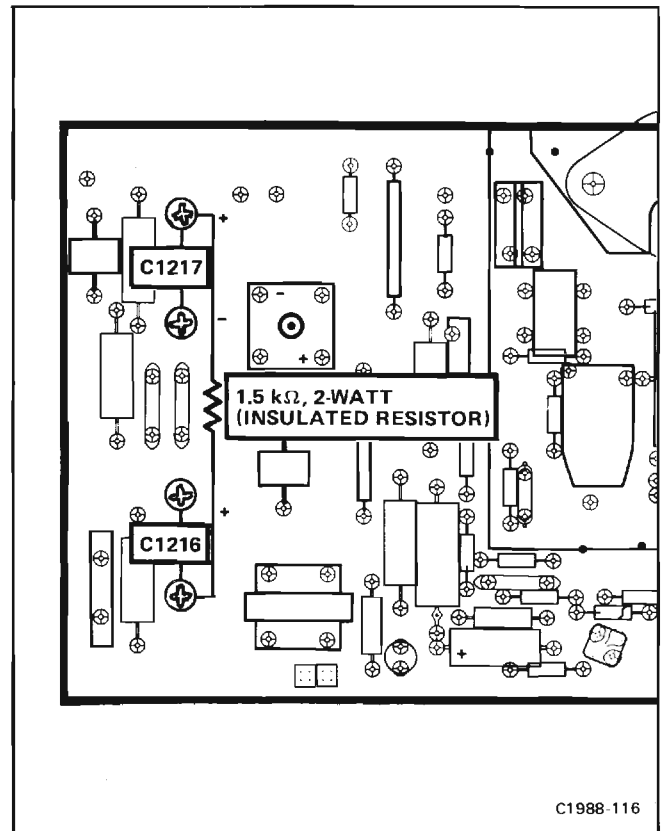
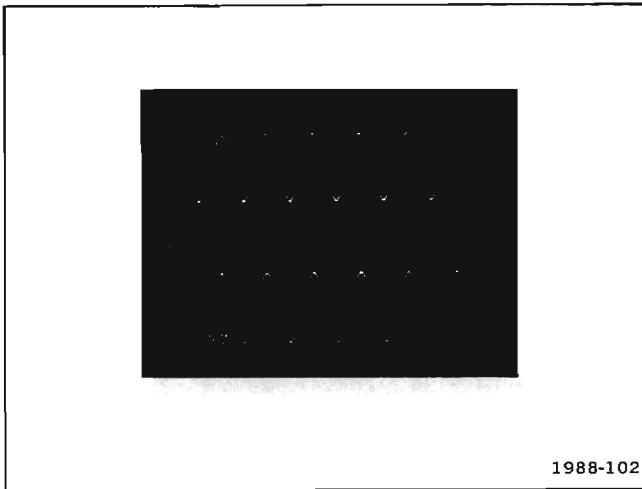


Figure 4-5. Location of line storage capacitor screws used for manually discharging C1216 and C1217.





**Figure 4-6.** Typical waveforms on C1216 and C1217 with the line voltage set to about 20 volts.

2. Remove multi-lead cable P1440 from the A24-Rectifier board.
3. Set the variable autotransformer for 115 volts. Connect the 7104 power-cord plug to the variable autotransformer; turn the 7104 on.
4. Check for stable operation (no pulse mode) of the power supplies. If the power supplies operate properly, a crt failure or malfunction in the high-voltage circuitry is indicated.

#### Step F: Check the Inverter Control Circuit

To check the inverter control circuit, perform the following procedure:

1. Disconnect the 7104 from the power source and discharge the line-storage capacitors following the procedure given under Access to Components in the Power-Supply Unit.
2. Remove Q1254 from the A24-Rectifier board.
3. Connect the 7104 power-cord plug to the variable autotransformer. Turn the 7104 on and apply 115 volts from the variable autotransformer. If the power supplies stabilize, check the inverter control circuit for a malfunction. If the 7104 continues in pulse mode, proceed to part 4 of this step.
4. Repeat part 1 of this step. Then remove Q1252 from the A24-Rectifier board.
5. Set the variable autotransformer to 0 volts. Connect the 7104 power-cord plug to the variable autotransformer. Turn the 7104 on. While monitoring the +108 V test point on the A25-Low-Voltage Regulator

board with a voltmeter, slowly increase the output of the variable autotransformer until the voltmeter just reads +108 volts.

#### NOTE

*If the variable autotransformer's output is increased past the point where the voltmeter just reaches a reading of +108 volts, the 7104 will switch to pulse mode.*

6. If the power supplies stabilize, check U1275 and the inverter control circuit for a malfunction. If the 7104 continues in the pulse mode, proceed to Step G of this procedure.

#### Step G: Check Inverter Circuit

To check the inverter circuit, perform the following procedure:

1. Disconnect the 7104 power-cord plug from the power source and discharge the line-storage capacitors following the procedure given under Access to Components in the Power-Supply Unit.
2. Remove Q1234, Q1240, CR1234, and CR1241 on the A23-Inverter board and check the characteristics of each with a curve tracer. Install the checked or replaced components in the A23-Inverter board. Replace the line fuse, if it is open.
3. If the faulty component was not found, check Q2143, Q2145, and VR1245 with a curve tracer.

#### NOTE

*A shift in the zener voltage of VR1245 can cause erratic operation of the inverter circuit.*

4. If the 7104 continues in the pulse mode or continues to open the line fuse, check the current waveform through T1230. To do this, first repeat part 1 of this step. Then connect a current probe from the test oscilloscope to the gray lead that passes through toroid transformer T1230. Set the test oscilloscope for a vertical deflection factor of about 1 volt/division and a horizontal sweep rate of 2 milliseconds/division. Connect the 7104 power-cord plug to the variable auto transformer which is set for 0 volt. Turn the 7104 on and slowly increase the variable autotransformer's output to about 60 volts. Check for a burst waveform on the test oscilloscope (similar to that shown in Fig. 4-7).

#### NOTE

*The burst waveform indicates that the inverter circuit is attempting to start. If no burst waveform occurs, proceed to part 6; if a burst waveform is obtained, proceed to part 5.*

5. If a burst waveform was obtained in part 4 above, check for stable inverter operation when the line input voltage is increased to about 85 volts. Figure 4-8 shows

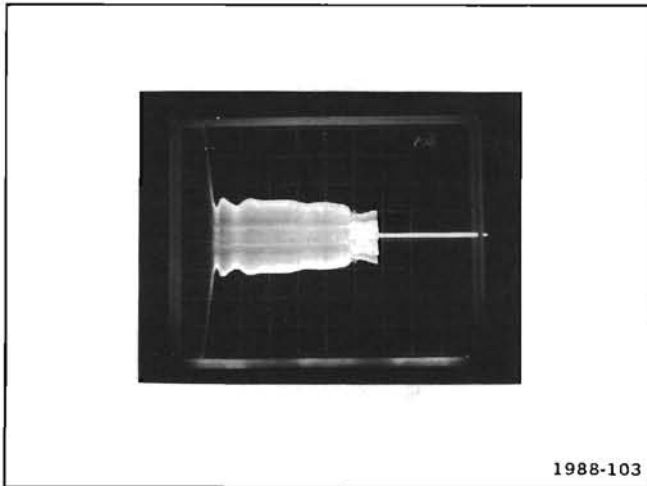


Figure 4-7. Current waveforms of T1230 showing burst operation at line voltage of about 60 volts.

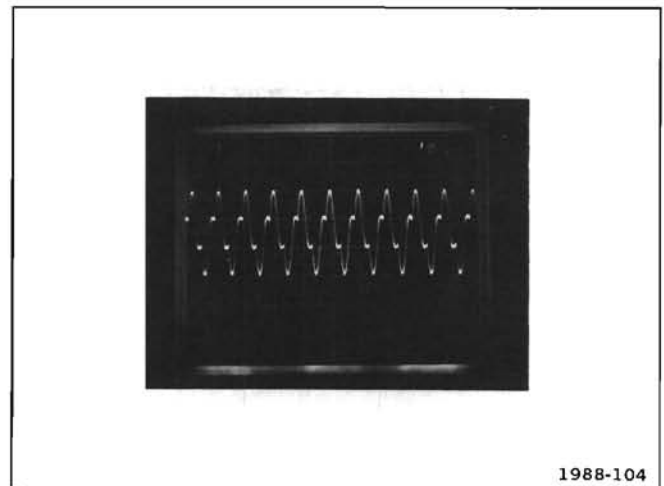


Figure 4-8. Current waveform at T1230 for normal inverter operation at line voltage of 115 volts.

the current waveform at T1230 for normal inverter operation at a line source of 115 volts. (NOTE: The test oscilloscope horizontal sweep rate has been changed to about 50 microseconds/division for Fig. 4-8.)

6. If no burst waveform occurred in part 4, repeat part 1 of this step. Then remove the current probe from the 7104 and the test oscilloscope. Connect a 10X voltage probe from the test oscilloscope to TP1234 on the A23-Inverter board. Set the variable autotransformer for 20 volts and check for a line-ripple waveform which is about dc centered (see Fig. 4-9). If the waveform is not centered check Q1246, CR1232, CR1240, CR1249, and CR1245 for shorts or leakage.

#### Step H: Check LV Rectifier Circuit

1. Disconnect the 7104 power-cord plug from the power source and discharge the line-storage capacitors in the power-supply unit, following the procedure given under Access to Components in the Power-Supply Unit. Inspect the A24-Rectifier board and connecting cables for shorts and damaged components.

2. Remove dual diode CR1351 from the A24-Rectifier board and check with a curve tracer. Reinstall tested or replaced parts, making certain that the case is not shorted to the heat sink.

3. Lift one leg each of CR1340, CR1341, CR1342, and CR1343 and check with a curve tracer. Reconnect tested or replaced parts.

4. Lift one leg each of CR1330, CR1331, CR1332, CR1333, CR1350, and CR1353 and check with a curve tracer. Reconnect tested or replaced parts.

5. Check the electrolytic capacitors which filter the supplies, including C1354 (under the board) for shorts.

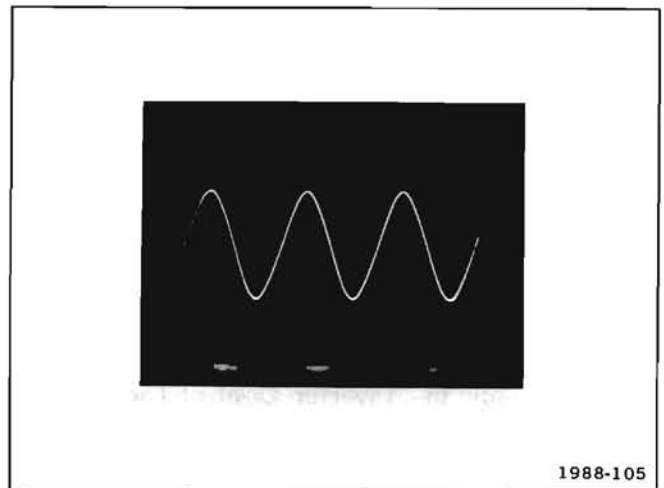


Figure 4-9. Waveform at TP 1234 on the power-supply inverter board with the line voltage at about 20 volts.

### TROUBLESHOOTING THE CRT AND ASSOCIATED CIRCUITRY

The following information is provided to facilitate troubleshooting the crt connections and associated circuitry, and is designed to eliminate unnecessary crt replacement. Information contained in other sections of this manual should be used in conjunction with this procedure to aid in locating troubles. See Section 3, Theory of Operation, for this information.

**WARNING**

*Extreme caution must be used when troubleshooting the crt and associated circuitry due to the high voltage present in this area of the instrument.*

**CRT DISPLAY SYMPTOM CHECKOUT PROCEDURE**

Perform the following procedure to determine the display symptoms associated with a crt circuit failure. Then proceed to the appropriate step in the CRT Circuit Troubleshooting Procedure as indicated by the Trouble Symptom column of Table 4-4.

Preliminary Setup:

1. Set the 7104 front-panel controls as follows:

POWER ..... OFF  
 A INTENSITY ..... Counterclockwise  
 FOCUS ..... Midrange  
 B INTENSITY ..... Counterclockwise  
 READOUT ..... OFF  
 VERTICAL MODE ..... RIGHT  
 HORIZONTAL MODE ..... A  
 BEAMFINDER ..... Pushbutton in

2. Connect the 7104 to a power source that meets the voltage and frequency requirements of the instrument.

3. Install a Tektronix 7A-series amplifier unit in the RIGHT VERT compartment.

4. Install a Tektronix 7B-series time-base unit in the A HORIZ compartment and set it to 1 ms/div. Set triggering controls for a free-running sweep.

5. Press the POWER switch to the ON (locked in) position. If a trace appears on the crt, turn the POWER switch OFF and disconnect P1702 (crt heater). See Trouble Symptom #1 in Table 4-4.

6. Rotate the A INTENSITY and READOUT INTENSITY controls clockwise to about midrange.

a. If no display appears on the crt, turn the POWER switch OFF and disconnect P1702 (crt heater). Refer to Trouble Symptom #2 in Table 4-4.

b. If only the readout portion of the display appears on the crt, refer to Trouble Symptom #3 in Table 4-4.

c. If the intensity of the displayed trace appears to change during warmup, refer to Trouble Symptom #6 in Table 4-4.

d. If the displayed trace appears dim with the A INTENSITY control set fully clockwise, refer to Trouble Symptom #5 in Table 4-4.

7. Set the time-base unit to 5  $\mu$ s/div. Adjust the A INTENSITY control for a visible display. Set the time-base to 2 ns/div. If the display disappears and cannot be obtained with the A INTENSITY control, refer to Trouble Symptom #4 in Table 4-4.

8. Rotate the A INTENSITY control. If a charging phenomena appears on the display, refer to Trouble Symptom #8 in Table 4-4.

9. Perform the Geometry procedure in Section 5, Calibration. If the crt geometry or linearity is unsatisfactory, refer to Trouble Symptom #7 in Table 4-4.

10. Perform the Photographic Writing-Rate procedure in Section 5, Calibration.

a. If the waveform and readout display focuses at different positions of the FOCUS control, refer to Trouble Symptom #9 in Table 4-4.

b. If the photographic writing rate is unsatisfactory, refer to Trouble Symptom #10 in Table 4-4.

c. If the photograph indicates background scintillation, refer to Trouble Symptom #11 in Table 4-4.

**CRT CIRCUIT TROUBLESHOOTING PROCEDURE****Step A: Check Anode Voltage Multiplier**

1. Check that the anode lead is properly installed.

2. Turn all INTENSITY controls counterclockwise.

3. Turn the instrument off, disconnect the anode lead. Watch for an arc while you short the anode lead to the chassis. An arc indicates that the Anode Voltage Multiplier is at least partially working.

**NOTE**

*If the crt anode is open, the screen capacitance will not be charged and an arc will not be drawn when the anode is discharged to ground.*

4. Turn the instrument on and measure the anode voltage. The voltage should measure approximately 12.5 kV.

**TABLE 4-4**  
**Recommended CRT Circuitry Troubleshooting Sequence**

Trouble Symptom	Recommended Procedure	Proceed to Step:
1. Bright display; no response with INTENSITY controls.	1. Check CRT Grid; pin 3.	R
	2. Check Grid Bias Supply circuit.	E
	3. Check Control Grid DC Restorer circuit.	G
	4. Check Z-Axis Amplifier circuit.	I
2. No waveform or readout display.	1. Check Anode Voltage Multiplier output.	A
	2. Check CRT Heater supply.	B, T
	3. Check Microchannel Plate Supply circuit.	C
	4. Check -2400 Volt Supply circuit.	D
	5. Check Grid Bias Supply circuit.	E
	6. Check Z-Axis Amplifier circuit.	I
	7. Check Intensity Limiter circuit.	J
	8. Check Grid Crowbar circuit.	F
	9. Check Control Grid DC Restorer circuit.	G
	10. Check CRT First Anode, Second Section.	P
3. No waveform display; readout display only.	1. Check Intensity Limiter circuit.	J
4. Display only at sweep speeds below 5 $\mu$ s/div.	1. Check CRT Grid, pin 3.	R
5. Dim display.	1. Check Microchannel Plate Supply circuit.	C
	2. Check Grid Crowbar circuit.	F
	3. Check Z-Axis Amplifier circuit.	I
	4. Check Intensity Limiter circuit.	J
	5. Check Grid Bias Supply circuit.	E
	6. Check Anode Voltage Multiplier output.	A
	7. Check First Anode, First Section.	U
6. Display intensity varies during warmup.	1. Check Grid Bias circuit.	L
7. Geometry or linearity unsatisfactory.	1. Check CRT Scan Expansion Lens.	O
8. Focusing problems; charging phenomena may be observed.	1. Check Focus Grid DC Restorer circuit.	H
	2. Check following CRT pin connections:	
	a. Astigmatism, pin 10.	X
	b. Stigmator, pin 11.	V
	c. First Anode, First Section, pin 7.	U
	d. D1-D2 Shield, P1813-pin 5.	W
e. Focus Electrode, pin 4.	Q	

**TABLE 4-4 (CONT.)**  
**Recommended CRT Circuitry Troubleshooting Sequence**

Trouble Symptom	Recommended Procedure	Proceed to Step:
8. Focusing problems; charging phenomena may be observed (cont.).	2. Check following CRT pin connections (cont.):  f. Spot Demagnification Lens, pin 5. g. Cathode, pin 2. h. Isolation Shield, P1813-pin 6.	Y S N
9. Waveform and readout displays do not focus simultaneously.	1. Check Auto Focus circuit.	K
10. Low writing rate.	1. Check Microchannel Plate Supply circuit. 2. Check Grid Bias Supply circuit. 3. Check Anode Multiplier circuit.	C E A
11. Unacceptable background scintillation appears in photographs.	1. Check Microchannel Plate Supply circuit.	C
12. Display present with background glow.	1. Check CRT Exit Electrode.	M

**NOTE**

*The output impedance of the anode supply is 100 M $\Omega$ . When measuring the anode voltage the loading of the voltmeter should be taken into account. Due to the 100 M $\Omega$  output impedance, the Anode Voltage Multiplier is short-proof.*

5. Check the input voltage to the Anode Voltage Multiplier at R1750. This should be a square-wave signal roughly centered about ground with an amplitude of 2500 volts peak-to-peak and a frequency of approximately 25 kHz. If this voltage is correct, turn the instrument off and remove the High Voltage board (see Fig. 8-1 for the board location). Check to see if the input and ground leads of the Anode Voltage Multiplier are connected.

6. Replace the High Voltage board.

**Step B: Check CRT Heater Supply**

1. Visually check for loose connections to the crt. Then check to see if the heater glows.

**WARNING**

*Potential shock hazard exists when measuring the heater supply. The heater supply is elevated to -2565 volts.*

2. Disconnect harmonica P1702 and measure the heater voltage with a true rms voltmeter. The voltage should be

6.3 volts rms; frequency about 25 kHz. If a low reading of the supply is obtained, the high voltage transformer may be defective.

3. Turn the instrument off. Check for continuity between pins 1 and 2 of P1702, and between pins 1 and 14 of the crt.

**Step C: Check Microchannel Plate (MCP) Supply****WARNING**

*Potential shock hazard exists: the MCP voltage can be as high as +1200 volts.*

1. Visually check for loose connections on the High Voltage board. (See Fig. 8-1 for board location.)

2. Turn all INTENSITY controls counterclockwise. Measure the MCP output voltage at TP1775 and note the reading.

3. Turn R1720 (MCP Gain) clockwise. The voltage reading should be about 860 volts. Turn R1720 counterclockwise. The voltage reading should be about 460 volts. Reset R1720 to the voltage reading noted in part 2.

a. If the MCP voltage at TP1775 is low, ground TP1707 and again note the MCP voltage reading. If the voltage now reads about 1250 volts: check components Q1708, U1714A, CR1707, CR1708, C1707 and C1708. If the voltage is still low, check components CR1710, CR1711, C1710, and C1711.

**NOTE**

*With TP1707 grounded, the voltage at the secondary of the MCP transformer should be a square wave of about 625 volts peak.*

Remove the ground from TP1707.

4. Remove the plug-ins from the horizontal compartments. Set the HORIZONTAL MODE switch to A and turn the A INTENSITY control fully clockwise. The MCP output voltage (at TP1775) should increase by about 350 volts. With the HORIZONTAL MODE switch in CHOP, ALT, or B, turn the B INTENSITY control fully clockwise. The MCP output voltage should increase by about 350 volts. If the MCP output voltage does not increase, check for continuity of the Intensity Sense line to the Logic board (P1785 pin 7), and check U1714.

5. If the MCP voltage measurements are correct, check for a loose connection to the microchannel plate at the crt (P1819, pins 3 and 7). This can be done without removing the crt by connecting a DVM across resistors R1725 and R1726 to check for about 10 volts. Typically, the voltage reading is around 10 volts, corresponding to a current of 50  $\mu$ A. If no current flows, remove the crt and check for open connections.

**Step D: Check -2400 Volt Supply**

**WARNING**

*To avoid electric shock, use extreme caution when troubleshooting the -2400 Volt Supply.*

1. Check the voltage at TP1844 on the High Voltage board.

a. If the reading is -2400 volts, within 5 volts, the supply is operating properly.

b. If the reading is more than 5 volts from -2400 volts, check the cathode supply at TP1846 for -2265 volts. If necessary, adjust R1805 (-2265 V Adjust) to -2265 volts. If the adjustment has no effect, check the high-voltage regulator Q1784 (see below). If the adjustment has some effect but fails to obtain -2265 volts at TP1846, the Grid Bias Supply may not be functioning properly. (See Step E: Check Grid Bias Supply.)

c. If the reading is near ground, check:

(1) For a 2500 volt (p-p) square-wave signal at the junction of R1750 and pin 9 of T1770 with the other end of the winding (pin 7) held near ground. If the appropriate signal is not obtained, check diodes CR1776, CR1778, and CR1784.

(2) Check the voltage doubler by removing regulator transistor Q1784. The dc voltage at TP1844 should be approximately -2300 volts. If not,

check diodes CR1762, CR1763 and capacitors C1750 and C1764.

(3) Check the regulator transistor Q1784 and zener diode VR1784. With transistor Q1784 removed, the voltage at TP1784 should be 200 volts dc.

(4) Check operational amplifier U1802.

(5) Check the -2265 Adjust, R1805. Remove the regulator transistor Q1784 and connect a DVM to TP1806. Moving R1805 throughout its range should cause a dc voltage change of about 200 mV at TP1806. If not, lift diodes CR1803 and CR1804 and repeat the measurement. Check for shorted or opened resistors if the 200 mV change is not obtained.

(6) Check the thick-film high-voltage resistor R1802.

**Step E: Check Grid Bias Supply**

**WARNING**

*Potential shock hazard exists when measuring the Grid Bias Supply; the DVM is elevated to -2400 volts.*

1. Place a voltmeter between TP1846 (-2265 volts) and TP1844 (-2400 volts). Check for a reading of 137 volts, within 5 volts.

a. If the voltage is low (approximately 60 to 70 volts), check Q1838, Q1842, and C1846 for a shorted condition. Then check Q1835 for an open junction.

b. If the voltage is high (approximately 200 volts), check Q1842 and Q1838 for an open junction.

c. If the voltage is more than 5 volts from 175 volts, check transistors Q1835, Q1838, and Q1842 on a curve tracer. Check capacitor C1846 for leakage by lifting one end of the capacitor from the circuit board and remeasuring the Grid Bias Supply voltage.

**Step F: Check Grid Crowbar Circuit**

**WARNING**

*Potential shock hazard exists when working on the Grid Crowbar circuit since it is elevated to -2400 volts.*

1. Remove transistor Q1687 and check for a display. If a display is obtained, check Q1687 on a curve tracer. If a display is not obtained, check C1687 for leakage.

**CAUTION**

To ensure crt cathode protection, check the Grid Crowbar circuit for proper operation.

**Step G: Check Control Grid DC Restorer****WARNING**

To prevent shock hazard, turn instrument power off before working on high-voltage circuits.

1. Set the time-base unit for a  $20\ \mu\text{s}/\text{div}$ , free-running mode.
2. Check that the waveform at the junction of R1811 and CR1747 is similar to that shown in Figure 4-10.

**NOTE**

A typical waveform at this junction is a square wave with a frequency of about 25 kHz. The positive level should not exceed +50 volts and the negative level should be more positive than -50 volts.

If the waveform is not like that of Figure 4-10, check the Z-Axis Amplifier by increasing the A INTENSITY setting; the positive level of the square wave should also increase until the Intensity Limiter limits the Z-Axis drive. Then check the Grid Bias circuit by changing the setting of CRT Grid Bias adjustment R1746; the negative level of the square wave should also change.

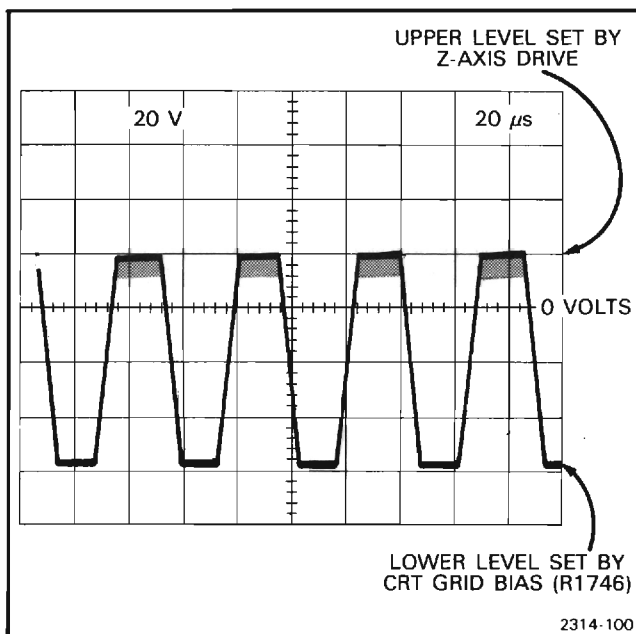


Figure 4-10. Typical waveform at junction of R1811 and CR1747 on the High Voltage circuit board.

- a. If the square wave appears normal, but the display is bright and not controllable with the INTENSITY controls, check for an open crt grid.
- b. If the positive level of the square wave exceeds +50 volts and the display is bright regardless of the INTENSITY controls, the low-frequency signal from the Z-Axis Amplifier is disconnected from the Control Grid DC Restorer. Check diode CR1749 for an open, then check for loose connections.
- c. If the negative level of the square wave is more negative than -50 volts and the display is bright regardless of the INTENSITY control, the Grid Bias circuit is disconnected from the Control Grid DC Restorer. Check CR1447 for an open.
- d. If the square wave appears normal, but no display can be obtained, check CR1792, CR1794, and C1793 for an open.
- e. If the waveform is only a dc level which varies as the Z-Axis Amplifier output varies and no display can be obtained, check CR1794 for a short.
- f. If the square wave amplitude is only about 10 to 20 volts and can be positioned with the CRT Grid Bias adjustment, R1746, but no display can be obtained, check CR1747 for a short.
- g. If the square-wave amplitude is only about 10 to 20 volts, and cannot be positioned with CRT Grid Bias adjustment or the INTENSITY controls, and no display can be obtained, check CR1792 and CR1794 for a short.
- h. If the square wave appears normal but the INTENSITY controls have no effect on its positive level, check the Z-Axis Amplifier circuit.
- i. If the square wave appears normal but a display can only be obtained with the INTENSITY controls fully clockwise, the Grid Bias circuit is not functioning. Check transistors Q1748 and Q1742.
- j. If the waveform is not normal and no display can be obtained, the high-voltage transformer is not driving the Control Grid DC Restorer. Check the resistor string of R1811, R1812, R1788, and R1789.

**Step H: Check Focus Grid DC Restorer****WARNING**

To prevent shock hazard, turn instrument power off before working on high-voltage circuits.

1. Check that the waveform at the junction of R1814 and CR1816 is similar to that shown in Figure 4-11.

**NOTE**

*A typical waveform is a square wave of about 25 kHz. The negative level should be -0.7 volt. The positive level is determined by the setting of the front-panel FOCUS control and varies between +0.7 volt and +50 volts.*

- a. If the negative level of the waveform is more negative than -50 volts, check diode CR1816 for an open.
- b. If the positive level of the waveform exceeds +50 volts, check diode CR1820 for an open.
- c. If the amplitude of the waveform is small and the FOCUS control has no effect on the positive level of the waveform, check diode CR1816 for a short.
- d. If the amplitude of the waveform is small but the FOCUS control varies the positive level from 0 to +50 volts, check diode CR1820 for a short.
- e. If the waveform is not as shown in Figure 4-11 and the dc level is above ground with the FOCUS control at midrange, check diode CR1818 or CR1819 for a short.
- f. If the waveform does not appear as shown in Figure 4-11, the Focus Grid DC Restorer may not be receiving drive signal from the high voltage transformer. Check resistors R1788, R1789, R1813, and R1814.
- g. If the waveform appears normal but the display has focusing problems, check for an open crt focus

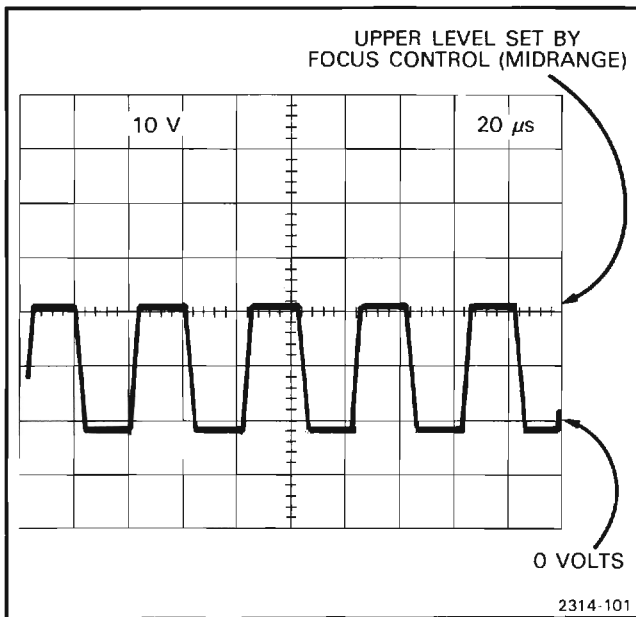


Figure 4-11. Typical waveform at junction of R1814 and CR1816 on the High Voltage circuit board.

electrode. Then check for proper adjustment of the Focus Preset and for defective resistors in the focus string. Check CR1819, CR1818, and C1819 for an open.

**NOTE**

*The focus-preset voltage, across C1820, ranges from about -1385 volts to -1560 volts as determined by R1825.*

**Step I: Check Z-Axis Amplifier**

- 1. Check TP1678, on the Z-Axis board, for a waveform with a baseline at +8 volts, within 1 volt, and an amplitude of at least 55 volts above the baseline.

**NOTE**

*To obtain maximum Z-Axis drive without engaging the Intensity Limiter, set the time-base time/division switch fully clockwise and position the trace off the crt screen. Refer to Z-Axis and Display in Section 5, Calibration, to properly adjust the Z-Axis Amplifier.*

- 2. Check the dc voltage at TP1672. The voltage should be +75 volts, within 5%. If it is not, check transistor Q1672 and zener diode VR1671.
- 3. If the voltage at TP1672 is about +60 volts and the display intensity is high, check the voltage at the collector of Q1608: the baseline should be at +1.6 volts, and the signal amplitude should be about 700 mV.
  - a. If the conditions in part 3 are met, check transistors Q1648, Q1668, and Q1676.
  - b. If the conditions in part 3 are not met, check transistors Q1608 and Q1618 for a short.
- 4. If the voltage at TP1678 is at ground and no display can be obtained, the Intensity Limiter may be inhibiting the Z-Axis Amplifier by saturating Q1644, or Q1644 may be shorted.
  - a. If the baseline voltage at the collector of Q1608 is not at +1.6 volts and the signal amplitude is not about 700 mV, check Q1626, Q1608, Q1632, and Q1203.
  - b. If the signal is correct, check transistors Q1668 and Q1644 for a short.

**Step J: Check Intensity Limiter**

**CAUTION**

*To prevent damage to the MCP when troubleshooting the Intensity Limiter circuit, flood the crt display with many cycles of a large amplitude sine wave.*

- 1. If the Intensity Limiter is inhibiting the Z-Axis Amplifier, check the Z-Axis Off signal at TP1992. On a



properly operating instrument the signal level at TP1992 is +120 mV; on an instrument which is shutdown the signal level is +3.4 volts.

a. If the signal at TP1992 is +120 mV, the fault is in the Z-Axis Amplifier. (Refer to Step I: Check Z-Axis Amplifier.)

b. If the reading is +3.4 volts, check pin 2 of U1992 (the flip-flop may not be receiving a reset). Check U1992 by replacement.

2. Check that operational amplifier U1952 converts the average screen current to a dc voltage at a rate of 1  $\mu\text{A}/\text{volt}$ . With all INTENSITY controls turned fully counterclockwise, the voltage at TP1952 should be zero volts and should increase as the INTENSITY controls are advanced. If this does not occur, check the Screen I Sense connection to the Anode Voltage Multiplier. (When the INTENSITY control is advanced, a negative voltage should be measured at pin 8 of P1904. If zero volts is measured here, either the connection is open or the Anode Voltage Multiplier is defective.) Also check U1952.

3. Increase the INTENSITY controls until the LIMITED VIEWING TIME indicator turns steadily on, and observe that this occurs when the voltage at TP1952 is approximately +0.2 volt dc (0.2  $\mu\text{A}$  of average screen current).

a. If the condition in part 3 is not met, check that the voltage at pin 6 of U1958B is +0.2 volt dc. Measure the voltage at TP1962; with zero screen current the reading should be about -12 volts. When the INTENSITY control is advanced and the average screen current exceeds 0.2  $\mu\text{A}$ , the reading should be about +12 volts. If the readings are much different, check operational amplifier U1958 by replacement.

b. If the condition in part 3 is not met, check for a loose connection to LED DS1970. Check LED DS1970.

c. If the LIMITED VIEWING TIME indicator is on continuously (at zero screen current) and starts flashing at an average screen current above 0.2  $\mu\text{A}$ , transistor Q1970 is shorted.

4. Increase the INTENSITY setting until the LIMITED VIEWING TIME indicator starts flashing, and observe that this occurs when the voltage at TP1952 is approximately +2.0 volts dc, or 2  $\mu\text{A}$  average screen current. If this does not occur, check the following:

a. Check the 3 Hz Oscillator U1968; at zero screen current the voltage at TP1968 is about +12 volts, but will oscillate between ground and +12 volts when the INTENSITY control is advanced to the limited-viewing condition (LIMITED VIEWING TIME indicator is on steadily). If no oscillation occurs, check U1968 by replacement.

b. The voltage at pin 2 of U1958A should be +2.0 volts dc.

c. Measure the voltage at TP1958, with zero screen current the reading should be about -12 volts. When the INTENSITY control is advanced and the average screen current is 2  $\mu\text{A}$ , the voltage reading should have increased to at least -8.0 volts dc. If the readings are much different, check operational amplifier U1958 by replacement.

d. Check transistor Q1970 for conduction.

5. Increase the INTENSITY setting until the LIMITED VIEWING TIME indicator just starts to flash. Observe that further advance of the INTENSITY control does not increase the display intensity and that limiting is taking place. (With proper limiting, the voltage at TP1956 is -10.6 volts and increases towards ground when limiting occurs.) If this does not occur, check the following:

a. Check transistor Q1956 for a short.

b. Check for proper connection of the Intensity Reference Line (pin 4 of P1904) to diodes CR2009 and CR2019 on the Display Control board. (See Fig 8-1 for location of the Display Control board.)

c. Check diodes CR2009 and CR2019 for opens.

6. Increase the INTENSITY setting until the LIMITED VIEWING TIME indicator flashes. Check that after approximately two minutes the SHUTDOWN indicator starts to flash. If this does not occur:

a. Check integrator U1970. With zero screen current, the voltage at TP1970 should be at ground or is moving toward ground. Observe that when the INTENSITY setting is increased until the LIMITED VIEWING TIME indicator is steadily on, the voltage starts moving toward -10 volts. If the INTENSITY is further increased, the slew rate of the voltage should increase. The slew rate is maximum when limiting occurs (LIMITED VIEWING TIME indicator is flashing) and should be about 5 volts/minute. If this does not occur, one of the following failures may have occurred:

(1) The base of Q1980 is held at ground by either a shorted RESET button or by a shorted or saturated Q1999.

(2) Transistor Q1982 is not conducting.

(3) Transistor Q1978 is shorted.

(4) Operational amplifier U1970 is defective.

(5) Field-effect transistor Q1974 is not conducting. This causes the voltage at TP1970 to stop at about -2.0 or -3.0 volts instead of -10 volts.

(6) Capacitor C1971 is leaking. The symptoms are similar to those for an open field-effect transistor. Press the RESET button, then increase the INTENSITY setting until limiting occurs. After approximately two minutes, the voltage at TP1970 should be -10 volts. If this differs significantly, replace C1971.

(7) Check the 10-second delay timer. The voltage at TP1986 should measure zero volts at zero screen current. When the INTENSITY setting is increased and the output of the integrator has reached about -10 volts, the voltage at TP1986 should jump to about +3.6 volts. After approximately 10 seconds, the voltage should drop back to ground level. If this does not occur, check U1986 by replacement.

(8) Check SHUTDOWN LED DS1994 for loose connections or failure.

7. Increase the INTENSITY setting until limiting occurs, and wait approximately two minutes until the SHUTDOWN indicator starts flashing. After approximately 10 seconds, the indicator should be on steadily and the display should shut down. If this does not occur:

a. Check transistor Q1995. This transistor should momentarily go out of saturation when timer U1986 has timed out.

b. Check the flip-flop U1992. The voltage at TP1992 should increase from 0.1 volt to about +3.4 volts when timer U1986 has timed out.

c. Check transistor Q1994.

d. Check for a loose connection of the Z-Axis Off line (pin 1 of P1904) to the Z-Axis Amplifier.

e. Check transistor Q1644.

8. When the instrument is shut down, the voltage at TP1992 is about +3.4 volts dc. If pressing the RESET button at this time does not restore the display, check the following:

a. Check the RESET switch. The voltage at the base of Q1980 should be +2.3 volts and should drop to +0.2 volt when the RESET button is pressed.

b. Check flip-flop U1992 by replacement.

9. With the SHUTDOWN indicator flashing, shutdown can be prevented by reducing the average screen current to below 0.2  $\mu$ A (LIMITED VIEWING TIME indicator off). If this does not occur, check the following:

a. Transistors Q1998 and Q1999.

b. 10-second delay timer U1986 if it does not reset.

### Step K: Check Auto Focus Amplifier

1. Check the dc voltage at the emitter of Q1607. The voltage should be about -8.5 volts. If the voltage reading differs by more than 0.2 volt, check transistor Q1607 and diode CR1607.

2. Obtain a full-drive crt display that is not intensity limited. The front-panel LIMITED VIEWING TIME indicator should not flash.

3. Check the auto-focus signals at the collector of Q1603. With the INTENSITY control fully counterclockwise, the signal is clamped by diode CR1609 to a voltage of -7.9 volts. At about midrange of the INTENSITY control, diode CR1609 ceases to conduct. With the INTENSITY control fully clockwise, the waveform at the collector of Q1603 should have an amplitude of 0.9 volt. If not, check transistor Q1603 and diode CR1609.

4. Check the auto-focus signal at TP1628. With the INTENSITY control fully clockwise, the amplitude of the signal should be about 7 volts (depending upon the focus gain adjustment). If not, check transistors Q1629, Q1620, and Q1617.

5. Check the connection to the crt focus electrode.

### Step L: Check Grid Bias Compensation

1. Turn the instrument off and discharge capacitor C1753.

2. Connect a DVM to TP1736 and turn the instrument on. The voltage should be approximately +7.1 volts and should increase to +12.5 volts in 10 minutes. If the voltage is different, check the following:

a. Check operational amplifier U1736 by replacement.

b. Check CR1736.

c. Check C1736 for leakage.

d. Check Q1742.

### Step M: Check CRT Exit Electrode

1. The best way to detect an open exit electrode is with a magnified sweep and maximum Z-Axis drive. The duty cycle should be such that the LIMITED VIEWING TIME indicator stays lit.

2. Position the trace vertically and horizontally and look for a background glow. This glow indicates an open exit electrode.

### Step N: Check CRT Isolation Shield (P1813, Pin 6)

1. Obtain a focused display, then turn the instrument off and disconnect pin 6 of P1813.

2. Turn the instrument back on; if the isolation shield is open, the display will now be out of focus.

### Step O: Check CRT Scan Expansion Lens (P1810, P1819 Pin 10)

#### WARNING

*To prevent electric shock, turn the instrument off before attempting to work on the High-Voltage board.*

#### NOTE

*The scan-expansion lens is connected to seven different high potentials. Six are negative, one is positive. If any of these elements are floating, obtaining a focused display is still possible. In addition to a focused trace, the display can show geometry problems, linearity problems, and low vertical or horizontal gain.*

*Since the lens does not draw any current, detecting an open element is difficult. To detect an open connection to the Horizontal Bowing element, adjust Horizontal Bowing and observe that the display is not affected. This is the only case where the voltage varies on only one element; the other elements are adjusted in pairs.*

1. To detect an open scan-expansion lens, lift the 160-ohm series resistors on the High Voltage board one at a time and look for a change in the display. No change in the display indicates an open connection.

### Step P: Check CRT First Anode, Second Section (Pin 8, CRT Socket)

An open first anode, second section, will result in no display. Some display flashing may be observed as the INTENSITY control is advanced.

### Step Q: Check CRT Focus Electrode (Pin 4, CRT Socket)

When the crt focus electrode is open, the display is very badly defocused and the FOCUS control has no effect.

### Step R: Check CRT Grid (Pin 3, CRT Socket)

The display is always bright and the Z-Axis has no control when the crt grid is open. Check the connection to pin 3 of the crt.

### Step S: Check CRT Cathode (Pin 2, CRT Socket)

With an open crt cathode, the display defocuses when the Z-Axis drive is changed.

### Step T: Check CRT Heater (Pins 1 and 14, CRT Socket)

No display is obtained if the crt heater is open. Turn off the instrument and check for continuity between pins 1 and 2 of P1702, then between pins 1 and 14 of the crt socket.

### Step U: Check First Anode (Pin 7, CRT Socket)

If the first anode is open, the display is very badly defocused and is dim. Charging can be observed when changing the Z-Axis drive. If the anode is not open, a waveform can be observed at the junction of R1895 and R1897 which is related to the Z-Axis drive. The front-panel +GATE waveform is useful for establishing a time relationship to the Z-Axis drive.

### Step V: Check CRT Stigmator (Pin 11, CRT Socket)

If the crt stigmator is open, the display cannot be focused. If the instrument has been off for a few minutes and is then turned on with the INTENSITY control at midrange, the display at first is severely defocused and then slowly changes to a defocused display. The stigmator is open if adjusting R1894 on the High Voltage board has no effect on the display.

### Step W: Check CRT D1-D2 Shield (Pin 5, P1813)

If the D1-D2 shield is open, the display cannot be focused and charging effects are not noticeable. The D1-D2 shield is open if adjusting R1892 on the High Voltage board has no effect on the display.

### Step X: Check CRT Astigmatism (Pin 10, CRT Socket)

With an open crt astigmatism element the display cannot be focused, but charging may be observed. The front-panel ASTIG screwdriver adjustment has no effect. Turn the FOCUS control to midrange, slowly turn the INTENSITY control to about midrange. The trace initially is defocused, then goes into focus and defocuses again. If the instrument has been off for some time, turn the FOCUS and INTENSITY controls to midrange, and turn on the instrument. Initially the display is very badly defocused then slowly drifts into focus and finally defocuses again.

### Step Y: Check Spot Demagnification Lens (Pin 5, CRT Socket)

If the crt spot demagnification lens is open, the display is badly defocused and the FOCUS control has no effect.

# CORRECTIVE MAINTENANCE

Corrective maintenance consists of component replacement and instrument repair. Special techniques required to replace components in the 7104 Oscilloscope mainframe are given here.

## OBTAINING REPLACEMENT PARTS

Most electrical and mechanical parts can be obtained through your local Tektronix Field Office or representative. However, you should be able to obtain many of the standard electronic components from a local commercial source in your area. Before you purchase or order a part from a source other than Tektronix, Inc., please check the electrical parts list for the proper value, rating, tolerance and description.

### NOTE

*When selecting replacement parts, remember that the physical size and shape of a component may affect its performance in the instrument. All replacement parts should be direct replacements unless you know that a different component will not adversely affect instrument performance.*

Some parts are manufactured or selected by Tektronix, Inc. to satisfy particular requirements, or are manufactured for Tektronix, Inc. to our specifications. Most of the mechanical parts used in this instrument have been manufactured by Tektronix, Inc. To determine manufacturer of parts, refer to Parts List, Cross Index Mfr. Code Number to Manufacturer.

When ordering replacement parts from Tektronix, Inc., include the following information:

1. Instrument type.
2. Instrument serial number.
3. A description of the part (if electrical, include circuit number).
4. Tektronix part number.

## SOLDERING TECHNIQUES

### WARNING

*To avoid electric-shock hazard, disconnect the instrument from the power source before soldering.*

The reliability and accuracy of this instrument can be maintained only if proper soldering techniques are used

when repairing or replacing parts. General soldering techniques which apply to maintenance of any precision electronic equipment should be used when working on this instrument. Use only 60/40 rosin-core, electronic-grade solder. The choice of soldering iron is determined by the repair to be made.

### CAUTION

*Several of the circuit boards in the 7104 are multi-layer type boards with a conductive path laminated between the top and bottom board layers. All soldering on these boards should be done with extreme care to prevent breaking the connections to this center conductor. Only experienced maintenance personnel should attempt repair of these boards: A6-Main Interface, A13-Logic, A14-Trigger Selector, and A21-Z-Axis.*

*Do not allow solder or solder flux to flow under printed circuit board switches. The printed circuit board is part of the switch contacts, intermittent switch operation can occur if contaminated.*

*Soldering in the area of HYPCON connectors requires special precautions, see the discussion of HYPCON Connectors under Semiconductors in this section.*

When soldering on circuit boards or small wiring, use only a 15-watt, pencil-type soldering iron. A higher wattage soldering iron can cause the etched circuit wiring to separate from the board base material and melt the insulation from small wiring. Always keep the soldering-iron tip properly tinned to ensure the best heat transfer to the solder joint. Apply only enough heat to remove the component or to make a good solder joint. To protect heat-sensitive components, hold the component lead with a pair of long-nose pliers between the component body and the solder joint. Use a solder-removing wick to remove excess solder from connections or to clean circuit board pads.

The following technique should be used to replace a component on any of the circuit boards not mentioned in the preceding Caution. Most components can be replaced without removing the board(s) from the instrument.

1. Touch the soldering iron to the lead at the solder connection. Never place the iron directly on the board, as this may damage the board.
2. Melt a small amount of solder onto the component lead connection. This replaces the flux, which may have been removed during instrument cleaning, and facilitates removal of the component.
3. Grip the component lead with a pair of long-nose pliers. When the solder begins to flow, gently pull the component lead from the board. If unable to separate the lead from the board, try removing the other end of the component.

**NOTE**

*Some components are difficult to remove from the circuit boards due to a bend placed in each lead during machine insertion of the component. The purpose of the bent leads is to hold the component in position during a flow-solder manufacturing process which solders all components at once. To make removal of machine inserted components easier, straighten the leads of the component on the back of the circuit board, using a small screwdriver or pliers, while heating the soldered connection.*

4. Bend the leads of the replacement component to fit the holes in the circuit board. If the component is replaced while the board is mounted in the instrument, cut the leads so they will just protrude through the board. Insert the leads into the holes in the board so that the component is firmly seated against the board, or as originally positioned.
5. Touch the iron to the connection and apply enough solder to make a firm solder joint.
6. Cut off any excess lead protruding through the board (if not clipped in step 4).
7. Clean the area around the solder connection with a flux-removing solvent. Be careful not to remove information printed on the circuit board.

## COMPONENT REMOVAL AND REPLACEMENT

**WARNING**

*To avoid electric-shock hazard, always disconnect the instrument from the power source before removing or replacing components or plug-in units.*

The exploded-view drawings associated with the Replaceable Mechanical Parts list (located at the rear of this manual) may be helpful in the removal or disassembly of individual components or sub-assemblies.

### DISPLAY UNIT KICKSTAND

The Display unit of the 7104 Oscilloscope mainframe is equipped with a kickstand for easier access to interior components of the instrument. To use the kickstand feature, disconnect the power-cord plug from the power source. Then remove the side and top panels as described under Cabinet Panel Removal. Remove the two screws on each side of the 7104 which connect the two units. The two units can now be separated at the front of the instrument (the kickstand will hold the units apart). To assemble the units, disengage the kickstand and reverse the disassembly procedure.

### POWER-SUPPLY UNIT REMOVAL

The power-supply unit can be slid out of the rear of the 7104 to gain better access to the A13-Logic board, A14-Trigger Selector board, A25-Low-Voltage Regulator board, or for power-supply maintenance and troubleshooting. To remove the power-supply unit from the mainframe, first remove the four screws which hold the power-supply unit to the rear frame of the instrument (see Fig. 4-12). Slide the power-supply unit out of the mainframe until it can be set down on the work surface (be sure to guide the interconnecting cables so they do not catch on other parts of the instrument). The power-supply unit remains electrically connected to the rest of the instrument in this position, allowing for troubleshooting. If it is necessary to operate this instrument with the power-supply unit removed for a

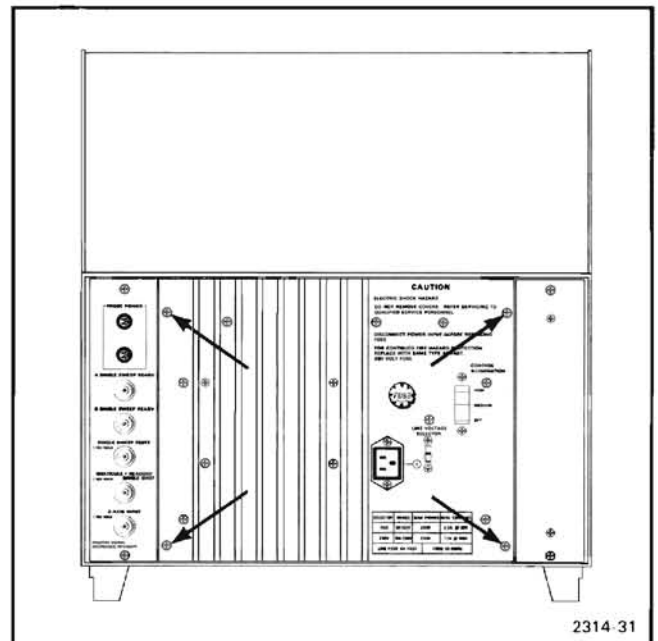


Figure 4-12. Power supply unit securing screws.

## Maintenance—7104

period of time, we recommend that the power-supply unit be secured to the instrument with spacers between the rear frame and the power-supply unit.

Reverse the above procedure when placing the power-supply unit into the mainframe of the instrument; be careful not to pinch the interconnecting cables when replacing the unit. Be sure that all the securing screws are tight enough to hold the power-supply unit properly in place.

### Access to Components in the Power-Supply Unit

To reach the components located inside the power-supply unit for maintenance or repair, use the following procedure:

#### **WARNING**

*Disconnect the instrument from the power source and allow the line-storage capacitors to discharge, before removing the power-supply unit cover. The line-storage capacitors remain charged with high voltage dc for several minutes after the line power is disconnected unless they are manually discharged. A warning-indicator (neon bulb) located on the A23-Inverter board, flashes when this stored voltage exceeds about 80 volts. Do not remove the power-unit cover while this light is flashing.*

1. Slide out the power unit as previously described.
2. Remove the four small screws that secure the cover to the rear heatsink.
3. Remove the 9 screws that attach the sides of the cover to the power unit chassis.
4. Disconnect the two coaxial connectors from P1440 on A24-Rectifier board.
5. Remove the cover from the power-supply unit.
6. The power-supply unit is now open for maintenance or repair. If the 7104 is to be operated with the cover removed, first reconnect the coaxial cables to the A24-Rectifier board.
7. Reverse the order of removal to replace the power-unit cover.

Before performing maintenance or taking ohmic measurements in the power-supply unit, manually discharge the line-storage capacitors (C1216 and C1217) as follows:

1. Remove the protective cover from the power-supply unit following the preceding procedure.

2. Apply a 1.5-kilohm, 2-watt, insulated resistor across the capacitor screws as indicated in Figure 4-5.

## CATHODE-RAY TUBE REMOVAL

### NOTE

*Before removing the crt be certain that removal is necessary, see troubleshooting the CRT and Associated Circuitry.*

Remove the cathode-ray tube (crt) as follows:

#### **WARNING**

*The crt may retain a dangerous electrical charge. Before removing the crt, the anode must be fully discharged by shorting the anode lead from the crt to the chassis. Wait approximately ten minutes and again firmly short this lead to the chassis. Then remove the crt.*

*Use care when handling a crt. Breakage of the crt causes a high-velocity scattering of glass fragments (implosion). Protective clothing and safety glasses should be worn. Avoid striking the crt on any object which might cause it to crack or implode. When storing a crt, place it in a protective carton or set it face down in a protected location on a smooth surface with a soft mat under the faceplate.*

1. Remove the rear panel and the A21-Z-Axis board, directly behind the crt base.
2. Remove the crt base-pin socket from the rear of the crt.
3. Loosen the two screws located above and below the crt base pins until the tension of the springs on these screws is released. Then, press in upon the screws to be certain that the crt clamp inside the crt shield is loose.
4. Disconnect the two vertical deflection-plate connectors from the left side of the crt.
5. Disconnect the two horizontal deflection-plate connectors from the top of the crt.
6. Disconnect the crt anode lead from the jack located at the high-voltage on the right of the instrument (on Option 2 instruments remove the X-Y delay line to gain access to crt anode lead). Ground this lead to the chassis to dissipate any stored charge remaining in the crt.
7. Remove the plastic A22-High Voltage board shield on the right side of the instrument.

8. Disconnect P1811, P1810, and P1813 from the A22-High Voltage board.
9. Remove the plastic mask which covers the crt bezel.
10. Remove the four screws securing the crt bezel to the front panel. Remove the bezel while disconnecting the three-pin connector from the left rear of the bezel.
11. Remove the plastic faceplate protector, the graticule light assembly, and the gray crt faceplate mask. (The graticule light assembly need not be unsoldered from its leads.)
12. Hold one hand on the crt faceplate and gently push forward on the crt base with the other. Slowly pull the crt out from the front of the instrument while guiding the cable connected to P1811, P1810, and P1813, and the crt anode lead, through the holes in the crt shield.

### CATHODE-RAY TUBE REPLACEMENT

Replace the cathode-ray tube (crt) as follows:

1. Insert the crt into the shield, guiding the crt anode plug and the cables connected to P1811, P1810, and P1813 through the holes in the crt shield and vertical delay line assembly. Set the crt firmly against the front-panel casting.
2. Clean the crt faceplate, plastic faceplate protector, and the light filter with denatured alcohol.
3. Place the gray crt mask over the faceplate. Reconnect the multi-pin connector to the crt bezel (align the arrow on the connector with the arrow on the bezel).
4. Hold the faceplate protector in position and replace the crt bezel, graticule light assembly, light filter frame, and light filter. Firmly tighten the four screws making sure that the light filter is properly aligned.
5. Gently push forward on the crt base to ascertain that the crt is as far forward as possible. Then tighten the two screws beside the crt base until the springs on the screws are fully compressed.
6. Place the crt base-pin socket on the crt base pins.
7. Reconnect the crt anode plug.
8. Carefully reconnect all cables and crt neck-pin connectors.
9. Replace the plastic crt bezel mask.
10. Replace the A21-Z-Axis board and rear panel.

### NOTE

*The replacement of the crt will require that the instrument be re-adjusted. Refer to Section 5, Calibration.*

### CIRCUIT BOARDS

If a circuit board is damaged beyond repair, replace the entire board assembly. Part numbers are given in Section 7, Replaceable Electrical Parts, for completely wired boards.

The pin connectors, except for coaxial-type connectors, used for interconnection between circuit boards are color-coded to aid in identification and circuit tracing. The color of the connector body matches the resistor color-code for the last digit of the connector circuit number; e.g., P602 is red, P603 is orange, etc.

Most of the circuit boards in this instrument are mounted on the chassis; pin connectors are used for electrical interconnection with chassis mounted components and other circuit boards. Several boards plug onto the rear of the A6-Main Interface board; feed-thru connectors connect the plug-on board to the A6-Main Interface board.

### Chassis-Mounted Boards

Remove and replace all chassis-mounted circuit boards as follows:

1. Disconnect all pin connectors attached to the board, or which connect the board to other parts of the instrument.
2. Remove the securing screws.
3. Remove the chassis-mounted board.
4. Replace chassis-mounted boards in the reverse order of removal. Match the index arrow on the multi-pin connectors to the corresponding arrow on the board. Correct location of the pin connectors is shown on the circuit board illustration in Section 8, Diagrams and Circuit Board Illustrations.

### Plug-On Boards

Remove and replace the plug-on boards as follows:

1. Remove the power-supply unit (see Power-Supply Unit Removal) as necessary to gain access to the boards mounted on the rear of the A6-Main Interface board.
2. Disconnect any end-lead coaxial connectors located on the front of the board, or those which pass across a portion of the board.
3. Loosen all of the board's securing screws.

4. Keeping the board parallel to the A6-Main Interface board, gently pull out on the edges of the board until the feed-thru terminals are cleared.

5. To replace a plug-on circuit board, position the board parallel to the A6-Main Interface board so that all feed-thru pins are properly aligned with their sockets.

6. Gently press the circuit board against the mounting surface. Be sure that all feed-thru pins and sockets mate properly.

7. Uniformly tighten the securing screws (recommended torque: four to six inch-pounds).

### A5-Mode Switch Circuit Board

Remove or replace the A5-Mode Switch circuit board as follows:



*Do not allow solder or solder flux to flow under printed circuit board switches. The printed circuit board is part of the switch contacts, and intermittent switch operation can occur if contaminated.*

1. Separate the Display Unit from the Acquisition Unit as previously described under Display Unit Kickstand.

2. Remove the VERT TRACE SEPARATION (B) knob.

3. Disconnect the pin connectors and remove the 5 screws holding the board to the chassis.

### NOTE

*When removing wires from a circuit board, always tag the wire and the corresponding connection point on the circuit board.*

4. Slide the board toward the rear of the instrument until the front-panel pushbuttons clear the chassis.

5. Lift the board from the instrument.

6. Replace the board by reversing the order of removal. Match the index arrow on the pin connectors to the corresponding arrow on the board. Correct location of the pin connectors is shown on the circuit board illustration in Section 8, Diagrams and Circuit Board Illustrations.

### A6-Main Interface Circuit Board

Remove and replace the A6-Main Interface circuit board as follows:

1. Remove the plug-in units and the power-supply unit (see Power-Supply Unit Removal).

2. Disconnect all connectors from the A6-Main Interface board. Note the location of the connectors so they can be correctly replaced.

3. Remove the screws from inside each plug-in compartment which hold the plug-in interface connectors to the chassis (see Fig. 4-13). Also remove the screws which hold the ground straps to the chassis.

4. Slide the Main Interface board assembly to the rear of the instrument and remove it.

5. Replace the A6-Main Interface circuit board in the reverse order of removal. Match the index arrow on the pin connectors to the corresponding arrow on the board. Correct location of the pin connectors is shown in the circuit board illustrations in Section 8, Diagrams and Circuit Board Illustrations.

### A7/A8/A9/A10/A11/A12-Follower Circuit Boards

Follower circuit boards with four or six interface contacts are used in the plug-in interface connectors to provide optimum signal connections between the plug-in units and the 7104. Each Follower board is held in place by a spring so that the board can move back and forth within the interface connector to compensate for length differences between plug-in units. If a contact on a Follower board is damaged, the entire board with contacts and interconnecting cables is replaced as a unit.

Remove a Follower circuit board as follows:

1. Disconnect the instrument from the power source and remove any plug-in units.

2. Remove the power-supply unit (see Power-Supply Unit Removal).

3. Remove the metal shields in front of the A6-Main Interface board.

4. Disconnect the coaxial leads of the Follower board from the A16-Vertical Channel Switch board, A19-Horizontal Amplifier or A14-Trigger Selector board. Note the location of the connectors so they may be correctly replaced.

5. Using long-nose pliers, disengage the spring from the Follower board (spring is in front of A6-Main Interface board).

6. Remove the Follower board with interconnecting cables from the rear of the interface connector, through the hole in the A6-Main Interface board.

To replace a Follower circuit board, a folded length of very thin shim stock as wide as the Follower board is required to compress the contacts while the board is inserted into the interface connector. Proceed as follows:



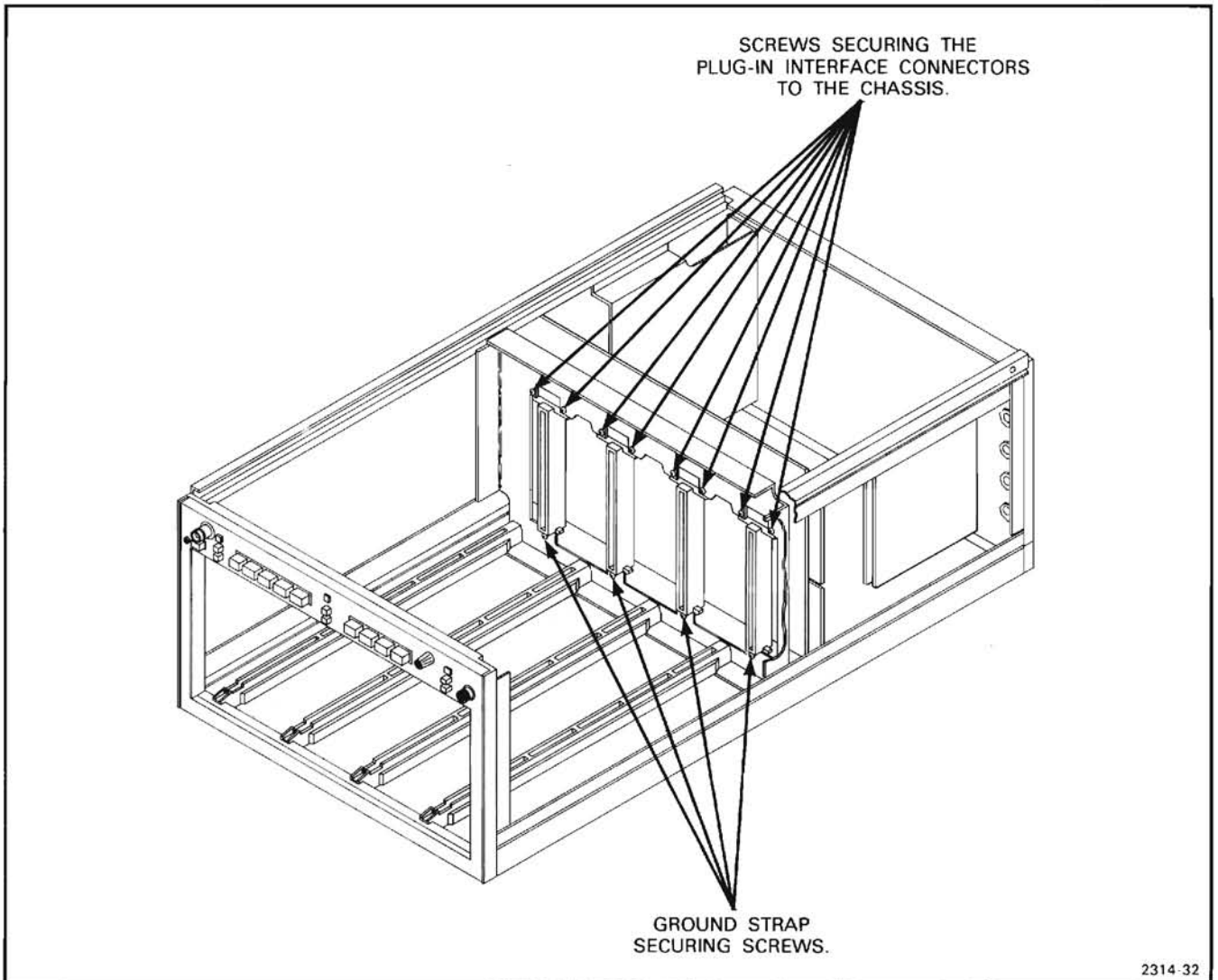


Figure 4-13. Location of securing screws for the A6-Main Interface board.

1. Hold the Follower board between the ends of the shim stock with the fold directly in front of the contacts. With the shim stock held against the sides of the board, the contacts on the sides of the board should be pressed together.

2. Insert the folded end of the shim stock (with the Follower board) into the rear of the interface connector through the hole in the A6-Main Interface board. When the Follower board contacts are almost fully inserted into the connector, hold the board in place and remove the shim stock through the front of the interface connector while fully inserting the Follower board.

3. Secure the Follower board with the spring.

4. Reconnect the Follower board coaxial leads to the A16-Vertical Channel Switch or A19-Horizontal Amplifier board and the A14-Trigger Selector board.

5. Replace the power supply unit.

6. Replace the metal shields.

#### A26-Fan Motor Circuit Board

The exhaust fan and A26-Fan Motor circuit board are removed as a unit. Remove and replace the Fan assembly as follows:

1. Remove the A22-High Voltage board.

2. Remove the two screws which mount the fan housing assembly to the 7104 chassis.

3. Disconnect the pin connector from the board.

4. Remove the Fan assembly from the instrument.

## Maintenance—7104

5. To replace the Fan assembly, first place the two screws through the holes in the chassis and secure the fan housing assembly to the chassis.
6. Replace the pin connector matching the index arrow with the arrow on the circuit board.
7. Replace the A22-High Voltage board.

### A25-Low-Voltage Regulator Circuit Board

Remove and replace the A25-Low-Voltage Regulator circuit board as follows:

1. Slide the power-supply unit out of the instrument (see Power-Supply Unit Removal).
2. Disconnect the multi-pin connectors from the board (two of the multi-pin connectors are self-locking; see the discussion on Multi-Pin Connectors in this section). Note the location of the pin connectors so they may be correctly replaced.

#### NOTE

*If the A25-Low-Voltage Regulator board is to be removed to allow access to other parts of the power-supply unit, proceed with steps 3 and 4 only. If the board is to be removed from the instrument, proceed with the remaining steps of the procedure.*

3. Remove the 2 screws located in the access holes under the A25-Low-Voltage Regulator board. These screws secure the chassis.
4. Remove the 3 screws securing the Low-Voltage Regulator chassis to the rear heatsink. Remove the board with attached chassis.
5. Remove the mounting hardware securing the plastic-cased power transistors to the rear heatsink (see Fig. 4-14). Note the position of the lockwashers so they can be correctly replaced.
6. Remove the 5 securing screws and lift the board with attached power transistors from the chassis.
7. To replace the A25-Low-Voltage Regulator board, first apply a thin coat of silicone grease to the back (mounting surface) of each power transistor.

#### WARNING

*Handle silicone grease with care. Avoid getting silicone grease in your eyes. Wash hands thoroughly after use.*

8. Place the A25-Low-Voltage Regulator board on the chassis. Replace, but do not tighten, the securing screws.

9. Check that the power transistors are aligned with their mounting screws and that the insulating washers are in place between the transistor cases and the rear heatsink.

10. Secure the transistors with the mounting hardware. Do not over-tighten the nuts; recommended torque is four to six inch-pounds.

11. Tighten the screws holding the A25-Low-Voltage Regulator board to the chassis.

12. Install the chassis on the power-supply unit.

13. Connect the multi-pin connectors to the board. Match the index arrow on the pin connectors to the corresponding arrow on the board. Correct location of the pin connectors is shown in the circuit board illustration in Section 8, Diagrams and Circuit Board Illustrations.

14. Replace the power-supply unit in the instrument.

### A24-Rectifier Circuit Board

An exploded-view drawing of the power-supply unit is given in Section 9, Replaceable Mechanical Parts, at the rear of this manual. To remove the A24-Rectifier board, use the following procedure:

1. Slide the power-supply unit out of the instrument (see Power-Supply Unit Removal).
2. Remove the A25-Low-Voltage Regulator board with attached chassis as described under the A25-Low-Voltage Regulator Circuit Board.
3. Remove the 4 screws securing the power transformer to the bracket.
4. Remove the protective cover from the power-supply unit (see Access to Components in the Power-Supply Unit).
5. Disconnect the multi-pin connectors from the A24-Rectifier board. Note the location of the pin connectors so they can be correctly replaced.
6. Remove the 2 plastic screws which hold the circuit-board shield to power-supply A23-Inverter board.
7. Unsolder the 3 power-transformer leads from the power-supply A23-Inverter board. Remove the excess solder from the board pads with a vacuum-type desoldering tool.
8. Remove the 5 securing screws from the A24-Rectifier board.
9. Lift the circuit board and attached power transformer from the instrument.

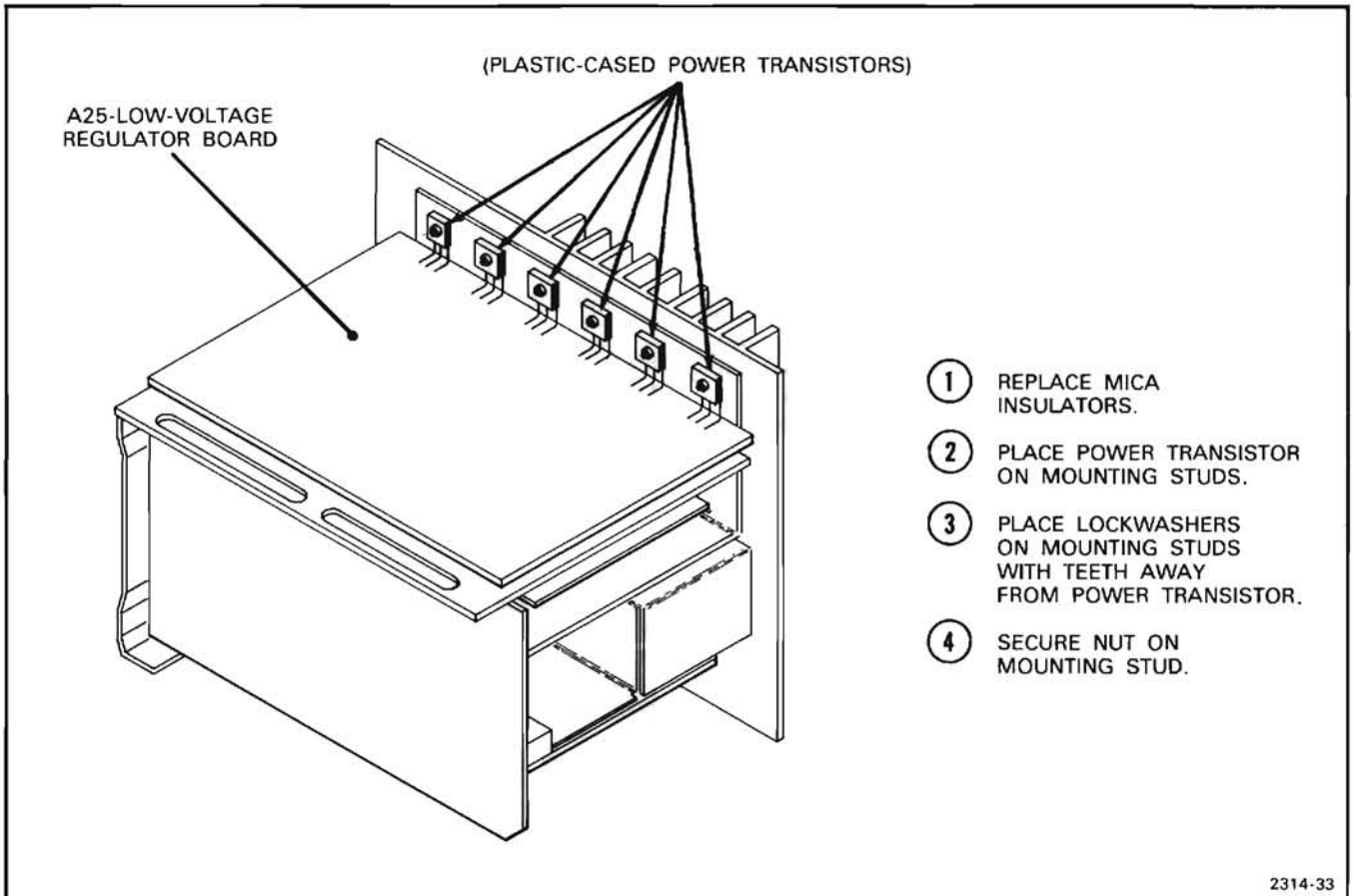


Figure 4-14. Correct placement of power transistor and mounting hardware on rear heatsink.

10. To replace the A24-Rectifier board, reverse the order of removal. Match the index arrow on the pin connectors to the corresponding arrow on the board. Correct location of the pin connectors is shown on the circuit board illustration in Section 8, Diagrams and Circuit Board Illustrations.

### A23-Inverter Circuit Board

An exploded-view drawing of the power-supply unit is given in Section 9, Replaceable Mechanical Parts, at the rear of this manual. Remove and replace the power-supply A23-Inverter board as follows:

#### **WARNING**

*The power-supply unit has been tested at the factory to ensure safe operation. Improper repair of this unit can result in hazardous potentials on the instrument chassis. Do not remove the plate insulator, block insulator, or transistor shield from the heatsink. (See the exploded-view drawing of the power-supply unit for the location of the components.)*

1. Slide the power-supply unit out of the instrument (see Power-Supply Unit Removal).

2. Remove the protective cover from the power-supply unit (see Access to Components in Power-Supply Unit).

3. Remove A24-Rectifier board using the previous procedure.

4. Remove the 3 securing screws from A23-Inverter board.

5. Unsolder the line-input leads from the circuit board. Remove the excess solder from these circuit board pads with a vacuum-type desoldering tool.

6. Remove the two metal-cased power transistors by removing the securing nuts and pulling the transistors from their sockets.

7. Move the A23-Inverter board away from the heatsink shield until the transistor mounting studs clear the heatsink shield. Remove the board from the power-supply unit.

8. To replace the A23-Inverter board, reverse the order of removal. Match the index arrow on the pin connectors to the corresponding arrow on the board. Correct location of the pin connectors is shown on the circuit board illustration in Section 8, Diagrams and Circuit Board Illustrations.

### PLUG-IN INTERFACE CONNECTORS

The individual contacts of the plug-in interface connectors can be replaced. However, we recommend replacing the entire A6-Main Interface board if a large number of the contacts are damaged. An alternative solution is to refer the maintenance of the damaged A6-Main Interface board to your local Tektronix Field Office. Use the following procedure to remove and replace an individual contact of the plug-in interface connectors:

#### NOTE

*The plug-in interface contacts which are mounted on the Follower circuit boards cannot be replaced. A Follower board with contacts and interconnecting cables is replaced as a unit. See Circuit Boards.*

1. Remove the A6-Main Interface circuit board from the instrument as previously described.
2. Snap the white plastic connector cover off the side of the damaged plug-in interface connector.
3. Unsolder and remove the damaged contact.
4. Install the replacement contact. Carefully position it to fit against the connector body.
5. Snap the white plastic connector cover back onto the plug-in interface connector. Check that the replaced contact is aligned with the other contacts.
6. Replace the A6-Main Interface board.

### DELAY LINE REMOVAL

The vertical delay line is carefully matched at the factory. Therefore, it is not recommended that repair be attempted in the field. Instead, contact your local Tektronix Field Office.

The horizontal delay line (Option 2) is carefully matched electrically from side to side and to the electrical length of the vertical delay line. Therefore, it is not recommended that repair be attempted in the field. Instead, contact your local Tektronix Field Office.

### SEMICONDUCTORS

Semiconductors should not be replaced unless actually defective. If removed from their sockets during routine maintenance, return them to their original sockets. Unnecessary replacement of semiconductors may affect

the adjustment of the instrument. When semiconductors are replaced, check the operation of circuits which may be affected.

#### WARNING

*To avoid electric shock hazard, always disconnect the 7104 from the power source before removing or replacing components.*

Replacement semiconductors should be of the original type or a direct replacement. Lead configurations of the semiconductors used in this instrument are shown in Figure 4-2. Some plastic case transistors have lead configurations which do not agree with those shown. If a replacement transistor is made by a different manufacturer than the original, check the manufacturer's basing diagram for correct basing. All transistor sockets in this instrument are wired for standard basing as used for metal-cased transistors. When removing soldered-on transistors, use a solder-removing wick to remove the solder from the circuit board pads. Transistors which have heat radiators or are mounted on the chassis use silicone grease to increase heat transfer. Replace the silicone grease on both sides of the insulating washer when replacing these transistors.

#### WARNING

*Handle silicone grease with care. Avoid getting the silicone grease in your eyes. Wash hands thoroughly after use.*

To replace one of the power transistors mounted on the heatsink at the rear of the power-supply unit, first remove the mounting hardware. Then, unsolder and remove the defective transistor. When replacing the transistor, be sure to install the insulating washer between the transistor and the heatsink (use silicone grease as previously described). Tighten the mounting nut just tight enough to hold the transistor in place. Then solder the replacement transistor to the A25-Low-Voltage Regulator board.

An extracting tool should be used to remove the in-line integrated circuits to prevent damaging the pins. This tool is available from Tektronix, Inc.; order Tektronix Part 003-0619-00. If an extracting tool is not available, use care to avoid damaging the pins. Pull slowly and evenly on both ends of the integrated circuit. Try to avoid one end disengaging from the socket before the other end.

### HYPCON Connectors

The HYPCON (hybrid-printed connector) connector is a precision-made connector designed to provide low loss electrical and/or thermally efficient connection between the printed circuit board and hybrid integrated circuit. An exploded view of the HYPCON connector is shown in

Figure 4-15. Care must be taken when replacing the hybrid IC's not to touch the elastomer gold-plated contacts with the fingers or to use a cleaner which will degrade contact reliability. The HYPCON connector and hybrid IC should be removed if it becomes necessary to use a cleaning solvent near the connector when replacing adjacent (within 1/2") circuit board components. **IMPORTANT:** Remove all traces of solder flux or foreign material contamination from the circuit board contact area before replacing the connector. Contamination usually takes place during the soldering and cleaning process. Even when the soldering is done carefully, flux, oil, or other contaminants can be carried under the connector during the cleaning operation. When the solvent evaporates, nonconductive contaminants may remain on or near the contact interfaces.

The cleaning process (either hand cleaning with a solvent or machine cleaning in an automatic detergent wash) is not recommended for boards containing HYPCON connectors.

If a component adjacent to a HYPCON connector must be replaced, the following steps are recommended:

1. Remove the hybrid IC and HYPCON connector (see Disassembly and Removal instructions) before any soldering or cleaning and store in a dirt-free covered container. When several hybrids and HYPCON connectors are to be removed, keep parts together and replace as sets; do not interchange parts.
2. Hand soldering:
  - a. Use small diameter solder (0.030"-0.040").
  - b. Use low wattage soldering irons (15-20 watts).
  - c. Use care with solder amount and placement.
3. Remove solder flux and contact contamination with isopropyl alcohol, denatured ethyl alcohol, or a Freon TF cleaner such as Spray-On #2002.
4. Flush the hybrid and HYPCON connector mounting area with isopropyl alcohol. Do not scrub with a cotton-tipped applicator, as cotton fibers will adhere to edges and surfaces of contact areas and cause open or intermittent connections. The elastomer should be examined under light for dust, hair, etc., before it is re-installed. If the etched circuit board surfaces require more cleaning, scrub with a soft rubber eraser and blow or vacuum clean while dusting surface with a small clean brush.
5. If the hybrid IC and elastomer contact holder are contaminated, clean the contact holder and hybrid by flushing or spraying with alcohol and oven dry at 50° C. Do not scrub with a cotton-tipped applicator or similar device. If the contact holder is excessively contaminated, replace it with a new one.

Two inch-pounds of torque should be applied to the mounting screws to secure the HYPCON to the circuit board.

Make sure that the elastomer is properly seated in the contact holder before remounting the assembly to circuit board. Exercise care when mounting the frame-elastomer connector holder-hybrid IC assembly to the circuit board to prevent misalignment between the connector and board.

**CAUTION**

*Because of close tolerances involved, special care must be taken to assure correct index alignment of each HYPCON part during reassembly. Failure to do so can result in a cracked hybrid substrate. See Figure 4-15A for the index locations.*

If your instrument contains both the flush and stepped type of HYPCON connectors be careful not to mix the elastomer contact holders during reassembly. The flush HYPCON connectors have green elastomer contact holders and the plastic frame is marked FLUSH. The stepped HYPCONS have neutral-colored elastomer contact holders with a slight ridge or step on the contact surface; the large frames are marked STEPPED. The registration pins on the stepped plastic frame are slightly longer than those on the flush frame. The elastomer contact holder in the small stepped connectors is indexed differently than the large connectors. Look for a small gold arrow in one corner of the holder instead of a flat corner. Match this corner arrow with the pointed corner of the plastic frame. Give close attention to this indexing, as it is easy to insert the elastomer contact holder incorrectly.

Differences also exist between the large flush and large stepped HYPCON circuit board receptacles. Figure 4-15A shows the cross-sectional differences which must be observed when working with an instrument that contains both types of HYPCON connectors.

**CAUTION**

*Damage to the elastomer contact holder can result if the connectors are not mated properly with the board receptacle.*

*When replacing the hybrid, insert it into the board opening and then position the HYPCON connector in the board registration holes for perfect alignment. The outer portion of the HYPCON frame should be flush with the circuit board before the four mounting screws are tightened. Avoid touching the hybrid and elastomer contact holder with your fingers; finger oils can degrade reliability.*

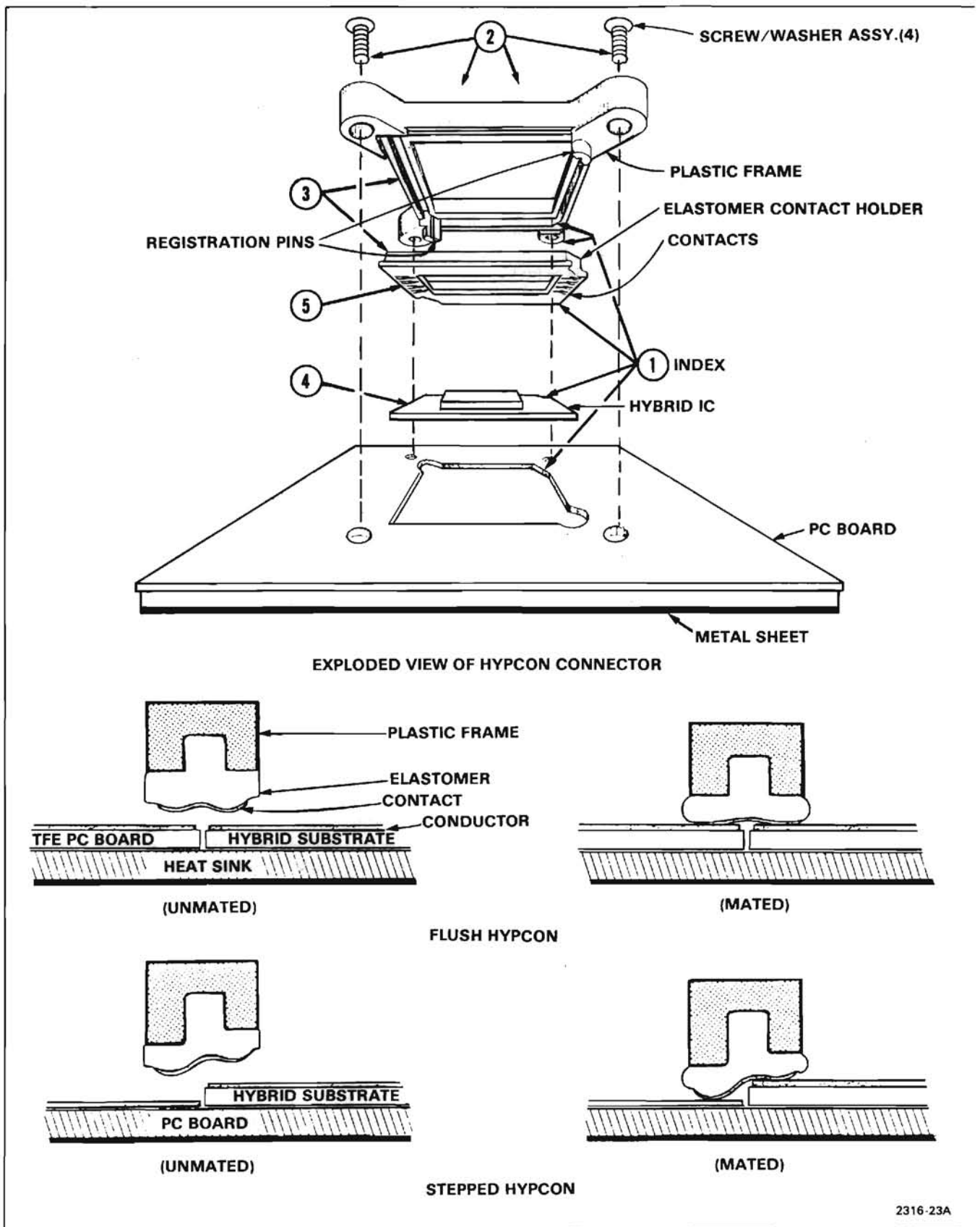


Figure 4-15. HYPCON assembly removal and replacement.

### DISASSEMBLY AND REMOVAL

- ① Note index on circuit board (arrow, triangle, or dot) and HYPCON plastic frame (pointed mounting ear).
- ② Unscrew and remove the 4 screw/washer assemblies. Where the HYPCON connector serves to heatsink the hybrid to the chassis, 2 of the 4 screws are longer. Note the location of the yellow tinted screws for proper replacement.
- ③ Lift HYPCON connector from board.
- ④ Note index location of hybrid and remove from board with tweezers.
- ⑤ Note index location of elastomer contact holder and remove by grasping a corner of the contact holder with tweezers and lifting up. Do not touch the gold-plated contacts with your fingers.

### REASSEMBLY AND REPLACEMENT

Grasp corner of elastomer contact holder with tweezers and place in plastic frame slot being careful to match the flat contact holder with the flat frame corner. Place a clean plastic envelope over finger and press with finger to seat contact holder into the frame. The contact holder must be evenly seated on all four sides.

**Flush HYPCON:** Match hybrid flat corner with board receptacle flat corner and place hybrid in receptacle. Match pointed mounting ear of HYPCON connector with flat corner of receptacle and guide registration pins into the board hold.

**Stepped HYPCON:** Using tweezers, match the hybrid corner index with the elastomer contact holder index and insert between the registration pins. Turn the assembly over, grasp the hybrid "hat" with the tweezers, and guide the registration pins into the board holes. Match the plastic frame pointed mounting ear with the circuit board arrow.

Insert mounting hardware and apply 2 inch-pounds of torque to secure the connector assembly.

(2316-238) 2314-38

Figure 4-15. HYPCON assembly removal and replacement (continued).

A procedure for removal and replacement is included in Figure 4-15.

Hybrid substrate contact numbers 1 and 20 are printed on the substrate at the index corner. See Figure 4-2, Semiconductor Lead Configurations.

**INTERCONNECTING PINS**

Two methods of interconnection are used in this instrument to electrically connect the circuit boards with other boards and components. When the interconnection is made with a coaxial cable, a special end-lead connector plugs into a socket on the board. Other interconnections are made with a pin soldered into the board. Two types of mating connectors are used for these interconnecting pins. If the mating connector is mounted on a plug-on circuit board, a special socket is soldered into the board. If the mating connector is on the end of a lead, an end-lead pin connector is used which mates with the interconnecting pin. The following information provides the removal and replacement procedure for the various types of interconnecting methods.

**Coaxial-Type End-Lead Connectors**

Replacement of the coaxial-type end-lead connectors requires special tools and techniques; only experienced maintenance personnel should attempt to remove or replace these connectors. We recommend that the damaged cable or wiring harness be replaced as a unit. For cable or wiring harness part numbers, see Section 9, Replaceable Mechanical Parts. An alternative solution is to refer the replacement of the defective connector to your local Tektronix Field Office or representative. Figure 4-16 gives an exploded view of a coaxial end-lead connector assembly.

**Circuit-Board Pins**

A circuit-board pin replacement kit (including necessary tools, instructions, and replacement pins with attached ferrules) is available from Tektronix, Inc. Order Tektronix Part 040-0542-00. Replacing circuit-board pins on multi-layer boards is not recommended. (The multi-layer boards in this instrument are listed under Soldering Techniques in this section.)

To replace a damaged pin, first disconnect any pin connectors. Then unsolder the damaged pin and pull it from the board with a pair of pliers, leaving the ferrule (see Fig. 4-17) in the circuit board if possible. If the ferrule remains in the circuit board, remove the spare ferrule from the replacement pin and press the new pin into the hole in the circuit board. If the ferrule is removed with the damaged pin, clean out the hole using a solder-removing wick and a scribe. Then press the replacement pin, with attached spare ferrule, into the circuit board. Position the replacement pin in the same manner as the original. Solder the pin to the circuit board on each side of the board. If the original pin was bent at an angle to mate with a connector, carefully bend the new pin to the same angle. Replace the pin connector.

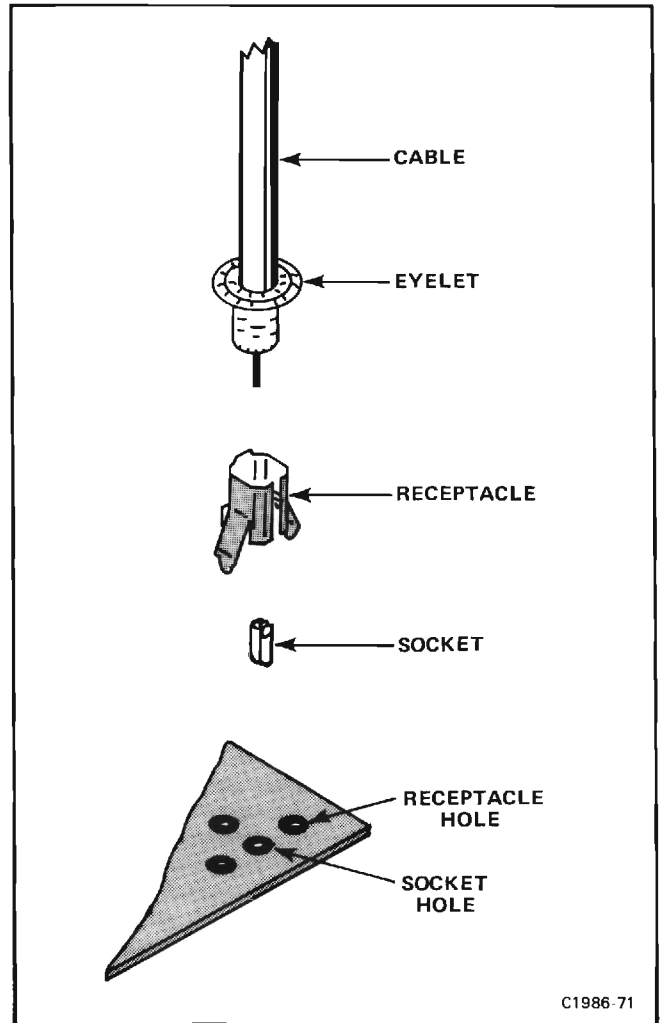


Figure 4-16. Coaxial end-lead connector assembly.

**Circuit-Board Pin Sockets**

The pin sockets on the circuit boards are soldered to the back of the board. To remove or replace one of these sockets, first unsolder the pin (use a vacuum-type desoldering tool to remove excess solder). Then straighten the tabs on the socket and remove the socket from the board. Place the new socket in the circuit board hole and press the tabs down against the board. Solder the tabs of the socket to the circuit board; be careful not to get solder inside the socket.

**NOTE**

*The spring tension of the pin sockets ensures a good connection between the circuit board and the pin. This spring tension can be destroyed by using the pin sockets as a connecting point for spring-loaded probe tips, alligator clips, etc.*



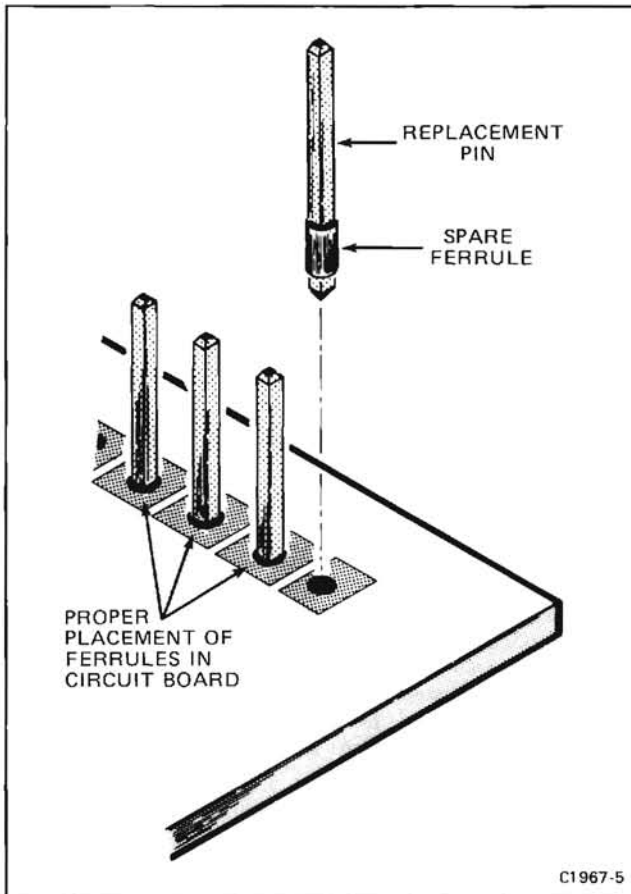


Figure 4-17. Exploded view of circuit-board pin and ferrule.

### Multi-Pin Connectors

The pin connectors used to connect the wires to the interconnecting pins are clamped to the ends of the associated leads. To remove or replace damaged multi-pin connectors, remove the old pin connector from the end of the lead and clamp the replacement connector to the lead.

#### NOTE

*Some multi-pin connectors are equipped with a special locking mechanism. These connectors cannot be removed by pulling on the wire(s). To remove the connectors from the pin(s) grasp the plastic holder and pull.*

*To remove an individual wire from the holder insert a scribe in the hole on the side of the holder and slide the extended portion under the holder. This will allow the wire to be removed from the holder.*

Some of the pin connectors are grouped together and mounted in a plastic holder; the overall result is that

these connectors are removed and installed as a multi-pin connector (see Troubleshooting Aids). If the individual end-lead pin connectors are removed from the plastic holder, note the order of the individual wires for correct replacement in the holder.

### PUSHBUTTON SWITCHES

The pushbutton switches used on the 7104 Oscilloscope mainframe are circuit board mounted. First remove the associated circuit board following the procedure given under Circuit Boards in this section. Figure 4-18 gives removal and replacement instructions for the pushbutton switches.

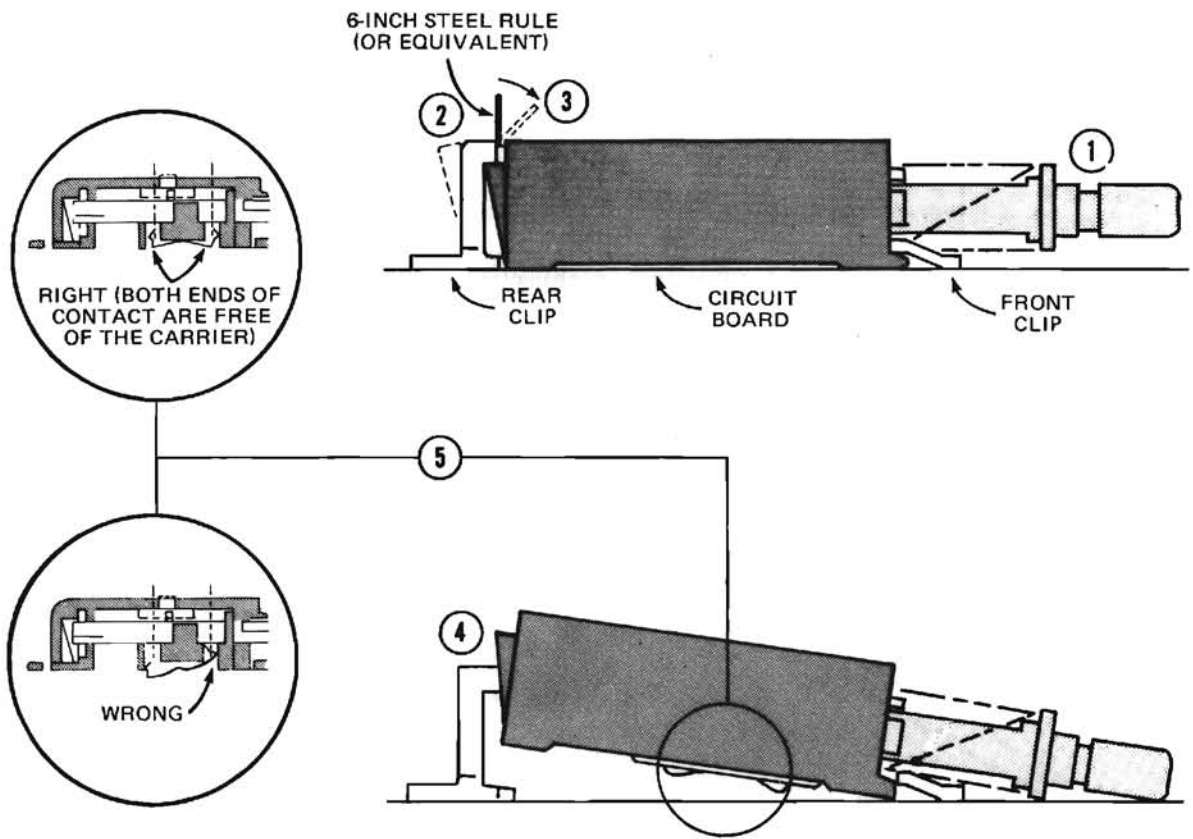
### GRATICULE LIGHT BULBS

To remove or replace the graticule light bulbs, first remove the plastic crt mask, light filter, and metal light shield. Pull on the white tabs to remove the graticule lamp assembly. Next, slide the retaining strip off to the side of the damaged bulb base. Pull the bulb out of the circuit board. Reverse the order of removal for replacement.

### POWER TRANSFORMER

Replace the power transformer only with a direct replacement Tektronix transformer. Remove and replace the power transformer as follows:

1. Remove the A24-Rectifier board as described under Circuit Boards in this section.
2. Remove the bracket which holds the transformer to the rear heatsink.
3. Unsolder the transformer leads from the circuit boards. Remove the excess solder from the circuit-board pads (see Soldering Techniques). Note the position of the transformer leads so they may be correctly replaced.
4. Place the new transformer in position but do not yet solder the leads to the circuit-board pads.
5. Secure the bracket to the A24-Rectifier board and attach the transformer to the bracket with the 4 securing screws.
6. Reposition the A24-Rectifier board and secure with 3 screws. Attach the bracket securely to the rear heatsink.
7. Solder the transformer leads to the circuit-board pads.
8. Continue replacing the A24-Rectifier board.



- ① Make sure that all switch shafts are in the OUT position to clear the rear clip.
- ② Place the long edge of a six-inch rule or similar thin straight edge between the top edge of the rear clip and the switch body.
- ③ Carefully pry the rear clip back just far enough to push the steel rule down between the clip and switch body.

**CAUTION**

*When the switch is removed, the contacts may drop free and be damaged or lost. Body salts or acids can contaminate the switch contacts. Wear cotton gloves to prevent touching the contacts in the switch or on the board with bare hands.*

- ④ Pull the rear of the switch up, remove the steel rule, and pull the switch out of the front clip.
- ⑤ To replace the switch, first check that the slide contacts are properly installed in the carrier. Then, place the front of the switch into the front clip and push the rear of the switch down until the rear clip catches and holds the switch in place.

C1967-3

Figure 4-18. Removal procedure for pushbutton switches.

**LINE FUSE**

The line fuse used in this instrument is located on the rear panel of the power-supply unit. Replace the line fuse (F1200) only with one of proper type and rating.

**NOTE**

*The line voltage fuse F1200 is used for both 110 volt and 220 volt operation. No change in the fuse is necessary when switching the LINE VOLTAGE SELECTOR switch between 110 volts and 220 volts.*

**ADJUSTMENT AFTER REPAIR**

After any electrical component has been replaced, the adjustment of that particular circuit should be checked, as well as the adjustment of any closely related circuits. Since the low-voltage supplies affect all circuits, adjustment of the entire instrument should be checked if component replacements have been made in these supplies or if the power transformer has been replaced. See section 5 for a complete adjustment procedure.

# CALIBRATION

This section provides procedures for calibrating this instrument. These procedures are designed to compare the performance of this instrument with other measurement instruments of known accuracy to detect, correlate, or eliminate by adjustment, any variation from the electrical specifications. These procedures also verify that the controls function properly.

This section is divided into two parts: Part I—Performance Check is provided for those who wish to verify that this instrument meets the applicable electrical specifications in section 1 without making internal adjustments. Part II—Adjustment and Performance Check provides a complete calibration procedure that includes adjustments and performance checks in addition to verifying that the controls function properly. The procedures in Part I and Part II are written so that the entire instrument or any major circuit or part of a circuit can be checked or adjusted.

Table 5-1, Calibration Procedure Electives, lists the choices available and instructions for performing complete or partial calibration procedures. Also refer to page 5-2, Using These Procedures, for more detailed information.

**TABLE 5-1**  
**Calibration Procedure Electives**

Electives	Procedure
Functional Check	Perform Power-Up Sequence in Part II—Adjustment and Performance Check. Then proceed sequentially through subsections (A, B, C, etc.) to end. If a functional check only is desired, perform the Operators Checkout Procedure in Section 2.
Performance Check Only	Perform Power-Up Sequence in Part I—Performance Check. Then proceed sequentially through subsections (A, B, C, etc.) to end.
Complete Calibration (Part II—Adjustment and Performance Check)	Perform Power-Up Sequence in Part II—Adjustment and Performance Check. Then proceed sequentially through subsections (A, B, C, etc.) to end.
Partial Part I—Performance Check or Part II—Adjustment and Performance Check by Subsection (A, B, C, etc.)	<p>Perform Power-Up Sequence for Part I—Performance Check or Part II—Adjustment and Performance Check. Perform <b>Before You Begin</b> and Preliminary Control Settings instructions for subsection (A, B, C, etc.) containing the desired step (A1, A2, B1, B2, etc.). Then proceed through the instructions (a, b, c, etc.) in the desired step.</p> <p style="text-align: center;"><b>NOTE</b></p> <p style="text-align: center;"><i>Although a partial adjustment procedure may be done, we recommend that the entire subsection procedure be performed if any adjustments are made.</i></p>

## USING THESE PROCEDURES

### NOTE

*In these procedures, capital letters within the body of the text are used to identify front-panel controls, indicators and connectors on the 7104 (e.g., READOUT). Initial capitalizing is used to identify controls, indicators, and connectors (e.g., Position) on associated test equipment (used in this procedure). Initial capitalizing is also used to identify adjustments internal to the 7104 (e.g., Vert Gain).*

These procedures are divided into subsections by major functional circuits (e.g., A. Z-Axis And Display, B. Calibrator And Output Signals, etc.). The order in which the subsections and procedures appear is the recommended sequence for a complete performance check or calibration of the instrument.

Each step contains the Setup Conditions which, if applicable, include control settings for this instrument, a test setup illustration, and test equipment control settings. The Setup Conditions are written so that, if desired, each subsection (A, B, C, etc.) or step (A1, A2, B1, B2, etc.) can be performed separately.

A heading system is provided to readily identify the steps (A1, A2, B1, B2, etc.) that contain performance check and/or adjustment instructions. For example, if CHECK is the first word in the title of a step, an electrical specification is checked. If ADJUST is the first word in the title, the step concerns one or more internal adjustments. And if CHECK/ADJUST appears in the title, the step involves electrical specification checks and related adjustments. If EXAMINE is the first word in the step title, the step concerns measurement limits that indicate whether the instrument is operating properly; these limits are not to be interpreted as electrical specifications.

The alphabetical instructions under each step (a, b, c, etc.) may contain CHECK, EXAMINE, ADJUST, or INTERACTION as the first word of the instruction. These terms are defined as follows:

1. **CHECK**—indicates the instruction accomplishes an electrical specification check. Each electrical specification checked is listed in Table 5-2, Performance Check Summary (see Performance Check Summary discussion for more information).

2. **EXAMINE**—usually precedes an ADJUST instruction and indicates that the instruction determines whether adjustment is necessary. If no ADJUST instruction appears in the same step, the EXAMINE instruction concerns measurement limits that do not have a related adjustment. Measurement limits following the word EXAMINE are not to be interpreted as electrical specifications. They are provided as indicators of a properly functioning instrument and to aid in the adjustment process.

3. **ADJUST**—describes which adjustment to make and the desired result. We recommend that the adjustments not be made if a previous CHECK or EXAMINE instruction indicates that no adjustment is necessary.

4. **INTERACTION**—indicates that the adjustment described in the preceding instruction interacts with other circuits. The nature of the interaction is described and reference is made to the step(s) affected.

## PERFORMANCE CHECK SUMMARY

Table 5-2, Performance Check Summary, lists the electrical specifications that are checked in Part I and Part II of this section. Table 5-2 is intended to provide a convenient means for locating the procedures in Part I and Part II that check and/or adjust the instrument to meet the applicable electrical specifications. For example: If the A25 Low-Voltage Regulator board had been repaired or replaced, use Table 5-2 to locate the electrical specifications affected by the repair or replacement. Then, note the title of the procedure in Part I or Part II in which those specifications are checked and/or adjusted. Use the index provided at the front of Part I and Part II to determine the page number of the desired procedures.

## ADJUSTMENT INTERVAL

To maintain instrument accuracy, check performance every 1000 hours of operation, or every 6 months if used infrequently. Before complete adjustment, thoroughly clean and inspect this instrument as outlined in the Maintenance section.

## TEKTRONIX FIELD SERVICE

Tektronix Field Service Centers and the Factory Service Center provide instrument repair and adjustment services. Contact your Tektronix Field Office or representative for further information.

**TABLE 5-2**  
**Performance Check Summary**

Characteristic	Performance Requirement	Part I Performance Check Procedure Title	Part II Adjustment and Performance Check Procedure Title
<b>VERTICAL SYSTEM</b>			
Deflection Factor	Compatible with all 7000-series plug-in units.	Implicitly checked in step E1. Check Vertical Amplifier Gain.	Implicitly checked in step F2. Check/Adjust Vertical Amplifier Gain.
Difference Between Vertical Compartments	1% or less.		
Low-Frequency Linearity	0.1 div or less compression or expansion of a center-screen 2 div signal positioned anywhere vertically within the graticule area.	E2. Check Vertical Low-Frequency Linearity.	F3. Check Vertical Low-Frequency Linearity.
Frequency Response  With 7A29 Amplifier Unit	Varies with plug-in unit selected. See 7104 Oscilloscope Vertical System Specification, Table 1-7.  1 GHz at 3 dB down.	Implicitly checked in step E3. Check Vertical Amplifier 1 GHz Gain.	Implicitly checked in step F6. Check Vertical Amplifier 1 GHz Gain.
Step Response  Risetime (10 to 90%, with 7A29 Amplifier Unit)	350 ps or less.	Does not normally require customer verification. However, risetime can be calculated from the Vertical Bandwidth.	
Isolation Between Vertical Compartments (8 Div Signal)  LEFT, RIGHT, ALT Modes	At least 160:1 from dc to 100 MHz and at least 80:1 from 100 MHz to 1 GHz.	E4. Check Vertical Channel Isolation.	F7. Check Vertical Channel Isolation.
Delay Line	Permits viewing the leading edge of triggering signal.	Checked throughout procedure where single pulse is displayed on crt.	
Difference in Signal Delay Between Vertical Compartments	50 ps or less.	Does not normally require customer verification; substantiated at the factory.	
Vertical Display Modes	Selected by front-panel Vertical Mode switch.	E5. Check Vertical Display Modes.	F8. Check Vertical Display Modes.

**TABLE 5-2 (CONT.)  
Performance Check Summary**

Characteristic	Performance Requirement	Part I Performance Check Procedure Title	Part II Adjustment and Performance Check Procedure Title
Vertical Display Modes (Continued)  LEFT  ALT  ADD  CHOP	Left vertical unit displayed.  Display alternates between Left and Right vertical units at rate determined by Horizontal plug-in units.  Display is algebraic sum of Left and Right vertical units.  Display chops between Left and Right vertical units asynchronously to horizontal plug-in unit(s).	E5. Check Vertical Display Modes.	F8. Check Vertical Display Modes.
Repetition Rate	1 MHz within 20%.	Does not normally require customer verification. Satisfactory operation is substantiated by other tests.	
RIGHT	Right vertical unit displayed.	E5. Check Vertical Display Modes.	F8. Check Vertical Display Modes.
"SLAVED ALT"	Slaved operation occurs if: (1) VERT MODE switch set to ALT, (2) HORIZ MODE switch set to ALT or CHOP, (3) time-base unit is installed in each horizontal compartment and (4) the A time-base unit operates in INDEPENDENT mode.  When in slaved operation the display alternates between: (1) the trace produced by the LEFT VERT unit displayed at the sweep rate of B time-base unit and (2) the trace produced by the RIGHT VERT unit displayed at the sweep rate of A time-base unit.  <p style="text-align: center;"><b>NOTE</b></p> <p style="text-align: center;"><i>The VERT TRACE SEPARATION (B) control is inoperative in "Slaved Alt" Mode.</i></p>	"SLAVED ALT" is verified in the Operators Checkout Procedure in Section 2, Operating Instructions.	
VERTICAL TRACE SEPARATION (B)	Positions "B" trace at least 4 div above and below "A" trace, when 7104 operates in ALT or CHOP horizontal modes. See note concerning "Slaved Alt" Vertical Mode.	E6. Check Vertical Trace Separation Operation.	F9. Check Vertical Trace Separation Operation.

**TABLE 5-2 (CONT.)  
Performance Check Summary**

Characteristic	Performance Requirement	Part I Performance Check Procedure Title	Part II Adjustment and Performance Check Procedure Title
<b>TRIGGERING SYSTEM</b>			
A and B TRIGGER SOURCE	Selected by front-panel switches. Lights behind the pushbuttons are illuminated to indicate the trigger source.	C2. Check Trigger Selector Operation.	D4. Check Trigger Selector Operation.
VERT MODE	The trigger source is controlled by the VERT MODE selector. The source (sources) is (are) shown by the illumination of the LEFT and RIGHT trigger source buttons. The source follows (is same as) the Vert Display with the following two exceptions:		
	VERT MODE	Trigger Source	
	CHOP	LEFT	
	"SLAVED ALT"	RIGHT for A TRIG LEFT for B TRIG	
	See Vertical Display Modes for slaved operation.		
LEFT	Trigger source: LEFT vertical unit; LEFT trigger source button illuminated.		
RIGHT	Trigger source: RIGHT vertical unit; RIGHT trigger source button illuminated.		
<b>HORIZONTAL SYSTEM</b>			
Deflection Factor  Gain Differences Between Horizontal Compartments  DC Linearity	Compatible with all 7000-series plug-in units.  1% or less.  0.05 division or less error at each graticule line after adjusting for no error at the second and tenth graticule line.	D1. Check Horizontal Amplifier Gain.	E1. Check/Adjust Horizontal Amplifier Gain.
Fastest Calibrated Sweep Rate	200 ps/division.	D2. Check High-Frequency Timing.	E2. Check/Adjust High-Frequency Timing.



**TABLE 5-2 (CONT.)  
Performance Check Summary**

Characteristic	Performance Requirement	Part I Performance Check Procedure Title	Part II Adjustment and Performance Check Procedure Title
Horizontal Display Modes	A: A horizontal unit only.  ALT: Dual-sweep, alternates between horizontal units.  CHOP: Dual-sweep, chops between horizontal units.  B: B horizontal unit only.	Checked in Operators Checkout Procedure, in section 2.	
Chopped Mode		Does not normally require customer verification. Satisfactory operation is substantiated by other tests.	
Repetition Rate	200 kHz within 20%.		
Phase Shift Between Vertical and Horizontal Systems	2° or less from dc to at least 50 kHz.	Satisfactory operation substantiated at the factory.	
With Option 2 (B HORIZ Compartment Only)  With 7A19's or 7A29's at least one of which has the Variable Delay Option	2° or less from dc to 50 MHz after adjusting variable delay for balance at 25 MHz.  Phase balance can be obtained at any frequency up to 250 MHz.	D3. Check X-Y Compensation (Option 2 only).	E3. Check/Adjust X-Y Compensation (Option 2 only).
Bandwidth (Option 2 Only)	350 MHz.	D4. Check Horizontal Bandwidth.	E4. Check Horizontal Bandwidth.

**CALIBRATOR**

Wave Shape	Square wave.	B3. Check Calibrator Rise Time, Fall Time, and Duty Cycle.	C3. Check Calibrator Rise Time, Fall Time, and Duty Cycle.
Polarity	Positive going with base line at 0 volt.		
Output Resistance	450 Ω.	Satisfactory operation substantiated at the factory.	
Output Voltage	Selected by front-panel CALIBRATOR switch .	B1. Check Calibrator Output Voltage.	C1. Check/Adjust Calibrator Output Voltage.
Into 100 kΩ or Greater	40 mV, 0.4 V, 4 V.		
Into 50 Ω	4 mV, 40 mV, 0.4 V.	Satisfactory operation substantiated at the factory.	

**TABLE 5-2 (CONT.)  
Performance Check Summary**

Characteristic	Performance Requirement	Part I Performance Check Procedure Title	Part II Adjustment and Performance Check Procedure Title
Output Current	40 mA available through CALIBRATOR output with optional bnc to current loop adaptor. CALIBRATOR switch must be set to 4 V for calibrated output.	Satisfactory operation substantiated at the factory.	
Amplitude Accuracy (P-P Voltage)	Within 1%.	B1. Check Calibrator Output Voltage.	C1. Check/Adjust Calibrator Output Voltage.
Repetition Rate	1 kHz within 0.25%.	B3. Check Calibrator Rise Time, Fall Time, and Duty Cycle.	C3. Check Calibrator Rise Time, Fall Time, and Duty Cycle.
Duty Cycle	49.8% to 50.2%.		
Rise Time and Fall Time	500 nsec or less into 100 pF or less.		

**SIGNAL OUTPUTS**

<b>+ SAWTOOTH OUT</b>		B4. Check A and B Sawtooth Output Signals.	C4. Check A and B Sawtooth Output Signals.
Source	Selected by front panel switch. A: A HORIZ time-base unit. B: B HORIZ time-base unit.		
Polarity	Positive-going with baseline at 0 V within 1 V into 1 MΩ.	Does not normally require customer verification. Satisfactory operation substantiated at the factory.	
Output Voltage	50 mV/unit of time selected by the time-base unit time div switch, within 15%, 100 ns/div maximum sweep rate.		
Rate of Rise Into 50 Ω			
Into 1 mΩ	1 V/unit of time selected by the time-base unit time div switch, within 10%, 1 μsec/div maximum sweep rate.	B4. Check A and B Sawtooth Output Signals.	C4. Check A and B Sawtooth Output Signals.
Output Resistance	Approximately 950 Ω.	Does not normally require customer verification. Satisfactory operation substantiated at the factory.	
<b>+ GATE OUT</b>		B5. Check A and B Gate Output Signals.	B5. Check A and B Gate Output Signals.
Source	Selected by front-panel switch. A: A Gate, derived from A HORIZ time-base unit main gate.  B: B Gate, derived from B HORIZ time-base unit main gate.		
Polarity	Positive-going with baseline at 0 V within 1.0 V into 1 MΩ.		

**TABLE 5-2 (CONT.)**  
**Performance Check Summary**

Characteristic	Performance Requirement	Part I Performance Check Procedure Title	Part II Adjustment and Performance Check Procedure Title
+GATE OUT (cont.)		Does not normally require customer verification. Satisfactory operation substantiated at the factory.	
Output Voltage			
Into 50 Ω	0.5 V within 10%.		
Into 1 MΩ	10 V within 10% (up to 1 sec/div sweep rate).		
Rise Time into 50 Ω	5 nsec or less.		
Fall Time into 50 Ω	15 nsec or less.		
Output Resistance	Approximately 950 Ω.		
SIG OUT	Selected by B TRIGGER SOURCE switch.	C2. Check Trigger Selector Operation.	D4. Check Trigger Selector Operation.
Source	Same as B TRIGGER SOURCE.		
Output Voltage		Satisfactory operation substantiated at the factory.	
Into 50 Ω	25 mV/div or vertical deflection within 25%.		
Into 1 MΩ	For a maximum output of ±2 V; 0.5 V/div of vertical deflection within 25%.		
Bandwidth into 50 Ω	Varies with vertical plug-in selected. See 7104 Oscilloscope Vertical System Specification, Table 1-7.		
DC Centering	0 V within 1 V into 1 MΩ.	C1. Check Vertical Signal Out DC Centering.	D3. Check/Adjust Vertical Signal Out DC Centering.
Aberrations	15% or less peak-to-peak within 20 ns of step.	Satisfactory operation substantiated at the factory.	
Output Resistance	Approximately 950 Ω.		

**READOUT DISPLAY**

Readout Modes		F1. Check Readout Modes.	G4. Check Readout Modes.
Free-Run (Not Labeled)	Continuously displayed.		
PULSED	Single-shot operation.		
Pulse Source	Selected by front-panel switches.  + GATE: Triggered by the trailing edge of the + GATE selected by the front-panel switch.		

**TABLE 5-2 (CONT.)  
Performance Check Summary**

Characteristic	Performance Requirement	Part I Performance Check Procedure Title	Part II Adjustment and Performance Check Procedure Title
Readout Modes (cont.) Pulse Source (Continued)	EXT: Controlled through rear-panel remote control connector.  MAN: Manual trigger, independent of other pulse sources.	F1. Check Readout Modes.	G4. Check Readout Modes.
<b>DISPLAY</b>			
Graticule Type	Internal, illuminated with variable edge lighting.	B6. Check Graticule Illumination Operation.	C6. Check Graticule Illumination Operation.
Lighting Normal	Continuously lighted.		
PULSED	Single-shot operation. Lights are pulsed on for approximately 0.5 seconds.		
Pulse Source	Selected by front-panel switches. + GATE: Triggered by the trailing edge of the + GATE selected by the front-panel switch.  EXT: Controlled through rear-panel remote control connector.  MAN: Manual trigger, independent of other pulse sources.		
Area	8 x 10 div 0.85 cm/div.	Checked at the factory.	
Phosphor	P31.		
Vertical and Horizontal Resolution	17 lines/div.		
Limited Viewing Time Indicator		Checked in the Operators Checkout Procedure, in section 2.	
Steady Yellow	Crt display time is limited to ≤ 20 minutes.		
Flashing Yellow	Crt display time is limited to 2 minutes or less and Intensity is being limited.		
Geometry	Within 0.1 div of vertical and horizontal graticule lines.	A2. Check Geometry.	B5. Check/Adjust Geometry.
BEAMFINDER	When actuated limits the display within the graticule area and defocuses the display.	Checked in the Operators Checkout Procedure in section 2.	

**TABLE 5-2 (CONT.)  
Performance Check Summary**

Characteristic	Performance Requirement	Part I Performance Check Procedure Title	Part II Adjustment and Performance Check Procedure Title
Minimum Photographic Writing Speed	20 cm/nsec (without blue filter). Phosphor: Standard P31. Camera: Tektronix C53; f/1.9 1:0.85 lens.  Film: Polaroid Type 107; 3000 ASA.	G1. Check Photographic Writing Rate.	H1. Check/Adjust Photographic Writing Rate.
<b>REMOTE CONNECTORS AND SWITCHES</b>			
Control Illumination	High, medium and off. (Three position switch located on rear panel of power supply).	Checked in the Operators Checkout Procedure in section 2.	
Camera Power	3-contact connector compatible with Tektronix C-50 series cameras.	Implicitly checked in step G1. Check Photographic Writing Rate.	Implicitly checked in step H1. Check/Adjust Photographic Writing Rate.
Bottom Pin	Ground.		
Center Pin	Single sweep reset.		
Top Pin	+15 V.		
REMOTE RESET INPUT	Input to reset single-sweep function of time-base units installed in A and B HORIZ compartments.	Does not normally require customer verification. Satisfactory operation substantiated at the factory.	
Signal Required	Closure to ground or switching from the high level (+50 V to +10 V; sink less than 40 $\mu$ A) to the low level (+0.5 V to -5 V; sink less than 12 mA) in less than 1 msec, resets the sweep.  Compatible to 15 V open collector TTL source.		
Minimum Pulse Width	10 $\mu$ sec at 50% amplitude points.		
Maximum Safe Input Voltage	50 V to -5 V (dc + peak ac).		
A SINGLE SWEEP READY	Bnc connector on rear panel. Remote ready indicator for A HORIZ time-base unit.		
Output Signal	Open when not ready. +5 V at 47 $\Omega$ source impedance when ready. Output will light a No. 49 bulb.		
B SINGLE SWEEP READY	Bnc connector on rear panel. Remote ready indicator for B HORIZ time-base unit.		
Output Signal	Open when not ready. +5 V at 47 $\Omega$ source impedance when ready. Output will light a No. 49 bulb.		

**TABLE 5-2 (CONT.)  
Performance Check Summary**

Characteristic	Performance Requirement	Part I Performance Check Procedure Title	Part II Adjustment and Performance Check Procedure Title
GRAT/READOUT SINGLE SHOT	Bnc connector on rear panel. Switching to the low level (+ 1 V) to -5 V; sink less than 2 mA) from the high level (+10 V to +15 V; sink less than 0.3 mA), in less than 1 $\mu$ sec, triggers the Readout to display one complete readout frame and the GRAT ILLUM (to be displayed for approximately 0.5 sec).  Compatible to 15 V open collector TTL Source.	Does not normally require customer verification. Satisfactory operation substantiated at the factory.	
Maximum Open Circuit Voltage	+15 V.		
Maximum Safe Input Voltage	+15 V to -5 V (dc plus peak ac).		
Probe Power	Two probe power connectors on rear panel.		
Pin 1	+5 V.		
Pin 2	Chassis Ground.		
Pin 3	-15 V.		
Pin 4	+15 V.		
EXTERNAL Z-AXIS INPUT	Bnc connector on rear panel.	A3. Check External Z-Axis Operation.	B7. Check External Z-Axis Operation.
Polarity and Sensitivity	Positive 2 V provides complete blanking from maximum intensity condition. Negative 2 V provides complete unblanking from minimum intensity condition.		
Low Frequency Limit	Dc.	Does not normally require customer verification. Satisfactory operation substantiated at the factory.	
Input Resistance	Approximately 500 ohm.		
Input Capacitance	Less than 50 pF.		
Open Circuit Voltage	0 V.		
Maximum Safe Input Voltage	15 V, dc plus peak ac.		
Maximum Repetition Rate	1 MHz.		

**POWER SOURCE**

Voltage Range (AC, RMS)	Selected rear-panel LINE VOLTAGE SELECTOR switch.	Does not normally require customer verification. Satisfactory operation substantiated by other tests.
115 V Rated	From 90 V to 132 V.	
230 V Rated	From 180 V to 250 V.	

**TABLE 5-2 (CONT.)  
Performance Check Summary**

Characteristic	Performance Requirement	Part I Performance Check Procedure Title	Part II Adjustment and Performance Check Procedure Title
Line Frequency	From 48 Hz to 440 Hz.	Does not normally require customer verification. Satisfactory operation substantiated at the factory.	
Maximum Power Consumption	215 W.		
Maximum Current	3.3 A at 60 Hz, 90 V line. 1.7 A at 60 Hz, 180 V line.		
Fuse Data  Line (F1200)	4 A fast blow. (For both line voltage selector ranges.)		

**TEST EQUIPMENT REQUIRED**

The test equipment listed in Table 5-3 is required for a complete Adjustment and Performance Check of the instrument. If only a Performance Check is to be performed, the items required for Adjustment are not required and are indicated by footnote 1. The remaining test equipment is common to both procedures.

The specifications for test equipment, given in Table 5-3 are the minimum required to meet the performance requirements. Detailed operating instructions for test equipment are omitted in these procedures. Refer to the test equipment instruction manual if more information is needed.

**SPECIAL FIXTURES**

Special fixtures are used only where they facilitate instrument adjustment. These fixtures are available from Tektronix, Inc. Order by part number from Tektronix Field Offices or representatives.

**TEST EQUIPMENT ALTERNATIVES**

All of the listed test equipment is required to completely calibrate this instrument. However, complete checking or adjusting may not always be necessary or desirable. You may be satisfied with checking only selected characteristics, thereby reducing the amount of test equipment actually required.

The calibration procedures in Part II are based on the first item of equipment given as an example. When other equipment is substituted, control settings or setups may need to be altered. If the exact item of equipment given as an example in Table 5-3 is not available, first check the Minimum Specifications column carefully to see if any other equipment might suffice. Then check the Purpose column to see what this item is used for. If used for a performance check or adjustment that is of little or no importance for your measurement requirements, the item and corresponding step(s) can be deleted.

**TABLE 5-3**  
**Test Equipment**

Description	Minimum Specifications	Purpose	Examples of Applicable Test Equipment
1. Test Oscilloscope	Bandwidth, dc to 200 megahertz, minimum deflection factor 10 millivolts/division; accuracy, within 3%. Dual-channel with an inverting input and both added and alternate vertical modes.	Used throughout calibration procedure.	<p>a. TEKTRONIX 7704A Oscilloscope System with 7A18 and 7A29 Amplifier; 7B80 or 7B10 Time Base, and P6053B Probe.</p> <p>b. TEKTRONIX 475 Oscilloscope with P6053B Probe.</p> <p>c. Refer to the Tektronix Products catalog for compatible oscilloscope system.</p>
2. Amplifier Unit (Two Required, One with Variable Delay)	Tektronix 7A-series plug-in unit.	Used throughout procedure to provide vertical input to the instrument under adjustment.	a. TEKTRONIX 7A29 Amplifier, and TEKTRONIX 7A29 AMPLIFIER (Option 4).
3. Amplifier Unit (Dual Trace)	Any 7A-series dual display amplifier unit.	Used to check position and operation of read-out display.	a. Any 7A-series dual amplifier unit (may be shared with a 7000-series test oscilloscope).
4. Time-Base Unit (Two Required)	Sweep rate 2 nanoseconds/division.	Used throughout procedure to provide sweep.	<p>a. TEKTRONIX 7B15 Time Base.</p> <p>b. TEKTRONIX 7B10 Time Base.</p>
5. Signal Standardizer (Two Required)	Produces gain-check and pulse-response waveforms.	Used throughout procedure to standardize instrument so plug-in units can be interchanged without complete readjustment and to adjust crt geometry.	<p>a. Tektronix Calibration Fixture 067-0587-02.</p> <p>b. 7000-series plug-in units with suitable signal sources may be substituted if lower performance is acceptable.</p>
6. Plug-In Extender <sup>1</sup> (Rigid Calibration Fixture)	Provides access to power supply voltages.	Power Supply Voltage, Trigger System check and adjustment.	a. Tektronix Part 067-0589-00.
7. Camera	f/1.9, 1:0.85 lens.	Photographic writing rate.	a. TEKTRONIX C-53 Oscilloscope Camera.
8. Precision DC Voltmeter (DVM)	Range, -75 to +200 volts; accuracy, within 0.1%.	Check and adjustment of calibrator output accuracy, power supply voltages and Z-axis display voltages.	<p>a. TEKTRONIX DM 501 Digital Multimeter with power module.</p> <p>b. Fluke Model 825A Differential DC Voltmeter.</p>
9. DC Voltmeter (VOM)	Range, to -2500 volts; accuracy, checked to within 1% at -2265 volts.	High-voltage power supply adjustment and geometry.	<p>a. Triplet Model 630-NA.</p> <p>b. Simpson Model 262.</p>

<sup>1</sup>Used for calibration only; NOT used for performance check.



**TABLE 5-3 (CONT.)  
Test Equipment**

Description	Minimum Specifications	Purpose	Examples of Applicable Test Equipment
10. Time-Mark Generator	Marker outputs, 1 nano-second to 0.1 second; marker accuracy, within 0.1%; trigger output, 1 millisecond.	Check and adjustment of horizontal timing, and calibrator frequency.	a. TEKTRONIX TG 501 Time-Mark Generator with power module.
11. Low-Frequency Sine-Wave Generator	Frequency, 250 kilohertz to 250 megahertz; output amplitude, variable from 50 millivolts to 3 volts into 50 ohms.	Check and adjust horizontal bandwidth and external Z-axis input.	a. TEKTRONIX SG 503 Leveled Sine-Wave Generator with power module.  b. General Radio 1310-B Oscillator.
12. High-Frequency Sine-Wave Generator	Frequency 245 megahertz to 1 gigahertz; reference frequency, 20 megahertz or lower; output amplitude, variable from 0.5 to 4 volts into 50 ohms; amplitude accuracy, constant within 1% of reference as output frequency changes.	Check and adjustment of vertical bandwidth and vertical channel isolation.	a. TEKTRONIX SG 504 Leveled Sine-Wave Generator.  b. Wiltron Model 610C Swept Frequency Generator with Model 61083C, 10 to 1220 megahertz plug-in.
13. 10X Passive Probe <sup>1</sup>	Compatible with test oscilloscope to be used.	Used to check signals out, calibrator and Z-axis adjustment.	a. TEKTRONIX P6053B or P6054A Probe.
14. 100X Probe	Compatible with test oscilloscope to be used; impedance, 5 kilohms.	Used to check Z-axis adjustment.	a. TEKTRONIX P6057 Probe.
15. Coaxial Cable (Two of Each Length Required)	Impedance, 50 ohms; type, RG-58/U; length, 18 and 42 inches; connectors, bnc.	Signal interconnection.	a. Tektronix Part 012-0076-00 (18 inches) and Tektronix Part 012-0057-01 (42 inches).
16. 2X Attenuator	Impedance, 50 ohms; 2X accuracy, within 2%, connectors, bnc.	Output termination for signal generators, if amplifier unit is not 50-ohm input impedance.	a. Tektronix Part 011-0069-02.
17. T Connector	Bnc-to-bnc.	Used to check external Z-axis operation and X-Y compensation.	a. Tektronix Part 103-0030-00.
18. Nylon Tuning Tool <sup>1</sup>	1-inch shaft.	Vertical high-frequency compensation.	a. Tektronix Part 003-0675-00.
19. Low-Capacitance Screwdriver <sup>1</sup>	1-inch shaft.	Used throughout adjustment procedure to adjust variable components.	a. Tektronix Part 003-0000-00.
20. Screwdriver <sup>1</sup>	Three-inch shaft, 3/32-inch bit.	Used throughout procedure to adjust variable resistors.	a. Xcelite R-3323.

<sup>1</sup> Used for calibration only; NOT used for performance check.

# PART I—PERFORMANCE CHECK

The following procedure (Part I—Performance Check) verifies electrical specifications without removing instrument covers or making internal adjustments. All tolerances given are as specified in the Specification tables (section 1) in this manual.

Part II—Adjustment and Performance Check provides the information necessary to: (1) verify that the instrument meets the electrical specifications, (2) verify that all controls function properly, and (3) perform all internal adjustments.

A separate Operators Checkout Procedure is provided in section 2 for familiarization with the instrument and also to verify that all controls, indicators and connectors function properly.

## INDEX TO PERFORMANCE CHECK PROCEDURE

	PAGE
A. Z-AXIS AND DISPLAY .....	5-16
1. Check Trace Alignment.....	5-16
2. Check Geometry.....	5-17
3. Check External Z-Axis Operation.....	5-17
B. CALIBRATOR AND OUTPUT SIGNALS .....	5-18
1. Check Calibrator Output Voltage .....	5-18
2. Check Calibrator 1 kHz Repetition Rate....	5-19
3. Check Calibrator Rise Time, Fall Time, and Duty Cycle .....	5-19
4. Check A and B Sawtooth Output Signals..	5-20
5. Check A and B Gate Output Signals .....	5-21
6. Check Graticule Illumination Operation ....	5-21
C. TRIGGER SYSTEM .....	5-22
1. Check Vertical Signal Out DC Centering ...	5-22
2. Check Trigger Selector Operation .....	5-23
D. HORIZONTAL SYSTEM .....	5-24
1. Check Horizontal Amplifier Gain .....	5-25
2. Check High-Frequency Timing .....	5-25
3. Check X-Y Compensation (Option 2) .....	5-26
4. Check Horizontal Bandwidth .....	5-26
E. VERTICAL SYSTEM .....	5-27
1. Check Vertical Amplifier Gain .....	5-27
2. Check Vertical Low-Frequency Linearity....	5-28
3. Check Vertical Amplifier 1 GHz Gain .....	5-28
4. Check Vertical Channel Isolation.....	5-29
5. Check Vertical Display Modes .....	5-29
6. Check Vertical Trace Separation Operation .....	5-30
F. READOUT SYSTEM .....	5-31
1. Check Readout Modes.....	5-31
G. PHOTOGRAPHIC WRITING RATE .....	5-33
1. Check Photographic Writing Rate .....	5-33

## PERFORMANCE CHECK POWER-UP SEQUENCE

### NOTE

*The performance of this instrument can be checked at any ambient temperature from 0° to +50° C unless otherwise stated. Adjustments must be performed at an ambient temperature from +20° to +30° C for specified accuracies.*

1. Check that the LINE VOLTAGE SELECTOR switch is set for the correct input line voltage.
2. Connect the instrument power cord to the power source.
3. Turn the instrument POWER switch on and allow at least 20 minutes before proceeding.

## A. Z-AXIS AND DISPLAY

**Equipment Required:** (Numbers correspond to those listed in Table 5-3, Test Equipment.)

- |                                  |                       |
|----------------------------------|-----------------------|
| 1. Test oscilloscope             | 17. T connector (bnc) |
| 4. Time-base unit                |                       |
| 15. 50-ohm cables (two required) |                       |

### BEFORE YOU BEGIN:

(1) Perform the Performance Check Power-Up Sequence.

(2) Refer to Section 6, Instrument Options, and the Change Information at the rear of this manual for any modifications which may affect this procedure.

### A1. CHECK TRACE ALIGNMENT

**A1. SETUP CONDITIONS**

7104 Controls:  
No change in settings.

7104

Signal Standardizer

Time Base

Test Equipment Controls:

Signal Standardizer  
Test Selector Switch ..... Vert or Horiz Aux In

Time Base  
Triggering ..... Auto, AC, Internal  
Sweep Rate ..... 1 ms/div  
Magnifier ..... X1

### Z-AXIS AND DISPLAY PRELIMINARY CONTROL SETTINGS:

POWER switch ..... On  
VERTICAL MODE ..... RIGHT  
A TRIGGER SOURCE ..... VERT MODE  
A INTENSITY ..... Fully counterclockwise  
HORIZONTAL MODE ..... A  
B INTENSITY ..... Fully counterclockwise  
B TRIGGER SOURCE ..... VERT MODE  
FOCUS ..... Midrange  
READOUT INTENSITY ..... OFF (in detent)  
GRAT ILLUM ..... Midrange  
BEAMFINDER ..... Pushbutton out

a. Set the A INTENSITY control for a visible trace. Set the FOCUS and ASTIG controls for a well-defined trace.

b. Position the trace to the center graticule line.

c. **CHECK**—Trace parallels the center graticule line within 0.1 division.

d. **ADJUST**—TRACE ROTATION adjustment to align the trace with the vertical center graticule line.

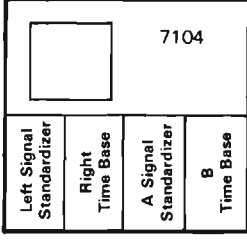
## A2. CHECK GEOMETRY

### NOTE

If the preceding step was not performed, first refer to the Z-Axis And Display Preliminary Control Settings, then proceed with the following instructions.

**A2. SETUP CONDITIONS**

7104 Controls:  
 VERTICAL MODE ..... ALT  
 HORIZONTAL MODE ..... ALT



Test Equipment Controls:  
 Left Signal Standardizer  
 Test Selector Switch ..... Vert or Horiz Gain  
 Rep Rate ..... 100 kHz

A Signal Standardizer  
 Test Selector Switch ..... Vert or Horiz Gain  
 Rep Rate ..... 100 kHz

Right Time Base  
 Sweep Rate ..... 2  $\mu$ s/div  
 Triggering ..... Auto, AC, External

B Time Base  
 Sweep Rate ..... 2  $\mu$ s/div  
 Triggering ..... Auto, AC, External

- a. Set the B INTENSITY control for a visible display.
- b. Set the FOCUS and ASTIG controls for a well defined display.
- c. **CHECK**—For crosshatch pattern lines that parallel the graticule lines within 0.1 division.

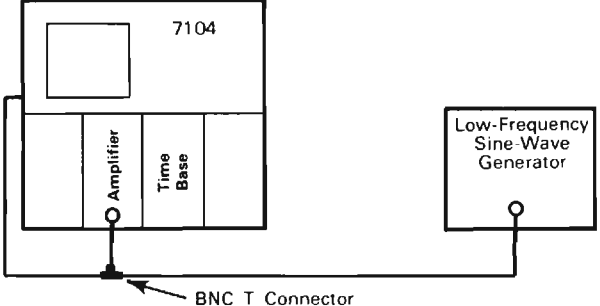
## A3. CHECK EXTERNAL Z-AXIS OPERATION

### NOTE

If the preceding step was not performed, first refer to the Z-Axis And Display Preliminary Control Settings, then proceed with the following instructions.

**A3. SETUP CONDITIONS**

7104 Controls:  
 HORIZONTAL MODE ..... A  
 VERTICAL MODE ..... RIGHT



Test Equipment Controls:  
 Amplifier Unit  
 Deflection Factor ..... 0.5 V/div  
 Time Base  
 Sweep Rate ..... 20  $\mu$ s/div  
 Triggering ..... Auto, AC, Internal

- a. Set the A INTENSITY control for a dim display.
- b. Connect the output of the low-frequency sine-wave generator to the amplifier unit input (use a T connector, bnc, at the amplifier input).
- c. Set the low-frequency sine-wave generator for a four-division display at 50 kilohertz (one volt above and below ground).
- d. Connect the signal from the output of the T connector at the amplifier input to the Z-AXIS INPUT connector on the rear panel.
- e. **CHECK**—Positive portion of the displayed waveform is blanked out.

## B. CALIBRATOR AND OUTPUT SIGNALS

**Equipment Required:** (Numbers correspond to those listed in Table 5-3, Test Equipment.)

- |                         |   |
|-------------------------|---|
| 1. Test oscilloscope    | 15. Coaxial cable (one 18-inch, two 42-inch required) |
| 4. Time-base unit       | 17. T connector                                       |
| 10. Time-mark generator |   |

### BEFORE YOU BEGIN:

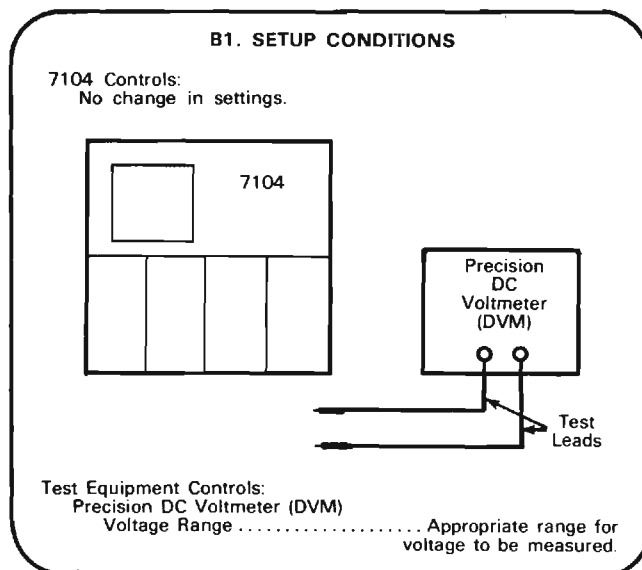
(1) Perform the Performance Check Power-Up Sequence.

(2) Refer to Section 6, Instrument Options, and the Change Information at the rear of this manual for any modifications which may affect this procedure.

### CALIBRATOR AND OUTPUT SIGNALS PRELIMINARY CONTROL SETTINGS:

POWER switch ..... On  
 VERTICAL MODE ..... RIGHT  
 A TRIGGER SOURCE ..... VERT MODE  
 A INTENSITY ..... Fully counterclockwise  
 HORIZONTAL MODE ..... A  
 B INTENSITY ..... Fully counterclockwise  
 B TRIGGER SOURCE ..... VERT MODE  
 READOUT INTENSITY ..... OFF (in detent)  
 GRAT ILLUM ..... Midrange  
 BEAMFINDER ..... Pushbutton out  
 CALIBRATOR ..... 4 V pushbutton in

### B1. CHECK CALIBRATOR OUTPUT VOLTAGE



a. Set both the 4 V and 0.4 V CALIBRATOR pushbuttons to the depressed position.

b. Connect the precision dc voltmeter to the CALIBRATOR output connector.

c. **CHECK**—Meter reading for 0.4008 volt within the limits of 0.4004 to 0.4012 volt.

## B2. CHECK CALIBRATOR 1 kHz REPETITION RATE

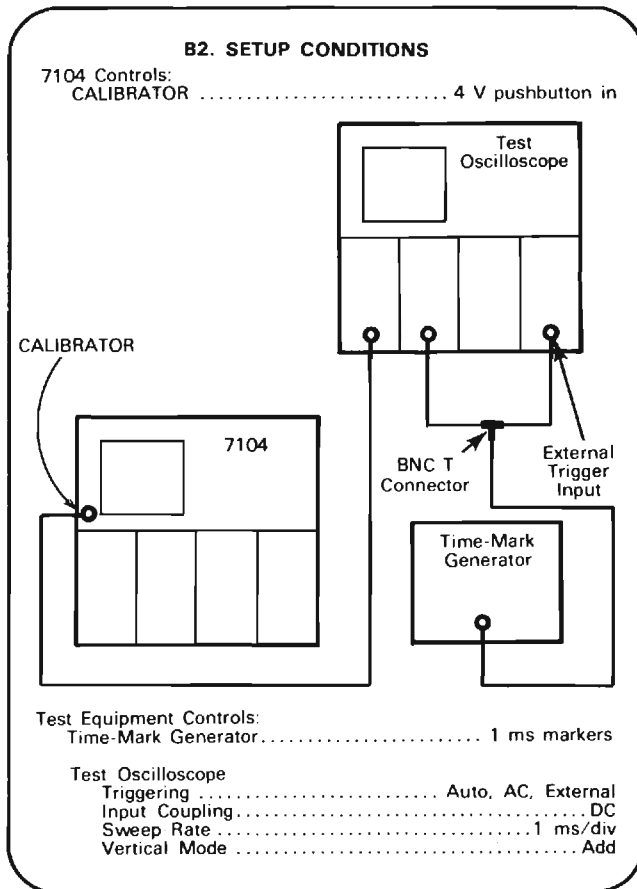
### NOTE

A frequency counter with an accuracy of at least 0.1% may be used to adjust the calibrator repetition rate.

If the preceding step was not performed, first refer to the Calibrator And Output Signals Preliminary Control Settings, then proceed with the following instructions.

d. Set the test oscilloscope sweep rate for 0.2 second/division.

e. **CHECK**—The time required for the 1-millisecond time marks to drift from the positive level of the CALIBRATOR signal to the negative level, and back to the positive level must be more than 0.4 second (2 divisions). This time can be measured directly from the display by observing the number of divisions that the markers move across the display area before it returns to the positive level.



a. Connect 1-millisecond time-markers to the test oscilloscope external trigger input and to the noninverting vertical channel of the test oscilloscope (use a T connector). Connect the 7104 CALIBRATOR output to the inverting input of the test oscilloscope.

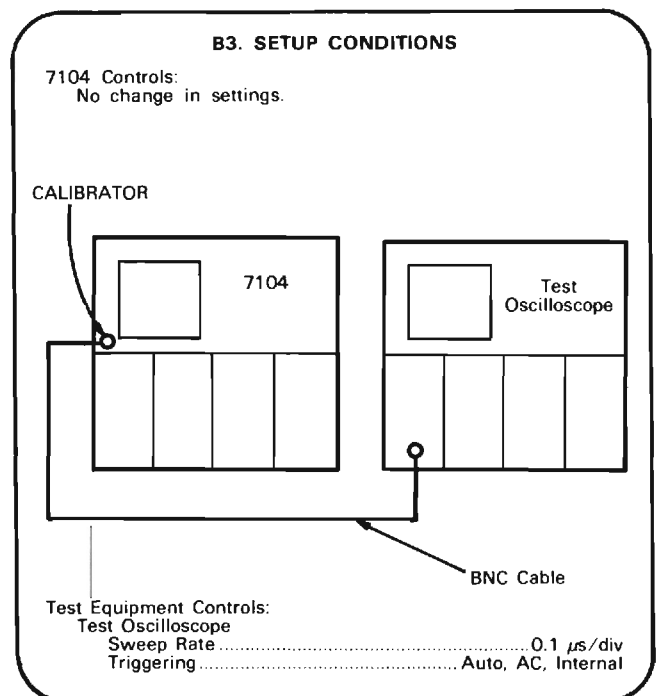
b. Set the test oscilloscope triggering level for a stable time-mark display.

c. Set the test oscilloscope vertical deflection factors to display 2 divisions of CALIBRATOR signal and 1 division of time-marker signal.

## B3. CHECK CALIBRATOR RISE TIME, FALL TIME, AND DUTY CYCLE

### NOTE

If the preceding step was not performed, first refer to the Calibrator And Output Signals Preliminary Control Settings, then proceed with the following instructions.



a. Connect the CALIBRATOR output to the inverting vertical input of the test oscilloscope.

**Calibration Part I—7104  
Performance Check**

b. Set the test oscilloscope vertical deflection to display 4 divisions of CALIBRATOR signal.

c. Set the test oscilloscope for a stable display, triggered on the rising portion of the CALIBRATOR signal.

d. **CHECK**—Displayed waveform for not more than 5 divisions horizontally between the 10% to 90% points of the waveform (rise time, 0.5 microsecond or less).

e. Set the test oscilloscope for a stable display triggered on the falling portion of the waveform.

f. **CHECK**—Displayed waveform for not more than 5 divisions between the 90% and 10% points (fall time, 0.5 microsecond or less).

g. Set the test oscilloscope triggering for positive slope and auto mode with ac coupling from the internal source at a sweep rate of 0.1 millisecond/division. Set the triggering controls so that the display starts at the 50% point on the rising edge of the waveform.

h. Set the test oscilloscope sweep magnifier to X10. Then, position the display horizontally so the falling edge of the waveform aligns with the center vertical graticule line.

i. Set the test oscilloscope vertical to invert the display.

**NOTE**

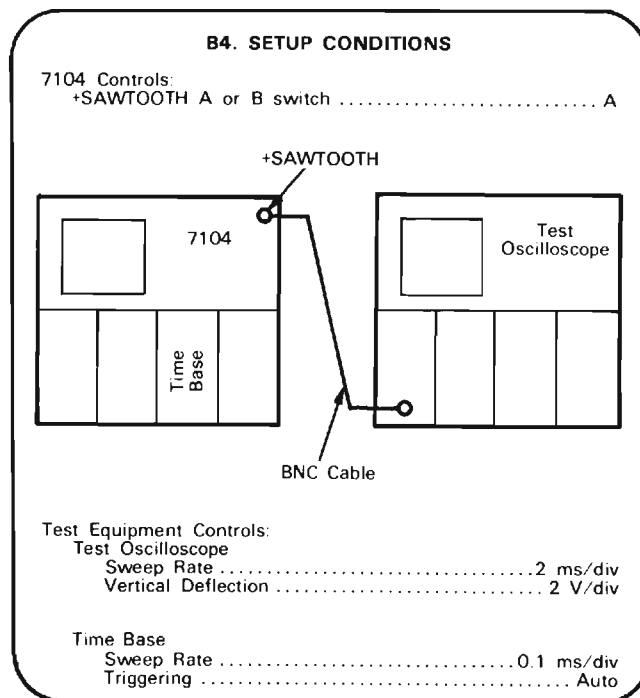
*The display is triggered on the opposite slope, even though the display appears the same.*

j. **CHECK**—The 50% point on the falling edge of the waveform now displayed is within 0.2 divisions horizontally of the center line. (Indicates duty cycle of 50% within 0.2%.)

**B4. CHECK A AND B SAWTOOTH OUTPUT SIGNALS**

**NOTE**

*If the preceding step was not performed, first refer to the Calibrator And Output Signals Preliminary Control Settings, then proceed with the following instructions.*



a. Connect the +SAWTOOTH output connector to the test oscilloscope channel 1 vertical input (1 megohm input).

b. **CHECK**—That the slope of the test oscilloscope display is 2 volts/division within 10% (10 volt sawtooth display for 10 division sweep on 7104 crt screen) and that the sawtooth baseline is within one volt of ground.

c. Move the time-base unit to the B HORIZ compartment.

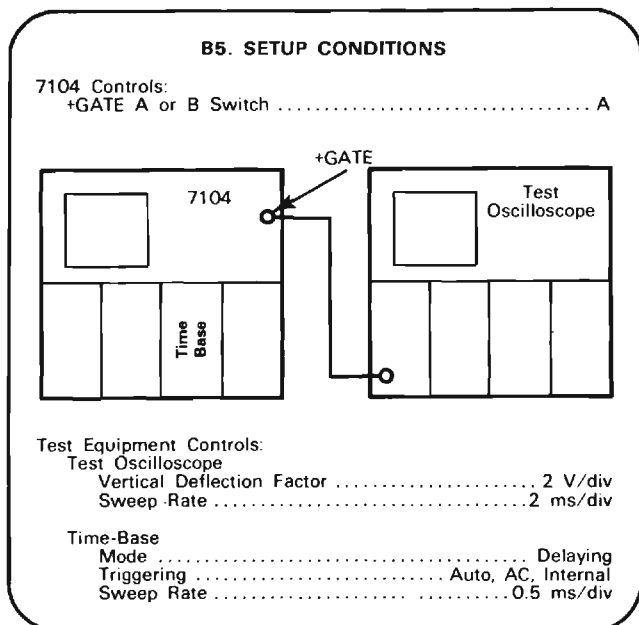
d. Set the +SAWTOOTH selector switch to the B position.

e. **CHECK**—Test oscilloscope display for 2 volts/division of sweep within 10% (10 volt sawtooth display for 10 division sweep on the 7104 crt screen) and that the sawtooth baseline is within one volt of ground.

### B5. CHECK A AND B GATE OUTPUT SIGNALS

#### NOTE

If the preceding step was not performed, first refer to the *Calibrator And Output Signals Preliminary Control Settings*, then proceed with the following instructions.



a. **CHECK**—Test oscilloscope display for a gate waveform 5 divisions in amplitude within 10% and a baseline at zero volts within one volt.

b. Move the time-base unit to the B HORIZ compartment.

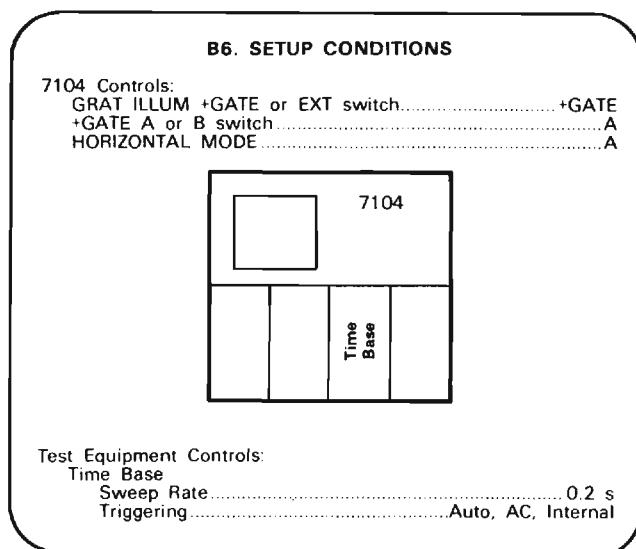
c. Set the +GATE selector switch to the B position.

d. **CHECK**—Test oscilloscope display for a gate waveform 5 divisions in amplitude within 10% and a baseline at zero volts within one volt.

### B6. CHECK GRATICULE ILLUMINATION OPERATION

#### NOTE

If the preceding step was not performed, first refer to the *Calibrator And Output Signals Preliminary Control Settings*, then proceed with the following instructions.



a. **CHECK**—Rotate the GRAT ILLUM control throughout its range and notice that the illumination of the graticule varies.

b. Set the GRAT ILLUM control fully clockwise to the PULSED detent position.

c. Set the A INTENSITY control for a visible display.

d. **CHECK**—Graticule illumination occurs only after the time-base unit has completed a sweep (adjust GRAT ILLUM PRESET, if necessary).

e. Set the GRAT ILLUM +GATE or EXT switch to EXT.

f. **CHECK**—Press the GRAT ILLUM MAN pushbutton and check for one momentary illumination of the graticule.

g. Set the GRAT ILLUM control to midrange (out of the PULSED detent position).



## C. TRIGGER SYSTEM

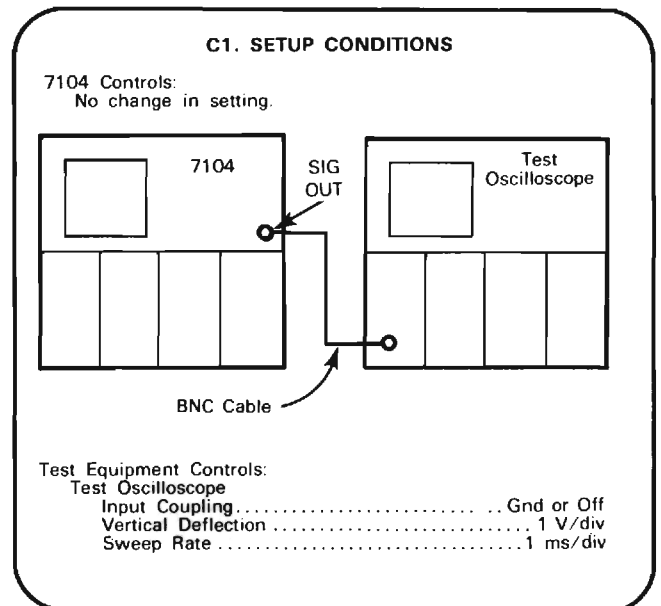
**Equipment Required:** (Numbers correspond to those listed in Table 5-3, Test Equipment.)

- |                                  |   |
|----------------------------------|---|
| 1. Test oscilloscope             | 5. Signal standardizer                                |
| 3. Amplifier unit (dual trace)   | 15. Coaxial cable (one 18-inch, two 42-inch required) |
| 4. Time-base unit (two required) |   |

### BEFORE YOU BEGIN:

- (1) Perform the Performance Check Power-Up Sequence.
  
- (2) Refer to Section 6, Instrument Options, and the Change Information at the rear of this manual for any modifications which may affect this procedure.

### C1. CHECK VERTICAL SIGNAL OUT DC CENTERING



### TRIGGER SYSTEM PRELIMINARY CONTROL SETTINGS:

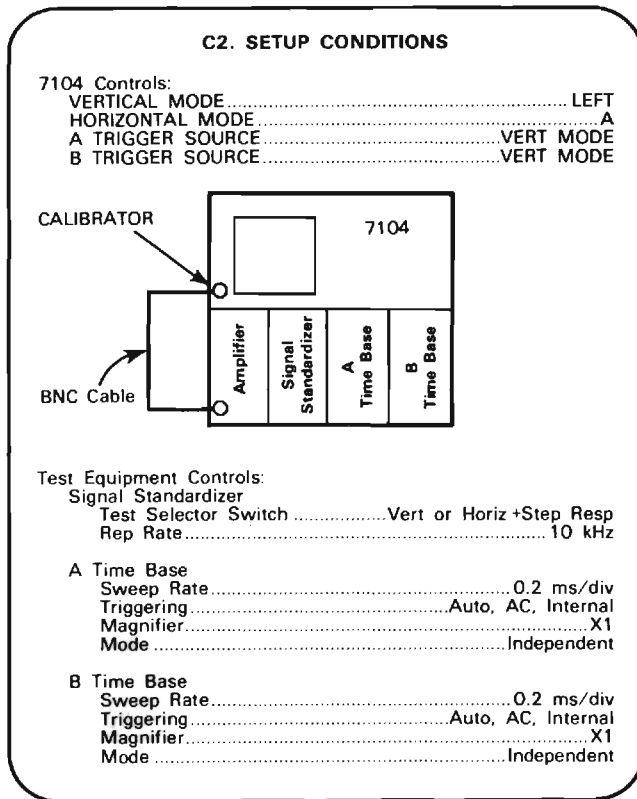
POWER switch ..... On  
 VERTICAL MODE ..... RIGHT  
 A TRIGGER SOURCE ..... VERT MODE  
 A INTENSITY ..... Fully counterclockwise  
 HORIZONTAL MODE ..... A  
 B INTENSITY ..... Fully counterclockwise  
 B TRIGGER SOURCE ..... VERT MODE  
 FOCUS ..... Midrange  
 READOUT INTENSITY ..... OFF (in detent)  
 GRAT ILLUM ..... Midrange  
 BEAMFINDER ..... Pushbutton out

- a. Establish a ground reference for the test oscilloscope by positioning the trace to the graticule center line. Do not change the test oscilloscope position control after setting this ground reference.
- b. Connect the front-panel SIG OUT connector to the vertical input of the test oscilloscope with the 42-inch, 50-ohm bnc cable.
- c. Set the test oscilloscope input coupling switch to dc.
- d. **CHECK**—Test oscilloscope display for a dc level within 1 division of the ground reference established in part a.

## C2. CHECK TRIGGER SELECTOR OPERATION

### NOTE

If the preceding step was not performed, first refer to the Trigger System Preliminary Control Settings, then proceed with the following instructions.



a. Connect the CALIBRATOR 4 V output to the amplifier unit (use 18-inch bnc cable). Set the A INTENSITY control for a visible display. Set the amplifier for a 2-division display in the upper half of the graticule area. Use the A time-base unit trigger level to trigger the display.

b. Set the VERTICAL MODE switch to RIGHT.

c. Set the signal standardizer Amplitude and Position controls for a 2-division display in the lower half of the graticule area.

d. Set the VERTICAL MODE switch to ALT.

e. **CHECK**—The crt display for 1-kHz and 10-kHz triggered waveforms (adjust the time-base unit trigger level controls as necessary).

f. Set the VERTICAL MODE switch to ADD.

g. **CHECK**—For a triggered waveform.

h. Set the VERTICAL MODE switch to CHOP.

i. **CHECK**—For a stable display of only the 1-kHz waveform.

j. Set the A TRIGGER SOURCE switch to LEFT VERT.

k. **CHECK**—Sequentially select all positions of the VERTICAL MODE switch and check for a stable display of only the 1-kHz waveform.

l. Set the A TRIGGER SOURCE switch to RIGHT VERT.

m. **CHECK**—Sequentially select all positions of the VERTICAL MODE switch and check for a stable display of only the 10-kHz waveform.

n. Set the VERTICAL MODE switch to ALT, the HORIZONTAL MODE switch to B, and the B INTENSITY control for a visible display.

o. **CHECK**—Crt display for 1-kHz and 10-kHz triggered waveforms.

p. Set the VERTICAL MODE switch to ADD.

q. **CHECK**—For a stable display.

r. Set the VERTICAL MODE switch to CHOP.

s. **CHECK**—For a stable display of only the 1-kHz waveform.

t. Set the B TRIGGER SOURCE switch to LEFT VERT.

u. **CHECK**—Sequentially select all positions of the VERTICAL MODE switch and check for a stable display of only the 1-kHz waveform.

v. Set the B TRIGGER SOURCE switch to RIGHT VERT.

w. **CHECK**—Sequentially select all positions of the VERTICAL MODE switch and check for a stable display of only the 10-kHz waveform.

x. Set the VERTICAL MODE switch to ALT, the HORIZONTAL MODE switch to ALT, and the A and B TRIGGER SOURCE switches to VERT MODE.

y. **CHECK**—Vary the time-base unit's Trigger Level control. The B HORIZ time-base unit should be triggered on the 1-kHz waveform; the A HORIZ time-base unit should be triggered on the 10-kHz waveform.

## D. HORIZONTAL SYSTEM

**Equipment Required:** (Numbers correspond to those listed in Table 5-3, Test Equipment.)

- |   |  |
|---|--|
| 2. Amplifier unit (two required, one with variable delay) | 11. Low-frequency sine-wave generator        |
| 4. Time-base unit   | 15. Coaxial cable (one 18-inch, one 42-inch) |
| 5. Signal standardizer                                    | 17. T connector                              |
| 10. Time-mark generator                                   |  |

### BEFORE YOU BEGIN:

(1) Perform the Performance Check Power-Up Sequence

(2) Refer to Section 6, Instrument Options, and the Change Information at the rear of this manual for any modifications which may affect this procedure.

FOCUS.....Midrange  
 READOUT INTENSITY.....OFF (in detent)  
 GRAT ILLUM.....As desired  
 BEAMFINDER .....Pushbutton out  
 X-Y Z-Axis .....X-Y DC Controlled Z-Axis  
 (see note below)

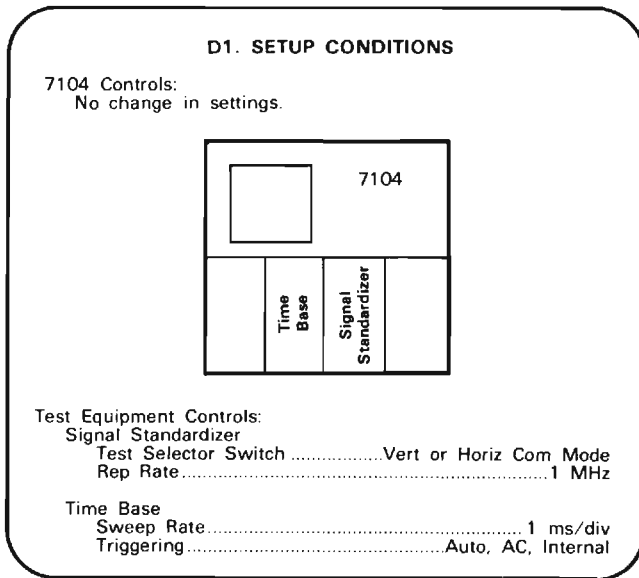
### HORIZONTAL SYSTEM PRELIMINARY CONTROL SETTINGS:

POWER switch .....On  
 VERTICAL MODE.....RIGHT  
 VERT TRACE SEPARATION (B).....Midrange  
 A TRIGGER SOURCE.....VERT MODE  
 A INTENSITY.....Fully counterclockwise  
 HORIZONTAL MODE .....A  
 B INTENSITY.....Fully counterclockwise  
 B TRIGGER SOURCE.....VERT MODE

### NOTE

*The X-Y Z-Axis Selector is an internal switch located on the Logic board (A13). Refer to Figure 8-29, Test Point and Adjustment Locations E, in section 8 of this manual. When the X-Y Z-Axis Selector switch is set to the X-Y DC Controlled Z-Axis position, control of the Z-Axis drive signal to the crt is determined by the horizontal plug-in unit selected by the HORIZONTAL MODE switch. When the X-Y Z-Axis Selector is set to the X-Y Time Base Controlled Z-Axis position, and an amplifier unit is installed in one of the horizontal compartments, control of the Z-Axis drive signal to the crt is determined by a time-base unit installed in the other horizontal compartment. Return the X-Y Z-Axis Selector to the X-Y Time Base Controlled Z-Axis position after performing all or part of the D. Horizontal System procedure.*

## D1. CHECK HORIZONTAL AMPLIFIER GAIN

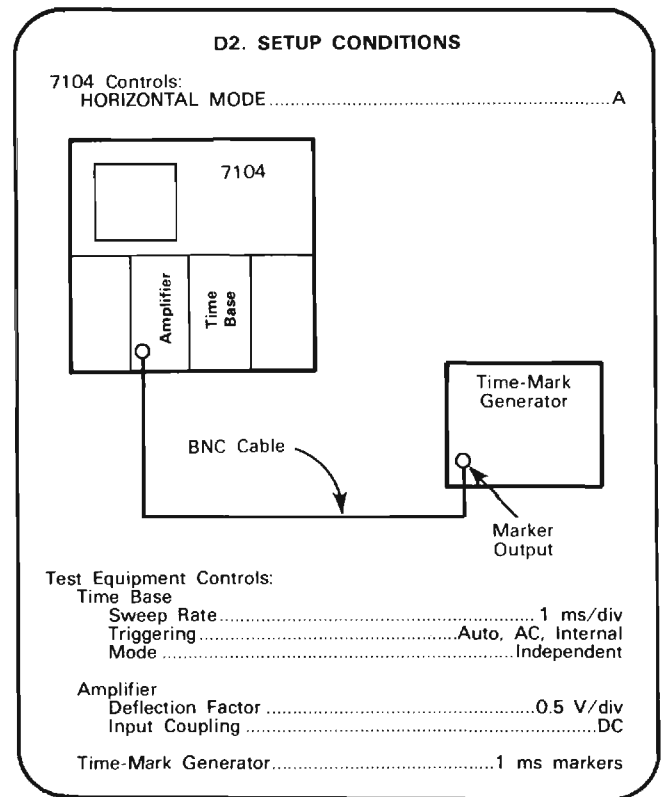


- a. Set the A INTENSITY control for a visible trace.
- b. Set the signal standardizer Test Selector switch to Vert or Horiz Gain and the Rep Rate switch to 1 MHz. Align the bright vertical trace with the center vertical graticule line using the signal standardizer Position control.
- c. **CHECK**—For 8 divisions of deflection between the center nine traces within 0.08 division. Note the exact error for comparison in part h.
- d. **CHECK**—That the other vertical traces align with their respective graticule lines within 0.05 division.
- e. Move the signal standardizer to the B HORIZ compartment.
- f. Set the HORIZONTAL MODE switch to B.
- g. Set the B INTENSITY control for a visible display.
- h. **CHECK**—For 8 divisions of deflection between the center nine traces within 0.08 division of the error noted in part c, and that the other vertical traces align with their respective graticule lines within 0.05 division (specified at the center graticule line).

## D2. CHECK HIGH-FREQUENCY TIMING

### NOTE

*If the preceding step was not performed, first refer to the Horizontal System Preliminary Control Settings, then proceed with the following instructions.*



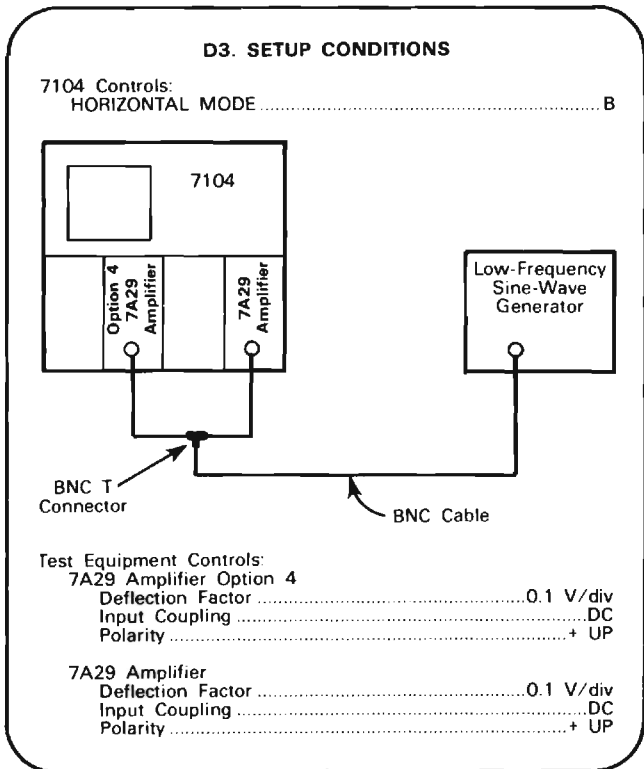
- a. Connect 1-millisecond markers from the time-mark generator to the amplifier unit input and adjust the amplifier unit deflection factor for about 2 divisions of display. Set the A INTENSITY control for a visible display, if necessary.
- b. Set the time-base unit triggering controls for a stable display.
- c. Position the first marker to the extreme left line on the graticule.
- d. Set the time-base unit sweep calibration control for 1 marker at each major graticule division between the second and tenth graticule lines (center 8 divisions).
- e. **CHECK**—Refer to the time-base unit instruction manual for performance check or calibration procedures for checking high-frequency timing and linearity.

**Calibration Part I—7104  
Performance Check**

**D3. CHECK X-Y COMPENSATION (OPTION 2)  
NOTE**

*If the instrument under test does not contain Option 2, omit the remainder of this step.*

*If the preceding step was not performed, refer to the Horizontal System Preliminary Control Settings, then proceed with the following instructions.*

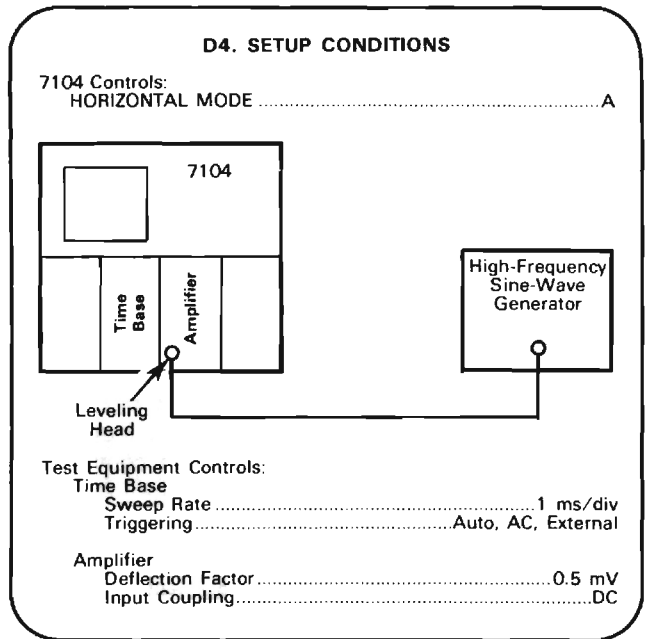


- a. Set the low-frequency sine-wave generator for eight divisions of vertical and horizontal deflection at 25 megahertz.
- b. Set the variable delay control on the 7A29 Option 4 Amplifier unit to minimize the separation on the Lissajous display.
- c. Set the low-frequency sine-wave generator to 50 megahertz.

d. **CHECK**—Crt Lissajous display for a separation of 0.28 division or less (indicates 2 degrees or less phase shift).

**D4. CHECK HORIZONTAL BANDWIDTH  
NOTE**

*If the preceding step was not performed, refer to the Horizontal System Preliminary Control Settings, then proceed with the following instructions.*



- a. Set the high-frequency sine-wave generator for 8 divisions of displayed signal on the 7104 crt at the generator's reference frequency (6 megahertz).
- b. Set the high-frequency sine-wave generator output frequency to 350 megahertz.
- c. **CHECK**—Displayed 350 MHz amplitude is at least 5.7 divisions.

## E. VERTICAL SYSTEM

**Equipment Required:** (Numbers correspond to those listed in Table 5-3, Test Equipment.)

- |                                  |  |
|----------------------------------|--|
| 2. Amplifier unit                | 11. Low-frequency sine-wave generator  |
| 4. Time-base unit (two required) | 12. High-frequency sine-wave generator |
| 5. Signal standardizer           |  |

### BEFORE YOU BEGIN:

(1) Perform the Performance Check Power-Up Sequence.

(2) Refer to Section 6, Instrument Options, and the Change Information at the rear of this manual for any modifications which may affect this procedure.

### E1. CHECK VERTICAL AMPLIFIER GAIN

**E1. SETUP CONDITIONS**

7104 Controls:  
No change in settings.

The diagram shows a rectangular control panel with a grid. The top right corner is labeled '7104'. Below the grid, there are two vertical columns labeled 'Signal Standardizer' and 'Time Base'.

Test Equipment Controls:

Time Base  
Sweep Rate ..... 1 ms/div  
Triggering ..... Auto, AC, External

Signal Standardizer  
Test Selector Switch ..... Vert or Horiz Gain  
Rep Rate ..... 100 kHz

### VERTICAL SYSTEM PRELIMINARY CONTROL SETTINGS:

POWER switch ..... On  
VERTICAL MODE ..... RIGHT  
VERT TRACE SEPARATION (B) ..... Midrange  
A TRIGGER SOURCE ..... VERT MODE  
A INTENSITY ..... Midrange  
HORIZONTAL MODE ..... A  
B INTENSITY ..... Midrange  
B TRIGGER SOURCE ..... VERT MODE  
FOCUS ..... Midrange  
READOUT INTENSITY ..... OFF (in detent)  
GRAT ILLUM ..... As desired  
BEAMFINDER ..... Pushbutton out

a. Position the signal standardizer display to align the bright center trace with the graticule center line.

b. **CHECK**—For one trace per graticule division within 0.06 division over the center 6 graticule divisions. Note the exact error for comparison in part e.

c. Remove the signal standardizer from the RIGHT VERT compartment and install it in the LEFT VERT compartment.

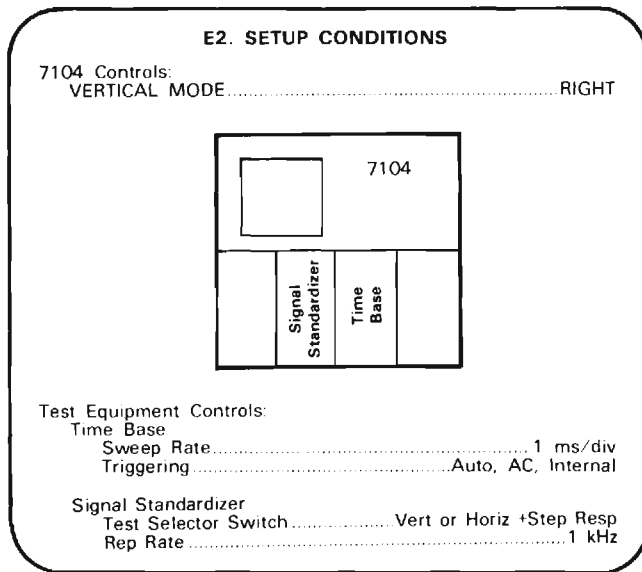
d. Set the VERTICAL MODE switch to LEFT.

e. **CHECK**—For one trace per graticule division within 0.06 division of the error noted in part b, over the center 6 graticule divisions.

**E2. CHECK VERTICAL LOW-FREQUENCY LINEARITY**

**NOTE**

*If the preceding step was not performed, first refer to the Vertical System Preliminary Control Settings, then proceed with the following instructions.*



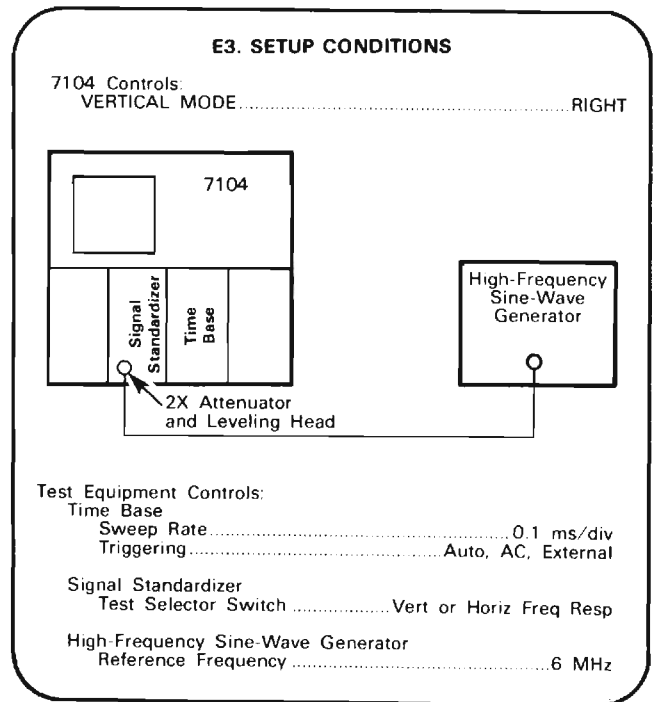
a. Set the signal standardizer Amplitude and Position controls so the display is exactly two divisions in amplitude in the center of the graticule area.

b. **CHECK**—Position the two-division display vertically and check for not more than 0.1 division of compression or expansion anywhere within the graticule area.

**E3. CHECK VERTICAL AMPLIFIER 1 GHz GAIN**

**NOTE**

*If the preceding step was not performed, first refer to the Vertical System Preliminary Control Settings, then proceed with the following instructions.*



a. Set the signal standardizer Amplitude control fully clockwise.

b. Connect the high-frequency sine-wave generator to the signal standardizer Aux In CW In (Freq Resp) input with a 2X attenuator.

c. Set the high-frequency sine-wave generator for a 10-division display at the reference frequency (between 6 and 50 megahertz) centered on the graticule. (To obtain a 10-division display, first set for 8 divisions, then vertically position the display 1 division down and set the sine-wave generator to return the top of the display to the top of the graticule.)

d. Set the signal standardizer Amplitude control for a 6-division display, centered on the graticule. (The CW Leveled indicator should be lit.)

e. Without changing the output amplitude, increase the sine-wave generator frequency until the displayed amplitude is reduced to 5 divisions. If the CW Leveled indicator goes off, increase the amplitude of the sine-wave generator signal until the light just turns on.

**NOTE**

*The signal standardizer CW Leveled light must be on and the sine-wave generator must be properly connected for a valid check. Refer to the signal standardizer and high-frequency sine-wave generator manuals.*

f. **CHECK**—Sine-wave generator frequency is 1 gigahertz or higher (verifies 1 gigahertz gain).

g. Move the signal standardizer to the LEFT VERT compartment (leave signal connected) and set the VERTICAL MODE switch to LEFT.

h. **CHECK**—Repeat parts d through g for the LEFT VERT compartment.

g. **CHECK**—Crt display amplitude for 0.1 division or less of the 1 gigahertz signal (verifies isolation at least 80:1 at 1 gigahertz).

h. Set the VERTICAL MODE switch to LEFT.

i. Connect the low-frequency sine-wave generator to the amplifier input.

j. Set the low-frequency sine-wave generator for 8 divisions of deflection at 100 megahertz.

k. Set the VERTICAL MODE switch to RIGHT.

l. **CHECK**—Crt display amplitude for 0.05 division or less of 100 megahertz signal (verifies 100 megahertz isolation at least 160:1).

m. Move the amplifier unit to the RIGHT VERT compartment without disturbing the set-up.

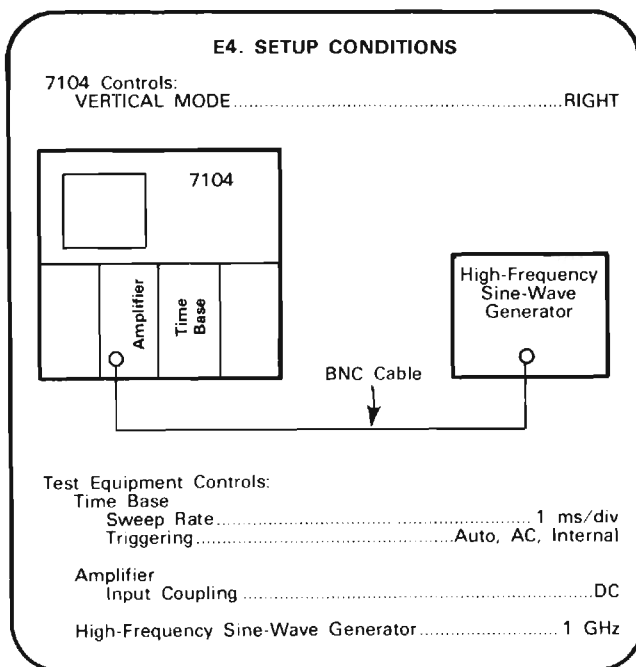
n. Set the VERTICAL MODE switch to LEFT.

o. **CHECK**—Crt display amplitude for 0.05 division or less of 100 megahertz signal (verifies isolation at least 60:1 from dc to 100 megahertz).

#### E4. CHECK VERTICAL CHANNEL ISOLATION

##### NOTE

*If the preceding step was not performed, first refer to the Vertical System Preliminary Control Settings, then proceed with the following instructions.*



a. Connect the output of the high-frequency sine-wave generator to the amplifier unit input.

b. Set the output of the high-frequency sine-wave generator and the amplifier unit deflection factor for 8 divisions of deflection at 1 gigahertz.

c. Set the VERTICAL MODE switch to LEFT.

d. **CHECK**—Crt display amplitude for 0.1 division less of the 1-gigahertz signal (verifies isolation at least 80:1 at 1 gigahertz).

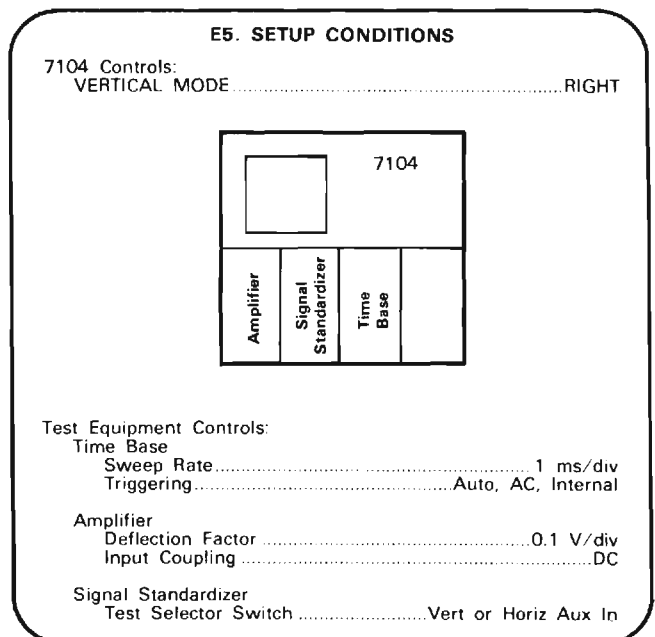
e. Move the amplifier unit to the LEFT VERT compartment without disturbing the set-up.

f. Set the VERTICAL MODE switch to RIGHT.

#### E5. CHECK VERTICAL DISPLAY MODES

##### NOTE

*If the preceding step was not performed, first refer to the Vertical System Preliminary Control Settings, then proceed with the following instructions.*





**Calibration Part I—7104  
Performance Check**

- a. Position the trace to the upper half of the graticule area with the right-vertical unit position control.
- b. Set the VERTICAL MODE switch to LEFT and position the trace to the lower half of the graticule area with the left-vertical unit position control.
- c. **CHECK**—Crt display for two traces in the ALT and CHOP positions of the VERTICAL MODE switch.
- d. Set the VERTICAL MODE switch to ADD.
- e. **CHECK**—Crt display for a single trace that can be positioned vertically with either the left or right vertical-unit position control.

**E6. CHECK VERTICAL TRACE SEPARATION OPERATION**

**NOTE**

*If the preceding step was not performed, first refer to the Vertical System Preliminary Control Settings, then proceed with the following instructions.*

**E6. SETUP CONDITIONS**

7104 Controls:  
 HORIZONTAL MODE .....CHOP  
 VERTICAL MODE .....ADD

			7104
		A Time Base	B Time Base

Test Equipment Controls:  
 A Time Base  
 Sweep Rate ..... 1 ms/div  
 Triggering .....Auto, AC, Internal

B Time Base  
 Sweep Rate ..... 1 ms/div  
 Triggering .....Auto, AC, Internal

- a. **CHECK**—Rotate the VERT TRACE SEPARATION (B) control throughout its range and check that the trace produced by the B time-base unit can be positioned at least 4 divisions above and below the trace produced by the A time-base unit. Also, check with the HORIZONTAL MODE switch set to ALT.

## F. READOUT SYSTEM

**Equipment Required:** (Numbers correspond to those listed in Table 5-3, Test Equipment.)

- 3. Amplifier unit (dual trace)
- 4. Time-base unit

### BEFORE YOU BEGIN:

- (1) Perform the Performance Check Power-Up Sequence.
- (2) Refer to Section 6, Instrument Options, and the Change information at the rear of this manual for any modifications which may affect this procedure.

### READOUT SYSTEM PRELIMINARY CONTROL SETTINGS:

POWER switch ..... On  
 VERTICAL MODE.....RIGHT  
 VERT TRACE SEPARATION (B).....Midrange  
 A TRIGGER SOURCE..... VERT MODE  
 A INTENSITY.....Midrange  
 HORIZONTAL MODE ..... A  
 B TRIGGER SOURCE..... VERT MODE  
 B INTENSITY.....Midrange  
 READOUT INTENSITY.....OFF (in detent)  
 GRAT ILLUM.....Midrange  
 BEAMFINDER ..... Pushbutton out

### F1. CHECK READOUT MODES

**F1. SETUP CONDITIONS**

7104 Controls:  
No change in settings.

The diagram shows a control panel for the 7104 instrument. It features a large square display area at the top right labeled '7104'. Below this are four vertical control columns. The second column from the left is labeled 'Amplifier (Dual Channel)' with an arrow pointing to it. The third column is labeled 'Time Base'.

Test Equipment Controls:

Time Base  
 Sweep Rate..... 1 ms/div  
 Triggering.....Auto, AC, Internal

Amplifier  
 Mode ..... Dual trace

- a. Set the READOUT INTENSITY control for a visible display.
- b. **CHECK**—Set the time-base unit to several sweep rates throughout the time/division switch range and check that the readout characters are displayed independently of the sweep.
- c. Set the READOUT +GATE or EXT switch to +GATE and the READOUT INTENSITY control to PULSED.

**Calibration Part I—7104  
Performance Check**

- d. Set the +GATE mode switch to A.
- e. Set the READOUT PRESET control for a visible readout display.
- f. Set the time-base unit for a free-running (not triggered) sweep at a rate of 0.2 second/division.
- g. **CHECK**—The readout characters are blanked out while the sweep is running, and are displayed immediately after the end of the sweep; each character encoded by the plug-in units is displayed only once for each sweep.
- h. Set the READOUT +GATE or EXT switch to EXT.
- i. **CHECK**—Press the READOUT MAN pushbutton and notice that one frame of readout is displayed.

## G. PHOTOGRAPHIC WRITING RATE

**Equipment Required:** (Numbers correspond to those listed in Table 5-3, Test Equipment.)

- |                   |  |
|-------------------|--|
| 2. Amplifier unit | 12. High-frequency sine-wave generator |
| 4. Time-base unit |  |
| 7. Camera         |  |

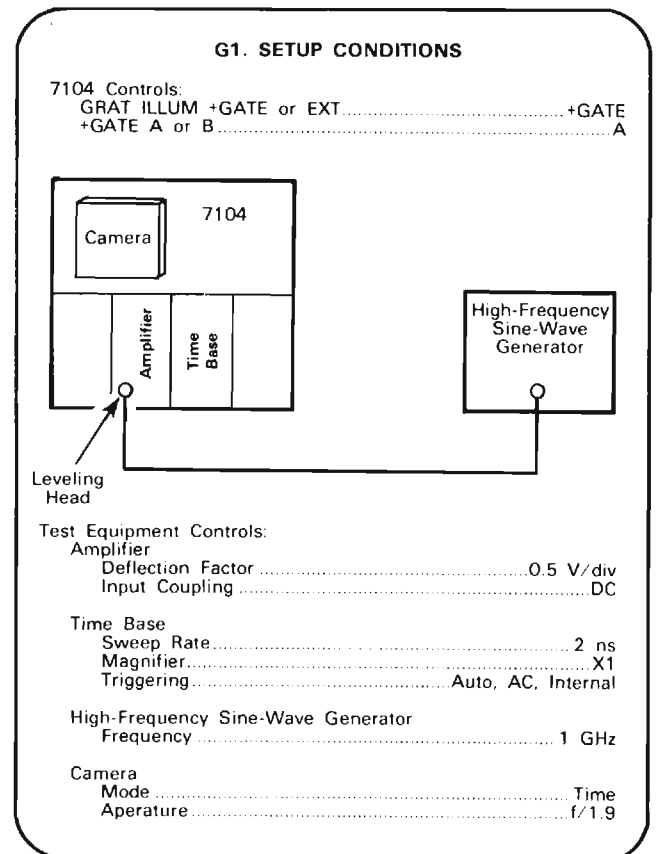
### BEFORE YOU BEGIN:

- (1) Perform the Performance Check Power-Up Sequence.
- (2) Refer to Section 6, Instrument Options, and the Change Information at the rear of this manual for any modifications which may affect this procedure.

### PHOTOGRAPHIC WRITING RATE PRELIMINARY CONTROL SETTINGS:

POWER switch ..... On  
 VERTICAL MODE.....RIGHT  
 A TRIGGER SOURCE..... VERT MODE  
 A INTENSITY..... Counterclockwise  
 HORIZONTAL MODE ..... A  
 B INTENSITY ..... Counterclockwise  
 B TRIGGER SOURCE..... VERT MODE  
 READOUT INTENSITY..... OFF (in detent)  
 GRAT ILLUM.....PULSED  
 BEAMFINDER .....Pushbutton out

### G1. CHECK PHOTOGRAPHIC WRITING RATE



#### NOTE

*Section 2, Operating Instructions, contains helpful information on obtaining waveform photographs; see Graticule Illumination, Light Filter, Readout Display and Display Photography.*

## Calibration Part I—7104 Performance Check

- a. Remove the blue crt filter.
- b. Set the A INTENSITY control for a visible display.
- c. Set the time-base unit sweep magnifier to X10.
- d. Set the high-frequency sine-wave generator output amplitude to display a 7.5 division signal on the 7104 crt.
- e. Set the time-base unit triggering controls for a stable display.
- f. Set the FOCUS and ASTIG controls for a well-defined display.
- g. Set the time-base unit to single-sweep mode.
- h. Sequentially press the time-base unit single sweep reset control and set the GRAT ILLUM PRESET control to illuminate the graticule.
- i. Focus the camera.
- j. Install 3000 ASA film in the camera and close the camera viewing port.
- k. Rotate the A INTENSITY control fully clockwise.
- l. Press the camera shutter button.
- m. Press the time-base single sweep reset button.
- n. Press the camera shutter button.
- o. Develop film.
- p. **CHECK**—Photograph should show the 1 GHz sine-wave signal clearly (see Fig. 5-1 for typical photograph).

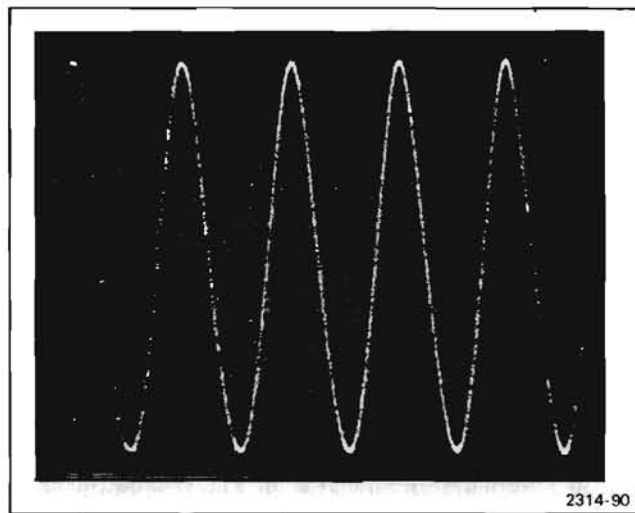


Figure 5-1. Typical 7104 Photographic Writing Rate.

This concludes the Performance Check of the 7104.

# PART II—ADJUSTMENT AND PERFORMANCE CHECK

The following procedure (Part II—Adjustment and Performance Check) provides the information necessary to: (1) verify that the instrument meets the electrical specifications, (2) verify that all controls function properly, and (3) perform all internal adjustments.

Part I—Performance Check verifies electrical specifications without removing instrument covers or making internal adjustments. All tolerances given are as specified in the Specification tables (section 1) in this manual.

A separate Operators Checkout Procedure is provided in the Operators Manual for familiarization with the instrument and also to verify that all controls, indicators, and connectors function properly.

## INDEX TO ADJUSTMENT AND PERFORMANCE CHECK PROCEDURE

	PAGE
A. POWER SUPPLY .....	5-36
1. Adjust +50 Volt Power Supply .....	5-36
2. Adjust Inverter Control .....	5-37
3. Examine Power Supply Voltages .....	5-37
B. Z-AXIS AND DISPLAY .....	5-38
1. Adjust HV Supply .....	5-38
2. Adjust CRT Grid Bias .....	5-39
3. Adjust Z-Axis Amplifier .....	5-40
4. Check/Adjust Trace Alignment .....	5-41
5. Check/Adjust Geometry .....	5-41
6. Adjust Auto Focus .....	5-44
7. Check External Z-Axis Operation .....	5-45
C. CALIBRATOR AND OUTPUT SIGNALS .....	5-46
1. Check/Adjust Calibrator Output Voltage .....	5-46
2. Check/Adjust Calibrator 1 kHz Repetition Rate .....	5-47
3. Check Calibrator Rise Time, Fall Time, and Duty Cycle .....	5-47
4. Check A and B Sawtooth Output Signals .....	5-48
5. Check A and B Gate Output Signals .....	5-49
6. Check Graticule Illumination Operation .....	5-49
D. TRIGGER SYSTEM .....	5-50
1. Adjust A Trigger Selector Centering .....	5-50
2. Adjust B Trigger Selector Centering .....	5-51
3. Check/Adjust Vertical Signal Out DC Centering .....	5-52
4. Check Trigger Selector Operation .....	5-53
E. HORIZONTAL SYSTEM .....	5-54
1. Check/Adjust Horizontal Amplifier Gain .....	5-55
2. Check/Adjust High-Frequency Timing .....	5-56
3. Check/Adjust X-Y Compensation (Option 2 Only) .....	5-58
4. Check Horizontal Bandwidth .....	5-60

	PAGE
F. VERTICAL SYSTEM .....	5-61
1. Adjust Vertical Amplifier Centering .....	5-61
2. Check/Adjust Vertical Amplifier Gain .....	5-62
3. Check Vertical Low-Frequency Linearity .....	5-62
4. Adjust Thermal Compensations .....	5-63
5. Adjust Vertical Low-Frequency Compensations .....	5-63
6. Check Vertical Amplifier 1 GHz Gain .....	5-65
7. Check Vertical Channel Isolation .....	5-65
8. Check Vertical Display Modes .....	5-66
9. Check Vertical Trace Separation Operation .....	5-67
G. READOUT SYSTEM .....	5-68
1. Adjust Readout Vertical Separation, Centering and Character Height .....	5-68
2. Adjust Full Character Scan .....	5-69
3. Adjust Column and Row Match .....	5-69
4. Check Readout Modes .....	5-70
H. PHOTOGRAPHIC WRITING RATE .....	5-71
1. Check/Adjust Photographic Writing Rate .....	5-71

## ADJUSTMENT AND PERFORMANCE CHECK POWER-UP SEQUENCE

### NOTE

*The performance of this instrument can be checked at any ambient temperature from 0° to +50° C unless otherwise stated. Adjustments must be performed at an ambient temperature from +20° to +30° C for specified accuracies.*

1. Check that the LINE VOLTAGE SELECTOR switch is set for the correct input line voltage.
2. Remove cabinet panels to gain access to internal adjustments and test points.
3. Turn the instrument POWER switch on and allow at least 20 minutes warmup before proceeding.

## A. POWER SUPPLY

**Equipment Required:** (Numbers correspond to those listed in Table 5-3, Test Equipment.)

- 8. Precision dc voltmeter (DVM)
- 20. Screwdriver

### BEFORE YOU BEGIN:

- (1) Perform the Adjustment and Performance Check Power-Up Sequence.
- (2) Refer to Section 6, Instrument Options, and the Change Information at the rear of this manual for any modifications which may affect this procedure.
- (3) See the **Test Point and Adjustment Locations A** foldout page in Section 8, Diagrams and Circuit Board Illustrations.

### WARNING

*Extreme caution must be used when operating the 7104 with the power unit removed due to the line voltage, high voltage, and high current potentials present.*

### NOTE

*The Power Supply voltages can be checked without removing the power unit by using the 7000-series plug-in extender (rigid), Tektronix part 067-0589-00.*

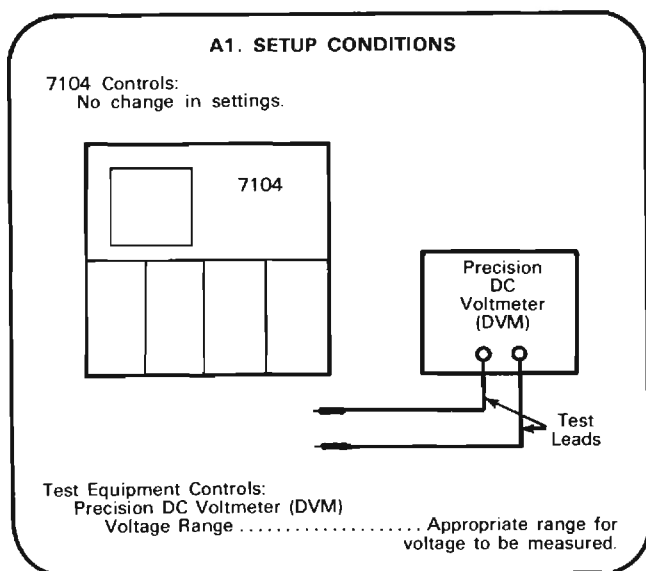
### POWER SUPPLY PRELIMINARY CONTROL SETTINGS:

POWER switch ..... On  
 READOUT INTENSITY ..... OFF (in detent)  
 GRAT ILLUM ..... Counterclockwise  
 BEAMFINDER ..... Pushbutton out  
 All other controls ..... No change

- a. Set POWER switch to OFF and disconnect the line cord from the power source. Remove any plug-in units from the plug-in compartments. Expose the 7104 power supply adjustments and test points by removing the power unit from the rear of the 7104 (interconnecting cables remain connected). See the Maintenance section in this manual for power unit removal instructions.

### A1. ADJUST +50 VOLT POWER SUPPLY (R1415)

- b. Connect the line cord to the power source and press the POWER button in.



- c. Connect the precision dc voltmeter between TP -50 V Sense and TP Ground Sense on the Low-Voltage Regulator circuit board.

- d. **EXAMINE**—The meter reading for -50 volts, within the limits of -49.8 to -50.2 volts.

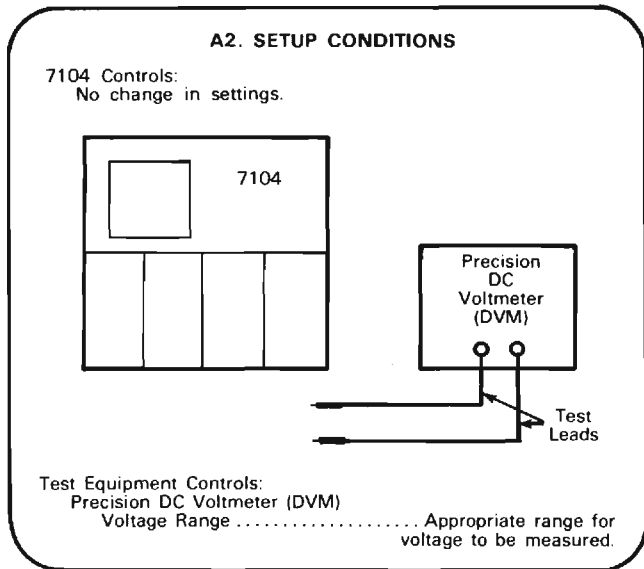
- e. **ADJUST**—The +50 V adjustment R1415 for a meter reading of -50 volts within 0.1 volt.

- f. **INTERACTION**—Any change in the setting of R1415 may affect the operation of all circuits in the instrument.

## A2. ADJUST INVERTER CONTROL (R1293)

### NOTE

If the preceding step was not performed, first refer to the Power Supply Preliminary Control Settings, then proceed with the following instructions.



a. Connect the precision dc voltmeter between TP1326 and chassis ground.

b. **EXAMINE**—Meter reading for +109 volts within the limits of +108.9 to +109.1 volts. If the meter reading is within the given tolerance, proceed to step A3.

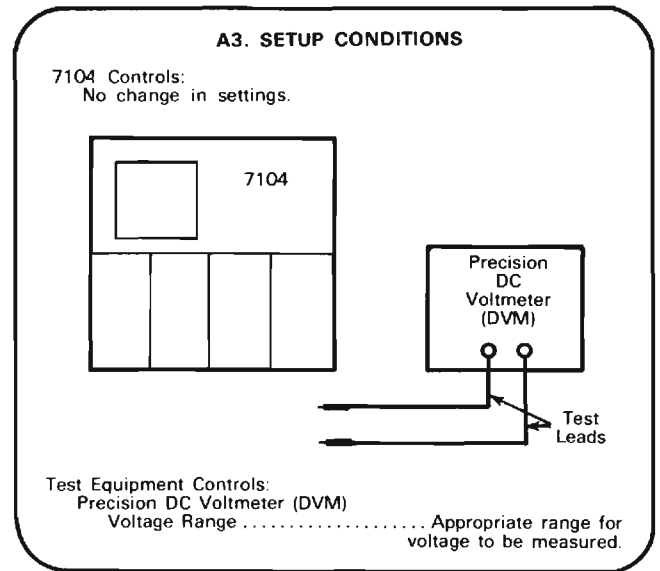
c. **ADJUST**—The Pre Reg Adj, adjustment R1293 for a meter reading of +109 volts within 0.1 volt.

d. **INTERACTION**—Any change in the setting of R1293 may affect the adjustment of R1415 given in step A1.

## A3. EXAMINE POWER-SUPPLY VOLTAGES

### NOTE

If the preceding step was not performed, first refer to the Power Supply Preliminary Control Settings, then proceed with following instructions.



a. **EXAMINE**—Table 5-4 lists the low-voltage power supplies in this instrument. Check each supply with the precision dc voltmeter for output voltage within the given tolerance. Connect meter common lead to TP Ground Sense.

b. **INTERACTION**—If the power supplies are not within the tolerances given in Table 5-4, repeat steps A1 and A2.

**TABLE 5-4**  
Power Supply Tolerance

Power Supply	Output Voltage Limits
TP -50 V Sense	-49.8 to -50.2 volts
TP -15 V Sense	-14.85 to -15.15 volts
TP +5 V Sense	+4.9 to +5.1 volts
TP +15 V Sense	+14.85 to +15.15 volts
TP +50 V Sense	+49.5 to +50.5 volts

c. Disconnect the precision dc voltmeter.

### NOTE

Regulation of the individual power supplies can be checked using the procedure given under Troubleshooting Techniques in the Maintenance section.

d. Disconnect the line cord from the power source.

e. Install the power unit and connect the line cord.



## B. Z-AXIS AND DISPLAY

**Equipment Required:** (Numbers correspond to those listed in Table 5-3, Test Equipment.)

- |  |  |
|--|--|
| 1. Test oscilloscope                   | 13. 10X passive probe                    |
| 2 or 3. Amplifier unit (two required)  | 14. 100X probe                           |
| 4. Time-base unit (two required)       | 15. Coaxial cable (two 42-inch required) |
| 5. Signal standardizer (two required)  | 16. 2X attenuator                        |
| 8. Precision dc voltmeter (DVM)        | 17. T connector                          |
| 9. DC voltmeter (VOM)                  | 19. Low-capacitance screwdriver          |
| 11. Low-frequency sine-wave generator  | 20. Screwdriver                          |
| 12. High-frequency sine-wave generator |  |

### BEFORE YOU BEGIN:

- (1) Perform the Adjustment and Performance Check Power-Up Sequence.
- (2) Refer to Section 6, Instrument Options, and the Change Information at the rear of this manual for any modifications which may affect this procedure.
- (3) See the **Test Point and Adjustment Locations B** foldout page in Section 8, Diagrams and Circuit Board Illustrations.
- (4) Remove the blue rear-panel cabinet cover (secured by 4 screws).

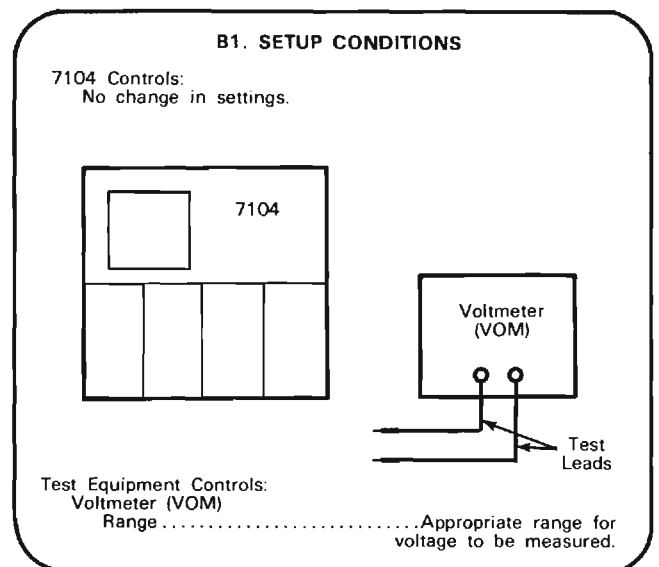
### Z-AXIS AND DISPLAY PRELIMINARY CONTROL SETTINGS:

- |                           |  |
|---------------------------|--|
| POWER switch              | ..... On   |
| VERTICAL MODE             | ..... RIGHT  |
| VERT TRACE SEPARATION (B) | ..... Midrange   |
| A TRIGGER SOURCE          | ..... VERT MODE  |
| A INTENSITY               | ..... Fully counterclockwise                                     |
| HORIZONTAL MODE           | ..... A  |
| B INTENSITY               | ..... Fully counterclockwise                                     |
| B TRIGGER SOURCE          | ..... VERT MODE  |
| FOCUS                     | ..... Midrange   |
| READOUT INTENSITY         | ..... OFF (in detent)  |
| GRAT ILLUM                | ..... Midrange   |
| BEAMFINDER                | ..... Pushbutton out   |
| X-Y Z Axis Selector       | ..... X-Y Time Base<br>Controlled Z-Axis<br>(see following note) |

### NOTE

The X-Y Z-Axis Selector is an internal switch located on the Logic board (A13). Refer to Figure 8-29, Test Point and Adjustment Locations E, in section 8 of this manual. When the X-Y Z-Axis Selector is set to the X-Y DC Controlled Z-Axis position, control of the Z-Axis drive signal to the crt is determined by the horizontal plug-in unit selected by the HORIZONTAL MODE switch. When the X-Y Z-Axis Selector is set to the X-Y Time Base Controlled Z-Axis position (In) and an amplifier unit is installed in one of the horizontal compartments, control of the Z-Axis drive signal to the crt is determined by a time-base unit installed in the other horizontal compartment. Return the X-Y Z-Axis Selector to the X-Y Time Base Controlled Z-Axis position (In) after performing all or part of this procedure.

### B1. ADJUST HV SUPPLY (R1805)



- a. Set the POWER switch to OFF.
- b. Connect the dc voltmeter (VOM), set to measure at least -2500 volts (accuracy check to within 1%), between TP1846 (-2265 volt test point), and TP1756 (ground). (Test points located on the A22 High Voltage board.)
- c. Set the POWER switch to on.
- d. **EXAMINE**—Meter reading; -2265 volts within the limits of -2243 to -2287 volts.
- e. **ADJUST**—The HV Adjust, adjustment R1805, for a meter reading of -2265 volts.
- f. Set the POWER switch to OFF.



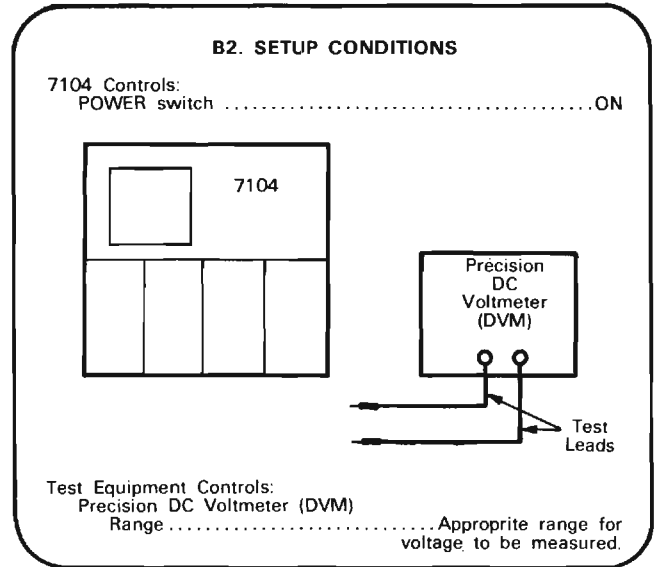
*Shock hazard exists while performing parts g through n; VOM elevated to 2.4 kV.*

- g. Connect the dc voltmeter (VOM), set to measure 150 volts, between TP1844 (-2400 volts) and TP1846 (-2265 volts).
- h. Set the POWER switch to on.
- i. **EXAMINE**—Meter reading for 137 volts within the limits of 132 volts to 142 volts. If meter reads outside limits, corrective maintenance is required to prevent deterioration of the crt cathode.
- j. Set the POWER switch to OFF and disconnect the voltmeter.
- k. Remove the shield from the Z-Axis board.
- l. Connect the dc voltmeter (VOM), set to measure 600 millivolts dc, across R1688 on the Z-Axis board A21 (connect VOM common test lead to junction of CR1687 and R1688 and the other lead to pin 6 of P1602).
- m. Set the POWER switch to on.
- n. **EXAMINE**—Meter reading for a momentary deflection of at least 10 millivolts; if meter reading is less, corrective maintenance is required to prevent deterioration of the crt cathode.
- o. Set the POWER switch to OFF and disconnect the dc voltmeter.
- p. Replace the shield on the Z-Axis board.

## B2. ADJUST CRT GRID BIAS (R1746)

### NOTE

*If the preceding step was not performed, first refer to the Z-Axis And Display Preliminary Control Settings, then proceed with the following instructions.*



- a. Connect the precision dc voltmeter (DVM) between test point TP1678 and chassis ground.
- b. **EXAMINE**—The DVM reading for 8 volts within 1 volt.
- c. **ADJUST**—Set the Z-Axis Level adjustment R1645 for 8 volts.
- d. Install an amplifier unit in the A HORIZ and B HORIZ compartments, and midrange the B HORIZ amplifier unit Position control.
- e. Rotate the B INTENSITY control clockwise until the DVM reads 13 volts.
- f. **ADJUST**—The Grid Bias adjustment R1746 so that the dot displayed on the crt is just extinguished.

### NOTE

*The instrument has to be on for at least 20 minutes to allow for stabilization of the crt grid cutoff voltage.*

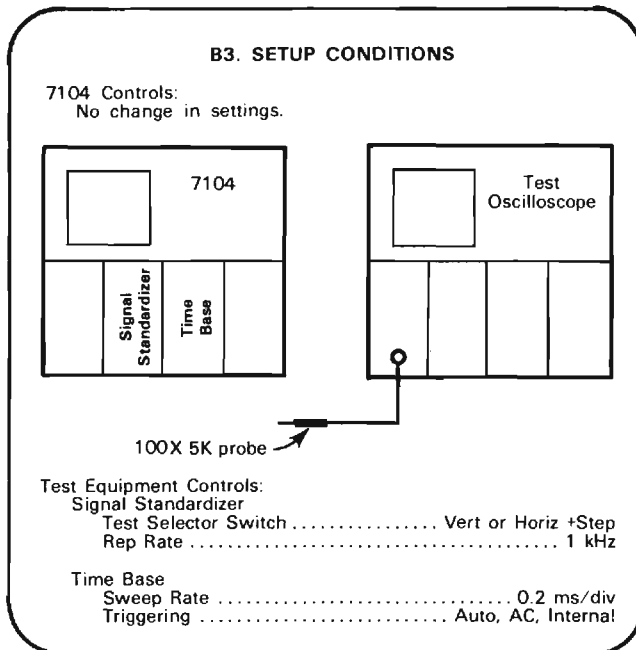
- g. Disconnect the DVM test leads.

**Calibration Part II—7104  
Adjustment and Performance Check**

**B3. ADJUST Z-AXIS AMPLIFIER (R1626,  
R1637, R1635, C1635, C1651, AND C1663)**

**NOTE**

*If the preceding step was not performed, first refer to the Z-Axis And Display Preliminary Control Settings, then proceed with the following instructions.*



- a. Set the A INTENSITY control for a visible display.
- b. Set the time-base unit triggering controls for a stable display.
- c. Rotate the signal standardizer Amplitude and Position controls fully counterclockwise.
- d. Connect the 100X 5-kilohm probe to the input of the test oscilloscope. Note that a 50-ohm system is needed for the 100X 5-kilohm probe.
- e. Set the test oscilloscope for dc input coupling with a vertical deflection factor of 0.1 volts/division (10 volts/division at the probe tip) and a sweep rate of 1 millisecond/division.
- f. Connect the probe tip to TP1678. Connect the probe ground to chassis ground with a short grounding strap.
- g. Set the time-base unit sweep rate to 0.1 microsecond/division and the magnifier to X10.

h. Set the test oscilloscope sweep rate to 1 microsecond/division.

i. Set the Clamp Level adjustment R1626 fully clockwise.

j. Set the A INTENSITY control fully clockwise.

k. Set the Z-Axis Gain adjustment R1637 for a pulse amplitude (indicated on the test oscilloscope) of 70 volts above ground.

l. Set the Clamp Level adjustment R1626 for a pulse amplitude of 63 volts above ground.

m. Rotate the A INTENSITY control counterclockwise until the pulse amplitude displayed on the test oscilloscope is 33 volts above ground.

n. Set the time-base unit Time/Div switch to 2 nanoseconds/division and trigger source to External.

o. Set the signal standardizer Rep Rate to 100 kHz.

p. Set the test oscilloscope deflection factor to 50 millivolts/division (5 volts at probe tip), sweep rate to 10 nanoseconds/division and magnifier to X1.

q. **EXAMINE**—The test oscilloscope display for aberrations of less than 4%, rise time of less than 6.5 nanoseconds, and fall time of less than 12 nanoseconds.

**NOTE**

*Use test oscilloscope X1 magnifier for checking aberrations and X10 magnifier for checking rise time.*

r. **ADJUST**—Z-Axis compensations #1, #2, #3, and #4 adjustments R1635, C1635, C1651, and C1663 to minimize the aberrations and rise time of the pulse displayed on the test oscilloscope.

**NOTE**

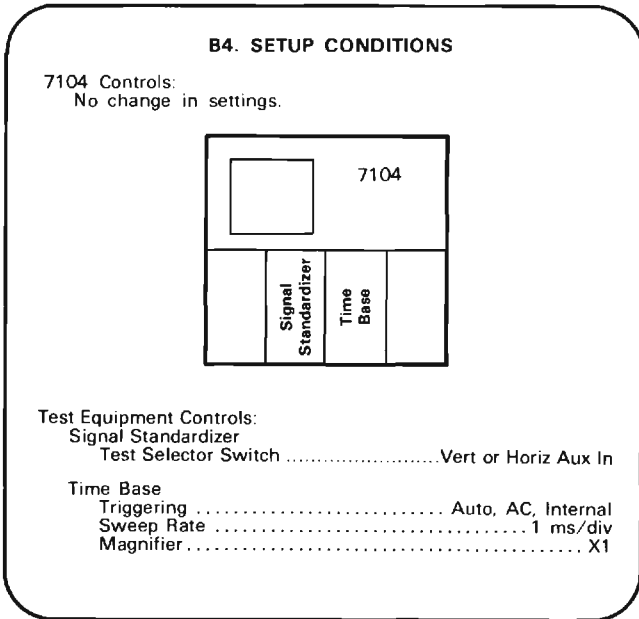
*Use test oscilloscope X1 magnifier for checking aberrations and X10 magnifier for checking rise time.*

s. Disconnect the test oscilloscope probe.

**B4. CHECK/ADJUST TRACE ALIGNMENT (R1888)**

**NOTE**

If the preceding step was not performed, first refer to the Z-Axis And Display Preliminary Control Settings, then proceed with the following instructions.

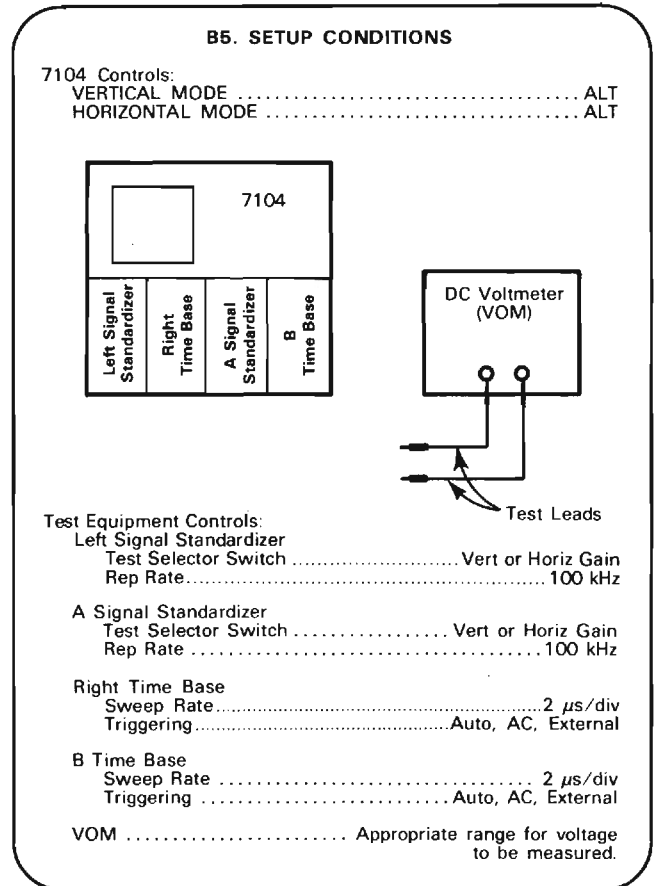


- a. Set the A INTENSITY control for a visible trace. Set the FOCUS and ASTIG controls for a well-defined trace.
- b. Position the trace to the center graticule line.
- c. **CHECK**—Trace parallels the center graticule line within 0.1 division.
- d. **ADJUST**—TRACE ROTATION adjustment to align the trace with the center graticule line.
- e. Move the signal standardizer to the A HORIZ compartment and the time-base unit to the RIGHT VERT compartment.
- f. Install an amplifier unit in the B HORIZ compartment.
- g. Set the B INTENSITY control for a visible trace and with the signal standardizer Position control, position the trace to the center graticule line.
- h. **CHECK**—Trace parallels the center graticule line within 0.1 division.
- i. **ADJUST**—Y Alignment (Ortho) adjustment R1888 (on the A22 High-Voltage board) so trace parallels the center graticule line.

**B5. CHECK/ADJUST GEOMETRY (R740, R830, R1030, R1888, R1062, R1853-R1856, R1883, R1825, R1891, R1873-R1876, R1874-R1875, R1894, R1864-R1865, R1863-R1866, R1854-R1855)**

**NOTE**

If the preceding step was not performed, first refer to the Z-Axis And Display Preliminary Control Settings, then proceed with the following instructions.



- a. Set the B INTENSITY control for a visible display.
- b. Set the FOCUS control to midrange.
- c. **ADJUST**—Stigmator adjustment R1894, Focus Preset adjustment R1825 and the front-panel ASTIG control for best overall focus of the crosshatch display.
- d. **CHECK**—For crosshatch pattern lines that parallel graticule lines within 0.1 division.
- e. **INTERACTION**—Performing the adjustments in the remainder of this procedure (B5) may uncalibrate the vertical and horizontal amplifiers. It will therefore be necessary to perform procedures E. Horizontal System, and F. Vertical System in this section.

**Calibration Part II—7104  
Adjustment and Performance Check**

f. Set both signal standardizer Test selector switches to Vert or Horiz Com Mode.

g. Move jumper P1062 (on the A19 Horizontal Amplifier board) to short together the two pins nearer the left side of the 7104.

**NOTE**

*Adjustment and Test Point Locations B shows correct position of P1062 located by dotted lines.*

h. **EXAMINE**—The displayed trace should align with the center graticule line within 0.1 division.

i. **ADJUST**—Ctr (center) adjustment R1030 (Horizontal board) to position the trace to the graticule center line.

j. Return jumper P1062 to the storage pins.

k. **EXAMINE**—The displayed horizontal trace should align with the center graticule line within 0.1 division.

l. **ADJUST**—MVA (main vertical amplifier) Center adjustment R740 to position the horizontal trace to the graticule center line.

m. Set the TRACE ROTATION control so that the horizontal trace is parallel to the center graticule line.

n. **ADJUST**—Y Alignment (Ortho) adjustment R1888 so that the vertical trace is parallel to the center graticule line.

**WARNING**

*Shock hazard exists while performing parts o through y; VOM elevated to 2.4 kV.*

o. Connect the test leads of the VOM, set to measure 200 volts dc, between TP1850 and TP1852.

p. Preset the Vertical Differential Linearity adjustment R1854-R1855 so that zero volts is indicated on the VOM.

q. Move the VOM test leads to TP1860 and TP1862.

r. Preset the Differential Geometry adjustment R1864-R1865 so that zero volts is indicated on the VOM.

s. Move the VOM test leads to TP1870 and TP1872.

t. Preset the Horizontal Differential Sensitivity adjustment R1874-R1875 so that zero volts is indicated on the VOM.

u. Disconnect the VOM test leads.

v. Mechanically midrange the Horizontal Bowing adjustment R1883, Vertical Linearity adjustment R1853-R1856, Geometry adjustment R1863-R1866, and Horizontal Sensitivity adjustment R1873-R1876.

**NOTE**

*A DVM equipped with a high-impedance probe (at least 1,000 megohms) can be used to preset the adjustments in part w more effectively, using the voltages listed on the label attached to the crt shield.*

w. Connect the VOM between TP1813 and ground.

x. **ADJUST**—D1-D2 Shield adjustment R1891 so that the meter reads the voltage listed for TP1813 on the label attached to the crt shield. (If no label, mechanically midrange R1891.)

y. Disconnect the VOM test leads.

z. Set the Test selector switches of both signal standardizers to Vert or Horiz Gain.

aa. Set the B INTENSITY control for a visible crosshatch display.

bb. **ADJUST**—FOCUS and ASTIG controls, and Stigmator adjustment R1894 for best overall focus of the crosshatch pattern.

cc. **ADJUST**—D1-D2 Shield adjustment R1891 for sharply focused outer vertical traces.

**NOTE**

*As this control is adjusted, the top and bottom portions of the vertical traces become more or less focused. This is the control's primary function. Due to interaction effects, the display will also change height and show vertical pin cushion or barrel distortions. These effects are corrected later.*

dd. **ADJUST**—Vertical Linearity adjustment R1853-R1856 for best overall vertical linearity (expand crosshatch display until best linearity is achieved).

**NOTE**

*There may be some imbalance (i.e., compression at top and expansion at bottom) which should be averaged out so that the errors are of the same magnitude. As the Vertical Linearity adjustment is adjusted, the display will either shrink and become barreled vertically, or expand and become pin-cushioned vertically. These effects will be corrected later.*

ee. **ADJUST**—If any vertical linearity imbalance is observed in previous steps, adjust the Vertical Differential Linearity adjustment R1854-R1855 to correct this condition (i.e., place each horizontal line coincident with a graticule line). As this control is adjusted, vertical lines will become keystone. This effect will be corrected later.

ff. **ADJUST**—Geometry adjustment R1863-R1866 for straight vertical traces (aim for straightness without keystone).

**NOTE**

*As R1863-R1866 is adjusted, the display will also expand or contract horizontally. This effect will be corrected later.*

gg. **ADJUST**—If any vertical keystone is present on the display, it should be corrected by adjusting the Differential Geometry adjustment R1864-R1865.

hh. **ADJUST**—Horizontal Bowing adjustment R1883 to obtain straight horizontal lines at the top and bottom of the crt screen.

**NOTE**

*As this control is adjusted, the display will shrink or expand horizontally. This effect will be compensated for later. The line straightening effect of this control is very slight.*

ii. Set the signal standardizer installed in the A HORIZ compartment to Aux In.

jj. Set the HORIZONTAL MODE switch to A. Rotate the A HORIZ signal standardizer Position control to align the trace with the third graticule line from the left side of the crt screen.

kk. With a precision dc voltmeter, measure the differential voltage on the crt horizontal deflection plates. Note this voltage.

ll. Rotate the A HORIZ signal standardizer Position control to align the trace with the eighth graticule line from the left side of the crt screen.

mm. With the precision dc voltmeter, measure the differential voltage on the crt horizontal deflection plates. Note this voltage.

nn. **EXAMINE**—The sum of the absolute voltages measured in parts jj and ll should be 9.4 volts within 0.94 volt (1.88 volts/division of deflection within 10%).

oo. **ADJUST**—Horizontal Sensitivity adjustment R1873-R1876 to obtain a crt horizontal sensitivity that is 1.88 volts/division, within 10% (9.4 volts within 0.94 volt for 5 divisions of deflection).

**NOTE**

*If this adjustment is moved an appreciable amount, it may be necessary to readjust the Geometry adjustment R1863-R1866 to compensate for the slight pin cushion or barrel distortion of the vertical lines. If the crt horizontal sensitivity of 1.88 volts/division within 10% cannot be achieved with the Horizontal Sensitivity adjustment R1873-R1876, it may be corrected by adjusting the Horizontal Bowing adjustment R1883 slightly at the expense of minor horizontal line bowing.*

pp. Set the HORIZONTAL MODE switch to ALT.

qq. Set the signal standardizer installed in the A HORIZ compartment to Vert or Horiz Gain.

rr. **ADJUST**—If horizontal nonlinearity or nonuniform bowing of vertical lines is observed on the display, adjust the Horizontal Differential Sensitivity adjustment R1874-R1875 to correct the nonlinearity.

ss. **ADJUST**—FOCUS control, ASTIG control and Stigmator adjustment R1894 for best overall focus of crosshatch pattern.

tt. **EXAMINE**—Displayed crosshatch pattern should align with the vertical and horizontal graticule lines within 0.1 division everywhere on the graticule.

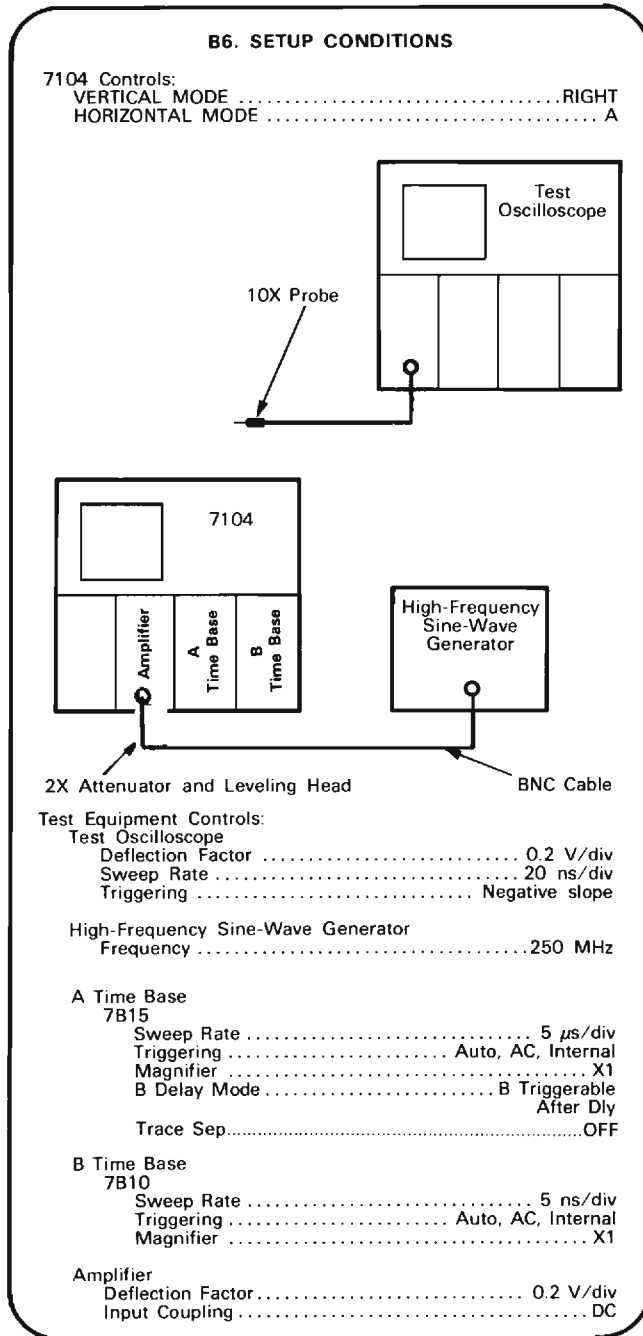
uu. **ADJUST**—Vert Gain adjustment R830 (on A17 Vertical Amplifier board) and LF Gain adjustment R1062 (on A19 Horizontal Amplifier board) so that the vertical and horizontal traces of the crosshatch display align with the vertical and horizontal graticule lines within 0.1 division.

**Calibration Part II—7104  
Adjustment and Performance Check**

**B6. ADJUST AUTO FOCUS (R1622, C1620)**

**NOTE**

*If the preceding step was not performed, first refer to the Z-Axis And Display Preliminary Control Settings, then proceed with the following instructions.*



a. Connect the high-frequency sine-wave generator to the amplifier input connector.

b. Set the A INTENSITY control as desired.

c. Set the high-frequency sine-wave generator Amplitude control for a 2 division display.

d. Set the HORIZONTAL MODE switch to B.

e. Set both time-base triggering levels for a triggered light.

f. Set the B INTENSITY control for a low-intensity display.

g. Set the FOCUS control and ASTIG adjustment for a well-defined display.

h. Connect the 10X probe from the test oscilloscope to TP1628 on the A21 Z-Axis board.

i. Rotate the amplifier unit Position control to move the displayed waveform off the crt screen.

j. Set the B INTENSITY control fully clockwise.

k. **ADJUST**—The Focus Gain adjustment R1622 for maximum pulse amplitude displayed on the test oscilloscope.

l. **ADJUST**—The Comp #5 adjustment C1620 to minimize aberrations on the negative-going pulse displayed on the test oscilloscope.

m. **EXAMINE**—The pulse displayed on the test oscilloscope should be at least 6 volts with a pulse leading-edge fall time of 20 nanoseconds or less with less than 25% aberrations.

n. Remove test oscilloscope 10X probe.

o. Set the A HORIZ time-base unit sweep rate to 0.1 millisecond/division.

p. Set the READOUT INTENSITY control for a visible readout display.

q. Set the FOCUS control for optimum focus of the readout display.

r. Rotate the amplifier Position control to move the sine wave to the crt screen center.

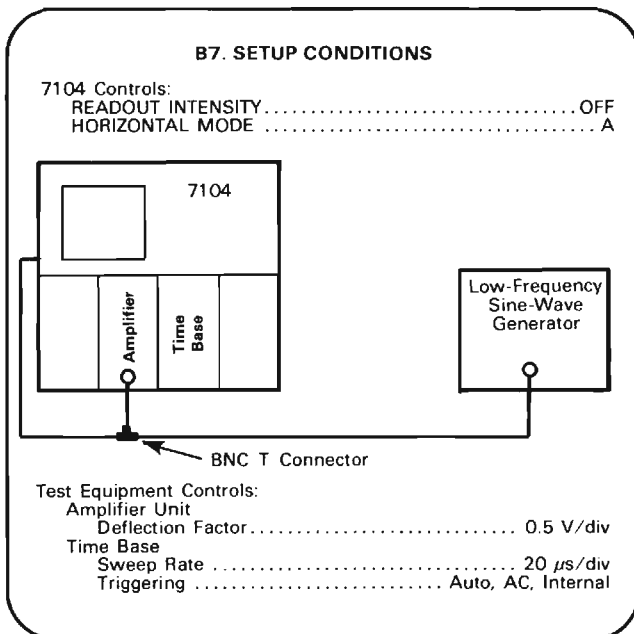
s. **EXAMINE**—Rotate the FOCUS control and check that the sine wave and readout displays focus at the same point on the FOCUS control.

t. **ADJUST**—The Focus Gain adjustment R1622 for optimum focus of the displayed sine-wave signal.

## B7. CHECK EXTERNAL Z-AXIS OPERATION

### NOTE

*If the preceding step was not performed, first refer to the Z-Axis And Display Preliminary Control Settings, then proceed with the following instructions.*



- a. Set the A INTENSITY control for a dim display.
- b. Connect the output of the low-frequency sine-wave generator to the amplifier unit input (use a bnc T connector at the amplifier input).
- c. Set the low-frequency sine-wave generator for a four-division display at 50 kilohertz (one volt above and below ground).
- d. Set the A INTENSITY control for a dim display.
- e. Connect the signal from the output of the T connector at the amplifier input to the Z-AXIS INPUT connector on the rear panel.
- f. **CHECK**—Positive portion of the displayed waveform is blanked out.



## C. CALIBRATOR AND OUTPUT SIGNALS

**Equipment Required:** (Numbers correspond to those listed in Table 5-3, Test Equipment.)

- |                                 |   |
|---------------------------------|---|
| 1. Test oscilloscope            | 15. Coaxial cable (one 18-inch, two 42-inch required) |
| 4. Time-base unit               | 17. T connector                                       |
| 8. Precision dc voltmeter (DVM) | 20. Screwdriver                                       |
| 10. Time-mark generator         |   |

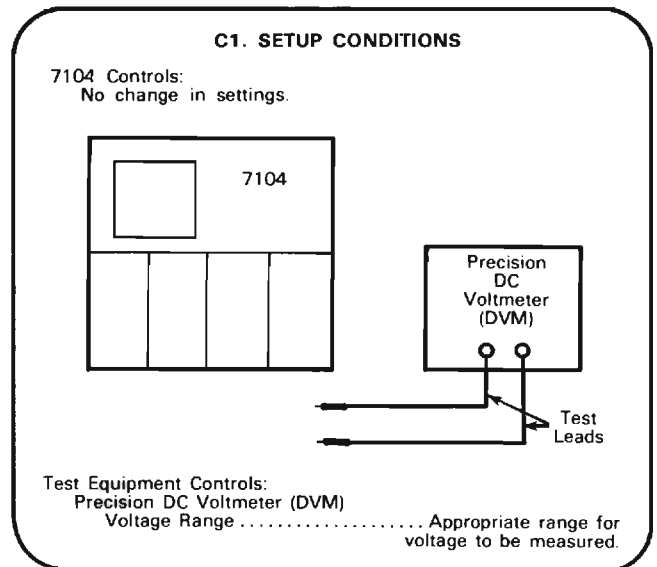
### BEFORE YOU BEGIN:

(1) Perform the Adjustment and Performance Check Power-Up Sequence.

(2) Refer to Section 6, Instrument Options, and the Change Information at the rear of this manual for any modifications which may affect this procedure.

(3) See the **Test Point and Adjustment Locations C** foldout page in Section 8, Diagrams and Circuit Board Illustrations.

### C1. CHECK/ADJUST CALIBRATOR OUTPUT VOLTAGE (R385)



### CALIBRATOR AND OUTPUT SIGNALS PRELIMINARY CONTROL SETTINGS:

POWER switch ..... On  
VERTICAL MODE ..... RIGHT  
VERT TRACE SEPARATION (B) ..... Midrange  
A TRIGGER SOURCE ..... VERT MODE  
A INTENSITY ..... Fully counterclockwise  
HORIZONTAL MODE ..... A  
B INTENSITY ..... Fully counterclockwise  
B TRIGGER SOURCE ..... VERT MODE  
READOUT INTENSITY ..... OFF (in detent)  
GRAT ILLUM ..... Midrange  
BEAMFINDER ..... Pushbutton out  
CALIBRATOR ..... 4 V pushbutton in

a. Set both the 4 V and 0.4 V CALIBRATOR push buttons to the depressed position.

b. Connect the precision dc voltmeter to the CALIBRATOR output connector.

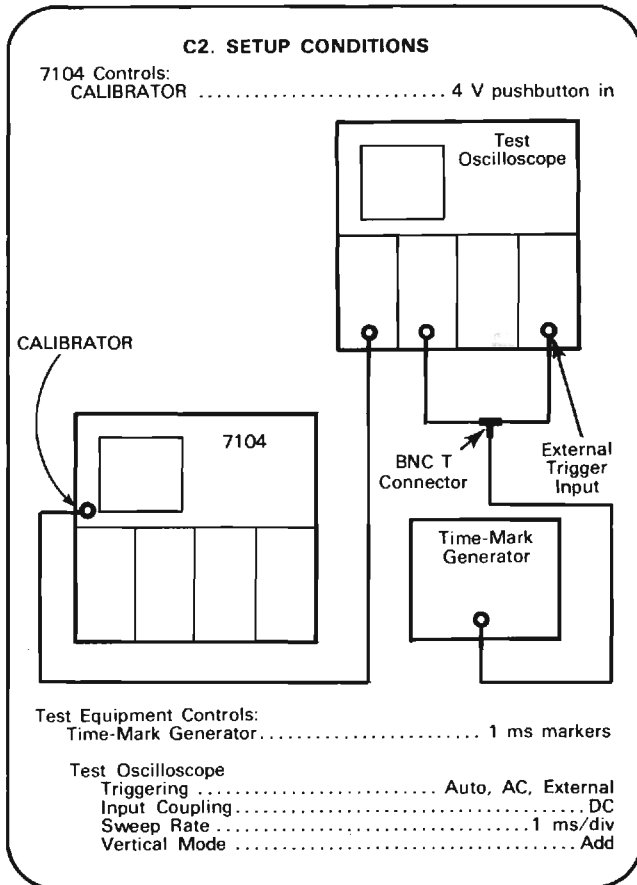
c. **CHECK**—Meter reading for 0.4008 volt within the limits of 0.4004 to 0.4012 volt.

d. **ADJUST**—The 0.4 V ADJ adjustment R385 for a meter reading of exactly 0.4008 volt. (Access to adjustment is through the chassis, inside the vertical compartments, near the front of the instrument and under the VERTICAL MODE switch.)

**C2. CHECK/ADJUST CALIBRATOR 1 kHz REPETITION RATE (R375)**

**NOTE**

*If the preceding step was not performed, first refer to the Calibrator And Output Signals Preliminary Control Settings, then proceed with the following instructions.*



**NOTE**

*A frequency counter with an accuracy of at least 0.1% may be used to adjust the CALIBRATOR repetition rate.*

- Connect 1-millisecond time-markers to the test oscilloscope external trigger input and to the noninverting vertical channel of the test oscilloscope (use a bnc T connector). Connect the 7104 CALIBRATOR output to the inverting input of the test oscilloscope.
- Set the test oscilloscope triggering level for a stable time-mark display.
- Set the test oscilloscope vertical deflection factors to display 2 divisions of CALIBRATOR signal and 1 division of time-marker signal.

d. Set the test oscilloscope sweep rate for 0.2 second/division.

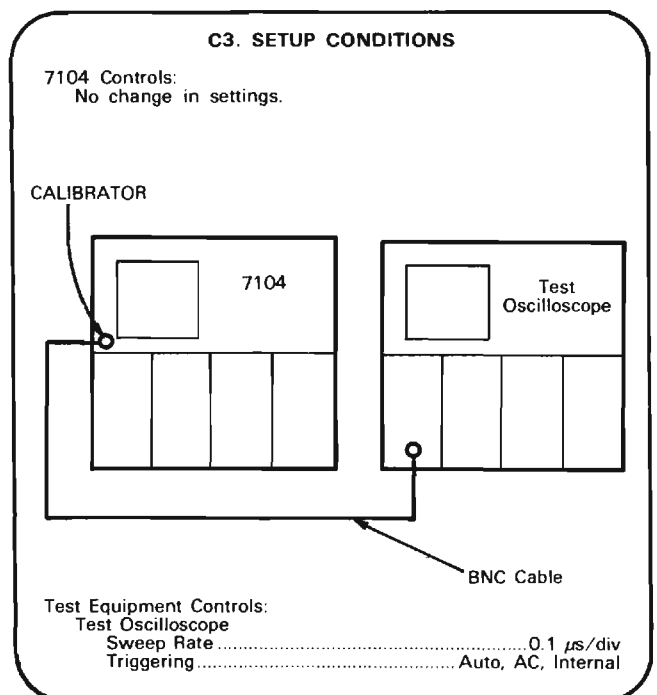
e. **CHECK**—The time required for the 1-millisecond time marks to drift from the positive level of the CALIBRATOR signal to the negative level, and back to the positive level must be more than 0.4 second (2 divisions). This time can be measured directly from the display by observing the number of divisions that the markers move across the display area before it returns to the positive level.

f. **ADJUST**—1 kHz adjustment R375 for minimum drift (access to the adjustment is through the chassis, inside the vertical compartment).

**C3. CHECK CALIBRATOR RISE TIME, FALL TIME, AND DUTY CYCLE**

**NOTE**

*If the preceding step was not performed, first refer to the Calibrator And Output Signals Preliminary Control Settings, then proceed with the following instructions.*



**Calibration Part II—7104  
Adjustment and Performance Check**

a. Connect the CALIBRATOR output to the inverting vertical input of the test oscilloscope.

b. Set the test oscilloscope vertical deflection to display 4 divisions of CALIBRATOR signal.

c. Set the test oscilloscope for a stable display, triggered on the rising portion of the CALIBRATOR signal.

d. **CHECK**—Displayed waveform for not more than 5 divisions horizontally between the 10% to 90% points of the waveform (rise time, 0.5 microsecond or less).

e. Set the test oscilloscope for a stable display triggered on the falling portion of the waveform.

f. **CHECK**—Displayed waveform for not more than 5 divisions between the 90% and 10% points (fall time, 0.5 microsecond or less).

g. Set the test oscilloscope triggering for positive slope and auto mode with ac coupling from the internal source at a sweep rate of 0.1 millisecond/division. Set the triggering controls so that the display starts at the 50% point on the rising edge of the waveform.

h. Set the test oscilloscope sweep magnifier to X10. Then, position the display horizontally so the falling edge of the waveform aligns with the center vertical graticule line.

i. Set the test oscilloscope vertical to invert the display.

**NOTE**

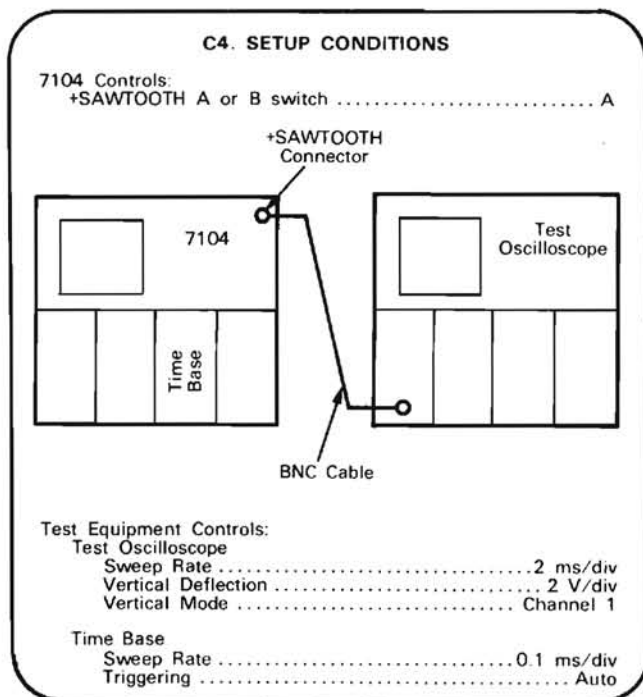
*The display is triggered on the opposite slope, even though the display appears the same.*

j. **CHECK**—The 50% point on the falling edge of the waveform now displayed is within 0.2 divisions horizontally of the center line. (Indicates duty cycle of 50% within 0.2%.)

**C4. CHECK A AND B SAWTOOTH OUTPUT SIGNALS**

**NOTE**

*If the preceding step was not performed, first refer to the Calibrator And Output Signals Preliminary Control Setting, then proceed with the following instructions.*



a. Connect the +SAWTOOTH output connector to the test oscilloscope channel 1 vertical input (1-megohm input).

b. **CHECK**—That the slope of the test oscilloscope display is 2 volts/division within 10% (10-volt sawtooth for 10 division sweep on 7104 crt screen) and that the sawtooth baseline is within one volt of ground.

c. Move the time-base unit to the B HORIZ compartment.

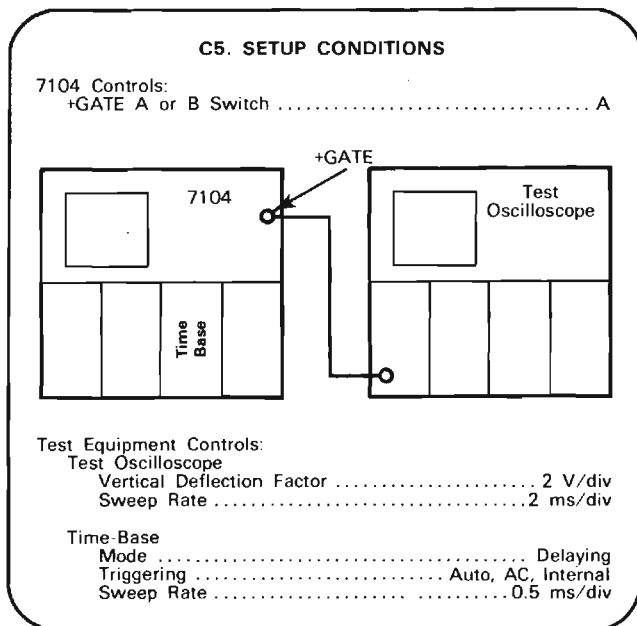
d. Set the +SAWTOOTH selector switch to the B position.

e. **CHECK**—Test oscilloscope display for 2 volts/division of sweep within 10% (10-volt sawtooth for 10 division sweep on the 7104 crt screen) and that the sawtooth baseline is within one volt of ground.

### C5. CHECK A AND B GATE OUTPUT SIGNALS

#### NOTE

If the preceding step was not performed, first refer to the *Calibrator And Output Signals Preliminary Control Settings*, then proceed with the following instructions.

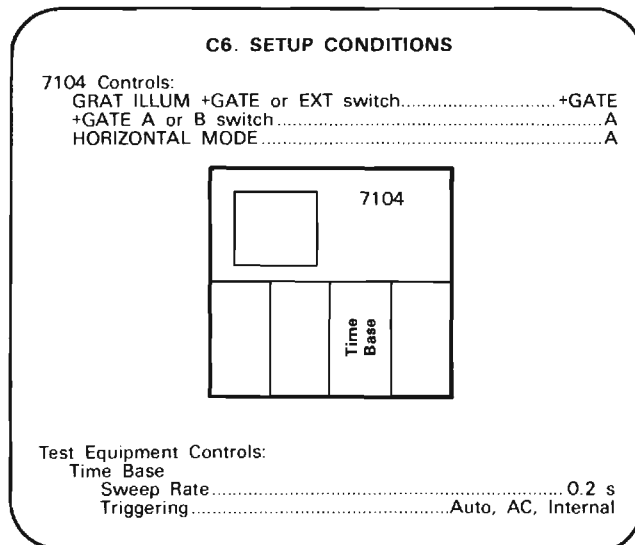


- a. **CHECK**—Test oscilloscope display for a gate waveform 5 divisions in amplitude, within 10%, and a baseline at zero volts, within one volt.
- b. Move the time-base unit to the B HORIZ compartment.
- c. Set the +GATE selector switch to the B position.
- d. **CHECK**—Test oscilloscope display for a gate waveform 5 divisions in amplitude, within 10%, and a baseline at zero volts, within one volt.

### C6. CHECK GRATICULE ILLUMINATION OPERATION

#### NOTE

If the preceding step was not performed, first refer to the *Calibrator And Output Signals Preliminary Control Settings*, then proceed with the following instructions.



- a. **CHECK**—Rotate the GRAT ILLUM control throughout its range and notice that the illumination of the graticule varies.
- b. Set the GRAT ILLUM control fully clockwise to the PULSED detent position.
- c. Set the A INTENSITY control for a visible display.
- d. **CHECK**—Graticule illumination occurs only after the time-base unit has completed a sweep (adjust GRAT ILLUM PRESET, if necessary).
- e. Set the GRAT ILLUM +GATE or EXT switch to EXT.
- f. **CHECK**—Press the GRAT ILLUM MAN pushbutton and check for one momentary illumination of the graticule.
- g. Set the GRAT ILLUM control to midrange (out of the PULSED detent position).

## D. TRIGGER SYSTEM

**Equipment Required:** (Numbers correspond to those listed in Table 5-3, Test Equipment.)

- |                                  |   |
|----------------------------------|---|
| 1. Test oscilloscope             | 6. Plug-In extender (rigid calibration fixture)       |
| 2 or 3. Amplifier unit           | 15. Coaxial cable (one 18-inch, two 42-inch required) |
| 4. Time-base unit (two required) | 20. Screwdriver                                       |
| 5. Signal standardizer           |   |

### BEFORE YOU BEGIN:

(1) Perform the Adjustment and Performance Check Power-Up Sequence.

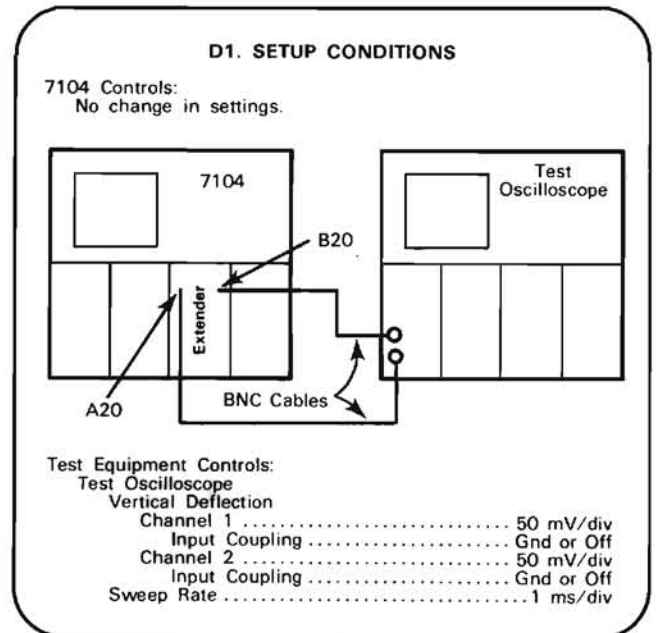
(2) Refer to Section 6, Instrument Options, and the Change Information at the rear of this manual for any modifications which may affect this procedure.

(3) See the **Test Point and Adjustment Locations D** foldout page in Section 8, Diagrams and Circuit Board Illustrations.

### TRIGGER SYSTEM PRELIMINARY CONTROL SETTINGS:

POWER switch	On
VERTICAL MODE	RIGHT
VERT TRACE SEPARATION (B)	Midrange
A TRIGGER SOURCE	VERT MODE
A INTENSITY	Fully counterclockwise
HORIZONTAL MODE	A
B INTENSITY	Fully counterclockwise
B TRIGGER SOURCE	VERT MODE
FOCUS	Midrange
READOUT INTENSITY	OFF (in detent)
GRAT ILLUM	Midrange
BEAMFINDER	Pushbutton out

### D1. ADJUST A TRIGGER SELECTOR CENTERING (R255, R270, R274, AND R279)



a. Within the plug-in extender, disconnect the top connector on the left and right sides (labeled A20 and B20). Connect each female connector to one of the test oscilloscope channels with the 42-inch 50-ohm bnc cables and 50-ohm bnc terminations (omit the 50-ohm bnc terminations if the test oscilloscope has a 50-ohm input impedance).

b. Set the test oscilloscope for differential operation between the two channels (added display mode with one channel inverted).

c. Establish a ground reference level for the test oscilloscope by positioning the trace to the center horizontal line of the graticule. Do not change the test oscilloscope position controls after setting this ground reference.

d. Set both channels of the test oscilloscope for dc input coupling.

e. **EXAMINE**—Check the test oscilloscope display a for dc level within 1 division (50 millivolts) of the ground reference level in the LEFT, RIGHT, and ADD positions of the VERTICAL MODE switch.

f. **ADJUST**—The A DC Center adjustment R255 for a dc level within 1 division (50 millivolts) of the ground reference level in the LEFT, RIGHT, and ADD positions of the VERTICAL MODE switch.

g. Install the signal standardizer in the LEFT VERT compartment.

h. Set the VERTICAL MODE switch to LEFT.

i. Set the signal standardizer Test selector switch to Trigger +Step Resp, and the Rep Rate switch to 1 kHz. Use the signal standardizer Position and Amplitude controls to center a 6 division display on the test oscilloscope. Set the test oscilloscope sweep rate to 0.5 millisecond/division.

j. **EXAMINE**—Test oscilloscope display for less than +3% and -3% aberrations.

k. **ADJUST**—The A Thermal adjustment R270 (on the A14 Trigger Selector board) for optimum square wave displayed on the test oscilloscope.

l. Set the signal standardizer Test selector switch to Trigger Gain and the Rep Rate switch to 1 MHz. Use the signal standardizer Position control to move the bright trace display on the test oscilloscope to the center graticule line.

m. **EXAMINE**—Test oscilloscope display for nine traces with six divisions of vertical deflection between the center seven traces, within 0.6 division (300 millivolts, within 20 millivolts).

n. **ADJUST**—The A Gain adjustment R274 for a test oscilloscope display of six divisions of deflection between the center seven traces, within 0.6 division (300 millivolts, within 30 millivolts).

o. Remove the signal standardizer from the LEFT VERT compartment.

p. Set the test oscilloscope to alternate between channel 1 and channel 2. Re-establish a ground reference for both channels of the test oscilloscope. Then set both channels for dc coupling.

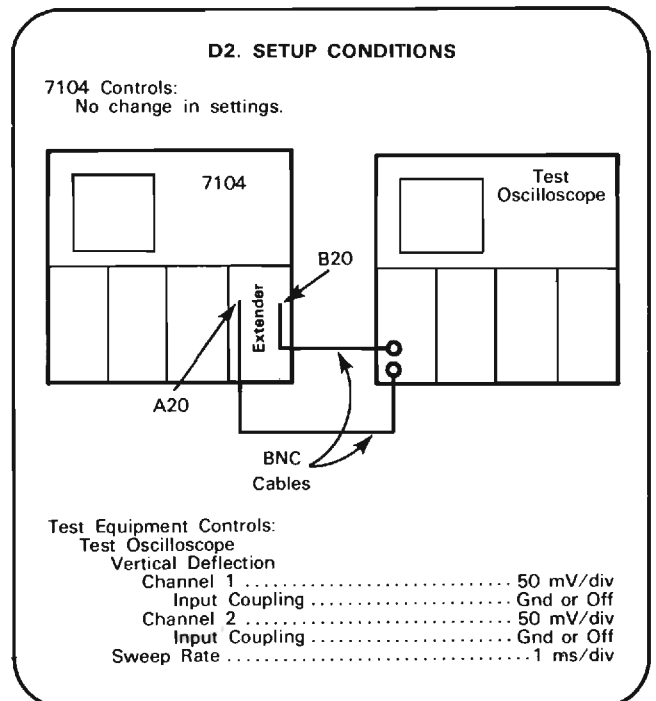
q. **EXAMINE**—Check the test oscilloscope display for a dc level within 1 division (50 millivolts) of the established ground reference.

r. **ADJUST**—The A DC Common Mode adjustment R279 for a dc level within 1 division of ground.

## D2. ADJUST B TRIGGER SELECTOR CENTERING AND GAIN (R455, R473, R479)

### NOTE

*If the preceding step was not performed, first refer to the Trigger System Preliminary Control Settings, then proceed with the following instructions.*



a. Set the test oscilloscope for differential operation between the two channels (added display mode with one channel inverted).

b. Establish a ground reference level for the test oscilloscope by positioning the trace to the center horizontal line of the graticule. Do not change the test oscilloscope position controls after setting this ground reference.

c. Within the plug-in extender, disconnect the top connector on the left and right sides (labeled A20 and B20). Connect each female connector to one of the test oscilloscope channels with the 42-inch 50-ohm bnc cables and 50-ohm bnc terminations (omit the 50-ohm bnc terminations if the test oscilloscope has a 50-ohm input impedance).

d. Set both channels of the test oscilloscope for dc input coupling.

**Calibration Part II—7104  
Adjustment and Performance Check**

e. **EXAMINE**—Test oscilloscope display for a dc level within 1 division (50 millivolts) of the ground reference level in the LEFT, RIGHT, and ADD positions of the 7104 VERTICAL MODE switch.

f. **ADJUST**—B DC Center adjustment R455 for a dc level within 1 division (50 millivolts) of the ground reference level in the LEFT, RIGHT, and ADD positions of the VERTICAL MODE switch.

g. Install the signal standardizer in the LEFT VERT compartment.

h. Set the VERTICAL MODE switch to LEFT.

i. Set the signal standardizer Test selector switch to Trigger Gain and the Rep Rate switch to 1 MHz. Use the signal standardizer Position control to align the bright trace displayed on the test oscilloscope with the center graticule line.

j. **EXAMINE**—Test oscilloscope display for nine traces with six divisions of vertical deflection between the center seven traces, within 0.6 division (300 millivolts, within 30 millivolts).

k. **ADJUST**—B Gain adjustment R474 for a test oscilloscope display of six divisions of deflection between the center seven traces, within 0.6 division.

l. Remove the signal standardizer from the LEFT VERT compartment.

m. Set the test oscilloscope to alternate between channel 1 and channel 2. Re-establish a ground reference for both channels of the test oscilloscope. Then set both channels for dc coupling.

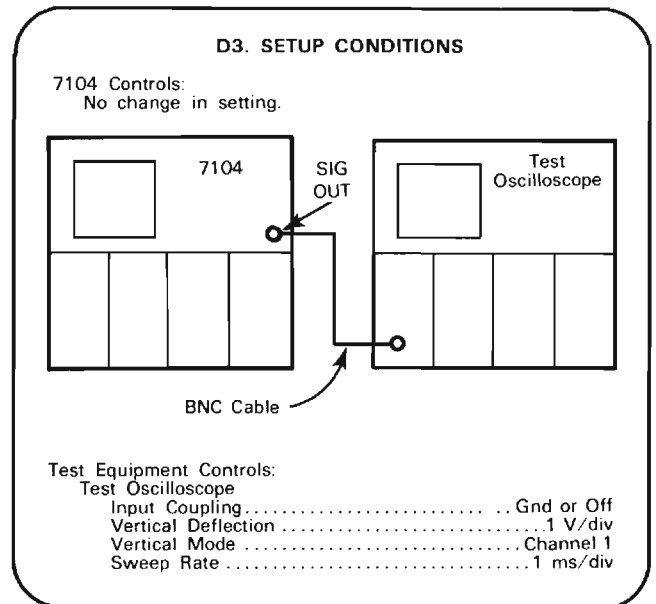
n. **EXAMINE**—Test oscilloscope display for a dc level within 1 division (50 millivolts) of the established ground reference.

o. **ADJUST**—The B DC Common Mode adjustment R479 for a dc level within 1 division of ground.

**D3. CHECK/ADJUST VERTICAL SIGNAL OUT DC CENTERING (R485, R480, R490)**

**NOTE**

*If the preceding step was not performed, first refer to the Trigger System Preliminary Control Settings, then proceed with the following instructions.*



a. Establish a ground reference for the test oscilloscope by positioning the trace to the graticule center line. Do not change the test oscilloscope position control after setting this ground reference.

b. Connect the front-panel SIG OUT connector to the vertical input of the test oscilloscope with the 42-inch, 50-ohm bnc cable.

c. Set the test oscilloscope input coupling switch to dc.

d. **EXAMINE**—Test oscilloscope display for a dc level within 1 division of the ground reference established in part a.

e. **ADJUST**—Signal Out DC Center adjustment R485 for a dc level within 1 division of the ground reference level.

f. Install the signal standardizer in the LEFT VERT compartment.

g. Set the Test selector switch to Trigger +Step Resp and the Rep Rate switch to 1 kHz.

h. Rotate the signal standardizer Position and Amplitude controls to display a six division triggered signal on the test oscilloscope.

i. **EXAMINE**—The test oscilloscope square-wave display for optimum flat top within 0.1 division.

j. **ADJUST**—The Signal Out Thermal 1 adjustment R480 to optimize the test oscilloscope square-wave display.

k. Set the signal standardizer Rep Rate switch to 10 kHz.

l. Set the test oscilloscope sweep rate to 0.1 millisecond/division.

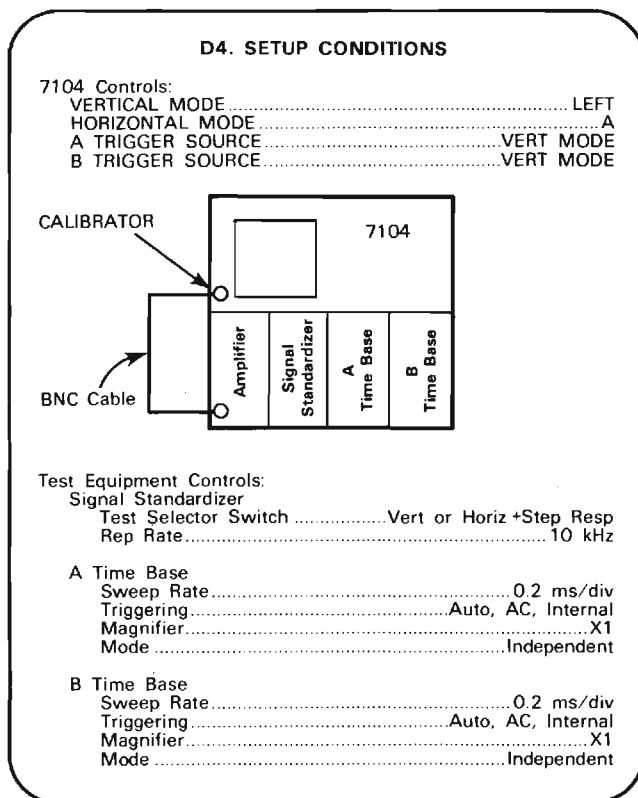
m. **EXAMINE**—The test oscilloscope square-wave display for a flat top within 0.2 division.

n. **ADJUST**—The Signal Out Thermal 2 adjustment R490 to optimize test oscilloscope square-wave display.

#### D4. CHECK TRIGGER SELECTOR OPERATION

##### NOTE

*If the preceding step was not performed, first refer to the Trigger System Preliminary Control Settings, then proceed with the following instructions.*



a. Connect the CALIBRATOR 4 V output to the amplifier unit (use 18-inch bnc cable). Set the A INTENSITY control for a visible display. Set the amplifier for a 2 division display in the upper half of the graticule area. Use the A time-base unit trigger level to trigger the display.

b. Set the VERTICAL MODE switch to RIGHT.

c. Set the signal standardizer Amplitude and Position controls for a 2 division display in the lower half of the graticule area.

d. Set the VERTICAL MODE switch to ALT.

e. **CHECK**—For 1 kHz and 10 kHz triggered waveforms (adjust the time-base unit trigger level controls as necessary).

f. Set the VERTICAL MODE switch to ADD.

g. **CHECK**—For a triggered waveform.

h. Set the VERTICAL MODE switch to CHOP.

i. **CHECK**—For a stable display of only the 1 kHz waveform.

j. Set the A TRIGGER SOURCE switch to LEFT VERT.

k. **CHECK**—Sequentially select all positions of the VERTICAL MODE switch and check for a stable display of only the 1 kHz waveform.

l. Set the A TRIGGER SOURCE switch to RIGHT VERT.

m. **CHECK**—Sequentially select all positions of the VERTICAL MODE switch and check for a stable display of only the 10 kHz waveform.

n. Set the VERTICAL MODE switch to ALT, the HORIZONTAL MODE switch to B, and the B INTENSITY control for a visible display.

o. **CHECK**—For a 1 kHz and 10 kHz triggered waveforms.

p. Set the VERTICAL MODE switch to ADD.

q. **CHECK**—For a stable display.

r. Set the VERTICAL MODE switch to CHOP.

s. **CHECK**—Crt display for a stable display of only the 1 kHz waveform.

t. Set the B TRIGGER SOURCE switch to LEFT VERT.

u. **CHECK**—Sequentially select all positions of the VERTICAL MODE switch and check for a stable display of only the 1 kHz waveform.

v. Set the B TRIGGER SOURCE switch to RIGHT VERT.

w. **CHECK**—Sequentially select all positions of the VERTICAL MODE switch and check for a stable display of only the 10 kHz waveform.

x. Set the VERTICAL MODE switch to ALT, the HORIZONTAL MODE switch to ALT, and the A and B TRIGGER SOURCE switches to VERT MODE.

y. **CHECK**—Vary the time-base units Trigger Level controls; the B HORIZ time-base unit should be triggered on the 1 kHz waveform and the A HORIZ time-base unit should be triggered on the 10 kHz waveform.



## E. HORIZONTAL SYSTEM

**Equipment Required:** (Numbers correspond to those listed in Table 5-3, Test Equipment.)

- |   |   |
|---|---|
| 2. Amplifier unit (two required, one with variable delay) | 15. Coaxial cable (one 18-inch, two 42-inch required) |
| 4. Time-base unit   | 17. T connector                                       |
| 5. Signal standardizer                                    | 19. Low-capacitance screwdriver                       |
| 8. Precision dc voltmeter (DVM)                           | 20. Screwdriver                                       |
| 10. Time-mark generator                                   |   |
| 11. Low-frequency sine-wave generator                     |   |

### BEFORE YOU BEGIN:

(1) Perform the Adjustment and Performance Check Power-Up Sequence

(2) Refer to Section 6, Instrument Options, and the Change Information at the rear of this manual for any modifications which may affect this procedure.

(3) See the **Test Point and Adjustment Locations E** foldout page in Section 8, Diagrams and Circuit Board Illustrations.

FOCUS.....Midrange  
 READOUT INTENSITY ..... OFF (in detent)  
 GRAT ILLUM ..... As desired  
 BEAMFINDER ..... Pushbutton out  
 X-Y Z-Axis Selector ..... X-Y DC-Controlled  
 Z-Axis (see note below)

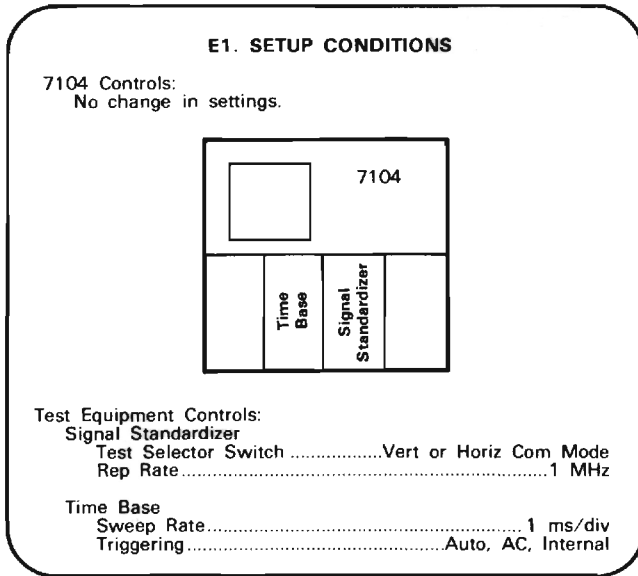
### HORIZONTAL SYSTEM PRELIMINARY CONTROL SETTINGS:

POWER switch ..... On  
 VERTICAL MODE ..... RIGHT  
 VERT TRACE SEPARATION (B) ..... Midrange  
 A TRIGGER SOURCE ..... VERT MODE  
 A INTENSITY ..... Fully counterclockwise  
 HORIZONTAL MODE ..... A  
 B INTENSITY ..... Fully counterclockwise  
 B TRIGGER SOURCE ..... VERT MODE

### NOTE

*The X-Y Z-Axis Selector is an internal switch, located on the Logic board (A13). Refer to Figure 8-29, Test Point and Adjustment Locations E, in section 8 of this manual. When the X-Y Z-Axis Selector is set to the X-Y DC Controlled Z-Axis position, control of the Z-Axis drive signal to the crt is determined by the horizontal plug-in unit selected by the HORIZONTAL MODE switch. When the X-Y Z-Axis Selector is set to the X-Y Time-Base Controlled Z-Axis position (In) and an amplifier unit is installed in one of the horizontal copartments, control of the Z-Axis drive signal to the crt is determined by a time-base unit installed in the other horizontal compartment. Return the X-Y Z-Axis Selector to the X-Y Time-Base Controlled Z-Axis position (In) after performing all or part of the E. Horizontal System procedure.*

**E1. CHECK/ADJUST HORIZONTAL AMPLIFIER GAIN (R1030, R995, R965, R1062)**



- a. Set the A INTENSITY control for a visible trace.
- b. Move jumper P1062 to short together the two pins nearer to the outside of the 7104.

**NOTE**

*Test Point and Adjustment Locations E (Section 8, Diagrams and Circuit Board Illustrations) illustrates the correct position of P1062 located by dotted lines.*

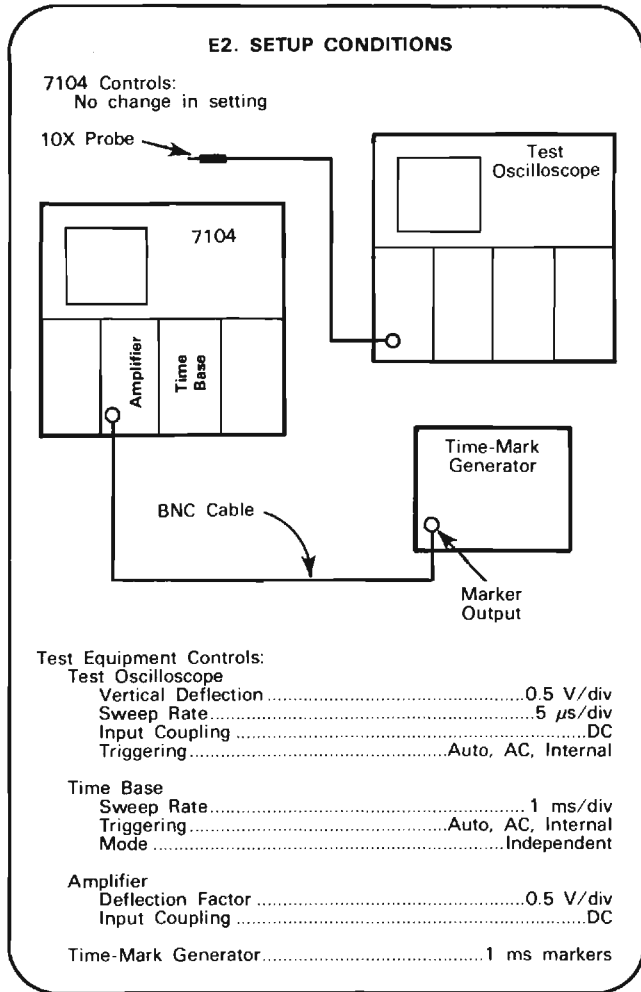
- c. **EXAMINE**—The vertical trace should be within 0.5 division of the center vertical graticule line.
- d. **ADJUST**—The Ctr adjustment R1030 (on the A19 Horizontal Amplifier board) to align the displayed trace with the center vertical graticule line.
- e. Return jumper P1062 to the storage pins.
- f. **EXAMINE**—The vertical trace should be within 0.5 division of the center graticule line.
- g. **ADJUST**—A Ctr adjustment R995 to align the trace with the center graticule line.
- h. Move the signal standardizer to the B HORIZ compartment.

- i. Set the HORIZONTAL MODE switch to B.
- j. Set the B INTENSITY control for a visible trace.
- k. **EXAMINE**—The trace should be within 0.5 division of the center graticule line.
- l. **ADJUST**—B Ctr adjustment R965 to align the trace with the center graticule line.
- m. Set the signal standardizer Test selector switch to Vert or Horiz Gain and the Rep Rate switch to 1 MHz. Align the bright vertical trace with the center vertical graticule line using the signal standardizer Position control.
- n. **CHECK**—For 8 divisions of deflection between the center nine traces within 0.08 division. Note the exact error for comparison in part t.
- o. **ADJUST**—The LF Gain adjustment R1062 for exactly 8 divisions of deflection between the center nine traces measured at the second and tenth graticule lines.
- p. **INTERACTION**—If R1062 was adjusted in part o, step E2 will have to be performed.
- q. **CHECK**—That the other vertical traces align with their respective graticule lines within 0.05 division. (The LF Gain adjustment R1062 should be set for optimum for valid check.)
- r. Move the signal standardizer to the A HORIZ compartment.
- s. Set the HORIZONTAL MODE switch to A.
- t. **CHECK**—For 8 divisions of deflection between the center nine traces within 0.08 division of the error noted in part n. And, that the other vertical traces align with their respective graticule lines within 0.05 divisions. (Specified at the center graticule line.)
- u. **ADJUST**—If necessary, compromise the setting of R1062 for optimum gain for both A and B HORIZ compartments. If readjustment is necessary, recheck parts a through o.
- v. **INTERACTION**—If R1062 was adjusted in step E1, step E2 will have to be performed.

**E2. CHECK/ADJUST HIGH-FREQUENCY TIMING (R1005, R1062, R975, R945, R958, R955, R952, R950, R988, R985, R982, R980, R1082, R1073, C1036, C1040, C1060, R1099)**

**NOTE**

*If the preceding step was not performed, first refer to the Horizontal System Preliminary Control Settings, then proceed with the following instructions.*



- a. Connect 1-millisecond markers from the time-mark generator to the amplifier unit input and adjust the amplifier unit deflection factor for about 2 divisions of display. Set the A INTENSITY control for a visible display, if necessary.
- b. Set the time-base unit triggering controls for a stable display.
- c. Position the first marker to the extreme left line on the graticule.

- d. Set the time-base unit sweep calibration control for 1 marker at each major graticule division between the second and tenth graticule lines (center 8 divisions).
- e. **CHECK**—Refer to the time-base unit instruction manual for performance check or calibration procedures for checking high-frequency timing and linearity. If the given limits are met, omit the remainder of this step.

**NOTE**

*If the instrument under test contains Option 2, disconnect P984 while performing the remainder of this step.*

- f. Remove the amplifier and time-base units from the 7104.
- g. Install a time-base unit in the RIGHT VERT compartment and a signal standardizer in the A HORIZ compartment.
- h. Set the signal standardizer Test selector switch to Vert or Horiz +Step and the Rep Rate to 1 MHz.
- i. Set the time-base unit Time/Div switch to 1 millisecond/division, the magnifier to X1, and the triggering for auto mode with ac coupling from the external source.
- j. Set the signal standardizer Amplitude and Position controls for a 10 division display centered on the crt.
- k. Connect a 10X probe from the test oscilloscope to the horizontal crt Termination R1099 and the probe ground lead to the 7104 chassis.

**NOTE**

*Figure 8-29, Test Point and Adjustment Locations E, in Section 8 (Diagrams and Circuit Board Illustrations) shows correct placement of the 10X probe.*

- l. Set the test oscilloscope variable gain control for 2 divisions of displayed waveform and set the position control so the bottom of the displayed waveform is aligned with the center graticule line on the test oscilloscope crt.
- m. Rotate the signal standardizer Position control counterclockwise to align the right side of the 7104 displayed waveform with the first graticule line on the left side of the crt.
- n. **ADJUST**—Clamp adjustment R1005 so that the bottom of the displayed test oscilloscope waveform aligns with the first graticule line below the center graticule line on the test oscilloscope crt.
- o. Disconnect the 10X probe.

p. Preset LF Gain adjustment R1062, A LF ADJ adjustment R975, and B LF ADJ adjustment R945 to mechanical midrange. Preset Comp #1, 2, 3, 4, 5, 6, 7 and 8 (adjustments R958, R955, R952, R950, R988, R985, R982, and R980 respectively) fully clockwise.

q. Set the time-base unit Time/Div switch to 0.2 millisecond/division, the magnifier to X10 and the triggering to +Slope, Auto, ac coupling and external.

r. Connect a bnc cable from the signal standardizer Pre Trigger Out connector to the time-base unit External Trigger In connector.

s. Set the signal standardizer Position and Amplitude controls for an 8 division display at a Rep Rate of 10 kHz. (Align the waveform on the second and tenth graticule lines.)

t. Set the time-base unit Time/Div switch to 0.5 microsecond/division and the signal standardizer Rep Rate to 1 MHz.

u. **ADJUST**—HF Gain adjustment R1082 so that the displayed pulse is 8 divisions wide at a point 10 nanoseconds from the leading edge.

v. **ADJUST**—SP Damp adjustment R1073 and Delay adjustment C1036 to optimize step response.

w. Set the time-base unit Time/Div switch to 20 nanoseconds/division.

x. Use the time-base unit Position and Trigger Level controls to align the leading edge of the pulse near the second graticule line from the bottom of the crt.

y. **ADJUST**—Comp #9 and #10 adjustments C1040 and C1060 to optimize the first 2 nanoseconds of the front corner on the displayed pulse.

z. **ADJUST**—HF Gain adjustment R1082 to align the area of the pulse 3 nanoseconds from the front corner with the retrace.

aa. **ADJUST**—Termination adjustment R1099 to align the area of the pulse 8 nanoseconds from the front corner of the pulse with the retrace.

bb. **INTERACTION**—Adjustments in parts y and z interact. Repeat as necessary.

cc. Set the time-base unit Time/Div switch to 0.5 microsecond/division and the triggering to negative slope. Use the time-base unit Position control to align the front corner of the pulse with the second graticule line from the bottom of the crt.

dd. **ADJUST**—SP Damp adjustment R1073, and Delay adjustment C1036 to optimize the the front corner of the displayed pulse.

ee. Set the time-base unit Time/Div switch to 2 microseconds/division.

ff. Set the signal standardizer Position and Amplitude controls so the displayed pulse is exactly 8 divisions in amplitude (align the waveform on the second and tenth graticule lines; use the center horizontal graticule line to set 8 divisions), measured 200 nanoseconds from the front-corner of the pulse (front corner of pulse is right side of displayed waveform lower corner).

**NOTE**

*Care should be taken not to change the signal standardizer Amplitude control throughout the remaining parts of this step.*

gg. Set the time-base unit Time/Div switch to 2 milliseconds/division, the magnifier to X1, and the signal standardizer Rep Rate to 100 Hz.

**NOTE**

*Adjustments in the remainder of this step are measured and adjusted at the graticule's vertical center by vertically positioning the trace using the time-base unit Position control as needed.*

hh. **ADJUST**—A LF ADJ adjustment R975 for exactly 8 divisions at the trailing edges of the displayed pulse (trailing edge of pulse is upper portion of pulse on left and right sides of waveform).

ii. Set the time-base unit Time/Div switch to 1 millisecond/division.

jj. **ADJUST**—Comp #5 adjustment, R988 for 8 divisions of pulse amplitude 0.2 millisecond from the front corner of the pulse.

kk. Set the time-base unit Time/Div switch to 0.1 millisecond/division. Set the signal standardizer Rep Rate to 1 KHz.

ll. **ADJUST**—Comp #6 adjustment R985 for 8 divisions of pulse amplitude 20 microseconds from the front corner of the pulse.

mm. Set the time-base unit Time/Div switch to 10 microseconds/division, and the signal standardizer Rep Rate to 10 KHz.

nn. **ADJUST**—Comp #7 adjustment R982 for 8 divisions of pulse amplitude 2 microseconds from the front corner of the pulse.

oo. Set the time-base unit Time/Div switch to 1 microsecond/division, and the signal standardizer Rep rate to 100 kHz.

**Calibration Part II—7104  
Adjustment and Performance Check**

pp. **ADJUST**—Comp #8 adjustment R980 for 8 divisions of pulse amplitude 0.2 microsecond from the front corner of the pulse.

qq. Set the time-base unit to internal triggering and the signal standardizer Test selector switch to Vert or Horiz Gain.

rr. **ADJUST**—Align the bright center trace with the center graticule line and set LF Gain adjustment R1062 for 8 divisions of deflection between the center nine traces.

ss. Set the time-base unit magnifier to X10 and the triggering to External. Set the signal standardizer Test selector switch to Vert or Horiz +Step and the Rep Rate to 1 MHz.

tt. **ADJUST**—HF Gain R1082 for a flat top.

uu. Move the signal standardizer to the B HORIZ compartment.

vv. Set the HORIZONTAL MODE switch to B.

**NOTE**

*If the instrument under calibration contains Option 2, disconnect P984 while performing the remainder of this step.*

ww. Set the signal standardizer Position and Amplitude controls so the pulse is exactly 8 divisions in amplitude measured 200 nanoseconds from the front corner (align the waveform on the second and tenth graticule lines).

**NOTE**

*Care should be taken not to change the signal standardizer amplitude control throughout the remaining parts of this step.*

xx. Set the time-base unit Time/Div switch to 2 milliseconds/division, the magnifier to X1 and the signal standardizer Rep Rate to 100 Hz.

yy. **ADJUST**—B LF ADJ adjustment R945 for exactly 8 divisions of displayed pulse at the trailing edges.

zz. Set the time-base unit sweep rate to 1 millisecond/division.

aaa. **ADJUST**—Comp #1 adjustment R958 for exactly 8 divisions of pulse amplitude 0.2 millisecond from the front corner.

bbb. Set the time-base unit Time/Div to 0.1 milliseconds/division and the signal standardizer Rep Rate to 1 kHz.

ccc. **ADJUST**—Comp #2 adjustment R955 for 8 divisions of amplitude 20 microseconds from the front corner.

ddd. Set the time-base unit sweep rate to 10 microseconds/division and the signal standardizer Rep Rate to 10 kHz.

eee. **ADJUST**—Comp #3 adjustment R952 for 8 divisions of pulse amplitude 2 microseconds from the front corner.

fff. Set the time-base unit Time/Div switch to 1 microsecond/division and the signal standardizer Rep Rate to 100 kHz.

ggg. **ADJUST**—Comp #4 adjustment R950 for 8 divisions of pulse amplitude 0.2 microsecond from the front corner.

hhh. **INTERACTION**—The adjustments in this step interact; repeat part e of this step.

**NOTE**

*If the instrument under calibration contains Option 2 reconnect P984.*

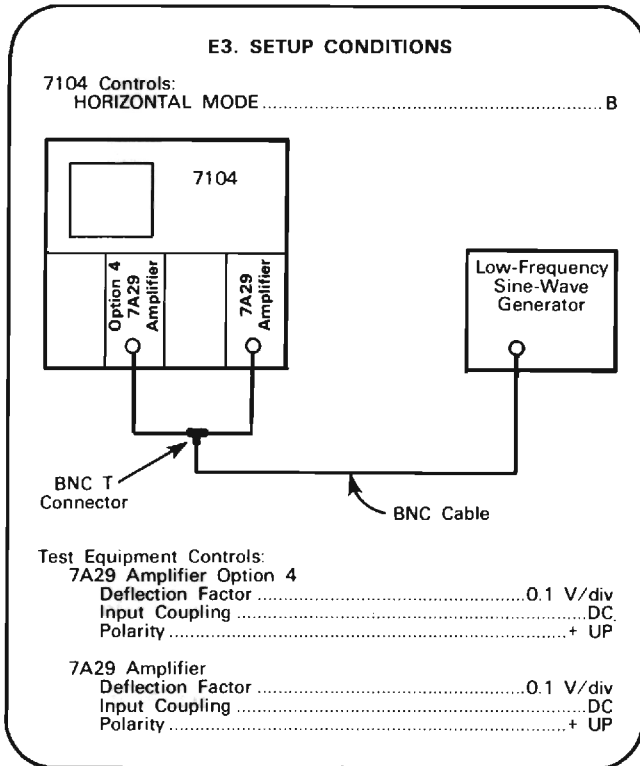
**E3. CHECK/ADJUST X-Y COMPENSATION  
(OPTION 2 ONLY) (R1105, R1120, R1110,  
R1113, R1112, C1114, R1114, R1156)**

**NOTE**

*If the instrument under test does not contain Option 2, omit this step.*

**NOTE**

*If the preceding step was not performed, refer to the Horizontal System Preliminary Control Settings, then proceed with the following instructions.*



- a. Set the low-frequency sine-wave generator for eight divisions of vertical and horizontal deflection at 25 megahertz.
- b. Set the variable delay control on the 7A29 Option 4 Amplifier unit to minimize the separation on the Lissajous display.
- c. Set the low-frequency sine-wave generator to 50 megahertz.
- d. **CHECK**—Crt Lissajous display for a separation of 0.28 division or less (indicates 2 degrees or less phase shift).

**NOTE**

*If the specification in part d is met, omit the remainder of this step.*

- e. Remove the cables and the 7A29 Amplifier units from the RIGHT VERT and B HORIZ compartments.
- f. Install a signal standardizer in the B HORIZ compartment.

- g. Set the signal standardizer Test selector switch to Vert or Horiz Com Mode.
- h. Install a time-base unit in the RIGHT VERT compartment.
- i. Set the time-base unit Time/Div switch to 1 millisecond/division, the magnifier to X1, and the triggering to auto with ac coupling from the internal source.
- j. **ADJUST**—Ctr adjustment R1105 (on the A28 X-Y Delay Compensation board) so that disconnecting and reconnecting P984 produces no trace shift.
- k. Set the signal standardizer Test selector switch to Vert or Horiz Gain and use the Position control to align the bright center trace with the center graticule line.
- l. **EXAMINE**—The second and tenth vertical traces should align with the second and tenth graticule lines within 0.08 division.
- m. **ADJUST**—Gain adjustment R1120 so that the second and tenth vertical traces align with the second and tenth graticule lines.
- n. Set the signal standardizer Test selector switch to Vert or Horiz +Step.
- o. Set the signal standardizer Amplitude and Position controls for an 8 division display centered on the crt at a Rep Rate of 10 kHz.

- p. Connect the signal standardizer Pretrigger Out connector to the time-base unit External Trigger In connector.
- q. Set the time-base unit Time/Div switch to 20 microseconds/division and the triggering to +Slope, Auto, AC and External.
- r. **ADJUST**—Comp #1 adjustment R1110 to optimize the front corner of the displayed pulse.
- s. Set the time-base unit sweep rate to 2 microsecond/division.
- t. Set the signal standardizer Rep Rate to 100 kHz.
- u. **ADJUST**—Comp #2 adjustment R1113 to optimize the front corner of the displayed pulse.
- v. Set the time-base unit magnifier to X10, and the signal standardizer Rep Rate to 1 MHz.
- w. **ADJUST**—Comp #3 adjustment R1112 to optimize the front corner of the displayed pulse.

**Calibration Part II—7104  
Adjustment and Performance Check**

x. Set the time-base unit sweep rate to 0.1 microsecond/division.

y. **ADJUST**—Comp #4 adjustment C1114, and Comp #5 adjustment R1114 to optimize the front corner of the displayed pulse.

z. Set the time-base unit Time/Div switch to 20 nanoseconds/division.

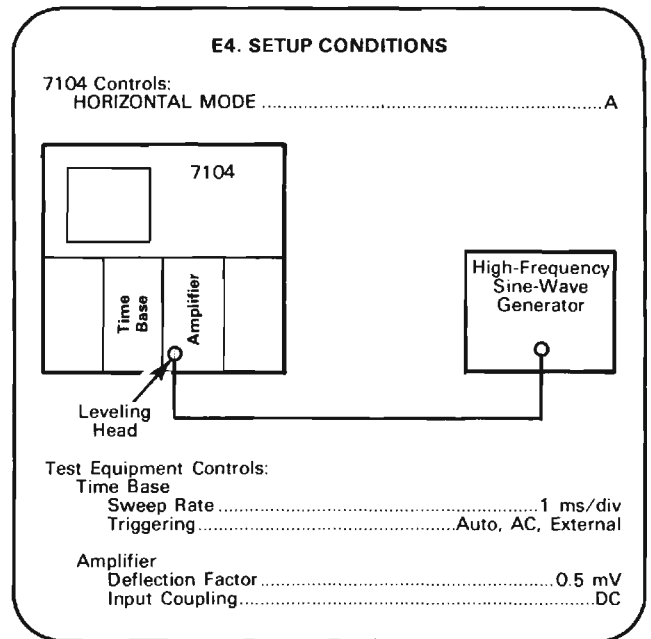
aa. **ADJUST**—Comp #6 adjustment R1156 to optimize the displayed pulse.

bb. **INTERACTION**—Adjustments in parts q through aa interact; repeat as necessary.

**E4. CHECK HORIZONTAL BANDWIDTH**

**NOTE**

*If the preceding step was not performed, refer to the Horizontal System Preliminary Control Settings, then proceed with the following instructions.*



a. Set the high-frequency sine-wave generator for 8 divisions of displayed signal on the 7104 crt at the generator's reference frequency (6 MHz).

b. Set the high-frequency sine-wave generator output frequency to 350 megahertz.

c. **CHECK**—Displayed 350 MHz amplitude is at least 5.7 divisions.

## F. VERTICAL SYSTEM

**Equipment Required:** (Numbers correspond to those listed in Table 5-3, Test Equipment.)

- |  |                                 |
|--|---------------------------------|
| 2. Amplifier unit                      | 16. 2X attenuator               |
| 4. Time-base unit (two required)       | 19. Low-capacitance screwdriver |
| 5. Signal standardizer                 | 20. Screwdriver                 |
| 11. Low-frequency sine-wave generator  |                                 |
| 12. High-frequency sine-wave generator |                                 |

### BEFORE YOU BEGIN:

(1) Perform the Adjustment and Performance Check Power-Up Sequence.

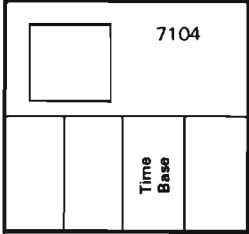
(2) Refer to Section 6, Instrument Options, and the Change Information at the rear of this manual for any modifications which may affect this procedure.

(3) See the **Test Point and Adjustment Locations F** foldout page in Section 8, Diagrams and Circuit Board Illustrations.

### F1. ADJUST VERTICAL AMPLIFIER CENTERING (R740, R535)

**F1. SETUP CONDITIONS**

7104 Controls:  
VERTICAL MODE.....ALT



Test Equipment Controls:  
Time Base  
Sweep Rate..... 1 ms/div  
Triggering.....Auto, AC, Internal

### VERTICAL SYSTEM PRELIMINARY CONTROL SETTINGS:

POWER switch .....On  
VERTICAL MODE .....RIGHT  
VERT TRACE SEPARATION (B).....Midrange  
A TRIGGER SOURCE..... VERT MODE  
A INTENSITY .....Midrange  
HORIZONTAL MODE..... A  
B INTENSITY .....Midrange  
B TRIGGER SOURCE..... VERT MODE  
FOCUS..... Midrange  
READOUT INTENSITY ..... OFF (in detent)  
GRAT ILLUM .....As desired  
BEAMFINDER ..... Pushbutton out

a. Set the A INTENSITY control as desired.

b. **EXAMINE**—The vertical position of the alternating traces (might appear as a single trace). They should be within 0.5 division of the graticule center line.

c. Set the VERTICAL MODE switch to LEFT.

d. **ADJUST**—MVA Center adjustment R740 (on the A17 Vertical Amplifier board) to align the trace with the center graticule line.



**Calibration Part II—7104  
Adjustment and Performance Check**

- e. Set the VERTICAL MODE switch to RIGHT.
- f. **ADJUST**—Right Ctr adjustment R535 (on the A16 Vertical Channel Switch board) to align the trace with the center graticule line.

f. **CHECK**—For one trace per graticule division within 0.06 division of the error noted in part b, over the center 6 graticule divisions.

g. **ADJUST**—If necessary, compromise the setting of Vert Gain adjustment R830 for optimum gain for both LEFT and RIGHT compartments.

**F2. CHECK/ADJUST VERTICAL AMPLIFIER GAIN (R830)**

**NOTE**

*If the preceding step was not performed, first refer to the Vertical System Preliminary Control Settings, then proceed with the following instructions.*

**F2. SETUP CONDITIONS**

7104 Controls:  
No change in settings.

7104

Signal Standardizer	Time Base
---------------------	-----------

Test Equipment Controls:

Time Base  
Sweep Rate ..... 1 ms/div  
Triggering ..... Auto, AC, External

Signal Standardizer  
Test Selector Switch ..... Vert or Horiz Gain  
Rep Rate ..... 100 kHz

- a. Position the signal standardizer display to align the bright center trace with the graticule center line.
- b. **CHECK**—For one trace per graticule division within 0.06 division over the center 6 graticule divisions. Note the exact error for comparison in part f.
- c. **ADJUST**—Vert Gain adjustment R830 for one division between each of the center 7 displayed traces, within 0.01 division.
- d. Remove the signal standardizer from the RIGHT VERT compartment and install it in the LEFT VERT compartment.
- e. Set the VERTICAL MODE switch to LEFT.

**F3. CHECK VERTICAL LOW-FREQUENCY LINEARITY**

**NOTE**

*If the preceding step was not performed, first refer to the Vertical System Preliminary Control Settings, then proceed with the following instructions.*

**F3. SETUP CONDITIONS**

7104 Controls:  
VERTICAL MODE ..... RIGHT

7104

Signal Standardizer	Time Base
---------------------	-----------

Test Equipment Controls:

Time Base  
Sweep Rate ..... 1 ms/div  
Triggering ..... Auto, AC, Internal

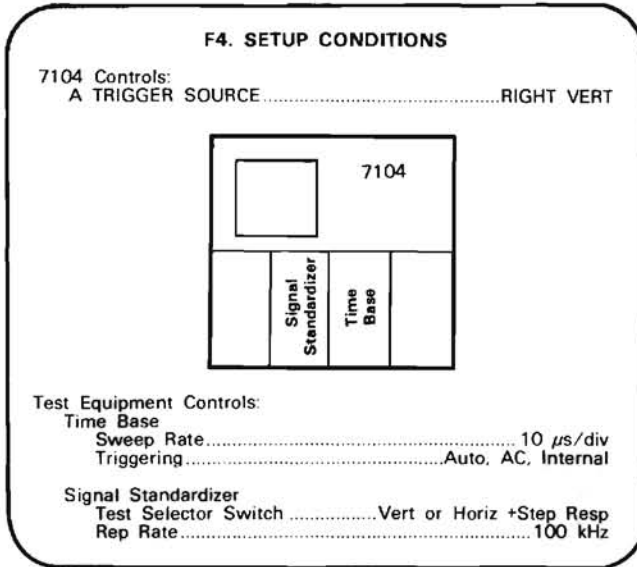
Signal Standardizer  
Test Selector Switch ..... Vert or Horiz +Step Resp  
Rep Rate ..... 1 kHz

- a. Set the signal standardizer Amplitude and Position controls so the display is exactly two divisions in amplitude in the center of the graticule area.
- b. **CHECK**—Position the two-division display vertically and check for not more than 0.1 division of compression or expansion anywhere within the graticule area.
- c. **ADJUST**—If the specification of part b was not met, perform steps F1, F2, F4, and F5.

**F4. ADJUST THERMAL COMPENSATIONS (C808, R785, R801, R795, R806, R791, R787)**

**NOTE**

*If the preceding step was not performed, first refer to the Vertical System Preliminary Control Settings, then proceed with the following instructions.*



- a. Set the signal standardizer Position and Amplitude controls for an 8 division display centered on the crt.
- b. Set the VERTICAL MODE switch to CHOP.
- c. Set the READOUT INTENSITY control for a visible readout display.
- d. **EXAMINE**—Readout display for less than 0.05 divisions of jitter and 0.05 divisions of deviation in the center displayed trace using the time-base sweep rates and signal standardizer rep rates given in Table 5-5.
- e. **ADJUST**—Thermal Compensation adjustments as given in Table 5-5 for minimum Readout display jitter and minimum deviation of the displayed center trace.
- f. **INTERACTION**—The adjustment listed in Table 5-5 may interact with step F2, F3, F4, and F5; repeat as necessary.

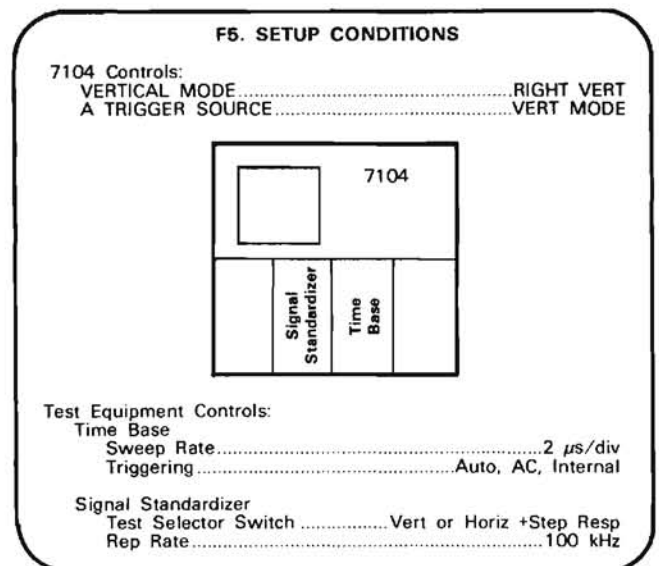
**TABLE 5-5**  
Vertical Compensation Adjustments  
(Signal Rep Rate vs. Sweep Rate)

Adjustment	Signal Standardizer Rep Rate	Sweep Rate
Comp #1 (R785), Comp #7 (C808)	1 MHz	1 $\mu$ s
Comp #5 (R801)	100 kHz	10 $\mu$ s
Comp #4 (R795)	10 kHz	0.1 ms
Comp #3 (R791)	1 kHz	1 ms
Comp #6 (R806)	100 Hz	10 ms
Comp #2 (R787)	10 Hz	50 ms

**F5. ADJUST VERTICAL LOW-FREQUENCY COMPENSATION (C538, R530, R525, R520, R515, R512, C638, R630, R625, R620, R615, R612, C705)**

**NOTE**

*If the preceding step was not performed, first refer to the Vertical System Preliminary Control Settings, then proceed with the following instructions.*



**Calibration Part II—7104  
Adjustment and Performance Check**

- a. Set the signal standardizer Amplitude control for a 6-division display.
- b. Set the time-base unit triggering and position controls for a stable display.
- c. **EXAMINE**—Displayed pulse for optimum flat top within 0.06 division with the signal standardizer Rep Rate and time-base unit sweep rates given in Table 5-6A.

**TABLE 5-6A  
Low-Frequency Compensation  
(Signal Rep Rate vs. Sweep Rate)**

Adjustment	Signal Standardizer Rep Rate	Sweep Rate
Comp #14 (C538), Comp #13 (R530)	100 kHz	2.0 $\mu$ s
Comp #12 (R525)	10 kHz	20.0 $\mu$ s
Comp #11 (R520)	1 kHz	0.2 ms
Comp #10 (R515)	100 Hz	2.0 ms
Comp #9 (R512)	10 Hz	20.0 ms

**TABLE 5-6B  
Low-Frequency Compensation  
(Signal Rep Rate vs. Sweep Rate)**

Adjustment	Signal Standardizer Rep Rate	Sweep Rate
Comp #20 (C638), Comp #19 (R630)	100 kHz	2.0 $\mu$ s
Comp #18 (R625)	10 kHz	20 $\mu$ s
Comp #17 (R620)	1 kHz	0.2 ms
Comp #16 (R615)	100 Hz	2.0 ms
Comp #15 (R612)	10 Hz	20.0 ms

- d. **ADJUST**—Compensation adjustments #14, #13, #12, #11, #10 and #9 (on the A16 Vertical Channel Switch board) as given in Table 5-6A for optimum flat top on the displayed waveform.

- e. Move the signal standardizer to the LEFT VERT compartment.

- f. Set the VERTICAL MODE switch to LEFT VERT.

- g. Set the signal standardizer Rep Rate switch to 100 kHz. Set the Amplitude and Position controls for a six-division display, centered on the graticule area.

- h. **EXAMINE**—Displayed pulse for optimum flat top within 0.06 division with the signal standardizer Rep Rate and the time-base unit sweep rates given in Table 5-6B.

- i. **ADJUST**—Compensation adjustments #20, #19, #18, #17, #16, and #15 as given in Table 5-6B for optimum flat top on the displayed waveform.

- j. Set the signal standardizer Test selector switch to Vert or Horiz +Step Resp and the Rep Rate to 1 MHz.

- k. Set the time-base unit for a sweep rate of 2.0 nanoseconds/division. Set the triggering controls for a stable display triggered on the rising portion of the pulse.

- l. **EXAMINE**—For optimum square corner and flat top on the displayed pulse within the following limits: Aberrations in the first 5 nanoseconds after the 50% point of the step should not exceed 0.3 division peak-to-peak. Aberrations from 5 to 10 nanoseconds after the 50% point of the step should not exceed 0.18 division peak-to-peak. Aberrations after 10 nanoseconds of the 50% point of the step should not exceed 0.06 divisions peak-to-peak except to allow 0.12 division of aberrations for delay-line termination at about 105 nanoseconds from the step. Rise time of the pulse should be 350 picoseconds between the 10% and 90% points.

- m. **ADJUST**—High-frequency Comp #21 adjustment C705 for optimum rise time (less than 350 picoseconds) and flat top with minimum aberrations within the limits given in part l. Use the low-capacitance screwdriver to adjust the variable capacitors. Repeat the complete adjustment procedure as necessary to obtain optimum step response.

- n. **INTERACTION**—Adjustments in step F5 interact with steps F2, F3, and F4; repeat as necessary.

- o. Move the signal standardizer to the RIGHT VERT compartment and set the VERTICAL MODE switch to RIGHT.

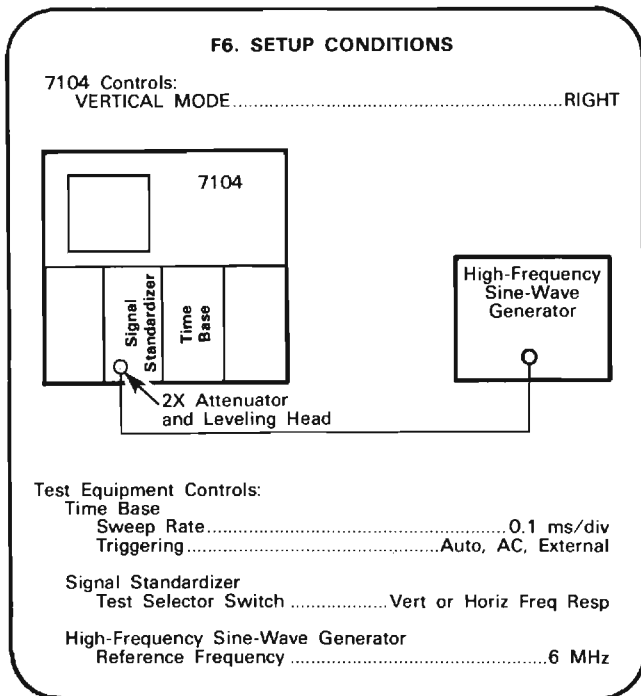
- p. **ADJUST**—If necessary, compromise the high-frequency Comp #21 adjustment C705 for optimum pulse response for both vertical compartments.

- q. **EXAMINE**—For optimum square corner and flat top on the displayed pulse with aberrations within the limits given in part l.

**F6. CHECK VERTICAL AMPLIFIER 1 GHz GAIN**

**NOTE**

*If the preceding step was not performed, first refer to the Vertical System Preliminary Control Settings, then proceed with the following instructions.*



a. Set the signal standardizer Amplitude control fully clockwise.

b. Connect the high-frequency sine-wave generator to the signal standardizer Aux In-Cw In (Freq Resp) input with a 2X attenuator.

c. Set the high-frequency sine-wave generator for a 10-division display at the reference frequency (between 6 and 50 megahertz) centered on the graticule. (To obtain a 10-division display first set for 8 divisions, then vertically position the display 1 division down and set the sine-wave generator to return the top of the display to the top of the graticule.)

d. Set the signal standardizer Amplitude control for a 6-division display, centered on the graticule. (The CW Leveled indicator should be lit.)

e. Without changing the output amplitude, increase the generator frequency until the displayed amplitude is reduced to 5 divisions. If the CW Leveled indicator extinguishes, increase the amplitude of the sine-wave generator signal until the light just turns on.

**NOTE**

*The signal standardizer CW Leveled light must be on and the sine-wave generator must be properly connected for a valid check. Refer to the signal standardizer and high-frequency sine-wave generator manuals.*

f. **CHECK**—Sine-wave generator frequency is 1 gigahertz or higher (verifies 1 gigahertz gain).

g. Move the signal standardizer to the LEFT VERT compartment (leave signal connected) and set the VERTICAL MODE switch to LEFT.

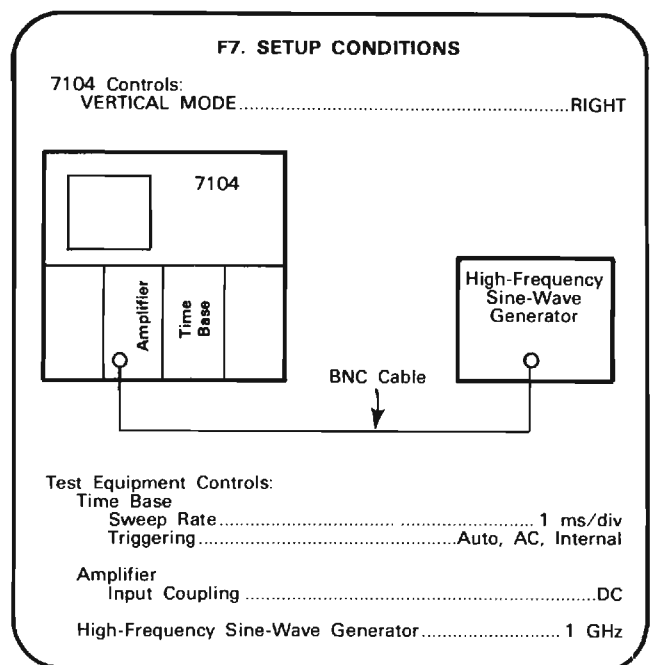
h. **CHECK**—Repeat parts d through f for the LEFT VERT compartment.

i. **ADJUST**—If the specifications of steps f or h were not met, perform steps F1, F2, F3, F4, and F5.

**F7. CHECK VERTICAL CHANNEL ISOLATION**

**NOTE**

*If the preceding step was not performed, first refer to the Vertical System Preliminary Control Settings, then proceed with the following instructions.*



**Calibration Part II—7104  
Adjustment and Performance Check**

a. Connect the output of the high-frequency sine-wave generator to the Amplifier unit input.

b. Set the output of the high-frequency sine-wave generator and the amplifier unit deflection factor for 8 divisions of deflection at 1 gigahertz.

c. Set the VERTICAL MODE switch to LEFT.

d. **CHECK**—Crt display amplitude for 0.1 division or less of the 1 gigahertz signal (verifies isolation at least 80:1 at 1 gigahertz).

e. Move the amplifier unit to the LEFT VERT compartment without disturbing the set-up.

f. Set the VERTICAL MODE switch to RIGHT.

g. **CHECK**—Crt display amplitude for 0.1 division or less of the 1 gigahertz signal (verifies isolation at least 80:1 at 1 gigahertz).

h. Set the VERTICAL MODE switch to LEFT.

i. Connect the low-frequency sine-wave generator to the amplifier unit input.

j. Set the low-frequency sine-wave generator for 8 divisions of deflection at 100 megahertz.

k. Set the VERTICAL MODE switch to RIGHT.

l. **CHECK**—Crt display amplitude for 0.05 division or less of 100 megahertz signal (verifies 100 megahertz isolation of at least 160:1).

m. Move the amplifier unit to the RIGHT VERT compartment without disturbing the set-up.

n. Set the VERTICAL MODE switch to LEFT.

o. **CHECK**—Crt display amplitude for 0.05 division or less of 100 megahertz signal (verifies isolation of at least 160:1 from dc to 100 megahertz).

**F8. CHECK VERTICAL DISPLAY MODES**

**NOTE**

*If the preceding step was not performed, first refer to the Vertical System Preliminary Control Settings, then proceed with the following instructions.*

**F8. SETUP CONDITIONS**

7104 Controls:  
VERTICAL MODE.....RIGHT

Test Equipment Controls:  
Time Base  
Sweep Rate.....1 ms/div  
Triggering.....Auto, AC, Internal

Amplifier  
Deflection Factor .....0.1 V/div  
Input Coupling .....DC

Signal Standardizer  
Test Selector Switch .....Vert or Horiz Aux In

a. Position the trace to the upper half of the graticule area with the right-vertical unit position control.

b. Set the VERTICAL MODE switch to LEFT and position the trace to the lower half of the graticule area with the left-vertical unit position control.

c. **CHECK**—Crt display for two traces in the ALT and CHOP positions of the VERTICAL MODE switch.

d. Set the VERTICAL MODE switch to ADD.

e. **CHECK**—Crt display for a single trace that can be positioned vertically with either left or right vertical-unit position controls.

**F9. CHECK VERTICAL TRACE SEPARATION OPERATION**

**NOTE**

*If the preceding step was not performed, first refer to the Vertical System Preliminary Control Settings, then proceed with the following instructions.*

a. **CHECK**—Rotate the VERT TRACE SEPARATION (B) control throughout its range and check that the trace produced by the B time-base unit can be positioned above and below the trace produced by the A time-base unit by at least 3.5 divisions. Repeat with the HORIZONTAL MODE switch set to ALT.

**F9. SETUP CONDITIONS**

7104 Controls:  
 HORIZONTAL MODE.....CHOP  
 VERTICAL MODE.....ADD

7104			
		A Time Base	B Time Base

Test Equipment Controls:  
**A Time Base**  
 Sweep Rate..... 1 ms/div  
 Triggering.....Auto, AC, Internal

**B Time Base**  
 Sweep Rate..... 1 ms/div  
 Triggering.....Auto, AC, Internal

## G. READOUT SYSTEM

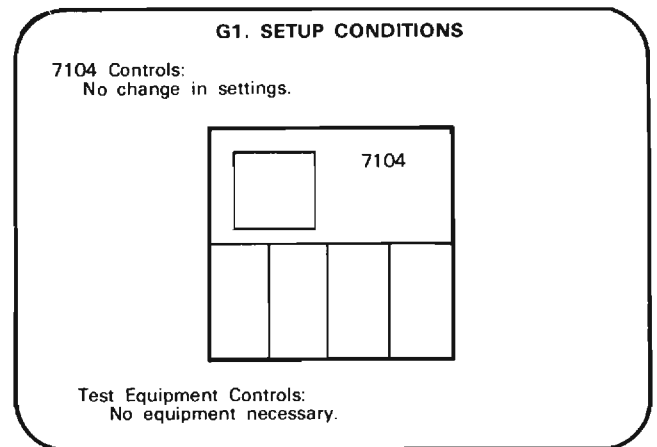
**Equipment Required:** (Numbers correspond to those listed in Table 5-3, Test Equipment.)

- |                                |                 |
|--------------------------------|-----------------|
| 3. Amplifier unit (dual trace) | 20. Screwdriver |
| 4. Time-base unit              |                 |

### BEFORE YOU BEGIN:

- (1) Perform the Adjustment and Performance Check Power-Up Sequence.
- (2) Refer to Section 6, Instrument Options, and the Change Information at the rear of this manual for any modifications which may affect this procedure.
- (3) See the **Test Point and Adjustment Locations G** foldout page in Section 8, Diagrams and Circuit Board Illustrations.

### G1. ADJUST READOUT VERTICAL SEPARATION, CENTERING AND CHARACTER HEIGHT (R2291, R701, R2273, R1025, R1035)



### READOUT SYSTEM PRELIMINARY CONTROL SETTINGS:

POWER switch .....	On
VERTICAL MODE .....	RIGHT
VERT TRACE SEPARATION (B) .....	Midrange
A TRIGGER SOURCE .....	VERT MODE
A INTENSITY .....	Midrange
HORIZONTAL MODE .....	A
B TRIGGER SOURCE .....	VERT MODE
B INTENSITY .....	Midrange
READOUT INTENSITY .....	OFF (in detent)
GRAT ILLUM .....	Midrange
BEAMFINDER .....	Pushbutton out
Readout Selector Switch .....	Free Run (see Test Point and Adjustment Locations G.)

- a. Set the POWER switch to OFF.
- b. Remove Q2225 from its socket on the Readout System board A15.
- c. Set the POWER switch to on.
- d. Set the READOUT INTENSITY control for visible characters (all zeros).

#### NOTE

*The following tolerances are provided as guides to correct instrument operation and are not instrument specifications.*

- e. **EXAMINE**—The crt display for two rows of zeros, 40 zeros to a row with no character overlap. The two rows of zeros should be located vertically in the middle of the top and bottom divisions of the graticule (see Fig. 5-2).

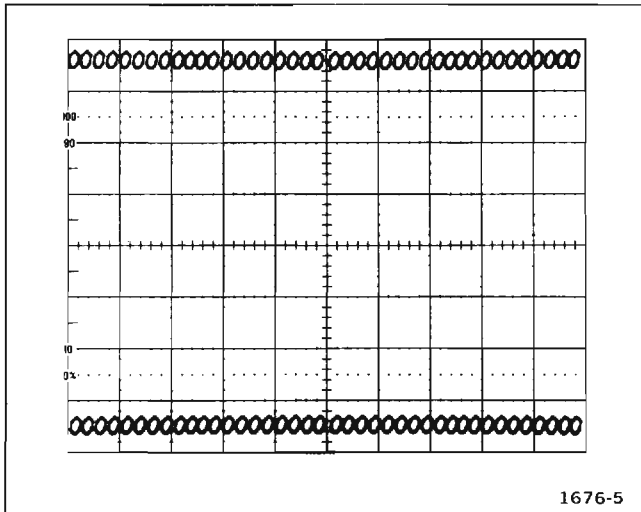


Figure 5-2. Readout display with Q2225 removed.

**NOTE**

*The MVA (Main Vertical Amplifier) Center Adjustment R740 must be correct before making the next adjustment. Refer to F. Vertical System procedure.*

f. **ADJUST**—Vertical Separation adjustment R229l, and R/O Center adjustment R701 to position the two rows of readout characters to the middle of the top and bottom divisions of the graticule. Set Character Height adjustment R2273 as desired.

g. **EXAMINE**—Display for two rows of zeros, 40 zeros to each row with no character overlap. Total length of each row of characters is between 9.5 and 10 divisions.

h. **ADJUST**—RO Ctr adjustment R1025 and RO Gain R1035 to horizontally center the zeros display and so that the length of each row of characters is between 9.5 divisions and 10 divisions.

i. Set the POWER switch to OFF and replace Q2225 in its socket.

**G2. ADJUST FULL CHARACTER SCAN (R2128)**

**NOTE**

*If the preceding step was not performed, first refer to the Readout System Preliminary Control Settings, then proceed with the following instructions.*

**G2. SETUP CONDITIONS**

7104 Controls:  
POWER.....On  
VERTICAL MODE.....RIGHT

7104

Test Equipment Controls:  
Amplifier Unit  
Deflection Factors.....50 mV/div  
Display Mode.....Dual trace

a. **EXAMINE**—The displayed characters for completeness without overscanning; overscanning causes a bright dot where traces overlap.

b. **ADJUST**—Scan adjustment R2128 for fully scanned characters without overscanning. The m and the 5 will show the most change.

**G3. ADJUST COLUMN AND ROW MATCH (R2214, R2183)**

**NOTE**

*If the preceding step was not performed, first refer to the Readout System Preliminary Control Settings, then proceed with the following instructions.*

**G3. SETUP CONDITIONS**

7104 Controls:  
No change in settings.

7104

Test Equipment Controls:  
Amplifier  
Display Mode.....Dual trace



**Calibration Part II—7104  
Adjustment and Performance Check**

- a. Press and hold one of the amplifier unit trace-identify buttons.
- b. **EXAMINE**—The readout display for correct indication of "IDENTIFY." If the readout display is incorrect, adjustment is required.
- c. **ADJUST**—Column Match adjustment R2214, and Row Match adjustment R2183, for correct readout of "IDENTIFY." Set these adjustments to the center of the adjustment range which provides correct readout indication. Release the amplifier unit trace-identify button.

a. Set the READOUT INTENSITY control for a visible display.

b. **CHECK**—Set the time-base unit to several sweep rates throughout the time/division switch range and check that the readout characters are displayed independently of the sweep.

c. Set the READOUT +GATE or EXT switch to +GATE and the READOUT INTENSITY control to PULSED.

d. Set the +GATE mode switch to A.

e. Set the READOUT PRESET control for a visible readout display.

f. Set the time-base unit for a free-running (not triggered) sweep at a rate of 0.2 second/division.

g. **CHECK**—The readout characters are blanked out while the sweep is running, and are displayed immediately after the end of the sweep; each character encoded by the plug-in units is displayed only once for each sweep.

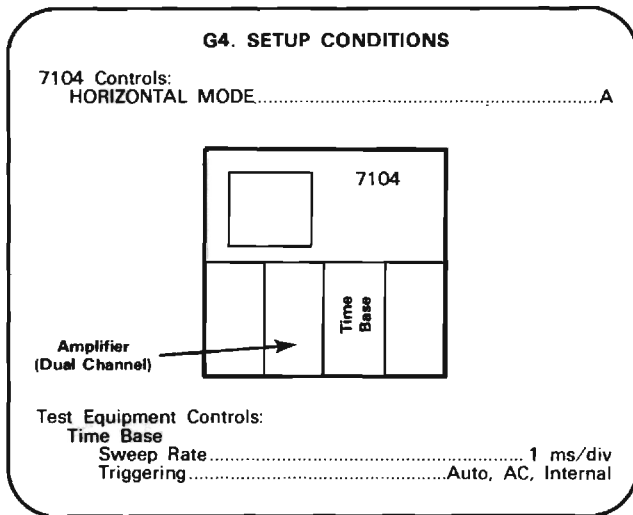
h. Set the READOUT +GATE or EXT switch to EXT.

i. **CHECK**—Press the READOUT MAN pushbutton and notice that one frame of readout is displayed.

**G4. CHECK READOUT MODES**

**NOTE**

*If the preceding step was not performed, first refer to the Readout System Preliminary Control Settings, then proceed with the following instructions.*



## H. PHOTOGRAPHIC WRITING RATE

**Equipment Required:** (Numbers correspond to those listed in Table 5-3, Test Equipment.)

- |                   |  |
|-------------------|--|
| 2. Amplifier unit | 12. High-frequency sine-wave generator |
| 4. Time-base unit | 20. Screwdriver                        |
| 7. Camera         |  |

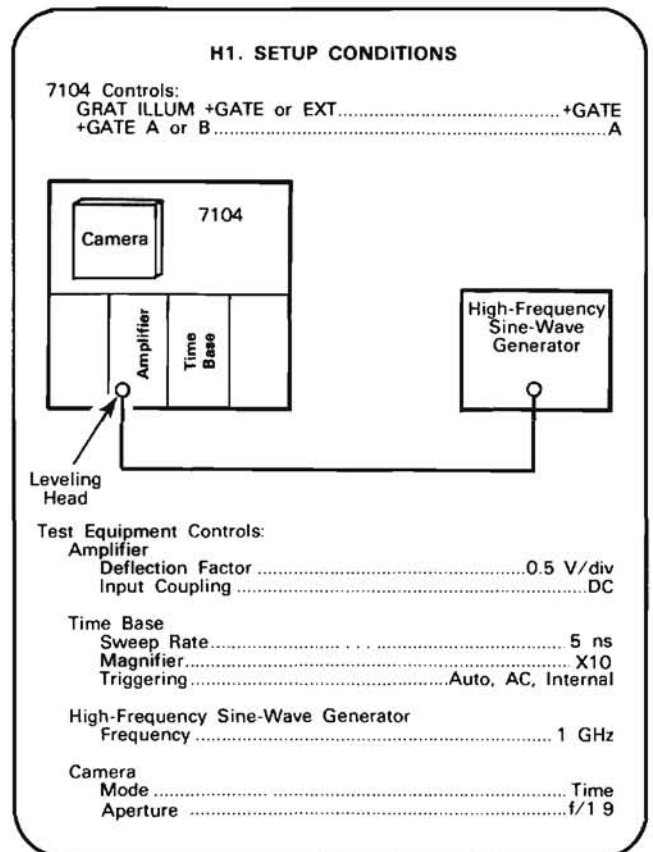
### BEFORE YOU BEGIN:

(1) Perform the Adjustment and Performance Check Power-Up Sequence.

(2) Refer to Section 6, Instrument Options, and the Change Information at the rear of this manual for any modifications which may affect this procedure.

(3) See the **Test Point and Adjustment Locations H** foldout page in Section 8, Diagrams and Circuit Board Illustrations.

### H1. CHECK/ADJUST PHOTOGRAPHIC WRITING RATE



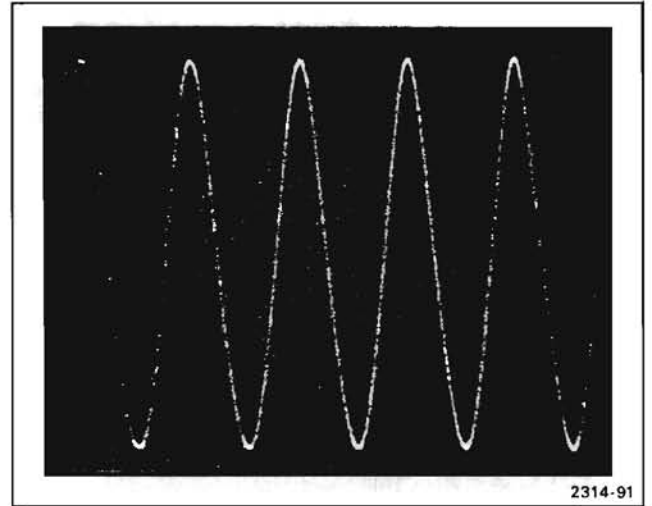
### PHOTOGRAPHIC WRITING RATE PRELIMINARY CONTROL SETTINGS:

POWER switch ..... On  
 VERTICAL MODE ..... RIGHT  
 VERT TRACE SEPARATION (B) ..... Midrange  
 A TRIGGER SOURCE ..... VERT MODE  
 A INTENSITY ..... Midrange  
 HORIZONTAL MODE ..... A  
 B TRIGGER SOURCE ..... VERT MODE  
 B INTENSITY ..... Midrange  
 READOUT INTENSITY ..... OFF (in detent)  
 GRAT ILLUM ..... PULSED  
 BEAMFINDER ..... Pushbutton out

- Set the A INTENSITY control for a visible display.
- Set the time-base unit sweep magnifier to X10.
- Set the high-frequency sine-wave generator output amplitude to display 7.5 divisions on the 7104 crt.
- Set the FOCUS and ASTIG controls for a well-defined display.

**Calibration Part II—7104**  
**Adjustment and Performance Check**

- e. Set the time base unit to single-sweep mode.
- f. Repeatedly press the time-base unit single-sweep reset control and set the GRAT ILLUM PRESET control to illuminate the graticule.
- g. Focus the camera.
- h. Install 3000 ASA film in camera and close the camera viewing port.
- i. Rotate the A INTENSITY control fully clockwise.
- j. Press the camera shutter button.
- k. Press the time base single-sweep reset button.
- l. Press the camera shutter button.
- m. Develop film.
- n. **CHECK**—Photograph should show the 1 gigahertz sine-wave clearly (See Fig. 5-3 for typical photograph).
- o. **ADJUST**—Rotate the MCP Output adjustment R1720 clockwise to increase the photographic writing rate. Note that background scintillation can be reduced by rotating R1720 counterclockwise at the expense of the photographic writing rate.



**Figure 5-3. Typical 7104 Photographic Writing Rate.**

This concludes the Adjustment and Performance Check of the 7104.

# INSTRUMENT OPTIONS

Your instrument may be equipped with one or more instrument options. A brief description of each available option is given in the following discussion. Option information is incorporated into the appropriate sections of the manual. Refer to Table 6-1 and the Table of Contents for location of option information. For further information on instrument options, see your Tektronix Products catalog or contact your Tektronix Field Office.

## WARNING

*To avoid electric shock hazard, operating personnel must not remove the protective instrument covers. Component replacement and internal adjustments must be made by qualified service personnel only.*

### OPTION 2

Option 2 provides X-Y Mode Phase Correction. A horizontal delay line and compensation network equalizes the signal delay between either vertical compartment and the B HORIZ compartment. When this network is installed and activated, the phase shift between the vertical and B horizontal channels is adjustable to less than 2° from dc to 50 megahertz (phase balance can be obtained at any frequency up to 250 MHz). This option is factory installed.

### OPTION 3

With Option 3 installed, the instrument will meet EMC (electromagnetic compatibility) specifications given in section 1. This option can be added at any time. Refer to the Tektronix Products catalog for part number.

**TABLE 6-1**  
Option Information Locator

Instrument Options	Manual Section	Location of Information
Option 2 (Provides X-Y Delay Compensation)	1 General Information	Specification Table 1-4 contains the electrical characteristics for Option 2.
	2 Operating Instructions	Applications Provides discussion on X-Y Operation.
	3 Theory of Operation	Delay Comp (Option 2) 16 Provides discussion of circuitry.
	5 Calibration	Horizontal System E3. Check/Adjust Option 2 X-Y compensation.
	6 Instrument Options	Introductory page Includes a brief description of Option 2.
	7 Replaceable Electrical Parts	Replaceable Electrical Parts Replaceable parts unique to Option 2 are footnoted "Option 2 only".

**TABLE 6-1 (CONT.)  
Option Information Locator**

Instrument Option	Manual Section	Location of Information
Option 2 (cont.)	<p style="text-align: center;">8 Diagrams and Circuit Board Illustrations</p> <p style="text-align: center;">9 Replaceable Mechanical Parts</p>	<p>Delay Comp (Option 2) 16</p> <p>Diagram 16, shows circuitry unique to Option 2.</p> <p>Instrument Options (pull-out page) Provides a mechanical parts list and an exploded-view drawing unique to Option 2.</p>
Option 3 (Provides EMC)	<p style="text-align: center;">1 General Information</p> <p style="text-align: center;">2 Operating Instructions</p> <p style="text-align: center;">6 Instrument Options</p> <p style="text-align: center;">7 Replaceable Electrical Parts</p> <p style="text-align: center;">9 Replaceable Mechanical Parts</p>	<p>Specification Table 1-5 contains the electrical characteristics for Option 3.</p> <p>Detailed Operating Information Light Filter; includes basic description.</p> <p>Installation of Plug-In Units Refers to EMC shielded blank plug-in panel.</p> <p>Introductory page Includes a brief description of Option 3.</p> <p>Replaceable Electrical Parts Replaceable parts unique to Option 3 contain the footnote "Option 3 only".</p> <p>Instrument Options (pull-out page) Provides a mechanical parts list and an exploded-view drawing unique to Option 3.</p>

# REPLACEABLE ELECTRICAL PARTS

## PARTS ORDERING INFORMATION

Replacement parts are available from or through your local Tektronix, Inc. Field Office or representative.

Changes to Tektronix instruments are sometimes made to accommodate improved components as they become available, and to give you the benefit of the latest circuit improvements developed in our engineering department. It is therefore important, when ordering parts, to include the following information in your order: Part number, instrument type or number, serial number, and modification number if applicable.

If a part you have ordered has been replaced with a new or improved part, your local Tektronix, Inc. Field Office or representative will contact you concerning any change in part number.

Change information, if any, is located at the rear of this manual.

## SPECIAL NOTES AND SYMBOLS

X000 Part first added at this serial number  
00X Part removed after this serial number

### ITEM NAME

In the Parts List, an Item Name is separated from the description by a colon (:). Because of space limitations, an Item Name may sometimes appear as incomplete. For further Item Name identification, the U.S. Federal Cataloging Handbook H6-1 can be utilized where possible.

## ABBREVIATIONS

ACTR	ACTUATOR	PLSTC	PLASTIC
ASSY	ASSEMBLY	QTZ	QUARTZ
CAP	CAPACITOR	RECP	RECEPTACLE
CER	CERAMIC	RES	RESISTOR
CKT	CIRCUIT	RF	RADIO FREQUENCY
COMP	COMPOSITION	SEL	SELECTED
CONN	CONNECTOR	SEMICOND	SEMICONDUCTOR
ELCTLT	ELECTROLYTIC	SENS	SENSITIVE
ELEC	ELECTRICAL	VAR	VARIABLE
INCAND	INCANDESCENT	WW	WIREWOUND
LED	LIGHT EMITTING DIODE	XFMR	TRANSFORMER
NONWIR	NON WIREWOUND	XTAL	CRYSTAL

CROSS INDEX—MFR. CODE NUMBER TO MANUFACTURER

Mfr. Code	Manufacturer	Address	City, State, Zip
0000L	MATSUSHITA ELECTRIC	200 PARK AVENUE, 54TH FLOOR	NEW YORK, NY 10017
0000W	UNITED CHEMICON, INC.	731 JAMES STREET	SYRACUSE, NY 13203
00853	SANGAMO ELECTRIC CO., S. CAROLINA DIV.	P O BOX 128	PICKENS, SC 29671
01002	GENERAL ELECTRIC COMPANY, INDUSTRIAL AND POWER CAPACITOR PRODUCTS DEPARTMENT	JOHN STREET	HUDSON FALLS, NY 12839
01121	ALLEN-BRADLEY COMPANY	1201 2ND STREET SOUTH	MILWAUKEE, WI 53204
01295	TEXAS INSTRUMENTS, INC., SEMICONDUCTOR GROUP	P O BOX 5012, 13500 N CENTRAL EXPRESSWAY	DALLAS, TX 75222
02111	SPECTROL ELECTRONICS CORPORATION	17070 EAST GALE AVENUE	CITY OF INDUSTRY, CA 91745
02735	RCA CORPORATION, SOLID STATE DIVISION	ROUTE 202	SOMERVILLE, NY 08876
02777	HOPKINS ENGINEERING COMPANY	12900 FOOTHILL BLVD.	SAN FERNANDO, CA 91342
03508	GENERAL ELECTRIC COMPANY, SEMI-CONDUCTOR PRODUCTS DEPARTMENT	ELECTRONICS PARK	SYRACUSE, NY 13201
03888	KDI PYROFILM CORPORATION	60 S JEFFERSON ROAD	WHIPPANY, NJ 07981
04222	AVX CERAMICS, DIVISION OF AVX CORP.	P O BOX 867, 19TH AVE. SOUTH	MYRTLE BEACH, SC 29577
04713	MOTOROLA, INC., SEMICONDUCTOR PROD. DIV.	5005 E MCDOWELL RD, PO BOX 20923	PHOENIX, AZ 85036
08806	GENERAL ELECTRIC CO., MINIATURE LAMP PRODUCTS DEPARTMENT	NELA PARK	CLEVELAND, OH 44112
12697	CLAROSTAT MFG. CO., INC.	LOWER WASHINGTON STREET	DOVER, NH 03820
12969	UNITRODE CORPORATION	580 PLEASANT STREET	WATERTOWN, MA 02172
14099	SEMTECH CORP.	652 MITCHELL RD.	NEWBURY PARK, CA 91320
14752	ELECTRO CUBE INC.	1710 S. DEL MAR AVE.	SAN GABRIEL, CA 91776
14936	GENERAL INSTRUMENT CORP., SEMICONDUCTOR PRODUCTS GROUP	P.O. BOX 600, 600 W. JOHN ST.	HICKSVILLE, NY 11802
15454	RODAN INDUSTRIES, INC.	2905 BLUE STAR ST.	ANAHEIM, CA 92806
16546	U.S. CAPACITOR CORP/CENTRALAB ELECTRONICS DIV.	4561 COLORADO	LOS ANGELES, CA 90039
18324	SIGNETICS CORP.	811 E. ARQUES	SUNNYVALE, CA 94086
19701	ELECTRA-MIDLAND CORP., MEPCO ELECTRA INC.	P O BOX 760	MINERAL WELLS, TX 76067
23223	CTS MICROELECTRONICS, INC.	1201 CUMBERLAND AVENUE P O BOX 1278	WEST LAFAYETTE, IN 47902
24546	CORNING GLASS WORKS, ELECTRONIC COMPONENTS DIVISION	550 HIGH STREET	BRADFORD, PA 16701
25088	SIEMENS CORP.	186 WOOD AVE. S	ISELIN, NJ 08830
27014	NATIONAL SEMICONDUCTOR CORP.	2900 SEMICONDUCTOR DR.	SANTA CLARA, CA 95051
28480	HEWLETT-PACKARD CO., CORPORATE HQ.	1501 PAGE MILL RD.	PALO ALTO, CA 94304
32997	BOURNS, INC., TRIMPOT PRODUCTS DIV.	1200 COLUMBIA AVE.	RIVERSIDE, CA 92507
50157	MIDWEST COMPONENTS INC.	P. O. BOX 787 1981 PORT CITY BLVD.	MUSKEGON, MI 49443
50434	HEWLETT-PACKARD COMPANY	640 PAGE MILL ROAD	PALO ALTO, CA 94304
50558	ELECTRONIC CONCEPTS, INC.	526 INDUSTRIAL WAY WEST	EATONTOWN, NJ 07724
53184	XCITON CORPORATION	5 HEMLOCK STREET	LATHAM, NY 12110
53944	ELT INC., GLOW LITE DIVISION	BOX 698	PAULS VALLEY, OK 73075
54473	MATSUSHITA ELECTRIC, CORP. OF AMERICA	1 PANASONIC WAY	SECAUCUS, NJ 07094
55680	NICHICON/AMERICA/CORP.	6435 N PROESEL AVENUE	CHICAGO, IL 60645
56289	SPRAGUE ELECTRIC CO.		NORTH ADAMS, MA 01247
71400	BUSSMAN MFG., DIVISION OF MCGRAW-EDISON CO.	2536 W. UNIVERSITY ST.	ST. LOUIS, MO 63107
71590	CENTRALAB ELECTRONICS, DIV. OF GLOBE-UNION, INC.	P O BOX 858	FORT DODGE, IA 50501
72982	ERIE TECHNOLOGICAL PRODUCTS, INC.	644 W. 12TH ST.	ERIE, PA 16512
73138	BECKMAN INSTRUMENTS, INC., HELIPOT DIV.	2500 HARBOR BLVD.	FULLERTON, CA 92634
73899	JFD ELECTRONICS COMPONENTS CORP.	PINETREE ROAD	OXFORD, NC 27565
75042	TRW ELECTRONIC COMPONENTS, IRC FIXED RESISTORS, PHILADELPHIA DIVISION	401 N. BROAD ST.	PHILADELPHIA, PA 19108
76493	BELL INDUSTRIES, INC., MILLER, J. W., DIV.	19070 REYES AVE., P O BOX 5825	COMPTON, CA 90224
77342	AMF INC., POTTER AND BRUMFIELD DIV.	200 RICHLAND CREEK DRIVE	PRINCETON, IN 47671
79727	C-W INDUSTRIES	550 DAVISVILLE RD., P O BOX 96	WARMINSTER, PA 18974
80009	TEKTRONIX, INC.	P O BOX 500	BEAVERTON, OR 97077
80031	ELECTRA-MIDLAND CORP., MEPCO DIV.	22 COLUMBIA ROAD	MORRISTOWN, NJ 07960
81073	GRAYHILL, INC.	561 HILLGROVE AVE., PO BOX 373	LA GRANGE, IL 60525
81483	INTERNATIONAL RECTIFIER CORP.	9220 SUNSET BLVD.	LOS ANGELES, CA 90069

## CROSS INDEX—MFR. CODE NUMBER TO MANUFACTURER

Mfr. Code	Manufacturer	Address	City, State, Zip
82389	SWITCHCRAFT, INC.	5555 N. ELSTON AVE.	CHICAGO, IL 60630
84411	TRW ELECTRONIC COMPONENTS, TRW CAPACITORS	112 W. FIRST ST.	OGALLALA, NE 69153
87034	ILLUMINATED PRODUCTS INC., A SUB OF OAK INDUSTRIES, INC.	2620 SUSAN ST, PO BOX 11930	SANTA ANA, CA 92711
90201	MALLORY CAPACITOR CO., DIV. OF P. R. MALLORY AND CO., INC.	3029 E WASHINGTON STREET P O BOX 372	INDIANAPOLIS, IN 46206 COLUMBUS, NE 68601
91637	DALE ELECTRONICS, INC.	P. O. BOX 609	
93410	ESSEX INTERNATIONAL, INC., CONTROLS DIV. LEXINGTON PLANT	P. O. BOX 1007	MANSFIELD, OH 44903
99699	DEUTSCH RELAYS, INC.	65 DALY ROAD	EAST NORTHPORT, LI, NY 11731



Replaceable Electrical Parts—7104

Ckt No.	Tektronix Part No.	Serial/Model No. Eff	Dscont	Name & Description	Mfr Code	Mfr Part Number
A1	670-4895-00			CKT BOARD ASSY:FRONT PANEL	80009	670-4895-00
A2	670-5227-00			CKT BOARD ASSY:DISPLAY CONTROL	80009	670-5227-00
A3	670-4778-00			CKT BOARD ASSY:TRIGGER LIGHT	80009	670-4778-00
A4	670-4778-00			CKT BOARD ASSY:TRIGGER LIGHT	80009	670-4778-00
A5	670-4773-00			CKT BOARD ASSY:MODE SWITCH	80009	670-4773-00
A6	670-4775-00			CKT BOARD ASSY:MAIN INTERFACE	80009	670-4775-00
A7	670-5098-00			CKT BOARD ASSY:FOLLOWER,TRIG OUT 'A'	80009	670-5098-00
A8	670-5099-00			CKT BOARD ASSY:FOLLOWER,TRIG OUT 'B'	80009	670-5099-00
A9	670-5617-00			CKT BOARD ASSY:FOLLOWER,HORIZ AMP 'B'	80009	670-5617-00
A10	670-5096-00			CKT BOARD ASSY:FOLLOWER,HORIZ AMP 'A'	80009	670-5096-00
A11	670-5097-00			CKT BOARD ASSY:FOLLOWER,VERT CHANNEL	80009	670-5097-00
A12	670-5097-00			CKT BOARD ASSY:FOLLOWER,VERT CHANNEL	80009	670-5097-00
A13	670-4777-00			CKT BOARD ASSY:LOGIC	80009	670-4777-00
A14	670-4776-00			CKT BOARD ASSY:TRIGGER SELECT	80009	670-4776-00
A15	670-1900-03			CKT BOARD ASSY:READOUT	80009	670-1900-03
A16	670-4769-00			CKT BOARD ASSY:VERTICAL CHANNEL SW	80009	670-4769-00
A17	670-4770-00			CKT BOARD ASSY:VERTICAL AMPLIFIER	80009	670-4770-00
A18	670-4779-00			CKT BOARD ASSY:CRT TERMINATOR	80009	670-4779-00
A19	670-4771-00			CKT BOARD ASSY:HORIZONTAL AMPLIFIER	80009	670-4771-00
A20	670-0702-03			CKT BOARD ASSY:GRATICULE	80009	670-0702-03
A21	670-4774-00			CKT BOARD ASSY:Z-AXIS	80009	670-4774-00
A22	670-4772-00			CKT BOARD ASSY:HIGH VOLTAGE	80009	670-4772-00
A23	670-5638-00			CKT BOARD ASSY:CONTROL/RECTIFIER	80009	670-5638-00
A24	670-5639-00			CKT BOARD ASSY:LOW VOLTAGE RECTIFIER	80009	670-5639-00
A25	670-2245-01			CKT BOARD ASSY:FAN	80009	670-2245-01
A27	670-4346-00			CKT BOARD ASSY:READOUT PROTECTION #1	80009	670-4346-00
A27	-----			* OPTION 2 ONLY		
A28	670-4780-00			CKT BOARD ASSY:X-Y DELAY COMPENSATION	80009	670-4780-00
A29	670-5093-00			CKT BOARD ASSY:HORIZONTAL CRT FLEXCON	80009	670-5093-00
A30	670-5094-00			CKT BOARD ASSY:HORIZONTAL CRT FLEXCON	80009	670-5094-00
A31	670-5616-00			CKT BOARD ASSY:VERTIAL CRT FLEXCON	80009	670-5616-00
B1690	147-0035-00			MOTOR,DC:BRUSHLESS,10-15VDC,145MA	25088	1AD3001-0A
C2	290-0747-00			CAP.,FXD,ELCTLT:100UF,+50-10%,25V	56289	500D148
C3	285-0674-00			CAP.,FXD,PLASTIC:0.01UF,10%,100V	56289	410P10391
C4	290-0747-00			CAP.,FXD,ELCTLT:100UF,+50-10%,25V	56289	500D148
C5	285-0674-00			CAP.,FXD,PLASTIC:0.01UF,10%,100V	56289	410P10391
C6	290-0194-00			CAP.,FXD,ELCTLT:10UF,+50-10%,100V	56289	30D106F100DC4
C8	290-0194-00			CAP.,FXD,ELCTLT:10UF,+50-10%,100V	56289	30D106F100DC4
C9	290-0747-00			CAP.,FXD,ELCTLT:100UF,+50-10%,25V	56289	500D148
C71	281-0547-00			CAP.,FXD,CER DI:2.7PF,10%,500V	72982	301-00060J0279C
C85	283-0111-00			CAP.,FXD,CER DI:0.1UF,20%,50V	72982	8121-N088Z5U104M
C87	283-0111-00			CAP.,FXD,CER DI:0.1UF,20%,50V	72982	8121-N088Z5U104M
C237	283-0221-00			CAP.,FXD,CER DI:0.47UF,20%,50V	72982	8131N087X7R0474M
C240	290-0183-00			CAP.,FXD,ELCTLT:1UF,10%,35V	56289	162D105X9035CD2
C250	290-0525-00			CAP.,FXD,ELCTLT:4.7UF,20%,50V	56289	196D475X0050KA1
C270	283-0177-00			CAP.,FXD,CER DI:1UF,+80-20%,25V	72982	8131N039 E 105Z
C324	283-0002-00			CAP.,FXD,CER DI:0.01UF,+80-20%,500V	72982	811-546E103Z
C325	283-0115-00			CAP.,FXD,CER DI:47PF,5%,200V	72982	805-519-C0G0470J
C326	283-0002-00			CAP.,FXD,CER DI:0.01UF,+80-20%,500V	72982	811-546E103Z
C376	285-1006-00			CAP.,FXD,PLSTC:0.22UF,2%,50V	80009	285-1006-00
C384	283-0115-00			CAP.,FXD,CER DI:47PF,5%,200V	72982	805-519-C0G0470J
C386	283-0115-00			CAP.,FXD,CER DI:47PF,5%,200V	72982	805-519-C0G0470J

Ckt No.	Tektronix Part No.	Serial/Model No. Eff	Dscont	Name & Description	Mfr Code	Mfr Part Number
C440	290-0527-00			CAP., FXD, ELCTLT: 15UF, 20%, 20V	90201	TDC156M020FL
C447	283-0221-00			CAP., FXD, CER DI: 0.47UF, 20%, 50V	72982	8131N087X7R0474M
C450	290-0788-00			CAP., FXD, ELCTLT: 220UF, 20%, 35V	56289	39D793
C483	281-0513-00			CAP., FXD, CER DI: 27PF, +/-5.4PF, 500V	72982	301-000P2G0270M
C486	281-0775-00			CAP., FXD, CER DI: 0.1UF, 20%, 50V	72982	8005D9AABZ5U104M
C487	283-0111-00			CAP., FXD, CER DI: 0.1UF, 20%, 50V	72982	8121-N088Z5U104M
C488	281-0775-00			CAP., FXD, CER DI: 0.1UF, 20%, 50V	72982	8005D9AABZ5U104M
C490	283-0339-00			CAP., FXD, CER DI: 0.22UF, 10%, 50V	72982	8131N075W5R224K
C493	281-0513-00			CAP., FXD, CER DI: 27PF, +/-5.4PF, 500V	72982	301-000P2G0270M
C505	281-0811-00			CAP., FXD, CER DI: 10PF, 10%, 100V	72982	8035D2AADC1G100K
C508	281-0775-00			CAP., FXD, CER DI: 0.1UF, 20%, 50V	72982	8005D9AABZ5U104M
C512	285-0650-00			CAP., FXD, PLSTC: 0.027UF, 5%, 100V	56289	410P104
C515	285-0643-00			CAP., FXD, PLSTC: 0.0047UF, 5%, 100V	56289	410P103
C520	283-0666-00			CAP., FXD, MICA D: 890PF, 2%, 100V	00853	D151F891G0
C525	283-0649-00			CAP., FXD, MICA D: 105PF, 1%, 300V	00853	D153F1050F0
C531	285-0598-00			CAP., FXD, PLSTC: 0.01UF, 5%, 100V	01002	61F10AC103
C538	281-0204-00			CAP., VAR, PLSTC: 2-22PF, 100V	80031	287C00222MJ02
C539	281-0775-00			CAP., FXD, CER DI: 0.1UF, 20%, 50V	72982	8005D9AABZ5U104M
C582	290-0745-00			CAP., FXD, ELCTLT: 22UF, +50-10%, 25V	56289	502D225
C583	290-0745-00			CAP., FXD, ELCTLT: 22UF, +50-10%, 25V	56289	502D225
C584	290-0745-00			CAP., FXD, ELCTLT: 22UF, +50-10%, 25V	56289	502D225
C605	281-0811-00			CAP., FXD, CER DI: 10PF, 10%, 100V	72982	8035D2AADC1G100K
C608	281-0775-00			CAP., FXD, CER DI: 0.1UF, 20%, 50V	72982	8005D9AABZ5U104M
C612	285-0650-00			CAP., FXD, PLSTC: 0.027UF, 5%, 100V	56289	410P104
C615	285-0643-00			CAP., FXD, PLSTC: 0.0047UF, 5%, 100V	56289	410P103
C620	283-0666-00			CAP., FXD, MICA D: 890PF, 2%, 100V	00853	D151F891G0
C625	283-0649-00			CAP., FXD, MICA D: 105PF, 1%, 300V	00853	D153F1050F0
C631	285-0598-00			CAP., FXD, PLSTC: 0.01UF, 5%, 100V	01002	61F10AC103
C638	281-0204-00			CAP., VAR, PLSTC: 2-22PF, 100V	80031	287C00222MJ02
C639	281-0775-00			CAP., FXD, CER DI: 0.1UF, 20%, 50V	72982	8005D9AABZ5U104M
C675	281-0775-00			CAP., FXD, CER DI: 0.1UF, 20%, 50V	72982	8005D9AABZ5U104M
C681	281-0788-00			CAP., FXD, CER DI: 470PF, 10%, 100V	72982	8005H9AADW5R471K
C695	290-0746-00			CAP., FXD, ELCTLT: 47UF, +50-10%, 16V	56289	502D226
C705	281-0218-00			CAP., VAR, CER DI: 1-5PF, +2-2.5%, 100V	72982	513-001 1-5
C730	281-0814-00			CAP., FXD, CER DI: 100PF, 10%, 100V	72982	8005D2AADCOG101K
C751	283-0176-00			CAP., FXD, CER DI: 0.0022UF, 20%, 50V	56289	272C5
C762	283-0253-00			CAP., FXD, CER DI: 10UF, 10%, 50V	72982	A15BF9A4LW5R103K
C780	281-0775-00			CAP., FXD, CER DI: 0.1UF, 20%, 50V	72982	8005D9AABZ5U104M
C782	281-0810-00			CAP., FXD, CER DI: 5.6PF, 0.5%, 100V	72982	8035D2AADCOG569D
C783	281-0775-00			CAP., FXD, CER DI: 0.1UF, 20%, 50V	72982	8005D9AABZ5U104M
C787	285-0686-00			CAP., FXD, PLSTC: 0.068UF, 10%, 100V	56289	410P68391
C791	285-0643-00			CAP., FXD, PLSTC: 0.0047UF, 5%, 100V	56289	410P103
C795	283-0666-00			CAP., FXD, MICA D: 890PF, 2%, 100V	00853	D151F891G0
C801	283-0649-00			CAP., FXD, MICA D: 105PF, 1%, 300V	00853	D153F1050F0
C806	285-0683-00			CAP., FXD, PLSTC: 0.022UF, 5%, 100V	56289	410P22351
C808	281-0204-00			CAP., VAR, PLSTC: 2-22PF, 100V	80031	287C00222MJ02
C809	281-0775-00			CAP., FXD, CER DI: 0.1UF, 20%, 50V	72982	8005D9AABZ5U104M
C838	283-0334-00			CAP., FXD, CER DI: 130PF, +1-2%, 500V	72982	8121N501COG0131C
C852	283-0353-00			CAP., FXD, CER DI: 0.1UF, 10%, 50V	16546	W050FH104KPSS
C862	283-0353-00			CAP., FXD, CER DI: 0.1UF, 10%, 50V	16546	W050FH104KPSS
C878	281-0775-00			CAP., FXD, CER DI: 0.1UF, 20%, 50V	72982	8005D9AABZ5U104M
C881	283-0005-00			CAP., FXD, CER DI: 0.01UF, +100-0%, 250V	72982	8131N300Z5U0103P
C882	283-0005-00			CAP., FXD, CER DI: 0.01UF, +100-0%, 250V	72982	8131N300Z5U0103P

Replaceable Electrical Parts—7104

Ckt No.	Tektronix Part No.	Serial/Model No. Eff	Dscont	Name & Description	Mfr Code	Mfr Part Number
C885	283-0178-00			CAP., FXD, CER DI: 0.1UF, +80-20%, 100V	72982	8131N145 E 104Z
C891	290-0768-00			CAP., FXD, ELCTLT: 10UF, +50-10%, 100V	54473	ECE-A100V10L
C893	290-0745-00			CAP., FXD, ELCTLT: 22UF, +50-10%, 25V	56289	502D225
C895	290-0776-00			CAP., FXD, ELCTLT: 22UF, +50-10%, 10V	0000L	ECE-A10V22L
C897	290-0745-00			CAP., FXD, ELCTLT: 22UF, +50-10%, 25V	56289	502D225
C944	281-0808-00			CAP., FXD, CER DI: 7PF, 20%, 100V	72982	8035D9AADC0G709G
C950	283-0597-00			CAP., FXD, MICA D: 470PF, 10%, 300V	00853	D153E471K0
C952	285-0813-00			CAP., FXD, PLSTC: 0.0015UF, 5%, 100V	14752	410D1B152J
C955	285-0598-00			CAP., FXD, PLSTC: 0.01UF, 5%, 100V	01002	61F10AC103
C958	285-0808-00			CAP., FXD, PLSTC: 0.1UF, 10%, 50V	56289	LP66A1A104K004
C974	281-0808-00			CAP., FXD, CER DI: 7PF, 20%, 100V	72982	8035D9AADC0G709G
C980	283-0597-00			CAP., FXD, MICA D: 470PF, 10%, 300V	00853	D153E471K0
C982	285-0813-00			CAP., FXD, PLSTC: 0.0015UF, 5%, 100V	14752	410D1B152J
C985	285-0598-00			CAP., FXD, PLSTC: 0.01UF, 5%, 100V	01002	61F10AC103
C988	285-0808-00			CAP., FXD, PLSTC: 0.1UF, 10%, 50V	56289	LP66A1A104K004
C1001	290-0769-00			CAP., FXD, ELCTLT: 10UF, +50-10%, 100V	0000W	100T10
C1002	290-0776-00			CAP., FXD, ELCTLT: 22UF, +50-10%, 10V	0000L	ECE-A10V22L
C1003	290-0745-00			CAP., FXD, ELCTLT: 22UF, +50-10%, 25V	56289	502D225
C1004	290-0745-00			CAP., FXD, ELCTLT: 22UF, +50-10%, 25V	56289	502D225
C1011	283-0110-00			CAP., FXD, CER DI: 0.005UF, +80-20%, 150V	56289	19C242B
C1017	283-0000-00			CAP., FXD, CER DI: 0.001UF, +100-0%, 500V	72982	831-516E102P
C1019	290-0523-00			CAP., FXD, ELCTLT: 2.2UF, 20%, 20V	56289	196D225X0020HA1
C1035	281-0601-00			CAP., FXD, CER DI: 7.5PF, 500V	72982	301-000C0H0759D
C1036	281-0203-00			CAP., VAR, PLSTC: 2-10PF, 100V	80031	2807C00210MJ02F0
C1040	281-0122-00			CAP., VAR, CER DI: 2.5-9PF, 100V	72982	518-000A2.5-9
C1044	281-0592-00			CAP., FXD, CER DI: 4.7PF, +/-0.5PF, 500V	72982	301-023C0H0479D
C1060	281-0122-00			CAP., VAR, CER DI: 2.5-9PF, 100V	72982	518-000A2.5-9
C1064	281-0592-00			CAP., FXD, CER DI: 4.7PF, +/-0.5PF, 500V	72982	301-023C0H0479D
C1073	281-0773-00			CAP., FXD, CER DI: 0.01UF, 10%, 100V	72982	8005H9AADW5R103K
C1075	283-0299-00			CAP., FXD, CER DI: 51PF, 5%, 500V	72982	8121N501COG510J
C1096	283-0000-00			CAP., FXD, CER DI: 0.001UF, +100-0%, 500V	72982	831-516E102P
C1098	283-0178-00			CAP., FXD, CER DI: 0.1UF, +80-20%, 100V	72982	8131N145 E 104Z
C1110	283-0180-00			CAP., FXD, CER DI: 5600PF, 20%, 200V	72982	8121N204 E 562M
C1110	-----			* OPTION 2 ONLY		
C1112	283-0107-00			CAP., FXD, CER DI: 51PF, 5%, 200V	72982	8121B232COG0510J
C1112	-----			* OPTION 2 ONLY		
C1113	283-0197-00			CAP., FXD, CER DI: 470PF, 5%, 100V	72982	8121N075COG0471J
C1113	-----			* OPTION 2 ONLY		
C1114	281-0158-00			CAP., VAR, CER DI: 7-45PF, 50V	73899	DVJ-5006
C1114	-----			* OPTION 2 ONLY		
C1142	290-0512-00			CAP., FXD, ELCTLT: 22UF, 20%, 15V	56289	196D226X0015KA1
C1142	-----			* OPTION 2 ONLY		
C1156	281-0619-00			CAP., FXD, CER DI: 1.2PF, +/-0.1PF, 200V	72982	374-000C0K0129B
C1156	-----			* OPTION 2 ONLY		
C1165	283-0191-00			CAP., FXD, CER DI: 0.022UF, 20%, 50V	72982	8121N075Z5U0223M
C1165	-----			* OPTION 2 ONLY		
C1205	283-0022-00			CAP., FXD, CER DI: 0.02UF, 1400VDCAC	80009	283-0022-00
C1206	283-0022-00			CAP., FXD, CER DI: 0.02UF, 1400VDCAC	80009	283-0022-00
C1216	290-0628-00			CAP., FXD, ELCTLT: 950UF, +50-10%, 200V	56289	36D7560
C1217	290-0628-00			CAP., FXD, ELCTLT: 950UF, +50-10%, 200V	56289	36D7560
C1219	283-0057-00			CAP., FXD, CER DI: 0.1UF, +80-20%, 200V	56289	274C10

Ckt No.	Tektronix Part No.	Serial/Model No. Eff Dscont	Name & Description	Mfr Code	Mfr Part Number
C1227	283-0280-00		CAP., FXD, CER DI: 2200PF, 10%, 2000V	56289	29C558
C1228	283-0280-00		CAP., FXD, CER DI: 2200PF, 10%, 2000V	56289	29C558
C1229	285-0939-00		CAP., FXD, PLSTC: 3UF, 5%, 400V	84411	TEK111-30594
C1231	290-0782-00		CAP., FXD, ELCTLT: 4.7UF, +75-10%, 35V	56289	503D475G035AS
C1236	283-0280-00		CAP., FXD, CER DI: 2200PF, 10%, 2000V	56289	29C558
C1237	285-0938-00		CAP., FXD, PLSTC: 0.03UF, 5%, 600V	56289	AF8B1G303J004
C1238	283-0279-00		CAP., FXD, CER DI: 0.001UF, 20%, 3000V	56289	55C153
C1239	290-0782-00		CAP., FXD, ELCTLT: 4.7UF, +75-10%, 35V	56289	503D475G035AS
C1242	283-0001-00		CAP., FXD, CER DI: 0.005UF, +100-0%, 500V	72982	831-559E502P
C1243	290-0767-00		CAP., FXD, ELCTLT: 4.7UF, +75-10%, 160V	56289	502D228
C1252	283-0003-00		CAP., FXD, CER DI: 0.01UF, +80-20%, 150V	72982	855-558Z5U-103Z
C1254	290-0573-00		CAP., FXD, ELCTLT: 2.7UF, 20%, 50V	56289	196D275X0050JA1
C1255	283-0028-00		CAP., FXD, CER DI: 0.0022UF, 20%, 50V	56289	19C606
C1264	290-0263-00		CAP., FXD, ELCTLT: 2.7UF, 15V	56289	162D275X9015CD2
C1266	283-0003-00		CAP., FXD, CER DI: 0.01UF, +80-20%, 150V	72982	855-558Z5U-103Z
C1267	290-0523-00		CAP., FXD, ELCTLT: 2.2UF, 20%, 20V	56289	196D225X0020HA1
C1270	290-0523-00		CAP., FXD, ELCTLT: 2.2UF, 20%, 20V	56289	196D225X0020HA1
C1271	290-0523-00		CAP., FXD, ELCTLT: 2.2UF, 20%, 20V	56289	196D225X0020HA1
C1274	283-0594-00		CAP., FXD, MICA D: 0.001UF, 1%, 100V	00853	D151F102F0
C1277	283-0060-00		CAP., FXD, CER DI: 100PF, 5%, 200V	72982	855-535U2J101J
C1278	283-0060-00		CAP., FXD, CER DI: 100PF, 5%, 200V	72982	855-535U2J101J
C1280	283-0080-00		CAP., FXD, CER DI: 0.022UF, +80-20%, 25V	56289	19C611
C1286	290-0580-00		CAP., FXD, ELCTLT: 0.27UF, 20%, 50V	56289	196D274X0050HA1
C1290	290-0778-00		CAP., FXD, ELCTLT: 1UF, +50-10%, 50V	0000L	ECE-A50N1
C1292	285-1123-00		CAP., FXD, PLASTIC: 1UF, 20%, 200V	50558	ME2-2190
C1294	285-0543-00		CAP., FXD, PLASTIC: 0.0022UF, 20%, 400V	56289	410P22204
C1324	290-0758-00		CAP., FXD, ELCTLT: 2.2UF, +50-10%, 160V	56289	502D227
C1325	290-0758-00		CAP., FXD, ELCTLT: 2.2UF, +50-10%, 160V	56289	502D227
C1327	285-0892-00		CAP., FXD, PLSTC: 0.22UF, 10%, 200V	56289	LP66A1C224K002
C1332	290-0768-00		CAP., FXD, ELCTLT: 10UF, +50-10%, 100V	54473	ECE-A100V10L
C1333	290-0768-00		CAP., FXD, ELCTLT: 10UF, +50-10%, 100V	54473	ECE-A100V10L
C1334	290-0768-00		CAP., FXD, ELCTLT: 10UF, +50-10%, 100V	54473	ECE-A100V10L
C1335	290-0768-00		CAP., FXD, ELCTLT: 10UF, +50-10%, 100V	54473	ECE-A100V10L
C1342	290-0772-00		CAP., FXD, ELCTLT: 330UF, +50-10%, 25V	0000L	ECE-B25Z330
C1343	290-0770-00		CAP., FXD, ELCTLT: 100UF, +50-10%, 25V	56289	502D230
C1344	290-0772-00		CAP., FXD, ELCTLT: 330UF, +50-10%, 25V	0000L	ECE-B25Z330
C1345	290-0770-00		CAP., FXD, ELCTLT: 100UF, +50-10%, 25V	56289	502D230
C1352	290-0771-00		CAP., FXD, ELCTLT: 220UF, +50-10%, 10VDC	0000L	ECE-A10V220L
C1353	290-0771-00		CAP., FXD, ELCTLT: 220UF, +50-10%, 10VDC	0000L	ECE-A10V220L
C1354	290-0754-00		CAP., FXD, ELCTLT: 2200UF, +75-10%, 10VDC	56289	432D222010AA2
C1355	290-0773-00		CAP., FXD, ELCTLT: 1000UF, +50-10%, 10V	0000L	ECE-B10Z1000
C1356	290-0771-00		CAP., FXD, ELCTLT: 220UF, +50-10%, 10VDC	0000L	ECE-A10V220L
C1371	290-0746-00		CAP., FXD, ELCTLT: 47UF, +50-10%, 16V	56289	502D226
C1374	283-0221-00		CAP., FXD, CER DI: 0.47UF, 20%, 50V	72982	8131N087X7R0474M
C1408	290-0778-00		CAP., FXD, ELCTLT: 1UF, +50-10%, 50V	0000L	ECE-A50N1
C1412	290-0778-00		CAP., FXD, ELCTLT: 1UF, +50-10%, 50V	0000L	ECE-A50N1
C1415	281-0629-00		CAP., FXD, CER DI: 33PF, 5%, 600V	72982	308-000C0G0330J
C1417	290-0778-00		CAP., FXD, ELCTLT: 1UF, +50-10%, 50V	0000L	ECE-A50N1
C1424	283-0110-00		CAP., FXD, CER DI: 0.005UF, +80-20%, 150V	56289	19C242B
C1436	290-0782-00		CAP., FXD, ELCTLT: 4.7UF, +75-10%, 35V	56289	503D475G035AS
C1444	283-0067-00		CAP., FXD, CER DI: 0.001UF, 10%, 200V	72982	835-515B102K
C1445	281-0613-00		CAP., FXD, CER DI: 10PF, +/-1PF, 200V	72982	374-001C0G0100F
C1447	290-0778-00		CAP., FXD, ELCTLT: 1UF, +50-10%, 50V	0000L	ECE-A50N1

Replaceable Electrical Parts—7104

Ckt No.	Tektronix Part No.	Serial/Model No. Eff	Dscont	Name & Description	Mfr Code	Mfr Part Number
C1454	283-0110-00			CAP., FXD, CER DI: 0.005UF, +80-20%, 150V	56289	19C242B
C1464	281-0540-00			CAP., FXD, CER DI: 51PF, 5%, 500V	72982	301-000U2J0510J
C1468	290-0420-00			CAP., FXD, ELCTLT: 0.68UF, 20%, 75V	56289	150D684X0075A2
C1469	283-0067-00			CAP., FXD, CER DI: 0.001UF, 10%, 200V	72982	835-515B102K
C1484	281-0629-00			CAP., FXD, CER DI: 33PF, 5%, 600V	72982	308-000C0G0330J
C1488	290-0420-00			CAP., FXD, ELCTLT: 0.68UF, 20%, 75V	56289	150D684X0075A2
C1514	281-0605-00			CAP., FXD, CER DI: 200PF, 10%, 500V	04222	7001-1375
C1556	290-0776-00			CAP., FXD, ELCTLT: 22UF, +50-10%, 10V	0000L	ECE-A10V22L
C1601	281-0547-00			CAP., FXD, CER DI: 2.7PF, 10%, 500V	72982	301-000C0J0279C
C1605	281-0773-00			CAP., FXD, CER DI: 0.01UF, 10%, 100V	72982	8005H9AADW5R103K
C1611	281-0547-00			CAP., FXD, CER DI: 2.7PF, 10%, 500V	72982	301-000C0J0279C
C1615	281-0773-00			CAP., FXD, CER DI: 0.01UF, 10%, 100V	72982	8005H9AADW5R103K
C1619	281-0562-00			CAP., FXD, CER DI: 39PF, 10%, 500V	72982	301-000U2J0390K
C1620	281-0092-00			CAP., VAR, CER DI: 9-35PF, 200V	72982	538-011 D9-35
C1623	281-0775-00			CAP., FXD, CER DI: 0.1UF, 20%, 50V	72982	8005D9AABZ5U104M
C1628	283-0271-00			CAP., FXD, CER DI: 0.001UF, 20%, 4000V	56289	33C325
C1635	281-0158-00			CAP., VAR, CER DI: 7-45PF, 50V	73899	DVJ-5006
C1638	281-0773-00			CAP., FXD, CER DI: 0.01UF, 10%, 100V	72982	8005H9AADW5R103K
C1642	283-0000-00			CAP., FXD, CER DI: 0.001UF, +100-0%, 500V	72982	831-516E102P
C1643	290-0745-00			CAP., FXD, ELCTLT: 22UF, +50-10%, 25V	56289	502D225
C1644	281-0775-00			CAP., FXD, CER DI: 0.1UF, 20%, 50V	72982	8005D9AABZ5U104M
C1646	290-0746-00			CAP., FXD, ELCTLT: 47UF, +50-10%, 16V	56289	502D226
C1645	290-0745-00			CAP., FXD, ELCTLT: 22UF, +50-10%, 25V	56289	502D225
C1651	281-0123-00			CAP., VAR, CER DI: 5-25PF, 100V	72982	518-000A5-25
C1653	281-0773-00			CAP., FXD, CER DI: 0.01UF, 10%, 100V	72982	8005H9AADW5R103K
C1656	281-0773-00			CAP., FXD, CER DI: 0.01UF, 10%, 100V	72982	8005H9AADW5R103K
C1660	281-0557-00			CAP., FXD, CER DI: 1.8PF, 10%, 500V	72982	301-000C0K0189B
C1663	281-0158-00			CAP., VAR, CER DI: 7-45PF, 50V	73899	DVJ-5006
C1664	281-0773-00			CAP., FXD, CER DI: 0.01UF, 10%, 100V	72982	8005H9AADW5R103K
C1665	281-0791-00			CAP., FXD, CER DI: 270PF, 10%, 100V	72982	8035D2AADX5R271K
C1671	281-0773-00			CAP., FXD, CER DI: 0.01UF, 10%, 100V	72982	8005H9AADW5R103K
C1672	283-0003-00			CAP., FXD, CER DI: 0.01UF, +80-20%, 150V	72982	855-558Z5U-103Z
C1675	281-0773-00			CAP., FXD, CER DI: 0.01UF, 10%, 100V	72982	8005H9AADW5R103K
C1676	281-0788-00			CAP., FXD, CER DI: 470PF, 10%, 100V	72982	8005H9AADW5R471K
C1677	283-0346-00			CAP., FXD, CER DI: 0.47UF, +80-20%, 100V	72982	8131-M100F474Z
C1680	283-0000-00			CAP., FXD, CER DI: 0.001UF, +100-0%, 500V	72982	831-516E102P
C1681	283-0271-00			CAP., FXD, CER DI: 0.001UF, 20%, 4000V	56289	33C325
C1687	283-0271-00			CAP., FXD, CER DI: 0.001UF, 20%, 4000V	56289	33C325
C1692	281-0773-00			CAP., FXD, CER DI: 0.01UF, 10%, 100V	72982	8005H9AADW5R103K
C1694	283-0271-00			CAP., FXD, CER DI: 0.001UF, 20%, 4000V	56289	33C325
C1698	290-0804-00			CAP., FXD, ELCTLT: 10UF, +50-10%, 25V	55680	503D106G025AS
C1707	290-0164-00			CAP., FXD, ELCTLT: 1UF, +50-10%, 150V	56289	30D105F150BA2
C1708	290-0164-00			CAP., FXD, ELCTLT: 1UF, +50-10%, 150V	56289	30D105F150BA2
C1710	283-0105-00			CAP., FXD, CER DI: 0.01UF, +80-20%, 2000V	56289	41C316
C1711	283-0105-00			CAP., FXD, CER DI: 0.01UF, +80-20%, 2000V	56289	41C316
C1712	283-0271-00			CAP., FXD, CER DI: 0.001UF, 20%, 4000V	56289	33C325
C1714	283-0204-00			CAP., FXD, CER DI: 0.01UF, 20%, 50V	72982	8121N061Z5U0103M
C1715	283-0003-00			CAP., FXD, CER DI: 0.01UF, +80-20%, 150V	72982	855-558Z5U-103Z
C1722	283-0023-00			CAP., FXD, CER DI: 0.01UF, +80-20%, 12V	71590	3DDU6BB104Z
C1724	283-0003-00			CAP., FXD, CER DI: 0.01UF, +80-20%, 150V	72982	855-558Z5U-103Z
C1734	283-0003-00			CAP., FXD, CER DI: 0.01UF, +80-20%, 150V	72982	855-558Z5U-103Z
C1735	281-0814-00			CAP., FXD, CER DI: 100PF, 10%, 100V	72982	8005D2AADCOG101K
C1736	285-0894-00			CAP., FXD, PLSTC: 5UF, 5%, 50V	56289	LP66A1A505J002

Ckt No.	Tektronix Part No.	Serial/Model No. Eff	Dscont	Name & Description	Mfr Code	Mfr Part Number
C1747	283-0092-00			CAP., FXD, CER DI: 0.03UF, +80-20%, 200V	72982	845-534E303Z
C1749	283-0000-00			CAP., FXD, CER DI: 0.001UF, +100-0%, 500V	72982	831-516E102P
C1750	283-0105-00			CAP., FXD, CER DI: 0.01UF, +80-20%, 2000V	56289	41C316
C1752	283-0271-00			CAP., FXD, CER DI: 0.001UF, 20%, 4000V	56289	33C325
C1754	283-0271-00			CAP., FXD, CER DI: 0.001UF, 20%, 4000V	56289	33C325
C1755	283-0271-00			CAP., FXD, CER DI: 0.001UF, 20%, 4000V	56289	33C325
C1756	283-0271-00			CAP., FXD, CER DI: 0.001UF, 20%, 4000V	56289	33C325
C1764	283-0272-00			CAP., FXD, CER DI: 0.0068UF, 30%, 4000V	72982	3888-510C 682M
C1770	290-0767-00			CAP., FXD, ELCTLT: 4.7UF, +75-10%, 160V	56289	502D228
C1772	283-0010-00			CAP., FXD, CER DI: 0.05UF, +100-20%, 50V	56289	273C20
C1774	290-0767-00			CAP., FXD, ELCTLT: 4.7UF, +75-10%, 160V	56289	502D228
C1775	283-0177-00			CAP., FXD, CER DI: 1UF, +80-20%, 25V	72982	8131N039 E 105Z
C1776	283-0177-00			CAP., FXD, CER DI: 1UF, +80-20%, 25V	72982	8131N039 E 105Z
C1778	283-0006-00			CAP., FXD, CER DI: 0.02UF, +80-20%, 500V	72982	084154525V00203Z
C1783	283-0108-00			CAP., FXD, CER DI: 220PF, 10%, 200V	56289	272C13
C1785	283-0032-00			CAP., FXD, CER DI: 470PF, 5%, 500V	72982	831-500Z5D471J
C1786	283-0272-00			CAP., FXD, CER DI: 0.0068UF, 30%, 4000V	72982	3888-510C 682M
C1791	283-0003-00			CAP., FXD, CER DI: 0.01UF, +80-20%, 150V	72982	855-558Z5U-103Z
C1792	283-0271-00			CAP., FXD, CER DI: 0.001UF, 20%, 4000V	56289	33C325
C1793	283-0271-00			CAP., FXD, CER DI: 0.001UF, 20%, 4000V	56289	33C325
C1797	283-0003-00			CAP., FXD, CER DI: 0.01UF, +80-20%, 150V	72982	855-558Z5U-103Z
C1803	283-0003-00			CAP., FXD, CER DI: 0.01UF, +80-20%, 150V	72982	855-558Z5U-103Z
C1807	283-0000-00			CAP., FXD, CER DI: 0.001UF, +100-0%, 500V	72982	831-516E102P
C1818	283-0271-00			CAP., FXD, CER DI: 0.001UF, 20%, 4000V	56289	33C325
C1819	283-0271-00			CAP., FXD, CER DI: 0.001UF, 20%, 4000V	56289	33C325
C1820	283-0271-00			CAP., FXD, CER DI: 0.001UF, 20%, 4000V	56289	33C325
C1821	283-0092-00			CAP., FXD, CER DI: 0.03UF, +80-20%, 200V	72982	845-534E303Z
C1831	283-0271-00			CAP., FXD, CER DI: 0.001UF, 20%, 4000V	56289	33C325
C1834	283-0000-00			CAP., FXD, CER DI: 0.001UF, +100-0%, 500V	72982	831-516E102P
C1839	283-0000-00			CAP., FXD, CER DI: 0.001UF, +100-0%, 500V	72982	831-516E102P
C1842	283-0000-00			CAP., FXD, CER DI: 0.001UF, +100-0%, 500V	72982	831-516E102P
C1846	283-0187-00			CAP., FXD, CER DI: 0.047UF, 10%, 400V	72982	8131N401X5R0473K
C1848	283-0271-00			CAP., FXD, CER DI: 0.001UF, 20%, 4000V	56289	33C325
C1849	283-0271-00			CAP., FXD, CER DI: 0.001UF, 20%, 4000V	56289	33C325
C1850	283-0271-00			CAP., FXD, CER DI: 0.001UF, 20%, 4000V	56289	33C325
C1852	283-0271-00			CAP., FXD, CER DI: 0.001UF, 20%, 4000V	56289	33C325
C1860	283-0271-00			CAP., FXD, CER DI: 0.001UF, 20%, 4000V	56289	33C325
C1862	283-0271-00			CAP., FXD, CER DI: 0.001UF, 20%, 4000V	56289	33C325
C1870	283-0271-00			CAP., FXD, CER DI: 0.001UF, 20%, 4000V	56289	33C325
C1872	283-0271-00			CAP., FXD, CER DI: 0.001UF, 20%, 4000V	56289	33C325
C1877	283-0271-00			CAP., FXD, CER DI: 0.001UF, 20%, 4000V	56289	33C325
C1880	283-0271-00			CAP., FXD, CER DI: 0.001UF, 20%, 4000V	56289	33C325
C1890	283-0003-00			CAP., FXD, CER DI: 0.01UF, +80-20%, 150V	72982	855-558Z5U-103Z
C1893	283-0003-00			CAP., FXD, CER DI: 0.01UF, +80-20%, 150V	72982	855-558Z5U-103Z
C1901	281-0773-00			CAP., FXD, CER DI: 0.01UF, 10%, 100V	72982	8005H9AADW5R103K
C1904	281-0812-00			CAP., FXD, CER DI: 1000PF, 10%, 100V	72982	8005H9AADW5R102K
C1906	281-0812-00			CAP., FXD, CER DI: 1000PF, 10%, 100V	72982	8005H9AADW5R102K
C1908	290-0187-00			CAP., FXD, ELCTLT: 4.7UF, 20%, 35V	56289	150D475X0035B2
C1914	281-0763-00			CAP., FXD, CER DI: 47PF, 10%, 100V	72982	8035D9AADCLG470K
C1918	281-0812-00			CAP., FXD, CER DI: 1000PF, 10%, 100V	72982	8005H9AADW5R102K
C1919	281-0773-00			CAP., FXD, CER DI: 0.01UF, 10%, 100V	72982	8005H9AADW5R103K
C1920	281-0773-00			CAP., FXD, CER DI: 0.01UF, 10%, 100V	72982	8005H9AADW5R103K
C1921	281-0813-00			CAP., FXD, CER DI: 0.047UF, 20%, 100V	04222	GC705-E-473M

# Replaceable Electrical Parts—7104

Ckt No.	Tektronix Part No.	Serial/Model No. Eff Dscont	Name & Description	Mfr Code	Mfr Part Number
C1935	281-0797-00		CAP., FXD, CER DI: 15PF, 10%, 100V	72982	8035D9AADC0G150K
C1938	281-0812-00		CAP., FXD, CER DI: 1000PF, 10%, 100V	72982	8005H9AADW5R102K
C1950	281-0775-00		CAP., FXD, CER DI: 0.1UF, 20%, 50V	72982	8005D9AABZ5U104M
C1952	281-0786-00		CAP., FXD, CER DI: 150PF, 10%, 100V	72982	8035D2AADX5P151K
C1953	281-0775-00		CAP., FXD, CER DI: 0.1UF, 20%, 50V	72982	8005D9AABZ5U104M
C1955	290-0536-00		CAP., FXD, ELCTLT: 10UF, 20%, 25V	90201	TDC106M025FL
C1956	290-0745-00		CAP., FXD, ELCTLT: 22UF, +50-10%, 25V	56289	502D225
C1968	290-0534-00		CAP., FXD, ELCTLT: 1UF, 20%, 35V	56289	196D105X0035HA1
C1969	281-0773-00		CAP., FXD, CER DI: 0.01UF, 10%, 100V	72982	8005H9AADW5R103K
C1971	285-0913-00		CAP., FXD, PLSTC: 3UF, 5%, 50V	84411	TEK34-3055R5
C1982	281-0775-00		CAP., FXD, CER DI: 0.1UF, 20%, 50V	72982	8005D9AABZ5U104M
C1984	281-0773-00		CAP., FXD, CER DI: 0.01UF, 10%, 100V	72982	8005H9AADW5R103K
C1985	290-0574-00		CAP., FXD, ELCTLT: 47UF, 10%, 20V	90201	TDC476K020CL
C1990	290-0745-00		CAP., FXD, ELCTLT: 22UF, +50-10%, 25V	56289	502D225
C1993	281-0812-00		CAP., FXD, CER DI: 1000PF, 10%, 100V	72982	8005H9AADW5R102K
C1994	281-0775-00		CAP., FXD, CER DI: 0.1UF, 20%, 50V	72982	8005D9AABZ5U104M
C1995	290-0804-00		CAP., FXD, ELCTLT: 10UF, +50-10%, 25V	55680	503D106G025AS
C1996	290-0804-00		CAP., FXD, ELCTLT: 10UF, +50-10%, 25V	55680	503D106G025AS
C1997	290-0804-00		CAP., FXD, ELCTLT: 10UF, +50-10%, 25V	55680	503D106G025AS
C2101	283-0004-00		CAP., FXD, CER DI: 0.02UF, +80-20%, 150V	72982	855-558-Z5V0203Z
C2109	283-0003-00		CAP., FXD, CER DI: 0.01UF, +80-20%, 150V	72982	855-558Z5U-103Z
C2112	283-0077-00		CAP., FXD, CER DI: 330PF, 5%, 500V	56289	40C94A3
C2115	290-0534-00		CAP., FXD, ELCTLT: 1UF, 20%, 35V	56289	196D105X0035HA1
C2117	290-0534-00		CAP., FXD, ELCTLT: 1UF, 20%, 35V	56289	196D105X0035HA1
C2119	290-0534-00		CAP., FXD, ELCTLT: 1UF, 20%, 35V	56289	196D105X0035HA1
C2121	283-0594-00		CAP., FXD, MICA D: 0.001UF, 1%, 100V	00853	D151F102F0
C2135	285-0698-00		CAP., FXD, PLSTC: 0.0082UF, 5%, 100V	56289	410P82251
C2140	283-0103-00		CAP., FXD, CER DI: 180PF, 5%, 500V	56289	40C638
C2144	281-0544-00		CAP., FXD, CER DI: 5.6PF, 10%, 500V	72982	301-000C0H0569D
C2145	290-0534-00		CAP., FXD, ELCTLT: 1UF, 20%, 35V	56289	196D105X0035HA1
C2155	283-0103-00		CAP., FXD, CER DI: 180PF, 5%, 500V	56289	40C638
C2183	283-0032-00		CAP., FXD, CER DI: 470PF, 5%, 500V	72982	831-500Z5D471J
C2185	283-0004-00		CAP., FXD, CER DI: 0.02UF, +80-20%, 150V	72982	855-558-Z5V0203Z
C2214	283-0032-00		CAP., FXD, CER DI: 470PF, 5%, 500V	72982	831-500Z5D471J
C2242	283-0000-00		CAP., FXD, CER DI: 0.001UF, +100-0%, 500V	72982	831-516E102P
C2244	283-0004-00		CAP., FXD, CER DI: 0.02UF, +80-20%, 150V	72982	855-558-Z5V0203Z
C2255	283-0000-00		CAP., FXD, CER DI: 0.001UF, +100-0%, 500V	72982	831-516E102P
C2281	283-0054-00		CAP., FXD, CER DI: 150PF, 5%, 200V	72982	855-535U2J151J
C4301	283-0177-00		CAP., FXD, CER DI: 1UF, +80-20%, 25V	72982	8131N039 E 105Z
C4302	283-0177-00		CAP., FXD, CER DI: 1UF, +80-20%, 25V	72982	8131N039 E 105Z
C4303	283-0177-00		CAP., FXD, CER DI: 1UF, +80-20%, 25V	72982	8131N039 E 105Z
C4305	290-0755-00		CAP., FXD, ELCTLT: 100UF, +50-10%, 10V	56289	502D223
C4304	283-0177-00		CAP., FXD, CER DI: 1UF, +80-20%, 25V	72982	8131N039 E 105Z
C4314	283-0672-00		CAP., FXD, MICA D: 200PF, 1%, 500V	00853	D155F201F0
C4315	281-0603-00		CAP., FXD, CER DI: 39PF, 5%, 500V	72982	308-000C0G0390J
C4316	283-0177-00		CAP., FXD, CER DI: 1UF, +80-20%, 25V	72982	8131N039 E 105Z
C4335	281-0603-00		CAP., FXD, CER DI: 39PF, 5%, 500V	72982	308-000C0G0390J
C4336	281-0549-00		CAP., FXD, CER DI: 68PF, 10%, 500V	72982	301-000U2J0680K
C4342	283-0032-00		CAP., FXD, CER DI: 470PF, 5%, 500V	72982	831-500Z5D471J
C4343	281-0782-00		CAP., FXD, CER DI: 33PF, 10%, 500V	72982	301-000N4700330K
C4345	281-0782-00		CAP., FXD, CER DI: 33PF, 10%, 500V	72982	301-000N4700330K
C4346	283-0032-00		CAP., FXD, CER DI: 470PF, 5%, 500V	72982	831-500Z5D471J
C4347	283-0638-00		CAP., FXD, MICA D: 130PF, 1%, 100V	00853	D151F131F0

Ckt No.	Tektronix Part No.	Serial/Model No. Eff	Dscont	Name & Description	Mfr Code	Mfr Part Number
C4423	281-0603-00			CAP., FXD, CER DI: 39PF, 5%, 500V	72982	308-000C0G0390J
C4441	281-0603-00			CAP., FXD, CER DI: 39PF, 5%, 500V	72982	308-000C0G0390J
C4449	283-0003-00			CAP., FXD, CER DI: 0.01UF, +80-20%, 150V	72982	855-55825U-103Z
C4461	281-0589-00			CAP., FXD, CER DI: 170PF, 5%, 500V	72982	301000Z5D0171J
C4467	281-0589-00			CAP., FXD, CER DI: 170PF, 5%, 500V	72982	301000Z5D0171J
C4470	283-0111-00			CAP., FXD, CER DI: 0.1UF, 20%, 50V	72982	8121-N088Z5U104M
C4475	283-0177-00			CAP., FXD, CER DI: 1UF, +80-20%, 25V	72982	8131N039 E 105Z
C4483	283-0000-00			CAP., FXD, CER DI: 0.001UF, +100-0%, 500V	72982	831-516E102P
C4484	283-0177-00			CAP., FXD, CER DI: 1UF, +80-20%, 25V	72982	8131N039 E 105Z
C4485	283-0060-00			CAP., FXD, CER DI: 100PF, 5%, 200V	72982	855-535U2J101J
CR52	152-0141-02			SEMICON D DEVICE: SILICON, 30V, 150MA	80009	152-0141-02
CR71	152-0141-02			SEMICON D DEVICE: SILICON, 30V, 150MA	80009	152-0141-02
CR81	152-0141-02			SEMICON D DEVICE: SILICON, 30V, 150MA	80009	152-0141-02
CR82	152-0141-02			SEMICON D DEVICE: SILICON, 30V, 150MA	80009	152-0141-02
CR83	152-0141-02			SEMICON D DEVICE: SILICON, 30V, 150MA	80009	152-0141-02
CR86	152-0141-02			SEMICON D DEVICE: SILICON, 30V, 150MA	80009	152-0141-02
CR88	152-0141-02			SEMICON D DEVICE: SILICON, 30V, 150MA	80009	152-0141-02
CR342	152-0141-02			SEMICON D DEVICE: SILICON, 30V, 150MA	80009	152-0141-02
CR362	152-0141-02			SEMICON D DEVICE: SILICON, 30V, 150MA	80009	152-0141-02
CR386	152-0141-02			SEMICON D DEVICE: SILICON, 30V, 150MA	80009	152-0141-02
CR552	152-0141-02			SEMICON D DEVICE: SILICON, 30V, 150MA	80009	152-0141-02
CR651	152-0141-02			SEMICON D DEVICE: SILICON, 30V, 150MA	80009	152-0141-02
CR654	152-0141-02			SEMICON D DEVICE: SILICON, 30V, 150MA	80009	152-0141-02
CR711	152-0141-02			SEMICON D DEVICE: SILICON, 30V, 150MA	80009	152-0141-02
CR712	152-0141-02			SEMICON D DEVICE: SILICON, 30V, 150MA	80009	152-0141-02
CR767	152-0322-00			SEMICON D DEVICE: SILICON, 15V, HOT CARRIER	28480	5082-2672
CR777	152-0322-00			SEMICON D DEVICE: SILICON, 15V, HOT CARRIER	28480	5082-2672
CR862	152-0141-02			SEMICON D DEVICE: SILICON, 30V, 150MA	80009	152-0141-02
CR863	152-0141-02			SEMICON D DEVICE: SILICON, 30V, 150MA	80009	152-0141-02
CR864	152-0141-02			SEMICON D DEVICE: SILICON, 30V, 150MA	80009	152-0141-02
CR875	152-0141-02			SEMICON D DEVICE: SILICON, 30V, 150MA	80009	152-0141-02
CR878	152-0066-00			SEMICON D DEVICE: SILICON, 400V, 750MA	80009	152-0066-00
CR883	152-0141-02			SEMICON D DEVICE: SILICON, 30V, 150MA	80009	152-0141-02
CR886	152-0141-02			SEMICON D DEVICE: SILICON, 30V, 150MA	80009	152-0141-02
CR891	152-0141-02			SEMICON D DEVICE: SILICON, 30V, 150MA	80009	152-0141-02
CR893	152-0141-02			SEMICON D DEVICE: SILICON, 30V, 150MA	80009	152-0141-02
CR897	152-0066-00			SEMICON D DEVICE: SILICON, 400V, 750MA	80009	152-0066-00
CR1006	152-0141-02			SEMICON D DEVICE: SILICON, 30V, 150MA	80009	152-0141-02
CR1082	152-0141-02			SEMICON D DEVICE: SILICON, 30V, 150MA	80009	152-0141-02
CR1112	152-0141-02			SEMICON D DEVICE: SILICON, 30V, 150MA	80009	152-0141-02
CR1112	-----			* OPTION 2 ONLY		
CR1215	152-0396-01			SEMICON D DEVICE: SILICON, 400V, 3A	12969	652-821
CR1232	152-0107-00			SEMICON D DEVICE: SILICON, 400V, 400MA	80009	152-0107-00
CR1234	152-0400-00			SEMICON D DEVICE: SILICON, 400V, 1A	80009	152-0400-00
CR1236	152-0061-00			SEMICON D DEVICE: SILICON, 175V, 100MA	80009	152-0061-00
CR1237	152-0061-00			SEMICON D DEVICE: SILICON, 175V, 100MA	80009	152-0061-00
CR1240	152-0107-00			SEMICON D DEVICE: SILICON, 400V, 400MA	80009	152-0107-00
CR1241	152-0400-00			SEMICON D DEVICE: SILICON, 400V, 1A	80009	152-0400-00
CR1244	152-0107-00			SEMICON D DEVICE: SILICON, 400V, 400MA	80009	152-0107-00
CR1245	152-0061-00			SEMICON D DEVICE: SILICON, 175V, 100MA	80009	152-0061-00
CR1249	152-0107-00			SEMICON D DEVICE: SILICON, 400V, 400MA	80009	152-0107-00
CR1252	152-0333-00			SEMICON D DEVICE: SILICON, 55V, 200MA	80009	152-0333-00
CR1259	152-0333-00			SEMICON D DEVICE: SILICON, 55V, 200MA	80009	152-0333-00



Replaceable Electrical Parts—7104

Ckt No.	Tektronix Part No.	Serial/Model No. Eff	Dscont	Name & Description	Mfr Code	Mfr Part Number
CR1265	152-0141-02			SEMICON D DEVICE: SILICON, 30V, 150MA	80009	152-0141-02
CR1266	152-0141-02			SEMICON D DEVICE: SILICON, 30V, 150MA	80009	152-0141-02
CR1273	152-0333-00			SEMICON D DEVICE: SILICON, 55V, 200MA	80009	152-0333-00
CR1274	152-0333-00			SEMICON D DEVICE: SILICON, 55V, 200MA	80009	152-0333-00
CR1275	152-0333-00			SEMICON D DEVICE: SILICON, 55V, 200MA	80009	152-0333-00
CR1276	152-0333-00			SEMICON D DEVICE: SILICON, 55V, 200MA	80009	152-0333-00
CR1281	152-0333-00			SEMICON D DEVICE: SILICON, 55V, 200MA	80009	152-0333-00
CR1282	152-0333-00			SEMICON D DEVICE: SILICON, 55V, 200MA	80009	152-0333-00
CR1283	152-0333-00			SEMICON D DEVICE: SILICON, 55V, 200MA	80009	152-0333-00
CR1284	152-0333-00			SEMICON D DEVICE: SILICON, 55V, 200MA	80009	152-0333-00
CR1290	152-0141-02			SEMICON D DEVICE: SILICON, 30V, 150MA	80009	152-0141-02
CR1320	152-0242-00			SEMICON D DEVICE: SILICON, 225V, 200MA	80009	152-0242-00
CR1321	152-0242-00			SEMICON D DEVICE: SILICON, 225V, 200MA	80009	152-0242-00
CR1322	152-0242-00			SEMICON D DEVICE: SILICON, 225V, 200MA	80009	152-0242-00
CR1323	152-0242-00			SEMICON D DEVICE: SILICON, 225V, 200MA	80009	152-0242-00
CR1324	152-0242-00			SEMICON D DEVICE: SILICON, 225V, 200MA	80009	152-0242-00
CR1325	152-0242-00			SEMICON D DEVICE: SILICON, 225V, 200MA	80009	152-0242-00
CR1327	152-0242-00			SEMICON D DEVICE: SILICON, 225V, 200MA	80009	152-0242-00
CR1330	152-0586-00			SEMICON D DEVICE: SILICON, 600V, 500MA	14936	RGP10J
CR1331	152-0586-00			SEMICON D DEVICE: SILICON, 600V, 500MA	14936	RGP10J
CR1332	152-0586-00			SEMICON D DEVICE: SILICON, 600V, 500MA	14936	RGP10J
CR1333	152-0586-00			SEMICON D DEVICE: SILICON, 600V, 500MA	14936	RGP10J
CR1340	152-0397-00			SEMICON D DEVICE: SILICON, 50V, 12A	80009	152-0397-00
CR1341	152-0397-00			SEMICON D DEVICE: SILICON, 50V, 12A	80009	152-0397-00
CR1342	152-0397-00			SEMICON D DEVICE: SILICON, 50V, 12A	80009	152-0397-00
CR1343	152-0397-00			SEMICON D DEVICE: SILICON, 50V, 12A	80009	152-0397-00
CR1350	152-0586-00			SEMICON D DEVICE: SILICON, 600V, 500MA	14936	RGP10J
CR1351	152-0692-00			SEMICON D DEVICE: SILICON, 20V, 30A	80009	152-0692-00
CR1353	152-0586-00			SEMICON D DEVICE: SILICON, 600V, 500MA	14936	RGP10J
CR1361	152-0008-00			SEMICON D DEVICE: GERMANIUM, 75V, 60MA	80009	152-0008-00
CR1371	152-0141-02			SEMICON D DEVICE: SILICON, 30V, 150MA	80009	152-0141-02
CR1372	152-0141-02			SEMICON D DEVICE: SILICON, 30V, 150MA	80009	152-0141-02
CR1374	152-0141-02			SEMICON D DEVICE: SILICON, 30V, 150MA	80009	152-0141-02
CR1407	152-0333-00			SEMICON D DEVICE: SILICON, 55V, 200MA	80009	152-0333-00
CR1408	152-0333-00			SEMICON D DEVICE: SILICON, 55V, 200MA	80009	152-0333-00
CR1410	152-0333-00			SEMICON D DEVICE: SILICON, 55V, 200MA	80009	152-0333-00
CR1411	152-0333-00			SEMICON D DEVICE: SILICON, 55V, 200MA	80009	152-0333-00
CR1415	152-0333-00			SEMICON D DEVICE: SILICON, 55V, 200MA	80009	152-0333-00
CR1419	152-0141-02			SEMICON D DEVICE: SILICON, 30V, 150MA	80009	152-0141-02
CR1420	152-0141-02			SEMICON D DEVICE: SILICON, 30V, 150MA	80009	152-0141-02
CR1421	152-0141-02			SEMICON D DEVICE: SILICON, 30V, 150MA	80009	152-0141-02
CR1422	152-0333-00			SEMICON D DEVICE: SILICON, 55V, 200MA	80009	152-0333-00
CR1428	152-0066-00			SEMICON D DEVICE: SILICON, 400V, 750MA	80009	152-0066-00
CR1445	152-0333-00			SEMICON D DEVICE: SILICON, 55V, 200MA	80009	152-0333-00
CR1449	152-0141-02			SEMICON D DEVICE: SILICON, 30V, 150MA	80009	152-0141-02
CR1450	152-0141-02			SEMICON D DEVICE: SILICON, 30V, 150MA	80009	152-0141-02
CR1452	152-0141-02			SEMICON D DEVICE: SILICON, 30V, 150MA	80009	152-0141-02
CR1453	152-0333-00			SEMICON D DEVICE: SILICON, 55V, 200MA	80009	152-0333-00
CR1458	152-0066-00			SEMICON D DEVICE: SILICON, 400V, 750MA	80009	152-0066-00
CR1464	152-0333-00			SEMICON D DEVICE: SILICON, 55V, 200MA	80009	152-0333-00
CR1476	152-0066-00			SEMICON D DEVICE: SILICON, 400V, 750MA	80009	152-0066-00
CR1484	152-0333-00			SEMICON D DEVICE: SILICON, 55V, 200MA	80009	152-0333-00
CR1496	152-0066-00			SEMICON D DEVICE: SILICON, 400V, 750MA	80009	152-0066-00

Ckt No.	Tektronix Part No.	Serial/Model No. Eff	Discont	Name & Description	Mfr Code	Mfr Part Number
CR1514	152-0333-00			SEMICON D DEVICE:SILICON,55V,200MA	80009	152-0333-00
CR1532	152-0066-00			SEMICON D DEVICE:SILICON,400V,750MA	80009	152-0066-00
CR1542	152-0423-00			SEMICON D DEVICE:SILICON,400V,3A	04713	1N5000
CR1543	152-0141-02			SEMICON D DEVICE:SILICON,30V,150MA	80009	152-0141-02
CR1544	152-0423-00			SEMICON D DEVICE:SILICON,400V,3A	04713	1N5000
CR1548	152-0141-02			SEMICON D DEVICE:SILICON,30V,150MA	80009	152-0141-02
CR1600	152-0141-02			SEMICON D DEVICE:SILICON,30V,150MA	80009	152-0141-02
CR1607	152-0141-02			SEMICON D DEVICE:SILICON,30V,150MA	80009	152-0141-02
CR1608	152-0141-02			SEMICON D DEVICE:SILICON,30V,150MA	80009	152-0141-02
CR1609	152-0141-02			SEMICON D DEVICE:SILICON,30V,150MA	80009	152-0141-02
CR1618	152-0141-02			SEMICON D DEVICE:SILICON,30V,150MA	80009	152-0141-02
CR1623	152-0574-00			SEMICON D DEVICE:SILICON,120V,0.15A	80009	152-0574-00
CR1624	152-0141-02			SEMICON D DEVICE:SILICON,30V,150MA	80009	152-0141-02
CR1649	152-0141-02			SEMICON D DEVICE:SILICON,30V,150MA	80009	152-0141-02
CR1665	152-0141-02			SEMICON D DEVICE:SILICON,30V,150MA	80009	152-0141-02
CR1666	152-0141-02			SEMICON D DEVICE:SILICON,30V,150MA	80009	152-0141-02
CR1675	152-0574-00			SEMICON D DEVICE:SILICON,120V,0.15A	80009	152-0574-00
CR1676	152-0141-02			SEMICON D DEVICE:SILICON,30V,150MA	80009	152-0141-02
CR1677	152-0574-00			SEMICON D DEVICE:SILICON,120V,0.15A	80009	152-0574-00
CR1678	152-0574-00			SEMICON D DEVICE:SILICON,120V,0.15A	80009	152-0574-00
CR1687	152-0574-00			SEMICON D DEVICE:SILICON,120V,0.15A	80009	152-0574-00
CR1688	152-0141-02			SEMICON D DEVICE:SILICON,30V,150MA	80009	152-0141-02
CR1690	152-0107-00			SEMICON D DEVICE:SILICON,400V,400MA	80009	152-0107-00
CR1691	152-0141-02			SEMICON D DEVICE:SILICON,30V,150MA	80009	152-0141-02
CR1692	152-0141-02			SEMICON D DEVICE:SILICON,30V,150MA	80009	152-0141-02
CR1694	152-0141-02			SEMICON D DEVICE:SILICON,30V,150MA	80009	152-0141-02
CR1696	152-0141-02			SEMICON D DEVICE:SILICON,30V,150MA	80009	152-0141-02
CR1698	152-0141-02			SEMICON D DEVICE:SILICON,30V,150MA	80009	152-0141-02
CR1707	152-0107-00			SEMICON D DEVICE:SILICON,400V,400MA	80009	152-0107-00
CR1708	152-0107-00			SEMICON D DEVICE:SILICON,400V,400MA	80009	152-0107-00
CR1710	152-0429-00			SEMICON D DEVICE:SILICON,5000V,10MA	14099	SA3282
CR1711	152-0429-00			SEMICON D DEVICE:SILICON,5000V,10MA	14099	SA3282
CR1713	152-0141-02			SEMICON D DEVICE:SILICON,30V,150MA	80009	152-0141-02
CR1714	152-0141-02			SEMICON D DEVICE:SILICON,30V,150MA	80009	152-0141-02
CR1724	152-0141-02			SEMICON D DEVICE:SILICON,30V,150MA	80009	152-0141-02
CR1736	152-0141-02			SEMICON D DEVICE:SILICON,30V,150MA	80009	152-0141-02
CR1747	152-0242-00			SEMICON D DEVICE:SILICON,225V,200MA	80009	152-0242-00
CR1749	152-0242-00			SEMICON D DEVICE:SILICON,225V,200MA	80009	152-0242-00
CR1752	152-0409-00			SEMICON D DEVICE:SILICON,12,000V,5MA	80009	152-0409-00
CR1753	152-0409-00			SEMICON D DEVICE:SILICON,12,000V,5MA	80009	152-0409-00
CR1762	152-0409-00			SEMICON D DEVICE:SILICON,12,000V,5MA	80009	152-0409-00
CR1763	152-0409-00			SEMICON D DEVICE:SILICON,12,000V,5MA	80009	152-0409-00
CR1771	152-0586-00			SEMICON D DEVICE:SILICON,600V,500MA	14936	RGP10J
CR1772	152-0586-00			SEMICON D DEVICE:SILICON,600V,500MA	14936	RGP10J
CR1774	152-0141-02			SEMICON D DEVICE:SILICON,30V,150MA	80009	152-0141-02
CR1775	152-0141-02			SEMICON D DEVICE:SILICON,30V,150MA	80009	152-0141-02
CR1776	152-0586-00			SEMICON D DEVICE:SILICON,600V,500MA	14936	RGP10J
CR1778	152-0586-00			SEMICON D DEVICE:SILICON,600V,500MA	14936	RGP10J
CR1785	152-0141-02			SEMICON D DEVICE:SILICON,30V,150MA	80009	152-0141-02
CR1788	152-0141-02			SEMICON D DEVICE:SILICON,30V,150MA	80009	152-0141-02
CR1789	152-0141-02			SEMICON D DEVICE:SILICON,30V,150MA	80009	152-0141-02
CR1792	152-0242-00			SEMICON D DEVICE:SILICON,225V,200MA	80009	152-0242-00
CR1794	152-0242-00			SEMICON D DEVICE:SILICON,225V,200MA	80009	152-0242-00

Replaceable Electrical Parts—7104

Ckt No.	Tektronix Part No.	Serial/Model No. Eff	Dscont	Name & Description	Mfr Code	Mfr Part Number
CR1803	152-0242-00			SEMICON D DEVICE: SILICON, 225V, 200MA	80009	152-0242-00
CR1804	152-0242-00			SEMICON D DEVICE: SILICON, 225V, 200MA	80009	152-0242-00
CR1816	152-0242-00			SEMICON D DEVICE: SILICON, 225V, 200MA	80009	152-0242-00
CR1818	152-0242-00			SEMICON D DEVICE: SILICON, 225V, 200MA	80009	152-0242-00
CR1819	152-0242-00			SEMICON D DEVICE: SILICON, 225V, 200MA	80009	152-0242-00
CR1820	152-0242-00			SEMICON D DEVICE: SILICON, 225V, 200MA	80009	152-0242-00
CR1835	152-0141-02			SEMICON D DEVICE: SILICON, 30V, 150MA	80009	152-0141-02
CR1838	152-0141-02			SEMICON D DEVICE: SILICON, 30V, 150MA	80009	152-0141-02
CR1842	152-0141-02			SEMICON D DEVICE: SILICON, 30V, 150MA	80009	152-0141-02
CR1900	152-0141-02			SEMICON D DEVICE: SILICON, 30V, 150MA	80009	152-0141-02
CR1902	152-0141-02			SEMICON D DEVICE: SILICON, 30V, 150MA	80009	152-0141-02
CR1916	152-0322-00			SEMICON D DEVICE: SILICON, 15V, HOT CARRIER	28480	5082-2672
CR1918	152-0141-02			SEMICON D DEVICE: SILICON, 30V, 150MA	80009	152-0141-02
CR1922	152-0141-02			SEMICON D DEVICE: SILICON, 30V, 150MA	80009	152-0141-02
CR1923	152-0141-02			SEMICON D DEVICE: SILICON, 30V, 150MA	80009	152-0141-02
CR1927	152-0141-02			SEMICON D DEVICE: SILICON, 30V, 150MA	80009	152-0141-02
CR1928	152-0141-02			SEMICON D DEVICE: SILICON, 30V, 150MA	80009	152-0141-02
CR1929	152-0141-02			SEMICON D DEVICE: SILICON, 30V, 150MA	80009	152-0141-02
CR1946	152-0141-02			SEMICON D DEVICE: SILICON, 30V, 150MA	80009	152-0141-02
CR1947	152-0141-02			SEMICON D DEVICE: SILICON, 30V, 150MA	80009	152-0141-02
CR1948	152-0141-02			SEMICON D DEVICE: SILICON, 30V, 150MA	80009	152-0141-02
CR1963	152-0141-02			SEMICON D DEVICE: SILICON, 30V, 150MA	80009	152-0141-02
CR1971	152-0141-02			SEMICON D DEVICE: SILICON, 30V, 150MA	80009	152-0141-02
CR1972	152-0141-02			SEMICON D DEVICE: SILICON, 30V, 150MA	80009	152-0141-02
CR1974	152-0141-02			SEMICON D DEVICE: SILICON, 30V, 150MA	80009	152-0141-02
CR1991	152-0141-02			SEMICON D DEVICE: SILICON, 30V, 150MA	80009	152-0141-02
CR1992	152-0141-02			SEMICON D DEVICE: SILICON, 30V, 150MA	80009	152-0141-02
CR1993	152-0141-02			SEMICON D DEVICE: SILICON, 30V, 150MA	80009	152-0141-02
CR1994	152-0141-02			SEMICON D DEVICE: SILICON, 30V, 150MA	80009	152-0141-02
CR1998	152-0141-02			SEMICON D DEVICE: SILICON, 30V, 150MA	80009	152-0141-02
CR2009	152-0141-02			SEMICON D DEVICE: SILICON, 30V, 150MA	80009	152-0141-02
CR2019	152-0141-02			SEMICON D DEVICE: SILICON, 30V, 150MA	80009	152-0141-02
CR2124	152-0141-02			SEMICON D DEVICE: SILICON, 30V, 150MA	80009	152-0141-02
CR2125	152-0141-02			SEMICON D DEVICE: SILICON, 30V, 150MA	80009	152-0141-02
CR2127	152-0141-02			SEMICON D DEVICE: SILICON, 30V, 150MA	80009	152-0141-02
CR2140	152-0141-02			SEMICON D DEVICE: SILICON, 30V, 150MA	80009	152-0141-02
CR2141	152-0141-02			SEMICON D DEVICE: SILICON, 30V, 150MA	80009	152-0141-02
CR2142	152-0141-02			SEMICON D DEVICE: SILICON, 30V, 150MA	80009	152-0141-02
CR2145	152-0141-02			SEMICON D DEVICE: SILICON, 30V, 150MA	80009	152-0141-02
CR2146	152-0141-02			SEMICON D DEVICE: SILICON, 30V, 150MA	80009	152-0141-02
CR2156	152-0141-02			SEMICON D DEVICE: SILICON, 30V, 150MA	80009	152-0141-02
CR2157	152-0141-02			SEMICON D DEVICE: SILICON, 30V, 150MA	80009	152-0141-02
CR2162	152-0141-02			SEMICON D DEVICE: SILICON, 30V, 150MA	80009	152-0141-02
CR2163	152-0141-02			SEMICON D DEVICE: SILICON, 30V, 150MA	80009	152-0141-02
CR2166	152-0141-02			SEMICON D DEVICE: SILICON, 30V, 150MA	80009	152-0141-02
CR2167	152-0141-02			SEMICON D DEVICE: SILICON, 30V, 150MA	80009	152-0141-02
CR2170	152-0141-02			SEMICON D DEVICE: SILICON, 30V, 150MA	80009	152-0141-02
CR2171	152-0141-02			SEMICON D DEVICE: SILICON, 30V, 150MA	80009	152-0141-02
CR2174	152-0141-02			SEMICON D DEVICE: SILICON, 30V, 150MA	80009	152-0141-02
CR2175	152-0141-02			SEMICON D DEVICE: SILICON, 30V, 150MA	80009	152-0141-02
CR2192	152-0141-02			SEMICON D DEVICE: SILICON, 30V, 150MA	80009	152-0141-02
CR2193	152-0141-02			SEMICON D DEVICE: SILICON, 30V, 150MA	80009	152-0141-02
CR2196	152-0141-02			SEMICON D DEVICE: SILICON, 30V, 150MA	80009	152-0141-02

Ckt No.	Tektronix Part No.	Serial/Model No. Eff	Dscont	Name & Description	Mfr Code	Mfr Part Number
CR2198	152-0141-02			SEMICON D DEVICE:SILICON,30V,150MA	80009	152-0141-02
CR2226	152-0141-02			SEMICON D DEVICE:SILICON,30V,150MA	80009	152-0141-02
CR2235	152-0333-00			SEMICON D DEVICE:SILICON,55V,200MA	80009	152-0333-00
THRU	-----					
CR2266	152-0333-00			SEMICON D DEVICE:SILICON,55V,200MA	80009	152-0333-00
CR4322	152-0242-00			SEMICON D DEVICE:SILICON,225V,200MA	80009	152-0242-00
CR4323	152-0141-02			SEMICON D DEVICE:SILICON,30V,150MA	80009	152-0141-02
CR4354	152-0141-02			SEMICON D DEVICE:SILICON,30V,150MA	80009	152-0141-02
CR4355	152-0141-02			SEMICON D DEVICE:SILICON,30V,150MA	80009	152-0141-02
CR4356	152-0141-02			SEMICON D DEVICE:SILICON,30V,150MA	80009	152-0141-02
CR4357	152-0141-02			SEMICON D DEVICE:SILICON,30V,150MA	80009	152-0141-02
CR4368	152-0141-02			SEMICON D DEVICE:SILICON,30V,150MA	80009	152-0141-02
CR4369	152-0141-02			SEMICON D DEVICE:SILICON,30V,150MA	80009	152-0141-02
CR4433	152-0141-02			SEMICON D DEVICE:SILICON,30V,150MA	80009	152-0141-02
CR4434	152-0141-02			SEMICON D DEVICE:SILICON,30V,150MA	80009	152-0141-02
CR4448	152-0141-02			SEMICON D DEVICE:SILICON,30V,150MA	80009	152-0141-02
CR4449	152-0141-02			SEMICON D DEVICE:SILICON,30V,150MA	80009	152-0141-02
CR4461	152-0141-02			SEMICON D DEVICE:SILICON,30V,150MA	80009	152-0141-02
CR4467	152-0141-02			SEMICON D DEVICE:SILICON,30V,150MA	80009	152-0141-02
CR4471	152-0153-00			SEMICON D DEVICE:SILICON,15V,50MA	80009	152-0153-00
CR4472	152-0141-02			SEMICON D DEVICE:SILICON,30V,150MA	80009	152-0141-02
CR4473	152-0141-02			SEMICON D DEVICE:SILICON,30V,150MA	80009	152-0141-02
CR4474	152-0141-02			SEMICON D DEVICE:SILICON,30V,150MA	80009	152-0141-02
CR4487	152-0075-00			SEMICON D DEVICE:GE,25V,40MA	80009	152-0075-00
CR4491	152-0075-00			SEMICON D DEVICE:GE,25V,40MA	80009	152-0075-00
CR4492	152-0141-02			SEMICON D DEVICE:SILICON,30V,150MA	80009	152-0141-02
CR4493	152-0141-02			SEMICON D DEVICE:SILICON,30V,150MA	80009	152-0141-02
CR4494	152-0025-00			SEMICON D DEVICE:GE,125V,100MA	14936	1M634
CR4495	152-0141-02			SEMICON D DEVICE:SILICON,30V,150MA	80009	152-0141-02
CR4496	152-0141-02			SEMICON D DEVICE:SILICON,30V,150MA	80009	152-0141-02
CR4498	152-0141-02			SEMICON D DEVICE:SILICON,30V,150MA	80009	152-0141-02
CR4499	152-0025-00			SEMICON D DEVICE:GE,125V,100MA	14936	1M634
DL592	119-0933-00			DELAY,LINE,ELEC:52NH,50 OHM	80009	119-0933-00
DL1165	119-0932-00			DELAY,LINE,ELEC:47NS,100 OHM	80009	119-0932-00
DL1165	-----			* OPTION 2 ONLY		
DS304	150-0029-00			LAMP,INCAND:6.3V,0.20A	08806	349
DS305	150-0029-00			LAMP,INCAND:6.3V,0.20A	08806	349
DS306	150-0029-00			LAMP,INCAND:6.3V,0.20A	08806	349
DS308	150-0121-02			LAMP,CARTRIDGE:GREEN,5V,60MA	80009	150-0121-02
DS342	150-0093-01			LAMP,INCAND:5V,0.06A,0.05MSCP,SEL	87034	9AS15
DS345	150-0093-01			LAMP,INCAND:5V,0.06A,0.05MSCP,SEL	87034	9AS15
DS346	150-0093-01			LAMP,INCAND:5V,0.06A,0.05MSCP,SEL	87034	9AS15
DS362	150-0093-01			LAMP,INCAND:5V,0.06A,0.05MSCP,SEL	87034	9AS15
DS365	150-0093-01			LAMP,INCAND:5V,0.06A,0.05MSCP,SEL	87034	9AS15
DS366	150-0093-01			LAMP,INCAND:5V,0.06A,0.05MSCP,SEL	87034	9AS15
DS1219	150-0035-00			LAMP,GLOW:90V,0.3MA	53944	A1B-3
DS1682	150-0030-00			LAMP,GLOW:NEON,T-2,60 TO 90 VOLTS	08806	A2B-T
DS1792	150-0030-00			LAMP,GLOW:NEON,T-2,60 TO 90 VOLTS	08806	A2B-T
DS1794	150-0030-00			LAMP,GLOW:NEON,T-2,60 TO 90 VOLTS	08806	A2B-T
DS1818	150-0030-00			LAMP,GLOW:NEON,T-2,60 TO 90 VOLTS	08806	A2B-T
DS1819	150-0030-00			LAMP,GLOW:NEON,T-2,60 TO 90 VOLTS	08806	A2B-T

## Replaceable Electrical Parts—7104

Ckt No.	Tektronix Part No.	Serial/Model No. Eff	Dscont	Name & Description	Mfr Code	Mfr Part Number
DS1820	150-0030-00			LAMP,GLOW:NEON,T-2,60 TO 90 VOLTS	08806	A2B-T
DS1842	150-0030-00			LAMP,GLOW:NEON,T-2,60 TO 90 VOLTS	08806	A2B-T
DS1844	150-0030-00			LAMP,GLOW:NEON,T-2,60 TO 90 VOLTS	08806	A2B-T
DS1846	150-0030-00			LAMP,GLOW:NEON,T-2,60 TO 90 VOLTS	08806	A2B-T
DS1848	150-0030-00			LAMP,GLOW:NEON,T-2,60 TO 90 VOLTS	08806	A2B-T
DS1970	150-1033-00			LAMP,LED:YELLOW,2.2V	50434	5082-4584
DS1994	150-1031-00			LAMP,LED:RED,650NM,40MA MAX	53184	XC209R
DS2002	150-0048-01			LAMP,INCAND:5V,0.06A,SEL	08806	683AS15
DS2003	150-0048-01			LAMP,INCAND:5V,0.06A,SEL	08806	683AS15
E1208	119-0181-00			SURGE VOLTAGE P:230VAC,+/-15%	80009	119-0181-00
E1213	119-0181-00			SURGE VOLTAGE P:230VAC,+/-15%	80009	119-0181-00
F1200	159-0017-00			FUSE,CARTRIDGE:3AG,4A,250V,FAST BLOW	71400	MTH4
FL1200	119-0420-00			FILTER,RFI:6A,250VAC,400HZ	02777	F-11935-6
K1112	148-0071-00			RELAY,ARMATURE:PLUG-IN,DPDT	99699	2X-A1538
K1112	-----			* OPTION 2 ONLY		
K1162	148-0071-00			RELAY,ARMATURE:PLUG-IN,DPDT	99699	2X-A1538
K1162	-----			* OPTION 2 ONLY		
L236	108-0734-00			COIL,RF:160NH	80009	108-0734-00
L238	108-0734-00			COIL,RF:160NH	80009	108-0734-00
L246	108-0734-00			COIL,RF:160NH	80009	108-0734-00
L248	108-0734-00			COIL,RF:160NH	80009	108-0734-00
L387	108-0440-00			COIL,RF:8UH,TOROIDAL INDUCTOR	80009	108-0440-00
L436	108-0734-00			COIL,RF:160NH	80009	108-0734-00
L438	108-0734-00			COIL,RF:160NH	80009	108-0734-00
L446	108-0734-00			COIL,RF:160NH	80009	108-0734-00
L448	108-0734-00			COIL,RF:160NH	80009	108-0734-00
L480	108-0324-00			COIL,RF:10MH	76493	70F102A1
L486	108-0733-00			COIL,RF:113NH	80009	108-0733-00
L582	108-0538-00			COIL,RF:2.7UH	76493	70F276A1
L583	108-0538-00			COIL,RF:2.7UH	76493	70F276A1
L584	108-0538-00			COIL,RF:2.7UH	76493	70F276A1
L762	108-0620-00			COIL,RF:90NH	80009	108-0620-00
L763	108-0371-00			COIL,RF:0.23UH	80009	108-0371-00
L764	108-0057-00			COIL,RF:8.8UH	80009	108-0057-00
L772	108-0620-00			COIL,RF:90NH	80009	108-0620-00
L773	108-0371-00			COIL,RF:0.23UH	80009	108-0371-00
L774	108-0057-00			COIL,RF:8.8UH	80009	108-0057-00
L857	108-0683-00			COIL,RF:900MH	80009	108-0683-00
L891	108-0538-00			COIL,RF:2.7UH	76493	70F276A1
L893	108-0538-00			COIL,RF:2.7UH	76493	70F276A1
L895	108-0538-00			COIL,RF:2.7UH	76493	70F276A1
L897	108-0538-00			COIL,RF:2.7UH	76493	70F276A1
L1001	108-0538-00			COIL,RF:2.7UH	76493	70F276A1
L1002	108-0538-00			COIL,RF:2.7UH	76493	70F276A1
L1003	108-0538-00			COIL,RF:2.7UH	76493	70F276A1
L1004	108-0538-00			COIL,RF:2.7UH	76493	70F276A1
L1042	108-0733-00			COIL,RF:113NH	80009	108-0733-00
L1062	108-0733-00			COIL,RF:113NH	80009	108-0733-00
L1156	108-0606-00			COIL,RF:50NH	80009	108-0606-00
L1156	-----			* OPTION 2 ONLY		
L1229	108-0681-00			COIL,RF:140UH	80009	108-0681-00

Ckt No.	Tektronix Part No.	Serial/Model No. Eff	Dscont	Name & Description	Mfr Code	Mfr Part Number
L1237	108-0761-00			COIL, RF: 1MH	80009	108-0761-00
L1332	108-0473-00			COIL, RF: 150UH	80009	108-0473-00
L1334	108-0473-00			COIL, RF: 150UH	80009	108-0473-00
L1342	108-0680-00			COIL, RF: 27UH	80009	108-0680-00
L1344	108-0680-00			COIL, RF: 27UH	80009	108-0680-00
L1352	108-0473-00			COIL, RF: 150UH	80009	108-0473-00
L1354	108-0556-00			COIL, RF: 12UH	80009	108-0556-00
L1356	108-0337-00			COIL, RF: 25UH	80009	108-0337-00
L1627	108-0215-00			COIL, RF: 1.1UH	80009	108-0215-00
L1643	108-0543-00			COIL, RF: FIXED, 1.1UH	80009	108-0543-00
L1645	108-0543-00			COIL, RF: FIXED, 1.1UH	80009	108-0543-00
L1995	108-0245-00			COIL, RF: 3.9UH	80009	108-0245-00
L1996	108-0245-00			COIL, RF: 3.9UH	80009	108-0245-00
L1997	108-0245-00			COIL, RF: 3.9UH	80009	108-0245-00
L2283	108-0331-00			COIL, RF: 0.75UH	80009	108-0331-00
L4301	108-0245-00			COIL, RF: 3.9UH	80009	108-0245-00
L4302	108-0245-00			COIL, RF: 3.9UH	80009	108-0245-00
L4303	108-0245-00			COIL, RF: 3.9UH	80009	108-0245-00
L4304	108-0245-00			COIL, RF: 3.9UH	80009	108-0245-00
L4317	108-0245-00			COIL, RF: 3.9UH	80009	108-0245-00
L4342	108-0245-00			COIL, RF: 3.9UH	80009	108-0245-00
L4344	108-0245-00			COIL, RF: 3.9UH	80009	108-0245-00
LR857	108-0683-00			COIL, RF: 900MH	80009	108-0683-00
LR885	108-0543-00			COIL, RF: FIXED, 1.1UH	80009	108-0543-00
LR1096	108-0325-00			COIL, RF: 490NH	80009	108-0325-00
LR1097	108-0685-00			COIL, RF: 62NH	80009	108-0685-00
LR1098	108-0685-00			COIL, RF: 62NH	80009	108-0685-00
LR1142	108-0729-00			COIL, RF: 195NH	80009	108-0729-00
LR1142	-----			* OPTION 2 ONLY		
LR1644	108-0537-00			COIL, RF: 200UH	80009	108-0537-00
LR4338	108-0543-00			COIL, RF: FIXED, 1.1UH	80009	108-0543-00
LR4359	108-0543-00			COIL, RF: FIXED, 1.1UH	80009	108-0543-00
LR4368	108-0543-00			COIL, RF: FIXED, 1.1UH	80009	108-0543-00
LR4412	108-0543-00			COIL, RF: FIXED, 1.1UH	80009	108-0543-00
Q75	151-0192-00			TRANSISTOR: SILICON, NPN, SEL FROM MPS6521	80009	151-0192-00
Q254	151-0302-00			TRANSISTOR: SILICON, NPN	80009	151-0302-00
Q342	151-0302-00			TRANSISTOR: SILICON, NPN	80009	151-0302-00
Q346	151-0302-00			TRANSISTOR: SILICON, NPN	80009	151-0302-00
Q362	151-0302-00			TRANSISTOR: SILICON, NPN	80009	151-0302-00
Q366	151-0302-00			TRANSISTOR: SILICON, NPN	80009	151-0302-00
Q376	151-0192-00			TRANSISTOR: SILICON, NPN, SEL FROM MPS6521	80009	151-0192-00
Q382	151-0192-00			TRANSISTOR: SILICON, NPN, SEL FROM MPS6521	80009	151-0192-00
Q384	151-0342-00			TRANSISTOR: SILICON, PNP	80009	151-0342-00
Q454	151-0302-00			TRANSISTOR: SILICON, NPN	80009	151-0302-00
Q542	151-0302-00			TRANSISTOR: SILICON, NPN	80009	151-0302-00
Q548	151-0302-00			TRANSISTOR: SILICON, NPN	80009	151-0302-00
Q556	151-0302-00			TRANSISTOR: SILICON, NPN	80009	151-0302-00
Q558	151-0302-00			TRANSISTOR: SILICON, NPN	80009	151-0302-00
Q656	151-0302-00			TRANSISTOR: SILICON, NPN	80009	151-0302-00
Q642	151-0302-00			TRANSISTOR: SILICON, NPN	80009	151-0302-00
Q648	151-0302-00			TRANSISTOR: SILICON, NPN	80009	151-0302-00
Q652	151-0301-00			TRANSISTOR: SILICON, PNP	04713	2N2907A

## Replaceable Electrical Parts—7104

Ckt No.	Tektronix Part No.	Serial/Model No. Eff	Dscont	Name & Description	Mfr Code	Mfr Part Number
Q658	151-0302-00			TRANSISTOR: SILICON, NPN	80009	151-0302-00
Q672	151-0301-00			TRANSISTOR: SILICON, PNP	04713	2N2907A
Q676	151-0235-00			TRANSISTOR: SILICON, PNP	80009	151-0235-00
Q682	151-0301-00			TRANSISTOR: SILICON, PNP	04713	2N2907A
Q712	151-0221-00			TRANSISTOR: SILICON, PNP	80009	151-0221-00
Q718	151-0301-00			TRANSISTOR: SILICON, PNP	04713	2N2907A
Q722	151-0302-00			TRANSISTOR: SILICON, NPN	80009	151-0302-00
Q732	151-0333-00			TRANSISTOR: SILICON, NPN, SEL FROM MPS918	80009	151-0333-00
Q742	151-0216-00			TRANSISTOR: SILICON, PNP	80009	151-0216-00
Q748	151-0192-00			TRANSISTOR: SILICON, NPN, SEL FROM MPS6521	80009	151-0192-00
Q752	151-0216-00			TRANSISTOR: SILICON, PNP	80009	151-0216-00
Q758	151-0192-00			TRANSISTOR: SILICON, NPN, SEL FROM MPS6521	80009	151-0192-00
Q814	151-0302-00			TRANSISTOR: SILICON, NPN	80009	151-0302-00
Q824	151-0302-00			TRANSISTOR: SILICON, NPN	80009	151-0302-00
Q862	151-0183-00			TRANSISTOR: SILICON, NPN	80009	151-0183-00
Q864	151-0301-00			TRANSISTOR: SILICON, PNP	04713	2N2907A
Q872	151-0301-00			TRANSISTOR: SILICON, PNP	04713	2N2907A
Q873	151-0529-00			TRANSISTOR: SCR, 200V, 0.5A	04713	MCR206
Q878	151-0136-00			TRANSISTOR: SILICON, NPN	02735	35495
Q884	151-0302-00			TRANSISTOR: SILICON, NPN	80009	151-0302-00
Q892	151-0136-00			TRANSISTOR: SILICON, NPN	02735	35495
Q914	151-0302-00			TRANSISTOR: SILICON, NPN	80009	151-0302-00
Q923	151-0302-00			TRANSISTOR: SILICON, NPN	80009	151-0302-00
Q924A-E	156-0048-00			MICROCIRCUIT, LI: FIVE NPN TRANSISTOR ARRAY	80009	156-0048-00
Q962	151-0192-00			TRANSISTOR: SILICON, NPN, SEL FROM MPS6521	80009	151-0192-00
Q964	151-0192-00			TRANSISTOR: SILICON, NPN, SEL FROM MPS6521	80009	151-0192-00
Q992	151-0192-00			TRANSISTOR: SILICON, NPN, SEL FROM MPS6521	80009	151-0192-00
Q994	151-0192-00			TRANSISTOR: SILICON, NPN, SEL FROM MPS6521	80009	151-0192-00
Q1022	151-0302-00			TRANSISTOR: SILICON, NPN	80009	151-0302-00
Q1024	151-0302-00			TRANSISTOR: SILICON, NPN	80009	151-0302-00
Q1028	151-0424-00			TRANSISTOR: SILICON, NPN	80009	151-0424-00
Q1034	151-0424-00			TRANSISTOR: SILICON, NPN	80009	151-0424-00
Q1046	151-0221-00			TRANSISTOR: SILICON, PNP	80009	151-0221-00
Q1049	151-0220-00			TRANSISTOR: SILICON, PNP	80009	151-0220-00
Q1052	151-0220-00			TRANSISTOR: SILICON, PNP	80009	151-0220-00
Q1058	151-0302-00			TRANSISTOR: SILICON, NPN	80009	151-0302-00
Q1066	151-0221-00			TRANSISTOR: SILICON, PNP	80009	151-0221-00
Q1072	151-0220-00			TRANSISTOR: SILICON, PNP	80009	151-0220-00
Q1078	151-0302-00			TRANSISTOR: SILICON, NPN	80009	151-0302-00
Q1084	151-0302-00			TRANSISTOR: SILICON, NPN	80009	151-0302-00
Q1166	151-0301-00			TRANSISTOR: SILICON, PNP	04713	2N2907A
Q1166	-----			* OPTION 2 ONLY		
Q1234	151-0632-00			TRANSISTOR: SILICON, NPN	80009	151-0632-00
Q1238	151-0508-00			TRANSISTOR: SILICON, NPN, PROGRAMMABLE	03508	2N6027
Q1240	151-0632-00			TRANSISTOR: SILICON, NPN	80009	151-0632-00
Q1243	151-0347-00			TRANSISTOR: SILICON, NPN	80009	151-0347-00
Q1245	151-0350-00			TRANSISTOR: SILICON, PNP	80009	151-0350-00
Q1246	151-0260-00			TRANSISTOR: SILICON, NPN	80009	151-0260-00
Q1252	151-0302-00			TRANSISTOR: SILICON, NPN	80009	151-0302-00
Q1254	151-0273-00			TRANSISTOR: SILICON, NPN	80009	151-0273-00
Q1362	151-0190-00			TRANSISTOR: SILICON, NPN	80009	151-0190-00
Q1422	151-0350-00			TRANSISTOR: SILICON, PNP	80009	151-0350-00
Q1428	151-0656-00			TRANSISTOR: SILICON, NPN	04713	SJE1972

Ckt No.	Tektronix Part No.	Serial/Model No. Eff	Dscont	Name & Description	Mfr Code	Mfr Part Number
Q1434	151-0103-00			TRANSISTOR: SILICON, NPN	80009	151-0103-00
Q1438	151-0134-00			TRANSISTOR: SILICON, PNP	80009	151-0134-00
Q1452	151-0347-00			TRANSISTOR: SILICON, NPN	80009	151-0347-00
Q1458	151-0657-00			TRANSISTOR: SILICON, PNP	04713	SJE1973
Q1468	151-0347-00			TRANSISTOR: SILICON, NPN	80009	151-0347-00
Q1474	151-0656-00			TRANSISTOR: SILICON, NPN	04713	SJE1972
Q1488	151-0342-00			TRANSISTOR: SILICON, PNP	80009	151-0342-00
Q1494	151-0657-00			TRANSISTOR: SILICON, PNP	04713	JE1973
Q1518	151-0302-00			TRANSISTOR: SILICON, NPN	80009	151-0302-00
Q1522	151-0349-00			TRANSISTOR: SILICON, NPN, SEL FROM MJE2801	80009	151-0349-00
Q1526	151-0477-00			TRANSISTOR: SILICON, NPN	01295	TIP35A
Q1544	151-0224-00			TRANSISTOR: SILICON, NPN	80009	151-0224-00
Q1548	151-0373-00			TRANSISTOR: SILICON, PNP	80009	151-0373-00
Q1603	151-0438-00			TRANSISTOR: SILICON, PNP, SEL FROM SPS6927	80009	151-0438-00
Q1607	151-0192-00			TRANSISTOR: SILICON, NPN, SEL FROM MPS6521	80009	151-0192-00
Q1608	151-0438-00			TRANSISTOR: SILICON, PNP, SEL FROM SPS6927	80009	151-0438-00
Q1617	151-0472-00			TRANSISTOR: SILICON, NPN	80009	151-0472-00
Q1618	151-0438-00			TRANSISTOR: SILICON, PNP, SEL FROM SPS6927	80009	151-0438-00
Q1620	151-0472-00			TRANSISTOR: SILICON, NPN	80009	151-0472-00
Q1626	151-0427-00			TRANSISTOR: SILICON, NPN	80009	151-0427-00
Q1629	151-0438-00			TRANSISTOR: SILICON, PNP, SEL FROM SPS6927	80009	151-0438-00
Q1632	151-0438-00			TRANSISTOR: SILICON, PNP, SEL FROM SPS6927	80009	151-0438-00
Q1644	151-0190-00			TRANSISTOR: SILICON, NPN	80009	151-0190-00
Q1648	151-0438-00			TRANSISTOR: SILICON, PNP, SEL FROM SPS6927	80009	151-0438-00
Q1652	151-0472-00			TRANSISTOR: SILICON, NPN	80009	151-0472-00
Q1658	151-0438-00			TRANSISTOR: SILICON, PNP, SEL FROM SPS6927	80009	151-0438-00
Q1664	151-0438-00			TRANSISTOR: SILICON, PNP, SEL FROM SPS6927	80009	151-0438-00
Q1666	151-0190-00			TRANSISTOR: SILICON, NPN	80009	151-0190-00
Q1668	151-0659-00			TRANSISTOR: SILICON, NPN	80009	151-0659-00
Q1672	151-0301-00			TRANSISTOR: SILICON, PNP	04713	2N2907A
Q1676	151-0659-00			TRANSISTOR: SILICON, NPN	80009	151-0659-00
Q1687	151-0444-00			TRANSISTOR: SILICON, NPN	80009	151-0444-00
Q1690	156-0281-00			MICROCIRCUIT, LI:4 TRANSISTOR ARRAY	80009	156-0281-00
Q1698	151-0342-00			TRANSISTOR: SILICON, PNP	80009	151-0342-00
Q1708	151-0150-00			TRANSISTOR: SILICON, NPN	80009	151-0150-00
Q1724	151-0453-00			TRANSISTOR: SILICON, PNP	80009	151-0453-00
Q1742	151-0350-00			TRANSISTOR: SILICON, PNP	80009	151-0350-00
Q1748	151-0350-00			TRANSISTOR: SILICON, PNP	80009	151-0350-00
Q1784	151-0279-00			TRANSISTOR: SILICON, NPN	80009	151-0279-00
Q1835	151-0126-00			TRANSISTOR: SILICON, NPN	80009	151-0126-00
Q1838	151-0126-00			TRANSISTOR: SILICON, NPN	80009	151-0126-00
Q1842	151-0350-00			TRANSISTOR: SILICON, PNP	80009	151-0350-00
Q1908	151-0508-00			TRANSISTOR: SILICON, NPN, PROGRAMMABLE	03508	2N6027
Q1910	151-0341-00			TRANSISTOR: SILICON, NPN	80009	151-0341-00
Q1916	151-0192-00			TRANSISTOR: SILICON, NPN, SEL FROM MPS6521	80009	151-0192-00
Q1928	151-0271-00			TRANSISTOR: SILICON, PNP	80009	151-0271-00
Q1934	151-0223-00			TRANSISTOR: SILICON, NPN	80009	151-0223-00
Q1938	151-0223-00			TRANSISTOR: SILICON, NPN	80009	151-0223-00
Q1942	151-0301-00			TRANSISTOR: SILICON, PNP	04713	2N2907A
Q1943	151-0198-00			TRANSISTOR: SILICON, NPN, SEL FROM MPS918	80009	151-0198-00
Q1946	151-0198-00			TRANSISTOR: SILICON, NPN, SEL FROM MPS918	80009	151-0198-00
Q1956	151-0302-00			TRANSISTOR: SILICON, NPN	80009	151-0302-00
Q1970	151-0302-00			TRANSISTOR: SILICON, NPN	80009	151-0302-00



Replaceable Electrical Parts—7104

Ckt No.	Tektronix Part No.	Serial/Model No. Eff	Dscont	Name & Description	Mfr Code	Mfr Part Number
Q1974	151-1021-00			TRANSISTOR:SILICON,JFE	80009	151-1021-00
Q1978	151-0192-00			TRANSISTOR:SILICON,NPN,SEL FROM MPS6521	80009	151-0192-00
Q1980	151-0192-00			TRANSISTOR:SILICON,NPN,SEL FROM MPS6521	80009	151-0192-00
Q1982	151-0301-00			TRANSISTOR:SILICON,PNP	04713	2N2907A
Q1994	151-0301-00			TRANSISTOR:SILICON,PNP	04713	2N2907A
Q1995	151-0192-00			TRANSISTOR:SILICON,NPN,SEL FROM MPS6521	80009	151-0192-00
Q1998	151-0188-00			TRANSISTOR:SILICON,PNP	80009	151-0188-00
Q1999	151-0192-00			TRANSISTOR:SILICON,NPN,SEL FROM MPS6521	80009	151-0192-00
Q2108	151-0223-00			TRANSISTOR:SILICON,NPN	80009	151-0223-00
Q2112	151-0221-00			TRANSISTOR:SILICON,PNP	80009	151-0221-00
Q2138	151-0188-00			TRANSISTOR:SILICON,PNP	80009	151-0188-00
Q2153	151-0192-00			TRANSISTOR:SILICON,NPN,SEL FROM MPS6521	80009	151-0192-00
Q2159	151-0190-00			TRANSISTOR:SILICON,NPN	80009	151-0190-00
Q2215	151-0232-00			TRANSISTOR:SILICON,NPN,DUAL	80009	151-0232-00
Q2223	151-0190-00			TRANSISTOR:SILICON,NPN	80009	151-0190-00
Q2225	151-0188-00			TRANSISTOR:SILICON,PNP	80009	151-0188-00
Q2229	151-0190-00			TRANSISTOR:SILICON,NPN	80009	151-0190-00
Q2240	151-0190-00			TRANSISTOR:SILICON,NPN	80009	151-0190-00
Q2286	151-0188-00			TRANSISTOR:SILICON,PNP	80009	151-0188-00
Q2287	151-0188-00			TRANSISTOR:SILICON,PNP	80009	151-0188-00
Q2296	151-0188-00			TRANSISTOR:SILICON,PNP	80009	151-0188-00
Q2299	151-0188-00			TRANSISTOR:SILICON,PNP	80009	151-0188-00
Q4336	151-0198-00			TRANSISTOR:SILICON,NPN,SEL FROM MPS918	80009	151-0198-00
Q4364	151-0198-00			TRANSISTOR:SILICON,NPN,SEL FROM MPS918	80009	151-0198-00
Q4374	151-0188-00			TRANSISTOR:SILICON,PNP	80009	151-0188-00
Q4382	151-0192-00			TRANSISTOR:SILICON,NPN,SEL FROM MPS6521	80009	151-0192-00
Q4392	151-0192-00			TRANSISTOR:SILICON,NPN,SEL FROM MPS6521	80009	151-0192-00
Q4424	151-0192-00			TRANSISTOR:SILICON,NPN,SEL FROM MPS6521	80009	151-0192-00
Q4432	151-0223-00			TRANSISTOR:SILICON,NPN	80009	151-0223-00
Q4438	151-0192-00			TRANSISTOR:SILICON,NPN,SEL FROM MPS6521	80009	151-0192-00
Q4442	151-0192-00			TRANSISTOR:SILICON,NPN,SEL FROM MPS6521	80009	151-0192-00
Q4448	151-0216-00			TRANSISTOR:SILICON,PNP	80009	151-0216-00
Q4456	151-1022-00			TRANSISTOR:SILICON,JFE,SEL FROM 2N4392	80009	151-1022-00
Q4462	151-0192-00			TRANSISTOR:SILICON,NPN,SEL FROM MPS6521	80009	151-0192-00
Q4468	151-0192-00			TRANSISTOR:SILICON,NPN,SEL FROM MPS6521	80009	151-0192-00
Q4480	151-0188-00			TRANSISTOR:SILICON,PNP	80009	151-0188-00
Q4488	151-0192-00			TRANSISTOR:SILICON,NPN,SEL FROM MPS6521	80009	151-0192-00
Q4492	151-0188-00			TRANSISTOR:SILICON,PNP	80009	151-0188-00
Q4494	151-0302-00			TRANSISTOR:SILICON,NPN	80009	151-0302-00
Q4498	151-0302-00			TRANSISTOR:SILICON,NPN	80009	151-0302-00
Q4508	156-0048-00			MICROCIRCUIT,LI:FIVE NPN TRANSISTOR ARRAY	80009	156-0048-00
R20	315-0470-00			RES.,FXD,CMPSN:47 OHM,5%,0.25W	01121	CB4705
R22	321-0260-00			RES.,FXD,FILM:4.99K OHM,1%,0.125W	91637	MFF1816G49900F
R23	321-0260-00			RES.,FXD,FILM:4.99K OHM,1%,0.125W	91637	MFF1816G49900F
R40	315-0470-00			RES.,FXD,CMPSN:47 OHM,5%,0.25W	01121	CB4705
R42	321-0260-00			RES.,FXD,FILM:4.99K OHM,1%,0.125W	91637	MFF1816G49900F
R43	321-0260-00			RES.,FXD,FILM:4.99K OHM,1%,0.125W	91637	MFF1816G49900F
R52	315-0472-00			RES.,FXD,CMPSN:4.7K OHM,5%,0.25W	01121	CB4725
R60	315-0470-00			RES.,FXD,CMPSN:47 OHM,5%,0.25W	01121	CB4705
R61	317-0510-00			RES.,FXD,CMPSN:51 OHM,5%,0.125W	01121	BB5105
R62	317-0510-00			RES.,FXD,CMPSN:51 OHM,5%,0.125W	01121	BB5105
R66	315-0302-00			RES.,FXD,CMPSN:3K OHM,5%,0.25W	01121	CB3025

Ckt No.	Tektronix Part No.	Serial/Model No. Eff	Discont	Name & Description	Mfr Code	Mfr Part Number
R67	315-0202-00			RES., FXD, CMPSN: 2K OHM, 5%, 0.25W	01121	CB2025
R71	315-0202-00			RES., FXD, CMPSN: 2K OHM, 5%, 0.25W	01121	CB2025
R74	315-0202-00			RES., FXD, CMPSN: 2K OHM, 5%, 0.25W	01121	CB2025
R75	315-0102-00			RES., FXD, CMPSN: 1K OHM, 5%, 0.25W	01121	CB1025
R80	315-0470-00			RES., FXD, CMPSN: 47 OHM, 5%, 0.25W	01121	CB4705
R81	317-0510-00			RES., FXD, CMPSN: 51 OHM, 5%, 0.125W	01121	BB5105
R82	317-0510-00			RES., FXD, CMPSN: 51 OHM, 5%, 0.125W	01121	BB5105
R83	315-0243-00			RES., FXD, CMPSN: 24K OHM, 5%, 0.25W	01121	CB2435
R85	315-0105-00			RES., FXD, CMPSN: 1M OHM, 5%, 0.25W	01121	CB1055
R86	315-0152-00			RES., FXD, CMPSN: 1.5K OHM, 5%, 0.25W	01121	CB1525
R87	315-0103-00			RES., FXD, CMPSN: 10K OHM, 5%, 0.25W	01121	CB1035
R88	315-0152-00			RES., FXD, CMPSN: 1.5K OHM, 5%, 0.25W	01121	CB1525
R90	315-0202-00			RES., FXD, CMPSN: 2K OHM, 5%, 0.25W	01121	CB2025
R91	315-0132-00			RES., FXD, CMPSN: 1.3K OHM, 5%, 0.25W	01121	CB1325
R92	315-0470-00			RES., FXD, CMPSN: 47 OHM, 5%, 0.25W	01121	CB4705
R93	321-0231-00			RES., FXD, FILM: 2.49K OHM, 1%, 0.125W	91637	MFF1816G24900F
R94	323-0160-00			RES., FXD, FILM: 453 OHM, 1%, 0.50W	75042	CECT0-4530F
R95	321-0231-00			RES., FXD, FILM: 2.49K OHM, 1%, 0.125W	91637	MFF1816G24900F
R97	315-0132-00			RES., FXD, CMPSN: 1.3K OHM, 5%, 0.25W	01121	CB1325
R99	315-0132-00			RES., FXD, CMPSN: 1.3K OHM, 5%, 0.25W	01121	CB1325
R201	321-0164-00			RES., FXD, FILM: 499 OHM, 1%, 0.125W	91637	MFF1816G499R0F
R202	321-0164-00			RES., FXD, FILM: 499 OHM, 1%, 0.125W	91637	MFF1816G499R0F
R205	315-0103-00			RES., FXD, CMPSN: 10K OHM, 5%, 0.25W	01121	CB1035
R208	321-0164-00			RES., FXD, FILM: 499 OHM, 1%, 0.125W	91637	MFF1816G499R0F
R209	321-0164-00			RES., FXD, FILM: 499 OHM, 1%, 0.125W	91637	MFF1816G499R0F
R212	325-0053-00			RES., FXD, FILM: 50 OHM, 1%, 0.05W	03888	PME50C50R00F
R213	325-0053-00			RES., FXD, FILM: 50 OHM, 1%, 0.05W	03888	PME50C50R00F
R214	325-0053-00			RES., FXD, FILM: 50 OHM, 1%, 0.05W	03888	PME50C50R00F
R216	325-0053-00			RES., FXD, FILM: 50 OHM, 1%, 0.05W	03888	PME50C50R00F
R217	325-0053-00			RES., FXD, FILM: 50 OHM, 1%, 0.05W	03888	PME50C50R00F
R218	325-0053-00			RES., FXD, FILM: 50 OHM, 1%, 0.05W	03888	PME50C50R00F
R232	321-0202-00			RES., FXD, FILM: 1.24K OHM, 1%, 0.125W	91637	MFF1816G12400F
R233	322-0111-00			RES., FXD, FILM: 140 OHM, 1%, 0.25W	91637	MFF1421G140R0F
R234	322-0170-00			RES., FXD, FILM: 576 OHM, 1%, 0.25W	75042	CEBT0-5760F
R235	315-0202-00			RES., FXD, FILM: 1.24K OHM, 1%, 0.125W	91637	MFF1816G12400F
R236	321-0147-00			RES., FXD, FILM: 332 OHM, 1%, 0.125W	91637	MFF1816G332R0F
R237	315-0103-00			RES., FXD, CMPSN: 10K OHM, 5%, 0.25W	01121	CB1035
R238	321-0155-00			RES., FXD, FILM: 402 OHM, 1%, 0.125W	91637	MFF1816G402R0F
R239	321-0085-00			RES., FXD, FILM: 75 OHM, 1%, 0.125W	91637	MFF1816G75R00F
R240	315-0100-00			RES., FXD, CMPSN: 10 OHM, 5%, 0.25W	01121	CB1005
R241	322-0114-00			RES., FXD, FILM: 150 OHM, 1%, 0.25W	75042	CEBT0-1500F
R242	321-0202-00			RES., FXD, FILM: 1.24K OHM, 1%, 0.125W	91637	MFF1816G12400F
R243	322-0111-00			RES., FXD, FILM: 140 OHM, 1%, 0.25W	91637	MFF1421G140R0F
R244	322-0170-00			RES., FXD, FILM: 576 OHM, 1%, 0.25W	75042	CEBT0-5760F
R245	321-0202-00			RES., FXD, FILM: 1.24K OHM, 1%, 0.125W	91637	MFF1816G12400F
R246	321-0147-00			RES., FXD, FILM: 332 OHM, 1%, 0.125W	91637	MFF1816G332R0F
R247	315-0103-00			RES., FXD, CMPSN: 10K OHM, 5%, 0.25W	01121	CB1035
R248	321-0155-00			RES., FXD, FILM: 402 OHM, 1%, 0.125W	91637	MFF1816G402R0F
R250	317-0200-00			RES., FXD, CMPSN: 20 OHM, 5%, 0.125W	01121	BB2005
R251	321-0218-00			RES., FXD, FILM: 1.82K OHM, 1%, 0.125W	91637	MFF1816G18200F
R252	321-0242-00			RES., FXD, FILM: 3.24K OHM, 1%, 0.125W	91637	MFF1816G32400F
R254	315-0102-00			RES., FXD, CMPSN: 1K OHM, 5%, 0.25W	01121	CB1025
R255	311-1236-00			RES., VAR, NONWIR: 250 OHM, 10%, 0.50W	73138	72X-22-0-251K

## Replaceable Electrical Parts—7104

Ckt No.	Tektronix Part No.	Serial/Model No. Eff	Dscont	Name & Description	Mfr Code	Mfr Part Number
R256	321-0062-00			RES., FXD, FILM: 43.2 OHM, 1%, 0.125W	91637	MFF1816G43R20F
R261	321-0178-00			RES., FXD, FILM: 698 OHM, 1%, 0.125W	91637	MFF1816G698R0F
R262	315-0510-00			RES., FXD, CMPSN: 51 OHM, 5%, 0.25W	01121	CB5105
R263	322-0151-00			RES., FXD, FILM: 365 OHM, 1%, 0.25W	75042	CEBTO-3650F
R264	321-0201-00			RES., FXD, FILM: 1.21K OHM, 1%, 0.125W	91637	MFF1816G12100F
R265	321-0285-00			RES., FXD, FILM: 9.09K OHM, 1%, 0.125W	91637	MFF1816G90900F
R270	311-1239-00			RES., VAR, NONWIR: 2.5K OHM, 10%, 0.5W	73138	72X-76-252K
R271	321-0178-00			RES., FXD, FILM: 698 OHM, 1%, 0.125W	91637	MFF1816G698R0F
R272	315-0510-00			RES., FXD, CMPSN: 51 OHM, 5%, 0.25W	01121	CB5105
R273	322-0239-00			RES., FXD, FILM: 3.01K OHM, 1%, 0.25W	75042	CEBTO-3011F
R274	311-1248-00			RES., VAR, NONWIR: 500 OHM, 10%, 0.50W	73138	72X-23-0-501K
R277	317-0510-00			RES., FXD, CMPSN: 51 OHM, 5%, 0.125W	01121	BB5105
R278	322-0085-00			RES., FXD, FILM: 75 OHM, 1%, 0.25W	75042	CEBTO-75R00F
R279	311-1936-00			RES., VAR, NONWIR: 50 OHM, 20%, 0.5W	73138	MODEL 72X
R280	317-0510-00			RES., FXD, CMPSN: 51 OHM, 5%, 0.125W	01121	BB5105
R301	303-0301-00			RES., FXD, CMPSN: 300 OHM, 5%, 1W	01121	GB3015
R324	315-0152-00			RES., FXD, CMPSN: 1.5K OHM, 5%, 0.25W	01121	CB1525
R325	311-1373-00			RES., VAR, NONWIR: 5K OHM, 20%, 1W	01121	16M188
R326	315-0152-00			RES., FXD, CMPSN: 1.5K OHM, 5%, 0.25W	01121	CB1525
R341	307-0109-00			RES., FXD, CMPSN: 8.2 OHM, 5%, 0.25W	01121	CB82G5
R342	315-0202-00			RES., FXD, CMPSN: 2K OHM, 5%, 0.25W	01121	CB2025
R343	315-0162-00			RES., FXD, CMPSN: 1.6K OHM, 5%, 0.25W	01121	CB1625
R345	307-0109-00			RES., FXD, CMPSN: 8.2 OHM, 5%, 0.25W	01121	CB82G5
R346	315-0202-00			RES., FXD, CMPSN: 2K OHM, 5%, 0.25W	01121	CB2025
R347	307-0109-00			RES., FXD, CMPSN: 8.2 OHM, 5%, 0.25W	01121	CB82G5
R361	307-0109-00			RES., FXD, CMPSN: 8.2 OHM, 5%, 0.25W	01121	CB82G5
R362	315-0202-00			RES., FXD, CMPSN: 2K OHM, 5%, 0.25W	01121	CB2025
R363	315-0162-00			RES., FXD, CMPSN: 1.6K OHM, 5%, 0.25W	01121	CB1625
R365	307-0109-00			RES., FXD, CMPSN: 8.2 OHM, 5%, 0.25W	01121	CB82G5
R366	315-0202-00			RES., FXD, CMPSN: 2K OHM, 5%, 0.25W	01121	CB2025
R367	307-0109-00			RES., FXD, CMPSN: 8.2 OHM, 5%, 0.25W	01121	CB82G5
R368	315-0512-00			RES., FXD, CMPSN: 5.1K OHM, 5%, 0.25W	01121	CB5125
R372	315-0823-00			RES., FXD, CMPSN: 82K OHM, 5%, 0.25W	01121	CB8235
R373	321-0258-00			RES., FXD, FILM: 4.75K OHM, 1%, 0.125W	91637	MFF1816G47500F
R374	321-0822-06			RES., FXD, FILM: 1.76K OHM, 0.25%, 0.125W	91637	MFF1816C17600C
R375	311-1566-00			RES., VAR, NONWIR: 200 OHM, 20%, 0.50W	73138	91-88-0
R376	321-0321-07			RES., FXD, FILM: 21.5K OHM, 0.1%, 0.125W	91637	MFF1816C21501B
R380	315-0362-00			RES., FXD, CMPSN: 3.6K OHM, 5%, 0.25W	01121	CB3625
R381	321-0321-07			RES., FXD, FILM: 21.5K OHM, 0.1%, 0.125W	91637	MFF1816C21501B
R382	315-0223-00			RES., FXD, CMPSN: 22K OHM, 5%, 0.25W	01121	CB2235
R383	321-0166-00			RES., FXD, FILM: 523 OHM, 1%, 0.125W	91637	MFF1816G523R0F
R384	308-0307-00			RES., FXD, WW: 5K OHM, 1%, 3W	91637	RS2B-B50000F
R385	311-1225-00			RES., VAR, NONWIR: 1K OHM, 20%, 0.50W	32997	3386F-T04-102
R386	315-0512-00			RES., FXD, CMPSN: 5.1K OHM, 5%, 0.25W	01121	CB5125
R387	321-1611-07			RES., FXD, FILM: 550 OHM, 0.1%, 0.125W	91637	MFF1816C550R0B
R392	321-1612-07			RES., FXD, FILM: 4.455K OHM, 0.1%, 0.125W	91637	MFF1816C44550B
R393	321-1611-07			RES., FXD, FILM: 550 OHM, 0.1%, 0.125W	91637	MFF1816C550R0B
R394	321-1612-07			RES., FXD, FILM: 4.455K OHM, 0.1%, 0.125W	91637	MFF1816C44550B
R395	321-1611-07			RES., FXD, FILM: 550 OHM, 0.1%, 0.125W	91637	MFF1816C550R0B
R396	321-1612-07			RES., FXD, FILM: 4.455K OHM, 0.1%, 0.125W	91637	MFF1816C44550B
R397	321-0813-07			RES., FXD, FILM: 495 OHM, 0.1%, 0.125W	91637	MFF1816C495R0B
R401	321-0164-00			RES., FXD, FILM: 499 OHM, 1%, 0.125W	91637	MFF1816G499R0F
R402	321-0164-00			RES., FXD, FILM: 499 OHM, 1%, 0.125W	91637	MFF1816G499R0F
R405	315-0103-00			RES., FXD, CMPSN: 10K OHM, 5%, 0.25W	01121	CB1035

Ckt No.	Tektronix Part No.	Serial/Model No. Eff	Dscont	Name & Description	Mfr Code	Mfr Part Number
R405	315-0103-00			RES., FXD, CMPSN: 10K OHM, 5%, 0.25W	01121	CB1035
R408	321-0164-00			RES., FXD, FILM: 499 OHM, 1%, 0.125W	91637	MFF1816G499ROF
R409	321-0164-00			RES., FXD, FILM: 499 OHM, 1%, 0.125W	91637	MFF1816G499ROF
R412	325-0053-00			RES., FXD, FILM: 50 OHM, 1%, 0.05W	03888	PME50C50R00F
R413	325-0053-00			RES., FXD, FILM: 50 OHM, 1%, 0.05W	03888	PME50C50R00F
R414	325-0053-00			RES., FXD, FILM: 50 OHM, 1%, 0.05W	03888	PME50C50R00F
R416	325-0053-00			RES., FXD, FILM: 50 OHM, 1%, 0.05W	03888	PME50C50R00F
R417	325-0053-00			RES., FXD, FILM: 50 OHM, 1%, 0.05W	03888	PME50C50R00F
R418	325-0053-00			RES., FXD, FILM: 50 OHM, 1%, 0.05W	03888	PME50C50R00F
R419	321-0143-00			RES., FXD, FILM: 301 OHM, 1%, 0.125W	91637	MFF1816G301ROF
R420	321-0126-00			RES., FXD, FILM: 200 OHM, 1%, 0.125W	91637	MFF1816G200ROF
R425	321-0143-00			RES., FXD, FILM: 301 OHM, 1%, 0.125W	91637	MFF1816G301ROF
R426	321-0126-00			RES., FXD, FILM: 200 OHM, 1%, 0.125W	91637	MFF1816G200ROF
R432	321-0202-00			RES., FXD, FILM: 1.24K OHM, 1%, 0.125W	91637	MFF1816G12400F
R433	322-0111-00			RES., FXD, FILM: 140 OHM, 1%, 0.25W	91637	MFF1421G140ROF
R434	322-0170-00			RES., FXD, FILM: 576 OHM, 1%, 0.25W	75042	CEBTO-5760F
R435	321-0202-00			RES., FXD, FILM: 1.24K OHM, 1%, 0.125W	91637	MFF1816G12400F
R436	321-0147-00			RES., FXD, FILM: 332 OHM, 1%, 0.125W	91637	MFF1816G332ROF
R437	315-0103-00			RES., FXD, CMPSN: 10K OHM, 5%, 0.25W	01121	CB1035
R438	321-0155-00			RES., FXD, FILM: 402 OHM, 1%, 0.125W	91637	MFF1816G402ROF
R439	322-0114-00			RES., FXD, FILM: 150 OHM, 1%, 0.25W	75042	CEBTO-1500F
R440	317-0200-00			RES., FXD, CMPSN: 20 OHM, 5%, 0.125W	01121	BB2005
R441	321-0085-00			RES., FXD, FILM: 75 OHM, 1%, 0.125W	91637	MFF1816G75R00F
R442	321-0202-00			RES., FXD, FILM: 1.24K OHM, 1%, 0.125W	91637	MFF1816G12400F
R443	322-0111-00			RES., FXD, FILM: 140 OHM, 1%, 0.25W	91637	MFF1421G140ROF
R444	322-0170-00			RES., FXD, FILM: 576 OHM, 1%, 0.25W	75042	CEBTO-5760F
R445	321-0202-00			RES., FXD, FILM: 1.24K OHM, 1%, 0.125W	91637	MFF1816G12400F
R446	321-0147-00			RES., FXD, FILM: 332 OHM, 1%, 0.125W	91637	MFF1816G332ROF
R447	315-0103-00			RES., FXD, CMPSN: 10K OHM, 5%, 0.25W	01121	CB1035
R448	321-0155-00			RES., FXD, FILM: 402 OHM, 1%, 0.125W	91637	MFF1816G402ROF
R451	321-0218-00			RES., FXD, FILM: 1.82K OHM, 1%, 0.125W	91637	MFF1816G18200F
R452	321-0242-00			RES., FXD, FILM: 3.24K OHM, 1%, 0.125W	91637	MFF1816G32400F
R454	315-0102-00			RES., FXD, CMPSN: 1K OHM, 5%, 0.25W	01121	CB1025
R455	311-1236-00			RES., VAR, NONWIR: 250 OHM, 10%, 0.50W	73138	72X-22-0-251K
R456	321-0062-00			RES., FXD, FILM: 43.2 OHM, 1%, 0.125W	91637	MFF1816G43R20F
R462	322-0151-00			RES., FXD, FILM: 365 OHM, 1%, 0.25W	75042	CEBTO-3650F
R464	321-0201-00			RES., FXD, FILM: 1.21K OHM, 1%, 0.125W	91637	MFF1816G12100F
R465	321-0285-00			RES., FXD, FILM: 9.09K OHM, 1%, 0.125W	91637	MFF1816G90900F
R473	322-0239-00			RES., FXD, FILM: 3.01K OHM, 1%, 0.25W	75042	CEBTO-3011F
R474	311-1248-00			RES., VAR, NONWIR: 500 OHM, 10%, 0.50W	73138	72X-23-0-501K
R476	317-0510-00			RES., FXD, CMPSN: 51 OHM, 5%, 0.125W	01121	BB5105
R477	317-0510-00			RES., FXD, CMPSN: 51 OHM, 5%, 0.125W	01121	BB5105
R478	322-0085-00			RES., FXD, FILM: 75 OHM, 1%, 0.25W	75042	CEBTO-75R00F
R479	311-1936-00			RES., FVAR, NONWIR: 50 OHM, 20%, 0.5W	73138	MODEL 72X
R480	311-1237-00			RES., VAR, NONWIR: 1K OHM, 10%, 0.50W	32997	3386X-T07-102
R481	321-0179-00			RES., FXD, FILM: 715 OHM, 1%, 0.125W	91637	MFF1816G715ROF
R482	321-0182-00			RES., FXD, FILM: 768 OHM, 1%, 0.125W	91637	MFF1816G768ROF
R483	317-0100-00			RES., FXD, CMPSN: 10 OHM, 5%, 0.125W	01121	BB1005
R484	315-0510-00			RES., FXD, CMPSN: 51 OHM, 5%, 0.25W	01121	CB5105
R485	311-1936-00			RES., VAR, NONWIR: 50 OHM, 20%, 0.5W	73138	72-232-0
R486	321-0143-00			RES., FXD, FILM: 301 OHM, 1%, 0.125W	91637	MFF1816G301ROF
R490	311-1237-00			RES., VAR, NONWIR: 1K OHM, 10%, 0.50W	32997	3386X-T07-102
R491	321-0179-00			RES., FXD, FILM: 715 OHM, 1%, 0.125W	91637	MFF1816G715ROF

Replaceable Electrical Parts—7104

Ckt No.	Tektronix Part No.	Serial/Model No. Eff	Discont	Name & Description	Mfr Code	Mfr Part Number
R492	321-0182-00			RES., FXD, FILM: 768 OHM, 1%, 0.125W	91637	MFF1816G768ROF
R493	317-0100-00			RES., FXD, CMPSN: 10 OHM, 5%, 0.125W	01121	BB1005
R494	315-0510-00			RES., FXD, CMPSN: 51 OHM, 5%, 0.25W	01121	CB5105
R495	322-0145-00			RES., FXD, FILM: 316 OHM, 1%, 0.25W	75042	CEBTO-3160F
R496	321-0143-00			RES., FXD, FILM: 301 OHM, 1%, 0.125W	91637	MFF1816G301ROF
R497	322-0175-00			RES., FXD, FILM: 649 OHM, 1%, 0.25W	75042	CEBTO-6490F
R498	321-0143-00			RES., FXD, FILM: 301 OHM, 1%, 0.125W	91637	MFF1816G301ROF
R499	315-0510-00			RES., FXD, CMPSN: 51 OHM, 5%, 0.25W	01121	CB5105
R501	321-0289-00			RES., FXD, FILM: 10K OHM, 1%, 0.125W	91637	MFF1816G10001F
R502	321-0289-00			RES., FXD, FILM: 10K OHM, 1%, 0.125W	91637	MFF1816G10001F
R504	321-0355-00			RES., FXD, FILM: 48.7K OHM, 1%, 0.125W	91637	MFF1816G48701F
R505	321-0335-00			RES., FXD, FILM: 30.1K OHM, 1%, 0.125W	91637	MFF1816G30101F
R511	315-0204-00			RES., FXD, CMPSN: 200K OHM, 5%, 0.25W	01121	CB2045
R512	311-1214-00			RES., VAR, NONWIR: 200K OHM, 20%, 0.50W	01121	E2B204
R513	315-0203-00			RES., FXD, CMPSN: 20K OHM, 5%, 0.25W	01121	CB2035
R514	315-0104-00			RES., FXD, CMPSN: 100K OHM, 5%, 0.25W	01121	CB1045
R515	311-1235-00			RES., VAR, NONWIR: 100K OHM, 20%, 0.50W	32997	3386F-T04-104
R516	315-0163-00			RES., FXD, CMPSN: 16K OHM, 5%, 0.25W	01121	CB1635
R519	315-0104-00			RES., FXD, CMPSN: 100K OHM, 5%, 0.25W	01121	CB1045
R520	311-1232-00			RES., VAR, NONWIR: 50K OHM, 20%, 0.50W	32997	3386F-T04-503
R521	315-0822-00			RES., FXD, CMPSN: 8.2K OHM, 5%, 0.25W	01121	CB8225
R524	315-0513-00			RES., FXD, CMPSN: 51K OHM, 5%, 0.25W	01121	CB5135
R525	311-1230-00			RES., VAR, NONWIR: 20K OHM, 20%, 0.50W	32997	3386F-T04-203
R526	315-0183-00			RES., FXD, CMPSN: 18K OHM, 5%, 0.25W	01121	CB1835
R529	315-0243-00			RES., FXD, CMPSN: 24K OHM, 5%, 0.25W	01121	CB2435
R530	311-1230-00			RES., VAR, NONWIR: 20K OHM, 20%, 0.50W	32997	3386F-T04-203
R531	315-0474-00			RES., FXD, CMPSN: 470K OHM, 5%, 0.25W	01121	CB4745
R532	315-0474-00			RES., FXD, CMPSN: 470K OHM, 5%, 0.25W	01121	CB4745
R535	311-1235-00			RES., VAR, NONWIR: 100K OHM, 20%, 0.50W	32997	3386F-T04-104
R536	315-0104-00			RES., FXD, CMPSN: 100K OHM, 5%, 0.25W	01121	CB1045
R537	315-0564-00			RES., FXD, CMPSN: 560K OHM, 5%, 0.25W	01121	CB5645
R538	315-0243-00			RES., FXD, CMPSN: 24K OHM, 5%, 0.25W	01121	CB2435
R542	323-0168-00			RES., FXD, FILM: 549 OHM, 1%, 0.50W	75042	CECT0-5490F
R543	321-0065-00			RES., FXD, FILM: 46.4 OHM, 1%, 0.125W	91637	MFF1816G46R40F
R547	321-0084-00			RES., FXD, FILM: 73.2 OHM, 1%, 0.125W	91637	MFF1816G73R20F
R548	323-0168-00			RES., FXD, FILM: 549 OHM, 1%, 0.50W	75042	CECT0-5490F
R549	321-0010-00			RES., FXD, FILM: 12.4 OHM, 1%, 0.125W	91637	MFF1816G12R40F
R550	323-0136-00			RES., FXD, FILM: 255 OHM, 1%, 0.50W	91637	MFF1226G255ROF
R552	315-0512-00			RES., FXD, CMPSN: 5.1K OHM, 5%, 0.25W	01121	CB5125
R555	315-0102-00			RES., FXD, CMPSN: 1K OHM, 5%, 0.25W	01121	CB1025
R556	321-0126-00			RES., FXD, FILM: 200 OHM, 1%, 0.125W	91637	MFF1816G200ROF
R557	321-0237-00			RES., FXD, FILM: 2.87K OHM, 1%, 0.125W	91637	MFF1816G28700F
R558	321-0126-00			RES., FXD, FILM: 200 OHM, 1%, 0.125W	91637	MFF1816G200ROF
R559A, B	317-0103-00			RES., FXD, CMPSN: 10K OHM, 5%, 0.125W	01121	BB1035
R601	321-0289-00			RES., FXD, FILM: 10K OHM, 1%, 0.125W	91637	MFF1816G10001F
R602	321-0289-00			RES., FXD, FILM: 10K OHM, 1%, 0.125W	91637	MFF1816G10001F
R604	321-0335-00			RES., FXD, FILM: 30.1K OHM, 1%, 0.125W	91637	MFF1816G30101F
R605	321-0335-00			RES., FXD, FILM: 30.1K OHM, 1%, 0.125W	91637	MFF1816G30101F
R611	315-0204-00			RES., FXD, CMPSN: 200K OHM, 5%, 0.25W	01121	CB2045
R612	311-1214-00			RES., VAR, NONWIR: 200K OHM, 20%, 0.50W	01121	E2B204
R613	315-0203-00			RES., FXD, CMPSN: 20K OHM, 5%, 0.25W	01121	CB2035
R614	315-0104-00			RES., FXD, CMPSN: 100K OHM, 5%, 0.25W	01121	CB1045
R615	311-1235-00			RES., VAR, NONWIR: 100K OHM, 20%, 0.50W	32997	3386F-T04-104

Ckt No.	Tektronix Part No.	Serial/Model No. Eff	Dscont	Name & Description	Mfr Code	Mfr Part Number
R616	315-0163-00			RES., FXD, CMPSN: 16K OHM, 5%, 0.25W	01121	CB1635
R619	315-0104-00			RES., FXD, CMPSN: 100K OHM, 5%, 0.25W	01121	CB1045
R620	311-1232-00			RES., VAR, NONWIR: 50K OHM, 20%, 0.50W	32997	3386F-T04-503
R621	315-0822-00			RES., FXD, CMPSN: 8.2K OHM, 5%, 0.25W	01121	CB8225
R624	315-0513-00			RES., FXD, CMPSN: 51K OHM, 5%, 0.25W	01121	CB5135
R625	311-1230-00			RES., VAR, NONWIR: 20K OHM, 20%, 0.50W	32997	3386F-T04-203
R626	315-0183-00			RES., FXD, CMPSN: 18K OHM, 5%, 0.25W	01121	CB1835
R629	315-0243-00			RES., FXD, CMPSN: 24K OHM, 5%, 0.25W	01121	CB2435
R630	311-1230-00			RES., VAR, NONWIR: 20K OHM, 20%, 0.50W	32997	3386F-T04-203
R631	315-0474-00			RES., FXD, CMPSN: 470K OHM, 5%, 0.25W	01121	CB4745
R632	315-0474-00			RES., FXD, CMPSN: 470K OHM, 5%, 0.25W	01121	CB4745
R638	315-0243-00			RES., FXD, CMPSN: 24K OHM, 5%, 0.25W	01121	CB2435
R642	323-0168-00			RES., FXD, FILM: 549 OHM, 1%, 0.50W	75042	CECTO-5490F
R643	321-0065-00			RES., FXD, FILM: 46.4 OHM, 1%, 0.125W	91637	MFF1816G46R40F
R647	321-0084-00			RES., FXD, FILM: 73.2 OHM, 1%, 0.125W	91637	MFF1816G73R20F
R648	323-0168-00			RES., FXD, FILM: 549 OHM, 1%, 0.50W	75042	CECTO-5490F
R649	321-0010-00			RES., FXD, FILM: 12.4 OHM, 1%, 0.125W	91637	MFF1816G12R40F
R650	323-0136-00			RES., FXD, FILM: 255 OHM, 1%, 0.50W	91637	MFF1226G255ROF
R651	315-0471-00			RES., FXD, CMPSN: 470 OHM, 5%, 0.25W	01121	CB4715
R652	315-0153-00			RES., FXD, CMPSN: 15K OHM, 5%, 0.25W	01121	CB1535
R653	315-0472-00			RES., FXD, CMPSN: 4.7K OHM, 5%, 0.25W	01121	CB4725
R654	315-0512-00			RES., FXD, CMPSN: 5.1K OHM, 5%, 0.25W	01121	CB5125
R655	315-0102-00			RES., FXD, CMPSN: 1K OHM, 5%, 0.25W	01121	CB1025
R656	321-0126-00			RES., FXD, FILM: 200 OHM, 1%, 0.125W	91637	MFF1816G200ROF
R657	321-0237-00			RES., FXD, FILM: 2.87K OHM, 1%, 0.125W	91637	MFF1816G28700F
R658	321-0126-00			RES., FXD, FILM: 200 OHM, 1%, 0.125W	91637	MFF1816G200ROF
R659	321-0080-00			RES., FXD, FILM: 66.5 OHM, 1%, 0.125W	91637	MFF1816G66R50F
R659A, B	317-0103-00			RES., FXD, CMPSN: 10K OHM, 5%, 0.125W	01121	BB1035
R671	321-0246-00			RES., FXD, FILM: 3.57K OHM, 1%, 0.125W	91637	MFF1816G35700F
R672	321-0295-00			RES., FXD, FILM: 11.5K OHM, 1%, 0.125W	91637	MFF1816G11501F
R675	315-0272-00			RES., FXD, CMPSN: 2.7K OHM, 5%, 0.25W	01121	CB2725
R680	321-0284-00			RES., FXD, FILM: 8.87K OHM, 1%, 0.125W	91637	MFF1816G88700F
R681	321-0296-00			RES., FXD, FILM: 11.8K OHM, 1%, 0.125W	91637	MFF1816G11801F
R682	315-0471-00			RES., FXD, CMPSN: 470 OHM, 5%, 0.25W	01121	CB4715
R683	315-0102-00			RES., FXD, CMPSN: 1K OHM, 5%, 0.25W	01121	CB1025
R684	307-0063-00			RES., FXD, CMPSN: 9.1 OHM, 5%, 0.50W	01121	EB91G5
R690	321-0279-00			RES., FXD, FILM: 7.87K OHM, 1%, 0.125W	91637	MFF1816G78700F
R691	321-0322-00			RES., FXD, FILM: 22.1K OHM, 1%, 0.125W	91637	MFF1816G22101F
R694	315-0562-00			RES., FXD, CMPSN: 5.6K OHM, 5%, 0.25W	01121	CB5625
R700	321-0318-00			RES., FXD, FILM: 20K OHM, 1%, 0.125W	91637	MFF1816G20001F
R701	311-1232-00			RES., VAR, NONWIR: 50K OHM, 20%, 0.50W	32997	3386F-T04-503
R702	315-0224-00			RES., FXD, CMPSN: 220K OHM, 5%, 0.25W	01121	CB2245
R703	315-0102-00			RES., FXD, CMPSN: 1K OHM, 5%, 0.25W	01121	CB1025
R704	321-0193-00			RES., FXD, FILM: 1K OHM, 1%, 0.125W	91637	MFF1816G10000F
R705	307-0092-00			RES., FXD, CMPSN: 15 OHM, 5%, 0.1W	23223	15-E-5T
R711	315-0102-00			RES., FXD, CMPSN: 1K OHM, 5%, 0.25W	01121	CB1025
R712	315-0153-00			RES., FXD, CMPSN: 15K OHM, 5%, 0.25W	01121	CB1535
R714	315-0114-00			RES., FXD, CMPSN: 110K OHM, 5%, 0.25W	01121	CB1145
R718	315-0471-00			RES., FXD, CMPSN: 470 OHM, 5%, 0.25W	01121	CB4715
R722	315-0432-00			RES., FXD, CMPSN: 4.3K OHM, 5%, 0.25W	01121	CB4325
R730	315-0302-00			RES., FXD, CMPSN: 3K OHM, 5%, 0.25W	01121	CB3025
R731	315-0510-00			RES., FXD, CMPSN: 51 OHM, 5%, 0.25W	01121	CB5105
R732	315-0511-00			RES., FXD, CMPSN: 510 OHM, 5%, 0.25W	01121	CB5115

Replaceable Electrical Parts—7104

Ckt No.	Tektronix Part No.	Serial/Model No. Eff	Dscont	Name & Description	Mfr Code	Mfr Part Number
R733	315-0203-00			RES., FXD, CMPSN: 20K OHM, 5%, 0.25W	01121	CB2035
R740	311-1232-00			RES., VAR, NONWIR: 50K OHM, 20%, 0.50W	32997	3386F-T04-503
R742	321-0094-00			RES., FXD, FILM: 93.1 OHM, 1%, 0.125W	91637	MFF1816G93R10F
R743	321-0185-00			RES., FXD, FILM: 825 OHM, 1%, 0.125W	91637	MFF1816G825ROF
R744	321-0223-00			RES., FXD, FILM: 2.05K OHM, 1%, 0.125W	91637	MFF1816G20500F
R747	322-0178-00			RES., FXD, FILM: 698 OHM, 1%, 0.25W	75042	CEBTO-6980F
R748	321-0233-00			RES., FXD, FILM: 2.61K OHM, 1%, 0.125W	91637	MFF1816G26100F
R749	321-0095-00			RES., FXD, FILM: 95.3 OHM, 1%, 0.125W	91637	MFF1816G95R30F
R750	321-0332-00			RES., FXD, FILM: 28K OHM, 1%, 0.125W	91637	MFF1816G28001F
R751	321-0165-00			RES., FXD, FILM: 511 OHM, 1%, 0.125W	91637	MFF1816G511ROF
R752	321-0228-00			RES., FXD, FILM: 2.32K OHM, 1%, 0.125W	91637	MFF1816G23200F
R753	321-0190-00			RES., FXD, FILM: 931 OHM, 1%, 0.125W	91637	MFF1816G931ROF
R754	321-0223-00			RES., FXD, FILM: 2.05K OHM, 1%, 0.125W	91637	MFF1816G20500F
R757	322-0178-00			RES., FXD, FILM: 698 OHM, 1%, 0.25W	75042	CEBTO-6980F
R758	321-0233-00			RES., FXD, FILM: 2.61K OHM, 1%, 0.125W	91637	MFF1816G26100F
R759	321-0095-00			RES., FXD, FILM: 95.3 OHM, 1%, 0.125W	91637	MFF1816G95R30F
R761	321-0278-00			RES., FXD, FILM: 7.68K OHM, 1%, 0.125W	91637	MFF1816G76800F
R762	321-0124-00			RES., FXD, FILM: 191 OHM, 1%, 0.125W	91637	MFF1816G191ROF
R763	321-0109-00			RES., FXD, FILM: 133 OHM, 1%, 0.125W	91637	MFF1816G133ROF
R764	321-0117-00			RES., FXD, FILM: 162 OHM, 1%, 0.125W	91637	MFF1816G162ROF
R765	321-0228-00			RES., FXD, FILM: 2.32K OHM, 1%, 0.125W	91637	MFF1816G23200F
R767	321-0175-00			RES., FXD, FILM: 649 OHM, 1%, 0.125W	91637	MFF1816G649ROF
R772	321-0124-00			RES., FXD, FILM: 191 OHM, 1%, 0.125W	91637	MFF1816G191ROF
R773	321-0109-00			RES., FXD, FILM: 133 OHM, 1%, 0.125W	91637	MFF1816G133ROF
R774	321-0117-00			RES., FXD, FILM: 162 OHM, 1%, 0.125W	91637	MFF1816G162ROF
R775	321-0182-00			RES., FXD, FILM: 768 OHM, 1%, 0.125W	91637	MFF1816G768ROF
R777	321-0127-00			RES., FXD, FILM: 205 OHM, 1%, 0.125W	91637	MFF1816G205ROF
R780	315-0101-00			RES., FXD, CMPSN: 100 OHM, 5%, 0.25W	01121	CB1015
R781	321-0193-00			RES., FXD, FILM: 1K OHM, 1%, 0.125W	91637	MFF1816G10000F
R782	321-0239-00			RES., FXD, FILM: 3.01K OHM, 1%, 0.125W	91637	MFF1816G30100F
R785	311-1230-00			RES., VAR, NONWIR: 20K OHM, 20%, 0.50W	32997	3386F-T04-203
R786	315-0513-00			RES., FXD, CMPSN: 51K OHM, 5%, 0.25W	01121	CB5135
R787	311-1214-00			RES., VAR, NONWIR: 200K OHM, 20%, 0.50W	01121	E2B204
R788	315-0623-00			RES., FXD, CMPSN: 62K OHM, 5%, 0.25W	01121	CB6235
R789	315-0334-00			RES., FXD, CMPSN: 330K OHM, 5%, 0.25W	01121	CB3345
R791	311-1214-00			RES., VAR, NONWIR: 200K OHM, 20%, 0.50W	01121	E2B204
R792	315-0473-00			RES., FXD, CMPSN: 47K OHM, 5%, 0.25W	01121	CB4735
R793	315-0513-00			RES., FXD, CMPSN: 51K OHM, 5%, 0.25W	01121	CB5135
R795	311-1214-00			RES., VAR, NONWIR: 200K OHM, 20%, 0.50W	01121	E2B204
R796	315-0363-00			RES., FXD, CMPSN: 36K OHM, 5%, 0.25W	01121	CB3635
R797	315-0513-00			RES., FXD, CMPSN: 51K OHM, 5%, 0.25W	01121	CB5135
R801	311-1214-00			RES., VAR, NONWIR: 200K OHM, 20%, 0.50W	01121	E2B204
R802	315-0333-00			RES., FXD, CMPSN: 33K OHM, 5%, 0.25W	01121	CB3335
R803	315-0513-00			RES., FXD, CMPSN: 51K OHM, 5%, 0.25W	01121	CB5135
R804	315-0154-00			RES., FXD, CMPSN: 150K OHM, 5%, 0.25W	01121	CB1545
R805	315-0563-00			RES., FXD, CMPSN: 56K OHM, 5%, 0.25W	01121	CB5635
R806	311-1214-00			RES., VAR, NONWIR: 200K OHM, 20%, 0.50W	01121	E2B204
R808	315-0433-00			RES., FXD, CMPSN: 43K OHM, 5%, 0.25W	01121	CB4335
R814	321-0143-00			RES., FXD, FILM: 301 OHM, 1%, 0.125W	91637	MFF1816G301ROF
R815	321-0090-00			RES., FXD, FILM: 84.5 OHM, 1%, 0.125W	91637	MFF1816G84R50F
R821	321-0104-00			RES., FXD, FILM: 118 OHM, 1%, 0.125W	91637	MFF1816G118ROF
R823	315-0151-00			RES., FXD, CMPSN: 150 OHM, 5%, 0.25W	01121	CB1515
R824	321-0143-00			RES., FXD, FILM: 301 OHM, 1%, 0.125W	91637	MFF1816G301ROF

Ckt No.	Tektronix Part No.	Serial/Model No. Eff Dscont	Name & Description	Mfr Code	Mfr Part Number
R825	321-0057-00		RES., FXD, FILM: 38.3 OHM, 1%, 0.125W	91637	MFF1816G38R30F
R830	311-1266-00		RES., VAR, NONWIR: 2.5K OHM, 10%, 0.5W	32997	3329P-L58-252
R831	321-0105-00		RES., FXD, FILM: 121 OHM, 1%, 0.125W	91637	MFF1816G121R0F
R832	321-0105-00		RES., FXD, FILM: 121 OHM, 1%, 0.125W	91637	MFF1816G121R0F
R836	311-1260-00		RES., VAR, NONWIR: 250 OHM, 10%, 0.50W	32997	3329P-L58-251
R837	321-0068-00		RES., FXD, FILM: 49.9 OHM, 1%, 0.125W	91637	MFF1816G49R90F
R838	321-0068-00		RES., FXD, FILM: 49.9 OHM, 1%, 0.125W	91637	MFF1816G49R90F
R849	322-0104-00		RES., FXD, FILM: 118 OHM, 1%, 0.25W	91637	MFF1421G118R0F
R854	321-0170-00		RES., FXD, FILM: 576 OHM, 1%, 0.125W	91637	MFF1816G576R0F
R855	321-0126-00		RES., FXD, FILM: 200 OHM, 1%, 0.125W	91637	MFF1816G200R0F
R856	321-0238-00		RES., FXD, FILM: 2.94K OHM, 1%, 0.125W	91637	MFF1816G29400F
R857	317-0122-00		RES., FXD, CMPSN: 1.2K OHM, 5%, 0.125W	01121	BB1225
R860	315-0822-00		RES., FXD, CMPSN: 8.2K OHM, 5%, 0.25W	01121	CB8225
R861	315-0272-00		RES., FXD, CMPSN: 2.7K OHM, 5%, 0.25W	01121	CB2725
R862	301-0101-00		RES., FXD, CMPSN: 100 OHM, 5%, 0.50W	01121	EB1015
R863	315-0362-00		RES., FXD, CMPSN: 3.6K OHM, 5%, 0.25W	01121	CB3625
R864	315-0133-00		RES., FXD, CMPSN: 13K OHM, 5%, 0.25W	01121	CB1335
R865	315-0303-00		RES., FXD, CMPSN: 30K OHM, 5%, 0.25W	01121	CB3035
R866	315-0682-00		RES., FXD, CMPSN: 6.8K OHM, 5%, 0.25W	01121	CB6825
R870	315-0431-00		RES., FXD, CMPSN: 430 OHM, 5%, 0.25W	01121	CB4315
R871	315-0153-00		RES., FXD, CMPSN: 15K OHM, 5%, 0.25W	01121	CB1535
R872	315-0102-00		RES., FXD, CMPSN: 1K OHM, 5%, 0.25W	01121	CB1025
R873	321-0426-00		RES., FXD, FILM: 267K OHM, 1%, 0.125W	91637	MFF1816G26702F
R874	321-0377-00		RES., FXD, FILM: 82.5K OHM, 1%, 0.125W	24546	NA55D8252F
R875	315-0623-00		RES., FXD, CMPSN: 62K OHM, 5%, 0.25W	01121	CB6235
R876	315-0243-00		RES., FXD, CMPSN: 24K OHM, 5%, 0.25W	01121	CB2435
R877	301-0242-00		RES., FXD, CMPSN: 2.4K OHM, 5%, 0.50W	01121	EB2425
R878	308-0243-00		RES., FXD, WW: 240 OHM, 5%, 3W	91637	CW2BB240R0J
R881	321-0265-00		RES., FXD, FILM: 5.62K OHM, 1%, 0.125W	91637	MFF1816G56200F
R882	321-0201-00		RES., FXD, FILM: 1.21K OHM, 1%, 0.125W	91637	MFF1816G12100F
R883	315-0392-00		RES., FXD, CMPSN: 3.9K OHM, 5%, 0.25W	01121	CB3925
R884	315-0332-00		RES., FXD, CMPSN: 3.3K OHM, 5%, 0.25W	01121	CB3325
R886	321-0328-00		RES., FXD, FILM: 25.5K OHM, 1%, 0.125W	91637	MFF1816G25501F
R887	315-0682-00		RES., FXD, CMPSN: 6.8K OHM, 5%, 0.25W	01121	CB6825
R888	321-0289-00		RES., FXD, FILM: 10K OHM, 1%, 0.125W	91637	MFF1816G10001F
R891	315-0752-00		RES., FXD, CMPSN: 7.5K OHM, 5%, 0.25W	01121	CB7525
R892	301-0102-00		RES., FXD, CMPSN: 1K OHM, 5%, 0.50W	01121	EB1025
R893	308-0298-00		RES., FXD, WW: 560 OHM, 5%, 3W	91637	CW2B-B560R0J
R894	321-0001-00		RES., FXD, FILM: 10 OHM, 1%, 0.125W	75042	CEAT0-10R00F
R902	315-0102-00		RES., FXD, CMPSN: 1K OHM, 5%, 0.25W	01121	CB1025
R905	321-0186-00		RES., FXD, FILM: 845 OHM, 1%, 0.125W	91637	MFF1816G845R0F
R906	321-0252-00		RES., FXD, FILM: 4.12K OHM, 1%, 0.125W	91637	MFF1816G41200F
R913	321-0097-00		RES., FXD, FILM: 100 OHM, 1%, 0.125W	91637	MFF1816G100R0F
R921	315-0102-00		RES., FXD, CMPSN: 1K OHM, 5%, 0.25W	01121	CB1025
R922	315-0102-00		RES., FXD, CMPSN: 1K OHM, 5%, 0.25W	01121	CB1025
R923	323-0193-00		RES., FXD, FILM: 1K OHM, 1%, 0.50W	75042	CECT0-1001F
R924	321-0069-00		RES., FXD, FILM: 51.1 OHM, 1%, 0.125W	91637	MFF1816G51R10F
R926	315-0272-00		RES., FXD, CMPSN: 2.7K OHM, 5%, 0.25W	01121	CB2725
R927	315-0203-00		RES., FXD, CMPSN: 20K OHM, 5%, 0.25W	01121	CB2035
R928	323-0193-00		RES., FXD, FILM: 1K OHM, 1%, 0.50W	75042	CECT0-1001F
R932	321-0097-00		RES., FXD, FILM: 100 OHM, 1%, 0.125W	91637	MFF1816G100R0F
R933	321-0097-00		RES., FXD, FILM: 100 OHM, 1%, 0.125W	91637	MFF1816G100R0F
R934	321-0097-00		RES., FXD, FILM: 100 OHM, 1%, 0.125W	91637	MFF1816G100R0F



# Replaceable Electrical Parts—7104

Ckt No.	Tektronix Part No.	Serial/Model No. Eff	Dscont	Name & Description	Mfr Code	Mfr Part Number
R941	317-0103-00			RES., FXD, CMPSN: 10K OHM, 5%, 0.125W	01121	BB1035
R942	317-0303-00			RES., FXD, CMPSN: 30K OHM, 5%, 0.125W	01121	BB3035
R943	321-0289-00			RES., FXD, FILM: 10K OHM, 1%, 0.125W	91637	MFF1816G10001F
R944	321-0335-00			RES., FXD, FILM: 30.1K OHM, 1%, 0.125W	91637	MFF1816G30101F
R945	311-1222-00			RES., VAR, NONWIR: 100 OHM, 20%, 0.50W	32997	3386F-T04-101
R946	315-0680-00			RES., FXD, CMPSN: 68 OHM, 5%, 0.25W	01121	CB6805
R948	321-0097-00			RES., FXD, FILM: 100 OHM, 1%, 0.125W	91637	MFF1816G100ROF
R949	321-0251-00			RES., FXD, FILM: 4.02K OHM, 1%, 0.125W	91637	MFF1816G40200F
R950	311-1225-00			RES., VAR, NONWIR: 1K OHM, 20%, 0.50W	32997	3386F-T04-102
R952	311-1227-00			RES., VAR, NONWIR: 5K OHM, 20%, 0.50W	32997	3386F-T04-502
R955	311-1230-00			RES., VAR, NONWIR: 20K OHM, 20%, 0.50W	32997	3386F-T04-203
R958	311-1232-00			RES., VAR, NONWIR: 50K OHM, 20%, 0.50W	32997	3386F-T04-503
R959	321-0294-00			RES., FXD, FILM: 11.3K OHM, 1%, 0.125W	91637	MFF1816G11301F
R962	321-0102-00			RES., FXD, FILM: 113 OHM, 1%, 0.125W	91637	MFF1816G113ROF
R963	323-0127-00			RES., FXD, FILM: 205 OHM, 1%, 0.50W	75042	CECT0-2050F
R964	321-0267-00			RES., FXD, FILM: 5.9K OHM, 1%, 0.125W	91637	MFF1816G59000F
R965	311-1224-00			RES., VAR, NONWIR: 500 OHM, 20%, 0.50W	32997	3386F-T04-501
R966	321-0252-00			RES., FXD, FILM: 4.12K OHM, 1%, 0.125W	91637	MFF1816G41200F
R967	321-0102-00			RES., FXD, FILM: 113 OHM, 1%, 0.125W	91637	MFF1816G113ROF
R968	323-0114-00			RES., FXD, FILM: 150 OHM, 1%, 0.50W	75042	CECT0-1500F
R969	323-0114-00			RES., FXD, FILM: 150 OHM, 1%, 0.50W	75042	CECT0-1500F
R971	317-0103-00			RES., FXD, CMPSN: 10K OHM, 5%, 0.125W	01121	BB1035
R972	317-0303-00			RES., FXD, CMPSN: 30K OHM, 5%, 0.125W	01121	BB3035
R973	321-0289-00			RES., FXD, FILM: 10K OHM, 1%, 0.125W	91637	MFF1816G10001F
R974	321-0335-00			RES., FXD, FILM: 30.1K OHM, 1%, 0.125W	91637	MFF1816G30101F
R975	311-1222-00			RES., VAR, NONWIR: 100 OHM, 20%, 0.50W	32997	3386F-T04-101
R976	315-0680-00			RES., FXD, CMPSN: 68 OHM, 5%, 0.25W	01121	CB6805
R978	321-0097-00			RES., FXD, FILM: 100 OHM, 1%, 0.125W	91637	MFF1816G100ROF
R979	321-0251-00			RES., FXD, FILM: 4.02K OHM, 1%, 0.125W	91637	MFF1816G40200F
R980	311-1225-00			RES., VAR, NONWIR: 1K OHM, 20%, 0.50W	32997	3386F-T04-102
R982	311-1227-00			RES., VAR, NONWIR: 5K OHM, 20%, 0.50W	32997	3386F-T04-502
R985	311-1230-00			RES., VAR, NONWIR: 20K OHM, 20%, 0.50W	32997	3386F-T04-203
R988	311-1232-00			RES., VAR, NONWIR: 50K OHM, 20%, 0.50W	32997	3386F-T04-503
R989	321-0294-00			RES., FXD, FILM: 11.3K OHM, 1%, 0.125W	91637	MFF1816G11301F
R992	321-0102-00			RES., FXD, FILM: 113 OHM, 1%, 0.125W	91637	MFF1816G113ROF
R993	323-0127-00			RES., FXD, FILM: 205 OHM, 1%, 0.50W	75042	CECT0-2050F
R994	321-0267-00			RES., FXD, FILM: 5.9K OHM, 1%, 0.125W	91637	MFF1816G59000F
R995	311-1224-00			RES., VAR, NONWIR: 500 OHM, 20%, 0.50W	32997	3386F-T04-501
R996	321-0252-00			RES., FXD, FILM: 4.12K OHM, 1%, 0.125W	91637	MFF1816G41200F
R997	321-0102-00			RES., FXD, FILM: 113 OHM, 1%, 0.125W	91637	MFF1816G113ROF
R998	323-0114-00			RES., FXD, FILM: 150 OHM, 1%, 0.50W	75042	CECT0-1500F
R999	323-0114-00			RES., FXD, FILM: 150 OHM, 1%, 0.50W	75042	CECT0-1500F
R1001	315-0563-00			RES., FXD, CMPSN: 56K OHM, 5%, 0.25W	01121	CB5635
R1002	321-0262-00			RES., FXD, FILM: 5.23K OHM, 1%, 0.125W	91637	MFF1816G52300F
R1003	315-0102-00			RES., FXD, CMPSN: 1K OHM, 5%, 0.25W	01121	CB1025
R1004	321-0231-00			RES., FXD, FILM: 2.49K OHM, 1%, 0.125W	91637	MFF1816G24900F
R1005	311-1224-00			RES., VAR, NONWIR: 500 OHM, 20%, 0.50W	32997	3386F-T04-501
R1007	321-0165-00			RES., FXD, FILM: 511 OHM, 1%, 0.125W	91637	MFF1816G511ROF
R1010	315-0103-00			RES., FXD, CMPSN: 10K OHM, 5%, 0.25W	01121	CB1035
R1011	321-0276-00			RES., FXD, FILM: 7.32K OHM, 1%, 0.125W	91637	MFF1816G73200F
R1012	321-0289-00			RES., FXD, FILM: 10K OHM, 1%, 0.125W	91637	MFF1816G10001F
R1013	315-0473-00			RES., FXD, CMPSN: 47K OHM, 5%, 0.25W	01121	CB4735
R1014	315-0752-00			RES., FXD, CMPSN: 7.5K OHM, 5%, 0.25W	01121	CB7525

Ckt No.	Tektronix Part No.	Serial/Model No. Eff	Dscont	Name & Description	Mfr Code	Mfr Part Number
R1015	315-0473-00			RES., FXD, CMPSN:47K OHM, 5%, 0.25W	01121	CB4735
R1016	321-0379-00			RES., FXD, FILM:86.6K OHM, 1%, 0.125W	91637	MFF1816G86601F
R1017	321-0396-00			RES., FXD, FILM:130K OHM, 1%, 0.125W	91637	MFF1816G13002F
R1018	315-0510-00			RES., FXD, CMPSN:51 OHM, 5%, 0.25W	01121	CB5105
R1019	317-0510-00			RES., FXD, CMPSN:51 OHM, 5%, 0.125W	01121	BB5105
R1020	321-0350-00			RES., FXD, FILM:43.2K OHM, 1%, 0.125W	91637	MFF1816G43201F
R1021	315-0102-00			RES., FXD, CMPSN:1K OHM, 5%, 0.25W	01121	CB1025
R1022	315-0203-00			RES., FXD, CMPSN:20K OHM, 5%, 0.25W	01121	CB2035
R1023	315-0511-00			RES., FXD, CMPSN:510 OHM, 5%, 0.25W	01121	CB5115
R1024	315-0123-00			RES., FXD, CMPSN:12K OHM, 5%, 0.25W	01121	CB1235
R1025	311-1231-00			RES., VAR, NONWIR:25K OHM, 20%, 0.50W	32997	3386F-T04-253
R1026	315-0271-00			RES., FXD, CMPSN:270 OHM, 5%, 0.25W	01121	CB2715
R1028	321-0291-00			RES., FXD, FILM:10.5K OHM, 1%, 0.125W	91637	MFF1816G10501F
R1029	315-0362-00			RES., FXD, CMPSN:3.6K OHM, 5%, 0.25W	01121	CB3625
R1030	311-1225-00			RES., VAR, NONWIR:1K OHM, 20%, 0.50W	32997	3386F-T04-102
R1031	321-0291-00			RES., FXD, FILM:10.5K OHM, 1%, 0.125W	91637	MFF1816G10501F
R1032	315-0221-00			RES., FXD, CMPSN:220 OHM, 5%, 0.25W	01121	CB2215
R1033	315-0242-00			RES., FXD, CMPSN:2.4K OHM, 5%, 0.25W	01121	CB2425
R1034	321-0192-00			RES., FXD, FILM:976 OHM, 1%, 0.125W	91637	MFF1816G976R0F
R1035	311-1222-00			RES., VAR, NONWIR:100 OHM, 20%, 0.50W	32997	3386F-T04-101
R1036	321-0235-00			RES., FXD, FILM:2.74K OHM, 1%, 0.125W	91637	MFF1816G27400F
R1037	321-0192-00			RES., FXD, FILM:976 OHM, 1%, 0.125W	91637	MFF1816G976R0F
R1040	317-0120-00			RES., FXD, CMPSN:12 OHM, 5%, 0.125W	01121	BB1205
R1041	317-0120-00			RES., FXD, CMPSN:12 OHM, 5%, 0.125W	01121	BB1205
R1042	321-0193-00			RES., FXD, FILM:1K OHM, 1%, 0.125W	91637	MFF1816G10000F
R1043	323-0064-00			RES., FXD, FILM:45.3 OHM, 1%, 0.50W	91637	MFF1226G45R30F
R1044	315-0911-00			RES., FXD, CMPSN:910 OHM, 5%, 0.25W	01121	CB9115
R1045	321-0380-00			RES., FXD, FILM:88.7K OHM, 1%, 0.125W	91637	MFF1816G88701F
R1046	321-0324-00			RES., FXD, FILM:23.2K OHM, 1%, 0.125W	91637	MFF1816G23201F
R1047	323-0606-00			RES., FXD, FILM:60 OHM, 1%, 0.5W	19701	MF62C
R1049	321-0160-00			RES., FXD, FILM:453 OHM, 1%, 0.125W	91637	MFF1816G453R0F
R1052	315-0821-00			RES., FXD, CMPSN:820 OHM, 5%, 0.25W	01121	CB8215
R1054	317-0100-00			RES., FXD, CMPSN:10 OHM, 5%, 0.125W	01121	BB1005
R1058	315-0131-00			RES., FXD, CMPSN:130 OHM, 5%, 0.25W	01121	CB1315
R1059	307-0113-00			RES., FXD, CMPSN:5.1 OHM, 5%, 0.25W	01121	CB51G5
R1060	317-0120-00			RES., FXD, CMPSN:12 OHM, 5%, 0.125W	01121	BB1205
R1061	317-0120-00			RES., FXD, CMPSN:12 OHM, 5%, 0.125W	01121	BB1205
R1062	311-1224-00			RES., VAR, NONWIR:500 OHM, 20%, 0.50W	32997	3386F-T04-501
R1063	323-0064-00			RES., FXD, FILM:45.3 OHM, 1%, 0.50W	91637	MFF1226G45R30F
R1064	315-0911-00			RES., FXD, CMPSN:910 OHM, 5%, 0.25W	01121	CB9115
R1065	321-0380-00			RES., FXD, FILM:88.7K OHM, 1%, 0.125W	91637	MFF1816G88701F
R1066	321-0324-00			RES., FXD, FILM:23.2K OHM, 1%, 0.125W	91637	MFF1816G23201F
R1067	323-0606-00			RES., FXD, FILM:60 OHM, 1%, 0.5W	19701	MF62C
R1069	315-0272-00			RES., FXD, CMPSN:2.7K OHM, 5%, 0.25W	01121	CB2725
R1071	317-0510-00			RES., FXD, CMPSN:51 OHM, 5%, 0.125W	01121	BB5105
R1072	315-0821-00			RES., FXD, CMPSN:820 OHM, 5%, 0.25W	01121	CB8215
R1073	311-1221-00			RES., VAR, NONWIR:50 OHM, 20%, 0.50W	32997	3386F-T04-500
R1074	317-0100-00			RES., FXD, CMPSN:10 OHM, 5%, 0.125W	01121	BB1005
R1075	317-0820-00			RES., FXD, CMPSN:82 OHM, 5%, 0.125W	01121	BB8205
R1076	323-0090-00			RES., FXD, FILM:84.5 OHM, 1%, 0.50W	75042	CECTO-84R5F
R1077	317-0510-00			RES., FXD, CMPSN:51 OHM, 5%, 0.125W	01121	BB5105
R1078	315-0131-00			RES., FXD, CMPSN:130 OHM, 5%, 0.25W	01121	CB1315
R1079	315-0471-00			RES., FXD, CMPSN:470 OHM, 5%, 0.25W	01121	CB4715

Replaceable Electrical Parts—7104

Ckt No.	Tektronix Part No.	Serial/Model No. Eff	Dscont	Name & Description	Mfr Code	Mfr Part Number
R1080	315-0104-00			RES., FXD, CMPSN: 100K OHM, 5%, 0.25W	01121	CB1045
R1081	301-0432-00			RES., FXD, CMPSN: 4.3K OHM, 5%, 0.50W	01121	EB4325
R1082	311-1225-00			RES., VAR, NONWIR: 1K OHM, 20%, 0.50W	32997	3386F-T04-102
R1083	315-0162-00			RES., FXD, CMPSN: 1.6K OHM, 5%, 0.25W	01121	CB1625
R1084	315-0123-00			RES., FXD, CMPSN: 12K OHM, 5%, 0.25W	01121	CB1235
R1085	315-0152-00			RES., FXD, CMPSN: 1.5K OHM, 5%, 0.25W	01121	CB1525
R1086	315-0100-00			RES., FXD, CMPSN: 10 OHM, 5%, 0.25W	01121	CB1005
R1087	315-0100-00			RES., FXD, CMPSN: 10 OHM, 5%, 0.25W	01121	CB1005
R1088	321-0261-00			RES., FXD, FILM: 5.11K OHM, 1%, 0.125W	91637	MFF1816G51100F
R1089	321-0328-00			RES., FXD, FILM: 25.5K OHM, 1%, 0.125W	91637	MFF1816G25501F
R1094	323-0069-00			RES., FXD, FILM: 51.1 OHM, 1%, 0.50W	91637	MFF1226G51R10F
R1095	323-0069-00			RES., FXD, FILM: 51.1 OHM, 1%, 0.50W	91637	MFF1226G51R10F
R1096	315-0100-00			RES., FXD, CMPSN: 10 OHM, 5%, 0.25W	01121	CB1005
R1099	307-0292-01			RES., FXD, FILM: 180 OHM	80009	307-0292-01
R1103	323-0106-00			RES., FXD, FILM: 124 OHM, 1%, 0.50W	91637	MFF1226G124ROF
R1103	-----			* OPTION 2 ONLY		
R1103	-----			* OPTION 2 ONLY		
R1104	323-0106-00			RES., FXD, FILM: 124 OHM, 1%, 0.50W	91637	MFF1226G124ROF
R1104	-----			* OPTION 2 ONLY		
R1105	311-1007-00			RES., VAR, NONWIR: 20 OHM, 20%, 0.50W	73138	82-38-0
R1105	-----			* OPTION 2 ONLY		
R1106	321-0130-00			RES., FXD, FILM: 221 OHM, 1%, 0.125W	91637	MFF1816G221ROF
R1106	-----			* OPTION 2 ONLY		
R1110	311-1265-00			RES., VAR, NONWIR: 2K OHM, 10%, 0.50W	32997	3329P-L58-202
R1110	-----			* OPTION 2 ONLY		
R1112	311-1265-00			RES., VAR, NONWIR: 2K OHM, 10%, 0.50W	32997	3329P-L58-202
R1112	-----			* OPTION 2 ONLY		
R1113	311-1265-00			RES., VAR, NONWIR: 2K OHM, 10%, 0.50W	32997	3329P-L58-202
R1113	-----			* OPTION 2 ONLY		
R1114	311-1261-00			RES., VAR, NONWIR: 500 OHM, 10%, 0.50W	32997	3329P-L58-501
R1114	-----			* OPTION 2 ONLY		
R1116	325-0053-00			RES., FXD, FILM: 50 OHM, 1%, 0.05W	03888	PME50C50R00F
R1116	-----			* OPTION 2 ONLY		
R1118	321-0381-00			RES., FXD, FILM: 90.9K OHM, 1%, 0.125W	91637	MFF1816G90901F
R1118	-----			* OPTION 2 ONLY		
R1119	321-0323-00			RES., FXD, FILM: 22.6K OHM, 1%, 0.125W	91637	MFF1816G22601F
R1119	-----			* OPTION 2 ONLY		
R1120	311-1227-00			RES., VAR, NONWIR: 5K OHM, 20%, 0.50W	32997	3386F-T04-502
R1120	-----			* OPTION 2 ONLY		
R1126	321-0126-00			RES., FXD, FILM: 200 OHM, 1%, 0.125W	91637	MFF1816G200ROF
R1126	-----			* OPTION 2 ONLY		
R1127	317-0220-00			RES., FXD, CMPSN: 22 OHM, 5%, 0.125W	01121	BB2205
R1127	-----			* OPTION 2 ONLY		
R1136	325-0053-00			RES., FXD, FILM: 50 OHM, 1%, 0.05W	03888	PME50C50R00F
R1136	-----			* OPTION 2 ONLY		
R1140	321-0318-00			RES., FXD, FILM: 20K OHM, 1%, 0.125W	91637	MFF1816G20001F
R1140	-----			* OPTION 2 ONLY		
R1141	321-0335-00			RES., FXD, FILM: 30.1K OHM, 1%, 0.125W	91637	MFF1816G30101F
R1141	-----			* OPTION 2 ONLY		
R1142	315-0470-00			RES., FXD, CMPSN: 47 OHM, 5%, 0.25W	01121	CB4705
R1142	-----			* OPTION 2 ONLY		
R1144	321-0265-00			RES., FXD, FILM: 5.62K OHM, 1%, 0.125W	91637	MFF1816G56200F
R1144	-----			* OPTION 2 ONLY		

Ckt No.	Tektronix Part No.	Serial/Model No. Eff	Dscont	Name & Description	Mfr Code	Mfr Part Number
R1145	315-0470-00			RES., FXD, CMPSN: 47 OHM, 5%, 0.25W	01121	CB4705
R1145	-----			* OPTION 2 ONLY		
R1150	323-0133-00			RES., FXD, FILM: 237 OHM, 1%, 0.50W	75042	CECT0-2370F
R1150	-----			* OPTION 2 ONLY		
R1152	322-0616-00			RES., FXD, FILM: 21.4 OHM, 1%, 0.25W	75042	CEBT0-21R40F
R1152	-----			* OPTION 2 ONLY		
R1153	321-0075-00			RES., FXD, FILM: 59 OHM, 1%, 0.125W	91637	MF1816G59R00F
R1153	-----			* OPTION 2 ONLY		
R1154	321-0010-00			RES., FXD, FILM: 12.4 OHM, 1%, 0.125W	91637	MF1816G12R40F
R1154	-----			* OPTION 2 ONLY		
R1155	321-0144-00			RES., FXD, FILM: 309 OHM, 1%, 0.125W	91637	MF1816G309R0F
R1155	-----			* OPTION 2 ONLY		
R1156	311-1259-00			RES., VAR, NONWR: 100 OHM, 10%, 0.50W	32997	3329P-L58-101
R1156	-----			* OPTION 2 ONLY		
R1157	317-0620-00			RES., FXD, CMPSN: 62 OHM, 5%, 0.125W	01121	BB6205
R1157	-----			* OPTION 2 ONLY		
R1160	323-0133-00			RES., FXD, FILM: 237 OHM, 1%, 0.50W	75042	CECT0-2370F
R1160	-----			* OPTION 2 ONLY		
R1162	301-0681-00			RES., FXD, CMPSN: 680 OHM, 5%, 0.50W	01121	EB6815
R1162	-----			* OPTION 2 ONLY		
R1163	321-0075-00			RES., FXD, FILM: 59 OHM, 1%, 0.125W	91637	MF1816G59R00F
R1163	-----			* OPTION 2 ONLY		
R1164	321-0010-00			RES., FXD, FILM: 12.4 OHM, 1%, 0.125W	91637	MF1816G12R40F
R1164	-----			* OPTION 2 ONLY		
R1165	321-0144-00			RES., FXD, FILM: 309 OHM, 1%, 0.125W	91637	MF1816G309R0F
R1165	-----			* OPTION 2 ONLY		
R1166	301-0511-00			RES., FXD, CMPSN: 510 OHM, 5%, 0.50W	01121	EB5115
R1166	-----			* OPTION 2 ONLY		
R1205	304-0270-00			RES., FXD, CMPSN: 27 OHM, 10%, 1W	01121	GB2701
R1209	304-0473-00			RES., FXD, CMPSN: 47K OHM, 10%, 1W	01121	GB4731
R1210	303-0304-00			RES., FXD, CMPSN: 300K OHM, 5%, 1W	01121	GB3045
R1213	304-0473-00			RES., FXD, CMPSN: 47K OHM, 10%, 1W	01121	GB4731
R1219	302-0565-00			RES., FXD, CMPSN: 5.6M OHM, 10%, 0.50W	01121	EB5651
R1221	304-0154-00			RES., FXD, CMPSN: 150K OHM, 10%, 1W	01121	GB1541
R1225	315-0471-00			RES., FXD, CMPSN: 470 OHM, 5%, 0.25W	01121	CB4715
R1231	307-0057-00			RES., FXD, CMPSN: 5.1 OHM, 5%, 0.50W	01121	EB51G5
R1232	315-0220-00			RES., FXD, CMPSN: 22 OHM, 5%, 0.25W	01121	CB2205
R1236	315-0103-00			RES., FXD, CMPSN: 10K OHM, 5%, 0.25W	01121	CB1035
R1238	315-0333-00			RES., FXD, CMPSN: 33K OHM, 5%, 0.25W	01121	CB3335
R1239	307-0057-00			RES., FXD, CMPSN: 5.1 OHM, 5%, 0.50W	01121	EB51G5
R1240	315-0220-00			RES., FXD, CMPSN: 22 OHM, 5%, 0.25W	01121	CB2205
R1241	315-0753-00			RES., FXD, CMPSN: 75K OHM, 5%, 0.25W	01121	CB7535
R1242	315-0303-00			RES., FXD, CMPSN: 30K OHM, 5%, 0.25W	01121	CB3035
R1243	315-0204-00			RES., FXD, CMPSN: 200K OHM, 5%, 0.25W	01121	CB2045
R1244	315-0270-00			RES., FXD, CMPSN: 27 OHM, 5%, 0.25W	01121	CB2705
R1245	315-0182-00			RES., FXD, CMPSN: 1.8K OHM, 5%, 0.25W	01121	CB1825
R1247	301-0184-00			RES., FXD, CMPSN: 180K OHM, 5%, 0.50W	01121	EB1845
R1252	315-0512-00			RES., FXD, CMPSN: 5.1K OHM, 5%, 0.25W	01121	CB5125
R1259	315-0222-00			RES., FXD, CMPSN: 2.2K OHM, 5%, 0.25W	01121	CB2225
R1260	315-0224-00			RES., FXD, CMPSN: 220K OHM, 5%, 0.25W	01121	CB2245
R1261	315-0123-00			RES., FXD, CMPSN: 12K OHM, 5%, 0.25W	01121	CB1235
R1262	315-0301-00			RES., FXD, CMPSN: 300 OHM, 5%, 0.25W	01121	CB3015
R1263	315-0470-00			RES., FXD, CMPSN: 47 OHM, 5%, 0.25W	01121	CB4705

# Replaceable Electrical Parts—7104

Ckt No.	Tektronix Part No.	Serial/Model No. Eff	Dscont	Name & Description	Mfr Code	Mfr Part Number
R1264	315-0102-00			RES., FXD, CMPSN: 1K OHM, 5%, 0.25W	01121	CB1025
R1266	315-0202-00			RES., FXD, CMPSN: 2K OHM, 5%, 0.25W	01121	CB2025
R1267	315-0154-00			RES., FXD, CMPSN: 150K OHM, 5%, 0.25W	01121	CB1545
R1270	315-0560-00			RES., FXD, CMPSN: 56 OHM, 5%, 0.25W	01121	CB5605
R1271	315-0560-00			RES., FXD, CMPSN: 56 OHM, 5%, 0.25W	01121	CB5605
R1274	321-0346-00			RES., FXD, FILM: 39.2K OHM, 1%, 0.125W	91637	MFF1816G39201F
R1280	315-0471-00			RES., FXD, CMPSN: 470 OHM, 5%, 0.25W	01121	CB4715
R1281	321-0334-00			RES., FXD, FILM: 29.4K OHM, 1%, 0.125W	91637	MFF1816G29401F
R1282	321-0340-00			RES., FXD, FILM: 34K OHM, 1%, 0.125W	91637	MFF1816G34001F
R1283	321-0193-00			RES., FXD, FILM: 1K OHM, 1%, 0.125W	91637	MFF1816G10000F
R1284	321-0008-00			RES., FXD, FILM: 11.8 OHM, 1%, 0.125W	91637	MFF1816G11R80F
R1286	321-0283-00			RES., FXD, FILM: 8.66K OHM, 1%, 0.125W	91637	MFF1816G86600F
R1287	321-0282-00			RES., FXD, FILM: 8.45K OHM, 1%, 0.125W	91637	MFF1816G84500F
R1288	315-0102-00			RES., FXD, CMPSN: 1K OHM, 5%, 0.25W	01121	CB1025
R1290	315-0272-00			RES., FXD, CMPSN: 2.7K OHM, 5%, 0.25W	01121	CB2725
R1292	315-0105-00			RES., FXD, CMPSN: 1M OHM, 5%, 0.25W	01121	CB1055
R1293	311-1239-00			RES., VAR, NONWIR: 2.5K OHM, 0.5W	73138	72X-76-252K
R1294	315-0203-00			RES., FXD, CMPSN: 20K OHM, 5%, 0.25W	01121	CB2035
R1295	321-0419-00			RES., FXD, FILM: 226K OHM, 1%, 0.125W	91637	MFF1816G22602F
R1320	315-0150-00			RES., FXD, CMPSN: 15 OHM, 5%, 0.25W	01121	CB1505
R1321	315-0101-00			RES., FXD, CMPSN: 100 OHM, 5%, 0.25W	01121	CB1015
R1327	301-0391-00			RES., FXD, CMPSN: 390 OHM, 5%, 0.50W	01121	EB3915
R1361	315-0473-00			RES., FXD, CMPSN: 47K OHM, 5%, 0.25W	01121	CB4735
R1362	315-0472-00			RES., FXD, CMPSN: 4.7K OHM, 5%, 0.25W	01121	CB4725
R1371	315-0472-00			RES., FXD, CMPSN: 4.7K OHM, 5%, 0.25W	01121	CB4725
R1373	315-0753-00			RES., FXD, CMPSN: 75K OHM, 5%, 0.25W	01121	CB7535
R1374	315-0273-00			RES., FXD, CMPSN: 27K OHM, 5%, 0.25W	01121	CB2735
R1375	315-0472-00			RES., FXD, CMPSN: 4.7K OHM, 5%, 0.25W	01121	CB4725
R1375	315-0472-00			RES., FXD, CMPSN: 4.7K OHM, 5%, 0.25W	01121	CB4725
R1401	321-0369-00			RES., FXD, FILM: 68.1K OHM, 1%, 0.125W	91637	MFF1816G68101F
R1402	321-0407-00			RES., FXD, FILM: 169K OHM, 1%, 0.125W	91637	MFF1816G16902F
R1403	321-0364-00			RES., FXD, FILM: 60.4K OHM, 1%, 0.125W	91637	MFF1816G60401F
R1404	321-0311-00			RES., FXD, FILM: 16.9K OHM, 1%, 0.125W	91637	MFF1816G16901F
R1405	321-0345-00			RES., FXD, FILM: 38.3K OHM, 1%, 0.125W	91637	MFF1816G38301F
R1408	315-0562-00			RES., FXD, CMPSN: 5.6K OHM, 5%, 0.25W	01121	CB5625
R1410	323-0265-00			RES., FXD, FILM: 5.62K OHM, 1%, 0.50W	75042	CECT0-5621F
R1412	315-0512-00			RES., FXD, CMPSN: 5.1K OHM, 5%, 0.25W	01121	CB5125
R1414	321-0730-06			RES., FXD, FILM: 570K OHM, 0.25%, 0.125W	91637	MFF1816C57030C
R1415	311-1225-00			RES., VAR, NONWIR: 1K OHM, 20%, 0.50W	32997	3386F-T04-102
R1416	321-0331-09			RES., FXD, FILM: 27.4K OHM, 1%, 0.125W	91637	MFF1816C27401F
R1417	315-0151-00			RES., FXD, CMPSN: 150 OHM, 5%, 0.25W	01121	CB1515
R1421	315-0104-00			RES., FXD, CMPSN: 100K OHM, 5%, 0.25W	01121	CB1045
R1422	315-0821-00			RES., FXD, CMPSN: 820 OHM, 5%, 0.25W	01121	CB8215
R1424	315-0331-00			RES., FXD, CMPSN: 330 OHM, 5%, 0.25W	01121	CB3315
R1425	315-0471-00			RES., FXD, CMPSN: 470 OHM, 5%, 0.25W	01121	CB4715
R1426	315-0181-00			RES., FXD, CMPSN: 180 OHM, 5%, 0.25W	01121	CB1815
R1427	315-0512-00			RES., FXD, CMPSN: 5.1K OHM, 5%, 0.25W	01121	CB5125
R1428	308-0365-00			RES., FXD, WW: 1.5 OHM, 5%, 3W	56289	242EX1R500JQ151
R1432	315-0432-00			RES., FXD, CMPSN: 4.3K OHM, 5%, 0.25W	01121	CB4325
R1434	304-0102-00			RES., FXD, CMPSN: 1K OHM, 10%, 1W	01121	GB1021
R1436	315-0121-00			RES., FXD, CMPSN: 120 OHM, 5%, 0.25W	01121	CB1215
R1437	315-0123-00			RES., FXD, CMPSN: 12K OHM, 5%, 0.25W	01121	CB1235
R1438	301-0182-00			RES., FXD, CMPSN: 1.8K OHM, 5%, 0.5W	01121	EB1825

Ckt No.	Tektronix Part No.	Serial/Model No. Eff	Dscont	Name & Description	Mfr Code	Mfr Part Number
R1442	315-0203-00			RES., FXD, CMPSN: 20K OHM, 5%, 0.25W	01121	CB2035
R1444	315-0103-00			RES., FXD, CMPSN: 10K OHM, 5%, 0.25W	01121	CB1035
R1445	321-0924-07			RES., FXD, FILM: 40K OHM, 0.1%, 0.125W	91637	MFF1816C40001B
R1446	321-0924-07			RES., FXD, FILM: 40K OHM, 0.1%, 0.125W	91637	MFF1816C40001B
R1447	315-0151-00			RES., FXD, CMPSN: 150 OHM, 5%, 0.25W	01121	CB1515
R1451	315-0104-00			RES., FXD, CMPSN: 100K OHM, 5%, 0.25W	01121	CB1045
R1452	315-0821-00			RES., FXD, CMPSN: 820 OHM, 5%, 0.25W	01121	CB8215
R1454	315-0511-00			RES., FXD, CMPSN: 510 OHM, 5%, 0.25W	01121	CB5115
R1455	315-0471-00			RES., FXD, CMPSN: 470 OHM, 5%, 0.25W	01121	CB4715
R1456	315-0181-00			RES., FXD, CMPSN: 180 OHM, 5%, 0.25W	01121	CB1815
R1457	315-0512-00			RES., FXD, CMPSN: 5.1K OHM, 5%, 0.25W	01121	CB5125
R1458	308-0686-00			RES., FXD, WW: 2.2 OHM, 5%, 2W	75042	BWH-2R200J
R1461	321-0332-07			RES., FXD, FILM: 28K OHM, 0.1%, 0.125W	91637	MFF1816C28001B
R1462	321-1296-07			RES., FXD, FILM: 12K OHM, 0.1%, 0.125W	91637	MFF1816C12001B
R1463	315-0152-00			RES., FXD, CMPSN: 1.5K OHM, 5%, 0.25W	01121	CB1525
R1467	315-0123-00			RES., FXD, CMPSN: 12K OHM, 5%, 0.25W	01121	CB1235
R1468	315-0362-00			RES., FXD, CMPSN: 3.6K OHM, 5%, 0.25W	01121	CB3625
R1469	315-0822-00			RES., FXD, CMPSN: 8.2K OHM, 5%, 0.25W	01121	CB8225
R1473	315-0221-00			RES., FXD, CMPSN: 220 OHM, 5%, 0.25W	01121	CB2215
R1474	315-0433-00			RES., FXD, CMPSN: 43K OHM, 5%, 0.25W	01121	CB4335
R1475	308-0804-00			RES., FXD, WW: 0.025 OHM, 5%, 0.5W	80009	308-0804-00
R1476	315-0151-00			RES., FXD, CMPSN: 150 OHM, 5%, 0.25W	01121	CB1515
R1477	315-0432-00			RES., FXD, CMPSN: 4.3K OHM, 5%, 0.25W	01121	CB4325
R1480	321-0924-07			RES., FXD, FILM: 40K OHM, 0.1%, 0.125W	91637	MFF1816C40001B
R1481	321-1296-07			RES., FXD, FILM: 12K OHM, 0.1%, 0.125W	91637	MFF1816C12001B
R1482	315-0912-00			RES., FXD, CMPSN: 9.1K OHM, 5%, 0.25W	01121	CB9125
R1483	315-0102-00			RES., FXD, CMPSN: 1K OHM, 5%, 0.25W	01121	CB1025
R1487	315-0123-00			RES., FXD, CMPSN: 12K OHM, 5%, 0.25W	01121	CB1235
R1488	315-0302-00			RES., FXD, CMPSN: 3K OHM, 5%, 0.25W	01121	CB3025
R1493	315-0221-00			RES., FXD, CMPSN: 220 OHM, 5%, 0.25W	01121	CB2215
R1494	315-0433-00			RES., FXD, CMPSN: 43K OHM, 5%, 0.25W	01121	CB4335
R1495	308-0804-00			RES., FXD, WW: 0.025 OHM, 5%, 0.5W	80009	308-0804-00
R1496	315-0151-00			RES., FXD, CMPSN: 150 OHM, 5%, 0.25W	01121	CB1515
R1497	315-0432-00			RES., FXD, CMPSN: 4.3K OHM, 5%, 0.25W	01121	CB4325
R1513	321-1713-07			RES., FXD, FILM: 36K OHM, 0.1%, 0.125W	91637	MFF1816C36001B
R1514	321-0926-07			RES., FXD, FILM: 4K OHM, 0.1%, 0.125W	91637	MFF1816C40000B
R1521	315-0512-00			RES., FXD, CMPSN: 5.1K OHM, 5%, 0.25W	01121	CB5125
R1526	315-0131-00			RES., FXD, CMPSN: 130 OHM, 5%, 0.25W	01121	CB1315
R1527	315-0203-00			RES., FXD, CMPSN: 20K OHM, 5%, 0.25W	01121	CB2035
R1528	315-0203-00			RES., FXD, CMPSN: 20K OHM, 5%, 0.25W	01121	CB2035
R1529	315-0101-00			RES., FXD, CMPSN: 100 OHM, 5%, 0.25W	01121	CB1015
R1531	315-0362-00			RES., FXD, CMPSN: 3.6K OHM, 5%, 0.25W	01121	CB3625
R1532	315-0151-00			RES., FXD, CMPSN: 150 OHM, 5%, 0.25W	01121	CB1515
R1533	308-0804-00			RES., FXD, WW: 0.025 OHM, 5%, 0.5W	80009	308-0804-00
R1534	308-0804-00			RES., FXD, WW: 0.025 OHM, 5%, 0.5W	80009	308-0804-00
R1535	315-0470-00			RES., FXD, CMPSN: 47 OHM, 5%, 0.25W	01121	CB4705
R1536	315-0432-00			RES., FXD, CMPSN: 4.3K OHM, 5%, 0.25W	01121	CB4325
R1541	315-0822-00			RES., FXD, CMPSN: 8.2K OHM, 5%, 0.25W	01121	CB8225
R1542	315-0103-00			RES., FXD, CMPSN: 10K OHM, 5%, 0.25W	01121	CB1035
R1543	315-0243-00			RES., FXD, CMPSN: 24K OHM, 5%, 0.25W	01121	CB2435
R1544	315-0562-00			RES., FXD, CMPSN: 5.6K OHM, 5%, 0.25W	01121	CB5625
R1545	315-0221-00			RES., FXD, CMPSN: 220 OHM, 5%, 0.25W	01121	CB2215
R1548	308-0702-00			RES., FXD, WW: 0.33 OHM, 5%, 2W	75042	BWH-R3300J

Replaceable Electrical Parts—7104

Ckt No.	Tektronix Part No.	Serial/Model No. Eff	Dscont	Name & Description	Mfr Code	Mfr Part Number
R1552	301-0561-00			RES., FXD, CMPSN: 560 OHM, 5%, 0.50W	01121	EB5615
R1556	301-0431-00			RES., FXD, CMPSN: 430 OHM, 5%, 0.50W	01121	EB4315
R1600	315-0202-00			RES., FXD, CMPSN: 2K OHM, 5%, 0.25W	01121	CB2025
R1601	315-0101-00			RES., FXD, CMPSN: 100 OHM, 5%, 0.25W	01121	CB1015
R1602	321-0064-00			RES., FXD, FILM: 45.3 OHM, 1%, 0.125W	91637	MFF1816G45R30F
R1603	315-0510-04			RES., FXD, CMPSN: 51 OHM, 5%, 0.25 W	01121	CB5105
R1604	315-0330-00			RES., FXD, CMPSN: 33 OHM, 5%, 0.25W	01121	CB3305
R1605	315-0101-00			RES., FXD, CMPSN: 100 OHM, 5%, 0.25W	01121	CB1015
R1606	321-0125-00			RES., FXD, FILM: 196 OHM, 1%, 0.125W	91637	MFF1816G196ROF
R1607	321-0234-00			RES., FXD, FILM: 2.67K OHM, 1%, 0.125W	91637	MFF1816G26700F
R1608	321-0225-00			RES., FXD, FILM: 2.15K OHM, 1%, 0.125W	91637	MFF1816G21500F
R1610	321-0223-00			RES., FXD, FILM: 2.05K OHM, 1%, 0.125W	91637	MFF1816G20500F
R1611	315-0151-00			RES., FXD, CMPSN: 150 OHM, 5%, 0.25W	01121	CB1515
R1612	321-0064-00			RES., FXD, FILM: 45.3 OHM, 1%, 0.125W	91637	MFF1816G45R30F
R1613	321-0196-00			RES., FXD, FILM: 1.07K OHM, 1%, 0.125W	91637	MFF1816G10700F
R1614	315-0330-00			RES., FXD, CMPSN: 33 OHM, 5%, 0.25W	01121	CB3305
R1615	321-0270-00			RES., FXD, FILM: 6.34K OHM, 1%, 0.125W	91637	MFF1816G63400F
R1616	321-0158-00			RES., FXD, FILM: 432 OHM, 1%, 0.125W	91637	MFF1816G432ROF
R1617	321-0177-00			RES., FXD, FILM: 681 OHM, 1%, 0.125W	91637	MFF1816G681ROF
R1618	315-0510-04			RES., FXD, CMPSN: 51 OHM, 5%, 0.25 W	01121	CB5105
R1619	321-0074-00			RES., FXD, FILM: 57.6 OHM, 1%, 0.125W	91637	MFF1816G57R60F
R1620	322-0126-00			RES., FXD, FILM: 200 OHM, 1%, 0.25W	91637	MFF1421G200ROF
R1621	321-0143-00			RES., FXD, FILM: 301 OHM, 1%, 0.125W	91637	MFF1816G301ROF
R1622	311-1223-00			RES., VAR, NONWIR: 250 OHM, 10%, 0.50W	32997	3386F-T04-251
R1623	315-0681-03			RES., FXD, CMPSN: 680 OHM, 5%, 0.25W	01121	CB6815
R1624	315-0181-00			RES., FXD, CMPSN: 180 OHM, 5%, 0.25W	01121	CB1815
R1625	321-0242-00			RES., FXD, FILM: 3.24K OHM, 1%, 0.125W	91637	MFF1816G32400F
R1626	311-1222-00			RES., VAR, NONWIR: 100 OHM, 20%, 0.50W	32997	3386F-T04-101
R1627	315-0271-00			RES., FXD, CMPSN: 270 OHM, 5%, 0.25W	01121	CB2715
R1628	315-0430-02			RES., FXD, CMPSN: 43 OHM, 5%, 0.25W	80009	315-0430-02
R1629	315-0103-03			RES., FXD, CMPSN: 10K OHM, 5%, 0.25W	80009	315-0103-03
R1630	315-0510-04			RES., FXD, CMPSN: 51 OHM, 5%, 0.25 W	01121	CB5105
R1632	321-0217-00			RES., FXD, FILM: 1.78K OHM, 1%, 0.125W	91637	MFF1816G17800F
R1633	315-0470-00			RES., FXD, CMPSN: 47 OHM, 5%, 0.25W	01121	CB4705
R1634	321-0097-00			RES., FXD, FILM: 100 OHM, 1%, 0.125W	91637	MFF1816G100ROF
R1635	311-1259-00			RES., VAR, NONWIR: 100 OHM, 10%, 0.50W	32997	3329P-L58-101
R1636	321-0151-00			RES., FXD, FILM: 365 OHM, 1%, 0.125W	91637	MFF1816G365ROF
R1637	311-1221-00			RES., VAR, NONWIR: 50 OHM, 20%, 0.50W	32997	3386F-T04-500
R1638	322-0202-00			RES., FXD, FILM: 1.24K OHM, 1%, 0.25W	75042	CEBTO-1241F
R1639	321-0193-00			RES., FXD, FILM: 1K OHM, 1%, 0.125W	91637	MFF1816G10000F
R1641	315-0103-03			RES., FXD, CMPSN: 10K OHM, 5%, 0.25W	80009	315-0103-03
R1642	315-0132-00			RES., FXD, CMPSN: 1.3K OHM, 5%, 0.25W	01121	CB1325
R1643	315-0333-00			RES., FXD, CMPSN: 33K OHM, 5%, 0.25W	01121	CB3335
R1644	322-0202-00			RES., FXD, FILM: 1.24K OHM, 1%, 0.25W	75042	CEBTO-1241F
R1645	311-1258-00			RES., VAR, NONWIR: 50 OHM, 10%, 0.50W	32997	3326P-T02-500
R1646	321-0112-00			RES., FXD, FILM: 143 OHM, 1%, 0.125W	91637	MFF1816G143ROF
R1647	315-0101-00			RES., FXD, CMPSN: 100 OHM, 5%, 0.25W	01121	CB1015
R1649	321-0126-00			RES., FXD, FILM: 200 OHM, 1%, 0.125W	91637	MFF1816G200ROF
R1651	315-0150-00			RES., FXD, CMPSN: 15 OHM, 5%, 0.25W	01121	CB1505
R1652	321-0108-00			RES., FXD, FILM: 130 OHM, 1%, 0.125W	91637	MFF1816G130ROF
R1653	301-0391-00			RES., FXD, CMPSN: 390 OHM, 5%, 0.50W	01121	EB3915
R1656	301-0271-00			RES., FXD, CMPSN: 270 OHM, 5%, 0.50W	01121	EB2715
R1657	315-0220-00			RES., FXD, CMPSN: 22 OHM, 5%, 0.25W	01121	CB2205

Ckt No.	Tektronix Part No.	Serial/Model No. Eff	Dscont	Name & Description	Mfr Code	Mfr Part Number
R1658	315-0471-00			RES., FXD, CMPSN: 470 OHM, 5%, 0.25W	01121	CB4715
R1659	315-0101-00			RES., FXD, CMPSN: 100 OHM, 5%, 0.25W	01121	CB1015
R1660	323-0293-00			RES., FXD, FILM: 11K OHM, 1%, 0.50W	75042	CECTO-1102F
R1662	315-0201-00			RES., FXD, CMPSN: 200 OHM, 5%, 0.25W	01121	CB2015
R1663	315-0390-00			RES., FXD, CMPSN: 39 OHM, 5%, 0.25W	01121	CB3905
R1664	315-0301-00			RES., FXD, CMPSN: 300 OHM, 5%, 0.25W	01121	CB3015
R1665	315-0680-00			RES., FXD, CMPSN: 68 OHM, 5%, 0.25W	01121	CB6805
R1668	315-0510-04			RES., FXD, CMPSN: 51 OHM, 5%, 0.25 W	01121	CB5105
R1670	321-0312-00			RES., FXD, FILM: 17.4K OHM, 1%, 0.125W	91637	MFF1816G17401F
R1671	315-0823-00			RES., FXD, CMPSN: 82K OHM, 5%, 0.25W	01121	CB8235
R1672	315-0272-00			RES., FXD, CMPSN: 2.7K OHM, 5%, 0.25W	01121	CB2725
R1673	315-0101-00			RES., FXD, CMPSN: 100 OHM, 5%, 0.25W	01121	CB1015
R1674	315-0223-00			RES., FXD, CMPSN: 22K OHM, 5%, 0.25W	01121	CB2235
R1675	315-0273-00			RES., FXD, CMPSN: 27K OHM, 5%, 0.25W	01121	CB2735
R1676	315-0620-00			RES., FXD, CMPSN: 62 OHM, 5%, 0.25W	01121	CB6205
R1679	315-0430-02			RES., FXD, CMPSN: 43 OHM, 5%, 0.25W	80009	315-0430-02
R1680	315-0203-02			RES., FXD, CMPSN: 20K OHM, +/-5%, 0.25W	01121	CB2035
R1682	315-0105-03			RES., FXD, CMPSN: 1M OHM, 5%, 0.25W	01121	CB1055
R1685	315-0105-03			RES., FXD, CMPSN: 1M OHM, 5%, 0.25W	01121	CB1055
R1687	315-0104-03			RES., FXD CMPSN: 100K OHM, 5%, 0.25W	01121	CB1045
R1688	315-0103-03			RES., FXD, CMPSN: 10K OHM, 5%, 0.25W	80009	315-0103-03
R1691	303-0150-00			RES., FXD, CMPSN: 15 OHM, 5%, 1W	01121	GB1505
R1692	315-0101-00			RES., FXD, CMPSN: 100 OHM, 5%, 0.25W	01121	CB1015
R1693	323-0140-00			RES., FXD, FILM: 280 OHM, 1%, 0.50W	75042	CECTO-2800F
R1694	315-0161-02			RES., FXD, CMPSN: 160 OHM, 5%, 0.25W	01121	CB1615
R1695	321-0228-00			RES., FXD, FILM: 2.32K OHM, 1%, 0.125W	91637	MFF1816G23200F
R1696	321-0062-00			RES., FXD, FILM: 43.2 OHM, 1%, 0.125W	91637	MFF1816G43R20F
R1697	321-0204-00			RES., FXD, FILM: 1.3K OHM, 1%, 0.125W	91637	MFF1816G13000F
R1698	315-0363-00			RES., FXD, CMPSN: 36K OHM, 5%, 0.25W	01121	CB3635
R1699	323-0140-00			RES., FXD, FILM: 280 OHM, 1%, 0.50W	75042	CECTO-2800F
R1706	315-0472-00			RES., FXD, CMPSN: 4.7K OHM, 5%, 0.25W	01121	CB4725
R1708	315-0102-03			RES., FXD, CMPSN: 1K OHM, 5%, 0.25W	80009	315-0102-03
R1709	315-0123-00			RES., FXD, CMPSN: 12K OHM, 5%, 0.25W	01121	CB1235
R1712	301-0164-00			RES., FXD, CMPSN: 160K OHM, 5%, 0.50W	01121	EB1645
R1713	321-0414-00			RES., FXD, FILM: 200K OHM, 1%, 0.125W	91637	MFF1816G20002F
R1714	321-0138-00			RES., FXD, FILM: 267 OHM, 1%, 0.125W	91637	MFF1816G267R0F
R1716	323-0793-07			RES., FXD, FILM: 2.5M OHM, 1%, 0.5W	91637	HFF129C250003B
R1717	323-0793-07			RES., FXD, FILM: 2.5M OHM, 1%, 0.5W	91637	HFF129C250003B
R1718	323-0793-07			RES., FXD, FILM: 2.5M OHM, 1%, 0.5W	91637	HFF129C250003B
R1719	321-0440-00			RES., FXD, FILM: 374K OHM, 1%, 0.125W	91637	MFF1816G37402F
R1720	311-1232-00			RES., VAR, NONWIR: 50K OHM, 20%, 0.50W	32997	3386F-T04-503
R1722	321-0318-00			RES., FXD, FILM: 20K OHM, 1%, 0.125W	91637	MFF1816G20001F
R1724	321-0254-00			RES., FXD, FILM: 4.32K OHM, 1%, 0.125W	91637	MFF1816G43200F
R1725	301-0104-00			RES., FXD, CMPSN: 100K OHM, 5%, 0.5W	01121	EB1045
R1726	301-0104-00			RES., FXD, CMPSN: 100K OHM, 5%, 0.5W	01121	EB1045
R1732	321-0280-00			RES., FXD, FILM: 8.06K OHM, 1%, 0.125W	91637	MFF1816G80600F
R1733	315-0755-00			RES., FXD, CMPSN: 7.5M OHM, 5%, 0.25W	01121	CB7555
R1734	321-0184-00			RES., FXD, FILM: 806 OHM, 1%, 0.125W	91637	MFF1816G806R0F
R1735	321-0269-00			RES., FXD, FILM: 6.19K OHM, 1%, 0.125W	91637	MFF1816G61900F
R1736	315-0566-00			RES., FXD, CMPSN: 56M OHM, 5%, 0.25W	01121	CB5665
R1738	315-0473-00			RES., FXD, CMPSN: 47K OHM, 5%, 0.25W	01121	CB4735
R1741	321-0275-00			RES., FXD, FILM: 7.15K OHM, 1%, 0.125W	91637	MFF1816G71500F
R1742	321-0353-00			RES., FXD, FILM: 46.4K OHM, 1%, 0.125W	91637	MFF1816G46401F



# Replaceable Electrical Parts—7104

Ckt No.	Tektronix Part No.	Serial/Model No. Eff	Dscont	Name & Description	Mfr Code	Mfr Part Number
R1743	315-0473-00			RES., FXD, CMPSN: 47K OHM, 5%, 0.25W	01121	CB4735
R1746	311-1232-00			RES., VAR, NONWIR: 50K OHM, 20%, 0.50W	32997	3386F-T04-503
R1747	315-0103-03			RES., FXD, CMPSN: 10K OHM, 5%, 0.25W	80009	315-0103-03
R1748	315-0103-03			RES., FXD, CMPSN: 10K OHM, 5%, 0.25W	80009	315-0103-03
R1750	301-0152-00			RES., FXD, CMPSN: 1.5K OHM, 5%, 0.50W	01121	EB1525
R1754	323-0540-00			RES., FXD, FILM: 4.12M OHM, 1%, 0.50W	91637	HMF129G41203F
R1755	301-0106-00			RES., FXD, CMPSN: 10M OHM, 5%, 0.50W	01121	EB1065
R1756	315-0101-00			RES., FXD, CMPSN: 100 OHM, 5%, 0.25W	01121	CB1015
R1757	321-0044-00			RES., FXD, FILM: 28 OHM, 1%, 0.125W	91637	MFF1816G28R00F
R1758	321-0033-00			RES., FXD, FILM: 21.5 OHM, 1%, 0.125W	91637	MFF1816G21R50F
R1764	301-0103-00			RES., FXD, CMPSN: 10K OHM, 5%, 0.50W	01121	EB1035
R1770	315-0470-03			RES., FXD, CMPSN: 47 OHM, 5%, 0.25W	01121	CB4705
R1771	315-0391-00			RES., FXD, CMPSN: 390 OHM, 5%, 0.25W	01121	CB3915
R1772	315-0512-00			RES., FXD, CMPSN: 5.1K OHM, 5%, 0.25W	01121	CB5125
R1774	307-0104-00			RES., FXD, CMPSN: 3.3 OHM, 5%, 0.25W	01121	CB33G5
R1776	315-0101-00			RES., FXD, CMPSN: 100 OHM, 5%, 0.25W	01121	CB1015
R1778	315-0472-00			RES., FXD, CMPSN: 4.7K OHM, 5%, 0.25W	01121	CB4725
R1783	315-0331-00			RES., FXD, CMPSN: 330 OHM, 5%, 0.25W	01121	CB3315
R1784	315-0102-03			RES., FXD, CMPSN: 1K OHM, 5%, 0.25W	80009	315-0102-03
R1785	315-0332-00			RES., FXD, CMPSN: 3.3K OHM, 5%, 0.25W	01121	CB3325
R1788	301-0105-00			RES., FXD, CMPSN: 1M OHM, 5%, 0.50W	01121	EB1055
R1789	301-0105-00			RES., FXD, CMPSN: 1M OHM, 5%, 0.50W	01121	EB1055
R1790	315-0104-03			RES., FXD, CMPSN: 100K OHM, 5%, 0.25W	01121	CB1045
R1791	315-0151-00			RES., FXD, CMPSN: 150 OHM, 5%, 0.25W	01121	CB1515
R1792	315-0103-03			RES., FXD, CMPSN: 10K OHM, 5%, 0.25W	80009	315-0103-03
R1793	315-0151-00			RES., FXD, CMPSN: 150 OHM, 5%, 0.25W	01121	CB1515
R1794	315-0183-03			RES., FXD, CMPSN: 18K OHM, 5%, 0.25W	01121	CB1835
R1795	315-0226-01			RES., FXD, CMPSN: 22M OHM, 5%, 0.25W	01121	CB2265
R1796	321-0193-00			RES., FXD, FILM: 1K OHM, 1%, 0.125W	91637	MFF1816G10000F
R1797	321-0319-00			RES., FXD, FILM: 20.5K OHM, 1%, 0.125W	91637	MFF1816G20501F
R1800	315-0683-03			RES., FXD, CMPSN: 68K OHM, 5%, 0.25W	01121	CB6835
R1802A-C	307-0556-00			RES NTWK, FXD FI: HIGH VOLTAGE DIVIDER	80009	307-0556-00
R1803	315-0204-00			RES., FXD, CMPSN: 200K OHM, 5%, 0.25W	01121	CB2045
R1804	315-0755-00			RES., FXD, CMPSN: 7.5M OHM, 5%, 0.25W	01121	CB7555
R1805	311-1235-00			RES., VAR, NONWIR: 100K OHM, 20%, 0.50W	32997	3386F-T04-104
R1806	321-0983-00			RES., FXD, FILM: 4.5M OHM, 1%, 0.125W	91637	HMF188G45003F
R1807	315-0302-00			RES., FXD, CMPSN: 3K OHM, 5%, 0.25W	01121	CB3025
R1811	301-0155-00			RES., FXD, CMPSN: 1.5M OHM, 5%, 0.50W	01121	EB1555
R1812	301-0155-00			RES., FXD, CMPSN: 1.5M OHM, 5%, 0.50W	01121	EB1555
R1813	301-0205-00			RES., FXD, CMPSN: 2M OHM, 5%, 0.50W	01121	EB2055
R1814	301-0205-00			RES., FXD, CMPSN: 2M OHM, 5%, 0.50W	01121	EB2055
R1815	315-0226-01			RES., FXD, CMPSN: 22M OHM, 5%, 0.25W	01121	CB2265
R1816	315-0103-03			RES., FXD, CMPSN: 10K OHM, 5%, 0.25W	80009	315-0103-03
R1817	315-0104-03			RES., FXD, CMPSN: 100K OHM, 5%, 0.25W	01121	CB1045
R1818	315-0183-03			RES., FXD, CMPSN: 18K OHM, 5%, 0.25W	01121	CB1835
R1819	315-0183-03			RES., FXD, CMPSN: 18K OHM, 5%, 0.25W	01121	CB1835
R1820	315-0103-03			RES., FXD, CMPSN: 10K OHM, 5%, 0.25W	80009	315-0103-03
R1821	315-0105-03			RES., FXD, CMPSN: 1M OHM, 5%, 0.25W	01121	CB1055
R1822	323-0540-00			RES., FXD, FILM: 4.12M OHM, 1%, 0.50W	91637	HMF129G41203F
R1823	323-0540-00			RES., FXD, FILM: 4.12M OHM, 1%, 0.50W	91637	HMF129G41203F
R1824	323-0540-00			RES., FXD, FILM: 4.12M OHM, 1%, 0.50W	91637	HMF129G41203F
R1825	311-1967-00			RES., VAR, NONWIR: PNL, 2M OHM, 10%, 0.50W	12697	CM41753
R1827	323-0540-00			RES., FXD, FILM: 4.12M OHM, 1%, 0.50W	91637	HMF129G41203F

Ckt No.	Tektronix Part No.	Serial/Model No. Eff	Dscont	Name & Description	Mfr Code	Mfr Part Number
R1828	323-0525-00			RES., FXD, FILM: 2.87M OHM, 1%, 0.5W	03888	PME65
R1829	323-0540-00			RES., FXD, FILM: 4.12M OHM, 1%, 0.50W	91637	HMF129G41203F
R1831	315-0102-03			RES., FXD, CMPSN: 1K OHM, 5%, 0.25W	80009	315-0102-03
R1834	315-0103-03			RES., FXD, CMPSN: 10K OHM, 5%, 0.25W	80009	315-0103-03
R1835	315-0153-03			RES., FXD, CMPSN: 15K OHM, 5%, 0.25W	01121	CB1535
R1837	315-0105-03			RES., FXD, CMPSN: 1M OHM, 5%, 0.25W	01121	CB1055
R1838	315-0153-03			RES., FXD, CMPSN: 15K OHM, 5%, 0.25W	01121	CB1535
R1839	321-0444-00			RES., FXD, FILM: 412K OHM, 1%, 0.125W	91637	MFF1816G41202F
R1840	321-0486-00			RES., FXD, FILM: 1.13M OHM, 1%, 0.125W	91637	HMF188G11303F
R1841	315-0184-01			RES., FXD, CMPSN: 180K OHM, +/-5%, 0.25W	80009	315-0184-01
R1842	315-0103-03			RES., FXD, CMPSN: 10K OHM, 5%, 0.25W	80009	315-0103-03
R1848	315-0683-03			RES., FXD, CMPSN: 68K OHM, 5%, 0.25W	01121	CB6835
R1849	315-0161-02			RES., FXD, CMPSN: 160 OHM, 5%, 0.25W	01121	CB1615
R1850	315-0161-02			RES., FXD, CMPSN: 160 OHM, 5%, 0.25W	01121	CB1615
R1852	315-0161-02			RES., FXD, CMPSN: 160 OHM, 5%, 0.25W	01121	CB1615
R1853	311-1969-00			RES., VAR, NONWIR: PNL, DUAL, 5M OHM, 20%, 0.50W	01121	72P4N048S505M
R1854	311-1969-00			RES., VAR, NONWIR: PNL, DUAL, 5M OHM, 20%, 0.50W	01121	72P4N048S505M
R1855	311-1969-00			RES., VAR, NONWIR: PNL, DUAL, 5M OHM, 20%, 0.50W	01121	72P4N048S505M
R1856	311-1969-00			RES., VAR, NONWIR: PNL, DUAL, 5M OHM, 20%, 0.50W	01121	72P4N048S505M
R1857	323-0505-00			RES., FXD, FILM: 1.78M OHM, 1%, 0.50W	91637	MFF1226G17803F
R1858	323-0505-00			RES., FXD, FILM: 1.78M OHM, 1%, 0.50W	91637	MFF1226G17803F
R1859	323-0505-00			RES., FXD, FILM: 1.78M OHM, 1%, 0.50W	91637	MFF1226G17803F
R1860	315-0161-02			RES., FXD, CMPSN: 160 OHM, 5%, 0.25W	01121	CB1615
R1862	315-0161-02			RES., FXD, CMPSN: 160 OHM, 5%, 0.25W	01121	CB1615
R1863	311-1969-00			RES., VAR, NONWIR: PNL, DUAL, 5M OHM, 20%, 0.50W	01121	72P4N048S505M
R1864	311-1969-00			RES., VAR, NONWIR: PNL, DUAL, 5M OHM, 20%, 0.50W	01121	72P4N048S505M
R1865	311-1969-00			RES., VAR, NONWIR: PNL, DUAL, 5M OHM, 20%, 0.50W	01121	72P4N048S505M
R1866	311-1969-00			RES., VAR, NONWIR: PNL, DUAL, 5M OHM, 20%, 0.50W	01121	72P4N048S505M
R1867	323-0505-00			RES., FXD, FILM: 1.78M OHM, 1%, 0.50W	91637	MFF1226G17803F
R1870	315-0161-02			RES., FXD, CMPSN: 160 OHM, 5%, 0.25W	01121	CB1615
R1872	315-0161-02			RES., FXD, CMPSN: 160 OHM, 5%, 0.25W	01121	CB1615
R1873	311-1969-00			RES., VAR, NONWIR: PNL, DUAL, 5M OHM, 20%, 0.50W	01121	72P4N048S505M
R1874	311-1969-00			RES., VAR, NONWIR: PNL, DUAL, 5M OHM, 20%, 0.50W	01121	72P4N048S505M
R1875	311-1969-00			RES., VAR, NONWIR: PNL, DUAL, 5M OHM, 20%, 0.50W	01121	72P4N048S505M
R1876	311-1969-00			RES., VAR, NONWIR: PNL, DUAL, 5M OHM, 20%, 0.50W	01121	72P4N048S505M
R1877	315-0103-03			RES., FXD, CMPSN: 10K OHM, 5%, 0.25W	80009	315-0103-03
R1880	315-0161-02			RES., FXD, CMPSN: 160 OHM, 5%, 0.25W	01121	CB1615
R1881	315-0361-00			RES., FXD, CMPSN: 360 OHM, 5%, 0.25W	01121	CB3615
R1882	323-0540-00			RES., FXD, FILM: 4.12M OHM, 1%, 0.50W	91637	HMF129G41203F
R1883	311-1968-00			RES., VAR, NONWIR: PNL, 5M OHM, 20%, 0.50W	01121	72M4N048S505M
R1884	323-0745-00			RES., FXD, FILM: 5M OHM, 1%, 0.50W	91637	MFF1226G50003F
R1885	323-0745-00			RES., FXD, FILM: 5M OHM, 1%, 0.50W	91637	MFF1226G50003F
R1886	323-0745-00			RES., FXD, FILM: 5M OHM, 1%, 0.50W	91637	MFF1226G50003F
R1887	323-0496-00			RES., FXD, FILM: 1.43M OHM, 1%, 0.50W	91637	MFF1226G14303F
R1888	311-1227-00			RES., VAR, NONWIR: 5K OHM, 20%, 0.50W	32997	3386F-T04-502
R1890	315-0151-00			RES., FXD, CMPSN: 150 OHM, 5%, 0.25W	01121	CB1515
R1891	311-1232-00			RES., VAR, NONWIR: 50K OHM, 20%, 0.50W	32997	3386F-T04-503
R1893	315-0151-00			RES., FXD, CMPSN: 150 OHM, 5%, 0.25W	01121	CB1515
R1894	311-1235-00			RES., VAR, NONWIR: 100K OHM, 20%, 0.50W	32997	3386F-T04-104
R1895	315-0151-00			RES., FXD, CMPSN: 150 OHM, 5%, 0.25W	01121	CB1515
R1896	321-0277-00			RES., FXD, FILM: 7.5K OHM, 1%, 0.125W	91637	MFF1816G75000F
R1897	321-0314-00			RES., FXD, FILM: 18.2K OHM, 1%, 0.125W	91637	MFF1816G18201F
R1900	311-1587-00			RES., VAR, NONWIR: 10K OHM, 20%, 1W	01121	12M435

# Replaceable Electrical Parts—7104

Ckt No.	Tektronix Part No.	Serial/Model No. Eff	Dscont	Name & Description	Mfr Code	Mfr Part Number
R1901	315-0106-00			RES., FXD, CMPSN: 10M OHM, 5%, 0.25W	01121	CB1065
R1902	311-1319-00			RES., VAR, NONWIR: 10K OHM, 10%, 0.75W	01121	4SP103
R1903	315-0101-00			RES., FXD, CMPSN: 100 OHM, 5%, 0.25W	01121	CB1015
R1905	315-0103-00			RES., FXD, CMPSN: 10K OHM, 5%, 0.25W	01121	CB1035
R1906	315-0103-00			RES., FXD, CMPSN: 10K OHM, 5%, 0.25W	01121	CB1035
R1908	315-0512-00			RES., FXD, CMPSN: 5.1K OHM, 5%, 0.25W	01121	CB5125
R1909	315-0244-00			RES., FXD, CMPSN: 240K OHM, 5%, 0.25W	01121	CB2445
R1910	315-0104-00			RES., FXD, CMPSN: 100K OHM, 5%, 0.25W	01121	CB1045
R1911	321-0143-00			RES., FXD, FILM: 301 OHM, 1%, 0.125W	91637	MFF1816G301ROF
R1915	315-0104-00			RES., FXD, CMPSN: 100K OHM, 5%, 0.25W	01121	CB1045
R1916	315-0512-00			RES., FXD, CMPSN: 5.1K OHM, 5%, 0.25W	01121	CB5125
R1917	315-0153-00			RES., FXD, CMPSN: 15K OHM, 5%, 0.25W	01121	CB1535
R1918	315-0106-00			RES., FXD, CMPSN: 10M OHM, 5%, 0.25W	01121	CB1065
R1919	315-0105-00			RES., FXD, CMPSN: 1M OHM, 5%, 0.25W	01121	CB1055
R1920	315-0101-00			RES., FXD, CMPSN: 100 OHM, 5%, 0.25W	01121	CB1015
R1921	315-0105-00			RES., FXD, CMPSN: 1M OHM, 5%, 0.25W	01121	CB1055
R1922	315-0202-00			RES., FXD, CMPSN: 2K OHM, 5%, 0.25W	01121	CB2025
R1923	311-1339-00			RES., VAR, NONWIR: 5K OHM, 10%, 0.50W	02111	43P502
R1924	311-1588-00			RES., VAR, NONWIR: 5K OHM, 20%, 1W	01121	12M299
R1925	315-0202-00			RES., FXD, CMPSN: 2K OHM, 5%, 0.25W	01121	CB2025
R1926	315-0101-00			RES., FXD, CMPSN: 100 OHM, 5%, 0.25W	01121	CB1015
R1927	321-0226-00			RES., FXD, FILM: 2.21K OHM, 1%, 0.125W	91637	MFF1816G22100F
R1928	321-0180-00			RES., FXD, FILM: 732 OHM, 1%, 0.125W	91637	MFF1816G732ROF
R1929	321-0190-00			RES., FXD, FILM: 931 OHM, 1%, 0.125W	91637	MFF1816G931ROF
R1930	315-0431-00			RES., FXD, CMPSN: 430 OHM, 5%, 0.25W	01121	CB4315
R1931	315-0510-00			RES., FXD, CMPSN: 51 OHM, 5%, 0.25W	01121	CB5105
R1932	323-0189-00			RES., FXD, FILM: 909 OHM, 1%, 0.50W	75042	CECT0-9090F
R1933	315-0101-00			RES., FXD, CMPSN: 100 OHM, 5%, 0.25W	01121	CB1015
R1934	315-0301-00			RES., FXD, CMPSN: 300 OHM, 5%, 0.25W	01121	CB3015
R1935	315-0473-00			RES., FXD, CMPSN: 47K OHM, 5%, 0.25W	01121	CB4735
R1936	315-0101-00			RES., FXD, CMPSN: 100 OHM, 5%, 0.25W	01121	CB1015
R1936	315-0471-00			RES., FXD, CMPSN: 470 OHM, 5%, 0.25W	01121	CB4715
R1937	315-0123-00			RES., FXD, CMPSN: 12K OHM, 5%, 0.25W	01121	CB1235
R1938	315-0331-00			RES., FXD, CMPSN: 330 OHM, 5%, 0.25W	01121	CB3315
R1940	315-0510-00			RES., FXD, CMPSN: 51 OHM, 5%, 0.25W	01121	CB5105
R1941	315-0510-00			RES., FXD, CMPSN: 51 OHM, 5%, 0.25W	01121	CB5105
R1942	315-0204-00			RES., FXD, CMPSN: 200K OHM, 5%, 0.25W	01121	CB2045
R1943	321-0097-00			RES., FXD, FILM: 100 OHM, 1%, 0.125W	91637	MFF1816G100ROF
R1944	321-0262-00			RES., FXD, FILM: 5.23K OHM, 1%, 0.125W	91637	MFF1816G52300F
R1945	301-0102-00			RES., FXD, CMPSN: 1K OHM, 5%, 0.50W	01121	EB1025
R1946	321-0097-00			RES., FXD, FILM: 100 OHM, 1%, 0.125W	91637	MFF1816G100ROF
R1948	321-0190-00			RES., FXD, FILM: 931 OHM, 1%, 0.125W	91637	MFF1816G931ROF
R1950	315-0393-00			RES., FXD, CMPSN: 39K OHM, 5%, 0.25W	01121	CB3935
R1951	321-0481-00			RES., FXD, FILM: 1M OHM, 1%, 0.125W	91637	MFF1816G10003F
R1952	321-0300-00			RES., FXD, FILM: 13K OHM, 1%, 0.125W	91637	MFF1816G13001F
R1953	315-0104-00			RES., FXD, CMPSN: 100K OHM, 5%, 0.25W	01121	CB1045
R1954	315-0104-00			RES., FXD, CMPSN: 100K OHM, 5%, 0.25W	01121	CB1045
R1955	315-0103-00			RES., FXD, CMPSN: 10K OHM, 5%, 0.25W	01121	CB1035
R1956	315-0223-00			RES., FXD, CMPSN: 22K OHM, 5%, 0.25W	01121	CB2235
R1957	315-0821-00			RES., FXD, CMPSN: 820 OHM, 5%, 0.25W	01121	CB8215
R1958	315-0625-00			RES., FXD, CMPSN: 6.2M OHM, 5%, 0.25W	01121	CB6255
R1959	321-0217-00			RES., FXD, FILM: 1.78K OHM, 1%, 0.125W	91637	MFF1816G17800F
R1960	321-0126-00			RES., FXD, FILM: 200 OHM, 1%, 0.125W	91637	MFF1816G200ROF

Ckt No.	Tektronix Part No.	Serial/Model No. Eff	Dscont	Name & Description	Mfr Code	Mfr Part Number
R1961	315-0102-00			RES., FXD, CMPSN: 1K OHM, 5%, 0.25W	01121	CB1025
R1962	315-0514-00			RES., FXD, CMPSN: 510K OHM, 5%, 0.25W	01121	CB5145
R1963	321-0283-00			RES., FXD, FILM: 8.66K OHM, 1%, 0.125W	91637	MFF1816G86600F
R1964	321-0205-00			RES., FXD, FILM: 1.33K OHM, 1%, 0.125W	91637	MFF1816G13300F
R1965	321-0260-00			RES., FXD, FILM: 4.99K OHM, 1%, 0.125W	91637	MFF1816G49900F
R1966	315-0103-00			RES., FXD, CMPSN: 10K OHM, 5%, 0.25W	01121	CB1035
R1967	315-0473-00			RES., FXD, CMPSN: 47K OHM, 5%, 0.25W	01121	CB4735
R1968	315-0104-00			RES., FXD, CMPSN: 100K OHM, 5%, 0.25W	01121	CB1045
R1969	315-0152-00			RES., FXD, CMPSN: 1.5K OHM, 5%, 0.25W	01121	CB1525
R1970	315-0152-00			RES., FXD, CMPSN: 1.5K OHM, 5%, 0.25W	01121	CB1525
R1971	315-0625-00			RES., FXD, CMPSN: 6.2M OHM, 5%, 0.25W	01121	CB6255
R1972	315-0103-00			RES., FXD, CMPSN: 10K OHM, 5%, 0.25W	01121	CB1035
R1973	315-0103-00			RES., FXD, CMPSN: 10K OHM, 5%, 0.25W	01121	CB1035
R1974	315-0104-00			RES., FXD, CMPSN: 100K OHM, 5%, 0.25W	01121	CB1045
R1975	315-0332-00			RES., FXD, CMPSN: 3.3K OHM, 5%, 0.25W	01121	CB3325
R1976	315-0104-00			RES., FXD, CMPSN: 100K OHM, 5%, 0.25W	01121	CB1045
R1977	315-0433-00			RES., FXD, CMPSN: 43K OHM, 5%, 0.25W	01121	CB4335
R1979	321-0296-00			RES., FXD, FILM: 11.8K OHM, 1%, 0.125W	91637	MFF1816G11801F
R1980	315-0101-00			RES., FXD, CMPSN: 100 OHM, 5%, 0.25W	01121	CB1015
R1981	315-0152-00			RES., FXD, CMPSN: 1.5K OHM, 5%, 0.25W	01121	CB1525
R1982	315-0152-00			RES., FXD, CMPSN: 1.5K OHM, 5%, 0.25W	01121	CB1525
R1983	321-0243-00			RES., FXD, FILM: 3.32K OHM, 1%, 0.125W	91637	MFF1816G33200F
R1985	315-0154-00			RES., FXD, CMPSN: 150K OHM, 5%, 0.25W	01121	CB1545
R1986	315-0101-00			RES., FXD, CMPSN: 100 OHM, 5%, 0.25W	01121	CB1015
R1987	315-0471-00			RES., FXD, CMPSN: 470 OHM, 5%, 0.25W	01121	CB4715
R1988	315-0152-00			RES., FXD, CMPSN: 1.5K OHM, 5%, 0.25W	01121	CB1525
R1989	315-0103-00			RES., FXD, CMPSN: 10K OHM, 5%, 0.25W	01121	CB1035
R1990	315-0101-00			RES., FXD, CMPSN: 100 OHM, 5%, 0.25W	01121	CB1015
R1991	315-0103-00			RES., FXD, CMPSN: 10K OHM, 5%, 0.25W	01121	CB1035
R1992	315-0152-00			RES., FXD, CMPSN: 1.5K OHM, 5%, 0.25W	01121	CB1525
R1993	315-0104-00			RES., FXD, CMPSN: 100K OHM, 5%, 0.25W	01121	CB1045
R1994	315-0152-00			RES., FXD, CMPSN: 1.5K OHM, 5%, 0.25W	01121	CB1525
R1995	315-0103-00			RES., FXD, CMPSN: 10K OHM, 5%, 0.25W	01121	CB1035
R1996	315-0104-00			RES., FXD, CMPSN: 100K OHM, 5%, 0.25W	01121	CB1045
R1997	315-0104-00			RES., FXD, CMPSN: 100K OHM, 5%, 0.25W	01121	CB1045
R1998	315-0202-00			RES., FXD, CMPSN: 2K OHM, 5%, 0.25W	01121	CB2025
R1999	315-0101-00			RES., FXD, CMPSN: 100 OHM, 5%, 0.25W	01121	CB1015
R2005	311-1372-00			RES., VAR, NONWIR: 100K OHM, 20%, 1W	01121	73M1G040L104M
R2007	315-0622-00			RES., FXD, CMPSN: 6.2K OHM, 5%, 0.25W	01121	CB6225
R2008	315-0303-00			RES., FXD, CMPSN: 30K OHM, 5%, 0.25W	01121	CB3035
R2009	321-0193-00			RES., FXDFILM: 1K OHM, 1%, 0.125W	91637	MFF1816G10000F
R2146	315-0152-00			RES., FXD, CMPSN: 1.5K OHM, 5%, 0.25W	01121	CB1525
R2010	311-1375-00			RES., VAR, NONWIR: 10K OHM, 20%, 1W	01121	73M1G040L103M
R2015	311-1372-00			RES., VAR, NONWIR: 100K OHM, 20%, 1W	01121	73M1G040L104M
R2016	315-0154-00			RES., FXD, CMPSN: 150K OHM, 5%, 0.25W	01121	CB1545
R2017	315-0622-00			RES., FXD, CMPSN: 6.2K OHM, 5%, 0.25W	01121	CB6225
R2018	315-0303-00			RES., FXD, CMPSN: 30K OHM, 5%, 0.25W	01121	CB3035
R2019	321-0193-00			RES., FXD, FILM: 1K OHM, 1%, 0.125W	91637	MFF1816G10000F
R2020	311-1375-00			RES., VAR, NONWIR: 10K OHM, 20%, 1W	01121	73M1G040L103M
R2025	311-1973-00			RES., VAR, NONWIR: PNL, 2.5M OHM, 20%, 0.75W	01121	73M1G040L255M
R2035	311-1972-00			RES., VAR, NONWIR: PNL, 2K OHM, 10%, 2.0 W	01121	70N1G100L202W
R2101	315-0682-00			RES., FXD, CMPSN: 6.8K OHM, 5%, 0.25W	01121	CB6825
R2102	315-0103-00			RES., FXD, CMPSN: 10K OHM, 5%, 0.25W	01121	CB1035

# Replaceable Electrical Parts—7104

Ckt No.	Tektronix Part No.	Serial/Model No. Eff	Dscont	Name & Description	Mfr Code	Mfr Part Number
R2104	315-0333-00			RES., FXD, CMPSN: 33K OHM, 5%, 0.25W	01121	CB3335
R2105	315-0153-00			RES., FXD, CMPSN: 15K OHM, 5%, 0.25W	01121	CB1535
R2107	315-0510-00			RES., FXD, CMPSN: 51 OHM, 5%, 0.25W	01121	CB5105
R2108	315-0512-00			RES., FXD, CMPSN: 5.1K OHM, 5%, 0.25W	01121	CB5125
R2109	315-0221-00			RES., FXD, CMPSN: 220 OHM, 5%, 0.25W	01121	CB2215
R2112	315-0102-00			RES., FXD, CMPSN: 1K OHM, 5%, 0.25W	01121	CB1025
R2113	315-0301-00			RES., FXD, CMPSN: 300 OHM, 5%, 0.25W	01121	CB3015
R2122	315-0432-00			RES., FXD, CMPSN: 4.3K OHM, 5%, 0.25W	01121	CB4325
R2123	315-0683-00			RES., FXD, CMPSN: 68K OHM, 5%, 0.25W	01121	CB6835
R2127	315-0302-00			RES., FXD, CMPSN: 3K OHM, 5%, 0.25W	01121	CB3025
R2128	311-1263-00			RES., VAR, NONWIR: 1K OHM, 10%, 0.50W	32997	3329P-L58-102
R2129	315-0183-00			RES., FXD, CMPSN: 18K OHM, 5%, 0.25W	01121	CB1835
R2135	315-0393-00			RES., FXD, CMPSN: 39K OHM, 5%, 0.25W	01121	CB3935
R2137	315-0752-00			RES., FXD, CMPSN: 7.5K OHM, 5%, 0.25W	01121	CB7525
R2139	315-0242-00			RES., FXD, CMPSN: 2.4K OHM, 5%, 0.25W	01121	CB2425
R2144	315-0104-00			RES., FXD, CMPSN: 100K OHM, 5%, 0.25W	01121	CB1045
R2146	315-0152-00			RES., FXD, CMPSN: 1.5K OHM, 5%, 0.25W	01121	CB1525
R2148	315-0103-00			RES., FXD, CMPSN: 10K OHM, 5%, 0.25W	01121	CB1035
R2150	321-0403-00			RES., FXD, FILM: 154K OHM, 1%, 0.125W	91637	MFF1816G15402F
R2151	321-0372-00			RES., FXD, FILM: 73.2K OHM, 1%, 0.125W	91637	MFF1816G73201F
R2153	315-0103-00			RES., FXD, CMPSN: 10K OHM, 5%, 0.25W	01121	CB1035
R2155	315-0512-00			RES., FXD, CMPSN: 5.1K OHM, 5%, 0.25W	01121	CB5125
R2158	315-0152-00			RES., FXD, CMPSN: 1.5K OHM, 5%, 0.25W	01121	CB1525
R2161	315-0102-00			RES., FXD, CMPSN: 1K OHM, 5%, 0.25W	01121	CB1025
R2162	315-0751-00			RES., FXD, CMPSN: 750 OHM, 5%, 0.25W	01121	CB7515
R2163	315-0751-00			RES., FXD, CMPSN: 750 OHM, 5%, 0.25W	01121	CB7515
R2165	315-0102-00			RES., FXD, CMPSN: 1K OHM, 5%, 0.25W	01121	CB1025
R2166	315-0751-00			RES., FXD, CMPSN: 750 OHM, 5%, 0.25W	01121	CB7515
R2167	315-0751-00			RES., FXD, CMPSN: 750 OHM, 5%, 0.25W	01121	CB7515
R2169	315-0102-00			RES., FXD, CMPSN: 1K OHM, 5%, 0.25W	01121	CB1025
R2170	315-0751-00			RES., FXD, CMPSN: 750 OHM, 5%, 0.25W	01121	CB7515
R2171	315-0751-00			RES., FXD, CMPSN: 750 OHM, 5%, 0.25W	01121	CB7515
R2173	315-0102-00			RES., FXD, CMPSN: 1K OHM, 5%, 0.25W	01121	CB1025
R2174	315-0751-00			RES., FXD, CMPSN: 750 OHM, 5%, 0.25W	01121	CB7515
R2175	315-0751-00			RES., FXD, CMPSN: 750 OHM, 5%, 0.25W	01121	CB7515
R2177	315-0511-00			RES., FXD, CMPSN: 510 OHM, 5%, 0.25W	01121	CB5115
R2178	315-0511-00			RES., FXD, CMPSN: 510 OHM, 5%, 0.25W	01121	CB5115
R2179	315-0511-00			RES., FXD, CMPSN: 510 OHM, 5%, 0.25W	01121	CB5115
R2182	321-0262-00			RES., FXD, FILM: 5.23K OHM, 1%, 0.125W	91637	MFF1816G52300F
R2183	311-1224-00			RES., VAR, NONWIR: 500 OHM, 20%, 0.50W	32997	3386F-T04-501
R2191	315-0513-00			RES., FXD, CMPSN: 51K OHM, 5%, 0.25W	01121	CB5135
R2192	315-0133-00			RES., FXD, CMPSN: 13K OHM, 5%, 0.25W	01121	CB1335
R2193	315-0133-00			RES., FXD, CMPSN: 13K OHM, 5%, 0.25W	01121	CB1335
R2194	315-0753-00			RES., FXD, CMPSN: 75K OHM, 5%, 0.25W	01121	CB7535
R2196	321-0308-00			RES., FXD, FILM: 15.8K OHM, 1%, 0.125W	91637	MFF1816G15801F
R2197	315-0513-00			RES., FXD, CMPSN: 51K OHM, 5%, 0.25W	01121	CB5135
R2198	321-0319-00			RES., FXD, FILM: 20.5K OHM, 1%, 0.125W	91637	MFF1816G20501F
R2199	321-0335-00			RES., FXD, FILM: 30.1K OHM, 1%, 0.125W	91637	MFF1816G30101F
R2201	315-0154-00			RES., FXD, CMPSN: 150K OHM, 5%, 0.25W	01121	CB1545
R2202	321-0335-00			RES., FXD, FILM: 30.1K OHM, 1%, 0.125W	91637	MFF1816G30101F
R2203	321-0344-00			RES., FXD, FILM: 37.4K OHM, 1%, 0.125W	91637	MFF1816G37401F
R2204	321-0335-00			RES., FXD, FILM: 30.1K OHM, 1%, 0.125W	91637	MFF1816G30101F
R2206	315-0513-00			RES., FXD, CMPSN: 51K OHM, 5%, 0.25W	01121	CB5135

Ckt No.	Tektronix Part No.	Serial/Model No. Eff	Dscont	Name & Description	Mfr Code	Mfr Part Number
R2207	315-0154-00			RES., FXD, CMPSN: 150K OHM, 5%, 0.25W	01121	CB1545
R2208	321-0335-00			RES., FXD, FILM: 30.1K OHM, 1%, 0.125W	91637	MFF1816G30101F
R2209	321-0335-00			RES., FXD, FILM: 30.1K OHM, 1%, 0.125W	91637	MFF1816G30101F
R2211	315-0752-00			RES., FXD, CMPSN: 7.5K OHM, 5%, 0.25W	01121	CB7525
R2213	321-0259-00			RES., FXD, FILM: 4.87K OHM, 1%, 0.125W	91637	MFF1816G48700F
R2214	311-1224-00			RES., VAR, NONWIR: 500 OHM, 20%, 0.50W	32997	3386F-T04-501
R2215	315-0133-00			RES., FXD, CMPSN: 13K OHM, 5%, 0.25W	01121	CB1335
R2217	315-0124-00			RES., FXD, CMPSN: 120K OHM, 5%, 0.25W	01121	CB1245
R2219	315-0751-00			RES., FXD, CMPSN: 750 OHM, 5%, 0.25W	01121	CB7515
R2220	321-0299-00			RES., FXD, FILM: 12.7K OHM, 1%, 0.125W	91637	MFF1816G12701F
R2221	321-0212-00			RES., FXD, FILM: 1.58K OHM, 1%, 0.125W	91637	MFF1816G15800F
R2226	315-0222-00			RES., FXD, CMPSN: 2.2K OHM, 5%, 0.25W	01121	CB2225
R2227	321-0268-00			RES., FXD, FILM: 6.04K OHM, 1%, 0.125W	91637	MFF1816G60400F
R2229	321-0210-00			RES., FXD, FILM: 1.5K OHM, 1%, 0.125W	91637	MFF1816G15000F
R2231	315-0303-00			RES., FXD, CMPSN: 30K OHM, 5%, 0.25W	01121	CB3035
R2235	315-0203-00			RES., FXD, CMPSN: 20K OHM, 5%, 0.25W	01121	CB2035
R2236	315-0203-00			RES., FXD, CMPSN: 20K OHM, 5%, 0.25W	01121	CB2035
R2237	315-0203-00			RES., FXD, CMPSN: 20K OHM, 5%, 0.25W	01121	CB2035
R2238	315-0203-00			RES., FXD, CMPSN: 20K OHM, 5%, 0.25W	01121	CB2035
R2241	321-0326-00			RES., FXD, FILM: 24.3K OHM, 1%, 0.125W	91637	MFF1816G24301F
R2251	315-0102-00			RES., FXD, CMPSN: 1K OHM, 5%, 0.25W	01121	CB1025
R2252	315-0102-00			RES., FXD, CMPSN: 1K OHM, 5%, 0.25W	01121	CB1025
R2253	315-0102-00			RES., FXD, CMPSN: 1K OHM, 5%, 0.25W	01121	CB1025
R2254	315-0303-00			RES., FXD, CMPSN: 30K OHM, 5%, 0.25W	01121	CB3035
R2261	315-0272-00			RES., FXD, CMPSN: 2.7K OHM, 5%, 0.25W	01121	CB2725
R2262	315-0102-00			RES., FXD, CMPSN: 1K OHM, 5%, 0.25W	01121	CB1025
R2265	315-0512-00			RES., FXD, CMPSN: 5.1K OHM, 5%, 0.25W	01121	CB5125
R2266	315-0912-00			RES., FXD, CMPSN: 9.1K OHM, 5%, 0.25W	01121	CB9125
R2268	321-0296-00			RES., FXD, FILM: 11.8K OHM, 1%, 0.125W	91637	MFF1816G11801F
R2273	311-1226-00			RES., VAR, NONWIR: 2.5K OHM, 20%, 0.50W	32997	3386F-T04-252
R2274	321-0153-00			RES., FXD, FILM: 383 OHM, 1%, 0.125W	91637	MFF1816G383R0F
R2275	321-0170-00			RES., FXD, FILM: 576 OHM, 1%, 0.125W	91637	MFF1816G576R0F
R2276	315-0223-00			RES., FXD, CMPSN: 22K OHM, 5%, 0.25W	01121	CB2235
R2277	321-0250-00			RES., FXD, FILM: 3.92K OHM, 1%, 0.125W	91637	MFF1816G39200F
R2278	315-0823-00			RES., FXD, CMPSN: 82K OHM, 5%, 0.25W	01121	CB8235
R2279	321-0222-00			RES., FXD, FILM: 2K OHM, 1%, 0.125W	91637	MFF1816G20000F
R2280	315-0823-00			RES., FXD, CMPSN: 82K OHM, 5%, 0.25W	01121	CB8235
R2281	315-0100-00			RES., FXD, CMPSN: 10 OHM, 5%, 0.25W	01121	CB1005
R2282	315-0332-00			RES., FXD, CMPSN: 3.3K OHM, 5%, 0.25W	01121	CB3325
R2283	315-0753-00			RES., FXD, CMPSN: 75K OHM, 5%, 0.25W	01121	CB7535
R2284	321-0216-00			RES., FXD, FILM: 1.74K OHM, 1%, 0.125W	91637	MFF1816G17400F
R2285	321-0245-00			RES., FXD, FILM: 3.48K OHM, 1%, 0.125W	91637	MFF1816G34800F
R2286	321-0209-00			RES., FXD, FILM: 1.47K OHM, 1%, 0.125W	91637	MFF1816G14700F
R2287	321-0199-00			RES., FXD, FILM: 1.15K OHM, 1%, 0.125W	91637	MFF1816G11500F
R2288	321-0273-00			RES., FXD, FILM: 6.81K OHM, 1%, 0.125W	91637	MFF1816G68100F
R2289	321-0193-00			RES., FXD, FILM: 1K OHM, 1%, 0.125W	91637	MFF1816G10000F
R2291	311-1225-00			RES., VAR, NONWIR: 1K OHM, 20%, 0.50W	32997	3386F-T04-102
R2292	315-0132-00			RES., FXD, CMPSN: 1.3K OHM, 5%, 0.25W	01121	CB1325
R2293	321-0245-00			RES., FXD, FILM: 3.48K OHM, 1%, 0.125W	91637	MFF1816G34800F
R2294	321-0255-00			RES., FXD, FILM: 4.42K OHM, 1%, 0.125W	91637	MFF1816G44200F
R2295	321-0241-00			RES., FXD, FILM: 3.16K OHM, 1%, 0.125W	91637	MFF1816G31600F
R2297	315-0152-00			RES., FXD, CMPSN: 1.5K OHM, 5%, 0.25W	01121	CB1525
R2298	315-0102-00			RES., FXD, CMPSN: 1K OHM, 5%, 0.25W	01121	CB1025

Replaceable Electrical Parts—7104

Ckt No.	Tektronix Part No.	Serial/Model No. Eff	Discont	Name & Description	Mfr Code	Mfr Part Number
R2299	315-0431-00			RES., FXD, CMPSN: 430 OHM, 5%, 0.25W	01121	CB4315
R4302	315-0100-00			RES., FXD, CMPSN: 10 OHM, 5%, 0.25W	01121	CB1005
R4304	315-0223-00			RES., FXD, CMPSN: 22K OHM, 5%, 0.25W	01121	CB2235
R4305	321-0193-00			RES., FXD, FILM: 1K OHM, 1%, 0.125W	91637	MFF1816G10000F
R4306	315-0223-00			RES., FXD, CMPSN: 22K OHM, 5%, 0.25W	01121	CB2235
R4307	321-0193-00			RES., FXD, FILM: 1K OHM, 1%, 0.125W	91637	MFF1816G10000F
R4312	321-0147-00			RES., FXD, FILM: 332 OHM, 1%, 0.125W	91637	MFF1816G332ROF
R4313	321-0239-00			RES., FXD, FILM: 3.01K OHM, 1%, 0.125W	91637	MFF1816G30100F
R4314	315-0912-00			RES., FXD, CMPSN: 9.1K OHM, 5%, 0.25W	01121	CB9125
R4315	315-0512-00			RES., FXD, CMPSN: 5.1K OHM, 5%, 0.25W	01121	CB5125
R4316	315-0201-00			RES., FXD, CMPSN: 200 OHM, 5%, 0.25W	01121	CB2015
R4318	315-0101-00			RES., FXD, CMPSN: 100 OHM, 5%, 0.25W	01121	CB1015
R4319	315-0512-00			RES., FXD, CMPSN: 5.1K OHM, 5%, 0.25W	01121	CB5125
R4322	315-0202-00			RES., FXD, CMPSN: 2K OHM, 5%, 0.25W	01121	CB2025
R4327	315-0332-00			RES., FXD, CMPSN: 3.3K OHM, 5%, 0.25W	01121	CB3325
R4333	315-0682-00			RES., FXD, CMPSN: 6.8K OHM, 5%, 0.25W	01121	CB6825
R4334	315-0303-00			RES., FXD, CMPSN: 30K OHM, 5%, 0.25W	01121	CB3035
R4335	315-0512-00			RES., FXD, CMPSN: 5.1K OHM, 5%, 0.25W	01121	CB5125
R4336	315-0752-00			RES., FXD, CMPSN: 7.5K OHM, 5%, 0.25W	01121	CB7525
R4342	315-0271-00			RES., FXD, CMPSN: 270 OHM, 5%, 0.25W	01121	CB2715
R4343	315-0222-00			RES., FXD, CMPSN: 2.2K OHM, 5%, 0.25W	01121	CB2225
R4344	315-0271-00			RES., FXD, CMPSN: 270 OHM, 5%, 0.25W	01121	CB2715
R4345	315-0332-00			RES., FXD, CMPSN: 3.3K OHM, 5%, 0.25W	01121	CB3325
R4354	315-0332-00			RES., FXD, CMPSN: 3.3K OHM, 5%, 0.25W	01121	CB3325
R4356	315-0152-00			RES., FXD, CMPSN: 1.5K OHM, 5%, 0.25W	01121	CB1525
R4357	315-0102-00			RES., FXD, CMPSN: 1K OHM, 5%, 0.25W	01121	CB1025
R4358	315-0152-00			RES., FXD, CMPSN: 1.5K OHM, 5%, 0.25W	01121	CB1525
R4363	315-0102-00			RES., FXD, CMPSN: 1K OHM, 5%, 0.25W	01121	CB1025
R4366	315-0332-00			RES., FXD, CMPSN: 3.3K OHM, 5%, 0.25W	01121	CB3325
R4367	315-0152-00			RES., FXD, CMPSN: 1.5K OHM, 5%, 0.25W	01121	CB1525
R4369	315-0202-00			RES., FXD, CMPSN: 2K OHM, 5%, 0.25W	01121	CB2025
R4374	315-0103-00			RES., FXD, CMPSN: 10K OHM, 5%, 0.25W	01121	CB1035
R4380	315-0302-00			RES., FXD, CMPSN: 3K OHM, 5%, 0.25W	01121	CB3025
R4381	315-0303-00			RES., FXD, CMPSN: 30K OHM, 5%, 0.25W	01121	CB3035
R4382	315-0182-00			RES., FXD, CMPSN: 1.8K OHM, 5%, 0.25W	01121	CB1825
R4390	315-0301-00			RES., FXD, CMPSN: 300 OHM, 5%, 0.25W	01121	CB3015
R4391	315-0102-00			RES., FXD, CMPSN: 1K OHM, 5%, 0.25W	01121	CB1025
R4392	315-0332-00			RES., FXD, CMPSN: 3.3K OHM, 5%, 0.25W	01121	CB3325
R4394	315-0100-00			RES., FXD, CMPSN: 10 OHM, 5%, 0.25W	01121	CB1005
R4413	315-0332-00			RES., FXD, CMPSN: 3.3K OHM, 5%, 0.25W	01121	CB3325
R4422	315-0153-00			RES., FXD, CMPSN: 15K OHM, 5%, 0.25W	01121	CB1535
R4423	315-0201-00			RES., FXD, CMPSN: 200 OHM, 5%, 0.25W	01121	CB2015
R4424	315-0512-00			RES., FXD, CMPSN: 5.1K OHM, 5%, 0.25W	01121	CB5125
R4425	315-0201-00			RES., FXD, CMPSN: 200 OHM, 5%, 0.25W	01121	CB2015
R4431	315-0152-00			RES., FXD, CMPSN: 1.5K OHM, 5%, 0.25W	01121	CB1525
R4432	315-0222-00			RES., FXD, CMPSN: 2.2K OHM, 5%, 0.25W	01121	CB2225
R4437	315-0103-00			RES., FXD, CMPSN: 10K OHM, 5%, 0.25W	01121	CB1035
R4438	315-0821-00			RES., FXD, CMPSN: 820 OHM, 5%, 0.25W	01121	CB8215
R4441	315-0822-00			RES., FXD, CMPSN: 8.2K OHM, 5%, 0.25W	01121	CB8225
R4442	315-0132-00			RES., FXD, CMPSN: 1.3K OHM, 5%, 0.25W	01121	CB1325
R4448	315-0271-00			RES., FXD, CMPSN: 270 OHM, 5%, 0.25W	01121	CB2715
R4449	315-0302-00			RES., FXD, CMPSN: 3K OHM, 5%, 0.25W	01121	CB3025
R4456	315-0102-00			RES., FXD, CMPSN: 1K OHM, 5%, 0.25W	01121	CB1025

Ckt No.	Tektronix Part No.	Serial/Model No. Eff	Dscont	Name & Description	Mfr Code	Mfr Part Number
R4461	321-0290-00			RES., FXD, FILM: 10.2K OHM, 1%, 0.125W	91637	MFF1816G10201F
R4462	321-0246-00			RES., FXD, FILM: 3.57K OHM, 1%, 0.125W	91637	MFF1816G35700F
R4467	321-0290-00			RES., FXD, FILM: 10.2K OHM, 1%, 0.125W	91637	MFF1816G10201F
R4468	321-0246-00			RES., FXD, FILM: 3.57K OHM, 1%, 0.125W	91637	MFF1816G35700F
R4470	315-0100-00			RES., FXD, CMPSN: 10 OHM, 5%, 0.25W	01121	CB1005
R4471	321-0243-00			RES., FXD, FILM: 3.32K OHM, 1%, 0.125W	91637	MFF1816G33200F
R4472	315-0242-00			RES., FXD, CMPSN: 2.4K OHM, 5%, 0.25W	01121	CB2425
R4473	315-0622-00			RES., FXD, CMPSN: 6.2K OHM, 5%, 0.25W	01121	CB6225
R4474	315-0622-00			RES., FXD, CMPSN: 6.2K OHM, 5%, 0.25W	01121	CB6225
R4475	315-0151-00			RES., FXD, CMPSN: 150 OHM, 5%, 0.25W	01121	CB1515
R4476	321-0243-00			RES., FXD, FILM: 3.32K OHM, 1%, 0.125W	91637	MFF1816G33200F
R4477	315-0103-00			RES., FXD, CMPSN: 10K OHM, 5%, 0.25W	01121	CB1035
R4478	321-0205-00			RES., FXD, FILM: 1.33K OHM, 1%, 0.125W	91637	MFF1816G13300F
R4480	315-0511-00			RES., FXD, CMPSN: 510 OHM, 5%, 0.25W	01121	CB5115
R4481	315-0332-00			RES., FXD, CMPSN: 3.3K OHM, 5%, 0.25W	01121	CB3325
R4482	321-0222-00			RES., FXD, FILM: 2K OHM, 1%, 0.125W	91637	MFF1816G20000F
R4483	321-0222-00			RES., FXD, FILM: 2K OHM, 1%, 0.125W	91637	MFF1816G20000F
R4484	315-0913-00			RES., FXD, CMPSN: 91K OHM, 5%, 0.25W	01121	CB9135
R4485	315-0201-00			RES., FXD, CMPSN: 200 OHM, 5%, 0.25W	01121	CB2015
R4486	315-0152-00			RES., FXD, CMPSN: 1.5K OHM, 5%, 0.25W	01121	CB1525
R4487	315-0203-00			RES., FXD, CMPSN: 20K OHM, 5%, 0.25W	01121	CB2035
R4488	315-0752-00			RES., FXD, CMPSN: 7.5K OHM, 5%, 0.25W	01121	CB7525
R4489	315-0101-00			RES., FXD, CMPSN: 100 OHM, 5%, 0.25W	01121	CB1015
R4490	315-0102-00			RES., FXD, CMPSN: 1K OHM, 5%, 0.25W	01121	CB1025
R4491	315-0203-00			RES., FXD, CMPSN: 20K OHM, 5%, 0.25W	01121	CB2035
R4492	315-0102-00			RES., FXD, CMPSN: 1K OHM, 5%, 0.25W	01121	CB1025
R4493	315-0431-00			RES., FXD, CMPSN: 430 OHM, 5%, 0.25W	01121	CB4315
R4494	315-0911-00			RES., FXD, CMPSN: 910 OHM, 5%, 0.25W	01121	CB9115
R4496	315-0431-00			RES., FXD, CMPSN: 430 OHM, 5%, 0.25W	01121	CB4315
R4498	315-0202-00			RES., FXD, CMPSN: 2K OHM, 5%, 0.25W	01121	CB2025
R4501	321-0385-00			RES., FXD, FILM: 100K OHM, 1%, 0.125W	91637	MFF1816G10002F
R4502	321-0357-00			RES., FXD, FILM: 51.1K OHM, 1%, 0.125W	91637	MFF1816G51101F
R4503	321-0385-00			RES., FXD, FILM: 100K OHM, 1%, 0.125W	91637	MFF1816G10002F
R4504	321-0238-00			RES., FXD, FILM: 2.94K OHM, 1%, 0.125W	91637	MFF1816G29400F
R4505	321-0193-00			RES., FXD, FILM: 1K OHM, 1%, 0.125W	91637	MFF1816G10000F
R4506	321-0281-00			RES., FXD, FILM: 8.25K OHM, 1%, 0.125W	91637	MFF1816G82500F
R4507	321-0254-00			RES., FXD, FILM: 4.32K OHM, 1%, 0.125W	91637	MFF1816G43200F
R4508	321-0363-00			RES., FXD, FILM: 59K OHM, 1%, 0.125W	91637	MFF1816G59001F
R4509	321-0387-00			RES., FXD, FILM: 105K OHM, 1%, 0.125W	91637	MFF1816G10502F
RT813	307-0127-00			RES., THERMAL: 1K OHM, 10%	50157	2D1596
RT1080	307-0181-00			RES., THERMAL: 100K OHM, 10%, 4MW/DEG C	15454	1DE104-K-220EC
RT1209	307-0353-00			RES., THERMAL: 5 OHM, 10%	15454	50A5R0-K270SS-SI
RT1213	307-0353-00			RES., THERMAL: 5 OHM, 10%	15454	50A5R0-K270SS-SI
RT1696	307-0124-00			RES., THERMAL: 5K OHM, 10%	50157	1D1618
RT1804	307-0181-00			RES., THERMAL: 100K OHM, 10%, 4MW/DEG C	15454	1DE104-K-220EC
S70	260-0638-00			SW, THERMOSTATIC: 10A, 240V, OPEN 75 DEG C	93410	110-364
S315	263-0021-02			SWITCH, PB ASSY: 4 LATCH, 7.5MM, 8 CONTACTS	80009	263-0021-02
S325	263-0022-02			SWITCH, PB ASSY: 5 LATCH, 7.5MM, 6 CONTACTS	80009	263-0022-02
S345	263-0013-10			SWITCH, PB ASSY: 3 LATCH, 10MM, W/3 CONTACTS	80009	263-0013-10
S365	263-0013-10			SWITCH, PB ASSY: 3 LATCH, 10MM, W/3 CONTACTS	80009	263-0013-10
S395	263-0013-11			SWITCH, PB ASSY: 3 LATCH, 10MM, 5 CONTACTS	80009	263-0013-11
S1200	260-1709-00			SWITCH, PUSH: POWER	77342	A9M1-762-6-3



Replaceable Electrical Parts—7104

Ckt No.	Tektronix Part No.	Serial/Model No. Eff	Discont	Name & Description	Mfr Code	Mfr Part Number
S1212	260-0450-00			SWITCH,SLIDE:3 POS,DOUBLE POLE	82389	11D-1007
S1540	260-1300-00			SWITCH,SLIDE:DPDT,3A,125V	82389	46206LFE
S1900	311-1587-00			RES.,VAR, NONWIR:10K OHM,20%,1W	01121	12M435
S1905	260-1380-00			SWITCH,PUSH:2 STATION,NON SHORT,INTLK	80009	260-1380-00
S1910	260-1380-00			SWITCH,PUSH:2 STATION,NON SHORT,INTLK	80009	260-1380-00
S1915	260-1380-00			SWITCH,PUSH:2 STATION,NON SHORT,INTLK	80009	260-1380-00
S1920	260-1380-00			SWITCH,PUSH:2 STATION,NON SHORT,INTLK	80009	260-1380-00
S1924	311-1588-00			RES.,VAR, NONWIR:5K OHM,20%,1W	01121	12M299
S1930	260-1208-00			SWITCH,PUSH:DPDT	80009	260-1208-00
S1940	260-1208-00			SWITCH,PUSH:DPDT	80009	260-1208-00
S1988	260-0247-00			SWITCH,PUSH:SPST,1A,115VAC	81073	30YY1009
S2005	260-1208-00			SWITCH,PUSH:DPDT	80009	260-1208-00
S2110	260-0723-00			SWITCH,SLIDE;DPDT,0.5A,125VAC	79727	GF126-0028
S4488	260-1811-00			SWITCH,SLIDE:DPDT,0.5A,125VAC DC	82389	C56206L2
T1208	120-0636-00			XFMR,PWR,STPDN:PRI 2.625V,SEC 1V,0.005A	80009	120-0636-00
T1225	120-0743-00			XFMR,TOROID:13 TURNS,BIFILAR	80009	120-0743-00
T1230	120-0744-00			XFMR,TOROID:5 WINDINGS	80009	120-0744-00
T1235	120-0747-00			XFMR,TOROID:55 TURNS,SINGLE	80009	120-0747-00
T1310	120-1183-00			XFMR,PWR,STPDN:HIG HIGH FREQUENCY	80009	120-1183-00
T1664	120-0487-00			XFMR,TOROID:5 TURNS BIFILAR	80009	120-0487-00
T1708	120-1174-00			XFMR,PWR,STU:HIG HIGH VOLTAGE	80009	120-1174-00
T1770	120-1173-00			XFMR,PWR,SDN&SU:HIG HIGH VOLTAGE	80009	120-1173-00
U232	155-0173-00			MICROCIRCUIT,LI:VERTICAL CHANNEL SWITCH	80009	155-0173-00
U252	156-0158-00			MICROCIRCUIT,LI:DUAL OPERATIONAL AMPLIFIER	80009	156-0158-00
U274	155-0175-00			MICROCIRCUIT,LI:TRIGGER AMPLIFIER	80009	155-0175-00
U352	156-0384-00			MICROCIRCUIT,DI:QUAD 2-INPUT NAND GATE	27014	DM74LS034
U362	156-0386-00			MICROCIRCUIT,DI:TRIPLE 3-INPUT NAND GATE	01295	SN74LS10N
U364	156-0382-00			MICROCIRCUIT,DI:QUAD 2-INPUT NAND GATE	01295	SN74LS00N
U366	156-0382-00			MICROCIRCUIT,DI:QUAD 2-INPUT NAND GATE	01295	SN74LS00N
U368	156-0722-00			MICROCIRCUIT,DI:TRIPLE 3-INP NAND GATE	80009	156-0722-00
U402	156-0730-00			MICROCIRCUIT,DI:QUAD 2 INP POS-NOR BFR	01295	SN74LS33N
U432	155-0173-00			MICROCIRCUIT,LI:VERTICAL CHANNEL SWITCH	80009	155-0173-00
U452	156-0158-00			MICROCIRCUIT,LI:DUAL OPERATIONAL AMPLIFIER	80009	156-0158-00
U474	155-0175-00			MICROCIRCUIT,LI:TRIGGER AMPLIFIER	80009	155-0175-00
U492	155-0175-00			MICROCIRCUIT,LI:TRIGGER AMPLIFIER	80009	155-0175-00
U508	156-1149-00			MICROCIRCUIT,LI:OPERATIONAL AMP,JFET INPUT	80009	156-1149-00
U538	156-1149-00			MICROCIRCUIT,LI:OPERATIONAL AMP,JFET INPUT	80009	156-1149-00
U608	156-1149-00			MICROCIRCUIT,LI:OPERATIONAL AMP,JFET INPUT	80009	156-1149-00
U638	156-1149-00			MICROCIRCUIT,LI:OPERATIONAL AMP,JFET INPUT	80009	156-1149-00
U668	155-0173-00			MICROCIRCUIT,LI:VERTICAL CHANNEL SWITCH	80009	155-0173-00
U682	156-0067-00			MICROCIRCUIT,LI:OPERATIONAL AMPLIFIER	80009	156-0067-00
U694	156-0067-00			MICROCIRCUIT,LI:OPERATIONAL AMPLIFIER	80009	156-0067-00
U705	156-1149-00			MICROCIRCUIT,LI:OPERATIONAL AMP,JFET INPUT	80009	156-1149-00
U762	155-0174-00			MICROCIRCUIT,LI:DELAY LINE COMPENSATOR	80009	155-0174-00
U782	156-1149-00			MICROCIRCUIT,LI:OPERATIONAL AMP,JFET INPUT	80009	156-1149-00
U808	156-1149-00			MICROCIRCUIT,LI:OPERATIONAL AMP,JFET INPUT	80009	156-1149-00
U842	155-0175-00			MICROCIRCUIT,LI:TRIGGER AMPLIFIER	80009	155-0175-00
U862	155-0176-00			MICROCIRCUIT,LI:MAIN VERTICALOUTPUT	80009	155-0176-00
U876A, B	156-0158-00			MICROCIRCUIT,LI:DUAL OPERATIONAL AMPLIFIER	80009	156-0158-00
U883	155-0194-XX			MICROCIRCUIT,LI:CRT TERMINATION	80009	155-0194-XX
U883	-----			* REPLACE WITH ORIGINAL 155-0194-XX, -00, -01		
U883	-----			* -02 USED IN YOUR INSTRUMENT.		

Ckt No.	Tektronix Part No.	Serial/Model No. Eff	Dscont	Name & Description	Mfr Code	Mfr Part Number
U944	156-1149-00			MICROCIRCUIT,LI:OPERATIONAL AMP,JFET INPUT	80009	156-1149-00
U962	155-0173-00			MICROCIRCUIT,LI:VERTICAL CHANNEL SWITCH	80009	155-0173-00
U974	156-1149-00			MICROCIRCUIT,LI:OPERATIONAL AMP,JFET INPUT	80009	156-1149-00
U1006	156-0067-00			MICROCIRCUIT,LI:OPERATIONAL AMPLIFIER	80009	156-0067-00
U1014A, B	156-0158-00			MICROCIRCUIT,LI:DUAL OPERATIONAL AMPLIFIER	80009	156-0158-00
U1018	155-0179-00			MICROCIRCUIT,LI:CLAMP	80009	155-0179-00
U1082	155-0175-00			MICROCIRCUIT,LI:TRIGGER AMPLIFIER	80009	155-0175-00
U1094	155-0178-00			MICROCIRCUIT,LI:HORIZONTAL OUTPUT	80009	155-0178-00
U1140	155-0078-10			MICROCIRCUIT,LI:VERTICAL AMPLIFIER,SEL	80009	155-0078-10
U1140	-----			* OPTION 2 ONLY		
U1166	156-0158-00			MICROCIRCUIT,LI:DUAL OPERATIONAL AMPLIFIER	80009	156-0158-00
U1166	-----			* OPTION 2 ONLY		
U1275	155-0067-02			MICROCIRCUIT,DI:ML,POWER SUPPLY REGULATOR	80009	155-0067-02
U1374	156-0113-00			MICROCIRCUIT,LI:QUAD 2-INP NAND GATE	80009	156-0113-00
U1415	156-0067-12			MICROCIRCUIT,LI:OPERATIONAL AMPLIFIER	80009	156-0067-12
U1445	156-0067-12			MICROCIRCUIT,LI:OPERATIONAL AMPLIFIER	80009	156-0067-12
U1458	156-0158-00			MICROCIRCUIT,LI:DUAL OPERATIONAL AMPLIFIER	80009	156-0158-00
U1464	156-0158-04			MICROCIRCUIT,LI:DUAL OPERATIONAL AMPLIFIER	80009	156-0158-04
U1484	156-0158-04			MICROCIRCUIT,LI:DUAL OPERATIONAL AMPLIFIER	80009	156-0158-04
U1514	156-0158-04			MICROCIRCUIT,LI:DUAL OPERATIONAL AMPLIFIER	80009	156-0158-04
U1700	152-0687-00			SEMICOND DEVICE:HV MULTIPLIER	80009	152-0687-00
U1714A, B	156-0158-00			MICROCIRCUIT,LI:DUAL OPERATIONAL AMPLIFIER	80009	156-0158-00
U1736	156-0512-00			MICROCIRCUIT,LI:OPERATIONAL AMPLIFIER	27014	LM308N
U1802	156-0067-00			MICROCIRCUIT,LI:OPERATIONAL AMPLIFIER	80009	156-0067-00
U1952	156-0686-00			MICROCIRCUIT,LI:OPNL AMPL,HIGH IMPEDANCE	02735	CA3130S
U1958	156-0158-00			MICROCIRCUIT,LI:DUAL OPERATIONAL AMPLIFIER	80009	156-0158-00
U1968	156-0402-00			MICROCIRCUIT,LI:TIMER	18324	NE555V
U1970	156-1149-00			MICROCIRCUIT,LI:OPERATIONAL AMP,JFET INPUT	80009	156-1149-00
U1986	156-0402-00			MICROCIRCUIT,LI:TIMER	18324	NE555V
U1992	156-0038-00			MICROCIRCUIT,DI:J-K MASTER SLAVE FLIP-FLOP	80009	156-0038-00
U2120	156-0043-00			MICROCIRCUIT,DI:QUAD 2-INPUT POS NOR GATE	80009	156-0043-00
U2126	155-0021-01			MICROCIRCUIT,DI:ML,TIMING GENERATOR	80009	155-0021-01
U2155	156-0043-00			MICROCIRCUIT,DI:QUAD 2-INPUT POS NOR GATE	80009	156-0043-00
U2159	155-0017-00			MICROCIRCUIT,DI:ML,ZERO LOGIC COUNTER	80009	155-0017-00
U2180	155-0015-01			MICROCIRCUIT,DI:ML,ANALOG DATA SWITCH	80009	155-0015-01
U2185	155-0014-01			MICROCIRCUIT,DI:ML,ANALOG TO DECIMAL CONV	80009	155-0014-01
U2190	155-0015-01			MICROCIRCUIT,DI:ML,ANALOG DATA SWITCH	80009	155-0015-01
U2232	155-0018-00			MICROCIRCUIT,DI:ML,ZERO LOGIC	80009	155-0018-00
U2244	155-0014-01			MICROCIRCUIT,DI:ML,ANALOG TO DECIMAL CONV	80009	155-0014-01
U2250	156-0032-00			MICROCIRCUIT,DI:4-BIT BINARY COUNTER	80009	156-0032-00
U2260	155-0019-00			MICROCIRCUIT,DI:ML,DECIMAL POINT AND SPACE	80009	155-0019-00
U2270	155-0023-00			MICROCIRCUIT,DI:ML,CHAR GEN NUMERALS	80009	155-0023-00
U2272	155-0024-00			MICROCIRCUIT,DI:ML,CHAR GEN SPCL SYMBOLS	80009	155-0024-00
U2274	155-0025-00			MICROCIRCUIT,DI:ML,CHAR GEN PREFIXES	80009	155-0025-00
U2276	155-0026-00			MICROCIRCUIT,DI:ML,CHAR GEN LETTERS	80009	155-0026-00
U2278	155-0027-00			MICROCIRCUIT,DI:ML,CHAR GEN SPCL ALPHA	80009	155-0027-00
U2284	155-0020-00			MICROCIRCUIT,DI:ML,CHANNEL SW OUTPUT ASSY	80009	155-0020-00
U4320	155-0011-00			MICROCIRCUIT,DI:ML,CLOCK AND CHOP BLANKING	80009	155-0011-00
U4340	155-0010-00			MICROCIRCUIT,DI:ML,CHOP DIVIDER/BLANKING	80009	155-0010-00
U4358	155-0013-00			MICROCIRCUIT,DI:ML,HORIZ CHOP ALTN BINARY	80009	155-0013-00
U4368	155-0013-00			MICROCIRCUIT,DI:ML,HORIZ CHOP ALTN BINARY	80009	155-0013-00
U4412	155-0013-00			MICROCIRCUIT,DI:ML,HORIZ CHOP ALTN BINARY	80009	155-0013-00
U4428	155-0009-00			MICROCIRCUIT,DI:ML,HORIZ LOCKOUT LOGIC	80009	155-0009-00

# Replaceable Electrical Parts—7104

Ckt No.	Tektronix Part No.	Serial/Model No. Eff	Dscont	Name & Description	Mfr Code	Mfr Part Number
U4485	155-0012-00			MICROCIRCUIT, LI:ML,Z-AXIS AND AMPLIFIER	80009	155-0012-00
V1850	154-0783-00			ELECTRON TUBE:CRT,P31,T7100-31-2	80009	154-0783-00
VR237	153-0067-00			SEMICON DVC SE:ZENER,PAIR	80009	153-0067-00
VR247	153-0067-00			SEMICON DVC SE:ZENER,PAIR	80009	153-0067-00
VR437	153-0067-00			SEMICON DVC SE:ZENER,PAIR	80009	153-0067-00
VR447	153-0067-00			SEMICON DVC SE:ZENER,PAIR	80009	153-0067-00
VR852	152-0683-00			SEMICON DEVICE:ZEN,SI,7.5V,5%,1.0W	80009	152-0683-00
VR862	152-0683-00			SEMICON DEVICE:ZEN,SI,7.5V,5%,1.0W	80009	152-0683-00
VR878	152-0281-00			SEMICON DEVICE:ZENER,0.4W,22V,5%	04713	1N969B
VR1005	152-0305-00			SEMICON DEVICE:ZENER,1W,110V,5%	04713	1N3045B
VR1082	152-0395-00			SEMICON DEVICE:ZENER,0.4W,4.3V,5%	04713	1N749A
VR1151	152-0279-00			SEMICON DEVICE:ZENER,0.4W,5.1V,5%	80009	152-0279-00
VR1151	-----			* OPTION 2 ONLY		
VR1161	152-0279-00			SEMICON DEVICE:ZENER,0.4W,5.1V,5%	80009	152-0279-00
VR1161	-----			* OPTION 2 ONLY		
VR1238	152-0241-00			SEMICON DEVICE:ZENER,0.4W,33V,5%	80009	152-0241-00
VR1245	152-0428-00			SEMICON DEVICE:ZENER,0.4W,120V,5%	80009	152-0428-00
VR1252	152-0284-00			SEMICON DEVICE:ZENER,0.4W,47V,5%	04713	1N977B
VR1272	152-0243-00			SEMICON DEVICE:ZENER,0.4W,15V,5%	80009	152-0243-00
VR1288	152-0212-00			SEMICON DEVICE:ZENER,0.5W,9V,5%	80009	152-0212-00
VR1410	152-0217-00			SEMICON DEVICE:ZENER,0.4W,8.2V,5%	80009	152-0217-00
VR1412	152-0212-00			SEMICON DEVICE:ZENER,0.5W,9V,5%	80009	152-0212-00
VR1417	152-0283-00			SEMICON DEVICE:ZENER,0.4W,43V,5%	04713	1N976B
VR1432	152-0281-00			SEMICON DEVICE:ZENER,0.4W,22V,5%	04713	1N969B
VR1436	152-0281-00			SEMICON DEVICE:ZENER,0.4W,22V,5%	04713	1N969B
VR1447	152-0283-00			SEMICON DEVICE:ZENER,0.4W,43V,5%	04713	1N976B
VR1552	152-0175-01			SEMICON DEVICE:ZENER,0.4W,5.6V,5%	80009	152-0175-01
VR1556	152-0175-01			SEMICON DEVICE:ZENER,0.4W,5.6V,5%	80009	152-0175-01
VR1671	152-0580-00			SEMICON DEVICE:ZENER,0.4W,75V,2%	80009	152-0580-00
VR1688	152-0149-00			SEMICON DEVICE:ZENER,0.4W,10V,5%	80009	152-0149-00
VR1784	152-0470-00			SEMICON DEVICE:ZENER,0.4W,5%,200V	04713	1N992B
VR1910	152-0280-00			SEMICON DEVICE:ZENER,0.4W,6.2V,5%	80009	152-0280-00
VR2262	152-0405-00			SEMICON DEVICE:ZENER,1W,15V,5%	80009	152-0405-00
VR2263	152-0405-00			SEMICON DEVICE:ZENER,1W,15V,5%	80009	152-0405-00
VR2264	152-0405-00			SEMICON DEVICE:ZENER,1W,15V,5%	80009	152-0405-00
VR4334	152-0166-00			SEMICON DEVICE:ZENER,0.4W,6.2V,5%	81483	69-9035

# REPLACEABLE MECHANICAL PARTS

## PARTS ORDERING INFORMATION

Replacement parts are available from or through your local Tektronix, Inc. Field Office or representative.

Changes to Tektronix instruments are sometimes made to accommodate improved components as they become available, and to give you the benefit of the latest circuit improvements developed in our engineering department. It is therefore important, when ordering parts, to include the following information in your order: Part number, instrument type or number, serial number, and modification number if applicable.

If a part you have ordered has been replaced with a new or improved part, your local Tektronix, Inc. Field Office or representative will contact you concerning any change in part number.

Change information, if any, is located at the rear of this manual.

## SPECIAL NOTES AND SYMBOLS

X000 Part first added at this serial number  
00X Part removed after this serial number

## FIGURE AND INDEX NUMBERS

Items in this section are referenced by figure and index numbers to the illustrations.

## INDENTATION SYSTEM

This mechanical parts list is indented to indicate item relationships. Following is an example of the indentation system used in the description column.

```

1 2 3 4 5           Name & Description
Assembly and/or Component
Attaching parts for Assembly and/or Component
    --- * ---
Detail Part of Assembly and/or Component
Attaching parts for Detail Part
    --- * ---
Parts of Detail Part
Attaching parts for Parts of Detail Part
    --- * ---

```

Attaching Parts always appear in the same indentation as the item it mounts, while the detail parts are indented to the right. Indented items are part of, and included with, the next higher indentation. The separation symbol --- \* --- indicates the end of attaching parts.

**Attaching parts must be purchased separately, unless otherwise specified.**

## ITEM NAME

In the Parts List, an Item Name is separated from the description by a colon (:). Because of space limitations, an Item Name may sometimes appear as incomplete. For further Item Name identification, the U.S. Federal Cataloging Handbook H6-1 can be utilized where possible.

## ABBREVIATIONS

#	INCH NUMBER SIZE	ELCTRN	ELECTRON	IN	INCH	SE	SINGLE END
ACTR	ACTUATOR	ELEC	ELECTRICAL	INCAND	INCANDESCENT	SECT	SECTION
ADPTR	ADAPTER	ELCTLT	ELECTROLYTIC	INSUL	INSULATOR	SEMICOND	SEMICONDUCTOR
ALIGN	ALIGNMENT	ELEM	ELEMENT	INTL	INTERNAL	SHLD	SHIELD
AL	ALUMINUM	EPL	ELECTRICAL PARTS LIST	LPHLDR	LAMPHOLDER	SHLDR	SHOULDERED
ASSEM	ASSEMBLED	EQPT	EQUIPMENT	MACH	MACHINE	SKT	SOCKET
ASSY	ASSEMBLY	EXT	EXTERNAL	MECH	MECHANICAL	SL	SLIDE
ATTEN	ATTENUATOR	FIL	FILLISTER HEAD	MTG	MOUNTING	SLFLKG	SELF-LOCKING
AWG	AMERICAN WIRE GAGE	FLEX	FLEXIBLE	NIP	NIPPLE	SLVG	SLEEVING
BD	BOARD	FLH	FLAT HEAD	NON WIRE	NOT WIRE WOUND	SPR	SPRING
BRKT	BRACKET	FLTR	FILTER	OBD	ORDER BY DESCRIPTION	SQ	SQUARE
BRS	BRASS	FR	FRAME or FRONT	OD	OUTSIDE DIAMETER	SST	STAINLESS STEEL
BRZ	BRONZE	FSTNR	FASTENER	OVH	OVAL HEAD	STL	STEEL
BSHG	BUSHING	FT	FOOT	PH BRZ	PHOSPHOR BRONZE	SW	SWITCH
CAB	CABINET	FXD	FIXED	PL	PLAIN or PLATE	T	TUBE
CAP	CAPACITOR	GSKT	GASKET	PLSTC	PLASTIC	TERM	TERMINAL
CER	CERAMIC	HDL	HANDLE	PN	PART NUMBER	THD	THREAD
CHAS	CHASSIS	HEX	HEXAGON	PNH	PAN HEAD	THK	THICK
CKT	CIRCUIT	HEX HD	HEXAGONAL HEAD	PWR	POWER	TNSN	TENSION
COMP	COMPOSITION	HEX SOC	HEXAGONAL SOCKET	RCPT	RECEPTACLE	TPG	TAPPING
CONN	CONNECTOR	HLCPS	HELICAL COMPRESSION	RES	RESISTOR	TRH	TRUSS HEAD
COV	COVER	HLEXT	HELICAL EXTENSION	RGD	RIGID	V	VOLTAGE
CPLG	COUPLING	HV	HIGH VOLTAGE	RLF	RELIEF	VAR	VARIABLE
CRT	CATHODE RAY TUBE	IC	INTEGRATED CIRCUIT	RTNR	RETAINER	W/	WITH
DEG	DEGREE	ID	INSIDE DIAMETER	SCH	SOCKET HEAD	WSHR	WASHER
DWR	DRAWER	IDENT	IDENTIFICATION	SCOPE	OSCILLOSCOPE	XFMR	TRANSFORMER
		IMPLR	IMPELLER	SCR	SCREW	XSTR	TRANSISTOR

CROSS INDEX—MFR. CODE NUMBER TO MANUFACTURER

Mfr. Code	Manufacturer	Address	City, State, Zip
000BK	STAUFFER SUPPLY	105 SE TAYLOR	PORTLAND, OR 97214
000CY	NORTHWEST FASTENER SALES, INC.	7923 SW CIRRUS DRIVE	BEAVERTON, OREGON 97005
0000A	LEMO USA	2015 SECOND ST.	BERKELEY, CA 94170
00779	AMP, INC.	P O BOX 3608	HARRISBURG, PA 17105
01295	TEXAS INSTRUMENTS, INC., SEMICONDUCTOR GROUP	P O BOX 5012, 13500 N CENTRAL EXPRESSWAY	DALLAS, TX 75222
02768	ILLINOIS TOOL WORKS, INC., FASTEX DIV.	195 ALGONQUIN ROAD	DES PLAINES, IL 60016
04963	MINNESOTA MINING AND MFG. CO., ADHESIVES COATINGS AND SEALERS DIVISION	3M CENTER	ST. PAUL, MN 55101
05091	TRI-ORDINATE CORPORATION	343 SNYDER AVENUE	BERKELEY HEIGHTS, NJ 07922
07707	USM CORP., USM FASTENER DIV.	510 RIVER RD.	SHELTON, CT 06484
08261	SPECTRA-STRIP CORP.	7100 LAMPSON AVE.	GARDEN GROVE, CA 92642
11897	PLASTIGLIDE MFG. CORPORATION	P O BOX 867, 1757 STANFORD ST.	SANTA MONICA, CA 90406
12327	FREEWAY CORPORATION	9301 ALLEN DRIVE	CLEVELAND, OH 44125
12360	ALBANY PRODUCTS CO., DIV. OF PNEUMO DYNAMICS CORPORATION	145 WOODWARD AVENUE	SOUTH NORWALK, CT 06586
13103	THERMALLOY COMPANY, INC.	2021 W VALLEY VIEW LANE P O BOX 34829	DALLAS, TEXAS 75234
22526	BERG ELECTRONICS, INC.	YOUK EXPRESSWAY	NEW CUMBERLAND, PA 17070
24931	SPECIALTY CONNECTOR CO., INC.	3560 MADISON AVE.	INDIANAPOLIS, IN 46227
26365	GRIES REPRODUCER CO., DIV. OF COATS AND CLARK, INC.	125 BEECHWOOD AVE.	NEW ROCHELLE, NY 10802
28520	HEYMAN MFG. CO.	147 N. MICHIGAN AVE.	KENILWORTH, NJ 07033
46384	PENN ENGINEERING AND MFG. CORP.	P O BOX 311	DOYLESTOWN, PA 18901
49671	RCA CORPORATION	30 ROCKEFELLER PLAZA	NEW YORK, NY 10020
52792	THORGREN TOOL AND MOLDING CO., INC.	1100 EVANS AVENUE	VALPARAISO, IN 46383
55210	GETTIG ENG. AND MFG. COMPANY	PO BOX 85, OFF ROUTE 45	SPRING MILLS, PA 16875
70485	ATLANTIC INDIA RUBBER WORKS, INC.	571 W. POLK ST.	CHICAGO, IL 60607
71159	BRISTOL SOCKET SCREW, DIV. OF AMERICAN CHAIN AND CABLE CO., INC.	P O BOX 2244, 40 BRISTOL ST.	WATERBURY, CT 06720
71279	CAMBRIDGE THERMIONIC CORP.	445 CONCORD AVE.	CAMBRIDGE, MA 02138
71590	CENTRALAB ELECTRONICS, DIV. OF GLOBE-UNION, INC.	P O BOX 858	FORT DODGE, IA 50501
71785	TRW, CINCH CONNECTORS	1501 MORSE AVENUE	ELK GROVE VILLAGE, IL 60007
73743	FISCHER SPECIAL MFG. CO.	446 MORGAN ST.	CINCINNATI, OH 45206
75915	LITTELFUSE, INC.	800 E. NORTHWEST HWY	DES PLAINES, IL 60016
77250	PHEOLL MANUFACTURING CO., DIVISION OF ALLIED PRODUCTS CORP.	5700 W. ROOSEVELT RD.	CHICAGO, IL 60650
78189	ILLINOIS TOOL WORKS, INC. SHAKEPROOF DIVISION	ST. CHARLES ROAD	ELGIN, IL 60120
79807	WROUGHT WASHER MFG. CO.	2100 S. O BAY ST.	MILWAUKEE, WI 53207
80009	TEKTRONIX, INC.	P O BOX 500	BEAVERTON, OR 97077
80033	PRESTOLE EVERLOCK, INC.	P. O. BOX 278, 1345 MIAMI ST.	TOLEDO, OH 43605
82647	TEXAS INSTRUMENTS, INC., CONTROL PRODUCTS DIV.	34 FOREST ST.	ATTLEBORO, MA 02703
83385	CENTRAL SCREW CO.	2530 CRESCENT DR.	BROADVIEW, IL 60153
87308	N. L. INDUSTRIES, INC., SOUTHERN SCREW DIV.	P. O. BOX 1360	STATESVILLE, NC 28677
93907	CAMCAR SCREW AND MFG. CO.	600 18TH AVE.	ROCKFORD, IL 61101
95987	WECKESSER CO., INC.	4444 WEST IRVING PARK RD.	CHICAGO, IL 60641
98159	RUBBER TECK, INC.	19115 HAMILTON AVE., P O BOX 389	GARDENA, CA 90247
98978	INTERNATIONAL ELECTRONIC RESEARCH CORP.	135 W. MAGNOLIA BLVD.	BURBANK, CA 91502

Fig. & Index No.	Tektronix Part No.	Serial/Model No. Eff	Dscont	Qty	1 2 3 4 5	Name & Description	Mfr Code	Mfr Part Number
1-1	390-0605-00			1		CAB. SIDE, SCOPE: LEFT	80009	390-0605-00
-2	386-1151-00			2		. PLATE, LATCH LKG:	80009	386-1151-00
-3	386-0227-00			4		. PL, LATCH INDEX:	80009	386-0227-00
-4	214-0604-00			4		. WASH., SPG TNSN: 0.26 ID X 0.47 INCH OD	80009	214-0604-00
-5	214-0603-01			4		. PIN, SECURING: 0.27 INCH LONG	80009	214-0603-01
-6	348-0080-01			1		FOOT, CABINET: BOTTOM	80009	348-0080-01
-7	390-0603-00			1		CAB. SIDE, SCOPE: RIGHT	80009	390-0603-00
-8	386-1151-00			4		. PLATE, LATCH LKG:	80009	386-1151-00
-9	386-0227-00			4		. PL, LATCH INDEX:	80009	386-0227-00
-10	214-0604-00			4		. WASH., SPG TNSN: 0.26 ID X 0.47 INCH OD	80009	214-0604-00
-11	214-0603-01			4		. PIN, SECURING: 0.27 INCH LONG	80009	214-0603-01
-12	200-0728-00			2		COV, HANDLE END:	80009	200-0728-00
-13	367-0108-00			1		HANDLE, CARRYING: 19.19 INCH LONG, BLUE (ATTACHING PARTS)	80009	367-0108-00
-14	212-0628-00			4		SCREW, SHOULDER: 10-32 X 0.4 LW/0.3 DIA	93907	OBD
-15	386-1624-00			2		PL, RET., HANDLE: - - - * - - -	80009	386-1624-00
-16	386-1283-01			2		PLATE, HDL MTG: PLASTIC	80009	386-1283-01
-17	426-0819-00			1		FRAME SECT, CAB.: TOP CENTER (ATTACHING PARTS)	80009	426-0819-00
-18	212-0008-00			4		SCREW, MACHINE: 8-32 X 0.500 INCH, PNH STL - - - * - - -	83385	OBD
-19	348-0193-00			1		FLIP-STAND, CAB.:	80009	348-0193-00
-20	348-0073-01			2		SPT PIVOT, FLIP: LEFT FRONT AND RIGHT REAR (ATTACHING PARTS FOR EACH)	80009	348-0073-01
-21	210-0457-00			2		NUT, PLAIN EXT W: 6-32 X 0.312 INCH, STL	83385	OBD
-22	211-0532-00			2		SCREW, MACHINE: 6-32 X 0.75 INCH, FILH STL - - - * - - -	83385	OBD
-23	348-0074-01			2		SPT PIVOT, FLIP: RIGHT FRONT AND LEFT REAR (ATTACHING PARTS FOR EACH)	80009	348-0074-01
-24	210-0457-00			2		NUT, PLAIN, EXT W: 6-32 X 0.312 INCH, STL	83385	OBD
-25	211-0532-00			2		SCREW, MACHINE: 6-32 X 0.75 INCH, FILH STL - - - * - - -	83385	OBD
-26	377-0119-00			4		INSERT, FOOT: 0.352 X 0.832 X 0.934, PU	80009	377-0119-00
-27	343-0256-00			2		RTRN BLK, SCOPE: (ATTACHING PARTS FOR EACH)	80009	343-0256-00
-28	210-0457-00			2		NUT, PLAIN, EXT W: 6-32 X 0.312 INCH, STL	83385	OBD
-29	213-0192-00			2		SCR, TPG, THD FOR: 6-32 X 0.50 INCH, PNH STL - - - * - - -	87308	OBD
-30	390-0555-00			1		CABINET BOTTOM:	80009	390-0555-00
-31	386-1151-00			4		. PLATE, LATCH LKG:	80009	386-1151-00
-32	386-0227-00			4		. PL, LATCH INDEX:	80009	386-0227-00
-33	214-0604-00			4		. WASH., SPG TNSN: 0.26 ID X 0.47 INCH OD	80009	214-0604-00
-34	214-0603-01			4		. PIN, SECURING: 0.27 INCH LONG	80009	214-0603-01
-35	426-0814-00			2		FRAME SECT, CAB.: BOTTOM (ATTACHING PARTS FOR EACH)	80009	426-0814-00
-36	210-0457-00			2		NUT, PLAIN, EXT W: 6-32 X 0.312 INCH, STL	83385	OBD
-37	211-0507-00			2		SCREW, MACHINE: 6-32 X 0.312 INCH, PNH STL - - - * - - -	83385	OBD

Fig. & Index No.	Tektronix Part No.	Serial/Model No.		Qty	Name & Description	Mfr Code	Mfr Part Number
		Eff	Dscont				
2-1	426-0514-00			1	FRAME,MASK:PLASTIC	80009	426-0514-00
-2	378-0625-00			1	FILTER,LT,CRT:BLUE,5.15 X 4.4 X 0.03	80009	378-0625-00
-3	331-0258-03			1	MASK,CRT SCALE:	80009	331-0258-03
-4	366-1189-00			5	KNOB:GRAY	80009	366-1189-00
	-----			-	. EACH KNOB INCLUDES:		
	213-0153-00			1	. SETSCREW:5-40 X 0.125,STL BK OXD,HEX	000CY	OBD
-5	358-0301-02			5	BUSHING,SLEEVE:GRAY PLASTIC	80009	358-0301-02
-6	366-1559-00			7	PUSH BUTTON:GRAY	80009	366-1559-00
-7	426-1072-00			7	FRAME,PUSH BTN:PLASTIC	80009	426-1072-00
-8	131-1315-00			3	CONNECTOR,RCPT.:BNC,FEMALE	24931	28JR235-1
-9	-----			1	SWITCH,PUSH:(SEE S1988 EPL)		
					(ATTACHING PARTS)		
-10	210-0583-00			1	NUT,PLAIN,HEX.:0.25-32 X 0.312 INCH,BRS	73743	2X20224-402
-11	210-0940-00			1	WASHER,FLAT:0.25 ID X 0.375 INCH OD,STL	79807	OBD
					- - - * - - -		
-12	384-1136-00			2	EXTENSION SHAFT:0.95 INCH LONG	80009	384-1136-00
-13	384-1354-00			2	EXTENSION SHAFT:1.585 INCH LONG,OFFSET,NYL	80009	384-1354-00
-14	-----			1	CKT BOARD ASSY:FRONT PANEL(SEE A1 EPL)		
					(ATTACHING PARTS)		
-15	210-0583-00			2	NUT,PLAIN,HEX.:0.25-32 X 0.312 INCH,BRS	73743	2X20224-402
-16	210-0940-00			2	WASHER,FLAT:0.25 ID X 0.375 INCH OD,STL	79807	OBD
					- - - * - - -		
	-----			-	. CKT BOARD INCLUDES:		
-17	-----			1	. RESISTOR,VAR:(SEE R1924,S1924 EPL)		
-18	-----			2	. SWITCH,PUSH(SEE S1915,S1920,S1910 S1905 EPL)		
-19	-----			1	. RESISTOR,VAR:SEE(R1900,S1900 EPL)		
-20	361-0542-00			12	. SPACER,SWITCH:PLASTIC	71590	J-64281
-21	214-0579-00			11	. TERM.,TEST PT:BRS CD PL	80009	214-0579-00
-22	131-1003-00			4	. CONNECTOR BODY,:CKT BD MT,2 PRONG	80009	131-1003-00
-23	136-0514-00			5	. SOCKET,PLUG IN:MICROCIRCUIT,8 CONTACT	82647	C93-08-18
-24	-----			2	. SWITCH,PUSH:(SEE S1930,S1940 EPL)		
-25	136-0269-02			1	. SOCKET,PLUG-IN:14 CONTACT,LOW CLEARANCE	01295	C95140
-26	136-0252-04			61	. SOCKET,PIN TERM:0.188 INCH LONG	22526	75060
-27	131-0589-00			8	. TERM,PIN:0.46 L X 0.025 SQ.PH BRZ GL	22526	47350
-28	131-0608-00			23	. TERMINAL,PIN:0.365 L X 0.25 PH,BRZ,GOLD PL	22526	47357
-29	-----			1	CKT BOARD ASSY:DISPLAY CONTROL BD(SEE A2 EPL)		
					(ATTACHING PARTS)		
-30	210-0583-00			3	NUT,PLAIN,HEX.:0.25-32 X 0.312 INCH,BRS	73743	2X20224-402
-31	210-0940-00			3	WASHER,FLAT:0.25 ID X 0.375 INCH OD,STL	79807	OBD
					- - - * - - -		
	-----			-	. CKT BOARD INCLUDES:		
-32	-----			1	. SWITCH,PUSH:(SEE S2005 EPL)		
-33	361-0608-00			2	. SPACER,PUSH SW:PLASTIC	80009	361-0608-00
-34	-----			2	. RESISTOR,VAR:(SEE R2005,R2015 EPL)		
-35	-----			2	. RESISTOR,VAR:(SEE R2010,R2020 EPL)		
-36	131-0608-00			20	. TERMINAL,PIN:0.365 L X 0.25 PH,BRZ,GOLD PL	22526	47357
-37	-----			1	. RESISTOR,VAR:(SEE R2025 EPL)		
-38	-----			2	. RESISTOR,VAR:(SEE R2035 EPL)		
-39	333-2319-00			1	PANEL,FRONT:UPPER	80009	333-2319-00
-40	378-0635-01			1	LENS,LIGHT:WHITE,MARKED A,PLASTIC	80009	378-0635-01
-41	378-0635-02			1	LENS,LIGHT:WHITE,MARKED B,PLASTIC	80009	378-0635-02
-42	131-0765-01			3	TERM,FEED THRU:0.625 OD X 0.584 LONG	80009	131-0765-01
-43	204-0380-00			1	BODY,TERMINAL:	80009	204-0380-00
-44	200-0939-01			1	RTNR,CRT SCALE:5.55 X 5.068 X 0.475,AL	80009	200-0939-01
					(ATTACHING PARTS)		
-45	213-0270-00			4	SCR,TPG,THD FOR:10-32 X 0.75 INCH FILH STL	83385	OBD
					- - - * - - -		
-46	131-1022-00			2	CONTACT,ELEC:CRT MASK	80009	131-1022-00
-47	337-1159-03			1	SHLD,IMPLOSION:4.75 X 3.93 X0.7 THK,PLSTC	80009	337-1159-03
-48	331-0441-00			1	MASK,CRT SCALE:	80009	331-0441-00
-49	-----			-	CKT BOARD ASSY:GRATICULE LIGHT(SEE A29 EPL)		
					(ATTACHING PARTS)		
-50	211-0062-00			2	. SCREW,MACHINE:2-56 X 0.312 INCH,RDH STL	83385	OBD
					- - - * - - -		

Replaceable Mechanical Parts—7104

Fig. & Index No.	Tektronix Part No.	Serial/Model No. Eff Dscont	Qty	1 2 3 4 5	Name & Description	Mfr Code	Mfr Part Number
2-	-----		-		. CKT BOARD ASSY INCLUDES:		
-51	378-0614-00		1		. REFLECTOR, LIGHT: MOLDED PLASTIC	80009	378-0614-00
-52	344-0179-00		2		. CLIP, REFL RTNG: PLASTIC	80009	344-0179-00
-53	200-0935-00		4		BASE, LAMPHOLDER: 0.29 OD X 0.19 CASE	80009	200-0935-00
-54	331-0262-00		2		DIFFUSER, LIGHT: INDICATOR LIGHTS	80009	331-0262-00
-55	352-0157-00		4		LAMPHOLDER: WHITE PLASTIC	80009	352-0157-00
-56	348-0031-00		1		GROMMET, PLASTIC: 0.156 INCH DIA	80009	348-0031-00
-57	348-0055-00		1		GROMMET, PLASTIC: 0.25 INCH DIA	80009	348-0055-00
-58	426-0808-04		1		FRAME PNL, CAB.: UPPER (ATTACHING PARTS)	80009	426-0808-04
-59	211-0038-00		2		SCREW, MACHINE: 4-40 X 0.312"100 DEG, FLH STL	83385	OBD
-60	211-0538-00		2		SCREW, MACHINE: 6-32 X 0.312"100 DEG, FLH STL	83385	OBD
-61	213-0270-00		3		SCR, TPG, THD FOR: 10-32 X 0.75 INCH FILH STL - - - * - - -	83385	OBD
-62	337-2416-00		1		SHIELD, ELEC: HIGH VOLTAGE (ATTACHING PARTS)	80009	337-2416-00
-63	211-0008-00		5		SCREW, MACHINE: 4-40 X 0.25 INCH, PNH STL - - - * - - -	83385	OBD
-64	-----		-		. CKT BOARD ASSY: HIGH VOLTAGE (SEE A22 EPL) (ATTACHING PARTS)		
-65	129-0676-00		5		SPACER, POST: 1.45 INCH LONG X 1.88 HEX BRS - - - * - - -	80009	129-0676-00
-66	136-0514-00		-		. CKT BOARD ASSY INCLUDES:		
-67	131-0608-00		3		. SOCKET, PLUG IN: MICROCIRCUIT, 8 CONTACT	82647	C93-08-18
-68	214-0579-00		56		. TERMINAL, PIN: 0.365 L X 0.25 PH, BRZ, GOLD PL	22526	47357
-69	131-0589-00		20		. TERM., TEST PT: BRS CD PL	80009	214-0579-00
-70	136-0252-04		10		. TERM, PIN: 0.46 L X 0.025 SQ. PH BRZ GL	22526	47350
-71	337-2418-00		24		. SOCKET, PIN TERM: 0.188 INCH LONG	22526	75060
-72	211-0008-00		1		. SHIELD, ELEC: HIGH VOLTAGE (ATTACHING PARTS)	80009	337-2418-00
-73	348-0064-00		3		. SCREW, MACHINE: 4-40 X 0.25 INCH, PNH STL - - - * - - -	83385	OBD
-74	-----		1		. GROMMET, PLASTIC: 0.625 INCH DIA	80009	348-0064-00
-75	220-0835-00		1		. SEMICOND DEVICE: (SEE U1700 EPL) (ATTACHING PARTS)		
-76	211-0012-00		3		. NUT, PLAIN HEX: 10-24, 0.375 DIA, NYLON	95987	N-1024-X
-77	210-0586-00		1		. SCREW, MACHINE: 4-40 X 0.375 INCH, PNH STL	83385	OBD
-78	352-0217-00		1		. NUT, PLAIN, EXT W: 4-40 X 0.25 INCH, STL - - - * - - -	78189	211-041800-00
-79	211-0008-00		1		. HLDR, ANODE CONN: U/W 0.5, HORIZMT, BLACK PP (ATTACHING PARTS)	80009	352-0217-00
-80	129-0230-00		2		. SCREW, MACHINE: 4-40 X 0.25 INCH, PNH STL - - - * - - -	83385	OBD
-81	211-0008-00		3		. SPACER, POST: 1.375L, W/4-40THD EA END, BRAS (ATTACHING PARTS FOR EACH)	80009	129-0230-00
-82	344-0132-00		1		. SCREW, MACHINE: 4-40 X 0.25 INCH, PNH STL - - - * - - -	83385	OBD
-83	255-0334-00		2		CLIP, ELECTRICAL: MOLDED PLSTC (ATTACHING PARTS FOR EACH)	80009	344-0132-00
-84	211-0007-00		1		SCREW, MACHINE: 4-40 X 0.188 INCH, PNH STL - - - * - - -	83385	OBD
-85	386-1559-00		1		PLASTIC CHANNEL:	11897	122-37-2500
-86	386-3976-00		4		SPACER, CKT CARD: PLASTIC	80009	386-1559-00
-87	211-0504-00		1		GROMMET, PLASTIC: 1.24 X 0.739 X 0.108" OA	80009	348-0253-00
-88	211-0232-00		1		SUBPANEL, REAR: UPPER RIGHT (ATTACHING PARTS)	80009	386-3976-00
-89	369-0035-00		2		SCREW, MACHINE: 6-32 X 0.25 INCH, PNH STL	83385	OBD
-90	361-0076-00		2		SCREW, MCHaine: 4-40 X 0.25 INCH, FIL, STL - - - * - - -	83385	OBD
-91	211-0504-00		1		IMPLR, FAN AXIAL: PLASTIC	52792	3500-CCW.080N
-92	211-0510-00		2		SPACER, POST: 0.65 INCH LONG X 0.25 HEX (ATTACHING PARTS FOR EACH)	80009	361-0076-00
			1		SCREW, MACHINE: 6-32 X 0.25 INCH, PNH STL	83385	OBD
			1		SCREW, MACHINE: 6-32 X 0.375 INCH, PNH STL - - - * - - -	83385	OBD



Fig. & Index No.	Tektronix Part No.	Serial/Model No. Eff Dscont	Qty	1	2	3	4	5	Name & Description	Mfr Code	Mfr Part Number
2-93	343-0411-00		2						STRAP,RETAINING:2.494 X 0.8 STL	80009	343-0411-00
-94	-----		1						CKT BOARD ASSY:FAN(SEE A26 EPL)		
-95	-----		1						. MOTOR,DC:(SEE B1690 EPL)		
-96	136-0252-04		3						. SOCKET,PIN TERM:0.188 INCH LONG	22526	75060
-97	136-0269-02		1						. SOCKET,PLUG-IN:14 CONTACT,LOW CLEARANCE	01295	C95140
-98	131-0608-00		2						. TERMINAL,PIN:0.365 L X 0.25 PH,BRZ,GOLD PL	22526	47357
-99	343-0013-00		1						CLAMP,LOOP:0.375 INCH DIA	95987	3-8-6B
									(ATTACHING PARTS)		
-100	210-0458-00		1						NUT,PLAIN,EXT W:8-32 X 0.344 INCH,STL	83385	OBD
-101	210-0863-00		1						WSHR,LOOP CLAMP:FOR 0.50" WIDE CLAMP,STL	95987	C191
									-----*		
-102	426-1413-00		1						FRAME SECT,CAB.:RIGHT	80009	426-1413-00
									(ATTACHING PARTS)		
-103	211-0504-00		3						SCREW,MACHINE:6-32 X 0.25 INCH,PNH STL	83385	OBD
									-----*		
-104	136-0692-00		1						SKT,PL-IN ELEK:CRT,10 CONTACTS	80009	136-0692-00
-105	343-0254-00		1						. CLP,ELCTRN TUBE:	80009	343-0254-00
-106	367-0117-00		1						. PULL,SOCKET:	80009	367-0117-00
-107	200-0917-01		1						. COV,ELECTRON TU:2.052 OD X 0.291" THK,PLSTC	80009	200-0917-01
-108	136-0304-03		1						. SKT,PL-IN ELEK:ELECTRON TUBE,14 CONTACTS	80009	136-0304-03
-109	214-2629-00		1						. PIN,ACTUATOR:	80009	214-2629-00
-110	131-0707-00		9						. CONNECTOR,TERM.:0.48" L,22-26AWG WIRE	22526	75691-005
-111	131-1810-00		1						. CONTACT,ELEC:FEMALE,FOR 0.025 SQ PIN	00779	87124-1
-112	204-0675-00		1						. CONN BODY,PLUG:1 LKG CLIP POZ,0.025 SQ PIN	00779	87175-2
-113	352-0162-02		1						. CONN BODY,PL,EL:4 WIRE RED	80009	352-0162-02
	352-0162-04		1						. CONN BODY,PL,EL:4 WIRE YELLOW	80009	352-0162-04
-114	352-0163-02		1						. CONN BODY,PL,EL:5 WIRE RED	80009	352-0163-02
-115	354-0347-00		1						RING,CRT CLAMP:	80009	354-0347-00
									(ATTACHING PARTS)		
-116	211-0170-00		2						SCREW,MACHINE:4-40 X 2.75 INCH,PNH STL	83385	OBD
-117	214-1313-00		2						ACTR,SW POSN:POWER	80009	214-1313-00
									-----*		
-118	343-0205-01		1						RTNR,ELCTRN TU:3.0 DIA X 1.5L,DELTRIN	80009	343-0205-01
									(ATTACHING PARTS)		
-119	211-0510-00		4						SCREW,MACHINE:6-32 X 0.375 INCH,PNH STL	83385	OBD
-120	210-0949-00		4						WASHER,FLAT:0.141 ID X 0.50 INCH OD,BRS	12327	OBD
									-----*		
-121	386-3731-00		1						SUPPORT,CRT:REAR	80009	386-3731-00
									(ATTACHING PARTS)		
-122	211-0504-00		4						SCREW,MACHINE:6-32 X 0.25 INCH,PNH STL	83385	OBD
-123	210-0803-00		4						WASHER,FLAT:0.15 ID X 0.032 THK,STL CD PL	12327	OBD
									-----*		
-124	348-0064-00		1						GROMMET,PLASTIC:0.625 INCH DIA	80009	348-0064-00
-125	348-0085-00		2						GROMMET,PLASTIC:U-SHAPED	80009	348-0085-00
-126	220-0803-00		1						NUT,BAR:2.95 X 0.5 X 0.25;(4) 4-40 THD	80009	220-0803-00
									(ATTACHING PARTS)		
-127	211-0038-00		2						SCREW,MACHINE:4-40 X 0.312"100 DEG,FLH STL	83385	OBD
									-----*		
-128	337-2419-01		1						SHIELD,CRT:	80009	337-2419-01
	198-3761-00		1						WIRE KIT,ELEC:	80009	198-3761-00
-129	131-0707-00		66						. CONNECTOR,TERM.:0.48" L,22-26AWG WIRE	22526	75691-005
-130	131-1810-00		4						. CONTACT,ELEC:FEMALE,FOR 0.025 SQ PIN	00779	87124-1
-131	352-0162-03		1						. CONN BODY,PL,EL:4 WIRE ORANGE	80009	352-0162-03
-132	352-0164-09		1						. CONN BODY,PL,EL:6 WIRE WHITE	80009	352-0164-09
-133	352-0166-04		2						. CONN BODY,PL,EL:8 WIRE YELLOW	80009	352-0166-04
-134	352-0167-06		2						. CONN BODY,PL,EL:9 WIRE BLUE	80009	352-0167-06
-135	352-0168-02		2						. CONN BODY,PL,EL:10 WIRE RED	80009	352-0168-02
-136	204-0675-00		4						. CONN BODY,PLUG:1 LKG CLIP POZ,0.025 SQ PIN	00779	87175-2
-137	175-0827-00		FT						. WIRE,ELECTRICAL:4 WIRE RIBBON	08261	SS-0426-710610C
-138	175-0829-00		FT						. WIRE,ELECTRICAL:6 WIRE RIBBON	08261	SS-0626-710610C
-139	175-0831-00		FT						. WIRE,ELECTRICAL:8 WIRE RIBBON	08261	OBD

**Replaceable Mechanical Parts—7104**

Fig. & Index No.	Tektronix Part No.	Serial/Model No. Eff Dscont	Qty	1	2	3	4	5	Name & Description	Mfr Code	Mfr Part Number
2-140	175-0832-00		FT	.					WIRE,ELECTRICAL:9 WIRE RIBBON	08261	SS-0926(1061)0C
-141	179-2612-00		1						WIRING HARNESS:HIGH VOLTAGE	80009	179-2612-00
-142	214-2629-00		2						PIN ACTUATOR:	80009	214-2629-00
	352-0164-09		2						CONN BODY,PL,EL:6 WIRE WHITE	80009	352-0164-09
	352-0166-05		2						CONN BODY,PL,EL:8 WIRE GREEN	80009	352-0166-05
	131-0707-00		24						CONNECTOR,TERM.:0.48" L,22-26AWG WIRE	22526	75691-005

Fig. & Index No.	Tektronix Part No.	Serial/Model No. Eff Dscont	Qty	1 2 3 4 5	Name & Description	Mfr Code	Mfr Part Number
3-1	-----		1		CKT BOARD ASSY:HORIZONTAL CRT(SEE A29 EPL)		
-2	136-0388-00		2		. SOCKET,PIN TERM:U/W 0.04 DIA PIN	71279	450-3704-01-03-0
-3	-----		1		RES,FXD,FILM:(SEE R1099 EPL) (ATTACHING PARTS)		
-4	211-0504-00		2		SCREW,MACHINE:6-32 X 0.25 INCH,PNH STL - - - * - - -	83385	OBD
-5	210-0205-00		1		TERMINAL,LUG:SE #8	78189	2104-08-00-2520N
-6	-----		1		CKT BOARD ASSY:HORIZONTAL CRT(SEE A30 EPL)		
-7	136-0388-00		2		. SOCKET,PIN TERM:U/W 0.04 DIA PIN	71279	450-3704-01-03-0
-8	-----		1		CKT BOARD ASSY:CRT TERMINATOR(SEE A18 EPL) (ATTACHING PARTS)		
-9	211-0259-00		2		SCR,ASSEM WSHR:2-56 X 0.437,PNH,STL CD PL	78189	OBD
-10	211-0260-00		2		SCR,ASSEM WSHR:2-56 X 0.6875L,PNH,STL CD - - - * - - -	78189	OBD
-11	131-0589-00		1		. CKT BOARD ASSY INCLUDES: . TERM,PIN:0.46 L X 0.025 SQ.PH BRZ GL	22526	47350
-12	214-2543-00		1		HT SK,MICROCKT:MICROCIRCUIT	80009	214-2543-00
-13	426-1351-00		1		FRAME SECT,CAB.:REAR PANEL,LEFT & RIGHT	80009	426-1351-00
-14	131-1937-00		1		CONTACT,GROUND:GROUNDING,CU BE CD PL	80009	131-1937-00
-15	-----		1		SWITCH,THRMSTC:(SEE S70 EPL) (ATTACHING PARTS)		
-16	211-0007-00		2		SCREW,MACHINE:4-40 X 0.188 INCH,PNH STL - - - * - - -	83385	OBD
-17	-----		2		CKT BOARD ASSY:VERTICAL CRT(SEE A31 EPL)		
-18	136-0388-00		3		. EACH CKT BOARD INCLUDES: . SOCKET,PIN TERM:U/W 0.04 DIA PIN	71279	450-3704-01-03-0
-19	-----		1		CKT BOARD ASSY:VERTICAL AMP(SEE A17 EPL) (ATTACHING PARTS)		
-20	211-0116-00		4		SCR,ASSEM WSHR:4-40 X 0.312 INCH,PNH BRS	83385	OBD
-21	211-0260-00		4		SCR,ASSEM WSHR:2-56 X 0.6875L,PNH,STL CD - - - * - - -	78189	OBD
-22	136-0514-00		4		. CKT BOARD ASSY INCLUDES: . SOCKET,PLUG IN:MICROCIRCUIT,8 CONTACT	82647	C93-08-18
-23	214-0579-00		15		. TERM.,TEST PT:BRS CD PL	80009	214-0579-00
-24	426-1351-00		3		. FRAME SECT,CAB.:REAR PANEL,LEFT & RIGHT (ATTACHING PARTS FOR EACH)	80009	426-1351-00
-25	211-0259-00		4		. SCR,ASSEM WSHR:2-56 X 0.437,PNH,STL CD PL	78189	OBD
-26	220-0797-00		4		. NUT,CAPTIVE:2-56 X 0.218 DIA,STL CD PL - - - * - - -	46384	KF2-256
-27	131-1967-00		3		. CONT SET,ELEC:MICROCKT,1.75CM,RUBBER	80009	131-1967-00
-28	131-0608-00		20		. TERMINAL,PIN:0.365 L X 0.25 PH,BRZ,GOLD PL	22526	47357
-29	131-0589-00		7		. TERM,PIN:0.46 L X 0.025 SQ.PH BRZ GL	22526	47350
-30	131-2269-00		1		. CONTACT,ELEC:DUAL,TOP	80009	131-2269-00
-31	131-2020-00		1		. CONTACT,ELEC:DUAL,TOP,BERYLLIUM COPPER (ATTACHING PARTS)	80009	131-2020-00
-32	210-0629-00		3		. EYELET,METALLIC:0.059 OD X 0.093 L,BRS - - - * - - -	80009	210-0629-00
-33	136-0252-00		2		. SOCKET,PIN TERM:0.145 INCH LONG	00779	2-330808-7
-34	136-0252-04		51		. SOCKET,PIN TERM:0.188 INCH LONG	22526	75060
-35	131-2022-00		1		. CONTACT,ELEC:DUAL,BOTTOM,CU BE	80009	131-2022-00
-36	214-2543-00		1		. HT SK,MICROCKT:MICROCIRCUIT	80009	214-2543-00
-37	-----		1		CRT BOARD ASSY:HORIZONTAL AMP(SEE A19 EPL) (ATTACHING PARTS)		
-38	211-0116-00		6		SCR,ASSEM WSHR:4-40 X 0.312 INCH,PNH BRS	83385	OBD
-39	211-0260-00		4		SCR,ASSEM WSHR:2-56 X 0.6875L,PNH,STL CD - - - * - - -	78189	OBD
-40	131-0608-00		13		. CKT BOARD ASSY INCLUDES: . TERMINAL,PIN:0.365 L X 0.25 PH,BRZ,GOLD PL	22526	47357
-41	426-1351-00		2		. FRAME SECT,CAB.:REAR PANEL,LEFT & RIGHT (ATTACHING PARTS FOR EACH)	80009	426-1351-00
-42	211-0259-00		2		. SCR,ASSEM WSHR:2-56 X 0.437,PNH,STL CD PL - - - * - - -	78189	OBD

Replaceable Mechanical Parts—7104

Fig. & Index No.	Tektronix Part No.	Serial/Model No. Eff Dscont	Qty	1	2	3	4	5	Name & Description	Mfr Code	Mfr Part Number
3-43	131-1967-00		2	.	CONT SET,ELEC:MICROCKT,1.75CM,RUBBER					80009	131-1967-00
-44	426-1352-00		1	.	FRAME,MICROCKT:1.75 CM,STEPPED (ATTACHING PARTS)					80009	426-1352-00
-45	220-0797-00		4	.	NUT,CAPTIVE:2-56 X 0.218 DIA,STL CD PL					46384	KF2-256
-46	211-0259-00		4	.	SCR,ASSEM WSHR:2-56 X 0.437,PNH,STL CD PL					78189	OBD
					- - - * - - -						
-47	131-1923-00		1	.	CONTACT,ELEC:MICROCIRCUIT					80009	131-1923-00
-48	131-0566-00		17	.	LINK,TERM.CONNE:0.086 DIA X 2.375 INCH L					55210	L-2007-1
-49	131-0993-00		1	.	LINK,TERM.CONNE:2 WIRE BLACK					00779	530153-2
-50	426-1337-00		1	.	FRAME,MICROCKT:1.22 CM (ATTACHING PARTS)					80009	426-1337-00
-51	220-0797-00		4	.	NUT,CAPTIVE:2-56 X 0.218 DIA,STL CD PL					46384	KF2-256
-52	211-0259-00		4	.	SCR,ASSEM WSHR:2-56 X 0.437,PNH,STL CD PL					78189	OBD
					- - - * - - -						
-53	131-1968-00		1	.	CONT SET,ELEC:MICROCKT,1.75CM,RUBBER					80009	131-1968-00
-54	136-0252-04		61	.	SOCKET,PIN TERM:0.188 INCH LONG					22526	75060
-55	214-0579-00		5	.	TERM.,TEST PT:BRS CD PL					80009	214-0579-00
-56	131-1003-00		4	.	CONNECTOR BODY,:CKT BD MT,2 PRONG					80009	131-1003-00
-57	131-0589-00		1	.	TERM,PIN:0.46 L X 0.025 SQ.PH BRZ GL					22526	47350
-58	136-0269-02		1	.	SOCKET,PLUG-IN:14 CONTACT,LOW CLEARANCE					01295	C95140
-59	136-0514-00		4	.	SOCKET,PLUG IN:MICROCIRCUIT,8 CONTACT					82647	C93-08-18
-60	214-2543-00		2	.	HT SK,MICROCKT:MICROCIRCUIT					80009	214-2543-00
-61	200-2079-00		1	.	COVER,PENUM: (ATTACHING PARTS)					80009	200-2079-00
-62	211-0232-00		4	.	SCREW,MACHINE:4-40 X 0.25 INCH,FIL STL					83385	OBD
					- - - * - - -						
-63	-----		1	.	CKT BOARD ASSY:Z AXIS(SEE A21 EPL) (ATTACHING PARTS)						
-64	211-0008-00		3	.	SCREW,MACHINE:4-40 X 0.25 INCH,PNH STL					83385	OBD
					- - - * - - -						
				.	CKT BOARD ASSY INCLUDES:						
-65	200-2081-00		1	.	COVER,CKT CD: (ATTACHING PARTS)					80009	200-2081-00
-66	211-0040-00		2	.	SCREW,MACHINE:4-40 X 0.25",BDGH PLSTC					26365	OBD
					- - - * - - -						
-67	385-0107-00		2	.	SPACER,POST: (ATTACHING PARTS FOR EACH)					80009	385-0107-00
-68	211-0040-00		1	.	SCREW,MACHINE:4-40 X 0.25",BDGH PLSTC					26365	OBD
					- - - * - - -						
-69	136-0252-04		59	.	SOCKET,PIN TERM:0.188 INCH LONG					22526	75060
-70	214-0579-00		4	.	TERM.,TEST PT:BRS CD PL					80009	214-0579-00
-71	131-1003-00		2	.	CONNECTOR BODY,:CKT BD MT,2 PRONG					80009	131-1003-00
-72	131-0608-00		15	.	TERMINAL,PIN:0.365 L X 0.25 PH,BRZ,GOLD PL					22526	47357
-73	386-1559-00		2	.	SPACER,CKT CARD:PLASTIC					80009	386-1559-00
-74	348-0253-00		2	.	GROMMET,PLASTIC:1.24 X 0.739 X 0.108" OA					80009	348-0253-00
-75	348-0056-00		1	.	GROMMET,PLASTIC:0.375 INCH DIA					80009	348-0056-00
-76	386-3727-00		1	.	SUBPANEL,REAR:UPPER (ATTACHING PARTS)					80009	386-3727-00
-77	211-0232-00		2	.	SCREW,MACHINE:4-40 X 0.25 INCH,FIL STL					83385	OBD
-78	211-0504-00		2	.	SCREW,MACHINE:6-32 X 0.25 INCH,PNH STL					83385	OBD
					- - - * - - -						
-79	426-0809-05		1	.	FRAME PNL,CAB.:UPPER REAR (ATTACHING PARTS)					80009	426-0809-05
-80	213-0270-00		3	.	SCR,TPG,THD FOR:10-32 X 0.75 INCH FILH STL					83385	OBD
					- - - * - - -						
-81	426-1411-00		2	.	FRAME SECT,CAB.:BOTTOM LEFT					80009	426-1411-00
-82	342-0313-00		2	.	INSULATOR,BSHG:0.437 ID X 0.567 INCH OD					28520	SB-562-7
	-----		1	.	DELAY LINE:(SEE DL1155 EPL)						
-83	386-3732-00		2	.	PLATE,DLY LINE: (ATTACHING PARTS FOR EACH)					80009	386-3732-00
-84	212-0087-00		2	.	SCR,TPG,THD CTG:8-32 X 0.375,T,TRH,STL					83385	OBD
					- - - * - - -						

Fig. & Index No.	Tektronix Part No.	Serial/Model No. Eff	Dscont	Qty	1	2	3	4	5	Name & Description	Mfr Code	Mfr Part Number
3-85	361-0845-00			4	.					SPACER, DLY LINE: 1.5 OD X 2.0 INCH LONG (ATTACHING PARTS FOR EACH)	80009	361-0845-00
-86	212-0087-00			2	.					SCR, TPG, THD CTG: 8-32 X 0.375, T, TRH, STL - - - * - - -	83385	OBD
-87	175-2025-00			FT	.					CABLE, RF: 50 OHM COAX, NAT VINYL JKT	80009	175-2025-00
-88	386-3732-00			2	.					PLATE, DLY LINE: (ATTACHING PARTS FOR EACH)	80009	386-3732-00
-89	212-0023-00			2	.					SCREW, MACHINE: 8-32 X 0.375 INCH, PNH STL - - - * - - -	83385	OBD
-90	343-0013-00			3	.					CLAMP, LOOP: 0.375 INCH DIA (ATTACHING PARTS FOR EACH)	95987	3-8-6B
-91	210-0458-00			1	.					NUT, PLAIN, EXT W: 8-32 X 0.344 INCH, STL	83385	OBD
-92	210-0863-00			1	.					WSHR, LOOP CLAMP: FOR 0.50" WIDE CLAMP, STL - - - * - - -	95987	C191
-93	348-0064-00			1	.					GROMMET, PLASTIC: 0.625 INCH DIA	80009	348-0064-00
-94	426-1412-00			1	.					FRAME SECT, CAB: CENTER (ATTACHING PARTS)	80009	426-1412-00
-95	212-0008-00			2	.					SCREW, MACHINE: 8-32 X 0.500 INCH, PNH STL - - - * - - -	83385	OBD
-96	426-1414-00			1	.					FRAME SECT, CAB: LEFT (ATTACHING PARTS)	80009	426-1414-00
-97	211-0507-00			4	.					SCREW, MACHINE: 6-32 X 0.312 INCH, PNH STL - - - * - - -	83385	OBD
-98	343-0747-00			2	.					CLAMP, DLY LINE: TOP (ATTACHING PARTS FOR EACH)	80009	343-0747-00
-99	211-0578-00			3	.					SCREW, MACHINE: 6-32 X 0.438 INCH, PNH STL - - - * - - -	83385	OBD
-100	343-0748-00			2	.					CLAMP, DLY LINE: BOTTOM (ATTACHING PARTS FOR EACH)	80009	343-0748-00
-101	211-0578-00			1	.					SCREW, MACHINE: 6-32 X 0.438 INCH, PNH STL - - - * - - -	83385	OBD
-102	343-0691-00			2	.					CLAMP, DLY LINE: BOTTOM (ATTACHING PARTS FOR EACH)	80009	343-0691-00
-103	212-0010-00			3	.					SCREW, MACHINE: 8-32 X 0.625 INCH, PNH STL - - - * - - -	83385	OBD
-104	343-0690-00			2	.					CLAMP, DLY LINE: TOP	80009	343-0690-00
-105	343-0700-00			4	.					CLAMP, CABLE: 0.319 ID, BRS	80009	343-0700-00

Fig. & Index No.	Tektronix Part No.	Serial/Model No. Eff Dscont	Qty	1 2 3 4 5	Name & Description	Mfr Code	Mfr Part Number
4-1	426-0681-00		1		FR,PUSH BUTTON:GRAY PLASTIC	80009	426-0681-00
-2	426-1072-00		3		FRAME,PUSH BTN:PLASTIC	80009	426-1072-00
-3	426-0568-00		9		FR,PUSHBUTTON:PANEL MOUNT	80009	426-0568-00
-4	366-1023-01		1		KNOB:GRAY	80009	366-1023-01
	213-0246-00		1		. SETSCREW:5-40 X 0.94,STL BK OXD,HEX	71159	OBD
-5	358-0599-00		1		BUSHING,SLEEVE:0.125 ID X 0.234 THK,PLSTC	28520	B-187-125
-6	333-2318-00		1		PANEL,FRONT:LOWER	80009	333-2318-00
					(ATTACHING PARTS)		
-7	213-0055-00		5		SCR,TPG,THD FOR:2-32 X 0.188 INCH,PNH STL	93907	OBD
					- - - * - - -		
-8	131-1315-00		1		CONNECTOR,RCPT,:BNC,FEMALE	24931	28JR235-1
-9	337-1543-00		1		SHLD GSKT,ELECT:2.50 INCHES LONG	80009	337-1543-00
-10	337-1542-00		1		SHLD GSKT,ELECT:2.10 INCHES LONG	80009	337-1542-00
	129-0103-00		1		POST,BDG,ELEC:ASSEMBLY	80009	129-0103-00
					(ATTACHING PARTS)		
-11	210-0583-00		1		NUT,PLAIN,HEX.:0.25-32 X 0.312 INCH,BRS	73743	2X20224-402
-12	210-0046-00		1		WASHER,LOCK:INTL,0.26 ID X 0.40" OD,STL	78189	1214-05-00-0541C
					- - - * - - -		
					. POST ASSY INCLUDES:		
-13	200-0103-00		1		. NUT,PLAIN,KNURL:0.25-28 X 0.375" OD,BRASS	80009	200-0103-00
-14	129-0077-00		1		. STUD,SHOULDERED:0.938 INCH LONG,BRASS	80009	129-0077-00
-15	348-0204-00		1		. SHLD GSKT,ELEK:FINGER TYPE,10.65 INCH LONG	80009	348-0204-00
-16	351-0509-00		2		GUIDE,PUSH BTN:THREE LAMP	80009	351-0509-00
					(ATTACHING PARTS FOR EACH)		
-17	210-0405-00		2		NUT,PLAIN,HEX.:2-56 X 0.188 INCH,BRS	73743	2X12157-402
-18	211-0030-00		2		SCREW,MACHINE:2-56 X 0.25"82 DEG,FLH STL	83385	OBD
					- - - * - - -		
-19	-----		2		CKT BOARD ASSY:TRIG LIGHT A & B(SEE A3,A4 EPL)		
-20	131-0608-00		4		. TERMINAL,PIN:0.365 L X 0.25 PH,BRZ,GOLD PL	22526	47357
-21	426-0806-03		1		FRAME PNL,CAB.:LOWER FRONT	80009	426-0806-03
					(ATTACHING PARTS)		
-22	213-0270-00		4		SCR,TPG,THD FOR:10-32 X 0.75 INCH FILH STL	83385	OBD
					- - - * - - -		
-23	366-1480-02		1		PUSH BUTTON:GRAY	80009	366-1480-02
-24	366-1559-00		3		PUSH BUTTON:GRAY	80009	366-1559-00
-25	366-1161-57		1		PUSH BUTTON:GRAY--LEFT	80009	366-1161-57
-26	366-1161-31		2		PUSH BUTTON:GRAY--ALT	80009	366-1161-31
-27	366-1161-27		1		PUSH BUTTON:GRAY--ADD	80009	366-1161-27
-28	366-1161-30		2		PUSH BUTTON:GRAY--CHOP	80009	366-1161-30
-29	366-1161-58		1		PUSH BUTTON:GRAY--RIGHT	80009	366-1161-58
-30	366-1650-00		6		PUSH BUTTON:CLEAR,0.184 X0.214 X 8.0 L	80009	360-1650-00
-31	366-1161-55		1		PUSH BUTTON:GRAY--A	80009	366-1161-55
-32	366-1161-56		1		PUSH BUTTON:GRAY--B	80009	366-1161-56
-33	384-1136-00		3		EXTENSION SHAFT:0.95 INCH LONG	80009	384-1136-00
-34	384-1354-00		6		EXTENSION SHAFT:1.585 INCH LONG,OFFSET,NYL	80009	384-1354-00
-35	384-1148-00		1		EXTENSION SHAFT:3.14 L X 0.123 OD,EPOXY-GL	80009	384-1148-00
-36	376-0029-00		1		CPLG,SHAFT,RGD:0.128 ID X 0.312 OD X 0.5"L	80009	376-0029-00
	213-0075-00		2		. SETSCREW:4-40 X 0.094 INCH,HEX SOC STL	000BK	OBD
-37	-----		1		CKT BOARD ASSY:MODE SWITCH(SEE A5 EPL)		
					(ATTACHING PARTS)		
-38	211-0116-00		5		SCR,ASSEM WSHR:4-40 X 0.312 INCH,PNH BRS	83385	OBD
					- - - * - - -		
					. CKT BOARD ASSY INCLUDES:		
-39	136-0269-02		5		. SOCKET,PLUG-IN:14 CONTACT,LOW CLEARANCE	01295	C95140
-40	214-0579-00		8		. TERM.,TEST PT:BRS CD PL	80009	214-0579-00
-41	-----		2		. ACTUATOR ASSY:(SEE S365,S345 EPL)		
-42	-----		1		. ACTUATOR ASSY:(SEE S325 EPL)		
-43	-----		1		. ACTUATOR ASSY:(SEE S315 EPL)		
-44	-----		1		. ACTUATOR ASSY:(SEE S395 EPL)		
-45	343-0495-09		1		. CLIP,SWITCH:FRONT,7.5 MM,9 UNIT	80009	343-0495-09
					(ATTACHING PARTS)		
-46	210-3033-00		9		. EYELET,METALLIC:0.59 OD X 0.156 INCH LONG	07707	SE-25
					- - - * - - -		

Replaceable Mechanical Parts—7104

Fig. & Index No.	Tektronix Part No.	Serial/Model No. Eff Dscont	Qty	1	2	3	4	5	Name & Description	Mfr Code	Mfr Part Number
4-47	343-0495-07		1	.					CLIP, SWITCH: FRONT, 7.5MM, 7 UNIT (ATTACHING PARTS)	80009	343-0495-07
-48	210-3033-00		7	.					EYELET, METALLIC: 0.59 OD X 0.156 INCH LONG - - - * - - -	07707	SE-25
-49	343-0496-03		3	.					CLIP, SWITCH: FRONT, 10 MM X 3 UNIT (ATTACHING PARTS FOR EACH)	80009	343-0496-03
-50	210-3033-00		3	.					EYELET, METALLIC: 0.59 OD X 0.156 INCH LONG - - - * - - -	07707	SE-25
-51	343-0497-03		3	.					CLIP, SWITCH: REAR, 10 MM X 3 UNIT (ATTACHING PARTS FOR EACH)	80009	343-0497-03
-52	210-3033-00		3	.					EYELET, METALLIC: 0.59 OD X 0.156 INCH LONG - - - * - - -	07707	SE-25
-53	-----		1	.					RES, VAR, NONWW: (SEE R325 EPL)		
-54	343-0499-03		1	.					CLIP, SWITCH: 7.5 MM, 4 UNIT (ATTACHING PARTS)	80009	343-0499-03
-55	210-3033-00		3	.					EYELET, METALLIC: 0.59 OD X 0.156 INCH LONG - - - * - - -	07707	SE-25
-56	343-0499-05		1	.					CLIP, SWITCH: REAR, 7.5MM X 5 UNIT (ATTACHING PARTS)	80009	343-0499-05
-57	210-3033-00		5	.					EYELET, METALLIC: 0.59 OD X 0.156 INCH LONG - - - * - - -	07707	SE-25
-58	131-0608-00		61	.					TERMINAL, PIN: 0.365 L X 0.25 PH, BRZ, GOLD PL	22526	47357
-59	136-0252-04		23	.					SOCKET, PIN TERM: 0.188 INCH LONG	22526	75060
-60	131-1003-00		2	.					CONNECTOR BODY, :CKT BD MT, 2 PRONG	80009	131-1003-00
-61	343-0499-04		2	.					CLIP, SWITCH: REAR, 7.5MM X 4 UNIT (ATTACHING PARTS FOR EACH)	80009	343-0499-04
-62	210-3033-00		4	.					EYELET, METALLIC: 0.59 OD X 0.156 INCH LONG - - - * - - -	07707	SE-25
-63	384-1876-00		1						EXTENSION SHAFT:	80009	384-1876-00
-64	348-0193-00		1						FLIP-STAND, CAB.:	80009	348-0193-00
-65	407-2109-00		2						BRACKET, HINGE: (ATTACHING PARTS FOR EACH)	80009	407-2109-00
-66	210-0457-00		2						NUT, PLAIN, EXT W: 6-32 X 0.312 INCH, STL - - - * - - -	83385	OBD
-67	200-1731-00		1						COVER, ELEC SW: 1.9 X 1.0 INCH (ATTACHING PARTS)	80009	200-1731-00
-68	211-0034-00		1						SCREW, MACHINE: 2-56 X 0.50 INCH, PNH	83385	OBD
-69	210-0850-00		1						WASHER, FLAT: 0.093 ID X 0.281 INCH OD	12327	OBD
-70	210-0405-00		1						NUT, PLAIN, HEX.: 2-56 X 0.188 INCH, BRZ - - - * - - -	73743	2X12157-402
-71	-----		1						SWITCH, PUSH: (SEE S1200 EPL) (ATTACHING PARTS)		
-72	211-0008-00		2						SCREW, MACHINE: 4-40 X 0.25 INCH, PNH STL - - - * - - -	83385	OBD
-73	407-1873-00		1						BRACKET, ANGLE: POWER SWITCH (ATTACHING PARTS)	80009	407-1873-00
-74	210-0457-00		2						NUT, PLAIN, EXT W: 6-32 X 0.312 INCH, STL - - - * - - -	83385	OBD
-75	210-0202-00		1						TERMINAL, LUG: 0.146 ID, LOCKING, BRZ TINNED (ATTACHING PARTS)	78189	2104-06-00-2520N
-76	210-0457-00		2						NUT, PLAIN, EXT W: 6-32 X 0.312 INCH, STL - - - * - - -	83385	OBD
-77	441-1286-01		1						CHAS, PL-IN HSG: TOP (ATTACHING PARTS FOR EACH)	80009	441-1286-01
-78	210-0458-00		4						NUT, PLAIN, EXT W: 8-32 X 0.344 INCH, STL	83385	OBD
-79	212-0004-00		4						SCREW, MACHINE: 8-32 X 0.312 INCH, PNH STL - - - * - - -	83385	OBD
-80	407-2093-00		2						BRACKET, ANGLE: HINGE, ALUMINUM (ATTACHING PARTS FOR EACH)	80009	407-2093-00
-81	211-0559-00		1						SCREW, MACHINE: 6-32 X 0.375" 100 DEG, FLH STL - - - * - - -	83385	OBD

Fig. & Index No.	Tektronix Part No.	Serial/Model No. Eff Dscont	Qty	1 2 3 4 5	Name & Description	Mfr Code	Mfr Part Number
4-82	426-1470-00		2		FRAME SECT,CAB.:COUPLING (ATTACHING PARTS FOR EACH)	80009	426-1470-00
-83	211-0507-00		1		SCREW,MACHINE:6-32 X 0.312 INCH,PNH STL - - - * - - -	83385	OBD
-84	426-1513-00		2		FRAME SECT,CAB.:TOP RIGHT (ATTACHING PARTS FOR EACH)	80009	426-1513-00
-85	210-0458-00		4		NUT,PLAIN,EXT W:8-32 X 0.344 INCH,STL	83385	OBD
-86	212-0004-00		4		SCREW,MACHINE:8-32 X 0.312 INCH,PNH STL - - - * - - -	83385	OBD
-87	351-0181-03		4		GUIDE,SLIDE:LWR,PLUG-IN UNIT (ATTACHING PARTS FOR EACH)	80009	351-0181-03
-88	213-0146-00		1		SCR,TPG,THD FOR:6-20 X 0.313 INCH,PNH STL - - - * - - -	83385	OBD
-89	131-0930-00		3		CONTACT,ELEC:PLUG-IN GROUND (ATTACHING PARTS FOR EACH)	80009	131-0930-00
-90	210-0586-00		1		NUT,PLAIN,EXT W:4-40 X 0.25 INCH,STL	78189	211-041800-00
-91	211-0008-00		1		SCREW,MACHINE:4-40 X 0.25 INCH,PNH STL - - - * - - -	83385	OBD
-92	131-0799-00		3		CONTACT,ELEC:PLUG-IN GROUND (ATTACHING PARTS FOR EACH)	80009	131-0799-00
-93	210-0586-00		1		NUT,PLAIN,EXT W:4-40 X 0.25 INCH,STL	78189	211-041800-00
-94	211-0008-00		1		SCREW,MACHINE:4-40 X 0.25 INCH,PNH STL - - - * - - -	83385	OBD
-95	337-2514-00		3		SHIELD,ELEC:INTERFACE CIRCUIT BD (ATTACHING PARTS FOR EACH)	80009	337-2514-00
-96	211-0008-00		3		SCREW,MACHINE:4-40 X 0.25 INCH,PNH STL - - - * - - -	83385	OBD
-97	131-0800-00		2		CONTACT,ELEC:PLUG-IN GROUND (ATTACHING PARTS FOR EACH)	80009	131-0800-00
-98	213-0138-00		2		SCR,TPG,THD FOR:4-40 X 0.188 INCH,PNH STL - - - * - - -	83385	OBD
-99	358-0566-00		1		INSULATOR,BSHG:0.625 ID X 0.406 THK,NYLON	28520	SB-812-10
-100	426-1487-00		1		FRAME,PL-IN HSG:REAR (ATTACHING PARTS)	80009	426-1487-00
-101	213-0119-00		12		SCR,TPG,THD FOR:4-24 X 0.375 INCH,PNH STL - - - * - - -	83385	OBD
-102	-----		1		CRT BOARD ASSY:TRIGGER SELECT(SEE A14 EPL) (ATTACHING PARTS)		
-103	211-0155-00		3		SCREW,EXT,RLV B:4-40 X 0.375 INCH,SST - - - * - - -	80009	211-0155-00
-104	361-0238-00		-		. CKT BOARD ASSY INCLUDES:		
-105	136-0263-04		3		. SPACER,SLEEVE:0.25 OD X 0.34 INCH LONG	80009	361-0238-00
-106	426-1352-00		7		. SOCKET,PIN TERM:FOR 0.025 INCH SQUARE PIN	22526	48059
-107	220-0797-00		5		. FRAME,MICROCKT:1.75 CM,STEPPED (ATTACHING PARTS FOR EACH)	80009	426-1352-00
-108	211-0259-00		4		. NUT,CAPTIVE:2-56 X 0.218 DIA,STL CD PL	46384	KF2-256
-109	131-1968-00		5		. SCR,ASSEM WSHR:2-56 X 0.437,PNH,STL CD PL - - - * - - -	78189	OBD
-110	131-1968-01		3		. CONT SET,ELEC:MICROCKT,1.75CM,RUBBER	80009	131-1968-00
-111	136-0269-02		2		. CONT SET,ELEC:MICROCKT,1.75CM,RUBBER	80009	131-1968-01
-112	136-0514-00		1		. SOCKET,PLUG-IN:14 CONTACT,LOW CLEARANCE	01295	C95140
-113	131-1003-00		2		. SOCKET,PLUG IN:MICROCIRCUIT,8 CONTACT	82647	C93-08-18
-114	136-0252-04		9		. CONNECTOR BODY,:CKT BD MT,2 PRONG	80009	131-1003-00
-115	211-0155-00		15		. SOCKET,PIN TERM:0.188 INCH LONG	22526	75060
-116	136-0263-04		1		CKT BOARD ASSY:LOGIC(SEE A13 EPL) (ATTACHING PARTS)		
-117	361-0238-00		3		SCREW,EXT,RLV B:4-40 X 0.375 INCH,SST - - - * - - -	80009	211-0155-00
-118	136-0252-04		-		. CKT BOARD ASSY INCLUDES:		
-119	136-0241-00		40		. SOCKET,PIN TERM:FOR 0.025 INCH SQUARE PIN	22526	48059
-120	214-0579-00		3		. SPACER,SLEEVE:0.25 OD X 0.34 INCH LONG	80009	361-0238-00
			55		. SOCKET,PIN TERM:0.188 INCH LONG	22526	75060
			4		. SOCKET,PLUG-IN:10 CONTACT,ROUND	71785	133-99-12-064
			10		. TERM.,TEST PT:BRS CD PL	80009	214-0579-00



Replaceable Mechanical Parts—7104

Fig. & Index No.	Tektronix Part No.	Serial/Model No. Eff Dscont	Qty	1 2 3 4 5	Name & Description	Mfr Code	Mfr Part Number
4-121	136-0269-02		1	.	SOCKET, PLUG-IN: 14 CONTACT, LOW CLEARANCE	01295	C95140
-122	136-0260-02		3	.	SOCKET, PLUG-IN: 16 CONTACT, LOW CLEARANCE	82647	C9316-18
-123	-----		2		CKT BOARD ASSY: FOLLOWER (SEE A11, A12 EPL)		
-124	-----		1		CKT BOARD ASSY: FOLLOWER (SEE A7 EPL)		
-125	-----		1		CKT BOARD ASSY: FOLLOWER (SEE A9 EPL)		
-126	-----		1		CKT BOARD ASSY: FOLLOWER (SEE A10 EPL)		
-127	-----		1		CKT BOARD ASSY: FOLLOWER (SEE A8 EPL)		
-128	-----		1		CKT BOARD ASSY: MAIN INTERFACE (SEE A6 EPL)		
-129	131-0608-00		103	.	TERMINAL, PIN: 0.365 L X 0.25 PH, BRZ, GOLD PL	22526	47357
-130	386-1558-00		6	.	SPACER, CKT CARD: PLASTIC	80009	386-1558-00
-131	351-0187-00		6	.	GUIDE-POST LOCK: 0.072 INCH LONG	80009	351-0187-00
-132	131-1003-00		10	.	CONNECTOR BODY, : CKT BD MT, 2 PRONG	80009	131-1003-00
-133	136-0252-04		13	.	SOCKET, PIN TERM: 0.188 INCH LONG	22526	75060
-134	131-0589-00		18	.	TERM, PIN: 0.46 L X 0.025 SQ. PH BRZ GL	22526	47350
-135	131-0591-00		47	.	CONTACT, ELEC: 0.835 INCH LONG	22526	47352
	131-0767-10		4	.	CONN, RCPT, ELEC: CKT BD	80009	131-0767-10
					(ATTACHING PARTS FOR EACH)		
-136	213-0232-00		8	.	SCR, TPG, THD FOR: 2-32 X 0.312 INCH, PNH STL	83385	OBD
	-----				- - - * - - -		
					. . EACH CONNECTOR ASSY INCLUDES:		
-137	204-0365-00		4	.	BODY, CONNECTOR: PLUG-IN CIRCUIT CARD	80009	204-0365-00
-138	131-0726-00		24	.	CONTACT, ELEC: STRAIGHT	80009	131-0726-00
-139	131-0727-00		24	.	CONTACT, ELEC: OFFSET	80009	131-0727-00
-140	200-0950-00		2	.	COVER, ELEC CONN: PLASTIC	80009	200-0950-00
-141	214-2675-00		6	.	SPRING, ACTUATOR:	80009	214-2675-00
-142	136-0619-00		6	.	SOCKET, PIN TERM: U/W 0.026-0.029 DIA PINS	00779	1-331677-0
	198-3762-00		1		WIRE SET, ELEC:	80009	198-3762-00
-143	210-0202-00		2	.	TERMINAL, LUG: 0.146 ID, LOCKING, BRZ TINNED	78189	2104-06-00-2520N
-144	131-0707-00		264	.	CONNECTOR, TERM.: 0.48" L, 22-26AWG WIRE	22526	75691-005
-145	131-1810-00		36	.	CONTACT, ELEC: FEMALE, FOR 0.025 SQ PIN	00779	87124-1
-146	352-0169-08		1	.	CONN BODY, PL, EL: 2 WIRE GRAY	80009	352-0169-08
-147	352-0162-00		2	.	CONN BODY, PL, EL: 4 WIRE BLACK	80009	352-0162-00
	352-0162-06		2	.	CONN BODY, PL, EL: 4 WIRE BLUE	80009	352-0162-06
-148	352-0163-04		4	.	CONN BODY, PL, EL: 5 WIRE YELLOW	80009	352-0163-04
	352-0163-07		2	.	CONN BODY, PL, EL: 5 WIRE VIOLET	80009	352-0163-07
	352-0163-08		2	.	CONN BODY, PL, EL: 5 WIRE GRAY	80009	352-0163-08
	352-0163-09		2	.	CONN BODY, PL, EL: 5 WIRE WHITE	80009	352-0163-09
-149	352-0165-00		2	.	CONN BODY, PL, EL: 7 WIRE BLACK	80009	352-0165-00
	352-0165-05		2	.	CONN BODY, PL, EL: 7 WIRE GREEN	80009	352-0165-05
	352-0165-07		2	.	CONN BODY, PL, EL: 7 WIRE VIOLET	80009	352-0165-07
-150	352-0166-06		1	.	CONN BODY, PL, EL: 8 WIRE BLUE	80009	352-0166-06
-151	352-0167-05		2	.	CONN BODY, PL, EL: 9 WIRE GREEN	80009	352-0167-05
-152	352-0168-02		2	.	CONN BODY, PL, EL: 10 WIRE RED	80009	352-0168-02
	352-0168-03		2	.	CONN BODY, PL, EL: 10 WIRE ORANGE	80009	352-0168-03
	352-0168-05		2	.	CONN BODY, PL, EL: 10 WIRE GREEN	80009	352-0168-05
	352-0168-06		2	.	CONN BODY, PL, EL: 10 WIRE BLUE	80009	352-0168-06
	352-0168-07		2	.	CONN BODY, PL, EL: 10 WIRE VIOLET	80009	352-0168-07
	352-0168-09		4	.	CONN BODY, PL, EL: 10 WIRE WHITE	80009	352-0168-09
-153	204-0738-00		2	.	CONN BODY, PLUG: 8 CONTACTS, SGL ROW, LKG CLIP	00779	1-87175-7
-154	204-0760-00		2	.	CONN BODY, RCPT: 10 CONTACTS	00779	2-87175-1
-155	175-0827-00		FT	.	WIRE, ELECTRICAL: 4 WIRE RIBBON	08261	SS-0426-710610C
-156	175-0828-00		FT	.	WIRE, ELECTRICAL: 5 WIRE RIBBON	08261	OBD
-157	175-0830-00		FT	.	WIRE, ELECTRICAL: 7 WIRE RIBBON	08261	SS-0726-710610C
-158	175-0831-00		FT	.	WIRE, ELECTRICAL: 8 WIRE RIBBON	08261	OBD
-159	175-0832-00		FT	.	WIRE, ELECTRICAL: 9 WIRE RIBBON	08261	SS-0926(1061)0C
-160	175-0833-00		FT	.	WIRE, ELECTRICAL: 10 WIRE RIBBON	08261	OBD
-161	179-2578-00		1		WIRING HARNESS: SIGNAL OUT	80009	179-2578-00
-162	352-0204-00		1	.	CONN BODY, PL, EL: 8 WIRE BLACK	80009	352-0204-00
	179-2579-00		1		WIRING HARNESS: AUXILIARY - Y	80009	179-2579-00
-163	352-0202-00		1	.	CONN BODY, PL, EL: 6 WIRE BLACK	80009	352-0202-00

Fig. & Index No.	Tektronix Part No.	Serial/Model No. Eff Dscont	Qty	1 2 3 4 5	Name & Description	Mfr Code	Mfr Part Number
5-	620-0276-00		1		POWER SUPPLY: (ATTACHING PARTS)	80009	620-0276-00
-1	211-0578-00		4		SCREW,MACHINE:6-32 X 0.438 INCH,PNH STL - - - * - - -	83385	OBD
-2	200-1262-02		1		. COVER,PWR SPLY:LEFT SIDE (ATTACHING PARTS)	80009	200-1262-02
-3	211-0503-00		7		. SCREW,MACHINE:6-32 X 0.188 INCH,PNH STL	83385	OBD
-4	211-0504-00		2		. SCREW,MACHINE:6-32 X 0.25 INCH,PNH STL - - - * - - -	83385	OBD
-5	255-0334-00		1		. PLASTIC CHANNEL:	11897	122-37-2500
-6	348-0233-00		1		. GROMMET,PLASTIC:GRAY,OVAL SHAPE,0.927 ID	80009	348-0233-00
-7	351-0279-00		2		. GUIDE,SHOE:5.18 X 0.375,NYLON	80009	351-0279-00
-8	200-1906-00		1		. COVER,PWR SPLY:BOTTOM AND FRONT (ATTACHING PARTS)	80009	200-1906-00
-9	211-0503-00		5		. SCREW,MACHINE:6-32 X 0.188 INCH,PNH STL - - - * - - -	83385	OBD
-10	200-1263-01		1		. COVER,PWR SPLY:RIGHT SIDE (ATTACHING PARTS)	80009	200-1263-01
-11	211-0503-00		1		. SCREW,MACHINE:6-32 X 0.188 INCH,PNH STL	83385	OBD
-12	211-0504-00		2		. SCREW,MACHINE:6-32 X 0.25 INCH,PNH STL - - - * - - -	83385	OBD
-13	-----		2		. TRANSISTOR:(SEE Q1428,Q1474 EPL) (ATTACHING PARTS FOR EACH)		
-14	210-0551-00		1		. NUT,PLAIN,HEX.:4-40 X 0.25 INCH,STL	83385	OBD
-15	210-1178-00		1		. WSHR,SHOULDERED:FOR MTG TO-220 TRANSISTOR	49671	DF 137A
-16	342-0202-00		1		. INSULATOR,PLATE:TRANSISTOR	01295	10-21-023-106
-17	211-0101-00		1		. SCREW,MACHINE:4-40 X 0.25" 100 DEG,FLH STL - - - * - - -	83385	OBD
-18	-----		2		. TRANSISTOR:(SEE Q1458,Q1494 EPL) (ATTACHING PARTS FOR EACH)		
-19	210-0551-00		1		. NUT,PLAIN,HEX.:4-40 X 0.25 INCH,STL	83385	OBD
-20	210-1178-00		1		. WSHR,SHOULDERED:FOR MTG TO-220 TRANSISTOR	49671	DF 137A
-21	342-0202-00		1		. INSULATOR,PLATE:TRANSISTOR	01295	10-21-023-106
-22	211-0101-00		1		. SCREW,MACHINE:4-40 X 0.25" 100 DEG,FLH STL - - - * - - -	83385	OBD
-23	-----		1		. TRANSISTOR:(SEE Q1522 EPL) (ATTACHING PARTS)		
-24	210-0551-00		1		. NUT,PLAIN,HEX.:4-40 X 0.25 INCH,STL	83385	OBD
-25	210-1178-00		1		. WSHR,SHOULDERED:FOR MTG TO-220 TRANSISTOR	49671	DF 137A
-26	342-0202-00		1		. INSULATOR,PLATE:TRANSISTOR	01295	10-21-023-106
-27	211-0038-00		1		. SCREW,MACHINE:4-40 X 0.312"100 DEG,FLH STL - - - * - - -	83385	OBD
-28	-----		1		. TRANSISTOR:(SEE Q1526 EPL) (ATTACHING PARTS)		
-29	210-0551-00		1		. NUT,PLAIN,HEX.:4-40 X 0.25 INCH,STL	83385	OBD
-30	210-1178-00		1		. WSHR,SHOULDERED:FOR MTG TO-220 TRANSISTOR	49671	DF 137A
-31	342-0202-00		1		. INSULATOR,PLATE:TRANSISTOR	01295	10-21-023-106
-32	211-0101-00		1		. SCREW,MACHINE:4-40 X 0.25" 100 DEG,FLH STL - - - * - - -	83385	OBD
-33	-----		1		. CKT BOARD ASSY:L.V. REGULATOR(SEE A25 EPL) (ATTACHING PARTS)		
-34	211-0008-00		5		. SCREW,MACHINE:4-40 X 0.25 INCH,PNH STL - - - * - - -	83385	OBD
-35	131-0993-00		1		. . . CKT BOARD ASSY INCLUDES: . . . LINK,TERM.CONNE:2 WIRE BLACK	00779	530153-2
-36	131-0608-00		66		. . . TERMINAL,PIN:0.365 L X 0.25 PH,BRZ,GOLD PL	22526	47357
-37	214-0579-00		9		. . . TERM.,TEST PT:BRS CD PL	80009	214-0579-00
-38	136-0252-04		24		. . . SOCKET,PIN TERM:0.188 INCH LONG	22526	75060
-39	136-0514-00		5		. . . SOCKET,PLUG IN:MICROCIRCUIT,8 CONTACT	82647	C93-08-18
-40	-----		1		. . . TRANSISTOR:(SEE Q1548 EPL) (ATTACHING PARTS)		
-41	210-0414-00		1		. . . NUT,PLAIN,HEX.:0.468-32 X 0.562 INCH,BRS	73743	3167-402
-42	211-0097-00		1		. . . SCREW,MACHINE:4-40 X 0.312 INCH,PNH STL	83385	OBD
-43	210-1178-00		1		. . . WSHR,SHOULDERED:FOR MTG TO-220 TRANSISTOR - - - * - - -	49671	DF 137A

Replaceable Mechanical Parts—7104

Fig. & Index No.	Tektronix Part No.	Serial/Model No. Eff Dscnt	Qty	1	2	3	4	5	Name & Description	Mfr Code	Mfr Part Number
5-44	348-0023-00		1	.					PLUG, HOLE:	80009	348-0023-00
-45	441-1421-00		1	.					CHASSIS, SCOPE: POST REGULATOR CIRCUIT BD (ATTACHING PARTS)	80009	441-1421-00
-46	211-0008-00		2	.					SCREW, MACHINE: 4-40 X 0.25 INCH, PNH STL	83385	OBD
-47	211-0507-00		3	.					SCREW, MACHINE: 6-32 X 0.312 INCH, PNH STL	83385	OBD
-48	-----		1	.					CAPACITOR: (SEE C1354 EPL) (ATTACHING PARTS)		
-49	212-0518-00		2	.					SCREW, MACHINE: 10-32 X 0.312 INCH, PNH STL	83385	OBD
-50	-----		1	.					CKT BOARD ASSY: CONTROL/RECT (SEE A24 EPL) (ATTACHING PARTS)		
-51	211-0008-00		3	.					SCREW, MACHINE: 4-40 X 0.25 INCH, PNH STL	83385	OBD
-52	211-0504-00		1	.					SCREW, MACHINE: 6-32 X 0.25 INCH, PNH STL	83385	OBD
-53	131-0608-00		22	.					CKT BOARD ASSY INCLUDES: TERMINAL, PIN: 0.365 L X 0.25 PH, BRZ, GOLD PL	22526	47357
-54	136-0252-04		9	.					SOCKET, PIN TERM: 0.188 INCH LONG	22526	75060
-55	136-0269-02		1	.					SOCKET, PLUG-IN: 14 CONTACT, LOW CLEARANCE	01295	C95140
-56	136-0263-04		6	.					SOCKET, PIN TERM: FOR 0.025 INCH SQUARE PIN	22526	48059
-57	-----		4	.					SEMICONV DEVICE: (SEE CR1340, CR1341, CR1342 CR1343 EPL) (ATTACHING PARTS FOR EACH)		
-58	210-0410-00		1	.					NUT, PLAIN, HEX.: 10-32 X 0.312 INCH, BRZ	73743	2X20003-402
-59	210-0056-00		1	.					WASHER, LOCK: SPLIT, 0.195 ID X 0.32" OD, P BRZ	83385	OBD
-60	210-1003-00		1	.					WASHER, FLAT: # 10 X 0.036 THICK, BRZ	12327	OBD
-61	136-0260-02		1	.					SOCKET, PLUG-IN: 16 CONTACT, LOW CLEARANCE	82647	C9316-18
-62	214-0579-00		2	.					TERM., TEST PT: BRZ CD PL	80009	214-0579-00
-63	344-0286-00		4	.					CLIP, ELECTRICAL: FOR 3AG FUSE, BRZ	75915	102069
-64	131-0589-00		4	.					TERM, PIN: 0.46 L X 0.025 SQ. PH BRZ GL	22526	47350
-65	-----		1	.					SEMICONV DEVICE: (SEE CR1351 EPL) (ATTACHING PARTS)		
-66	210-0586-00		2	.					NUT, PLAIN, EXT W: 4-40 X 0.25 INCH, STL	78189	211-041800-00
-67	211-0012-00		2	.					SCREW, MACHINE: 4-40 X 0.375 INCH, PNH STL	83385	OBD
-68	386-0786-00		1	.					INSULATOR, PLATE: XSTR, MICA	80009	386-0786-00
-69	214-2731-00		1	.					HEAT SINK, DIODE: TO-3	80009	214-2731-00
-70	136-0254-01		2	.					SOCKET, PIN TERM: 0.145 INCH LONG	00779	1-331892-8
-71	-----		2	.					CAPACITOR: (SEE C1216, C1217 EPL) (ATTACHING PARTS FOR EACH)		
-72	212-0518-00		4	.					SCREW, MACHINE: 10-32 X 0.312 INCH, PNH STL	83385	OBD
-73	342-0419-00		2	.					INSULATOR, CAP.:	80009	342-0419-00
-74	407-2111-00		1	.					BRACKET, CAP.: ALUMINUM	80009	407-2111-00
-75	-----		1	.					TRANSFORMER: (SEE T1310 EPL) (ATTACHING PARTS)		
-76	211-0008-00		4	.					SCREW, MACHINE: 4-40 X 0.25 INCH, PNH STL	83385	OBD
-77	348-0023-00		1	.					PLUG, HOLE:	80009	348-0023-00
-78	441-1423-00		1	.					CHASSIS, SCOPE: TRANSFORMER (ATTACHING PARTS)	80009	441-1423-00
-79	211-0097-00		2	.					SCREW, MACHINE: 4-40 X 0.312 INCH, PNH STL	83385	OBD
-80	337-1490-01		1	.					SHIELD, ELEC: LINE INVERTER, CKT CD BOTTOM (ATTACHING PARTS)	80009	337-1490-01
-81	211-0040-00		1	.					SCREW, MACHINE: 4-40 X 0.25", BDGH PLSTC	26365	OBD
-82	210-0054-00		1	.					WASHER, LOCK: SPLIT, 0.118 ID X 0.212" OD STL	83385	OBD
-83	211-0558-00		1	.					SCREW, MACHINE: 6-32 X 0.250 BDGH, NYL, SLOT	26365	921-1150-0014
-84	210-0055-00		1	.					WASHER, LOCK: SPLIT, 0.145 ID X 0.253 OD, STL	83385	OBD
-85	220-0623-00		1	.					NUT BLOCK: 0.315 X 0.5 X 0.448 (ATTACHING PARTS)	80009	220-0623-00
-86	211-0504-00		1	.					SCREW, MACHINE: 6-32 X 0.25 INCH, PNH STL	83385	OBD

Fig. & Index No.	Tektronix Part No.	Serial/Model No. Eff Dscont	Qty	1	2	3	4	5	Name & Description	Mfr Code	Mfr Part Number
5-87	-----	-----	1	.	.	.	.	.	CKT BOARD ASSY:INVERTER(SEE A23 EPL) (ATTACHING PARTS)		
-88	211-0008-00		4	.	.	.	.	.	SCREW,MACHINE:4-40 X 0.25 INCH,PNH STL	83385	OBD
	-----	-----	-	.	.	.	.	.	CKT BOARD ASSY INCLUDES:		
-89	131-0591-00		6	.	.	.	.	.	CONTACT,ELEC:0.835 INCH LONG	22526	47352
-90	346-0032-00		1	.	.	.	.	.	STRAP,RETAINING:0.075 DIA X 4.0 L,MLD RBR	98159	2859-75-4
-91	214-1914-00		1	.	.	.	.	.	HEAT SINK,ELEC: (ATTACHING PARTS)	98978	PBI-ZCB
-92	211-0012-00		1	.	.	.	.	.	SCREW,MACHINE:4-40 X 0.375 INCH,PNH STL	83385	OBD
-93	361-0414-00		1	.	.	.	.	.	SPACER,DIODE:	80009	361-0414-00
-94	214-0579-00		3	.	.	.	.	.	TERM.,TEST PT:BRS CD PL	80009	214-0579-00
-95	348-0005-00		1	.	.	.	.	.	GROMMET,RUBBER:0.50 INCH DIA	70485	230
-96	129-0323-00		1	.	.	.	.	.	POST,ELEC-MECH:HEX,0.25 X 1 INCH LONG (ATTACHING PARTS)	80009	129-0323-00
-97	211-0097-00		1	.	.	.	.	.	SCREW,MACHINE:4-40 X 0.312 INCH,PNH STL	83385	OBD
-98	385-0016-00		1	.	.	.	.	.	INS,STANDOFF:0.312 OD X 1.0 INCH LONG (ATTACHING PARTS)	80009	385-0016-00
-99	211-0507-00		1	.	.	.	.	.	SCREW,MACHINE:6-32 X 0.312 INCH,PNH STL	83385	OBD
-100	134-0158-00		4	.	.	.	.	.	BUTTON,PLUG:0.187 DIA,NYLON	02768	207-080501-00
-101	337-2533-00		1	.	.	.	.	.	SHIELD,ELEC:LINE INVERT,TOP (ATTACHING PARTS)	80009	337-2533-00
-102	211-0101-00		4	.	.	.	.	.	SCREW,MACHINE:4-40 X 0.25" 100 DEG,FLH STL	83385	OBD
-103	344-0118-00		2	.	.	.	.	.	CLIP,SPG TENS:CAPACITOR MTG (ATTACHING PARTS FOR EACH)	80033	E50008-044
-104	210-0586-00		1	.	.	.	.	.	NUT,PLAIN,EXT W:4-40 X 0.25 INCH,STL	78189	211-041800-00
-105	211-0008-00		1	.	.	.	.	.	SCREW,MACHINE:4-40 X 0.25 INCH,PNH STL	83385	OBD
-106	-----	-----	2	.	.	.	.	.	TRANSISTOR:(SEE Q1234,Q1240 EPL) (ATTACHING PARTS FOR EACH)		
-107	211-0034-00		1	.	.	.	.	.	SCREW,MACHINE:2-56 X 0.50 INCH,PNH	83385	OBD
-108	210-0053-00		1	.	.	.	.	.	WASHER,LOCK:INTL,0.092 ID X 0.175"OD,STL	83385	OBD
-109	210-1008-00		1	.	.	.	.	.	WASHER,FLAT:0.09 ID X 0.188" OD,BRS	12360	OBD
-110	342-0421-00		1	.	.	.	.	.	INSULATOR,BSHG:0.089 ID X 0.23 THK,NYLON	80009	342-0421-00
-111	342-0420-00		2	.	.	.	.	.	INSULATOR,PLATE:TRANSISTOR,PORCELAIN	80009	342-0420-00
-112	342-0202-00		2	.	.	.	.	.	INSULATOR,PLATE:TRANSISTOR	01295	10-21-023-106
-113	386-2634-00		1	.	.	.	.	.	PL,CHOKE MTG: (ATTACHING PARTS)	80009	386-2634-00
-114	211-0619-00		2	.	.	.	.	.	SCREW,MACHINE:6-32 X 1.5 INCH,FLH STL	83385	OBD
-115	441-1420-00		1	.	.	.	.	.	CHASSIS,SCOPE:LINE INVERT (ATTACHING PARTS)	80009	441-1420-00
-116	213-0041-00		2	.	.	.	.	.	SCR,TPG,THD CTG:6-32 X 0.375 INCH,TRH STL	83385	OBD
-117	342-0193-00		1	.	.	.	.	.	INSULATOR,PLATE:	80009	342-0193-00
-118	342-0103-00		1	.	.	.	.	.	INSULATOR,BLOCK:HEAT-SINK SHIELD,NYLON (ATTACHING PARTS)	80009	342-0103-00
-119	210-0457-00		1	.	.	.	.	.	NUT,PLAIN,EXT W:6-32 X 0.312 INCH,STL	83385	OBD
-120	211-0512-00		1	.	.	.	.	.	SCREW,MACHINE:6-32 X 0.50" 100 DEG,FLH STL	83385	OBD
-121	214-1625-00		1	.	.	.	.	.	SPRING,FLAT:2.0 INCH LONG,BOWED	80009	214-1625-00
-122	-----	-----	1	.	.	.	.	.	SWITCH,SLIDE:(SEE S1212 EPL) (ATTACHING PARTS)		
-123	210-0586-00		2	.	.	.	.	.	NUT,PLAIN,EXT W:4-40 X 0.25 INCH,STL	78189	211-041800-00
-124	211-0097-00		2	.	.	.	.	.	SCREW,MACHINE:4-40 X 0.312 INCH,PNH STL	83385	OBD
-125	210-0204-00		1	.	.	.	.	.	TERMINAL,LUG:0.146 INCH DIA DE,45 DEG BEND (ATTACHING PARTS)	78189	2157-06-01-2520N
-126	210-0457-00		1	.	.	.	.	.	NUT,PLAIN,EXT W:6-32 X 0.312 INCH,STL	83385	OBD

Replaceable Mechanical Parts—7104

Fig. & Index No.	Tektronix Part No.	Serial/Model No. Eff Dscont	Qty	1 2 3 4 5	Name & Description	Mfr Code	Mfr Part Number
5-127	210-0202-00		1	.	TERMINAL,LUG:0.146 ID,LOCKING,BRZ TINNED (ATTACHING PARTS)	78189	2104-06-00-2520N
-128	210-0457-00		1	.	NUT,PLAIN,EXT W:6-32 X 0.312 INCH,STL - - - * - - -	83385	OBD
-129	-----		1	.	SWITCH,SLIDE:(SEE S1540 EPL) (ATTACHING PARTS)		
-130	210-0586-00		2	.	NUT,PLAIN,EXT W:4-40 X 0.25 INCH,STL	78189	211-041800-00
-131	211-0097-00		2	.	SCREW,MACHINE:4-40 X 0.312 INCH,PNH STL - - - * - - -	83385	OBD
-132	352-0362-00		1	.	FUSEHOLDER: W/MOUNTING HARDWARE	75915	345001
-133	210-0873-00		2	.	WASHER,NONMETAL:0.5 ID X 0.688 INCH OD,NPRN	70485	OBD
-134	-----		1	.	FILTER,RFI:(SEE FL1200 EPL) (ATTACHING PARTS)		
-135	210-0586-00		2	.	NUT,PLAIN,EXT W:4-40 X 0.25 INCH,STL	78189	211-041800-00
-136	211-0014-00		2	.	SCREW,MACHINE:4-40 X 0.50 INCH,PNH STL - - - * - - -	83385	OBD
-137	214-2788-00		1	.	HEAT SINK,ELEC:POWER SUPPLY	80009	214-2788-00
	198-3829-00		1	.	WIRE KIT,ELEC:	80009	198-3829-00
-138	352-0161-06		1	.	CONN BODY,PL,EL:3 WIRE BLUE	80009	352-0161-06
-139	352-0162-04		2	.	CONN BODY,PL,EL:4 WIRE YELLOW	80009	352-0162-04
-140	352-0163-08		2	.	CONN BODY,PL,EL:5 WIRE GRAY	80009	352-0163-08
-141	352-0164-02		2	.	CONN BODY,PL,EL:6 WIRE RED	80009	352-0164-02
-142	352-0165-00		2	.	CONN BODY,PL,EL:7 WIRE BLACK	80009	352-0165-00
-143	352-0200-00		2	.	CONN BODY,PL,EL:4 WIRE BLACK	80009	352-0200-00
-144	175-0826-00		FT	.	WIRE,ELECTRICAL:3 WIRE RIBBON	80009	175-0826-00
-145	175-0827-00		FT	.	WIRE,ELECTRICAL:4 WIRE RIBBON	08261	SS-0426-710610C
-146	175-0860-00		FT	.	WIRE,ELECTRICAL:5 WIRE RIBBON	08261	SS-0522-1910610C
-147	175-0859-00		FT	.	WIRE,ELECTRICAL:6 WIRE RIBBON	08261	SS-0622-1910610C
-148	175-0858-00		FT	.	WIRE,ELECTRICAL:7 WIRE RIBBON	08261	SS-0722-1910610C
-149	210-0202-00		1	.	TERMINAL,LUG:0.146 ID,LOCKING,BRZ TINNED	78189	2104-06-00-2520N
-150	131-0707-00		45	.	CONNECTOR,TERM.:0.48" L,22-26AWG WIRE	22526	75691-005
-151	131-0622-00		4	.	CONTACT,ELEC:0.577"L,28-32 AWG WIRE	22526	46241
	131-0792-00		4	.	CONTACT,ELEC:0.577"L,18-20 AWG WIRE	22526	46221
-152	175-1091-00		FT	.	CABLE,SP,ELEC:(4) #18 STRANDED WIRE	80009	175-1091-00
-153	131-2065-00		4	.	TERM,QLK DISC:18-22 AWG,BRASS TIN PLATED	00779	2-350799-2
	672-0572-00		1	.	CKT BOARD ASSY:READOUT PROTECTION #1 (ATTACHING PARTS)	80009	672-0572-00
-154	211-0008-00		1	.	SCREW,MACHINE:4-40 X 0.25 INCH,PNH STL - - - * - - -	83385	OBD
	-----		-	.	CKT BOARD ASSY INCLUDES:		
-155	-----		1	.	CKT BOARD ASSY:PROTECTION(SEE A27 EPL)		
-156	253-0162-00		FT	.	TAPE,PRESS SENS:0.125 X 0.062,SPONGE	04963	4116
-157	131-0589-00		20	.	TERM,PIN:0.46 L X 0.025 SQ.PH BRZ GL	22526	47350
-158	-----		-	.	CKT BOARD ASSY:READOUT(SEE A15 EPL)		
-159	131-1003-00		6	.	CONNECTOR BODY,:CKT BD MT,2 PRONG	80009	131-1003-00
-160	136-0252-04		39	.	SOCKET,PIN TERM:0.188 INCH LONG	22526	75060
	136-0252-01		6	.	CONTACT,ELEC:0.178 INCH LONG	00779	1-332095-2
-161	131-0608-00		42	.	TERMINAL,PIN:0.365 L X 0.25 PH,BRZ,GOLD PL	22526	47357
-162	136-0260-02		14	.	SOCKET,PLUG-IN:16 CONTACT,LOW CLEARANCE	82647	C9316-18
-163	214-0579-00		20	.	TERM.,TEST PT:BRS CD PL	80009	214-0579-00
-164	136-0269-02		3	.	SOCKET,PLUG-IN:14 CONTACT,LOW CLEARANCE	01295	C95140
-165	136-0235-00		1	.	SOCKET,PLUG-IN:6 CONTACT,ROUND	71785	133-96-12-062
-166	344-0133-00		4	.	CLIP,SPR,TNSN:CIRCUIT CARD MOUNTING (ATTACHING PARTS FOR EACH)	80009	344-0133-00
-167	211-0008-00		1	.	SCREW,MACHINE:4-40 X 0.25 INCH,PNH STL - - - * - - -	83385	OBD
-168	131-0771-00		2	.	CONN,RCPT,ELEC:4 CONT,QUICK DISCONNECT	0000A	ROA-304NYL
-169	131-0955-00		3	.	CONNECTOR,RCPT,:BNC,FEMALE,W/HARDWARE	05091	31-279
-170	131-1315-00		2	.	CONNECTOR,RCPT,:BNC,FEMALE	24931	28JR235-1
-171	441-1377-00		1	.	CHASSIS,SCOPE:READOUT	80009	441-1377-00
-172	333-2320-00		1	.	PANEL,REAR: (ATTACHING PARTS)	80009	333-2320-00
-173	211-0507-00		2	.	SCREW,MACHINE:6-32 X 0.312 INCH,PNH STL - - - * - - -	83385	OBD

Fig. & Index No.	Tektronix Part No.	Serial/Model No. Eff Dscont	Qty	1	2	3	4	5	Name & Description	Mfr Code	Mfr Part Number
5-174	-----	-----	1						CKT BOARD ASSY:VERT CHAN SW(SEE A16 EPL) (ATTACHING PARTS)		
-175	211-0116-00		4						SCR,ASSEM WSHR:4-40 X 0.312 INCH,PNH BRS - - - * - - -	83385	OBD
-176	214-2543-00		1						CKT BOARD ASSY INCLUDES: . HT SK MICROCKT:MICROCIRCUIT (ATTACHING PARTS)	80009	214-2543-00
-177	211-0259-00		4						. SCR,ASSEM WSHR:2-56 X 0.437,PNH,STL CD PL - - - * - - -	78189	OBD
-178	136-0514-00		6						. SOCKET,PLUG IN:MICROCIRCUIT,8 CONTACT	82647	C93-08-18
-179	131-0608-00		7						. TERMINAL,PIN:0.365 L X 0.25 PH,BRZ,GOLD PL	22526	47357
-180	131-2033-00		2						. CONTACT,ELEC:SINGLE,BOTTOM,CU BE (ATTACHING PARTS FOR EACH)	80009	131-2033-00
-181	210-0629-00		2						. EYELET,METALLIC:0.059 OD X 0.093 L,BRS - - - * - - -	80009	210-0629-00
-182	131-2032-00		2						. CONTACT,ELEC:SINGLE, TOP,CUBE	80009	131-2032-00
-183	426-1351-00		1						. FRAME SECT,CAB.:REAR PANEL,LEFT & RIGHT	80009	426-1351-00
-184	131-1967-01		1						. CONT SET,ELEC:MICROCKT,1.75 CM,RUBBER	80009	131-1967-01
-185	131-2022-00		1						. CONTACT,ELEC:DUAL,BOTTOM,CU BE (ATTACHING PARTS)	80009	131-2022-00
-186	210-0629-00		2						. EYELET,METALLIC:0.059 OD X 0.093 L,BRS - - - * - - -	80009	210-0629-00
-187	131-2020-00		2						. CONTACT,ELEC:DUAL, TOP,BERYLLIUM COPPER	80009	131-2020-00
-188	136-0252-00		6						. SOCKET,PIN TERM:0.145 INCH LONG	00779	2-330808-7
-189	388-5349-00		1						. CIRCUIT BOARD:HF VERT CHAN SW (ATTACHING PARTS)	80009	388-5349-00
-190	210-0702-00		14						. EYELET,METALLIC:0.047 OD X 0.125 INCH LONG - - - * - - -	07707	S6127
-191	214-0579-00		15						. TERM.,TEST PT:BRS CD PL	80009	214-0579-00
-192	214-0668-00		1						. HEAT SINK,ELEC:FOR TO-5	13103	2211B
-193	136-0252-04		36						. SOCKET,PIN TERM:0.188 INCH LONG	22526	75060
-194	441-1378-00		1						. CHASSIS,CHAN SW: (ATTACHING PARTS)	80009	441-1378-00
-195	211-0008-00		2						SCREW,MACHINE:4-40 X 0.25 INCH,PNH STL - - - * - - -	83385	OBD
-196	333-2320-00		1						PANEL,REAR: (ATTACHING PARTS)	80009	333-2320-00
-197	211-0507-00		2						SCREW,MACHINE:6-32 X 0.312 INCH,PNH STL - - - * - - -	83385	OBD
-198	426-0807-02		1						FRAME PNL,CAB.:REAR (ATTACHING PARTS)	80009	426-0807-02
-199	213-0270-00		4						SCR,TPG,THD FOR:10-32 X 0.75 INCH FILH STL - - - * - - -	83385	OBD

# DIAGRAMS AND CIRCUIT BOARD ILLUSTRATIONS

## Symbols and Reference Designators

Electrical components shown on the diagrams are in the following units unless noted otherwise:

Capacitors = Values one or greater are in picofarads (pF).  
Values less than one are in microfarads (μF).

Resistors = Ohms (Ω).

Symbols used on the diagrams are based on ANSI Standard Y32.2-1975.

Logic symbology is based on ANSI Y32.14-1973 in terms of positive logic. Logic symbols depict the logic function performed and may differ from the manufacturer's data.

The following prefix letters are used as reference designators to identify components or assemblies on the diagrams.

A	Assembly, separable or repairable (circuit board, etc.)	H	Heat dissipating device (heat sink, heat radiator, etc.)	RT	Thermistor
AT	Attenuator, fixed or variable	HR	Heater	S	Switch
B	Motor	HY	Hybrid circuit	T	Transformer
BT	Battery	J	Connector, stationary portion	TC	Thermocouple
C	Capacitor, fixed or variable	K	Relay	TP	Test point
CB	Circuit breaker	L	Inductor, fixed or variable	U	Assembly, inseparable or non-repairable (integrated circuit, etc.)
CR	Diode, signal or rectifier	LR	Inductor/resistor combination	V	Electron tube
DL	Delay line	M	Meter	VR	Voltage regulator (zener diode, etc.)
DS	Indicating device (lamp)	P	Connector, movable portion	Y	Crystal
E	Spark Gap	Q	Transistor or silicon-controlled rectifier	Z	Phase shifter
F	Fuse	R	Resistor, fixed or variable		
FL	Filter				

The following special symbols are used on the diagrams:

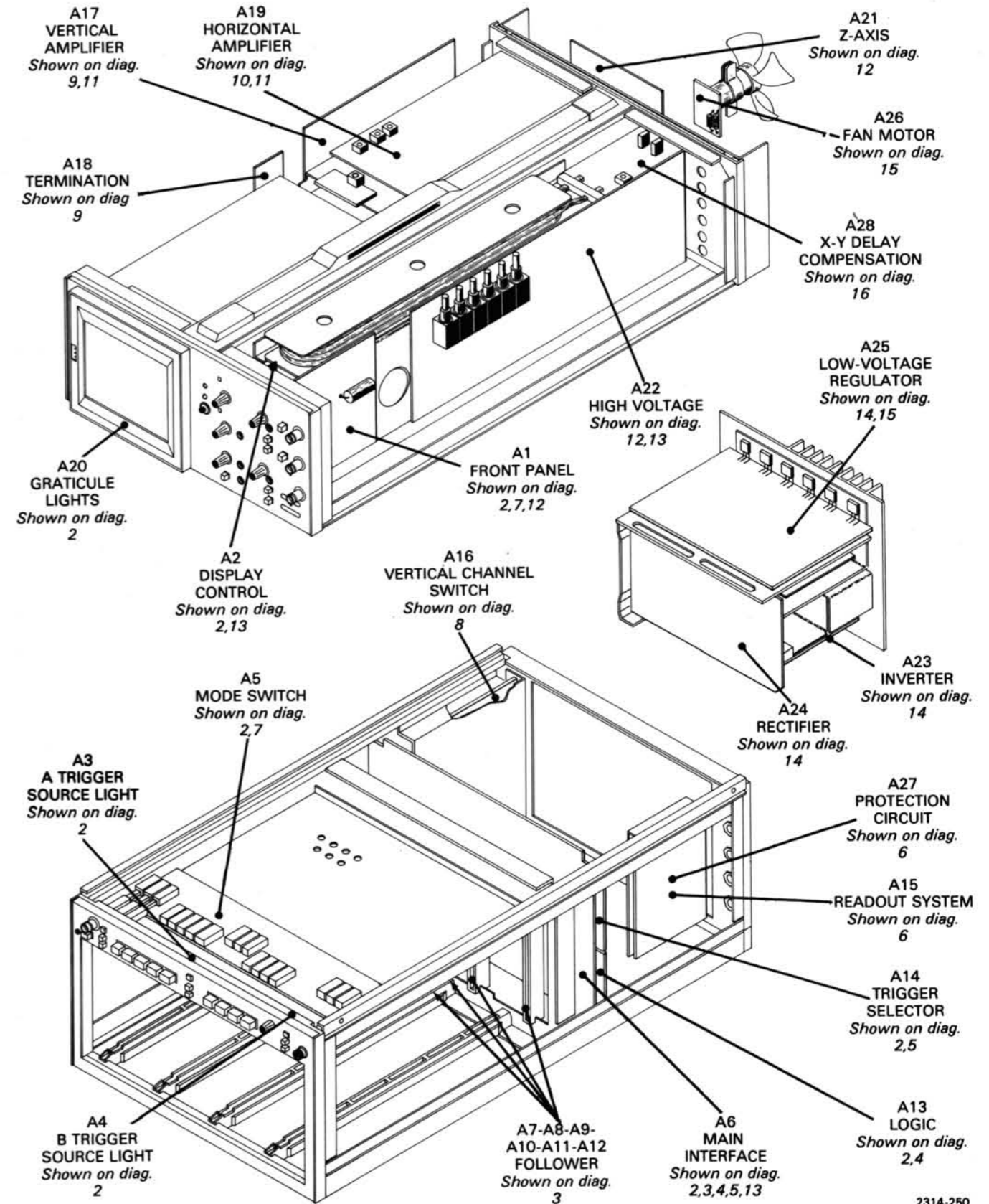
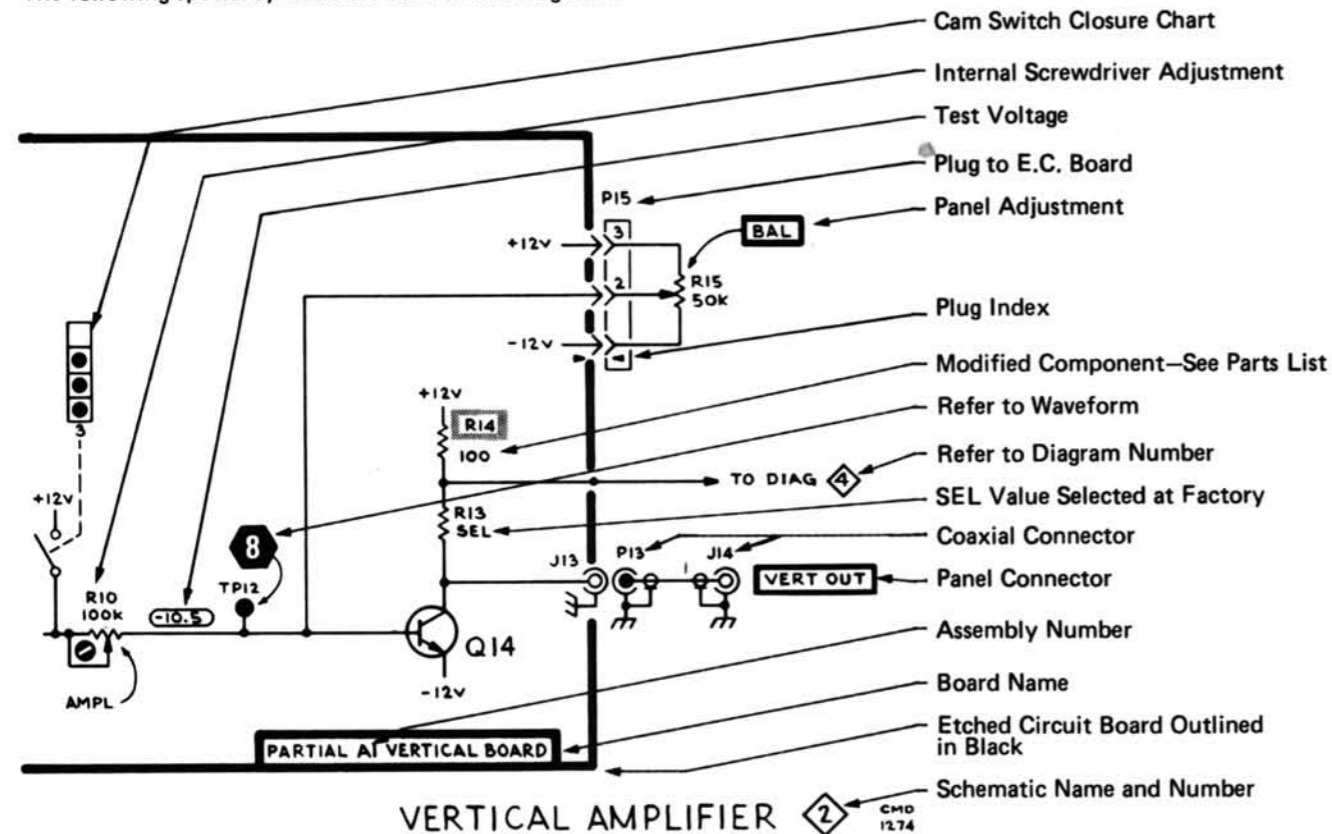
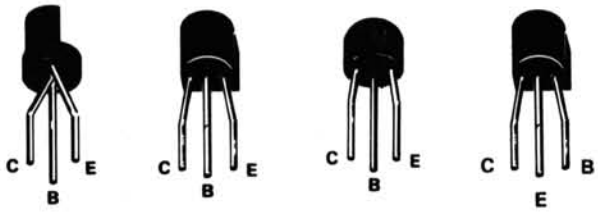


Figure 8-1. Location of circuit boards in the 7104.



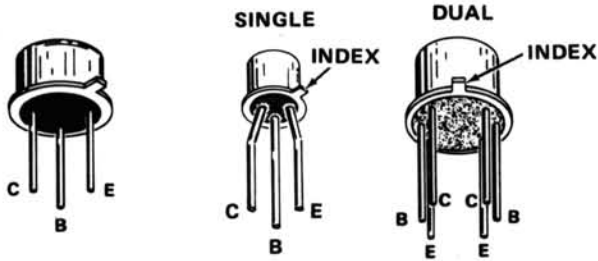
PLASTIC-CASED TRANSISTORS



SIGNAL DIODE



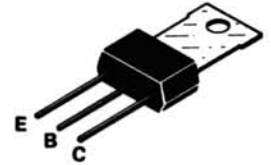
LIGHT EMITTING DIODE (L.E.D.)



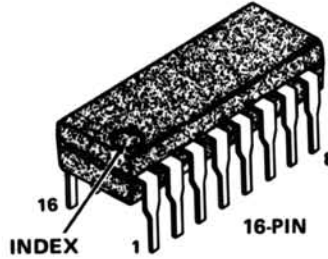
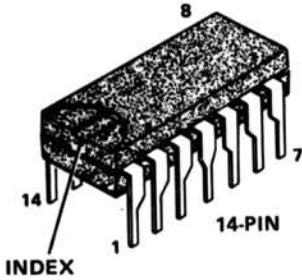
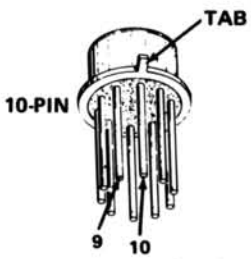
METAL-CASED TRANSISTORS



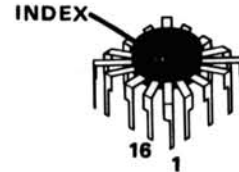
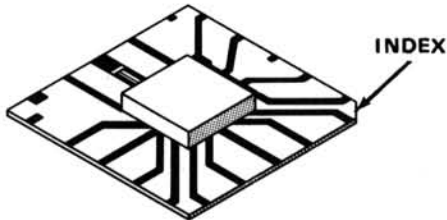
PLASTIC-POWER TRANSISTORS



DARLINGTON TRANSISTOR



FET



INTEGRATED CIRCUITS

(1988-26) 2314-34

Figure 8-2. Semiconductor lead configurations.



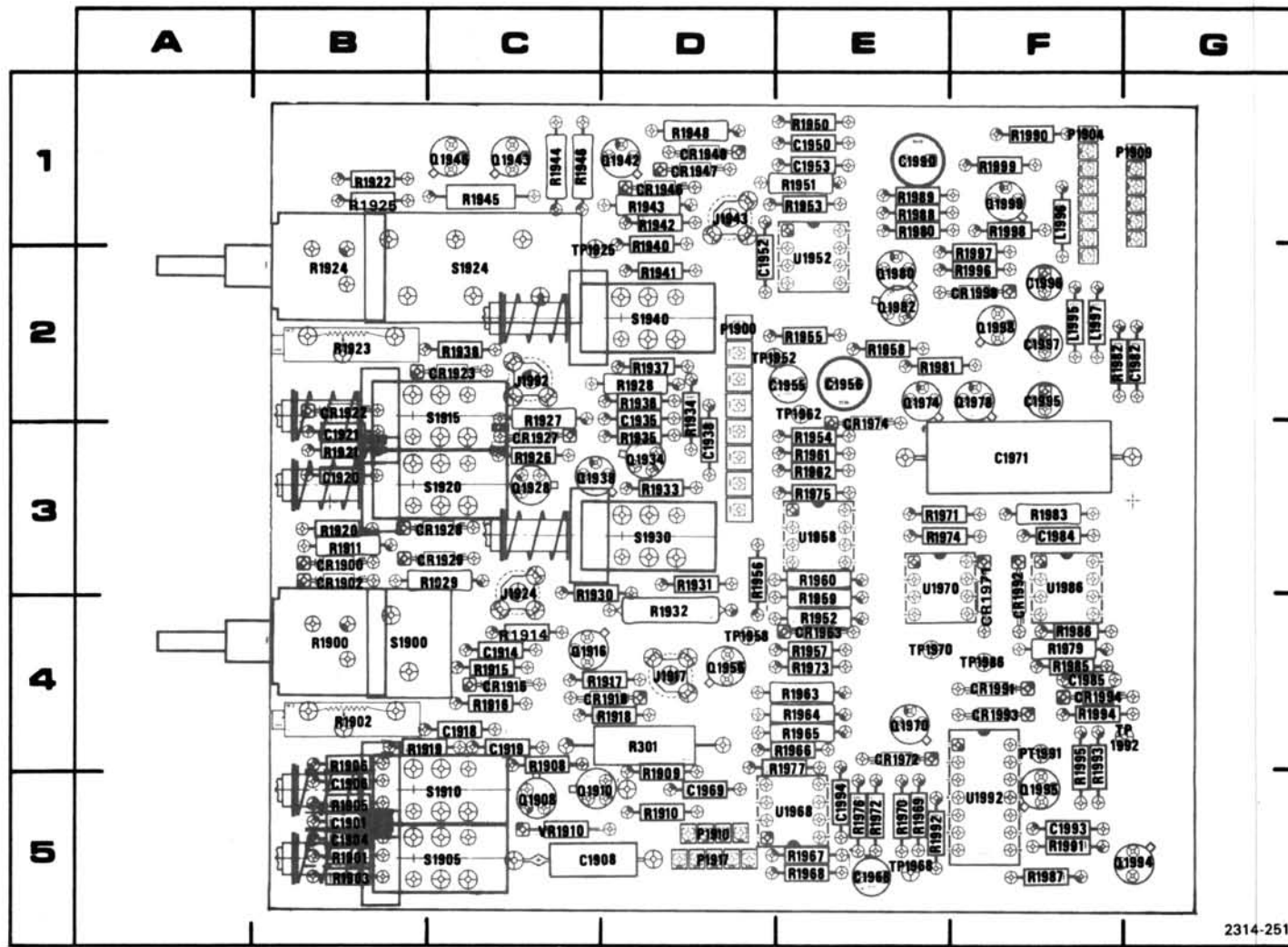
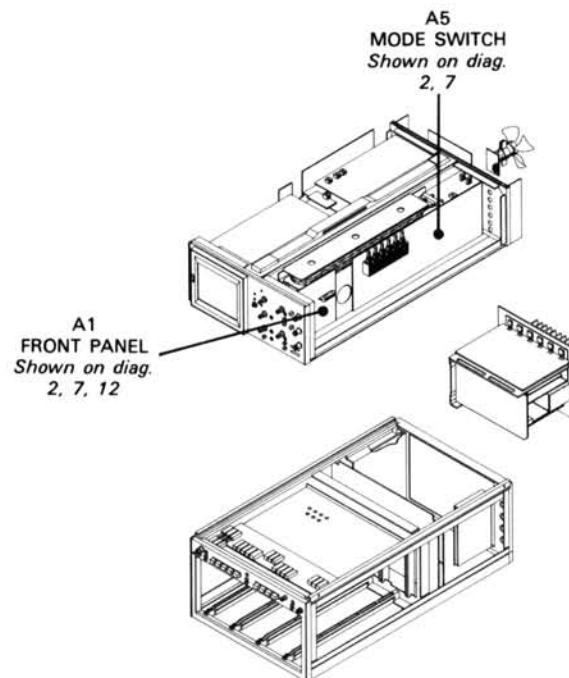
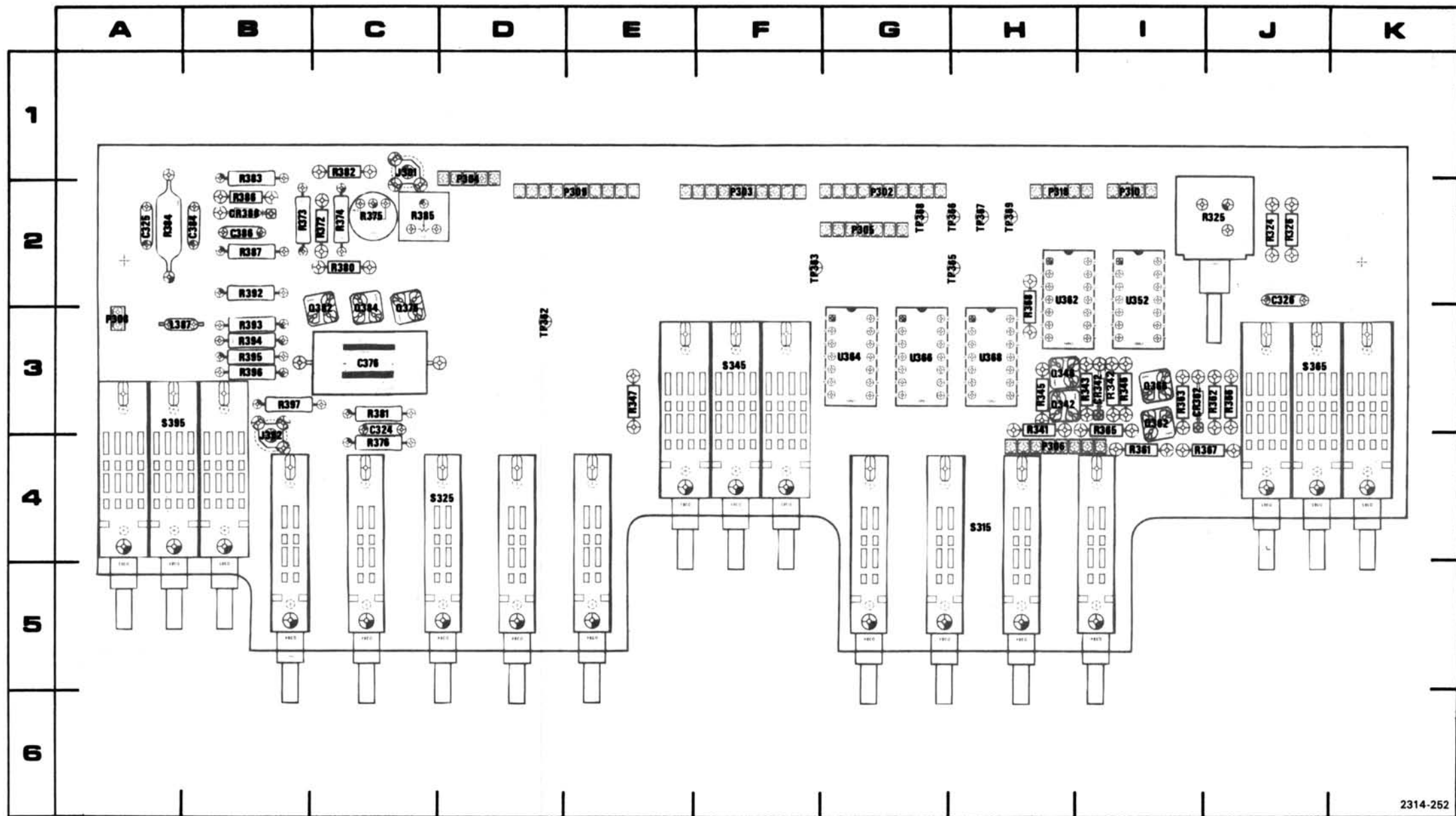


Figure 8-3. A1—Front Panel circuit board assembly.



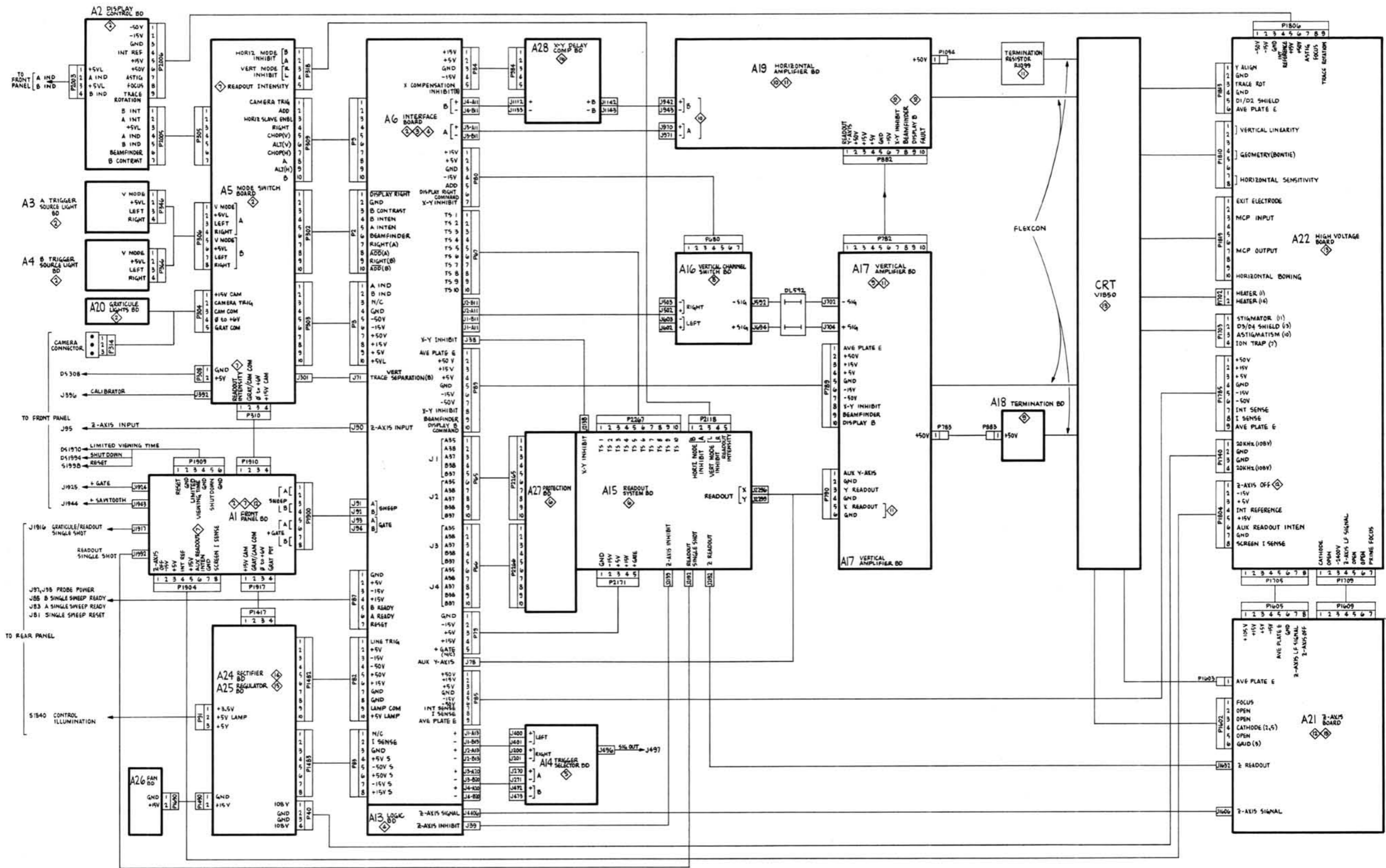
CKT NO	GRID COORD	CKT NO	GRID COORD	CKT NO	GRID COORD
C1901	5B	Q1910	5C	R1957	4E
C1904	5B	Q1916	4C	R1958	2E
C1906	5B	Q1928	3C	R1959	4E
C1908	5C	Q1934	3D	R1960	3E
C1914	4C	Q1938	3C	R1961	3E
C1915	4C	Q1942	1D	R1962	3E
C1918	4C	Q1943	1C	R1963	4E
C1919	4C	Q1946	1C	R1964	4E
C1920	3B	Q1956	4D	R1965	4E
C1921	3B	Q1970	4E	R1966	4E
C1935	2D	Q1974	2E	R1967	5E
C1938	3D	Q1978	2F	R1968	5E
C1950	1E	Q1980	2E	R1969	5E
C1952	2D	Q1982	2E	R1970	5E
C1953	1E	Q1994	5G	R1971	3E
C1955	2E	Q1995	5F	R1972	5E
C1956	2E	Q1998	2F	R1973	4E
C1968	5E	Q1999	1F	R1974	3E
C1969	5D			R1975	3E
C1971	3F	R301	4D	R1976	5E
C1982	2G	R1900	4B	R1977	4E
C1984	3F	R1901	5B	R1979	4F
C1985	4F	R1902	4B	R1980	1E
C1990	1E	R1903	5B	R1981	2E
C1993	5F	R1905	5B	R1982	2F
C1994	5E	R1906	4B	R1983	3F
C1995	2F	R1908	4C	R1985	4F
C1996	2F	R1909	5D	R1986	4F
C1997	2F	R1910	5D	R1987	5F
		R1911	3B	R1988	1E
CR1900	3B	R1914	4C	R1989	1E
CR1902	3B	R1915	4C	R1990	1F
CR1916	4C	R1916	4C	R1991	5F
CR1918	4D	R1917	4D	R1992	5E
CR1922	2B	R1918	4D	R1993	4F
CR1923	2C	R1919	4B	R1994	4F
CR1927	3C	R1920	3B	R1995	4F
CR1928	3C	R1921	3B	R1996	2F
CR1929	3C	R1922	1B	R1997	2F
CR1946	1D	R1923	2B	R1998	1F
CR1947	1D	R1924	2B	R1999	1F
CR1948	1D	R1925	1B		
CR1963	4E	R1926	3C	S1900	4B
CR1971	3F	R1927	3C	S1905	5C
CR1972	4E	R1928	2D	S1910	5C
CR1974	3E	R1929	3C	S1915	3C
CR1991	4F	R1930	3C	S1920	3C
CR1992	3F	R1931	3D	S1924	2C
CR1993	4F	R1932	4D	S1930	3D
CR1994	4F	R1933	3D	S1940	2D
CR1998	2F	R1934	3D		
		R1935	3D	TP1911	4F
J1917	4D	R1936	2D	TP1925	2C
J1924	3C	R1937	2D	TP1952	2D
J1943	1D	R1938	2C	TP1958	4D
J1992	2C	R1940	2D	TP1962	2E
		R1941	2D	TP1968	5E
L1995	2F	R1942	1D	TP1970	4E
L1996	1F	R1943	1D	TP1986	4F
L1997	2F	R1944	1C	TP1992	4F
		R1945	1C		
P1900	2D	R1946	1C	U1952	2E
P1904	1F	R1948	1D	U1958	3E
P1909	1G	R1950	1E	U1968	5E
P1910	5D	R1951	1E	U1970	3E
P1917	5D	R1952	4E	U1986	3F
		R1953	1E	U1992	5F
PT1991	4F	R1954	3E		
		R1955	2E	VR1910	5C
Q1908	5C	R1956	3D		



2314-252

Figure 8-4. A5-Mode Switch circuit board assembly.

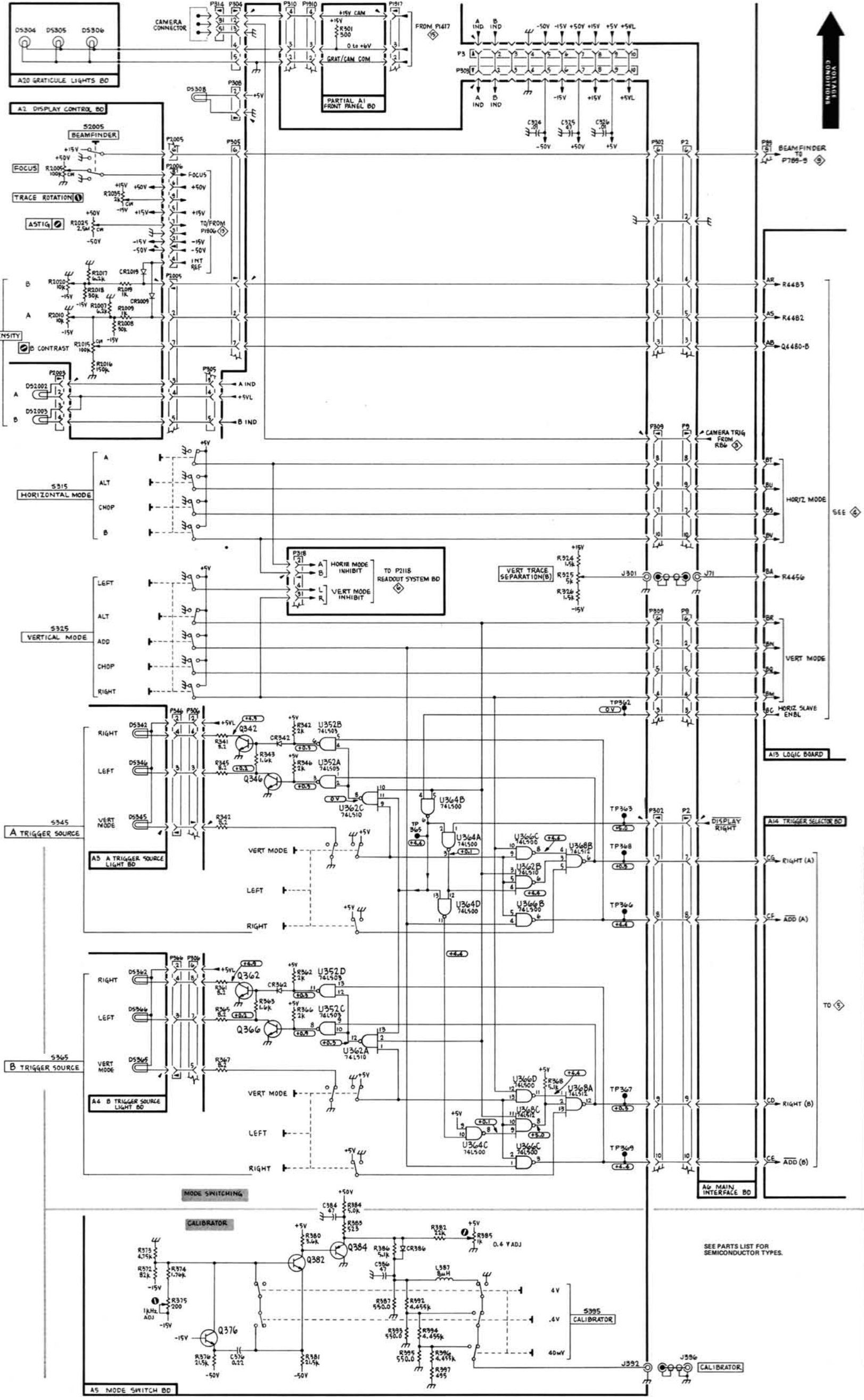
CKT NO	GRID COORD	CKT NO	GRID COORD	CKT NO	GRID COORD	CKT NO	GRID COORD	CKT NO	GRID COORD
C324	3C	P304	1D	R326	2J	R376	4C	S345	3F
C325	2A	P305	2G	R341	3H	R380	2C	S365	3J
C326	2J	P306	4H	R342	3I	R381	3C	S395	3A
C376	3C	P308	3A	R343	3I	R382	1C		
C384	2B	P309	2E	R345	3H	R383	1B	TP362	3D
C386	2B	P310	2I	R346	3I	R384	2A	TP363	2F
		P318	2H	R347	3E	R385	2C	TP365	2H
CR342	3I			R361	4I	R386	2B	TP366	2H
CR362	3I	Q342	3H	R362	3J	R387	2B	TP367	2H
CR386	2B	Q346	3H	R363	3I	R392	2B	TP368	2G
		Q362	3I	R365	3I	R393	3B	TP369	2H
J301	1C	Q366	3I	R366	3J	R394	3B		
J392	3B	Q376	3C	R367	4J	R395	3B	U352	2I
		Q382	3C	R368	3H	R396	3B	U362	2H
L387	3A	Q384	3C	R372	2C	R397	3B	U364	3G
				R373	2B			U366	3G
P302	2G	R324	2J	R374	2C	S315	4H	U368	3H
P303	2F	R325	2J	R375	2C	S325	4D		



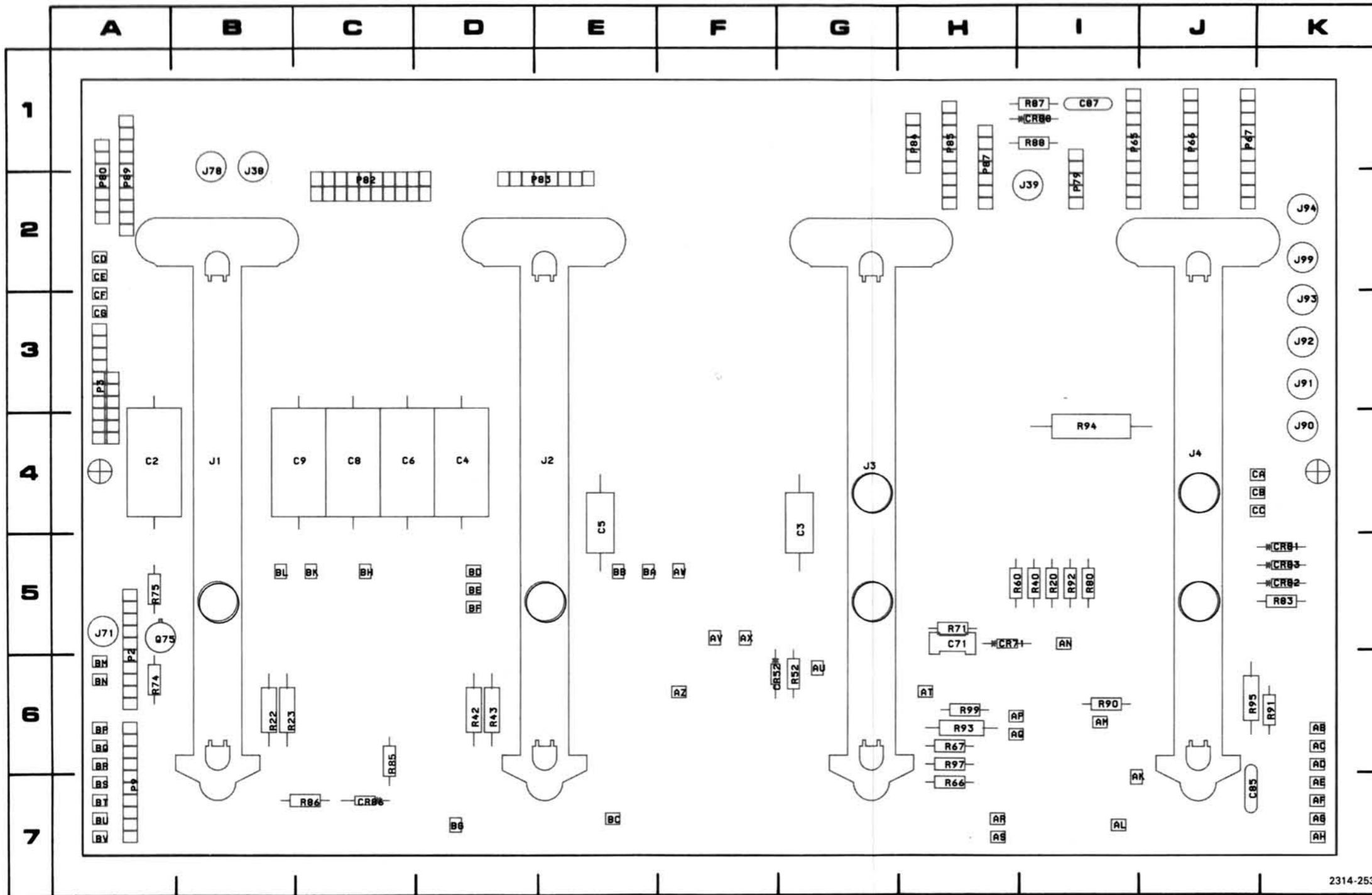
## VOLTAGE CONDITIONS

The voltages shown were obtained with the 7104 front panel variable controls at midrange except INTENSITY controls fully counterclockwise (READOUT INTENSITY at OFF); VERTICAL MODE, LEFT; TRIGGER SOURCE, VERT MODE; HORIZONTAL MODE, B. No plug-in units were installed.

The voltages shown on the diagram were obtained using a digital multimeter with a 10 M $\Omega$  input impedance (Tektronix DM501 Digital Multimeter or Tektronix 7D13 Digital Multimeter used with a readout-equipped 7000-series Oscilloscope).

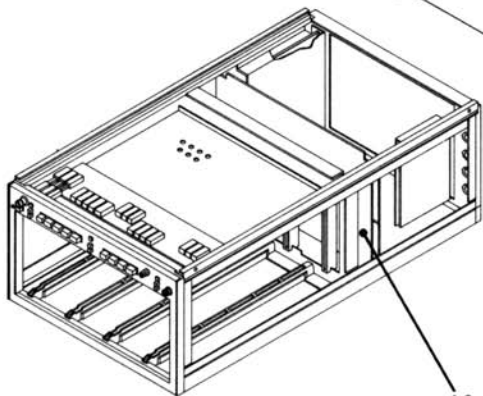
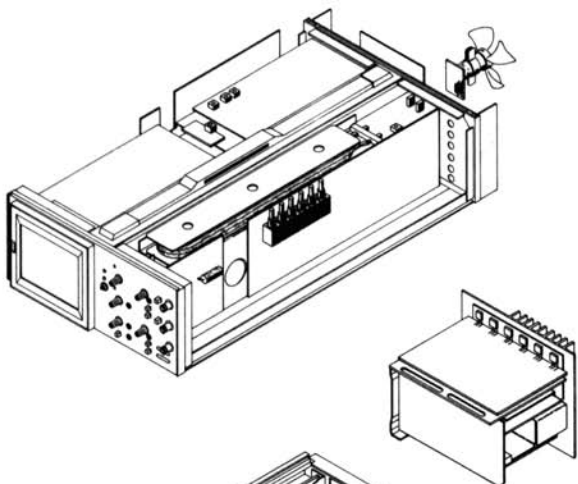


SEE PARTS LIST FOR SEMICONDUCTOR TYPES.

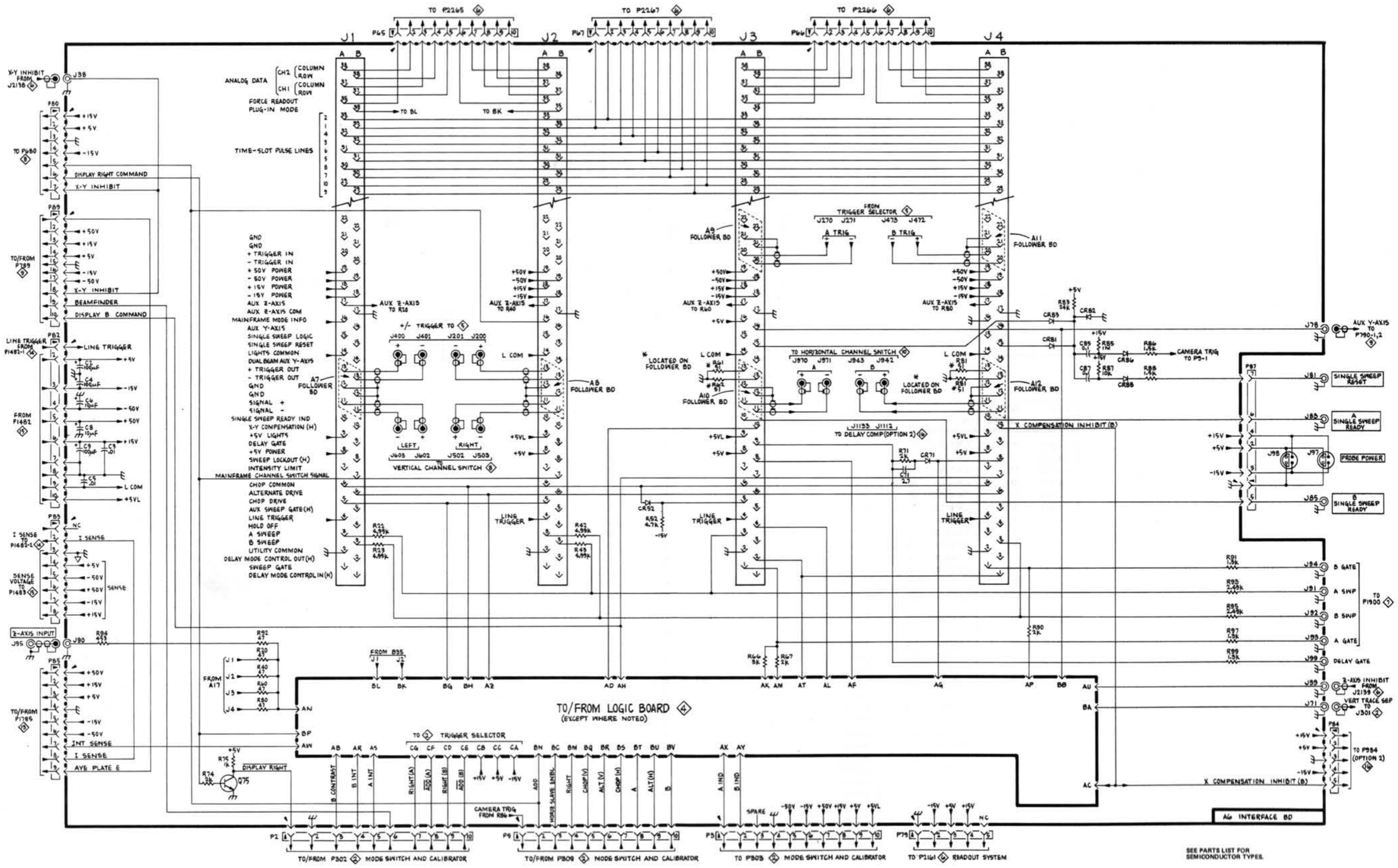


CKT NO	GRID COORD	CKT NO	GRID COORD
CR52	6F	P85	1H
CR71	5H	P87	1H
CR81	5K	P89	1A
CR82	5K	P9	7A
CR83	5K		
CR86	7C	Q75	5A
CR88	1I		
		R20	5I
J1	4B	R22	6B
J2	4E	R23	6B
J3	4G	R40	5I
J4	4J	R42	6D
J4	4J	R43	6D
J38	1B	R52	6G
J39	2I	R60	5H
J71	5A	R66	7H
J78	1B	R67	6H
J90	4K	R71	5H
J91	3K	R74	6A
J92	3K	R75	5A
J93	3K	R80	5I
J94	2K	R83	5K
J99	2K	R85	6C
		R86	7C
P2	5A	R87	1I
P3	3A	R88	1I
P9	7A	R90	6I
P65	1I	R91	6K
P66	1J	R92	5I
P67	1J	R93	6H
P79	2I	R94	4I
P80	1A	R95	6J
P82	2C	R97	6H
P83	2E	R99	6H
P84	1H		

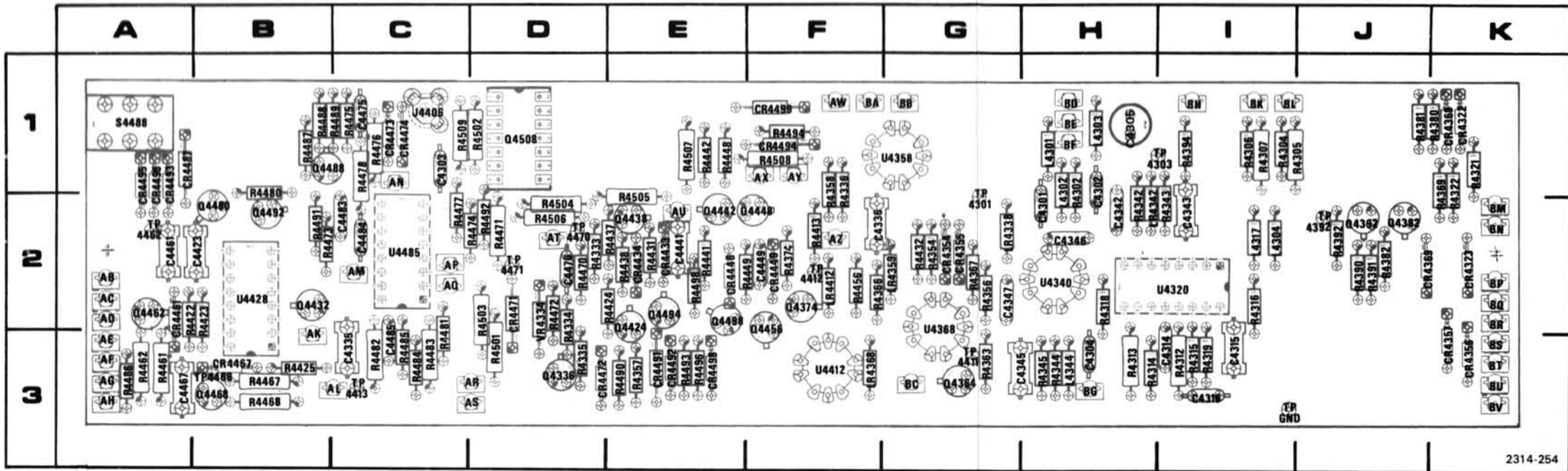
Figure 8-5. A6—Main Interface circuit board assembly.



**A6  
MAIN  
INTERFACE**  
*Shown on diag.  
2,3,4,5,13*



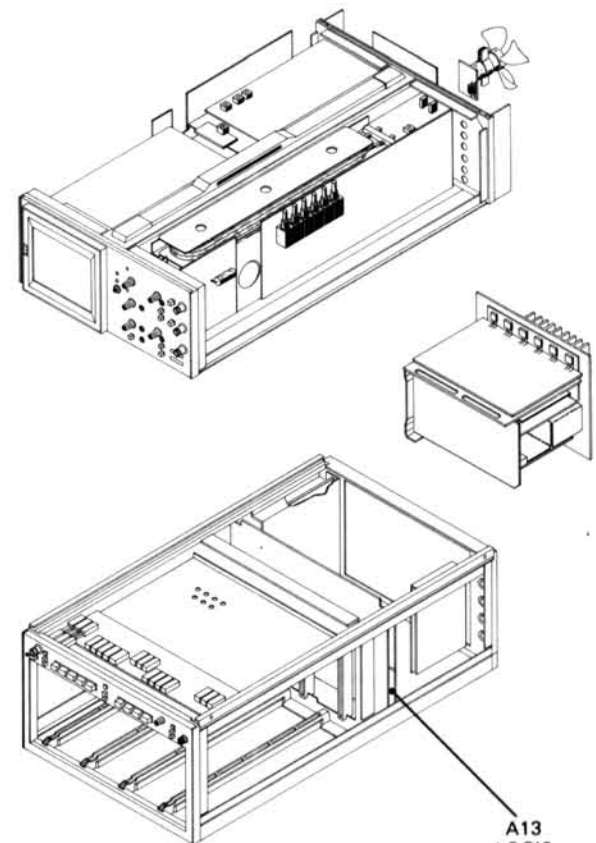




2314-254

Figure 8-6. A13—Logic circuit board assembly.

CKT NO	GRID COORD	CKT NO	GRID COORD	CKT NO	GRID COORD	CKT NO	GRID COORD	CKT NO	GRID COORD
C4301	2H	CR4473	1C	Q4480	2B	R4391	2J	R4492	2D
C4302	1H	CR4474	1C	Q4488	1B	R4392	2J	R4493	3E
C4303	1C	CR4487	1A	Q4492	2B	R4394	1I	R4494	1F
C4304	3H	CR4491	3E	Q4494	2E	R4413	2F	R4496	3E
C4305	1H	CR4492	3E	Q4498	2E	R4422	2A	R4498	2E
C4314	3I	CR4493	1A	Q4508	1D	R4423	2B	R4501	3D
C4315	3I	CR4494	1F			R4424	2E	R4502	1D
C4316	3I	CR4495	1A	R4302	1H	R4425	3B	R4503	2D
C4335	3C	CR4496	1A	R4304	1I	R4431	2E	R4504	2D
C4336	2F	CR4498	3E	R4305	1I	R4432	2G	R4505	2E
C4342	2H	CR4499	1F	R4306	1I	R4437	2E	R4506	2D
C4343	2I			R4307	1I	R4438	2E	R4507	1E
C4345	3G	GND	3I	R4312	3I	R4441	2E	R4508	1F
C4346	2H			R4313	3H	R4442	1E	R4509	1C
C4347	2G	J4406	1C	R4314	3H	R4448	1E		
C4423	2B			R4315	3I	R4449	2E	S4488	1A
C4441	2E	L4301	1H	R4316	2I	R4456	2F		
C4449	2F	L4302	1H	R4318	2H	R4461	3A	TP4301	2G
C4461	2A	L4303	1H	R4319	3I	R4462	3A	TP4303	1H
C4467	3A	L4304	2I	R4321	1K	R4467	3B	TP4392	2J
C4470	2D	L4317	2I	R4322	1K	R4468	3B	TP4411	3G
C4475	1C	L4344	3H	R4333	2D	R4470	2D	TP4412	2F
C4483	2C			R4334	2D	R4471	2D	TP4413	3C
C4484	2C	LR4338	2G	R4335	3D	R4472	2D	TP4462	2A
C4485	3C	LR4342	2H	R4336	1F	R4473	1C	TP4468	3B
		LR4359	2G	R4342	2H	R4474	1C	TP4470	2D
CR4322	1K	LR4368	3F	R4343	2I	R4475	1C	TP4471	2D
CR4323	2K	LR4412	2F	R4344	3H	R4476	1C	TP	3I
CR4354	2G			R4345	3H	R4477	2C		
CR4355	2G	Q4336	3D	R4354	2G	R4478	1C	U4320	2I
CR4356	3K	Q4364	3G	R4356	2G	R4480	1B	U4340	2H
CR4357	3K	Q4374	2F	R4357	3E	R4481	3C	U4358	1G
CR4368	1K	Q4382	2J	R4358	1F	R4482	3C	U4368	2G
CR4369	2J	Q4392	2J	R4363	3G	R4483	3C	U4412	3F
CR4433	2E	Q4424	2E	R4366	2F	R4484	3C	U4428	2B
CR4434	2E	Q4432	2B	R4367	2G	R4485	3C	U4485	2C
CR4448	2E	Q4438	2E	R4369	1K	R4486	3A		
CR4449	2F	Q4442	2E	R4374	2F	R4487	1B	VR4334	2D
CR4461	2A	Q4448	2F	R4380	1K	R4488	1B		
CR4467	3B	Q4456	2F	R4381	1J	R4489	1C		
CR4471	2D	Q4462	2A	R4382	2J	R4490	3E		
CR4472	3D	Q4468	3B	R4390	2J	R4491	2B		

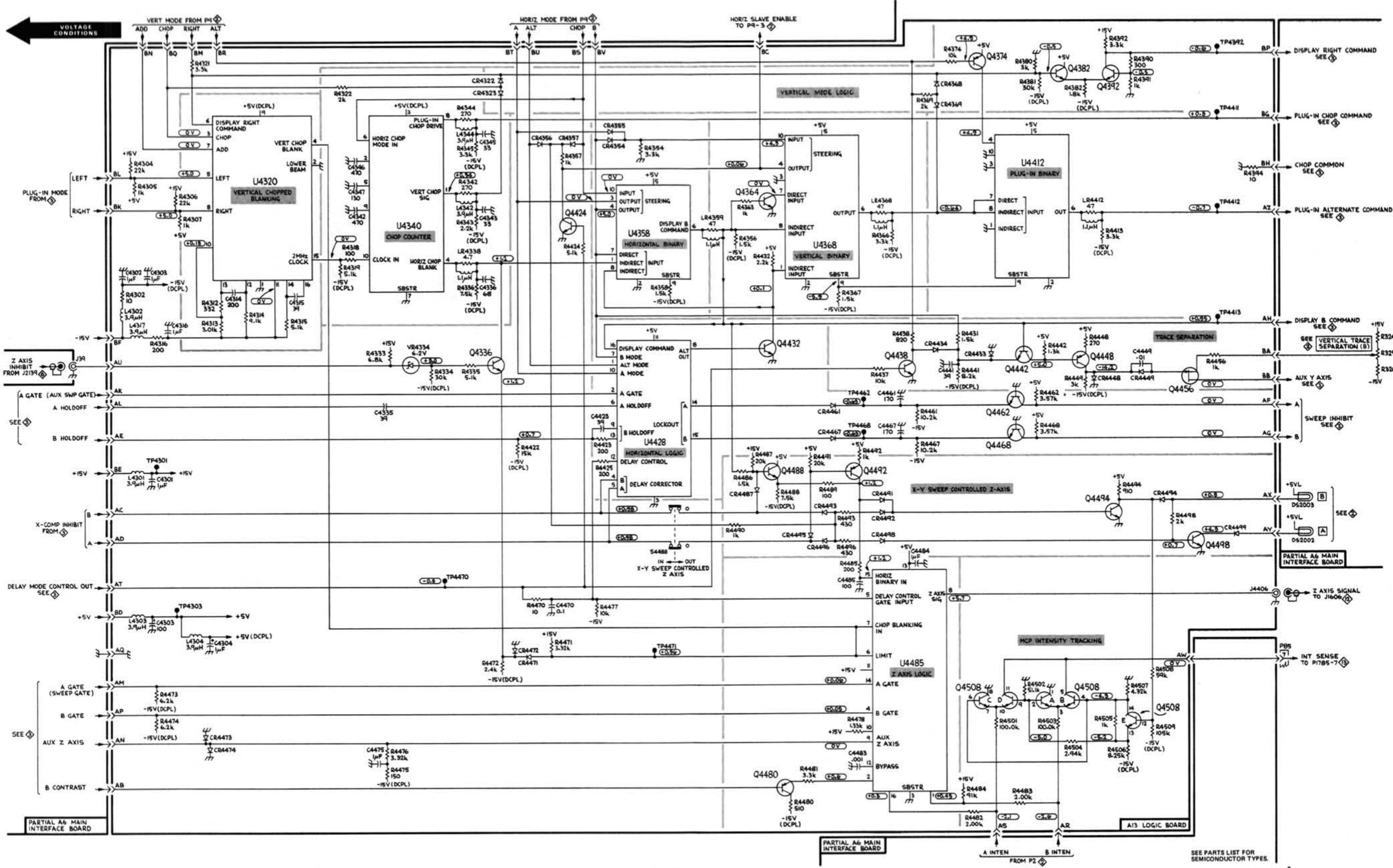


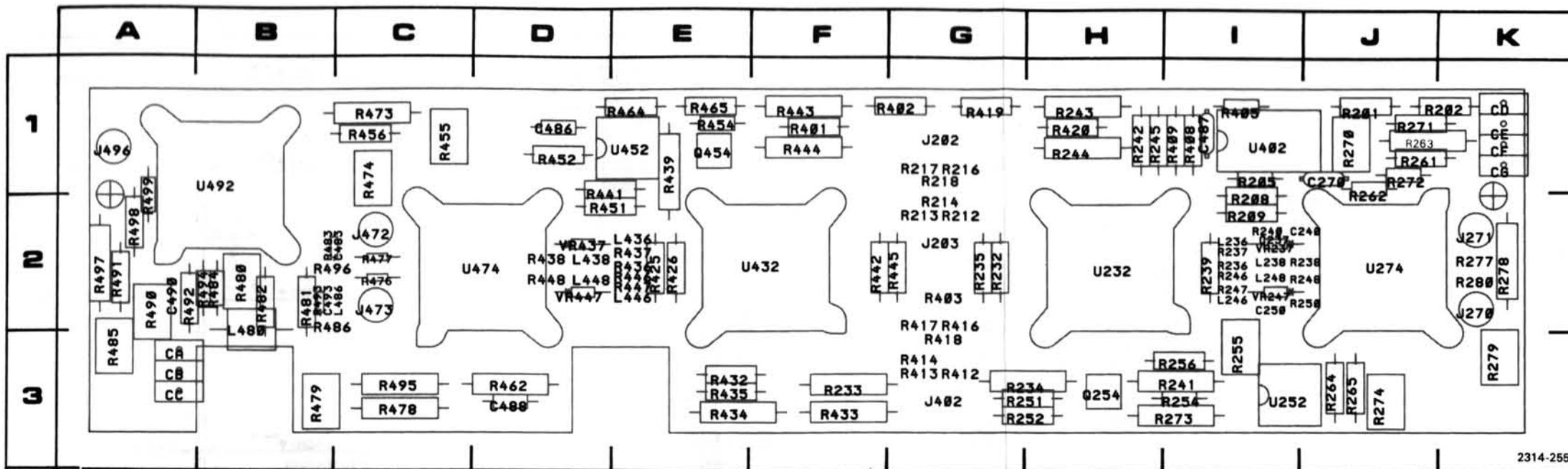
A13 LOGIC  
Shown on diag.  
2, 4

## VOLTAGE CONDITIONS

The voltages shown were obtained with the 7104 front panel variable controls at midrange except INTENSITY controls fully counterclockwise (READOUT INTENSITY at OFF); VERTICAL MODE, LEFT; TRIGGER SOURCE, VERT MODE; HORIZONTAL MODE, B. No plug-in units were installed.

The voltages shown on the diagram were obtained using a digital multimeter with a 10 M $\Omega$  input impedance (Tektronix DM501 Digital Multimeter or Tektronix 7D13 Digital Multimeter used with a readout-equipped 7000-series Oscilloscope).

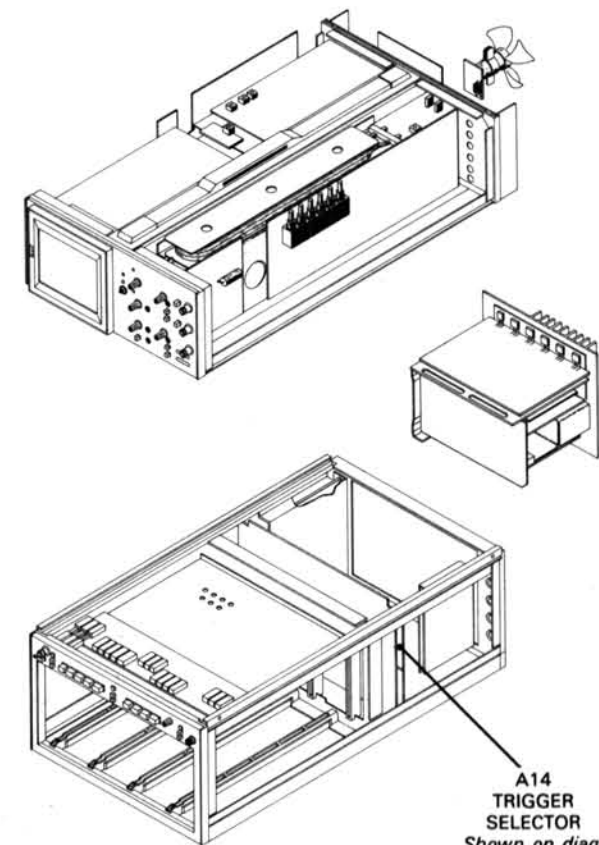




2314-255

Figure 8-7. A14—Trigger Selector circuit board assembly.

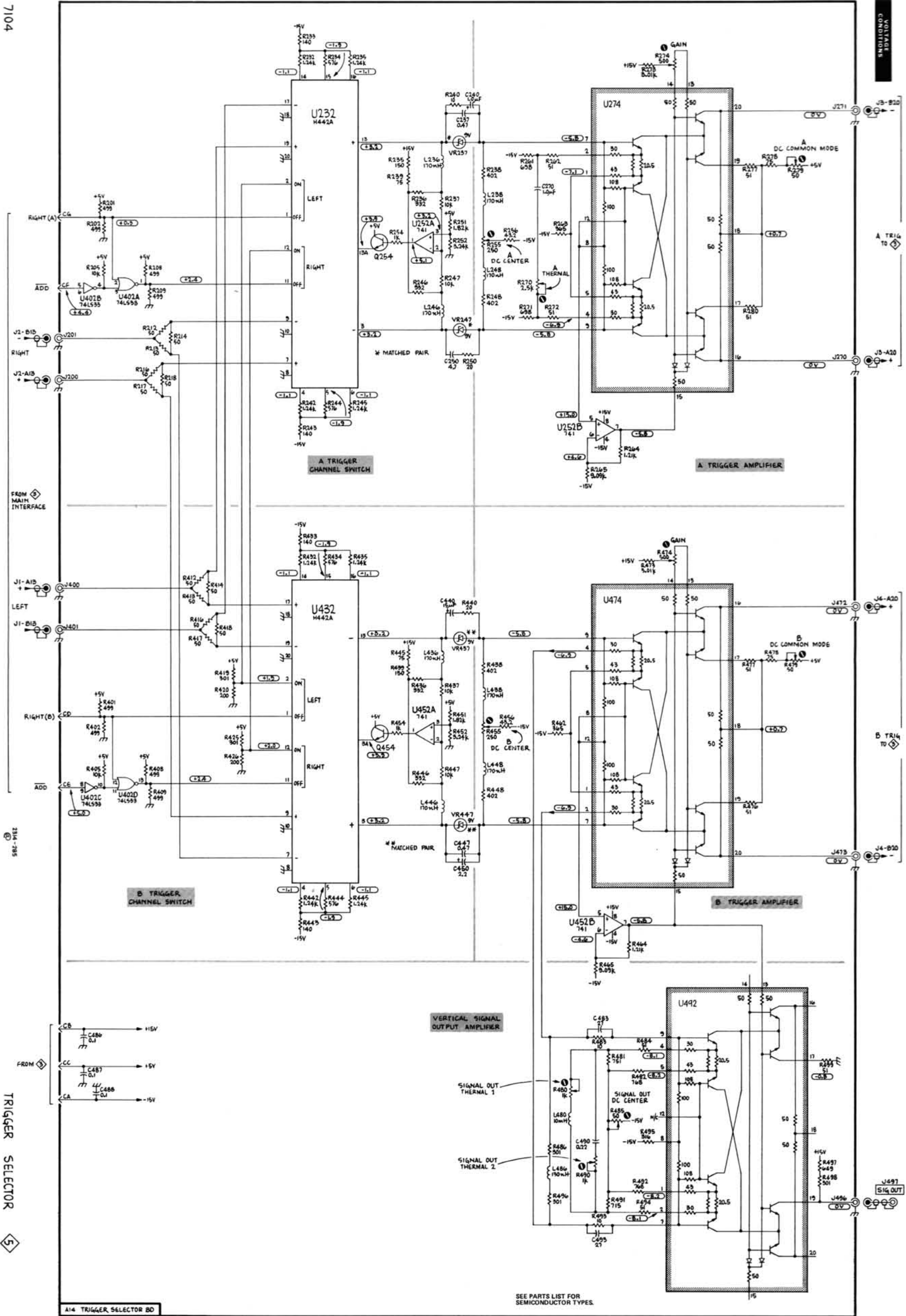
CKT NO	GRID COORD	CKT NO	GRID COORD	CKT NO	GRID COORD	CKT NO	GRID COORD	CKT NO	GRID COORD
C237	2I	Q454	1E	R254	3I	R432	3E	R482	2B
C240	2I	R201	1J	R255	3I	R433	3F	R483	2B
C250	2I	R202	1J	R256	3I	R434	3E	R484	2B
C270	1J	R205	1I	R261	1J	R435	3E	R485	3A
C483	2C	R208	2I	R262	1J	R436	2E	R486	2B
C486	1D	R209	2I	R263	2J	R437	2E	R490	2A
C487	1I	R208	2I	R264	3J	R438	1D	R491	2A
C488	3D	R212	2G	R265	3J	R439	1E	R492	2A
C490	2A	R213	2G	R270	1J	R441	1D	R493	2B
C493	2B	R214	2G	R271	1J	R442	2F	R494	2B
		R216	1G	R272	1J	R443	1F	R495	3C
		R217	1G	R273	3I	R444	1F	R496	2B
J202	1G	R218	1G	R274	3J	R445	2G	R497	2A
J203	2G	R232	2G	R277	3J	R446	2E	R498	2A
J270	2K	R233	3F	R278	2K	R447	2E	R499	1A
J271	2K	R234	3G	R279	3K	R448	1D		
J402	3G	R235	2G	R280	2K	R451	1D	U232	1H
J472	2C	R236	2I	R401	1F	R452	1D	U252	3I
J473	2C	R237	2I	R402	1G	R454	1E	U274	2J
J496	1A	R238	2I	R403	2G	R455	1C	U402	1I
		R239	2I	R405	1I	R456	1C	U432	2F
L236	2I	R240	2I	R408	1I	R462	3D	U452	1E
L238	2I	R241	3I	R409	1I	R464	1E	U474	1D
L246	2I	R242	1H	R412	3G	R465	1E	U492	1B
L248	2I	R243	1H	R413	3G	R473	1C		
L436	2E	R244	1H	R414	3G	R474	1C		
L438	2D	R245	1H	R416	2G	R476	2C	VR237	2I
L446	2E	R246	2I	R417	2G	R477	2C	VR247	2I
L448	2D	R247	2I	R418	3G	R478	3C	VR437	1D
L480	2B	R248	2I	R419	1G	R479	3B	VR447	1D
L486	2C	R250	2I	R420	1H	R480	2B		
		R251	3G	R426	2E	R481	2B		
Q254	3H								



## VOLTAGE CONDITIONS

The voltages shown were obtained with the 7104 front panel variable controls at midrange except INTENSITY controls fully counterclockwise (READOUT INTENSITY at OFF); VERTICAL MODE, LEFT; TRIGGER SOURCE, VERT MODE; HORIZONTAL MODE, B. No plug-in units were installed.

The voltages shown on the diagram were obtained using a digital multimeter with a 10 M $\Omega$  input impedance (Tektronix DM501 Digital Multimeter or Tektronix 7D13 Digital Multimeter used with a readout-equipped 7000-series Oscilloscope).



SEE PARTS LIST FOR SEMICONDUCTOR TYPES.

A14 TRIGGER SELECTOR BD

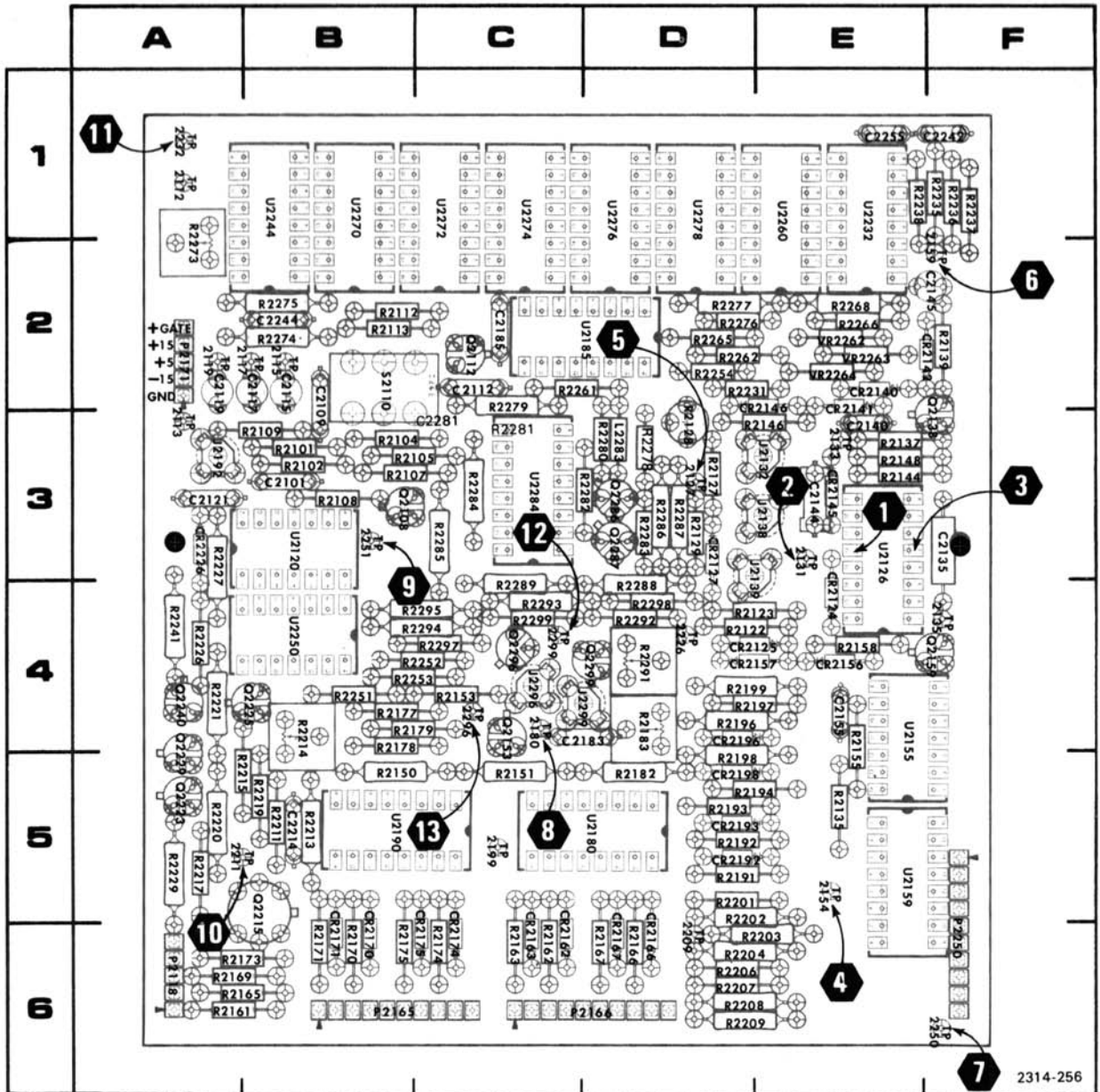


Figure 8-8. A15—Readout System circuit board assembly.

Locator for Figure 8-8.

CKT NO	GRID COORD	CKT NO	GRID COORD	CKT NO	GRID COORD
C2101	3B	R2104	3B	R2254	2D
C2109	2B	R2105	3B	R2261	2C
C2112	2C	R2107	3B	R2262	2D
C2115	2B	R2108	3B	R2265	2D
C2117	2B	R2109	3B	R2266	2E
C2119	2A	R2112	2B	R2268	2E
C2121	3A	R2113	2B	R2274	2B
C2135	3F	R2122	4D	R2275	2B
C2140	3E	R2123	4D	R2276	2D
C2144	3E	R2127	3D	R2277	2D
C2145	2F	R2128	3D	R2278	3D
C2155	4E	R2129	3D	R2279	2C
C2183	4D	R2135	5E	R2280	3D
C2185	2C	R2137	3E	R2281	3C
C2214	5B	R2139	2F	R2282	3C
C2242	1F	R2144	3E	R2283	3D
C2244	2B	R2146	3E	R2284	3C
C2255	1E	R2148	3E	R2285	3C
C2281	3C	R2150	5B	R2286	3D
CR2124	4E	R2151	5C	R2287	3D
CR2125	4D	R2153	4C	R2288	4D
CR2127	3D	R2155	4E	R2289	4C
CR2140	2E	R2158	4E	R2291	4D
CR2141	2E	R2161	6A	R2292	4D
CR2142	2F	R2162	6C	R2293	4C
CR2145	3E	R2163	6C	R2294	4B
CR2146	2D	R2165	6A	R2295	4B
CR2156	4E	R2166	6D	R2297	4C
CR2157	4D	R2167	6D	R2298	4D
CR2162	6C	R2169	6A	R2299	4C
CR2163	6C	R2170	6B	S2110	2B
CR2166	6D	R2171	6B	TP2112	1A
CR2167	6D	R2173	6A	TP2113	3A
CR2170	6B	R2174	6C	TP2115	2B
CR2171	6B	R2175	6B	TP2117	2A
CR2174	6C	R2177	4B	TP2119	2A
CR2175	6C	R2178	4B	TP2127	3D
CR2192	5D	R2179	4B	TP2131	3E
CR2193	5D	R2182	5D	TP2133	3E
CR2196	4D	R2183	4D	TP2135	4F
CR2198	5D	R2191	5D	TP2154	5E
CR2226	3A	R2192	5D	TP2159	2F
J2132	3E	R2193	5D	TP2180	4C
J2138	3E	R2194	5D	TP2199	5C
J2139	4D	R2196	4D	TP2209	6D
J2192	3A	R2197	4D	TP2211	5A
J2296	4C	R2198	5D	TP2226	4D
J2299	4D	R2199	4D	TP2232	1A
L2283	3D	R2201	5D	TP2250	6F
P2118	6A	R2202	5D	TP2251	3B
P2165	6B	R2203	6D	TP2296	4C
P2166	6D	R2204	6D	TP2299	4C
P2171	2A	R2206	6D	U2120	3B
P2250	6F	R2207	6D	U2126	3E
Q2108	3B	R2208	6D	U2155	4E
Q2112	2C	R2209	6D	U2159	5E
Q2138	3F	R2211	5B	U2180	5D
Q2153	4C	R2213	5B	U2185	2C
Q2159	4F	R2214	4B	U2190	5B
Q2215	5B	R2215	5A	U2232	1E
Q2223	5A	R2217	5A	U2244	1B
Q2225	4B	R2219	5B	U2250	4B
Q2229	5A	R2220	5A	U2260	1E
Q2240	4A	R2221	4A	U2270	1B
Q2286	3D	R2222	4A	U2272	1C
Q2287	3D	R2226	4A	U2274	1C
Q2296	4C	R2227	3A	U2276	1D
Q2299	4D	R2229	5A	U2278	1D
R2101	3B	R2231	2D	U2284	3C
R2102	3B	R2235	1F	VR2262	2E
		R2236	1F	VR2263	2E
		R2237	1F	VR2264	2E
		R2238	1E		
		R2239	2D		
		R2241	4A		
		R2244	1B		
		R2248	1B		
		R2249	1A		
		R2250	1A		
		R2251	2F		
		R2252	2F		
		R2253	4B		
		R2254	4B		
		R2255	4B		

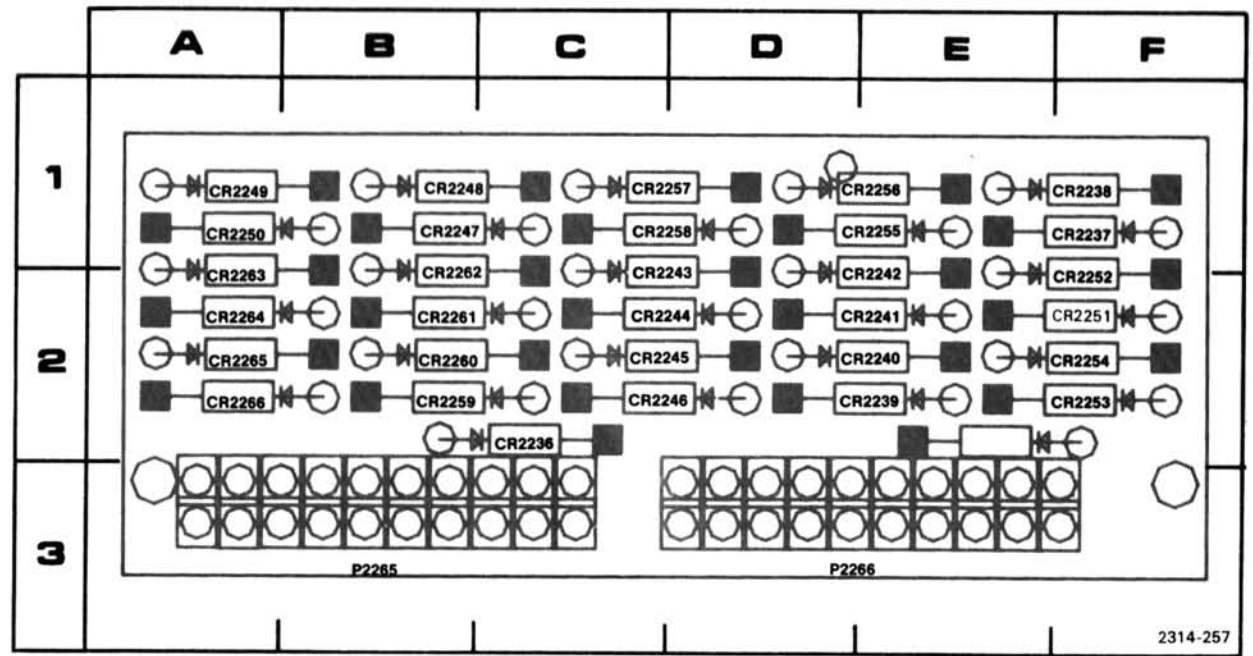
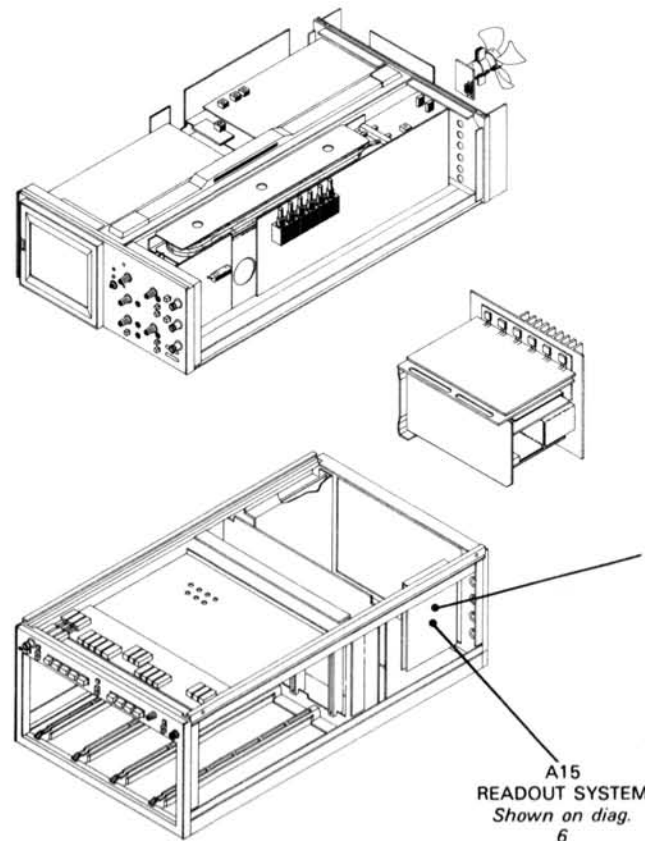


Figure 8-9. A27—Protection Circuit circuit board assembly.

CKT NO	GRID COORD	CKT NO	GRID COORD
CR2236	2C	CR2253	2F
CR2237	1F	CR2254	2F
CR2238	1F	CR2255	1D
CR2239	2D	CR2256	1D
CR2240	2D	CR2257	1C
CR2241	2D	CR2258	1C
CR2242	2D	CR2259	2B
CR2243	2C	CR2260	2B
CR2244	2C	CR2261	2B
CR2245	2C	CR2262	2B
CR2246	2C	CR2263	2A
CR2247	1B	CR2264	2A
CR2248	1B	CR2265	2A
CR2249	1A	CR2266	2A
CR2250	1A		
CR2251	2F	P2265	3B
CR2252	2F	P2266	3D



A27  
PROTECTION  
CIRCUIT  
Shown on diag.  
6

A15  
READOUT SYSTEM  
Shown on diag.  
6

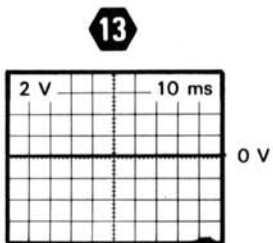
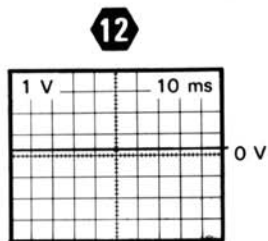
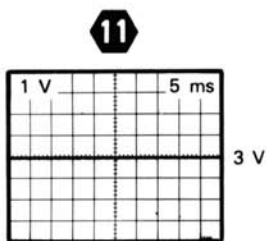
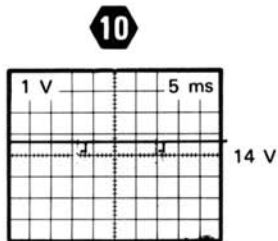
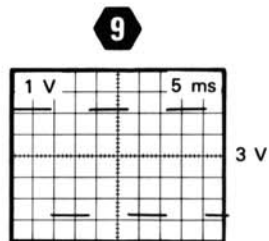
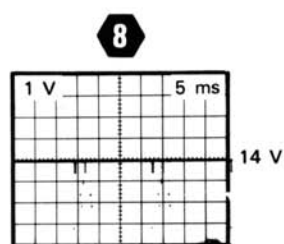
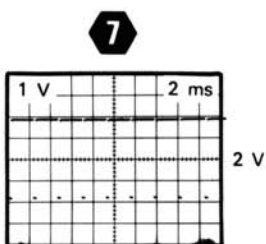
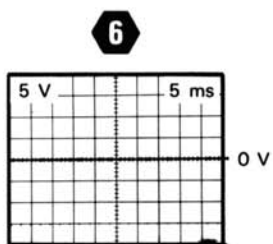
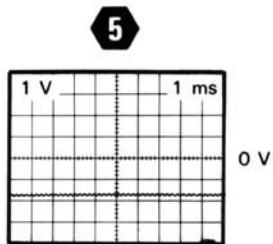
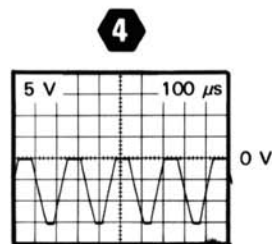
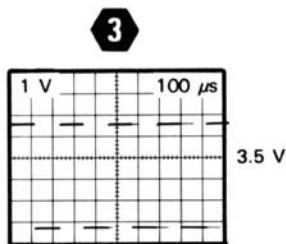
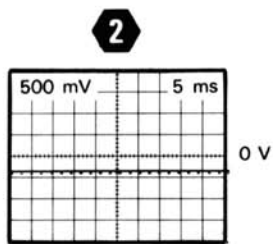
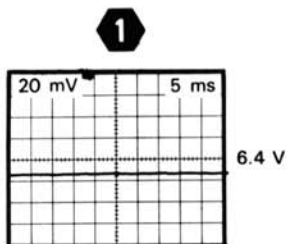


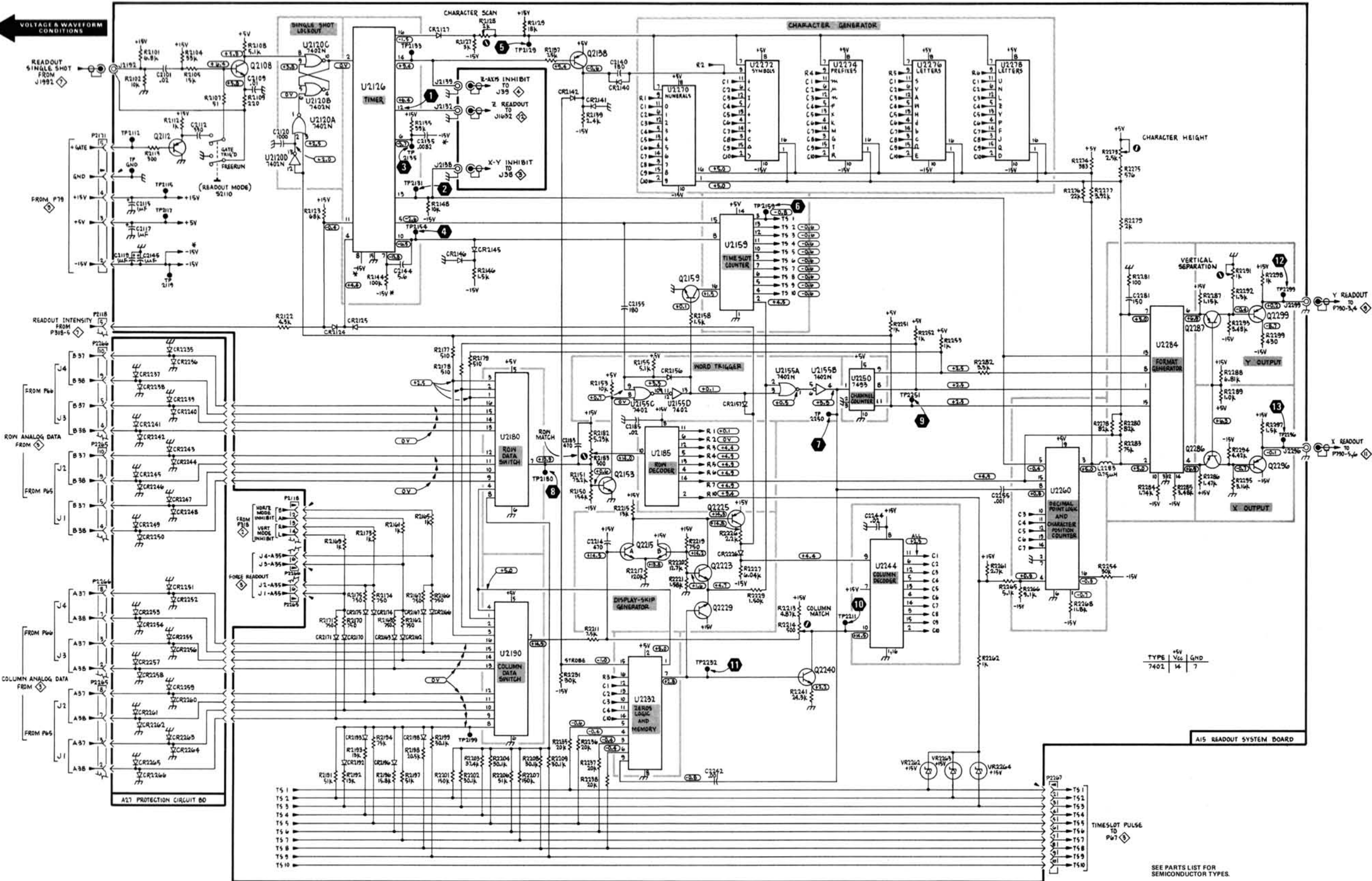
## VOLTAGE AND WAVEFORM CONDITIONS

The voltages and waveforms shown were obtained with the 7104 front panel variable controls at midrange except A and B INTENSITY fully counterclockwise; VERTICAL MODE, LEFT; TRIGGER SOURCE, VERT MODE; HORIZONTAL MODE, B.

**Voltage Conditions.** The voltages shown on the diagram were obtained using a digital multimeter with a 10 M $\Omega$  input impedance (Tektronix DM501 Digital Multimeter or Tektronix 7D13 Digital Multimeter used with a readout-equipped 7000-series Oscilloscope).

**Waveform Conditions.** The waveforms shown below were obtained using a test oscilloscope system with 1 M $\Omega$  input impedance and at least 60 MHz bandwidth. The test oscilloscope was externally triggered through a 1X probe connected to TP2251 on the 7104 A15 Readout System circuit board. (Tektronix 7603 Oscilloscope, 7B53A Time Base, and 7A13 Differential Comparator equipped with a 10X probe.) A 7B-series time base was installed in the mainframe B HORIZ compartment and set for internal auto-trigger and 50 microsecond/division sweep rate.





TYPE	+5V	Vcc	GND
	7402	14	7

SEE PARTS LIST FOR SEMICONDUCTOR TYPES.

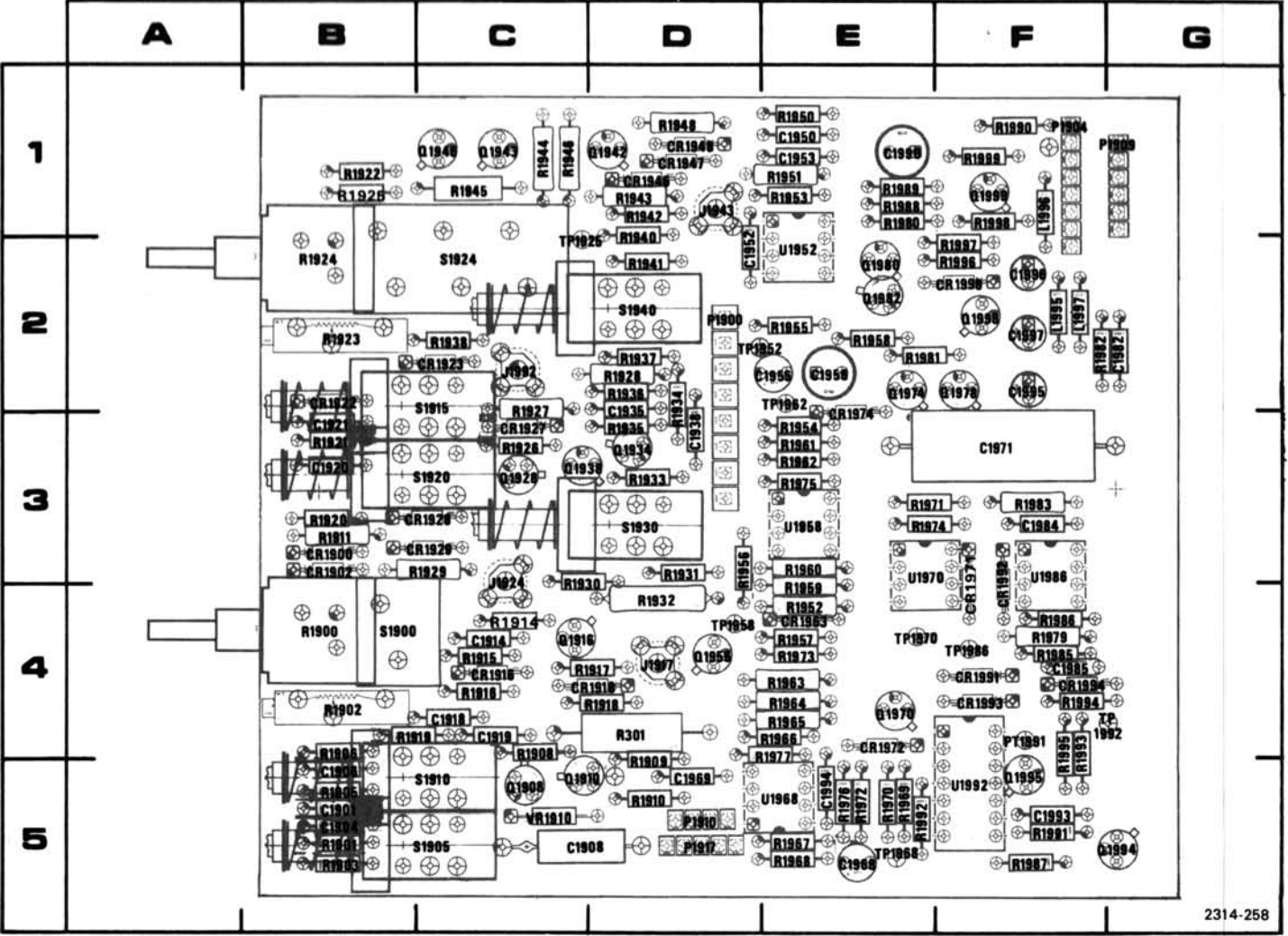
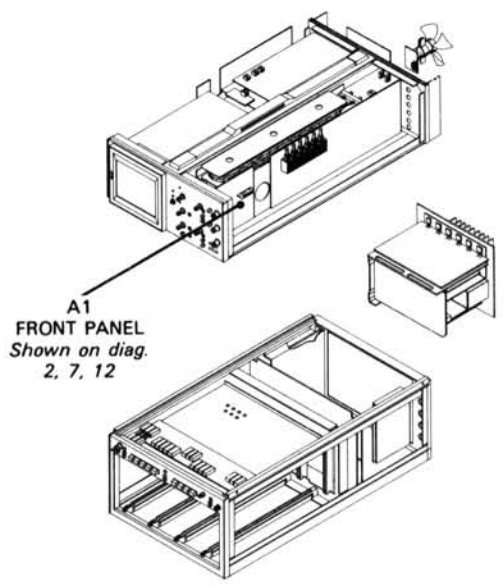


Figure 8-10. A1—Front Panel circuit board assembly.

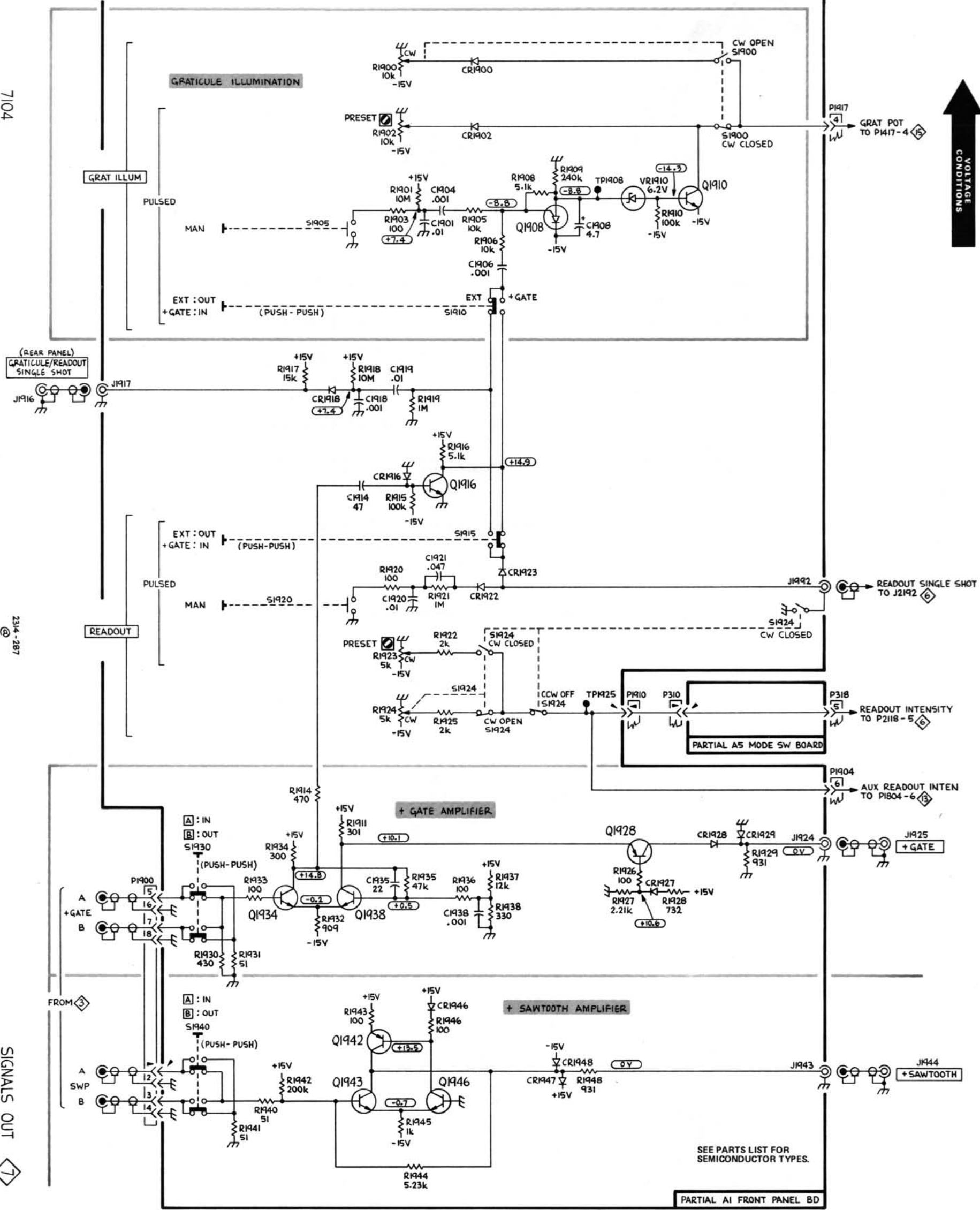


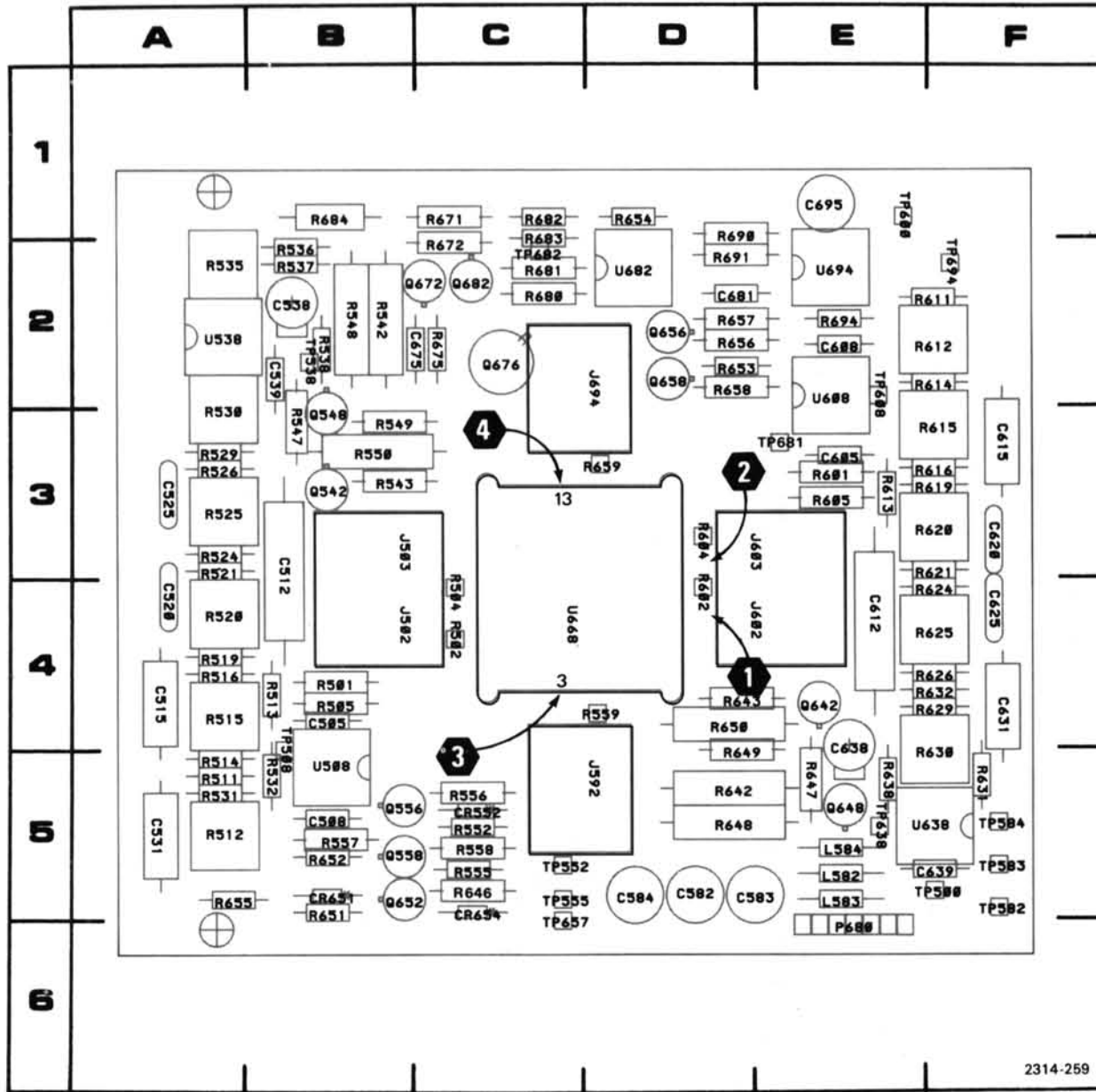
CKT NO	GRID COORD	CKT NO	GRID COORD	CKT NO	GRID COORD
C1901	5B	Q1910	5C	R1957	4E
C1904	5B	Q1916	4C	R1958	2E
C1906	5B	Q1928	3C	R1959	4E
C1908	5C	Q1934	3D	R1960	3E
C1914	4C	Q1938	3C	R1961	3E
C1915	4C	Q1942	1D	R1962	3E
C1918	4C	Q1943	1C	R1963	4E
C1919	4C	Q1946	1C	R1964	4E
C1920	3B	Q1956	4D	R1965	4E
C1921	3B	Q1970	4E	R1966	4E
C1935	2D	Q1974	2E	R1967	5E
C1938	3D	Q1978	2F	R1968	5E
C1950	1E	Q1980	2E	R1969	5E
C1952	2D	Q1982	2E	R1970	5E
C1953	1E	Q1994	5G	R1971	3E
C1955	2E	Q1995	5F	R1972	5E
C1956	2E	Q1998	2F	R1973	4E
C1968	5E	Q1999	1F	R1974	3E
C1969	5D			R1975	3E
C1971	3F	R301	4D	R1976	5E
C1982	2G	R1900	4B	R1977	4E
C1984	3F	R1901	5B	R1979	4F
C1985	4F	R1902	4B	R1980	1E
C1990	1E	R1903	5B	R1981	2E
C1993	5F	R1905	5B	R1982	2F
C1994	5E	R1906	4B	R1983	3F
C1995	2F	R1908	4C	R1985	4F
C1996	2F	R1909	5D	R1986	4F
C1997	2F	R1910	5D	R1987	5F
		R1911	3B	R1988	1E
CR1900	3B	R1914	4C	R1989	1E
CR1902	3B	R1915	4C	R1990	1F
CR1916	4C	R1916	4C	R1991	5F
CR1918	4D	R1917	4D	R1992	5E
CR1922	2B	R1918	4D	R1993	4F
CR1923	2C	R1919	4B	R1994	4F
CR1927	3C	R1920	3B	R1995	4F
CR1928	3C	R1921	3B	R1996	2F
CR1929	3C	R1922	1B	R1997	2F
CR1946	1D	R1923	2B	R1998	1F
CR1947	1D	R1924	2B	R1999	1F
CR1948	1D	R1925	1B		
CR1963	4E	R1926	3C	S1900	4B
CR1971	3F	R1927	3C	S1905	5C
CR1972	4E	R1928	2D	S1910	5C
CR1974	3E	R1929	3C	S1915	3C
CR1991	4F	R1930	3C	S1920	3C
CR1992	3F	R1931	3D	S1924	2C
CR1993	4F	R1932	4D	S1930	3D
CR1994	4F	R1933	3D	S1940	2D
CR1998	2F	R1934	3D		
		R1935	3D	TP1911	4F
J1917	4D	R1936	2D	TP1925	2C
J1924	3C	R1937	2D	TP1952	2D
J1943	1D	R1938	2C	TP1958	4D
J1992	2C	R1940	2D	TP1962	2E
		R1941	2D	TP1968	5E
L1995	2F	R1942	1D	TP1970	4E
L1996	1F	R1943	1D	TP1986	4F
L1997	2F	R1944	1C	TP1992	4F
		R1945	1C		
P1900	2D	R194	1C	U1952	2E
P1904	1F	R1948	1D	U1958	3E
P1909	1G	R1950	1E	U1968	5E
P1910	5D	R1951	1E	U1970	3E
P1917	5D	R1952	4E	U1986	3F
		R1953	1E	U1992	5F
PT1991	4F	R1954	3E		
		R1955	2E	VR1910	5C
Q1908	5C	R1956	3D		

## VOLTAGE CONDITIONS

The voltages shown were obtained with the 7104 front panel variable controls at midrange except INTENSITY controls fully counterclockwise; VERTICAL MODE, LEFT; TRIGGER SOURCE, VERT MODE; HORIZONTAL MODE, B. No plug-in units were installed.

The voltages shown on the diagram were obtained using a digital multimeter with a 10 M $\Omega$  input impedance (Tektronix DM501 Digital Multimeter or Tektronix 7D13 Digital Multimeter used with a readout-equipped 7000-series Oscilloscope).



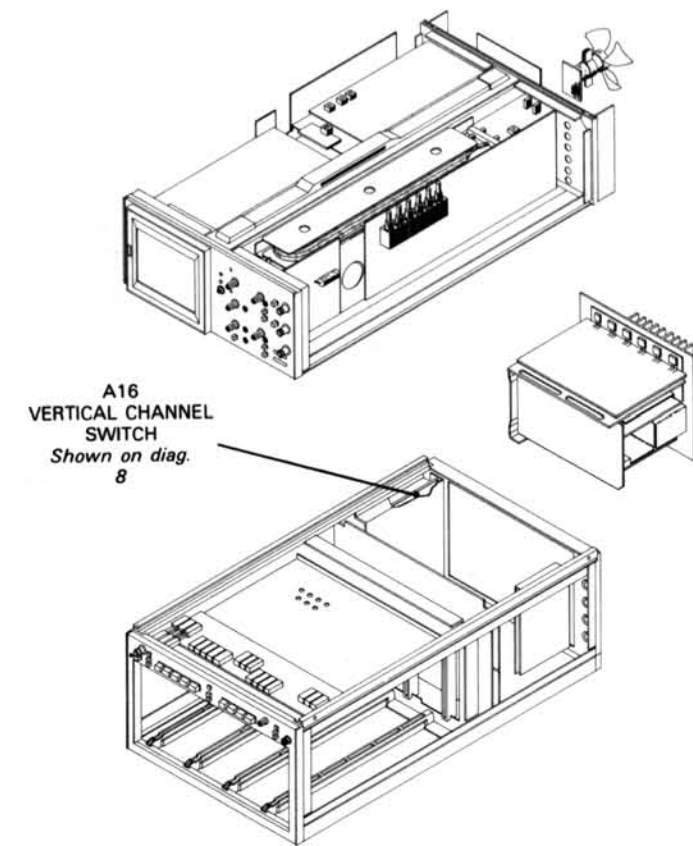


2314-259

Figure 8-11. A16—Vertical Channel Switch circuit board assembly.

Locator for Figure 8-11.

CKT NO	GRID COORD	CKT NO	GRID COORD	CKT NO	GRID COORD
C505	4B	R501	4B	R632	4E
C508	5B	R502	4C	R638	5E
C512	3B	R504	4C	R642	5D
C515	4A	R505	4B	R643	4D
C520	4A	R511	5A	R646	5C
C525	3A	R512	5A	R647	5E
C531	5A	R513	4B	R648	5D
C538	2B	R514	5A	R649	5D
C539	2B	R515	4A	R650	4D
C582	5D	R516	4A	R651	5B
C583	5D	R519	4A	R652	5B
C584	5D	R520	4A	R653	2D
C605	3E	R521	3A	R654	1D
C608	2E	R524	3A	R655	5A
C612	4E	R525	3A	R656	2D
C620	3F	R526	3A	R657	2D
C625	4F	R529	3A	R658	2D
C631	4F	R530	2A	R659	3D
C638	4E	R531	5A	R671	1C
C639	5E	R532	5B	R672	1C
C675	2B	R535	2A	R675	2C
C681	2D	R536	2B	R680	2C
C695	1E	R537	2B	R681	2C
		R538	2B	R682	1C
CR552	5C	R542	2B	R683	1C
CR651	5B	R543	3B	R684	1B
CR654	5C	R547	3B	R690	1D
		R548	2B	R691	2D
J502	4B	R549	3B	R694	2E
J503	3B	R550	3B		
J592	5D	R552	5C	TP500	5E
J602	4D	R555	5C	TP508	4B
J603	3E	R556	5C	TP538	2B
J694	2D	R557	5B	TP552	5C
		R558	5C	TP555	5C
L582	5E	R559	4D	TP582	5E
L583	5E	R601	3E	TP583	5E
L584	5E	R602	4D	TP584	5E
		R604	3D	TP600	1E
		R605	3E	TP608	2E
P680	6E	R611	2F	TP638	5E
		R612	2F	TP657	6C
Q542	3B	R613	3E	TP681	3E
Q548	3B	R614	2F	TP682	2C
Q556	5B	R615	3F	TP694	2F
Q558	5B	R616	3F		
Q642	4E	R619	3F	U508	5B
Q648	5E	R620	3F	U538	2A
Q652	5B	R621	4E	U608	2E
Q656	2D	R624	4E	U638	5E
Q672	2C	R625	4E	U668	4C
Q676	2C	R626	4E	U682	2D
Q682	2C	R629	4E	U694	2E
		R630	5E		
		R631	5E		



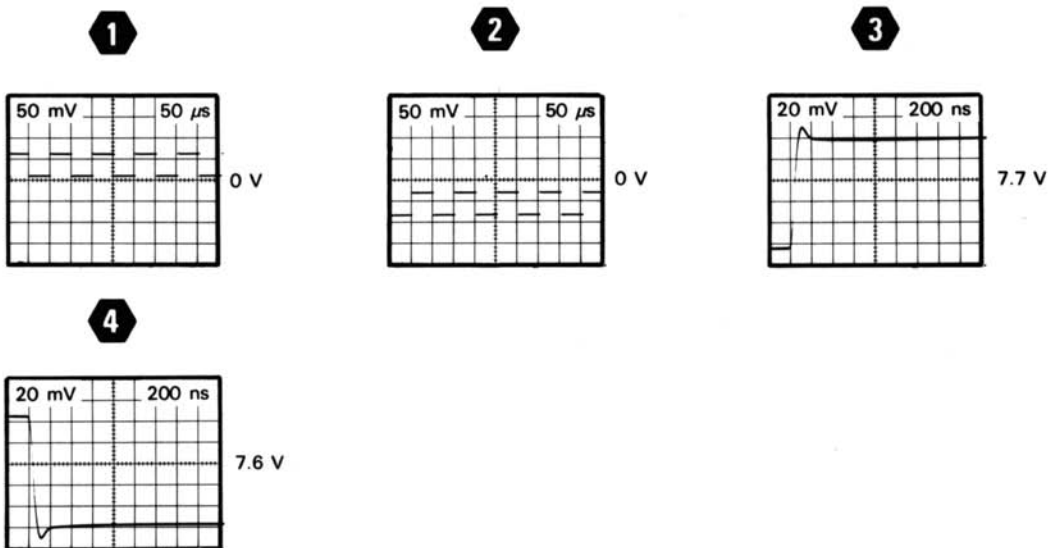
A16  
VERTICAL CHANNEL  
SWITCH  
Shown on diag.  
8

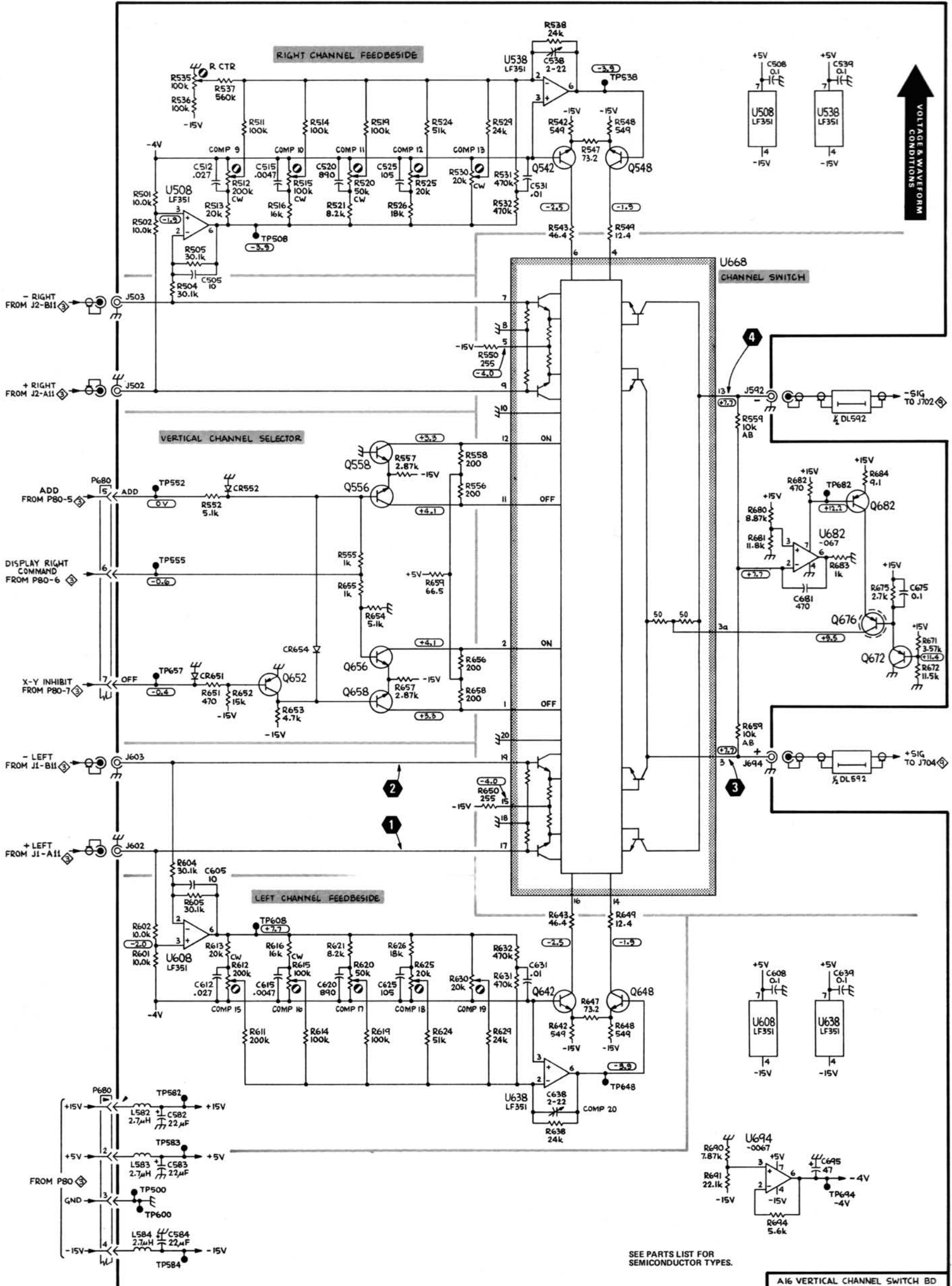
## VOLTAGE AND WAVEFORM CONDITIONS

The voltages and waveforms shown were obtained with the 7104 front panel variable controls at midrange except INTENSITY controls counterclockwise; VERTICAL MODE, LEFT; TRIGGER SOURCE, VERT MODE; HORIZONTAL MODE, B.

**Voltage Conditions.** The voltages shown on the diagram were obtained using a digital multimeter with a 10 M $\Omega$  input impedance (Tektronix DM501 Digital Multimeter or Tektronix 7D13 Digital Multimeter used with a readout-equipped 7000-series Oscilloscope).

**Waveform Conditions.** The waveforms shown below were obtained using a test oscilloscope system with 10 M $\Omega$  input impedance and at least 60 MHz bandwidth. The test oscilloscope was externally triggered from the Pretrig out connector of a 067-0587-02 Calibration Fixture installed in the 7104 LEFT VERT compartment. (Tektronix 7603 Oscilloscope, 7B53A Time Base, and 7A13 Differential Comparator equipped with a 10X probe.) Calibration Fixture: +Step Response, 10 kHz Rep Rate, 6 divisions of vertical display centered at 0 volts. Test oscilloscope time base: 50 ns/div, +Slope, Auto, AC, Ext. A 7B-series time base was installed in the 7104 B HORIZ compartment and set for a free running sweep.





VOLTAGE & WAVEFORM CONDITIONS

SEE PARTS LIST FOR SEMICONDUCTOR TYPES.

A16 VERTICAL CHANNEL SWITCH BD



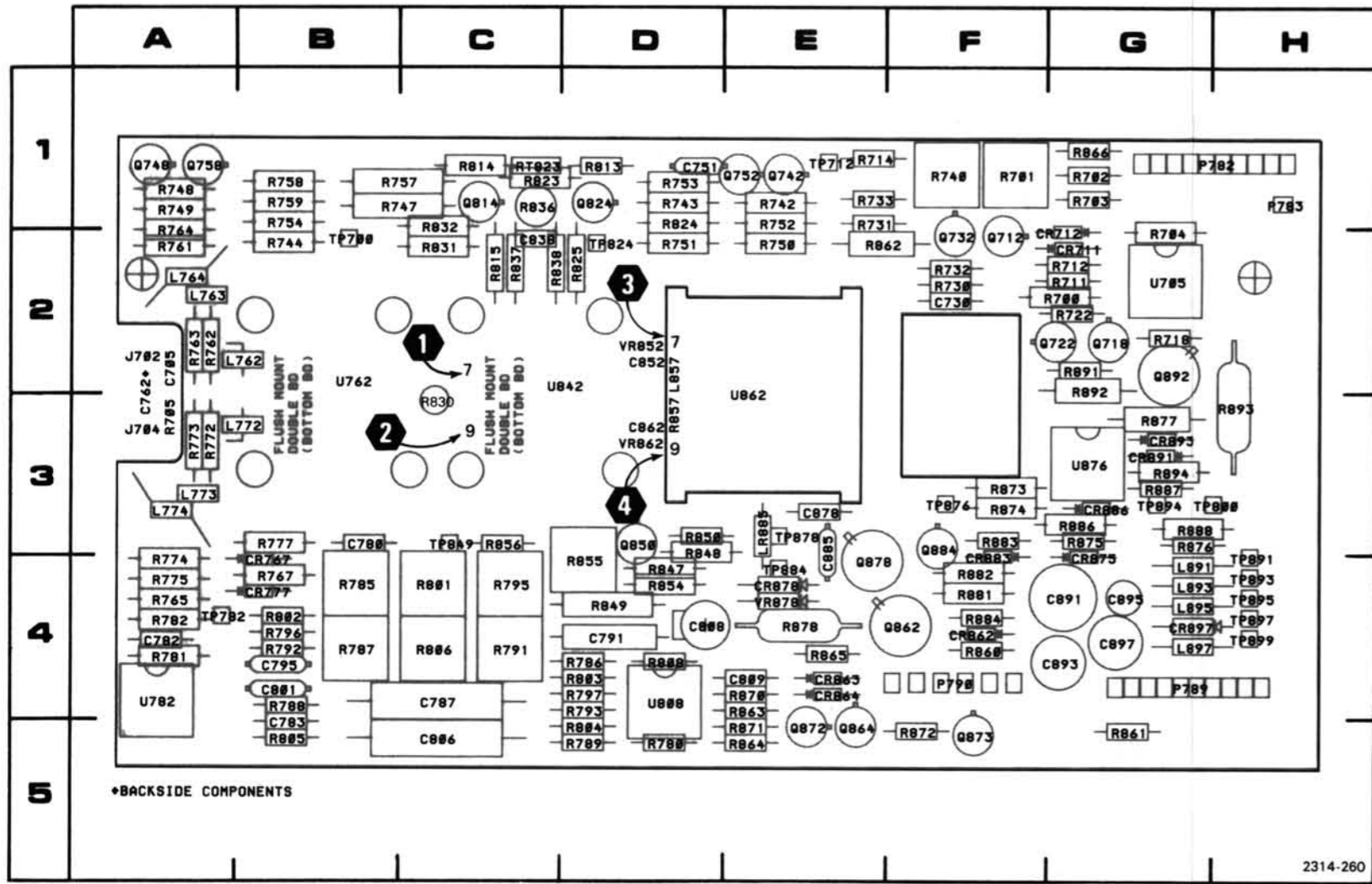


Figure 8-12A. A17-Vertical Amplifier circuit board assembly.

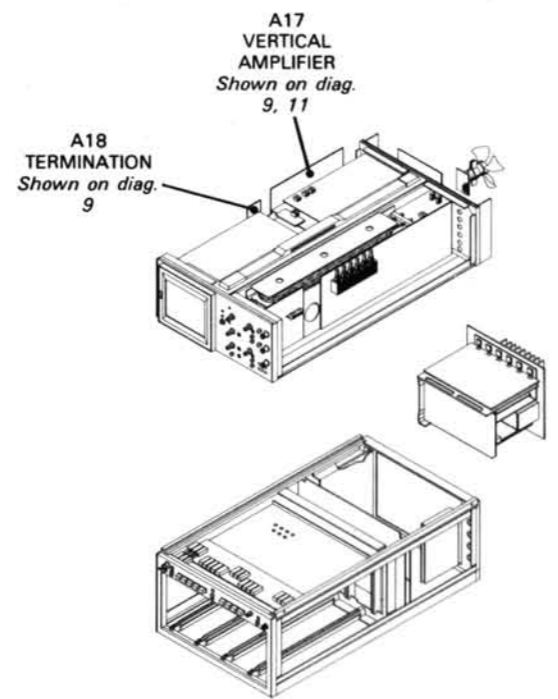


Figure 8-12B. A18-Termination circuit board assembly.

Locator for Figure 8-12A.

CKT NO	GRID COORD	CKT NO	GRID COORD	CKT NO	GRID COORD
C705	2A	Q864	5E	R824	1D
C730	2F	Q872	5E	R825	2D
C751	1D	Q873	5F	R831	2C
C762	3A	Q878	4E	R832	1C
C780	3B	Q884	3F	R836	1C
C782	4A	Q892	2G	R837	2C
C783	5B			R838	2C
C787	4C	R700	2G	R847	4D
C791	4D	R701	1F	R848	3D
C795	4B	R702	1G	R849	4D
C801	4B	R703	1G	R850	3D
C806	5C	R704	2G	R854	4D
C808	4D	R705	3A	R855	4D
C809	4E	R711	2G	R856	3C
C838	2C	R712	2G	R857	3D
C852	2D	R714	1E	R860	4F
C862	3D	R718	2G	R861	5G
C878	3E	R722	2G	R862	2E
C885	4E	R730	2F	R863	4E
C891	4G	R731	1E	R864	5E
C893	4G	R732	2F	R865	4E
C895	4G	R733	1E	R866	1G
C897	4G	R740	1F	R870	4E
		R742	1E	R871	5E
		R743	1D	R872	5F
CR711	2G	R744	2B	R873	3F
CR712	2G	R747	1B	R874	3F
CR767	4B	R748	1A	R875	3G
CR777	4B	R749	1A	R876	3G
CR862	4F	R750	2E	R877	3G
CR863	4E	R751	2D	R878	4E
CR864	4E	R752	1E	R881	4F
CR875	4G	R753	1D	R882	4F
CR878	4E	R754	1B	R883	3F
CR883	4F	R755	1B	R884	4F
CR886	3G	R757	1B	R886	3G
CR891	3G	R758	1B	R887	3G
CR893	3G	R759	1B	R888	3G
CR897	4G	R761	2A	R891	2G
		R762	2A	R892	3G
J702	2A	R763	2A	R893	3H
J704	3A	R764	1A	R894	3G
		R765	4A		
L762	2B	R767	4B		
L763	2A	R772	3A	RT823	1C
L764	2A	R773	3A		
L772	3B	R774	4A	TP700	2B
L773	3A	R775	4A	TP712	1E
L774	3A	R777	3B	TP782	4A
L857	2D	R780	5D	TP800	3G
L891	4G	R781	4A	TP824	2D
L893	4G	R782	4A	TP849	3C
L895	4G	R785	4B	TP876	3F
L897	4G	R786	4D	TP878	3E
		R787	4B	TP884	4E
LR885	3E	R788	4B	TP891	4H
		R789	5D	TP893	4H
P782	1G	R791	4C	TP894	3G
P783	1H	R792	4B	TP895	4H
P789	4G	R793	4D	TP897	4H
P790	4F	R795	4C	TP899	4H
		R796	4B		
Q712	2F	R797	4D	U705	2G
Q718	2G	R801	4D	U762	2B
Q722	2G	R802	4B	U782	4A
Q732	2F	R803	4D	U808	4D
Q742	1E	R804	5D	U842	2C
Q748	1A	R805	5B	U862	3E
Q752	1E	R806	4C	U876	3G
Q758	1A	R808	4D		
Q814	1C	R813	1D	VR852	2D
Q824	1D	R814	1C	VR862	3D
Q850	3D	R815	2C	VR878	4E
Q862	4F	R823	1C		

CKT NO	GRID COORD
C881	2B
C882	2B
P883	1B
U883	1A

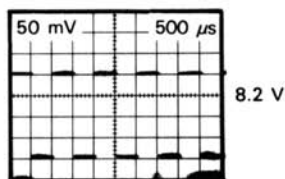
## VOLTAGE AND WAVEFORM CONDITIONS

The voltages and waveforms shown were obtained with the 7104 front panel variable controls at midrange except INTENSITY controls fully counterclockwise; VERTICAL MODE, LEFT; TRIGGER SOURCE, VERT MODE; HORIZONTAL MODE, B; CALIBRATOR, 4V.

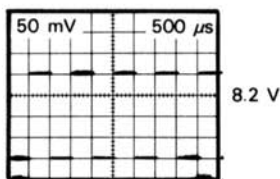
**Voltage Conditions.** The voltages shown on the diagram were obtained using a digital multimeter with a 10 M $\Omega$  input impedance (Tektronix DM501 Digital Multimeter or Tektronix 7D13 Digital Multimeter used with a readout-equipped 7000-series Oscilloscope).

**Waveform Conditions.** The waveforms shown below were obtained using a test oscilloscope system with 1 M $\Omega$  input impedance and at least 60 MHz bandwidth. (Tektronix 7603 Oscilloscope, 7B53A Time Base, and 7A13 Differential Comparator equipped with a 10X probe.) A 7B-series vertical amplifier plug-in was installed in the 7104 LEFT VERT compartment and a 7B-series time base plug-in in the 7104 B HORIZ compartment. The vertical amplifier was set for a 6 to 8 division 7104 display with the CALIBRATOR output fed to the vertical amplifier input. The oscilloscope time base was externally triggered with the CALIBRATOR signal.

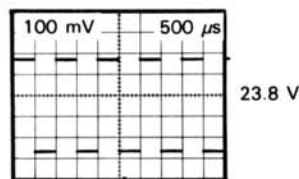
1



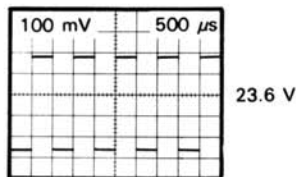
2



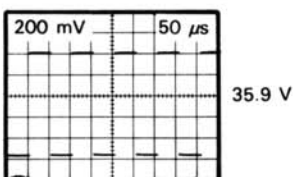
3



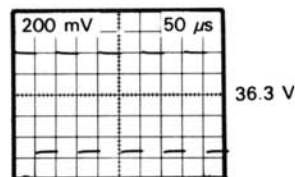
4

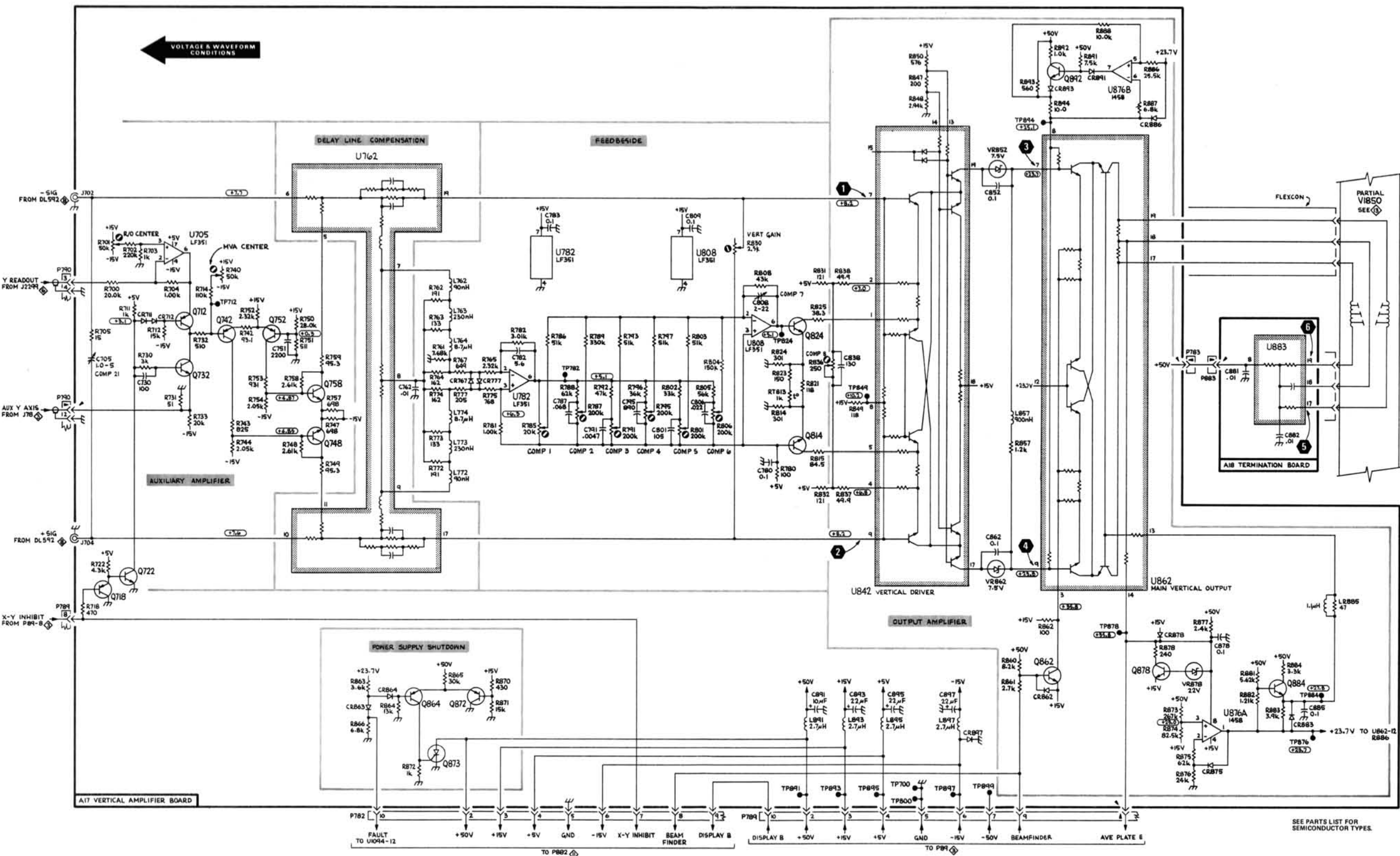


5



6





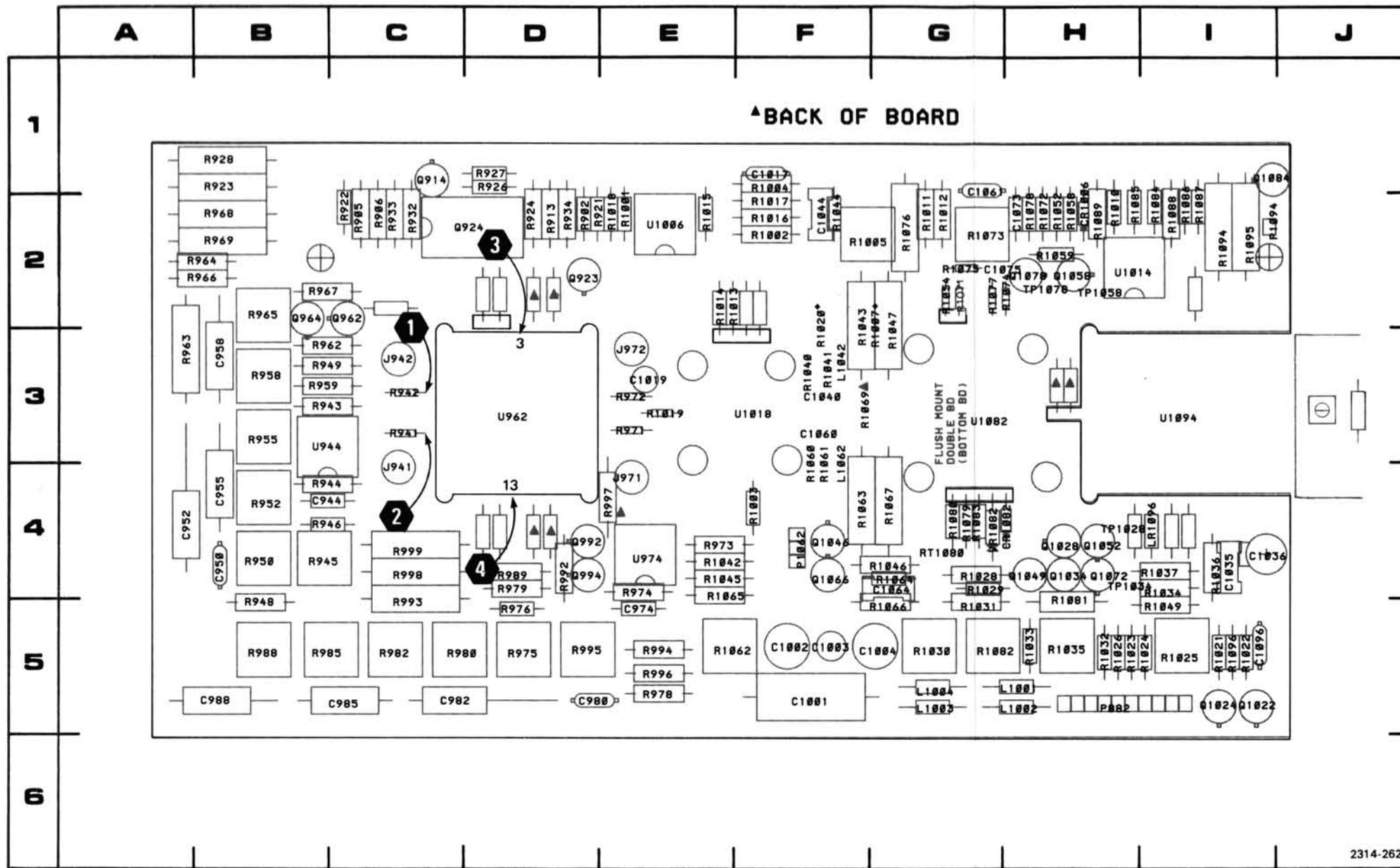
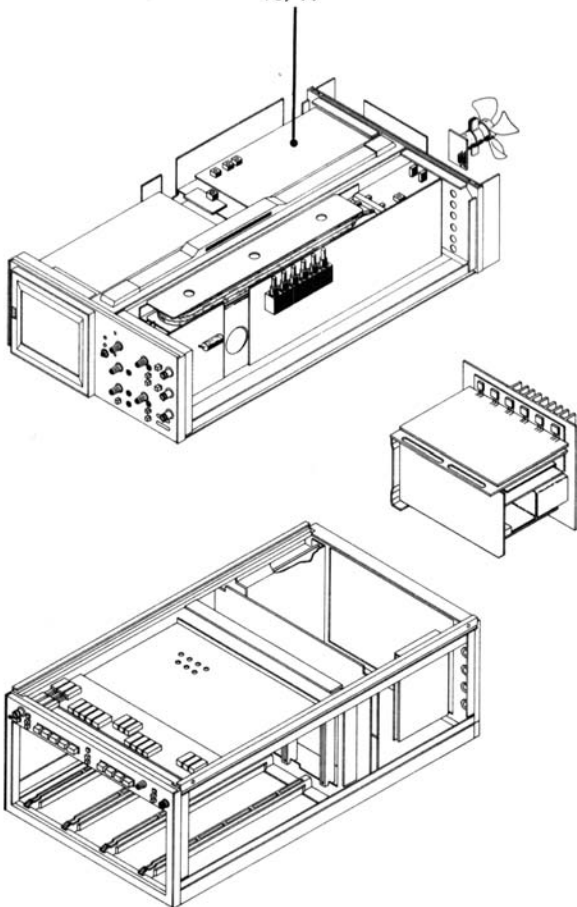


Figure 8-13. A19 Horizontal Amplifier circuit board assembly.

Locator for Figure 8-13.

CKT NO	GRID COORD	CKT NO	GRID COORD	CKT NO	GRID COORD
C944	4B	R923	1B	R1029	4G
C950	4B	R924	2D	R1030	5G
C952	4A	R926	1D	R1031	5G
C955	4B	R927	1D	R1032	5H
C958	3B	R928	1B	R1033	5H
C974	5E	R932	2C	R1034	4I
C980	5D	R933	2C	R1035	5H
C982	5C	R934	2D	R1036	4I
C985	5C	R941	3C	R1037	4I
C988	5B	R942	3C	R1040	3F
C1001	5F	R944	4B	R1041	3F
C1002	5F	R945	4B	R1042	4E
C1003	5F	R946	4B	R1043	3F
C1004	5G	R948	5B	R1044	2F
C1017	1F	R949	3B	R1045	4E
C1019	3E	R950	4B	R1046	4G
C1035	4I	R952	4B	R1047	2G
C1036	4I	R955	3B	R1049	5I
C1044	2F	R958	3B	R1052	2H
C1060	3F	R959	3B	R1054	2G
C1061	2G	R962	3B	R1058	2H
C1064	4G	R963	3A	R1059	2H
C1073	2H	R964	2B	R1060	4F
C1075	2G	R965	2B	R1061	4F
C1096	5I	R966	2B	R1062	5E
		R967	2B	R1063	4F
		R968	2B	R1064	4G
CR1006	2H	R969	2B	R1065	4E
CR1082	4G	R971	3E	R1066	5G
		R972	3E	R1067	4G
J941	4C	R973	4E	R1069	3F
J942	3C	R974	4E	R1071	2G
J971	4E	R975	5D	R1072	2H
J972	3E	R976	5D	R1073	2G
		R978	5E	R1074	2G
L1001	5H	R979	4D	R1075	2G
L1002	5H	R980	5C	R1076	2G
L1003	5G	R982	5C	R1077	2G
L1004	5G	R985	5B	R1078	2H
L1042	3F	R988	5B	R1079	4G
L1062	4F	R989	4D	R1080	4G
		R992	4D	R1081	5H
		R993	5C	R1082	5G
		R994	5E	R1083	4G
		R995	5D	R1084	1I
		R996	5E	R1085	2H
		R997	4E	R1086	1I
Q914	1C	R998	4C	R1087	1I
Q923	2D	R999	4C	R1088	1I
Q924	2D	R1001	2E	R1089	2H
Q964	2B	R1002	2F	R1094	1I
Q992	4D	R1003	4F	R1095	1I
Q994	4D	R1004	1F	R1096	5I
Q1022	5I	R1005	2F		
Q1024	5I	R1007	2G	RT1080	4G
Q1028	4H	R1010	2H		
Q1034	4H	R1011	2G	TP1028	4H
Q1046	4F	R1013	2E	TP1034	4H
Q1049	4H	R1014	2E	TP1058	2H
Q1052	4H	R1015	2E	TP1078	2H
Q1058	2H	R1016	2F		
Q1066	4F	R1017	2F	U944	3B
Q1072	4H	R1018	2E	U962	3D
Q1078	2H	R1019	3E	U974	4E
Q1084	1I	R1020	3F	U1006	2E
		R1021	5I	U1014	2H
		R1022	5I	U1018	3F
R902	2D	R1023	5H	U1082	3G
R905	2C	R1024	5I	U1094	3I
R906	2C	R1025	5I		
R913	2D	R1026	5H	VR1082	4G
R921	2D	R1028	4G		
R922	2C				

A19  
HORIZONTAL  
AMPLIFIER  
*Shown on diag.  
10, 11*



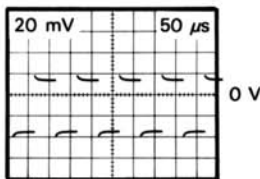
## VOLTAGE AND WAVEFORM CONDITIONS

The voltages and waveforms shown were obtained with the 7104 front panel variable controls at midrange except INTENSITY controls fully counterclockwise; VERTICAL MODE, LEFT; TRIGGER SOURCE, VERT MODE; HORIZONTAL MODE, B; CALIBRATOR, 4V.

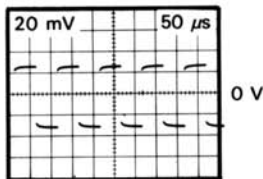
**Voltage Conditions.** The voltages shown on the diagram were obtained using a digital multimeter with a 10 M $\Omega$  input impedance (Tektronix DM501 Digital Multimeter or Tektronix 7D13 Digital Multimeter used with a readout-equipped 7000-series Oscilloscope).

**Waveform Conditions.** The waveforms shown below were obtained using a test oscilloscope system with 1 M $\Omega$  input impedance and at least 60 MHz bandwidth. (Tektronix 7603 Oscilloscope, 7B53A Time Base, and 7A13 Differential Comparator equipped with a 10X probe.) A 7A-series vertical amplifier plug-in was installed in the 7104 B HORIZ compartment and the CALIBRATOR output was connected to the vertical amplifier input. The B INTENSITY control and vertical amplifier was set to display 6 to 8 horizontal divisions on the 7104. The test oscilloscope was externally triggered on the +Slope of the CALIBRATOR signal.

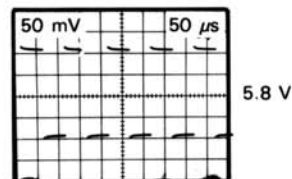
1



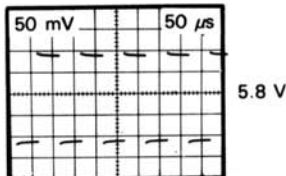
2

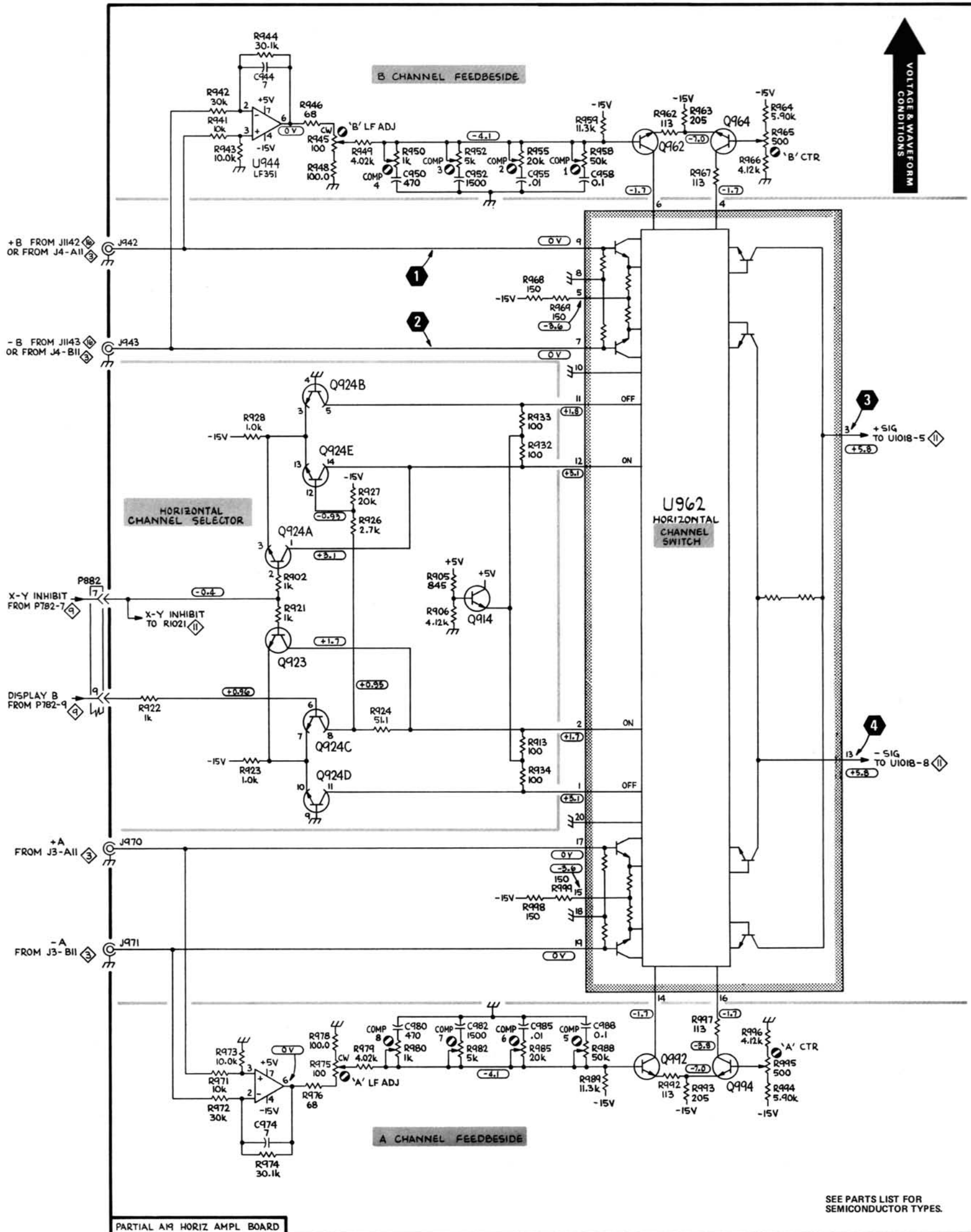


3



4





PARTIAL A19 HORIZ AMPL BOARD

SEE PARTS LIST FOR SEMICONDUCTOR TYPES.

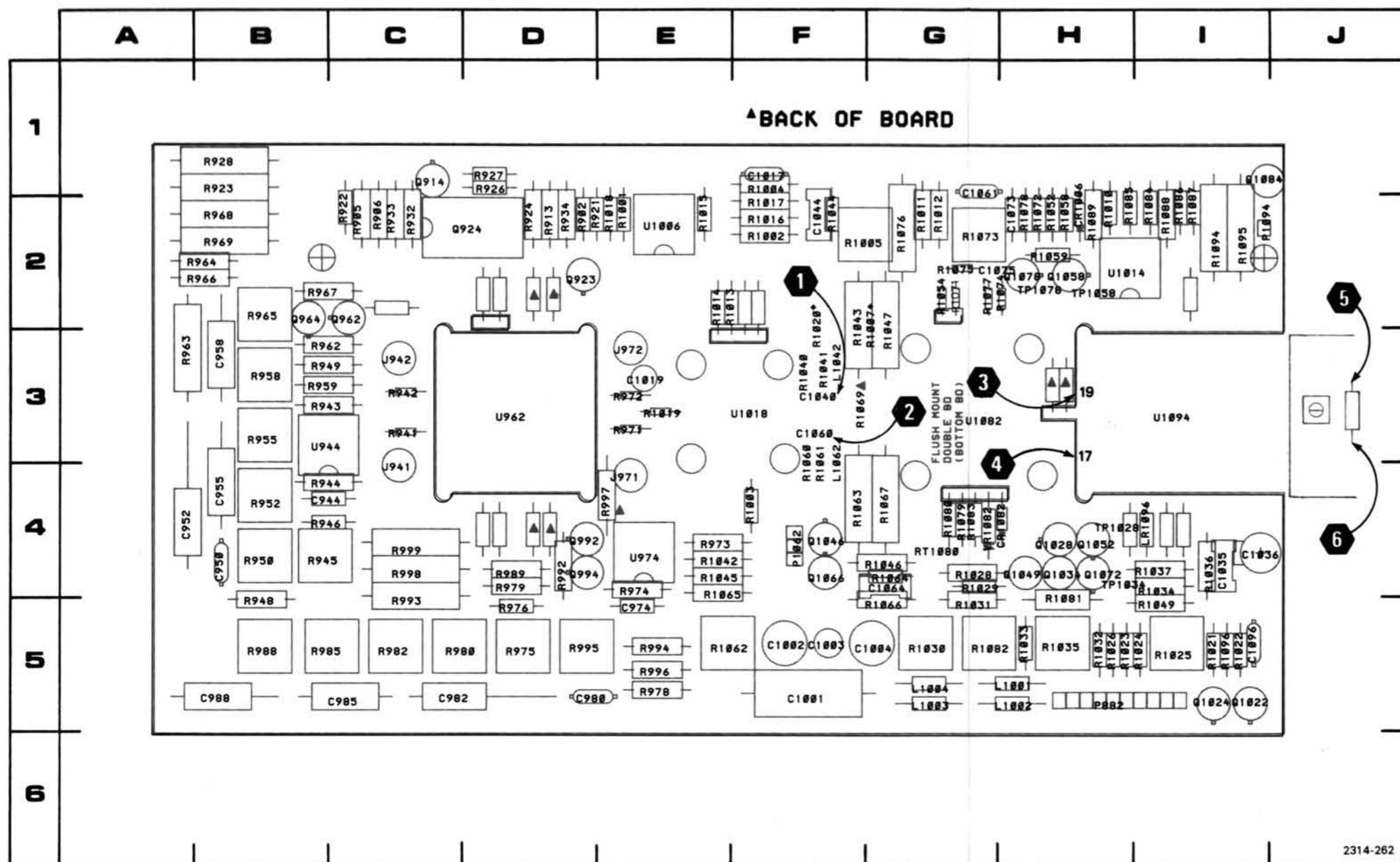


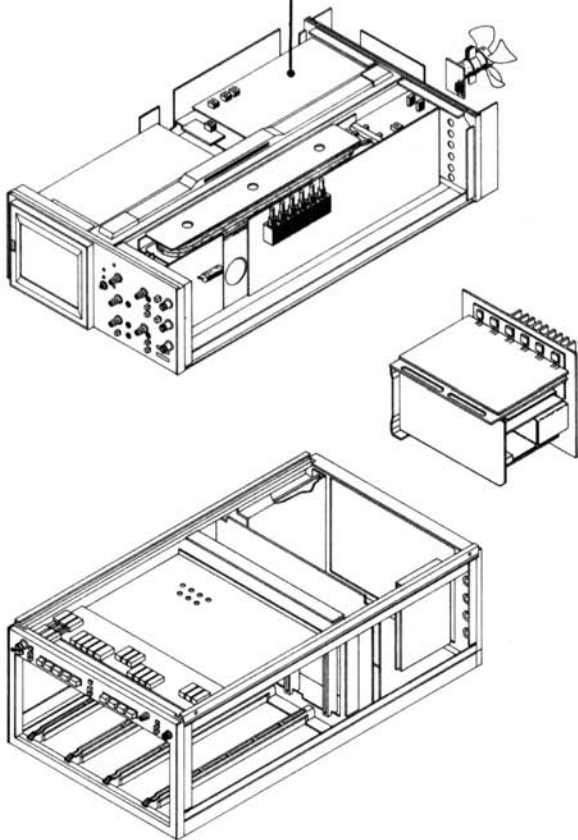
Figure 8-14. A19—Horizontal Amplifier circuit board assembly.

Locator for Figure 8-14.

CKT NO	GRID COORD	CKT NO	GRID COORD	CKT NO	GRID COORD
C944	4B	R923	1B	R1029	4G
C950	4B	R924	2D	R1030	5G
C952	4A	R926	1D	R1031	5G
C955	4B	R927	1D	R1032	5H
C958	3B	R928	1B	R1033	5H
C974	5E	R932	2C	R1034	4I
C980	5D	R933	2C	R1035	5H
C982	5C	R934	2D	R1036	4I
C985	5C	R941	3C	R1037	4I
C988	5B	R942	3C	R1040	3F
C1001	5F	R944	4B	R1041	3F
C1002	5F	R945	4B	R1042	4E
C1003	5F	R946	4B	R1043	3F
C1004	5G	R948	5B	R1044	2F
C1017	1F	R949	3B	R1045	4E
C1019	3E	R950	4B	R1046	4G
C1035	4I	R952	4B	R1047	2G
C1036	4I	R955	3B	R1049	5I
C1044	2F	R958	3B	R1052	2H
C1060	3F	R959	3B	R1054	2G
C1061	2G	R962	3B	R1058	2H
C1064	4G	R963	3A	R1059	2H
C1073	2H	R964	2B	R1060	4F
C1075	2G	R965	2B	R1061	4F
C1096	5I	R966	2B	R1062	5E
		R967	2B	R1063	4F
CR1006	2H	R968	2B	R1064	4G
CR1082	4G	R969	2B	R1065	4E
		R971	3E	R1066	5G
J941	4C	R972	3E	R1067	4G
J942	3C	R973	4E	R1069	3F
J971	4E	R974	4E	R1071	2G
J972	3E	R975	5D	R1072	2H
		R976	5D	R1073	2G
L1001	5H	R978	5E	R1074	2G
L1002	5H	R979	4D	R1075	2G
L1003	5G	R980	5C	R1076	2G
L1004	5G	R982	5C	R1077	2G
L1042	3F	R985	5B	R1078	2H
L1062	4F	R988	5B	R1079	4G
		R989	4D	R1080	4G
LR1096	4I	R992	4D	R1081	5H
		R993	5C	R1082	5G
P882	5H	R994	5E	R1083	4G
P1062	4F	R995	5D	R1084	1I
P1094	1I	R996	5E	R1085	2H
		R997	4E	R1086	1I
Q914	1C	R998	4C	R1087	1I
Q923	2D	R999	4C	R1088	1I
Q924	2D	R1001	2E	R1089	2H
Q964	2B	R1002	2F	R1094	1I
Q992	4D	R1003	4F	R1095	1I
Q994	4D	R1004	1F	R1096	5I
Q1022	5I	R1005	2F		
Q1024	5I	R1007	2G	RT1080	4G
Q1028	4H	R1010	2H		
Q1034	4H	R1011	2G	TP1028	4H
Q1046	4F	R1013	2E	TP1034	4H
Q1049	4H	R1014	2E	TP1058	2H
Q1052	4H	R1015	2E	TP1078	2H
Q1058	2H	R1016	2F		
Q1066	4F	R1017	2F	U944	3B
Q1072	4H	R1018	2E	U962	3D
Q1078	2H	R1019	3E	U974	4E
Q1084	1I	R1020	3F	U1006	2E
		R1021	5I	U1014	2H
R902	2D	R1022	5I	U1018	3F
R905	2C	R1023	5H	U1082	3G
R906	2C	R1024	5I	U1094	3I
R913	2D	R1025	5I		
R921	2D	R1026	5H	VR1082	4G
R922	2C	R1028	4G		



A19  
HORIZONTAL  
AMPLIFIER  
*Shown on diag.  
10, 11*



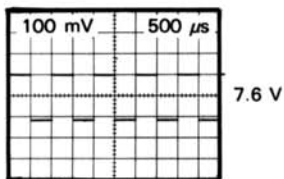
## VOLTAGE AND WAVEFORM CONDITIONS

The voltages and waveforms shown were obtained with the 7104 front panel variable controls at midrange except INTENSITY controls fully counterclockwise; VERTICAL MODE, LEFT; TRIGGER SOURCE, VERT MODE; HORIZONTAL MODE, B; CALIBRATOR, 4V.

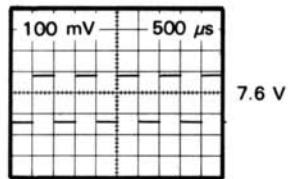
**Voltage Conditions.** The voltages shown on the diagram were obtained using a digital multimeter with a 10 M $\Omega$  input impedance (Tektronix DM501 Digital Multimeter or Tektronix 7D13 Digital Multimeter used with a readout-equipped 7000-series Oscilloscope).

**Waveform Conditions.** The waveforms shown below were obtained using a test oscilloscope system with 1 m $\Omega$  input impedance and at least 60 MHz bandwidth. (Tektronix 7603 Oscilloscope, 7B53A Time Base, and 7A13 Differential Comparator equipped with a 10X probe.) A 7A-series vertical amplifier plug-in was installed in the 7104 B HORIZ compartment and the CALIBRATOR output was connected to the vertical amplifier input. The B INTENSITY control and vertical amplifier was set to display 6 to 8 horizontal divisions on the 7104. The test oscilloscope was externally triggered on the +Slope of the CALIBRATOR signal.

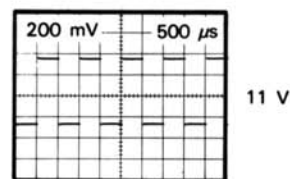
1



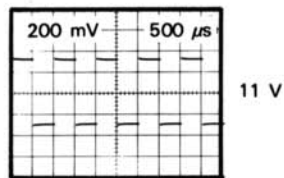
2



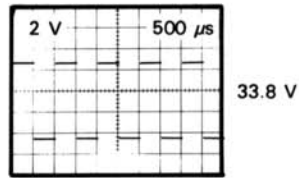
3



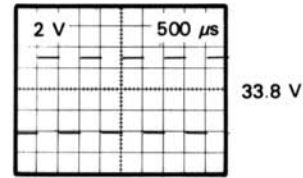
4

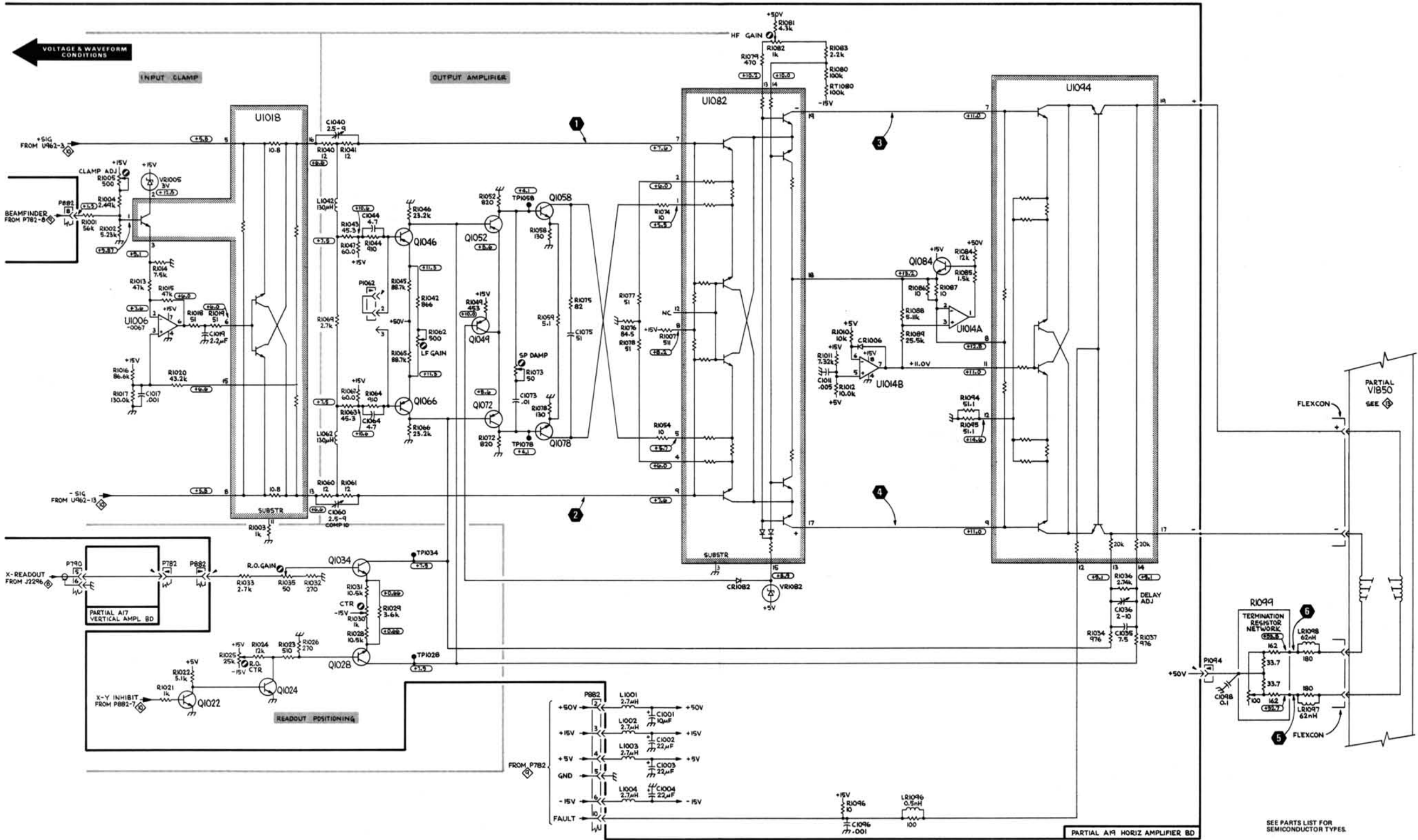


5



6





SEE PARTS LIST FOR SEMICONDUCTOR TYPES

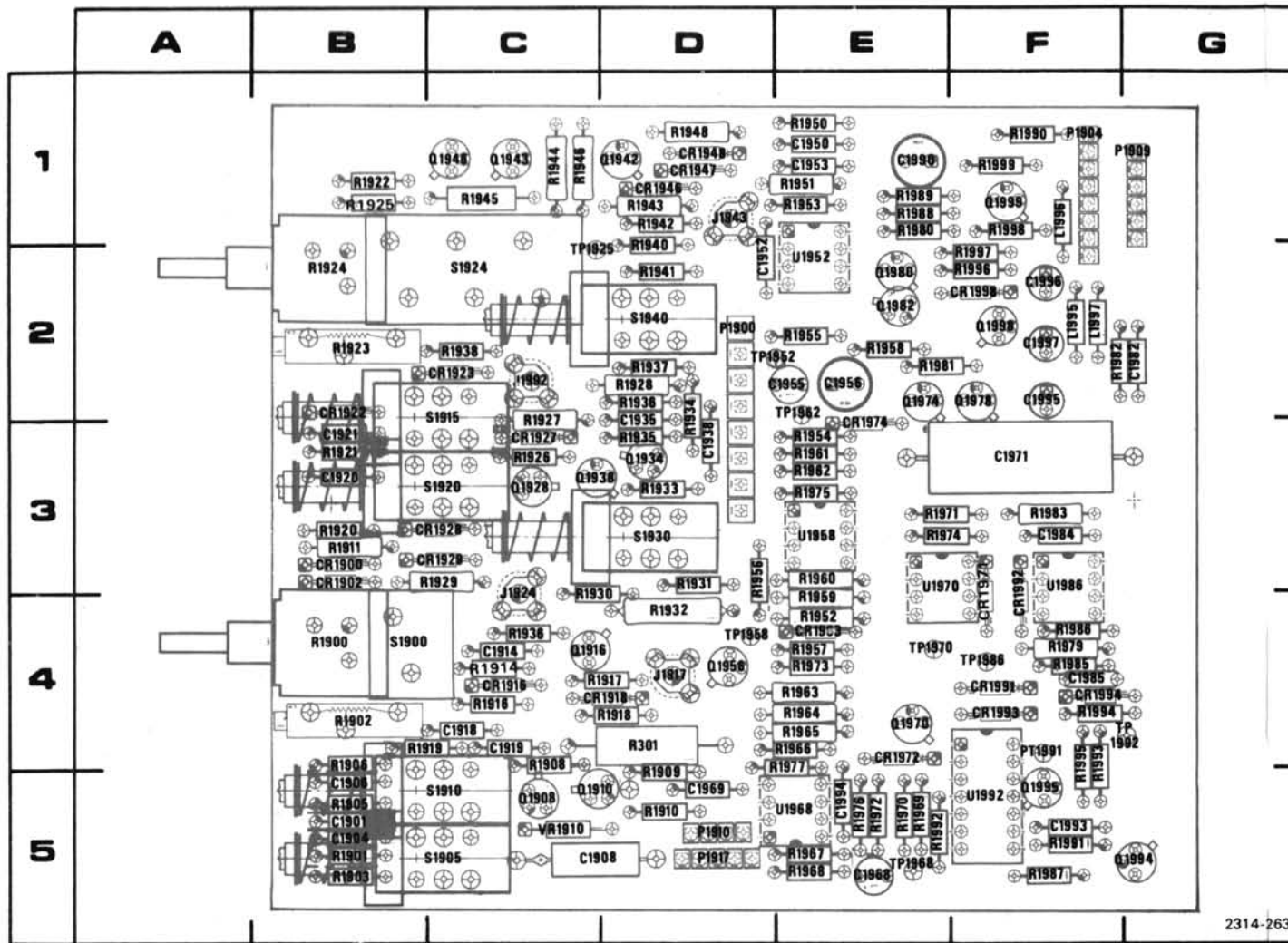


Figure 8-15. A1—Front Panel circuit board assembly.

CKT NO	GRID COORD	CKT NO	GRID COORD	CKT NO	GRID COORD
C1901	5B	Q1910	5C	R1957	4E
C1904	5B	Q1916	4C	R1958	2E
C1906	5B	Q1928	3C	R1959	4E
C1908	5C	Q1934	3D	R1960	3E
C1914	4C	Q1938	3C	R1961	3E
C1915	4C	Q1942	1D	R1962	3E
C1918	4C	Q1943	1C	R1963	4E
C1919	4C	Q1946	1C	R1964	4E
C1920	3B	Q1956	4D	R1965	4E
C1921	3B	Q1970	4E	R1966	4E
C1935	2D	Q1974	2E	R1967	5E
C1938	3D	Q1978	2F	R1968	5E
C1950	1E	Q1980	2E	R1969	5E
C1952	2D	Q1982	2E	R1970	5E
C1953	1E	Q1994	5G	R1971	3E
C1955	2E	Q1995	5F	R1972	5E
C1956	2E	Q1998	2F	R1973	4E
C1968	5E	Q1999	1F	R1974	3E
C1969	5D			R1975	3E
C1971	3F	R301	4D	R1976	5E
C1982	2G	R1900	4B	R1977	4E
C1984	3F	R1901	5B	R1979	4F
C1985	4F	R1902	4B	R1980	1E
C1990	1E	R1903	5B	R1981	2E
C1993	5F	R1905	5B	R1982	2F
C1994	5E	R1906	4B	R1983	3F
C1995	2F	R1908	4C	R1985	4F
C1996	2F	R1909	5D	R1986	4F
C1997	2F	R1910	5D	R1987	5F
		R1911	3B	R1988	1E
CR1900	3B	R1914	4C	R1989	1E
CR1902	3B	R1915	4C	R1990	1F
CR1916	4C	R1916	4C	R1991	5F
CR1918	4D	R1917	4D	R1992	5E
CR1922	2B	R1918	4D	R1993	4F
CR1923	2C	R1919	4B	R1994	4F
CR1927	3C	R1920	3B	R1995	4F
CR1928	3C	R1921	3B	R1996	2F
CR1929	3C	R1922	1B	R1997	2F
CR1946	1D	R1923	2B	R1998	1F
CR1947	1D	R1924	2B	R1999	1F
CR1948	1D	R1925	1B		
CR1963	4E	R1926	3C	S1900	4B
CR1971	3F	R1927	3C	S1905	5C
CR1972	4E	R1928	2D	S1910	5C
CR1974	3E	R1929	3C	S1915	3C
CR1991	4F	R1930	3C	S1920	3C
CR1992	3F	R1931	3D	S1924	2C
CR1993	4F	R1932	4D	S1930	3D
CR1994	4F	R1933	3D	S1940	2D
CR1998	2F	R1934	3D		
		R1935	3D	TP1911	4F
J1917	4D	R1936	2D	TP1925	2C
J1924	3C	R1937	2D	TP1952	2D
J1943	1D	R1938	2C	TP1958	4D
J1992	2C	R1940	2D	TP1962	2E
		R1941	2D	TP1968	5E
L1995	2F	R1942	1D	TP1970	4E
L1996	1F	R1943	1D	TP1986	4F
L1997	2F	R1944	1C	TP1992	4F
		R1945	1C		
P1900	2D	R1946	1C	U1952	2E
P1904	1F	R1948	1D	U1958	3E
P1909	1G	R1950	1E	U1968	5E
P1910	5D	R1951	1E	U1970	3E
P1917	5D	R1952	4E	U1986	3F
		R1953	1E	U1992	5F
PT1991	4F	R1954	3E		
		R1955	2E	VR1910	5C
Q1908	5C	R1956	3D		

2314-263

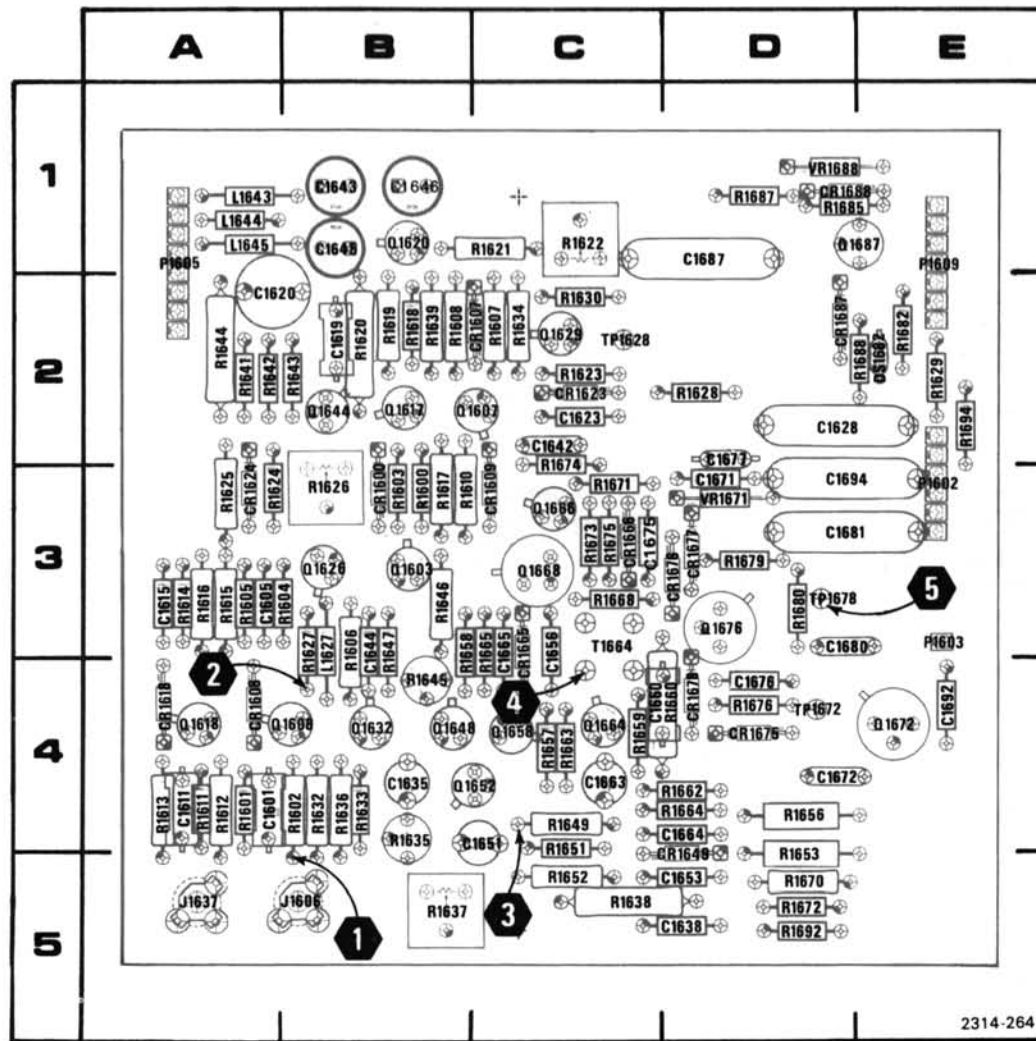
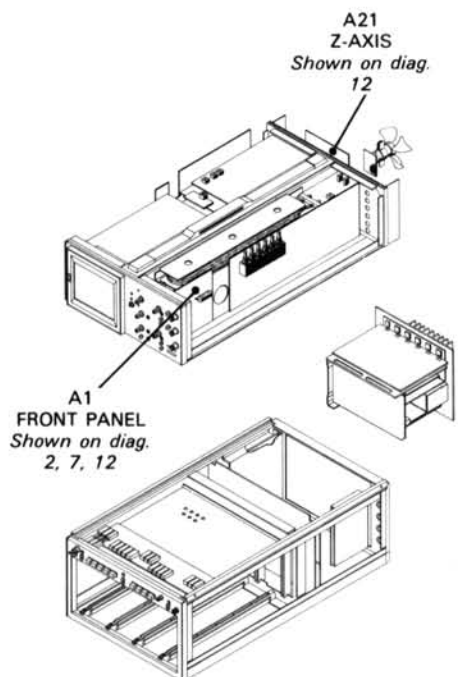


Figure 8-16. A21-Z-Axis circuit board assembly.



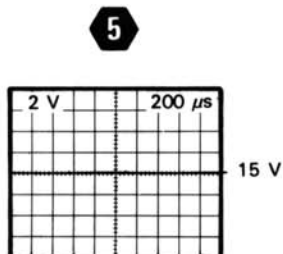
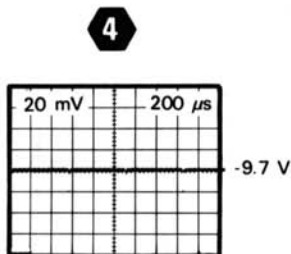
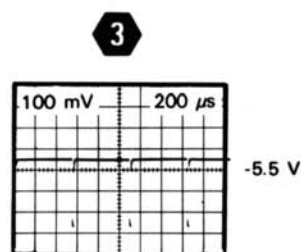
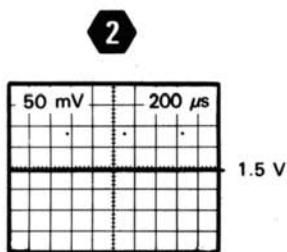
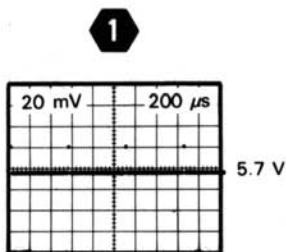
CKT NO	GRID COORD	CKT NO	GRID COORD	CKT NO	GRID COORD
C1601	4A	L1645	1A	R1630	2C
C1605	3A			R1632	4B
C1611	4A	P1602	3E	R1633	4B
C1615	3A	P1603	3E	R1634	2C
C1619	2B	P1605	1A	R1635	4B
C1620	2A	P1609	1E	R1636	4B
C1623	2C			R1637	5B
C1628	2D	Q1603	3B	R1638	5C
C1635	4B	Q1607	2C	R1639	2B
C1638	5D	Q1608	4B	R1641	2A
C1642	2C	Q1617	2B	R1642	2A
C1643	1B	Q1618	4A	R1643	2B
C1644	3B	Q1620	1B	R1644	2A
C1645	1B	Q1626	3B	R1645	4B
C1651	4C	Q1629	C	R1646	3B
C1653	5D	Q1632	4B	R1647	3B
C1656	3C	Q1644	2B	R1649	4C
C1660	4C	Q1648	4B	R1651	4C
C1663	4C	Q1652	4B	R1652	5C
C1664	4D	Q1658	4C	R1653	4D
C1665	3C	Q1664	4C	R1656	4D
C1671	3D	Q1666	3C	R1657	4C
C1672	4D	Q1668	3C	R1658	3B
C1675	3C	Q1672	4E	R1659	4C
C1676	4D	Q1676	3D	R1660	4D
C1680	3D	Q1687	1D	R1663	4C
C1681	3D			R1664	4D
C1687	1D	R1600	3B	R1665	3C
C1692	4E	R1601	4A	R1668	3C
C1694	3D	R1602	4B	R1670	5D
		R1603	3B	R1671	3C
		R1604	3A	R1672	5D
		R1605	3A	R1673	3C
		R1606	3B	R1674	2C
		R1607	2C	R1675	3C
		R1608	2B	R1676	4D
		R1609	3C	R1677	3D
		R1610	3B	R1679	3D
		R1611	4A	R1680	3D
		R1612	4A	R1682	2E
		R1613	4A	R1685	1D
		R1614	3A	R1687	1D
		R1615	3A	R1688	2E
		R1616	3A	R1689	5D
		R1617	3B	R1692	2E
		R1618	2B		
		R1619	2B		
		R1620	2B	T1664	3C
		R1621	1C		
		R1622	1C	TP1628	2C
		R1623	2C	TP1672	4D
		R1624	3A	TP1678	3D
		R1625	3A		
		R1626	3B	VR1671	3D
		R1627	3B	VR1688	1D
		R1628	2D		
		R1629	2E		
		R1630	2C		
		R1632	4B		
		R1633	4B		
		R1634	2C		
		R1635	4B		
		R1636	4B		
		R1637	5B		
		R1638	5C		
		R1639	2B		
		R1641	2A		
		R1642	2A		
		R1643	2B		
		R1644	2A		
		R1645	4B		
		R1646	3B		
		R1647	3B		
		R1649	4C		
		R1651	4C		
		R1652	5C		
		R1653	4D		
		R1656	4D		
		R1657	4C		
		R1658	3B		
		R1659	4C		
		R1660	4D		
		R1663	4C		
		R1664	4D		
		R1665	3C		
		R1666	3C		
		R1668	3C		
		R1670	5D		
		R1671	3C		
		R1672	5D		
		R1673	3C		
		R1674	2C		
		R1675	3C		
		R1676	4D		
		R1677	3D		
		R1679	3D		
		R1680	3D		
		R1682	2E		
		R1685	1D		
		R1687	1D		
		R1688	2E		
		R1689	5D		
		R1692	2E		

## VOLTAGE AND WAVEFORM CONDITIONS

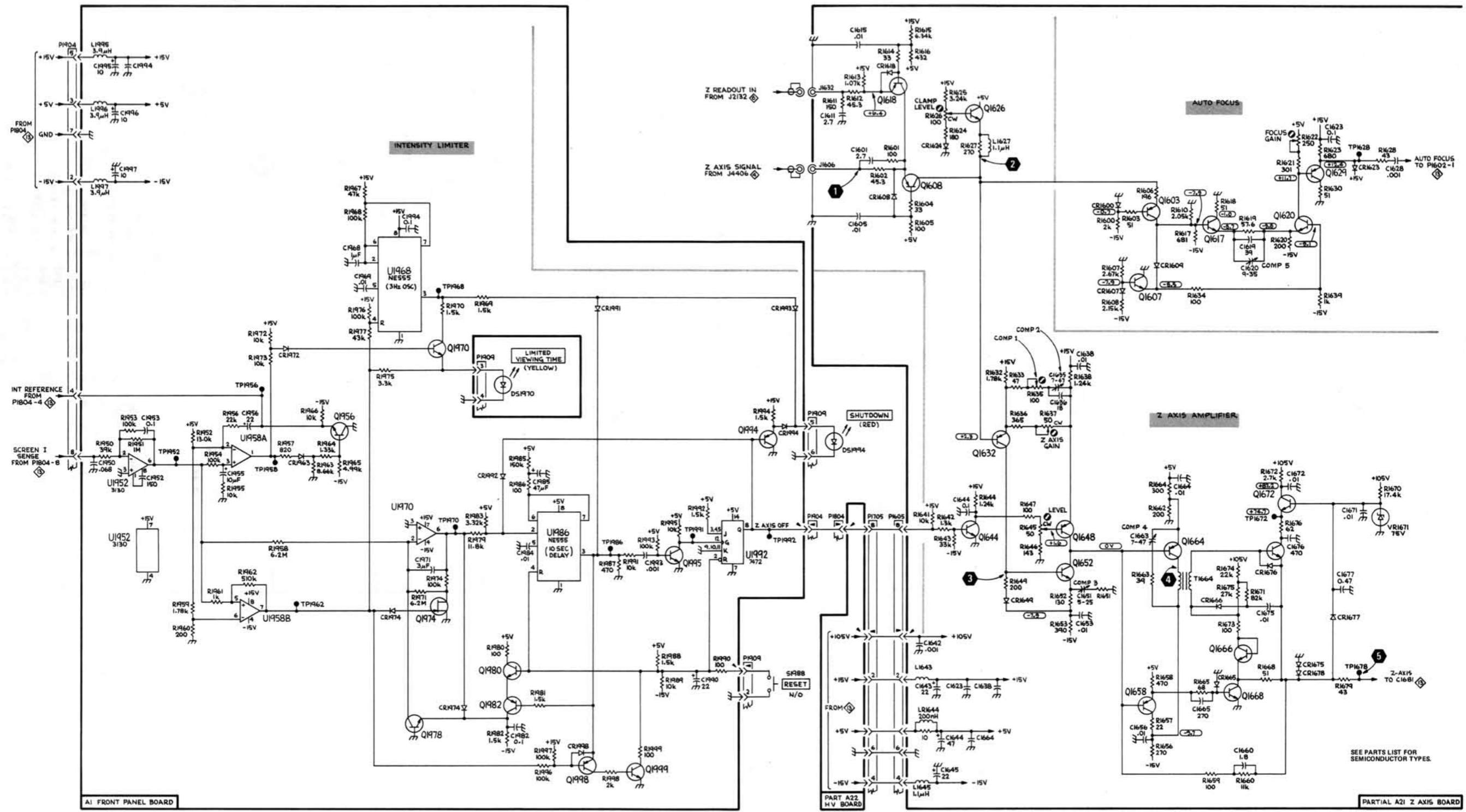
The voltages and waveforms shown were obtained with the 7104 front panel variable controls at midrange except INTENSITY controls counterclockwise; VERTICAL MODE, LEFT; TRIGGER SOURCE, VERT MODE; HORIZONTAL MODE, B.

**Voltage Conditions.** The voltages shown on the diagram were obtained using a digital multimeter with a 10 M $\Omega$  input impedance (Tektronix DM501 Digital Multimeter or Tektronix 7D13 Digital Multimeter used with a readout-equipped 7000-series Oscilloscope).

**Waveform Conditions.** The waveforms shown below were obtained using a test oscilloscope system with 1 M $\Omega$  input impedance and at least 60 MHz bandwidth. (Tektronix 7603 Oscilloscope, 7B53A Time Base, and 7A13 Differential Comparator equipped with a 10X probe.) A 7B-series time base plug-in was installed in the 7104 B HORIZ compartment and set to free run at 50 microsecond/division. The B INTENSITY control was turned clockwise until the LIMITED VIEWING TIME indicator was lit.



VOLTAGE & WAVEFORM CONDITIONS



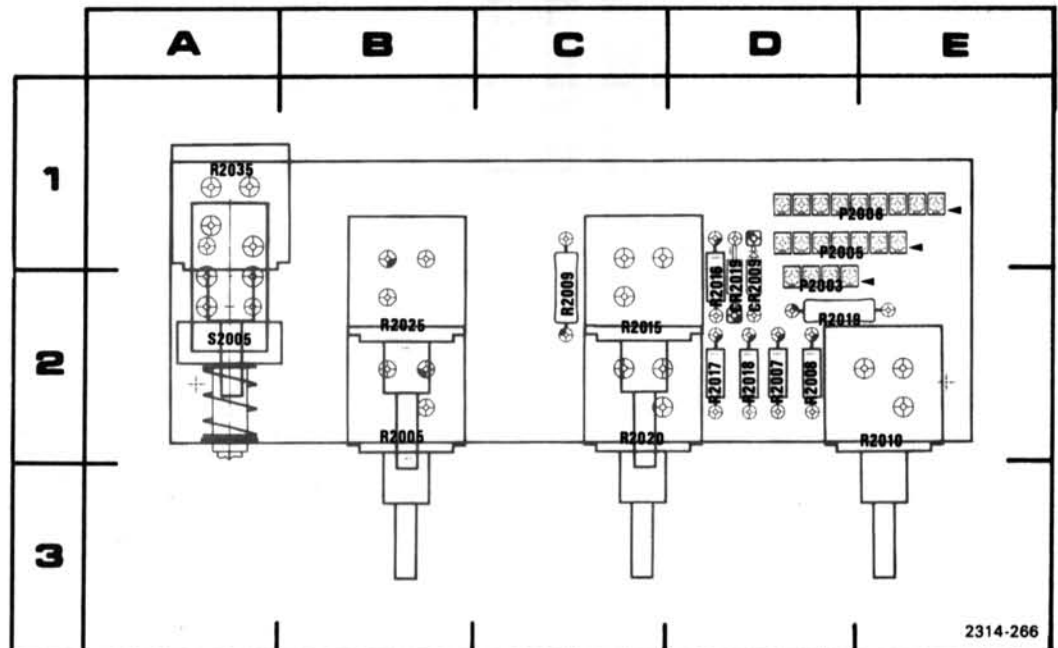
SEE PARTS LIST FOR SEMICONDUCTOR TYPES.

Locator for Figure 8-17

CKT NO	GRID COORD	CKT NO	GRID COORD	CKT NO	GRID COORD	CKT NO	GRID COORD	CKT NO	GRID COORD	CKT NO	GRID COORD	CKT NO	GRID COORD
C1710	3H	C1846	2M	CR1816	4L	R1709	5C	R1788	4H	R1837	3N	R1891	4B
C1711	4G	C1848	5M	CR1818	4M	R1712	4E	R1789	5K	R1838	3N	R1892	4B
C1712	3F	C1849	2N	CR1819	5M	R1713	5D	R1790	1H	R1839	3N	R1893	1K
C1714	5D	C1850	4C	CR1820	5L	R1714	5D	R1791	1L	R1840	3N	R1894	1H
C1715	5D	C1852	4C	CR1835	4O	R1716	3G	R1792	3M	R1841	3N	R1895	1K
C1722	5E	C1860	4C	CR1838	3N	R1717	3G	R1793	2F	R1842	3N	R1896	1I
C1724	4E	C1862	4C	CR1842	3N	R1718	3F	R1794	3M	R1848	4N	R1898	2J
C1734	4B	C1870	4D			R1719	5D	R1795	3M	R1849	2N		
C1735	4B	C1872	4D	DS1792	3M	R1720	5C	R1796	2F	R1850	3C	RT1804	1N
C1736	5B	C1877	3E	DS1794	3M	R1722	5D	R1797	2F	R1852	3C		
C1747	3L	C1880	2G	DS1818	4N	R1724	5E	R1800	1N	R1853	2C	T1708	5F
C1749	3L	C1890	4B	DS1819	4N	R1725	3G	R1801	1M	R1854	2B	T1770	4H
C1750	3K	C1893	1H	DS1820	4M	R1726	3F	R1802	1O	R1855	2B		
C1752	3H			DS1842	3M	R1731	4B	R1803	1N	R1856	2C	TP1707	5F
C1754	2I	CR1707	5E	DS1844	3M	R1733	4B	R1804	1N	R1857	4D	TP1726	2F
C1755	2I	CR1708	5D	DS1846	3M	R1735	5B	R1805	1M	R1858	4D	TP1736	5B
C1756	2H	CR1710	4H	DS1848	4M	R1736	5B	R1806	1M	R1859	3D	TP1754	3I
C1764	2K	CR1711	3G			R1738	5B	R1807	1O	R1860	3C	TP1756	1H
C1770	4H	CR1714	4D	P1019	2F	R1741	5B	R1811	4K	R1862	3C	TP1757	1I
C1772	5I	CR1715	4D	P1702	4N	R1742	5B	R1812	4K	R1863	2D	TP1775	3G
C1774	5H	CR1724	4E	P1703	1L	R1743	5C	R1813	5K	R1864	2C	TP1784	2L
C1776	4H	CR1736	4B	P1705	1L	R1745	5C	R1814	4K	R1865	2C	TP1796	2F
C1778	3H	CR1738	5B	P1709	2M	R1746	5C	R1815	4N	R1866	2D	TP1797	2F
C1783	2M	CR1747	3L	P1740	5I	R1747	5C	R1816	4L	R1867	3D	TP1806	1O
C1785	2L	CR1749	3L	P1785	5K	R1748	3L	R1817	4M	R1870	3D	TP1813	3B
C1786	2K	CR1752	2I	P1804	2A	R1750	4H	R1818	4M	R1872	3D	TP1844	2M
C1791	1H	CR1753	3I	P1806	2A	R1754	3H	R1819	5N	R1873	2E	TP1846	2M
C1792	3L	CR1762	2H	P1810	3C	R1755	2H	R1820	5L	R1874	2E	TP1850	3C
C1793	4L	CR1763	3K	P1813	3B	R1756	1I	R1821	5L	R1875	2E	TP1852	3C
C1797	1F	CR1771	4H			R1757	1I	R1822	5N	R1876	2E	TP1860	3C
C1801	1M	CR1772	4H	Q1708	5C	R1758	1H	R1823	5N	R1877	3N	TP1862	3C
C1803	1N	CR1774	4H	Q1724	5E	R1765	2K	R1824	5N	R1880	2G	TP1870	3D
C1807	1O	CR1775	4H	Q1742	5B	R1770	4H	R1825	5N	R1881	3B	TP1872	3D
C1818	4L	CR1776	3H	Q1748	5C	R1771	4H	R1827	4O	R1882	3G		
C1819	4L	CR1778	2H	Q1784	2M	R1772	5H	R1828	4O	R1883	2G	U1714	4E
C1820	5N	CR1788	1M	Q1835	3N	R1774	4H	R1829	6N	R1884	2H	U1736	4B
C1821	5L	CR1789	1M	Q1838	3N	R1776	4H	R1831	2O	R1885	2H	U1802	2N
C1831	2O	CR1792	3M	Q1842	3N	R1778	2L	R1832	3O	R1886	1G		
C1834	3O	CR1794	4M			R1783	2M	R1833	3O	R1887	1G	VR1784	2L
C1839	3N	CR1803	1N	R1706	5D	R1784	2L	R1834	3O	R1888	4B		
C1842	3N	CR1804	1O	R1708	5C	R1785	2L	R1835	3N	R1890	3B	CR1804	1O

Locator for Figure 8-18

CKT NO	GRID COORD	CKT NO	GRID COORD
CR2009	2D	R2010	2E
CR2019	2D	R2015	2C
		R2016	2D
P2003	2D	R2017	2D
P2005	1D	R2018	2D
P2006	1D	R2019	2D
		R2020	2C
R2005	2B	R2025	2B
R2007	2D	R2035	1A
R2008	2D		
R2009	2C	S2005	2A



2314-266

Figure 8-18. A2—Display Control circuit board assembly.



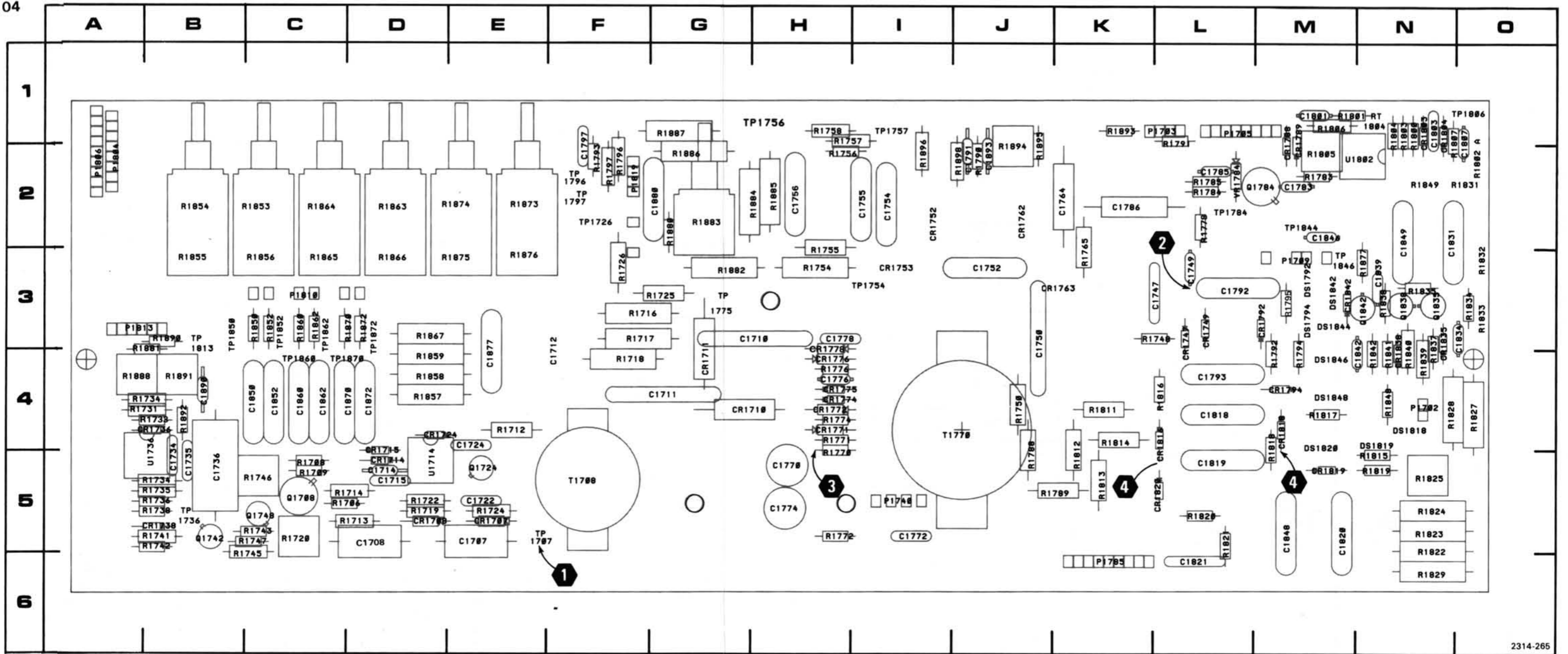
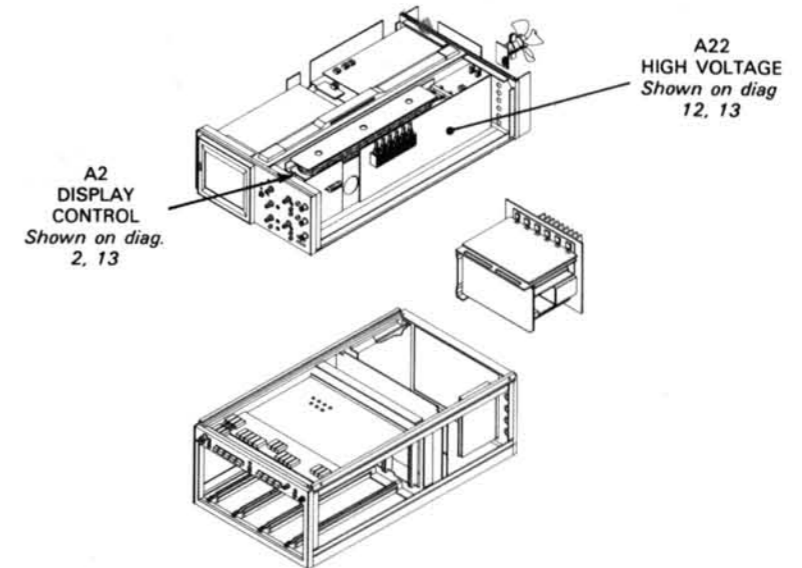


Figure 8-17. A22—High Voltage circuit board assembly.

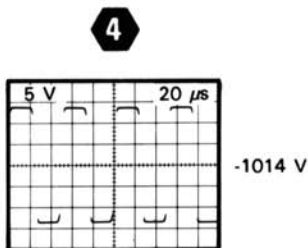
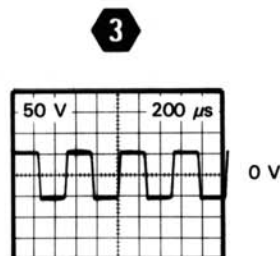
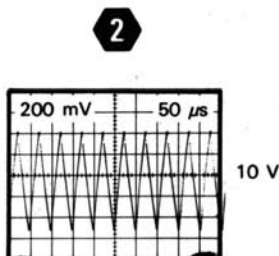
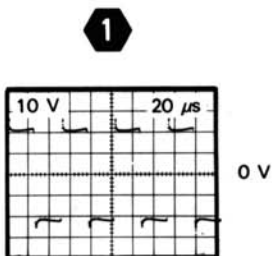


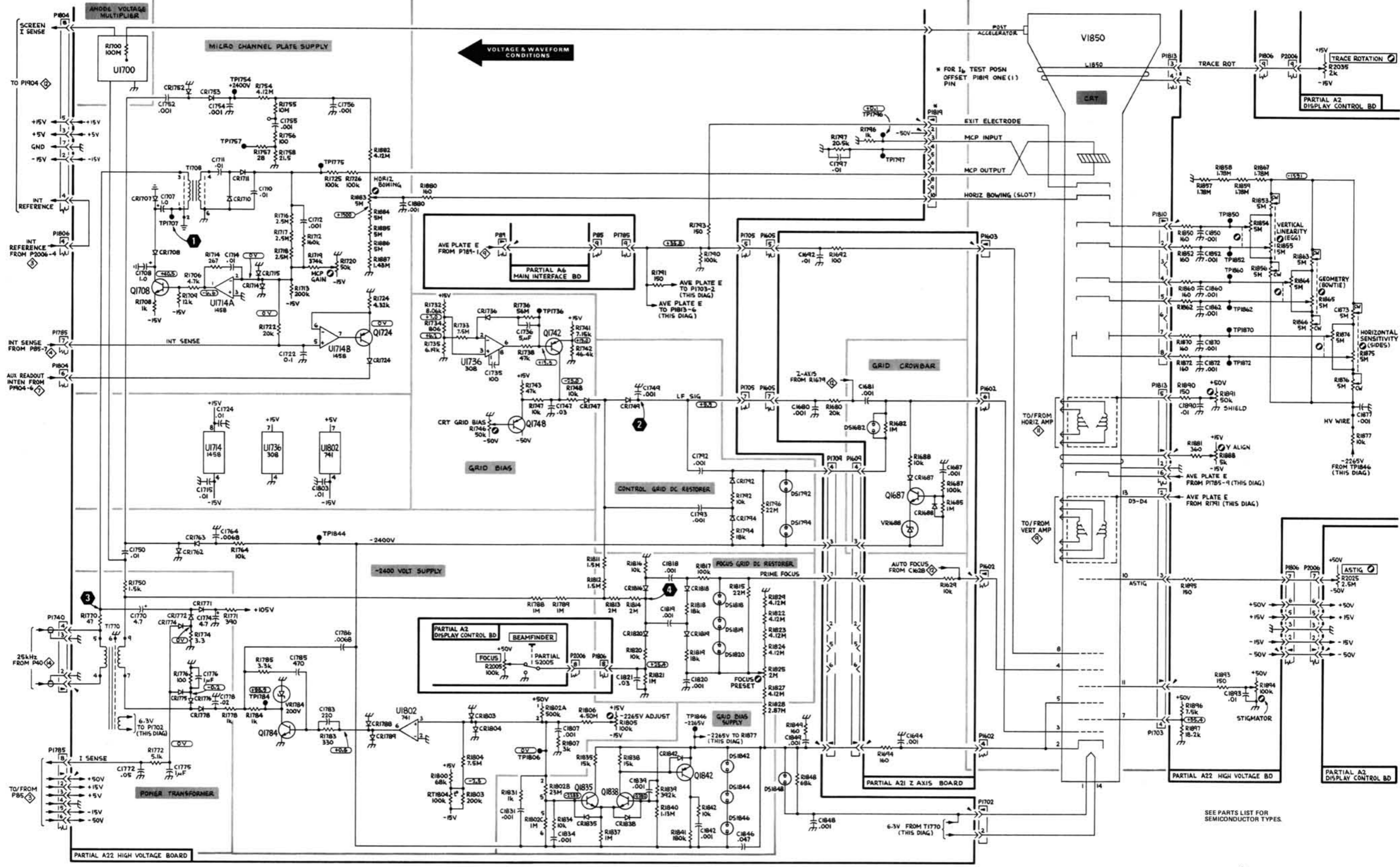
## VOLTAGE AND WAVEFORM CONDITIONS

The voltages shown were obtained with the 7104 front panel variable controls at midrange except INTENSITY controls fully counterclockwise; VERTICAL MODE, LEFT; TRIGGER SOURCE, VERT MODE; HORIZONTAL MODE, B. No plug-in units were installed.

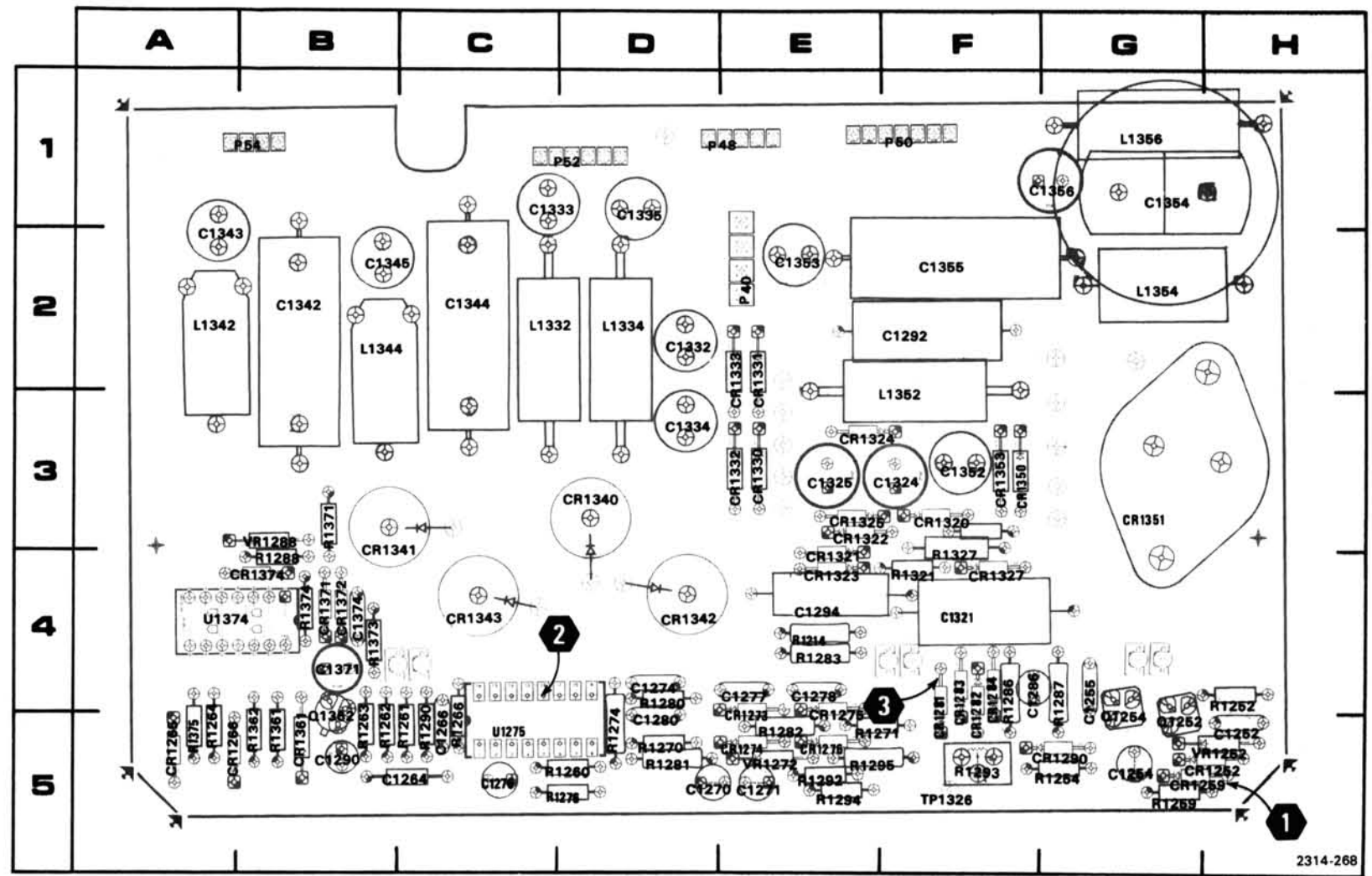
**Voltage Conditions.** The voltages shown on the diagram were obtained using a digital multimeter with a 10 M $\Omega$  input impedance and a high voltage probe. (Tektronix DM501 Digital Multimeter and Tektronix P6013A, 12 kV, 1000X probe, part number 010-0117-01.)

**Waveform Conditions.** The waveforms shown below were obtained using a test oscilloscope system with 1 M $\Omega$  input impedance and at least 60 MHz bandwidth. (Tektronix 7603 Oscilloscope, 7B53A Time Base, and 7A13 Differential Comparator equipped with a 10X probe.)



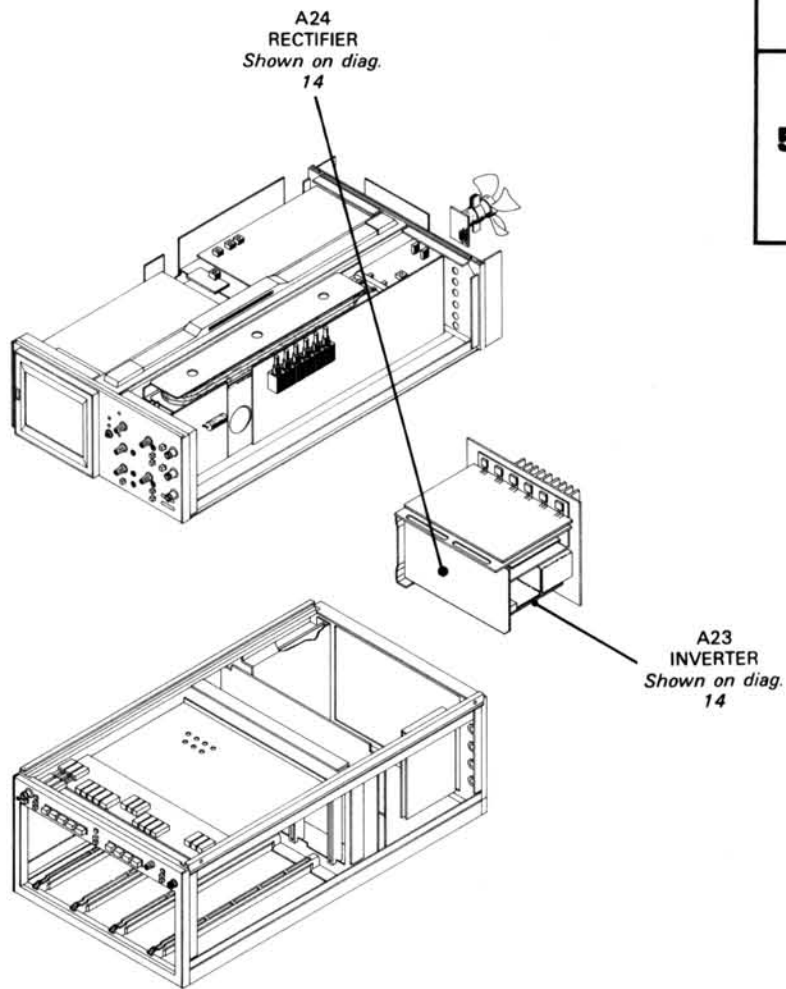


SEE PARTS LIST FOR SEMICONDUCTOR TYPES



2314-268

Figure 8-20. A24—Rectifier circuit board assembly.



CKT NO	GRID COORD	CKT NO	GRID COORD	CKT NO	GRID COORD	CKT NO	GRID COORD	CKT NO	GRID COORD
C1252	5H	C1352	3F	CR1327	4F	P50	1F	R1287	4G
C1254	5G	C1353	2E	CR1330	3E	P52	1C	R1288	4B
C1255	4G	C1354	1G	CR1331	2E	P54	1B	R1290	4C
C1264	4C	C1355	2F	CR1332	3E			R1292	5E
C1266	4C	C1356	1G	CR1333	2E	Q1252	5G	R1293	5F
C1270	5D	C1371	4B	CR1340	3D	Q1254	5G	R1294	5E
C1271	5E	C1374	4B	CR1341	4B	Q1362	5B	R1295	5E
C1274	4D			CR1342	4D			R1321	4F
C1276	4C	CR1252	5G	CR1343	3C	R1214	4E	R1327	4F
C1277	4E	CR1259	5G	CR1350	3F	R1252	4H	R1361	5B
C1278	4E	CR1265	5A	CR1351	3G	R1254	5G	R1362	5B
C1280	5D	CR1266	5A	CR1353	3F	R1259	5G	R1371	3B
C1286	4F	CR1273	5E	CR1361	5B	R1260	5D	R1373	4B
C1290	5B	CR1274	5E	CR1371	4B	R1261	4C	R1374	4B
C1292	2F	CR1275	5E	CR1372	4B	R1262	5B	R1375	5A
C1294	4E	CR1276	5E	CR1374	4B	R1263	5B		
C1321	4F	CR1281	4F			R1264	5A	TP1326	5F
C1324	3F	CR1282	4F	L1332	2C	R1266	4C		
C1325	3E	CR1283	4F	L1334	2D	R1270	5D	U1275	4C
C1332	2D	CR1284	4F	L1342	2A	R1271	5E	U1374	4A
C1333	1C	CR1290	5G	L1344	2B	R1274	5D		
C1334	3D	CR1320	3F	L1352	3F	R1276	5D	VR1252	5H
C1335	1D	CR1321	4E	L1354	2G	R1280	4D	VR1272	5E
C1342	2B	CR1322	3E	L1356	1G	R1281	5D	VR1288	3B
C1343	2A	CR1323	4E			R1282	5E		
C1344	2C	CR1324	3E	P40	2E	R1283	4E		
C1345	2B	CR1325	3E	P48	1D	R1286	4F		

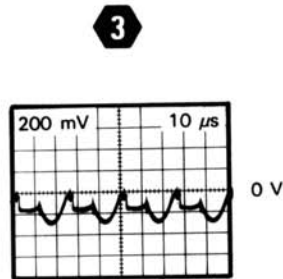
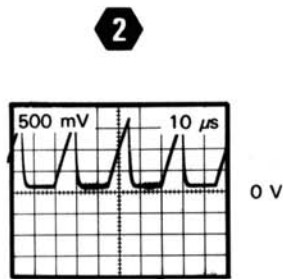
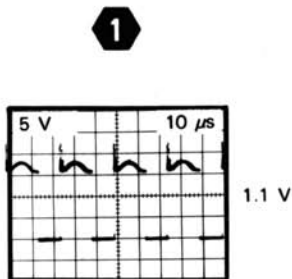


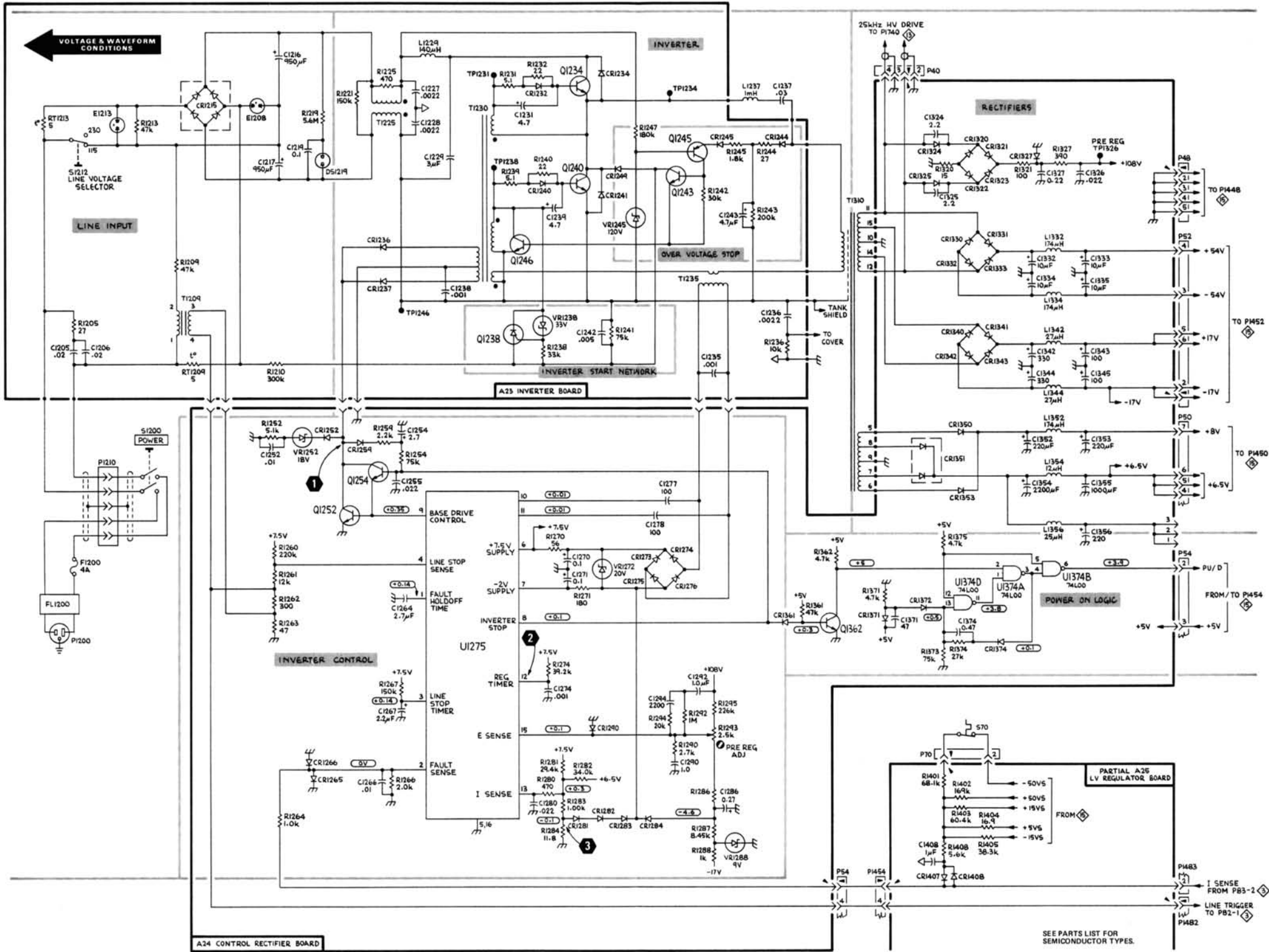
## VOLTAGE AND WAVEFORM CONDITIONS

The voltages shown were obtained with the 7104 front panel variable controls at midrange except INTENSITY controls fully counterclockwise; VERTICAL MODE, LEFT; TRIGGER SOURCE, VERT MODE; HORIZONTAL MODE, B. No plug-in units were installed.

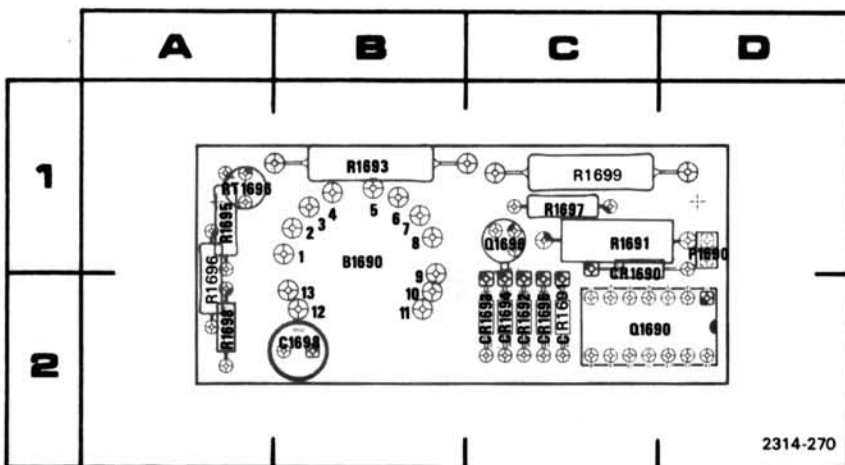
**Voltage Conditions.** The voltages shown on the diagram were obtained using a digital multimeter with a 10 M $\Omega$  input impedance. (Tektronix DM501 Digital Multimeter.)

**Waveform Conditions.** The waveforms shown below were obtained using a test oscilloscope system with 1 M $\Omega$  input impedance and at least 60 MHz bandwidth. (Tektronix 7603 Oscilloscope, 7B53A Time Base, and 7A13 Differential Comparator equipped with a 10X probe.)





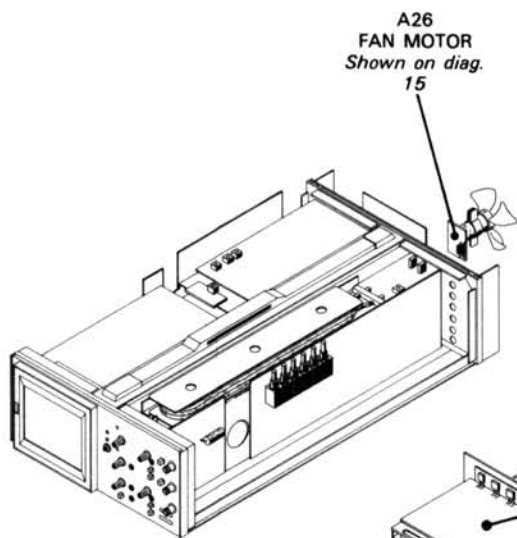
SEE PARTS LIST FOR SEMICONDUCTOR TYPES.



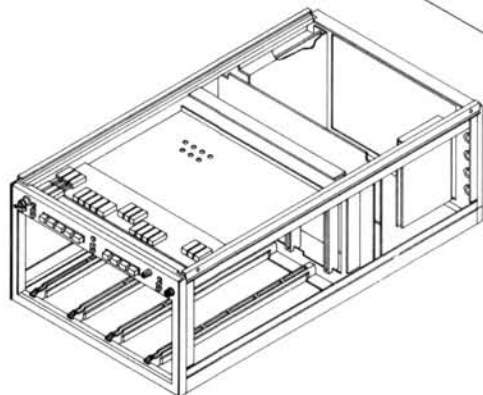
2314-270

Figure 8-22. A26—Fan Motor circuit board assembly.

CKT NO	GRID COORD	CKT NO	GRID COORD
B1690	1B	Q1690	2C
		Q1698	1C
C1698	2B	R1691	1C
CR1691	2C	R1693	1B
CR1690	1C	R1695	1A
CR1692	2C	R1696	2A
CR1694	2C	R1697	1C
CR1696	2C	R1698	2A
CR1698	2C	R1699	1C
P1690	1D	RT1696	1A



A26  
LOW-VOLTAGE  
REGULATOR  
Shown on diag.  
14, 15





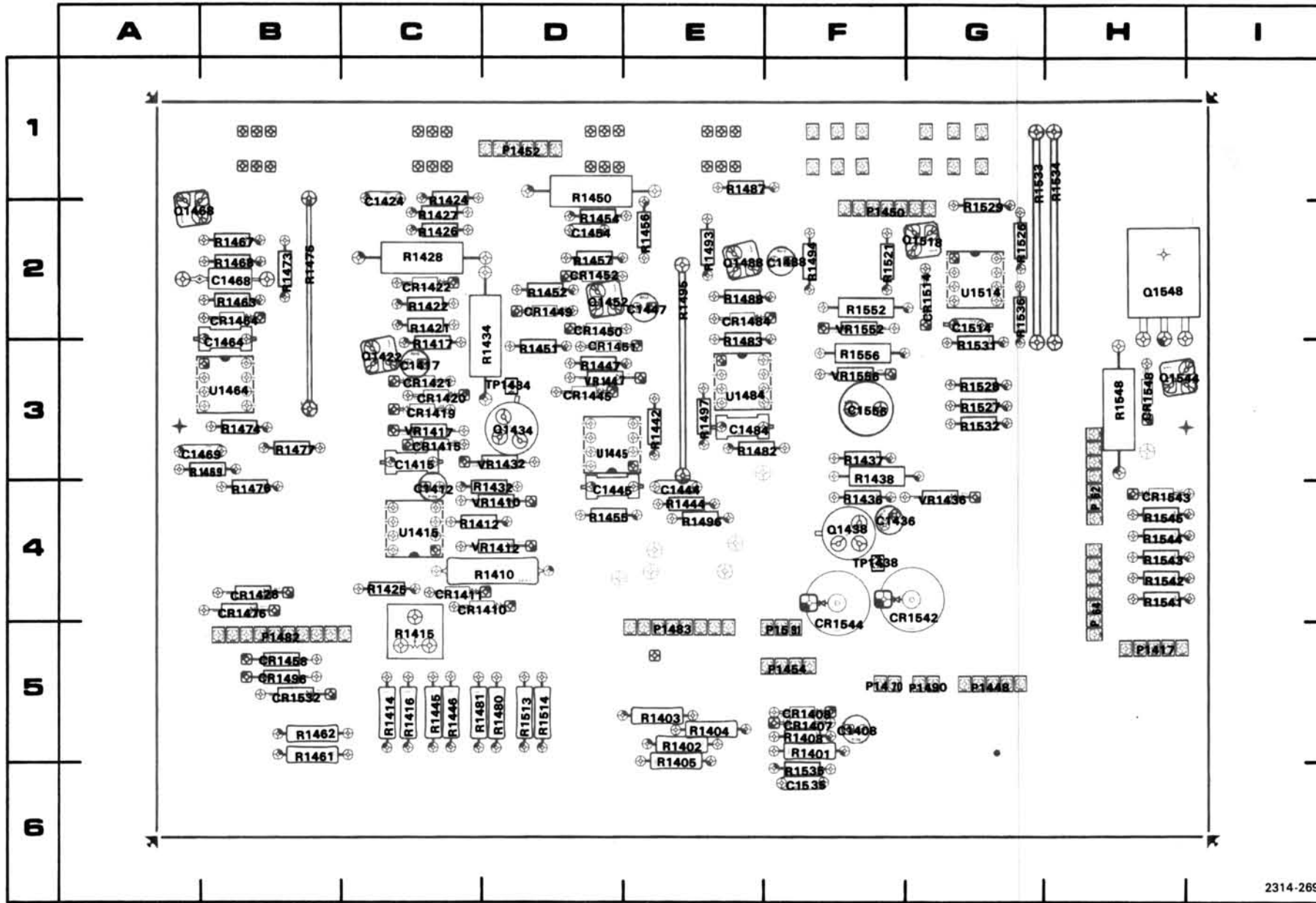


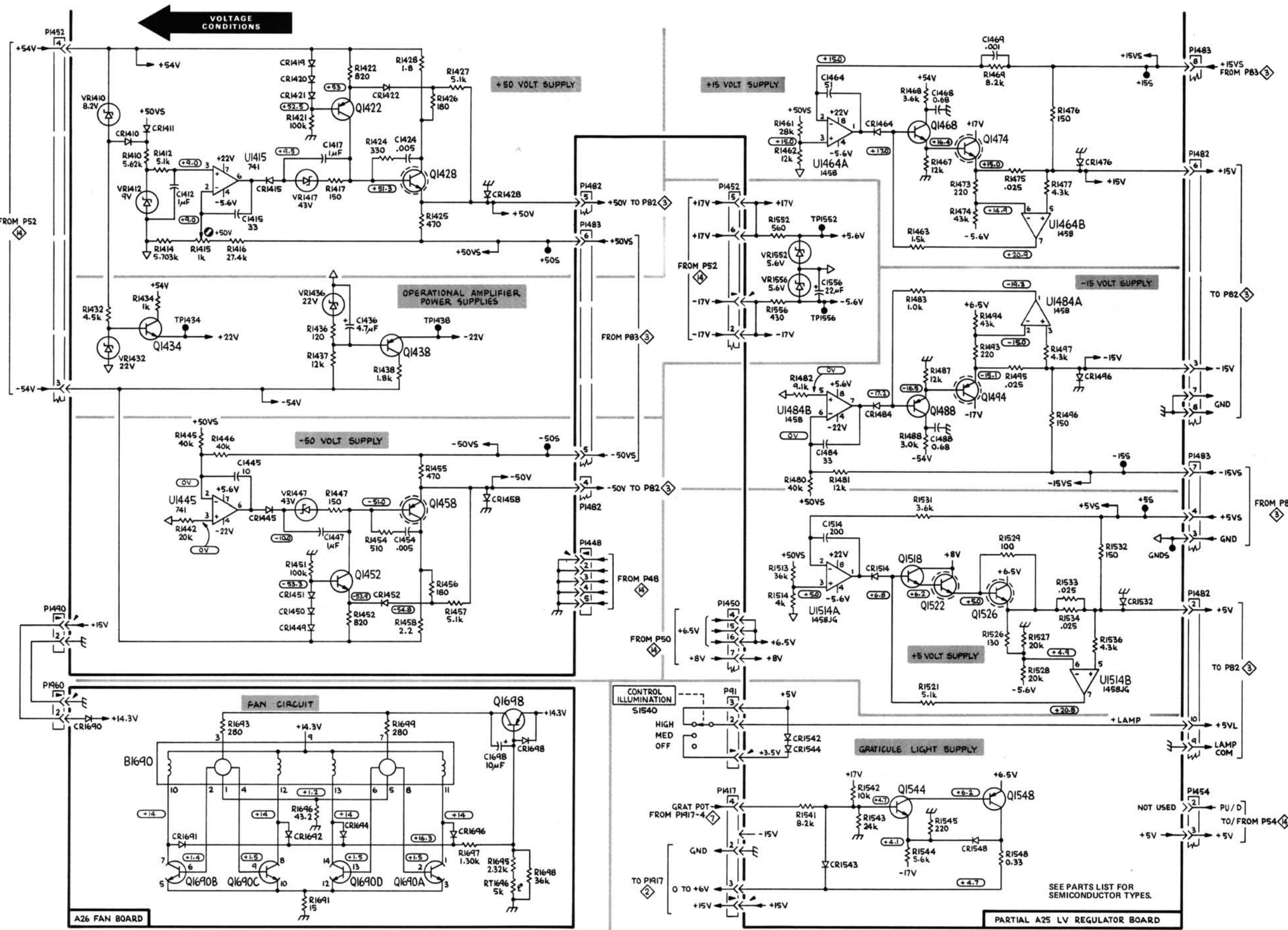
Figure 8-21. A25—Low-Voltage Regulator circuit board assembly.

CKT NO	GRID COORD	CKT NO	GRID COORD	CKT NO	GRID COORD
C1408	5F	P1490	5G	R1473	2B
C1412	4C	P1591	5F	R1474	3C
C1415	3C			R1475	2B
C1417	3C	Q1422	3C	R1476	4B
C1424	2C	Q1434	3D	R1477	3C
C1436	4F	Q1438	4F	R1480	5D
C1444	4E	Q1452	2D	R1481	5C
C1445	4D	Q1468	2B	R1482	3E
C1447	2E	Q1488	2E	R1483	3E
C1454	2D	Q1518	2G	R1485	2E
C1464	3C	Q1544	3H	R1487	1E
C1468	2B	Q1548	2H	R1488	2E
C1469	3C			R1493	2E
C1484	3E	R1401	5F	R1494	2F
C1488	2F	R1402	5E	R1496	4E
C1514	2G	R1403	5E	R1497	3E
C1535	6F	R1404	5E	R1513	5D
C1556	3F	R1405	5E	R1514	5D
		R1408	5F	R1521	2F
CR1407	5F	R1410	4D	R1526	2G
CR1408	5F	R1412	4C	R1527	3G
CR1410	4C	R1414	5C	R1528	3G
CR1411	4C	R1415	4C	R1529	2G
CR1415	3C	R1416	5C	R1531	3G
CR1419	3C	R1417	3C	R1532	3G
CR1420	3C	R1421	2C	R1533	1G
CR1421	3C	R1422	2C	R1534	1H
CR1422	2C	R1424	2C	R1535	6F
CR1428	4B	R1425	4C	R1536	2G
CR1445	3D	R1426	2C	R1541	4H
CR1449	2D	R1427	2C	R1542	4H
CR1450	2D	R1428	2C	R1543	4H
CR1451	3D	R1432	4D	R1544	4H
CR1452	2D	R1434	3D	R1545	4H
CR1458	5B	R1436	4F	R1548	3H
CR1464	2B	R1437	3F	R1552	2F
CR1476	4B	R1438	3F	R1556	3F
CR1484	2E	R1442	3E		
CR1496	5B	R1444	4E	TP1438	4F
CR1514	2G	R1445	5C	TP1484	3D
CR1532	5B	R1446	5C		
CR1542	4G	R1447	3D	U1415	4C
CR1543	4H	R1450	2D	U1445	3D
CR1544	5F	R1451	3D	U1464	3C
CR1548	3H	R1452	2D	U1484	3E
		R1454	2D	U1514	2G
P62	4H	R1455	4D		
P1417	5H	R1456	1E	VR1410	4D
P1448	5G	R1457	2D	VR1412	4D
P1450	2F	R1461	5B	VR1417	3C
P1452	1D	R1462	5B	VR1432	3D
P1454	5F	R1463	2B	VR1436	4G
P1470	5F	R1467	2B	VR1447	3D
P1482	5B	R1468	2B	VR1552	2F
P1483	5E	R1469	3C	VR1556	3F

## VOLTAGE CONDITIONS

The voltages shown were obtained with the 7104 front panel variable controls at midrange except INTENSITY controls fully counterclockwise; VERTICAL MODE, LEFT; TRIGGER SOURCE, VERT MODE; HORIZONTAL MODE, B. No plug-in units were installed.

The voltages shown on the diagram were obtained using a digital multimeter with a 10 M $\Omega$  input impedance (Tektronix DM501 Digital Multimeter or Tektronix 7D13 Digital Multimeter used with a readout-equipped 7000-series Oscilloscope).



SEE PARTS LIST FOR SEMICONDUCTOR TYPES.

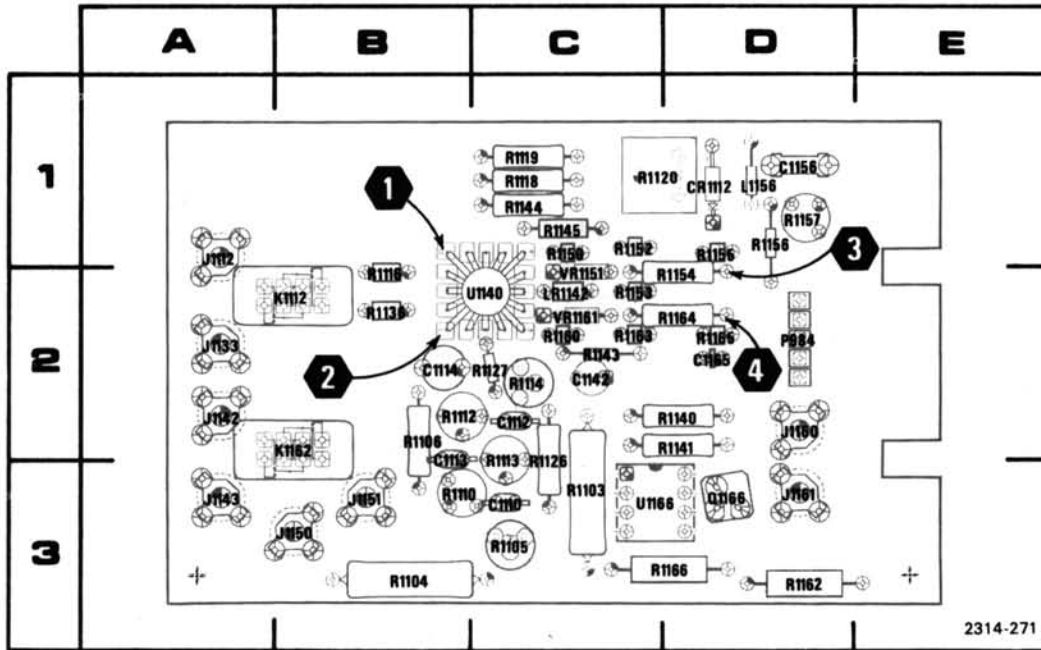
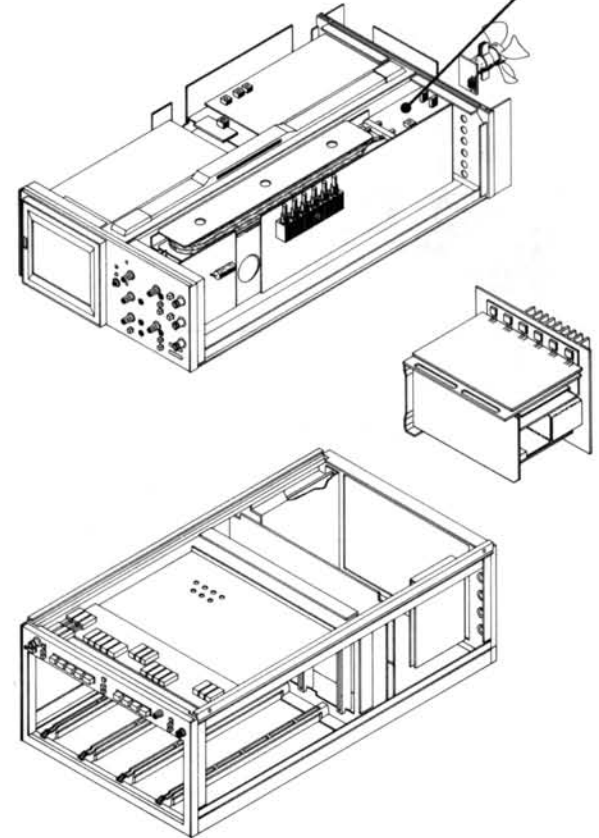


Figure 8-23. A28—X-Y Delay Compensation circuit board assembly.

CKT NO	GRID COORD	CKT NO	GRID COORD	CKT NO	GRID COORD
C1110	3C			R1141	2D
C1112	2C	LR1142	2C	R1143	2C
C1113	3B			R1144	1C
C1114	2B	P984	2D	R1145	1C
C1142	2C			R1150	1C
C1156	1D	Q1166	3D	R1152	1C
C1165	2D			R1153	2C
CR1112	1D	R1103	3C	R1154	2D
		R1104	3B	R1155	1D
		R1105	3C	R1156	1D
J1112	1A	R1106	2B	R1157	1D
J1133	2A	R1110	3B	R1160	2C
J1142	2A	R1112	2B	R1162	3D
J1143	3A	R1113	3C	R1163	2C
J1150	3B	R1114	2C	R1164	2D
J1151	3B	R1116	2B	R1165	2D
J1160	2D	R1118	1C	R1166	3D
J1161	3D	R1119	1C		
		R1120	1C	U1140	2C
K1112	2B	R1126	3C	U1166	3C
K1162	2B	R1127	2C		
		R1136	2B	VR1151	2C
L1156	1D	R1140	2D	VR1161	2C

A28  
X-Y DELAY  
COMPENSATION  
Shown on diag.  
16

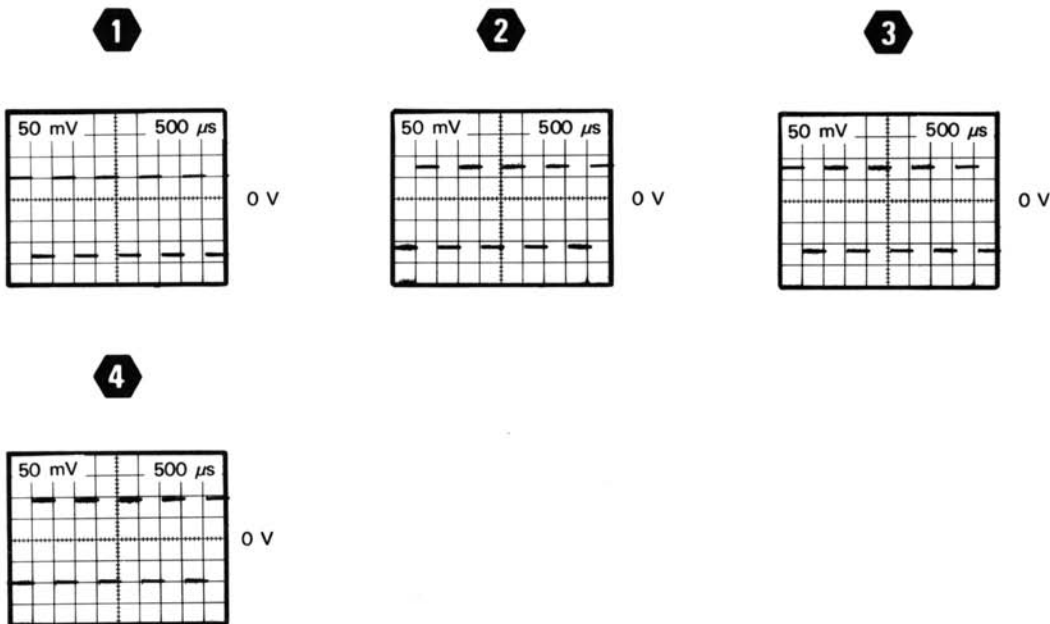


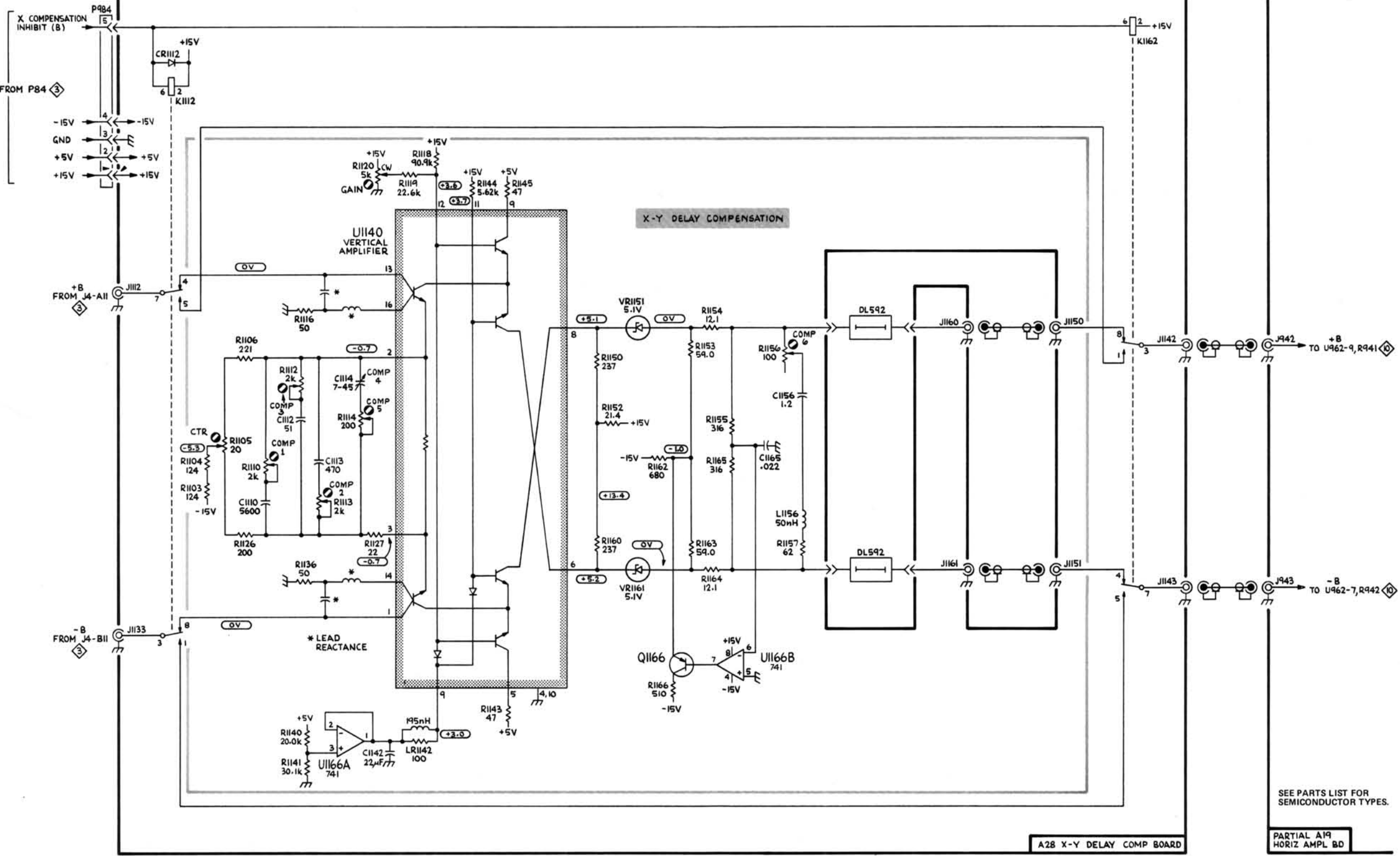
## VOLTAGE AND WAVEFORM CONDITIONS

The voltages and waveforms shown were obtained with the 7104 front panel variable controls at midrange except INTENSITY controls fully counterclockwise; VERTICAL MODE, LEFT; TRIGGER SOURCE, VERT MODE; HORIZONTAL MODE, B; CALIBRATOR, 4V.

**Voltage Conditions.** The voltages shown on the diagram were obtained using a digital multimeter with a 10 M $\Omega$  input impedance (Tektronix DM501 Digital Multimeter or Tektronix 7D13 Digital Multimeter used with a readout-equipped 7000-series Oscilloscope).

**Waveform Conditions.** The waveforms shown below were obtained using a test oscilloscope system with 1 M $\Omega$  input impedance and at least 60 MHz bandwidth. (Tektronix 7603 Oscilloscope, 7B53A Time Base, and 7A13 Differential Comparator equipped with a 10X probe.) A 7A-series vertical amplifier plug-in was installed in the 7104 B HORIZ compartment and the CALIBRATOR output was connected to the vertical amplifier input. The B INTENSITY control and Vertical Amplifier was set to display 6 to 8 horizontal divisions on the 7104. The test oscilloscope was externally triggered on the +Slope of the CALIBRATOR signal.





SEE PARTS LIST FOR SEMICONDUCTOR TYPES.

PARTIAL A19  
HORIZ AMPL BD

A28 X-Y DELAY COMP BOARD

## 7104 TROUBLESHOOTING CHART

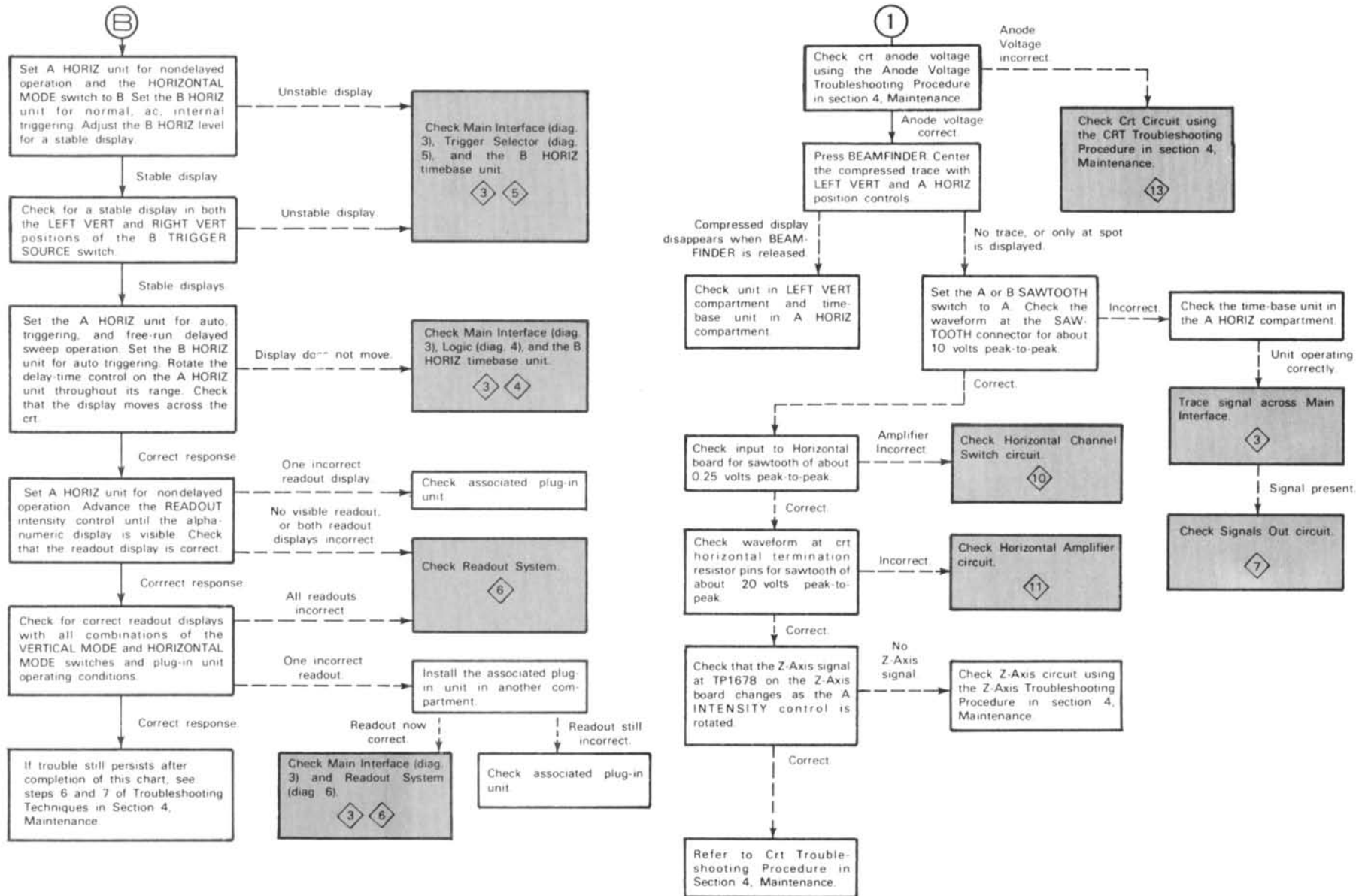


Figure 8-24. 7104 Troubleshooting Chart

# 7104 TROUBLESHOOTING CHART

## TROUBLESHOOTING CHART INSTRUCTIONS:

1. Beginning at the top left block of the chart proceed downward until the 7104 does not perform as indicated.
2. Then follow the dashed line as the symptom indicates. Each shaded block indicates a circuit which may be the cause of the malfunction. Refer to Section 3, Theory of Operation, for a detailed discussion of the circuit, and Section 8, Diagrams and Circuit Board Illustrations, for the circuit schematic.

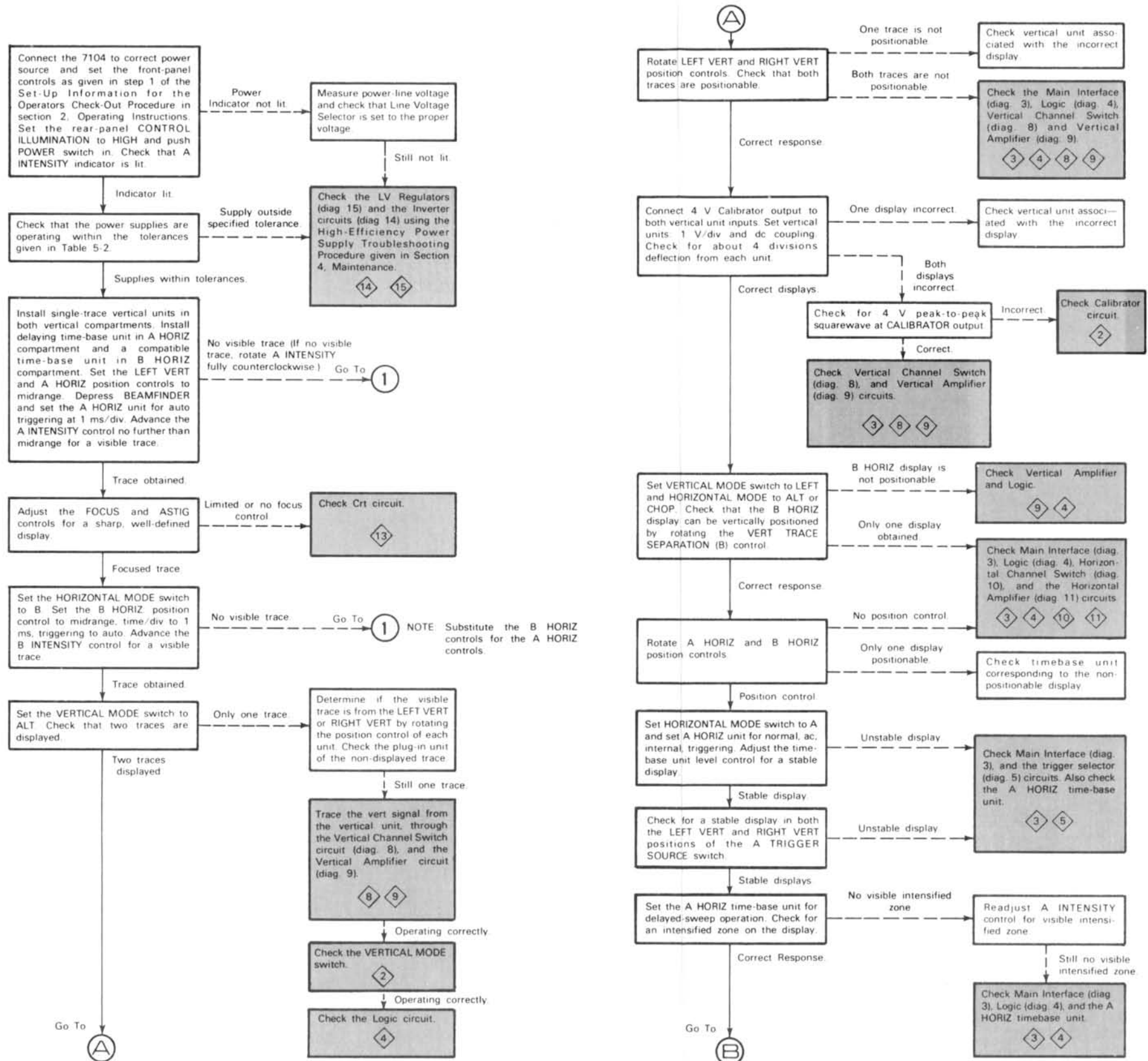
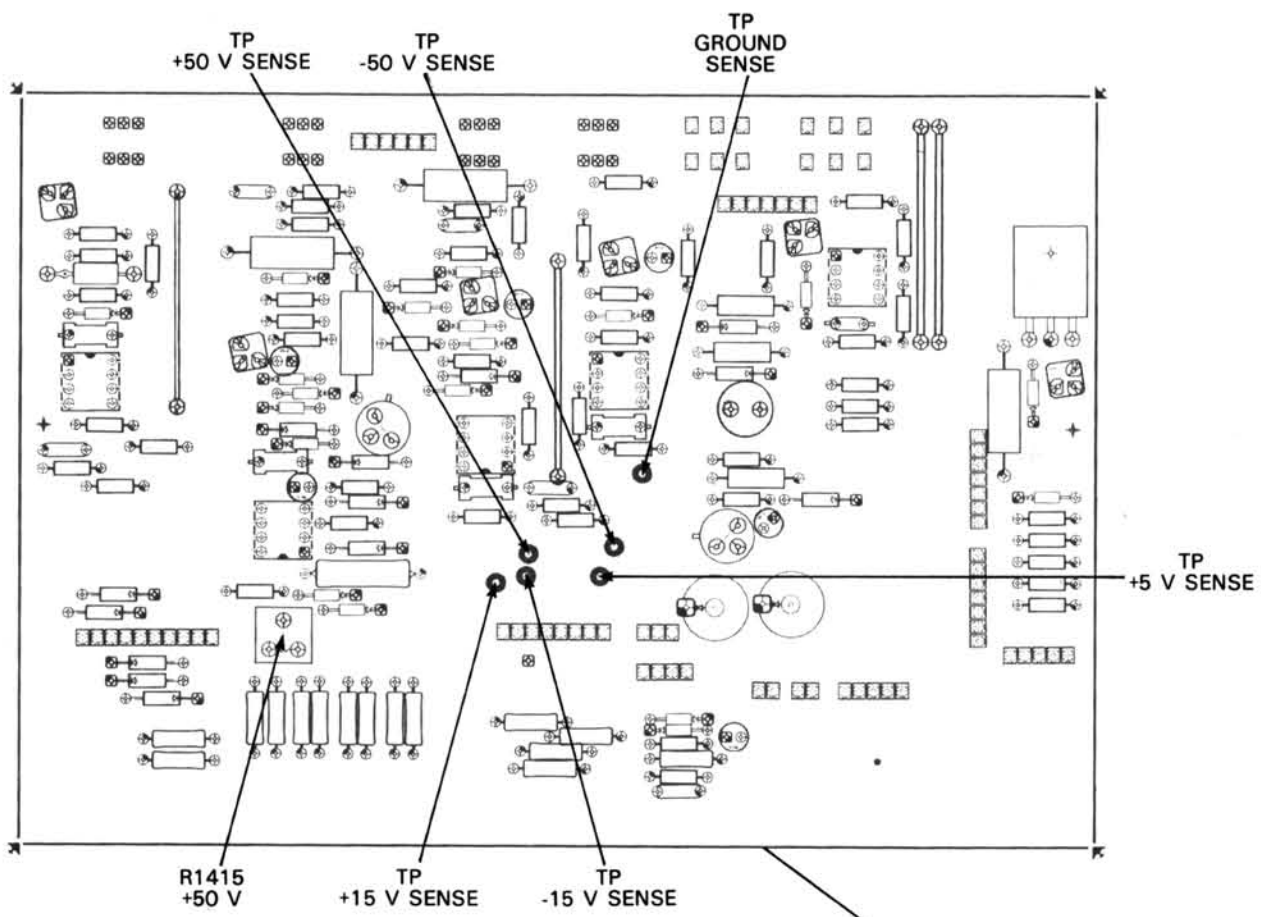
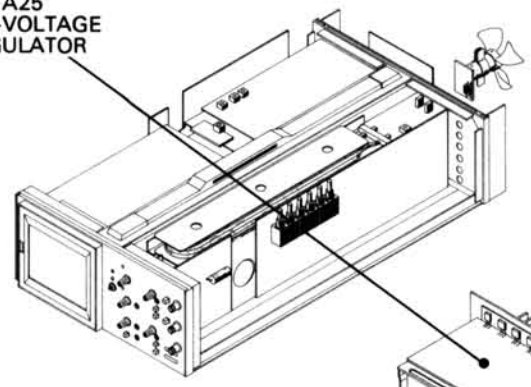


Figure 8-24. 7104 Troubleshooting Chart.





A25 LOW-VOLTAGE REGULATOR



A24 RECTIFIER

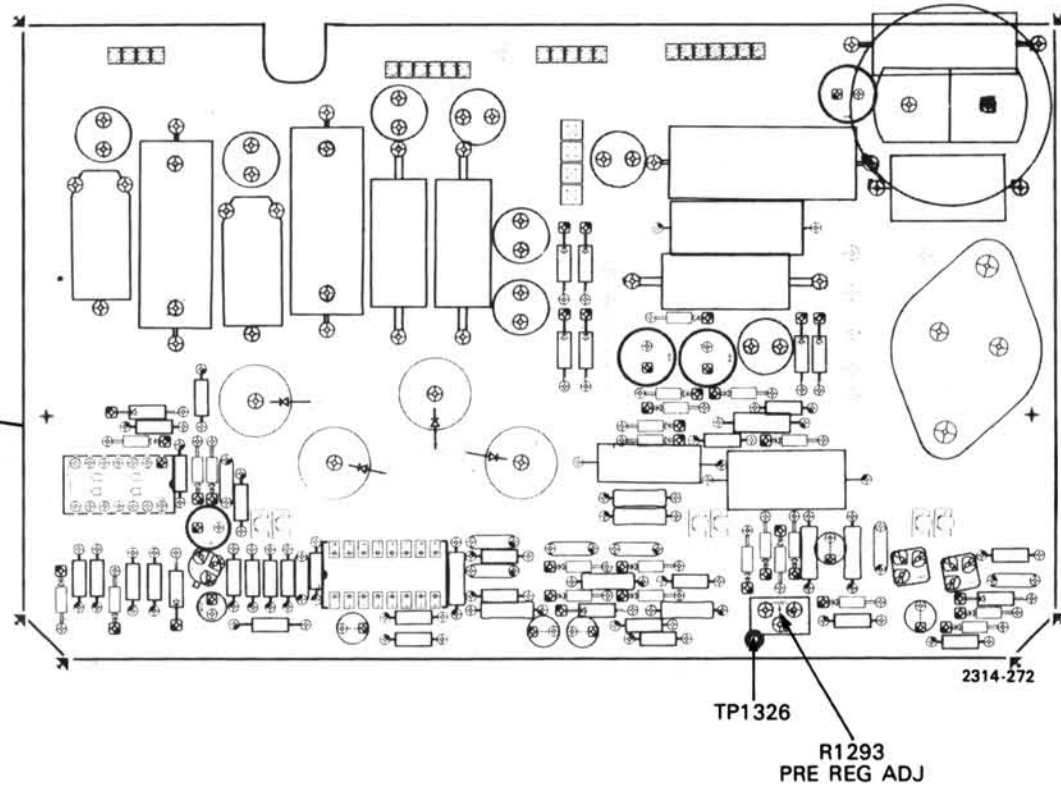
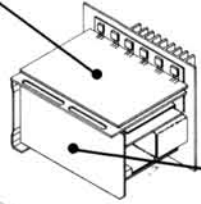


Figure 8-25. Test Point and Adjustment Locations A.

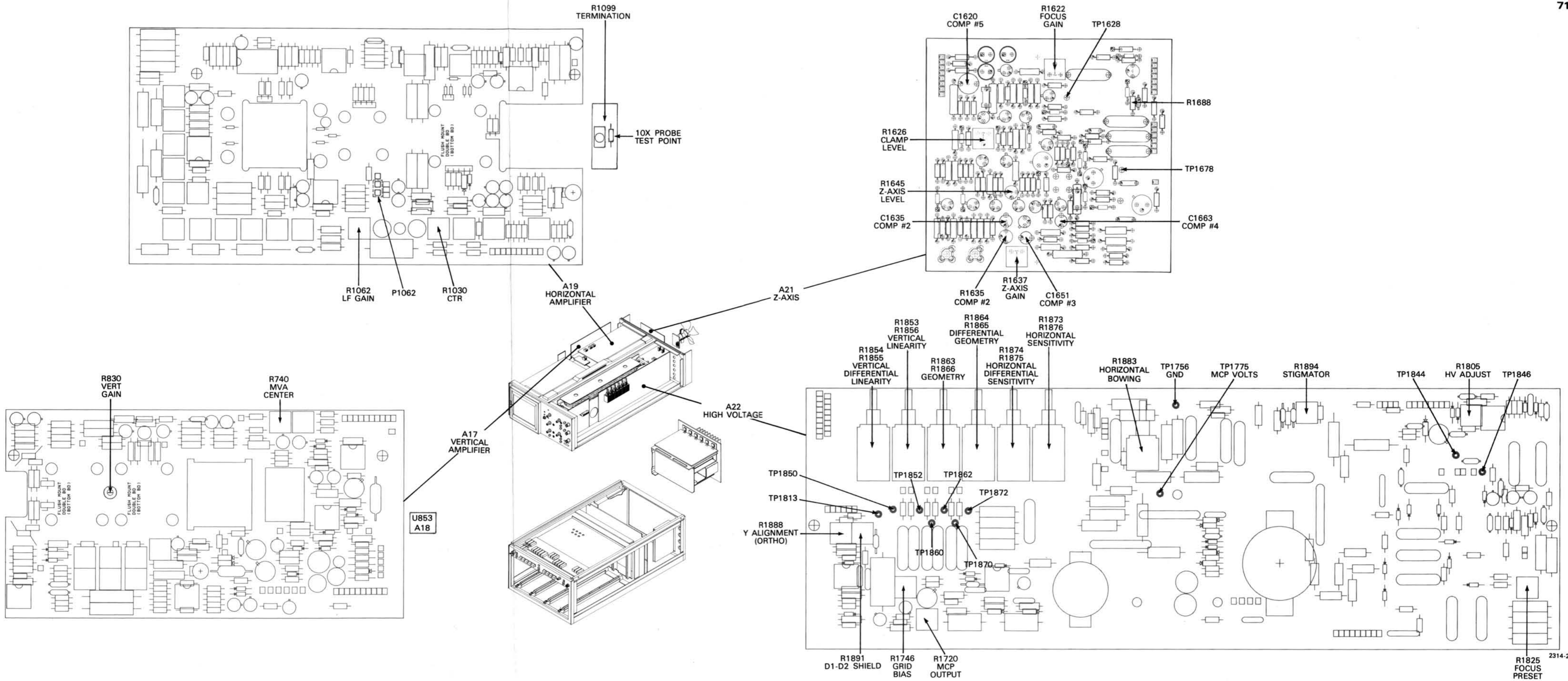


Figure 8-26. Test Point and Adjustment Locations B.

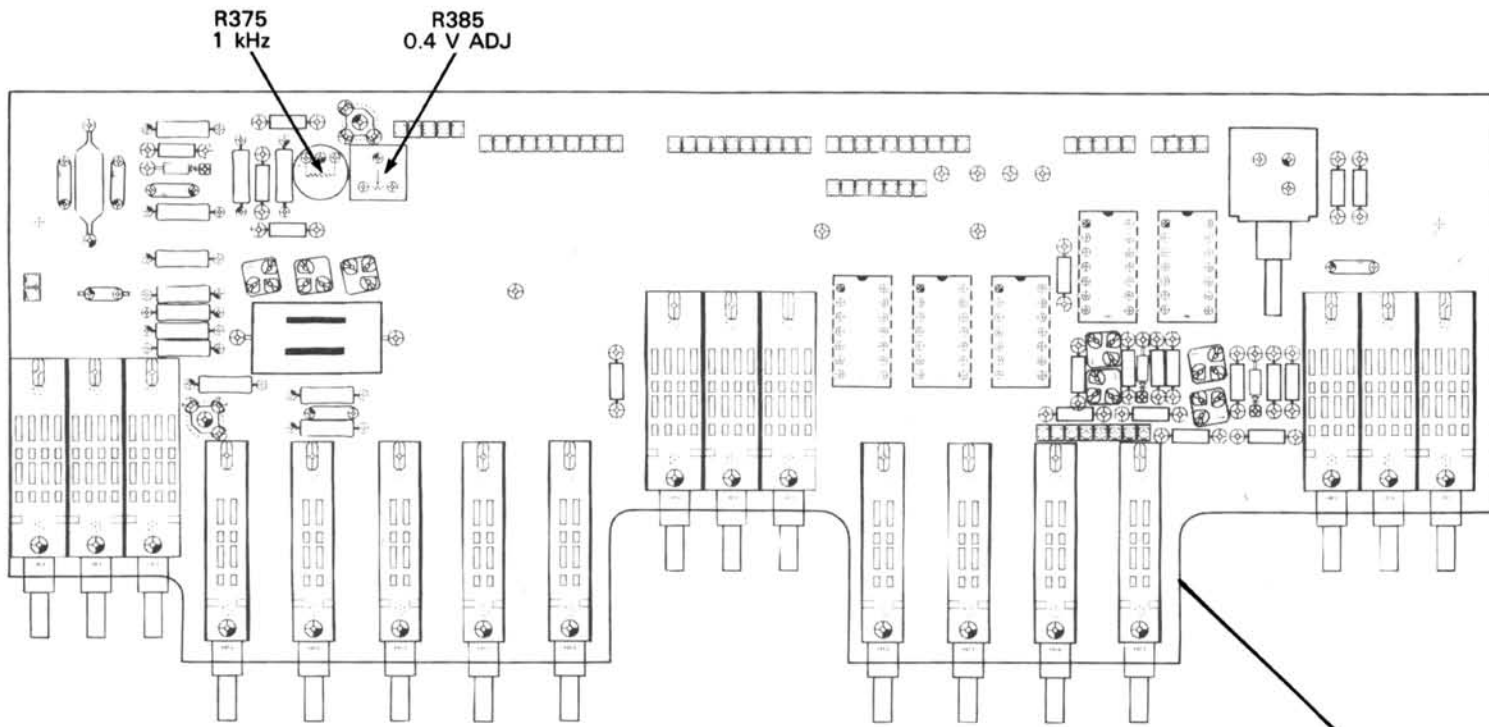
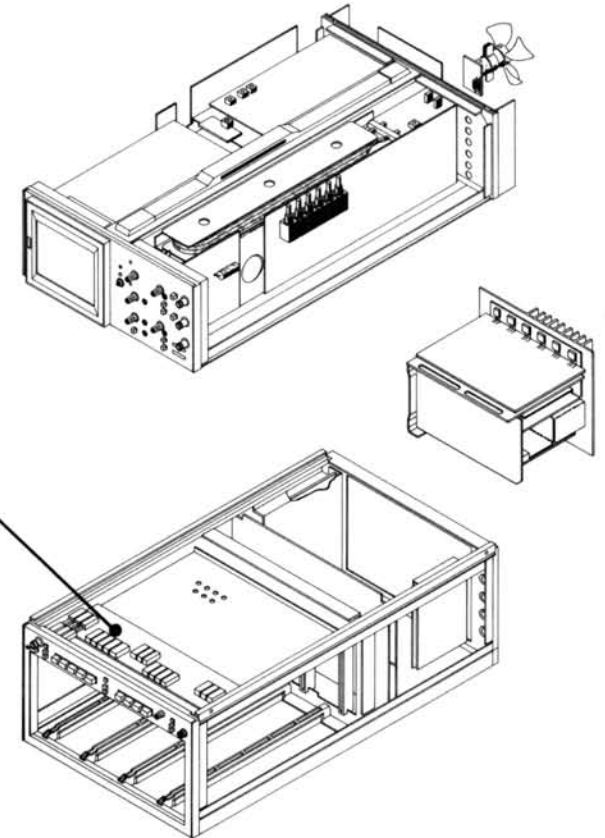


Figure 8-27. Test Point and Adjustment Locations C.

A5  
MODE SWITCH



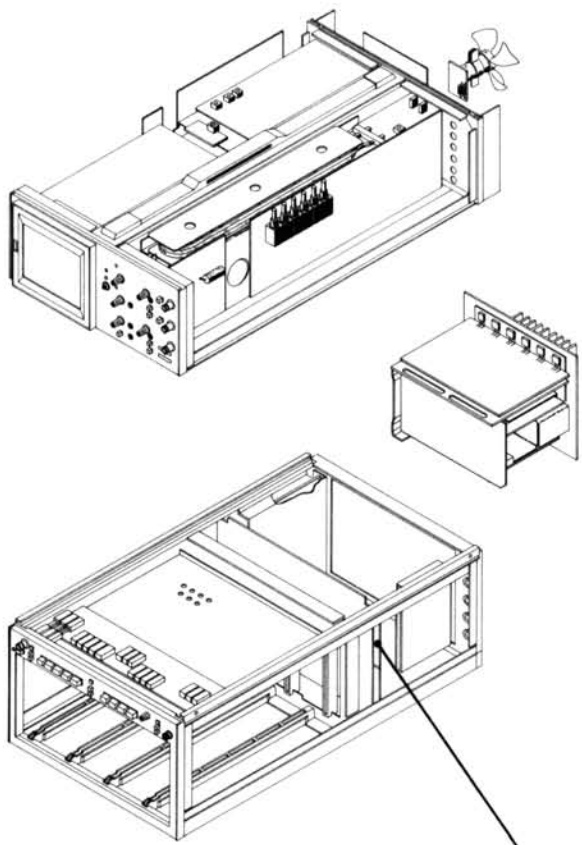
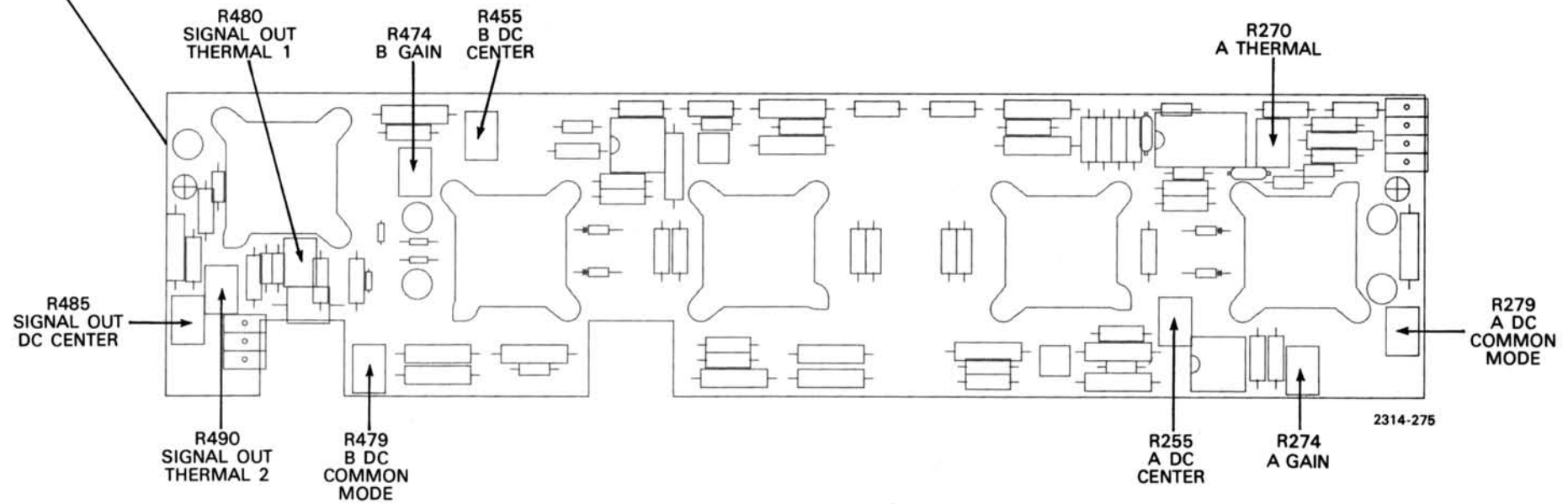


Figure 8-28. Test Point and Adjustment Locations D.

A14  
TRIGGER SELECTOR



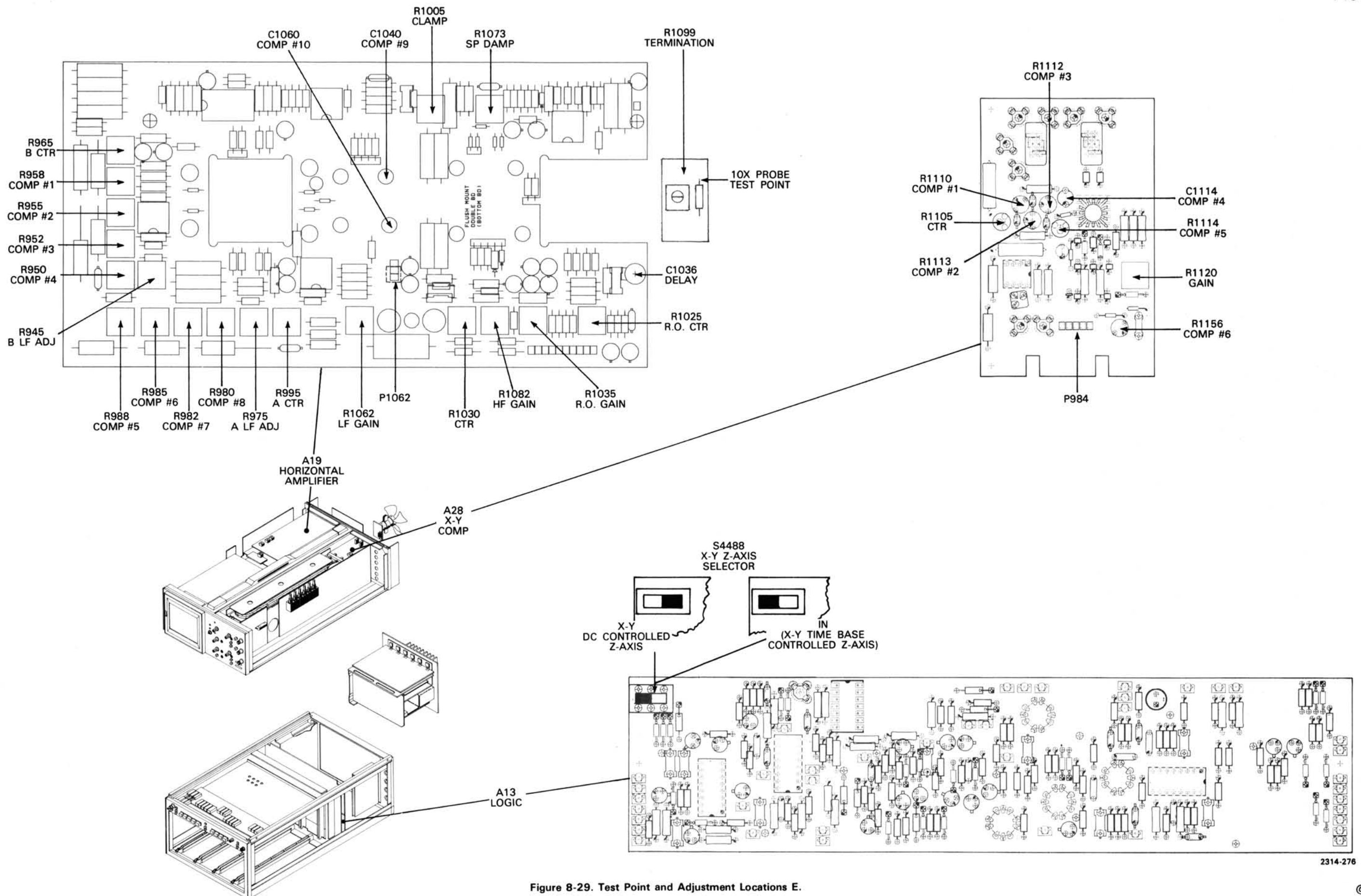


Figure 8-29. Test Point and Adjustment Locations E.

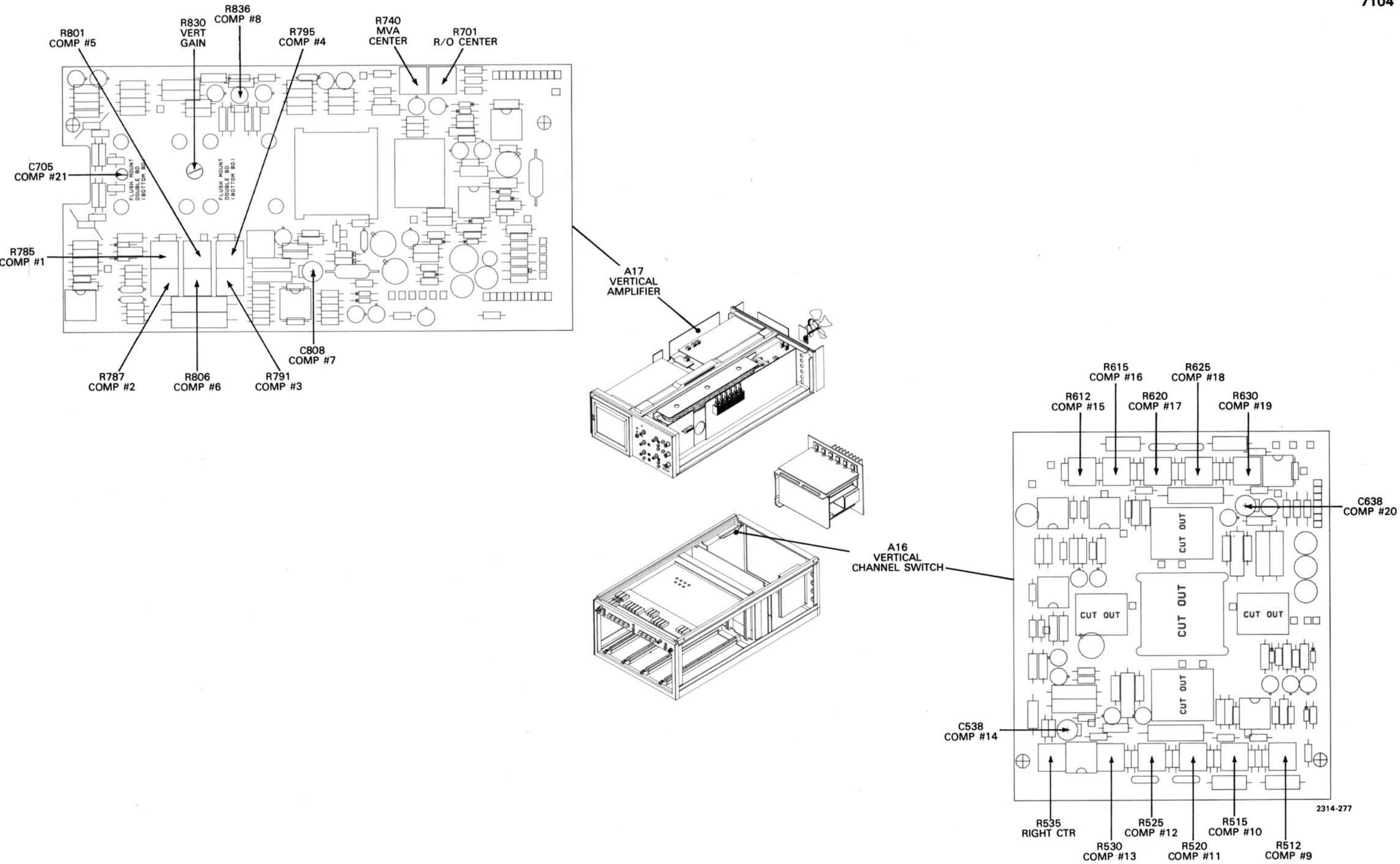


Figure 8-30. Test Point and Adjustment Locations F.

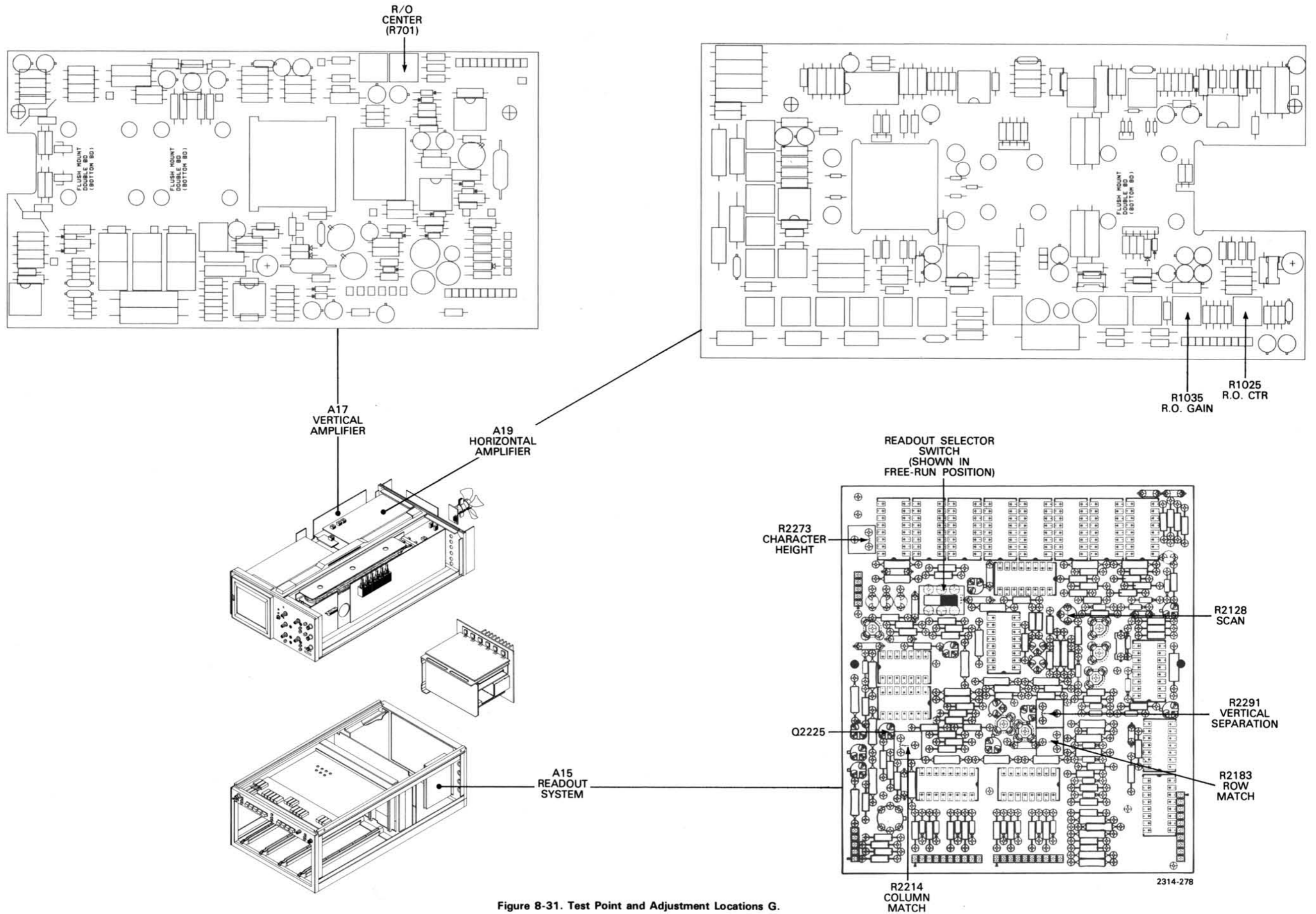
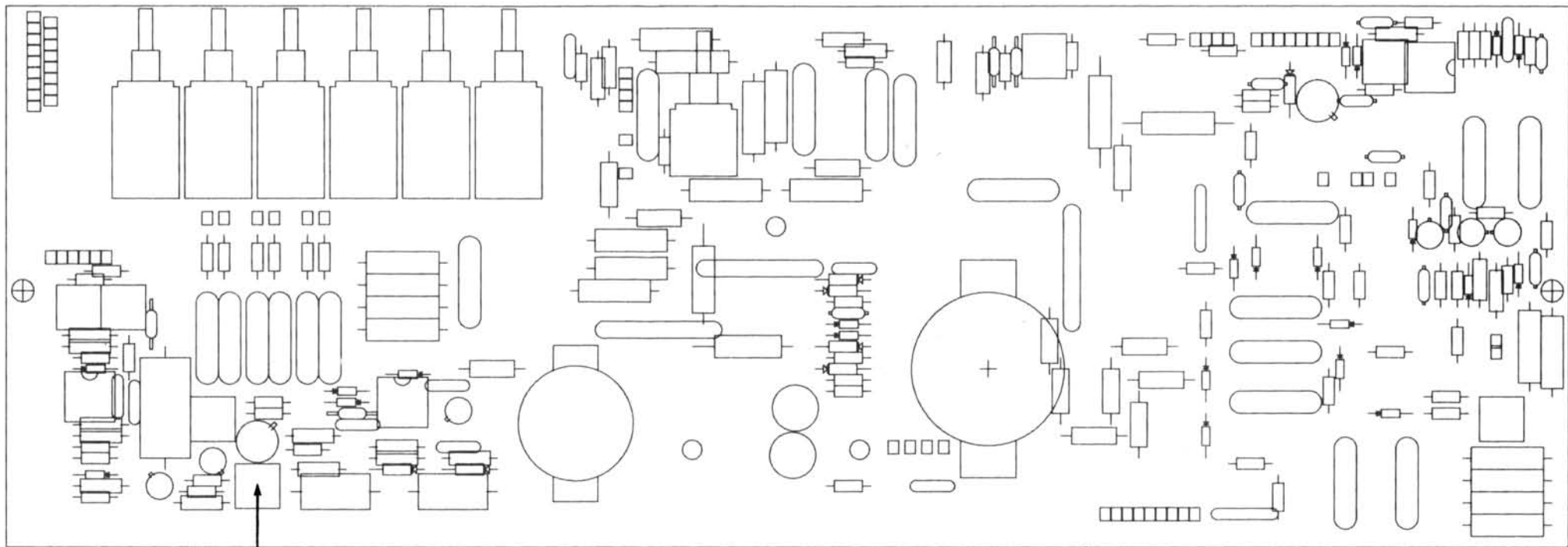


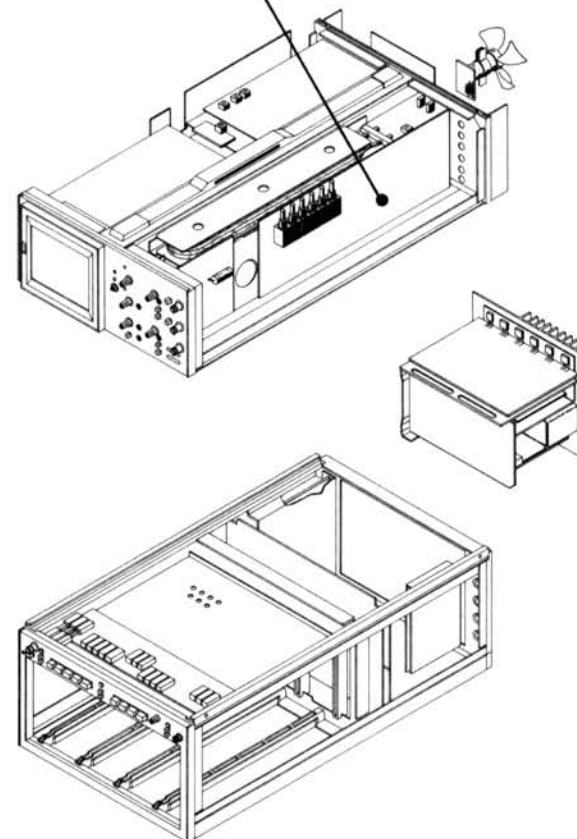
Figure 8-31. Test Point and Adjustment Locations G.



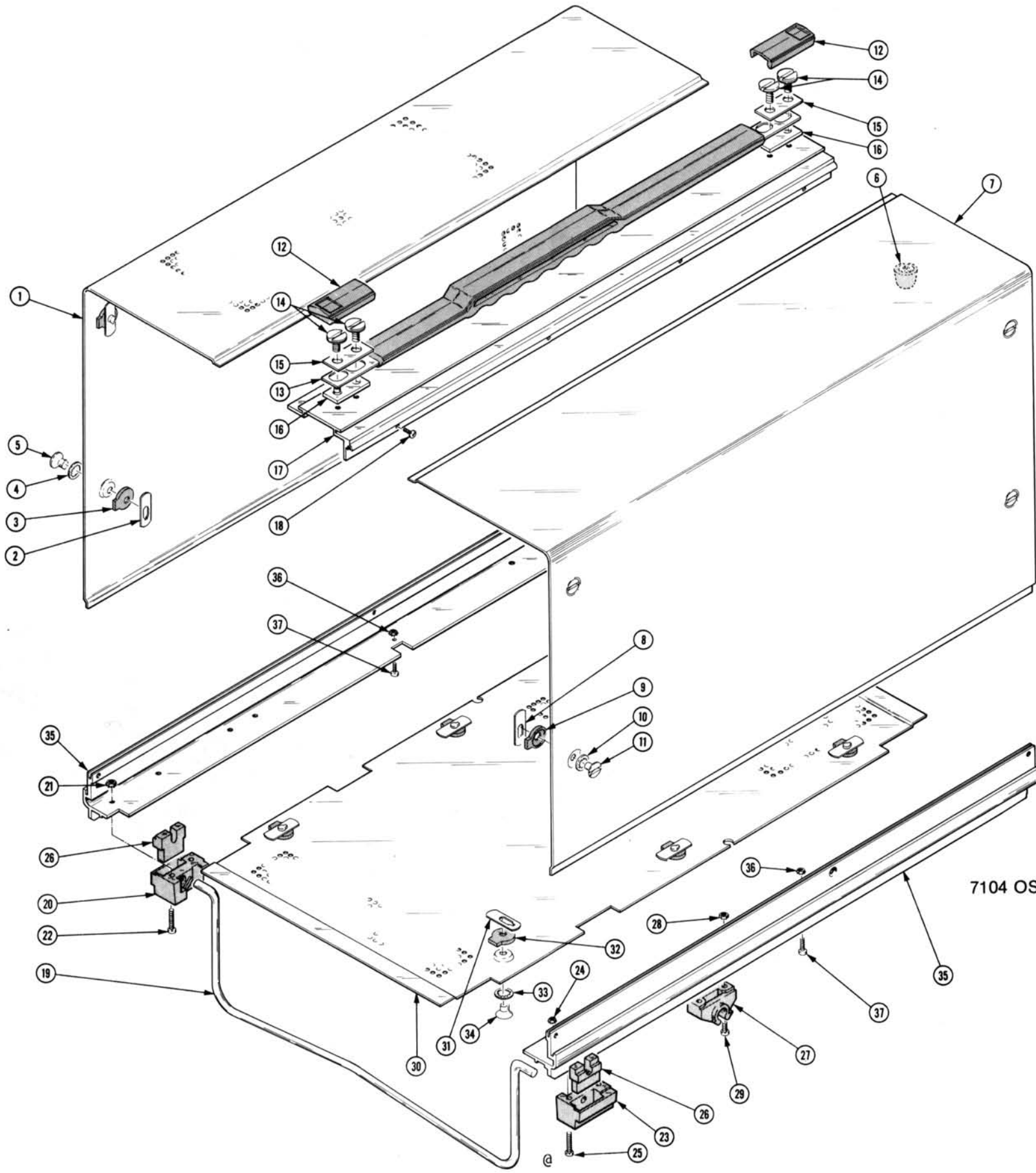
R1720  
MCP  
OUTPUT

A22  
HIGH VOLTAGE

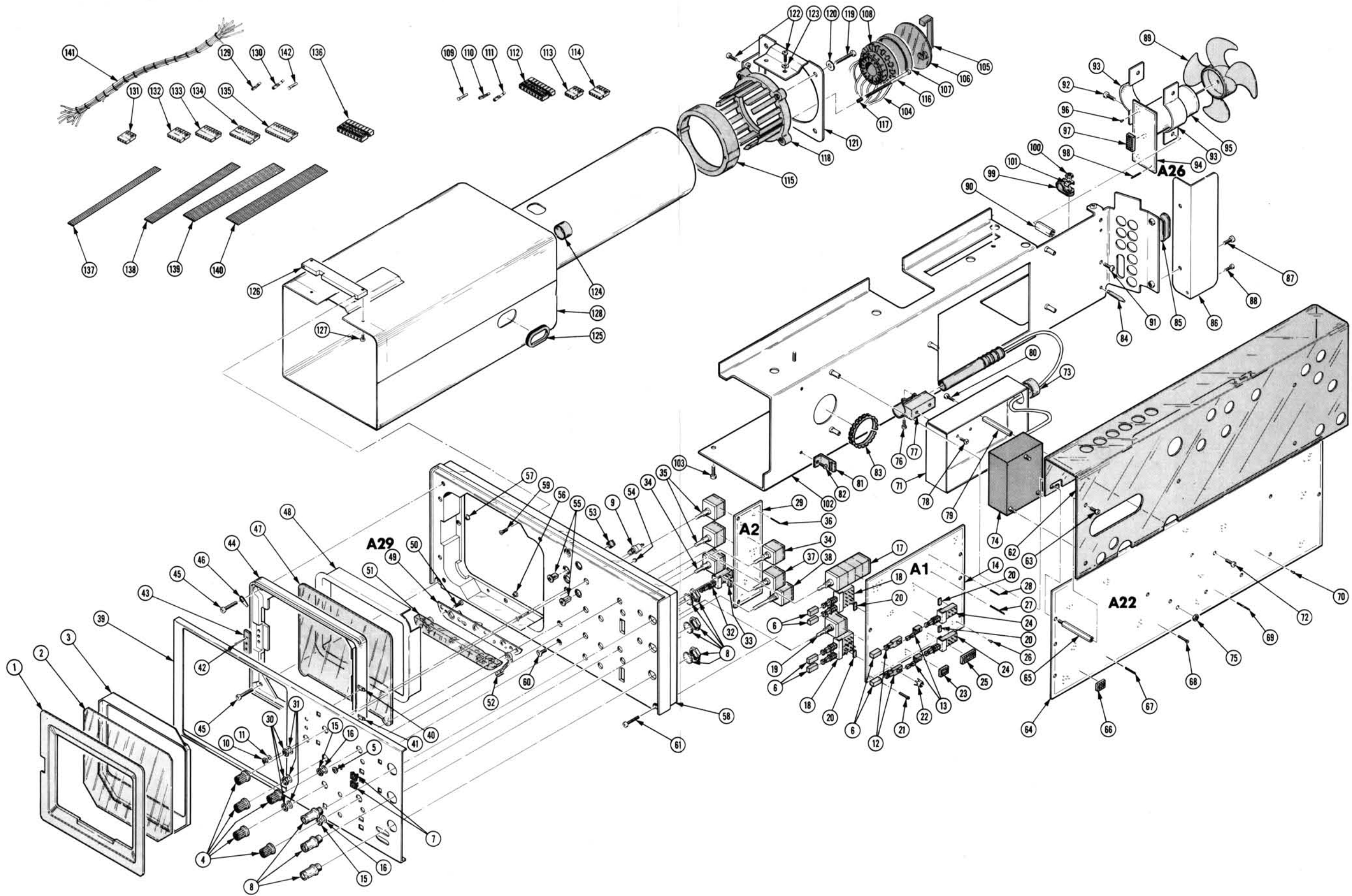
Figure 8-32. Test Point and Adjustment Locations H.

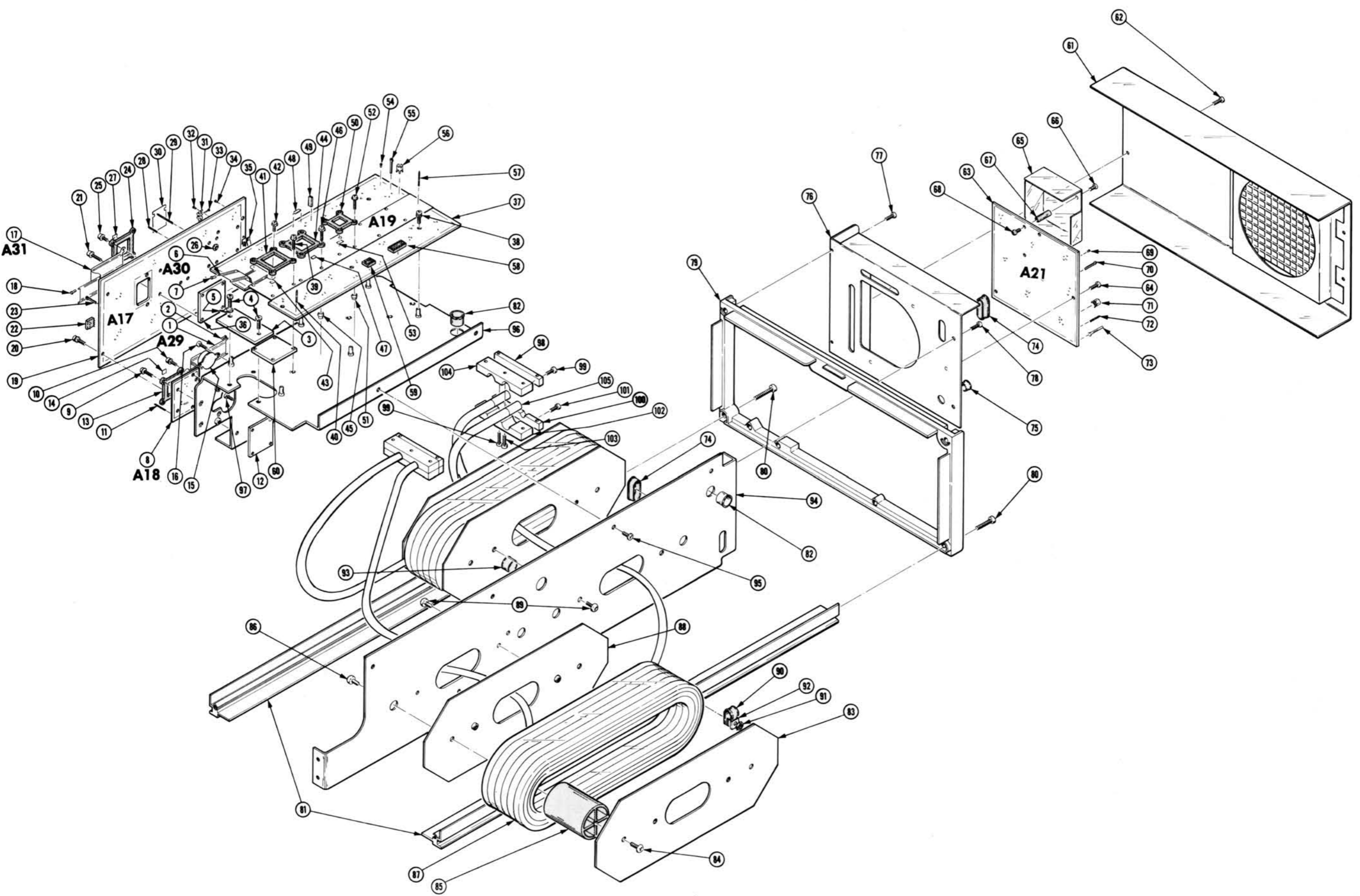




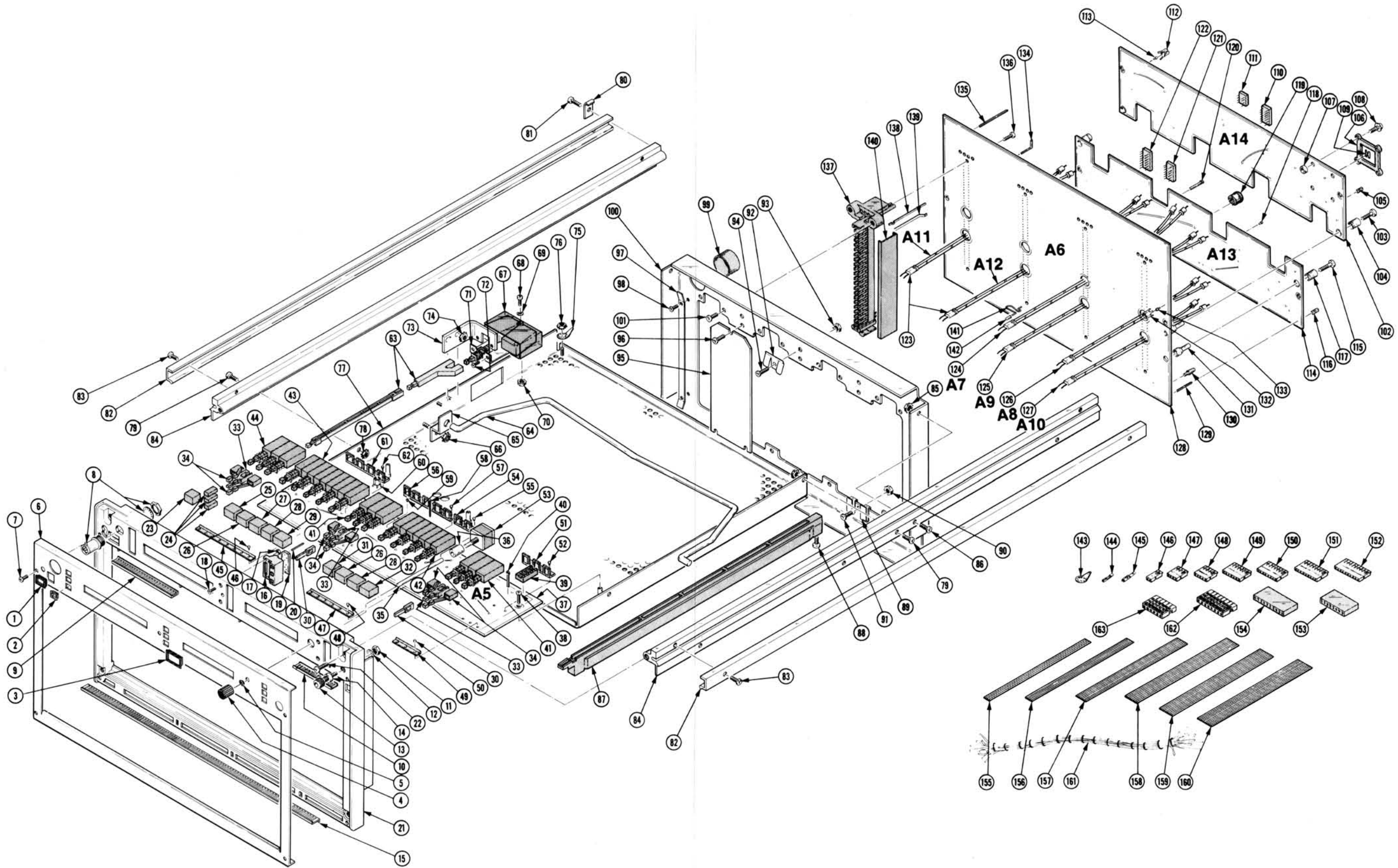


7104 OSCILLOSCOPE





@



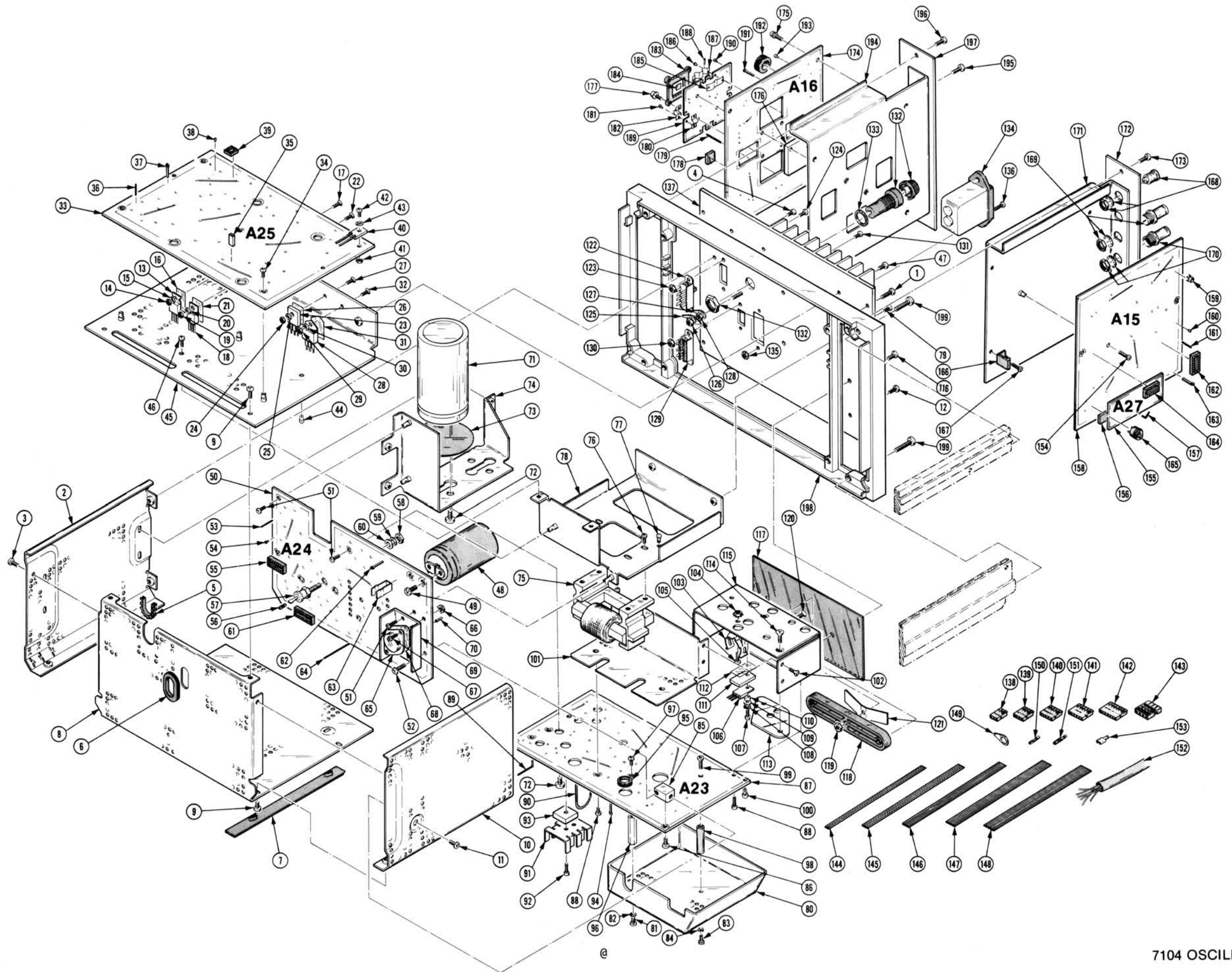
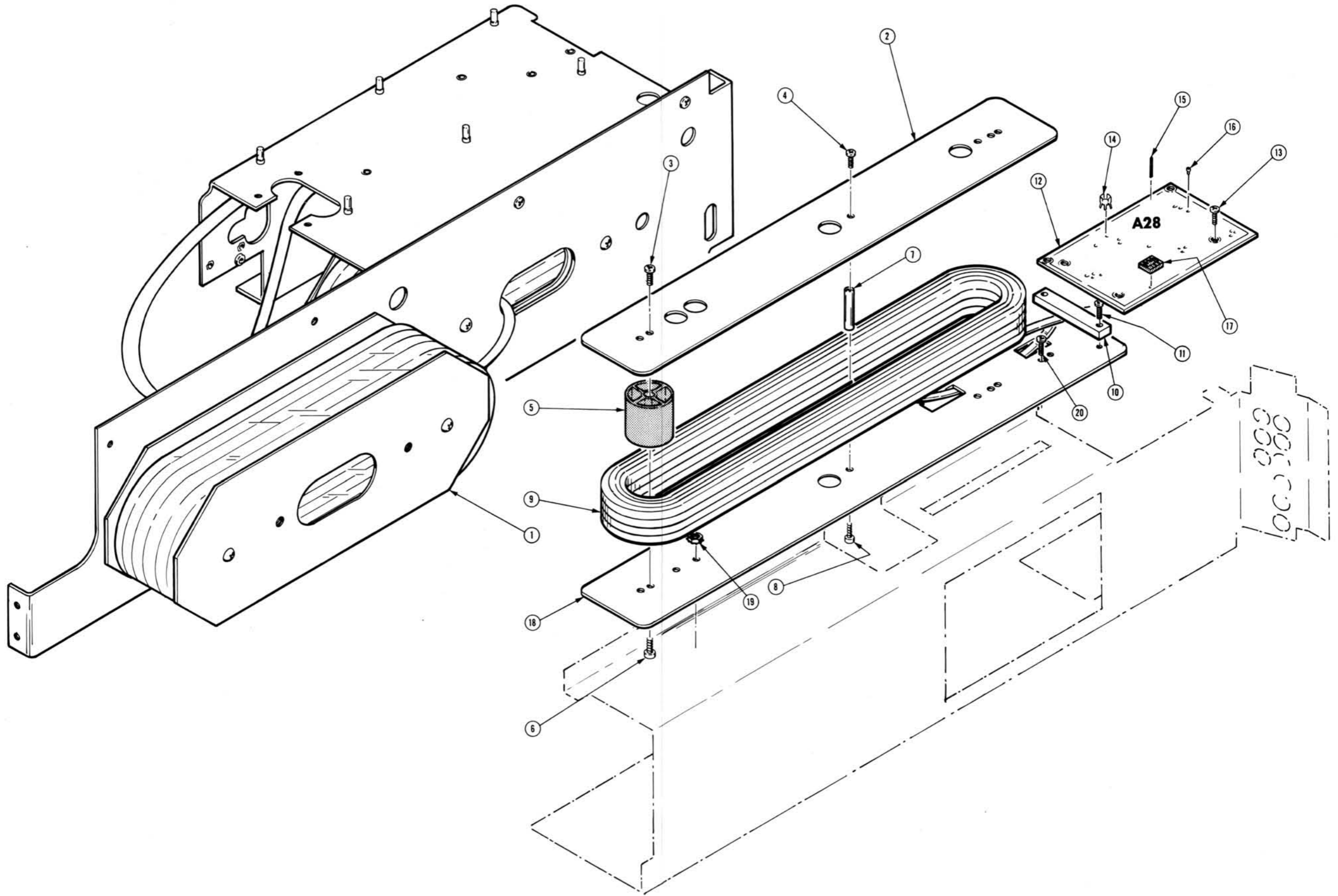


Fig. & Index No.	Tektronix Part No.	Serial/Model No. Eff Dscont	Qty	1 2 3 4 5	Name & Description	Mfr Code	Mfr Part Number
	-----	-----	1		DELAY LINE,ELEC:(SEE DL1165 EPL)		
-1	-----	-----	1		. DELAY LINE,ELEC:(SEE DL592 EPL)		
-2	386-3729-00		1		. PLATE,DLY LINE:HORIZONTAL, TOP (ATTACHING PARTS)	80009	386-3729-00
-3	213-0236-00		1		. SCR,TPG,THD FOR:6-32 X 0.25 INCH,STL	83385	OBD
-4	211-0007-00		1		. SCREW,MACHINE:4-40 X 0.188 INCH,PNH STL - - - * - - -	83385	OBD
-5	129-0215-01		2		. SPACER,POST:0.875 LONG X 1.0 OD (ATTACHING PARTS FOR EACH)	80009	129-0215-01
-6	213-0236-00		1		. SCR,TPG,THD FOR:6-32 X 0.25 INCH,STL - - - * - - -	83385	OBD
-7	129-0080-00		1		. POST,ELEC-MECH:0.875 INCH LONG (ATTACHING PARTS)	80009	129-0080-00
-8	211-0007-00		1		. SCREW,MACHINE:4-40 X 0.188 INCH,PNH STL - - - * - - -	83385	OBD
-9	175-1056-01		1		. CABLE,RF:1.5 NS/FT DLY,100 OHM	80009	175-1056-01
-10	343-0689-00		1		. CLAMP,DLY LINE:ALUMINUM (ATTACHING PARTS)	80009	343-0689-00
-11	211-0198-00		2		. SCREW,MACHINE:4-40 X 0.438 PNH,STL,POS - - - * - - -	77250	OBD
-12	-----	-----	-		. CKT BOARD ASSY:X-Y DELAY COMP(SEE A28 EPL) (ATTACHING PARTS)		
-13	211-0008-00		3		. SCREW,MACHINE:4-40 X 0.25 INCH,PNH STL - - - * - - -	83385	OBD
	-----	-----	-		. . CKT BOARD ASSY INCLUDES:		
-14	131-1003-00		8		. . CONNECTOR BODY,:CKT BD MT,2 PRONG	80009	131-1003-00
-15	131-0608-00		5		. . TERMINAL,PIN:0.365 L X 0.25 PH,BRZ,GOLD PL	22526	47357
-16	136-0252-04		39		. . SOCKET,PIN TERM:0.188 INCH LONG	22526	75060
-17	136-0514-00		1		. . SOCKET,PLUG IN:MICROCIRCUIT,8 CONTACT	82647	C93-08-18
-18	386-3730-00		1		. PLATE,DLY LINE:HORIZONTAL,BOTTOM (ATTACHING PARTS)	80009	386-3730-00
-19	210-0457-00		1		. NUT,PLAIN,EXT W:6-32 X 0.312 INCH,STL	83385	OBD
-20	211-0504-00		1		. SCREW,MACHINE:6-32 X 0.25 INCH,PNH STL - - - * - - -	83385	OBD



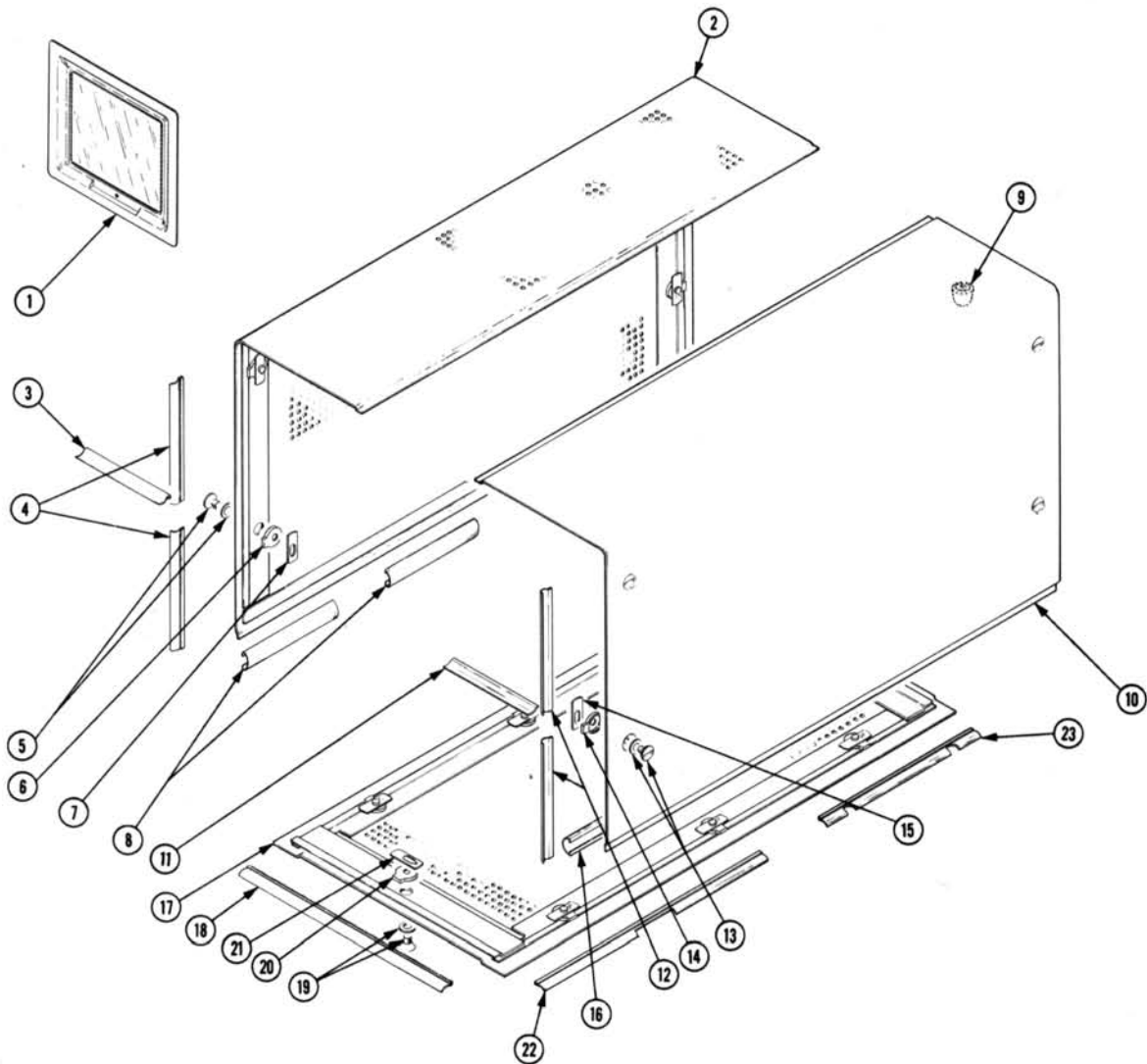


Fig. & Index No.

Fig. & Index No.	Tektronix Part No.	Serial/Model No. Eff	Model No. Dscont	Qty	1	2	3	4	5	Name & Description	Mfr Code	Mfr Part Number
-1	378-0603-00			1						FILTER, MESH: EMI	80009	378-0603-00
-2	390-0606-00			1						CAB. SIDE, SCOPE: LEFT, EMI	80009	390-0606-00
-3	348-0332-00			2						. SHLD, GSKT, ELEC: 4.285 INCH LONG	80009	348-0332-00
-4	348-0334-00			4						. SHLD, GSKT, ELEC: 7.64 INCH LONG	80009	348-0334-00
-5	214-0603-02			4						. PIN ASSY, SECRG:	80009	214-0603-02
-6	386-1634-00			4						. PL, LATCH INDEX: PLASTIC	80009	386-1634-00
-7	386-1633-00			4						. PL, LATCH LKG:	80009	386-1633-00
-8	348-0336-00			4						. SHLD, GSKT, ELEC: 9.625 INCH LONG	80009	348-0336-00
-9	348-0080-01			1						FOOT, CABINET: BOTTOM	80009	348-0080-01
-10	390-0604-00			1						CAB. SIDE, SCOPE: RIGHT, EMI	80009	390-0604-00
-11	348-0332-00			2						. SHLD, GSKT ELEC: 4.285 INCH LONG	80009	348-0332-00
-12	348-0333-00			4						. SHLD, GSKT, ELEC: 4.8 INCH LONG	80009	348-0333-00
-13	214-0603-02			4						. PIN ASSY, SECRG:	80009	214-0603-02
-14	386-1634-00			4						. PL, LATCH INDEX: PLASTIC	80009	386-1634-00
-15	386-1633-00			4						. PL, LATCH LKG:	80009	386-1633-00
-16	348-0336-00			4						. SHLD, GSKT, ELEC: 9.625 INCH LONG	80009	348-0336-00
-17	390-0554-00			1						CABINET, BOTTOM:	80009	390-0554-00
-18	348-0274-02			2						. SHLD GSKT, ELEK: FINGER TYPE, 10.55	80009	348-0274-02
-19	214-0603-02			6						. PIN ASSY, SECRG:	80009	214-0603-02
-20	386-1634-00			6						. PL, LATCH INDEX: PLASTIC	80009	386-1634-00
-21	386-1633-00			21						. PL, LATCH LKG:	80009	386-1633-00
-22	348-0335-00			6						. SHLD, GSKT, ELEC: 8.65 INCH LONG	80009	348-0335-00
-23	348-0334-00			2						SHLD, GSKT, ELEC: 7.64 INCH LONG	80009	348-0334-00



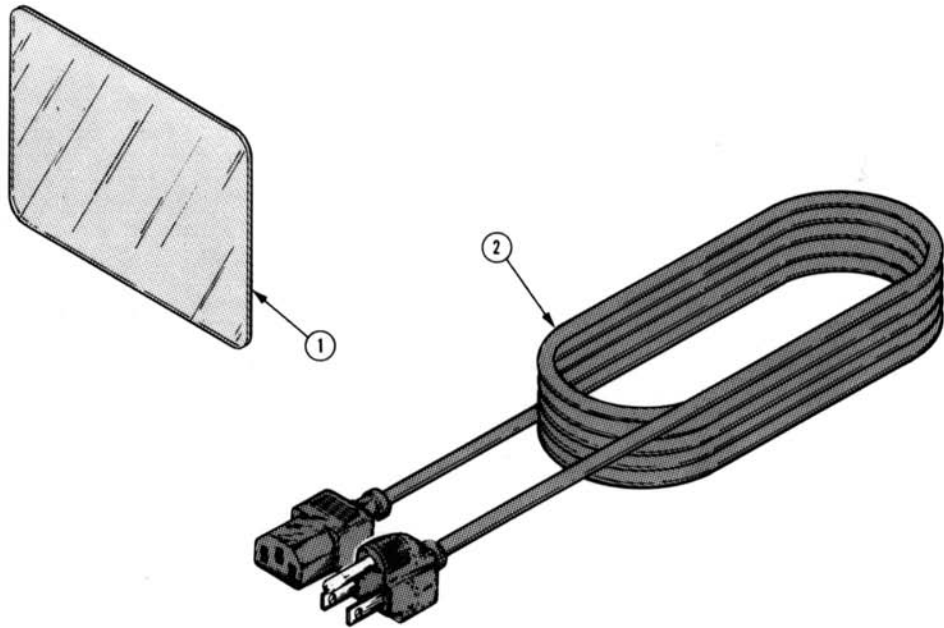


Fig. & Index No.	Tektronix Part No.	Serial/Model No.		Qty	1	2	3	4	5	Name & Description	Mfr	
		Eff	Dscont								Code	Mfr Part Number
-1	378-0625-00			1						FILTER,LT,CRT:BLUE,5.15 X 4.4 X 0.03	80009	378-0625-00
-2	161-0066-00			1						CABLE ASSY,PWR,:3 WIRE,98 INCH LONG	80009	161-0066-00
	070-2314-00			1						MANUAL,TECH: INSTRUCTION	80009	070-2314-00
	070-2315-00			1						MANUAL,TECH:OPERATORS	80009	070-2315-00

# MANUAL CHANGE INFORMATION



PRODUCT 7104  
070-2314-00

CHANGE REFERENCE C1/1278  
DATE 12-12-78

CHANGE:	DESCRIPTION
---------	-------------

TEXT CORRECTIONS

REF

Page 5-44	Delete Step 1. Reletter the remaining Steps:	PC 36
	m. should be l.	
	n. should be m.	
	o. should be n.	
	p. should be o.	
	q. should be p.	
	r. should be q.	
	s. should be r.	
	t. should be s.	

ELECTRICAL PARTS LIST AND SCHEMATIC CHANGES

CHANGE TO:

A5	670-4773-01	CKT BOARD ASSY:MODE SWITCH	PC 27
A22	670-4772-01	CKT BOARD ASSY:HIGH VOLTAGE	PC 27
C1619	281-0785-00	CAP., FXD, CER DI:68PF, 10%, 100V	PC 36

REMOVE:

C1620	281-0092-00	CAP., VAR, CER DI:9-35PF, 200V	PC 36
-------	-------------	--------------------------------	-------

ADD:

C842		TEST SELECTED WHEN NEEDED	PC 31
C1636	283-0159-00	CAP., FXD, CER DI:18PF, 5%, 50V	PC 21
L867	108-0735-00	COIL, RF, 560NH, (NOM VALUE)SEL	PC 32

CHANGE TO:

L762	108-0420-00	COIL, RF:60NH (NOM VALUE)SEL	PC 31
L772	108-0420-00	COIL, RF:60NH (NOM VALUE)SEL	PC 31
L857	108-0170-01	COIL, RF:360NH(NOM VALUE)SEL	PC 32
Q1022	151-0190-00	TRANSISTOR:SILICON, NPN, 2N3904	PC 34
Q1024	151-0190-00	TRANSISTOR:SILICON, NPN, 2N3904	PC 34
Q1698	151-0164-00	TRANSISTOR:SILICON, PNP, 2N5447	PC 21
R714	315-0623-00	RES., FXD, CMPSN:62K OHM, 5%, 0.25W	PC 35A
R732	321-0160-00	RES., FXD, FILM:453 OHM, 1%, 0.125W	PC 35A
R743	321-0172-00	RES., FXD, FILM:604 OHM, 1%, 0.125W	PC 35A
R744	321-0216-00	RES., FXD, FILM:1.74K OHM, 1%, 0.125W	PC 35A
R750	321-0314-00	RES., FXD, FILM:18.2K OHM, 1%, 0.125W	PC 35A
R751	321-0161-00	RES., FXD, FILM:464 OHM, 1%, 0.125W	PC 35A

CHANGE:	DESCRIPTION
---------	-------------


CHANGE TO:		<u>REF</u>
R752	321-0216-00 RES., FXD, FILM:1.74K OHM,1%,0.125W	PC 35A
R753	321-0178-00 RES., FXD, FILM:698 OHM,1%,0.125W	PC 35A
R754	321-0216-00 RES., FXD, FILM:1.74K OHM,1%,0.125W	PC 35A
R1022	315-0512-00 RES., FXD, CMPSN:5.1K OHM,5%,0.25W	PC 34
R857	317-0122-00 RES., FXD, CMPSN:1.2K OHM, (NOM VALUE)SEL	PC 32
R1891	311-1252-00 RES., VAR, NONWIR:500K OHM,20%,0.50W	PC 37
R1785	315-0102-03 RES., FXD, CMPSN:1K OHM,5%,0.25W, AB SCHEMATIC CHANGES	

DIAGRAM  VERTICAL AMPLIFIER

L867 is added in series with R857 and pin 9 of U862. PC 32

L857, L867 and R857 are made selectable for transient response.

C842 is added from pin 2 to pin 4 of U842; test selected when needed. PC 31

DIAGRAM  CRT CIRCUIT

R1891 should be connected between +50 V and -50 V and the value is changed to 500K. PC 37

DIAGRAM  CONTROL RECTIFIER

C1270 and C1271 values should be 2.2 UF PC 23

R1271 value should be 56 ohm PC 23

TEST POINT AND ADJUSTMENT LOCATIONS B

Fig. 8-26 Delete C1620 COMP #5 PC 36

Fig. 8-16, A21- Z-Axis circuit board assembly. Delete C1620.

DIAGRAM 12 INTENSITY LIMITER & Z-AXIS. Delete C1620.