



**PLEASE CHECK FOR CHANGE INFORMATION
AT THE REAR OF THIS MANUAL.**

A rectangular box with a fine, grid-like texture. The text "7S11 SAMPLING UNIT" is centered within the box in a bold, sans-serif font.

**7S11
SAMPLING
UNIT**

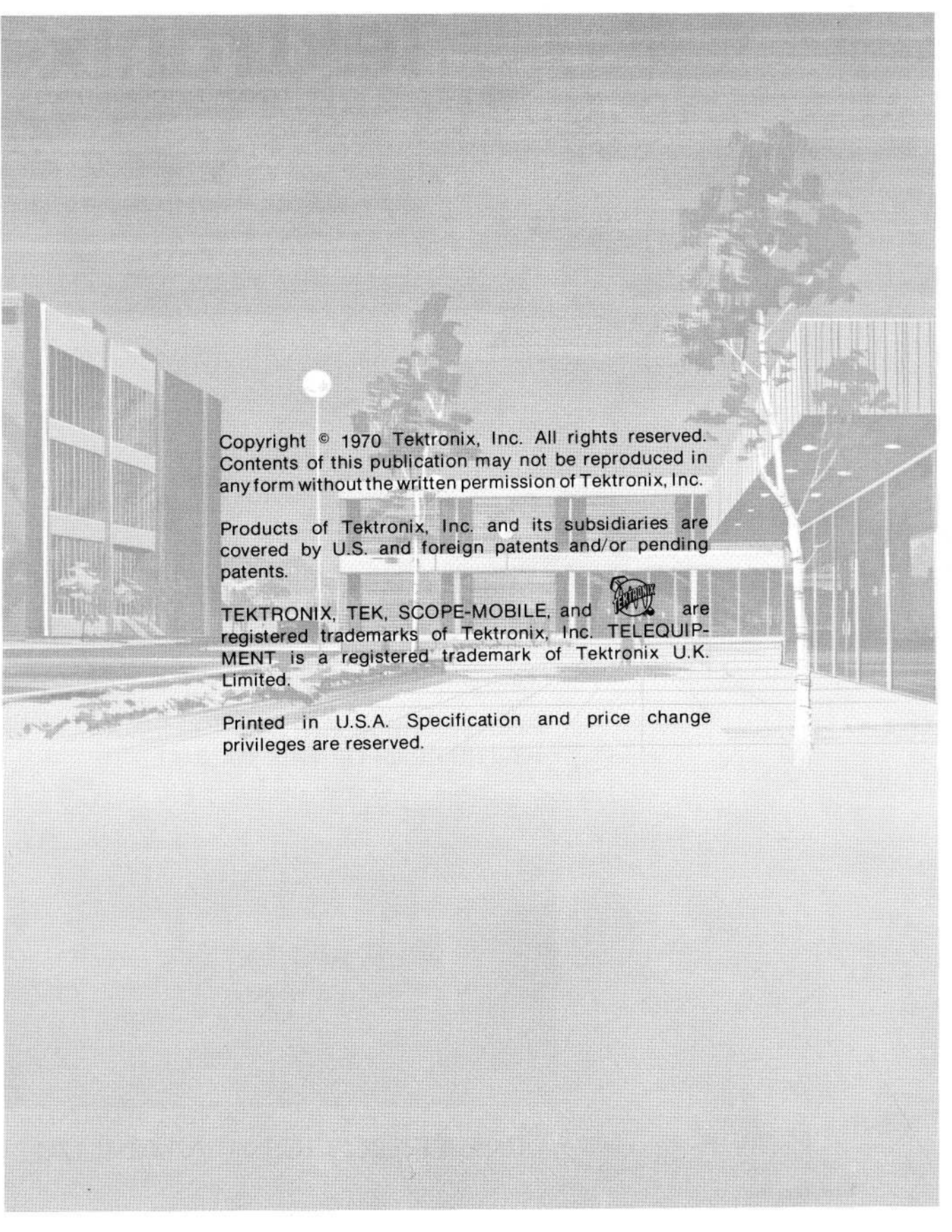
INSTRUCTION MANUAL

**Tektronix, Inc.
P.O. Box 500
Beaverton, Oregon 97077**

Serial Number _____


070-0985-00

First Printing FEB 1970
Revised JUN 1981



Copyright © 1970 Tektronix, Inc. All rights reserved.
Contents of this publication may not be reproduced in
any form without the written permission of Tektronix, Inc.

Products of Tektronix, Inc. and its subsidiaries are
covered by U.S. and foreign patents and/or pending
patents.

TEKTRONIX, TEK, SCOPE-MOBILE, and  are
registered trademarks of Tektronix, Inc. TELEQUIP-
MENT is a registered trademark of Tektronix U.K.
Limited.

Printed in U.S.A. Specification and price change
privileges are reserved.

TABLE OF CONTENTS

SECTION 1	SPECIFICATION	Page
	General Information	1-1
	Electrical	1-1
	Environmental Characteristics	1-2
	Physical Characteristics	1-2
SECTION 2	OPERATING INSTRUCTIONS	
	General Information	2-1
	Installation	2-1
	Mating	2-1
	First-Time Operation	2-2
	Equivalent-Time Sampling Operation	2-2
	Controls and Connectors	2-2
	Basic Operating Information	2-2
	Basic Applications	2-9
SECTION 3	BASIC SAMPLING PRINCIPLES	
	Introduction	3-1
	Basic Sampling Techniques	3-1
	Effective Sampling Time	3-4
	Traveling Wave Sampling Gate	3-5
	Dot Response (Loop Gain)	3-5
	Smoothing	3-5
	Smoothing of Random Noise	3-6
	Tangential Noise	3-7
	Display Sensitivity—Deflection Factor	3-7
	DC Offset	3-7
	Real-Time Sampling	3-8
	Sweep Rates	3-8
SECTION 4	CIRCUIT DESCRIPTION	
	Introduction	4-1
	Block Diagram	4-1
	Feedback Loop and Pulse Amplifier Chain	4-1
	Vertical Output Amplifier	4-1

TABLE OF CONTENTS (cont)

	Sweep Unit Drive	4-1
	Readout Logic	4-3
	Circuit Description	4-3
	Trigger Logic	4-3
	Post Amplifier and Attenuators	4-3
	Memory	4-5
	Output Amplifier	4-8
	Real Time Oscillator	4-8
	Gate Generator	4-9
	Readout Logic	4-11
	Power Distribution and Decoupling	4-11
SECTION 5 MAINTENANCE		
	Introduction	5-1
	Preventive Maintenance	5-1
	General	5-1
	Cleaning	5-1
	Lubrication	5-1
	Visual Inspection	5-1
	Calibration	5-1
	Parts Identification	5-1
	Parts Replacement	5-2
	Troubleshooting	5-4
	Introduction	5-4
	Troubleshooting Aids	5-4
	Troubleshooting Techniques	5-5
	Transistor Checks	5-5
	Diode Checks	5-5
	Field Effect Transistors (FET)	5-6
	Repackaging for Shipment	5-7
SECTION 6 PERFORMANCE CHECK/CALIBRATION		
	Introduction	6-1
	Test Equipment Required	6-1
	Short Form Procedure	6-2
	Preliminary Procedure	6-3
	Check -12.2-Volt Power Supply	6-5
	Check Interdot Blanking	6-6
	Check Dot Response and Smoothing	6-7
	Adjust Memory Gate Width (R460) and Memory Gain (C275) With Normalizer Head	6-7

TABLE OF CONTENTS (cont)

	Adjust Memory Gate Width (R460) and Memory Gain (C275) With Sampling Head	6-8
	Adjust Variable Balance (R305) and Smoothing Balance (R245)	6-9
	Check Deflection Factor Accuracies, Variable Control Range and Adjust GAIN	6-10
	Check Memory Overdrive Recovery	6-11
	Check Vertical Signal Out	6-11
	Check Vertical Gain Change in SMOOTH	6-11
	Check Memory Slash	6-11
	Check Delay	6-12
	Check/Adjust Real Time Sampling (R415)	6-12
	Check DC Offset and Adjust Position (R325)	6-12
	Check Real-Time Trigger Amplifier Output	6-14
SECTION 7	ELECTRICAL PARTS LIST	
	Abbreviations and Symbols	
	Parts Ordering Information	
	Index of Electrical Parts List	
	Electrical Parts List	
SECTION 8	DIAGRAMS AND MECHANICAL PARTS ILLUSTRATIONS	
	Diagrams	
	Mechanical Parts Illustrations	
	Repackaging Instructions	
SECTION 9	MECHANICAL PARTS LIST	
	Mechanical Parts List Information	
	Index of Mechanical Parts Illustrations	
	Mechanical Parts List	
	Accessories	

CHANGE INFORMATION

Abbreviations and symbols used in this manual are based on or taken directly from IEEE Standard 260 "Standard Symbols for Units", MIL-STD-12B and other standards of the electronics industry. Change information, if any, is located at the rear of this manual.

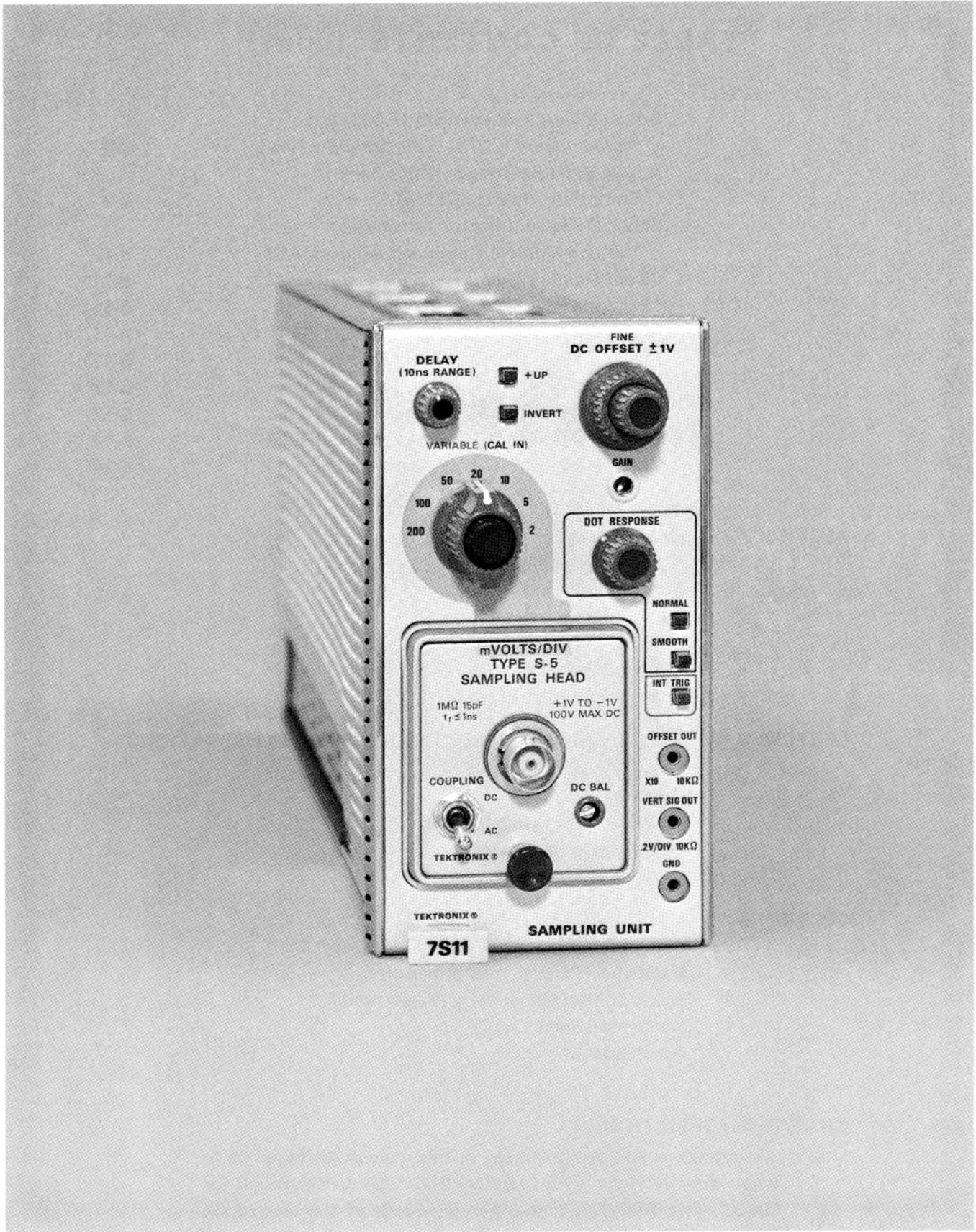


Fig. 1-1. 7S11 Sampling Unit.

SECTION 1

7S11 SPECIFICATION

Change information, if any, affecting this section will be found at the rear of the manual.

General Information

The 7S11 Sampling Unit is a single channel vertical amplifier plug-in unit designed for operation in Tektronix 7000-Series Oscilloscopes. The 7S11 accepts the S-Series Sampling Heads. The Sampling Head determines the input characteristics and the availability of a trigger pickoff.

The S-Series Sampling Head used can be plugged into the 7S11 or used remotely on an optional extender cable unit. The 7S11 provides the power for the sampling head. Interconnections to the sampling head circuits are provided by the connector in the sampling head compartment of the 7S11.

The 7S11 and a 7T11 Sampling Sweep Unit operated in the center plug-in compartments of a 7000-Series oscilloscope provide a single channel sampling system. Two 7S11's and one 7T11 provide dual-trace sampling, using the electronic switching in the oscilloscope vertical amplifier. X-Y operation is provided by two 7S11's operated in the center plug-in compartments of the oscilloscope.

If a trigger pickoff is provided in the sampling head, interconnections between two 7S11's and the 7T11 through the fixed and movable shoes provide a trigger selection circuit to trigger the 7T11. An internally reconstructed signal is provided to trigger a real-time time-base such as the 7B50.

Sampled signals are presented to both the oscilloscope vertical amplifier and to the front panel connectors for external use with auxiliary equipment such as pen recorders.

TABLE 1-1
ELECTRICAL

Characteristic	Performance
Deflection Factor	
Units/Division Range	2 to 200 in seven steps in 1, 2, 5 sequence. The Units/Division are those labeled on the sampling head.

TABLE 1-1 (cont)

Characteristic	Performance
Gain Accuracy (Ratio to add to accuracies of source, oscilloscope, attenuators, etc.)	Within 3% when NORMAL/SMOOTH function is NORMAL, with GAIN adjusted at any Units/Division switch setting. Within 6% when NORMAL/SMOOTH function is SMOOTH.
Units/Division Variable Range	Extends deflection factor from 1 unit/division or less to at least 400 units/division.
GAIN Range	Permits adjustment of deflection factor at any Units/Division switch setting for all 7000-series oscilloscopes.
DELAY Range	At least 10 ns.
Memory Slash	0.1 division or less at 20 Hz for ambient temperature of 0°C to less than 30°C.
DC OFFSET Range	+1 volt to -1 volt or more. ¹
OFFSET OUT	
Range	+10 volts to -10 volts or more.
Relation to actual Offset	Actual Offset = (0.1) (Offset Out) within 2%.
Source resistance (related to actual Offset)	10 kΩ within 1%.
VERTICAL SIGNAL OUT	
Amplitude in volts (Referenced to input)	(Signal input in volts) $\left(\frac{200}{\text{Units/Div}}\right)$ within 2%. 2.4 volts peak-to-peak maximum.
Deflection factor (Referenced to CRT)	200 mV/displayed division within 3% in +UP or INVERT.
Source resistance	10 kΩ within 0.5%.

¹ Unless otherwise stated on sampling head front-panel.

Specification—7S11

ENVIRONMENTAL CHARACTERISTICS

Storage-altitude up to 50,000 feet or 15,000 meters and -55°C . Operating characteristics are the same as those listed in the 7000-series oscilloscope manual.

PHYSICAL CHARACTERISTICS

Dimensions	
Height	5 inches (12.7 centimeters)
Width	3 inches (7.6 centimeters)
Length	14 1/2 inches (37 centimeters)

Approximate dimensions including knobs and connectors.

Finish	Front panel is anodized aluminum.
Weight	
Net	About 2 pounds (0.9 kilogram).
Shipping	About 3 1/4 pounds (1.46 kilograms).

STANDARD ACCESSORIES

Standard accessories supplied with the 7S11 are listed on the last page of the Mechanical Parts List section. For optional accessories available for use with this instrument, see the Tektronix, Inc. catalog.

SECTION 2

OPERATING INSTRUCTIONS

Change information, if any, affecting this section will be found at the rear of the manual.

General Information

This section discusses installation, first time operation, function of front panel controls and connectors, basic operation and applications of the 7S11. If you are unfamiliar with sampling, it may be helpful to read Section 3, Basic Tektronix Sampling Principles, before proceeding with this section.

The 7S11 is a single-channel sampling unit for use in a sampling system consisting of a Tektronix 7704 or 7504 Oscilloscope mainframe, a sampling sweep unit (7T11) or real-time time-base and a 7S11-sampling head combination. The 7S11 accepts an S-series sampling head which determines the input characteristics of the sampling system and (except for the Type S-3 Sampling Head) provides a trigger pickoff.

The 7S11 can be used for real time operation with real-time time-base units such as the 7B71 or 7B70 with the 7704 Oscilloscope, or the 7B51 or 7B50 with the 7504 Oscilloscope. An internal trigger source from the display signal is provided for real time operation. Nevertheless, the maximum useable sweep rate is about .1 ms/div (with a 1 kHz signal), since at higher frequencies the horizontal dot size increases and the number of dots per division becomes less than three.

The vertical deflection factors of 2 to 200 are calibrated to the units labeled on the sampling head. Three-foot and six-foot sampling head extender cables are available to operate the S-series sampling heads remotely. Order the three-foot sampling head extender cable by Tektronix Part No. 012-0124-00. Order the six-foot sampling head extender cable by Tektronix Part No. 012-0125-00. Contact your local Tektronix Field Engineer or Representative for price and availability of these optional accessories.

Installing the 7S11 in the Oscilloscope

Insert the 7S11 into the Right Vertical opening of the oscilloscope and slide the 7S11 completely into the compartment. The 7S11 will lock into place with the spring loaded latch knob.

Insert the sampling head into the 7S11 with the latch knob free to move until completely in the 7S11, then push the latch to lock the head in place. To remove, pull the latch knob away from the panel, then pull the unit from the 7S11.

The 7T11 Sampling Sweep Unit, normally used with the 7S11, must be installed in the A Horizontal opening next to the 7S11 to make connections between the two units through side connectors (the movable and fixed shoes).

Mating

The 7S11 Vertical Output Amplifier gain must be matched to the oscilloscope CRT deflection factor for accurate gain measurements. The GAIN control, a screwdriver adjustment on the front panel, adjusts the Vertical Output Amplifier gain of the 7S11. Adjustment of this GAIN control using the Type 284 Pulse Generator as a signal source is shown under Equivalent Time Sampling Operation which follows. For further Gain information, refer to the Gain Adjustment instructions later in this section.

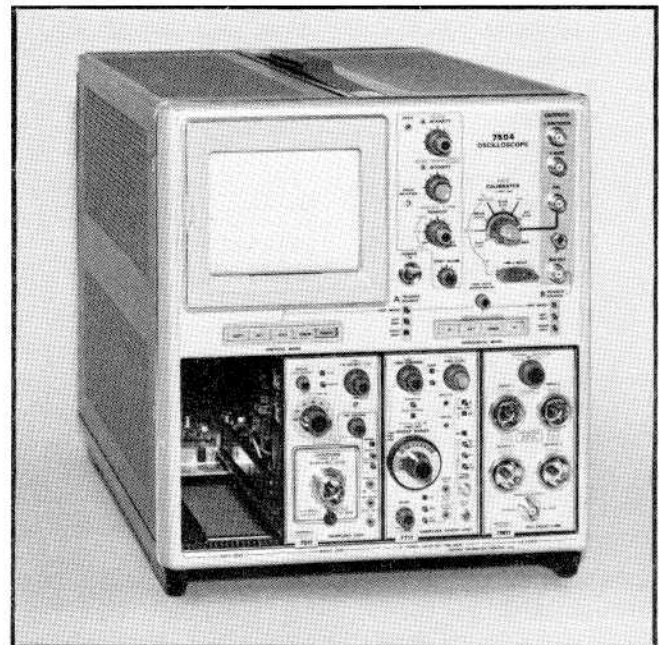


Fig. 2-1. Equivalent time sampling system.

FIRST-TIME OPERATION

Equivalent-Time Sampling Operation

Equivalent time sampling operation as described here is provided by a system consisting of the 7504 Oscilloscope, the 7S11 Sampling Unit, the Type S-1 Sampling Head, and the 7T11 Sampling Sweep Unit. The system is shown in Fig. 2-1. Operation of the oscilloscope, sampling head, and the sampling sweep unit is covered more fully in each instrument's manual. In this description, a Type 284 Pulse Generator is used as a signal source.

Set the Oscilloscope Vertical Mode switch to Right, the A Trigger Source switch at Right Vert, and the Horizontal Mode switch to A. Other oscilloscope controls may be in any desired position.

Set the 7S11 controls as follows:

DELAY	Midrange
+ UP/INVERT	+ UP
DC OFFSET and FINE	Midrange
VARIABLE	Pushed in
Units/Div	200
DOT RESPONSE	Midrange
NORMAL/SMOOTH	NORMAL

Set the 7T11 controls as follows:

Time Position and Fine	Fully clockwise
Slope	+
Trig Level	Midrange
Stability	Fully counterclockwise
Random/Sequential	Sequential
Trig Amp	X10
Variable	Pushed in
Time/Div	.1 μ s
Sweep Range	5 μ s
Int/Ext	Int
Scan	Midrange
Rep/Man/Ext Input	Rep

Type 284

Square Wave Amplitude	1.0 V
Period	1 μ s
Mode	Square Wave Output
Lead Time	75 ns

Connect the Square Wave Output signal of the Type 284 through a 5 ns coaxial cable (Tektronix Part No. 017-0512-00) to the input connector of the Sampling Head installed in the 7S11.

Center the trace on the graticule with the DC OFFSET control and adjust the Trig Level and Stability controls on the 7T11 clockwise for a stable display. The GAIN adjustment is properly set if the amplitude is 5 vertical divisions. If the amplitude is not correct, adjust the GAIN control with a small screwdriver for 5 divisions of vertical deflection.

NOTE

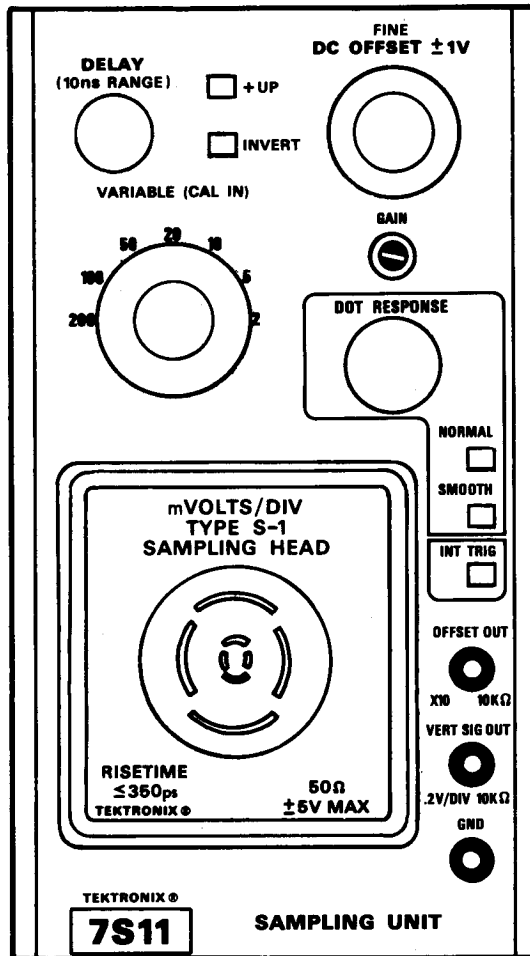
Operating the sampling head without the input connector terminated by a 50 Ω resistor or coaxial cable will cause a few millivolts vertical shift to the zero signal baseline. This occurs because of the strobe kickout signal is reflected from the open input connector. The kickout signal arrives back at the sampling bridge during sampling time, while the bridge is still conducting. To avoid this baseline shift, connect the input circuitry, then set the display zero reference point. Use at least 20 cm of airline between the Type S-1 input and a fast generator (such as a tunnel diode pulse generator) or circuit that is sensitive to the fast Strobe kickout signal.

CONTROLS AND CONNECTORS

A brief description of the function and operation of the controls and connectors of the 7S11 follows. The control setup chart, Fig. 2-2, shows the front panel with an S-series sampling head installed. This figure may be reproduced and used as a test setup record for special applications or procedures, or it may be used as a training aid for familiarization with this instrument.

DELAY (10 ns RANGE)	Varies the time position of the applied signal in relation to displayed signals from other vertical instruments operating in the same main-frame.
+UP/INVERT	In the + UP button setting, a positive input signal deflects the CRT beam upward. In the INVERT push button setting, the displayed signal is inverted, a negative signal deflects the CRT beam upward.
DC OFFSET ± 1 V	Applies internal signal offset voltage of +1 to -1 volt to the sampling head. The input signal zero reference (related to the CRT) is the DC Offset voltage instead of ground. Permits all portions of a +1-volt input signal to be positioned through the CRT graticule area vertically even at a deflection factor of 2 units per division. Verti-

TYPE 7S11 SAMPLING UNIT SETUP CHART



DATA:

Fig. 2-2. Control Setup Chart.

cal deflection total is 16 mV with a deflection factor of 2 mV/Div, and 1.6 V when the deflection factor is 200 mV/Div. The front panel OFF-SET jack allows accurate slide-back voltage measurements to be made of part or all of a signal at 10X the actual offset voltage applied to the head.

FINE Provides vernier control of the DC Offset function. Concentric with the DC OFFSET ± 1 V control.

Units/Div Selects calibrated deflection factor from 200 units/div to 2 units/div in a 1-2-5 sequence. The units are selected and named on the adjacent S-series sampling head. For example, with a Type S-1 Sampling Head, the Units/Div switch set at 100, each major division of deflection corresponds to 100 millivolts of applied signal at the S-1 input connector when the VARIABLE control is at the (CAL IN) position.

VARIABLE (CAL IN) Provides uncalibrated, variable vertical deflection factor between labeled values of the Units/Div switch. When the VARIABLE control is rotated from the counter-clockwise position, displayed amplitude varies from less than 0.5 to more than 2.5 times the calibrated displayed amplitude.

DOT RESPONSE Permits adjustment of loop gain for optimum dot transient response when the NORMAL/SMOOTH switch is in the NORMAL position.

GAIN Screwdriver adjustment permits calibration of the vertical output amplifier gain to match the oscilloscope CRT deflection factor.

NORMAL/SMOOTH Selects unity loop gain at the NORMAL push button setting. Reduces the loop gain to 0.3 or less at SMOOTH push button setting. NORMAL provides the correct loop gain required when measuring risetime. SMOOTH reduces the effect of random noise on the display while requiring high sampling dot density for the correct displayed risetime.

INT TRIG Push button selects internal trigger operation between two 7S11's. Internal triggering is canceled when associated time base in the same 7000-series mainframe is switched to external triggering. Lights up when internal triggering is restored.

OFFSET OUT X10 10 k Ω Unless otherwise specified on the sampling head front-panel, the open circuit voltage at this miniature connector is ten times the internal DC Offset voltage as set by the DC OFFSET control. The output resistance is 10 k Ω .

VERT SIG OUT .2 V/DIV 10 k Ω A facsimile signal (the same Memory output signal that drives the Vertical Amplifier) is available at this miniature connector. The .2 V/DIV label applies only when the VARIABLE control is at its CAL IN position and is limited to about 2.5 V maximum. (The VARIABLE control alters the CRT deflection factor but does not change the signal amplitude fed to the VERT SIG OUT miniature connector.) Output voltage swing is not limited to the magnitude displayed on the CRT. Permits a non-sampling type oscilloscope to monitor the facsimile signal. Output resistance is 10 k Ω .

GND Miniature connector provides a convenient front-panel ground point.

BASIC OPERATING INFORMATION

Dual Trace

The dual-trace features of the 7504 Oscilloscope Vertical Mode permits observation of two 7S11 displays simultaneously. This is useful for comparing amplitude, risetime, waveshape, and time relationship of two signals. The sweep can use either 7S11 as the internal trigger source. Be sure to trigger from the 7S11 with the earliest signal event. Use input signal cables with equal delays to preserve the time relationship of the two signals.

The DELAY control adds a variable to the time coincidence of the two signals to accommodate small time difference in cables or sampling heads, so that both signals can be displayed in the correct time relationship.

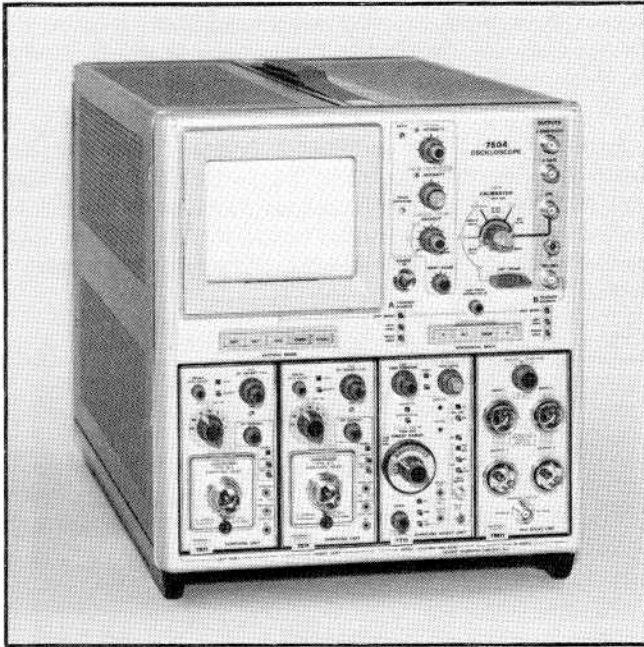


Fig. 2-3. Dual trace operation.

Dual-trace sampling operation requires two 7S11 Sampling Units, a 7T11 Sampling Sweep Unit, and two S-series sampling heads installed in the 7504 Oscilloscope. As with single-trace operation, the 7T11 must be installed in the A Horiz opening adjacent to the 7S11 for internal triggering connections. The second 7S11 is installed in the Left Vert opening. See Fig. 2-3. Set the controls as follows:

7S11 Sampling Units

DELAY	Midrange
+UP/INVERT	+UP
DC OFFSET and FINE VARIABLE	Midrange
Units/Div	Pushed in
DOT RESPONSE	50
	Unity loop gain (Fig. 2-5)
NORMAL/SMOOTH	NORMAL

7T11 Sampling Sweep Unit

Time Position and Fine Slope	Fully clockwise +
Trig Level and Stability	For triggered display
Random/Sequential	Random
Trig Amp	X1
Variable	Pushed in
Time/Div	5 μ s
Sweep Range	50 μ s
Int/Ext	Ext 50 Ω 2 V MAX
Scan	9 o'clock setting
Rep/Man/Ext Input	Rep

Type 284 Pulse Generator

Mode	Pulse Output
Lead Time	75 ns

Set the 7504 Oscilloscope Vertical Mode switch to Chop. Connect the Type 284 Pulse Output signal to the sampling head input connectors through a power divider and two 5 ns coaxial cables. Connect the Type 284 Trigger Output signal to the 7T11 Trig Input connector through a 50 Ω coaxial cable and 3 mm to BNC adapter, supplied with the 7T11.

Adjust the 7T11 Trig Level control for a stable display. Center both traces on the graticule vertically with the DC OFFSET controls. This properly triggered dual-trace display will be similar to Fig. 2-4A.

Time Position. To show DELAY control operation, change the 7T11 Sweep Range switch to 5 μ s and the Time/Div switch 2 ns. Turn the Time Position control counterclockwise to place the rising portion of the pulses on the graticule. Time difference between the two displays should be eliminated by adjusting one or both DELAY controls.

Add

The algebraic addition of two signals can be obtained with the Oscilloscope Vertical Mode switch set in the Add position. The DELAY control can be used to compensate for small time differences between displays before making accurate algebraic addition of the two signals. For accurate algebraic addition, both sampling heads should be same type. Use the same display as described under dual-trace time positioning.

The two signals can be superimposed using the DC OFFSET and DELAY controls for most accurate time coincidence setting. Set the Oscilloscope Vertical Mode switch to Add. The superimposed signals at dual-trace will be similar to the display of Fig. 2-4B.

Push the INVERT switch on one 7S11. The display shown in Fig. 2-4C is nearly a straight line indicating equal and opposite signal amplitude. Rotate the DELAY control of either 7S11 and notice that any time difference between the two displays will appear as a pulse, either positive or negative depending on the time position relative to the time coincidence.

Dot Response. The loop gain of the sampling unit is changed with adjustment of the DOT RESPONSE control. Random process sampling (available with the 7T11) or

Operating Instructions—7S11

multiple triggering (with a real-time time-base) are convenient ways to adjust the DOT RESPONSE control to a setting of unity loop gain (each sample responding to the full

signal amplitude). 100 millivolts with the Type 284 Pulse Output signal applied to two inputs through the power divider (keeping the same signal connections as above) would use the Random mode of the 7T11.

Push the +UP switch and the Oscilloscope Vertical Mode switch Left or Right button. Observe the display as the DOT RESPONSE control is rotated clockwise and counter-clockwise. A setting of unity loop gain occurs when the random dots do not overshoot or undershoot the display, see Fig. 2-5.

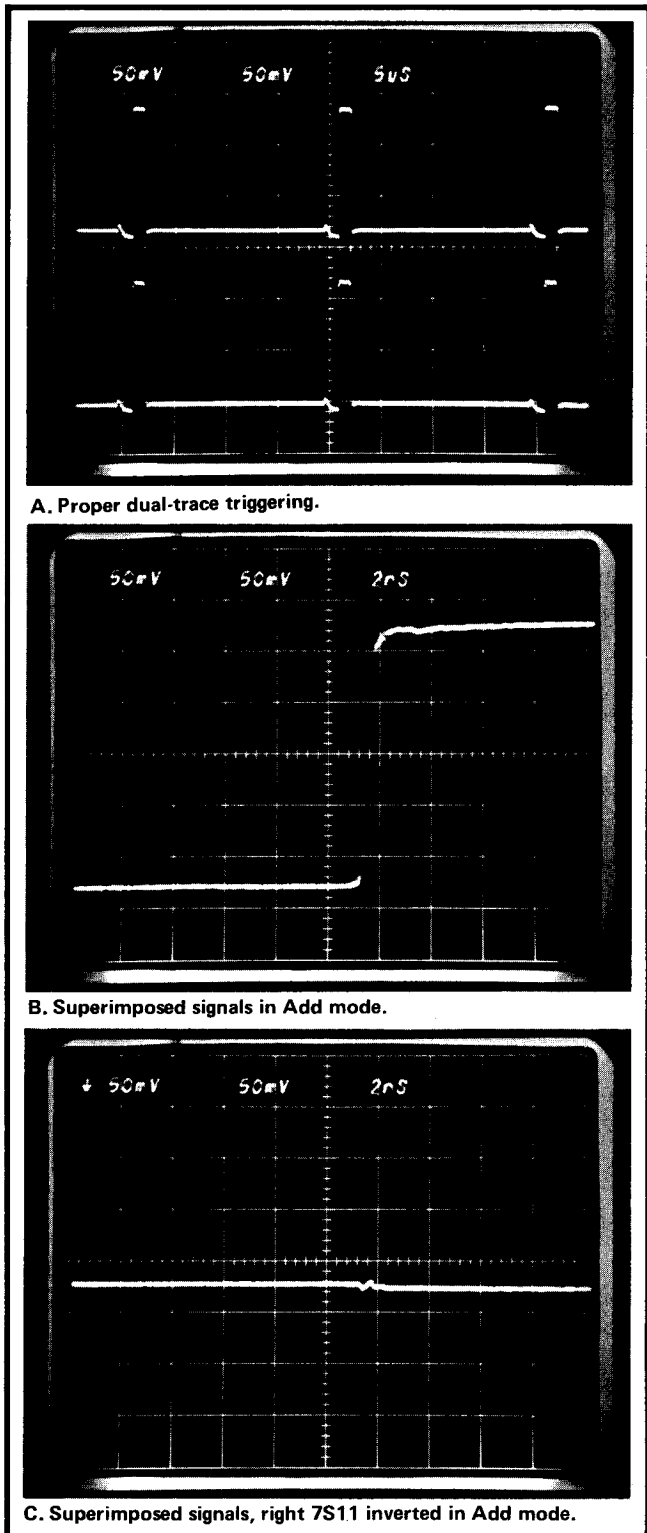


Fig. 2-4. Displays of dual-trace (Chop) and Add operation.

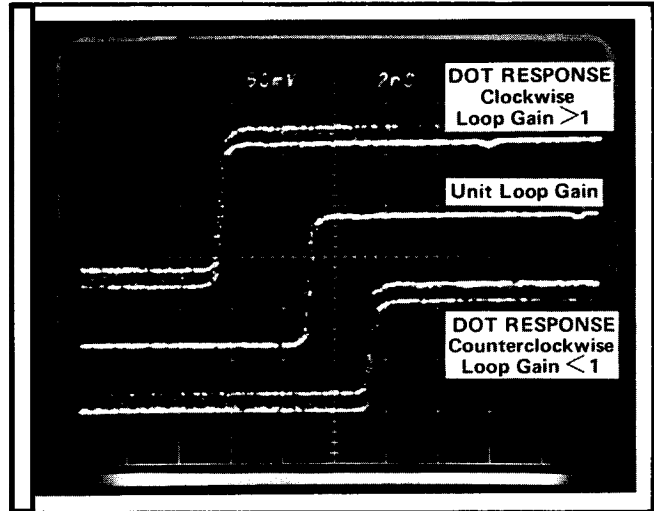


Fig. 2-5. Loop gain adjustment, triple exposure.

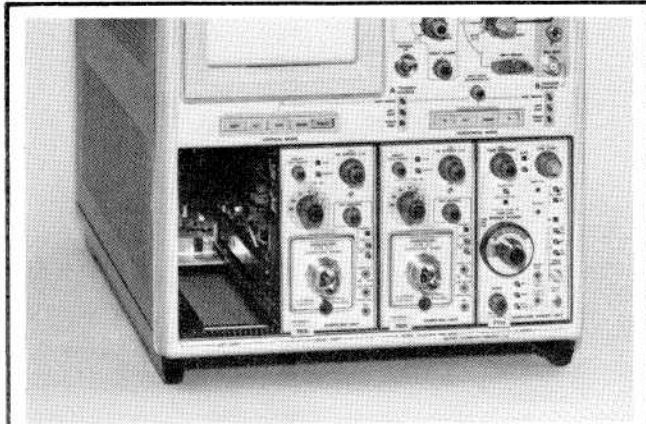
Vertical-Horizontal (X-Y)

Two 7S11 Sampling Units operated in the center compartments (Right Vert and A Horiz) of the 7504 Oscilloscope will produce the X-Y display for phase difference calculations. See Fig. 2-6A. Any time-related signals which do not exceed sampling head input specifications may be used at the input connectors.

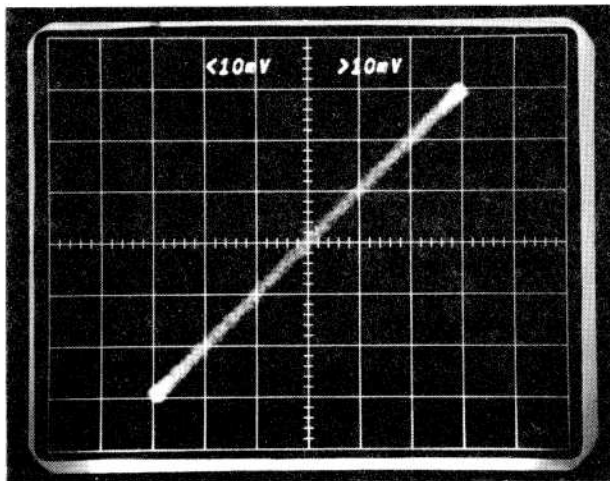
The 7S11 in the Right Vert compartment controls the vertical deflection and the 7S11 in the A Horiz compartment controls horizontal deflection. Set the Oscilloscope Vertical Mode switch at Right and the Horizontal Mode to A Horiz. To produce a Lissajous figure, apply a sine wave to both input connectors through the power divider and 5 ns coaxial cables. The Type 284 1 ns Sine Wave Output can be used. Set the Units/Div switches at 10 and VARIABLE controls for a 6 division display both vertically and horizontally; the DELAY control of either 7S11 can be used to give a circle display (90° out of phase) or a diagonal straight line (0° or 180° out of phase) for setting the 6 divisions. Set the DELAY control for the diagonal straight line to eliminate phase difference at the 5 ns coaxial cable inputs.

After these adjustments, the system is ready to show accurate phase difference displays over a wide range of frequencies. Connect the signals to the 5 ns coaxial cable in-

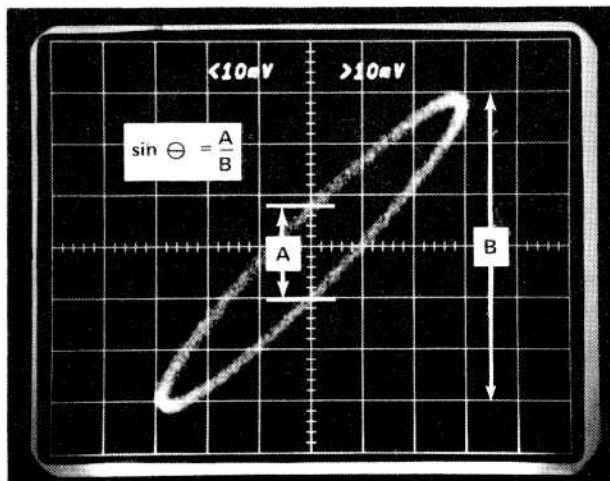
puts. Fig. 2-6C shows a method for calculating the phase difference between the two signals.



A. Installed Sampling Units.



B. In phase display.



C. Calculation of Θ method.

Fig. 2-6. X-Y operation.

Real Time Sampling



Never operate the real-time time-base without the side covers in place because of possible damage to the movable shoe contacts or to parts in the time-base unit.

Real Time Sampling operation uses the three slowest ranges of the 7T11 Sweep Range switch or a real-time time-base unit such as the 7B50, 7B51, 7B70 or 7B71. The 7S11 provides oscillator controlled Strobe Drive pulses to the sampling head, independent of the real-time time-base unit. The repetitive Strobe Drive pulses are turned on when the 7T11 Sweep Range switch is at the 50, 5, and .5 ms ranges or when the time-base unit is a real-time time-base unit. Real time internal triggering is available even when the sampling head does not contain a trigger pickoff circuit. Install the 7S11 and real-time time-base units in the center compartments (or the Left Vert and B Horiz) of the oscilloscope.

The 7504 Oscilloscope Calibrator Output of 1 kHz, Amplitude switch at 0.4 V into 50 Ω may be used as the signal source. Connect the Calibrator Output to the sampling head input connector through a 50 Ω coaxial cable and BNC to GR adapter. Set the Units/Div switch to 100 and the time-base unit Time/Div switch to .5 ms. Obtain a stable display with the Level/Slope control or the Trig Level and Stability controls.

Real time sampling offers DC offset capabilities matched with good overload recovery. Random noise in the display can be reduced through smoothing with the DOT RESPONSE control and SMOOTH operation.

NOTE

Type S-5 Sampling Head vertical noise may be reduced for real time sampling by lowering the oscillator frequency by adjusting Rep Rate control (R415). This also will lower the dot density.

Gain Adjustment

The GAIN control (a front-panel screwdriver adjustment) matches the gain of the 7S11 vertical output amplifier to the Oscilloscope CRT deflection factor. The gain should be checked and adjusted each time the 7S11 is used with a different oscilloscope. A 1% difference is possible between channels.

An accurate voltage source should be used into the input connector of the sampling head. The signal source impedance must be considered when it drives the input of a 50 Ω sampling head.

For 50 Ω input sampling heads, the Tektronix Type 284 (within 0.5% at 10 μ s and 1 μ s), the 50 Ω Amplitude Calibrator within 0.25%, or a precision chopped voltage can be

7S11

DELAY	Midrange
+UP/INVERT	+UP
DC OFFSET and FINE	Midrange
VARIABLE	Pushed in
Units/Div	200
DOT RESPONSE	Midrange
NORMAL/SMOOTH	NORMAL

7S11

DELAY	Midrange
+UP/INVERT	+UP
DC OFFSET and FINE	Midrange
VARIABLE	Pushed in
Units/Div	100
DOT RESPONSE	Unity loop gain
NORMAL/SMOOTH	NORMAL

7T11

Time Position and Fine	Fully clockwise
Slope	+
Trig Level	Triggered display
Stability	Triggered display
Random/Sequential	Sequential
Trig Amp	X1
Variable	Pushed in
Time/Div	.2 μ s
Sweep Range	50 μ s
Int/Ext	Ext
Scan	9 o'clock position
Rep/Man/Ext Input	Rep

7T11

Time Position and Fine	Fully clockwise
Slope	+
Trig Level	Triggered display
Stability	Triggered display
Random/Sequential	Sequential
Trig Amp	X1
Variable	Pushed in
Time/Div	.5 ms
Sweep Range	50 ms
Int/Ext	Int
Scan	Optional
Rep/Man/Ext Input	Rep

Type 284

Square Wave Amplitude	1.0 V
Period	1 μ s
Mode	Square Wave Output
Lead Time	Optional

7504

Calibrator Volts	4 V (0.4 V into 50 Ω)
Rate	1 kHz

used. The Oscilloscope Calibrator output, with an accuracy within 1%, can be used also.

Using the Type 284. Set the controls as follows using the Type 284, accuracy within 0.5% producing 7S11 deflection factor better than 3.5%, as the signal source to check or adjust the GAIN control of the 7S11 and 50 Ω sampling head:

Connect the Square Wave Output signal from the Type 284 to the sampling head input connector through a coaxial cable. Connect the Trigger Output signal from the Type 284 to the 7T11 Trig Input connector through a coaxial cable and BNC to 3 mm adapter.

Adjust the 7T11 Trig Level control for a stable display. Center the trace on the graticule with the DC OFFSET controls and observe the square wave amplitude. If the amplitude is not 5 vertical divisions, adjust the GAIN control with a small screwdriver for 5 vertical divisions.

Using Oscilloscope Calibrator. Set the controls as follows using the Oscilloscope Calibrator as the signal

source to check or adjust the GAIN control of the 7S11 and 50 Ω sampling head. The 1 kHz, 0.4 V output has an accuracy of $\pm 1\%$, producing a 7S11 deflection factor accuracy better than 4%.

Apply the signal from the Oscilloscope Calibrator Volts output connector to the sampling head input connector through a BNC coaxial cable and BNC to GR adapter. Adjust the Trig Level control for a stable display of the square wave. Set the DOT RESPONSE control to unity loop gain (no overshoot or undershoot at the leading front corner).

Center the trace on the graticule with the DC OFFSET controls and observe the amplitude. If the amplitude is not 4 vertical divisions, adjust the GAIN control with a small screwdriver for 4 vertical divisions.

Vertical Signal Output

A composite signal is available at the Vertical Signal Output jack (VERT SIG OUT). This signal is taken after the sampling process and is a proportional representation of the display signal rather than the input signal itself. In real time sampling, the output signal voltage follows the rate of the internal real time oscillator. The open circuit voltage at the jack is 200 millivolts per division of display when the VARIABLE control is pushed in. The output resistance is

10 k Ω . The signal is not affected by the Oscilloscope Vertical Mode switch. The signal is changed by the Units/Div switch, the DC OFFSET controls, and the NORMAL/SMOOTH switches. The INVERT switch does not invert the signal. Output voltage swing is limited to 2.5 volts peak or about 6 divisions above and below the graticule center depending on the actual position. The Units/Div switch is active but the output voltage is always proportional to the CRT display (0.2 V/Div) up to 12 divisions maximum peak to peak. Since the signal at the Vertical Output jack is an equivalent time signal, it is useful for pen recorder applications when the sampling sweep unit external input is driven by the recorder.

The OFFSET OUT monitor jack permits accurate measurement of the DC voltage set by the DC OFFSET controls. The output voltage has a range of +10 to -10 volts. Unless otherwise specified on the sampling head front panel, the monitor jack output voltage is ten times the internal DC offset voltage. The output resistance is 10 k Ω .

BASIC APPLICATIONS

Vertical Deflection Measurements

Vertical displacement of the trace on the CRT is directly proportional to the signal at the sampling head input connector installed in the 7S11. The amount of displacement for a given signal can be selected with the Units/Div switch. To provide sufficient deflection for best resolution, set the Units/Div switch so the display spans a large portion of the graticule. Also, when measuring between points on the display, be sure to measure consistently from either the bottom, middle, or top of the trace. This prevents the width of the trace from affecting the measurements.

To make a vertical deflection difference measurement between two points on the display, proceed as follows:

1. Note the vertical deflection, in graticule divisions, between the two points on the display. Make sure the VARIABLE control is in the CAL position.

NOTE

The vertical deflection factor is determined by the Units/Div switch and the value of the units of measure as stated on the sampling head front panel. The ratio of the input signal to the resultant deflection is called the deflection factor. For example, with the sampling head unit values stated as mV/Div, and the Units/Div switch set to 20, the vertical deflection factor will be 20 mV/division.

2. Multiply the divisions of vertical deflection by the deflection factor, and the external attenuator or probe

attenuation factor (if any). The product is the voltage difference between the two points measured.

For example, suppose you measure 4.4 divisions of deflection between two points on the display and the Units/Div switch is set for 20 mV/Div. Multiply 20 millivolts/division by 4.4 divisions, the product is 88 millivolts. This is the voltage difference at the input connector between the two points on the display. Now assume there is a 10X external attenuator (probe) between the input connector and the signal source. To determine the actual signal voltage at the source, multiply 10 (the attenuation factor of the probe) by 88 millivolts; this product (880 millivolts or 0.88 volts) is the actual voltage at the signal source.

It is also possible to measure an instantaneous (or DC) voltage to ground from the display. This measurement is accomplished in the same manner, except that with no signal applied, you must first establish a ground-reference point on the CRT.

NOTE

To establish the ground reference point be sure the input connector is either terminated by a 50 Ω resistor or coaxial cable connected to the input.

To do this, trigger the sampling sweep unit with the signal source and display a trace. Then, position the trace so it is exactly aligned with one of the graticule lines. The actual graticule line you select will be largely determined by the polarity and amplitude of the applied signal. After establishing the ground reference, make no further adjustments with the DC OFFSET control.

Apply the signal and measure the voltage in the manner previously described. Make all measurements from the established ground reference point. Accuracy of this measurement is within $\pm 3\%$.

If the applied signal has a relatively high DC level, the ground-reference point and the actual signal may be so far apart that neither will appear on the CRT. In this case, refer to the following discussion on "Voltage Measurements Using the DC Offset Control."

Voltage Measurements Using the DC OFFSET Control. Unless otherwise stated on the sampling head front panel, the DC offset voltage cancels the effect of an applied DC voltage of up to ± 1 volt at the sampling head input. Also, accurate slideback amplitude measurements of the applied signal can be obtained by positioning the display at various points and measuring the amount of voltage change at the OFFSET OUT monitor jack.

Operating Instructions—7S11

Source resistance for the voltage at the OFFSET OUT monitor jack is 10 k Ω ; therefore, meter loading may be a factor if other than an infinite-impedance meter is used. The accuracy of the DC offset voltage measurement depends on the accuracy and the loading effect of the measuring device. The following measuring devices are recommended, in order of preference, for monitoring voltage at the OFFSET jacks.

- (1) Differential, non-loading DC voltmeter accurate within 0.2% or better. This type of device provides absolute offset voltage measurements accurate within 2%. Measurements of small changes in offset voltage can be made more accurately than 2%.
- (2) Vacuum-tube voltmeter with an input impedance of at least 10 megohms. Accuracy of the VTVM should be as high as practical.
- (3) Zero-center ± 1 mA milliammeter with as high an accuracy as practical. The milliammeter should be connected directly between the OFFSET OUT monitor jack and ground. When using a milliammeter, 1 milliampere is equivalent to 1 volt of the actual offset voltage. The loading effect is within 2% + the error percentage determined by: $100 (R_{\text{meter}}/10000)$.

Slideback Measurement Procedure. To measure the voltage difference between two points on a waveform (such as peak or peak-to-peak volts), proceed as follows:

1. Set the DC OFFSET control to about midrange.
2. Apply the signal to be measured to the sampling head input. Adjust for a stable display with about 7 divisions of vertical deflection between the two points of the signal to be measured.
3. With the DC OFFSET controls, move one of the points to be measured to the center line of the graticule and measure the voltage at the OFFSET OUT monitor jack. Use one of the measuring devices mentioned previously.
4. With the DC OFFSET control, move the display so the other point to be measured is aligned with the center-line of the graticule and again measure the voltage at the OFFSET OUT monitor jack.
5. Find the difference between the voltage measured in step 3 and the voltage measured in step 4, and divide by 10.

The result is the voltage difference, in volts, between the two points on the waveform. This voltage tolerance is $\pm 2\%$ of the input signal plus the tolerance and loading effect of the measuring device.

Use of Smoothing

Random process sampling does not generally permit the use of smoothing. This process requires unity loop gain to construct a coherent display from the samples taken at random. When using random process sampling, operate the 7S11 with the NORMAL switch pushed in, and adjust the DOT RESPONSE control to unity loop gain.

Normal process sampling does permit the use of smoothing. Time and amplitude noise may sometimes be objectionable when operating at minimum deflection factors or maximum sweep rates. For Smoothing operate the 7S11 with the SMOOTH switch pushed in.

This will reduce the random noise by about one half by decreasing the gain of the sampling feedback loop. Fig. 2-7 shows the advantage of using smoothing when observing a low-amplitude signal.

Dot Density. Normally the risetime of the display will not be significantly affected in smoothed operation if the dot density is sufficient. If, however, the display waveform shape is affected when the SMOOTH switch is pushed in, a compromise must be made between smoothing and dot density. Fig. 2-7C illustrates the effect produced when the dot density is low with smoothed operation. This effect can be compared to the high dot density of the same input signal as shown in Fig. 2-7B.

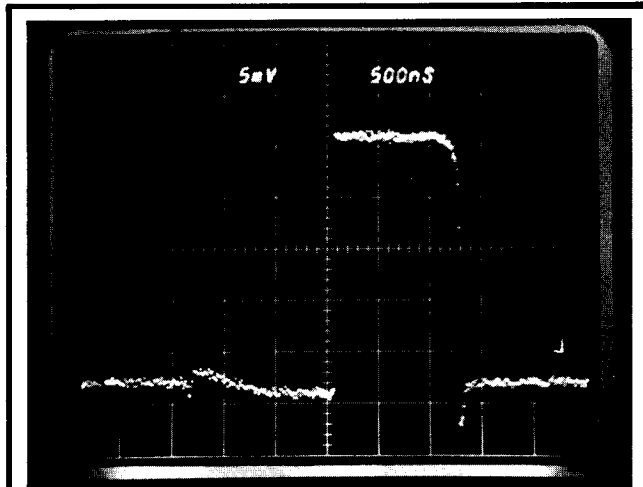
"False" Displays

Because sampling displays only a fraction of any one cycle of a repetitive signal, it is sometimes possible to obtain a false equivalent-time display of the signal. The incorrect equivalent-time display occurs when the sampling rate is an exact multiple of the signal rate. Each sample vertical position represents the correct signal amplitude, but an incorrect number of samples is taken, causing the false equivalent-time display.

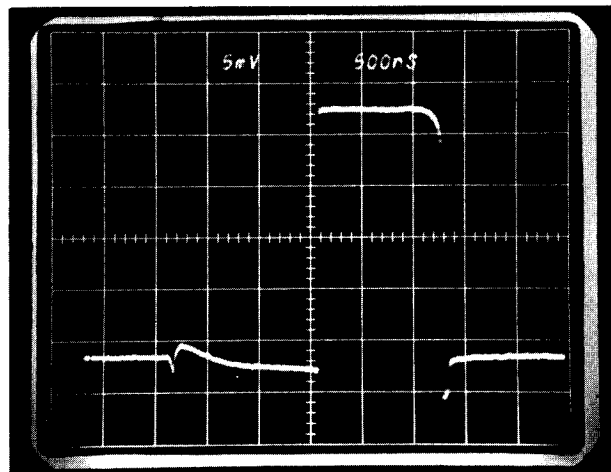
False equivalent-time displays can be detected by changing the sampling sweep unit Scan control; i.e., changing the dot density. Occasionally such a false equivalent-time display occurs when the sampling sweep unit triggering circuit is adjusted to free run, and at the same time the triggering signal amplitude synchronizes it falsely. Any time the display equivalent time changes when changing the dot density, alter the Time/Div switch to obtain a display with an

equivalent time that does not change with dot density change. Usually the sweep rate should be increased (turn the Time/Div control clockwise), but some false displays can be obtained when the signal repetition rate is slower than can be shown by equivalent-time normal process samp-

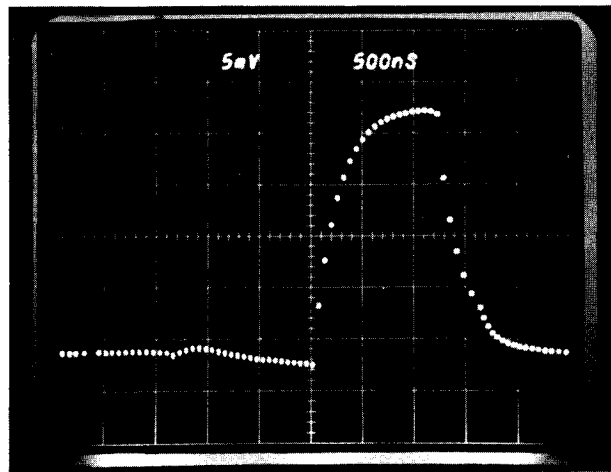
ling. When that occurs, the display can usually be corrected by changing to real-time sampling. Fig. 2-8 gives an example of a false and a correct display for two sweep rates when the signal is a 500 MHz sine wave.



A. Normal operation.



B. Smoothed operation.



C. Smoothed operation, low dot density.

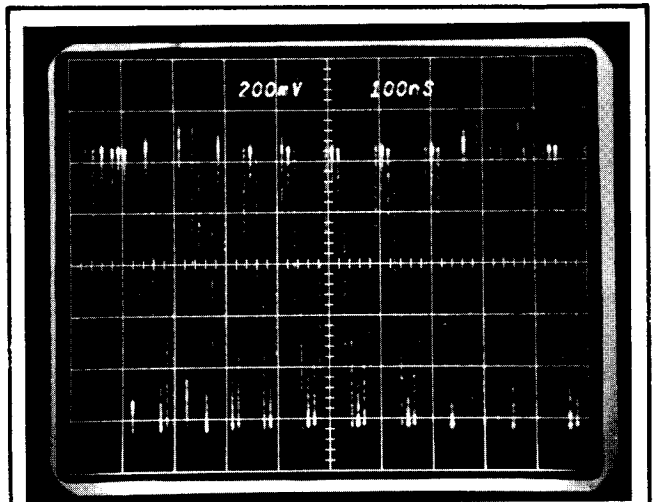
Fig. 2-7. Use of NORMAL/SMOOTH switch in sequential process sampling for decreasing display noise when viewing a low amplitude signal.

Time Domain Reflectometry (TDR)

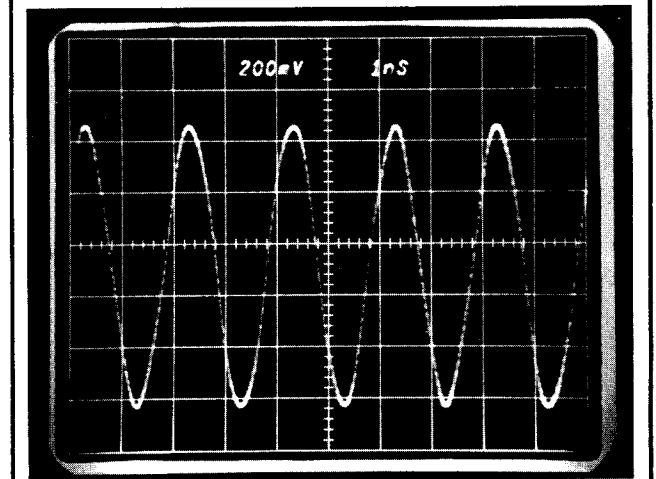
The 7S11 with the Type S-1 Sampling Head can be used for Time Domain Reflectometry displays. TDR using the Type 284 Pulse Generator is described in the Type 284 Instruction Manual. Very fast displays, and special TDR analysis of small reactances is possible with the Type S-4 and the Type S-50. See the Type 1S2 Instruction Manual for information about such fast displays.

Pen Recorder Operation

The signal available at the Vert Sig Out jack provides a convenient source for driving the Y axis of a pen recorder. It is common practice to manually scan the CRT (with the



A. False display.



B. Correct display.

Fig. 2-8. Typical false and correct displays using a 500 MHz signal input.

Operating Instructions—7S11

sampling sweep plug-in controls) while driving the time axis of the recorder with the sweep output voltage. Another method for pen recording is to couple the scanning voltage of the recorder to the external sweep input connector of the sweep unit. Be sure the sweep voltage from the recorder agrees with the limits of the input to the sampling sweep plug-in. The source resistance of the output jack is 10 k Ω . This impedance must be considered in the calibration of some types of pen recorder amplifiers.

Use of a Sampling Head Extender Cable

Two different sampling head extender cables are available for operating one or both sampling heads outside the 7S11. One is three feet long (Tektronix Part No. 012-0124-00), and the other six feet long (Tektronix Part No. 012-0125-00). Contact your Tektronix Field Engineer or Representative for price and availability information.

Sampling heads can be operated on either length extender cable without compromising system step function response. Loop gain adjustment range may be lost with long extender cables so special calibration of the 7S11 loop gain and memory gate width controls is necessary. See Section 6. Also, the extender cable signal delay must be considered in allowing proper pretrigger leadtime for normal process sampling. As compared to operating the sampling head inside the 7S11 use of a three foot cable adds about 5 ns to the required pretrigger leadtime; use of the six foot extender cable adds about 10 ns. To illustrate the above, assume the following conditions: 7T11 Sequential operation; Type S-1 or S-2 Sampling Head on 3-foot extender cable from the 7S11; and external trigger 50 Ω coupling coaxial cable with 5 ns signal delay. With these conditions, minimum trigger leadtime for a fast step display is 73 ns.

The time coincidence of two 7S11 displays is maintained when one sampling head is installed and the other is on a six foot extender cable by using a DELAY control.

The first time a sampling head is operated on an extender cable, its Bridge Bal control may need adjustment, particularly if DC Offset measurements are to be made accurately referenced to ground. The sampling head instruction manual describes Bridge Bal adjustments. Readjustment of the control may be required when the sampling head is again installed directly into the 7S11.

Input Connectors

The type of sampling head installed in the 7S11 determines the input impedance. Type S-1 and S-2 sampling heads are both 50 Ω input. 50 Ω coaxial cables may be used for applying input signals with minimum signal loss or distortion.

NOTE

Operating the sampling head without the input connector terminated by the 50 Ω resistor or coaxial cable will cause a vertical shift of the zero signal baseline by a few millivolts. This is because the strobe kickout signal is reflected from the open input connector. It arrives back at the sampling bridge during sampling time, while the bridge is still conducting. Set the display zero reference point with the input circuit connected, not before connecting it. Also use at least a 20 cm airline between the sampling head input and a fast generator or circuit that is sensitive to the fast strobe kickout signal.

When connecting a signal to the input, many factors must be taken into consideration, including loading of the source, losses in coaxial cables, time delay, AC or DC coupling, attenuation of large signals and matching impedances at high frequencies.

Coaxial Cables

Signal cables that connect the vertical signal from the source to a 50 Ω input connector should have a characteristic impedance of 50 ohms. Impedance other than 50 ohms will cause reflections that may make it difficult to interpret the display. High-quality low-loss coaxial cables should be used, especially with high speed sampling heads such as Type S-2 and Type S-4, to ensure that all the information obtained at the source will be delivered to the input. If it is necessary to use cables with characteristic impedance other than 50 ohms, suitable impedance-matching devices will aid in obtaining meaningful displays.

The characteristic impedance, velocity of propagation and nature of signal losses in a coaxial cable are determined by the physical and electrical characteristics of the cable. Common coaxial cables, such as RG-213/U, have losses caused by energy dissipation in the dielectric proportional to the signal frequency. Some small diameter cables (1/8 inch) lose much of the high-frequency information of a fast-rise pulse in a very few feet of cable, while the 3 mm is excellent for low losses.

Losses of high frequency information can be shown with a fast rise pulse generator and sampling system. Using a 5-ns-delay RG-58A/U coaxial cable as a connecting cable, a display similar to Fig. 2-9A can be shown. Adding an additional 10 ns-delay RG-58A/U coaxial cable in the signal path results in a display similar to that of Fig. 2-9B. By using larger diameter, higher quality cable such as RG-213/U (or 3 mm) in the same system, less loss is shown with the same length of connecting cable. Tektronix 7M11 Dual Delay-Line is high quality, low loss cable with dual 50 Ω , 75 ns delay lines.

Attenuating the Input Signal

The maximum signal amplitude that should be applied to the input connector of the sampling head will depend upon the sampling head installed in the 7S11. To attenuate the signals to 50 Ω input sampling heads, use an attenuator probe and/or external coaxial attenuators. The attenuators must have good frequency response beyond the frequency response of the sampling head to avoid reducing system performance. High quality coaxial attenuators are available through your Tektronix Field Office or Representative with attenuation factors such as 10X, 5X and 2X. When the attenuators are stacked, their attenuation factors multiply; i.e., two 10X attenuators produce 100X attenuation. The 50 Ω attenuators must be matched to 50 Ω input and output impedances to provide their stated attenuation factor.

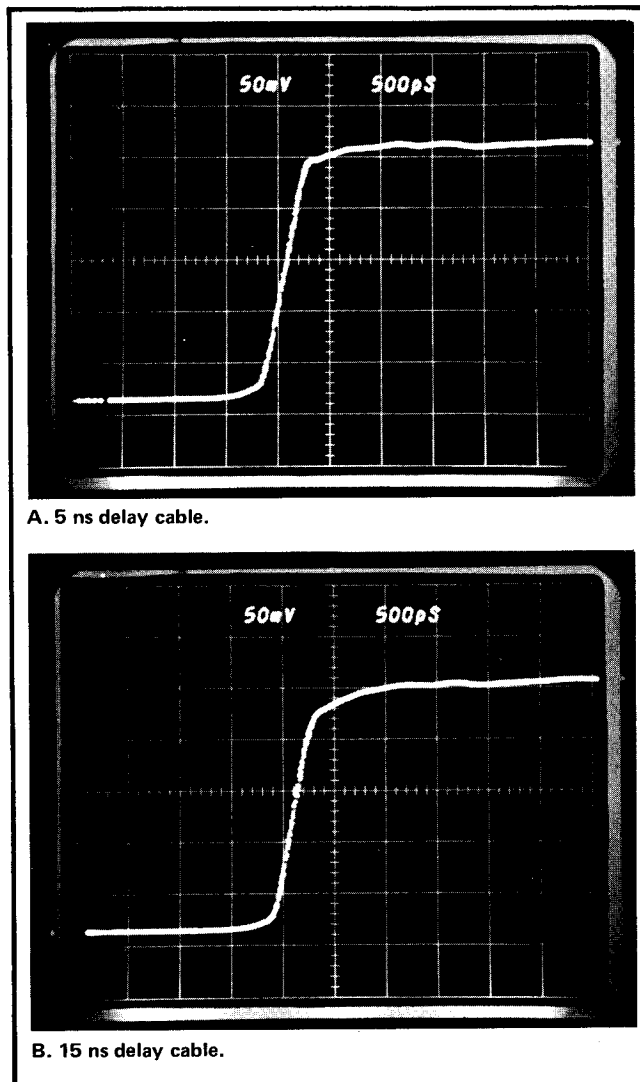


Fig. 2-9. Coaxial cables in a fast-rise system.

To divide a signal into two equal parts, and maintain a good 50 Ω impedance match, use a power divider such as GR 874 TPD Tektronix Part No. 017-0082-00. The loss between any two of the power divider connectors is 6 dB (half voltage) when each connector has a 50 Ω circuit connected.

Passive Probes. The Tektronix P6034 10X Probe and the P6035 100X Probe are moderate-resistance passive probes designed for use with 50-ohm systems. They are small in size permitting measurements to be made in miniaturized circuitry. Power rating is 0.5 watt up to a frequency of 500 MHz. Momentary voltage peaks up to 500 volts can be permitted at low frequencies, but voltage derating is required at higher frequencies. Characteristic data is given in the probe instruction manuals.

The P6034 10X Probe places 500 ohms resistance and less than 0.8 pF capacitance in parallel with the signal source at low frequencies. The probe bandwidth is DC to approximately 3.5 GHz, and risetime is 100 picoseconds or less (10% or 90%). At 1 GHz the input resistance is about 300 ohms and the capacitive reactance is about 400 ohms.

The P6035 100X Probe places 5 k Ω resistance and less than 0.7 pF capacitance in parallel with the signal source at low frequencies. Bandwidth of the probe is DC to approximately 1.5 GHz, and risetime is 200 picoseconds or less (10% to 90%). At 1 GHz the input resistance is about 2 k Ω and the capacitive reactance is about 450 ohms.

Built-in Probes. Another satisfactory method of coupling fractional nanosecond signals from within a circuit is to design the circuit with a built-in 50-ohm output terminal. With this built-in probe, the circuit can be monitored without being disturbed. When the circuit is not being tested, a 50-ohm terminating resistor can be substituted for the test cable. If it is not convenient to build in a permanent 50-ohm test point, an external coupling circuit, which may be considered a probe, can be attached to the circuit.

Several factors must be considered when constructing such a built-in signal probe. A probe is designed to transfer energy from a source to a load, with controlled fidelity and attenuation. Both internal and external characteristics affect its operation. It must be able to carry a given energy level, be mechanically adaptable to the measured circuit, and be equally responsive to all frequencies within the limits of the system. The probe must not load the circuit significantly or the display may not present a true representation of the circuit operation. Loading may even disrupt the operation of the circuit. When it is necessary to AC-couple the probe, the capacitor should be placed between the series attenuator resistance and the 50-ohm probe cable to minimize differences between the input

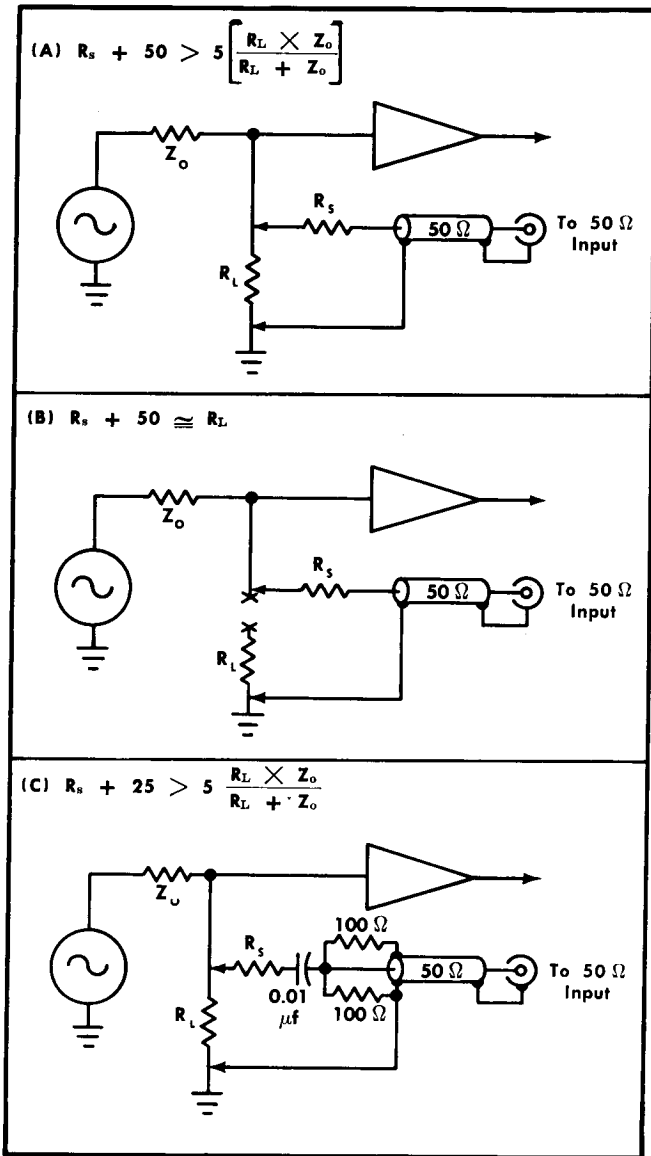


Fig. 2-10. Built-in probes for coupling to a test circuit. (A) Parallel method; (B) series method; (C) reverse-terminated parallel method.

characteristics with and without the capacitor. In a 50-ohm environment, stray capacitance to ground has a shorter and more uniform time constant than if the capacitor were placed at the signal source where the impedance is usually higher and sometimes of unknown value.

Fig. 2-10A shows the parallel method of coupling to a circuit under test. Resistor R_s is connected in series with the 50-ohm input cable to the sampling unit, placing $R_s + 50$ ohms across the impedance in the circuit. This method usually requires the use of an amplitude correction factor. In order to avoid overloading the circuit, the total resistance of $R_s + 50$ ohms should not be less than 5 times the impedance of the device (R_L in parallel with Z_o) requiring a 20% correction. The physical position of R_s will affect the fidelity of the coupling.

Fig. 2-10B shows the series method of coupling to a circuit. Resistor R_s plus the 50 ohm Sampling Head input resistance replaces the impedance of the circuit under test. If R_L is 50 ohms, simply substitute the 50-ohm test cable without R_s . It is best to locate R_s in the original position of R_L and to ground the coaxial cable where R_L was grounded.

A variation of the parallel method is the reverse-terminated network shown in Fig. 2-10C. This system may be used across any impedance up to about 200 ohms. At higher source impedances, circuit loading would require more than 20% correction. The two 100-ohm resistors across the cable input serve to reverse-terminate any small reflections due to connectors, attenuators, etc. The series capacitor, which is optional, blocks any DC component and protects the resistors.

SECTION 3

BASIC SAMPLING PRINCIPLES

Change information, if any, affecting this section will be found at the rear of the manual.

Introduction

This section provides a basic functional description of the vertical channels of sampling oscilloscopes. A discussion of equivalent-time sampling process is included. Operating instructions, including first time operation, are given in Section 2.

BASIC SAMPLING TECHNIQUES

The current state of the electronic art does not permit direct cathode-ray tube display of fractional-nanosecond risetime low-level signals. Risetimes in the order of 0.35 ns can be displayed on a CRT if the signal is at least several volts in amplitude.

An inherent limitation in linear amplifiers is the compromise necessary between bandpass and gain. A high gain amplifier is a low bandpass amplifier; and conversely, wide-band amplifiers are necessarily low gain amplifiers. For any particular configuration, gain times bandpass is nearly a constant, so anything done to increase the gain will proportionately reduce the bandpass and vice versa. The gain-bandpass product limitation of linear amplifiers restricts the display of millivolt signals on a CRT to the 50 to 200 MHz region.

The sampling technique permits the quantitative display (on a CRT) of a facsimile of fractional-nanosecond rise-time low-level signals. In sampling, many cycles of an input signal are translated into one cycle of low-frequency information. The change takes place at the input of the sampling bridge or traveling wave sampling gate. Since only the sampling bridge is subjected to the input signal high frequencies, and all the amplification takes place at relatively low frequencies, the performance of a sampling system is not dependent on the gain-bandpass limitations of conventional amplifiers.

However, the sampling technique introduces some limitations of its own. The sampling process being described is restricted to repetitive signals of low amplitude (typically 1 or 2 volts peak to peak), from low impedance sources. Fortunately, most fractional-nanosecond risetime signals exist in low impedance environments and are generally low amplitude. Piping the signal from the circuit under test to

the input of the sampling oscilloscope vertical channel requires a more sophisticated technique than lower bandpass systems. In spite of its limitations, sampling can measure fast signals that otherwise defy observation.

A sampling system looks at the instantaneous amplitude of a signal during a specific small time period, remembers the amplitude, and displays a single dot on the CRT corresponding to the amplitude. After a dot is displayed for a fixed amount of time, the system again looks at the instantaneous amplitude of a different cycle of the input signal. Each successive look, or sample, is at a slightly later time in relation to a fixed point of each signal cycle. Each sample is displayed as a spot on the CRT. Generally, the vertical position of the dot represents the equivalent time when the sample was taken. After many cycles of the input signal, the sampling system has reconstructed and displayed a single facsimile made up of many samples, each sample taken from a different cycle of the input signal.

Fig. 3-1 illustrates the equivalent time reconstruction of a repetitive square wave. The CRT display is a series of dots rather than the conventional oscilloscope continuous presentation. In the illustration, a series of samples is taken of the input signal. After each sample, when memory has been established and stabilized, the CRT is unblanked and a dot appears. A large number of such dots form the display.

The number of dots per horizontal unit of display is called dot density. The dot density of a display is controlled by the operator to provide the best compromise between resolution and repetition rate of the display. Since only one sample is taken from any particular input cycle, the time required to reconstruct a display is a function of the dot density selected and the repetition rate of the signal. The higher the dot density selected (for higher resolution), the longer the time required to construct the equivalent time display. The higher the repetition rate of the signal, the less time required to reconstruct the waveform (limited by a maximum repetition rate of the system).

Sampling requires repetitive input signals, though not necessarily signals with constant repetition rate. The equivalent time between dots is determined by the time delay between the fixed point on the signal at which triggering occurs, and the point at which the sample is taken. Since

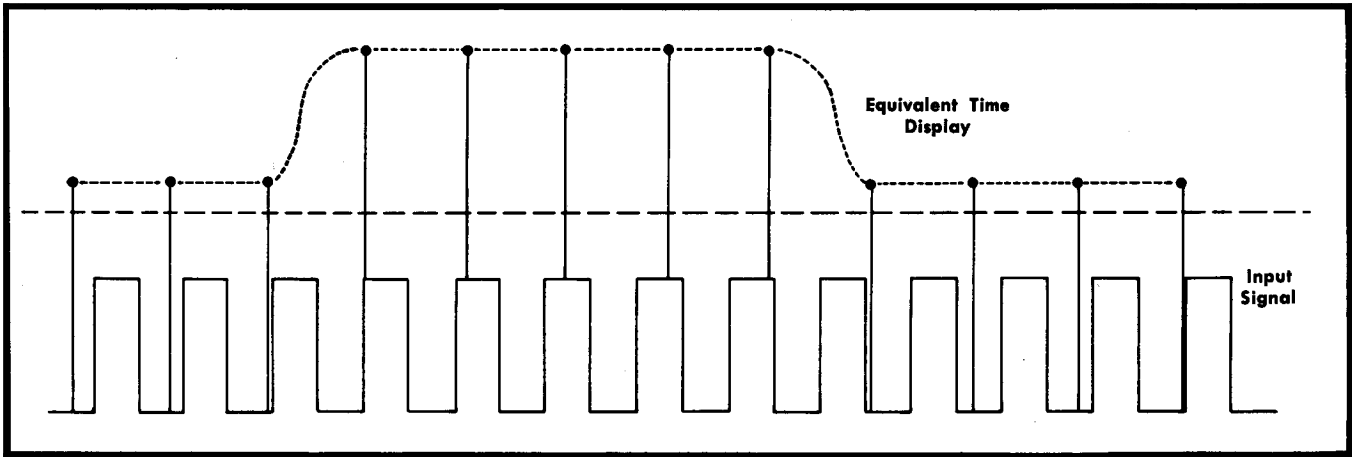


Fig. 3-1. Equivalent time display of repetitive real time signal by means of the sampling techniques.

both time reference (triggering-time and sample-time) are taken from the same cycle of the signal, the signal repetitions do not have to be identical in amplitude, time duration, and shape. Any differences in the individual cycles show as noise or jitter in the reconstructed display.

Sampling systems have maximum signal repetition rates at which samples can be taken and accurately displayed. The primary limit is the time required for the preamp and the AC amplifier to stabilize after a sample has been taken.

Signals below 100 kHz may have considerable repetition rate jitter and still the sampling oscilloscope will present a sample of each cycle, without display jitter. For signals with a repetition rate higher than 100 kHz, the timing unit

holds off retriggering for a maximum of about 10 μ s. This means that a sample will not be taken from every cycle of a high repetition rate signal. Only those cycles are sampled which occur after the end of the holdoff. If the signal is truly repetitive and each cycle is identical, these "missed" cycles are of little significance.

The circuits in the vertical channel of a Tektronix sampling oscilloscope comprise an error-sampled feedback system with ratchet memory. The memory output is not reset to zero after displaying a dot. The memory output remains at the displayed amplitude of each dot in succession until it is corrected by the next sample. The amplitude difference between the memory output and the new sampled amplitude.

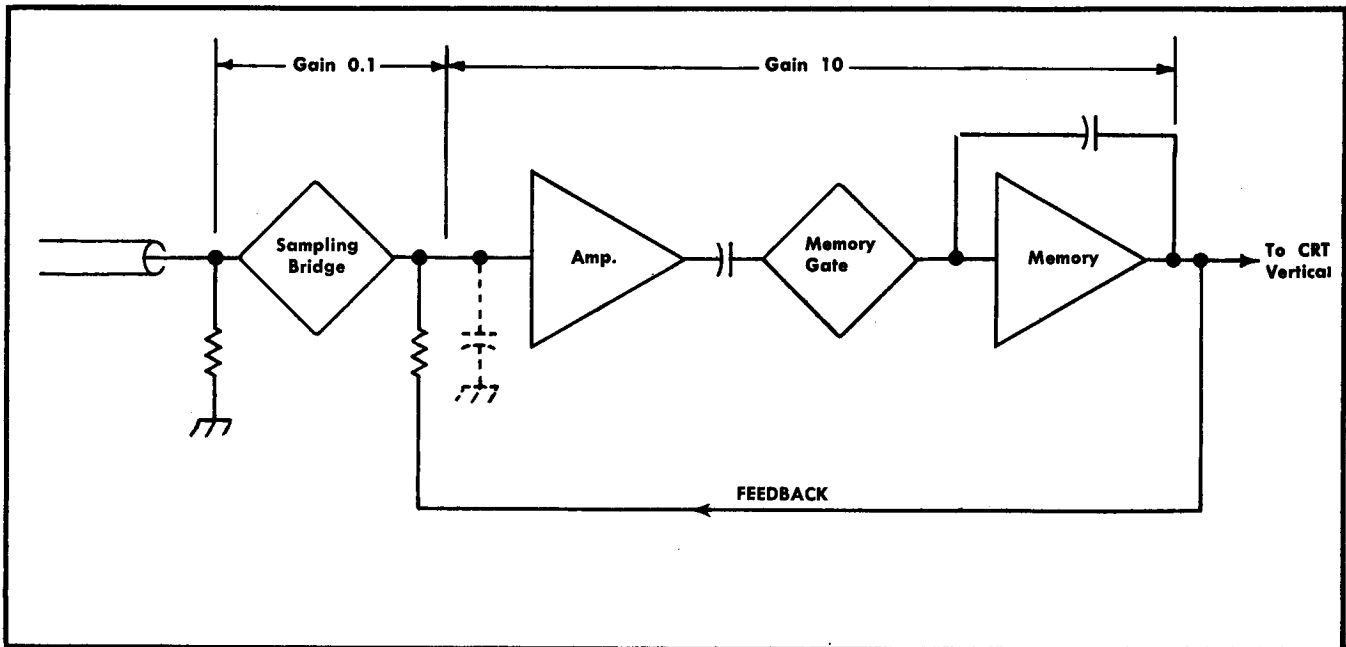


Fig. 3-2. Simplified block diagram of an error-sampled feedback system with a ratchet memory.

Fig. 3-2 shows a simplified block diagram of an error-sampled feedback system with ratchet memory. The output signal from the sampling bridge is the difference, or error, between the instantaneous amplitude of the signal at sample time and the previously memorized amplitude. A change is made to the memory output only when the instantaneous amplitude of the signal at sample time is different from the memory output. The memory output "ratchets" up or down at sample time as a result of the error signal sampled. The transition of memory from one output voltage to another occurs between displayed dots, and is therefore not seen on the CRT.

The error-sampled ratchet-memory technique has the advantage of allowing displayed noise to be "smoothed". Smoothing is discussed later in this section. The error-sampled approach also minimizes signal kickout into the input cable by the sampling bridge interrogate pulse (hereafter called "strobe" pulse). Since the sample is always the difference between the signal and the memory output, the

error-signal and kickout are much smaller in amplitude than they would be if the memory output reverted to zero and the entire signal was sampled after each dot.

The output from the sampling bridge at sampling time is about 2% of the difference between the signal voltage and the memory output. The 2% signal is the input to the first amplifier. The output of the amplifier is AC-coupled to a memory gate. The memory gate couples the signal to the memory amplifier during the time it is gated on. The memory amplifier changes the memory feedback voltage to equal the signal voltage at the instant of sampling. These changes in memory output occur while the CRT is blanked, and do not show up in the display. The memory output does not revert to zero, but remains at a fixed voltage until corrected by the next error signal. (The signal to the amplifier of a typical sampling system is only about 2% of the error signal sampled by the bridge. The percentage of response, or attenuation through the sampling bridge, is the sampling efficiency).

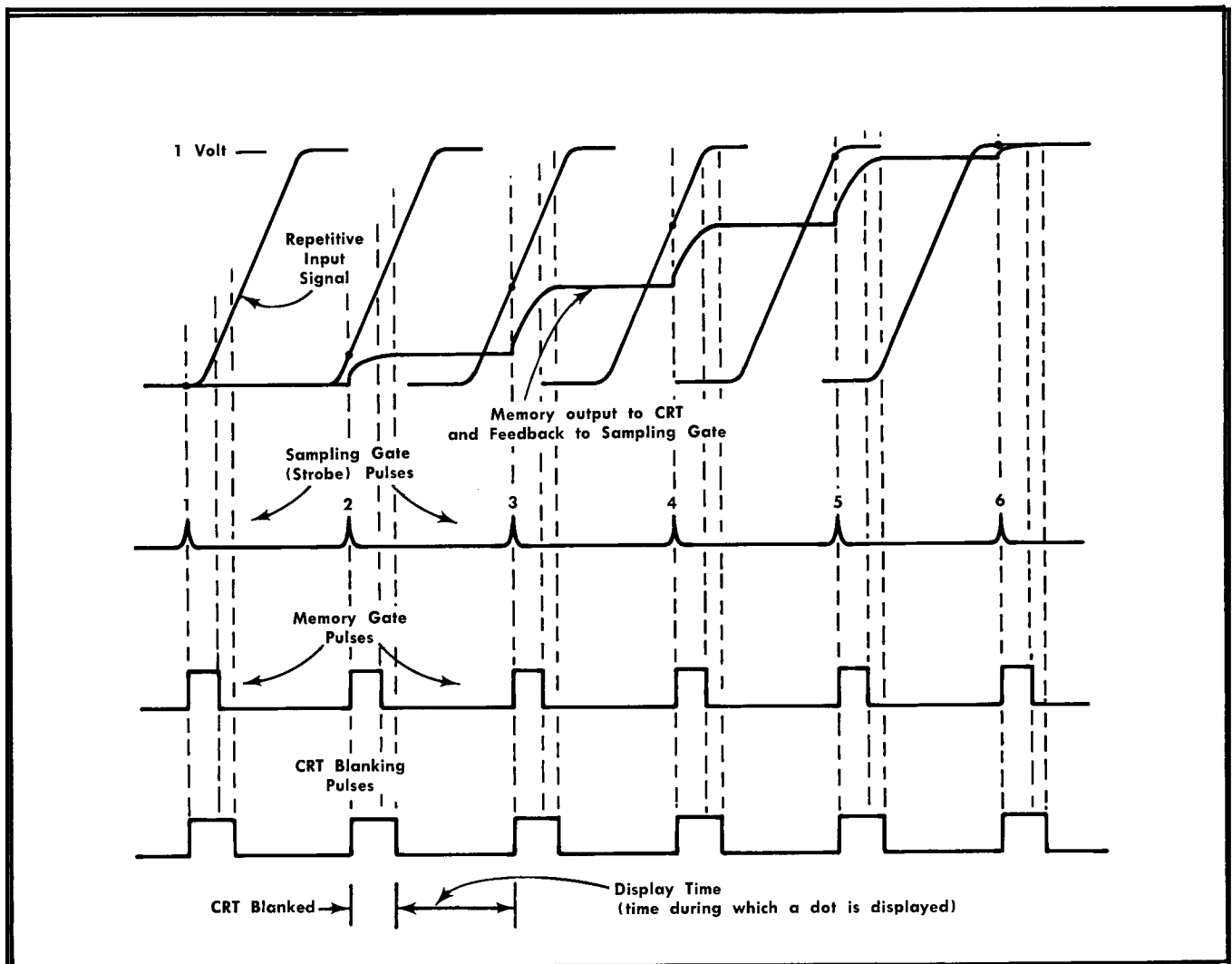


Fig. 3-3. Simplified representation of an error-sampled ratchet-memory waveform.

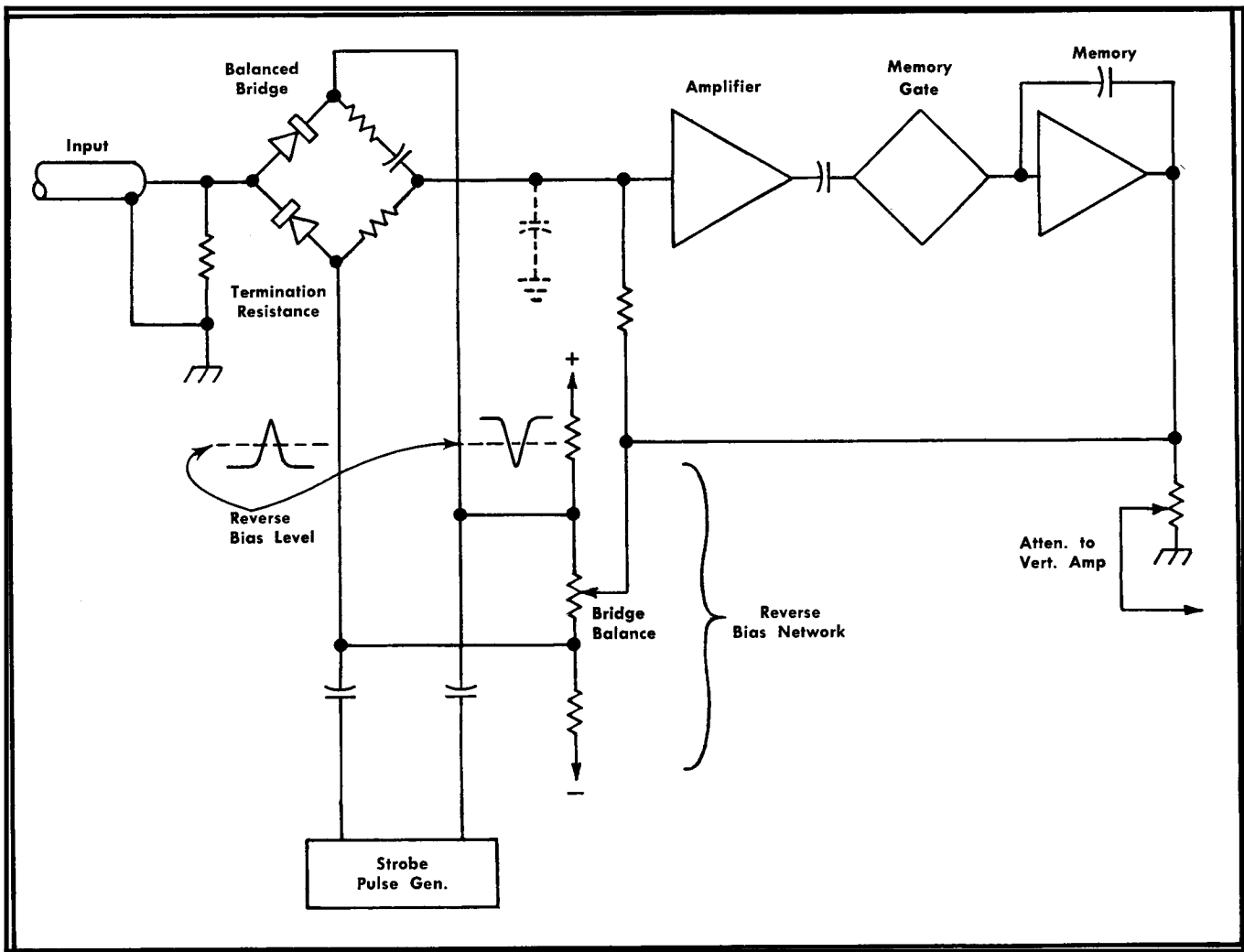


Fig. 3-4. Simplified diagram, showing how the strobe pulse causes the sampling bridge to conduct.

At each sample time, the difference between the memory feedback and the 2% signal value is amplified and applied to the memory circuit via the memory gate, to cause the memory output to follow a rising signal in a series of steps as shown in Fig. 3-3. This figure shows the input signal and memory feedback voltages for six samples along the rise of a step waveform.

At the time of sample 1, the input signal and the feedback voltage are equal. There is no error voltage, so the memory output is not changed. The CRT is blanked until the circuit stabilizes after the memory gate pulse ends.

At the time of sample 2, the input signal is (for example) 0.1 volt. The memory output is 0. Assuming a sampling efficiency of 10%, the input of the amplifier receives 10% of the error signal, or 0.01 volt. The 0.01 volt, times the gain of the amplifier (X10), corrects the memory output and feedback to equal the 0.1 volt signal at sample time. Again, the CRT is blanked during this change until the circuit is stabilized.

At the time of sample 3, the difference between the input signal and the feedback is 0.35 volt. The amplifier input responds to 10% of 0.035 volt. The gain of the amplifier and memory changes the feedback 0.35 volt to the new value of 0.45 volt (equal to the signal at number three sampling time). The CRT is again blanked during this change until the circuit is stabilized.

Effective Sampling Time

The minimum risetime a sampling system can display is controlled by the time interval during which the strobe pulse applies forward bias to the sampling bridge diodes. The duration of the bridge forward bias is controlled by the time the strobe pulse exceeds a fixed reverse bias. Special circuitry is used to make the strobe duration as short as possible consistent with noise and diode recovery time. The strobe pulse is generated by a snap-off diode and a short section of shorted transmission line called a clipping line. The effective bridge conduction time is adjusted primarily by controlling the amplitude and duration of the strobe pulse, thus controlling the time during which the strobe

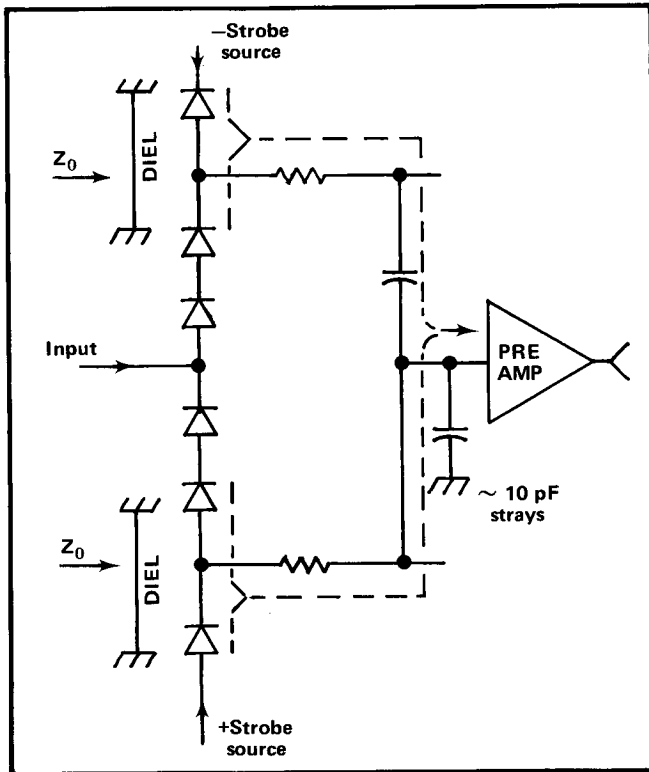


Fig. 3-5. Error-signal source and path to Preamp shown by dotted lines. DIEL denotes dielectric other than air.

pulse exceeds the reverse bias. Adjusting the reverse bias is a secondary means of controlling the sampling bridge conduction time. Fig. 3-4 shows how the strobe pulse breaks through the reverse bias on the sampling bridge. The reverse bias is shown by dashed lines through the strobe pulses.

Traveling Wave Sampling Gate

The sampling system may use a traveling wave gate instead of the sampling bridge as the input stage. Fig. 3-5 shows a simplified schematic of the traveling wave sampling gate. The input signal is connected to the Preamplifier only during the time a sample is taken. The six diodes form the traveling wave gate.

Step response is determined by the travel time of the strobe drive pulse end through part of the sampling gate. In a sampling bridge, the step response is determined by the strobe pulse width.

Part of the input signal is stored temporarily between sampling gate diodes at the strobe pulse end; then it is fed to the Preamplifier at a slower rate than the step response risetime. The environment is controlled in the input and traveling wave sampling gate to minimize reflections of fast pulse signals. The environment of following circuitry passes only moderate rate-of-rise signals.

Dot Response (Loop Gain)

Dot response is the ability of the system to reduce the error voltage to zero after each sample. When the gain of the memory feedback loop is equal to (and compensates for) the attenuation across the sampling bridge, the loop gain is unity or 1. In this case, the memory feedback voltage equals the value of sampling time signal voltage.

If the loop gain is less than unity, the memory output signal and feedback to the first amplifier is less than necessary to reduce the error voltage to zero. The memory output and the feedback will then approach the signal asymptotically after several samples have been taken. The error voltage thus approaches zero (for a steady state signal) after several samples, being reduced by the same factor after each sample. In the case of a loop gain of less than unity, the feedback voltage is effectively a moving average of several preceding samples.

If the loop gain is greater than unity, the feedback voltage will be greater than the error signal after each sample. The displayed dot sequence of a step signal will then alternately overshoot and undershoot for a few samples.

For least displayed waveform distortion, the loop gain must be unity, allowing the system to track the input signal as closely as possible.

Smoothing

A loop gain of less than unity can be useful, if the resulting compromise is understood and the system is operated properly. Random noise in the display is reduced when loop gain is less than unity, since several consecutive samples are averaged. The averaging may also slow down the fastest display risetime capability, depending upon the number of dots contained in the step transition and on the loop gain. By increasing the number of dots in a step transition, the display will follow the actual step transition more closely.

Fig. 3-6 shows the usual effects on a step display when smoothing is used for two different sampling densities (sampling density or dot density is the number of samples or dots per horizontal division). In the 7S11 the operational choice of loop gain is either 1.0 (NORMAL) or 0.3 (SMOOTH). In Fig. 3-6A the actual risetime (between the 10% and 90% points) for unity loop gain displays 4 dots. When operating at 0.3 loop gain, 7 dots are shown. There is a significant difference between the 0.3 loop gain (SMOOTH) and the unity loop gain (NORMAL) displays.

In Fig. 3-6B the sampling density is increased, showing a difference of one sample in the SMOOTH and NORMAL positions between the 10% and 90% points of the step transition.

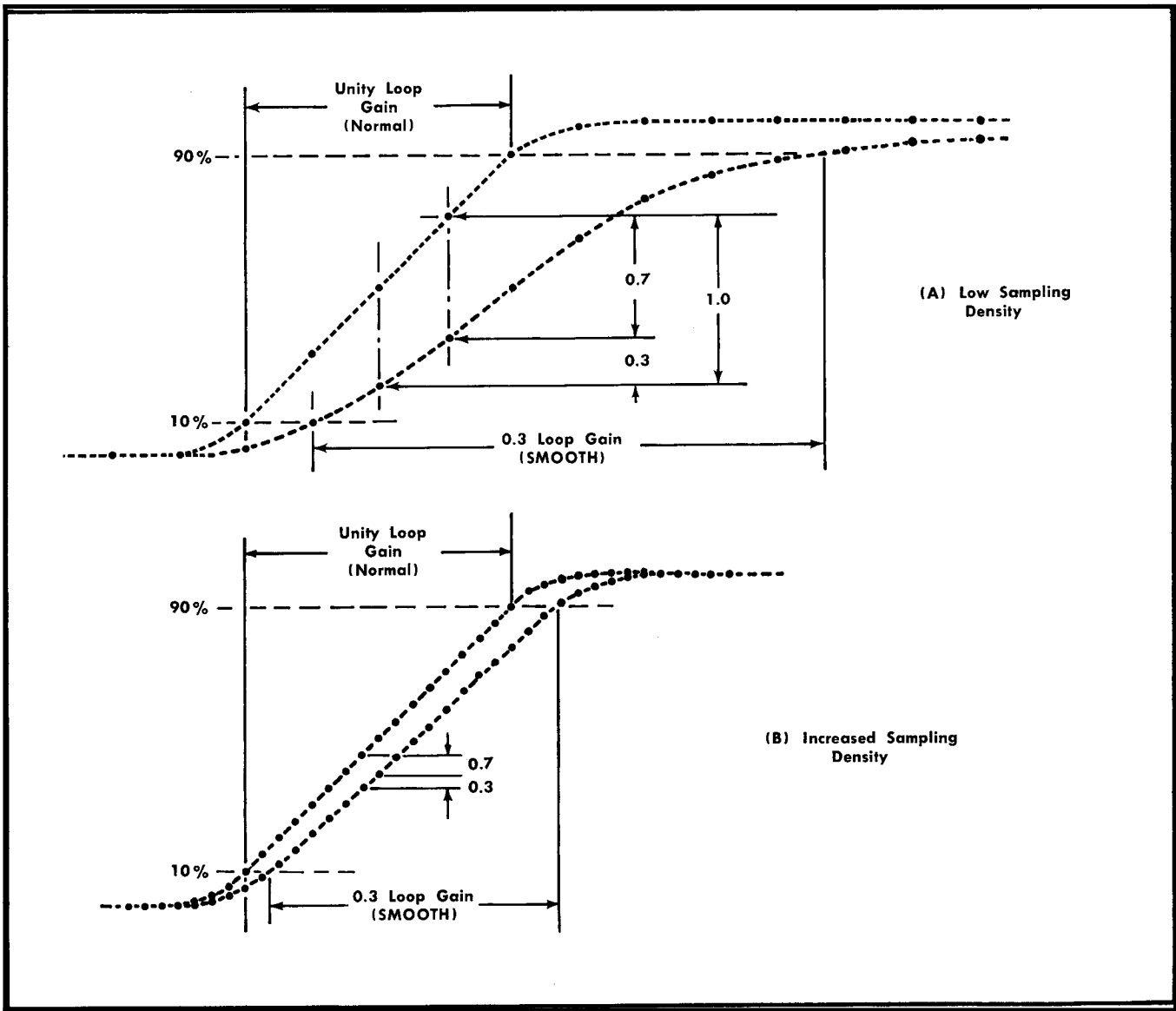


Fig. 3-6. Equivalent-time display with and without smoothing for two different sampling densities.

When the smoothed mode has a loop gain of 0.3, as in the 7S11, 15 or more samples between the 10% and 90% points of a risetime will result in the smoothed and unsmoothed displays having essentially the same risetime. When the smoothed display contains 12 samples between the 10% and 90% point, the smoothed risetime will be about 6% longer than for the unsmoothed display. As the number of samples contained in the risetime is reduced below 12, the difference between smoothed and unsmoothed display increases rapidly.

Smoothing Of Random Noise

When the loop gain is reduced to 0.3, the displayed dots represent the average of several consecutive samples. Noise of a random nature will be materially reduced in the display at the possible expense of introducing an error in the dis-

played risetime. Therefore, if random noise is apparent, reducing the loop gain may improve the display. Note that this is only true for random noise. Systematic noise (noise with its repetition rate harmonically related to the signal) is treated as part of the signal.

The 7S11 has a loop gain control labeled NORMAL-SMOOTH. In the SMOOTH mode, loop gain is reduced to 0.3. Always check that there is sufficient sampling density to warrant smoothing. This can be done by changing the dots/division, (or samples/division) control on the timing unit, and observing the effect of sampling density on the displayed risetime.

Smoothing cannot be applied where the full amplitude of each sample is required. When using the random sampling sweep unit like the 7T11, each sample requires unity

loop gain. The display dots are not presented in time sequence, and therefore cannot be averaged.

Tangential Noise

Traditionally the amplitude of random noise in an amplifier is qualified by stating the equivalent RMS value of the noise referred to the input of the amplifier. In the case of a CRT sampling display, qualifying the noise amplitude by stating its RMS value is somewhat unsatisfactory. The visible effect of the random noise is more nearly 3 times the RMS value of the noise. Peak-to-peak limits of truly random noise would have to be stated as $-\infty$ to $+\infty$. Obviously these broad limits would reveal nothing about the amount of significant noise to expect in a display. It has been determined empirically that 90% of the dispersion caused by random noise closely approximates the visible widening of the trace. The noise can be described as existing between two horizontal tangents representing the significant upper and lower limits of the trace width. Hence, the term TANGENTIAL NOISE. Tangential noise is defined as an equivalent peak-to-peak voltage at the input of a sampling system that will cause the same trace widening as 90% of the random noise. 5% of the dots can be expected to fall above the trace width and 5% below it. This method of stating the noise figure of a sampling system is considered to be more meaningful than the RMS value, in that it more closely approximates the actual observed trace widening. Measurement of tangential noise is described in the Sampling Head instruction manual.

Display Sensitivity—Deflection Factor

The two terms "display sensitivity" and "deflection factor" are often mistakenly interchanged. Deflection factor is defined as the ratio of the input signal amplitude to the resultant displacement of the indicating spot. When the oscilloscope vertical gain control is calibrated in volts per division, it is indicating deflection factor. Deflection sensitivity is the reciprocal of deflection factor. Sensitivity is indicated by a vertical gain control calibrated in divisions per volt.

There is always some point within the oscilloscope vertical amplifier after which the signal remains at a fixed deflection factor. The signal out of the vertical memory amplifier of a sampling oscilloscope is usually the first point at which the standard vertical deflection signal exists. Thus, the memory and feedback voltages previously mentioned always deflect the CRT spot vertically with a fixed deflection factor.

Fig. 3-7A shows a simplified block diagram of a sampling bridge and amplifier combination where the gain of the amplifier just compensates for the attenuation of the sampling bridge. In Fig. 3-7B the amplifier has twice as much gain as is necessary to compensate for the low sampling efficiency. By introducing a 2:1 attenuator in the feedback

path between the memory output and the bridge output, the dot response is still maintained at unity. Now, only half as much input signal produces the same memory output as in Fig. 3-7A.

Fig. 3-7 shows two fixed attenuators in each example. The usual method of changing amplifier and memory gain in a sampling unit is to attenuate the signal through (or to) it. The attenuator in series with the amplifier and memory is called the forward attenuator, in contrast to the feedback attenuator.

The attenuators in Fig. 3-7 and Fig. 3-8 show that both the "forward gain" and the "feedback attenuator" are altered when changing a sampling system vertical deflection factor.

The system deflection factor can be altered two ways: (1) by changing both the forward and the feedback attenuation and thereby maintaining the same loop gain, and (2) by changing only the feedback attenuation, at the expense of varying the loop gain. If loop gain is not greater than unity, and many samples are included in a signal transition, the memory feedback to the sampling bridge always approaches the signal amplitude regardless of the forward attenuator attenuation ratio.

Since loop gain is determined by the combined forward and feedback attenuation ratios, the dot response can be altered without altering the deflection factor by changing the forward attenuation only. Increasing the forward attenuation ratio (decreasing the amplifier and memory gain) "smooths" the display by making the loop gain less than unity.

DC Offset

Since the sampling bridge can be operated over a range of +2 to -2 volts of input signal, and the system has resolution capability of 2 mV/div, it is advantageous to be able to display a small vertical "window" of the input signal. Fig. 3-8 shows the method of adding a DC offset voltage to the memory feedback. The error signal produced at sampling time is no longer referenced to ground. Instead, it is referenced to the DC offset voltage.

A DC Offset voltage is recognized as a signal by the sampling bridge, which adds it algebraically to the error signal. Therefore, the memory feedback signal in a system with DC Offset includes a DC value to cancel the DC Offset voltage at the output side of the sampling bridge. The deflection factor of a system with DC Offset is centered around the DC Offset voltage instead of ground. This permits portions of the signal (other than ground) to be positioned to the CRT center, without altering the deflection factor.

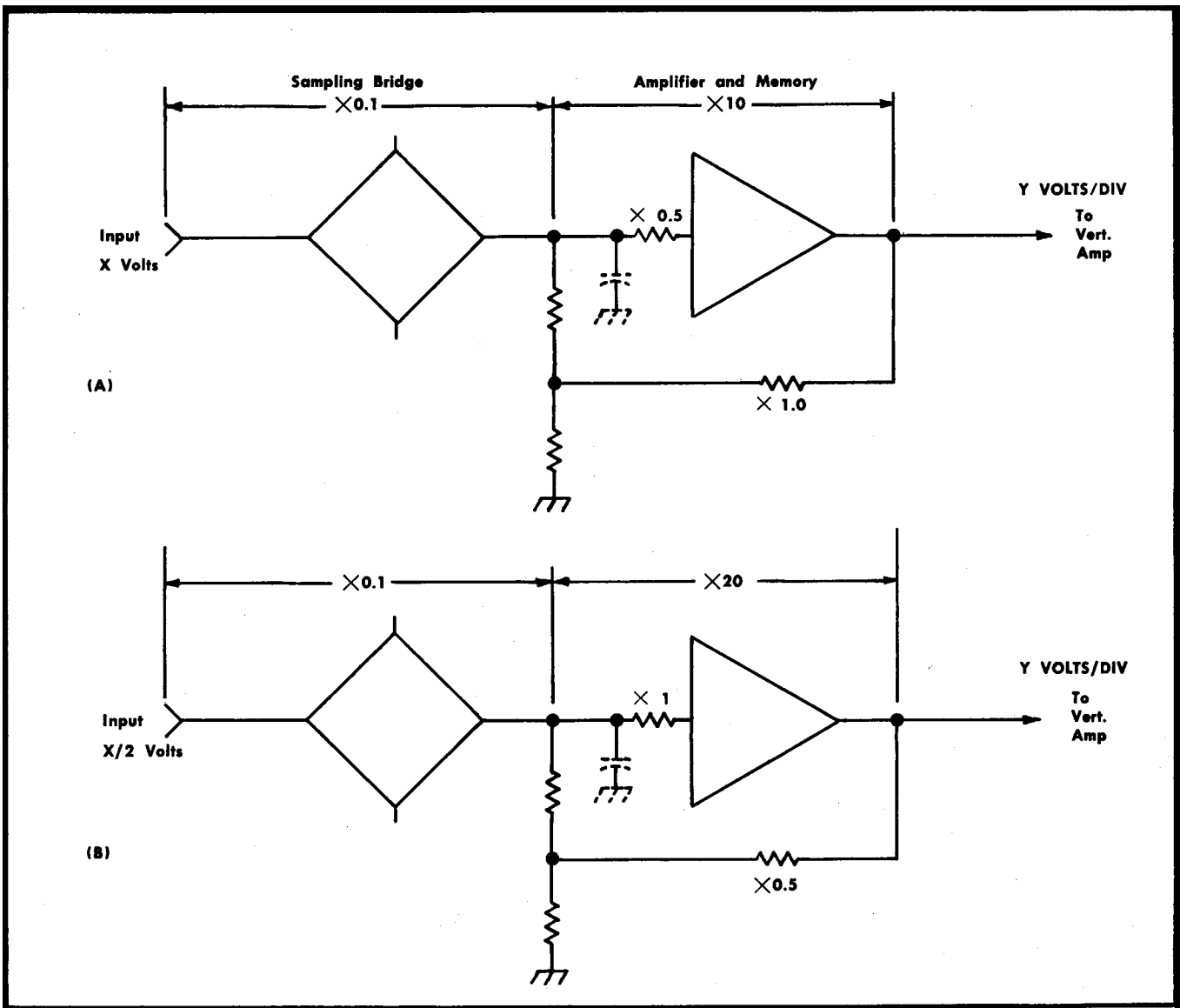


Fig. 3-7. Method of decreasing the vertical deflection factor while maintaining unity loop gain.

Real-Time Sampling

Real-time sampling is a method of operation in which the samples are taken at a constant rate from relatively low frequency signals (DC to 20 kHz approximately) and displayed at a sweep rate determined by the Time/Div switch on the time-base unit. Thus, the samples are taken continuously along the input signal rather than taking one sample from each cycle of the signal. The displayed series of dots follows the actual shape of the input signal waveform.

In real-time sampling operation, the vertical signal provides the trigger to start the sweep. The display, however, is composed of samples at a fixed repetition rate, not necessarily related to the input frequency.

Sweep Rates

The range of sweep rates available for use in real-time sampling is from the slowest rate provided by the real-time sweep unit to about 0.1 ms/div. At this sweep rate, the usual 50 kHz sampling rate provides about 100 samples/sweep. At faster sweep rates above 0.1 ms/div, the display dots begin to have significant horizontal dimension due to their duration in real time, and interpretation of the display becomes difficult.

The characteristics of real-time sampling, in addition to slow sweeps at full bandwidth, are reduction of random noise in the display through smoothing, and DC offset capability matched with good overload recovery.

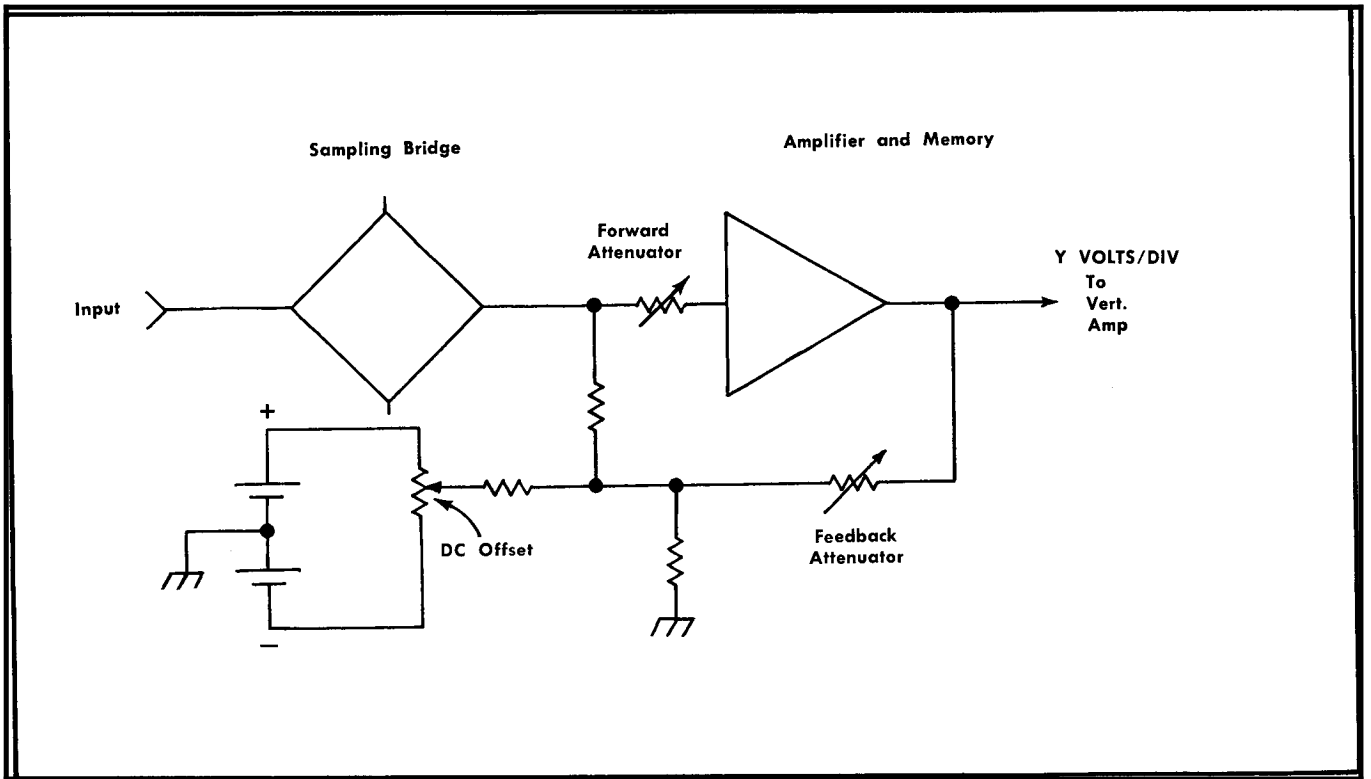


Fig. 3-8. Method of adding a DC Offset voltage to the memory feedback.

SECTION 4

CIRCUIT DESCRIPTION

Change information, if any, affecting this section will be found at the rear of the manual.

Introduction

This section of the manual contains a block diagram description and a circuit description of the 7S11 Sampling Unit. The block diagram description is an expansion of Section 3, Basic Sampling Principles. The circuit description follows the sequence of diagrams at the back of this manual.

BLOCK DIAGRAM

Refer to Fig. 4-1 and the complete block diagram at the back of the manual during the following description. Both Fig. 4-1 and the complete block diagram include a simplified block of a typical sampling head. The 7S11 Sampling Unit functions as part of a sampling system only when a sampling head is installed, so a sampling head block is included.

Feedback Loop and Pulse Amplifier Chain

Fig. 4-1 relates to Fig. 3-4 and Fig. 3-8. The reconstructed signal out of the Memory block (Fig. 4-1) is the first point in the 7S11 at which the amplitude is always a standard value of 0.5 volt per CRT vertical division. There is no signal between the sampling head output and the Memory input when the sampling head input signal is not changing. The Post Amplifier, AC Amplifier and Memory are part of a pulse amplifier chain that amplifies the sampling head output signal just after each sample is taken. Signals through the amplifier chain are greatest in amplitude when the sampled signal is at its full amplitude difference from the last sample. This is called the error signal.

To complete the association of Fig. 4-1 with Section 3, the following describes the operating cycle:

a. The sampling head bridge applies an error signal to the head preamp whenever there is a voltage difference at the bridge input and output terminals at sampling time. The error-signal voltage amplitude is just a few per cent of the difference (sampling efficiency), and the pulse duration out of the bridge is equal to the bridge conduction time. A small storage capacitance at the head Preamp input time-stretches the pulse so the pulse chain can amplify the error signal pulses at moderate rates of rise.

b. The time-stretched pulse is amplified by the 7S11 Post Amplifier and sent forward into the attenuating network made up the NORMAL/SMOOTH switch, the DOT RESPONSE control and the Forward Attenuator portion of the Units/Div switch.

c. The AC Amplifier again amplifies the pulse and applies it to the Memory circuit during conduction time of the Memory Gate. In effect, the error signal charge applied to the head Preamp is then transferred to the feedback capacitor of the Memory circuit.

d. The Memory circuit applies its error signal corrected output voltage to both the vertical amplifier and the feedback attenuator and sampling head bridge output terminal. Control of the input deflection factor by the Forward and Feedback Attenuators is described near the end of Section 3. The DOT RESPONSE control is also described in Section 3.

Vertical Output Amplifier

The INVERT/+UP switch and the Vertical Output Amplifier drive the oscilloscope vertical amplifier stage.

Sweep Unit Drive

Drive from the timing unit is applied to the sampling head avalanche and snap-off and the Memory Gate Driver. The timing unit controls the free running oscillator used in the 7S11.

Sampling Operation. The 7S11 is a single-channel sampling unit when used with a 7T11 or other sampling sweep unit in a 7000-series oscilloscope.

For dual-channel operation, another 7S11 must be installed in the adjacent vertical compartment of the oscilloscope. Interconnection between the two 7S11's and the sampling sweep unit are made by connecting-shoes on the plug-ins. These interconnections combine the Trigger Logic circuits of the two 7S11's into a bistable multivibrator, and complete the other connections necessary to provide amplification of internally-generated triggers. For external trigger operation, the sampling sweep Internal

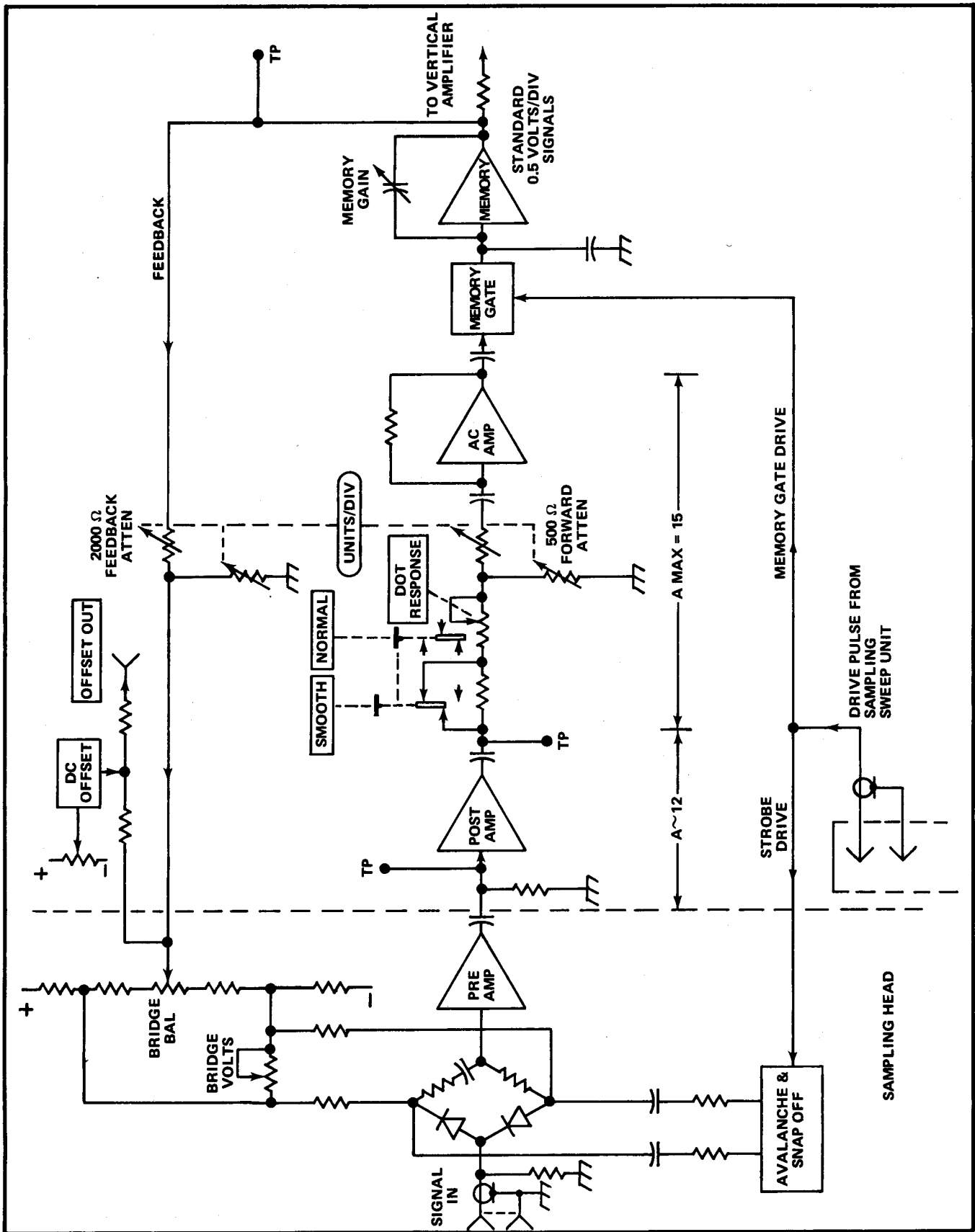


Fig. 4-1. The 7S11 and sampling head feedback loop block diagram.

Mode trigger amplifiers and the bistable multivibrator are disabled.

Non-Sampling Operation. When the 7S11 is used for dual-channel real time operation in company with a non-sampling time base unit, no sampling drive pulse is available, nor is a ground provided for the Real Time Oscillator and Trigger Logic multivibrator. The Real Time Oscillator will oscillate at the specified frequency and drive the Memory Gate Driver and the CRT blanking circuit. Internal trigger is obtained from the Real Time Trigger block. The operational differences between the two types of time bases are explained in the Operating Instructions, Section 2.

Readout Logic

The Readout logic in the 7S11 provides the necessary time-slot current to operate the Scale Factor readout on the indicator oscilloscope. Currents supplied from the 7S11 control the display of decimal magnitude, Normal/Invert, Normal/Uncal, 1-2-5 Scaling and the symbols m , μ , V and I . The indicator oscilloscope manual includes the details of Scale Factor Readout operation.

CIRCUIT DESCRIPTION

The following circuit description follows the sequence of the diagrams in Section 9.

Trigger Logic

The Trigger Logic circuit (see Post Amplifier and Attenuators circuit diagram) consists of Q108, Q113, Q116 and associated components. The circuit sets the level for forward bias of the timing unit trigger amplifier so that the trigger is passed from the sampling head to the timing unit (see Fig. 4-2A). The Internal setting of the timing unit trigger switch grounds the base of Q113 through R109, and the collector of Q108 through R108-R109. Q108 is reverse biased by current through R102 and CR108 to clamp the base at +15.6 volts. CR113 is off and Q113 is forward biased by the current through R111 and R109. Conduction causes Q113 collector to be more positive than the cathode of CR116 so that both CR116 and CR115 are off. Q116 supplies current to the lamp, DS116, indicating that this 7S11 is supplying the internal trigger to the timing unit. R115 sets the base current for Q116.

Setting the trigger switch in the timing unit to EXT removes the ground from R109, which turns on CR113 and clamps Q113 base at +5.6 volts, a reverse bias. Q108 remains at reverse bias as with Internal trigger operation. CR115 clamps Q116 base at -0.6 volt so Q116 is off and the INT TRIG lamp is off. CR116 is on, reverse biasing the timing-unit transistor, so no trigger signal from the sampling head can trigger the timing unit.

Two 7S11 units operated together will complete the bistable multivibrator shown in Fig. 4-2B. Selection of the desired 7S11 as the Internal trigger source is done through the turning off of Q108 in that unit. The Internal setting of the trigger switch in the timing unit provides ground to both halves of the bistable multivibrator. Pushing the INT TRIG switch momentarily places a positive trigger on Q108 (in the desired 7S11), puts reverse bias between base and emitter, and turns on CR108, which clamps Q108 base at +15.6 volts. The positive trigger is applied to Q108 collector in the second 7S11, which turns that Q108 on, adding current through R109 to the current through R111 and R109 to clamp Q113 base at +5.6 volts through CR113. Operation of the Off 7S11 is the same as discussed for External trigger operation with a single 7S11. The On 7S11 operates similar to a single 7S11 in Internal trigger operation.

Switching the timing unit trigger switch to one of the EXT positions removes the ground from the R109 common point. The R109 common point rises to +5.6 volts, the clamped voltage at the bases of the Q113's, so the multivibrator remains in the state in which it was set. The multivibrator remains in the state in which it was set when the timing unit trigger mode is again placed at Internal unless the other 7S11 INT TRIG button is pushed.

Post Amplifier and Attenuators

The Post Amplifier and Attenuators diagram includes the Post Amplifier, Forward and Feedback attenuators, DC Offset, and the Trigger Logic.

The Post Amplifier is a two-stage non-inverting operational amplifier with AC coupled complementary emitter followers between the second stage and the output. The input impedance is 90.9Ω , which properly terminates the coaxial cable feed from the sampling head. Output impedance is very low to provide signal current to the 500Ω Forward Attenuator. Total AC gain is approximately 12, producing a 2.4 volt output signal for a 0.2 volt input signal. DC gain is essentially unity and feedback keeps the amplifier within its proper dynamic range.

Q123 and Q128 are the amplifier transistors, and Q133 and Q136 are the output emitter followers. Q133 ensures low output impedance for positive output signals, and Q136 ensures low output impedance for negative output signals. Each emitter follower has a resistor in the collector for parasitic oscillation suppression. C134 permits the output emitters to be at different DC voltages and ensures that the emitter of the non-driving transistor follows the output voltage.

Output of the Post Amplifier is AC coupled to the NORMAL/SMOOTH switch, DOT RESPONSE control and the Forward Attenuator (part of the Units/Div switch).

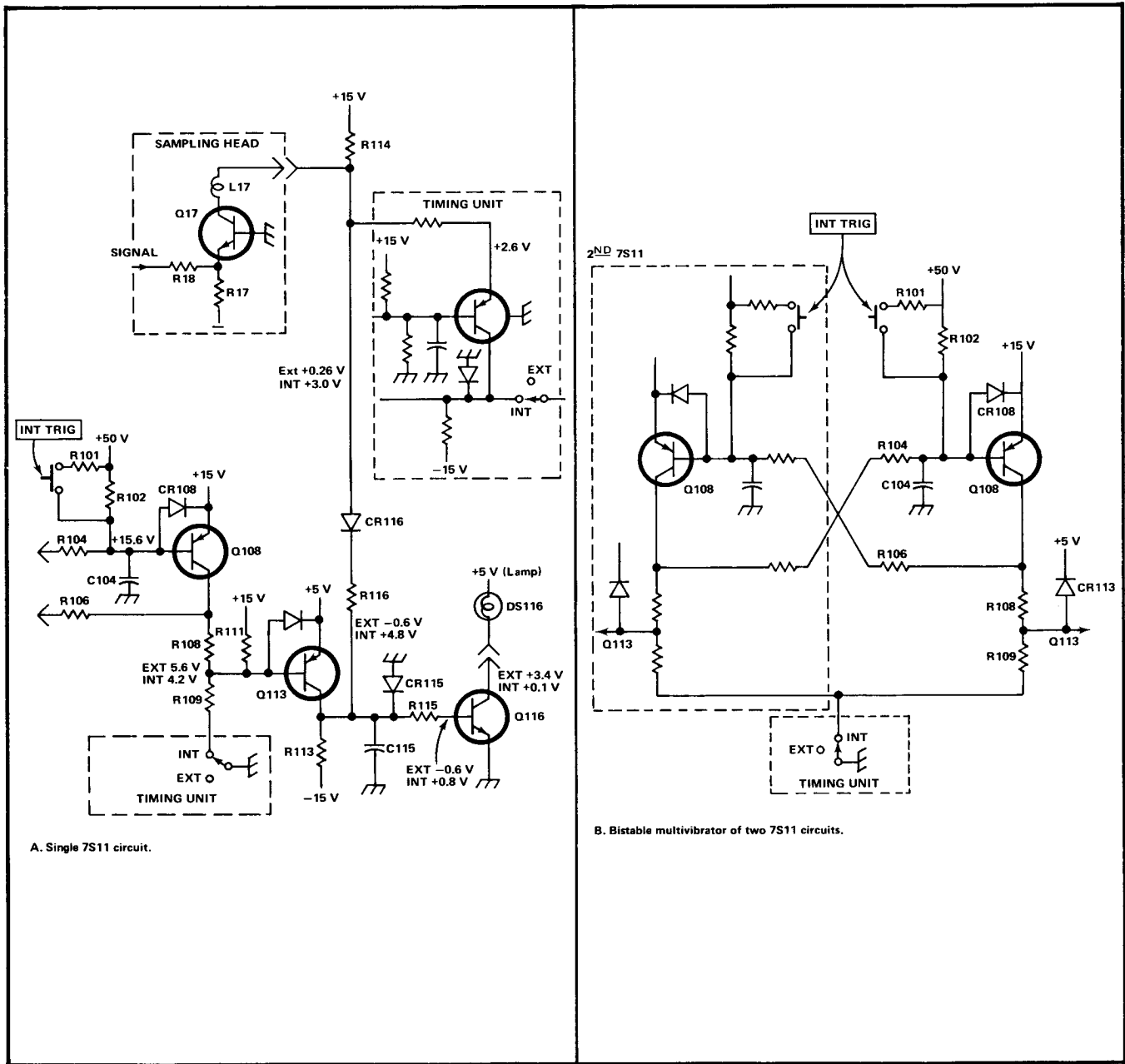


Fig. 4-2. Trigger Logic circuit.

The Forward Attenuation Network consists of the NORMAL/SMOOTH switch, the DOT RESPONSE control, and the Forward Attenuator portion of the Units/Div switch.

Pushing the SMOOTH switch introduces R141 in series with the Post Amplifier output signal, reducing the loop gain to 0.3 or less compared to loop gain in the NORMAL setting. R142 maintains a constant 500 Ω load on the output stage for time constant and amplitude considerations.

The Forward Attenuator, made up of resistors R145A through R145G, presents a constant 500 Ω load to the driving side. The input resistance to the AC Amplifier is changed by the forward attenuator from 1 kΩ to 100 kΩ in seven steps. Six of the seven resistors are always in parallel connection to ground, with the seventh in series with the signal to the AC Amplifier input. Signal pulse amplitude across the forward attenuator input resistance (500 Ω to ground) does not change when the Units/Div switch position is changed. Attenuation occurs because of a changing current drive into the low impedance of the operational AC

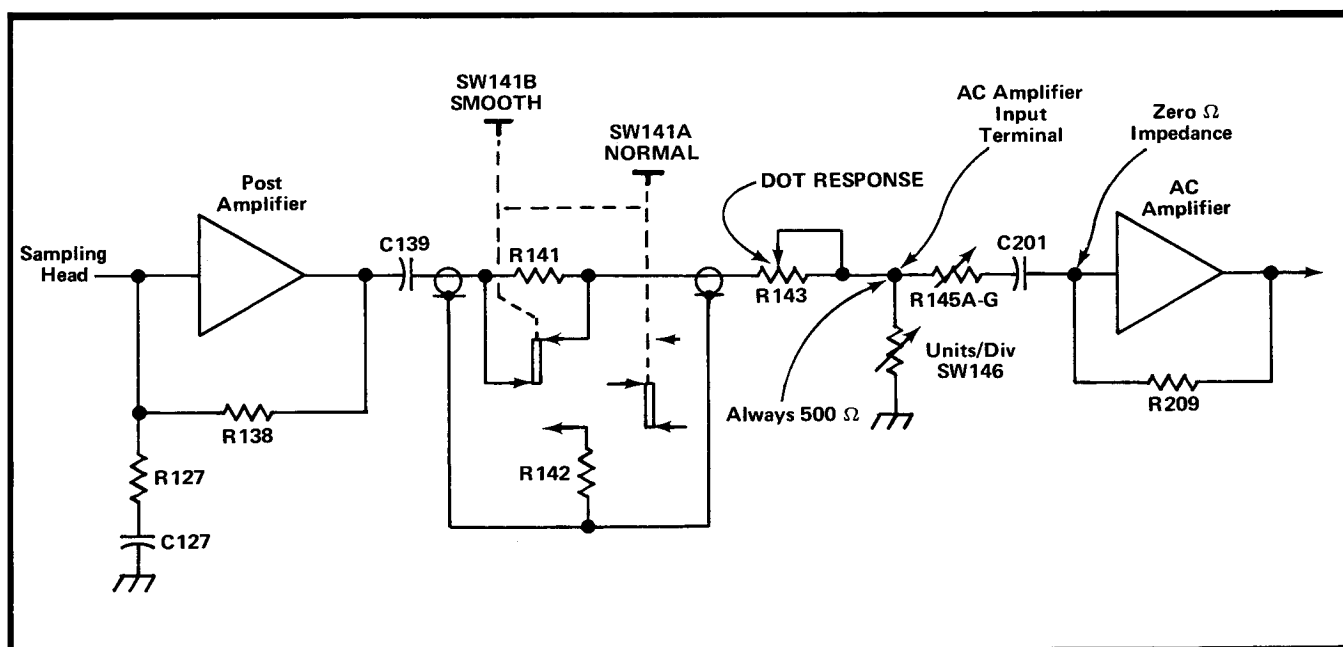


Fig. 4-3. Forward Attenuation network, showing that the output resistor of the Units/Div Forward Attenuator is actually the AC Amplifier input resistor.

Amplifier. Fig. 4-3 shows the full forward attenuator network and identifies the AC Amplifier input terminal.

The AC Amplifier gain is controlled by the ratio of feedback resistor R209 to the value of the series element of R145. The gain changes from 15 at 2 units/div to 0.15 at 200 units/div.

The Forward Attenuator portion of the Units/Div switch is ganged with the Feedback Attenuator portion. The result is that changing the Units/Div switch does not change the dot response (or loop gain). Changing either the NORMAL/SMOOTH switch or the DOT RESPONSE control changes the forward signal, and thus changes the loop gain.

The Feedback Attenuator and the DC Offset are connected together within the sampling head where they are combined and applied to the Sampling Bridge output terminals. The Feedback Attenuator receives the Memory circuit output signal from a very low impedance. The attenuator places one of seven resistors in series with the Memory output signal, and the other six resistors are paralleled to ground as slightly more than 2000 Ω . Maximum attenuation (at 2 Units/Div) allows 0.42% of the Memory signal to pass to the Sampling Bridge circuit. Minimum attenuation (at 200 Units/Div) allows 42% of the Memory signal to pass to the Sampling Bridge Circuit. The attenuation of 0.42% and 42% is corrected to exactly 0.40% and 40% by the parallel value of R147, R149 and the 53 k Ω to ground inside the sampling head. (The Forward Attenuator ratio or AC Amplifier gain ratio of 100:1, and the feedback attenu-

ator ratio of 1:100 ensure that the loop gain is not altered throughout the Units/Div switch range).

The DC Offset Circuit is a single transistor emitter follower that converts the fairly high resistance of the DC OFFSET control to a fairly low resistance at the emitter. Q163 emitter voltage follows the voltage of the arm of the DC OFFSET control, offset by -0.6 volt. Q163 drives a 22.4 k Ω resistive load, consisting of Q163 output resistance, R165 (19.1 k Ω) and 2000 Ω of the Feedback Attenuator. Thus the DC OFFSET voltage at Q163 emitter develops a fixed voltage across the Feedback Attenuator 2000 Ω regardless of the Units/Div switch setting.

Memory

The memory diagram includes the AC Amplifier, the Memory Gate, and the Memory Amplifier.

The AC Amplifier (whose gain is described above with the Forward Attenuation Network) is an inverting operational amplifier with AC coupled complementary emitter followers at the output. Q204 is the voltage amplifier, Q208 emitter follower adds current gain to Q204 collector signal, and Q212-Q214 provide the very low output resistance.

The amplifier input is AC coupled by C201 to permit the amplifier DC operating voltages to be independent of the changes made in input resistance by the Units/Div switch. Q204 base is the summing input terminal of the operational amplifier. As a signal arrives and changes the

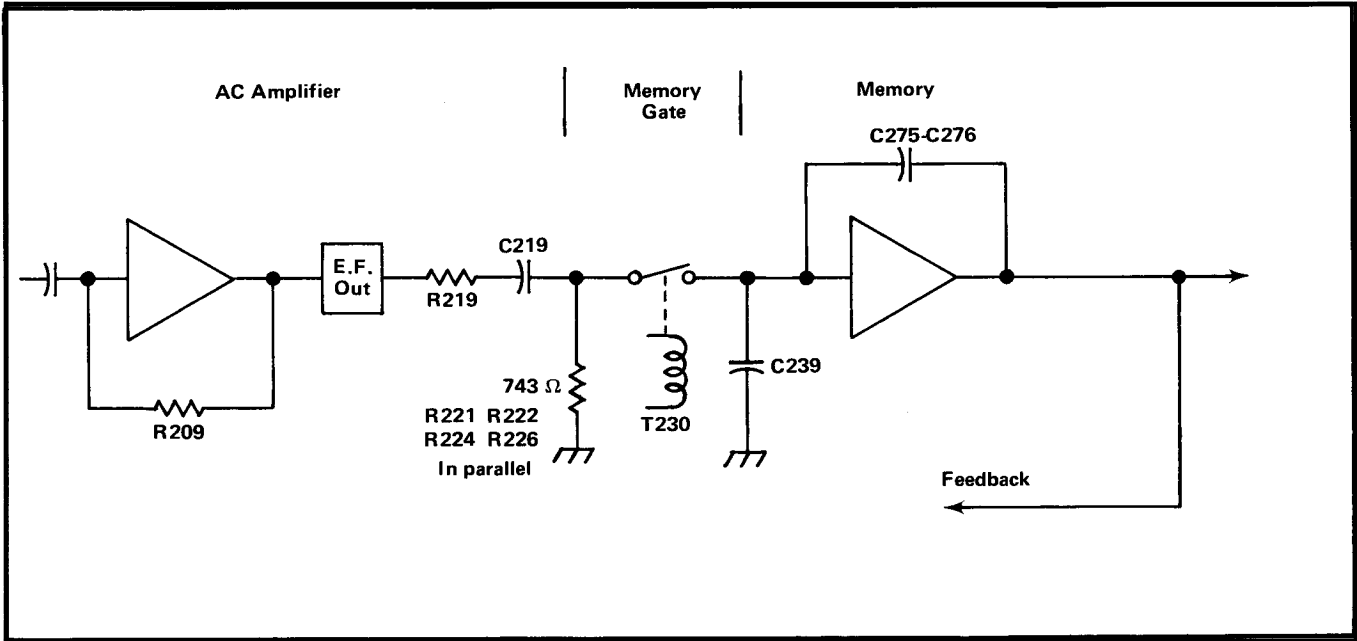


Fig. 4-4. Basic Memory Gate circuit between AC Amplifier and Memory Amplifier. (Detailed block of Memory diagram.)

base voltage, the collector voltage changes in the opposite direction and Q208 emitter drives current of the opposite polarity through R209 back to the Q204 base. The input and feedback signal currents are nearly equal, keeping the base voltage almost constant. The output signal is coupled to the Memory Gate by Q212, Q214 and R219-C219. R219 limits the signal output current, ensuring that C219 does not receive a significant charge for output signals of high pulse amplitude.

CR201 and CR206 provide protection when transistors are removed from their sockets. CR201 conducts if Q208 is removed, and CR206 conducts if Q204 is removed. Parasitic suppressing resistors include R206, R207, R211, R213 and R214.

The Memory Gate is a special pulse-driven diode gate that ensures a very high input resistance to the Memory except for about 0.15 to 0.20 μ s at the time of each sample. During the conduction time, the Memory Gate is a low impedance that allows the AC amplifier to introduce a charge into the Memory.

Fig. 4-4 is a detailed block diagram of the circuits on the Memory diagram. The Memory Gate is represented by a resistor, a coil and a relay switch. The resistor is the parallel value of the four biasing resistors which ensure that the four gating diodes are normally not conducting. This equivalent circuit shows that the Memory input is zero volts when there is no error signal at sample time.

Looking from the Memory Gate output toward its input, the four gating diodes are normally reverse biased by the

voltage of Zener diode VR221. (Two of the four diodes provide very high reverse biased leakage resistance, although they don't turn off very fast. The other two turn off fast at the end of the gating pulse, although they don't provide high resistance when reverse biased). VR221 voltage is balanced to ground by R224 and R226 so CR236 cathode rests at +2.5 volts and CR238 anode rests at -2.5 volts. C221 ensures that the AC Amplifier output signal drives both sides of the memory gate diodes.

The gate diodes are forward biased into conduction by T230 at the time of each sample due to the drive pulse from the Memory Gate Driver. T230 is a toroidal transformer specially wound to balance capacitive and inductive coupling to the two secondary windings. The winding with only one end connected provides the capacitive balance. The magnetic toroid core provides the inductive balance. Thus, the drive pulse is converted to identical drive signals to ensure that the output junction of the four diodes accurately divides the 5 volts of VR221-C221. This places the junction of CR237-CR239 at ground when no error signal is applied from the AC Amplifier. The functions of the two limiting diodes CR224-CR226 and the Memory Gate are discussed in the Memory description next. R229, R231 and CR232 are shunt, damping loads to T230 which minimize self-inductance ringing when the memory gate drive pulse ends.

The Memory amplifier is an integrating operational amplifier with special low leakage (high DC resistance) input circuit. The input and feedback components are capacitors, making the AC input impedance very low. The internal high gain ensures a very low output resistance; so that as

long as there is no change at the input, the output DC voltage remains stable. The input low leakage circuit has no DC connection to ground except during the time the Memory Gate conducts.

The Memory amplifier is specially decoupled from the power supplies because the output stage (Q262 and Q266) can require a current pulse as great as 30 mA for a 20 volt output change at sample time. The decoupling networks are R261-C261 and R267-C267. L268 in the VERT SIG OUT and feedback lead presents a high impedance to the Memory output for high frequency (fast change) signals. The inductor ensures that the output amplifier does not have to provide high current to the output load. L268 slows the output signal response, but at a time when the CRT is blanked.

A dual junction FET (Q242) is the input stage. It is biased for essentially no leakage at the input gate, and the stage has high voltage gain at the in-phase output drain lead. Any voltage change at the left Q242 gate lead is amplified and applied to the inverting amplifier Q256. Q256 collector circuit applies proper bias to both bases of the output complementary emitter follower pair, Q262-Q266 and restores the DC level negatively so a zero input signal (at the left side of Q242) is also a zero output signal. Q256 collector and Q262-Q266 output lead operate linearly through the range of +10 to -10 volts.

Because of the high open-loop gain, the Memory Amplifier does not have the fast risetime that the prior amplifiers have. The AC Amplifier output pulse duration is shorter than the Memory Amplifier risetime. C239 at Q242 input gate lead accepts some of the charge from the AC Amplifier, stores it until the Memory amplifier can respond, and then loses the charge again due to feedback current.

A cycle of operation at sample time takes the following sequence:

a. The Memory Gate drive pulse arrives at essentially the same time the Sampling Bridge is strobed into conduction. The CRT is blanked during this same time. Propagation delay through the three AC coupled amplifiers is quite short. (The fact that the Memory amplifier input is always at zero volts, and the Memory Gate is balanced around zero volts, prevents any false changes in C275-C276 charge. Therefore, there is no change in the Memory amplifier output voltage during the time the Memory Gate conducts ahead of the arrival of the AC Amplifier output signal).

b. The AC Amplifier applies a pulse signal through R219-C219 and the Memory Gate to the Memory amplifier input. C239 accepts some of the charge until the amplifier begins to respond, driving an equal and opposite current back to the input through the feedback capacitors.

c. Since the AC Amplifier output signal is applied to the Memory Amplifier "virtual signal ground" input, C219 receives about 10% of the total error signal charge before the Memory Gate stops conducting. Thus, as the AC Amplifier output returns to its quiescent voltage, the output side of C219 overshoots. The 743 Ω of the Memory Gate discharges C219 well in advance of the next error signal.

If the 7S11 is displaying a single transition step over the full graticule with the display starting at the lower left and ending at the upper right, the error signal is very large during retrace. Such large error signals (even during random process sampling) apply a significant charge to C219. In this case, the overshoot at the end of the error signal pulse is large enough to cause one side of the Memory Gate to conduct and remove some of the intended charge in the feedback capacitors. Two normally non-conducting clamp diodes prevent such undesired removal of memory charge. CR224 and CR226 help to discharge C219 if it receives too great a charge during the Memory Gate conduction time, thus preventing false amplitude displays. These two diodes do not conduct at any other time.

d. As the Memory Gate drive pulse ends, C239 charge is removed by the Memory amplifier feedback. This causes the Memory output voltage to continue changing toward proper amplitude for a short period of time after the Memory Gate stops conducting. As soon as C239 is returned to normal, the output voltage remains fixed until the next sample.

The actual resting voltage at the left Q242 gate may not be precisely zero, but it is within a few millivolts of zero. Any deviation from zero can be due to several things: slight differences in conduction of the Memory Gating diodes; slight differences in resistance of the four Memory Gate biasing resistors; some small error signal being generated at each sample time even when the sampling head input signal is zero. Q242 right gate voltage is adjusted over a small range to allow the above-normal variations. Adjustment of the right Q242 gate voltage is called the Smoothing Balance adjustment, because it is set so there is no change in Memory amplifier output when the forward attenuation is changed. The forward attenuation is changed by pushing either the NORMAL or SMOOTH switch. Whatever small zero-input error signal may exist in the system, it always has an average value that will not alter the memory stored charge. Changing the forward attenuation changes the peak amplitude of the residual error signal, but not its average voltage zero value. Therefore, Q242 gate voltage is adjusted to equal the average voltage zero value of the residual error signal, and the trace does not move when the NORMAL or SMOOTH switch is pushed.

Memory output voltage limits of about +10 and -10 are set by two diodes in parallel with the feedback capacitors.

Circuit Description—7S11

The diodes, CR272 and CR274, are reverse biased by 9 volts each. If the output tries to go more positive than about +10 volts, CR274 conducts ($9 + 0.6 = 9.6$ volts) reducing the amplifier gain to much less than 1. If the output tries to go more negative than about -10 volts, CR272 conducts, reducing the amplifier gain to much less than 1. The clamping diodes prevent the amplifier transistors from saturating at the time of an overdrive signal, and thus ensure fast transition away from the clamped voltage at the next sample.

CR242 conducts only when Q242 is removed from the socket while the power is on, thus keeping -50 volts off the source leads when Q242 is plugged in. Temperature compensation of the amplifier is accomplished effectively by the source-coupled FET input amplifier and CR257 and CR259. Q252 is an active load for Q242. This active load causes the signal current to the base of Q256 to be about twice the signal current out of the drain of Q242 right. Q252 also serves to speed up the circuit response time. The two identical halves of Q242 compensate each other so their total current does not change with temperature change. CR257 and CR259 have junction-drop temperature coefficients similar to Q262 and Q266 base-emitter junctions, and thus stabilize the output circuit.

The Memory amplifier drives the front panel vertical output jack through a resistive attenuator that delivers 40% of the memory signal through 10 k Ω . The jack is labeled VERT SIG OUT, 0.2 V/DIV, 10 k Ω . The memory output signal is the standard deflection signal mentioned in Section 3, and is 0.5 volt/CRT division. The Memory drives the Vertical Output through the Invert switch.

NOTE

The Memory output limits of ± 10 volts at 0.5 V/div equals 40 CRT divisions of display area, required when operating at high sensitivity and many divisions of DC OFFSET. The whole pulse amplifier chain is designed for full response and fast recovery so that on-screen displays have accurate deflection factors and DC offset reference. Such operation provides accurate signals at the front panel Vert Output jack, even though much of the signal is not displayed on the CRT.

Output Amplifier

The Output Amplifier diagram includes the Vertical Output and the Real Time Trigger.

The Vertical Output amplifier follows the Invert switch, INVERT/+UP which sets the signal path from the Memory circuit. The Vertical Output amplifier consists of a two-stage push-pull balanced circuit. The first stage includes the VARIABLE gain control and the Position adjustment in the

common emitter circuit of Q314 and Q334. The Position adjustment changes the current through each side of the push-pull circuit for a center-screen output voltage. Gain of the stage is controlled by the VARIABLE control. Maximum gain occurs with minimum resistance between the two emitters. The Variable Balance adjustment sets the level on the base of Q334 so that no current flows between emitters under no-signal conditions. This ensures that there is no ground reference shift of the trace when the VARIABLE control is turned.

The second stage of the Vertical Output amplifier includes the GAIN adjustment, which varies the emitter degeneration of Q344 and Q354. The push-pull outputs are applied to the oscilloscope vertical amplifier as a current source.

The Real Time Trigger amplifier (Q362 and Q366) is a balanced circuit with push-pull input from the first stage of the Vertical Output amplifier. Positive and negative trigger signals are applied to the timing unit through the oscilloscope interface.

Gate Generator

The Gate Generator diagram includes the Real Time Oscillator and Memory Gate Driver. The sampling drive pulse from the sampling sweep unit is slewed in time from the initial sweep trigger event and further delayed in the Delay circuit. The Memory Gate Driver circuit provides the proper time-positioning of the Memory Gate pulse so that the error signals are gated at the correct time. The Real Time Oscillator oscillates at about 47.5 kHz to start the sampling process when driven by a non-sampling sweep unit.

The Memory Gate Driver is preceded by a blocking oscillator (Q430 and associated components) which standardizes the risetime and amplitude of the sampling pulse from the sampling sweep. Until the positive sampling drive pulse occurs, Q430 is cut off and its collector is at +15 volts. The arriving pulse causes the transistor to start conduction as a normal amplifier, but the regenerative feedback from T430 via CR430 quickly drives Q430 into saturation. As the current through T430 reaches a steady value, the counter-EMF generated in the secondary of T430 is stopped by the reverse-biasing of CR430. Q430 remains in saturation until cut off when the sampling drive pulse ends.

The Memory Gate Driver circuit consists of a low-current amplifier (Q452) and a monostable multivibrator (Q456-Q464). At quiescence, the base voltage of Q452 (determined by the DELAY control setting) is between +11 and +15 volts. The current through Q542 is about 1 mA, which is insufficient to forward-bias Q456. Diode CR455 holds the base of Q456 at -15.6 volts to ensure that the

Memory Gate Driver output does not change as the DELAY control is changed. Q464 is reverse-biased by the current through R461, R460 (Memory Gate Width adjustment), CR462 and R462, and its base voltage is clamped at +0.6 volts by CR464. The collector voltage of Q464 rests at -14.5 volts.

When the blocking oscillator fires, the negative-going transition at Q430 collector is integrated into a fast negative-going ramp by R434 and C434. The ramp voltage drops to a level (determined by the DELAY control setting) sufficient to forward-bias CR434 and shortly thereafter, Q452 is driven to conduct harder. The additional current required by the emitter of Q452 is furnished by C451, and the collector of Q452 rises far enough to forward-bias Q456. When Q456 conducts its collector voltage drops, the negative change is coupled by C460 to reverse-bias CR462, which turns on Q464. R464 applies a steady 50 mA current to the Memory Gate transformer primary (T230) for about 180 nanoseconds. The positive-going change at the collector of Q464 is coupled back to the base of Q456 as positive feedback, holding Q456 in conduction.

The negative-going transition at the collector of Q456 is also coupled via C457 and C447 to the base of Q452, holding that transistor in hard conduction. The Strobe for the sampling head is taken from the junction of C457 and C447.

The regeneration from C447 to Q452 does not last as long as that holding Q456 in conduction, but since the base voltage of Q456 cannot go more positive than about -14.4 volts, Q452's collector voltage does not change. The position of the Memory Gate Width control adjusts the charge rate of C460 and therefore the conduction time of Q464. The conduction time and gate duration vary directly with the resistance of R460.

As C460 charges toward +15 volts, CR462 again conducts and turns Q464 off, ending the Memory Gate pulse and the drive to the base of Q456. However, Q456 was in saturation, so it does not stop conducting immediately. The collector voltage of Q456 rises positive about 350 ns after the transistor was turned on. This RC rise is slow and does not couple much energy through either C457 or C460.

Real Time Oscillator

The Real Time Oscillator consists of two blocking oscillator circuits. One, a low frequency blocking oscillator, is composed of transistor Q404 and associated circuitry. The second, a high frequency blocking oscillator, is composed of transistors Q408, Q410 and associated circuitry. The Real Time Oscillator circuit is controlled by the oscillator control line from the sampling sweep unit. When the oscil-

lator control line is at the high state, neither of the two oscillators can operate since their source of current is shunted by diodes CR413 and CR414 (see Gate Generator diagram 4). When the oscillator control line is at the low state, both diodes are back biased and the oscillators can operate.

The low frequency blocking oscillator uses transformer coupling from emitter to base to perform the oscillator action. During equivalent time sampling operation, the anode of CR413 is held at about +.6 volt. Most of the current from R404 travels through CR413, and Q404 remains reverse biased. When the sampling sweep unit TIME/DIV switch is rotated to a real time position, the oscillator control line drops to a point slightly below ground potential and the cathode of CR413 drops to about -.6 volt. As the cathode of CR413 drops below ground potential, Q404 begins to conduct. Current through T400 couples positive feedback via CR401 to the base of Q404, driving it further into conduction. The current for the rapid saturation of Q404 is furnished first by C406; then as the emitter of Q404 rises positive, CR402 begins to conduct and clamps the emitter of Q404 at about +.6 volt. The field around T400 begins to collapse, rapidly driving Q404 into cutoff. The result at the base of Q408 is a single positive pulse used to drive the high frequency blocking oscillator.

When the oscillator control line is at the high state, the anode of CR414 is at approximately ground potential, which is sufficient for the diode to conduct. Since there is no difference in potential from the cathode of CR413 to the cathode of CR414, both Q408 and Q410 are reverse biased when the oscillator control line is at the high state. When the sampling sweep unit is switched to a real time TIME/DIV setting, the oscillator control line drops to approximately -0.6 volt. The cathode potential of CR414 drops to approximately -1.2 volts at which point Q410, CR411 and Q408 begin conduction (the base of Q408 is pulled positive by the conduction of Q404). The change in the collector of Q410 through the primary of T410 starts positive feedback to the base of Q410. Q410 is driven rapidly into saturation. When Q410 saturates, the collapsing field across T410 then drives Q410 into cutoff. The result is a sharp negative pulse, which is coupled across C418 to the base of Q422. Although the repetition rate of the high frequency oscillator depends primarily on the output rate of the low frequency oscillator, the high frequency oscillator output frequency can be varied by the repetition rate adjustment, R415.

Transistor Q422 inverts the negative pulse from the high frequency oscillator and drives the base of Q430 when the sampling sweep unit is in real time operation.

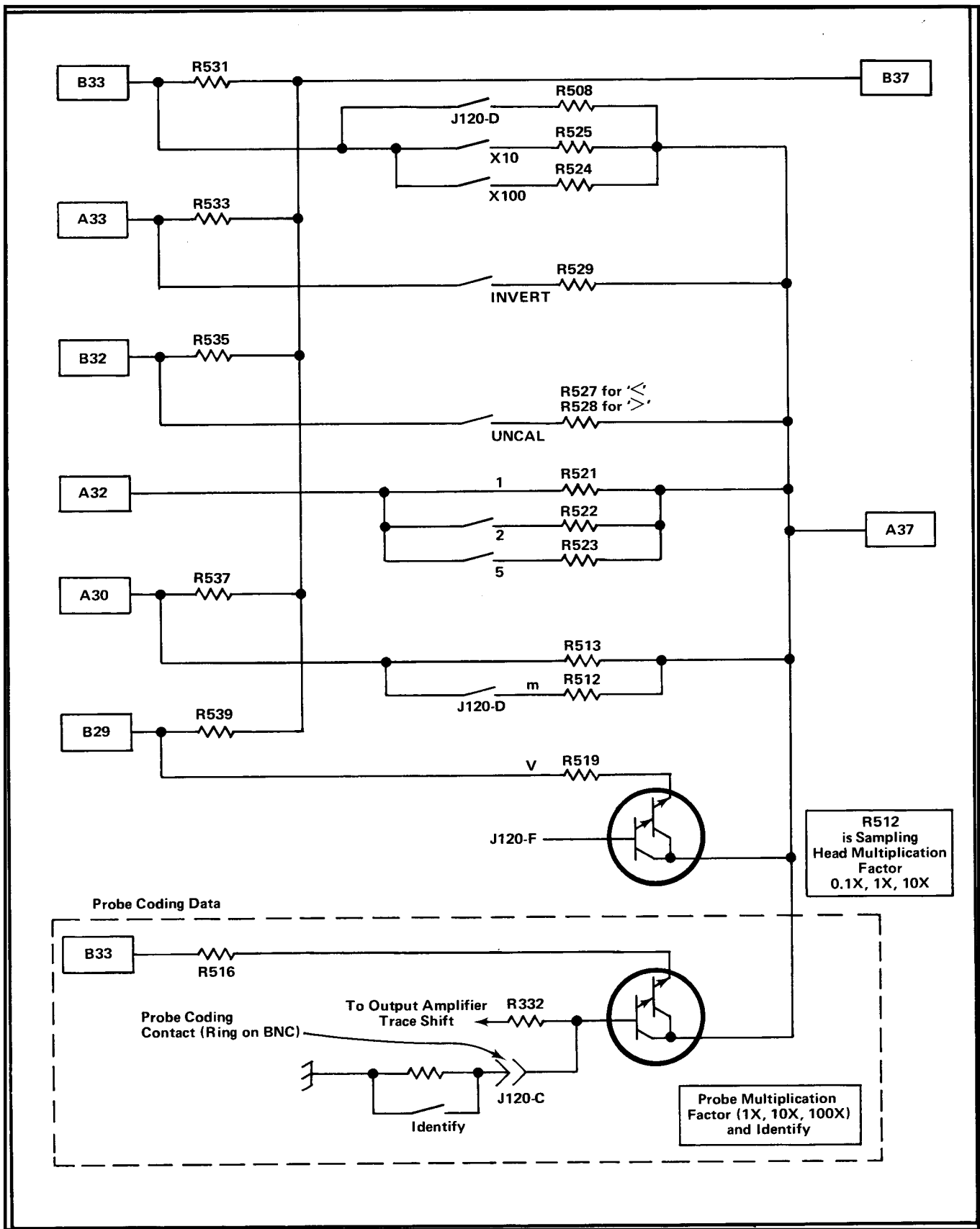


Fig. 4-5. Simplified Readout Logic Coding.

Readout Logic

The Readout Logic diagram shows the circuitry used to generate different current levels for analog coding. The transistors and diode are used to simplify the switching. Fig. 4-5 shows a simplified diagram of the switches and resistances used for encoding.

In some sampling heads there is no probe coding. Probe coding is performed via a ring around the BNC connector and Q506 and Q516 which convert the resistance value in the probe into analog current pulses during timeslot 1, B33. Trace identification is implemented by grounding the probe coding ring around the BNC connector.

Power Distribution and Decoupling

The Power Distribution & Decoupling diagram contains the power supply decoupling networks and internal power supply for the S-series sampling head. Power from the indicator oscilloscope enters through the center circuit board at the rear.

The -12.2 Volt Supply consists of the comparator Q624 and the series regulator Q626. The output voltage is compared with the reference divider voltage of R621-R622.

The voltage reference divider, R621 and R622, applies approximately -12.2 volts to the base input of Q624. This reference is coupled to the emitter-base junction of the output side of Q624 through common emitter resistor R624.

A positive-going change in voltage decreases the current through the output collector of Q624 which places a more negative voltage on the base of Q626. As the current through Q626 increases, the output voltage decreases to its proper value.

Q624 is protected from reverse bias by diodes CR624 and CR625.

SECTION 5

MAINTENANCE

Change information, if any, affecting this section will be found at the rear of the manual.

Introduction

This section of the manual contains maintenance information for use in preventive maintenance, corrective maintenance or troubleshooting of the 7S11.

PREVENTIVE MAINTENANCE

General

Preventive maintenance consists of cleaning, visual inspection, lubrication, etc. Preventive maintenance performed on a regular basis will help prevent instrument failure. The severity of the environment to which the 7S11 is subjected will determine the frequency of maintenance.

Cleaning

The 7S11 should be cleaned as often as operating conditions require. Accumulation of dirt in the instrument can cause overheating and component breakdown. Dirt on components acts as an insulating blanket and prevents efficient heat dissipation. It also provides an electrical conduction path.

The top and bottom covers of the instruments in which the 7S11 operates provide protection against dust in the interior of the instrument. Operating without the covers in place will require more frequent cleaning.

CAUTION

Avoid the use of chemical cleaning agents which might damage the plastic used in this instrument. Some chemicals to avoid are benzene, toluene, xylene, acetone or similar solvents.

External. Loose dust accumulated on the outside of the 7S11 can be removed with a soft cloth or small paint brush. The paint brush is particularly useful for dislodging dirt on and around the front-panel controls. Dirt which remains can be removed with a soft cloth dampened in a mild solution of water and detergent. Abrasive cleaners should not be used.

Interior. Dust in the interior of the instrument should be removed occasionally due to its electrical conductivity under high-humidity conditions. The best way to clean the interior is to blow off the accumulated dust with dry, low-velocity air. Remove any dirt which remains with a soft paint brush or a cloth dampened with a mild detergent and water solution.

Lubrication

The reliability of Potentiometers, rotary switches and other moving parts can be increased if they are kept properly lubricated. Use a cleaning-type lubricant on switch contacts. Lubricate switch detents with a heavier grease (such as Tektronix Part No. 006-0219-00). Potentiometers should be lubricated with a lubricant which will not affect electrical characteristics (such as Tektronix Part No. 006-2574-00). Do not over-lubricate. A lubrication kit containing the necessary lubricants and instructions is available from Tektronix. Order Tektronix Part No. 003-0342-01). The VARIABLE on/off slide switch uses Beacon #325 grease.

Visual Inspection

The 7S11 should be inspected occasionally for such defects as broken connections, improperly seated transistors, damaged circuit boards and heat-damaged parts.

The remedy for most visible defects is obvious; however, care must be taken if heat-damaged parts are located. Overheating is usually only a symptom of trouble. For this reason, it is essential to determine the actual cause of overheating before the heat-damaged parts are replaced; otherwise, the damage may be repeated.

Calibration

To ensure accurate measurements, check the calibration of this instrument after each 500 hours of operation or once every six months.

Parts Identification

Identification of Switch Wafers. Wafers of switches shown on the circuit diagram are numbered from the first

wafer located behind the detent section of the switch to the last wafer. The letters F and R indicate whether the front or the rear of the wafer is used to perform the particular switching function. For example, the designation 2R printed by a switch section on a schematic identifies the switch section as being on the rear side of the second wafer when counting back from the front panel.

Wiring Color Code. The wiring in the 7S11 is color coded to facilitate circuit tracing.

Resistor Coding. The 7S11 uses a number of very stable metal film resistors identified by their gray background color and color coding.

If the resistor has three significant figures with a multiplier, the resistor will be EIA color coded. If it has four significant figures with a multiplier, the value will be printed on the resistor. For example, a 333 kΩ resistor will be color coded, but a 333.5 kΩ resistor will have its value printed on the resistor body.

The color-coding sequence is shown in Fig. 5-1.

Capacitor Marking. The capacitance values of common disc capacitors and small electrolytics are marked in microfarads on the side of the component body. The white ceramic capacitors used in the 7S11 are color coded in picofarads using a modified EIA code (Fig. 5-1).

Diode Color Code. The cathode end of each glass-encased diode is indicated by a stripe, a series of stripes or a dot. For most silicon or germanium diodes with a series of stripes, the color-code also indicates the type of diode or identifies the Tektronix Part Number using the resistor color-code system (e.g., a diode color-coded blue or pink-brown-gray-green indicates Tektronix Part Number 152-0185-00). The cathode and anode end of metal-encased diodes can be identified by the diode symbol marked on the body.

Parts Replacement

All parts used in the 7S11 can be purchased directly through your Tektronix Field Office or Representative.

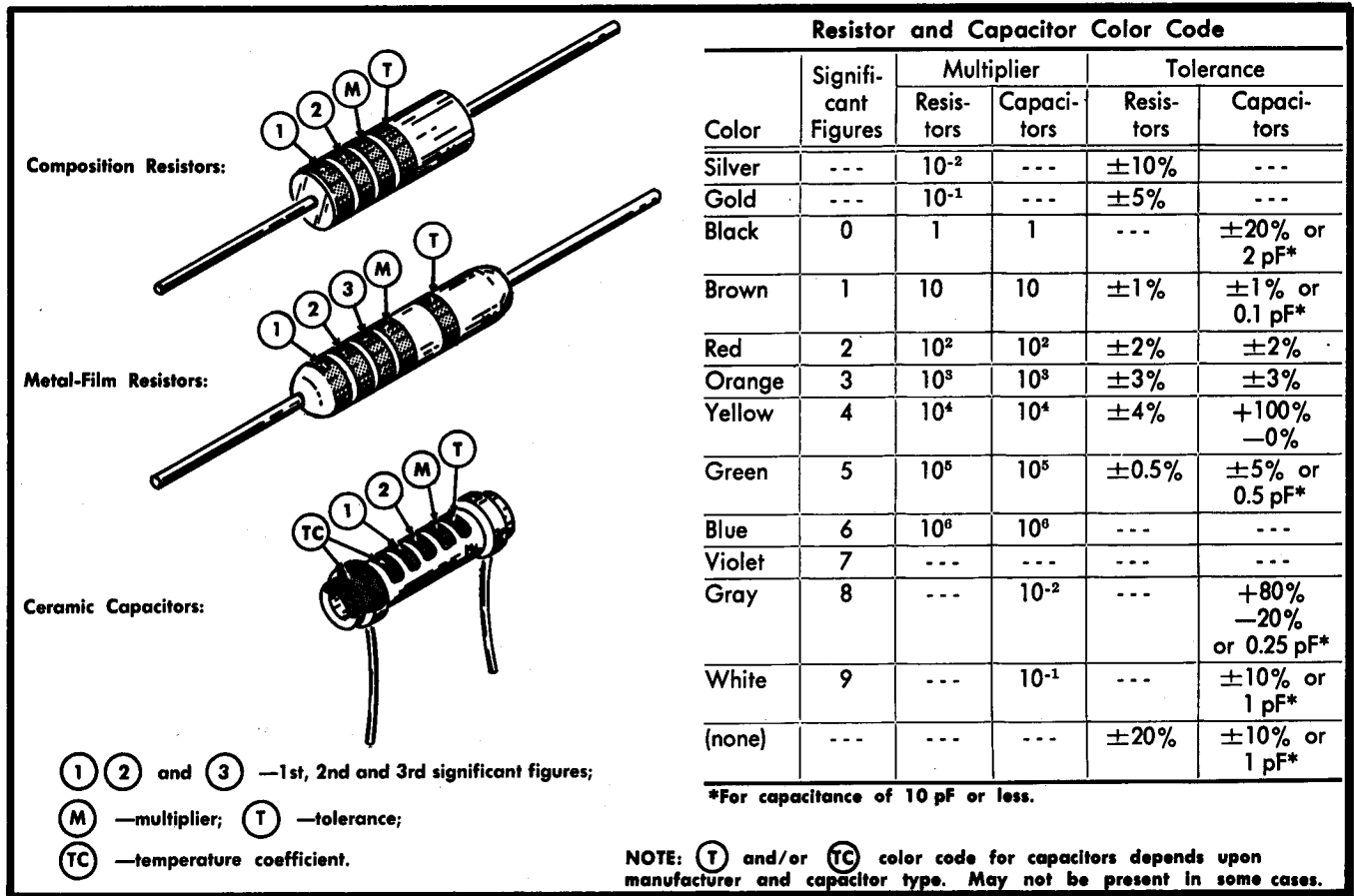


Fig. 5-1. Resistor and ceramic capacitor color-code.

However, replacements for standard electronic items can generally be obtained locally in less time than is required to obtain them from Tektronix. Replacements for the special parts used in the assembly of the 7S11 should be ordered from Tektronix since these parts are either manufactured or selected by Tektronix to satisfy a particular requirement. Before purchasing or ordering, consult the Electrical Parts List to determine the value, tolerance and rating required.

NOTE

When selecting the replacement parts, it is important to remember that the physical size and shape of a component may affect its performance at high frequencies. Parts orientation and lead dress should duplicate those of the original part since many of the components are mounted in a particular way to reduce or control stray capacitance and inductance. After repair, portions of the instrument may require recalibration.

Pushbutton Switches. The pushbutton switches are not repairable and should be replaced if defective. Components which are mounted on the circuit board associated with the pushbutton switch can be replaced using the normal replacement procedures.

Rotary Switches. Individual wafers or mechanical parts of rotary switches are normally not replaced. The availability of replacement switches, either wired or unwired, is detailed in the Electrical Parts List.

Circuit Boards. Use ordinary 60/40 solder and a 35- to 40-watt pencil type soldering iron on the circuit boards. The tip of the iron should be clean and properly tinned for best heat transfer to the solder joint. A higher wattage soldering iron may separate the etched wiring from the base material.

All of the components mounted on the Vertical and Inter-Channel Control circuit boards can be replaced without removing the boards from the instrument. Observe soldering precautions given under Soldering Techniques in this section.

Replacement of soldered-in diodes. Grasp the diode lead between the body of the diode and the circuit board with a small pair of tweezers. Touch the tip of the soldering iron to the lead where it enters the circuit board. Do not lay the iron tip directly on the circuit board. Gently but firmly pull the diode lead from the hole in the circuit board. If removal of the lead does not leave a clean hole, apply a sharp object such as a toothpick or pointed tool while reheating the solder. Avoid using too much heat.

NOTE

Cleaning of the circuit board hole while the board is mounted in the instrument is not recommended. Solder pushed through the hole toward the back side cannot always be cleared away unless the back side is accessible. Thus, clear the mounting holes only when the board is out of the instrument.

To place the new diode, bend the leads and trim to fit just through the board. Tin each lead while using the tweezers as a heat sink. Place the diode leads in the holes. Apply a small amount of solder, if necessary, to ensure a good bond. Use the tweezers as a heat sink and use only enough heat for a good connection.

Replacement of other soldered-in components. Grip the component lead with long-nose pliers. Touch the soldering iron to the lead at the solder connection. Do not lay the iron directly on the board, as it may damage the board. Refer to Fig. 5-2.

When the solder begins to melt, pull the lead out gently. This should leave a clean hole in the board. If not, the hole can be cleaned by reheating the solder and placing a sharp object such as a toothpick or pointed tool into the hole to clean it out.

Bend the leads of the new component to fit the holes in the board. If the component is replaced while the board is mounted in the instrument, cut the leads so they will just protrude through the board.

Pre-tin the leads of the component by applying the soldering iron and a small amount of solder to each (heat-shunted) lead. Insert the leads into the board until the component is firmly seated against the board. If it does not seat properly, heat the solder and gently press the component into place.

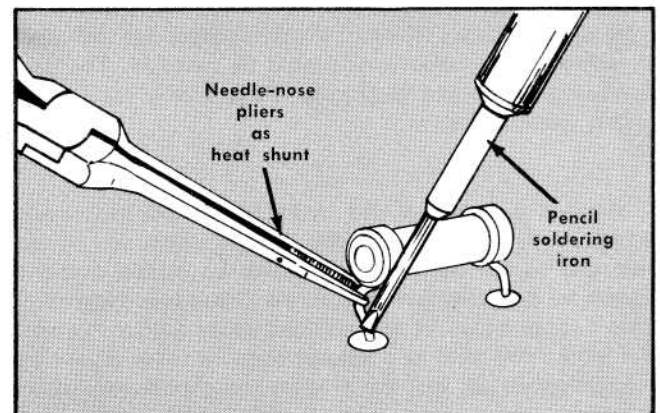


Fig. 5-2. Apply the soldering iron to the heat-shunted lead when removing a component from a circuit card.

Maintenance—7S11

Apply the iron and a small amount of solder to the connection to make a firm solder joint. To protect heat-sensitive components, hold the lead between the component body and the solder joint with a pair of long-nose pliers or other heat sink.

Clean the area around the soldered connection with a flux-remover solvent to maintain good environmental characteristics. Be careful not to remove information printed on the board.

Incandescent bulbs for lighting the pushbutton switches are soldered to the circuit board on the pushbutton switches. Remove the screws and cover to expose the bulbs.

Metal Terminals. When soldering metal terminals (e.g., switch terminals, potentiometers, etc.), ordinary 60/40 solder can be used. The soldering iron should have a 40- to 75-watt rating with a 1/8 inch wide chisel-shaped tip.

Observe the following precautions when soldering metal terminals:

1. Apply only enough heat to make the solder flow freely.

2. Apply only enough solder to form a solid connection. Excess solder may impair the function of the part.

3. If a wire extends beyond the solder joint, clip off the excess.

4. Clean the flux from the solder joint with a flux-remover solvent.

Circuit Board Replacement. If a circuit board is damaged and cannot be repaired, the entire assembly including all soldered-on components should be replaced. The part number given in the Mechanical Parts List is for a completely wired board.

Replace the Vertical and Inter-Channel Control circuit boards with attention to the screws which are spring mounted to the center circuit board. Be certain that the screws are gradually loosened so the circuit board assembly does not spring up at one end and cause damage. Loosen the screws one turn at a time to equalize stress caused by the springs. Check that the pins are straight before replacement. Replace the circuit board with careful alignment of the holes over the pins with pressure on the area around the screws to overcome spring resistance for the initial screw

tightening, then tighten all the screws gradually, (as in the removal) one turn at a time. Tighten all screws finger-tight.

The Interface assembly board can be removed as follows: first, loosen (or remove) the phillips head screws and locking nuts holding the fixed shoe on the left side of the 7S11 and lift the shoe away, then remove the six phillips head screws holding the Interface assembly board to the metal chassis. Remove the four phillips head screws holding the rear plastic connector guide. Loosen the set screw in the shaft coupling holding the VARIABLE control shaft to the control (switch pushed in). The Inter-Channel Control circuit board must be removed for removal of pin connections at pins A, B and ground. Tag the wires with masking tape and mark for identification. Disconnect all pin-and-connector wire connections. Unsolder the leads at the sampling head connector, gently lifting them away from the board. Pull the assembly board from the 7S11 to the rear, watching the wires connected to the movable shoe for possible hang-up on the notches, and placing them so they bend outside the chassis holes.

Interface board replacement involves installation of the board, watching and placing the wires for least interference and final location. Install and tighten the four screws holding the rear plastic connector. Next, install and tighten the six chassis screws. Solder the sampling head connector pins and connect the wires. Install the fixed shoe connector into the slot and install the Inter-Channel Control board. Reassemble the VARIABLE control shaft and coupling and tighten the set screw.

TROUBLESHOOTING

Introduction

The following information is provided to facilitate troubleshooting of the 7S11. Information contained in other sections should be used along with the following information to aid in locating the defective component. An understanding of the circuit operation is very helpful in locating troubles. See the Circuit Description section if the operation of a particular circuit is not clear.

Troubleshooting Aids

Diagrams. Complete circuit diagrams are given on fold-out pages in the Diagrams section. The component number and electrical value of each component in this instrument are shown on the diagrams. Each main circuit is assigned a series of component numbers. Table 5-1 lists the main circuits in the 7S11 and the series of component numbers assigned to each. Important voltages and waveforms are also shown on the diagrams. The portions of the circuit mounted on circuit boards are enclosed with a blue line.

TABLE 5-1

Component Numbers

Component numbers on diagrams	Diagram number	Circuit
101-149	1	Post Amp & Attenuators
201-299	2	Memory
301-399	3	Output Amplifier
401-499	4	Gate Generator
501-549	5	Readout Logic
601-649	7	Power Distribution & Decoupling

Troubleshooting Techniques

This troubleshooting procedure is arranged in an order which checks the simple trouble possibilities before proceeding with extensive troubleshooting. The first few checks ensure proper connection, operation and calibration. If the trouble is not located by these checks, the remaining steps aid in locating the defective component. When the defective component is located, it should be replaced, following the replacement procedures given in this section.

1. Check Control Settings. Incorrect control settings can indicate a trouble that does not exist. For example, incorrect setting of the VARIABLE control appears as incorrect gain, etc. If there is any question about the correct function or operation of any control, see the Operating Instructions section of this manual.

2. Check Associated Equipment. Before proceeding with troubleshooting of the 7S11, check that the equipment used with the 7S11 is operating correctly. Check that the signal is properly connected and that the interconnecting cables are not defective. Also, check the power source.

3. Visual Check. Visually check the portion of the instrument in which the trouble is located. Many troubles can be located by visual indications such as unsoldered connections, broken wires, damaged circuit boards, damaged components, etc.

4. Check Instrument Calibration. Check the calibration of the instrument, or the affected circuit if the trouble exists in one circuit. The indicated trouble may only be a result of misadjustment or may be corrected by calibration. Complete instructions are given in the Calibration section of this manual.

5. Isolate the Trouble to a Circuit. To isolate trouble to a circuit, note the trouble symptom. The symptom often identifies the circuit in which the trouble is located. When trouble symptoms appear in more than one circuit, check affected circuits by taking voltage and waveforms readings.

Transistor Checks

Transistors should not be replaced unless they are actually defective. Transistor defects usually take the form of the transistor opening, shorting, or developing excessive leakage. To check a transistor for these and other defects, use a transistor curve display instrument such as a Tektronix Type 576 or 575. However, if a good transistor checker is not readily available, a defective transistor can be found by signal-tracing, by making in-circuit voltage checks, by measuring the transistor forward-to-back resistance using proper ohmmeter resistance ranges, or by using the substitution method. The location of all transistors is shown in the parts location figures later in this section.

To check transistors using a voltmeter, measure the emitter-to-base and emitter-to-collector voltages and determine if the voltages are consistent with the normal resistances and currents in the circuit (see Fig. 5-3). Note the lead configuration in Fig. 5-4.

When checking transistors by substitution, be sure that the voltages supplied to the transistor are normal before making the substitution. If a transistor is substituted without first checking out the circuit, the new transistor may immediately be damaged by some defect in the circuit.

Diode Checks

A diode can be checked for an open or shorted condition by measuring the resistance between terminals. With an ohmmeter scale having an internal source of about 1.5 volts, the resistance should be very high in one direction and very low when the leads are reversed.

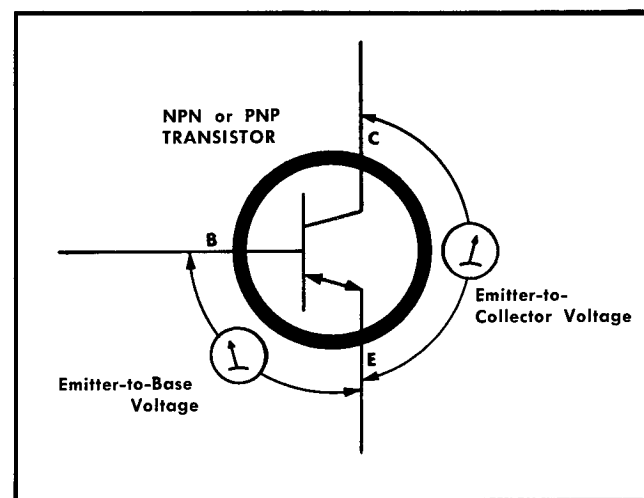


Fig. 5-3. In-circuit voltage checks NPN or PNP transistors.

CAUTION

Do not use an ohmmeter scale that has a high internal current. High currents may damage the diode. Do not measure tunnel diodes with an ohmmeter; use a dynamic tester (such as Tektronix Type 576 or 575 Transistor Curve Tracer).

Field Effect Transistors (FET)

Memory Amplifier field effect transistors in the 7S11 should not be tested with an ohmmeter. Rather, if you suspect the dual FET, pull the unit out of the socket, rotate it 180° and re-insert it. The leads are arranged in a manner to permit the unit to be installed with the guide pin pointing either forward or backward. If there is no change in circuit operation, both sections of the dual FET are probably good.

Actual condition of either half of a dual FET can be checked using a Tektronix Type 576 Transistor Curve Tracer. The Gate corresponds to the Base, Drain to the Collector, and Source to the Emitter of an ordinary transistor at the curve tracer sockets.

Set the Type 576 Curve Tracer controls:

Vertical Current/Div	1 mA
Display Offset	0
Centerline Value	Div
Display Invert	Released
Zero	Released
Cal	Released
Horizontal Volts/Div	1 Collector
Max Peak Volts	15
Watts	0.1
Polarity	+ (NPN)
Mode	Norm
Number of Steps	10
Offset Mult	0.00
Step/Offset Amplitude	.05 V
Offset Zero	Pressed
Steps	Pressed
Step Family Rep	Pressed
Rate Norm	Pressed
Step Mult 1X	Released
Step/Offset Polarity Invert	Pressed
Variable Collector Supply	0
Emitter Grounded	Step Gen

Install the FET Test Fixture in the Type 576 Standard Test Fixture and the FET to be tested in the Test Fixture.

Turn the Variable Collector Supply control clockwise until about 10 volts is displayed horizontally.

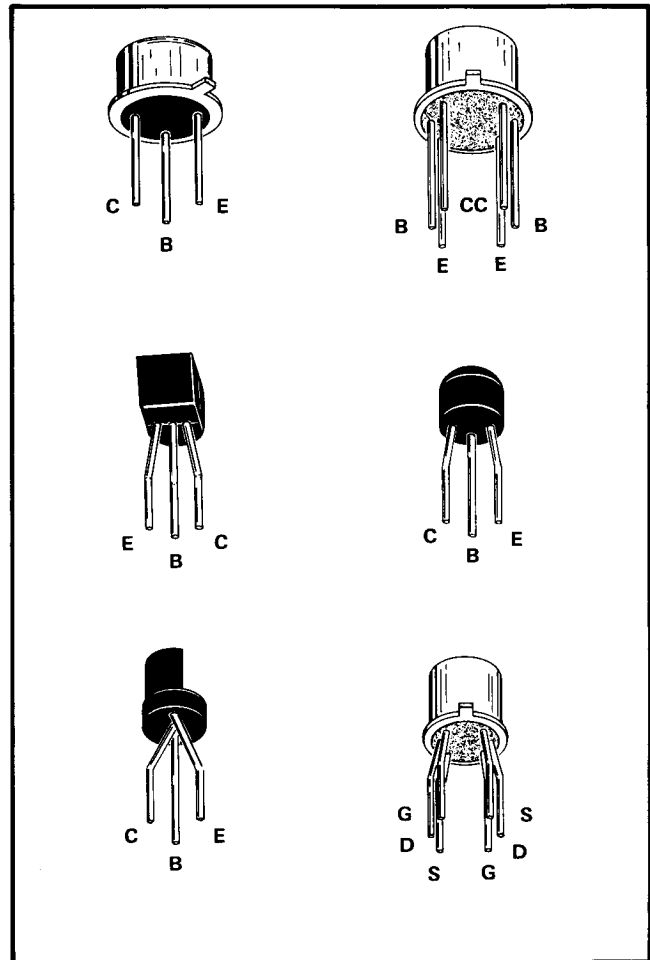


Fig. 5-4. Lead configuration for transistors used in the 7S11.

Press the Step Generator Polarity Invert button for the Depletion mode of operation or release the button for the Enhancement mode of operation.

Turn the Amplitude switch counterclockwise until a family of curves is displayed. Set the Peak Power Watts switch for a maximum collector supply power output of less than the maximum power rating of the FET under test.

Increase the collector supply voltage as follows:

- (1) Set the Variable Collector Supply control fully counterclockwise;
- (2) Install the protective box and close the lid;
- (3) Set the Max Peak Volts switch to to the desired voltage range;
- (4) Turn the Variable Collector Supply control clockwise until the desired collector supply voltage is obtained.

Turn the Amplitude switch counterclockwise for a higher drain current.

Small-signal g_m of the FET is equal to the Vertical switch setting divided by the Amplitude switch setting (note the g_m PER DIV READOUT), multiplied by the vertical separation of two curves of the displayed family.

Major Circuit and Parts Location

The remainder of this section includes photographs of sections of the 7S11. Major circuit areas are identified. All components mounted on circuit boards are identified by circuit numbers. All circuit board connections are identified by pin letters.

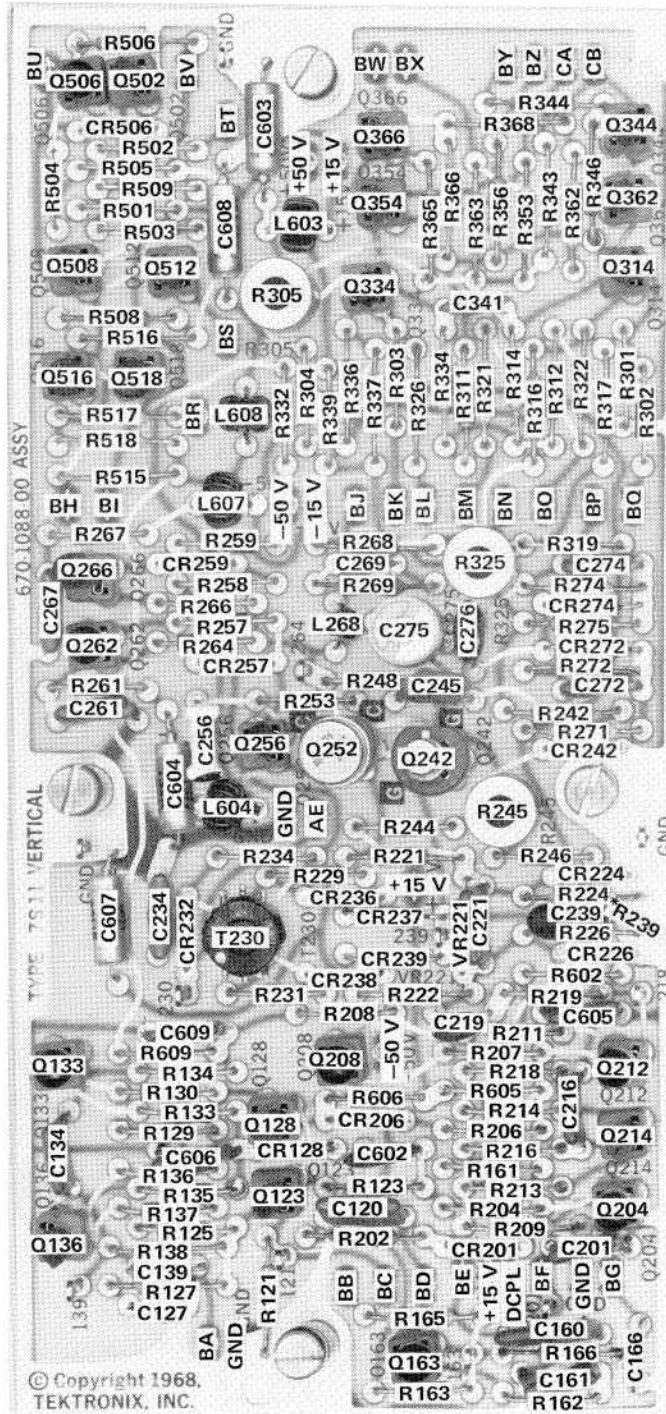
REPACKAGING FOR SHIPMENT

If the Tektronix instrument is to be shipped to a Tektronix Service Center for service or repair, attach a tag showing: owner (with address) and the name of an individual at your firm that can be contacted, complete instrument serial number and a description of the service required.

Save and re-use the package in which your instrument was shipped. If the original packaging is unfit for use or not available, repackage the instrument as follows:

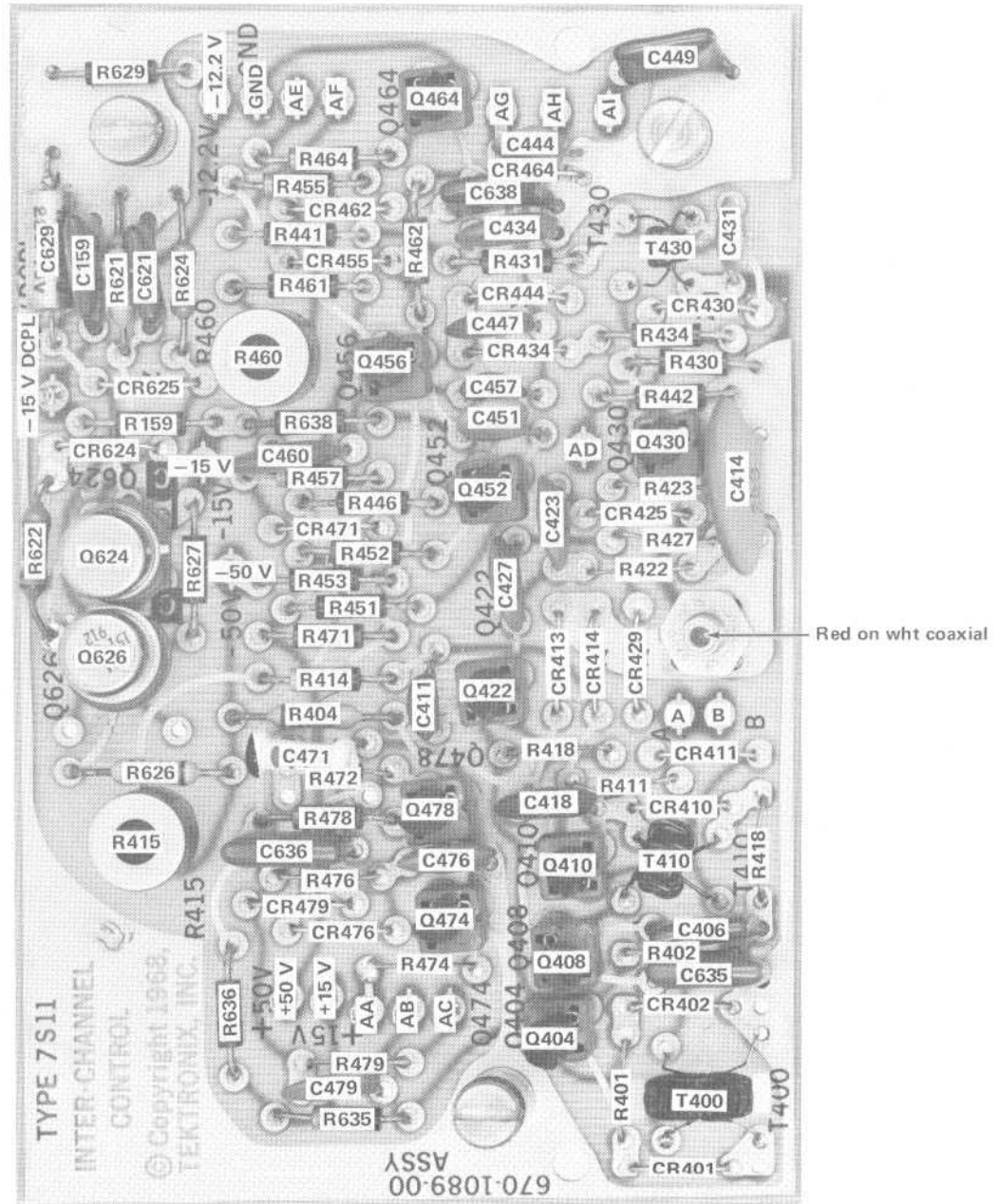
Surround the instrument with polyethylene sheeting to protect the finish of the instrument. Obtain a carton of corrugated cardboard of the correct carton strength and having inside dimensions of no less than six inches more than the instrument dimensions. Cushion the instrument by tightly packing three inches of dunnage or urethane foam between carton and instrument, on all sides. Seal carton with shipping tape or industrial stapler.

The carton test strength for your instrument is 200 pounds.



*See Parts List for serial number ranges.

Fig. 5-5. Vertical circuit board.



Mounted on other side
 CR403 C637

Fig. 5-6. Inter-Channel Control circuit board.

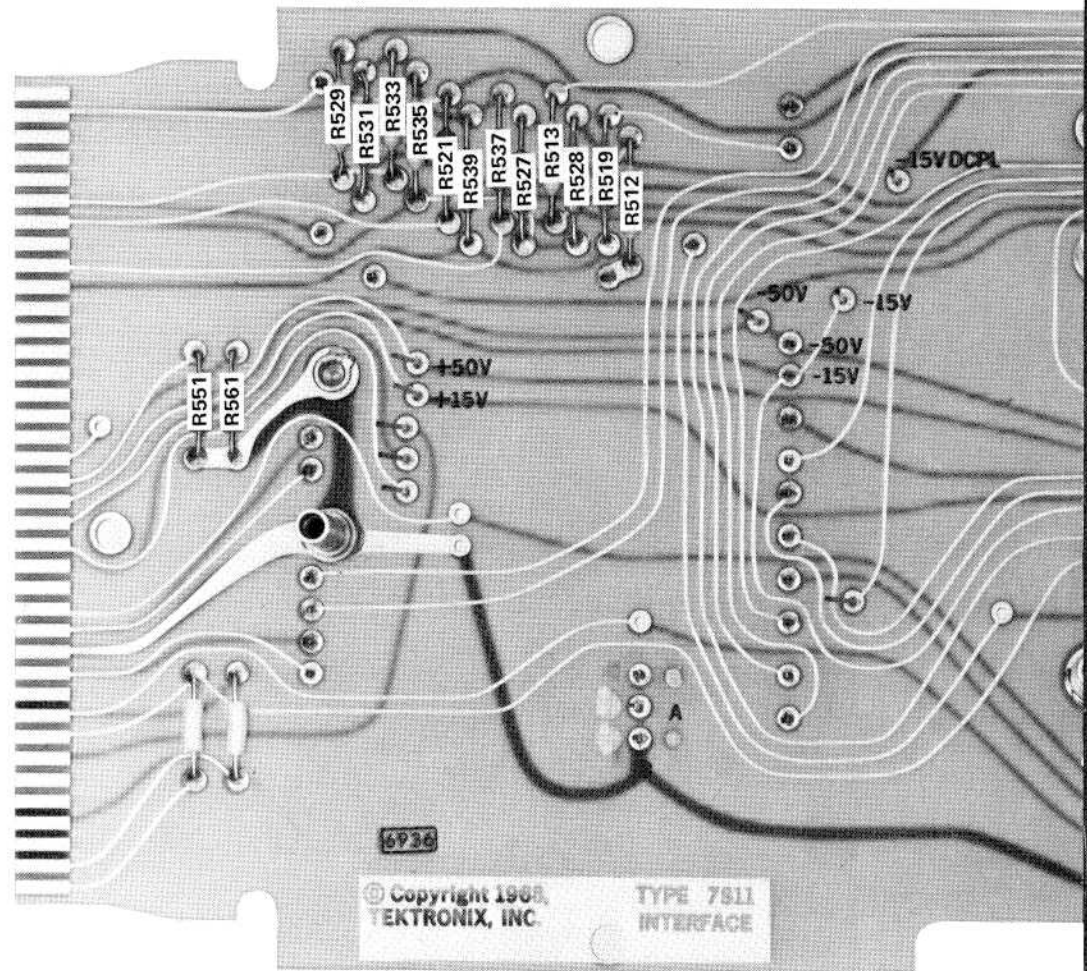


Fig. 5-7. Interface circuit board, left side.

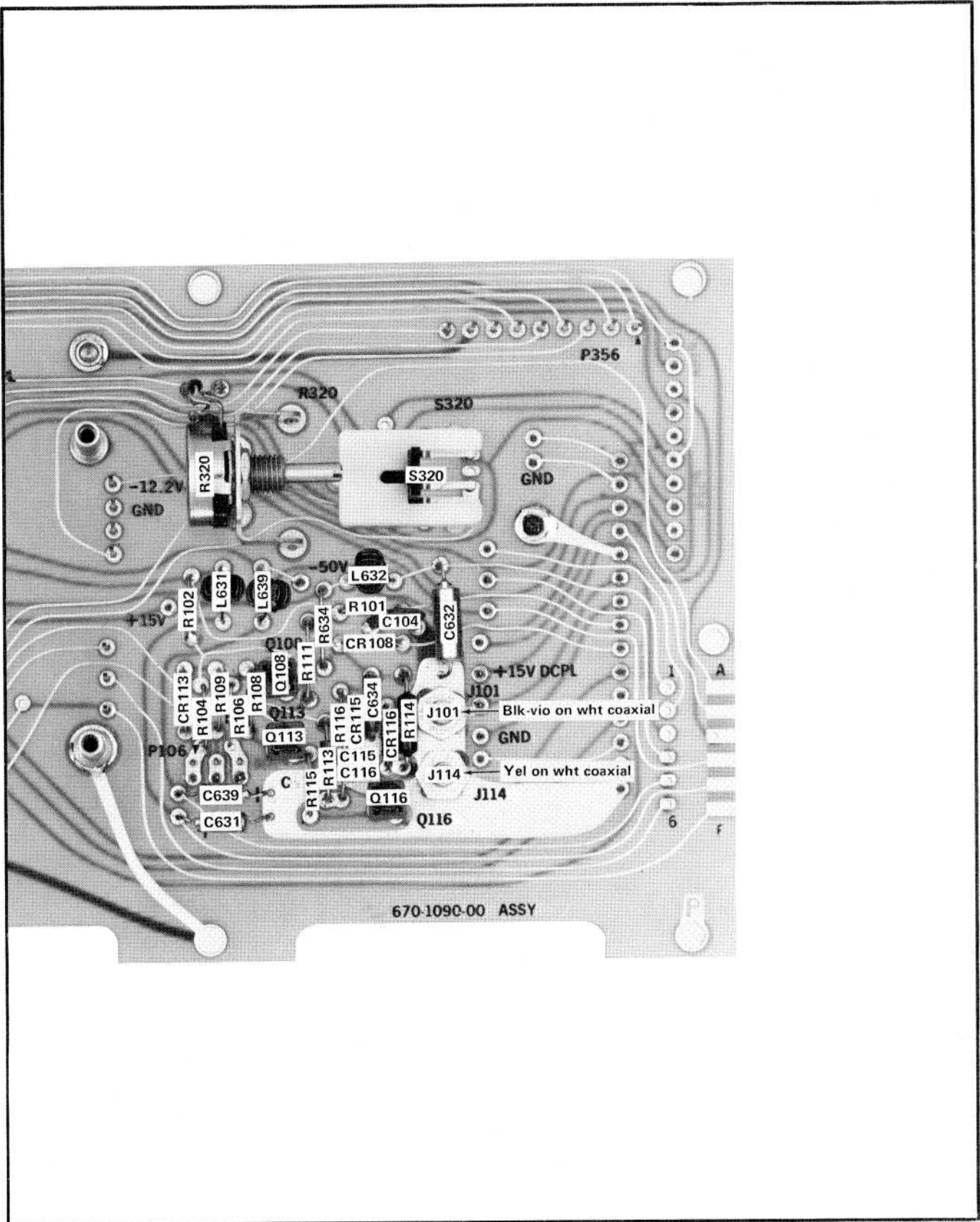


Fig. 5-8. Interface circuit board, right side.

SECTION 6

PERFORMANCE CHECK/CALIBRATION

Change information, if any, affecting this section will be found at the rear of the manual.

Introduction

This procedure combines the 7S11 performance check and calibration procedures since a number of the steps are common to both procedures. After the "Preliminary Procedure", which is performed before the 7S11 is installed in the oscilloscope, the Performance Check Procedure (using the test equipment recommended and without access to internal controls or test points) includes all the steps that can be done on the 7S11 once it is installed in the oscilloscope. Notes in the text titled "PERFORMANCE CHECK ONLY" give instructions that pertain to the performance check procedure only and list the next step applicable to the performance check. All these steps herein pertain to the calibration procedure.

As an aid to the calibration of the instrument, a Short-Form Procedure is given prior to the complete procedure. To facilitate instrument calibration for the experienced calibrator, the Short-Form Procedure lists the calibration adjustments necessary for each step and the applicable tolerances. This procedure also includes the step number and title as listed in the complete Performance Check/Calibration Procedure and the page number where each step begins. Therefore, the Short-Form Procedure can be used as an index to locate a step in the complete procedure. This procedure can be reproduced and used as a permanent record of instrument calibration.

Completion of each step in the complete Performance Check/Calibration Procedure insures that this instrument meets the electrical specifications given in Section 1. Where possible, instrument performance is checked before an adjustment is made. For best overall instrument performance when performing a complete calibration procedure, make each adjustment to the exact setting even if the check is within the allowable tolerance.

NOTE

All waveforms shown in this procedure were taken with a Tektronix Oscilloscope Camera System. Limits, tolerances and waveforms in this procedure are given as calibration guides and should not be interpreted as instrument specifications except as specified in Section 1.

TEST EQUIPMENT REQUIRED

General

The following test equipment and accessories, or its equivalent, is required for complete calibration of the 7S11. Specifications given are the minimum necessary for accurate calibration; therefore, some of the recommended equipment may have specifications that exceed those given. All test equipment is assumed to be correctly calibrated and operating within the given specifications. If equipment is substituted, it must meet or exceed the specifications of the recommended equipment.

Special Tektronix Calibration fixtures are used in this procedure only where they facilitate calibration. These special calibration fixtures are available from Tektronix, Inc. Order by part number through your local Tektronix Field Office or representative.

Test Equipment

1. Oscilloscope, a 7504 or a 7704, in which to operate the 7S11.
2. Type S-1 Sampling Head.
3. 7T11 Sampling Sweep Unit.
4. Test oscilloscope with a differential comparator; minimum deflection factor required is 5 mV/div or less, risetime required is 20 ns or less. A 7A13 Differential Comparator and 7B50 Time Base can be operated in the 7504 (or 7704) Oscilloscope required for the 7S11, or use a separate oscilloscope such as the Type 547 with the Type W Plug-In Unit.
5. 1X Probe, P6101. Tektronix Part No. 010-6101-01.
6. 50 Ω Amplitude Calibrator. Output impedance 50 Ω ; voltage range 0.012 to 1.2 volts square wave; accuracy within $\pm 0.3\%$. Tektronix Calibration Fixture 067-0508-00.

Performance Check/Calibration—7S11

7. A special Variable Attenuator with GR 874 connectors. It consists of a 100 Ω potentiometer across a 50 Ω line, and does not have a guaranteed response. Tektronix Part No. 067-0511-00.

8. Normalizer Head, optional (recommended if more than one sampling head will be used with the 7S11) for Memory Gain and Memory Gate Width adjustments. Tektronix Calibration Fixture 067-0572-01.

9. DC Resistance Bridge (such as ESI 250 DA) for measuring 10 k Ω , accurate within $\pm 0.5\%$.

NOTE

This test instrument is not required if the Preliminary Procedure is omitted.

10. 10X Probe, P6012. Tektronix Part No. 010-0203-00.

11. 2 1/2 inch ground lead. Tektronix Part No. 175-0249-00.

12. Adapter, BNC (F) to GR 874. Tektronix Part No. 017-0063-00.

13. Adapter, 3 mm (M) to BNC (F). Tektronix Part No. 015-1018-00, supplied with the 7T11.

14. 50 Ω coaxial cable about 4 feet long with BNC connectors, for example, RG58C/U cable, Tektronix Part No. 012-0057-01.

15. 50 Ω coaxial cable with GR 874 connectors, such as 5 ns signal delay RG58C/U cable, Tektronix Part No. 017-0512-00.

16. Screwdriver. Three-inch shaft, 3/32-inch bit for slotted screws. Tektronix Part No. 003-0192-00.

17. Extender, Tektronix Calibration Fixture 067-0589-00.

18. Special cable assembly, RF, about 36 inches in length with mini-coaxial connectors. Tektronix Part No. 012-0203-00.

19. Patch cord with insulated alligator clips.

SHORT-FORM PROCEDURE

7S11, Serial Number _____

Calibration Date _____

Calibrated By _____

1. Check -12.2-Volt Power Supply Page 6-5
-12.2 volts ± 0.24 volt; ripple 1 mV P-P or less.

2. Check Interdot Blanking Page 6-6
Blanking Pulse width between 0.75 μ s and 2 μ s at the 50% amplitude, SN B101608 and below. 7 μ s to 9.5 μ s at the 50% amplitude, SN B101609 and up.

3. Check Dot Response and Smoothing, Page 6-7
Adjust Gain
DOT RESPONSE control can set the display to unit loop gain in NORMAL operation; loop gain decreases to 0.3 or less of NORMAL in SMOOTH operation.

4. Adjust Memory Gate Width (R460) and Page 6-7
Memory Gain (C275) With Normalizer Head
Memory Gate Width control to given maximum trace separation and Memory Gain control for 5 division trace separation with the DOT RESPONSE control set at electrical midrange.

5. Adjust Memory Gate Width (R460) and Page 6-8
Memory Gain (C275) with Sampling Head
Memory Gate between 160 ns and 180 ns, 50% amplitude level; Memory Gain set for 5 division trace separation with a 400 mV error signal at test point 121.

6. Adjust Variable Balance (R305) and Page 6-9
Smoothing Balance (R245)
No trace movement with VARIABLE control rotation or when SMOOTH switch is pushed.

7. Check Deflection Factor Accuracies, Page 6-10
Variable Control Range, and Adjust Gain

Units/Div switch setting amplitude correct within 3% with the GAIN set any switch setting, VARIABLE control at CAL; VARIABLE control increases the deflection amplitude 2.5 times or more at fully clockwise setting and decreases the deflection amplitude to 0.5 or less at fully counterclockwise setting.

8. Check Memory Overdrive Recovery Page 6-11

Baseline (unity loop gain indication) shift at 10 mV/div not more than 1 div with about 8 times the normal signal displayed.

9. Check Vertical Signal Out Page 6-11

Output is $200 \times \frac{\text{Signal Input in volts}}{\text{Units/Div}} \pm 2\%$.

Output is 200 mV (within 3%) per displayed division in +UP or INVERT.

10. Check Vertical Gain Change in SMOOTH Page 6-11

Vertical gain change in SMOOTH operation within 3% of NORMAL operation

11. Check Memory Slash Page 6-11

Vertical amplitude of slash at 20 Hz is 0.1 division or less.

12. Check Delay Page 6-12

Displayed range of DELAY control is at least 10 ns.

13. Check/Adjust Real Time Sampling (R415) Page 6-12

Repetition rate is 47.5 kHz within 10%, frequency modulated; FM rate between 120 Hz and 440 Hz; FM deviation within 8% of the repetition rate.

14. Check DC Offset and Adjust Position (R325) Page 6-12

Displayed range of DC OFFSET control +1 volt and -1 volt or more; Offset voltage range at OFFSET OUT jack from at least +10 volts to -10 volts. Actual displayed offset = (0.1) (Offset Out) within 2%.

15. Check Real-Time Trigger Amplifier Output Page 6-14

(0.1) (Memory Output)

required for each group of steps is given to aid in identification of the necessary equipment. The control settings and test equipment setup throughout this procedure continue from preceding step(s) unless noted otherwise.

NOTE

Control titles which are printed on the front panel of the 7S11 are capitalized in this procedure (e.g., DELAY). Internal adjustments are initial capitalized only (e.g., Position).

The following procedure uses the equipment listed under Test Equipment Required. If other equipment is substituted, control settings or calibration setup may need to be altered to meet the requirements of the equipment used. Detailed operating instructions for the test equipment are not given in this procedure. Refer to the instruction manual for the test equipment if more information is required.

NOTE

Many tolerances given in this procedure are guides to correct instrument operation and are not instrument specifications.

Preliminary Procedure

Before installing the 7S11 in the oscilloscope, check the source resistance of the Offset Out and Vert Sig Out jacks.

NOTE

This preliminary Procedure may be omitted if this verification is not required.

The Offset Out jack resistance must be $10 \text{ k}\Omega \pm 1\%$, (9.9 k Ω to 10.1 k Ω).

a. Ground test point 163, see Fig. 6-1. Use a DC resistance bridge and measure the DC source resistance at the OFFSET OUT jack.

b. Ground test point 264, see Fig. 6-1. Measure the DC source resistance at the VERT SIG OUT jack with the DC resistance bridge.

The Vert Sig Out jack resistance must be $10 \text{ k}\Omega \pm 0.5\%$ (9.95 k Ω to 10.05 k Ω).

Performance Check

Install the 7T11 in the A HORIZ compartment of the 7504 Oscilloscope and the 7S11 (with a calibrated sampling head installed) in the RIGHT VERT compartment.

Begin the performance check with step 3.

**PERFORMANCE CHECK/
CALIBRATION PROCEDURE****General**

The following procedure is arranged so the 7S11 can be calibrated with the least interaction of adjustments and re-connection of equipment. A picture of the test equipment

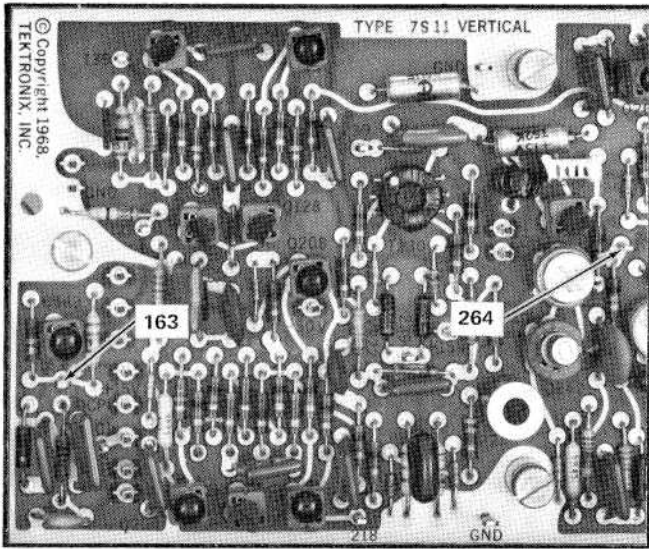


Fig. 6-1. Vertical circuit board location of grounded test points for output jack resistance measurement.

Calibration Procedure

a. Assemble the extender, the 7S11 and 7T11 at the 7504 Oscilloscope. Remove the mini-coaxial connector at the top of the 7T11 (see Fig. 6-2) and insert the special mini-coaxial cable through the chassis (so the 7T11 can be installed in the oscilloscope) and connect it to the connector. Place the disconnected cable within the chassis and tape the connector to avoid contact with components. Remove the mini-coaxial connector on the 7S11 left side (Inter-Channel Control circuit board) and connect the special cable. This completes the oscillator control and strobe drive circuits. The 7S11 INT TRIG lamp will not be on when the 7T11 is at Int trigger.

b. Install the 7T11 in the A HORIZ compartment of the oscilloscope. Connect the 7S11 to the solid or flexible extender, then install the extender in the RIGHT VERT compartment.

c. Install the Type S-1 Sampling Head in the 7S11.

Both Procedures

a. Install the 7A13 in the Oscilloscope Left Vert compartment and the 7B50 in the B HORIZ compartment.

b. Make all power connections. Turn on the power to all equipment. Allow 20 minutes warmup time before proceeding. Set the controls as listed under Preliminary Control Settings.

Preliminary Control Settings

Set the 7S11 controls as follows:

DELAY	Midrange
+UP	Pushed in
DC OFFSET ± 1 V and FINE	Midrange
mVOLTS/DIV	50
VARIABLE	Pushed in
DOT RESPONSE	Midrange
NORMAL	Pushed in

Set the 7T11 controls as follows:

Time Position and Fine	Fully clockwise
Sequential	Pushed in
Sweep Range	5 μ s
Time/Div	0.5 μ s
Variable	Pushed in
Scan	Fully clockwise
Rep	Pushed in
Slope +	Pushed in
Trig Level	Midrange
Stability	Fully clockwise
Trig Amp X1	Pushed in
Ext 1 M Ω	Pushed in

Set the 7504 Oscilloscope controls as follows:

A Intensity	Midrange
Focus	Adjusted for well defined display
B Intensity	Midrange

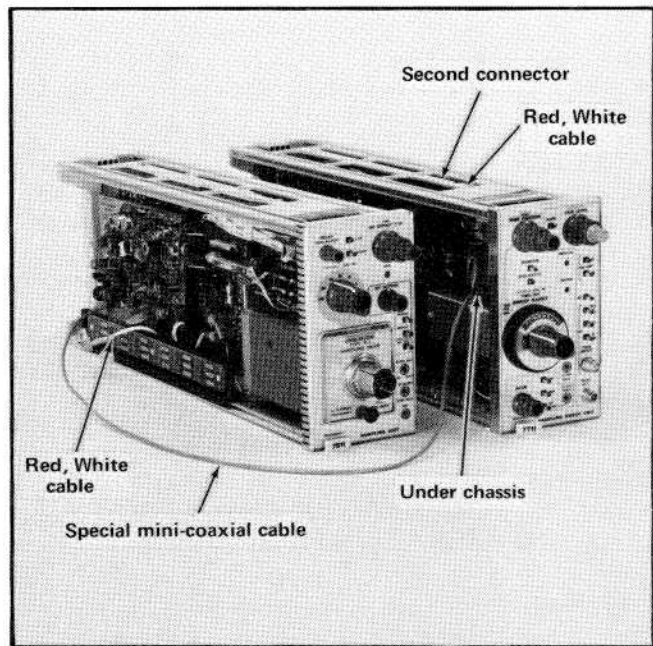


Fig. 6-2. Special connections for calibration.

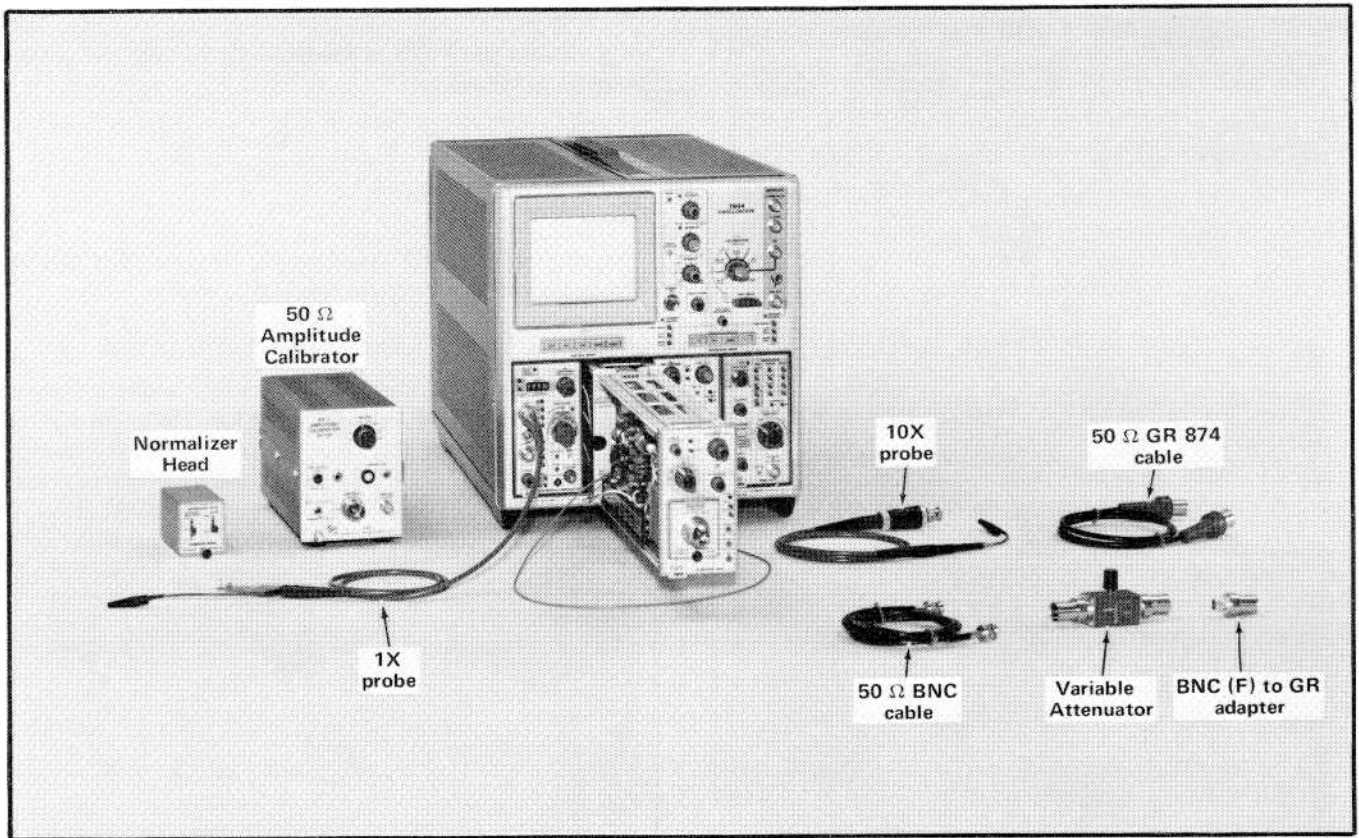


Fig. 6-3. Test equipment required.

Readout	As desired
Control Illum	As desired
Grat Illum	As desired
Calibrator	4 V (0.4 V into 50 Ω)
Rate	1 kHz

Set the 7A13 and 7B50 (test oscilloscope) controls as follows:

Comparison Voltage	−0.000 Volts
+Input	AC
Volts/Div	1 mV
BW	5 MHz
Time/Div	10 ms
Trigger Mode	P-P Auto
Triggering Coupling	AC
Triggering Source	Line
Magnifier	X1

Set the 50 Ω Amplitude Calibrator as follows:

Test-Operate	Operate
Volts	0.3

1. Check −12.2-Volt Power Supply

PERFORMANCE CHECK ONLY

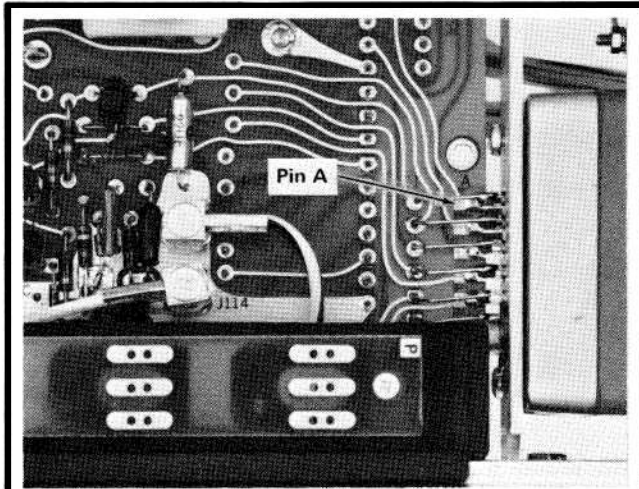
Steps 1 and 2 are not applicable to the performance check. Set controls as given under Preliminary Control Settings and begin the performance check with step 3.

a. Test equipment required is shown in Fig. 6-3. Set the 7504 Oscilloscope Vertical Mode switch to Left and Horizontal Mode switch to B.

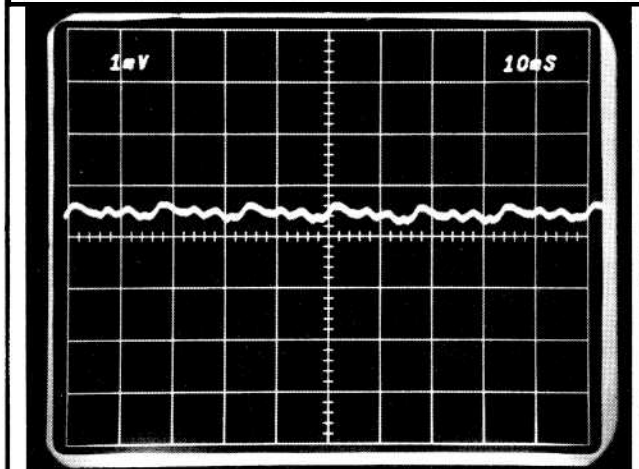
b. Connect a 1X probe from the + Input to Pin A at the sampling head connector, see Fig. 6-4.

NOTE

The −12.2-Volt power supply voltage and ripple tolerance are typical values provided as guides to correct instrument operation and are not instrument specifications. Actual values may exceed these values without loss of measurement accuracy if the instrument meets the specifications given in Section 1, as tested in this procedure.



A. -12.2 volt test point, right side.



B. Oscilloscope display of ripple.

Fig. 6-4. Power supply checks.

c. Check that the ripple is not more than 1 mV peak to peak.

d. Set the 7A13 Volts/Div to 50 mV and the Comparison Voltage to 12.00. Set the + Input to GND and position the trace at graticule center.

e. Set the +Input to DC and the -Input to Vc. Adjust the Comparison Voltage to position trace at graticule center and check that voltage is -1.244 to -1.196.

f. Set +Input and -Input to GND and remove the probe.

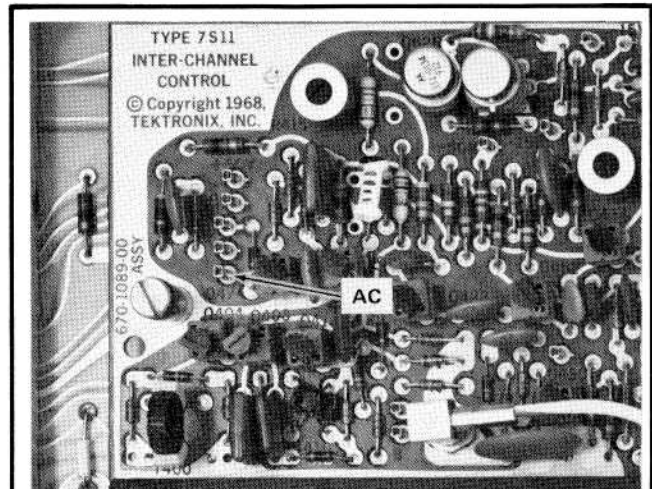
2. Check Interdot Blanking

a. Change the 7A13 probe from 1X to 10X and set the controls as follows:

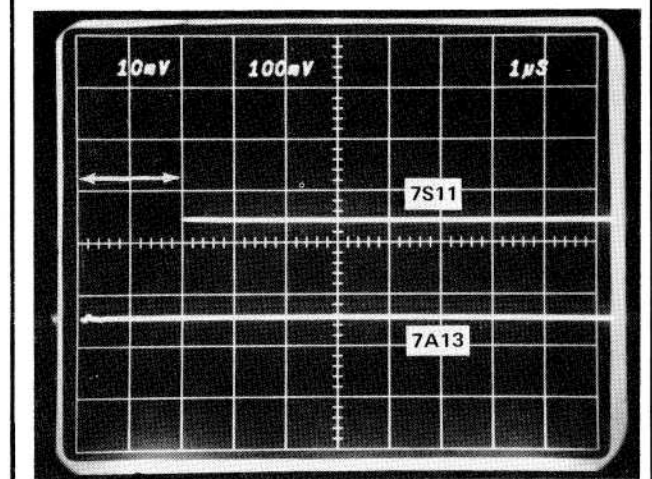
Volts/Div	10 mV
+Input	AC

b. Connect the 10X probe ground clip to a 7S11 Ground test point and the probe tip to pin AC, see Fig. 6-5A.

c. Set the 7504 Oscilloscope Vertical Mode switch to ALT. Set the 7T11 Sweep Range switch to 0.5 ms and the Time/Div switch to 5 μ s. Set the 7T11 Stability control fully clockwise and the Trig Level control at midrange (dot straight up).



A. 7S11 left side



B. Blanked 7S11 trace and 7A13 trace, SN B101608 and below.

Fig. 6-5. Interdot blanking checks.

d. Set the 7B50 Time/Div switch to $1 \mu\text{s}$ and adjust the Level/Slope control for a stable display similar to Fig. 6-5B.

e. Check the blanked trace (7S11) for $0.75 \mu\text{s}$ to $2 \mu\text{s}$, SN B101608 and below ($7 \mu\text{s}$ to $9.5 \mu\text{s}$, SN B101609 and up) as shown in Fig. 6-5B.

3. Check Dot Response and Smoothing

a. Connect the 50Ω Amplitude Calibrator Output to the Sampling Head input connector through a 50Ω coaxial cable and the Trigger Output to the 7T11 Trig Input connector through a 50Ω coaxial cable and BNC to 3 mm adapter.

b. Set the 7504 Vertical Mode switch to Right, Horizontal Mode switch to A, and A Trigger source switch to Right.

c. Set the 7T11 Sweep Range switch to $50 \mu\text{s}$ and the Time/Div switch to $2 \mu\text{s}$. Push in the Ext 50Ω 2 V Max switch. Obtain a stable display with the Stability control fully counterclockwise and the Trig Level control as needed. Center the positive level of the square wave on the graticule with the Time Position control.

d. Set the 7S11 GAIN control for exactly 6 divisions of display amplitude.

e. Observe the first dot at the front corner of the positive level as the DOT RESPONSE control is turned fully clockwise and fully counterclockwise, see Fig. 6-6A. Check that the first dot moves more than 1 division above and below the positive level.

f. Set the DOT RESPONSE control at unity loop gain, the first dot is at the same level as the positive level of the square wave.

g. Push the SMOOTH switch in and check that the first dot on the rising portion of the waveform is less than 1.8 divisions from the negative level (0.3 of the 6 division display amplitude, i.e., loop gain is reduced to 0.3 of unity loop gain). See Fig. 6-6B.

h. Push in the NORMAL switch. Set the 7T11 Scan control to about 9 o'clock.

4. Adjust Memory Gate Width (R460) and Memory Gain (C275) With Normalizer Head

PERFORMANCE CHECK ONLY

Steps 4, 5 and 6 are not applicable to a performance check. Set controls as given in step 7 and proceed with step 7.

NOTE

Steps 4 and 5 accomplish the same adjustments. If the Normalizer Head is used, time is saved and step 5 can be disregarded.

a. Remove the Type S-1 Sampling Head and install the Normalizer Head, Tektronix Calibration Fixture 067-0572-01.

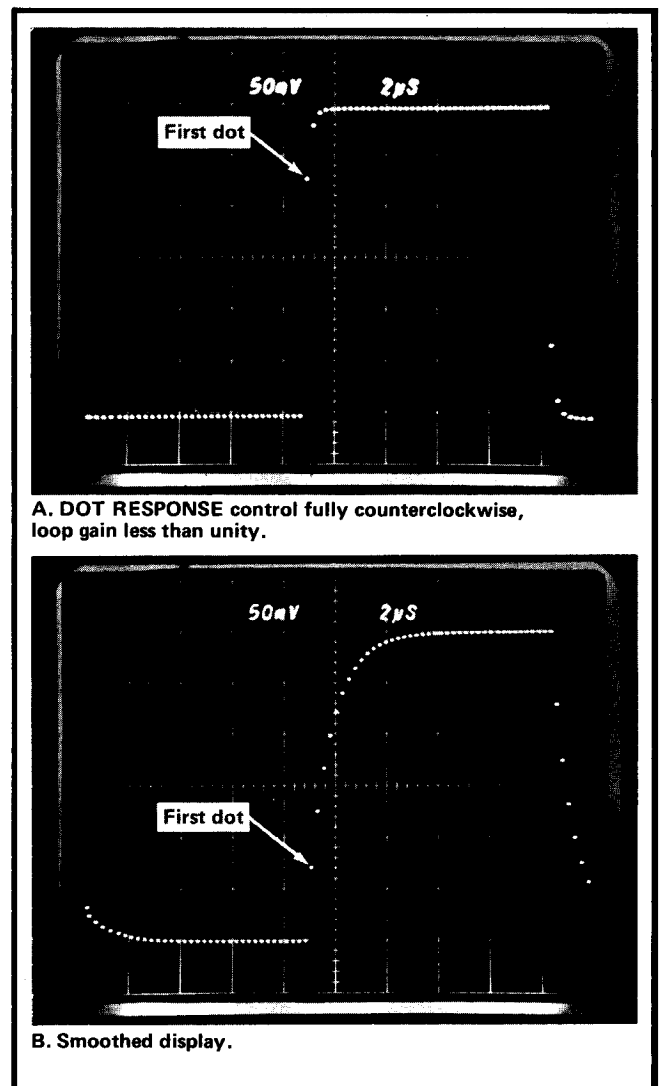


Fig. 6-6. Dot response and smoothed operation check.

Performance Check/Calibration—7S11

b. Set the 7S11 Units/Div switch to 100. Set the Normalizer Head Units/Div Multiplier to X1 and the Units switch to Volts.

c. Set the 7T11 Sweep Range switch to 50 ms and the Time/Div switch to 5 ms. Set the Stability control fully clockwise and the Trig Level control for a free-running display.

d. Adjust the Memory Gate Width control, R460, for maximum vertical separation between traces. See Fig. 6-7 for control location.

e. Set the DOT RESPONSE control at electrical mid-range; turn the control fully clockwise, note separation, turn control fully counterclockwise and note separation. Average the two noted separations and set the DOT RESPONSE for the average separation. (The knob dot should be at 12 o'clock setting.)

f. Adjust Memory Gain control C275 for 5 divisions of vertical separation between traces.

g. Remove the Normalizer Head. Install the Type S-1 Sampling Head.

5. Adjust Memory Gate Width (R460) and Memory Gain (C275) With Sampling Head ①

a. Connect the 50 Ω Amplitude Calibrator Output to the Sampling Head input connector through a 50 Ω GR 874 coaxial cable and variable attenuator. Set the Volts switch to 1.2.

b. Set the 7S11 Units/Div switch to 100. Set the 7T11 Sweep Range to 5 ms, the Time/Div switch to 0.5 ms, the Stability control fully clockwise and the Trig Level control for a free-running display.

c. Set the variable attenuator for an applied signal amplitude of 5 divisions. Turning the DOT RESPONSE control appears as extra lines, see Fig. 6-8A. Set the DOT RESPONSE control at electrical midrange; turn the control fully clockwise, note separation of the extra lines of dots, turn control fully counterclockwise and note separation. Average the two noted separations and set the extra lines of dots at the average separation with the DOT RESPONSE control. (Either the top or bottom trace can be used alone if the extra lines exceed the graticule area in separation by noting the maximum above and below movement of the extra lines from one trace and setting the lines at the average.)

d. Set the 7A13 Volts/Div switch to 100 mV and the BW switch to Full. Set the 7B50 Time/Div switch 0.1 μ s. Set

the 7504 Vertical Mode switch to Left, the Horizontal Mode switch to B, and the B Trigger Source switch to Left Vert.

e. Connect the 7A13 10X probe to test point 230, the Memory Gate Driver, see Fig. 6-7.

f. Obtain a stable display and center the waveform. Check that the Memory Gate is between 160 ns and 180 ns wide at the 50% level, see Fig. 6-8B.

g. Adjust the Memory Gate Width control R460, Fig. 6-7, for a Memory Gate between 160 ns and 180 ns wide at the 50% amplitude level.

h. Connect the 7A13 10X probe to test point 121, the Post Amplifier Input, see Fig. 6-7, and use a short ground lead (Tektronix Part No. 175-0249-00) to minimize ringing. Set the 7A13 Volts/Div switch to 10 mV.

i. Connect a 1X probe from the 7B50 Ext Trig In connector to test point 230 and push the Ext Triggering Source switch.

j. Remove Q404, see Fig. 6-7, and obtain a stable, double-triggered display in such a manner that there are two, most defined, waveform traces, one positive and one negative, as shown in Fig. 6-8C. If not, change the real-time oscillator frequency by adjusting R415.

k. Set the variable attenuator at the Sampling Head input connector for a display 400 mV peak to peak (200 mV peak to peak if not a Type S-1 Sampling Head), ignore ringing, and use a vertical graticule line to check the amplitude, about 80 ns to 100 ns from the start of ringing. See Fig. 6-8C.

l. Set the 7504 Vertical Mode switch to Right and the Horizontal Mode switch to A. Check that the bright traces are 5 divisions apart.

m. Adjust the Memory Gain control C275, see Fig. 6-7, for 5 divisions separation (2.5 divisions if not a Type S-1), similar to Fig. 6-8A.

n. Remove the probes and install Q404. See Step 13 for R415 adjustment.

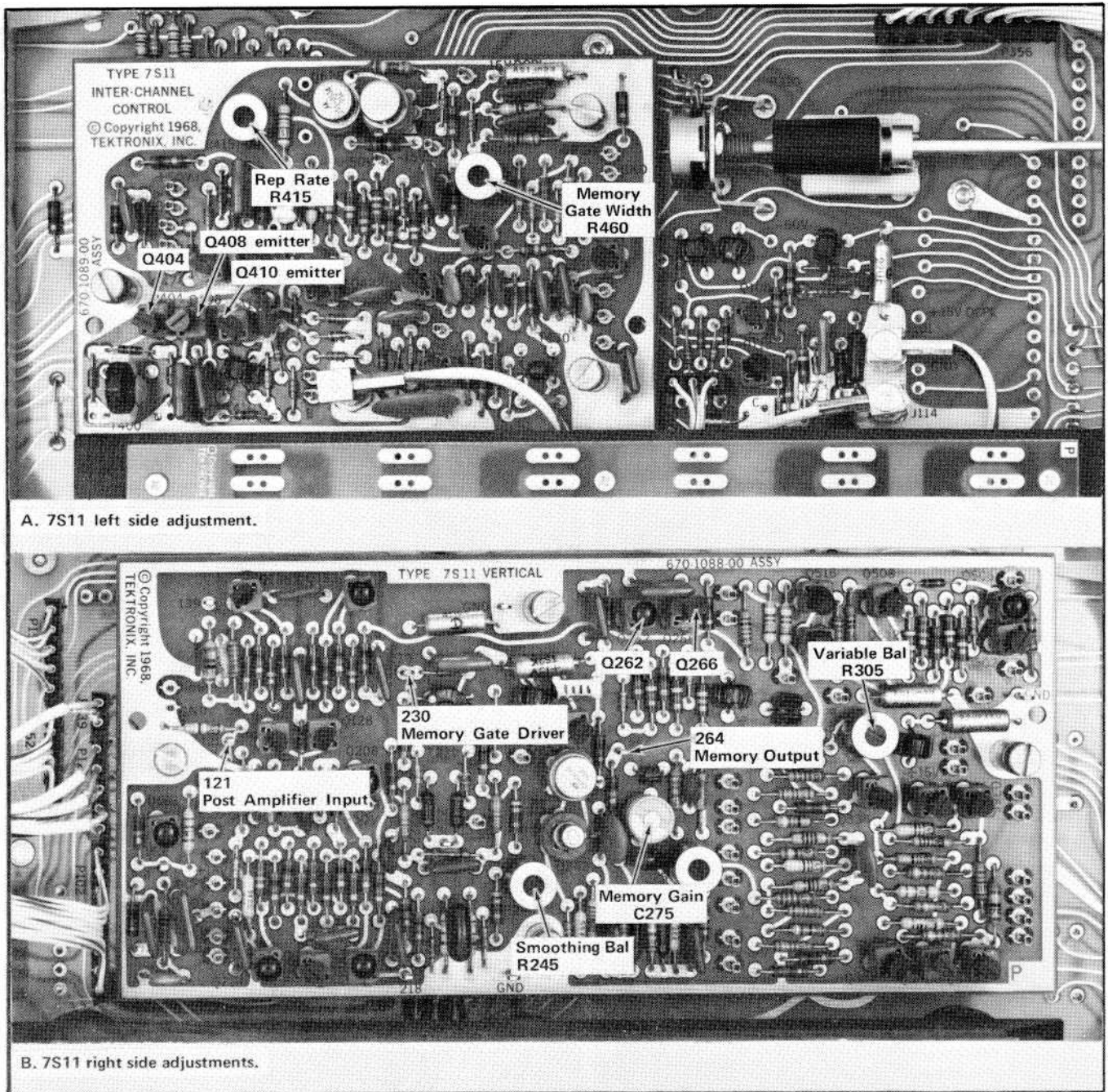


Fig. 6-7. Test points and adjustments, steps 4 through 13.

6. Adjust Variable Balance (R305) and Smoothing Balance (R245)

a. Remove Q262 and Q266, then short test point 264 to ground with a patch cord. See Fig. 6-7.

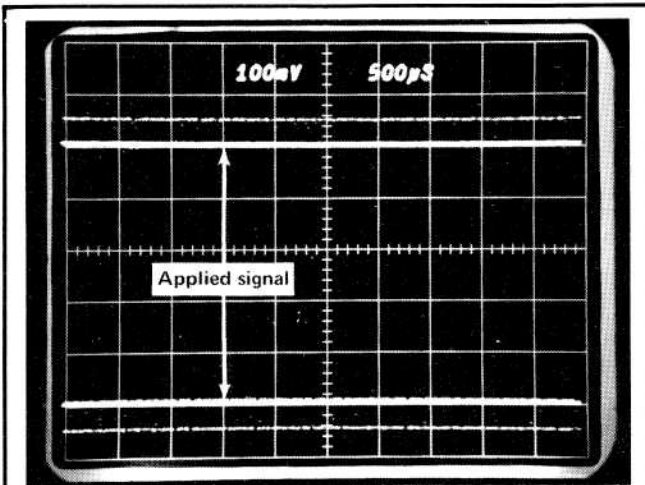
b. Release the VARIABLE Units/Div control and rotate the control throughout its range. Check that the trace moves no more than 0.2 division vertically.



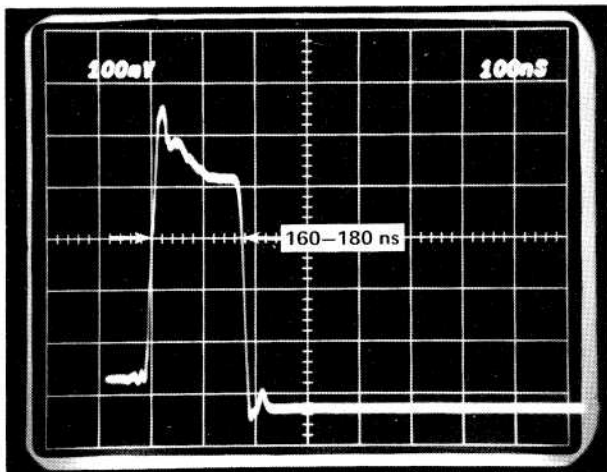
c. Adjust Variable Bal control R305 for minimum trace shift as the VARIABLE control is rotated throughout its range. See Fig. 6-7 for location of control.

d. Return the VARIABLE control to the CAL IN position. Remove the patch cord and install transistors Q262 and Q266.

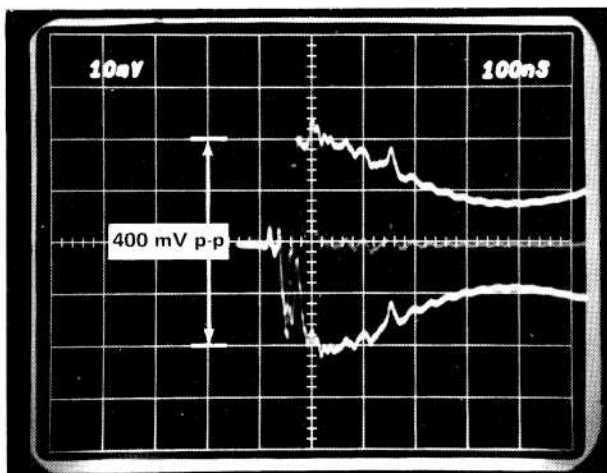
e. Push the SMOOTH switch in and check for no trace movement.



A. Result of DOT RESPONSE control turned clockwise.



B. Memory Gate Width adjustment, test point 230 waveform.



C. Post Amplifier Input, test point 121, Q404 removed, amplitude set with variable attenuator.

f. Adjust Smoothing Bal control R245 for no trace movement when either the NORMAL or SMOOTH switch is pushed.

g. Push in the NORMAL switch. Disconnect the variable attenuator and cable at the sampling head input connector.

7. Check Deflection Factor Accuracies, Variable Control Range and Adjust GAIN

a. Set the 7S11 Units/Div switch to 100 and apply 0.6 volts from the 50 Ω Amplitude Calibrator to the sampling head input connector through a 50 Ω coaxial cable and connect a coaxial cable from the Amplitude Calibrator Trigger Output connector to the 7T11 Trig Input connector.

b. Push the 7T11 Ext 50 Ω 2 V Max switch, set the Sweep Range switch to 50 µs and the Time/Div switch to 5 µs. Obtain a stable display with the Trig Level control.

c. Adjust the front panel GAIN control for a display amplitude of 6 divisions.

Normal range of the GAIN control is from 6.4 divisions, control fully clockwise, to 5.6 divisions, control fully counterclockwise (minimum range).

d. Check all positions of the attenuator switch, as listed in Table 6-1, for a 6 division display amplitude within a tolerance of ±0.18 division.

TABLE 6-1

Units/Div	50 Ω Amplitude Calibrator
200	1.2 V
100	.6 V
50	.3 V
20	.12 V
10	.06 V
5	.03 V
2	.012 V

NOTE

Record deflections in each case. If one range is above tolerance, GAIN can be reduced to bring all ranges within tolerance without need for checking the Feedback Attenuator resistor values.

e. Set the Units/Div switch to 200 and the 50 Ω Amplitude Calibrator to 0.6 volts. Display amplitude is 3 divisions.

Fig. 6-8. Memory Gate Width and Memory Gain adjustments with sampling head.

f. Push the VARIABLE control to release it from the CAL IN position. Turn the VARIABLE control fully counterclockwise and check the display amplitude for 1.5 divisions or less.

g. Turn the VARIABLE control fully clockwise and check the display amplitude for 7.5 divisions or more.

h. Return the VARIABLE control to the CAL IN position.

8. Check Memory Overdrive Recovery

a. Set the 50 Ω Amplitude Calibrator Output Volts to 0.03 and the 7S11 Units/Div switch to 10. Set the 7T11 Stability control fully clockwise and adjust the Trig Level control for a free running display.

b. Set the DOT RESPONSE control so the display consists of two continuous lines 3 divisions apart (indication of unity loop gain).

c. Set the 50 Ω Amplitude Calibrator Output Volts to 0.3 and position the bottom of the display on the graticule with the DC OFFSET control.

d. Observe that the continuous line may become two lines, indicating that the loop gain has changed.

e. Check that the separation does not exceed 1 division.

9. Check Vertical Signal Out

a. Set the 7S11 Units/Div switch to 100 and set the 50 Ω Amplitude Calibrator Volts switch to 0.6.

b. Set the 7504 Vertical Mode switch to Left and the Horizontal Mode switch to B. Set the 7B50 Time/Div switch to 5 ms. Set the 7A13 controls as follows:

Comparison Voltage	+
+ Input	DC
Volts/Div	20 mV
-Input	V _c
R _{IN} (internal switch S10)	∞

c. Connect the 1X probe from the 7A13 +Input to the 7S11 VERT SIG OUT jack. Position the bottom of the signal at the center of the graticule with the 7S11 DC OFFSET control.

d. Set the 7A13 Comparison Voltage so the positive portion of the display (top of the square wave) is at the center of the graticule.

e. Check that the Comparison Voltage is 1.2 volts $\pm 2\%$ (1.176 to 1.224), which is 200 mV per division of display amplitude.

f. Disconnect the probe. Set the 7A13 -Input switch to GND.

10. Check Vertical Gain Change in SMOOTH

a. Set the 7504 Vertical Mode switch to Right and the Horizontal Mode switch to A.

b. Use the 600 mV from the 50 Ω Amplitude Calibrator at the 100 Units/Div switch setting from the preceding step.

c. Push the SMOOTH switch.

d. Check that the peak amplitude does not decrease more than 3% (0.2 division of the 6 division display). Ignore any rolloff at the leading portion of the display.

If the display amplitude changes more than minus 3%, the Memory amplifier internal gain (open loop gain) is lower than it should be. Check R248 and/or transistors Q242, Q252 and Q256.

e. Reset the NORMAL switch. Disconnect the input signal and trigger signal.

11. Check Memory Slash

a. Set the 7T11 Stability control fully clockwise and the Trigger Level control for a free-running trace.

b. Turn the Trigger Level control counterclockwise to stop triggering. The trace will blank for about 3 seconds, then unblank; observe the dot vertical movement.

c. Check that the dot movement in the vertical direction does not exceed 2 divisions in 1 second (count one thousand and one).

PERFORMANCE CHECK ONLY

The remainder of the procedure requires access to internal test points and controls and is therefore part of the Calibration Procedure only.

12. Check Delay

a. Set the 7504 Vertical Mode switch to Left and the Horizontal Mode switch to B. Connect the 1X probe at the 7B50 Ext Trig In connector.

b. Set the 7A13 +Input to AC and the Volts/Div switch to 0.1 V. Connect the 10X probe at the +Input and the probe tip to test point 230, Memory Gate Driver.

c. Set the 7T11 in a real time mode (SWEEP RANGE switch in .5 ms; 5 ms or 50 ms position). Connect the 1X probe to the collector of Q422 (7S11).

d. Set the 7B50 Time/Div switch to $0.05 \mu\text{s}$ and Triggering Source switch to Ext. Obtain a stable display, then push the Magnifier X10 switch. Observe the falling portion of the Memory Gate signal; the horizontal position is affected by the Triggering Level/Slope control.

e. Turn the 7S11 DELAY control fully counterclockwise and check that the falling portion moves to the right at least 10 ns. See Fig. 6-9.

f. Disconnect the probes. Install Q404.

13. Check/Adjust Real Time Sampling (R415)

a. Set the 7A13 Volts/Div switch to 0.2 V, the 7B50 Triggering Source switch to Int, and the Time/Div switch to $10 \mu\text{s}$.

b. Connect the 7A13 10X probe to test point 230, see Fig. 6-7.

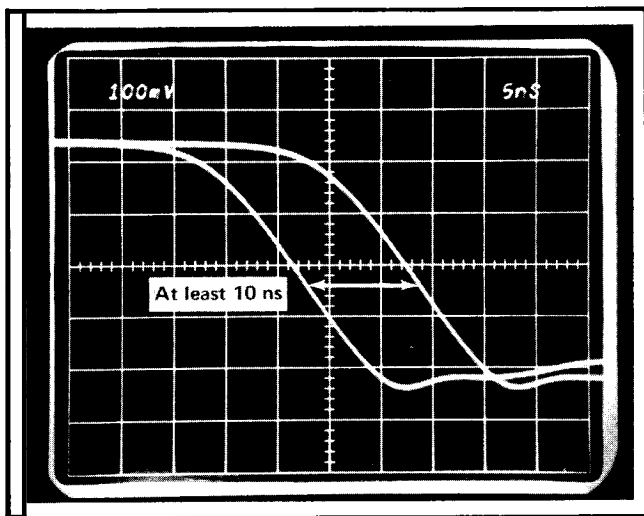


Fig. 6-9. Delay control range check.

c. Obtain a stable display and check that the repetition rate is $47.5 \text{ kHz} \pm 10\%$, displayed as a period of $19 \mu\text{s}$ to $23 \mu\text{s}$, measured between pulse group centers. See Fig. 6-10A.

d. Adjust Rep Rate control R415 for a period between $19 \mu\text{s}$ and $23 \mu\text{s}$. See Fig. 6-7 for location. See NOTE in Real Time Sampling on page 2-7 regarding this adjustment for Type S-5 Sampling Head use.

e. Change the 7B50 Time/Div to $2 \mu\text{s}$. Align the second pulse at the center graticule line with the Variable Time/Div control.

f. Check that the FM deviation is within 5% and 15% of the repetition rate, determined by measuring the width of the pulses at graticule center and dividing by 5 divisions. See Fig. 6-10B.

g. Set the 7B50 Variable Time/Div control to Calibrated and set the Time/Div switch to 1 ms.

h. Place the 10X probe tip at the emitter of Q408. Obtain a stable display.

i. Check that the FM rate is between 120 Hz and 440 Hz, displayed as a period between 8.3 ms and 2.3 ms. See Fig. 6-10C.

j. Remove the probe tip.

14. Check DC Offset and Adjust Position (R325)

a. Set the 7504 Vertical Mode switch to Right and the Horizontal Mode switch to A.

b. Set the 7S11 Units/Div switch to 100. Connect the 50Ω Amplitude Calibrator Output to the sampling head input connector through a 50Ω coaxial cable. Set the Volts switch to 0.3. Connect the Trigger Output to the 7T11 Trig Input connector through a 50Ω coaxial cable and BNC to 3 mm adapter.

c. Set the 7T11 Sweep Range switch to $50 \mu\text{s}$ and the Time/Div switch to $5 \mu\text{s}$. Set the Trig Level control for a stable display.

d. Set the 7504 Vertical Mode switch to Chop. Set the 7A13 Comparison Voltage to -0000, Volts/Div switch to 50 mV, +Input switch to DC, -Input to Vc. The R_{IN} is infinite (internal switch S10). Connect the 1X probe to the +Input. Connect the probe tip to the 7S11 OFFSET OUT

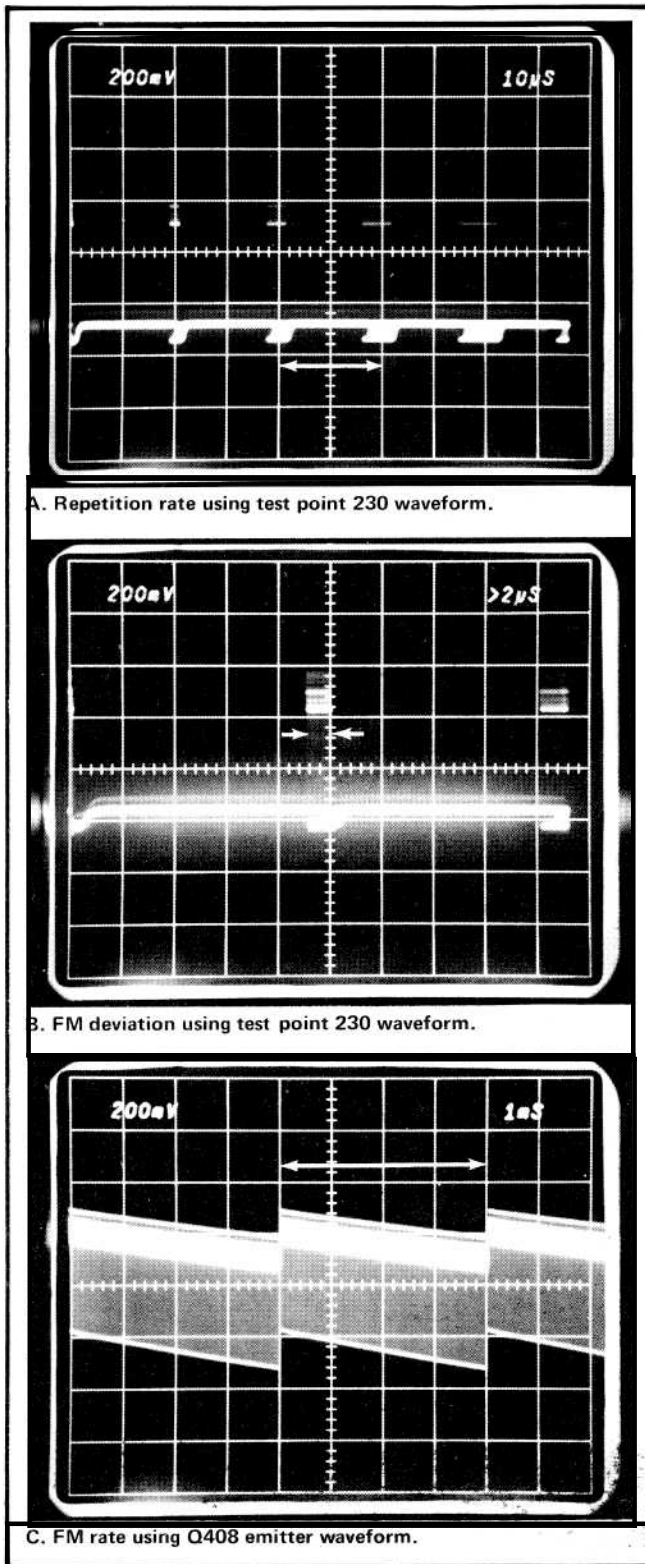


Fig. 6-10. Real-time sampling checks.

jack. Set the 7S11 DC OFFSET control for zero volts out; position the trace at graticule center.

e. Adjust Position control R325, shown in Fig. 6-11, to move the top of the displayed 7S11 signal to the center of the graticule.

f. Set the 7S11 Units/Div switch to 5 and use the Position control to again set the top of the displayed signal to the center of the graticule.

g. Turn the DC OFFSET control clockwise until the bottom of the 7S11 signal is displayed at the center of the graticule.

h. Measure the OFFSET OUT voltage. Set the 7A13 Comparison Voltage Fine control to return the trace to the center of the graticule. OFFSET OUT voltage must be 2.94 to 3.06 volts (3 volts $\pm 2\%$).

i. Set the DC OFFSET control fully clockwise and check that the OFFSET OUT voltage is at least minus 10 volts.

j. Set the 7A13 Comparison Voltage to +, turn the 7S11 DC OFFSET control fully counterclockwise, and check for at least plus 10 volts at the OFFSET OUT jack.

k. Disconnect the square wave signal.

l. Set the 7S11 Units/Div switch to 200 and set the 7T11 Stability control fully clockwise for a free-running trace.

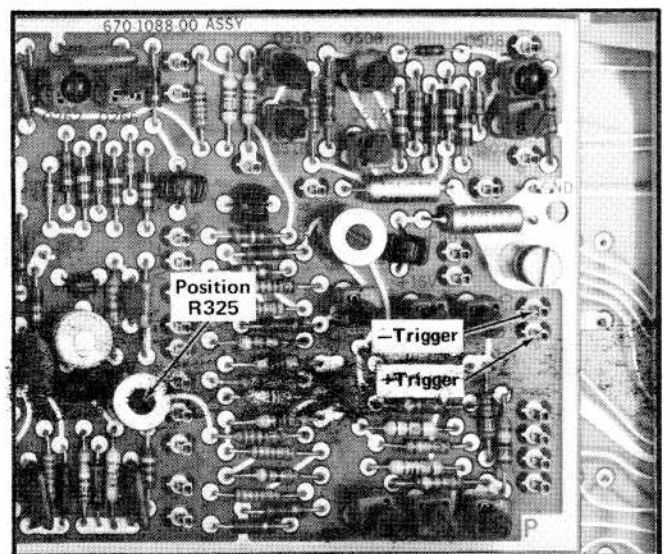


Fig. 6-11. Control and test point locations (7S11 right side) for DC OFFSET and real-time trigger checks.

Performance Check/Calibration—7S11

m. Set the DC OFFSET control for zero volts at the OFFSET OUT jack. Set the Position control, R325, so the trace is 3 divisions below the center graticule line.

n. Turn the DC OFFSET control fully clockwise and check that the trace moves at least 5 divisions upward.

o. Reset the DC OFFSET control for zero volts at the OFFSET OUT jack. Set the Position control, R325, so the trace is 3 divisions above the center graticule line.

p. Turn the DC OFFSET control fully counterclockwise and check that the trace moves at least 5 divisions downward.

q. Reset the DC OFFSET control for zero volts at the OFFSET OUT jack.

r. Adjust the Position control so the trace is at the center graticule line.

Normal centering range of the Position control is at least +3 divisions to -3 divisions from graticule center.

s. Disconnect the 1X probe tip. Set the 7504 Vertical Mode switch to Right.

15. Check Real-Time Trigger Amplifier Output

a. Connect the 50 Ω Amplitude Calibrator Output to the sampling head input connector through a 50 Ω coaxial cable.

b. Turn the Stability control fully counterclockwise and set the Trig Level control for a stable display.

c. Set the 50 Ω Amplitude Calibrator Volts switch to 0.12 and the 7S11 Units/Div switch to 20.

d. Set the 7504 Vertical Mode switch to Left, the 7A13 -Input to GND, and R_{IN} (S10 internal) to 1 M Ω .

e. Measure the signal amplitude at +Trigger and -Trigger pins with the 1X probe and add the two amplitudes. See Fig. 6-11.

f. Check that the differential amplitude is 300 mV $\pm 10\%$.

g. Disconnect the square wave signal and the 1X probe.

REPLACEABLE ELECTRICAL PARTS

PARTS ORDERING INFORMATION

Replacement parts are available from or through your local Tektronix, Inc. Field Office or representative.

Changes to Tektronix instruments are sometimes made to accommodate improved components as they become available, and to give you the benefit of the latest circuit improvements developed in our engineering department. It is therefore important, when ordering parts, to include the following information in your order: Part number, instrument type or number, serial number, and modification number if applicable.

If a part you have ordered has been replaced with a new or improved part, your local Tektronix, Inc. Field Office or representative will contact you concerning any change in part number.

Change information, if any, is located at the rear of this manual.

SPECIAL NOTES AND SYMBOLS

X000 Part first added at this serial number
00X Part removed after this serial number

ITEM NAME

In the Parts List, an Item Name is separated from the description by a colon (:). Because of space limitations, an Item Name may sometimes appear as incomplete. For further Item Name identification, the U.S. Federal Cataloging Handbook H6-1 can be utilized where possible.

ABBREVIATIONS

ACTR	ACTUATOR	PLSTC	PLASTIC
ASSY	ASSEMBLY	QTZ	QUARTZ
CAP	CAPACITOR	RECP	RECEPTACLE
CER	CERAMIC	RES	RESISTOR
CKT	CIRCUIT	RF	RADIO FREQUENCY
COMP	COMPOSITION	SEL	SELECTED
CONN	CONNECTOR	SEMICOND	SEMICONDUCTOR
ELCTLT	ELECTROLYTIC	SENS	SENSITIVE
ELEC	ELECTRICAL	VAR	VARIABLE
INCAND	INCANDESCENT	WW	WIREWOUND
LED	LIGHT EMITTING DIODE	XFMR	TRANSFORMER
NONWIR	NON WIREWOUND	XTAL	CRYSTAL

CROSS INDEX—MFR. CODE NUMBER TO MANUFACTURER

Mfr. Code	Manufacturer	Address	City, State, Zip
00853	SANGAMO ELECTRIC CO., S. CAROLINA DIV.	P O BOX 128	PICKENS, SC 29671
01121	ALLEN-BRADLEY COMPANY	1201 2ND STREET SOUTH	MILWAUKEE, WI 53204
01295	TEXAS INSTRUMENTS, INC., SEMICONDUCTOR GROUP	P O BOX 5012, 13500 N CENTRAL EXPRESSWAY	DALLAS, TX 75222
03508	GENERAL ELECTRIC COMPANY, SEMI-CONDUCTOR PRODUCTS DEPARTMENT	ELECTRONICS PARK	SYRACUSE, NY 13201
04713	MOTOROLA, INC., SEMICONDUCTOR PROD. DIV.	5005 E MCDOWELL RD, PO BOX 20923	PHOENIX, AZ 85036
05574	VIKING INDUSTRIES, INC.	21001 NORDHOFF STREET	CHATSWORTH, CA 91311
07263	FAIRCHILD SEMICONDUCTOR, A DIV. OF FAIRCHILD CAMERA AND INSTRUMENT CORP.	464 ELLIS STREET	MOUNTAIN VIEW, CA 94042
08806	GENERAL ELECTRIC CO., MINIATURE LAMP PRODUCTS DEPARTMENT	NELA PARK	CLEVELAND, OH 44112
11237	CTS KEENE, INC.	3230 RIVERSIDE AVE.	PASO ROBLES, CA 93446
12697	CLAROSTAT MFG. CO., INC.	LOWER WASHINGTON STREET	DOVER, NH 03820
14552	MICRO SEMICONDUCTOR CORP.	2830 F FAIRVIEW ST.	SANTA ANA, CA 92704
24546	CORNING GLASS WORKS, ELECTRONIC COMPONENTS DIVISION	550 HIGH STREET	BRADFORD, PA 16701
27014	NATIONAL SEMICONDUCTOR CORP.	2900 SEMICONDUCTOR DR.	SANTA CLARA, CA 95051
32997	BOURNS, INC., TRIMPOT PRODUCTS DIV.	1200 COLUMBIA AVE.	RIVERSIDE, CA 92507
51642	CENTRE ENGINEERING INC.	2820 E COLLEGE AVENUE	STATE COLLEGE, PA 16801
56289	SPRAGUE ELECTRIC CO.	87 MARSHALL ST.	NORTH ADAMS, MA 01247
71468	ITT CANNON ELECTRIC	666 E. DYER RD.	SANTA ANA, CA 92702
71590	CENTRALAB ELECTRONICS, DIV. OF GLOBE-UNION, INC.	P O BOX 858	FORT DODGE, IA 50501
72982	ERIE TECHNOLOGICAL PRODUCTS, INC.	644 W. 12TH ST.	ERIE, PA 16512
73138	BECKMAN INSTRUMENTS, INC., HELIPOT DIV.	2500 HARBOR BLVD.	FULLERTON, CA 92634
76854	OAK INDUSTRIES, INC., SWITCH DIV.	S. MAIN ST.	CRYSTAL LAKE, IL 60014
80009	TEKTRONIX, INC.	P O BOX 500	BEAVERTON, OR 97077
91418	RADIO MATERIALS COMPANY, DIV. OF P.R. MALLORY AND COMPANY, INC.	4242 W BRYN MAWR	CHICAGO, IL 60646
91637	DALE ELECTRONICS, INC.	P. O. BOX 609	COLUMBUS, NE 68601
98291	SEALCTRO CORP.	225 HOYT	MAMARONECK, NY 10544

Ckt No.	Tektronix Part No.	Serial/Model No. Eff	Dscont	Name & Description	Mfr Code	Mfr Part Number
	670-1088-00	B010100	B109999	CKT BOARD ASSY:VERTICAL	80009	670-1088-00
	670-1088-01	B110000		CKT BOARD ASSY:VERTICAL	80009	670-1088-01
	670-1089-00	B010100	B049999	CKT BOARD ASSY:INTER-CHANNEL CONTROL	80009	670-1089-00
	670-1089-01	B050000	B079999	CKT BOARD ASSY:INTER-CHANNEL CONTROL	80009	670-1089-01
	670-1089-02	B080000	B099999	CKT BOARD ASSY:INTER-CHANNEL CONTROL	80009	670-1089-02
	670-1089-03	B100000	B119999	CKT BOARD ASSY:INTER-CHANNEL CONTROL	80009	670-1089-03
	670-1089-04	B120000		CKT BOARD ASSY:INTER-CHANNEL CONTROL	80009	670-1089-04
	670-1090-00	B010100	B029999	CKT BOARD ASSY:INTERFACE	80009	670-1090-00
	670-1090-01	B030000	B039999	CKT BOARD ASSY:INTERFACE	80009	670-1090-01
	670-1090-02	B040000	B079999	CKT BOARD ASSY:INTERFACE	80009	670-1090-02
	670-1090-03	B080000	B099999	CKT BOARD ASSY:INTERFACE	80009	670-1090-03
	670-1090-04	B100000		CKT BOARD ASSY:INTERFACE	80009	670-1090-04
	670-1148-00	B010100	B019999	CKT BOARD ASSY:+UP/INVERT	80009	670-1148-00
	670-1148-01	B020000		CKT BOARD ASSY:+UP/INVERT	80009	670-1148-01
	670-1149-00	B010100	B019999	CKT BOARD ASSY:NORMAL/SMOOTH-INT TRIGGER	80009	670-1149-00
	670-1149-01	B020000		CKT BOARD ASSY:NORMAL/SMOOTH-INT TRIGGER	80009	670-1149-01
	670-1165-00			CKT BOARD ASSY:COMMUTATOR SW MOVING	80009	670-1165-00
	670-1166-00			CKT BOARD ASSY:COMMUTATOR SW FIXED	80009	670-1166-00
C104	283-0003-00			CAP.,FXD,CER DI:0.01UF,+80-20%,150V	72982	855-558Z5U-103Z
C115	283-0072-01			CAP.,FXD,CER DI:0.01UF,+80-20%,200V	51642	S-300-200Z5V103M
C120	283-0059-00			CAP.,FXD,CER DI:1UF,+80-20%,25V	72982	8131N031Z5U0105Z
C127	283-0051-00			CAP.,FXD,CER DI:0.0033UF,5%,100V	72982	8131N145C0G0332J
C134	283-0059-00			CAP.,FXD,CER DI:1UF,+80-20%,25V	72982	8131N031Z5U0105Z
C139	283-0000-00			CAP.,FXD,CER DI:0.001UF,+100-0%,500V	72982	831-516E102P
C149	283-0103-00			CAP.,FXD,CER DI:180PF,5%,500V	56289	40C638
C159	283-0026-00			CAP.,FXD,CER DI:0.2UF,+80-20%,25V	56289	274C3
C160	283-0026-00			CAP.,FXD,CER DI:0.2UF,+80-20%,25V	56289	274C3
C161	283-0059-00			CAP.,FXD,CER DI:1UF,+80-20%,25V	72982	8131N031Z5U0105Z
C166	283-0000-00			CAP.,FXD,CER DI:0.001UF,+100-0%,500V	72982	831-516E102P
C201	283-0059-00			CAP.,FXD,CER DI:1UF,+80-20%,25V	72982	8131N031Z5U0105Z
C216	283-0059-00			CAP.,FXD,CER DI:1UF,+80-20%,25V	72982	8131N031Z5U0105Z
C219	283-0032-00			CAP.,FXD,CER DI:470PF,5%,500V	72982	0831085Z5E00471J
C221	283-0059-00			CAP.,FXD,CER DI:1UF,+80-20%,25V	72982	8131N031Z5U0105Z
C234	283-0059-00			CAP.,FXD,CER DI:1UF,+80-20%,25V	72982	8131N031Z5U0105Z
C239	283-0549-00			CAP.,FXD,MICA D:25PF,10%	72982	65403818A0250K
C245	283-0023-00			CAP.,FXD,CER DI:0.1UF,+80-20%,12V	91418	MX0104Z1205R5
C256	281-0579-00			CAP.,FXD,CER DI:21PF,5%,500V	72982	301-050C0G0210J
C261	283-0059-00			CAP.,FXD,CER DI:1UF,+80-20%,25V	72982	8131N031Z5U0105Z
C267	283-0059-00			CAP.,FXD,CER DI:1UF,+80-20%,25V	72982	8131N031Z5U0105Z
C269	283-0103-00			CAP.,FXD,CER DI:180PF,5%,500V	56289	40C638
C272	283-0026-00	B010100	B109999	CAP.,FXD,CER DI:0.2UF,+80-20%,25V	56289	274C3
C272	283-0110-00	B110000		CAP.,FXD,CER DI:0.005UF,+80-20%,150V	56289	19C242B
C274	283-0026-00	B010100	B109999	CAP.,FXD,CER DI:0.2UF,+80-20%,25V	56289	274C3
C274	283-0110-00	B110000		CAP.,FXD,CER DI:0.005UF,+80-20%,150V	56289	19C242B
C275	281-0092-00			CAP.,VAR,CER DI:9-35PF,200V	72982	538-011 D9-35
C276	283-0600-00			CAP.,FXD,MICA D:43PF,5%,500V	00853	D105E430J0
C341	283-0060-00			CAP.,FXD,CER DI:100PF,5%,200V	72982	855-535U2J101J
C406	283-0059-00			CAP.,FXD,CER DI:1UF,+80-20%,25V	72982	8131N031Z5U0105Z
C411	283-0065-00			CAP.,FXD,CER DI:0.001UF,5%,100V	72982	805-518-Z5D0102J
C414	283-0081-00			CAP.,FXD,CER DI:0.1UF,+80-20%,25V	56289	36C600
C418	283-0054-00			CAP.,FXD,CER DI:150PF,5%,200V	72982	855-535U2J151J
C423	283-0060-00			CAP.,FXD,CER DI:100PF,5%,200V	72982	855-535U2J101J
C427	283-0060-00			CAP.,FXD,CER DI:100PF,5%,200V	72982	855-535U2J101J
C431	283-0032-00			CAP.,FXD,CER DI:470PF,5%,500V	72982	0831085Z5E00471J
C432	283-0175-00	XB100000		CAP.,FXD,CER DI:10PF,5%,200V	72982	8101B210C0G0100J
C434	283-0109-00			CAP.,FXD,CER DI:27PF,5%,1000V	56289	20C376
C444	283-0032-00			CAP.,FXD,CER DI:470PF,5%,500V	72982	0831085Z5E00471J
C447	283-0115-00			CAP.,FXD,CER DI:47PF,5%,200V	72982	805-519-C0F0470J
C449	283-0059-00			CAP.,FXD,CER DI:1UF,+80-20%,25V	72982	8131N031Z5U0105Z

Replaceable Electrical Parts—7S11

Ckt No.	Tektronix Part No.	Serial/Model No. Eff	Dscont	Name & Description	Mfr Code	Mfr Part Number
C451	283-0032-00			CAP., FXD, CER DI:470PF, 5%, 500V	72982	0831085Z5E00471J
C457	283-0103-00			CAP., FXD, CER DI:180PF, 5%, 500V	56289	40C638
C460	283-0109-00			CAP., FXD, CER DI:27PF, 5%, 1000V	56289	20C376
C471	281-0579-00	B010100	B099999	CAP., FXD, CER DI:21PF, 5%, 500V	72982	301-050C0G0210J
C471	283-0605-00	B100000		CAP., FXD, MICA D:678PF, 1%, 300V	00853	D153F6780F0
C476	283-0060-00	B010100	B099999X	CAP., FXD, CER DI:100PF, 5%, 200V	72982	855-535U2J101J
C479	283-0060-00	B010100	B099999X	CAP., FXD, CER DI:100PF, 5%, 200V	72982	855-535U2J101J
C602	283-0004-00			CAP., FXD, CER DI:0.02UF, +80-20%, 150V	72982	855-558Z5V0203Z
C603	290-0134-00			CAP., FXD, ELCTLT:22UF, 20%, 15V	56289	150D226X0015B2
C604	290-0134-00			CAP., FXD, ELCTLT:22UF, 20%, 15V	56289	150D226X0015B2
C605	283-0059-00			CAP., FXD, CER DI:1UF, +80-20%, 25V	72982	8131N031Z5U0105Z
C606	283-0059-00			CAP., FXD, CER DI:1UF, +80-20%, 25V	72982	8131N031Z5U0105Z
C607	290-0134-00			CAP., FXD, ELCTLT:22UF, 20%, 15V	56289	150D226X0015B2
C608	290-0134-00			CAP., FXD, ELCTLT:22UF, 20%, 15V	56289	150D226X0015B2
C609	283-0059-00			CAP., FXD, CER DI:1UF, +80-20%, 25V	72982	8131N031Z5U0105Z
C621	283-0059-00			CAP., FXD, CER DI:1UF, +80-20%, 25V	72982	8131N031Z5U0105Z
C629	290-0134-00			CAP., FXD, ELCTLT:22UF, 20%, 15V	56289	150D226X0015B2
C631	290-0327-00			CAP., FXD, ELCTLT:0.56UF, 20%, 100V	56289	150D564X0100A2
C632	290-0134-00			CAP., FXD, ELCTLT:22UF, 20%, 15V	56289	150D226X0015B2
C634	283-0059-00			CAP., FXD, CER DI:1UF, +80-20%, 25V	72982	8131N031Z5U0105Z
C635	283-0059-00			CAP., FXD, CER DI:1UF, +80-20%, 25V	72982	8131N031Z5U0105Z
C636	283-0059-00			CAP., FXD, CER DI:1UF, +80-20%, 25V	72982	8131N031Z5U0105Z
C637	283-0059-00			CAP., FXD, CER DI:1UF, +80-20%, 25V	72982	8131N031Z5U0105Z
C638	283-0059-00			CAP., FXD, CER DI:1UF, +80-20%, 25V	72982	8131N031Z5U0105Z
C639	290-0327-00			CAP., FXD, ELCTLT:0.56UF, 20%, 100V	56289	150D564X0100A2
CR108	152-0141-02			SEMICONV DEVICE:SILICON, 30V, 150MA	01295	1N4152R
CR113	152-0141-02			SEMICONV DEVICE:SILICON, 30V, 150MA	01295	1N4152R
CR115	152-0141-02			SEMICONV DEVICE:SILICON, 30V, 150MA	01295	1N4152R
CR116	152-0153-00			SEMICONV DEVICE:SILICON, 15V, 50MA	07263	FD7003
CR128	152-0141-02			SEMICONV DEVICE:SILICON, 30V, 150MA	01295	1N4152R
CR201	152-0141-02			SEMICONV DEVICE:SILICON, 30V, 150MA	01295	1N4152R
CR206	152-0141-02			SEMICONV DEVICE:SILICON, 30V, 150MA	01295	1N4152R
CR224	152-0141-02			SEMICONV DEVICE:SILICON, 30V, 150MA	01295	1N4152R
CR226	152-0141-02			SEMICONV DEVICE:SILICON, 30V, 150MA	01295	1N4152R
CR232	152-0141-02			SEMICONV DEVICE:SILICON, 30V, 150MA	01295	1N4152R
CR236	152-0141-02			SEMICONV DEVICE:SILICON, 30V, 150MA	01295	1N4152R
CR237	152-0323-00			SEMICONV DEVICE:SILICON, 35V, 0.1A	80009	152-0323-00
CR238	152-0141-02			SEMICONV DEVICE:SILICON, 30V, 150MA	01295	1N4152R
CR239	152-0323-00			SEMICONV DEVICE:SILICON, 35V, 0.1A	80009	152-0323-00
CR242	152-0141-02			SEMICONV DEVICE:SILICON, 30V, 150MA	01295	1N4152R
CR257	152-0141-02			SEMICONV DEVICE:SILICON, 30V, 150MA	01295	1N4152R
CR259	152-0141-02			SEMICONV DEVICE:SILICON, 30V, 150MA	01295	1N4152R
CR272	152-0323-00			SEMICONV DEVICE:SILICON, 35V, 0.1A	80009	152-0323-00
CR274	152-0323-00			SEMICONV DEVICE:SILICON, 35V, 0.1A	80009	152-0323-00
CR401	152-0141-02			SEMICONV DEVICE:SILICON, 30V, 150MA	01295	1N4152R
CR402	152-0141-02			SEMICONV DEVICE:SILICON, 30V, 150MA	01295	1N4152R
CR403	152-0141-02			SEMICONV DEVICE:SILICON, 30V, 150MA	01295	1N4152R
CR410	152-0141-02			SEMICONV DEVICE:SILICON, 30V, 150MA	01295	1N4152R
CR411	152-0141-02			SEMICONV DEVICE:SILICON, 30V, 150MA	01295	1N4152R
CR413	152-0141-02			SEMICONV DEVICE:SILICON, 30V, 150MA	01295	1N4152R
CR414	152-0141-02			SEMICONV DEVICE:SILICON, 30V, 150MA	01295	1N4152R
CR425	152-0141-02			SEMICONV DEVICE:SILICON, 30V, 150MA	01295	1N4152R
CR429	152-0141-02			SEMICONV DEVICE:SILICON, 30V, 150MA	01295	1N4152R
CR430	152-0141-02			SEMICONV DEVICE:SILICON, 30V, 150MA	01295	1N4152R
CR434	152-0141-02			SEMICONV DEVICE:SILICON, 30V, 150MA	01295	1N4152R
CR444	152-0141-02			SEMICONV DEVICE:SILICON, 30V, 150MA	01295	1N4152R

Ckt No.	Tektronix Part No.	Serial/Model No. Eff	Dscont	Name & Description	Mfr Code	Mfr Part Number
CR455	152-0141-02			SEMICON D DEVICE:SILICON,30V,150MA	01295	1N4152R
CR462	152-0141-02			SEMICON D DEVICE:SILICON,30V,150MA	01295	1N4152R
CR464	152-0141-02			SEMICON D DEVICE:SILICON,30V,150MA	01295	1N4152R
CR471	152-0141-02			SEMICON D DEVICE:SILICON,30V,150MA	01295	1N4152R
CR474	152-0141-02	XB100000		SEMICON D DEVICE:SILICON,30V,150MA	01295	1N4152R
CR476	152-0141-02	B010100	B099999X	SEMICON D DEVICE:SILICON,30V,150MA	01295	1N4152R
CR479	152-0141-02			SEMICON D DEVICE:SILICON,30V,150MA	01295	1N4152R
CR506	152-0141-02			SEMICON D DEVICE:SILICON,30V,150MA	01295	1N4152R
CR528	152-0141-02	XB040000		SEMICON D DEVICE:SILICON,30V,150MA	01295	1N4152R
CR624	152-0141-02			SEMICON D DEVICE:SILICON,30V,150MA	01295	1N4152R
CR625	152-0141-02			SEMICON D DEVICE:SILICON,30V,150MA	01295	1N4152R
DS116	150-0057-01	B010100	B019999	LAMP, INCAND: 5V, 0.115A, WIRE LD, SEL	76854	17AS15
DS116	150-0048-01	B020000		LAMP, INCAND: 5V, 0.06A, SEL	08806	683AS15
DS141	150-0057-01	B010100	B019999	LAMP, INCAND: 5V, 0.115A, WIRE LD, SEL	76854	17AS15
DS141	150-0048-01	B020000		LAMP, INCAND: 5V, 0.06A, SEL	08806	683AS15
DS302	150-0057-01	B010100	B019999	LAMP, INCAND: 5V, 0.115A, WIRE LD, SEL	76854	17AS15
DS302	150-0048-01	B020000		LAMP, INCAND: 5V, 0.06A, SEL	08806	683AS15
J100	131-0410-00			CONN, RCPT, ELEC:	71468	DM53741-5001
J101	131-0391-00			CONNECTOR, RCPT, : 50 OHM, COAX, SNAP-ON MALE	98291	51-051-0049
J114	131-0391-00			CONNECTOR, RCPT, : 50 OHM, COAX, SNAP-ON MALE	98291	51-051-0049
J120	131-0581-00			CONNECTOR, RCPT, : 12 FEMALE CONTACTS	05574	000221-0355
J165	131-0779-00			JACK, TIP: FOR 0.08 INCH DIA TEST POINT	98291	016-8010-00-0208
J166	131-0779-00			JACK, TIP: FOR 0.08 INCH DIA TEST POINT	98291	016-8010-00-0208
J269	131-0779-00			JACK, TIP: FOR 0.08 INCH DIA TEST POINT	98291	016-8010-00-0208
J449	131-0391-00	XB080000		CONNECTOR, RCPT, : 50 OHM, COAX, SNAP-ON MALE	98291	51-051-0049
L268	120-0402-00			XFMR, TOROID: 3 TURNS SINGLE	80009	120-0402-00
L603	120-0382-00			XFMR, TOROID: 14 TURNS, SINGLE	80009	120-0382-00
L604	120-0382-00			XFMR, TOROID: 14 TURNS, SINGLE	80009	120-0382-00
L607	120-0382-00			XFMR, TOROID: 14 TURNS, SINGLE	80009	120-0382-00
L608	120-0382-00			XFMR, TOROID: 14 TURNS, SINGLE	80009	120-0382-00
L631	120-0382-00			XFMR, TOROID: 14 TURNS, SINGLE	80009	120-0382-00
L632	120-0382-00			XFMR, TOROID: 14 TURNS, SINGLE	80009	120-0382-00
L639	120-0382-00			XFMR, TOROID: 14 TURNS, SINGLE	80009	120-0382-00
Q108	151-0188-00			TRANSISTOR: SILICON, PNP	04713	SPS6868K
Q113	151-0188-00			TRANSISTOR: SILICON, PNP	04713	SPS6868K
Q116	151-0207-00			TRANSISTOR: SILICON, NPN	03508	X32D6191
Q123	151-0192-00			TRANSISTOR: SILICON, NPN, SEL FROM MPS6521	04713	SPS8801
Q128	151-0188-00			TRANSISTOR: SILICON, PNP	04713	SPS6868K
Q133	151-0190-00			TRANSISTOR: SILICON, NPN	07263	S032677
Q136	151-0188-00			TRANSISTOR: SILICON, PNP	04713	SPS6868K
Q163	151-0190-00			TRANSISTOR: SILICON, NPN	07263	S032677
Q204	151-0190-00			TRANSISTOR: SILICON, NPN	07263	S032677
Q208	151-0190-00			TRANSISTOR: SILICON, NPN	07263	S032677
Q212	151-0190-00			TRANSISTOR: SILICON, NPN	07263	S032677
Q214	151-0188-00			TRANSISTOR: SILICON, PNP	04713	SPS6868K
Q242A, B	151-1037-00			TRANSISTOR: SILICON, FET, N-CHANNEL	80009	151-1037-00
Q252A, B	151-0261-00			TRANSISTOR: SILICON, PNP, DUAL	80009	151-0261-00
Q256	151-0188-00			TRANSISTOR: SILICON, PNP	04713	SPS6868K
Q262	151-0190-00			TRANSISTOR: SILICON, NPN	07263	S032677
Q266	151-0188-00			TRANSISTOR: SILICON, PNP	04713	SPS6868K
Q314	151-0192-00			TRANSISTOR: SILICON, NPN, SEL FROM MPS6521	04713	SPS8801
Q334	151-0192-00			TRANSISTOR: SILICON, NPN, SEL FROM MPS6521	04713	SPS8801
Q344	151-0216-00			TRANSISTOR: SILICON, PNP	04713	SPS8803
Q354	151-0216-00			TRANSISTOR: SILICON, PNP	04713	SPS8803
Q362	151-0216-00			TRANSISTOR: SILICON, PNP	04713	SPS8803
Q366	151-0216-00			TRANSISTOR: SILICON, PNP	04713	SPS8803

Replaceable Electrical Parts—7S11

Ckt No.	Tektronix Part No.	Serial/Model No. Eff	Dscont	Name & Description	Mfr Code	Mfr Part Number
Q404	151-0190-00			TRANSISTOR: SILICON, NPN	07263	S032677
Q408	151-0190-00			TRANSISTOR: SILICON, NPN	07263	S032677
Q410	151-0190-00			TRANSISTOR: SILICON, NPN	07263	S032677
Q422	151-0188-00			TRANSISTOR: SILICON, PNP	04713	SPS6868K
Q430	151-0190-00	B010100	B049999	TRANSISTOR: SILICON, NPN	07263	S032677
Q430	151-0269-00	B050000	B099999	TRANSISTOR: SILICON, NPN, SEL FROM SE3005	07263	FMT5092
Q430	151-0441-00	B100000		TRANSISTOR: SILICON, NPN	04713	SRF501
Q452	151-0188-00			TRANSISTOR: SILICON, PNP	04713	SPS6868K
Q456	151-0190-00			TRANSISTOR: SILICON, NPN	07263	S032677
Q464	151-0188-00			TRANSISTOR: SILICON, PNP	04713	SPS6868K
Q474	151-0190-00			TRANSISTOR: SILICON, NPN	07263	S032677
Q476	151-0190-00	XB100000		TRANSISTOR: SILICON, NPN	07263	S032677
Q477	151-0301-00	XB100000		TRANSISTOR: SILICON, PNP	27014	2N2907A
Q478	151-0190-00			TRANSISTOR: SILICON, NPN	07263	S032677
Q502	151-0188-00			TRANSISTOR: SILICON, PNP	04713	SPS6868K
Q506	151-0190-00			TRANSISTOR: SILICON, NPN	07263	S032677
Q508	151-0188-00			TRANSISTOR: SILICON, PNP	04713	SPS6868K
Q512	151-0188-00			TRANSISTOR: SILICON, PNP	04713	SPS6868K
Q516	151-0281-00			TRANSISTOR: SILICON, NPN	03508	X16P4039
Q518	151-0281-00			TRANSISTOR: SILICON, NPN	03508	X16P4039
Q624A, B	151-0261-00			TRANSISTOR: SILICON, PNP, DUAL	80009	151-0261-00
Q626	151-0134-00			TRANSISTOR: SILICON, PNP	80009	151-0134-00
R101	317-0124-00			RES., FXD, CMPSN: 120K OHM, 5%, 0.125W	01121	BB1245
R102	317-0244-00			RES., FXD, CMPSN: 240K OHM, 5%, 0.125W	01121	BB2445
R104	317-0153-00			RES., FXD, CMPSN: 15K OHM, 5%, 0.125W	01121	BB1535
R106	317-0153-00			RES., FXD, CMPSN: 15K OHM, 5%, 0.125W	01121	BB1535
R107	317-0151-00	XB030000		RES., FXD, CMPSN: 150 OHM, 5%, 0.125W	01121	BB1515
R108	317-0302-00			RES., FXD, CMPSN: 3K OHM, 5%, 0.125W	01121	BB3025
R109	317-0152-00			RES., FXD, CMPSN: 1.5K OHM, 5%, 0.125W	01121	BB1525
R111	315-0203-00			RES., FXD, CMPSN: 20K OHM, 5%, 0.25W	01121	CB2035
R113	315-0122-00			RES., FXD, CMPSN: 1.2K OHM, 5%, 0.25W	01121	CB1225
R114	321-0206-00			RES., FXD, FILM: 1.37K OHM, 1%, 0.125W	91637	MFF1816G13700F
R115	317-0431-00			RES., FXD, CMPSN: 430 OHM, 5%, 0.125W	01121	BB4315
R116	315-0390-00			RES., FXD, CMPSN: 39 OHM, 5%, 0.25W	01121	CB3905
R121	321-0093-00			RES., FXD, FILM: 90.9 OHM, 1%, 0.125W	91637	MFF1816G90R90F
R123	315-0183-00			RES., FXD, CMPSN: 18K OHM, 5%, 0.25W	01121	CB1835
R125	315-0752-00			RES., FXD, CMPSN: 7.5K OHM, 5%, 0.25W	01121	CB7525
R127	321-0154-00			RES., FXD, FILM: 392 OHM, 1%, 0.125W	91637	MFF1816G392R0F
R129	315-0512-00			RES., FXD, CMPSN: 5.1K OHM, 5%, 0.25W	01121	CB5125
R130	315-0101-00			RES., FXD, CMPSN: 100 OHM, 5%, 0.25W	01121	CB1015
R133	315-0101-00			RES., FXD, CMPSN: 100 OHM, 5%, 0.25W	01121	CB1015
R134	315-0153-00			RES., FXD, CMPSN: 15K OHM, 5%, 0.25W	01121	CB1535
R135	315-0153-00			RES., FXD, CMPSN: 15K OHM, 5%, 0.25W	01121	CB1535
R136	315-0101-00			RES., FXD, CMPSN: 100 OHM, 5%, 0.25W	01121	CB1015
R137	315-0101-00			RES., FXD, CMPSN: 100 OHM, 5%, 0.25W	01121	CB1015
R138	321-0263-00			RES., FXD, FILM: 5.36K OHM, 1%, 0.125W	91637	MFF1816G53600F
R141	317-0222-00			RES., FXD, CMPSN: 2.2K OHM, 5%, 0.125W	01121	BB2225
R142	317-0681-00			RES., FXD, CMPSN: 680 OHM, 5%, 0.125W	01121	BB6815
R143	311-0095-00			RES., VAR, NONWIR: 500 OHM, 10%	11237	41022
R145A	321-0193-00			RES., FXD, FILM: 1K OHM, 1%, 0.125W	91637	MFF1816G10000F
R145B	321-0231-00			RES., FXD, FILM: 2.49K OHM, 1%, 0.125W	91637	MFF1816G24900F
R145C	321-0260-00			RES., FXD, FILM: 4.99K OHM, 1%, 0.125W	91637	MFF1816G49900F
R145D	321-0289-00			RES., FXD, FILM: 10K OHM, 1%, 0.125W	91637	MFF1816G10001F
R145E	321-0327-00			RES., FXD, FILM: 24.9K OHM, 1%, 0.125W	91637	MFF1816G24901F
R145F	321-0356-00			RES., FXD, FILM: 49.9K OHM, 1%, 0.125W	91637	MFF1816G49901F
R145G	321-0385-00			RES., FXD, FILM: 100K OHM, 1%, 0.125W	91637	MFF1816G10002F
R147A	321-0450-01			RES., FXD, FILM: 475K OHM, 0.5%, 0.125W	24546	NA55D4753D

Ckt No.	Tektronix Part No.	Serial/Model No. Eff	Dscont	Name & Description	Mfr Code	Mfr Part Number
R147B	321-0760-01			RES.,FXD,FILM:189.9K OHM,0.5%,0.125W	24546	NA55D18992D
R147C	321-0759-01			RES.,FXD,FILM:95K OHM,0.5%,0.125W	24546	NA55D9502D
R147D	321-0354-01			RES.,FXD,FILM:47.5K OHM,0.5%,0.125W	91637	MFF1816G47501D
R147E	321-0757-01			RES.,FXD,FILM:18.99K OHM,0.5%,0.125W	24546	NA55D18991D
R147F	321-0758-01			RES.,FXD,FILM:9.5K OHM,0.5%,0.125W	24546	NA55D9501D
R147G	321-0258-01			RES.,FXD,FILM:4.75K OHM,0.5%,0.125W	24546	NA55D4751D
R149	321-0354-01			RES.,FXD,FILM:47.5K OHM,0.5%,0.125W	91637	MFF1816G47501D
R151	311-0965-00	B010100	B059999	RES.,VAR,NONWIR:2 X 10K OHM,10%,10W (FURNISHED AS A UNIT WITH R157)	80009	311-0965-00
R151	311-1162-00	B060000	B089999	RES.,VAR,NONWIR:2 X 10K OHM,10%,1W (FURNISHED AS A UNIT WITH R157)	12697	381-CM39691
R151	311-1591-00	B090000		RES.,VAR,NONWIR:PNL,2 X 10K OHM,1W (FURNISHED AS A UNIT WITH R157)	12697	381-CM40266
R153	315-0273-00			RES.,FXD,CMPSN:27K OHM,5%,0.25W	01121	CB2735
R154	315-0273-00			RES.,FXD,CMPSN:27K OHM,5%,0.25W	01121	CB2735
R156	315-0101-00			RES.,FXD,CMPSN:100 OHM,5%,0.25W	01121	CB1015
R157	311-0965-00	B010100	B059999	RES.,VAR,NONWIR:2 X 10K OHM,10%,10W (FURNISHED AS A UNIT WITH R151)	80009	311-0965-00
R157	311-1162-00	B060000	B089999	RES.,VAR,NONWIR:2 X 10K OHM,10%,1W (FURNISHED AS A UNIT WITH R151)	12697	381-CM39691
R157	311-1591-00	B090000		RES.,VAR,NONWIR:PNL,2 X 10K OHM,1W (FURNISHED AS A UNIT WITH R151)	12697	381-CM40266
R158	315-0821-00			RES.,FXD,CMPSN:820 OHM,5%,0.25W	01121	CB8215
R159	315-0101-00			RES.,FXD,CMPSN:100 OHM,5%,0.25W	01121	CB1015
R161	315-0101-00			RES.,FXD,CMPSN:100 OHM,5%,0.25W	01121	CB1015
R162	315-0101-00			RES.,FXD,CMPSN:100 OHM,5%,0.25W	01121	CB1015
R163	315-0123-00			RES.,FXD,CMPSN:12K OHM,5%,0.25W	01121	CB1235
R165	321-0316-00			RES.,FXD,FILM:19.1K OHM,1%,0.125W	91637	MFF1816G19101F
R166	321-0289-00			RES.,FXD,FILM:10K OHM,1%,0.125W	91637	MFF1816G10001F
R202	321-0391-00			RES.,FXD,FILM:115K OHM,1%,0.125K	91637	MFF1816G11502F
R204	315-0183-00			RES.,FXD,CMPSN:18K OHM,5%,0.25W	01121	CB1835
R206	315-0122-00			RES.,FXD,CMPSN:1.2K OHM,5%,0.25W	01121	CB1225
R207	315-0101-00			RES.,FXD,CMPSN:100 OHM,5%,0.25W	01121	CB1015
R208	315-0512-00			RES.,FXD,CMPSN:5.1K OHM,5%,0.25W	01121	CB5125
R209	321-0306-00			RES.,FXD,FILM:15K OHM,1%,0.125W	91637	MFF1816G15001F
R211	315-0101-00			RES.,FXD,CMPSN:100 OHM,5%,0.25W	01121	CB1015
R213	315-0101-00			RES.,FXD,CMPSN:100 OHM,5%,0.25W	01121	CB1015
R214	315-0220-00			RES.,FXD,CMPSN:22 OHM,5%,0.25W	01121	CB2205
R216	315-0752-00			RES.,FXD,CMPSN:7.5K OHM,5%,0.25W	01121	CB7525
R218	315-0752-00			RES.,FXD,CMPSN:7.5K OHM,5%,0.25W	01121	CB7525
R219	315-0101-00			RES.,FXD,CMPSN:100 OHM,5%,0.25W	01121	CB1015
R221	321-0245-00			RES.,FXD,FILM:3.48K OHM,1%,0.125W	91637	MFF1816G34800F
R222	321-0245-00			RES.,FXD,FILM:3.48K OHM,1%,0.125W	91637	MFF1816G34800F
R224	321-0231-00			RES.,FXD,FILM:2.49K OHM,1%,0.125W	91637	MFF1816G24900F
R226	321-0231-00			RES.,FXD,FILM:2.49K OHM,1%,0.125W	91637	MFF1816G24900F
R229	315-0102-00			RES.,FXD,CMPSN:1K OHM,5%,0.25W	01121	CB1025
R231	315-0102-00			RES.,FXD,CMPSN:1K OHM,5%,0.25W	01121	CB1025
R234	315-0100-00			RES.,FXD,CMPSN:10 OHM,5%,0.25W	01121	CB1005
R239	317-0510-00	XB110000		RES.,FXD,CMPSN:51 OHM,5%,0.125W	01121	BB5105
R242	321-0328-00			RES.,FXD,FILM:25.5K OHM,1%,0.125W	91637	MFF1816G25501F
R244	321-0432-00			RES.,FXD,FILM:309K OHM,1%,0.125W	91637	MFF1816G30902F
R245	311-0732-00	B010100	B060969	RES.,VAR,NONWIR:TRMR,1K OHM,0.5W	01121	SV1021
R245	311-1263-00	B060970		RES.,VAR,NONWIR:1K OHM,10%,0.50W	32997	3329P-L58-102
R246	315-0432-00			RES.,FXD,CMPSN:4.3K OHM,5%,0.25W	01121	CB4325
R248	315-0106-00			RES.,FXD,CMPSN:10M OHM,5%,0.25W	01121	CB1065
R253	315-0101-00			RES.,FXD,CMPSN:100 OHM,5%,0.25W	01121	CB1015
R257	315-0241-00			RES.,FXD,CMPSN:240 OHM,5%,0.25W	01121	CB2415

Replaceable Electrical Parts—7S11

Ckt No.	Tektronix Part No.	Serial/Model No. Eff	Discont	Name & Description	Mfr Code	Mfr Part Number
R258	315-0241-00			RES., FXD, CMPSN: 240 OHM, 5%, 0.25W	01121	CB2415
R259	315-0243-00			RES., FXD, CMPSN: 24K OHM, 5%, 0.25W	01121	CB2435
R261	315-0101-00			RES., FXD, CMPSN: 100 OHM, 5%, 0.25W	01121	CB1015
R264	315-0101-00			RES., FXD, CMPSN: 100 OHM, 5%, 0.25W	01121	CB1015
R266	315-0101-00			RES., FXD, CMPSN: 100 OHM, 5%, 0.25W	01121	CB1015
R267	315-0101-00			RES., FXD, CMPSN: 100 OHM, 5%, 0.25W	01121	CB1015
R268	321-0745-03			RES., FXD, FILM: 25.05K OHM, 0.25%, 0.125W	91637	MFF1816D25051C
R269	321-1310-03			RES., FXD, FILM: 16.7K OHM, 0.25%, 0.125W	91637	MFF1816D16701C
R271	321-0360-00			RES., FXD, FILM: 54.9K OHM, 1%, 0.125W	91637	MFF1816G54901F
R272	321-0283-00			RES., FXD, FILM: 8.66K OHM, 1%, 0.125W	91637	MFF1816G86600F
R274	321-0283-00			RES., FXD, FILM: 8.66K OHM, 1%, 0.125W	91637	MFF1816G86600F
R275	321-0360-00			RES., FXD, FILM: 54.9K OHM, 1%, 0.125W	91637	MFF1816G54901F
R301	315-0105-00			RES., FXD, CMPSN: 1M OHM, 5%, 0.25W	01121	CB1055
R302	315-0512-00			RES., FXD, CMPSN: 5.1K OHM, 5%, 0.25W	01121	CB5125
R303	315-0512-00			RES., FXD, CMPSN: 5.1K OHM, 5%, 0.25W	01121	CB5125
R304	315-0105-00			RES., FXD, CMPSN: 1M OHM, 5%, 0.25W	01121	CB1055
R305	311-0831-00			RES., VAR, NONWIR: TRMR, 100K OHM, 0.5W	73138	91-104-0
R311	321-0207-00			RES., FXD, FILM: 1.4K OHM, 1%, 0.125W	91637	MFF1816G14000F
R312	321-0234-00			RES., FXD, FILM: 2.67K OHM, 1%, 0.125W	91637	MFF1816G26700F
R314	321-0194-00			RES., FXD, FILM: 1.02K OHM, 1%, 0.125W	91637	MFF1816G10200F
R316	321-0371-00			RES., FXD, FILM: 71.5K OHM, 1%, 0.125W	91637	MFF1816G71501F
R317	321-0372-00			RES., FXD, FILM: 73.2K OHM, 1%, 0.125W	91637	MFF1816G73201F
R319	315-0243-00			RES., FXD, CMPSN: 24K OHM, 5%, 0.25W	01121	CB2435
R320	311-0585-00			RES., VAR, NONWIR: 15K OHM, 20%, 0.25W (FURNISHED AS A UNIT WITH S320)	71590	BA201-061
R321	321-0251-00			RES., FXD, FILM: 4.02K OHM, 1%, 0.125W	91637	MFF1816G40200F
R322	321-0191-00			RES., FXD, FILM: 953 OHM, 1%, 0.125W	91637	MFF1816G953R0F
R325	311-0883-00			RES., VAR, NONWIR: 50K OHM, 0.50W	01121	SV5031
R326	321-0191-00			RES., FXD, FILM: 953 OHM, 1%, 0.125W	91637	MFF1816G953R0F
R332	315-0684-00			RES., FXD, CMPSN: 680K OHM, 5%, 0.25W	01121	CB6845
R334	321-0194-00			RES., FXD, FILM: 1.02K OHM, 1%, 0.125W	91637	MFF1816G10200F
R336	321-0371-00			RES., FXD, FILM: 71.5K OHM, 1%, 0.125W	91637	MFF1816G71501F
R337	321-0372-00			RES., FXD, FILM: 73.2K OHM, 1%, 0.125W	91637	MFF1816G73201F
R339	315-0243-00			RES., FXD, CMPSN: 24K OHM, 5%, 0.25W	01121	CB2435
R343	321-0238-00			RES., FXD, FILM: 2.94K OHM, 1%, 0.125W	91637	MFF1816G29400F
R344	321-0146-00			RES., FXD, FILM: 324 OHM, 1%, 0.125W	91637	MFF1816G324R0F
R345	311-0258-00			RES., VAR, NONWIR: PNL, 100 OHM, 0.50W	01121	WAIGO24S101UA
R346	321-0209-00			RES., FXD, FILM: 1.47K OHM, 1%, 0.125W	91637	MFF1816G14700F
R353	321-0238-00			RES., FXD, FILM: 2.94K OHM, 1%, 0.125W	91637	MFF1816G29400F
R356	321-0209-00			RES., FXD, FILM: 1.47K OHM, 1%, 0.125W	91637	MFF1816G14700F
R362	321-0222-00			RES., FXD, FILM: 2K OHM, 1%, 0.125W	91637	MFF1816G20000F
R363	321-0251-00			RES., FXD, FILM: 4.02K OHM, 1%, 0.125W	91637	MFF1816G40200F
R365	321-0251-00			RES., FXD, FILM: 4.02K OHM, 1%, 0.125W	91637	MFF1816G40200F
R366	321-0222-00			RES., FXD, FILM: 2K OHM, 1%, 0.125W	91637	MFF1816G20000F
R368	321-0150-00			RES., FXD, FILM: 357 OHM, 1%, 0.125W	91637	MFF1816G357R0F
R401	317-0103-00			RES., FXD, CMPSN: 10K OHM, 5%, 0.125W	01121	BB1035
R402	317-0750-00			RES., FXD, CMPSN: 75 OHM, 5%, 0.125W	01121	BB7505
R404	321-0402-00			RES., FXD, FILM: 150K OHM, 1%, 0.125W	24546	NA55D1503F
R410	317-0750-00			RES., FXD, CMPSN: 75 OHM, 5%, 0.125W	01121	BB7505
R411	317-0103-00			RES., FXD, CMPSN: 10K OHM, 5%, 0.125W	01121	BB1035
R414	315-0473-00			RES., FXD, CMPSN: 47K OHM, 5%, 0.25W	01121	CB4735
R415	311-0831-00	B010100	B059999	RES., VAR, NONWIR: TRMR, 100K OHM, 0.5W	73138	91-104-0
R415	311-1272-00	B060000		RES., VAR, NONWIR: 100K OHM, 10%, 0.50W	32997	3329P-L58-104
R418	317-0512-00			RES., FXD, CMPSN: 5.1K OHM, 5%, 0.125W	01121	BB5125
R422	317-0103-00			RES., FXD, CMPSN: 10K OHM, 5%, 0.125W	01121	BB1035
R423	317-0132-00			RES., FXD, CMPSN: 1.3K OHM, 5%, 0.125W	01121	BB1325
R427	317-0132-00			RES., FXD, CMPSN: 1.3K OHM, 5%, 0.125W	01121	BB1325

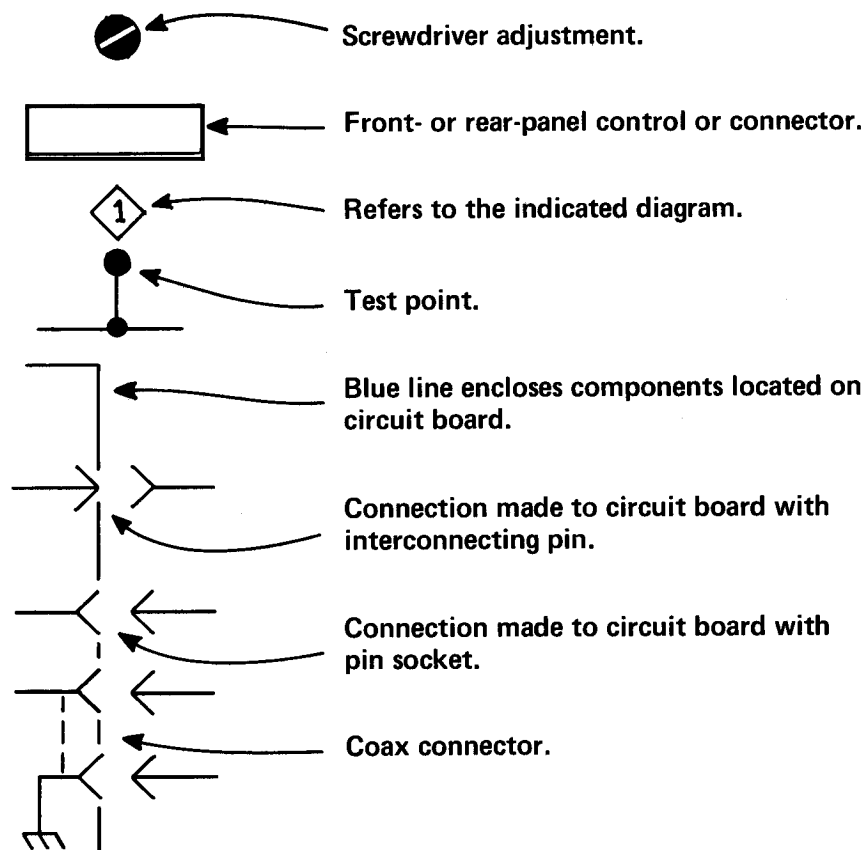
Ckt No.	Tektronix Part No.	Serial/Model No. Eff	Dscont	Name & Description	Mfr Code	Mfr Part Number
R430	315-0201-00			RES., FXD, CMPSN: 200 OHM, 5%, 0.25W	01121	CB2015
R431	315-0102-00			RES., FXD, CMPSN: 1K OHM, 5%, 0.25W	01121	CB1025
R434	315-0122-00	B010100	B049999	RES., FXD, CMPSN: 1.2K OHM, 5%, 0.25W	01121	CB1225
R434	315-0152-00	B050000		RES., FXD, CMPSN: 1.5K OHM, 5%, 0.25W	01121	CB1525
R440	311-0310-00			RES., VAR, NONWIR: 5K OHM, 20%, 0.50W	01121	W-7350A
R441	315-0511-00			RES., FXD, CMPSN: 510 OHM, 5%, 0.25W	01121	CB5115
R442	315-0153-00			RES., FXD, CMPSN: 15K OHM, 5%, 0.25W	01121	CB1535
R446	315-0204-00			RES., FXD, CMPSN: 200K OHM, 5%, 0.25W	01121	CB2045
R451	315-0513-00			RES., FXD, CMPSN: 51K OHM, 5%, 0.25W	01121	CB5135
R452	315-0101-00			RES., FXD, CMPSN: 100 OHM, 5%, 0.25W	01121	CB1015
R453	315-0243-00			RES., FXD, CMPSN: 24K OHM, 5%, 0.25W	01121	CB2435
R455	315-0432-00			RES., FXD, CMPSN: 4.3K OHM, 5%, 0.25W	01121	CB4325
R457	315-0472-00			RES., FXD, CMPSN: 4.7K OHM, 5%, 0.25W	01121	CB4725
R460	311-0950-00	B010100	B059999	RES., VAR, NONWIR: TRMR, 10K OHM, 0.5W	73138	91B R10K
R460	311-1268-00	B060000		RES., VAR, NONWIR: 10K OHM, 10%, 0.50W	32997	3329P-L58-103
R461	315-0272-00			RES., FXD, CMPSN: 2.7K OHM, 5%, 0.25W	01121	CB2725
R462	315-0223-00			RES., FXD, CMPSN: 22K OHM, 5%, 0.25W	01121	CB2235
R464	315-0331-00			RES., FXD, CMPSN: 330 OHM, 5%, 0.25W	01121	CB3315
R470	315-0201-00	XB120000		RES., FXD, CMPSN: 200 OHM, 5%, 0.25W	01121	CB2015
R471	315-0124-00			RES., FXD, CMPSN: 120K OHM, 5%, 0.25W	01121	CB1245
R472	317-0104-00			RES., FXD, CMPSN: 100K OHM, 5%, 0.125W	01121	BB1045
R474	317-0202-00	B010100	B099999	RES., FXD, CMPSN: 2K OHM, 5%, 0.125W	01121	BB2025
R474	317-0102-00	B100000		RES., FXD, CMPSN: 1K OHM, 5%, 0.125W	01121	BB1025
R475	317-0103-00	XB100000		RES., FXD, CMPSN: 10K OHM, 5%, 0.125W	01121	BB1035
R476	317-0153-00			RES., FXD, CMPSN: 15K OHM, 5%, 0.125W	01121	BB1535
R478	315-0362-00			RES., FXD, CMPSN: 3.6K OHM, 5%, 0.25W	01121	CB3625
R479	317-0511-00	B010100	B099999X	RES., FXD, CMPSN: 510 OHM, 5%, 0.125W	01121	BB5115
R501	315-0683-00			RES., FXD, CMPSN: 68K OHM, 5%, 0.25W	01121	CB6835
R502	315-0104-00			RES., FXD, CMPSN: 100K OHM, 5%, 0.25W	01121	CB1045
R503	315-0474-00			RES., FXD, CMPSN: 470K OHM, 5%, 0.25W	01121	CB4745
R504	317-0105-00			RES., FXD, CMPSN: 1M OHM, 5%, 0.125W	01121	BB1055
R505	315-0154-00			RES., FXD, CMPSN: 150K OHM, 5%, 0.25W	01121	CB1545
R506	321-0399-00			RES., FXD, FILM: 140K OHM, 1%, 0.125W	91637	MFF1816G14002F
R508	321-0373-00			RES., FXD, FILM: 75K OHM, 1%, 0.125W	91637	MFF1816G75001F
R509	315-0105-00			RES., FXD, CMPSN: 1M OHM, 5%, 0.25W	01121	CB1055
R512	321-0402-00			RES., FXD, FILM: 150K OHM, 1%, 0.125W	24546	NA55D1503F
R513	321-0402-00			RES., FXD, FILM: 150K OHM, 1%, 0.125W	24546	NA55D1503F
R515	321-0223-00			RES., FXD, FILM: 2.05K OHM, 1%, 0.125W	91637	MFF1816G20500F
R516	321-0299-00			RES., FXD, FILM: 12.7K OHM, 1%, 0.125W	91637	MFF1816G12701F
R517	321-0346-00			RES., FXD, FILM: 39.2K OHM, 1%, 0.125W	91637	MFF1816G39201F
R518	321-0346-00			RES., FXD, FILM: 39.2K OHM, 1%, 0.125W	91637	MFF1816G39201F
R519	321-0339-00			RES., FXD, FILM: 33.2K OHM, 1%, 0.125W	91637	MFF1816G33201F
R521	321-0373-00			RES., FXD, FILM: 75K OHM, 1%, 0.125W	91637	MFF1816G75001F
R522	321-0402-00			RES., FXD, FILM: 150K OHM, 1%, 0.125W	24546	NA55D1503F
R523	321-0344-00			RES., FXD, FILM: 37.4K OHM, 1%, 0.125W	91637	MFF1816G37401F
R524	321-0373-00			RES., FXD, FILM: 75K OHM, 1%, 0.125W	91637	MFF1816G75001F
R525	321-0402-00			RES., FXD, FILM: 150K OHM, 1%, 0.125W	24546	NA55D1503F
R527	321-0373-00			RES., FXD, FILM: 75K OHM, 1%, 0.125W	91637	MFF1816G75001F
R528	321-0304-00			RES., FXD, FILM: 14.3K OHM, 1%, 0.125W	91637	MFF1816G14301F
R529	321-0402-00			RES., FXD, FILM: 150K OHM, 1%, 0.125W	24546	NA55D1503F
R531	321-0373-00			RES., FXD, FILM: 75K OHM, 1%, 0.125W	91637	MFF1816G75001F
R533	321-0402-00			RES., FXD, FILM: 150K OHM, 1%, 0.125W	24546	NA55D1503F
R535	321-0402-00			RES., FXD, FILM: 150K OHM, 1%, 0.125W	24546	NA55D1503F
R537	321-0356-00			RES., FXD, FILM: 49.9K OHM, 1%, 0.125W	91637	MFF1816G49901F
R539	321-0344-00			RES., FXD, FILM: 37.4K OHM, 1%, 0.125W	91637	MFF1816G37401F
R551	315-0510-00			RES., FXD, CMPSN: 51 OHM, 5%, 0.25W	01121	CB5105
R561	315-0510-00			RES., FXD, CMPSN: 51 OHM, 5%, 0.25W	01121	CB5105

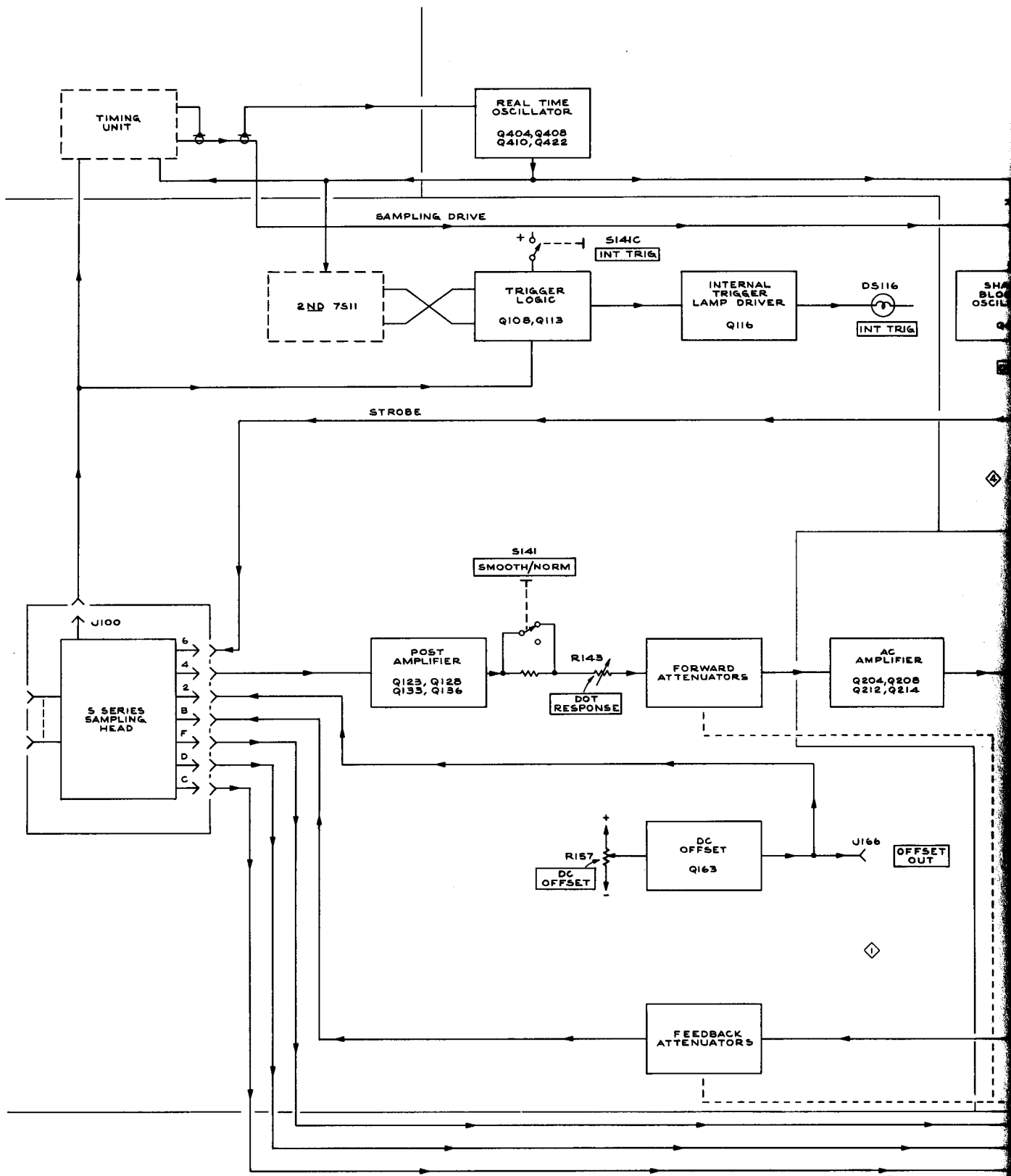
Replaceable Electrical Parts—7S11

Ckt No.	Tektronix Part No.	Serial/Model No. Eff	Dscont	Name & Description	Mfr Code	Mfr Part Number
R602	315-0101-00			RES., FXD, CMPSN: 100 OHM, 5%, 0.25W	01121	CB1015
R605	315-0101-00			RES., FXD, CMPSN: 100 OHM, 5%, 0.25W	01121	CB1015
R606	315-0101-00			RES., FXD, CMPSN: 100 OHM, 5%, 0.25W	01121	CB1015
R609	315-0101-00			RES., FXD, CMPSN: 100 OHM, 5%, 0.25W	01121	CB1015
R621	321-0632-00			RES., FXD, FILM: 9.41K OHM, 0.5%, 0.125W	91637	MFF1816D94100C
R622	321-0601-00			RES., FXD, FILM: 2.141K OHM, 0.25%, 0.125W	91637	MFF1816D21410C
R624	321-0236-00			RES., FXD, FILM: 2.8K OHM, 1%, 0.125W	91637	MFF1816G28000F
R626	321-0315-00			RES., FXD, FILM: 18.7K OHM, 1%, 0.125W	91637	MFF1816G18701F
R627	315-0180-00			RES., FXD, CMPSN: 18 OHM, 5%, 0.25W	01121	CB1805
R629	315-0512-00			RES., FXD, CMPSN: 5.1K OHM, 5%, 0.25W	01121	CB5125
R634	315-0100-00			RES., FXD, CMPSN: 10 OHM, 5%, 0.25W	01121	CB1005
R635	315-0470-00			RES., FXD, CMPSN: 47 OHM, 5%, 0.25W	01121	CB4705
R636	315-0101-00			RES., FXD, CMPSN: 100 OHM, 5%, 0.25W	01121	CB1015
R638	315-0101-00			RES., FXD, CMPSN: 100 OHM, 5%, 0.25W	01121	CB1015
S141A-C	670-1149-00	B010100	B019999	SWITCH, PUSH:	80009	670-1149-00
S141A-C	670-1149-01	B020000		SWITCH, PUSH:	80009	670-1149-01
S146	262-0894-00			SWITCH, WIRED: VOLTS/DIV	80009	262-0894-00
S146	260-1090-00			SWITCH, ROTARY: VOLTS/DIV	80009	260-1090-00
S302A,B	670-1148-00	B010100	B019999	SWITCH, PUSH:	80009	670-1148-00
S302A,B	670-1148-01	B020000		SWITCH, PUSH:	80009	670-1149-01
S320	311-0585-00			RES., VAR, NONWIR: 15K OHM, 20%, 0.25W	71590	BA201-061
	-----			(FURNISHED AS A UNIT WITH R320)		
T230	120-0547-00			XFMR, TOROID: 4-15 TURN WINDINGS	80009	120-0547-00
T400	120-0650-00			XFMR, TOROID: 2 WINDINGS	80009	120-0650-00
T410	120-0487-00			XFMR, TOROID: 5 TURNS BIFILAR	80009	120-0487-00
T430	120-0546-00			XFMR, TOROID: 4 TURNS BIFILAR	80009	120-0546-00
VR221	152-0226-00			SEMICOND DEVICE: ZENER, 0.4W, 5.1V, 5%	14552	TD3810980

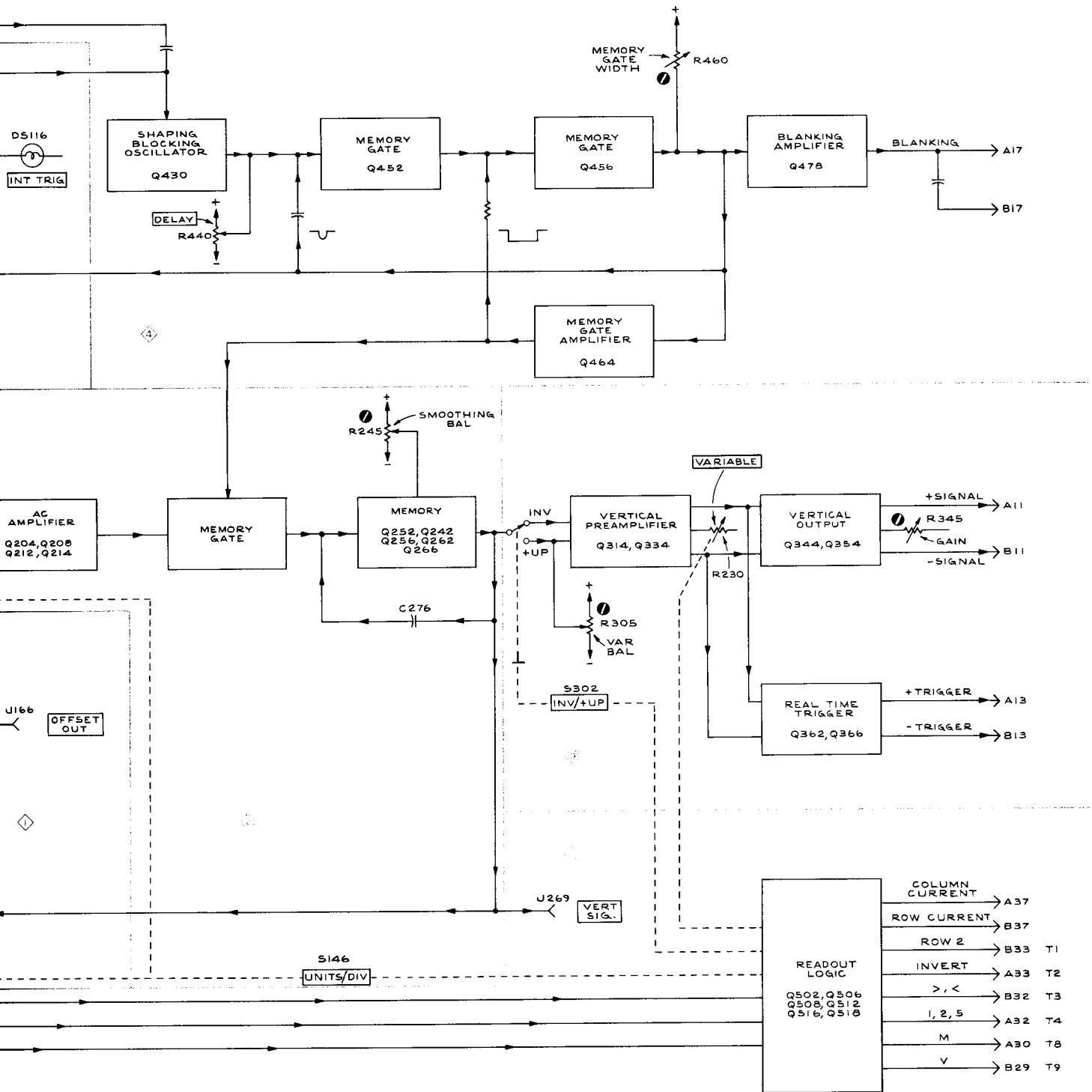
SECTION 8 DIAGRAMS AND MECHANICAL PARTS ILLUSTRATIONS

The following special symbols are used on the diagrams:





+



RMG
0370

BLOCK DIAGRAM

VOLTAGE AND WAVEFORM TEST CONDITIONS

The typical voltage measurements were obtained under the following conditions unless noted otherwise on the individual diagrams:

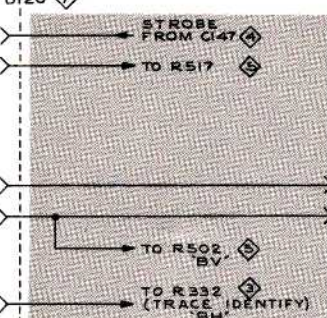
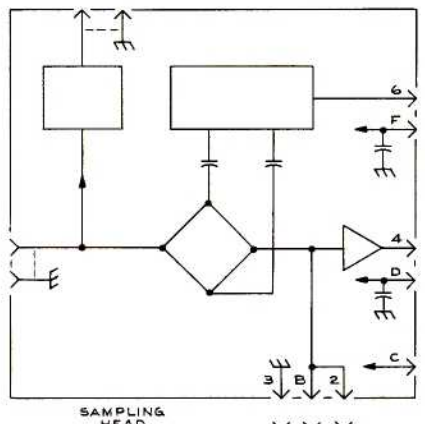
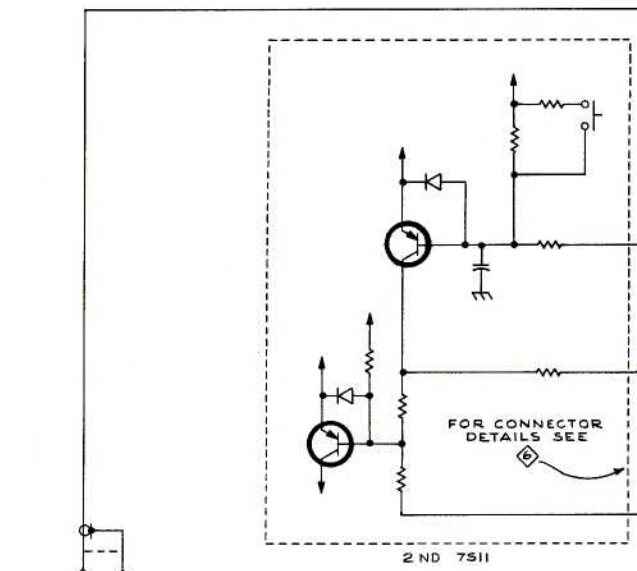
Voltmeter		7S11 (right vertical compartment, calibrated Sampling Head installed)	
Type	Multimeter	Units/Div	200
Sensitivity	20,000 ohm/volt	VARIABLE	CAL IN
Ranges	0.6 and 12 volts	+UP	Pushed in
Recommended type (used for measuring the voltages shown on the diagrams)	Triplet Model 630-NA	DC OFFSET	Midrange, 0 volts at OFFSET OUT jack.
		NORMAL	Pushed in
		Input signal	Termination or Coaxial cable connected. No input signal.
7504			
Vertical Mode	Left	7T11 (right horizontal compartment)	
Horizontal Mode	B	Slope	+
B Intensity	Optimum	Stability	Fully clockwise (free run)
A Trigger Source	Right Vert	Sequential	Pushed in
B Trigger Source	Left Vert	Sweep Range	5 μ s
		Time/Div	.1 μ s
		Int	Pushed in
		Scan	Rep
7A13 (left vertical compartment, P6010, at +Input connector, 10X probe used for waveforms)			
Volts	+	7B50 (left horizontal compartment)	
+Input	DC	Mode	Auto
Comparison Voltage		Coupling	AC
	Center display on graticule	Source	Int
Volts/Div	See waveforms	Magnifier	X1
		Time/Div	See Waveforms

All voltages given on the diagrams are in volts. Waveforms shown are actual waveform photographs taken with a Tektronix Oscilloscope Camera System and Projected Graticule. Vertical deflection factor shown on waveform is the actual deflection factor from the input connector and does not include the 10X attenuation of the probe. The voltages and waveforms (shown in blue) on the diagrams are not absolute and may vary between instruments because of component tolerances, internal calibration, or front panel control settings. Voltage and time readouts are simulated in larger-than-normal type.

NOTE

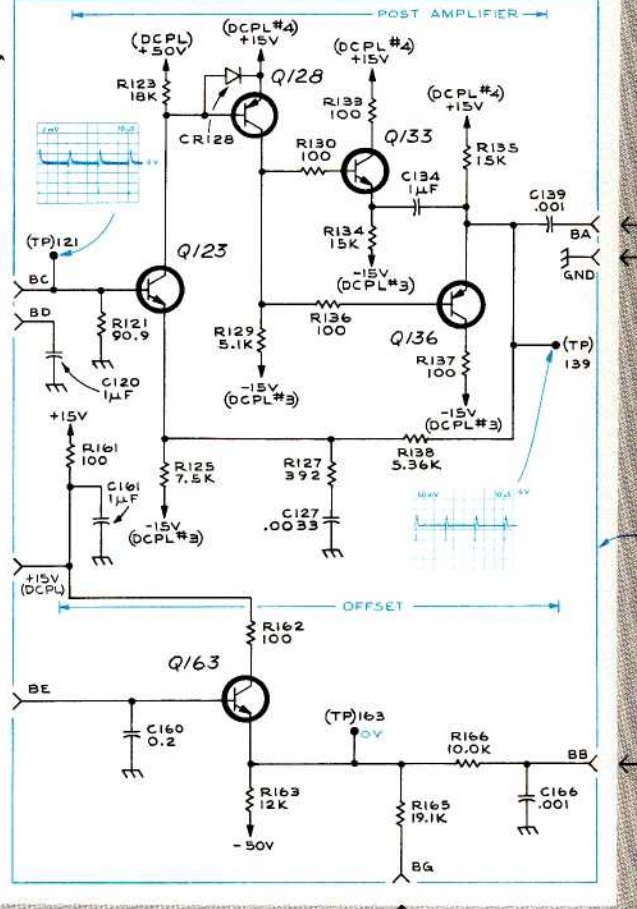
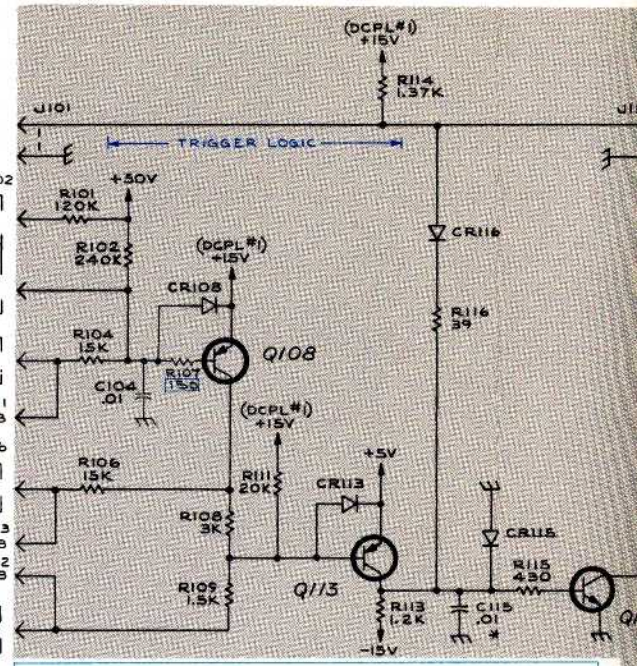
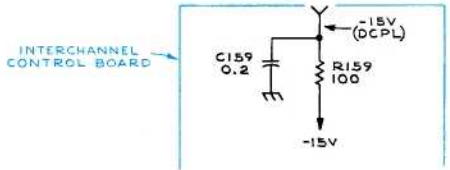
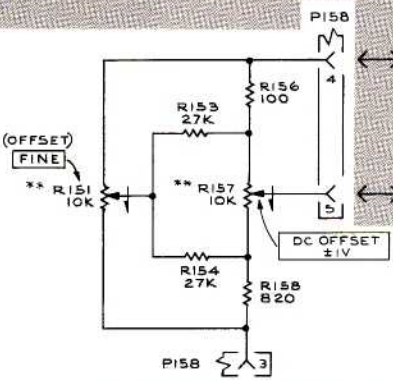
The spring tension of the pin sockets ensures a good connection between the circuit board and pin. This spring tension may be damaged by using the pin sockets as a connecting point for spring-loaded probe tip, alligator clips, etc.

VOLTAGE & WAVEFORM CONDITIONS



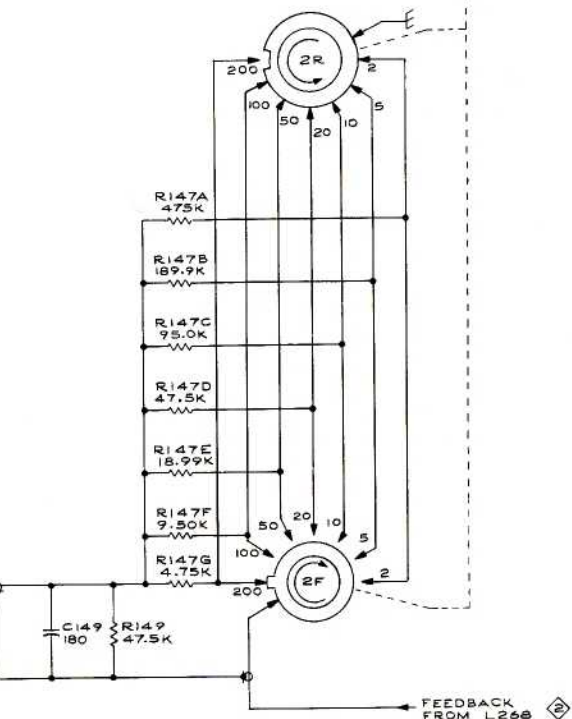
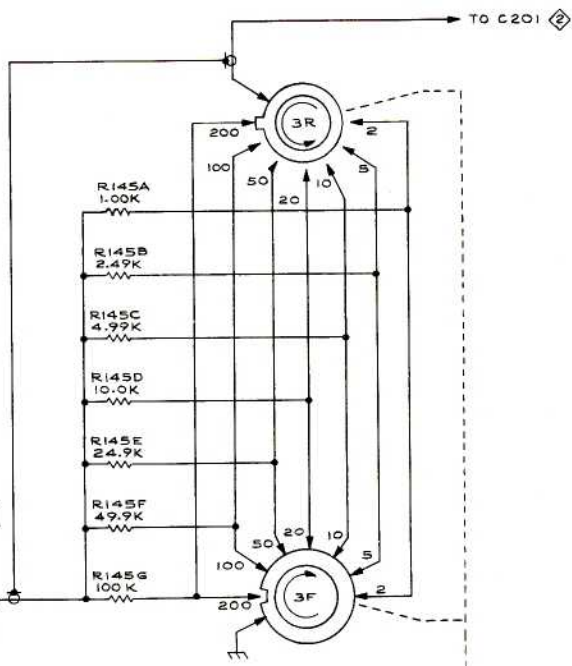
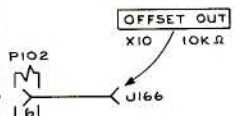
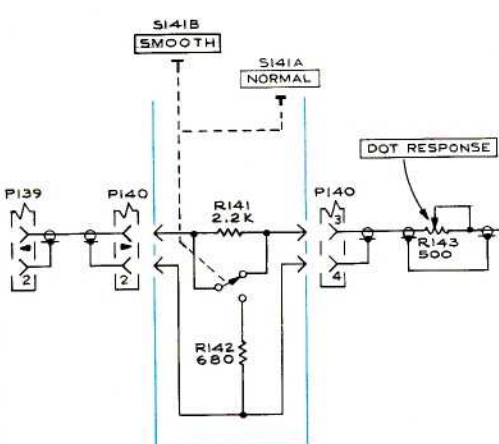
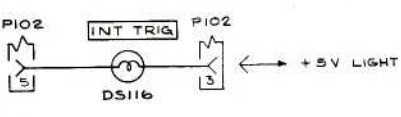
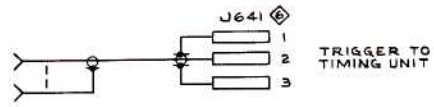
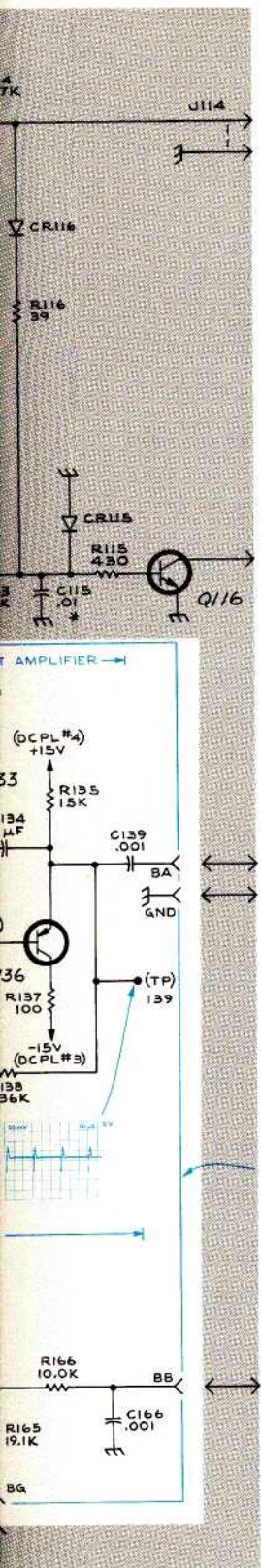
REFERENCE DIAGRAMS

- ② MEMORY
- ③ OUTPUT AMPLIFIER
- ④ GATE GENERATOR
- ⑤ READOUT LOGIC
- ⑥ OUTPUT CONNECTIONS
- ⑦ POWER DISTRIBUTION & DECOUPLING



- NOTES:
1. * DENOTES LEADLESS CAPACITOR.
 2. FOR DECOUPLING & POWER DISTRIBUTION SEE ⑦.
 3. SEE PARTS LIST FOR SEMICONDUCTOR TYPES.
 4. TINTED AREAS SHOW INTERFACE BOARD CIRCUITRY
 5. ** FURNISHED AS A UNIT.

7511 SAMPLING UNIT



VOLTAGE and WAVEFORM coordinates given on the left side of this Diagram

SEE PARTS LIST FOR BARBER VALUES AND SERIAL NUMBER RANGES OF PARTS MARKED WITH BLUE OUTLINE.

ADDRESS CAPACITOR.
 NG & POWER
 E
 ST FOR SEMICONDUCTOR

SHOW
 D CIRCUITRY
 S A UNIT.

POST AMPLIFIER & ATTENUATORS 1

POST AMPLIFIER & ATTENUATORS

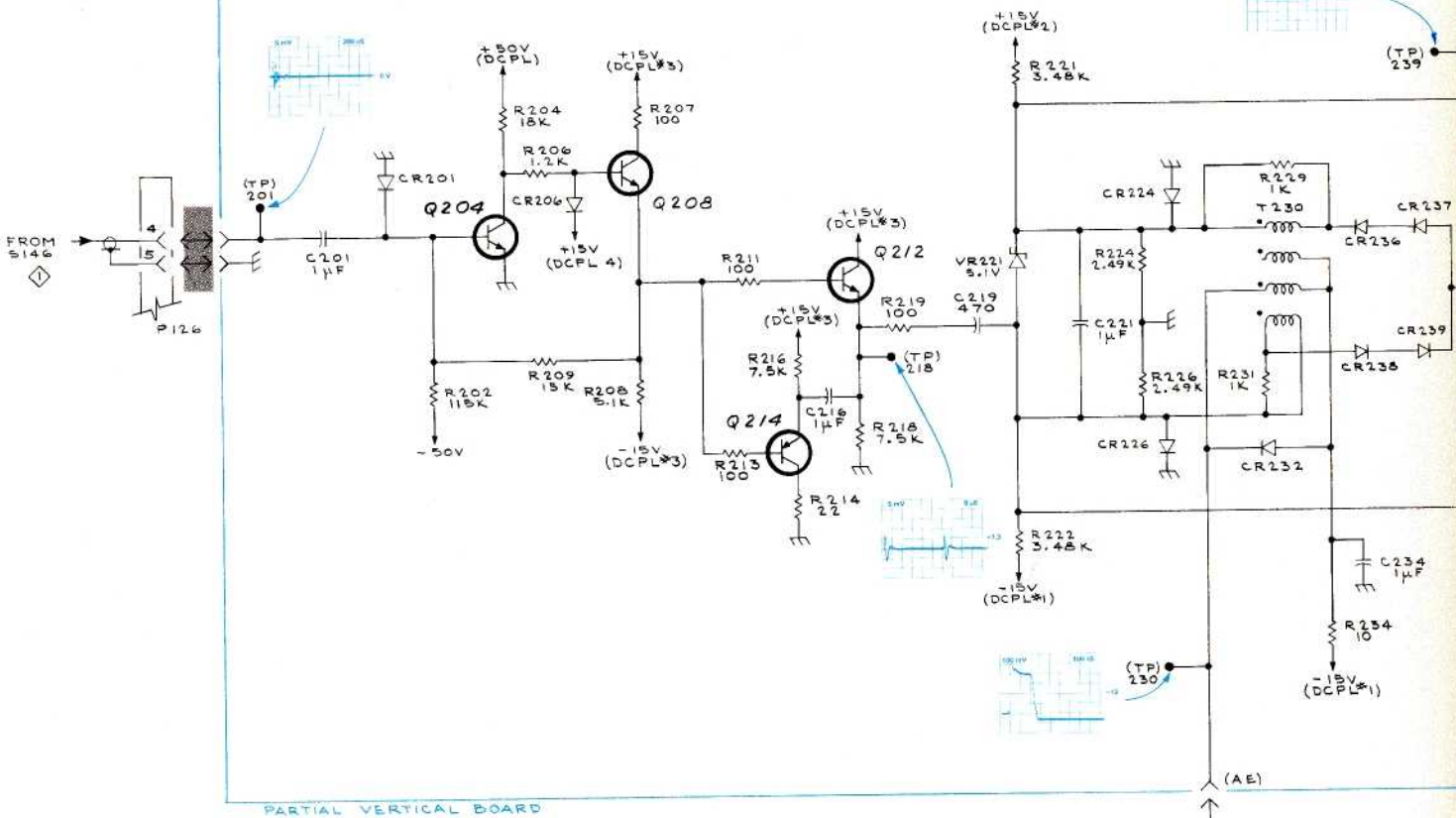
VR5 1171

REFERENCE DIAGRAMS

- ① POST AMPLIFIER & ATTENUATORS
- ③ OUTPUT AMPLIFIER
- ④ GATE GENERATOR
- ⑦ POWER DISTRIBUTION & DECOUPLING

NOTES:

1. SEE PARTS LIST FOR SEMICONDUCTOR TYPES
2. FOR DECOUPLING & POWER DISTRIBUTION SEE ⑦
3. INTERFACES SHOW INTERFACE BOARD CIRCUITRY



PARTIAL VERTICAL BOARD

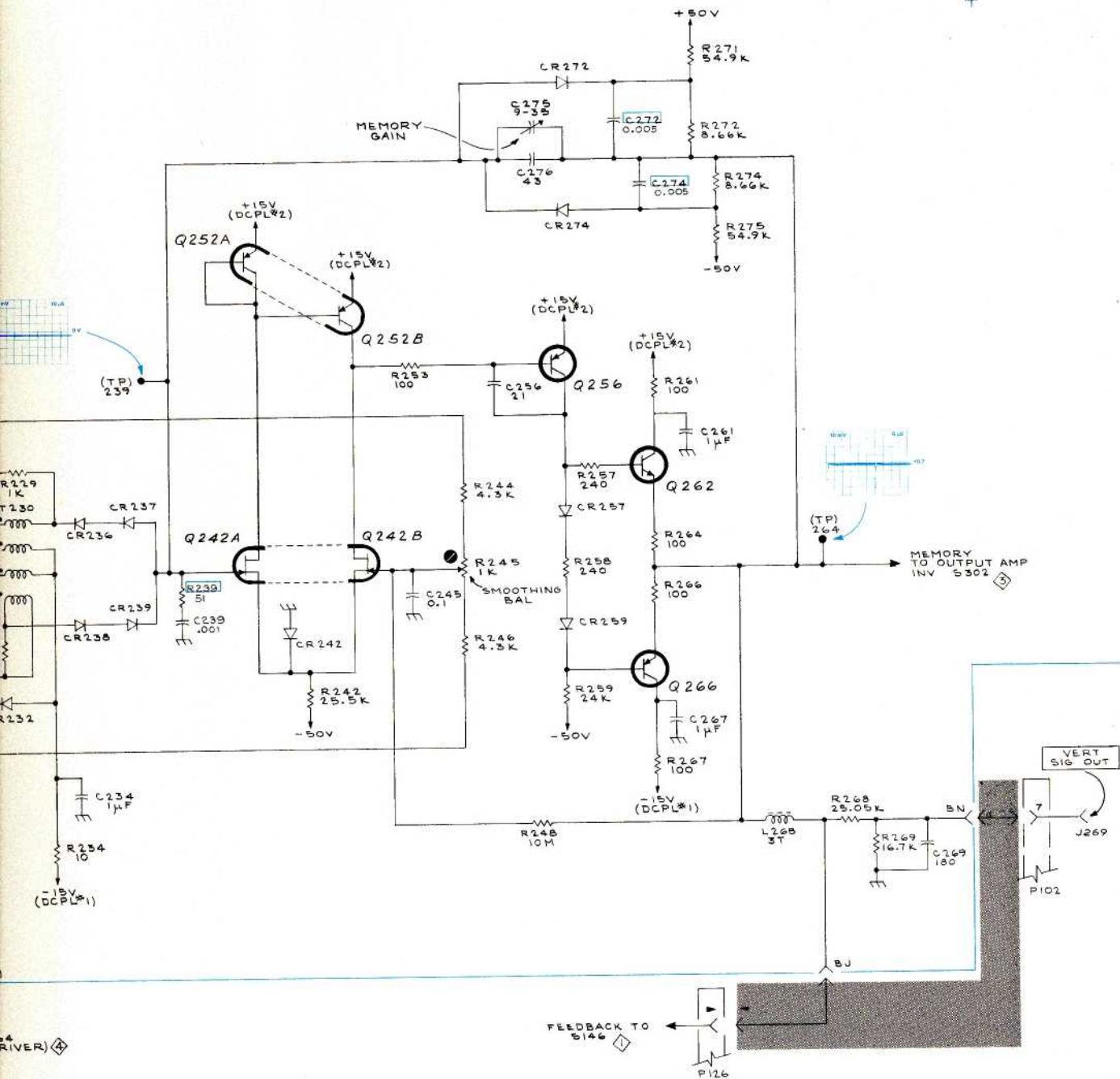
SEE PARTS LIST FOR EARLIER VALUES AND SERIAL NUMBER RANGES OF PARTS OUTLINED OR DEPICTED IN BLUE.

WAVEFORM conditions given on Diagram

+

GATE

MEMORY



DRIVER

FEEDBACK TO 5146

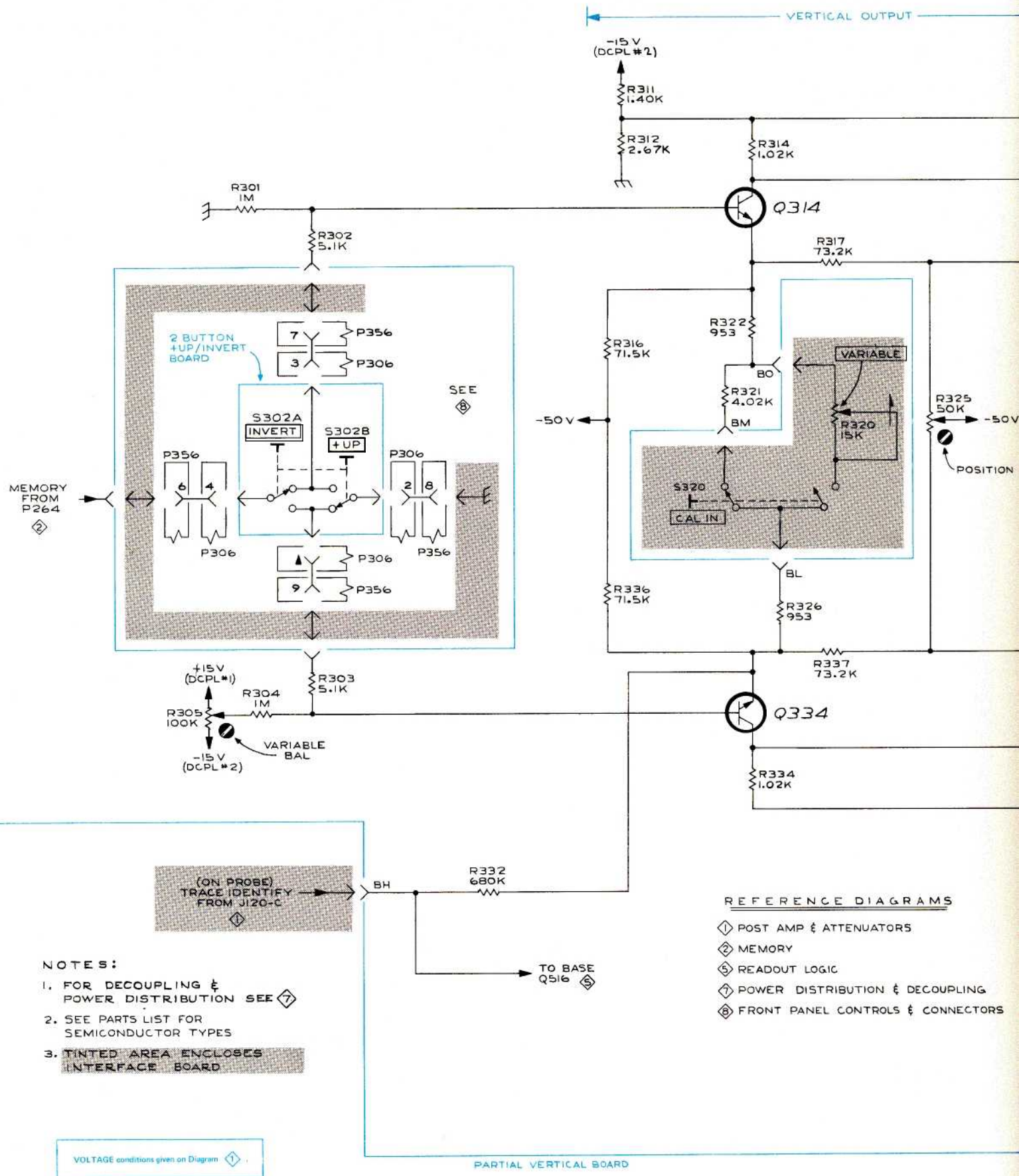
VERT SIG OUT

MEMORY

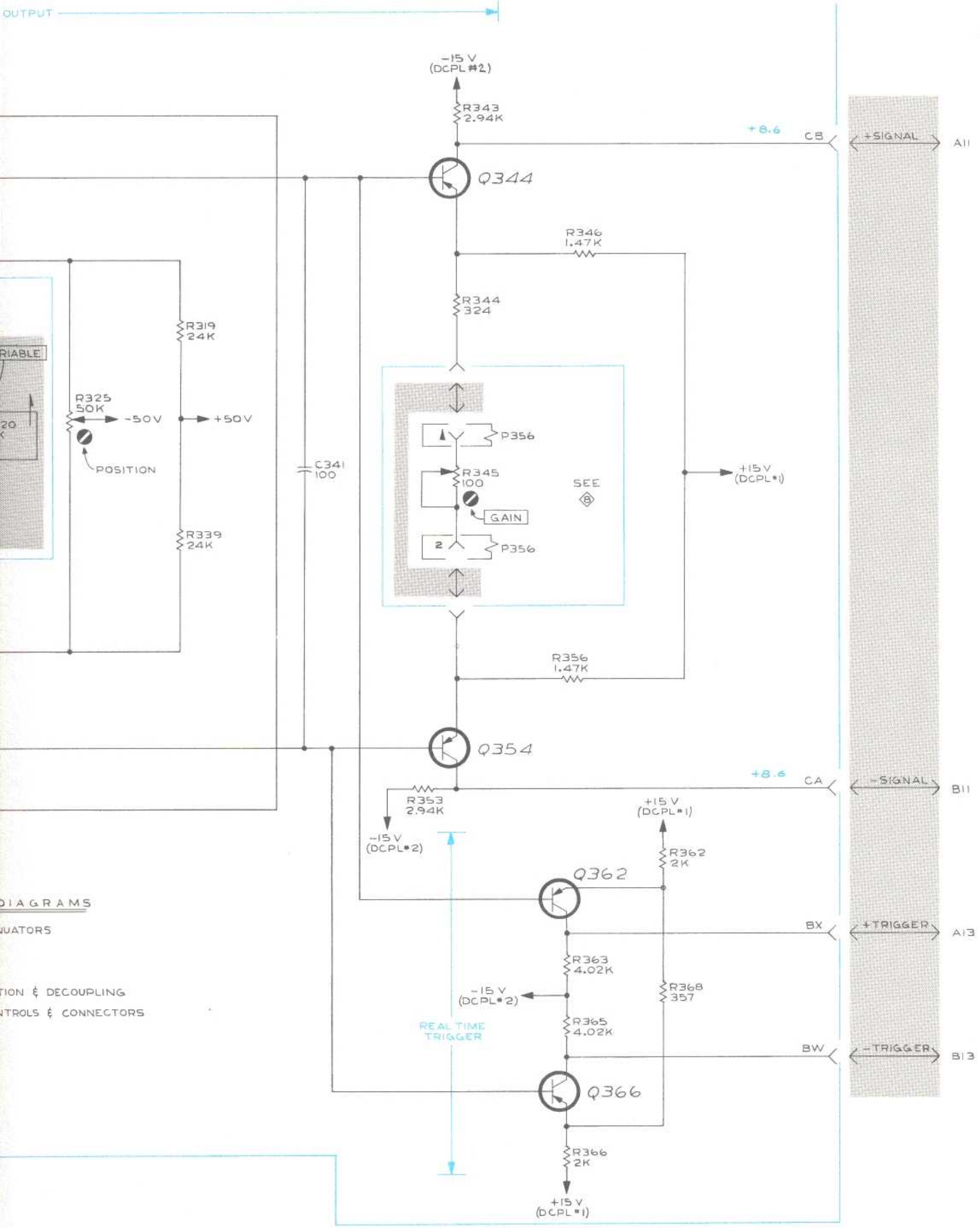
hq 0370

MEMORY

FEB 1979



7SII SAMPLING UNIT



RIABLE

20

DIAGRAMS

QUATORS

ION & DECOUPLING
NTROLS & CONNECTORS

REAL TIME TRIGGER

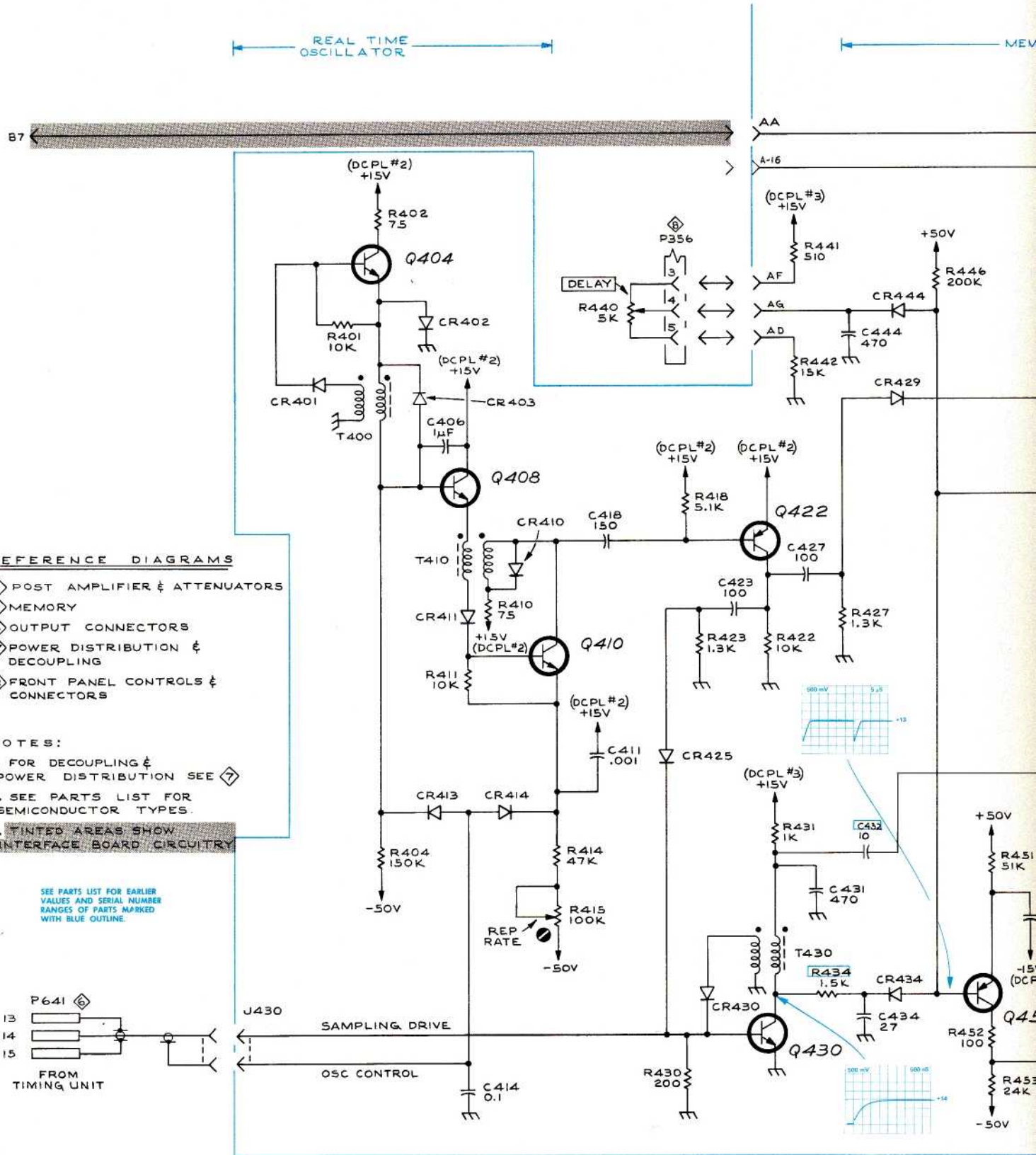
Ⓐ₁

OUTPUT AMPLIFIER 3

GRS
0370

OUTPUT AMPLIFIER 3

+



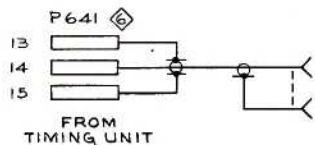
REFERENCE DIAGRAMS

- ① POST AMPLIFIER & ATTENUATORS
- ② MEMORY
- ③ OUTPUT CONNECTORS
- ④ POWER DISTRIBUTION & DECOUPLING
- ⑤ FRONT PANEL CONTROLS & CONNECTORS

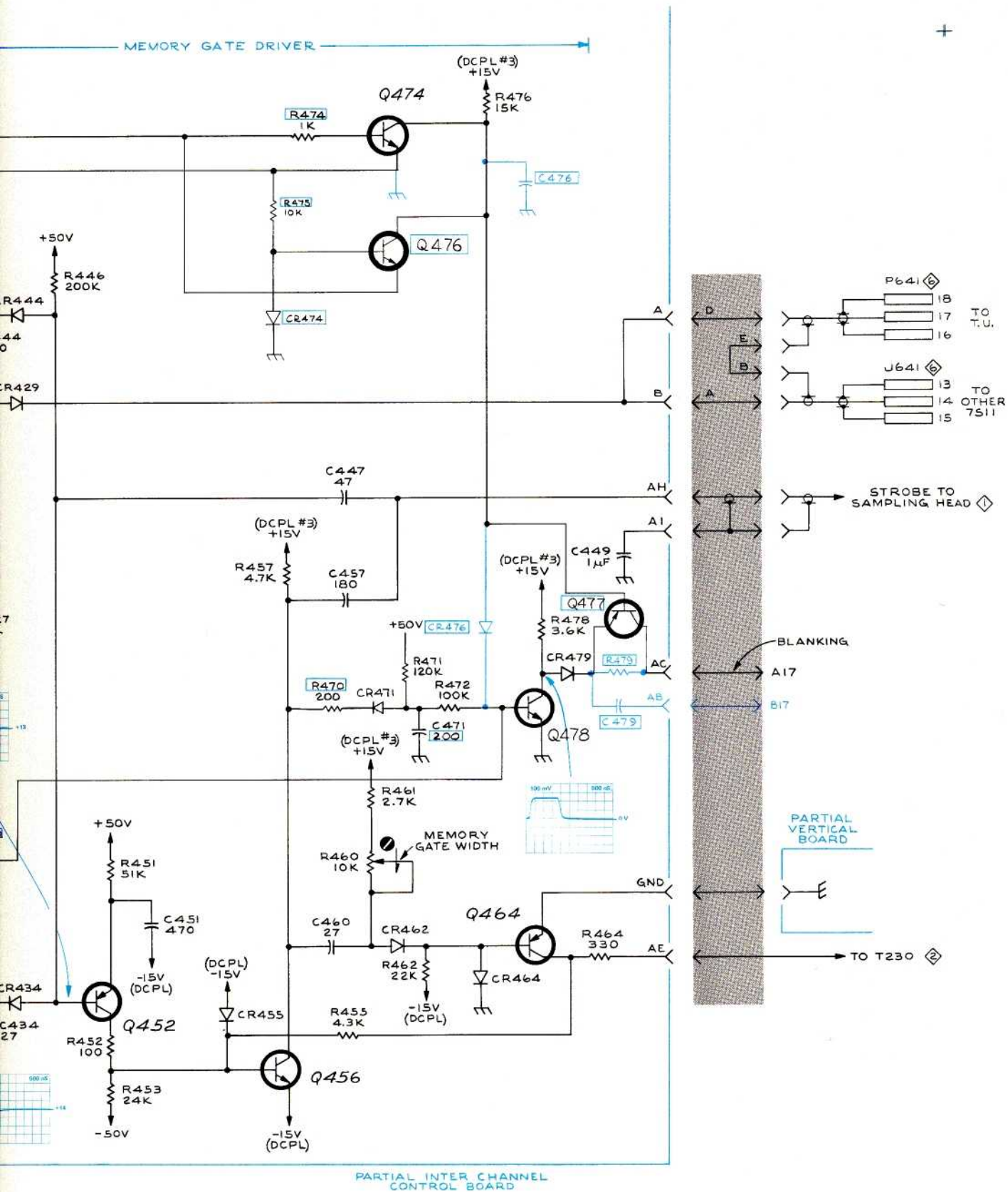
NOTES:

1. FOR DECOUPLING & POWER DISTRIBUTION SEE ④
2. SEE PARTS LIST FOR SEMICONDUCTOR TYPES.
3. TINTED AREAS SHOW INTERFACE BOARD CIRCUITRY

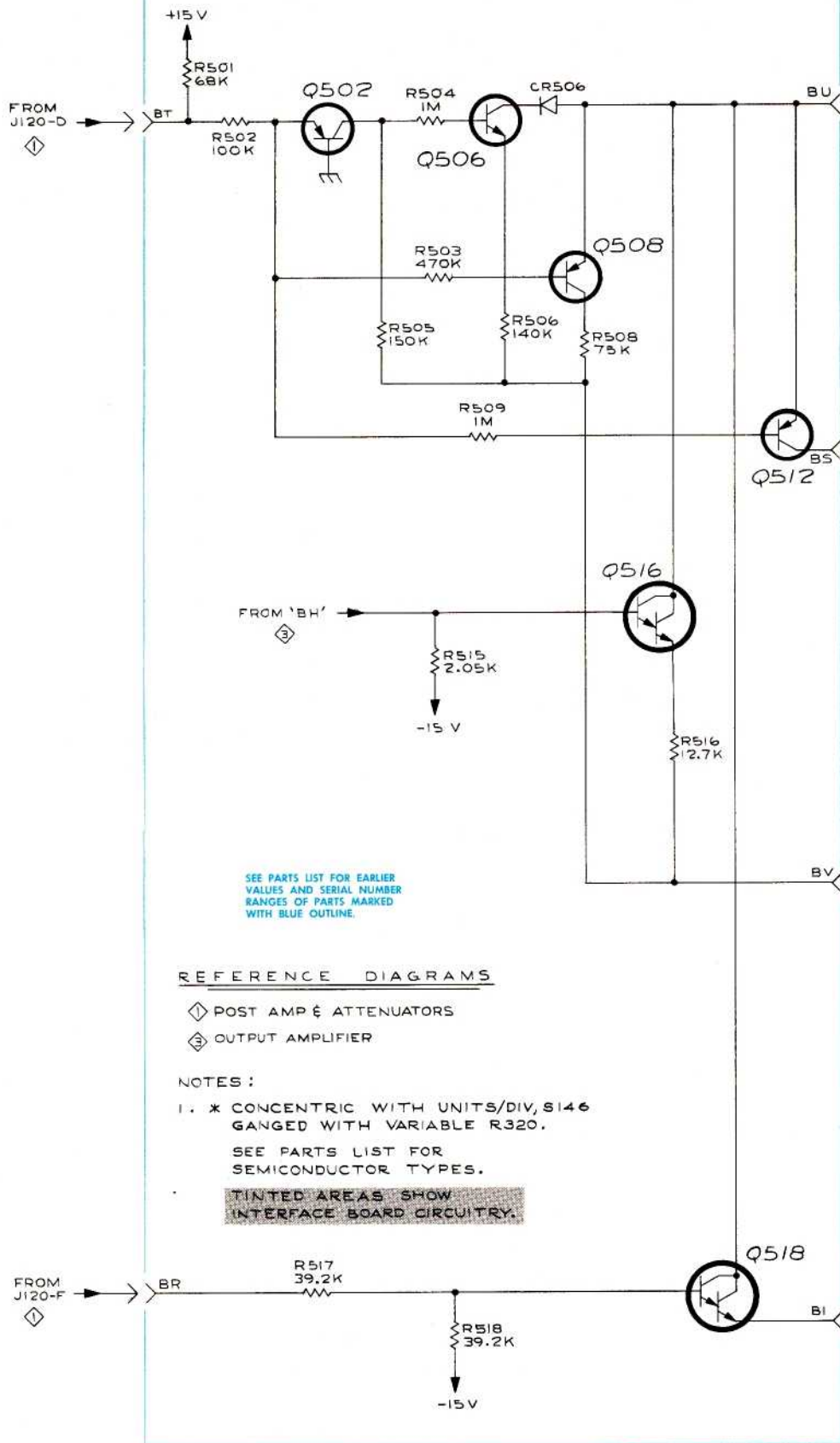
SEE PARTS LIST FOR EARLIER VALUES AND SERIAL NUMBER RANGES OF PARTS MARKED WITH BLUE OUTLINE.



WAVEFORM conditions given on Diagram



0985-1
REV D JAN 1980



SEE PARTS LIST FOR EARLIER VALUES AND SERIAL NUMBER RANGES OF PARTS MARKED WITH BLUE OUTLINE.

REFERENCE DIAGRAMS

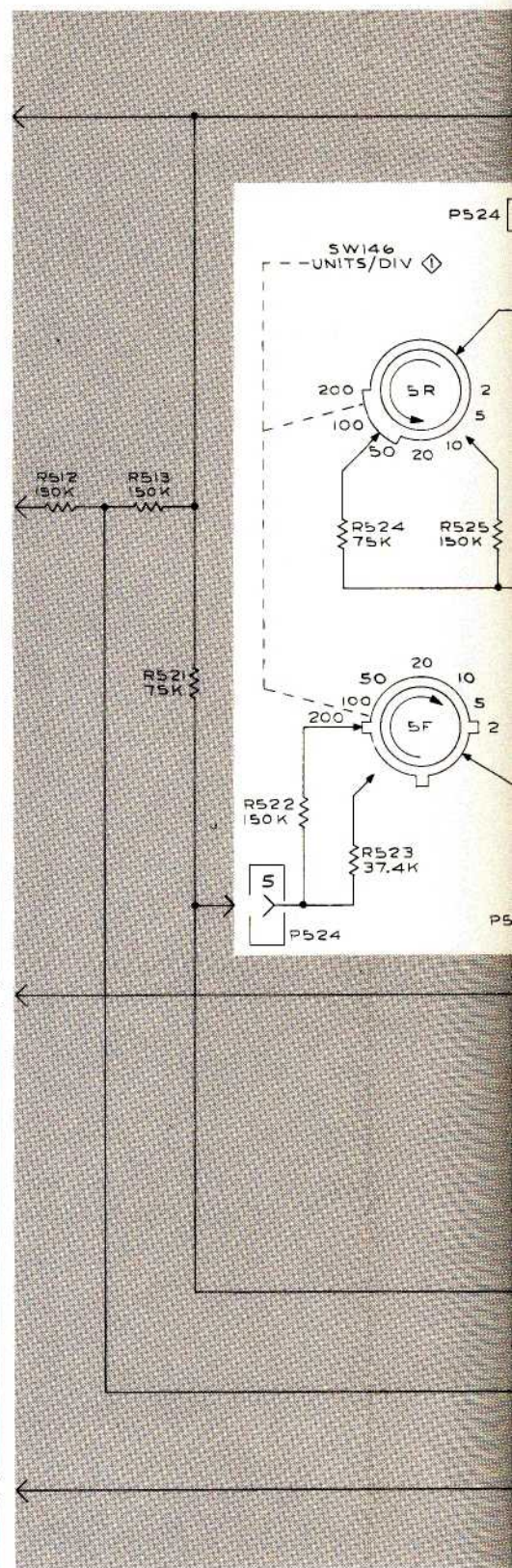
- ◇ POST AMP & ATTENUATORS
- ③ OUTPUT AMPLIFIER

NOTES :

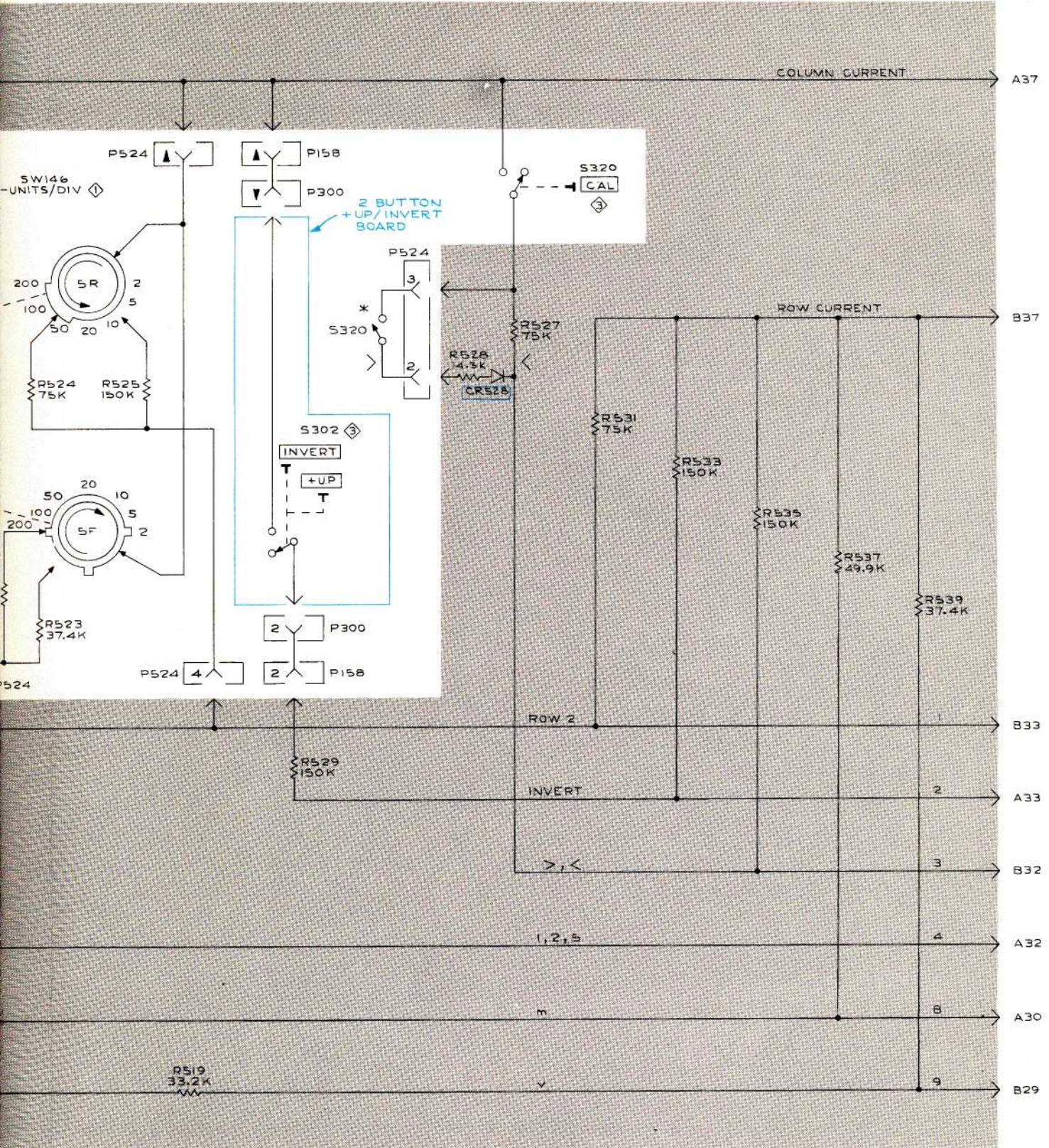
1. * CONCENTRIC WITH UNITS/DIV, S146 GANGED WITH VARIABLE R320.

SEE PARTS LIST FOR SEMICONDUCTOR TYPES.

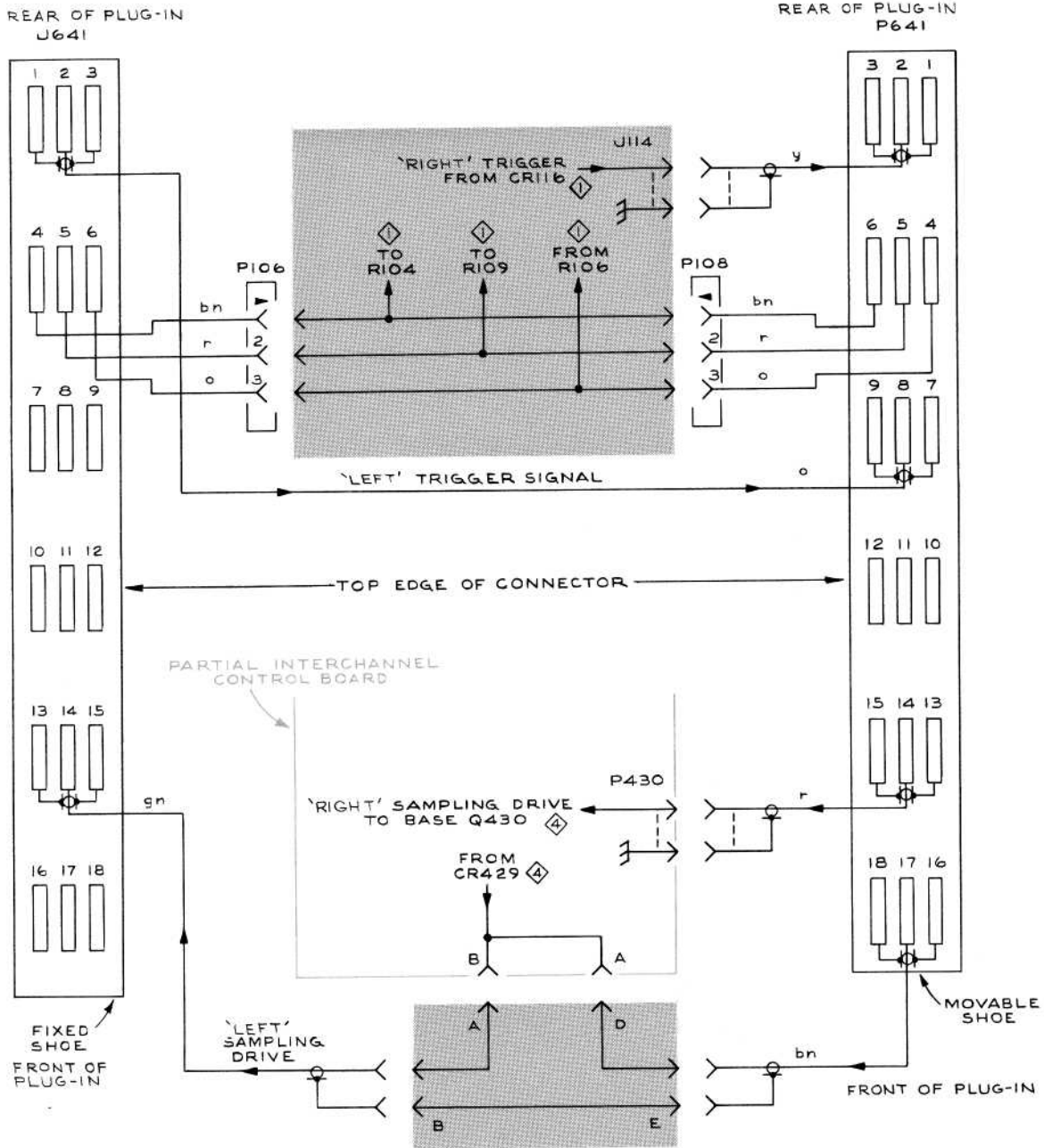
TINTED AREAS SHOW INTERFACE BOARD CIRCUITRY.



PARTIAL VERTICAL BOARD

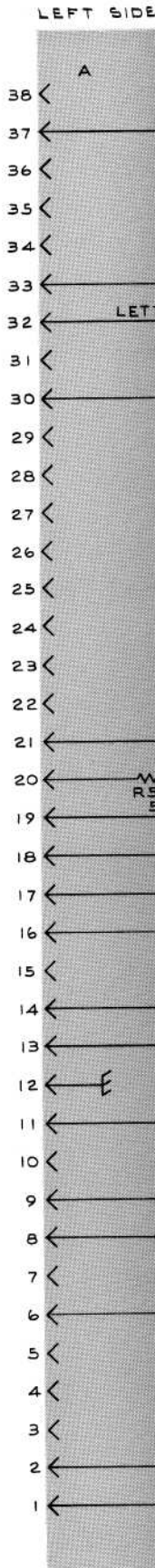


READOUT LOGIC 5



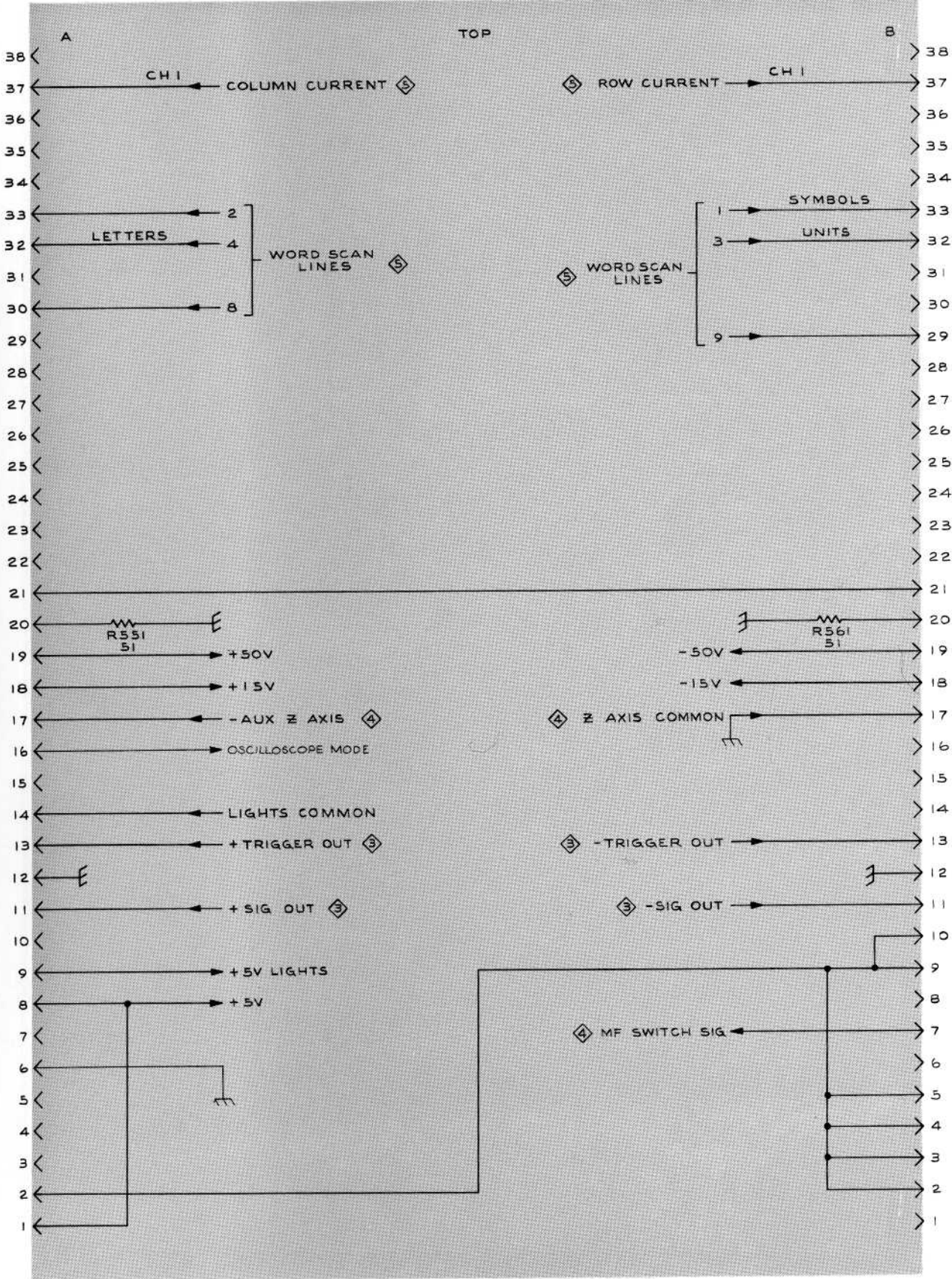
NOTE:
TINTED AREAS SHOW
INTERFACE BOARD CIRCUITRY

- REFERENCE DIAGRAM
- ① POST AMPLIFIER ATTENUATORS
 - ② OUTPUT AMPLIFIER
 - ③ GATE GENERATOR
 - ④ READOUT LOGIC



LEFT SIDE ← (WHEN VIEWED FROM 7511 FRONT PANEL) → RIGHT SIDE

+



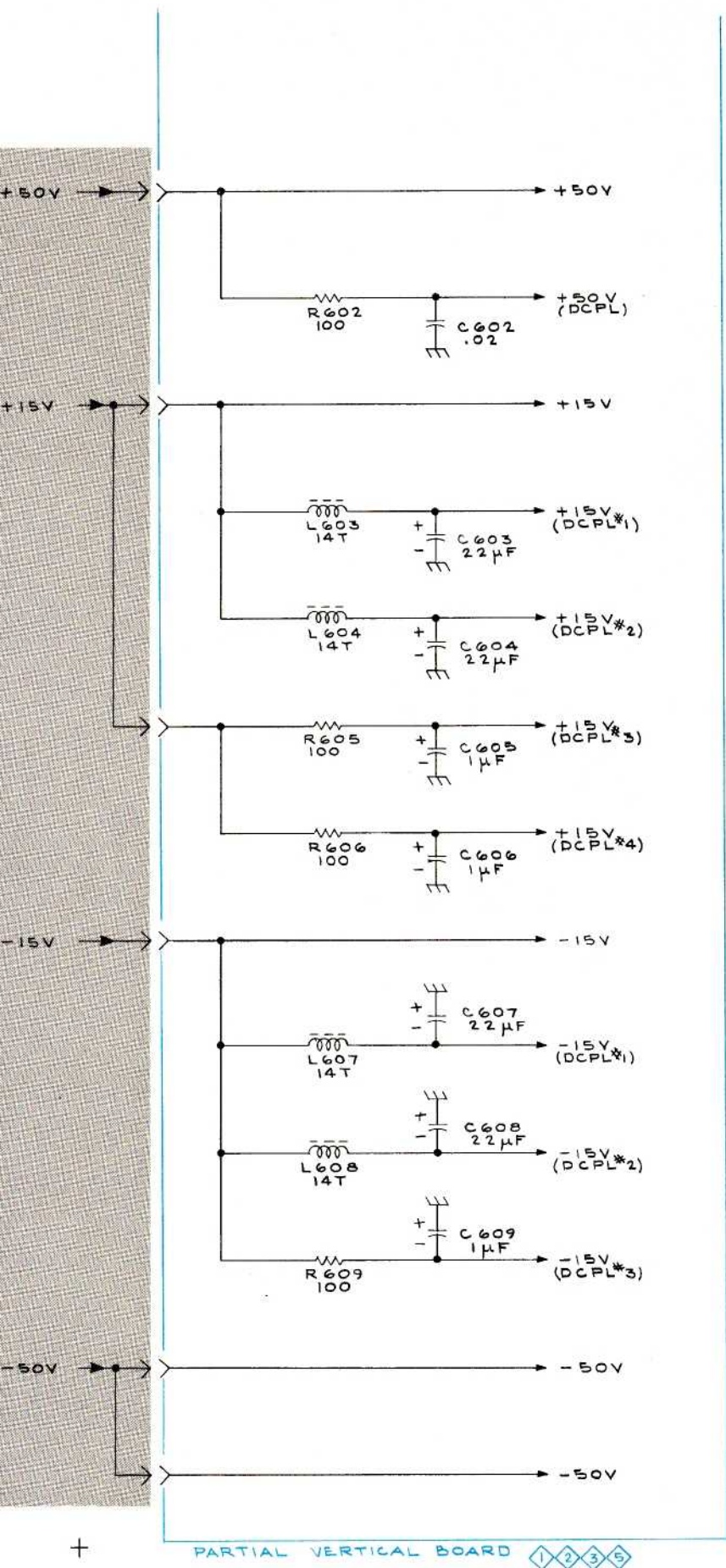
OUTPUT CONNECTIONS



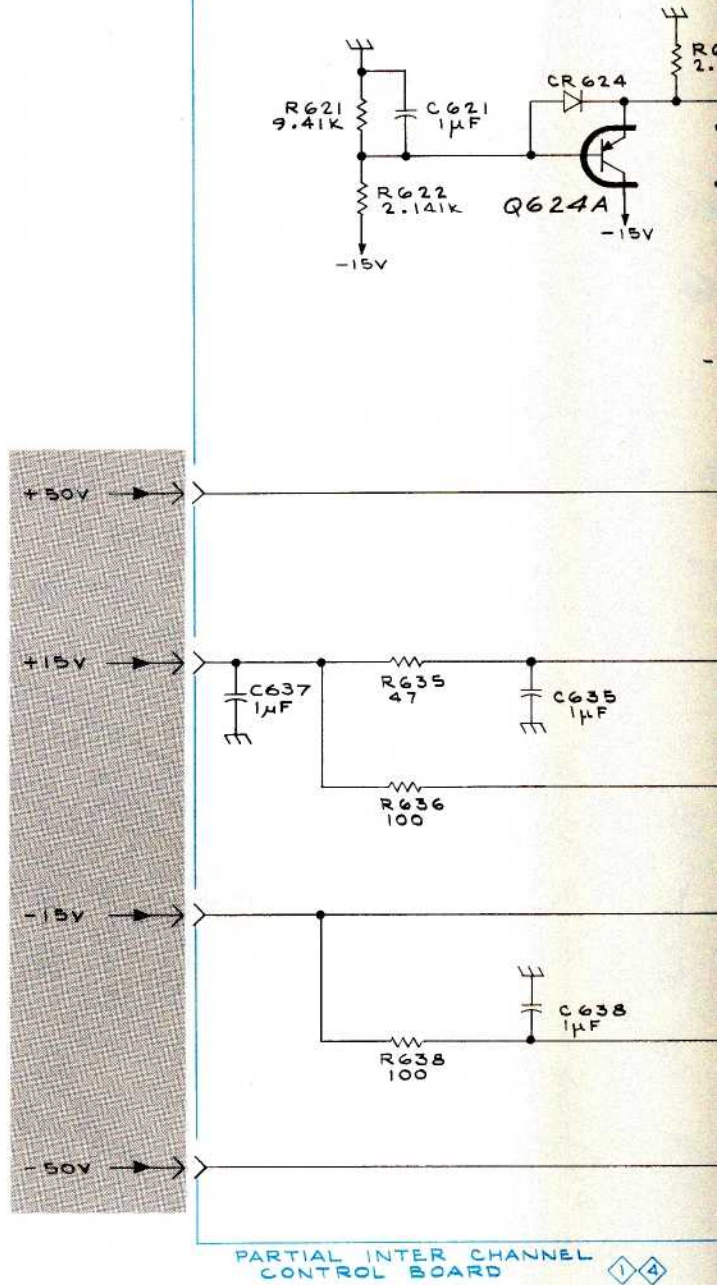
RMG 0370 REV. MAY 1974

OUTPUT CONNECTORS



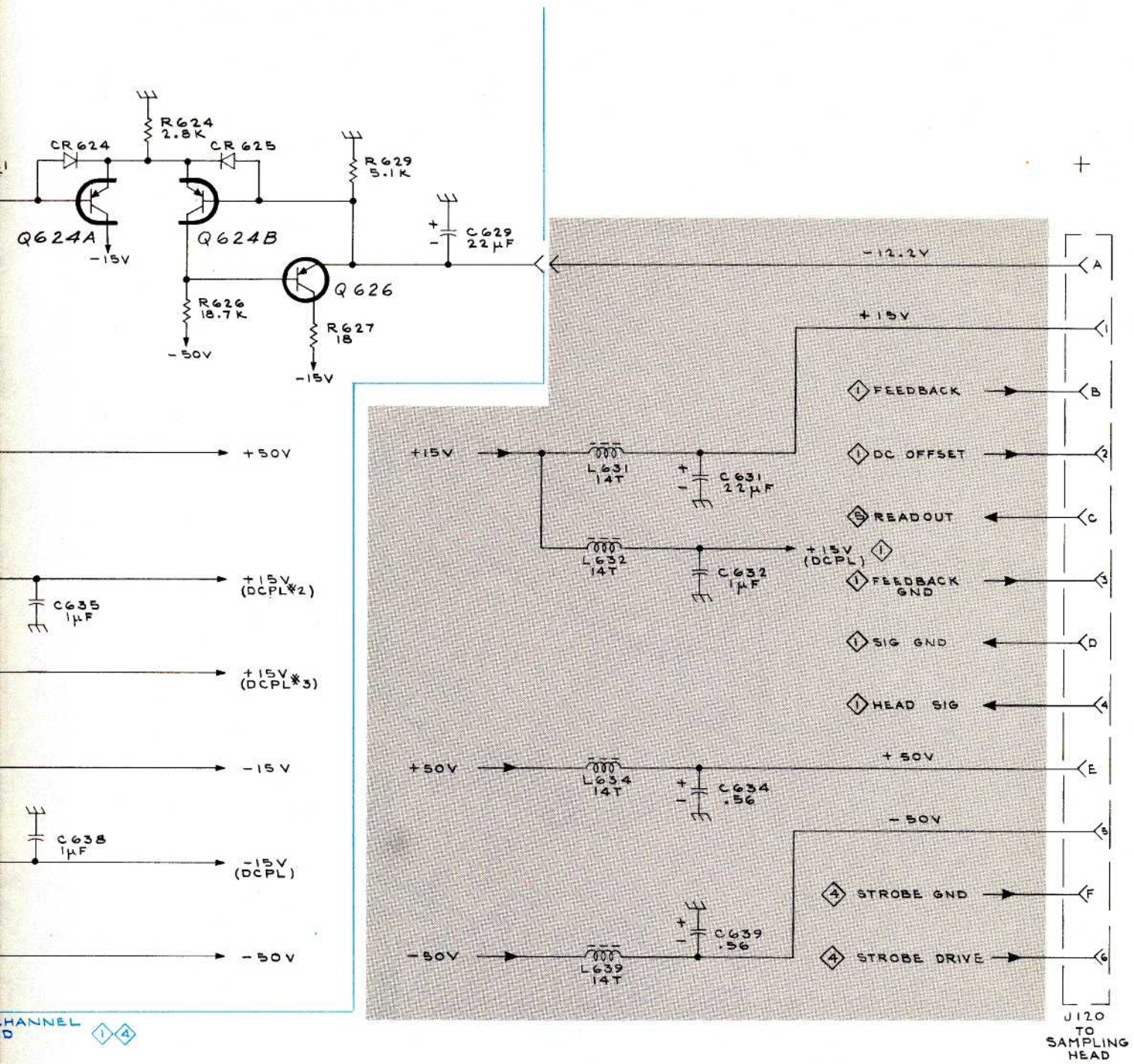


7511 SAMPLING UNIT



REFERENCE DIAGRAMS

- ① POST AMPLIFIER & ATTENUATORS
- ② MEMORY
- ③ OUTPUT AMPLIFIER
- ④ GATE GENERATOR
- ⑤ READOUT LOGIC

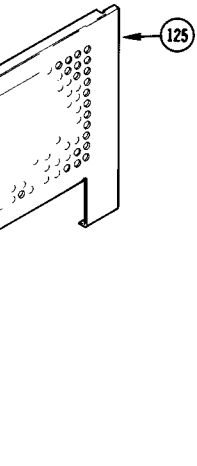
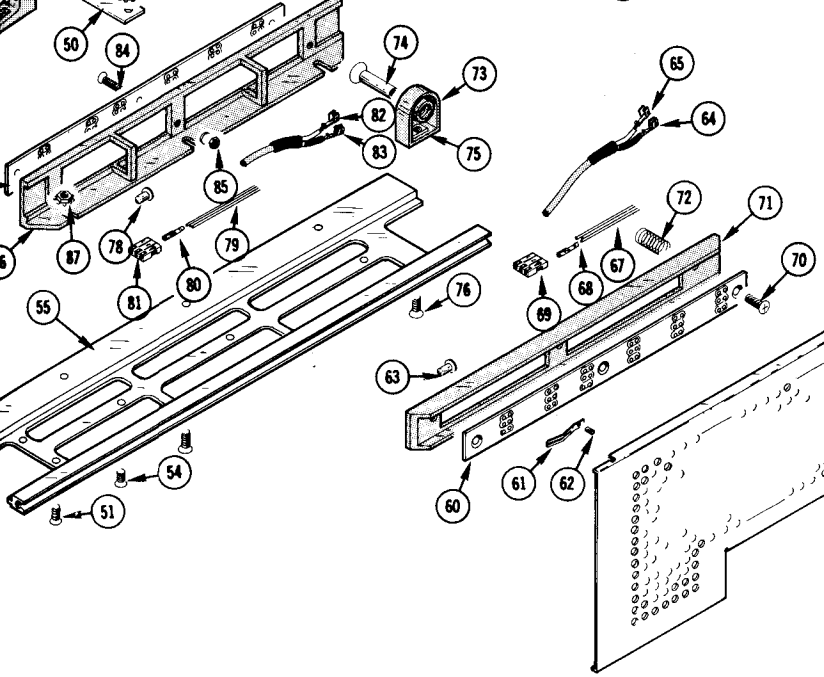
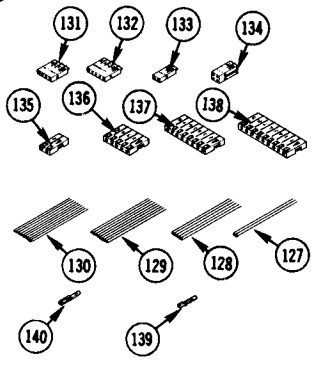
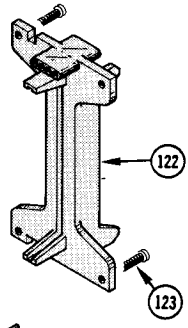
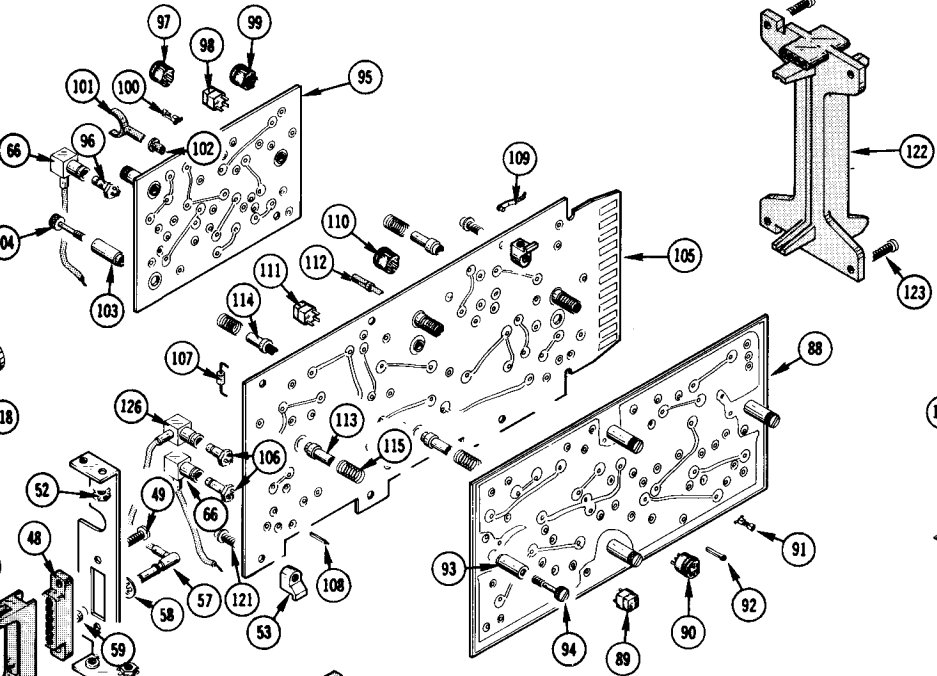
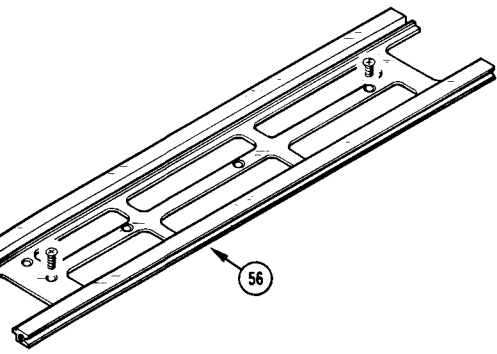


- NOTE:
1. SEE PARTS LIST FOR SEMICONDUCTOR TYPES.
 2. TINTED AREAS SHOW INTERFACE BOARD

ATTENUATORS

hq
0370

POWER DISTRIBUTION & DECOUPLING



+

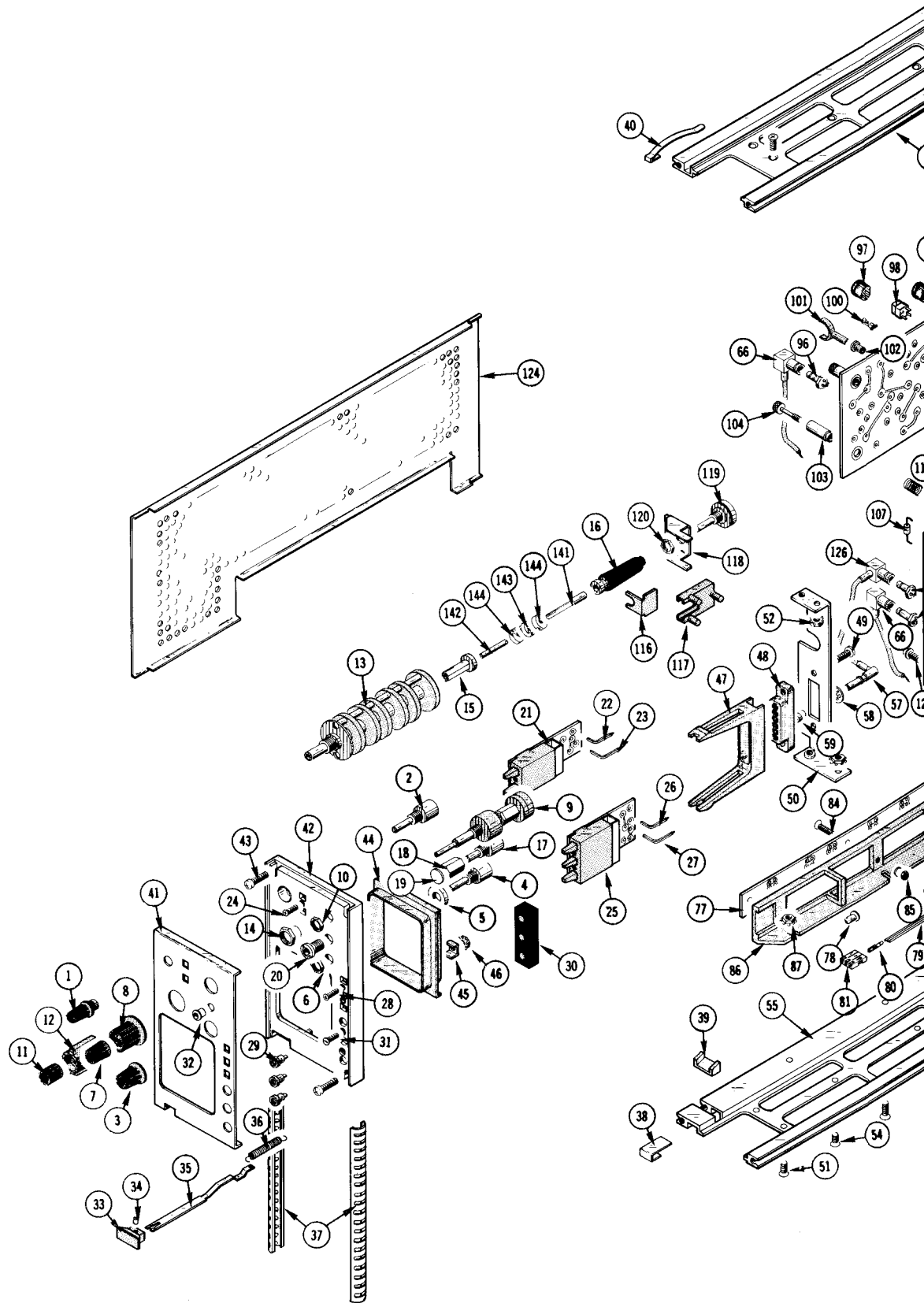
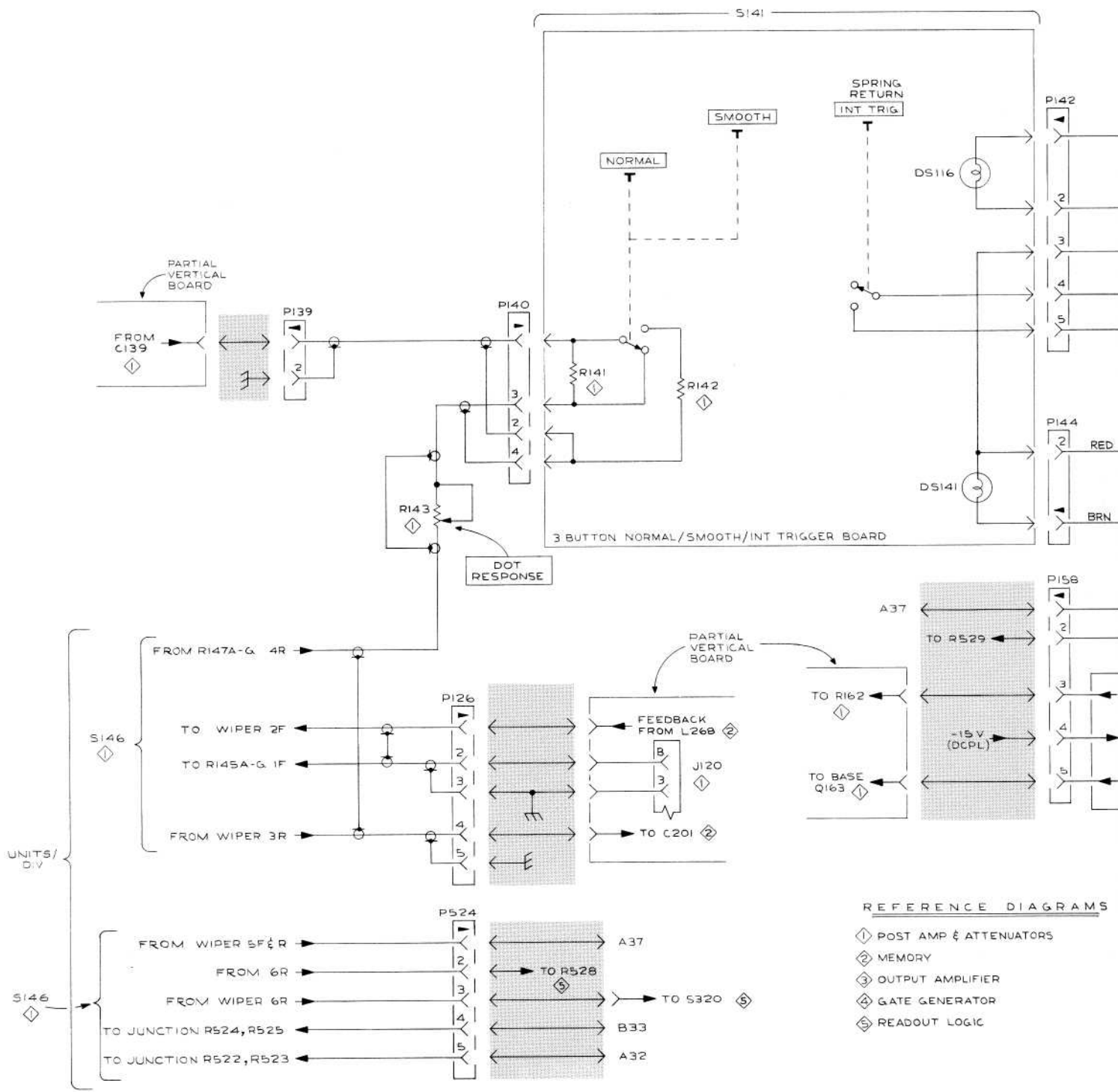


Fig. 1 EXPLODED

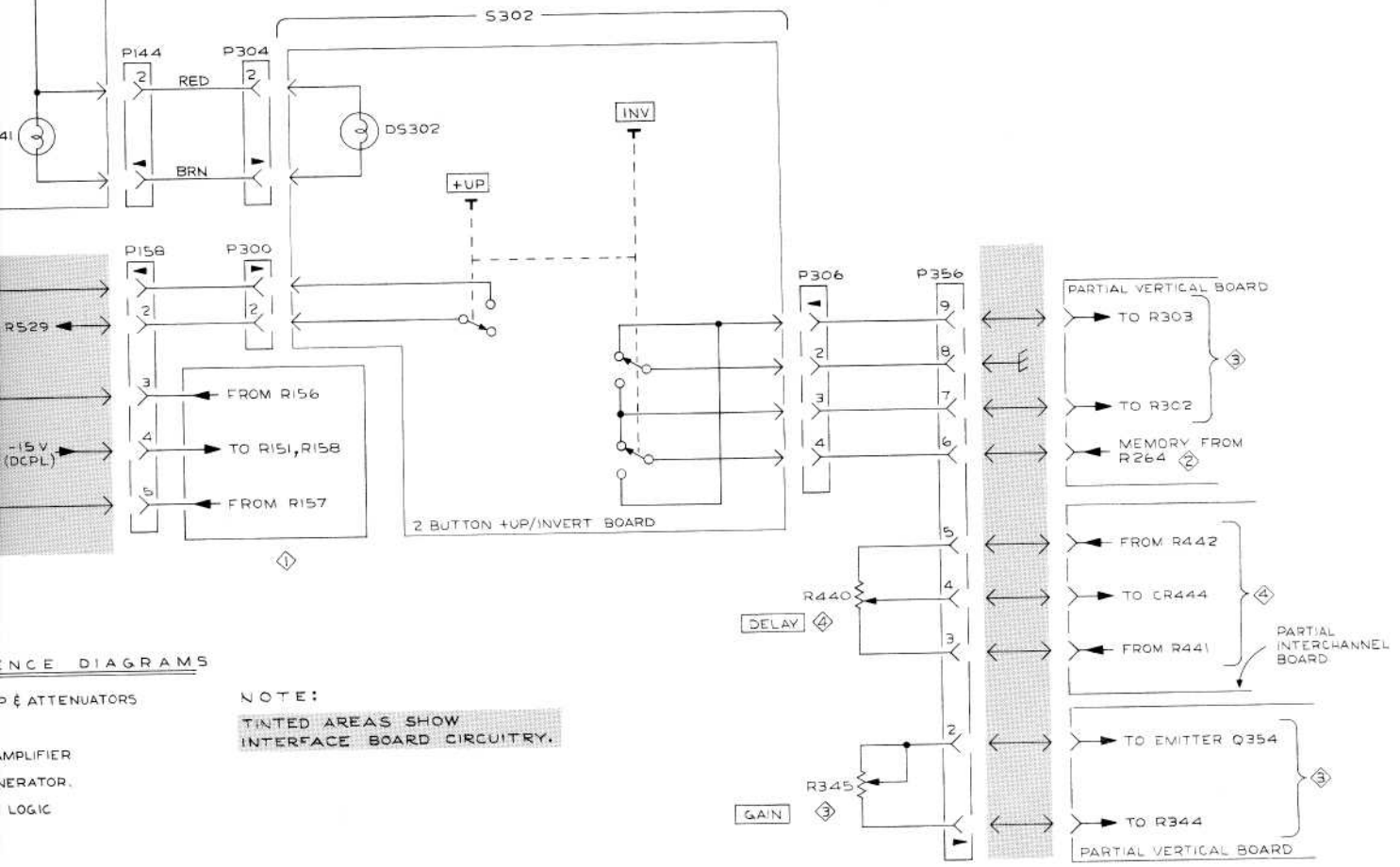
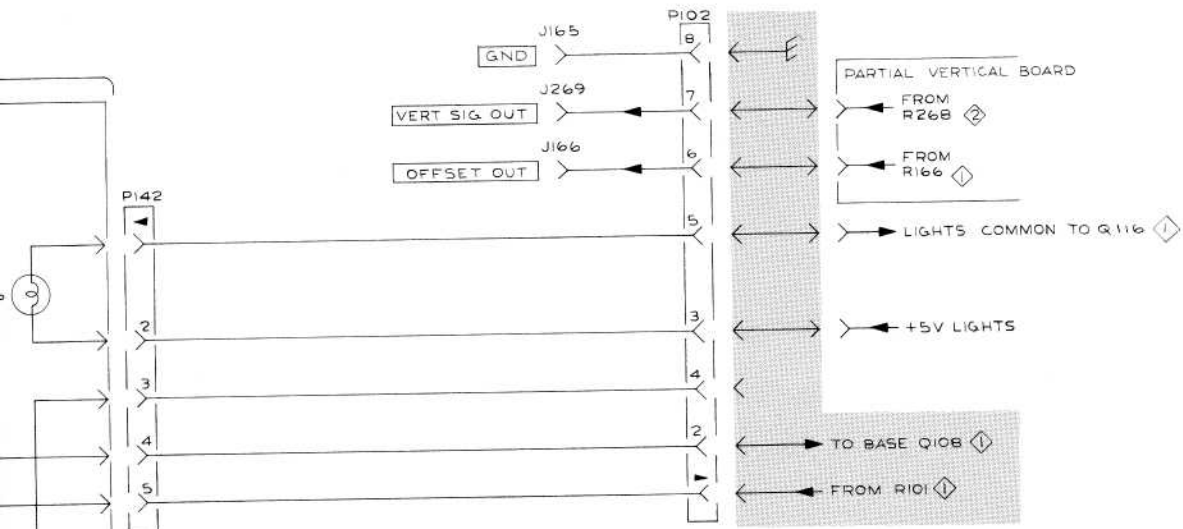
7S11 SAMPLING UNIT



REFERENCE DIAGRAMS

- ① POST AMP & ATTENUATORS
- ② MEMORY
- ③ OUTPUT AMPLIFIER
- ④ GATE GENERATOR
- ⑤ READOUT LOGIC

7S11 SAMPLING UNIT



REFERENCE DIAGRAMS
 & ATTENUATORS
 AMPLIFIER
 GENERATOR,
 LOGIC

NOTE:
 TINTED AREAS SHOW
 INTERFACE BOARD CIRCUITRY.

REV. JUN 1981

REPLACEABLE MECHANICAL PARTS

PARTS ORDERING INFORMATION

Replacement parts are available from or through your local Tektronix, Inc. Field Office or representative.

Changes to Tektronix instruments are sometimes made to accommodate improved components as they become available, and to give you the benefit of the latest circuit improvements developed in our engineering department. It is therefore important, when ordering parts, to include the following information in your order: Part number, instrument type or number, serial number, and modification number if applicable.

If a part you have ordered has been replaced with a new or improved part, your local Tektronix, Inc. Field Office or representative will contact you concerning any change in part number.

Change information, if any, is located at the rear of this manual.

SPECIAL NOTES AND SYMBOLS

X000 Part first added at this serial number
00X Part removed after this serial number

FIGURE AND INDEX NUMBERS

Items in this section are referenced by figure and index numbers to the illustrations.

INDENTATION SYSTEM

This mechanical parts list is indented to indicate item relationships. Following is an example of the indentation system used in the description column.

```

1 2 3 4 5           Name & Description
Assembly and/or Component
Attaching parts for Assembly and/or Component
-----
Detail Part of Assembly and/or Component
Attaching parts for Detail Part
-----
Parts of Detail Part
Attaching parts for Parts of Detail Part
-----

```

Attaching Parts always appear in the same indentation as the item it mounts, while the detail parts are indented to the right. Indented items are part of, and included with, the next higher indentation. The separation symbol ---*--- indicates the end of attaching parts.

Attaching parts must be purchased separately, unless otherwise specified.

ITEM NAME

In the Parts List, an Item Name is separated from the description by a colon (:). Because of space limitations, an Item Name may sometimes appear as incomplete. For further Item Name identification, the U.S. Federal Cataloging Handbook H6-1 can be utilized where possible.

ABBREVIATIONS

#	INCH NUMBER SIZE	ELCTRN	ELECTRON	IN	INCH	SE	SINGLE END
ACTR	ACTUATOR	ELEC	ELECTRICAL	INCAND	INCANDESCENT	SECT	SECTION
ADPTR	ADAPTER	ELCTLT	ELECTROLYTIC	INSUL	INSULATOR	SEMICOND	SEMICONDUCTOR
ALIGN	ALIGNMENT	ELEM	ELEMENT	INTL	INTERNAL	SHLD	SHIELD
AL	ALUMINUM	EPL	ELECTRICAL PARTS LIST	LPHLDR	LAMPHOLDER	SHLDR	SHOULDERED
ASSEM	ASSEMBLED	EQPT	EQUIPMENT	MACH	MACHINE	SKT	SOCKET
ASSY	ASSEMBLY	EXT	EXTERNAL	MECH	MECHANICAL	SL	SLIDE
ATTEN	ATTENUATOR	FIL	FILLISTER HEAD	MTG	MOUNTING	SLFLKG	SELF-LOCKING
AWG	AMERICAN WIRE GAGE	FLEX	FLEXIBLE	NIP	NIPPLE	SLVG	SLEEVING
BD	BOARD	FLH	FLAT HEAD	NON WIRE	NOT WIRE WOUND	SPR	SPRING
BRKT	BRACKET	FLTR	FILTER	OBD	ORDER BY DESCRIPTION	SQ	SQUARE
BRS	BRASS	FR	FRAME or FRONT	OD	OUTSIDE DIAMETER	SST	STAINLESS STEEL
BRZ	BRONZE	FSTNR	FASTENER	OVH	OVAL HEAD	STL	STEEL
BSHG	BUSHING	FT	FOOT	PH BRZ	PHOSPHOR BRONZE	SW	SWITCH
CAB	CABINET	FXD	FIXED	PL	PLAIN or PLATE	T	TUBE
CAP	CAPACITOR	GSKT	GASKET	PLSTC	PLASTIC	TERM	TERMINAL
CER	CERAMIC	HDL	HANDLE	PN	PART NUMBER	THD	THREAD
CHAS	CHASSIS	HEX	HEXAGON	PNH	PAN HEAD	THK	THICK
CKT	CIRCUIT	HEX HD	HEXAGONAL HEAD	PWR	POWER	TNSN	TENSION
COMP	COMPOSITION	HEX SOC	HEXAGONAL SOCKET	RCPT	RECEPTACLE	TPG	TAPPING
CONN	CONNECTOR	HLCPS	HELICAL COMPRESSION	RES	RESISTOR	TRH	TRUSS HEAD
COV	COVER	HLEXT	HELICAL EXTENSION	RGD	RIGID	V	VOLTAGE
COPLG	COUPLING	HV	HIGH VOLTAGE	RLF	RELIEF	VAR	VARIABLE
CRT	CATHODE RAY TUBE	IC	INTEGRATED CIRCUIT	RTNR	RETAINER	W/	WITH
DEG	DEGREE	ID	INSIDE DIAMETER	SCH	SOCKET HEAD	WSHR	WASHER
DWR	DRAWER	IDENT	IDENTIFICATION	SCOPE	OSCILLOSCOPE	XFMR	TRANSFORMER
		IMPLR	IMPELLER	SCR	SCREW	XSTR	TRANSISTOR

CROSS INDEX—MFR. CODE NUMBER TO MANUFACTURER

Mfr. Code	Manufacturer	Address	City, State, Zip
000BK	STAUFFER SUPPLY	105 SE TAYLOR	PORTLAND, OR 97214
000CY	NORTHWEST FASTENER SALES, INC.	7923 SW CIRRUS DRIVE	BEAVERTON, OREGON 97005
000FW	WESTERN SINTERING CO INC.	2620 STEVENS DRIVE	RICHLAND, WA 99352
00779	AMP, INC.	P O BOX 3608	HARRISBURG, PA 17105
05574	VIKING INDUSTRIES, INC.	21001 NORDHOFF STREET	CHATSWORTH, CA 91311
07707	USM CORP., USM FASTENER DIV.	510 RIVER RD.	SHELTON, CT 06484
08261	SPECTRA-STRIP CORP.	7100 LAMPSON AVE.	GARDEN GROVE, CA 92642
22526	BERG ELECTRONICS, INC.	YOUK EXPRESSWAY	NEW CUMBERLAND, PA 17070
22599	ESNA, DIV. OF AMERACE CORPORATION	16150 STAGG STREET	VAN NUYS, CA 91409
55210	GETTIG ENG. AND MFG. COMPANY	PO BOX 85, OFF ROUTE 45	SPRING MILLS, PA 16875
70276	ALLEN MFG. CO.	P. O. DRAWER 570	HARTFORD, CT 06101
71159	BRISTOL SOCKET SCREW, DIV. OF AMERICAN CHAIN AND CABLE CO., INC.	P O BOX 2244, 40 BRISTOL ST.	WATERBURY, CT 06720
71468	ITT CANNON ELECTRIC	666 E. DYER RD.	SANTA ANA, CA 92702
71785	TRW, CINCH CONNECTORS	1501 MORSE AVENUE	ELK GROVE VILLAGE, IL 60007
73743	FISCHER SPECIAL MFG. CO.	446 MORGAN ST.	CINCINNATI, OH 45206
74445	HOLO-KROME CO.	31 BROOK ST. WEST	HARTFORD, CT 06110
78189	ILLINOIS TOOL WORKS, INC. SHAKEPROOF DIVISION	ST. CHARLES ROAD	ELGIN, IL 60120
79136	WALDES, KOHINOOR, INC.	47-16 AUSTEL PLACE	LONG ISLAND CITY, NY 11101
80009	TEKTRONIX, INC.	P O BOX 500	BEAVERTON, OR 97077
83385	CENTRAL SCREW CO.	2530 CRESCENT DR.	BROADVIEW, IL 60153
84830	LEE SPRING COMPANY, INC.	30 MAIN STREET	BROOKLYN, NY 11201
87308	N. L. INDUSTRIES, INC., SOUTHERN SCREW DIV.	P. O. BOX 1360	STATESVILLE, NC 28677
90484	ITT, SURPRENANT DIV.	172 STERLING STREET	CLINTON, MA 01510
93907	CAMCAR SCREW AND MFG. CO.	600 18TH AVE.	ROCKFORD, IL 61101
98291	SEAELECTRO CORP.	225 HOYT	MAMARONECK, NY 10544

Fig. & Index No.	Tektronix Part No.	Serial/Model No. Eff Dscont	Qty	1	2	3	4	5	Name & Description	Mfr Code	Mfr Part Number
1-1	366-0392-02		1						1 KNOB:GY,0.125 ID X0.375 H X 0.812 H	80009	366-0392-02
-2	-----		1						1 RESISTOR,VAR:(SEE R440 REPL) (ATTACHING PARTS)		
	213-0020-00		1						1 SETSCREW:6-32 X 0.125 INCH,HEX.SOC STL - - - * - - -	70276	OBD
-3	366-1189-00		1						1 KNOB:GRAY	80009	366-1189-00
	213-0153-00		1						. SETSCREW:5-40 X 0.125,STL BK OXD,HEX SKT	000CY	OBD
-4	-----		1						1 RESISTOR,VAR:(SEE R143 REPL) (ATTACHING PARTS)		
-5	361-0143-00		1						1 WASHER,KEY:0.281 ID X 0.562 INCH OD	80009	361-0143-00
-6	210-0583-00		1						1 NUT,PLAIN,HEX.:0.25-32 X 0.312 INCH,BRS - - - * - - -	73743	2X20317-402
-7	366-1064-00	B010100 B059999	1						1 KNOB:GRAY	80009	366-1064-00
	366-1084-00	B060000	1						1 KNOB:GRAY	80009	366-1084-00
	213-0239-00		1						. SETSCREW:3-48 X 0.062 INCH,HEX SOC STL	71159	OBD
-8	366-1148-00	B010100 B029999	1						1 KNOB:	80009	366-1148-00
	366-1148-01	B030000 B059999	1						1 KNOB:GRAY	80009	366-1148-01
	366-1101-00	B060000	1						1 KNOB:GRAY	80009	366-1101-00
	213-0153-00		2						. SETSCREW:5-40 X 0.125,STL BK OXD,HEX SKT	000CY	OBD
-9	-----		1						1 RESISTOR,VAR:(SEE R151,R157 REPL) (ATTACHING PARTS)		
-10	210-0583-00		1						1 NUT,PLAIN,HEX.:0.25-32 X 0.312 INCH,BRS - - - * - - -	73743	2X20317-402
-11	366-1168-00		1						1 KNOB:BLACK CAP AND RED BODY	80009	366-1168-00
	213-0153-00		1						. SETSCREW:5-40 X 0.125,STL BK OXD,HEX SKT	000CY	OBD
-12	366-1057-00		1						1 KNOB:GRAY	80009	366-1057-00
	213-0153-00		1						. SETSCREW:5-40 X 0.125,STL BK OXD,HEX SKT	000CY	OBD
-13	-----		1						1 SWITCH,WIRED:VOLTS/DIV(SEE S146 REPL) (ATTACHING PARTS)		
-14	210-0590-00		1						1 NUT,PLAIN,HEX.:0.375 X 0.438 INCH,STL - - - * - - -	73743	2X28269-402
-15	214-1205-00		1						1 ACTUATOR,SW:	80009	214-1205-00
	213-0075-00		1						. SETSCREW:4-40 X 0.094,STL BK OXD,HEX SKT	000BK	OBD
-16	214-1190-00		1						1 CPLG,SHAFT,RGD:0.125 OD TO 0.125 OD,AL	80009	214-1190-00
	213-0075-00		1						. SETSCREW:4-40 X 0.094,STL BK OXD,HEX SKT	000BK	OBD
	213-0140-00		1						. SETSCREW:2-56 X 0.94 INCH,HEX SOC STL	70276	OBD
-17	-----		1						1 RESISTOR,VAR:(SEE R345 REPL) (ATTACHING PARTS)		
-18	220-0510-00		1						1 NUT,PLAIN,HEX.:0.25-32 X 0.312 INCH	80009	220-0510-00
-19	210-0046-00		1						1 WASHER,LOCK:0.261 ID,INTL,0.018 THK,BRS	78189	1214-05-00-0541C
-20	358-0409-00		1						1 BSHG,MACH.THD:0.25-32 X 0.159 ID X 0.24 - - - * - - -	80009	358-0409-00
-21	-----		1						1 CKT BOARD ASSY:+UP/INVERT(SEE REPL)		
	380-0148-00		1						1 . HOUSING,LIGHT: (ATTACHING PARTS)	80009	380-0148-00
	213-0181-00		1						. SCR,TPG,THD FOR:2-32 X 0.375 INCH,PNH STL - - - * - - -	83385	OBD
-22	131-0589-00		6						. TERM,PIN:0.46 L X 0.025 SQ.PH BRZ GL	22526	47350
-23	131-0590-00		2						. CONTACT,ELEC:0.71 INCH LONG (ATTACHING PARTS FOR CKT BD ASSY)	22526	47351
-24	211-0156-00		1						1 SCREW,MACHINE:1-72 X 0.25",82 DEG,FLH STL - - - * - - -	93907	OBD
-25	-----		1						1 CKT BOARD ASSY:NORMAL/SMOOTH-INT TRIG(SEE REPL)		
	380-0154-00		1						1 . HOUSING,LIGHT:STAINLESS STEEL (ATTACHING PARTS)	80009	380-0154-00
	213-0181-00		1						. SCR,TPG,THD FOR:2-32 X 0.375 INCH,PNH STL - - - * - - -	83385	OBD
-26	131-0589-00		9						. TERM,PIN:0.46 L X 0.025 SQ.PH BRZ GL	22526	47350
-27	131-0590-00		2						. CONTACT,ELEC:0.71 INCH LONG (ATTACHING PARTS FOR CKT BD ASSY)	22526	47351
-28	211-0156-00		1						1 SCREW,MACHINE:1-72 X 0.25",82 DEG,FLH STL - - - * - - -	93907	OBD

Replaceable Mechanical Parts—7S11

Fig. & Index No.	Tektronix Part No.	Serial/Model No. Eff	Dscont	Qty	1 2 3 4 5	Name & Description	Mfr Code	Mfr Part Number
1-29	131-0779-00			3		JACK, TIP: FOR 0.08 INCH DIA TEST POINT	98291	016-8010-00-0208
-30	352-0181-00			1		HOLDER, TIP JACK: (ATTACHING PARTS)	80009	352-0181-00
-31	213-0012-00			2		SCREW, MACHINE: 4-40 X 0.375 INCH, FLH STL - - - * - - -	83385	OBD
-32	358-0301-02			1		BUSHING, SLEEVE: GRAY PLASTIC	80009	358-0301-02
-33	366-1058-09			1		KNOB: 80009 366-1058-09 (ATTACHING PARTS)		
-34	214-1095-00			1		PIN, SPG, SPLIT: 0.094 OD X 0.187 INCH LONG - - - * - - -	22599	52-022-094-0187
-35	105-0076-02			1		REL BAR, LATCH: PLUG-IN UNIT	80009	105-0076-02
-36	214-1280-00			1		SPRING, HLCPS: 0.14 OD X 1.126" L, 0.16" DIA W	80009	214-1280-00
-37	348-0235-00			1		SHLD GSKT, ELEC: 4.734 INCH LONG	80009	348-0235-00
-38	214-1054-00			1		SPRING, FLAT: 0.825 X 0.322, SST	80009	214-1054-00
-39	105-0075-00			1		BOLT, LATCH: 7A & 7B SER PL-IN	80009	105-0075-00
-40	214-1061-00			1		SPRING, GROUND: FLAT	80009	214-1061-00
-41	333-1218-00			1		PANEL, FRONT:	80009	333-1218-00
-42	386-1447-20			1		SUBPANEL, FRONT: (ATTACHING PARTS)	80009	386-1447-20
-43	213-0192-00	B010100	B124524	4		SCR, TPG, THD FOR: 6-32 X 0.50 INCH, PNH STL	87308	OBD
	213-0793-00	B124525		4		SCREW, TPG, TF: 6-32 X 0.4375, TAPTITE, FIL - - - * - - -	93907	OBD
-44	200-0895-00			1		BEZEL, SMPLE HD: PLASTIC (ATTACHING PARTS)	80009	200-0895-00
-45	343-0153-00			4		CLAMP, RIM, CLENC: 0.375 X 0.358 INCH	80009	343-0153-00
-46	210-0457-00			4		NUT, PL, ASSEM WA: 6-32 X 0.312 INCH, STL - - - * - - -	83385	OBD
-47	351-0132-00			1		GUIDE, CLIP:	80009	351-0132-00
-48	131-0581-00			1		CONNECTOR, RCPT, :12 FEMALE CONTACTS (ATTACHING PARTS)	05574	000221-0355
-49	213-0082-00			2		SCR, TPG, THD CTG: 4-40 X 0.50 INCH, PNH STL - - - * - - -	93907	OBD
	255-0249-00			FT		PLASTIC CHANNEL:	80009	255-0249-00
-50	407-0628-00			1		BRACKET, CMPNT: (ATTACHING PARTS)	80009	407-0628-00
-51	211-0101-00			4		SCREW, MACHINE: 4-40 X 0.25, 100 DEG, FLH STL	83385	OBD
-52	210-0586-00			2		NUT, PL, ASSEM WA: 4-40 X 0.25, STL CD PL - - - * - - -	83385	OBD
-53	220-0547-01			6		NUT, BLOCK: 0.38 X 0.26 X 0.282 (2) 4-40 THD (ATTACHING PARTS)	000FW	OBD
-54	211-0105-00			6		SCREW, MACHINE: 4-40 X 0.188, 100 DEG, FLH STL - - - * - - -	83385	OBD
-55	426-0499-06			1		FR SECT, PLUG-IN:	80009	426-0499-06
-56	426-0505-06			1		FR SECT, PLUG-IN: TOP	80009	426-0505-06
-57	131-0410-00			1		CONN, RCPT, ELEC: (ATTACHING PARTS)	71468	DM53741-5001
-58	354-0331-00			1		RING, RETAINING:	79136	5131-X-21MD
-59	343-0190-00			1		RTNR, CONNECTOR: - - - * - - -	80009	343-0190-00
-60	-----			1		CKT BOARD ASSY: COMMUTATOR SW MOVING (SEE REPL)		
-61	131-0839-00			6		. CONTACT, ELEC:	80009	131-0839-00
-62	210-0702-00			18		. EYELET, METALLIC: 0.047 OD X 0.125 INCH LONG	07707	S6127
-63	131-0842-00			4		. TERMINAL, LUG: 0.76 ID X 0.225 L BRS CD PL	80009	131-0842-00
-64	131-0512-00			1		. CONTACT, ELEC: 0.315 " L, 22-26 AWG WIRE	00779	61507-1
-65	131-0755-00			1		. CONTACT, ELEC: 0.315 INCH LONG, 28 TO 32 AWG	00779	61615-1
-66	131-0375-00			2		. CONNECTOR, PLUG, : RIGHT ANGLE	98291	051-328-3188-220
-67	175-0826-00			FT		. WIRE, ELECTRICAL: 3 WIRE RIBBON	80009	175-0826-00
-68	131-0621-00			3		. CONNECTOR, TERM: 22-26 AWG, BRS & CU BE GOLD	22526	46231
-69	352-0199-00			1		. CONN BODY, PL, EL: 3 WIRE BLACK (ATTACHING PARTS FOR CKT BD ASSY)	80009	352-0199-00
-70	211-0038-00			3		SCREW, MACHINE: 4-40 X 0.312, FLH, 100 DEG	83385	OBD
-71	204-0411-00			1		BODY, HALF COMM:	80009	204-0411-00
-72	214-1035-00			3		SPRING, HLCPS: 0.3 OD X 0.265 L, OPEN	84830	OBD
-73	386-1679-00			3		BLOCK, SUPPORT:	80009	386-1679-00

Fig. & Index No.	Tektronix Part No.	Serial/Model No. Eff Dscont	Qty	1	2	3	4	5	Name & Description	Mfr Code	Mfr Part Number
1-74	213-0230-00		3						SCREW, MACHINE:	80009	213-0230-00
-75	220-0567-00		3						NUT, PLAIN, PLATE:	80009	220-0567-00
-76	211-0101-00		3						SCREW, MACHINE: 4-40 X 0.25, 100 DEG, FLH STL	83385	0BD
-77	-----		1						CKT BOARD ASSY: COMMUTATOR SW FIXED (SEE REPL)		
-78	131-0842-00		2						. TERMINAL, LUG: 0.76 ID X 0.225 L BRS CD PL	80009	131-0842-00
-79	175-0826-00		FT						. WIRE, ELECTRICAL: 3 WIRE RIBBON	80009	175-0826-00
-80	131-0621-00		3						. CONNECTOR, TERM: 22-26 AWG, BRS & CU BE GOLD	22526	46231
-81	352-0199-00		1						. CONN BODY, PL, EL: 3 WIRE BLACK	80009	352-0199-00
-82	131-0512-00		1						. CONTACT, ELEC: 0.315 " L, 22-26 AWG WIRE	00779	61507-1
-83	131-0755-00		1						. CONTACT, ELEC: 0.315 INCH LONG, 28 TO 32 AWG (ATTACHING PARTS FOR CKT BD ASSY)	00779	61615-1
-84	211-0038-00		3						SCREW, MACHINE: 4-40 X 0.312, FLH, 100 DEG	83385	0BD
	210-0001-00		3						WASHER, LOCK: INTL, 0.092 ID X 0.18" OD, STL	78189	1202-00-00-0541C
-85	210-0405-00		3						NUT, PLAIN, HEX.: 2-56 X 0.188 INCH, BRS	73743	2X12157-402
-86	204-0410-00		1						BODY HALF, COMM: STATIONARY (ATTACHING PARTS)	80009	204-0410-00
	211-0038-00		3						SCREW, MACHINE: 4-40 X 0.312, FLH, 100 DEG	83385	0BD
-87	210-0586-00		3						NUT, PL, ASSEM WA: 4-40 X 0.25, STL CD PL	83385	0BD
-88	-----		1						CKT BOARD ASSY: VERTICAL (SEE REPL)		
-89	136-0220-00		24						. SKT, PL-IN ELEK: TRANSISTOR 3 CONTACT, PCB MT	71785	133-23-11-034
-90	136-0235-00		2						. SOCKET, PLUG-IN: 6 CONTACT, ROUND	71785	133-96-12-062
-91	136-0263-03	B010100 B102089	39						. SOCKET, PIN TERM: FOR 0.025 INCH SQUARE PIN	00779	86250-2
	136-0263-04	B102090	39						. SOCKET, PIN TERM: FOR 0.025 INCH SQUARE PIN	22526	75377-001
-92	214-0579-00		10						. TERM, TEST POINT: BRS CD PL	80009	214-0579-00
-93	361-0238-00		4						. SPACER, SLEEVE: 0.25 OD X 0.34 INCH LONG	80009	361-0238-00
-94	211-0155-00		4						. SCREW, EXT, RLV B: 4-40 X 0.375 INCH, SST	80009	211-0155-00
-95	-----		1						CKT BOARD ASSY: INTER-CHANNEL CONTROL (SEE REPL)		
-96	131-0391-00	B010100 B079999	1						. CONNECTOR, RCPT, : 50 OHM, COAX, SNAP-ON MALE	98291	51-051-0049
	131-0391-00	B080000	2						. CONNECTOR, RCPT, : 50 OHM, COAX, SNAP-ON MALE	98291	51-051-0049
-97	136-0183-00		1						. SOCKET, PLUG-IN: 3 PIN, ROUND	80009	136-0183-00
-98	136-0220-00		10						. SKT, PL-IN ELEK: TRANSISTOR 3 CONTACT, PCB MT	71785	133-23-11-034
-99	136-0235-00		1						. SOCKET, PLUG-IN: 6 CONTACT, ROUND	71785	133-96-12-062
-100	136-0263-03	B010100 B102089	19						. SOCKET, PIN TERM: FOR 0.025 INCH SQUARE PIN	00779	86250-2
	136-0263-04	B102090	16						. SOCKET, PIN TERM: FOR 0.025 INCH SQUARE PIN	22526	75377-001
-101	426-0121-00		1						. MOUNT, COMPONENT: DELRIN	80009	426-0121-00
-102	361-0007-00		1						. SPACER, SLEEVE: 0.250 INCH DIA, PLASTIC	80009	361-0007-00
-103	361-0238-00		3						. SPACER, SLEEVE: 0.25 OD X 0.34 INCH LONG	80009	361-0238-00
-104	211-0155-00		3						. SCREW, EXT, RLV B: 4-40 X 0.375 INCH, SST	80009	211-0155-00
-105	-----		1						CKT BOARD ASSY: INTERFACE (SEE REPL)		
-106	131-0391-00		2						. CONNECTOR, RCPT, : 50 OHM, COAX, SNAP-ON MALE	98291	51-051-0049
-107	131-0566-00		2						. BUS CONDUCTOR: DUMMY RES, 2.375, 22 AWG	55210	L-2007-1
-108	131-0589-00		40						. TERM, PIN: 0.46 L X 0.025 SQ. PH BRZ GL	22526	47350
	131-0590-00	B010100 B079999	48						. CONTACT, ELEC: 0.71 INCH LONG	22526	47351
	131-0590-00	B080000	46						. CONTACT, ELEC: 0.71 INCH LONG	22526	47351
	131-0593-00		4						. CONTACT, ELEC: 1.15 INCH LONG	22526	47354
	131-0665-00		1						. TERMINAL, PIN: 0.88 L X 0.025 SQUARE	22526	47358
	131-0827-00		1						. CONTACT, ELEC: 0.55 INCH LONG	22526	47349
-109	131-0593-00		4						. CONTACT, ELEC: 1.15 INCH LONG	22526	47354
-110	136-0183-00		1						. SOCKET, PLUG-IN: 3 PIN, ROUND	80009	136-0183-00
-111	136-0220-00		2						. SKT, PL-IN ELEK: TRANSISTOR 3 CONTACT, PCB MT	71785	133-23-11-034
-112	351-0155-00		5						. INSULATOR, STDF: CONNECTOR, DELRIN	80009	351-0155-00
-113	351-0188-00		7						. GUIDE-POST, LOCK: 0.65 INCH LONG	80009	351-0188-00
-114	351-0185-00		1						. GUIDE-POST, LOCK: 0.65 INCH LONG	80009	351-0185-00

Replaceable Mechanical Parts—7S11

Fig. & Index No.	Tektronix Part No.	Serial/Model No. Eff	Dscont	Qty	1 2 3 4 5	Name & Description	Mfr Code	Mfr Part Number
1-115	214-1140-00			8	.	SPRING,HLCPS:0.251 OD X 0.375"L,SST WIRE	80009	214-1140-00
-116	214-1136-00			1	.	ACTUATOR,SL SW:DUAL DPST	80009	214-1136-00
-117	351-0180-00			1	.	SLIDE,GUIDE:SWITCH ACTUATOR	80009	351-0180-00
-118	407-0553-00			1	.	BRACKET,CMPNT:BRASS ALBALOYPL	80009	407-0553-00
-119	-----			1	.	RESISTOR,VAR:(SEE R320 REPL)		
-120	210-0583-00			1	.	NUT,PLAIN,HEX.:0.25-32 X 0.312 INCH,BRS	73743	2X20317-402
						(ATTACHING PARTS FOR CKT BD ASSY)		
-121	211-0116-00	B010100	B124149	6	SCR,ASSEM WSHR:4-40 X 0.312 INCH,PNH BRS	83385	OBD	
	211-0292-00	B124150		6	SCR,ASSEM WSHR:4-40 X 0.29,BRS NI PL	78189	OBD	
						- - - * - - -		
-122	386-1402-00			1	PANEL,REAR:	80009	386-1402-00	
						(ATTACHING PARTS)		
-123	213-0192-00	B010100	B124524	4	SCR,TPG,THD FOR:6-32 X 0.50 INCH,PNH STL	87308	OBD	
	213-0793-00	B124525		4	SCREW,TPG,TF:6-32 X 0.4375,TAPTITE,FIL	93907	OBD	
						- - - * - - -		
-124	337-1238-00	B010100	B059999	1	SHIELD,ELEC:LEFT SIDE	80009	337-1238-00	
	337-1238-01	B060000		1	SHIELD,ELEC:LEFT SIDE	80009	337-1238-01	
-125	337-1247-00	B010100	B059999	1	SHIELD,ELEC:RIGHT SIDE	80009	337-1247-00	
	337-1247-01	B060000		1	SHIELD,ELEC:RIGHT SIDE	80009	337-1247-01	
-126	131-0375-00	B010100	B079999	1	CONNECTOR,PLUG,:RIGHT ANGLE	98291	051-328-3188-220	
	131-0375-00	B080000		2	CONNECTOR,PLUG,:RIGHT ANGLE	98291	051-328-3188-220	
-127	175-0825-00			FT	WIRE,ELECTRICAL:2 WIRE RIBBON	80009	175-0825-00	
-128	175-0828-00			FT	WIRE,ELECTRICAL:5 WIRE RIBBON	08261	SS-0526-710610C	
-129	175-0831-00			FT	WIRE,ELECTRICAL:8 WIRE RIBBON	08261	SS-0826-710610C	
-130	175-0832-00			FT	WIRE,ELECTRICAL:9 WIRE RIBBON	08261	SS-0926(1061)0C	
-131	352-0162-00			1	HLDR,TERM CONN:4 WIRE BLACK	80009	352-0162-00	
-132	352-0163-00			1	CONN BODY,PL,EL:5 WIRE BLACK	80009	352-0163-00	
-133	352-0169-00			1	HLDR,TERM CONN:2 WIRE BLACK	80009	352-0169-00	
	352-0169-02			2	CONN BODY,PL,EL:2 WIRE RED	80009	352-0169-00	
-134	352-0176-00			1	CONN BODY,PL,EL:4 WIRE,DBL ROW BLACK	80009	352-0176-00	
-135	352-0198-00			1	HLDR,TERM CONN:2 WIRE BLACK	80009	352-0198-00	
-136	352-0201-00			3	CONN BODY,PL,EL:5 WIRE BLACK	80009	352-0201-00	
-137	352-0204-00			1	CONN BODY,PL,EL:8 WIRE BLACK	80009	352-0204-00	
-138	352-0205-00			1	CONN BODY,PL,EL:9 WIRE BLACK	80009	352-0205-00	
-139	131-0707-00			1	CONNECTOR,TERM.:22-26 AWG,BRS& CU BE GOLD	22526	47439	
	131-0708-00			1	CONTACT,ELEC:0.48"L,28-32 AWG WIRE	22526	47437	
-140	131-0621-00	B010100	B020369	1	CONNECTOR,TERM:22-26 AWG,BRS& CU BE GOLD	22526	46231	
	131-0792-00	B020370		3	CONNECTOR,TERM:18-20 AWG,CU BE GOLD PL	22526	46221	
	131-0622-00			1	CONTACT,ELEC:0.577"L,28-32 AWG WIRE	22526	46241	
-141	384-0664-00			1	SHAFT,STRAIGHT:1.05 L X 0.1247 OD SST	80009	384-0664-00	
-142	384-0679-00			1	EXT SHAFT:5.29 L X 0.124 STEP OD STL CD PL	80009	384-0679-00	
-143	376-0051-00			1	CPLG,SHAFT,FLEX:0.127 ID X 0.375 ID DELRIN	80009	376-0051-00	
	213-0048-00			4	SETSCREW:4-40 X 0.125 INCH,HEX SOC STL	74445	OBD	
-144	175-1020-00	B010100	B102088	1	CABLE,RF:50 OHM COAX,WHT POLYTHN JKT	90484	DAB70JAAAWHITE	
	175-1769-00	B102089		1	CABLE ASSY,RF:1-50 OHM COAX,4.75 L	80009	175-1769-00	

Fig. & Index No.	Tektronix Part No.	Serial/Model No.		Qty						Name & Description	Mfr Code	Mfr Part Number
		Eff	Dscont		1	2	3	4	5			
	070-0985-00			1						MANUAL, TECH: INSTRUCTION	80009	070-0985-00

ACCESSORIES

MANUAL CHANGE INFORMATION

At Tektronix, we continually strive to keep up with latest electronic developments by adding circuit and component improvements to our instruments as soon as they are developed and tested.

Sometimes, due to printing and shipping requirements, we can't get these changes immediately into printed manuals. Hence, your manual may contain new change information on following pages.

A single change may affect several sections. Since the change information sheets are carried in the manual until all changes are permanently entered, some duplication may occur. If no such change pages appear following this page, your manual is correct as printed.

SERVICE NOTE

Because of the universal parts procurement problem, some electrical parts in your instrument may be different from those described in the Replaceable Electrical Parts List. The parts used will in no way alter or compromise the performance or reliability of this instrument. They are installed when necessary to ensure prompt delivery to the customer. Order replacement parts from the Replaceable Electrical Parts List.

CALIBRATION TEST EQUIPMENT REPLACEMENT

Calibration Test Equipment Chart

This chart compares TM 500 product performance to that of older Tektronix equipment. Only those characteristics where significant specification differences occur, are listed. In some cases the new instrument may not be a total functional replacement. Additional support instrumentation may be needed or a change in calibration procedure may be necessary.

Comparison of Main Characteristics

DM 501 replaces 7D13		
PG 501 replaces 107 108	PG 501 - Risetime less than 3.5 ns into 50 Ω . PG 501 - 5 V output pulse; 3.5 ns Risetime	107 - Risetime less than 3.0 ns into 50 Ω . 108 - 10 V output pulse 1 ns Risetime
PG 502 replaces 107 108 111	PG 502 - 5 V output PG 502 - Risetime less than 1 ns; 10 ns Pretrigger pulse delay	108 - 10 V output 111 - Risetime 0.5 ns; 30 to 250 ns Pretrigger pulse delay
PG 508 replaces 114 115 2101	Performance of replacement equipment is the same or better than equipment being replaced.	
PG 506 replaces 106 067-0502-01	PG 506 - Positive-going trigger output signal at least 1 V; High Amplitude output, 60 V. PG 506 - Does not have chopped feature.	106 - Positive and Negative-going trigger output signal, 50 ns and 1 V; High Amplitude output, 100 V. 0502-01 - Comparator output can be alternately chopped to a reference voltage.
SG 503 replaces 190, 190A, 190B 191 067-0532-01	SG 503 - Amplitude range 5 mV to 5.5 V p-p. SG 503 - Frequency range 250 kHz to 250 MHz.	190B - Amplitude range 40 mV to 10 V p-p. 0532-01 - Frequency range 65 MHz to 500 MHz.
SG 504 replaces 067-0532-01 067-0650-00	SG 504 - Frequency range 245 MHz to 1050 MHz.	0532-01 - Frequency range 65 MHz to 500 MHz.
TG 501 replaces 180, 180A 181 184 2901	TG 501 - Trigger output-slaved to marker output from 5 sec through 100 ns. One time-mark can be generated at a time. TG 501 - Trigger output-slaved to market output from 5 sec through 100 ns. One time-mark can be generated at a time. TG 501 - Trigger output-slaved to marker output from 5 sec through 100 ns. One time-mark can be generated at a time.	180A - Trigger pulses 1, 10, 100 Hz; 1, 10, and 100 kHz. Multiple time-marks can be generated simultaneously. 181 - Multiple time-marks 184 - Separate trigger pulses of 1 and 0.1 sec; 10, 1, and 0.1 ms; 10 and 1 μ s. 2901 - Separate trigger pulses, from 5 sec to 0.1 μ s. Multiple time-marks can be generated simultaneously.

NOTE: All TM 500 generator outputs are short-proof. All TM 500 plug-in instruments require TM 500-Series Power Module.