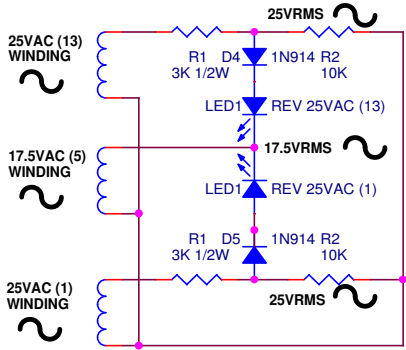


**OUT-OF-PHASE CASE ANALYSIS**  
 $E = 25 + 17.5 - 4 = 38.5$  VRMS, LED ON  
 (WORST CASE =  $TM501 = 50.5$  V RMS)

-----  
**ACTUAL (TM501) MEASUREMENTS:**

$V(R1) = 34.0$  V RMS,  $P(R1) = 0.38$ W  
 $V(R2) = 20.8$  V RMS,  $P(R2) = 0.04$ W  
 $I(LED) = 12$  mA RMS



**IN-PHASE CASE ANALYSIS**  
 $I = 0$ ,  $P = 0$ , LEDS OFF

-----  
**ACTUAL (TM501) MEASUREMENTS:**

$V(R1) = 6.00$  V RMS,  $P(R1) = 0.01$ W  
 $V(R2) = 22.5$  V RMS,  $P(R2) = 0.05$ W  
 $I(LED) = 0$  mA RMS

Title		
<Title>		
Size	Document Number	Rev
A	<Doc>	<Rev Code>
Date:	Sunday, October 31, 2010	Sheet 1 of 1