

# 2200 SERIES FILAMENT VOLTAGE MODIFICATION

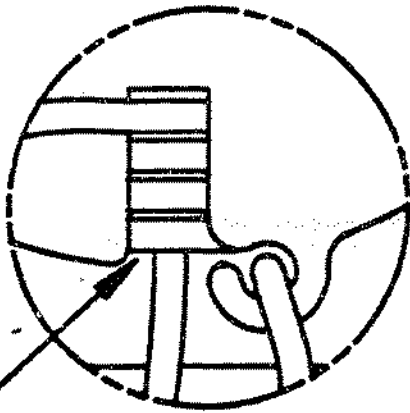
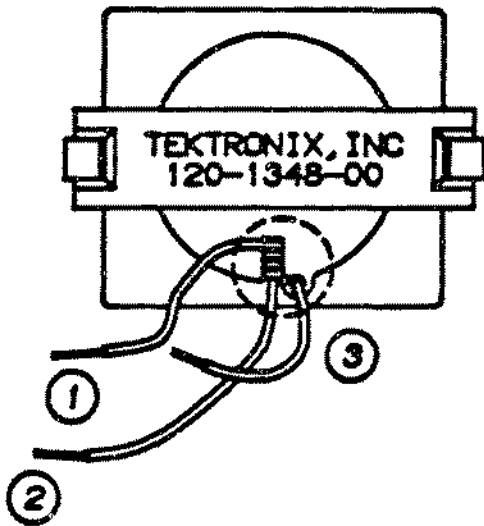


FIGURE 1  
(BEFORE MODIFICATION)

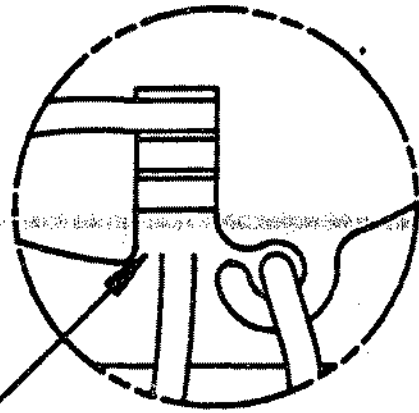
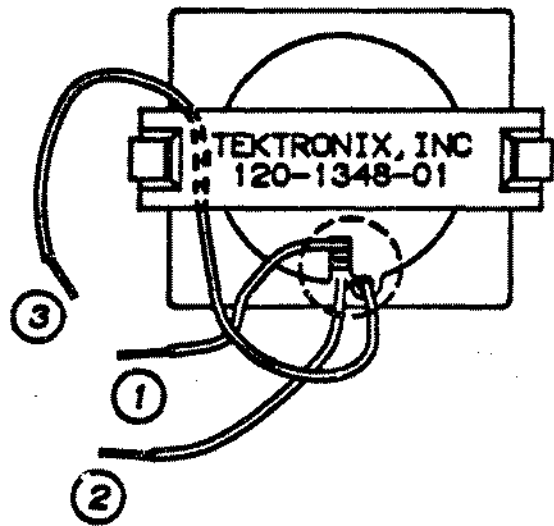


FIGURE 2  
(AFTER MODIFICATION)

Close examination of the notch in the top of the transformer should show the space left when the first wrap is unwound during implementation of the modification. (FIG 2) An unmodified transformer will show the wires all the way out to the edge as in FIGURE 1.