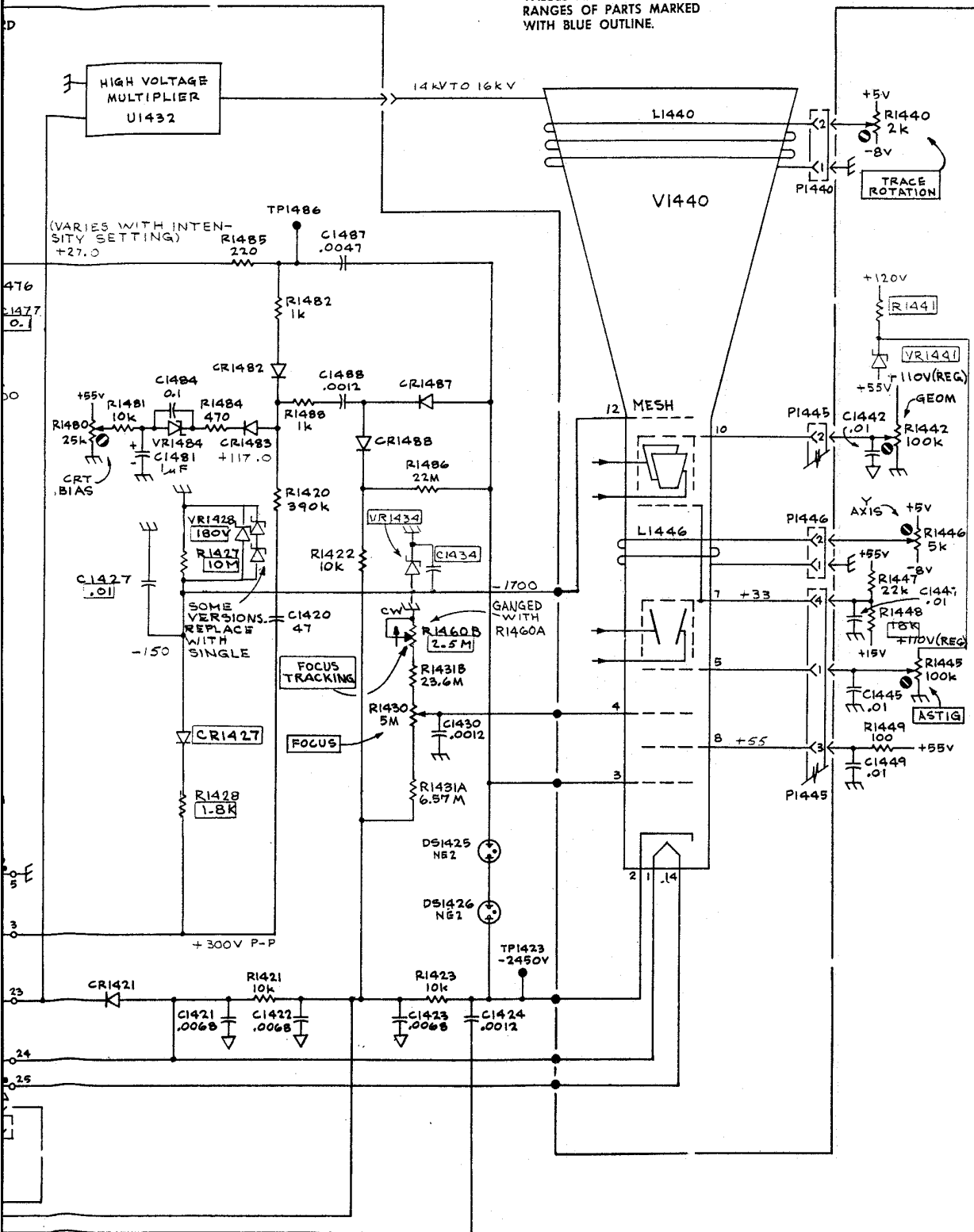


Intensity

SEE PARTS LIST FOR EARLIER VALUES AND SERIAL NUMBER RANGES OF PARTS MARKED WITH BLUE OUTLINE.



CRT CIRCUIT 10 REV APR 1974

CRT CIRCUIT 10