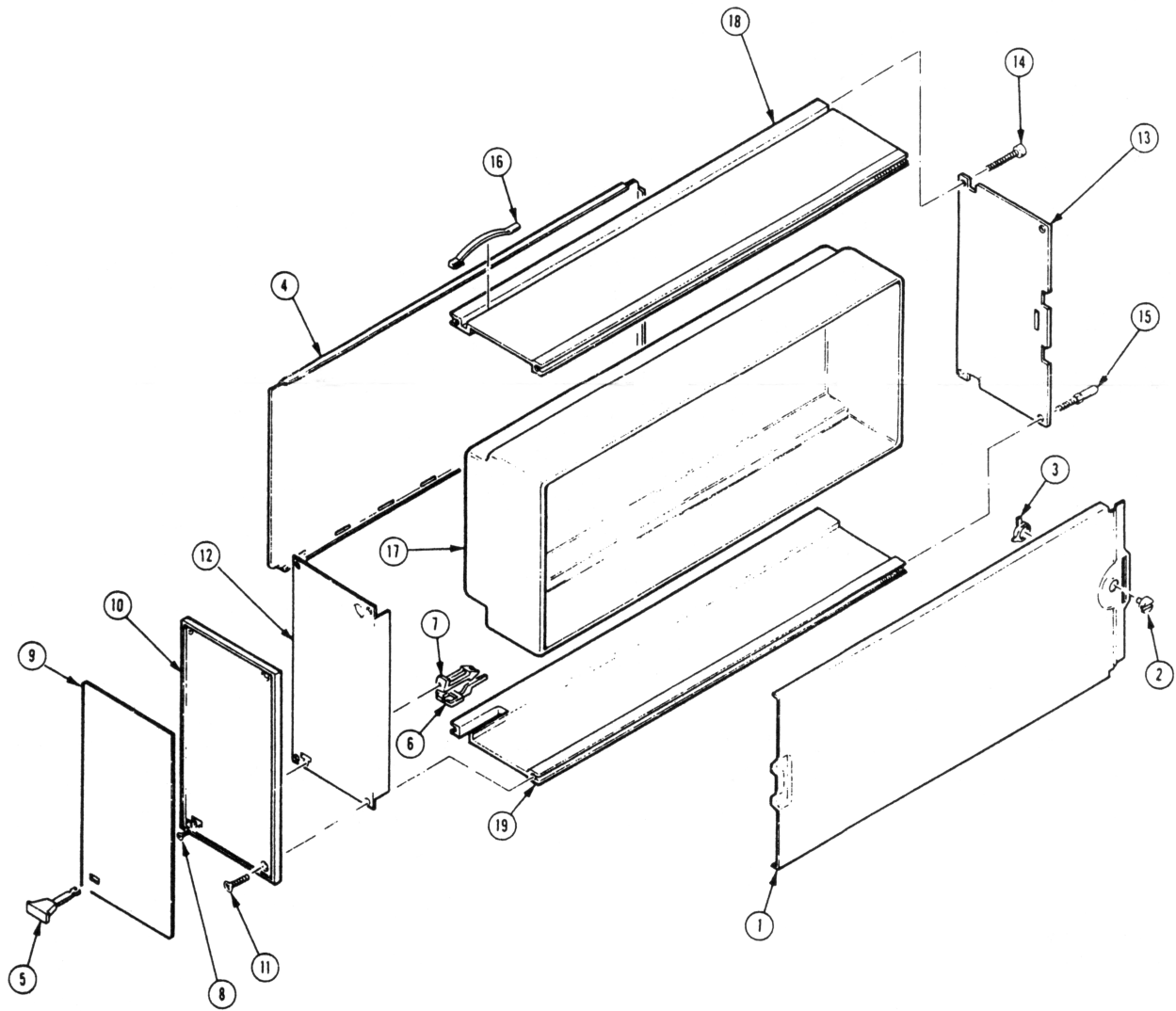


# TOOL BOX

Part No.016-0362-02



062-9321-00

JUL 1987

COPYRIGHT © 1987  
TEKTRONIX INC.  
ALL RIGHTS RESERVED

Fig. & Index No.	Tektronix Part No.	Serial/Assembly No.		Qty	12345	Name & Description	Mfr.	
		Effective	Discnt				Code	Mfr. Part No.
1-1	337-3452-00			1		SHIELD,ELEC:	80009	337-3452-00
-2	105-0932-00			1		LATCH,PANEL:SIDE ATTACHING PARTS	80009	105-0932-00
-3	214-3364-00			1		FASTENER,LATCH:ACETAL,SIL GRAY END ATTACHING PARTS	80009	214-3364-00
-4	337-1399-00			1		SHIELD,ELEC:SIDE	80009	337-1399-00
-5	366-1690-02			1		KNOB:IVORY GY,0.53 W X 1.059 L X 0.23 THK	80009	366-1690-02
-6	105-0719-00			1		LATCH,RETAINING:PLUG-IN	80009	105-0719-00
-7	105-0718-01			1		BAR,LATCH RLSE: ATTACHING PARTS	80009	105-0718-01
-8	213-0254-00			1		SCREW,TPG,TF:2-32 X 0.25,TYPE B,FLH,100 DEG END ATTACHING PARTS	45722	ORDER BY DESCR
-9	333-3544-00			1		PANEL,FRONT:	80009	333-3544-00
-10	386-2402-05			1		SUBPANEL,FRONT: ATTACHING PARTS	80009	386-2402-05
-11	213-0229-00			4		SCR,TPG,TF:6-20 X 0.375,TYPE B,FLH,100 DEG END ATTACHING PARTS	93907	ORDER BY DESCR
-12	407-3654-00			1		BRACKET,LATCH:	80009	407-3654-00
-13	386-5647-00			1		SUPPORT,FRAME: ATTACHING PARTS	80009	386-5647-00
-14	213-0192-00			2		SCREW,TPG,TF:6-32 X 0.5,SPCL TYPE,FILH,STL	87308	ORDER BY DESCR
-15	386-3657-01			2		SUPPORT,PLUG-IN: END ATTACHING PARTS	93907	ORDER BY DESCR
-16	214-1061-00			1		CONTACT,ELEC:GROUNDING,CU BE	80009	214-1061-00
-17	348-0498-00			1		PAD,CUSHIONING:ACCESSORY BOX	80009	348-0498-00
-18	426-2225-00			1		FR SECT,PL-IN:TOP	80009	426-2225-00
-19	426-2226-00			1		FR SECT,PL-IN:BOTTOM	80009	426-2226-00
						STANDARD ACCESSORIES		
	062-9321-00			1		DATA SHEET:TOOL BOX	80009	062-9321-00

## CROSS INDEX - MFR. CODE NUMBER TO MANUFACTURER

Mfr. Code	Manufacturer	Address	City, State, Zip Code
45722	USM CORP., PARKER-KALON FASTENER DIV		CAMPBELLSVILLE, KY 42718
80009	TEKTRONIX INC	4900 S W GRIFFITH DR P O BOX 500	BEAVERTON OR 97077
87308	N L INDUSTRIES INC N L FASTENERS	BARKLEY RD P O BOX 1360	STATESVILLE NC 28677
93907	TEXTRON INC CAMCAR DIV	600 18TH AVE	ROCKFORD IL 61101