

11302A

Counter Timer Oscilloscope

Service Reference Manual

WARNING

The following service instructions are for use by qualified personnel only. To avoid personal injury, do not perform any servicing unless you are qualified to do so. Refer to the Safety Summary prior to performing any service.

Please check for CHANGE INFORMATION at the rear of this manual.

Scans By *Artek Media*

Artek Media
1042 Plummer Cir. SW
Rochester, MN 55902

www.artekmedia.com

“High resolution scans of obsolete technical manuals”

If you are looking for a quality scanned technical manual in PDF format please visit our WEB site at www.artekmedia.com or drop us an email at manuals@artekmedia.com and we will be happy to email you a current list of the manuals we have available.

If you don't see the manual you need on the list drop us a line anyway we may still be able to point you to other sources. If you have an existing manual you would like scanned please write for details, This can often be done very reasonably in consideration for adding your manual to our library.

Typically the scans in our manuals are done as follows;

- 1) Typed text pages are typically scanned in black and white at 300 dpi.
- 2) Photo pages are typically scanned in gray scale mode at 600 dpi
- 3) Schematic diagram pages are typically scanned in black and white at 600 dpi unless the original manual had colored high lighting (as is the case for some 70's vintage Tektronix manuals).

If you purchased this manual from us (typically through our Ebay name of ArtekMedia) thank you very much. If you received this from a well-meaning “friend” for free we would appreciate your treating this much like you would “share ware”. By that we mean a donation of at least \$5-10 per manual is appreciated in recognition of the time (a manual can take as much as 40 hours to reproduce, book, link etc.), energy and quality of effort that went into preserving this manual. Donations via PayPal go to: manuals@artekmedia.com or can be mailed to us the address above.

Thanks




Dave & Lynn Henderson
Artek Media

INSTRUMENT SERIAL NUMBERS

Each instrument has a serial number on a panel insert, tag, or stamped on the chassis. The first number or letter designates the country of manufacture. The last five digits of the serial number are assigned sequentially and are unique to each instrument. Those manufactured in the United States have six unique digits. The country of manufacture is identified as follows:

B000000	Tektronix, Inc. Beaverton, Oregon, USA
100000	Tektronix Guernsey, Ltd., Channel Islands
200000	Tektronix United Kingdom, Ltd., London
300000	Sony/Tektronix, Japan
700000	Tektronix Holland, NV, Heerenveen, The Netherlands

Tektronix, Inc., P.O. Box 500, Beaverton, OR 97077

Copyright © Tektronix, Inc., 1988. All rights reserved. Tektronix products are covered by U.S. and foreign patents, issued and pending. TEKTRONIX, TEK., SCOPEMOBILE and  are registered trademarks.

MS-DOS® is a registered trademark of Microsoft Corporation.
Printed in U.S.A.

Contents

List of Illustrations	vii
List of Tables	ix
Safety Summary	x

Section 1 – General Information

Introduction	1-1
Operating Power Information	1-1
Power Cord Information	1-2
Operating Voltage	1-2
Memory Backup Power	1-4
Operating Environment	1-4
Operating Temperature	1-4
Ventilation Requirements	1-4
Instrument Options	1-5
List of Options	1-5
Option 1C	1-5
Option 1R	1-5
Option 1T	1-5
Option A1	1-5
Option A2	1-5
Option A3	1-5
Option A4	1-5
Option A5	1-5

Section 2 – Checks and Adjustments

Installing and Removing Plug-In Units	2-1
Minimize the Time Power is Off	2-1
Test Equipment	2-2
RS-232 Cable Requirements	2-2
Using the CATS Software	2-5
Creating a Working Disk For a Dual-Floppy Drive System	2-5
Installing CATS Software on a Hard Disk System	2-5
Running the CATS Software	2-6
Selecting Menu Items: Default Selection is Highlighted	2-6
Exiting from CATS and Other F1 Key Options	2-7
Other Function Keys	2-7
Storing and Reloading Mainframe Calibration Constants	2-7
Test Data Logging	2-8
CATS SRQ Messages	2-9
CATS Error Messages	2-9

Using this Procedure	2-10
Format Conventions	2-10
Terms Used	2-10
Mainframe Menu Selection and Measurement Techniques	2-10
Abbreviated Sequence for Performance Verification	2-11
Mainframe Preparation	2-12
Part 1 — Power Supply	2-14
Examine Supply Voltages	2-14
Adjust +5.2 V Reference	2-17
Adjust Regulator Reference	2-19
Part 2 — Extended Diagnostics	2-21
Part 3 — Touch Screen	2-22
Touch Screen Sensitivity Adjustment	2-24
Part 4 — CVR Accuracy	2-27
Part 5 — A/D Converter	2-29
Part 6 — ACVS Gain	2-31
Part 7 — Front Panel Display Adjustments	2-34
Part 8 — Display Quality	2-35
Cathode Voltage	2-36
Grid Bias	2-38
Y-Axis Alignment	2-40
Display Clarity and Geometry	2-41
Part 9 — Stored Waveform Vectors	2-44
Part 10 — Spot Shift	2-47
Spot Shift Adjustment	2-49
Part 11 — Readout Jitter	2-51
Vertical Readout Jitter	2-51
Horizontal Readout Jitter	2-53
Part 12 — Vertical Center	2-55
Part 13 — Magnified Registration	2-57
Part 14 — XY Phase	2-59
Part 15 — Plug-In Interface Gains	2-62
Vertical Gain	2-62
Horizontal XY Gain	2-63
Part 16 — Vertical Center (Second Pass)	2-64
Part 17 — Sweep Slew Rate Selfcal	2-66
Part 18 — Sweep Gains	2-67
Part 19 — Beam Registration	2-69
Part 20 — Cursor to Graticule Match	2-73
Part 21 — Reference Oscillator	2-74
Part 22 — Front Panel Calibrator	2-78
Front Panel CALIBRATOR Output Adjustment	2-80
Part 23 — Intensity Settings	2-81
Part 24 — Character Control	2-85
Part 25 — Install Instrument Covers/Store Cal Constants	2-86
Part 26 — Sweep Timing Accuracy	2-87
High Speed Linearity Adjustment	2-89
5 ns Timing Adjustment	2-93
Main Sweep 1 ns Timing Adjustment	2-94
Delayed Sweep 1 ns Timing Adjustment	2-95
Delayed Sweep 500 ps Timing Adjustment	2-96

Part 27 — Delta Delay Accuracy	2-97
Part 28 — Probe Skew Range	2-98
Part 29 — Vertical High Frequency Response	2-99
Vertical High Frequency Gain	2-100
Vertical Step Response	2-102
Counter View Step Response	2-104
Vertical Amplifier Adjustment	2-106
Counter View Step Response Adjustment	2-112
Part 30 — Vertical/Measurement Accuracy	2-114
Part 31 — Trigger Filters	2-116
Part 32 — Trigger Noise and Sensitivity	2-118
Part 33 — Trigger Sensitivity	2-119
Trigger Sensitivity Adjustment: Main	2-121
Trigger Sensitivity Adjustment: Delayed	2-122
Part 34 — Trigger Accuracy	2-123
Internal Trigger Accuracy	2-123
External Trigger Accuracy	2-124
External Counter Timer Trigger Accuracy	2-125
Part 35 — Line Trigger	2-126
Part 36 — Center Compartment X-Axis Accuracy	2-127
Part 37 — Rear Panel Input/Output Signals	2-129
Part 38 — Counter Reference Clock In/Out	2-132
Part 39 — Frequency Accuracy	2-134
Part 40 — External A and B Input Sensitivity	2-135
Part 41 — 2 ns Holdoff	2-136
Part 42 — Holdoff By Events	2-137
Part 43 — Time Interval Using Sweeps	2-138
Part 44 — Minimum Time Interval	2-139
Part 45 — Video Trigger	2-140
Part 46 — Store Cal Constants	2-142
Part 47 — Reset DIP Switches and Set Time/Date	2-143

Section 3— Maintenance

Preventive Maintenance	3-1
Cabinet Panel Removal	3-1
Cleaning	3-1
Exterior	3-2
CRT	3-2
Interior	3-2
Visual Inspection	3-3
Periodic Electrical Adjustment	3-3
Corrective Maintenance	3-4
Power Supply Voltage Hazard	3-4
Ordering Parts	3-4
Static-Sensitive Device Classification	3-5
Removing and Replacing FRUs	3-7
Electrical Lock-On of the ON/STANDBY Power Switch	3-8
Power Supply Module Removal	3-12
Fan Motor Removal	3-14
Cathode-Ray Tube Removal	3-15
Cathode-Ray Tube Replacement	3-18

Lithium Battery Handling, Disposal, and First Aid	3-20
Removal and Handling	3-20
Storage	3-20
Board Cleaning	3-20
Disposal	3-21
Replacement	3-21
Emergency and First Aid Information	3-21
A5 Front Panel Assembly Removal	3-23
A17 Upper Right Front Panel Assembly	3-24
Circuit Board Removal	3-25
A1 Plug-In Interface Board	3-25
A4 Regulator Board	3-31
A7 Touch Panel Board	3-32
A10 Front Panel Interface Board	3-35
A11 Main Processor Board	3-36
A12 Vertical Amp Board	3-39
A13 Scope Logic Board	3-42
A14 Time Base Board	3-46
A15 Counter/Timer Reference Board	3-48
A16 Memory Expansion Board	3-50
Rear Panel Plate Removal	3-51
R80 CRT Termination Network and Distributed Capacitance Plate	3-53
A18 Delay Line Assembly	3-54
FRU IC Replacement	3-55
“Slam-Pack” Integrated Circuits	3-55
Firmware Integrated Circuits (“Dual In-Line Package” ICs)	3-57
Preliminary Verification Procedure	3-57
Firmware Upgrade Procedure	3-57
Restoring Factory Calibration	3-59
Cables and Connectors	3-60
Interconnecting Pins	3-60
Coaxial-Type End-Lead Connectors (Peltolas)	3-60
Multi-Pin Connectors	3-60
Implosion Shield Removal	3-63
FRU Fuses	3-64
Line Fuse	3-64
Circuit Board Fuse	3-64
Checks After FRU Replacement	3-65
CRT	3-65
CRT Termination Network	3-67
Distributed Capacitance Plate	3-68
A1 Plug-In Interface Board	3-69
A7 Touch Panel Board	3-70
A10 Front Panel Interface Board	3-70
A11 Main Processor Board	3-71
Establishing a Set of Calibration Constants	3-71
Method 1	3-71
Method 2	3-72
Method 3	3-73
Method 4	3-73
Readjustment	3-73

A12 Vertical Amp Board	3-75
A13 Scope Logic Board	3-76
A14 Time Base Board	3-78
A15 Counter/Timer Reference Board	3-79
Troubleshooting	3-80
Diagnostics Overview	3-80
Level 0: Kernel Diagnostics	3-80
Level 1: Self-Test Diagnostics	3-80
Kernel Verification	3-81
Power-Up Mode	3-81
Normal (Non-Power-Up) Mode	3-81
Instrument Verification	3-81
Power-Up Mode	3-81
Normal (Non-Power-Up) Mode	3-81
Level 2: Extended Tests Diagnostics	3-83
Index Code Conventions	3-83
Front Panel	3-83
Test Menu Examples	3-84
Test Menu Area	3-84
Block and Area Menus	3-85
Routine Menus	3-85
Analog and Digital Test Menus	3-86
Mainframe Digital Test Menu	3-86
Memory Test Menu	3-87
Test Status Area	3-87
RS-232-C/GPIB	3-88
System Mode (GPIB & RS-232-C)	3-89
Test Commands	3-89
Diagnostic Terminal Mode (RS-232-C)	3-90
Terminal Interface	3-90
Invocation Command	3-90
Terminal Diagnostic Commands	3-90
New Configuration Calibration	3-91
Restoring Calibration Data From EEROM	3-91
Procedure	3-91
Field Replaceable Unit (FRU) Guide	3-92
Abbreviations of FRU Names	3-92
Abbreviations of Component and Module Names	3-92
Extended Diagnostic Error Index Codes	3-93
Enhanced Accuracy Mode Troubleshooting	3-94
Other Troubleshooting	3-98
CRT	3-98
Module Troubleshooting	3-98
No Display	3-98
Display With No Intensity Control	3-101
Poor Writing Rate	3-101
Poor Y-Axis Alignment	3-102
CRT Termination	3-102
Module Troubleshooting	3-102

Distributed Capacitance Plate	3-104
Module Troubleshooting	3-104
Power Supply Module	3-105
Module Troubleshooting	3-105
Regulator Board	3-106
Fuse Troubleshooting	3-107

Section 4—Theory of Operation

Block Diagram Description	4-1
A1 Plug-In Interface Board	4-1
A5, A8, and A9 Front Panel Assembly	4-1
A7 Touch Panel Board	4-1
A10 Front Panel Interface Board	4-3
A11 Main Processor Board	4-3
A12 Vertical Amp Board	4-4
A13 Scope Logic Board	4-5
A14 Time Base Board	4-5
A15 Counter Timer Reference Board (Option 1T)	4-6
A16 Memory Expansion Board	4-6
A17 Character Control Board	4-6

Section 5—Replaceable Parts

Change Information

Related Documentation

The Parts List at the rear of this manual lists the Tektronix part numbers for all Standard and Optional Accessories provided with this product.

Manuals (Standard Accessories)

- Introduction to the 11301A and 11302A Counter Timer Oscilloscopes
- 11301A and 11302A Counter Timer Oscilloscopes Users Reference Manual
- 11301A and 11302A Counter Timer Oscilloscopes Pocket Reference
- 11301A and 11302A Functional Test
- Option 1R Rackmounting Instructions

List of Illustrations

Figure 2-1	Location of DIP Switch on the A11 Main Processor board.	2-12
Figure 2-2	Location of the J90 connector on the A11 Main Processor board.	2-15
Figure 2-3	Location of J63-2, the + 5.1 V test point on the A2 Power Supply Module.	2-16
Figure 2-4	A2A2 Control Rectifier board test point and adjustment locations.	2-18
Figure 2-5	A4 Regulator board test point and adjustment locations.	2-20
Figure 2-6	Locations of CRT touch areas to test.	2-23
Figure 2-7	A10 Front Panel Interface board (Touch Screen) test point and adjustment locations.	2-24
Figure 2-8	Waveform display showing Touch Screen adjustment waveforms.	2-25
Figure 2-9	A13 Scope Logic board (CVR Accuracy) test point and adjustment locations.	2-28
Figure 2-10	A11 Main Processor board (A/D Converter) adjustment locations.	2-30
Figure 2-11	A14 Timebase board (ACVS Gain) test point locations.	2-32
Figure 2-12	A13 Scope Logic board (ACVS Gain) adjustment location.	2-33
Figure 2-13	A13 Scope Logic board (Display Quality) adjustment location.	2-37
Figure 2-14	Trace separation measurement (0.2 div or less) on the displayed XY waveform.	2-45
Figure 2-15	A11 Main Processor board (Stored Waveform Vectors) adjustment locations.	2-46
Figure 2-16	A12 Vertical board and A14 Timebase board (Spot Shift) adjustment locations.	2-50
Figure 2-17	A12 Vertical board (Vertical Readout Jitter) adjustment location.	2-52
Figure 2-19	A12 Vertical board (Vertical Center) adjustment and shorting locations.	2-56
Figure 2-20	A14 Timebase board (Magnified Registration) adjustment location.	2-58
Figure 2-21	An XY waveform display showing dimensions A, B, and C. The actual phase difference is equal to $\sin^{-1}(A \div B)$	2-60
Figure 2-22	A14 Timebase board (XY Phase) adjustment location.	2-61
Figure 2-23	A12 Vertical board adjustment and shorting locations.	2-65
Figure 2-24	A10 Front Panel Interface board (Beam Registration) test point locations.	2-70
Figure 2-25	CRT display showing the trace to graticule measurements for Beam Registration.	2-71
Figure 2-26	CRT display showing an acceptable GRAT_PREP waveform.	2-72
Figure 2-27	A14 Timebase board (Reference Oscillator) adjustment location.	2-75
Figure 2-28	Location of the Option 1T Oven Oscillator adjustment.	2-77
Figure 2-29	A10 Front Panel Interface board (Calibrator) test point locations.	2-80
Figure 2-30	Display showing proper alignment of rising edge to cursors.	2-83
Figure 2-31	Waveform alignment for the Linearity measurement (dimension A should be the same at both ends).	2-91
Figure 2-32	A14 Timebase board (High Speed Linearity) adjustment location.	2-92
Figure 2-33	A12 Vertical board (High Frequency Response) adjustment locations.	2-109
Figure 2-34	Video waveform.	2-141
Figure 3-1	Field Replaceable Units (FRU) Locator.	3-10
Figure 3-2	Rear panel location of screws securing the Power Supply Module.	3-12
Figure 3-3	Bottom view of A2A2 Control Rectifier board showing connector locations.	3-13
Figure 3-4	Rear view of CRT base-pin socket and inside view of the rear panel.	3-16
Figure 3-5	Front Panel Assemblies.	3-24
Figure 3-6	Plug-in compartment showing mounting screws for the A1 Plug-In Interface board.	3-26
Figure 3-7	Connector and screw locations for the removal of the A4 Regulator board.	3-27
Figure 3-8	The diagonal method to remove (and to reinstall) the retaining screws on the 11302A CRT Scale Cover.	3-32
Figure 3-9	Connector locations for removal of the A7 Touch Panel board (inside view).	3-34

List of Illustrations

Figure 3-10	Connector locations for removal of the A10 Front Panel Interface board.	3-35
Figure 3-11	Connector locations for removal of the A11 Main Processor board.	3-36
Figure 3-12	Removal of left side decorative trim covers.	3-39
Figure 3-13	Connector locations for removal of the A12 Vertical Amp board.	3-40
Figure 3-14	Connector locations for removal of the A13 Scope Logic board.	3-42
Figure 3-15	Connector locations for removal of the A14 Time Base board.	3-46
Figure 3-16	Connector locations for removal of the A15 Counter/Timer Reference board (option 1T). ..	3-48
Figure 3-17	Connector location for removal of the A16 Memory Expansion board.	3-50
Figure 3-18	Locations of mounting screws on the rear panel plate.	3-51
Figure 3-19	IC lead indexing diagram.	3-56
Figure 3-20	IC insertion-extraction pliers.	3-58
Figure 3-21	11302A cabling diagram.	3-61
Figure 3-22	Orientation of multi-pin connectors.	3-62
Figure 3-23	Block menu sample display.	3-84
Figure 3-24	Area menu sample display.	3-84
Figure 3-25	Block and Area display fields.	3-85
Figure 3-26	Display of Analog Test menu.	3-86
Figure 3-27	Display of a Plug-In Digital Test menu (plug-in diagnostics only).	3-86
Figure 3-28	Display of Mainframe Digital Test menu.	3-86
Figure 3-29	Display of Memory Test menu.	3-87
Figure 3-30	Test Status areas of the display.	3-87
Figure 3-31	Enhanced Accuracy adjustment procedure.	3-96
Figure 3-32	A13 Scope Logic board jumper, resistor, and fuse locations.	3-100
Figure 3-33	CRT Termination jumper location.	3-103
Figure 3-34	Distributed Capacitance Plate.	3-105
Figure 3-35	Rear panel principal line fuse location.	3-107
Figure 4-1	11302A System Block Diagram.	4-2

List of Tables

Table 1-1	Power-Cord Conductor Identification	1-2
Table 1-2	Power-Cord and Plug Identification	1-3
Table 1-3	Option Information Locator	1-6
Table 2-1	Test Equipment	2-2
Table 2-2	Adjustment Tests to Correct Main and Delayed Sweep Failures	2-88
Table 2-3	11302A Vertical Gain	2-99
Table 2-4	Vertical Adjustments Required for Check Failures	2-106
Table 2-5	Initial Adjustments for Critical Components	2-111
Table 2-6	Vertical Cursor Tolerances	2-115
Table 2-7	Measurement Tolerances	2-115
Table 2-8	Horizontal Tolerances	2-128
Table 3-1	Relative Susceptibility to Damage From Static Discharge	3-5
Table 3-2	Power-up Kernel Failure Codes	3-82
Table 3-3	Extended (Ext) Tests Diagnostics Error Index Codes	3-93
Table 3-4	Enhanced Accuracy Adjustment Process	3-94
Table 3-5	Enhanced Accuracy Mode Error Messages and Troubleshooting	3-97

Safety Summary

Specific warnings and cautions will be found throughout the manual where they apply, but may not appear in this summary.

Terms

In This Manual

CAUTION statements identify conditions or practices that could result in damage to the equipment or other property.

WARNING statements identify conditions or practices that could result in personal injury or loss of life.

As Marked on Equipment

CAUTION indicates a personal injury hazard not immediately accessible as one reads the marking, or a hazard to property including the equipment itself.

DANGER indicates a personal injury hazard immediately accessible as one reads the marking.

Symbols

As Marked on Equipment



DANGER—High Voltage.



Protective ground (earth) terminal.



ATTENTION—refer to manual.

Warnings

Power Source

This product is intended to operate from a power source that will not apply more than 250 V rms between the supply conductors or between either supply conductor and ground. A protective ground connection, by way of the grounding conductor in the power cord, is essential for safe operation.

Grounding the Product

This product is grounded through the grounding conductor of the mainframe power cord. To avoid electric shock, plug the power cord into a properly wired receptacle before connecting to the product input or output terminals. A protective-ground connection, by way of the grounding conductor in the power cord, is essential for safe operation.

Danger Arising from Loss of Ground

Upon loss of the protective-ground connection, all accessible conductive parts (including knobs and controls that may appear to be insulating), can inflict an electric shock.

Do Not Operate in Explosive Atmospheres

To avoid explosion, do not operate this product in an atmosphere of explosive gases.

Do Not Service Alone

Do not perform internal service or adjustment of this product unless another person capable of rendering first aid and resuscitation is present.

Use Care When Servicing with Power On

Dangerous voltages exist at several points in this product. To avoid personal injury, do not touch exposed connections and components while power is on.

Disconnect power before removing protective panels, soldering, or replacing components.

Use care when handling a CRT. Breakage of the CRT causes a high-velocity scattering of glass fragments (implosion). Protective clothing and safety glasses should be worn. Avoid striking the CRT on any object which might cause it to crack or implode. When storing a CRT, place it in a protective carton or set it face down in a protected location on a smooth surface with a soft mat under the faceplate.

Use the Proper Fuse

To avoid fire hazard, use only the fuse specified in the parts list for your product, and which is identical in type, voltage rating, and current rating.

Section 1

General Information

This section gives all the information needed to apply power to the 11302A Counter Timer Oscilloscope.

Information on operating voltage and power cord needs, as well as environmental conditions such as operating temperature and ventilation requirements, is included here.

Introduction

The 11302A Service Reference manual is designed for use by qualified service personnel. It contains information necessary to check, troubleshoot, and maintain the 11302A mainframe. Troubleshooting is primarily based upon internal diagnostics. These diagnostics isolate problems to the FRU (Field Replaceable Unit) level. Defective FRUs not detected by diagnostics are isolated using other means. Once the faulty FRU is identified, use the instructions provided in this manual to remove and replace it. The removal and immediate replacement of the faulty FRU allows a minimum of downtime for the user. Section 5, Replaceable Parts, gives a complete list of the FRUs in this instrument.

Operating Power Information

This instrument can be operated from either a 115 V or 230 V nominal supply source, 48 to 440 Hz. The 6 ampere, 250 V line fuse is used for both 115 V and 230 V operation.

WARNING

AC POWER SOURCE AND CONNECTION. The oscilloscope operates from a single-phase power source. It has a three-wire power cord and two-pole, three-terminal grounding-type plug. The voltage to ground (earth) from either pole of the power source must not exceed the maximum rated operating voltage, 250 volts.

Before making connection to the power source, check that the oscilloscope LINE VOLTAGE SELECTOR on the rear of the instrument is set to match the voltage of the power source, and has a suitable two-pole, three-terminal grounding-type plug.

GROUNDING. This instrument is safety Class 1 equipment (IEC designation). All accessible conductive parts are directly connected through the grounding conductor of the power cord to the grounded (earthing) contact of the power plug.

WARNING

The power input plug must be inserted only in a mating receptacle with a grounding contact where earth ground has been verified by a qualified service person. Do not defeat the grounding connection. Any interruption of the grounding connection can create an electric shock hazard.

For electric shock protection, the grounding connection must be made before making connection to the instrument's input or output terminals.

Power Cord Information

A power cord with appropriate plug configuration is supplied with each instrument. Table 1-1 gives the color-coding of the conductors in the power cord. If you require a power cord other than the one supplied, refer to Table 1-2, Power-Cord and Plug Identification.

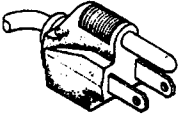
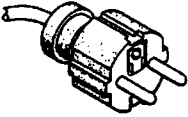
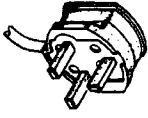
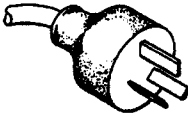
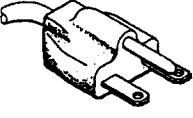
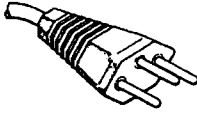
**TABLE 1-1
Power-Cord Conductor Identification**

Conductor	Color	Alternate Color
Ungrounded (Line)	Brown	Black
Grounded (Neutral)	Light Blue	White
Grounded (Earthing)	Green/Yellow	Green

Operating Voltage

The LINE VOLTAGE SELECTOR (located on the rear panel) allows you to select 115 V or 230 V nominal line-voltage operation. The same line fuse is used for both 115 V and 230 V operation.

**TABLE 1-2
Power-Cord and Plug Identification**

Plug Configuration	Usage (Max Rating)	Reference Standards & Certification	Option #
	North American 125 V/6 A	¹ ANSI C73.11 ² NEMA 5-15-P ³ IEC 83 ¹⁰ UL ¹¹ CSA	Standard
	European 220 V/6 A	⁴ CEE (7), II, IV, VII ³ IEC 83 ⁸ VDE ⁹ SEMKO	A1
	United Kingdom 240 V/6 A	⁵ BSI 1363 ³ IEC 83	A2
	Australian 240 V/6 A	⁶ AS C112 ¹² ETSA	A3
	North American 250 V/10 A	¹ ANSI C73.20 ² NEMA 6-15-P ³ IEC 83 ¹⁰ UL ¹¹ CSA	A4
	Switzerland 240 V/6 A	⁷ SEV	A5

¹ANSI – American National Standards Institute

²NEMA – National Electrical Manufacturer's Association

³IEC – International Electrotechnical Commission

⁴CEE – International Commission on Rules for the Approval of Electrical Equipment

⁵BSI – British Standards Institute

⁶AS – Standards Association of Australia

⁷SEV – Schweizerischer Elektrotechnischer Verein

⁸VDE – Verband Deutscher Elektrotechniker

⁹SEMKO – Swedish Institute for Testing and Approval of Electrical Equipment

¹⁰UL – Underwriters Laboratories

¹¹CSA – Canadian Standards Association

¹²ETSA – Electricity Trust of South Australia

Memory Backup Power

A battery (A11BT1190) within the instrument allows the retention of volatile memory upon loss of the AC power source. This battery provides memory backup power which stores the last instrument settings when the power is off. The self-test will display a message to indicate when the battery needs to be replaced.

Another battery (A16BT520) allows the retention of mainframe settings via the STORE/RECALL menu of the mainframe. The battery maintains the storage buffers when the power is off. There is no diagnostic self-test coverage of A16BT520's charge level.

The batteries have a normal shelf life of approximately five years. Partial or total loss of stored settings upon power-up may indicate that the battery(ies) needs to be replaced.

Operating Environment

The following environmental requirements are provided to ensure proper operation and long instrument life.

Operating Temperature

This instrument can be operated where the ambient air temperature is between 0° and +50° C and can be stored in ambient temperatures from -40° to +75° C. After storage at temperatures outside the operating limits, allow the chassis to reach the safe operating temperature before applying power.

Ventilation Requirements

To prevent damage to the Counter Timer Oscilloscope from overheated components, adequate internal airflow must be maintained at all times. Before turning on the power, check the air-intake holes for obstructions. Remove any obstructions to air flow and provide both the bench and the rack mount models with a minimum of two inches of clearance at the sides and rear. To maintain adequate cooling, a variable speed fan controls the air flow as temperature varies.



If air flow is restricted, the instrument's power supply may temporarily shut down.

Instrument Options

Your instrument may be equipped with one or more instrument options. A brief description of each available option is given in the following discussion. Option information is incorporated into the appropriate sections of the manual. Refer to Table 1-3 and the Table of Contents for location of option information. For further information and prices of instrument options, see your Tektronix Products catalog or contact your Tektronix Field Office.

List of Options

- Option 1C** Option 1C adds four bnc connectors to the front and rear panels so that signals may be internally routed directly between the two panels. This is especially useful for rackmounted applications. This option can be added at any time.
- Option 1R** Option 1R adds slide rails and rackmounting hardware to convert the benchtop instrument to a standard 19-inch rackmount version. This option can be added at any time.
- Option 1T** Option 1T provides a high-stability timebase for the Counter Timer. This option can be added at any time.
- Option A1** Replaces the standard power cord with the Universal European 220 V type power cord.
- Option A2** Replaces the standard power cord with the United Kingdom 240 V type power cord.
- Option A3** Replaces the standard power cord with the Australian 240 V type power cord.
- Option A4** Replaces the standard power cord with the North American 250 V type power cord.
- Option A5** Replaces the standard power cord with the Switzerland 240 V type power cord.

**TABLE 1-3
Option Information Locator**

Option	Location in Manual		Information
	Section	Heading	
Option 1C (Provides back to front connectors)	1 General Information	List of Options	Gives brief description of Option 1C.
Option 1R (Provides rackmount hardware)	1 General Information	List of Options	Gives brief description of Option 1R.
Option 1T	1 General Information	List of Options	Gives brief description of Option 1T.
Option A1 (Provides Universal European power cord)	1 General Information	Table 1-2, Power-Cord and Plug Identification	Gives plug configurations ratings and referenced standards.
		List of Options	Gives brief description of Option A1.
Option A2 (Provides United Kingdom power cord)	1 General Information	Table 1-2, Power-Cord and Plug Identification	Gives plug configurations ratings and referenced standards.
		List of Options	Gives brief description of Option A2.
Option A3 (Provides Australian power cord)	1 General Information	Table 1-2, Power-Cord and Plug Identification	Gives plug configurations ratings and referenced standards.
		List of Options	Gives brief description of Option A3.
Option A4 (Provides North American power cord)	1 General Information	Table 1-2, Power-Cord and Plug Identification	Gives plug configurations ratings and referenced standards.
		List of Options	Gives brief description of Option A4.
Option A5 (Provides Switzerland power cord)	1 General Information	Table 1-2, Power-Cord and Plug Identification	Gives plug configurations ratings and referenced standards.
		List of Options	Gives brief description of Option A5.

Section 2

Checks and Adjustments

This section contains procedures to check electrical specifications, verify most instrument functions, and set all internal adjustments. This procedure provides a logical sequence of check and adjustment steps, and is intended to return the instrument to specified operation following repair, or as a part of a routine maintenance program. The procedure is semi-automated, relying on computer aided test system (CATS) software running on an IBM compatible personal computer (PC) to control the mainframe. The Checks and Adjustments procedure contains manual and automated tests. The written procedure directs you to run CATS tests when necessary. The CATS software displays the tests in alphabetical order, not in the order in which they will be run. The PC controls the mainframe under test via the COM1 RS-232 port.

Consult the User's Reference manual for more information about advertised specifications and instrument operation. Consult the test equipment manuals for information concerning test equipment setup or interconnection. The specifications are given at the beginning of each procedure that verifies a performance specification.

NOTE

Performance specifications are used in the check portions of this procedure while tighter adjustment specifications are used in the adjustment portions to ensure that the advertised instrument performance is met in all normal operating conditions.

Installing and Removing Plug-In Units



To avoid instrument damage, set the mainframe ON/STANDBY switch to STANDBY before installing or removing plug-in units.

Minimize the Time Power is Off

During the procedure you will be asked to change plug-in units and install or remove the top and bottom covers. Both of these tasks require a power-down with the ON/STANDBY switch. You should try to keep the power-off time to a minimum in order to reduce the internal temperature change. The mainframe accuracy is adversely affected by internal changes in temperature. In normal operation, Enhanced Accuracy is available only after a 20 minute warmup period. This requirement is defeated during the procedure to accelerate the execution time, but care should be taken to minimize the power-off time.

When moving plug-in units, a quick transfer (i.e., about 15 seconds) and power-up will essentially preserve the internal temperature and the Enhanced Accuracy state. Disconnect any cables or probes before beginning a plug-in unit move. An excessive delay in powering-up (beyond 30 seconds) will mean a warm-up period is necessary.

Test Equipment

Table 2-1 contains suggested test equipment for use with the Checks and Adjustments Procedure. Procedure steps are based on the test equipment examples given, but other equipment with similar specifications may be substituted. However, using other equipment could alter the test results, the setup information, or the related connectors and adapters required.

RS-232 Cable Requirements

The RS-232 cable that connects the PC COM1 port with the 11302A mainframe under test should be a standard controller-to-modem (DCE-DTE) type cable. The type of RS-232 connector your PC has will determine the type of connectors your cable must have. The two most common connectors are the 25 pin D type and the 9 pin D type. The 25 pin to 25 pin cable should at least have pins 2-2, 3-3, 4,-4, 5-5, 7-7, 8-8, and 20-20 connected. The 9 pin to 25 pin RS-232 cable should be wired as follows:

9-Pin Connector	25-Pin Connector
1 (DCD)	8 (DCD)
2 (RD)	3 (RD)
3 (TD)	2 (TD)
4 (DTR)	20 (DTR)
5 (Sig GND)	7 (Sig GND)
6 (DSR)	6 (DSR)
7 (RTS)	4 (RTS)
8 (CTS)	5 (CTS)
9 (N.C.)	22 (RI)

TABLE 2-1
Test Equipment

Description	Minimum Specification	Examples of Applicable Test Equipment
Portable computer (PC)	IBM PC compatible, 2 floppy drives, RS-232, 640 kbytes memory, MSDOS 2.1 or newer	Compaq
RS-232-C Cable	Standard DTE-DCE 25 pin - 25 pin D type or 25 pin - 9 pin D type	Tektronix Part 012-0911-00 (25-25 pin)
5 ¹ / ₄ " diskette (2 required)	Double sided, double density	Maxell MD2-DD

**TABLE 2-1 (cont)
Test Equipment**

Description	Minimum Specification	Examples of Applicable Test Equipment
Digital Multimeter (DMM)	5 ¹ / ₂ digit, 0.01% DC accuracy, 0.1% resistance	Fluke 8842A
RF Synthesizer	50 kHz – 500 MHz, 1 part in 10 ⁶ accuracy, 700 mV rms	Fluke 6061A
Plug-In Amplifier	11000-Series, 150 MHz bw, 50 Ω & 1 MΩ impedance	11A32, 11A33, 11A34
Time Mark Generator	1 ns through 5 s markers in a 1-2-5 sequence, at least 5 parts in 10 ⁷ accuracy	TEKTRONIX TG 501 Time Mark Generator with a TM 500-series Power Module
Calibration Generator	Square wave output, 0.25% accuracy, 1-2-5 amplitude selection from 200 μV p-p to 100 V p-p, ~1 ms period	TEKTRONIX PG 506 Calibration Generator with a TM 500-series Power Module
Precision Time Base, Traceable Frequency Standard	1 MHz or 10 MHz out, 5 parts in 10 ⁷ accuracy; with mainframe Opt 1T, 5 parts in 10 ⁸	Efratom PTB-100 with Tektronix TM 500 Power Module or comparable WWV system
Low Frequency Generator	1 Hz sinewave output, 4 Vp-p	TEKTRONIX FG503 Function Generator
Signal Standardizer (2 required)	Tektronix Calibration Fixture modified for 11000-series mainframes (Service Kit 040-1212-00)	Tektronix Part 067-0587-02 or 067-0587-10
Test Oscilloscope	50 MHz or greater bandwidth, 1 MΩ input impedance	TEKTRONIX 2225 Oscilloscope or SC 504 Oscilloscope
Oscilloscope Probes (2 required)	10X probes, compatible with the test scope	TEKTRONIX P6103
NTSC Video Test Signal Generator	525 lines/60 Hz interlaced composite video, 1 V p-p into 75 Ω, negative horizontal sync	TEKTRONIX TSG-170A
PAL Video Test Signal Generator	625 lines/60 Hz interlaced composite video, 1 V p-p into 75 Ω, negative horizontal sync	TEKTRONIX TSG-175A

TABLE 2-1 (cont)
Test Equipment

Description	Minimum Specification	Examples of Applicable Test Equipment
Low-pass filter		Tektronix Part 067-1320-00
2X Attenuator (2 required)	14 dB attenuation, 50 Ω one male and one female BNC connector	Tektronix Part 011-0069-02
5X Attenuator	14 dB attenuation, 50 Ω , one male and one female BNC connector	Tektronix Part 011-0060-02
T Adapter	Two female, one male BNC connectors	Tektronix Part 103-0030-00
Coaxial Cable (2 required)	50 Ω , 18-inch, two male BNC connectors	Tektronix Part 012-0076-00
Coaxial Cable (2 required)	50 Ω , 42-inch, two male BNC connectors	Tektronix Part 012-0057-01
50 Ω Termination (3 required)	Feedthrough, 2% accu- racy, BNC connectors	Tektronix Part 011-0049-01
BNC Female to BNC Female Adapter		Tektronix Part 103-0028-00
BNC Male to BNC Male Adapter		Tektronix Part 103-0029-00
N to BNC adapter (for RF Synthesizer front-panel output)	N male to BNC female	Tektronix Part 103-0045-00
Power Divider with BNC adapters	> 1 GHz bandwidth, 50 Ω coaxial, > 6 dB load isolation	Tektronix Part 015-1014-00 with SMA to BNC adapters (3 each 015-1018-00, 015-1012-00) or 017-0082-00 with GR to BNC adapters (3 each 017-0063-00)
Torx Screwdriver and Tips	Magnetic screwdriver T-10 T-15 T-20	Tektronix Part No. 003-0293-00 003-0814-00 003-0966-00 003-0866-00
16 pin DIP clip	Compatible with DIP ICs	Tektronix Part 003-0709-00
Integrated Circuit Extracting Tool	IC Insertion-Extraction Pliers 28-pin type	General Tool P/N U505BG or equivalent
Circuit Board Removal Tools	Straight-slot screwdriver, large, needle-nose pliers, nutdrivers, 3/16", 1/4", 7/16"	

Using the CATS Software

The CATS (Computer Aided Test System) software resides on the 5 1/4 inch floppy disk originally packaged at the front of this manual. You will need an MSDOS system disk version 2.1 or newer to boot your PC. The CATS software disk should be kept as a master copy, not used as a "working" disk. The following instructions describe how to make a working copy of the CATS software. Instructions are also given below for installing the CATS software on a hard disk system. PC commands can be entered as upper or lower case characters.

There are a few operating conditions that must be observed when setting up a PC controller. First, the CATS software should NOT be used on a PC tied to a network. Doing this could cause the PC to miss important messages or data from the mainframe, resulting in test errors. RAM resident programs can be another source of problems. Check that no programs other than MSDOS are loaded at the time your PC is booted. This could produce an Out of Memory error or other system problems. Finally, make certain that a color graphics adapter card is not installed. This will produce "snow" on the PC display during testing.

Creating a Working Disk For a Dual-Floppy Drive System

To create a working copy of the CATS software:

- a. With the MSDOS system disk in drive A, enter the command
DISKCOPY B: A:
- b. The PC will prompt you to put the source disk (i.e., the CATS Master) in drive B and the blank disk in drive A.
- c. Replace the MSDOS disk with a blank disk and put the CATS Master disk in drive B, press Return.
- d. When copying is complete, remove the CATS Master disk and store it in a safe place.

To format a disk for data logging:

- a. Put a blank floppy disk (unformatted) in drive B.
- b. With the MSDOS system disk in drive A, enter the command

FORMAT B:

Installing CATS Software on a Hard Disk System

To install the CATS software on your hard disk, select the drive in which the CATS disk resides (e.g., A:) then enter the following command:

INSTALL *diskname*

where *diskname* is a letter from A-D that represents your hard disk. The INSTALL command creates a TEKCATS directory on your hard disk, then copies all the files from the Master disk TEKCATS directory to the newly created TEKCATS directory. If a TEKCATS directory already exists on your hard disk, the INSTALL command will overwrite the existing CATS files but not your log files.

Running the CATS Software

The CATS software should not be started until the mainframe oscilloscope under test is properly configured as described later under Mainframe Preparation.

Once the CATS software is installed and the mainframe is properly configured for testing, you can invoke the CATS software with the command

11300A

On a dual floppy drive system, enter this command when the working copy of the CATS disk is in drive A and drive A is selected (A:). For a hard disk system, change to the TEKCATS directory (CD \TEKCATS) before invoking the CATS software. Alternately, you can add the TEKCATS directory to your executive path with the PATH command (refer to your MSDOS manual).

Once the CATS software is running, you will be prompted to:

- Enter your name,
- Check/Set the current date and time,
- Select the type of mainframe (11301A or 11302A) being checked, and
- Verify that the serial number read from the mainframe's internal EEROM is correct (i.e., matches the front panel serial number). If the internal serial number is incorrect enter the correct number when prompted. The entered serial number will be stored internally.

The PC will initialize the powered-up mainframe. When properly booted, the CATS software will display the test list menu.

Selecting Menu Items: Default Selection is Highlighted

The CATS software presents menus with status information at the top, selections or prompt messages in the middle, and data entry at the bottom. Each selection has a number that must be entered to select the item.

In most menus more than one selection is possible. The software tries to anticipate the usual selection and highlights it as the default. Simply pressing the Return key will select the highlighted item. If another selection is desired, enter its number as displayed.

When the procedure directs you to start a test, find the test from the alphabetical test list menu and enter its corresponding number. The list of tests is large enough to require two screens (or pages) of tests. Press the space bar to switch to the second page or back to the first.

In some adjustment tests, the function keys F5, F6, F7, and F8 are assigned to increase or decrease some parameter of a displayed trace. You will be prompted at the bottom of the screen when it is time to use these function keys.

Exiting from CATS and Other F1 Key Options

Once running, the CATS software can be exited at anytime by pressing the F1 key then entering "4" to leave the program. Pressing F1 also offers other options that include:

1. Return to (Restart) previous test or menu. This allows you to restart a test after exiting it.
2. Back up one menu level. When exiting from a CATS test, this will return you to the test list menu.
3. Back up to the top menu (i.e., 11301A or 11302A selection).
4. Leave CATS for the MSDOS environment. This terminates the CATS software and closes the log file.
5. Redraw the PC screen.
6. Display CATS environment information, including the CATSOS version number and the application (APPL) version number. These version numbers are necessary when reporting a problem with the CATS software.

Other Function Keys

When the single test menu is displayed, three keys are enabled in addition to the F1 Function Key.

1. The F3 Key ends single test selection sequence. It exits test selection and sends end-of-sequence data to the log file.
2. The F5 Key saves the currently selected test sequence for later recall.
3. The F7 Key recalls the previously saved sequence for reuse.

Storing and Reloading Mainframe Calibration Constants

The CATS test list menu contains a utility test that provides the ability to store the full set of mainframe EEROM calibration constants in a file and, if necessary, reload them into a mainframe.

The store option reads all mainframe calibration constants and saves them in the file that you specify. This utility may be used before starting repair or adjustment of a mainframe to provide a recovery file in case something extraordinary happens, such as a loss of power in the building.

The restore test provides the ability to load a complete set of mainframe calibration constants from a PC disk file into the mainframe. The file can be either one stored earlier as a backup/recovery file or a special Default file contained on the CATS disk. The Default file is a complete set of default calibration constants. The Default file should only be used following a catastrophic failure such as the A11 Main Processor board losing its calibration constants memory (EEROM). After a major repair, you may be asked to load the Default file into the mainframe to put the instrument in an initial operating state. The full Checks and Adjustments procedure must be performed following the loading of the Default file. The CATS disk contains separate Default files for the 11301A (DEFAULT.301) and for the 11302A (DEFAULT.302). Use the appropriate file for your mainframe.

Using the Utility Tests

To use the utility tests, perform the steps listed under Mainframe Preparation (just before Part 1 of the procedure) then select the test **utility** from the test list menu. You will be prompted to choose one of the following:

- 1) **DUT_const > file**—This selection stores the current calibration constants from the mainframe in a file. After selection, you will be asked to enter the desired disk drive and a name for the file such as b:\directory\calconst.dat.
- 2) **const_file > DUT**—This selection loads a file containing calibration constants into the mainframe. After selection, you will be asked to enter the desired disk drive and the name of the calibration constants file.
- 3) **Exit menu**—This selection returns you to the test list menu.

When the transfer of calibration constants is complete, the PC will display the status of the transfer.

Test Data Logging

All automated CATS tests log results to a data log file, while manual test data may be logged on a blank form provided on the CATS disk. For dual-floppy drive systems, the data log file is written to the root directory on drive B. On hard disk systems, the data file is written to the TEKCATS directory. The instrument serial number is written to the data file as is the date and the time testing began. The data log file is named with the instrument serial number followed by a .DLF suffix (e.g., B010000.DLF). This ensures a unique log file for each mainframe checked.

If only checks are performed, then the results of the checks are logged for each test run. If an adjustment is made in a test, only the results of the adjustment are logged for that test. Subsequent runs of the CATS software (i.e., leaving the CATS software, then restarting it later) on a particular instrument will append the new log data to the end of the old log file rather than overwriting it.

Manual tests do not have data logged automatically, so a blank report form is provided on the CATS software disk for logging test results. Before starting the CATS software, enter the following command to print the blank form:

```
PRINT diskname:BLANKFM.RPT
```

Types of Data and Limits Logged

The logged data includes Pass/Fail status and, if appropriate, the low limit, high limit and current value for a checked parameter. The test limits stored in the log file are, in most cases, the advertised specifications. The logged limits may be more lenient than those used in the check portions of the procedure and they are definitely more lenient than the limits used for the adjustment portions. The log file is an ASCII character file but the data is logged in a somewhat cryptic format.

Printing the Log File

A report generator is included on the CATS software disk that will print out a specified test log file on an Epson compatible printer connected to the PC. The report generator takes the cryptic information in the log file and puts it into a useful table format before printing. The report generator is a program separate from CATS and must be invoked when the CATS software is not running. To print a test log enter the following command:

```
CATSRPT diskname:filename.dlf > prn
```

A complete record of the Checks and Adjustments procedure consists of both the printed log file and the manually filled in report.

Removing Old Log Files

To remove old log files enter the DOS command

ERASE *diskname:filename.dlf*.

For example, ERASE B:B01000.DLF would remove the data file named B01000.DLF from drive B.

CATS SRQ Messages

The mainframe sends Service Requests (SRQs) to the PC when it needs attention. Usually the SRQ indicates completion of the last command sent by the PC. If the SRQ is not a response to a command and is unexpected by the PC, then it is a spurious SRQ. The spurious SRQ may indicate an error condition in the mainframe, an incorrect plug-in unit for the current test, or many other possibilities. For a complete list of SRQ messages, refer to the ASCII interface discussion in the appropriate user's manual.

When a spurious SRQ occurs, the CATS software displays a status window as a troubleshooting aid for the operator. The window gives the SRQ status byte, the event number, and a description of the unexpected event.

To remove the SRQ message press the carriage return. If the PC continues to display an SRQ message, check the settings, connections and On/Off state of all test equipment, and the mainframe. After all has been checked, press the F1 key and select number 1, **Return to previous test**. This will restart the failed test.

Clearing a Continuous SRQ Condition

In unusual circumstances, the mainframe may continually generate SRQs or it may not respond to keyboard input. If either of these conditions occur, press the F1 key and select number 4 to leave CATS. When the MSDOS prompt appears restart the CATS software. The CATS software has a buffer in which it stores SRQ messages from the oscilloscope mainframe. Quitting the CATS software clears this buffer.

If the SRQ message reappears, it means that the PC to oscilloscope mainframe communication interface is not synchronized. To correct this condition, leave CATS, initialize the mainframe, then cycle the oscilloscope mainframe power off and on to reset the interface. It is not necessary to power down the PC. When the mainframe oscilloscope is powered up, restart the CATS software.

CATS Error Messages

The PC generates error messages whenever the CATS is unable to run properly or, in some cases, when a CATS test fails. The error message display will briefly describe the problem. If the failure follows an adjustment attempt, then refer to the Troubleshooting section. The following is a partial list of errors and their probable causes:

- **Out of Memory.** The CATS software needs more memory (free RAM) to run. Either another program is running in RAM or the PC does not have adequate RAM (640 kbytes) installed to run the CATS software.
- **Read Failed.** There was a communications failure between the PC and the oscilloscope mainframe.

- **Write Failed.** The PC was unable to communicate with the oscilloscope mainframe because the power was off or possibly because the RS-232 cable was not properly connected.

Using this Procedure

This 11302A mainframe procedure involves three types of tests; entirely manual tests, semi-automated tests that require you to adjust waveforms and enter information on the PC, and fully automated tests that simply post Pass/Fail status upon completion. The sequence of testing will normally progress from Part 1 to the end of the procedure. An abbreviated list of procedure Parts is discussed below that focuses on Performance Specifications only. Another sequence may result from checks required after replacing an FRU. See the Maintenance section for information on checks required after FRU replacement. This procedure should be performed only on the 11302A mainframe.

If you are unable to properly make an adjustment specified in a procedure Part, refer to the Troubleshooting section of this manual.

Format Conventions

In these procedures, capital letters within the body of text identify front-panel controls, indicators, and connectors (for example, MEASURE) on the mainframe and plug-in. Bold letters identify menu labels, display messages, and PC test names. For example, **Vertical Cursors** is a menu entry while **AUTOCAL_VERT** is a PC test name. Initial capital letters identify connectors, controls, and indicators on associated test equipment (for example, Position). Initial capital letters also identify adjustments inside the mainframe and plug-in (for example Vertical Size).

A heading system is used to readily identify the steps that contain performance verification and/or adjustment instructions. For example, if **CHECK** is the first word of a step, a functional limit or electrical specification is checked. If **ADJUST** appears in the title, the step involves an electrical adjustment.

Terms Used

Below are the definitions of some abbreviations and terms used in the manual procedure and on the PC prompts:

DUT—Device under test, which refers to the oscilloscope mainframe being checked and adjusted.

Enter—Information must be typed in on the PC followed by a carriage return.

Start—Find the indicated test from the test list menu and enter its corresponding number.

Mainframe Menu Selection and Measurement Techniques

Details on measurement techniques and instructions for making menu selections on the oscilloscope mainframe are generally not included in this procedure. Comprehensive descriptions of menus and instrument features are located in the mainframe User's Reference manual.

The mainframe tutorial manual is strongly recommended to familiarize the first-time user with the mainframe controls and features.

Abbreviated Sequence for Performance Verification

All of the Checks and Adjustments procedure Parts should be performed annually. But, a reduced set of procedure Parts may be performed semi-annually to verify instrument performance.

If an adjustment is required in one of these procedure Parts, then it may be necessary to perform some checks that occur earlier in the full procedure. For example, if the Vertical High Frequency Response is adjusted, you will need to perform the following procedure Parts:

- Part 12—Vertical Center
- Part 15—Plug-In Interface Gains (vertical section)
- Part 16—Vertical Center (second pass)
- Part 19—Beam Registration
- Part 20—Cursor to Graticule Match

Perform the following procedure Parts to verify instrument performance.

1. Part 2—Extended Diagnostics
2. Part 4—CVR Accuracy
3. Part 7—Front Panel Display Adjustments
4. Part 20—Cursor to Graticule Match
5. Part 21—Reference Oscillator
6. Part 22—Front Panel Calibrator
7. Part 25—Install Instrument Covers/Store Cal Constants
8. Part 26—Sweep Timing Accuracy
9. Part 27—Delta Delay Accuracy
10. Part 29—Vertical High Frequency Response
11. Part 30—Vertical/Measurement Accuracy
12. Part 34—Trigger Accuracy
13. Part 36—Center Compartment X-Axis Accuracy
14. Part 39—Frequency Accuracy
15. Part 40—External A and B Input Sensitivity
16. Part 41—2 ns Holdoff
17. Part 42—Holdoff by Events
18. Part 43—Time Interval Using Sweeps
19. Part 44—Minimum Time Interval
20. Part 46—Store Cal Constants

Only the CVR Accuracy test requires access to the calibration constants. So, unless an adjustment is made during the CVR test, the Store Cal Constants procedure Part may be omitted.

Mainframe Preparation

The following information describes how to configure the mainframe for checks and adjustments, connect the PC, and start the CATS software. For a detailed discussion of the CATS software, see *Using the CATS Software* earlier in Section 2.

1. Remove Instrument Covers

Set the ON/STANDBY switch to STANDBY. Remove the top and bottom covers from the mainframe. Use a coin to turn the four clasps on the top and bottom covers. First, lift up the front of each cover, then remove it.

2. Setting DIP Switches for Testing

Locate the DIP switch on the A11 Main Processor board (see Fig. 2-1) at the top, rear of the mainframe. All DIP switches are normally in the Open position and should be returned to that position after all tests are performed. For testing, set DIP switch numbers 3, 4, 5, and 6 to the closed position.

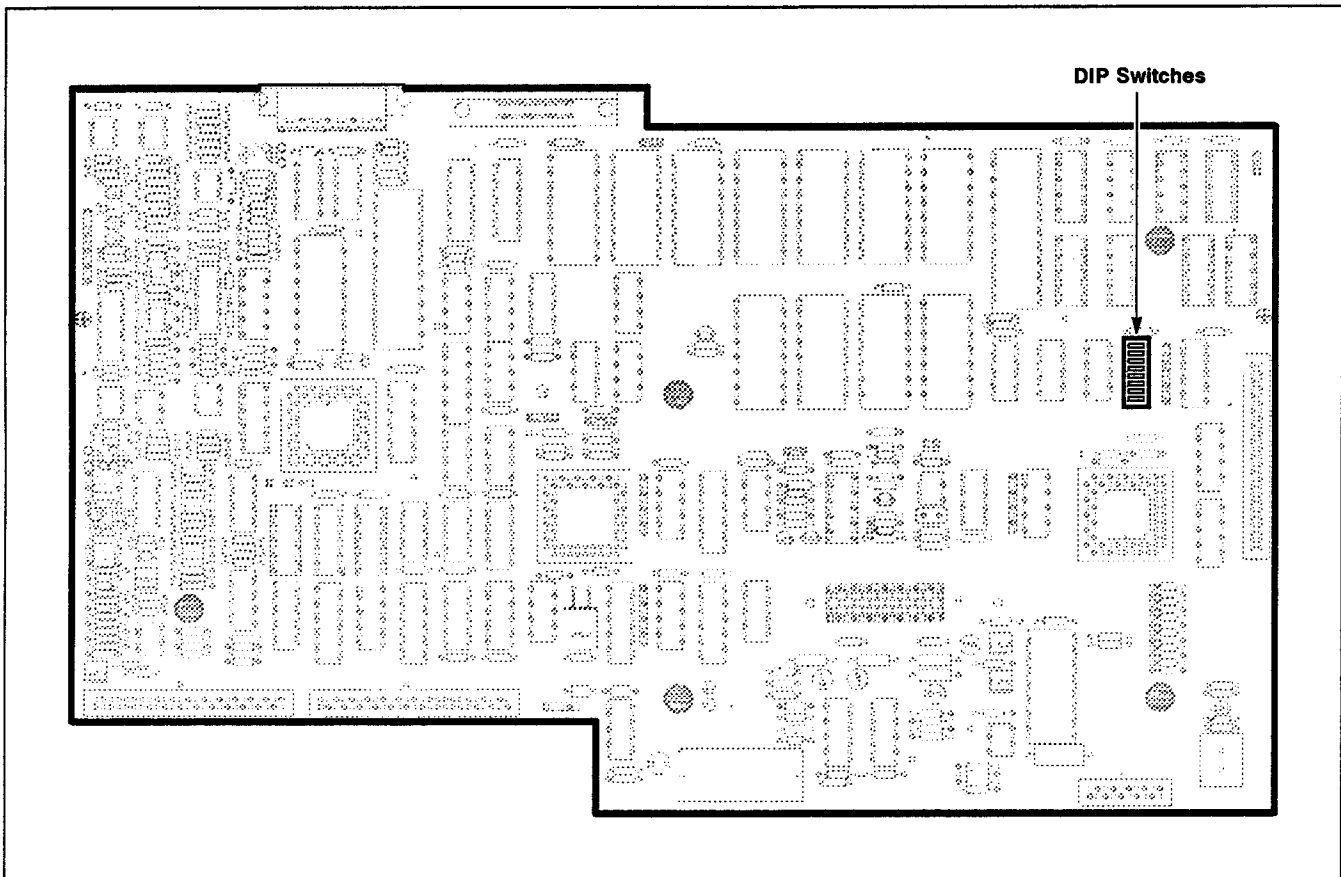


Figure 2-1. Location of DIP Switch on the A11 Main Processor board.

When closed, switch number 3 inhibits self-test at power up, number 4 permits Enhanced Accuracy shortly after power up instead of waiting the normal 20 minutes, number 5 permits the RS-232 controller to access the calibration commands and constants, and number 6 modifies menu operation for automated calibration and verification.

3. *Connect RS-232 Cable, Power Up Mainframe, Set RS-232*

Connect the RS-232 cable (see Test Equipment earlier) from the PC COM1 port to the mainframe under test. The cable should be long enough to allow the mainframe to be moved about while connected. Turn the rear-panel PRINCIPAL POWER SWITCH and the ON/STANDBY switch to ON. When the mainframe is powered up, press the UTILITY button and select RS-232. Verify or set the following settings:

baud rate 4800
stop bits 1
character bits 8
parity none

4. *Power up the PC*

Apply power to the PC if not already powered up. You will need an MSDOS system disk that is version 2.1 or newer. When MSDOS is near booted it may ask for the correct time and date. Enter the current time and date. If you are not prompted for the time and date, use the MSDOS commands TIME and DATE to set them. The current time and date are used to date the test log file. Print out the manual report form (PRINT *diskname*: BLANKFM.RPT) as described previously under Test Data Logging.

5. *Start the CATS Software*

With the mainframe already powered up, remove the MSDOS system disk and put in the CATS working disk. Put a blank formatted disk in drive B for the data log. Invoke the CATS tests by entering 11300A. On a hard disk system, change directories into the TEKCATS directory, then enter 11300A. See Using the CATS Software earlier in this section for more details.

6. *Go to Part 1 of the Procedure*

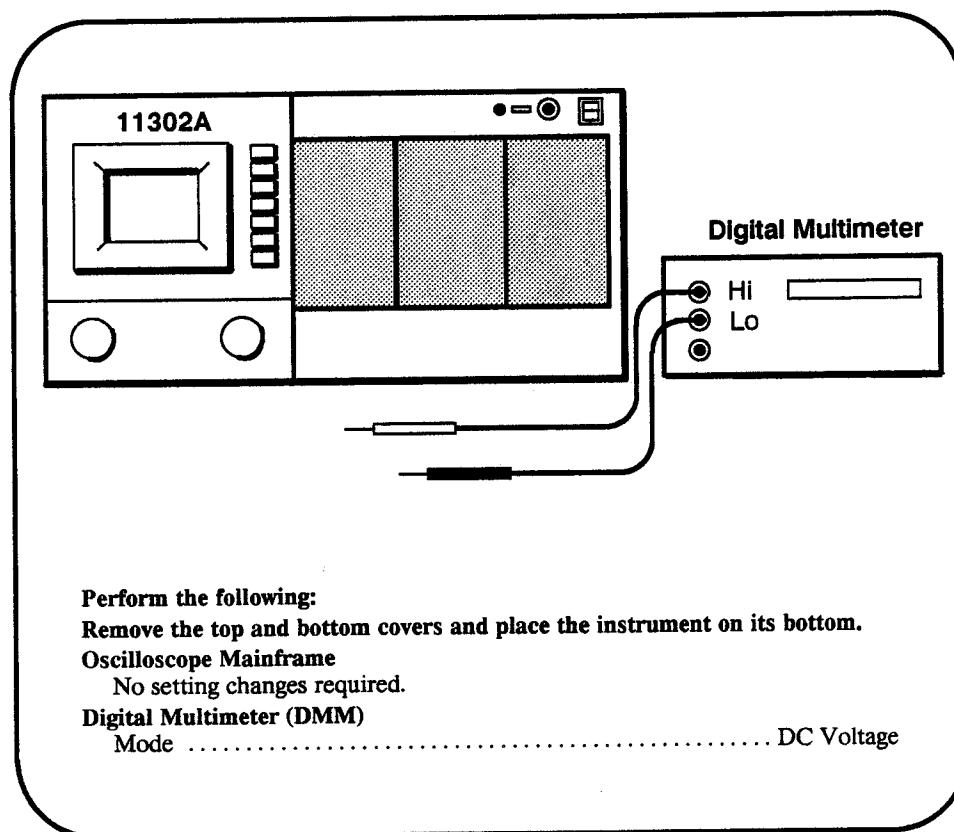
Proceed to Part 1 of the procedure unless you are performing the procedure Parts listed in Abbreviated Sequence for Performance Verification Only or a special list of procedure Parts following FRU replacement. Set the mainframe beeper volume to an audible level by pressing the UTILITY button and selecting **Soft** or **Loud**, whichever your environment requires.

Part 1 — Power Supply

Description This test checks the power supply voltages.

Examine Supply Voltages

Setup



Procedure

- a. Verify the following analog supply voltages at the associated connector pins located on the A11 Main Processor board. See Figure 2-2.

Analog Voltage	Connector-Pin #	Tolerance
-50 V	J90-5	± 1 V
+50 V	J90-3	± 1 V
-15 V	J90-11	± 0.3 V
+15 V	J90-9	± 0.3 V
-5 V	J90-2	± 0.15 V
+5 V	J90-26	± 0.15 V

- b. Place the instrument on its right side, then **CHECK** the supply test pin J63-2 (see Figure 2-3) for $+5.1\text{ V} \pm 50\text{ mV}$. The jumper J63 (an unused 6 pin connector) is located on the bottom at the left rear of the instrument, on the A2 Power Supply Module. Use ground test point TP510 on the A13 Scope Logic board.



DO NOT attempt to optimize the power supply adjustment settings if the reading is within the stated limits. If the readings are outside the stated limits, proceed to the following Adjust steps.

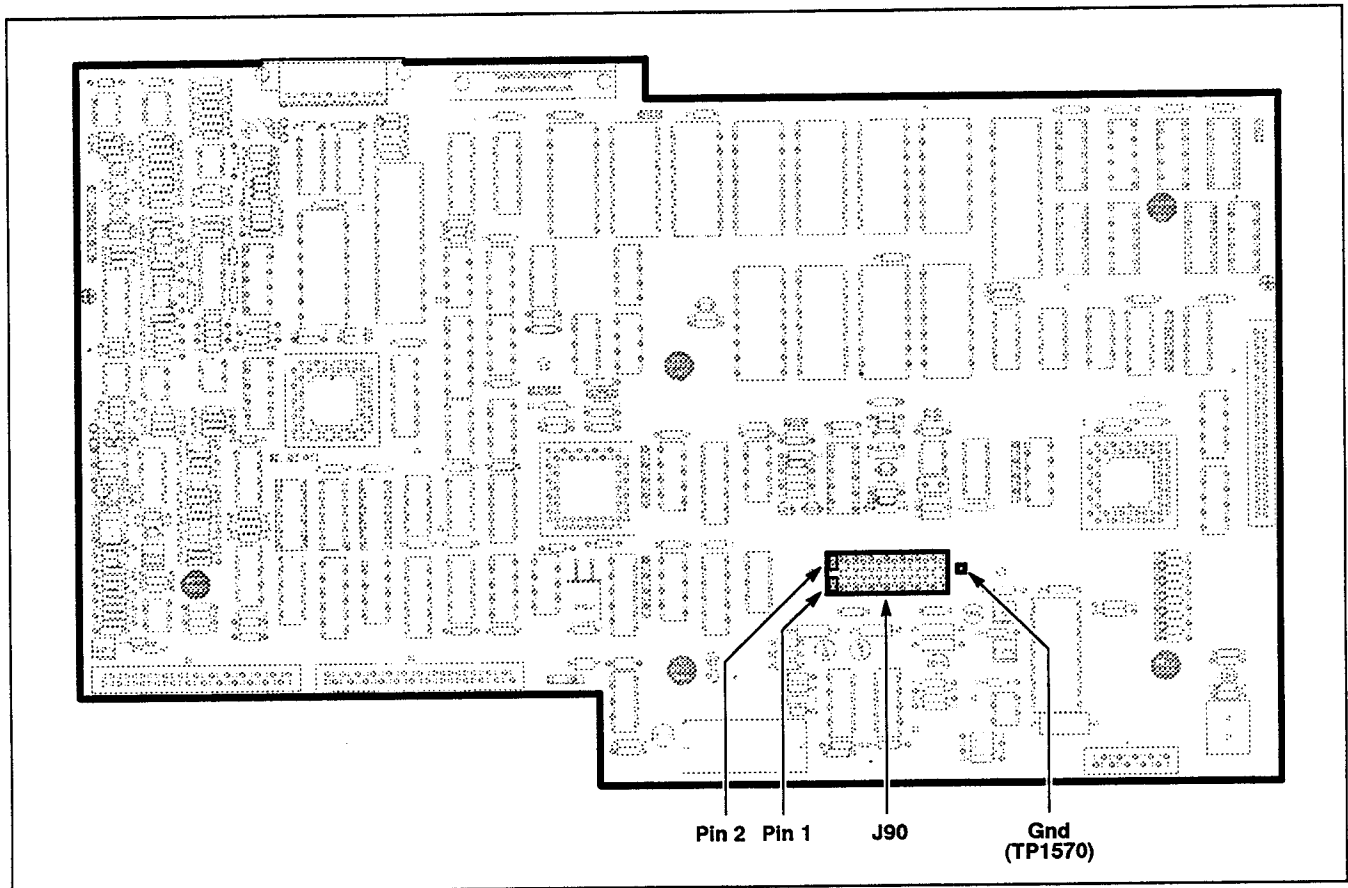


Figure 2-2. Location of the J90 connector on the A11 Main Processor board.

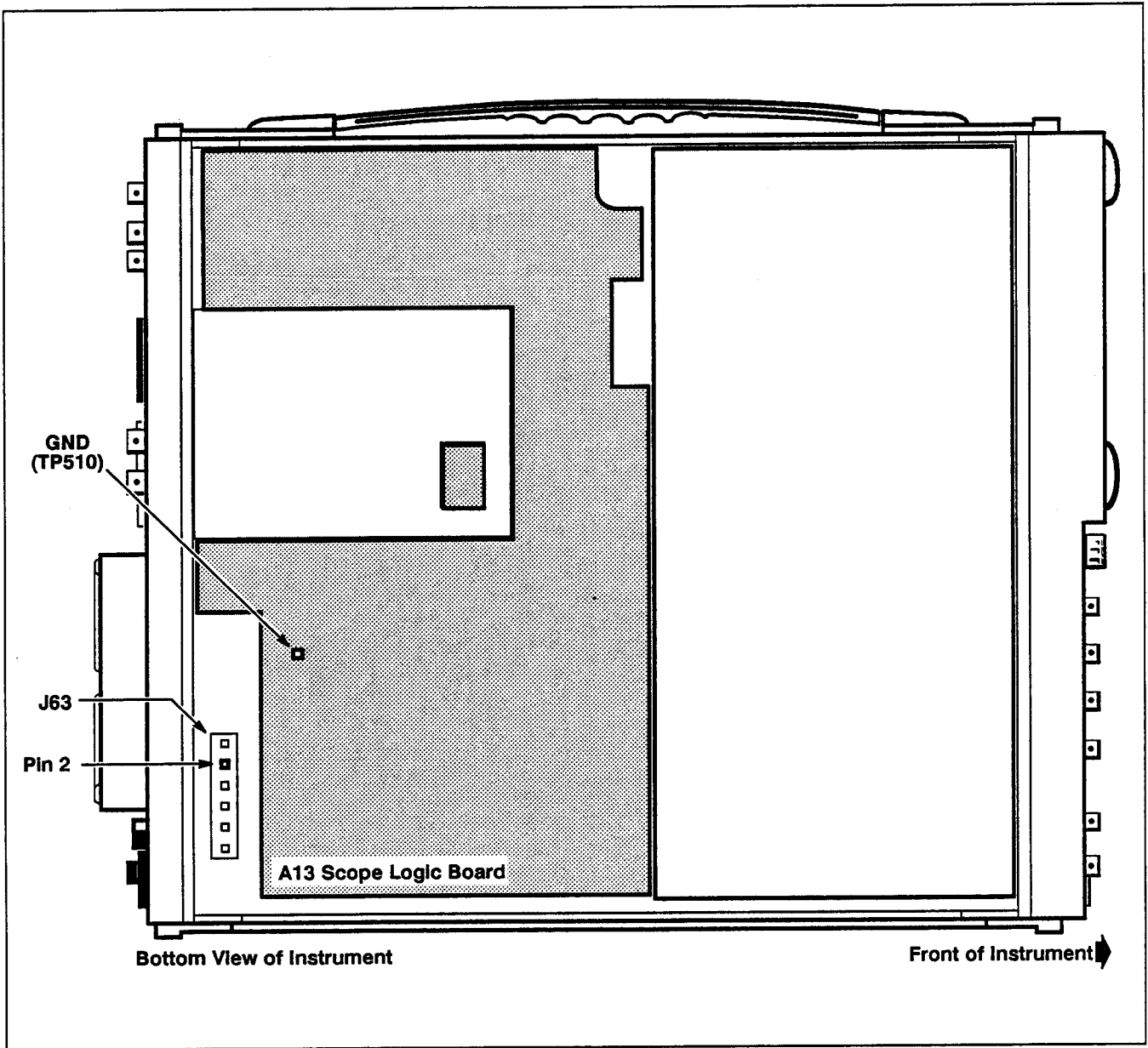
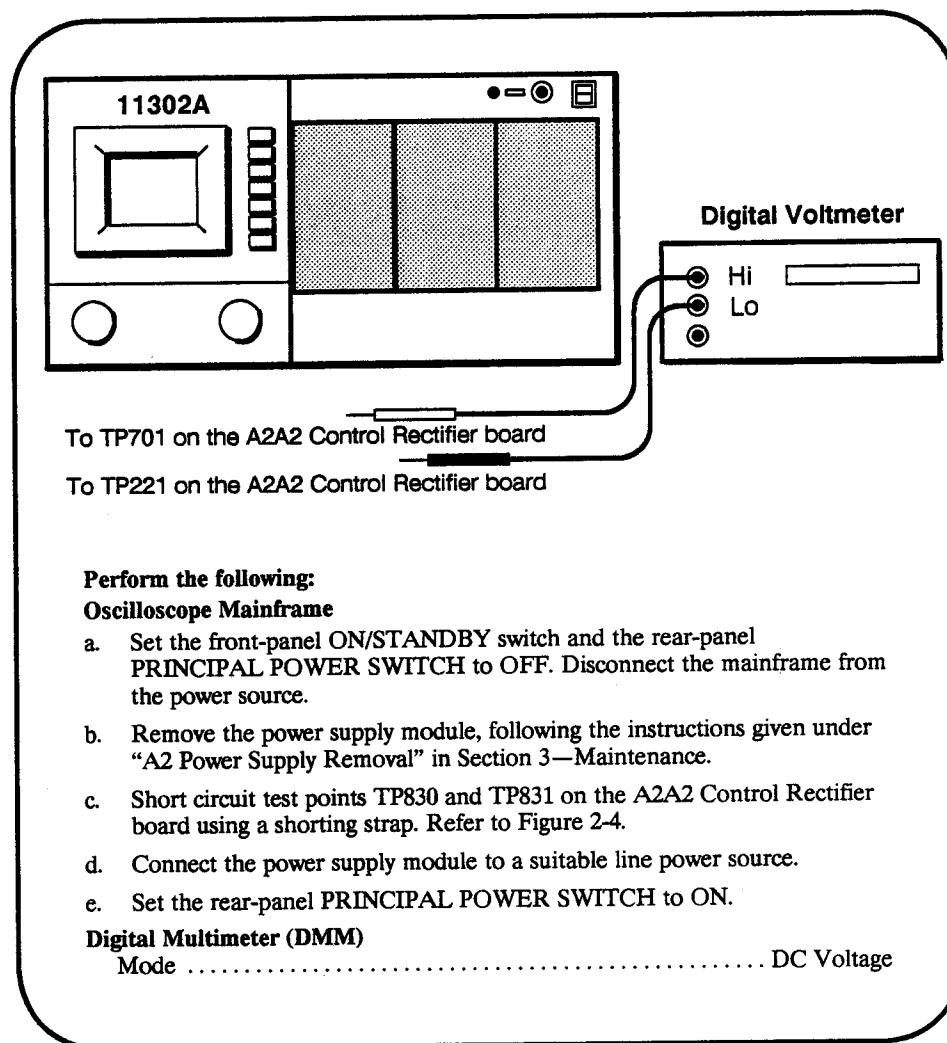


Figure 2-3. Location of J63-2, the +5.1 V test point on the A2 Power Supply Module.

Adjust +5.2 V Reference

Setup



Procedure

WARNING

Extreme caution must be used when making the following adjustment due to the dangerous potentials present.

- CHECK**—the DMM for a reading of +5.20 V, within the limits of +5.15 V and +5.25 V.



DO NOT adjust if the reading is within the stated limits.

- b. *ADJUST*— + 5.2 V Ref adjustment R800 for + 5.20 V.
- c. Remove the DMM leads from the test points.
- d. Set the rear-panel PRINCIPAL POWER SWITCH to OFF. Disconnect the instrument from the power source. Remove the **shorting strap** and all test leads.
- e. Replace the power supply in the mainframe.
- f. Set the rear-panel PRINCIPAL POWER SWITCH to ON, and the front-panel ON/STANDBY switch to ON.

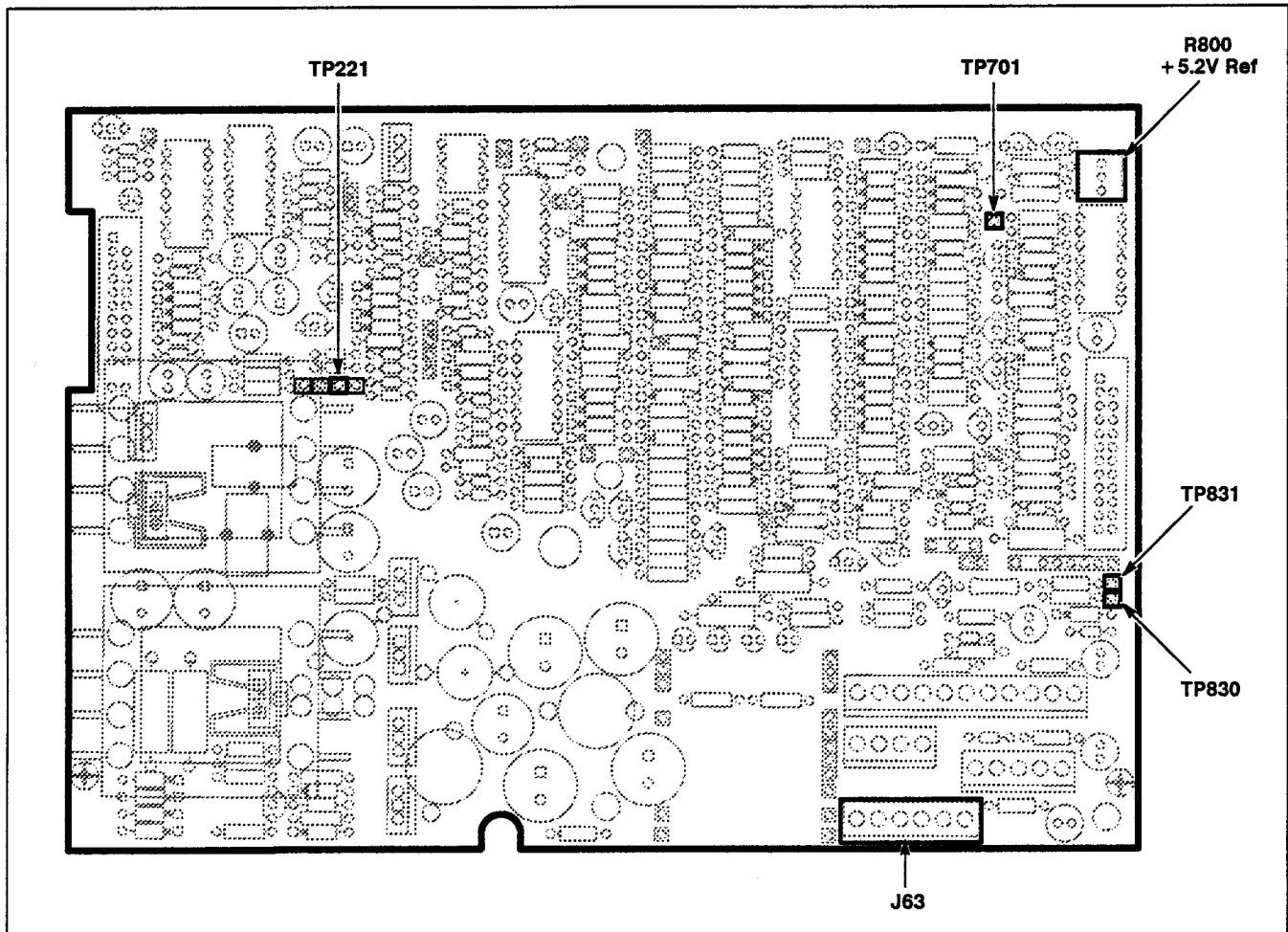
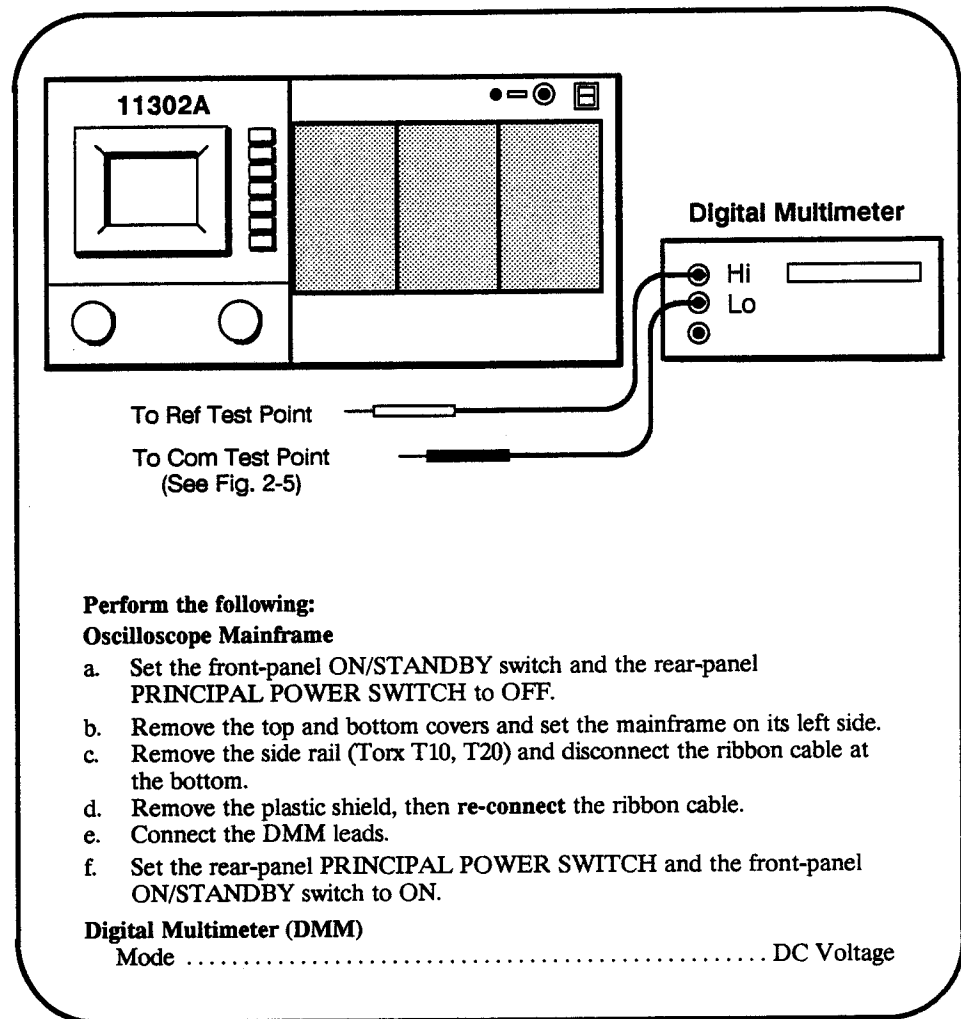


Figure 2-4. A2A2 Control Rectifier board test point and adjustment locations.

Adjust Regulator Reference

Setup



Procedure

WARNING

Extreme caution must be used when making the following adjustment due to the dangerous potentials present.

- CHECK**—the DMM for a reading of +10.00 V, within the limits of +9.95 V and +10.05 V.



DO NOT adjust if the reading is within the stated limits.

- ADJUST**—+10 V Ref adjustment R830 on the A4 Regulator board for +10.00 V. See Figure 2-5.

- c. Set the front-panel ON/STANDBY switch and the rear-panel PRINCIPAL POWER SWITCH to OFF.
- d. Remove the test leads, replace the plastic shield and side rail by reversing the procedure described in the Setup.
- e. Set the rear-panel PRINCIPAL POWER SWITCH and the front-panel ON/STANDBY switch to ON.

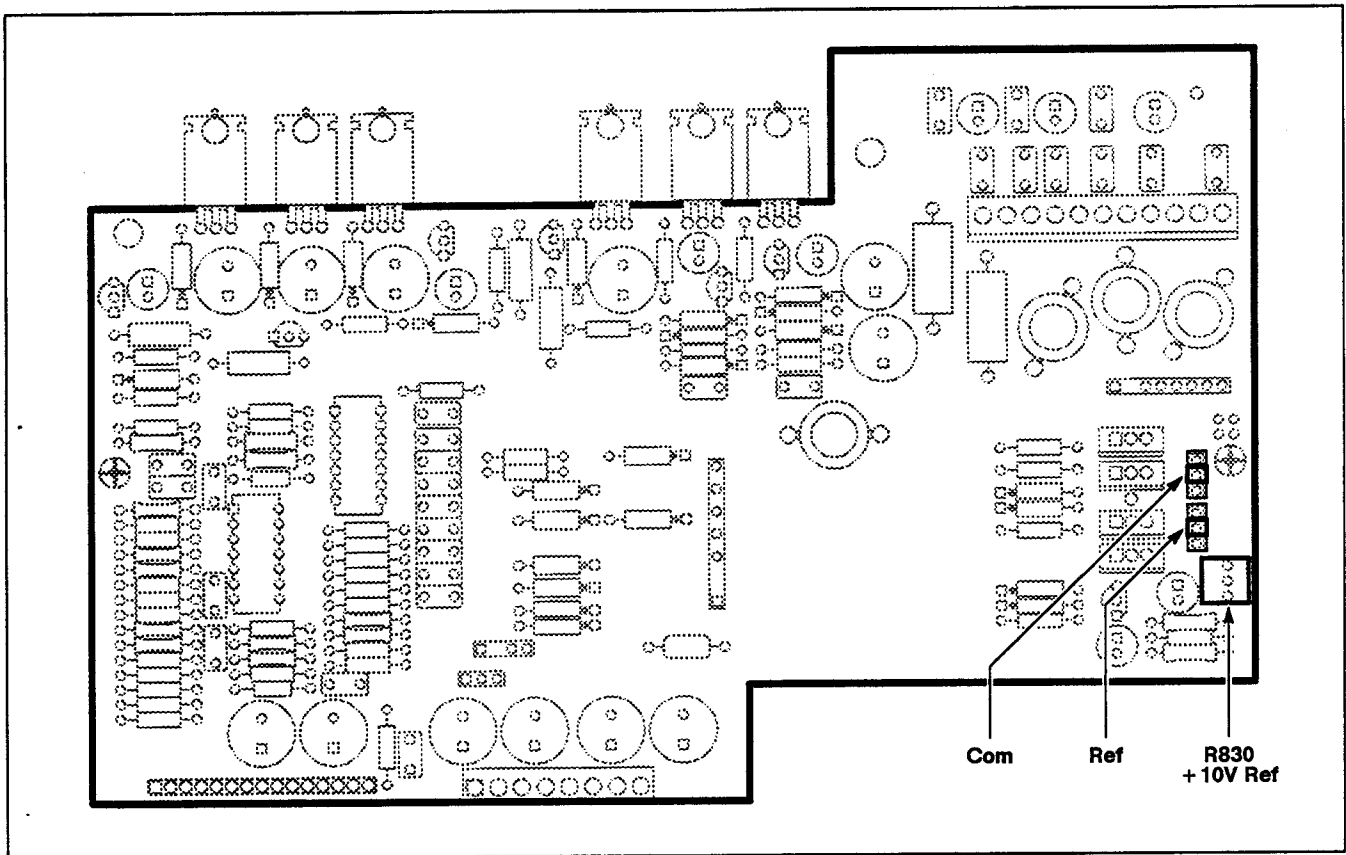


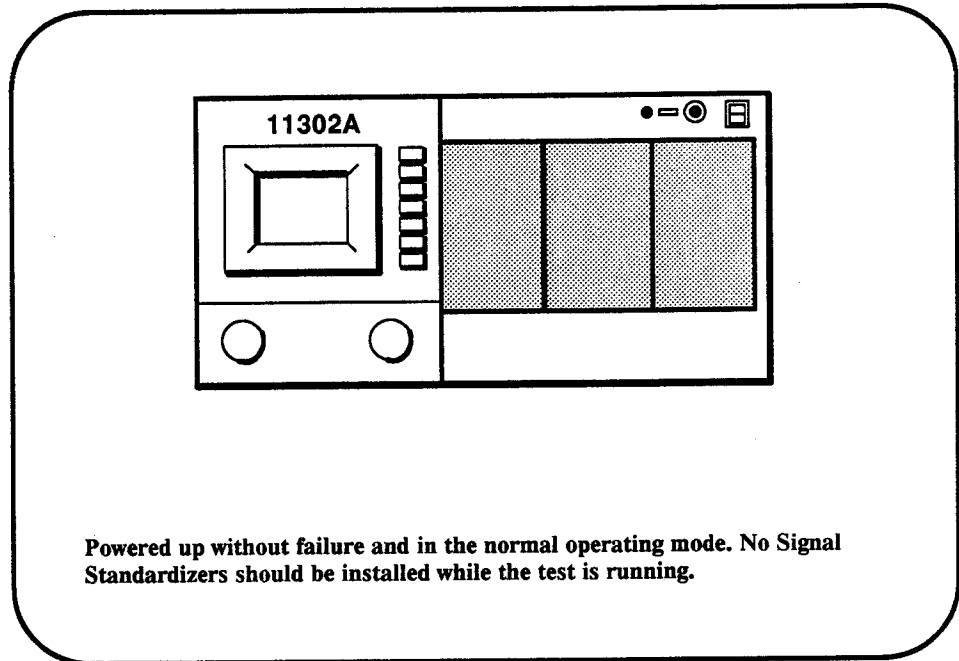
Figure 2-5. A4 Regulator board test point and adjustment locations.

Part 2 — Extended Diagnostics

Description

This test uses the mainframe's internal Diagnostic tests to verify the overall functionality of the instrument.

Setup



Procedure

- a. Press the **UTILITY** button.
- b. Select **EXT TEST** in the Utility menu.
- c. Select **Run** under the message **For Qualified Service Personnel Only**, then select **RUN** in the lower right corner of the screen. During the two minutes of testing, the screen will flash off and on. No buttons should be pressed or controls changed during the tests.
- d. **CHECK**—that the Index column of the final diagnostics menu contains only **Pass** entries or, for empty plug-in compartments, either **L????**, **C????**, or **R????**.

If any tests had a **Fail** Index status, note the adjacent Fault number and refer to the Diagnostics information in the Maintenance section of this manual.

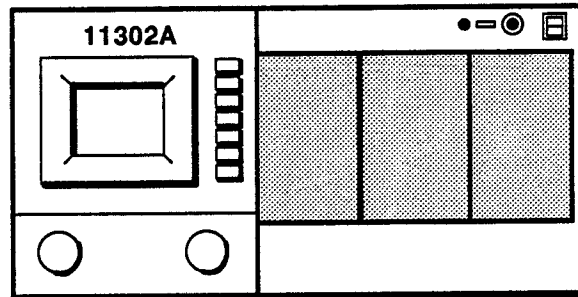
- e. Return the oscilloscope to the normal operating mode by pressing the **UTILITY** button. When the message appears indicating the Extended Diagnostics have been completed, proceed to the next procedure Part.

Part 3 — Touch Screen

Description

This test checks for correct sensitivity and operation of the Touch Screen.

Setup



Initialize the oscilloscope's settings, then perform the following:

Oscilloscope Mainframe:

UTILITY menu I/O BNC
..... Ext for Ref Clock
..... Press UTILITY button
GRAT INTENSITY Adjust to illuminate the graticule

Procedure

- Touch each row and column touch area, shown shaded in Figure 2-6, one at a time. The horizontal and vertical graticule lines indicate the borders of the square touch areas on the screen.
- CHECK**—that as each area is touched, the on-screen message **Counter Timer PLL unlocked** disappears briefly then reappears.
- Select the Utility menu, and set **REF CLK** to **INT**.



DO NOT adjust the touch screen sensitivity unless the previous check failed.

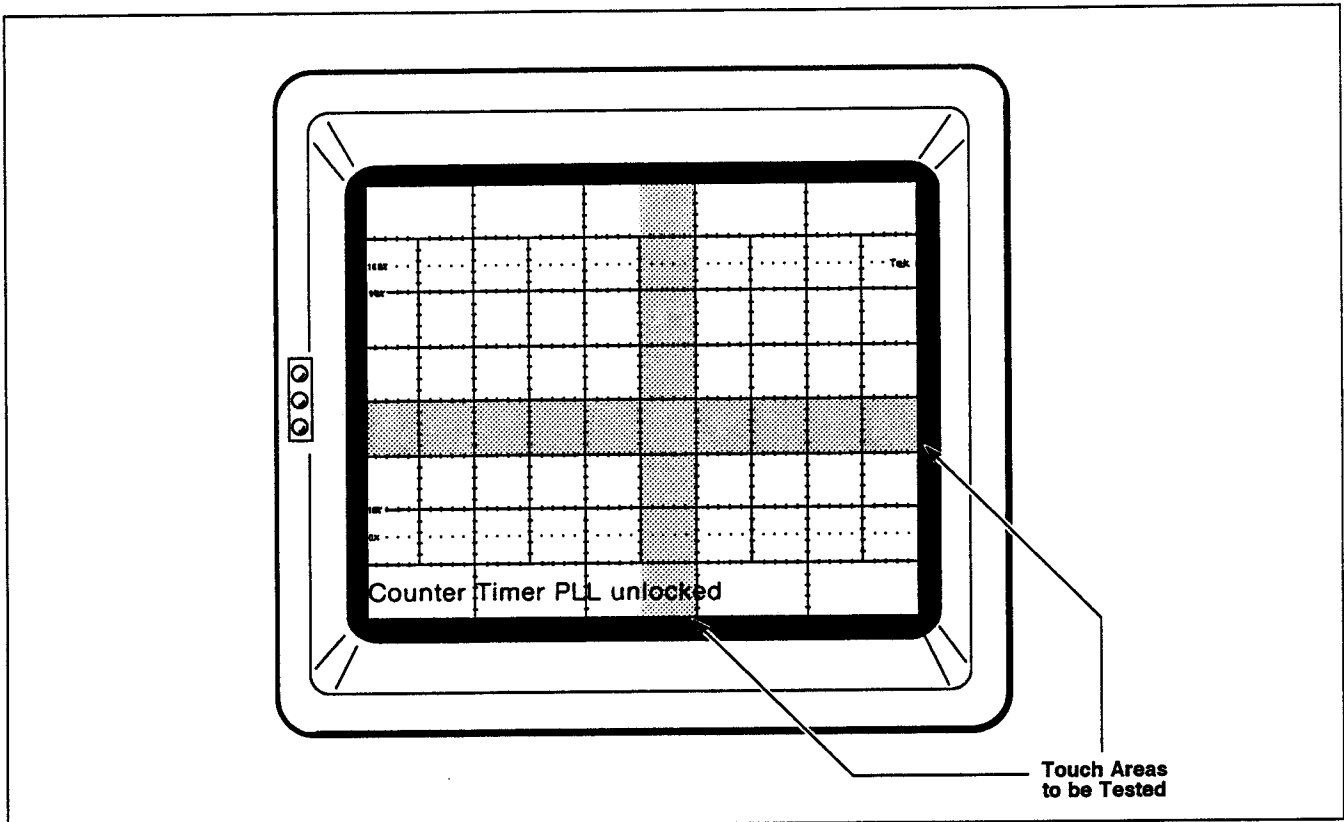
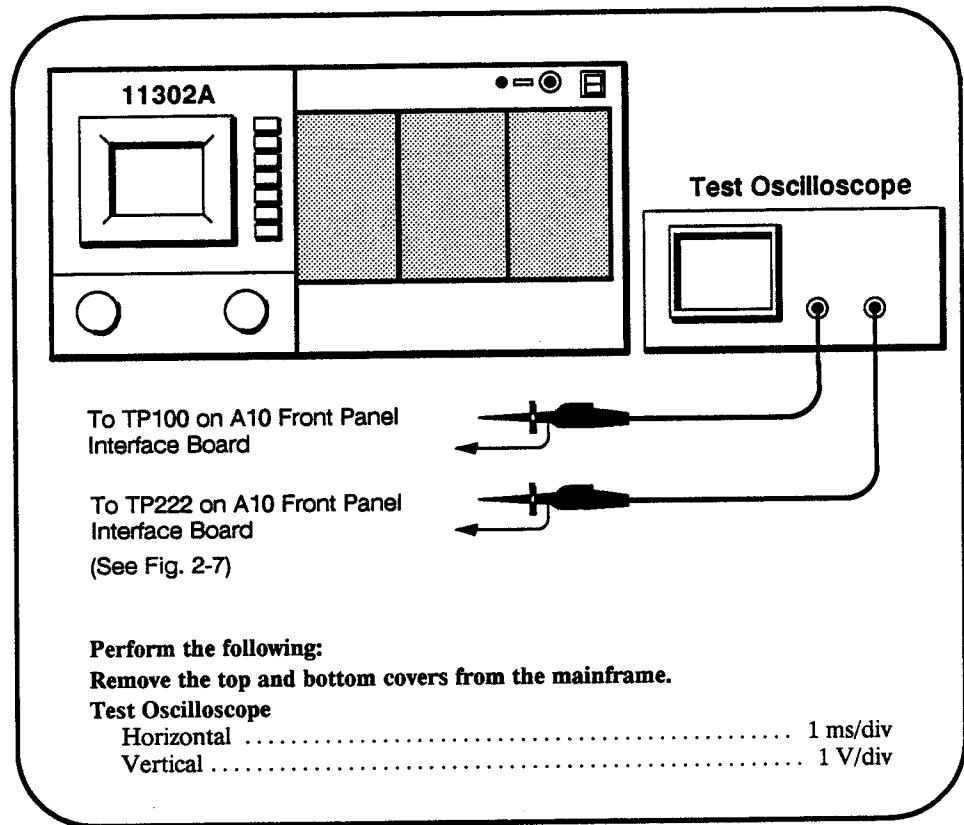


Figure 2-6. Locations of CRT touch areas to test.

Touch Screen Sensitivity Adjustment

Setup



Procedure

- a. The signal from TP222 should be selected as the trigger source and the signal from TP100 should be displayed.

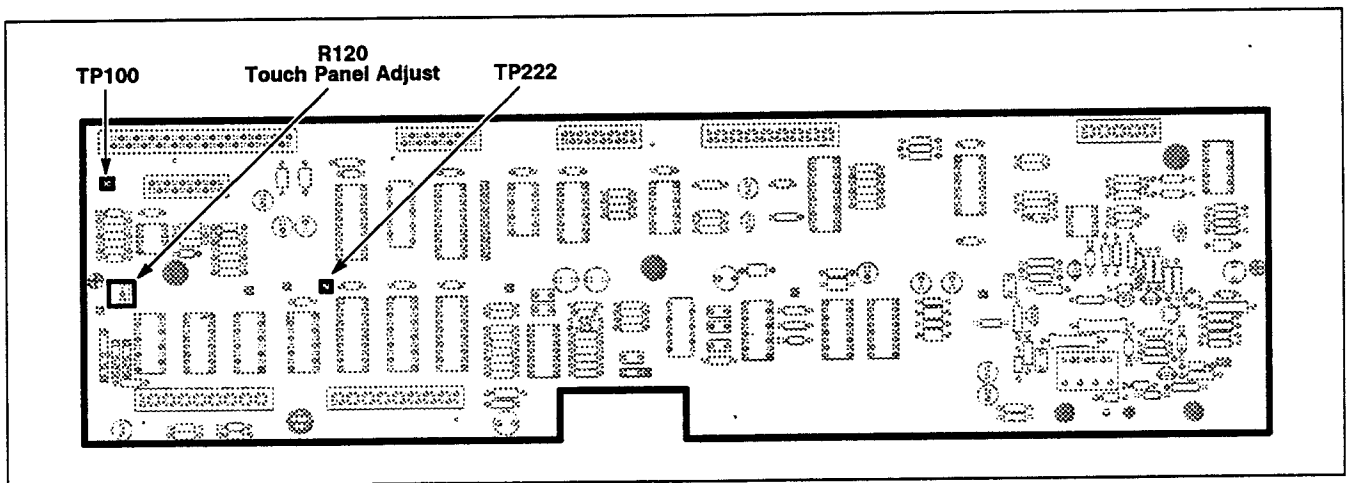


Figure 2-7. A10 Front Panel Interface board (Touch Screen) test point and adjustment locations.

- b. Set the graticule intensity to minimum. If the room lights are exceptionally bright, partially shade the CRT from the room lights. Adjust the test scope for a sweep speed of 1 ms/div. The display on the test scope should present a full sequence of 24 pulses plus part of another sequence. See Figure 2-8.
- c. Adjust R120 (Sensitivity) counterclockwise to identify the “short pulses” as shown at the top of Figure 2-8.

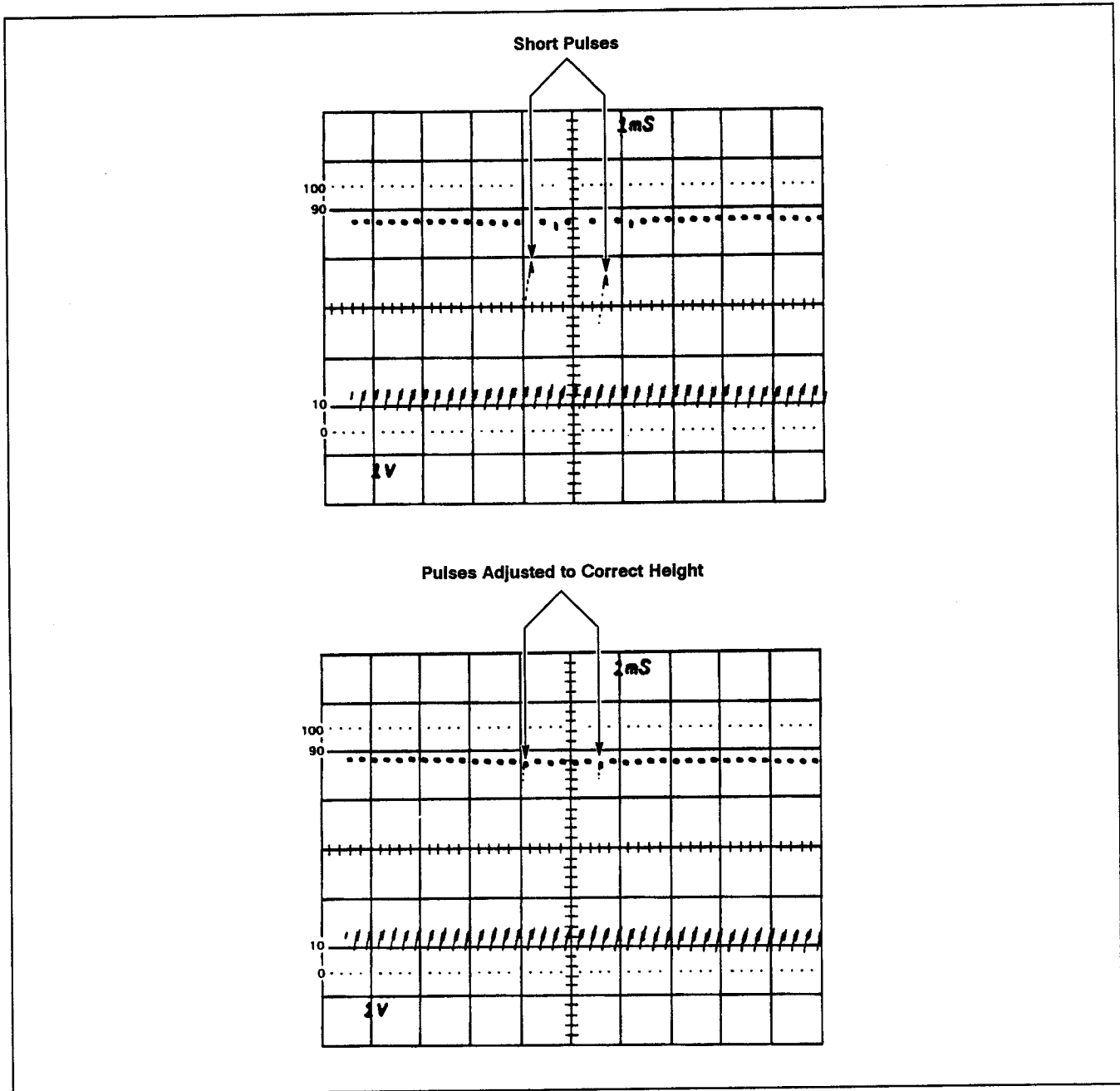


Figure 2-8. Waveform display showing Touch Screen adjustment waveforms.

- d. Now adjust R120 back clockwise until the short pulses just approach the level of the top line of the other 20 pulses as shown at the bottom of Figure 2-8. Do not adjust R120 further clockwise.

NOTE

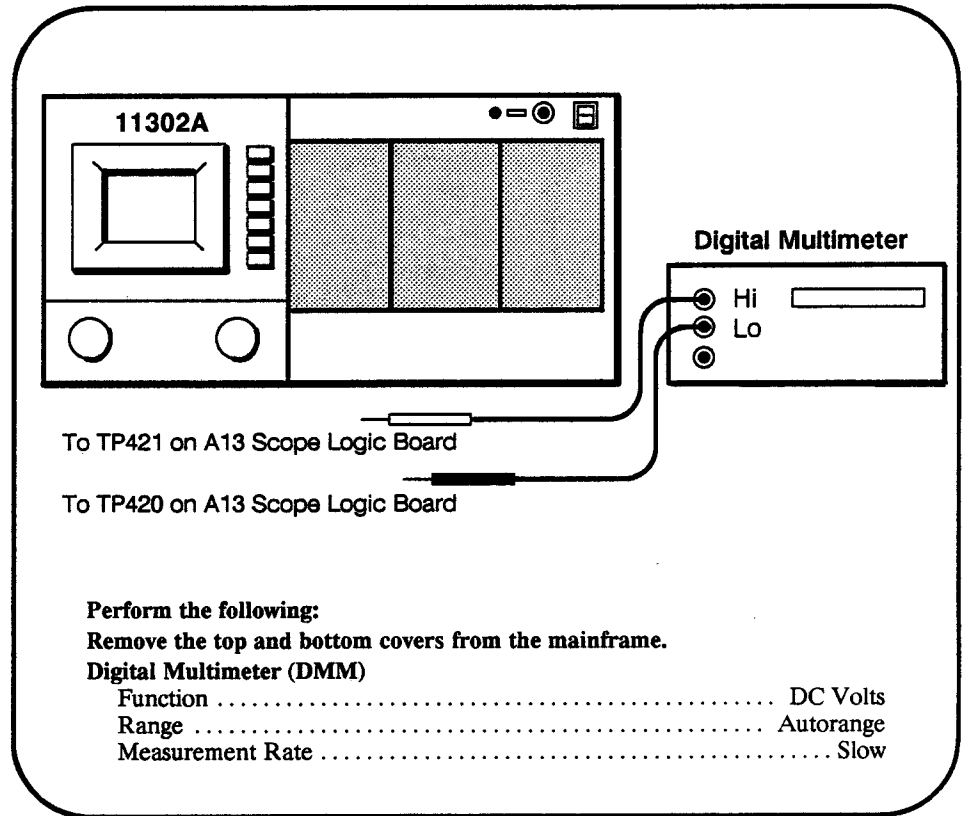
Ignore the very short positive-going spike at the end of each pulse.

Part 4 — CVR Accuracy

Description

This test checks the accuracy of the calibration voltage reference on the A13 Scope Logic board.

Setup



Procedure

- In the CVR test, you will be asked to enter many precise DMM readings. To ensure high accuracy readings use short DMM leads and twist them around each other. Also, you should let the meter settle before entering the reading. The DMM readings must be entered in volts. Both decimal and exponential notation are acceptable. For example, a reading of -199.87 mV could be entered as -0.19987 or $-199.87e-3$.
- Start the **CAL_VOLTAGE_REF** test. Follow the instructions given on the PC screen and enter all displayed digits of the current DMM reading when prompted.
- If the entered values are within allowed limits then the test will exit and you should proceed to the next procedure Part.
STOP DO NOT attempt to optimize the adjustment settings unless requested to do so by the PC.
- When prompted, adjust R330 for an offset of -10.000 V (see Figure 2-9) then enter the new offset reading on the PC.
- When prompted, adjust R333 for a gain of 9.9951 V then enter the new gain reading on the PC.

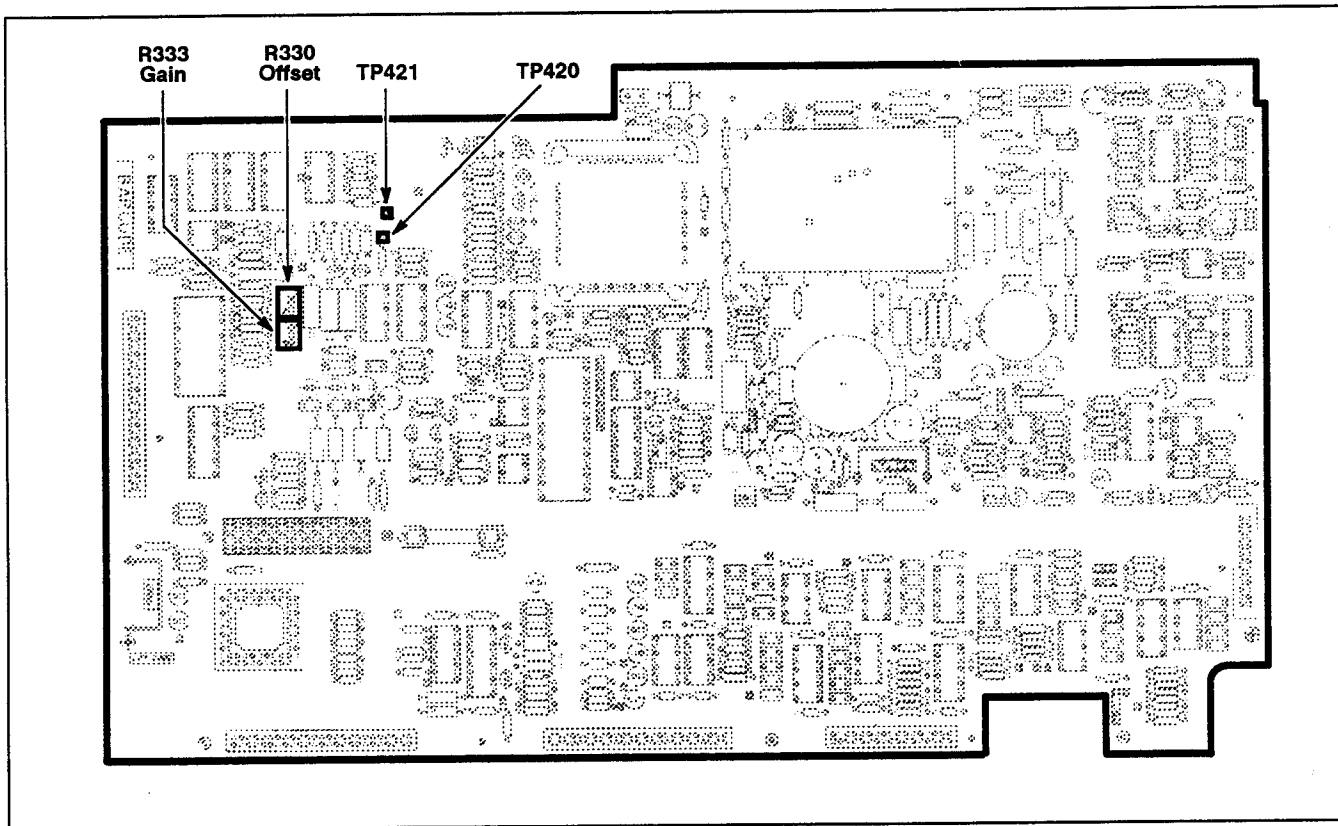


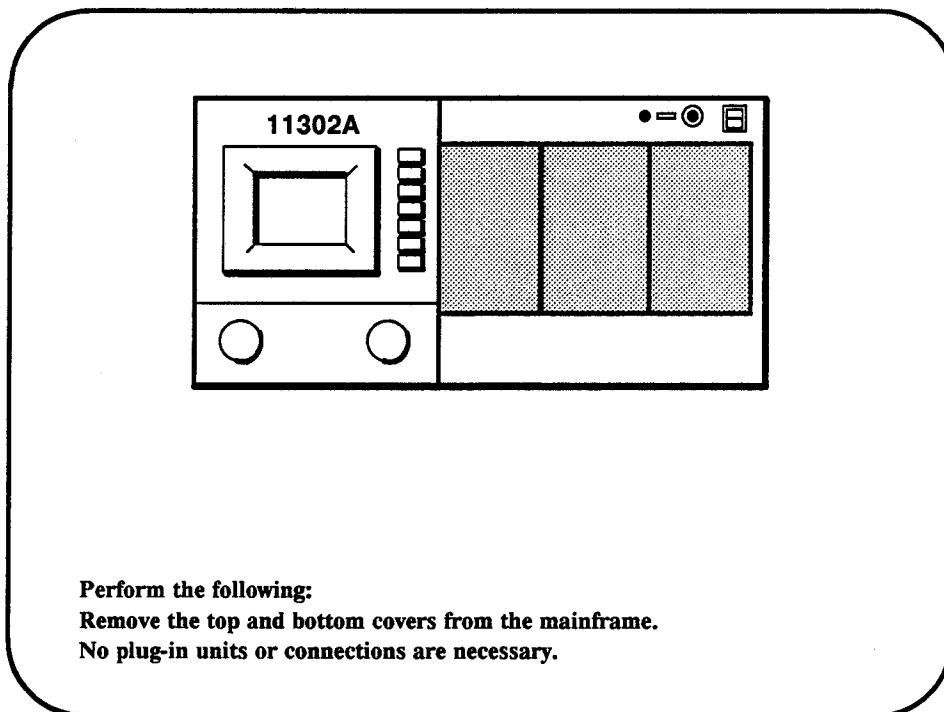
Figure 2-9. A13 Scope Logic board (CVR Accuracy) test point and adjustment locations.

Part 5 — A/D Converter


Description

This test checks the gain and offset of the mainframe A/D converter.

Setup



Procedure

- a. Start the **A_D_GAIN_OFFSET** test. The PC will automatically check the settings for gain and offset.
- b. If the settings are not within tolerance the PC will offer the choices to exit or adjust the gain and offset.
 -  **DO NOT** attempt to optimize the gain and offset settings if the verification passed.
- c. See Figure 2-10 for adjustment locations and follow instructions on the PC to adjust the gain and offset.

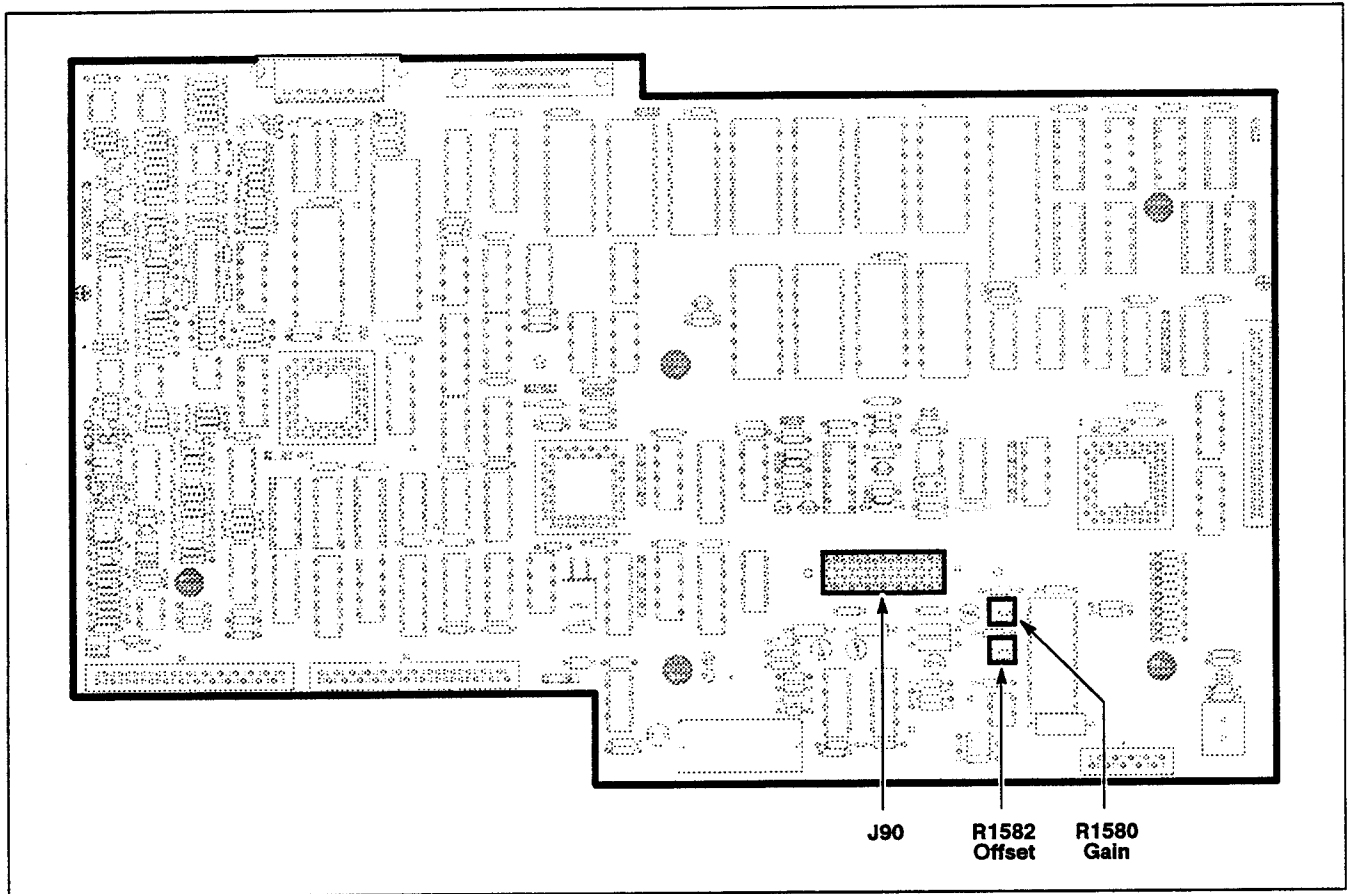


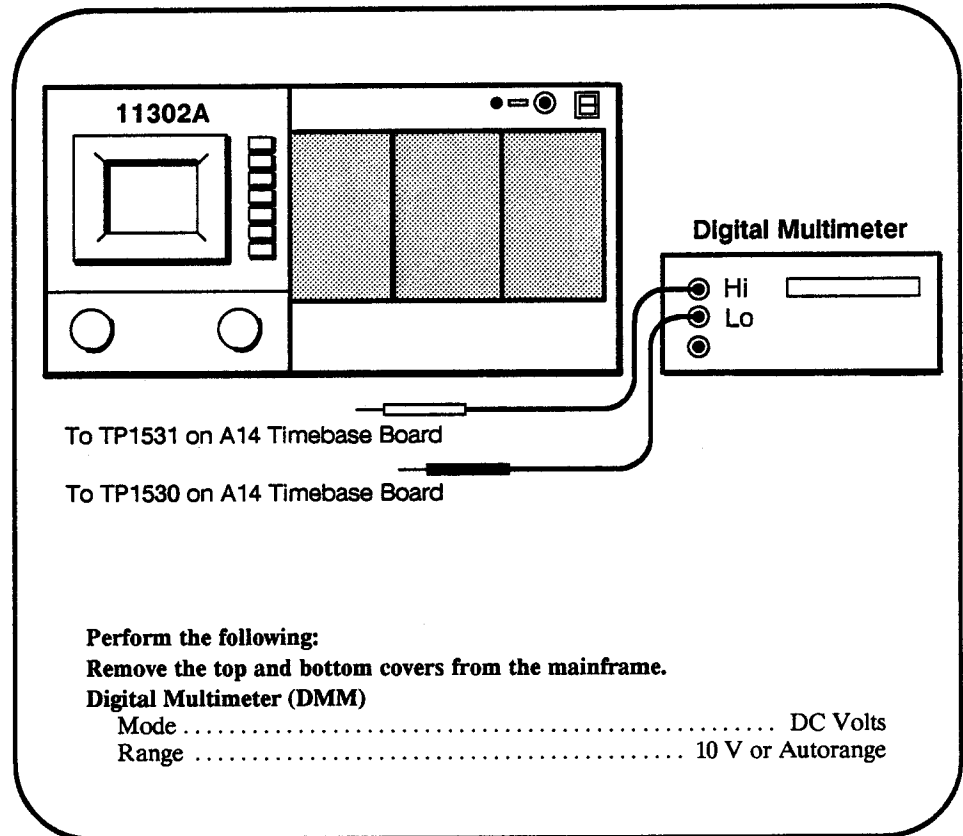
Figure 2-10. A11 Main Processor board (A/D Converter) adjustment locations.

Part 6 — ACVS Gain


Description

This test verifies the accuracy of the A13 Scope Logic board analog control voltages.

Setup



Procedure

- Start the ACVS_GAIN test. Follow the instructions given on the PC screen and enter the current DMM reading when prompted.
- If the entered values are within the allowed limits, then the test will give you the choice to exit or adjust the gain.
 -  **DO NOT** perform the following adjustment unless the ACVS checks are out of tolerance.
- Follow the adjustment instructions on the PC. See Figure 2-12 for the adjustment location.

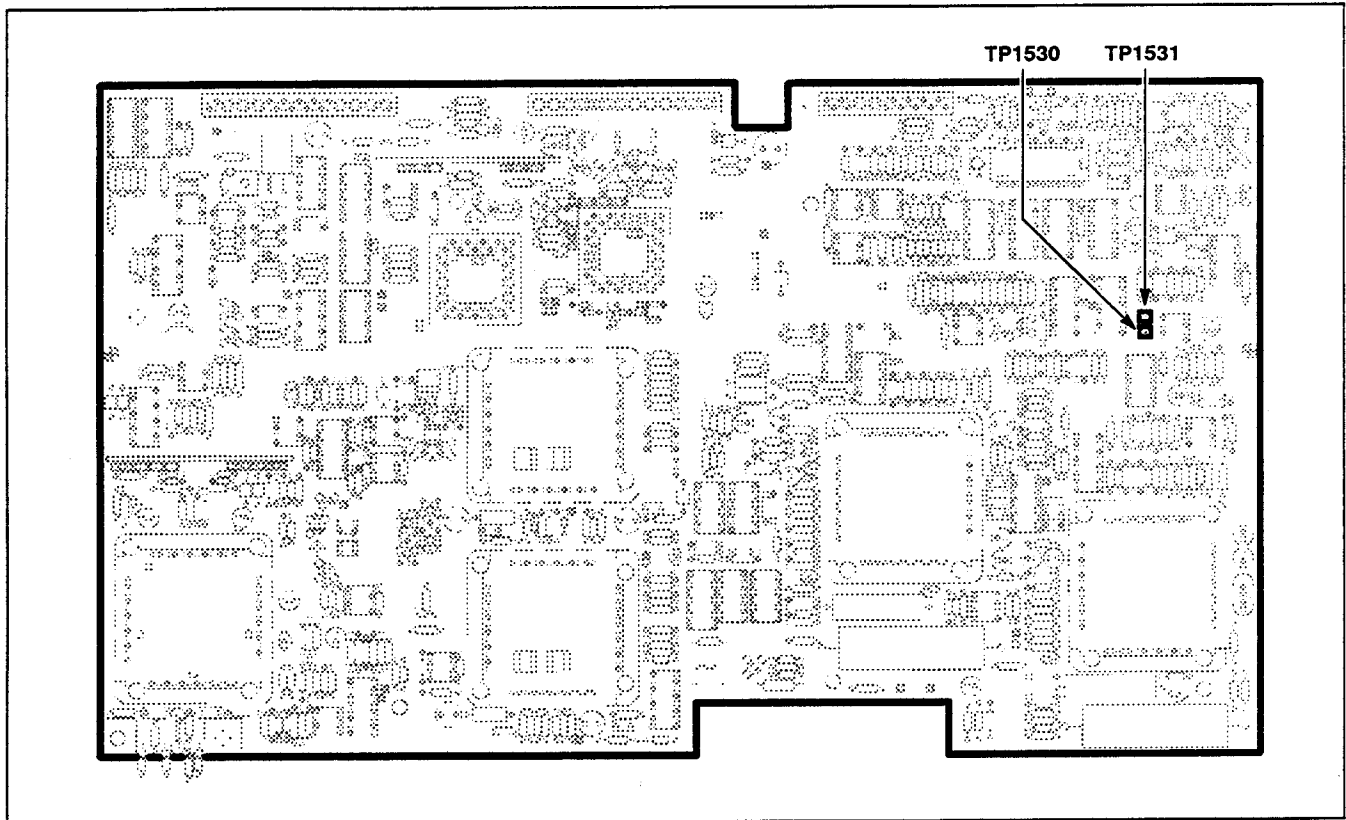


Figure 2-11. A14 Timebase board (ACVS Gain) test point locations.

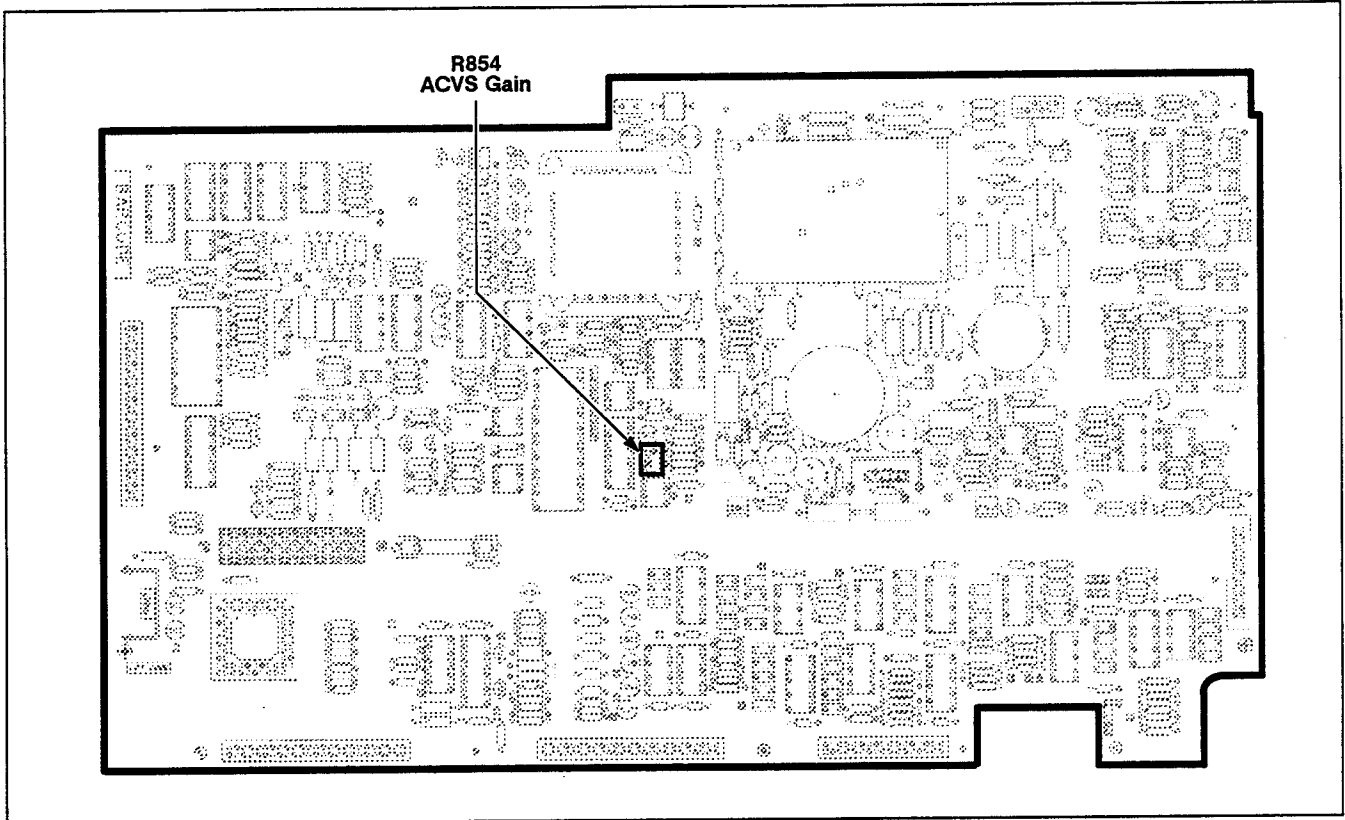


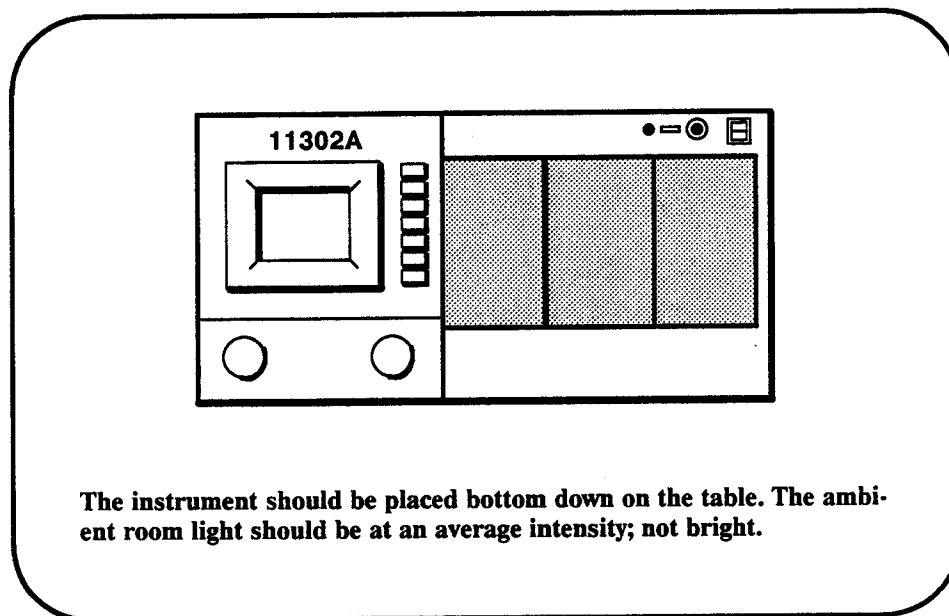
Figure 2-12. A13 Scope Logic board (ACVS Gain) adjustment location.

Part 7 — Front Panel Display Adjustments

Description

This test adjusts the Focus, Astigmatism, and Trace Rotation.

Setup



The instrument should be placed bottom down on the table. The ambient room light should be at an average intensity; not bright.

Procedure

- a. Press the DISP ADJ button.
- b. With the left and right knobs set to FINE, adjust the knobs for the best overall clarity and focus of the displayed characters. The left and right knobs adjust Focus and Astigmatism, respectively.
- c. Select **Trace Rot**, then adjust the right knob to set the reference trace parallel to the center graticule line.

Part 8 — Display Quality

Description

This test provides performance checks and adjustment procedures to attain the maximum quality CRT display.

NOTE

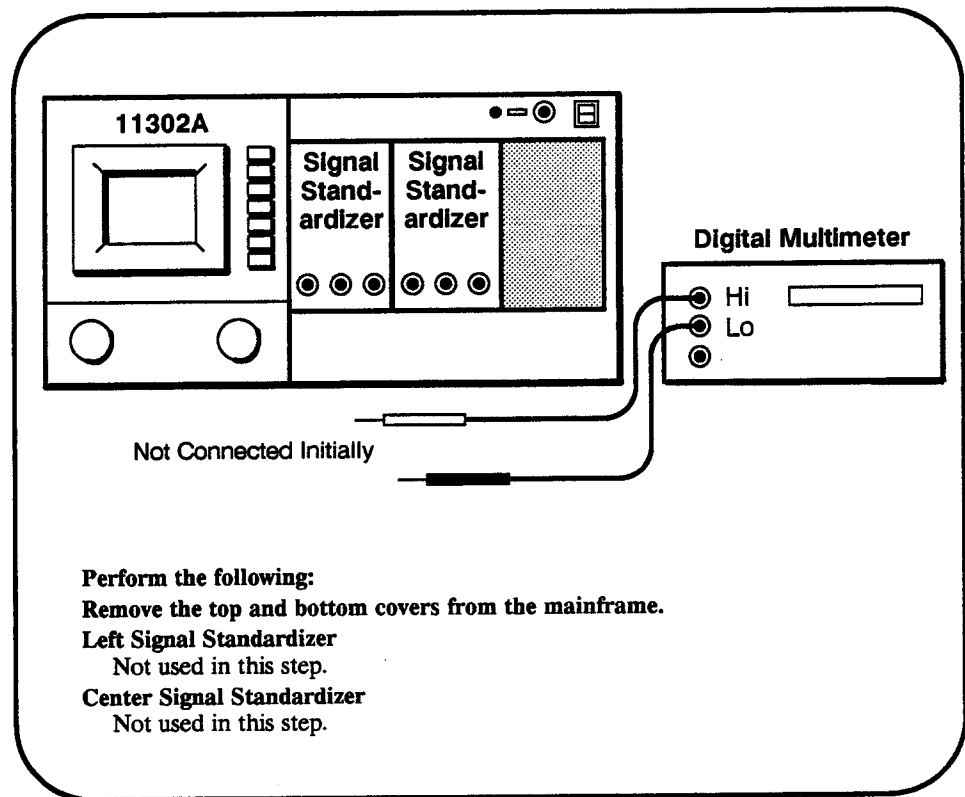
The instrument must have been on for at least 20 minutes before checking or adjusting any of the functions listed below. If the power is turned off briefly to change plug-ins or to remove the high voltage cover, then it is not necessary to wait the full 20 minutes again.

There are four sections in this part:

- Cathode Voltage
- Grid Bias
- Y-Axis Alignment
- Display Clarity and Geometry

Cathode Voltage

Setup



Procedure

- a. For this procedure, you need a T-15 Torx screwdriver and you should minimize the time that the instrument power is turned off.

WARNING

Dangerous voltages are accessible under the high voltage cover.

- b. When ready, turn the instrument power off and remove the four screws attaching the high voltage cover to the A13 Scope Logic board. Refer to Figure 2-13 for the location of this cover. Turn the power back on. Allow five minutes for the instrument temperature to stabilize.
- c. Attach a 16-pin DIP clip to U1540. Set the DMM to measure voltage with autoranging or a 2 V scale selected. Connect the minus lead of the DMM to TP470 (ground), and the plus lead of the DMM to pin 4 of U1540. Refer to Figure 2-13 for the test point locations.
- d. **CHECK**—that the DMM reads between -1.598 V and -1.602 V .

- e. If the check passed, turn the instrument power off and replace the high voltage cover. Proceed to the Grid Bias check.



DO NOT attempt to adjust the cathode voltage if it is within tolerance. Remove the test leads and DIP clip and proceed to step f.

- f. **ADJUST**—R1355 on A13 Scope Logic board for a DMM reading between -1.599 V and -1.601 V , with a target value of -1.600 . Refer to Figure 2-13 for adjustment locations. Remove the test leads and the DIP clip.
- g. If you are not performing the grid bias check in the following section, then turn the instrument power off, replace the high voltage cover, and turn the power on again.

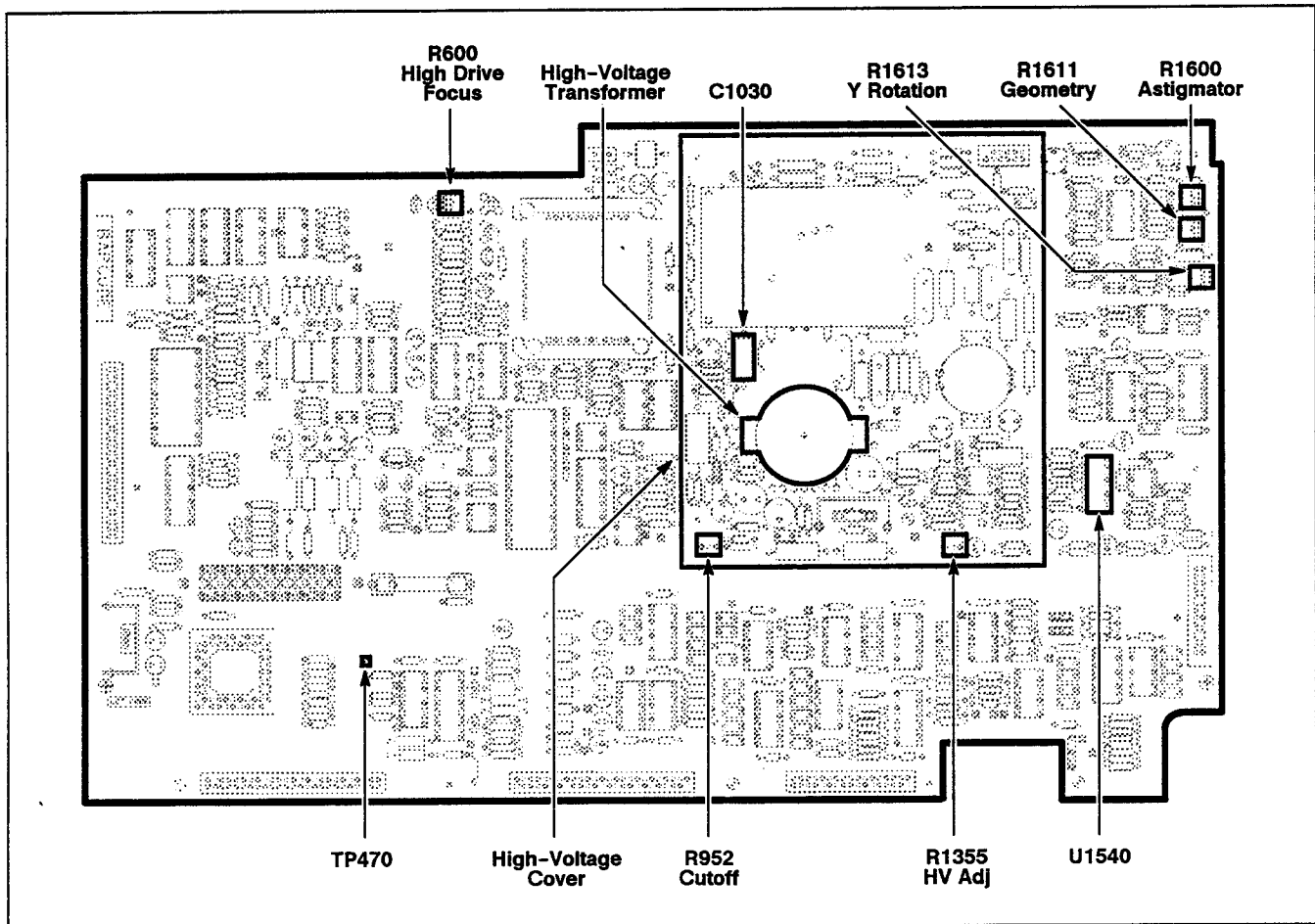
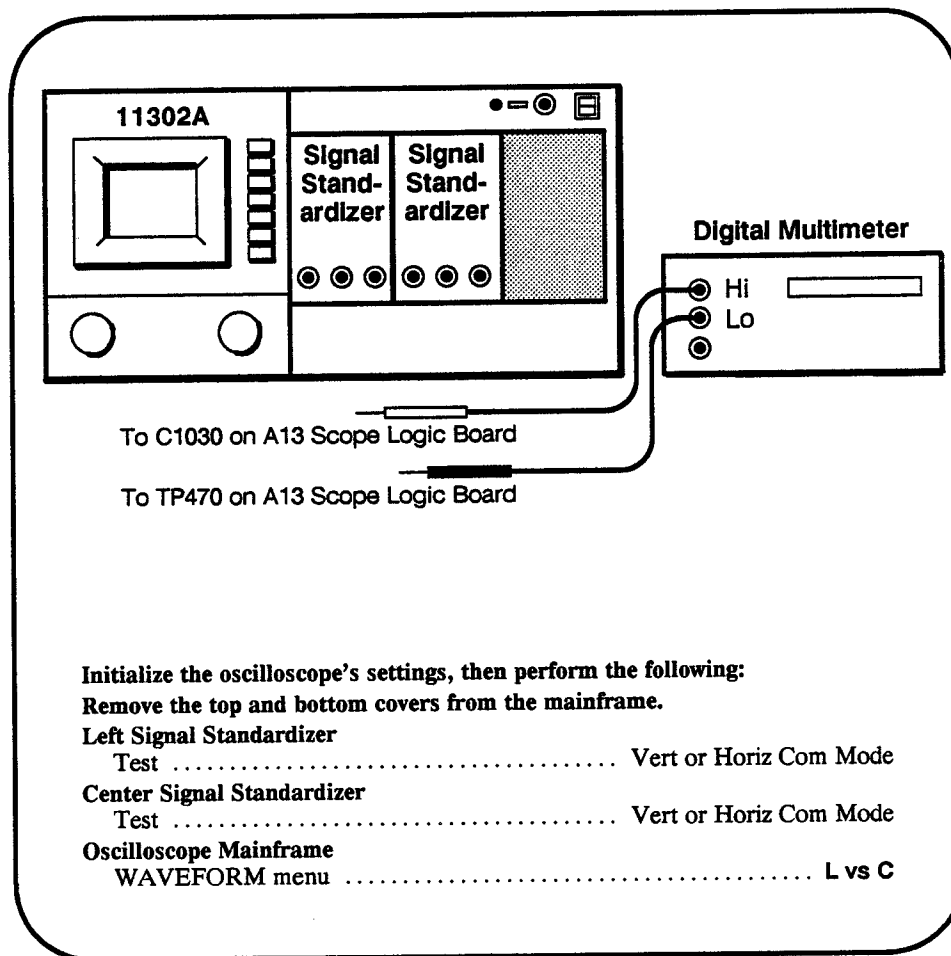


Figure 2-13. A13 Scope Logic board (Display Quality) adjustment location.

Grid Bias

Setup



Procedure

NOTE

The mainframe should be warmed up at least 20 minutes before starting this test. A stable internal temperature is very important.

- a. Adjust the front-panel INTENSITY control knob to set the CHAR, XY and GRAT INTENSITY to their minimum values. The beeper sounds when the minimum value is reached.
- b. Shield the screen from ambient light and increase the XY INTENSITY until a dot is just barely visible on the screen.
- c. If the dot is very close to a graticule line, change the mode of one or both of the Signal Standardizers to Vert or Horiz Aux In. Then, use the Position control of the Signal Standardizer to move the dot away from the graticule.

- d. With the dot just barely visible, turn the XY INTENSITY knob counterclockwise and count the clicks until the mainframe's beeper sounds (the minimum setting).
- e. **CHECK**—that the number of clicks is ≥ 20 , but ≤ 36 .



DO NOT attempt to adjust the grid bias if the check just performed is within tolerance. Proceed to the y-axis alignment.

- f. For this procedure, you need a T-15 Torx screwdriver and you should minimize the time that the instrument power is turned off.

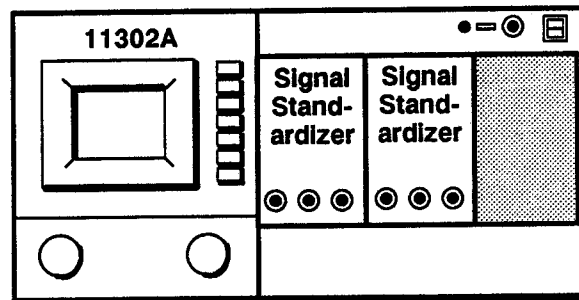
WARNING

Dangerous voltages are accessible under the high voltage cover.

- g. When ready, turn the instrument power off and remove the four screws attaching the high voltage cover to the A13 Scope Logic board. Turn the power back on. Allow five minutes for the instrument temperature to stabilize. Refer to Figure 2-13 for the location of this cover.
- h. Adjust the XY INTENSITY knob counterclockwise to its minimum value. A beeper sounds to indicate that the minimum value is reached.
- i. Adjust the CHAR and GRAT INTENSITY to their minimum values.
- j. **ADJUST**—R952 on the A13 Scope Logic board so that a dot is visible on the screen. Shield the screen from room light and readjust R952 so that the dot on the screen is just extinguished. Refer to Figure 2-13 for adjustment locations.
- k. Set the DMM to measure voltage with autoranging or a 100 to 200 V range. Connect the minus lead from the DMM to TP470 (ground). Connect the plus lead from the DMM to the end of C1030 that is nearest the high voltage transformer. Note the the DMM reading.
- l. **ADJUST**—R952 so that the voltage is between 0.9 and 1.1 V more than the reading noted. After this adjustment, the dot on screen should not be visible with the screen shielded from room light. If it is visible, then the adjustment was made in the wrong direction. Refer to Figure 2-13 for test point locations.
- m. Remove the DMM test leads. Turn the instrument power off and replace the high voltage cover. Turn the instrument power on.
- n. Adjust the CHAR INTENSITY to a comfortable viewing level.

Y-Axis Alignment

Setup



Initialize the oscilloscope's settings, then perform the following:

Remove the top and bottom covers from the mainframe.

Left Signal Standardizer

Not used in this step.

Center Signal Standardizer

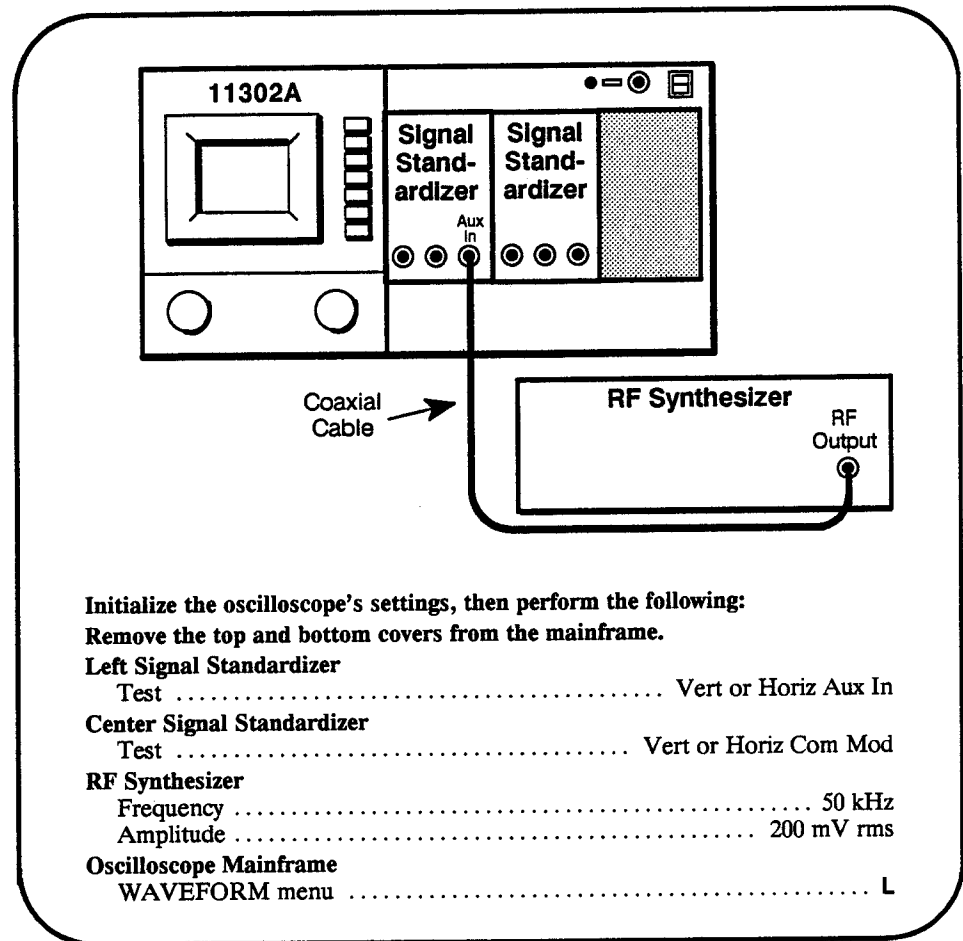
Not used in this step.

Procedure

- a. Adjust the front-panel INTENSITY knob to set the character (CHAR) intensity to a comfortable viewing level.
 - b. Press the DISP ADJ button at the right of the screen. Touch the **Trace Rot(ation)** area on the screen.
 - c. Carefully adjust the right knob so that the trace on the screen is parallel to the center horizontal graticule line. Press the DISP ADJ button again to exit from the menu.
 - d. Press the CURSORS button below the screen and select **Horizontal Cursors**.
 - e. Adjust the right knob so that the dashed cursor passes through the intersection of the center vertical and center horizontal graticule lines.
 - f. **CHECK**—that the tilt of the cursor relative to the center vertical graticule line is less than 0.05 division (one quarter minor division) anywhere within the center six vertical divisions.
- STOP** DO NOT attempt to adjust the y-axis alignment if the performance is within the tolerance specified. Proceed to the display clarity and geometry checks.
- g. **ADJUST**—R1613 on the A13 Scope Logic board so that the dashed cursor aligns with the center vertical graticule line. Refer to Figure 2-13 for adjustment locations.

Display Clarity and Geometry

Setup



Procedure

- a. Start the test **AUTOCAL_VERT** to align the CRT beam to the graticule. If the readout cannot be properly aligned then the instrument gain must be adjusted before proceeding with the Display Quality checks. To correct the instrument gains perform the following in order:
 - Part 12—Vertical Center
 - Part 13—Magnified Registration
 - Part 15—Plug-In Interface Gains
 - Part 19—Beam Registration
 After running these procedure Parts, perform the Setup above then proceed to step a.
- b. Adjust the **MAIN** and **CHAR INTENSITY** so that the sinewave and character displays are dim, but viewable.
- c. Adjust the **Amplitude** and **Position** knobs of the left Signal Standardizer for a centered display of 6.5 divisions in amplitude. Set the **Horizontal Size** to 20 $\mu\text{s}/\text{div}$ and adjust the trigger level (if necessary) for a stable display.

- d. Press the DISP ADJ button to the right of the screen.
- e. Set the **Trace Rot**(ation) so that the displayed horizontal line is parallel with the center horizontal graticule line.
- f. Touch the **Focus/Astig** label on the screen and select FINE increments for both the left and right knobs. Leave the display adjustment menu on screen. Select MAIN INTENSITY and adjust intensity for a dim, but viewable display.
- g. Set the front-panel **Focus** and **Astigmatism** using the left and right control knobs respectively, for the most uniform sinewave display.
- h. **CHECK**—that the sinewave trace has reasonably uniform thickness (focus) across the screen. Observe both the tops and sides of the sinewave cycles. The trace thickness within the first division at the left edge of the screen and within the last division at the right edge of the screen may be somewhat larger.
- i. **CHECK**—that the characters displayed on the screen are legible. Do not expect all characters to have equally good focus, but all characters must be legible.
- j. Select **Pattern 1** for display on the screen.
- k. **CHECK**—that the graticule lines that are etched into the faceplate of the screen are either enclosed by or touching the pairs of lines that are displayed in the crosshatch pattern within the center 6 by 8 division area. Exclude the outer one-division width at the top, bottom and both sides of the display. The display pattern has three lines across the center vertical and center horizontal graticule lines. Ignore the center of these three lines for this evaluation.



DO NOT attempt to adjust the CRT display if the performance is acceptable. The adjustment of the CRT display is time consuming, with interacting adjustments. Proceed to the next procedure Part.

NOTE

Before performing this adjustment you should optimize the y-axis alignment, as described previously in this procedure Part.

The following adjustments may cause misalignment of the character display to the CRT faceplate. Later adjustments correct this. Do not initiate the Enhanced Accuracy process unless instructed to do so in the procedure.

- l. R600 on the A13 Scope Logic board is not a critical adjustment. You should adjust it to near the middle of its range. Refer to Figure 2-13 for adjustment locations.
- m. Select the DISP ADJ menu by pressing the appropriate button at the right of the screen. Increase the CHAR and MAIN INTENSITY so that the character and sinewave displays are viewable, but dim.

- n. When the DISP ADJ menu is displayed, there are two areas on the screen that have a highlighted background consisting of many dots. One highlighted area is in the top division of the screen, accenting the trace description, and the other is at the right edge of the screen, accenting the **Focus/Astig** label. These two areas are used to optimize the setting of R1600 as described in the next steps.
- o. Use the front-panel **Focus** and **Astigmatism** knobs to optimize the sharpness of the highlighting dots.
- p. **ADJUST**—R1600 on A13 Scope Logic board for the best dot definition. Repeat these three adjustments until there is no further improvement. Refer to Figure 2-13 for adjustment locations.
- q. Select **Pattern 1** for a crosshatch display.
- r. Adjust the CHAR INTENSITY for a dim but viewable display. Reduce the MAIN INTENSITY so that the sinewave is not visible.
- s. **ADJUST**—R1611 on A13 Scope Logic board for the best geometry. Each faceplate graticule line should be within the center space of each pair of vertical and horizontal lines in the crosshatch pattern within the center 6 by 8 division area of the screen. This adjustment may change the overall alignment of the crosshatch pattern to the screen. Refer to Figure 2-13 for adjustment locations.

NOTE

Changes in the position of the oscilloscope affect the alignment of the crosshatch pattern. This is due to the effect of the Earth's magnetic field and other magnetic fields.

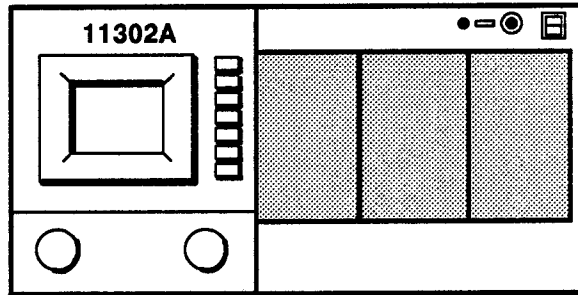
- t. If the pattern is misaligned, then visually compensate for this shift when adjusting R1611. Next, repeat step a. When this has been completed, perform a minor readjustment on R1611, if necessary.
- u. Press the DISP ADJ menu button to remove the crosshatch pattern. Reduce the CHAR INTENSITY to that at which the characters are dim, but viewable. Adjust the MAIN INTENSITY for a sinewave display that is dim but viewable.
- v. Repeat the adjustments in steps l., m., n., and o. you must balance the character definition at different areas of the screen. Give the characters in the top and bottom divisions somewhat higher importance since these areas of the screen very frequently have characters displayed.
- w. Adjust the CHAR and MAIN INTENSITY for comfortable viewing levels for the character and sinewave displays. Optimize the settings of **Focus** and **Astigmatism** for the best display. Repeat the display clarity and geometry check that preceded these adjustments.

Part 9 — Stored Waveform Vectors

Description

This test checks the vector adjustment by displaying an XY waveform and checking it for trace separation as depicted in Figure 2-14.

Setup



**Remove the top and bottom covers from the mainframe.
No plug-in units or connections are necessary.**

Procedure

- a. Start the `CRT_VECTOR` test. Follow the instructions given on the PC.



DO NOT adjust the vectors unless the verification fails.

- b. Follow adjustment instructions on the PC and refer to Figure 2-15 for adjustment locations.

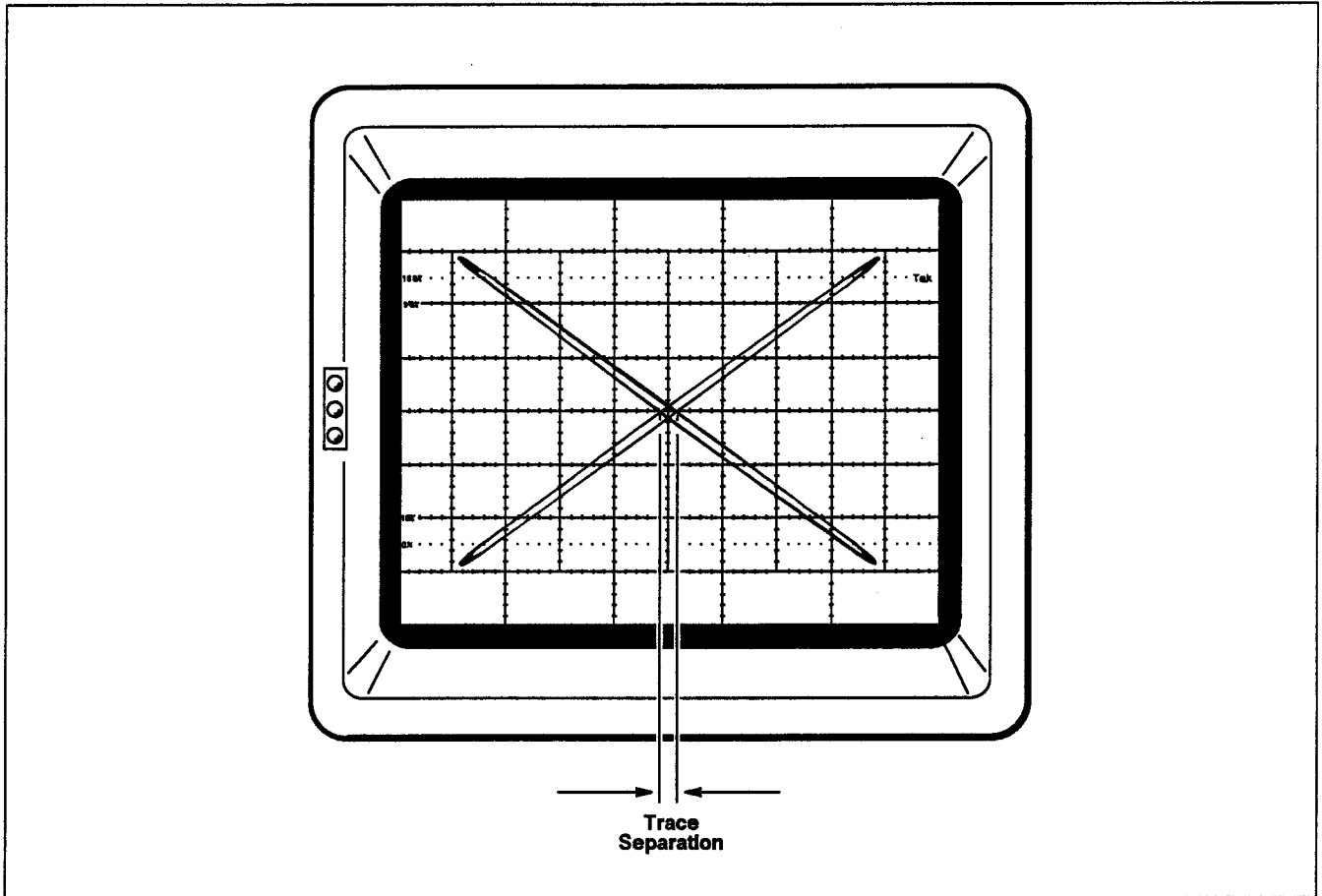


Figure 2-14. Trace separation measurement (0.2 div or less) on the displayed XY waveform.

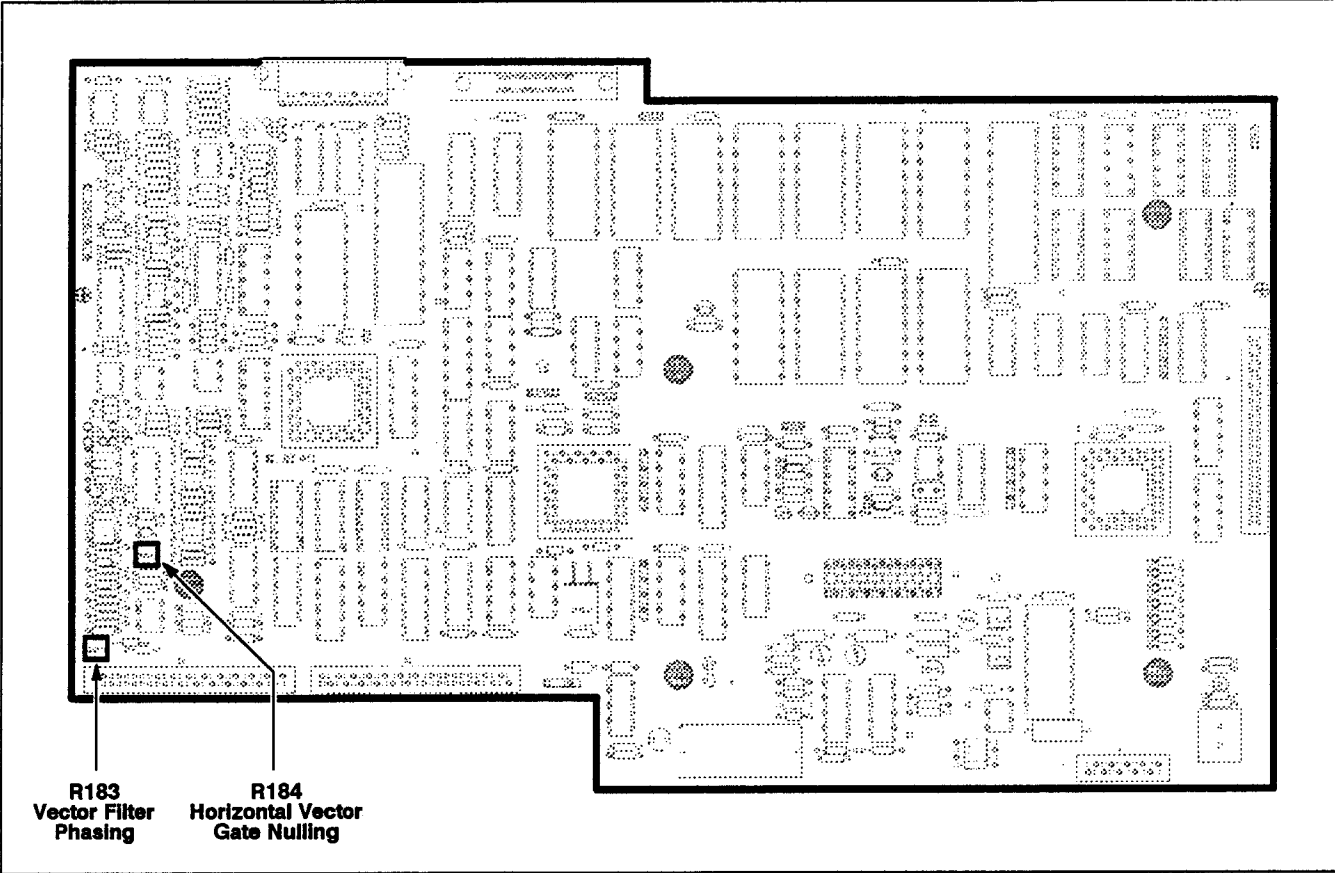


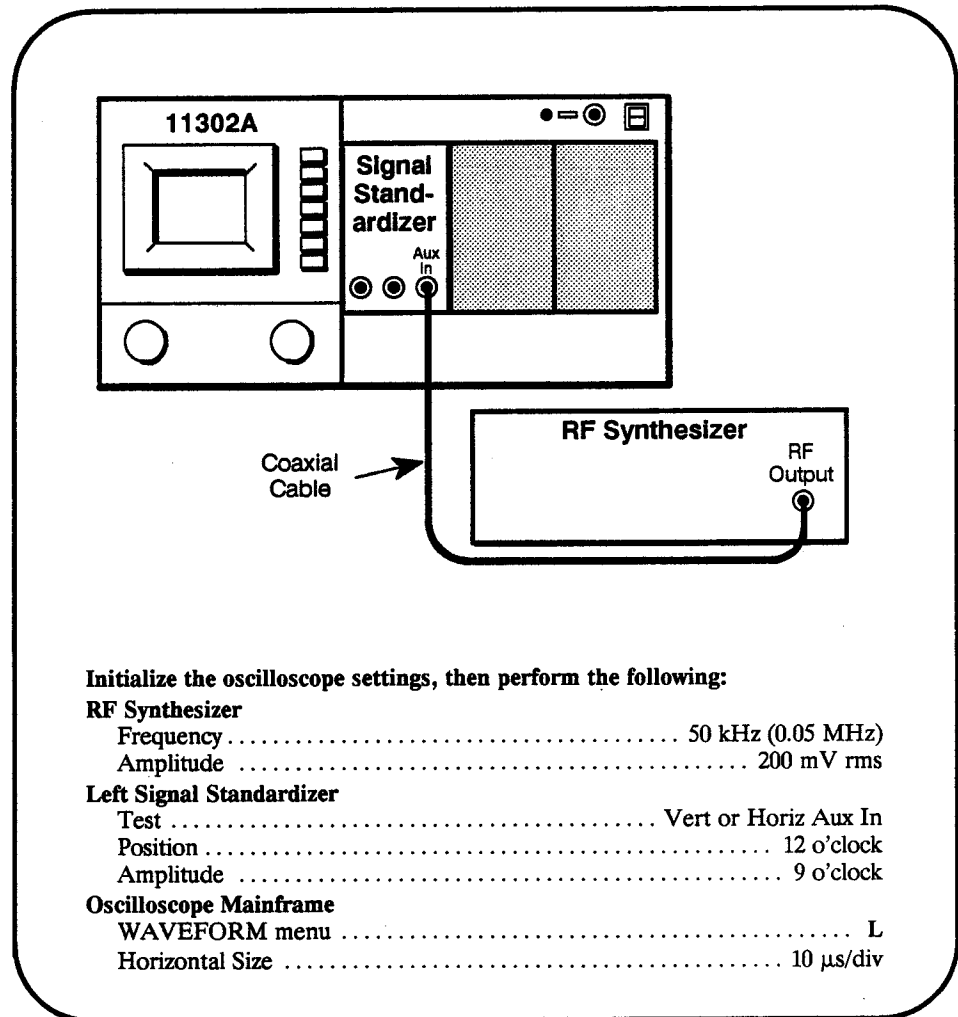
Figure 2-15. A11 Main Processor board (Stored Waveform Vectors) adjustment locations.

Part 10 – Spot Shift

Description

This test checks for excessive trace movement with changes in intensity.

Setup



Procedure

- Adjust the Signal Standardizer Position and Amplitude controls for a centered display of about six divisions.
- Press the HORIZONTAL DELAY button, then select **Window1 On**.
- Press the HORIZONTAL SIZE button and set the delayed sweep size to 500 ns/div.
- Select HORIZONTAL DELAY again and adjust the delay so that the intensified zone is near screen center on a falling edge of the sine wave.
- Press the DISP ADJ button, then select **Δ Main**.
- Adjust the right knob until the message " **Δ Main Intens = 100%**" is displayed. Exit the menu by pressing the DISP ADJ button.

Check Horizontal Shift

- g. Briefly increase the MAIN INTENSITY to a high level and verify that the intensified zone remains symmetrical to the rest of the trace, even when the trace blooms. Some shift of the intensified zone may occur, but part of the intensified zone should remain where the trace was originally.
- h. Set the Main Horizontal Size to 1 $\mu\text{s}/\text{div}$ and the Delayed Horizontal Size to 200 ns/div.
- i. Adjust the Delay to put the intensified zone near the horizontal screen center.
- j. Adjust the Signal Standardizer Position control to put the intensified zone near the vertical center of the screen.

Check Vertical Shift

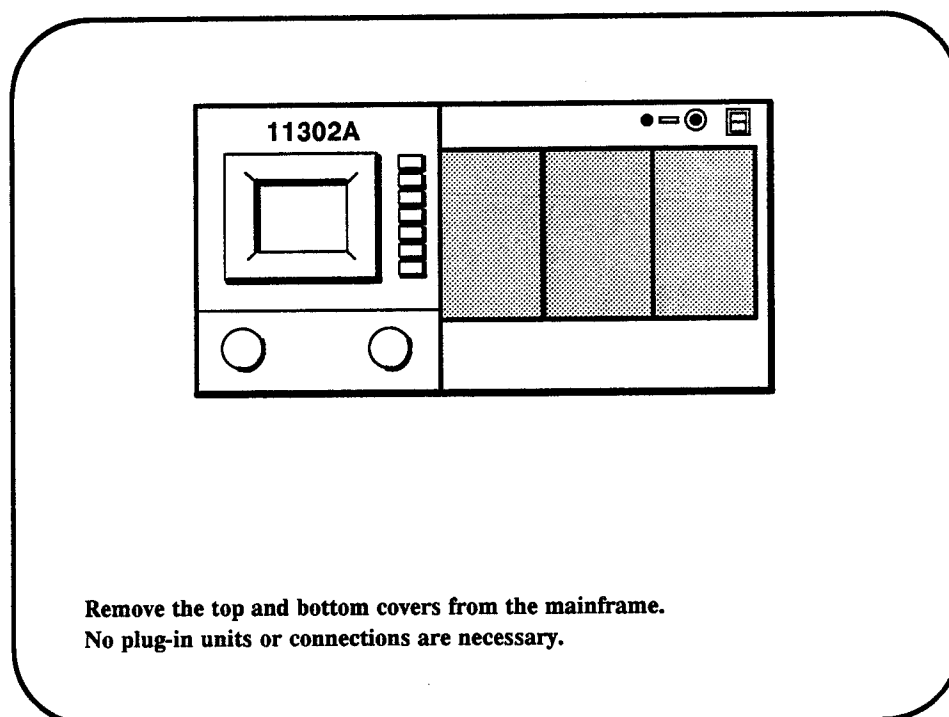
- k. Briefly increase the MAIN INTENSITY to a high level and check that the intensified zone remains symmetrical to the rest of the trace, even when blooming. Some shift of the intensified zone may occur, but part of the intensified zone should remain where the trace was originally.



DO NOT adjust the spot shift unless the verification failed.

Spot Shift Adjustment

Setup



Procedure



The spot shift test should be run quickly to avoid possible damage to the CRT. DO NOT permit the test to run longer than 30 seconds.

- a. Before starting the following PC test, find the adjustment locations on the circuit boards shown in Figure 2-16.
- b. Start the test **SPOT_SHIFT**. Follow the instructions given on the PC.

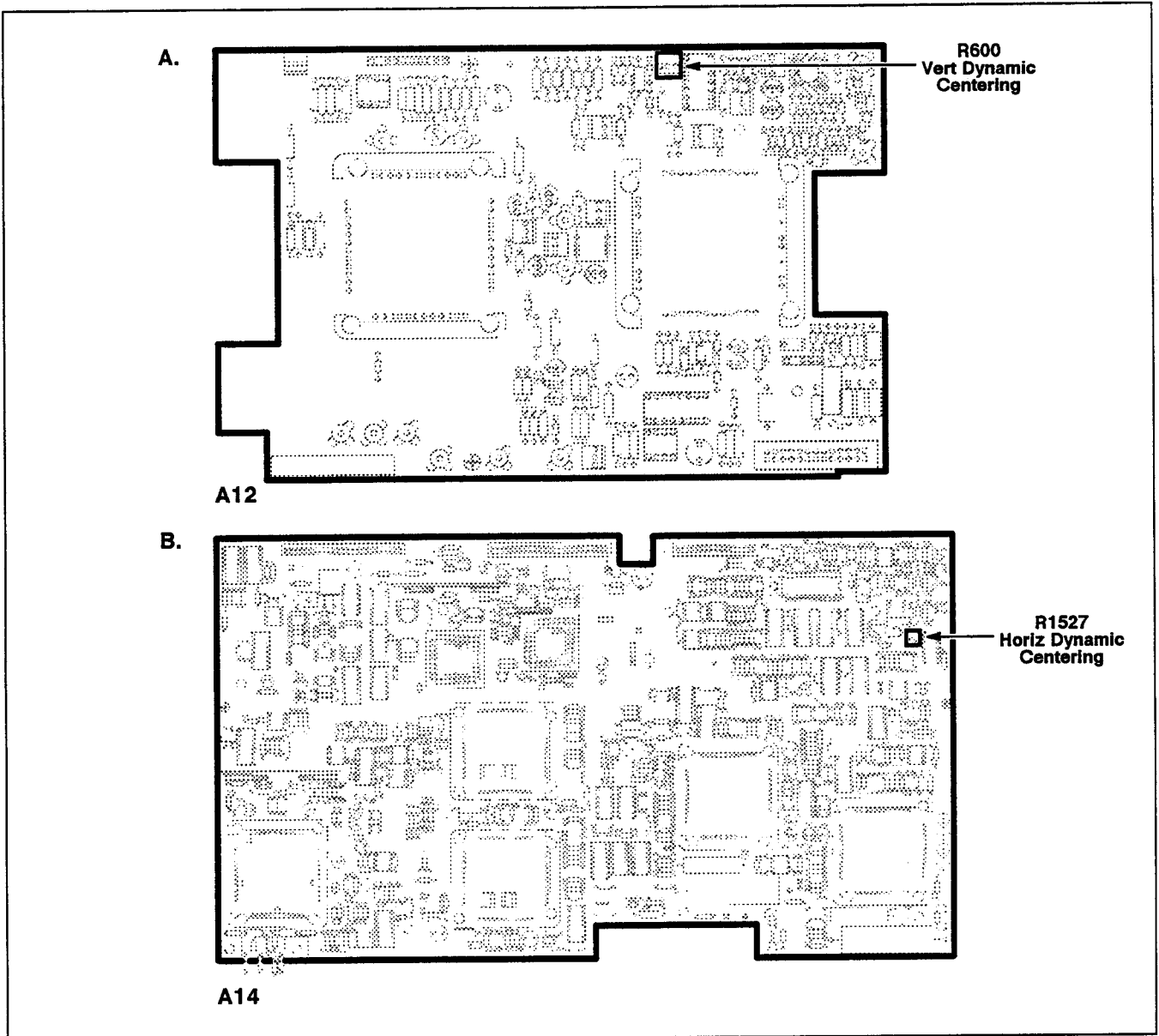


Figure 2-16. A12 Vertical board and A14 Timebase board (Spot Shift) adjustment locations.

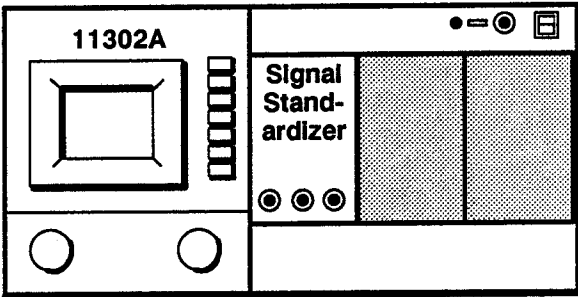
Part 11 — Readout Jitter

Description

This test checks the vertical stability while large vertical signals are present, and the horizontal stability while using magnified sweeps.

Vertical Readout Jitter

Setup



**Initialize the oscilloscope's settings, then perform the following:
Remove the top and bottom covers from the mainframe.**

Left Signal Standardizer

Test	Vert or Horiz, + Step
Position	12 o'clock
Amplitude	Fully counterclockwise (minimum)
Rep Rate	10 kHz

Oscilloscope Mainframe

WAVEFORM menu	L (left)
.....	Press the WAVEFORM menu
CURSOR menu	Vertical Cursors

Procedure

- CHECK**—that a triggered squarewave signal is displayed. Adjust the MAIN INTENSITY and triggering if required.
 - Set the Signal Standardizer Position and Amplitude controls to the fully clockwise position.
 - CHECK**—the lower (dotted) cursor for stability and minimal vertical movement.
- STOP** DO NOT start the following adjustment if the lower cursor was stable. Proceed to the next procedure Part.
- ADJUST**—R570 on the A12 Vertical board for minimum vertical movement of the lower, dotted cursor. Refer to Figure 2-17 for the adjustment location.

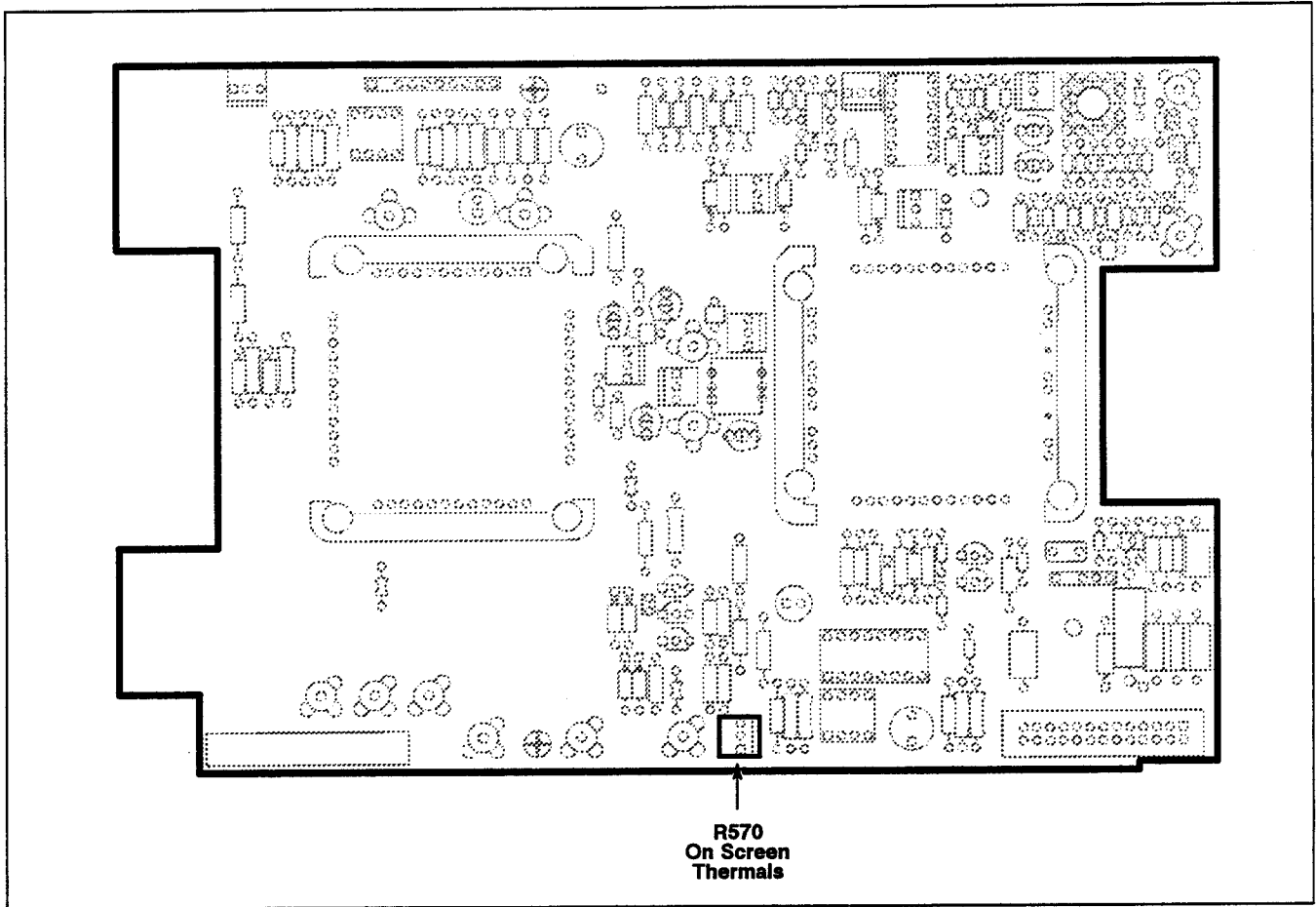
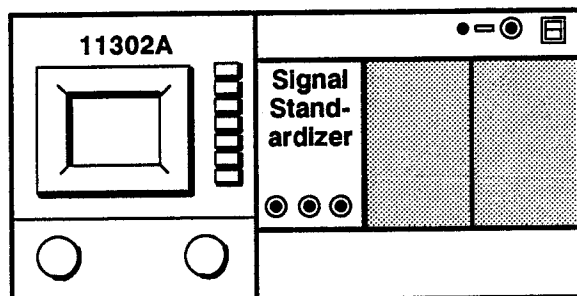


Figure 2-17. A12 Vertical board (Vertical Readout Jitter) adjustment location.

Horizontal Readout Jitter

Setup



Initialize the oscilloscope's settings, then perform the following:
Remove the top and bottom covers from the mainframe.

Left Signal Standardizer

Test + Step
Position 1 o'clock
Amplitude 9 o'clock
Rep Rate 1 kHz

Oscilloscope Mainframe

WAVEFORM menu L (left)
Horizontal Size 5 ms/div
CURSOR menu Horiz Cursors

Procedure

- CHECK**—that a triggered waveform is displayed. Adjust the MAIN INTENSITY and triggering if required.
- Adjust the Signal Standardizer Position and Amplitude controls for a centered waveform with 5-6 divisions of amplitude.
- Set **10X Mag** to **On** (Horizontal Size menu) which results in a Horizontal Size of 500 μ s/div.
- CHECK**—the cursors for stability and minimal horizontal movement.



DO NOT start the following adjustment if the cursors appeared stable. Proceed to the next procedure Part.

- ADJUST**—R1302 on the A14 Timebase board for minimum horizontal movement of the cursors. Refer to Figure 2-18 for the adjustment location.

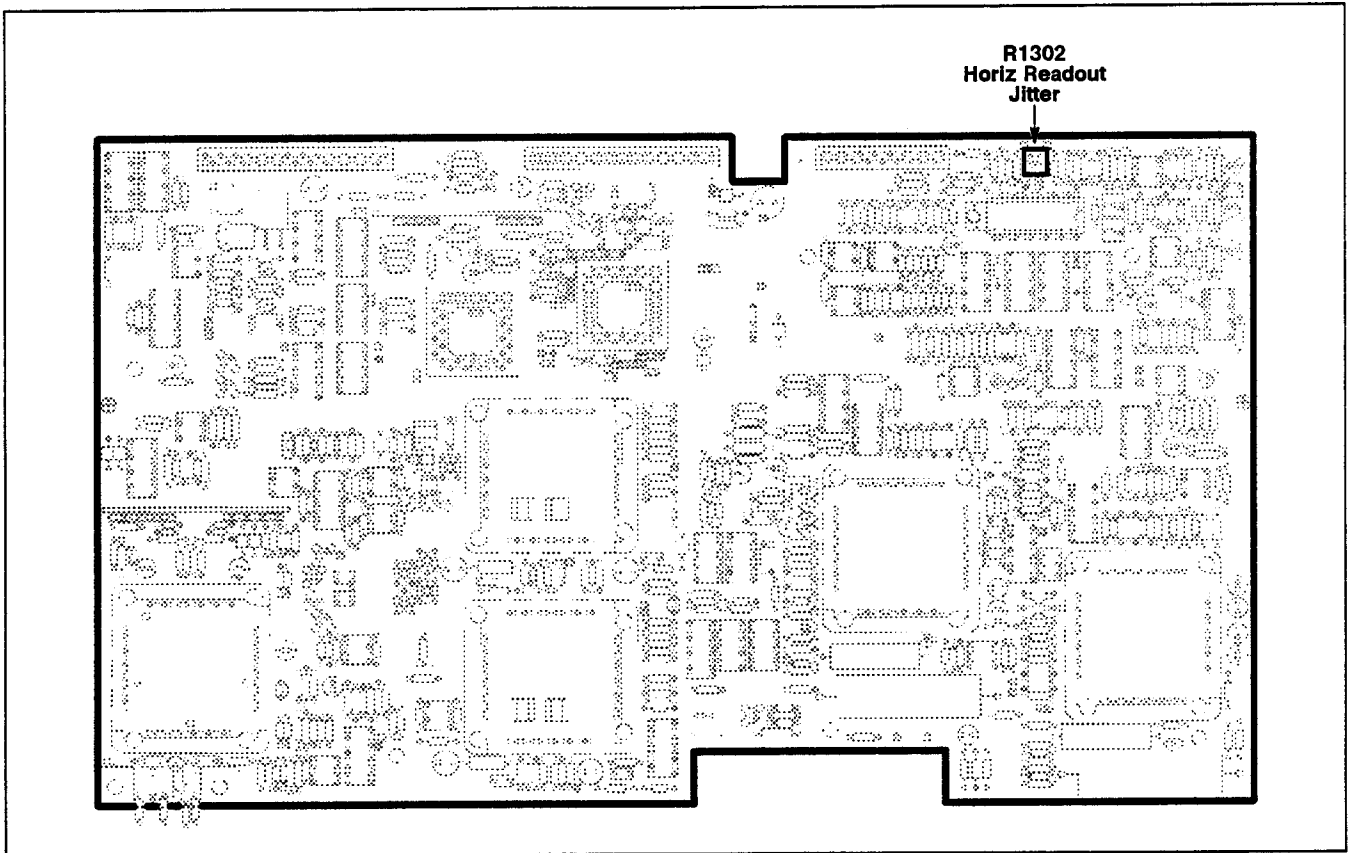


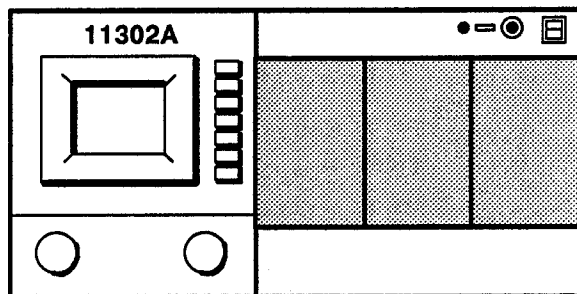
Figure 2-18. A14 Timebase board (Horizontal Readout Jitter) adjustment location.

Part 12 — Vertical Center

Description This procedure balances the output stage of the vertical amplifier.

Specifications CRT display within ± 0.2 division of the center of the screen.

Setup



Remove the top and bottom covers from the mainframe. Plug-ins may remain installed during this test.

Oscilloscope Mainframe
Press the DISP ADJ button

Procedure

- a. On the A12 Vertical board, short across pins 4 and 6 of U420. Refer to Figure 2-19 for the shorting location. Pins 4 and 6 are the outside legs on the side of U420 nearest to U520.
- b. **CHECK**—that the display on the screen has collapsed into a single horizontal trace, and that this trace is within ± 0.2 division of the center of the screen.



DO NOT attempt to adjust the vertical balance if it is within the stated limits. Proceed to the next procedure Part.

- c. **ADJUST**—R610 on the A12 Vertical board to vertically position the trace (with pins 4 and 6 of U420 shorted) to within ± 0.05 division of the center of the screen. Refer to Figure 2-19 for the adjustment location.

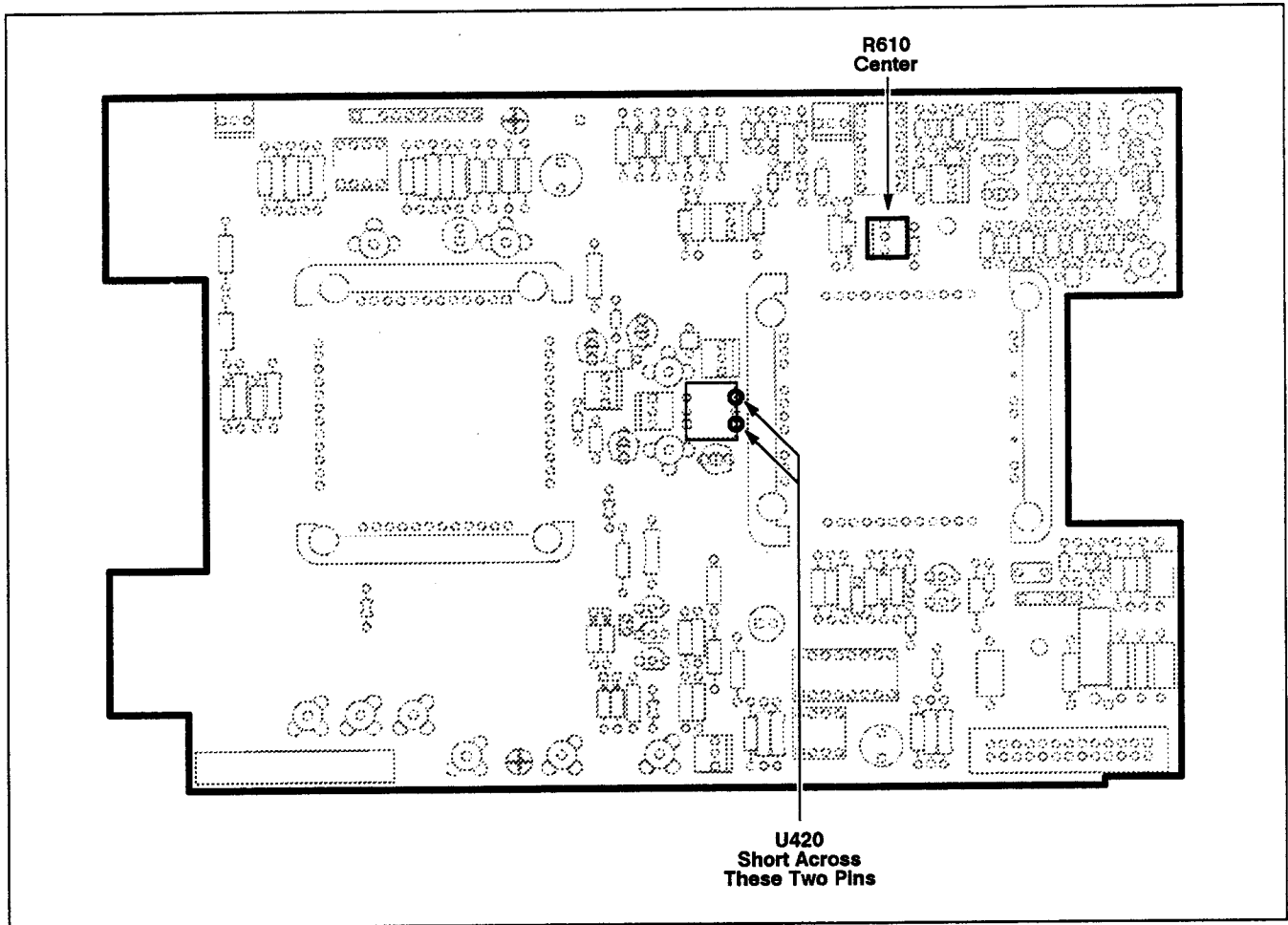


Figure 2-19. A12 Vertical board (Vertical Center) adjustment and shorting locations.

Part 13 — Magnified Registration

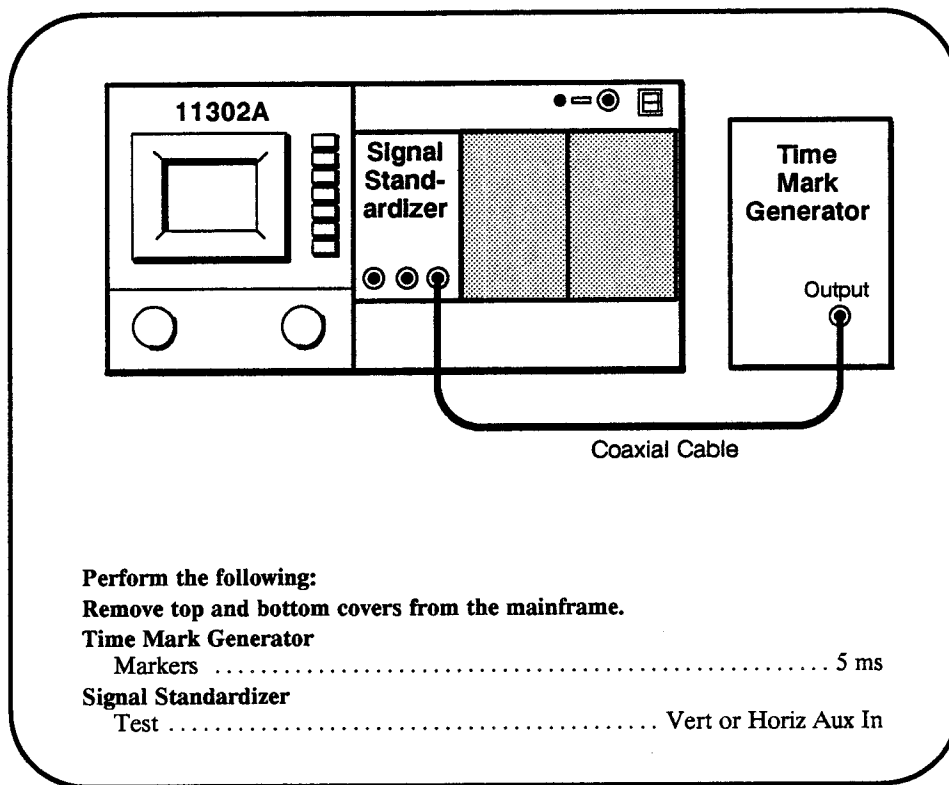
Description

This test checks for shifts in position of a waveform when switching between unmagnified and 10X magnified modes.

Specifications

A waveform pulse at center screen should shift horizontally no more than 0.4 divisions when switching from 10X to 1X magnification.

Setup



Procedure

- During this test you will be asked to center the pulse horizontally on the screen. When positioning the waveform pulse, use the tip of the pulse as the waveform reference point.
- Start the test **HOR_MAG_REG** and follow the PC instructions. If adjustment is necessary, see Figure 2-20 for the adjustment location.



DO NOT adjust the registration unless the verification failed.

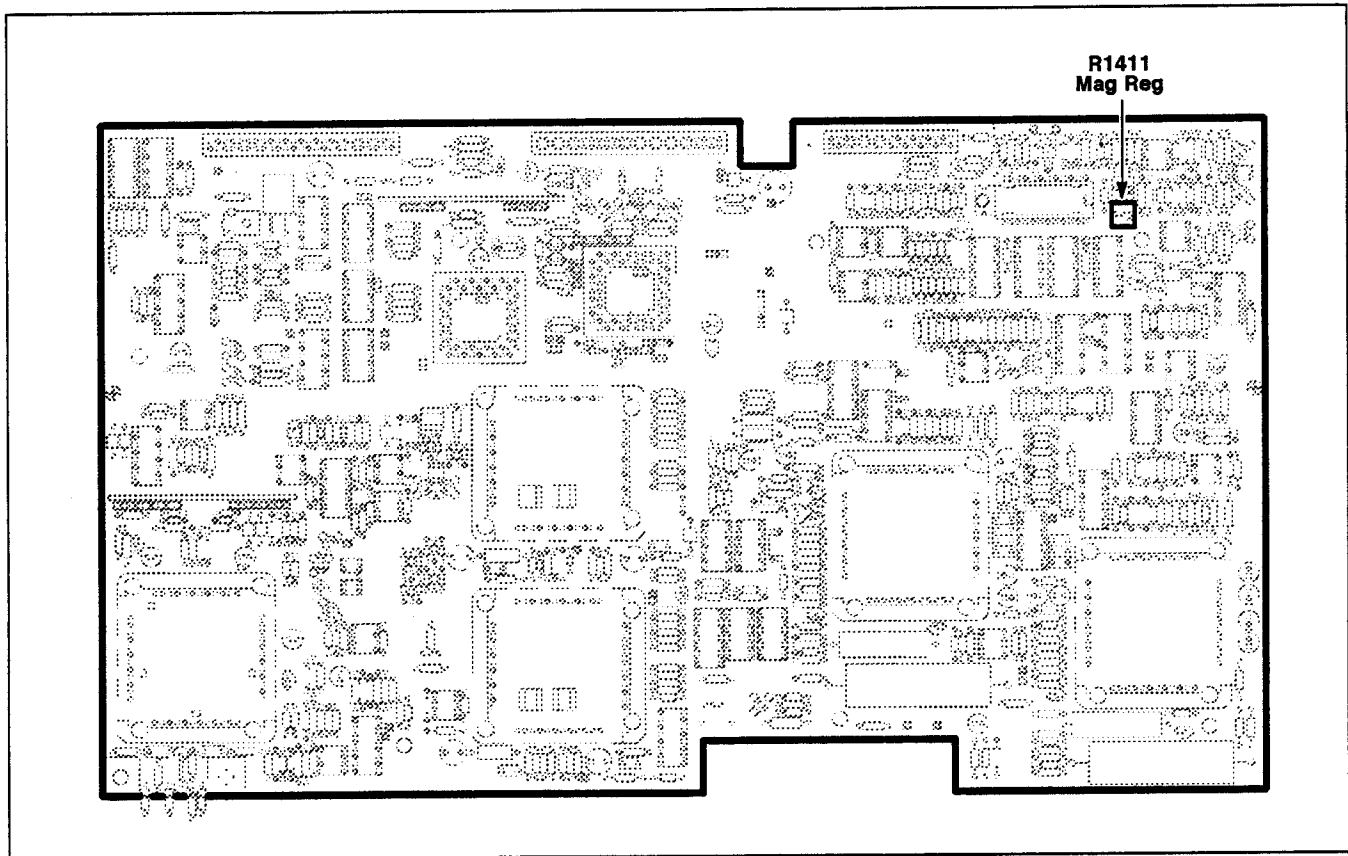


Figure 2-20. A14 Timebase board (Magnified Registration) adjustment location.

Part 14 — XY Phase

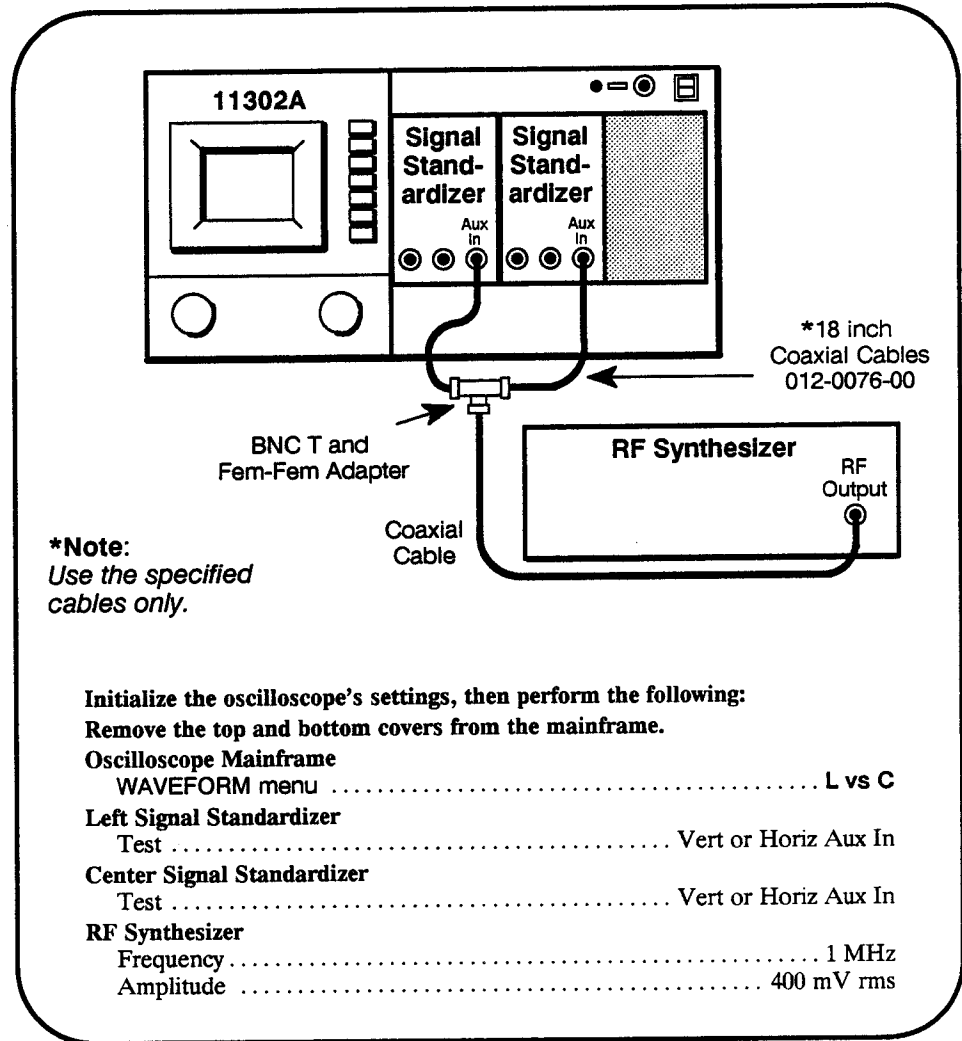
Description

This test checks a displayed XY trace for any phase shift.

Specifications

For frequencies up to 1 MHz the phase difference is less than 1° . For frequencies from 1 MHz to 2 MHz the phase shift is less than 3° .

Setup



Procedure

- Increase the XY INTENSITY until the waveform is visible.
- Adjust the Position and Amplitude controls of the left and center Signal Standardizers so that the trace is centered and is eight divisions wide and six divisions high. The left plug-in controls the vertical while the center plug-in unit controls the horizontal.
- CHECK**—that the dimension A (see Figure 2-21) vertical amplitude is < 0.1 division.

- d. **CHECK**—that the dimension A vertical amplitude is < 0.31 division as the frequency is adjusted from 1 MHz to 2 MHz in 100 kHz steps.
- e. **CHECK**—that dimension C is ≥ 5.65 divisions as the frequency is changed from 2 MHz to 3 MHz in 100 kHz steps.



DO NOT adjust the vertical amplitude of dimension A if it is within the stated limits. Proceed to the next procedure Part.

- f. Set the RF Synthesizer frequency to 3 MHz.
- g. **ADJUST**—the C1421 adjustment on the A14 Timebase board to minimize dimension A. Refer to Figure 2-22 for the adjustment location.

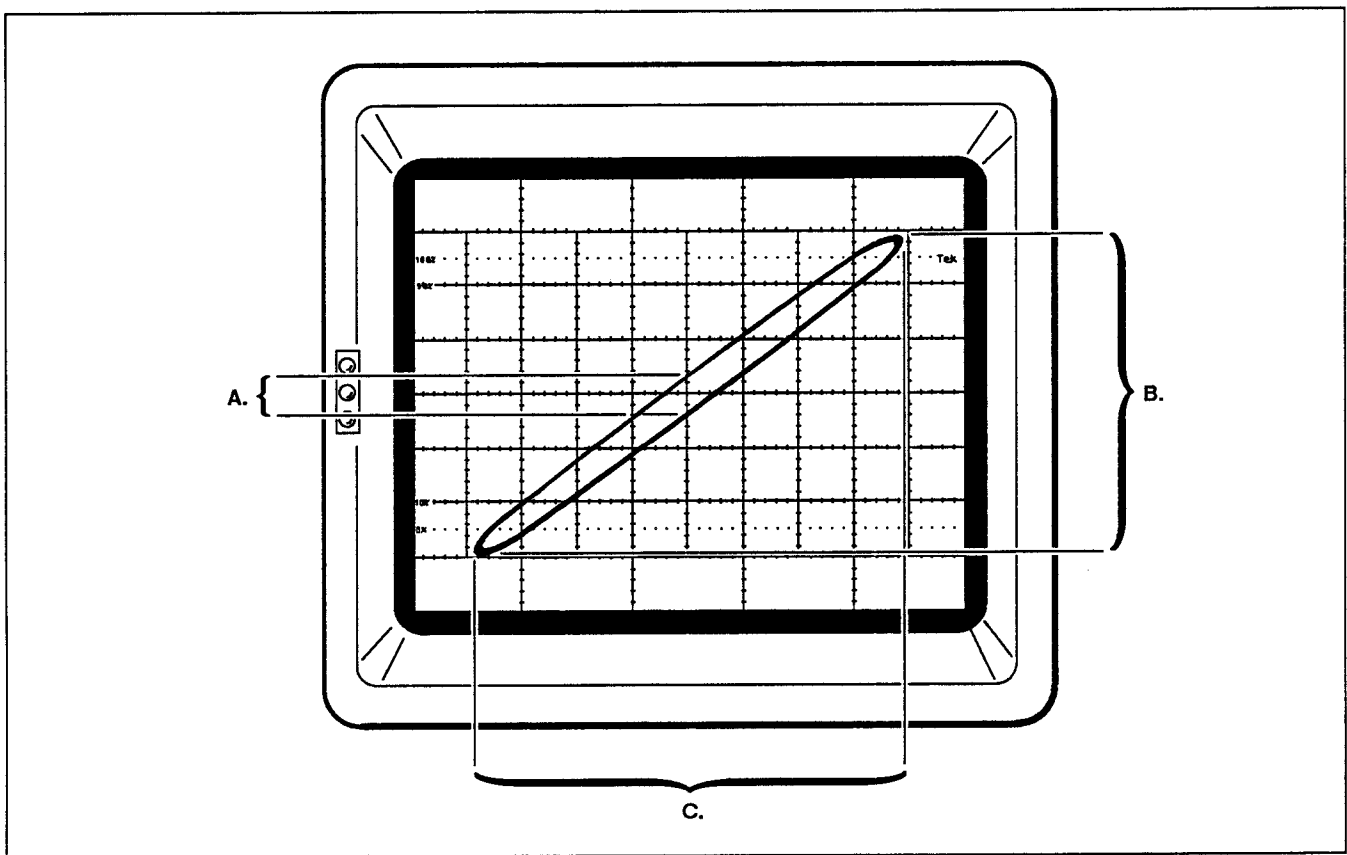


Figure 2-21. An XY waveform display showing dimensions A, B, and C. The actual phase difference is equal to $\sin^{-1} (A \div B)$.

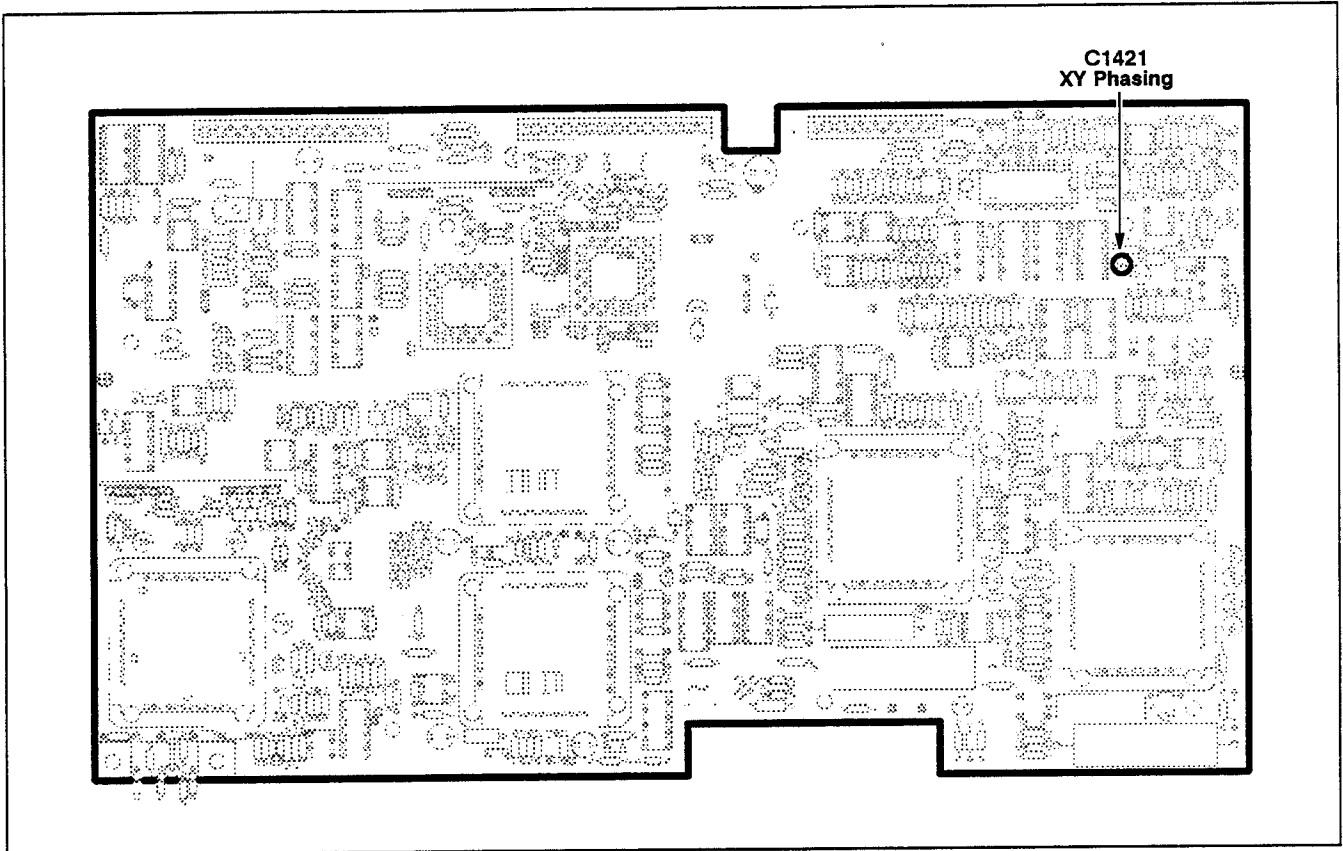


Figure 2-22. A14 Timebase board (XY Phase) adjustment location.

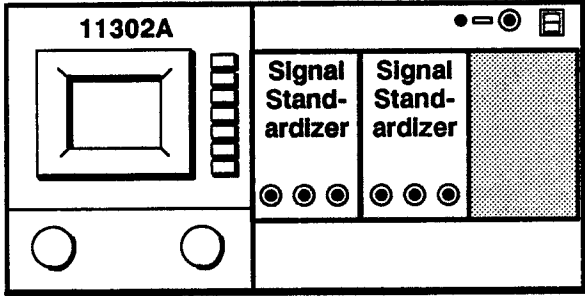
Part 15 — Plug-In Interface Gains

Description

This test verifies the Vertical Gain setting for the LEFT and CENTER compartments and the X-Axis Gain settings for the CENTER and RIGHT compartments.

Vertical Gain

Setup



The diagram shows the control panel of a 11302A device. On the left, there is a square display window and a vertical column of seven indicator lights. Below these are two circular buttons. On the right, there are two sections labeled "Signal Standardizer". Each section has three small circular indicators below it. To the right of these sections is a shaded rectangular area.

Perform the following:

Left Signal Standardizer
Test Vert or Horiz Gain
Rep Rate 10 kHz

Center Signal Standardizer
Test Vert or Horiz Gain
Rep Rate 10 kHz

Procedure

- a. Start the VERT_GAIN test. Follow the instructions given on the PC.



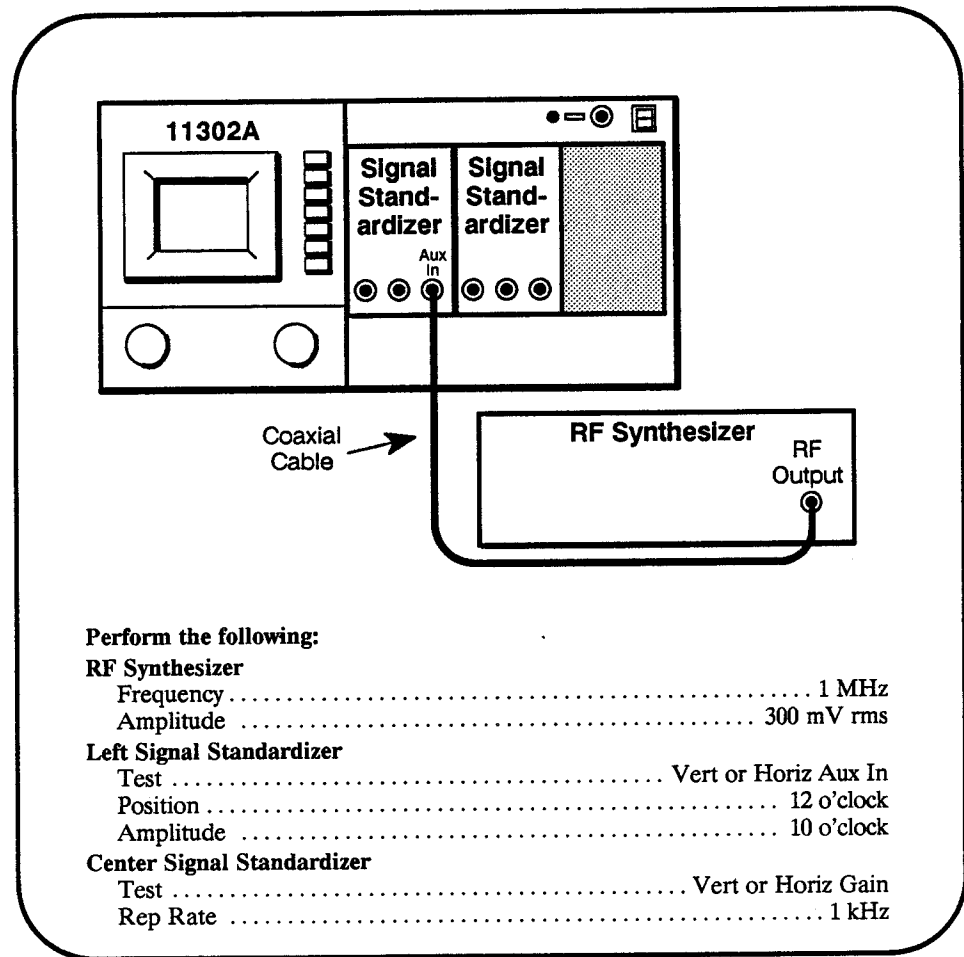
DO NOT adjust the Vertical Gain unless the verification indicates that adjustment is necessary.



DO NOT run Enhanced Accuracy if you made an adjustment during this test. Part 19—Beam Registration must be performed before Enhanced Accuracy is invoked. Calibration constant information will be lost if this caution is ignored.

Horizontal XY Gain

Setup



Procedure

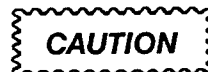
NOTE

You will need to adjust the MAIN and XY INTENSITY to view some traces during this test.

- a. Start the **HOR_GAIN** test. Follow the instructions given on the PC.



DO NOT adjust the Horizontal Gain unless the verification indicates that adjustment is necessary.



DO NOT run Enhanced Accuracy if you made an adjustment during this test. Part 19—Beam Registration must be performed before Enhanced Accuracy is invoked. Calibration constant information will be lost if this caution is ignored.

Part 16 — Vertical Center (Second Pass)

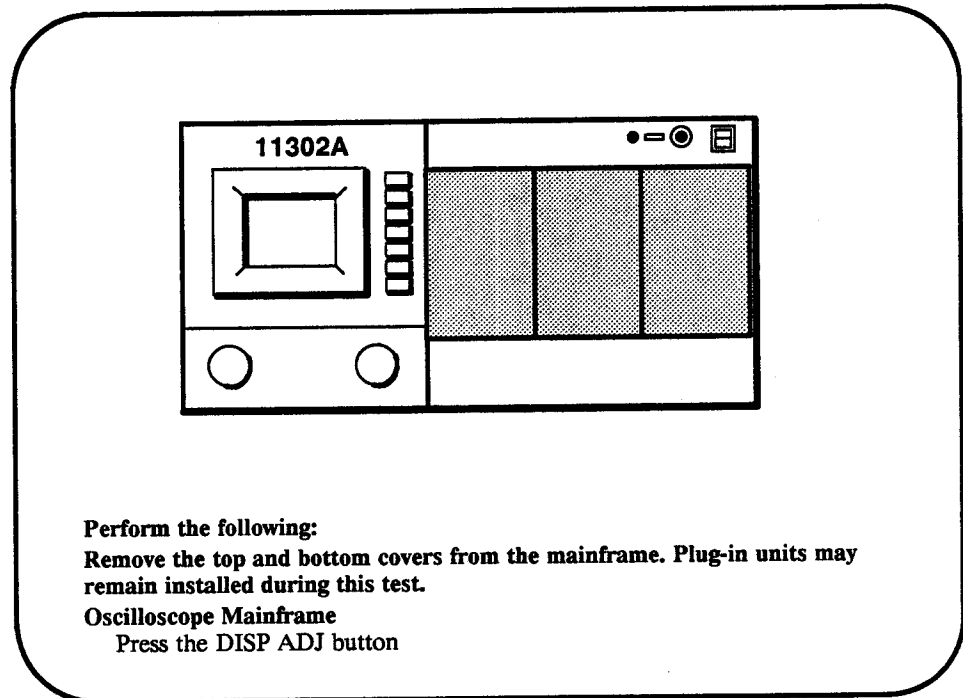
Description

This procedure balances the output stage of the vertical amplifier.

Specifications

CRT display within ± 0.2 division of the center of the screen.

Setup



Procedure

- On the A12 Vertical board, short across pins 4 and 6 of U420. Refer to Figure 2-23 for the shorting location. Pins 4 and 6 are the outside legs on the side of U420 nearest to U520.
- CHECK**—that the display on the screen has collapsed into a single horizontal trace, and that this trace is within ± 0.2 division of the center of the screen.



DO NOT attempt to adjust the vertical balance if it is within the stated limits. Proceed to the next procedure Part.

- ADJUST**—R610 on the A12 Vertical board to vertically position the trace (with pins 4 and 6 of U420 shorted) to within ± 0.05 division of the center of the screen. Refer to Figure 2-23 for the adjustment location.

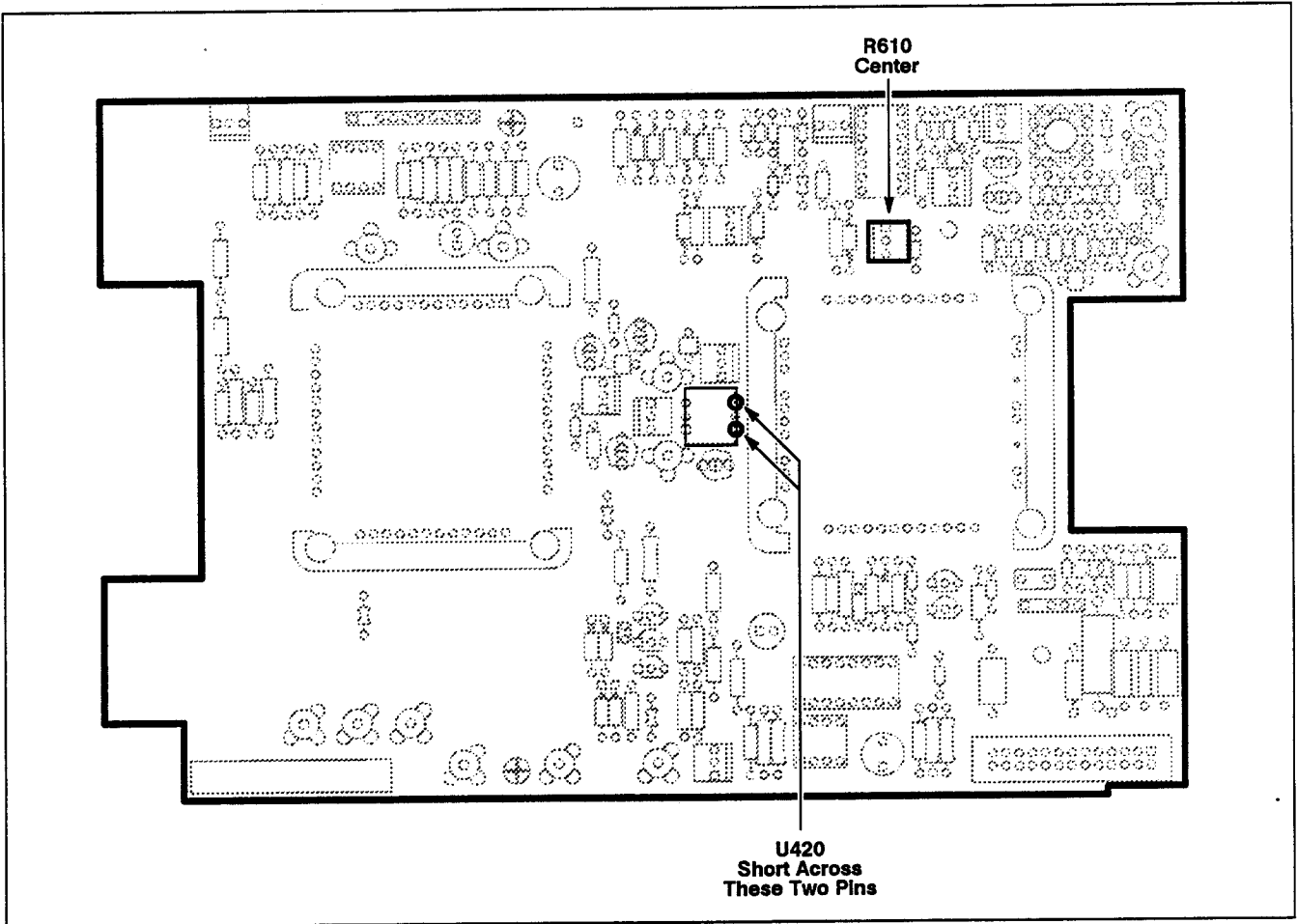


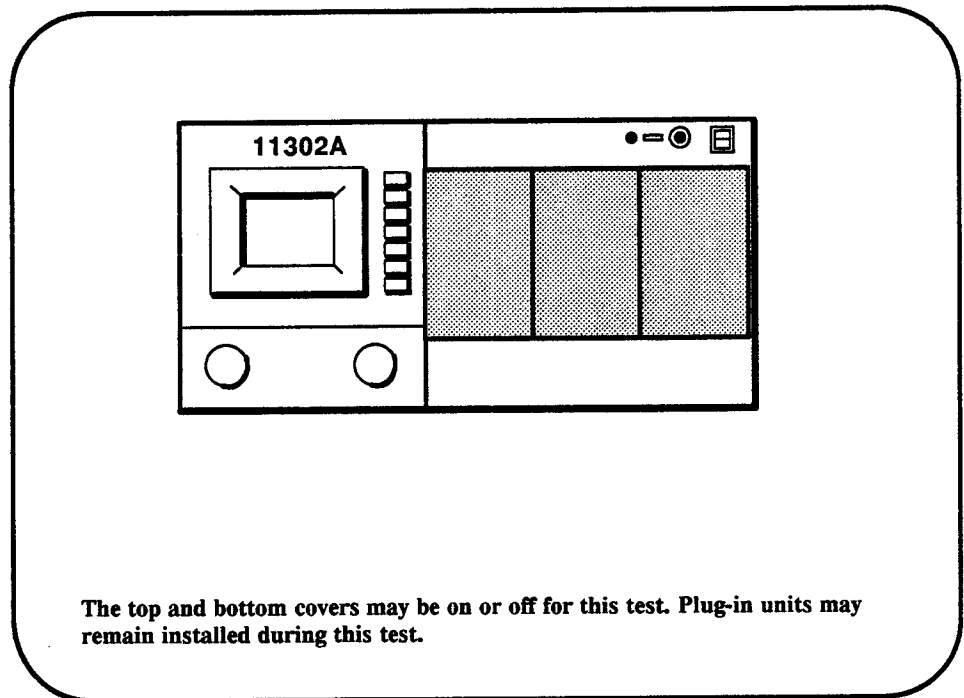
Figure 2-23. A12 Vertical board adjustment and shorting locations.

Part 17 – Sweep Slew Rate Selfcal

Description

This test automatically adjusts the sweep slew rate.

Setup



Procedure

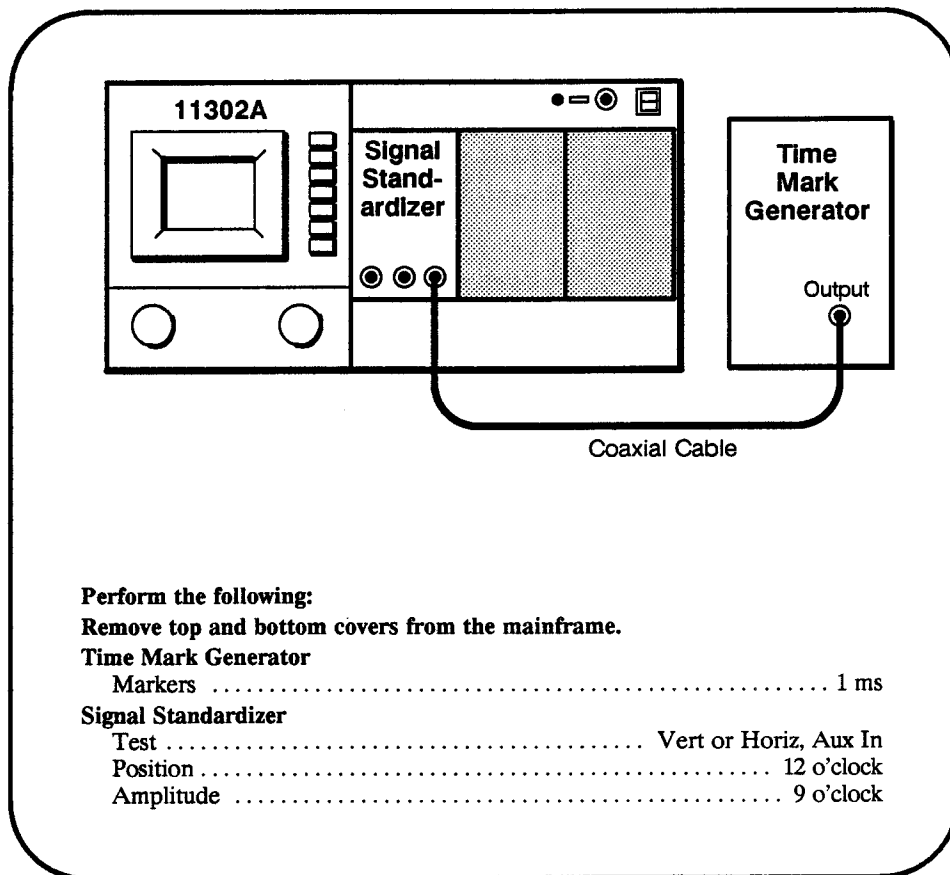
- a. Start the test **AUTOCAL_SWEEPS**. Follow the instructions given on the PC.

Part 18 — Sweep Gains

Description

This test checks the horizontal sweep timing, then, if necessary, allows adjustment with another test.

Setup



Procedure

- The **SWEEP_TIMING_ACC** test requires you to use the horizontal cursors to check the timing at different time/division settings for the Main and Delayed timebases. At each time/division setting the PC will prompt you to place the cursors at two waveform crossings of the center horizontal graticule line such that the cursors bracket one or more complete cycles. The PC will prompt you to enter the number of complete cycles between the cursors. Timing accuracy should be checked within the center eight horizontal divisions.
- Start the **SWEEP_TIMING_ACC** test and run the 1 ms and 100 μ s Main (M) and Delayed (D) tests ONLY.
- When the first waveform appears adjust the Signal Standardizer Amplitude and Position Controls to obtain a centered four division trace.

- d. Examine the accuracy of the results for each time/div checked. If the error exceeded 1/2 the allowed error for any of the four times/div, perform the adjustments described below. After the four tests have run, select Exit test.



DO NOT perform the following adjustment unless one of the checked sweep timing settings deviated by 1/2 the allowed error.

- e. Set the Time Mark Generator for 1 ms markers and the Signal Standardizer Test switch to Vert or Horiz, Aux In.
- f. Start the **SWEEP_GAIN** test, then adjust the Signal Standardizer Amplitude and Position controls for a 6 div signal.
- g. Follow the instructions given on the PC. When the test finishes, proceed directly to the next procedure Part, Beam Registration. The calibration information derived during the **SWEEP_GAIN** test is permanently stored when Beam Registration is performed.



DO NOT run Enhanced Accuracy if you made an adjustment during this test. Part 19—Beam Registration must be performed before Enhanced Accuracy is invoked. Calibration constant information will be lost if this caution is ignored.

Part 19 — Beam Registration

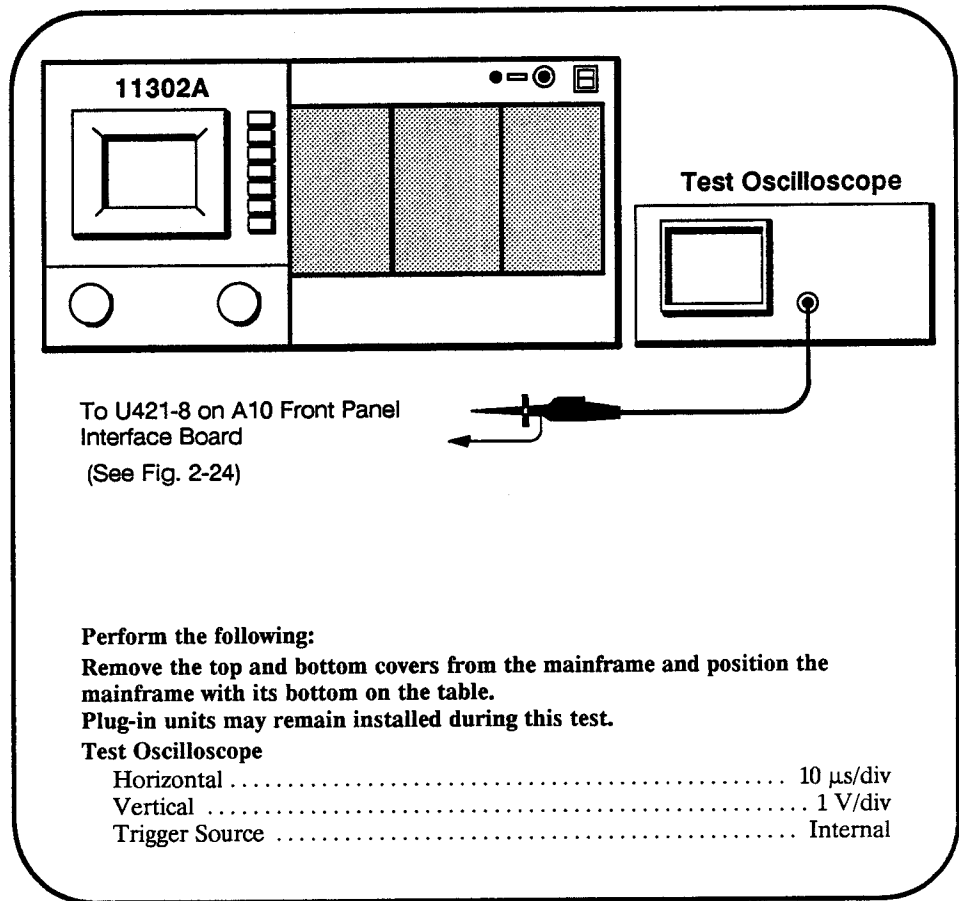
Description

This test checks the beam registration signal for high-frequency noise, the beam registration system for proper light-induced bias of the photodetectors, and the graticule-to-display beam alignment.

DO NOT run this test unless you made an adjustment in one of the following procedure Parts:

- | | |
|------------------------|--|
| Part 4—CVR Accuracy | Part 12—Vertical Center |
| Part 5—A/D Converter | Part 13—Magnified Registration |
| Part 6—ACVS Gain | Part 15—Plug-In Interface Gains |
| Part 8—Display Quality | Part 16—Vertical Center (Second Pass) |
| Part 10—Spot Shift | Part 18—Sweep Gains |
| Part 11—Readout Jitter | Part 29—Vertical High Frequency Response |

Setup



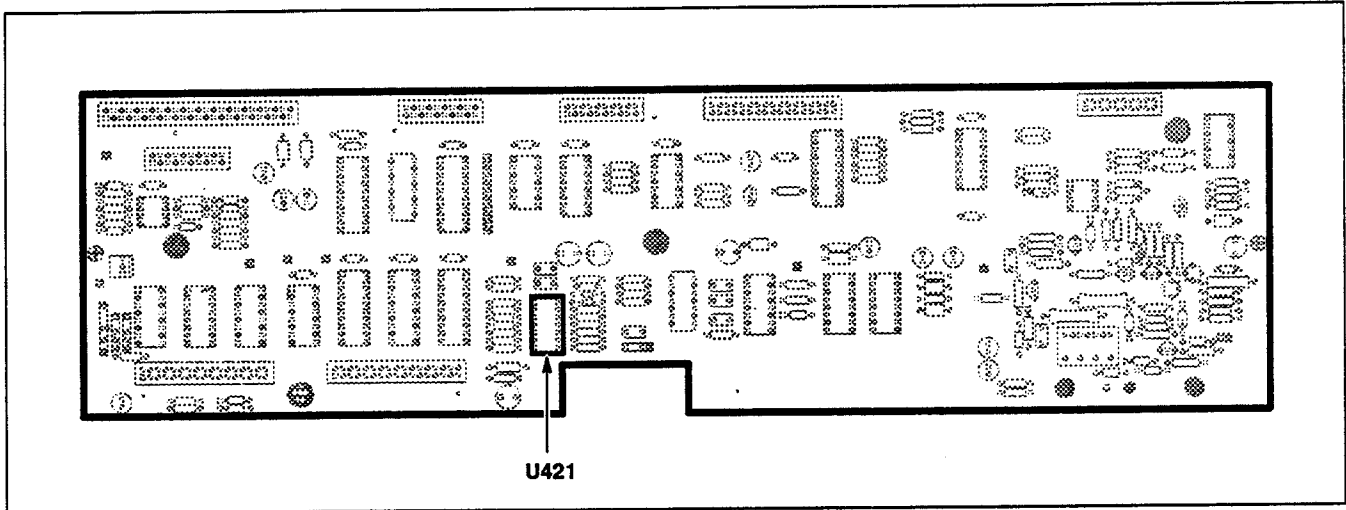


Figure 2-24. A10 Front Panel Interface board (Beam Registration) test point locations.

Procedure

- a. In this test the environment will affect the level of noise seen on the test scope display. Florescent lights have a strong effect. If possible run this test in an environment similar to the user's, particularly the ambient light level.

Start the test **GRAT_LIGHT**. Follow the instructions given on the PC.

If the first test fails due to excessive waveform noise, the electrostatic shield is probably missing or installed backwards. See the Maintenance section for proper installation instructions.

- b. When the test is finished, remove the scope probe.
- c. When running the adjustment test the PC will prompt you to observe whether a brilliant short trace moved across a particular graticule line (e.g. the + or - 4th graticule). This trace moves slowly back and forth on the screen for about five seconds before the PC asks you if the trace crossed a line. Also, you will be asked if some traces were within 0.1 to 0.3 divs from the center graticule line. Figure 2-25 shows the dimensions to measure for each type of trace.

After several CRT locations are checked in this way, you will be prompted to observe a waveform that is displayed after the brilliant trace display occurs. You will be asked whether the peak of the waveform is between 3 and 4 divisions above or below the vertical center line. Figure 2-26 shows a possible waveform peak that is within the desired amplitude range. When the waveform is just touching the 4th graticule line, it may be slightly clipped. Clipping is indicated by a flattening of the waveforms peak. Only slight clipping is acceptable.

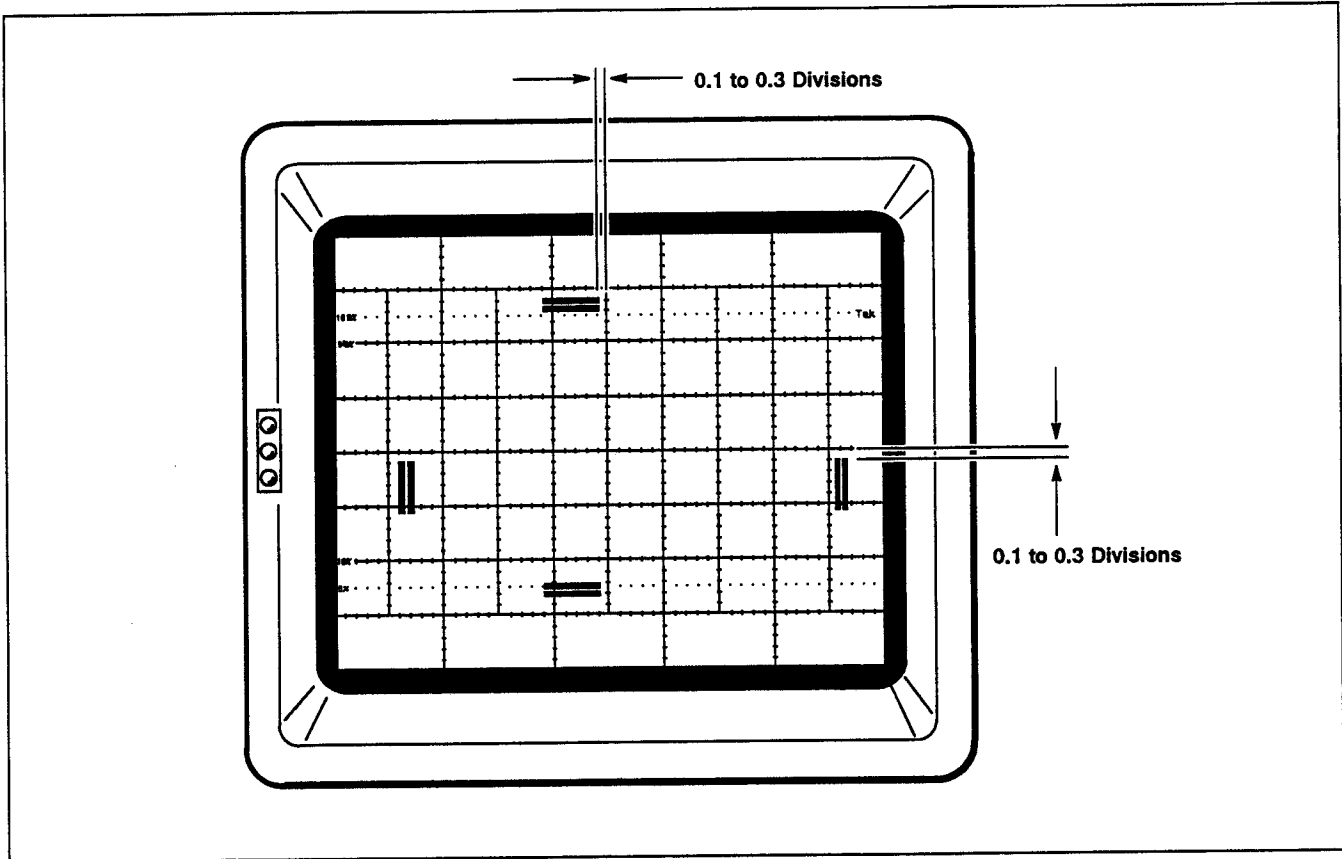


Figure 2-25. CRT display showing the trace to graticule measurements for Beam Registration.

- d. Start the test **GRAT_PREP**. Observe the traces and waveforms as described in step c. and answer the PC prompts.

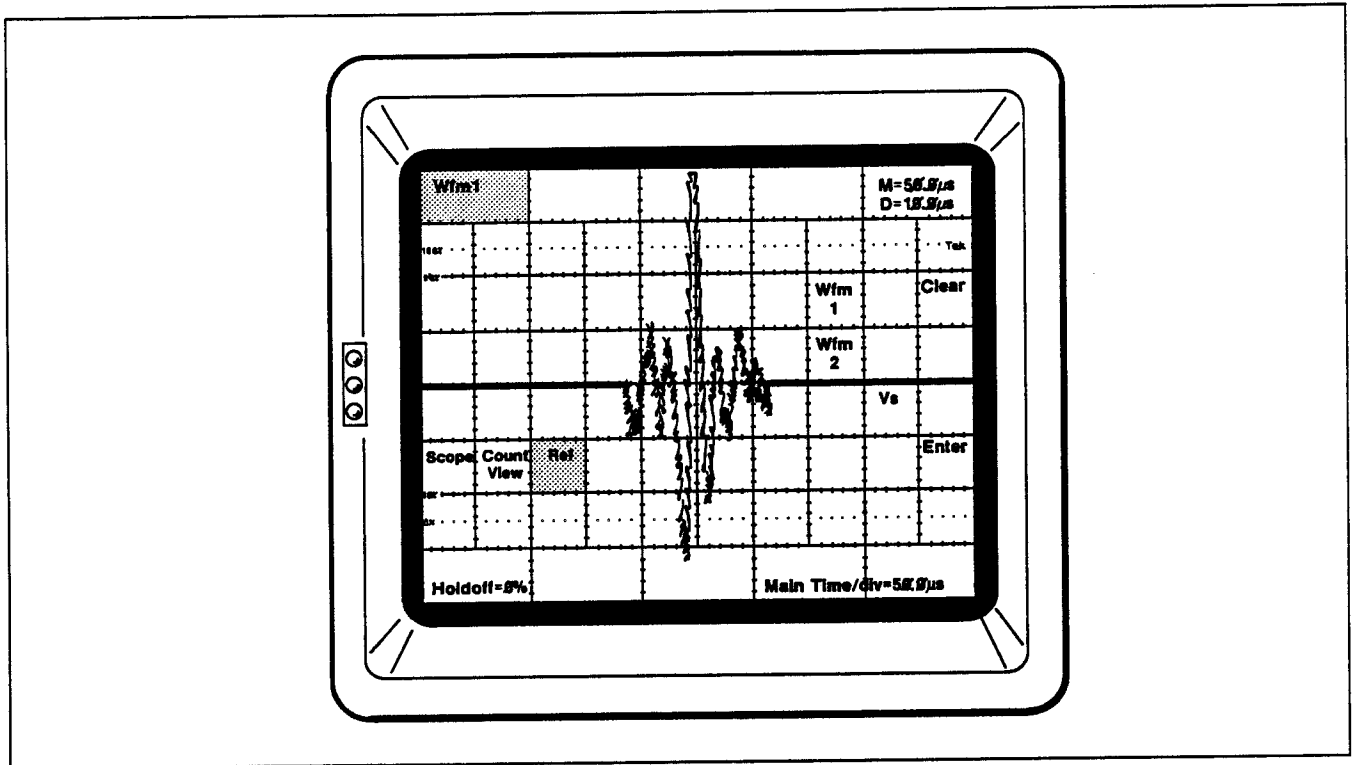


Figure 2-26. CRT display showing an acceptable GRAT_PREP waveform.

Part 20 – Cursor to Graticule Match

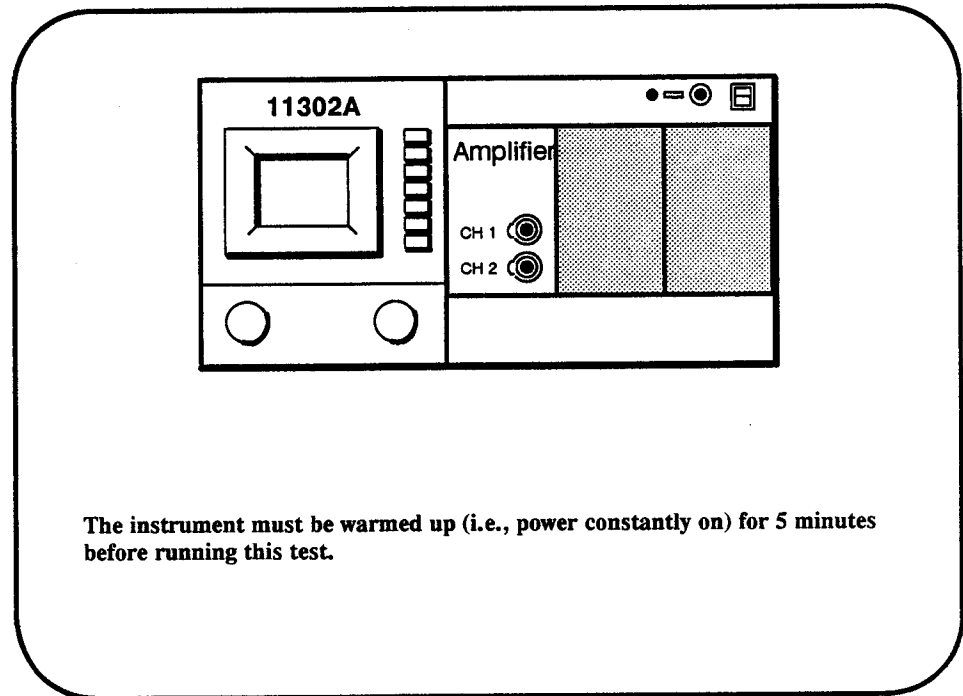
Description

This test checks that the mainframe and an 11000 Series plug-in amplifier can attain Enhanced Accuracy and it checks the alignment of the graticule with the Cursor measurement system.

Specifications

With the vertical cursors at +3 div and -3 div from center, the Δ Vert readout should be within ± 0.05 div (over 6 vertical divs). With the horizontal cursors at +4 div (right) and -4 div (left) from center, the Δ Horiz readout should be within ± 0.05 div (over 8 horizontal divs).

Setup



Procedure

- a. Press the ENHANCED ACCURACY button twice.
- b. When the automatic self-calibration is complete, the instrument will enter the normal operating mode and display the EA symbol on the lower right side of the CRT. Any failure of the mainframe or plug-in unit to achieve Enhanced Accuracy will cause the instrument to display a calibration failure message.
- c. Start the test CAL_CUR_GRAT_MATCH. Follow the instructions given on the PC.

Part 21 — Reference Oscillator

Description

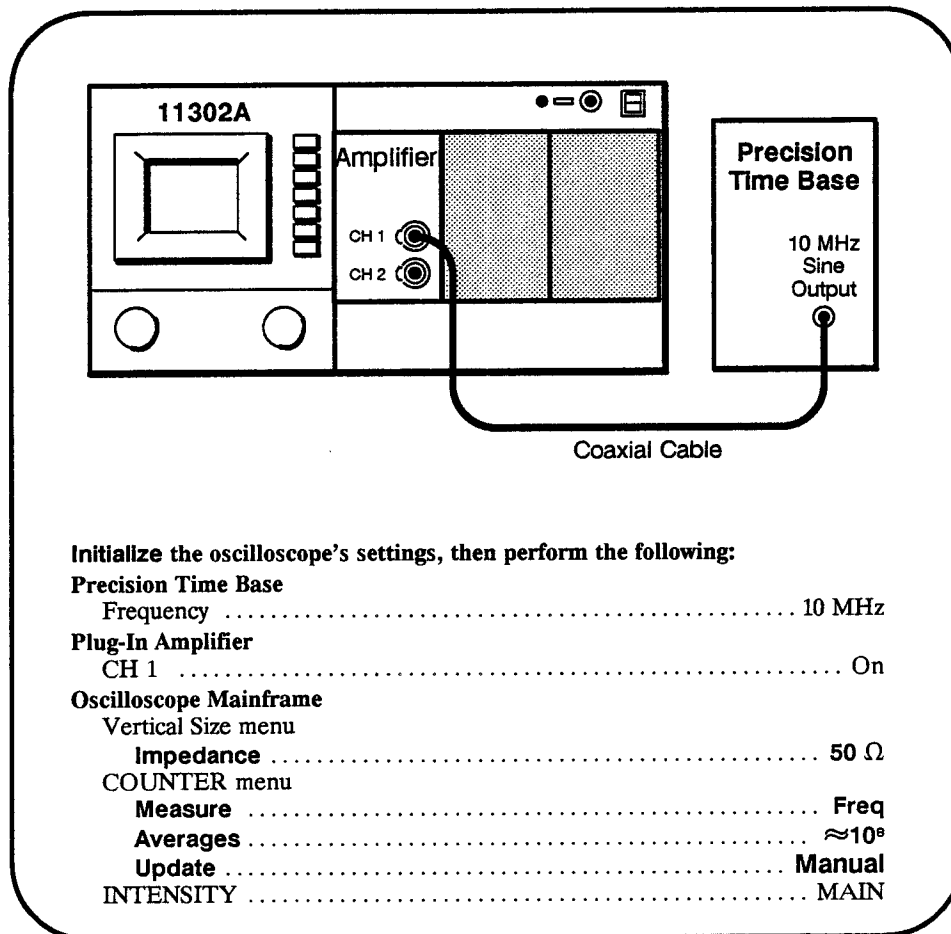
The oscilloscope mainframe measures the frequency of a precision time base of known accuracy to determine the accuracy of the mainframe's internal Reference Oscillator.

Specifications

Freq readout of 10 MHz \pm 50 Hz for the standard mainframe.

Freq readout of 10 MHz \pm 5 Hz for mainframes with Option 1T installed.

Setup



NOTE

If a 10 MHz precision source is not available, a 1 Mhz precision source may be used. If the 1 MHz source is used, set Averages to 10^6 . Allowed frequency variation is 1/10th that used for 10 MHz.

Procedure

- a. Adjust the display for a vertical amplitude of approximately four divisions.
- b. Press **RESET** in the TRIGGER menu. The frequency measurement takes about two minutes.
- c. **CHECK**—that the **Freq** readout is $10\text{ MHz} \pm 50\text{ Hz}$ for the standard mainframe or $10\text{ MHz} \pm 5\text{ Hz}$ for mainframes with Option 1T installed. When Option 1T is installed, the **Freq** readout will show 9 digits instead of the usual 7 digits.



DO NOT attempt to adjust the internal Reference Oscillator if the **Freq** readout is within the stated limits. Proceed to the next procedure Part.

For the standard mainframe:

- d. Remove the bottom cover from the mainframe.
- e. Press the COUNTER button and select **Auto Update** and **10⁶ Averages**.
- f. **ADJUST**—the C210 adjustment on the A14 Timebase board until the **Freq** readout of the mainframe is within 5 Hz of the Precision Time Base frequency. Refer to Figure 2-27 for the adjustment location. Select **10⁸ Averages** and perform a final check.

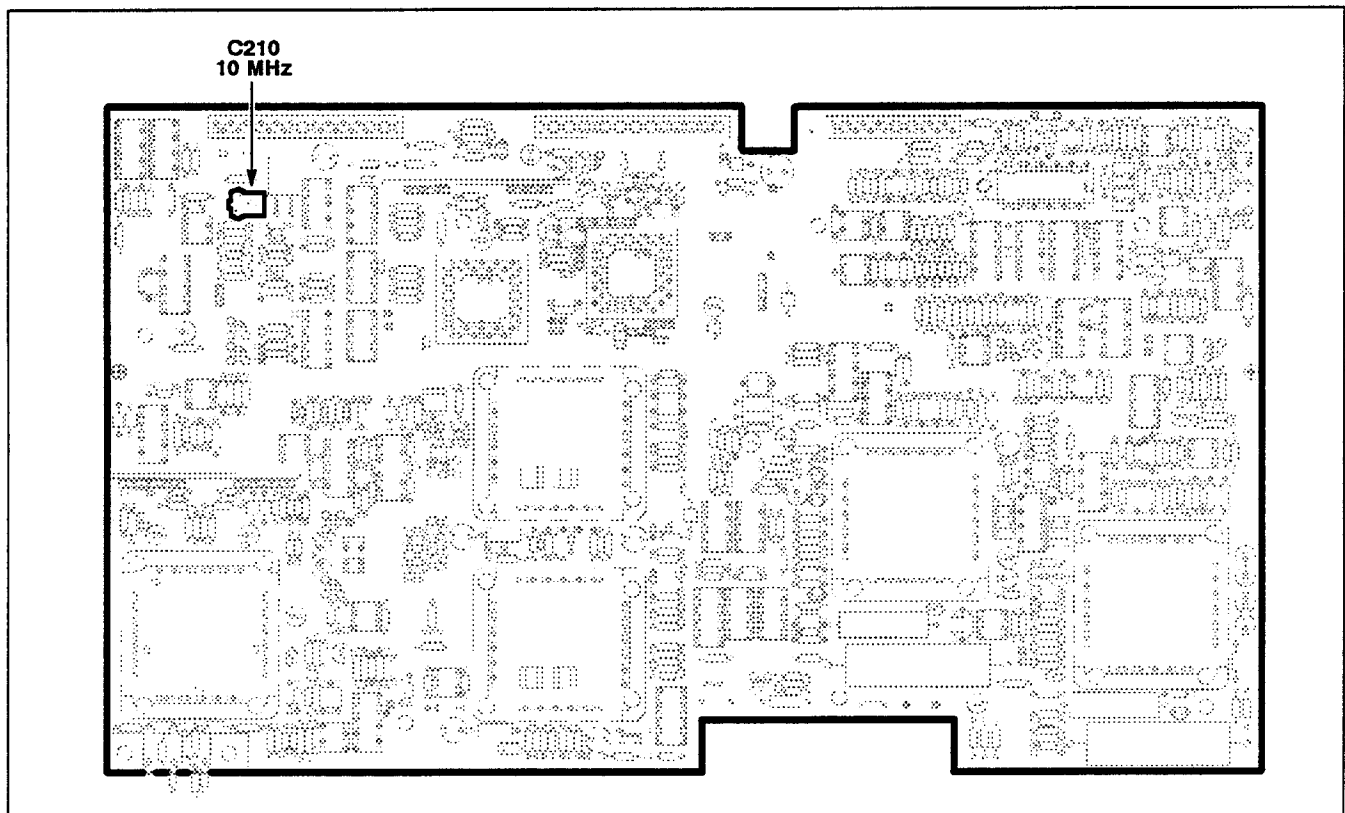
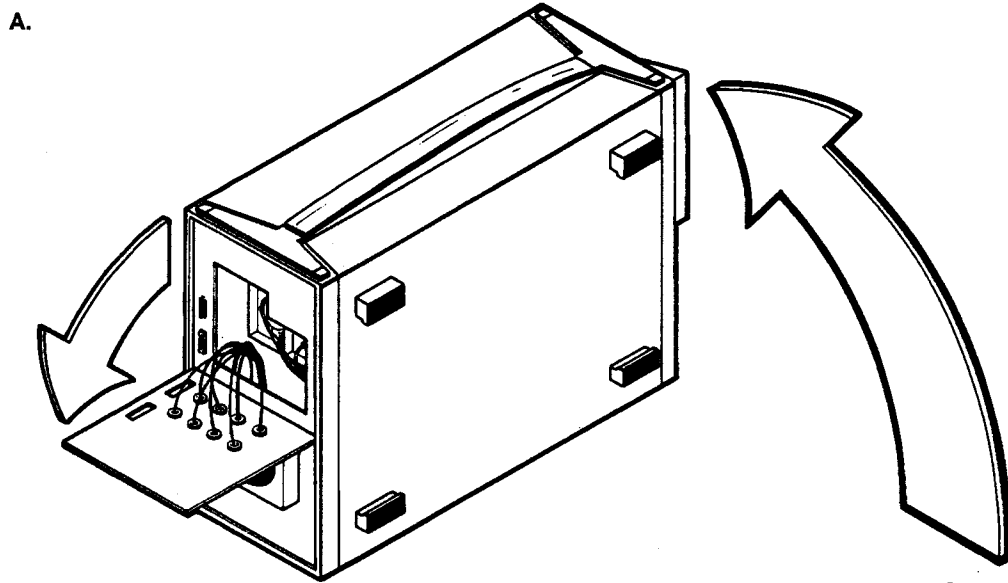


Figure 2-27. A14 Timebase board (Reference Oscillator) adjustment location.

For Option 1T:

For the optimum adjustment of Option 1T, the mainframe PRINCIPAL POWER SWITCH on the rear panel should be ON for at least 24 hours before the adjustment. The Oven Oscillator has power even when the ON/STANDBY switch is set to STANDBY.

- g. Remove the rear panel behind the CRT. See Figure 2-28A and refer to the Maintenance section for more information. Select **10⁶ Averages** and **Auto Update**.
- h. **ADJUST**—the Oven Oscillator frequency so it is within ± 0.2 Hz of the Precision Time Base frequency. See Figure 2-28B for the location. Select **10⁸ Averages** for the final check.



Place 11302A on Right Side as Shown

Remove Rear Panel Screws (Refer to Maintenance Section) and Allow Rear Panel to Hang Loose as Shown.

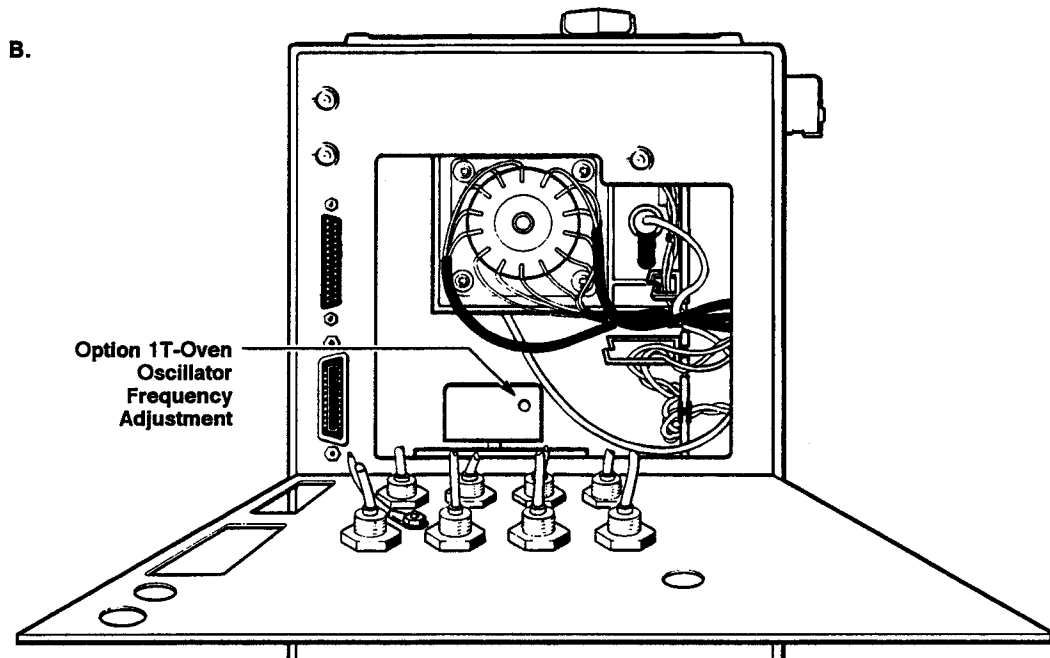


Figure 2-28. Location of the Option 1T Oven Oscillator adjustment.

Part 22 — Front Panel Calibrator

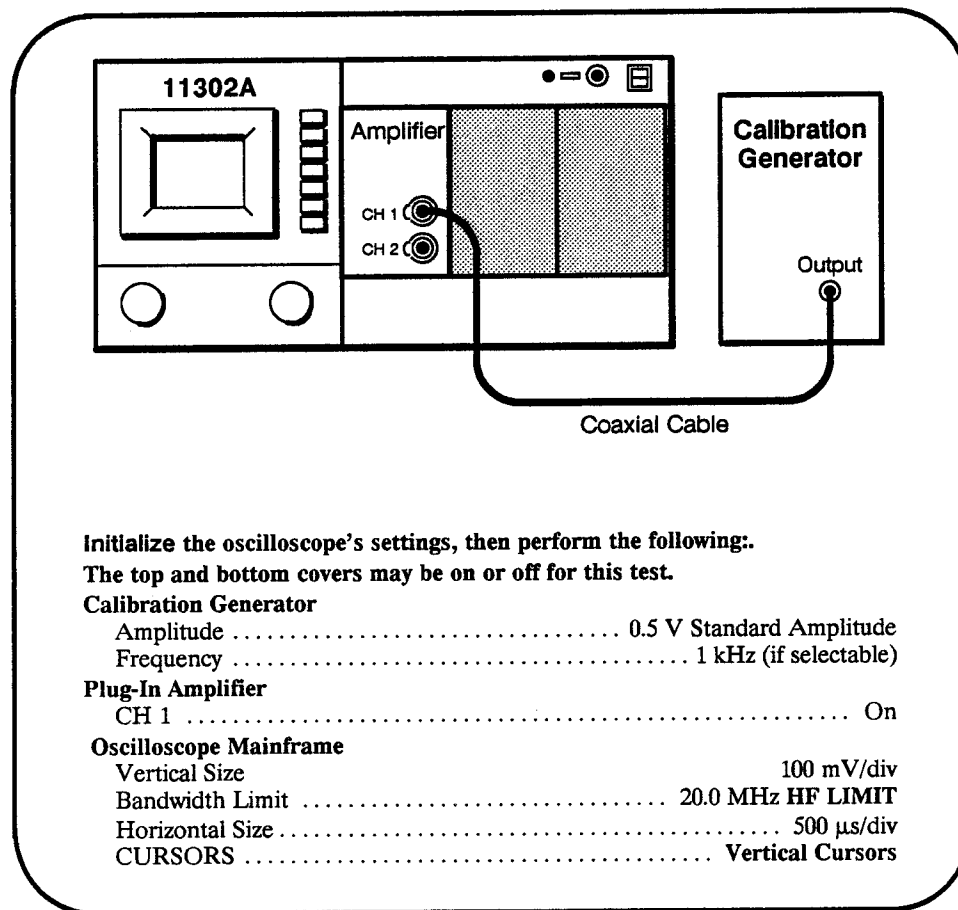
Description

This test checks the precision of the front panel CALIBRATOR output by comparing it to a reference signal from an external Calibration Generator.

Specifications

The CALIBRATOR output specifications are:
5 V square wave, $\pm 1.0\%$ into a 1 M Ω load,
500 mV square wave, $\pm 1.0\%$ into a 1 M Ω load,
500 mV fast rise, > 500 mV into a 1 M Ω load.

Setup



Procedure

- Select VERTICAL POS and center the trace vertically on the screen.

NOTE

To minimize noise interference of the calibration signal, set any nearby sine wave generators to their reference (lowest) frequencies.

- Use the vertical cursors to measure the amplitude of the waveform. Use the FINE knob settings, and set the reference cursor to split the waveform bottom and the measuring cursor to split the waveform top.

- c. Touch the **Set Ref** area and the **% – dB** screen area to set it on.
- d. Move the cable from the Calibration Generator output to the 11302A CALIBRATOR output.
- e. Press the UTILITY button, select **Cal Sig**, and set the CALIBRATOR output to a **500 mV Sq Wave at 1 kHz**.
- f. Adjust the cursors to measure the calibrator signal. **CHECK**—that the Δ Vert readout is between 99.0% and 101.0%.
- g. Set the CALIBRATOR output to **Fast**.
- h. Adjust the cursors to measure the calibrator signal. **CHECK**—that the Δ Vert readout is 100% or greater.
- i. Set Vertical Size to 1 V/div.
- j. Move the cable from the front-panel CALIBRATOR output back to the Calibration Generator output. Set the Calibration Generator output to 5 V.
- k. Adjust the cursors to measure the amplitude of the new signal and touch **Set Ref**.
- l. Move the cable from the Calibration Generator output to the CALIBRATOR output.
- m. Press the UTILITY button, select **Cal Sig**, and set the CALIBRATOR output to a **5 V Sq Wave at 1 kHz**.
- n. Adjust the cursors to measure the calibrator signal. **CHECK**—that the Δ Vert readout is between 99.0% and 101.0%.
- o. Press the COUNTER button beneath the screen and select **Freq Measure**.
- p. **CHECK**—that the **Freq** readout is between 998.0000 Hz and 1.002000 kHz.

NOTE

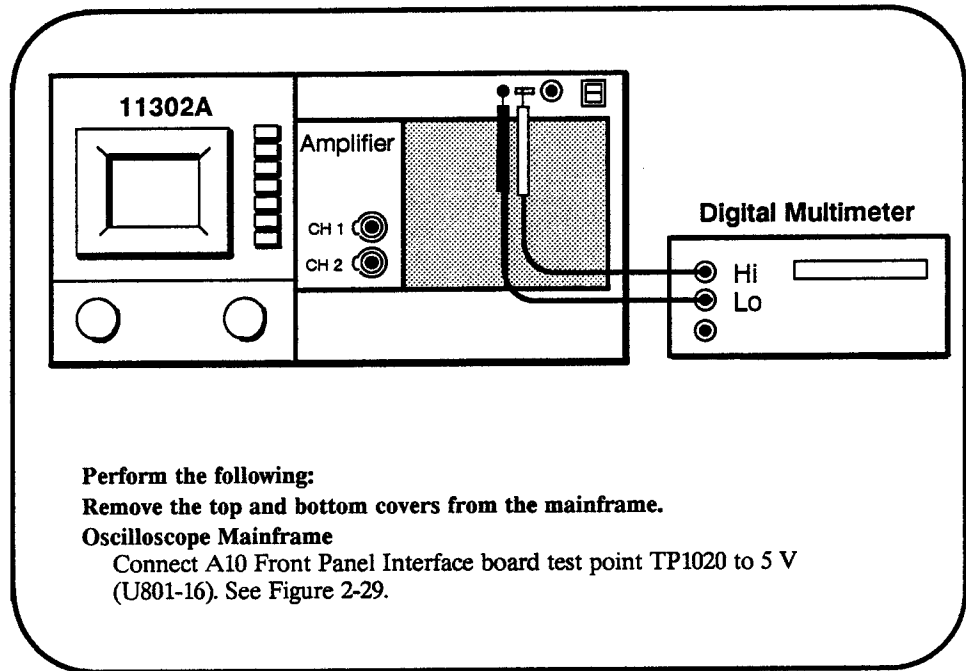
If nine digits are displayed, then Option 1T (Oven Oscillator) is installed in the mainframe. Normally only seven digits are displayed.



DO NOT adjust the CALIBRATOR if the output was within specifications. Proceed to the next procedure Part.

Front Panel CALIBRATOR Output Adjustment

Setup



Procedure

- Start the test `FRNT_PNL_CAL`. Follow the instructions given on the PC.
- When the test is finished remove the connecting strap from TP1020.

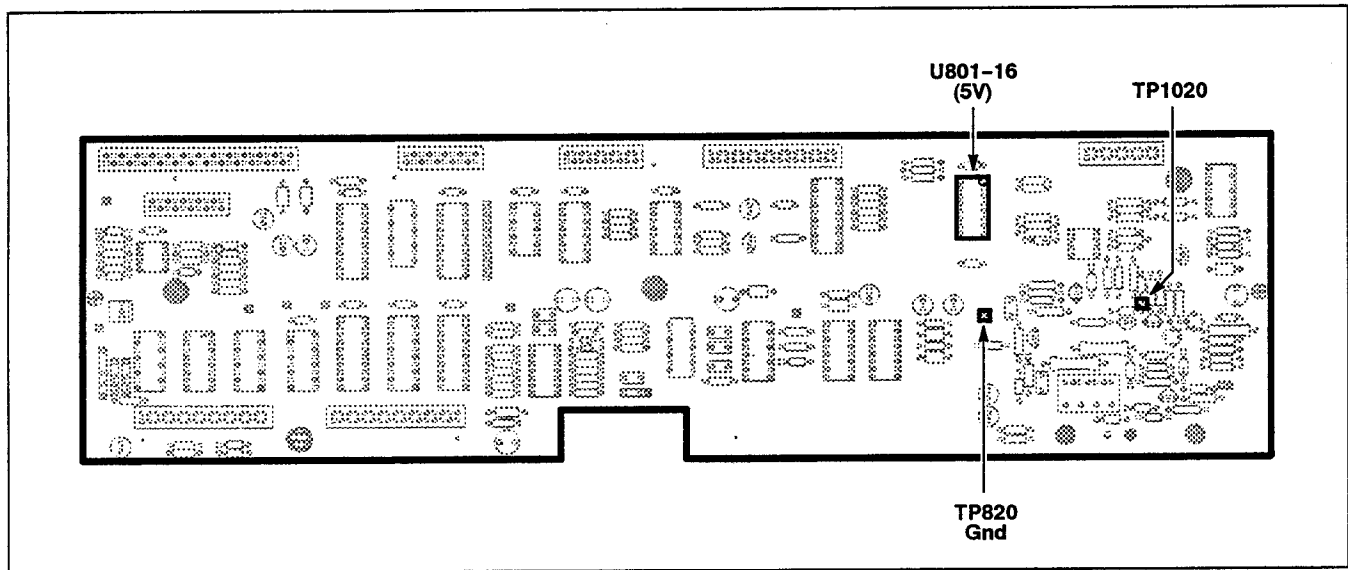


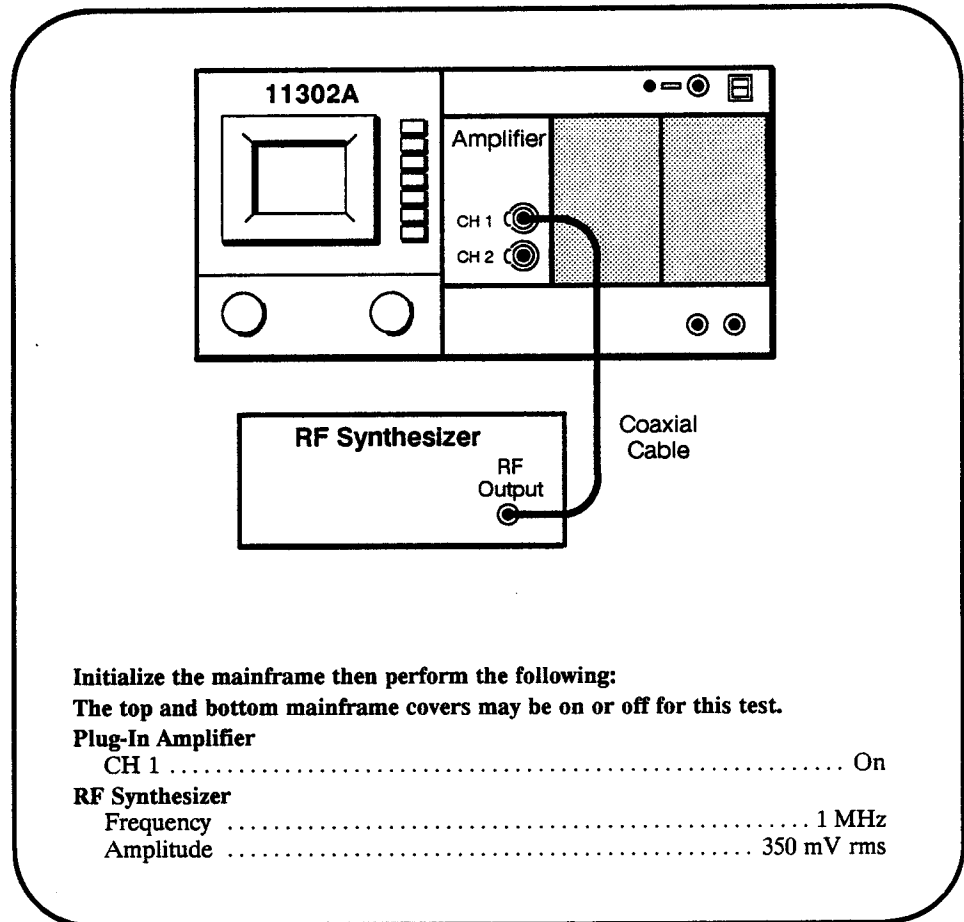
Figure 2-29. A10 Front Panel Interface board (Calibrator) test point locations.

Part 23 — Intensity Settings

Description

This test checks the Autoset intensity, Enhanced Accuracy intensity, and the default setting for waveform intensity.

Setup



Procedure

Autoset Intensity Check

- Press the AUTOSET button.
- Verify that the final waveform intensity is at an acceptable level.



DO NOT proceed with the Autoset Intensity adjustment (step c.) if the intensity level in the verification phase was acceptable. Proceed to the Readout Intensity Limit check.

- Start the test **AUTOSET_BRIGHT**. Follow the instructions given on the PC. When the test finishes, proceed with the following check.

Readout Intensity Limit Check

- d. Press the UTILITY button and initialize the mainframe.
- e. Increase the CHAR INTENSITY to its upper limit (the beeper will sound).
- f. **CHECK**—that the intensity of the displayed characters is brighter than required during normal use but not distorted.



DO NOT perform the following adjustment if the maximum readout intensity was satisfactory.

- g. Select the Utility menu for display if not already displayed.
- h. Start the test **MCP_RO_LIMIT** and follow instructions on the PC. When the test finishes, proceed with the following check.

Selfcal Intensity Check

- i. Disconnect the cable from the plug-in CH 1 input.
- j. During the following test, watch the CRT for dot intensity levels that are too dim or too bright (i.e., with a halo). Start the test **AUTOCAL_TRIG** and watch the mainframe oscilloscope CRT.
- k. If the intensity is acceptable then proceed to the next check. If no waveforms are visible or they are too bright, then proceed to the following adjustment.



DO NOT attempt adjustment if the verification phase passed.

- l. Start the test **AUTOCAL_BRIGHT**. Follow the instructions given on the PC. When the test finishes, proceed with the following check.

Writing Rate Check

- m. Connect the coaxial cable from the plug-in CH 1 input to the front-panel CALIBRATOR output. In the following test you will be asked to carefully position the rising edge of a waveform between two cursors. Figure 2-30 shows the correct waveform-to-cursor alignment.
- n. Start the test **WRITING_RATE** and adjust the Main Intensity when the first PC prompt appears. Follow the instructions given on the PC.



DO NOT attempt adjustment if the verification phase passed.

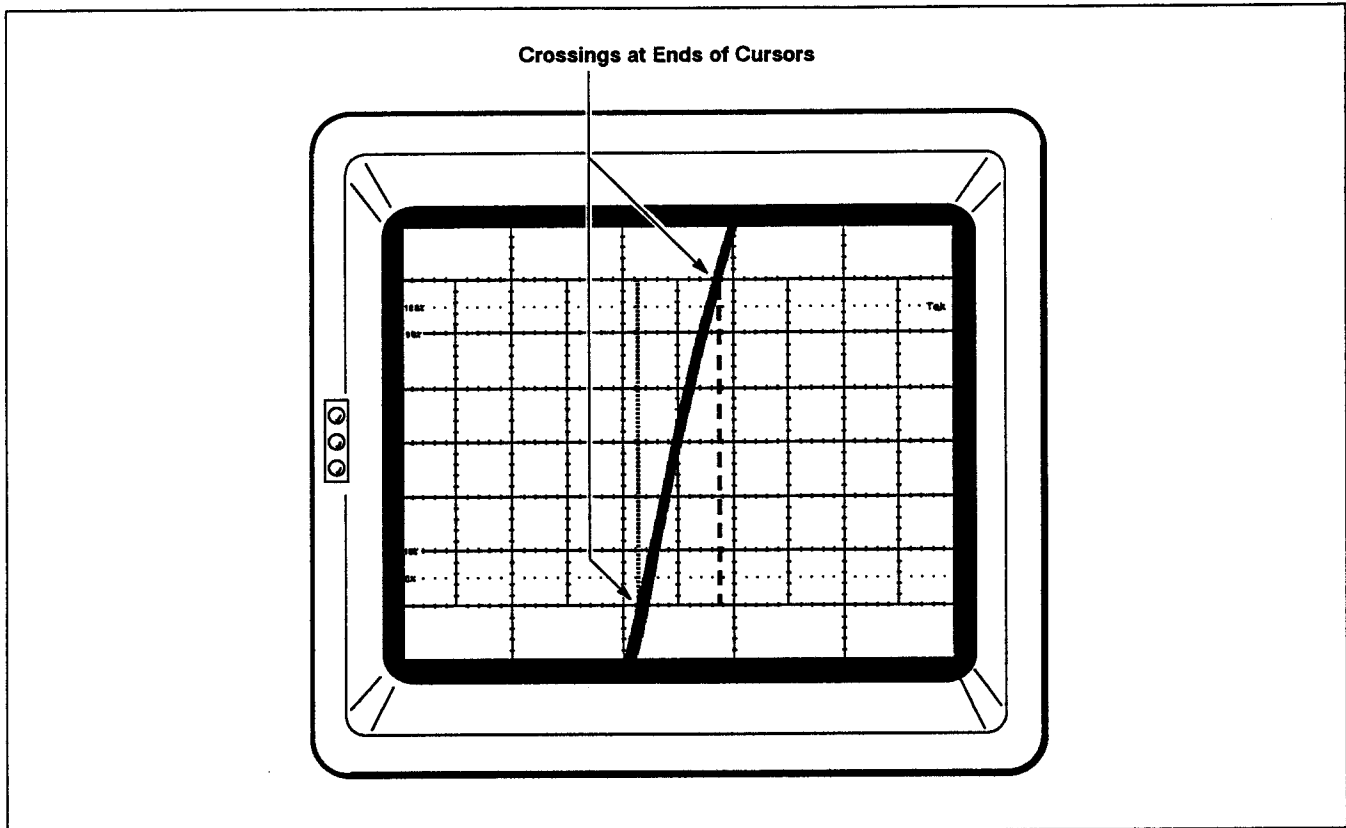


Figure 2-30. Display showing proper alignment of rising edge to cursors.

Trace Intensity Limit Check

- o. Press the UTILITY button and select INIT to initialize the mainframe. When initialization is complete, exit the Utility menu by pressing the UTILITY button again.
- p. Remove any signals from the plug-in amplifier and press the CH1 display button.
- q. Set the Main Horizontal Size to 5 ms/div.
- r. Increase the MAIN INTENSITY just until the warning **MAIN intensity exceeds limit** appears and remains on screen.
- s. **CHECK**—that the intensity of the trace is brighter than required in normal use.
- t. Set the Main Horizontal Size to 10 ns/div and adjust the Horizontal Position so that the trace spans the full width of the screen.
- u. Increase the MAIN INTENSITY just until the warning **MAIN intensity exceeds limit** appears and remains on screen.
- v. **CHECK**—that there is a “halo” on each side of the trace and that there is little, if any, background illumination of the entire screen.

- w. Connect a coaxial cable from the front-panel CALIBRATOR output to the CH1 input of the plug-in amplifier.
- x. Press the UTILITY button and select Cal Sig then 100 Hz from the Utility menu. Exit the Utility menu.
- y. Set the Main Horizontal Size to 10 ns/div.
- z. Set the Main Intensity to its maximum level (fully clockwise until the beeper sounds).
- aa. **CHECK**—that the trace is visible and that a warning message for excessive intensity is not *constantly* displayed.



DO NOT perform the following adjustment if all the checks performed for Trace Intensity were acceptable.



Do not alter any front panel settings during the following adjustment test unless the PC specifically requests you to do so.

DO NOT halt this test while it is running. Doing so will corrupt the Autoset Intensity setting which was set earlier. If the test is halted, run test AUTOSET_BRIGHT as described at the beginning of this procedure part.

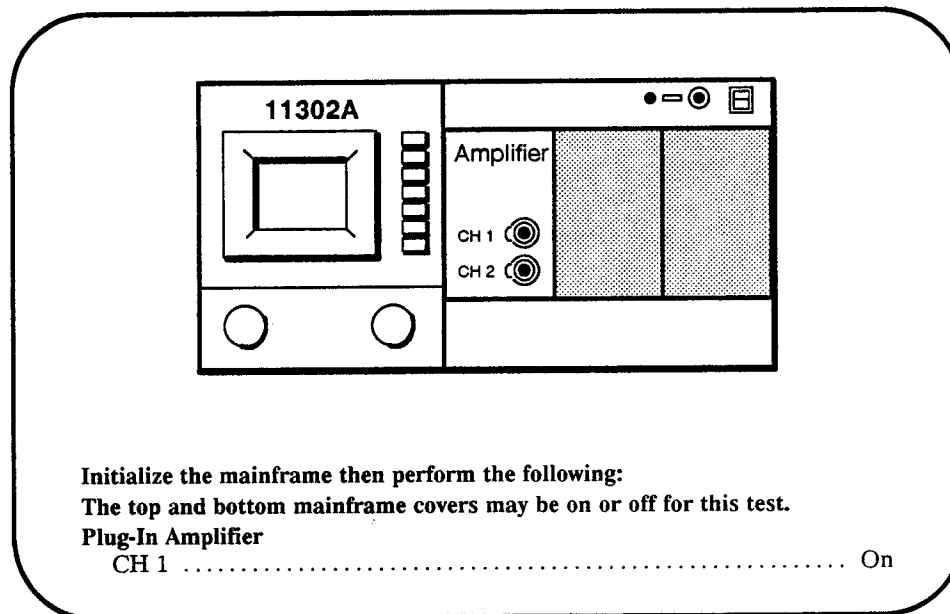
- ab. Start the test MCP_CUTOFF. Follow the instructions given on the PC.

Part 24 — Character Control

Description

This test checks for proper operation of the character control function.

Setup



Procedure

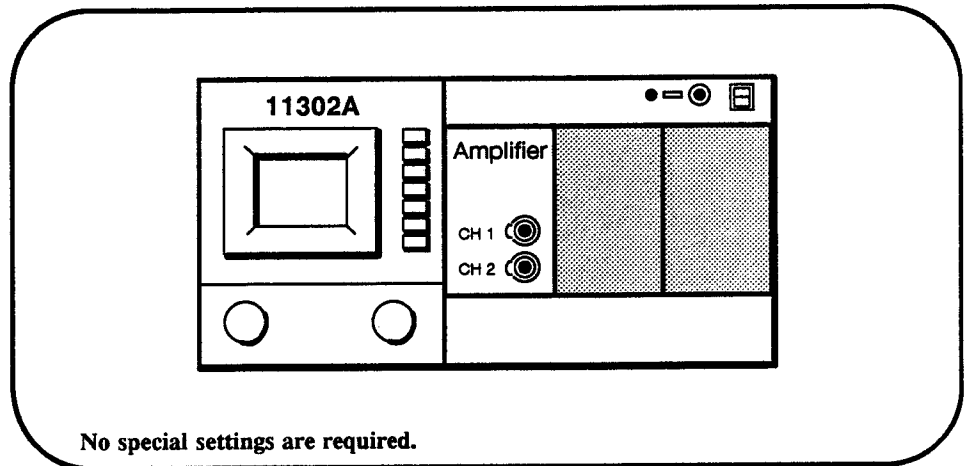
- a. Set the Horizontal Size to 100 ms/div.
- b. Adjust the CHAR and MAIN INTENSITY to a comfortable level.
- c. Set the CHARACTER CONTROL to **Pulse**.
CHECK—to verify that the readout flashes on at the end of the sweep.
- d. Set the Horizontal Size to 1 μ s/div.
CHECK—to verify that the readout display appears normal, and the waveform display dims.
- e. Set the CHARACTER CONTROL to **Off**.
CHECK—to verify that the readout disappears, and the waveform display intensifies.
- f. Set the CHARACTER CONTROL to **Norm**.
CHECK—to verify that the readout appears.

Part 25 — Install Instrument Covers/Store Cal Constants

Description

This Part prepares the instrument for the following procedure Parts. The remaining Parts of this procedure must be performed with the top and bottom covers installed (except when you are specifically requested to remove the covers) and with the instrument in the Enhanced Accuracy state. This first test **SAVE_FACTORY** permanently stores the calibration constants developed in previous procedure Parts. See Part 44—Store Cal Constants for more information.

Setup



Procedure



Do not touch any oscilloscope controls or turn off the instrument during this test. Disturbing the instrument during this test could cause loss of all calibration constant information and a non-functional instrument.

- a. Start the test **SAVE_FACTORY**. The PC will indicate test completion.
- b. Power down the mainframe and install the top and bottom covers. For instructions see the cover removal/replacement information in the Maintenance section.
- c. Remove the amplifier and install a Signal Standardizer in the left compartment.
- d. Power up the instrument, then wait 10 minutes for the internal temperature to stabilize.
- e. After warming up for 10 minutes, press the **ENHANCED ACCURACY** button twice to invoke the selfcal system.

NOTE

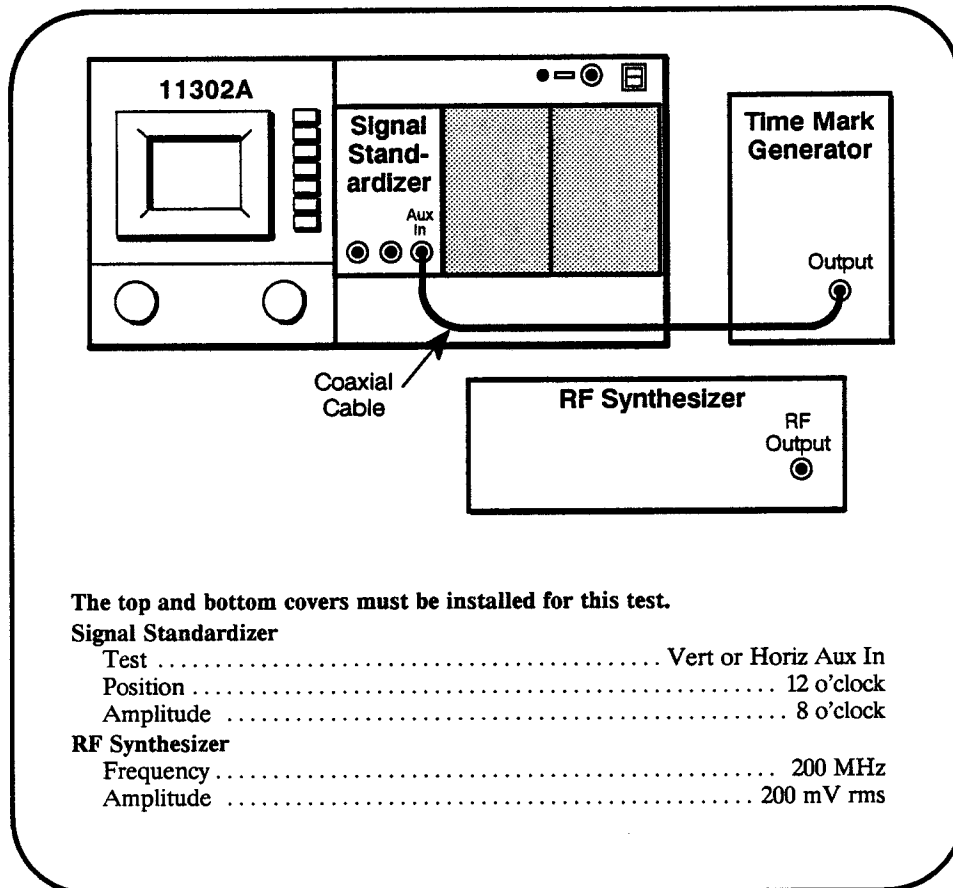
If the mainframe was cold before starting this procedure Part, let the instrument warm up a full 20 minutes before invoking Enhanced Accuracy. This warmup period is essential to guarantee proper instrument calibration.

Part 26 — Sweep Timing Accuracy

Description

This test checks the accuracy of the sweep timing circuits at significant time/division settings. Both the Main and Delayed timebases are checked in the normal and magnified modes.

Setup



Procedure

- a. In the **SWEEP_TIMING_ACC** test, you will use the horizontal cursors to check the timing at many Main and Delayed time/division settings. At each time/division setting, the PC will prompt you to enter the number of complete cycles between the cursors. Timing accuracy is best (and customarily) checked across the center eight horizontal divisions. If the instrument performance is being verified, the full set of time/division selections should be checked.

When checking magnified sweeps, the first four divisions of the viewable trace (using Horizontal Position) should be excluded. During the test, it may be necessary to increase the waveform intensity and adjust the Horizontal Position to determine where the sweep begins and ends. This is especially helpful at the 500 ps, 1 ns, and 2 ns settings. Also, these three settings are the only ones that should be checked at three places along the sweep (using Horizontal Position).

At the slowest sweep speeds, 200 and 500 ms/div, you will have to count the number of vertical transitions (spikes) that occur as the sweep progresses across the screen. Because of several factors (i.e., chop frequency, intensity, and triggering) you may need to observe several sweeps to properly set the cursors.

- b. Start the test **SWEEP_TIMING_ACC**. When the first trace appears adjust the Signal Standardizer Amplitude and Position controls to obtain a centered 5 to 6 division waveform.



DO NOT attempt any of the following sweep timing adjustments if all the time/div checks passed. Proceed to the next procedure Part.

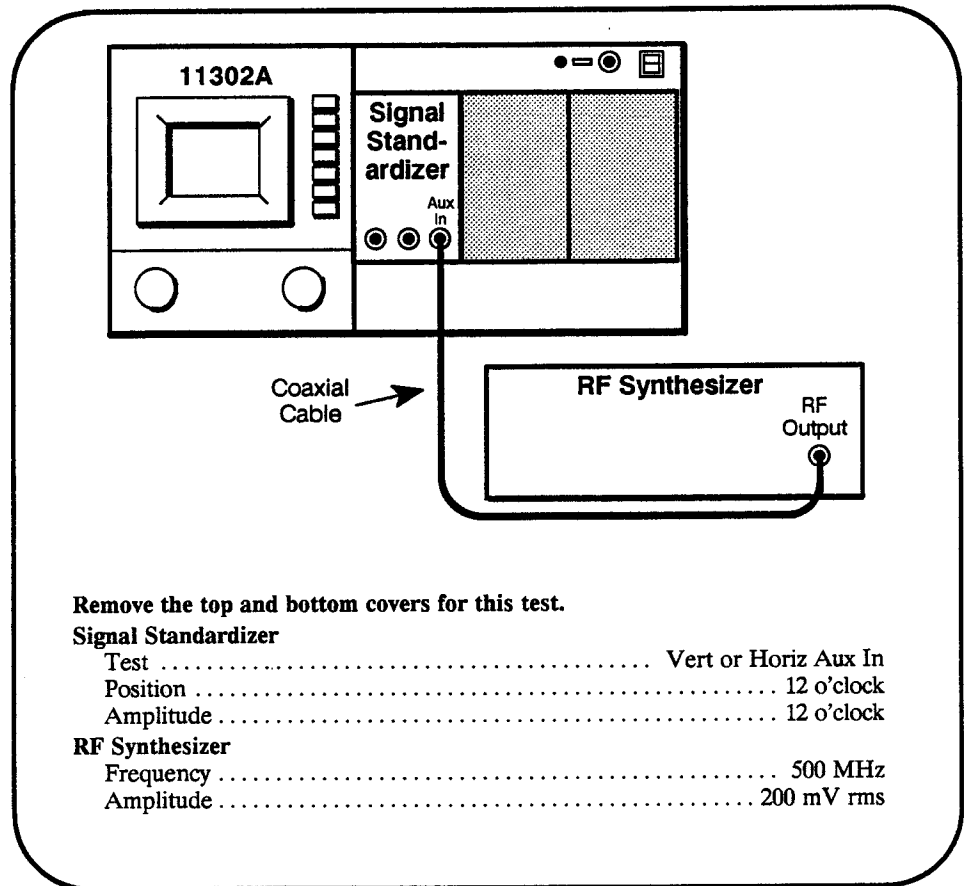
- c. Refer to Table 2-2 to determine which of the following sweep timing adjustment tests must be run to correct the failed time/div setting.

**TABLE 2-2
Adjustment Tests to Correct Main and Delayed Sweep Failures**

Time/Div	Adjustment Test or Procedure Part To Run	Sweep Timing Settings to Re-Check
500 ms- 500 ns	Part 18-Sweep Gains and Part 19-Beam Registration	All times/div
5 ns	If all time/div slower than 5 ns are good, perform: 5 ns Timing Adjustment Main Sweep 1 ns Timing Adjustment Delayed Sweep 1 ns Timing Adjustment Delayed Sweep 500 ps Timing Adjustment	5 ns/div and faster
2 ns	If all time/div slower than 2 ns are good, perform: Part 18-Sweep Gains	All times/div
1 ns	If all time/div slower than 1 ns are good, perform High Speed Linearity Adjustment, and Delayed Sweep 1 ns Timing Adjustment	1 ns and 500 ps/div
500 ps	If all time/div slower than 500 ps are good perform Delayed Sweep 500 ps Timing Adjustment	500 ps/div

High Speed Linearity Adjustment

Setup



Procedure



DO NOT attempt to adjust the high speed linearity unless specifically requested to do so in Table 2-2. It is very unlikely that this adjustment needs to be performed.

- a. When performing this 1 ns/div sweep linearity check/adjustment, some compromise is necessary between adjusting for the best linearity and the accuracy of high-speed sweep timing. The best approach is to check the linearity, as described below, and make an adjustment only if the linearity is beyond the specified limits. If an adjustment is required, check the timing at 1 ns/div and 500 ps/div again with the Sweep Timing Accuracy test.
- b. Start the test **HI_SPD_ADJ**. Adjust the DELAYED INTENSITY for a visible trace. Adjust the Signal Standardizer Position and Amplitude controls for a centered Delayed sweep trace with an amplitude of 5 to 6 divisions.

- c. Set the Horizontal Position to about 15, then horizontally position the waveform so that a rising edge of a sinewave is about one division in from the left and right edges of the screen. Carefully adjust the horizontal and vertical position of the waveform so that the extreme left and right rising edges of the sinewave are equal distances from the center graticule line. See Figure 2-31. Dimension A (which is slightly exaggerated here) of your screen display should be as close to equal as possible using FINE Horizontal Position control.
- d. **CHECK**—that the rising edge nearest screen center crosses the horizontal graticule line within 0.07 division (1/3 minor div) to the left or right of the center vertical graticule line. Use the center of the trace when checking the linearity error. See Figure 2-31.
- e. Three checks for linearity should be performed at three different sweep positions that are within 20 ns (or 20 divisions) of the extreme left end of the sweep. One check was made in steps c. and To check the extreme left end of the sweep, increase the Horizontal Position until the left end of the trace is not visible.
- f. Set the DELAYED INTENSITY to a high level. Increase the Horizontal Position until a dim trace is again seen at the left, then decrease the Horizontal position by 4 divisions.
- g. Set the first rising edge on the display at the minus fourth graticule and proceed with the check as performed in c. and d. above.
- h. Set the Horizontal Position to a value about 10 divisions less than that of the extreme left of the sweep and perform the check in steps c. and d. again.



DO NOT attempt to adjust the linearity if the above checks were within the stated limits. Proceed to the next procedure Part.

- i. Press the carriage return on the PC.
- j. Adjust R1410 on the A14 Timebase board (see Figure 2-32) until the linearity is just within the specified range. Do not adjust R1410 to its full CCW position as the 500 ps timing will be adversely affected.

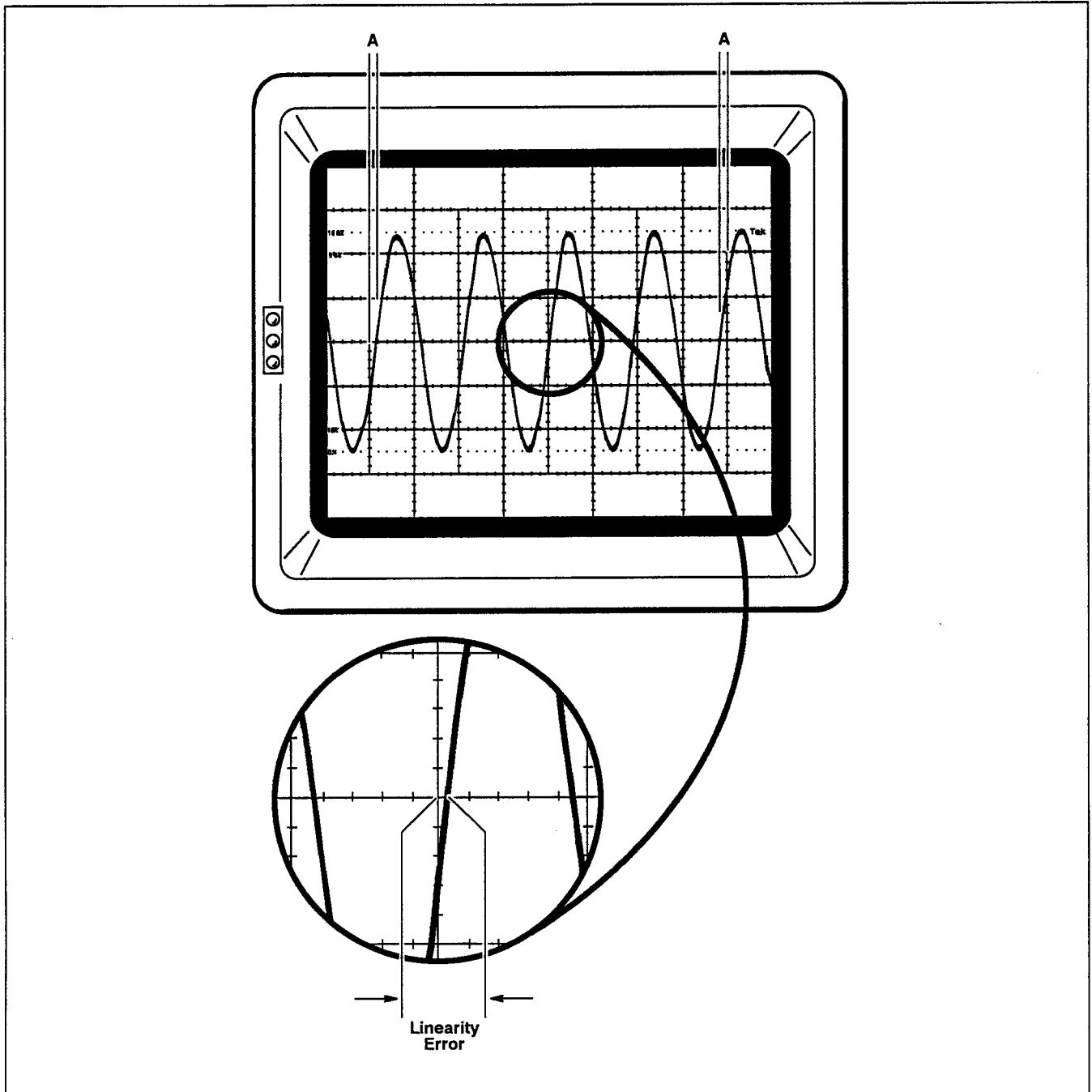


Figure 2-31. Waveform alignment for the Linearity measurement (dimension A should be the same at both ends).

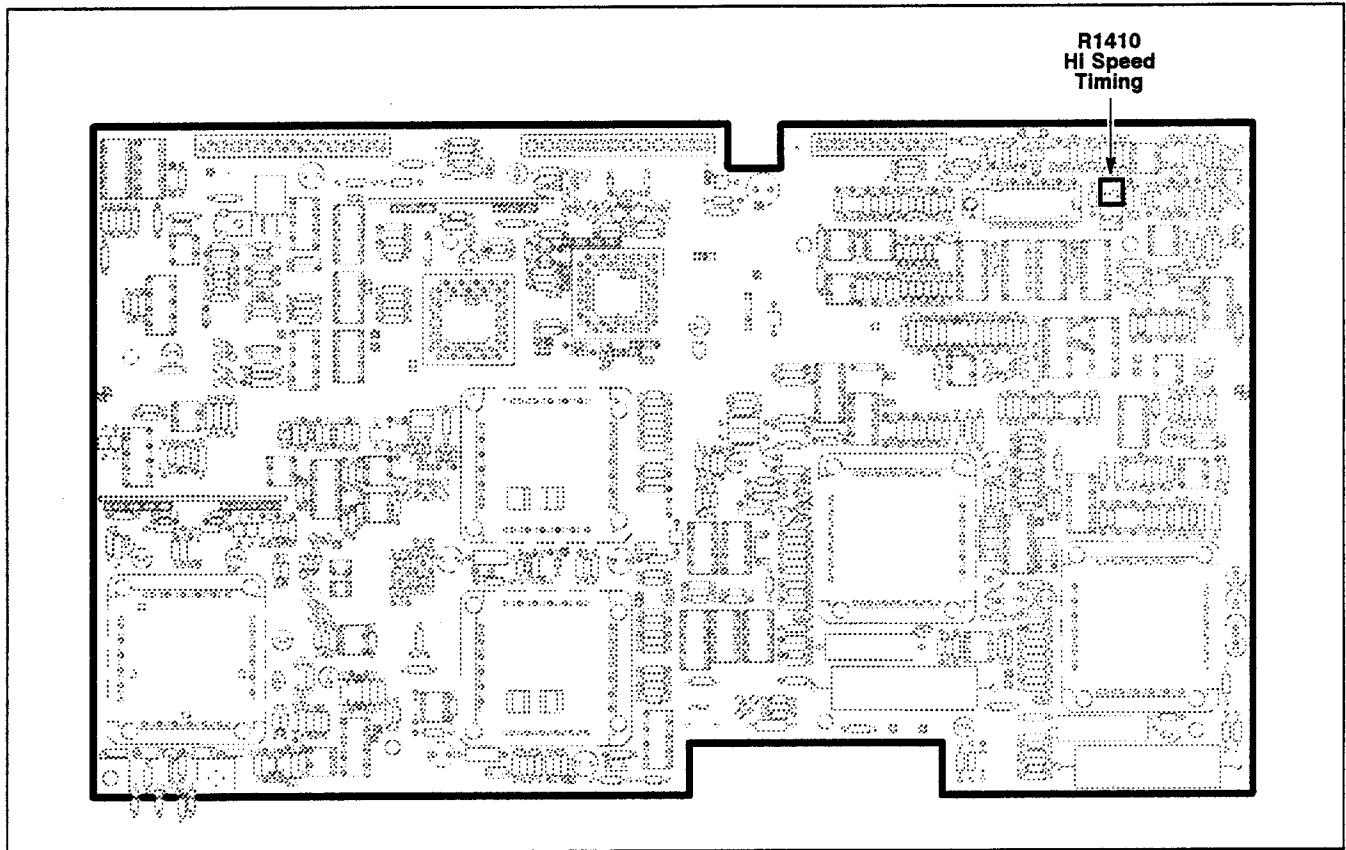
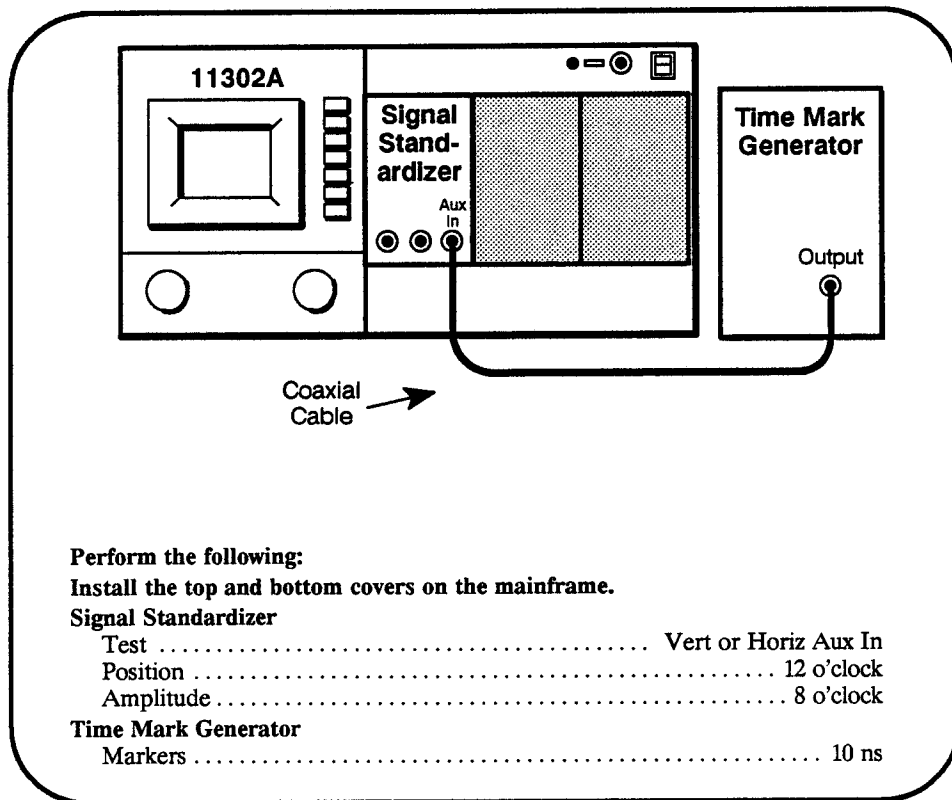


Figure 2-32. A14 Timebase board (High Speed Linearity) adjustment location.

5 ns Timing Adjustment

Setup

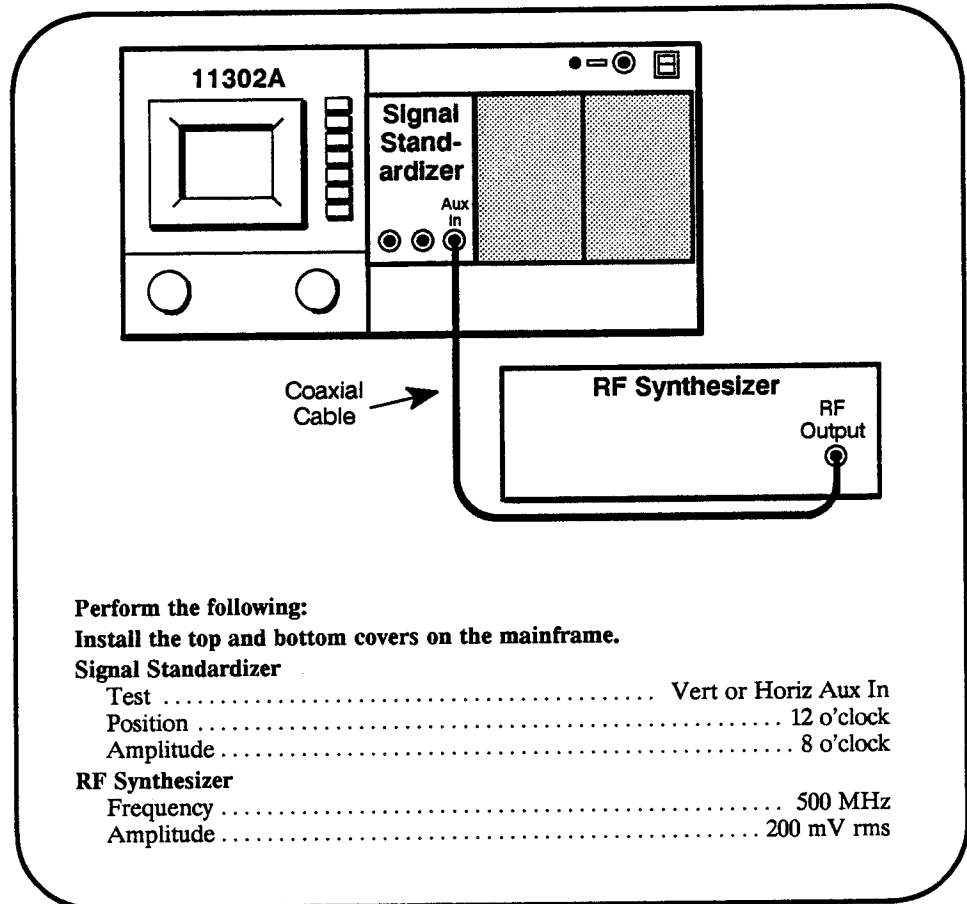


Procedure

- a. Start the test **TIMING_5NS**. Follow the instructions given on the PC. Note: Each iteration takes about one minute.

Main Sweep 1 ns Timing Adjustment

Setup

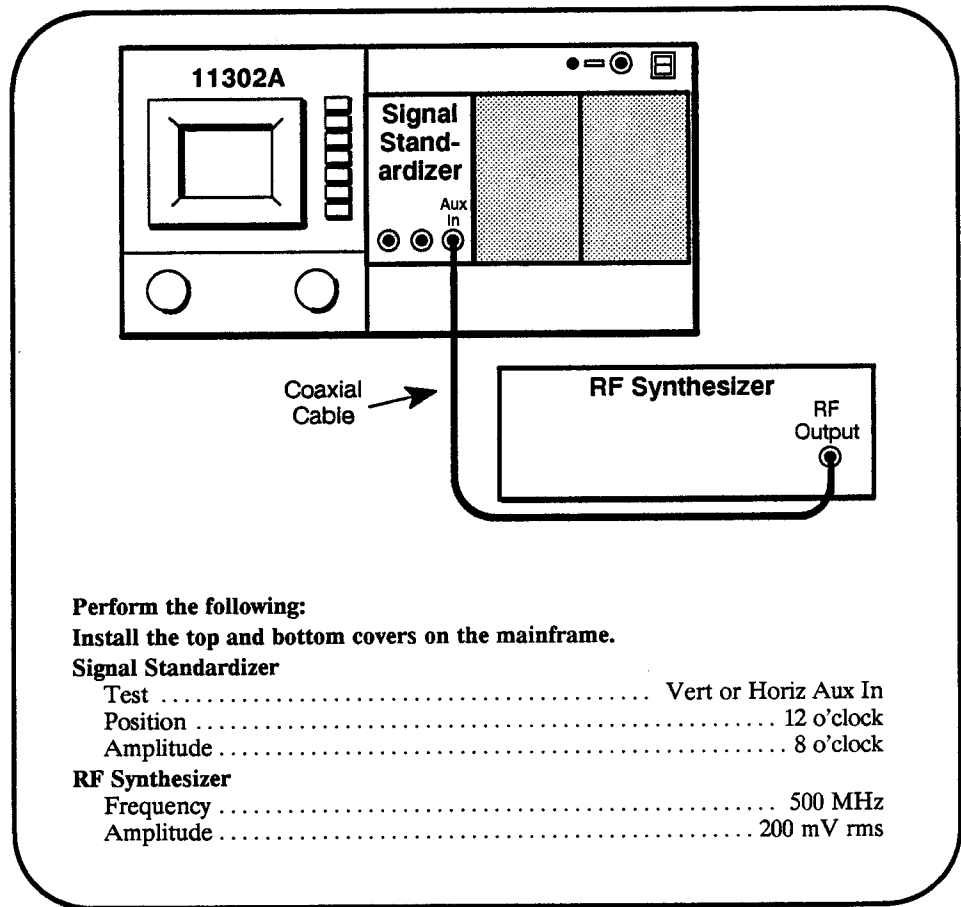


Procedure

- a. Start the test **A_SWP_LIN**. During the test you will need to adjust the Intensity and Horizontal Position to view the trace. The trace will NOT be visible at the extreme positive (left) end of the sweep range. Follow the instructions given on the PC.

Delayed Sweep 1 ns Timing Adjustment

Setup

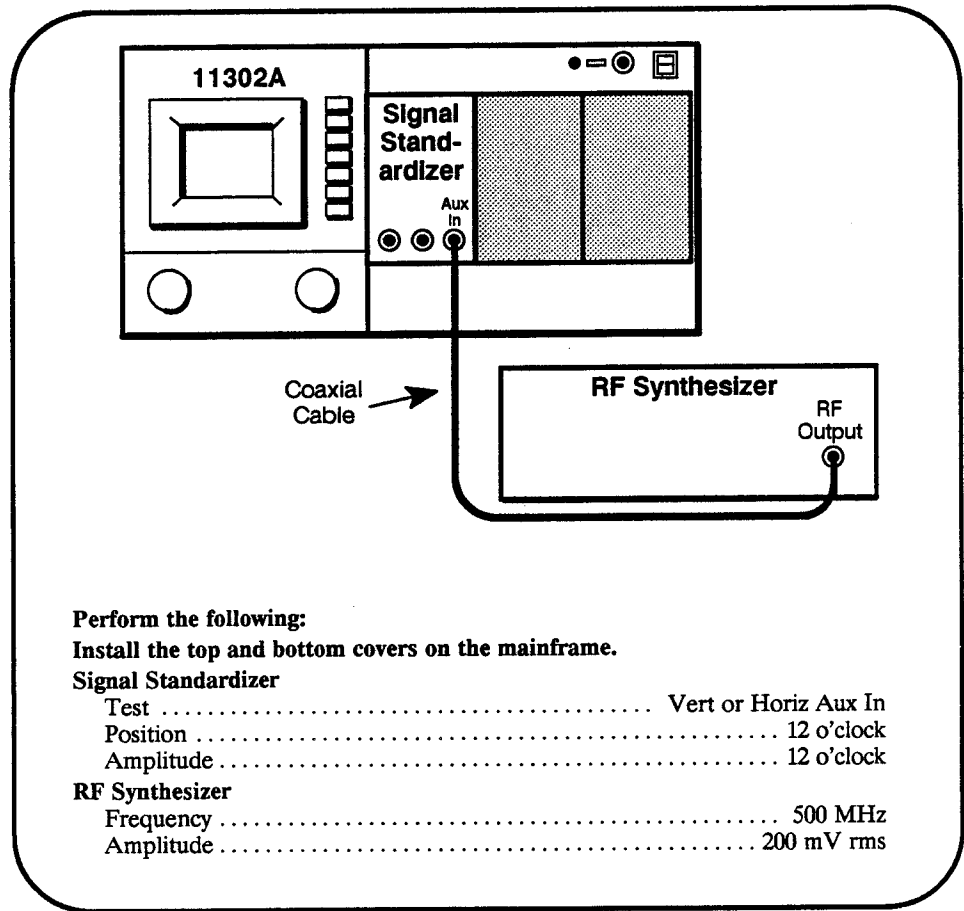


Procedure

- a. Start the test **B_SWP_LIN_1NS**. During the test you will need to adjust the Intensity and Horizontal Position to view the trace. The trace will NOT be visible at the extreme positive (left) end of the sweep range. Follow the instructions given on the PC.

Delayed Sweep 500 ps Timing Adjustment

Setup



Procedure

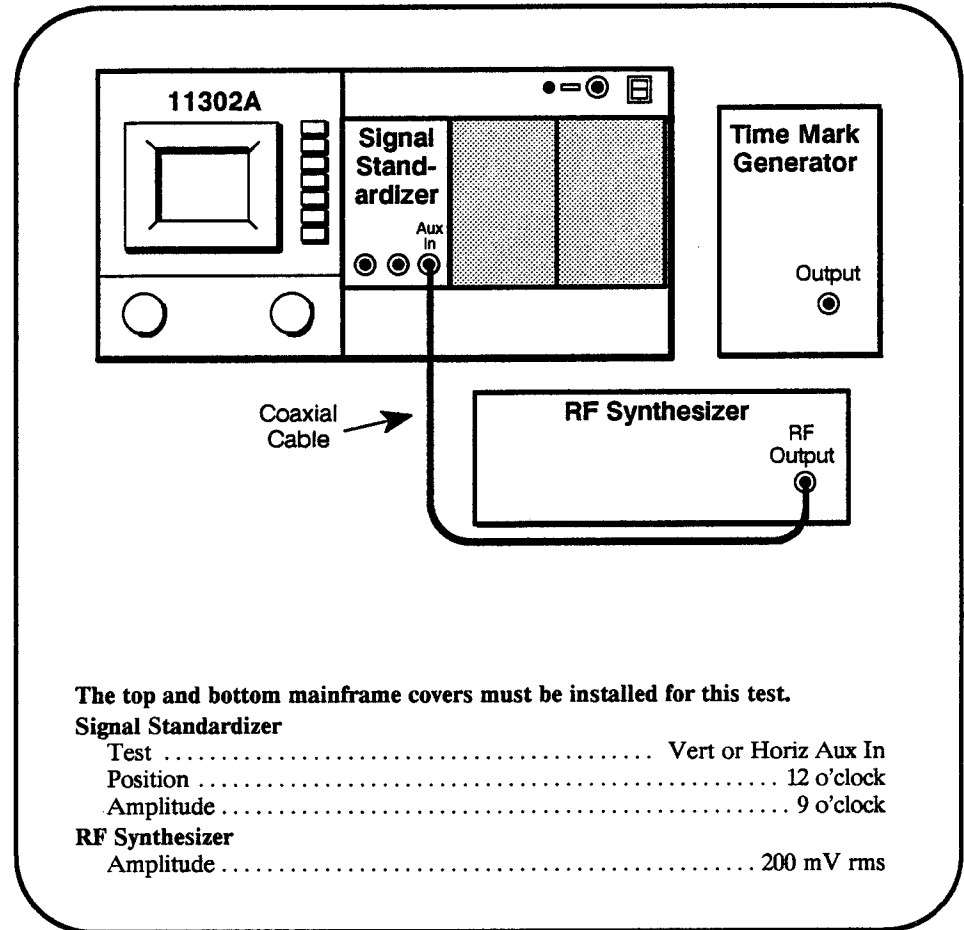
- a. Start the test **B_SWP_LIN_500PS**. During the test you will need to adjust the Intensity and Horizontal Position to view the trace. The trace will NOT be visible at the extreme positive (left) end of the sweep range. Follow the instructions given on the PC.

Part 27 — Delta Delay Accuracy

Description

This test checks the accuracy of measurements made with the delayed (window) sweep circuit.

Setup



Procedure

- a. In this test two waveforms are displayed at each of six times/division. At each time/division you are asked to set the appropriate generator frequency, then adjust Delay2 of the Window2 waveform until it overlays the Window1 waveform. If the waveforms are initially overlaid, appearing as only one waveform, then no adjustment of Delay2 is necessary.

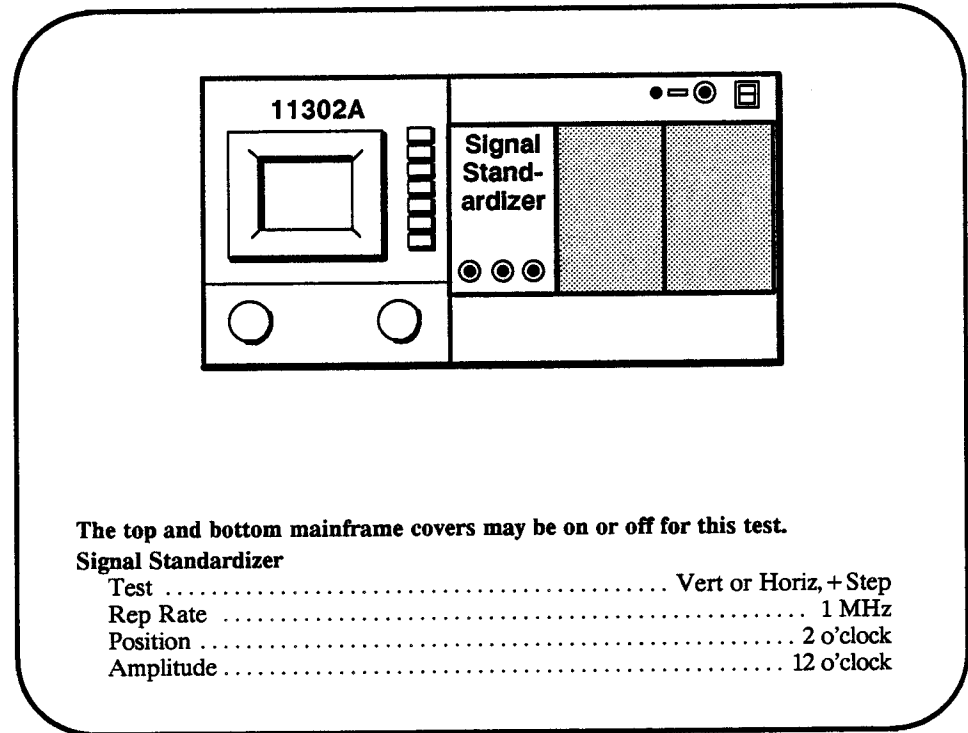
For the slower sweep speeds using the Time Mark generator, the two waveforms actually appear as spikes or “blips” on alternate sweeps. The spikes must be overlaid by noting their positions on alternate sweeps, adjusting **Delay 2**, then watching for the result on the following alternate sweeps.
- b. Start the **DELTA_DELAY_ACC** test and follow instructions on the PC. When prompted to set the Time Mark Generator frequency, disconnect the RF Synthesizer and connect the Time Mark Generator.

Part 28 — Probe Skew Range

Description

This test checks the probe skew system.

Setup



The top and bottom mainframe covers may be on or off for this test.

Signal Standardizer

Test	Vert or Horiz, + Step
Rep Rate	1 MHz
Position	2 o'clock
Amplitude	12 o'clock

Procedure

- a. Start the test `PROBE_SKEW_ADJ_RNG`. Follow the instructions given on the PC.

Part 29 — Vertical High Frequency Response

Description

This procedure examines the Vertical High Frequency Gain, Counter View Step Response, and Vertical Step Response. If any of these checks fail then the Vertical Amplifier adjustments at the end of this procedure Part must be performed. Any Vertical Amplifier adjustments require that the checks be repeated.

Measurement Limits

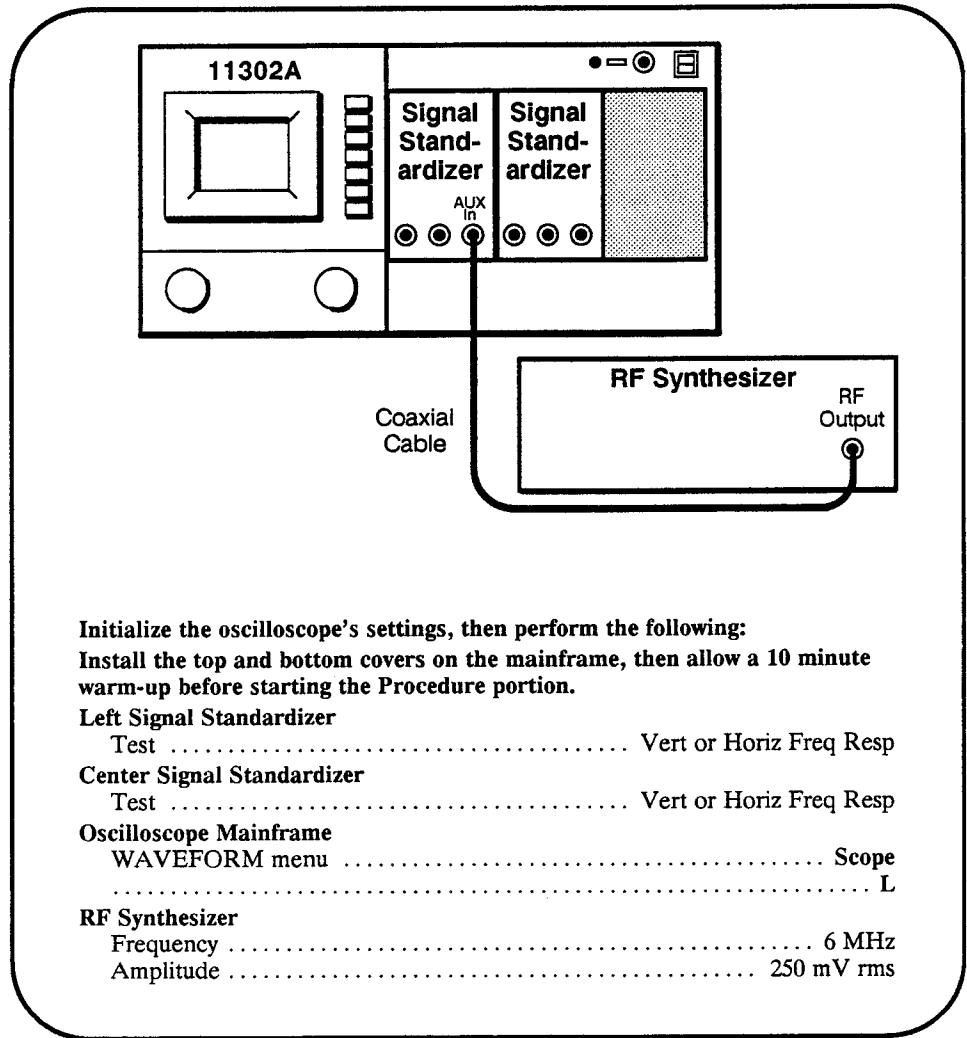
The specifications for frequency range versus amplitude roll off are given in Table 2-3.

TABLE 2-3
11302A Vertical Gain

Frequency Range	Amplitude (% of 6 MHz)
150-200 MHz	88.5%
201-250 MHz	87.0%
251-300 MHz	87.0%
301-350 MHz	87.0%
351-400 MHz	82.0%
401-500 MHz	76.5%

Vertical High Frequency Gain

Setup



Procedure

- a. Adjust the left Signal Standardizer for a centered 6 division waveform. The waveform should be a solid band across the screen. Verify that the CW light on the Signal Standardizer is on. If the light is off, the signal from the RF Synthesizer is either too low or high.
- b. Press the CURSORS button and select **Vertical Cursors**. Position the cursors to the top and bottom of the waveform and touch **Set Ref**. The reference value indicated at the bottom of the screen should be between 5.9 and 6.1 divisions.
- c. Select **% dB** and **Tracking** (both should have **On** status). Observe that the Δ Vert readout at the left of the screen indicates Δ Vert = **100%**.

- d. Adjust the left and right Cursor knobs to center the Cursors around the waveform and to set ΔVert equal to 88.5%, the first Amplitude entry in Table 2-3.
- e. Set the RF Synthesizer for 150 MHz.
- f. Adjust the frequency, in 1 MHz steps, up to 200 MHz. If necessary, re-adjust the left knob to enclose the waveform at each frequency step.
- g. **CHECK**—that the amplitude of the waveform is greater than or equal to the spacing between the Cursors (the Amplitude value set previously) over the frequency range from 150 MHz to 200 MHz.
- h. For the remaining entries in Table 2-3, set the RF Synthesizer to the low end of the next Frequency Range in Table 2-3. As in step d., adjust the right knob to set ΔVert equal to the corresponding Amplitude value. Increment the frequency to the high end of the range using the process described in step f.
- i. **CHECK**—that the amplitude of the waveform is greater than or equal to the spacing between the Cursors (the Amplitude value set previously) over the full frequency range being checked.
- j. When all frequency ranges are checked, move the cable from the Aux In connector of the left Signal Standardizer to the Aux In connector of the Center Signal Standardizer.
- k. Repeat steps a. through i. for the Center Signal Standardizer, including the initial amplitude adjustment of the Signal Standardizer with an RF Synthesizer setting of 6 MHz (as shown in the Setup).

NOTE

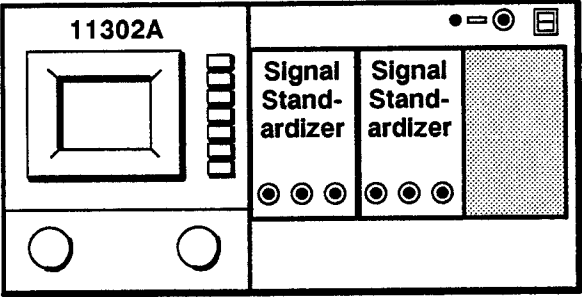
In the WAVEFORM menu clear the L (left) waveform and enter C to display the signal from the Center compartment.



- DO NOT attempt to adjust the Vertical Amplifier if the above checks were within the stated limits. Proceed to the Vertical Step Response checks.
- l. If any of the checks above failed proceed to the Vertical Amplifier Adjustment at the end of this procedure Part. The Vertical Amplifier Adjustments are quite difficult and should not be attempted just to optimize the vertical system.

Vertical Step Response

Setup



The diagram shows the front panel of the 11302A oscilloscope mainframe. On the left is the oscilloscope screen. To its right are two Signal Standardizer units, each with three knobs. Below these are two large circular buttons. The entire setup is enclosed in a rounded rectangular frame.

Initialize the oscilloscope's settings, then perform the following:
Install the top and bottom covers on the mainframe, and allow a 10 minute warm-up before starting the Procedure portion.

Left Signal Standardizer
 Test Vert or Horiz + Step
 Rep Rate 1 MHz

Center Signal Standardizer
 Test Vert or Horiz + Step
 Rep Rate 1 MHz

Oscilloscope Mainframe
 WAVEFORM menu Scope
 L

Procedure

- a. Adjust the left Signal Standardizer Amplitude and Position controls for a centered 5 division waveform.
- b. Select the Vertical Cursors and position them to the top and bottom of the waveform.
- c. Select **Set Ref** from within the Cursors menu then select **%-dB**. Verify that the $\Delta\text{Vert} = 100\%$ appears at the left side of the screen.
- d. Set the Horizontal Size to 5 ns/div then adjust the MAIN INTENSITY and Horizontal Position to obtain a viewable waveform.
- e. Press the CURSORS button. Adjust the Right knob so that the dashed cursor is at the highest point of the waveform and adjust the Left knob so that the solid cursor is at the lowest point of the aberrations at the top of the step transition.

- f. **CHECK**—that the Δ Vert readout is 5% or less.

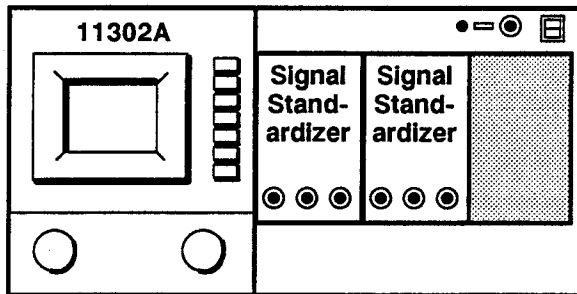
NOTE

The Cursors should split the width of the trace at the point of measurement.

- g. Press the WAVEFORM button and clear the current left plug-in trace. Now, select C for a center compartment waveform. Exit the Waveform menu by pressing the WAVEFORM button again.
- h. Set the Horizontal Size to 100 μ s/div.
- i. Repeat steps a. to f. for the center plug-in unit.
- j. If any checks are not within tolerance, proceed to the adjustment section at the end of this procedure Part.

Counter View Step Response

Setup



Initialize the oscilloscope's settings, then perform the following:

Install the top and bottom covers on the mainframe.

Left Signal Standardizer

Test Vert or Horiz + Step
 Rep Rate 1 MHz

Center Signal Standardizer

Test Vert or Horiz + Step
 Rep Rate 1 MHz

Oscilloscope Mainframe

WAVEFORM menu Scope
 L

Procedure

- a. Adjust the left Signal Standardizer Amplitude and Position controls for a centered 5 division waveform.
- b. Set the Horizontal Size to 10 ns/div.
- c. Press the WAVEFORM button and select **Count View** then **Count In** for display.
- d. Press the COUNTER button then select **Freq Measure** by touching the lower right area of the screen. The display should now show a five division step waveform and the 1 division Count In waveform.
- e. **CHECK**—that the amplitude of the Count In waveform, as measured between the flat top and bottom portions of the waveform, is between 0.8 and 1.2 divisions.
- f. **CHECK**—that the aberrations at the top of the waveform are no more than 30% of the amplitude measured in step e.

- g. Set the Main Horizontal Size to 20 ns/div.
- h. Adjust the Main Horizontal Position to position the Count In waveform to the center vertical graticule line.
- i. Select **10X Magnify** (changes to On status) from the Horizontal Size menu.
- j. **CHECK**—that the Count In risetime, measured from 10 to 90 %, is 2 ns or less.
- k. If any checks are not within tolerance then proceed to the adjustment section at the end of this procedure Part.

Vertical Amplifier Adjustment

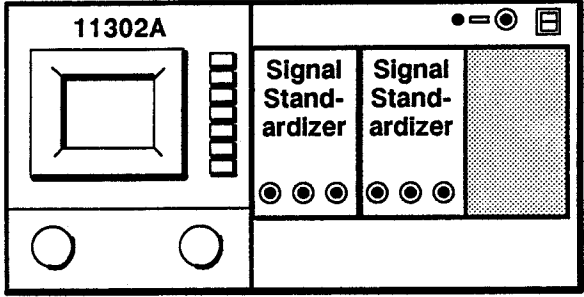
Description

The vertical amplifier adjustments described here are somewhat difficult, requiring a number of cycles of adjustment followed by checking, then re-adjustment. You should not perform these adjustments except when directed to as a result of the failure of a previous check. The adjustments required for each vertical check failure are given in Table 2-4

TABLE 2-4
Vertical Adjustments Required for Check Failures

Check Failure	Adjustments/Checks to Perform
Vertical Step Response	<ol style="list-style-type: none"> 1. Medium Frequency Flatness, adjust as needed. 2. High Frequency Step Response, adjust to reduce aberrations. 3. Repeat the checks for Vertical Step Response and Vertical High Frequency Gain.
Vertical High Frequency Gain or High Frequency Gain and Step Response	<ol style="list-style-type: none"> 1. Medium Frequency Flatness, adjust as needed. 2. High Frequency Response, adjust overshoot to just within aberration limits 3. Repeat the checks for Vertical Step Response and Vertical High Frequency Gain.
Counter View Step Response	<ol style="list-style-type: none"> 1. Counter View Step Response Adjustment (Both Vertical Step Response and Vertical High Frequency Gain checks must pass before performing this adjustment.)

Setup



11302A

Signal Standardizer Signal Standardizer

Test Vert or Horiz + Step
Rep Rate 1 MHz

Center Signal Standardizer
Test Vert or Horiz + Step
Rep Rate 1 MHz

Oscilloscope Mainframe
WAVEFORM menu Scope
..... L

**Initialize the oscilloscope's settings, then perform the following:
Install the top and bottom covers on the mainframe.**

Left Signal Standardizer

Test Vert or Horiz + Step
Rep Rate 1 MHz

Center Signal Standardizer

Test Vert or Horiz + Step
Rep Rate 1 MHz

Oscilloscope Mainframe

WAVEFORM menu Scope
..... L

Procedure

- a. Press the DISP ADJ button then carefully adjust the Trace Rotation. Press the button again to exit the menu.
- b. Adjust the left Signal Standardizer Amplitude and Position controls for a centered 5 division waveform.
- c. Press the CURSORS button and select the **Vertical Cursors**. Position one cursor to the top and one to the bottom of the waveform.
- d. Select **Set Ref** and **%-dB** (changes to On status) to establish a reference amplitude of 5 divisions. The Δ Vert readout should be 100% (4.9-5.1 divs).

Check Medium Frequency Step Flatness

- e. Set the Main Horizontal Size to 20 ns/div.
- f. Use the left Signal Standardizer Position control to position the flat top of the waveform to intersect the center horizontal graticule line.
- g. **CHECK**—that the flat top of the step tilts less than 0.06 divisions (vertical rise) over the 5 horizontal divisions (100 ns) that start 20 ns after the step transition.
- h. If the check passed, proceed to step j., Check High Frequency Response.

Adjust Medium Frequency Step Flatness

- i. If the tilt is beyond the limits then remove the top cover from the mainframe and adjust R510 (see Fig 2-33) for the flattest response (minimize the tilt). R510 will not need to be readjusted after the following adjustments (i.e., it is not interactive). Replace the top cover.

Check High Frequency Response

- j. Set the Main Horizontal Size to 5 ns/div.
- k. Adjust the Horizontal Position so that the step transition is about 3 divisions from the left edge of the screen.
- l. Use the left Signal Standardizer Position control to center the step waveform.
- m. Press the CURSORS button and select **Vertical Cursors**. Position one cursor at the very top of the step and the other cursor at the bottom of the peak aberrations. Due to the small values being measured the cursors should be used in the FINE mode and each cursor should divide the width of the trace.
- n. **CHECK**—that the Δ Vert readout is 5% or less.
- o. Press the WAVEFORM button, clear the L waveform, and select the C (center) waveform.
- p. Adjust the center Signal Standardizer Position and Amplitude controls for a centered 5 division waveform as measured between the flat portions at top and bottom.
- q. **CHECK**—that the CENTER compartment aberrations are 5% or less using the same process followed for the LEFT compartment (see step k. above). There is normally a small difference in the step response between the LEFT and CENTER compartments. A large difference indicates an instrument malfunction or a problem with a Signal Standardizer plug-in unit. In the following adjustments, some compromise may be necessary between the best step response and an aberration level within the acceptable limits.
- r. If the High Frequency Response checks passed, perform the Vertical Step Response and Vertical High Frequency Gain checks again.

Adjust High Frequency Step Response

- s. Press the WAVEFORM button, clear the C waveform, and select L.
- t. This adjustment is difficult and should not be attempted unless the previous checks failed. As in other high performance vertical systems, many of the following adjustments are interactive and must be adjusted for a balance between frequency response and aberrations. If the aberrations are slightly out then only a minor adjustment will be needed. If this adjustment is being performed following a repair, refer to the table at the end of this adjustment description for initial settings for the critical adjustments.

The adjustments described below are listed in the order of greatest effect on high frequency to the least effect. See Figure 2-33 for adjustment locations. The setup for adjustment is given after this list.

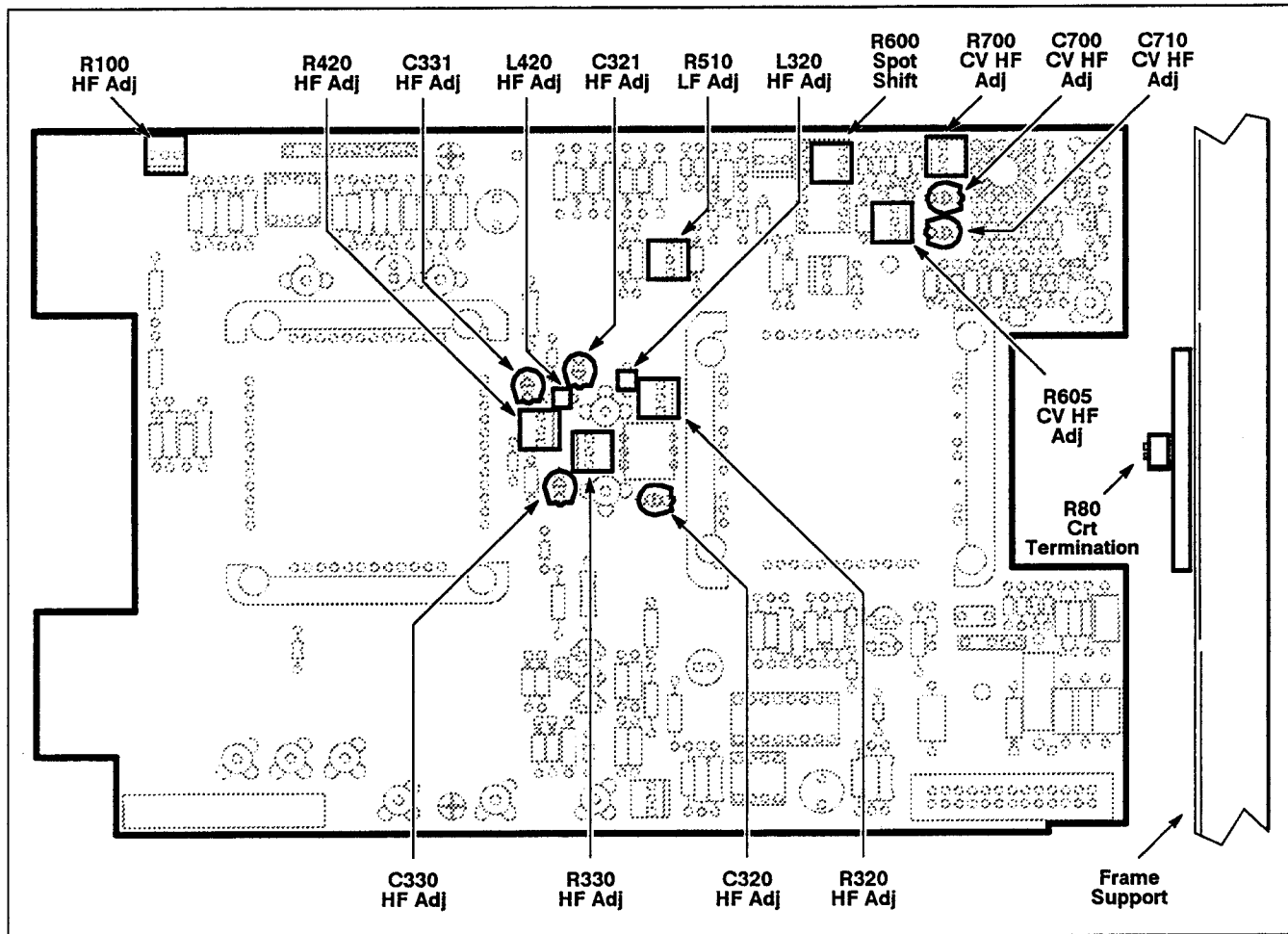


Figure 2-33. A12 Vertical board (High Frequency Response) adjustment locations.

- **R100**—This is normally set approximately at center for good high frequency gain without exceeding aberration limits. Re-check Vertical Center if R100 is adjusted.
- **C320, R320, L320**—These components are a tuned network. C320 affects response, R320 dampens ringing, and L320 has a small effect on response. The loop can be squeezed or pulled apart to alter the shape of aberrations.
- **C321, R420, L420**—This is another tuned network with effects similar to the one above.
- **R330, C330**—These components compose a tuned network.
- **C331**—This component affects long term tilt.
- **CRT Leads**—The leads connecting the Vertical Amplifier board to the CRT can be moved closer together to roll the front corner down. **DO NOT** short the leads to the chassis or pull them off the CRT.

- **CRT Termination and Wiring**—These should be adjusted if there is a glitch or step about 5 ns after the step transition. Try altering the spacing between the leads from the CRT to the termination resistor. These leads should not quite touch. Any bends in the wires should be similar to maintain symmetry. The metal “fingers” behind the CRT termination can be bent away from it or towards it to flatten the glitch at about 5ns after the step transition.

The termination resistor is unlikely to need adjustment. It changes the relative levels on each side of a transition region that is about 5 ns from the step transition. If the CRT has been replaced, optimize this adjustment. Changing the termination resistors value requires that the Plug-In Interface Gains (vertical section), Vertical Center, and Beam Registration procedure Parts be performed again. Press the ENHANCED ACCURACY button twice after running the other procedure Parts.

- u. Adjust the two Vertical Cursors so that they are near the 100% line on the screen. Space them apart so that the Δ Vert readout is 5%.
- v. Adjust the left Signal Standardizer Position control to position the top of the waveform between the two Vertical Cursors which indicate the allowable aberration limits.
- w. Adjust the aberrations to be within the limits (Vertical Cursors) by making small incremental changes in the settings of the above listed components. Start at the top of the list and work down. When aberrations are within specifications, stop adjustments. Some aberrations are expected. When you replace the covers you will notice a small amount of roll-off in the first 2 ns after the step transition.
- x. Replace the top and bottom covers. Wait 10 minutes for the temperature to stabilize, then check the Step Response for the LEFT and CENTER compartments. Also, repeat the High Frequency Gain test. If any adjustments were made in this section, perform the following in order:

Part 12—Vertical Center

Part 15—Plug-In Interface Gains (vertical portion)

Part 16—Vertical Center (Second Pass)

Part 19—Beam Registration (vertical portion)

Run selfcal by pressing the ENHANCED ACCURACY button twice.

Part 29—Vertical High Frequency Response (check Vertical Step Response and Vertical High Frequency Gain)

- y. The initial adjustment settings for critical components are listed in Table 2-5.

TABLE 2-5
Initial Adjustments for Critical Components

Component	Initial Setting
R100	midrange
R320	midrange
R330	midrange
R510	fully CW
CRT Termination Resistor	midrange

z. If any of the following adjustments are inadvertently adjusted refer to:

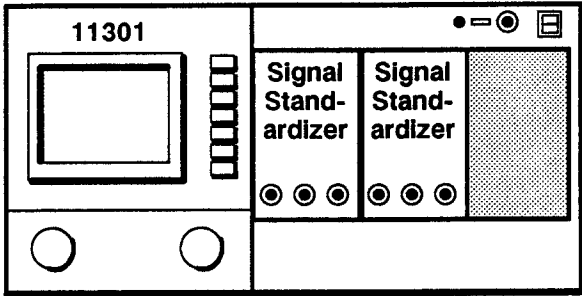
R570	Part 11—Readout Jitter
R600	Part 10—Spot Shift
R610	Part 12—Vertical Center

Counter View Step Response Adjustment

Description

The Counter View Step Response Adjustment should NOT be performed unless the Vertical Step Response and Vertical High Frequency Gain tests have been checked successfully.

Setup



The diagram shows the front panel of an oscilloscope mainframe. On the left is a counter unit labeled '11301' with a small display screen and a vertical scale. To its right are two 'Signal Standardizer' units, each with three control knobs. The mainframe has two large circular buttons at the bottom left and a shaded area on the right side.

Initialize the oscilloscope's settings, then perform the following:
Install the top and bottom covers on the mainframe.

Left Signal Standardizer	
Test	Vert or Horiz + Step
Rep Rate	1 MHz
Center Signal Standardizer	
Test	Vert or Horiz + Step
Rep Rate	1 MHz
Oscilloscope Mainframe	
WAVEFORM menu	Scope
.....	L

- a. Adjust the left Signal Standardizer Amplitude and Position controls for a centered 5 division waveform.
- b. Set the Horizontal Size to 10 ns/div.
- c. Press the WAVEFORM button and select **Count In** for display.
- d. Press the COUNTER button and select **Freq Measure**. The display screen should now have a 5 division step and the 1 division Count In waveform.
- e. **CHECK**—that the amplitude of the Count In waveform, as measured between the flat top and bottom portions of the waveform, is between 0.8 and 1.2 divisions.
- f. **CHECK**—that the aberrations at the top of the waveform are no more than 30% of the amplitude measured in step e.

- g. Set the Main Horizontal Size to 20 ns/div. Horizontally position the Count In waveform to the center vertical graticule line. Press the WAVEFORM button and select **10X Mag** to magnify the waveforms to 2 ns.
- h. **CHECK**—that the risetime from 10%-90% of the Count In waveform is 2 ns (one division) or less.



DO NOT attempt to adjust the Counter View Step Response if the above checks were within the stated limits.

- i. The following adjustments are for aberrations only. The amplitude of the step (0.8 to 1.2 div) is not adjustable. If the amplitude is out of the acceptable range, refer to the Troubleshooting section.

Adjustments to the aberrations also will affect risetime. If either risetime or aberrations exceed specifications, adjust the following components for the best compromise between aberrations and risetime. See Figure 2-33 for the adjustment locations on the A12 Vertical board.

R700
C700
R605
C710

R605 and C710 comprise a high frequency damping circuit. R700 and C700 comprise a tuned network affecting response. There is interaction among all four elements.

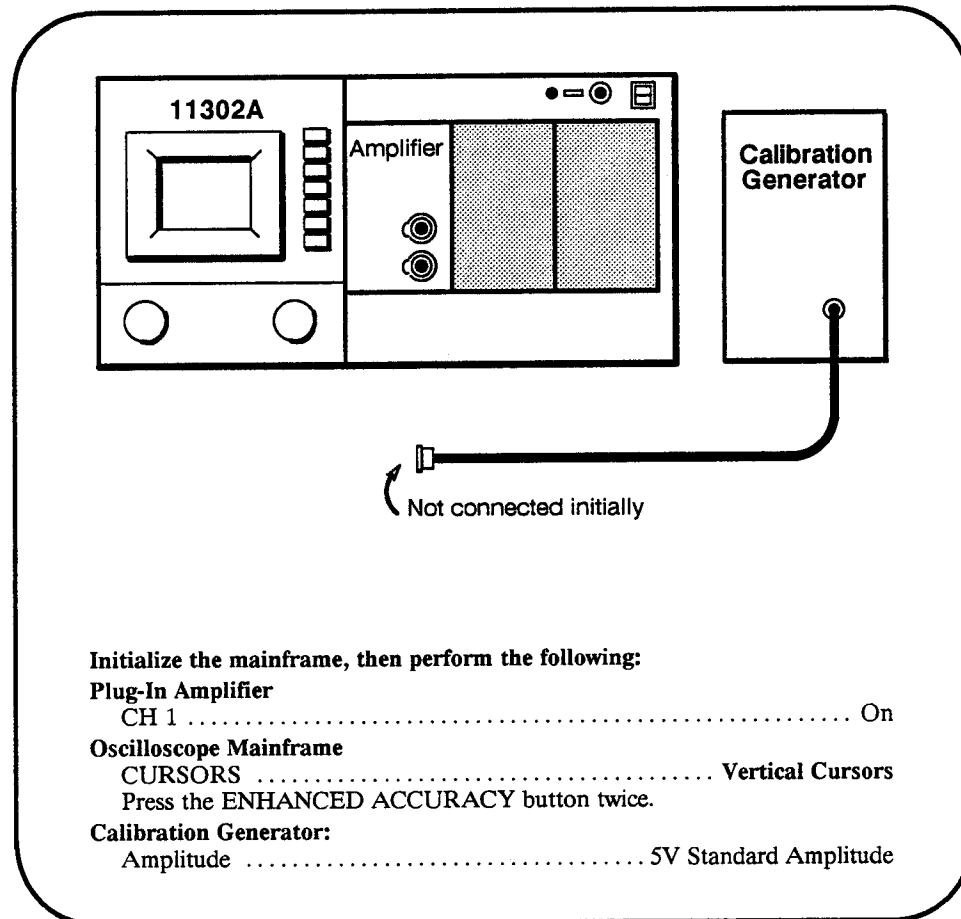
- j. Verify the result of the adjustments with the checks in steps a. to h.

Part 30 — Vertical/Measurement Accuracy

Description

This test checks the Vertical Cursor accuracy, the Cursor range, and the Horizontal Cursor measurement accuracy.

Setup



Procedure

- Adjust the reference cursor (left knob) to the vertical center of the trace. Bisect the trace as exactly as possible using the FINE setting of the knob.
- CHECK**—that the **Vert Ref** readout is within DC Balance specifications in Table 2-6 (next page).
- Adjust the Vertical Offset to position the trace exactly on the horizontal center line.
- Select Vert Pos and set the vertical position to its maximum positive value, 4 divisions.

- e. **CHECK**—That the trace is 3.9 divisions or more above the center horizontal graticule line, measured near the center vertical graticule.
- f. Set the vertical position to its maximum negative value, -4 divisions.
- g. **CHECK**—That the trace is 3.9 divisions or more below the center horizontal graticule line, measured near the center vertical graticule.
- h. Connect the Calibration Generator output to plug-in CH 1 input.
- i. Center the trace vertically on the screen using Vertical Pos.
- j. Set the Main Horizontal Size to $500 \mu\text{s}/\text{div}$.
- k. Align the cursors to the waveform base and top. Place the reference cursor at the waveform base, and the other cursor at the top.
- l. **CHECK**—that the ΔVert readout is within the specifications of Table 2-6.

TABLE 2-6
Vertical Cursor Tolerances

Plug-In Type	DC Balance (Step b.)	ΔVert Accuracy (Step l.)
11A32	$\pm 230 \text{ mV}$	4.910 — 5.090 V
11A33	$\pm 180 \text{ mV}$	4.890 — 5.110 V
11A34	$\pm 230 \text{ mV}$	4.910 — 5.090 V

- m. Press the MEASURE menu button and select **Min**, **Max**, and **P-P** measurements. Touch **START**.
- n. **CHECK**—that the measurement values that appear on the screen fall within the ranges shown in Table 2-7.

TABLE 2-7
Measurement Tolerances

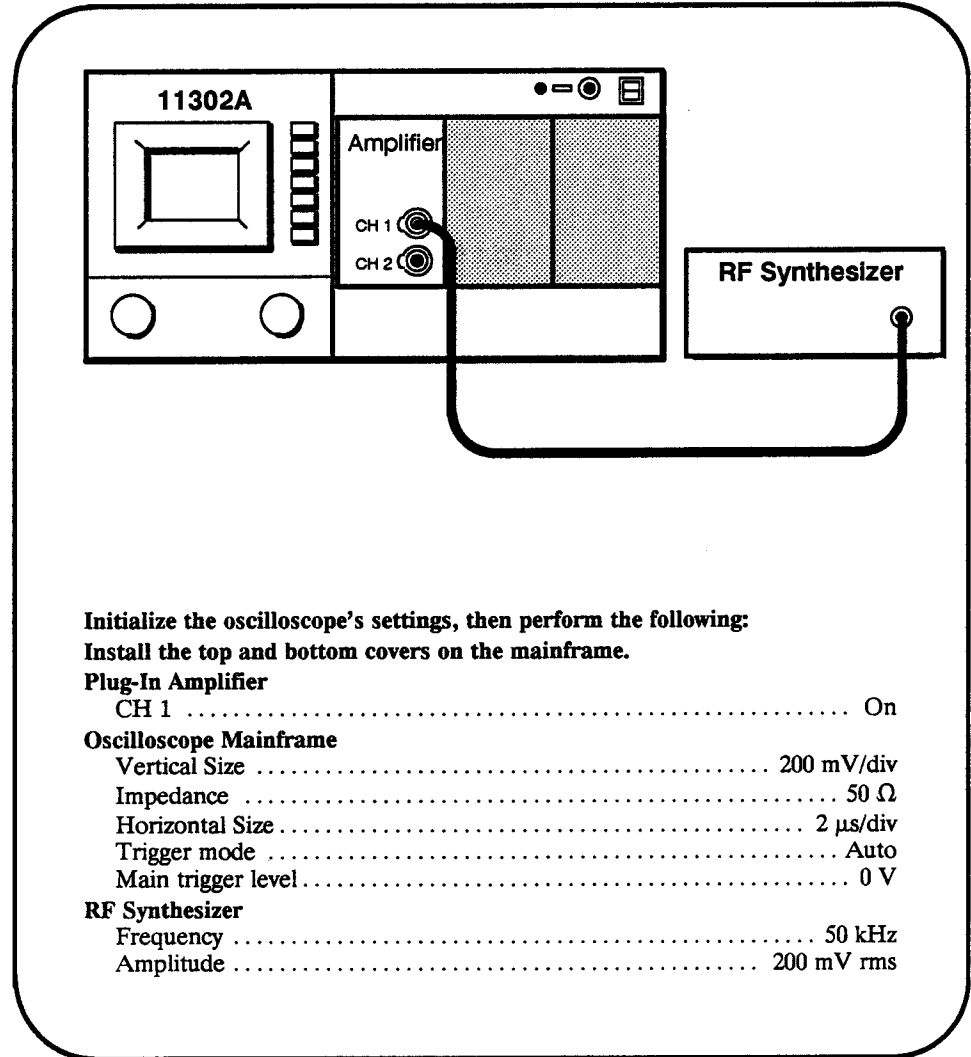
Plug-In Type	P-P	Max	Min
11A32	4.360 — 5.640 V	4.370 — 5.630 V	$\pm 630 \text{ mV}$
11A33	4.340 — 5.660 V	4.420 — 5.580 V	$\pm 580 \text{ mV}$
11A34	4.360 — 5.640 V	4.370 — 5.630 V	$\pm 630 \text{ mV}$

Part 31 — Trigger Filters

Description

This test checks for proper operation of the Main and Delayed trigger coupling selections.

Setup



Procedure

- Adjust the RF Synthesizer Amplitude to produce a waveform about 6 divisions in height.
- Change the VERTICAL OFFSET and as you are turning the knob, **CHECK**—that the signal moves up and down on the screen while the triggering point (the leftmost edge of the sweep) stays at a fixed point on the screen. When you are finished, return the offset to zero.
- Select **AC** coupling for the Main trigger.

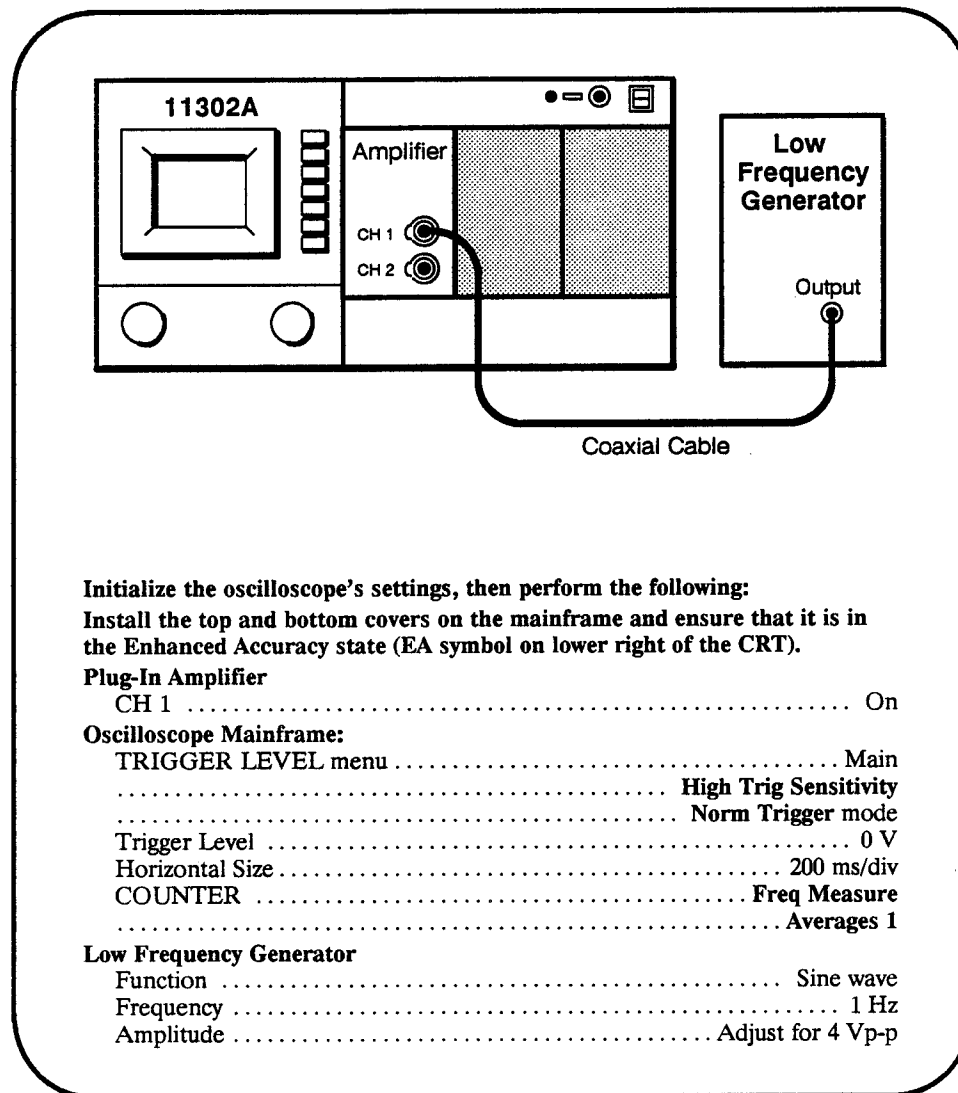
- d. Change the VERTICAL OFFSET, and as you are turning the knob, **CHECK**—that the signal moves up and down on the screen while the triggering point (the left most edge of the sweep) also moves up and down. The triggering point should maintain its relationship to the rest of the waveform. When done, return the offset to zero.
- e. Set trigger coupling to **Dc**. Align the falling edge of the sine wave to cross at the center of the screen by adjusting the horizontal position.
- f. Set trigger coupling to **DcHf Rej**. **CHECK**—that the falling edge of the sine wave now crosses the horizontal centerline at a point left of the vertical centerline. The distance to the left should be between 0.6 and 1.8 divisions.
- g. Set trigger coupling to **AcLf Rej**. **CHECK**—that the falling edge of the sine wave has moved between 0.6 and 1.8 divisions to the right of center.
- h. Set trigger coupling to **AcHf Rej**. **CHECK**—that the falling edge of the sine wave has moved between 0.6 and 1.8 divisions to the left of center.
- i. Set the Main Horizontal Size to 5 μ s, and return trigger coupling to **Dc**. Verify that the **Main Trig** and **L1 Offset** are zero.
- j. Set **Window1** on, **Trig'd After Dly**, and **Dly View**. Set the Delayed Horizontal Size to 2 μ s, and ensure that the **Dly1 Trig** level is zero.
- k. Change the VERTICAL OFFSET and as you are turning the knob, **CHECK**—that the signal moves up and down on the screen while the triggering point stays at a fixed point on the screen. When you are finished, return the offset to zero.
- l. Select **AC** coupling for the Delayed trigger.
- m. Change the VERTICAL OFFSET and as you are turning the knob, **CHECK**—that the signal moves up and down on the screen while the triggering point also moves up and down. The triggering point should maintain its relationship to the rest of the waveform. When you are finished, return the offset to zero.
- n. Set trigger coupling to **Dc**. Align the falling edge of the sine wave to cross at the center of the screen by adjusting the horizontal position.
- o. Set trigger coupling to **DcHf Rej**. **CHECK**—that the falling edge of the sine wave now crosses the horizontal centerline at a point left of the vertical centerline. The distance to the left should be between 0.6 and 1.8 divisions.
- p. Set trigger coupling to **AcLf Rej**. **CHECK**—that the falling edge of the sine wave has moved between 0.6 and 1.8 divisions to the right of center.
- q. Set trigger coupling to **AcHf Rej**. **CHECK**—that the falling edge of the sine wave has moved between 0.6 and 1.8 divisions to the left of center.

Part 32 — Trigger Noise and Sensitivity

Description

This test checks for a correct trigger sensitivity setting and for an acceptable system noise level by measuring the frequency of a 1 Hz sinewave input.

Setup



Procedure

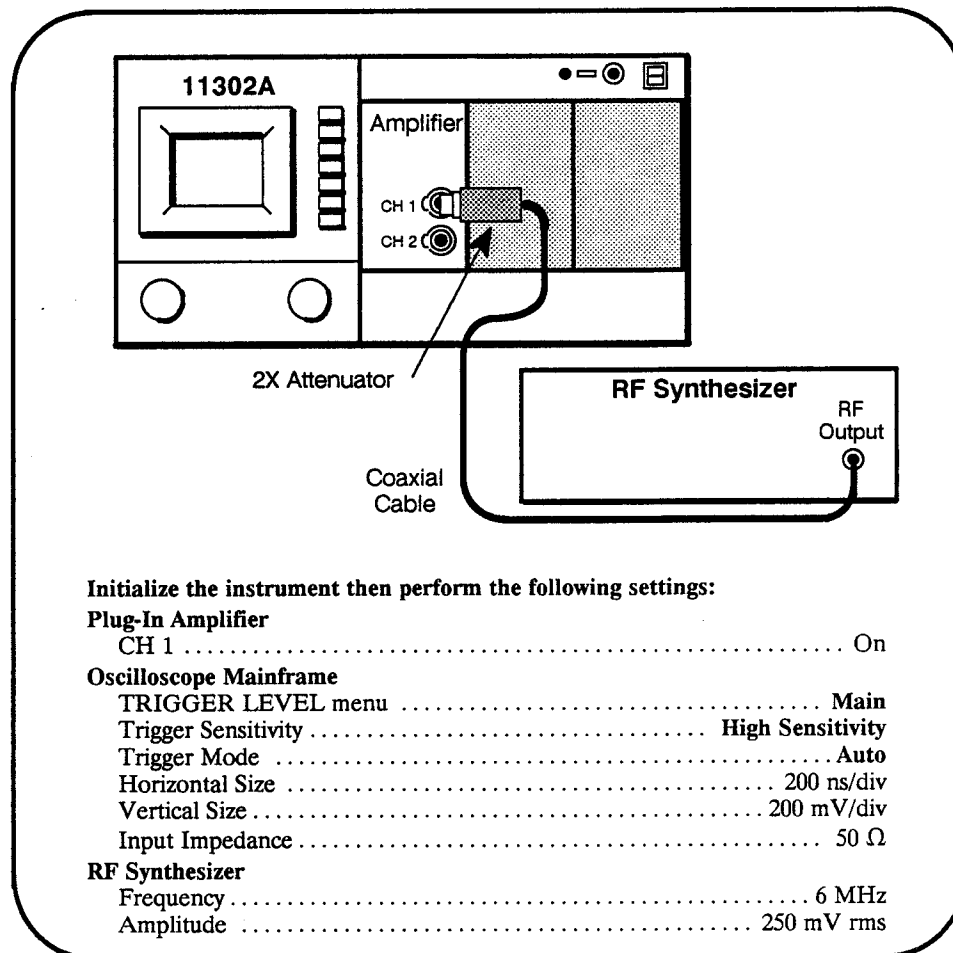
- Verify that the period of the displayed sine wave is 5 divisions ± 0.5 divisions. If not, readjust the Low Frequency Generator for a 5 division (1 second period) sine wave.
- CHECK**—that the Freq readout is between 0.5 and 1.5 Hz.
- In the TRIGGER LEVEL menu, select **High Trig Sensitivity** for the Dly1 trigger.
- In the COUNTER menu, select the **Dly1 Trig Source** for the Counter Timer.
- CHECK**—that the Freq readout is between 0.5 and 1.5 Hz.

Part 33 — Trigger Sensitivity

Description

This test checks for proper operation of the High, Medium, and Low trigger sensitivity selections.

Setup



Procedure

- a. Adjust the RF Synthesizer amplitude for a waveform height of 1.75 divisions (350 mV p-p).

Throughout this test, be precise in establishing waveform heights as nearly as possible to the specification. One way this can be accomplished is by using the Vertical Cursor controls. Set **On Tracking** and adjust the Δ VERT readout to the voltage specification of the adjustment. Then, by simultaneously using the VERTICAL POS control and adjusting the Amplitude control of the RF Synthesizer, the waveform can be matched to the cursor size.

- b. Set **Window 1** on and adjust **Delay 1** to 0 s.
- c. Using the VERTICAL POS control, position the Main trace in the top half of the screen and the Window trace in the bottom half. You may need to increase the intensity of the Main and Delayed traces to see the waveforms.

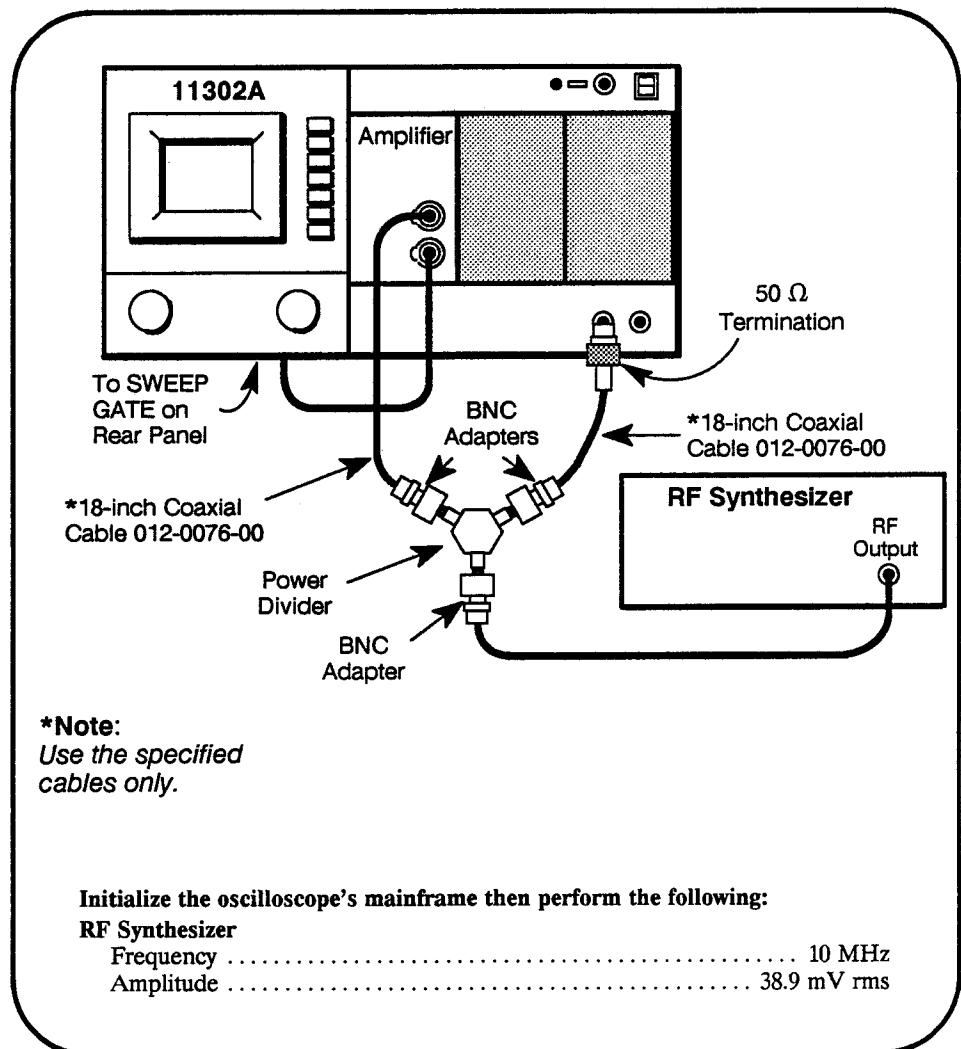
- d. For the Delay 1 Trigger, select **Trig'd After Dly** and **High Sensvty**.
- e. Install a 5X attenuator in series with the 2X attenuator at the plug-in amplifier input.
- f. Adjust the TRIGGER LEVEL of both the Main and Delay 1 triggers.
CHECK—to verify that stable traces can be established on the screen. You will need to use the FINE knob settings. Also, the M TRIG'D and D TRIG'D lights next to the TRIGGER LEVEL button show whether the Main and Delay triggers are active.
- g. Remove the 5X attenuator leaving the 2X attenuator in the signal path.
- h. Adjust the RF Synthesizer for a vertical amplitude of 3.5 divisions, 490 mV rms, for each waveform. If using the cursors, the amplitude is 700 mV p-p.
- i. Reinstall the 5X attenuator in the signal path.
- j. Change the trigger sensitivity of both the Main and Delay 1 triggers to **Medium Sensvty**.
- k. Adjust the TRIGGER LEVEL of both the Main and Delay 1 triggers.
CHECK—to verify that stable traces can be established on the screen.
- l. Remove the 5X attenuator leaving the 2X attenuator in the signal path.
- m. Adjust the RF Synthesizer for a vertical amplitude of 5.25 divisions, or 742 mV rms. If using the cursors, the amplitude is 1.05 V p-p.
- n. Reinstall the 5X attenuator in the signal path.
- o. Change the trigger sensitivity of both the Main and Delay 1 triggers to **Low Sensvty**.
- p. Adjust the TRIGGER LEVEL of both the Main and Delay 1 triggers.
CHECK—to verify that stable traces can be established on the screen.
- q. Change the trigger sensitivity of both the Main and Delay 1 triggers to **High Sensvty**.
- r. Adjust the Main Horizontal Size to 10 ns. This will force the Delayed Horizontal Size to match.
- s. Remove the 5X attenuator leaving the 2X attenuator in the signal path.
- t. Press the VERTICAL POS button below the screen. Observe the system bandwidth in the **HF Limit** readout at the bottom of the screen and adjust the RF Synthesizer Frequency to match.
- u. Adjust the RF Synthesizer to obtain a vertical amplitude of 5.00 divisions, (about 700 mV rms on the RF Synthesizer).
- v. Reinstall the 5X attenuator in the signal path.
- w. Adjust the TRIGGER LEVEL of both the Main and Delay 1 triggers.
CHECK—to verify that stable traces can be established on the screen.



DO NOT adjust the trigger sensitivity if all the verification checks passed. Proceed to the next procedure Part.

Trigger Sensitivity Adjustment: Main

Setup

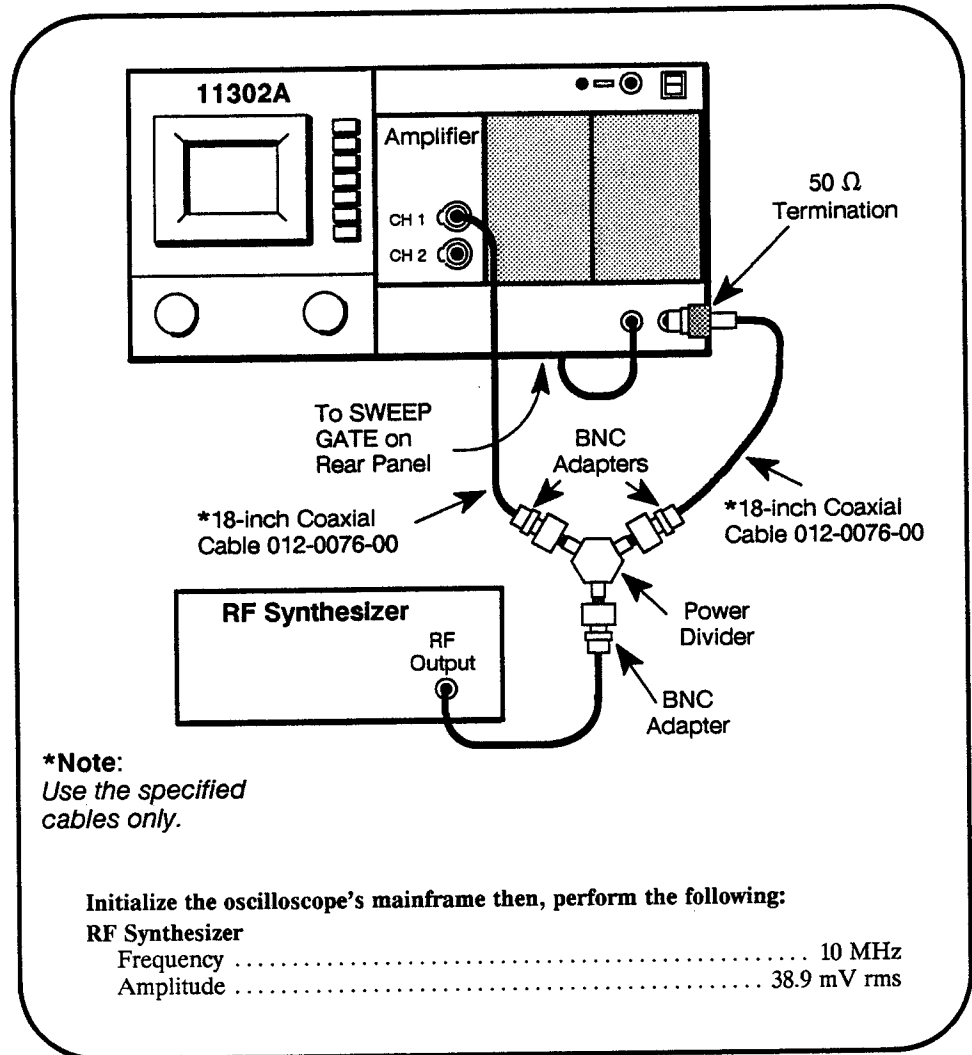


Procedure

- Start the test **TRIG_SENS_MAIN**. Follow the instructions given on the PC.

Trigger Sensitivity Adjustment: Delayed

Setup



Procedure

- Start the test **TRIG_SENS_DELAY**. Follow the instructions given on the PC.

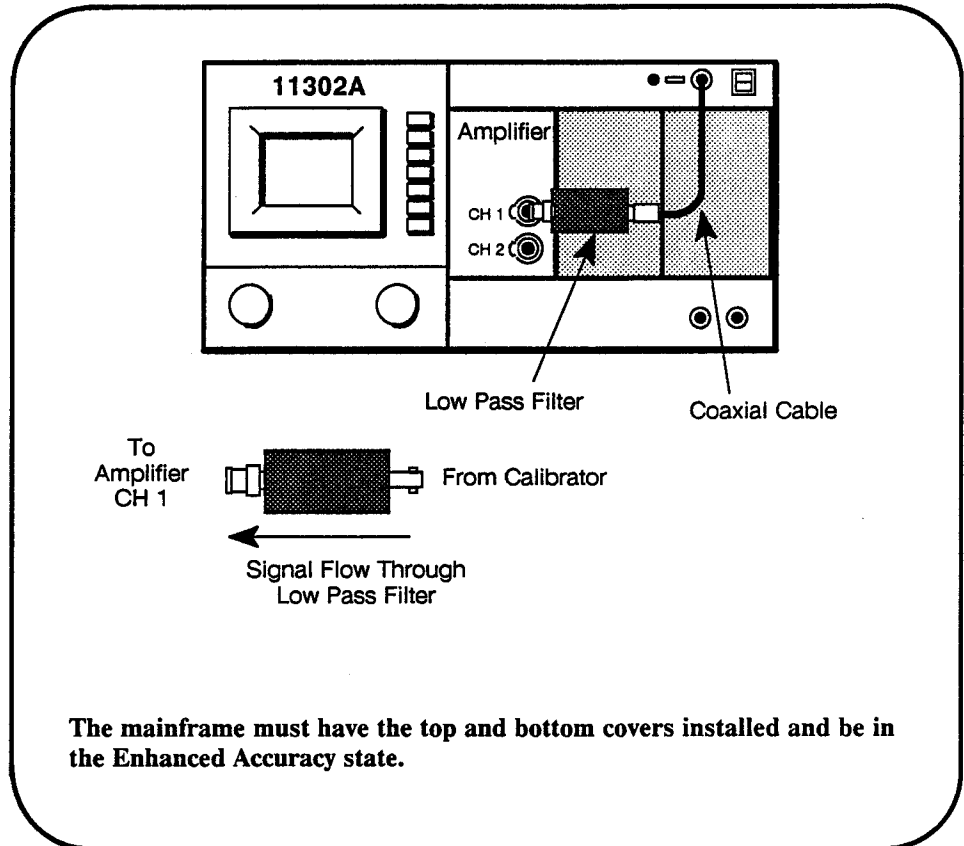
Part 34 — Trigger Accuracy

Description

This test checks the accuracy of the plug-in trigger path and the two external paths as sources to the External Trigger and to the Counter Timer.

Internal Trigger Accuracy

Setup

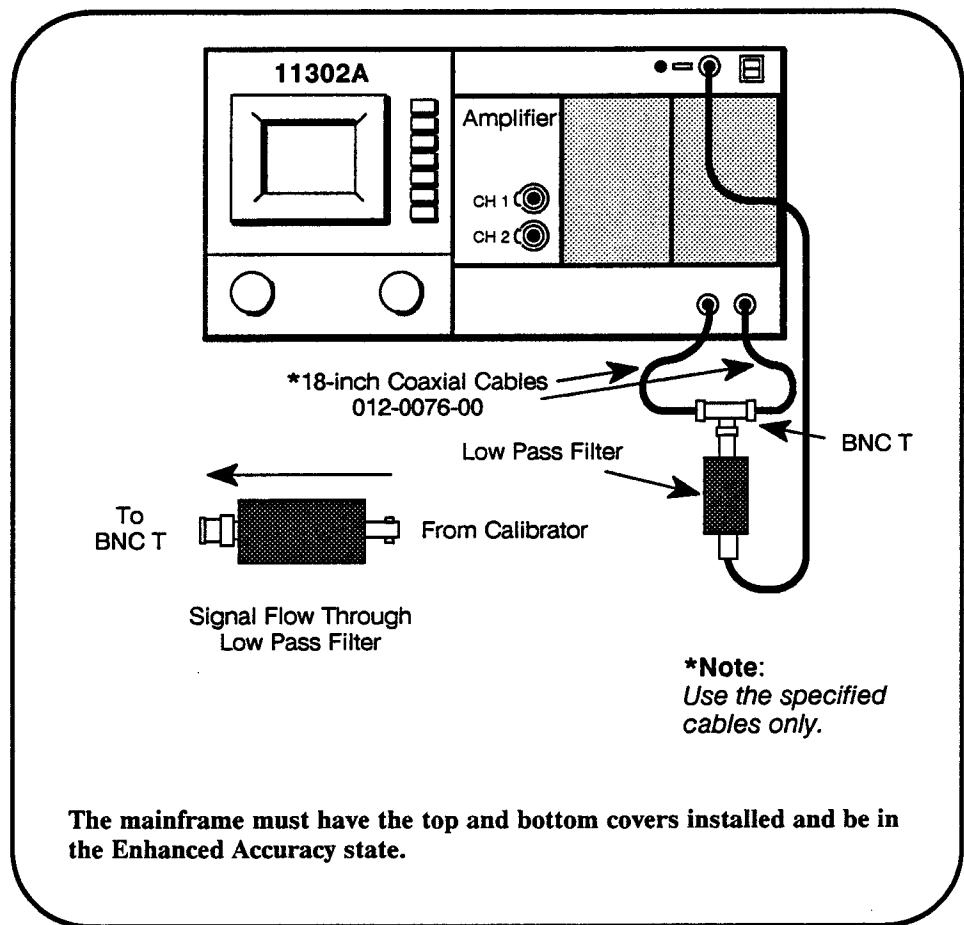


Procedure

- a. Start the test `INT_TRIG_ACC_PC`. Follow the instructions given on the PC.

External Trigger Accuracy

Setup



Procedure

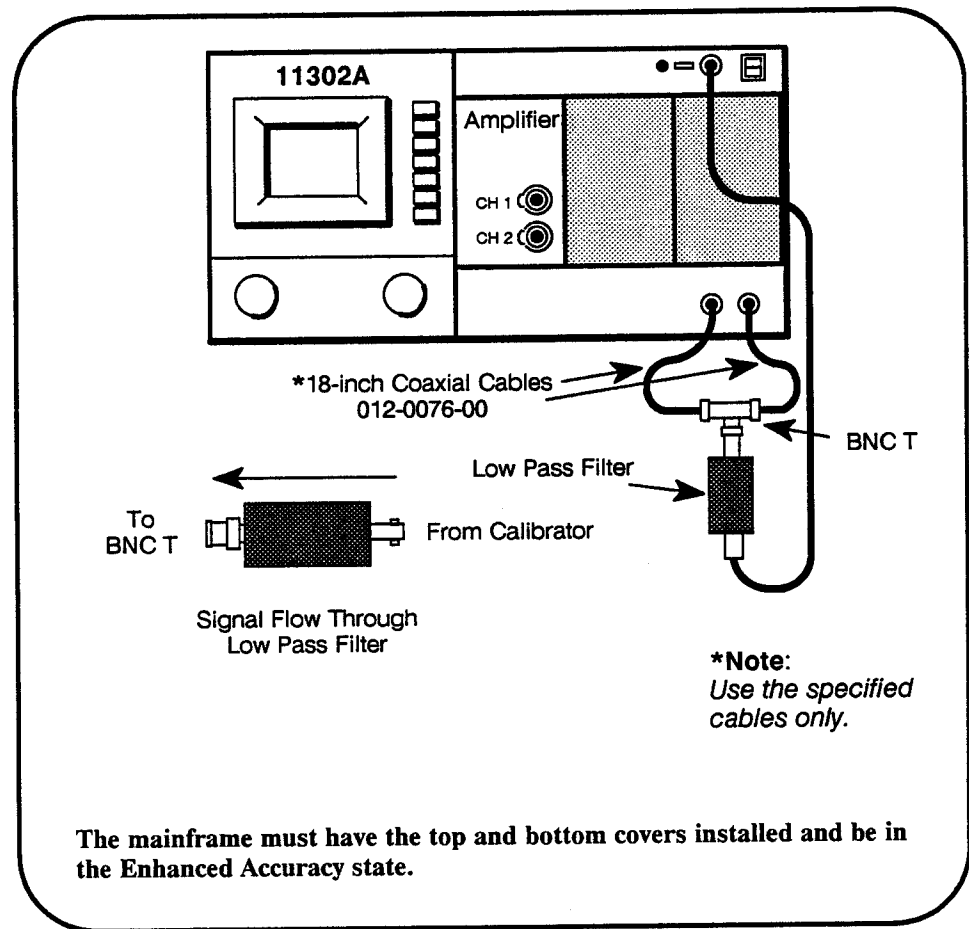
- a. Start the test **EXT_TRIG**. Follow the instructions given on the PC.



DO NOT adjust the external trigger accuracy if all the verification checks passed. Proceed to the external counter timer accuracy check.

External Counter Timer Trigger Accuracy

Setup



Procedure

- a. Start the test EXT_CT. Follow the instructions given on the PC.



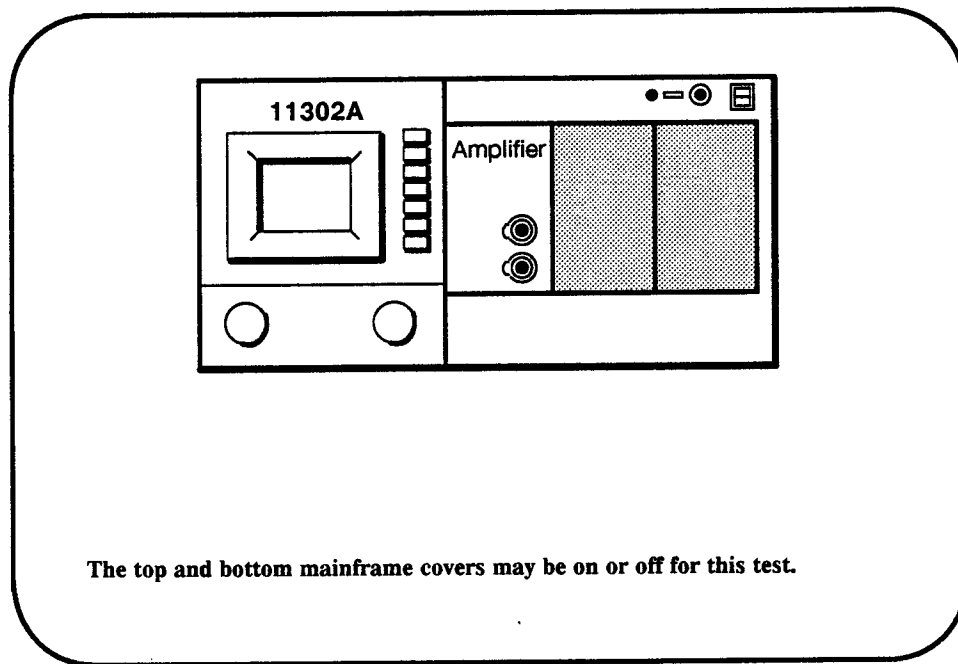
DO NOT adjust the external counter timer trigger accuracy if all the verification checks passed. Proceed to the next procedure Part.

Part 35 — Line Trigger

Description

This test checks the range of the trigger level adjustment for a line trigger source.

Setup



Procedure

- a. Start the **LINE_TRIG** test and follow the PC instructions. Verification is automatic.



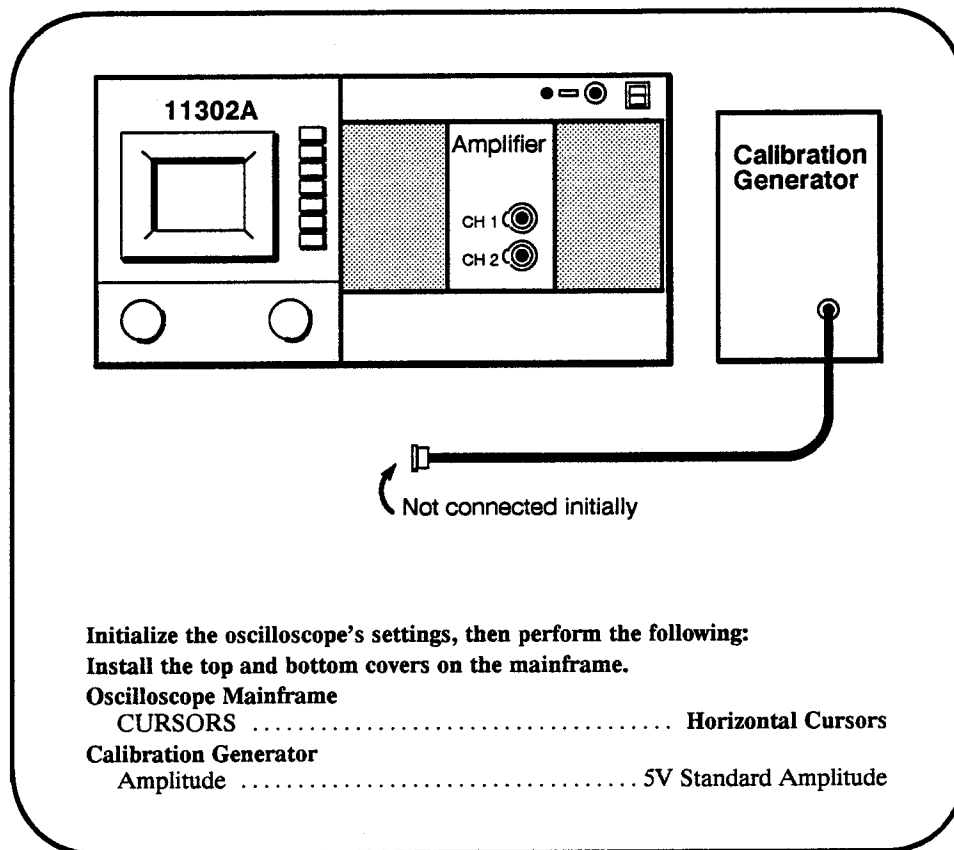
DO NOT proceed with adjustment unless the verification phase failed.

Part 36 — Center Compartment X-Axis Accuracy

Description

This test checks the accuracy of the X-axis gain for the Center compartment.

Setup



Procedure

- Press the ENHANCED ACCURACY button twice. The instrument should be properly warmed up before starting the selfcal.
- Press the WAVEFORM button and define an XY trace representing **L vs C1**.
- Adjust XY INTENSITY to dim the resultant dot waveform to a level low enough to prevent possible CRT damage.
- Adjust the reference cursor (left knob) to the center of the dot. Use the FINE knob adjustment.
- CHECK**—that the **Horiz Ref** readout is within specifications of Table 2-8 on the next page.
- Adjust the Horizontal Offset (press the HORIZONTAL DELAY button) to position the dot exactly at screen center.
- Adjust the Horizontal Position to its maximum value (+4 divs).
- CHECK**—that the dot is within 0.1 div of the plus fourth graticule.
- Adjust the Horizontal Position to its minimum value (-4 divs).

- j. **CHECK**—that the dot is within 0.1 div of the minus fourth graticule.
- k. Connect the Calibration Generator output to the plug-in CH1 input.
- l. Use Horizontal Position to center the two dots on the screen.
- m. Re-adjust the reference cursor (left knob) to the center of the left dot, and use the right knob to adjust the other cursor to the center of the right dot.
- n. **CHECK**—that the Δ Horiz readout is within the specifications of Table 2-8.

TABLE 2-8
Horizontal Tolerances

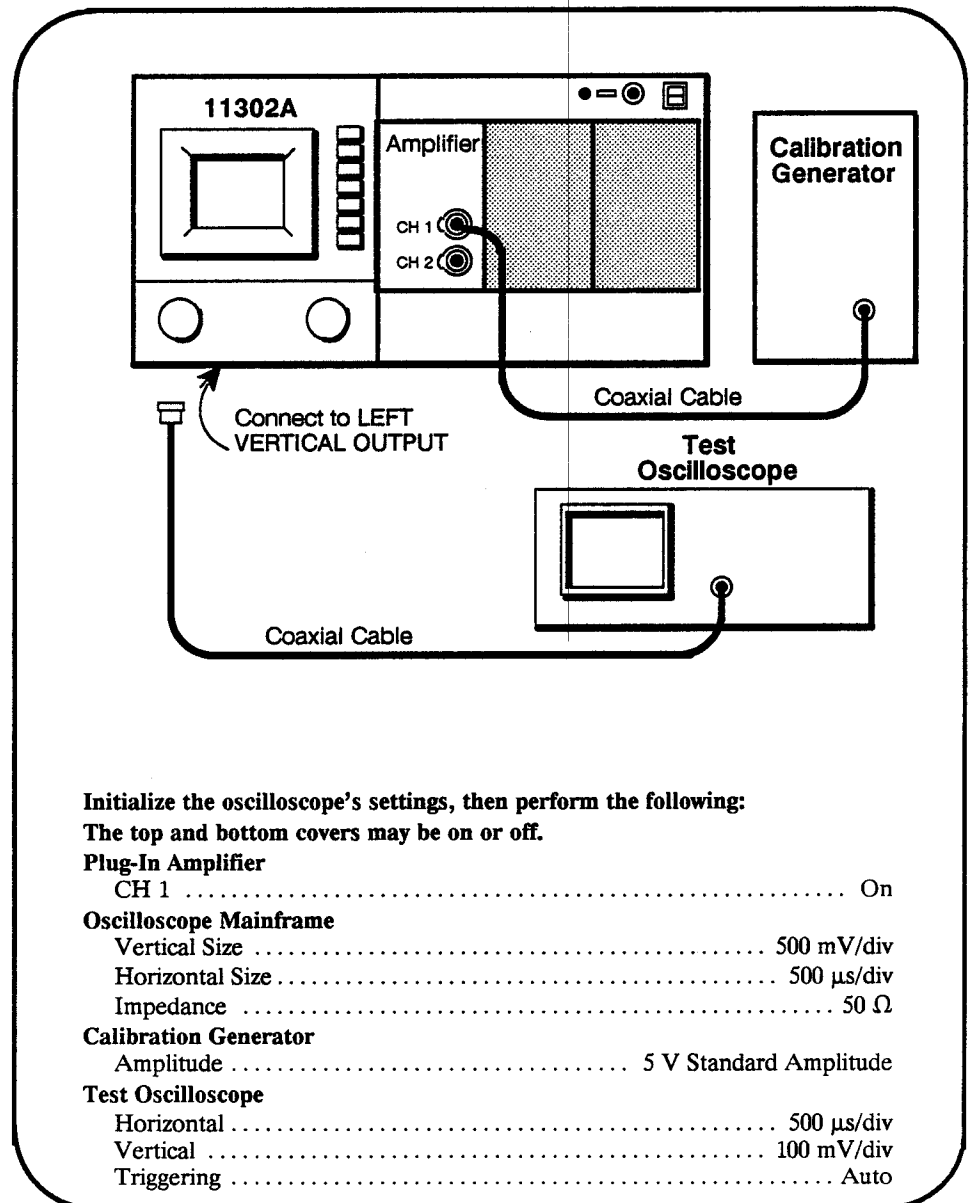
Plug-In Amplifier Type	DC Balance (Step e.)	Δ Horiz Accuracy (Step n.)
11A32	± 330 mV	4.885 — 5.115 V
11A33	± 280 mV	4.865 — 5.135 V
11A34	± 330 mV	4.885 — 5.115 V

Part 37 — Rear Panel Input/Output Signals

Description

This test checks the functionality of the Rear Panel connectors.

Setup



Procedure

- Use the VERTICAL POS control to center the waveform vertically.
- CHECK**—that the signal displayed on the Test Oscilloscope shows that the bottom of the waveform is within ± 175 mV of ground.
- CHECK**—that the peak-to-peak amplitude of the signal on the Test Oscilloscope is in the range 450 – 550 mV.

- d. Disconnect the cable from LEFT VERTICAL OUTPUT. Using a BNC T adapter connect the Calibration Generator signal from the back-panel Z AXIS ttl input connector to the plug-in CH 1 input.
- e. **CHECK**—that the positive peaks of the signal are blanked on the screen.
- f. Set the Horizontal Size to 1 ms/div.
- g. Remove all cables from the plug-in amplifier and the Z AXIS ttl input. Connect a cable from the back-panel MAIN SWP OUT to the Test Oscilloscope. Set the Test Oscilloscope to 1 V/div vertical, 2 ms/div horizontal, 1 M Ω impedance, auto triggering, and negative slope trigger.
- h. **CHECK**—that the waveform bottom on the Test Oscilloscope is within ± 0.5 V of ground. **CHECK**—that the slew rate is 0.5 V/ms $\pm 10\%$. Over a sweep distance of 4 divisions, the waveform should rise vertically 4 divisions ± 0.4 divisions.
- i. Remove the cable from the MAIN SWP OUT and connect it to the back-panel SWEEP GATE. Adjust the Test Oscilloscope to normal (not auto) triggering, dc coupling for vertical and trigger signals, and negative trigger slope. Adjust the Test Oscilloscope trigger level to the middle of the range in which triggering occurs.

NOTE

This setup of the Test Oscilloscope will be used in an upcoming step, in which the trigger level adjustment is somewhat difficult. Leave the settings on the Test Oscilloscope as they are through the end of this procedure Part.

- j. **CHECK**—that the low level of the signal is in the range of 0 – 0.5 V and the high level of the signal is in the range of 2.4 – 5 V.
- k. On the mainframe, set the trigger mode to **Auto** and set the Main Trigger Level to its maximum value (5 V). Select the **2 ns Step Holdoff** and rotate the left knob counterclockwise one click. Observe that the **Holdoff** readout is in the range of 15.999999 – 16.000001 ms.
- l. Select the COUNTER mode of **Period Measure, A Ext Source**. Remove the cable from the Test Oscilloscope and use it to connect the SWEEP GATE to the A EXT INPUT.
- m. Press the TRIGGER SOURCE button, select **A Ext $\div 5$** as the Main trigger source, to set the A EXT INPUT sensitivity. Then select **L1** as the Main trigger source.
- n. Adjust the **CT Ext A** trigger level to 1.500 V.
- o. **CHECK**—that the measured period is in the range of 15.99999 – 16.00001 ms. For Option 1T additional digits will be displayed.
- p. Select **Time TRIGGER HOLDOFF** and select **Off Measure** on the counter. Remove the cable from between the SWEEP GATE and the A EXT INPUT.
- q. Set the Horizontal Size to 10 ms/div.

- r. Connect the BNC cable from the Calibration Generator to the rear-panel TRIGGER RESET connector. Set the Calibration Generator for an Amplitude of 5 V.
- s. **CHECK**—that the mainframe sweep does not traverse the full width of the screen and that the beeper sounds continually.
- t. Connect the rear-panel TRIGGER READY output to the Test Oscilloscope.
- u. Set the Horizontal Size to 1 ms/div. Use the TRIGGER LEVEL menu to establish **Single Mode**.

NOTE

*When in **Single Mode** the knobs and buttons will not respond in a normal manner and the mainframe may appear to be "locked up." Normal operation may be reestablished by removing the TRIGGER RESET signal and touching any button.*

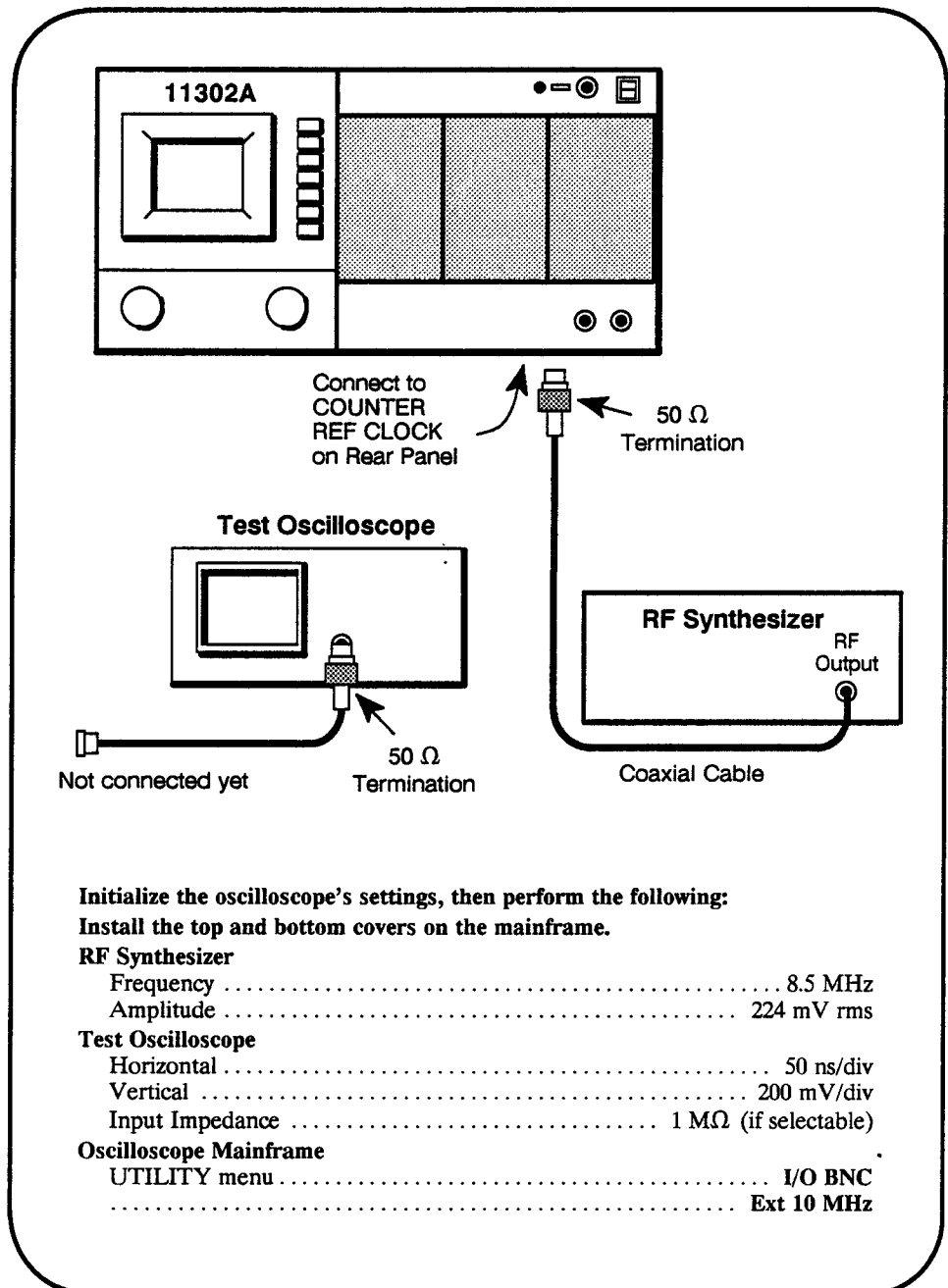
- v. **CHECK**—that the low level of the signal on the Test Oscilloscope is in the range of 0 – 0.5 V and the high level of the signal is in the range of 2.4 – 5 V.

Part 38 — Counter Reference Clock In/Out

Description

This test checks the acceptance of the proper frequency range and output of the proper clock signal by the COUNTER REF CLOCK in/out connector on the rear panel.

Setup



Procedure

- a. Set the RF Synthesizer to each of the following frequencies and verify that the message **Counter Timer PLL unlocked-check ext ref input** appears on the CRT, or not, as indicated below. After each frequency change press the TRIGGER RESET button.

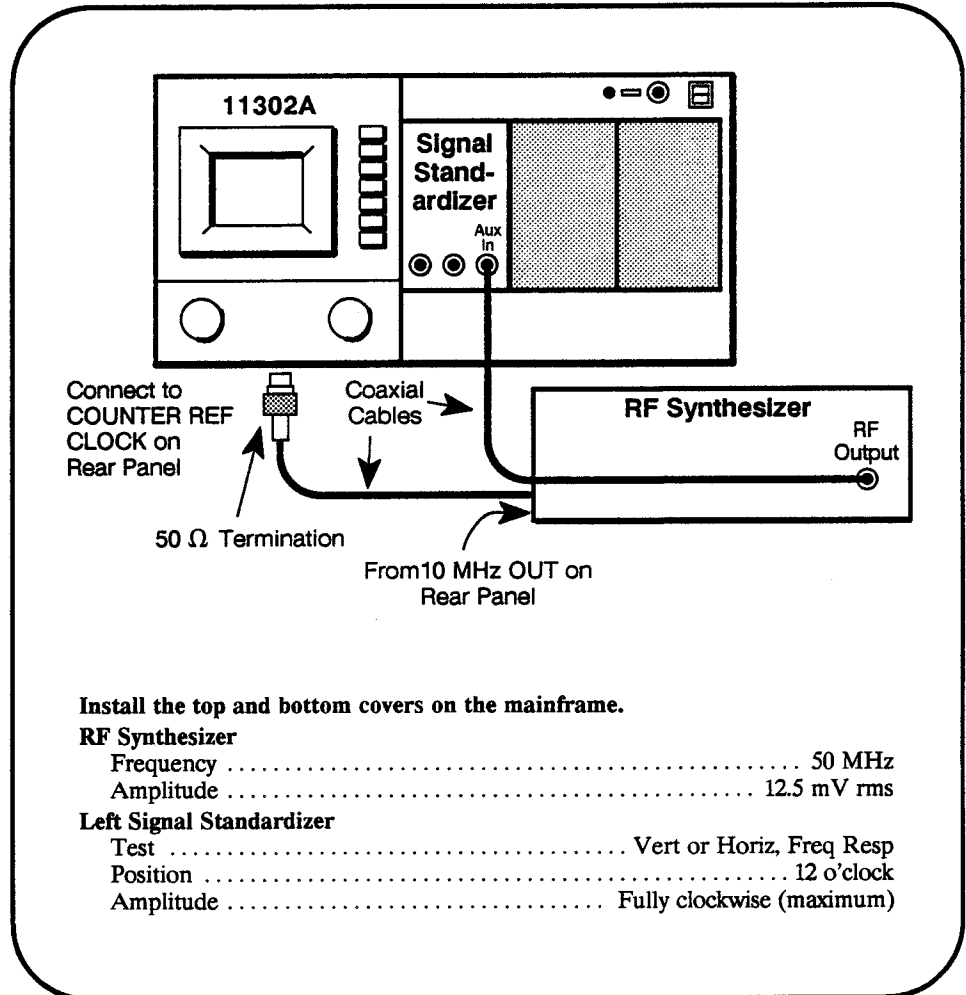
8.5 MHz	PLL Unlocked, message appears
9.9 MHz	PLL is locked, no message
10.1 MHz	PLL is locked, no message
11.5 MHz	PLL Unlocked, message appears
- b. Disconnect the coaxial cable from the COUNTER REF CLOCK connector.
- c. Select **Int** as the mode for the **Ref Clock** (Utility menu, I/O BNC)
- d. Connect the coaxial cable from the test scope to the rear panel COUNTER REF CLOCK connector.
- e. **CHECK**—that the p-p amplitude on the test scope is at least 500 mV.

Part 39 — Frequency Accuracy

Description

This test checks the accuracy of the mainframe frequency measurements with the minimum specified signal amplitude for a plug-in signal source.

Setup



Procedure

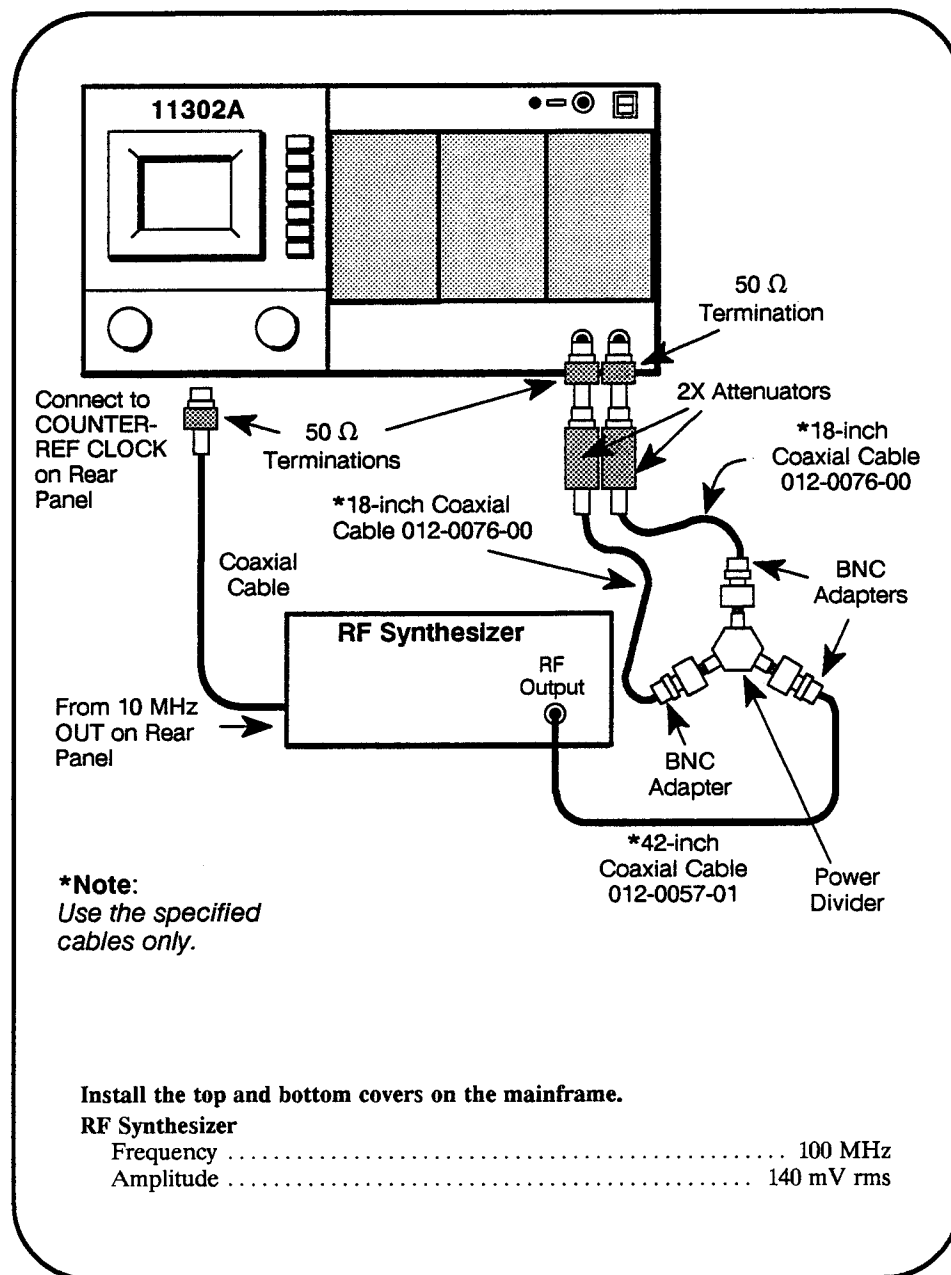
- a. Start test CAL_CT_FREQ_ACC and follow instructions on the PC. The Main Intensity may need adjustment during the test.

Part 40 — External A and B Input Sensitivity

Description

This test checks the sensitivity of the external A and B inputs. Frequency and ratio measurement modes are used in the verification.

Setup



Procedure

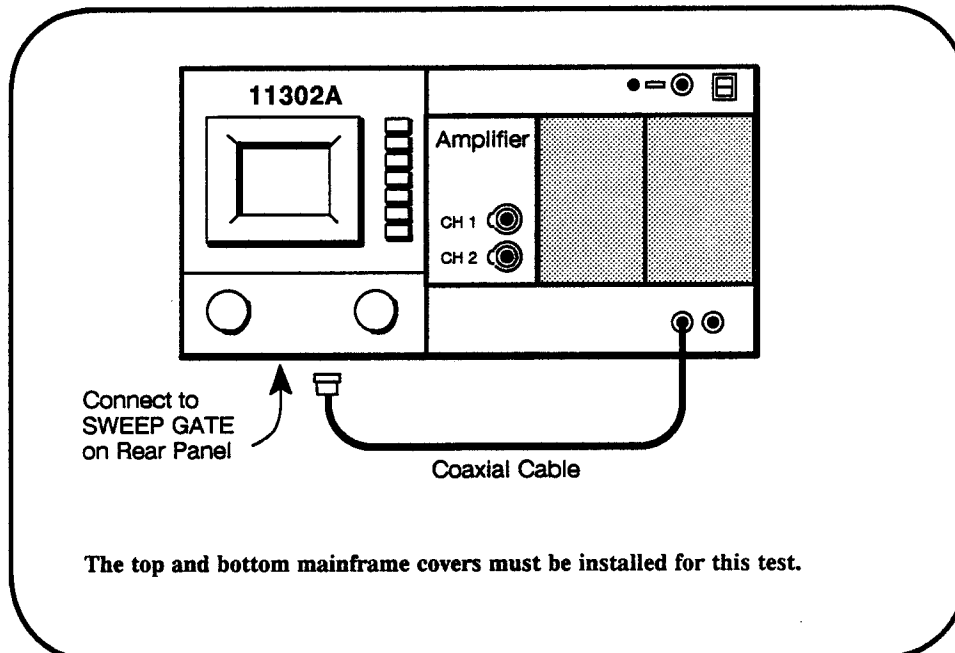
- a. Start the test CAL_CT_SENS_EXT_R. Follow the instructions given on the PC.

Part 41 — 2 ns Holdoff

Description

This test verifies the agreement between the holdoff settings and the sweep repetition rate.

Setup



Procedure

- a. Start the test CT_2NS_HO. Follow the instructions given on the PC.



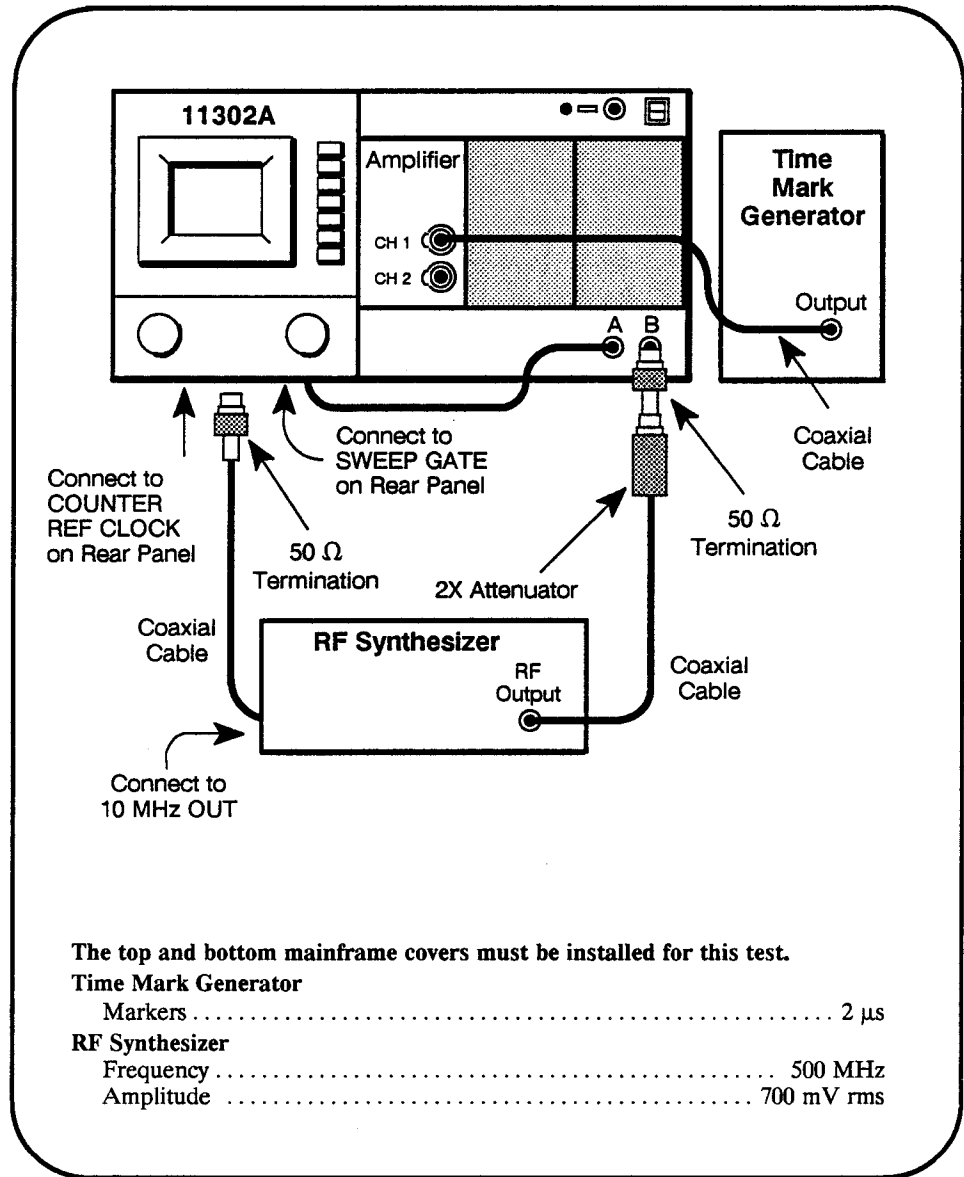
DO NOT proceed with adjustment unless the verification phase failed.

Part 42 – Holdoff By Events

Description

This test verifies that Events Holdoff works at the maximum specified frequencies and that the counter chain toggles correctly with different count values.

Setup



Procedure

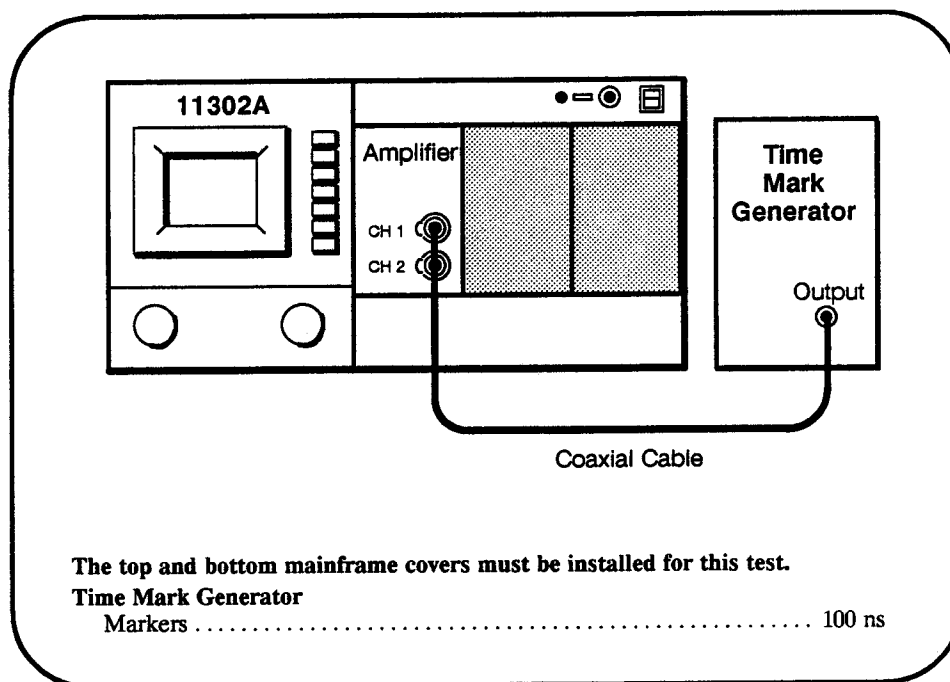
- a. Start the test **HOLDOFF_BY_EVENTS**. Follow the instructions given on the PC.

Part 43 – Time Interval Using Sweeps

Description

This test checks the accuracy of the Time Interval mode of the Counter Timer.

Setup



Procedure

Main to Delayed Time Interval (Runs After)

- a. Start the test **M_D_RUNS**. Follow the instructions given on the PC.



DO NOT proceed with adjustment unless the verification phase failed.

Main to Delayed Time Interval (Triggered After)

- b. Start the test **M_D_TRIG**. Follow any instructions on the PC.



DO NOT proceed with adjustment unless the verification phase failed.

- c. When the test **M_D_TRIG** finishes proceed to step d.

Delay 1 to Delay 2 Time Interval (Triggered After)

- d. Start the test **D1_D2_TRIG**. Follow any instructions on the PC.



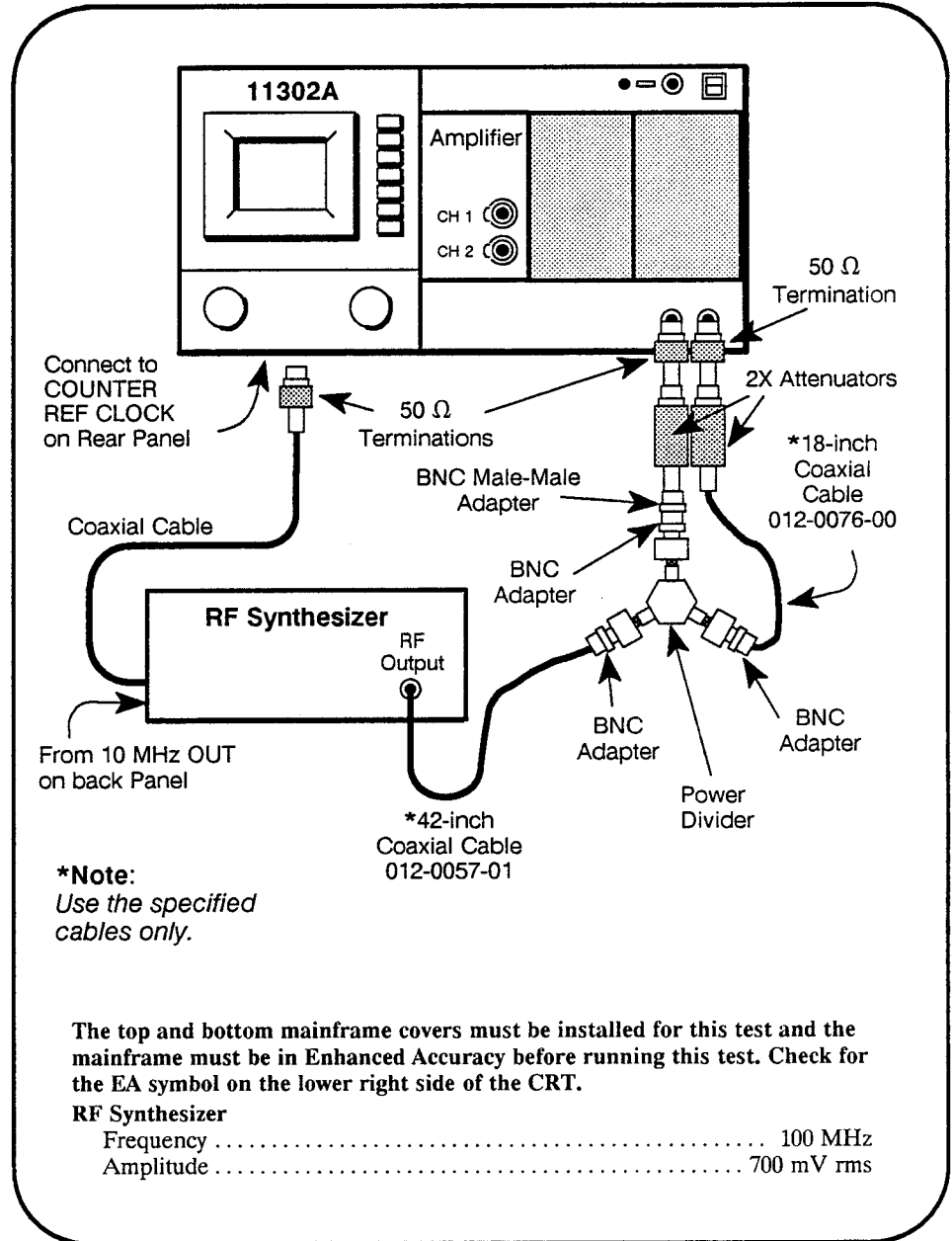
DO NOT proceed with adjustment unless the verification phase failed.

Part 44 — Minimum Time Interval

Description

This test verifies that the minimum specified width can be measured in the Time Interval mode using the External Inputs.

Setup



Procedure

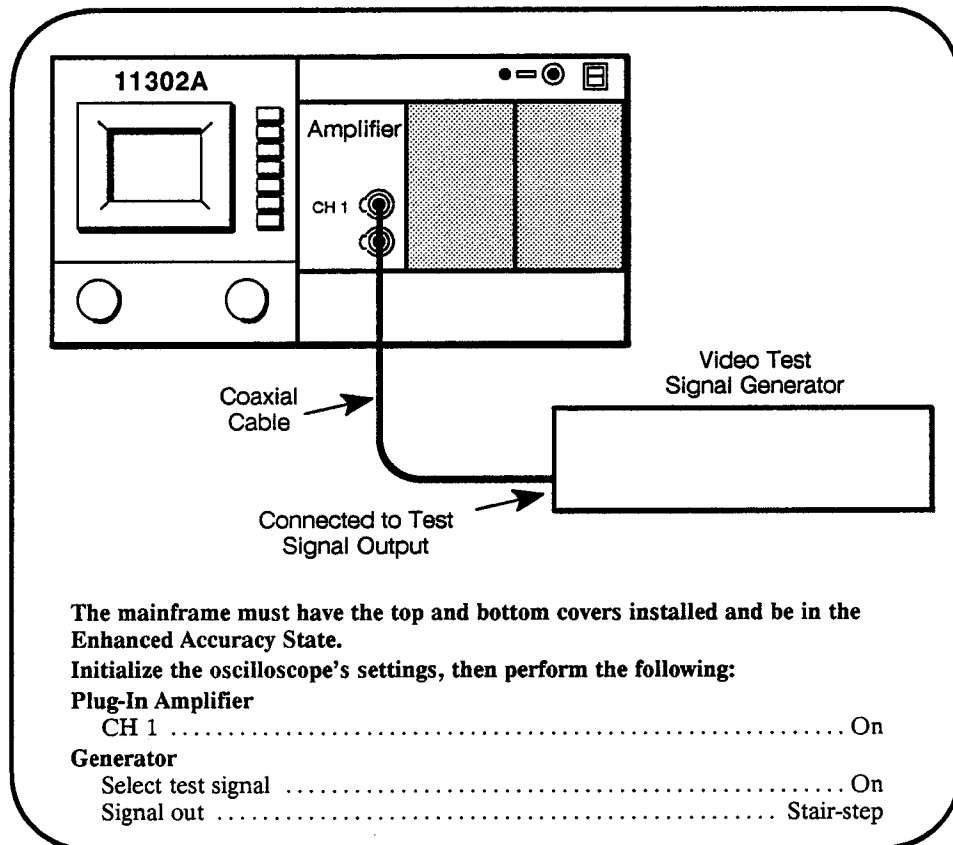
- a. Start the test CAL_CT_MIN_TI. Follow the instructions given on the PC.

Part 45 — Video Trigger

Description

This test checks the video trigger for either NTSC (525/60) or PAL (625/50) standards.

Setup



Procedure

- Press Autoset.
- Adjust the Main Size to 2 $\mu\text{s}/\text{div}$.
- Press Vert Size, select 50 Ω Plug-In impedance, and select the BW limit for the value nearest 20 MHz.
- Press HOLDOFF, and select Video Holdoff, **525/60 STD** (for NTSC) or **625/50 STD** (for PAL), and **LINES START**.
- Adjust the Vertical Offset to vertically center the signal's "back porch" or color burst. See Figure 2-34.
- Adjust the Vertical Size (use Fine if necessary) to adjust the display so the horizontal sync tip is between 2.8 and 3.0 divisions in amplitude.
- Note the Vertical Size, and adjust the Vertical Size/Div to be 10 times larger (the display will be one tenth the original amplitude). Example: if Vert Size is 76.5 mV for 3 div sync tip, adjust for 765mV/div.

- h. Observe the stability of the signal and the alignment of its transitions. The signal's transitions should always occur at the same horizontal location at any Vertical Size/Div in this range (sync tip amplitude between .28 div and .30 div).

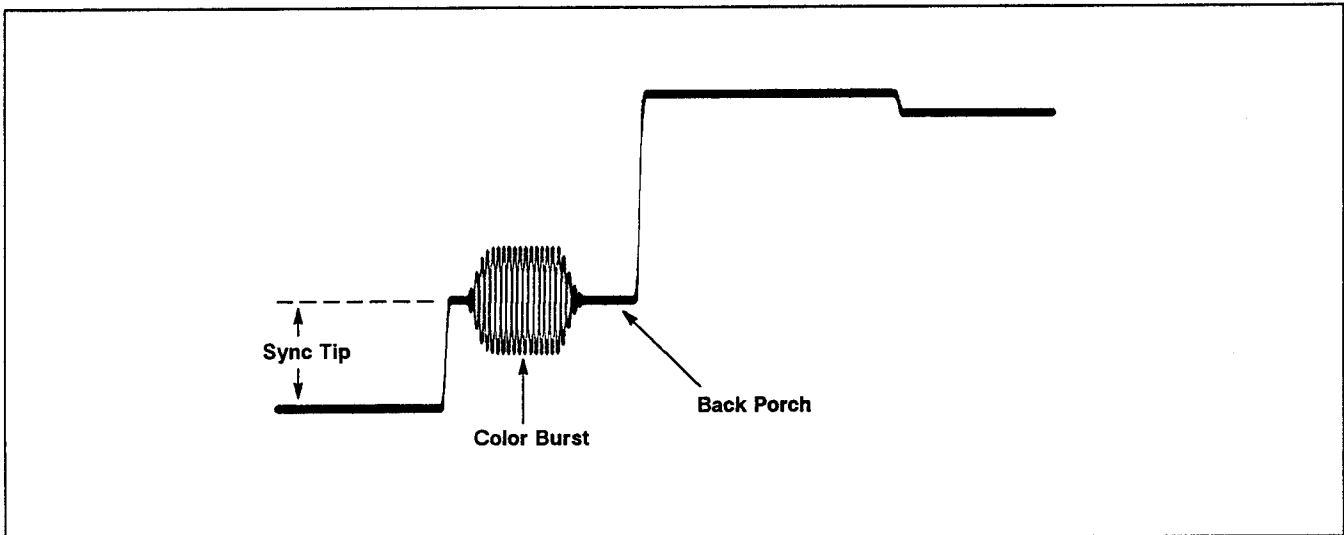


Figure 2-34. Video waveform.

Part 46 — Store Cal Constants

Description

This test permanently stores the calibration constants developed in previous procedure Parts. Calibration constants are stored in BBRAM (battery backed-up RAM) during the CATS testing. For reliable operation of the instrument these calibration constants must be moved into the EEROM. The test **SAVE_FACTORY** should be run whenever CATS testing is complete for a mainframe or when you expect a long delay before returning to complete the procedure on a mainframe.

Procedure



Do not touch any oscilloscope controls or turn off the instrument during this test. Disturbing the instrument during this test could cause loss of all calibration constant information and a non-functional instrument.

- a. Start the test **SAVE_FACTORY**. Do not adjust any mainframe control during the test. The PC will indicate test completion.

Part 47 — Reset DIP Switches and Set Time/Date

Description

This procedure Part ensures that the mainframe DIP switches are set to their normal Open position and that the internal clock is working properly. This is the last Part of the Checks and Adjustments procedure.

Procedure

- a. Remove the top cover if necessary, and set DIP switches 3, 4, 5, and 6 to their Open position (see Fig. 2-1).
- b. Install top and bottom covers, then power-up the mainframe.
- c. Press the **UTILITY** button and select **Time/Date**
- d. Touch **On** under **DATE**. Verify that the date shown in the upper-right corner of the CRT is correct. To change the date, use the arrows under **Select** to choose the month or number in the displayed date that you want to change. The selected item is highlighted. Change the selected item using the arrows under **Set**.
- e. When the date is correct, select **12 Hour** or **24 Hour** under **TIME**. Verify that the time shown in the upper-right corner of the CRT is correct. The time can be changed in the same manner as the date.
- f. Press the **UTILITY** button again when the time and date are correct.

**THIS COMPLETES THE 11302A CHECKS AND ADJUSTMENTS
PROCEDURE**

Section 3

Maintenance

This section of the manual contains information for performing preventive maintenance and corrective maintenance for the 11302A Counter Timer Oscilloscope.

Preventive Maintenance

Preventive maintenance, performed regularly, can prevent instrument breakdown and may improve the reliability of the instrument. The severity of the environment to which the instrument is subjected will determine the frequency of maintenance. A convenient time to perform preventive maintenance is preceding electrical adjustment of the instrument.

Cabinet Panel Removal

WARNING

Dangerous potentials exist at several points throughout this instrument. When the instrument is operated with the covers removed, do not touch exposed connections or components. Some transistors have voltages present on their cases. Disconnect power before cleaning the instrument or replacing parts.

The top and bottom cabinet panels (or covers) provide protection from operating potentials present within the instrument. In addition, they reduce radiation of electromagnetic interference from the instrument. Fasteners retain the cabinet panels. To remove the panels, loosen the fasteners and lift the panels off. Operate the instrument with the panels in place to protect the interior from dust.

Cleaning

The 11302A should be cleaned as often as operating conditions require. Accumulation of dirt in the instrument can cause overheating and component breakdown. Dirt on components acts as an insulating blanket and prevents efficient heat dissipation. It also provides an electrical conduction path which may result in instrument failure. The side panels reduce the amount of dust reaching the interior of the instrument. Keep the side panels in place for safety and cooling.

CAUTION

Avoid the use of chemical cleaning agents that might damage the plastics used in this instrument. Use a nonresidue type of cleaner, preferably isopropyl alcohol or totally-denatured ethyl alcohol. Before using any other type of cleaner, consult your Tektronix Service Center or representative.

Exterior

Loose dust accumulated on the outside of the instrument can be removed with a soft cloth or small brush. The brush is also useful for dislodging dirt on and around the front-panel controls. Dirt that remains can be removed with a soft cloth dampened in a mild detergent and water solution. Do not use abrasive cleaners or alcohols.

CRT

Clean the CRT faceplate with a soft, lint-free cloth dampened with denatured alcohol.

Interior

Cleaning the interior of the instrument should seldom be necessary. The best way to clean the interior is to blow off the accumulated dust with dry, low-pressure air (such as from a vacuum cleaner). Remove any dirt that remains with a soft brush or a cloth dampened with a mild detergent and water solution. A cotton-tipped applicator is useful for cleaning in narrow spaces, or for cleaning more delicate circuit components.

CAUTION

Circuit boards and components must be dry before applying power to prevent damage from electrical arcing.

The high-voltage circuits should receive special attention. Excessive dirt in this area may cause high-voltage arcing and result in improper instrument operation.

Visual Inspection

The 11302A should be inspected occasionally for such defects as broken connections, loosely-seated semiconductors, damaged or improperly installed circuit boards, and heat-damaged parts. The corrective procedure for most visible defects is obvious; however, particular care must be taken if heat-damaged parts are found. Overheating usually indicates other trouble in the instrument; therefore, correcting the cause of overheating is important to prevent recurrence of the damage.

Periodic Electrical Adjustment

To ensure accurate measurements, check the electrical adjustment of this instrument after each 2,000 hours of operation, or every 24 months if it is used infrequently.

Corrective Maintenance

Corrective maintenance consists of module replacement for instrument repair. Special techniques required to replace modules in the 11302A Oscilloscope mainframe are given here.

Power Supply Voltage Hazard

Use caution if you must work near any metal-faced part on the Power Supply Module.

WARNING

All metal components, including any metal-faced ones, in the Power Supply Module should be considered hazardous. This is because these components are at the AC line voltage potential.

Always remove the line power cord before any disassembly.

An electric-shock hazard exists when the 11302A is not grounded. Do not remove the ground wire (green-yellow) that connects the power supply chassis to the mainframe.

Ordering Parts

When ordering replacement parts from Tektronix, Inc., include the following information:

1. Instrument type
2. Instrument serial number
3. A description of the part
4. Tektronix Part Number

Static-Sensitive Device Classification



Static discharge can damage any semiconductor component in this instrument.

This instrument contains electrical components that are susceptible to damage from static discharge. See Table 3-1 for relative susceptibility of various classes of semiconductors. Static voltages of 1 kV to 30 kV are common in unprotected environments.

TABLE 3-1
Relative Susceptibility to Damage From Static Discharge

Semiconductor Classes	Relative Susceptibility Levels ¹
MOS or CMOS microcircuits and discrete or linear microcircuits with MOS inputs (most sensitive)	1
ECL	2
Schottky signal diodes	3
Schottky TTL	4
High-frequency bipolar transistors	5
JFETs	6
Linear microcircuits	7
Low-power Schottky TTL	8
TTL (least sensitive)	9

¹Voltage equivalent for levels.

1 = 100 to 500 V

2 = 200 to 500 V

3 = 250 V

4 = 500 V

5 = 400 to 600 V

6 = 600 to 800 V

7 = 400 to 1000 V (est.)

8 = 900 V

9 = 1200 V

(Voltage discharged from a 100 pF capacitor through a resistance of 100 ohms.)

Observe the following precautions to avoid damage:

1. Minimize handling of static-sensitive components.
2. Transport and store static-sensitive components or assemblies in their original containers, on an anti-static surface, or on conductive foam. Label any package that contains static-sensitive assemblies or components.
3. Discharge the static voltage from your body by wearing a wrist strap while handling these components. Servicing static-sensitive assemblies or components should be performed only at a static-free work station by qualified service personnel. We recommend use of the Static Control Mat, Tektronix Part 006-3414-00, and Wrist Strap, Tektronix Part 006-3415-00.
4. Allow nothing capable of generating or holding a static charge on the work station surface.
5. Keep the component leads shorted together whenever possible.
6. Pick up components by the body, never by the leads.
7. Do not slide the components over any surface.
8. Avoid handling components in areas that have a floor or work-surface covering capable of generating a static charge.

Removing and Replacing FRUs

WARNING

To avoid electric-shock and instrument damage, always disconnect the instrument from its power source before removing or replacing FRUs. For plug-in removal or replacement switch the ON/STANDBY switch to STANDBY.

The exploded-view drawings associated with the Replaceable Parts list may be helpful in the removal or disassembly of individual FRUs.

The top and/or bottom cover must be removed for most repairs. Use a coin or a straight-slot screwdriver with a large tip to loosen the fasteners. Rotating the fastener a quarter turn counter-clockwise will loosen it. These covers fit tightly around the chassis and sometimes will stick. They may have to be pried off.

A small cover fits over the access hole on the side of the plug-in compartment. This access hole is for positioning wire cables inside the mainframe. A Torx screw secures this cover.

Whenever a specific area of the instrument is mentioned (such as the right side), it will usually be in reference to the front of the 11302A. If another reference is intended, it will be so described, such as “the left side as facing the rear.”

NOTE

Refer to “Checks After FRU Replacement” in this section.

Electrical Lock-On of the ON/STANDBY Power Switch

Some applications for the 11302A Counter Timer Oscilloscope may require that the power remain on. To electrically lock-on the power, proceed as follows:

1. Set the ON/STANDBY switch to STANDBY.
2. Remove the top cover.
3. Locate the A11 Main Processor board as shown in Figure 3-1.
4. Locate and disconnect the J60 connector on the A11 Main Processor board (see Fig. 10).
5. Install a jumper (Tektronix Part 131-0993-00) over the front two pins where the connector was located.



The power will now remain on regardless of the setting of the ON/STANDBY switch.

Do not remove or install a plug-in unit while the power is on. Doing so may damage the mainframe and the plug-in.

6. To turn off the power, while the J60 jumper is in place, use the PRINCIPAL POWER SWITCH (on the rear panel).

To return to normal operation of the ON/STANDBY switch, follow the preceding instructions in reverse order.

An alternate procedure to electrically lock-on the power is as follows:

1. Switch the PRINCIPAL POWER SWITCH (on the rear panel) to OFF. Remove the AC power cable.
2. Position the 11302A on its left (handle) side.
3. Remove the bottom cover.
4. Locate the A4 Regulator board and the A13 Scope Logic board as shown in Figure 3-1.
5. Locate and disconnect the J71 connector from its holder on the A13 Scope Logic board. (See Fig. 3-14.)
6. Locate the J820 jumper on the A4 Regulator board. (See Fig. 3-7.)
7. Carefully lift the plastic protector located underneath the J71 cable.

NOTE

This protector can be bent slightly to reach the J820 jumper.

8. Reposition the J820 jumper from its two outer (right side) pins to its two inner (left side) pins. Do not drop the jumper while moving it.
9. Reconnect the AC power cable and move the PRINCIPAL POWER SWITCH to ON.



The power will now remain on regardless of the ON/STANDBY switch setting.

Do not remove or install a plug-in unit while the power is on. Doing so may damage the mainframe and plug-in.

10. To turn the power off while the J820 jumper is on the inner pins, use the PRINCIPAL POWER SWITCH.

To return to normal operation of the ON/STANDBY switch, follow the preceding instructions in reverse order.

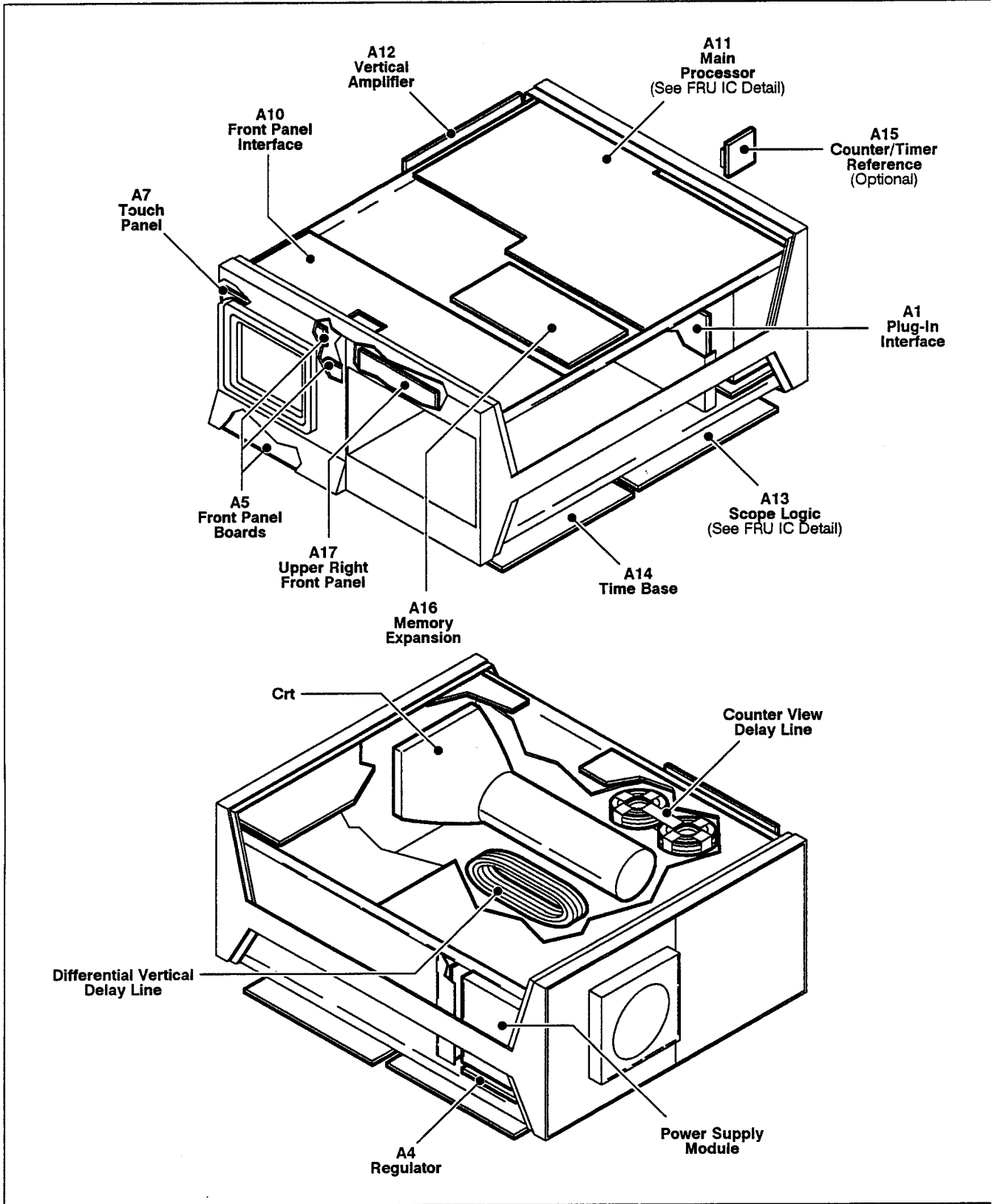
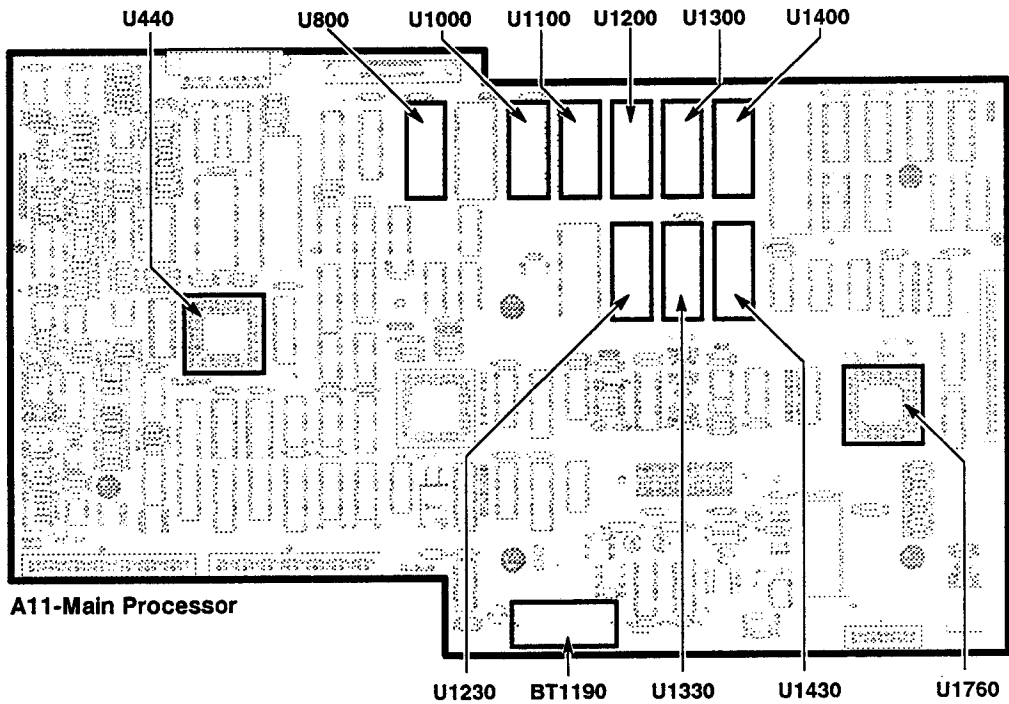
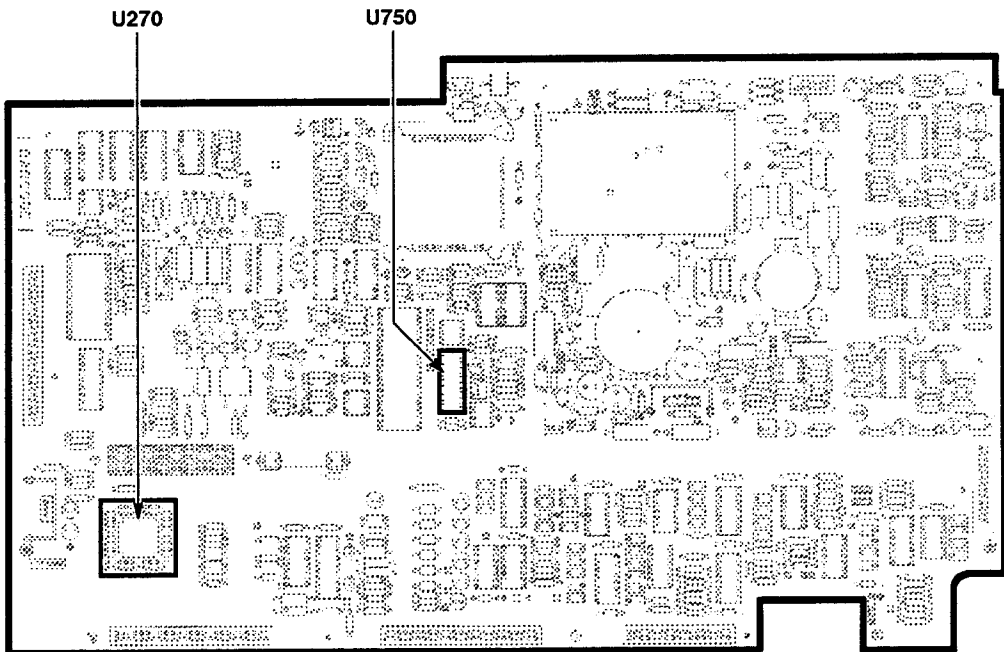


Figure 3-1. Field Replaceable Units (FRU) Locator.

FRU (Field Replaceable Units) IC Detail



A11-Main Processor



A13-Scope Logic

Figure 3-1 (cont). Field Replaceable Units (FRU) Locator.

4. Remove the wire connectors from their pins on the A2A2 Control Rectifier board.

NOTE

Record the connectors' locations for correct replacement. See Figure 3-3.

5. Remove the chassis ground (green-yellow) wire.
6. Remove the Power Supply Module.

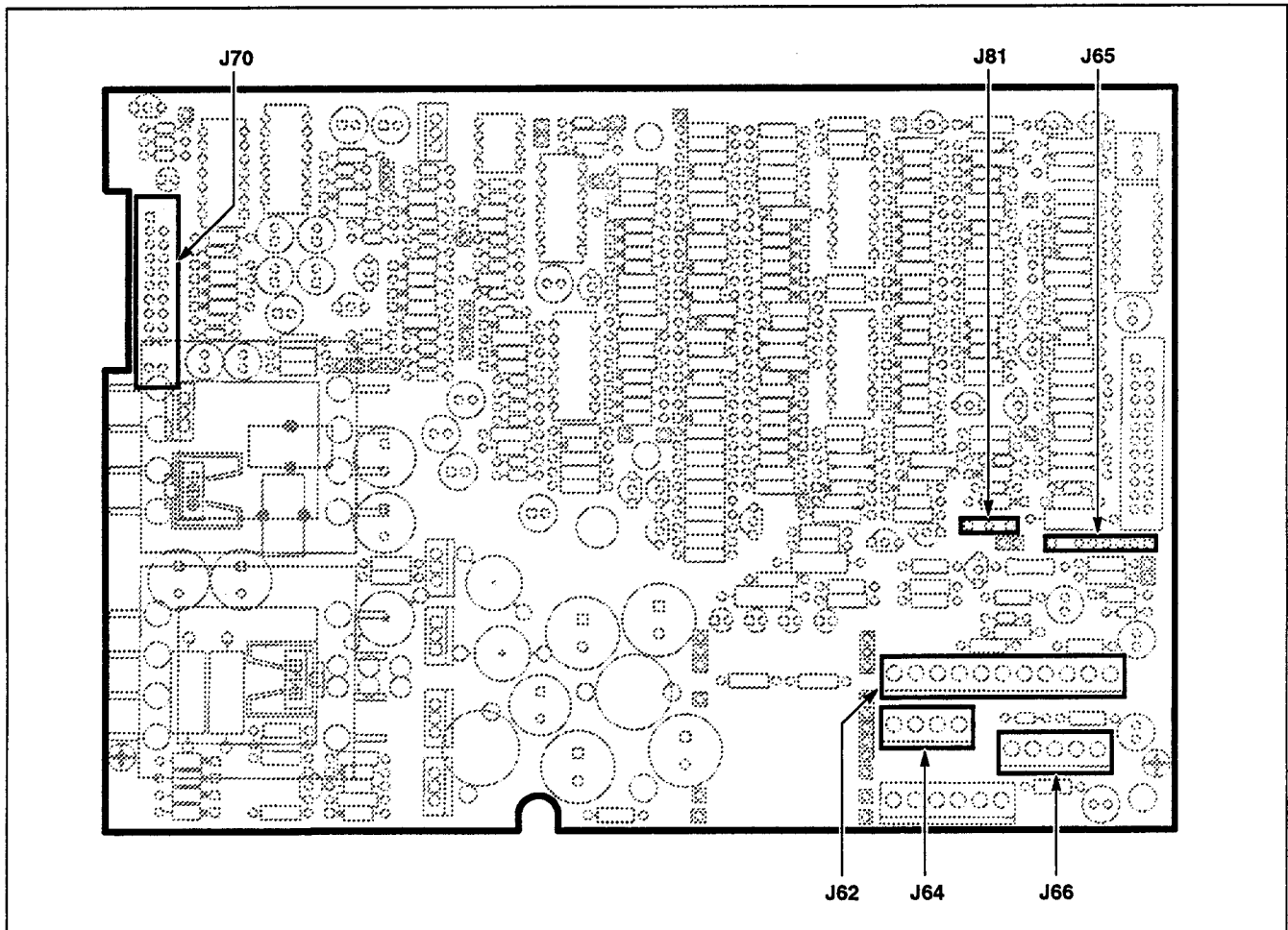


Figure 3-3. Bottom view of A2A2 Control Rectifier board showing connector locations.

To replace the Power Supply Module follow the previous steps in reverse order.

NOTE

Align the metal guides on the top of the power supply with the plastic grooves inside the upper part of the opening in the mainframe.

Be careful not to pinch any wires or interconnecting cables while reinstalling the power supply.

Fan Motor Removal

Remove and replace the fan motor as follows:

1. Use a pencil or tape to mark the top of the fan motor housing. It reassembles only one way. Remove the four long Torx screws holding the assembly together.
 - Hold the housing as the last screws are removed.
2. Separate the grill and the housing from the motor.
3. Remove the two wires at their motor connections.
 - Note that the red wire is (+) and the brown wire is (-).
4. Remove the fan motor.

NOTE

Observe the position in which the motor was mounted. Replace it the same way, or the fan wires may not reach.

5. To replace the fan motor, follow the previous procedure in reverse order.
 - Do not pinch the wires under the fan housing.
 - Check that no wires contact the fan blades.
 - Tighten screws securely. Remove the mark from the top of the housing.

Cathode-Ray Tube Removal

Remove the cathode-ray tube as follows:

WARNING

The CRT may retain a dangerous electrical (14.7 kV) charge. Before removing the CRT, the anode must be fully discharged. Short the anode lead to the chassis. Wait approximately ten minutes and again firmly short this lead to the chassis. Remove the CRT. Then, an hour after the lead was first discharged, ground it by touching it to the exposed metal on the termination on the red (J1100) CRT lead.

If 24 hours elapse between CRT removal and replacement, ground the anode lead by touching it to the exposed metal on the termination on the red (J1100) CRT lead..

Use care when handling. Breakage of a CRT causes a high-velocity scattering of glass fragments (implosion). Protective clothing and safety glasses should be worn. Avoid striking the CRT on any object that might cause it to crack or implode.

1. Position the 11302A right side down. Remove its top and bottom covers. Remove the access hole cover from the inner side of the plug-in compartment.
2. Remove the six Torx screws from the rear panel plate. Allow the plate to remain suspended from its wires as shown in Figure 3-4.
 - Protect the surfaces underneath the plate from scratches.
3. Loosen the four Torx screws (do not remove) on the CRT rear retaining ring. See Figure 3-4.
4. Remove the CRT anode lead from its keyhole recess. (The recess is part of the CRT rear support between the base-pin socket and the bottom of the mainframe.)

WARNING

The CRT anode voltage is 14.7 kV. A dangerous charge may be retained by the CRT. Ground the anode lead to the chassis upon removal to discharge any stored charge in the CRT. Wait ten minutes and again ground the anode lead.

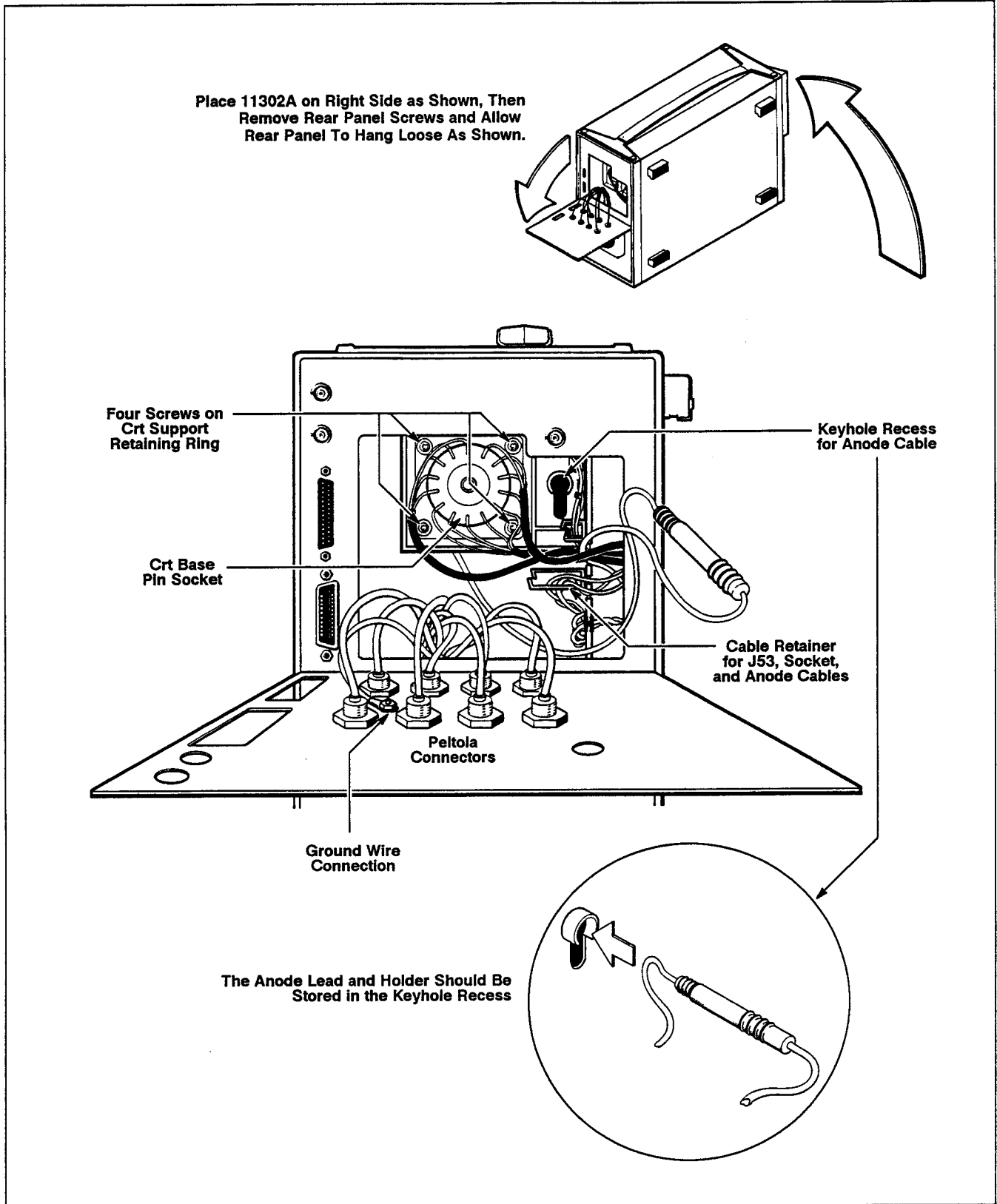


Figure 3-4. Rear view of CRT base-pin socket and inside view of the rear panel.

5. Disconnect the anode lead from its holder. Ground the anode as directed in the preceding warning.

WARNING

Ground the anode lead again one hour after the lead was first discharged. If 24 hours elapse between the removal and replacement of the CRT, ground the lead by touching it to the exposed metal on the termination on the red (J1100) CRT lead.

6. Disconnect the CRT base-pin socket. Install a protective cap, if available, over the pins.
7. Remove the A7 Touch Panel board which retains the CRT. Refer to the circuit board removal procedures, in this section.
8. Disconnect all six CRT neck pin leads. Use care to avoid damaging the neck pins.
 - Remove both leads to the A12 Vertical Amp board.
 - Remove both leads to the passive network (CRT termination resistor).
 - Remove both leads to the A14 Time Base board.
9. Remove the high voltage shield from over the multiplier area on the A13 Scope Logic board.
 - Remove the black (J1210), white (J1310), and red (J1100) leads from the board. Withdraw these leads and put them inside the rear panel area.
 - Remove J53 from the A13 Scope Logic board.
10. Remove the CRT by sliding it slowly through the front. Check that the anode lead and the black, white, and red leads all smoothly flow through the grommet.
 - Guide the base-pin socket as far outward as possible.
 - Pull the anode lead and then the other leads through the grommet(s) inside the CRT shield. The grommet may not be big enough for all connectors to go through at the same time.

NOTE

Four rubber pads cushion the corners of the CRT faceplate against the front casting. These pads may fall out when the CRT is removed. Reinstall them, if necessary.

Cathode-Ray Tube Replacement

NOTE

Before replacing the CRT, check that the grid scale numbers are to the left of the faceplate. The "TEK" logo will then be on the right side.

Replace the cathode-ray tube as follows:



The CRT anode lead may need to be grounded before replacing the CRT. If more than 24 hours have elapsed since the CRT was removed, ground the anode lead by touching it to the exposed metal on the termination on the red (J1100) CRT lead.

1. Route the anode lead and the other leads through the large grommet (at the inside right of the CRT shield). Push the CRT into the CRT shield while routing the leads.

NOTE

Pull the leads through the rear of the 11302A so that they don't tangle inside the CRT shield.

The base-pin socket may need to be moved around to insert the CRT base into its retaining ring.

2. Reinstall the A7 Touch Panel board and the CRT Scale Cover.
 - Follow the procedure to replace the A7 Touch Panel board.



IMPORTANT: Tighten the CRT Scale Cover screws by using a diagonal method only. DO NOT TIGHTEN IN A CLOCKWISE DIRECTION. This method will damage the corners of the CRT faceplate.

For instructions regarding this diagonal method of tightening screws, read the CAUTION notice at the end of the A7 Touch Panel board replacement procedure, in this section.

3. Check that the implosion shield and the lens frame are correctly seated.
 - Position the 11302A on its right side.

4. Reconnect all six neck pin leads. Don't bend the neck pins.
5. Push the CRT forward as far as possible. Tighten the four screws on the CRT support retaining ring.
 - Remove the protective cap from the base pins.
 - Reinstall the base-pin socket.
6. Reconnect the black, white, and red leads to the A13 Scope Logic board.
 - Dress the lead wires away from the location of the high voltage shield.
 - Route these wires through the grommets at the rear edge of the chassis.
 - Reinstall the high voltage shield over the multiplier area.
7. Reconnect the anode lead to its holder.
8. Place the anode lead and holder into its keyhole-shaped recess. See Figure 3-4. The anode holder slides into the round part and the anode cable fits into the slot alongside it.
9. Check that all wires are placed into the edge grommets of the rear panel area. Dress the wires into the cable retainers.
 - Make sure that all Peltola connectors (inside the rear panel plate) are connected to their respective BNC sockets.
10. Replace the rear panel plate. Reinstall and tighten all six Torx screws.
11. Reinstall the access hole cover and tighten its screws.
12. Reinstall the top and bottom covers.
 - Set the instrument right side up.

NOTE

Refer to "Checks After FRU Replacement" in this section.

Lithium Battery Handling, Disposal, and First Aid

A lithium battery (BT1190) is mounted on the A11 Main Processor board as shown in Figure 3-11. Another lithium battery is mounted on the A16 Memory Expansion board.

Removal and Handling

Remove the battery by grasping it between the thumb and fingertips. Pull it from its mounting bracket.

Do not drop the battery. Short circuits or other problems can be caused by dropping.

Do not place the battery on any metal surface.

WARNING

To avoid personal injury, observe proper procedures for handling and disposal of lithium batteries. Improper handling may cause fire, explosion, or severe burns. Do not recharge, crush, disassemble, or heat the battery above 212° F (100° C), incinerate, or expose contents of the battery to water.

Storage

When storing a battery, separate it from all conductive or metal surfaces. Do not store batteries loosely or dump them into bins.

Store them in their original shipping container or individually wrapped in plastic.

Board Cleaning

If present, battery salts will usually appear as a white powder upon contact with a circuit board. These salts may react with one or more layers of the board material, resulting in permanent damage and/or open traces.

Clean the salts from the board immediately with a brush and water. Any boards which were in contact with battery salts (for more than a few minutes) must be thoroughly tested for possible damage.

Disposal

Dispose of the lithium battery in accordance with local, state, and federal regulations.

NOTE

Typically, small quantities (less than 20) can be safely disposed of with ordinary garbage in a sanitary landfill.

Larger quantities must be sent by surface transport to a Hazardous Waste Disposal Facility. The batteries should be individually packaged to prevent shorting. Pack them into a sturdy container that is clearly labeled, "Lithium Batteries—DO NOT OPEN."

Replacement

Check the (+) polarity on the replacement battery matches the (+) mark on the circuit board. Replace the battery by inserting it into its mounting bracket.

Emergency and First Aid Information

Manufacturer:	Panasonic
Battery Type:	Lithium Poly-Carbon monofluoride, BR 2/3 A.
Solvent:	Gama Butyrlactone is of low toxicity. It can cause some eye and respiratory irritation. The solvent may be released during venting (an outgassing of battery material), according to the manufacturer. This is usually caused by overheating or by shortcircuiting for more than a few seconds.
Solute:	LIBF4.

Should you come in contact with battery solvent

BY:

DO THIS:

Contact with the skin

Wash promptly with plenty of water.

Contact with eyes

Flush immediately with plenty of water and use an emergency eye wash, if available. Report to a medical professional for treatment.

Inhalation

Leave the area and get fresh air. Report to a medical professional for treatment.

Ingestion

Non-toxic according to laboratory testing. However, report to a medical professional for advice.

In case of venting, clear the immediate area. Venting will usually last only a few seconds.

A5 Front Panel Assembly Removal

Remove the A5 Front Panel Assembly as follows:

1. Position the 11302A on its right side.
 - Remove the top and bottom covers.
 - Remove the access hole cover from the inner side of the plug-in compartment.
2. Pull off the intensity control knob. Remove the washer and 7/16-inch nut from the shaft.
3. Disconnect the J57, J73, J74, and J76 connectors from the A10 Front Panel Interface board (See Fig. 3-10.)
4. Remove the 1/4-inch nut from behind the top left corner of the front casting.

NOTE

Removal of the J72 connector from the A10 Front Panel Interface board can make it easier to reach this nut.

5. Remove the two Torx screws from behind the bottom left of the front casting.
6. Set the 11302A right side up.
7. Pull the A5 Front Panel Assembly outward until its bottom clears the front casting. Move its top outward about three inches away from the casting.
 - Withdraw the J73 cable, via the access hole, through the upper chassis plastic channel and its slot in the front casting.
 - Withdraw the J74 ribbon cable, via the access hole, through the upper chassis front and the cable's slot in the front casting.
 - Remove the J76 ribbon cable through the casting.

To replace the A5 Front Panel Assembly, follow the previous steps in reverse order.

A17 Upper Right Front Panel Assembly

Remove the A17 Upper Right Front Panel Assembly as follows:

1. Remove the top cover.
2. Remove the three 1/4-inch nuts retaining the A17 Upper Right Front Panel Assembly. See Figure 3-5.
3. Disconnect the leads of the ON/STANDBY switch from J60 on the A11 Main Processor board.
4. Disconnect the cable from J75 on the A10 Front Panel Interface board.
5. Remove the A17 Upper Right Front Panel Assembly.

To replace the A17 Upper Right Front Panel Assembly, follow the preceding steps in reverse order. Remember to fold the extra length of the ON/STANDBY switch wires under the ribbon cable from J71 on the A11 board, and connect at J60 with the brown lead towards the front of the instrument.

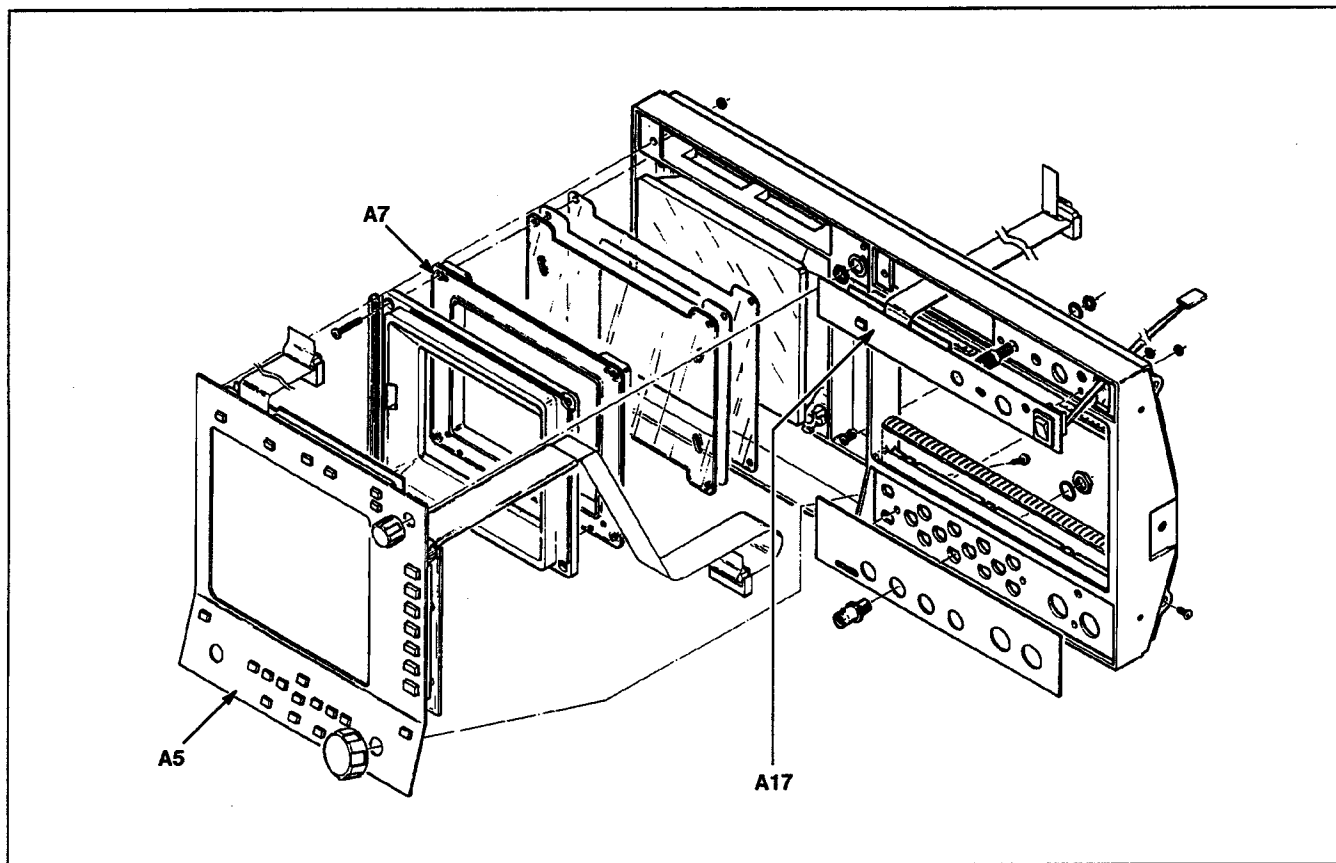


Figure 3-5. Front Panel Assemblies.

Circuit Board Removal

All of the circuit boards in the 11302A are mounted on the chassis. Pin connectors are used for electrical interconnection with chassis-mounted components and other circuit boards.

To determine the location of a circuit board, see the view in Figure 3-1.



After removing a circuit board from the instrument, place it upon a non-conducting surface. This will minimize the chance of static charge damage to the integrated circuits and related circuitry.

Some parts mounted on a board must be retained for use with the new board or module. These parts include interconnecting plugs, support posts, and some wiring.

NOTE

Refer to "Checks After FRU Replacement" in this section.

A1 Plug-In Interface Board

Remove the A1 Plug-In Interface board as follows:

1. Set the 11302A right side up. Remove its top cover.
2. Remove the plug-in units.
3. Remove the nine Torx screws securing the interface connector receptacles to the chassis. See Figure 3-6.
4. Disconnect all connectors from the A11 Main Processor board. See Figure 3-11. Note the position of their index triangles so that the connectors can be correctly replaced.
 - Remove the five board-retaining Torx screws.
 - Remove the mounting posts from the RS-232C and GPIB connectors on the rear panel. Move the plastic cable protector flange off the right side of the chassis (under J71).
 - Gently remove the A11 Main Processor board by lifting it.

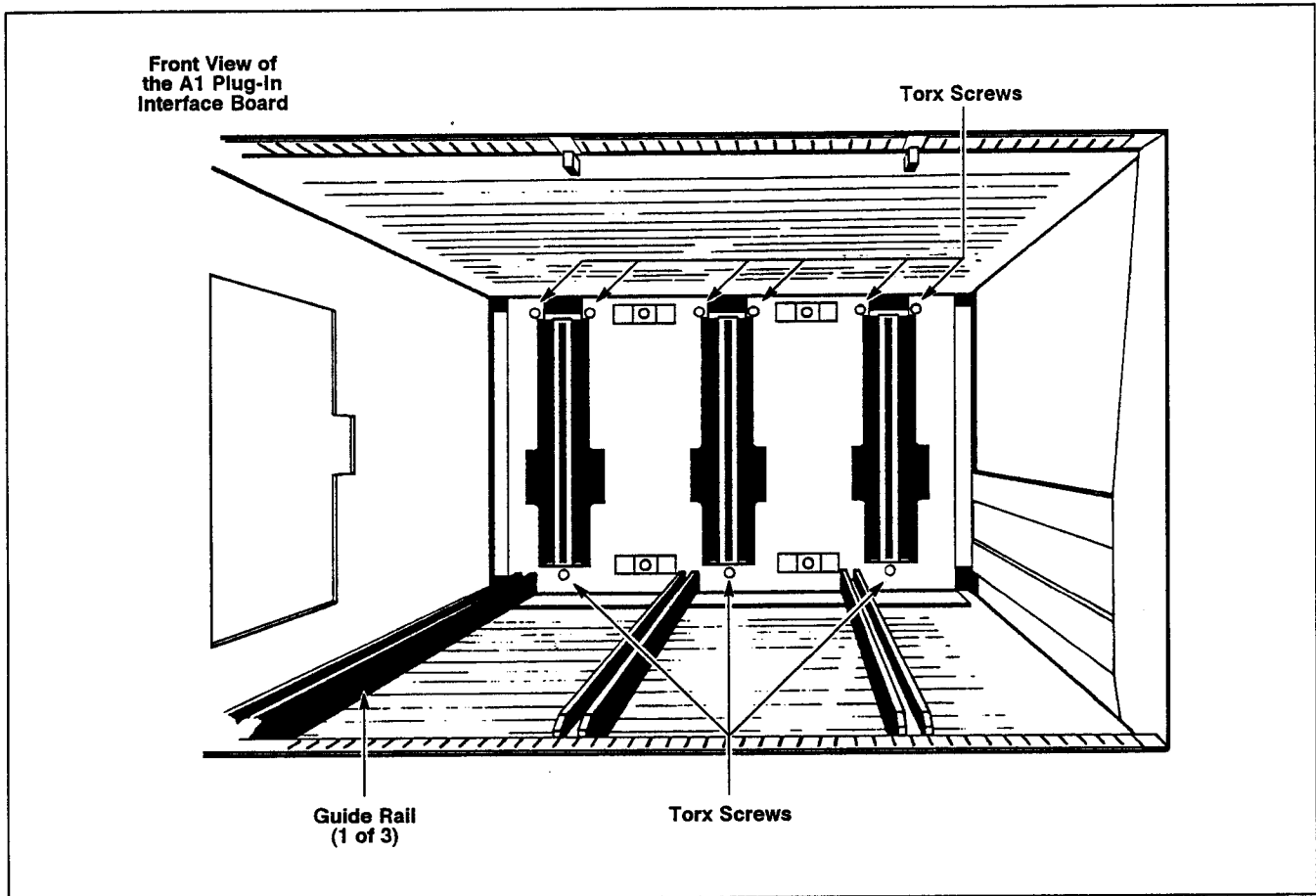


Figure 3-6. Plug-in compartment showing mounting screws for the A1 Plug-In Interface board.

NOTE

The J90 interconnecting pins from the A1 Plug-In Interface board hold the board firmly. Lift the board carefully so that neither this connector nor the A11 Main Processor board is damaged.

A plastic pin guide covers the A1 Plug-In Interface connector underneath the A11 Main Processor board. This guide may come off when the board is removed. Replace the pin guide if it does.

5. Remove the Power Supply Module. See "Power Supply Module Removal" in this section.
 - Remove the connectors (except for J70 and J81) from the A2A2 Control Rectifier board.

NOTE

Record the locations of the connectors to replace them correctly.

6. Disconnect the J57 connector from the A4 Regulator board. See Figure 3-7.

NOTE

If the (optional) A15 Counter/Timer Reference board is installed, remove the J40 connector. (See Fig. 3-7.)

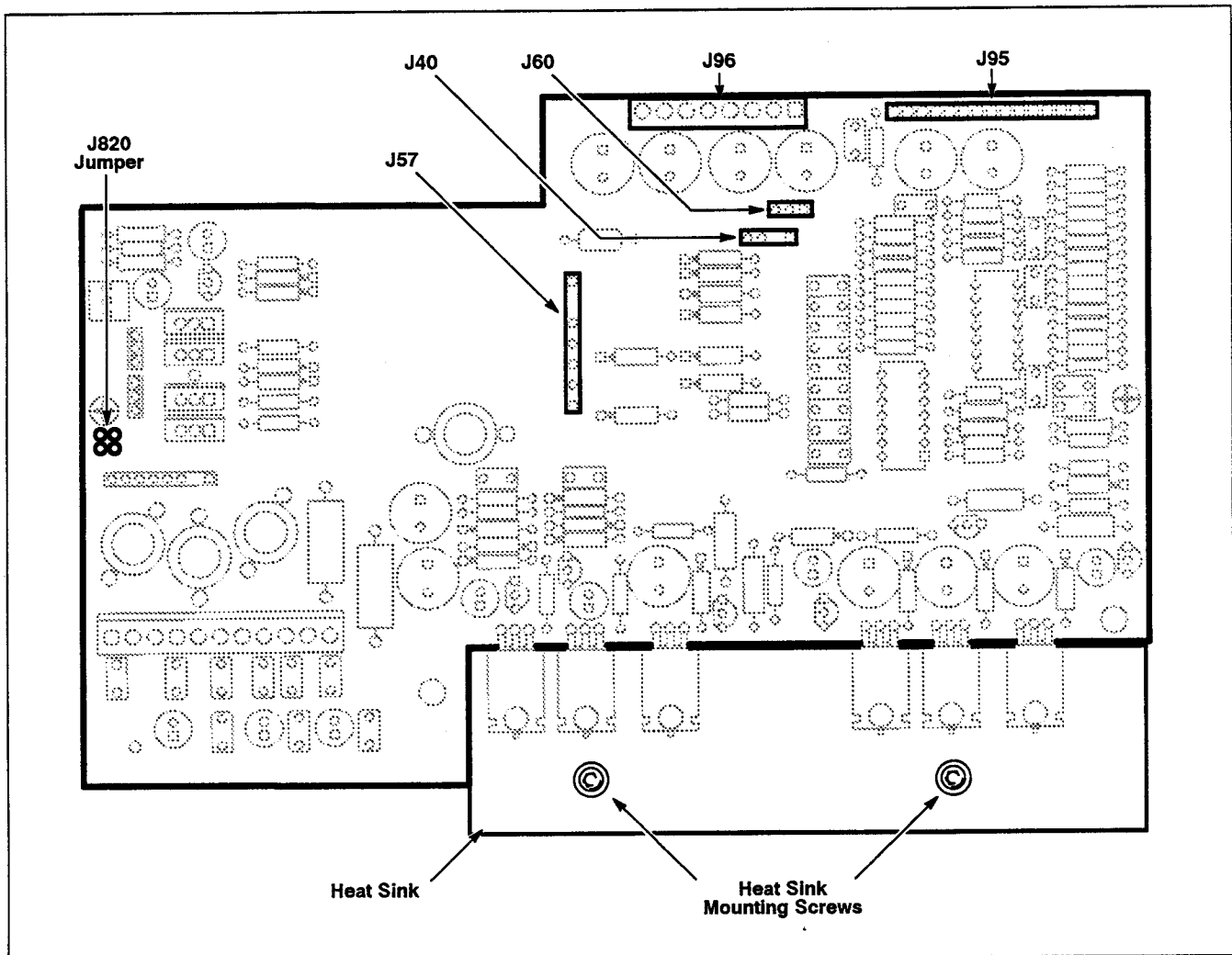


Figure 3-7. Connector and screw locations for the removal of the A4 Regulator board.

- Remove the two Torx screws from the metal heatsink at the rear of the board. Holes are provided in the chassis, across from these screws, to insert a screwdriver.

NOTE

The A4 Regulator board is now unfastened from the chassis. However, it still remains connected to the AI Plug-In Interface board.

- Carefully disconnect the J95 and J96 interconnecting pins from the A1 Plug-In Interface board by pulling the A4 Regulator board towards the rear.
 - Remove the A4 Regulator board.
7. Position the 11302A on its right side, as facing the front. Remove the bottom cover.
 8. Disconnect the A13 Scope Logic board, see “A13 Scope Logic Board” later in this section. The cables from the board to the CRT do not need to be completely removed from the rear panel area. Allow the board to remain suspended from the chassis.
 9. The A1 Plug-In Interface board can be removed from either side of the chassis.

NOTE

Mark each of the wire connectors so they can be correctly replaced.

- Cut the three plastic cable tiedowns attached to the bottom of the board. These tiedowns keep the wires separated between the connector receptacles.
- Remove the J64 cable (from the A2A2 Control Rectifier board) through the chassis opening beside the A1 Plug-In Interface board. Remove the Peltola connectors from the A1 Plug-In Interface board.
- Remove the A1 Plug-In Interface board.

To replace the A1 Plug-In Interface board, follow the previous procedure in reverse order. Additional instructions follow:

1. Reconnect the Peltola connectors to the board.

NOTE

Replace the three plastic cable tiedowns to the bottom of the A1 Plug-In Interface board.

Return the J64 cable through the chassis opening to where the A2A2 Control Rectifier board will be installed.

Check that the plastic pin guides remain attached to the connectors on each side of the A1 Plug-In Interface board.

Reinstall the nine Torx screws when the board is replaced into the instrument. Tighten all the screws.

CAUTION

The (black) plug-in guide rails (see Fig. 3-6) must touch the chassis by the plug-in interface connector receptacles. If these guide rails have been removed or moved out of position, realign them against the chassis. Otherwise, the plug-ins may not seat fully into the connector receptacles.

The screws holding these rails are located under the A13 Scope Logic board.

2. To replace the A13 Scope Logic board, see the replacement procedure for that board in this section.

NOTE

Make certain that the plastic pin guide on P91 is in place before reinstalling the circuit board. The interconnecting pins usually align vertically. However, they may not always align horizontally. Check the pins before reinstalling the board.

3. Inspect the interconnecting pins of J95 and J96 on the A4 Regulator board. Check that the pin tips are straight and evenly spaced.
 - Reconnect the J57 connector to the board.
 - Reinstall the A4 Regulator board by inserting the J95 and J96 interconnecting pins into their connectors on the A1 Plug-In Interface board.
 - Reinstall the two Torx screws to the metal heatsink at the rear of the A4 Regulator board. There are two holes provided in the chassis, across from these screws, to insert a screwdriver.
4. Reinstall the Power Supply Module. See "Power Supply Module Removal" in this section.

NOTE

The plastic (J71 cable) protector may interfere with the reinstallation of the Power Supply Module. Make certain that the cable protector is flat against the chassis. Guide the Power Supply Module across the cable protector.

- Replace the bottom cover on the instrument. Turn the instrument right side up.

5. Check that the plastic pin guide on the A1 Plug-In Interface board connector is installed.

NOTE

The interconnecting pins of J90 usually align in a vertical direction. But, they may not always align horizontally. Check the pins before reinstalling the A11 Main Processor board.

- Move the flange of the cable protector out of the way. Move the J60 cable away from the chassis. Check that no wires will be pinched under the board.
- Reinstall the A11 Main Processor board. Follow the replacement instructions given in the A11 Main Processor board removal procedure in this section.

A4 Regulator Board

Remove and replace the A4 Regulator board as follows:

1. Remove the power supply. See “Power Supply Module Removal” in this section.
2. Set the 11302A right side up.
3. Disconnect J57 connector from the A4 Regulator board. See Figure 3-7. Note the index triangle locations for correct reconnection.

NOTE

If the (optional) A15 Counter/Timer Reference board is installed, remove the J40 connector. (See Fig. 3-7.)

4. Remove the two Torx screws from the metal heatsink attached to the rear of the board. See Figure 3-7.

NOTE

The A4 Regulator board is now unfastened from the chassis. However, it remains connected to the A1 Plug-In Interface board through interconnecting pins.

5. Carefully disconnect pins J95 and J96 from the A1 Plug-In Interface board by pulling the A4 Regulator board towards the rear.
6. Remove the A4 Regulator board.

To replace the A4 Regulator board, follow the previous procedure in reverse order.



Use care when reconnecting pins J95 and J96 to the A1 Plug-In Interface board. Should it become necessary, the A13 Scope Logic board may be removed to view these pins through the mainframe chassis. See the A13 Scope Logic board removal procedure in this section.

NOTE

Match the index triangle on the pin connectors with the corresponding triangle on the circuit board. Correct locations of the pin connectors are shown in the circuit board illustrations.

A7 Touch Panel Board

Remove the A7 Touch Panel board as follows:

1. Set the 11302A on its right side and remove the top cover.
2. Follow the removal (or replacement) procedure for the Front Panel Assembly, in this section.
 - Set the 11302A right side up.
3. Disconnect the J87 and J88 connectors from the A10 Front Panel Interface board as shown in Figure 3-10.
 - Do not remove these connectors from the A7 Touch Panel board. They are very difficult to reconnect to the board when it is installed in the mainframe.
4. Remove the four Torx screws holding the CRT Scale Cover (“bezel”) by using a diagonal method as illustrated in Figure 3-8. (Start with the #1 screw and follow the arrows to #4.)

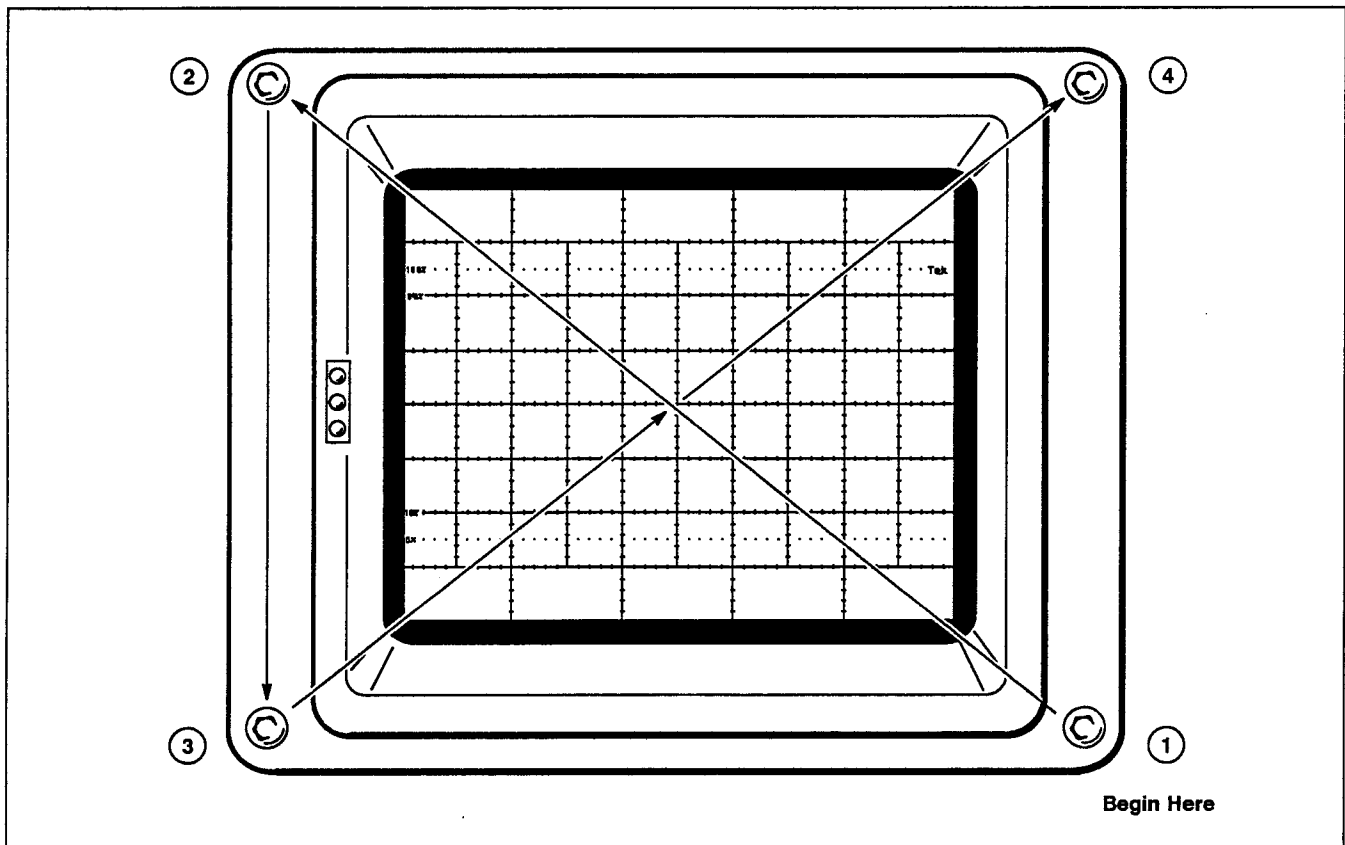


Figure 3-8. The diagonal method to remove (and to reinstall) the retaining screws on the 11302A CRT Scale Cover.

CAUTION

IMPORTANT: Do not remove or reinstall these screws by using a clockwise method. Damage to the corners of the CRT faceplate will result.

5. Remove the CRT Scale Cover.

NOTE

If the CRT Scale Cover is replaced because of a defect, reinstall an EMI gasket on each edge. The CRT implosion shield can be removed now. See the implosion shield removal procedure in this section.

6. Remove the A7 Touch Panel board.
 - Withdraw the J87 and J88 cables (see Fig. 3-9) through the openings in the front casting.

CAUTION

The CRT implosion shield may be loose and could fall off. To prevent this, hold the shield against the A7 Touch Panel board.

The implosion shield is easily scratched. Since scratches could reduce visibility, protect the shield while it is removed.

7. The lens frame, the graticule light assembly, and the A7 Touch Panel board make up a single part. They may be ordered as such (Tektronix Part Number 670-9297-00).

Replace the A7 Touch Panel board by following the previous procedure in reverse order. But, first read the following NOTE and CAUTION:

NOTE

Check that the lens frame is mounted flat against the A7 Touch Panel board. Mount the implosion shield between the lens frame and the CRT faceplate. The gasket between the CRT faceplate and the implosion shield must be positioned so that the side of the gasket with the lettering faces out (that is, so the installer can read the lettering when the gasket is against the CRT faceplate).

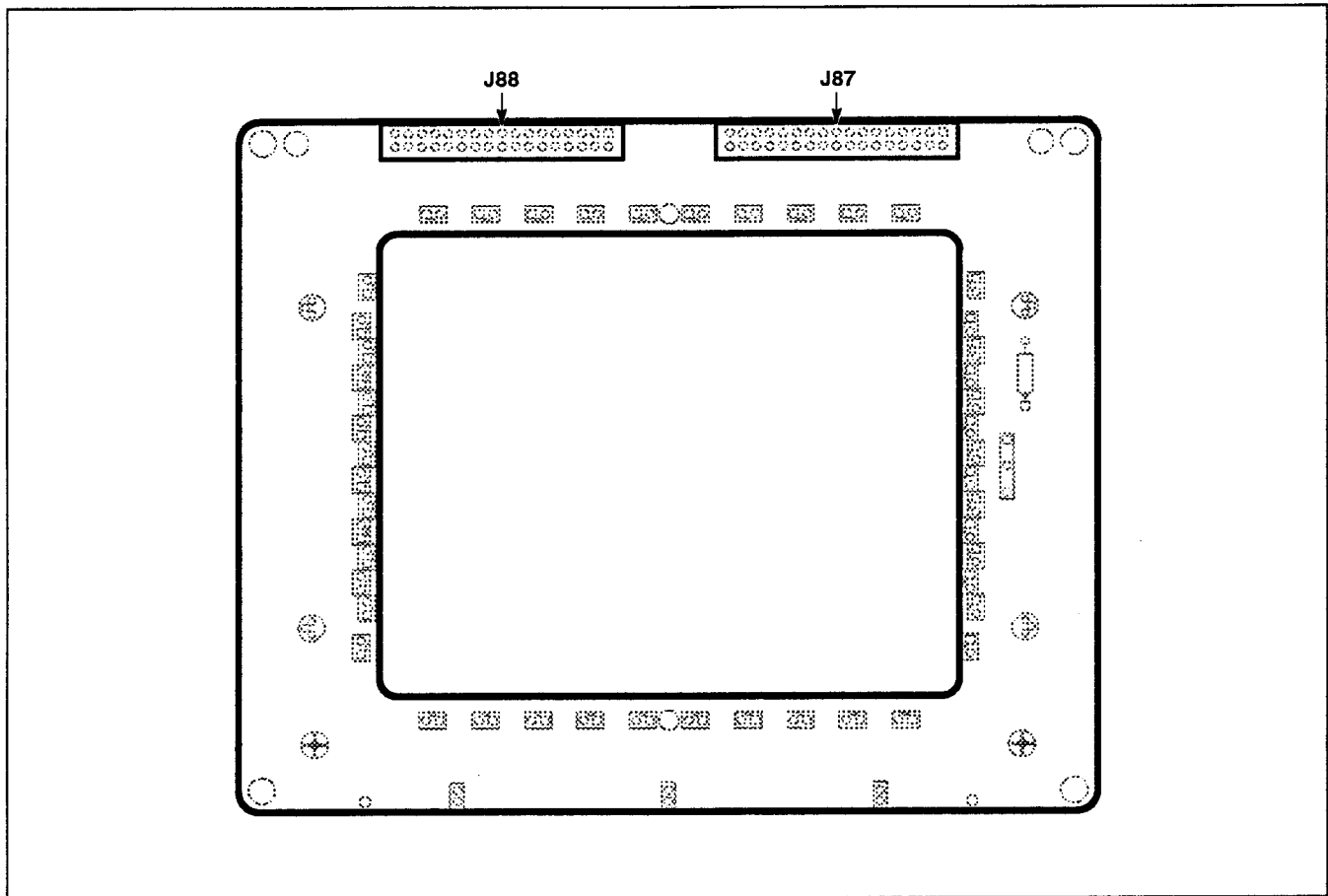


Figure 3-9. Connector locations for removal of the A7 Touch Panel board (inside view).

CAUTION

IMPORTANT: Reinstall the four screws in the CRT Scale Cover and tighten them diagonally as illustrated in Figure 3-8.

Do not tighten any of these cover screws in a clockwise direction! That will damage the corners of the CRT faceplate. An unnecessary removal and replacement of the CRT might result.

Begin with the screw marked #1 in Figure 3-8. Tighten it lightly until it stops turning. Next, go diagonally across the faceplate to the #2 screw. Tighten it lightly until it stops turning. Then, drop down to the #3 screw and tighten it firm. Go diagonally across the faceplate to the #4 screw. Tighten it firmly.

Return to the #2 screw and tighten it firmly. Go diagonally across the faceplate to the #1 screw. Tighten it firmly.

A10 Front Panel Interface Board

Remove the A10 Front Panel Interface board as follows:

1. Position the instrument right side up. Remove its top cover.
2. Remove connectors J59, J58, J88, J87, J57, J76, J72, J74, J75, J73, and J78. See Figure 3-10 for their locations.

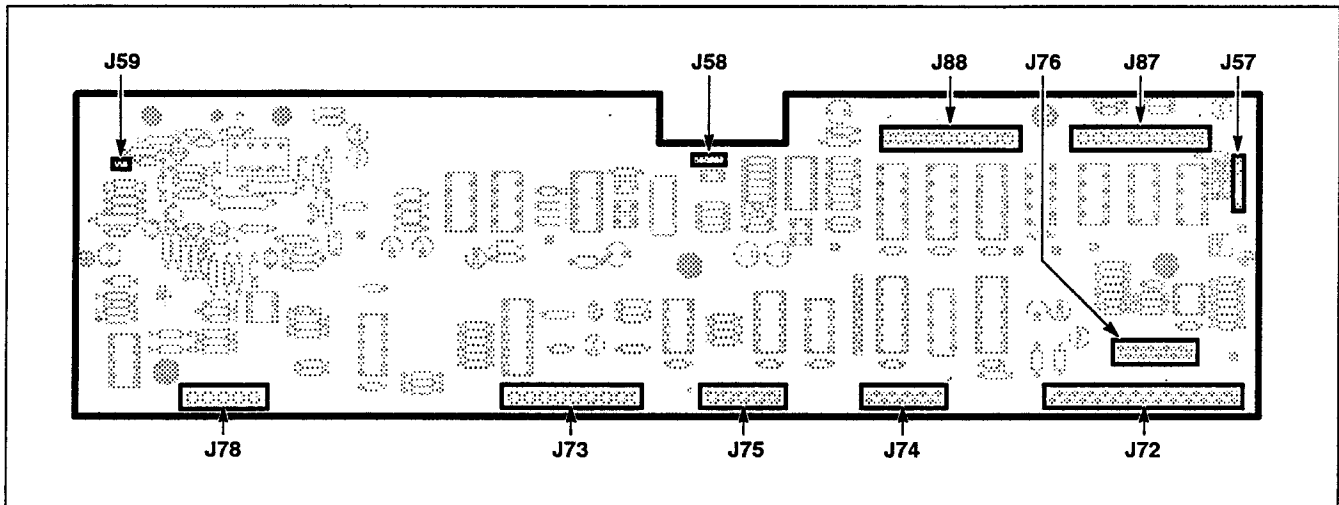


Figure 3-10. Connector locations for removal of the A10 Front Panel Interface board.

3. A bracket is attached to the right front of the A10 Front Panel Interface board for the instrument's calibrator connections. Remove the 1/4-inch nut from this bracket. It is located behind the upper right front corner of the instrument.
4. Remove the four board-retaining screws.
5. Remove the A10 Front Panel Interface board.

To replace the A10 Front Panel Interface board, follow the previous steps in reverse order.

NOTE

When the circuit board is reinstalled and its retaining screws are reattached, do not immediately tighten the screws.

First, reinstall and tighten the nut to the calibrator bracket. Then tighten all the board-retaining screws.

A11 Main Processor Board

Remove the A11 Main Processor board as follows:

1. Set the 11302A right side up and remove the top cover.
2. Disconnect connectors J78, J66, J72, J25, J24, J41, J42, J60, and J71. See Figure 3-11.

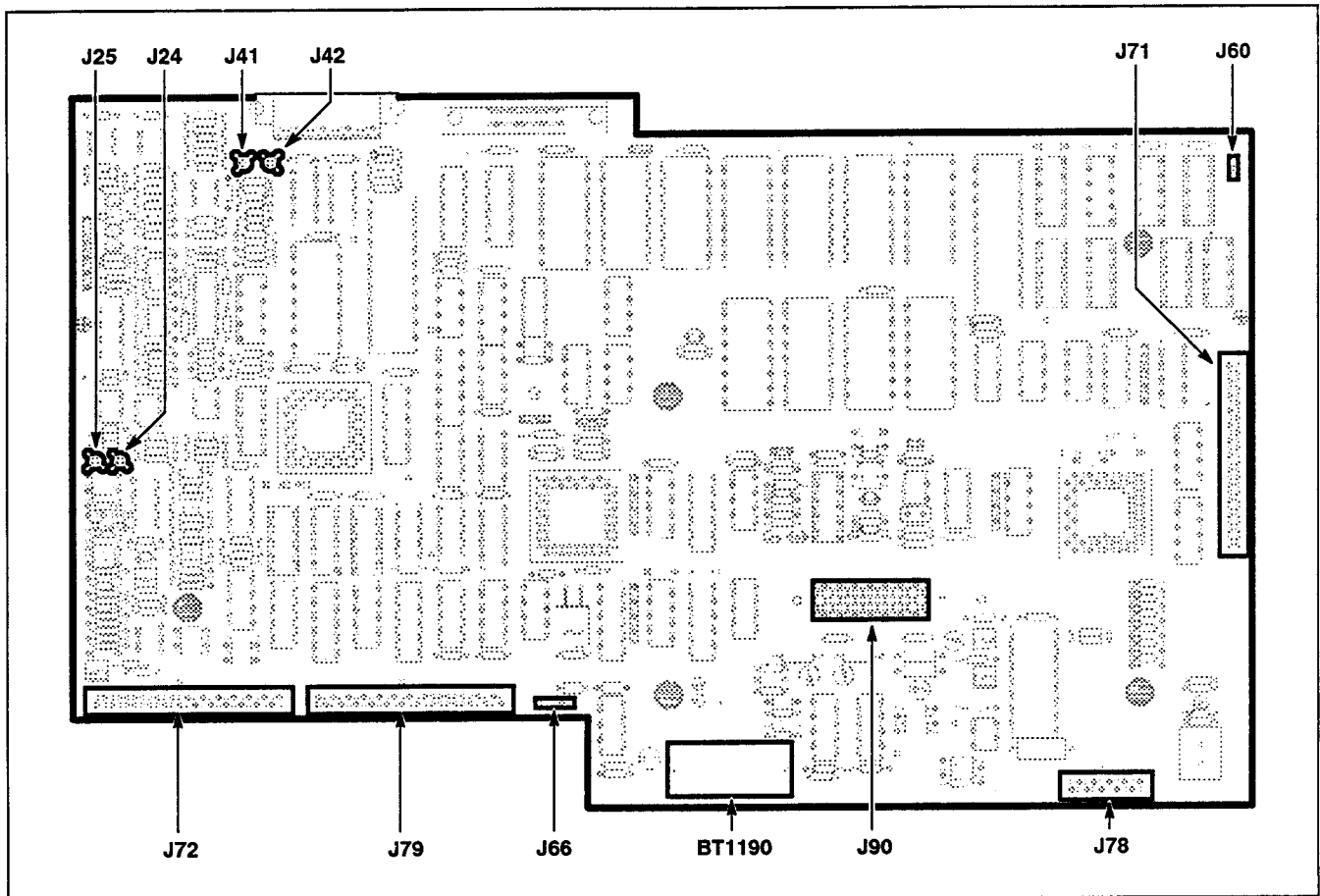


Figure 3-11. Connector locations for removal of the A11 Main Processor board.

3. Remove the hex mounting posts from the connectors on the rear panel as follows:
 - For the RS-232-C posts, use a 3/16-inch nutdriver.
 - For the GPIB posts, use a 1/4-inch nutdriver.
4. Move the plastic (cable protector) flange off the right side edge of the frame. It is underneath the J71 connector.
5. Remove the five board-retaining Torx screws.

6. Gently remove the A11 Main Processor board by lifting it from the chassis.

CAUTION

The J90 interconnecting pins (of the A1 Plug-In Interface board) securely hold the A11 Main Processor board. The latter board should be lifted cautiously to prevent damage to either the connector or the circuit board.

A plastic pin guide covers the pins of the A1 Plug-In Interface board connector underneath the A11 Main Processor board. This guide may come off when the A11 Main Processor board is removed. Replace the guide if it does.

WARNING

A lithium battery (BT1190) is mounted on the A11 Main Processor board. This battery requires special handling for disposal. Refer to "Lithium Battery Handling, Disposal, and First Aid" in this section.

To replace the A11 Main Processor board, follow the previous procedure in reverse order. Additional instructions follow:

1. Move the J60 connector cable away from the board's position. Be certain that all wires are out of the way. Check that the plastic flange is moved off the side. See that the pin guide is on the connector of the A1 Plug-In Interface board.
2. Set the board into the 11302A so that the rear panel connectors are installed first. Next, align the pin guides with the holes in the board at either end of the J90 connector. Press down on the board to connect the pins.
 - Check that all pins entered the J90 connector and are about the same height.
3. Loosely reinstall the five board-retaining Torx screws.
 - Reinstall and tighten the hex posts on the rear panel connectors.

NOTE

The RS-232-C hex posts have lockwashers which can be used to identify them.

- Tighten the screws.

4. Reconnect the nine connectors. See Figure 3-11. Dress their cables.

NOTE

The J41 and J42 Peltola cables are unmarked. To reconnect them, put the "outside" (Ready) Peltola cable into the "outside" J41 socket. The "inside" (Reset) Peltola cable plugs into the "inside" J42 socket.

The J60 connector cable is extra long. Dress it along and underneath the A11 Main Processor board and under the J71 connector.

5. Move the plastic (cable protector) flange towards the inside of the 11302A.
6. Reinstall the top cover.

A12 Vertical Amp Board

Remove the A12 Vertical Amp board as follows:

1. Position the instrument on its right side. Remove its top and bottom covers.
2. Remove the Torx screws from the (left side) front and rear decorative trim covers. Read the following information before removing these covers.

CAUTION

Do not lift the trim covers to remove them, they will break. There is a clip on the back of the cover which slides over the end of the side frame section.

To remove the trim cover, move each cover towards the end of the instrument where it is located. (The front cover moves towards the front and the rear cover moves towards the rear.) Moving the cover about 1/8 of an inch will release the clip. Then the cover can be lifted from the instrument. See Figure 3-12.

3. Remove the Torx screw from the center of the left side frame section. Remove the other two screws from its ends. Remove the frame section.

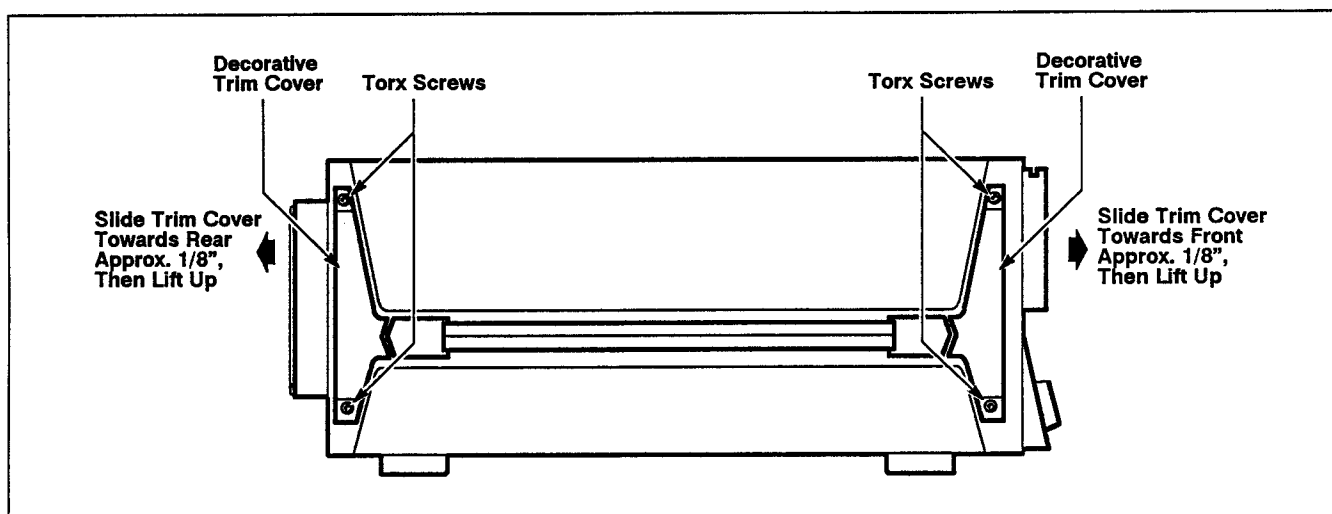


Figure 3-12. Removal of left side decorative trim covers.

4. Disconnect all connectors from the board. See Figure 3-13.
 - Remove the two CRT deflection leads from the (rear) neck pin wires.

NOTE

Do not remove or disturb the two CRT leads from the front neck pin wires.

5. Remove the two board-retaining Torx screws.
6. Remove the A12 Vertical Amp board. Lift the front end of the board outward and slide the rear part past the chassis frame.

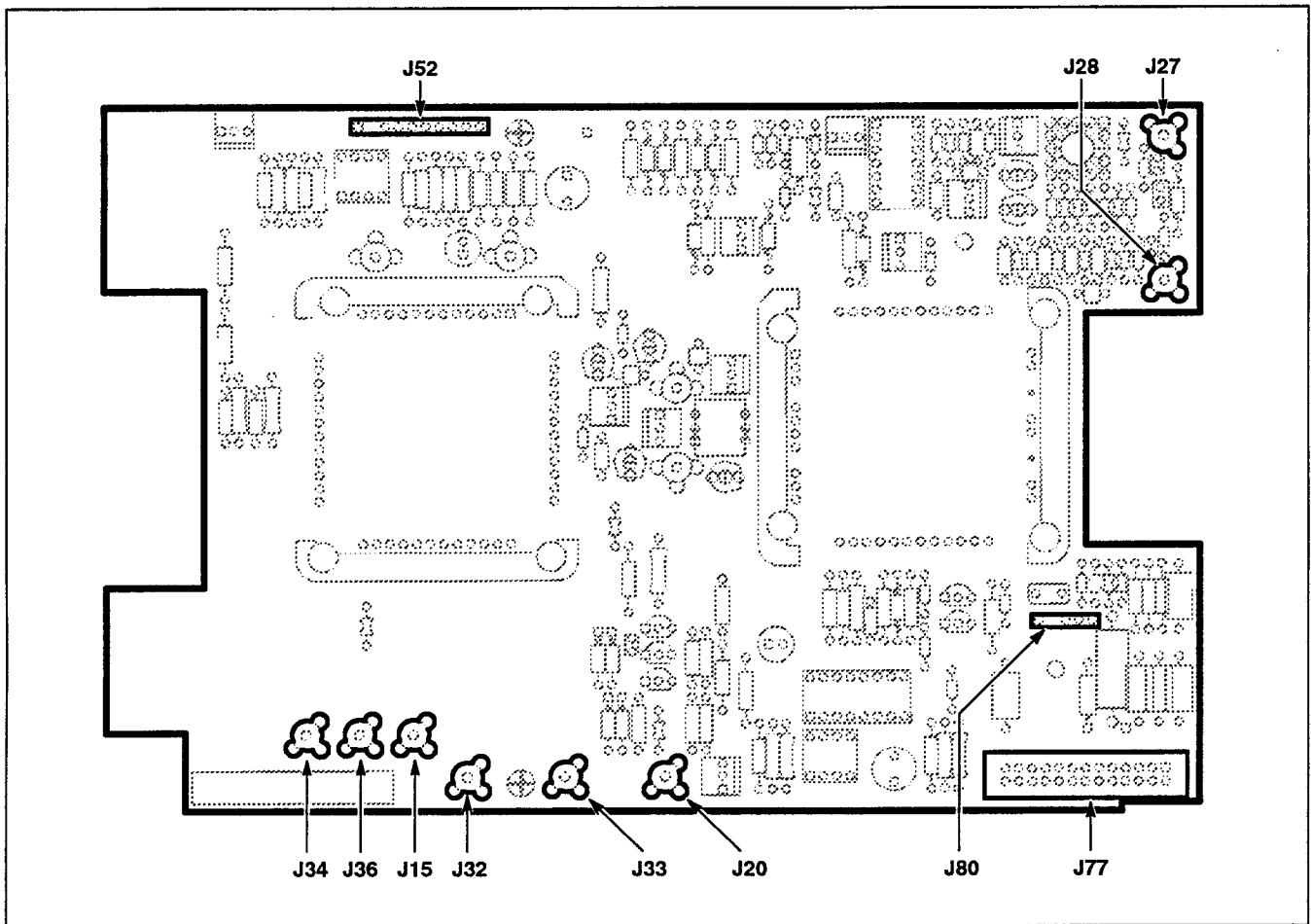


Figure 3-13. Connector locations for removal of the A12 Vertical Amp board.

To replace the A12 Vertical Amp board, proceed as follows:

1. Reinstall the A12 Vertical Amp board. Insert its rear edge into the circuit board guide mounted on the rear casting. Lower the board into place over its spacer posts. Reinstall and tighten the board-retaining screws.
2. Reconnect all wire connectors. Reconnect the CRT deflection leads to the rear neck pin wires.

NOTE

Use care when reconnecting the deflection leads. Do not bend their respective CRT neck pins.

3. Reinstall the side frame section. Reinstall its screws and tighten them.
4. Reinstall the decorative trim covers to the front and rear of the side frame section. Slide their retaining clips (on the inside of each cover) into place. Reinstall the cover Torx screws and tighten them.
5. Replace the top and bottom covers on the instrument. Return the instrument right side up.

A13 Scope Logic Board

Remove the A13 Scope Logic board as follows:

1. Position the 11302A on its right side. Remove its bottom cover.
2. Remove the screws from the rear panel plate. Allow the plate to hang from its wires.
 - Protect the surfaces underneath the plate from scratches.
3. Disconnect all the connectors from the A13 Scope Logic board. See Figure 3-14.

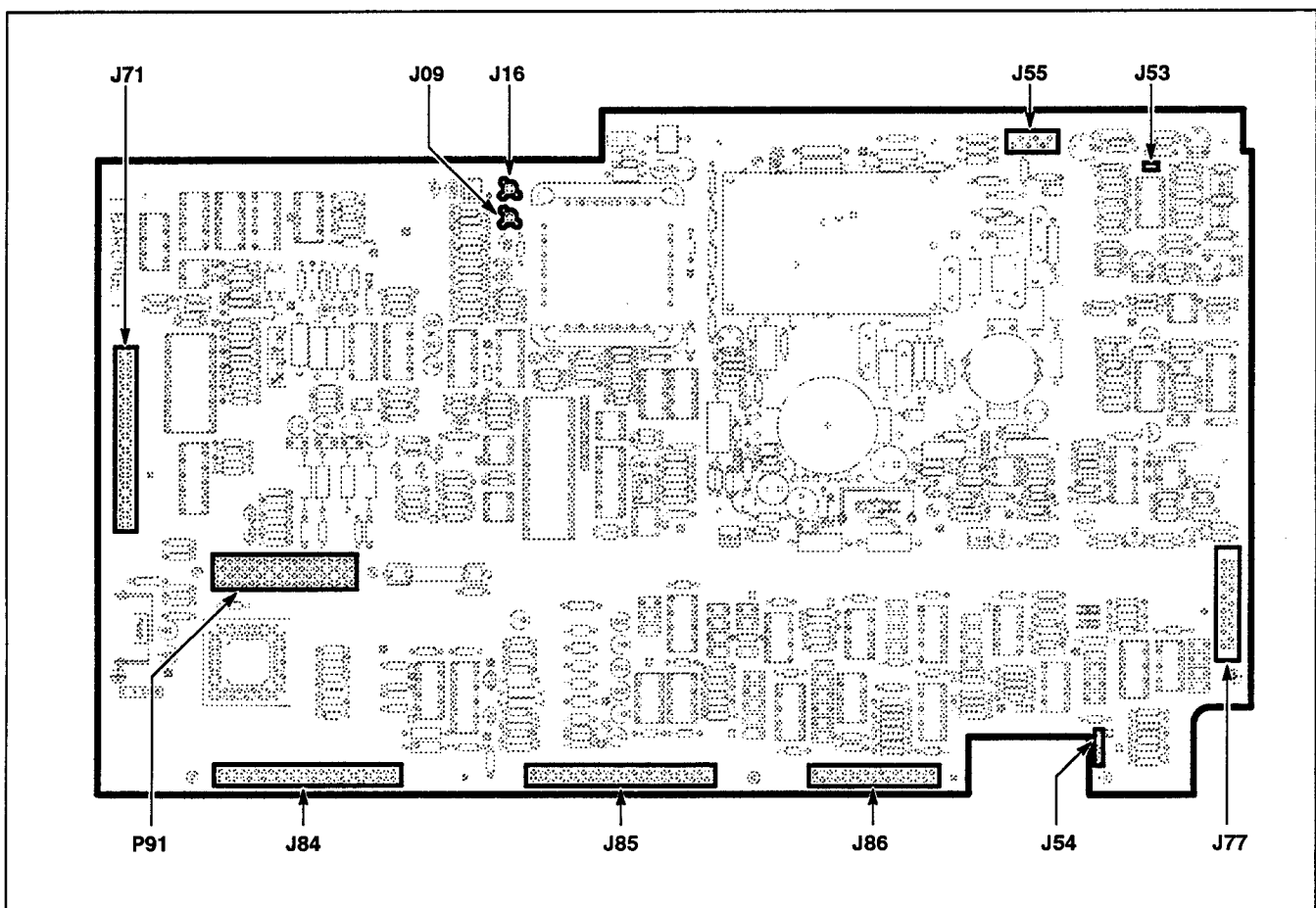


Figure 3-14. Connector locations for removal of the A13 Scope Logic board.

4. Pull the anode lead from its keyhole-shaped recess under the CRT socket as shown in Figure 3-4.

WARNING

The CRT anode voltage is 14.7 kV. The CRT may hold a dangerous charge. This voltage remaining on the anode must be discharged upon removing the lead. To do this, ground the lead against the chassis. Wait ten minutes and ground the lead again. An hour after the anode lead was first discharged, ground it once more.

If 24 hours elapse between the removal and replacement of the CRT, ground the anode by touching it to the exposed metal on the termination on the red (J1100) CRT lead.

- Remove the anode lead from its rubber holder. Discharge the lead to the chassis as described above.
5. Remove the CRT base-pin socket from the CRT.
 - Turn the instrument on its top. (The bottom side will now be up.)
 6. Remove the four Torx screws from the high voltage shield. Remove the shield from the board.
 - Remove the J55 connector. It is located at the edge of the board, left of the U1010 Multiplier as facing the rear. (See Fig. 3-14.)
 - Remove the board's three CRT wires (black = J1210, white = J1310, and red = J1100).
 7. Remove the four 1/4-inch spacer posts from the multiplier area. Remove the seven Torx screws holding the board.
 8. Push the plastic (cable protector) flange off the edge of the chassis.
 - The flange is located underneath the J71 connector. (See Fig. 3-14.) If this flange is left in place, it may catch the edge of the board.

CAUTION

The interconnecting pins, from the J90 connector on the A1 Plug-In Interface board, are held securely in the P91 connector. Therefore, lift the A13 Scope Logic board cautiously to disconnect these pins. This will prevent damage to the connector(s), the pins, or to the circuit board.

9. Remove the A13 Scope Logic board.
 - A plastic pin guide covers the J90 connector on the A1 Plug-In Interface board. This pin guide may come off when the A13 Scope Logic board is removed. Reinstall the pin guide if it does come off.

To replace the A13 Scope Logic board, do the following:

NOTE

The 11302A should be turned on its top with the bottom side facing upwards.

Check that the plastic pin guide is installed on the A1 Plug-In Interface board's J90 connector.

Inspect the alignment of the J90 connector pins. Refer to the next NOTE for details.

1. Hold the board over its approximate location.
 - Place the anode holder cable and the CRT base-pin socket wires into the rear panel area.
 - Check that no wires will be pinched underneath the board.
 - Align the plastic pin guides on the A1 Plug-In Interface board's J90 connector with the pin holes (in the board) at both ends of the P91 connector.

NOTE

The interconnecting pins from the J90 connector usually align vertically. However, they may not always align horizontally. Check the pins before reinstalling the board.

- Press down on the circuit board to reconnect the J90 pins. Check that all pins reenter the P91 connector and are about the same height.
 - Check that the J71 ribbon cable remains flat against its plastic protector.
2. Position the 11302A on its right side.

WARNING

The CRT anode lead may need to be grounded before replacing the CRT. If more than 24 hours have elapsed since the CRT was removed, ground the lead to the chassis.

- Reconnect the anode lead to its holder. Slide the cable into its keyhole-shaped recess.

3. Reinstall the CRT base-pin socket.
 - Reconnect the J55 connector to the board.
 - Reconnect the black, white, and red CRT wires to the board.
 - Insert all wires and cables into their grommets inside the rear panel. Check that no wires are caught behind the rear panel plate.
 - Check that all Peltola connectors are inserted into their BNC sockets mounted inside the plate.
4. Reinstall the rear panel plate. Reinstall and tighten its six Torx screws.
5. Reinstall and tighten the four spacer posts, located around the multiplier.

CAUTION

Do not over tighten the spacer posts, they may break off.

- Reinstall and tighten the seven Torx screws to hold the board.
6. Reconnect all connectors to the board as shown in Figure 3-14.

NOTE

The J23 Peltola cable (to the A14 Time Base board) is dressed between the four holders for the J84 and J85 connectors. This cable lies near the adjoining edges of the circuit boards.

If the (optional) A15 Counter/Timer Reference board is installed, the J26 Peltola cable will be dressed beside the J23 cable.

7. Push the plastic flange into place underneath the J71 connector.
8. Replace the high voltage shield over the spacer posts. Reinstall and tighten the four Torx screws to hold it.
9. Replace the bottom cover. Set the 11302A right side up.

A14 Time Base Board

Remove the A14 Time Base board as follows:

1. Set the 11302A on its right side and remove its bottom cover.
2. Remove the 1/4-inch nut which holds the EXTERNAL TRIGGER AND COUNTER INPUTS bracket to the front casting. This nut is located behind the lower right front corner.
3. Disconnect the two leads from the horizontal CRT neck pins. These leads are located on the upper rear edge of the board.
4. Disconnect all the connectors as shown in Figure 3-15.
5. Remove the seven Torx screws holding the board.
6. Remove the A14 Time Base board.

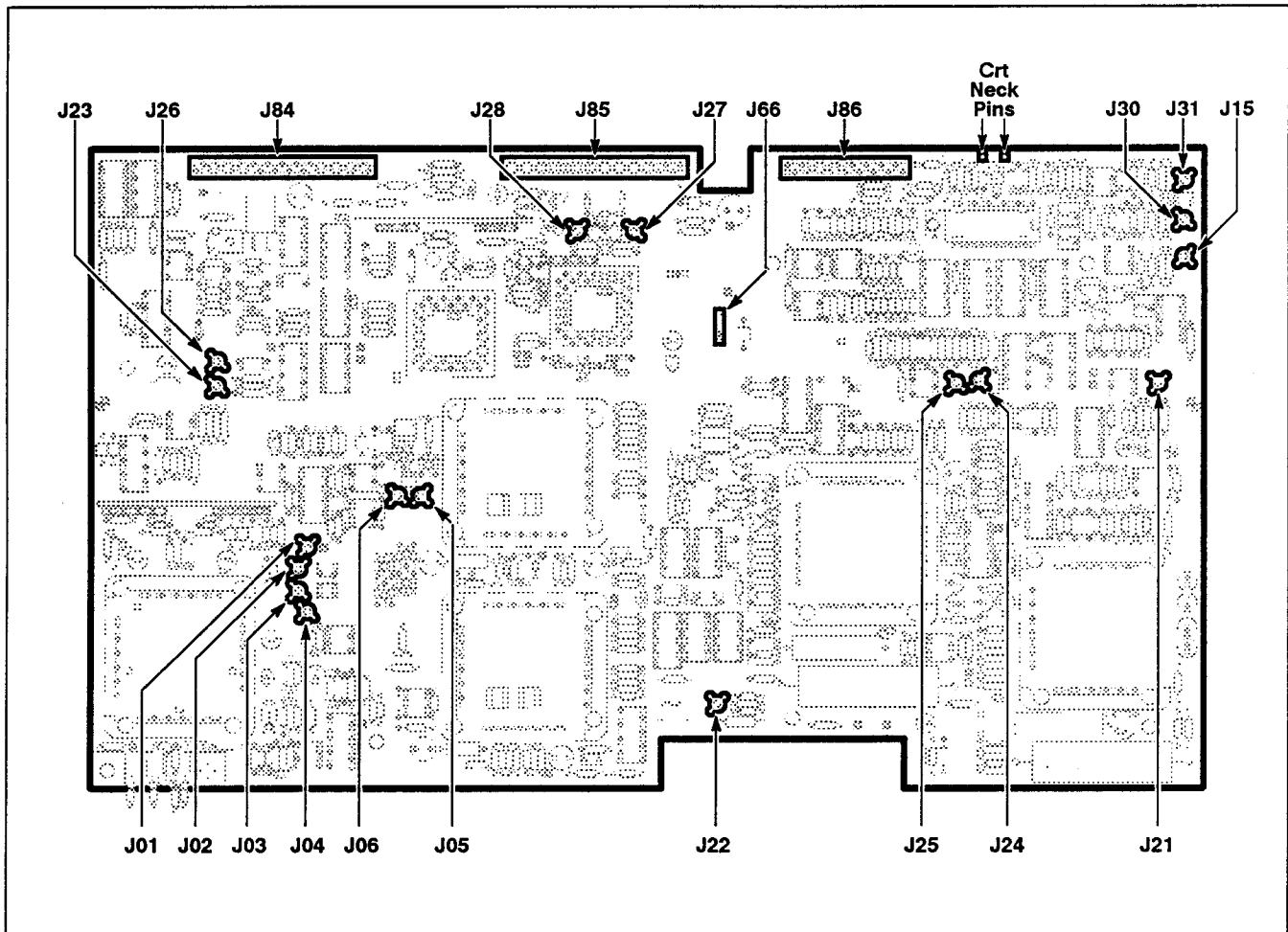


Figure 3-15. Connector locations for removal of the A14 Time Base board.

To replace the A14 Time Base board, proceed as follows:

1. Check that wires will not be caught under the board.
2. Replace the A14 Time Base board.
 - Align the BNC connectors, on the EXTERNAL TRIGGER AND COUNTER INPUTS bracket with their respective openings in the front casting.
3. Loosely reinstall the seven Torx screws to hold the board.
 - Reinstall and tighten the 1/4-inch nut to the bracket.
 - Tighten the Torx screws.
4. Reconnect the CRT neck pin leads and all connectors.

NOTE

Dress the J23 Peltola cable in between the holders for the J84 and J85 connectors. The cable lies along the adjoining edges of the circuit boards.

If the (optional) A15 Counter/Timer Reference board is installed, the J26 Peltola cable will be dressed beside the J23 cable.

5. Replace the bottom cover.
 - Set the 11302A right side up.

A15 Counter/Timer Reference Board

The A15 Counter/Timer Reference board is an 11302A option (number 1T). If installed, it is mounted on the chassis inside the rear panel.

Remove the A15 Counter/Timer Reference board as follows:

1. Position the 11302A on its left side, as facing the rear.
2. Remove the six Torx screws from the rear panel plate. These screws are shown in Figure 3-18.
3. Ease the rear panel plate away from the rear casting. Allow the plate to remain suspended from its wire connections.
 - Protect the surfaces underneath the plate from scratches.
4. Disconnect the delay line leads from the A12 Vertical Amp board and remove the two screws holding the Delay Line Adapter board. Carefully extract the leads and board, and move them out of the way.
5. As viewed from the rear, the A15 Counter/Timer Reference board (as shown in Fig. 3-16) is located to the left of the CRT socket.

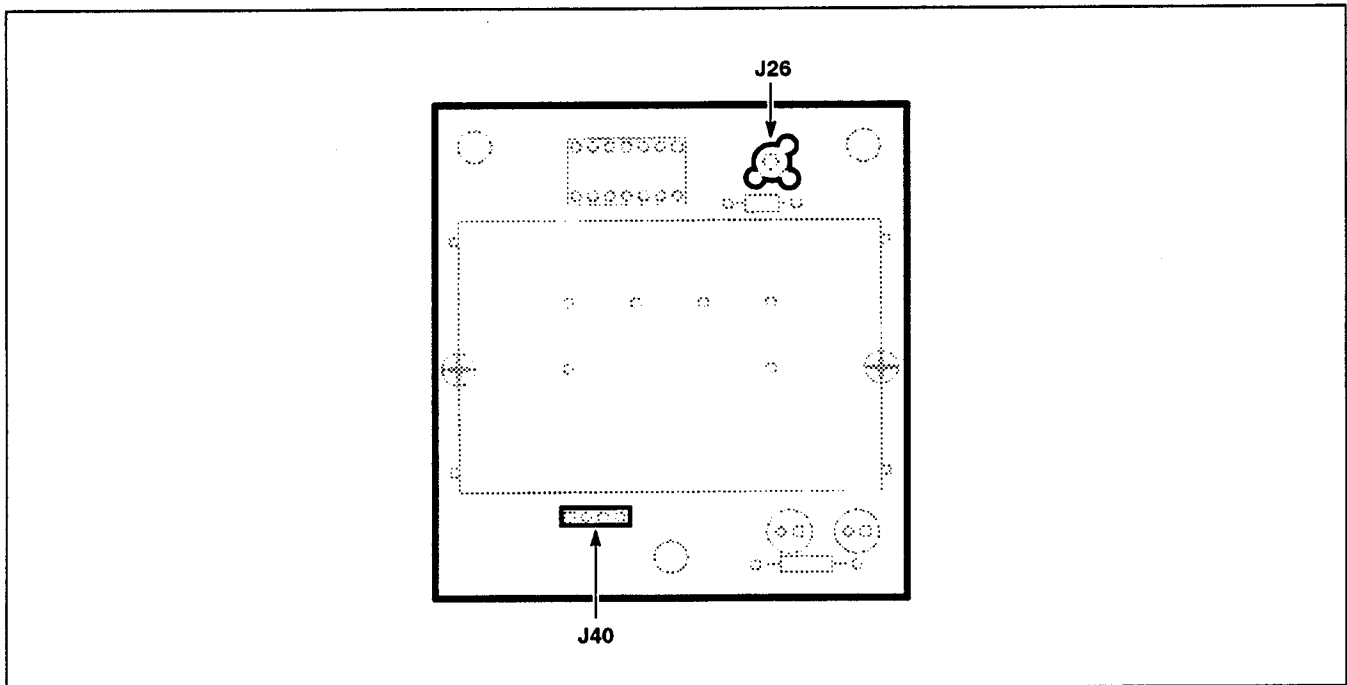


Figure 3-16. Connector locations for removal of the A15 Counter/Timer Reference board (option 1T).

6. Remove the two connectors from the board.
7. Unfasten the retainers from all three circuit board supports.
8. Remove the A15 Counter/Timer Reference board.

To replace the A15 Counter/Timer Reference board, follow the preceding steps in reverse order.

NOTE

Be certain all Peltola connectors are reconnected to their BNC sockets before reinstalling the rear panel plate.

A16 Memory Expansion Board

Remove the A16 Memory Expansion board as follows:

1. Remove the top cover.
2. Disconnect J78 on the A11 Main Processor board.
3. Disconnect J79 on the A16 Memory Expansion board. See Figure 3-17.
4. Remove the A16 Memory Expansion board by removing two screws.

To replace the A16 Memory Expansion board, follow the preceding steps in reverse order.

WARNING

A lithium battery (BT520) is mounted on the A16 Memory Expansion board. This battery requires special handling for disposal. Refer to "Lithium Battery Handling, Disposal, and First Aid" in this section.

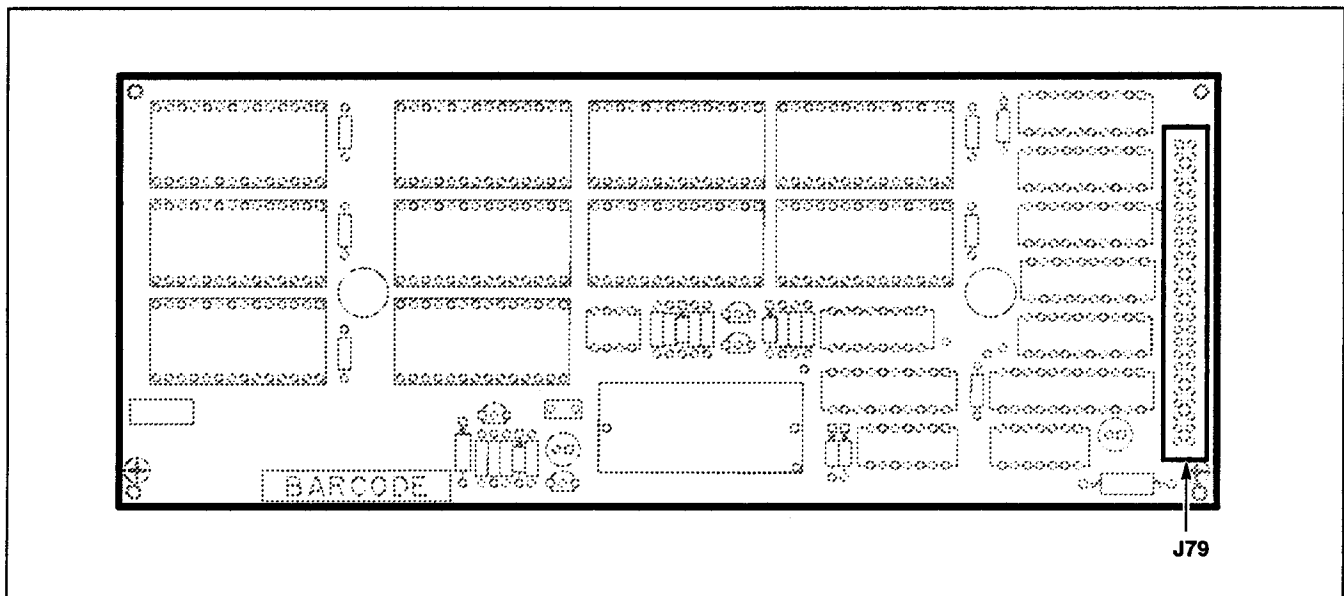


Figure 3-17. Connector location for removal of the A16 Memory Expansion board.

Rear Panel Plate Removal

Remove the rear panel plate as follows:

1. Remove the six Torx screws from the rear panel plate. (See Fig. 3-18.)
2. Place the 11302A on its right side.
3. Ease the rear panel plate away from the rear casting. Allow the plate to remain suspended from its wires.
 - Protect the surfaces underneath the plate from scratches.
4. Remove the 5/16-inch nut from the ground wire connection, in between the BNC connectors, on the inside of the plate.
 - Remove the ground wire.

NOTE

Record the locations of the Peltola wires so they can be correctly reconnected.

5. Remove the Peltola connectors.
6. Remove the rear panel plate.

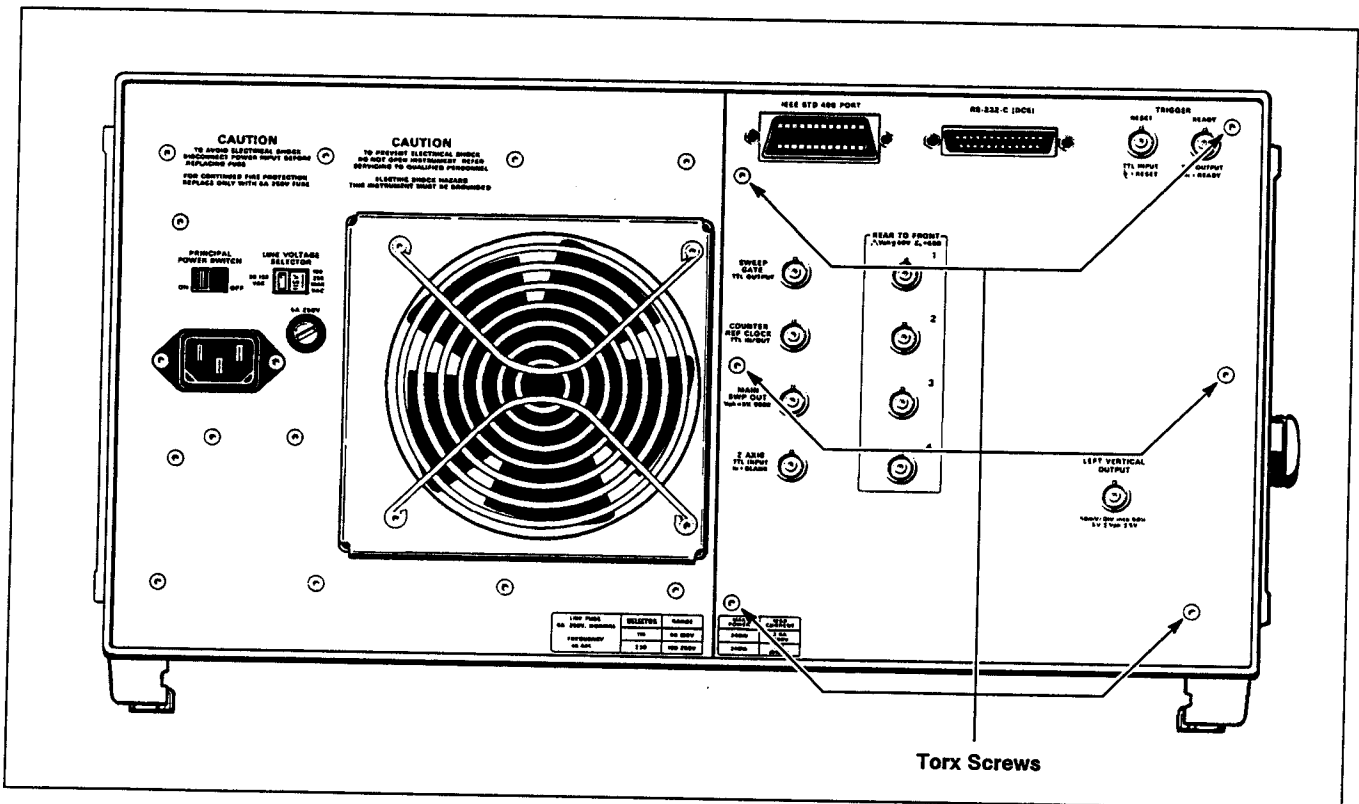


Figure 3-18. Locations of mounting screws on the rear panel plate.

To replace the rear panel plate, follow the previous steps in reverse order.

NOTE

Check that all wires are out of the way before reinstalling the plate.

Be certain that all Peltola connectors are reinstalled into their BNC sockets.

R80 CRT Termination Network and Distributed Capacitance Plate

NOTE

Any alteration of the layout of the terminator and its leads will require vertical calibration.

Remove the R80 CRT Termination Network or the Distributed Capacitance Plate as follows:

1. Position the instrument on its right side. Remove its top and bottom covers.



Do not lift the trim covers on the handles to remove them, they will break. There is a lip on the back of the cover which slides over the end of the side frame cover.

To remove the trim cover, move each towards the end of the instrument where it is located. (The front cover moves towards the front and rear cover moves towards the rear.) Moving the cover about 1/8-inch will release the clip. Then, the cover can be lifted from the instrument. (See Fig. 3-12.)

2. Remove the Torx screws from the left side front and rear decorative trim covers.
3. Remove the Torx screw from the left side frame section. Remove the other two screws from its ends. Remove the frame section handle.
4. Disconnect all the connectors from the A12 Vertical Amp board. See Figure 3-13 for their location.
5. Remove the two CRT leads from the front neck pin wires.
6. Remove the A12 Vertical Amp board.
7. Remove the two Torx screws that hold the hybrid CRT Termination Network and the Distributed Capacitance Plate to the left side frame section. The Distributed Capacitance Plate is mounted behind the CRT Termination Network. See Figure 3-33 and Figure 3-34.
8. Remove both the CRT Termination Network and Distributed Capacitance Plate. To replace the CRT Termination Network or the Distributed Capacitance Plate, follow the preceding steps in reverse.



Use care when reconnecting the front neck pin wires. Do not bend the CRT neck pins.

A18 Delay Line Assembly

Remove the Delay Line as follows:

1. Remove all plug-ins, then remove the access hole cover from the left side of the plug-in compartment by removing one Torx screw.
2. Perform steps 1, 2, and 3 of the A12 Vertical Amp board procedure for removal of the top and bottom covers and left side frame section.
3. Disconnect the Delay Line leads from J121, J122, J123, and J124 on the A12 Vertical Amp board.



The center conductor of the delay line's coaxial cable will break if it is bent more than a couple of times. If you bend it at any time, leave it bent until you are ready to connect the lead to the board, and then straighten it carefully.

4. Remove the two Torx screws retaining the A12 Vertical Amp board and slide the board forward to provide extra clearance for withdrawing the Delay Line leads.
5. Remove six Torx screws and ease the rear panel plate away from the rear casting. Allow it to remain suspended from its wires (see Figure 3-4). Protect the surface underneath from scratches.
7. Working from the rear of the instrument, remove the two screws holding the Delay Line Adapter board near the rear of the A12 Vertical Amp board, and carefully extract the board and cables.
6. If you have Option 1T, remove the A15 Counter/Timer Reference board.
8. Remove the tie-down holding the four delay line leads to the center partition of the instrument.
9. Remove the two screws on either side of the access hole cover in the plug-in compartment, then pull the delay line out from the rear of the instrument.

To replace the delay line, carefully dress the nearby cables before sliding in the delay line, then follow the preceding steps in reverse order.

FRU IC Replacement

“Slam-Pack” Integrated Circuits

“Slam-Pack” ICs are located on the A11 Main Processor board and the A13 Scope Logic board.

Some of the IC covers have raised, ridged heatsinks. Others may have flat covers without heatsinks. The IC is oriented to its socket by a flat corner. The other corners are notched to fit the edges of the socket. The flat-edged corner of the IC aligns with a spring (small metal tab) at one corner of the socket.

To remove a Slam-Pack IC, proceed as follows:

1. While holding the cover in place, unfasten its holding clip by pushing it aside. It may help to push down slightly on the cover. (Wrap your finger in a plastic sheath to protect the IC.)
2. Remove the cover slowly to prevent the IC from falling out.

NOTE

Observe the index of the IC before removing it.

3. Remove the IC with tweezers.



Avoid touching the IC or the socket contacts with your fingers. Finger oils can lower reliability.

Replace the Slam-Pack IC as follows:

1. Using tweezers, put the flat edge of the replacement IC against its index spring.



Check that the spring is not bent by the flat corner.

2. Arrange the other corners with tweezers to fit evenly at the edges of the socket.
3. Push the end tabs of the cover into the holders at one end of the socket.
4. Push down on the cover using a protective sheath over your finger. Hold it there while moving the holding clip over the tabs on the opposite end of the cover.
5. Check that the cover is secure.

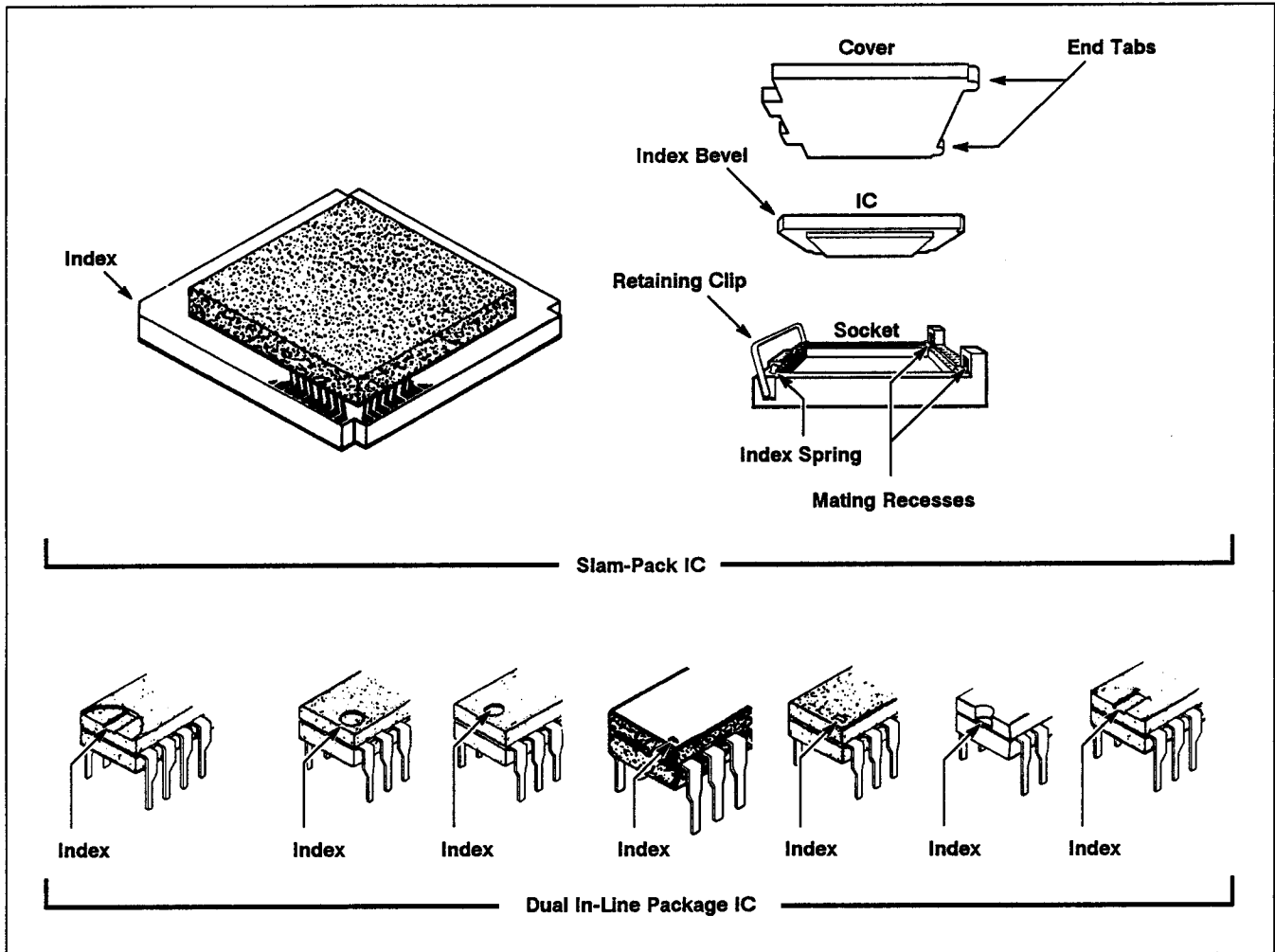


Figure 3-19. IC lead indexing diagram.

Firmware Integrated Circuits (“Dual In-Line Package” ICs)

The firmware ICs are located on the A11 Main Processor board. See Figure 3-1 for the IC locations.

All the firmware ICs are ordered by a single Tektronix Part Number. (Individual ICs cannot be ordered separately.) The total firmware kit part number is 020-1719-00.

Preliminary Verification Procedure

1. Install an 11000-Series Amplifier in the LEFT Compartment.
2. Set the ON/STANDBY switch to ON.
3. Press the ENHANCED ACCURACY button and observe that the enhanced accuracy cycle is completed without failure. If a failure does occur, do not proceed with this procedure until the instrument has been repaired.

Firmware Upgrade Procedure



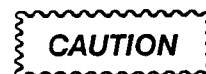
The instrument is extremely vulnerable during firmware version changes. If this procedure is not carefully followed, the instrument will have to be completely recalibrated.

All settings previously saved during power down will be lost as a result of this procedure.

To remove and replace firmware ICs, proceed as follows:

WARNING

Dangerous shock hazards may be exposed when the instrument covers are removed. Before proceeding, ensure that the PRINCIPAL POWER SWITCH is in the OFF position. Then disconnect the instrument from the power source. Disassembly should only be attempted by qualified service personnel.



Observe all special precautions mentioned under the heading “Static-Sensitive Device Classification” in this section.

1. Make sure that the PRINCIPAL POWER SWITCH is set to OFF and the power cord is disconnected.
2. Remove the top cover from the instrument.
3. Set number 2 and number 4 DIP switches on the A11 Main Processor board to their closed positions.
4. Replace U1000, U1100, U1200, U1230, U1300, U1330, U1400, and U1430 with the new ICs. See Figure 3-1 for the location of the firmware ICs on the A11 Main Processor board.
 - Store the ICs that were removed in an antistatic carrier.



Be certain that pin 1 is positioned correctly when replacing ICs.

NOTE

Use IC insertion-extraction pliers for removing and replacing the ICs. See Figure 3-20 for an illustration of these pliers.

Do not use the label on the IC for an index because it may be applied with one of two orientations. See Figure 3-19 for the correct indexing information.

5. Install an 11000-Series plug-in unit in the left plug-in compartment of the instrument.
6. Turn the PRINCIPAL POWER SWITCH to ON. Initially the PROCESSOR diagnostic (BBR Quick) test will fail; this will only occur during the first power-up sequence following the firmware installation.

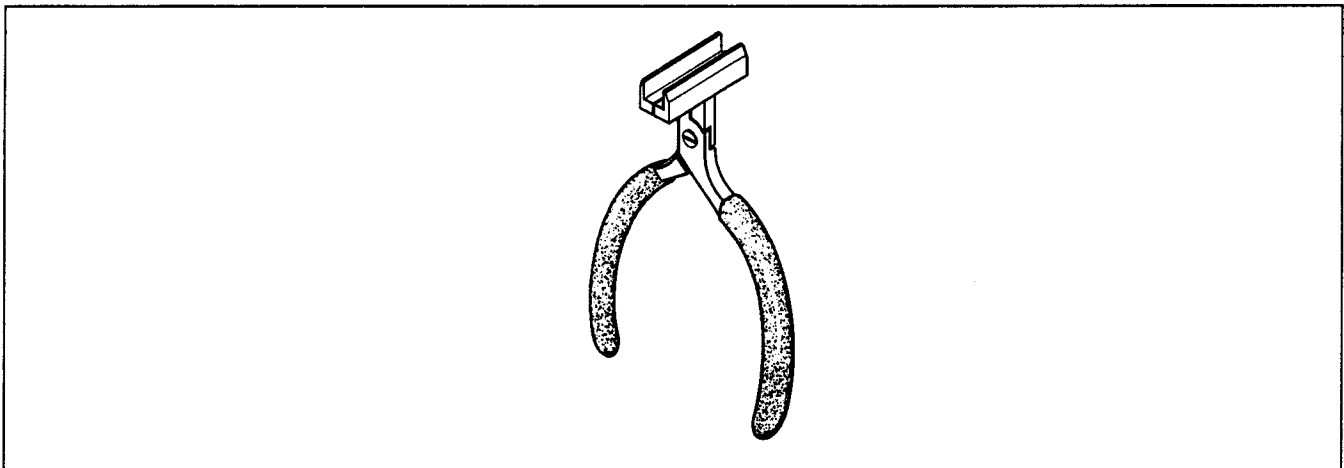


Figure 3-20. IC insertion-extraction pliers.

7. Press the Display Adjust Menu button and wait for the screen message **Diagnostics are complete.**
8. Press the DISP ADJ button and set FOCUS, ASTIGMATISM, and TRACE ROT.
9. Press the ENHANCED ACCURACY button.
 - If the instrument passes, proceed to the next step.
 - If the instrument fails, try it again. If it still fails, refer to “Restoring Factory Calibration” and try EA again. If it still fails, refer to the A11 Main Processor board information in “Checks After FRU Replacement.”
10. Turn the PRINCIPAL POWER SWITCH to OFF.
11. Set number 2 and number 4 DIP switches on the A11 Main Processor board to their open positions.
12. Replace the instrument top cover.

Restoring Factory Calibration

To restore factory calibration if it has been lost from BBRAM, proceed as follows to reload Calibration Constants from EEROM:

1. Turn the ON/STANDBY switch to STANDBY.
2. Remove the lithium battery (BT1190) from its holder on the A11 Main Processor board. Refer to “Lithium Battery Handling, Disposal, and First Aid” in this section for battery removal instructions.
3. Short circuit the terminals of the battery holder.
4. Remove the short circuit.
5. Reinstall the battery.
6. Turn the ON/STANDBY switch to ON.
7. Return to Step 9 of the Firmware Upgrade Procedure.

Cables and Connectors

A cabling diagram (see Fig. 3-21) is provided to show the interconnecting cables between the various circuit boards, modules, and assemblies. Use this diagram when you are removing or replacing cables on this instrument.

Interconnecting Pins

Two methods of interconnection are used to electrically connect circuit boards with other board and components. When the interconnection is made with a coaxial cable, a special end-lead connector plugs into a socket on the board. Other interconnections are made with a pin soldered into the board.

Two types of connectors are used for these interconnecting pins. If the connector is mounted on a plug-on board, a special socket is soldered into the board. If the connector is on the end of a lead, an end-lead pin connector is used which mates with the interconnecting pin. The following information provides the removal and replacement procedure for the various types of interconnecting methods.

Coaxial-Type End-Lead Connectors (Peltolas)

Color coding of wires may be helpful to reconnect a Peltola connector to its socket on a circuit board. The wire insulation's color, or its color stripe, is the same as the color represented by the last digit of the JXX component number. (Example: a green wire would connect to a J05 socket number.) Some Peltola connectors may have small bands with numbers written on them, while others may have no markings at all.

Multi-Pin Connectors

The pin connectors used to connect the wires to the interconnecting pins are clamped to the ends of the associated leads.

Some of the pin connectors are grouped together and mounted in a plastic holder. The overall result is that these connectors are removed and installed as a multi-pin connector. If the individual end-lead pin connectors are removed from the plastic holder, note the order of the individual wires for correct replacement into the holder.

To remove or replace damaged multi-pin connectors, remove the old pin connector from the end of the lead and clamp the replacement connector to the lead.

Pin 1 on multi-pin connectors is designated with a triangle (or arrowhead). A triangle, dot or square printed on circuit boards denotes pin 1. When a connection is made to a circuit board, the orientation of the triangle on the multi-pin holder is determined by the index (triangle, dot or square) printed on the circuit board. See Figure 3-22. Most circuit-board mounted connectors have a triangle index mark.

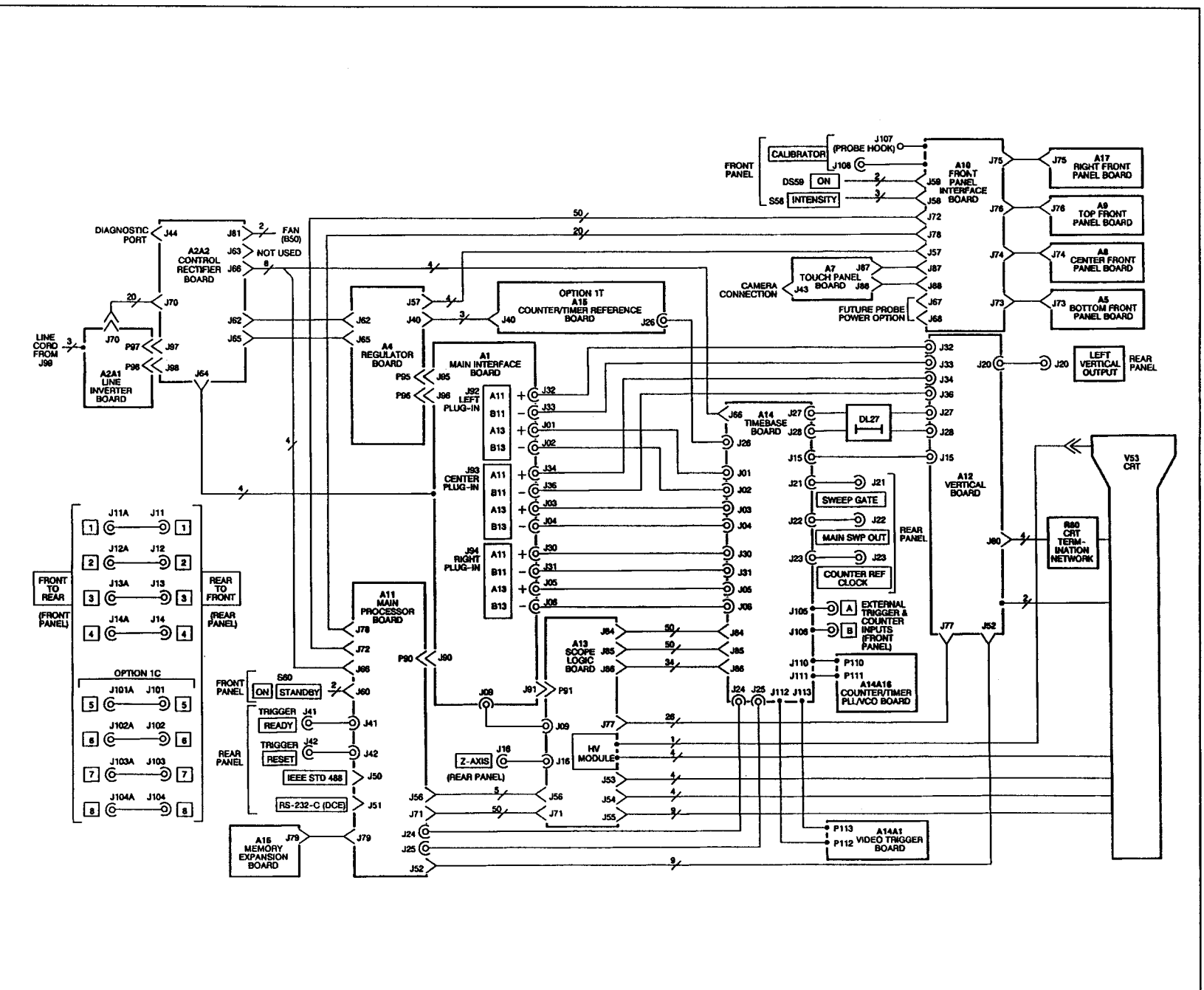


Figure 3-21. 11302A cabling diagram.

NOTE

Some multi-pin connectors are keyed by a gap between the pin 1 and 3 positions in the holder. A small plastic plug covers the pin 2 position on the end of the holder. There is a corresponding gap between pins 1 and 3 on the circuit board.

Align the gap in the multi-pin holder with the gap between the circuit board pins. The connector is then ready to be installed.

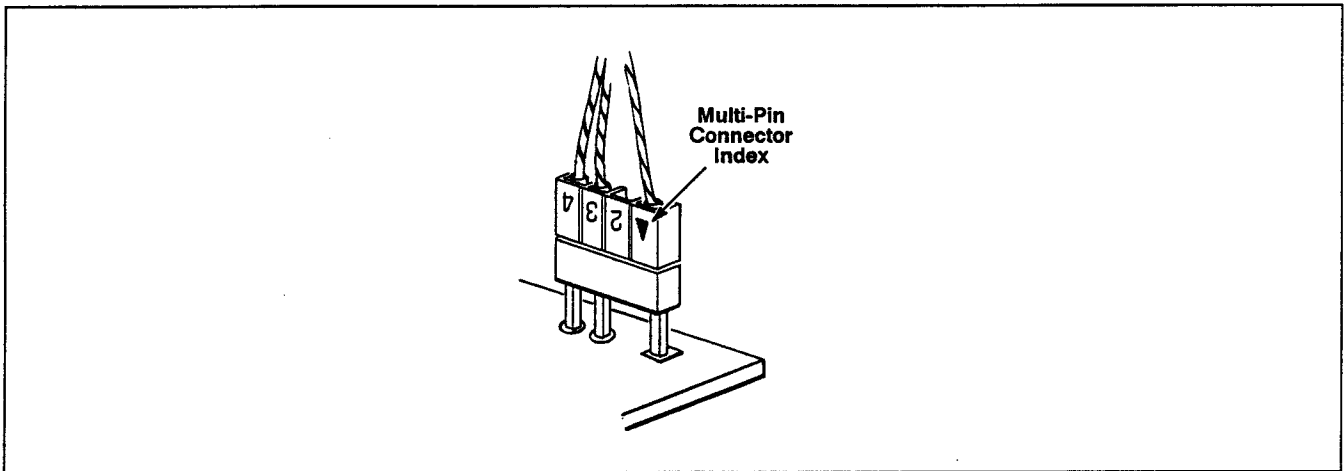


Figure 3-22. Orientation of multi-pin connectors.

Many of the larger, gray-colored multi-pin ribbon connectors have a red line along one side of their attached wire cables. This red line indicates the location of pin 1 and 2 or the location of the triangle index mark.

Some of the gray-colored ribbon cables may be stamped with the number of their connectors. To remove these gray-colored ribbon connectors, grasp the white pull-tab (fastened into the connector, if there) and pull it loose from the socket. If there isn't a white pull-tab present in the connector, grasp the ends of the connector instead. Pull it straight out from the connector socket.

Implosion Shield Removal

Remove the implosion shield as follows:

1. Follow steps 1 through 5 of the A7 Touch Panel board removal procedure, in this section.
2. Tilt the A7 Touch Panel board outward at its bottom. Do not remove the J87 nor the J88 cables through the front casting. See Figure 3-9 for the locations of these connectors.
3. Remove the implosion shield from the bottom. No further disassembly of the A7 Touch Panel board is required.



Use care when handling the implosion shield. It can be easily scratched or marred. Since scratches could reduce visibility, protect the shield while it is removed.

To replace the implosion shield, proceed as follows:

1. Reinstall the implosion shield to the A7 Touch Panel Board.
 - The implosion shield can be reinstalled either side out. But, it must align with the A7 Touch Panel board.
2. Follow the procedure to replace the A7 Touch Panel board, in this section.
 - After reading the replacement instructions, begin at step 5.
 - Be certain to heed the CAUTION regarding instructions to reinstall the screws in the CRT Scale Cover. It is located at the end of the A7 Touch Panel board replacement procedure.
 - The gasket between the CRT faceplate and the implosion shield must be positioned so that the side of the gasket with the lettering faces out (that is, so the installer can read the lettering when the gasket is against the CRT faceplate).

FRU Fuses

There are several FRU fuses in the 11302A. Replace each fuse with another of the proper type and rating as described in the Replaceable Parts list.

Line Fuse

The line fuse (F99) is mounted in a fuseholder that is accessible on the rear panel of the Power Supply Module.

NOTE

Line fuse F99 is used for both 115 V and 230 V operation. It is not necessary to change the fuse when switching the LINE VOLTAGE SELECTOR switch between 115 V and 230 V.

Circuit Board Fuse

A13F560 (Tektronix Part 159-0021-00) is a 2A cartridge fuse mounted in fuse clips on the A13 Scope Logic board.

If this fuse is faulty, remove it from the clips and replace it with a fuse of the proper type and rating.

Checks After FRU Replacement

After certain FRUs are replaced, they must be checked or adjusted as described here.

CRT

**CAUTION**

Do not turn the instrument power on after replacing the CRT until you have read the following information.

After the CRT has been replaced according to the instructions in this section, the following adjustments and checks should be made.

**CAUTION**

A bright dot may appear on the screen of the new CRT after it has been installed. To avoid possible damage to the CRT, adjust the grid bias (R952) to extinguish the bright dot when the instrument is turned on. Refer to "Display Quality" in Section 2 for the location of this adjustment. The final adjustment of R952 must be performed when the instrument has fully warmed up. For now, adjust R952 so that no trace or readout is visible when the character and trace intensities are set to their minimum values.

1. Adjust the front-panel Focus and Astigmatism controls for the best display.
 - Adjust R1600 on the A13 Scope Logic board (refer to "Part 8—Display Quality" in Section 2 of this manual for the adjustment location) for the clearest display.
 - Readjust the front-panel Focus and Astigmatism controls for the best display.
 - Repeat the previous adjustments until the display is usable.

**CAUTION**

Follow the instructions in "Mainframe Preparation" in Section 2 before performing the following adjustments.

2. Perform the following adjustments as described in Section 2:
 - Part 12—Vertical Center
 - Part 13—Magnified Registration
 - Part 15—Plug-In Interface Gains
 - Part 19—Beam Registration (Do only the **GRAT_PREP** adjustment using the PC.)
 - Run the **AUTOCAL_VERT** test from the PC menu. When this test has completed, the readout display should be properly aligned to the CRT graticule.

3. Verify CRT performance by completing the following checks and adjustments (as described in Section 2) in the order listed. To verify the performance of the entire instrument, it will be necessary to perform the complete Checks/Adjustment procedure given in Section 2.
 - Part 2—Extended Diagnostics
 - Part 7—Front Panel Display Adjustments
 - Part 8—Display Quality
 - Part 10—Spot Shift
 - Part 12—Vertical Center
 - Part 13—Magnified Registration
 - Part 15—Plug-In Interface Gains (all subsections)
 - Part 16—Vertical Center (Second Pass)
 - Part 17—Sweep Slew Rate Selfcal
 - Part 18—Sweep Gains
 - Part 19—Beam Registration
 - Part 20—Cursor to Graticule Match
 - Part 23—Intensity Settings
 - Part 25—Install Instrument Covers/Store Cal Constants
 - Part 26—Sweep Timing Accuracy
 - Part 29—Vertical High Frequency Response
 - Part 46—Store Cal Constants
 - Part 47—Reset DIP Switches

CRT Termination Network

After the CRT Termination Network has been replaced, perform the following checks and adjustments:

NOTE

To verify the performance of the entire instrument, perform the following checks and adjustments and then perform the entire Checks/Adjustments procedure described in Section 2.

1. Follow the instructions in “Mainframe Preparation” in Section 2.
2. Perform the following checks and adjustments described in Section 2:
 - Part 12—Vertical Center
 - Part 15—Plug-In Interface Gains (Vertical Gain section only)
 - Part 29—Vertical High Frequency Response

NOTE

When adjusting the vertical amplifier step response, optimize the following items before altering other amplifier adjustments: the lead dress of the wires from the CRT Termination Network to the CRT, the setting of the adjustable resistor on the CRT Termination Network, and the settings of the “fingers” of the Distributed Capacitance Plate.

- Part 12—Vertical Center
- Part 15—Plug-In Interface Gains (Vertical Gain section only)
- Part 19—Beam Registration (Perform Vertical section only)
- Part 24—Install Instrument Covers/Store Cal Constants
- Part 29—Vertical High Frequency Response (Recheck performance with the covers on and the instrument warmed up.)
- Part 46—Store Cal Constants
- Part 47—Reset DIP Switches

Distributed Capacitance Plate

After the Distributed Capacitance Plate has been replaced according to the instructions in this section, the following checks and adjustments (as described in Section 2) should be performed:

- Enhanced Accuracy (allow a 20-minute warmup period)
- Part 29—Vertical High Frequency Response

NOTE

When adjusting the vertical amplifier step response, optimize the lead dress of the wires from the CRT and the settings of the "fingers" of the Distributed Capacitance Plate before changing other adjustments.

- Part 25—Install Instrument Covers
- Part 29—Vertical High Frequency Response (Recheck performance with the covers on and the instrument warmed up.)
- Part 46—Store Cal Constants
- Part 47—Reset DIP Switches

To verify the performance of the entire instrument, complete the entire Checks/Adjustments procedure as described in Section 2.

A1 Plug-In Interface Board

After the A1 Plug-In Interface board has been replaced according to the instructions in this section, the following checks should be performed:

1. Run the Extended Diagnostics (refer to Section 2).
2. Set DIP Switch number 4 on the A11 Main Processor board to its closed position. Refer to “Mainframe Preparation” in Section 2 for the location of this switch.
3. Install an 11000-Series plug-in in the left plug-in compartment. If an additional plug-in unit is available, install it in the center plug-in compartment.
4. Turn the instrument power on and wait for the self-test and new configuration adjustment processes to complete.
 - Select Enhanced Accuracy by pushing the front panel ENHANCED ACCURACY button twice. When the Enhanced Accuracy process is complete, check that the **Self calibration completed successfully** message appears on the screen.
 - If one plug-in unit is being used, move it to the center plug-in compartment. If two plug-in units are being used, move the center plug-in unit to the right plug-in compartment.
 - Run Enhanced Accuracy again and check for the **Self calibration completed successfully** message.
 - If one plug-in unit is being used, move it to the right plug-in compartment.
 - Run Enhanced Accuracy again and check for the **Self calibration completed successfully** message.

A7 Touch Panel Board

After the A7 Touch Panel board has been replaced according to the instructions in this section, the following checks and adjustments should be made.

1. Follow the instructions in “Mainframe Preparation” in Section 2.
2. Perform the following checks and adjustments (as described in Section 2):
 - Part 3—Touch Screen
 - Part 19—Beam Registration
 - Part 20—Cursor to Graticule Match
 - Part 46—Store Cal Constants
 - Part 47—Reset DIP Switches

To verify the performance of the entire instrument, complete all the checks and adjustments presented in Section 2 in the normal sequence.

A10 Front Panel Interface Board

After the A10 Front Panel Interface board has been replaced according to the instructions in this section, the following checks and adjustments should be performed.

1. Follow the instructions in “Mainframe Preparation” in Section 2.
2. Perform the following checks and adjustments (as described in Section 2):
 - Part 3—Touch Screen
 - Part 19—Beam Registration
 - Part 20—Cursor to Graticule Match
 - Part 22—Front Panel Calibrator
 - Part 25—Install Instrument Covers/Store Cal Constants
 - Part 46—Store Cal Constants
 - Part 47—Reset DIP Switches

To verify the performance of the entire instrument, complete the entire Checks/Adjustments procedure as described in Section 2.

A11 Main Processor Board

NOTE

Do not remove the A11 Main Processor board until it has been determined if the calibration constants can be saved.

The A11 Main Processor board contains memory in which the instrument's calibration constants are stored. These constants should be saved, if possible, to speed up recalibration of the instrument when the board is replaced.

Establishing a Set of Calibration Constants

The calibration constants can be saved by two methods (Method 1 and Method 2 below). The correct method depends on the particular situation.

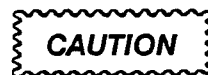
If it is not possible to save the calibration constants, the default constants that are loaded into the memory of the replacement A11 Main Processor board may be used. Refer to Method 3.

If the calibration constants have been destroyed but there is no hardware failure of the A11 Main Processor board, a new set of calibration constants can be loaded. Refer to Method 4.

Select the method that is appropriate for your particular situation and follow the instructions for that method. After completing those instructions, refer to "Readjustment" which follows "Method 4."

Method 1

This is the preferred method for situations in which either Method 1 or Method 2 can be used. In some instruments, the calibration constants can be physically removed from the original A11 Main Processor board and installed in the replacement board. The calibration constants are stored in a non-volatile memory (EEROM) IC (U800). This IC is mounted in a socket on the A11 Main Processor board. (In some earlier instruments U800 was soldered on the board. If this is the case, refer to Method 2.)



Observe all special precautions mentioned under the heading "Static-Sensitive Device Classification" earlier in this section.

If the calibration constants in the original A11 Main Processor board are believed to be good, remove U800 from the original board and install it in the replacement board.

To power up the replacement board, proceed as follows:

1. Install the new board and connect all the connectors.
2. With the instrument power off, remove the lithium battery (BT1190) from the new A11 Main Processor board and momentarily short across the terminals of the battery holder.
3. Replace the battery.
4. Set DIP switch numbers 2, 3, 4, and 5 on the A11 Main Processor board to their closed positions. Refer to "Mainframe Preparation" in Section 2 for the location of this switch.
5. Turn on the instrument and wait for the full power-up process to complete (approximately one minute).
6. Set DIP switch 2 on the A11 Main Processor board to its open position.
7. Adjust focus and astigmatism via the front-panel controls as required.

Method 2

This method should be considered if Method 1 is not feasible. In order to use this method, communication with the original A11 Main Processor board must be possible through the RS-232 port.

In this method, calibration constants stored in the original A11 Main Processor board are transferred to a data file on the PC. The calibration constants are then transferred to the replacement board after it is installed in the mainframe.

To transfer the calibration constants from the original A11 Main Processor board to a data file, proceed as follows:

1. Set DIP switch number 5 on the A11 Main Processor board to its closed position. Refer to "Mainframe Preparation" in Section 2 for the location of the switch.
2. Select **utility** from the main menu of the PC.
3. Select the **DUT_CONST > FILE** test and follow the instructions on the screen. This test takes two to three minutes to complete. (Refer to Section 2 for additional information on this test.)

To transfer the data file to the replacement board, proceed as follows:

1. Install the new A11 Main Processor board. See the removal and replacement procedure in this section.
2. Set DIP switch numbers 2, 3, 4, and 5 to their closed positions. Refer to "Mainframe Preparation" in Section 2 for the location of this switch.
3. Turn on the instrument and wait for the full power up process to complete (wait about one minute). Set DIP switch number 2 to its open position.
4. Select **utility** from the main menu of the PC.
5. Select the **CONST_FILE > DUT** test and follow the instructions on the screen.
6. Press the DISP ADJ menu button on the 11302A and adjust the focus and astigmatism with the front-panel controls.

Method 3

Replacement A11 Main Processor boards are shipped with the EEROM loaded with a default set of calibration constants. If Methods 1 and 2, as described above, are not usable, these default values are sufficient to begin the readjustment process.

To power up the instrument with a new A11 Main Processor board, proceed as follows:

1. Set DIP switch numbers 2, 3, 4, and 5 on the A11 Main Processor board to their closed positions. Refer to "Mainframe Preparation" in Section 2 for the location of this switch.
2. Turn on the instrument and wait for the full power up process to complete (wait about one minute). Set DIP switch number 2 to its open position.
3. Press the DISP ADJ menu button and adjust the focus and astigmatism with the front-panel controls.

Method 4

If the A11 Main Processor board is functioning properly but has lost its calibration constants, it is possible to load a file of default calibration constants from a file located on the Calibration diskette.

1. Set DIP switch numbers 2, 3, 4, and 5 on the A11 Main Processor board to their closed positions. Refer to "Mainframe Preparation" in Section 2 for the location of this switch.
2. Connect the PC to the oscilloscope as described in Section 2.
3. Turn on the instrument and wait for the full power-up process to complete (wait about one minute). Set DIP switch number 2 to its open position.
4. Select **utility** from the main menu of the PC.
5. Select the **CONST_FILE > DUT** test. Follow the instructions on the screen and transfer the file named default.302. (For additional information on the file transfer program refer to Section 2.)
6. Press the DISP ADJ menu button and adjust the focus and astigmatism with the front-panel controls.

Readjustment

If the calibration constants have been successfully saved, perform the following checks and adjustments (as described in Section 2):

- Part 2—Extended Diagnostics
- Part 5—A/D Converter
- Part 7—Front Panel Display Adjustments
- Part 9—Stored Waveform Vectors
- Enhanced Accuracy
- Part 25—Install Instrument Covers/Store Cal Constants
- Part 37—Rear Panel Input/Output Signals
- Part 46—Store Cal Constants
- Part 47—Reset DIP Switches and Set Time/Date

If the calibration constants have not been saved, perform the following checks and adjustments (as described in Section 2):

- Part 2—Extended Diagnostics
- Part 5—A/D Converter
- Part 7—Front Panel Display Adjustments
- Part 9—Stored Waveform Vectors
- Part 15—Plug-in Interface Gains
- Part 17—Sweep Slew Rate Selfcal
- Part 18—Sweep Gains
- Part 19—Beam Registration
- Part 20—Cursor to Graticule Match
- Part 22—Front Panel Calibrator
- Part 23—Intensity Settings
- Part 25—Install Instrument Covers/Store Cal Constants
- Part 26—Sweep Timing Accuracy
- Part 33—Trigger Sensitivity
- Part 34—Trigger Accuracy
- Part 35—Line Trigger
- Part 36—Center Compartment X-Axis Accuracy
- Part 37—Rear Panel Input/Output Signals
- Part 41—2 ns Holdoff
- Part 43—Time Interval Using Sweeps
- Part 46—Store Cal Constants
- Part 47—Reset DIP Switches and Set Time/Date

To verify the performance of the entire instrument, complete all the checks and adjustments presented in Section 2 in the normal sequence.

A12 Vertical Amp Board

Replace the A12 Vertical Amp board as described in the removal and replacement procedure in this section.

After replacing the board proceed as follows:

1. Adjust the focus and astigmatism with the front-panel controls.
2. Follow the instructions in "Mainframe Preparation" in Section 2.
3. Perform the following checks and adjustments as described in Section 2:
 - Part 7—Front Panel Display Adjustments
 - Part 12—Vertical Center
 - Part 15—Plug-In Interface Gains (perform only the Vertical Gain section.)
 - Part 16—Vertical Center (Second Pass)
 - Part 19—Beam Registration (perform only the **GRAT_PREP** adjustment using the PC.)
 - Run the **AUTOCAL_VERT** test from the PC menu. When this test has been completed, the readout display should be properly aligned to the CRT graticule.
4. To verify the performance of the A12 Vertical Amp board, perform the checks and adjustments (as described in Section 2) listed below:
 - Part 2—Extended Diagnostics
 - Part 7—Front Panel Display Adjustments
 - Part 10—Spot Shift
 - Part 11—Readout Jitter (Vertical section only)
 - Part 12—Vertical Center
 - Part 15—Plug-In Interface Gains (Vertical Gain section)
 - Part 16—Vertical Center (Second Pass)
 - Part 19—Beam Registration (perform only the **GRAT_PREP** adjustment)
 - Part 20—Cursor to Graticule Match
 - Part 22—Front Panel Calibrator
 - Part 23—Intensity Settings
 - Part 25—Install Instrument Covers/Store Cal Constants
 - Part 29—Vertical High Frequency Response
 - Part 30—Vertical/Measurement Accuracy
 - Part 37—Rear Panel Input/Output Signals

- Part 46—Store Cal Constants
- Part 47—Reset DIP Switches

To verify the performance of the entire instrument, complete all the checks and adjustments presented in Section 2 in the normal sequence.

A13 Scope Logic Board



Do not turn the instrument power on after replacing the A13 Scope Logic board until you have read the following information.

After the A13 Scope Logic board has been replaced according to the instructions in this section, the following adjustments and checks should be made.



A bright dot may appear on the instrument's CRT screen after the new A13 Scope Logic board has been installed. To avoid possible damage to the CRT, adjust the grid bias (R952) to extinguish the bright dot when the instrument is turned on. Refer to "Display Quality" in Section 2 for the location of this adjustment. The final adjustment of R952 must be performed when the instrument has fully warmed up. For now, adjust R952 so that no trace or readout is visible when the character and trace intensities are set to their minimum values.

1. Adjust the focus and astigmatism controls with the front-panel controls for the best display.
 - Adjust R1600 on the A13 Scope Logic board (refer to "Display Quality" in Section 2 of this manual for the adjustment location) for the clearest display.
 - Readjust the focus and astigmatism controls with the front-panel controls for the best display.
 - Repeat the previous adjustments until the display is usable.
2. Follow the instructions in "Mainframe Preparation" in Section 2.
3. Perform the following adjustments as described in Section 2:
 - Part 15—Plug-In Interface Gains
 - Part 19—Beam Registration (Perform only the **GRAT_PREP** adjustment using the PC.)
 - Run the **AUTOCAL_VERT** test from the PC menu. When this test has completed, the readout display should be properly aligned with the CRT graticule.

-
4. To verify the performance of the A13 Scope Logic board, perform the checks and adjustments (as described in Section 2) listed below:
- Part 2—Extended Diagnostics
 - Part 4—CVR Accuracy
 - Part 6—ACVS Gain
 - Part 7—Front Panel Display Adjustments
 - Part 8—Display Quality
 - Part 15—Plug-In Interface Gains
 - Part 16—Sweep Slew Rate Selfcal
 - Part 18—Sweep Gains
 - Part 19—Beam Registration
 - Part 20—Cursor to Graticule Match
 - Part 22—Front Panel Calibrator
 - Part 23—Intensity Settings
 - Part 25—Install Instrument Covers/Store Cal Constants
 - Part 37—Rear Panel Input/Output Signals
 - Part 41—2 ns Holdoff
 - Part 43—Time Interval Using Sweeps
 - Part 46—Store Cal Constants
 - Part 47—Reset DIP Switches

To verify the performance of the entire instrument, complete all the checks and adjustments presented in Section 2 in the normal sequence.

A14 Time Base Board

After the A14 Time Base board has been replaced according to the instructions in this section, the following adjustments and checks should be made.

1. Adjust the focus and astigmatism controls with the front-panel controls for the best display.
2. Perform the following checks and adjustments (as described in Section 2):
 - Part 7—Front Panel Display Adjustments
 - Part 13—Magnified Registration
 - Part 15—Plug-In Interface Gains (perform only the Horizontal XY Gain section.)
 - Part 17—Sweep Slew Rate Selfcal
 - Part 18—Sweep Gains (perform only the Adjustment section.)
 - Part 19—Beam Registration (perform only the **GRAT_PREP** adjustment using the PC.)
 - Run the **AUTOCAL_VERT** test from the PC menu. When this test has completed, the readout display should be properly aligned to the CRT graticule.
3. To verify the performance of the A14 Time Base board, perform the checks and adjustments (as described in Section 2) listed below:
 - Part 2—Extended Diagnostics
 - Part 6—ACVS Gain
 - Part 7—Front Panel Display Adjustments
 - Part 10—Spot Shift
 - Part 11—Readout Jitter (Horizontal section)
 - Part 13—Magnified Registration
 - Part 14—XY Phase
 - Part 15—Plug-In Interface Gains (Horizontal XY Gain)
 - Part 17—Sweep Slew Rate Selfcal
 - Part 18—Sweep Gains
 - Part 19—Beam Registration (perform Horizontal section only.)
 - Part 20—Cursor to Graticule Match
 - Part 21—Reference Oscillator
 - Part 25—Install Instrument Covers/Store Cal Constants
 - Part 26—Sweep Timing Accuracy

- Part 27—Delta Delay Accuracy
- Part 28—Probe Skew Range
- Part 30—Vertical/Measurement Accuracy
- Part 31—Trigger Filters
- Part 32—Trigger Noise and Sensitivity
- Part 33—Trigger Sensitivity
- Part 34—Trigger Accuracy
- Part 35—Line Trigger
- Part 36—Center Compartment X-Axis Accuracy
- Part 37—Rear Panel Input/Output Signals
- Part 38—Counter Reference Clock In/Out
- Part 39—Frequency Accuracy
- Part 40—External A & B Input Sensitivity
- Part 41—2 ns Holdoff
- Part 42—Holdoff By Events
- Part 43—Time Interval Using Sweeps
- Part 44—Minimum Time Interval
- Part 46—Store Cal Constants
- Part 47—Reset DIP Switches

To verify the performance of the entire instrument, complete all the checks and adjustments presented in Section 2 in the normal sequence.

A15 Counter/Timer Reference Board

After the A15 Counter/Timer Reference board has been replaced according to the instructions in this section, the following adjustment (as described in Section 2) should be performed:

- Part 21—Reference Oscillator

Troubleshooting

This section provides the information necessary to troubleshoot a faulty instrument to the Field Replaceable Unit (FRU) level. In most cases an FRU is a circuit board. The primary means for troubleshooting is to cross-reference the error index code output from the Extended (Ext) Tests Diagnostics and to the suspect circuit boards, using the FRU Guide tables below. In addition, other troubleshooting techniques are described at the end of this section to help identify a faulty CRT, CRT Termination, Distributed Capacitance Plate, Power Supply Assembly, or Regulator board. After the faulty FRU is replaced, some recalibration of the instrument is normally required.

Diagnostics Overview

Diagnostics are composed of two levels. The first is the Kernel Diagnostics that verifies the main processor and its associated hardware such as ROM, RAMs and control signals. After all the Kernel Diagnostics have passed without failure, the second-level Self-Test Diagnostics run.

The Self-Test Diagnostics verify the remainder of the instrument circuitry. A Self-Test fault causes the instrument to enter Ext Test Diagnostics. The Ext Tests Diagnostics are a superset of the instrument's Self-Tests. These diagnostics allow selective, interactive testing.

Other Troubleshooting, at the end of this section, lists the circuits that Diagnostics do not fully test.

Level 0: Kernel Diagnostics

The processor cannot execute code correctly with Kernel errors present. The Kernel Diagnostic output is used as a troubleshooting tool when repairing kernel faults. Once the kernel is functioning, the Self-Test Diagnostics and Ext Tests Diagnostics test the remainder of the instrument.

Level 1: Self-Test Diagnostics

The Self-Test Diagnostics consist of power-up diagnostic software routines that verify instrument functionality. The Self-Test Diagnostics are invoked automatically at power-up, manually with a front-panel menu, or externally through the RS-232-C and GPIB ports. Once invoked, these routines run automatically without operator intervention. If a test failure occurs, then the instrument ceases testing. Refer to RS-232-C/GPIB for external interface information.

Kernel Verification	Kernel verification is performed at power-up and can be invoked from the normal (non-power-up) operating mode.
Power-Up Mode	The instrument's resources may be severely limited at power-up, so when diagnostic error information is output, it is in a very simple form. Diagnostic errors are displayed with the front-panel MENUS LEDs. When the diagnostic tests run without error, all the LEDs on the front panel MENUS LEDs are off. If a fault is detected, two of the MENU's LEDs blink to identify the device causing the fault. Until any front-panel button is pressed, testing is halted. The two-LED device codes are given in Table 3-2 where a "*" indicates a lit LED.
Normal (Non-Power-Up) Mode	In the non-power-up mode, the instrument has already powered-up and established that the Kernel is operational. When diagnostics are invoked in non-power-up situations, the tests run as described under Instrument Verification in this section.
Instrument Verification	Instrument Verification diagnostics are run with a high-level interface over one of the instrument's communication facilities.
Power-Up Mode	<p>While the instrument's verification power-up tests are running, all the LEDs on the front panel are off; except during the routine that tests their operation.</p> <p>If a fault is detected, the instrument halts testing and displays the Block menu (refer to Test Menu Examples in this section). The block that failed is highlighted in the menu.</p> <p>When all the tests are completed without a fault, the instrument powers-up normally.</p>
Normal (Non-Power-Up) Mode	<p>While the diagnostic tests are running, all the LEDs on the front panel are off; except again, during the routine that tests their operation.</p> <p>When all tests are completed without a fault, the instrument responds to either of the following invocation sources:</p> <ul style="list-style-type: none">• Front Panel—Touch the Self-Test entry in the UTILITY menu to invoke testing. If the Self-Test Diagnostics pass, then the message Self-Test completed successfully is displayed. If the Self-Test Diagnostics fail, then the message Self-Test failure is displayed.• GPIB/RS-232-C—Send the TEST command to the instrument to invoke the Self-Tests. The normal GPIB protocol of an SRQ with a status byte follows when testing is complete. If the controller requires more information, it may send the TEST? query command. The instrument then returns either a TEST PASS or TEST <index> message. For detailed information on the GPIB/RS-232-C, refer to System Mode (GPIB and RS-232-C) in this section.

TABLE 3-2
Power-up Kernel Failure Codes

DEVICE BEING TESTED	MAJOR MENU LEDs						
	WAVEFORM	TRIGGER	MEASURE	UTILITY	STR/RECL	DISPLAY	NUMERIC
DRAM U1620	*	*					
DRAM U1920	*		*				
DRAM U1600	*			*			
DRAM U1900	*				*		
DRAM CTRL U1500	*					*	
RAM Addr & data line shorts	*						*
DRAM U1720					*	*	
DRAM U1820					*	*	
DRAM U1700				*		*	
DRAM U1800		*					*
ROM U1200		*	*				
ROM U1430		*		*			
ROM U1300		*			*		
ROM U1400		*				*	
ROM U1100			*	*			
ROM U1330			*		*		
ROM U1000			*			*	
ROM U1230			*				*
BBRAM U1130				*	*		
BBRAM U900				*		*	

Level 2: Extended Tests Diagnostics

Extended (Ext) Tests Diagnostics consist of all Level 1 routines plus many additional routines. These additional routines include those requiring operator intervention and those considered too lengthy for the power-up sequence. Front-panel menu selections invoke the Ext Tests Diagnostic routines individually or in groups. Alternatively, you can connect an ANSI 3.64 compatible terminal to the RS-232-C port and use it to run the Ext Tests Diagnostics. The terminal displays the same menu selections as the front panel. The single key commands provide control that parallels the touch panel interface.

External System control is also available from an RS-232-C or GPIB controller. With system control, all the automatic tests are invoked at once. These diagnostics run similarly to the Self-Test Diagnostics, except that the testing continues after a fault is detected.

Index Code Conventions

The diagnostics provide test index codes for rapid identification of a failed test. This code is then referenced to the appropriate test description. Index codes are constructed using the following conventions:

1. Each code is prefaced with a source ID: M, L, C, or R. M identifies the mainframe and L, C, and R identify the left, center, and right plug-ins, respectively.
2. The first hex digit identifies the test BLOCK.
3. The second hex digit identifies the test AREA.
4. The third hex digit identifies the test ROUTINE.
5. The fourth hex digit is for additional fault information that each ROUTINE uses.

Front Panel

Front-panel control is possible only through the touch panel. The display shows both test menus and test status information. Refer to the Test Menu Examples that follow for typical displays. To access the Extended Diagnostic menu, touch Ext Tests in the UTILITY menu.

Except during the routine that tests their operation, knobs and buttons are inactive during diagnostic operation. Also note that display integrity is intermittent during testing, since some tests disrupt the display.

Test Menu Examples

Figures 3-23 and 3-24 show sample displays of the Block and Area menus. Line numbers 1 through 16 were added on the right side of each example for reference.

BLOCK MENU				line #
BLOCK=Front Panel	AREA=All Areas	ROUTINE		1
				2
ALL BLOCKS	INDEX	FAULTS		3
Processor	pass			4
Front Panel	M2410	1		5
Scope Logic	pass			6
Timebase	pass			7
Vertical	pass			8
Expansion	pass			9
Left llaxxx	pass			10
Center llaxxx	pass			11
Right plug-in	R????			12
				13
on	off	off	off	14
VERBOSE	LOOP	HALT/ERR	RUN	15
				16

Figure 3-23. Block menu sample display.

AREA MENU				line #
BLOCK=Front Panel	AREA=Touch Panel	ROUTINE		1
				2
ALL AREAS	INDEX	FAULTS		3
Buttons	pass			4
Leds	pass			5
Knobs	pass			6
Touch Panel	M2410	1		7
FPCalibrator	pass			8
				9
				10
				11
				12
				13
on	off	off	off	14
VERBOSE	LOOP	HALT/ERR	RUN	15
				16

Figure 3-24. Area menu sample display.

Test Menu Area

In Figures 3-23 and 3-24 the Test Menu Area is located from line 3 to line 14 on the display. Various menus use the Test Menu Area differently.

Block and Area Menus

Each line on the display is divided into the following three fields:

- Title
- Failure Code
- Failure Count

These fields are located on the display as shown in Figure 3-25.

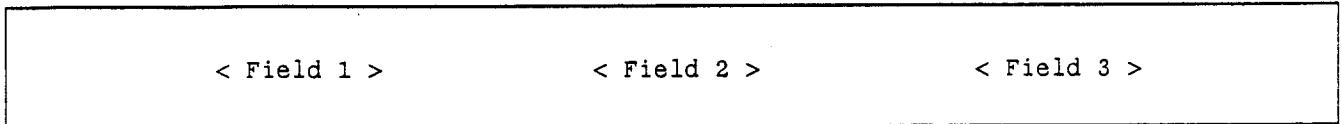


Figure 3-25. Block and Area display fields.

The following is a brief summary for each field shown in Figure 3-25.

Field 1 This field contains Block and Area titles, which become highlighted when touched (selected).

The default selection is at the top of the list (ALL < tests >).

Field 2 This field is blank before a test is run. After the tests are complete, pass/fail code information is displayed. If no faults are detected, pass is displayed. Field 2 is not touch-selectable.

If faults are detected, then ZNNNN (first error code) is displayed. The Z is an M for a mainframe fault and an L, C, or R for left, center, or right plug-in faults.

Z???? is displayed for plug-ins or options not installed.

Z---- is printed if a test returns NO pass or fail information.

Field 3 This field displays the number of failures, nnnnn, that have accumulated since power up. This field is not touch-selectable.

For Block menus, the displayed number indicates the number of failures in the Block.

For Area menus, the displayed number indicates the number of failures in the Area.

Routine Menus

Routine menus vary according to the tests performed, but some common features of all routine menus are:

Field 1 The title field is the only touch-selectable field. This field is used to select a routine in the Block and Area menus.

Fields 2, 3, 4, 6 These fields indicate the first error, if an error occurs. If no errors occur, then the information in these fields is from the last test.

Field 5 This field is a decimal number and contains an accumulation of all the failures that the test recorded since power up.

Although Routine menus vary depending on the application, there are four basic configurations: One for analog tests, two for digital tests, and one for memory tests.

Analog and Digital Test Menus

The unique features of the Analog and Digital Test Routine Menus follow, along with illustrations (refer to Fig. 3-26 and 3-27) showing the layout of their displays.

Fields 2, 3, & 4 This field is either a hex or floating point number.

Field 6 This field contains an index code and uses the same format as the Block and Area menus.

All Rtns test name <Field 1>	Window nnnnn nnnnn <Fld2> <Fld3>	Read nnnnn <Fld4>	Faults nnnnn <Fld5>	Index znnnn <Fld6>	Line 3 Lines 4 thru 14
------------------------------------	--	-------------------------	---------------------------	--------------------------	------------------------------

Figure 3-26. Display of Analog Test menu.

All Rtns test name <Field 1>	Window nnnnn nnnnn <F2> <F3>	Read nnnnn <F4>	Faults nnnnn <Fld5>	Index znnnn <F6>	Line 3 Lines 4 thru 14
------------------------------------	------------------------------------	-----------------------	---------------------------	------------------------	------------------------------

Figure 3-27. Display of a Plug-In Digital Test menu (plug-in diagnostics only).

Mainframe Digital Test Menu

The unique features of the Mainframe Digital Test Routine menu follow, along with an illustration (refer to Fig. 3-28) showing its layout of the display.

Field 2 This field is a hex number indicating the desired test results.

Field 3 This field is a hex number indicating the test deviation allowed from the desired value (Field 2).

Field 4 This field is a hex number indicating the actual test result.

All Rtns test name <Field 1>	Desired nnnnn <Fld2>	± nnnn <Fld3>	Read nnnnn <Fld4>	Faults nnnnn <Fld5>	Index znnnn <F6>	Line 3 Lines 4 thru 14
------------------------------------	----------------------------	---------------------	-------------------------	---------------------------	------------------------	------------------------------

Figure 3-28. Display of Mainframe Digital Test menu.

Memory Test Menu

The unique features of the Memory Test Routine menu follows, along with an illustration (refer to Fig. 3-29) showing the layout of its display

Field 2 This field is a hex number indicating the address of the test.

Field 3 This field is a hex number indicating the desired value. This is normally the value written.

Field 4 This field is a hex number indicating the actual value read.

All Rtns test name <Field 1>	Address nnnnn <F2>	Wrote nnnnn <F3>	Read nnnnn <F4>	Faults nnnnn <Fld5>	Index znnnn <F6>	Line 3 Lines 4 thru 14
------------------------------------	--------------------------	------------------------	-----------------------	---------------------------	------------------------	------------------------------

Figure 3-29. Display of Memory Test menu.

Test Status Area

The Test Status areas are located at the top and bottom of the display on lines 1, 15, and 16. All the diagnostic menus use the Test Status Area in the same way. Figure 3-30 shows the display location of fields in the Test Status areas.

BLOCK=front panel <F1> <Field 2>	AREA=touch panel <F3> <Field 4>	ROUTINE <Fld 5>	Line 1
<F7> on VERBOSE <Fld 8>	<Field 9> cnt (nnnn) LOOP <F10>	<F11> off HALT/ERR <Fld 12>	<F13> off RUN <F14>
			Line 15 Line 16

Figure 3-30. Test Status areas of the display.

The display fields shown in Figure 3-30 are used as follows:

Field 1 This field displays the diagnostic Block menu and highlights the field, when touched.

Field 2 This field displays the name of the current Block menu selection. The Block title is truncated if it is too long for the field. Field 2 is not touch-selectable.

Field 3 This field displays the selected Block's diagnostic Area menu and highlights the field, when touched. If no Block was previously selected, then the first Block in the Block menu is selected and its Area menu displayed.

Field 4 This field displays the name of the current Area menu selection. The name is truncated if it is too long for the field. Field 4 is not touch-selectable.

Field 5 This field highlights when touched and displays the selected Area's diagnostic Routine menu. If no Area was previously selected, you will be prompted to select an Area.

NOTE

The Routine menu may have empty fields until the test has run.

Field 7 This field displays the current selection of **VERBOSE** (**on** or **off**).

Field 8 This field is touch-selectable and causes **VERBOSE** to toggle between **on** and **off**. If the current selection is **on** then new test information is displayed in the Test Menu Area or output through a port, whichever is applicable. If the current selection is **off**, then no new test information is displayed until testing stops. This is useful when using the test as a scope loop.

Field 9 This field displays the current selection of **LOOP** (**off** or **cnt nnnnn**).

Field 10 This field is touch-selectable and causes **LOOP** to toggle between **on** and **off**. If **off** is displayed, the currently selected Block, Area, or Routine runs only once. If **on** is displayed, the currently selected Block, Area, or Routine runs repeatedly when directed to run. The loop count is displayed in Field 9.

Field 11 This field displays the current selection of **HALT/ERR** (**on** or **off**).

Field 12 This field is touch-selectable and causes **HALT ON ERROR** to toggle between **on** and **off**. If **on** is displayed in Field 11, then the currently selected Block, Area, or Routine stops running when an error is detected. If **off** is displayed, the Block, Area, and Routine menus record the error and permit testing to continue.

Field 13 This field displays the current selection of **RUN** (**on** or **off**).

Field 14 This field is touch-selectable and causes **RUN** to toggle between **on** and **off**. If **on** is selected, the currently selected Block, Area, or Routine tests run. If **off** is selected, testing stops.

RS-232-C/GPIB

The RS-232-C interface is used in either of two modes for Ext Tests Diagnostics. The first mode is the System mode, where the RS-232-C emulates GPIB codes and formats. The second mode is the Diagnostic Terminal mode. For example, this mode could use the RS-232-C to drive a terminal, providing diagnostic menus on the terminal. The GPIB interface is used in the System Mode only. The Diagnostic Terminal mode provides fully functional diagnostics to the user while the System mode excludes all interactive testing.

**System Mode
(GPIB & RS-232-C)**

System mode communication follows GPIB codes and formats. All interactive tests are excluded from System operation mode; therefore, a method of aborting a test in progress is not provided.

Test Commands

The following command syntax is used in the System mode:

TEST TERMINAL—This command redirects diagnostics menus to the RS-232-C interface.

TEST—This command performs Self-Test Diagnostics on the complete mainframe and plug-in combination (Halts upon Error).

TEST EXTENDED—This command performs Ext Tests Diagnostics on the complete instrument.

TEST?—This query returns one of following ASCII strings:

- TEST PASS
- TEST "M<index>","L<index>","C<index>","R<index>" (The index numbers are in the order of occurrence.)

For example, the query may return this ASCII string in the following format:

TEST "M2345","M2352","M4510","L1234", "R1234"

which contains the mainframe tests indexed by 2345, 2352, and 4510; the left plug-in test indexed by 1234; and the right plug-in test indexed by 1234.

Diagnostic Terminal Mode (RS-232-C)

A service technician uses the Diagnostic Terminal mode as the primary diagnostic I/O method. This mode parallels front-panel operation through the test menus.

The diagnostic test menus are displayed on the terminal exactly as they appear on the instrument display. Menu selections are made with the terminal keyboard commands to simulate display touches. Each keyboard command only requires a single key stroke, instead of the full command words used in the System mode.

Terminal Interface

The Terminal Interface uses the ANSI X3 control.

Invocation Command

TEST TERMINAL — This command switches the RS-232-C interface to Diagnostic Terminal mode and places the instrument in the Ext Tests Diagnostics mode.

Terminal Diagnostic Commands

- A|a** This command is equivalent to touching the AREA field on the display menu.
- B|b** This command is equivalent to touching the BLOCK field on the display menu.
- D|d** This command is equivalent to moving your finger down the left side of the display's test selection list.
- E** This command is equivalent to touching the front-panel UTILITY major menu button and takes the instrument out of Ext Tests mode.
- H|h** This command is equivalent to touching the HALT/ERROR field in the status area.
- L|l** This command is equivalent to touching the LOOP field in the status area.
- R|r** This command is equivalent to touching the ROUTINE field on the display menu.
- S|s** This command is equivalent to touching the RUN or START/STOP field in the status area.
- U|u** This command is equivalent to moving your finger up the left side of the display's test selection list.
- V|v** This command is equivalent to touching the VERBOSE field in the status area

New Configuration Calibration

When a plug-in is first installed in a mainframe or when it is moved to a different compartment in the mainframe, the instrument is in a new configuration mode. After the instrument runs the Power-Up Diagnostics, it recalibrates itself for the new configuration. During this calibration, the message **Powerup new configuration partial calibration occurring** appears at the top of the display. If the calibration is successful (as indicated by a message), then the instrument enters the normal operating mode.

Restoring Calibration Data From EEROM

If the battery-backed RAM (BBRAM) is corrupted, any of the following conditions can occur, and you may need to use the procedure below:

- The instrument “locks-up” and does not unfreeze after being repowered (turning the power off and then on again).
- The display is poorly aligned, and running Enhanced Accuracy (EA) does not correct the misalignment.
- EA fails repeatedly.
- Autoset is not functioning.
- The instrument deviates significantly from normal operation.

Procedure

If any of these conditions occur, then using the following procedure usually restores normal operation:

1. Turn the power off.
2. Remove the top cover of the mainframe.
3. Remove the battery from the A11 Main Processor board.
4. Short the battery holder with a shorting strap for five seconds.
5. Remove the wire clip.
6. Reinsert the battery (observing the correct polarity).
7. Replace the top cover of the mainframe.
8. Turn the power on.

Usually this procedure restores normal operation. If this procedure does not restore normal operation, then your instrument requires servicing.

Field Replaceable Unit (FRU) Guide

This section correlates all possible error codes resulting from Diagnostic tests with the primary and secondary board(s) suspected of causing each error. You should inspect the primary suspect board for loose connections or components. Then, if the Diagnostic errors are repeated, replace it with a known good board. Check that the new board is configured exactly like the old one and that any installed firmware matches the version in the old board. Refer to Section 2, Checks and Adjustments, for any necessary adjustments, calibrations, or precautions.

Abbreviations of FRU Names

All active mainframe boards are listed here with the abbreviations used in the FRU tables below.

PIINT	Plug-In Interface board	(A1)
FPASS	Front Panel Assembly	(A5)
TOUCH	Touch Panel board	(A7)
FPINTR	Front Panel Interface board	(A10)
MPU	Main Processor board	(A11)
VERT	Vertical Amp board	(A12)
SCLOG	Scope Logic board	(A13)
TB	Time Base board	(A14)
CTR	Counter Timer Reference board	(A15) Opt 1T
EXP	Memory Expansion board	(A16)
CHAR	Character Control board	(A17)
FW	Firmware (proms)	(FW)
EEROM	EEROM IC	(A11U800)
SDI	Serial Data Interface IC	(A11U1760)
DISLAY	Display IC	(A11U440)
BATT	Battery	(A11Bt1190)
ROCS	Real Time Oscillator Control IC	(A13U270)
ACVS	Analog Control Voltage Processor	(A13U750)
TRC	Trace Rotation Coil	(L53)

Abbreviations of Component and Module Names

All active components and modules are listed here with the abbreviation used in the FRU tables below.

CRT	(V53)
CRT Termination	(R80)
Distributed Capacitance Plate	
Fan	(A2A1)
Fuse1	(A2F99)
Fuse2	(A13F560)
Power Supply Assembly	(A2)
Regulator board	(A4)

Extended Diagnostic Error Index Codes

This section lists all test error codes that the Ext Tests Diagnostics generate. The method for reading these error codes is described under Level 2: Extended Tests Diagnostics Index Code Conventions, in this section.

The Ext Tests Diagnostics menu and the failure error codes (of the failed circuit block) appear on the screen after the first test failure. The first error code encountered and the total number of faults in that circuit block also appear with the failed circuit block name. For a more complete list of error codes in a block: first select the label of the failed block, and then select the Area label. To display the lowest level routines in that selected Area, select the Routine label.

The error code indicates the first test that failed. The last test to pass, prior to the first failed test, can be useful in isolating the problem.

Table 3-3 lists the Ext Tests Diagnostics error index codes.

TABLE 3-3
Extended (Ext) Tests Diagnostics Error Index Codes

Error Index	Primary Suspect	Secondary Suspect
M11XX	FW	MPU
M121X-M123X	SDI	MPU
M124X-M126X	MPU	PIINTR, plug-in
M127X	MPU	SCLOG, TB
M131X-M132X	MPU	
M133X-M134X	EEROM,	MPU
M14XX	MPU	
M15XX	MPU	FPINTR, SCLOG, TB,
VERT M161X-M163X	MPU	
M164X	MPU	TOUCH, FPINTR
M17XX	MPU	
M18XX	DISPLAY	MPU
M191X-M192X	MPU	
M195X	MPU	
M1AXX	BATT	MPU
M211X-M224X	FPASS	FPINTR, MPU
M25XX	FPINTR	SCLOG, MPU
M31XX	ROCS	SCLOG, MPU
M321X-M327X	SCLOG	MPU
M328X	SCLOG	TRC, MPU
M329X	SCLOG	MPU
M33XX-M34XX	SCLOG	MPU
M41XX-M481X	TB	SCLOG, MPU
M482X-M483X	TB	MPU, SCLOG
M484X-M493X	TB	SCLOG, MPU
M51XX-M531X	VERT	SCLOG, MPU
M532X	VERT	MPU, SCLOG
M533X-M534X	VERT	MPU, SCLOG, plug-in
M535X	VERT	SCLOG, MPU
M536X	VERT	TB, SCLOG, MPU
M61XX	EXP	MPU

Enhanced Accuracy Mode Troubleshooting

If the oscilloscope fails to successfully complete the Enhanced Accuracy (EA) process, then note the message that appears on the screen when the failure occurs. Next, from the UTILITY menu run the Extended (Ext) Tests Diagnostics. When this process has completed note any failures that occurred.

If any failures did occur during Ext Tests, it is possible that these failures are related to the failure that occurred during the EA process. The fault information associated with the Ext Tests failure should be used in conjunction with the table that follows to determine the most probable problem area.

When a failure occurs during EA, the instrument: aborts the adjustment process, displays the error message, and returns to normal operating mode. Knowledge of the order in which EA adjustments occur can also be used as an aid in locating problem areas. Table 3-4 lists the adjustment procedures made in the EA process.

TABLE 3-4
Enhanced Accuracy Adjustment Process

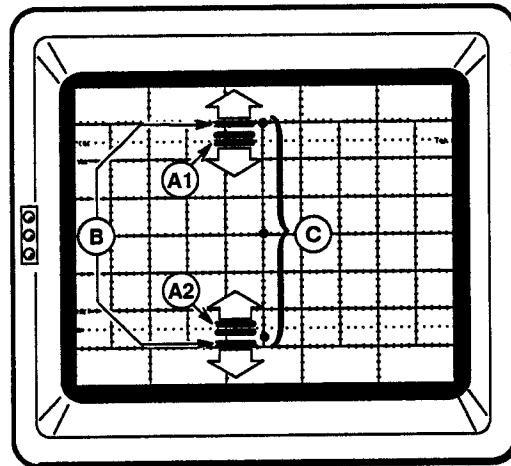
Adjustment	Indication
align the electron beam to the CRT graticule lines in the vertical axis	bright pairs of lines appear on the screen (refer to A1 and A2 in Fig. 3-31)
mainframe vertical amplifier gain	two short bars appear on the screen (refer to B in Fig. 3-31)
readout/cursor gain and offset in the vertical axis	¹ two dots appear on the screen (refer to C in Fig. 3-31)
align the electron beam to the CRT graticule lines in the horizontal axis	bright pairs of lines appear on the screen (refer to D1 and D2 in Fig. 3-31)
horizontal X1 amplifier gain	two short bars appear on the screen (refer to E in Fig. 3-31)
readout/cursor gain and offset in the horizontal axis	¹ two dots appear on the screen (refer to F in Fig. 3-31)
horizontal X10 amplifier gains for the main and delayed sweeps	two short bars appear on the screen (refer to E in Fig. 3-31)
mainframe gain for the center plug-in x-axis deflection	two dots appear on the screen (refer to F in Fig. 3-31)
mainframe gain for the right plug-in x-axis deflection	two dots appear on the screen (refer to F in Fig. 3-31)
trace separation for the left, center, right (xy) left + center and center (xy) (if plug-ins are present)	happens too quickly to see

¹This process is called twice because of interaction between readout gain and offset.

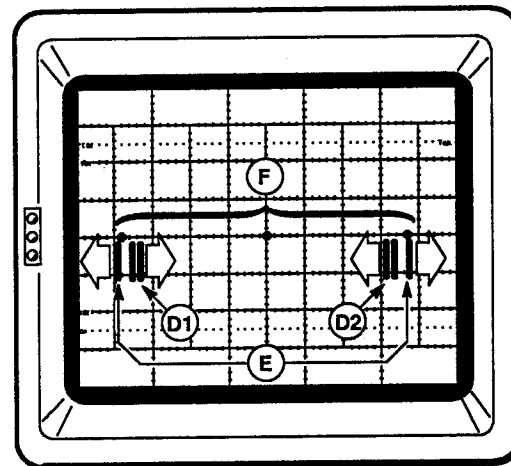
TABLE 3-4 (cont)
Enhanced Accuracy Adjustment Process

Adjustment	Indication
left plug-in (if present) adjusts its own gains and balances	horizontal traces move up and down on screen (refer to G in Fig. 3-31)
center plug-in (if present) adjusts its own gains and balances	horizontal traces move up and down on screen (refer to G in Fig. 3-31)
right plug-in (xy) (if present) adjusts its own gains and balances	dots move left and right on screen (refer to F in Fig. 3-31)
slew rate of the main and delayed sweeps	the message: Enhanced Accuracy in Progress appears on the screen
	the message disappears from the screen
center plug-in (xy) (if present) gains and balances, adjusted in mainframe	dots move left and right on the screen (refer to F in Fig. 3-31)
trace separation for the left, center, right (xy) left + center and center (xy) (if plug-ins are present)	happens too quickly to see
left plug-in (if present) trigger calibration, adjusted in mainframe	dot or line moves about on the screen (refer to H in Fig. 3-31)
center plug-in (if present) trigger calibration, adjusted in mainframe	dot or line moves about on the screen (refer to H in Fig. 3-31)
right plug-in (if present) trigger calibration, adjusted in mainframe	dot or line moves about on the screen (refer to H in Fig. 3-31)

1.



2.



3.

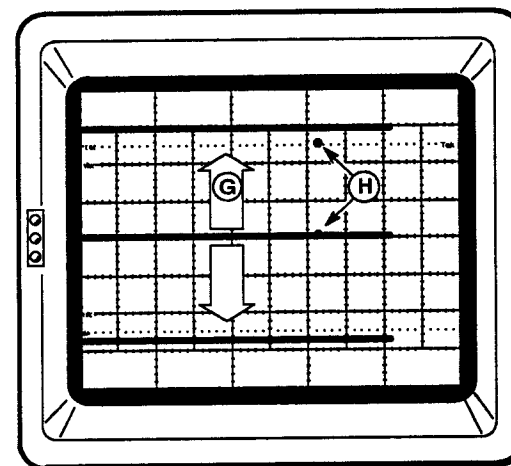


Figure 3-31. Enhanced Accuracy adjustment procedure.

Table 3-5 lists the error messages that are possible in the Enhanced Accuracy mode. If these error messages occur, first attempt to perform the Checks and Adjustments procedure parts listed under Suggested Adjustments. If the error messages still occur, then replace, as appropriate, the boards listed under Suggested Troubleshooting. Enhanced accuracy is available after the system has a 20-minute warmup period.

TABLE 3-5
Enhanced Accuracy Mode Error Messages and Troubleshooting

Error Message	Suggested Adjustments	Suggested Troubleshooting
Mainframe amplifier calibration failed	Perform the adjustments in Section 2, Checks and Adjustments Part 6—ACVS Gain Part 12—Vertical Center Part 13—Magnified Registration Part 15—Plug-In Interface Gains Part 18—Sweep Gains Part 19—Beam Registration Part 20—Cursor to Graticule Match	Reload calibration constants from EEROM. Replace the A10 Front Panel Interface board, the A11 Main Processor board, the A14 Time Base board, and/or the A13 Scope Logic board.
Left plug-in calibration failed	Perform the adjustments in Section 2, Checks and Adjustments Part 12—Vertical Center Part 15—Plug-In Interface Gains Part 19—Beam Registration Part 20—Cursor to Graticule Match	Replace the Left plug-in, the A12 Vertical Amp, and/or the A1 Plug-In Interface board.
Center plug-in calibration failed	Perform the adjustments in Section 2, Checks and Adjustments Part 12—Vertical Center Part 15—Plug-In Interface Gains Part 19—Beam Registration Part 20—Cursor to Graticule Match	Replace the Center plug-in, the A12 Vertical Amplifier, and/or the A1 Plug-In Interface board.
Right plug-in calibration failed	Perform the adjustments in Section 2, Checks and Adjustments Part 12—Vertical Center Part 15—Plug-In Interface Gains Part 19—Beam Registration Part 20—Cursor to Graticule Match	Replace the Right plug-in, the A14 Time Base board, and/or the A1 Plug-In Interface board.
Trace separation calibration failed	No adjustments to perform	Replace the A12 Vertical Amp board and/or the A11 Main Processor board.
Trigger calibration failed	No adjustments to perform	Replace the A14 Time Base board, the A13 Scope Logic board, and/or the A1 Plug-In Interface board.
Sweep calibration failed	No adjustments to perform	Replace the A14 Time Base board and/or the A13 Scope Logic board.

TABLE 3-5 (cont)
Enhanced Accuracy Mode Error Messages and Troubleshooting

Error Message	Suggested Adjustments	Suggested Troubleshooting
Sweep position calibration failed	Perform the adjustments in Section 2, Checks and Adjustments Part 13—Magnified Registration Part 17—Sweep Slew Rate Selfcal Part 18—Sweep Gains Part 19—Beam Registration Part 20—Cursor to Graticule Match	Replace the A14 Time Base board and/or the A13 Scope Logic board.
XY amplifier calibration failed	Perform the adjustments in Section 2, Checks and Adjustments Part 13—Magnified Registration Part 15—Plug-In Interface Gains Part 19—Beam Registration Part 20—Cursor to Graticule Match	Replace the A14 Time Base board and/or the A13 Scope Logic board.
COUNTER: Waiting to Start Measurement	Perform the adjustments in Section 2, Checks and Adjustments Part 43—Time Interval Using Sweeps	Replace the A14 Time Base board.
COUNTER: Waiting to Finish Measurement	Perform the adjustments in Section 2, Checks and Adjustments Part 43—Time Interval Using Sweeps	Replace the A14 Time Base board.

Other Troubleshooting

CRT

This procedure requires a Test Terminal with an RS-232-C

Module Troubleshooting

CRT failures may exhibit a variety of symptoms: display malfunctions, intermittent operation, performance defects, or physical defects. However, CRT-related circuitry may cause similar symptoms. You should be sure to eliminate any other possible causes of failure before replacing the CRT. To replace the CRT requires extensive mainframe recalibration and performance verification.

No Display

If there is no display of either the readout characters or the traces, it may be the result of a power supply failure, a fuse, a deflection amplifier failure, a problem with the circuitry that supports the CRT, or a problem in the CRT itself.

Run the diagnostics using the Test Terminal. If failures occur, investigate the trouble areas indicated.

If diagnostics pass, perform the following tests to locate the problem area:

1. Press the Beamfind button and increase the CHAR intensity to its maximum value.

If a display is visible, it is an indication that the CRT is receiving some of its voltages and that parts of the deflection amplifiers are operational.

If no display is visible, then the beam may be deflected off the screen due to a deflection amplifier failure or a poor connection in the deflection path. Diagnostics cover a major portion of the deflection amplifier circuits, but may not detect some faults. For example: if a deflection lead or termination is open, then it may not report a diagnostic failure.

2. Inspect the leads that connect from the horizontal and vertical deflection amplifiers to the CRT neck pins. Two leads connect from the horizontal deflection neck pins of the CRT to A14 Timebase board. The vertical deflection system uses two pairs of neck pins on the CRT. One pair connects directly to the A12 Vertical Amp board and the other pair connects to the CRT Termination.
3. Check the F560 fuse for the high-voltage system which is located on the A13 Scope Logic board (refer to Fig. 3-32 for the location of this fuse). Replace the fuse if necessary (Tektronix Part 159-0021-00).

The diagnostics do not cover the grid-bias circuit on the A13 Scope Logic board; therefore, you need to refer to the Display Quality test in Section 2 Checks and Adjustments for the adjustment instructions.

4. You may also check the voltages at the socket at the end of the CRT and at the CRT neck pins.

WARNING

Dangerous voltages are present on the CRT connectors and the A13 Scope Logic board.

To measure the CRT neck pin voltages, turn the instrument power off and remove the panel behind the CRT. Remove the protective plastic cover on the CRT socket. Then, turn the instrument on again.

You must use a special high voltage probe to measure these voltages. Measure the voltages on the CRT socket and check that these voltages are similar to the approximate values shown in the table below. Also measure the voltages at J1310 and J1210 on the A13 Scope Logic board (refer to Fig. 3-32 for the location of these jumpers). To get access to these connectors, remove the protective high voltage cover.

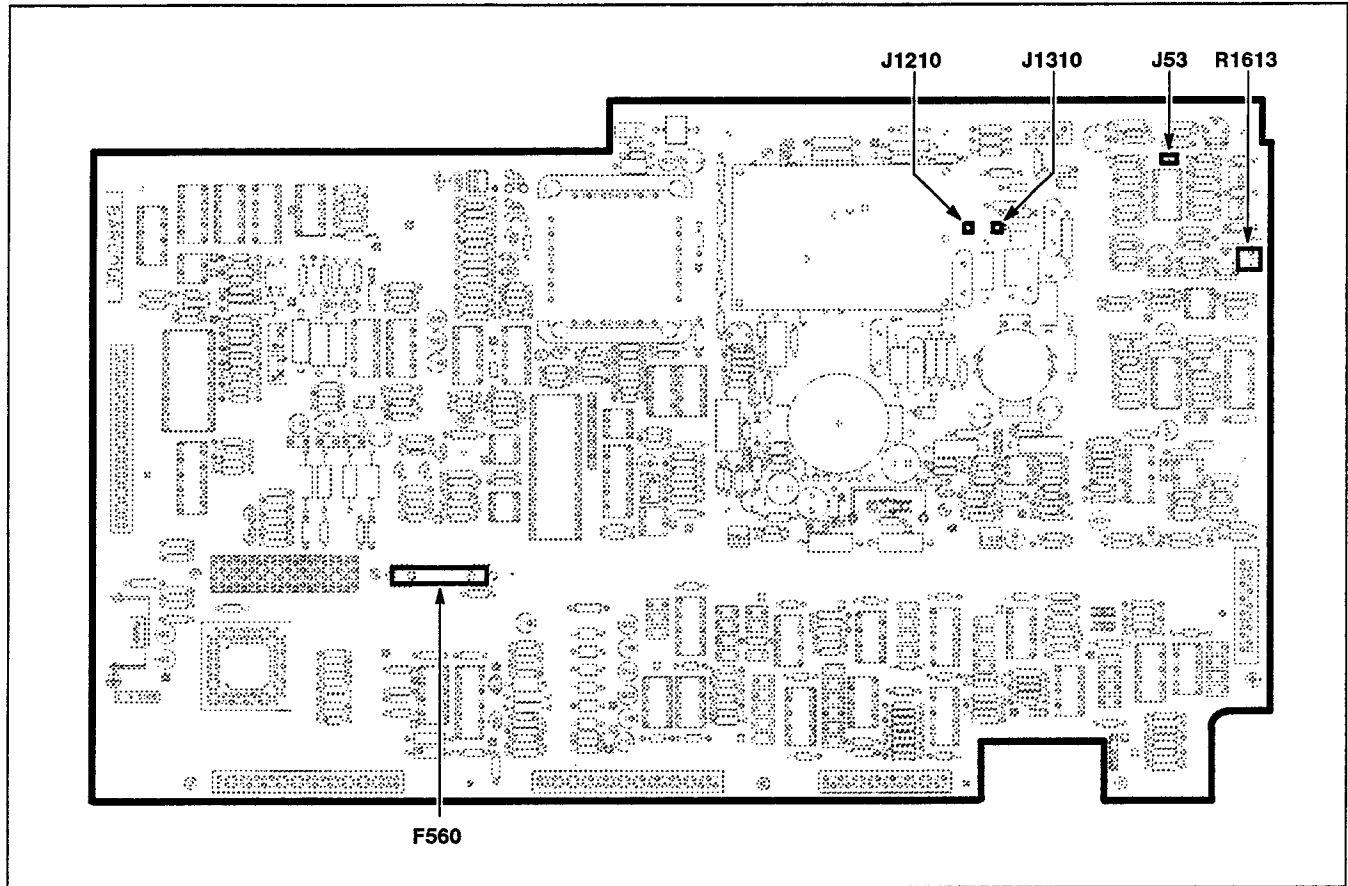


Figure 3-32. A13 Scope Logic board jumper, resistor, and fuse locations.

NOTE

All the following voltages are referenced to ground.

- Pin 1: -1600 VDC heater
- Pin 2: -1600 VDC cathode
- Pin 3: -1650 VDC grid to -1690
- Pin 4: -900 VDC focus
- Pin 6: 0 VDC
- Pin 6: 0 VDC
- Pin 7: +40 VDC
- Pin 8: 5-90 VDC (varies with FP Astig setting)
- Pin 9: 0 VDC

Pin 10: 5-90 VDC (varies with R1611 geometry)

Pin 11: 0 VDC

Pin 12: 5-90 VDC (varies with R1600 stigmator)

Pin 13: 0 VDC

Pin 14: -1600 VDC heater

J1310: -130 VDC (varies with intensity) to + 500

J1210: -900 VDC

If no high voltage is present, then the problem may be a blown fuse (F560 on the A13 Scope Logic board, see Fig. 3-32), defective circuitry in the high voltage section of the A13 Scope Logic board, or defective low voltage power supply assembly.

If all voltages appear reasonable and there is no display, then the problem may be an open heater in the CRT or an open circuit in the filament-winding path from the high-voltage transformer to the CRT heater. The heater voltage is approximately 6.3 VAC, elevated to -1600 VDC.

If any voltage is obviously wrong it is most probable that the A13 Scope Logic board is at fault. However, it is possible that a short between elements within the CRT could also cause the voltages to be out of range.

Display With No Intensity Control



To avoid CRT damage, do not leave the instrument on any longer than necessary when troubleshooting this condition. Position the beam off the screen if possible.

A possible failure that occurs in CRTs is a G-K short. This is a short or low impedance between the grid and cathode. As a result of this condition, the grid and cathode are at nearly the same voltage. A symptom of this condition is a very bright trace that can not be adjusted using the front-panel intensity controls. Other failures can result in the same symptom and the CRT can be damaged as a result.

If the display intensity is visible but not exceedingly bright (still without control), then the problem is most likely in either the z-axis circuitry or ACVS circuitry on the A13 Scope Logic board. The Extended Test Diagnostics provide good coverage of these areas.

There is a cal constant that affects the maximum available intensity. If a firmware upgrade was performed, it could cause a problem if it is outside of the useful range. The Writing Rate adjustment in the Checks and Adjustments section should be performed if this calibration constant is suspected.

Poor Writing Rate

Items affecting writing rate are: beam intensity, grid bias, focus, and the condition of the CRT.

Perform all of the adjustments in Display Quality of Section 2 Checks and Adjustments. This section includes adjustments for the focus, cathode, grid bias, maximum intensity, and other calibration constants.

There may be other indications that the CRT is not adjusted properly or has deteriorated. For example, if the Enhanced Accuracy process that aligns the CRT beam to the graticule lines was not working properly before the writing rate was examined, then the CRT is probably not adjusted correctly.

If writing rate is not adequate when these adjustments have been performed, then the CRT is most likely at fault. Note that a decrease in writing rate is normal as a CRT ages.

Poor Y-Axis Alignment

The y-axis alignment coil is an integral part of the CRT. If the y-axis adjustment (R1613) described in the Section 2 Checks and Adjustments does not work then this indicates a problem with this coil or the circuitry that drives the coil. The y-axis coil connects to J53 (refer to Fig. 3-30 for the location of this jumper) on the A13 Scope Logic board. The voltage at this connector varies from about -1.3 V to +1.3 V when R1613 is adjusted within its range. The resistance of the coil (when J53 is disconnected) is about 125 Ω . Refer to Figure 3-32 for the location of this jumper and resistor.

CRT Termination

NOTE

Do not disturb any of the circuitry on the A12 Vertical Amp board (such as the leads or any of the adjustments). If you disturb any of this circuitry, then extensive vertical recalibration will be required.

The CRT Termination hybrid (see Fig. 3-33) is a laser-trimmed resistor network that is mounted to the chassis near the A12 Vertical Amp board. A Digital Multimeter (DMM) can effectively check this component with the instrument turned off.

Module Troubleshooting

This component is suspect if the display on the CRT screen is badly unbalanced vertically. Also, inspect the connection of this component to the CRT neck pins as follows:

1. Turn the instrument power off.
2. Unplug the cable from J80 on the A12 Vertical Amp board (refer to Fig. 3-33 for the location of this jumper).
3. Unplug the two leads that connect the termination hybrid to the CRT neck pins.
4. Set the DMM for measuring resistance.
5. Put one lead of the DMM on pin 4 of J80.
6. Carefully put the other lead of the DMM on the solder joint of either wire connecting the CRT neck pins solders to the CRT Termination hybrid.
7. Check that the resistance measured is between 125 and 150 Ω .
8. Leave one lead of the DMM on pin 4 and move the other lead of the DMM to the other wire connecting the CRT neck pin solders to the CRT Termination hybrid (refer to step 6).

9. Check that the resistance measured is between 125 and 150 Ω .

NOTE

The two resistance values measured in steps 7 and 9 should be within 2% of each other. Also, many test leads that are used with DMMs have a varying amount of resistance error. You must account for these variations in the measurement of all resistances.

10. With one lead of the DMM still on pin 4 of J80, touch the other lead of the DMM to pin 5 of J80.
11. Check that the resistance measured is 1.00 M Ω \pm 3%.
12. Move the lead on pin 5 to pin 3 of J80.
13. Check that the resistance measured is 1.00 M Ω \pm 3%.

NOTE

The two resistances values measured in steps 11 and 13 should be within 0.5 % of each other.

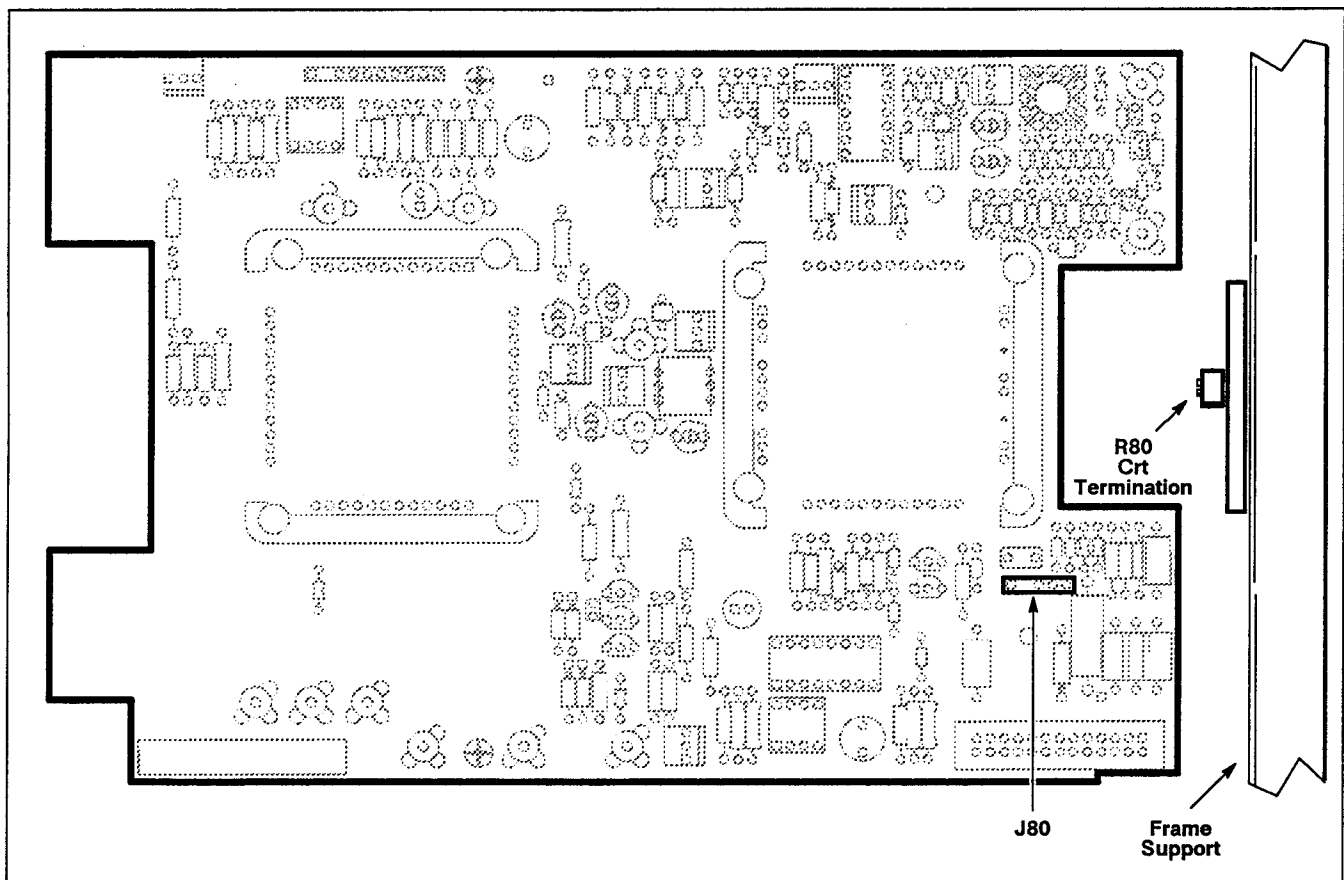


Figure 3-33. CRT Termination jumper location.

Distributed Capacitance Plate

Refer to Table 2-1 for a complete description of the screwdrivers required in this procedure.

Module Troubleshooting

If any of the metal tabs on the Distributed Capacitance Plate (see Fig. 3-34) are broken or missing, then you must replace the plate as follows:

1. Remove the three screws attaching the carry handle to the mainframe.
2. Remove the A12 Vertical Amp board and all the attaching cables.
3. Unplug the cable from J80 on the A12 Vertical Amp board (refer to Fig. 3-33 for the location of this jumper).
4. Unplug the wire leads that connect the CRT Termination hybrid to the neck pins of the CRT.
5. Remove the two screws attaching the CRT Termination hybrid to the chassis (the Distributed Capacitance Plate should now be unattached).
6. Replace the Distributed Capacitance Plate.
7. Recalibrate the vertical response path (refer to Section 2, Checks and Adjustments Part 29—Vertical High Frequency Response).

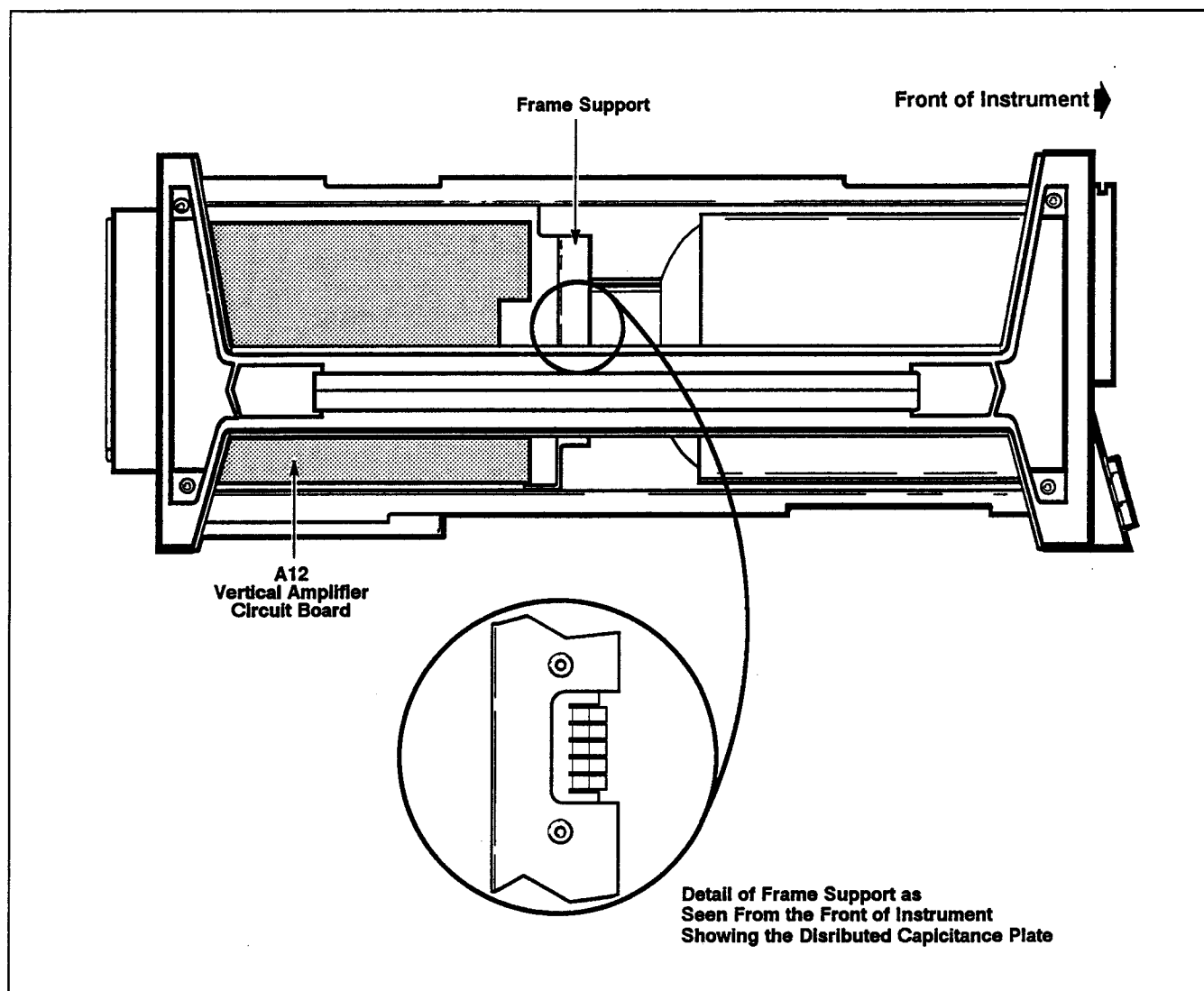


Figure 3-34. Distributed Capacitance Plate.

Power Supply Module

This procedure requires an Extended Diagnostics Power Supplies Test Fixture. Refer to Table 2-1 for a complete description of the equipment required.

Module Troubleshooting

Power supply problems show up when the front-panel ON/STANDBY switch is pressed ON. If the green light beside the ON label fails to light then check the following:

1. That the PRINCIPAL POWER SWITCH located on the back panel is in the ON position.
2. That the line cord is connected to a functional power source with the same output voltage set as the Line Voltage Selector on the back panel.

3. That the fuse is good. If the fuse is blown, replace it. Then check the Power Supply as described after step 4.
4. That the fan is exhausting air from the instrument when the ON/STANDBY switch is ON. A defective fan causes an over-temperature shutdown in the Power Supply.

If these checks fail to correct the problem connect the 067-1264-00 Extended Diagnostics Power Supplies Test Fixture and refer to its accompanying documentation. The Test Fixture shows which power supply voltage source is having a problem. To help isolate the source of the problem disconnect the power connection to the board using the defective source. Then, power up again. This procedure is only effective for externally shorted Power Supplies. Once again, refer to documentation accompanying the Test Fixture for more troubleshooting hints.

Regulator Board

This board is implicitly verified; that is, if all the other FRUs pass diagnostic testing, then you can assume that the Regulator board is operating correctly as well.

Fuse Troubleshooting

If suspect, the following mainframe fuses should be checked:

- F99 the principal line fuse, located on the rear panel (refer to Fig. 3-35)
- F560 the high voltage fuse located on the A13 Scope Logic board (refer to Fig. 3-32)

To check any fuse, remove the power cord from the instrument (+ 16 HK and line voltages are present if the power cord is attached).

Locate the suspect fuse and check that fuse for continuity and proper rating. If a fuse is open, then replace that fuse a new one of the proper rating.

Isolate the malfunction that is causing the fuse to blow and repair this area.

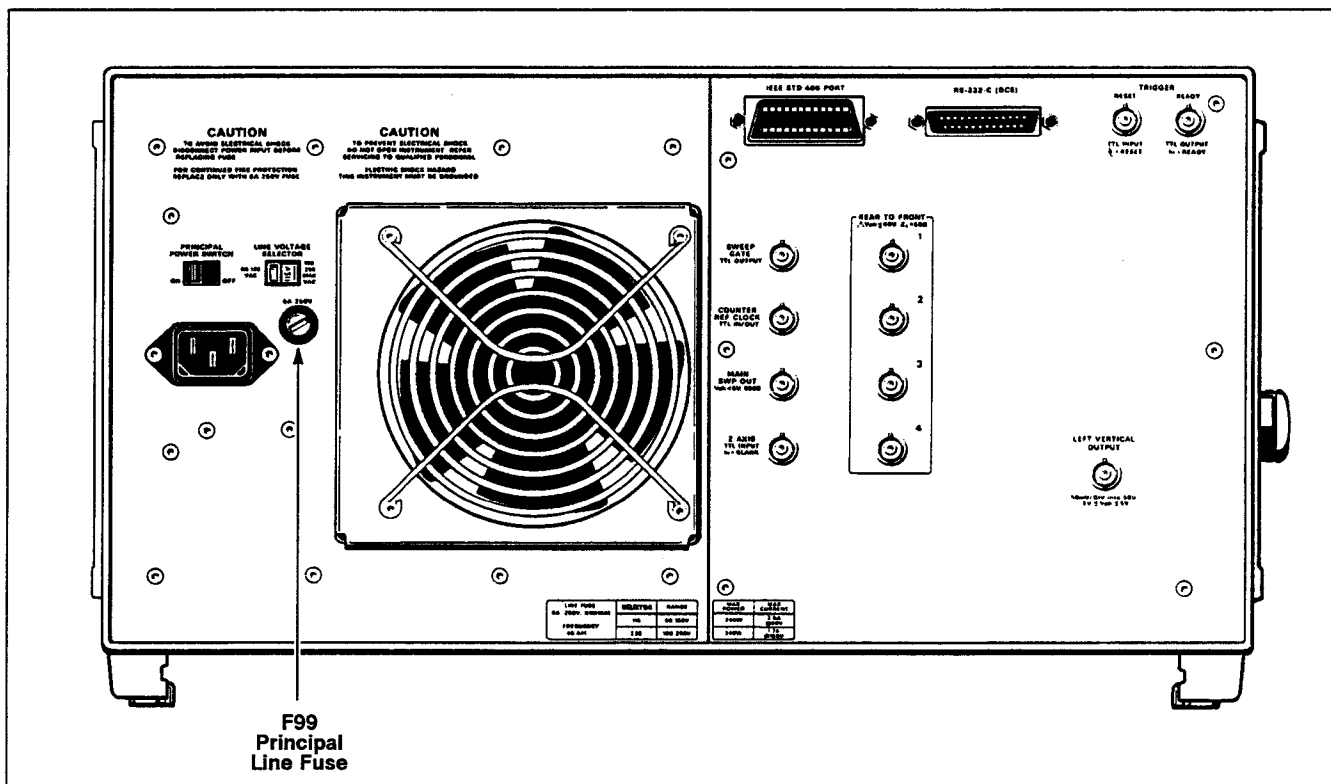


Figure 3-35. Rear panel principal line fuse location.

Section 4

Theory of Operation

This section describes and illustrates (refer to Fig. 4-1) the 11302A system block diagram.

Block Diagram Description

The following information provides descriptions of each FRU block shown in Figure 4-1.

A1 Plug-In Interface Board

The obvious purpose of the A1 Plug-In Interface board is to interface plug-in amplifiers to the mainframe. One of the functions of the A1 Plug-In Interface board is to route signals and voltages within the instrument. Another function of this board is to bus power supply voltages from the Power Supply Module that plugs into the back of the A1 Plug-In Interface board. There are no active components located on this board.

A5, A8, and A9 Front Panel Assembly

The Front Panel Assembly allows the user to interface with the instrument using the front-panel buttons it supports. The Front Panel Assembly includes the A5 Top Front Panel board, the A8 Center Front Panel board, the A9 Bottom Front Panel board, the buttons, the knobs, the panel, and the sustaining hardware. Each of the three boards has a front-panel light emitting diode (LED) display and the front-panel button inputs. The A9 Bottom Front Panel board also has the vertical and horizontal knobs. No other circuitry exists on these three boards.

A7 Touch Panel Board

The A7 Touch Panel board has three instrument functions: the Graticule Illumination, the Graticule Detector, and the Touch Sensing Array. The circuitry on the A13 Scope Logic board drives the Graticule Illumination light bulbs. The Graticule Detector consists of four photo transistors that are located at the corners of the CRT. These transistors provide the signal input necessary for the circuitry located on the A10 Front Panel Interface board to detect a trace crossing of a graticule on the CRT face. The A7 Touch Panel board consists of a ten by fourteen array of infrared LEDs and photo transistors that the circuitry on the A10 Front Panel Interface board and A11 Main Processor board scan. The instrument senses broken (blocked) light beams between an LED and photo transistor pair to detect the menu location that you touched. Specifically, when two beams are broken, one in the x-axis and one in the y-axis, the instrument assumes that the intersection of these two broken beams is the location you touched.

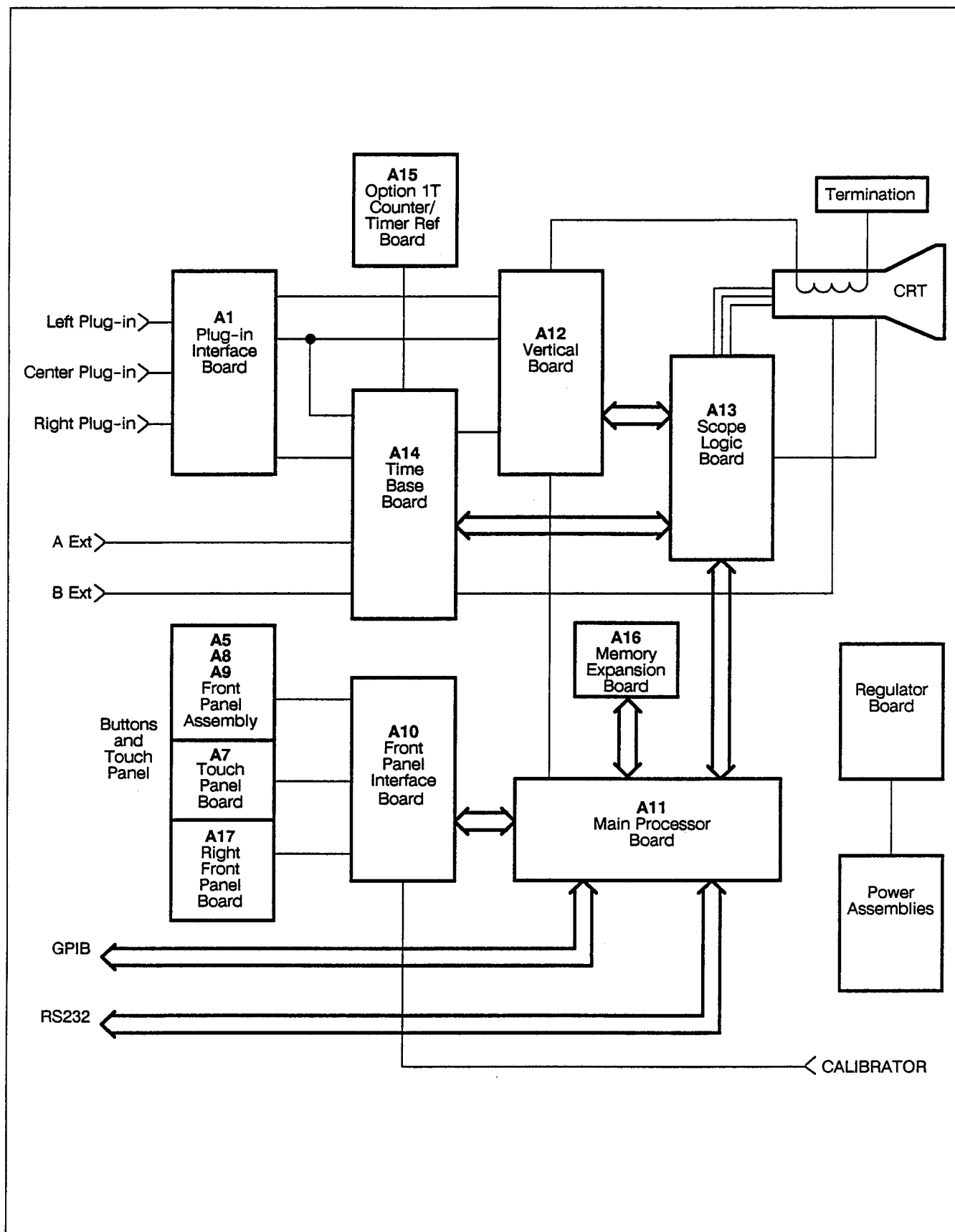


Figure 4-1. 11302A System Block Diagram.

A10 Front Panel Interface Board

The A10 Front Panel Interface board contains:

- The interfacing circuitry for the A7 Touch Panel board's buttons, knobs, and LEDs.
- The camera reset is a single sweep reset from the camera that facilitates the photographing of waveforms.
- The front-panel calibrator conditions the voltage from the calibration voltage reference (CVR) located on the A13 Scope Logic board and then sends the voltage to the front-panel BNC connector.
- The beam detection circuit locates graticules lines on the CRT so that calibration can align the instrument with the CRT faceplate.

A11 Main Processor Board

The A11 Main Processor board has several functions:

- The microprocessor kernel and its read only memory (ROM), random access memory (RAM), and non-volatile RAM (NV RAM).
- The RS-232 and GPIB external interfaces provide communication with external instrument controllers.
- The text and stored waveform controller that formats and displays text and stored waveforms. This display activity time shares the CRT with normal waveform displays.
- The Serial Data Interface Controller for processor communications with the plug-in amplifiers and other boards within the mainframe.
- Front-panel control circuitry for scanning the knob and A7 Touch Panel board inputs.
- An analog-to-digital (A/D) converter reads the diagnostic and calibration voltages for the entire instrument.
- The clock and calendar.

The following additional field replaceable units (FRUs) are located on the A11 Main Processor board:

- Firmware (PROMS)—the eight PROMS contain all the instrument's software.
- EEROM IC—the constants for the last factory calibration cycle are stored in the EEROM. The diagnostic system verifies the factory calibration constants using a checksum that is stored with the factory constants. If the EEROM data gets corrupted the instrument may be unusable until recalibrated. Any measurements made using the instrument prior to full calibration may be inaccurate.
- Serial Data Interface Integrated Circuit (IC)—This device has the following functions:

The Front Panel Assembly knob control interfaces with the Front Panel Assembly knob outputs.

The A7 Touch Panel board control interfaces with the Front-Panel Assembly and scans the A7 Touch Panel board for broken beams.

The plug-in amplifier Serial Data Interface controls all the mainframe communication with each of the three plug-in amplifier slots of the mainframe.

The External interfaces control the A11 Main Processor board's control communication with other boards within the mainframe.

- Display Control IC—the display controller and its RAM and digital-to-analog (D/A) converter output circuitry generate all the text readout and stored reference waveforms for display on the CRT. Most of the additional circuitry in the mainframe must also function correctly for the readout to actually appear on the CRT.
- Battery—a battery maintains the NV RAM during power-down. The instrument could function with a bad (dead) battery, although power-down settings will always be lost and Enhanced Accuracy would not bridge a power-down. The diagnostics are designed to generate a battery error prior to any random memory losses.

A12 Vertical Amp Board

The A12 Vertical Amp board has two functions: the vertical display of signals and the vertical display of readouts. Circuitry located on this board connects one of its many input signals to the output for display on the CRT. The A13 Scope Logic board contains the logic that selects which input is displayed at a given time. Input signals to the A12 Vertical Amp board come from the following locations within the instrument:

- Vertical trace information comes from the plug-in amplifiers through the A1 Plug-In Interface board.
- Vertical readout information comes from the A11 Main Processor board. The Display Control IC and the supporting analog signal conditioning circuits located on the A11 Main Processor board generate this signal.
- Counter view information comes from the A14 Time Base board. The counter timer circuit located on the A14 Time Base board generates this signal.
- Calibration reference voltage comes from the A13 Scope Logic board. The calibration reference system located on the A13 Scope Logic board generates this signal. Both the calibration and diagnostic systems on the A12 Vertical Amp board use this voltage.

The A12 Vertical Amp board provides the following signals to the other areas of the instrument:

- The center plug-in amplifier output is buffered and sent to the A14 Time Base board for the XY trace display.
- The vertical signal output on the rear panel comes from the A12 Vertical Amp board.

The CRT Termination FRU is also coupled with the A12 Vertical Amplifier board. The CRT Termination resistor supplies the terminating impedance for the vertical CRT signal.

A13 Scope Logic Board

The A13 Scope Logic board contains the following:

- The CRT support circuitry for Z-axis, Geometry, and Focus functions.
- The high voltage supply for the CRT.
- Logic to select which signal the A12 Vertical Amp board will display. Refer to A12 Vertical Amp board in this section.
- The calibration voltage reference circuit for the calibration, diagnostics, and front-panel calibrator voltages.
- The analog control voltage system that provides the processor controllable analog voltages to virtually all the functions of the instrument.

The A13 Scope Logic board contains the following additional FRUs:

- The Real Time Oscilloscope Control (ROCS) IC—The microprocessor, through the serial data interface IC located on the A11 Main Processor board, can program the ROCS IC. The ROCS IC generates the control lines that select a waveform source(s) and time base. Also, the ROCS IC controls the time slicing or sequencing of multiple trace displays.
- The Analog Control Voltage (ACVS) processor—The ACVS processor also interfaces with the microprocessor through the serial data interface IC located on the A11 Main Processor board. The function of the ACVS processor is to continuously update (approximately 30 times per second) the sample-and-hold circuits that form the ACVS.

A14 Time Base Board

The A14 Time Base board contains the circuitry that generates the horizontal portion of a sweep, the counter timer circuitry, and the trigger circuitry. The ROCS located on the A13 Scope Logic board allows the display of multiple sweeps, sequencing several sweep setups through the A14 Time Base board and the A12 Vertical Amp board.

The A14 Time Base board contains the following:

- The main and delayed trigger circuitry.
- The main and delayed sweep and holdoff circuitry.
- The counter timer for making time measurements with the sweeps and triggers.
- Video holdoff circuitry allowing stable triggering of standard video signal inputs.

The Video board picks off the main trigger source out signal into an automatic gain control (AGC) circuit. The output of the AGC is fed into a commercially available sync separator, employing a DC clamp at its input, which strips the horizontal sync pulses and detects odd and even fields.

The AGC maintains constant sync tip amplitude, provided the displayed signal is approximately 1 division or greater.

NOTE

When video holdoff is selected, the external inputs are disabled. This allows the counter timer to use the video sync separator outputs to select an individual line as a trigger event using delay-by-events to determine holdoff.

A15 Counter Timer Reference Board (Option 1T)

The Counter Timer Reference board is located inside of the CRT compartment near the rear of the instrument. This board contains a temperature-controlled, high-stability oscillator and its associated circuitry.

A16 Memory Expansion Board

The A16 Memory Expansion board contains NV RAM for the STORE/RECALL of mainframe settings. A battery maintains the NV RAM when the power is off. The instrument could function with a bad or dead battery, but the stored settings would be lost at power down.

A17 Character Control Board

The A17 Character Control board consists of a front panel LED display, the buttons, and the sustaining hardware. The user may select normal readout (readout time-shared with the display), pulsed readout (readout generated at the end of a sweep), or no readout.

Replaceable Parts

This section contains a list of the components that are replaceable for the 11801 Oscilloscope. As described below, use this list to identify and order replacement parts.

Parts Ordering Information

Replacement parts are available from or through your local Tektronix, Inc. Field Office or representative.

Changes to Tektronix instruments are sometimes made to accommodate improved components as they become available and to give you the benefit of the latest circuit improvements. Therefore, when ordering parts, it is important to include the following information in your order:

- Part Number
- Instrument Type or Model Number
- Instrument Serial Number
- Instrument Modification Number, if applicable

If a part you order has been replaced with a different or improved part, your local Tektronix Field Office or representative will contact you concerning any change in the part number.

Change information, if any, is located at the rear of this manual.

Module Replacement

The 11801 Oscilloscope is serviced by module replacement so there are three options you should consider:

- **Module Exchange.** In some cases you may exchange your module for a remanufactured module. These modules cost significantly less than new modules and meet the same factory specifications. For more information about the module exchange program, call 1 800 TEKWIDE, extension BVJ5799.
- **Module Repair.** You may ship your module to us for repair, after which we will return it to you.
- **New Modules.** You may purchase new replacement modules in the same way as other replacement parts.

Using the Replaceable Parts List

The tabular information in the Replaceable Parts List is arranged for quick retrieval. Understanding the structure and features of the list will help you find all the information you need for ordering replacement parts.

Item Names

In the Replaceable Parts List, an Item Name is separated from the description by a colon (:). Because of space limitations, an Item Name may sometimes appear as incomplete. For further Item Name identification, U.S. Federal Cataloging Handbook H6-1 can be used where possible.

Indentation System

This parts list is indented to show the relationship between items. The following example is of the indentation system used in the Description column:

1	2	3	4	5	Name & Description
					<i>Assembly and/or Component</i>
					<i>Attaching parts for Assembly and/or Component</i> (END ATTACHING PARTS)
					<i>Detail Part of Assembly and/or Component</i>
					<i>Attaching parts for Detail Part</i> (END ATTACHING PARTS)
					<i>Parts of Detail Part</i>
					<i>Attaching parts for Parts of Detail Part</i> (END ATTACHING PARTS)

Attaching Parts always appear in the same indentation as the item it mounts, while the detail parts are indented to the right. Indented items are part of, and included with, the next higher indentation. Attaching parts must be purchased separately, unless otherwise specified.

Abbreviations

Abbreviations conform to American National Standards Institute (ANSI) standard Y1.1

CROSS INDEX - MFR. CODE NUMBER TO MANUFACTURER

Mfr. Code	Manufacturer	Address	City, State, Zip Code
01536	TEXTRON INC CAMCAR DIV SEMS PRODUCTS UNIT	1818 CHRISTINA ST	ROCKFORD IL 61108
04348	LAWRENCE ENGINEERING AND SUPPLY INC	500 S FLOWER ST P O BOX 30	BURBANK CA 91503
06383	PANDUIT CORP	17301 RIDGELAND	TINLEY PARK IL 07094-2917
06665	PRECISION MONOLITHICS INC SUB OF BOURNS INC	1500 SPACE PARK DR	SANTA CLARA CA 95050
06915	RICHCO PLASTIC CO	5825 N TRIPP AVE	CHICAGO IL 60646-6013
07416	NELSON NAME PLATE CO	3191 CASITAS	LOS ANGELES CA 90039-2410
11897	PLASTIGLIDE MFG CORP	2701 W EL SEGUNDO BLVD	HAWTHORNE CA 90250-3318
12327	FREEWAY CORP	9301 ALLEN DR	CLEVELAND OH 44125-4632
16428	COOPER BELDEN ELECTRONIC WIRE AND CA SUB OF COOPER INDUSTRIES INC	NW N ST	RICHMOND IN 47374
18677	SCANBE MFG CO DIV OF ZERO CORP	3445 FLETCHER AVE	EL MONTE CA 91731
28520	HEYCO MOLDED PRODUCTS	750 BOULEVARD P O BOX 160	KENILWORTH NJ 07033-1721
53387	MINNESOTA MINING AND MFG CO ELECTRONIC PRODUCTS DIV	3M CENTER	ST PAUL MN 55101-1428
70903	COOPER BELDEN ELECTRONICS WIRE AND C SUB OF COOPER INDUSTRIES INC	2000 S BATAVIA AVE	GENEVA IL 60134-3325
71400	BUSSMANN DIV OF COOPER INDUSTRIES INC	114 OLD STATE RD PO BOX 14460	ST LOUIS MO 63178
73743	FISCHER SPECIAL MFG CO	111 INDUSTRIAL RD	COLD SPRING KY 41076-9749
75498	MULTICOMP INC	3005 SW 154TH TERRACE #3	BEAVERTON OR 97006
77542	RAYOVAC CORP	601 RAYOVAC DR PO BOX 4960	MADISON WI 53711-0960
77900	ILLINOIS TOOL WORKS SHAKEPROOF DIV	ST CHARLES RD	ELGIN IL 60120
78189	ILLINOIS TOOL WORKS INC SHAKEPROOF DIV	ST CHARLES ROAD	ELGIN IL 60120
80009	TEKTRONIX INC	14150 SW KARL BRAUN DR PO BOX 500	BEAVERTON OR 97707-0001
81041	HOWARD INDUSTRIES DIV OF MSL INDUSTRIES INC	1 NORTH DIXIE HWY PO BOX 287	MILFORD IL 60953
83486	ELCO INDUSTRIES INC	1101 SAMUELSON RD	ROCKFORD IL 61101
83553	ASSOCIATED SPRING BARNES GROUP INC	15001 S BROADWAY P O BOX 231	GARDENA CA 90248-1819
93907	TEXTRON INC CAMCAR DIV	600 18TH AVE	ROCKFORD IL 61108-5181
95987	BRADY/WECKESSER MFG CO	4444 WEST IRVING PARK RD	CHICAGO IL 60641
S3109	FELLER	ASA ADOLF AG STOTZWEID CH8810	HORGEN SWITZERLAND
S3629	SCHURTER AG H C/O PANEL COMPONENTS CORP	2015 SECOND STREET	BERKELEY CA 94170
TK0861	H SCHURTER AG DIST PANEL COMPONENTS	2015 SECOND STREET	BERKELEY CA 94170
TK1319	MORELLIS Q & D PLASTICS	1812 16-TH AVE	FOREST GROVE OR 97116
TK1373	PATELEC-CEM (ITALY)	10156 TORINO	VAICENTALLO 62/45S ITALY
TK1456	PAPST MECHATRONIC CORP	AQUIDNECK INDUSTRIAL PK	NEWPORT RI 02840
TK1546	DTM PRODUCTS INC	4725 NAUTILUS COURT S	BOULDER CO 80301
TK1869	ALPS	100 N CNTR E AVE	ROCKVILLE CENTRE NY 11570

Fig. & Index No.	Tektronix Part No.	Serial/Assembly No.		Qty	12345 Name & Description	Mfr. Code	Mfr. Part No.
		Effective	Dscnt				
1-1	348-0875-00			1	FLIPSTAND,CAB.:	80009	348-0875-00
-2	200-3133-00			1	COVER, TOP:	80009	200-3133-00
-3	214-0603-02			4	.PIN ASSY,SECRG:W/SPRING WASHER	80009	214-0603-02
-4	386-1151-00			4	.CLAMP,RIM CLENC:SPG STL CD PL	83553	ORDER BY DESCR
-5	386-0227-00			4	.STOP,CLP,RIM CL:	80009	386-0227-00
-6	200-3134-00			1	COVER,BOTTOM:	80009	200-3134-00
-7	214-0603-02			4	.PIN ASSY,SECRG:W/SPRING WASHER	80009	214-0603-02
-8	386-1151-00			4	.CLAMP,RIM CLENC:SPG STL CD PL	83553	ORDER BY DESCR
-9	386-0227-00			4	.STOP,CLP,RIM CL:	80009	386-0227-00
-10	348-0596-00			4	PAD,CAB.FOOT:0.69 X 0.255 X 0.06,PU	80009	348-0596-00
-11	348-0879-00			4	FOOT,CABINET:BOTTOM,BLUE,POLYCARBONATE (ATTACHING PARTS)	80009	348-0879-00
-12	211-0722-00			4	SCREW,MACHINE:6-32 X 0.25,PNH,STL (END ATTACHING PARTS)	80009	211-0722-00
-13	101-0106-00			2	TRIM,DECORATIVE:LEFT SIDE,FRONT CASTING (ATTACHING PARTS)	80009	101-0106-00
-14	211-0722-00			4	SCREW,MACHINE:6-32 X 0.25,PNH,STL (END ATTACHING PARTS)	80009	211-0722-00
-15	101-0107-00			2	TRIM,DECORATIVE:RIGHT SIDE,FRONT CASTING (ATTACHING PARTS)	80009	101-0107-00
-16	211-0722-00			4	SCREW,MACHINE:6-32 X 0.25,PNH,STL (END ATTACHING PARTS)	80009	211-0722-00
-17	426-2099-00			1	FRAME SECT,CAB.:RIGHT SIDE (ATTACHING PARTS)	80009	426-2099-00
-18	211-0718-00			1	SCREW,MACHINE:6-32 X 0.312,FLH,100 DEG,STL	83486	ORDER BY DESCR
-19	212-0681-00			2	SCREW,MACHINE:10-32 X 0.25,PNH,STL (END ATTACHING PARTS)	80009	212-0681-00
-20	348-0886-00			4	SHLD GSKT,ELEK:FINGER TYPE,18.310 L	80009	348-0886-00
-21	200-2191-00			2	CAP,RETAINER:PLASTIC	80009	200-2191-00
-22	367-0248-01			1	HANDLE,CARRYING:16.341 L,W/CLIP	80009	367-0248-01
-23	426-2098-00			1	FRAME SECT,CAB.:LEFT SIDE (ATTACHING PARTS)	80009	426-2098-00
-24	211-0718-00			1	SCREW,MACHINE:6-32 X 0.312,FLH,100 DEG,STL	83486	ORDER BY DESCR
-25	212-0681-00			2	SCREW,MACHINE:10-32 X 0.25,PNH,STL (END ATTACHING PARTS)	80009	212-0681-00

FIG. 1 CABINET
11302A Service Reference

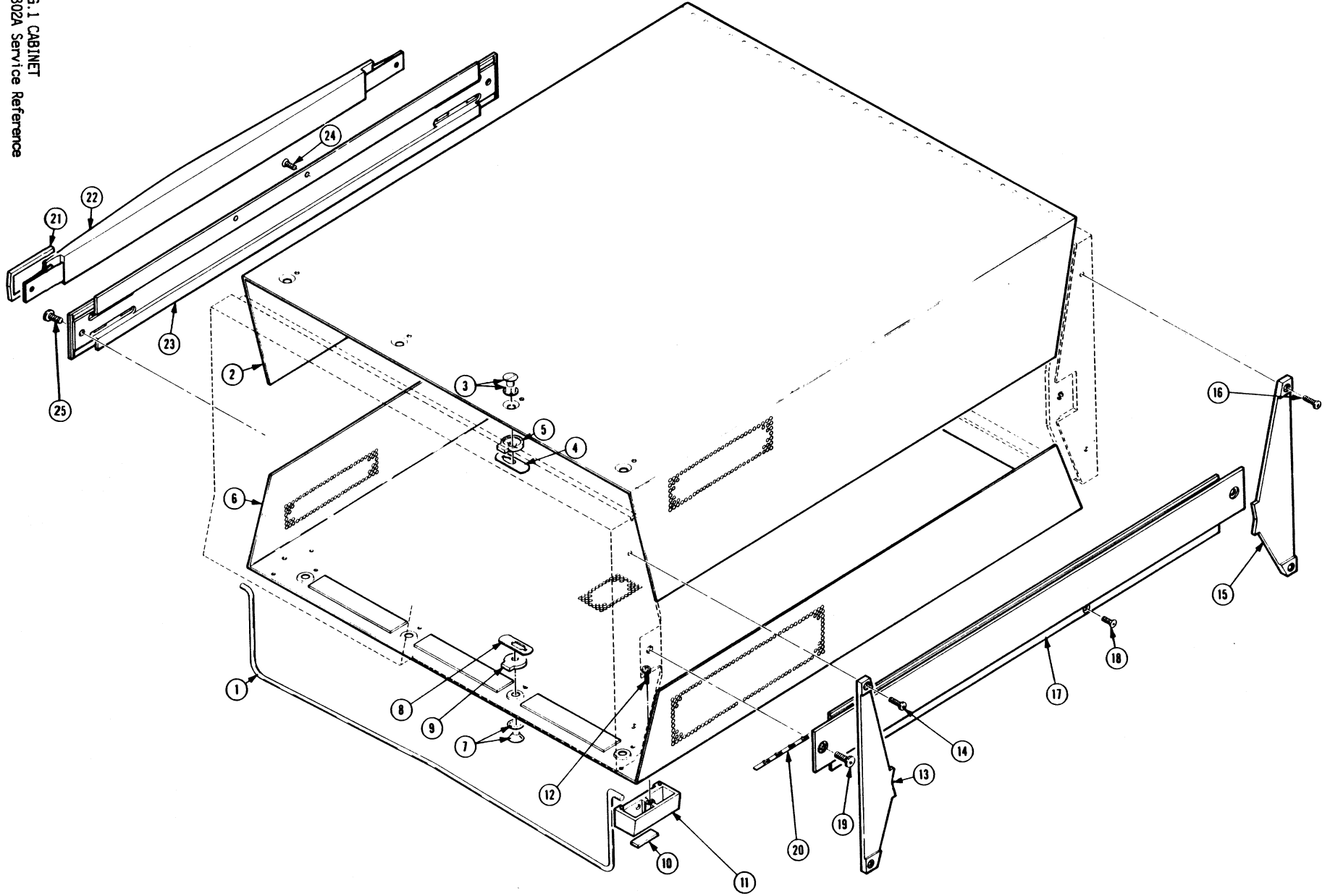


Fig. & Index No.	Tektronix Part No.	Serial/Assembly No. Effective Discnt	Qty	12345 Name & Description	Mfr. Code	Mfr. Part No.
2-1	614-0777-01		1	FRONT PNL ASSY: (SEE A5, EXCHANGE ITEM) (ATTACHING PARTS)	80009	614-0777-01
-2	210-0586-00		1	NUT, PL, ASSEM WA: 4-40 X 0.25, STL CD PL (END ATTACHING PARTS) FRONT PANEL ASSEMBLY INCLUDES:	78189	211-041800-00
-3	366-0582-00		2	.KNOB: ENCODER	TK1546	ORDER BY DESCR
-4	366-0586-01		1	KNOB: ENCODER, GRAY, W/RETAINING RING	80009	366-0586-01
-5	348-0939-00		4	GASKET: EMI, 4.62 X 0.212, SST	80009	348-0939-00
-6	200-3256-02		1	COVER, CKT SCALE: FINISHED, 11302 (ATTACHING PARTS)	80009	200-3256-02
-7	211-0752-00		4	SCREW, MACHINE: 6-32 X 0.75, PNH, TORX (END ATTACHING PARTS)	80009	211-0752-00
-8	670-9297-00		1	CIRCUIT BD ASSY: MCP TOUCH PANEL (SEE A7, EXCHANGE ITEM)	80009	670-9297-00
-9	337-3281-00		1	SHLD, IMPLOSION: 5.97 X 4.78 X 0.062	80009	337-3281-00
-10	361-1505-00		1	SPACER, PLATE: 6.48 X 5.35 X 0.010, PC	80009	361-1505-00
-11	337-3404-00		1	SHLD GSKT, ELEK:	80009	337-3404-00
-12	131-1315-01		15	CONN, RCPT, ELEC: BNC, FEMALE (FRONT AND BACK)	80009	131-1315-01
	131-1315-01		23	CONN, RCPT, ELEC: BNC, FEMALE (FRONT AND BACK, OPTION 1C ONLY)	80009	131-1315-01
	174-0252-00		1	CABLE ASSY, RF: (4), 50 OHM COAX, 30.5 L (FROM FRONT BNC'S TO REAR BNC'S) (OPTION 1C ONLY)	80009	174-0252-00
-13	333-3221-00		1	PANEL, FRONT: LOWER	80009	333-3221-00
	333-3314-00		1	PANEL, FRONT: LOWER, 11302 (OPTION 1C ONLY)	80009	333-3314-00
-14	337-3414-00		1	SHIELD, ELEC: CIRCUIT (ATTACHING PARTS)	80009	337-3414-00
-15	210-0586-00		2	NUT, PL, ASSEM WA: 4-40 X 0.25, STL CD PL (END ATTACHING PARTS)	78189	211-041800-00
-16	348-0878-00		1	SHLD GSKT, ELEK: SOLID TYPE, 7.646 L	80009	348-0878-00
-17	348-0877-00		1	SHLD GSKT, ELEK: SOLID TYPE, 1.860 L	80009	348-0877-00
-18	348-0876-00		2	SHLD GSKT, ELEK: SOLID TYPE, 2.480 L	80009	348-0876-00
-19	386-5332-00		4	SUPPORT, CRT: FRONT	80009	386-5332-00
-20	614-0842-00		1	SUBPANEL KIT: UPPER RIGHT FRONT (SEE A17) (ATTACHING PARTS)	80009	614-0842-00
-21	210-0586-00		3	NUT, PL, ASSEM WA: 4-40 X 0.25, STL CD PL (END ATTACHING PARTS)	78189	211-041800-00
-22	129-0103-00		1	POST, BDG, ELEC: ASSEMBLY (ATTACHING PARTS)	80009	129-0103-00
-23	210-0583-00		1	NUT, PLAIN, HEX: 0.25-32 X 0.312, BRS CD PL	73743	2X-20319-402
-24	210-0046-00		1	WASHER, LOCK: 0.261 ID, INTL, 0.018 THK, STL (END ATTACHING PARTS)	77900	1214-05-00-0541C
-25	386-5275-02		1	SUBPANEL, FRONT: FINISHED (ATTACHING PARTS)	80009	386-5275-02
-26	211-0718-00		4	SCREW, MACHINE: 6-32 X 0.312, FLH, 100 DEG, STL	83486	ORDER BY DESCR
-27	211-0409-00		2	SCR, ASSEM WSHR: 4-40 X 0.312, PNH, STL	93907	ORDER BY DESCR
-28	211-0718-00		2	SCREW, MACHINE: 6-32 X 0.312, FLH, 100 DEG, STL (END ATTACHING PARTS)	83486	ORDER BY DESCR
-29	311-2320-00		1	ENCODER, DIGITAL: INCREMENTAL, 50PPR, 50 DETENT , QUAD OUTPUT, LOC LUG AT 9 O'CLOCK	TK1869	LA22661
-30	154-0911-00		1	ELECTRON TUBE: CRT	80009	154-0911-00
-31	108-1310-00		1	HLD, TERM CONN: TRACE ROTATOR	75498	108-1310-00
-32	337-3304-00		1	SHIELD, CRT:	80009	337-3304-00
	334-1379-00		1	MARKER, IDENT: MKD HI VACUUM	07416	ORDER BY DESCR
-33	358-0566-00		4	GROMMET, PLASTIC: BLACK, ROUND, 0.625 ID	28520	2103 (SB 812-10)
-34	351-0744-00		3	GUIDE, PLUG-IN: POLYAMIDE (ATTACHING PARTS)	80009	351-0744-00
-35	211-0722-00		3	SCREW, MACHINE: 6-32 X 0.25, PNH, STL (END ATTACHING PARTS)	80009	211-0722-00
-36	337-3447-00		1	SHIELD, ELEC: RF, ALUMINUM (ATTACHING PARTS)	80009	337-3447-00
-37	211-0718-00		2	SCREW, MACHINE: 6-32 X 0.312, FLH, 100 DEG, STL (END ATTACHING PARTS)	83486	ORDER BY DESCR
-38	131-0800-03		2	CONTACT, ELEC: PLUG-IN GND, BE NI HT TR	80009	131-0800-03

Fig. & Index No.	Tektronix Part No.	Serial/Assembly No. Effective Dscnt	Qty	12345 Name & Description	Mfr. Code	Mfr. Part No.
2-				(ATTACHING PARTS)		
-39	211-0408-00		4	SCR,ASSEM WSHR:4-40 X 0.250,PNH,STL TORX (END ATTACHING PARTS)	93907	ORDER BY DESCR
-40	131-0799-00		4	CONTACT,ELEC:PLUG-IN GND,BE NI CD PL (ATTACHING PARTS)	80009	131-0799-00
-41	211-0408-00		4	SCR,ASSEM WSHR:4-40 X 0.250,PNH,STL TORX (END ATTACHING PARTS)	93907	ORDER BY DESCR
-42	358-0166-00		1	GROMMET,PLASTIC:BLACK,U-SHAPE,0.656 ID	80009	358-0166-00
-43	348-0158-00		1	GROMMET,PLASTIC:BLACK,U-SHAPE,2.91 ID	TK1319	ORDER BY DESCR
-44	343-1301-00		3	CLAMP,SADDLE:0.715,NYLON	06915	LWS-2NA
-45	200-3295-00		1	COVER,HOLE:CABLE,4.0 X 3.5 (ATTACHING PARTS)	80009	200-3295-00
-46	211-0722-00		1	SCREW,MACHINE:6-32 X 0.25,PNH,STL (END ATTACHING PARTS)	80009	211-0722-00
-47	407-3788-00		2	BRACKET,SUPPORT:VERTICAL DELAY,SST (ATTACHING PARTS)	80009	407-3788-00
-48	211-0752-00		2	SCREW,MACHINE:6-32 X 0.75,PNH,TORX (END ATTACHING PARTS)	80009	211-0752-00
-49	119-3331-00		1	DELAY LINE,ELEC:77NS,150 OHMS,DIFFERENTIAL (A18)	80009	119-3331-00
-50	-----		1	CIRCUIT BD ASSY:DELAY LINE ADAPTER (PART OF DELAY LINE) (ATTACHING PARTS)		
-51	211-0711-00		2	SCR,ASSEM WSHR:6-32 X 0.25,PNH,STL,TORX,T15 (END ATTACHING PARTS)	01536	ORDER BY DESCR
-52	407-3787-00		1	BRACKET,SUPPORT:COUNTER VIEW DELAY,SST (ATTACHING PARTS)	80009	407-3787-00
-53	211-0718-00		2	SCREW,MACHINE:6-32 X 0.312,FLH,100 DEG,STL (END ATTACHING PARTS)	83486	ORDER BY DESCR
-54	119-3330-00		1	DELAY LINE,ELEC:70.2NS,50 OHM,COUNTER VIEW	80009	119-3330-00
-55	385-0013-00		2	SPACER,POST:0.75 L W/6-32 THD THRU,NYL	80009	385-0013-00
-56	348-0253-00		1	GROMMET,PLASTIC:BLACK,OBLONG,3.0 X 0.925	80009	348-0253-00
-57	255-0334-00		1	PLASTIC CHANNEL:12.75 X 0.175 X 0.155,NYLON	11897	122-37-2500
-58	343-1302-00		5	CLAMP,SADDLE:1.070,NYLON	06915	LWS-3NA
-59	210-0457-00		1	NUT,PL,ASSEM WA:6-32 X 0.312,STL CD PL (ATTACHES GROUND WIRE)	78189	511-061800-00
-60	348-0966-00		1	GROMMET,PLASTIC:BLACK,ROUND,0.625 ID	28520	2872
-61	343-1303-00		2	CLAMP,CABLE:ROUND,0.437,NYLON (ATTACHING PARTS)	06915	N7B
-62	210-0457-00		2	NUT,PL,ASSEM WA:6-32 X 0.312,STL CD PL	78189	511-061800-00
-63	210-0863-00		2	WSHR,LOOP CLAMP:0.187 ID U/W 0.5 W CLP (END ATTACHING PARTS)	95987	C191
-64	358-0215-00		2	GROMMET,PLASTIC:BLACK,U-SHAPED,0.524ID	80009	358-0215-00
-65	343-0549-00		1	STRAP,TIEDOWN,E:0.091 W X 4.0 L,ZYTEL	06383	PLT1M
-66	386-5271-00		1	SPRT,CRT SHIELD:REAR (ATTACHING PARTS)	80009	386-5271-00
-67	211-0722-00		4	SCREW,MACHINE:6-32 X 0.25,PNH,STL (END ATTACHING PARTS)	80009	211-0722-00
-68	351-0702-00		1	GUIDE,CKT BOARD:MOLDED NYLON,4.5 L	18677	11633-22
-69	386-5331-00		1	SUPPORT RING:CRT,REAR,POLYCARBONATE (ATTACHING PARTS)	80009	386-5331-00
-70	211-0721-00		4	SCREW,MACHINE:6-32 X 0.375,PHN,STL	83486	ORDER BY DESCR
-71	210-0949-00		4	WASHER,FLAT:0.141 ID X 0.5 OD X 0.062,BRS (END ATTACHING PARTS)	12327	ORDER BY DESCR
-72	210-0457-00		1	NUT,PL,ASSEM WA:6-32 X 0.312,STL CD PL (ATTACHES GROUND WIRE)	78189	511-061800-00
-73	333-3224-00 333-3315-00		1 1	PANEL,REAR: PANEL,REAR: (OPTION 1C ONLY) (ATTACHING PARTS)	80009 80009	333-3224-00 333-3315-00
-74	211-0721-00		6	SCREW,MACHINE:6-32 X 0.375,PHN,STL (END ATTACHING PARTS)	83486	ORDER BY DESCR
-75	386-5273-02		1	SUBPANEL,REAR:FINISHED (ATTACHING PARTS)	80009	386-5273-02
-76	211-0718-00		8	SCREW,MACHINE:6-32 X 0.312,FLH,100 DEG,STL (END ATTACHING PARTS)	83486	ORDER BY DESCR
-77	386-5283-00		2	SUPPORT,CHASSIS:POWER SUPPLY,POLYCARBONATE	80009	386-5283-00
-78	337-3340-00		1	SHIELD,ELEC:CABLE,POLYCARBONATE	80009	337-3340-00

Fig. & Index No.	Tektronix Part No.	Serial/Assembly No. Effective Dscnt	Qty	12345 Name & Description	Mfr. Code	Mfr. Part No.
2-79	211-0721-00		1	SCREW,MACHINE:6-32 X 0.375,PHN,STL (ATTACHING PART TO GROUND WIRE)	83486	ORDER BY DESCR
-80	210-0006-00		1	WASHER,LOCK:#6 INTL,0.018 THK,STL (ATTACHING PART TO GROUND WIRE)	77900	1206-00-00-0541C
-81	610-0752-02		1	CHASSIS ASSY:	80009	610-0752-02

Fig. & Index No.	Tektronix Part No.	Serial/Assembly No.		Qty	12345 Name & Description	Mfr.	
		Effective	Dscort			Code	Mfr. Part No.
3-1	670-8827-04			1	CIRCUIT BD ASSY:TIMEBASE B (SEE A14, EXCHANGE ITEM) (ATTACHING PARTS)	80009	670-8827-04
-2	211-0711-00			7	SCR,ASSEM WSHR:6-32 X 0.25,PNH,STL,TORX,T15	01536	ORDER BY DESCR
-3	210-0586-00			1	NUT,PL,ASSEM WA:4-40 X 0.25,STL CD PL (END ATTACHING PARTS)	78189	211-041800-00
-4	337-3359-00			1	SHIELD,ELEC:HIGH VOLTAGE,AL (ATTACHING PARTS)	80009	337-3359-00
-5	211-0711-00			4	SCR,ASSEM WSHR:6-32 X 0.25,PNH,STL,TORX,T15 (END ATTACHING PARTS)	01536	ORDER BY DESCR
-6	129-1074-00			4	SPACER,POST:1.350 L,6-32 ONE END,BRS,HEX	80009	129-1074-00
-7	670-9546-03			1	CIRCUIT BD ASSY:SCOPE LOGIC (SEE A13, EXCHANGE ITEM) (ATTACHING PARTS)	80009	670-9546-03
-8	211-0711-00			7	SCR,ASSEM WSHR:6-32 X 0.25,PNH,STL,TORX,T15 (END ATTACHING PARTS)	01536	ORDER BY DESCR
-9	156-1589-00			1	SCOPE LOGIC BOARD ASSEMBLY INCLUDES: .MICROCKT,LINEAR:D/A CONVERTER,12 BIT,HIGH .SPEED MONOLITHIC	06665	DAC312FR
-10	156-2623-00			1	.MICROCKT,DGTL:H MOS,CUSTOM,REALTIME SCOPE	80009	156-2623-00
-11	670-8832-01			1	CIRCUIT BD ASSY:FRONT PANEL INTERFACE (SEE A10, EXCHANGE ITEM) (ATTACHING PARTS)	80009	670-8832-01
-12	211-0711-00			4	SCR,ASSEM WSHR:6-32 X 0.25,PNH,STL,TORX,T15	01536	ORDER BY DESCR
-13	210-0586-00			1	NUT,PL,ASSEM WA:4-40 X 0.25,STL CD PL (END ATTACHING PARTS)	78189	211-041800-00
-14	670-9547-02			1	CIRCUIT BD ASSY:VERTICAL (SEE A12, EXCHANGE ITEM) (ATTACHING PARTS)	80009	670-9547-02
-15	211-0711-00			3	SCR,ASSEM WSHR:6-32 X 0.25,PNH,STL,TORX,T15 (END ATTACHING PARTS)	01536	ORDER BY DESCR
-16	307-2183-00			1	RES NTWK,FXD,FI:CRT TERMINATOR (ASSEMBLED) H2183 (ATTACHING PARTS)	80009	307-2183-00
-17	211-0711-00			2	SCR,ASSEM WSHR:6-32 X 0.25,PNH,STL,TORX,T15 (END ATTACHING PARTS)	01536	ORDER BY DESCR
-18	386-5627-00			1	PLATE,DISTR CAP:ALUMINUM	80009	386-5627-00
-19	671-0801-00			1	CIRCUIT BD ASSY:MEMORY EXPANSION (SEE A16, EXCHANGE ITEM) (ATTACHING PARTS)	80009	671-0801-00
-20	211-0711-00			2	SCR,ASSEM WSHR:6-32 X 0.25,PNH,STL,TORX,T15 (END ATTACHING PARTS)	01536	ORDER BY DESCR
-21	146-0050-00			1	MEMORY EXPANSION BD ASSY INCLUDES: .BATTERY,DRY:3V,1200MA,2/3A LITHIUM	77542	BR-2/3A
-22	337-3541-00			1	SHIELD,ELEC:CABLE	80009	337-3541-00
-23	670-9124-00			1	CIRCUIT BD ASSY:COUNTER/TIMER REFERENCE (SEE A15,OPTION 1T ONLY, EXCHANGE ITEM)	80009	670-9124-00
-24	670-8831-52			1	CIRCUIT BD ASSY:MAIN PROCESSOR (SEE A11, EXCHANGE ITEM) (ATTACHING PARTS)	80009	670-8831-52
-25	211-0711-00			5	SCR,ASSEM WSHR:6-32 X 0.25,PNH,STL,TORX,T15	01536	ORDER BY DESCR
-26	129-1003-00			2	SPCR,POST:0.705 L,6-32 EXT/M3.5 X 6-6G INT	80009	129-1003-00
-27	214-3106-00			1	HARDWARE KIT:JACK SOCKET (END ATTACHING PARTS)	53387	3341-1S
-28	156-2624-00			1	MAIN PROCESSOR BOARD ASSEMBLY INCLUDES: .MICROCKT,DGTL:H MOS,SEMI CUSTOM,STANDARD .CELL,DISPLAY CONTROLLER	80009	156-2624-00
-29	156-2192-00			1	.MICROCKT,DGTL:2K X 8,PROM	80009	156-2192-00
-30	146-0050-00			1	.BATTERY,DRY:3V,1200MA,2/3A LITHIUM	77542	BR-2/3A
-31	156-2622-00			1	.MICROCKT,DGTL:H MOS,SEMI CUSTOM,STANDARD .CELL,SERIAL DATA INTERFACE	80009	156-2622-00
-32	670-8830-00			1	CIRCUIT BD ASSY:PLUG-IN INTERFACE (SEE A1) (ATTACHING PARTS)	80009	670-8830-00
-33	211-0408-00			3	SCR,ASSEM WSHR:4-40 X 0.250,PNH,STL TORX	93907	ORDER BY DESCR
-34	211-0410-00			6	SCR,ASSEM WSHR:4-40 X 0.437,PNH,STL (END ATTACHING PARTS)	93907	ORDER BY DESCR
-35	670-8840-01			1	CIRCUIT BD ASSY:REGULATOR	80009	670-8840-01

Fig. & Index No.	Tektronix Part No.	Serial/Assembly No. Effective	Discont	Qty	12345 Name & Description	Mfr. Code	Mfr. Part No.
3-					(SEE A4, EXCHANGE ITEM) (ATTACHING PARTS)		
-36	211-0721-00			2	SCREW,MACHINE:6-32 X 0.375,PHN,STL (END ATTACHING PARTS)	83486	ORDER BY DESCR
	020-1719-00			1	COMPONENT KIT:	80009	020-1719-00
					WIRE ASSEMBLIES		
-37	179-2969-00			1	WIRING HARNESS:MPU,J24/25 (FROM A11J24 TO A14J24) (FROM A11J25 TO A14J25)	80009	179-2969-00
-38	179-2970-00			1	WIRING HARNESS:TIME BASE,J15,21/23 (FROM A14J21,J22,J23 TO BNC'S) (FROM A14J15 TO A12J15)	80009	179-2970-00
-39	174-0004-00			1	CABLE ASSY,RF:50 OHM COAX,24.0 L,6-1 (FROM A2A2J66 TO A11J66,A14J66)	80009	174-0004-00
-40	174-0007-00			1	CA ASSY,SP,ELEC:4,26 AWG,28.25 L,RIBBON (FROM A4J57 TO A10J57)	80009	174-0007-00
-41	174-0010-00			1	CA ASSY,SP,ELEC:9,26 AWG,3.25 L,RIBBON (FROM A11J52 TO A12J52)	80009	174-0010-00
-42	174-0178-00			1	CABLE ASSY,RF:(4) 50 OHM COAX,30.5 L,W/CONN (FROM FR PANEL BNC'S TO REAR PANEL BNC'S)	80009	174-0178-00
-43	174-0450-00			1	CA ASSY,SP,ELEC:50,26 AWG,0.94 L,RIBBON (FROM A13J85 TO A14J85)	80009	174-0450-00
-44	175-9803-00			1	CA ASSY,SP,ELEC:7,26 AWG,7.5 L,RIBBON (FROM A2A2J65 TO A4J65)	80009	175-9803-00
-45	175-9857-00			1	CA ASSY,SP,ELEC:11,18 AWG,7.25 L,RIBBON (FROM A2A2J62 TO A4J62)	80009	175-9857-00
-46	175-9929-00			1	CA ASSY,SP,ELEC:50,28 AWG,9.0 L,RIBBON (FROM A11J71 TO A13J71)	80009	175-9929-00
-47	175-9930-00			1	CA ASSY,SP,ELEC:50,26 AWG,7.5 L,RIBBON (FROM A10J72 TO A11J72)	80009	175-9930-00
-48	175-9931-00			1	CA ASSY,SP,ELEC:34,26 AWG,23.0 L,RIBBON (FROM A10J73 TO A5J73)	80009	175-9931-00
-49	175-9934-00			1	CA ASSY,SP,ELEC:26,28 AWG,2.25 L,RIBBON (FROM A13J77 TO A12J77)	80009	175-9934-00
-50	175-9935-00			1	CA ASSY,SP,ELEC:20,28 AWG,6.25 L,RIBBON (FROM A11J78 TO A10J78)	80009	175-9935-00
-51	175-9937-00			1	CA ASSY,SP,ELEC:50,28 AWG,1.5 L,RIBBON (FROM A13J84 TO A14J84)	80009	175-9937-00
-52	175-9939-00			1	CA ASSY,SP,ELEC:34,28 AWG,1.5 L,RIBBON (FROM A13J86 TO A14J86)	80009	175-9939-00
-53	175-9940-00			2	CA ASSY,SP,ELEC:34,26 AWG,4.5 L,RIBBON (FROM A7J87 TO A10J87) (FROM A7J88 TO A10J88)	80009	175-9940-00
-54	175-9941-00			2	CABLE ASSY,RF:50 OHM COAX,3.05 L,9-N (FROM A11J41 TO TRIGGER READY BNC,J41) (FROM A11J42 TO TRIGGER RESET BNC,J42)	80009	175-9941-00
-55	175-9943-00			1	CA ASSY,SP,ELEC:3,26 AWG,3.5 L,RIBBON (FROM A10J58 TO FR PANEL INTENSITY SW,S58)	80009	175-9943-00
-56	175-9956-00			1	CABLE ASSY,RF:50 OHM COAX,12.0 L,9-6 (FROM A13J16 TO REAR PANEL BNC,J16)	80009	175-9956-00
-57	175-9957-00			1	CABLE ASSY,RF:50 OHM COAX,8.0 L,9-0 (FROM A12J20 TO LEFT VERT OUTPUT BNC)	80009	175-9957-00
-58	196-3074-00			1	LEAD,ELECTRICAL:18 AWG,12.0 L,5-4 (SAFETY GROUND WIRE)	80009	196-3074-00

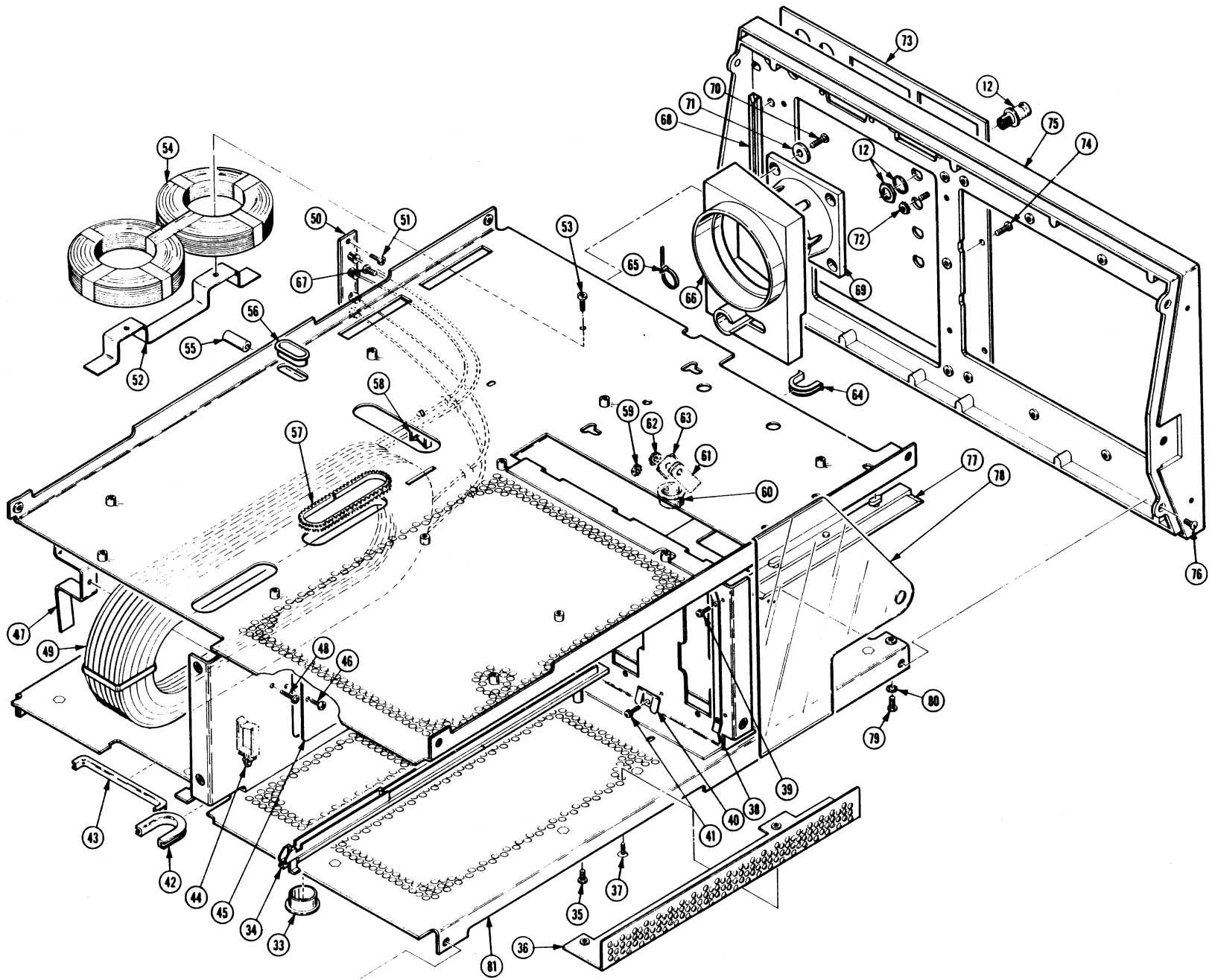


FIG. 2 (B) FRONT CHASSIS, REAR
 11302A Service Reference

Fig. & Index No.	Tektronix Part No.	Serial/Assembly No.		Qty	12345 Name & Description	Mfr. Code	Mfr. Part No.
		Effective	Dscont				
4-1	620-0022-01			1	POWER SUPPLY:ET,RT,HIRES MAIN FRAMES (SEE A2, EXCHANGE ITEM) (ATTACHING PARTS)	80009	620-0022-01
-2	211-0721-00			8	SCREW,MACHINE:6-32 X 0.375,PHN,STL (END ATTACHING PARTS)	83486	ORDER BY DESCR
-3	200-2222-00			1	.GUARD,FAN: (ATTACHING PARTS)	81041	6-182-033
-4	211-0744-00			4	.SCREW,MACHINE:6-32 X 2.0,PNH,TORX,STL,CD (END ATTACHING PARTS)	04348	ORDER BY DESCR
-5	407-3362-00			1	.BRACKET,FAN:0.050 5005 H-34	80009	407-3362-00
-6	200-2264-00			1	.CAP,FUSEHOLDER:3AG FUSES	S3629	FEK 031 1666
-7	159-0013-00			1	.FUSE,CARTRIDGE:3AG,6A,250V,MEDIUM BLOW (FUSE USED IN FUSE HOLDER)	71400	MTH-CW-6
	159-0021-00			1	.FUSE,CARTRIDGE:3AG,2A,250V,FAST BLOW (FUSE USED ON LINE INVERTER BOARD)	71400	AGC-CW-2
-8	204-0832-00			1	.BODY,FUSEHOLDER:3AG & 5 X 20MM FUSES	TK0861	031 1673
-9	119-1725-01			1	.FAN,TUBEAXIAL:8 14.5VDC,6W,3200RPM,106CFM	TK1456	4112 KX

Fig. & Index No.	Tektronix Part No.	Serial/Assembly No. Effective Dscont	Qty	12345	Name & Description	Mfr. Code	Mfr. Part No.
5-					STANDARD ACCESSORIES		
-1	161-0066-00		1		CABLE ASSY,PWR,:3,18AWG,115V,98.0 L	16428	CH8481, FH8481
-2	161-0066-09		1		CABLE ASSY,PWR,:3,0.75MM SQ,220V,99.0 L (OPTION A1 ONLY)	S3109	86511000
-3	161-0066-10		1		CABLE ASSY,PWR,:3,0.75MM SQ,240V,96.0 L (OPTION A2 ONLY)	TK1373	24230
-4	161-0066-11		1		CABLE ASSY,PWR,:3,0.75MM,240V,96.0 L (OPTION A3 ONLY)	S3109	ORDER BY DESCR
-5	161-0066-12		1		CABLE ASSY,PWR,:3,18 AWG,250V,99.0 L (OPTION A4 ONLY)	70903	CH-77893
-6	161-0154-00		1		CABLE ASSY,PWR,:3,0.75MM SQ,240V,6A,2.5M L (OPTION A5 ONLY)	S3109	86515000
	012-0208-00		8		CABLE,INTCON:10.0 L (OPTION 1C ONLY)	80009	012-0208-00
	016-0829-00		1		PANEL,BLANK:PLUG-IN HOUSING,11K SERIES	80009	016-0829-00
	070-6274-00		1		MANUAL,TECH:INSTR,11401/11402 (OPTION 1R ONLY)	80009	070-6274-00
	070-7174-00		1		MANUAL,TECH:INTRO,11301A/11302A	80009	070-7174-00
	070-7175-00		1		MANUAL,TECH:USERS,11301A/11302A	80009	070-7175-00
	070-7176-00		1		MANUAL,TECH:POCKET REF,11301A/11302A	80009	070-7176-00
	070-7177-00		1		MANUAL,TECH:I & I PROCEDURES,11301A/11302A	80009	070-7177-00
					OPTIONAL ACCESSORIES		
	016-0154-00		1		VISOR,CRT:GENERAL USAGE	80009	016-0154-00
	016-0260-00		1		VISOR,CRT:	80009	016-0260-00
	070-7179-50		1		MANUAL,TECH:SERVICE,11302A	80009	070-7179-50

FIG. 2 (A) FRONT, CHASSIS, REAR
11302A Service Reference

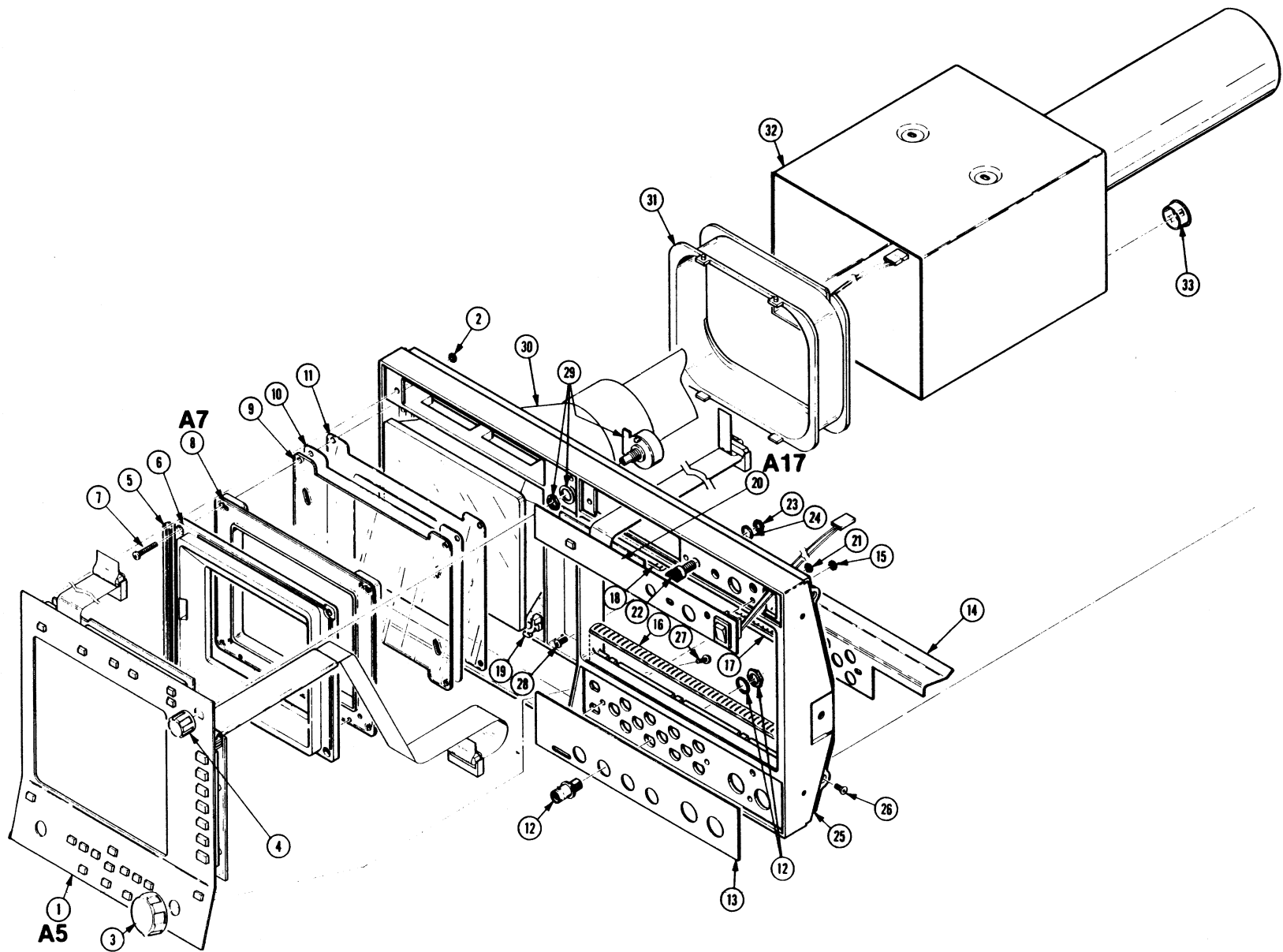
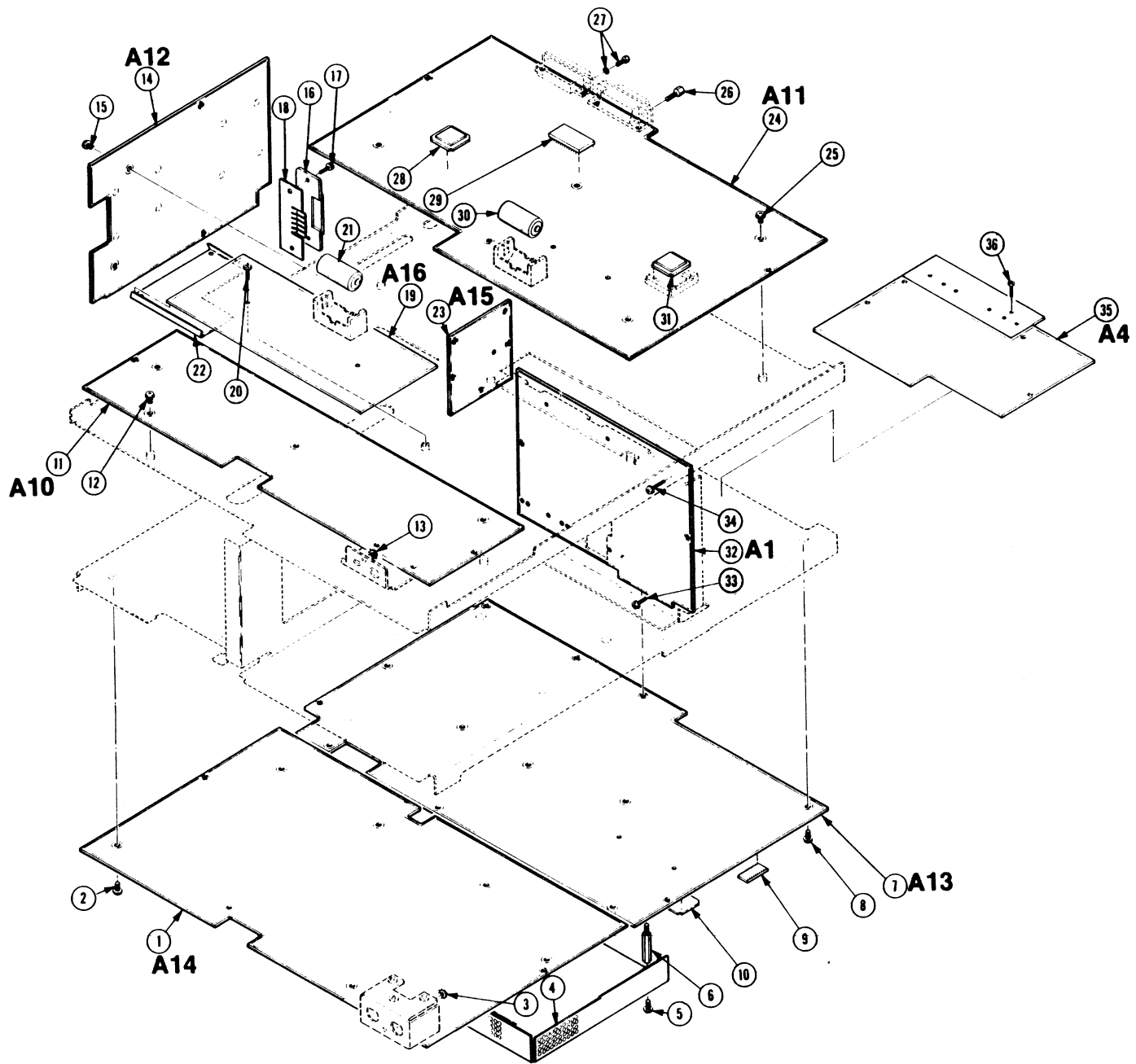


FIG. 3 CIRCUIT BOARDS
11302A Service Reference



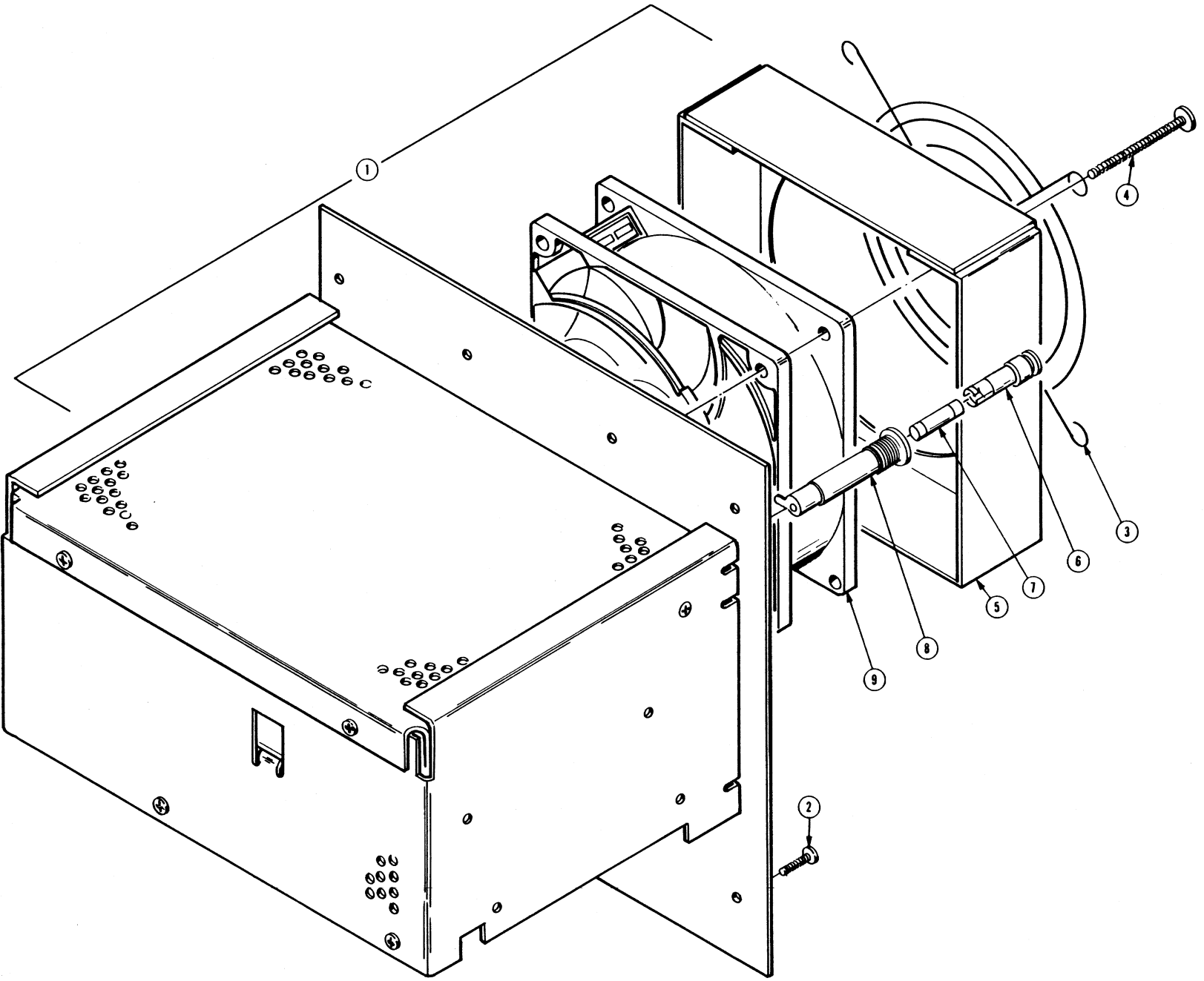


FIG. 4 POWER SUPPLY
11302A Service Reference

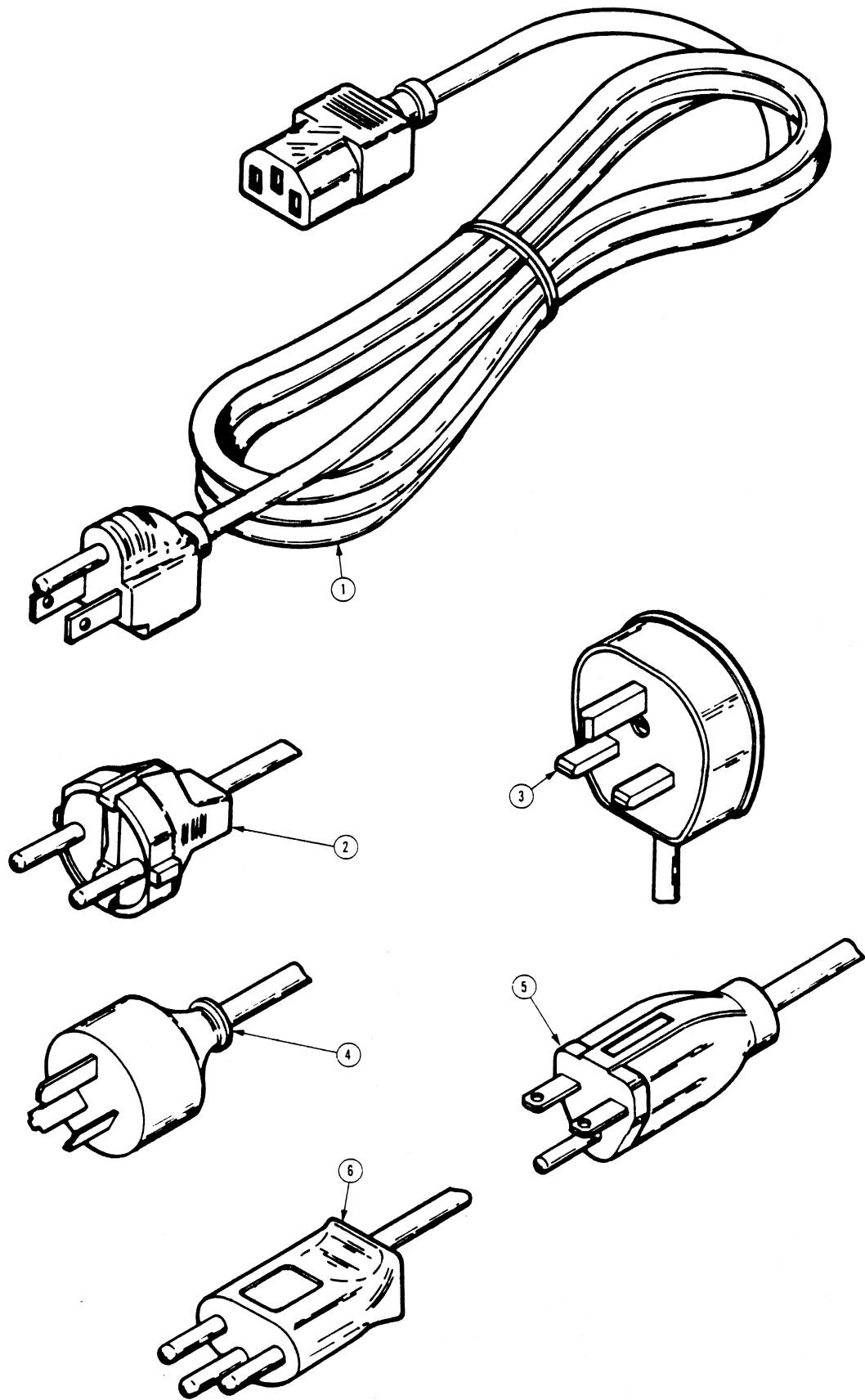


FIG. 5 ACCESSORIES
11302A Service Reference