



# product modification

040-0798-00  
M24419  
Type - See Below

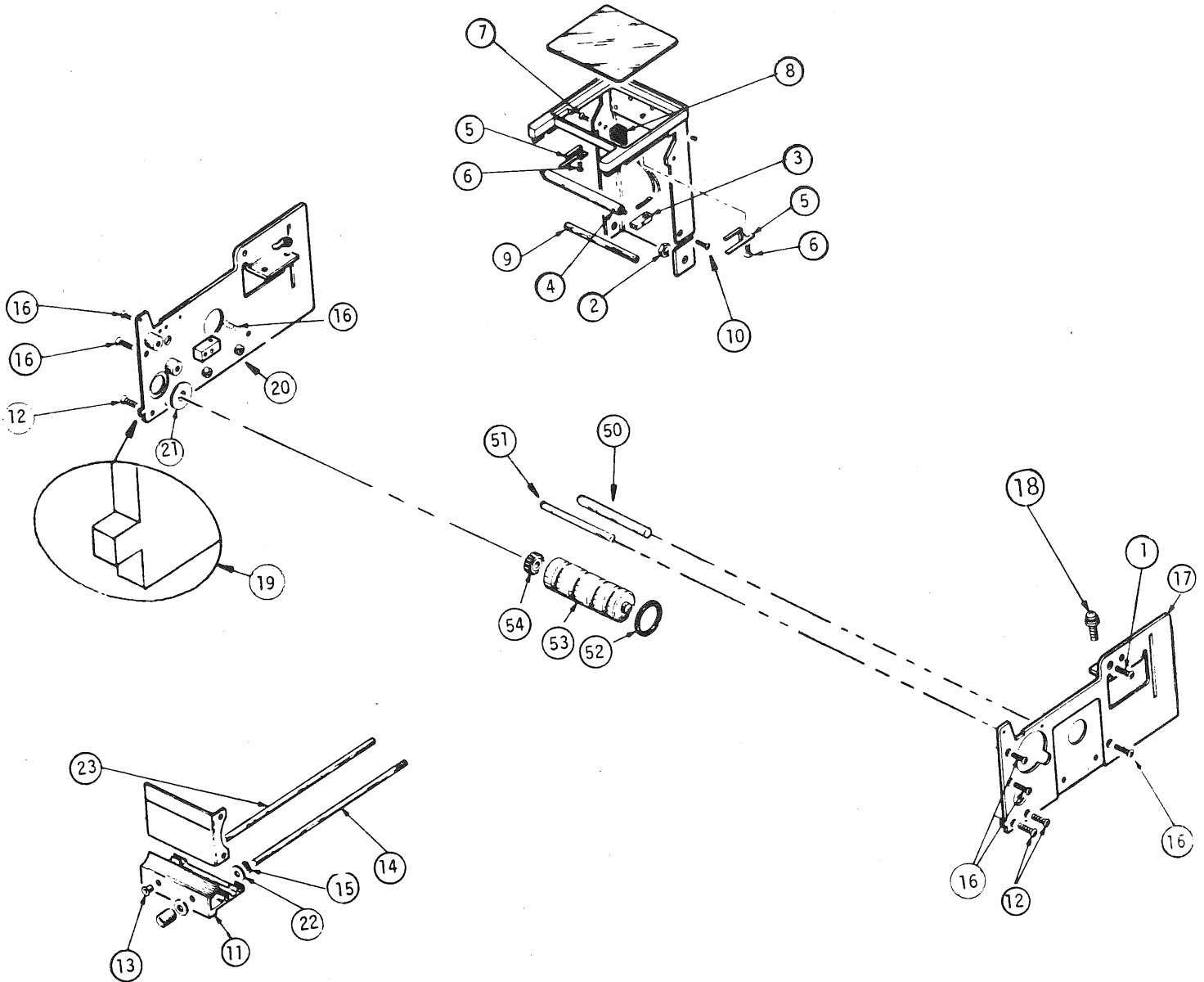
CHART PAPER DRIVE IMPROVED

For TEKTRONIX® 016-0506-01 Chart Recorders

Modification kit PN 040-0798-00 provides parts and instructions to improve chart paper drive operation.

PARTS INCLUDED IN MODIFICATION KIT

Quantity	Part Number	Description
1 ea	200-1302-03	Bezel, Chart Recorder cover
4 ea	354-0588-00	O-Ring
1 ea	426-0852-01	Cabinet, front frame section



## INSTRUCTIONS

- ( ) 1. Remove the Chart Recorder from the instrument, open the Chart Recorder cover and remove the chart paper.
- ( ) 2. Remove the cover hinge screws (1) and nuts (2), disconnect the two-wire harmonica connector (3) (w/black holder) from P81 on the circuit board and remove the cover.

Remove the following parts from the old cover and install them on the new cover:

- ( ) 3. The nylon roller (4), the right and left roller tension mounting springs (5), and the two 2-56 x .250 mounting screws (6).
- ( ) 4. Remove the two chart speed sensing transistor mounting screws (7) and install Q1082 (8) on the new cover.
- ( ) 5. Remove the two spacer post (9) mounting screws (10) and install the spacer post on the new cover.

Replace O-Rings (52) and front cabinet frame section (11) as follows:

- ( ) 6. Remove the four front cabinet frame section (11) mounting screws (12) and remove the front cabinet frame section (11).

Remove the following parts from the old front cabinet frame section and install them on the new front cabinet frame section:

- ( ) 7. Press mount bushing (13) and the chart recorder locking screw (14). Remove the locking screw (14) by removing the retaining ring (15).
- ( ) 8. Remove the three retaining screws (16) from the right-hand frame section (17) and remove the two screws (18) (accessible from the top of the Chart Recorder) that fasten the right-hand frame section to the stylus driving motor and remove the right frame section (17).
- ( ) 9. Remove the two chart paper rollers (50) and (51).
- ( ) 10. Remove the chart paper drive roller (53). DO NOT LOOSEN CHART PAPER DRIVE MOTOR MOUNTING SCREWS!
- ( ) 11. Replace the O-Rings (52) on the chart paper drive roller (53) with the new O-Rings from the kit.

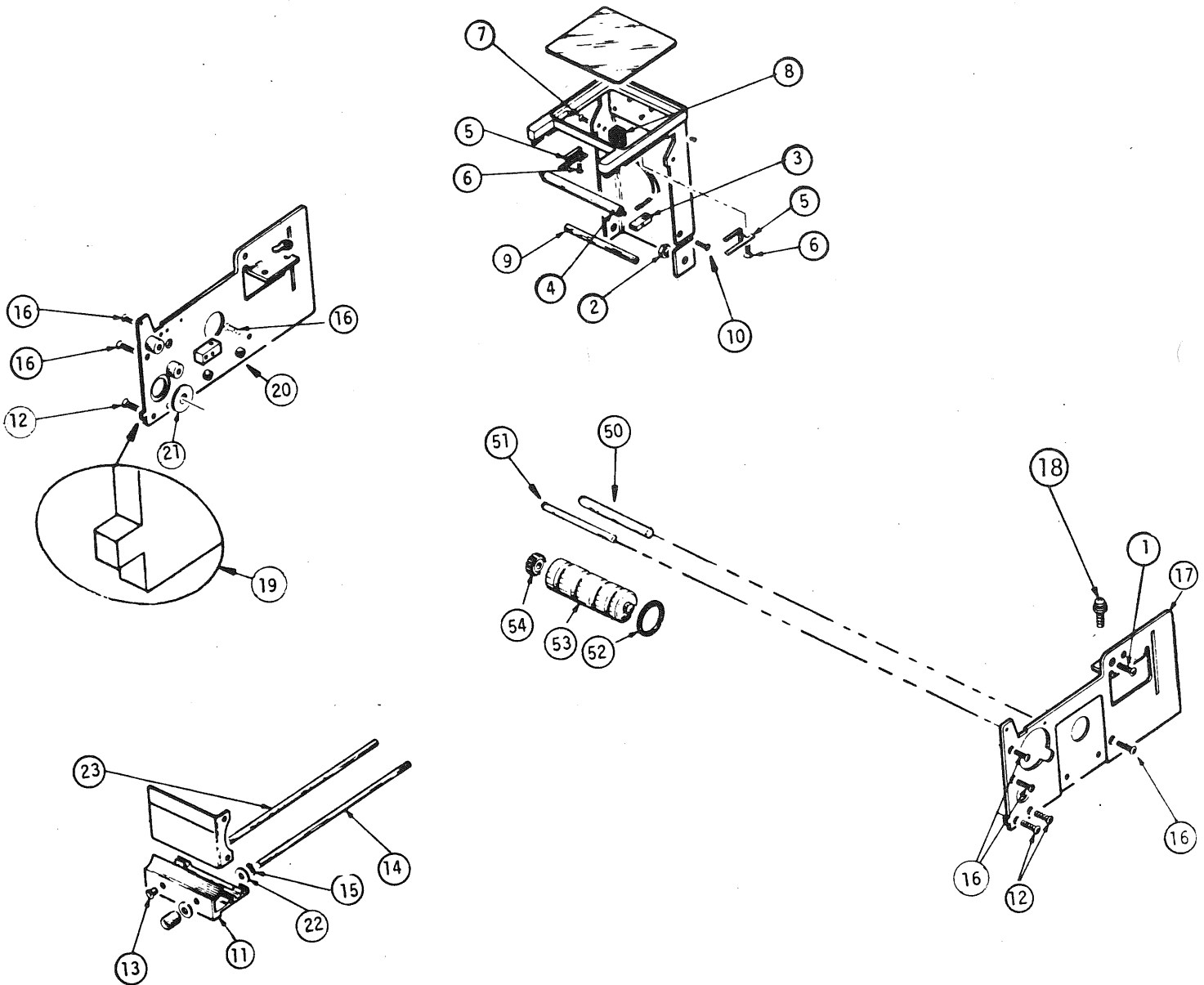
Modify right and left frame sections as follows:

- ( ) 12. Using a pair of end cutters, snip off the small tab (19) at the bottom of the front end of the right and left frame sections (17) and (20) and dress smooth with a flat file.

## INSTRUCTIONS (CONT'D)

Reassemble as follows:

- ( ) 13. Place the chart recorder on its left side.
- ( ) 14. Engage the paper drive roller gear (54) with the drive belt and insert the roller (53) into the plastic bushing (21) in the left-hand frame section (20).
- ( ) 15. Reinstall the two chart paper rollers (50) and (51).



## INSTRUCTIONS (CONT'D)

- ( ) 16. Reinstall the right frame section (17) being sure the chart paper drive roller (53) is inserted in the plastic bushing (21) that the two chart paper rollers (50) and (51) are in the proper holes, and that the circuit board is in the slots in the frame sections.

Reinstall the three 2-56 x .250 inch screws (16) removed in step (8) first, then reinstall the two screws (18) that fasten the right frame section (17) to the stylus drive motor.

- ( ) 17. Install new front frame section (11), using the 4-40 x .250 inch screws (12) removed in step 6, being sure that:
- a) the locking screw (14) goes through the hole in the circuit board (not shown in drawing) at the back end of the Chart Recorder.
  - b) the large flat washer (22) is behind the back edge of the front frame section (11).
  - c) The stylus Position Adj potentiometer extension shaft (23) goes through the bushing (13) in the front frame section (11).

DO NOT TIGHTEN ANY OF THE FOUR FRONT FRAME MOUNTING SCREWS UNTIL ALL FOUR SCREWS ARE INSTALLED.

- ( ) 18. Install the new bezel chart recorder cover and reconnect P81 (some manuals say P91) to the circuit board.

Refer to the Calibration Section of your Instruction Manual and adjust as necessary.

For future reference, correct the Mechanical Parts List in your Instruction Manual as shown in the kit Parts List and below:

426-0837-01 1 ea Frame section, right  
426-0838-01 1 ea Frame section, left