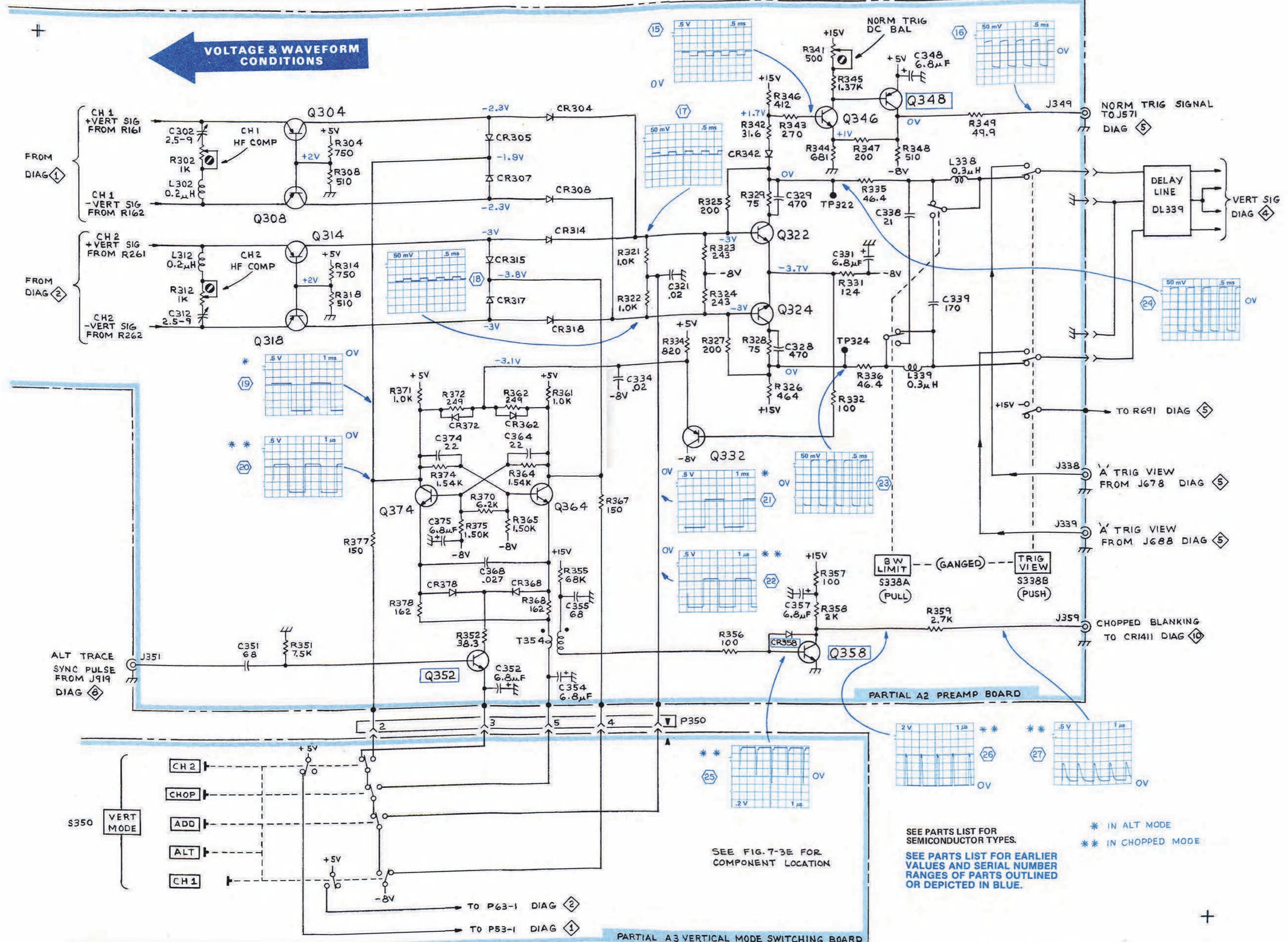


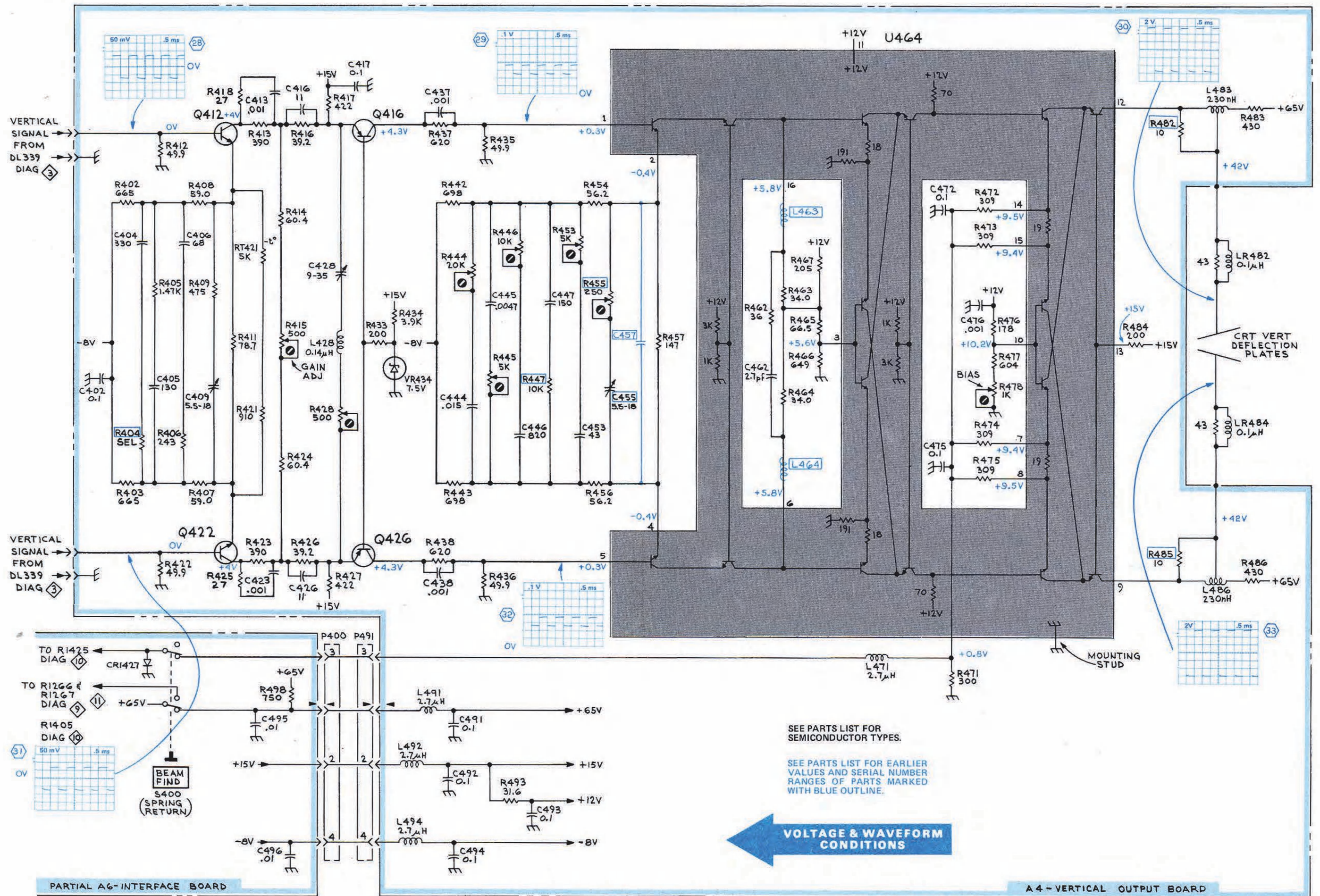
VOLTAGE & WAVEFORM CONDITIONS



SEE PARTS LIST FOR SEMICONDUCTOR TYPES.
SEE PARTS LIST FOR EARLIER VALUES AND SERIAL NUMBER RANGES OF PARTS OUTLINED OR DEPICTED IN BLUE.

* IN ALT MODE
** IN CHOPPED MODE

SEE FIG. 7-3E FOR COMPONENT LOCATION

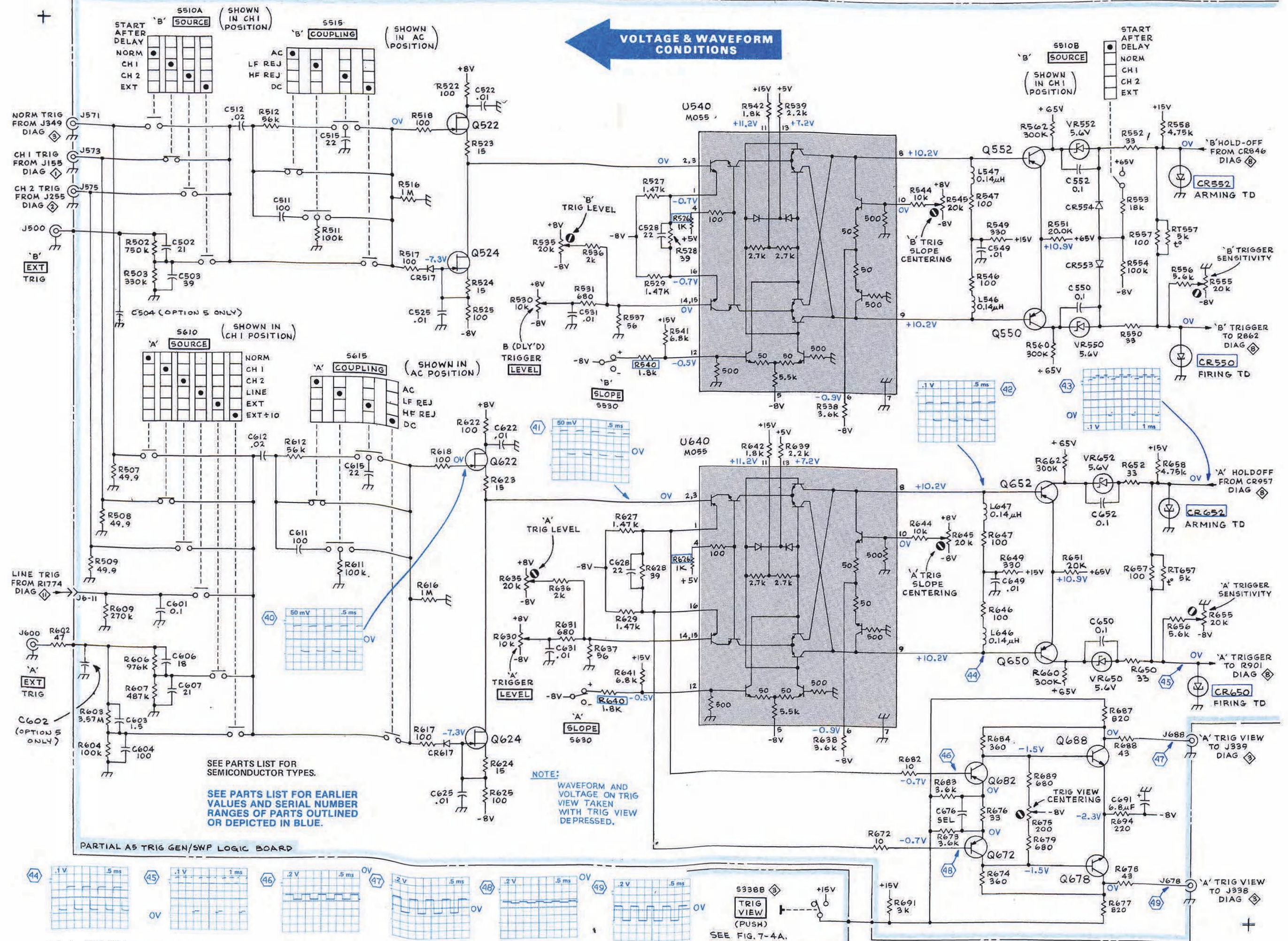


SEE PARTS LIST FOR SEMICONDUCTOR TYPES.

SEE PARTS LIST FOR EARLIER VALUES AND SERIAL NUMBER RANGES OF PARTS MARKED WITH BLUE OUTLINE.

VOLTAGE & WAVEFORM CONDITIONS

VOLTAGE & WAVEFORM CONDITIONS



464 OSCILLOSCOPE

REV. E, JUNE 1977
1653-98

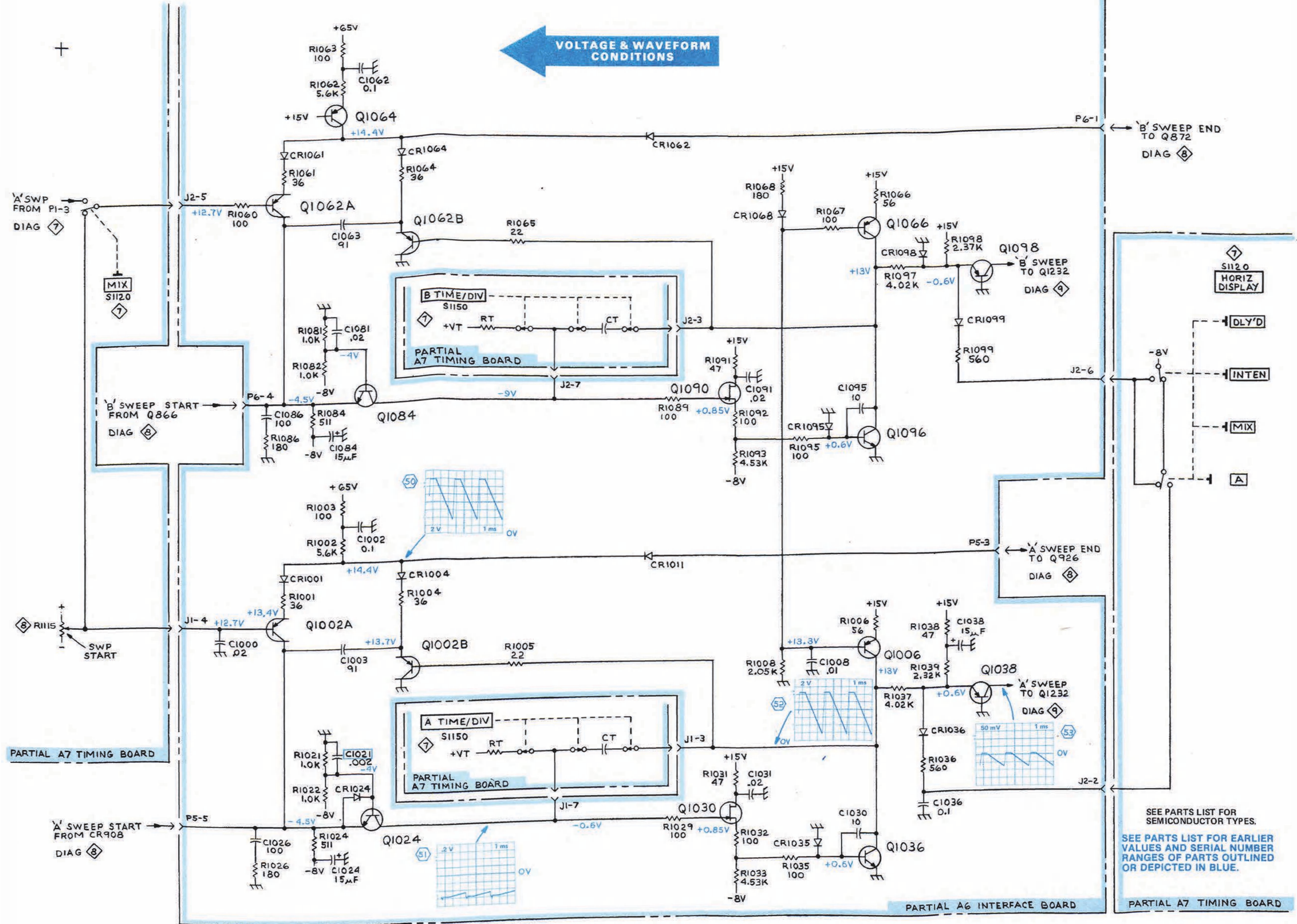
PARTIAL A2 PREAMP BOARD

A & B TRIGGER GENERATOR

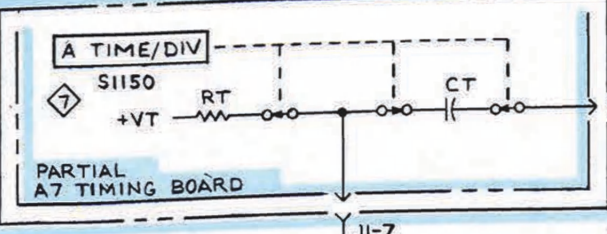
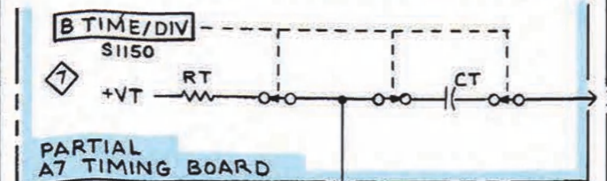
SEE PARTS LIST FOR SEMICONDUCTOR TYPES.
SEE PARTS LIST FOR EARLIER VALUES AND SERIAL NUMBER RANGES OF PARTS OUTLINED OR DEPICTED IN BLUE.

NOTE:
WAVEFORM AND VOLTAGE ON TRIG VIEW TAKEN WITH TRIG VIEW DEPRESSED.

5338B
TRIG VIEW (PUSH)
SEE FIG. 7-4A.

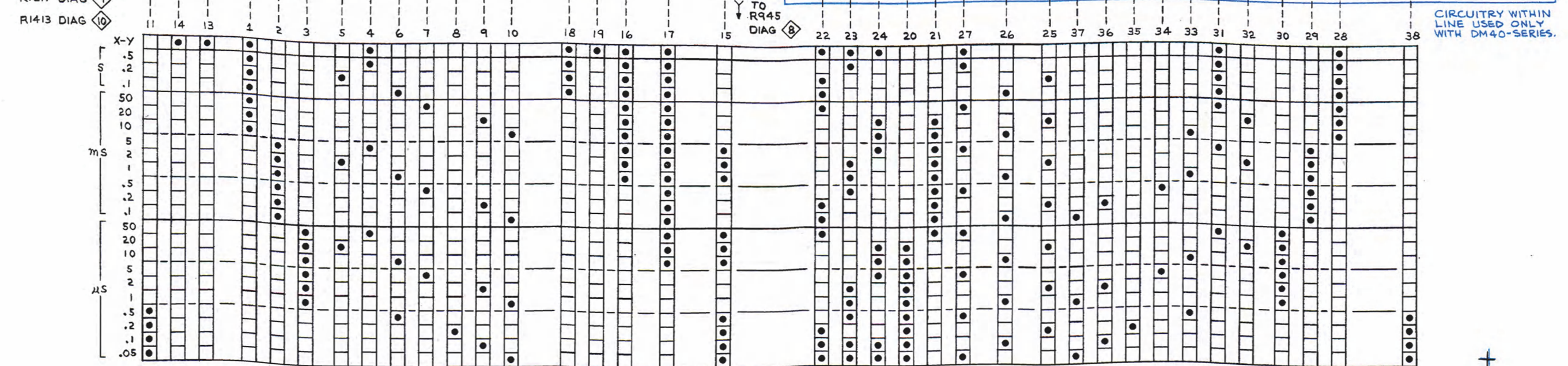
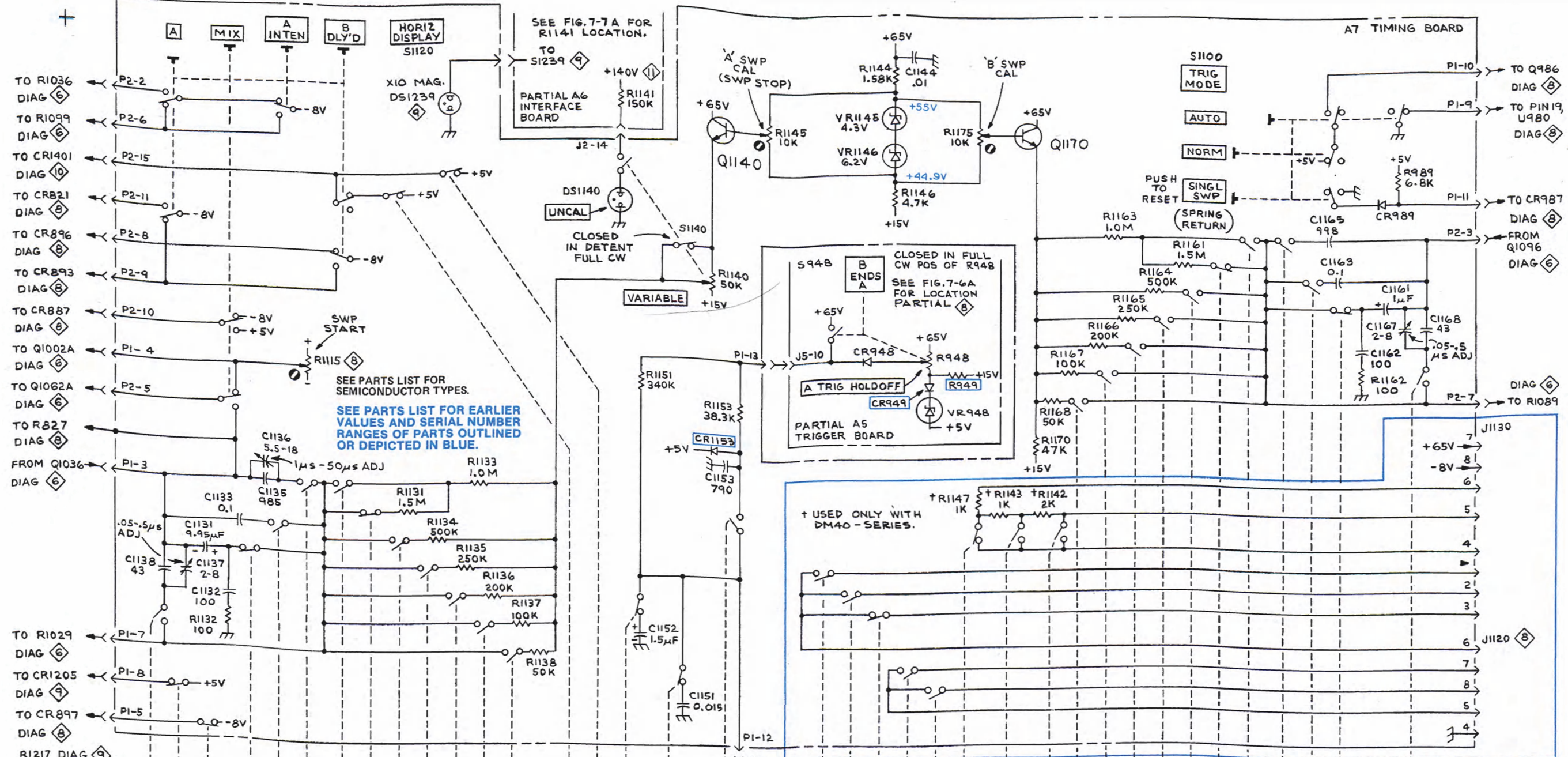


VOLTAGE & WAVEFORM CONDITIONS



SEE PARTS LIST FOR SEMICONDUCTOR TYPES.
SEE PARTS LIST FOR EARLIER VALUES AND SERIAL NUMBER RANGES OF PARTS OUTLINED OR DEPICTED IN BLUE.

PARTIAL A6 INTERFACE BOARD PARTIAL A7 TIMING BOARD



464 OSCILLOSCOPE

REV F FEB 1980
1653-101

SWEEP & Z AXIS LOGIC

RS 4-74

*VALUES DIFFER WHEN USED WITH DM40-SERIES.

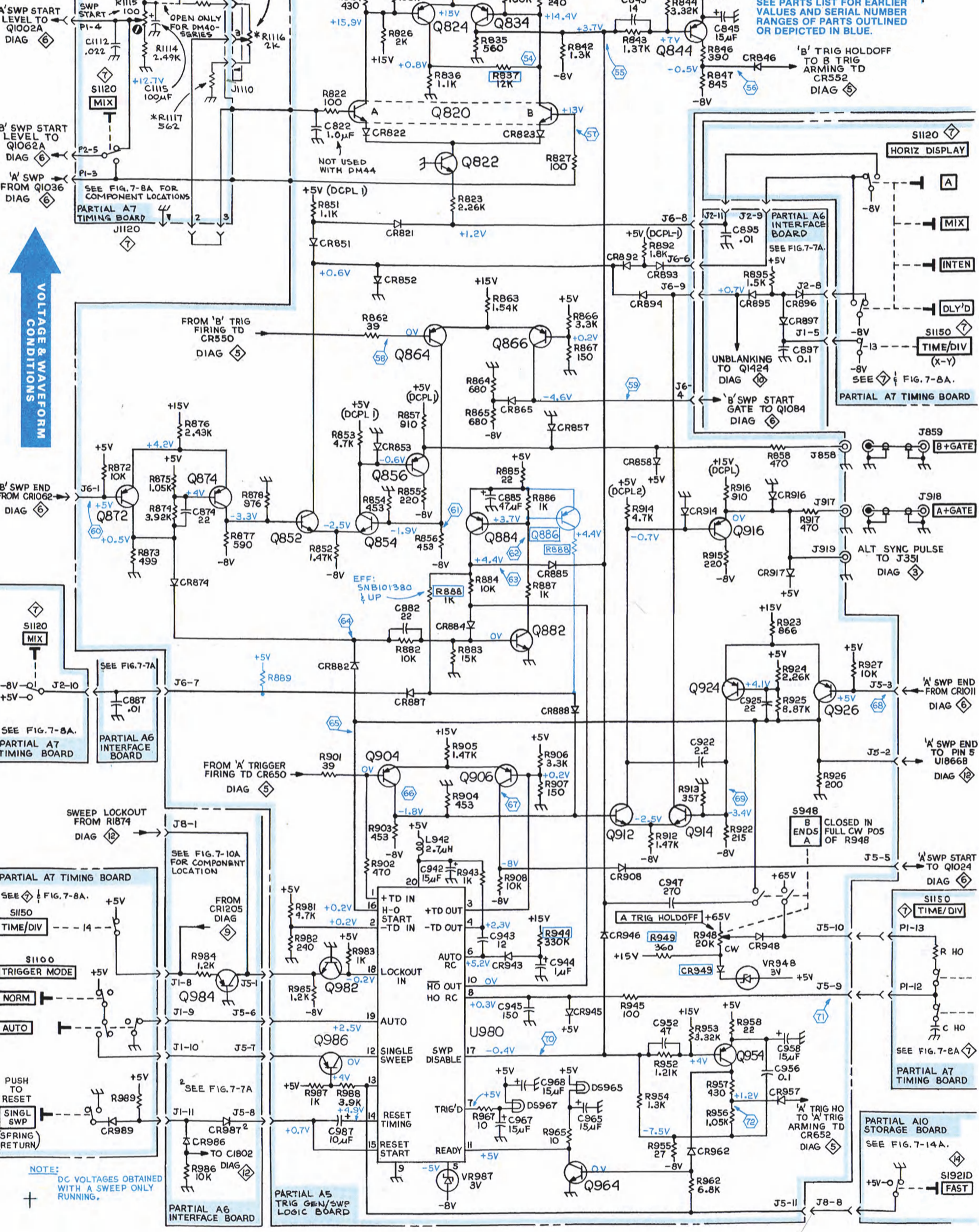
CLOSED ONLY FOR DM40-SERIES
OPEN ONLY FOR DM40-SERIES

DELAY TIME POSITION

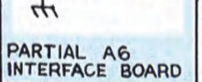
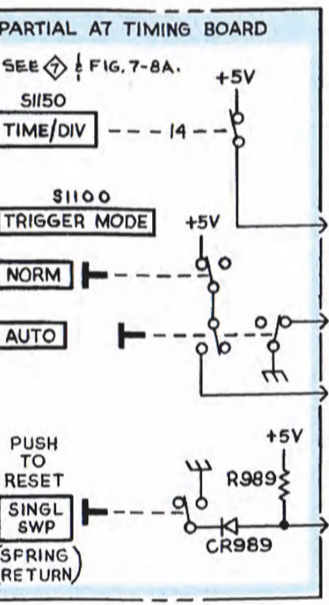
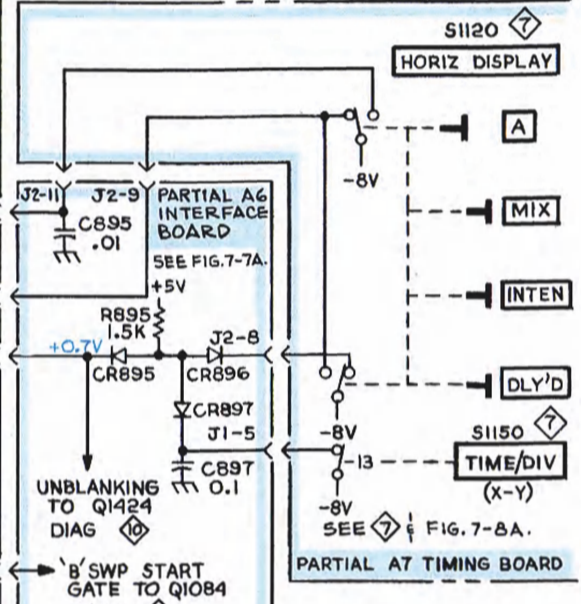
SEE PARTS LIST FOR SEMICONDUCTOR TYPES.

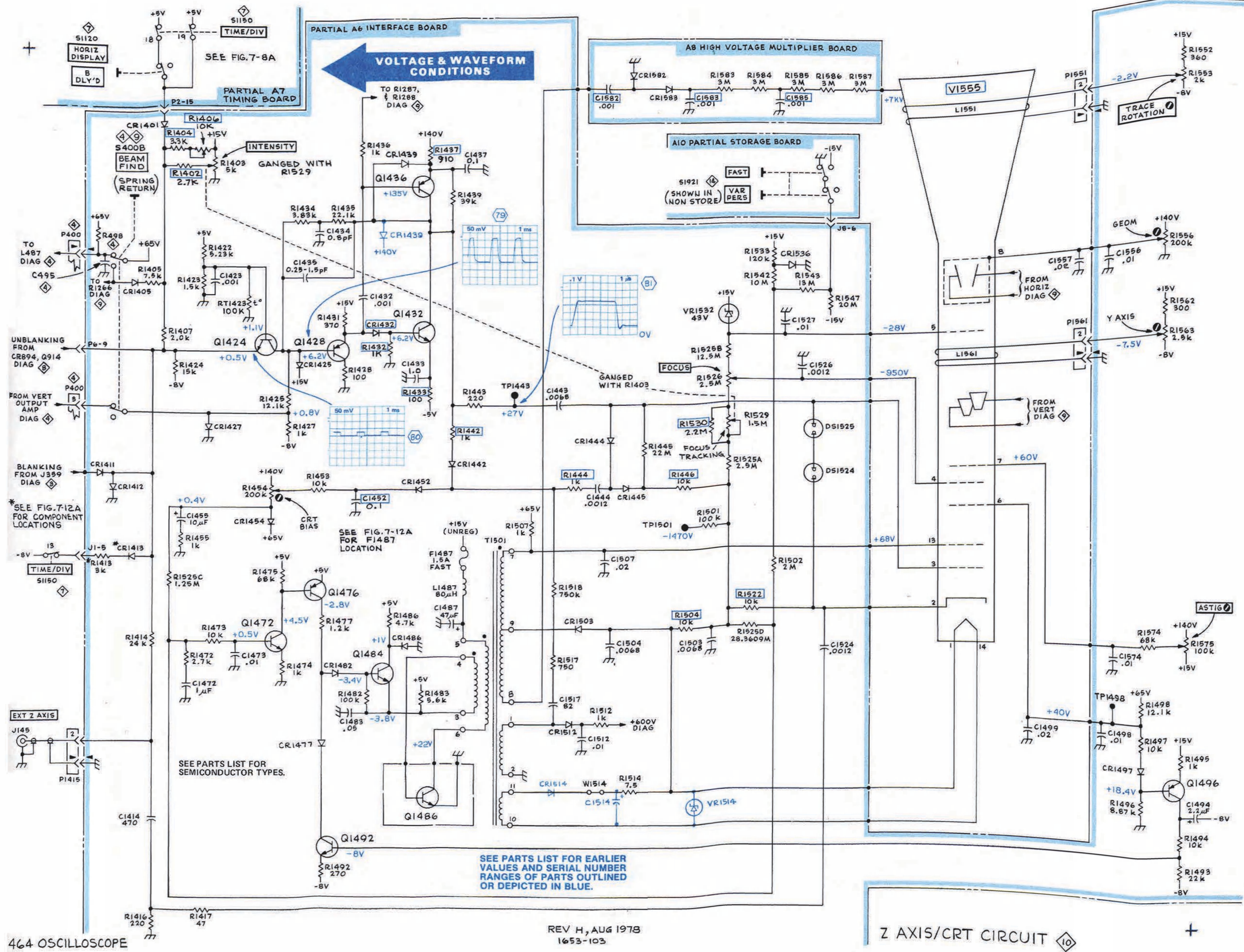
SEE PARTS LIST FOR EARLIER VALUES AND SERIAL NUMBER RANGES OF PARTS OUTLINED OR DEPICTED IN BLUE.

'B' TRIG HOLDOFF TO B TRIG ARMING TD CR552 DIAG



NOTE: DC VOLTAGES OBTAINED WITH A SWEEP ONLY RUNNING.

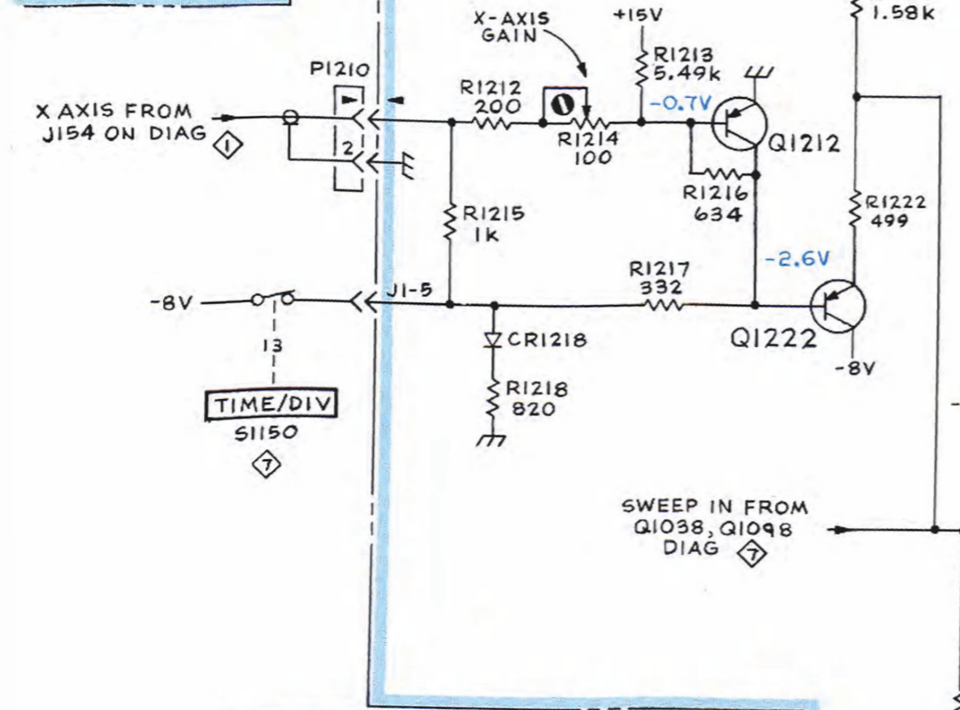
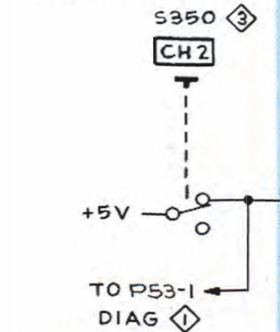




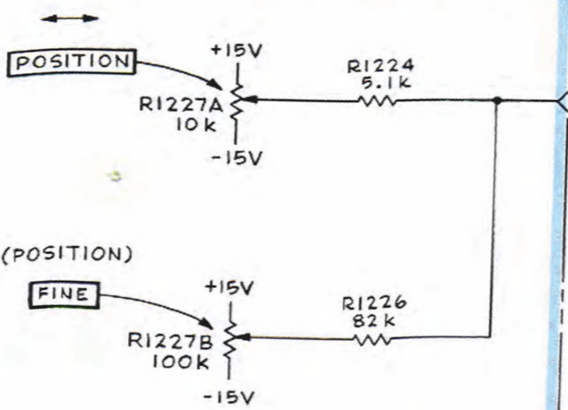
VOLTAGE & WAVEFORM CONDITIONS

PARTIAL A3 VERT MODE SWITCH BOARD

SEE FIG. 7-3E FOR COMPONENT LOCATION



SEE FIG. 7-13A FOR COMPONENT LOCATIONS.

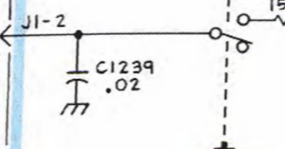


PARTIAL A10 STORAGE BOARD

SEE FIG. 7-8A. PARTIAL A7 TIMING BOARD



SEE FIG. 7-8A. PARTIAL A7 TIMING BOARD

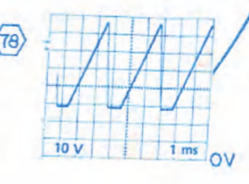
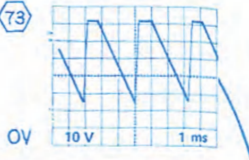
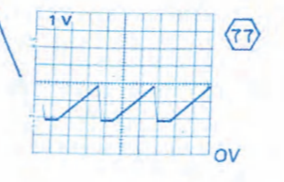
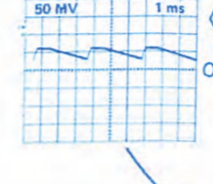
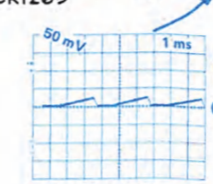
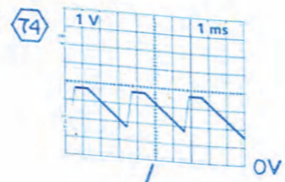
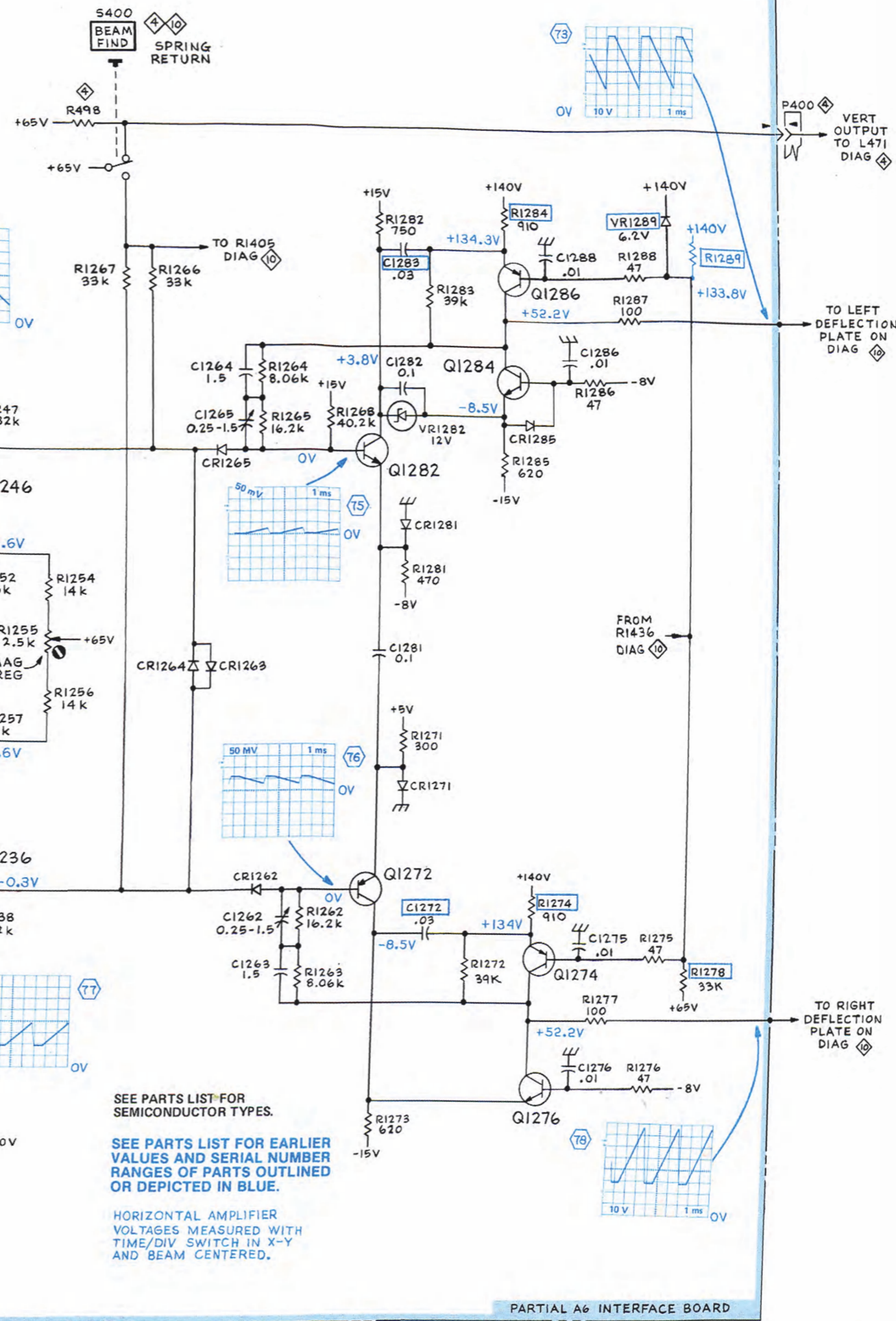


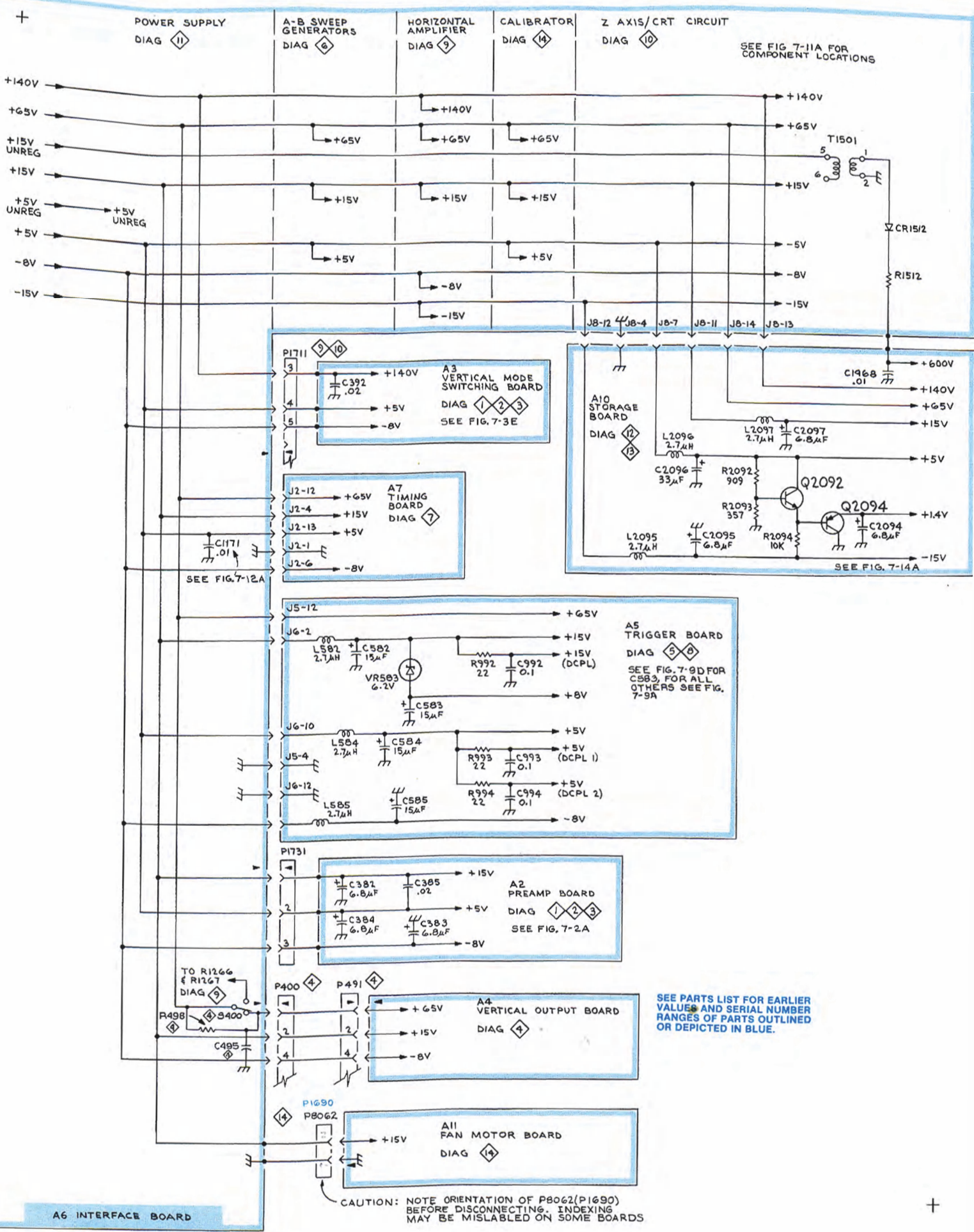
SEE PARTS LIST FOR SEMICONDUCTOR TYPES.

SEE PARTS LIST FOR EARLIER VALUES AND SERIAL NUMBER RANGES OF PARTS OUTLINED OR DEPICTED IN BLUE.

HORIZONTAL AMPLIFIER VOLTAGES MEASURED WITH TIME/DIV SWITCH IN X-Y AND BEAM CENTERED.

PARTIAL A6 INTERFACE BOARD



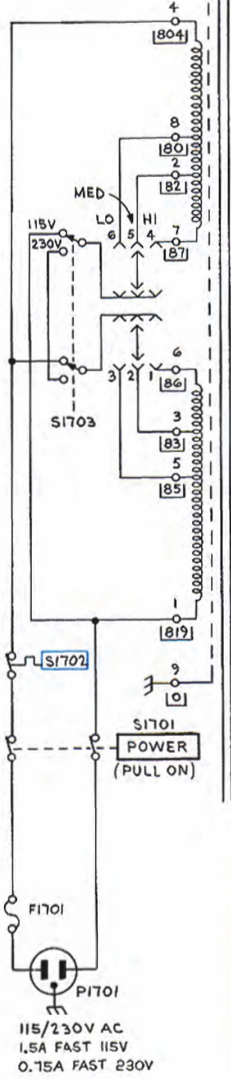
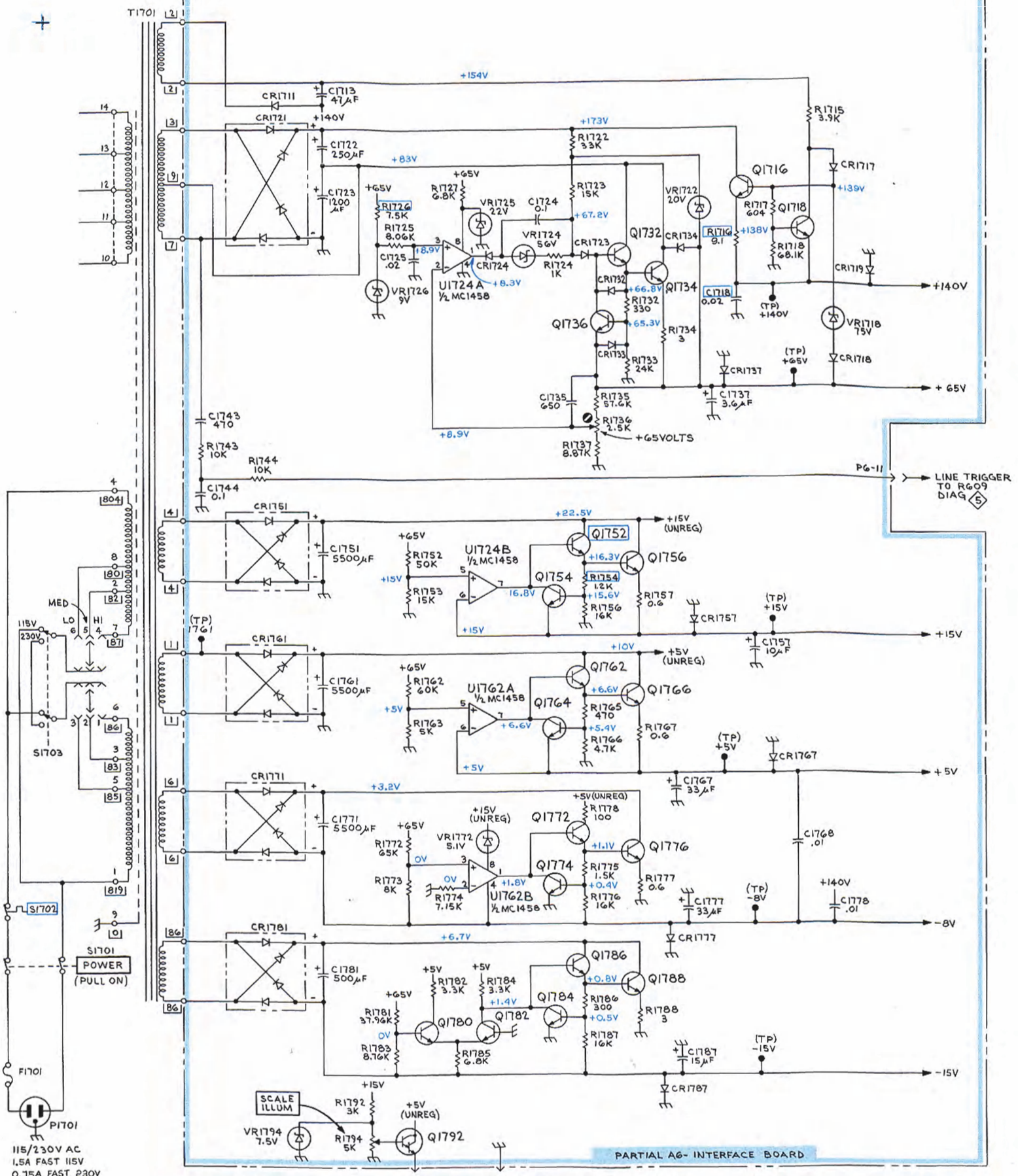


SEE FIG 7-11A FOR COMPONENT LOCATIONS

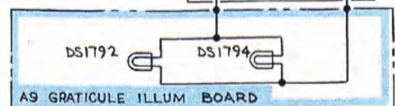
A5 TRIGGER BOARD
DIAG 5 & 8
SEE FIG. 7-9D FOR CS83, FOR ALL OTHERS SEE FIG. 7-9A

SEE PARTS LIST FOR EARLIER VALUES AND SERIAL NUMBER RANGES OF PARTS OUTLINED OR DEPICTED IN BLUE.

CAUTION: NOTE ORIENTATION OF P8062(P1690) BEFORE DISCONNECTING. INDEXING MAY BE MISLABLED ON SOME BOARDS.

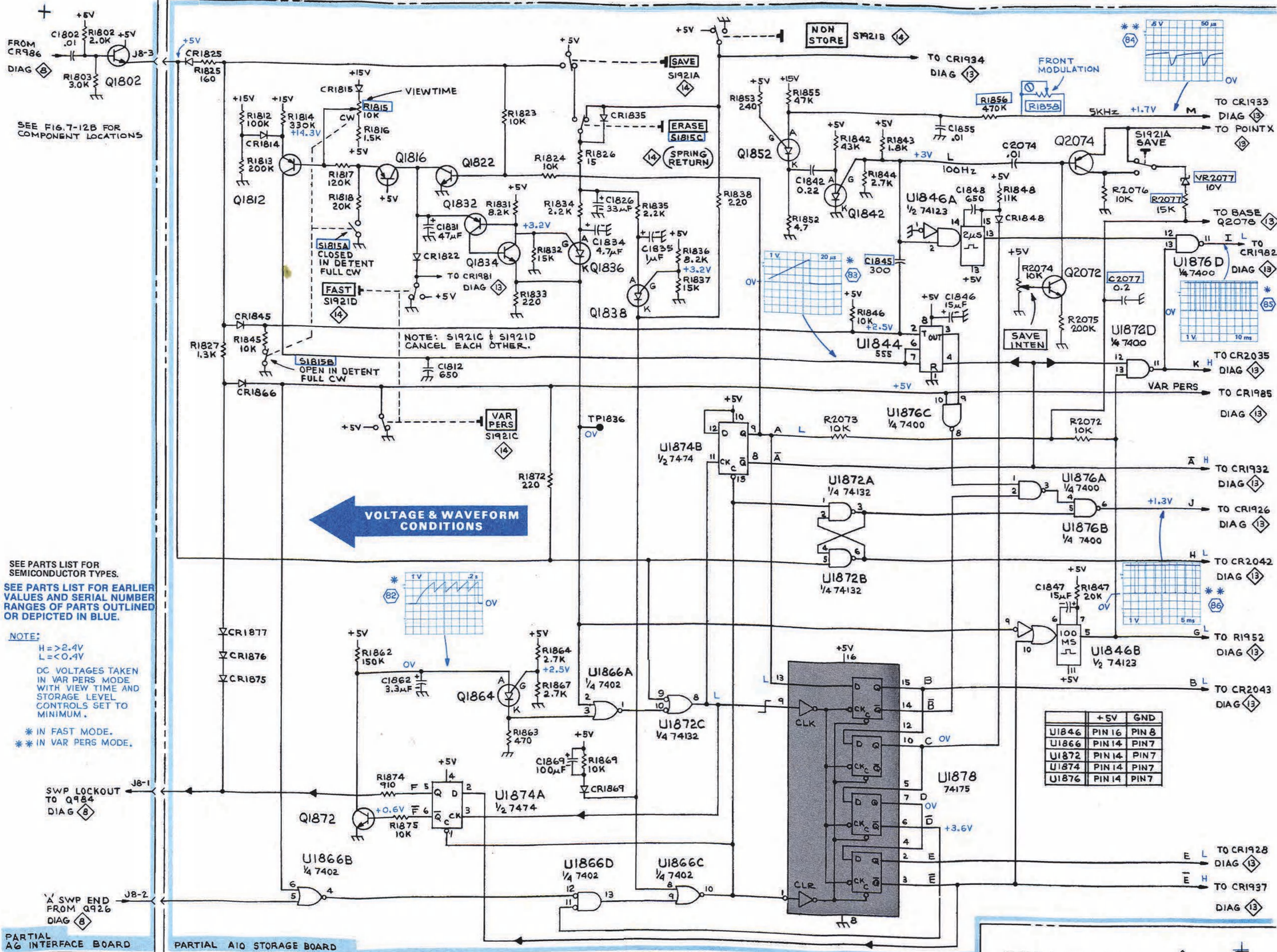


VOLTAGE & WAVEFORM CONDITIONS



SEE PARTS LIST FOR SEMICONDUCTOR TYPES.
SEE PARTS LIST FOR EARLIER VALUES AND SERIAL NUMBER RANGES OF PARTS OUTLINED OR DEPICTED IN BLUE.

NOTE: VOLTAGES TAKEN WITH LINE SET TO 117V RMS MED LINE.



SEE FIG. 7-12B FOR COMPONENT LOCATIONS

SEE PARTS LIST FOR SEMICONDUCTOR TYPES.
SEE PARTS LIST FOR EARLIER VALUES AND SERIAL NUMBER RANGES OF PARTS OUTLINED OR DEPICTED IN BLUE.

NOTE:
H => >2.4V
L =< <0.4V
DC VOLTAGES TAKEN IN VAR PERS MODE WITH VIEW TIME AND STORAGE LEVEL CONTROLS SET TO MINIMUM.
* IN FAST MODE.
** IN VAR PERS MODE.

VOLTAGE & WAVEFORM CONDITIONS

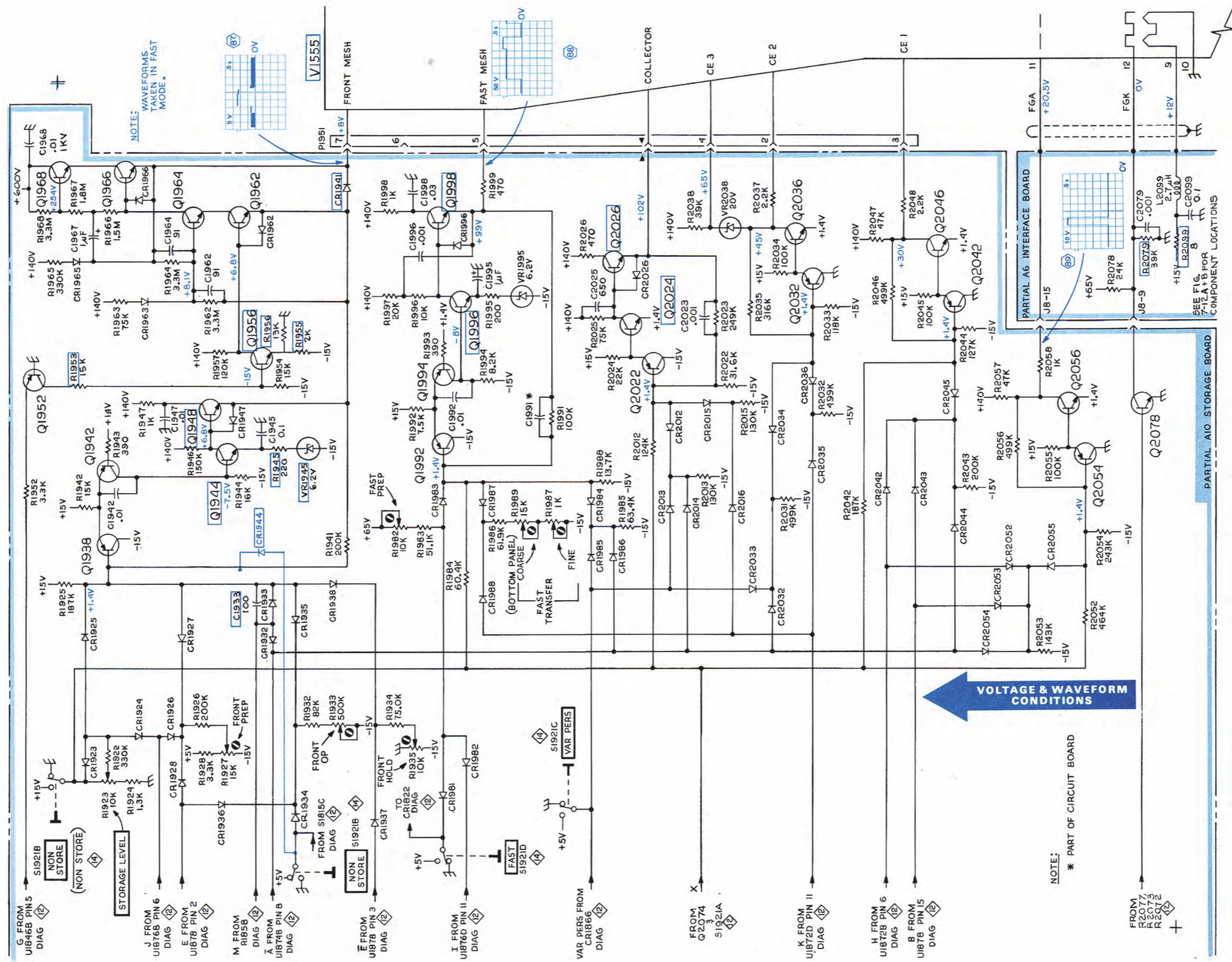
	+5V	GND
U1846	PIN 16	PIN 8
U1866	PIN 14	PIN 7
U1872	PIN 14	PIN 7
U1874	PIN 14	PIN 7
U1876	PIN 14	PIN 7

PARTIAL A/G INTERFACE BOARD
464 OSCILLOSCOPE

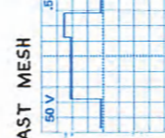
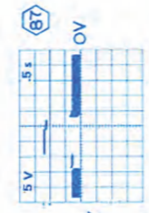
PARTIAL A10 STORAGE BOARD

REV F, FEB 1979
1653-105

STORAGE LOGIC 12

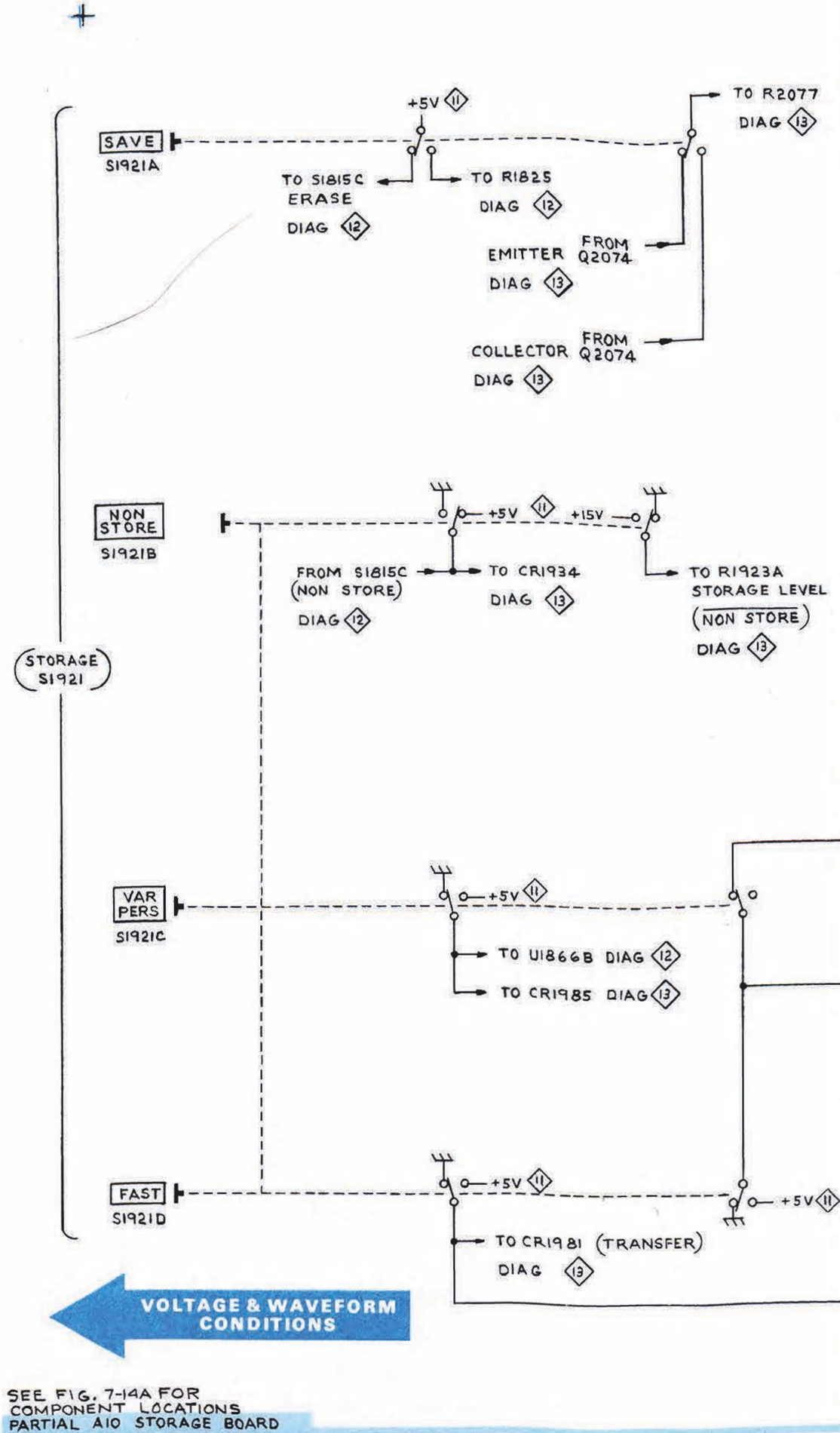


NOTE: WAVEFORMS TAKEN IN FAST MODE.



VOLTAGE & WAVEFORM CONDITIONS

NOTE: * PART OF CIRCUIT BOARD



VOLTAGE & WAVEFORM CONDITIONS

SEE FIG. 7-14A FOR COMPONENT LOCATIONS PARTIAL A10 STORAGE BOARD

