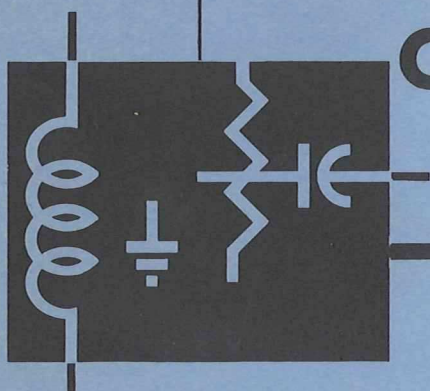


**SOME BASIC  
VACUUM TUBE  
CIRCUITS**



**used in**

**TEKTRONIX INSTRUMENTS**

FIP-11

An expansion of lecture notes prepared in 1958  
by John Mulvey, Product Information

Third Revision, Sept. 1964

Additional copies of this publication can be obtained from  
your Field Engineer or Tektronix Representative or from  
Tektronix, Inc., P.O. Box 500, Beaverton, Oregon. When  
ordering additional copies ask for FIP-11, TekNo.061-139.

Price, 25 cents per copy

©, 1960, Tektronix, Inc.  
All Rights Reserved.

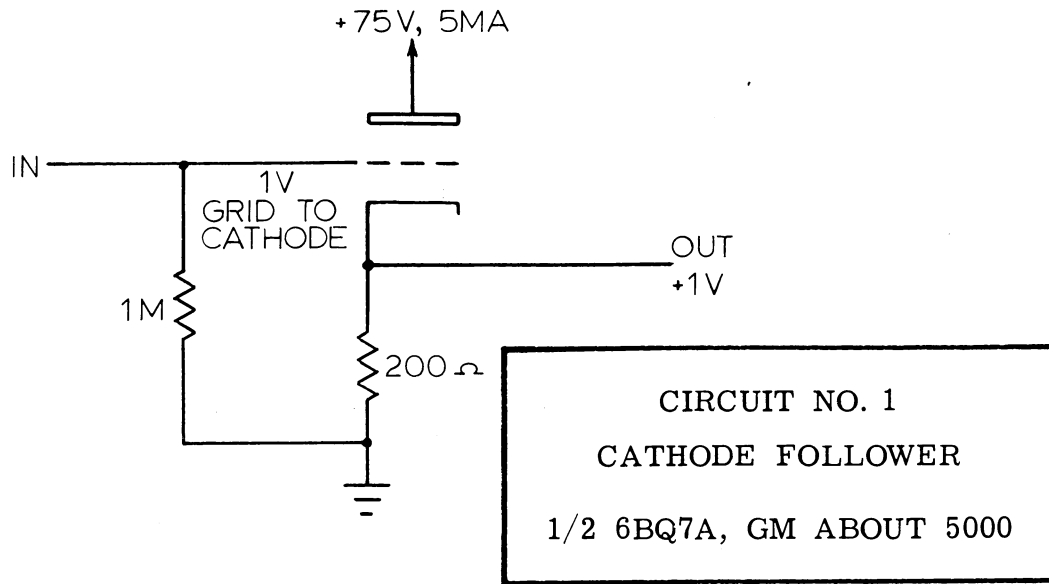
SOME BASIC VACUUM TUBE CIRCUITS  
USED IN  
TEKTRONIX INSTRUMENTS

FOREWORD

Similar configurations appear throughout Tektronix circuitry. A good understanding of these basic circuits aids in maintenance and calibration of the various instruments. Furthermore, troubleshooting procedures often involve these circuits. Some engineering aspects are discussed where it might prove helpful, although generally the treatments are as brief as possible.

The sequence of the descriptions is arranged so that very little repetition of certain principles need be made; an understanding of one circuit should pave the way for easier understanding of subsequent ones. Accordingly, any random reference to the descriptions should be made with the realization that an understanding of foregoing principles may be required.

The notes do not cover all the basic circuits used in Tektronix instruments. Only those circuits are described that are considered to be especially important or unconventional.



CATHODE FOLLOWER  
(GENERAL)

The cathode follower has two special characteristics that make it essential in some applications: low output impedance and low input capacitance.

Basically the output impedance of a cathode follower is not determined by the value of the cathode resistor; rather, it is roughly equivalent to the reciprocal of the transconductance of the vacuum tube used, at the point where it biases itself. Output impedance is typically on the order of a few hundred ohms. For instance, a tube that can be operated as a cathode follower in a condition where its transconductance is 5000 micromhos (.005 mhos) will have an internal impedance of about  $1/.005$  or 200 ohms. If, in this situation, the proper cathode resistor should also work out to be 200 ohms (as in Circuit No. 1), the output will be a load equal to the cathode follower impedance; consequently, only about one-half of the signal voltage appearing at the grid will appear at the cathode. Cathode followers that swing down, as well as up, from a quiescent level will usually be biased about halfway between cut-off and zero bias.

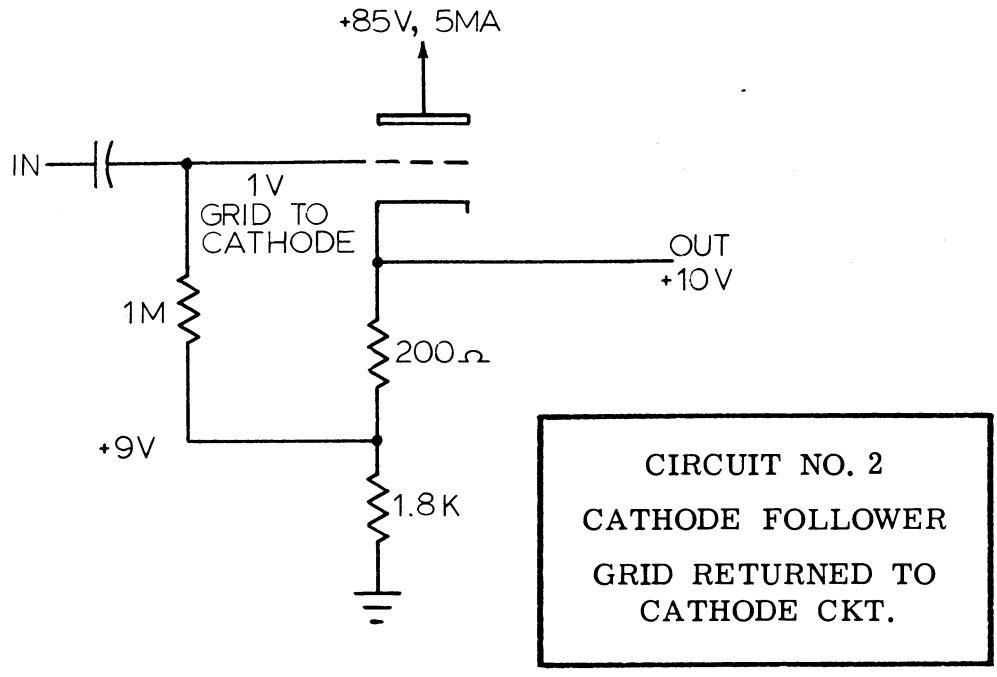
Cathode followers with low-impedance loads cannot follow large grid signals without the tube cut-

ting off on negative swings, or without severe distortion caused by grid-current flow on positive-going swings.

There are two reasons why the input capacitance of a cathode follower is lower than that of other configurations:

1. There is no Miller-effect capacitance because the plate voltage does not change.
2. Since the charge on the grid-cathode capacitance changes by only a fraction of the voltage through which the grid swings, only part of this capacitance adds to the input capacitance.

The manner in which the effective grid-cathode capacitance is reduced can be visualized in another way by considering the low-impedance cathode signal as assisting the grid signal. This principle can be used to raise the low-frequency input impedance as well as the high-frequency input impedance (see Circuit No. 2).



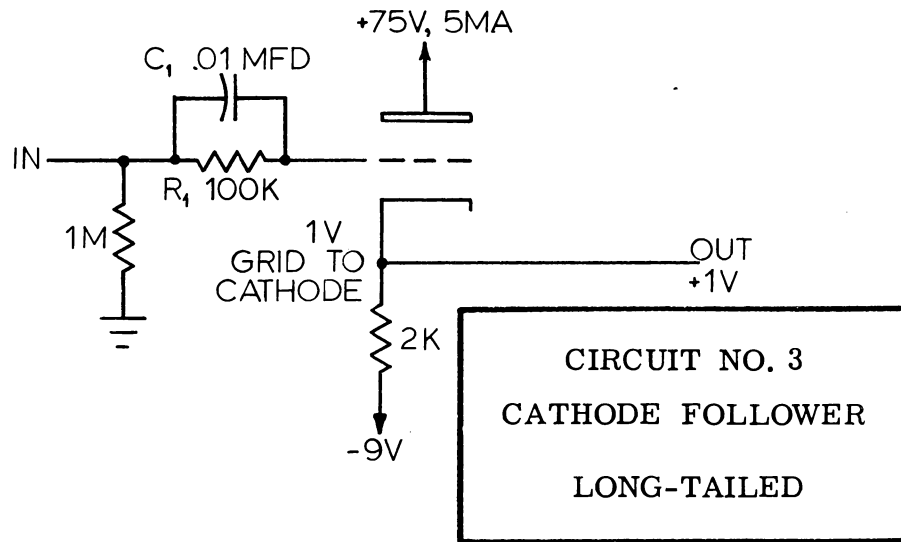
CATHODE FOLLOWER  
(GRID RETURNED TO CATHODE CIRCUIT)

The low-frequency input impedance of this circuit is raised much higher than the value of the one-megohm grid resistor. The signal voltage at the bottom end of the grid resistor follows and is nearly equal to the grid voltage; the difference between input and output appears across the grid resistor. This difference voltage is only about 10 percent of the input voltage (in this case); the current through the one-megohm resistor, therefore, is only about one-tenth of what it would be with full signal voltage across it. The current that does flow is a measure of input impedance, and indicates that the input impedance (for low frequencies) is raised about 10 times to about 10 megohms.

The total cathode resistance is 2000 ohms for this figure, 10 times what it was when the bias resistor was returned directly to ground. For a given input

signal the cathode signal will be nearly double what it was with a 200-ohm load. That is, the cathode will follow the grid about 90 percent (instead of about 50 percent) of the way through its voltage excursions. The reason for the improved following-action is that a much smaller cathode-current change is required through 2000 ohms than through 200 ohms to produce a given cathode-voltage change. The grid-cathode voltage (difference voltage between input and output) then will be only large enough to account for the small current change needed to establish the output voltage, and the output will be more nearly equal to the input.

An input capacitor is shown to indicate the probable need to isolate the quiescent +9 volt grid-to-ground voltage from the signal source.



CATHODE FOLLOWERS  
(LONG-TAILED OR CONSTANT-CURRENT)

If the cathode resistor of a cathode follower returns to a voltage well below the grid level, the cathode is said to have a long tail. When the quiescent grid voltage is at ground level (zero volts), a negative supply voltage is of course required. This is a good arrangement for input circuits since it makes an input capacitor unnecessary, permitting DC coupling when desired.

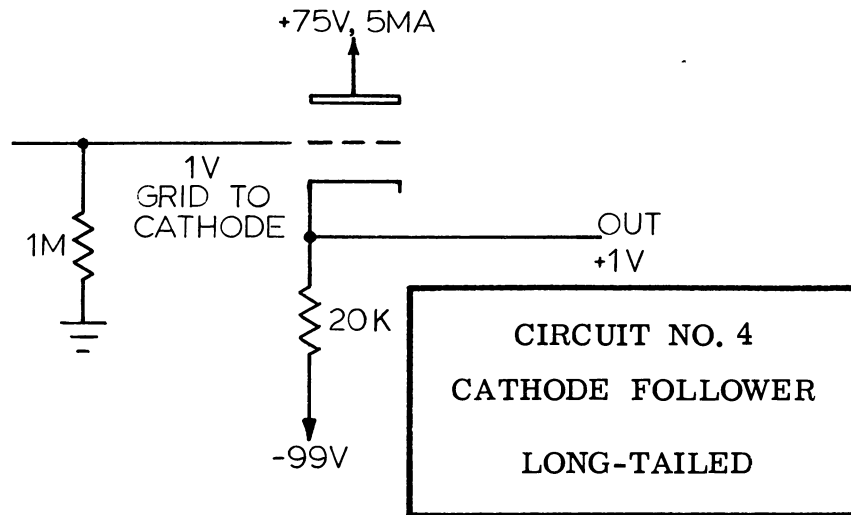
The further the cathode supply voltage is below the grid level, the higher the value of the cathode resistor must be to maintain equivalent bias and current for the cathode follower. The higher the cathode resistance, the more favorable the following-action of the cathode, and higher amplitudes of grid-signal swing can be handled.

Long-tailing of cathodes adds another important feature: stability of gain. For a given tube operated with a given plate (or screen) voltage, the transconductance is primarily a function of the cathode current. Constant cathode current is therefore important for gain stability in any amplifier circuit where the gain depends primarily on transconductance. Cathode-emission changes occur with changes in filament voltage (temperature) and with tube aging, and tend to change the cathode current. Ordinarily, self-biasing circuits reduce such changes,

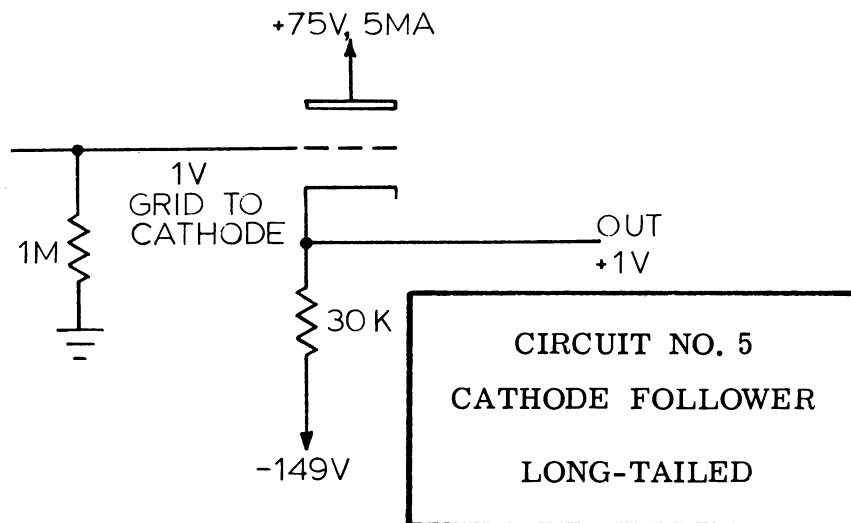
but long-tailing of cathodes further reduces the changes and approximates a condition of constant current.

When a long-tailed cathode follower has to drive a large capacitive load, a rather unusual thing happens: The cathode follower can follow better (faster) going up than coming down. The rate at which it can charge going up is limited only by the rate at which zero-bias (full) cathode current will charge the capacitance. Coming down, the discharge rate is limited by the time constant of the cathode resistor and the load capacitance. At high frequencies (or short risetimes), even very small capacitive loads may impose limitations on the following-action of long-tailed cathode followers.

Circuit No. 3 behaves very much the same way as No. 2 except that the input impedance is no higher than the grid-to-ground resistor. Because the grid returns to ground, however, the input signal can be coupled directly to the grid. The network consisting of  $R_1$  and  $C_1$  can be inserted with no effect upon the normal operation of the circuit. The purpose of the network would be to prevent excessive grid current should too high a positive voltage be applied to the input.

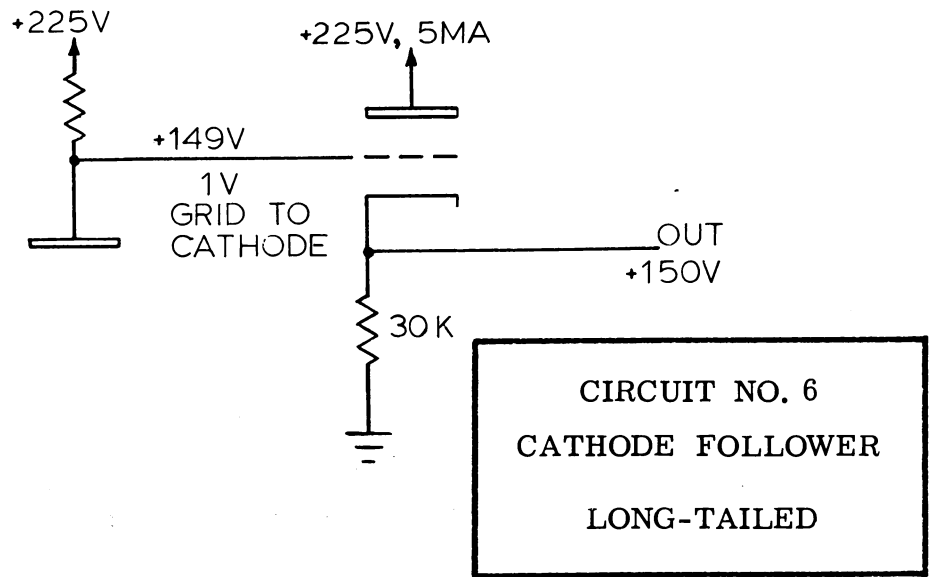


Circuit No. 4 acts essentially the same as No. 3, with improved following-action, improved gain stability, and the ability to handle larger grid signals.

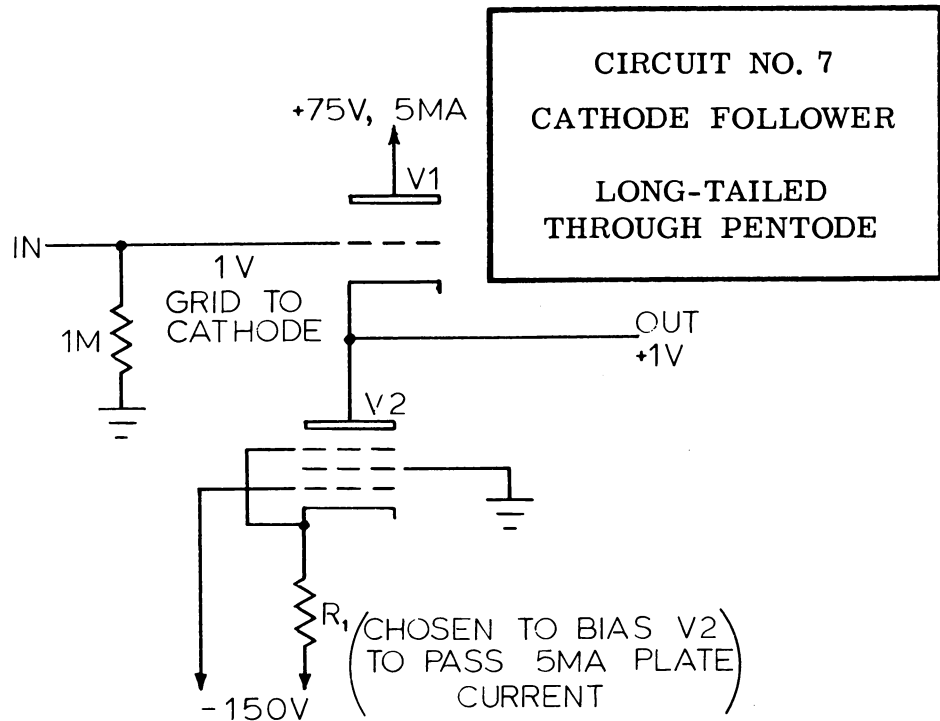


Circuit No. 5 is a slight improvement on No. 4 for the same reasons that No. 4 is an improvement on No. 3. Its cathode supply voltage of -149 volts is nearly typical of the -150 volts used so frequently. In fact, if the supply had actually been made -150

volts, the current would be different by only three-fourths of one percent. Even normal variations in tolerance of one-percent resistors could account for as much difference.

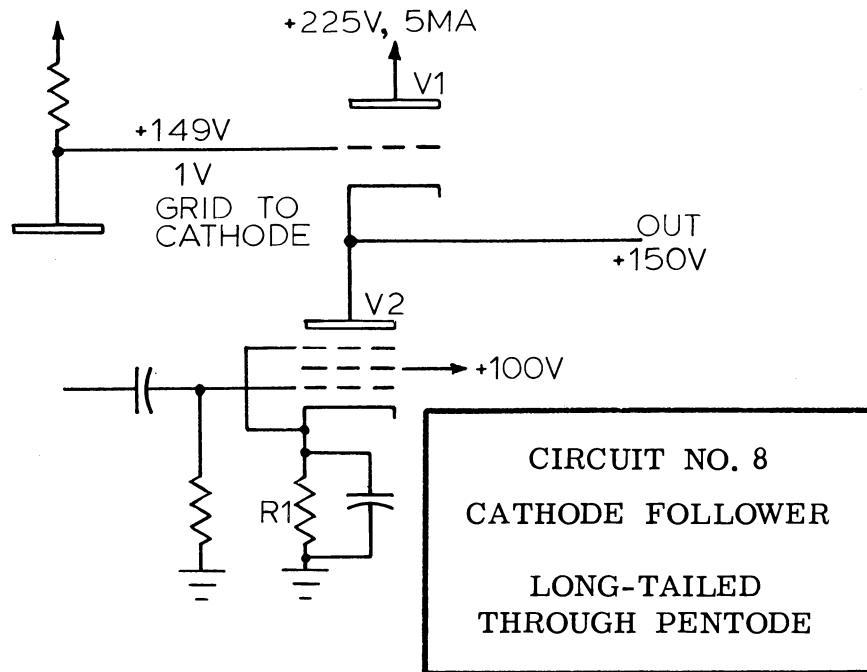


Circuit No. 6 is the same as No. 5 except that the grid is 149 volts above ground, which allows the cathode to return to ground instead of to a voltage below ground.



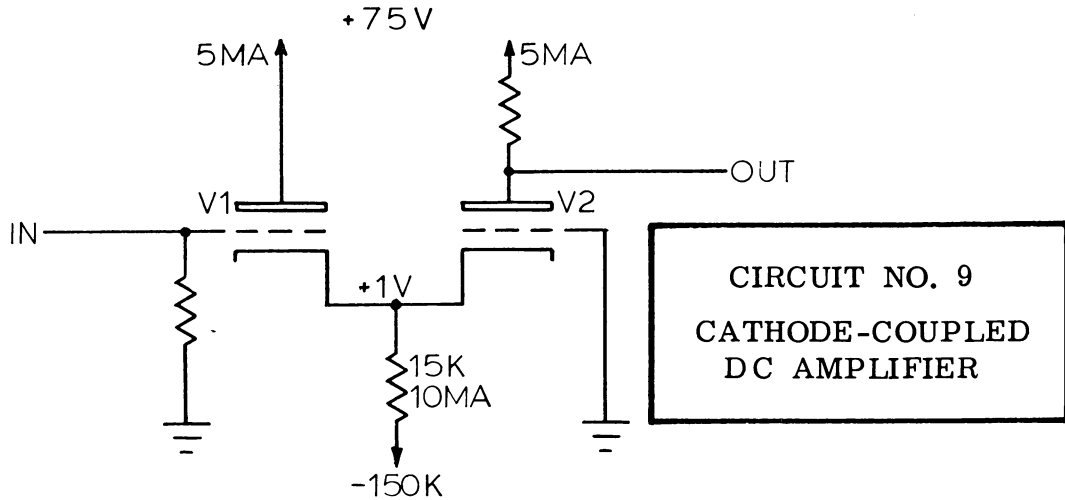
Circuit No. 7 shows a pentode tube substituting for the cathode resistor. Pentodes can be operated with very high plate resistance (on the order of a megohm); in this way their effect is to extend the negative supply voltage many hundreds of volts and make the constant-current characteristic extremely flat.





Circuit No. 8 is the same as No. 7 except that the cathode of the pentode is supplied from ground. The grid circuit is shown able to accept special control voltages; this permits the cathode resistance of  $V_1$  to become dynamic. One use of this special characteristic is to permit any cathode-follower load capacitance to discharge faster than

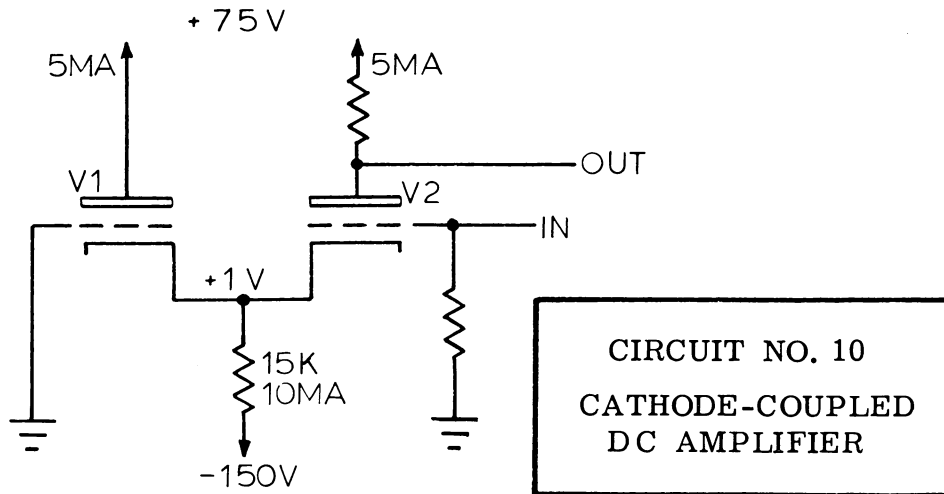
it otherwise would be able to, as for fast negative-going sawtooth (sweep) voltages. In this case, a suitable control voltage is available by differentiating a simultaneous positive-going sawtooth voltage. A differentiated sawtooth voltage, except at its very beginning, produces a constant voltage proportional to the rate of voltage change.



CATHODE-COUPLED  
DC AMPLIFIERS

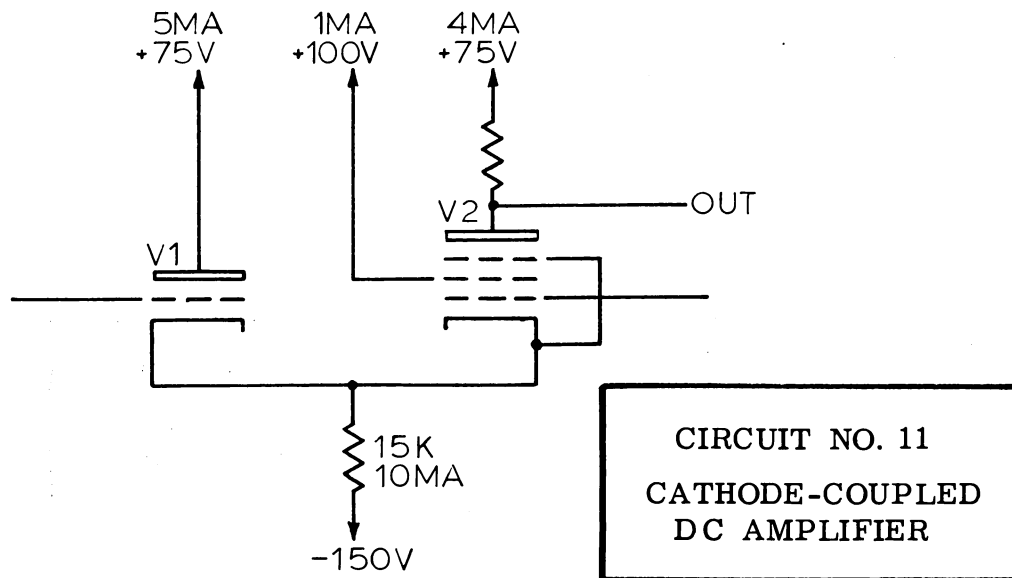
If a cathode follower is used to drive the cathode, rather than the grid, of a second tube (Circuit No. 9), the grid may be operated at a fixed voltage and the advantages of grounded-grid operation will result. Such a circuit permits the two cathodes to share the same resistor. If both tubes have the same transconductance, and the plate-load resistor is small (less than 1k), only about one-half of the input signal will appear at the cathode, for the cathode impedance of  $V_2$  will be the load for the cathode follower  $V_1$ . The gain through such a circuit will be only about one-half of what might be

expected, since the signal at the cathode (about one-half of the input signal) will be the grid-cathode signal for  $V_2$ . If  $V_2$  has less transconductance than  $V_1$ , the cathode impedance of  $V_2$  will be considerably higher than that of  $V_1$ ; consequently, more than one-half of the grid signal of  $V_1$  will appear as a cathode signal. Under such conditions the gain will be higher. A large plate load on  $V_2$  will reduce its effective transconductance. This will not be true, however, if  $V_2$  is a pentode. Notice that there is no phase reversal between the output signal and the input signal.



In Circuit No. 10 the input signal is introduced on the other grid; the grid of  $V_1$  is grounded.  $V_1$ , which serves to decouple the cathode signal, is about 50 percent effective, leaving about half of the input signal at the cathode as degeneration. The gain either way, then, is about the same. The primary difference is that the improved bandpass

of grounded-grid operation may be lost due to the Miller-effect when operated in the way described above. If the transconductance of  $V_1$  is considerably higher than that of  $V_2$ , the cathode signal will be reduced to considerably less than 50% of the grid signal of  $V_2$ , and the amplifier will have higher gain.

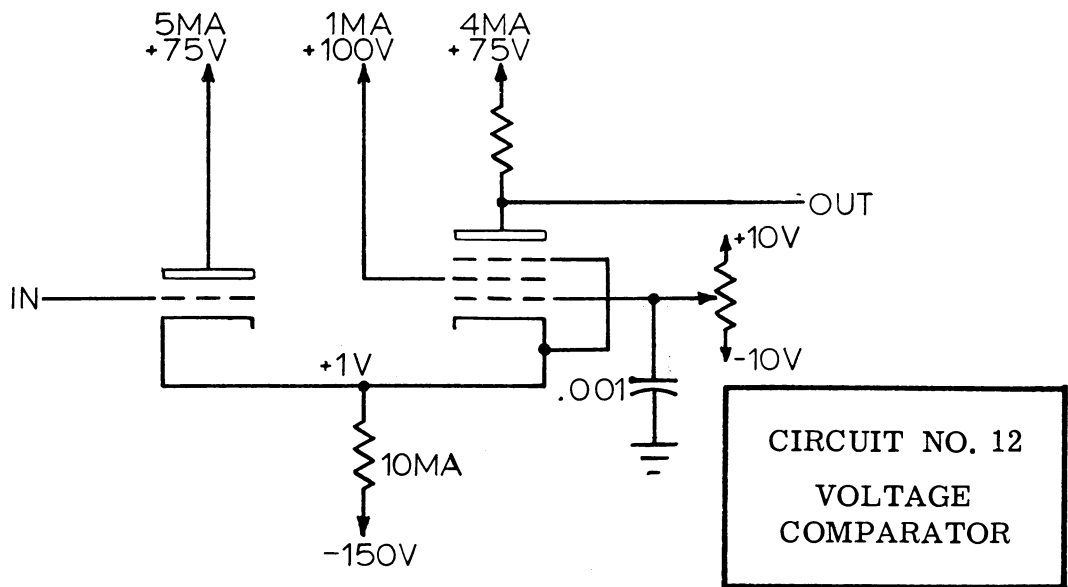


If a suitable pentode is used for the second half, the Miller-effect is reduced, and nearly equal gain and bandwidth characteristics result for the two modes, as in Circuit No. 11.

#### CATHODE-COUPLED VOLTAGE-COMPARATOR AMPLIFIERS

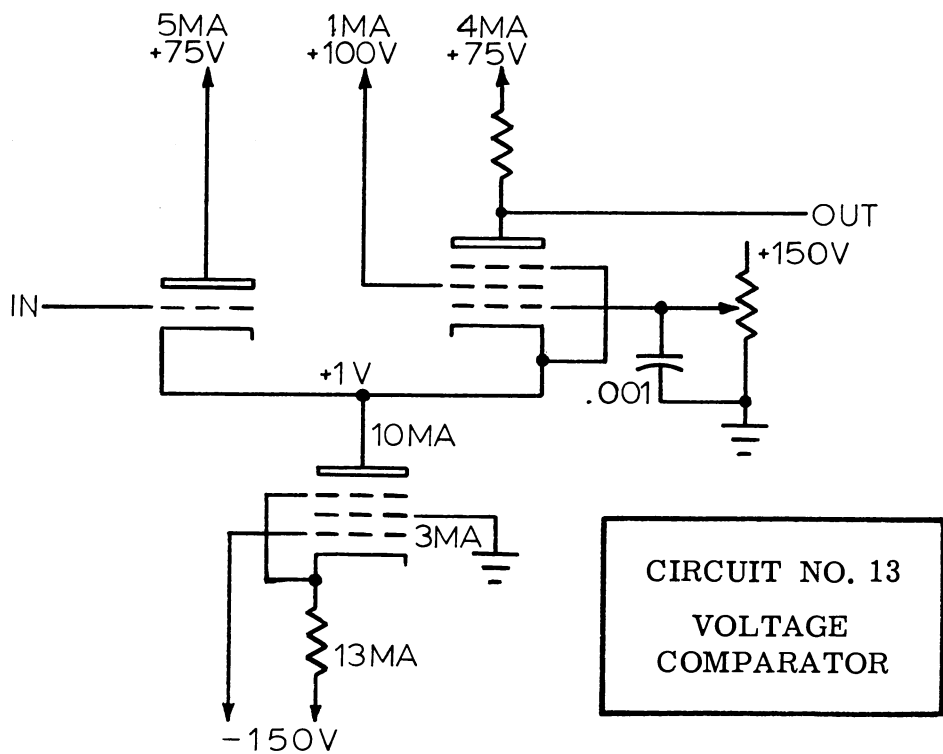
In the foregoing cathode-coupled circuits, the quiescent DC level of both grids was ground. If there were a difference between the two DC levels, the DC output level would indicate which input level was higher. That is, if the grid of V<sub>1</sub> were slightly higher than the grid of V<sub>2</sub>, the output plate voltage would be considerably higher than normal; if the

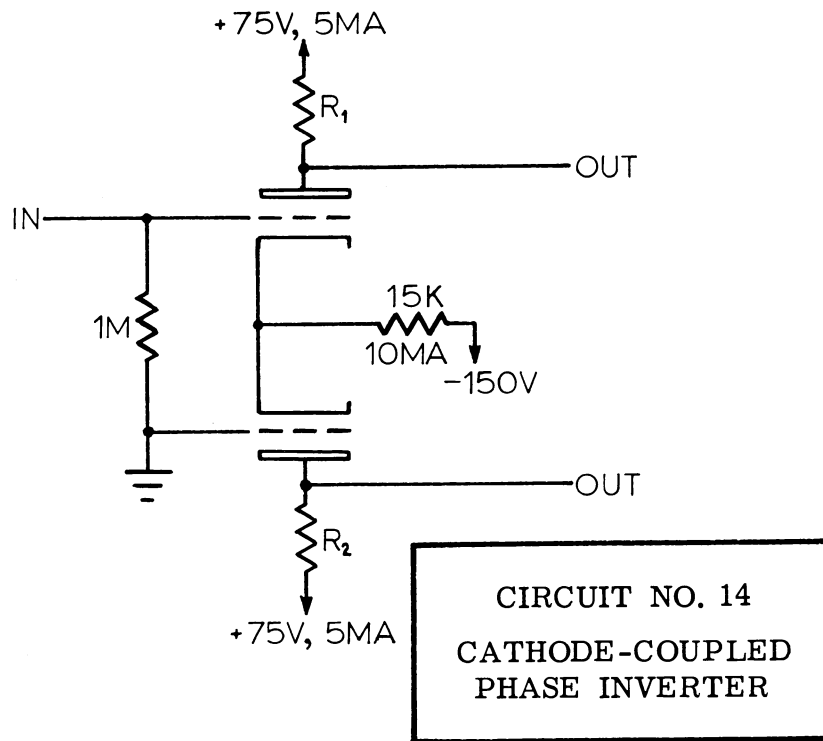
grid of V<sub>2</sub> were slightly higher than the grid of V<sub>1</sub>, the output voltage would be considerably lower than normal. The output voltage, then, is a measure of how closely the instantaneous voltage on the two grids compares, and is an indication of which is higher. The circuit is a voltage comparator as well as amplifier.



If a means is provided for manually fixing the DC level of one grid, as in Circuit No. 12, the output plate voltage will swing through a definite region whenever the input signal voltage crosses through a level equal to that of the fixed grid. To allow fast-changing cathode voltages fully to charge and discharge the grid-cathode capacitance, the fixed grid is bypassed with a capacitor considerably

larger than the grid-cathode capacitance. As long as the cathodes are long-tailed, the range of level adjustment can be quite large, giving the circuit the ability to compare widely different levels on any signal. The use of a pentode for the common cathode resistor permits more accurate comparisons over a wider voltage range, especially for upward swings (see Circuit No. 13).

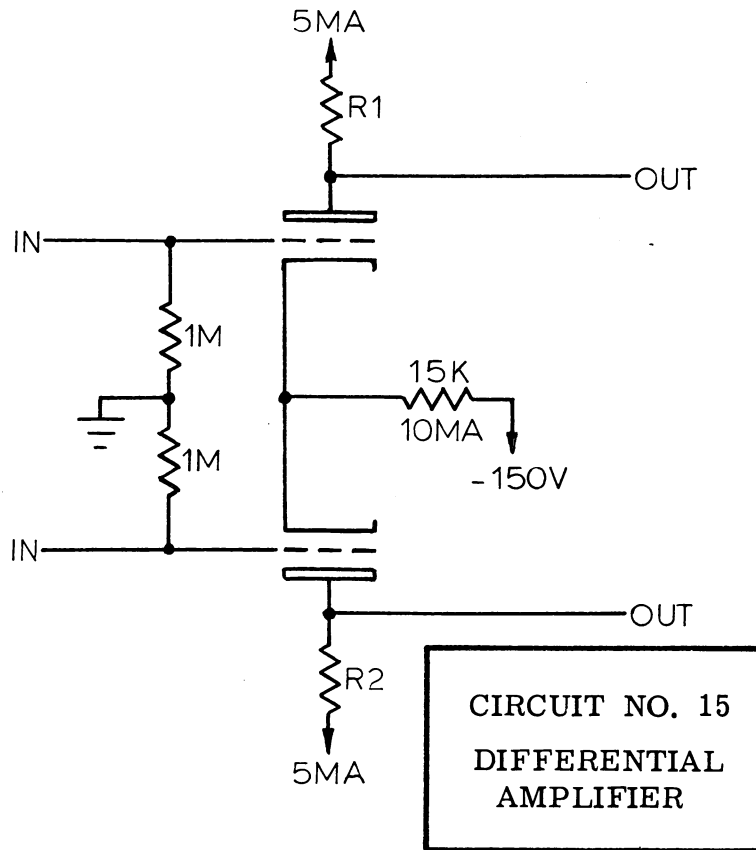




If a plate resistor is added to the plate circuit of the cathode-follower section of Circuits 9, 10, and 11, output signals of both phases are available simultaneously. If the two tubes are of the same type and have plate resistors of equal values, as in Circuit No. 14, the two output signals will be well balanced push-pull voltages. This circuit is a paraphase inverter with a long tail. The long tail provides especially well balanced output signals

as well as good gain stability. The 50 percent loss of gain is recovered by having a push-pull signal result from a single-ended input.

The circuit, by being symmetrical, has very good hum-free, drift-free characteristics. Power supply ripple voltages at the two plates will be equal and of the same phase, and so will produce no push-pull output.



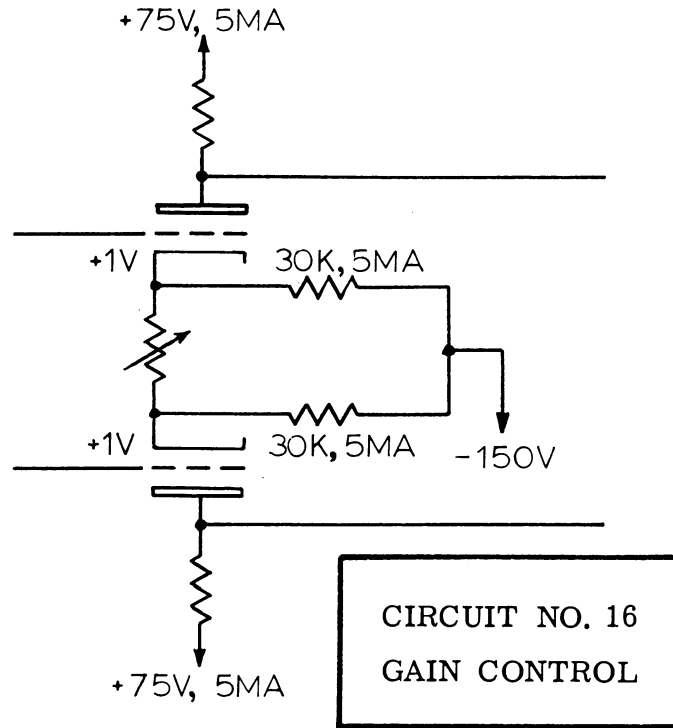
DIFFERENTIAL AMPLIFIER

If balanced push-pull signals are applied to each grid of Circuit No. 14 (as in Circuit No. 15), there will be no cathode signal and no degeneration. Balanced signals are those that have equal amplitudes but opposite phase. As long as a positive-going signal on one grid is accompanied by an equal negative-going signal on the other grid, an increase in current in the first tube will be accompanied by an equal decrease in current in the second tube; the net change in current through the cathode resistance will be zero. This holds true essentially as long as either tube does not get cut off or draw grid current: Class A operation. If one tube should get cut off, strong degeneration to the opposite tube takes place and is usually desirable. If quiescent bias is not too close to zero volts, one tube will cut off before the other draws grid current. The conducting tube, then, will act like a cathode follower and will not draw grid current even with large positive-going signals.

In a push-pull amplifier with common long-tailed cathodes, it is the out-of-phase signals in the two halves that are amplified; in-phase signals suffer strong degeneration and are attenuated. Besides being attenuated, equal in-phase signals that reach the output deflection plates are basically incapable of producing deflection anyway, because beam deflection is determined by the difference in deflec-

tion plate voltages rather than by the deflection plate voltage with respect to ground.

A push-pull amplifier that does a good job of cancelling equal in-phase (common-mode) signals is called a differential amplifier, since only the difference between two input signals is manifested at the output. The manner in which cancellation of common-mode signals takes place may be explained further. To test for common-mode cancellation, one signal is applied to both inputs. If necessary, the input signal amplitude should be increased until some output is observable. The common-mode rejection ratio will be the ratio of the input signal amplitude applied in this way to the input signal amplitude required to produce the same deflection when applied to one input only. Using only one signal at both input grids requires that the two grids be tied together. Since the grids are tied together and the cathodes also are tied together, the two inputs behave as one input with very strong cathode degeneration. That is, a grid signal produces very little change in cathode current, so there is very little plate signal. Even with plate resistors equal in value to the cathode resistor, only about one-half as much signal voltage would appear at the plates as appears at the grids; a loss instead of a gain. Subsequent stages further attenuate the signal.

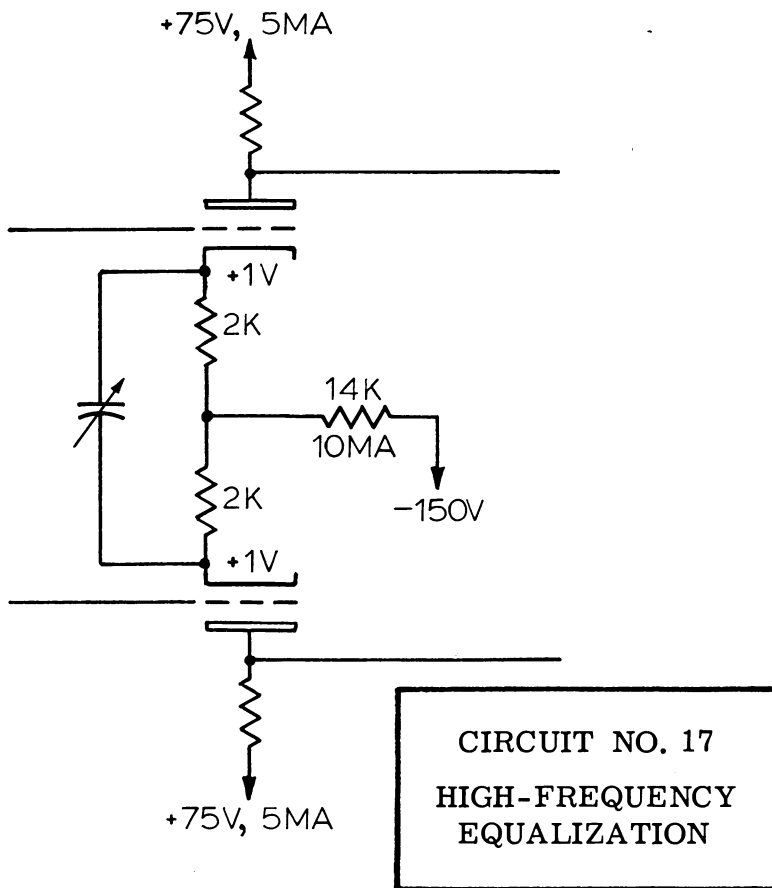


#### PUSH-PULL STAGE GAIN CONTROL

If, instead of using just one cathode resistor in a push-pull stage, two are used (that have a parallel equivalent value equal to the one), a single variable resistor between the cathodes will control the gain. To understand why, imagine the resistor to be variable between zero ohms and infinity. Thus, when the resistance is zero ohms, the top as well as

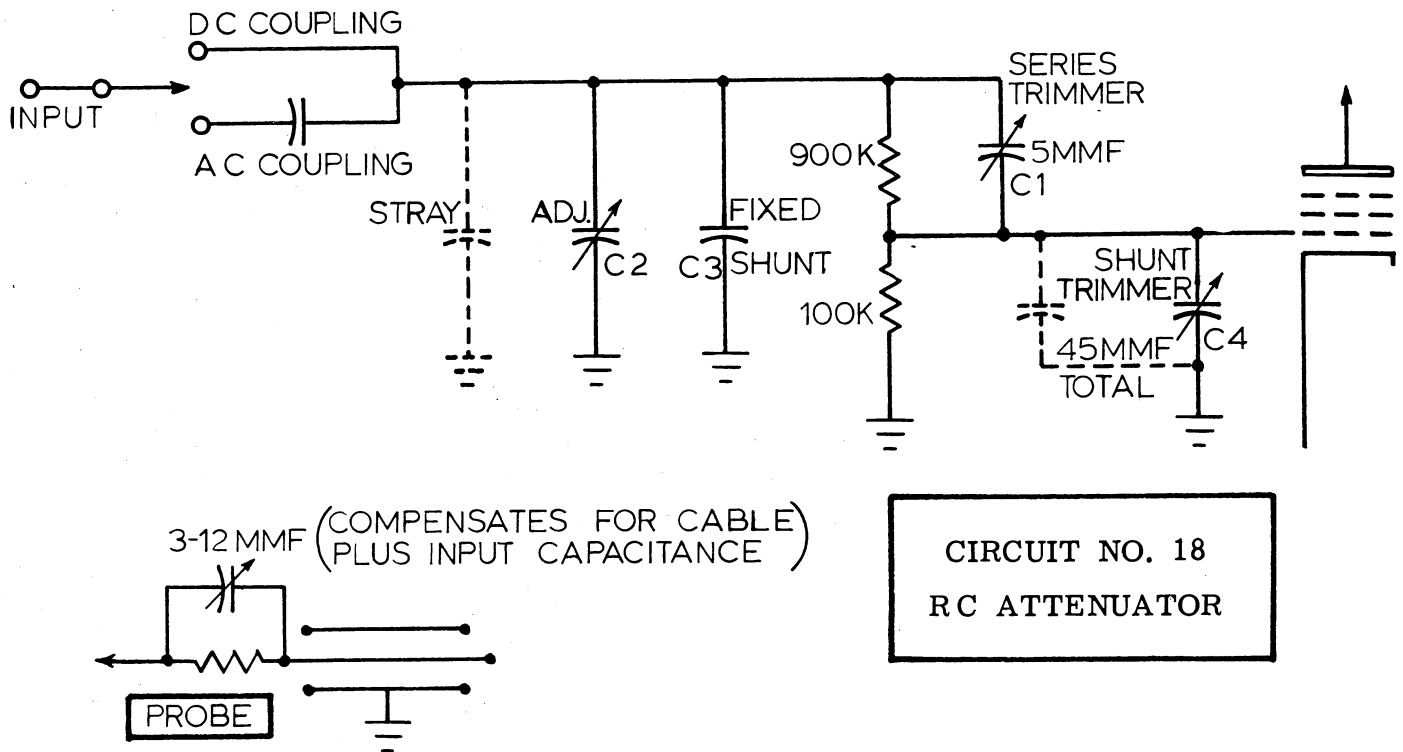
bottom ends of the two resistors are tied together and appear as one resistance; the circuit has maximum gain. With the variable resistor at infinity, the cathode circuits are completely isolated, and there will be maximum cathode degeneration. The variable resistor serves as a degeneration control for both tubes.





### HIGH-FREQUENCY EQUALIZATION

To extend the high-frequency response of an amplifier, at the expense of low-frequency gain, a frequency-discriminating degeneration control can be used. A small cathode-bypass capacitor is practical in single-ended amplifiers. In a push-pull stage, a similar arrangement is shown.



RC VOLTAGE DIVIDER  
(CIRCUIT NO. 18)

An RC voltage divider (or attenuator) is basically a resistance divider modified to divide high frequencies by the same amount as low frequencies and DC. Any capacitive load connected at the junction of a resistance divider (i.e., grid capacitance) can affect the attenuation ratio. The reactance is negligible at low frequencies; at high frequencies the effective divider ratio will increase. A capacitor ( $C_1$ ) may be added to the non-loaded leg of the divider to compensate for the capacitance of the load. As a result we have a resistance divider in parallel with a capacitance divider. It is usually necessary to use an adjustable capacitor to provide precise compensation.

When a complex waveform is fed through an ideal properly compensated RC divider, all of its frequency components are attenuated equally, and the true wave shape is preserved. This suggests a simple method for proper compensation of an RC divider. Square waves have both high and low-frequency components, and their shape is easily recognized; they make an ideal test signal for adjusting or for verifying proper adjustment of an RC divider.

The square wave itself must have sufficiently short risetime, no overshoot, and a flat top. A suitable frequency is determined mainly by the RC time constants of the RC divider. It is interesting to note that, when the divider is properly adjusted, the time constant for the RC elements in the top

half of an RC divider equals the time constant for the RC elements in the bottom half.

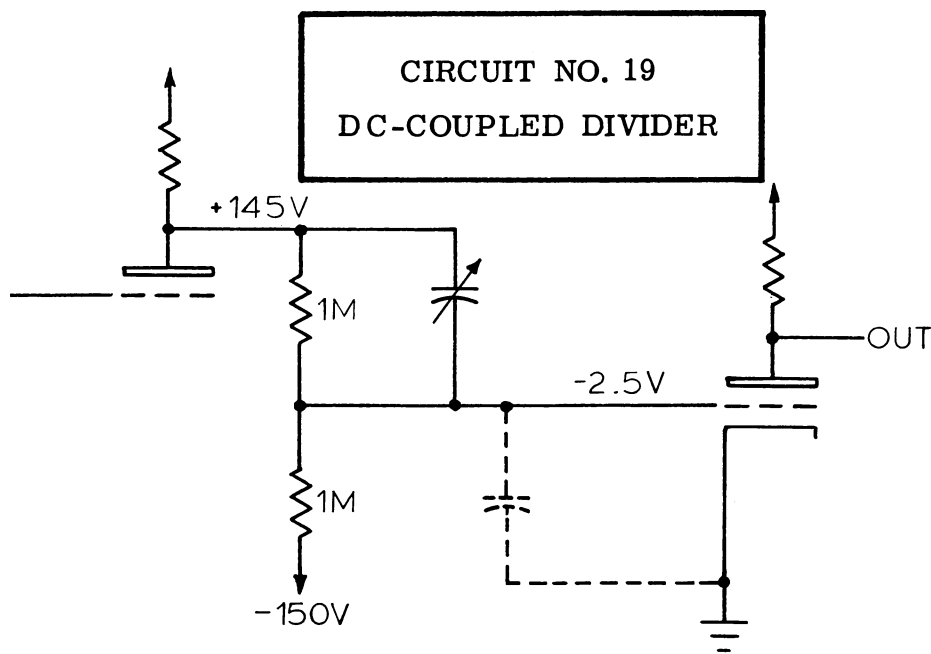
There is no specific square-wave frequency that is ideal for adjusting a given RC divider. The main requirement is that the frequency be low enough so that the period for one half-cycle is longer than one RC time constant of the divider. The risetime of a square wave suitable for adjusting RC attenuators does not necessarily have to be as short as that needed to adjust the transient response of the amplifier following the RC attenuators. If the risetime is shorter than about one-tenth of the RC time constant of the attenuator, adequate adjustments can usually be made if strict attention is given to matching the actual shape of leading corners rather than to making each corner appear as square as possible.

The passive high-impedance probes usually needed to introduce the signal into the scope essentially are compensated voltage dividers. Use of these probes requires that the impedance of a stepped input attenuator remain constant through its range of steps. Shunt trimmers are provided for making the input capacitance to the scope constant from range to range ( $C_2$  and  $C_3$ ).

$C_4$  is another type of shunt trimmer often provided. This one trimmer permits re-establishment of proper RC compensation for the entire set of step-attenuator adjustments whenever the input

tube characteristics change enough to alter the input capacitance of the tube, or the tube is replaced. The same trimmer can be used to standardize the input capacitance of different inputs (either on separate scopes or separate channels in one scope) to reduce the need to recompensate a probe that is used interchangeably. Some amplifiers use addi-

tional stages (for higher gain) that are not used when large signals are handled. This means that two different tubes are used as input tubes. A shunt trimmer on one or both of these tubes permits standardizing the direct input capacitance to the two tubes.

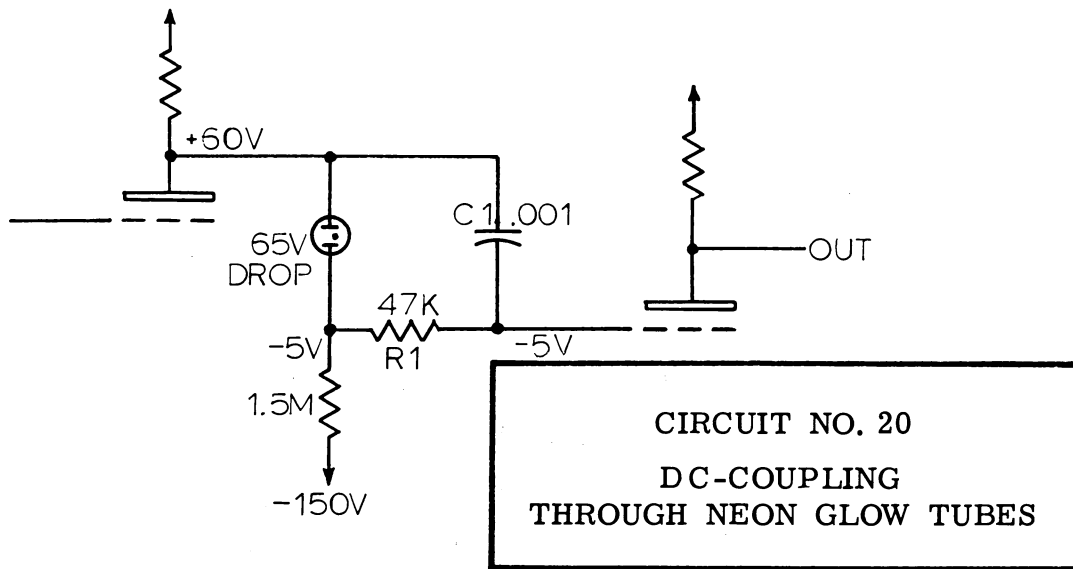


#### LONG-TAILED DC-COUPLED DIVIDERS

When it is desirable to DC-couple a signal at one DC level to another DC level (i.e., plate level to ground level) without attenuating the signal too much, the long-tail or constant-current principle can be used. In Circuit No. 19 the divider consists of two equal resistances; the DC level at the center, therefore, will be half-way between the level at the top and level at the bottom, or -2.5 volts. If the plate level changes by two volts, the grid level

will change by half of that, or by one volt. This is an attenuation of two to one; the signal, however, is changed in level by 147.5 volts back down to a level where it can be amplified again with only one +225 volt supply.

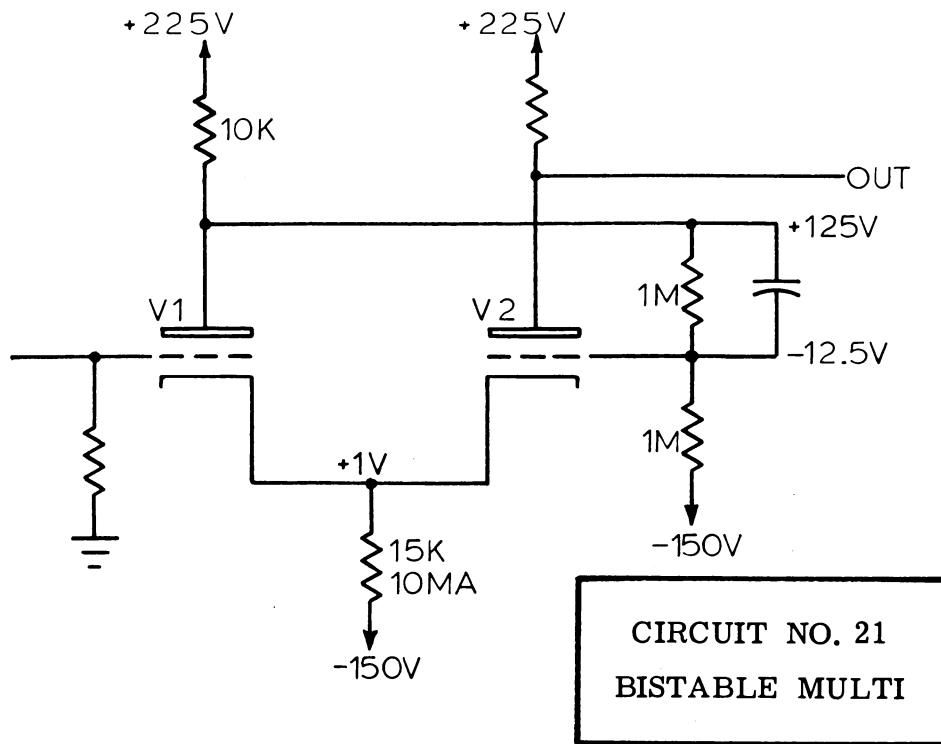
A trimmer capacitor is shown across the top half of the divider, making it an RC divider.



#### DC-COUPLING THROUGH NEON TUBES

By using NE-2 neon bulbs, DC-coupling from one voltage level to another can be accomplished in some circuits with practically no attenuation of the signal in the process; an example is shown in Circuit No. 20. These bulbs have constant voltage characteristics similar to V.R. tubes, and therefore can be used to provide a rather constant drop in voltage in a divider circuit. Since the neons tend

to fluctuate under certain conditions and require a certain ionization and deionization time, they are usually used to handle only large signals or are part of feedback loops, or both. The capacitor couples fast-changing signal components to the grid without requiring a change in ionization of the NE-2 during such intervals.

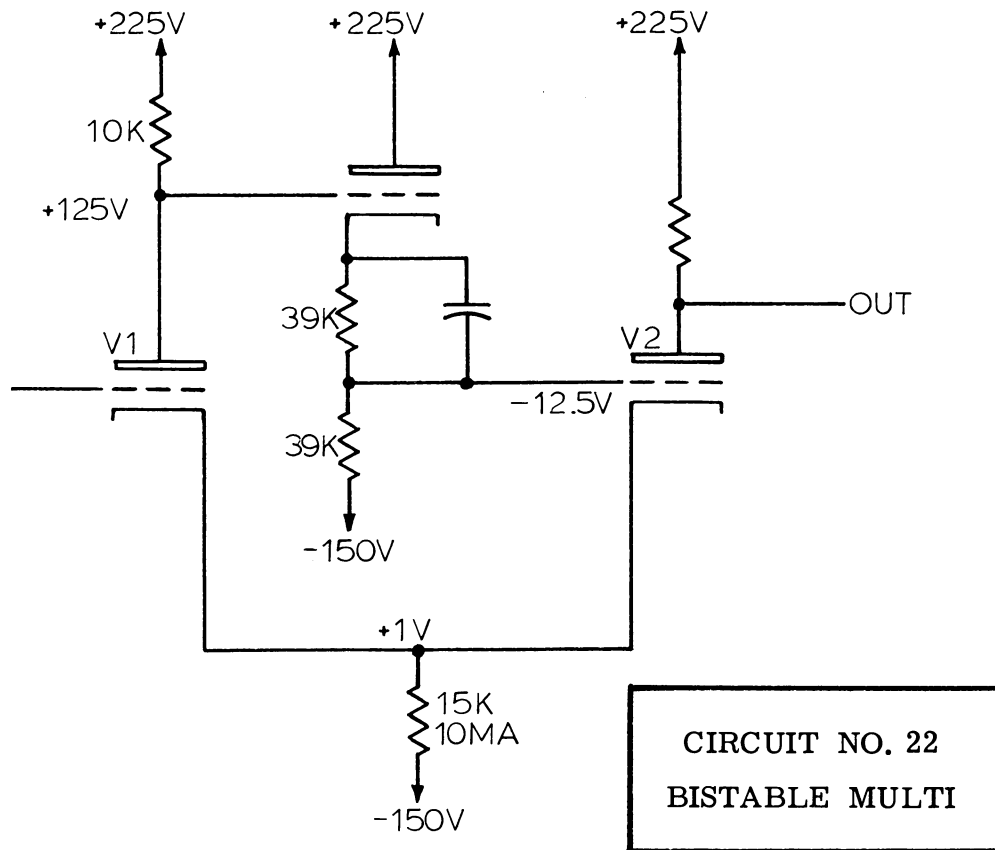


CATHODE-COUPLED BISTABLE MULTIVIBRATORS  
(DC-COUPLED SCHMITT CIRCUITS)

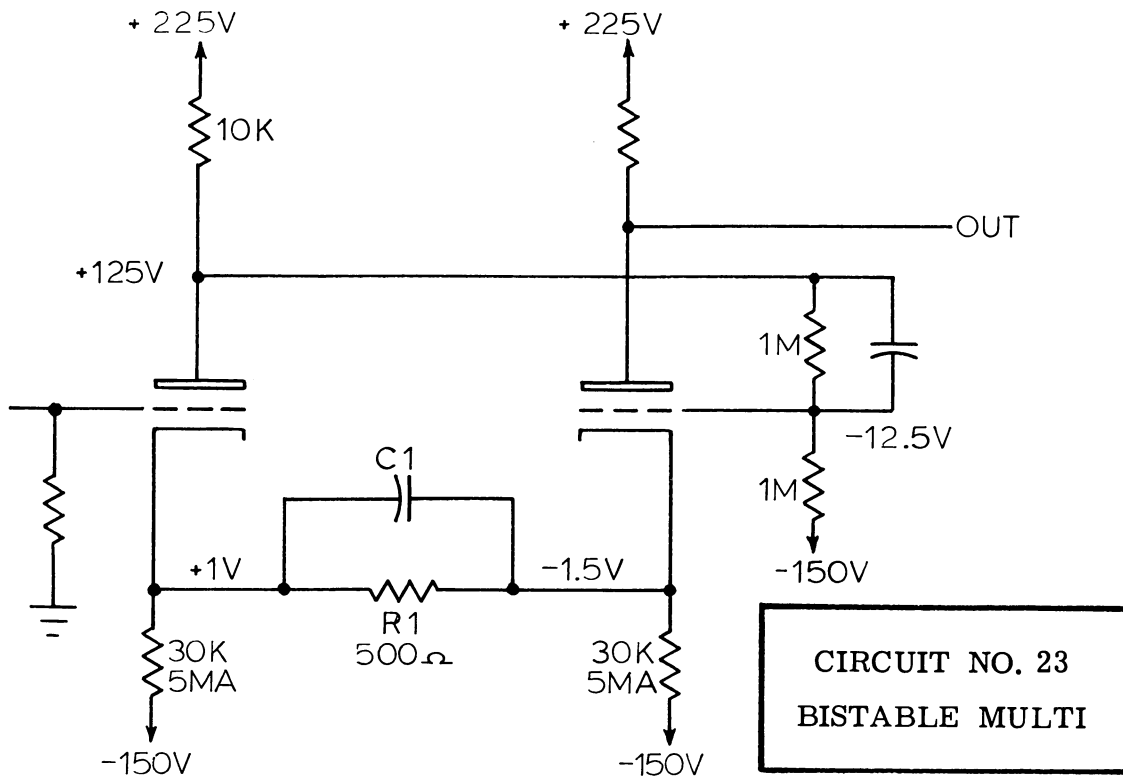
A bistable multivibrator is one that is stable indefinitely with either half conducting and the opposite half cut off. Bistable multivibrators are usually made to operate with a control voltage on one grid; in this case the multivibrator frequency will be the same as the grid signal frequency, providing the signal amplitude is sufficient and the frequency is not too high.

Circuit No. 21: If the grid of  $V_1$  is high enough,  $V_1$  will conduct. Conduction in  $V_1$  lowers its plate voltage and drives the grid of  $V_2$  down into cut-off.

Since the plate voltage is DC-coupled to the grid, the right-hand tube will remain off until the grid of the left half comes down again. With  $V_2$  cut off, the cathode voltage will closely follow the grid of  $V_1$ . When the cathode lowers sufficiently, conduction starts in the right-hand tube and diminishes in the left-hand tube. As soon as this happens, the transition is accelerated by the increase in plate voltage of  $V_1$  which rapidly raises the grid of  $V_2$ , hastening cut-off of  $V_1$ .  $V_2$  will then conduct until the grid of  $V_1$  rises enough to let the left side conduct again.

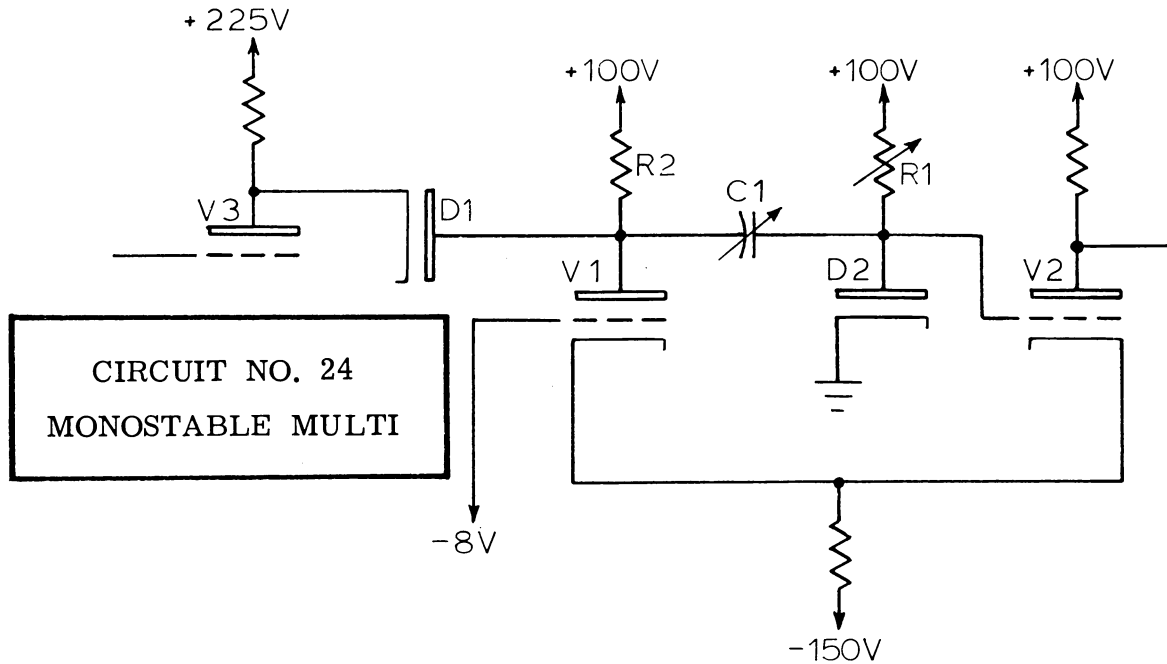


Circuit No. 22: A cathode follower may be inserted between stages to speed up the transition from one state to another by reducing the capacitance that the first tube must drive, and by providing low-impedance drive for the input capacitance of the right-hand tube.



Circuit No. 23: All of these multivibrators have hysteresis. That is, in order to produce a transition coming down, the grid signal must come down past the voltage level where a transition took place going up. Multivibrators with much hysteresis require large signals for operation. In order to control the multivibrator with a small signal, the hysteresis must be small. Hysteresis can be reduced by separating the cathodes slightly by a variable

resistor. With this arrangement, the cathode level of the tube that is not conducting will be somewhat lower than the other cathode and thereby biased closer to conduction. If hysteresis is reduced too much, the circuit will be unstable. The capacitor  $C_1$  maintains the voltage drop across  $R_1$  for an instant during transitions to improve stability during these critical periods.



### CATHODE-COUPLED MONOSTABLE MULTIBRATORS

The monostable multivibrator is stable in only one mode. If triggered into the opposite conducting state, it will revert to its stable state on its own after a certain period.

Circuit No. 24: In the stable state,  $D_2$  is conducting up through  $R_1$ , clamping the bottom end of  $R_1$  close to ground. This puts the grid of  $V_2$  about eight volts higher than the grid of  $V_1$ ; therefore  $V_2$  is conducting and  $V_1$  is cut off.  $C_1$ , then, is charged to the full value of  $B+$ , in this case 100 volts. If  $D_1$  conducts for an instant, the plate voltage of  $V_1$  is lowered for an instant, and the negative-going wavefront is coupled through  $C_1$  to the grid of  $V_2$ . If this voltage lowers the cathode of  $V_2$  enough,

current will start to flow in  $V_1$ ; the plate of  $V_1$  then is lowered further, assisting in switching  $V_2$  off completely.  $C_1$  will then discharge through  $R_1$  until the current diminishes sufficiently to allow the grid of  $V_2$  to rise to where it may again conduct. When  $V_2$  starts to conduct, its cathode starts to rise, and current through  $V_1$  diminishes. Reduction of current through  $V_1$  allows its plate to rise. This stops the discharge of  $C_1$ , hastening the rise of the grid voltage of  $V_2$  and the transition back to the stable mode. In the unstable mode, while the plate of  $V_1$  and  $D_1$  is down,  $D_1$  cannot conduct. As soon as the plate of  $V_1$  goes up, however,  $C_1$  quickly recharges through  $R_2$  and  $D_2$ , and the circuit is ready to be re-triggered.

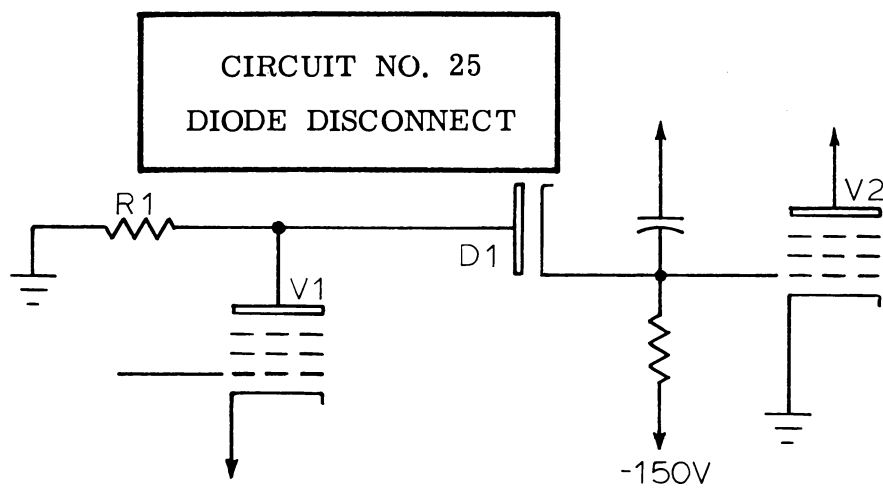
### DIODE DISCONNECT

Diodes are useful for disconnecting one circuit from another at proper moments. By driving the cathode up (or the plate down), current through a diode can be stopped.

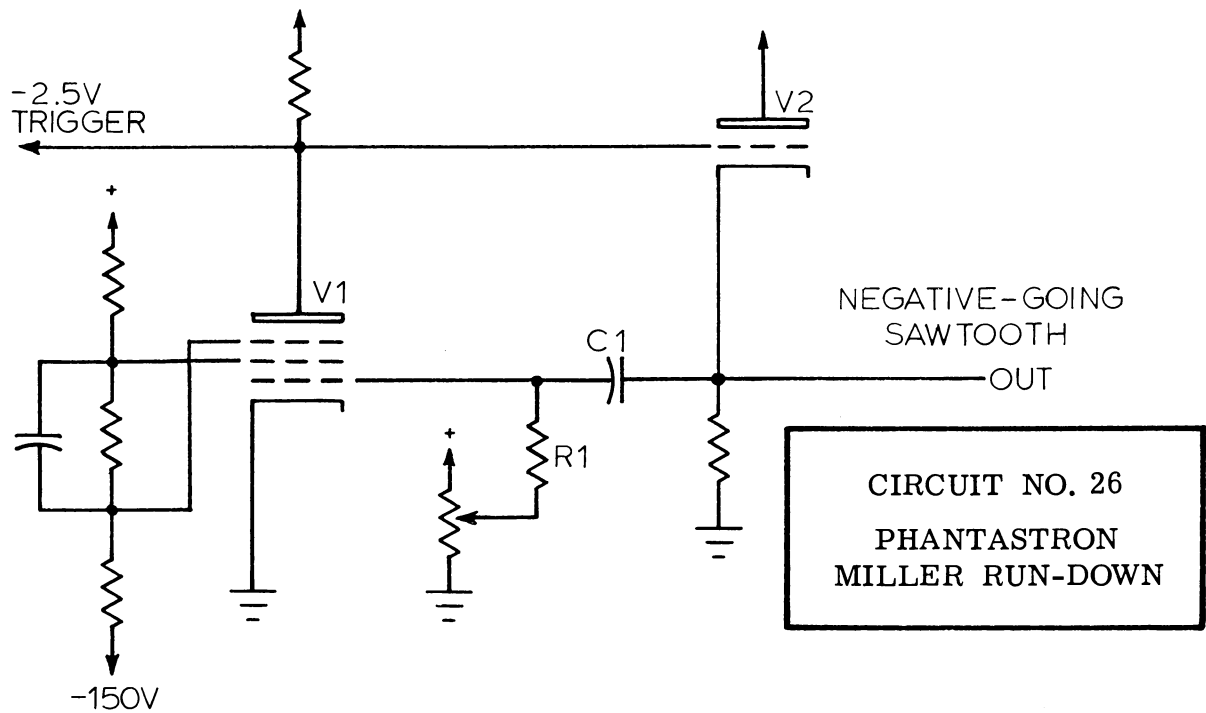
In Circuit No. 24 a triggering current can be made to pass from the plate of  $V_3$  to the plate of  $V_1$  whenever the plate voltage of  $V_3$  is lowered far-

ther than that existing at the plate of  $V_1$ . Whenever this happens, the multivibrator is triggered, and diode  $D_1$  disconnects  $V_3$  as soon as the plate of  $V_1$  comes down on its own. The diode then holds  $V_3$  disconnected as long as the plate of  $V_1$  is down, keeping untimely triggering signals at the plate of  $V_3$  from affecting the multivibrator.





In Circuit No. 25, a positive gate at the grid of  $V_1$  makes  $V_1$  conduct heavily, driving the plates of  $V_1$  and  $D_1$  below ground. The grid of  $V_2$  is then disconnected from ground and seeks a new level.



PHANTASTRON SAWTOOTH GENERATOR  
(MILLER INTEGRATOR)

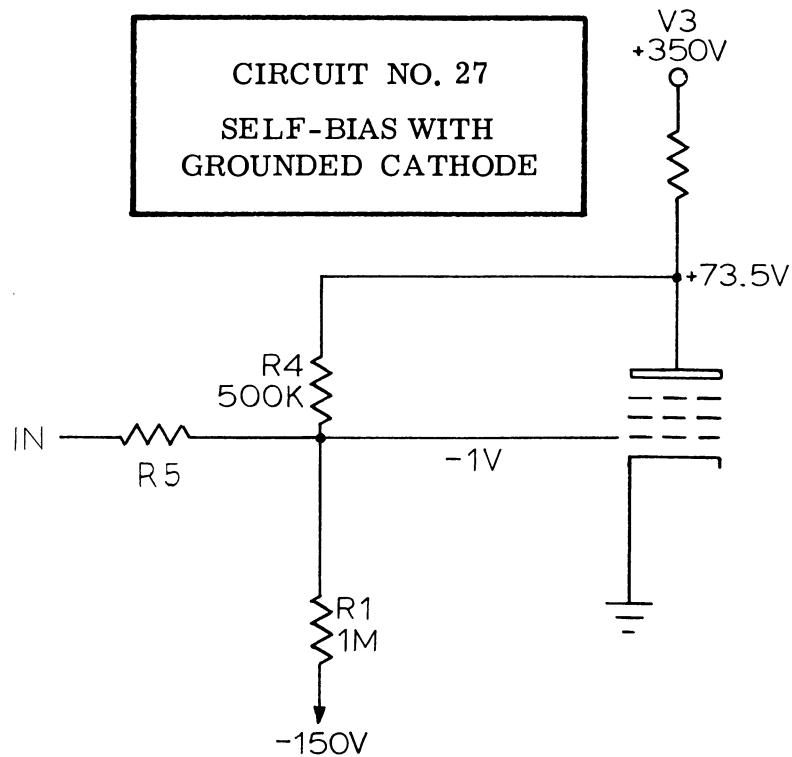
Circuit No. 26: The Phantastron is a self-gating sawtooth generator. In the quiescent mode, the grid of  $V_1$  is clamped close to ground by grid current through  $R_1$ . In this condition, screen current is so heavy that the screen voltage is very low. Since the screen is DC-coupled to the suppressor, the suppressor voltage is so low that it completely cuts off the plate current.

A small negative pulse coupled into the plate circuit of  $V_1$  goes to the grid of  $V_2$  and is coupled back over to the grid of  $V_1$  by way of the cathode follower and  $C_1$ . If the amplitude of the pulse is not too small, screen current is reduced enough (raising the suppressor voltage) to permit plate current to flow. If this happens, the plate quickly drives its own grid (through  $V_2$ ) nearly to cut-off where both screen and plate current are low. The grid starts to rise, however, as  $C_1$  immediately begins to lose its charge, but the rise of grid voltage is slowed down and linearized by inverse feedback from the

plate. That is,  $C_1$  is forced to discharge just fast enough into  $R_1$  to keep the current into  $R_1$  nearly constant. Constant current into or out of a capacitor results in a linear change in voltage across it; its output, therefore, is a sawtooth.

As the grid rises and the plate runs down, the screen gets a larger and larger share of current, until finally the suppressor is lowered enough to affect the plate current, which is switched suddenly and entirely to the screen. The plate voltage of  $V_1$  then suddenly rises and  $C_1$  quickly recharges through  $V_2$  with grid current from  $V_1$ . The main purpose of  $V_2$  is to shorten the retrace (recharge) time.

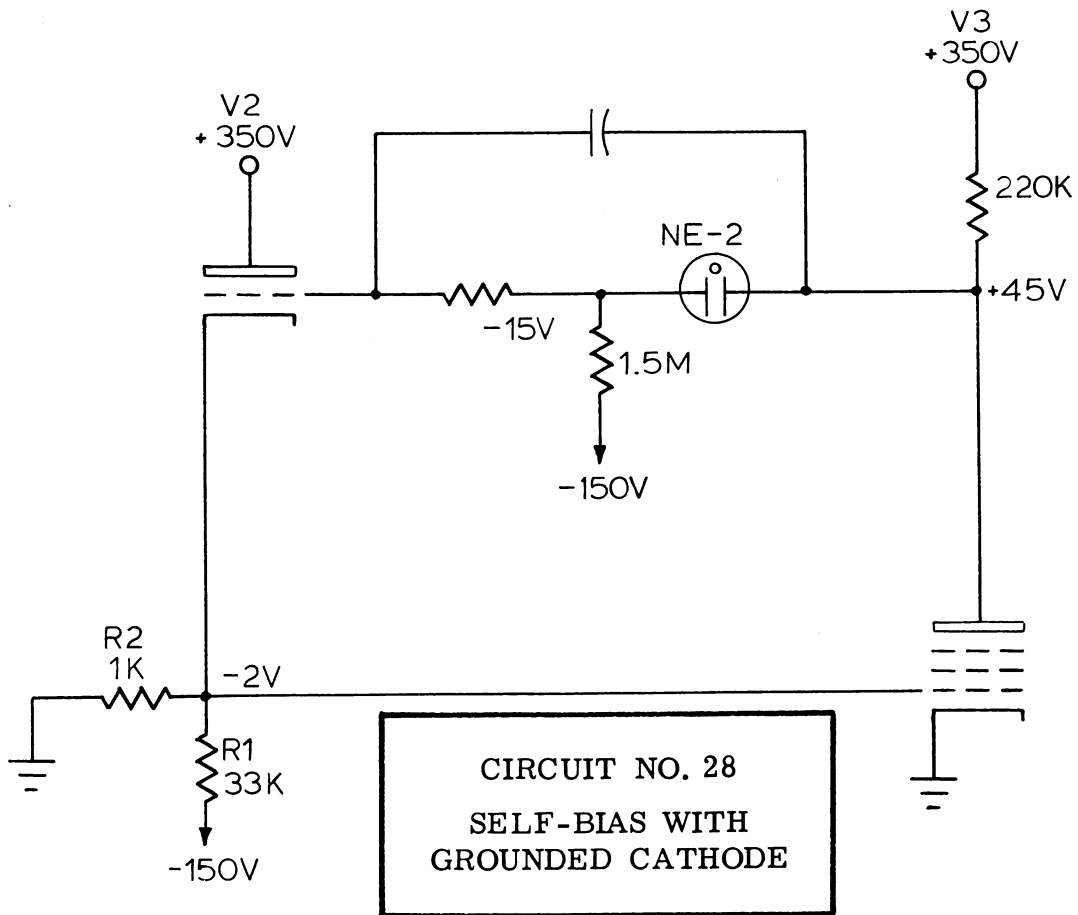
The waveform from the Phantastron is very linear. At the beginning of each sawtooth, however, a fast step occurs when the plate voltage is driving the grid close to cut-off to start the run-down.



SELF-BIAS WITH GROUNDED CATHODE  
(ANODE FOLLOWER)

Circuit No. 27: Self-bias can be achieved without a cathode resistor by inverse voltage feedback between plate and grid as shown in Circuit 27. This circuit operates basically the same way as a circuit using a self-biasing resistor in the cathode circuit; that is, any current flowing develops a grid-cathode voltage that limits and actually establishes the operating current. With no plate current, the plate voltage of V<sub>3</sub> would go up high enough that it would tend to operate the grid of V<sub>3</sub> above the

cathode (full current). With heavy plate current the plate of V<sub>3</sub> would tend to drive the grid below cut-off. Only one value of plate current will satisfy the conditions established by tube type, screen voltage, plate supply voltage, plate load, and divider ratio. The circuit will have a gain close to unity (anode follower) if R<sub>4</sub> and R<sub>5</sub> are approximately of the same value, and if the source impedance of the input signal is relatively low.



SELF-BIAS WITH GROUNDED CATHODE

Circuit No. 28: If a cathode follower is inserted in the feedback path, low-impedance drive for the grid circuit of  $V_3$  is provided.  $R_2$  would not have to be used for the circuit to operate; its presence does influence the DC levels in the circuit somewhat, because some of the current through  $R_1$  is diverted from  $V_2$  through  $R_2$ .

ROIQUET-KOBBE SAWTOOTH GENERATOR  
(MILLER INTEGRATOR)

Circuit No. 29: In the quiescent state, before a sweep starts,  $V_1$  is cut off and the circuit is in a stable condition and remains that way until  $V_1$  is gated on. In the stable state the grid voltage of  $V_3$  is established by DC feedback from its plate as in Circuit 28. The similarity of Circuit 29 and Circuit 28 should be pointed out: Because  $V_1$  is not conducting, it need not be shown in Circuit 28.

Similarly, because  $D_1$  and  $D_2$  are conducting and represent a low impedance path, they can be considered shorted and are therefore not shown in Circuit 28. With both  $D_1$  and  $D_2$  shorted,  $C_1$  would be shorted; it also is not shown. With both  $D_1$  and  $D_2$  shorted, the top as well as bottom of  $R_1$  and  $R_3$  are shorted together and represent only one resistance; therefore,  $R_3$  is not shown.



# TEKTRONIX, INC.

Tektronix, Inc., an Oregon Corporation, Home Office & Factory, P. O. Box 500, Beaverton, Oregon 97005

Telephone: (503) MIItchell 4-0161 TWX—503-291-6805 Telex: 036-691 Cable: TEKTRONIX

## FIELD ENGINEERING OFFICES

ALABAMA	Huntsville... 3322 South Memorial Parkway, Suite 6, Huntsville...Telex 05-9422.. Telephone: (205)881-2912
ARIZONA	Phoenix... 7045 E. Camelback Road, Scottsdale...Telex 061-701 ..... Telephone: (602)946-4273 Tucson Area: Enterprise 383
CALIFORNIA	San Diego... 3045 Rosecrans Street, San Diego 10...Telex 069-525 ..... Telephone: (714)222-0384
Los Angeles Area	• Orange... 1722 E. Rose Avenue, Orange...Telex 06-78812 ..... Telephone: (714)633-3450
	Pasadena... 1194 East Walnut Street, Pasadena...TWX: 213-449-1151...Telex 06-74397 ..... Telephone (213)449-2164
	From Los Angeles telephones call: 681-0201
	• Van Nuys... 16930 Sherman Way, Van Nuys...Telex 06-74396 ..... Telephone: (213)987-2600
	From Los Angeles telephones: 873-6868
	Island of Oahu, Hawaii Area: ENterprise 5-700
San Francisco Bay Area	Walnut Creek... 1709 Mt. Diablo Blvd., Walnut Creek... Telex 033-644 ..... Telephone: (415) 935-6101
	From Oakland, Berkeley, Richmond, Albany and San Leandro: 254-5353
	• Palo Alto... 3944 Fabian Way, Palo Alto...Telex 033-911 ..... Telephone: (415)326-8500
COLORADO	Denver... 2120 South Ash Street, Denver 22...Telex 045-662 ..... Telephone: (303)757-1249
	Salt Lake Area: Zenith 381
FLORIDA	• Orlando... 205 East Colonial Drive, Orlando...Telex 056-515 ..... Telephone: (305)GArden 5-3483
	(also serves Puerto Rico)
GEORGIA	• Atlanta... 467 Armour Circle, N.E., Atlanta 24...Telex 05-42233 ..... Telephone: (404)873-5708
ILLINOIS	• Chicago... 400 Higgins Road, Park Ridge...Telex 02-53374 ..... Telephone: (312)825-6666
INDIANA	Indianapolis... 3937 North Keystone Avenue, Indianapolis 5...Telex 027-348 .. Telephone: (317)LIberty 6-2408
KANSAS	Kansas City... 5845 Horton, Suite 6, Mission...Telex 04-2321 ..... Telephone: (913)HEdrick 2-1003
	St. Louis Area: ENterprise 6510
MARYLAND	• Baltimore... 1045 Taylor Avenue, Towson 4...Telex 087-804 ..... Telephone: (301)825-9000
MASSACHUSETTS	• Boston... 244 Second Avenue, Waltham, Massachusetts 02154...Telex 094-6301 ... Telephone: (617)894-4550
MICHIGAN	• Detroit... 27310 Southfield Road, Lathrup Village...Telex 023-400 .....Telephone: (313)ELgin 7-0040
MINNESOTA	Minneapolis... 3307 Vera Cruz Ave. North, Suite 102, Minneapolis...Telex 029-699...Telephone: (612)533-2727
NEW MEXICO	• Albuquerque... 1258 Ortiz Drive, S.E., Albuquerque...Telex 074-621 ..... Telephone: (505)268-3373
	Southern New Mexico Area: Enterprise 678
NEW YORK	Buffalo... 965 Maryvale Drive, Buffalo 25...Telex 091-238 ..... Telephone: (716)633-7861
	• Endicott... 3214 Watson Blvd., Endwell...Telex 093-796 ..... Telephone: (607)PIoneer 8-8291
	• Poughkeepsie... 12 Raymond Ave., Poughkeepsie...Telex 096-4724 ..... Telephone: (914)GRover 1-3620
	• Syracuse... East Molloy Road & Pickard Drive, P.O. Box 155, Syracuse 11 Telex 093-739 .... Telephone: (315)455-6666
New York City Area	• New York City and Long Island... 125 Mineola Avenue, Roslyn Heights, L. I., N. Y. 11577 Telex: ROSN 01-26446 .... Telephone (516)HT 4-2300
	• Northern N. J. ... 400 Chestnut Street, Union, New Jersey...Telex 01-26344 ..... Telephone: (201)688-2222
	Hudson River Valley, Westchester County, Connecticut... 144 Morgan Street, Stamford, Connecticut Telex 096-5917 ..... Telephone: (203)DAvis 5-3817
NORTH CAROLINA	• Greensboro... 1838 Banking Street, Greensboro .... Telex 057-417 ..... Telephone: (919)274-4647
OHIO	Cleveland... 1503 Brookpark Road, Cleveland 9...Telex 098-5217 ..... Telephone: (216)351-8414
	Dayton... 3601 South Dixie Drive, Dayton 39...Telex 02-8825 ..... Telephone: (513)293-4175
PENNSYLVANIA	• Philadelphia... 126 Presidential Blvd. North, Bala-Cynwyd...Telex 083-4218 . Telephone: (215)TEnnyson 9-3111
	Pittsburgh... 3834 Northern Pike, Monroeville...Telex 086-761 ..... Telephone: (412)351-3345
TEXAS	• Dallas... 2600 Stemmons Freeway, Suite 162, Dallas...Telex 073-2217 ... Telephone: (214)MElrose 1-4560
	Houston... 3723 Westheimer, Suite H, Houston 27 ... Telex 077-494 ..... Telephone: (713)MOhawk 7-8301
	Austin Area: ENterprise 3093
	New Orleans, Louisiana Area: WX 3093
WASHINGTON	Seattle... 236 S.W. 153rd St., Seattle 66...Telex 032-488 ..... Telephone: (206)CHerry 3-2494
	From Portland, Corvallis, Eugene (Oregon): Commerce 9369
	From Pullman, Richland, Spokane, Yakima: Zenith 9369
WASHINGTON, D.C.	• Washington, D.C.... 4205 Evergreen Lane, Annandale, Virginia...TWX: 703-256-8902...Telex 089-515..... Telephone: (703) 256-6700
	Norfolk, Portsmouth, and Hampton, Virginia Area: Enterprise 741

Area Code Numbers are in parenthesis preceding telephone number.

## TEKTRONIX CANADA LTD.

QUEBEC	• Montreal... 3285 Cavendish Blvd., Suite 160, Montreal 28...Telex: 01-2867 ..... Telephone: (514)489-9707
ONTARIO	• Toronto... 4A Finch Ave. West, Willowdale...Telex: 02-2776 ..... Telephone: Toronto (416)225-1138
	• ALSO REPAIR CENTER

Tektronix Ltd., P. O. Box 36, St. Peter Port, Guernsey, Channel Islands; Telephone: Central 3411, Telex: 41193, or Cable: TEKTRONIX GUERNSEY.