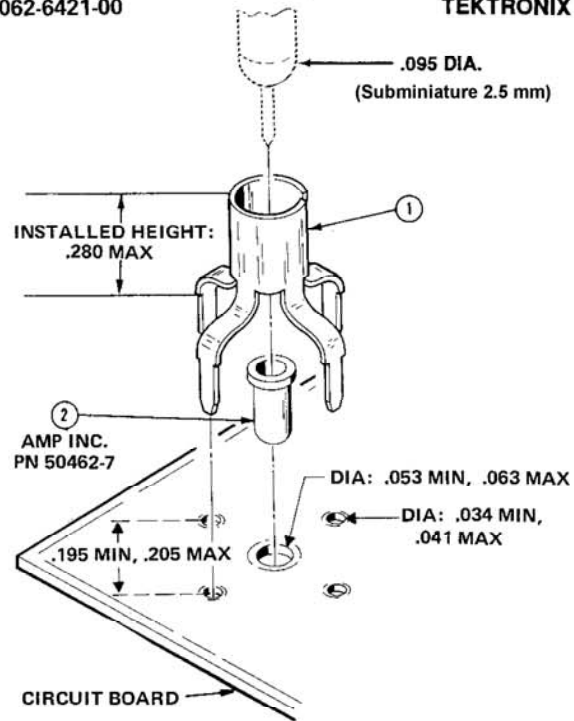


062-6421-00

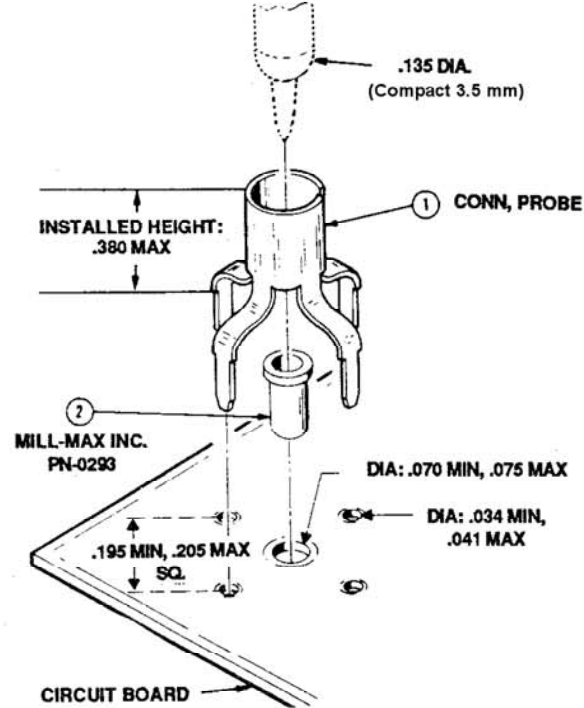
TEKTRONIX



These ECB-to-Probe Tip Adapters provide a low-inductance test point and will work with most probes having a tip diameter of 0.095 inches. They can be incorporated into future circuit board designs. The Probe Tip Adapter and Socket are available in packages of 100 ONLY. Tektronix Part Numbers:

- ① 131-2766-01,
- ② 136-0352-02.

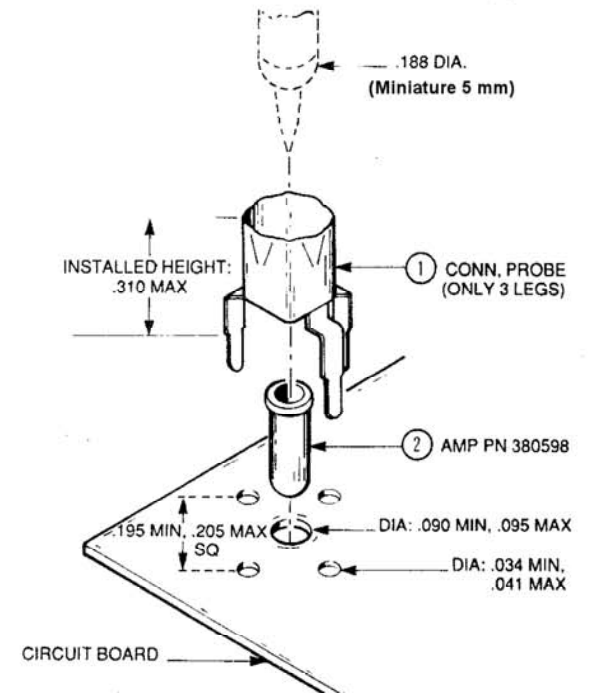
TEKTRONIX PART NUMBER 131-4244-00
0.135 IN. DIAMETER ECB-TO-CIRCUIT BOARD ADAPTERS



These adapters provide a low-inductance test point and will work with most probes having a tip diameter of 0.135 inches. They can be incorporated into future circuit board designs. Both connectors (1) and sockets (2) are included in packages of 100 (Part Number 131-4244-00).

© Tektronix, Data Card Number 062-9366-00

TEKTRONIX PART NUMBER 131-4353-00
0.188 IN. DIAMETER ECB-TO-PROBE-TIP ADAPTERS



These adapters provide a low-inductance test point and will work with most probes having a tip diameter of 0.188 inches. They can be incorporated into future circuit board designs. Both connectors (1) and sockets (2) are included in packages of 25 (Part Number 131-4353-00).

©1987 Tektronix, Data Card Number 062-9367-00