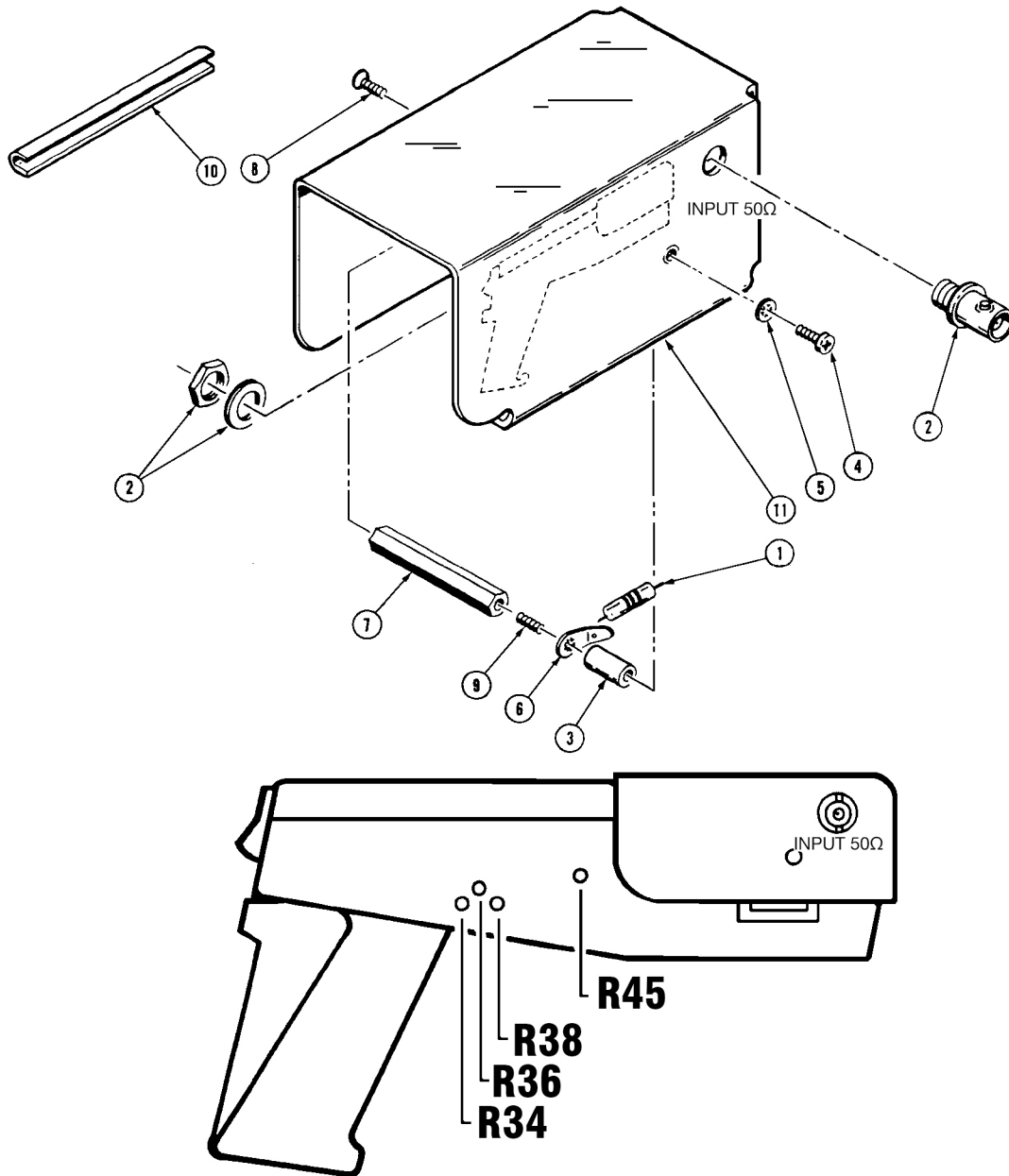


CALIBRATION FIXTURE for P6303
Part No. 067-0865-00



The 067-0865-00 provides a convenient means of obtaining a clean square wave from a 50Ω system for use during calibration and repair of the P6303/AM503.

To prevent loss of accuracy **DO NOT** use more than 5 volts into the fixture.

NO.	062-3764-00
DATE	MARCH 1978
<small>COPYRIGHT © 1978 TEKTRONIX INC ALL RIGHTS RESERVED</small>	

REPLACEABLE PARTS LIST

Fig. & Index No.	Tektronix Part No.	Serial/Model No. Eff Dscont	Qty	Name & Description	Mfr Code	Mfr Part Number
-1	323-0068-00		1	RES.,FXD,FILM:49.9 OHM,1%,0.50W	75042	CECT0-49R90F
-2	131-0106-00		1	CONNECTOR,RCPT,:FEMALE,BNC	95712	9856-1
-3	361-0046-00		1	SPACER,POST:	80009	361-0046-00
				(ATTACHING PARTS)		
-4	211-0097-00		1	SCREW,MACHINE:4-40 X 0.312 INCH,PNH STL	83385	OBD
-5	210-0004-00		1	WASHER,LOCK:INTL,0.12 ID X 0.26"OD,STL	78189	1204-00-00-0541C
				- - - * - - -		
-6	210-0201-00		1	TERMINAL,LUG:SE #4	78189	2104-04-00-2520N
-7	129-0114-00		1	POST,ELEC-MECH:0.25 INCH HEX,1.625 INCH L	80009	129-0114-00
				(ATTACHING PARTS)		
-8	211-0038-00		1	SCREW,MACHINE:4-40 X 0.312"100 DEG,FLH STL	83385	OBD
				- - - * - - -		
-9	213-0189-00		1	SETSCREW:4-40 X 0.375,STL CD PL,HEX	74445	OBD
-10	255-0249-00		1	PLASTIC CHANNEL:	80009	255-0249-00
-11	441-1433-00		1	CHAS,CAL FXTR:	80009	441-1433-00

CROSS INDEX - MANUFACTURERS CODE NUMBER TO MANUFACTURER

Mfr. Code	Manufacturer	Address	City, State, Zip
74445	HOLO-KROME CO.	31 BROOK ST. WEST	HARTFORD, CT 06110
75042	TRW ELECTRONIC COMPONENTS, IRC FIXED RESISTORS, PHILADELPHIA DIVISION	401 N. BROAD ST.	PHILADELPHIA, PA 19108
78189	ILLINOIS TOOL WORKS, INC. SHAKEPROOF DIVISION	ST. CHARLES ROAD	ELGIN, IL 60120
80009	TEKTRONIX, INC.	P O BOX 500	BEAVERTON, OR 97077
83385	CENTRAL SCREW CO.	2530 CRESCENT DR.	BROADVIEW, IL 60153
95712	BENDIX CORP., THE ELECTRICAL COMPONENTS DIV., MICROWAVE DEVICES PLANT	HURRICANE ROAD	FRANKLIN, IN 46131