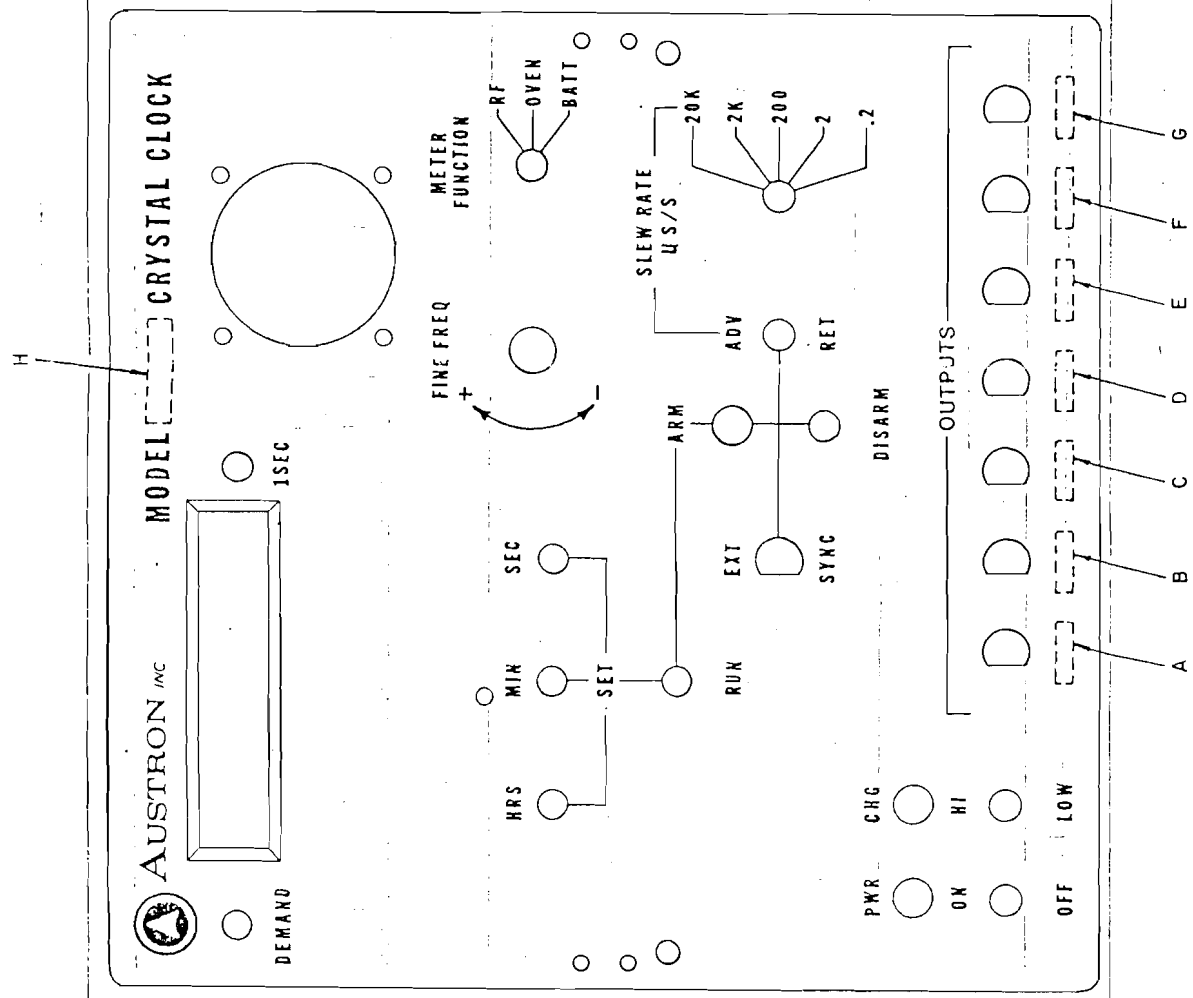


REVISIONS		
ZONE	DESCRIPTION	DATE
H	Revised - 2 SILKSCREEN PER ECO # 3179	11-14-75
		RLB



APPLY NOMENCLATURE TO THESE POSITIONS PER CHART ABOVE.

NOTE: "J" NUMBERS SHOWN IN PARENTHESIS ARE FOR REFERENCE ONLY AND ARE NOT ON THE SILKSCREEN.

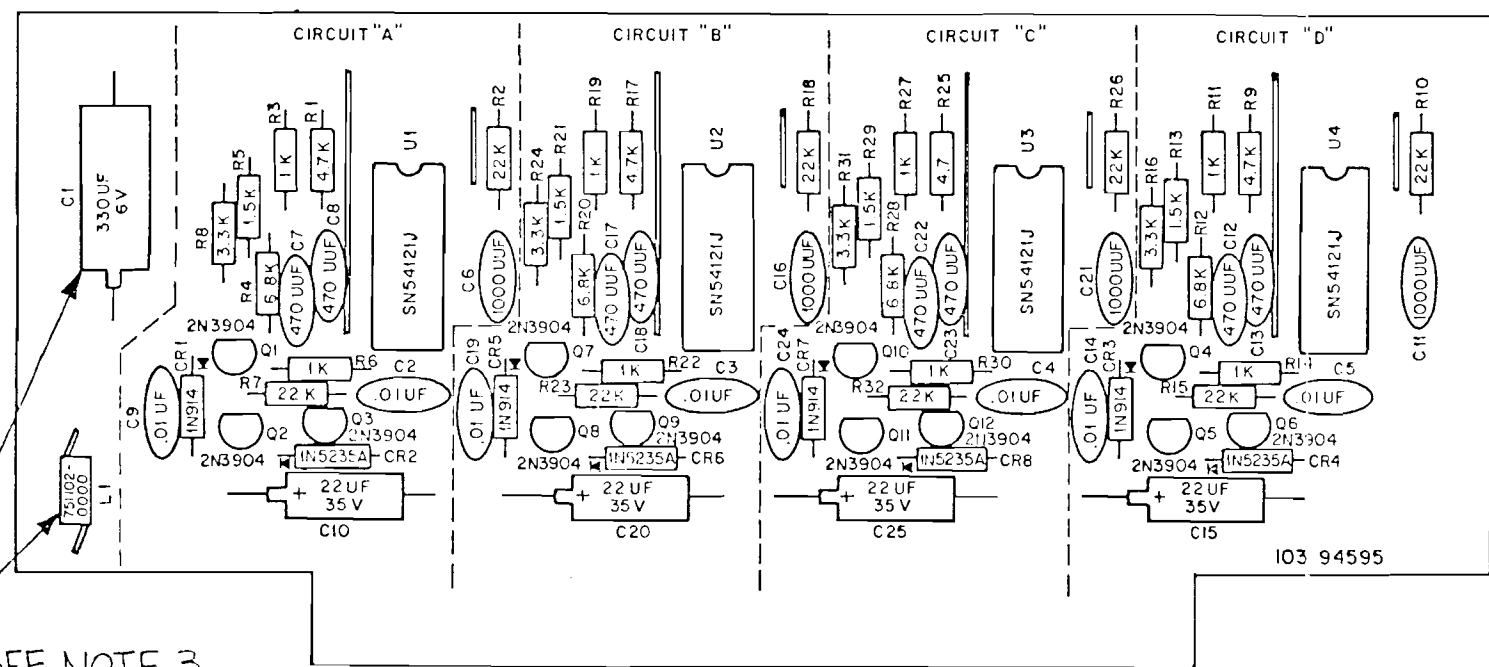
DASH NO.	SILKSCREEN POSITION							ARTWORK REV STATUS	
	A	B	C	D	E	F	G		
NONE	—	—	(J2) 5MHZ	(J3) 1MHZ	(J4) 1MHZ	(J5) 1PPS	—	1210D	C
-1	—	(J2) 10MHZ	(J3) 5MHZ	(J4) 1MHZ	(J5) 100KHZ	(J6) 1PPS	—	1210D-01	B
-2	—	(J2) 5MHZ	(J3) 1MHZ	(J4) 60HZ	(J5) 1PPS	(J6) 1PPS	(J7) 60PPS	1210D-02	D
-3	(J2) 10MHZ	(J3) 5MHZ	(J4) 1MHZ	—	(J5) 100PPS	(J6) 1PPS	(J7) 1PPM	1210D-03	A

TOLERANCES UNLESS OTHERWISE SPECIFIED		AUSTRON INC. AUSTIN, TEXAS	
DECIMALS	FRACTIONS	PANEL - FRONT	
		SIZE	CODE IDENT NO
		3	24672
		ENGR	ISERT
		7-1	9-5-75
		FIG NO	
		1A2	
		USED ON	
		109 96193 *	
		NEXT ASSY	
		1210D	
		REF DES	
		APPLICATION	
		DRAFTSMN	BARKER
		CHECK	
		SCALE	1:1
		8-14-75	
		009 96192 *	
		SHEET 2	OF 2

* FOR PART NO.	USE CIRCUIT
103 94595	ALL
103 94595-1	"A"
103 94595-2	"A & B"
103 94595-3	"A, B & C"

SEE NOTE 2

REVISIONS				
ZONE	LTR	DESCRIPTION	DATE	APPROVED
	A	REDRAWN TO ADD DASH NOS. PER ECO 1184	12-10-75	RDB
	B	ECO 1192; ADDED NOTE 2	1-6-76	JW
	C	CR2, 4, 6 & 8 TYPE No. WAS IN5235; ECO #1857	3-15-77	RDB
	D	703SN54121J WAS 703SN54121N PER ECO 2090	10-14-77	RDB
	E	REVISED PARTS LIST PER ECO. 2891	4-16-79	RDB
	F	ADDED NOTE 3 PER ECO. 3215	12-17-79	RDB
	G	REVISED P/L PER ECO. 3556	2-11-81	RDB



SEE NOTE 3.

- 3. INSTALL LI AND C1 FOR ALL PART NUMBERS.
- 2. NO DASH VERSION USES 703SN74121N INSTEAD OF 703SN54121J.
- 1. IDENTIFY ASSEMBLY WITH APPROPRIATE PART NUMBER PER CHART ABOVE.

NOTES:

REF DES	FIG NO	NEXT ASSY	USED ON
A8 & A9	6-3	254 97307-2	1250A-02
A13	4-21	271 96208	1210D
APPLICATION			

QTY REQD	ITEM NO	REF DES	PART NO	NOMENCLATURE	VENDOR
-1	LIST OF MATERIAL				

UNLESS OTHERWISE SPECIFIED DIMENSIONS ARE IN INCHES DO NOT SCALE DRAWING		ENGINEER		AUSTRON INC		AUSTIN TEXAS	
TOLERANCES UNLESS OTHERWISE SPECIFIED		CHECKED		P C BOARD ASSY.-			
DEC	FRACT	ANG	RDB	12-10-75	PULSE AMPLIFIER		
MATERIAL:		DRAFTSMAN		BARKER	12-10-75	SIZE	CODE IDENT
						2	NO 24672
						103 94595 *	
						G	
						SCALE 1:1	SHEET 1 OF 1

D

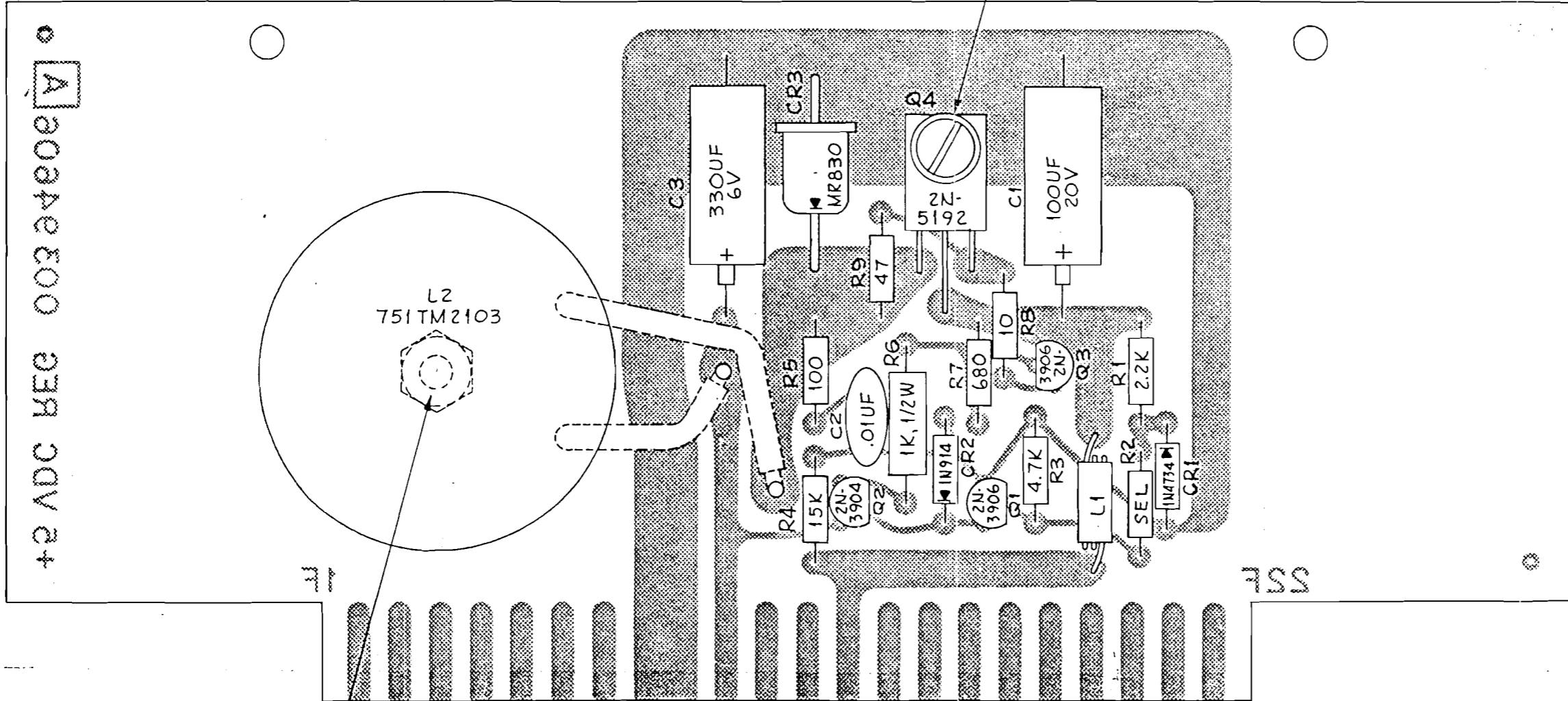
C

B

A

REVISIONS				
ZONE	LTR	DESCRIPTION	DATE	APPD
	C	REDRAWN ON TITLE BLOCK SHEET W/O CHG. ECO 2219	2-14-78	RJL
	D	P/L CHANGE PER ECO 2723	3-27-79	RJL
	E	REVISED PARTS LIST PER ECO. 2889	4-16-79	RJL
	F	REVISED PARTS LIST PER ECO. 2918	6-20-79	RJL
	G	MR830 WAS MR840 PER ECO. 3066	10-2-79	RJL
	H	REVISED P/L PER ECO. 3633	2-11-81	RJL
	J	REVISED P/L PER ECO 4845	12-14-83	RJL

#4-40 x 3/8 BIND. HD. SCREW
 #4 INT. LOCK WASHER
 #4-40 HEX NUT



#6-32 HEX NUT
 #6 INT. LOCK WASHER

TOLERANCES UNLESS OTHERWISE SPECIFIED			
DEC	FRAC	ANG	
		MATERIAL:	
27196208	1210D	A16	4-11
27194537	1210C	PCB4	
NEXT ASSY	USED ON	REF DES	FIG NO
APPLICATION			
ENGR	C.J.B.	4-10-73	
CHECK			
DRFTMN	L.D.B.	4-10-73	

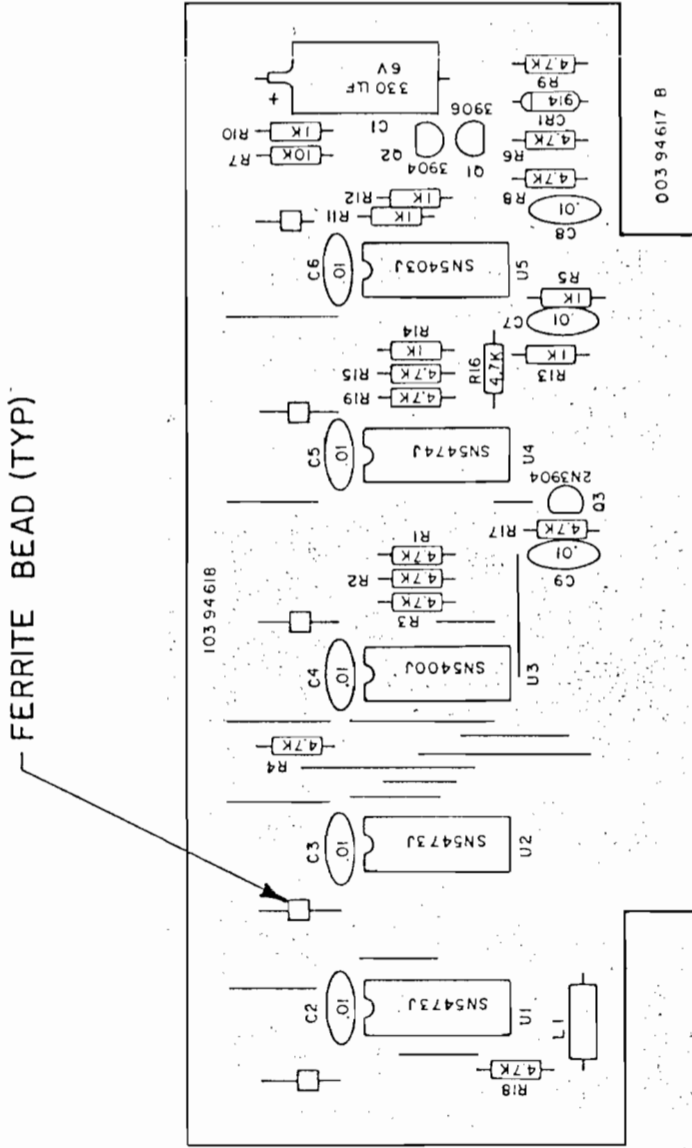
AUSTRON INC
 AUSTIN, TEXAS

**PC BOARD ASSY -
 +5 VDC REGULATOR**

SIZE	CODE IDENT	103 94607	J
2	NO 24672		
SCALE 2:1		SHEET 1 OF 1	

D
C
B
A

REVISIONS				
ZONE	LTR	DESCRIPTION	DATE	APPD
E		REDRAWN TO UPGRADED STDS PER ECO # 2075	10-26-77	RDB
F		REVISED PARTS LIST PER ECO. 2892	4-16-79	RDB



TOLERANCES UNLESS OTHERWISE SPECIFIED		MATERIAL:	
DEC	FRAC	ANG	
			ENGR ISERT 10267
			CHECK BARKER 02677
			DRFTMN PRELLOP 02577
271 96208-1	1210D-01	A15	4-17
271 96208	1210D	A15	4-17
NEXT ASSY	USED ON	REF DES	FIG NO
			APPLICATION

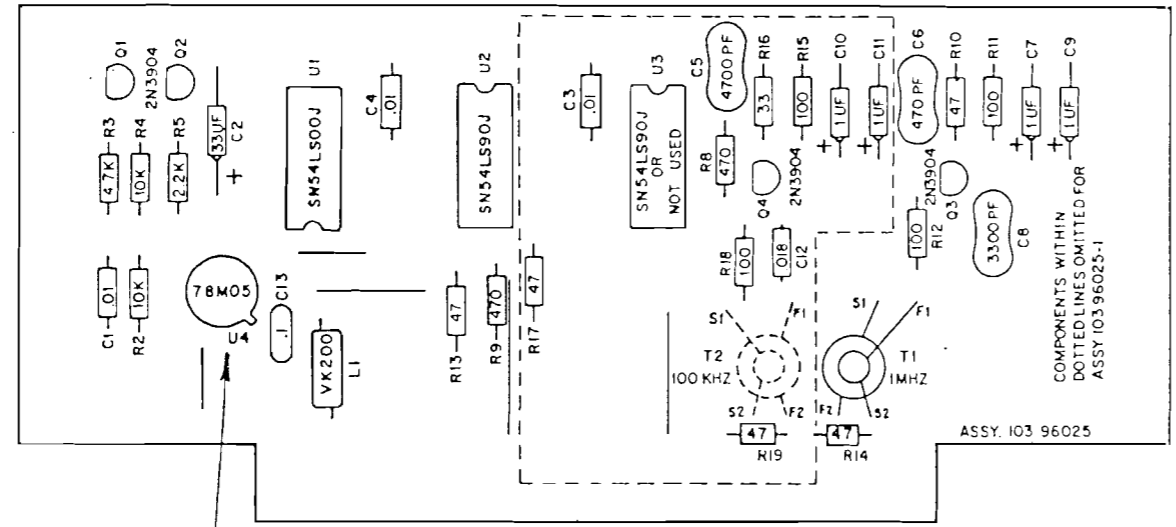
 AUSTRON INC. AUSTIN, TEXAS	
PC BOARD ASSY - TIME SYNC.	
SIZE	CODE IDENT
2	NO 24672
SCALE 1:1	103 94618
	F
	SHEET 1 OF 1

D

C

B

A



REVISIONS				
ZONE	LTR	DESCRIPTION	DATE	APPROVED
-		RELEASED	10-7-75	RDB
A		REVISED TO ADD "-1" PER ECO #1191	12-31-75	RDB
B		ADDED DASH LINES & "OPTIONAL" PER ECO 1459	5-18-76	RDB
C		ADDED S & F DESIGNATORS TO T1 & T2 PER ECO 1856	3-16-77	RDB
D		STANDARDIZED ON 5400 J'S PER ECO. 2058, 2087	9-23-77	RDB
E		CORRECTED TYPE NO. OF U2 & U3 PER ECO 2234	2-13-78	RDB
F		REVISED PARTS LIST PER ECO. #2810	4-16-79	RDB
G		REVISED SILKSCREEN PER ECO. #3088	9-24-79	RDB
H		REVISED PARTS LIST PER ECO #3069	10-6-80	RDB
J		ADDED NOTE 2 PER ECO. 3874	9-1-81	RDB
K		REVISED PARTS LIST PER ECO. 4224	10-19-82	RDB
L		DELETED R1, R6, R7. C3 & C4 WERE 33 UF. ADDED U4 & C13 PER ECO 4426	4-8-83	RDB
M		ADDED 601100-0104 TO P/L PER ECO 4437	4-14-83	RDB
N		ADDED NOTE 3 PER ECO 4460	4-27-83	RDB
P		ADDED NOTE 4 PER ECO 4881	12-21-83	RDB

4. ON TRANSFORMERS T1 & T2, THE RED WIRES ARE FOR S1 & F1. THE GREEN WIRES ARE FOR S2 & F2.

3. VERSIONS PRIOR TO REVISION "L" USED DROPPING RESISTORS IN PLACE OF U4.

2. WHEN INSTALLING T2, CONNECT "F1" LEAD WITHOUT TRIMMING EXCESS LENGTH.

* 1. FOR 10396025-1 DO NOT INSTALL COMPONENTS IN THE AREA WITHIN THE DOTTED LINES.

NOTES

QTY REQD	ITEM NO	REF	DES	PART NO	NOMENCLATURE	VENDOR
-1	LIST OF MATERIAL					
				UNLESS OTHERWISE SPECIFIED DIMENSIONS ARE IN INCHES DO NOT SCALE DRAWING		AUSTRON INC AUSTIN TEXAS
				TOLERANCES UNLESS OTHERWISE SPECIFIED		
A18		271	96208-1	1210D-01	ENGINEER <i>RDB</i> 10-9-75	P C BOARD ASSY - SINE CONVERTER
1A1A4	4-4	254	95205 *	1250A	CHECKED <i>RDB</i> 10-9-75	
A18	4-13	271	96208	1210D	DRAFTSMAN <i>BARKER</i> 10-7-75	
REF DES	FIG NO	NEXT ASSY	USED ON	MATERIAL:		SIZE 2
APPLICATION						CODE IDENT NO 24672
						103 96025 *
						SHEET 1 OF 1

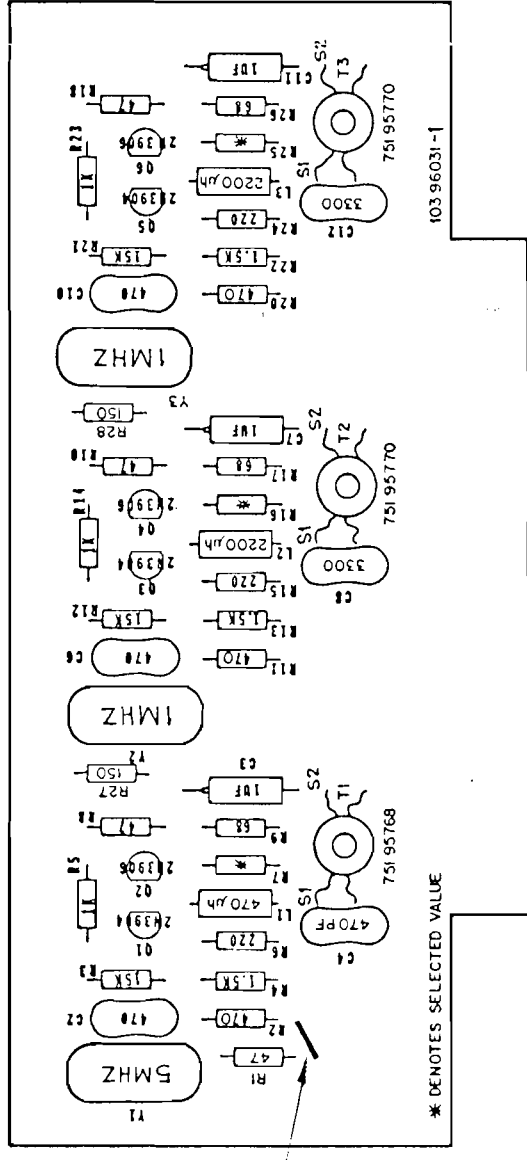
D

C

B

A

REVISIONS			
ZONE/LTR	DESCRIPTION	DATE	APPROVED
-	RELEASED	10-7-75	RDS
A	ECO 1273 (1) REVISED EXTENSIVELY (2) DELETED - 1	2/16/76	RDS
B	REINSTATED DASH 1 AND ADDED DASH NO. DESCRIP. BLOCK PER ECO 1368	5-6-76	RDS
C	ADDED VALUES TO Y1, Y2 & Y3; ADDED S1 & S2 TO T1, T2 & T3; PER ECO * 1855	3-16-77	RDS



JUMPER

* DENOTES SELECTED VALUE

DASH	DESCRIPTION	USED ON
NO DASH	NO LONGER IN PRODUCTION	1250
-1	REPLACED BY 103 96986 AS SHOWN	1210D

		TOLERANCES UNLESS OTHERWISE SPECIFIED	
		DEC	FRACTION
MATERIAL:			
ENGR	L.INSERT	10-9-75	4-15
CHECK	R.BARKER	10-9-75	FIG NO
DRFTMNR.	R.BARKER	10-7-75	REF DES
PC BOARD ASSY - OUTPUT AMPLIFIER		271 96208	A19
SIZE	CODE IDENT	USED ON	FIG NO
2	NO 24672	1210D	4-15
SCALE 1:1		NEXT ASSY	USED ON
SHEET 1 OF 1		APPLICATION	1210D
103 96031 *		REF DES	FIG NO
103 96031 *		APPLICATION	1210D

1

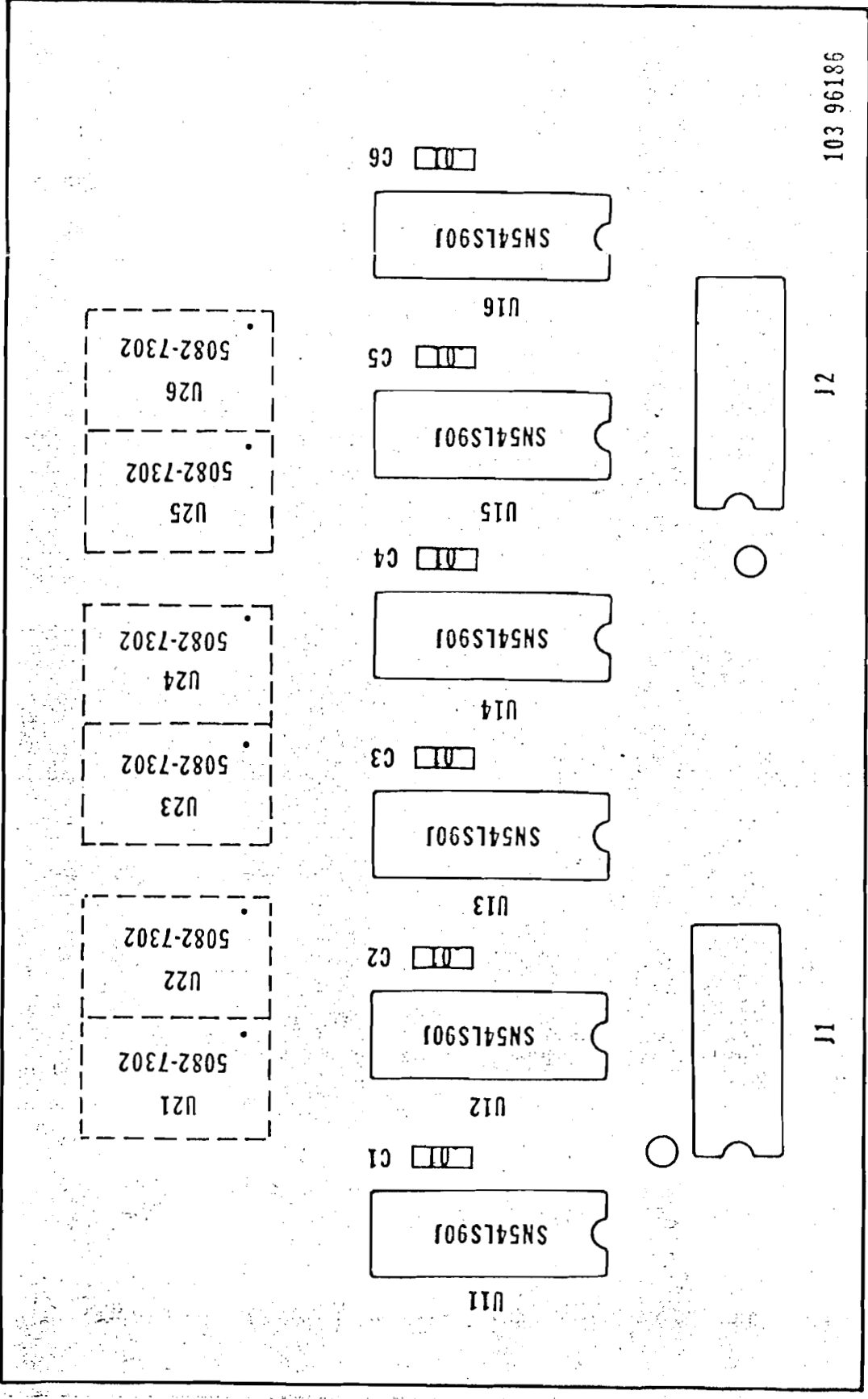
2

3

4

REVISIONS

ZONELTR	DESCRIPTION	DATE	APPROVED
-	RELEASED	9-29-75	KUE
A	REVISED TITLE BLOCK TO INCLUDE REF DES & FIG NO. SCALE WAS 1:1; PER ECO 2221	2-13-78	RDF
B	ADD NOTE 2 PER ECO 2310	3-16-78	REB
C	REVISED PARTS LIST PER ECO. 2367	4-16-79	RDF



103 96186

J2

J1

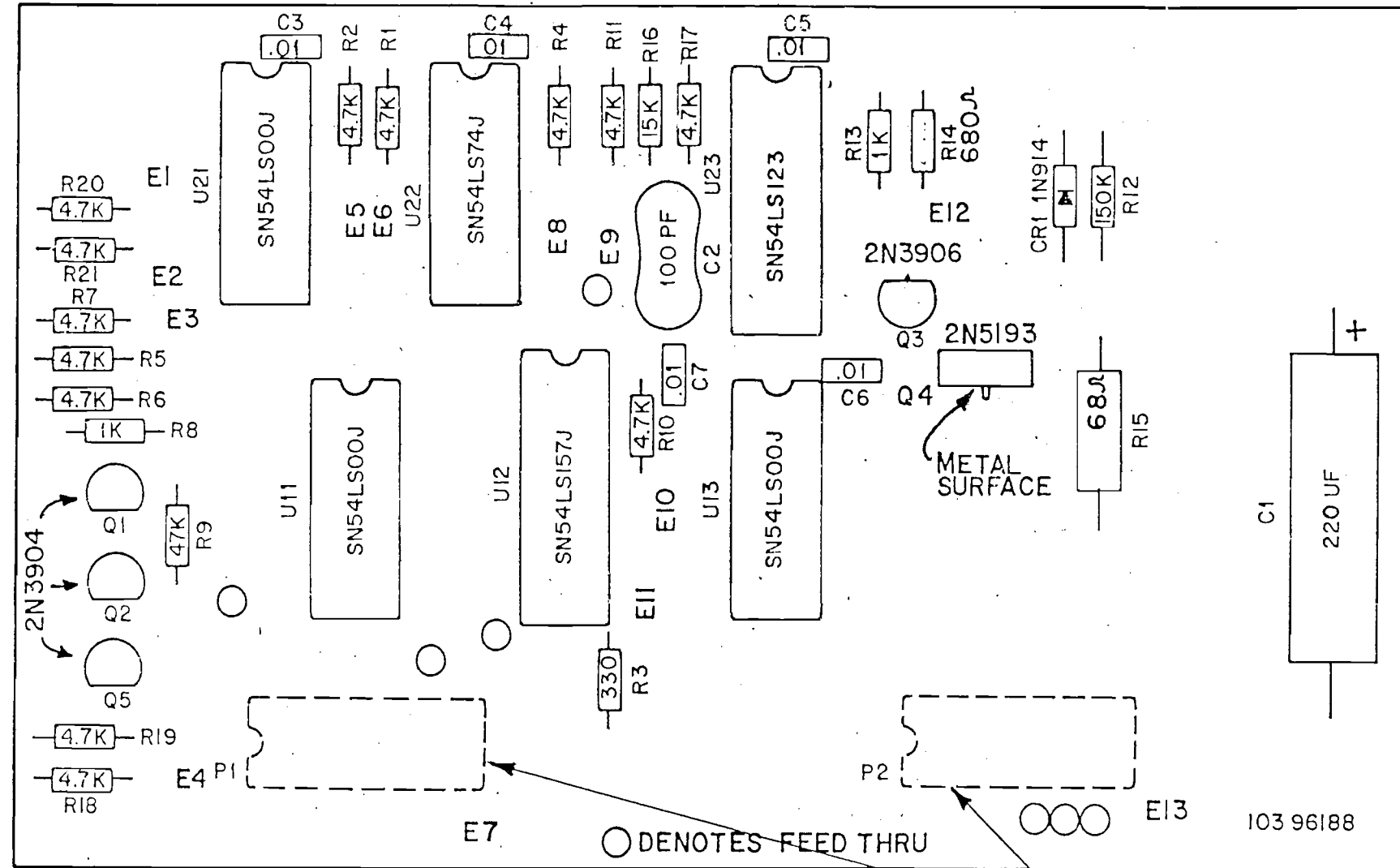
2 ALL SIX LED DISPLAYS MUST BE SELECTED TO HAVE THE SAME LUMINOUS INTENSITY CATEGORY.

1. CIRCLE DENOTES FEED-THRU

NOTES:

 AUSTRON INC AUSTIN, TEXAS		PC BOARD ASSY - TOD DISPLAY	
TOLERANCES UNLESS OTHERWISE SPECIFIED		SIZE NO 2	CODE IDENT NO 24672
DEC	FRAC	MATERIAL:	
ENGR L.L.I., JR. 9-29-75	CHECK R.D.B. 9-29-75	USED ON 1210D	REF DES A4
DRFTMN BARKER 9-20-75	FIG NO 4-24	APPLICATION	
SCALE 2:1		SHEET 1 OF 1	C

REVISIONS				
ZONE	LTR	DESCRIPTION	DATE	APPD
	-	RELEASED	9-29-75	RDB
	A	REVISED SILKSCREEN PER ECO #1186	12-16-75	RDB
	B	Q3 WAS 3904; Q4 WAS 5192; R14 WAS 4.7K; R15 WAS 47; PER ECO# 1275	2-17-76	RDB
	C	REVISED PARTS LIST PER ECO. 2888	4-16-77	RDB
	D	C1 WAS 750UF, R12 WAS 47K, U23 WAS SN54L123J PER ECO 4154	6-24-82	RDB
	E	ADDED TO THE PL #65110-04-73 ECO4879	12-21-83	RDB



○ DENOTES FEED THRU

003 96187

551016-0013
2 REQD
(SEE NOTE 1)

1. INSTALL IC PLATFORMS ON FAR SIDE OF BOARD.

NOTES:

				TOLERANCES UNLESS OTHERWISE SPECIFIED			 AUSTRON INC AUSTIN, TEXAS	
				DEC	FRAC	ANG		
				MATERIAL:			PC BOARD ASSY - TOD CONTROL	
109 96193	1210D	A5	4-23	ENGR	L.ISERT	9-29-75	SIZE	CODE IDENT
NEXT ASSY	USED ON	REF DES	FIG NO	CHECK	R.BARKER	9-29-75	2	NO 24672
APPLICATION				DRFTMN	R.BARKER	9-20-75	SCALE 2:1	103 96188
							SHEET 1 OF 1	

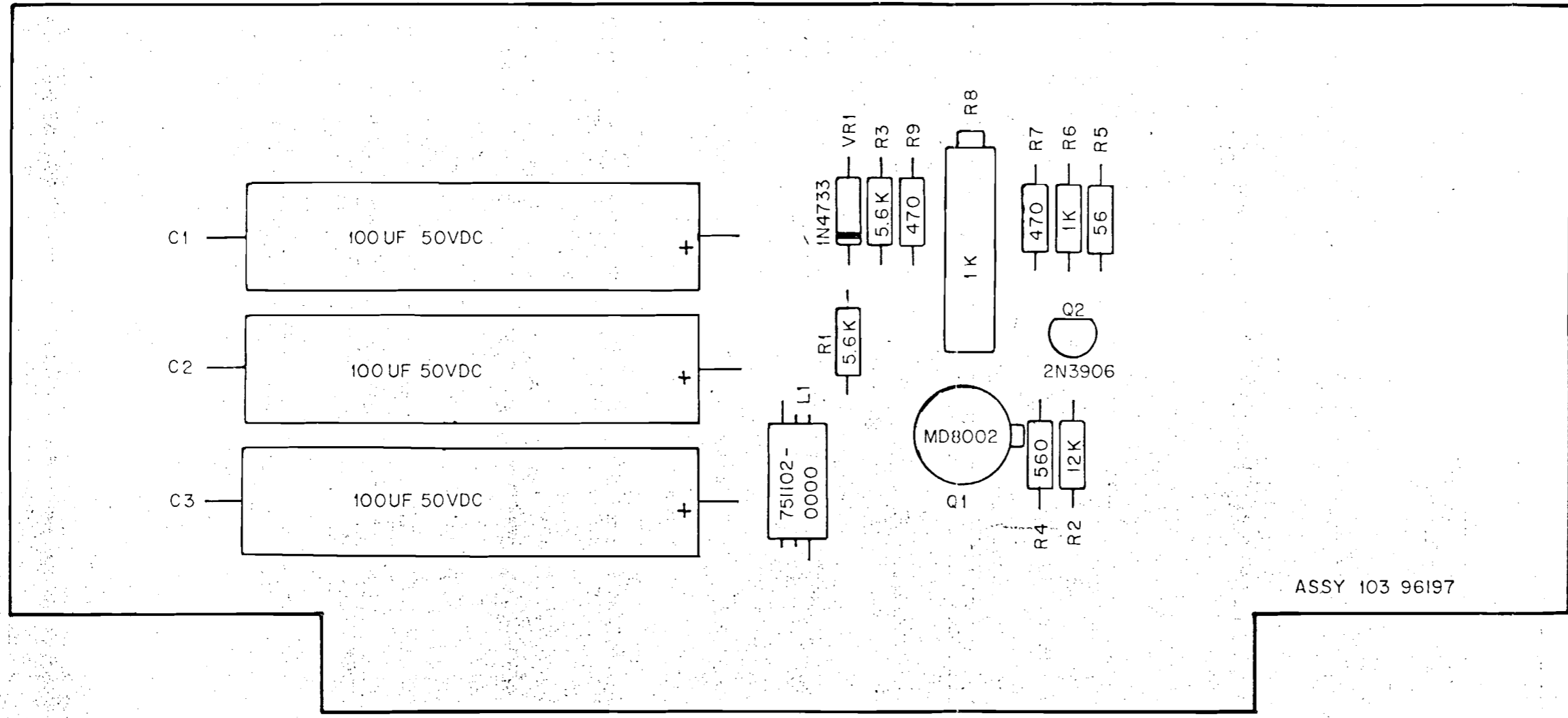
D

C


B

A

REVISIONS				
ZONE	LTR	DESCRIPTION	DATE	APPD
	-	RELEASED	9-29-75	RDB
	A	R1 WAS SELECTED; TITLE WAS +18 VDC REGULATOR; PER ECO # 1190	12-16-75	RDB
	B	REVISED TITLE BLOCK TO INCLUDE REF DES & FIG. NO.; SCALE WAS 1:1; PER ECO 2225	2-13-75	RDB
	C	REVISED PARTS LIST ECO 2565	11-20-78	RDB
	D	REVISED PARTS LIST ECO. 2890	4-16-79	RDB



ASSY 103 96197

				TOLERANCES UNLESS OTHERWISE SPECIFIED			 AUSTRON INC AUSTIN, TEXAS			
				DEC	FRAC	ANG				
				MATERIAL:			PCBOARD ASSY - +15 VDC REGULATOR			
271 96208	1210D	A17	4-9							SIZE
NEXT ASSY	USED ON	REF DES	FIG NO	ENGR	L.L.I., JR.	9-29-75	2	NO 24672	D	
APPLICATION				CHECK	R.D.B.	9-22-75	SCALE 2:1		SHEET 1 OF 1	
				DRFTMN	BARKER	9-20-75				

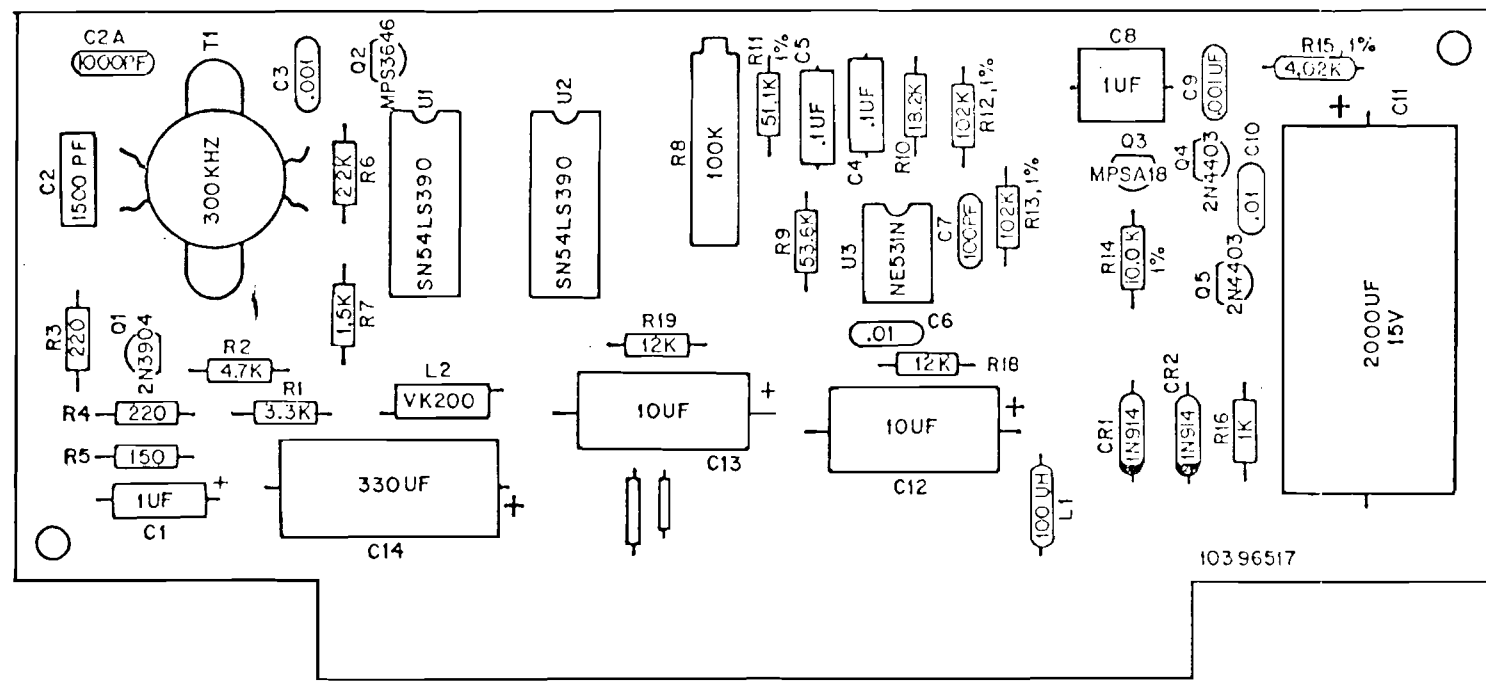
4


3

2

1

REVISIONS				
ZONE	LTR	DESCRIPTION	DATE	APPD
	A	REDRAWN PER ECO 3119	11-16-79	ROE
	B	PI'S CHANGED PER ECO 4763	11-15-83	ROE



				TOLERANCES UNLESS OTHERWISE SPECIFIED			 AUSTRON INC AUSTIN, TEXAS			
				DEC	FRAC	ANG				
				MATERIAL:			PC BOARD ASSY, 60 HZ SINE CONVERTER			
271 96208-2	1210D-02	A21	7-12	ENGR	<i>[Signature]</i>	11-16-79	SIZE	CODE IDENT	103 96517	B
NEXT ASSY	USED ON	REF DES	FIG NO	CHECK			2	NO 24672		
APPLICATION				DRFTMN	BARKER	11-16-79	SCALE NONE		SHEET 1 OF 1	

D

C

E

A

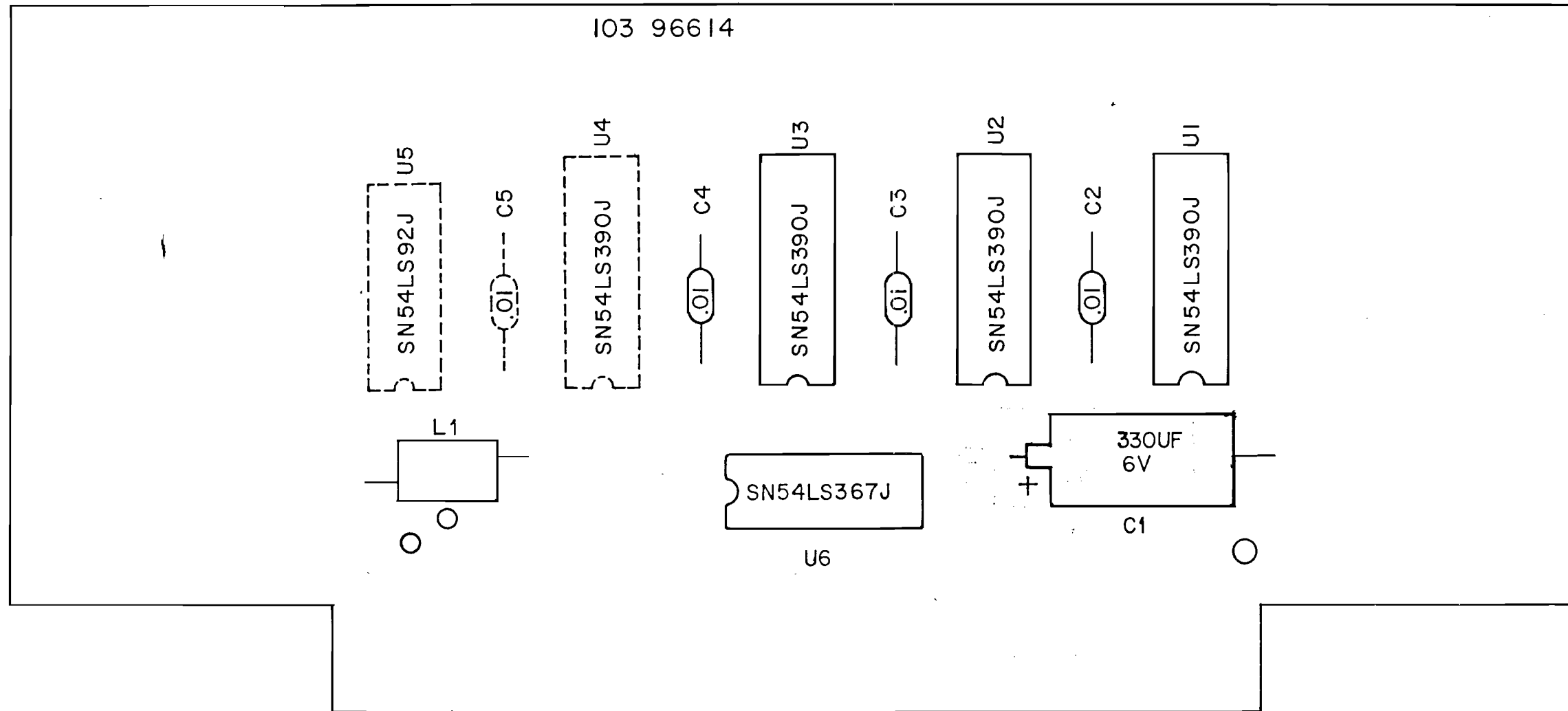
4

3

2


1

E	REVISED PARTS LIST PER ECO. 3204	1-25-80	RDB	REVISIONS				
F	ADDED FEED-THRU PER ECO 3198	2-18-80	RDB	ZONE	LTR	DESCRIPTION	DATE	APPD
					-	RELEASED	4-24-78	RDB
					A	ECO. 2376 PARTS LIST CHANGE	5-17-78	RDB
					B	ADDED FEED-THRU'S TO SCREEN ECO. 2712	3-16-79	RDB
					C	REVISED PARTS LIST PER ECO. 2884	4-16-79	RDB
					D	REVISED ETCH & SCREEN PER ECO. 3037	9-13-79	JCT

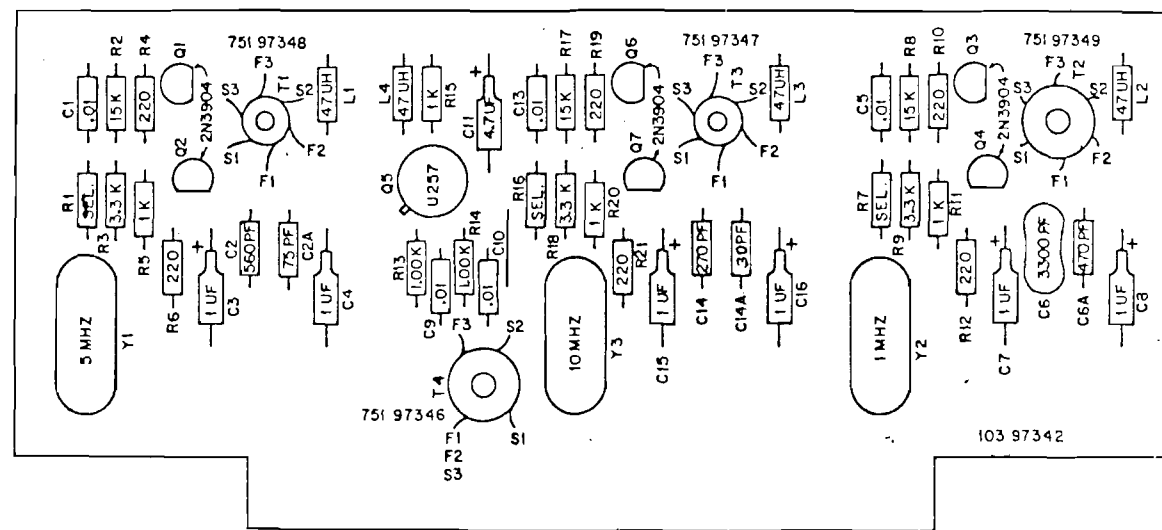


* I. U4, U5, AND C5 ARE USED ON 103 96614-1 ONLY.

NOTES:

				TOLERANCES UNLESS OTHERWISE SPECIFIED			 AUSTRON INC AUSTIN, TEXAS			
				DEC	FRAC	ANG				
				MATERIAL:			PC BOARD ASSY, DIVIDER			
				N/A						
271 96208-3	I210D -03	A14	7-16	ENGR	<i>RDB</i>	5-2-78	SIZE	CODE IDENT	103 96614 -*	F
NEXT ASSY	USED ON	REF DES	FIG NO	CHECK	<i>RDB</i>	4/24/78	2	NO 24672		
APPLICATION				DRFTMN	LDP	4-20-78	SCALE N/A		SHEET 1 OF 1	

REVISIONS				
ZONE	LTR	DESCRIPTION	DATE	APPD
	-	RELEASED	11-18-76	RJB
	A	ECO 1991: C14A WAS 56 PF	6-28-77	RJB
	B	REVISED PARTS LIST PER ECO. 2886	4-16-79	RJB
	C	ADDED NOTE 1 PER ECO 3691	4-16-81	RJB



1. R13 AND R14 ARE 1K 1/8W 1% RESISTORS
 NOTES:

				TOLERANCES UNLESS OTHERWISE SPECIFIED			 AUSTRON INC AUSTIN, TEXAS				
				DEC	FRAC	ANG					
				MATERIAL:			PC BOARD ASSY - 10, 5, 1 MHZ OUTPUT AMPLIFIER				
271 96208	1210D-01	A19	7-8	ENGR <i>RJB</i> 11-30-76			SIZE 2	CODE IDENT NO 24672	103 97342	C	
NEXT ASSY USED ON REF DES FIG NO				CHECK			SCALE 1:1			SHEET OF	
APPLICATION				DRFTMN BARKER 11-16-77							

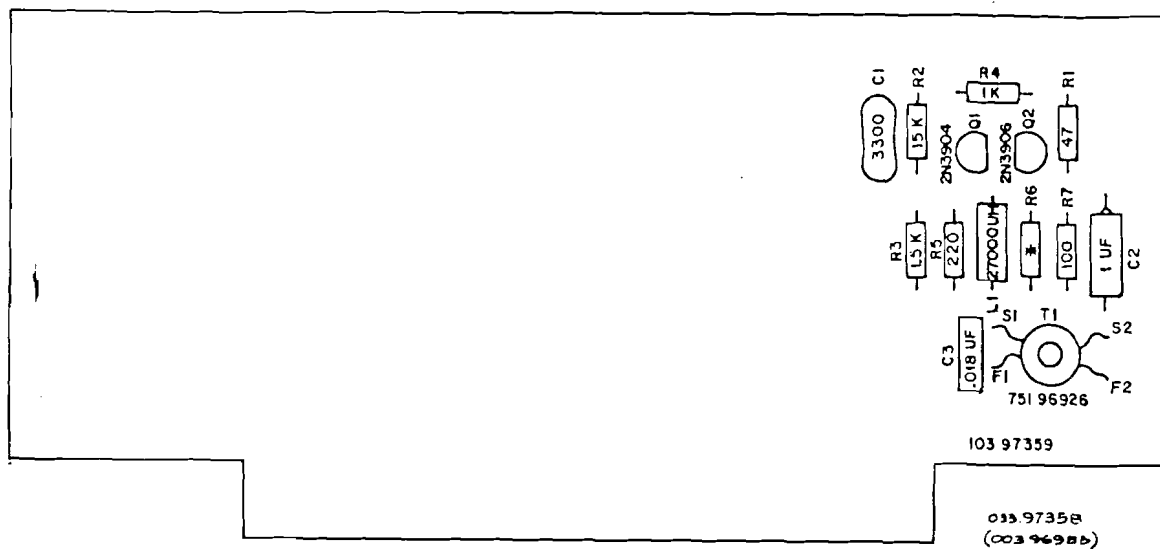
D

C

B


A

REVISIONS				
ZONE	LTR	DESCRIPTION	DATE	APPD
	-	RELEASED	11-23-76	RCS
	A	ADDED S1, S2, F1, F2 PER ECO. 1996	6-28-77	RCS
	B	PARTS LIST CHANGE PER ECO 2271	4-14-73	RCS
	C	ADDED NOTE 1 PER ECO 3920	10-5-81	RCS



1. WHEN INSTALLING T1, CONNECT "F1" LEAD WITHOUT TRIMMING EXCESS LENGTH.

NOTES:

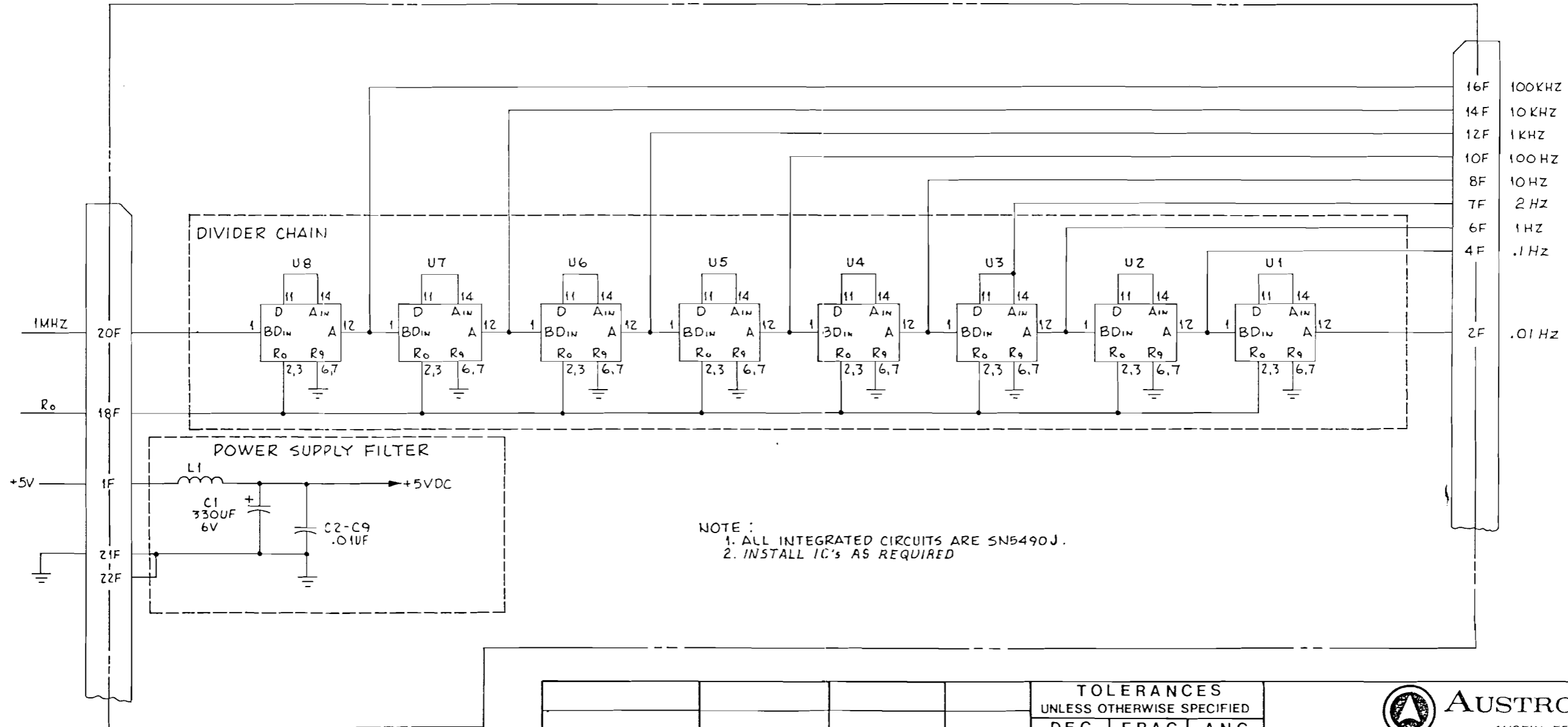
				TOLERANCES UNLESS OTHERWISE SPECIFIED			 AUSTRON INC AUSTIN, TEXAS			
				DEC	FRAC	ANG				
				MATERIAL:			PC BOARD ASSY. - 100 KHZ OUTPUT AMPLIFIER			
271 96208-1	1210D-01	A20	7-6	ENGR	RCS	11-30-76	SIZE	CODE IDENT	103 97359	C
NEXT ASSY.	USED ON	REF DES	FIG NO	CHECK	RCS	4-28-76	2	NO 24672		
APPLICATION				DRFTMN	BARKER	11-23-76	SCALE 1:1		SHEET OF	

C

B

A

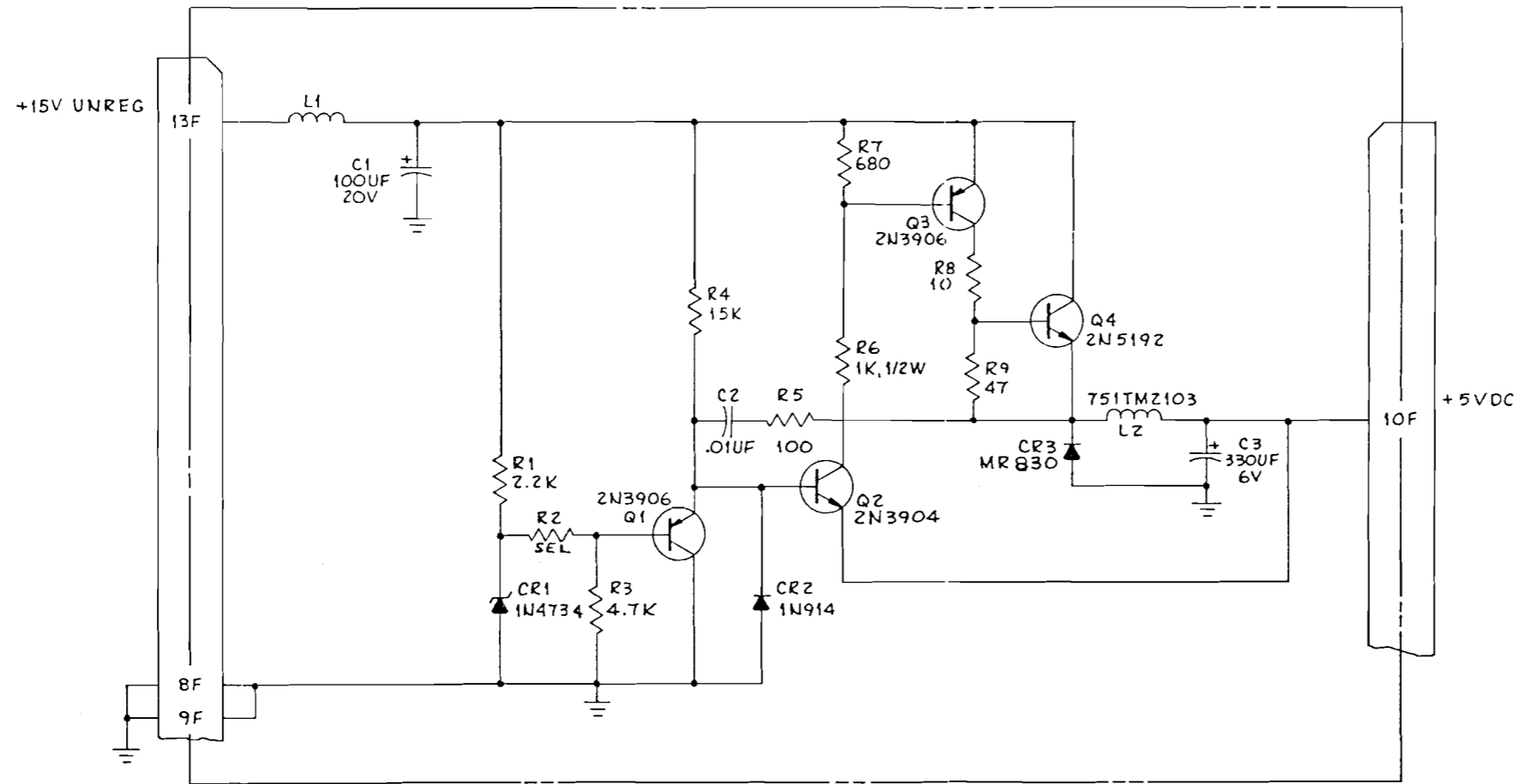
REVISIONS				
ZONE	LTR	DESCRIPTION	DATE	APPD
	B	ADDED BORDER & TITLE BLOCK - NO CHANGE	2-10-78	R.D.B.



NOTE:
 1. ALL INTEGRATED CIRCUITS ARE SN5490J.
 2. INSTALL IC'S AS REQUIRED

				TOLERANCES UNLESS OTHERWISE SPECIFIED							
				DEC	FRAC	ANG					
				MATERIAL:			SCHEMATIC DIAGRAM - DIVIDER				
103 94603	1210D	A14	4-18								
	1210C	PCB6					SIZE	CODE IDENT NO	123 94679	B	
NEXT ASSY	USED ON	REF DES	FIG NO	ENGR	C.J.B.	4-4-73	2	24672			
APPLICATION				CHECK			DRFTMN	L.D.B.	4-4-73	SCALE N/A	SHEET 1 OF 1

REVISIONS				
ZONE	LTR	DESCRIPTION	DATE	APPD
	B	ADDED BORDER & TITLE BLOCK - NO CHANGE	2-10-78	RDB
	C	MR830 WAS MR840 PER ECO, 3066	10-2-79	RDB



				TOLERANCES UNLESS OTHERWISE SPECIFIED						
				DEC	FRAC	ANG				
				MATERIAL:			SCHEMATIC DIAGRAM - +5 VDC REGULATOR			
							SIZE	CODE IDENT		
							2	NO 24672	123 94684	
				ENGR	C.J.B.	4-10-73			C	
				CHECK						
				DRFTMN	L.D.B.	4-10-73	SCALE N/A		SHEET 1 OF 1	
APPLICATION										

D

C

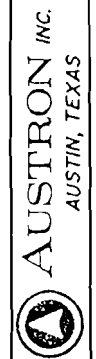
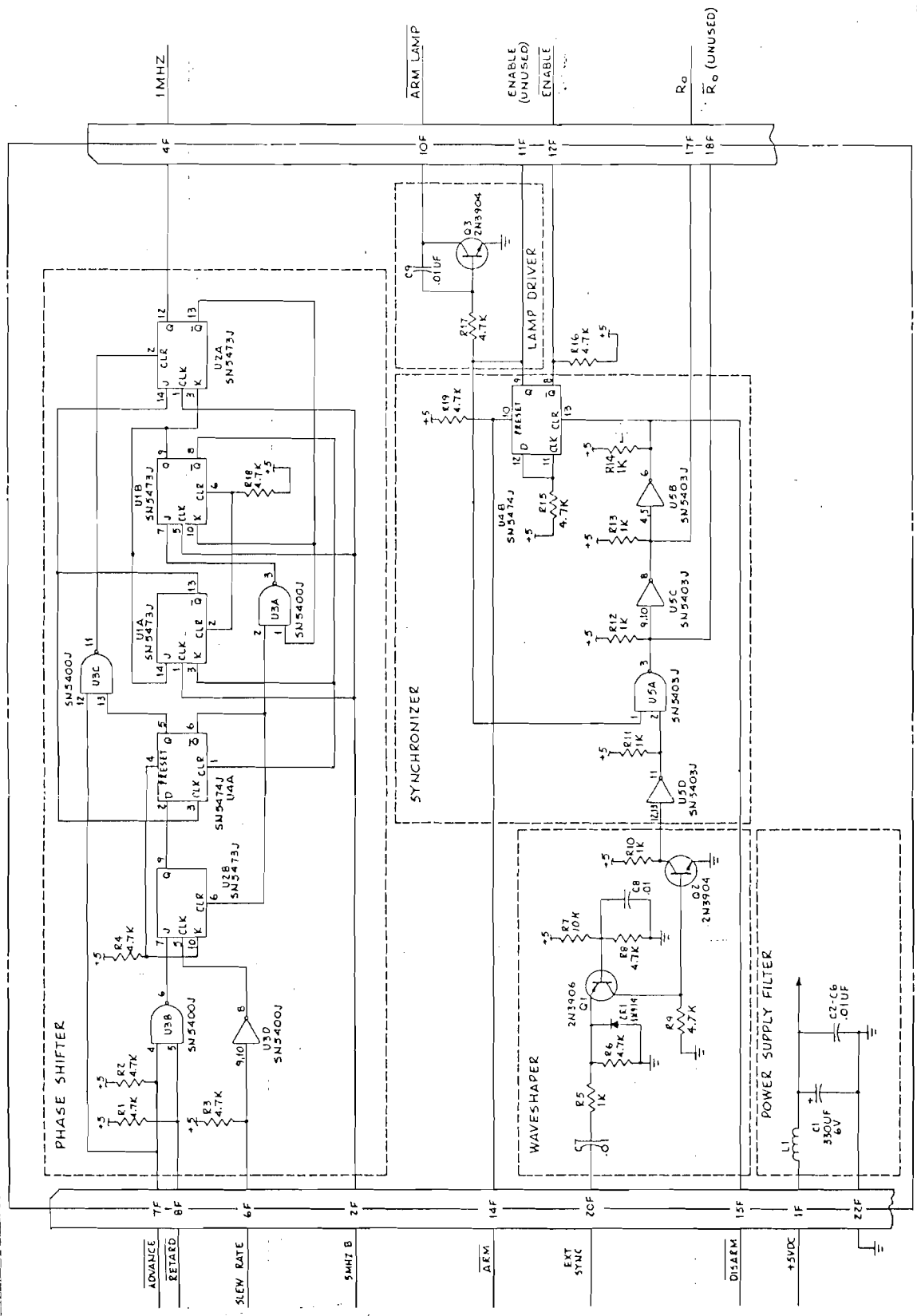
B

A

REVISIONS		
ZONE	LTR	DESCRIPTION
C		Added Boarder & Title Block; SHEET SIZE WAS 2

DATE 2-10-78
APPD

100%



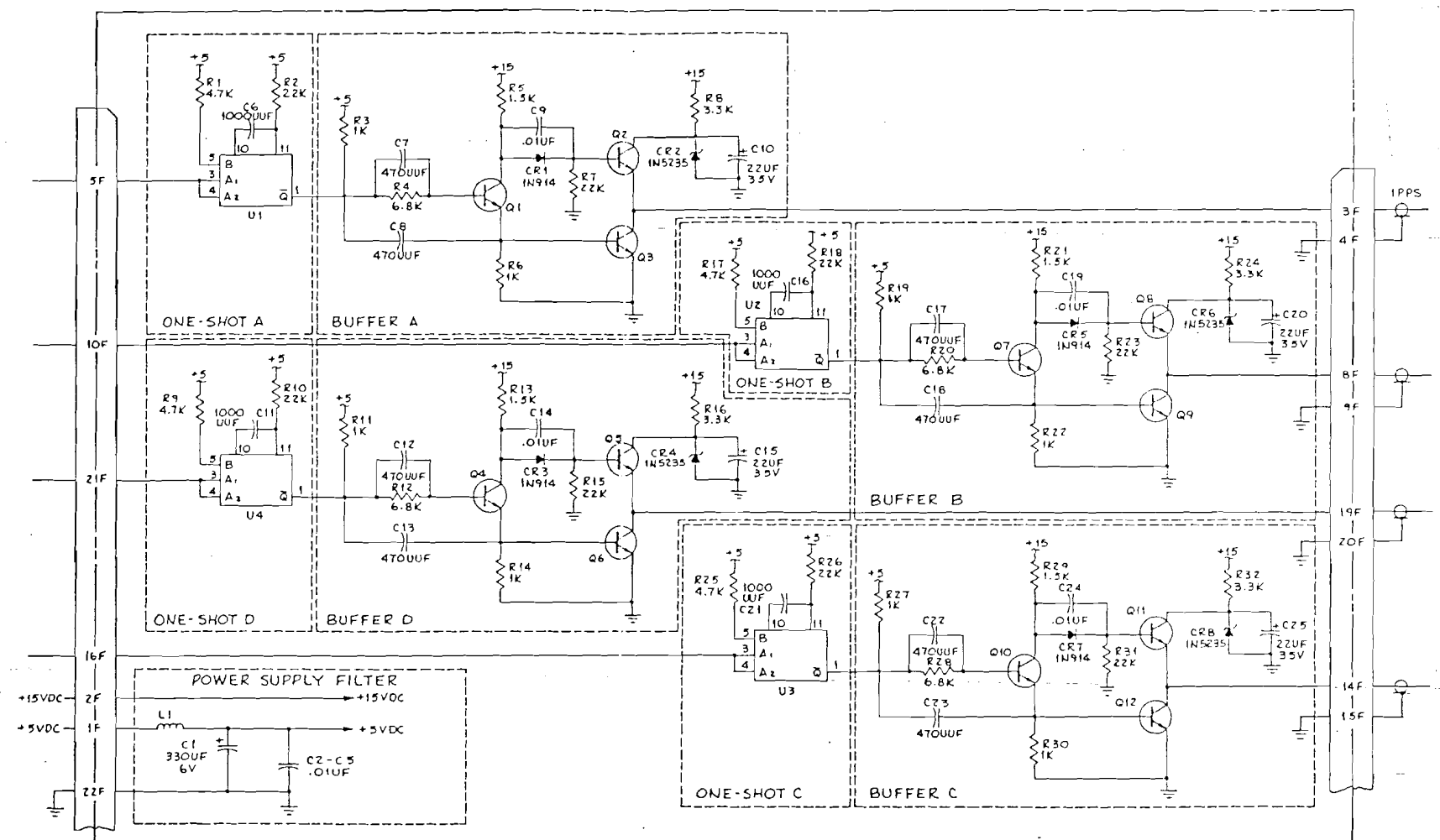
SCHEMATIC DIAGRAM -
TIME SYNC.

SIZE	CODE IDENT NO	3	24672
ENGR	CHECK	C.J. BALZER	4-11-73
DRFTSMN	L.D. BECKER	4-11-73	SCALE N/A

TOLERANCES UNLESS OTHERWISE SPECIFIED			
DECIMALS	FRACTIONS		
	ANGLES		
MATERIAL:			
127 96209	1210D	A15	4-16
NEXT ASSY	USED ON	REF DES	FIG NO
	PCB 5		

APPLICATION

REVISIONS				
ZONE	LTR	DESCRIPTION	DATE	APPD
	A	ADDED BORDER & TITLE BLOCK; SHEET SIZE WAS 2	2-10-78	R.D.S.



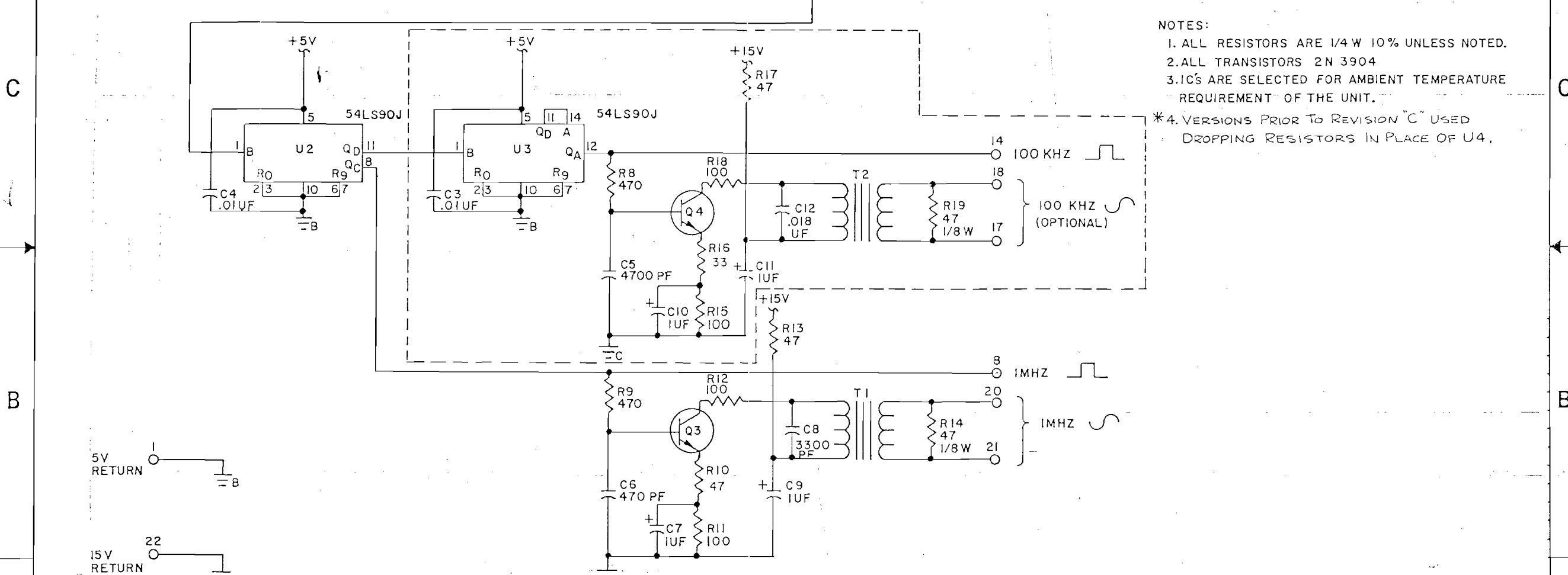
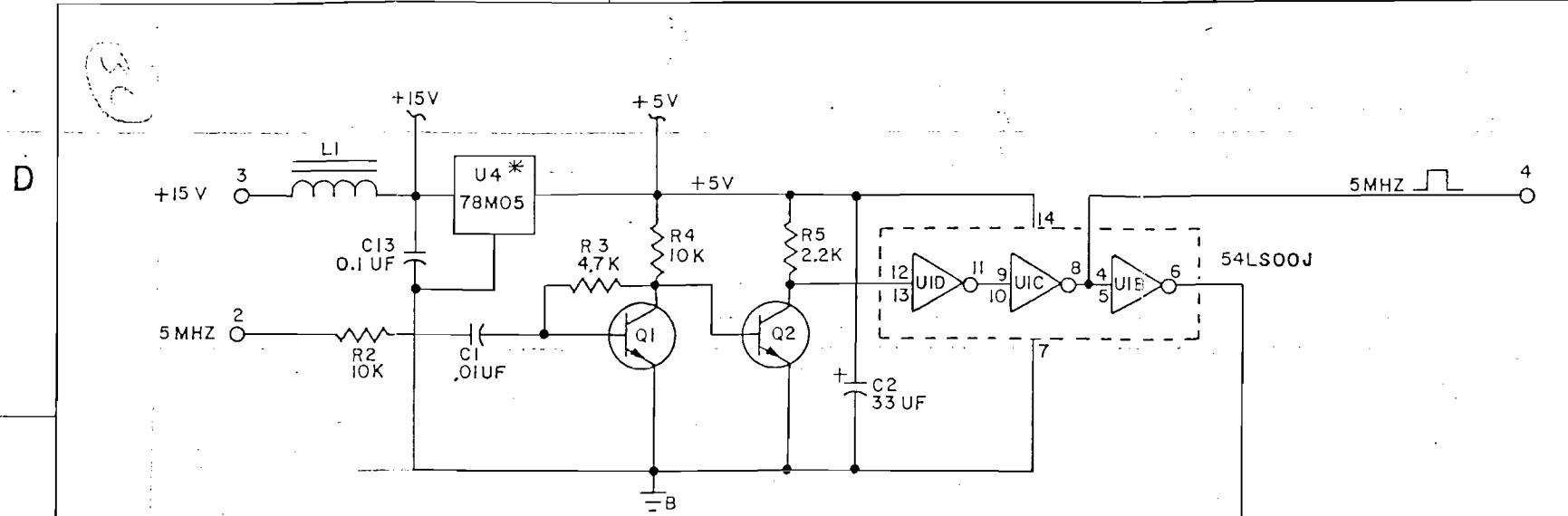
NOTES:
 1. UNLESS OTHERWISE SPECIFIED, ALL TRANSISTORS ARE 2N3904,
 ALL IC'S ARE 5N54121J.

				TOLERANCES UNLESS OTHERWISE SPECIFIED				
				DECIMALS	FRACTIONS	ANGLES		
				MATERIAL:			SCHEMATIC DIAGRAM - PULSE AMPLIFIER	
10394595	1250A-02	A8 & A9	6-2					
10394595	1210D	A13	4-20					
10394595	1210C	PCB 7						
NEXT ASSY	USED ON	REF DES	FIG NO	ENGR	C.J. BALZER	4-17-73	SIZE	CODE-IDENT NO
				CHECK			3	24672
APPLICATION				DRFTSMN	L.D. BECKER	4-17-73	SCALE	N/A
							SHEET	1 OF 1

D
 C
 B
 A

D
 C
 B
 A

REVISIONS			
ZONE/LTR	DESCRIPTION	DATE	APPROVED
-	RELEASED	10-9-75	ROB
A	ADDED DASHED LINE TO 100KHZ SECTION; RIG WAS 47; R10 WAS 33 PER ECO 4460	5-18-76	ROB
B	STANDARDIZED ON 5400 J'S PER ECO. 2058. 2057	9-23-77	ROB
C	DELETED R1, R6, R7. C3 & C4 WERE 33µf. ADDED U4. DELETED NOTE 1. PER ECO 4426	4-8-83	ROB
D	ADDED NOTE 4 PER ECO 4460	4-27-83	ROB



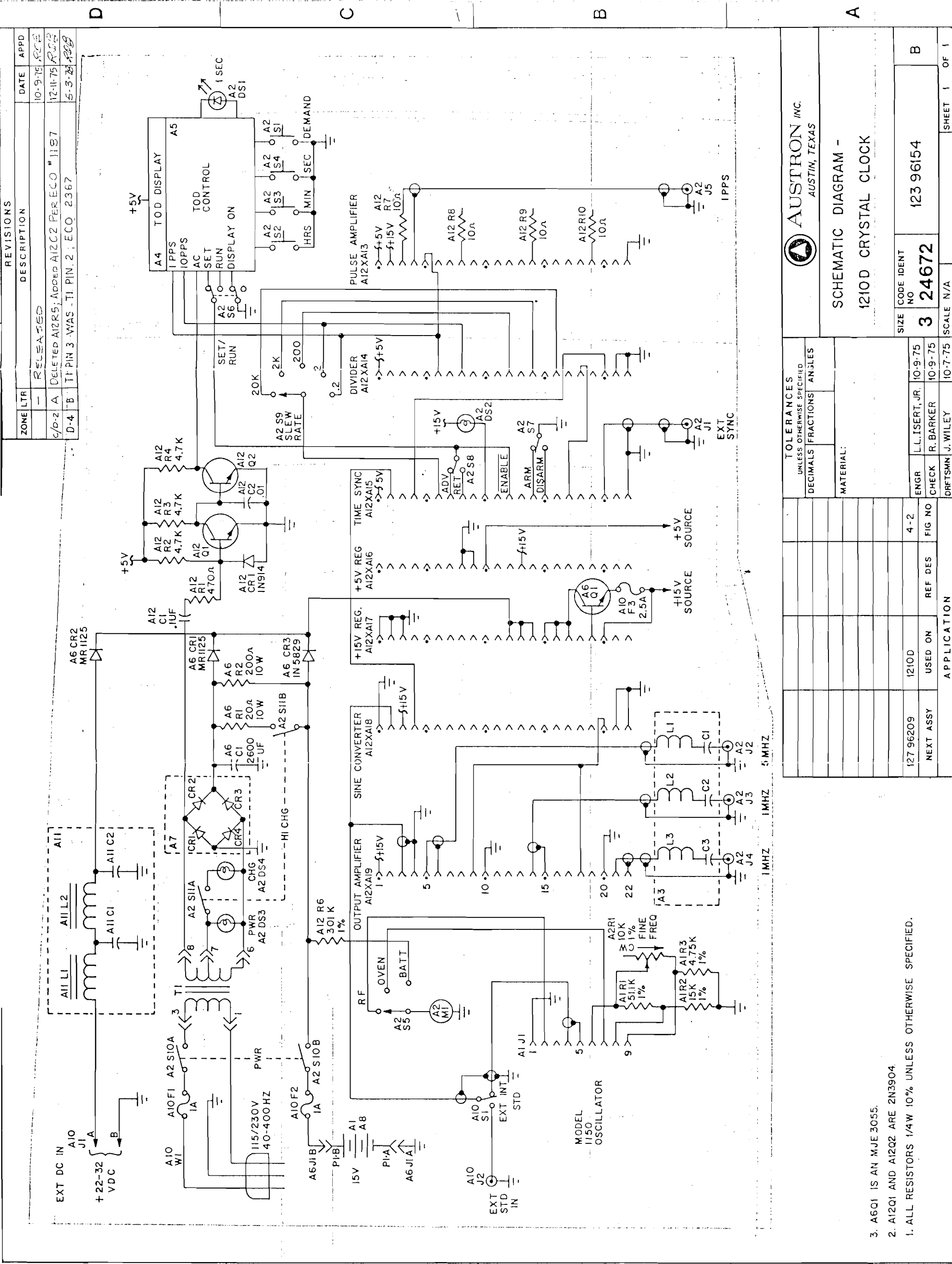
- NOTES:
- ALL RESISTORS ARE 1/4 W 10% UNLESS NOTED.
 - ALL TRANSISTORS 2N 3904
 - IC'S ARE SELECTED FOR AMBIENT TEMPERATURE REQUIREMENT OF THE UNIT.
 - VERSIONS PRIOR TO REVISION "C" USED DROPPING RESISTORS IN PLACE OF U4.

UNLESS OTHERWISE SPECIFIED DIMENSIONS ARE IN INCHES DO NOT SCALE DRAWINGS			
TOLERANCES UNLESS OTHERWISE SPECIFIED			
DECIMALS	FRACTIONS	ANGLES	
1A1A4	4-3	127 97317	1250A
A18	4-12	103 96025	1210 D
REF DES	FIG NO	NEXT ASSY	USED ON
APPLICATION			

QTY REQD	ITEM NO	REF DES	PART NO	NOMENCLATURE	VENDOR
-1					
LIST OF MATERIAL					
AUSTRON INC. AUSTIN, TEXAS					
SCHEMATIC DIAGRAM SINE CONVERTER					
ENGINEER	ROB	10-7-75			
CHECKED	ROB	10-9-75			
DRAFTSMAN	Jim Wiley				
SIZE	CODE IDENT NO.	123 96096		D	
3	24672				
SCALE NONE				SHEET 1 OF 1	

A

A



ZONE	LTR	DESCRIPTION	DATE	APPD
	1	RELEASED	10-9-75	RCE
C/D-2	A	DELETED A12R5; Added A12C2 PER ECO # 1157	12-11-75	RCE
D-4	B	T1 PIN 3 WAS T1 PIN 2; ECO 2367	5-3-76	RCE

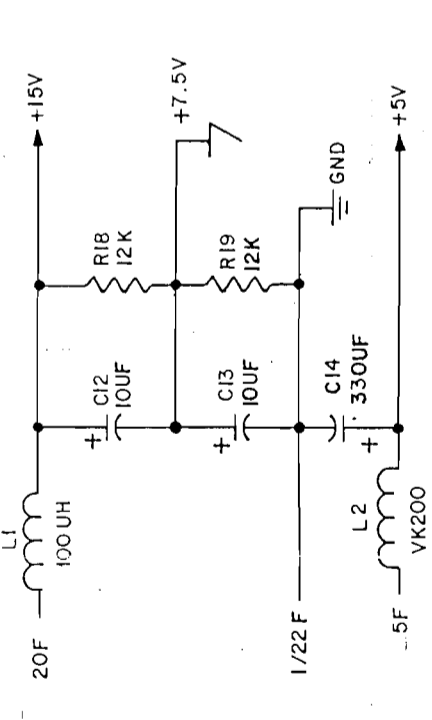
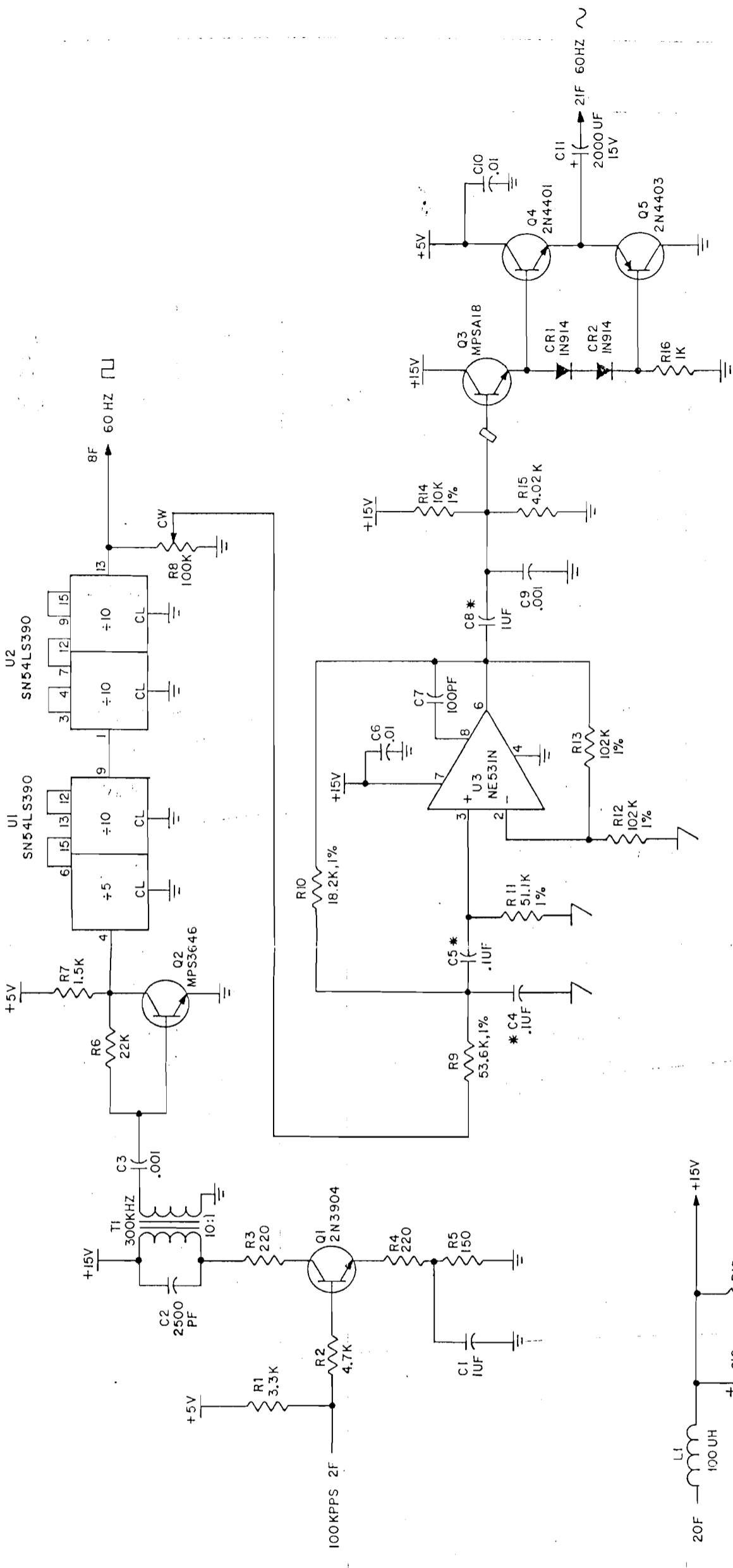
REVISIONS		TOLERANCES UNLESS OTHERWISE SPECIFIED		MATERIAL:	
ZONE	LTR	DESCRIPTION	DECIMALS	FRACTIONS	ANGLES
APPLICATION					
127 96209	USED ON	REF DES	FIG NO		
123 96154	1210D		4-2		
ENGINEER			L.L. ISERT, JR. 10-9-75		
CHECKER			R. BARKER 10-9-75		
DRAFTSMAN			J. WILEY 10-7-75		
SCALE			N/A		
CODE IDENT NO			3 24672		
SIZE			123 96154		
SHEET			1 OF 1		



SCHEMATIC DIAGRAM -
1210D CRYSTAL CLOCK

- 3. A6Q1 IS AN MJE 3055.
- 2. A12Q1 AND A12Q2 ARE 2N3904.
- 1. ALL RESISTORS 1/4W 10% UNLESS OTHERWISE SPECIFIED.

REVISIONS		DATE	APPD
ZONE LTR	DESCRIPTION		
A	REDRAWN PER ECO 3119	11-16-79	KUP



NOTES:

- UNLESS OTHERWISE SPECIFIED ALL RESISTORS ARE 1/4 W, 10% WITH VALUES IN OHMS, AND ALL CAPACITANCE VALUES ARE IN MICROFARADS.
- * POLYCARBONATE CAPACITOR.

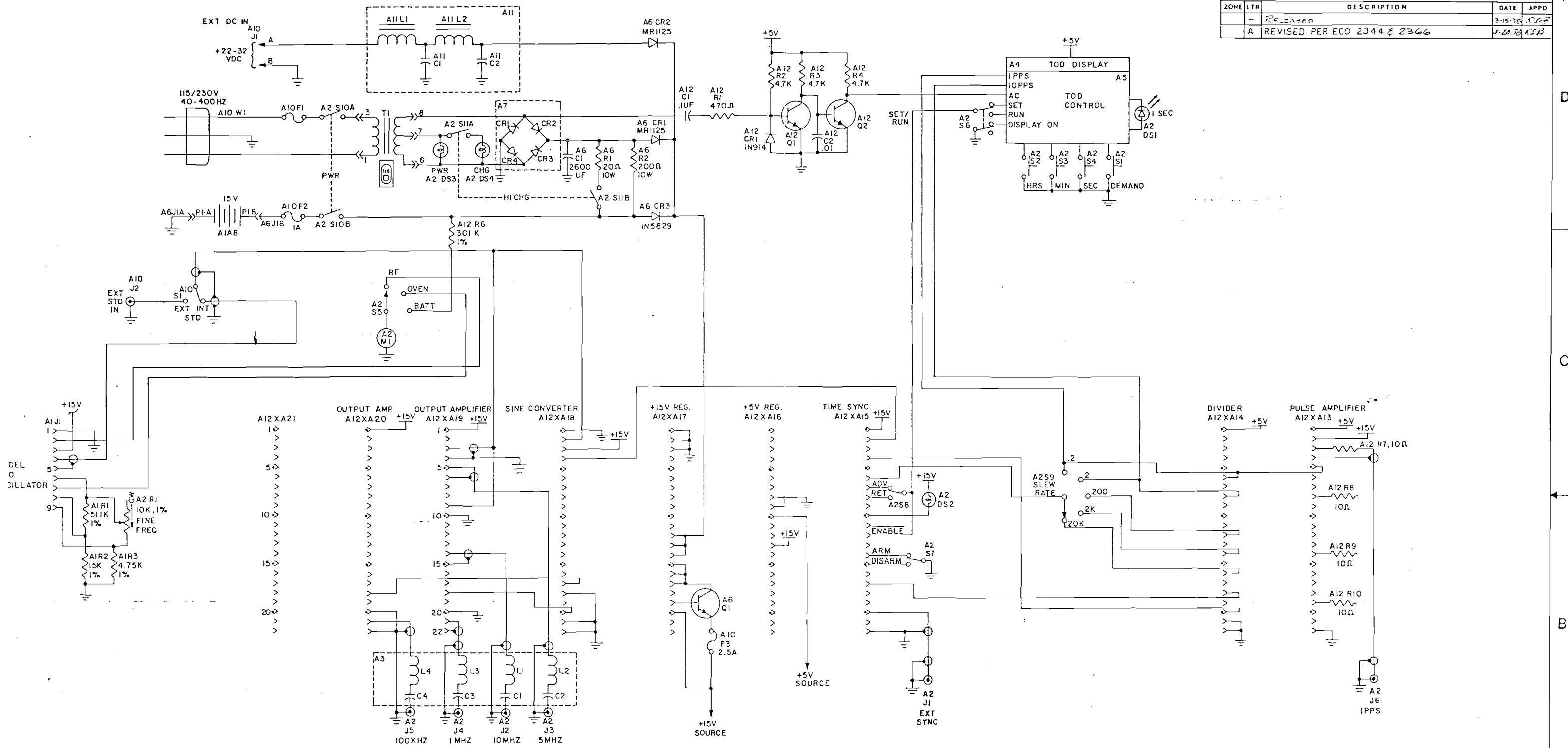
TOLERANCES UNLESS OTHERWISE SPECIFIED		ANGLES	
DECIMALS	FRACTIONS		
MATERIAL:			
ENGR	CHKD	DATE	FIG NO
		11-16-79	7-11
APPLICATION		USED ON	REF DES
		12100-02	A21
		10396517	
		NEXT ASSY	
		DRFTSMN	LDP
		SCALE	9-28-79
		SHEET	OF
		3	24672
		SIZE	CODE IDENT
		NO	12396518
			A



SCHEMATIC, 60 HZ SINE CONVERTER

SIZE	CODE IDENT	
NO	12396518	A

ZONE LTR		REVISIONS	DATE	APPD
		RELEASED	3-15-75	...
A		REVISED PER ECO 2344 & 2366	4-28-75	...



- 3. A6Q1 IS AN MJE3055.
- 2. A12Q1 AND A12Q2 ARE 2N3904.
- 1. ALL RESISTORS 1/4W 10% UNLESS OTHERWISE SPECIFIED.

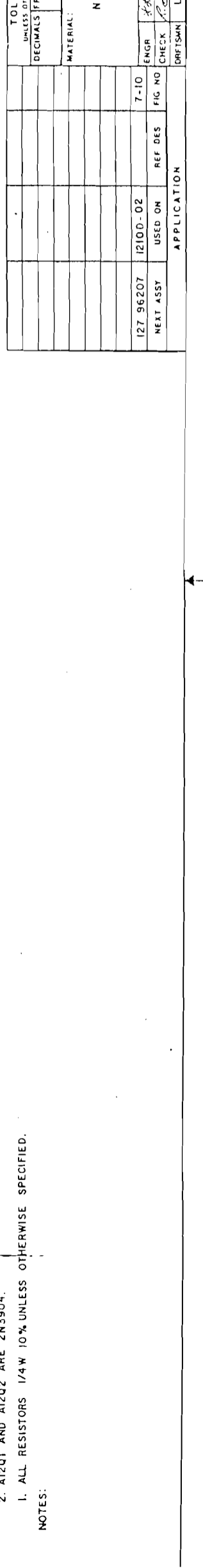
NOTES:

TOLERANCES UNLESS OTHERWISE SPECIFIED				AUSTRON INC. AUSTIN, TEXAS	
DECIMALS	FRACTIONS	ANGLES		SCHEMATIC DIAGRAM - 1210D-01 CRYSTAL CLOCK	
		MATERIAL: N/A		SIZE: 4	CODE IDENT NO: 24672
127 96207	1210D-01	7-2	ENGR: [Signature]	123 96570	A
NEXT ASSY	USED ON	REF DES	FIG NO	CHECK: [Signature]	DATE: 3-15-75
APPLICATION			DRFTSMN: LDP	SCALE: N/A	SHEET 1 OF 1

ZONE/LIN	DESCRIPTION	DATE	APPD
1	SELECTED	3-15-78	AJG
A	REVISED PER ECO 2343 & 2365	4-27-78	AJG
B	REVISED PER ECO 3178	11-14-78	AJG

REVISIONS		TOLERANCES UNLESS OTHERWISE SPECIFIED	
DECIMALS	FRACTIONS	ANGLES	
			MATERIAL: N/A
			ENGR: <i>AJG</i>
			CHECK: <i>R. Johnson</i>
			FIG NO: 7-10
			REF DES: I210D-02
			USED ON: APPLICATION
			DRFTSMN: LDP
			DATE: 2/23/78
			SCALE: NA
			NO: 4
			SIZE: 123 96571
			SHEET: 1 OF 1

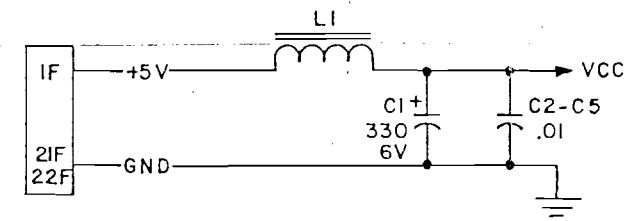
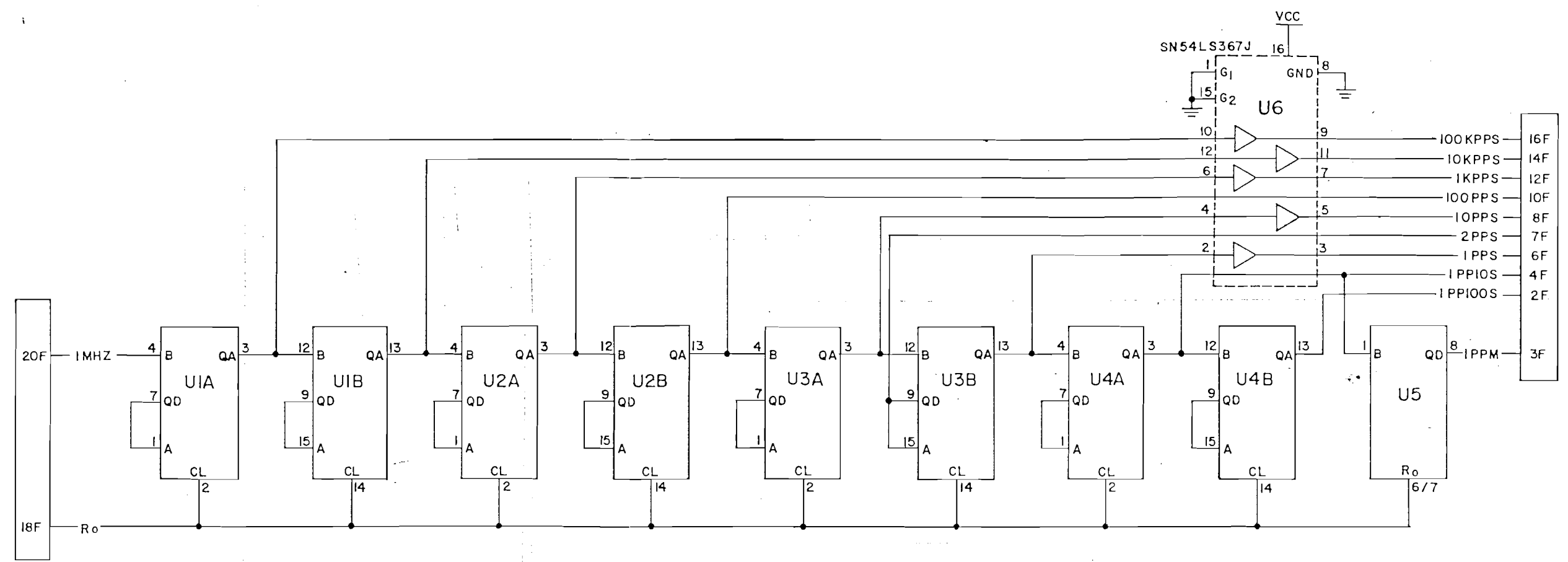
AUSTRON INC.
 AUSTIN, TEXAS
SCHEMATIC DIAGRAM -
I210D-02 CRYSTAL CLOCK



3. A6Q1 IS AN MJE3055
 2. A12Q1 AND A12Q2 ARE 2N3904.
 1. ALL RESISTORS 1/4W 10% UNLESS OTHERWISE SPECIFIED.

NOTES:

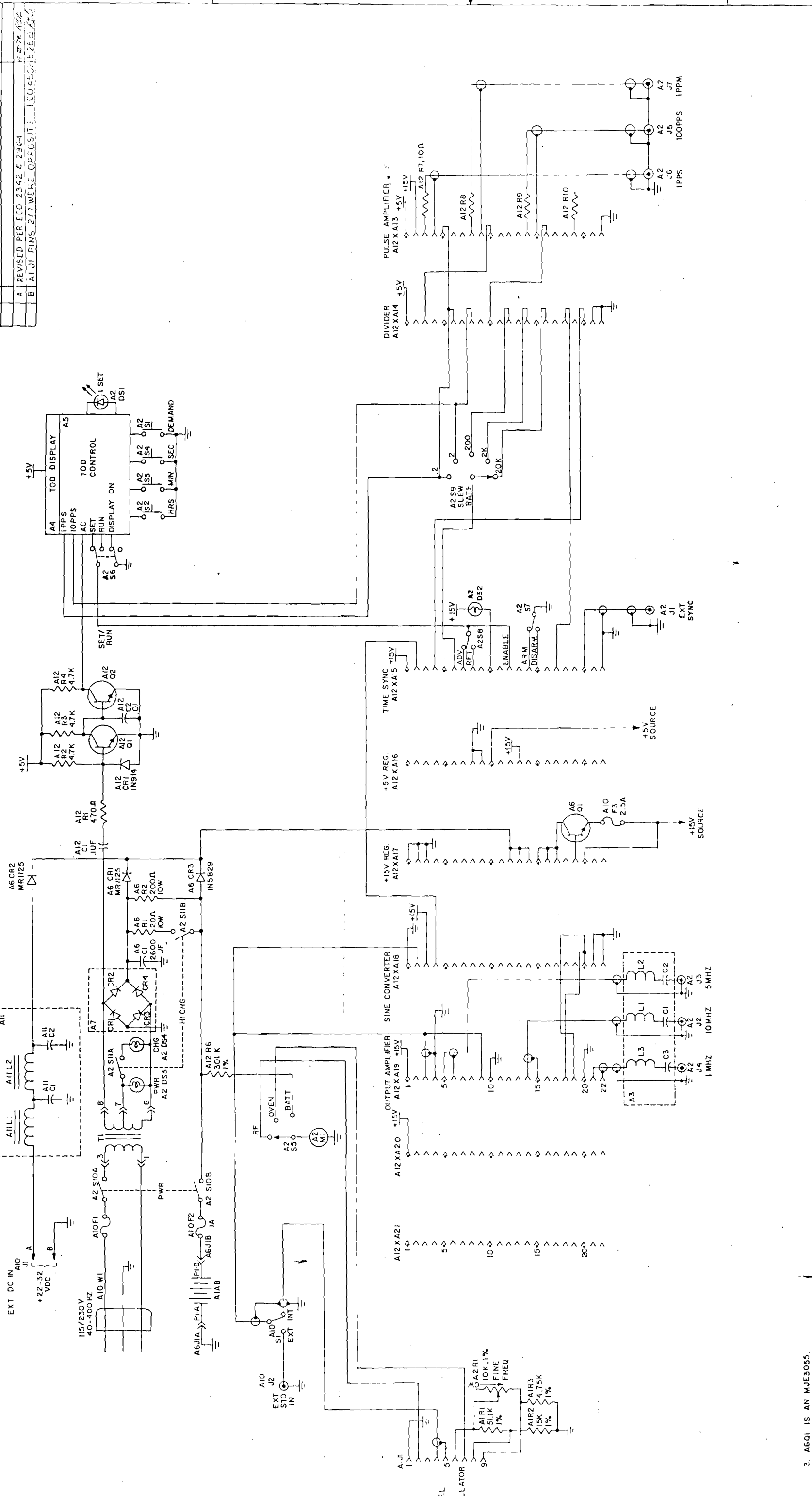
REVISIONS				
ZONE	LTR	DESCRIPTION	DATE	APPD
		RELEASED	4-24-78	RUB
	A	ADDED U6 TO ECTH & SCREEN PER ECO. #3037	9-13-79	CAF
	B	U6 PIN 10 WAS 8; U6 PIN 12 WAS 10; PER ECO 3177	11-14-79	RUB



- NOTES:
- U1 THRU U4 ARE SN54LS390J -VCC/16 GND/8.
 - U5 IS A SN54LS92J -VCC/5 GND/10.
 - U4, U5 AND C5 ARE USED ON 103 96614-1 ONLY.

				TOLERANCES UNLESS OTHERWISE SPECIFIED						
				DECIMALS	FRACTIONS	ANGLES				
				MATERIAL:			SCHEMATIC, DIVIDER			
				N/A						
103 96614 - *	1210D-03	A14	7-15	ENGR	RUB	5/2/78	SIZE	CODE IDENT NO	123 96615	B
NEXT ASSY	USED ON	REF DES	FIG NO	CHECK	R. Ender	4-24-78	3	24672		
APPLICATION				DRFTSMN	LDP	4-19-78	SCALE	N/A	SHEET	1 OF 1

8 7 6 5 4



REVISIONS		ZONE	DESCRIPTION	DATE	APPRO
A	REVISED PER ECO 2342 E 2344			11/27/54	
B	AT J1 PINS 2,7 WERE OPPOSITE		ECO 4602 E 2344	12/23/54	

TOLERANCES UNLESS OTHERWISE SPECIFIED		MATERIAL:	
DECIMALS	FRACTIONS	ANGLES	

FIG NO	REF DES	APPLICATION
7-14		
127 96207	1210D-03	USED ON
NEXT ASSY		

ENGR	CHECK	DRAWN	LDP

SIZE	CODE IDENT NO	SCALE	NA
4	24672	1:1	

FIG NO	REF DES	APPLICATION
7-14		
127 96207	1210D-03	USED ON
NEXT ASSY		

SIZE	CODE IDENT NO	SCALE	NA
4	24672	1:1	

ENGR	CHECK	DRAWN	LDP

FIG NO	REF DES	APPLICATION
7-14		
127 96207	1210D-03	USED ON
NEXT ASSY		

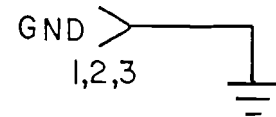
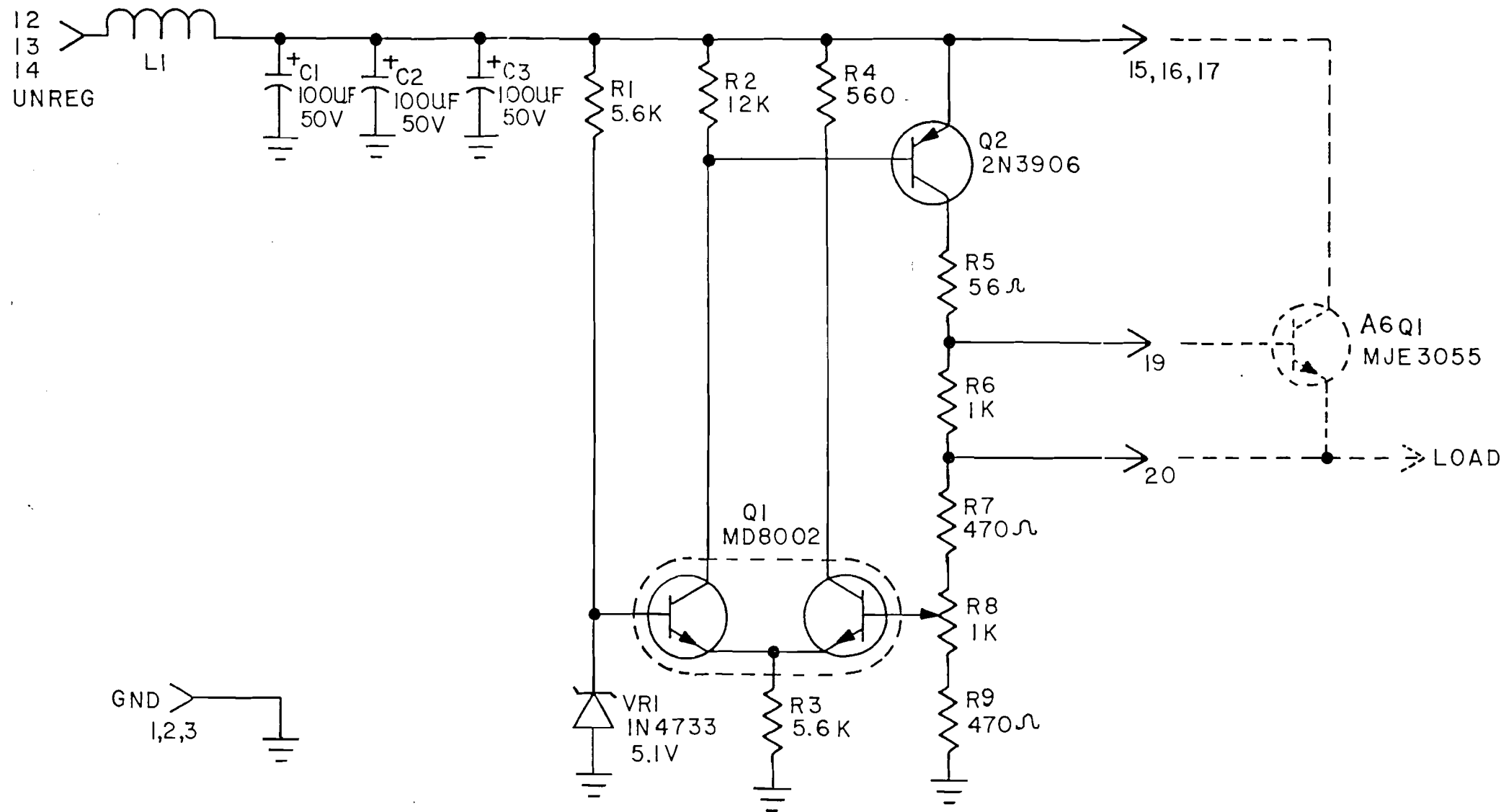
AUSTRON INC.
AUSTIN, TEXAS

SCHEMATIC DIAGRAM -
I210D-03 CRYSTAL CLOCK

3. A6Q1 IS AN MJE3055.
 2. A12Q1 AND A12Q2 ARE 2N3904.
 1. ALL RESISTORS 1/4W 10% UNLESS OTHERWISE SPECIFIED.

NOTES:

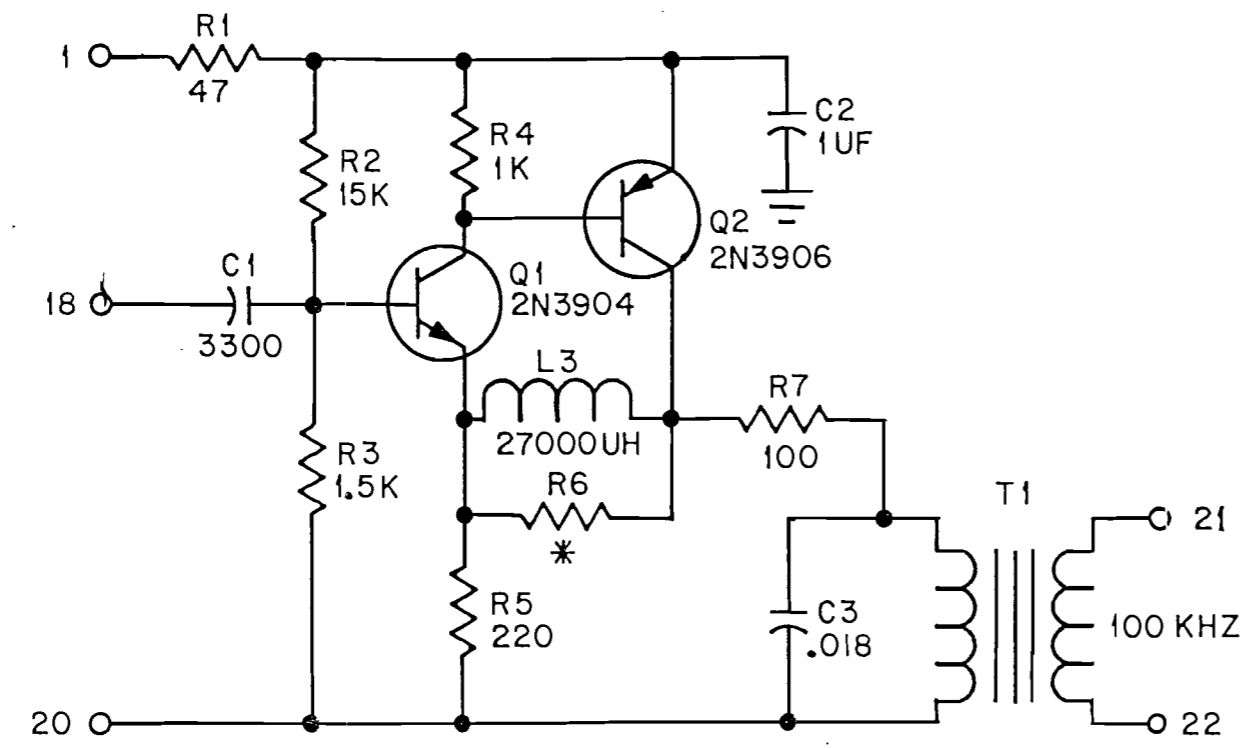
REVISIONS				
ZONE	LTR	DESCRIPTION	DATE	APPROVED
-		RELEASED	10-10-75	RDB
A		R1 WAS "SELECTED"; DELETED NOTE 1; ECO 1190	12-16-75	RDB
B		REVISED TITLE BLOCK TO INCLUDE REF DES & FIG NO.; PER ECO # 2224	2-13-78	RDB



				TOLERANCES UNLESS OTHERWISE SPECIFIED						
				DEC	FRAC	ANG				
				MATERIAL:			SCHEMATIC DIAGRAM - +15 VDC REGULATOR			
103 96197	1210D	A17	4-8							SIZE
NEXT ASSY	USED ON	REF DES	FIG NO	ENGR	L.L.I., JR.	10-10-75	2	NO 24672	123 96784	B
APPLICATION				CHECK	R.D.B.	10-10-75	SCALE N/A		SHEET 1 OF 1	
				DRFTMN	K.WIG	10-6-75				

NOTES: UNLESS OTHERWISE SPECIFIED

REVISIONS				
ZONE	LTR	DESCRIPTION	DATE	APPD
	-	RELEASED	11-18-76	A223



1. * SELECT FOR OUTPUT LEVEL IV RMS INTO 50 OHMS.
NOTES:

				TOLERANCES UNLESS OTHERWISE SPECIFIED					
				DEC	FRAC	ANG			
				MATERIAL:			SCHEMATIC DIAGRAM - 100 KHZ OUTPUT AMPLIFIER		
103 97359	1210D-01	A20	7-5	ENGR	<i>A223</i>	11-30-76	SIZE	CODE IDENT	123 97357
NEXT ASSY	USED ON	REF DES	FIG NO	CHECK	<i>A223</i>	11-30-76	2	NO 24672	
APPLICATION				DRFTMN	BARKER	11-17-76	SCALE		SHEET OF

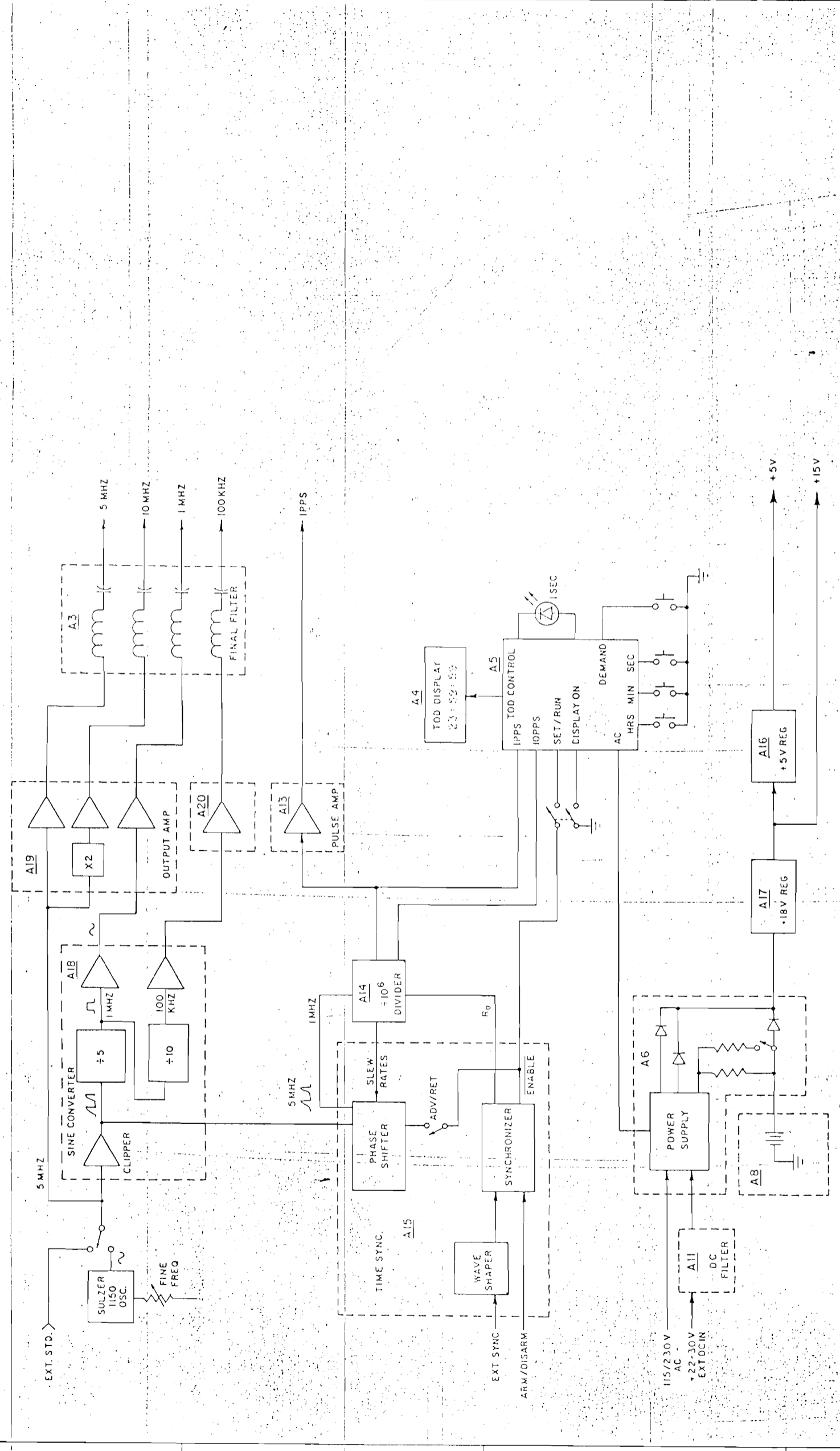
D

C

E

A

REVISIONS		DATE	APPD
ZONE LTR	DESCRIPTION	3-16-78	RJS
-	RELEASED		



TOLERANCES UNLESS OTHERWISE SPECIFIED		DECIMALS		FRACTIONS		ANGLES	

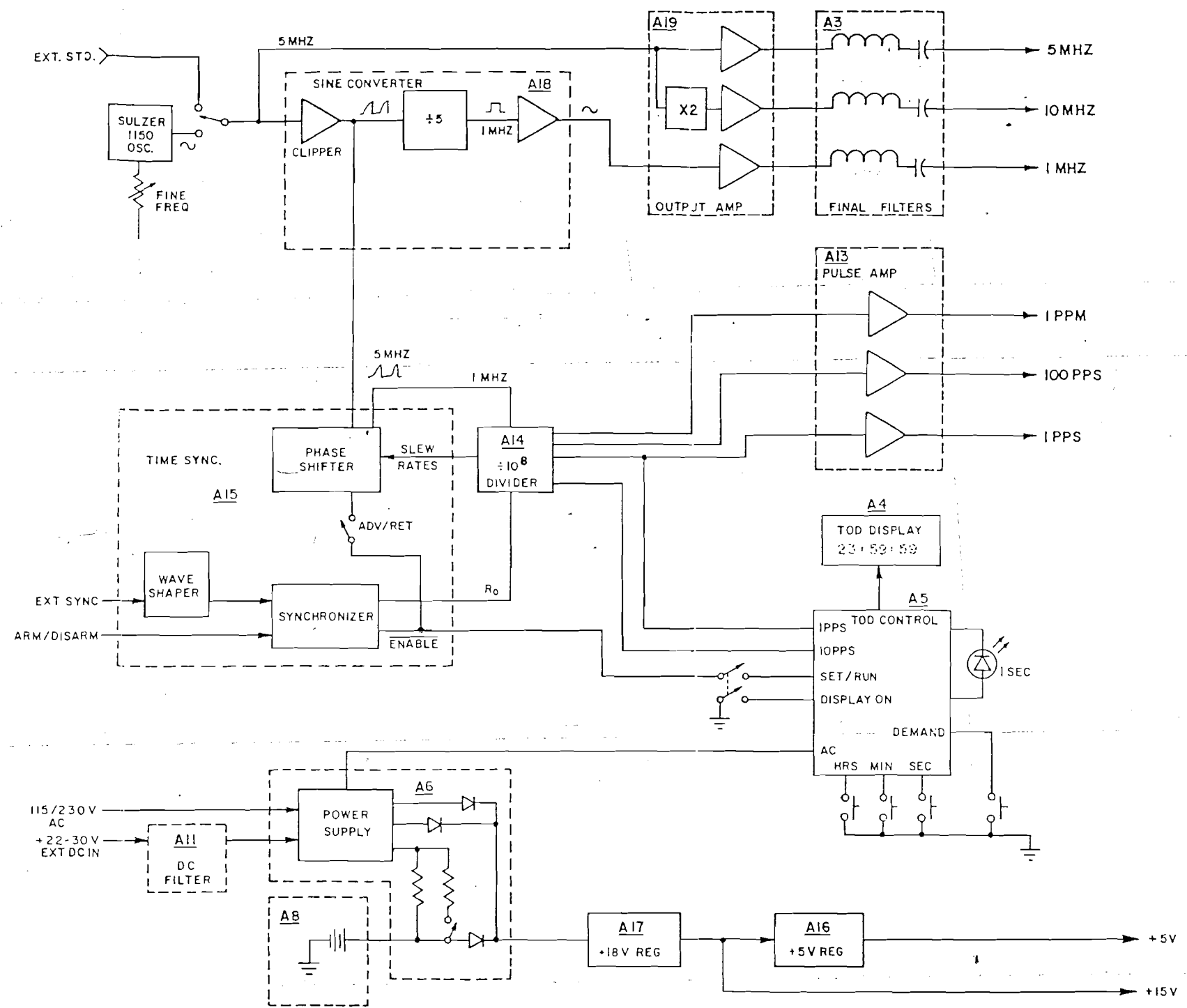
MATERIAL:			
-----------	--	--	--

ENGR	<i>D. H. Lee</i>	FIG NO	7-3
CHECK	<i>K. J. Beck</i>	REF DES	
DRAFTSMN	S. Schmidt	USED ON	1210D-01
SCALE NA	2-22-78	APPLICATION	

SIZE	CODE IDENT	
3	NO	124 96555
BLOCK DIAGRAM		
1210D-01 CRYSTAL CLOCK		

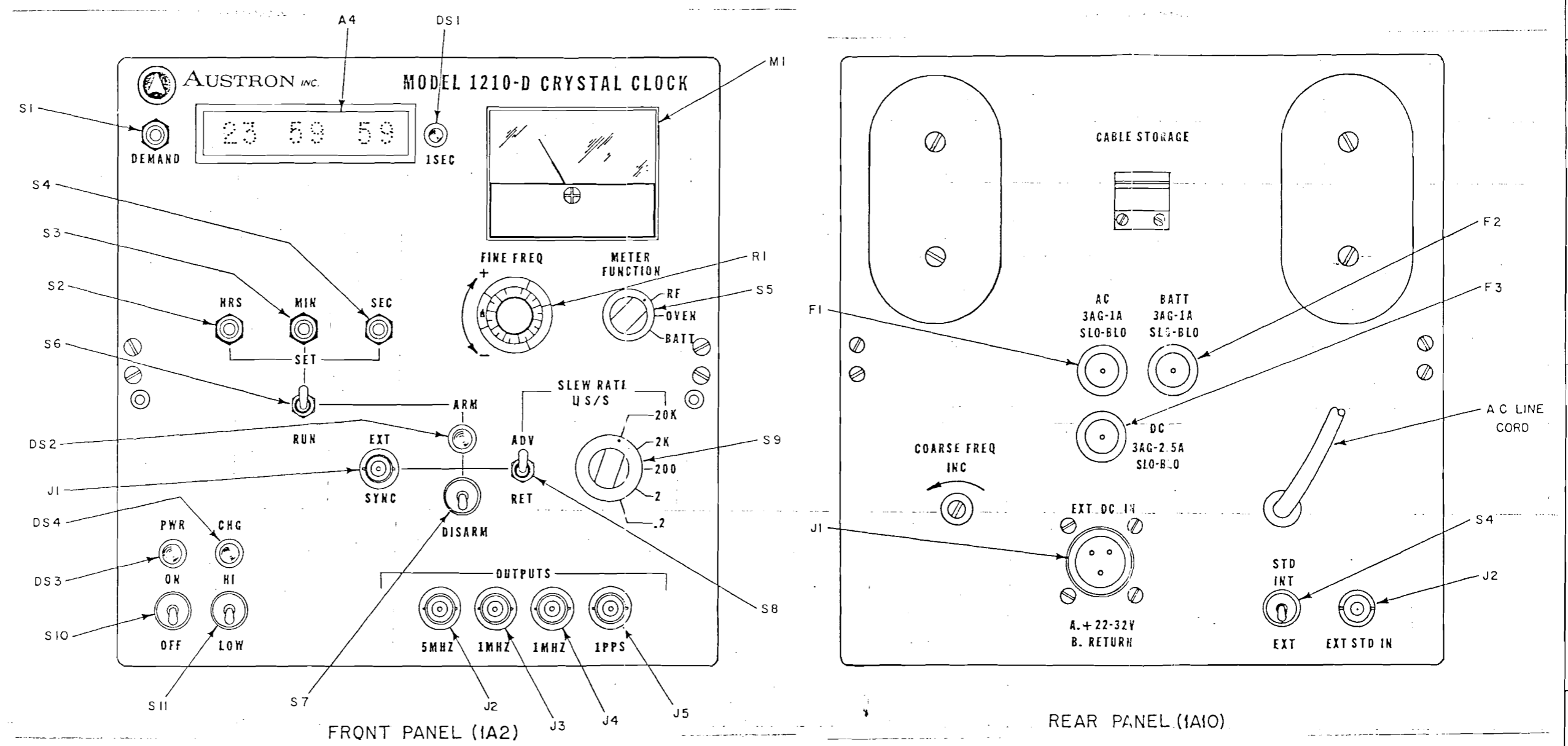
D
C
B
A

REVISIONS			
ZONE	LTR	DESCRIPTION	DATE



TOLERANCES UNLESS OTHERWISE SPECIFIED				AUSTRON INC. AUSTIN, TEXAS	
DECIMALS	FRACTIONS	ANGLES		BLOCK DIAGRAM 1210D-03 CRYSTAL CLOCK	
MATERIAL:				SIZE	CODE IDENT NO
127 96207	1210D-03	7-13	ENGR	3	24672
			CHECK		124 96625
APPLICATION				DRFTSMN	SCALE NA
			LDP	4-6-78	SHEET 1 OF 1

REVISIONS				
ZONE	LTR	DESCRIPTION	DATE	APPD
		RELEASED	2-1-78	AGS
A		COMBINED WITH 124 96785 PER ECO # 2251	2-15-78	AGS



				TOLERANCES UNLESS OTHERWISE SPECIFIED			AUSTRON INC. AUSTIN, TEXAS			
				DECIMALS	FRACTIONS	ANGLES	FRONT AND REAR PANEL CONTROLS - MODEL 1210D			
				MATERIAL:			SIZE	CODE IDENT NO		
127 96207	1210D	1A2 / 1A10	1-1	ENGR	B. FRANCIS	2/1/78	3	24672	124 96783	A
NEXT ASSY USED ON REF DES FIG NO				CHECK						
APPLICATION				DRFTSMN	BARKER	10-3-75	SCALE 1:1	SHEET OF		

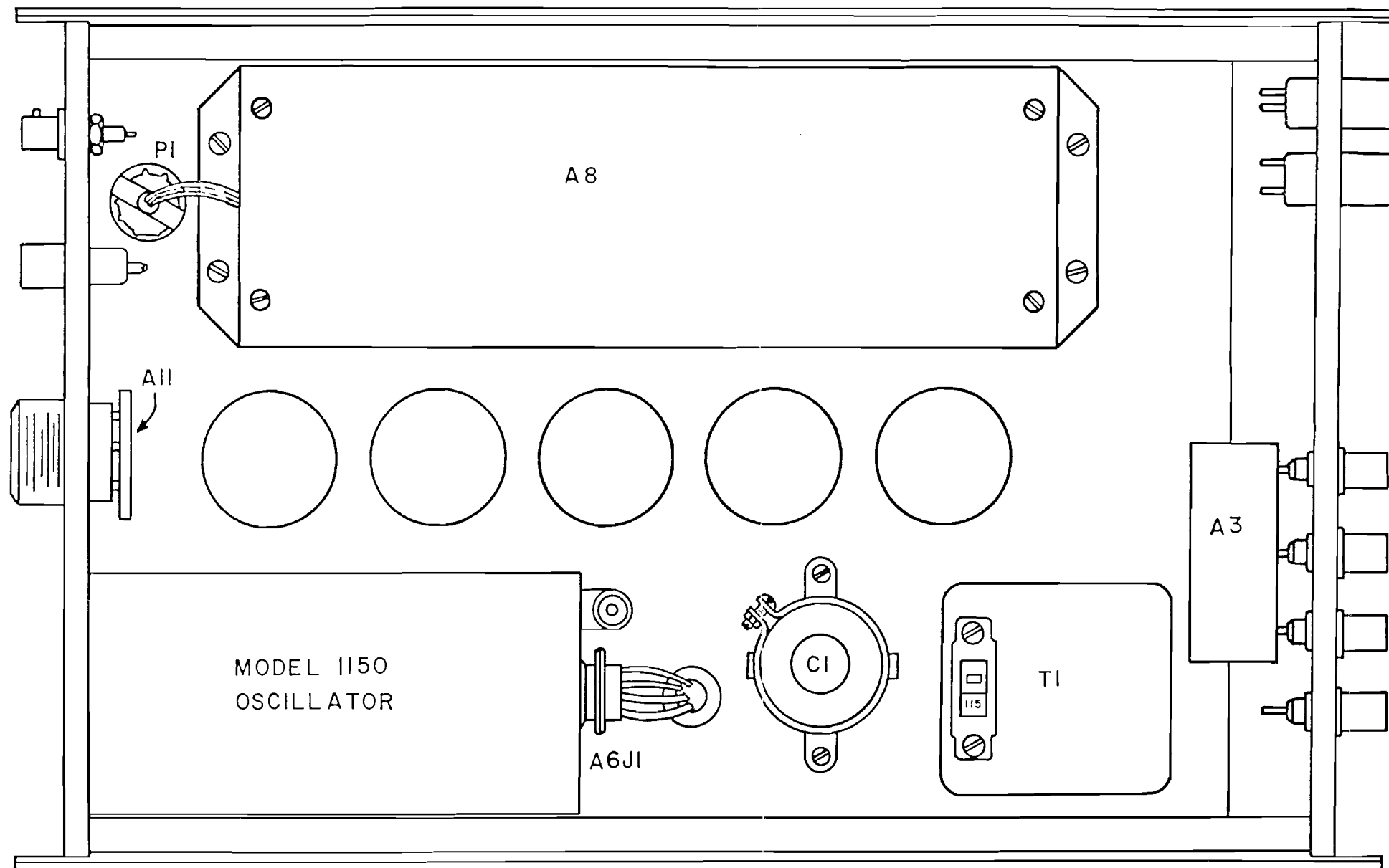
4


3

2

1

REVISIONS				
ZONE	LTR	DESCRIPTION	DATE	APPD
	-	RELEASED	10-9-75	RJS



				TOLERANCES UNLESS OTHERWISE SPECIFIED			 AUSTRON <small>INC</small> <small>AUSTIN, TEXAS</small>		
				DEC	FRAC	ANG			
				MATERIAL:			BOTTOM VIEW - 1210D CRYSTAL CLOCK		
127 96209	1210D		4-5	ENGR	L.ISERT	10-9-75	SIZE	CODE IDENT	
NEXT ASSY	USED ON	REF DES	FIG NO	CHECK	R.BARKER	10-9-75	2	NO 24672	124 96786
APPLICATION				DRFTMN	K.WIG	10-8-75	SCALE NONE		SHEET 1 OF 1

D

C

B

A

4

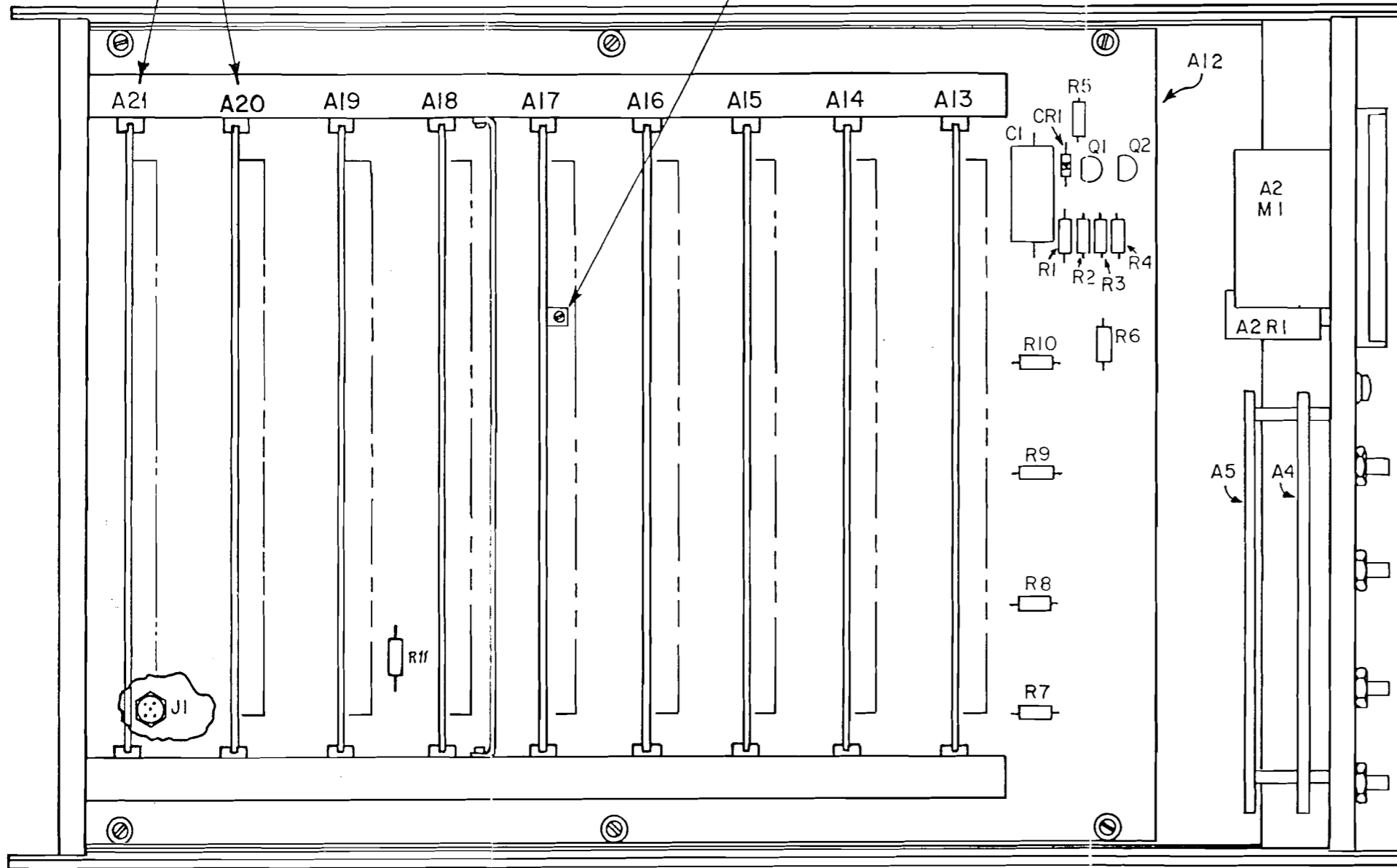
3

2

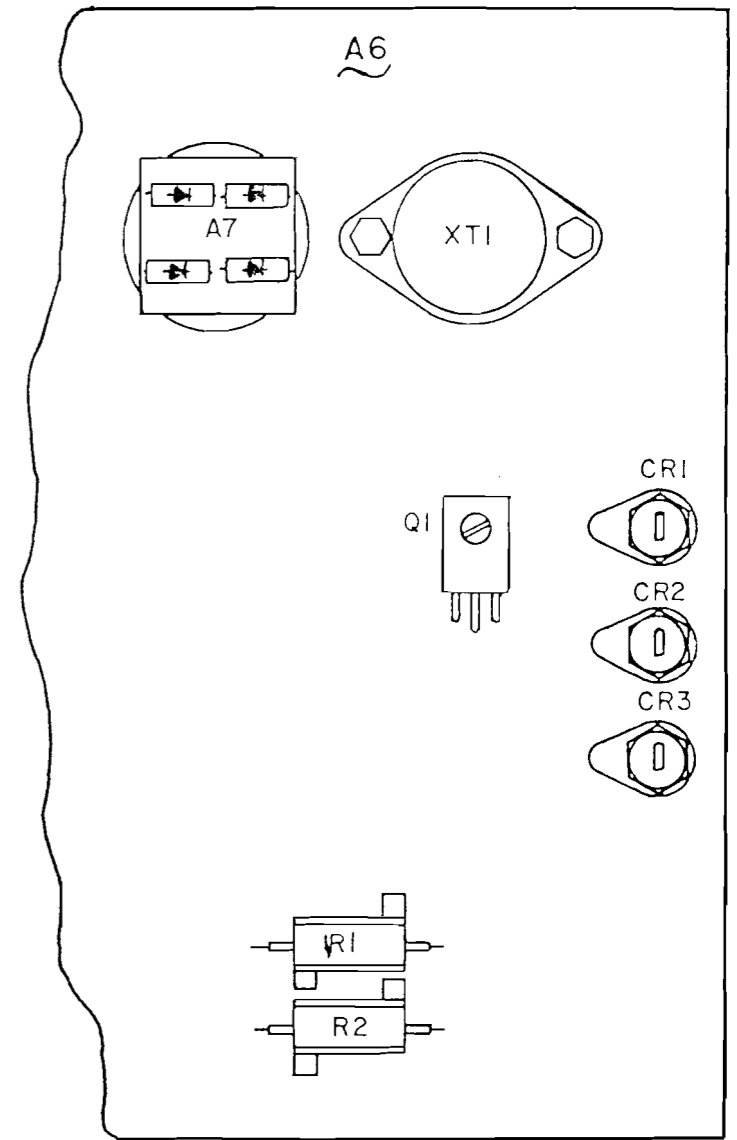
1


NOTE: BOARDS A20 AND A21 ARE USED ON THE OPTIONAL VERSIONS OF THE 1210D.

+15 REG ADJ.

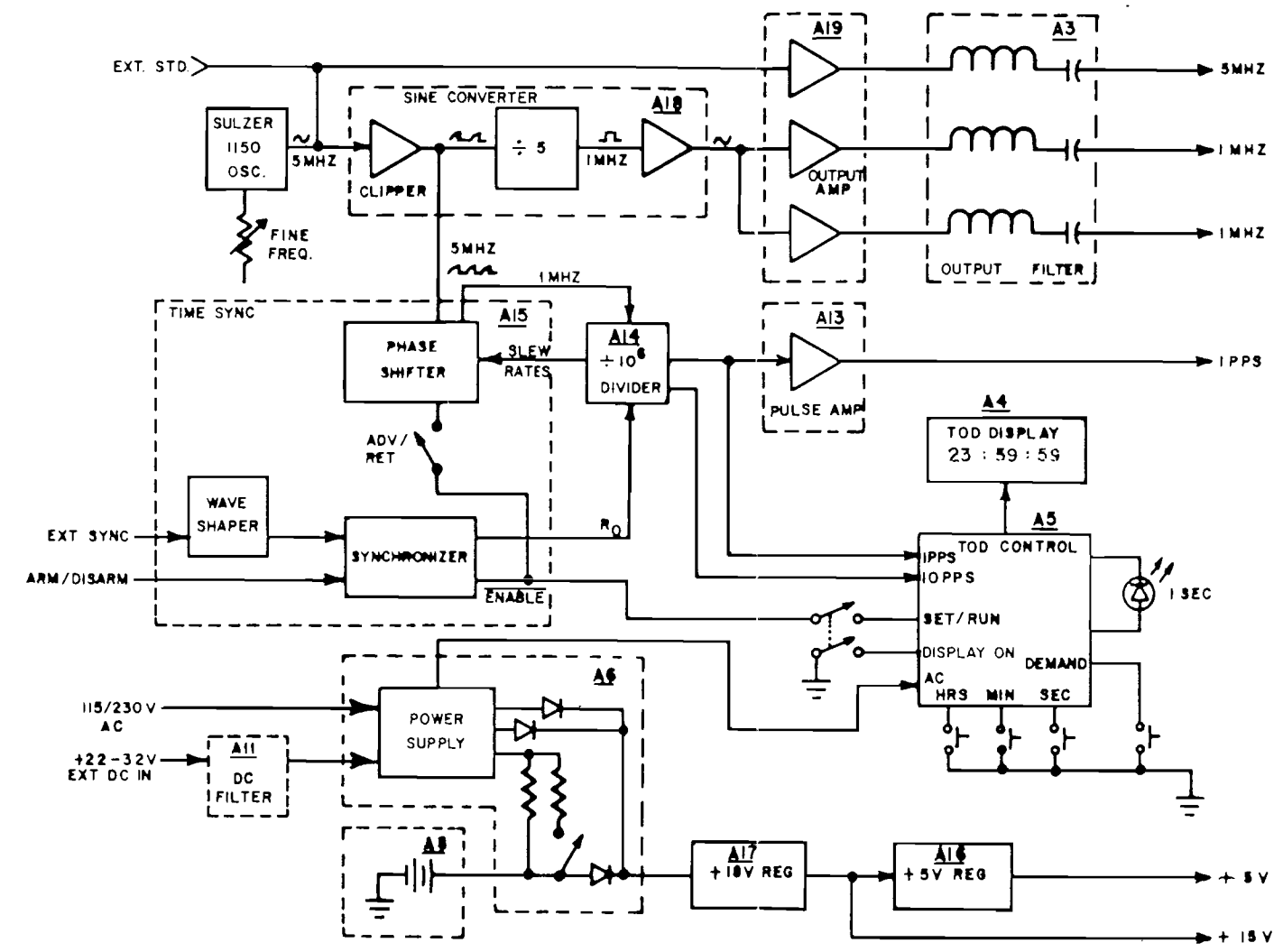


REVISIONS				
ZONE	LTR	DESCRIPTION	DATE	APPD
	-	RELEASED	10-9-75	RJB
	A	ADDED BOARD A20		RJB
	B	ADDED BOARD A21 & OPTIONAL NOTE; ECO 2237	2-8-78	RJB



				TOLERANCES UNLESS OTHERWISE SPECIFIED			 AUSTRON INC AUSTIN, TEXAS			
				DEC	FRAC	ANG				
				MATERIAL:			TOP VIEW - 1210D CRYSTAL CLOCK			
127 96209	1210D		4-4	ENGR	L.L.ISERT	10-9-75	SIZE	CODE IDENT	124 96787	B
NEXT ASSY	USED ON	REF DES	FIG NO	CHECK	R.BARKER	10-9-75	2	NO 24672		
APPLICATION				DRFTMN	K.WIG.	10-8-75	SCALE NONE		SHEET 1 OF 1	

REVISIONS				
ZONE	LTR	DESCRIPTION	DATE	APPD
		RELEASED	10-9-75	



				TOLERANCES UNLESS OTHERWISE SPECIFIED				
				DECIMALS	FRACTIONS	ANGLES		
				MATERIAL:			BLOCK DIAGRAM - 1210D CRYSTAL CLOCK	
127 96207	1210D		4-1	ENGR	L.L. ISERT, JR.	10-9-75	SIZE	CODE IDENT NO
NEXT ASSY	USED ON	REF DES	FIG NO	CHECK	R. BARKER	10-9-75	3	24672
APPLICATION				DRFTSMN	K. WIGGINTON	10-8-75	SCALE	N/A
							SHEET	1 OF 1

124 96793