

- Notes:
- ① Factory had connected blue wire (from pin 3) to cathode of CR4. This made the peak rect. detect already rectified audio ... Moving this wire to pin 7 (15) provides peak rectifier with real audio & thus better peak detection
 - ② Change C18 to 10ml = better meter action
 - ③ * Was 10 K (Factory Value)
 - ④ P Meter Response = ≈ 125 ms @ 1KHZ For 10% accuracy

MODIFICATIONS

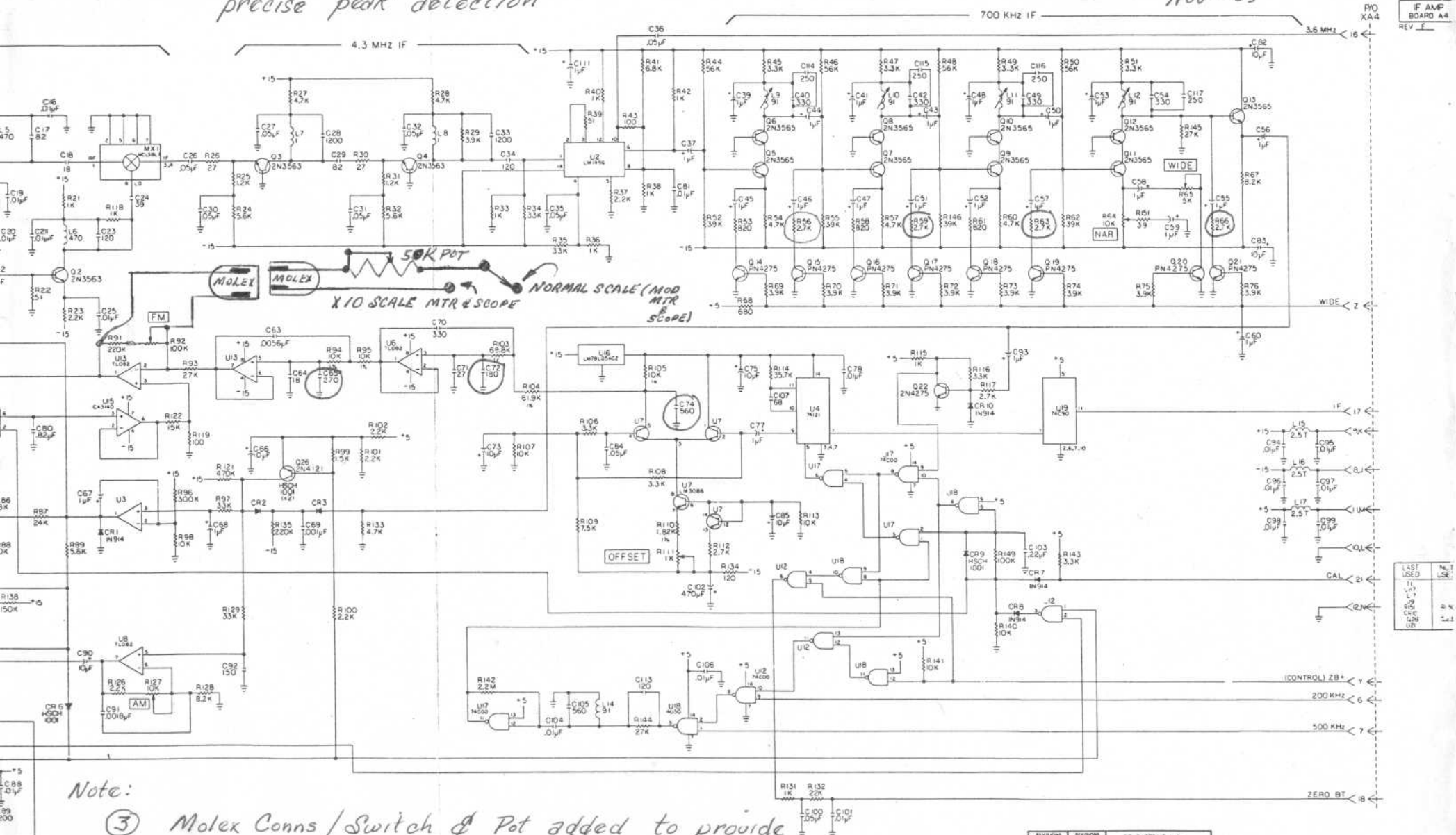
Board A5
 Nov - 89
 Frank Nestel

- Notes: ① Resistors R54, R59 & 63 & 66 are bridged 2.8K resistors to provide r.f. bandwidth in "wide" sufficient to receive conventional FM Broadcast ± 75 KHZ deviation
- ② Caps C65 & 72 & 74 Removed to provide flat audio & Recovered audio to see pre-emp audio & thus more precise peak detection

NEWMAN-KEES MEASUREMENTS
8611 SLATE RD.
EVANSVILLE, IN 47712

MODIFICATIONS

Board A4 Frank Nestle
Nov - 89



Note:

- ③ Molex Conns / Switch & Pot added to provide Meter & Scope Scales appropriate to monitor Standard FM Broadcast (± 75 KHZ) Scope Cal Marks also scaled

REVISION	REVISION	CT SYSTEMS INC.
1	1	MOLEX, SCOPE
2	2	SCHEMATIC
3	3	SCHEMATIC
4	4	SCHEMATIC
5	5	SCHEMATIC
6	6	SCHEMATIC
7	7	SCHEMATIC
8	8	SCHEMATIC
9	9	SCHEMATIC
10	10	SCHEMATIC