

AGEMA
Thermovision[®] 880
Operating Manual



WARRANTY

All AGEMA Infrared Systems instruments are warranted against defective materials and workmanship for one year. Complete components included in a system, but not manufactured by AGEMA Infrared Systems, carries the warranty of that particular supplier. Any questions with respect to the warranty should be directed to your local representative.

We reserve the right to change prices and specifications without notice. Contact your local representative for the most up to date information.

COPYRIGHT

© 1987 AGEMA Infrared Systems AB. All rights reserved. The contents of this publication may not be used or reproduced without the expressed consent of AGEMA Infrared Systems AB.

TRADEMARKS

Thermovision® is a registered trademark of AGEMA Infrared Systems AB. CP/M is an operating system registered by Digital Research.

WARNING:

This equipment generates, uses, and can radiate radio frequency energy and if not installed and used in accordance with the instructions manual, may cause interference to radio communications. It has been tested and found to comply with the limits for a Class A computing device pursuant to Subpart J or Part 15 of FCC Rules, which are designed to provide reasonable protection against such interference when operated in a commercial environment. Operation of this equipment in a residential area is likely to cause interference in which case the user at his own expense will be required to take whatever measures may be required to correct the interference. This warning is only applicable to TIC-8000 and DISCON equipment used with Thermovision®.

This warning is a requirement by the US authority FCC (Federal Communication Committee).

AGEMA Pub. No. 556 556 832

HEADQUARTERS: AGEMA Infrared Systems AB, Rinkebyvägen 19, S-182 11 Danderyd, Sweden. Tel. 08-753 34 00.
CANADA: AGEMA Infrared Systems Ltd., 5230 South Service Road, Suite 125, Burlington, Ontario, L7L 5K2. Tel. 416-637 56 96.
FRANCE: AGEMA Infrared Systems S.A.R.L., 18 Rue Hoche, F-92 130 Issy Les Moulineaux. Tel. 01-47 36 88 11.
ITALY: AGEMA Infrared Systems SRL, Via Valassina 24, I-20 159 Milano. Tel. 02-668 87 69.
UNITED KINGDOM: AGEMA Infrared Systems Ltd., Arden House, Leighton Buzzard, Beds. LU7 7ND. Tel. 0525-37 56 60.
UNITED STATES: AGEMA Infrared Systems, 550 County Avenue, Secaucus, NJ 07094. Tel. 201-867 53 90.
WEST GERMANY: AGEMA Infrared Systems GmbH, Zimmersmühlenweg 40, D-6370 Oberursel/Ts. Tel. 06171-63 02 40.

J2586 John Carr & Associates Printed in England



LIST OF CONTENTS

	Page
SECTION 1 – INTRODUCTION	
Presentation of Thermovision® System	1.1
Infrared Scanner (Fig. 1.2)	1.2
The Display Unit with Accessories (Fig. 1.3)	1.3
Photo Recording Attachment (Fig. 1.4) for B/W Recording	1.4
Digital Image System for Coloration (DISCON)	1.4
Thermal Image Computer (TIC-8000) using IBM PC	1.4
Specification	1.5
Thermovision® Overall Configuration (Fig. 1.5)	1.7
The Company Behind the Product	1.9
SECTION 2 – STANDARD SYSTEM	
Unpacking and Inspection	2.1
Scanner	2.2
Display Unit	2.3
Assembly	2.3
(a) Internal Working Station	2.4
(b) Stationary System	2.5
(c) Mobile External System	2.5
(d) Portable System	2.5
Interconnections	2.6
Power Supplies	2.6
Voltage Selection	2.7
Fuse Change	2.8
Battery Charging	2.9
Filling The Scanner Dewar	2.10
First Time Operation	2.10
Testing and Check-List	2.14
THE SCANNER UNIT	2.16
Detector	2.17
Types of Lens	2.19
Object Field Data	2.20
Optical Coatings	2.21
Aperture Selection	2.22
Filters	2.22
THE DISPLAY UNIT	2.25
SECTION 3 – PHOTO RECORDING ACCESSORIES	
POLAROID FILM CAMERA	3.1
Loading the Films	3.2
Thermogram Recording	3.4
35mm CAMERA	3.5
Loading the Film	3.5
Thermogram Recording	3.6
SECTION 4 – COMPUTERS	
Thermal Image Computer System TIC-8000 (Fig. 4.1)	4.1
Temperature Readout Computer TRC	4.2
Installation	4.2
Operation	4.3
Additional TRC Information	4.8
(a) TRC Program Flow Chart and Summarized Operating Procedure	4.9
(b) List of Abbreviations	4.10
(c) Error Messages	4.11
(d) Default Values	4.12
(e) Power Supply	4.12
(f) Technical Specification	4.13
(g) TRC Thermovision	4.14
(h) Printer Interface and Recommendation	4.14



LIST OF CONTENTS

	Page
SECTION 5 – VIDEO TAPE RECORDING	
Video Recording (using VTR)	5.1
Setting-Up	5.1
Record	5.2
Play-back	5.2
Connecting Accessories	5.2
Video Recording (using VCR)	5.3
DISCON	5.4
Installation	5.4
Interconnection	5.5
Operation from the Mains Supply	5.5
Battery Operation	5.5
Specification DISCON	5.6
Video Typewriter (VTW)	5.7
Interconnections	5.7
Keyboard Functions	5.8
Specifications	5.9
Colour Monitor Photo Recording	5.10
Installation and Operation	5.10
SECTION 6 – TROUBLESHOOTING GUIDE	
SECTION 7 – ANCILLARY EQUIPMENT	
Temperature Reference Model 1010	7.1
Operation Measurement	7.2
Remote Focus	7.3
Additional Cable (4m and 10m)	7.3
Tripod	7.4
SECTION 8 – THERMAL MEASUREMENT TECHNIQUES	
CALIBRATION FUNCTION	8.2
CHECK BEFORE MEASUREMENT	8.2
Object Size	8.3
BASIC THERMAL MEASUREMENTS	8.3
DIRECT MEASUREMENT	8.4
RELATIVE MEASUREMENT	8.5
GENERAL THERMAL MEASUREMENT	8.6
Emissivity	8.7
Surroundings	8.7
The Atmosphere	8.7
GRAY-STEP FUNCTION	8.8
APPENDIX 1: DERIVATION OF MEASUREMENT FORMULAE	8.9
Radiation Source and Atmosphere Related Parameters	8.9
Instrument Reading Parameters	8.9
Radiation Notations	8.10
APPENDIX 2: ATMOSPHERIC INFLUENCE ON INFRARED TEMPERATURE MEASUREMENTS	8.13



LIST OF CONTENTS

SECTION 9 – INTRODUCTION TO AND THEORY OF THERMOGRAPHY

Origins of Modern Radiation Theory	9.1
The Infrared Spectrum	9.3
Blackbody Radiation	9.4
(a) Planck's Law	9.4
(b) Wien's Displacement Law	9.5
(c) The Stefan-Boltzmann Law	9.6
Photon Emission	9.7
Non-blackbody Emitters	9.8
Typical Values of Emissivity	9.10
Infrared Semi-transparent Materials	9.12
Infrared Optical Materials	9.13
IR Detectors	9.14
Infrared Scanners	9.16



ALPHABETICAL INDEX

Abbreviation (TRC program)	4.10
Accessories	1.3-1.5; 1.7; 5.2
Accessory Connector	2.28
Additional Cable	7.3
AGEMA Company	1.9
Ancillary Equipment	7.1-7.4
Aperture Setting – Polaroid	3.2
Apertures – Standard Systems	1.5; 2.22
Assembly	
– DISCON	5.4
– Standard System	2.3-2.7
– Photo Rec Attachment (PRA) to Display Unit	3.1
– Polaroid to PRA	3.2
– 35mm Camera to PRA	3.5
– Video Recording	5.1
– Video Typewriter	5.7
– Remote Focus	7.3
Basic Thermal Measurement	8.3
Battery Charging	
– Standard System	2.9
– TRC	4.12
Battery Supplies	
– Standard System	2.6
– TRC	4.12
– DISCON	5.5
BLACK Control	2.27
Blackbody Radiation	9.4
BRIGHTNESS Control	2.11; 2.26; 3.6
Carrying Cases	2.1
Check List – Standard System	2.14
Cleaning Polaroid Camera	3.5
Computers	1.3; 1.4; 1.6; 4.1-4.14
CONTRAST Control	2.11; 2.26; 3.6
COLOUR/B/W Control – DISCON	5.6
Colour Monitor Recording	
– Polaroid	5.10
– 35mm Camera	5.11
DATA Connector	2.28
Default Values (TRC, program)	4.12
DISCON	1.4; 5.4
Display Unit	1.3; 1.5; 2.3; 2.25
Error Message (TRC program)	4.11
Exposure Tips	
– Polaroid B/W	3.5
– Colour	5.12
Extension Cable	7.3



ALPHABETICAL INDEX

FIELD Switch	2.15
Film Developing – Polaroid	3.5
Film Loading	
– Polaroid	3.2
– 35mm Camera	3.5
Film type – 35mm	3.6
Filters	2.22-2.25
First Time Operation	2.10
FREEZE Control – DISCON	5.3; 5.6
Fuse Change	
– Standard System	2.8
GRAY SCALE Control	2.11; 2.26
Gray Scale – Exposure	3.3
– Adjustment	3.6
GRAY STEP Control	2.11; 2.26
GRAY STEP Function	8.8
Infrared Detector	1.5; 2.17
Infrared Scanner	1.2; 2.14
Installation see Assembly	
INVERTED Control	2.27
Isotherm Function	1.5; 2.12
Lenses	1.2; 1.5; 2.2; 2.17-2.19
LEVEL ADJUST Control	2.27
Measurement Techniques	8.1-8.14
MEASURE/PAN Control	2.11; 2.26
Micro Processor	2.16
Mobile System	2.4; 2.5
NORMAL Control	2.27
NORMAL/RECORD Switch	2.28
Object Field Data	2.20
Operation	
– Standard Systems	2.10
– Recording Cameras	3.4; 3.5
– TRC	4.3
– Video	5.2; 5.3
– DISCON	5.5
– Video Typewriter	5.8
– IR Reference	7.1
OPERATIONAL MODE Switch	2.12; 2.27
Optical Coatings	2.21



ALPHABETICAL INDEX

PHOTO PRESET Switch	2.28
Photo Preset	
– Brightness	2.26; 3.2; 3.4
– Contrast	2.26; 3.2; 3.4
Photo Recording B/W	1.4; 1.6; 3.1
– Polaroid	3.1
– 35mm	3.5
PICTURE MODE Control	2.11; 2.26
PLAY BACK Switch	2.28; 5.2
Portable Standard System	2.5
Power Supplies	
– Standard System	2.6-2.8; 2.28
– TRC	4.12
Printer – TRC	4.14
Recording	
– Photographic	3.1
– Video	5.2
REMOTE FOCUS Control	2.27
SCANNER	2.16-2.24; 2.28
Shutter Speed	
– Polaroid	3.2
– 35mm Camera	3.5
Specifications	
– DISCON	5.6
– IR Reference	7.1
– Basic System	1.5
– TRC	4.13
SPOT WOBBLING Switch	2.15; 2.28
Stationary System	2.5
Temperature Readout Computer (TRC)	1.3; 4.2-4.14
– Installation	4.2
– Operation	4.3-4.9
Temperature Reference	7.1
Theory of Thermography	9.1-9.16
Thermal Image Computer (TIC 8000)	1.4; 4.1
THERMAL LEVEL – Control	2.12
THERMAL RANGE – Control	2.11-2.14; 2.26
Thermogram Recording	
– Polaroid	3.4
– 35mm Camera	3.6
Tripod	7.4
Troubleshooting Guide	6.1-6.3
Unpacking and Inspection	2.1-2.3
Video Recording	1.6; 2.28; 5.1
– VTR	5.1
– VCR	5.3
Video Typewriter	5.7
Voltage Selection – Standard System	2.7



SECTION 1



Section 1 – Introduction

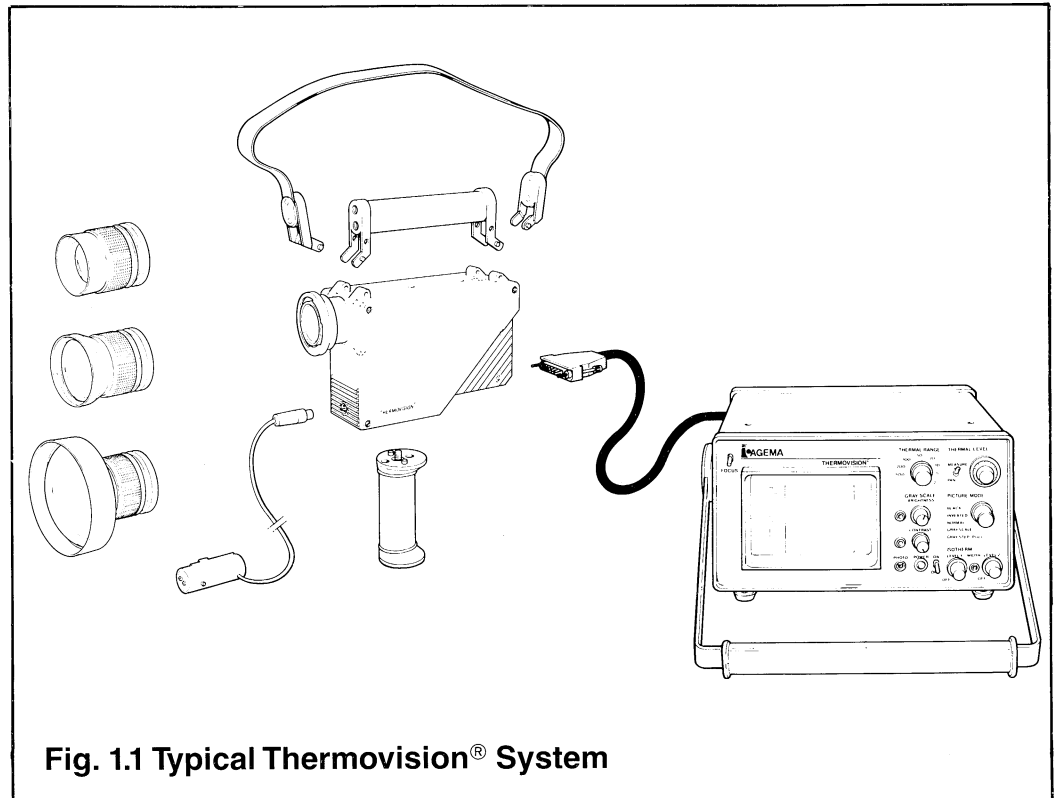
Presentation of Thermovision® System

Thermovision® is the registered trade name of the world's first real-time infrared imaging system. This system of Thermovision® represents the fifth generation of infrared scanning systems produced by Agema Infrared Systems AB. It also represents the state of the art using cooled detector elements and advanced computer analysis programs.

The MCT detector is cooled with Liquid Nitrogen (LN₂). The design of the system allows the scanning to be operated at angles up to 70° from the horizontal, additionally the Dewar has a longer holding time.

Thermovision® is a portable or stationary system, designed for quality imaging including accurate measuring and image analysis capabilities.

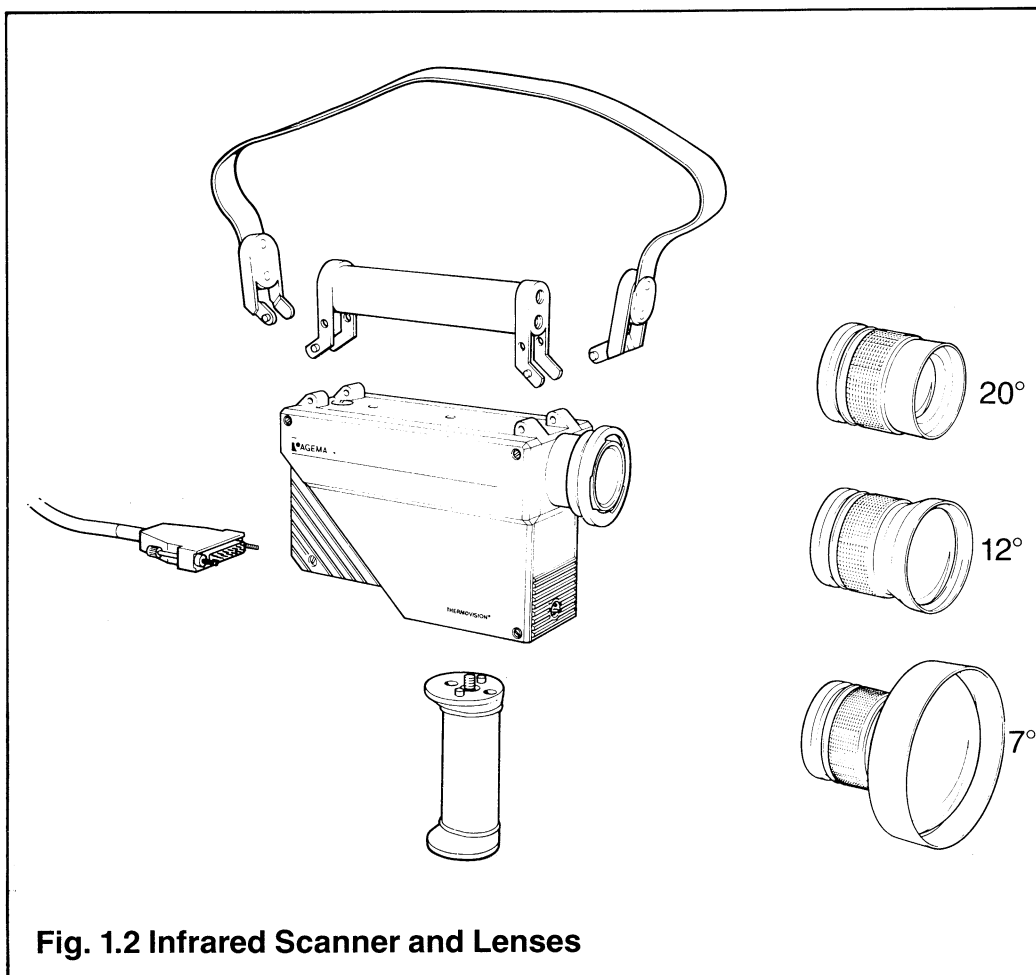
Before continuing with details relating to the Thermovision® system to be used, this section of the manual gives a brief description of Thermovision® and the results that can be achieved by using it.



Section 1 – Introduction

Infrared Scanner (Fig. 1.2)

- Microprocessor for automatic control of operative functions
- Patented diamond turned optical system
- Three apertures for different scanning sensitivities
- Two individual filter positions
- Output to remote focus motor
- Fixed front lens, usable for close-up macro work
- Bayonet fitting for optional lenses
- Detachable cable
- Handles and strap



Section 1 – Introduction

The Display Unit with Accessories (Fig. 1.3)

- Unit to control the presentation of the image
- Isotherms for temperature measurement
- Accessory outlet for desk-top computer
- Outputs for portable computer
- System video tape recording

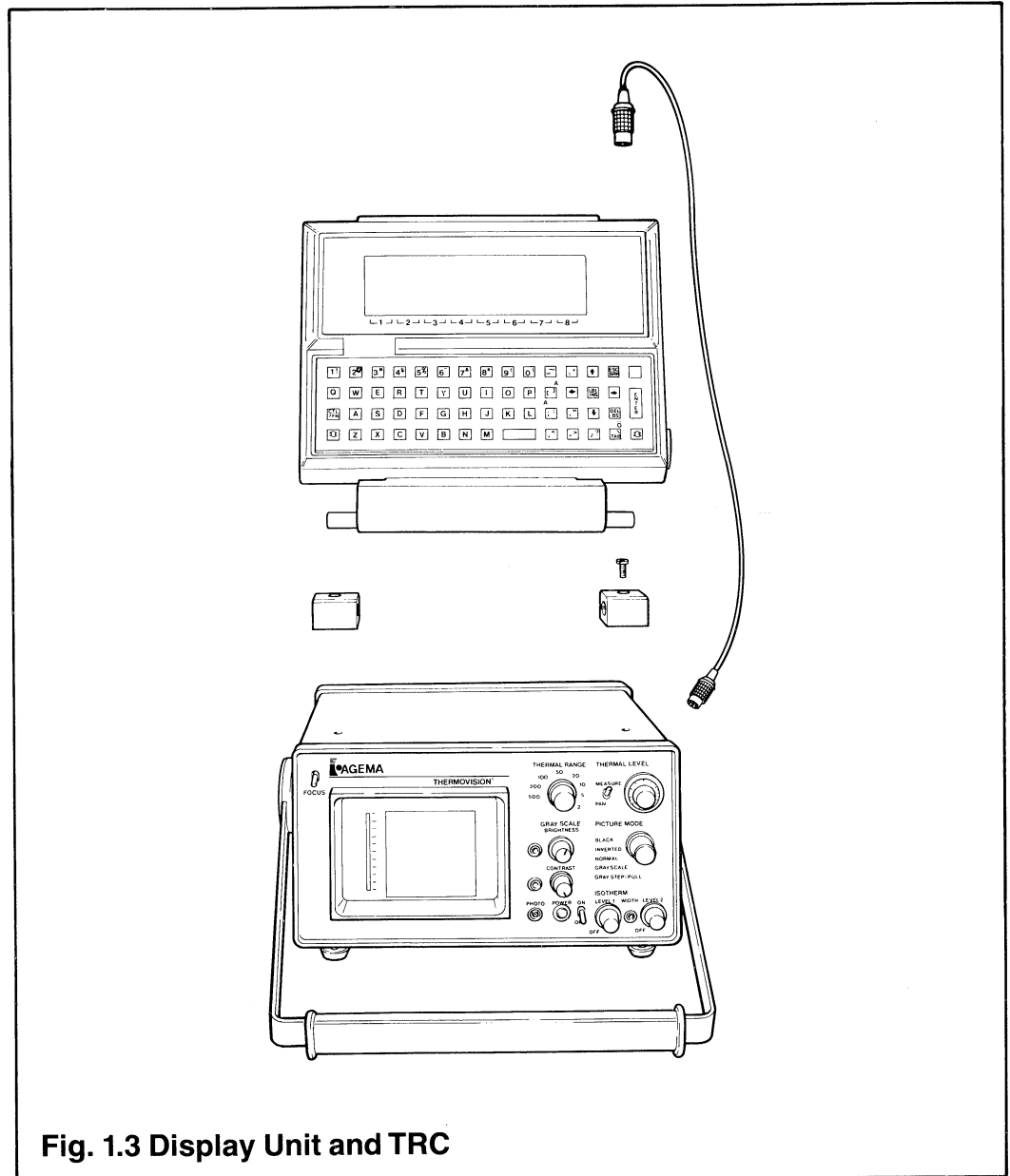


Fig. 1.3 Display Unit and TRC

Temperature Read-out Computer (TRC)

- Direct temperature of isotherms
- Storing data



Section 1 – Introduction

Photo Recording Attachment (Fig. 1.4) for B/W Recording

- Polaroid camera
- 35mm camera

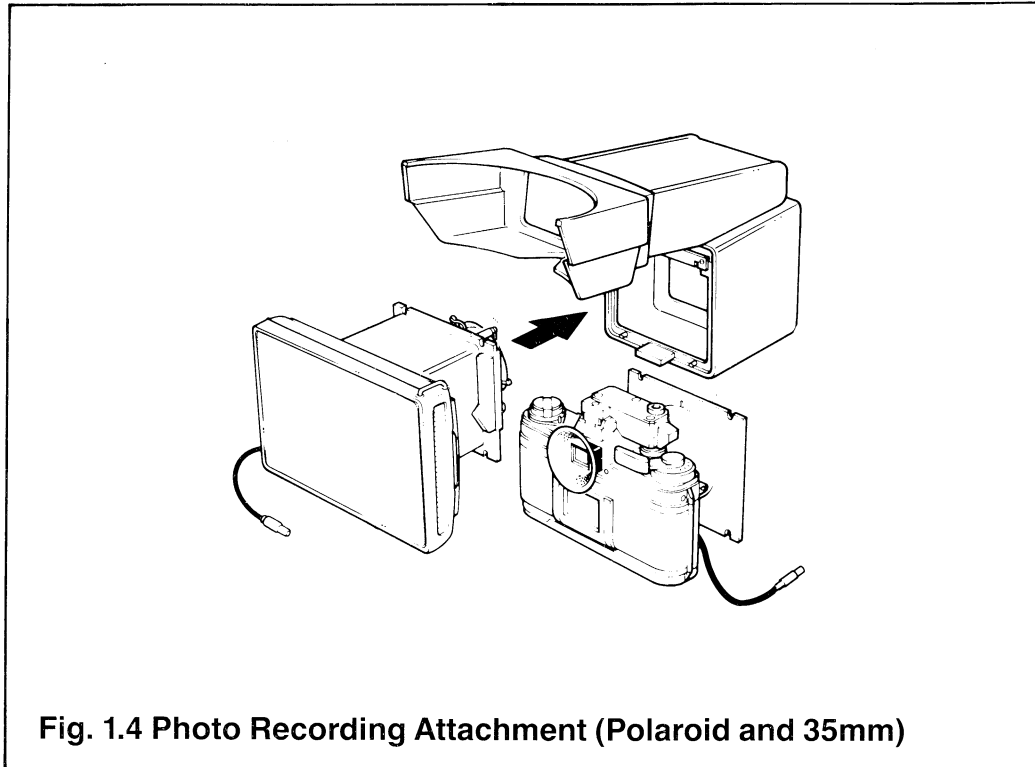


Fig. 1.4 Photo Recording Attachment (Polaroid and 35mm)

Digital Image System for Coloration (DISCON)

- RGB Monitor
- Standard television
- Black and white output
- Image freezing

Thermal Image Computer (TIC-8000) using IBM PC

Live or from VTR tape, the real-time computer system offers:

- Image analysis in colour or B/W
- Freezing an event
- Storing on diskettes or hard disk
- Printout on colour graphics printer
- Spot temperatures and profiles
- Area analysis
- Image subtraction
- Image manipulation



Section 1 – Introduction

Specification

880 Longwave

Scanner unit-

Infrared detector	MCT,Liquid Nitrogen cooled
Spectral response	Broadband antireflective coating 8 = 12 microns.
Temperature measurement range	-20° to 1500°C
Apertures	Three externally selectable
Resolution	
– elements/Line	175
Sensitivity - NETD	0.07°C at 30°C object temp.
Infrared filters	Two optional filters externally selectable.
Field frequency	25Hz
Line frequency	2500Hz
Lines per frame	280
System ambient Temperature	
– operating	-15°C to +55°C
– storage	-40°C to +70°C
Lenses	7°,12° and 20° Field of view, see separate specification sheet
Dimension W x H x D	93 x 150 x 205 mm
Scanner mount	Photographic standard UNC 1/4” and 3/8” threaded mounting hole
Scanner to display cable length	1.5m included.
Weight	2.5 kg

Display unit

Picture modes	Normal, inverted, black, gray step, gray scale
Thermal range	8 Calibrated ranges
Thermal level	5 - Turn graduated control
Isotherm function	Width (2 to 30%) and two levels continuously adjustable within selected thermal range
Thermal image size	50 x 50 mm framed by temperature measurement scale and range digit display



Section 1 – Introduction

Output connectors

– Accessory	For accessories to the display unit .e.g. DISCON or TIC-8000
– Video	Electronic interface to Video Tape Recorder Retains measurement capability DC level clamping Composite video and sync Signal levels: Composite video 0.7 p-p negative sync
– Data	For temperature readout computer – (TRC) or Thermal Image Computer (TIC-8000)
– Photo	Electronically synchronised exposure One or four fields (selectable) Accepts Polaroid or 35mm cameras in Black/White Film Type:Polaroid 667 135 (35mm) 80 ASA or faster
Power requirements	12 V DC or \pm 15 V DC from separate power supply
Dimensions W x H x D	235 x 129 x 322 mm
Weight	4.5 kg

Power supply/battery charger

Power	100 V, 120 V, 220 V, 240 V AC \pm 10% switch selectable 50–60 Hz, 100 VA
Dimension W x H X D	120 x 120 x 220 mm
Weight	3.2 kg

Thermovision® is a true measuring instrument equipped with built-in references for a stable baseline and the possibility to measure absolute temperatures directly or with reference to a known source.

Direct read-out of temperature in real-time is carried out using isotherms (1 and 2) with the aid of the portable computer (TRC) and spot, profiles or isotherms using the desk top computer (TIC-8000). Figure 1.5 shows the overall Thermovision® system connected for all options.



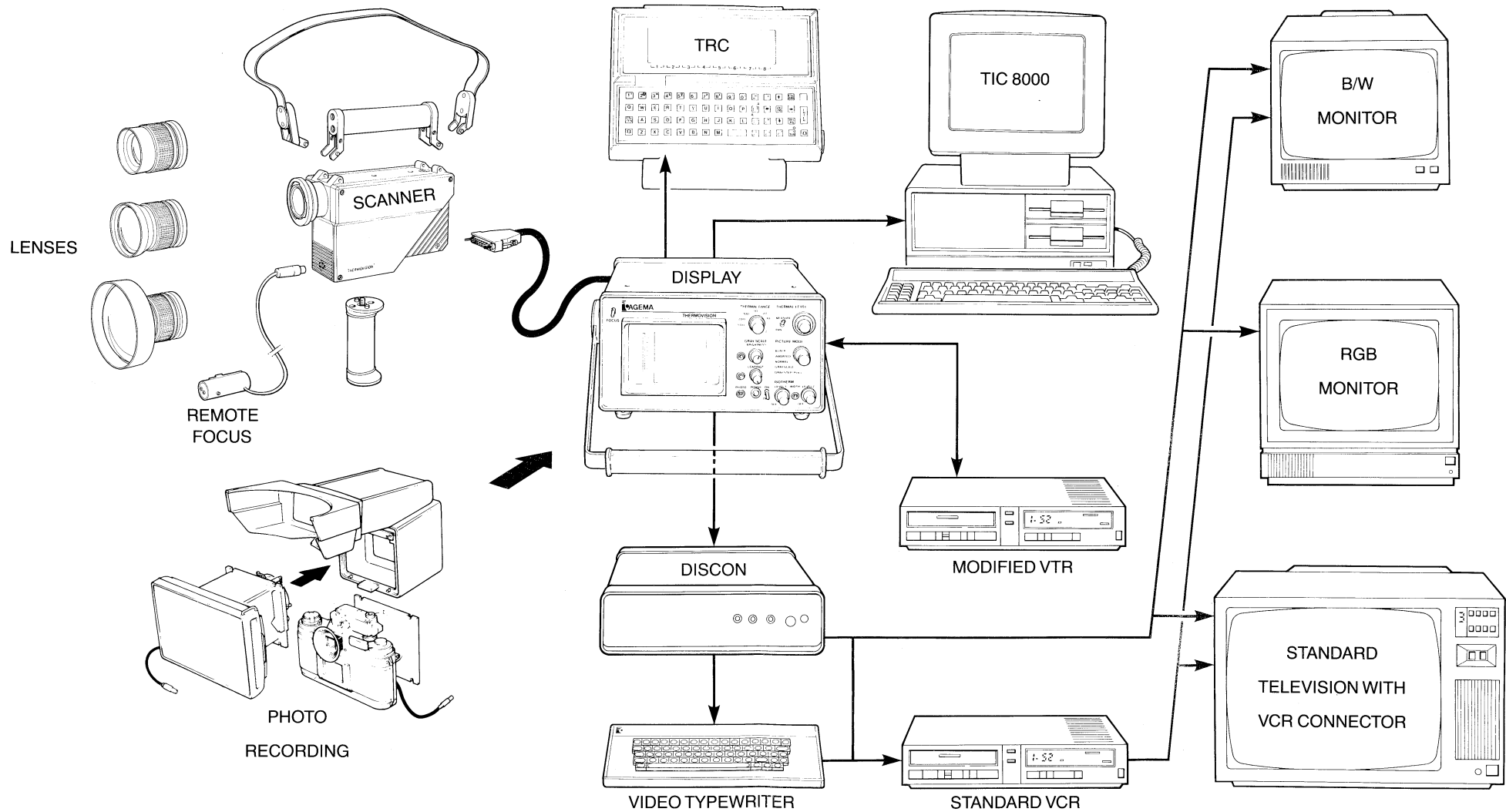


Fig. 1.5 ThermoVision® Overall Configuration



Section 1 – Introduction

The Company Behind the Product

AGEMA Infrared Systems AB, the producer of Thermovision® 880, is the world leader in the civil use of infrared thermography since the introduction of the first Thermovision® in the mid-sixties. Several thousand systems have been installed in almost every country of the world. A vast experience of technology has been collected by AGEMA over the years and this has been the infrared basis for the design of the Thermovision® 880 system. AGEMA's expertise is thermal measurement but our know-how spans a wider field including electronics, optics, precision engineering and electro-optics.

AGEMA headquarters and production facilities are housed in a modern purpose designed building at Danderyd, 15 km north of Stockholm. Here almost 150 people are involved in the design and development, manufacturing and marketing of thermography equipment. Thermovision®, Thermoprofile® and Thermopoint® are all trade names of AGEMA products.

Thermovision® 880 uses a unique optical scanning system which requires highly sophisticated production technology. The tolerances relating to deviations in optical surface measurements are extremely small. AGEMA therefore have invested in a diamond turning machine, this is one of the first installed in Europe. Using such a machine optical surfaces can be manufactured in metal and germanium with far more accuracy than when using conventional techniques. Thanks to this investment AGEMA retains full control of a very important part of the scanner production.

The sales, installation and servicing of AGEMA products are carried out through a worldwide organisation of AGEMA subsidiaries and specially-trained representatives. These people are experts in their field and can provide specialised training in various aspects of thermal image analysis and provide factory-authorized service. Fast repair and to return the system to operation is the goal of the AGEMA organisation.

For names and addresses of our subsidiaries please turn to the inside of the front cover.



Section 1 – Introduction

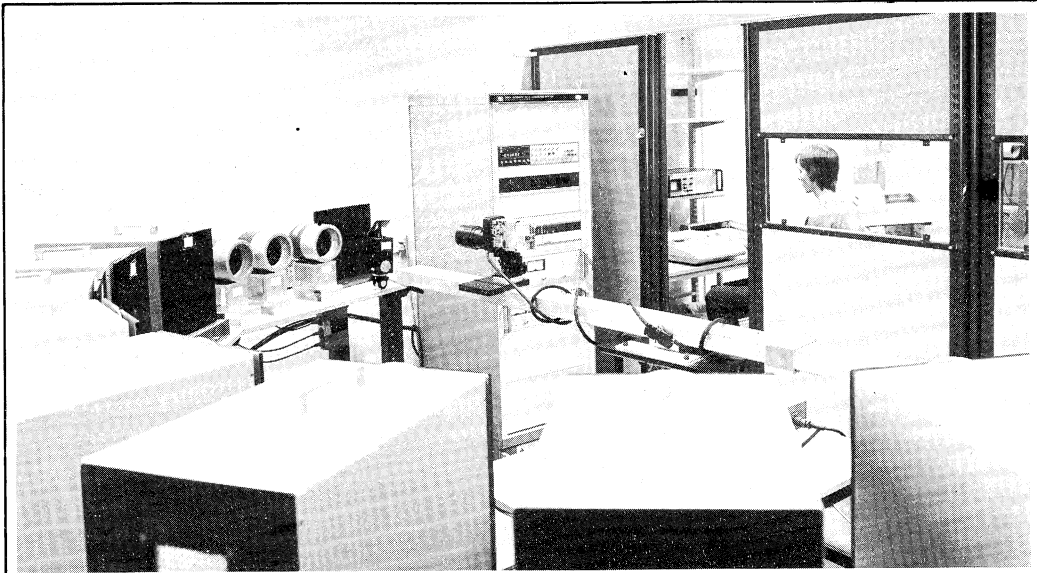


Fig. 1.7 AGEMA Calibration department.

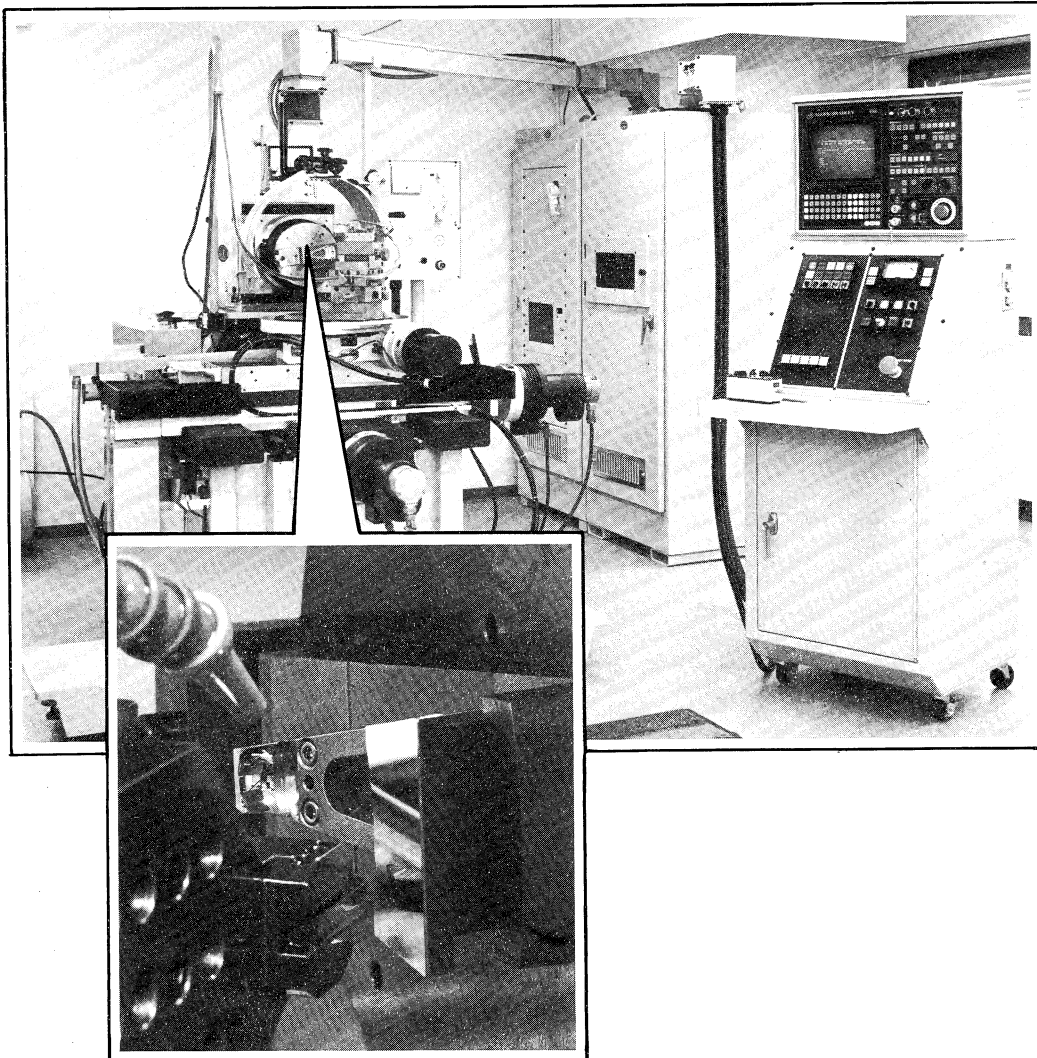


Fig. 1.8 Diamond turning machine installed at AGEMA



SECTION 2



Section 2 – Standard System

Introduction

A standard Thermovision® system normally comprises scanner, display unit and possibly some of the following options; Polaroid or 35mm camera, carrying straps, handles, lenses and operating manuals.

This section deals with unpacking and first time operation of the equipment (scanner, display, power supply). It also describes lenses, filters and different supporting equipment (i.e. tripods, computers etc.).

Unpacking and Inspection

The system is supplied in two carrying cases and the typical contents of these are shown in Fig. 2.1.

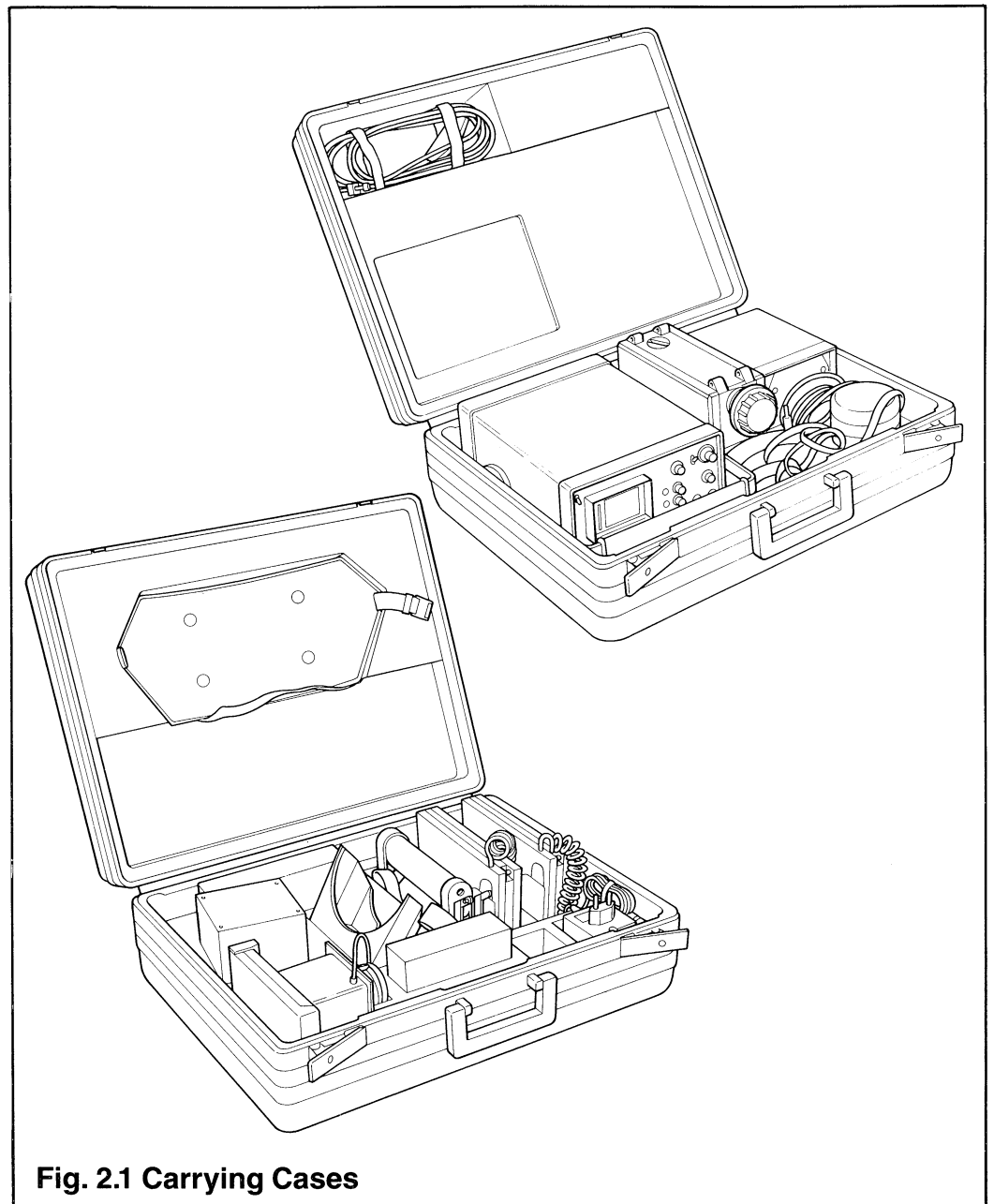


Fig. 2.1 Carrying Cases



Section 2 – Standard System

On receipt of your Thermovision® system remove each component from the carrying case, inspect each item and check them against the delivery note. Any damaged items must be reported to the local representative immediately.

Scanner

Remove the lens cover after turning the locking ring clockwise as seen from the front until the two dots are aligned (note this is a bayonet fitting), (Fig. 2.2) and ensure the fixed front lens is not scratched. Operate the FILTER and APERTURE controls located on the rear of the scanner and ensure that they operate freely. Set both controls to 0.

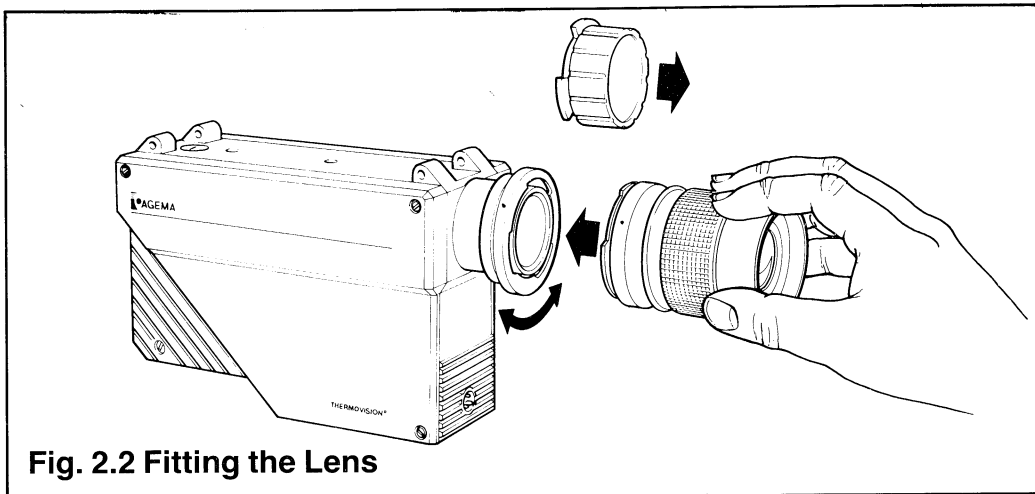


Fig. 2.2 Fitting the Lens

Check that the other lenses included are in good condition (Fig. 2.3). If the equipment is to be tested in operation, fit an interchangeable lens in place of the scanner lens cover. Push the lens carefully against the bayonet fitting aligning the two dots. Turn the dot on the locking ring of the scanner anti-clockwise. The lens is now securely locked.

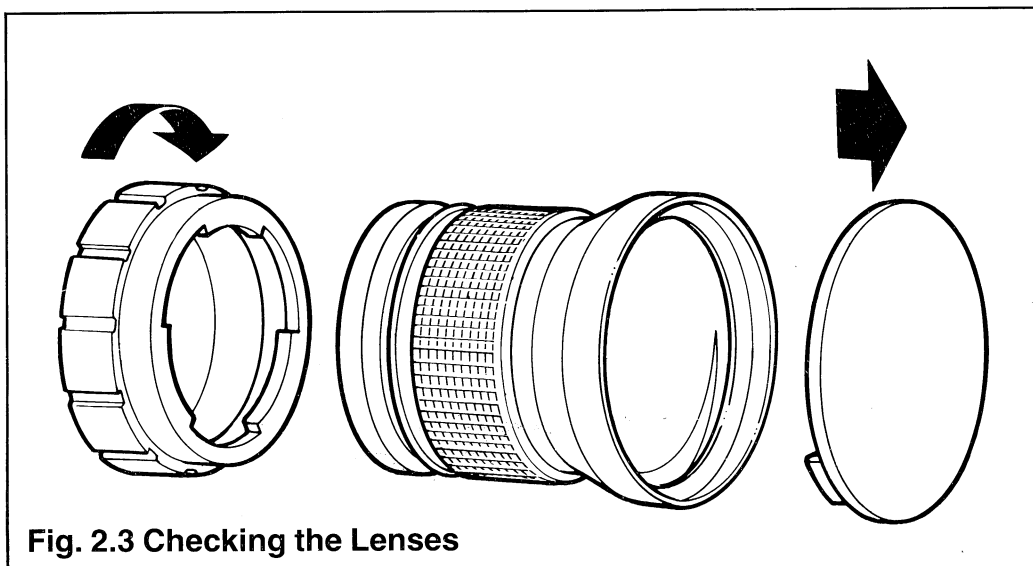


Fig. 2.3 Checking the Lenses



Section 2 – Standard System

Display Unit

Check that the switches and controls operate correctly (Fig. 2.4).

Carry out an inspection of all remaining items and ensure that they are undamaged.

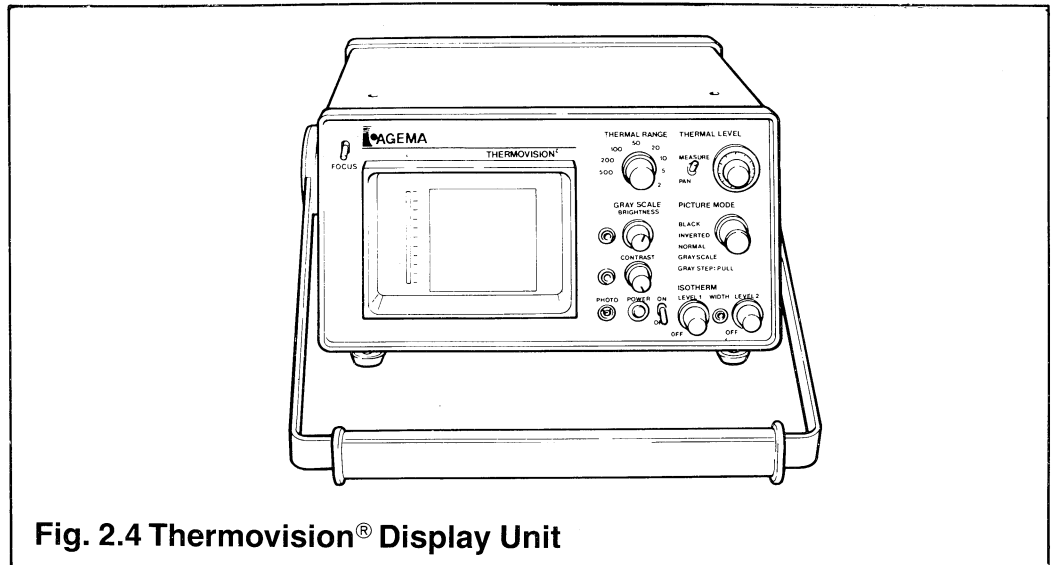


Fig. 2.4 Thermovision® Display Unit

Assembly

Thermovision® is designed as an extremely versatile instrument which can be used in a variety of applications. The demands of a particular application will dictate the configuration of the equipment. This is flexible and ranges from a portable configuration that can be carried by one person, to a permanent bench top installation. Some suggested methods of installation are described on the next few pages.



Section 2 – Standard System

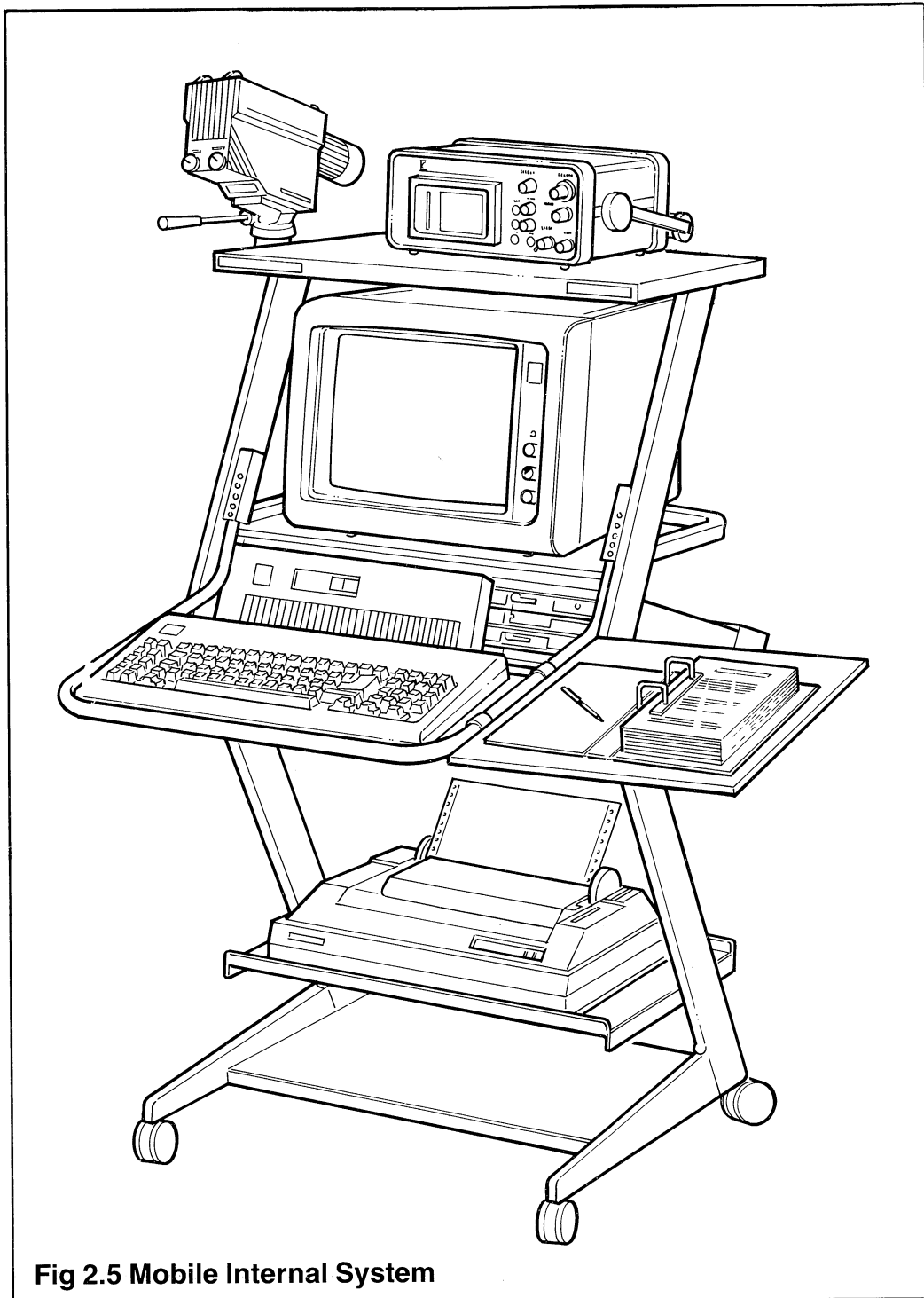


Fig 2.5 Mobile Internal System

- (a) **Mobile Internal System.** The precision of Thermovision® makes it suitable for laboratory based Research and Development work. In such an environment it is useful to have the equipment installed on a trolley so that it can easily be moved about within the laboratory if necessary. The scanner can either be mounted on a separate tripod or attached to a support on the trolley with the rest of the equipment .
A trolley comprising a bit of parts with various optional trays and an adjustable monitor shelf can be provided for this type of installation.



Section 2 – Standard System

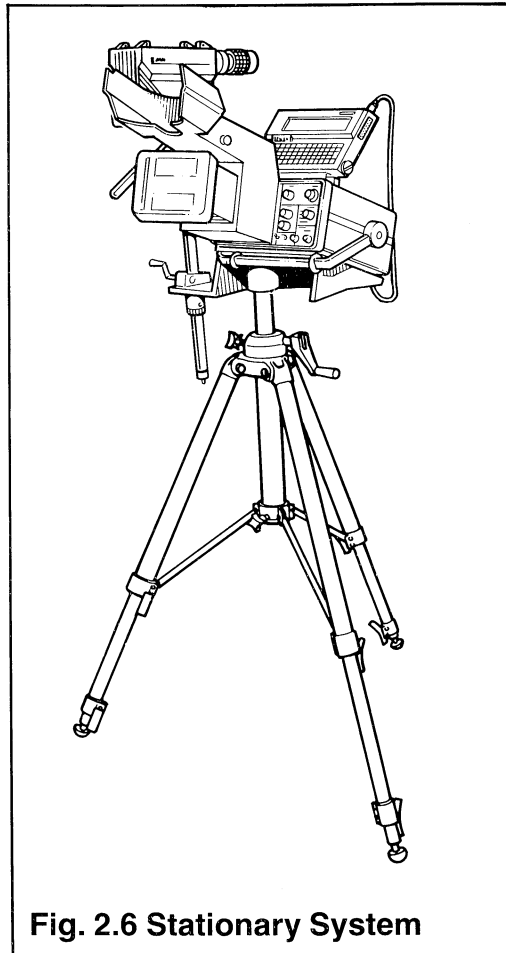


Fig. 2.6 Stationary System

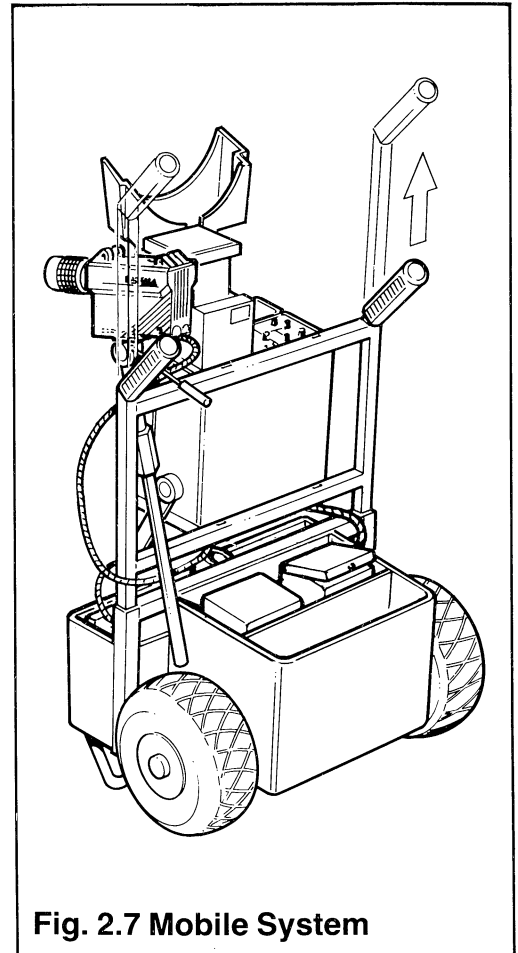


Fig. 2.7 Mobile System

- (b) **Stationary System** is designed for static installation with scanner and display mounted on a fixed tripod. It can be combined with the desk computer, colour monitor or colour graphics printer and provides the complete facility requirements for scientific analysis of thermograms (Fig. 2.6).
- (c) **Mobile System.** The transport cart (option) is a lightweight two wheeled cart designed for easy transportation of the Thermovision[®] system. It has the advantage of providing a mobile yet stable base so that the Thermovision[®] system can be operated either on the cart or alternatively, the scanner may be removed from the cart and operated separately using a fixed tripod. The transport cart has a position to mount the Display Unit and compartments are fitted to enable the operator to transport Polaroid films, recording camera, battery power packs and video equipment. The cart has a telescopic handle that may be retracted to enable the complete equipment and cart to be easily transported. Figure 2.7 shows the transport cart with the equipment fully installed. It is essential that the batteries are positioned to the front of the transport cart, ie. ahead of the wheel axle to ensure an even weight distribution and good balance.
- (d) As an alternative, Thermovision[®] is a totally portable system that can be carried and operated by one person. A mounting harness, strap and set of handles are available for this purpose.



Section 2 – Standard System

Interconnections

The scanner is connected to the Display Unit via a single interconnecting cable. The cable terminates in a plug which is connected to the SCANNER socket at the rear of the Display Unit. This plug is fixed in position by retaining clips. The plug on the scanner is secured by two screws located beneath the unit.

NOTE: When removing the interconnecting cable it is essential that the Display Unit retaining clips are unclipped and the plug removed in the normal manner. **NEVER try to remove the plug from the socket while the clips are still in the retaining position or the cable, equipment or both will be damaged.**

The portable Temperature Readout Computer (TRC) is connected to the DATA socket on the rear of the display unit. Interconnection for the system is shown in Fig. 2.8.

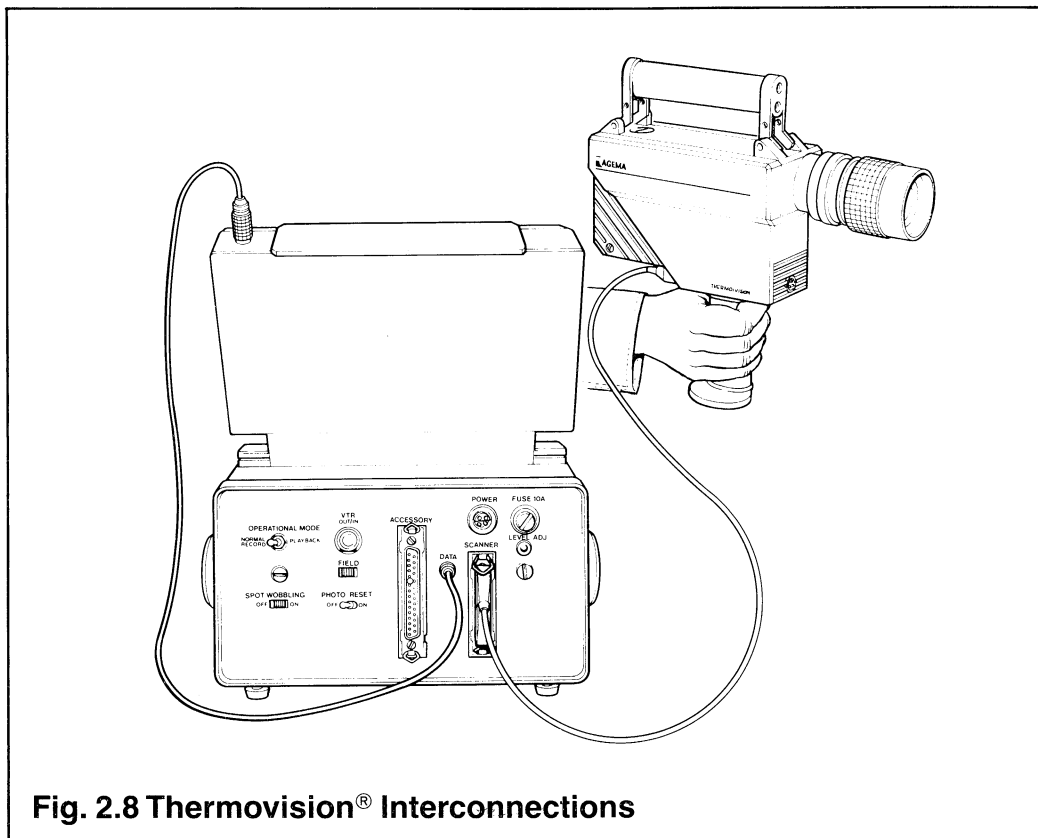


Fig. 2.8 Thermovision® Interconnections

Power Supplies

Thermovision® power requirement is $\pm 15V$ dc for the Display Unit and scanner and $+5V$ dc for the computer. The system may be powered from the ac/dc power converter supplied or via battery (optional). Two types of nickel cadmium (NiCd) rechargeable battery packs are available:

- Heavy duty type in leather case (7.0 Ah with minimum two hours continuous operation)
- Lighter version (4.5 Ah with 1.2 hours continuous operation)



Section 2 – Standard System

Power Connections. The Battery Packs or the Power Supply/Charger Unit are connected as shown in Fig. 2.9.

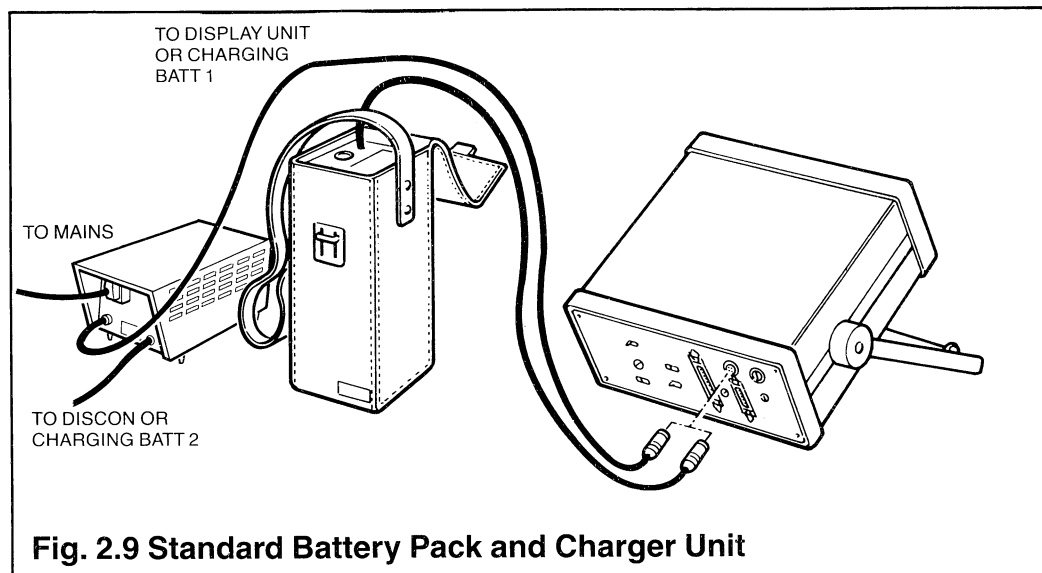


Fig. 2.9 Standard Battery Pack and Charger Unit

Power from the mains. The power supply/charger unit can operate on 100-240V $\pm 10\%$ ac. There are two $\pm 15V$ outlets, one for the Thermovision[®] Display Unit using a fixed cable and one connector for accessories i.e. DISCON (see Section 5).

Before connecting the power supply/charger unit to the ac supply, check that the equipment is set to the correct voltage. If necessary the voltage selection can be changed as follows:

Voltage Selection

CAUTION: Before carrying out any of the following operations, disconnect the unit from the ac supply.

1. Open the cover next to the mains input using the blade of a small screwdriver or similar.
2. Remove the fuse block assembly and remove the voltage selector card from the housing.
3. Orientate the card so that the desired voltage is read at the bottom of the card.
4. Insert the card with the printed side facing the connector and the bottom edge where the desired voltage is read, fed to the socket first.
5. Replace the fuse block and the cover.
6. Ensure that the indicator pin shows the desired voltage.
7. Switch ON and test the power supply.



Section 2 – Standard System

Fuse Change

1. Open the cover next to the mains input using the blade of a small screwdriver or similar. The fuses can be selected to suit either the European or American standards of fuse. To change a fuse continue as follows:
2. To remove the fuse block loosen the cross head screw by two turns, remove the fuse block by sliding the block upwards away from the cross head screw.

Note: Two European fuses are required although a dummy fuse may be fitted to the lower holder.

3. Remove and discard the blown fuse and insert a new fuse into the holder.
4. Replace the fuse block and tighten the cross head screw.

Note: On the inside of the units is a thermal strip switch. If this switch has actuated, the cover of the power supply should be removed and the switch reset.

5. Replace the fuse block and the cover.
6. Ensure that the indicator pin shows the desired voltage.
7. Switch ON and test the power supply.

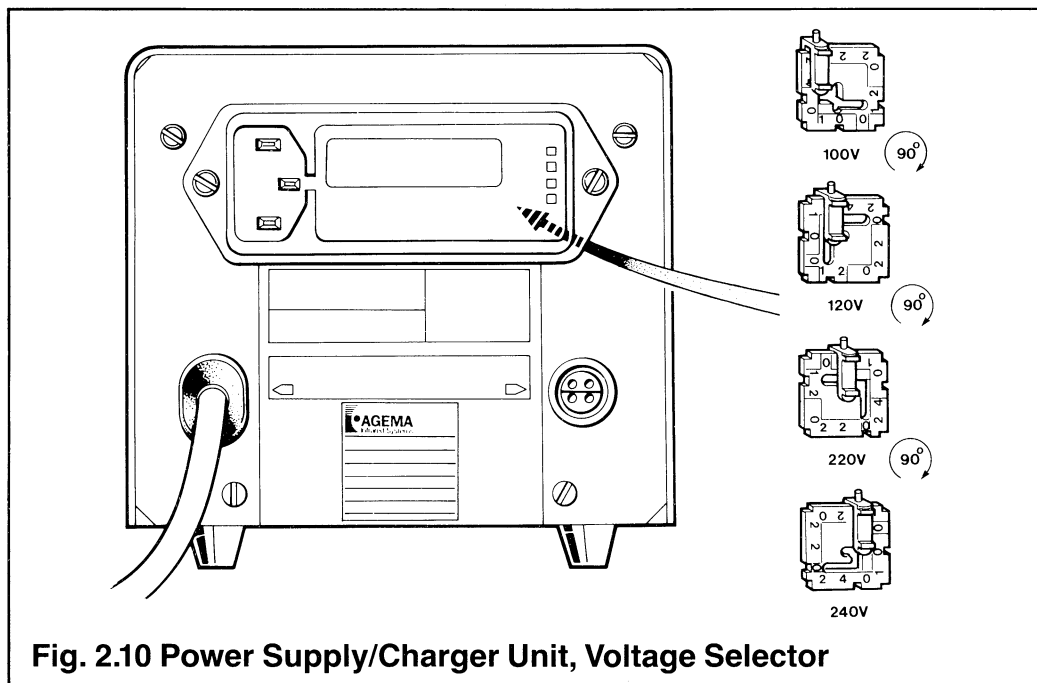


Fig. 2.10 Power Supply/Charger Unit, Voltage Selector



Section 2 – Standard System

Battery Charging

Heavy duty version. The ac Power Supply/Charger Unit is also used to recharge this type of battery. Two batteries may be recharged at the same time (using cable part no. 556 192 844, same as DISCON power supply cable). The time taken to charge the batteries from fully discharged to fully charged is approximately eighteen hours. The Power Supply/Charger Unit can be used to power both Thermovision® and the DISCON system (described in Section 5) or used to charge the batteries, not both.

Recharging Instructions

1. Connect the cable from the Power Supply to the battery
2. Connect the power supply to the ac supply. The LED lamp on the battery will be illuminated.
3. The battery should be charged between 16 and 20 hours (see note (1)).
4. Batteries should not be charged in temperatures above +30° C (+86° F) or 30° C below +10° C(+50°F).

Lighter version. This battery is provided with a separate charger unit, which plugs directly into the ac supply. The charging time is 14 to 18 hours for a fully discharged battery.

NOTE: (1) Even though, using NiCd batteries, there is no danger of overcharging the batteries, using the correct charger unit, the batteries should be removed from the battery charger when not in use (i.e. the batteries are fully charged).

(2) Modern NiCd batteries should not develop a 'memory' even if they are discharged only by a small portion of the total capacity and then recharged. However, it is recommended that the batteries are recycled three or four times a year i.e. fully discharged and then recharged (provided the normal use does not discharge the batteries regularly.)

(3) NiCd batteries are the most practical power sources for portable instruments. They can be charged and discharged many times, have good capacity, work at lower temperatures, can be charged at lower temperatures and can be left unattended. **However, never** continue to draw current when the voltage is below 1V per cell = 10 volt. Try to make it a habit to recharge the batteries at regular intervals.

(4) Full capacity from new NiCd batteries is only obtained after two or three full discharge and recharge cycles.

Notes 1-4 apply equally for both versions of battery.



Section 2 – Standard System

Filling the Scanner Dewar

CAUTION: Although liquid nitrogen (LN₂) is not particularly hazardous some safety precautions should be observed, these are detailed as follows:-.

- (a) Never store the liquid in sealed containers. LN₂ and similar cryogenic liquids are always stored in Dewar flasks of the equivalent, with or fitting covers, which allow the gas to vent without building up dangerous pressures.
- (b) Never come into direct contact with liquid nitrogen. Serious frostbite injury (similar to a burn) can result if the liquid is allowed to splash into the eyes or onto the skin.
- (c) Always replace the filler cap after filling to avoid the risk of spillage and condensation.

NOTE: Prior to filling the scanner Dewar chamber it is advisable to transfer some LN₂ from the main Dewar to a small portable Dewar. Fig. 2.11 shows an example of the main Dewar.

To fill the scanner Dewar with LN₂ (see Fig. 2.12), proceed follows:

- (a) Unscrew the filler cap from the top of the scanner cover.
- (b) Using a funnel pour a small amount of LN₂ into the Dewar chamber and wait until the boiling ceases. This ensures that the chamber is the same temperature as the liquid nitrogen and will prevent spillage. The LWB system uses a metal Dewar which takes several minutes to achieve the operating temperature. After initially reducing the temperature continue to fill the Dewar. Exercise extreme caution on completing the filling of the Dewar as liquid nitrogen will splash from the neck of the Dewar. After an initial filling or replenishment of liquid nitrogen, the system requires a period of approximately 2-3 minutes before stability of the thermal measurement system may be achieved.
- (c) Replace filler cap on the scanner.

NOTE: If Thermovision® is being used for periods in excess of three to four hours it is advisable to ensure that the liquid nitrogen does not completely evaporate. Failure to keep the liquid nitrogen in the Dewar at a suitable level can result in a loss of the thermal measurement accuracy or a total loss of picture.

FIRST TIME OPERATION

After checking and assembling the equipment, using the following detailed step-by-step operating text, it should be possible to operate Thermovision®. It is recommended that first time operation should be carried out using the Power Supply/Charger Unit. Ensure that you familiarise yourself with the location and function of all switches and controls prior to switching on the ac supply.

- (a) Ensure that the scanner is correctly connected to the Display Unit, that the ac setting on the Power Supply/Charger Unit is correctly set for the supply being used and the unit is connected to the mains, that lens cover is removed and APERTURE and FILTER controls are set to 0.



Section 2 – Standard System

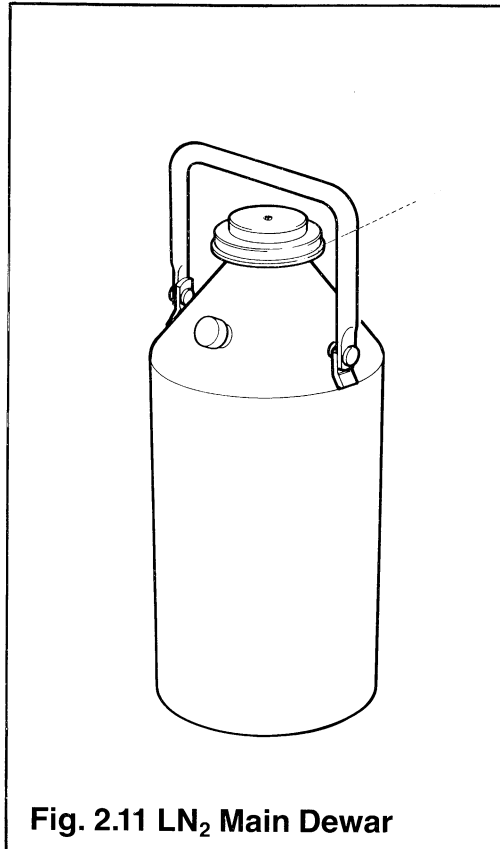


Fig. 2.11 LN₂ Main Dewar

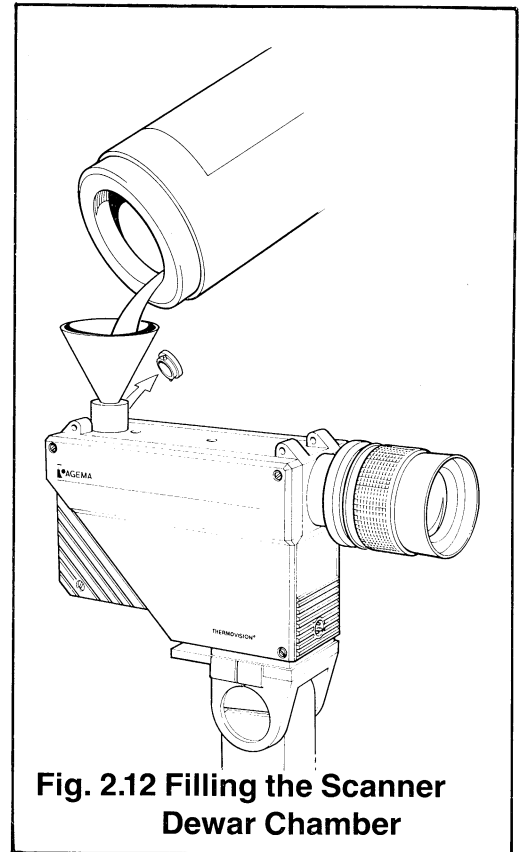


Fig. 2.12 Filling the Scanner Dewar Chamber

- (b) Set the POWER ON/OFF switch on the Display Unit to ON.
- (c) Check that the LED is illuminated.
- (d) Ensure that the scanner motor starts and (within 20 seconds), the scale illumination is lit and the raster appears on the display screen.
- (e) Set the PICTURE MODE selector to 'GRAY SCALE'.
- (f) Set the MEASURE/PAN switch to 'MEASURE'.
- (g) Adjust the gray scale picture graduation as follows:
 - (i) Set the CONTRAST control fully counter-clockwise.
 - (ii) Adjust the BRIGHTNESS control to obtain middle gray tone over the complete picture area.
 - (iii) Readjust the CONTRAST control to obtain graduated gray tone, i.e. black at the base of the picture through middle gray to white at the top of the picture.

NOTE: The setting up instructions to obtain a gray scale picture may be eased by selecting the GRAY STEP mode of operation. Selection of GRAY STEP divides the continuous gray tone picture into five discrete levels. Each discrete level occupies an equal area of the display screen to white at the top of the display screen.

- (iv) Set PICTURE MODE selector to NORMAL.
- (h) Set the THERMAL RANGE switch to 10.



Section 2 – Standard System

- (c) Adjust the ISOTHERM LEVEL controls to find the lowest and highest object temperatures, this is indicated by saturated white being displayed as the temperature levels are monitored. If the differences exceed both the low and high end of the isotherm scale, readjust the THERMAL RANGE until both the lowest and highest object temperatures can be displayed.
- (d) Adjust the THERMAL LEVEL to centre the two levels equally either side of the 0 position on the Isotherm scale.
- (e) Adjust the THERMAL RANGE switch to the position which produces the greatest spread between the two temperature levels within the limits of the RANGE selected.
- (f) Set the PICTURE MODE switch to INVERTED. Check that white indicates cooler and black indicates hotter temperatures.

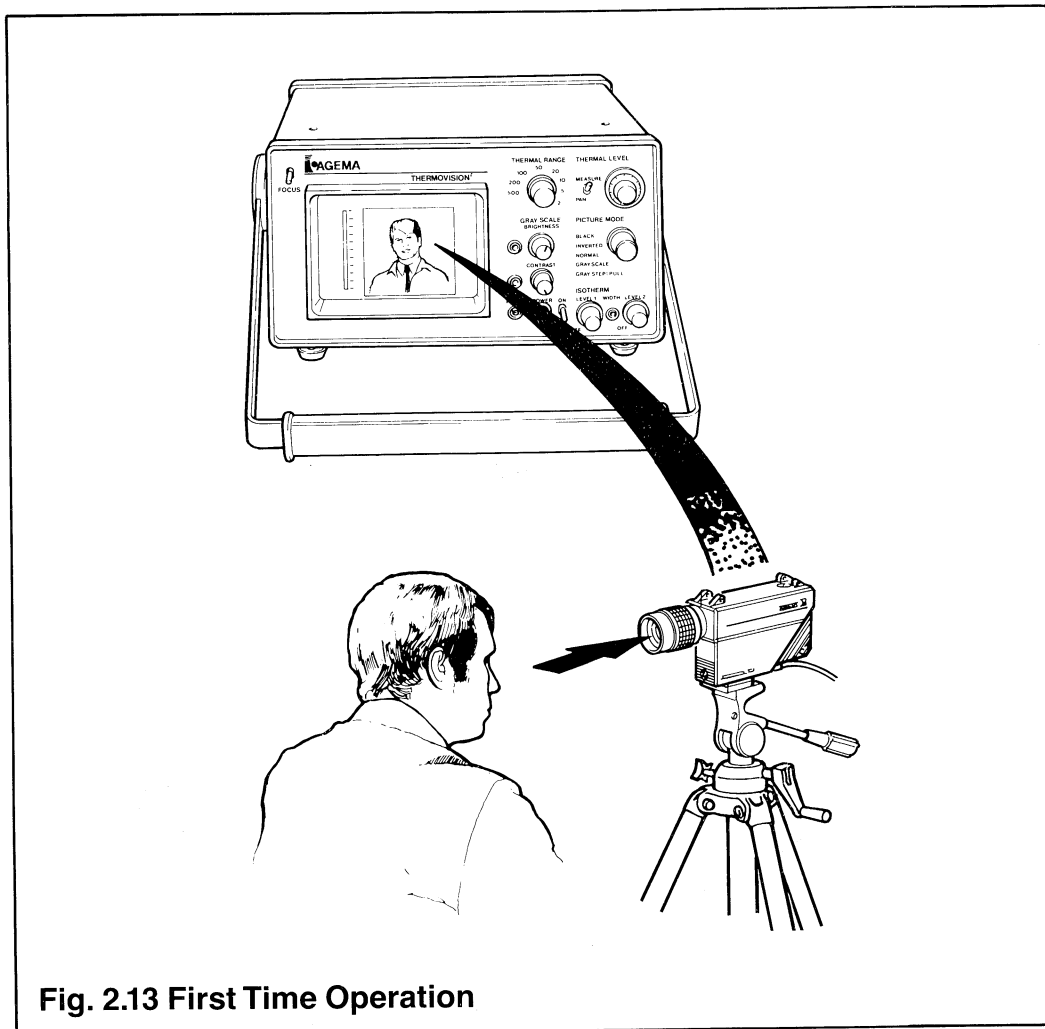


Fig. 2.13 First Time Operation



Section 2 – Standard System

- (j) Point the scanner at a test object, e.g. a person's face. (Fig. 2.13).
- (k) Adjust the THERMAL LEVEL control until the thermal image of the object being viewed appears on the screen (Fig. 2.14).
- (m) Adjust the lens focus manually for the sharpest image.

Isotherm Adjustment

To test the remaining controls proceed as follows (Fig. 2.14).

- (a) Rotate the ISOTHERM LEVEL controls from the OFF position until the Isotherm markers are on the Isotherm scale (left hand side of the screen).
- (b) Adjust the ISOTHERM WIDTH to obtain the desired Isotherm marker width.

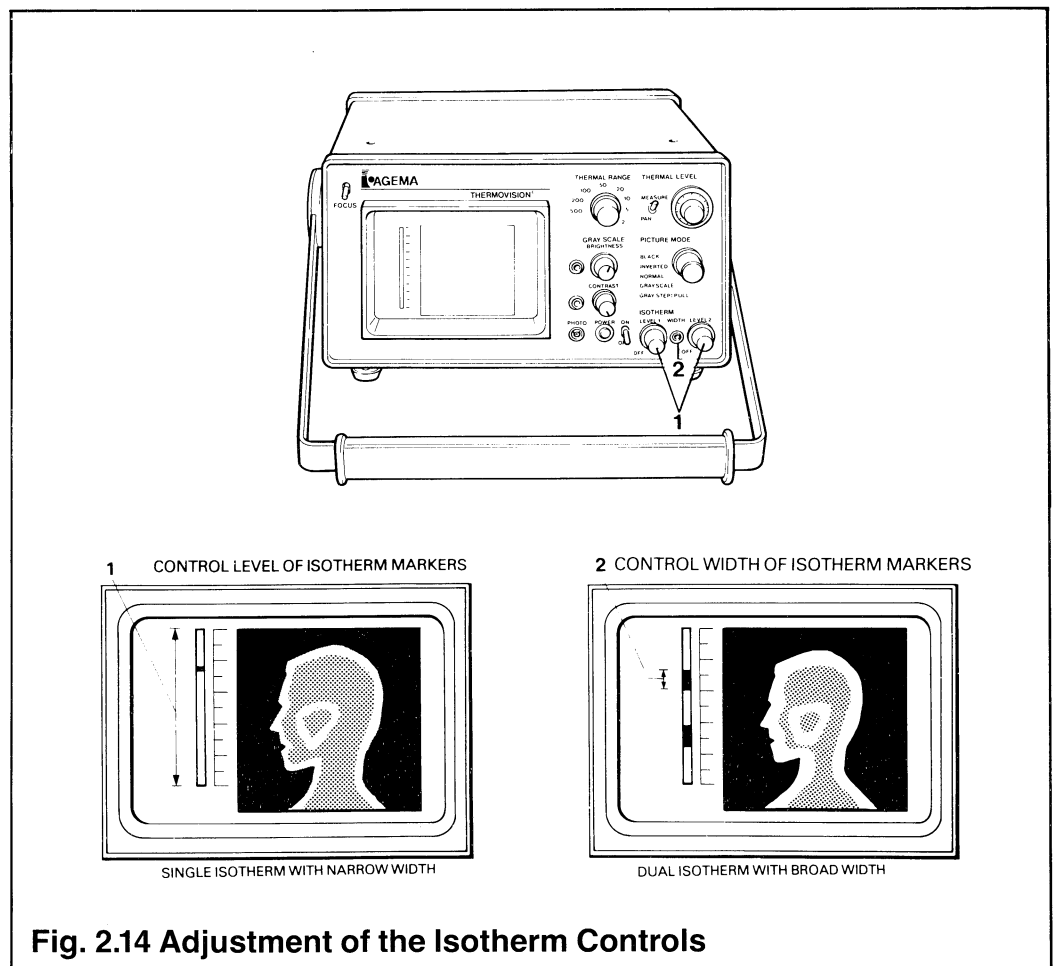


Fig. 2.14 Adjustment of the Isotherm Controls



Section 2 – Standard System

- (c) Adjust the ISOTHERM LEVEL controls to find the lowest and highest object temperatures, this is indicated by saturated white being displayed as the temperature levels are monitored. If the differences exceed both the low and high end of the isotherm scale, readjust the THERMAL RANGE until both the lowest and highest object temperatures can be displayed.
- (d) Adjust the THERMAL LEVEL to centre the two levels equally either side of the 0 position on the Isotherm scale.
- (e) Adjust the THERMAL RANGE switch to the position which produces the greatest spread between the two temperature levels within the limits of the RANGE selected.
- (f) Set the PICTURE MODE switch to INVERTED. Check that white indicates cooler and black indicates hotter temperatures.

Testing and Check List

The preceding first time operation instructions give the basic details for the operator to obtain a picture using the Thermovision® system. If the system is not working satisfactorily, it can be due to an incorrect position of a control or switch. Listed below are some of the most obvious points to check prior to contacting the service representative. It should also be noted that this section deals with the operation of the standard system and details of thermal measurements can be found in Section 8.

The check list below is written using a person's face as the object being viewed. If higher or lower temperatures are used as a test object the THERMAL LEVEL and RANGE will have to be changed accordingly.

Check that the item or controls are set as follows:

Scanner

- (a) Lens cap removed
- (b) Filter set to 0
- (c) Aperture set to 0
- (d) Motor running (with Display Unit ON/OFF switch set to ON)
- (e) Focus correctly set
- (f) Interconnecting cable correctly terminated

Display Unit (Front Panel)

- (a) THERMAL RANGE set to 10
- (b) THERMAL LEVEL set to 30
- (c) MEASURE/PAN set to MEASURE
- (d) PICTURE MODE pushed in and set to NORMAL
- (e) BRIGHTNESS AND CONTRAST (manual controls) set to mid position
- (f) POWER OFF/ON set to ON
- (g) ISOTHERM LEVEL controls fully counter-clockwise
- (h) POWER LED illuminated



Section 2 – Standard System

Display Unit (Rear Panel)

- (a) OPERATIONAL MODE switch set to NORMAL/RECORD
- (b) PHOTO PRESET set to OFF
- (c) SPOT WOBBLING set to ON
- (d) FIELD switch set to 4
- (e) All accessories disconnected
- (f) Scanner unit correctly connected
- (g) Power Supply/Charger Unit connected, properly adjusted and connected to the ac supply

With the controls set in the correct position a picture should be obtained with the minimum of adjustment. If a picture is not available recheck the system or contact your AGEMA service representative.

Figs 2.15 and 2.16 show a photograph of a normal heating radiator and a thermogram showing the temperature gradient and the invisible internal structure.

The final part of Section 2 describes in more detail the major units used in the standard system such as the Scanner with Lenses, Filters and the Display Unit.

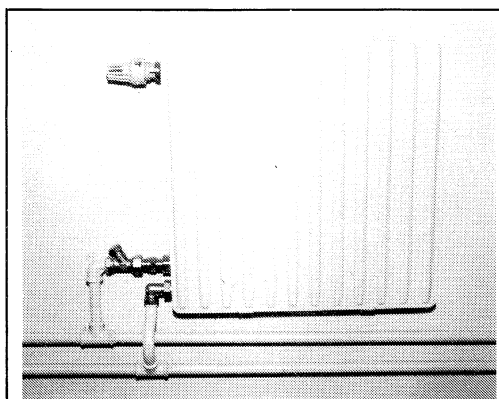


Fig. 2.15 Normal Heating Radiator

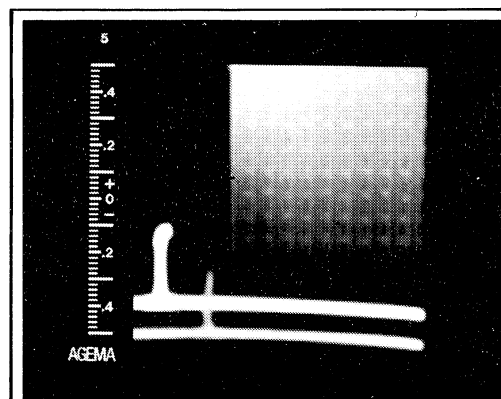


Fig. 2.16 Thermogram of Normal Heating Radiator



Section 2 – Standard System

THE SCANNER UNIT

Basic Description

The infrared scanner unit converts electromagnetic thermal energy radiated from an object into electronic video signals. These signals are amplified and transmitted via an interconnecting cable to a Display Monitor where the signals are further amplified and the resultant image is displayed on the display screen.

The scanner unit comprises the following:

- (a) Electro-optical scanning mechanism.
- (b) Infrared detector.
- (c) Video interface.
- (d) Control electronics and microprocessor for data output.

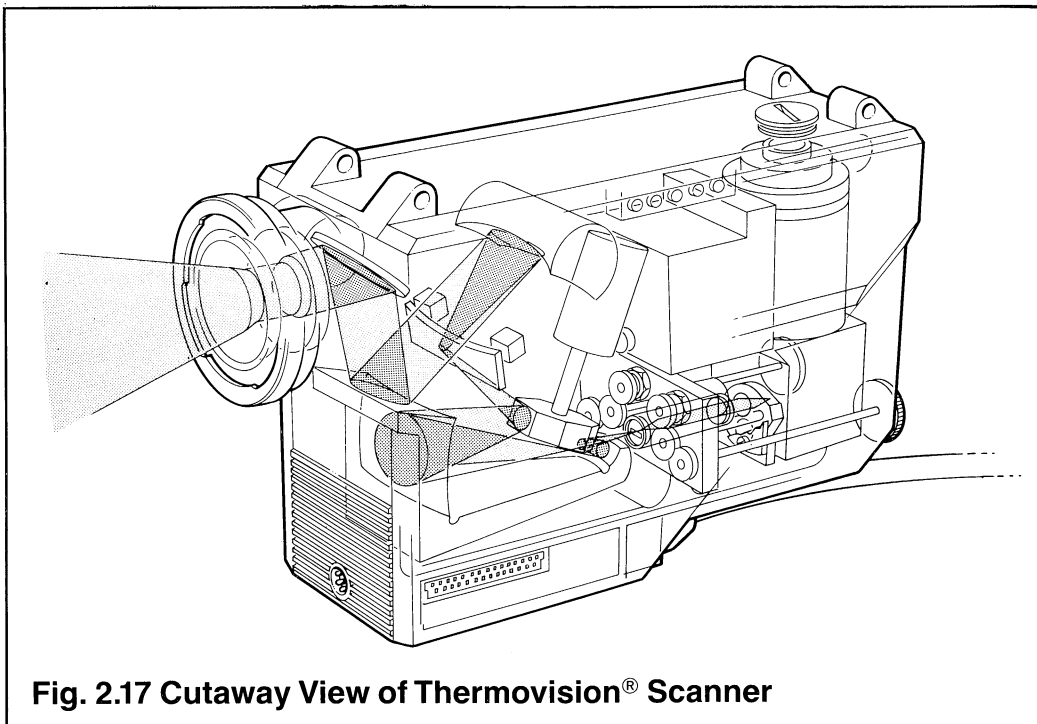


Fig. 2.17 Cutaway View of Thermovision® Scanner

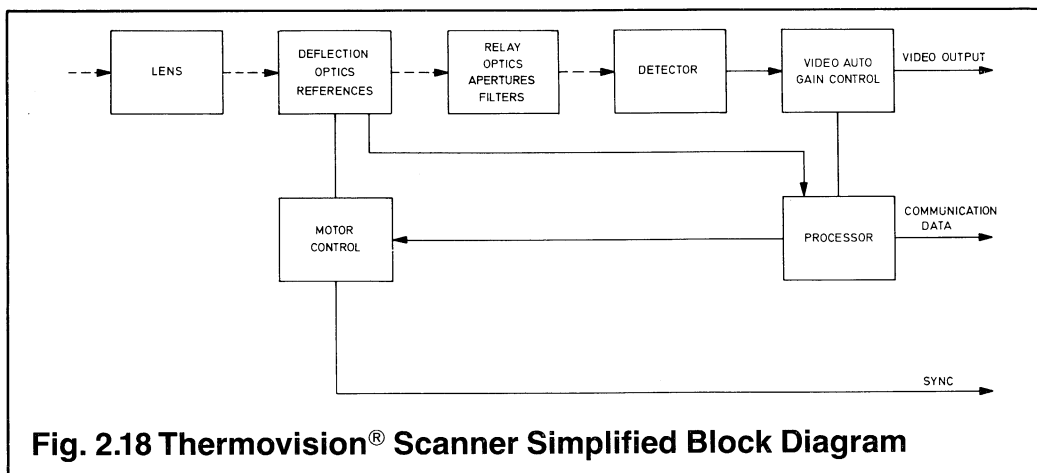


Fig. 2.18 Thermovision® Scanner Simplified Block Diagram



Section 2 – Standard System

Electro-magnetic energy radiating from the object being scanned is focussed by an infrared lens into a mirror. The mirror is oscillated by a dc motor. The optical output from the oscillating mirror is focussed by three fixed mirrors onto a horizontal mirror polygon which rotates at 16000rpm. Both the oscillating mirror and the horizontal mirror polygon are controlled by the microprocessor. The microprocessor provides horizontal and vertical trigger pulses to the Display Unit trigger circuits (Fig. 2.18 shows a simplified block diagram).

The oscillating mirror and horizontal motors are synchronised in such a way that four fields produce one interlaced frame (Fig. 2.19) each having 100 horizontal scanning lines. Of these, 70 are used as active imaging lines per field, or 280 per frame. With a scanning rate of 25 fields per second, 25/4 completely interlaced picture frames per second are thus produced.

The reflected beam from the horizontal mirror polygon is passed through a set of relay optics containing a selectable aperture unit and a filter unit and finally focussed onto a point detector (see Fig. 2.17).

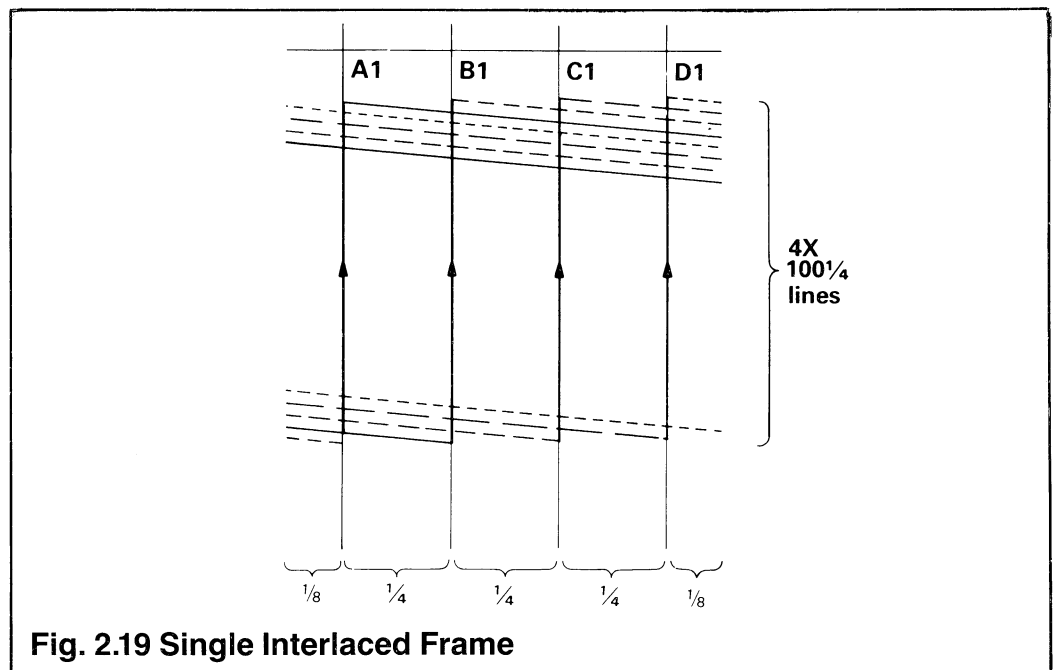


Fig. 2.19 Single Interlaced Frame

Detector

The detector is a Mercury Cadmium Telluride (MCT) element covering the 8-12 μm band. The detector is photoconductive with a 150 μm square window mounted into the side of a metal Dewar. The holding time for the Dewar is 6 hours when newly pumped and still retains a holding time of approximately 3.5 hours after one year. The shape of the Dewar allows for a tilt angle up to 70° from the horizontal.



Section 2 – Standard System

The Interchangeable Lenses

CAUTION: When exchanging lenses particular care should be taken to avoid touching the surface coating of the lens. All lenses are anti-reflective coated and care must be taken when they are cleaned. Only cotton wool soaked in ethyl alcohol should be used to clean the lens. The lens should be wiped once with the solution then the cotton wool should be discarded. It should be noted that the lens has a bayonet fitting.

Lenses are fitted to the scanner unit in the same manner as photographic lenses with bayonet fittings (Fig. 2.2). When fitting or exchanging lenses the following points should be noted:

- (a) Always fit or remove a lens by gripping the ring nearest the scanner unit.
- (b) When fitting or exchanging lenses protect the scanner fixed lens from ingress of foreign matter.
- (c) Avoid touching the surface of the lens or the scanner optics.
- (d) Clean any dirt or grit from the lens mounting area.

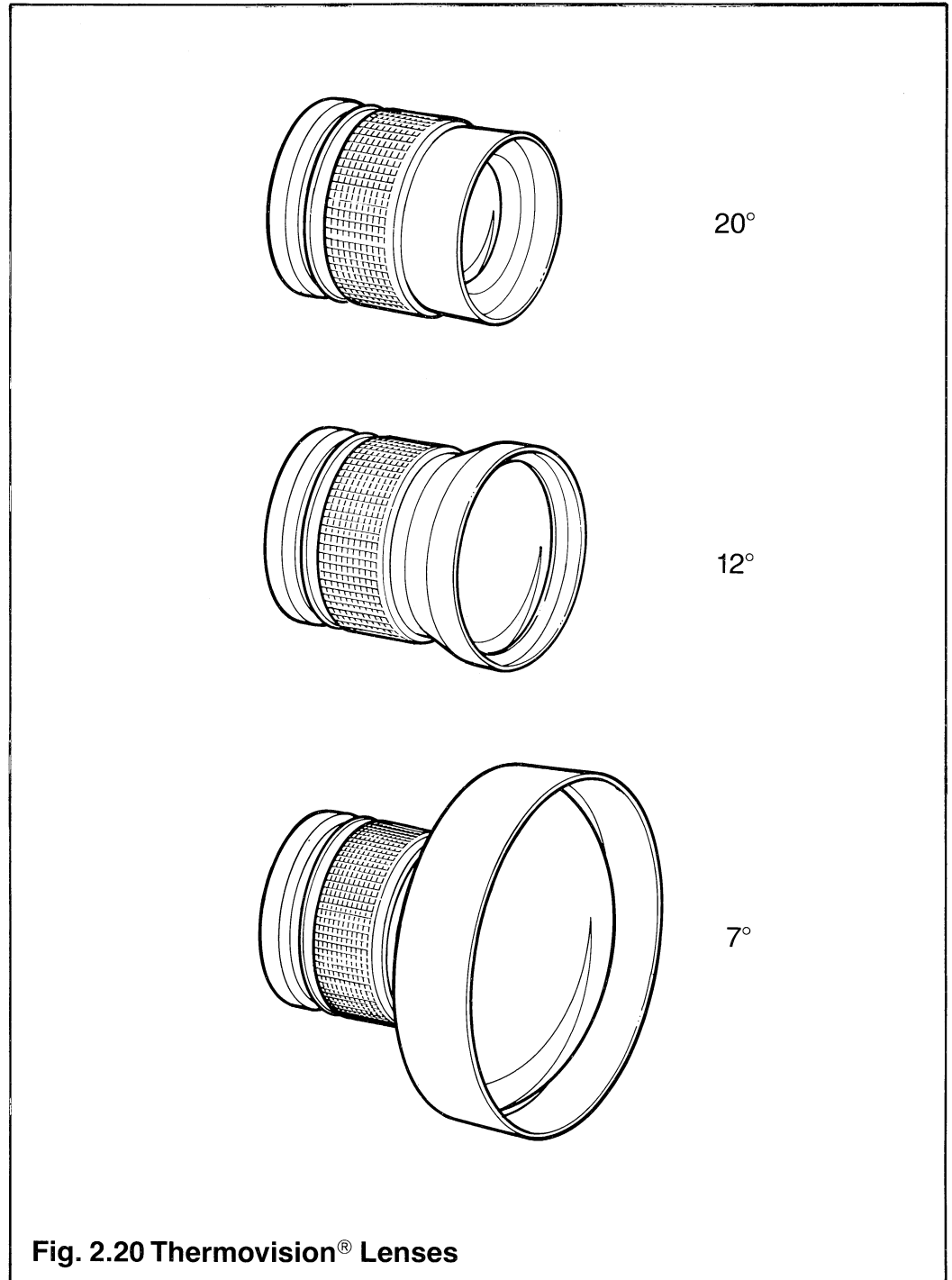
NOTE: Once fitted, lenses should only be removed from the scanner when being exchanged. Therefore the scanner should best be returned to the transport case complete with lens attached if possible.



Section 2 – Standard System

Types of Lens

The scanner unit of Thermovision® can be fitted with any one of three different standard lenses with fields of view varying from 7° to 20° (Fig. 2.20). Table 2.1 lists typical values for the lenses that can be used.



Section 2 – Standard System

Table 2.1 Lens Specification

Lens	Min Focus	Focal dist	Geo Res*
7°	1.2m	110mm	1.4 mrad
12°	0.8m	65mm	2.3 mrad
20°	0.5m	38mm	3.9 mrad

*Geometrical resolution measured as slit response at 50% contrast.

The lenses can be interchanged and focussed in the same way as normal photographic lenses are changed and focussed.

The fixed lens can be used for macro work from an object distance of approx. 20mm. An area of 13 x 13mm will be shown enlarged to the full screen size of the Display Unit.

Object Field Data

The tables below and Fig. 2.21 give the dimensions of the scanned field surrounding the object at a set distance d , and using the three different lenses. The tables also detail the depth of focus within which a sharp picture of the object may be obtained.

Table 2.2 details the field of view using standard lenses.

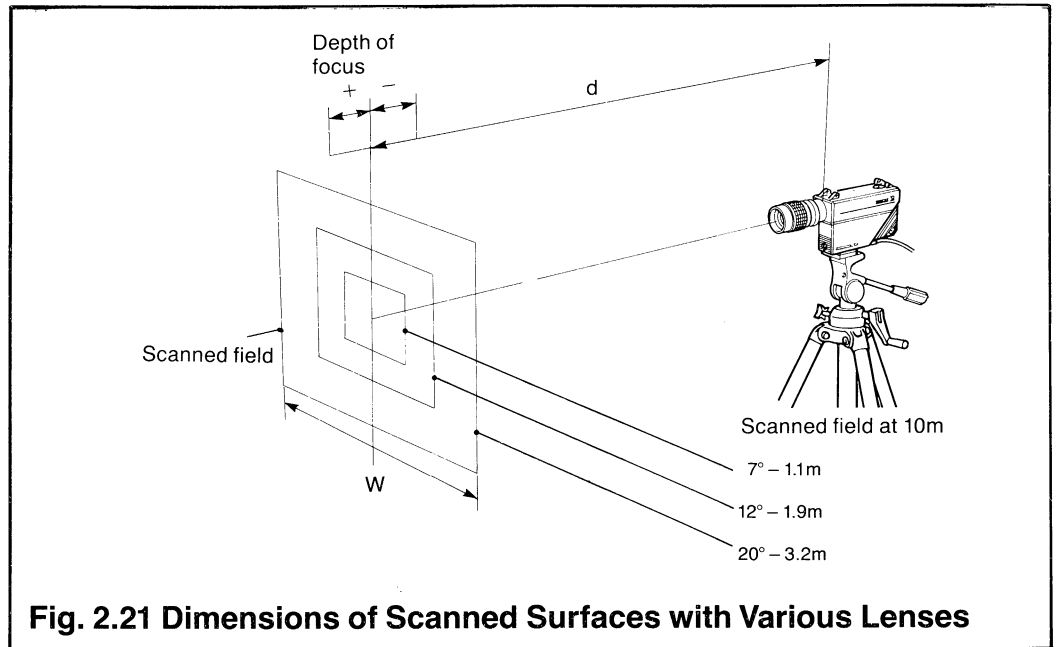
Table 2.2 Scanned field (w) and depth of focus (+) set at various distances (d)

Lens	d	0.5	0.8	1.2	2	3	5	10
7° × 7°	w			0.12	0.20	0.31	0.54	1.1
	+			0.02	0.07	0.19	0.74	2.8
	–			0.02	0.07	0.16	0.43	1.5
12° × 12°	w		0.12	0.21	0.39	0.60	1.0	1.9
	+		0.03	0.08	0.25	0.51	2.6	∞
	–		0.02	0.05	0.18	0.38	1.0	2.9
20° × 20°	w	0.12	0.20	0.34	0.63	0.92	1.6	3.2
	+	0.03	0.10	0.28	1.2	7.5	∞	∞
	–	0.02	0.07	0.16	0.4	0.8	1.7	4.4

NOTE: All measurements are in metres.

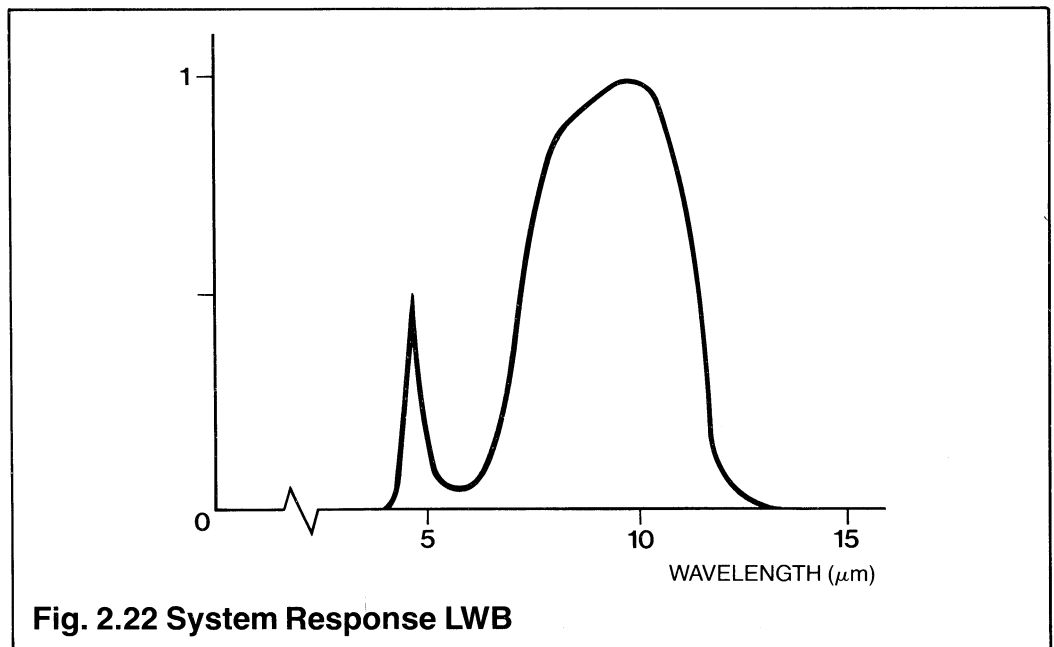


Section 2 – Standard System



Optical Coatings

Thermovision® uses a broadband coating (Fig. 2.22) which increases the relative response of the scanner in the 6 to 12 μm region of the spectrum. This is an advantage where spectral filtering may be required, e.g. target signature, petrochemical and laser applications.



Section 2 – Standard System

Aperture Selection

Fitted at the back of the scanner assembly is an aperture control which has positions for three apertures (Fig. 2.23) marked 0, 1 and 2. The apertures are selected so that the object temperatures covering the range -20°C to $+1500^{\circ}\text{C}$ can be measured without the use of filters. Selection of a smaller aperture enables the operator to measure higher temperatures (approx. 50%). For the purpose of setting up the standard system for the first time set the aperture to the most sensitive setting (0).

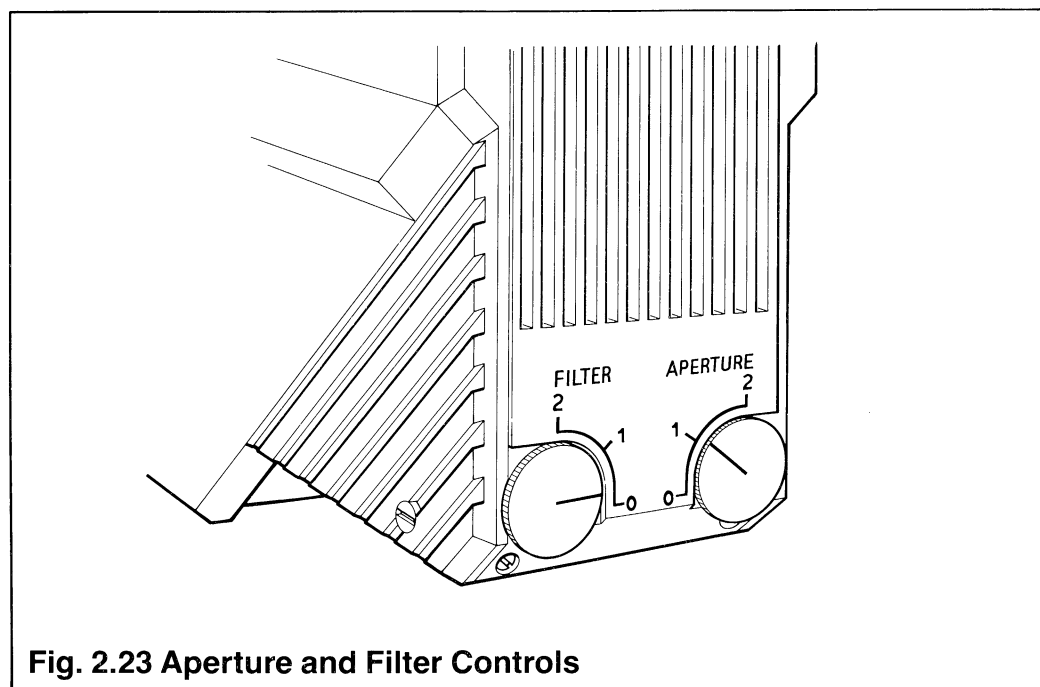


Fig. 2.23 Aperture and Filter Controls

Filters

The filters are fitted to a filter turret housed within the scanner unit. A maximum of two filters may be fitted into this revolving turret controlled at the rear of the scanner.

Note: The operator can change a filter in position 2 as described below. The filter in position 1 is always fitted at the factory.

To remove or install a filter. Remove the left hand side cover (as viewed from the back) of the scanner. Remove the pcb to expose the filter area (Fig. 2.24) then proceed as follows:

- (a) Rotate the filter turret until the second filter (position 2) is clear of the turret. Use the filter release tool to gently push the old filter from the turret. (See Fig 2.24)
- (b) Fit the new filter into the turret, lock the filter with the locking ring
- (c) Rotate the turret unit to its original position
- (d) Replace the pcb, check that the connections are replaced, tighten the screws and replace the scanner cover.



Section 2 – Standard System

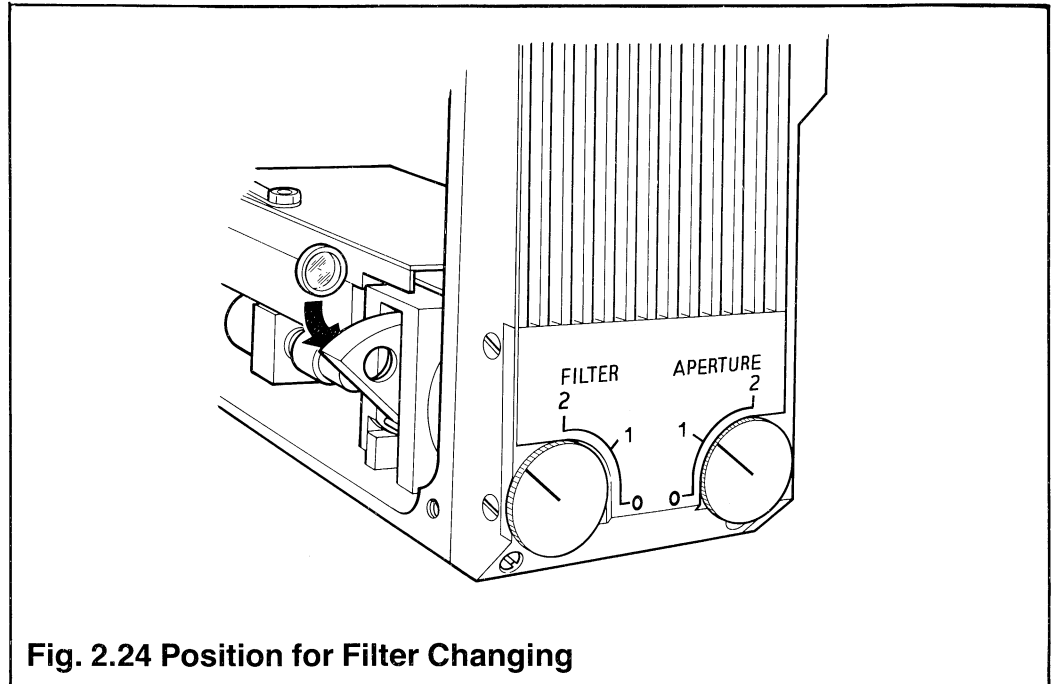


Fig. 2.24 Position for Filter Changing

Assuming that the scanner has been delivered with two calibrated filters to be used in position 2, the micro-processor must be informed as to which filter is installed. (This only applies to position 2). This is carried out using a switchbank mounted on the processor PCB (Fig. 2.25). Switches 1 to 3 (4 is used for calibration) can be set to give the information to the micro computer (ON = 1; OFF = 0):

Therefore after changing a filter, use a small screwdriver to reset the switches to the combination contained in the calibration data sheet. The PROM in the scanner will feed to the TRC or TIC-8000 the correct constants (R.B.F) to be used in the calculations.

If a filter is to be added to an instrument already delivered, the scanner and lens or lenses must be returned to AGEMA for calibration and the insertion of a new PROM.

NOTE 1: When ordering new filters please state which filter is to be placed into position 1 (fixed) and which to be placed into position 2 (changeable by the operator).

NOTE 2: If a change is made in the positioning of the switches in the switchbank always ensure that switch 4 (calibration) is set to OFF.

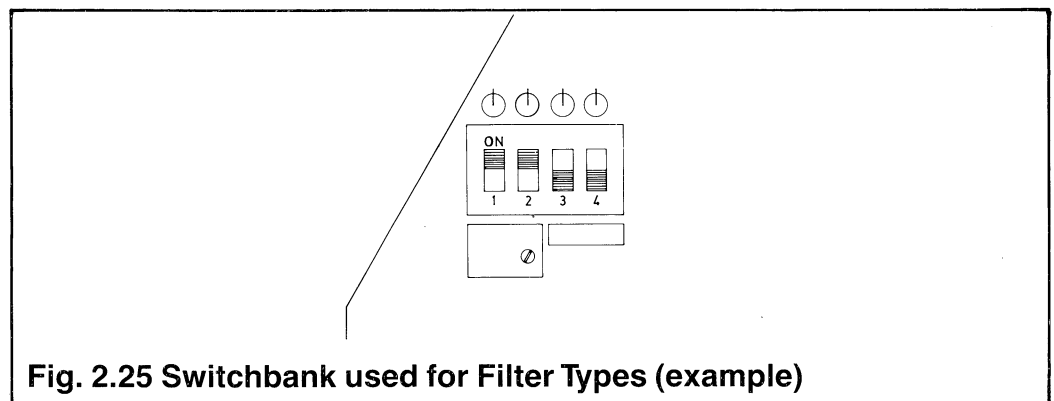


Fig. 2.25 Switchbank used for Filter Types (example)



Section 2 – Standard System

Table 2.3 lists two longwave filters and their uses, however this is not a complete list and many other filters may be used dependent on the application of the job in hand.

Table 2.3 Filters

Filter	Description	Colour Code
Long Pass	Used to prevent energy shorter than $7\ \mu\text{m}$ being detected by the longwave system	Brown/Red
CO ₂ Laser	Used to limit the sensitivity to energy emitted by a $10.6\ \mu\text{m}$ CO ₂ laser	Brown/Brown

The curves for the filters are shown in Fig. 2.26. The colour code is shown by dots on the filters (Fig. 2.27).

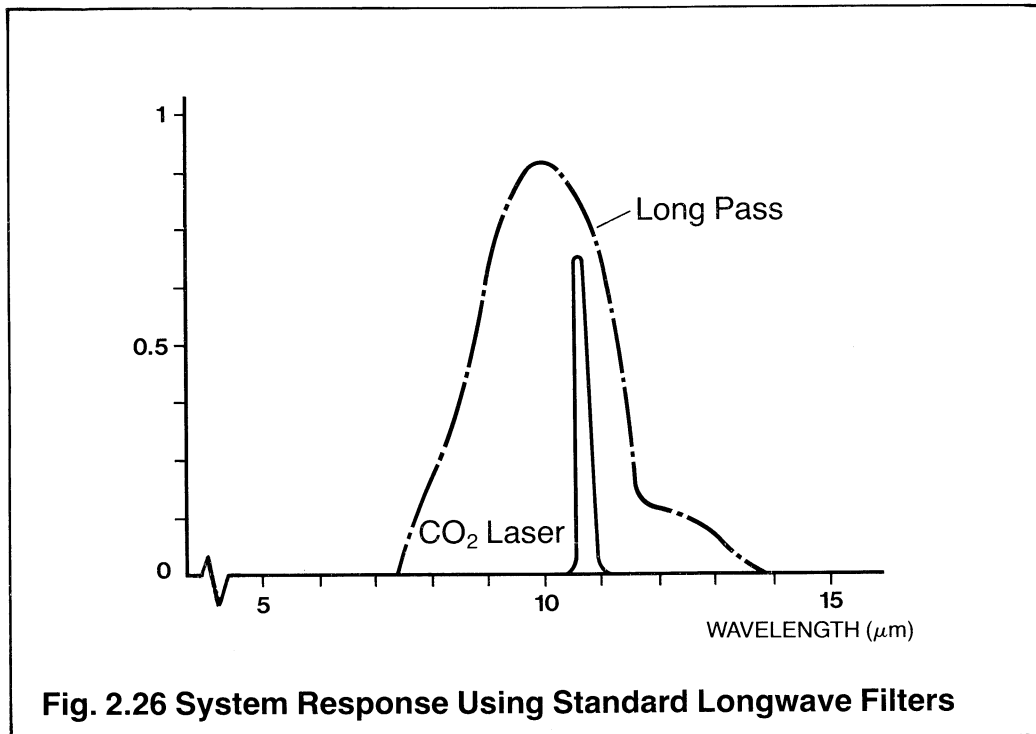
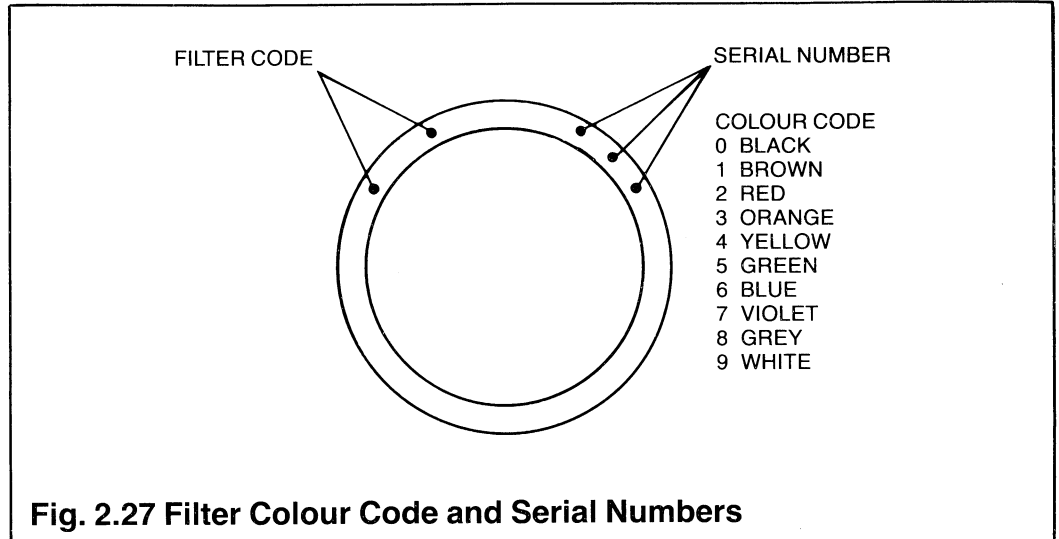


Fig. 2.26 System Response Using Standard Longwave Filters

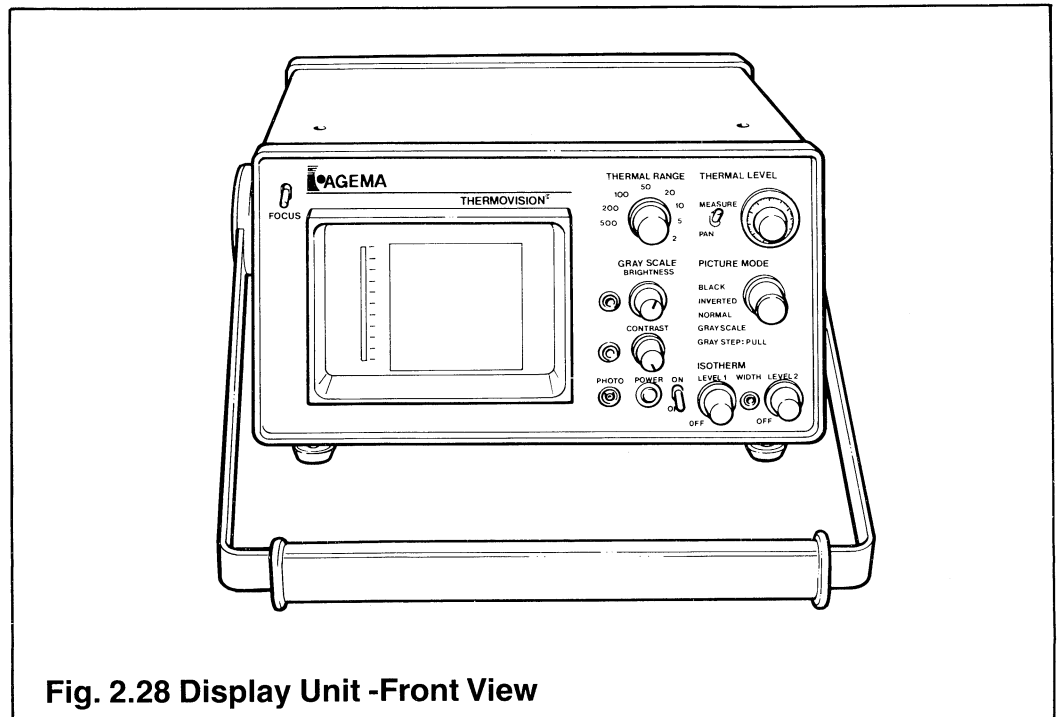


Section 2 – Standard System



THE DISPLAY UNIT

The Display Unit houses all the operational controls for the Thermovision® system. Each control and its function are shown in Fig. 2.28 and 2.29 and described in Tables 2.4 and 2.5 for the front and rear panels of the display unit respectively.



Section 2 – Standard System

Table 2.4 Display Unit Front Panel Controls and Indicators

Description	Function
ON/OFF	This two position switch applies power to the system. The switch controls both battery power pack or power supply/charger unit as appropriate.
POWER (LED)	This indicator shows that power is available to the Display Unit.
PHOTO	This connection socket is used in conjunction with the photo recording equipment.
GRAY SCALE BRIGHTNESS (MANUAL)	This control increases or decreases the display brightness.
BRIGHTNESS (PRESET CONTROL)	This screwdriver adjusted control sets the brightness on the display when photo recording equipment is plugged into the PHOTO socket and activated, or when the photo preset control is set to ON.
GRAY SCALE CONTRAST (MANUAL)	This control increases or decreases the display contrast.
CONTRAST (PRESET CONTROL)	This screwdriver adjusted control sets the contrast on the display when photo recording equipment is plugged into the PHOTO socket and activated, or when the photo preset control is set to ON.
THERMAL RANGE	This nine position switch selects the thermal range of the object being viewed. The switch is calibrated between 2 and 500 isotherm units.
MEASURE/PAN	This two position switch when set to PAN causes an image determined by the object mean temperature to be displayed. In the MEASURE mode the temperature level is adjusted by the THERMAL LEVEL control and is used during thermal measurement only.
THERMAL LEVEL	This control adjusts the zero thermal level (as seen on the vertical scale) of the thermal image (see Section 8).
PICTURE MODE	This switch selects the type of image to be displayed.
GRAY SCALE	This position causes a continuous gray scale to be displayed on the screen.



Section 2 – Standard System

Table 2.4 (continued)

Description	Function
NORMAL	This position selects a normal thermal image display, where the hotter object temperatures appear as white and the cooler as black.
INVERTED	This position is used to invert the display representation, i.e. warm = black, cool = white.
BLACK	This position causes only isotherm levels to be displayed while suppressing the gray tone image (used in conjunction with the ISOTHERM LEVEL and WIDTH controls).
GRAY STEP (pull)	This push-pull switch changes the continuous gray tone image on the display screen to a five step gray tone image.
ISOTHERM LEVEL (1)	This control is used to turn one of the two isotherm functions ON and to adjust for identification of discrete thermal levels on the object (shown as saturated white).
ISOTHERM LEVEL (2)	See Isotherm Level (1).
ISOTHERM WIDTH	This control sets the width of the 2 isotherm markers, displayed on the vertical scale.
REMOTE FOCUS	A two-way switch for operating an optional focus motor which can be attached to the lenses.

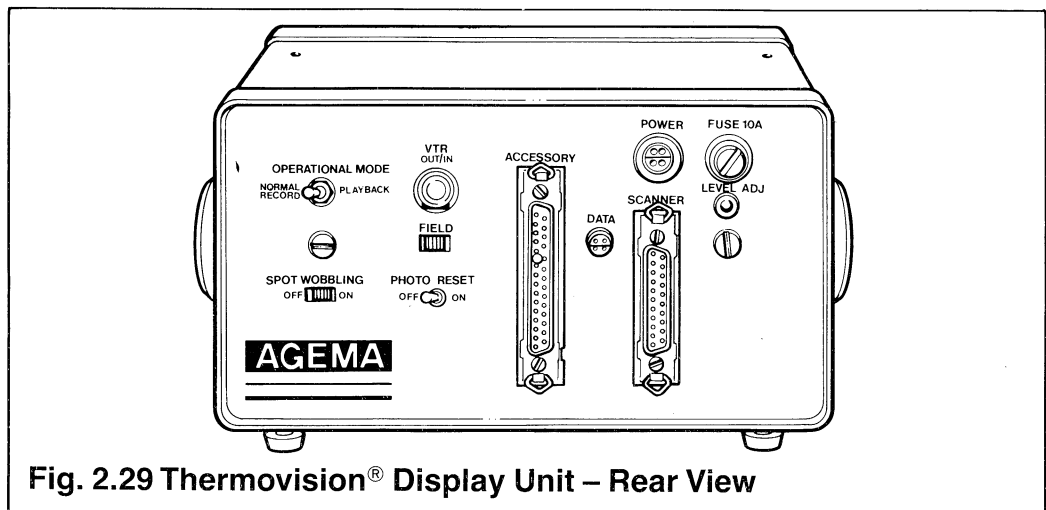


Fig. 2.29 Thermovision® Display Unit – Rear View



Section 2 – Standard System

Table 2.5 Display Unit – Rear Panel Connectors and Switches

Description	Function
SPOT WOBBLING	This switch selects whether SPOT WOBBLING will be added to the display image.
OPERATIONAL MODE	This switch selects which image source is displayed (live or video).
NORMAL/RECORD	This position selects normal live images for display or recording.
PLAYBACK	This position is selected to replay images previously recorded on a VTR.
FIELD 1-4	This switch selects either 1 or 4 fields that will be recorded onto a film (the 4 position is generally recommended).
ACCESSORY CONNECTOR	The accessory socket is used to connect accessories to the Display Unit, e.g. TIC-8000 or DISCON.
VIDEO	This socket output is connected directly to a VTR.
POWER	This plug is used to connect both power supplies to the system.
DATA	This socket output is connected to TIC – 8000 or TRC.
SCANNER	This socket is used to connect the Scanner Unit to the Display Unit.
LEVEL ADJUST	This control adjusts the THERMAL LEVEL during system calibration.
PHOTO PRESET	This switch when set to ON enables the operator to set up the preset contrast and brightness controls on the front panel.



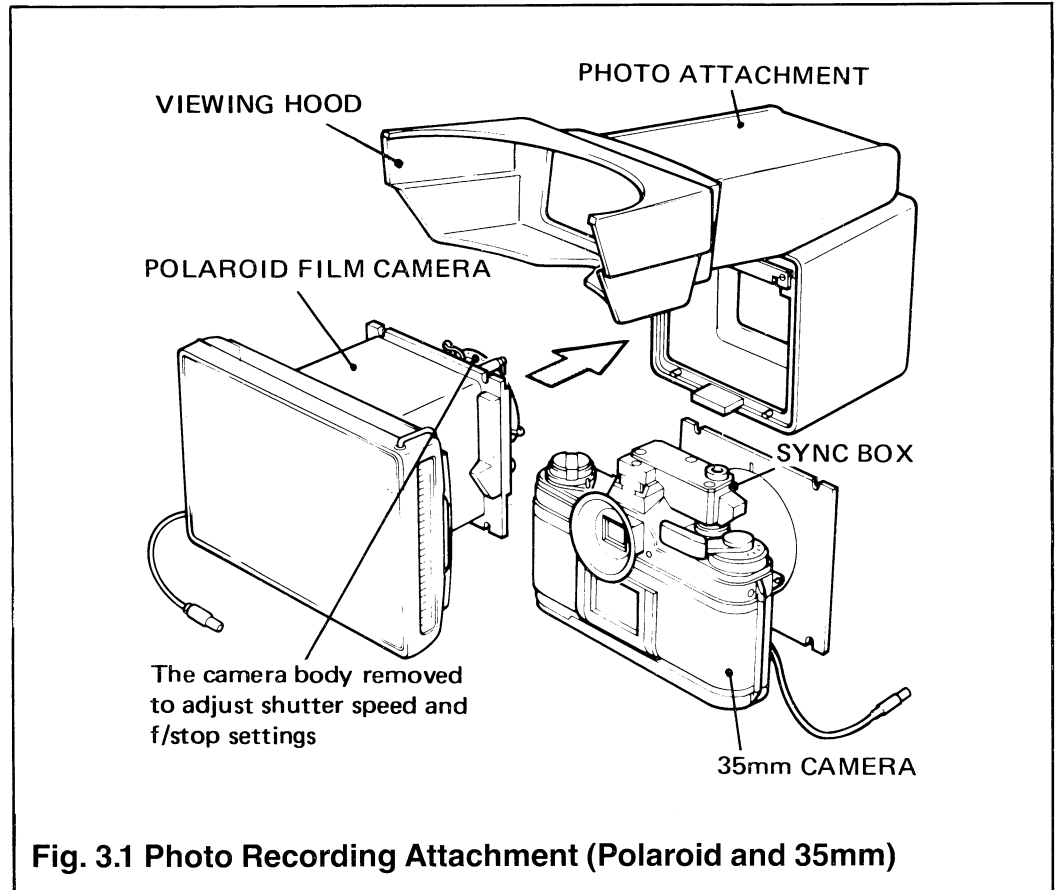
SECTION 3



Section 3 – Photo Recording Accessories

Introduction

A photo recording attachment is designed to be used with the Thermovision® system. The attachment employs the use of specially adapted Polaroid or 35mm film cameras. These cameras are connected via the photo attachment to the display unit. It should be emphasised that the system should be correctly set up for thermal measurement as described in Section 2 and Section 8 prior to the commencement of photo recording. Figure 3.1 shows how the Polaroid and 35mm cameras are fitted to the attachment. This unit is optional and can be purchased separately.



POLAROID FILM CAMERA

Installing the Attachment to the Display Unit

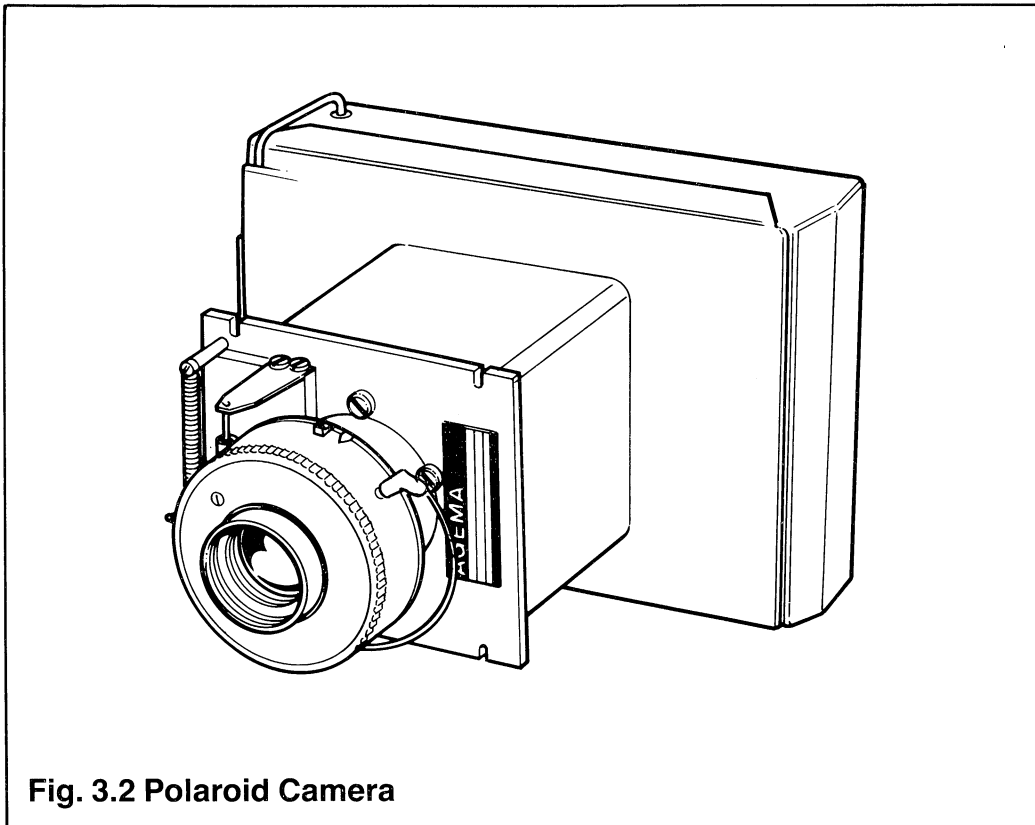
The photo recording attachment is mounted to the display unit by locating the 'rails' at either side of the attachment into location grooves fitted on either side of the display screen.



Section 3 – Photo Recording Accessories

Setting the Shutter Speed and Aperture

Prior to inserting the camera into the attachment the shutter speed should be set to 1 second and the aperture to f/8 (Fig. 3.2).



Fitting the Camera to the Attachment

The camera is fitted to the attachment by tilting the camera so that the lens is pointing down and then engaging the two guide pins into the slots on the recording attachment. The camera should then be tilted down and by pressing at the back of the camera the lower latch will snap into place. The synchronisation cable is connected to the PHOTO socket on the display unit.

NOTE: This connection is a push-to-lock connection and the cable should not be turned. If the sync cable is not used the exposure time should be reset to 0.25 second at f/11.

Loading the Film

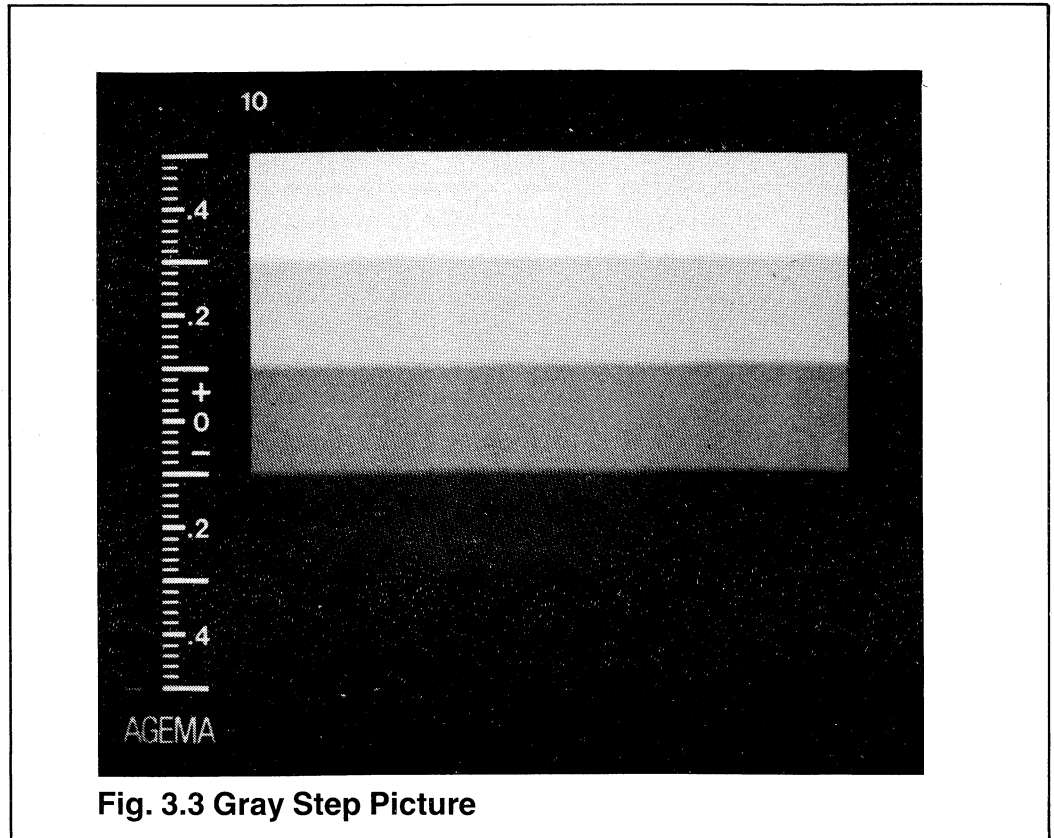
Loading instructions are contained in the film pack for Polaroid Land type 667 (or equivalent).

Preset Display Unit Controls

On rear of display unit: set SPOT WOBBLING switch to "ON", PHOTO PRESET to "ON" and FIELD switch to "4" (to "1" in case of moving objects). On front of display unit: set PICTURE MODE selector to "GRAY STEP" and adjust BRIGHTNESS and CONTRAST preset screwdriver controls to obtain a clean (stepped) gray scale picture. Low brightness and contrast settings give correct thermogram exposures (Fig. 3.3).



Section 3 – Photo Recording Accessories



Gray Scale Test Exposure

To make a test exposure proceed as follows:

- (a) Ensure the Thermovision® system is set up as described in Section 2.
- (b) Set the PICTURE MODE switch to GRAY SCALE.
- (c) View the display screen through the viewing hood of the attachment.
- (d) Close the viewing door.
- (e) Depress the shutter fully and release.
- (f) To develop the Polaroid picture proceed as follows:-
 - (i) Grip the centre of the WHITE TAB of the film and carefully pull it all the way out of the camera.
 - (ii) Carefully grip the YELLOW TAB and pull it straight and at a constant speed all the way out of the camera.

NOTE: This action must be continuous. Start timing the development of the film from the time the photograph is clear of the camera.

- (g) Allow 45 seconds for the film to develop at room temperature, i.e. greater than 21°C.

WARNING: THE CHEMICALS USED FOR THE FILM DEVELOPMENT CAN CAUSE SKIN IRRITATION. THEREFORE CARE SHOULD BE TAKEN TO AVOID CONTACT WITH THE CHEMICALS ON FILM SEPARATION.



Section 3 – Photo Recording Accessories

- (h) Separate the print from the film starting at the yellow tab.
- (j) Compare the gray tone print with the display (Fig. 3.4). If necessary fine adjustments to the CONTRAST and BRIGHTNESS preset controls may be required. A small screwdriver included in the tool kit is required to carry out this operation. Clockwise rotation causes an increase of brightness or contrast. Counter-clockwise rotation causes a decrease of brightness or contrast. If adjustment is required a further test print should be carried out.

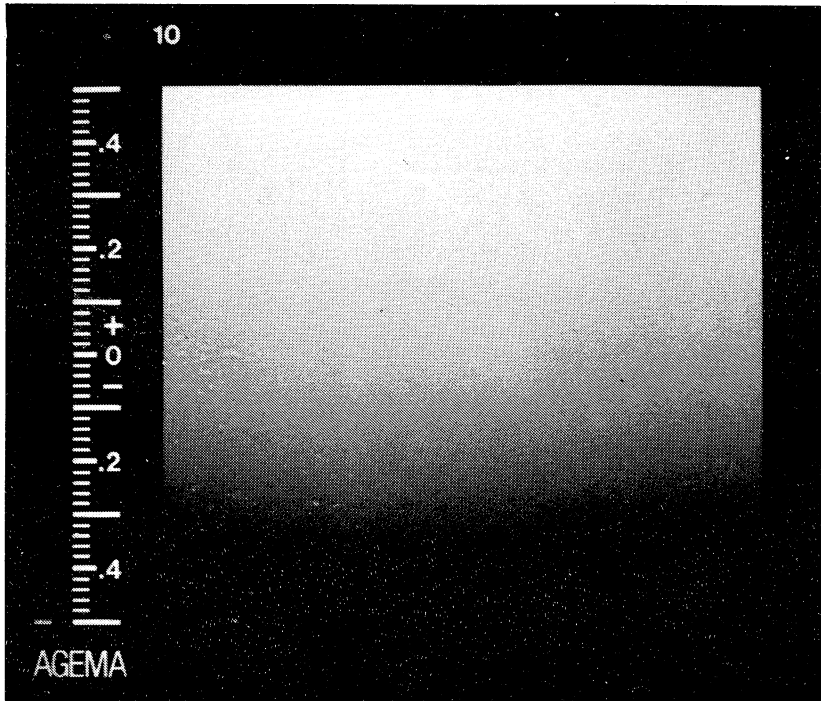


Fig. 3.4 Gray Scale Sample Picture

NOTE: The PHOTO PRESET switch should be set to 'ON' to allow adjustments of the preset controls. When a satisfactory print is obtained the switch should be set to 'OFF'. In this position the BRIGHTNESS and CONTRAST manual controls can be adjusted for optimum viewed image without affecting the preset controls.

Thermogram Recording

Set PICTURE MODE selector to either NORMAL or INVERTED as required. Use ISOTHERM LEVEL controls to determine area of highest and lowest temperatures to be recorded and proceed as detailed in the Gray Scale Test Exposure.



Section 3 – Photo Recording Accessories

Optimum Exposure Tips

The best balanced exposures are achieved by avoiding the use of saturated white as the highest temperature level in the NORMAL mode of operation. One method is to set one isotherm marker to +0.3 by adjustment of the ISOTHERM LEVEL 1 control and to adjust the THERMAL LEVEL control until the isotherm just brightens the highest thermal area. All details are then rendered in varying tones of gray and only the isotherm as saturated white. Subsequent exposures can be changed by slight adjustment of the BRIGHTNESS and CONTRAST screwdriver controls without affecting the THERMAL LEVEL setting.

Film Developing Tips

Develop the film longer in cooler conditions (i.e. below 19°C). Under-development results in gray, low-contrast thermogram prints. Over-development results in too much contrast.

Before loading the film pack, check that development spreader mechanism in camera back is clean. Dirt or chemical residue in spreader rolls or film exit door can cause stoppages which may ruin an entire film pack.

Cleaning the Polaroid Film Camera

Instructions for care and cleaning of the Polaroid camera are detailed on the inside of the camera back.

35mm CAMERA

Fitting the Camera and the Attachment

The 35mm camera is fitted to the attachment in the same way as previously described for the Polaroid film camera. The photo attachment is located into the grooves fitted to each side of the display unit. The synchronisation box is fitted to the 35mm camera body flash socket.

Important

Before mounting the 35mm camera with lens to the photo attachment, the sync box must be removed. After fitting the camera to the attachment, the sync box can be replaced.

Setting the Shutter Speed

Prior to inserting the camera into the attachment the shutter speed should be set to 1 sec (aperture is fixed).

Loading the Film

The 35mm film is loaded in the normal way (see camera instruction manual).

Preset Display Unit Controls

At the rear of the display unit set SPOT WOBBLING switch to OFF, PHOTO PRESET to ON and FIELD to 4. On the front of display unit set PICTURE MODE to GRAY SCALE.



Section 3 – Photo Recording Accessories

Gray Scale Adjustment

Set CONTRAST screwdriver control to suit film type being used. The values given in Table 3.1 may be used as a guide for initial settings. These adjustments are only a guide and more accurate settings will be obtained as experience is gained. If reflections or several TEMPERATURE RANGE figures are shown, the picture is over-exposed and the CONTRAST setting needs to be reduced.

Holding the face tight against the rubber eyepiece, adjust BRIGHTNESS screwdriver control until the scanning lines just become invisible at the bottom of the gray scale. Reset SPOT WOBBLING to ON, and PHOTO PRE-SET to OFF. All the control knobs on the front can now be operated in the usual way.

Thermogram Recording

Set PICTURE MODE selector to either NORMAL or INVERTED as required. Close the viewing door, press exposure button, and advance the film one frame. The thermograms will be exposed in the preset gray tones, irrespective of how the manual control knobs are operated. For Optimum Exposure Tips refer to Polaroid Recording.

Table 3.1 Contrast Setting

Film Type	CONTRAST (Screwdriver) Control
Black/White 125 ASA (22 DIN)	1/4 – 1/2 turn clockwise from fully counter-clockwise.
Black/White 400 ASA (27 DIN)	1/8 – 1/4 turn clockwise from fully counter-clockwise.
Kodak Ektachrome 160 ASA (23 DIN)	3/4 turn clockwise from fully counter-clockwise.
Kodacolor II 100 ASA (21 DIN)	3/4 turn clockwise from fully counter-clockwise.
Kodacolor 400 ASA (27 DIN)	1/4 turn clockwise from fully counter-clockwise.



SECTION 4



Section 4 – Computers

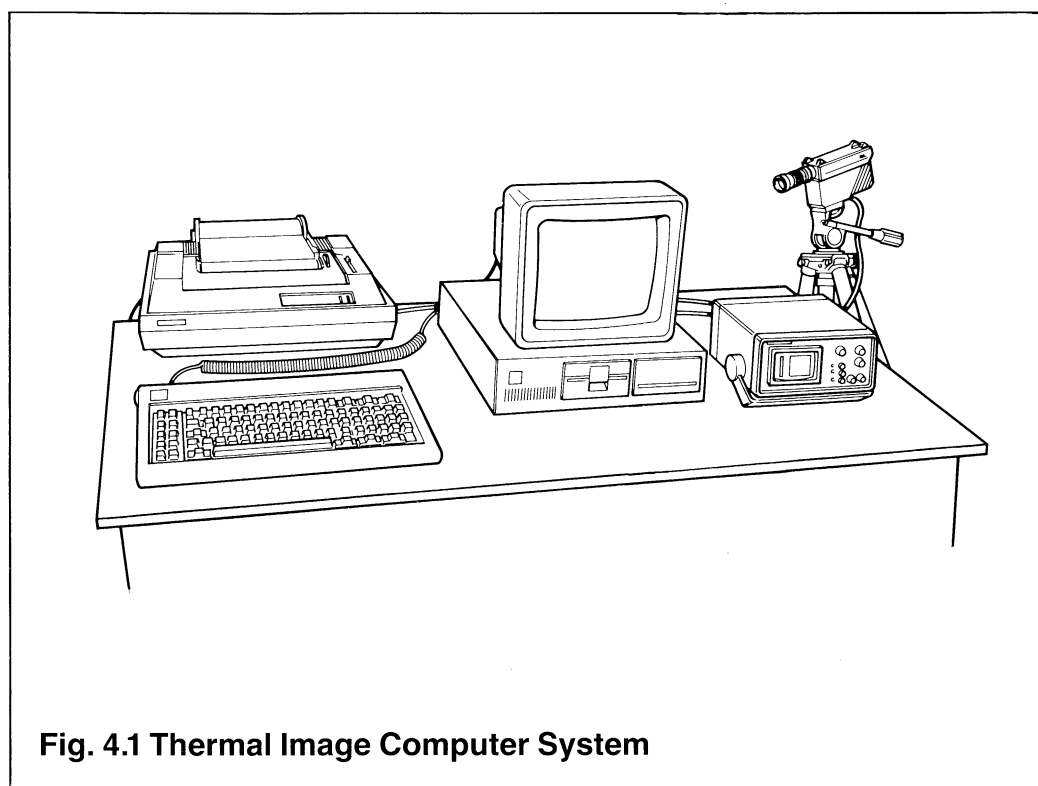
Introduction

Thermographic images contain much information which is not always perceptible to the human eye. By using a computerised image processing system it is possible to simplify the information. By image reduction or by subtracting one image from another it is possible to enhance the differences. Computer aided analysis also includes calculations, statistical analysis and presentation, storage and retrieval of information. Using a computer, results are obtained quicker and usually with more accuracy, as external parameters, i.e. emissivity, ambient temperature, distance etc. are easily included in any calculations.

There are two methods used for computer analysis of images that can be provided with Thermovision®; TIC-8000 and TRC.

(a) Thermal Image Computer System TIC-8000 (Fig. 4.1)

This system operates in conjunction with an IBM PC-XT. AGEMA has developed the interface and software which enables image analysis in colours to be carried out on-line and in real time, using Thermovision®. This system can include a colour graphics printer and other hard copy facilities if required. There is a separate operating manual available for TIC-8000.



Section 4 – Computers

(b) Temperature Readout Computer TRC

The version described in this section uses a HUNTER portable computer, manufactured by HUSKY and loaded with a special software program developed so that Thermovision® can be operated on line with the computer. This ensures that it is possible to display immediately on the computer screen both the temperatures or emissivities which correspond to the two isotherm settings on the Display Unit. Before the result is calculated, the operator enters the relevant parameters.

THERMAL RANGE and LEVEL settings are transferred automatically from the Thermovision® Display Unit to the computer and from the Thermovision® scanner the aperture, filter positions etc are also transferred. Fig. 4.2 shows a TRC mounted onto the Display Unit.

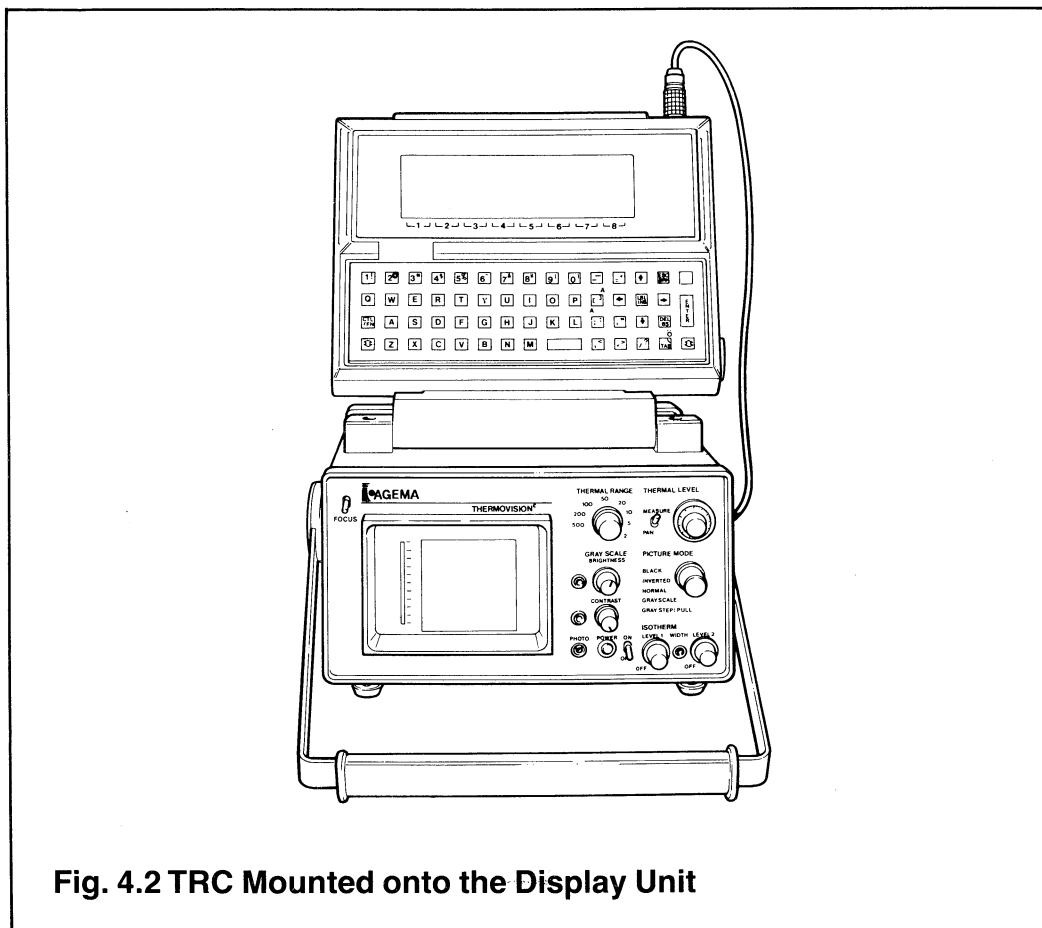


Fig. 4.2 TRC Mounted onto the Display Unit

Installation

The TRC is mounted onto the Display Unit of Thermovision®. It is secured by two mounting brackets and a tiltable support holder. The installation is simple, the computer is inserted into the holder and fixed with two large screws which can be tightened or loosened with a coin. The cable is connected between the IN/OUT socket on top of the computer and the DATA connector on the rear of the Display Unit. The sockets are marked with red dots and these should be aligned with red dots on the plugs.

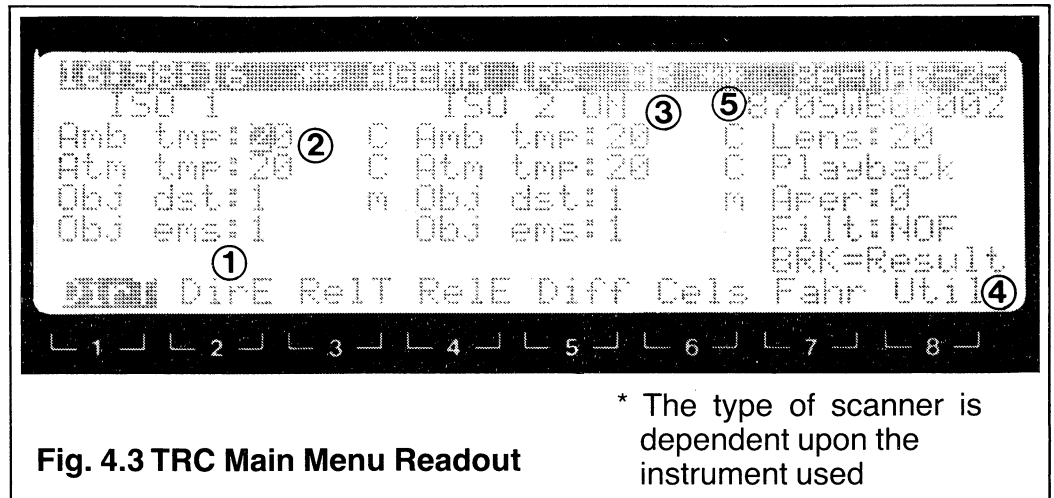


Section 4 – Computers

Daily Operation

The Thermovision® and TRC combination should be prepared for use and operated as detailed in the following paragraphs.

- (a) Set the Thermovision® Display Unit to ON. The interfacing microcomputer built into Thermovision® will start up automatically and will be ready to transfer information to the TRC on demand.
- (b) Press the red PWR (power) button on the TRC. This action will restart the TRC from where it was previously switched off, if it was left in INPUT mode. In any other mode the menu/parameter list shown in fig. 4.3 will be displayed, including the main menu (MENU) at the bottom of the display. If any of the displayed parameters (except the scanner type and serial number) need to be altered before the measurement result is automatically calculated, refer to sub para (e). Aper and Filt are default values, which refer to play back from the Video Tape Recorder. Enter the values used during the recording as new default values and they will be shown in the RESULT display.



- (c) The desired MEASURING mode ① can be selected from items 1 to 5 in the MENU by pressing the CTL/FN key together with the selection number, from 1 to 5 on the TRC keyboard. Press BRK (Break) to perform the measurement and display the result in the chosen mode.

Press CTL/FN together with key 8 to display the UTILITY menu ④ this is described in sub para (j) and (k).

1. **DirT** (Direct Temperature) measures two isotherm temperatures, ISO 1 and ISO 2.
2. **DirE** (Direct Emissivity) measures two emissivities for ISO 1 and ISO 2.
3. **ReIT** (Relative Temperature) measures the temperature of ISO 1, using ISO 2 as a reference.
4. **ReIE** (Relative Emissivity) measures the emissivity if ISO 1, using ISO 2 as a reference.
5. Type of scanner shown in fig. 4.3 will depend on the instrument used.



Section 4 – Computers

5. **Diff** (Differential temperature) measures the difference between the temperatures of ISO 1 and ISO 2.
- (d) Temperature values can be displayed in degrees Celsius or Fahrenheit. (See page 4.8).
- (e) If parameters (but not the scanner type and serial number) are to be changed, use the arrow keys to position the cursor ② over the figure to be altered, type in the new value and confirm this by pressing ENTER. The cursor can be moved horizontally within the input fields with the ← and → keys. To move to a new input field use either the ↑ and ↓ keys, or ENTER (for downward movements).
- Note:** When the display includes a cursor, **ENTER** is normally used for terminating the input, or for moving to the next field. BRK is the general command for **exiting** from the current display.
- (f) On this display the TAB (tabulate) key can be used to switch ISO 2 on and off ③
- (g) When the necessary parameter changes have been made, the MEASURING mode selected in sub para c is entered by pressing the BRK key. A typical example of the resulting display is shown in fig. 4.4.

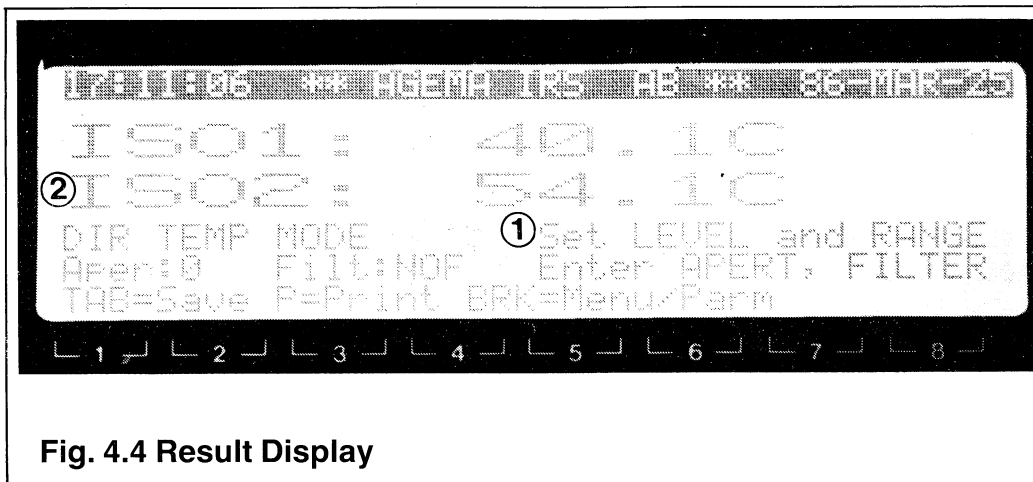


Fig. 4.4 Result Display

① Will be displayed if the image is being played back from Video Tape Recorder and the default values for Aperture and Filter will be displayed and used.

② Will not be displayed if ISO 2 was switched off at sub para (f) above.

Any changes to the input parameters, such as LEVEL, RANGE, isotherm levels, Aperture and Filter position will cause either ISO 1 and ISO 2 results to be displayed.



Section 4 – Computers

(h) The MEASURING mode menu comprises the following:

1. **TAB = Save**

Press TAB to save the displayed values in the memory. An identifying name (of up to 5 characters) and notes (up to 33 characters of additional information) can be entered for the package of parameters and data which is to be stored. Automatic consecutive numbers are assigned to stored data. If the storage memory is full, the warning message and prompt explained in sub para (h) 4 will be displayed.

Use ENTER to terminate the input and save the measured data; the program will then return to the MEASURING mode.

2. **P = Print**

Press P to print the displayed data immediately, without saving it in memory. No name will be requested or number allocated, however a Note message up to a maximum of 33 characters can be added to the data. The printout will begin when ENTER is pressed, and the program will then return to the MEASURING mode.

3. **BRK = Menu/Parm**

Press BRK to exit and return to the MENU. BRK is pressed to:

- select another MEASURING mode
- change parameters
- enter the Utility menu

4. **Storage Memory Full**

Overwrite? (Y/N) N

This message will be displayed if no more space is available in the memory. If the existing material in the memory cannot be erased and replaced by the displayed data, press ENTER (equivalent to N, the default reply). The program will return to the MEASURING mode.

If the displayed data needs to be saved, press Y to display the memory contents, a total of 96 numbers and names (data records) on four “pages”. 24 data records can be viewed at one time; use the ↑ and ↓ keys to display the other pages.

Space can be cleared in the memory by selectively deleting separate numbers of records, e.g. record numbers 5 and 17 (type in 5,17 then press ENTER); or by deleting a complete group, e.g. records 22-35 inclusive (type in 22-35 ENTER); or even by deleting the complete memory contents (press A = ALL then press ENTER). In each case the deletion will be followed by an automatic return to the MEASURING mode.

Overwrite? (Y/N) N will also be displayed if the name listed in sub para (h) 1 is occupied. Y will overwrite the earlier package of parameters and data. N will automatically return the program to the MEASURING mode.

Note: Delete records as soon as they are no longer needed. Unwanted records stored in the memory slow down the program and can cause the **Storage Memory Full** message to appear.



Section 4 – Computers

- (j) Stored records can also be deleted via the UTILITY program. This is entered from the MEASURING mode by pressing first BRK to display the MENU, the CTL and 8 together to select option 8, UTILITY.
- (k) The Utility menu displayed at the bottom of the screen offers six options, selected by pressing CTL together with the appropriate number key from 1 to 6.
1. **Prnt** (Print) causes one or more selected stored records containing parameters, data and notes to be printed out (providing a printer has been connected via the TRC serial data connector). The desired record or records are selected from the complete list of record numbers displayed on the screen by typing in the appropriate number or numbers followed by ENTER. The record numbers are defined in the same way as described in the deletion procedure, in sub para (h) 4.
 2. **Dspl** (Display) causes all the stored record numbers and names to be displayed as a list on the screen, so that specific records can be found and displayed under their assigned record numbers.
 3. **Ctrl** (Control) is used to check incoming data from the display unit.
 4. **Cnst** (Constant) is used for checking and entering calibrating data.
 5. **Clck** (Clock) is used to set the time and date.
 6. **Dstr** (Delete storage) is used for deleting stored data.

BRK is used to reselect the MENU.

If option (k) 2 or (k) 6 is selected for deleting, the following procedures apply:

2. **Dspl** (Display) This menu choice can be used to determine which data records will be deleted from the memory to leave space for new data. The first 24 record numbers and names will be displayed; use the ↑ or ↓ keys to display records contained on the other “pages”. If it is required to display all data which has been stored under a specific record number type in that number. The number will be displayed at the cursor position as it is typed in. Check that it is correct and then press ENTER.

The following may be displayed:

NOT FOUND which means that no data block exists in the memory under this number.

or

WRONG NUMBER which means that the entered number is outside the range 1 to 96.

Press BRK to return to the Dspl function, and if required press BRK once more to return to the UTILITY menu.

6. **Dstr** (Delete Storage) This option is used for deleting records. First type in the number of the record or records to be deleted. This number will be displayed at the cursor position as it is typed in. Check that it is correct and then press ENTER.

Note:- more than one record may be deleted at one time:

type A to delete all records and thus empty the memory

type n,n,n to delete individual records

type n-n to delete a group of records



Section 4 – Computers

Storage space made available by deleting unwanted records can now be used for storing new records.

Entering the Program and Inserting Scanner Parameters

When the TRC is operated for the first time, or when restarting from CP/M, the scanner type and serial number will be loaded into the program from the scanner.

- (a) After the scanner type and serial number have been loaded, the program will search for a calibration table. If the table is found, the program will enter the menu/parameter and if no table is found, the following prompt will appear:

Create calibration table? (Y/N) N

The default answer is (no), and if this is selected by pressing ENTER the existing calibration files are displayed and by pressing any key the program will load the scanner type and serial number again.

Press Y (yes) if new scanner parameters are to be loaded or entered, then the program will proceed to Cnst in UTILITY.

If there is no contact between the computer and the scanner, there will be a timeout after approximately 5 seconds then it will be possible to enter the scanner type and serial number via the keyboard.

- (b) If a new scanner type for which no calibration file exists, the display will prompt with:

Load calibration table? (Y/N) N

Normally the answer is yes Y, and if this is selected, the calibration tables will be loaded from the scanner. The program will return to MENU after loading is completed. When loading, “. . . .” is displayed on the screen. When completed an acoustic signal will be heard. Press N if the calibration data is to be entered via the keyboard, the display will prompt with:

Lens
Filter
Serial numbers
Cal dist

The default lens and filter values are 20 degrees and NOF respectively. Then enter R, B and F constants for each aperture. If ↓ or TAB is pressed, the following prompt appears:

Changing Alpha/Beta? (Y/N) N The normal reply is N, however, if Y is pressed the Alpha/Beta values will be displayed and if N is pressed the following prompt appears:

Continue? (Y/N) N If Y is pressed the program will return to lens and filter input and if N is pressed the program will return to UTILITY menu.

Note If a non-standard filter is being used, Alpha/Beta for that filter has to be entered.

Press TAB to store the R, B and F constants or Alpha/Beta values as appropriate.



Section 4 – Computers

Two scanners and lens/filter combinations with their corresponding constants can normally be stored (depending on the total of filters, lenses etc. that are stored).

The UTILITY is normally used for the first time operation in the following functions:

- (c) **Cnst** (Constant) When CTL is pressed together with 4, this option can be used to check, enter or correct calibration data, constants etc. The following will appear:

Scanner type, Serial No and Prompt D (identification of PROM). All three values are transferred from the scanner. Press ENTER to continue.

- (d) **Click** (Clock) When CTL is pressed together with 5, the clock time and date can be set. These consist of day, month, year, hour, minute and second, and are set by moving the cursor with the ← and → keys, and increasing the displayed value with ↑ or decreasing it with ↓ until the required value is shown. ENTER must then be pressed to confirm the value.

Time is set to the nearest minute, but it can be set to a precise second by setting the minutes figure one minute ahead and then pressing ENTER at the exact synchronization time. The program then returns to the UTILITY menu.

- (e) In the MENU display, a choice of temperature values displayed in degrees Celsius or Fahrenheit can be made.

Press CTL together with 6 for Celsius and CTL and 7 for Fahrenheit.

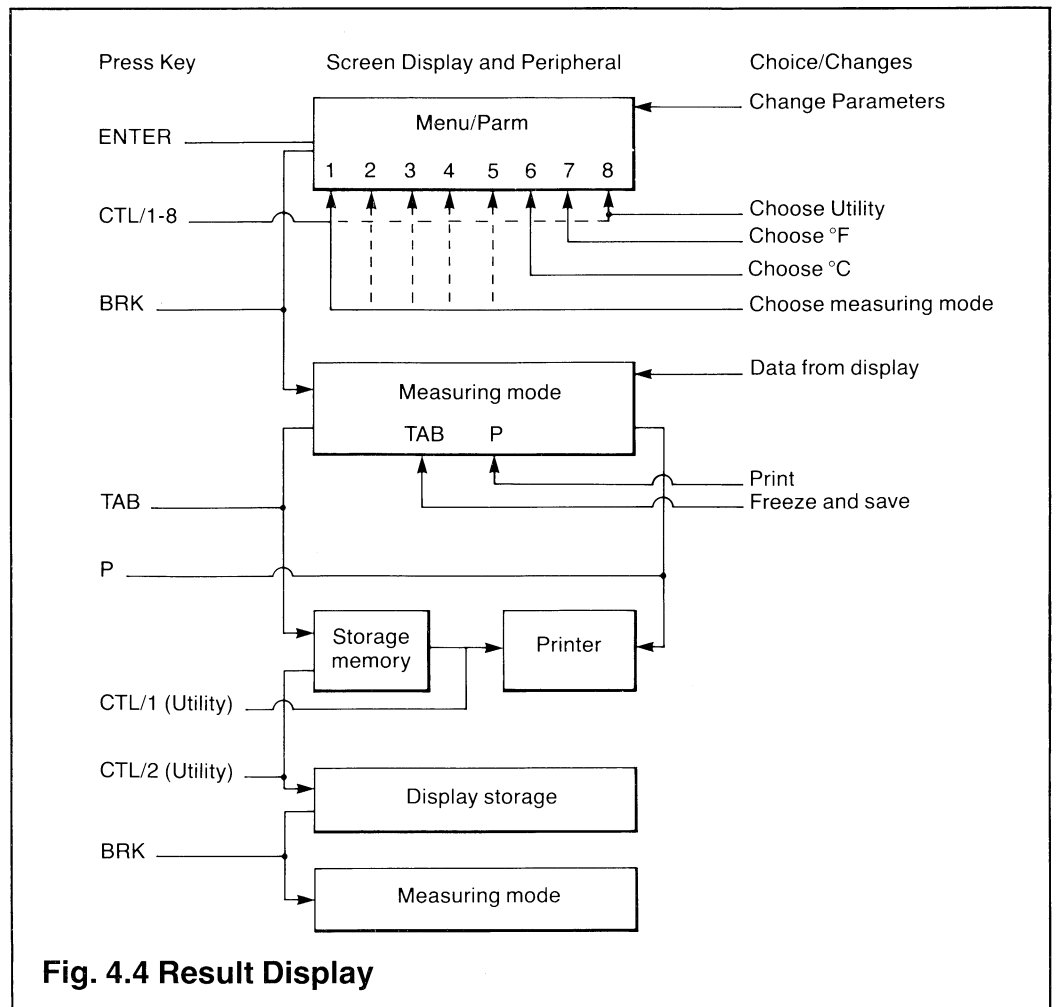
Additional TRC Information

The HUSKY HUNTER computer can be used on its own as a quite powerful and very rugged portable computer which can be programmed in Basic. In this case the original operating manual should be used. However, if you do exit the special Thermovision® program which has been loaded into the computer, to enter CP/M and Basic, ensure that you **do not** also erase the Thermovision® program. If by accident you do erase the program, or for any other reason have difficulty with it, return the TRC to the AGEMA sales organisation.



Section 4 – Computers

(a) TRC Program Flow Chart and Summarized Operating Procedure.



Brief operating procedure

1. Switch on Thermovision®
2. Select MENU/parameters display
3. Select and change parameters as necessary – ENTER
4. Measure – BRK
5. Save measured data – TAB
6. Add notes then print – P
7. Save record under assigned name – ENTER
8. Print from storage – CTL/1 in Utility
9. Return to measuring mode – BRK



Section 4 – Computers

(b) List of Abbreviations

Although many abbreviations are self-explanatory, or have been interpreted previously, the following is a complete list which may be used as a glossary.

Keyboard abbreviations

CTL/FN	Used with a specific numerical key to select a menu function
ENTER	Used to terminate an input sequence of letters and/or numbers and to enter the value into the program
ESC/BRK	BRK is used to exit from one part of the program and enter another, e.g. to move from the measuring display to the results display. ESC (shifted ESC/BRK key) is not used within the Thermovision® program
PWR	TRC power on/off
TAB	Assigned to implement the SAVE function in the MEASURING mode

Display abbreviations

Time is displayed in hours, minutes and seconds. The clock runs continuously, even when the TRC is switched off.

The date is expressed as the month (shortened to three letters), day and year (last two figures).

8xxxxxxxxxx	Thermovision® scanner type 8xx (wave band LWB/SWB and serial number)
Amb tmp	Reflecting ambient temperature surrounding the object which is to be measured
Aper	Selected scanner aperture position
Atm tmp	Atmospheric temperature
C	Degree Celsius
Cal dist	Calibration distance (Scanner to object)
Clck	Time and date clock
Cnst	Constants and calibration data
Const	Constants of R, B and F
Ctrl	Check that incoming data is correct
Diff	Differential temperature measuring mode
DirE	Direct emissivity mode
DirT	Direct temperature measuring mode
Dspl	Display saved parameters
Dstr	Delete items from memory storage
F	Degree Fahrenheit
Filt:NOF	Filter selected; no filter in this case



Section 4 – Computers

ISO	Isotherm as set on the Thermovision® Display Unit
Lens:20	Scanner lens with 20° field of view
m	Distance in metres
Menu/Parm	Display containing main MENU and measuring parameters
Obj dst	Distance between the object and the scanner
Obj ems	Emissivity at the surface of the object
P	Printout of displayed data
Pbflag	Play-back flag (shown = 1 on UTILITY Ctrl screen when VTR is in operation)
Prnt	Printout of saved parameters
Promid	Identification number of PROM in the scanner
RelE	Relative emissivity measuring mode
RelT	Relative temperature measuring mode
Ser-no	Serial number of lens and filter
TAB	Assigned to save displayed values into the memory
Util	UTILITY menu for saving, checking, printing etc.

(c) Error Messages

The following messages may be shown on the top line of the display screen:

ONLY NUMERICS ALLOWED	Wrong input, only numeric values.
WRONG EMISSIVITY	Wrong input, should be in the range 0.01-1.00.
WRONG APERTURE	Incorrect input, should be one of the, following: 0, 1 ,2
WRONG LENS	Incorrect input, use lens applicable to instrument
WRONG FILTER	Incorrect input
WRONG LENS/FILTER	Incorrect lens/filter combination
DISTANCE TOO LONG	Distance between scanner and object too long
WRONG CAL CONSTANT	Incorrect R, B or F constants
YOU MUST ENTER DATA	Data is missing in one or more input fields
OTHER CALC ERROR	Other calculation error
ISO VALUE < = 0	Calculated isotherm value less than zero
AMB TMP = OBJ TEMP	Ambient temperature is equal to object temperature



Section 4 – Computers

WRONG NUMBER	Entered number for stored data is not within range 1 to 96
NOT FOUND	Data block does not exist
TOO MANY FILTERS	When trying to enter more than nine filters
WRONG SCANNER	If the scanner type and serial number from the scanner do not correspond with the scanner type in the computer

(d) Default Values

The Thermovision® program contains the following default values. These values are inserted in the program sequence automatically if ENTER is pressed at the appropriate time.

On the MENU/PARM display screen the following are default values: Amb tmp: 20°C, Obj dst: 1m, Obj ems: 1, Lens: 20°, Aper 0; Filt: NOF.

In MEASURING Mode – If the storage memory is full, the default for Overwriting is N in order to avoid overwriting by mistake.

In UTILITY mode, when entering/checking the calibrating data, the R, B and F constants are default set to 0 for a new scanner. For NOF and standard filters the Alpha and Beta values are default.

In UTILITY mode, when entering the CP/M operating system, the default value to the 'Enter CP/M? (Y/N): prompt is N.

(e) Power Supply

The TRC is delivered with four 1.5 V dry batteries installed and one extra set of rechargeable 1.24 V NiCd batteries.

Note:

1. The TRC should use dry batteries if it is to be stored for long periods of time, as they have a longer lifetime than rechargeable cells. If this is not carried out, the program may be lost.

As an extra security there is a second back-up battery built into the HUNTER, which is recharged by the exchangeable set.

2. For regular use of the TRC, it is advised to use the set of rechargeable batteries (after giving them an appropriate charge) and **not** dry batteries. There is a risk for overcharging if the Display Unit is left switched ON but the computer switched OFF.



Section 4 – Computers

3. The Thermovision® Display Unit, when switched on, will charge the TRC both during operation and when the TRC is switched off. During normal operation the TRC will get a charge but not enough to keep the rechargeable batteries charged (typical holdtime will be 7 hours). If the batteries are low, switch off the TRC and leave the Thermovision® display unit on (with the scanner disconnected). **NEVER use this method of charging if standard dry cells are installed in the HUNTER, as they can leak or explode.** The Thermovision® display charges at a rate of 50 mA, but the HUNTER consumes about 100 mA when in operation. Thus there is no risk of overcharging as long as the HUNTER is switched on.
4. If the batteries are low, it is recommended that you connect a 50 mA charger to the TRC when it is out of use for approx. 14 hours.

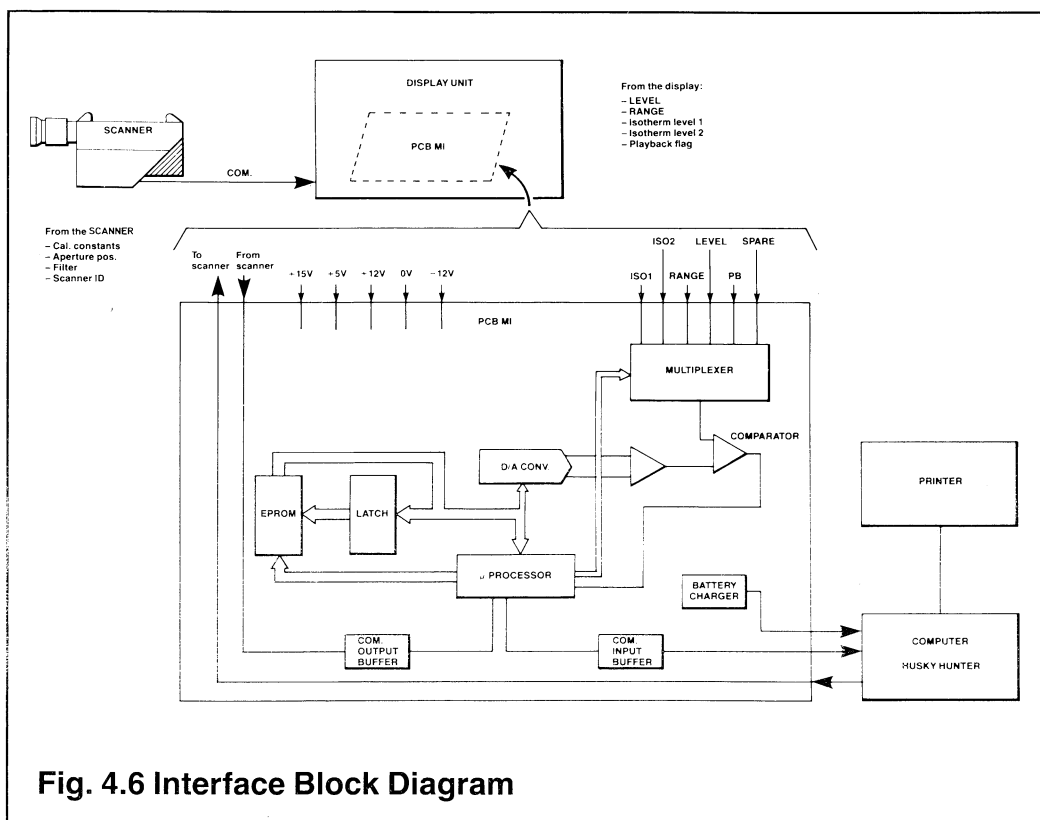


Fig. 4.6 Interface Block Diagram

(f) Technical Specification

The general specification for the computer can be found in Section 9.1 of the HUNTER Operating Manual.

The TRC capacity is 144 kbyte of which 80 kbyte is RAM (held on disk) and 40 kbyte is ROM.

The TRC software is written in Microsoft BASIC which has been compiled for faster operation.

The program can be transferred between two HUNTERS. See HUNTER Operating Manual, Section 3.



Section 4 – Computers

The contrast on the screen can be changed by pressing CTL ↑ and ↓.

If the computer gets no data from the Thermovision® Display Unit, it will give an acoustic alarm. If after 5 minutes, the computer still has not received any data, it will switch itself off. This will occur in any case if the Thermovision® Display Unit is not switched on.

In the left, lower corner of the screen there is a blue moisture indicator. If this turns pink, return the HUNTER to the AGEMA sales organisation. See also Section 8.4 in HUNTER Operating Manual.

(g) TRC Thermovision® program exit and re-entry routines

To exit from the Thermovision® program to CP/M, select the UTILITY menu and then press CTL together with 7. The following message will appear.

If you want to enter CP/M make sure that you do not erase the TRCH800 (depending on the Thermovision model) COM file. Please consult the Hunter manual.

Enter CP/M? (Y/N) N

Press Y and ENTER to obtain the CP/M menu. The Display screen shown in Section 3.1 of the HUNTER Operating Manual will be shown.

When you want to re-enter the TRC program type TRCH800 and press ENTER.

(h) Printer Interface and Recommendation

Printout is normally possible with standard serial printers using the RS 232/V24 port at a baud rate of 4800. For field use, HUSKY can deliver a battery operated unit – the HUSKY REPORTER. We recommend you to contact your AGEMA representative for further information.



SECTION 5



Section 5 – Display Unit VTR Interconnection

Introduction

There are two methods of video recording when operating with Thermovision®. Either with a built-in adapter circuit to which a modified VTR (Video Tape Recorder) is connected or by using the optional accessory DISCON (Digital Infrared System for Coloration).

In the former method the PICTURE MODE switch and the ISOTHERM LEVEL controls can be utilised during play-back to enable the image to be analysed on the Thermovision® Display Unit.

With the latter method a standard VCR (Video Cassette Recorder) can be connected directly to DISCON. Using this method the image can only be played back on a standard monitor in the same form it was recorded.

However, it is possible to operate both techniques independently and to transfer images recorded on a VTR to a VCR by interconnection via DISCON.

Video Recording (using VTR)

When a modified VTR is connected to the Thermovision® Display Unit the video signal for recording is extracted from the video chain after the THERMAL LEVEL and THERMAL RANGE, this is termed 'B' or system video. On playback the gray level of the image is restored by clamping circuits. It is recommended that a log book is maintained during recording and the settings of the THERMAL RANGE and LEVEL controls noted so that accurate analysis can be carried out when playing back the video recording. If this is not carried out the analysis, when using the isotherm levels, can give erroneous results.

The accuracy of the measurement is directly dependent on the quality of the VTR being used. During all recordings only the highest quality tape should be used and the VTR recorder heads should be kept clean as described in the handbook associated with the VTR.

Setting Up

Prior to carrying out a video tape recording the equipment should be set up as described in Section 2 and 8. Detailed operation of the VTR is explained in the Operating Manual accompanying the VTR being used.

Connect the VTR, using the special cable supplied, to the VTR OUT/IN socket on the rear panel of the Display Unit and to the CAMERA input of the VTR (Fig. 5.1). Load the cassette into the recorder in accordance with the instructions and the equipment is ready for use.

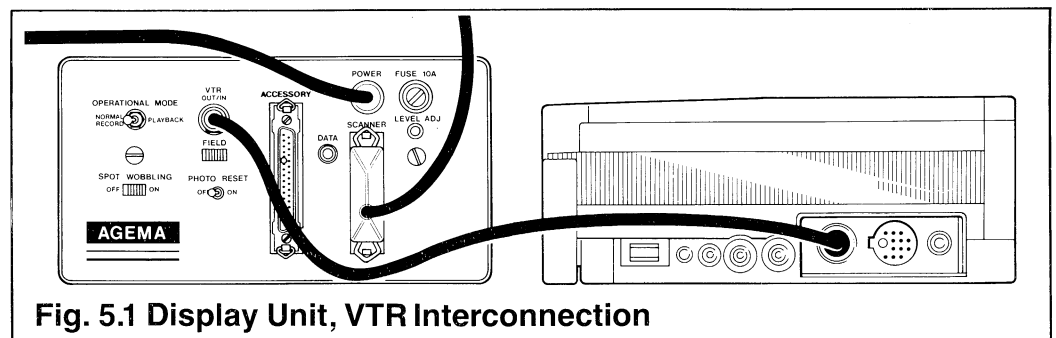


Fig. 5.1 Display Unit, VTR Interconnection



Section 5 – Display Unit VTR Interconnection

Record

To record an image after setting up the equipment the OPERATIONAL MODE switch on the rear panel of the Display Unit should be set to 'NORMAL/RECORD'.

Play-back

To play-back recorded tapes, the OPERATIONAL MODE switch should be set to 'PLAY-BACK'.

In play-back mode it is not necessary to have the scanner connected to the display.

Connecting Accessories

Figure 5.2 details the interconnection of the Display to DISCON, VTR and TIC-8000.

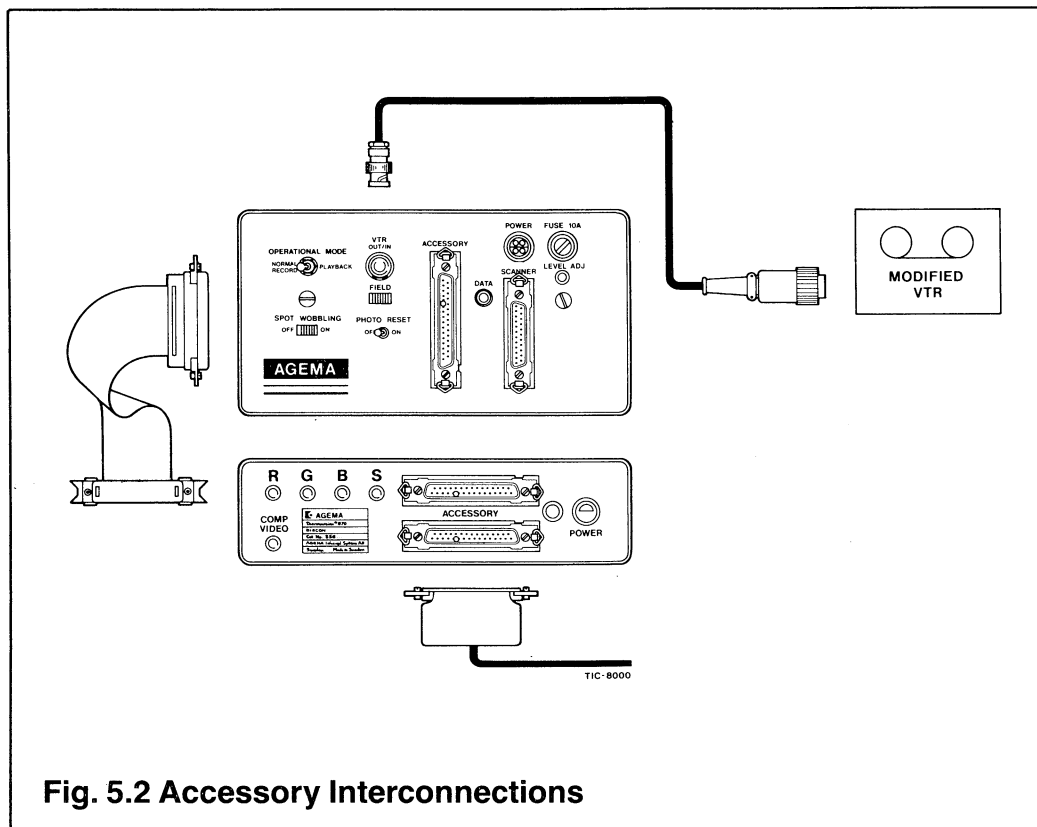


Fig. 5.2 Accessory Interconnections



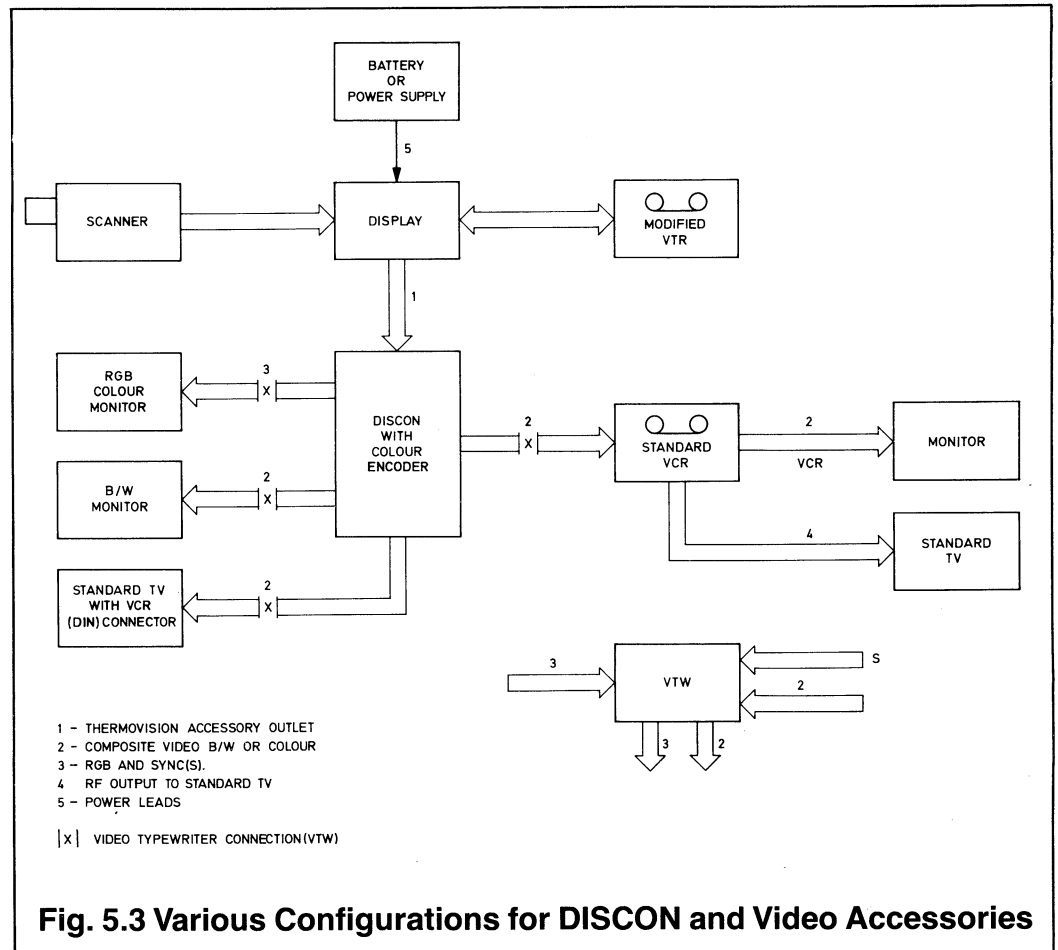
Section 5 – Display Unit VTR Interconnection

Video Recording (using VCR)

If a standard VCR is connected to Thermovision® the scanning and interlacing system has to be modified by utilising a specially developed converter DISCON. Almost any standard VCR can be connected but it is advisable to confirm with your representative to ensure that the VCR is suitable.

Using this system the recorded image together with the recorded Thermal level, range and isotherm settings can be played back in black and white using a standard television set or in colour if the television set has a VCR input. This is possible using the built-in colour encoder which can be set for NTSC or PAL systems. The image is presented in real time but can be adapted to a frozen image by utilising the FREEZE function on the DISCON unit. This is advantageous when studying an image or for photographic recording.

Figure 5.3 shows some possible configurations using DISCON and video accessories.



NOTE: The VCR recording cannot be played back onto the Thermovision® Display Unit for evaluation, it can only be shown on a monitor or used with other TV compatible equipment.

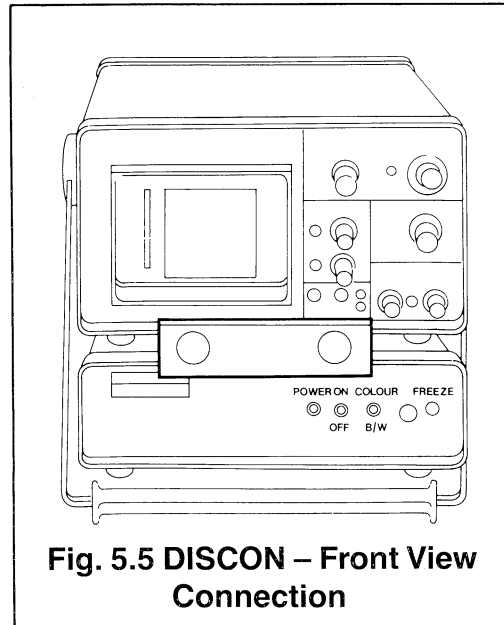
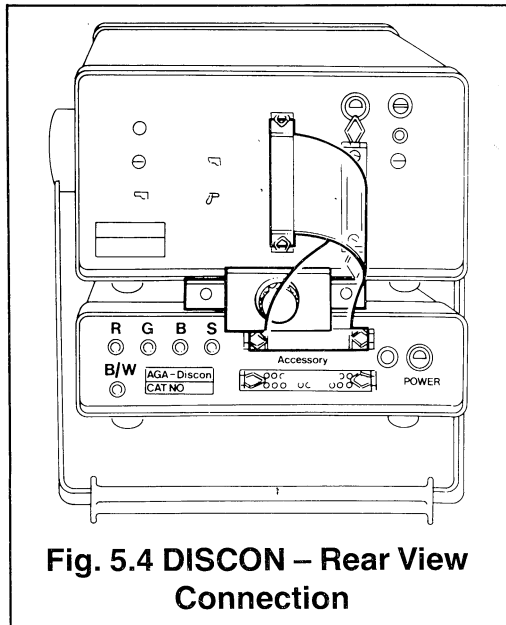


Section 5 – Display Unit VTR Interconnection

DISCON

DISCON (Digital Infrared System for Coloration) is a real-time system used to convert a black and white Thermovision® image into a 10 colour picture using the standard television scanning rate. Additionally, DISCON also provides a composite black and white or colour video output which allows recording or processing on a standard television system (VCR input for colour), as well as displaying the temperature range and isotherm levels.

The DISCON unit is lightweight and portable which makes it very suitable for both field or laboratory use. Figures 5.4 and 5.5 show the front and rear connectors and the central clamp of DISCON.



Brief Functional Description

Video signals from a modified VTR or from a Thermovision® scanner are processed in the Display Unit and fed to DISCON, composite B/W or colour video or RGB colour outputs are connected to a recording VCR or an appropriate monitor.

Installation

The DISCON system comprises the DISCON unit, a central clamp, an interconnecting ribbon cable and power cable. The DISCON unit is normally mounted beneath the Display Unit in order to allow the photo recording accessory to be attached.

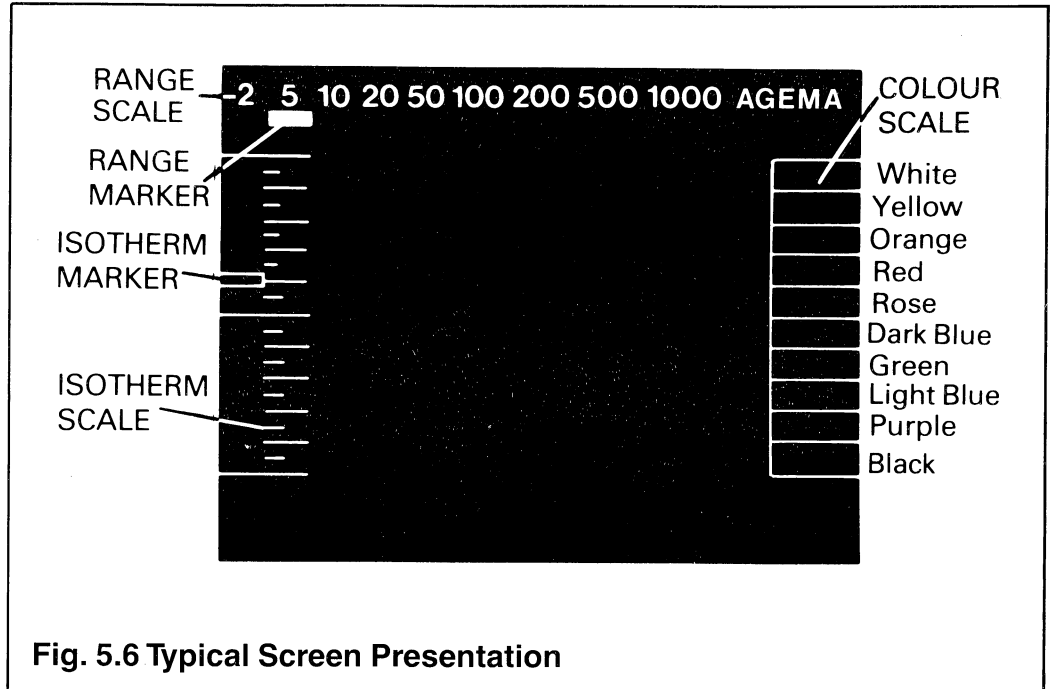
- (a) Install DISCON on the table top and lay the central clamp on the top of DISCON with the adjuster to the rear of the unit. Locate the lips of the clamp on the front and back edge of the unit.
- (b) Lay the Display Unit with the handle turned out of the way over DISCON and the central clamp.
- (c) Tighten the clamp securely by rotating the adjuster.



Section 5 – Display Unit VTR Interconnection

- (d) Turn the Display Unit handle around beneath DISCON. The mounted unit is shown in Fig. 5.4 and 5.5.

DISCON provides a ten pseudo-colour image display, each colour represents a given temperature interval. Figure 5.6 illustrates a typical screen presentation which includes the colour, isotherm and range scales.



Interconnection

Operating from the Mains Supply

Connect the power supply to the power socket on the rear of the DISCON and Thermovision® Display Units respectively, using the extension cable supplied.

Connect the COMP. VIDEO output from DISCON to the television monitor or to the VCR as applicable.

The colour monitor outputs RGBS (Red, Green Blue, Sync) on the rear of DISCON are connected to the corresponding BNC sockets of the monitors.

Connect the ribbon cable supplied with DISCON between the ACCESSORY socket on the Display Unit and the ACCESSORY socket on DISCON. The second accessory socket can be used to connect any Thermovision® accessory to the system.

Connect either the scanner or the VTR to the Display Unit.

Switch on the power to the Thermovision® Display Unit and to DISCON.

The DISCON system is now ready for operation.

Battery Operation

When operating in the field two batteries must be used. Connect the cable from the battery packs to DISCON and the Display Unit respectively. Two heavy duty battery packs give an operating time of approximately two hours.



Section 5 – Display Unit VTR Interconnection

Table 5.1 DISCON front panel controls and indicators

CONTROL	FUNCTION
ON/OFF	Controls the power to DISCON.
COLOUR/B/W	Selects the output required from DISCON
FREEZE	Provides a facility to freeze an image as required
INDICATORS	
Green LED	When lit shows power is connected to the unit
Yellow LED	Lit when the FREEZE button is selected

- NOTE:** 1. A switch inside DISCON can be set for American EIA or European CCIR systems. Normally this is set at the factory and does not require resetting.
2. Figure 5.5 shows details of the front of DISCON and Figure 5.2 details the interconnection.

Specification DISCON

Input:	Input signals from Thermovision® accessories outlet
Output Black and White:	Composite video, 1V p-p 75 ohm EIA and CCIR format
Output Colour:	RGB 0.7V p-p, 75 ohm Sync. 2V p-p, 75 ohm EIA and CCIR format
Picture Modes:	Black/White, Colour, Freeze
Power Source:	Separate battery or power supply, 12-15V, 15VA
Size:	215 × 70 × 260 (W × H × D)
Weight:	2kg



Section 5 – Display Unit VTR Interconnection

Additional Video Accessories

Video typewriter (VTW)

This character generator (Fig. 5.7) gives the operator the opportunity to include text on the screens of the extra monitor connected (not the Display Unit) or the tape. Besides names and numbers the date and time is automatically displayed and a start/stop timer function is included.

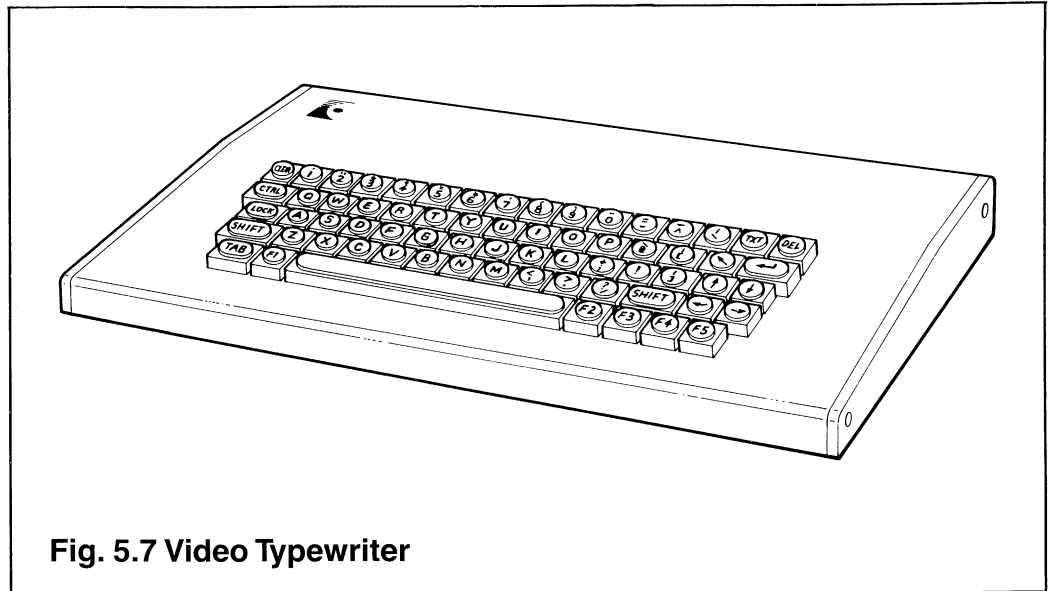


Fig. 5.7 Video Typewriter

Interconnections

The typewriter can be used with a monitor utilising RGB on composite video signals but always in connection with DISCON. The video typewriter is equipped with the following connectors viewed from the rear of the unit:

R IN, R OUT; G IN, G OUT; B IN, B OUT; S IN, S OUT (loop through), TERM (75 ohm); POWER (on/off); 110 – 220 (switch); MAINS (connector).

Connect RGBS from DISCON to the equivalent IN on the video typewriter and the RGB outputs on the monitor to OUT. TERM switch in position to the right (= on) for S. (TERM for RGB fixed in ON position.)

When only a composite signal is available connect the typewriter in the following method:

DISCON sync to video typewriter IN; DISCON COMP VIDEO to one of R, G or B on the video typewriter IN and OUT to the monitor composite input (if the monitor has an EXT/INT sync, set switch to INT).

DISCON is equipped with a colour encoder, the image and scale can be presented in colour, with a composite signal but without an encoder only in gray tone. The text will always be in white when using a composite signal.

Recording the image with text, using a VCR, is possible if the monitor has a composite OUT socket.

Note that DISCON can only operate when the VTW is in on-position (green indicator lamp lit). Normally, the video typewriter can be left on as the power consumption is negligible.



Section 5 – Display Unit VTR Interconnection

Keyboard Functions

CE	Cursor on/off. In ON position the cursor is flashing and indicates the starting position. In OFF position the cursor is not shown but typing is possible.
INS	On/off for text
TAB	Moves the cursor to the next tabulated position on the line

Combination Functions when CTRL is Pressed:

DEL	Erases all the text on one page
TAB	Moves the cursor to the closest tabulated position on the whole screen
P	Together with a figure (1-4) for selecting one of four pages. Page number is displayed for some seconds after change or when the instrument is switched on
F	Gives a blank character on the screen, which starts a flashing function. The next character(s) will flash until the next blank character (now SPACE) is pressed
D	Date and time on/off in a position determined by the cursor. NOTE: Position the cursor before activating D
C	Changes the colour of the text
B	Background on/off
T	Timer function on/off in position determined by the cursor. NOTE: Position the cursor before activating D
SPACE	Blank character without background (e.g. if you write over the image) or stops flashing
S	Timer on/off
Z	Timer reset to zero
F1	Activates the F1 functions
F2	Activates the F2 functions

Functions of F1:

1. CTRL + R Erases tabulator positions along a line (programmed as detailed in sub para 2)
2. CTRL + S Programming tabulator positions (max. 4) along a line
3. CTRL + T Erases tabulator positions over the screen (programmed as detailed in sub para 4)



Section 5 – Display Unit VTR Interconnection

4. CTRL + D Programming tabulated positions anywhere on the screen (max. 4)
5. Date and time can be changed by placing the cursor over the figure to be changed and then press one figure (0-9 without shift). Only in this case, the cursor should be left in the text of date/time to avoid accidentally erasing or changing of the characters (with F1 function on).

NOTE: When working with an electronic keyboard, the keys should be operated with a soft distinct touch. Never leave the finger on the key, this will start the repetitive function and possibly confuse the tabulation programme.

Functions of F2:

The keys a-o and A-O generate graphical characters

Specifications

Video Typewriter for use with Thermovision® DISCON monitor

Video in	RGB 0.7V p-p
Sync in	0.3-4V p-p. Negative loop through
TV-standard	CCIR/EIA selectable
Character matrix	8 × 16 (8 × 9) upper and lower case with or without background
Number of characters	32 per 14 lines
Page memory	4 pages
Cursor	Full flashing cursor control. Up to 4 starting positions vertically and 4 positions horizontally can be tabulated.
Flashing	Single characters, words or whole lines can be made to flash.
Time/date	Year/month/day/hour/minute/second on two lines with 8 characters each. Timer on one line with 6 characters hour/minute/second. Both functions can be positioned separately using the cursor. Battery back-up for clock and memory.
Net weight	3.5 kg
Dimension	410 × 240 × 50 mm (W × D × H)



Section 5 – Display Unit VTR Interconnection

Colour Monitor Photo Recording

Recording the colour image from a monitor can be performed in several different methods.

The simplest method is to mount a camera onto a tripod in front of the colour monitor screen, reduce or turn OFF the light in the room and expose the film.

A second method is to use a standard hood with built-in camera – usually a Polaroid (Fig. 5.8).

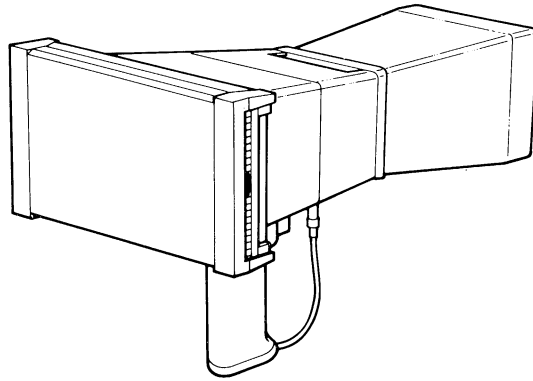


Fig. 5.8 Polaroid Camera using Standard Hood

A further method allows the operator to work in full daylight or to swing the hood away for viewing the screen. This Photo Recording attachment is designed for use with Sony RGB Monitors PCM1370QM (Fig. 5.9).

Installation and Operation

Remove the two screws holding the glass in front of the screen of the Sony Monitor. Install the Photo Recording attachment in place of the glass and secure with the two screws (see Fig. 5.9).

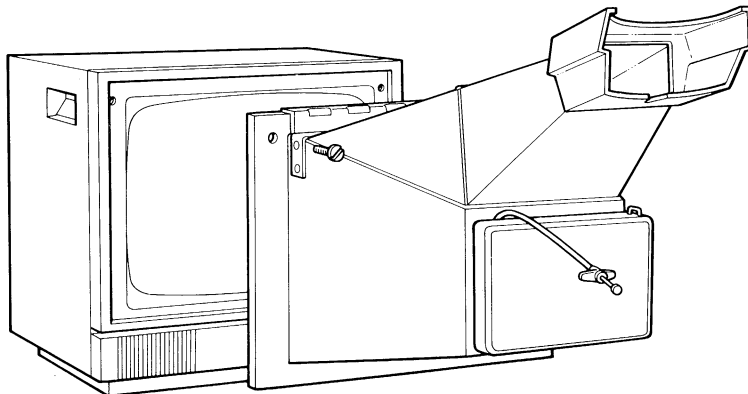


Fig. 5.9 Photo Recording Attachment Assembly



Section 5 – Display Unit VTR Interconnection

Swing down light shade to cover the whole monitor screen.

Attach either the Polaroid film camera or the 35mm camera (Canon® AT-1 or AE-1) complete with adapter (Fig. 5.10), by inserting the mounting plate in the grooves at the bottom of the frame. Swing the camera forward until both plastic side locks snap into place. To remove the camera press both side locks and carefully swing the camera down.

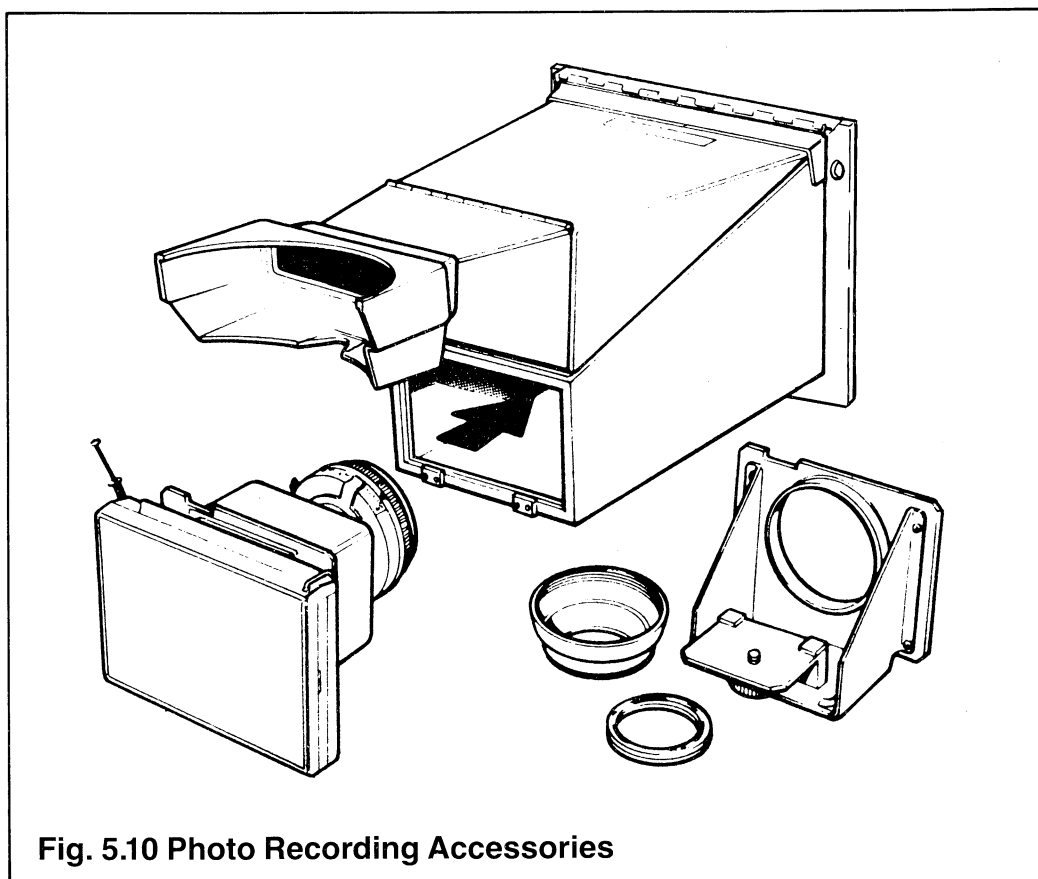


Fig. 5.10 Photo Recording Accessories

WARNING: NEVER MOUNT THE LENS DIRECTLY ON THE CAMERA BODY WITHOUT FIRST REMOVING THE ADAPTER. THE ADAPTER IS ONLY USED IN COMBINATION WITH THE EXTENSION RINGS.

To assemble 35mm camera, first install the extension ring (Canon M5-5mm), then the lens (Canon FD-50mm f/1.8) and finally the rubber hood on the camera body. Attach the camera assembly to the adapter using knurled grub screw at bottom of angle bracket. Slide rubber hood over flange on the adapter. Check that no light leaks between rubber hood and flange, as this could fog the film.

Adjust the shutter speed and aperture as detailed in Table 5.2. Exposure is dependent on the brightness and contrast settings so test exposures are recommended. Too high brightness level will give pale colours and poor colour discrimination.

Check the focus setting in the camera viewfinder and adjust the range and focus if necessary.



Section 5 – Display Unit VTR Interconnection

The camera is now ready for use. When making exposures ensure the viewing hood is covered, alternatively swing away hood and press top of light shade to close the opening.

NOTE: On the new model of FD lens, without the chrome mounting ring, the automatic aperture lever at the rear of the lens must be in the fully counter-clockwise position for manual shutter control. For this a manual diaphragm adapter must be fitted. Insert the slot of the adapter over the automatic aperture lever, push the lever counter clockwise and lower the adapter into the groove.

Table 5.2 Exposure

Film	Shutter	Aperture
Polaroid Type 108 Polarcolor 2 Land film	1/4* – 1s	f/1.8
Kodachrome 25	1/4 – 1s	f/2.0
Kodachrome 64	1/4 – 1/2s	f/2.8
Kodak High Speed (Ektachrome EHB)	1/4 – 1/2	f/5.6
Kodacolor	1/4 – 1/2s	f/2.8

* 1/4s on Polaroid® Type 108 only if colour contrast is at maximum.



SECTION 6



Section 6 – Troubleshooting Guide

Introduction

The following guide lists operational faults that may occur when using the Thermovision® system. It is assumed that the equipment is connected to the correct ac supply and that the POWER is set to ON.

The guide is divided into three sections which deal with symptoms arising during switch-on, whilst running, and when the Polaroid attachment is being used for taking photographs of the image displayed on the screen. It does not include faults that may occur in accessories. In such cases please contact the representative or refer to any relevant separate information sheets.

Faults relating to DISCON or computers are not included in this manual as separate publications are available.

Table 6.1 Faults During Switch-On

Symptom	Possible Causes	Actions
POWER lamp does not light and polygon drive motor is not heard to start.	Battery flat.	Change battery pack or use Power Supply/Charger Unit.
	Power Supply connection at rear of Display Unit not correctly terminated.	Remove and refit connector correctly.
	Battery fuse at rear of Display Unit blown.	Replace fuse (4A).
Image appears on screen but THERMAL LEVEL control is not effective.	MEASURE/PAN switch set to PAN.	Set MEASURE/PAN switch to MEASURE.
POWER lamp lights but polygon drive motor is not heard to start.	Problems in the Display Unit or scanner unit circuits.	Contact representative.
POWER lamp lights, polygon drive motor is heard to start, screen lights up but there is no image and the THERMAL LEVEL control is not effective.	Problems in the Display Unit or scanner circuits.	Contact representative.
POWER lamp lights, polygon motor is heard to start, screen does not light up.	BRIGHTNESS and/or CONTRAST controls incorrectly set.	Adjust BRIGHTNESS and CONTRAST controls as described in Section 2.



Section 6 – Troubleshooting Guide

Table 6.1 Faults During Switch-On (continued)

Symptom	Possible Causes	Actions
	THERMAL LEVEL set too low.	Turn THERMAL LEVEL control clockwise.
	PICTURE MODE switch set incorrectly.	Set PICTURE MODE switch to NORMAL or INVERTED as required.
	MEASURE/PAN switch set to PAN.	Set MEASURE/PAN switch to MEASURE.

Table 6.2 Faults Occurring Whilst Equipment is Running

Symptom	Possible Causes	Actions
Image on screen has insufficient contrast between objects of significantly different temperatures.	MEASURE/PAN switch set to PAN.	Set MEASURE/PAN switch to MEASURE.
	BRIGHTNESS and/or CONTRAST controls.	Adjust BRIGHTNESS and CONTRAST controls as necessary.
	THERMAL RANGE switch setting too high (low sensitivity) for the object temperature.	Reduce THERMAL RANGE switch to achieve best image.
White lines appear at bottom of screen and gradually move upwards.	Moisture or condensation on front of lens.	Allow time for lens to warm up. Large amounts of moisture may be removed with soft lint-free cloth, or lens tissue.
	Batteries gradually being discharged.	Change battery pack or use Power Supply/Charger Unit.
	External electro-magnetic field influencing cathode ray tube of Display Unit.	Move or shield Display Unit against electro-magnetic field.
	Incorrect mains voltage setting on Power Supply/Charger Unit.	Check mains supply voltage and set Power Supply/Charger Unit accordingly.



Section 6 – Troubleshooting Guide

Table 6.3 Photographic Faults

Symptom	Possible Causes	Actions
Photograph shows flare on letters and isotherm scale numbers.	<p>MEASURE/PAN switch set to PAN.</p> <p>THERMAL LEVEL is set too high.</p> <p>PHOTO connector at front of Display Unit not correctly engaged in socket.</p> <p>PHOTO BRIGHTNESS and/or CONTRAST controls incorrectly set.</p> <p>Polaroid film camera lens set to incorrect f stop.</p>	<p>Set MEASURE/PAN switch to MEASURE.</p> <p>Turn THERMAL LEVEL control counter-clockwise.</p> <p>Remove and ensure the connector is correctly positioned.</p> <p>Adjust PHOTO BRIGHTNESS and CONTRAST screw-driver controls as described in Section 2 (manual) and Section 3 (preset).</p> <p>Adjust Polaroid film camera aperture to f/8.</p>
Photograph has lines or looks grainy.	<p>SPOTWOBBLING switch set to OFF.</p> <p>Polaroid film camera lens set to incorrect f stop.</p>	<p>Set SPOT WOBBLING switch to ON.</p> <p>Adjust Polaroid film camera aperture to f/8.</p>



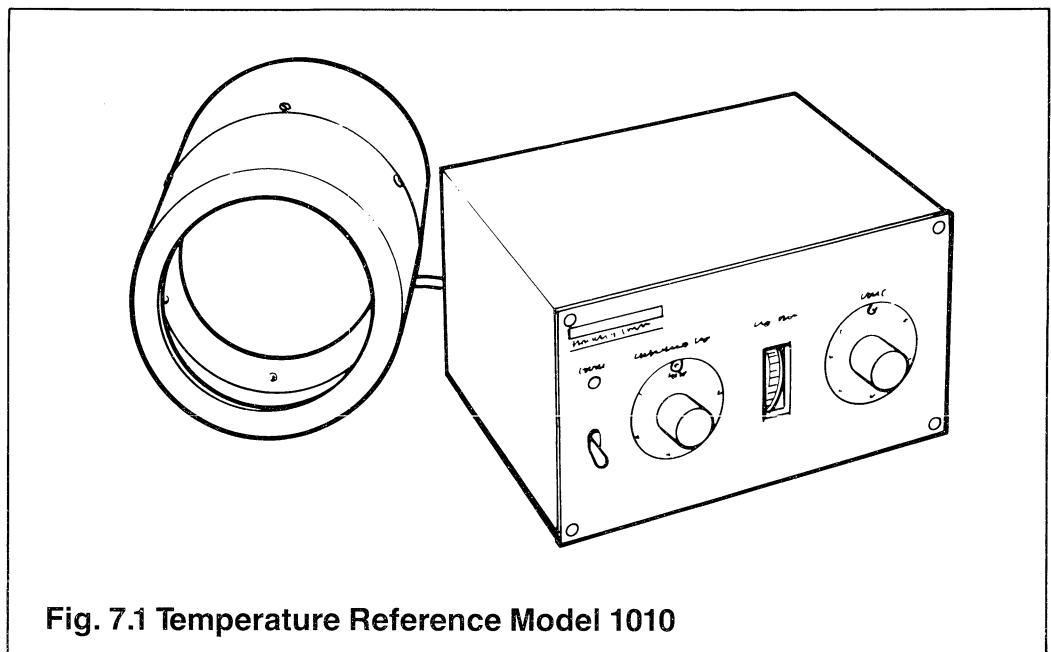
SECTION 7



Section 7 – Ancillary Equipment

Temperature Reference Model 1010

The Model 1010 temperature reference is intended to serve as an accurate reference for absolute temperature measurements for general scientific and industrial purposes. By setting the desired temperature, the Model 1010 reference will radiate at the same blackbody temperature. Thus, any blackbody object having an identical temperature as the radiator will appear to have an identical temperature displayed on the Thermovision® screen. Using the reference an operator can determine the isotherm unit difference between an unknown temperature and the known temperature of the reference, thereby ascertaining the unknown temperature. Figure 7.1 gives an overall view of the Model 1010.



Thermal Characteristics

Temperature control range*:	+ 16 to +40°C in steps of 2° +40 to +100°C in steps of 5°
Radiation area:	100mm in diameter
Accuracy:	±0.2°C (in calm air)
Short term accuracy (1 hour):	±0.02°C (in calm air)
Influence of ambient:	0.01°C/°C ambient (in calm air)
Influence of line voltage:	negligible
Emission factor approx:	0.97 ± 0.01 SW; 0.94 ± 0.01 LW
Warm-up time (30 to 100°C):	4 minutes
Cooling-down time (100 to 30°C):	10 minutes

* Ambient temperature must be at least 2°C below the required control temperature.



Section 7 – Ancillary Equipment

Operation – Temperature Setting

Before connecting this apparatus to the ac supply, check that the equipment is set to the correct voltage. The reference is set for 220V ac 50Hz operation at the factory, however, this can be changed by adjustment of the selector at the rear of the unit.

CAUTION: Prior to setting the ac supply voltage the ac supply must be removed from the unit.

The desired temperature between 16 and 100°C is selected by adjusting the TEMP°C control to the required temperature. When the selected temperature is reached, the meter's indicator will settle in the middle of the scale.

The INTERMEDIATE TEMP control is adjusted to add fractional values to the TEMP°C reading. When this control is adjusted, a warning lamp is illuminated.

In cases where the temperature setting is less than ambient, the meter will indicate off-zero and the fan in the radiator will remain on.

Operation Measurement

The reference Model 1010 is calibrated in the SW spectrum such that the radiation from the surface at a certain set nominal temperature is identical to the radiation from a blackbody having the same temperature. This is achieved by making the surface represent a slightly higher temperature than the set temperature to compensate for the emissivity being lower than 1.0.

- (a) When using the reference together with a SW scanner either key in $E_r = 1$ (into the computer) and the set temperature on the dial of the 1010 or key in $E_r = 0.97$ and the true temperature from Table 7.1.
- (b) Should the reference Model 1010 be used with the LW scanner key in $E_2 = 0.94$ and the true temperature from table 7.1.

Table 7.1 True Surface Temperature of 1010/Nominal Setting in °C

Set temp	True temp	Set temp.	True temp.
16	15.8	45	45.6
18	17.9	50	50.6
20	19.9	55	55.7
22	22.0	60	60.8
24	24.1	65	65.9
26	26.1	70	70.9
28	28.2	75	76.0
30	30.2	80	81.1
32	32.3	85	86.1
34	34.3	90	91.2
36	36.4	95	96.2
38	38.4	100	101.3
40	40.5		



Section 7 – Ancillary Equipment

Remote Focus

This option comprises an electric drive motor fitted to the scanner lens. Using the switch on the Display Unit it is possible to focus the scanner from a remote site.

The motor shown in Figure 7.2 is fitted beneath the lens and is powered via the connector located on the front of the scanner. To mount the motor first remove the motor cover, this is secured by three screws. The motor drive unit is mounted onto the lens using two screws. The drive cog must be mounted with the drive wheel in contact with the gear on the focusing ring. Replace the cover and connect the lead.

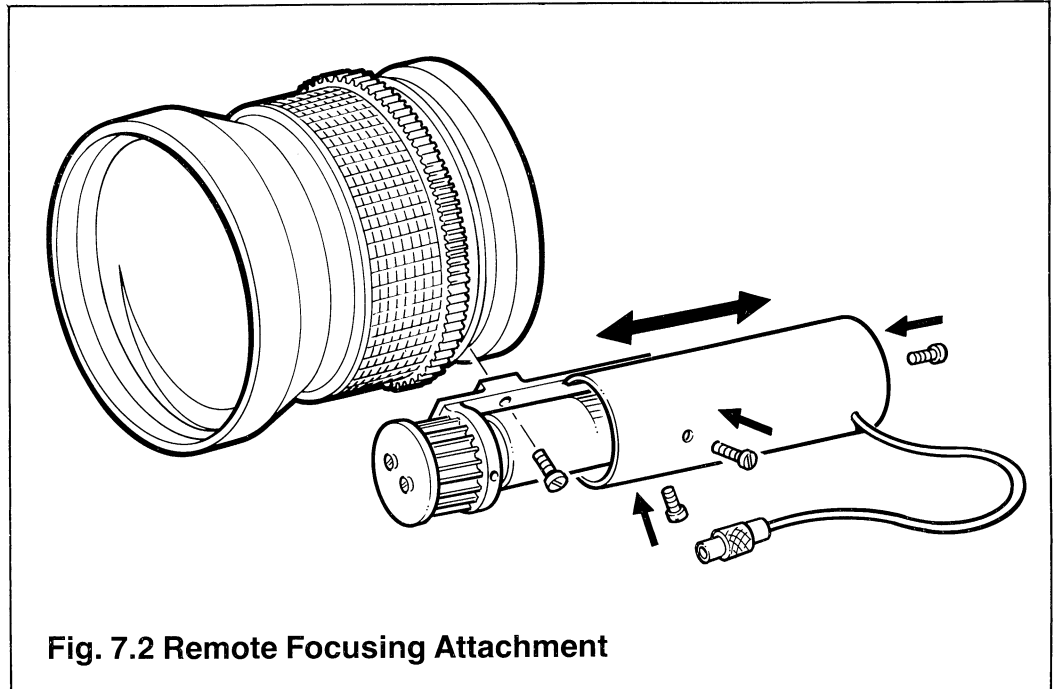


Fig. 7.2 Remote Focusing Attachment

Additional Cable (4m and 10m)

For longer distances between the scanner and the display unit extension cables of 4 or 10m can be used in place of the standard length of cable. For most application environments, lengths in excess of 10 metres can cause signal attenuation and measurement error, therefore these should be avoided.



Section 7 – Ancillary Equipment

Tripod

The tripods used with Thermovision® can be any suitable medium or heavy duty photographic tripod. However the recommended tripod details may be obtained from your AGEMA representative. Figure 7.3 shows the tripod together with the platform mount and scanner unit.

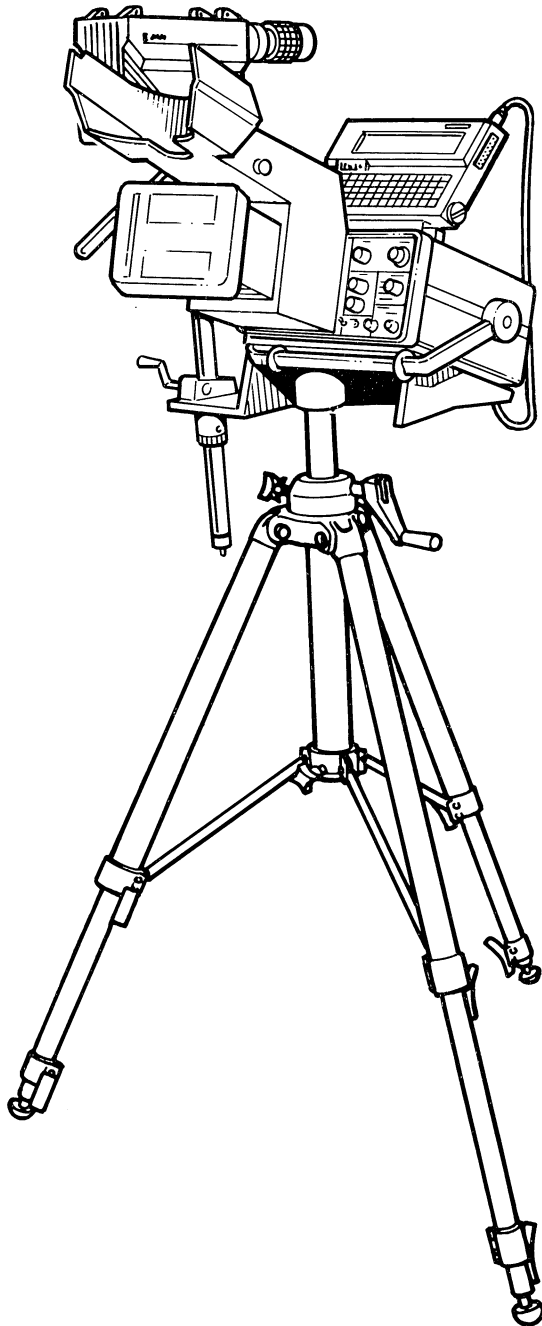


Fig. 7.3 Stationery System on Tripod



SECTION 8



Section 8 – Thermal Measurement Techniques

INTRODUCTION

The Thermovision® infrared scanner measures infrared radiation within a certain spectral range. Since the received radiation has a non-linear relationship to the object temperature, can be affected by atmospheric damping and includes reflected radiation from object surroundings, calibration and correction procedures have to be applied.

This section describes some standard procedures of how to translate the instrument's numerical output into object temperature.

The instruments numerical measure of the received and detected infrared radiation is called **Thermal Value**. It is traditionally measured in Isotherm Units (IU), which is a practical arbitrary unit of measurement. The relationship between thermal value and received photon radiation is linear (proportional). However, the relationship between thermal value and object temperature is non-linear. The latter relationship is the calibration function which can be given as an algorithm for the computer or a graphical curve for manual calculation.

This function represents the basic means for translating measured thermal value into object temperature. The calibration function is obtained by plotting the instruments thermal value against the object temperature when viewing an accurate blackbody radiator. The calibration function can be used directly when measuring the temperature of an object that can be considered black (i.e. the object surface emissivity $\epsilon_o \approx 1$) and positioned close to the scanner (i.e. the transmission factor $\tau_o \approx 1$). If, however, $\epsilon_o < 1$ and/or the atmospheric damping must be considered, corrections have to be carried out before applying the calibration function.

The measured thermal value can be translated to object temperature using different methods and depending on the kind of computing means that is available. If no on-line computer is available, a programmable calculator would be useful. Your local AGEMA representative can recommend calculators with such programs. Even without any computing assistance the output can be translated directly into temperature using a typical calibration curve. A certain loss in accuracy should be anticipated when using the graphical method.

The same measurement formulae (derived in Appendices 1 and 2 of this section) for translation of thermal values to temperature shall be used in all cases. However, the operator need not bother with the formulae himself when using on-line computers. This is written into the software. The operator has only to feed in parameter values such as emissivity, ambient and atmosphere temperature and object distance.

Users operating Thermovision® equipped with a computer on line (which converts the output from the scanner into object temperature), will find the measuring procedure in the manual for the computer used.

The graphical method is described below under BASIC THERMAL MEASUREMENT.



Section 8 – Thermal Measurement Techniques

CALIBRATION FUNCTION

The amount of infrared radiation emitted by an ideal blackbody increases non-linearly with increasing temperature. It is therefore necessary to know the actual relation between blackbody object temperature and instrument read-out (the calibration function) to enable the conversion of measured thermal value to object temperature.

The calibration function is accurately described by the mathematical model:

$$I = \frac{R}{\exp\left(\frac{B}{T}\right) - F}$$

Where

- I = Thermal value corresponding to temperature T (IU).
- T = Absolute temperature (K).
- R = Response factor.
- B = Spectral factor.
- F = Shape factor.

During calibration the radiation from a number of blackbody sources at different temperatures are measured with the system. The results are fed into a computer which using a least square method fits the model to the measured values and computes R, B and F.

Each combination of scanner, lens, filter and aperture has its own set of calibration constants R, B and F.

The system can be furnished with individual calibration curves and an example of calibration curves for a scanner without filter are reproduced at the end of this section.

CHECK BEFORE MEASUREMENT

NOTE: Regardless of the calculation method used the following check and/or adjustments should always be carried out;

- when changing cable length between the Scanner and Display Unit
- whenever minimum dc offset is of importance, i.e. for Direct measurement in general and in combination with low object temperatures in particular

To carry out the check proceed as follows;

- (a) Set the APERTURE to 2.
- (b) Set the FILTER to the position marked with a dot.
- (c) Set the THERMAL LEVEL control to 0 and the THERMAL RANGE to 500.
- (d) Set the PICTURE MODE control to BLACK.
- (e) Adjust the ISOTHERM LEVEL control until the screen becomes white. The isotherm marker now indicates the true 0 point of the scale. This point should not differ by more than 0.02 from the indicated 0 marker on the scale. If the difference is outside this level, alignment should be carried out as described in the maintenance manual.



Section 8 – Thermal Measurement Techniques

- (f) With the isotherm marker set to the true 0 point and the THERMAL LEVEL set to 0, set the THERMAL RANGE to 2.
- (g) Check that the display screen is filled with an isotherm. Adjust the LEVEL ADJ Trimmer control if required.

The following should be taken into consideration relating to object size.

Object size – The detector subtends a certain solid angle in the object space. If the object does not cover this angle the detector will receive radiation from the object background. This will tend to lower the temperature difference indicated between the object and background. It is therefore recommended that the size of the image area, where temperature is to be measured, should not be less than 2.5×2.5 mm as seen on the Display Unit.

BASIC THERMAL MEASUREMENTS

The purpose of this paragraph is to give a general knowledge of the isotherm function (to which the TRC is connected), about controls involved in measurements, about the graphical methods and the two basic measurement principles: Direct and Relative measurement:

- (a) **Direct measurement** utilising the instruments high stability (accomplished using two built-in temperature references and a temperature compensation system) that permits temperature measurement without the use of an external temperature reference.
- (b) **Relative measurement** using an external reference with known temperature and emissivity factor.

The first method is generally easier to perform but absolute accuracy is not guaranteed at low object temperatures ($<30^{\circ}\text{C}$). The second method is generally recommended whenever the highest possible accuracy is required, provided that a suitable and accurate reference is available. The reference temperature should ideally be as close to the object temperature as possible or lower.

Relative measurement is also suitable when the purpose of the measurement is to evaluate temperature differences (variations) over an object surface rather than the actual temperature values.

NOTE 1: Symbols used in this paragraph are listed and explained in Appendices 1 and 2 of this section.

NOTE 2: In order to simplify the following description, initially all objects have been considered black and the atmospheric damping has been neglected. Correction techniques where due consideration has been given to objects other than black, or when atmospheric damping is a factor of measurement, are described later under “General thermal measurement”.



Section 8 – Thermal Measurement Techniques

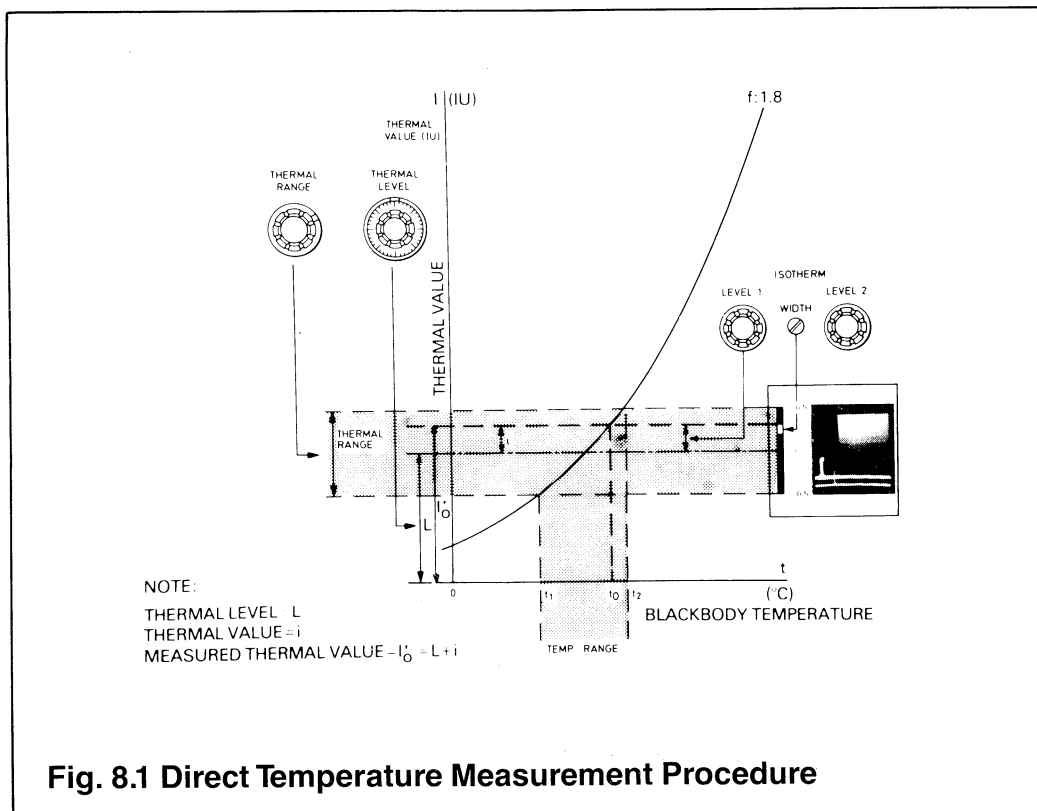
DIRECT MEASUREMENT

When making temperature measurements of subjects without the use of a known reference, the following step by step measurement procedure can be used.

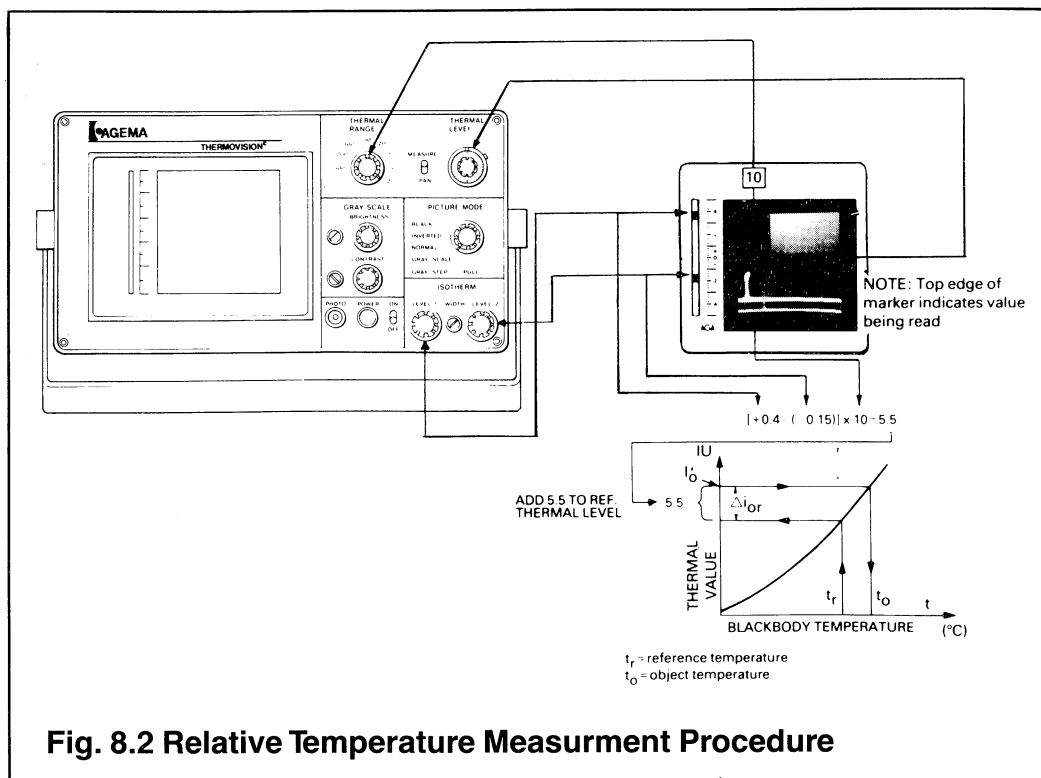
- Adjust the THERMAL RANGE and LEVEL controls to obtain a satisfactory thermal picture. Note the setting of the THERMAL LEVEL control knob, "L" (see figure 8.1). **Full scale equals 500 isotherm units.**
- Adjust the ISOTHERM LEVEL 1 control to bright up the point of interest on the object in view. Multiply the marker reading by the THERMAL RANGE setting to obtain the relative thermal value "i" in isotherm units.
- Add the values "L" and "i" obtained in (a) and (b). The result will be measured thermal value I'_o in isotherm units.

Under the assumed simplified conditions, having $\epsilon_o = 1$ and $\tau_o = 1$, the calibration curve can be used directly for translating the measured thermal value I'_o to temperature.

- Mark the I'_o value on the calibration chart vertical axis and read the corresponding object temperature on the horizontal axis. See figure 8.1.



Section 8 – Thermal Measurement Techniques



RELATIVE MEASUREMENT

In this type of measurement, the thermal difference between the object and a reference surface is measured. Knowing the temperature of the reference, the object temperature can then be calculated.

A variety of references could be used depending on the actual requirements of accuracy and other measurement conditions.

The ideal reference has a temperature close to the object temperature. It has the same emissivity as the object and is situated near the object.

If a certain spot of the object has a temperature which is known exactly this area should preferably be used as the reference, particularly since it is likely to have the same emissivity factor as the rest of the object, which makes it an "ideal" reference, (see above).

The actual choice of reference has often to be a compromise between the ideal reference and what can be practically achieved. The Temperature Reference Model 1010 is recommended whenever applicable. It has a temperature range from $+100^{\circ}\text{C}$ down to ambient temperature or $+16^{\circ}\text{C}$ if ambient is lower. (See Section 7).

When making relative measurements the THERMAL LEVEL and RANGE controls must be set such that both the object and the reference isotherms are displayed. It should be possible to indicate both the reference and the object with isotherms without changing the THERMAL LEVEL and RANGE settings. This could be achieved as follows:

- Switch on an isotherm (e.g. LEVEL 1) and place the isotherm marker at approximately $+0.4$ on the isotherm scale.



Section 8 – Thermal Measurement Techniques

- (b) Adjust THERMAL LEVEL until the warmest of the two areas of interest (object area or reference area) is just brightened up by the isotherm. For ease of operation this is often carried out with the PICTURE MODE switch set to INVERTED or BLACK.
- (c) Adjust the second isotherm (LEVEL 2) to indicate the coldest of the two areas of interest. If this cannot be achieved, increase the THERMAL RANGE one step at a time and repeat (a) and (b) and (c) again until both colder and warmer areas are covered by the same selected range.

NOTE: For overall accuracy maintain the THERMAL RANGE setting at its lowest level consistent with displaying both the reference and object area isotherms.

Without re-adjusting THERMAL RANGE or LEVEL proceed as follows:

- (d) Carefully adjust the two isotherm controls to indicate the object area to be measured and the reference area respectively. This is shown by the areas being displayed as saturated white.
- (e) Read the isotherm scale values at the top edge of both isotherm markers, calculate the difference and multiply by the THERMAL RANGE setting (see figure 8.3).

This results in a thermal difference value Δi_{or} that can be applied directly to the calibration curve since we have postulated $\epsilon_o = \epsilon_r = 1$ and $\tau_o = 1$. Proceed as follows:

- (f) Mark the reference temperature on the calibration chart. Read via the curve the corresponding thermal value I_r . Add the thermal difference value Δi_{or} obtained in (e) to I_r . This gives the blackbody thermal value I_o of the object, which is then converted to temperature t_o by means of the curve.

NOTE: If the reference should have higher temperature than the object, the thermal difference $\Delta i_{or} = i_o - i_r$ becomes negative and should consequently be subtracted from the reference thermal value I_r . The lower half of the isotherm scale has negative readings. It is therefore important to note the correct sign of the isotherm scale readings when calculating $i_o - i_r$.

GENERAL THERMAL MEASUREMENT

In the Basic Thermal Measurement detail it was assumed that the ideal conditions existed, i.e. the object is a blackbody and no other factors would influence the measurement.

In general thermal measurement situations, where several factors influence the measurements, the true object temperature has to be derived by calculation.

An expression is set up to include the radiation that reaches the scanner from the object. From this expression the unknown quantity is extracted (e.g. object temperature or object emissivity see Appendix 1 in this section). The resulting measurement formulae (2) – (5), as detailed in Appendix 1, together with the calibration function are used as algorithms in the software of the computer.



Section 8 – Thermal Measurement Techniques

The operator has only to feed in parameter values such as emissivity, ambient and atmosphere temperature and object distance.

The parameters detailed in the following paragraphs are related to object, surroundings and atmosphere, these have to be given by the operator:

Emissivity – Actual objects are seldom “black”. The emissivity factor must therefore often be taken into account in infrared temperature measurements as detailed in the measurement formulae. Individual object emissivity can be measured or can be found in tables.

Ordinarily, object materials and surface treatments exhibit emissivities ranging from approximately 0.1 to 0.95. A highly polished (mirror) surface falls below 0.1, while an oxidised or painted surface has greatly increased emissivity. Oil-based paint, regardless of colour in the visible spectrum, has an emissivity over 0.9 in the infrared. Human skin exhibits an emissivity close to 1 which is used in medical thermography for direct body-temperature readings.

Surroundings – The reflectivity factor ρ of an opaque, non-defined surface can be written $\rho = 1 - \epsilon$.

A low emissivity factor indicates therefore that not only the emission from the object is lower than from a blackbody of the same temperature, it also indicates that undesired radiation from the surroundings is reflected into the scanner. The measurement formulae is therefore corrected for reflected radiation. The correction is based on the temperature of the surroundings, t_{amb} , which has to be estimated by the operator.

It is important that the object surroundings have a homogeneous (ambient) temperature and do not include hot areas so positioned that their radiation can be reflected by the object. Sometimes an efficient ambient temperature has to be estimated to take into account radiation sources that cannot be removed or shielded.

The Atmosphere – Certain constituents of the atmosphere absorb infrared radiation in the spectral bands being used. The most important gases are water vapour (H_2O) and carbon dioxide (CO_2). This absorption will attenuate the infrared radiation from the object to the instrument.

An algorithm is used to calculate the transmission factor. This depends on the object to scanner distance, which the operator has to insert. This detailed calculation is described in Appendix 2.

The atmospheric self emission is also taken into account. This is established by the operator inserting the actual air temperature of the measurement path. Normally this correction is often insignificant, however, in some cases (e.g. hot combustion flames) the self-emission of atmospheric gases is very high and has to be taken into consideration.



Section 8 – Thermal Measurement Techniques

GRAY-STEP FUNCTION

When using the gray-step function, the video image is quantised into five intervals as shown in Fig. 8.3. All thermal amplitudes outside the scale, i.e. amplitudes below and above ± 0.5 , are displayed as black.

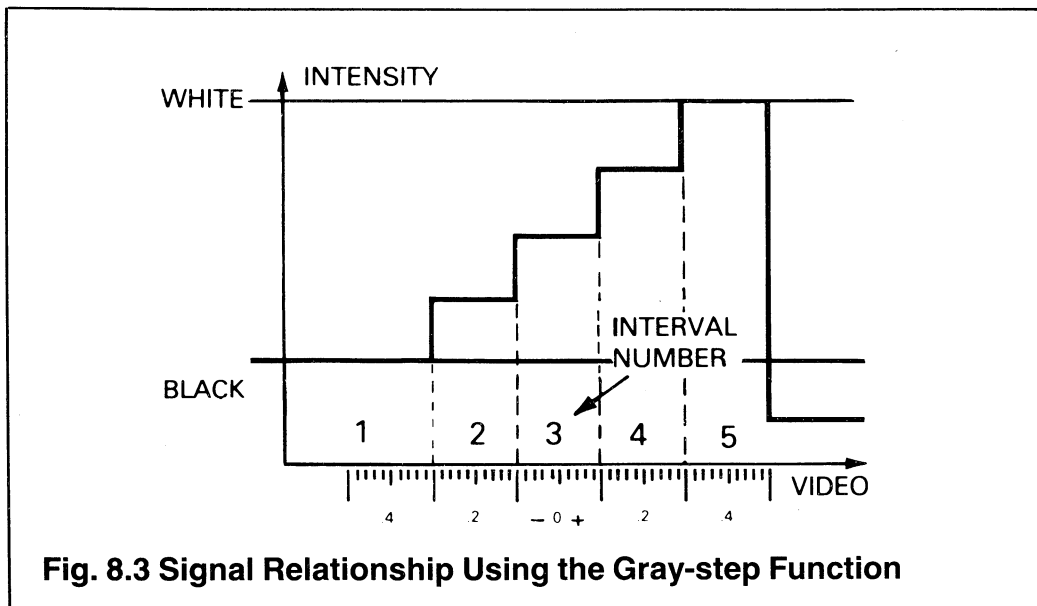


Fig. 8.3 Signal Relationship Using the Gray-step Function



Section 8 – Thermal Measurement Techniques

APPENDIX 1: DERIVATION OF MEASUREMENT FORMULAE.

In general a number of different parameters are involved in temperature determinations using radiometric methods. Here are listed all symbols used in the following description. They are divided into three groups of which the last is used only for formula derivation.

Radiation source and atmosphere related parameters

t_o	=	object temperature ($^{\circ}\text{C}$)
t_a	=	temperature of object surroundings (ambient) ($^{\circ}\text{C}$)
t_r	=	reference temperature ($^{\circ}\text{C}$)
t_{atm}	=	atmosphere temperature ($^{\circ}\text{C}$)
ϵ	=	emissivity factor, $0 \leq \epsilon \leq 1$ ($\epsilon = 1$ for a “blackbody”)
ϵ_o	=	object emissivity
ϵ_r	=	emissivity of reference surface
ϵ_a	=	emissivity of object surroundings (ϵ_a is considered ≈ 1)
τ_o	=	atmospheric correction factor for the atmosphere between scanner and object, i.e. atmospheric transmission corrected for systems spectral response
τ_r	=	as above for the atmosphere between scanner and reference
d_o	=	distance scanner to object (m)
d_r	=	as above to reference (m)
I	=	calibrated thermal value. Refers to the instruments calibration function (graphical curve or calculator program) which describes the relation between object blackbody temperature and instrument numerical output on short distance. $I=f(t)$ (IU)
I_o	=	calibrated thermal value for $t=t_o$ (IU)
I_a	=	calibrated thermal value for $t=t_a$ (IU)
I_r	=	calibrated thermal value for $t=t_r$ (IU)
I_{atm}	=	calibrated thermal value for $t=t_{\text{atm}}$ (IU)

Instrument reading parameters

I'_o	=	measured object thermal value. Instrument reading of radiation received from the object surface via the atmosphere (IU)
I'_r	=	as above for the reference (IU)

The instrument reading consists of two terms: $I' = L + i$,
where

L	=	THERMAL LEVEL setting of the instrument (IU)
L_o	=	as above at object measurement (IU)
L_r	=	as above at reference measurement (IU)
i	=	measured relative thermal value = isotherm scale reading x THERMAL RANGE setting (IU)



Section 8 – Thermal Measurement Techniques

- i_o = as above referring to object measurement (IU)
 i_r = as above referring to reference measurement (IU)
 Δi_{or} = as above referring to the difference between object and reference measurement (IU)
 $\Delta i_{or} = i_o - i_r$

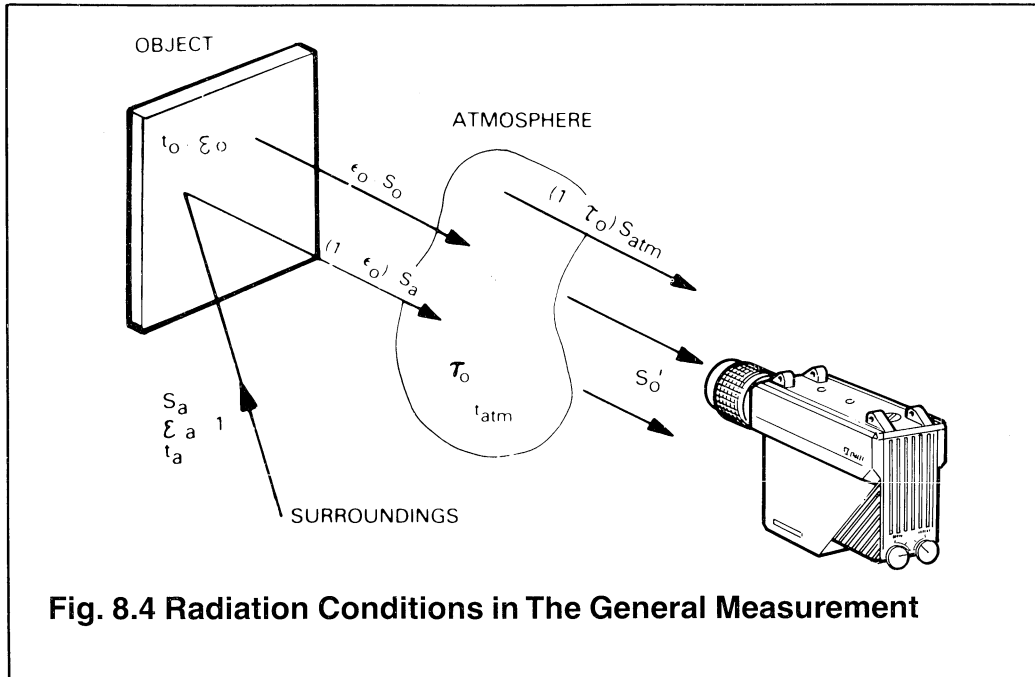


Fig. 8.4 Radiation Conditions in The General Measurement

Radiation notations

- S = received and detected radiation from a blackbody of temperature t , at short distance (Photons/sec)
 S_o = as above when $t = t_o$ (Photons/sec)
 S_a = as above when $t = t_a$ (Photons/sec)
 S_{atm} = as above when $t = t_{atm}$ (Photons/sec)
 S'_o = radiation received via the atmosphere from the object surface (Photons/sec)

Figure 8.4 illustrates schematically the radiation conditions in the general measurement situation. Note that the reflection factor of the object surface is $1 - \epsilon_o$ for an opaque object, and that the emission factor of the atmosphere is $(1 - \tau_o)$. With the support of this figure the received radiation can be written.

$$S'_o = \tau_o \cdot \epsilon_o \cdot S_o + \tau_o (1 - \epsilon_o) S_a + (1 - \tau_o) S_{atm}$$

object radiation reflected radiation atmosphere radiation

This radiation relationship can be converted into a thermal value relationship by utilising the fact that Thermovision® has a linear photon counting detector.



Section 8 – Thermal Measurement Techniques

We can therefore write the thermal value

$$I = C \times S$$

where C is an empirical instrument factor.

Replacing S'_o , S_o , S_a and S_{atm} by $\frac{I'_o}{C}$, $\frac{I_o}{C}$, $\frac{I_a}{C}$ and $\frac{I_{atm}}{C}$ respectively results in

$$I'_o = \tau_o \epsilon_o I_o + \tau_o (1 - \epsilon_o) I_a + (1 - \tau_o) I_{atm} \quad (1)$$

This is the general measurement formula describing how the measured thermal value I'_o relates to the three radiation sources: object, surroundings and atmosphere, together with their associated parameters emissivity and transmission. The object is considered opaque (i.e. no transmitted radiation through the object) and all the relevant surrounding surfaces are assumed to have the same (ambient) temperature t_a (from that assumption follows automatically $\epsilon_a = 1$).

The radiation terms are expressed as blackbody thermal values determined by the calibration function at respective source temperature.

This formula is a suitable starting point for derivation of special measurement formulae adapted to special measurement situations.

For **direct measurements** (without reference) the formula can be rewritten, using the relation $I_o = L_o + i_o$. Solve for I_o :

$$I_o = \frac{L_o + i_o}{\tau_o \epsilon_o} - \frac{1 - \epsilon_o}{\epsilon_o} I_a - \frac{1 - \tau_o}{\tau_o \epsilon_o} I_{atm} \quad (2)$$

In case the object temperature is known but the object emissivity unknown, the latter can be calculated, solve for ϵ_o :

$$\epsilon_o = \frac{L_o + i_o - \tau_o I_a - (1 - \tau_o) I_{atm}}{\tau_o (I_o - I_a)} \quad (3)$$

For **relative measurements** with a known temperature reference, corresponding formulae are derived as follows:

$$I'_o = \tau_o \epsilon_o I_o + \tau_o (1 - \epsilon_o) I_{ao} + (1 - \tau_o) I_{atm}$$

$$I'_r = \tau_r \epsilon_r I_r + \tau_r (1 - \epsilon_r) I_{ar} + (1 - \tau_r) I_{atm}$$

where I_{ao} and I_{ar} refer to the surroundings of object and reference respectively.

$$I'_o - I'_r = L_o + i_o - L_r - i_r = L_o - L_r + \Delta i_{or}$$

As previously described under relative measurements, the THERMAL LEVEL should be kept constant when using this method. Thus $L_o = L_r$ and from that follows:

$$I'_o - I'_r = \Delta i_{or}$$



Section 8 – Thermal Measurement Techniques

In a practical measurement situation, we assume that object and reference are placed close together. Hence $\tau_r = \tau_o$ and $I_{ao} = I_{ar} = I_a$. With these assumptions we get

$$I_o = \frac{\Delta i_{or}}{\tau_o \epsilon_o} + \frac{\epsilon_r}{\epsilon_o} I_r + \left(1 - \frac{\epsilon_r}{\epsilon_o}\right) I_a \quad (4)$$

Solve for ϵ_o :

$$\epsilon_o = \frac{\Delta i_{or} + \tau_o \epsilon_r (I_r - I_a)}{\tau_o (I_o - I_a)} \quad (5)$$

The above derivated formulae can be a great deal simplified under special conditions. For instance if all ϵ and τ are close to unity we get

$$I_o \approx I_o' \text{ and } I_o \approx \Delta i_{or} + I_r$$

for direct and relative measurement respectively will be reduced and thereby the overall accuracy improved, if $\epsilon_o = \epsilon_r$ and $\tau_o = \tau_r$.

This requirement is met if for example the reference surface is a part of the object surface itself where the temperature is known. The formula is then reduced to

$$I_o = \frac{\Delta i_{or}}{\tau_o \epsilon_o} + I_r$$



Section 8 – Thermal Measurement Techniques

APPENDIX 2: ATMOSPHERIC INFLUENCE ON INFRARED TEMPERATURE MEASUREMENTS

To correct for the atmospheric influence the correction factor τ must be known. τ depends on a number of parameters. The most important parameters are listed below together with the actual values for what is defined as “standard atmosphere”. (See Table 8.1).

Table 8.1 Parameters Influencing the Atmospheric Correction Factor

Parameter	Standard atmosphere
Scanner Spectral Response	
Distance Scanner Object	
Air temperature	15°C
Air pressure	1 atm = 1013 mb
Relative humidity (H ₂ O)	50%
Carbon dioxide (CO ₂)	300 ppm
Carbon monoxide (CO)	1 ppm
Dinitrogen oxide (N ₂ O)	0.3 ppm
Ozone (O ₃)	0.355 ppm
Methane (CH ₄)	2 ppm
Aerosol visibility (particles)	10 km

Under normal conditions, CO, N₂O, O₃ and CH₄ can be neglected.

The atmospheric correction factor versus object distance can be measured. This is, however, a quite tedious procedure. It can also be calculated by using the following simple formula:

$$\tau = \exp - \alpha (d_o - d_{cal}) - B (d_o - d_{cal})$$

where

τ is the correction factor

α , β are the attenuation coefficients or “atmospheric constants”

d_o is the distance from the scanner to the object in meters

d_{cal} is the distance from the scanner to the reference source at calibration

NOTE: The formula above should not be used if the calculation results in τ -values below approx. 0.6.

The atmospheric constants α and β have been computed for best fit of the algorithm above to a computed τ versus distance function. The well recognized LOWTRAN atmospheric model is used for this computation, which has been carried out by AGEMA for all spectra defined by the Thermovision® scanner plus standard filters in standard atmosphere. All these α - and β -values are contained in the TRC and TIC-8000 software. They are listed in Table 8.2.



Section 8 – Thermal Measurement Techniques

Table 8.2 Atmospheric Constants for Longwave Filters

Filter	α	β
LPL Long Pass	0.008	0.000
COL CO ₂ Laser		
NOF No Filter		

Figure 8.5 is a plot of τ versus measurement distance for Thermovision with or without filter.



Section 8 – Thermal Measurement Techniques

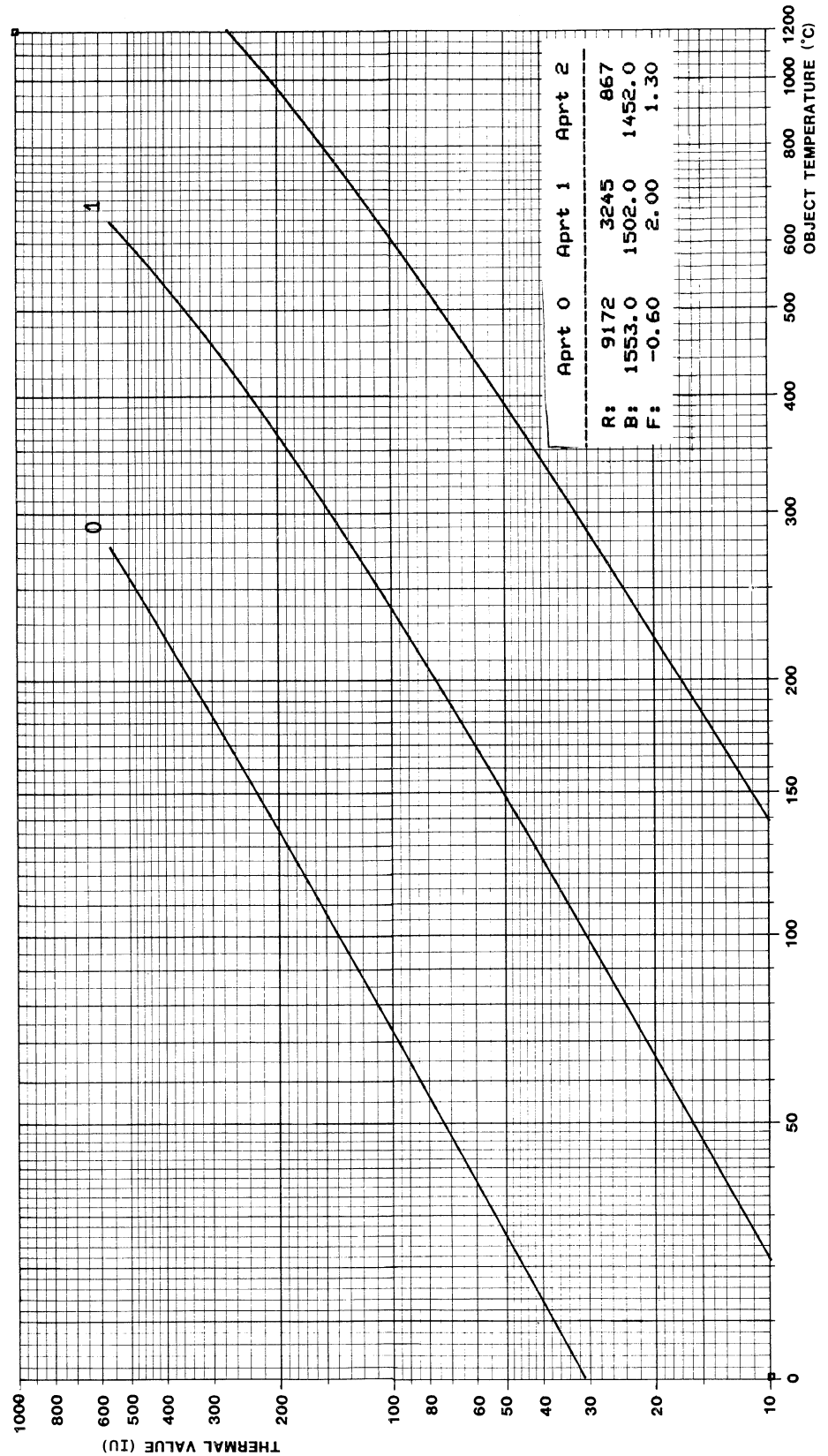


Fig.8.6. Example of Calibration curve THV 880 LWB



SECTION 9



Section 9 – Introduction to and Theory of Thermography

Introduction

The subject of infrared radiation and the related technique of thermography are still new to many who are in a position to make use of Thermovision®. In this section the theory behind thermography will be given and the basic outline of the history and the men who invented the technique will be explored.

Theory of Infrared Radiation

This part of the section will deal with the development of the theory of infrared radiation and present the laws of Planck, Wien and Stefan-Boltzmann. The spectral dependence on emissivity, reflection and transmission is described. Different types of detectors are also described at the end of this section.

Origins of Modern Radiation Theory

One of the major problems facing physicists during the second half of the nineteenth century was to explain the energy distribution in the spectrum of a thermal radiation. Common experience had shown that objects seem to absorb more or less heat depending on how “dark” or “light” their surface colouration appears to be. Gustav Kirchhoff sought to eliminate this sort of arbitrariness from theoretical considerations by proposing the term ‘blackbody’ to describe an object which absorbs all incident radiation energy. In 1860 he introduced his famous law that states, in effect, that a good thermal absorber is also a good radiator. As a consequence of Kirchhoff’s Law, then, the blackbody provides the standard of comparison for radiation sources: it is the ultimate thermal radiator with which we can compare any other thermal radiation source.

In 1879, Josef Stefan concluded from experimental measurements that the total amount of energy radiated by a blackbody is proportional to the fourth power of its absolute temperature, a conclusion which was also reached via theoretical thermodynamic relationships by Ludwig Boltzmann in 1884. This important formula has since come to be known as the Stefan-Boltzmann law.

In the meantime, the physicist Clark Maxwell had predicted the theoretical existence of electromagnetic waves (in 1865) and proposed their identity with light waves. Heinrich Hertz, confirming Maxwell’s prediction, produced electromagnetic waves in his laboratory in Germany in 1887, and showed that they propagate with the same velocity as light waves.

During the last decade of the nineteenth century it became increasingly easy to recognise the basic unity of the different kinds of radiation in the electromagnetic spectrum, but the basic laws of infrared radiation still eluded attempts to derive from them its thermal origin. Many attempts were made to derive the radiation law behind the distribution of radiant energy in the blackbody spectrum, but even before the end of the century it was becoming clear that it would never be possible to derive a generally valid law from electromagnetic theory alone. Wilhelm Wien and Lord Rayleigh were among the last to make the attempt by basing their entire arguments on classical physics, but their results tended to disagree with the experimental results – at opposite ends of the spectrum. For instance, Rayleigh’s expression fitted the data at long wavelengths but unfortunately predicted that the energy

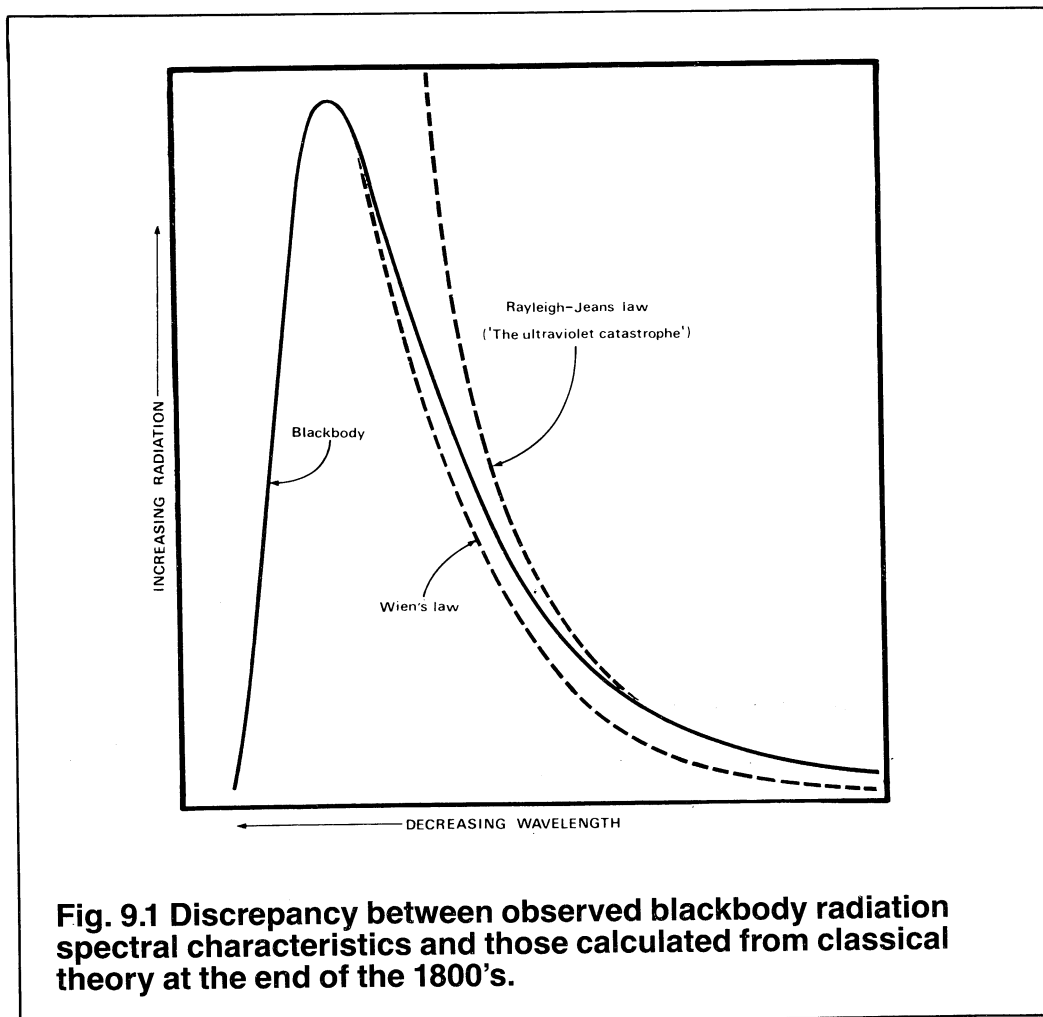


Section 9 – Introduction to and Theory of Thermography

increases without limit as the wavelength decreases toward zero, causing it to be known as “the ultraviolet catastrophe”.

It was the German physicist, Max Planck, who finally recognised that it was necessary to depart from the classical approach. He was forced to the conclusion that the proper distribution of energy among the elementary oscillators comprising the blackbody radiator can be obtained only if one abandons the concept that the energy is continuously divisible. The postulate of discontinuous, quantised exchange of radiant energy, which he introduced, appeared to him to be the only alternative leading to a correct theory that would be in agreement with experimental evidence. In 1900 he finally produced a derivation of the law of radiation, which bears his name, which precisely describes the spectral distribution of the radiation from a blackbody.

The assumptions behind the Planck’s Law were radical ones, and Planck himself resisted accepting them for many years. The concepts, when they finally gained acceptance, resulted in the formal discipline of ‘quantum mechanics’ and today the mechanics of classical physics are regarded as merely the special case of quantum mechanics that is successful in the realm of engineering, but is inadequate to describe processes at the atomic level.



Section 9 – Introduction to and Theory of Thermography

The Infrared Spectrum

The electromagnetic spectrum is divided more-or-less arbitrarily into a number of wavelength regions, called 'bands', distinguished by the methods utilised to produce and detect the radiation. There is no fundamental difference between radiation in the different bands of the electromagnetic spectrum, however; they are all governed by the same laws and the only differences are those due to the differences in wavelength.

Thermography makes use of the infrared spectral band. At the short-wavelength end the boundary lies at the limit of visual perception, in the deep red. At the long-wavelength end it merges with the 'microwave' radio wavelengths, in the millimetre range.

The infrared band is commonly further sub-divided into four lesser bands, the boundaries of which are also arbitrarily chosen. They include: the 'near infrared' (0.75 – 3 μm), and the 'middle infrared' (3 – 6 μm), the 'far infrared' (6 – 15 μm) and the 'extreme infrared' (15 – 100 μm). Although the wavelengths are given in μm (micrometres), other units are often still utilised to measure wavelength in this spectral region, viz. microns (μ), nanometres (nm), and Ångströms (Å). The relationship between the different wavelength measurements is

$$10,000 \text{ \AA} = 1,000\text{nm} = 1\mu = 1\mu\text{m}$$

Some confusion has existed in the past concerning the term 'infrared photography', as contrasted with thermography. The distinction is one of wavelength – conventional 'infrared film' photographic emulsions are sensitive to wavelengths no longer than 1.2 μm . For this reason, astronomers call the wavelength-span 0.75 – 1.2 μm the 'photographic infrared spectrum'. Beyond the 2 μm wavelength lies the so-called 'thermal infrared'. Infrared photography exploits the differences in the absorptive and emissive properties of surfaces. It depends upon the reflection of very short infrared wavelengths generated by outside sources such as the sun, or lamps, which are much hotter than the object.

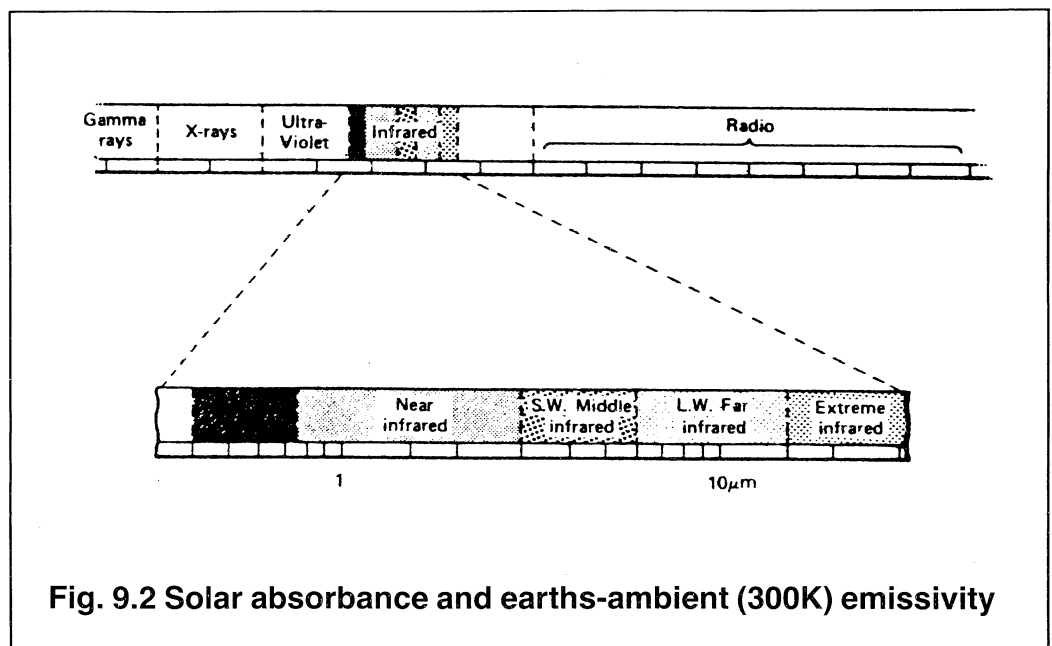


Fig. 9.2 Solar absorbance and earth's-ambient (300K) emissivity



Section 9 – Introduction to and Theory of Thermography

Blackbody Radiation

A blackbody is defined as an object which absorbs all radiation that impinges upon it at any wavelength. The apparent misnomer “black” relating to an object emitting radiation is explained by Kirchhoff’s Law, which states that a body capable of absorbing all radiation at any wavelength is equally capable in the emission of radiation.

The construction of a blackbody source is very simple, in principle. The radiative characteristics of an aperture in an isotherm cavity made of an opaque absorbing material represents almost exactly the property of a blackbody. A practical application of the principle to the construction of a perfect absorber of radiation consists of a box that is light-tight except for an aperture in one of the sides. Any radiation which then enters the hole is scattered and absorbed by repeated reflections so only an infinitesimal fraction can possibly escape. The blackness which is obtained at the aperture is nearly equal to a blackbody and almost perfect for all wavelengths.

By providing such an isothermal cavity with a suitable heater it becomes what is termed a ‘cavity radiator’. Such a cavity heated to a uniform temperature generates blackbody radiation, the characteristics of which are Planckian, i.e. determined solely by the temperature of the cavity. Such cavity radiators are commonly utilised as sources of radiation in temperature reference standards in the laboratory for calibrating thermographic instruments, such as Thermovision® for example.

If the temperature of a blackbody radiation increases over 525°C, the source begins to be visible so that it appears to the eye no longer black. This is the incipient red heat temperature of the radiator, which then becomes orange or yellow as the temperature increases further. In fact, the definition of the so-called ‘colour temperature’ of an object is the temperature to which a blackbody would have to be heated to have the same appearance.

Now consider three expressions that describe the radiation emitted from a blackbody.

(a) **Planck’s law.** Max Planck was able to describe the spectral distribution of the radiation from a blackbody by means of the following formula:

$$W_{\lambda_b} = \frac{2\pi hc^2}{\lambda^5 (e^{hc/\lambda kT} - 1)} \times 10^{-6} \text{ [Watts/m}^2\mu\text{m]}$$

where

- W_{λ_b} = the blackbody spectral radiant emittance at wavelength λ
- c = the velocity of light = 3×10^8 m/sec.
- h = Planck’s constant = 6.6×10^{-34} Joule sec.
- k = Boltzmann’s constant = 1.4×10^{-23} Joule/K.
- T = the absolute temperature (K) of the blackbody.
- λ = wavelength (m)

NOTE: The factor 10^{-6} is used since spectral emittance in the curves is expressed in Watts/m²μm. If the factor is excluded, the dimension will be Watts/m²m.



Section 9 – Introduction to and Theory of Thermography

NOTE: Instruments used for measuring spectral emittance characteristics (i.e. the ‘spectroradiometer’) must utilise a narrow band of radiation in order to register a reading. Thus, a value for spectral radiant emittance is meaningless unless the spectral interval is also specified.

Planck’s formula, when plotted graphically for various temperatures, produces a family of curves. Following any particular Planck curve, the spectral emittance is zero at $\lambda = 0$, then increases rapidly to a maximum at a wavelength λ_{\max} and after passing it approaches zero again at very long wavelengths. The higher the temperature, the shorter the wavelength at which the maximum occurs.

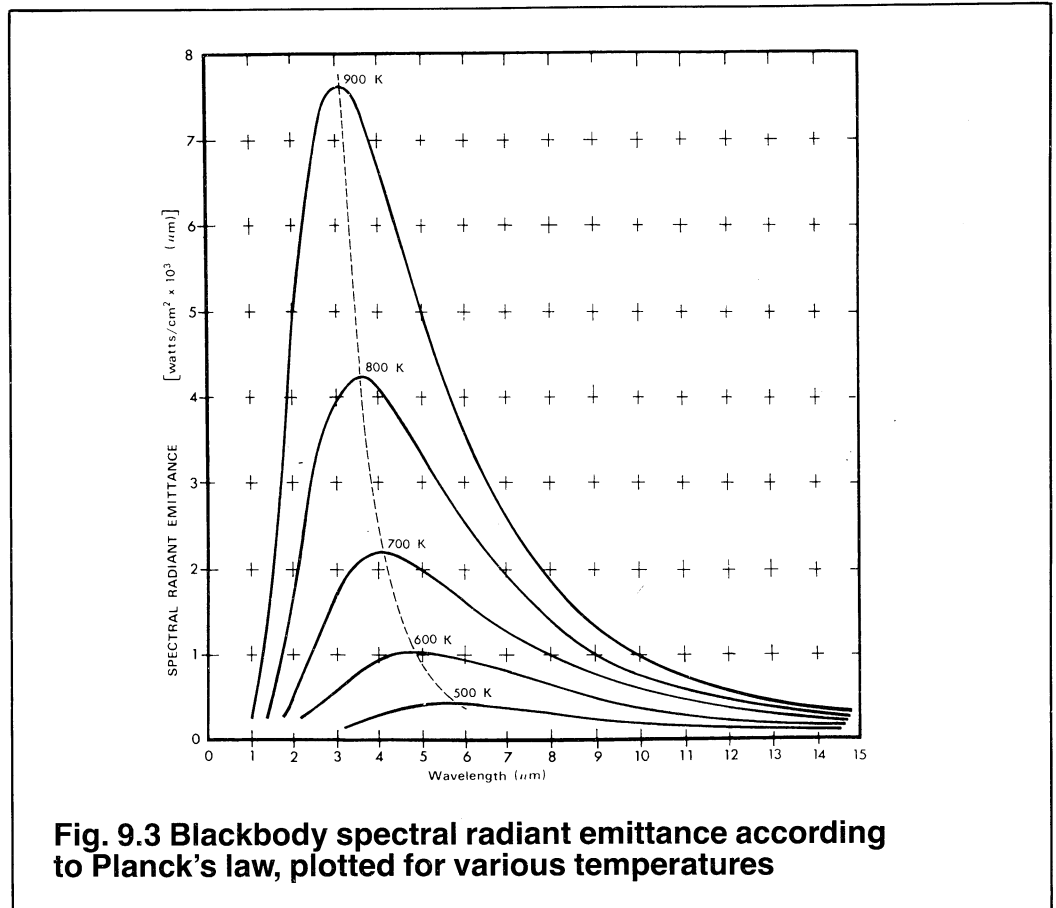


Fig. 9.3 Blackbody spectral radiant emittance according to Planck’s law, plotted for various temperatures

- (b) **Wien’s displacement law.** By differentiating Planck’s formula with respect to λ , and finding the maximum, we have

$$\lambda_{\max} = \frac{2898}{T} \quad [\mu\text{m}]$$

This is Wien’s formula, which expresses mathematically the common observation that colours vary from red to orange or yellow as the temperature of a thermal radiator increases. The wavelength of the colour is the same as the wavelength calculated for λ_{\max} . A good approximation of the value of λ_{\max} for a given blackbody temperature is obtained by applying the rule-of-thumb (3000K). Thus, a very hot star such as Sirius



Section 9 – Introduction to and Theory of Thermography

(11,000K), emitting bluish-white light, radiates with the peak of spectral radiant emittance occurring within the invisible ultraviolet spectrum, at wavelength $0.27\mu\text{m}$. The sun (approx. 6,000K) emits yellow light, peaking at about $0.5\mu\text{m}$ in the middle of the visible light spectrum. At room temperature (300K) the peak of radiant emittance lies at $9.7\mu\text{m}$, in the far infrared, while at the temperature of liquid nitrogen (77K) the maximum of the almost insignificant amount of radiant emittance occurs at $38\mu\text{m}$, in the extreme infrared wavelengths.

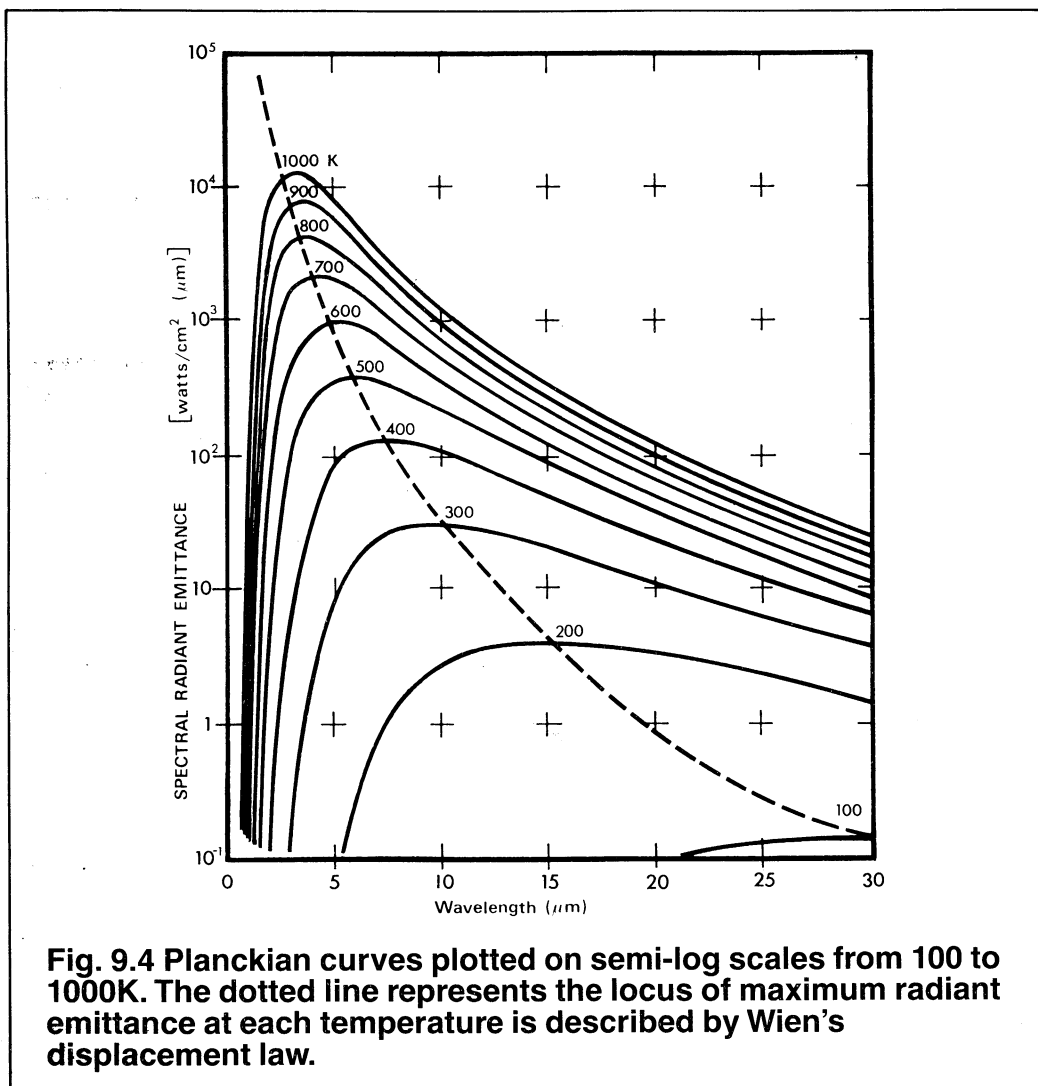
- (c) **The Stefan-Boltzmann law.** By integrating Planck's formula from $\lambda = 0$ to $\lambda = \infty$, we obtain the total radiant emittance (W_b) of a blackbody:

$$W_b = \sigma T^4 \text{ [Watts/m}^2\text{]}$$

where

$$\sigma = \text{the Stefan-Boltzmann constant} = 5.7 \times 10^{-8} \text{ Watts/m}^2.$$

This is the Stefan-Boltzmann formula, which states that the total emissive power of a blackbody is proportional to the fourth power of its absolute temperature. Graphically, W_b represents the area under the Planck curve for a particular temperature. It can be shown that the radiant emittance in the



Section 9 – Introduction to and Theory of Thermography

interval $\lambda = 0$ to λ_{\max} is only 25 percent of the total, which represents about the amount of the sun's radiation which lies inside the visible light spectrum.

Using the Stefan-Boltzmann formula to calculate the power radiated by the human body, at a temperature of 300K and an external surface area of (say) 2m^2 , we obtain 1 kilowatt. This great power loss could not be sustained if it were not for the compensating absorption of radiation from surrounding surfaces, at room temperatures which do not vary too drastically from the temperature of the body – or, of course, the addition of clothing.

Photon Emission

The energy emitted by a thermal radiator is not transferred as a continuous flow, as Max Planck proved. The radiation occurs as discrete energy “jumps”, or quanta – called ‘photons’. The energy of a photon (Q) is given by

$$Q = \frac{hc}{\lambda} \text{ [Joule]}$$

from which it is seen that photon energy is inverseley proportional to the wavelength of the radiation.

The three radiation laws given earlier, which describe the radiation of a blackbody, were all concerned with the energy of the radiation. They can, however, be modified to deal with a number of photons (N_b) rather than the energy. This is of interest where photon detectors rather than energy detectors are utilised, as in the case of Thermovision®.

By dividing Planck's formula by hc/λ , the energy of one photon, we obtain

$$\begin{aligned} N_{\lambda b} &= \frac{\lambda}{hc} W_{\lambda b} \\ &= \frac{2\pi c}{\lambda^4 (e^{hc/\lambda kT} - 1)} \times 10^{-6} \text{ (photons/sec m}^2 \mu\text{m)} \end{aligned}$$

where

$N_{\lambda b}$ = the spectral photon emittance for a blackbody at wavelength λ .

The family of curves for the spectral photon emittance resembles the former spectral radiant emittance curves, but has a less abrupt maximum; and the peaks are shifted toward the long-wavelength side.

The Wien formula for calculating the wavelength of peak photon emission for a given absolute temperature becomes

$$\lambda_{\max} = \frac{3663}{T} \text{ } [\mu\text{m}]$$

The wavelength at which the maximum occurs is about 25 percent greater for photon emission than for energy emission. Thus, for $T = 300\text{K}$, we get $\lambda_{\max} = 12.2\mu\text{m}$ instead of the value $9.7\mu\text{m}$ obtained if the energy emission is considered.



Section 9 – Introduction to and Theory of Thermography

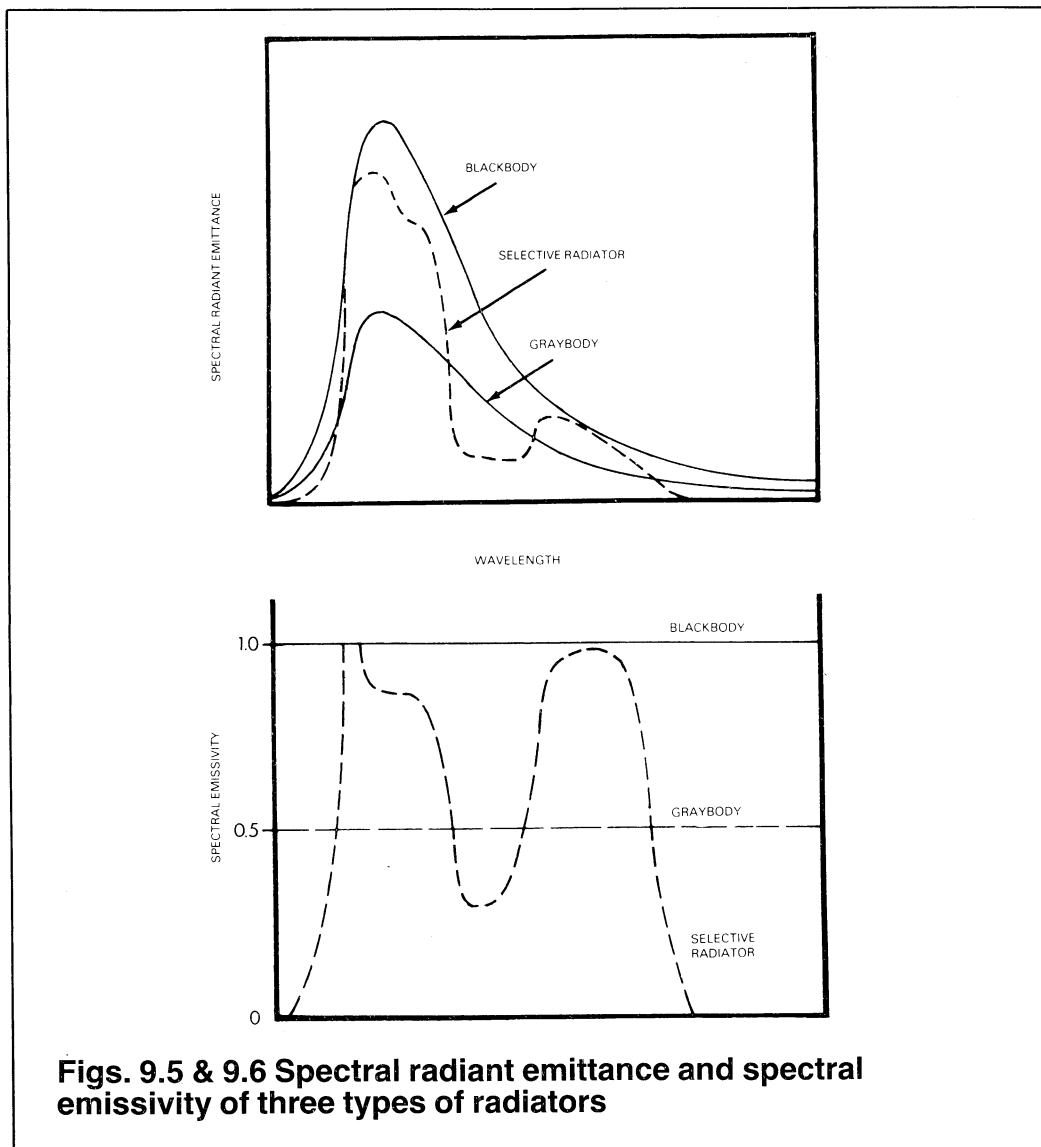
The Stefan-Boltzmann formula, written to express the total number of photons emitted from a blackbody at a specific temperature, becomes

$$N_b = \frac{0.37\sigma T^3}{k} \text{ [photons/sec m}^2\text{]}$$

This alternative form of the Stefan-Boltzmann formula states that the total photon emission of a blackbody is proportional only to the third power of its absolute temperature.

Non-blackbody Emitters

So far, only blackbody radiators and blackbody radiation have been discussed. However, real objects almost never comply with these laws over an extended wavelength region – although they may approach the blackbody behaviour in certain spectral intervals. For example, white paint appears perfectly “white” in the visible light spectrum, but becomes distinctly “gray” at about $2\mu\text{m}$, and beyond $3\mu\text{m}$ it is almost “black”.



Figs. 9.5 & 9.6 Spectral radiant emittance and spectral emissivity of three types of radiators



Section 9 – Introduction to and Theory of Thermography

There are three processes which can occur which prevent a real object from acting like a blackbody: a fraction of the incident radiation α may be absorbed, a fraction ρ may be reflected, and a fraction τ may be transmitted. Since all of these factors are more-or-less wavelength dependent, the subscript λ is used to imply the spectral dependence of their definitions. Thus:

The spectral absorptance α_λ = the ratio of the spectral radiant power absorbed by an object to that incident upon it.

The spectral reflectance ρ_λ = the ratio of the spectral radiant power reflected by an object to that incident upon it.

The spectral transmittance τ_λ = the ratio of the spectral radiant power transmitted through an object to that incident upon it.

The sum of these three factors must always add up to the whole at any wavelength, so we have the relation

$$\alpha_\lambda + \rho_\lambda + \tau_\lambda = 1$$

For opaque materials $\tau_\lambda = 0$, and the relation simplifies to

$$\alpha_\lambda + \rho_\lambda = 1$$

Another factor, called the emissivity, is required to describe the fraction ϵ of the radiant emittance of a blackbody produced by an object at a specific temperature. Thus, we have the definition:

The spectral emissivity ϵ_λ = the ratio of the spectral radiant power from an object to that from a blackbody at the same temperature and wavelength.

Expressed mathematically, this can be written as the ratio of the spectral emittance of the object to that of a blackbody as follows:

$$\epsilon_\lambda = \frac{W_{\lambda o}}{W_{\lambda b}}$$

Generally speaking, there are three types of radiation source, distinguished by the ways in which the spectral emittance of each varies with wavelength.

- (a) A blackbody, for which $\epsilon_\lambda = \epsilon = 1$.
- (b) A graybody, for which $\epsilon_\lambda = \epsilon = \text{constant less than 1}$.
- (c) A selective radiator, for which ϵ_λ varies with wavelength.

According to Kirchhoff's Law, for any material the spectral emissivity and spectral absorptance of a body are equal to any specified temperature and wavelength. That is: $\epsilon_\lambda = \alpha_\lambda$. From this we obtain, for an opaque material (since $\alpha_\lambda + \rho_\lambda = 1$):

$$\epsilon_\lambda + \rho_\lambda = 1$$

For highly polished materials ϵ_λ approaches zero, so that for a perfect reflecting material (= a perfect mirror) we have

$$\rho_\lambda = 1$$

Taking into account ϵ for a graybody radiator, the Stefan-Boltzmann formula becomes

$$W = \epsilon \sigma T^4 \text{ [Watts/m}^2\text{]}$$



Section 9 – Introduction to and Theory of Thermography

This states that the total emissive power of a graybody is the same as a blackbody at the same temperature reduced in proportion to the value of ϵ for the graybody.

Typical Values of Emissivity

The values for ϵ obtained by using Thermovision® are, in effect, the average of ϵ_λ occurring over the infrared wavelength interval utilised by Thermovision®. If ϵ_λ varies with the wavelength, ϵ (the average value) will be dependent on the object temperature.

Unoxidised metals represent an extreme case of almost perfect opacity and high spectral reflectivity, which does not vary greatly with wavelength. Consequently, the emissivity of metals is low – only increasing with temperature. For non-metals, emissivity tends to be high, and decreases with temperature.

Typical emissivities for a variety of common materials at various wavelengths are listed below. The values are meant to be used only as a guide, however, because they depend upon the spectral response of the instrument used to obtain them. For this reason, Thermovision® measurement may result in emissivities which vary somewhat from these, so verification is recommended in each case.

Table 9.1 Emissivities (total normal) of various common materials

Metals and their oxides	μm	Temperature ($^{\circ}\text{C}$)	Emissivity (ϵ)
Aluminium:			
foil	3	28	0.09
foil	10	28	0.04
weathered	SW	17	0.83-0.94
Copper:			
polished	3	20	0.03
polished	10	20	0.02
heavily oxidized	SW	20	0.78
Iron:			
cast, oxidized	SW	100	0.64
sheet, heavily rusted	SW	20	0.91-0.96
Nickel, electroplated, polished	SW	20	0.05
Stainless Steel (type 18-8):			
polished	SW	20	0.16
oxidized	SW	60	0.85
Steel:			
polished	SW	100	0.07
oxidized at 800°C	SW	200	0.79



Section 9 – Introduction to and Theory of Thermography

Other Materials	μm	Temperature ($^{\circ}\text{C}$)	Emissivity (ϵ)
Brick, common red	SW	20	0.93
Carbon candle soot	SW	20	0.95
Concrete, dry	5	35	0.95
Glass, chemical ware	5	35	0.97
Oil:			
lubricating	SW	17	0.87
film thickness 0.03mm	SW	20	0.27
film thickness 0.13mm	SW	20	0.72
thick coating	SW	20	0.82
Paint:			
black flat,	SW	17	0.94
Krylon black flat	10	50	0.96
Paper:			
white	SW	20	0.68
white	LW	20	0.95
Plaster:	LW	20	0.86-0.90
Rubber, black	5	35	0.97
Skin, human	SW	32	0.98
Soil:			
dry	SW	20	0.92
saturated with water	SW	20	0.95
Water:			
distilled	SW	20	0.96
frost crystals	SW	-10	0.98
snow	SW	-10	0.85
Wood panelling, light finish	5	35	0.87



Section 9 – Introduction to and Theory of Thermography

Table 9.2 Solar absorptance α_s and earth-ambient (300K) emissivity ϵ_a for spacecraft materials

Material	α_s	ϵ_a	α_s/ϵ_a
Aluminium:			
polished and degreased	0.387	0.027	14.35
foil, dull side, crinkled and smoothed	0.223	0.030	7.43
foil, shiny side	0.192	0.036	5.33
sandblasted	0.42	0.21	2.00
oxide, flame sprayed, 0.025mm thick	0.422	0.765	0.55
anodized	0.15	0.77	0.19
Fibreglass	0.85	0.75	1.13
Gold, plated on stainless steel, polished	0.301	0.028	10.77
Magnesium, polished	0.30	0.07	4.3
Paints:			
aquadag, 4 coats on copper	0.782	0.490	1.60
aluminium	0.54	0.45	1.2
Microbond, 4 coats on magnesium	0.936	0.844	1.11
TiO ₂ gray	0.87	0.87	1.00
TiO ₂ white	0.19	0.94	0.20
Rokide A	0.15	0.77	0.20
Stainless steel (type 18-8), sandblasted	0.78	0.44	1.77

Infrared Semi-transparent Materials

Consider now a non-metallic, semi-transparent body – for simplicity, in the form of a thick flat plate of plastic material. When the plate is heated, radiation generated within its volume must work its way toward the surfaces through the material in which it is partially absorbed. Moreover, when it arrives at the surface, some of it is reflected back into the interior. The back-reflected radiation is again partially absorbed, but some of it arrives at the opposite surface, through which it mostly escapes; part of it is reflected back again. Although the progressive reflections become weaker and weaker, they must all be added up when the total emittance of the plate is sought. When the resulting geometrical series is summed, the effective emissivity of a semi-transparent plate is obtained as

$$\epsilon_\lambda = \frac{(1-\lambda)(1-\tau_\rho)}{1-\rho_\lambda\tau_\lambda}$$

This formula represents a generalisation of Kirchhoff's law, which reduces when the plate becomes opaque ($\tau_\lambda = 0$) to the single form

$$\epsilon_\lambda = 1 - \rho_\lambda$$

This last relation is a particularly convenient one, because it is often easier to measure reflectance than to measure emissivity directly.



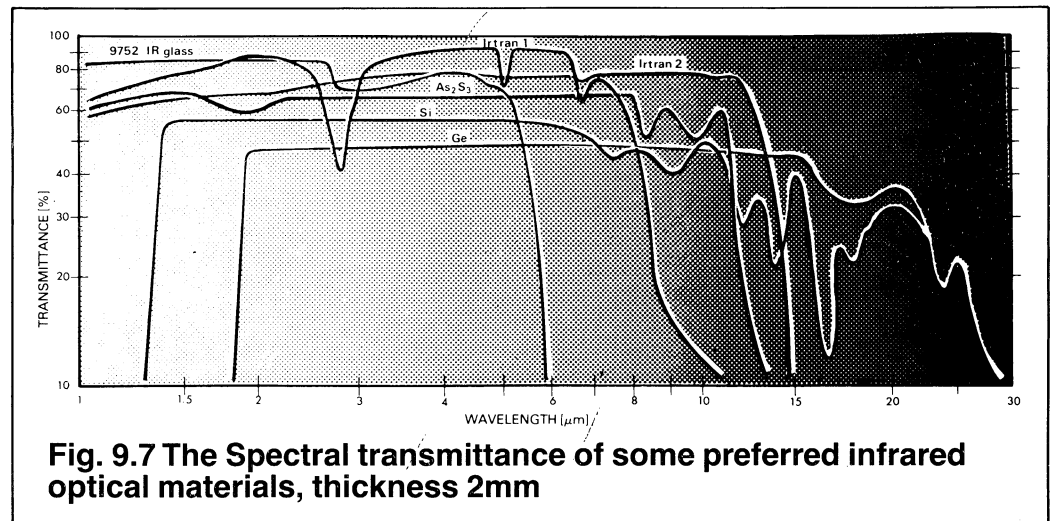
Section 9 – Introduction to and Theory of Thermography

Infrared Optical Materials

There are also very useful materials which are transparent to the infrared. These are not necessarily transparent in the visible region of the spectrum, of course. For instance, while silicon and germanium are opaque in the visible wavelengths they are transparent in parts of the infrared spectrum. Some infrared transmitting materials and their IR-refractive indexes (n) are listed below (see Table 9.3), together with their transmission cut-off wavelengths:

Table 9.3 IR-Optical materials

Material	nat $\lambda = 2\mu\text{m}$	λ cut-off (approx.)
Germanium (Ge)	4.0	50
Silicon (Si)	3.4	40
Arsenic trisulfide glass (As_2S_3)	2.4	12
Irtan 2 (ZnS)	2.2	14
Sapphire (Al_2O_3)	1.8	7
Irtan 1 (MgF_2)	1.3	8



A high value of n is advantageous in lens design, but on the other hand it is a fact that materials with high refractive indexes have rather low transmittances. The relation between transmittance and refractive index for non-absorbing materials can be shown to be

$$\tau = \frac{2n}{n_2 + 1}$$

For germanium ($n = 4$), τ becomes 0.47. Each germanium element in an IR-scanner lens system should thus reduce the transmittance by a factory of 2.



Section 9 – Introduction to and Theory of Thermography

These high reflective losses can be eliminated, however, by anti-reflection coatings which can raise the transmittance to as high as 95-99 percent for a given wavelength interval. The wavelength interval is determined by the thickness of the coating. With multi-layer coatings, the transmission interval can be increased over a wide wavelength band.

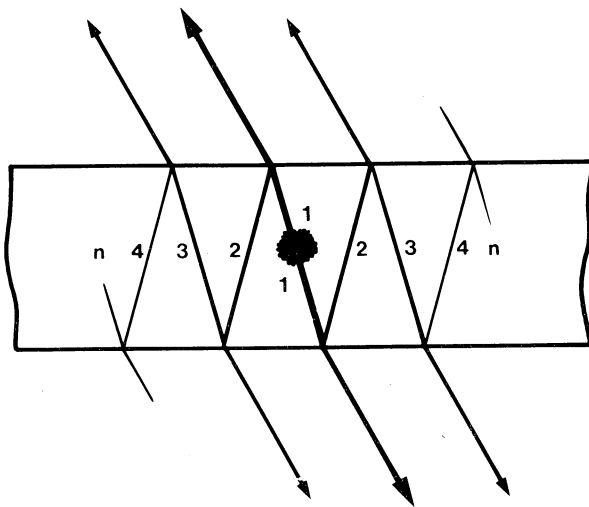


Fig. 9.8 Special characteristics of semi-transparent materials – radiation emitted by a volume element of a semi-transparent (i.e. partially absorbing) plastic plate.

IR Detectors

We have no difficulty detecting infrared energy when standing in front of an open fire or lying on the beach in the sun. But to produce an infrared picture at normal temperatures of the objects around us, we are dealing with such exceedingly small radiant powers that one of the principal problems in infrared technology has been the search for adequate IR detectors.

An infrared detector is a converter that absorbs IR energy and converts it to a signal, usually an electrical voltage or current. There are two principle types: thermal detectors and photon detectors. Thermal detectors have been conceived on the notion of the temperature rise produced in an absorbing receiver, such as in the pneumatic (Golay) cell, the thermocouple, the bolometer, and the new pyroelectric (capacitor) detector. The most important thermal detector today is the thermistor bolometer, which utilises the change in resistance of a semiconductor film when it is heated by the radiation. Typical of thermal detectors is the “flat” spectral response. If they have been properly blackened, the output signal remains practically constant over a very wide range of wavelengths. The main drawback with most thermal detectors is the comparatively slow response to radiation variations, due to thermal processes involved. The pyroelectric thermal detector, however, has relatively fast response – owing to its use of the ferroelectric effect of certain crystals.

There are also a variety of different kinds of photon (or ‘quantum’) detectors. They show distinctly different spectral responses between types – characterised by a sharp cut-off in the long-wavelength range. All photon detectors



Section 9 – Introduction to and Theory of Thermography

are composed of semiconductor material, in which the release or transfer of charge carriers (e.g. electrons) is directly associated with photon absorption. The energy of the photon is inversely proportional to the wavelength associated with it and the disappearance of photoelectric activity at wavelength longer than the 'cut-off' wavelength (λ_c) indicates the energy of the photons to be insufficient to set electrons free. That is, the photons must exceed the so-called 'forbidden energy gap' (E_g) in the semiconductor material. This cut-off wavelength is:

$$\lambda_c = \frac{hc}{E_g} \text{ [m]}$$

where E_g is expressed in Joules.

In general, the width of the forbidden energy gap is increased by cooling, so that the cut-off wavelength is decreased when the detector is cooled.

Two principal types of photon detector are of particular interest today: the 'photoconductive' and the 'photovoltaic' detectors. In a photoconductive detector the gap energy is determined by the nature of the material itself, and the effect of photon absorption is to "free" the electrons and thereby increase the detector's conductivity.

In photovoltaic detectors the gap energy is also determined by the material, but the radiation-generated charge carriers are swept away by the electric field in a p-n junction, thereby directly producing a voltage rather than a change in conductivity.

High-speed scanning of necessity requires a detector with a very short response time. The advantage of photon detectors is that they are more sensitive, and have a much shorter response time than thermal detectors but they have also a limited spectral-response, and require cooling for optimum sensitivity – generally to the temperature of liquid nitrogen (77K). However, the SPRITE detector produces excellent results at a working temperature of 203K.

In the case of an ideal thermal detector which has a perfectly flat spectral response curve, it is sufficient to state a single value of detectivity (D^*). However, the situation is more complicated with photon detectors, whose spectral response is not flat, and typically drops off to zero at the long-wavelength cut-off point. The D^* is, then, wavelength dependent and consequently bears the usual subscript, $D^* \lambda$ $D^* \lambda_{max}$ is noted at the peak of the spectral response curve.

The ultimate limit on detectivity is set by the 'radiation noise' signal which is generated in a detector, resulting from the statistical fluctuation of the radiation received and re-emitted by the detector itself. The noise signal is characterised by its random fluctuations in amplitude, frequency and phase. The result due to noise on the Thermovision® display is the familiar TV "snow" on the picture screen. A detector where this noise sets the limit of detectivity is said to be 'background limited'.



Section 9 – Introduction to and Theory of Thermography

Infrared Scanners

It is possible to obtain an infrared picture using infrared sensitive film loaded into a regular camera. Contrary to the passive technique used with an infrared scanning head the film uses active methods previously described.

The film emulsion is only sensitive between $0.7\mu\text{m}$ and $1.2\mu\text{m}$ in the electromagnetic spectrum. This technique is very useful for airborne inspections of forests agriculture areas. In medicine it will show arteries and veins (darker) in a picture, however it does not give any information regarding temperature distribution over a surface. This is carried out in the longer wavelengths usually above the $2\mu\text{m}$ to $12\mu\text{m}$ band and using a measuring function for temperature evaluation.

It is not possible to, with passive techniques, obtain a single frame shot using a camera. As a solution the surface has to be scanned and the temperature identified and measured point by point (horizontal scan) and along a number of lines (vertical scan). The infrared image is built up like a TV picture. Therefore it is easy to understand that an infrared element must be extremely sensitive together with a short response time if a thermographic image is to be presented in real time, i.e. 20-25 fields per second. To be sensitive not only to higher temperatures but also to both ambient and lower temperatures and to eliminate electrical noise, the detector is normally cooled by liquid nitrogen.

Today very satisfactory results can be obtained without the necessity of super-cooling. With the development of more sophisticated detectors and the advantage obtained using Peltier elements, detectable voltages corresponding to the heat radiated by an object can be measured.



Thermovision[®] 880 Operating Manual

ERRATA: Please note that the following changes should be made in the text of this manual:

Page 1.6:

line 12 should read:

– Photo Electronically synchronised exposure

line 20 should read:

Dimensions W x H x D 253 x 129 x 322 mm

Page 2.20:

Table 2.1 should read:

Table 2.1 Lens Specification

Lens	Min Focus	Focal dist	Geo Res*
7°	1.2m	110mm	0.7 mrad
12°	0.8m	65mm	1.2 mrad
20°	0.5m	38mm	2.0 mrad

(Changes in Geo Res* column)

Page 4.3:

Fig. 4.3: * The type of scanner
is. . .
* refers to (5)

Delete bottom line

5. Type of scanner. . .

Page 4.9:

Figure title should read: **Fig. 4.5 Flow Chart.**

