

62-5018  
Instruction Manual

for

**Model 8200**  
6½ - Digit  
Voltage & Current  
**CALIBRATOR**

**ANALOGIC** ■

---

 DATA PRECISION

**PROPRIETARY NOTICE**

The information contained in this publication is derived in part from proprietary and patent data of the Analogic Corporation. This information has been prepared for the expressed purpose of assisting operating and maintenance personnel in the efficient use of the instrument described herein. Publication of this information does not convey any rights to use or reproduce it or to use it for any purpose other than in connection with the installation, operation, and maintenance of the equipment described herein.

Printed in U.S.A.      First Edition  
                                    January, 1981  
                                    Copyright, Analogic Corporation  
                                    All rights reserved.

# CONTENTS

1. INTRODUCTION
  - 1.1 General Description
  - 1.2 Features
  - 1.3 Installation
  - 1.4 Powering the 8200
2. SPECIFICATIONS & OPERATION
  - 2.1 Specifications
    - 2.1.1 Voltage Mode
    - 2.1.2 Current Mode
    - 2.1.3 Voltage/Current Mode Performance
    - 2.1.4 Options
    - 2.1.5 IEEE488 Option
  - 2.2 Operation
    - 2.2.1 Front Panel Features
    - 2.2.2 Rear Panel Features
  - 2.3 Operating Procedures
    - 2.3.1 Powering the Calibrator
      - 2.3.1.1 Power Up/Shut Down
    - 2.3.2 Application Setups
    - 2.3.3 Local Control
    - 2.3.4 Shut Down Procedures
  - 2.4 Remote Control
    - 2.4.1 IEEE488 Setup
    - 2.4.2 Procedure
    - 2.4.3 Returning to Local Control
3. PRINCIPLES OF OPERATION
  - 3.1 System Block Diagram
  - 3.2 Program Control
    - 3.2.1 General
    - 3.2.2 Program Subroutines
    - 3.2.3 Port Addresses
    - 3.2.4 RAM Storage
  - 3.3 Generating the Calibrator Output
    - 3.3.1 Implementation Sequence
    - 3.3.2 Generating the "Octade" States
    - 3.3.3 Binary-to-Octal Conversion
    - 3.3.4 Scaled Voltage Output, Plus and Minus
    - 3.3.5 Generating a Current Output
  - 3.4 CHANGING THE OUTPUT VALUE
    - 3.4.1 Program Control
    - 3.4.2 Hardware Implementation to Detect Switch Changes
    - 3.4.3 Transferring Binary Values to The D/A Converter
- 3.5 Display
- 3.6 Digital Control Implementation
- 3.7 Power Supplies
  - 3.7.1 Main Power
  - 3.7.2 Digital Control Power
  - 3.7.3 Isolated Analog Circuit Power
4. CALIBRATION & MAINTENANCE
  - 4.1 General
  - 4.2 Field Recalibration
    - 4.2.1 Test Equipment Required
    - 4.2.2 Obtaining Access to the Adjustments
    - 4.2.3 Field Recalibration Procedure
  - 4.3 Complete Recalibration (Metrology Standards)
    - 4.3.1 Equipment Required
    - 4.3.2 Test Setup and Preliminary Operations
    - 4.3.3 Offset Adjustment
    - 4.3.4 Linearization Adjustments
    - 4.3.5 Carry Adjustment
    - 4.3.6 Final Calibration
  - 4.4 Maintenance
    - 4.4.1 General
    - 4.4.2 Troubleshooting Strategy
    - 4.4.3 Power Supply Checks
  - 4.5 Power Supply Assembly Checks
  - 4.6 Power and Timing Checks
  - 4.7 Digital Control Board Maintenance
  - 4.8 D/A Converter Board Maintenance
5. PARTS LISTS
  - 5.1 Model 8200 Calibrator Assemblies
  - 5.2 Parts Lists
    - 5.2.1 Ordering Requirements
    - 5.2.2 Display Assembly
    - 5.2.3 20-Bit D/A Assembly
    - 5.2.4 Digital PCB Assembly
    - 5.2.5 Switch Card Assembly
    - 5.2.6 Rear Panel Assemblies

# ILLUSTRATIONS

## Frontispiece: Model 8200 Calibrator

### 1-1. Outline & Mounting Dimensions

#### 2-1. Front Panel Features

#### 2-2. Rear Panel Features.

#### 2-3. Setup for Use as a Voltage Standard

#### 2-4. Setup for Use as a Current Standard

### 3-1. Model 8200 Block Diagram

#### 3-2. Model 8200 Program Flow Chart

#### 3-3. Translating a 20-Bit Binary to 7 Octal Codes

#### 3-4. Generating the Voltage Levels for an Octade

#### 3-5. Converting 3 Binary Codes to Equivalent Octal Value

#### 3-6. Producing a Proportional Voltage Output

#### 3-7. Approximate Control Timing Waveforms

#### 3-8. Transferring Isolated Digital Signals to D/A Converter

### 4-1. Obtaining Access to Calibration Adjustments

#### 4-2. Isolated D/A Assembly Test Points

#### 4-3. Calibration Test Setup

#### 4-4. Model 8200 Power Distribution Schematic.

## Reference Drawings:

### Assembly Drawings and Schematics

Front Panel: 67-1095 (Assy)

20-Bit D/A Converter: 67-1090 (Assy); 65-1029 (Schem)

Digital Control: 67-1091 (Assy); 65-1030 (Schem)

Switch Bank: 67-1092 (Assy); 65-1031 (Schem)

Display: 67-1093 (Assy); 65-1032 (Schem)

Rear Panel: 67-1096 (Assy)

# INTRODUCTION

## 1.1 GENERAL

The Data Precision Model 8200 Calibrator is a precision 6½-digit (1,048,575 counts), microcomputer-controlled, voltage and current standard, providing a completely isolated analog signal from 0.1μV to 100V (or up to 1000V with the 1KV option), or 1μA to 100mA, for the test and calibration of high-precision analog circuits. When enhanced with the optional IEEE488 bus interface, the Model 8200 may be remotely programmed as a voltage or current standard for ATE applications. The Model 8200 is configured in a standard 3½-inch high, 19-inch wide metal case, suitable for rack mounting (with the rack mounting option, A6). Its light weight of less than 17 pounds, and its universal powering capability (115 or 230Vac) make the Model 8200 a convenient, portable standard for use in a variety of test/inspection environments.

## 1.2 FEATURES

The Model 8200 provides three selectable full scale ranges for dc voltage generation (100mV, 10V, and 100V) and one range scale for dc current generation (100mA). Polarity for each is independently selected by front-panel control, while the decimal point is positioned automatically in the 6½-decade display. A field-installable 1KV option provides an extended range up to 1000V.

Accuracy of the analog voltage output is within 10ppm of the reading + 1ppm of the full scale range. Accuracy of the current output is within 0.01% of the reading + 1μA.

High speed settling is compatible with the designed use of the Model 8200 as part of a computer-controlled ATE system. Output values settle from one level to the other in the same range within 1ms, and within 15ms when a range change has been made.

Stable outputs are designed for long periods of unattended use. Long-term drift of less than 10ppm may be expected over 60 days. Temperature coefficients over an operating range from 15°C to 35°C introduce 1ppm/°C of reading + 0.2ppm of full scale range on the 10V scale, and 2ppm/°C of reading + 0.2ppm of full scale range on either 100mV or 100V ranges. The dc current temperature coefficient is 10ppm of reading and 2ppm of range.

Front-panel controls and the display operate in a "full duplex" mode. That is, the operator indicates his desired change in output to the microcomputer, while the display is controlled **directly** by the microcomputer, *after the change in value has been verified to be a valid one and then transmitted by the microcomputer to the display.*

Front-panel setup of varying output magnitudes is designed for optimum human-engineered convenience. Each of the 6 decade selectors at the front panel may be operated in either clockwise or counterclockwise (increment or decrement action) without limit so that the output value may be changed by the selected incremental resolution **without having to change decade selectors**. The instrument performs full carry or full borrow to or from higher decades to the limits of the selected full scale range.

Fail-safe operating modes protect the tested components from inadvertent high signals. The Model 8200 **returns to 0** when a change in polarity is commanded, or when a range scale is changed.

Remote programming is field installable. The IEEE488 bus interface assembly may be installed within the Model 8200 chassis as a user-installable procedure. The assembly is plug-connected within the Calibrator, and the programming has been installed for the remote operation.

## 1.3 INSTALLATION

Model 8200 Calibrator is wrapped in a plastic water-proof bag, placed between foam shock isolators, and shipped in a protective carton. You will find the documentation inside the shipping carton. This includes the Certificate of Conformance, Warranty registration, Final Acceptance Test Data, and this Instruction Manual. The instrument is shipped, ready for use. Ordered options have been installed, and the ac line cord is included. Ordered accessories will be shipped in their own containers as separate items.

After unpacking, examine the contents carefully. Inspect the packing case and the instrument for any signs of damage during shipment and report immediately to the carrier. Fill out and return the warranty card in order to register your instrument and to establish your warranty service interval.

Retain the packing material for reshipment. When shipping the Model 8200 Calibrator, use foam shock isolators and pack in the original shipping carton, if available. If original shipping material is no longer available, use some shock isolators, such as bubble plastic, and wrap securely within a suitable carton.

#### 1.4 INSTALLING & POWERING THE MODEL 8200

The Model 8200 Calibrator is designed for bench-top or rack-mounted installations (with the rack mount option). Figure 1-1 indicates the space required for the instrument in any application. The bottom cover of the calibrator is fitted with "feet" for non-skid bench use, and a built-in tilt stand may be extended for convenient viewing and front-panel operation. No cooling fan is used, and no special temperature controls are needed. The ambient, however, should remain fairly stable during use in order to obtain the full benefits of the instrument accuracies and stability.

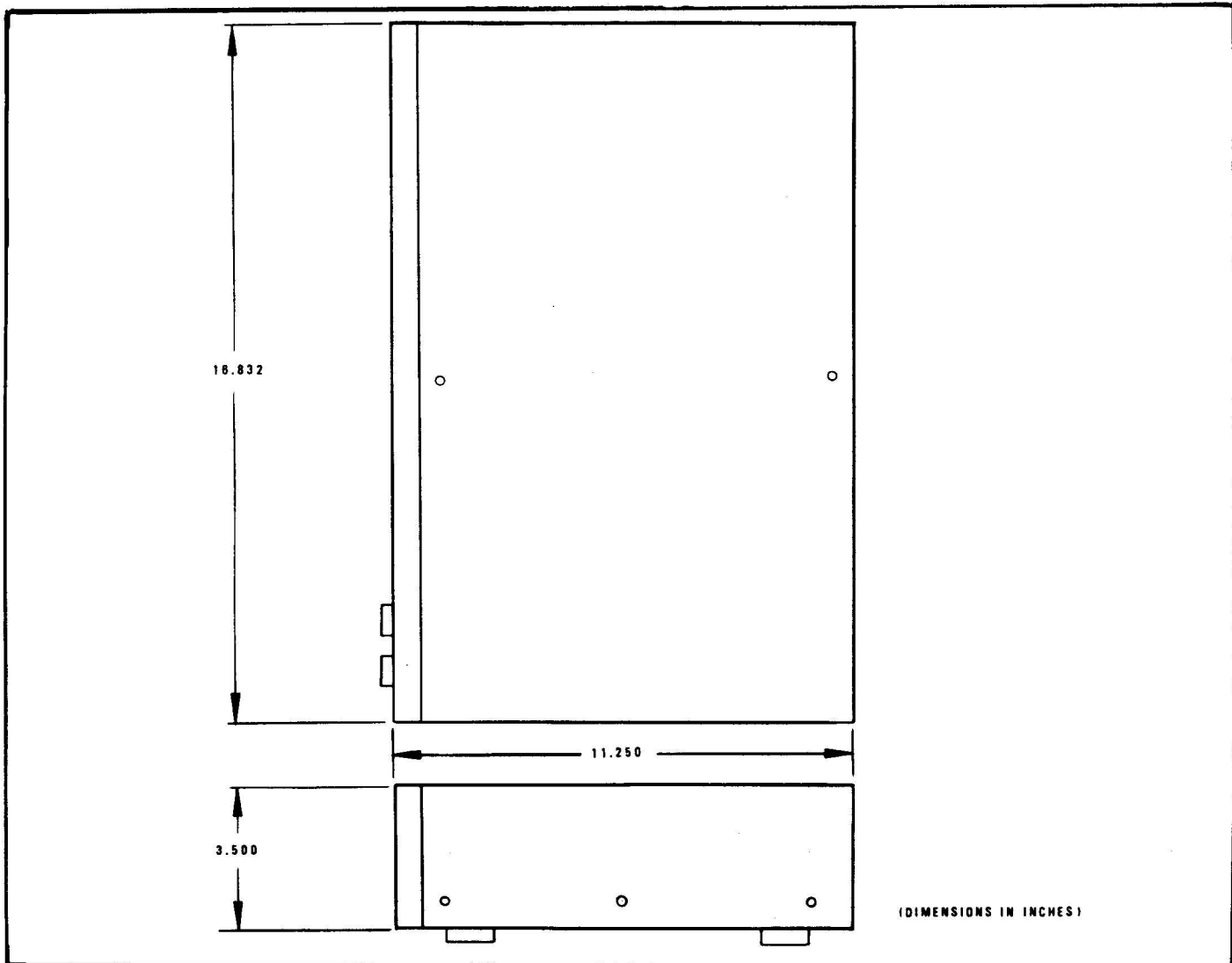
The Model 8200 Calibrator is designed for 115 and 230 volt rms sourcing. A rear-panel switch configures the input transformer primary for the available power.

#### CAUTION

**Check the rear panel and confirm the switch setting for the available power. See Chapter 2, Figure 2-2, for further details and information.**

Connect the ac line cord to the rear-panel power receptacle.

Refer to Chapter 2, Operating Instructions, for instructions on connecting the 8200 to instruments under test. Allow at least ½ hour for warmup before using the Calibrator in any application.



1-1. Outline & Mounting Dimensions

# 2 SPECIFICATIONS & OPERATION

## 2.1 SPECIFICATIONS

### 2.1.1 Voltage Mode

Range	Full Scale	Resolution	Current	Accuracy	Output Impedance
± 100 mV	± 104.8575 mV	0.1 μV	-----	± (60ppm rdg + 1μV)	100 ohms
± 10 V	± 10.48575 V	10 μV	100 mA, max	± (10ppm rdg + 10μV)	10 milliohms
± 100 V	± 104.8575 V	100μV	10 mA, max	± (10ppm rdg + 100μV)	20 milliohms

#### Noise (dc - 10 kHz):

10V Range: 10μV rms  
100V Range: 100μV rms

#### Settling Time:

1 msec to rated accuracy (without range change)

#### Stability:

10ppm 60 days  
20ppm 6 months

#### Temperature Coefficient (15°C to 35°C):

10V: ± (1ppm/°C rdg + 0.2ppm/°C range)  
100V: ± (2ppm/°C rdg + 0.2ppm/°C range)

### 2.1.2 Current Mode

Range	Full Scale	Resolution	Compliance Voltage	Accuracy
± 100 mA	± 100.000 mA	1μA	10V	± (0.01% rdg + 1μA)

#### Temperature Coefficient:

± (10ppm/°C + 2ppm/°C range)

### 2.1.3 Voltage/Current Mode Performance

#### Warmup Time

1 hour to rated accuracy

#### Output:

10V and 100V Ranges: Floating, 4-terminal, with remote sensing and guard.  
100mV Range: Rear-panel, shielded, connector; 2 terminals plus guard.  
100mA Range: Floating, 2-terminal, plus guard.

#### Common Mode Voltage:

500V max, guard to case

#### Calibration Interval:

6 months 20ppm  
60 days 10ppm

**Power:**

115/230V, 50 - 60 Hz, 25 Watts

**Controls and Indicators:**

6 rotary decade selector switches, unlimited travel, clockwise or counter clockwise, with carry and borrow, as required

1 rotary range and mode selector switch

1 rotary polarity selector switch

7 LED display indicators, 0.8 in high; 6 full decades, overflow, +, -.

4 Annunciators: **mV**, **mA**, **REM**, and  $\frac{1}{\sqrt{}}$  (for 1000V selection). **V** is understood when no other selection is made.

1 pushbutton power switch

**2.1.4 Options**

IEEE488 Interface (GPIB)

Rack Mounting

Rear Terminals

1kV Amplifier

**2.1.5 IEEE488 OPTION****Address:**

Address is determined by five dip switches mounted on the option assembly board.

**Local - Remote:**

When addressed to **listen**, and when sent a character, the 8200 assumes **REMOTE** operating status, and can no longer be programmed from the front panel. The instrument retains its previous output setting until receipt of a valid character string as specified below. **LOCAL** operating status is resumed on receipt of an **L** at any time, or by a power **OFF/ON** cycle.

**Character Strings:**

All characters are **ASCII**.

Parity bit is ignored.

**Voltage Mode:**

1st character	V	Voltage mode
2nd character	0	100mV range
	1	10V range
	2	100V range
	3	1000V range
3rd character	+	Plus polarity
	-	Minus polarity
4th	0	Magnitude
through	to	
10th characters	9	

(*NUL*, *.*, or *SPACE* is ignored after polarity is received.)

**Current Mode:**

1st character	A	100mA range
2nd character	+	Plus polarity
	-	Minus polarity
3rd		Magnitude
through		
8th character		(As above, for voltage mode)

Characters received before a **V** or **A** are ignored. Once a **V** or **A** is received, the string must conform to the format specified above.

Invalid characters reset the pointer, and they must be followed by a complete new string.

Receipt of the last character in the string initiates an output.

Out-of-range values cause a zero output.



## 2.2 OPERATION

### 2.2.1 Front Panel Features


Table 2-1 describes the front panel features that are indicated in Figure 2-1.

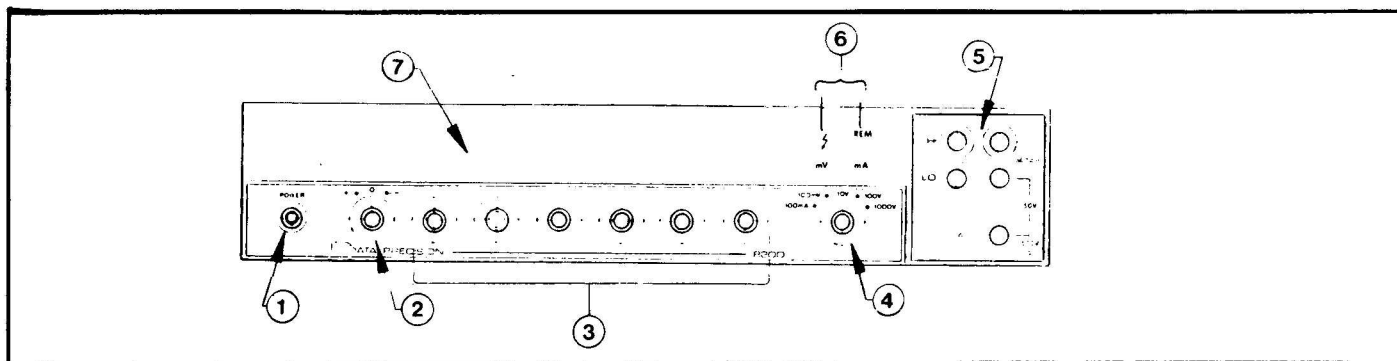
### 2.2.2 Rear Panel Features

Table 2-2 describes the features of the rear panel indicated in Figure 2-2.

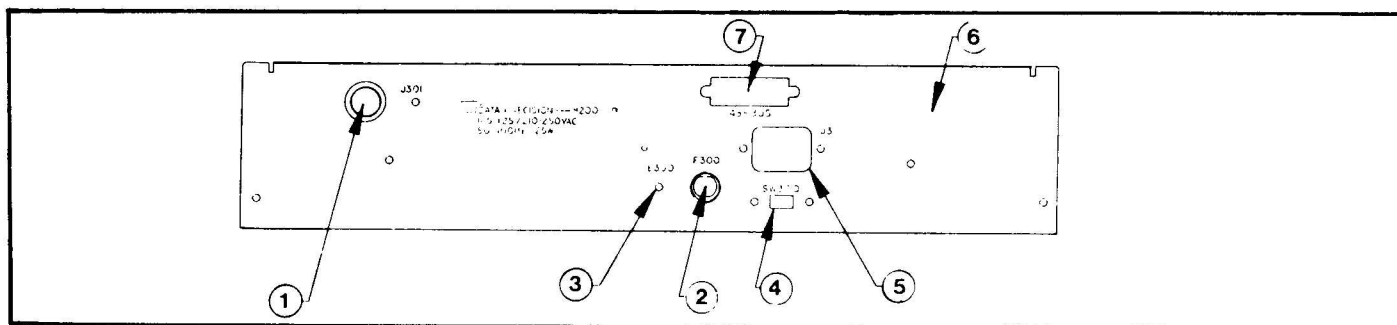
\*All capitals or bold type letters are used for names as they appear on the front panel. Reference designations in parentheses correspond to designations used in schematic diagrams.

**Table 2-1**  
**FRONT PANEL CONTROLS & INDICATORS**

Ref	Name*	Description / Function
1	POWER (SW200)	Push-push switch. Connects fused main power to transformer primary. See rear panel description for power source information.
2	Polarity +, 0, - (SW201)	3-Position rotary switch. Selects positive, or negative polarity for analog output signal. Center position (0) is default for positive polarity.
3	Decade Selectors (SW202-SW207)	6 decade rotary selector switches. Unlimited travel in either clockwise or counterclockwise direction. Applies +5V through "interrupter" wafer to contact brushes that provide indications of movement and direction (cw or ccw) to microprocessor.
4	Range 100mA, 100mV, 10V, 100V, 1000V (SW208)	5-Position rotary switch. Selects operating mode (voltage or current) and full scale range of the output signal. If selected 1000V range is not supported by installed option, <b>Error</b> message is displayed.
5	Output HI, LO, HI SENSE, LO SENSE, GUARD	5 five-way binding posts. Installed to accept standard banana-plug connectors. Jumper straps are provided to connect output to sense terminals and GUARD to LO terminals. See rear panel description for 100mV full scale output.
6	Annunciators mV, mA, REM, 	4 LED lamps that are operated in response to the commanded range selection (100mV, 100mA, or 1000V) or when control is being exercised over the IEEE488 bus ( <b>REM</b> ).
7	Display	6½-digit display. All are driven by computer control. Polarity sign is incorporated in MSD. Decimal point is positioned automatically by selection of the full scale range.



2-1. Front Panel Features



2-2. Rear Panel Features.

Table 2-2  
REAR PANEL FEATURES

Ref	Name*	Description / Function
1	100mV Connector (J301)	3-terminal, shielded, connector. For calibrator 100mV full scale range output.
2	Fuse (F300)	½-Amp, Slo-Blo Fuse. Fuses line connection to primary of power transformer.
3	Earth Ground	Binding post for chassis or power-line grounding connection in addition to the 3rd wire in the power cord.
4	Power Select Switch (SW300)	Slide switch. Configures power transformer primary for 115 or 230Vac input. Window in rear panel provides visibility of the selected power configuration.
5	Connector (J300)	Recessed male connector for 3-wire (power plus neutral) power cord. Power cord furnished with instrument.
6	Label	Identifying label for Model 8200 Calibrator. Nameplate data includes serial number.
7	Connector	IEEE488 interface connector, when option is installed.

Note: Rear-Panel Terminals are not shown. They parallel the connections at the front panel.

## 2.3 OPERATING PROCEDURES

### 2.3.1 Powering the Calibrator

The Model 8200 must be connected to a source of ac power via a 3-conductor cable furnished as part of the standard instrument. Source power may be nominal 115 or 230Vac, nominal 50 or 60 Hz. A slide switch in the rear-panel assembly configures the instrument for the power to be applied.

#### WARNING

Before connecting power, check the line voltage available, and see that the visible numbers are in accord with the available supply.

Configure the power transformer for the available line power.

Connect the power cable.

Make appropriate earth ground connections to the rear-panel binding post (see Table 2-2).

Turn power on at the front panel (Table 2-1) and allow the calibrator at least 1 hour to warm up.

#### 2.3.1.1 Power Up/Shut Down

During these abnormal periods it is recommended to disconnect the load from the output binding post (HI, LO, HI-SENSE, GUARD) on the front panel and/or RT-2 rear terminal output connector.

### 2.3.2 Application Setups (Fig. 2-3, 2-4)

1. Make connections to the front panel for voltages over 100mV, and for any current source applications. Connect output **HI** to load positive terminal. Connect **LO** to load negative terminal. Connect **HI SENSE** to load positive or to **HI** at front panel by jumper strap (supplied). Similarly, connect the output **LO SENSE** to load negative terminal or to **LO** at front panel by jumper strap (furnished). Connect the **GUARD** to the application instrument chassis or to the front-panel **LO SENSE** terminal by a jumper strap.

2. If the 100mV full scale range is to be used, make connections at the rear-panel connector, J301. A 3-conductor mating connector for the rear-panel input is supplied with the instrument. The third conductor within the mating connector is connected to the calibrator **GUARD**. A separate earth ground terminal, E301, is provided in the rear panel connector for additional power or chassis grounding applications.

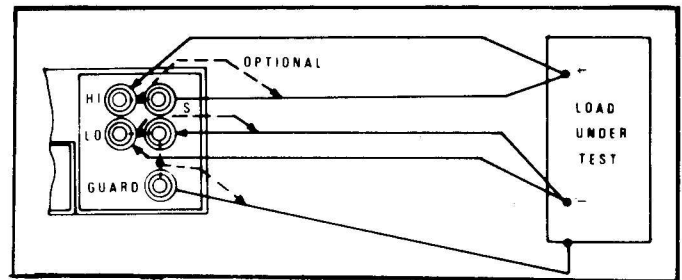
#### WARNING

If the rear panel output option is installed in the 8200, be sure that connections at front and rear panel are not incompatible. It is recommended that a cover plate be used to protect the front terminals when the rear terminals are in use.

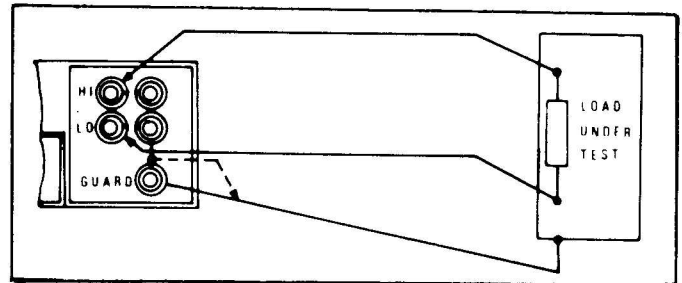
### 2.3.3 Local Control

1. At the front panel, select the polarity (SW201), and range (SW208).

The calibrator's response to any selection of a new polarity or range will display a zero value in the display. This will prevent an unwanted value from being applied to the instrument under test when changing the test conditions.



2-3. Setup for Use as a Voltage Standard



2-4. Setup for Use as a Current Standard

2. Operate the rotary decade switches until the desired magnitude of the output signal is displayed. The front panel switches and display are related in what is known as a "full duplex" mode. That is, the display digits are not hardware-linked to the respective switches. Instead, the switches are used to signal the microprocessor to modify the value, and the processing action updates the display digits, *only as a result of the programmed development of the output analog value.*

Each rotary decade switch is capable of unlimited travel in either a clockwise (incrementing) or counterclockwise (decrementing) direction. The microprocessor responds to these commands by incrementing or decrementing the value up to the maximum limit of the selected range scale (see specifications), or to zero.

A change through zero requires the change in polarity sign, and this must be accomplished by the use of polarity switch SW201. This design feature prevents you from applying an unwanted value to the instrument under test.

Six rotary decade switches are provided to signal the modification of  $6^{1/2}$  decades of analog output. The MSD is "controlled" as a carry from the major front-panel decade switch.

The designed capability of unlimited carry (or borrow) to (or from) the next higher decade greatly simplifies the use of the 8200 in applying a varying stimulus to a system under test. A desired increment or decrement in any one of the decades may be "stepped" into the output **simply by continuous rotation of that one decade switch corresponding to the desired resolution. It is not necessary to operate more than one decade switch for any desired output value.**

Consider, for example, how easily the transition is made through a major carry when using the 8200. If you were checking the threshold performance around 3 volts, and expected the value to be between 2.800 and 3.200, you would set the 8200 to an initial value of 2.80000 and increment the third decade (from the least). The value would step from 2.80000 to 2.80100, to 2.80200, etc. At 2.80900, the next step would be 2.81000.

At 2.89900 and at 2.99900 the next steps would be 2.90000 and 3.00000, respectively, **with only one step of the decade switch**. In most other test instrumentation, on the other hand, the change from 2.99900 to 3.00000 would require changing all 4 decades (2999).

#### 2.3.4 Shut Down Procedures

To shut down the Model 8200, do the following:

1. Disconnect the load from the output binding posts (HI, LO, HISENSE, LOSENSE, GUARD) on the front panel of the Model 8200.
2. Press the POWER pushbutton and observe the 6½ digit display to go out (extinguish).

The Model 8200 is now shut down.

## 2.4 REMOTE CONTROL

### 2.4.1 IEEE488 Setup

The IEEE488 option board contains a 5-section dip switch which must be set with the listen address of the 8200 before it can be controlled by an external source.

The Model 8200 IEEE488 option board is shipped from the factory with the dip switches set for address 20 (10100).

To obtain access to this switch, remove the top cover by removing 6 side fastening screws (3 on each side) and 2 top fastening screws (front and back). See Figure 2-3. The IEEE488 option board is mounted on standoffs towards the rear of the chassis, and its connection to the external bus is accomplished by a standard connector mounted in the rear panel.

Determine the address to be used for this 8200 Calibrator, and set the 5 sections of the dip switch accordingly. Table 2-3 lists the binary-to-decimal conversions for the 5 selectable sections.

### 2.4.2 Procedure

1. Address the 8200 to **listen**.
2. Send a string in ASCII, beginning with character **V**, for voltage output, or **A**, for current output.  
Any characters transmitted before the **V** or **A** will be ignored.
3. Transmit the appropriate string, as defined in the specifications, paragraph 2.1.5, and repeated below.

When the last character in the string has been received, the 8200 will generate an interrupt to the microprocessor, and will change the complete stored decimal value to that transmitted by the remote controller (as distinct from the incrementing process described for operation under local control).

When the 8200 receives a valid remote command (as defined above), it locks out the front-panel and displays the annunciator **REM**. It remains in Remote control, until commanded to return to local, or until power is turned off, and then on again.

When the 8200 receives an invalid command, or invalid character, the transmission string must be retransmitted.

### 2.4.3 Returning to Local Control

The 8200 Calibrator may be commanded to return to local control by transmitting the single character **L** following a valid address to listen.

**Table 2-3**  
**CHARACTER STRINGS**  
All characters are ASCII.  
Parity bit is ignored.

#### Voltage Mode:

1st character	V	Voltage mode
2nd character	0	100mV range
	1	10V range
	2	100V range
	3	1000V range
3rd character	+	Plus polarity
	-	Minus polarity
4th	0	Magnitude (NUL, ., or SPACE is ignored after polarity is received.)
through	to	
10th characters	9	

#### Current Mode:

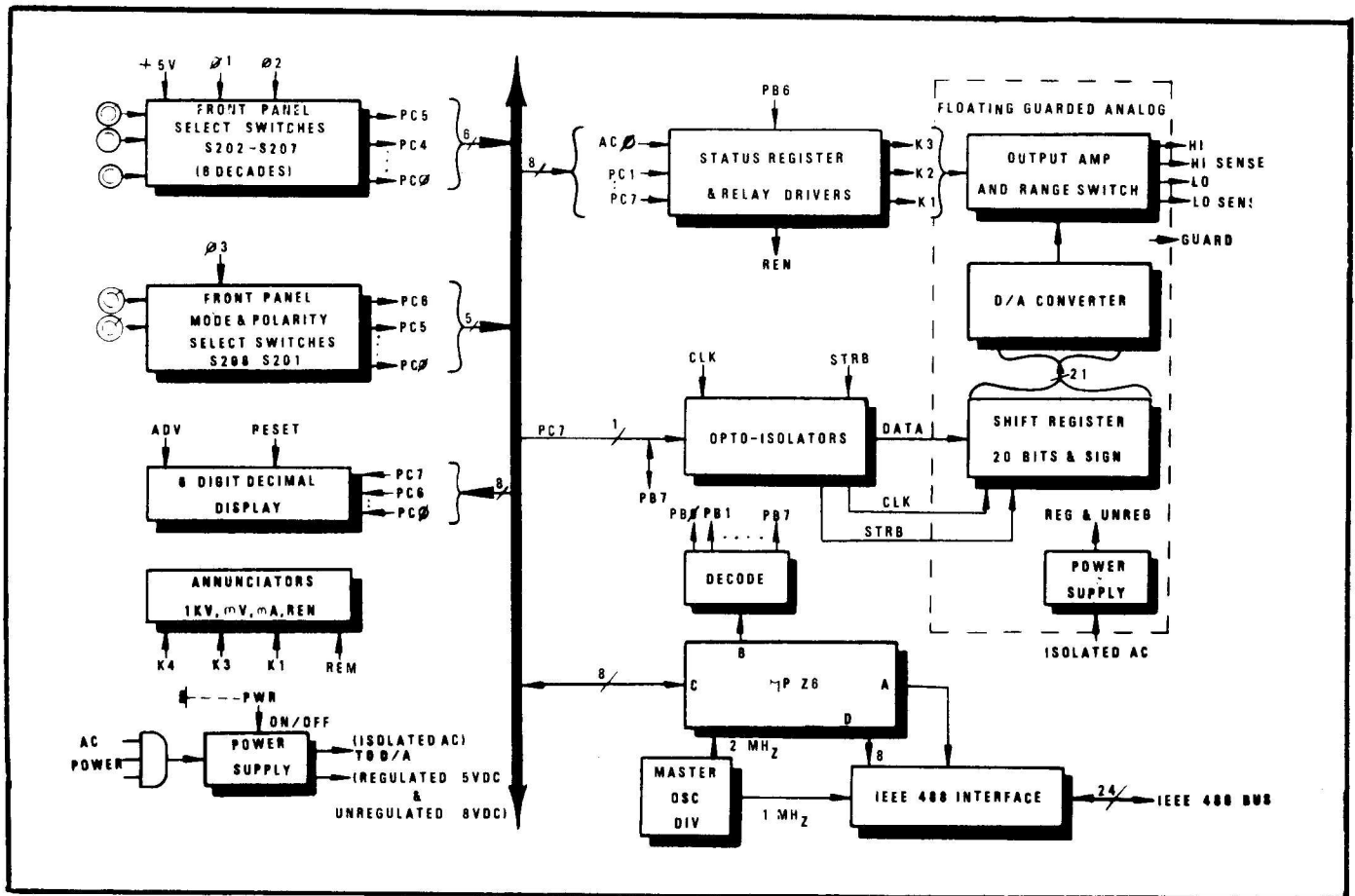
1st character	A	100mA range
2nd character	+	Plus polarity
	-	Minus polarity
3rd		Magnitude (As above, for voltage mode)
through		
8th character		

# PRINCIPLES OF OPERATION

## 3.1 SYSTEM BLOCK DIAGRAM

Figure 3-1 is a simplified block diagram of the Model 8200 Calibrator. It illustrates the major functional blocks that are instrumented in the equipment, and highlights the role of the microprocessor in the design. As shown in the illustration, communications among some blocks are carried out via the 8-bit **DATA BUS**, connected to Port C of the microprocessor (Z26). Decoded control signals from Port B of the microprocessor and hardware connections complete the interunit communications within the Model 8200.

Inputs to the equipment are set up by front-panel control switches (or by signals from a remote control unit such as a minicomputer when the Model 8200 is equipped with the IEEE488 option). The input selection of operating mode determines the binary values of 5 lines connected to the **DATA BUS** that are read by the microprocessor and produce appropriate control signals (also transmitted on the **DATA BUS**) to the **STATUS REGISTER & RELAY DRIVERS**. That functional block generates the relay driver signals that set up the configuration of the **OUTPUT AMPLIFIER & RANGE SWITCHES** so as to deliver the selected parameter (voltage or current) at the selected range. These signals also drive annunciators in the display to indicate the selected operating mode.



3-1. Model 8200 Block Diagram

Control of the output values is accomplished at the front panel by operating the "decade incrementers/decrementers". The Model 8200 permits the operator to change the value of calibrator voltage (or current) by any desired decade resolution for an unlimited number of steps in either direction (up to the full scale range of the instrument) with a single input front-panel control knob for that decade. Change of polarity (decrementing or incrementing through 0) requires a change in the polarity selection. The Model 8200 microprocessor "reads" the selected change (increment or decrement) via the **DATA BUS** and modifies the stored value accordingly. The new value is translated into a 21-bit (20 bits plus sign bit) code that is transmitted in serial form via the **OPTO-ISOLATORS** to the **SHIFT REGISTER** in the **FLOATING, GUARDED ANALOG** unit.

The **SHIFT REGISTER** sets up a parallel 21-bit value to be converted by the **D/A CONVERTER** into a proportional part of a nominal 10.48575-volt precision reference. That value is then conditioned for the proper output mode and scale by the **OUTPUT AMP & RANGE SWITCH**, and the result is available at the 4-terminal-plus-guard output, or at the rear-panel connector, if the 100mV scale is selected.

The **6½-DIGIT DISPLAY** is driven by the microprocessor to indicate the decimal equivalent of the generated output value. Thus, the value selector switches and the display operate in a "full duplex" mode. That is, the displayed value is the result of the processing of the input selection, and not a direct coupling to the selector switches.

In addition to the digital display value, the front panel includes the annunciators that display the selected mode of calibrator operation. These annunciators also operate in the full duplex mode, because their states are set by the microprocessor, and not directly by the input front-panel selection.

The **POWER SUPPLY** block is really a multiple unit. The input transformer primary may be set up to receive any one of the universally available power mains values. It delivers both an isolated and non-isolated ac supply for use in the equipment. The isolated ac supply is used in the floating analog to develop appropriate regulated and unregulated supplies for that block. The non-isolated supply from the input transformer is similarly used to develop an unregulated 8V and a regulated 5V supply for the remainder of the calibrator.

The calibrator may also be equipped with an **IEEE488 INTERFACE** that, as shown in the illustration, communicates with the calibrator via the microprocessor. Two 8-bit ports of the microprocessor are used with the installed option circuitry to interface with the 24-bit **IEEE488 BUS**.

## 3.2 PROGRAM CONTROL

### 3.2.1 General

The 8200 Calibrator operation is controlled via microprocessor (R6500/1), a 4-port unit that incorporates a masked ROM and "scratchpad memory" RAM for use during the program execution. Ports A and D are reserved for use with the IEEE488 option; port B is used to communicate command and control signals for the hardware components; port C is used for the data bus.

The main program flow essentially refreshes the displayed digits, one at a time, with the value stored in memory. This value has also been latched into the shift register from where the appropriate output drive is developed via the digital-to-analog conversion. The display routine "polls" the front-panel switches between each digit update to sense any change in the front-panel switches (LOCAL) or by an interrupt received via the IEEE488 (REMOTE). If any change is detected, the program is branched to operate on the change information and to modify the value that it stores in BCD format. The new value is then converted to binary, shifted out, and latched into the shift register, from where it causes a new value of voltage (or current) to be applied to the output terminals of the instrument.

The main program flow is illustrated in the simplified chart of Figure 3-2, in which the subroutines and storage registers are identified by appropriate mnemonics. These subroutines and storage registers are described in the tabulation that follows.

### 3.2.2 Program Subroutines

#### PON: Power On

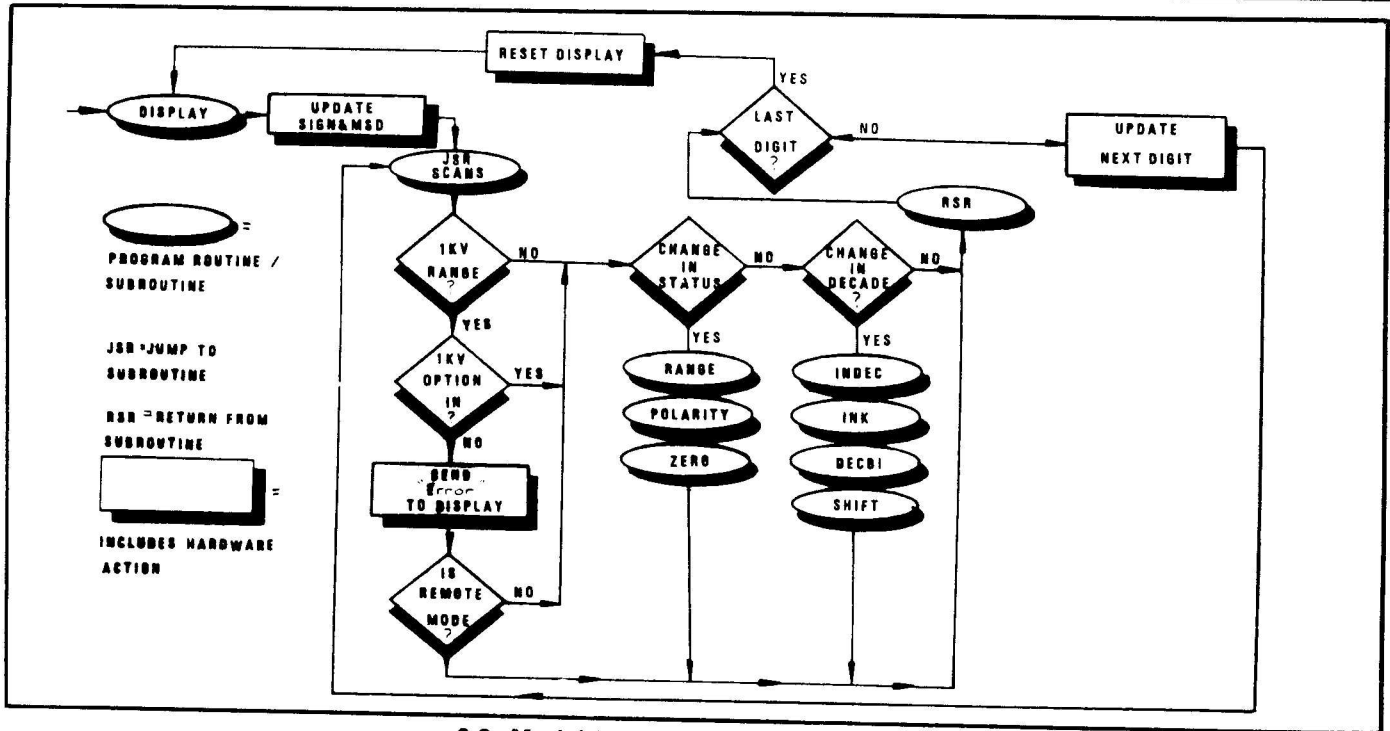
1. Initializes stack pointer.
2. Clears the RAM variables. (Sets values to zero).
3. Reads **MODE** and **POLARITY** switches and stores in status registers.
4. Calls **DECBI** subroutine.
5. Calls **SHIFT** subroutine.
6. Initializes the IEEE488 Bus.
7. Clears Interrupt Disable.

#### DISPL: Display Routine

1. Multiplexes appropriate seven-segment drives to the display LED's.
2. Calls **SCANS** routine after each digit is loaded to the display.

#### INDEC: Increment or Decrement routine

1. Increments or decrements the decade as determined by the decoded movement of the switch.
  - Does not decrement below 0.
  - Does not increment above 100.000 when in **mA** Mode.
  - Does not increment above 1048575 in **V** or **mV** Mode; decimal point is determined by range selection.



3-2. Model 8200 Program Flow Chart

**DECBI: Decimal-to-Binary Conversion routine**

1. Converts BCD value to binary.
2. Stores binary value and sign in 3 bytes of RAM storage.
3. Generates 1's complement for negative value.

**SHIFT: Shift routine**

1. Shifts sign and 20 bits through opto-isolators.
2. Generates strobe to dump shift register contents into buffer register.

**POLSTR: Polarity Store routine**

1. Reads polarity value in **STATUS** register.
2. Stores polarity in **SIGN** register.

**RANGE: Range routine**

1. Reads range value in **STATUS** register.
2. Stores range value in **DP** register for use by **DISPL** routine.

**SCANS: Scan Switches**

1. Checks for **1KV** range selection. If selected, and **1KV Option** is not installed, generates **Error** message for display.
2. Checks **Local/Remote** bit in **STATUS** register. If **Remote**, returns to **DISPL** routine.
3. Checks **Polarity** and **Range** switches and compares with previous settings as stored in **STATUS** register. If changed, stores new values in the register.
4. Checks for **0** selection in **STATUS**. If **0**, returns to **DISPL** routine.

5. Checks digit incremter switches for change. If change is detected:

- Calls **INDEC** routine;
- Calls **DECBI** routine;
- Calls **SHIFT** routine.

6. Restores digit pointer and returns to **DISPL** routine.

**ZERCLD: Zero cold routine**

1. Sets zero values in unpacked BCD form in 7 bytes of RAM storage.
2. Calls **DECBI** routine.
3. Calls **SHIFT** routine.

**BUX: Bus exit routine**

1. Restores **A**, **X**, and **Y** registers to values that were saved at the start of the interrupt.
2. Returns to **DISPL** routine.

3.2.3 Port Addresses

The RAM storage locations that are addressed through the microprocessor ports are identified in the tables that follow.

Table 3-1  
PORT A (IEEE488) ADDRESSES

Address*	Mnemonic	Description / Comment
\$0B	PIP	PIP Switch
\$C3	INST	Interrupt Status Register
\$CB	COMST	Command Status Register
\$FB	DATIN	Data Input Register
\$43	INMAS	Interrupt Mask Register
\$53	ADMOD	Address Mode Register
\$63	ADREG	Address Register
\$5B	AUXCM	Auxilliary Command Register

\*Hexadecimal notation.

Table 3-2  
PORT B (HARDWARE COMMANDS) ADDRESSES

Address*	Mnemonic	Description / Comment
\$91	CLK	Transfer <b>DATA</b> to shift register. Does not de-address <b>DATA</b> .
\$92	STROBE	Dump contents of shift register into buffer register.
\$10	DATA	Apply <b>PC7</b> to <b>DATA</b> opto-isolators.
\$84	RST	Reset display.
\$0F	ADVNC	Transfer <b>PC</b> and advance display.
\$03	A01	Digit switch enable into <b>PC</b> .
\$05	A02	Digit direction enable into <b>PC</b> .
\$06	A03	Range and polarity switch enable into <b>PC</b> .
\$47	STATAD	Hardware status register and drivers from <b>PC</b> .
\$07	NOAD	No device addressed.

### 3.2.4 RAM Storage

Addressed bytes of RAM storage are assigned for the specified functions as shown in Table 3-3.

Table 3-3  
RAM VARIABLES

Location*	Mnemonic	Description / Comment	Location*	Mnemonic	Description / Comment	
\$00	B2	Buffer registers that contain sign (+ = 1) and 20 binary bits. First 3 bits of B2 are not used. B0 contains LSB.	\$0C	T6	Scratchpad for rotary incrementer switch increment and decrement <b>IN-DEC</b> routine use. Also used as temporary storage by <b>BUSIN</b> Bus interrupt routine.	
\$01	B1		\$0D	T5		
\$02	B0		\$0E	T4		
		\$0F	T3			
		\$10	T2			
		\$11	T1			
		\$12	T0			
\$03	SIGN	Sign, in ASCII code (\$2B = +)	\$13	W01	Stored status of the rotary switches; W01 determines which digit is changed; W02 determines the direction of change. b7 and b6 = 0. b5 through b0 assigned MSD to LSD positions.	
\$04	D6	MSD	\$14	W02		
\$05	D5		7 digits in unpacked BCD format (0000xxxx); MSD is either 00000000 or 00000001.			
\$06	D4					
\$07	D3					
\$08	D2					
\$09	D1					
\$0A	D0	LSD				
\$0B	STATUS	b7 = <b>REMOTE</b> b6 = <b>mA</b> b5 = <b>mV</b> b4 = Unused; default to 10V Range b3 = <b>100V</b> b2 = <b>1KV</b> b1 = <b>+</b> b0 = <b>0</b>	\$15	DP		Decimal point position determined from <b>STATUS</b> by <b>RANGE</b> routine.
			\$16	BSTAT		Bus Status
			\$17	BSIN	Bus Sign	
			\$18	PTR	Bus Character Pointer	



### 3.3 GENERATING THE CALIBRATOR OUTPUT

#### 3.3.1 Implementation Sequence

Paragraph 3.3 and its subparagraphs describe the overall translation from the stored binary value of the desired output (voltage or current) to the analog signal available at the calibrator terminals. Subsequent paragraphs describe the method for updating the stored value in response to any detected changes introduced via the front panel or the IEEE488 bus.

As indicated in Figure 3-3, the stored magnitude of 20 binary values plus 1 sign value are first translated into equivalent octal values. This is a direct translation; every three binaries translate into an octal. Then the translated octal is weighted according to its "octade" position into an increment of the analog value, and the seven "octades" are summed in a buffer amplifier. The summed value is then scaled according to the selected full scale range for the desired output voltage. (Only one range is instrumented for current outputs.) The variation introduced for positive and negative outputs is described in detail in later paragraphs of this chapter.

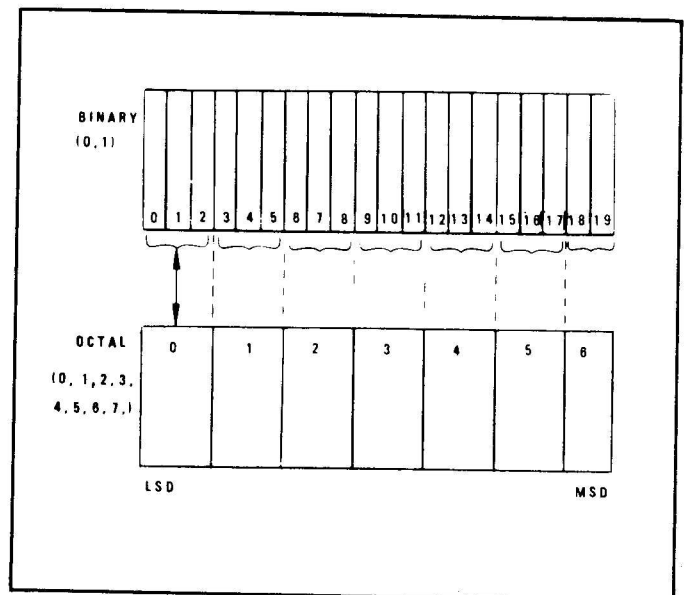
The translation to an octal equivalent, and then the weighting of each of the seven octades reduces the number of high precision components needed to obtain the precision of a  $6\frac{1}{2}$ -digit calibrator performance. The Model 8200 develops a precise division of the reference voltage into the eight binary-related values for any "octade", instead of the 20 binary-related reference divisions normally used for digital-to-analog conversion.

#### 3.3.2 Generating the "Octade" States

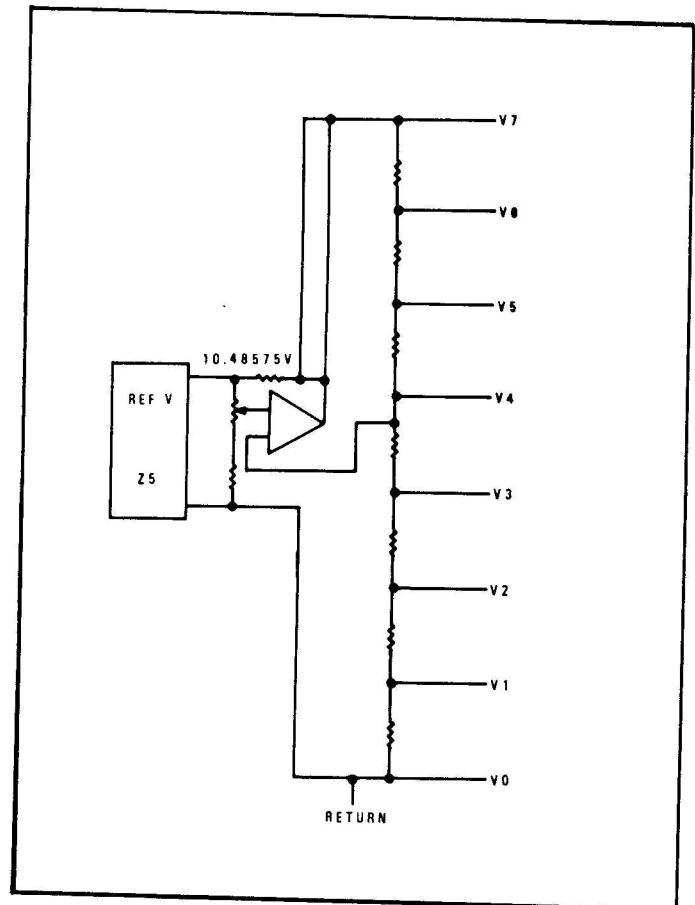
The full scale range represented by 20 binary values is resolved into  $2^{20} - 1 = 1048575$  levels. An appropriate nominal full scale voltage is chosen for direct translation for this resolution; namely: 10.48575 volts. This voltage is used as the basic reference for generating the calibrator output.

Each octade may assume one of eight distinct values, (0 and 7 others) corresponding to the range of binary codes from 000 to 111. Figure 3-4 illustrates the development of the 8 voltage levels, V0 through V7, from the basic reference of 10.48575 volts. A temperature-stabilized reference diode (Z5) provides a stable reference of  $7.0 \pm 0.1$  volts, that is used in a voltage divider network to obtain a precision reference for the servoing of the current through the octade divider network.

The 8 values, V0 through V7, require dividing the reference into 7 equal segments, and the value at the fourth segment, 5.991856, is the servoed value.



3-3. Translating a 20-Bit Binary to 7 Octal Codes



3-4. Generating the Voltage Levels for an Octade

### 3.3.3 Binary-to-Octal Conversion

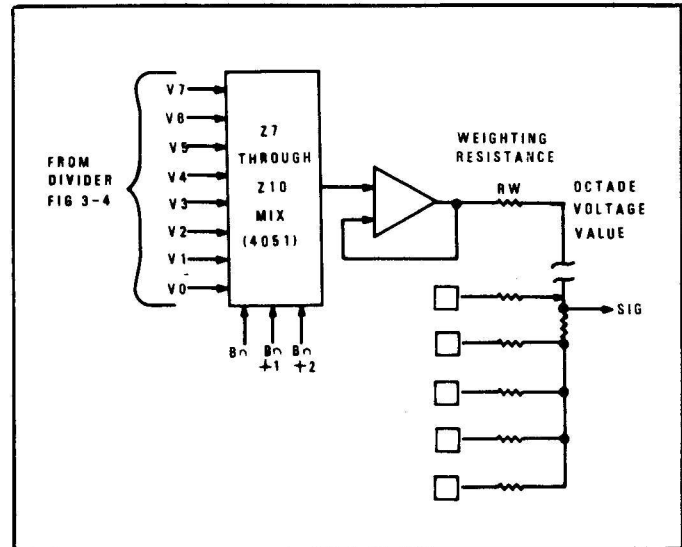
Figure 3-5 illustrates the conversion of three binary-coded values into a corresponding octal value. This requires the selection of one of the 8 voltage states, V0 through V7, for the binary code 000 through 111. As shown in the illustration, this is accomplished by using an 8-channel multiplexer for each of the octades in the result. Each multiplexer is programmed by the binary values on the three control lines. The output of each multiplexer will be one of the eight states according to the octal translation of the binary codes presented to the control lines.

Each successive octade in the sequence is weighted by appropriate powers of the radix (8). The summing network introduces the appropriate weighting by the resistors 1K, 8K, 64K, 512K. Note that R44 in the summing applies an appropriate scaling for the three less-significant octades so that very large individual resistor weighting values will not be necessary.

### 3.3.4 Scaled Voltage Output Positive and Negative Values

The summed octade equivalents are buffered and amplified, as shown in Figure 3-6, where a gain factor of 10 may be introduced if required by the front-panel selection. The 100mV range output at the rear panel is obtained by a precision voltage divider inserted at the terminals of the output connector.

The summed output of the seven octades is buffered in a differential amplifier, Z19, so that the output is directly proportional to the voltage difference presented at the input terminals (adjusted for unity gain). When the desired calibrator output is a positive value, the return for the differential amplifier is connected to the V0 level (zero value), and the output is the positive displacement from zero.



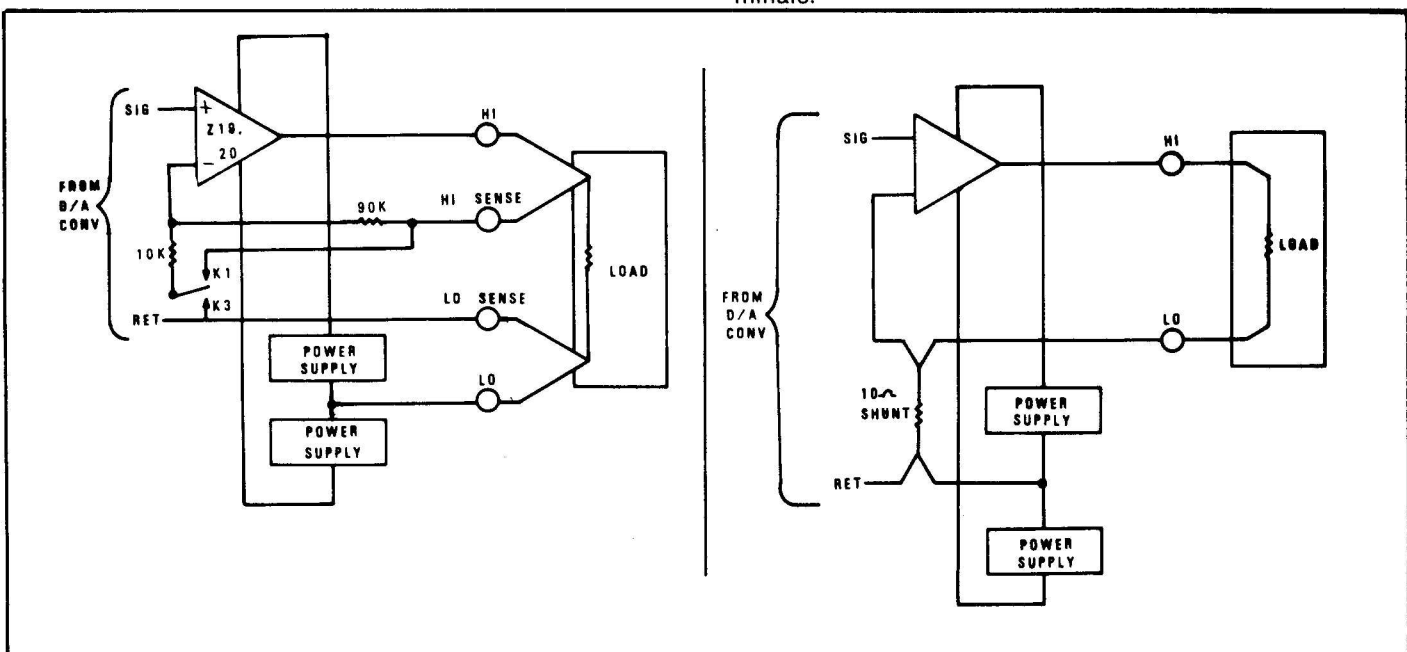
3-5. Converting 3 Binary Codes to Equivalent Octal Value

When the desired calibrator output is a negative value, two operations are required:

- The reference return is connected to the V7 level (10.48575V).
- The binary code is translated to a 1's complement.

The differential buffer output will be a negative value, less negative than full scale ( $-10.48575$ ) by the amount of the summed octal equivalents. By using the 1's complement for the binary code, the magnitude will correctly represent the displayed value on the front panel.

When the 100mV full scale range is selected, the calibrator actuates relay K2. This connects a feedback path around the buffer and power amplifier that introduces a gain of 10 in the buffer output. In addition, a 100V power amplifier is used to drive the output terminals.



3-6. Producing a Proportional Output

### 3.3.5 Generating a Current Output

Figure 3-6 illustrates the internal configuration of the analog output circuitry when a front-panel selection is made of the CURRENT OUTPUT Mode of the calibrator. Relay K1 connects a precision 10-ohm resistor in the feedback path to the return level of the buffer amplifier and in series with the load. The driver will supply the current necessary to make the voltage across the 10-ohm resistor equal to the voltage from the summed octades. At full scale, the microprocessor limits the commanded binary code to an equivalent value of  $\pm 1V$ , so that the current through this 10-ohm resistor will be limited to 100mA ( $100 \text{ mA} \times 10 \text{ ohms} = 1 \text{ V}$ ).

## 3.4 CHANGING THE OUTPUT VALUE

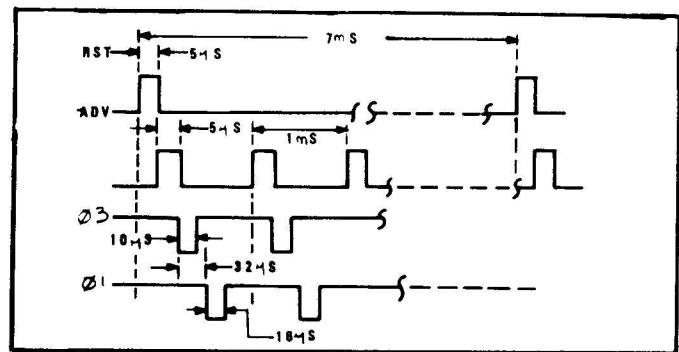
### 3.4.1 Program Control

As described earlier (para 3.2), the microprocessor program checks the status of the front panel switches between each digit update. This is frequent enough to detect any movement between detents of a front panel digit selector switch, or, of course, if the latched status of the polarity or range (mode) switch has been changed. The **SCANS** routine that checks front panel switches:

1. Checks for the selection of the 1000V range. The high voltage warning annunciator, / ✓ is lighted. If the 1KV option is not installed, then the **Error** message is displayed.
2. Checks if the Calibrator is under remote control. If so, the control returns from this routine, omitting any further check of the front-panel status or switch actions. When in remote control, an interrupt on the bus initiates the change operation.
3. Checks range and polarity switches for changes in status. If so, the routine forces the stored value to zero. This protects the user from an inadvertent application of unwanted values, or of improper test conditions (voltage/current). If no range or polarity change is detected, the program branches to the check of the decade selector switches.
4. If a decade switch has been operated, the subroutine determines which decade, and in which direction; checks that the resulting magnitude will be in range; increments (or decrements) the BCD value; converts to appropriate binary value (true binary or 1's complement); shifts the binary coded value through opto-isolators; and then latches the new value into shift registers for conversion to analog input as described earlier.

### 3.4.2 Hardware Implementation to Detect Switch Changes.

Refer to reference drawings D65-1030 and -1031.



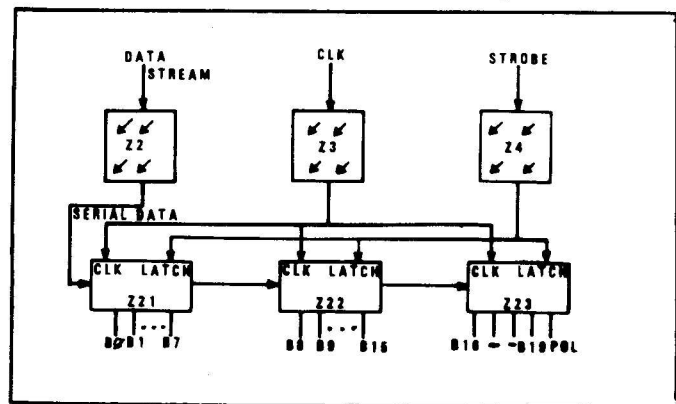
3-7. Approximate Control Timing Waveforms

The program generates enabling pulses  $\phi 1$ ,  $\phi 2$ , and  $\phi 3$  in the approximate time sequence shown in Figure 3-7.

$\phi 1$  enables the sensing amplifiers of one brush of the decade switches, while  $\phi 2$  enables the sensing amplifiers of the other brush of these switches. The brushes are so arranged with respect to an interrupter disc and a switch detent that movement and direction will be decoded. The physical arrangement is illustrated in D65-1031.

### Converter

As shown in Figure 3-8, the microprocessor transmits a series of pulses through opto-isolator Z2 to the shift register consisting of Z21, Z22, and Z23. The shifting is synchronized by the clock pulses that are also transmitted by the microprocessor through opto-isolator Z3. At



3-8. Transferring Isolated Digital Signals to D/A Converter

the end of 21 data bits (as controlled by the clock), the microprocessor transmits a strobe signal (again via an opto-isolator, Z4) to latch the 20 data bits and 1 sign bit into the shift register. The excess 3 bits in the shift register are not used.

These values are now available at the parallel outputs of Z2, Z3, and Z4. As described previously, these bit values are the program controls for the 8-channel multiplexers, Z7 through Z13, to be converted into appropriate octal states, and thereafter, into octade equivalents of the analog signal.

### 3.5 DISPLAY

Refer to drawing D65-1032.

As shown in the reference schematic, the display value for each digit is transmitted on the data bus from the microprocessor as a byte consisting of the seven segments and 1 decimal point signals. They are the Port C outputs, PC0 through PC7. These values are latched into Z202 by the **ADVANCE** pulse, derived from the decoded address output from Port B of the microprocessor. The **ADVANCE** pulse also selects the appropriate digit enabling line from Z201. Thus, the appropriate 7 segments and 1 decimal point control lines are high for one digit at a time, resulting in that digit's decade display. The MSD in the display is limited to the polarity sign and a "1" or blank, as appropriate.

The display annunciators, DS208 through DS211, are controlled by the same signals that actuate the relays for the different operating mode configurations. Each of these is controlled independently by drivers enabled by decoded addresses transmitted by the microprocessor from Port B.

### 3.6 DIGITAL CONTROL IMPLEMENTATION

Refer to drawing D65-1030.

Program control for all functions of the calibrator originate in the circuitry shown in the reference drawing. The drawing also indicates the IEEE488 bus interconnections, although these are present only when that option is installed. Principles of operation of these program control circuits have been deferred until this paragraph, trusting that the earlier circuit descriptions have provided a basis for understanding the applications of the output control signals from this assembly.

The microprocessor, Z6, is clocked by a 2MHz signal derived from a 4MHz resonator, Y1, divided by 2 in flip-flop Z3A. The 1MHz clock signal for the IEEE488 circuitry is also derived from the 2MHz signal by a further division in the other half of the flip flop, Z3B.

**RESET** of the microprocessor, Z6, and of the IEEE488 circuitry is generated by Z4A, and is controlled in time by the delay network R8C4 at the D and RESET inputs to Z4A. This delay generates the **RESET** pulse until after the +5V has been established, and until after the circuitry powered by that supply has stabilized.

Steady-state control signals (as opposed to the pulse type) are developed by storing appropriate values in **Status Register Z7**. The register is loaded in parallel by the data bus and latched by a control pulse from Port B of Z6. The Status Register outputs enable the drivers in Z8 that actuate operating mode relays and also provide annunciator control signals in parallel with the relay operation.

The seven pulse control signals, **CLK**, **STROBE**, **ADVANCE**, **RST**,  $\phi 1$ ,  $\phi 2$ , and  $\phi 3$ , are derived from gated combinations of Port B outputs, as shown in the illustration.

Their destinations are indicated on the drawing, and their application in these circuits has been described in previous chapters.

### 3.7 POWER SUPPLIES

As in the case of the program control, principles of operation of the power supply circuitry have been deferred, trusting that the previous circuit descriptions have provided a basis for understanding the requirements placed on the power supply performance.

#### 3.7.1 Main Power

Refer to drawing D65-1030.

The main power is supplied through a 3-wire connector at the rear panel, J300, and RFI filtered before being switch-connected to the primary of the main power transformer. The transformer primary is configured by rear-panel switch SW300 so that either nominal 115V or 230V sources may be used. The input is fused by rear-panel-mounted F300 for 1/2 A, slo-blo conditions. Front-panel switch SW200 connects the fused main line to the transformer primary.

The transformer secondaries are configured for two isolated supplies: one supplying all the dc power for the digital circuitry; and an isolated one supplying the power for the isolated analog circuitry. Internal transformer shielding reduces any coupling between the two supplies.

#### 3.7.2 Digital Control Power

As shown in the reference drawing, a full wave rectifier, CR2, CR3, CR4, and CR5, on the transformer secondary provides +8V supply for use in powering the display digits and operating mode control relays. Voltage regulator Z9 then develops the +5V supply for all the integrated circuits on the digital pc-boards, as well as the high and low signal levels for the decade selector switches.

#### 3.7.3 Isolated Analog Circuit Power

The isolated secondaries of the power transformer deliver a center-tapped 30V and a center-tapped 200V ac supply to the analog board. The latter supply also provides additional take-offs for a center-tapped 15V ac supply. The use of these ac supplies to generate appropriate isolated dc supplies is illustrated in schematic reference drawing D65-1029.

The center-tapped 200V ac (100-0-100) supply is full-wave rectified by CR3 to provide the  $\pm 130V$  with respect to its floating center tap for the 100V power amplifier. The center-tapped 30Vac (15-0-15) within the 100-0-100 source is also full-wave rectified to provide  $\pm 20V$  with respect to the same center tap. Each of the latter supplies is then regulated (VR2 and VR3), providing  $\pm 15V$  with respect to the floating center tap. The floating return for these two supplies is connected to V0 or V7, as described earlier, to accommodate the generation of positive or negative analog outputs, respectively.

The remaining 15Vac supply is rectified by CR1 and CR2 and then regulated in VR1 to provide the +15V for the regulated temperature-controlled reference from which the octade increments are developed.

# 4 CALIBRATION & MAINTENANCE

## 4.1 GENERAL

The Model 8200 Calibrator is designed for reliable, precision performance over an extended life. In addition to the higher reliability resulting from a reduced parts count, performance-sensitive components are burned in as part of rigorous incoming inspection procedures, and final assemblies are power-cycled while at elevated temperatures. Exhaustive operational tests are performed before and after final burn-in, and complete acceptance data are included as part of the documentation furnished with each instrument.

Recalibration should be attempted only after instrument improper performance can be verified by comparing with the factory acceptance data. And then, only qualified technical personnel, using metrology-laboratory grade instruments, should attempt a complete recalibration. Field Recalibration, using stable standards with a precision and accuracy equivalent to the specifications of the suggested equipment listed in paragraph 4.2, may be performed to adjust the full scale ranges of each of the operating modes.

**Do not attempt to calibrate the octal divider network unless a precision divider network and null detector are used.**

## 4.2 FIELD RECALIBRATION

### 4.2.1 Test Equipment Required

A precision digital voltmeter, with resolution and accuracy of  $\pm 5\mu\text{V}$ , is required for the offset adjustment of the 10V Range scale. Adjustment of the current output requires a precision resistance load in addition to the digital voltmeter.

### 4.2.2 Obtaining Access to the Adjustments

All adjustments are accessible through the top of the shield covering the analog assembly, after the top cover is removed.

#### To remove the top cover:

Remove the 6 screws from the side (3 on a side) and the 2 screws from the top (front and back).

Lift the top cover.

Figure 4-1 indicates the access provided by slots in the cover shield, and the relative location of the adjusting potentiometers.

## CAUTION

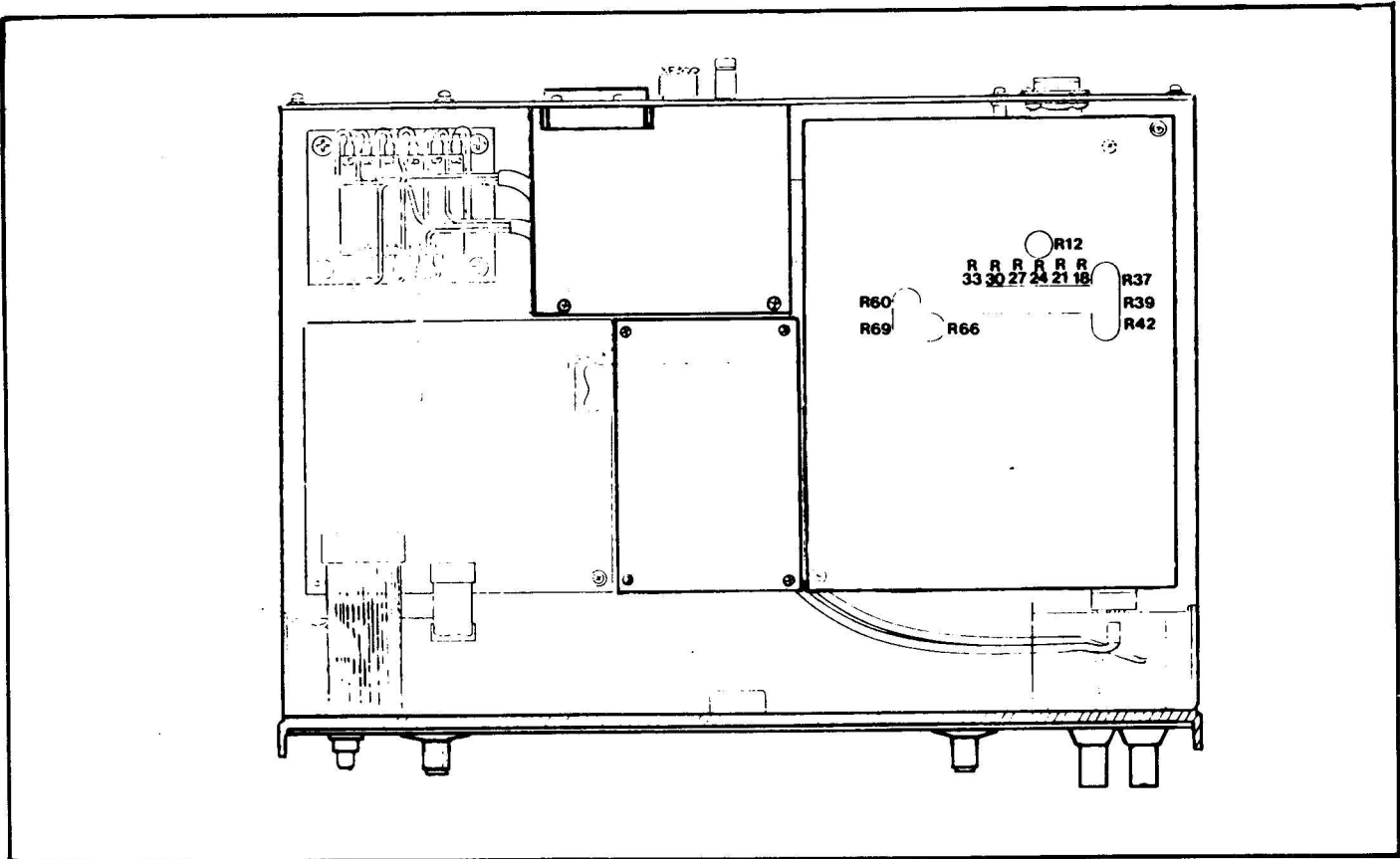
**Do not remove the shield cover.  
Do not readjust any of the octal divider network potentiometers, R19 through R26, in a FIELD RECALIBRATION.**

### 4.2.3 Procedure

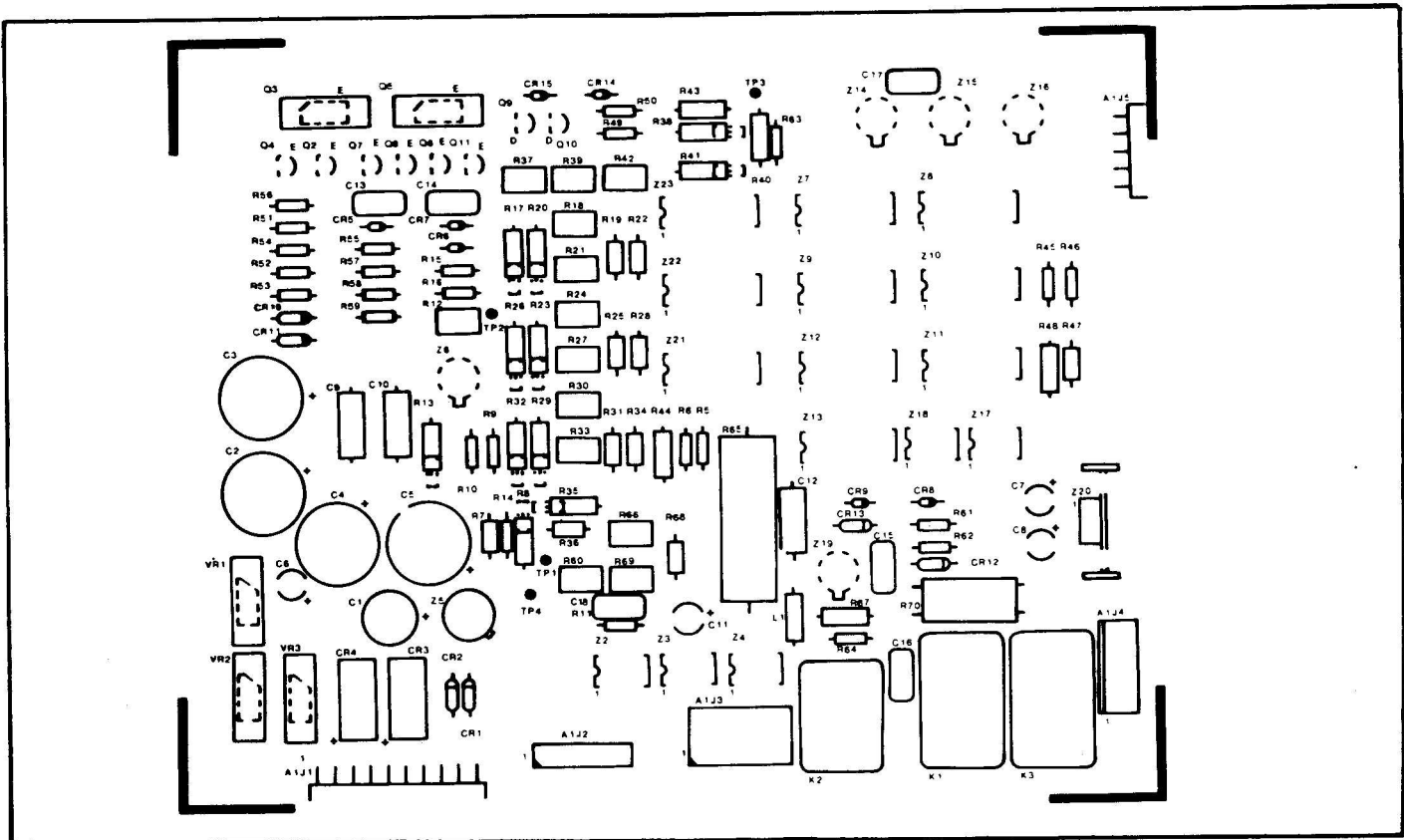
**NOTE: All calibration/recalibration should be accomplished in a controlled temperature environment at  $23^\circ\text{C} \pm 1^\circ\text{C}$ .**

1. Connect calibrator output voltage to the precision voltmeter. Use straps to connect sense terminals to output terminals, and to connect GUARD to LO.
2. Turn power on, and allow  $\frac{1}{2}$  hour for warmup.
3. Select 10V Range.
4. Select + Polarity.
5. Operate decade switches to set up 10.00000 on display.
6. Adjust R12 until measured output is within  $10\mu\text{V}$  of + 10.00000V.
7. Select 100V Range.
8. Operate decade switches to set up 70.0000 on the display.
9. Adjust R66 until measured output is within  $100\mu\text{V}$  of + 70.0000V.
10. Disconnect the test voltmeter.
11. Select the 100mA Range. (The display value will change to 000.000.)
12. Connect a current shunt of 100 ohms nominal value, but whose precise value is known to within  $\pm 2\text{ppm}$ .
13. Operate decade switches to set up 070.0000 on display.
14. Calculate the voltage that should appear across the shunt  $[0.07 \times R(\text{shunt resistance in ohms})] = \text{Volts}$ . For the nominal 100 ohms, the voltage would be 7.0000 volts.
15. Measure voltage across the current shunt.
16. Adjust R69 until the measured voltage across the shunt is within  $10\mu\text{V}$  of the calculated value.

The Field Calibration is complete.  
Turn off power. Disconnect the shunt. Replace top cover and refasten to side and top with the fastening screws.



4-1. Obtaining Access to Calibration Adjustments



4-2. Isolated D/A Assembly Test Points

### 4.3 COMPLETE RECALIBRATION (METROLOGY STANDARDS)

#### 4.3.1 Equipment Required

Precision Divider Network:

Julie Research Labs JRL DMR105, or equivalent.

Null Meter:

Hewlett Packard HP3465A, or equivalent.

Transfer Standard:

Model 8200 Calibrator, or equivalent.

Precision Digital Voltmeter

Data Precision Model 3600 or equivalent.

#### 4.3.2 Test Setup and Preliminary Operations

1. Remove top cover (see paragraph 4.2).
2. Remove cover shield by removing the 4 fastening screws in top.
3. Locate TP3 (Test Point 3) on pc-board as indicated in Figure 4-2.
4. Turn power on and allow 1 hour for warmup.
5. Select + Polarity; 10V Range.
6. Operate decade switches for 0.000000 on display.
7. Measure voltage between TP3 and LO SENSE at front panel.
8. Adjust R37 until measure value is within  $\pm 2\mu\text{V}$  of zero. This adjusts the offset of the buffer amplifier in the most significant octade.
9. Replace the shield cover.
10. Allow an additional 1 hour for warmup before proceeding.

#### 4.3.3 Offset Adjustment

1. Select + Polarity; 100V Range.
2. Operate decade switches for 00.0000 on display.

3. Measure voltage between HI SENSE and LO SENSE on front panel.
4. Adjust R60 for measured value of less than  $10\mu\text{V}$ .
5. Select 10V Range. (Display now reads + 00.0000.)

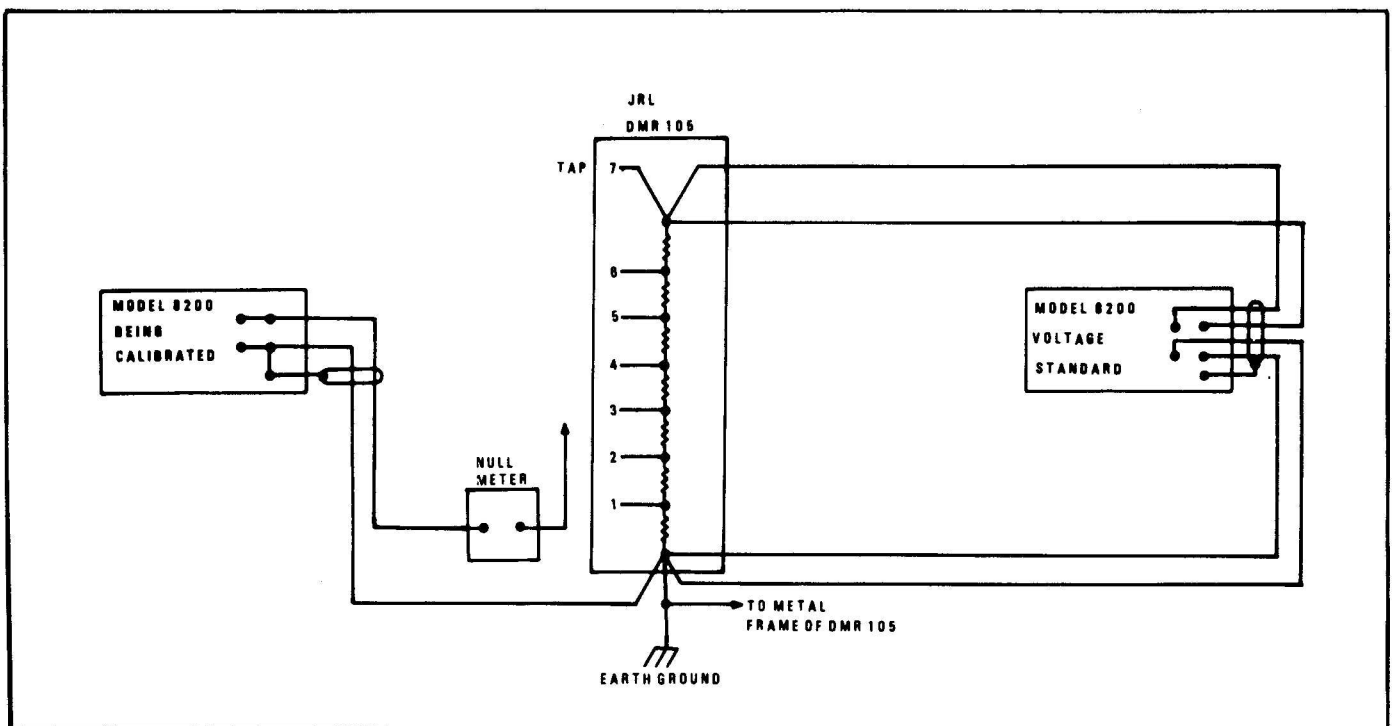
#### 4.3.4 Linearization Adjustments

1. Connect the unit under test to a null meter, and connect the transfer standard to a precision divider as shown in Figure 4-3. Observe all precautions noted on the illustration for the use of copper leads in order to reduce any thermocouple effect on the results.
2. Set transfer standard to 10.48572V.
3. Select + Polarity; 10V Range.
4. Operate the front-panel decade selector switches for the values shown in Table 4-1. For each setting, connect the null meter to the specified tap on the precision divider, and adjust the specified potentiometer until the null meter is within  $\pm 2\mu\text{V}$  of zero. See Figure 4-1 for the location of the potentiometer through the access slot in the shield cover.

*Do not remove the shield cover.*

Table 4-1  
LINEARITY ADJUSTMENTS

8200 Setting	Measure Null At	Adjust
1.49796	TAP 1	R12
2.99592	TAP 2	R33
4.49388	TAP 3	R30
5.99184	TAP 4	R27
7.48980	TAP 5	R24
8.98776	TAP 6	R21
10.48572	TAP 7	R18



4-3. Calibration Test Setup

### 4.3.5 Carry Adjustment

1. Connect the unit under test to a null meter, and the null meter to a precision divider driven by a transfer standard, as shown previously in Figure 4-3.
2. Attach null meter clip lead to TAP 7.
3. Set the transfer standard and the 8200 to a value of +0.16384V.
4. Record reading on the null meter. It should be within 10 $\mu$ V of zero.
5. Operate decade switches for a value of 0.16383.
6. Adjust R42 until the null detector reads 10 $\mu$ V more than the value recorded in step 4.
7. Set both the transfer standard and the 8200 to a value of +1.31072V.
8. Record reading on the null meter. It should be within 20 $\mu$ V of zero.
9. Operate decade switches for a value of 1.31071.
10. Adjust R39 until the null detector reads 10 $\mu$ V more positive than the value recorded in step 8.

### 4.3.6 Final Calibration.

Repeat the procedure described in paragraph 4.2 for the Field Calibration.

## 4.4 MAINTENANCE

### 4.4.1 General

Model 8200 Calibrator is covered under a limited warranty against defects in workmanship and material for a period of 12 months. If any maintenance is required within the warranty period, the instrument should be returned to the factory or to one of the authorized service centers.

#### CAUTION

Attempts to make any extensive repairs or maintenance within the warranty period may invalidate the warranty. When repairs are required after the warranty period, they should be accomplished by qualified technical personnel only

### 4.4.2 Troubleshooting Strategy

Signs of an apparently faulty calibration should not be interpreted immediately as indicative of a malfunctioning calibrator. Double check all connections; inspect the interconnecting cabling; confirm the operating mode (range selection) and polarity selection at the front panel; and verify that case-to-ground common mode voltages are within specifications. It may be a simple operation to disconnect the calibrator and check its performance with a voltmeter at the terminals. This is usually sufficient to isolate the cause of the apparent malfunction to the calibrator or to its application setup.

The mechanical assembly of the Model 8200 Calibrator corresponds, in general, to the functional blocks, and this greatly simplifies the troubleshooting and

maintenance procedures. Manipulation of the front-panel controls and evaluation of the responding display is very useful in confirming the **proper** performance of major circuit assemblies. In any case, the purpose of a good troubleshooting strategy is to prevent the repair or replacement of **good** components, and to minimize the interruption of circuit connections in isolating the cause of the malfunction.

## 4.5 POWER SUPPLY DISTRIBUTION

Distribution of power in the 8200 Calibrator is illustrated in Figure 4-4. If the cause of a malfunction is power related, it may be isolated very quickly to the source, the internal power supplies, or to a major assembly. If there is no evidence of any power reaching the 8200, check F300. If the fuse is not blown, then check the power source, the interconnecting power cord, and the components of the RFI circuit on TB301. Repair as necessary.

If fuse F300 is blown,

1. Disconnect the cable connections to A1 (D/A Converter), A2 (Display), and A6 (Control Switching).
2. Replace the fuse. Turn power on.
3. If the replaced fuse blows, the problem is either in the transformer or A4 (Digital Control).
4. Disconnect the power to A4 at terminal E400.
5. Replace the fuse. Turn power on.
6. If the replaced fuse blows, the wiring and transformer T1 should be checked very carefully. Replace and repair as necessary.
7. If the replaced fuse does not blow (after step 5), the problem is probably in the Digital Control (A4). Examine that board carefully for signs of overheated components, burn spots on the pc-board, etc. Check the impedance to ground at the power supply rails (+5V, +8V). Repair and replace any faulty component or wiring.

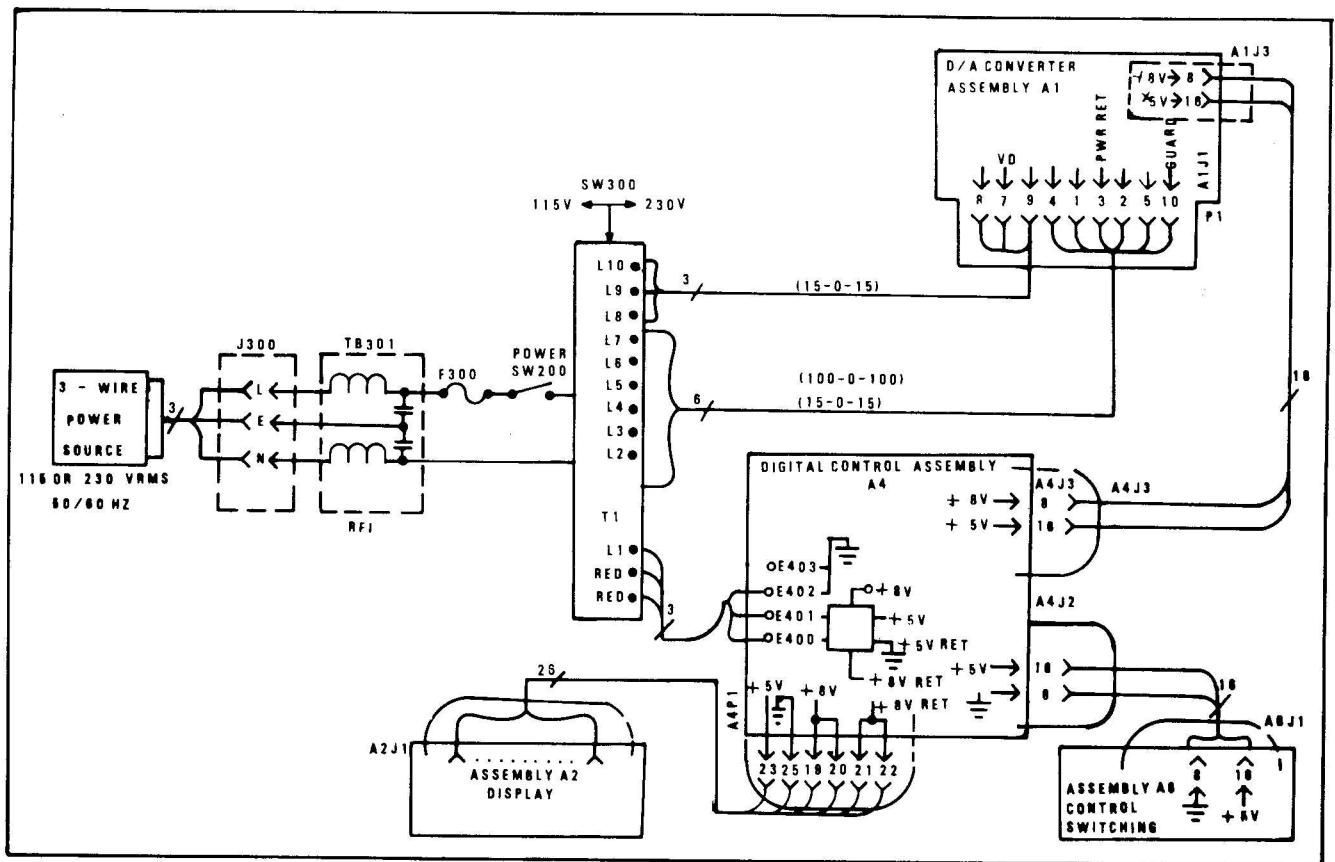
If the replaced fuse does not blow in step 2 above, then reconnect the cables to A6 (Control Switching), A2 (Display), and A1 (D/A Converter), in sequence, checking the fuse after each separate connection.

## 4.6 POWER AND TIMING CHECKS

Upon verification that the apparent malfunction does not cause a catastrophic failure of the power supply, the next logical step in the troubleshooting process is to assure that the supplies are delivering the specified voltages, and that the master oscillator is delivering the correct timing pulses. This is accomplished by checking the voltage regulator outputs on the digital and analog boards and the resonator circuit outputs on the digital board.

On the digital control board, A4, monitor the outputs with respect to ground at the points specified below. Check for the specified tolerances on the output values. If the values are outside of tolerances, check the noted components.





4-5. Model 8200 Power Distribution Schematic.

Disconnect other assemblies, removing loads on the supply.

Turn on power.

Ground Reference: Z9, pin  
 +5V: Z9, pin , +5V  $\pm$  0.25V.  
 +8V: Z9, pin , +10V  $\pm$  1v.

2MHz: Z3, pin 8, 2MHz  $\pm$  5%.  
 1MHz: Z3, pin 6, 1MHz  $\pm$  5%.

Turn off power.

Reconnect the analog board, A1.

Turn on power.

On the Analog Board A1,

Ground Reference: TP1 (See Figure 4-2)  
 +15V Precision Source: VR1 output, +15V  $\pm$  0.75V.

Analog Output Reference: **LO SENSE** terminal.  
 +15VF (Filtered): C2 +, +15V  $\pm$  0.75V.  
 -115VF (Filtered): C3 - -15V  $\pm$  0.75V.  
 +130VF (Filtered): VR2 output, +130V - 10 + 20V.  
 -130VF (Filtered): VR3 output, -130V + 10 - 20V.

#### 4.7 DIGITAL CONTROL BOARD MAINTENANCE

Once the correct power supply values and master oscillator timing have been confirmed, troubleshooting the digital board, A4, may be performed in conjunction with selective operation of the front-panel controls.

Operate the front-panel range switch while monitoring the annunciators in the display. If the annunciators do not respond to the selected range (mode) switching, signal trace from the Port B output of Z6, through the status register Z7, and the drivers, Z8. If the new levels are present, but the annunciators do not respond, the malfunction is most likely in the Display assembly. If the annunciators respond properly, but the analog outputs do not change scale, the malfunction is most likely in the D/A assembly. If a correct value appears on one range, but not on others, then the malfunction most likely is traceable to a faulty relay.

Check the generation of the scanning pulses  $\phi$ 3 and  $\phi$ 1 by **synchronizing with the reset pulse RST** at Z2-pin 6. Scanning pulses should appear in every conversion cycle. Signal trace through OR gates Z5 to Port B of Z6. Scanning pulse  $\phi$ 2 will be present only when there has been a changed setting on the front panel. Detecting a  $\phi$ 2 signal is difficult because of the transient nature of that response.

Check the generation of the **ADVANCE** pulse at pin 16 of the connector P1 to the Display assembly with respect to the **RST** pulse. This should occur in every conversion cycle to refresh the display. If it is satisfactory, but the display does not function, the malfunction is most likely in the Display assembly.

Replacement of parts on the A4 assembly is limited, and complete board replacement is recommended.

#### 4.8 D/A CONVERTER BOARD MAINTENANCE

Troubleshooting the D/A Converter assembly A1 is greatly simplified by the apparent isolation of its function from the other assemblies. Once the proper power levels are confirmed as in paragraph 4.6, the analog output generation may be traced from the latched binary values through to the front-panel terminals.

##### CAUTION

Final values of any measurements should be obtained only after the shield has been replaced and the instrument has warmed up to a stable temperature of  $23^{\circ}\text{C} \pm 1^{\circ}\text{C}$ .

Check the reference voltage divider outputs at the input terminals of any one of the programmed multiplexers, A14 through Z19 for the divisions of the reference voltage of 10.48575. Signal trace any incorrect value to the operational amplifier and to the divider element. Observe the CAUTION with regard to "minor" deviations from tolerances.

Operate the front-panel controls for a non-zero value and check the levels of the bits at the output of the series-to-parallel shift register. Incorrect bit values may be traced to malfunctioning opto-isolators, shift register components, or microcomputer outputs.

Check the "raw" buffered multiplexer outputs (before the octade weighting). These voltages should be directly correlated with the bit levels at the shift register outputs.

If the correct voltage is present at **TP3** for a set of binary levels, check Z19 for the buffering of that value. If the buffered value is correct, signal trace through Z20 for 10V range, and through Q3 through Q8 for 100V range. Verify the relay operation as ranges are changed.

Repair of the D/A Converter assembly may be accomplished at the component level.

*Be sure to recalibrate after any repairs to the D/A Converter assembly.*

## PARTS LISTS

## 5.1 MODEL 8200 CALIBRATOR ASSEMBLIES

Figure 5-1 illustrates the breakdown of the calibrator into its major assemblies within the case. The two option assemblies (IEEE488 and 1KV) may be field-installed at any time. Their installation requires mounting some standoffs on the bottom chassis plate and connecting the assembly board to related assemblies with flat cables, supplied with each option. The mating boards have been instrumented to mate with the option connectors as part of the standard, basic instrument.

## 5.2 PARTS LISTS

## 5.2.1 Ordering Requirements

When replacement parts are required, the order should specify:

The part **Reference Designation** (R1, C200, etc) as shown on the schematic or assembly board;

The complete **Part Description** as in the tabular listing;

The **Data Precision Part Number** (DP Part No. 22-021029, etc.) as shown in the listings that follow.; and

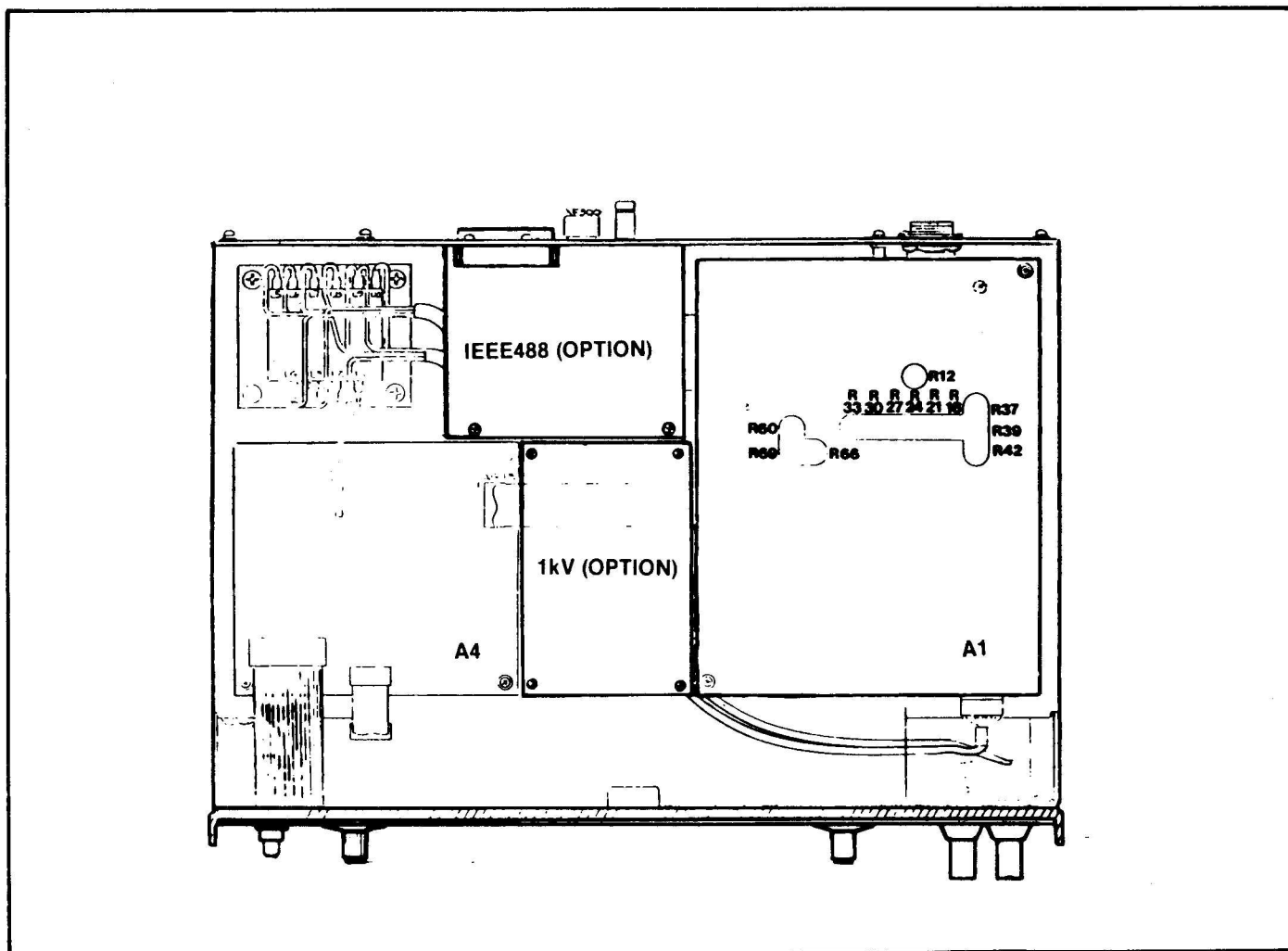
The **Part Number and Revision Letter** of the pc-board on which the part is located.

## 5.2.2 Display Assembly (A2)

Ref. Des.	Description	DP Part No
A201-203	Resistor Network, 680	22-741003
C201-203	Capacitor, 0.1uF, 20%, 50V, Cerm	23-142003
DS201	Display, HDSP3406	25-223406
DS202-207	Display HDSP3400	25-223400
DS208-211	Lamp, Panel Indicator	25-201006
Q201-207	Transistor, MPS U45	24-230U45
Q208-215	Transistor, GES 5818	24-235818-A
R201-208	Resistor, 10, 1/2W, 5%, C.C.	22-031009
R209-212	Resistor, 150, 1/4W, 5%, C.C.	22-021519-C
Z201	I.C., 4017B	24-L04017B
Z202	I.C., 74C374	24-G74C374

## 5.2.3 20-Bit D/A Converter (Assembly A1)

Ref. Des.	Description	DP Part No.
C1	Capacitor, 220uF, 35V, RAD, AIEI	23-620006
C2,3	Capacitor, 47uF, 250V, RAD	23-620016
C4,5	Capacitor, 1000uF, 35V, RAD, AIEI	23-620009
C6,7,8,11	Capacitor, 6.8uF, 20%, 20V, Tant	23-441005
C9,10	Capacitor, 1uF, 10%, 50V, Psty	23-550001
C12	Capacitor, 0.01uF, 2%, 50V	23-550108
C13,14,15	Capacitor, 100pF, 5%, DM15, Mica	23-311001
C16,17	Capacitor, 1000pF, 5%, DM15	23-311036
C18	Capacitor, 470pF, 5%, DM15	23-311028
CR1,2,10-13	Diode, 1N4004	24-104004
CR3,4	Diode, KBPPO4	24-100021
CR5-9,14,15	Diode, 1N4148	24-110001
K1,3	Relay, 4C	25-171009
K2	Relay, 2C	25-171008
L1	Inductor, 220uH, 5%	25-100002
Q2,7,8	Transistor, PNP, MPSA92	24-240A92
Q3,5	Transistor, Power, D40N5	24-226177
Q4,6	Transistor, NPN, 2N3903	24-233903
Q9	Transistor, FET, P CHAN	24-210104-P
Q10	Transistor, FET, N CHAN	24-210104-N
Q11	Transistor, NPN, 2N3904	24-233904
R7	Resistor, 3.01K, RN55E	22-253R01
R9,10	Resistor, F.S.V. 1/4W, 5%, C.C.	22-02***-C
R5,6,11,- 49,50,55,63	Resistor, 10K, 1/4W, 5%, C.C.	22-021039-C
R12	Resistor, Pot, 20, 3299Y	22-680002
R56,59	Resistor, 43, 1/4W, 5%, C.C.	22-024309-C
R14	Resistor, 1K, 1/4W, 5%, C.C.	22-021029-C
R15	Resistor, , 100, 1/4W, 5%, C.C.	22-021019
R16	Resistor, 220, 1/4W, 5%, C.C.	22-022219-C
R17,20,- 23,26,29,- 32,35	Resistor, Matched, 500 each	22-68-1048
R18	Resistor, Pot, 100K, 3299Y	22-680013
R19	Resistor, 182K, RN55E	22-351823
R21,24,- 27,30,33	Resistor, Pot, 100, 3299Y	22-680004
R22,25,- 28,31,36	Resistor, 301K, RN55E	22-353013
R34	Resistor, 335K, RN55E	22-353353
R37,39,60	Resistor, Pot, 50K, 3299Y	22-680012



5-1. Model 8200 Major Assemblies

Ref. Des.	Description	DP Part No.
R38	Resistor, 1000.0 Matched with R41	22-68-1049-1
R41	Resistor, 8063.0 Matched with R38	22-68-1049-1
R8	Resistor, 5.3896K Matched with R13	22-68-1049-3
R13	Resistor, 40K Matched with R8	22-68-1049-3
R40	Resistor, 1M, 0.1%, 15ppm	22-406000
R42,66	Resistor, Pot, 50, 3299Y	22-680003
R43	Resistor, 63.980K, 0.01%,	22-409000
R44	Resistor, 447.23K, 0.02%, 10ppm	22-404000
R45	Resistor, 1K, 0.1%, 15ppm, Mar 5	22-407000
R46	Resistor, 8K, 0.1%, 15ppm, Mar 5	22-407001
R47	Resistor, 64K, RN55E	22-356402
R48	Resistor, 511K, RN60D	22-365113
R51	Resistor, 68K, 1/4W, 5%, C.C.	22-026389-C
R52	Resistor, 5.6K, 1/4W, 5%, C.C.	22-025629-C
R53,58,61	Resistor, 2.2K, 1/4W, 5%, C.C.	22-022229
R54	Resistor, 510K, 1/4W, 5%, C.C.	22-025149-C
R62	Resistor, 3.9, 1/4W, 5%, C.C.	22-023R99-C
R64	Resistor, 10, 1/4W, 5%, C.C.	22-021009-C
R68	Resistor, 931, RN55E	22-359310
R69	Resistor, Pot, 200, 3299Y	22-680005
R57	Resistor, 91K, 1/4W, 5%, C.C.	22-029139-C
R65	Resistor, 89,980 Matched with R67	A68-1052
R67	Resistor, 10,000 Matched with R65	A68-1052
R70	Resistor, 10.1, Current Shunt	A68-1047
VR1, 2	I.C. Voltage Reg, + 15V, LM342	24-370342
VR3	Voltage Reg, - 15V, LM320	24-370320
Z2-4	I.C., 6N136	24-N6N136
Z5	I.C., LM299	24-420299
Z7-13	I.C., CMOS, 4051B	25-L04051
Z14, 19	I.C., Op Amp, 517L	24-420517-L
Z6,15	I.C., Op Amp, 517K	22-420517-K
Z16	I.C., Op Amp, 542L	24-420542-L
Z17,18	I.C., Op Amp, TL062 DIL	24-400062
Z20	I.C., Powr Op Amp, uA 759U	24-37A759
Z21-23	I.C., CMOS, 4094B	24-CD4094

## 5.2.4 Digital PCB Assembly (A4)

Ref. Des.	Description	DP Part No.
C1	Capacitor, 0.02uF, 150V, Cerm	23-118210
C2	Capacitor, 1000pF, DM15, Mica	23-311036
C3	Capacitor, 470pF, DM15	23-311028
C4,5	Capacitor, 15uF, 20%, 10V, Tant	23-441003
C6,7	Capacitor, 4700uF, 16U RAD	23-620015
C8	Capacitor, 0.01uF, 10%, 250V, Mylar On power transformer.	23-210013
CR1	Diode, 1N4148	24-110001
CR2-5	Diode, Rect, 50V, 3A, S3A05F	23-10225-030
R1,2	Resistor, 2.2K, 1/4W, 5%, C.C.	22-022229-C
R3,7,9	Resistor, 10K, 1/4W, 5%, C.C.	22-021034-C
R4,5,6	Resistor, 390, 1/4W, 5%, C.C.	22-023919-C
R8	Resistor, 15K, 1/4W, 5%, C.C.	22-021539-C
T1	Transformer, power	D68-1055
Y1	Resonator, 4MHz	25-141001
Z1	I.C., 74LS00	24-E0LS00
Z2	I.C., 74LS08N	24-E0LS08
Z3	I.C., 74LS74	24-E0LS74
Z4	I.C., 74C74	24-G74C74
Z5	I.C., 4071B, CMOS	24-L04071
Z6	I.C., R6500/1	A68-1056
Z7	I.C., 74C374	24-G74C374
Z8	I.C., ULN2003A	24-330001
Z9	I.C., 7805, Volt Reg	24-307805

## 5.2.5 Switch Card Assembly (A6)

Ref. Des.	Description	DP Part No.
A1-4	Resistor Network, 47K	22-740002
CR1	Diode, 1N4148	24-110001
SW200	Switch, POWER, (Front Panel)	25-431003
SW201	Switch, POLARITY, 3-pos	B68-1051
SW202-207	Switch, DECADE, rotary	B68-1046
SW208	Switch, RANGE, 5-pos	B68-1050
Z1-3	I.C., MM80C97N	24-G80C97

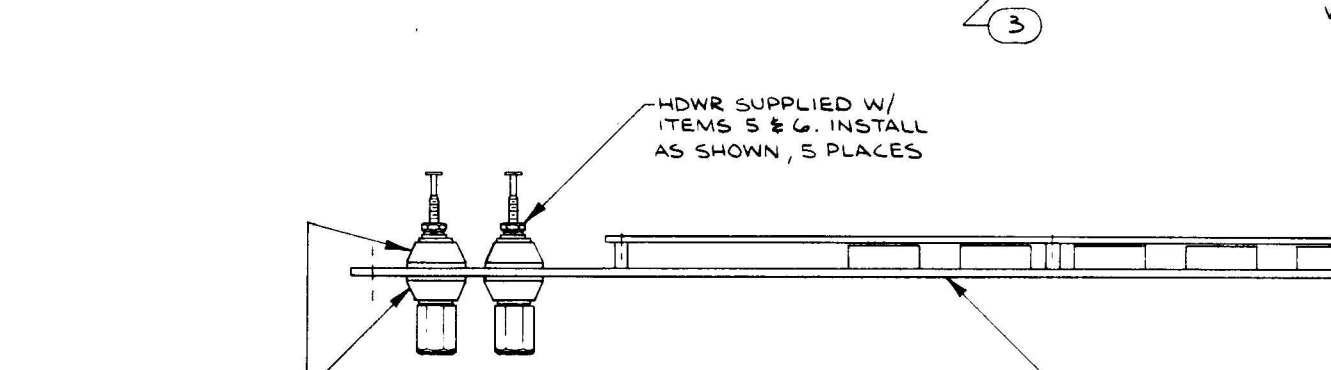
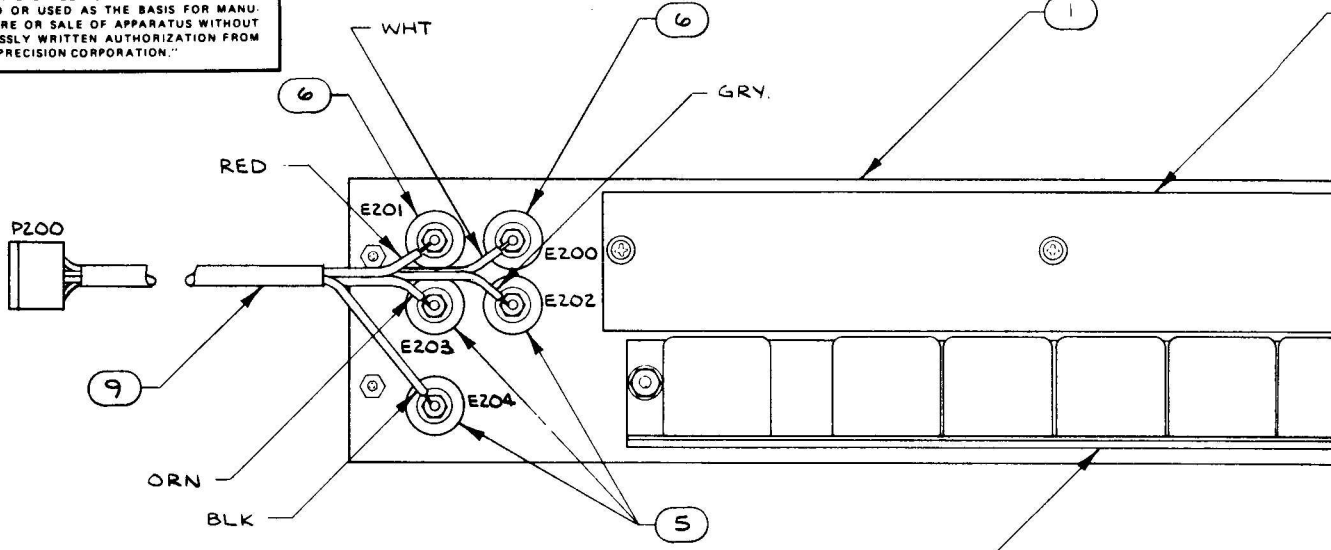
## 5.2.6 Rear Panel Assemblies

Ref. Des.	Description	DP Part No.
C301,302	Capacitor, 0.005uF, Class II	23-118010
J301	Receptacle, Female	25-321036
L301,302	Inductor, 100uH, 5%	25-100024
R301	Resistor, 10,000 Matched with R302	22-68-1049-2
R302	Resistor, 101.010 Matched with R301	22-68-1049-2

16 15 14 13 12 11 10 9

"THESE DRAWINGS AND SPECIFICATIONS ARE THE PROPERTY OF DATA PRECISION CORPORATION AND SHALL NOT BE REPRODUCED OR COPIED OR USED AS THE BASIS FOR MANUFACTURE OR SALE OF APPARATUS WITHOUT EXPRESSLY WRITTEN AUTHORIZATION FROM DATA PRECISION CORPORATION."

J  
I  
H  
G  
F  
E  
D  
C  
B  
A



INSTALL INSULATORS FRONT & REAR 5 PLACES.

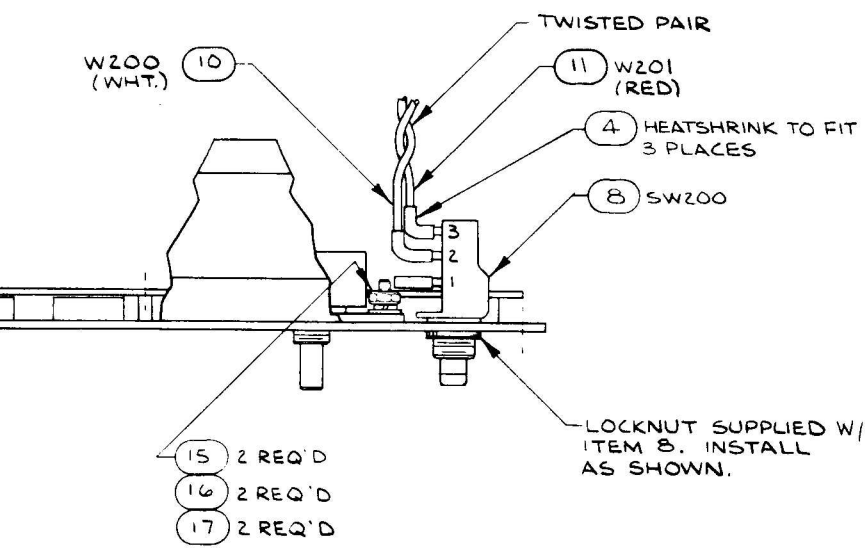
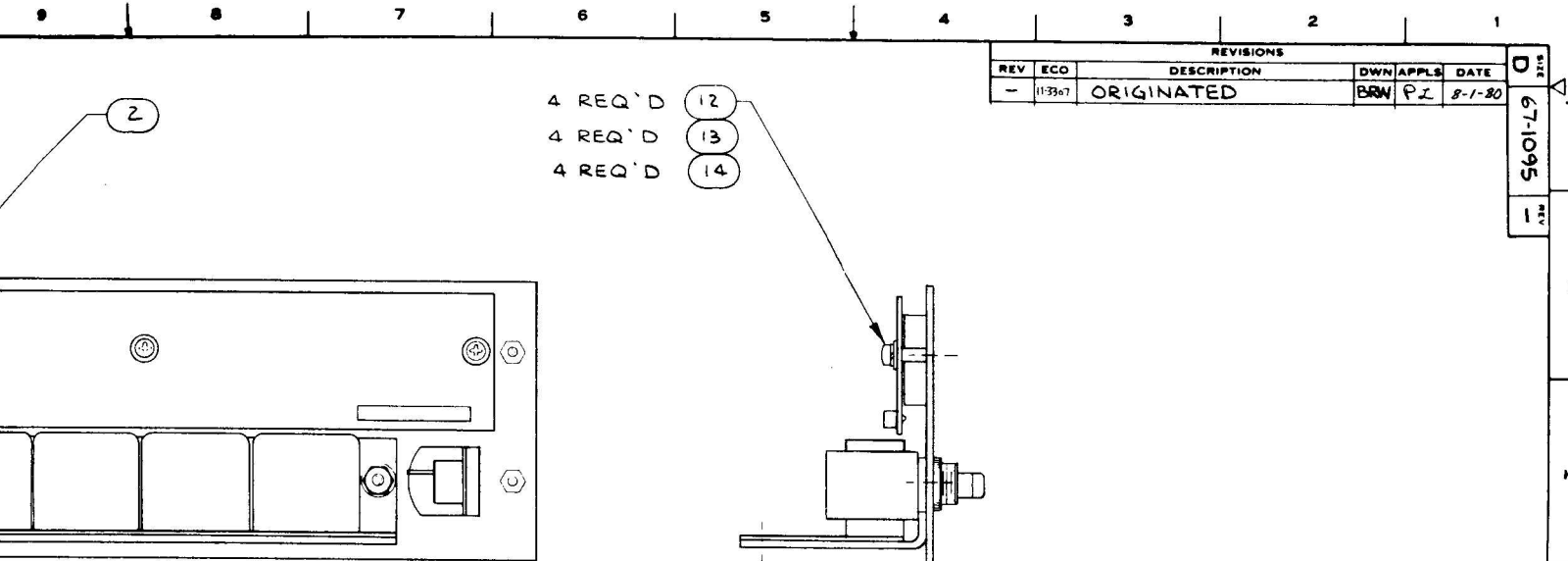
HWDR SUPPLIED W/ ITEMS 5 & 6. INSTALL AS SHOWN, 5 PLACES

- NOTES:**  
 1. FOR SEPARATE PARTS LIST, SEE PL 60-1095.  
 2. REF. DWGS. : WIRE RUN LIST : B65-1033,  
 SCHEMATIC : D65-1029.

16 15 14 13 12 11 10 9

REVISIONS					
REV	ECO	DESCRIPTION	DWN	APPLS	DATE
-	11-23-67	ORIGINATED	BRW	PZ	8-1-80

D  
 67-1095  
 REV  
 -

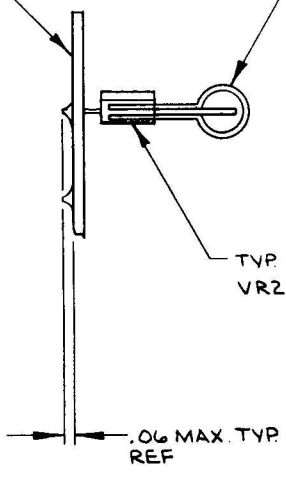


		UNLESS OTHERWISE SPECIFIED DIMENSIONS ARE IN INCHES TOLERANCES ON FRACTIONS DECIMALS ANGLES 2 2 2		DRAWN BRW DATE 5-27-80		 DATA PRECISION CORP. <small>Data Precision Corporation, Danvers, Mass. 01923</small>	
		MATERIAL		CHECKED		<b>ASSEMBLY FRONT PANEL</b>	
		FINISH		DESIGNER			
		APPLICABLE SPECIFICATIONS		ENGINEER PZ 8-1-80			
PL60-1097	8200			APPROVED		RELEASED PZ 8-1-80	CODE IDENT NO
NEXT ASSY	USED ON			WEIGHT		51882	SIZE
APPLICATION						D	67-1095
						SCALE FULL	ACCOUNT NO.
							SHEET
							OF
							REV
							-

THESE DRAWINGS AND THE INFORMATION CONTAINED THEREIN ARE THE PROPERTY OF THE AIR FORCE AND SHALL NOT BE REPRODUCED, COPIED OR USED IN ANY MANNER WITHOUT THE EXPRESS WRITTEN PERMISSION OF THE AIR FORCE DATA PRESENTATION CENTER.

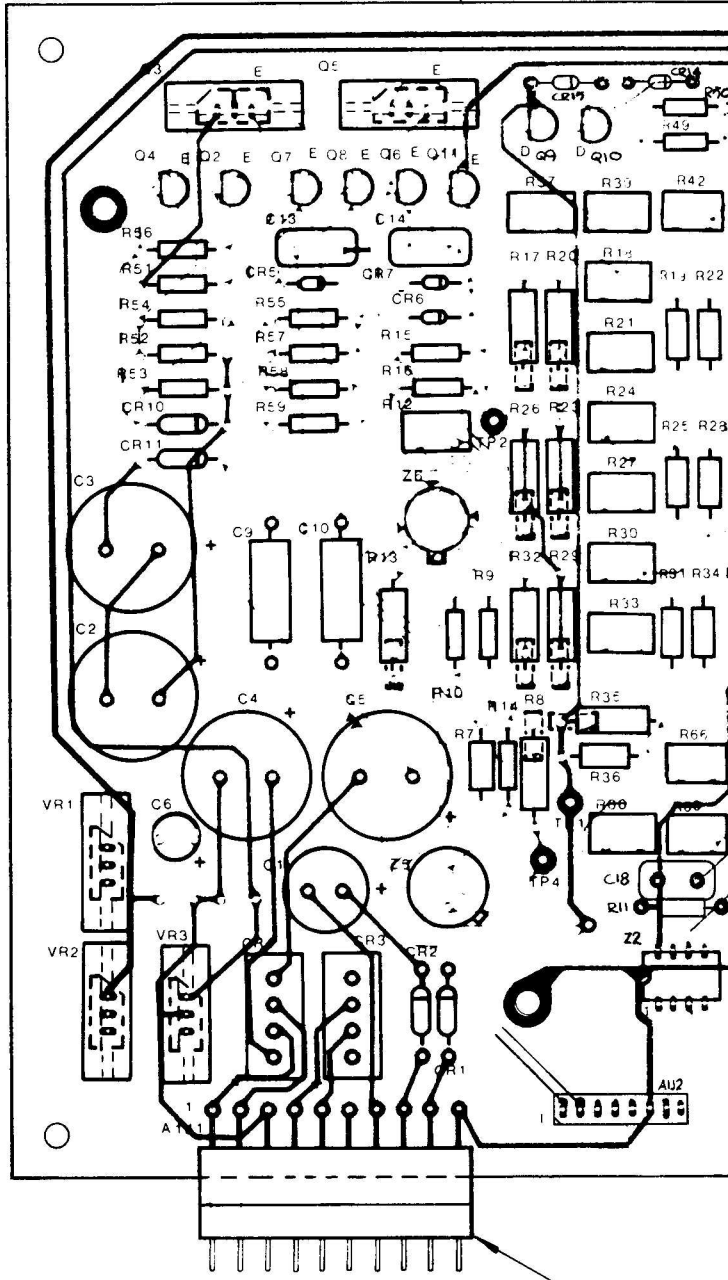
REF: 1

78 5 REQ'D  
INSTALL AS SHOWN



TVP Q3, Q5, VR1,  
VR2 & VR3

.06 MAX. TYP.  
REF



**NOTES:**

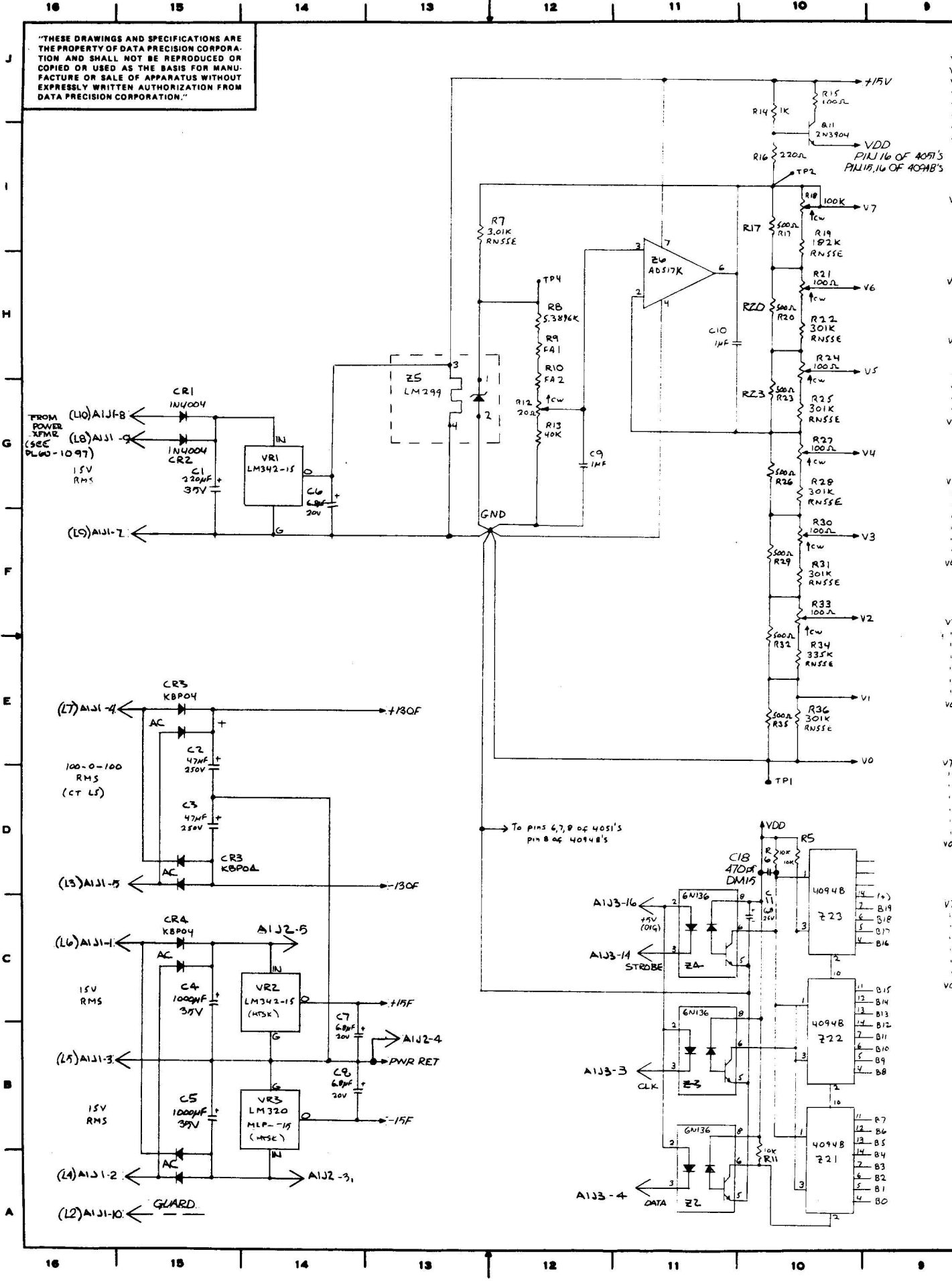
1. FOR SEPARATE PARTS LIST, SEE PL60-1090.
2. FOR SCHEMATIC, SEE D65-1029.

81 A

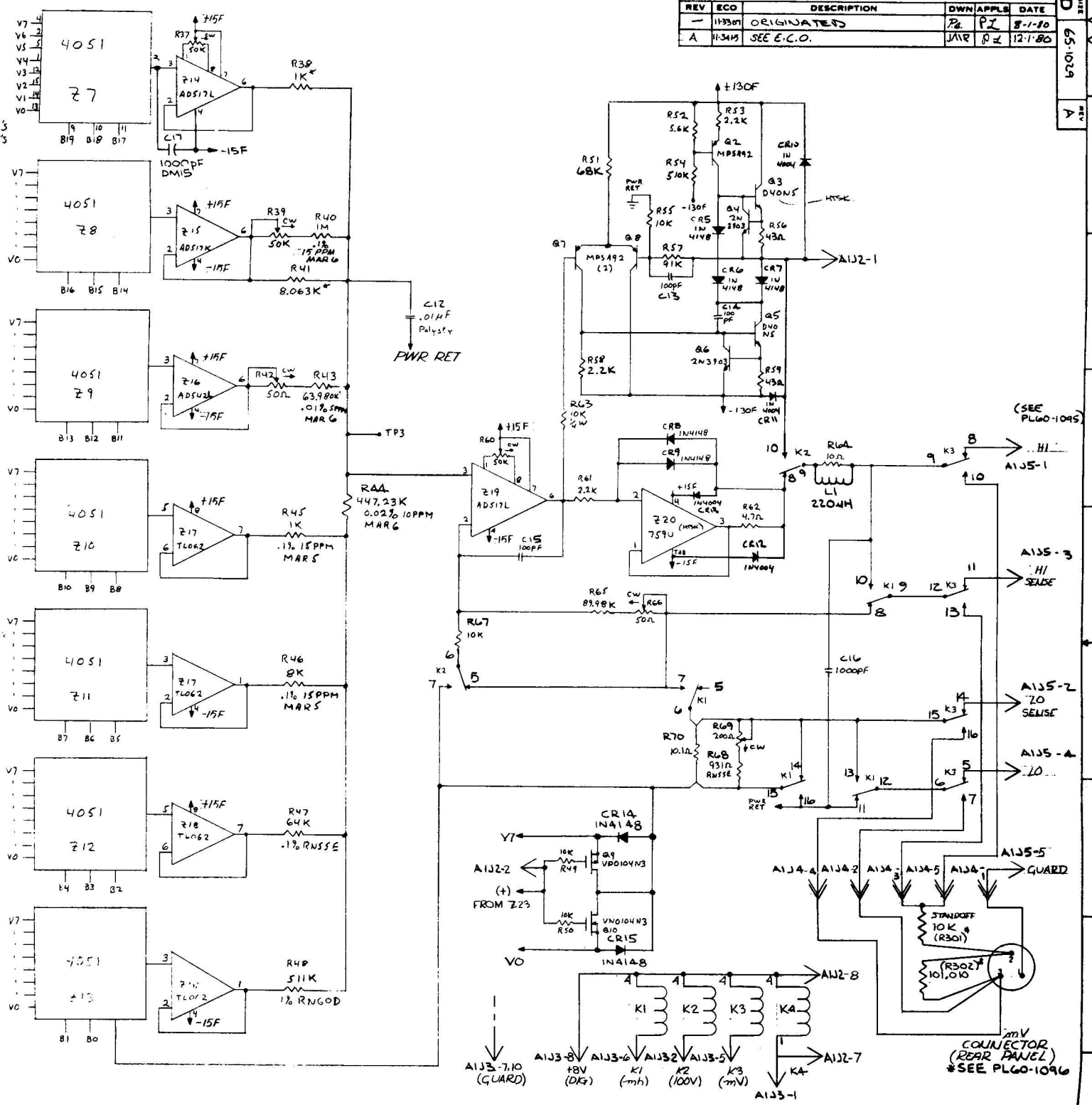




"THESE DRAWINGS AND SPECIFICATIONS ARE THE PROPERTY OF DATA PRECISION CORPORATION AND SHALL NOT BE REPRODUCED OR COPIED OR USED AS THE BASIS FOR MANUFACTURE OR SALE OF APPARATUS WITHOUT EXPRESSLY WRITTEN AUTHORIZATION FROM DATA PRECISION CORPORATION."



REVISIONS				
REV	ECO	DESCRIPTION	DWN/APPLD	DATE
-	113301	ORIGINATED	Pa PZ	8-1-80
A	113419	SEE E.C.O.	JAVR PZ	12-1-80



LAST DES. USED	NOT USED	UNLESS OTHERWISE SPECIFIED DIMENSIONS ARE IN INCHES FRACTIONS ON DECIMALS ANGLES °		DRAWN	DATE	DATA PRECISION CORP. Data Precision Corporation, Danvers, Mass. 01923		
C17				CHECKED		20 BIT DAC (AI)		
CR13				DESIGNER				
K3				ENGINEER	PZ 3-13-80	SCALE	ACCOUNT NO.	SHEET
R70	R1-R4			APPROVED		51882	D	65-1029
Q11	Q1			RELEASED	3-14-80			REV A
VR3		PL60-1090	8200	WEIGHT				
Z23	Z1	NEXT ASSY	USED ON	APPLICABLE SPECIFICATIONS				
L1		APPLICATION						

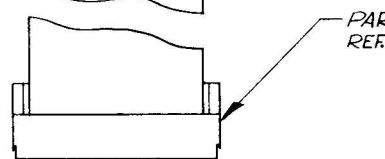
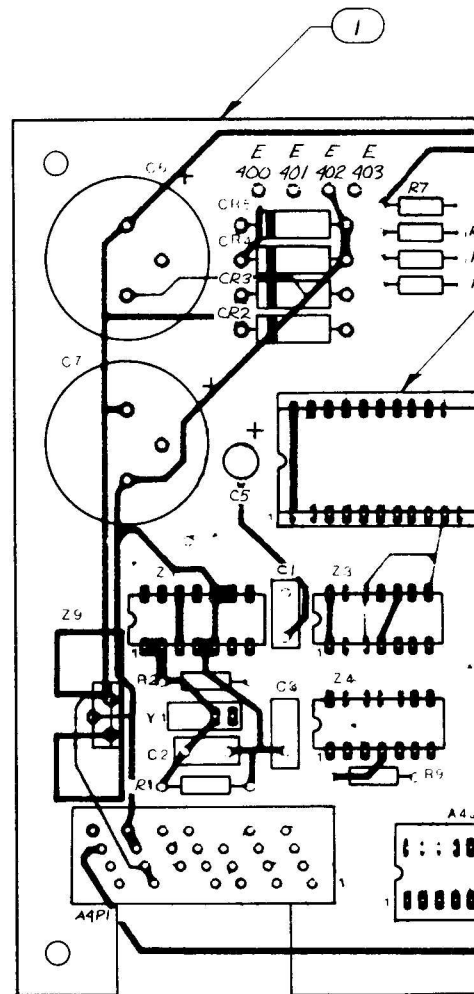
FROM RELAY DRIVERS SEE PL60-1091

2mV CONNECTOR (REAR PANEL) \*SEE PL60-1096

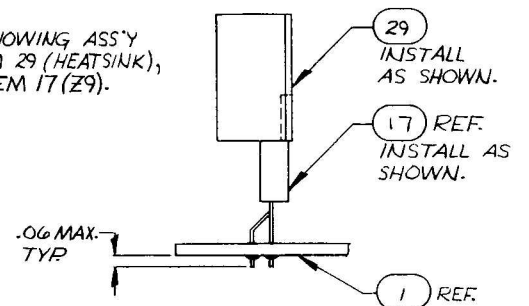
REV 65-1029  
A  
M  
H  
G  
F  
E  
D  
C  
B  
A

THIS DRAWING IS THE PROPERTY OF THE GOVERNMENT AND IS LOANED TO YOU. IT AND ITS CONTENTS ARE NOT TO BE DISTRIBUTED OUTSIDE YOUR ORGANIZATION. EXCESSIVE REPRODUCTION IS PROHIBITED.

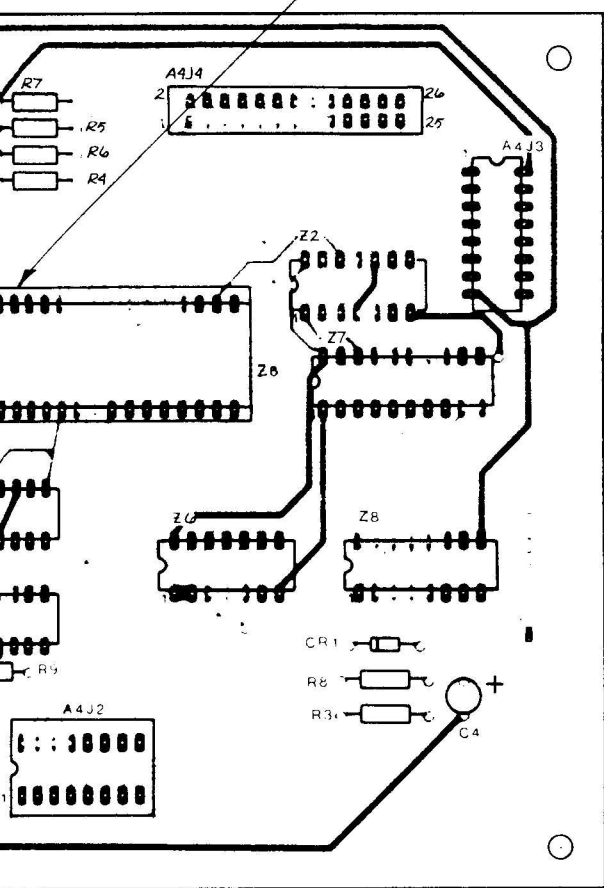
- NOTES:**
1. FOR SEPARATE PARTS LIST, SEE PL60-1091
  2. FOR SCHEMATIC, SEE D65-1030



VIEW SHOWING ASS'Y OF ITEM 29 (HEATSINK), AND ITEM 17 (Z9).



X1  
INSTALL UNDER  
Z6 AS SHOWN.

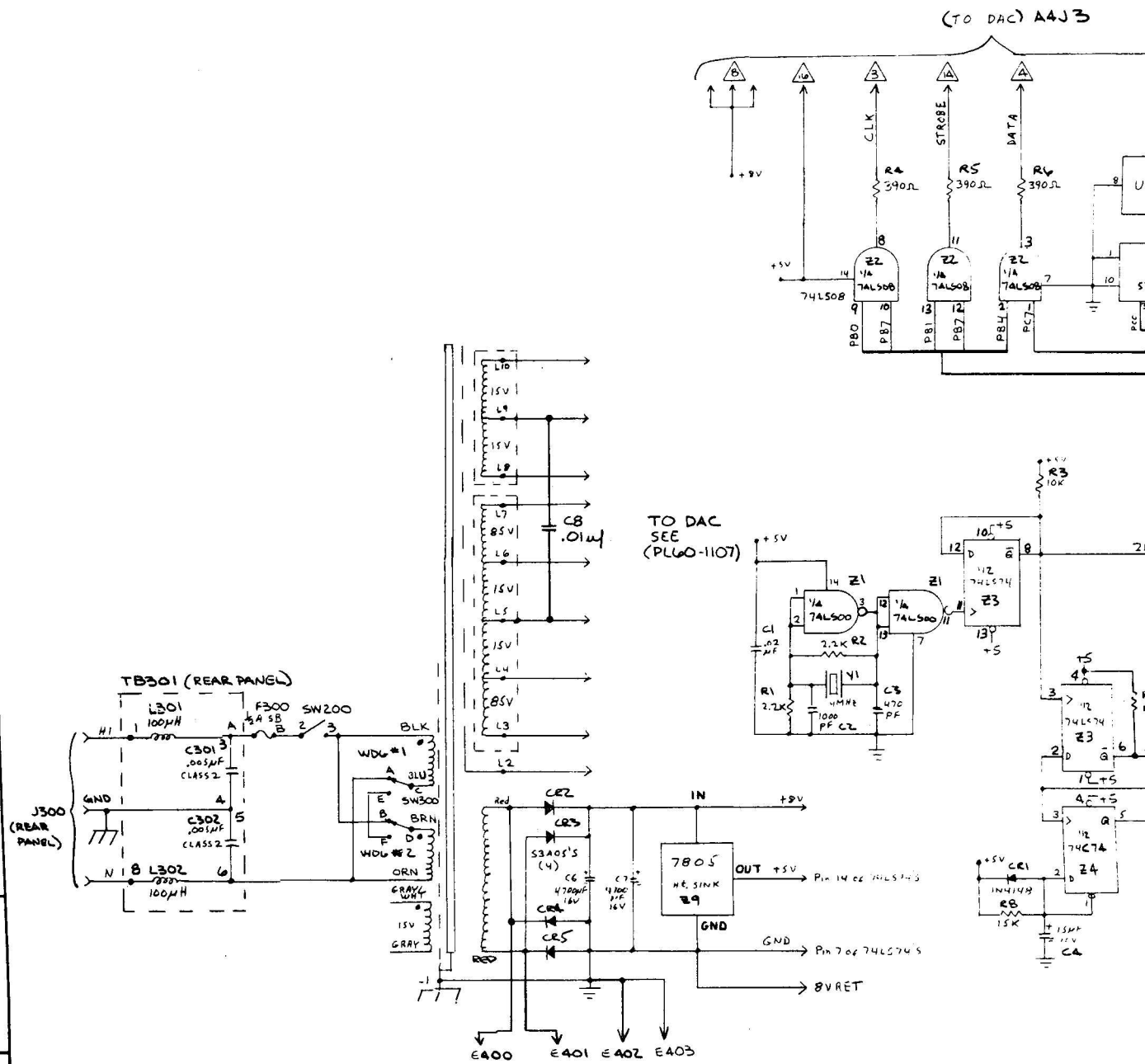


PART OF A4PI  
REF

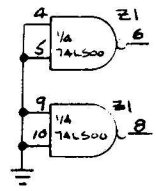
PL66-1097	JAI.D. 8-4-80	<b>DATA PRECISION</b>	
	PZ 8-1-80	ASSEMBLY DWG. MODEL 8200 DIGITAL PCB A4	
APPLICATION	P.M. [Signature] 8-4-80	61692 D	67-1091
	2/1	ACCOUNT NO.	SHEET / OF /

"THESE DRAWINGS AND SPECIFICATIONS ARE THE PROPERTY OF DATA PRECISION CORPORATION AND SHALL NOT BE REPRODUCED OR COPIED OR USED AS THE BASIS FOR MANUFACTURE OR SALE OF APPARATUS WITHOUT EXPRESSLY WRITTEN AUTHORIZATION FROM DATA PRECISION CORPORATION."

J  
I  
H  
G  
F  
E  
D  
C  
B  
A



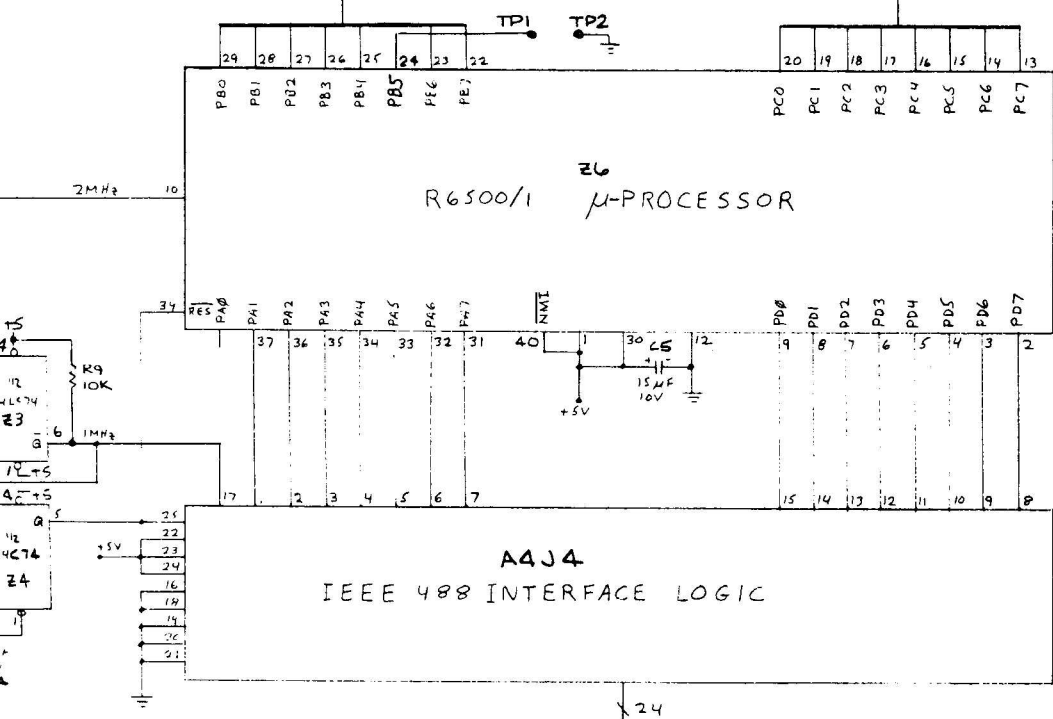
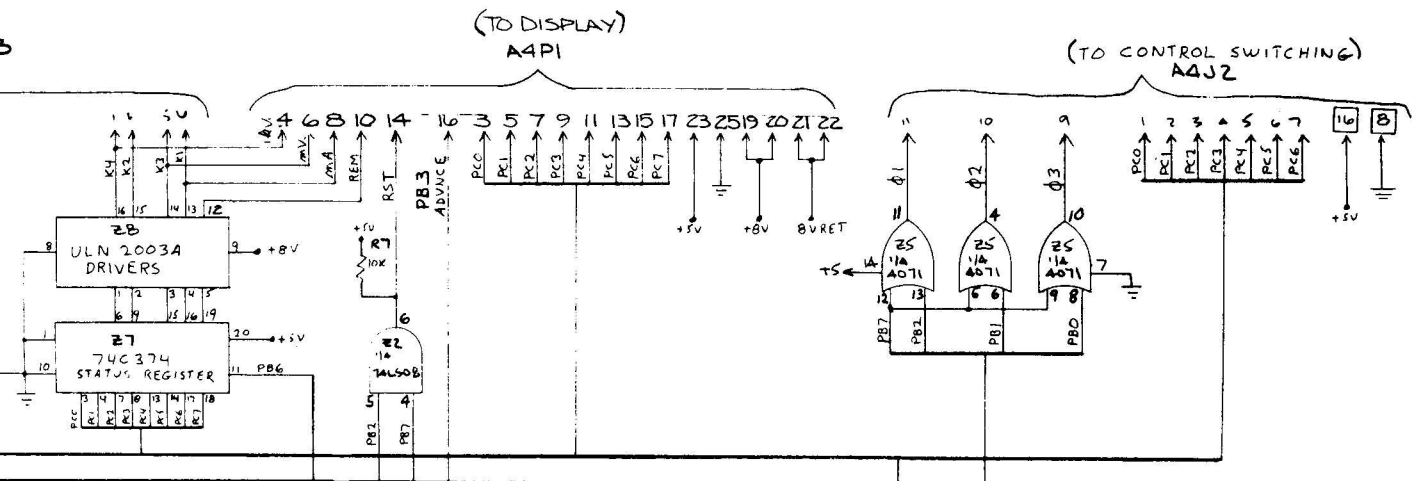
- NOTES: UNLESS OTHERWISE SPECIFIED:**
1. RESISTORS ARE 1/4W, 5%, C.C., VALUES SPECIFIED IN OHMS
  2. ADDITIONAL GND CONNECTION: Z3, Z4, PIN 7 +5V CONNECTION Z3, Z4, PIN 14
  3. REF. DWGS: PL60-1107 TRANSFORMER ASSY, PL60-1096 REAR PANEL ASSY, B65-1033 WIRE RUN LIST.



SPARE GATES

REVISIONS			
REV	ECO	DESCRIPTION	DWN APPLD DATE
-	115307	ORIGINATED	PRZ PJ 8-11-80
A	11-3416	SEE E.C.O.	JMR PJ 12-1-80
B	11-3434	SEE E.C.O.	JMR PJ 1-5-81

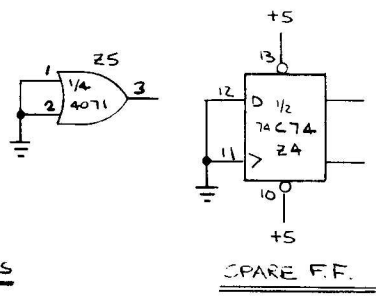
D  
65-1030  
REV B



PORT B ADDRESS ASSIGNMENTS

HEX	PB7	PB6	PB5	PB4	PB3	PB2	PB1	PB0
CLK	91	1	X	X	X	X	X	1
STROBE	92	1	X	X	X	X	1	X
DATA	10	X	X	X	1	X	X	X
RST	84	1	X	X	X	1	X	X
ADVANCE	0F	X	X	X	X	1	X	X
φ1	03	0	X	X	X	0	X	X
φ2	05	0	X	X	X	X	0	X
φ3	06	0	X	X	X	X	X	0
STATAD	47	X	1	X	X	X	X	X
NOAD	07	0	0	X	0	0	1	1

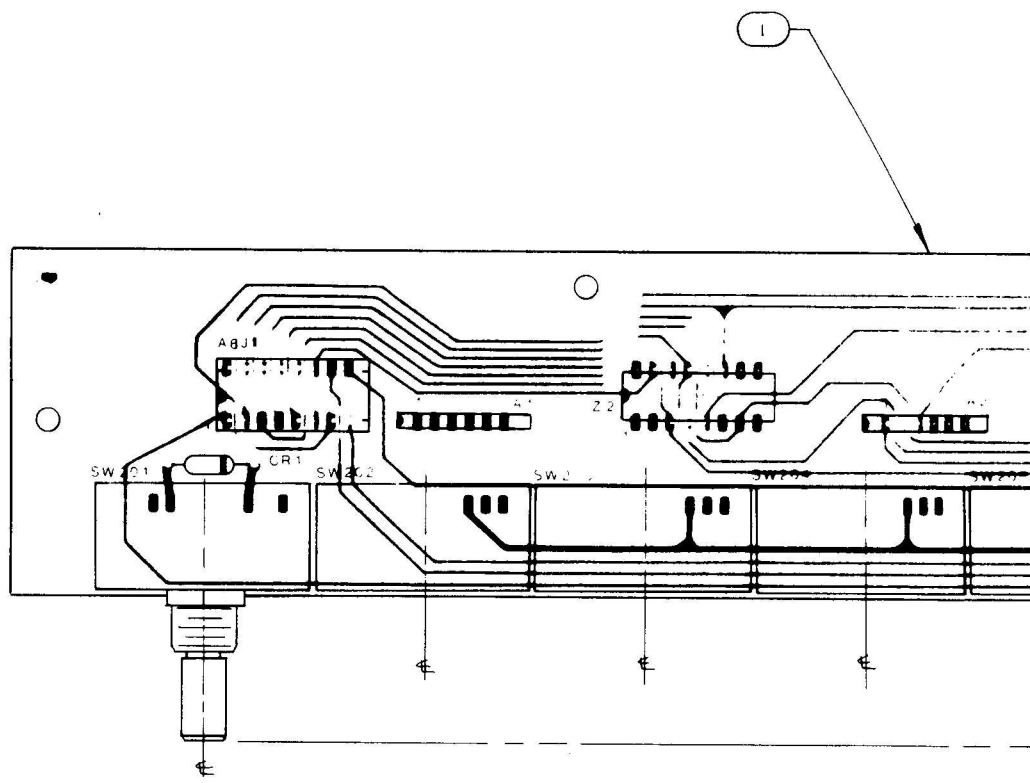
BUS CONNECTOR



UNLESS OTHERWISE SPECIFIED DIMENSIONS ARE IN INCHES FRACTIONS DECIMALS ANGLES		DRAWN	DATE	 Data Precision Corporation, Danvers, Mass. 01923
MATERIAL		CHECKED		
FINISH		DESIGNER		SCHEMATIC DIGITAL PCB (AA)
APPLICABLE SPECIFICATIONS		ENGINEER	PZ 8-1-80	
NEXT ASSY USED ON		APPROVED		
PL60-1091	8200	RELEASED	8-11-80	CODE IDENT NO.
APPLICATION		WEIGHT		51882
				SCALE
				ACCOUNT NO.
				SHEET 1 OF 1

I  
I  
G  
F  
E  
D  
C  
B  
A

THESE DRAWINGS AND SPECIFICATIONS ARE THE PROPERTY OF THE AIR FORCE. NO REPRODUCTION OR TRANSMISSION IN ANY FORM OR BY ANY MEANS, ELECTRONIC OR MECHANICAL, INCLUDING PHOTOCOPYING, RECORDING, OR BY ANY INFORMATION STORAGE AND RETRIEVAL SYSTEM, IS PERMITTED WITHOUT EXPRESS WRITTEN PERMISSION OF THE AIR FORCE.

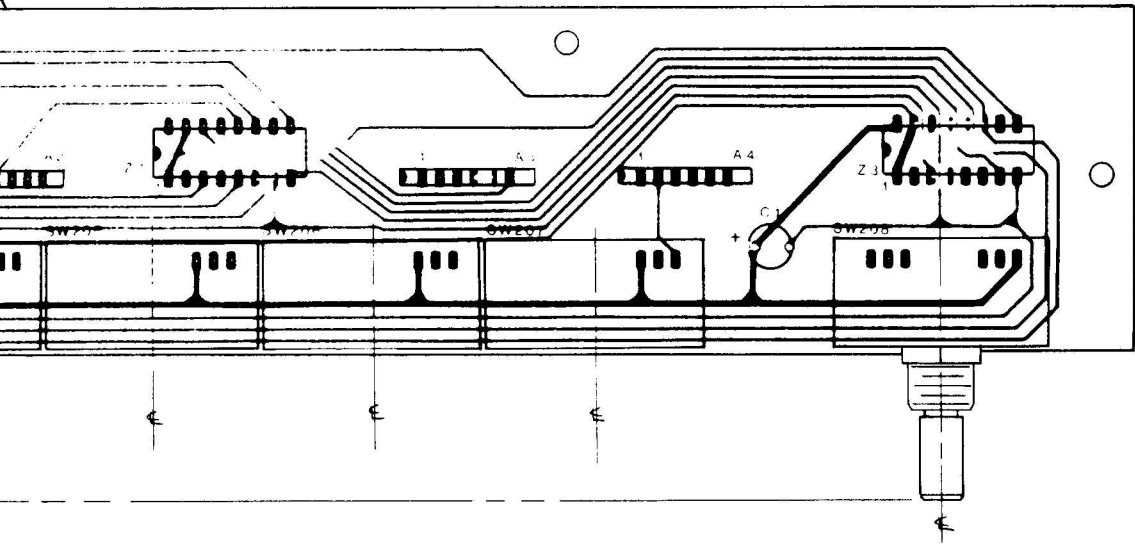


- NOTES:
- 1. FOR SEPARATE PARTS LIST, SEE PL60-1092.
  - 2. FOR SCHEMATIC, SEE D65-1031.



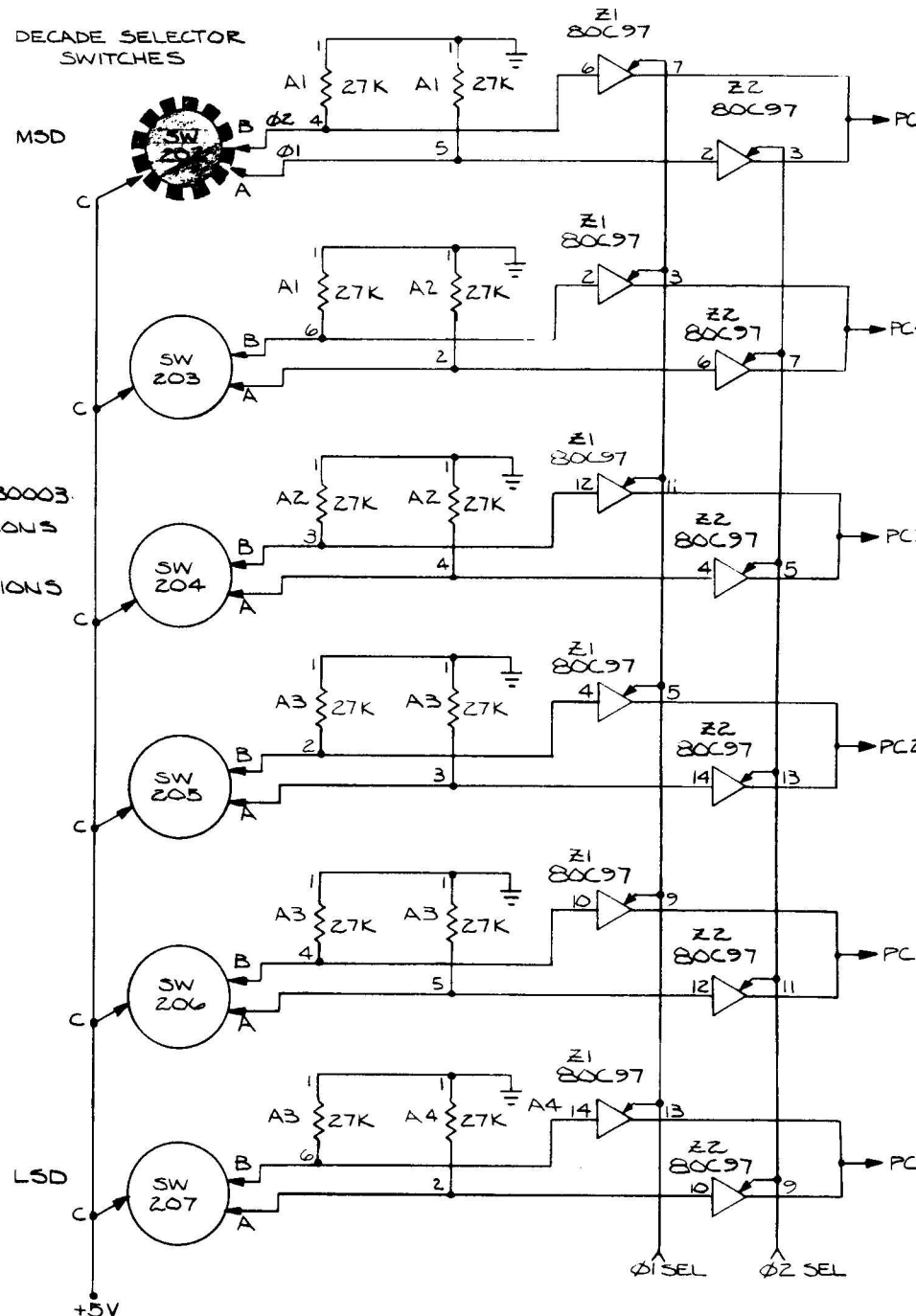
REV.	DESCRIPTION	OWN	APPLS	DATE
1	ORIGINATED	BRW	PZ	8-1-80

D  
 67-1092  
 -

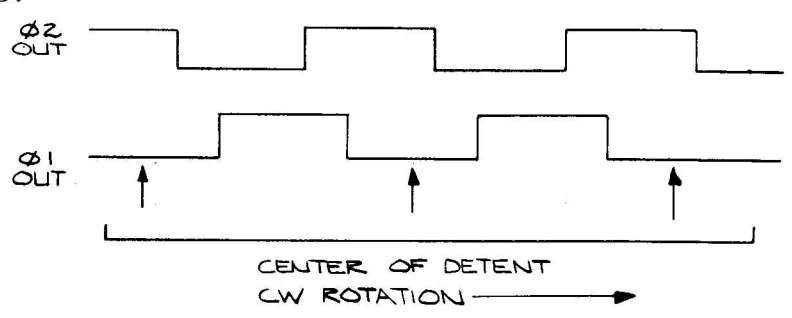


			BRW	7-17-80	
			PZ	8-1-80	
PL 60-1094			<i>K. M. M. M.</i>	8-11-80	<b>ASSEMBLY          MODEL 8200          SWITCH BANK PCB A6</b>
APPLICATION					51892 D 67-1092
					2/1 SHEET 1 OF 1

"THESE DRAWINGS AND SPECIFICATIONS ARE THE PROPERTY OF DATA PRECISION CORPORATION AND SHALL NOT BE REPRODUCED OR COPIED OR USED AS THE BASIS FOR MANUFACTURE OR SALE OF APPARATUS WITHOUT EXPRESSLY WRITTEN AUTHORIZATION FROM DATA PRECISION CORPORATION."



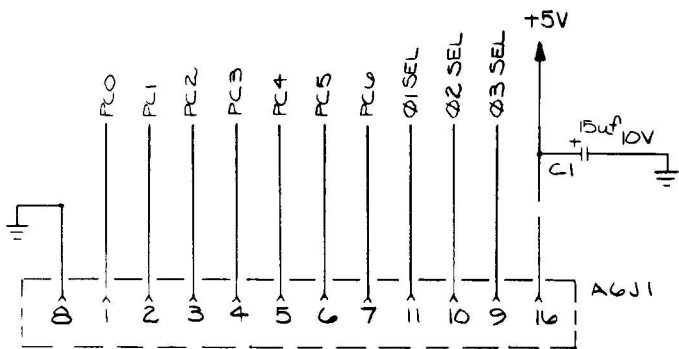
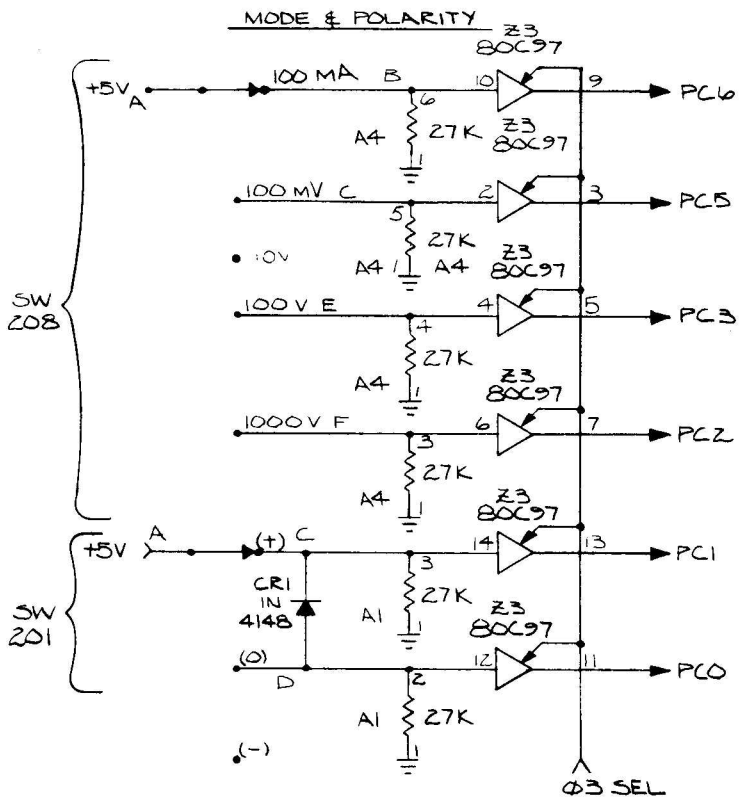
- NOTES:
- 1) ALL RESISTORS ARE 22-730003.
  - 2) ADDITIONAL +5 CONNECTIONS PIN 16 OF Z1, Z2, & Z3.
  - 3) ADDITIONAL GND CONNECTIONS PIN 8 OF Z1, Z2, & Z3.



J  
I  
H  
G  
F  
E  
D  
C  
B  
A

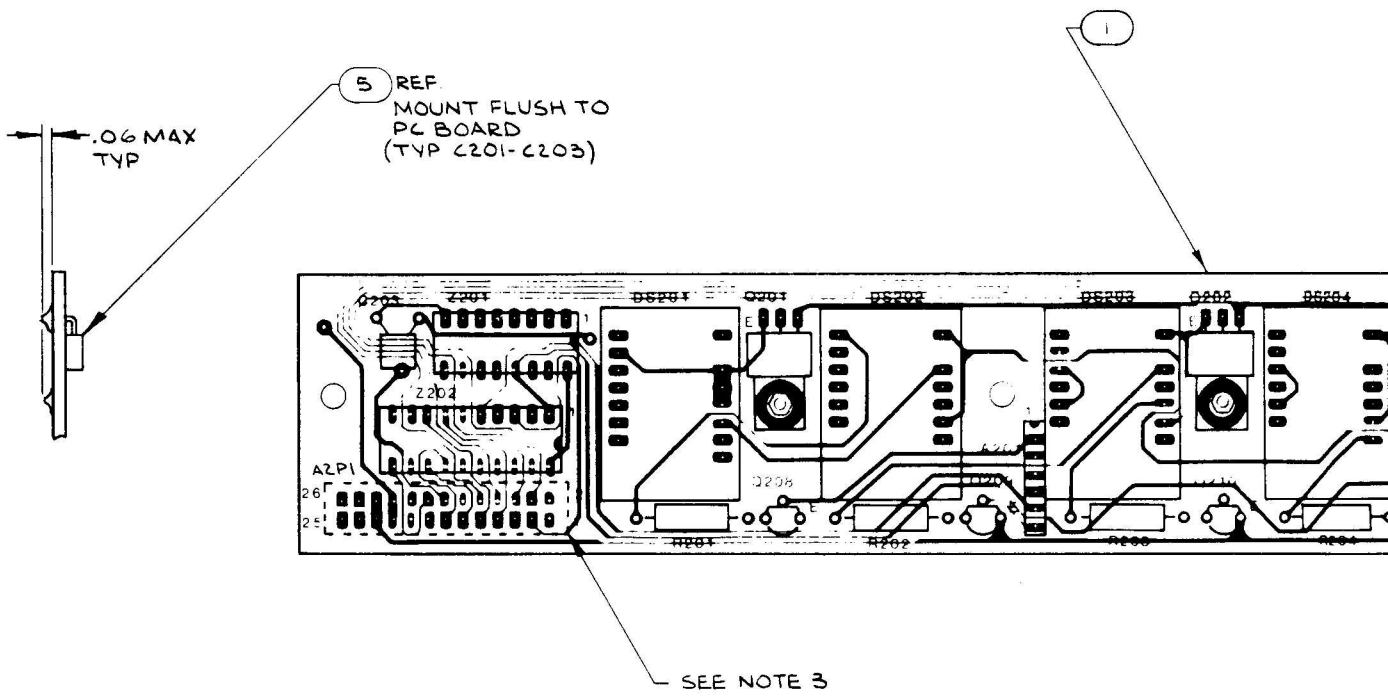
REVISIONS			
REV	ECO	DESCRIPTION	DWN/APPLS DATE
-	11-33-7	ORIGINATED	KW/PZ 8-11-80

SHEET NO. 1  
 65-1031  
 REV. 1



		UNLESS OTHERWISE SPECIFIED DIMENSIONS ARE IN INCHES TOLERANCES ON FRACTIONS DECIMALS ANGLES		DRAWN K. MENER CHECKED	DATE 6-25-80	DATA PRECISION CORP. <small>Date Precision Corporation, Danvers, Mass 01923</small>
		MATERIAL		DESIGNER		
		FINISH		ENGINEER	PZ 8-1-80	SCHEMATIC LOCAL CONTROL SWITCHING (A6)
		APPLICABLE SPECIFICATIONS		APPROVED		
65-109Z	3200			RELEASED	8-11-80	CODE IDENT NO 51882
NEXT ASSY	USED ON			WEIGHT		DISE D
APPLICATION						65-1031 SHEET 1 OF 1

THIS DRAWING IS THE PROPERTY OF THE AIR FORCE. IT IS TO BE KEPT UNCLASSIFIED AND UNCONTROLLED EXCEPT WHERE SHOWN OTHERWISE. IT IS TO BE KEPT UNCLASSIFIED AND UNCONTROLLED EXCEPT WHERE SHOWN OTHERWISE. IT IS TO BE KEPT UNCLASSIFIED AND UNCONTROLLED EXCEPT WHERE SHOWN OTHERWISE.

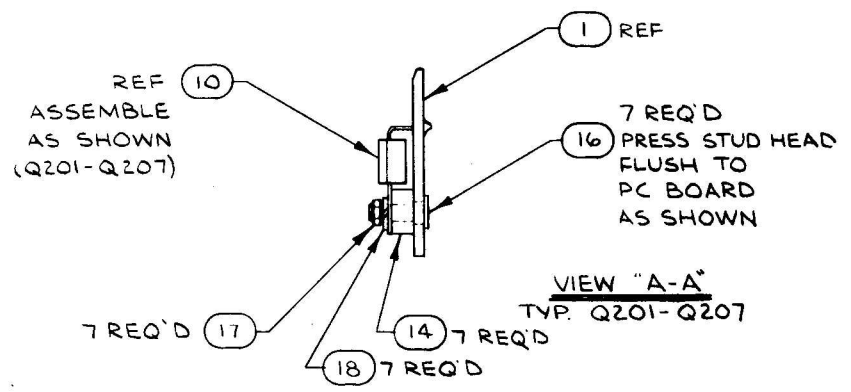
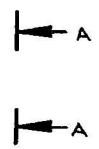
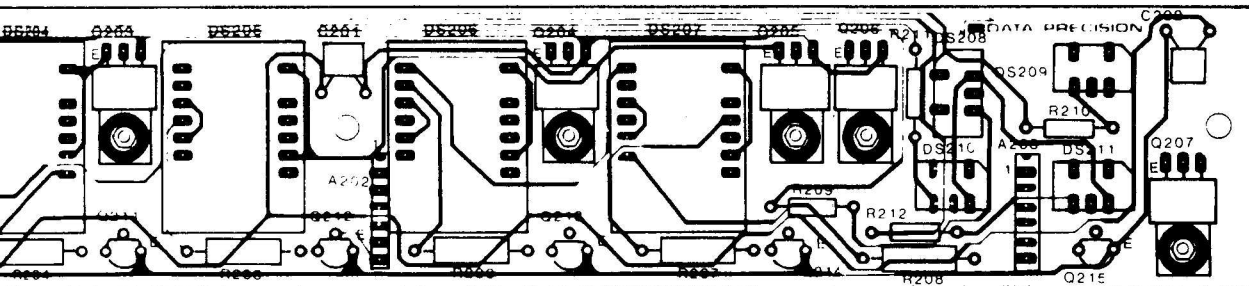


NOTES:

- 1. FOR SEPARATE PARTS LIST, SEE PL60-1093
- 2. FOR SCHEMATIC, SEE D65-1032
- 3. FOR ASSY. OF AZP1, SEE SECONDARY OP. ASSY.: PL60-1109

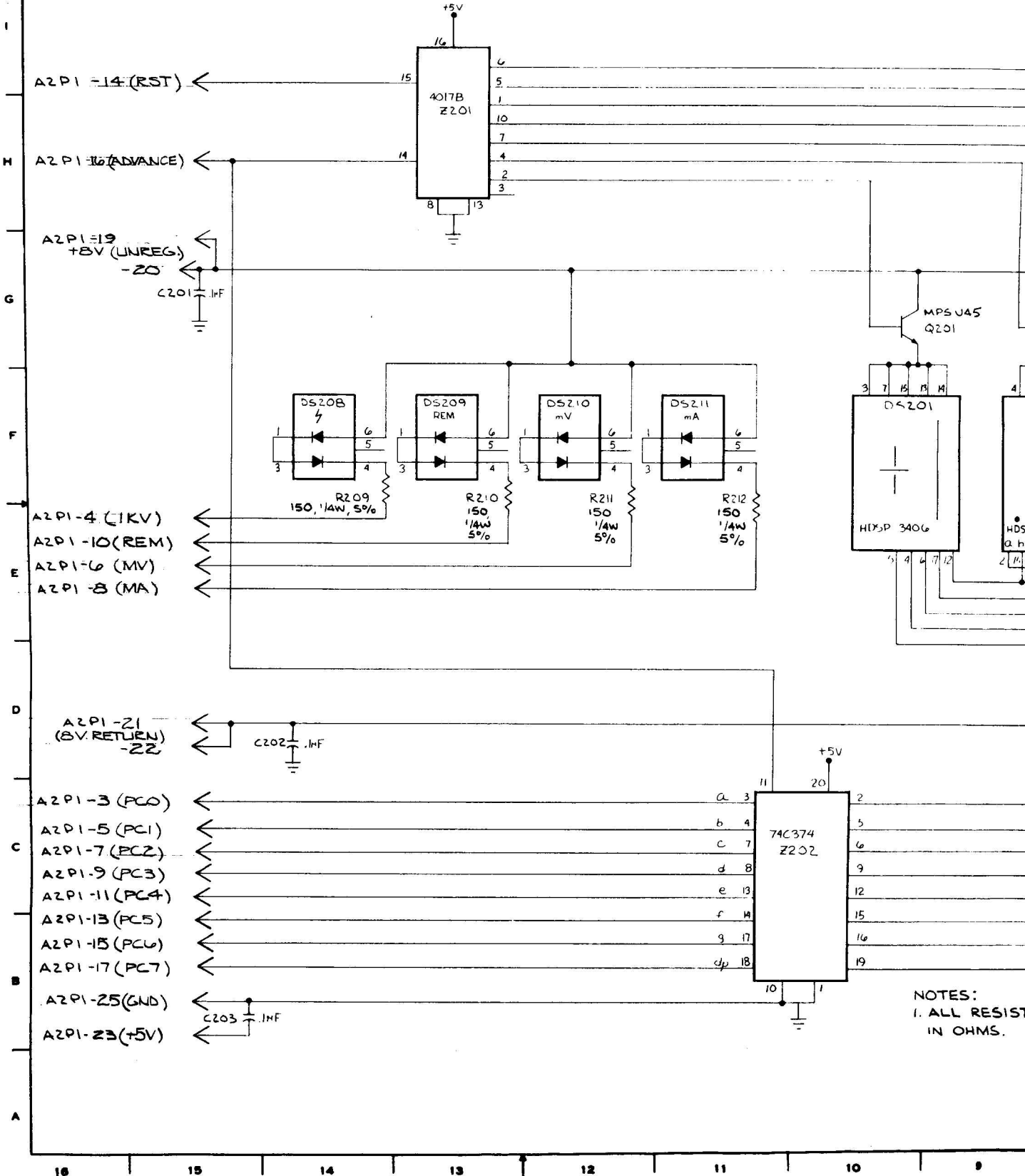
REV ISIONS					
REV.	BY	DESCRIPTION	OWN	APPLS	DATE
1	113307	ORIGINATED	BRW	PZ	8-11-80

D 67-1093



PL60-1109		#200		DATE	7-25-80	DATA PRECISION		ASSEMBLY MODEL 8200 DISPLAY PCB (A2)	
DRAWN		BRW		CHK'D		DATE		REV	
ENGR'G		PZ		DATE		8-11-80		51892	
APP'D		DATE		REV		D		67-1093	
APPLICATION		REV		DATE		SHEET		1 OF 1	
2/1		ALOUNT NO		SHEET		1		OF 1	

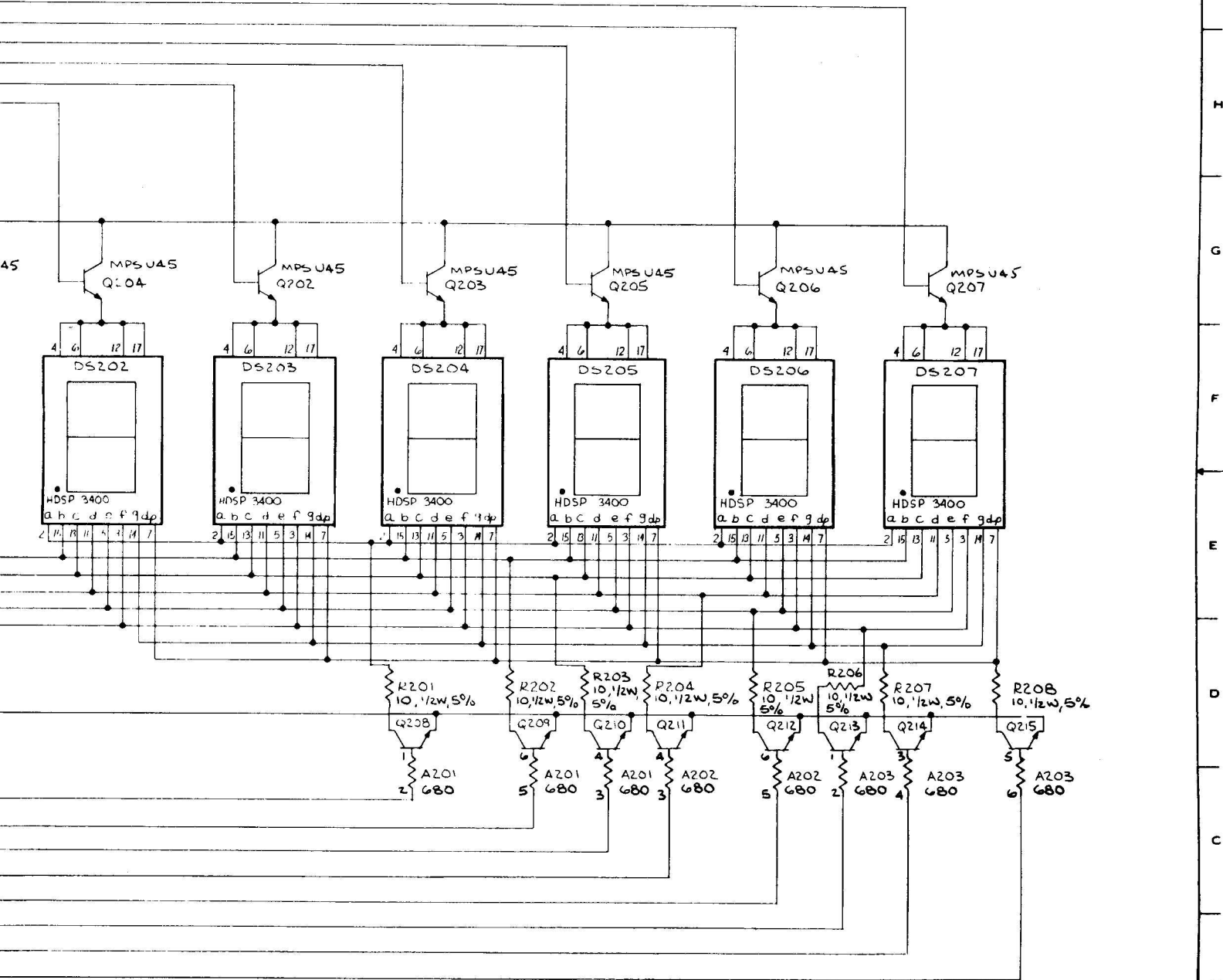
"THESE DRAWINGS AND SPECIFICATIONS ARE THE PROPERTY OF DATA PRECISION CORPORATION AND SHALL NOT BE REPRODUCED OR COPIED OR USED AS THE BASIS FOR MANUFACTURE OR SALE OF APPARATUS WITHOUT EXPRESSLY WRITTEN AUTHORIZATION FROM DATA PRECISION CORPORATION."



NOTES:  
1. ALL RESISTORS IN OHMS.

REVISIONS					
REV	ECO	DESCRIPTION	DWN	APPLS	DATE
—	113307	ORIGINATED	JL	PZ	8-1-80

SHEET  
65-1032  
REV  
—



RESISTOR VALUES ARE SPECIFIED IN INCHES UNLESS OTHERWISE SPECIFIED DIMENSIONS ARE IN INCHES TOLERANCES ON FRACTIONS DECIMALS ANGLES

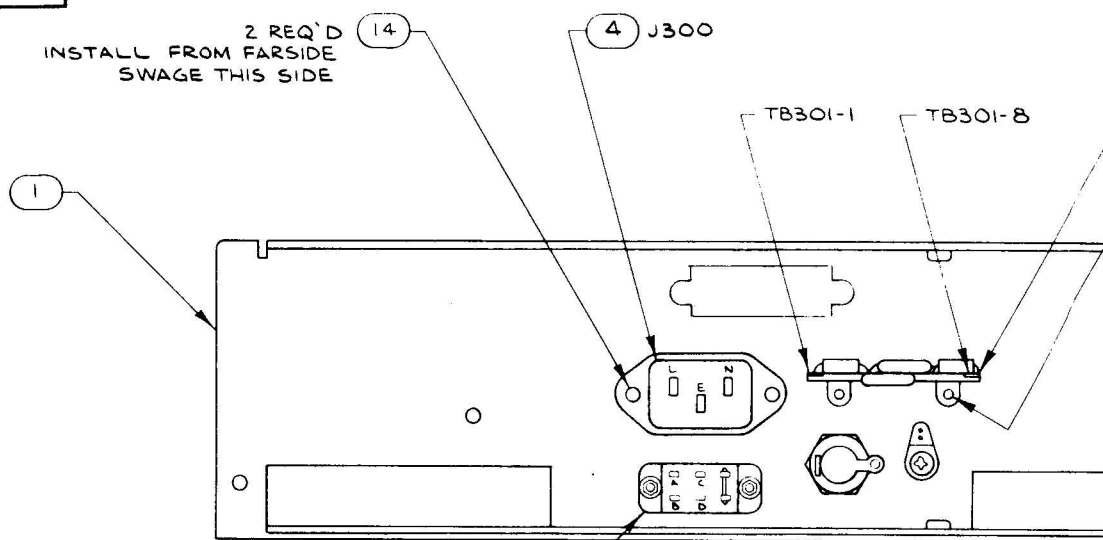
UNLESS OTHERWISE SPECIFIED DIMENSIONS ARE IN INCHES TOLERANCES ON FRACTIONS DECIMALS ANGLES		DRAWN	JLR	DATE	6-25-80
MATERIAL		CHECKED		DATA PRECISION CORP. Data Precision Corporation, Danvers, Mass. 01923	
FINISH		DESIGNER		SCHEMATIC - DISPLAY PCB MODEL 8200 (AZ)	
APPLICABLE SPECIFICATIONS		ENGINEER	PZ	8-1-80	
RELEASED		APPROVED		CODE IDENT NO	
NEXT ASSY		USED ON		51692	
APPLICATION		WEIGHT		D	
				65-1032	
				SCALE	
				ACCOUNT NO.	
				SHEET / OF /	

16 15 14 13 12 11 10 9

"THESE DRAWINGS AND SPECIFICATIONS ARE THE PROPERTY OF DATA PRECISION CORPORATION AND SHALL NOT BE REPRODUCED OR COPIED OR USED AS THE BASIS FOR MANUFACTURE OR SALE OF APPARATUS WITHOUT EXPRESSLY WRITTEN AUTHORIZATION FROM DATA PRECISION CORPORATION."

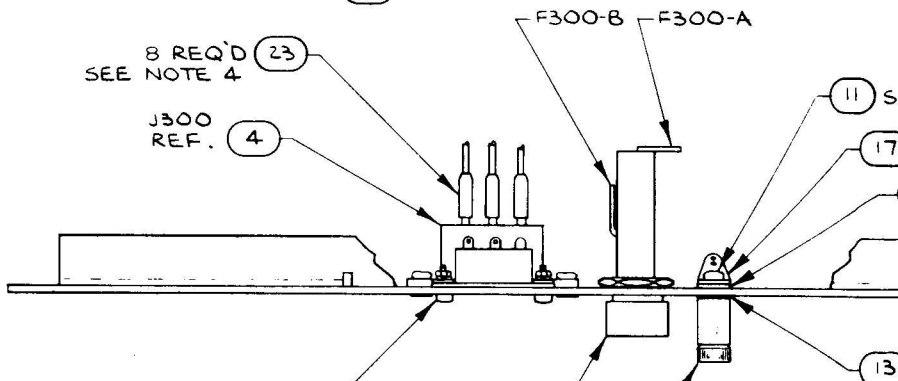
J  
I  
H  
G  
F  
E  
D  
C  
B  
A

2 REQ'D  
INSTALL FROM FAR SIDE  
SWAGE THIS SIDE



8 REQ'D  
SEE NOTE 4

J300  
REF. 4



- 19 2 REQ'D
- 20 2 REQ'D
- 21 2 REQ'D
- 22 2 REQ'D
- 5 XF300
- 6 F300

7 E300-A  
INSTALL AS SHOWN

NOTES:

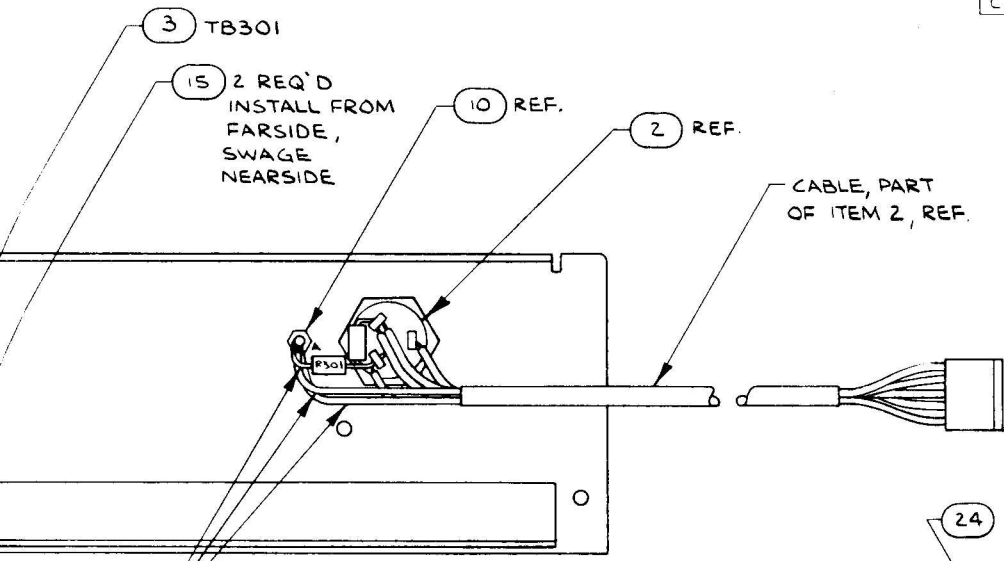
1. FOR SEPARATE PARTS LIST, SEE PL60-1096
2. REF. DWGS.: WIRE RUN LIST: B65-1033.  
SCHEMATIC: D65-1029.
3. TORQUE ITEM 11, SCREW, TO 60LBS ± 10LBS.
4. INSTALL ITEM 23, SHRINK TUBING, & HEATSHRINK TO FIT ALL J300 & TB301 WIRING CONNECTIONS.

16 15 14 13 12 11 10 9

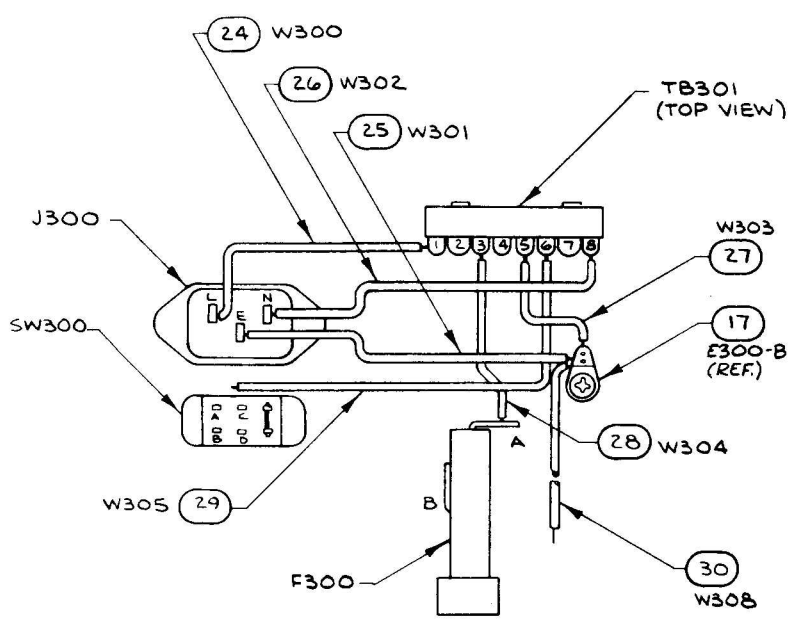
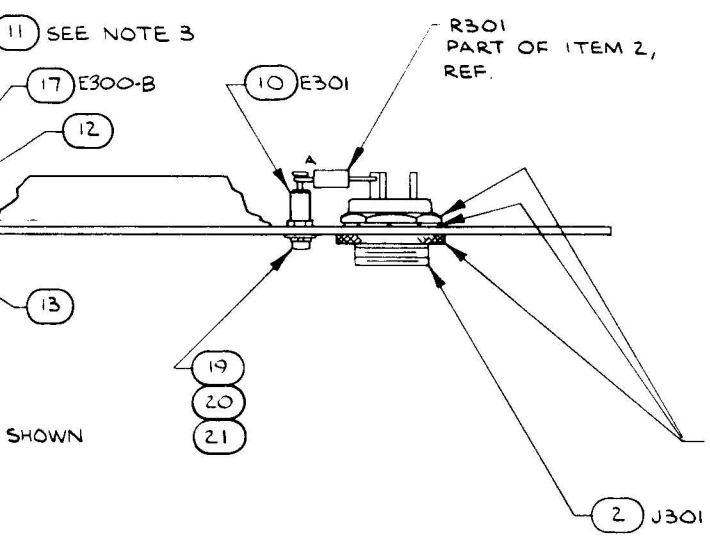


REVISIONS					
REV	ECO	DESCRIPTION	OWN	APPLS	DATE
-	113347	ORIGINATED	BRW	PZ	8-1-80
A	113324	SEE E.C.O.	JMR	PZ	9-10-80
B	113415	SEE E.C.O.	JMR	PZ	12-1-80
C	113434	SEE E.C.O.	JMR	L.HERR	1-5-86

REV  
D  
67-1096  
C



SOLDER R301-A AND RED & BLACK WIRES (W306 & W307) FROM ITEM 2, J301, TO E301 AS SHOWN



WIRING DIAGRAM  
SEE NOTE 4

UNLESS OTHERWISE SPECIFIED DIMENSIONS ARE IN INCHES TOLERANCES ON FRACTIONS DECIMALS ANGLES ± ± ±		DRAWN BRN	DATE 5-19-80	DATA PRECISION CORP. Data Precision Corporation, Denver, Mass. 01823	
MATERIAL		CHECKED		ASSEMBLY REAR PANEL	
FINISH		DESIGNER			
APPLICABLE SPECIFICATIONS		ENGINEER PZ	8-1-80		
PL60-1097	8200	APPROVED		RELEASED PZ 8-11-80	CODE IDENT NO. 51692
NEXT ASSY	USED ON	WEIGHT			SIZE D
APPLICATION					ACCOUNT NO. 67-1096
				SCALE FULL	SHEET 1 OF 1

I  
I  
G  
F  
E  
D  
C  
B  
A