

ENDEVCO

2718A

INSTRUCTION MANUAL

INSTRUCTION MANUAL

FOR MODEL 2718A SHOCK AMPLIFIER

TABLE OF CONTENTS

1.0	INTRODUCTION	
1.1	General Description	1
1.2	Input Devices	1
1.3	Output Devices	2
2.0	THEORY	
2.1	Charge Generators	2
2.2	Charge Conversion	3
2.3	Frequency Response for Shock Measurement	3
3.0	EXTERNAL CONTROLS AND CONNECTORS	
3.1	Front Panel	4
3.2	Rear Panel	5
4.0	INITIAL SETUP AND CHECKOUT	
4.1	Unpacking and Inspection	6
4.2	Mounting Procedure	6
4.3	Initial Checkout	7
5.0	OPERATING INSTRUCTIONS	
5.1	Power	10
5.2	Sensitivity	10
5.3	Internal Calibration	11
5.4	Low Frequency Cutoff	11
5.5	High Frequency Filter	12
5.6	Power Amplifier	12
5.7	Zero Adjust	13
5.8	Grounding	13
5.9	Using Model 2718A to Monitor Peak G's or Other Units	13
5.10	Using Long Input Cables	14

Model 2718 Instruction Manual

6.0	CIRCUIT DESCRIPTION	14
6.1	Charge Converter	15
6.2	Voltage Amplifier	15
6.3	Power Amplifier	16
6.4	Calibrator	16
6.5	Power Supply	17
7.0	MAINTENANCE AND TROUBLE SHOOTING	
7.1	Maintenance	17
7.2	Power Supply Voltage Adjustment	18
7.3	Zero Adjustment	18
7.4	Sensitivity Adjustment	19
7.5	Calibration Signal Level	20
7.6	Trouble Shooting	20
7.7	Special Precaution	20
7.8	Factory Repairs	20
	Table 1 - Typical DC Operating Voltages	21
	DRAWINGS AND ADDENDA	

INSTRUCTION MANUAL

MODEL 2718A SHOCK AMPLIFIER

1.0 INTRODUCTION

1.1 General Description

The Model 2718A Shock Amplifier is a charge amplifier designed specifically to meet the signal conditioning requirements of shock measurement. The wide frequency range and dynamic range of the amplifier permits accurate measurement of wide variety of shock pulses — from rapid rise times to long durations. It is also suitable for measuring random and sinusoidal vibration.

The Model 2718A Shock Amplifier Module contains a regulated power supply, charge converter, capacitance coupled voltage amplifier, filters, calibration oscillator, and a power amplifier.

Charge amplifiers sense charge at the input and produce a voltage output directly proportional to the input charge. This permits the use of long cable without attenuation effects. Signal cables may be changed without requiring system recalibration. Low frequency response is independent of transducer and cable capacitance.

The Model 2718A's modular design allows it, and its associated accessories, to be mounted in a number of configurations. The Model 2718A can be housed in a portable carrying case (Model 2991A or 2992A), or in a 19" rack (Model 4992A) with one, two or three amplifiers per rack.

A Peak Holding Meter, Model 2954A, is available for use with the Model 2718A to indicate the maximum amplitude of a pulse or a series of pulses from any piezoelectric transducer. It permits the operator to visually determine the pulse amplitude. The Model 2954A can be mounted in a portable configuration or in a rack with the Model 2718A.

1.2 Input Devices

The input of the amplifier is restricted to the use of capacitive devices. The maximum allowable source (shunt) capacitance, to meet all specifications, is 10,000 pF on the first two ranges and 100,000 pF on the higher ranges. The input resistance should exceed 50 megohms for all L.F. Switch positions.

1.3 Output Devices

1.3.1 Signal Output - The Signal Output may be connected to any resistive load providing that the Maximum Linear Output Current is not exceeded. The maximum Signal Output current is ± 1.0 mA pk.

1.3.2 Power Amplifier - The Galvanometer Output may be connected to any resistive load of 30 ohms or greater, such as galvanometers. (These include high frequency galvanometers having a maximum safe current of 100 mA).

2.0 THEORY

2.1 Charge Generators

The simplified equivalent circuit of a piezoelectric or capacitive transducer is shown in Figure 1. In an accelerometer, the charge generated is directly proportional to acceleration, and for a given acceleration the peak charge remains constant regardless of the amount of external capacitance added to the transducer. The open circuit voltage (e) is equal to the charge (q) divided by the transducer capacitance (C_p), or $e = q/C_p$.

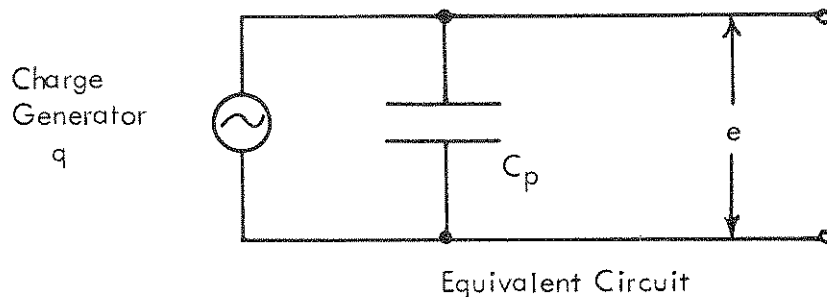


FIGURE 1.

All new ENDEVCO® Accelerometers have the charge sensitivity provided on the calibration card, expressed in peak picocoulombs per peak g.

For other transducers the charge sensitivity may be calculated from the following formula:

$$Q = \frac{E_{cal} (C_p + C_{cal})}{1000}$$

- Where:
- Q = charge sensitivity in pk pC/pk g (= pC/g)
 - E_{cal} = factory supplied voltage sensitivity expressed in pk mV/pk g (= mV/g)
 - C_p = internal capacitance of transducer in picofarads
 - C_{cal} = external cable and amplifier capacitance in picofarads when calibrated

2.1 Charge Generators (continued)

The values of E_{cal} , C_p , and C_{cal} are usually given on the calibration card. Since the charge sensitivity is not affected by additional capacitance, such as long cables and amplifier input capacitance, no additional sensitivity calculations are required.

For example, the nominal voltage sensitivity (E_{cal}) of the ENDEVCO® Model 2252 Accelerometer is 5 pk mV/pk g, nominal capacitance (C_p) is 100 pF, and the external capacitance when calibrated (C_{cal}) is 300 pF. Thus, the nominal charge sensitivity:

$$Q = \frac{5 (100 + 300)}{1000} = 2 \text{ pk pC/pk g}$$

2.2 Charge Conversion

The Model 2718 accepts the instantaneous charge from the transducer and converts it to a voltage directly proportional to the input charge. Although the gain of the amplifier may be expressed as millivolts output per picocoulombs input, this need not be considered in actual applications. The Model 2718 provides a sensitivity dial with which a known output voltage is obtained for transducer charge sensitivities of .1 to 10 pC/g and full scale g levels as indicated.

2.3 Frequency Response for Shock Measurement

Transient measurements should be made with instruments which have a flat frequency response over a wide range. Not only must the transducer response be considered, but the amplifier and all associated readout devices must be capable of passing, without distortion, all the frequency components contained in the transient. When the low cutoff frequency of an amplifier (response down 3 db or 30%) is known, then the maximum pulse width which the amplifier will pass with known accuracy may be calculated as follows:

	T_m Maximum Pulse Width	
	2% Accuracy	5% Accuracy
Half sine or sawtooth pulse	$\frac{.01}{f_c}$	$\frac{.02}{f_c}$
Square wave pulse	$\frac{.003}{f_c}$	$\frac{.008}{f_c}$

Where: f_c = low cutoff frequency

T_m = maximum pulse width in seconds

2.3 Frequency Response for Shock Measurement (continued)

For example:

The Model 2718A provides three cutoff frequencies of 0.03, 0.3 and 0.7 Hz. The maximum half sine pulse width which may be measured with 5% accuracy, and at a low cutoff frequency of 0.03 Hz is

$$T_m = \frac{.02}{f_c} = \frac{.02}{.03} = 660 \text{ msec}$$

The above calculations apply to the Model 2718A or any other amplifier which has a first order rolloff.

3.0 EXTERNAL CONTROLS AND CONNECTORS

3.1 Front Panel

- 3.1.1 Power Switch and Light - The Power Switch is a single pole, push button switch which applies AC power to the amplifier. The pilot light, to the right of the switch, indicates when the amplifier is energized.
- 3.1.2 Low Frequency Cutoff - The Low Frequency Cutoff Switch, S1, is a three-position rotary switch which changes the low frequency cutoff (down 3 db at 0.03, 0.3, or 0.7 Hz).
- 3.1.3 High Frequency Cutoff - The High Frequency Cutoff switch is a four-position rotary switch which allows the selection of one of the three internal low pass filters.
- 3.1.4 Calibration - The Calibration Switch, S4, is a two-position toggle switch which is used to switch, in or out, the internal calibration signal.
- 3.1.5 Full Scale - The Full Scale Selector, S3, is a six-position rotary switch which selects the Full Scale g, or psi, or pound ranges. The two sets of ranges, red and black, are directly related to the two ranges of charge sensitivities, red and black, on the Sensitivity Dial below. The numerals of one color only should be used in any measurement. For example, if the transducer sensitivity is in the range of .1 to 1 pC/g (red), the full scale ranges which apply are shown in red.
- 3.1.6 Zero - The Zero Adjust is a screwdriver adjusted, multiturn potentiometer used to balance the output amplifier.

- 3.1.7 Galvanometer Adjust - The Galvanometer Adjust is a single-turn potentiometer which adjusts the gain of the Power Amplifier.
- 3.1.8 pC/g Sensitivity Dial - The Sensitivity Control, R59, is a ten-turn potentiometer which calibrates the Model 2718A Amplifier for specific transducer charge sensitivities expressed in picocoulombs per g or psi or pound. The number on the outer dial, in the window, represents the first significant digit; the second and third significant digits are indicated on the inner dial under the vertical line. The black and red ranges above the dial are directly related to the black and red numerals above the Full Scale Switch and only numerals of one color should be used in any measurement. A lock is also provided so that the pot may be held in any desired position. CAUTION: The counter-clockwise stop position of the dial is at 1.00. Do not attempt to turn the pot below 1.00.
- 3.1.9 Reset - A Reset Button, S5, is provided to reset the output signal to its steady state DC level, and enables the 2718A to be clear and ready for any incoming signals. Resetting of the output DC voltage may be necessary after changing full scale ranges, or large transients have been applied to the input of the amplifier.

3.2 Rear Panel

- 3.2.1 Input Connector - The Input Connector, J1, is a coaxial connector, Microdot 5-50 Series or equivalent, with the shell insulated from the chassis, but connected to circuit and chassis ground.
- 3.2.2 Galvanometer Output - The Galvanometer Output Connector, J2, is a three-terminal connector. It mates with a Cannon XLR-3-11C connector. Pin 1 is the signal output, Pin 2 is the circuit ground, and Pin 3 is the chassis ground.
- 3.2.3 Signal Output - The Signal Output Connector, J3, is a coaxial connector with its shell insulated from the chassis, but connected to circuit and chassis ground. It mates with a Type BNC, UG-1094/U or equivalent.
- 3.2.4 External Filter Jack - The External Filter Jack is a microphone type jack, Switchcraft No. 13B, which allows an external filter to be substituted for the internal low pass filters. The High Frequency Cutoff switch must be in the out position. The mating plug, Switchcraft No. 267, is not supplied.
- 3.2.5 Fuse - A fuse, Littelfuse No. 313.750 or equivalent, 125 V, 3/4A, 510-B10, is connected in series with one side of the power line. For 230 V operation a Fusetron MDL or equivalent 3/8 A, is connected in series with one side of the power line.

- 3.2.6 Power Cord Receptacle - Connector, J6, Hubbel No. 7486, 3 pin "Twist-Lok" or equivalent, mates with Model 2910-4 Power Cord Assembly, a 5-1/2 foot, three-wire cable with standard three-prong plug. For 230 V operation, the male plug on the Power Cord Assembly is removed and the wires at the end of the cable are stripped and tinned.
- 3.2.7 Binding Post - The G.R. Binding Post is suitable for connection of a Banana Plug, Spade Lug or Wire. The binding post is connected to the electrostatic shield of the power transformer to reduce line transient effects.
- 3.2.8 Peak Meter Receptacle - This receptacle is a Cannon WK-5-32S connector which provides signal and power for the Model 2954A Peak Holding Meter. Use the Model 15438 Cable Assembly to interconnect the Models 2718A and 2954A.

4.0 INITIAL SETUP AND CHECKOUT

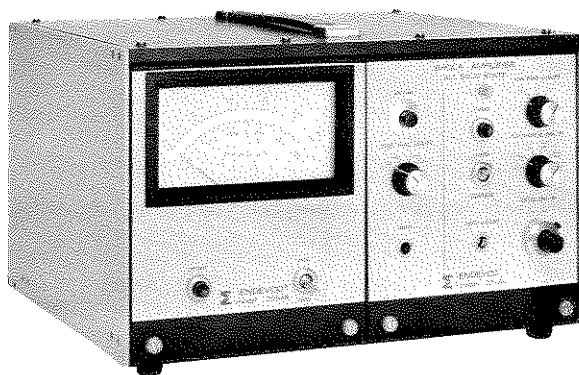
4.1 Unpacking and Inspection

This equipment has been thoroughly inspected and tested at the factory and should be ready for operation when received. However, the customer should make an inspection to be certain that no damage has occurred during shipment.

Carefully remove the instrument from its packing box. Inspect case and front panel for any indication of damage during shipping and handling.

4.2 Mounting Procedure

The Model 2718A and its associated accessories can be mounted in a rack or the 2718A can be mounted in a portable carrying case with mechanical ease. The view in Figure 2 shows the portable configuration, and in Figure 3, the rack mount configuration.



2992A



2991A

FIGURE 2.

Model 2718A in Model 2991A and 2992A Portable Carrying Cases

4.2 Mounting Procedure (continued)

The Model 2718A and Model 2954A Modules can be easily mounted in either the Model 4992A Rack, or the Model 2991A or 2992A Carrying Case, by tightening the two captive thumb screws on the front panel of the 2718A or 2954A, and inserting the two Phillips screws through the rear skirt of the 4992A, 2991A or 2992A.

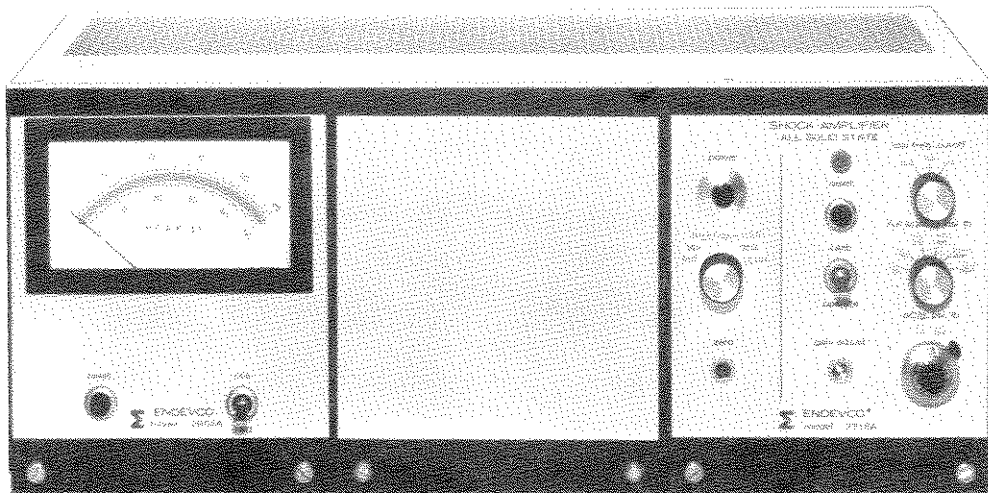


FIGURE 3.

Model 2718A Amplifier Module, Model 2954A Peak Holding Meter and Model 14718 Blank Panel in Model 4992A Rack

4.3 Initial Checkout

Before the instrument is put into operation, an initial checkout should be made to ensure that everything is operating satisfactorily. The following procedure should be followed:

4.3 Initial Checkout (continued)

Equipment Needed: Oscillator, H.P. 200CD or equivalent
 Attenuator, 1 k Ω multi-turn potentiometer
 Capacitor, in a shield, 1000 pF \pm 1%
 Oscilloscope, Tektronix 531A or equivalent
 AC VTVM, H.P. 400D or equivalent

4.3.1 Initial Connections and Control Settings - Connect amplifier and associated equipment as shown in Figure 4.

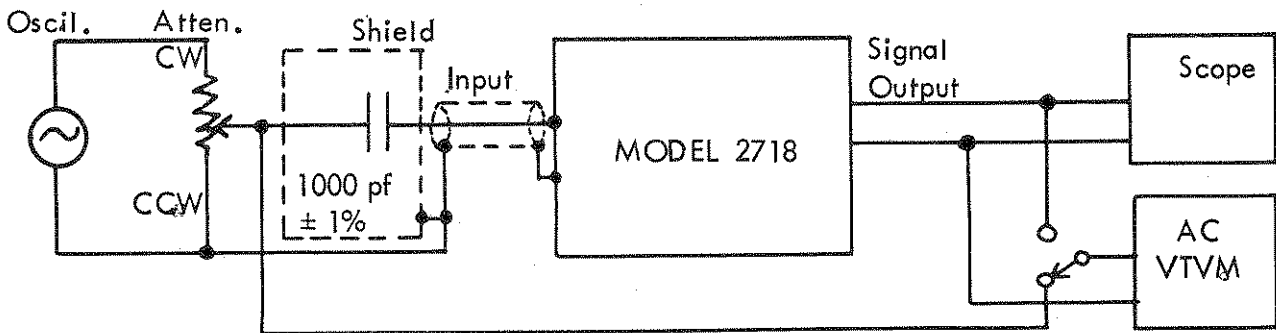


FIGURE 4.

Control Setting:

Set front panel controls as follows:

L. F. Cutoff	0.7 Hz
H. F. Filter	Out
Calib. -Operate	Operate
Full Scale g	25 (Black)
pC/g	1.0 (Black)

Turn on power by pushing power switch. Pilot light should go on indicating that the instrument is on. Allow thirty minutes warmup before starting checkout.

4.3.2 Zero Check

The DC voltages at the output of the charge converter and voltage amplifier sections are not critical. These circuits are capacitance coupled and the DC voltages may vary over a relatively wide range without affecting the usefulness or accuracy of the charge amplifier. If clipping is observed, then zero adjustment is necessary. Zero adjustment procedures are given in Section 7.3.

4.3.3 Full Scale Range Check

4.3.3.1 Apply a 1000 Hz, 17.7 mV rms (25 mV pk) sinusoidal signal to the amplifier through the 1000 pF capacitor. Note the output on the scope and VTVM. The wave shape should be undistorted and the output voltage should be 3.53 V rms (5.0 V pk) $\pm 1.5\%$.

CAUTION: VTVM should be accurate to within $\pm 0.5\%$.

4.3.3.2 Switch the full scale g control to 50 g (black) and increase the input signal to 35.3 mV (50 mV peak). Again the output should be undistorted and 3.53 V rms (5.0 V pk) $\pm 1.5\%$.

4.3.3.3 Repeat procedure for each of the ranges changing the input signal appropriately. Output voltages should always be 3.53 V rms (5.0 V pk) $\pm 1.5\%$.

NOTE: The input peak millivolt signal required to achieve full scale output is equal to the product of the pC/g dial reading and the full scale g range, using numerals of one color.

4.3.4 pC/g Dial Check - With the full scale g control set to 250 g (black) adjust the input voltage until the output is 3.50 V rms. Turn the pC/g dial from 1.0 to 10.00 and change the full scale g control to 25 g (black). The output voltage should be 3.50 V rms $\pm 1.5\%$.

4.3.5 Residual Noise - Again set all controls as specified in Section 4.3.1. Reduce input signal to zero by turning down the oscillator and running the attenuator to its counterclockwise end. On the meter, observe the residual noise. This signal should be less than 5 rms mV.

4.3.6 Calibration Check - Set controls as specified in Section 4.3.1. Set "Calib-Operate" Switch to Calib. Note the output on a calibrated scope. The output should be sine wave with a peak-to-peak amplitude of 5.0 V $\pm 2\%$. Switch the Full Scale g control through its six positions. The calibration output should remain 5.0 V pk/pk $\pm 2\%$.

4.3.7 Power Amplifier and Galvanometer Adjust Check

- 4.3.7.1 Change the scope and VTVM from the Signal Output to the Galvanometer Output connector.
- 4.3.7.2 Set front panel controls as specified in Section 4.3.1. Apply a 1000 Hz, 17.7 mV rms (25 mV pk) signal to the input through the 1000 pF capacitor. Note the output on the scope and VTVM. Vary the "Galv Adjust" control from its fully clockwise position to its fully counterclockwise position. The output voltage should vary from greater than 3.53 V rms (5 V pk) to less than 353 mV rms (500 mV pk).
- 4.3.7.3 Load galvanometer output with 50.0 Ω resistance. Increase "Galv Adjust" from its counterclockwise position, observing the output wave shape on the scope. The output should be undistorted to at least 3.0 V rms (4.25 V pk) and should limit at 10.0 V pk/pk or less.

5.0 OPERATING INSTRUCTIONS

5.1 Power

The Model 2718A should be operated from line source of 105 to 125 VAC, 50, 60, or 400 Hz. The line cord includes a third wire connecting the chassis to power ground.

5.2 Sensitivity

The nominal sensitivity of the amplifier is such that with the Full Scale Control at 25 (black) and the Sensitivity Control Dial at 1.00 (CCW), a 25 pk pC input signal will give full scale output. Full scale output is defined as 5 V pk at the Signal Output, with no load.

NOTE: There is a 180° phase shift (signal inversion) between input and output signals at the Signal Output connector.

The amplifier has a precision attenuator (Full Scale Control) which provides two sets of six full scale ranges. Full scale output is obtained for various transducer sensitivities and full scale input levels as follows:

5.2 Sensitivity (continued)

Full Scale Input to Obtain Full Scale Output

Scale Color	Red	Black		
Transducer Sensitivity	0.1 to 1.0 pC/g	1.0 to 10 pC/g	10 to 100 pC/g	100 to 1000 pC/g
Full Scale Input	250 g 500 g 2500 g 5000 g 25,000 g 50,000 g	25 g 50 g 250 g 500 g 2500 g 5000 g	2.5 g 5.0 g 25 g 50 g 250 g 500 g	.25 g .50 g 2.5 g 5.0 g 25 g 50 g

The input signal, in peak picocoulombs required to achieve full scale output, 5 V pk at the Signal Output Connector, is equal to the product of the decade dial setting and the Full Scale Range, using only the numerals of one color.

The maximum charge gain of the amplifier is obtained when the Sensitivity Dial is turned to its counterclockwise stop position, at 1.00. Minimum gain is obtained in clockwise stop position.

5.3 Internal Calibration

An internal oscillator provides a calibration source in the Model 2718. This source supplies a calibration charge to the input of the amplifier such that its peak-to-peak value represents the peak full scale input as noted on the Full Scale range switch, regardless of range or sensitivity dial setting. The frequency of the calibration signal is 1000 Hz, nominal.

The rated full scale output of the amplifier is 5 V pk or 10 V pk/pk. The output of the amplifier with the Calibration Switch in the "Calib" position is a 5 V pk/pk sine wave (equal to peak full scale output). An oscilloscope connected to the Signal Output, or a galvanometer connected to the Galvo Output will be deflected to plus and minus one-half peak full scale.

5.4 Low Frequency Cutoff

The setting of the Low Frequency Cutoff Switch will determine the maximum width of a pulse which will be accurately reproduced by the amplifier, as discussed in Section 2.3. However, some synthetic piezoelectric crystals

5.4 Low Frequency Cutoff (continued)

exhibit temperature effects which appear as low frequency drift or wander. This temperature effect may be reduced considerably by operating the Model 2718A at the higher (low) cutoff frequencies, 0.3 Hz or 0.7 Hz, since this pyroelectric effect is a low frequency phenomenon.

Many ENDEVCO® Transducers, those utilizing Piezite®P-2 crystal material, exhibit little or no temperature effects. Thus, the amplifier may be operated at a 0.03 Hz low frequency cutoff without distortion of the signal. Accelerometer Model 2242C and 2252 are recommended for long pulse shock measurements up to 1000 g and 5000 g respectively.

5.5 High Frequency Filters

Shock machines will often ring at high frequencies during or after shock. Also, a pulse with fast rise time may excite the natural resonant frequency of accelerometers. It may be desirable to filter out these frequencies to permit recording or observation of the pulse wave shape.

The Model 2718A includes three low pass filters, which may be selected by the switch on the front panel. The filters have the following characteristics:

<u>± 5% Response</u>	<u>Down 3 db or greater, at</u>
0 to 100 Hz	330 Hz ± 10%
0 to 1000 Hz	3300 Hz ± 10%
0 to 4000 Hz	13,200 Hz ± 10%

An external filter may be connected into the circuit through the phone jack, J8, on the rear of the amplifier. A three-terminal phone plug, Switchcraft No. 267 or equal, will mate with this jack. The external filter must have input and output impedances which will allow it to operate correctly with the internal impedances of the amplifier as shown in Figure 5.

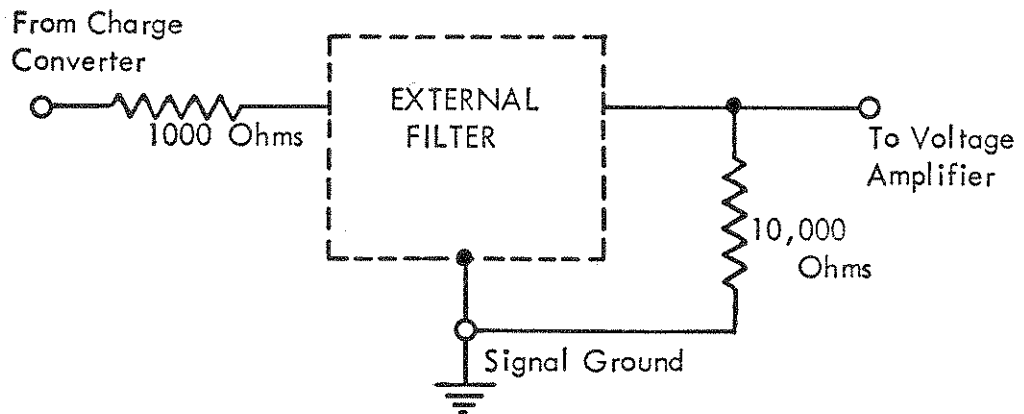


FIGURE 5.

Connections for External Filter

5.5 High Frequency Filters (continued)

If the transmissibility of the external filter is not unity, an appropriate correction factor must be applied to the data signal. Note that the internal sinusoidal calibration signal has a frequency of approximately 1000 Hz and will be attenuated by the internal and, possibly, the external filter.

5.6 Power Amplifier

Model 2718A Charge Amplifiers are capable of delivering a linear output current up to 85 pk mA for high frequency galvanometers or long output cables. The gain of the power amplifier is adjustable by means of a screwdriver adjustable pot on the front panel from less than 0.1 to greater than 1.0 without affecting the system sensitivity prior to the power amplifier.

The signal at the Galvo Output connector is in phase with the input signal.

5.7 Zero Adjust

The front panel zero adjust is used to adjust the signal output to zero when there is no signal applied to the input. The zero adjust is a screwdriver adjustable potentiometer. Since the Charge Converter and Voltage Amplifier are capacitance coupled, the Charge Converter DC level should have very little effect on the Voltage Amplifier and should, under usual conditions, not be touched except when "clipping" due to the Charge Converter operating point is experienced. For further information see Section 7.3.

5.8 Grounding

The circuit ground is grounded to the chassis at one and only one point to prevent possible ground loops. If excessive noise, particularly at power line frequency, appears at the output, it may be necessary to insulate the transducer from the structure and/or insulate the ground circuit of the readout device.

The electrostatic shield in the power transformer is connected to a binding post in the rear of the 2718A. A ground can be established at this point to reduce any line transient effects. However, a good earth ground should be used or the binding post should not be grounded at all.

5.9 Using the Model 2718A to Monitor Peak G's or Other Units

To set up the 2718A to monitor peak g's, the following procedure is used:

1. Note from the calibration card supplied with the transducer the charge sensitivity as expressed in picocoulombs per g. Since the charge generated per unit remains constant regardless of the amount of external capacitance added to the transducer, no additional calculations need be made.

5.9 Using the Model 2718A to Monitor Peak G's or Other Units (continued)

2. Adjust the pC/g decade dial to the sensitivity as obtained above. (See Sections 3.1.8 and 5.2.)
3. Set the "Full Scale g" switch to the desired range.
4. Set the Low Frequency Cutoff switch to the desired frequency. (See Sections 2.3 and 5.4.)
5. Set the High Frequency Cutoff to the desired condition. (See Section 5.5.)
6. Throw the Calibrate Switch on to obtain a 5 V pk/pk output signal representing the magnitude of the peak g level set at the Full Scale control. Adjust the readout device as desired and then switch out the calibration signal.

The system is now calibrated directly in g, pounds, psi, etc.

For example: Assume a Model 2252 Accelerometer (Charge Sensitivity 2.0 pk pC/pk g) is to be used to monitor a 4000 g, 500 μ second shock. Set into the Sensitivity Dial the value 2.0. Since the accelerometer sensitivity lies between 1.0 and 10, refer to the black numerals. Set the Full Scale control to 5000 g (black). Since the anticipated pulse width is short, the Low Frequency Cutoff Switch may be left in 0.7 Hz position.

Throw the Calibrate Switch to "Calib". The 5 V pk/pk signal represents a zero to peak 5000 g signal. Adjust the output device to a multiple of 5 division. Throw the Calibrate Switch to Operate. The system is now calibrated to read directly in peak g with 5 V pk output from the Model 2718A representing 5000 g.

For a transducer sensitivity greater than 10.0 pC/g, set the multiturn dial to 1/10 the transducer sensitivity (black) and turn the Full Scale selector to 10 times the desired full scale range (black). The full scale value shown in black must be multiplied by .1 to obtain the actual full scale value.

For a transducer sensitivity less than 0.1 pC/g, set the multiturn dial to 10 times the transducer sensitivity (red) and turn the Full Scale Selector to 1/10 the desired full scale range (red). The full scale value shown in red must be multiplied by 10 to obtain the actual full scale value.

5.10 Using Long Input Cables

The maximum allowable source capacitance to meet all specification requirements is 10,000 pF on the first two ranges and 100,000 pF on the

5.10 Using Long Input Cables (continued)

third and higher ranges. Source capacitance includes both transducer and input cable capacitance. A source capacitance greater than these values will result in increased residual noise, some loss of gain in the amplifier, and lower high frequency response.

If the Model 2718A is used with transducers utilizing P-2 crystal material, internal capacitance nominally 100 pF, over 3000 feet of cable, at 30 pF per foot, may be connected between the amplifier and the transducer.

6.0 CIRCUIT DESCRIPTION

The Model 2718 is made up of (1) a charge converter, (2) a capacitance coupled voltage amplifier, (3) power amplifier, (4) a calibrator, and (5) a regulated power supply. Refer to Schematic Drawing 2718A-501C.

6.1 Charge Converter

The function of the charge converter is to sense the charge being applied at the input of the amplifier and convert the charge into a voltage. The charge gain is either 2 or 0.2 mV/pC, depending on the full scale g range.

The charge converter consists of a high gain amplifier made up of Q1, Q2, Q3, Q4, Q5 and Q6 and a capacitance feedback circuit from the output to the input. Two different feedback capacitors are used depending on the gain setting. Capacitor C1 is in the circuit when the gain is 2.0 mV/pC, while C2 is in the circuit when the gain is 0.2 mV/pC.

The low frequency time constant of the charge converter is determined by resistors R2, R3, R14, R15 and R16. One or more of these resistors is connected in parallel with the feedback capacitor depending on the position of the low frequency cutoff switch, the low frequency time constant of the charge converter being equal to the product of the feedback capacitor and its parallel resistance. In this type of circuit the capacity of the input transducer has no effect on the time constant of the system.

The charge converter is capacitance coupled to the voltage amplifier to prevent DC drift. The bias of the F.E.T. (Q1) is adjustable through potentiometer R7 which sets the DC level of the charge converter. This adjustment screw is located inside the 2718 Module and normally should not be changed from the factory setting.

From the output of the charge converter the signal is fed through the voltage amplifier coupling capacitor, C12, to the filter receptacle and then to the attenuator. The attenuator in conjunction with the two feedback capacitors, C1 and C2, sets the range of the amplifier as required, and consists of resistors R34 through R40 and switch S3. If

a spurious or unwanted signal charges the coupling capacitor, C12, the DC level can be quickly returned to zero by pressing the reset button, S5, on the 2718 front panel.

6.2 Voltage Amplifier

This amplifier contains most of the voltage gain of the system. It also contains a gain control potentiometer, R59, which is used to calibrate the system for specific transducer sensitivities. Q7, Q8, Q9, Q10, and Q11 make up the voltage amplifier. Q8 is a dual transistor in a single case which reduces zero drift with temperature. Negative feedback is connected from the output to one base of Q7. This negative feedback sets the gain of the voltage amplifier. A dial is attached to the potentiometer, R59, which is set to read directly in transducer sensitivity ($\mu\text{C/g}$) by the adjustment of R58 and R62.

Potentiometer R46 is the DC balance control for the amplifier and is available on the front panel for setting the zero.

6.3 Power Amplifier

The power amplifier has a gain adjustable from 0.1 to 1.0 and provides current for driving a high frequency galvanometer or long lines. Provision is made in the circuit to limit the output current to a predetermined value (approximately ± 100 mA). Q201 provides the voltage gain for the power amplifier, while Q202, Q203, Q204, Q205 and Q208 provide current gain. Negative feedback is connected between the output and the input for stability and gain adjustment. Gain adjustment for the power amplifier is provided by potentiometer R205 located on the front panel.

Resistors R213 through R216 along with diodes CR202, CR203, CR204 and CR205 and transistors Q206 and Q207 make up the current limiting circuit. The diodes bias Q206 and Q207 on until such time as the output current causes a voltage drop across R215 and R216 to shut the transistor off. This limits the current essentially independent of the voltage output.

6.4 Calibrator

The calibrator circuit supplies a sine wave signal to the input of the charge converter to calibrate the system. The calibrator consists of a free running oscillator, made up of R33 through R39, L3, R50 through R54, C15, C16, C17, CR12 and CR13, and Q11 through Q14.

The oscillator is turned on by switch S4. This is the Calib-Operate Switch on the front panel.

The output of the oscillator is fed through C18 to an attenuator, R40 through R42 and R63 through R69. This attenuator is ganged to the full scale of range switch so the output from the attenuator is inversely proportional to the gain of the system. The calibration signal is fed from the attenuator through C3 to the input of the charge converter.

6.4 Calibrator (continued)

Ganged to S4 is an additional switch which sets the direct coupled amplifier to a fixed gain regardless of the setting of the sensitivity control. In this way, a constant voltage appears at the output regardless of range or sensitivity setting. The peak-to-peak voltage represents the full scale g's as indicated on the full scale g control.

6.5 Power Supply

The power supply provides regulated plus and minus 30 volts DC to the amplifier sections and the calibrator, and a plus and minus 10 volts DC to the power amplifier.

The power supply consists of a power transformer, T101, a rectifier circuit, CR117 through CR120 and plus and minus regulator circuits. The two regulator circuits are identical except for transistor type changes to substitute NPN for PNP transistors. The following circuit description applies to both regulators even though it describes the +30 volts regulator only.

A portion of the output voltage is applied to the base of Q103 through attenuators R115, R116 and R117. This voltage is compared to a reference voltage which is applied to the base of Q101. Any error signal is amplified by Q101 and Q105 and fed to the base of Q111 which is an emitter follower which drives the series regulating transistor Q109, thereby correcting the output voltage.

The plus and minus 10 volts DC for use with the power amplifier is obtained from the power transformer, T101, a rectifier circuit, CR127 through CR130 and the Zener diodes, CR125 and CR126. It is regulated by referencing to the regulated 30 volts DC supply and clamping with the Zener diodes CR125 and CR126.

7.0 MAINTENANCE AND TROUBLE SHOOTING

7.1 Maintenance

Very little routine maintenance is normally required. A little preventive maintenance directed toward keeping the equipment in proper adjustment will, however, go far toward assuring trouble-free operation when the equipment is needed.

All external connectors should be checked periodically for loose connections, shorts or grounds.

7.1 Maintenance (continued)

The calibration signal level and zero adjustments should be checked periodically using the procedure outlined below:

7.2 Power Supply Voltage Adjustment

The power supply voltages are not critical and normally do not require adjustment. If adjustment of power supply voltages is necessary, proceed as follows:

7.2.1 30 volt DC Supply - Turn on power and allow one hour for warmup. Adjust the input of the power supply to 115 VAC.

Measure the plus and minus 30 VDC at the emitters of Q109 and Q110, respectively. If these are not 30.0 V \pm 300 mV DC, adjust R116 and/or R119 until the voltages are within limits.

7.2.2 10 volt DC Supply - Measure the plus and minus 10 VDC at the emitters of Q119 and Q120, respectively. The supply voltages should be +10 volts, +1, -3 VDC and -10 volts, -1, +3 VDC. If these are not within specification limits, locate and replace the faulty component in the supply.

7.3 Zero Adjustment

There are three zero adjustments on the 2718 Charge Amplifier. One is the voltage amplifier zero control on the front panel (R46), the second is a trimpot (R7) in the charge converter circuit, and the third zero adjust (R206) is located in the power amplifier circuit.

The DC voltages at the output of the charge converter and voltage amplifier sections are not critical. These circuits are capacitance coupled and the DC voltage may vary over a wide range without affecting the usefulness or accuracy of the charge amplifier. Adjustment of zero may be required if a full scale output cannot be obtained without clipping. The Power Amplifier DC output voltage need not be adjusted unless the galvanometer connected to the Charge Amplifier cannot mechanically be set to the desired position.

To readjust the zero:

7.3.1 Voltage Amplifier

1. Turn on the amplifier and allow it to warm up for at least one hour.

7.3.1 Voltage Amplifier (continued)

2. Disconnect any input from the amplifier.
3. Set Full Scale g control to 5000 g (black) and the sensitivity control to 1.0 pC/g (black).
4. Set the Low Frequency Cutoff Control to 0.7 Hz.
5. Measure the DC voltage at the "sig out" (J3).
6. Turn the Zero Adjust potentiometer (R46) on the front panel for a DC output voltage as close to zero as possible, limited by the resolution of the potentiometer. *10 of*

7.3.2 Power Amplifier

1. Adjust the DC output voltage of the voltage amplifier as described in 7.3.1 above.
2. Connect the voltmeter between Pins 1 and 2 of the Galvanometer Output connector.
3. Adjust potentiometer R206 on the Power Amplifier Module for a DC output as close to zero as possible, limited by the resolution of the potentiometer. *10 of*

7.3.3 Charge Converter

1. Shield the input connector from stray electrostatic pickup or connect a piezoelectric transducer to the input with a total source capacitance of approximately 1000 pF.
2. Connect the DC voltmeter between the positive lead of C12, the 2300 μ F capacitor, and signal ground.
3. Set the Full Scale switch to 25 g (black).
4. Using potentiometer R7, on the charge converter circuit board, adjust the DC voltage as close to zero as possible, limited by the resolution of the potentiometer. After each change of the potentiometer, allow time for the DC voltage to settle.

7.4 Sensitivity Adjustment

The sensitivity of the amplifier is carefully adjusted at the factory and does not normally need changing. The procedure for making the adjustment is quite complicated and, therefore, is not included in the manual. It is important that the sensitivity adjustments (R58 and R62) not be touched. If it is ever necessary to make this adjustment in the field, the procedure can be obtained from the Technical Services Department of Endevco Corporation. Write for Technical Data No. 651.

7.5 Calibration Signal Level

The calibration signal is adjusted by means of potentiometer R41 mounted on the calibration circuit board assembly.

Connect a calibrated and accurate oscilloscope or peak-to-peak voltmeter to the signal output connector. The deflection sensitivity of the oscilloscope or voltmeter should be known to 0.2%. Throw the Calibrate-Operate switch to calibrate. Measure the calibration output signal for each of the Full Scale g ranges. If the signal is not 5.0 volts $\pm 2.0\%$ peak-to-peak on all ranges, adjust R41 to bring the calibration voltage within tolerance.

7.6 Trouble Shooting

If a malfunction occurs, the area of trouble can be found by using the following procedure:

1. Remove the amplifier from its case and measure the ± 30 volt bus from the power supply. The +30 volts is a red wire and the -30 volts is orange. If these are 30 volts $\pm 5\%$, then the trouble is probably in the amplifier section. If they are not, the trouble is probably in the power supply. Checking voltage throughout the power supply should indicate the trouble.
2. If the trouble seems to be in the amplifier, measure the DC voltages in the various sections and compare them to Table 1. The trouble can be located by the area of the circuit which first deviates from the expected value.

7.7 Special Precaution

When using the amplifier on the 0.03 Hz low frequency cutoff and at high gain, it is very important that the leakage resistance between the signal input and ground be kept very high. If this resistance drops due to contamination or some other reason, the output zero will offset. In order to keep this offset to a minimum, the leakage resistance should be greater than 50 megohms. Therefore, if an erratic zero is noted when on the 0.03 Hz low frequency cutoff, a check of cable and connections should be made. (See Section 1.2.)

7.8 Factory Repairs

If serious trouble occurs, the instrument should be returned to the factory for repair. Whenever possible, it should be accompanied by supplementary information, describing in particular the fault noted.

7.8 Factory Repairs (continued)

Endevco warrants each new instrument to be free from defects in material and workmanship for one year from date of sale to the original purchaser. This warranty does not extend to vacuum tubes and transistors in the units, nor to units which have been misused or used in violation of Endevco recommendations, nor to units which have been altered or repaired outside Endevco's factory. Defects covered by this warranty will be remedied at no charge when the instrument is delivered to the factory with all transportation charges prepaid. If upon examination it is found that the defect is not within the scope of this warranty, a statement of repair charges and a request for authorization to proceed will be submitted.

TABLE 1 - TYPICAL DC OPERATING VOLTAGES

Conditions

Input:	115 VAC
Sensitivity:	1.0
Full Scale g:	25
Low Frequency Cutoff:	.7

Equipment

Simpson 260-3 Voltmeter

CHARGE CONVERTER
(Terminal Board No. 1)

<u>Q</u>	<u>BASE</u>	<u>EMITTER</u>	<u>COLLECTOR</u>
1	+17.5 V	+ .4 V	0
2	+17.5 V	+10 V	+20 V
3	+20 V	+19 V	+30 V
4	+19 V	+20 V	0
5	+ .09 V	0	+21 V
6	- .1 V	0	-20.5 V

CALIBRATOR
(Terminal Board No. 2)

<u>Q</u>	<u>BASE</u>	<u>EMITTER</u>	<u>COLLECTOR</u>
11	+4.6 V	+4.5 V	+30 V
12	+1.9 V	+1.35 V	+17 V
13	+17 V	+8.3 V	+30 V
14	+17 V	+8.3 V	0

VOLTAGE AMPLIFIER
(Terminal Board No. 3)

<u>Q</u>	<u>BASE</u>	<u>EMITTER</u>	<u>COLLECTOR</u>
7 in	0	- .6 V	+16.3 V
7 out	- .13 V	- .6 V	+16.5 V
8 in	- .6 V	-1.2 V	+16.3 V
8 out	- .6 V	-1.2 V	+16.5 V
9	+16.5 V	+17.1 V	0
10	+16.3 V	+16.9 V	- .6 V
11	- .6 V	+ .08 V	-6.5 V

POWER AMPLIFIER
(Terminal Board No. 4)

<u>Q</u>	<u>BASE</u>	<u>EMITTER</u>	<u>COLLECTOR</u>
201	0	- .6 V	+9.5 V
202	+9.5 V	+9.5 V	+30 V
203	+ .8 V	+ .7 V	+8.6 V
204	- .84 V	- .78 V	-8.6 V
205	+ .7 V	+ .23 V	+8.6 V
206	+ .8 V	+ .13 V	+ .23 V
207	- .9 V	- .08 V	- .12 V
208	- .8 V	- .12 V	-8.6 V

POWER SUPPLY
(Terminal Board No. 5, +30 V; Terminal Board No. 6, -30 V)

<u>Q</u>	<u>BASE</u>	<u>EMITTER</u>	<u>COLLECTOR</u>
101	+8.5 V	+ 8 V	+21 V
102	-8.5 V	- 8 V	-21 V
103	+8.5 V	+ 8 V	+21 V
104	-8.5 V	- 8 V	-21 V
105	+21 V	+20 V	+30 V
106	-21 V	-20 V	-30 V
107	+21 V	+20 V	+30 V
108	-21 V	-20 V	-30 V
109	+ 8 V	+30 V	+48 V
110	- 8 V	-30 V	-48 V
111	+30 V	+ 8 V	+48 V
112	-30 V	- 8 V	-48 V
113	+45 V	+48 V	+30 V
114	-45 V	-48 V	-30 V

Original No: <u>1000</u>	ADDITIONAL SHEET TO 2018A INSTRUCTION MANUAL	Rev. No. <u>1</u>
Checked By: _____		Date: <u>9/9/70</u>
Approved By: _____		

A 9-9-70

Electrical Parts List 3/70

R38, Resistor, Page 1, was Selected now 3k (EN151).

B-13265C, Change 9

R38 was Selected now 3k (EN150).

D-2718A-501C, Change 8

R38 was Selected now 3k (EN150).

B 4-28-71

D-2718A-1C, Change 8

Item 22, ENW59 Washer Shoulder, fiber 3/8 was
ENW104, 9/16

ELECTRICAL PARTS LIST
FOR
MODEL 2718A SHOCK AMPLIFIER

<u>Des. No.</u>	<u>Part</u>	<u>Value and Description</u>	<u>Manufacturer and No.</u>	<u>Endevco Part No.</u>
<u>CALIBRATION BOARD ASSEMBLY</u>				
C15	Capacitor	2.2 μ F, \pm 10%, 35 V, Tantalum	Sprague 150D225X9035B2	EC63
C16	Capacitor	.047 μ F, \pm 5%, 50 V, Paper	San Fernando Elec. WS4J473	EC246
C17	Capacitor	100 μ F, 12 V, Electrolytic	Sprague 30D107G012CC4	EC220
C18	Capacitor	6.8 μ F, \pm 10%, 35 V, Tantalum	Sprague 150D685X9035B2	EC276
CR12	Diode	1N936, Zener T. C.	Motorola	ECR63
CR13	Diode	1N456, Silicon	Hughes	ECR31
L3	Inductor	0.5 H, \pm 2%, 50 mH, Toroid		12795
Q11	Transistor	2N388A	Texas Instruments	EQ81
Q12	Transistor	2N2923	Texas Instruments	EQ94
Q13	Transistor	2N388A	Texas Instruments	EQ81
Q14	Transistor	2N404A	Texas Instruments	EQ82
R33	Resistor	33 k Ω , \pm 5%, 1/2 W, Comp.	Allen Bradley Type EB	ER196
R34	Resistor	11 k Ω , \pm 5%, 1/2 W, Comp.	Allen Bradley Type EB	ER1022
R35	Resistor	12 k Ω , \pm 5%, 1/2 W, Comp.	Allen Bradley Type EB	ER249
R36	Resistor	15 k Ω , \pm 5%, 1/2 W, Comp.	Allen Bradley Type EB	ER168
R37	Resistor	1.5 k Ω , \pm 5%, 1/2 W, Comp.	Allen Bradley Type EB	ER168
R38	Resistor	Selected		
R39	Resistor	10 k Ω , \pm 5%, 1/2 W, Comp.	Allen Bradley Type EB	ER182
R40	Resistor	7.5 k Ω , \pm 5%, 1/2 W, Comp.	Allen Bradley Type EB	ER719
R41	Potentiometer	1 k Ω , \pm 10%, 1/2 W, WW	Bourns 3067P-1-102	ER829

ELECTRICAL PARTS LIST (continued)

<u>Des. No.</u>	<u>Part</u>	<u>Value and Description</u>	<u>Manufacturer and No.</u>	<u>Endevco Part No.</u>
<u>CALIBRATION BOARD ASSEMBLY (continued)</u>				
R42	Resistor	1.8 k Ω , $\pm 5\%$, 1/2 W, Comp.	Allen Bradley Type EB	ER293
R50	Resistor	2.2 k Ω , $\pm 5\%$, 1/2 W, Comp.	Allen Bradley Type EB	ER169
R51	Resistor	2.2 k Ω , $\pm 5\%$, 1/2 W, Comp.	Allen Bradley Type EB	ER169
R52	Resistor	1 k Ω , $\pm 5\%$, 1/2 W, Comp.	Allen Bradley Type EB	ER23
R54	Resistor	1 k Ω , $\pm 5\%$, 1/2 W, Comp.	Allen Bradley Type EB	ER23

MODEL 2718A PARTS (Not Including Calibration Board Assembly)

C1	Capacitor	500 pF, $\pm 1\%$, 500 V, Sil. Mica	Elmenco DM-15-501F	EC232
C2	Capacitor	5060 pF, $\pm 1\%$, 300 V, Dura-Mica	Elmenco DM-19-5061F	EC360
C3	Capacitor	1000 pF, $\pm 1\%$, 500 V, Sil. Mica	Elmenco DM-19-102F	EC19
C4	Capacitor	1.0 μ F, $\pm 20\%$, 50 V, Tantalum	Sprague 150D105X0050A2	EC209A
C5	Capacitor	620 pF, $\pm 5\%$, 300 V, Sil. Mica	Elmenco DM-15-621J	EC544
C6	Capacitor	4.7 μ F, $\pm 20\%$, Tantalum, 10V	Sprague 150D475X0010A2	EC150
C7	Capacitor	2.2 μ F, $\pm 20\%$, 20 V, Tantalum	Sprague 150D225X0020A2	EC204
C8	Capacitor	5 μ F, $\pm 10\%$, 100 V, Mylar Metalized	Elpak Z1X505K	EC479
C9	Capacitor	1000 pF, $\pm 5\%$, 100 V, Dura-Mica	Elmenco DM-15-102J	EC359
C10	Capacitor	0.1 μ F, $\pm 20\%$, Tantalum, 35V	Sprague 150D104X0035A2	EC149
C11	Capacitor	0.1 μ F, $\pm 20\%$, Tantalum, 35V	Sprague 150D104X0035A2	EC149
C12	Capacitor	2300 μ F, $\begin{matrix} +75 \\ -10 \end{matrix}\%$, 5 V, Electrolytic	Sprague 601D238G005FL4	EC427
C13	Capacitor	680 pF, $\pm 5\%$, 300 V, Sil. Mica	Elmenco DM-15-681J	EC106
C14	Capacitor	15 pF, $\pm 5\%$, 500 V, Dura-Mica	Elmenco DM-15-150J	EC377
C15	Capacitor	47 pF, $\pm 5\%$, 500 V, Sil. Mica	Elmenco DM-15-470 J	EC113
C16	Capacitor	.01 μ F, $\pm 20\%$, 50 V, Ceramic	Sprague 19C214A6	EC115
C17	Capacitor	100 pF, $\pm 5\%$, 500 V, Sil. Mica	Elmenco DM-15-101J	EC234
C21	Capacitor	.01 μ F, $\pm 20\%$, 50 V, Ceramic	Sprague 19C214A6	EC115

ELECTRICAL PARTS LIST (continued)

<u>Des. No.</u>	<u>Part</u>	<u>Value and Description</u>	<u>Manufacturer and No.</u>	<u>Endevco Part No.</u>
<u>MODEL 2718A PARTS (Not Including Calibration Board Assembly)</u>				
C101	Capacitor	0.05 μ F, $\pm 20\%$, 50 V, Ceramic	Sprague 55C23A1	EC324
C102	Capacitor	0.05 μ F, $\pm 20\%$, 50 V, Ceramic	Sprague 55C23A1	EC324
C103	Capacitor	10 μ F, $\begin{matrix} +75 \\ -10 \end{matrix}\%$, 25 V, Electrolytic	Sprague 30D 106G025BB4	EC242
C104	Capacitor	10 μ F, $\begin{matrix} +75 \\ -10 \end{matrix}\%$, 25 V, Electrolytic	Sprague 30D 106G025BB4	EC242
C105	Capacitor	680 pF, $\pm 5\%$, 300 V, Sil. Mica	Elmenco DM-15-681J	EC106
C106	Capacitor	680 pF, $\pm 5\%$, 300 V, Sil. Mica	Elmenco DM-15-681J	EC106
C107	Capacitor	.1 μ F, $\pm 20\%$, 50 V, Film	San Fernando Elec. WS4M104	EC314
C108	Capacitor	.1 μ F, $\pm 20\%$, 50 V, Film	San Fernando Elec. WS4M104	EC314
C109	Capacitor	.1 μ F, $\pm 20\%$, 50 V, Film	San Fernando Elec. WS4M104	EC314
C110	Capacitor	.1 μ F, $\pm 20\%$, 50 V, Film	San Fernando Elec. WS4M104	EC314
C111	Capacitor	.02 μ F, $\begin{matrix} +80 \\ -20 \end{matrix}\%$, 50 V, Ceramic	Sprague 55C21A2 or TG-S20	EC273
C112	Capacitor	.02 μ F, $\begin{matrix} +80 \\ -20 \end{matrix}\%$, 50 V, Ceramic	Sprague 55C21A2 or TG-S20	EC273
C113	Capacitor	80 μ F, 150 V, Electrolytic	Cornell-Dubilier BR-80-150	EC325
C114	Capacitor	80 μ F, 150 V, Electrolytic	Cornell-Dubilier BR-80-150	EC325
C121	Capacitor	250 μ F, 25 V, Electrolytic	Cornell-Dubilier BR-250-25	EC456
C122	Capacitor	250 μ F, 25 V, Electrolytic	Cornell-Dubilier BR-250-25	EC456
C201	Capacitor	100 μ F, 12 V, Electrolytic	Sprague 30D 107G012CC4	EC220
C202	Capacitor	1000 pF, $\pm 5\%$, 100 V, Dura-Mica	Elmenco DM-15-102J	EC359
CR1	Diode	1N 960, Zener	Fairchild	ECR189
CR2	Diode	1N 960, Zener	Fairchild	ECR189
CR3	Diode	Zener		13643
CR4	Diode	1N961, Zener	Motorola	ECR62
CR5	Diode	1N456, Silicon	Hughes	ECR31A

ELECTRICAL PARTS LIST (continued)

<u>Des. No.</u>	<u>Part</u>	<u>Value and Description</u>	<u>Manufacturer and No.</u>	<u>Endevco Part No.</u>
<u>MODEL 2718A PARTS (Not Including Calibration Board Assembly)</u>				
CR6	Diode	1N754		ECR83
CR11	Diode	1N456, Silicon	Hughes	ECR31
CR101	Diode	1N936, Zener T. C.	Motorola	ECR63
CR102	Diode	1N936, Zener T. C.	Motorola	ECR63
CR103	Diode	1N456, Silicon	Hughes	ECR31
CR104	Diode	1N456, Silicon	Hughes	ECR31
CR105	Diode	1N456, Silicon	Hughes	ECR31
CR106	Diode	1N456, Silicon	Hughes	ECR31
CR107	Diode	1N456, Silicon	Hughes	ECR31
CR108	Diode	1N456, Silicon	Hughes	ECR31
CR109	Diode	1N456, Silicon	Hughes	ECR31
CR110	Diode	1N456, Silicon	Hughes	ECR31
CR112	Diode	1N456, Silicon	Hughes	ECR31
CR113	Diode	1N456, Silicon	Hughes	ECR31
CR114	Diode	1N456, Silicon	Hughes	ECR31
CR115	Diode	1N456, Silicon	Hughes	ECR31
CR117	Diode	} SCBR-4, Quad	Semtech	ECR79
CR118	Diode			
CR119	Diode			
CR120	Diode			
CR125	Diode	1N961, Zener	Motorola	ECR62
CR126	Diode	1N961, Zener	Motorola	ECR62
CR127	Diode	} SCBR-4, Quad	Semtech	ECR79
CR128	Diode			

ELECTRICAL PARTS LIST (continued)

<u>Des. No.</u>	<u>Part</u>	<u>Value and Description</u>	<u>Manufacturer and No.</u>	<u>Endevco Part No.</u>
<u>MODEL 2718A PARTS</u> (Not Including Calibration Board Assembly)				
CR129	Diode			
CR130	Diode			
CR201	Diode	1N961, Zener	Motorola	ECR62
CR202	Diode	1N456, Silicon	Hughes	ECR31
CR203	Diode	1N456, Silicon	Hughes	ECR31
CR204	Diode	1N456, Silicon	Hughes	ECR31
CR205	Diode	1N456, Silicon	Hughes	ECR31
F101	Fuse	3/4 Amp, Slo-Blo, 125 V	Littelfuse 313.750	EF16
F101	Fuse	Optional, 3/8 Amp, 250 V	Fusetron MDL	EF26
I101	Indicator Light	Lamp Pilot Assembly	Eldema BG03-CCS-NE2H-033K	EX123
J1	Connector	Input	Microdot 31-33	EJ132
J1	Connector	Input (Optional) BNC	Amphenol 31-221	EJ15
J2	Connector	Galvanometer Output	Switchcraft B3M	EJ75
J3	Connector	BNC, Signal Output	Amphenol 31-221	EJ15
J5	Connector	Binding Post, Transformer Shield	Raytheon 227-1214G3	EJ42
J6	Connector	Input Power	Hubble 7486	EJ82
J7	Connector	5-pin, for Peak Holding Meter	Cannon WK-5-32S	EJ251
J8	Connector	Phone Jack	Switchcraft 13B	EJ254
Q1	Transistor	F.E.T.		14853-2
Q2	Transistor	2N3904	Motorola	EQ130
Q3	Transistor	2N3904	Motorola	EQ130
Q4	Transistor	2N1377	Texas Instrument	EQ100

ELECTRICAL PARTS LIST (continued)

<u>Des. No.</u>	<u>Part</u>	<u>Value and Description</u>	<u>Manufacturer and No.</u>	<u>Endevco Part No.</u>
<u>MODEL 2718A PARTS (Not Including Calibration Board Assembly)</u>				
Q5	Transistor	2N388A	Texas Instruments	EQ81
Q6	Transistor	2N404A	Texas Instruments	EQ82
Q7	Transistor	SA2253 (Dual)	Amelco	EQ 107
Q8	Transistor	SA2253 (Dual) Selected	Amelco	EQ 150
Q9	Transistor	2N3906	Motorola	EQ 127
Q10	Transistor	2N3906	Motorola	EQ 127
Q11	Transistor	2N3906	Motorola	EQ 127
Q101	Transistor	2N3904	Motorola	EQ 130
Q102	Transistor	2N3906	Motorola	EQ 127
Q103	Transistor	2N3904	Motorola	EQ 130
Q104	Transistor	2N3906	Motorola	EQ 127
Q105	Transistor	2N3904	Motorola	EQ 130
Q106	Transistor	2N3906	Motorola	EQ 127
Q107	Transistor	2N3904	Motorola	EQ 130
Q108	Transistor	2N3906	Motorola	EQ 127
Q109	Transistor	2N3766	Motorola	EQ 131
Q110	Transistor	2N3740	Motorola	EQ 129
Q111	Transistor	2N3904	Motorola	EQ 130
Q112	Transistor	2N5400	Motorola	EQ216
Q113	Transistor	2N3906	Motorola	EQ 127
Q114	Transistor	2N3904	Motorola	EQ 130
Q119	Transistor	2N3766	Motorola	EQ 131
Q120	Transistor	2N3740	Motorola	EQ 129
Q201	Transistor	2N3904	Motorola	EQ 130
Q202	Transistor	2N3904	Motorola	EQ 130
Q203	Transistor	2N3904	Motorola	EQ 130

ELECTRICAL PARTS LIST (continued)

<u>Des. No.</u>	<u>Part</u>	<u>Value and Description</u>	<u>Manufacturer and No.</u>	<u>Endevco Part No.</u>
<u>MODEL 2718A PARTS (Not Including Calibration Board Assembly)</u>				
Q204	Transistor	2N3906	Motorola	EQ 127
Q205	Transistor	2N696	Fairchild	EQ83
Q206	Transistor	2N696	Fairchild	EQ83
Q207	Transistor	2N1131	Fairchild	EQ84
Q208	Transistor	2N1131	Fairchild	EQ84
R1	Resistor	1 k Ω , \pm 5%, 1/2 W, Comp.	Allen Bradley Type EB	ER23
R2	Resistor	600 M Ω , \pm 20%, 1/2 W, Comp.	I.R.C. GBT 1/2	ER800
R3	Resistor	66 M Ω , \pm 20%, 1/2 W, Comp.	I.R.C. GBT 1/2	ER1172
R4	Resistor	33 k Ω , \pm 5%, 1/2 W, Comp.	Allen Bradley Type EB	ER196
R5	Resistor	62 k Ω , \pm 5%, 1/2 W, Comp.	Allen Bradley Type EB	ER1021
R6	Resistor	620 k Ω , \pm 5%, 1/2 W, Comp.	Allen Bradley Type EB	ER1557
R7	Potentiometer	2 k Ω , \pm 5%, 1-1/2 W,	Spectrol 55-2-11-202	ER1675
R8	Resistor	3.3 k Ω , \pm 5%, 1/2 W, Comp.	Allen Bradley Type EB	ER163
R9	Resistor	1.5 k Ω , \pm 5%, 1/2 W, Comp.	Allen Bradley Type EB	ER94
R10	Resistor	100 k Ω , \pm 5%, 1/2 W, Comp.	Allen Bradley Type EB	ER233
R11	Resistor	1.3 k Ω , \pm 5%, 1/2 W, Comp.	Allen Bradley Type EB	ER60
R12	Resistor	1.3 k Ω , \pm 5%, 1/2 W, Comp.	Allen Bradley Type EB	ER 60
R13	Resistor	10 k Ω , \pm 5%, 1/2 W, Comp.	Allen Bradley Type EB	ER182
R14	Resistor	120 k Ω , \pm 5%, 1/4 W, Comp.	Allen Bradley Type CB	ER202A
R15	Resistor	22 M Ω , \pm 5%, 1/4 W, Comp.	Allen Bradley Type CB	ER88
R16	Resistor	1.5 M Ω , \pm 5%, 1/2 W, Comp.	Allen Bradley Type EB	ER55
R17	Resistor	100 k Ω , \pm 5%, 1/2 W, Comp.	Allen Bradley Type EB	ER233
R18	Resistor	240 Ω , \pm 5%, 1/2 W, Comp.	Allen Bradley Type EB	ER248
R19	Resistor	5.6 k Ω , \pm 5%, 1/2 W, Comp.	Allen Bradley Type EB	ER126
R20	Resistor	100 Ω , \pm 5%, 1/2 W, Comp.	Allen Bradley Type EB	ER171

ELECTRICAL PARTS LIST (continued)

<u>Des. No.</u>	<u>Part</u>	<u>Value and Description</u>	<u>Manufacturer and No.</u>	<u>Endevco Part No.</u>
<u>MODEL 2718A PARTS (Not Including Calibration Board Assembly)</u>				
R21	Resistor	2.2 k Ω , $\pm 5\%$, 1/2 W, Comp.	Allen Bradley Type EB	ER169
R22	Resistor	11 k Ω , $\pm 5\%$, 1/2 W, Comp.	Allen Bradley Type EB	ER1022
R23	Resistor	10 k Ω , $\pm .5\%$, 1/10W, Metal Film	Mepco FE10	ER802
R24	Resistor	5.0 k Ω , $\pm .5\%$, 1/10 W, Metal Film	Mepco FE10	ER1061
R25	Resistor	975 Ω , $\pm .5\%$, 1/10 W, Metal Film	Mepco FE10	ER1579
R26	Resistor	24 Ω , $\pm 5\%$, 1/2 W, Comp.	Allen Bradley Type EB	ER1507
R27	Resistor	3.3 k Ω , $\pm 5\%$, 1/2 W, Comp.	Allen Bradley Type EB	ER163
R28	Resistor	10 k Ω , $\pm 5\%$, 1/2 W, Comp.	Allen Bradley Type EB	ER182
R29	Resistor	47 Ω , $\pm 5\%$, 1/2 W, Comp.	Allen Bradley Type EB	ER824
R30	Resistor	47 Ω , $\pm 5\%$, 1/2 W, Comp.	Allen Bradley Type EB	ER824
R31	Resistor	10 k Ω , $\pm 5\%$, 1/2 W, Comp.	Allen Bradley Type EB	ER182
R32	Resistor	3.3 k Ω , $\pm 5\%$, 1/2 W, Comp.	Allen Bradley Type EB	ER163
R33	Resistor	1 k Ω , $\pm 5\%$, 1/2 W, Comp.	Allen Bradley Type EB	ER23
R34	Resistor	9.5 k Ω , $\pm .5\%$, 1/10 W, Metal Film	Mepco FE10	ER1363
R35	Resistor	9.0 k Ω , $\pm .5\%$, 1/10W, Metal Film	Mepco FE10	ER1362
R36	Resistor	5.0 k Ω , $\pm .5\%$, 1/10W, Metal Film	Mepco FE10	ER1061
R38	Resistor	9.5 k Ω , $\pm .5\%$, 1/10W, Metal Film	Mepco FE10	ER1363
R39	Resistor	9.0 k Ω , $\pm .5\%$, 1/10 W, Metal Film	Mepco FE10	ER1362
R40	Resistor	5.0 k Ω , $\pm .5\%$, 1/10W, Metal Film	Mepco FE10	ER1061
R41	Resistor	22 k Ω , $\pm 5\%$, 1/2 W, Comp.	Allen Bradley Type EB	ER818
R42	Resistor	22 k Ω , $\pm 5\%$, 1/2 W, Comp.	Allen Bradley Type EB	ER818
R43	Resistor	22 k Ω , $\pm 5\%$, 1/2 W, Comp.	Allen Bradley Type EB	ER818
R44	Resistor	56 k Ω , $\pm 5\%$, 1/2 W, Comp.	Allen Bradley Type EB	ER1020
R45	Resistor	180 k Ω , $\pm 5\%$, 1/2 W, Comp.	Allen Bradley Type EB	ER1128
R46	Potentiometer	5 k Ω , $\pm 5\%$, 1-1/2 W, WW	Bourns 3052S-1-502M	ER1552

ELECTRICAL PARTS LIST (continued)

<u>Des. No.</u>	<u>Part</u>	<u>Value and Description</u>	<u>Manufacturer and No.</u>	<u>Endevco Part No.</u>
<u>MODEL 2718A PARTS (Not Including Calibration Board Assembly)</u>				
R47	Resistor	1.8 k Ω , $\pm 5\%$, 1/2 W, Comp.	Allen Bradley Type EB	ER293
R48	Resistor	10 k Ω , $\pm 1\%$, 1/10W, Metal Film	Mepco FE10	ER808
R49	Resistor	680 Ω , $\pm 5\%$, 1/2 W, Comp.	Allen Bradley Type EB	ER159
R50	Resistor	6.8 k Ω , $\pm 5\%$, 1/2 W, Comp.	Allen Bradley Type EB	ER819
R51	Resistor	82.5 k Ω , $\pm 1\%$, 1/10 W, Metal Film	Mepco FE10	ER814
R52	Resistor	680 Ω , $\pm 5\%$, 1/2 W, Comp.	Allen Bradley Type EB	ER159
R53	Resistor	27 k Ω , $\pm 5\%$, 1/2 W, Comp.	Allen Bradley Type EB	ER820
R54	Resistor	2.7 k Ω , $\pm 5\%$, 1/2 W, Comp.	Allen Bradley Type EB	ER197
R55	Resistor	4.7 k Ω , $\pm 5\%$, 1/2 W, Comp.	Allen Bradley Type EB	ER270
R56	Resistor	1.8 k Ω , $\pm 5\%$, 1/2 W, Comp.	Allen Bradley Type EB	ER293
R57	Resistor	43 Ω , $\pm 5\%$, 1/2 W, Comp.	Allen Bradley Type EB	ER1008
R58	Potentiometer	200 Ω , $\pm 10\%$, 1/2 W, WW	Bourns 3067P-1-201	ER826
R59	Potentiometer	2.0 k Ω , $\pm 3\%$, 2 W, 10 Turns, WW	Bourns 3500S-714-202	ER827
R60	Resistor	150 Ω , $\pm 1\%$, 1/10 W, Metal Film	Mepco FE10	ER815
R61	Resistor	5.6 k Ω , $\pm 5\%$, 1/2 W, Comp.	Allen Bradley Type EB	ER126
R62	Potentiometer	5 k Ω , $\pm 10\%$, 1/2 W, WW	Bourns 3067P-1-502	ER792
R63	Resistor	2.55 k Ω , $\pm .5\%$, 1/10 W, Metal Film	Mepco FE10	ER809
R64	Resistor	2.05 k Ω , $\pm .5\%$, 1/10 W, Metal Film	Mepco FE10	ER810
R65	Resistor	255 Ω , $\pm .5\%$, 1/10 W, Metal Film	Mepco FE10	ER811
R66	Resistor	205 Ω , $\pm .5\%$, 1/10 W, Metal Film	Mepco FE10	ER812
R67	Resistor	25.5 Ω , $\pm .5\%$, .05 W, WW	RCL Type 7005	ER978
R68	Resistor	25.5 Ω , $\pm .5\%$, .05 W, WW	RCL Type 7005	ER978
R69	Resistor	11.5 k Ω , $\pm 1\%$, 1/10 W, Metal Film	Mepco FE10	ER838
R78	Resistor	475 Ω , $\pm .5\%$, 1/10 W, Metal Film	Mepco FE10	ER1492
R101	Resistor	10 Ω , $\pm 5\%$, 1/2 W, Comp.	Allen Bradley Type EB	ER945
R102	Resistor	10 Ω , $\pm 5\%$, 1/2 W, Comp.	Allen Bradley Type EB	ER945

ELECTRICAL PARTS LIST (continued)

<u>Des. No.</u>	<u>Part</u>	<u>Value and Description</u>	<u>Manufacturer and No.</u>	<u>Endevco Part No.</u>
<u>MODEL 2718A PARTS (Not Including Calibration Board Assembly)</u>				
R 103	Resistor	4.7 k Ω , $\pm 5\%$, 1/2 W, Comp.	Allen Bradley Type EB	ER270
R 104	Resistor	560 Ω , $\pm 5\%$, 1/2 W, Comp.	Allen Bradley Type EB	ER823
R 105	Resistor	560 Ω , $\pm 5\%$, 1/2 W, Comp.	Allen Bradley Type EB	ER823
R 106	Resistor	4.7 k Ω , $\pm 5\%$, 1/2 W, Comp.	Allen Bradley Type EB	ER270
R 107	Resistor	4.7 k Ω , $\pm 5\%$, 1/2 W, Comp.	Allen Bradley Type EB	ER270
R 108	Resistor	4.7 k Ω , $\pm 5\%$, 1/2 W, Comp.	Allen Bradley Type EB	ER270
R 109	Resistor	33 Ω , $\pm 5\%$, 1/2 W, Comp.	Allen Bradley Type EB	ER 1006
R 110	Resistor	2.4 k Ω , $\pm 5\%$, 1/2 W, Comp.	Allen Bradley Type EB	ER295
R 111	Resistor	2.4 k Ω , $\pm 5\%$, 1/2 W, Comp.	Allen Bradley Type EB	ER295
R 112	Resistor	33 Ω , $\pm 5\%$, 1/2 W, Comp.	Allen Bradley Type EB	ER 1006
R 113	Resistor	4.7 k Ω , $\pm 5\%$, 1/2 W, Comp.	Allen Bradley Type EB	ER270
R 114	Resistor	4.7 k Ω , $\pm 5\%$, 1/2 W, Comp.	Allen Bradley Type EB	ER270
R 115	Resistor	10 k Ω , $\pm 5\%$, 1/2 W, Comp.	Allen Bradley Type EB	ER 182
R 116	Potentiometer	1 k Ω , $\pm 10\%$, 1/2 W, WW	Bourns 3067P-1-102	ER829
R 117	Resistor	3.9 k Ω , $\pm 5\%$, 1/2 W, Comp.	Allen Bradley Type EB	ER 164
R 118	Resistor	3.9 k Ω , $\pm 5\%$, 1/2 W, Comp.	Allen Bradley Type EB	ER 164
R 119	Potentiometer	1 k Ω , $\pm 10\%$, 1/2 W, WW	Bourns 3067P-1-102	ER829
R 120	Resistor	10 k Ω , $\pm 5\%$, 1/2 W, Comp.	Allen Bradley Type EB	ER 182
R 121	Resistor	680 Ω , $\pm 5\%$, 1/2 W, Comp.	Allen Bradley Type EB	ER 159
R 122	Resistor	680 Ω , $\pm 5\%$, 1/2 W, Comp.	Allen Bradley Type EB	ER 159
R 123	Resistor	10 k Ω , $\pm 5\%$, 1/2 W, Comp.	Allen Bradley Type EB	ER 182
R 124	Resistor	10 k Ω , $\pm 5\%$, 1/2 W, Comp.	Allen Bradley Type EB	ER 182
R 125	Resistor	680 Ω , $\pm 5\%$, 1/2 W, Comp.	Allen Bradley Type EB	ER 159
R 126	Resistor	680 Ω , $\pm 5\%$, 1/2 W, Comp.	Allen Bradley Type EB	ER 159
R 127	Resistor	27 k Ω , $\pm 5\%$, 1/2 W, Comp.	Allen Bradley Type EB	ER820
R 128	Resistor	27 k Ω , $\pm 5\%$, 1/2 W, Comp.	Allen Bradley Type EB	ER820

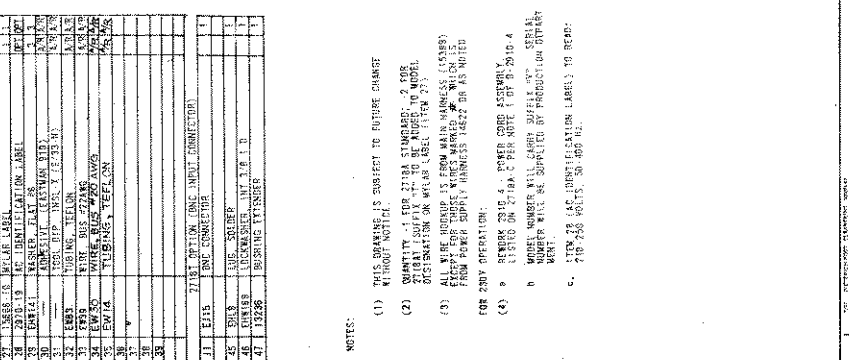
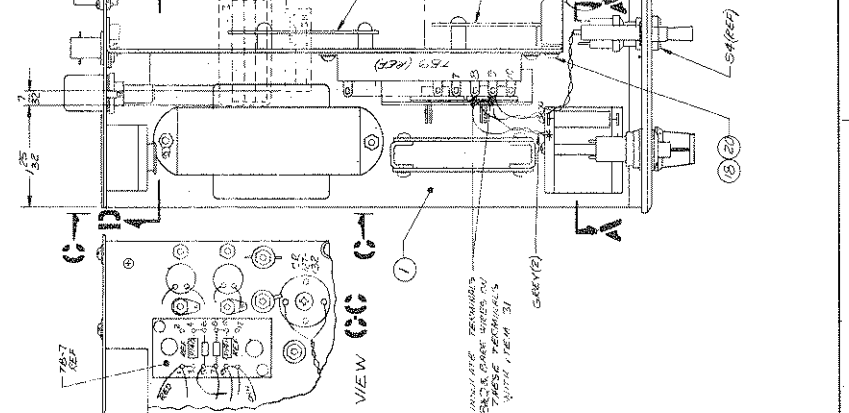
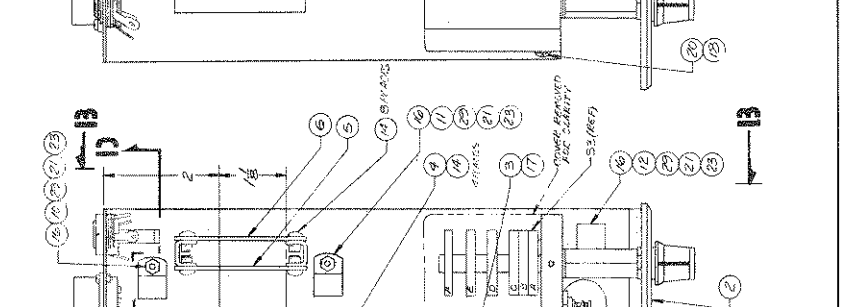
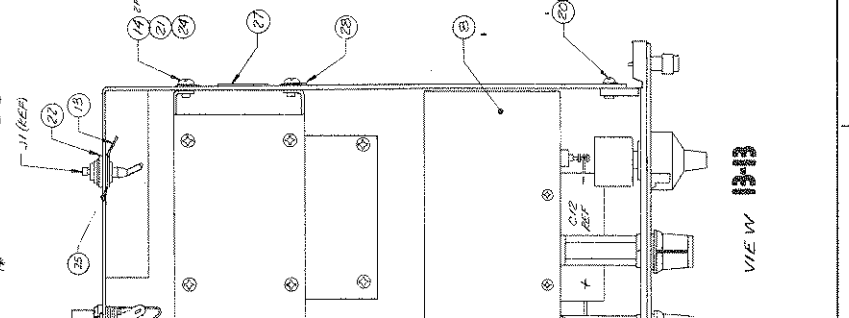
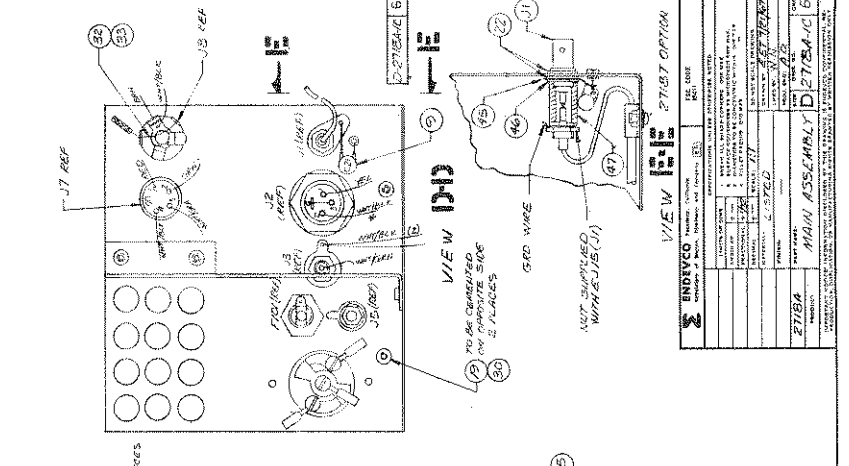
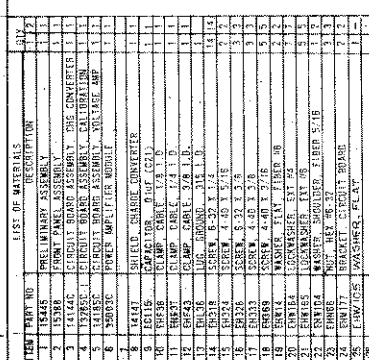
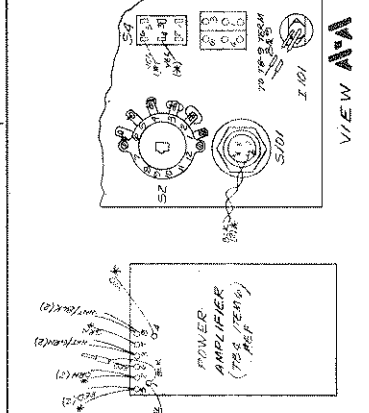
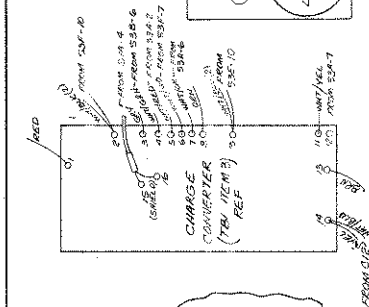
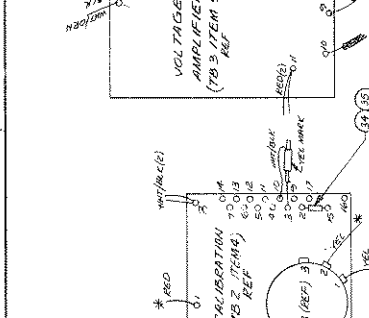
ELECTRICAL PARTS LIST (continued)

<u>Des. No.</u>	<u>Part</u>	<u>Value and Description</u>	<u>Manufacturer and No.</u>	<u>Endevco Part No.</u>
<u>MODEL 2718A PARTS (Not Including Calibration Board Assembly)</u>				
R129	Resistor	47 Ω , $\pm 5\%$, 1/2 W, Comp.	Allen Bradley Type EB	ER824
R130	Resistor	47 Ω , $\pm 5\%$, 1/2 W, Comp.	Allen Bradley Type EB	ER824
R131	Resistor	20 k Ω , $\pm 5\%$, 1/2 W, Comp.	Allen Bradley Type EB	ER671
R132	Resistor	20 k Ω , $\pm 5\%$, 1/2 W, Comp.	Allen Bradley Type EB	ER671
R133	Resistor	820 Ω , $\pm 5\%$, 1/2 W, Comp.	Allen Bradley Type EB	ER56
R134	Resistor	820 Ω , $\pm 5\%$, 1/2 W, Comp.	Allen Bradley Type EB	ER56
R135	Resistor	47 Ω , $\pm 5\%$, 1/2 W, Comp.	Allen Bradley Type EB	ER824
R136	Resistor	47 Ω , $\pm 5\%$, 1/2 W, Comp.	Allen Bradley Type EB	ER824
R137	Resistor	1.5 Ω , $\pm 5\%$, 5 W, WW	Ward Leonard 5F	ER832
R138	Resistor	1.5 Ω , $\pm 5\%$, 5 W, WW	Ward Leonard 5F	ER832
R140	Resistor	3 k Ω , $\pm 5\%$, 1/2 W, Comp.	Allen Bradley Type EB	ER158
R141	Resistor	3 k Ω , $\pm 5\%$, 1/2 W, Comp.	Allen Bradley Type EB	ER158
R142	Resistor	5 Ω , $\pm 5\%$, 5 W, WW	Ward Leonard 5F	ER1493
R143	Resistor	5 Ω , $\pm 5\%$, 5 W, WW	Ward Leonard 5F	ER1493
R144	Resistor	10 Ω , $\pm 5\%$, 5 W, WW	Ward Leonard 5F	ER974
R145	Resistor	10 Ω , $\pm 5\%$, 5 W, WW	Ward Leonard 5F	ER974
R201	Resistor	5.36 k Ω , $\pm 1\%$, 1/10 W, Metal Film	Mepco FE10	ER816
R202	Resistor	511 Ω , $\pm 1\%$, 1/10 W, Metal Film	Mepco FE10	ER807
R203	Resistor	33 k Ω , $\pm 5\%$, 1/2 W, Comp.	Allen Bradley Type EB	ER196
R204	Resistor	470 Ω , $\pm 5\%$, 1/2 W, Comp.	Allen Bradley Type EB	ER156
R205	Potentiometer	6 k Ω , $\pm 10\%$, 1/2 W, Carbon	Chicago Telephone 45	12125
R206	Potentiometer	1 k Ω , $\pm 10\%$, 1/2 W, WW	Bourns 3067P-1-102	ER829
R207	Resistor	10 k Ω , $\pm 5\%$, 1/2 W, Comp.	Allen Bradley Type EB	ER182
R208	Resistor	5.6 k Ω , $\pm 5\%$, 1/2 W, Comp.	Allen Bradley Type EB	ER126
R209	Resistor	33 k Ω , $\pm 5\%$, 1/2 W, Comp.	Allen Bradley Type EB	ER196
R210	Resistor	1.5 k Ω , $\pm 5\%$, 1/2 W, Comp.	Allen Bradley Type EB	ER94

ELECTRICAL PARTS LIST (continued)

<u>Des. No.</u>	<u>Part</u>	<u>Value and Description</u>	<u>Manufacturer and No.</u>	<u>Endevco Part No.</u>
<u>MODEL 2718A PARTS (Not Including Calibration Board Assembly)</u>				
R211	Resistor	1.5k Ω , $\pm 5\%$, 1/2 W, Comp.	Allen Bradley Type EB	ER94
R212	Resistor	33 k Ω , $\pm 5\%$, 1/2 W, Comp.	Allen Bradley Type EB	ER196
R213	Resistor	3 k Ω , $\pm 5\%$, 1/2 W, Comp.	Allen Bradley Type EB	ER158
R214	Resistor	3 k Ω , $\pm 5\%$, 1/2 W, Comp.	Allen Bradley Type EB	ER158
R215	Resistor	10 Ω , $\pm 5\%$, 1/2 W, Comp.	Allen Bradley Type EB	ER945
R216	Resistor	10 Ω , $\pm 5\%$, 1/2 W, Comp.	Allen Bradley Type EB	ER945
R217	Resistor	Selected	Allen Bradley Type EB	
R218	Resistor	Selected	Allen Bradley Type EB	
S1	Switch	Three Position (One Section)	C. T. S.	14149
S2	Switch	Four Position	C. T. S.	15549
S3	Switch	Six Positions (Six Sections)	C. T. S.	14148
S4	Switch	Toggle	Arrowhart 83054C	ES56
S5	Switch	DP-DT Black Button	2PB 11 Micro Switch	ES93
S101	Switch	Push Switch	Control Corp. of Amer. J4004	ES57
T101	Transformer	Power		14513
<u>LOW PASS FILTERS</u>				
C22	Capacitor	.47 μ F, $\pm 5\%$, 50V	San Fernando Elect, WS4J474	EC245
C23	Capacitor	.047 μ F, $\pm 5\%$, 50V	San Fernando Elect., WS4J473	EC246
C24	Capacitor	.012 μ F, $\pm 5\%$, 50V	San Fernando Elect., WS4J123	EC247
R79	Resistor	100 Ω $\pm 5\%$, 1/2W, Comp	A.B. Type EB	ER171

REV	DATE	DESCRIPTION
1	10/15/54	ISSUED
2	11/15/54	REVISIONS MADE TO DRAWING
3	12/15/54	REVISIONS MADE TO DRAWING
4	1/15/55	REVISIONS MADE TO DRAWING
5	2/15/55	REVISIONS MADE TO DRAWING
6	3/15/55	ISSUED ITEMS 34 & 35

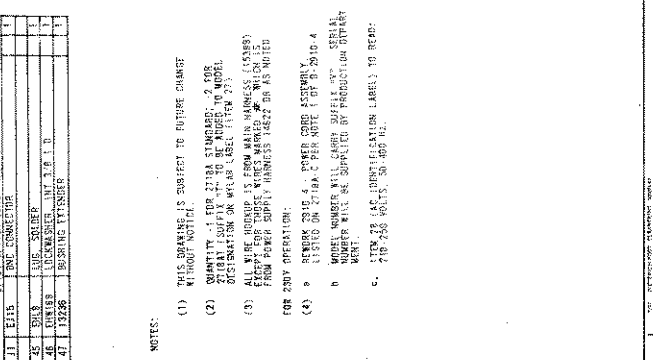
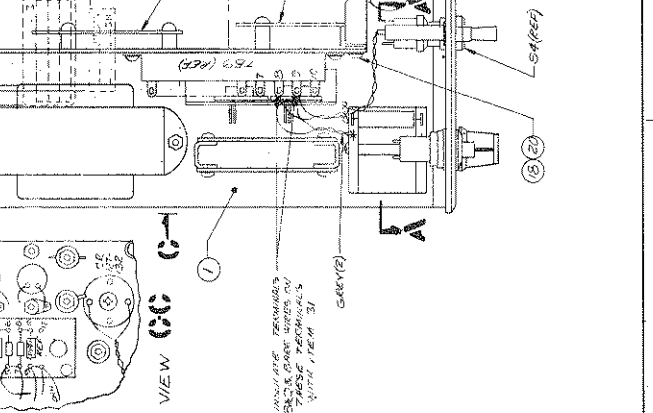
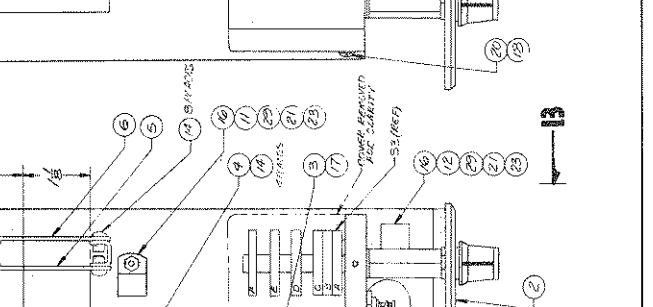
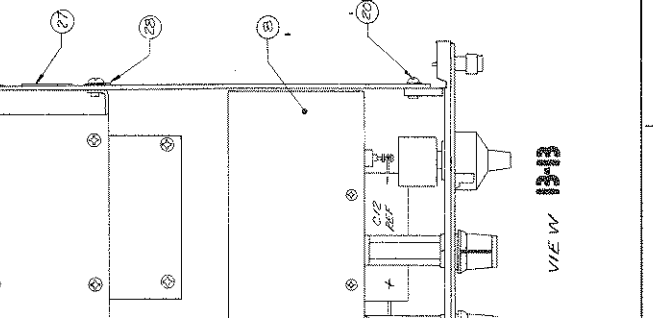


ITEM	QTY	DESCRIPTION
1	1	PRELIMINARY ASSEMBLY
2	1	FRONT PANEL ASSEMBLY
3	1	CONTROL BOARD ASSEMBLY (SEE DRAWING)
4	1	CONTROL BOARD ASSEMBLY (SEE DRAWING)
5	1	POWER AMPLIFIER ASSEMBLY
6	1	CHARGE CONVERTER ASSEMBLY
7	1	VOLTAGE AMPLIFIER ASSEMBLY
8	1	WASHER
9	1	WASHER
10	1	WASHER
11	1	WASHER
12	1	WASHER
13	1	WASHER
14	1	WASHER
15	1	WASHER
16	1	WASHER
17	1	WASHER
18	1	WASHER
19	1	WASHER
20	1	WASHER
21	1	WASHER
22	1	WASHER
23	1	WASHER
24	1	WASHER
25	1	WASHER
26	1	WASHER
27	1	WASHER
28	1	WASHER
29	1	WASHER
30	1	WASHER
31	1	WASHER
32	1	WASHER
33	1	WASHER
34	1	WASHER
35	1	WASHER
36	1	WASHER
37	1	WASHER
38	1	WASHER
39	1	WASHER
40	1	WASHER
41	1	WASHER
42	1	WASHER
43	1	WASHER
44	1	WASHER
45	1	WASHER
46	1	WASHER
47	1	WASHER
48	1	WASHER
49	1	WASHER
50	1	WASHER
51	1	WASHER
52	1	WASHER
53	1	WASHER
54	1	WASHER
55	1	WASHER
56	1	WASHER
57	1	WASHER
58	1	WASHER
59	1	WASHER
60	1	WASHER
61	1	WASHER
62	1	WASHER
63	1	WASHER
64	1	WASHER
65	1	WASHER
66	1	WASHER
67	1	WASHER
68	1	WASHER
69	1	WASHER
70	1	WASHER
71	1	WASHER
72	1	WASHER
73	1	WASHER
74	1	WASHER
75	1	WASHER
76	1	WASHER
77	1	WASHER
78	1	WASHER
79	1	WASHER
80	1	WASHER
81	1	WASHER
82	1	WASHER
83	1	WASHER
84	1	WASHER
85	1	WASHER
86	1	WASHER
87	1	WASHER
88	1	WASHER
89	1	WASHER
90	1	WASHER
91	1	WASHER
92	1	WASHER
93	1	WASHER
94	1	WASHER
95	1	WASHER
96	1	WASHER
97	1	WASHER
98	1	WASHER
99	1	WASHER
100	1	WASHER

NOTES:

- (1) THIS DRAWING IS SUBJECT TO FUTURE CHANGE WITHOUT NOTICE.
- (2) QUANTITY 1 FOR 2718A STANDARD, 2 FOR 2718A SUPPLY AND 3 FOR 2718A MODEL.
- (3) ALL WIRE HARNESS IS FROM MAIN HARNESS (5584) EXCEPT FOR THOSE Wires MARKED * WHICH IS FROM POWER SUPPLY HARNESS 14822 DR AS NOTED FOR 2718A OPERATION.
- (4) * WIRE HARNESS 2718A-4, POWER SUPPLY ASSEMBLY LISTED ON 2718A-C PER NOTE 1 OF 9-2510-4 WHICH NUMBER WILL CORRELATE WITH SERIAL NUMBER WHICH WILL BE SUPPLIED BY PRODUCTION ORDER.
- (5) ITEM 78.1 AC IDENTIFICATION LABEL IS TO BE: 718-230 VOLTS, 50-60 Hz.

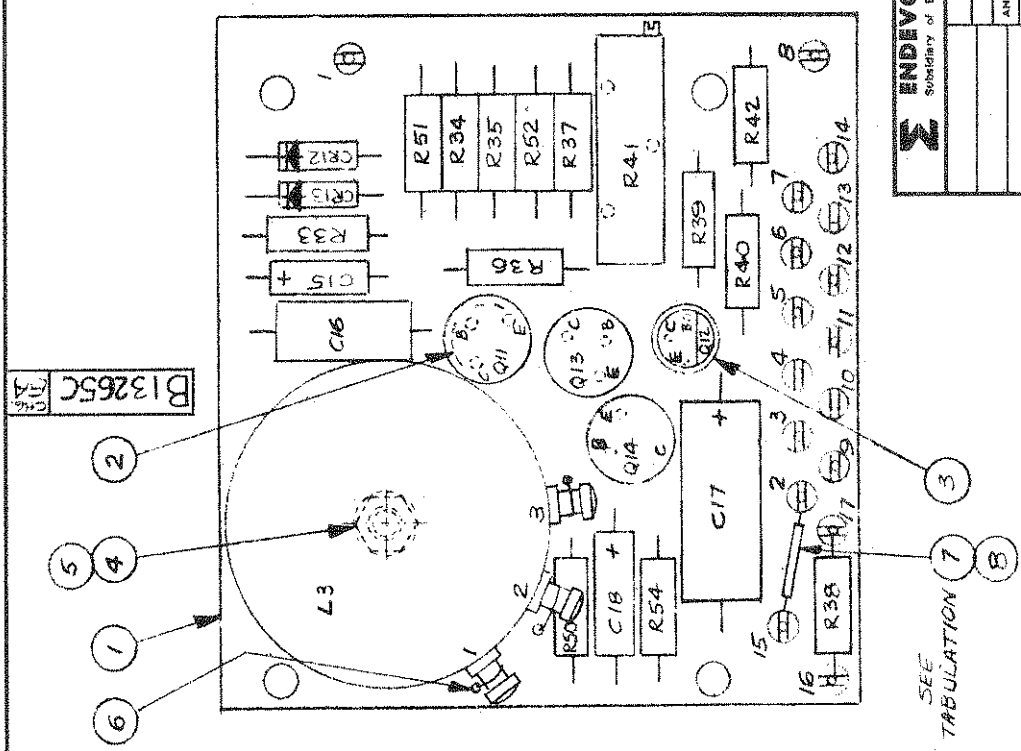
REV	DATE	DESCRIPTION
1	10/15/54	ISSUED
2	11/15/54	REVISIONS MADE TO DRAWING
3	12/15/54	REVISIONS MADE TO DRAWING
4	1/15/55	REVISIONS MADE TO DRAWING
5	2/15/55	REVISIONS MADE TO DRAWING
6	3/15/55	ISSUED ITEMS 34 & 35



REV	DATE	DESCRIPTION
1	10/15/54	ISSUED
2	11/15/54	REVISIONS MADE TO DRAWING
3	12/15/54	REVISIONS MADE TO DRAWING
4	1/15/55	REVISIONS MADE TO DRAWING
5	2/15/55	REVISIONS MADE TO DRAWING
6	3/15/55	ISSUED ITEMS 34 & 35

INDVCO
 2718A
 MAIN ASSEMBLY
 2718A-C 6
 2718A
 MAIN ASSEMBLY
 2718A-C 6

ITEM PART NO.	DESCRIPTION	QTY	U.C.
1	13264 CIRCUIT BOARD	1	-
2	EHWD4 TRANSIPAD	3	-
3	EHWD8 TRANSIPAD	1	-
4	EHWZ LOCKWASHER #6	1	-
5	EHW34 HEX NUT #6-32	1	-
6	EW30 BUS WIRE #20 AWG	AR	-
7	EW30 BUS WIRE #20 AWG	*	-
8	EW4 TUBING, TEFLON	*	-
9	SOLDER, 63-37, ROSIN CORE	AR	-
C15	CAPACITOR, .8.2NF	1	.590
C16	↑ 1.047	1	.750
C17	↑ 1.00NF	1	1.040
C18	CAPACITOR, 6.8NF	1	.700
CR12	DIODE, IN936	1	.550
CR13	DIODE, IN456	1	.550
L3	INDUCTOR, 0.5H	1	-
Q11	TRANSISTOR, 2N385A	2	-
Q12	↑ 2N2923	1	-
Q13	↑ 2N385A	-	-
Q14	TRANSISTOR, 2N4044	1	-
R33	RESISTOR, 33K	1	.590
R34	ER1022	1	.610
R35	ER249	1	.610
R36	ER168	2	.550
R37	ER168	-	.610
R38	* SELECTED	-	-
R39	ER187	1	.550
R40	ER175 RESISTOR, 7.5K	1	.550
R41	ER829 POTENTIOMETER, 1K	1	-
R42	ER293 RESISTOR, 1.8K	1	.590
R50	ER169	2	.610
R51	ER169	-	.610
R52	ER23	2	.610
R54	ER23 RESISTOR, 1K	-	.590



CHG	E. O.	CHANGE DESCRIPTION	BY DATE	CHK APPR
5A	587	REDRAWN, NO CHANGE	ET 8/14/64	JA
6	633	ER1794 WAS ER829	ET 8/14/64	JA
7	637	ER829 WAS ER1794	MD 8/14/64	JA
8	648	R33 WAS ER1021, 62 K	ET 8/14/64	JA
8A	654	REMOVED WHERE USED COLUMN	ET 8/14/64	JA

NOTE:
 1. CIRCUITRY LOCATED ON FAR SIDE.
 2. ITEMS 7 & 8 ARE NOT INSTALLED WHEN UNIT HAS AN EXTERNAL CALIBRATION. (REF)

INDVCO Pasadena, California
 Subsidiary of Bechtel, Dickinson and Company B-D

FSC CODE 8541

SPECIFICATIONS UNLESS OTHERWISE NOTED

LIMITS OF DIMS	
ANGULAR	±
FRACTIONAL	±
DECIMAL	±
MATERIAL	NOTED
FINISH	
PART NAME	CALEBRATION BOARD ASSEMBLY
PROJ. ENG.	JE WDB
SCALE	2/1
DO NOT SCALE DRAWING	
DRAWN BY	ET 8/10/64
CHKD BY	MD 8/14/64
SIZE	DWS. NO.
CHG	B13265C
CHG	8A

1. BREAK ALL SHARP CORNERS .008 MAX.
 2. SURFACE ROUGHNESS 63 MICROINCH RMS MAX.
 3. DIAMETERS TO BE CONCENTRIC WITHIN .005 T.I.R.
 4. FILLET RADIUS .010 MAX.

IMPORTANT NOTICE: INFORMATION DISCLOSED BY THIS DRAWING IS EMPLOYED CONFIDENTIAL. RE-PRODUCTION, PUBLICATION, OR MANUFACTURING RIGHTS GRANTED BY WRITTEN PERMISSION ONLY.

DASH	DESCRIPTION
-1	OMIT ITEMS 7 & 8
-2	INSTALL ITEMS 7 & 8

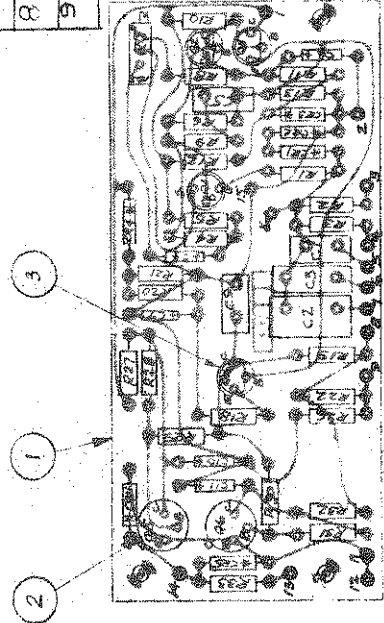
SEE TABULATION 7 8

B 14144C 11			
Q1	14853-2 TRANSISTOR, PGT	1	-
Q2	EQ130	2	-
Q3	EQ130	1	-
Q4	EQ180	1	-
Q5	EQ180	1	-
Q6	EQ180	1	-

ITEM	PART NO.	DESCRIPTION	QTY	U.L.
1	4183	CIRCUIT BOARD	1	-
2	EHV 94	TRANSIPAD	2	-
3	EHV 108	TRANSIPAD	4	-
R1	ER23	RESISTOR, 1K	2	560
R2	ER800	600M	1	↑
R3	ER1172	66M	1	↑
R4	ER196	33K	1	↑
R5	ER1021	52K	1	↑
R6	ER1557	RESISTOR, 620 K	1	560
R7	ER1675	POTENTIOMETER, 2K	1	560
R8	ER163	RESISTOR, 3.3K	3	560
R9	ER94	1.5K	1	↑
R10	ER233	100K	1	↑
R11	ER260	13K	1	↑
R12	ER60	13K	1	↑
R13	ER182	10K	3	↑
R18	ER248	240Ω	1	↑
R15	ER126	5.6K	1	↑
R20	ER171	100Ω	1	↑
R21	ER169	2.2K	1	↑
R22	ER102	11K	1	↑
R26	ER1507	34Ω	1	↑
R27	ER163	3.3K	1	↑
R28	ER182	10K	1	↑
R29	ER524	47Ω	2	↑
R30	ER524	47Ω	2	↑
R31	ER182	10K	1	↑
R32	ER163	3.3K	1	↑
R33	ER23	RESISTOR, 1K	1	560
C1	EC232	CAPACITOR, 500PF	1	-
C2	EC360	5080PF	1	-
C3	EC19	1000PF	1	-
C4	EC209A	10NF	1	560
C5	EC544	620PF	1	560
C6	EC150	4.7NF	1	560
C7	EC204	2.2NF	1	560
C9	EC359	1000PF	1	-
C10	EC149	0.1NF	2	560
C11	EC149	CAPACITOR, 0.1NF	1	560
D1	ECR89	DIODE, IN960	2	560
D2	ECR89	DIODE, IN960	1	↑
D3	13643	IN961	1	↑
D4	ECR67	IN956	1	560
D5	50281	IN956	2	560
D6	ECR31	DIODE, IN456	1	560

LIST OF MATERIAL

CHG	L.D.	CHANGER DESCRIPTION	BY DATE	CHK	APPRO
5	5311	REDRAWN, CER. RELEASED	5/14/61	GH	GH
6	5364	R8 WAS ER 230	5/22/61	GH	GH
7	5364	R9 WAS ER 230	5/22/61	GH	GH
8	6372	R1 WAS ER 341	5/22/61	GH	GH
9	6371	R1 WAS ER 341	5/22/61	GH	GH
10	7066	R22 WAS ER 126, 5.6K	4/27/61	GH	GH
11	7067	R12 WAS ER 234, 2.0K	4/27/61	GH	GH



THIS DRAWING IS SUBJECT TO FUTURE CHANGE WITHOUT NOTICE.

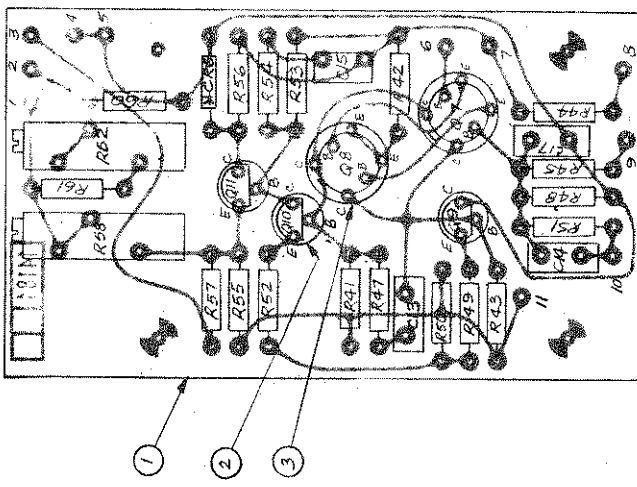
Σ ENDEVCO		Pasadena, California	
SPECIFICATIONS UNLESS OTHERWISE NOTED			
LIMITS OF DIMS	1. BREAK ALL SHARP CORNERS .008 MAX.		
ANGULAR	2. SURFACE ROUGHNESS 32 MICROINCH RMS MAX.		
FRACTIONAL	3. DIAMETERS TO BE CONCENTRIC WITHIN .005 T.I.R.		
DECIMAL	4. FILLET RADIUS .010 MAX.		
SATERIAL	DO NOT SCALE DRAWINGS		
PHIBEN:	SCALE: 1/1		
PART NAME:	DRAWN BY: WJ B/30/65		
2718A	CHAD BY: GH		
ASSY. CHARGE CONVERTER	WELL ENGR: GM JR SE		
B 14144C	SIZE: 11		
11	REV. NO.:		

FSC CODE: 9411

REPRODUCTION OF THIS INFORMATION IS PROHIBITED BY FEDERAL ACQUISITION REGULATIONS, 48 CFR 101-11.6, AND 48 CFR 101-11.7, UNLESS AUTHORIZED BY THE ISSUING OFFICE.

REV	DATE	BY	CHK
34	8/29	REDAWAY	NO CHANGE
4	7/20/48	WASBERG, ZZK	

ITEM PART NO.	DESCRIPTION	QTY
1	BOARD	1
2	TRANSIPAD	3
3	TRANSIPAD	2
C13	EC106 CAPACITOR, 680PF	1
C14	EC317 CAPACITOR, 150PF	1
C15	EC113 CAPACITOR, 410PF	1
C17	EC234 CAPACITOR, 100PF	1
CR6	ECR63 DIODE, 1N754	1
Q7	EQ107 TRANSISTOR, SA2253	1
Q8	EQ150 TRANSISTOR, SA2253	1
Q9	EQ127 TRANSISTOR, 2N3906	3
Q10	EQ127 TRANSISTOR, 2N3906	
Q11	EQ127 TRANSISTOR, 2N3906	
R41	ERR18 RESISTOR, 22K	3
R42	ERR18 RESISTOR, 22K	1
R43	ERR18 RESISTOR, 22K	1
R44	ER020 RESISTOR, 56K	1
R45	ER1128 RESISTOR, 180K	1
R47	ER293 RESISTOR, 1.8K	1
R48	ERR00 RESISTOR, 10K	1
R49	ER159 RESISTOR, 500K	2
R50	ERR19 RESISTOR, 6.8K	1
R51	ERR14 RESISTOR, 82.5K	1
R52	ER150 RESISTOR, 680K	1
R53	ER020 RESISTOR, 27K	1
R54	ER197 RESISTOR, 2.7K	1
R55	ER270 RESISTOR, 4.7K	1
R56	ER293 RESISTOR, 1.8K	1
R57	ER1008 RESISTOR, 430	1
R58	ERR26 POTENTIOMETER, 2000	1
R60	ERR15 RESISTOR, 150K	1
R61	ER126 RESISTOR, 5.6K	1
R62	ER792 POTENTIOMETER, 5K	1



C 14185C 4

THIS DRAWING IS SUBJECT TO FUTURE CHANGE WITHOUT NOTICE.

ENDEVCO Precision Products		REV. CODE	
Divisions of Nelson, Division and Company, Inc.		BMT	
REGISTRATION OFFICE: CHICAGO, ILLINOIS			
1. DRAWING IS TO BE USED AS SHOWN 2. DIMENSIONS TO BE COMPLETED WITHIN ONE T.R. 3. DIMENSIONS TO BE COMPLETED WITHIN ONE T.R. 4. DIMENSIONS TO BE COMPLETED WITHIN ONE T.R.			
DESIGNER	SCALE	DATE	NO. OF SHEETS
DESIGNED BY	2/1	1/1	1
CHECKED BY			
APPROVED BY			
PROJECT NO.	CIRCUIT BOARD	REV. NO.	4
PRODUCT	ASSEMBLY VOLTAGE AMP	REV. NO.	4
PRODUCTION INFORMATION: THIS DRAWING IS THE PROPERTY OF ENDEVCO, INC. IT IS TO BE USED ONLY FOR THE PURPOSES SPECIFIED HEREON. IT IS NOT TO BE REPRODUCED OR TRANSMITTED IN ANY FORM OR BY ANY MEANS, ELECTRONIC OR MECHANICAL, INCLUDING PHOTOCOPYING, RECORDING, OR BY ANY INFORMATION STORAGE AND RETRIEVAL SYSTEM, WITHOUT PERMISSION IN WRITING FROM ENDEVCO, INC.			

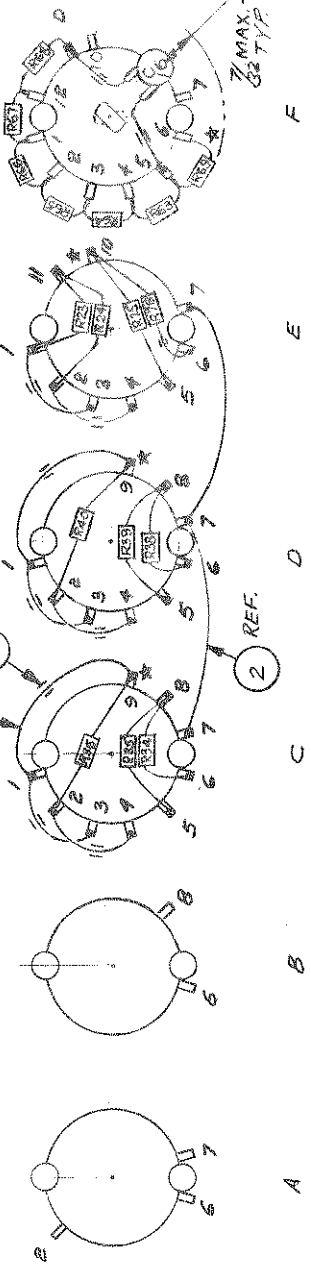
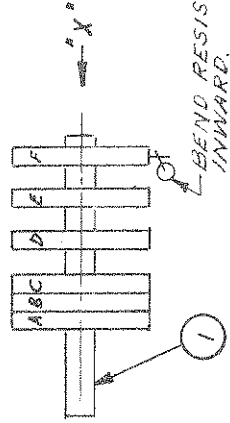
ITEM	PART #	DESCRIPTION	QTY.
1	14148	SWITCH ROTARY	1
2	EW 39	#22 AWG BUS WIRE	A.R.
3	EW 14	SLEEVING	A.R.
R23	ER 802	RESISTOR 10K	1
R24	ER 1061	" 5K	3
R25	ER 1579	" 975Ω	1
R34	ER 1363	" 9.5K	2
R35	ER 1362	" 9K	2
R36	ER 1061	" 5K	-
R38	ER 1363	" 9.5K	-
R39	ER 1362	" 9K	-
R40	ER 1061	" 5K	-
R63	ER 809	" 2.55K	1
R64	ER 810	" 2.05K	1
R65	ER 811	" 255Ω	1
R66	ER 812	" 205Ω	1
R67	ER 978	" 25.5Ω	2
R68	ER 978	" 25.5Ω	-
R69	ER 838	" 11.5K	1
R78	ER 1492	" 475Ω	1
C16	EC 115	CAPACITOR .01μF	1

B/1488C
D/A

CHG	E.O.	CHANGE DESCRIPTION	BY	DATE	CHK	APPR
1	4380	RELEASED	RS	10/16/65	RS	RS
2	4521	32 DIM WAS 3/8. ADDED RESISTOR MTS. NOTE.	RS	10/16/65	RS	RS
3	4634	ADD LUG 10 TO DECK F. CHANGE L. RESISTOR.	RS	10/16/65	RS	RS
3A	5058	ADDED NOTE 5 & PICTORIAL CHG OF DECK E.	RS	10/16/65	RS	RS

NOTES:

- THIS DRAWING IS SUBJECT TO FUTURE CHANGE WITHOUT NOTICE.
- RESISTOR LEADS AND ALL BARE WIRE MARKS THUS TO HAVE ADEQUATE SLEEVING (ITEM 3).
- DO NOT SOLDER (AT THIS LEVEL) TERMINALS MARKED WITH STAR.
- ARROW "X" DIRECTION.
- INSTALL SHOWN COMPONENTS FAR ENOUGH (3/16" MIN) FROM SHAFT TO PREVENT DAMAGE OF COMPONENTS & SHORTING WIRE LEADS THRU SHAFT.



INDEVCO CORPORATION
Pasadena, California

ESS CODE
58411

SPECIFICATIONS UNLESS OTHERWISE NOTED

LIMITS OF DIMS	
ANGULAR	± .001
FRACTIONAL	± .001
DECIMAL	± .001

DO NOT SCALE DRAWING

CHKD BY: *RS*

PROJ. ENG: *RS*

DRAWN BY: *EET 9/15/65*

SCALE: _____

FINISH: LISTED

PART NAME: SWITCH ASSY-RANGE

SIZE: DWG. NO. 14188C

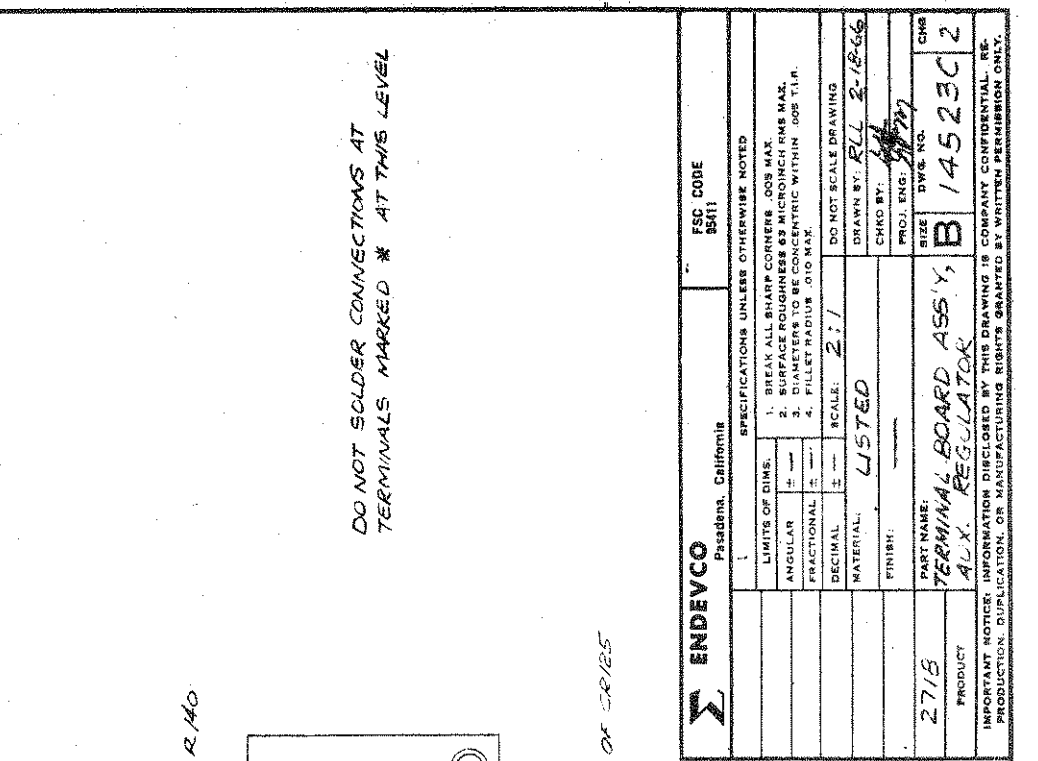
CHG: 3A

IMPORTANT NOTICE: INFORMATION DISCLOSED BY THIS DRAWING IS COMPANY CONFIDENTIAL. REPRODUCTION, PUBLICATION, OR MANUFACTURING RIGHTS GRANTED BY WRITTEN PERMISSION ONLY.

ORG	E.O.	CHANGE DESCRIPTION	BY	CHK	APPR
1	1884	RELEASED	RL	RL	10/1/66
2	4478	R40 & R141 WERE ER239	RL	RL	6-14-66

ITEM	PART NO.	DESCRIPTION	QTY
1	12472	TERMINAL BOARD ASSEMBLY	1
R40	ER158	RESISTOR, 3K	2
R141	ER156	RESISTOR, 3K	-
CR125	ECR62	DIODE, IN961	2
CR126	ECR62	DIODE, IN961	-

ORG	E.O.	CHANGE DESCRIPTION	BY	CHK	APPR
1	1884	RELEASED	RL	RL	10/1/66
2	4478	R40 & R141 WERE ER239	RL	RL	6-14-66



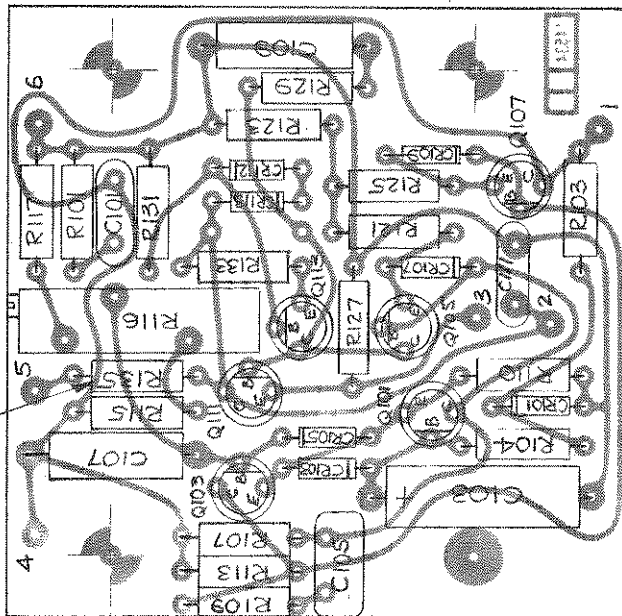
BILL OF MATERIAL		CHANGE DESCRIPTION		BY	CHK	APPR
ITEM	PART NO.	DESCRIPTION	QTY			
1	12472	TERMINAL BOARD ASSEMBLY	1	RL	RL	10/1/66
R40	ER158	RESISTOR, 3K	2			
R141	ER156	RESISTOR, 3K	-			
CR125	ECR62	DIODE, IN961	2			
CR126	ECR62	DIODE, IN961	-			

ENDEVCO Pasadena, California		FSC CODE 95411
SPECIFICATIONS UNLESS OTHERWISE NOTED		
LIMITS OF DIMS.	1. BREAK ALL SHARP CORNERS .008 MAX.	
ANGULAR	2. BREAK ALL DIMENSIONS AS MICROINCH RMS MAX.	
FRACTIONAL	3. DIAMETERS TO BE CONCENTRIC WITHIN .008 T.I.R.	
DECIMAL	4. FILLET RADIUS .010 MAX.	
MATERIAL:	SCALE: 2:1	DO NOT SCALE DRAWING
FINISH:	MATERIAL: LISTED	
PART NAME:	DRAWN BY: RLL	2-12-66
2718	PROJ. ENG: [Signature]	
PRODUCT	SIZE	DWG. NO.
TERMINAL BOARD ASS'Y, AUX. REGULATOR	B	14523C 2
IMPORTANT NOTICE: INFORMATION DISCLOSED BY THIS DRAWING IS COMPANY CONFIDENTIAL. RE-PRODUCTION, PUBLICATION, OR MANUFACTURING RIGHTS GRANTED BY WRITTEN PERMISSION ONLY.		

B 14535C 4A

CHG NO.	4A5971	CHANGE DESCRIPTION	REDEAWN, NO CHG.	BY	CHM	APPR
				ST		
				19/		
				87		

SEE LEGEND



NOTES: 1. CIRCUITRY LOCATED ON FAR SIDE.
2. THIS DRAWING SUBJECT TO FUTURE CHANGE WITHOUT NOTICE.

DASH NO.	VALUE	PART NO.
-1	47Ω	ER824
-2	10Ω	ER945
-3	—	STRIP WITH EW-35 BUS WIRE.

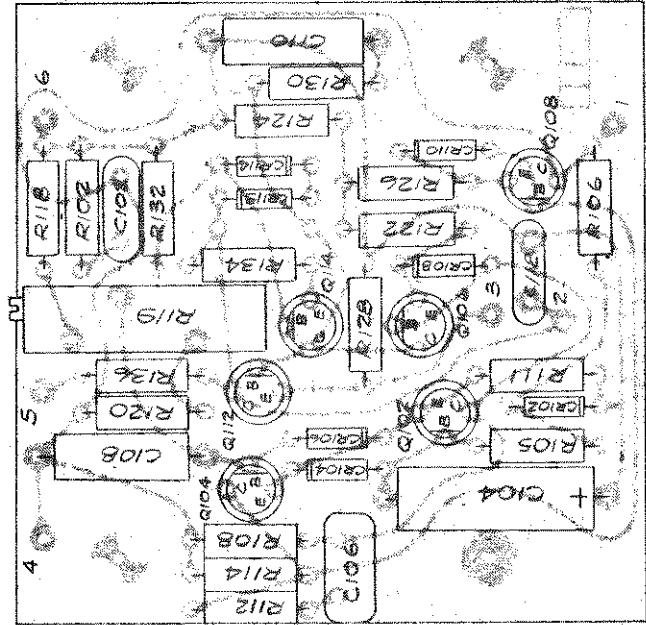
ENDEVCO CORPORATION Pasadena, California		FSC CODE	5841
LIMITS OF DIMS.			
1	BRZK ALL SHARP CORNERS .005 MAX	SPECIFICATIONS UNLESS OTHERWISE NOTED	
2	SURFACE ROUGHNESS 63 MICROINCH RMS MAX.		
3	DIAMETERS TO BE CONCENTRIC WITHIN .005 TIR		
4	FILLET RADIUS .010 MAX		
DO NOT SCALE DRAWING			
MATERIAL		SCALE	2/1
FINISH		LISTED	
DRAWN BY		RLL 3766	
CHKD BY		W/M	
PROJ. ENG.		W/M	
SIZE		DWG. NO.	
CIRCUIT BOARD ASSEMBLY		B 14535 C 4A	
REVISIONS			
NOTES: 1. THIS DRAWING IS SUBJECT TO FUTURE CHANGE WITHOUT NOTICE.			
2. THIS DRAWING IS SUBJECT TO FUTURE CHANGE WITHOUT NOTICE.			
3. THIS DRAWING IS SUBJECT TO FUTURE CHANGE WITHOUT NOTICE.			
4. THIS DRAWING IS SUBJECT TO FUTURE CHANGE WITHOUT NOTICE.			
5. THIS DRAWING IS SUBJECT TO FUTURE CHANGE WITHOUT NOTICE.			
6. THIS DRAWING IS SUBJECT TO FUTURE CHANGE WITHOUT NOTICE.			
7. THIS DRAWING IS SUBJECT TO FUTURE CHANGE WITHOUT NOTICE.			
8. THIS DRAWING IS SUBJECT TO FUTURE CHANGE WITHOUT NOTICE.			
9. THIS DRAWING IS SUBJECT TO FUTURE CHANGE WITHOUT NOTICE.			
10. THIS DRAWING IS SUBJECT TO FUTURE CHANGE WITHOUT NOTICE.			
11. THIS DRAWING IS SUBJECT TO FUTURE CHANGE WITHOUT NOTICE.			
12. THIS DRAWING IS SUBJECT TO FUTURE CHANGE WITHOUT NOTICE.			
13. THIS DRAWING IS SUBJECT TO FUTURE CHANGE WITHOUT NOTICE.			
14. THIS DRAWING IS SUBJECT TO FUTURE CHANGE WITHOUT NOTICE.			
15. THIS DRAWING IS SUBJECT TO FUTURE CHANGE WITHOUT NOTICE.			
16. THIS DRAWING IS SUBJECT TO FUTURE CHANGE WITHOUT NOTICE.			
17. THIS DRAWING IS SUBJECT TO FUTURE CHANGE WITHOUT NOTICE.			
18. THIS DRAWING IS SUBJECT TO FUTURE CHANGE WITHOUT NOTICE.			
19. THIS DRAWING IS SUBJECT TO FUTURE CHANGE WITHOUT NOTICE.			
20. THIS DRAWING IS SUBJECT TO FUTURE CHANGE WITHOUT NOTICE.			
21. THIS DRAWING IS SUBJECT TO FUTURE CHANGE WITHOUT NOTICE.			
22. THIS DRAWING IS SUBJECT TO FUTURE CHANGE WITHOUT NOTICE.			
23. THIS DRAWING IS SUBJECT TO FUTURE CHANGE WITHOUT NOTICE.			
24. THIS DRAWING IS SUBJECT TO FUTURE CHANGE WITHOUT NOTICE.			
25. THIS DRAWING IS SUBJECT TO FUTURE CHANGE WITHOUT NOTICE.			
26. THIS DRAWING IS SUBJECT TO FUTURE CHANGE WITHOUT NOTICE.			
27. THIS DRAWING IS SUBJECT TO FUTURE CHANGE WITHOUT NOTICE.			
28. THIS DRAWING IS SUBJECT TO FUTURE CHANGE WITHOUT NOTICE.			
29. THIS DRAWING IS SUBJECT TO FUTURE CHANGE WITHOUT NOTICE.			
30. THIS DRAWING IS SUBJECT TO FUTURE CHANGE WITHOUT NOTICE.			
31. THIS DRAWING IS SUBJECT TO FUTURE CHANGE WITHOUT NOTICE.			
32. THIS DRAWING IS SUBJECT TO FUTURE CHANGE WITHOUT NOTICE.			
33. THIS DRAWING IS SUBJECT TO FUTURE CHANGE WITHOUT NOTICE.			
34. THIS DRAWING IS SUBJECT TO FUTURE CHANGE WITHOUT NOTICE.			
35. THIS DRAWING IS SUBJECT TO FUTURE CHANGE WITHOUT NOTICE.			
36. THIS DRAWING IS SUBJECT TO FUTURE CHANGE WITHOUT NOTICE.			
37. THIS DRAWING IS SUBJECT TO FUTURE CHANGE WITHOUT NOTICE.			
38. THIS DRAWING IS SUBJECT TO FUTURE CHANGE WITHOUT NOTICE.			
39. THIS DRAWING IS SUBJECT TO FUTURE CHANGE WITHOUT NOTICE.			
40. THIS DRAWING IS SUBJECT TO FUTURE CHANGE WITHOUT NOTICE.			
41. THIS DRAWING IS SUBJECT TO FUTURE CHANGE WITHOUT NOTICE.			
42. THIS DRAWING IS SUBJECT TO FUTURE CHANGE WITHOUT NOTICE.			
43. THIS DRAWING IS SUBJECT TO FUTURE CHANGE WITHOUT NOTICE.			
44. THIS DRAWING IS SUBJECT TO FUTURE CHANGE WITHOUT NOTICE.			
45. THIS DRAWING IS SUBJECT TO FUTURE CHANGE WITHOUT NOTICE.			
46. THIS DRAWING IS SUBJECT TO FUTURE CHANGE WITHOUT NOTICE.			
47. THIS DRAWING IS SUBJECT TO FUTURE CHANGE WITHOUT NOTICE.			
48. THIS DRAWING IS SUBJECT TO FUTURE CHANGE WITHOUT NOTICE.			
49. THIS DRAWING IS SUBJECT TO FUTURE CHANGE WITHOUT NOTICE.			
50. THIS DRAWING IS SUBJECT TO FUTURE CHANGE WITHOUT NOTICE.			

ITEM PART NO.	DESCRIPTION	QTY	Q-E
1 14534	CIRCUIT BOARD	1	—
2 FHW108	TRANSIPAD	6	—
R101 ER945	RESISTOR, 10Ω	1	.500
R103 ER270	RESISTOR, 4.7K	3	—
R104 ER823	RESISTOR, 560Ω	1	—
R107 ER270	RESISTOR, 4.7K	1	—
R108 ER1006	RESISTOR, 33Ω	1	—
R110 ER295	RESISTOR, 2.4K	1	—
R113 ER270	RESISTOR, 4.7K	1	—
R115 ER182	RESISTOR, 10K	2	.500
R116 ER829	POTENTIOMETER, 1K	1	—
R117 ER164	RESISTOR, 3.9K	1	.500
R121 ER159	RESISTOR, 260Ω	2	—
R123 ER182	RESISTOR, 10K	1	—
R125 ER159	RESISTOR, 260Ω	1	—
R127 ER220	RESISTOR, 27K	1	—
R129 ER224	RESISTOR, 27Ω	1	—
R131 ER671	RESISTOR, 220Ω	1	—
R133 ER56	RESISTOR, 820Ω	1	—
R135	RESISTOR, SEE LEGEND	—	.500
C101 EC324	CAPACITOR, .05μF	1	—
C103 EC242	CAPACITOR, 10μF	1	.900
C105 EC106	CAPACITOR, 680μF	1	—
C107 EC314	CAPACITOR, .1μF	2	.687
C109 EC314	CAPACITOR, .1μF	1	.687
C111 EC273	CAPACITOR, .02μF	1	—
Q101 ECR63	DIODE, 1N936 (ZENER)	1	.375
Q103 ECR31	DIODE, 1N456	6	—
Q105 ECR31	DIODE, 1N456	—	—
Q107 ECR31	DIODE, 1N456	—	—
Q109 ECR31	DIODE, 1N456	—	—
Q112 ECR31	DIODE, 1N456	—	—
Q113 ECR31	DIODE, 1N456	—	.375
Q101 EQ130	TRANSISTOR, 2N3904	5	—
Q103 EQ130	TRANSISTOR, 2N3904	—	—
Q105 EQ130	TRANSISTOR, 2N3904	—	—
Q107 EQ130	TRANSISTOR, 2N3904	—	—
Q111 EQ130	TRANSISTOR, 2N3904	—	—
Q113 EQ127	TRANSISTOR, 2N3906	1	—

B-14536C 5

BILL OF MATERIALS		QTY	U-4
ITEM PART NO	DESCRIPTION		
1	14584 CIRCUIT BOARD	1	-
2	EHW/OB TRANSIPAD	6	-
R102 ER045	RESISTOR, 10Ω	1	.500
R105 ER023	RESISTOR, 560Ω	1	-
R106 ER270	RESISTOR, 4.7K	3	-
R108 ER270	RESISTOR, 4.7K	1	-
R111 ER295	RESISTOR, 24K	1	-
R112 ER1006	RESISTOR, 33Ω	1	-
R114 ER270	RESISTOR, 4.7K	1	-
R118 ER164	RESISTOR, 3.9K	1	.500
R119 ER529	POTENTIOMETER, 1K	1	-
R120 ER162	RESISTOR, 10K	2	.500
R122 ER159	RESISTOR, 680Ω	2	-
R124 ER162	RESISTOR, 10K	1	-
R126 ER159	RESISTOR, 680Ω	1	-
R128 ER020	RESISTOR, 27K	1	-
R130 ER024	RESISTOR, 47Ω	2	-
R132 ER071	RESISTOR, 20K	1	-
R134 ER056	RESISTOR, 820Ω	1	-
R136 ER024	RESISTOR, 47Ω	1	.500
C102 EC024	CAPACITOR, .05μF	1	-
C104 EC242	CAPACITOR, 10μF	1	.900
C106 EC106	CAPACITOR, 680PF	1	-
C108 EC014	CAPACITOR, 1μF	2	.687
C110 EC014	CAPACITOR, 1μF	2	.687
C112 EC273	CAPACITOR, .02μF	1	-
CR102 ECR63	DIODE, IN936 (ZENER)	1	.375
CR104 ECR31	DIODE, IN456	6	-
CR106 ECR31	DIODE, IN456	1	-
CR108 ECR31	DIODE, IN456	1	-
CR110 ECR31	DIODE, IN456	1	-
CR114 ECR31	DIODE, IN456	1	-
CR118 ECR31	DIODE, IN456	1	-
Q102 EQ127	TRANSISTOR, 2N3906	4	-
Q104 EQ127	TRANSISTOR, 2N3906	1	-
Q106 EQ127	TRANSISTOR, 2N3906	1	-
Q108 EQ127	TRANSISTOR, 2N3906	1	-
Q112 EQ216	TRANSISTOR, 2N5400	1	-
Q114 EQ130	TRANSISTOR, 2N5904	1	-

REV	DESCRIPTION	BY	CHK	APPR
4A	REDRAWN, NO CHG.	W	W	W
5	REVISED WAS 2N3906 (EQ127)	W	W	W

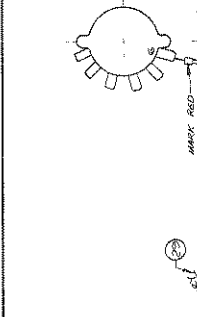


NOTES:
 1. CIRCUITRY LOCATED ON
 FARSIDE
 2. THIS DRAWING SUBJECT TO
 FUTURE CHANGE WITHOUT
 NOTICE

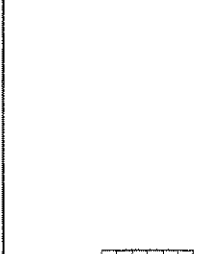
E ENDEVCO Pittsburgh, California		ESC CODE 35411
PART NAME: -30V POWER SUPPLY PRODUCT: CIRCUIT BOARD ASSEMBLY	FINISH: GWM PART NO: B 14536C	DATE: 3-8-66 DRAWN BY: GWN CHECKED BY: GWN PER: ENG
SCALE: 2X MATERIAL: LISTED	SIZE: 2X	DRAWING NO: B 14536C
IMPORTANT NOTICE: INFORMATION DISCLOSED BY THIS DRAWING IS UNCLASSIFIED CONFIDENTIAL. REPRODUCTION, PUBLICATION OR MANUFACTURING RIGHTS GRANTED BY WRITER-PERMISSION ONLY.		

7	1943 RELEASE
2	1944 RELEASE
3	1945 RELEASE
4	1946 RELEASE
5	1947 RELEASE
6	1948 RELEASE
7	1949 RELEASE
8	1950 RELEASE
9	1951 RELEASE
10	1952 RELEASE
11	1953 RELEASE
12	1954 RELEASE
13	1955 RELEASE
14	1956 RELEASE
15	1957 RELEASE
16	1958 RELEASE
17	1959 RELEASE
18	1960 RELEASE
19	1961 RELEASE
20	1962 RELEASE
21	1963 RELEASE
22	1964 RELEASE
23	1965 RELEASE
24	1966 RELEASE
25	1967 RELEASE
26	1968 RELEASE
27	1969 RELEASE
28	1970 RELEASE
29	1971 RELEASE
30	1972 RELEASE
31	1973 RELEASE
32	1974 RELEASE
33	1975 RELEASE
34	1976 RELEASE
35	1977 RELEASE
36	1978 RELEASE
37	1979 RELEASE
38	1980 RELEASE
39	1981 RELEASE
40	1982 RELEASE
41	1983 RELEASE
42	1984 RELEASE
43	1985 RELEASE
44	1986 RELEASE
45	1987 RELEASE
46	1988 RELEASE
47	1989 RELEASE
48	1990 RELEASE
49	1991 RELEASE
50	1992 RELEASE
51	1993 RELEASE
52	1994 RELEASE
53	1995 RELEASE
54	1996 RELEASE
55	1997 RELEASE
56	1998 RELEASE
57	1999 RELEASE
58	2000 RELEASE

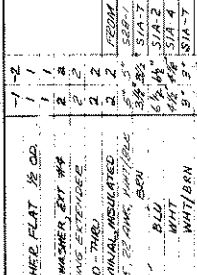
1	17	FINWRT	WASHER, FLAT	18	CO.
2	18	ENHGA	LOCKWASHER, EXT W/4		
3	19	ENW22	SCREWS, EXTENSIVE		
4	20	ENW23	TERMINAL, INSULATED		
5	21	EE115	FEED - THRU		
6	22	EE116	WIRE, 22 AWG, WHITE		
7	23	EE117	WIRE, 22 AWG, WHITE		
8	24	EW33	SWITCH		
9	25	EW34	SWITCH		
10	26	EW35	SWITCH		
11	27	EW27	SWITCH		
12	28	EW22	SWITCH		
13	29	EW26	SWITCH		
14	30	EW25	SWITCH		
15	31	EW24	SWITCH		
16	32	EW23	SWITCH		
17	33	EW22	SWITCH		
18	34	EW21	SWITCH		
19	35	EW20	SWITCH		
20	36	EW19	SWITCH		
21	37	EW18	SWITCH		
22	38	EW17	SWITCH		
23	39	EW16	SWITCH		
24	40	EW15	SWITCH		
25	41	EW14	SWITCH		
26	42	EW13	SWITCH		
27	43	EW12	SWITCH		
28	44	EW11	SWITCH		
29	45	EW10	SWITCH		
30	46	EW9	SWITCH		
31	47	EW8	SWITCH		
32	48	EW7	SWITCH		
33	49	EW6	SWITCH		
34	50	EW5	SWITCH		
35	51	EW4	SWITCH		
36	52	EW3	SWITCH		
37	53	EW2	SWITCH		
38	54	EW1	SWITCH		
39	55	EW0	SWITCH		
40	56	EW-1	SWITCH		
41	57	EW-2	SWITCH		
42	58	EW-3	SWITCH		
43	59	EW-4	SWITCH		
44	60	EW-5	SWITCH		
45	61	EW-6	SWITCH		
46	62	EW-7	SWITCH		
47	63	EW-8	SWITCH		
48	64	EW-9	SWITCH		
49	65	EW-10	SWITCH		
50	66	EW-11	SWITCH		
51	67	EW-12	SWITCH		
52	68	EW-13	SWITCH		
53	69	EW-14	SWITCH		
54	70	EW-15	SWITCH		
55	71	EW-16	SWITCH		
56	72	EW-17	SWITCH		
57	73	EW-18	SWITCH		
58	74	EW-19	SWITCH		
59	75	EW-20	SWITCH		
60	76	EW-21	SWITCH		
61	77	EW-22	SWITCH		
62	78	EW-23	SWITCH		
63	79	EW-24	SWITCH		
64	80	EW-25	SWITCH		
65	81	EW-26	SWITCH		
66	82	EW-27	SWITCH		
67	83	EW-28	SWITCH		
68	84	EW-29	SWITCH		
69	85	EW-30	SWITCH		
70	86	EW-31	SWITCH		
71	87	EW-32	SWITCH		
72	88	EW-33	SWITCH		
73	89	EW-34	SWITCH		
74	90	EW-35	SWITCH		
75	91	EW-36	SWITCH		
76	92	EW-37	SWITCH		
77	93	EW-38	SWITCH		
78	94	EW-39	SWITCH		
79	95	EW-40	SWITCH		
80	96	EW-41	SWITCH		
81	97	EW-42	SWITCH		
82	98	EW-43	SWITCH		
83	99	EW-44	SWITCH		
84	100	EW-45	SWITCH		



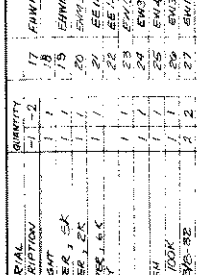
NOTE: WIRES FROM DEKAS C.O. AND/OF OF 318 ARE FROM MARK ADDRESS (ITEM 11)



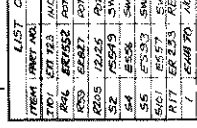
NOTE: WIRES FROM DEKAS C.O. AND/OF OF 318 ARE FROM MARK ADDRESS (ITEM 11)



NOTE: WIRES FROM DEKAS C.O. AND/OF OF 318 ARE FROM MARK ADDRESS (ITEM 11)



NOTE: WIRES FROM DEKAS C.O. AND/OF OF 318 ARE FROM MARK ADDRESS (ITEM 11)

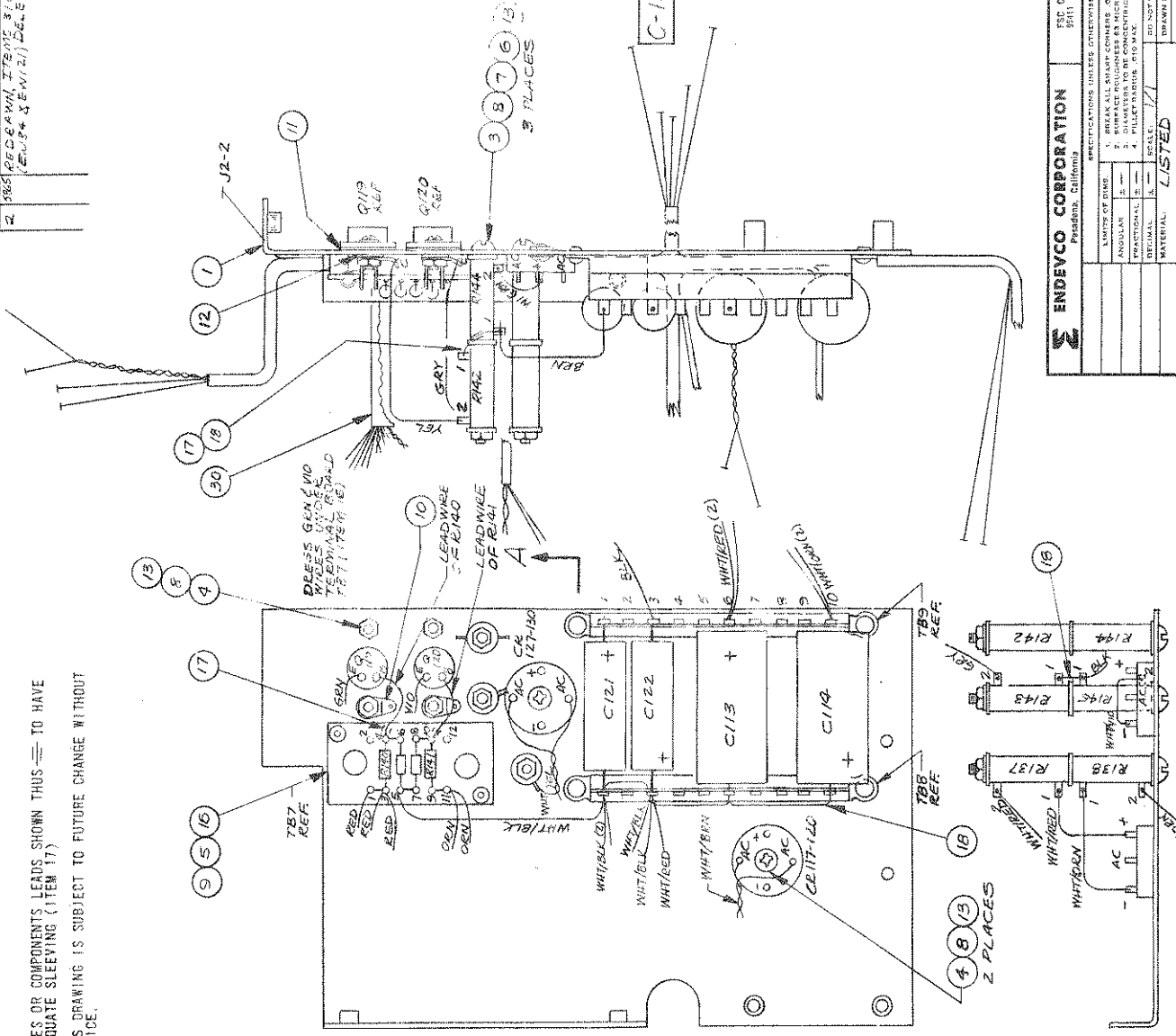


NOTE: WIRES FROM DEKAS C.O. AND/OF OF 318 ARE FROM MARK ADDRESS (ITEM 11)

1	17	FINWRT	WASHER, FLAT	18	CO.
2	18	ENHGA	LOCKWASHER, EXT W/4		
3	19	ENW22	SCREWS, EXTENSIVE		
4	20	ENW23	TERMINAL, INSULATED		
5	21	EE115	FEED - THRU		
6	22	EE116	WIRE, 22 AWG, WHITE		
7	23	EE117	WIRE, 22 AWG, WHITE		
8	24	EW33	SWITCH		
9	25	EW34	SWITCH		
10	26	EW35	SWITCH		
11	27	EW27	SWITCH		
12	28	EW22	SWITCH		
13	29	EW26	SWITCH		
14	30	EW25	SWITCH		
15	31	EW24	SWITCH		
16	32	EW23	SWITCH		
17	33	EW22	SWITCH		
18	34	EW21	SWITCH		
19	35	EW20	SWITCH		
20	36	EW19	SWITCH		
21	37	EW18	SWITCH		
22	38	EW17	SWITCH		
23	39	EW16	SWITCH		
24	40	EW15	SWITCH		
25	41	EW14	SWITCH		
26	42	EW13	SWITCH		
27	43	EW12	SWITCH		
28	44	EW11	SWITCH		
29	45	EW10	SWITCH		
30	46	EW9	SWITCH		
31	47	EW8	SWITCH		
32	48	EW7	SWITCH		
33	49	EW6	SWITCH		
34	50	EW5	SWITCH		
35	51	EW4	SWITCH		
36	52	EW3	SWITCH		
37	53	EW2	SWITCH		
38	54	EW1	SWITCH		
39	55	EW0	SWITCH		
40	56	EW-1	SWITCH		
41	57	EW-2	SWITCH		
42	58	EW-3	SWITCH		
43	59	EW-4	SWITCH		
44	60	EW-5	SWITCH		
45	61	EW-6	SWITCH		
46	62	EW-7	SWITCH		
47	63	EW-8	SWITCH		
48	64	EW-9	SWITCH		
49	65	EW-10	SWITCH		
50	66	EW-11	SWITCH		
51	67	EW-12	SWITCH		
52	68	EW-13	SWITCH		
53	69	EW-14	SWITCH		
54	70	EW-15	SWITCH		
55	71	EW-16	SWITCH		
56	72	EW-17	SWITCH		
57	73	EW-18	SWITCH		
58	74	EW-19	SWITCH		
59	75	EW-20	SWITCH		
60	76	EW-21	SWITCH		
61	77	EW-22	SWITCH		
62	78	EW-23	SWITCH		
63	79	EW-24	SWITCH		
64	80	EW-25	SWITCH		
65	81	EW-26	SWITCH		
66	82	EW-27	SWITCH		
67	83	EW-28	SWITCH		
68	84	EW-29	SWITCH		
69	85	EW-30	SWITCH		
70	86	EW-31	SWITCH		
71	87	EW-32	SWITCH		
72	88	EW-33	SWITCH		
73	89	EW-34	SWITCH		
74	90	EW-35	SWITCH		
75	91	EW-36	SWITCH		
76	92	EW-37	SWITCH		
77	93	EW-38	SWITCH		
78	94	EW-39	SWITCH		
79	95	EW-40	SWITCH		
80	96	EW-41	SWITCH		
81	97	EW-42	SWITCH		
82	98	EW-43	SWITCH		
83	99	EW-44	SWITCH		
84	100	EW-45	SWITCH		

CHG NO	CHG DESCRIPTION	BY	CHK	DATE
2	REWORK WIRE SLEEVES (C-15434C) (C-15434C) (C-15434C)			

- NOTES:
- (1) WIRES OR COMPONENTS LEADS SHOWN THIS TO HAVE ADEQUATE SLEEVING (ITEM 17)
 - (2) THIS DRAWING IS SUBJECT TO FUTURE CHANGE WITHOUT NOTICE.



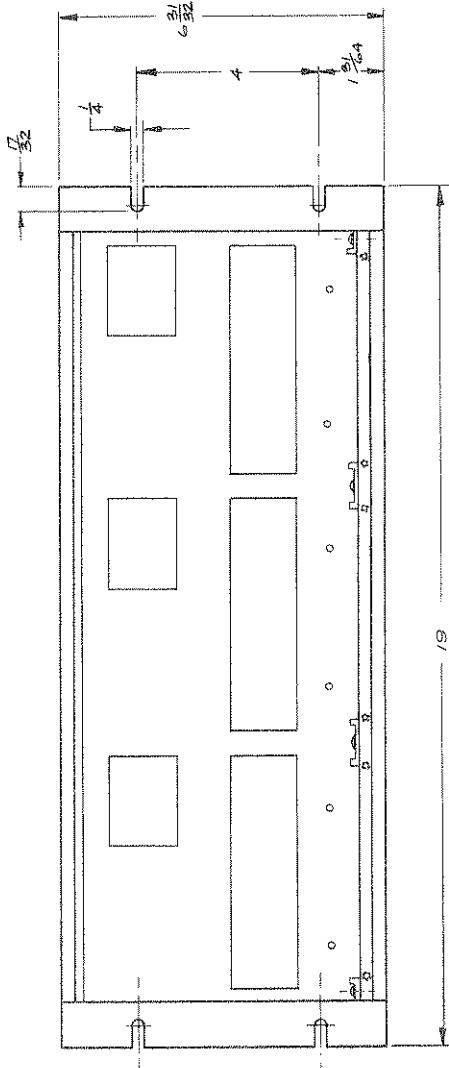
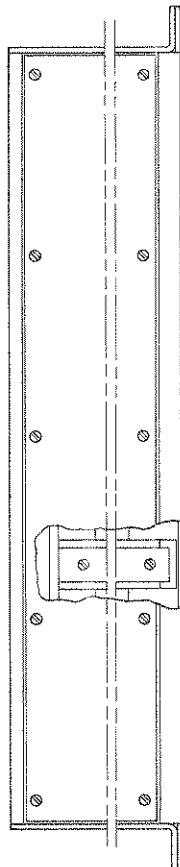
ITEM PART NO	DESCRIPTION	QTY
C113 EC325	CAPACITOR, 80UF	2
C114 EC325	CAPACITOR, 80UF	2
C121 EC456	CAPACITOR, 250UF	2
C122 EC456	CAPACITOR, 250UF	2
D1 EC175	DIODE, QUAD	2
D2 EC175	DIODE, QUAD	2
T1 EQ131	TRANSISTOR, 2N3766	1
T2 EQ129	TRANSISTOR, 2N3740	1
R137 ER832	RESISTOR, 1.50	2
R138 ER832	RESISTOR, 1.50	2
R142 ER1493	RESISTOR, 50	2
R143 ER1493	RESISTOR, 50	2
R144 ER974	RESISTOR, 100	2
R145 ER974	RESISTOR, 100	2
1	SHIELD, POWER SUPPLY	1
2	SCREW, 6-32 X 2-1/2	3
3	SCREW, 6-32 X 3/8	6
4	SCREW, 4-40 X 1/4	2
5	WASHER, FLAT #6	3
6	SPACER, FIBER	9
7	LOCKWASHER, EXT #6	7
8	LOCKWASHER, EXT #4	2
9	LUG, SOLDER #6	2
10	WASHER, MICA	4
11	SHOULDER WASHER	4
12	NUT, HEX 6-32	9
13	TERMINAL BOARD ASSEMBLY	1
14	TUBING, TEFELON (BLU)	2-1/2"
15	#22 AWG, BUS WIRE	6-1/2
16	WIRE, VINYL, WHT/RED 5-3/4	6-3/4
17	WIRE, VINYL, WHT/RED 6-3/4	6-3/4
18	WIRE, VINYL, WHT/GRN 6-1/2	6-1/2
19	WIRE, VINYL, WHT/GRN 6-1/2	6-1/2
20	WIRE, VINYL, WHT/GRN 6-1/2	6-1/2
21	WIRE, VINYL, WHT/GRN 6-1/2	6-1/2
22	WIRE, VINYL, WHT/GRN 6-1/2	6-1/2
23	WIRE, VINYL, WHT/GRN 6-1/2	6-1/2
24	WIRE, VINYL, WHT/GRN 6-1/2	6-1/2
25	WIRE, VINYL, WHT/GRN 6-1/2	6-1/2
26	WIRE, VINYL, WHT/GRN 6-1/2	6-1/2
27	WIRE, VINYL, WHT/GRN 6-1/2	6-1/2
28	WIRE, VINYL, WHT/GRN 6-1/2	6-1/2
29	WIRE, VINYL, WHT/GRN 6-1/2	6-1/2
30	POWER SUPPLY HARNESS (HARNESS #3)	1

ENDEVCO CORPORATION Palo Alto, California		FED CODE 2001
SPECIFICATIONS UNLESS OTHERWISE NOTED:		
1. BREAK ALL SHARP CORNERS 400 MAX.	2. DIMENSIONS TO BE CONSIDERED UNLESS OTHERWISE NOTED.	3. DIMENSIONS TO BE CONSIDERED UNLESS OTHERWISE NOTED.
4. PILEUP PARTS, 400 MAX.	5. SCALE: 1:1	6. DO NOT SCALE DRAWING
DRAWN BY: EET 7/21/67	CHKD BY: WA	PROJ. ENG. NO. 15434C
FINISH: 2718A	PART NAME: POWER SUPPLY ASSY	DWG. NO. 15434C
PRODUCT: 2718A	REV: 2	CHG NO. 15434C

SECTION A-A

ITEM	PART NO	DESCRIPTION	QTY
1	A992A	RACK	1
2	EH127	SCREW, OVAL HEAD 10-32 x 1/2	4
3	EH175	WASHER, CUP	4
4	EH188	CUP WASHER FILLER	2
5	14786	POWER CORD (TRIPLE CONNECTOR) OPT.	
6	14718	BLANK FACE PLATE ASSEMBLY OPT.	

CHG #	1	DATE	7/19/64	BY	[Signature]
APPR					
CHANGES DESCRIPTION					
RELEASED					



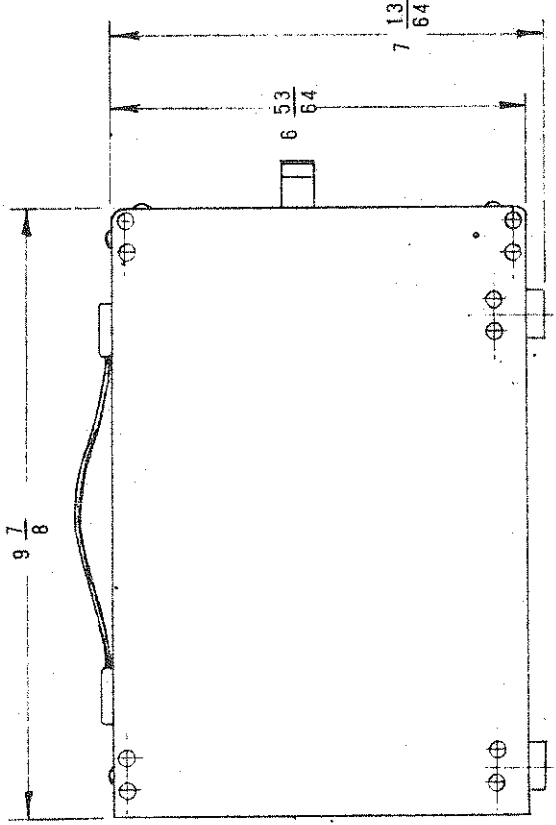
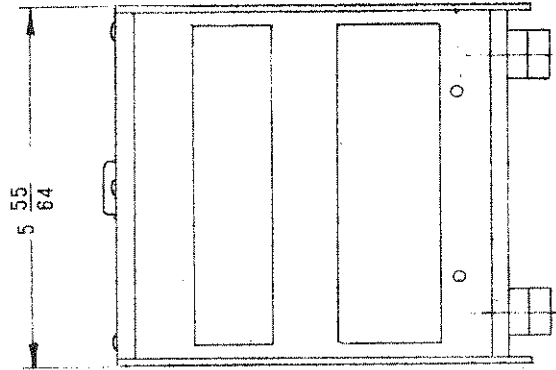
C-4992A-C/1

THIS DRAWING IS SUBJECT TO FUTURE CHANGE WITHOUT NOTICE.

ENDEVCO CORPORATION		SPECIFICATIONS UNLESS OTHERWISE NOTED	
PARTIAL DIMENSIONS		ESC CODE 8011	
LIMITS OF PINE	1. BREAK ALL SHARP CORNERS 30S MAX.	DO NOT SCALE DRAWING	
ANGULAR	2. DIAMETERS TO BE CONCENTRIC WITHIN .010 T.P.	DRAWN BY: LETB/167	
FRACTIONAL	3. DIAMETERS TO BE CONCENTRIC WITHIN .010 T.P.	CHKD BY: [Signature]	
DECIMAL	4. FILLET RADIUS 30S MAX.	PROJ. ENGR. [Signature]	
MATERIAL:	SCALE: 1/2" = 1"	SIZE: C 4992A-C/1	
PIN/IN: SEEY EXAMINE		PART NAME: RACK	
PRODUCT:		DWG. NO. C 4992A-C/1	

B-2991A-C 1A

CRG	E.O.	CHANGE DESCRIPTION	BY	CHK	APPR
1	1953	RELEASED	W. H. H.	E. H.	W. H.
7A	709	ADDED RIBBE 2	W. H. H.	E. H.	W. H.

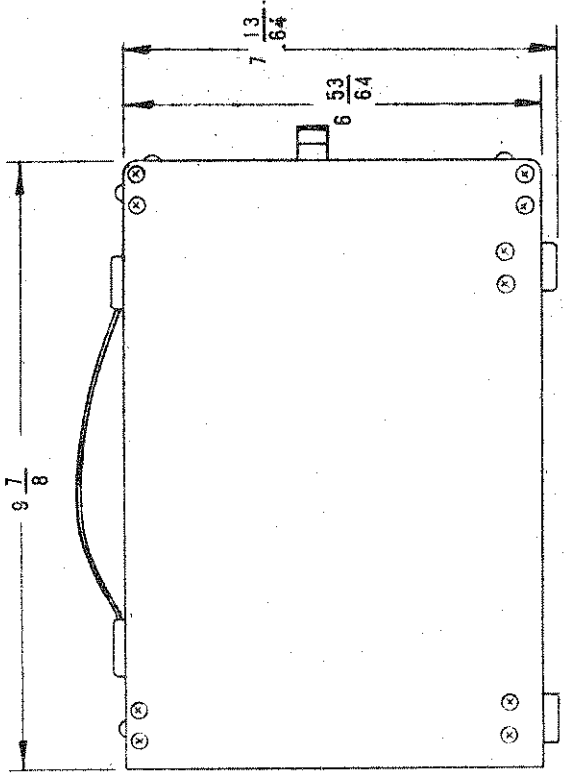
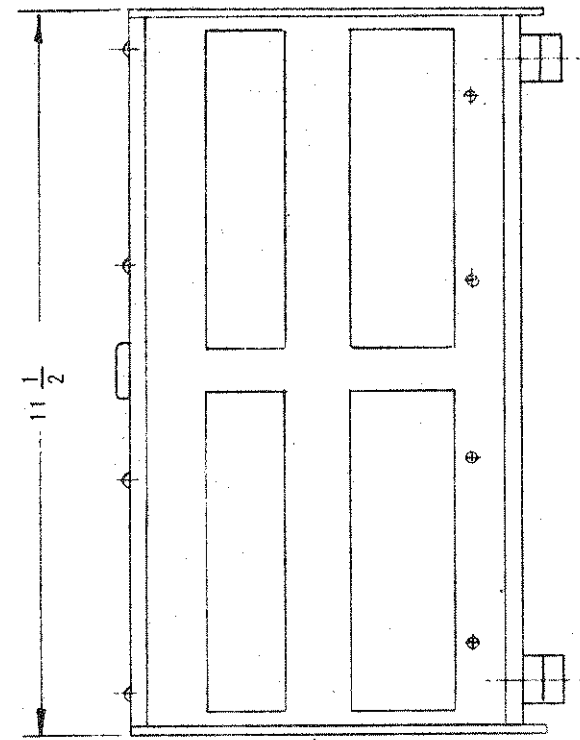


- NOTES:
- (1) THIS DRAWING SUBJECT TO FUTURE CHANGE WITHOUT NOTICE.
 - (2) THIS CARRYING CASE IS USED WITH ONE 2718A.

ENDEVCO Pasadena, California subsidiary of Becton, Dickinson and Company		FSC 95411	DO NOT SCALE DRAWING
LIMITS OF DIMS. ANGULAR ± FRACTIONAL ± 1/16 DECIMAL ± MATERIAL: ALUMINUM FINISH: BLACK ANODIZE		SPECIFICATIONS UNLESS OTHERWISE NOTED 1. BREAK ALL SHARP EDGES 0.05 MAX. 2. SURFACE ROUGHNESS 63 MICRONCH RMS MAX. 3. DIAMETERS TO BE CONCENTRIC WITHIN .005 T. I. 4. HOLE TOLERANCE PER ANSI 10987 5. ALL DIMENSIONS IN INCHES 6. FILLET RADIUS .010 MAX. SCALE: 1/2 DRAWN BY: CEN 12-3-52 PROJ. ENG. E. H. H. 11-4-54	
PRODUCT: SINGLE CARRYING CASE		PART NAME: B-2991A-C	CHG: 1A
IMPORTANT NOTICE: INFORMATION DISCLOSED BY THIS DRAWING IS ENDEVCO CONFIDENTIAL. RE-PRODUCTION, DUPLICATION, OR MANUFACTURING RIGHTS GRANTED BY WRITTEN PERMISSION ONLY.			

B-2992A-C

CHG	E.O.	CHANGE DESCRIPTION	BY	CHK	APPR
1	483	RELEASED	WJ	SC	W
		1A 7019 ADDED NOTE 2	WJ	SC	W



NOTES:

- (1) THIS DRAWING SUBJECT TO FUTURE CHANGE WITHOUT NOTICE.
- (2) THIS DUAL CARRYING CASE IS USED WITH (1) 2718A AND (1) 2954A OR TWO OF EITHER UNITS.

ENDEVCO Pasadena, California		FSC 9511	
Subsidiary of Becton, Dickinson and Company		DO NOT SCALE DRAWING	
SPECIFICATIONS UNLESS OTHERWISE NOTED		DRAWN BY: <i>SCM 10-3-63</i>	
LIMITS OF DIMS:		CHKD BY: <i>SCM 10-3-63</i>	
ANGULAR	±	PROJ. ENGR: <i>WJ</i>	
FRACTIONAL	± 1/16	SCALE: 1/2	
DECIMAL	±	Dwg. No. <i>2992A-C</i>	
MATERIAL: ALUMINUM		SIZE: B	
FINISH: BLACK ANODIZE		CHG: <i>4A</i>	
PART NAME: DUAL CARRYING CASE		Dwg. No. <i>2992A-C</i>	
PRODUCT		CHG: <i>4A</i>	
IMPORTANT NOTICE: INFORMATION DISCLOSED BY THIS DRAWING IS ENDEVCO CONFIDENTIAL. REPRODUCTION, DUPLICATION, OR MANUFACTURING RIGHTS GRANTED BY WRITTEN PERMISSION ONLY.			



ENDEVCO FIELD ENGINEERING OFFICES

NORTHEAST REGION

Carl Nicolino
30 Shawsheen Avenue (P. O. Box J)
Bedford, Massachusetts 01730
(617) 969-8063

EASTERN REGION

Len Leopold
6 South Haddon Avenue
Haddonfield, New Jersey 08033
(609) 428-5285

Tom Macaluso
19 East 21st Street
Baltimore, Maryland 21218
(301) 752-0688

SOUTHERN REGION

Lewis E. Drake
783 Northlake Blvd.
North Palm Beach, Florida 33403
(305) 848-3819

MIDWEST REGION

Robert L. Karlson
1-C Crystal Lake Plaza (P. O. Box 444)
Crystal Lake, Illinois 60014
(815) 459-7226

H. N. "Hal" Gilmore
1578 Akron Peninsula Road
Akron, Ohio 44313
(216) 929-3811

WESTERN OFFICES AND MAIN PLANT

V. L. McKelvy, National Sales Manager
801 South Arroyo Parkway
Pasadena, California 91109
(213) 795-0271
(714) 521-8588

Warren M. Zuckert
3921 East Bayshore Road
Palo Alto, California 94303
(415) 969-3212

Frank Benedict
Robert F. Clark
Al Green

