

---

**725 Thin Wall Beta-Gamma Detector**

---

***GENERAL SPECIFICATIONS***

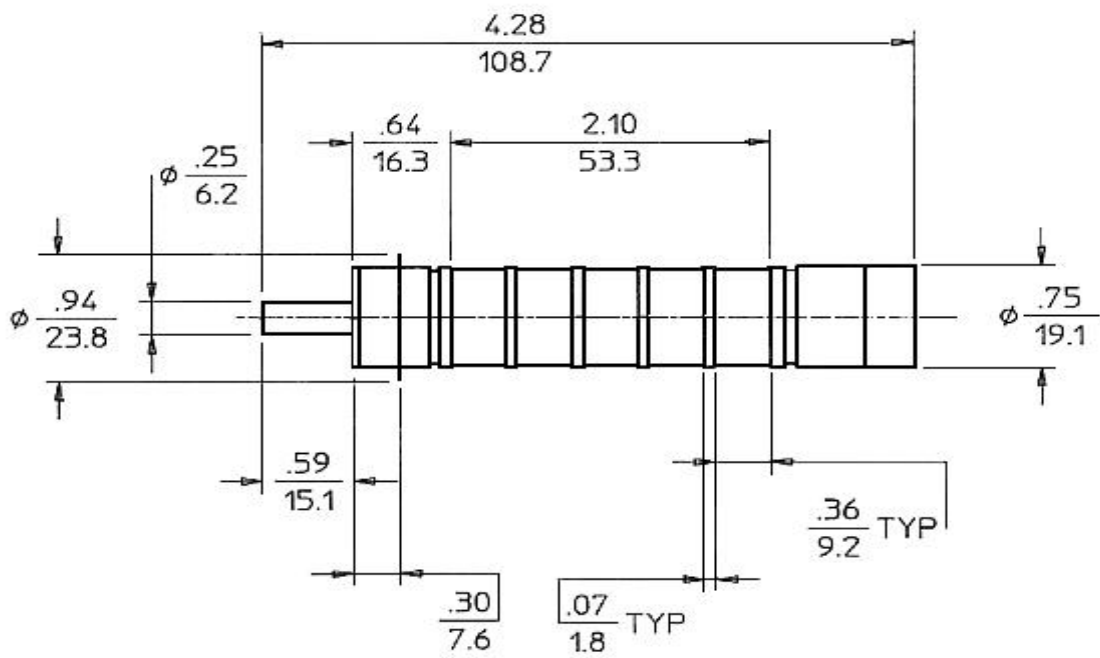
Gas filling	Ne +Halogen
Cathode material	446 Stainless Steel
Maximum length (inch/mm)	4.28/108.7
Effective length (inch/mm)	2.10/53.3
Maximum diameter (inch/mm)	0.94/23.8
Effective diameter (inch/mm)	0.73/18.4
Connector	Grid Cap
Operating temperature range °C	-55 to +75

***ELECTRICAL SPECIFICATIONS***

Recommended anode resistor (meg ohm)	1
Recommended operating voltage (volts)	900
Operating voltage range (volts)	850 - 1000
Maximum plateau slope (%/100 volts)	10
Minimum dead time (micro sec)	100
Gamma sensitivity Co60 (cps/mr/hr)	20
Tube capacitance (pf)	3
Weight (grams)	20
Maximum background shielded 50mm Pb + 3mm Al (cpm)	40
Maximum starting voltage (volts)	800

***WALL SPECIFICATIONS***

Areal density (mg/cm <sup>2</sup> )	40-60
Thickness (inch/mm)	0.003/0.076





GAMMA SENSITIVITY

TUBE TYPE - 725

